

Be sure to hand Installation Manual over to the customer.



INSTALLATION MANUAL

Applicable vehicle

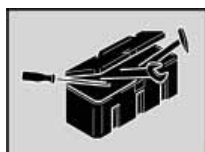
ISUZU D-max 2012 -TD Double Cab / Extra Cab

Product No.

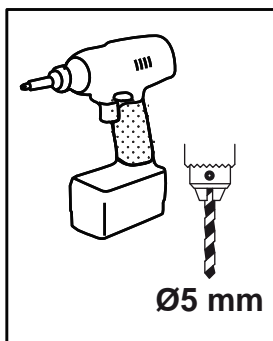
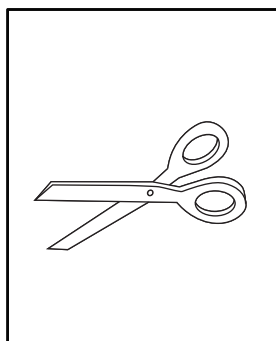
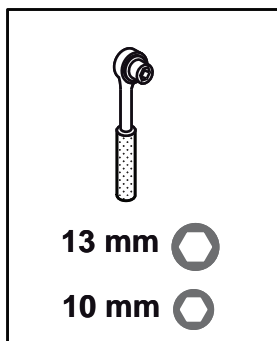
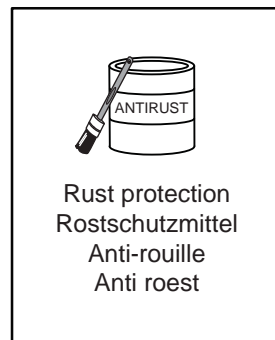
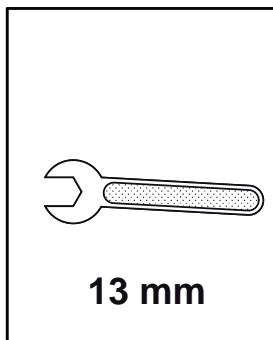
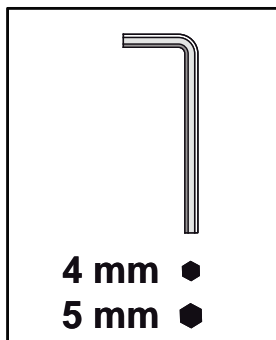
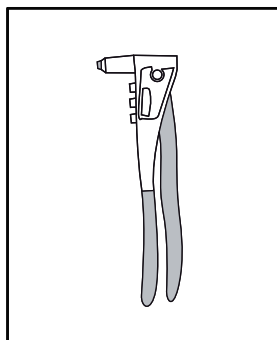
MT IS90 A101 / A201 Double Cab (DC)

MT IS91 A101 / A201 Extra Cab (EC)

Be sure to hand Installation Manual over to the customer.



Tools



(GB) Warning
(D) Achtung
(E) Atención
(F) Attention
(I) Attenzione
(P) Atenção
(NL) Let op
(DK) Bemærk
(N) Pass på
(S) Varning
(SF) Huomio
(CZ) Pozor
(H) Figyelem
(PL) Uwaga
(GR) Προσοχή



(GB) Degrease
(D) Entfetten
(E) Desengrasar
(F) Dégraisser
(I) Sgrassare
(P) Desengordurar
(NL) Ontvetten
(DK) Fjerne fedt
(N) To bort fett
(S) Avfettning
(SF) Rasvanpoisto
(CZ) Odmastit
(H) Zsírtalanítás
(PL) Odfłuszczyć
(GR) Απολίπανση

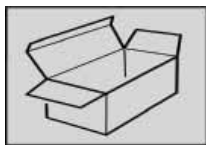


(GB) Movement Arrow
(D) Bewegungspfeil
(E) Flecha de movimiento
(F) Flèche de mouvement
(I) Freccia di movimento
(P) Flexa de movimento
(NL) Richtingspijl
(DK) Bevægelsespil
(N) Bevegelsespil
(S) Rörelsepil
(SF) Liikesuuntanuoli
(CZ) Šipka pohybu
(H) Mozgásirányjelző nyíl
(PL) Strzałka kierunku ruchu
(GR) Βέλος κίνησης

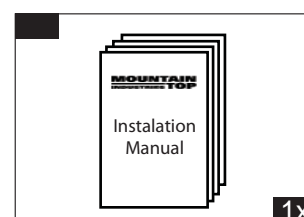
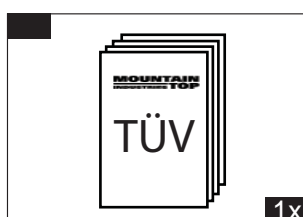
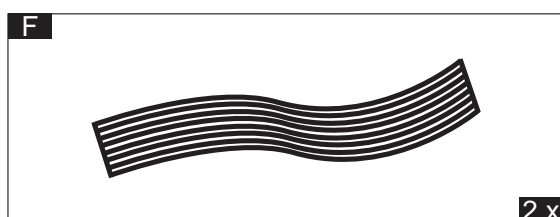
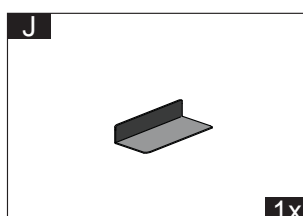
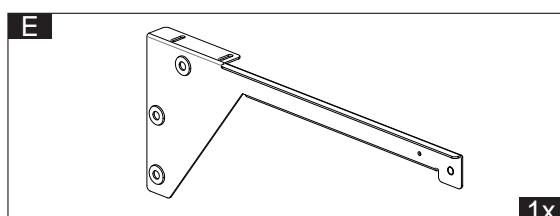
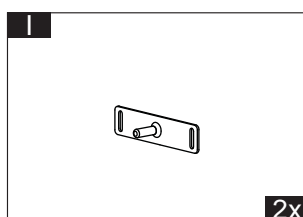
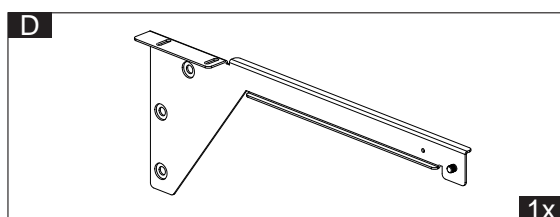
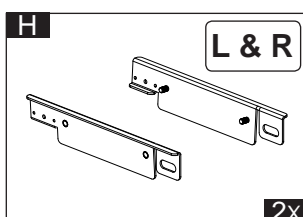
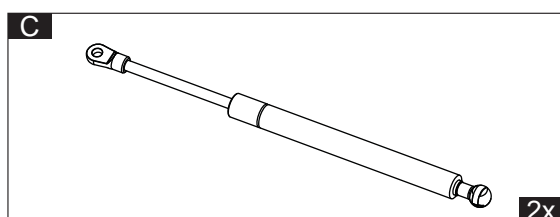
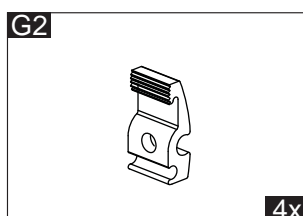
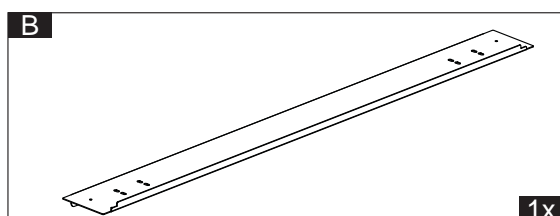
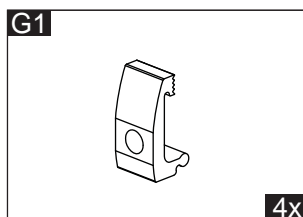
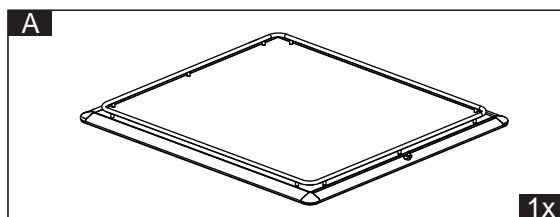


(GB) Throw away
(D) Entsorgen
(E) Tratamiento de residuos
(F) Rebuter
(I) Smaltire
(P) Eliminar
(NL) Weggooien
(DK) Afkald
(N) Avskaffe
(S) Ta hand om avfall
(SF) Hävittää
(CZ) Vyhodit
(H) Távolítsa el
(PL) Usunąć jako odpad
(GR) Απόσυρση

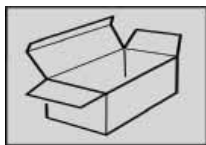
Be sure to hand Installation Manual over to the customer.



Components



Be sure to hand Installation Manual over to the customer.



Components

	U 8x	V 4x	X 2x	Y 8x	Z 4x	
	K 4x	L 8x	M 4x	N 8x	O 2x	P 2x
	G3 4x	G4 4x			Q 6x	S 6x
	R1 2x	R2 4x	R3 4x	R4 2x	R5 4x	
	W 1x					

⚠ CAUTIONS

These cautions mentioned hereunder are very important to install this product safely, to prevent damage before it occurs.

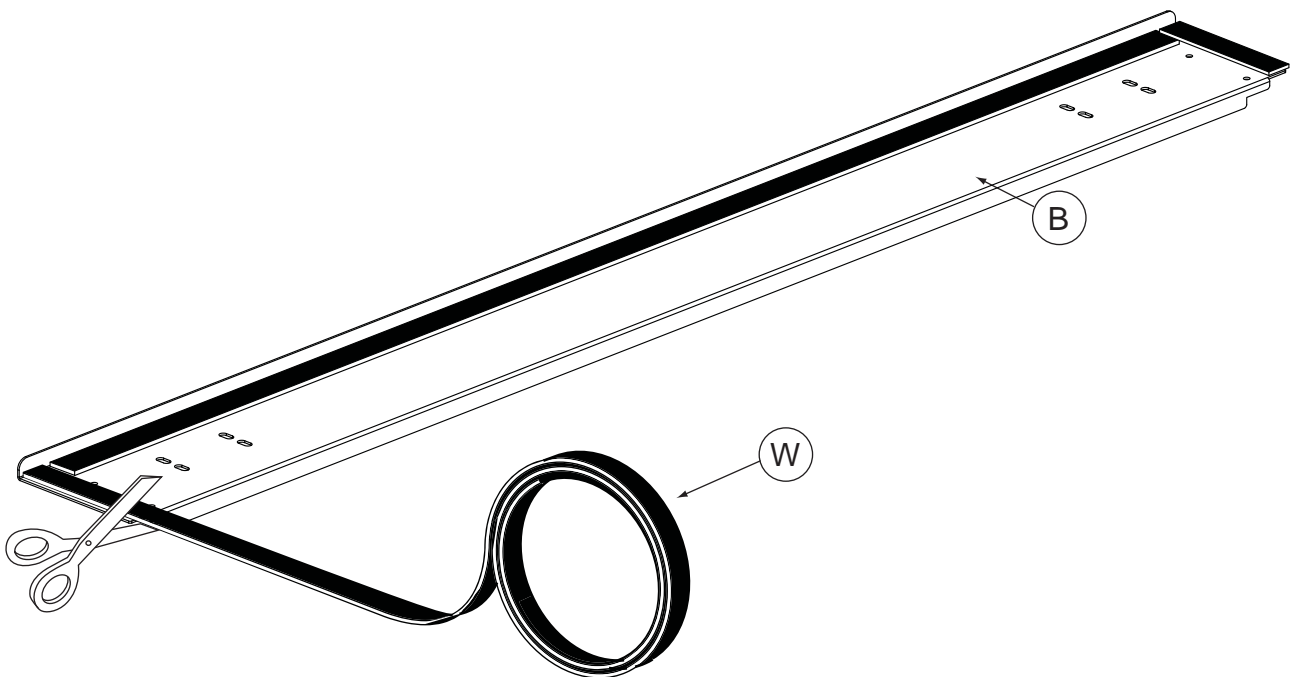
- Read this [INSTALLATION MANUAL] thoroughly, before you install the components.
- Preserve this [INSTALLATION MANUAL] at a safe place ready for your reference at needs, after reading.
- Do not install or use this instrument in any other ways except usage in ISUZU vehicle mentioned in front page.
- We cannot hold ourselves responsible for failures and accidents resulting from any misunderstanding of these cautions.
- Do not modify this product.

NOTES ON INSTALLATION

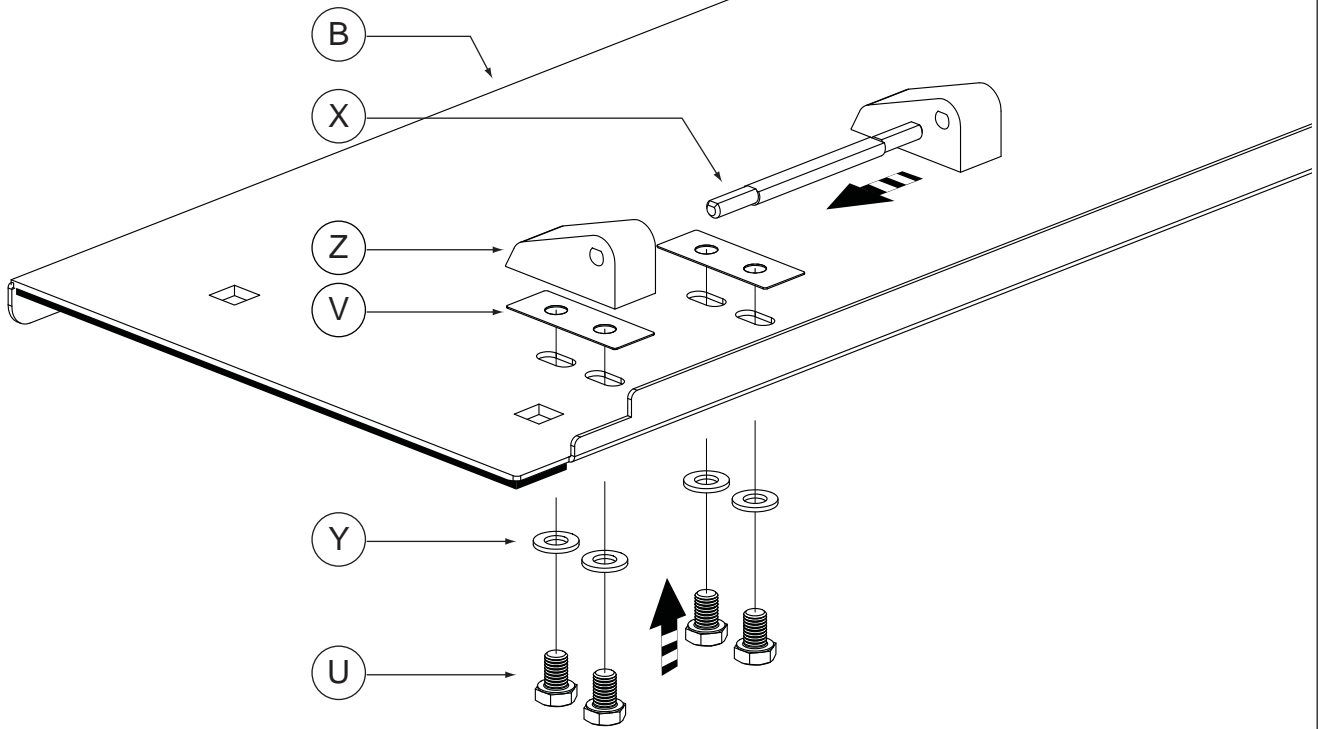
- Check to see if all the parts required are provided before starting installation.
- Be sure to make the vehicle parked at flat place before installing the lid.
- Do not use any parts other than those listed in the [INSTALLATION MANUAL]. Otherwise, the lid will be damaged.
- Secure the lid according to the [INSTALLATION MANUAL].
- Otherwise, it may come off, hurt workers or be damaged.

INSTALLATION

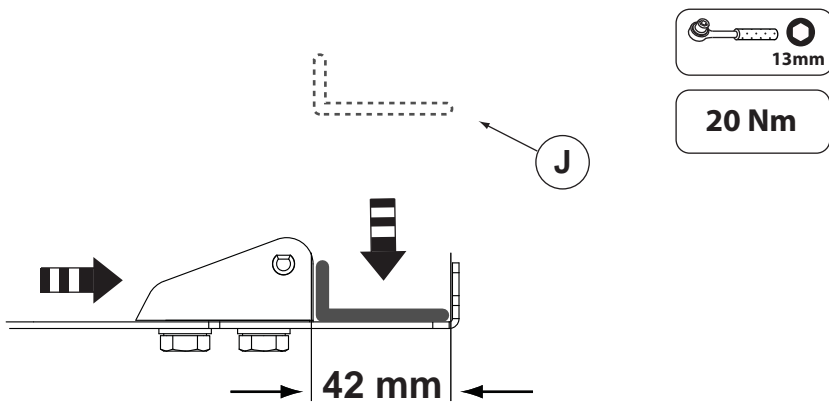
1



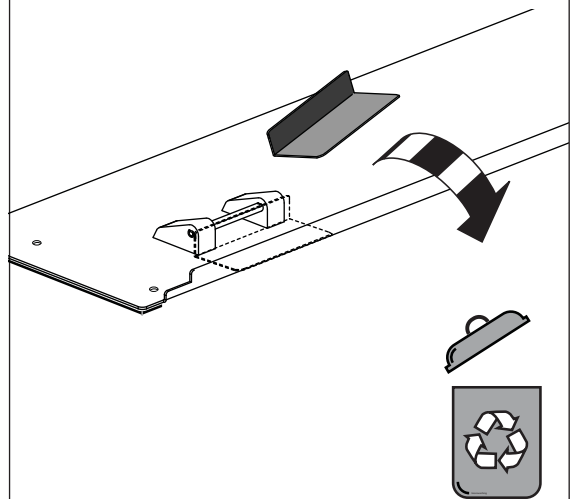
2



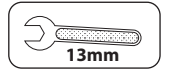
3



4

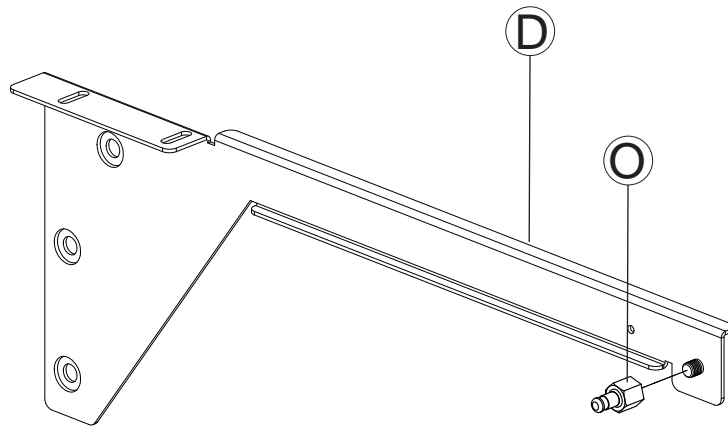


5

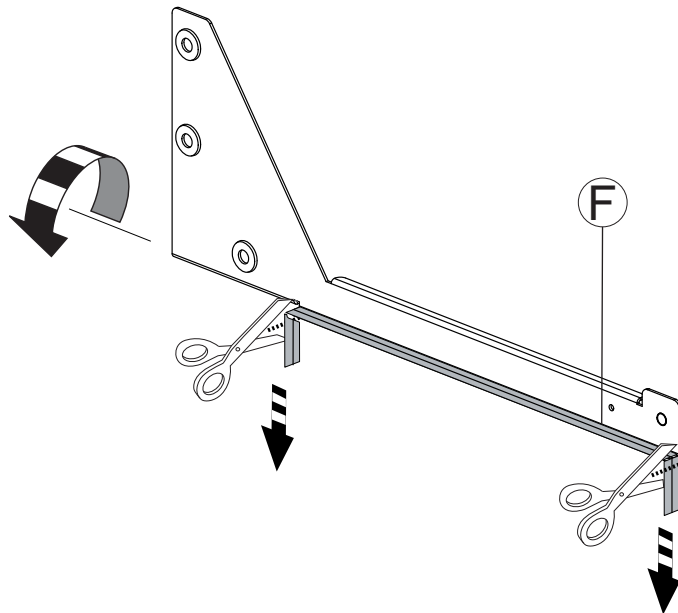


13mm

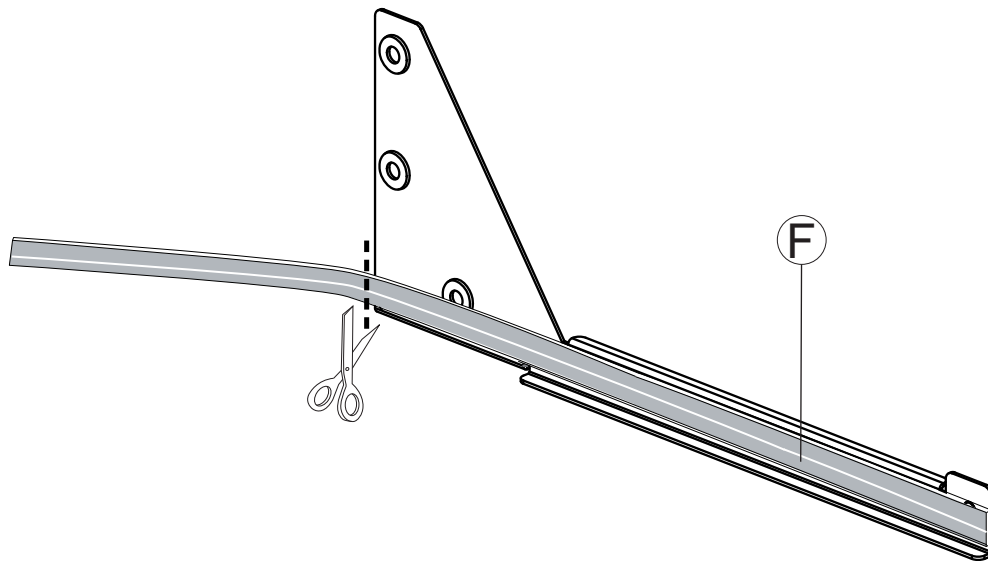
14 Nm

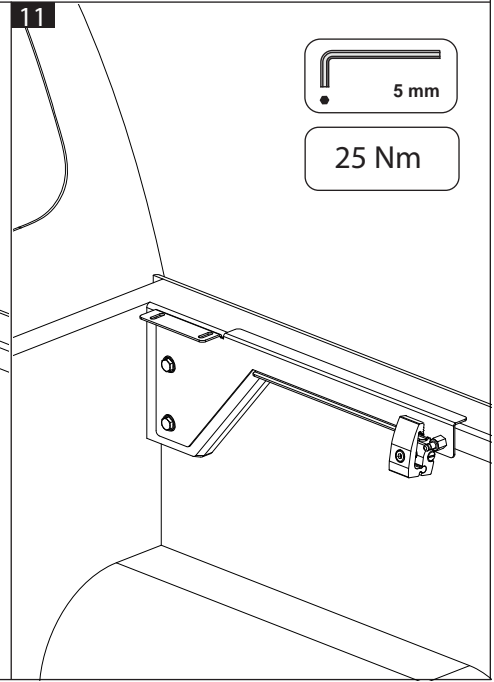
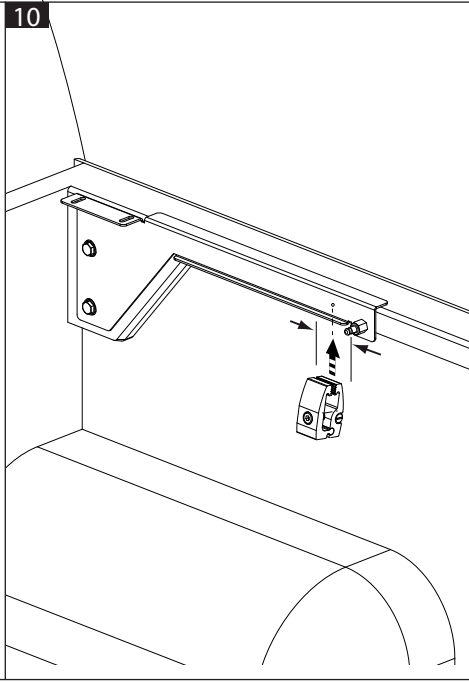
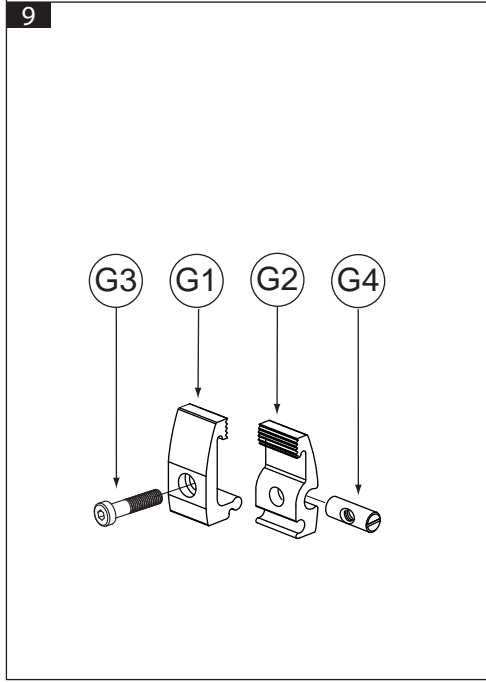
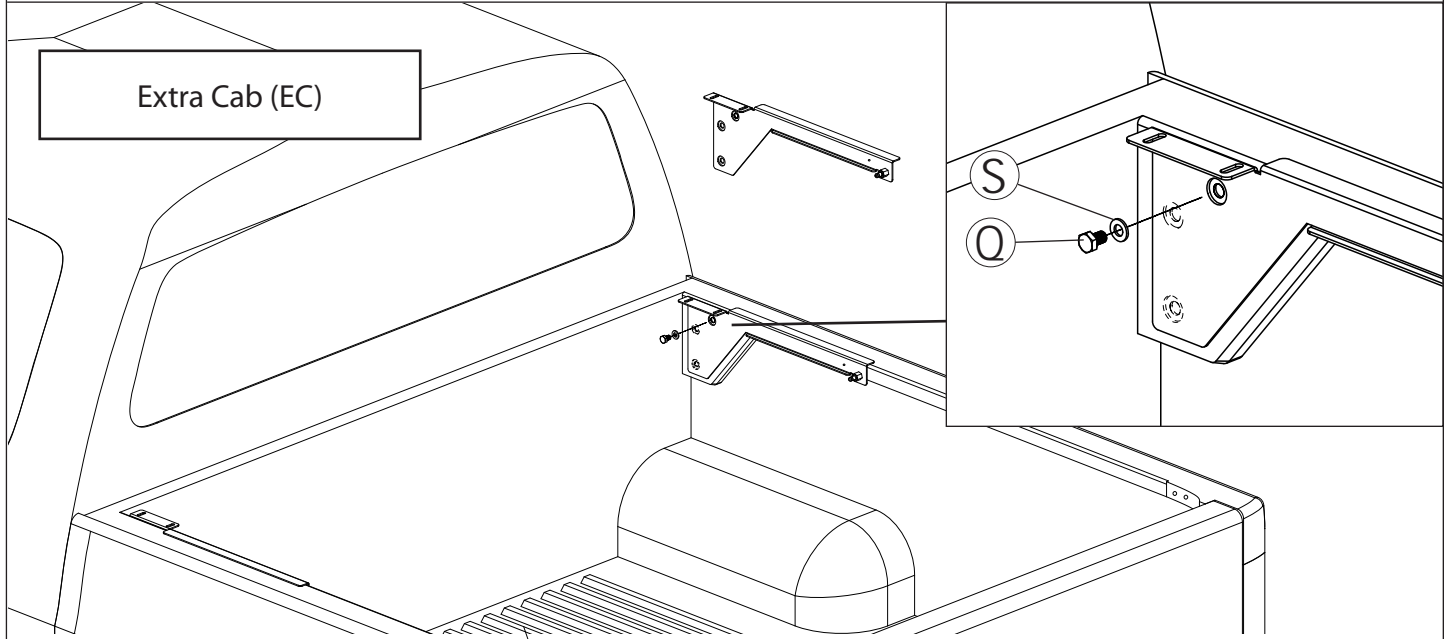
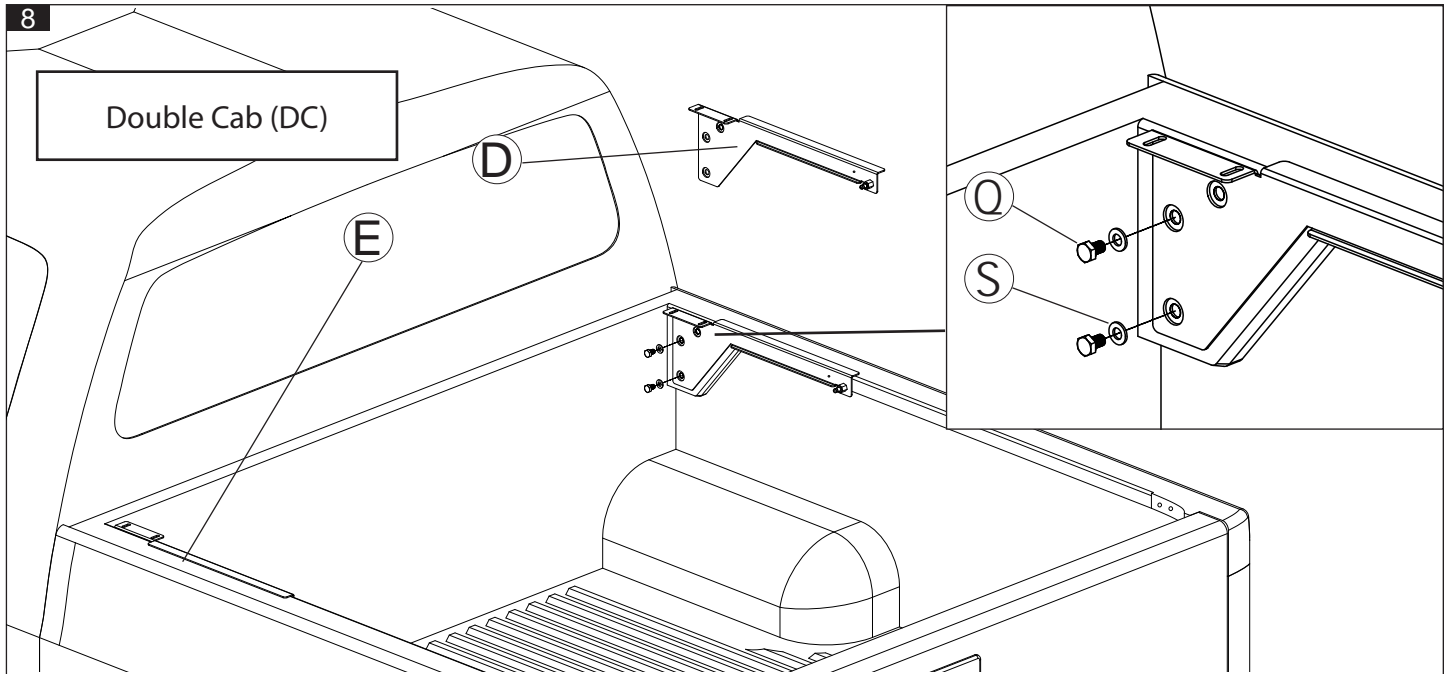


6

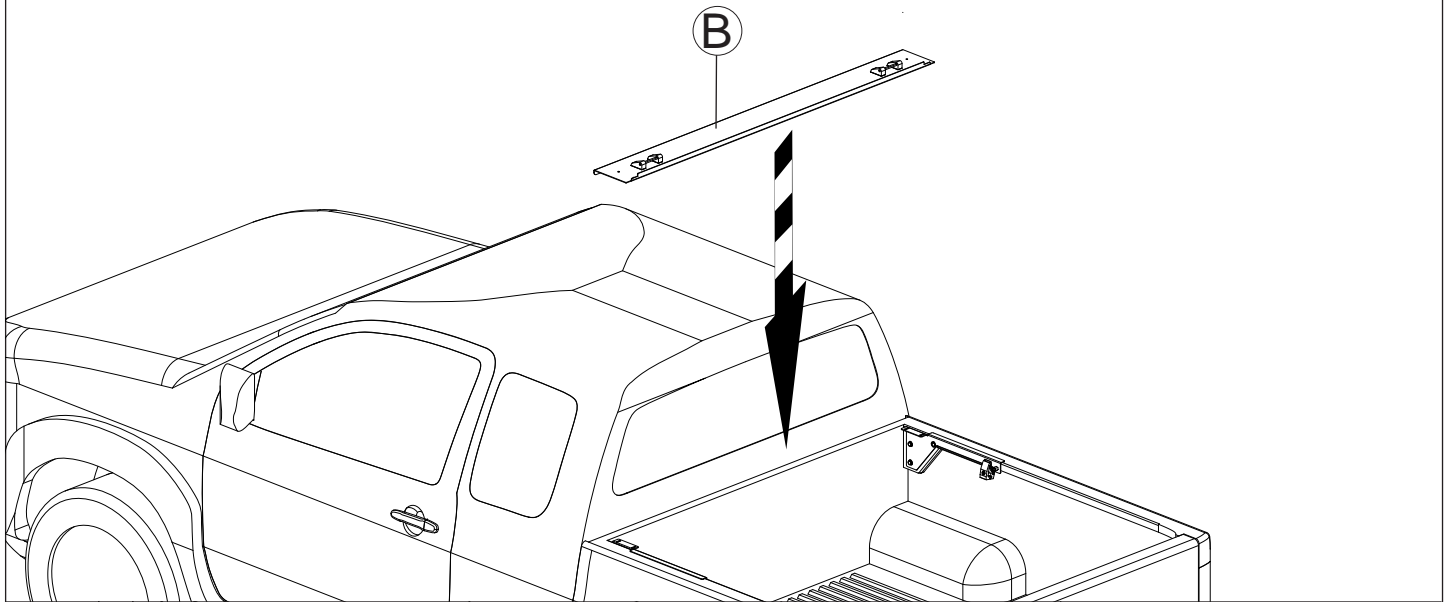


7

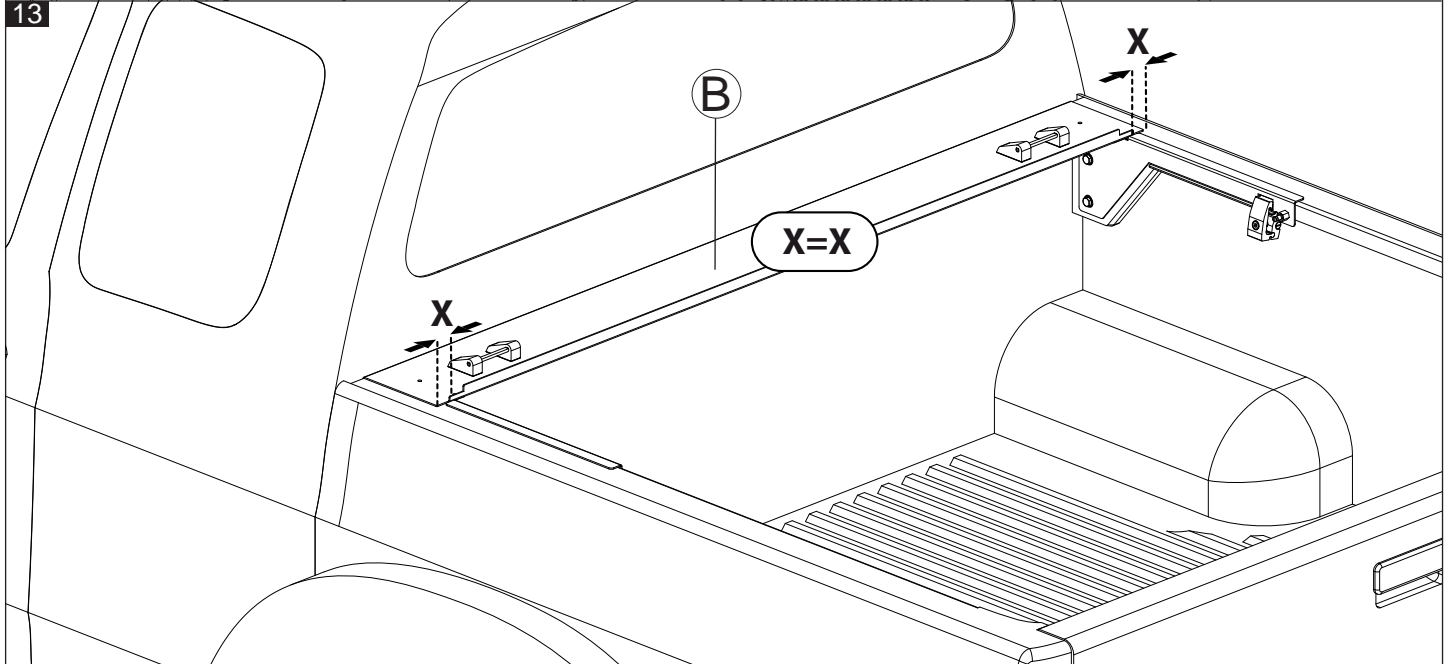




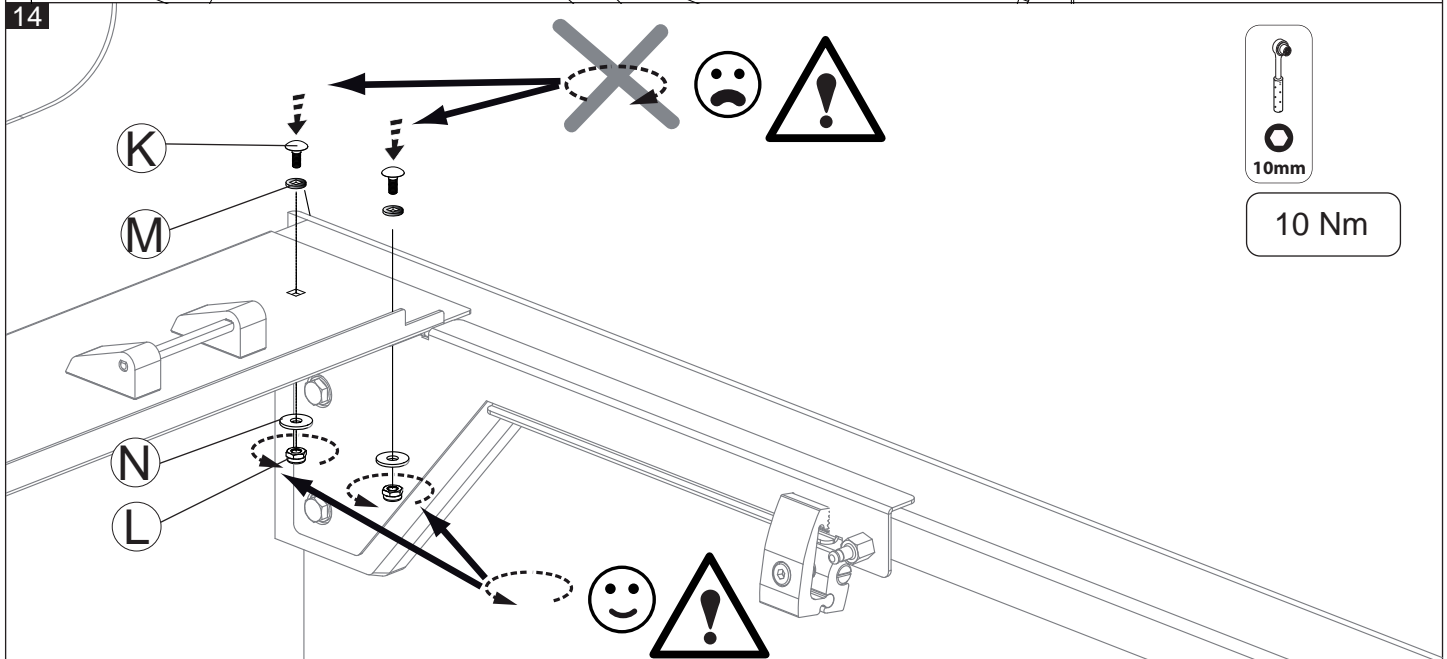
12

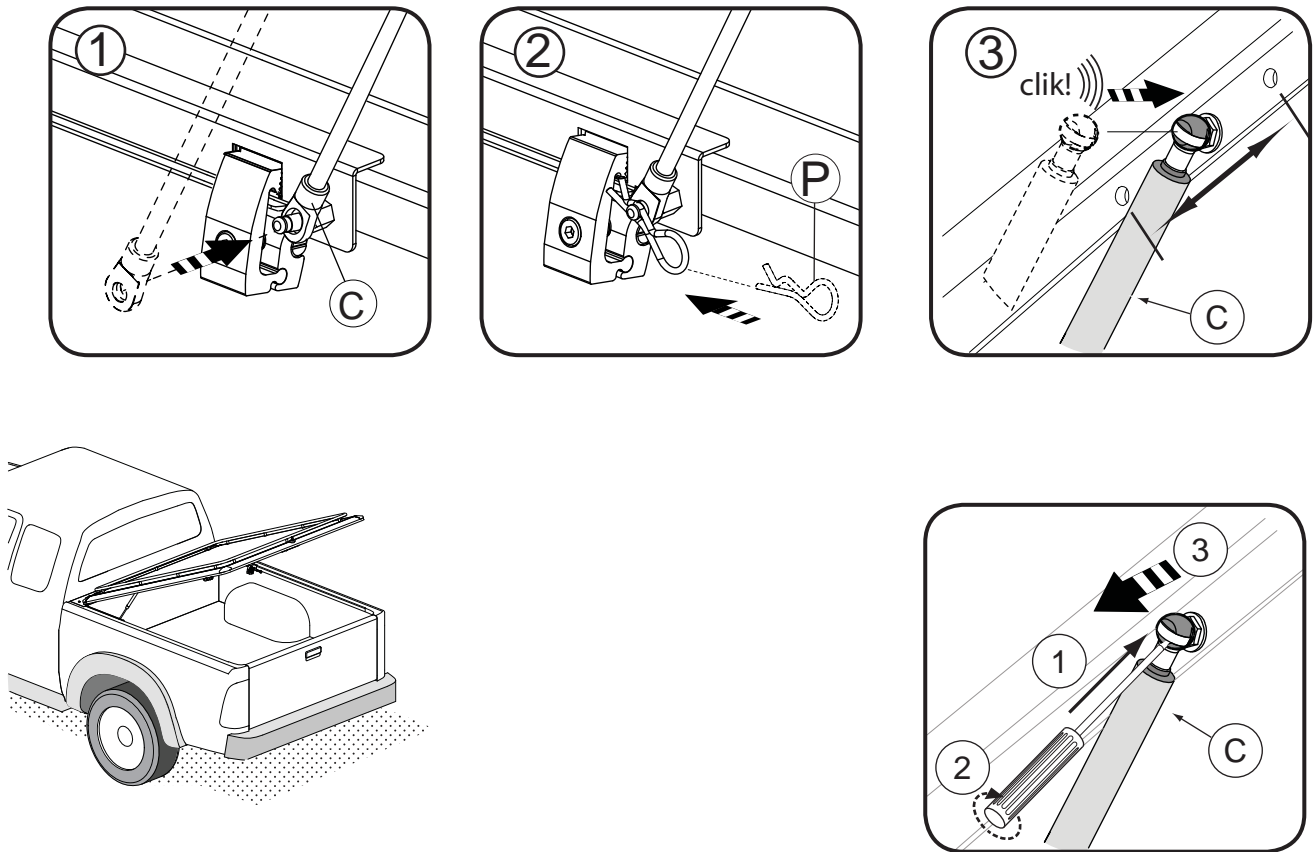
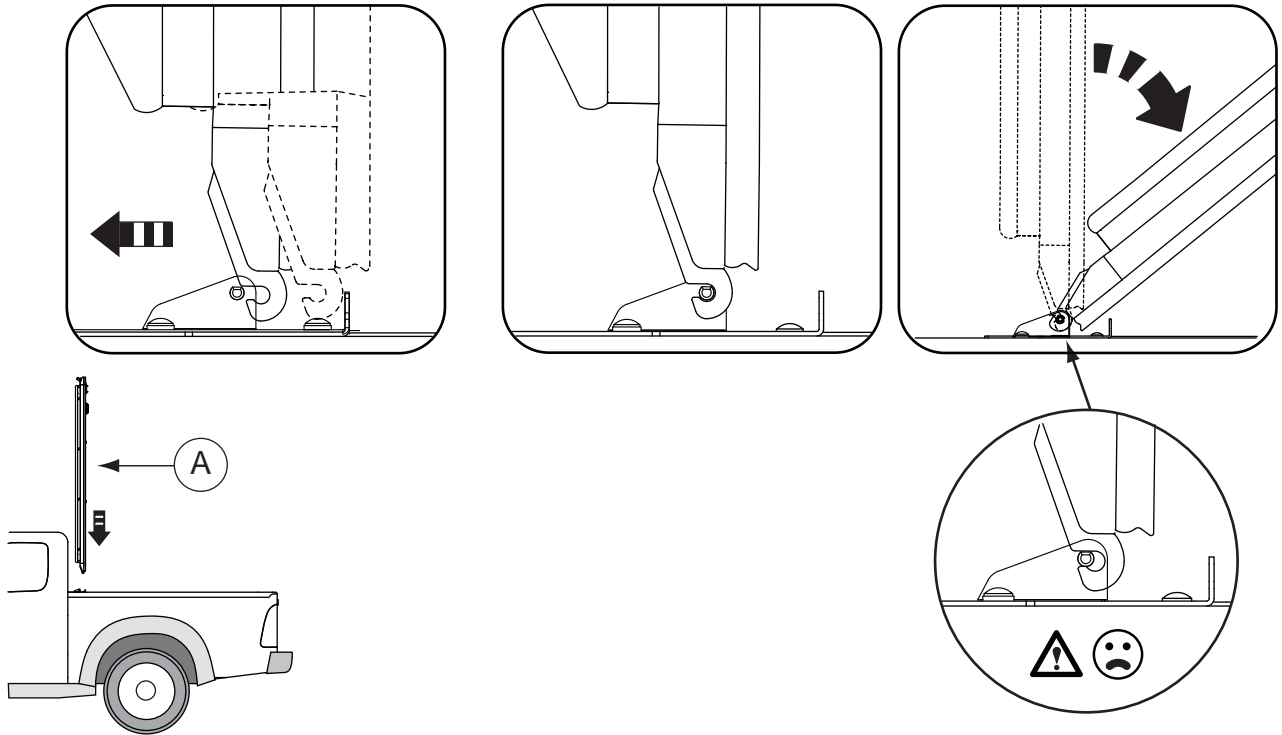


13



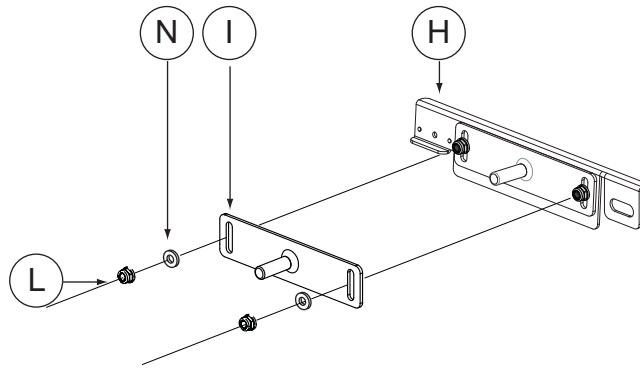
14



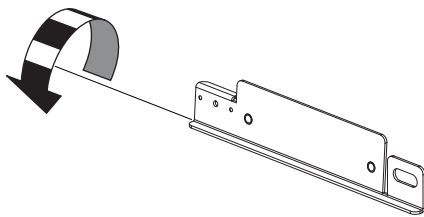


17

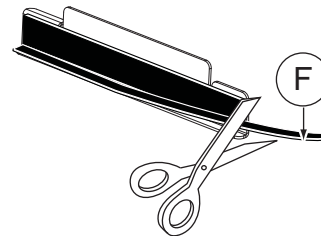
L & R



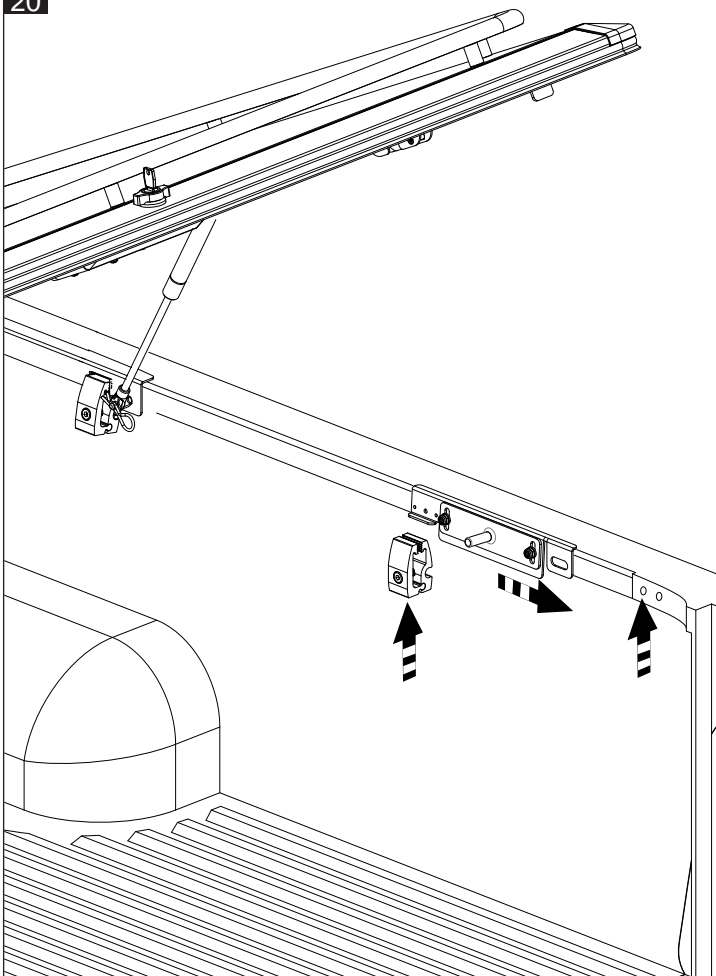
18



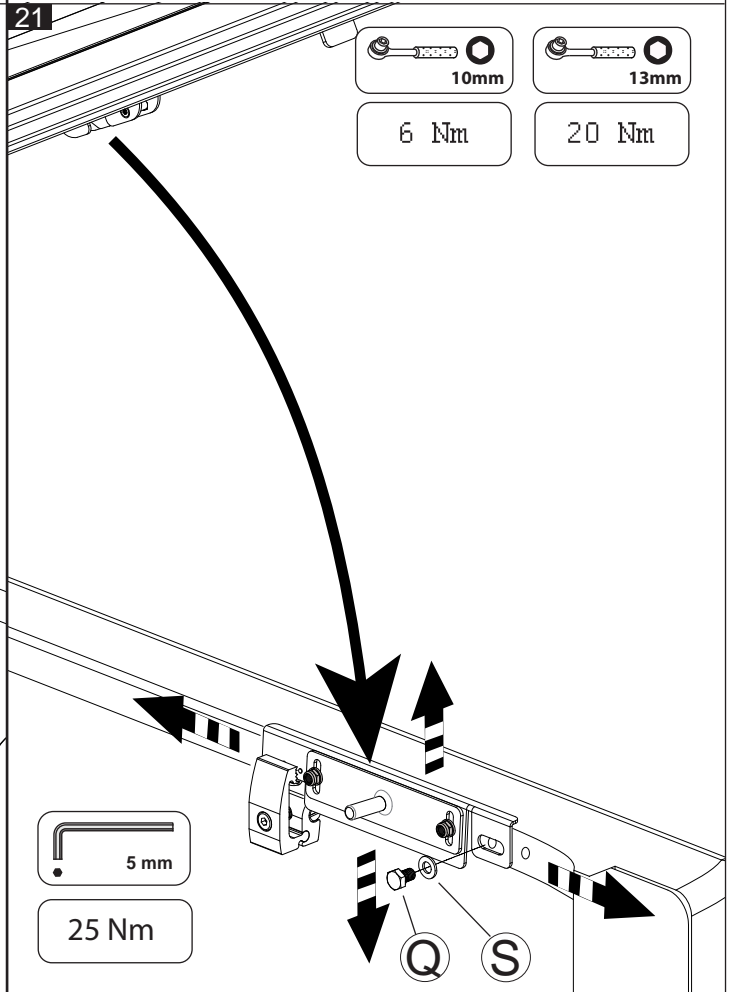
19

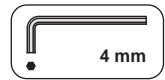


20

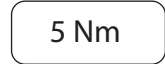


21

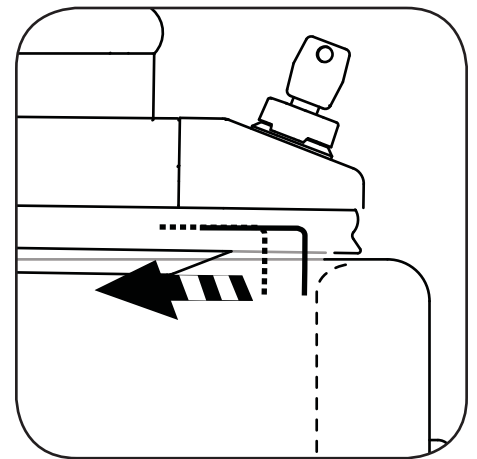
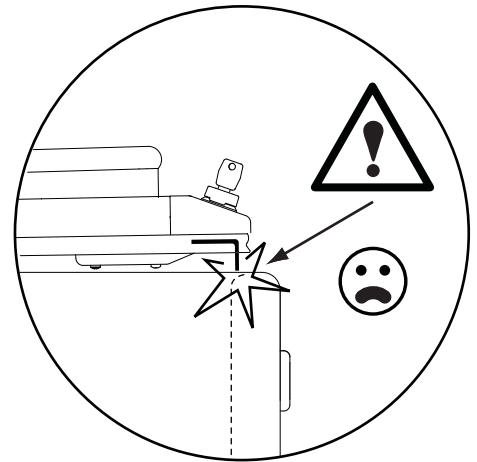
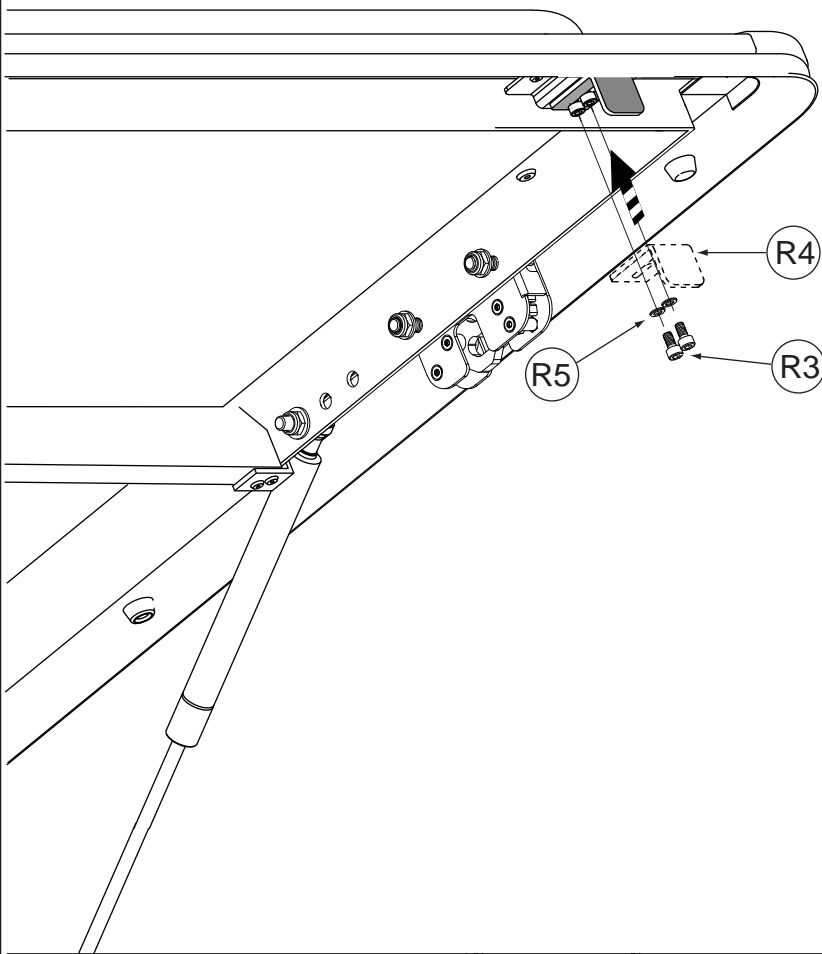




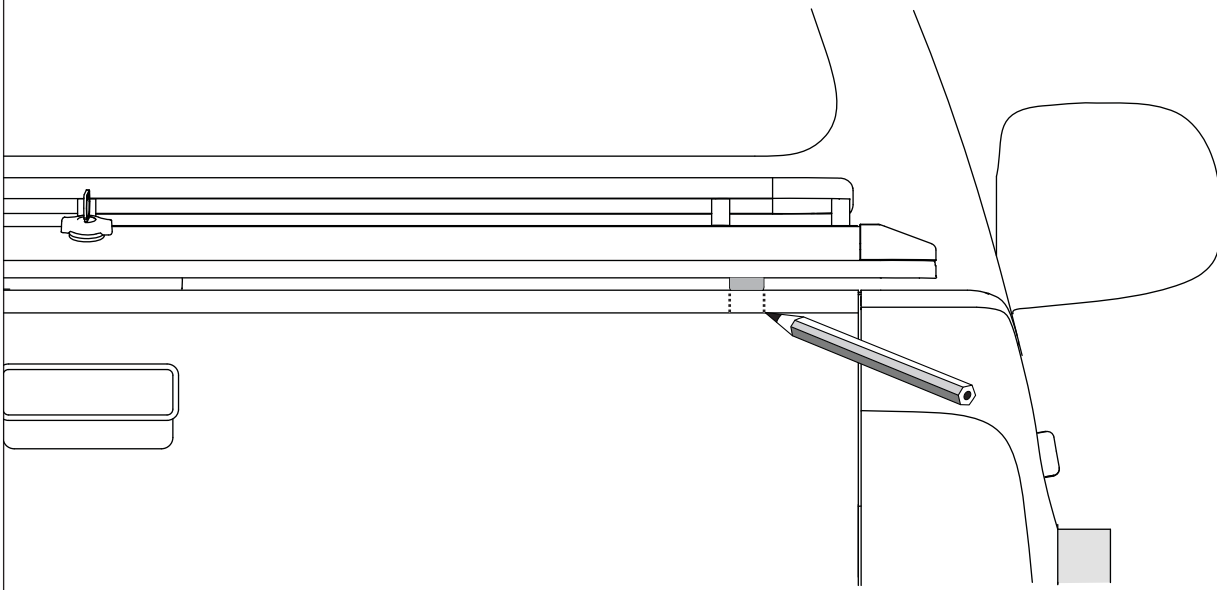
4 mm



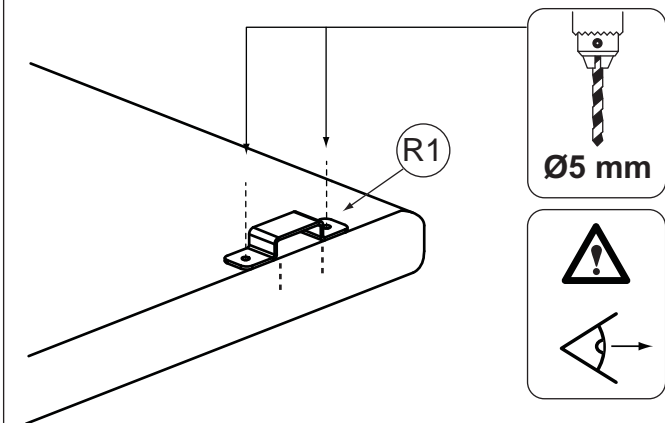
5 Nm



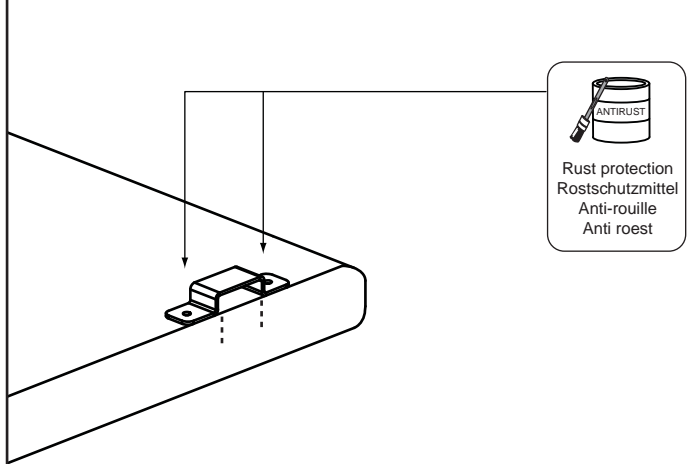
23



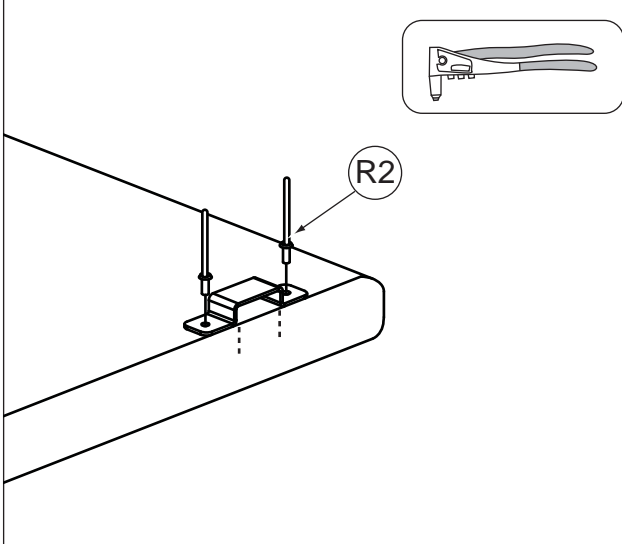
24



25



26



27

