

TOYOTA - HILUX

Tonneau Cover

Installation Instructions



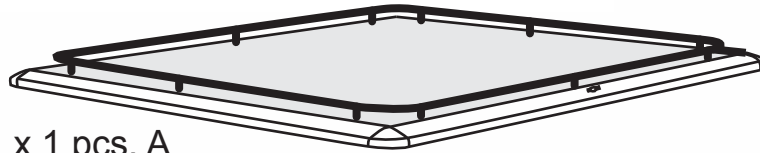
Model Year:	07/2005
Cab Type:	Single Cab
Part Number:	PZ4AD-MT700- 5A Single



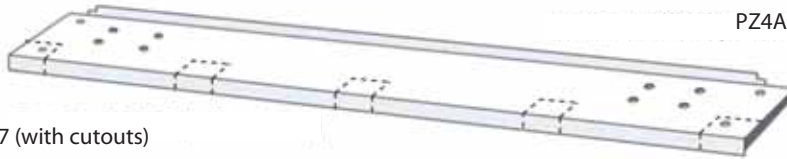
Weight:	52 kg
---------	-------

Manual reference number	000 450-11	Single
-------------------------	------------	--------

Hardware components & descriptions



x 1 pcs. A



PZ4AD-MT700-08 (with cutouts)

x 1 pcs. B
Hinge Plate

PZ4AD-MT700-07 (with cutouts)

PZ4AD-MT700-65



x 4 pcs. C
Hinge Part



x 4 pcs. D
Rubber packing



x 2 pcs. E
Flat axel



x 8 pcs. F
Bolt M8x12



x 8 pcs. G
Washer M8

PZ4AD-MT700-62



x 2 pcs. H
Side rail track (back)



x 6 pcs. I
Textile packing, 10 mm



x 2 pcs. J
Side rail track (front)

PZ4AD-MT700-03



x 2 pcs. K
Gas prop pin



x 2 pcs. L
Gas prop connector



x 2 pcs. M
Gas prop

PZ4AD-MT700-05



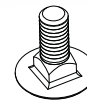
x 2 pcs. N
Striker lock plate



x 1 pcs. O
Template



Key x 2 pcs. P
Attached to Cover



x 4 pcs. Q
Button head screw M6



x 4 pcs. R
Rubber washer

PZ4AD-MT700-64



x 8 pcs. S
Washer M6



x 8 pcs. T
Lock nut M6



x 8 pcs. U
Lock nut M8



x 8 pcs. V
Bolt M8x20



x 8 pcs. W
Washer M8

PZ4AD-MT700-10



x 2 pcs. X
Lock bracket



x 4 pcs. Y
Rivet 4,8 mm



x 2 pcs. Z
Lock angle bracket



x 4 pcs. Ω
Bolt M5 x 10



x 4 pcs. Σ
Washer M5



x 1 pcs. α

MTI-number
882 155

Issue
11

Partnumber
PZ4AD-MT700 - 5A

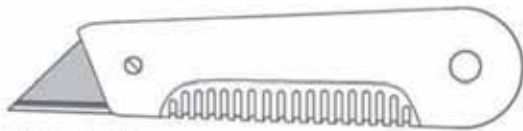
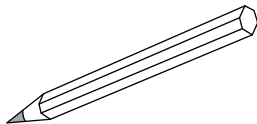
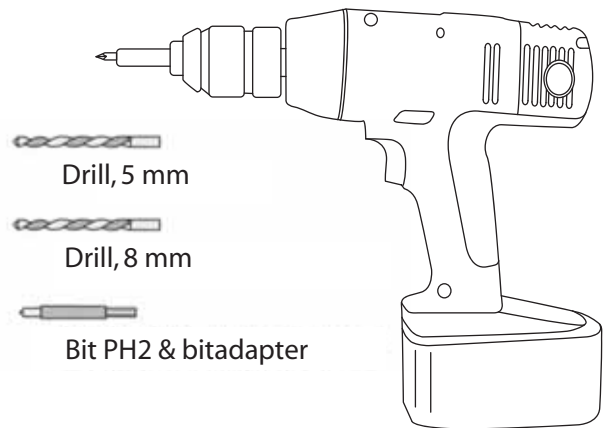
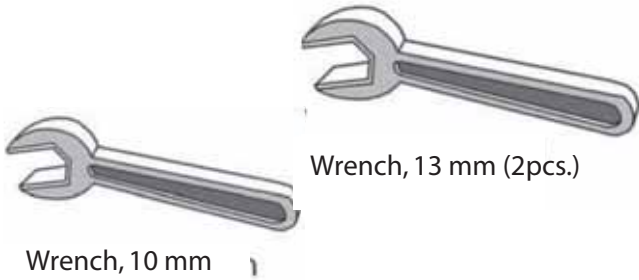
Manual ref. number
000 450-11

Date
11/01/2011

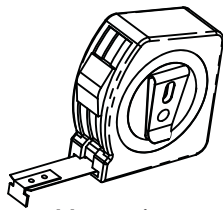
Cab Type
S/C

Page
2/13

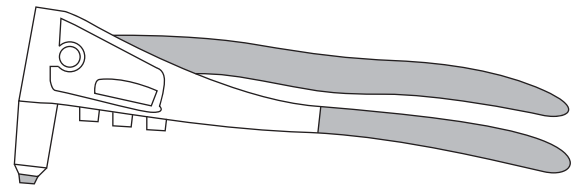
Step 1. Tools required for installation



Utility knife



Measuring tape



Pop rivet gun

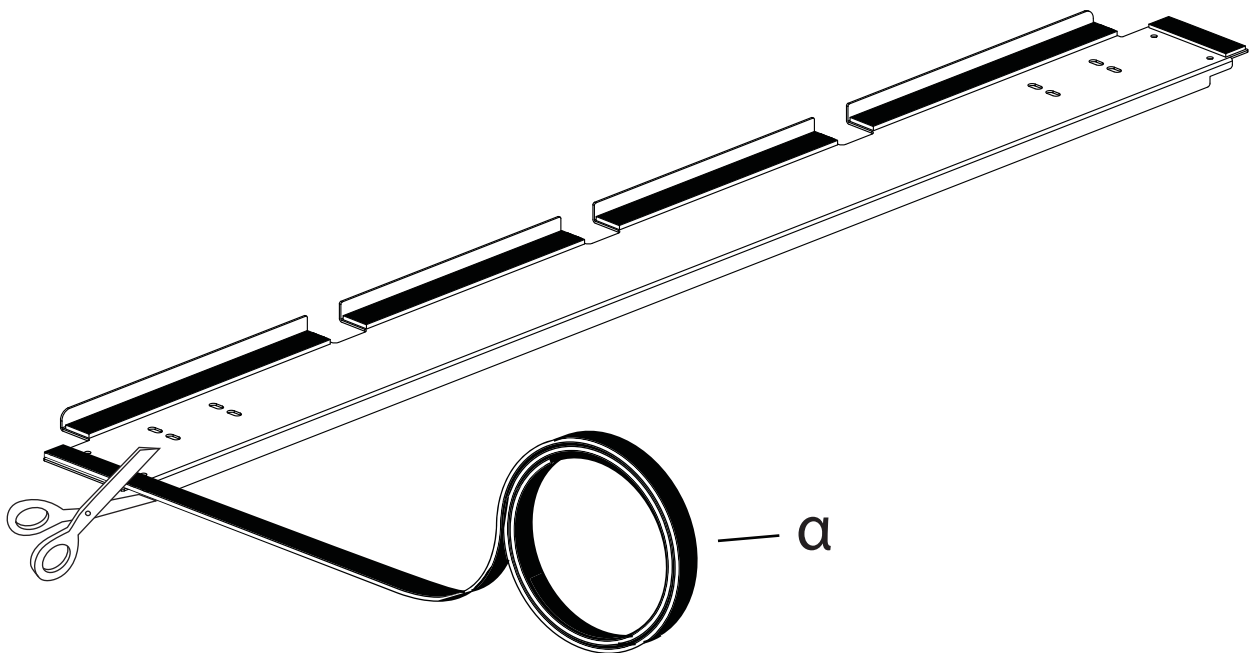


Black

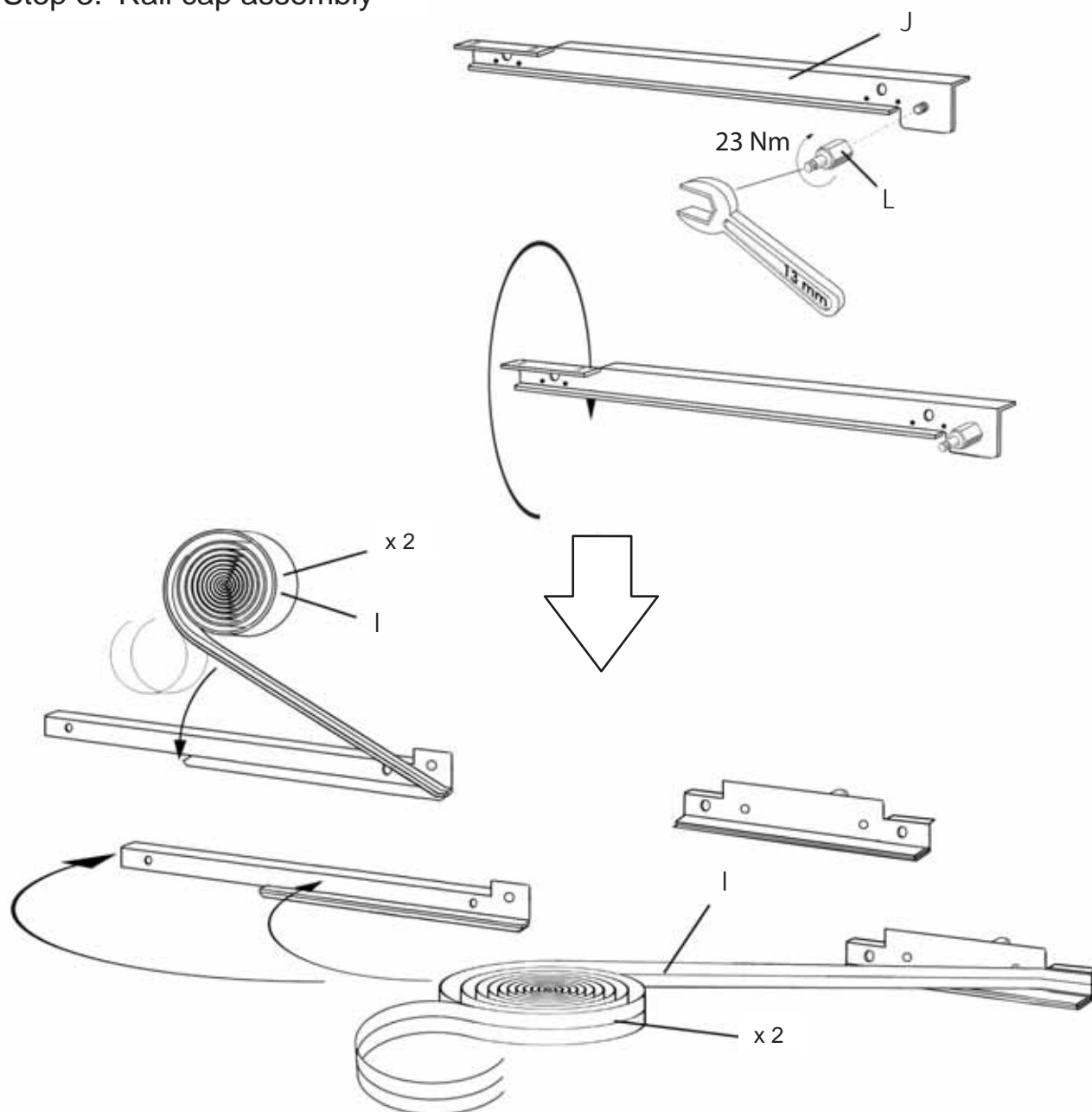


Screw driver

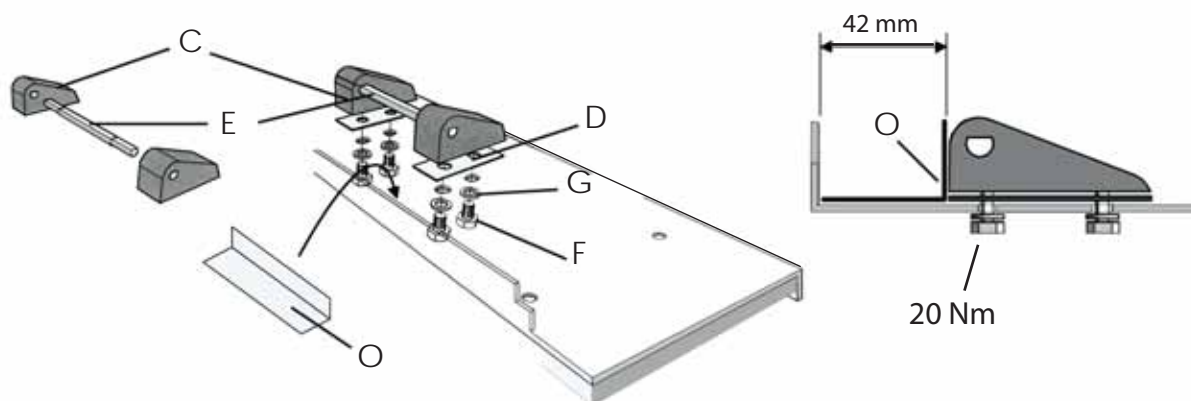
Step 2. Hinge plate sealing, type B



Step 3. Rail cap assembly



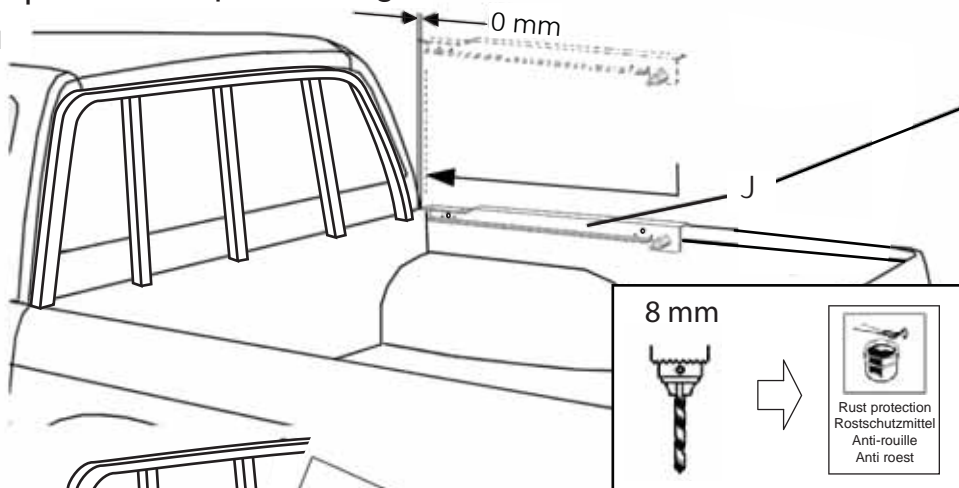
Step 4. Hinge plate assembly



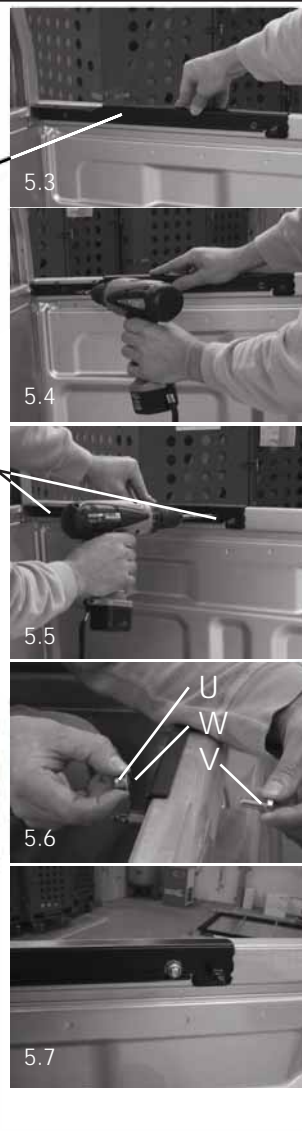
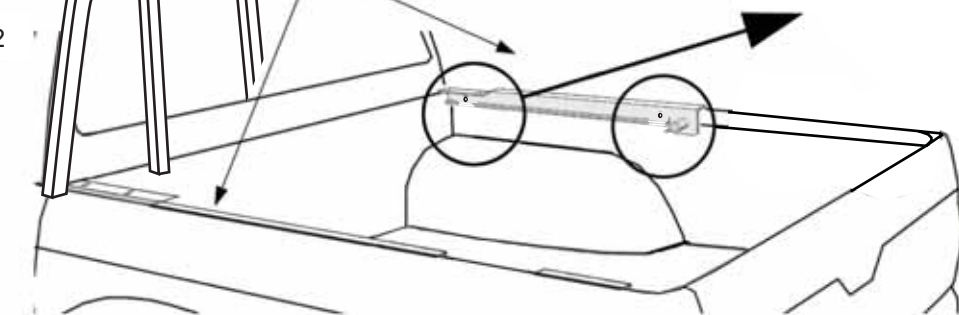
MTI-number 882 155	Issue 11	Partnumber PZ4AD-MT700 - 5A	Manual ref. number 000 450-11	Date 11/01/2011	Cab Type S/C	Page 5/13
Pedersholmparken 3600 Frederikssund Denmark ph: +45 4810 2950 Fax +45 4810 2960 www.mountaintop.dk						

Step 5. Rail cap mounting

5.1

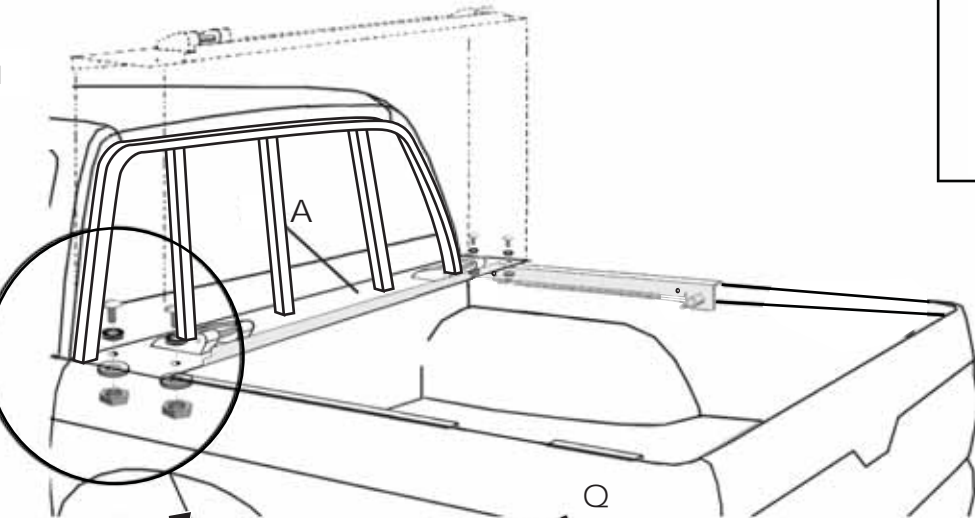


5.2

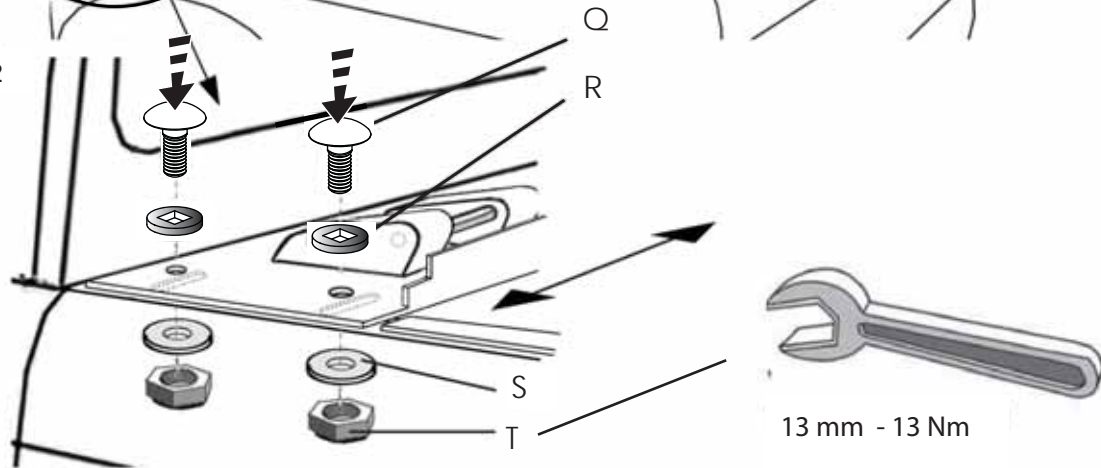


Step 6. Hinge plate mounting

6.1



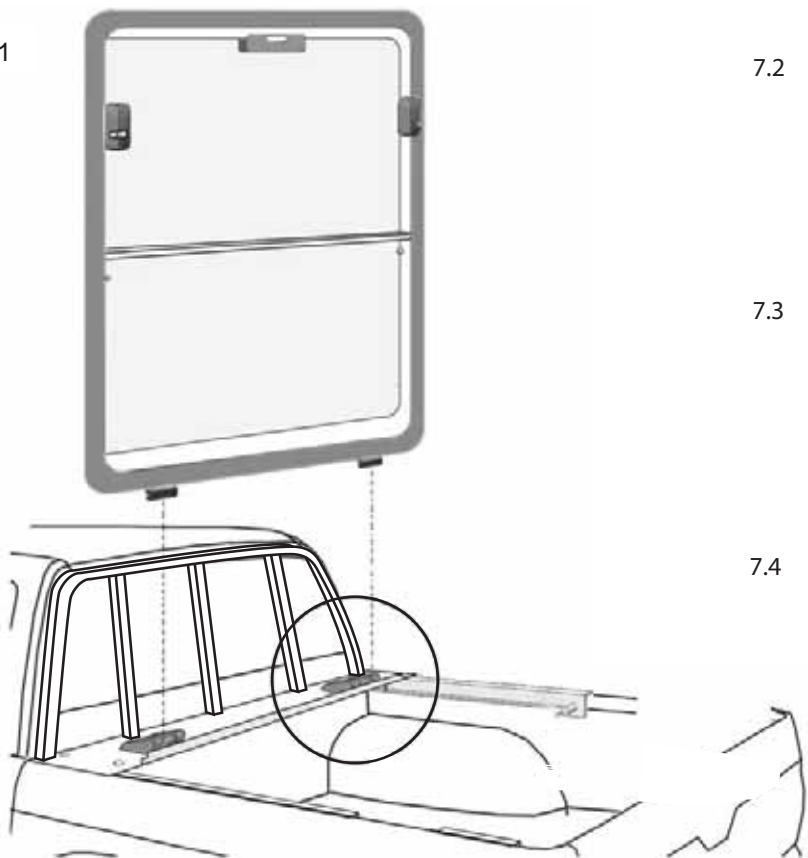
6.2



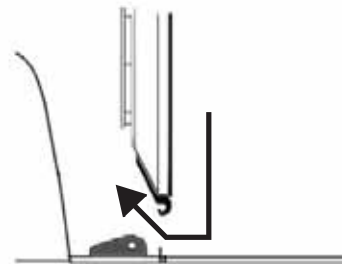
MTI-number 882 155	Issue 11	Partnumber PZ4AD-MT700 - 5A	Manual ref. number 000 450-11	Date 11/01/2011	Cab Type S/C	Page 6/13
Pedersholmparken 3600 Frederikssund Denmark			ph: +45 4810 2950	Fax +45 4810 2960	www.mountaintop.dk	

Step 7. Mountain Top Cover

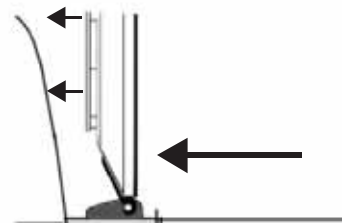
7.1



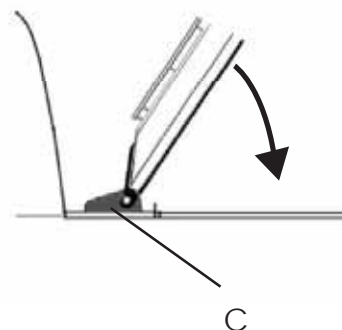
7.2



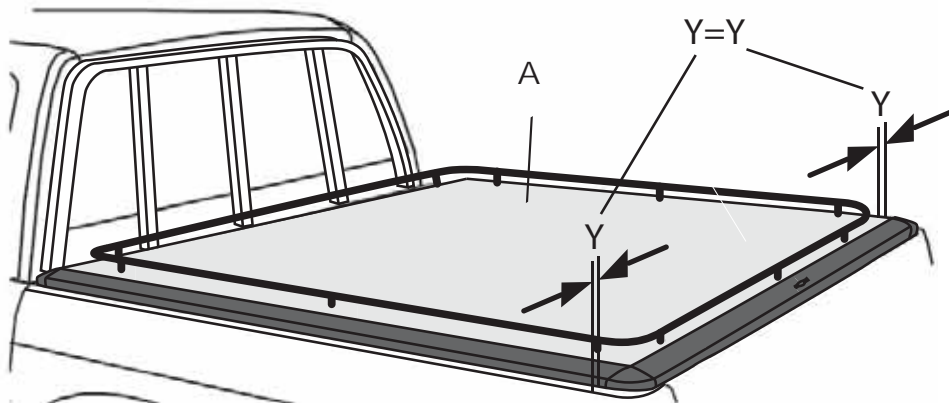
7.3



7.4



7.5

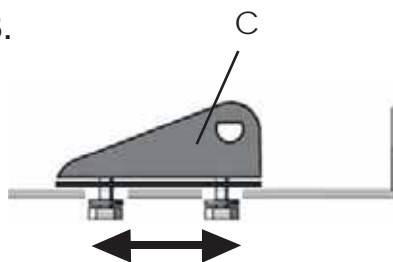


Y=Y



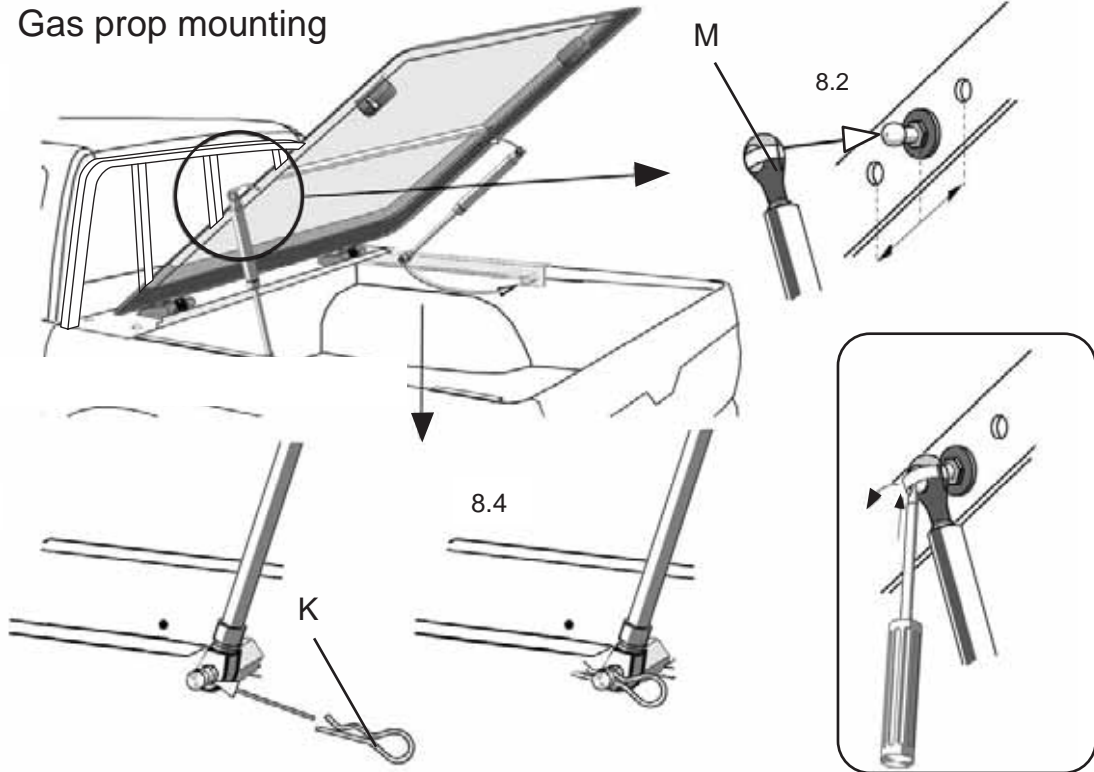
Step 8.

Y≠Y



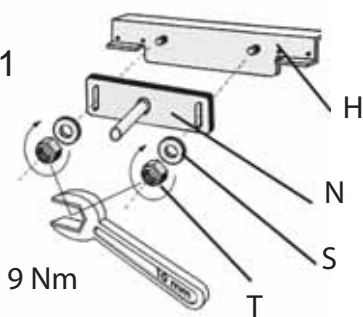
Step 8. Gas prop mounting

8.1

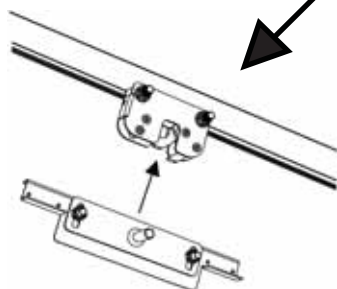


Step 9. Installation of bracket and sealing adjustment

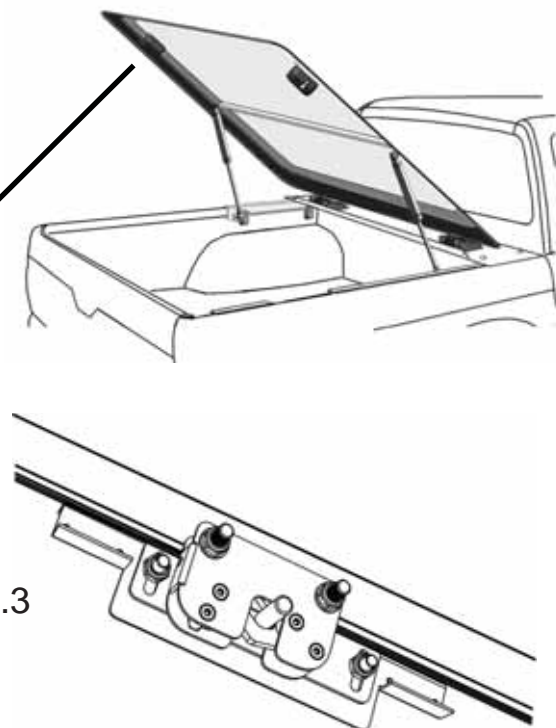
9.1



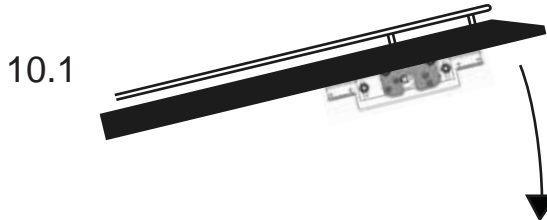
9.2



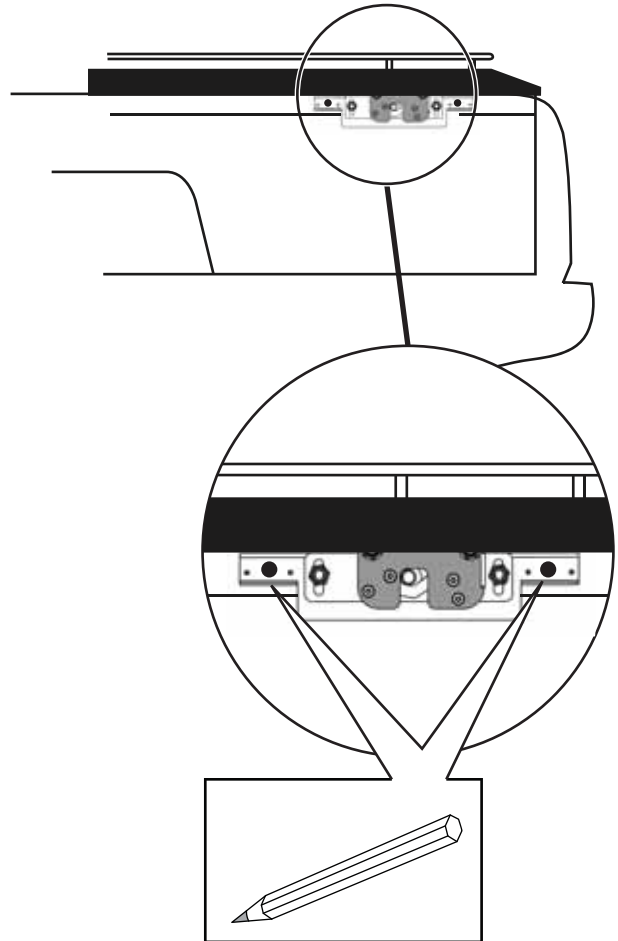
9.3



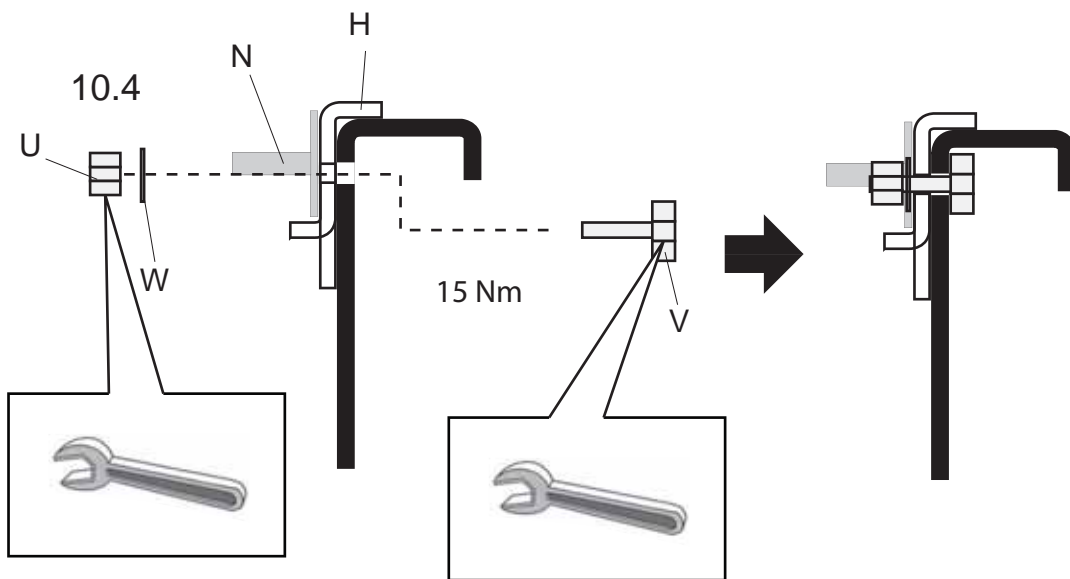
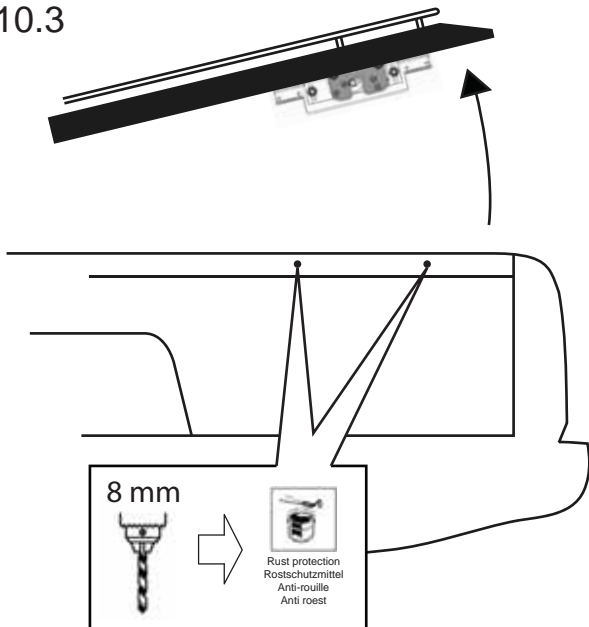
Step 10. Back side rail placement



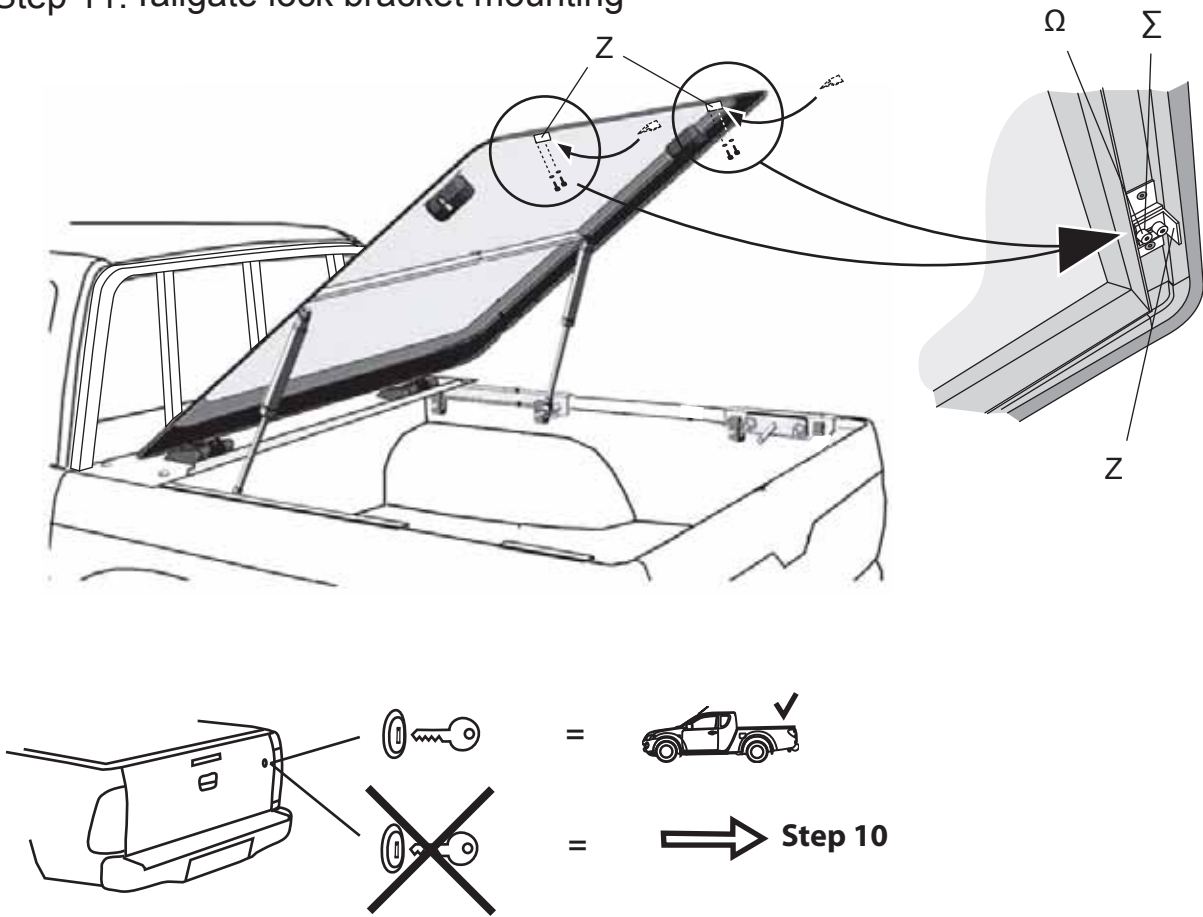
10.2



10.3

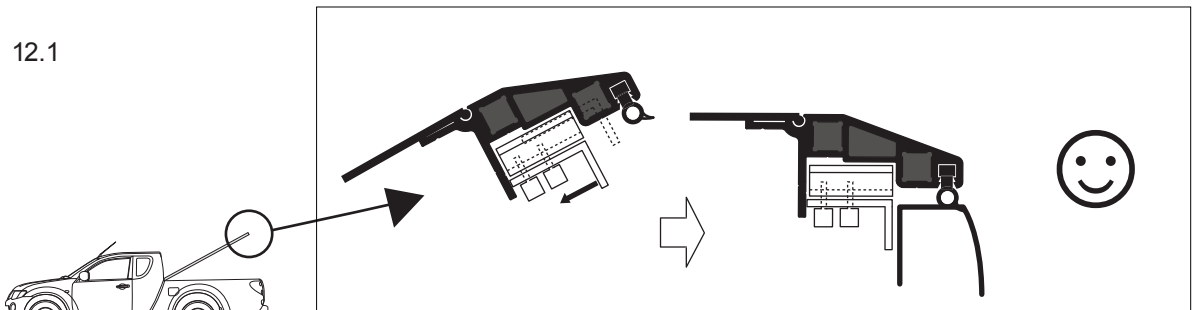


Step 11. Tailgate lock bracket mounting

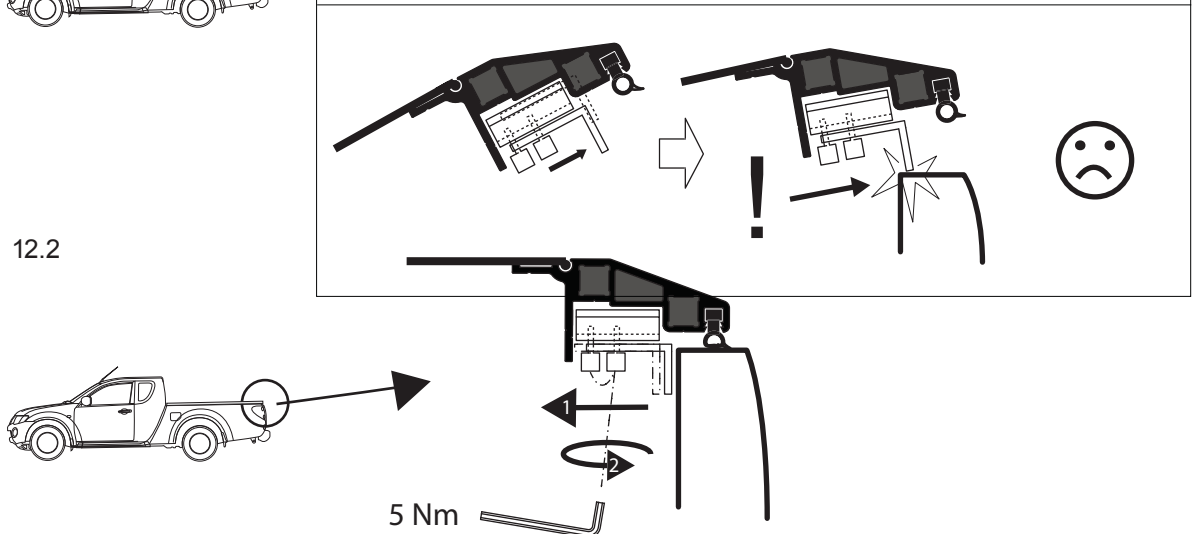


Step 12. Tailgate lock adjusting

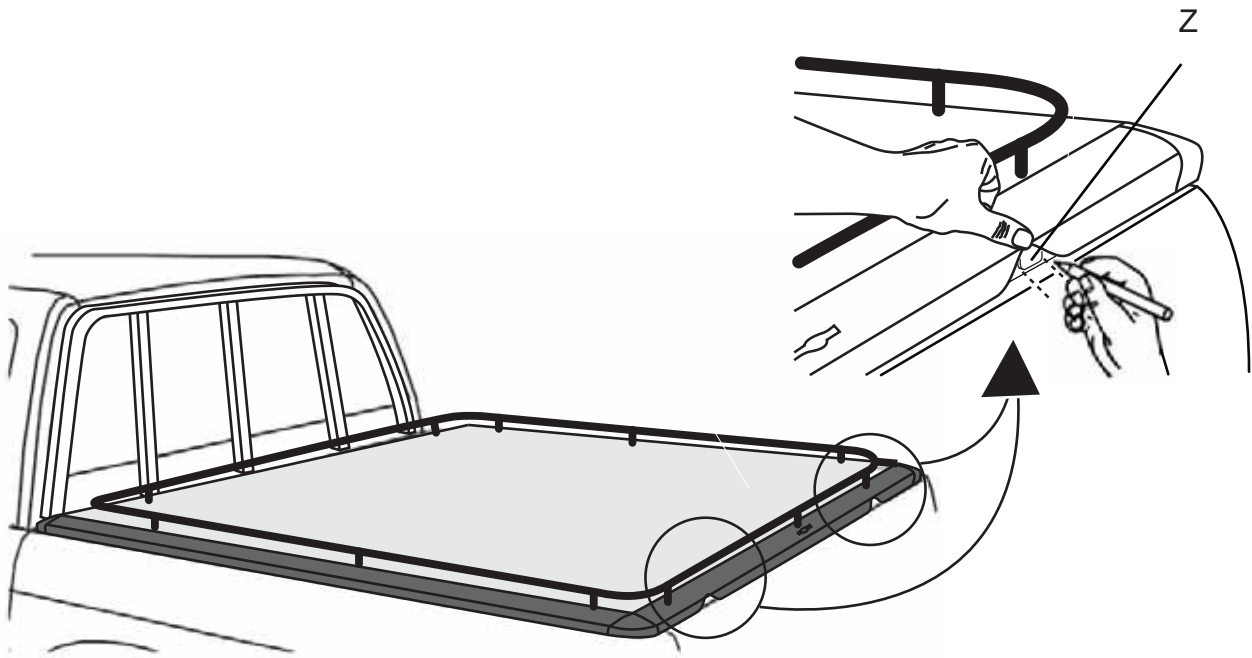
12.1



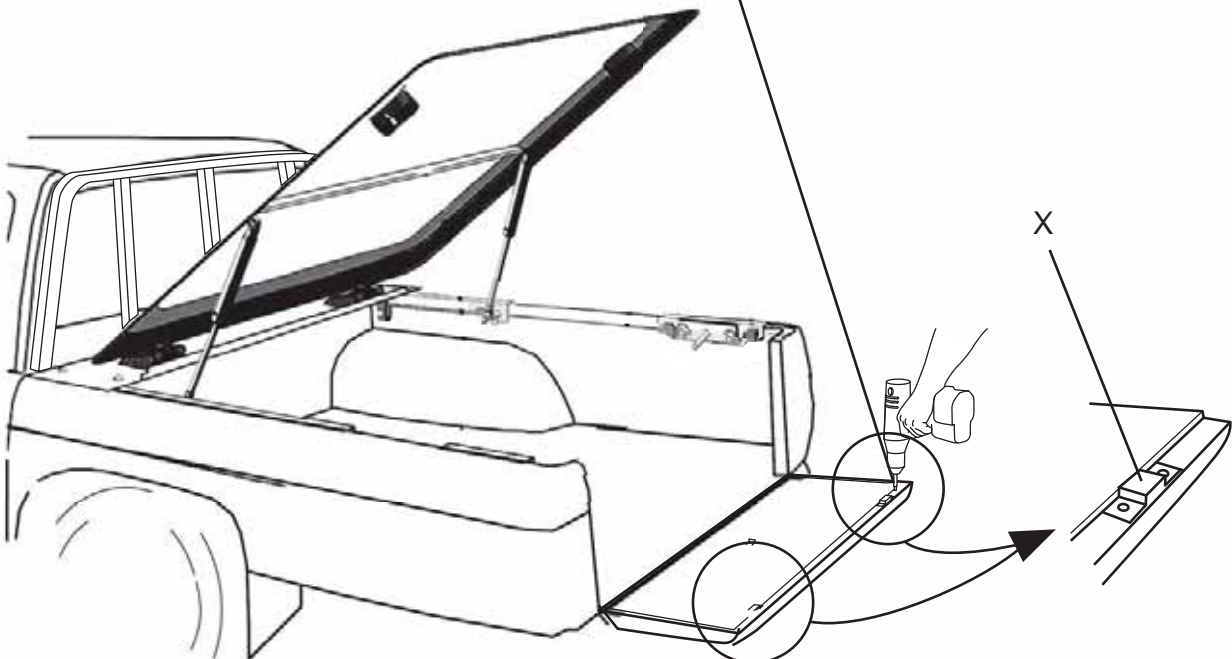
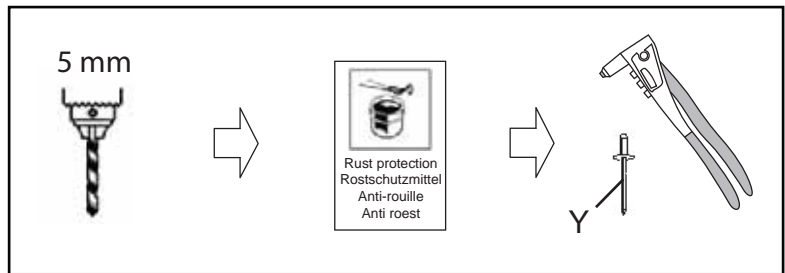
12.2



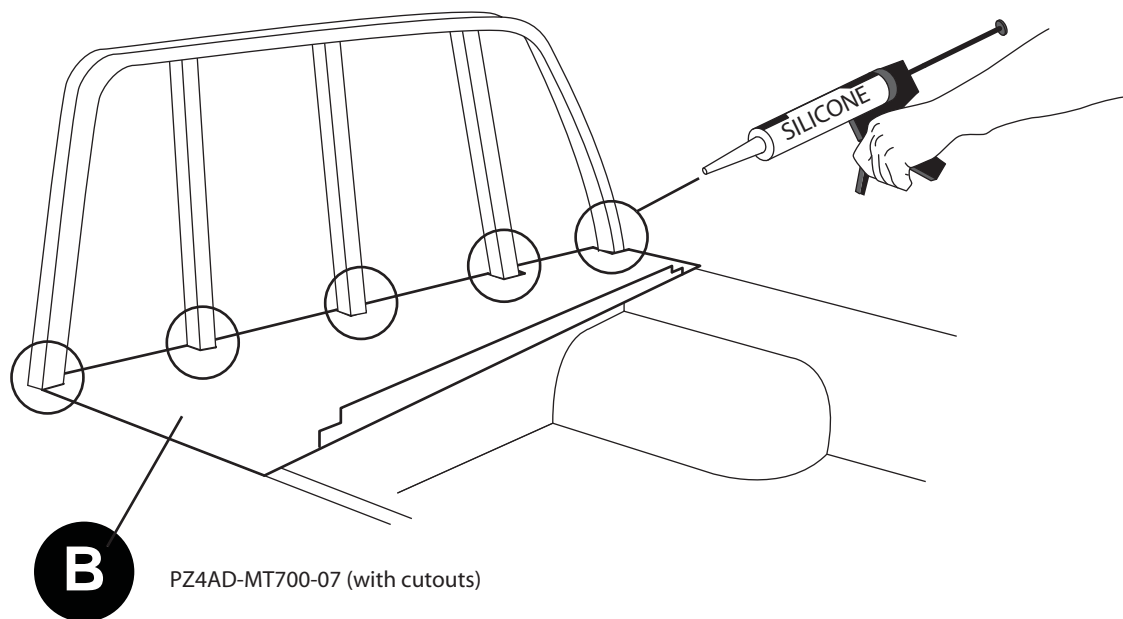
Step 13. Tailgate lock bracket



Step 14. Tailgate lock mounting



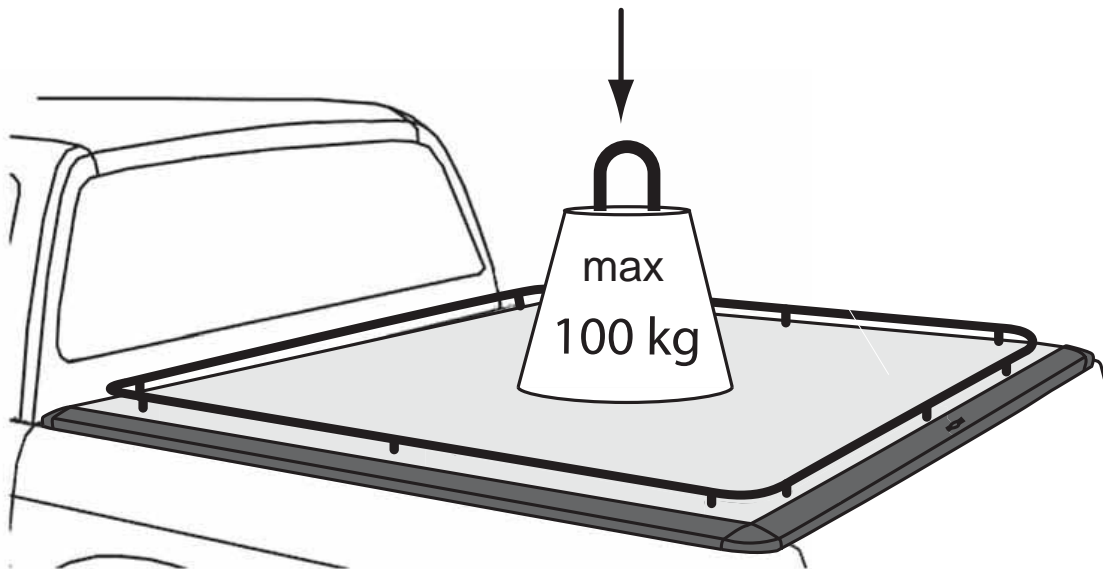
Step 15. Hinge plate final sealing



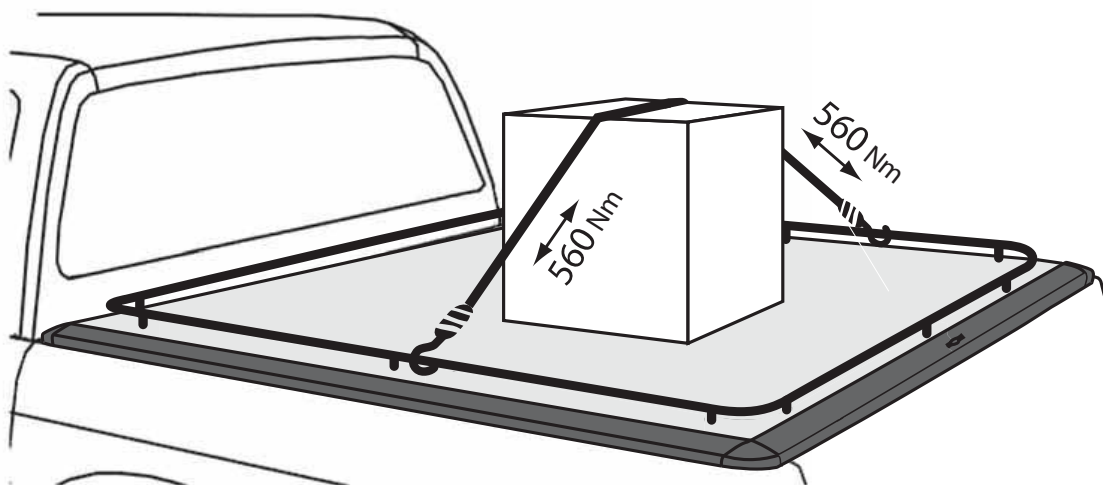
MTI-number 882 155	Issue 11	Partnumber PZ4AD-MT700 - 5A	Manual ref. number 000 450-11	Date 11/01/2011	Cab Type S/C	Page 12/13
Pedersholmparken 3600 Frederikssund Denmark ph: +45 4810 2950 Fax +45 4810 2960 www.mountaintop.dk						



Cover max load



Cargo pull limit



MTI-number 882 155	Issue 11	Partnumber PZ4AD-MT700 - 5A	Manual ref. number 000 450-11	Date 11/01/2011	Cab Type S/C	Page 13/13
Pedersholmparken 3600 Frederikssund Denmark ph: +45 4810 2950 Fax +45 4810 2960 www.mountaintop.dk						