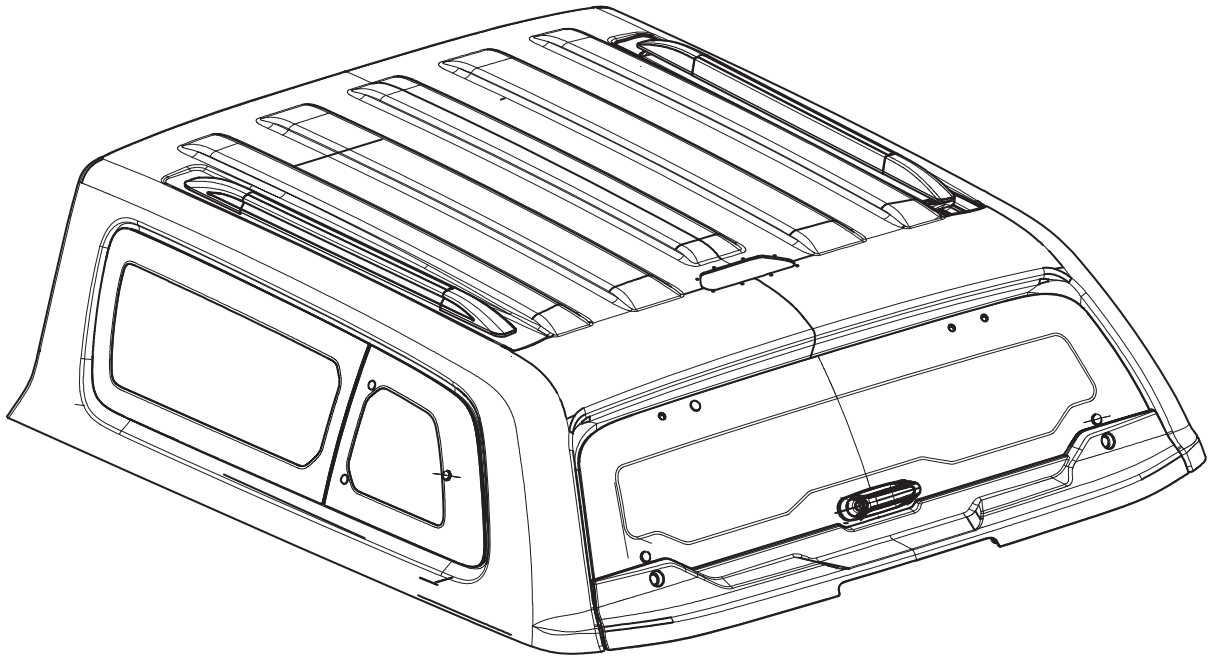


Part Number

FORD RANGER (2022→ ...)

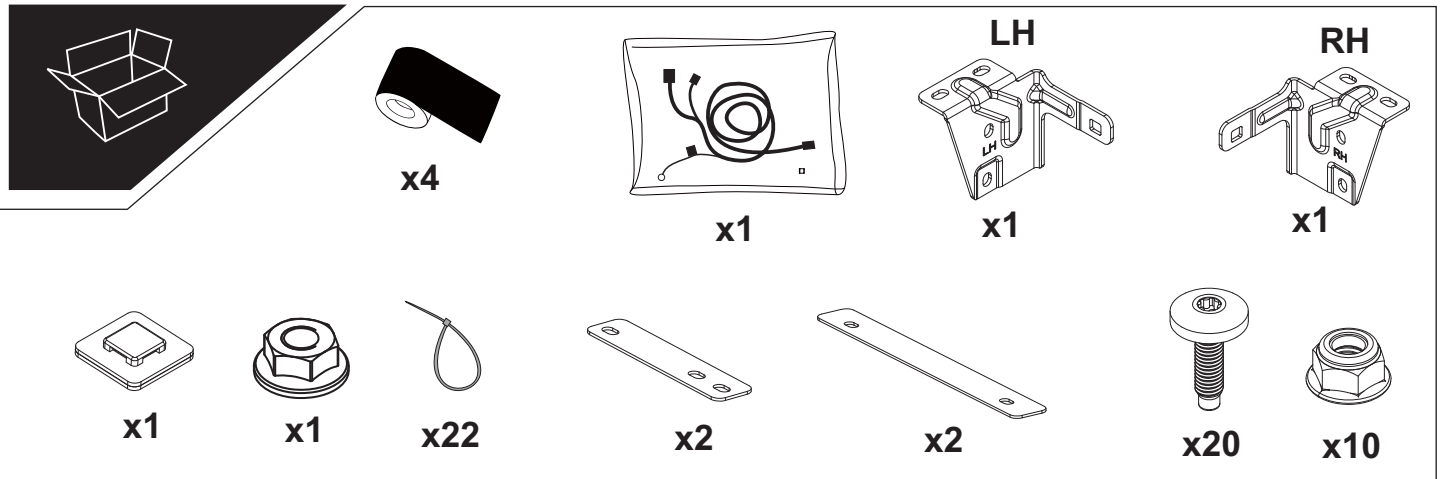
INSTALLATION MANUAL CANOPY ACA STYLISH FORD P703 EU

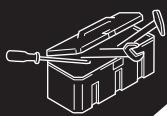


LIST OF PARTS

No.	PART NAME	Q.TY
1	Protective Tape	4
2	L-R front bracket	1LH & 1RH
3	Middle bracket	2
4	Rear bracket	2
5	Cabin hardness	1
6	Cable tie	22

7	Torx screw M8x25 mm.	20
8	Flange nylon lock nut M8	10
9	Flange Nut M6	1
10	Cable tie mount	1

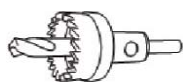
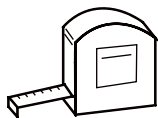
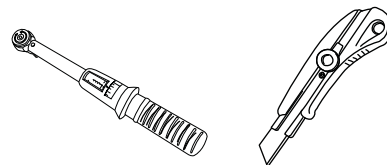




Soap water 3-5 %



No.T40



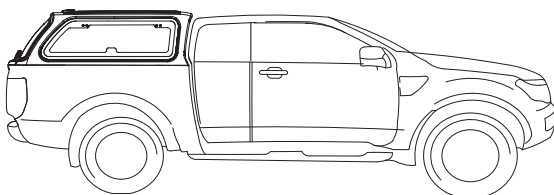
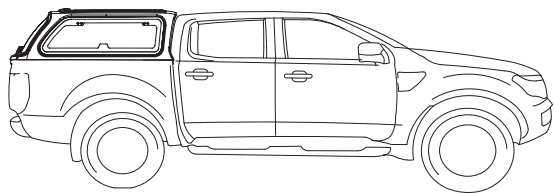
Ø 30



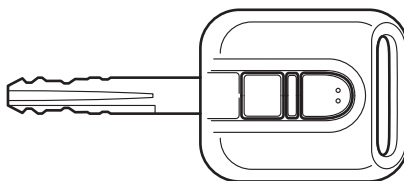
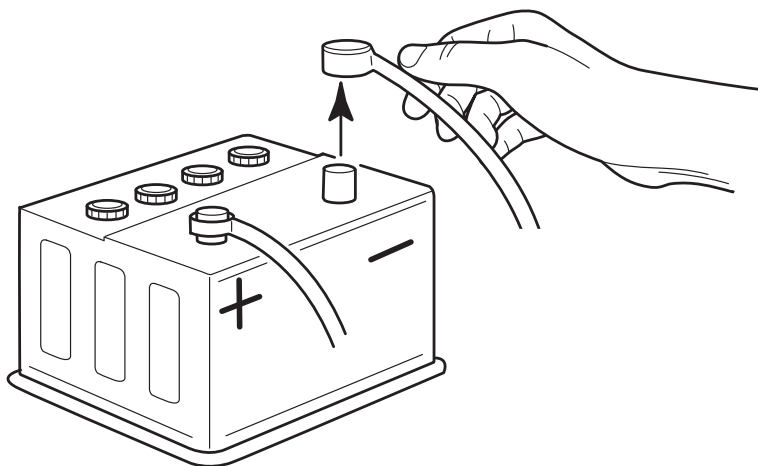
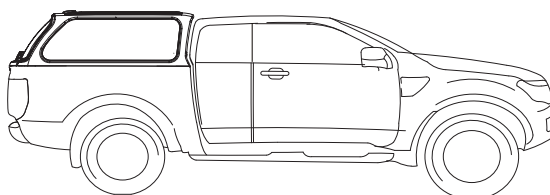
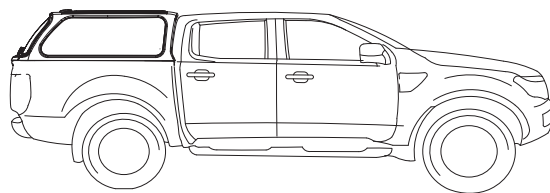
Wrench No.10



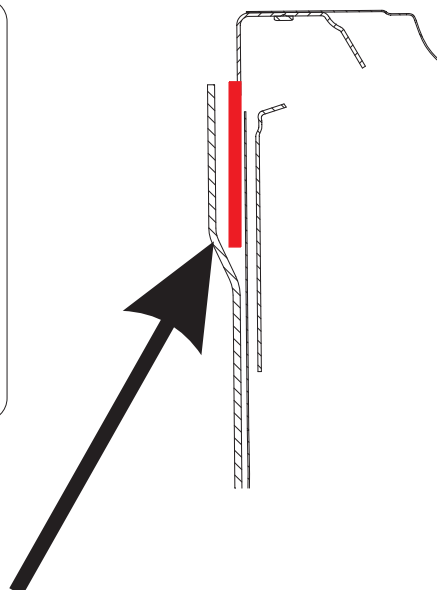
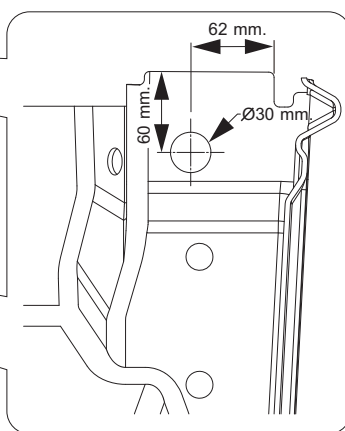
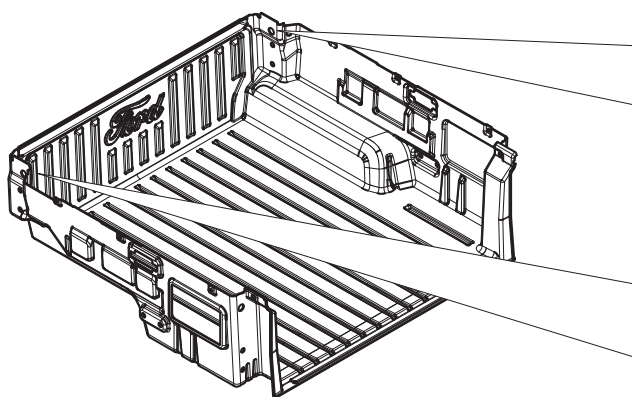
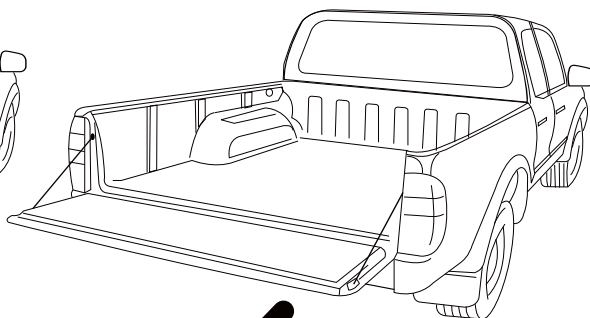
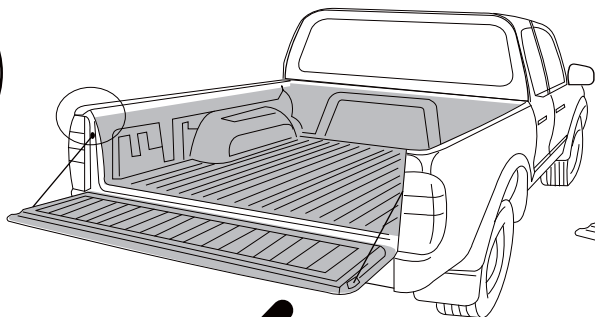
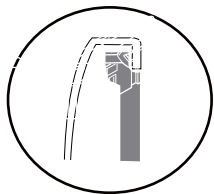
STYLISH




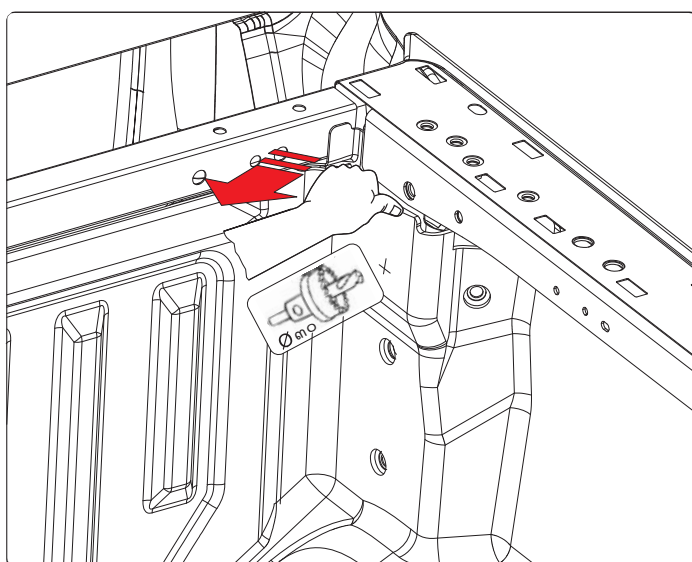
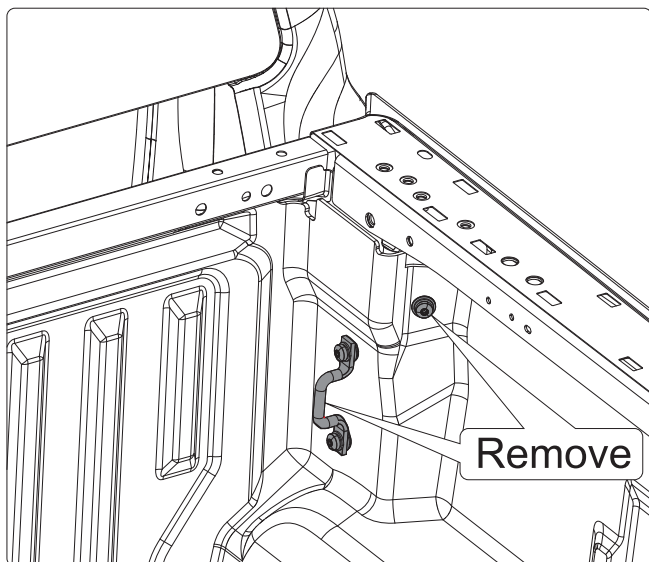
COMMERCIAL



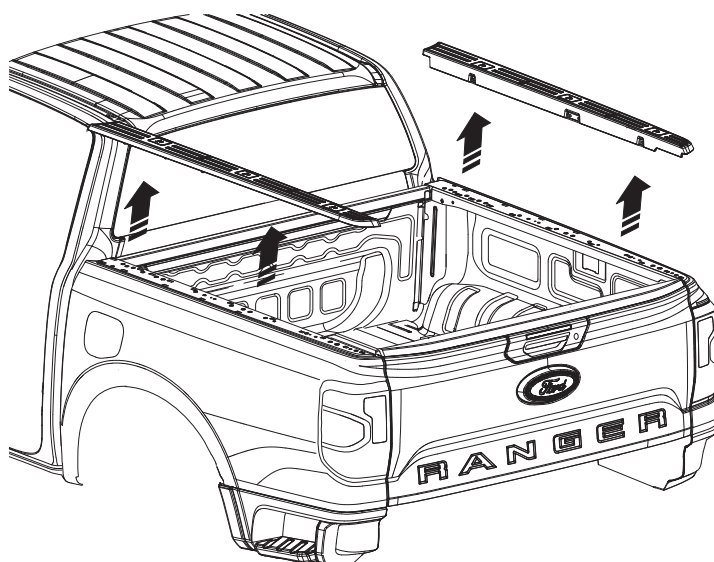
Code



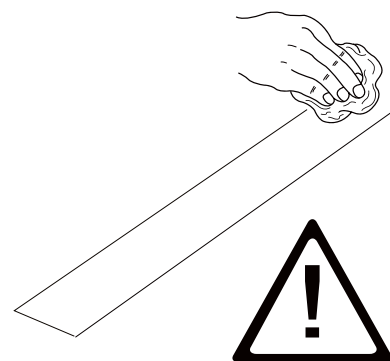
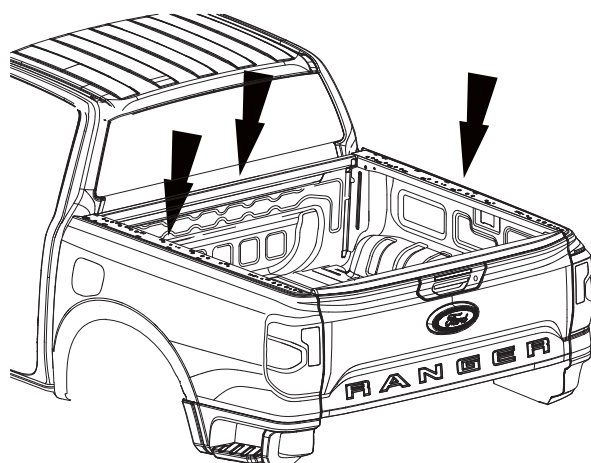
 Add Isolation to protect tub paint



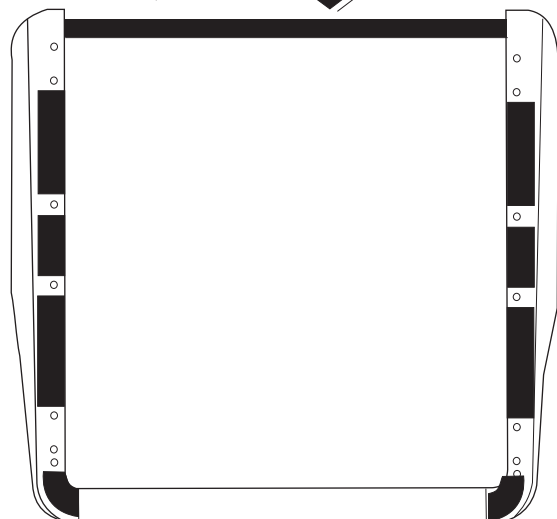
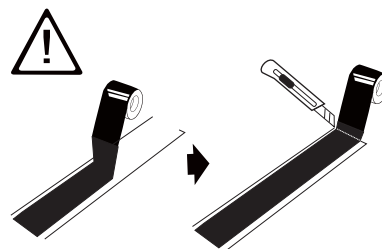
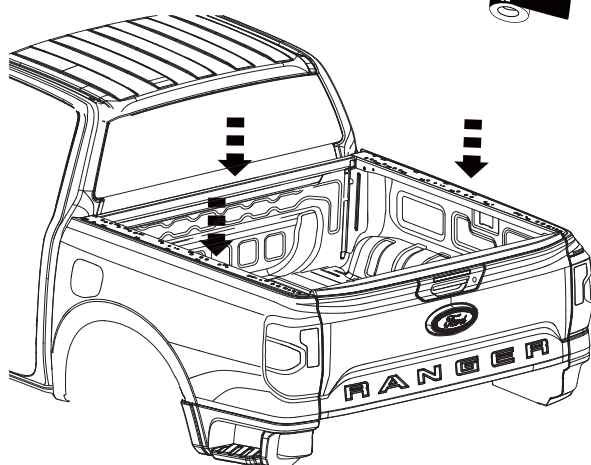
1



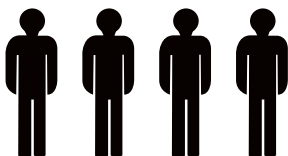
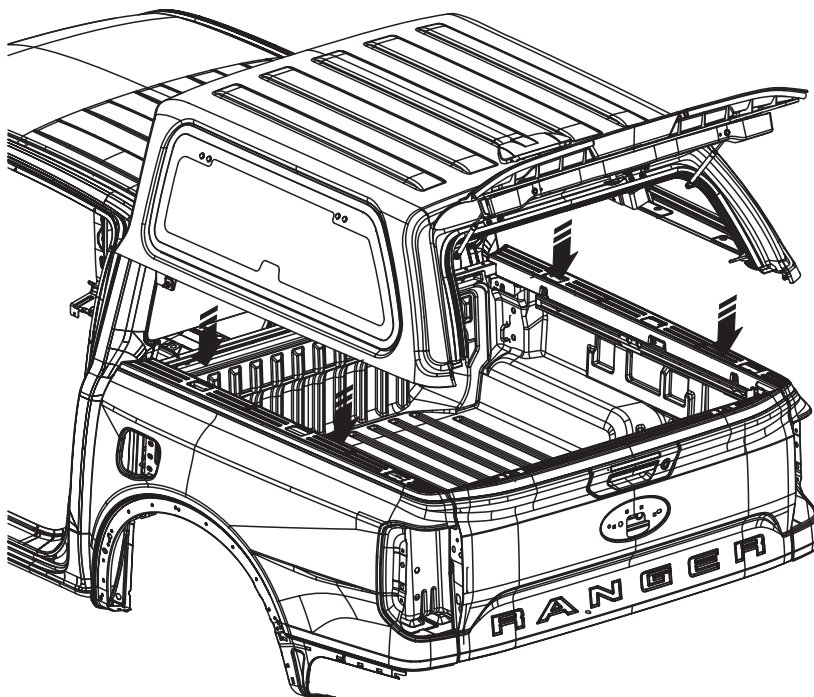
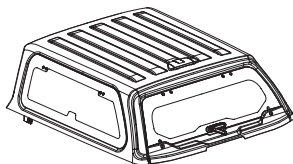
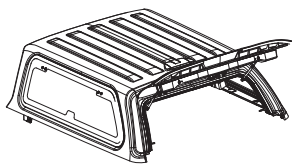
2



3

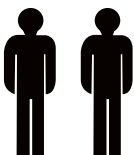
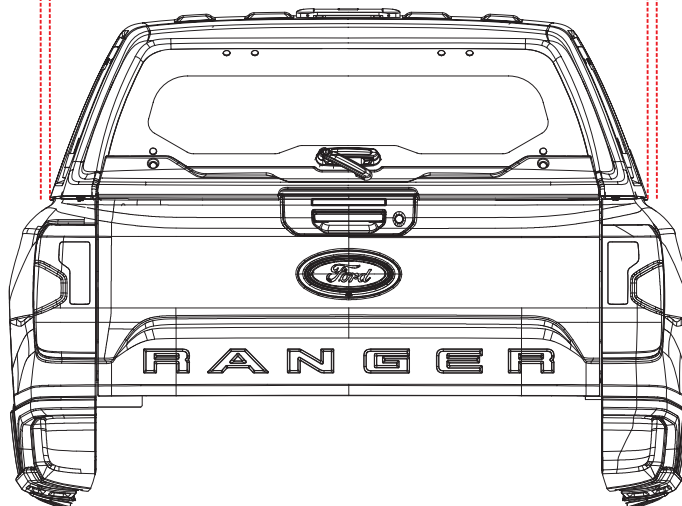
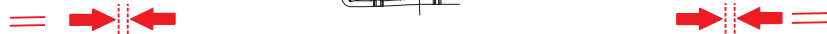
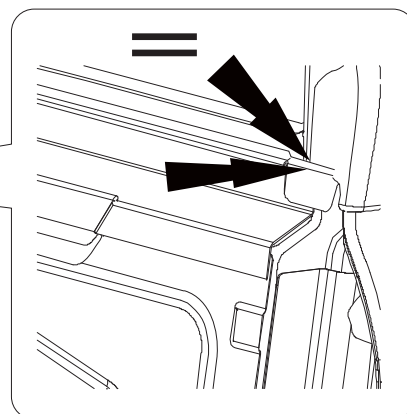
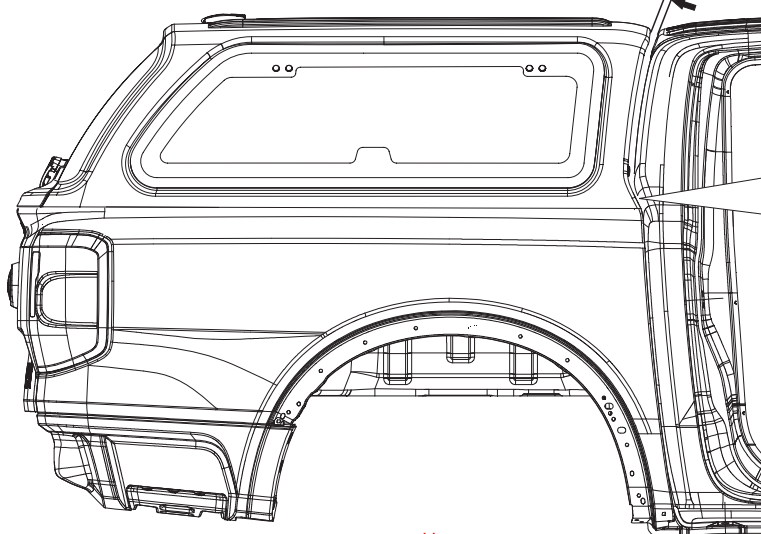


4

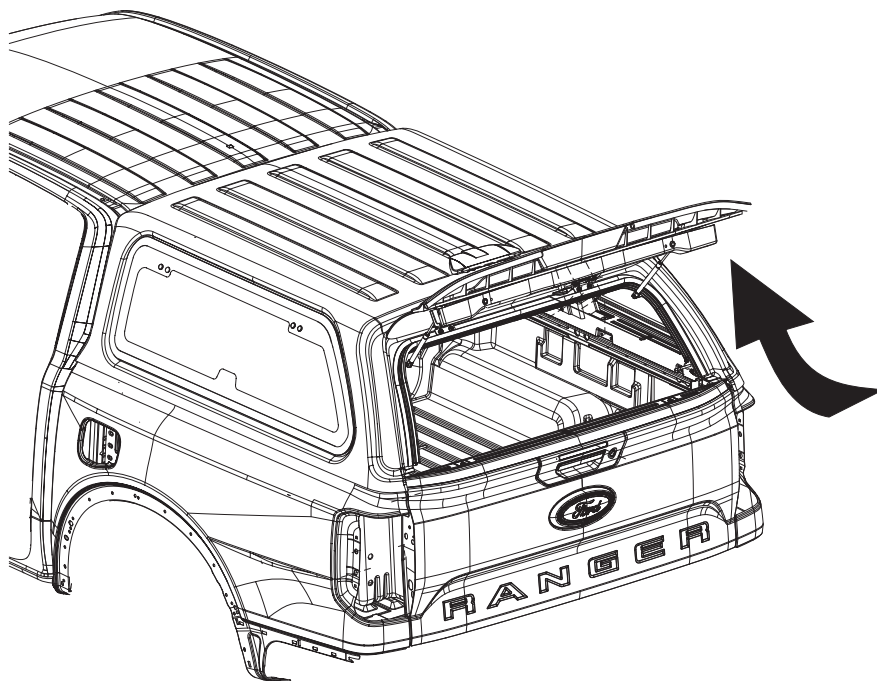


5

Minimum 25 mm.

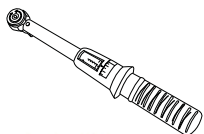


6

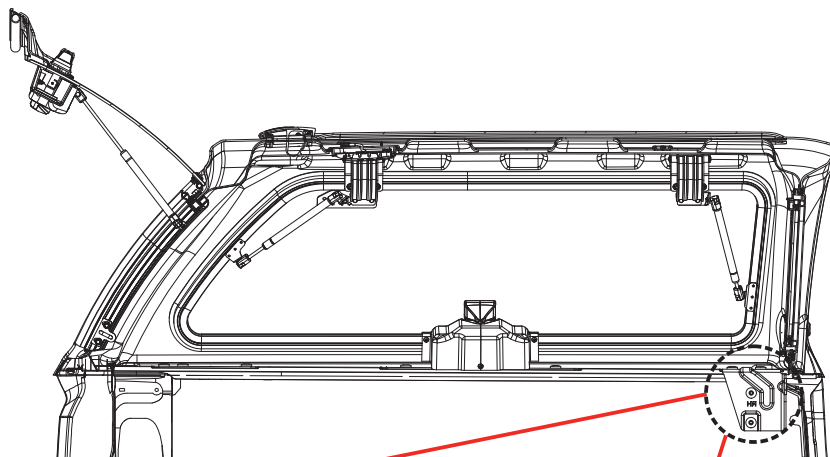


7

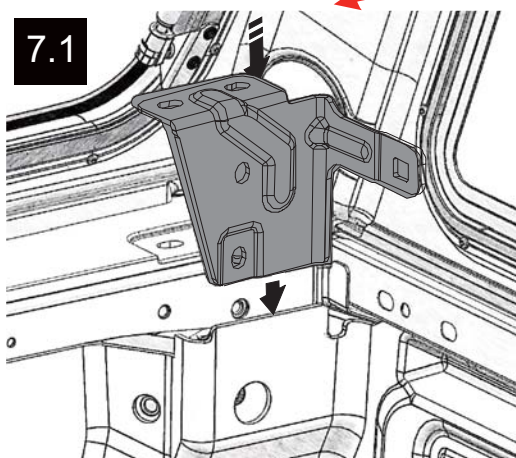
★ No.T40



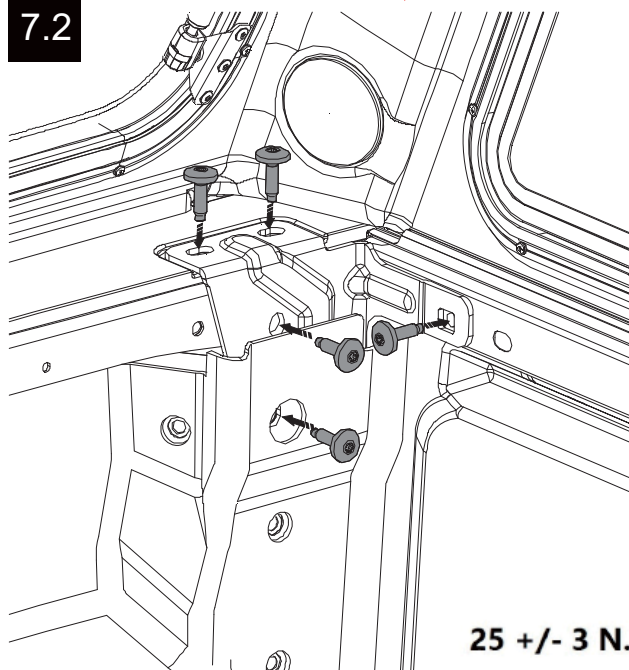
25 +/- 3 N.m



7.1



7.2



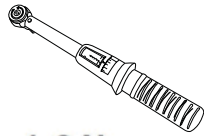
25 +/- 3 N.m



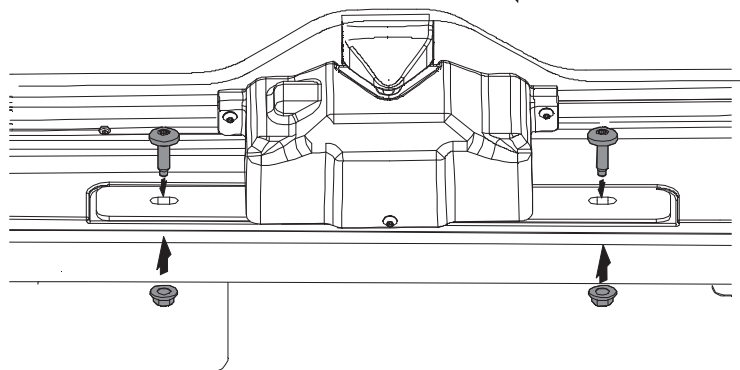
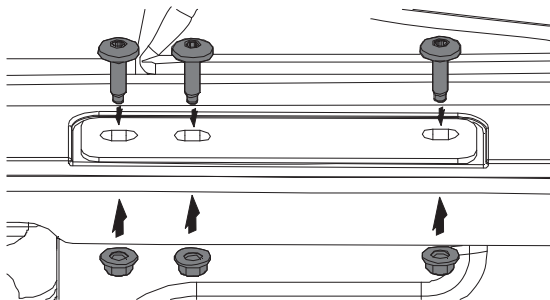
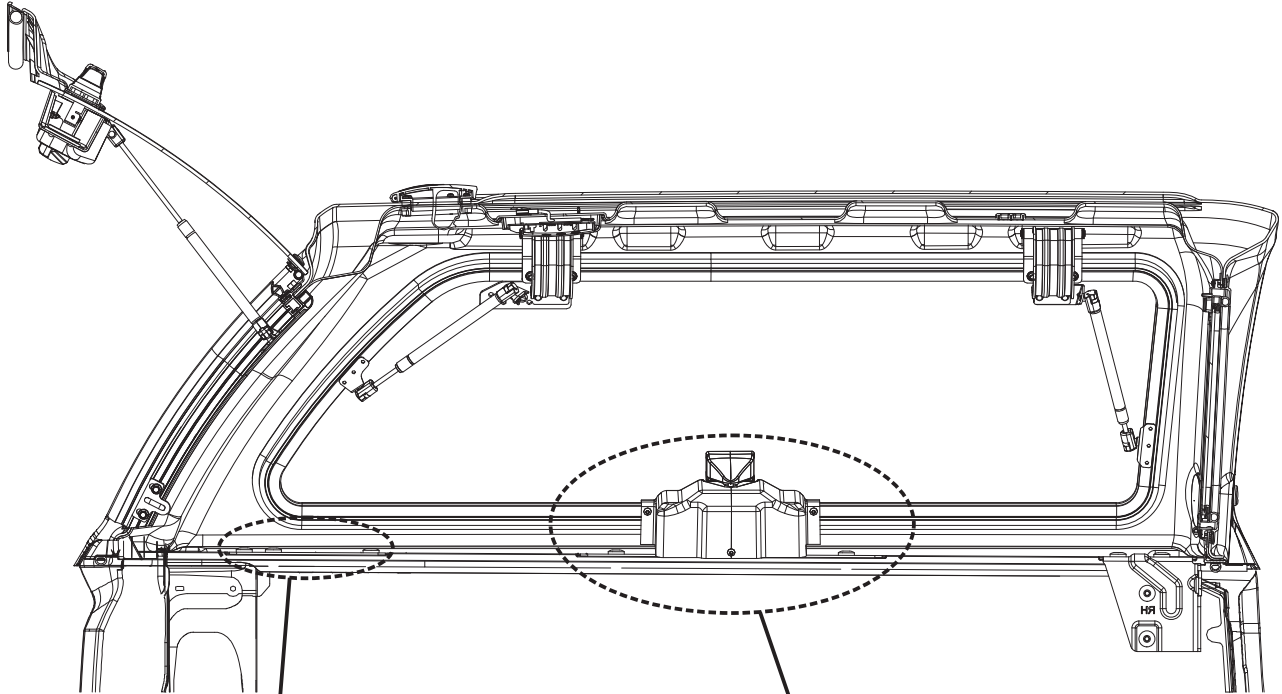
8



★ No.T40

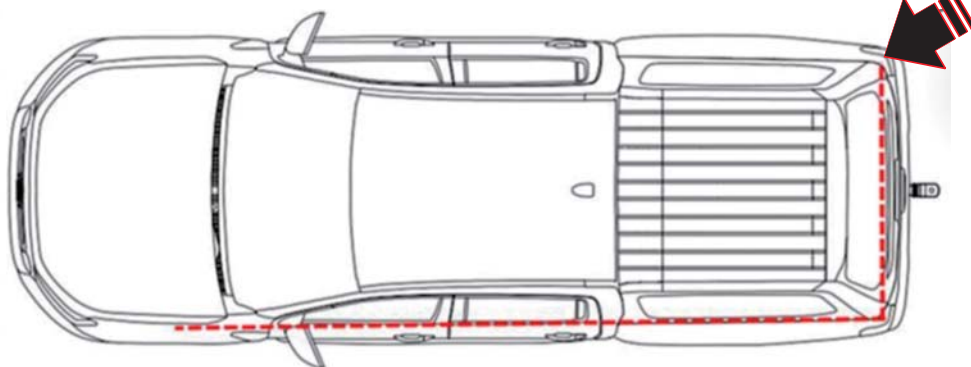
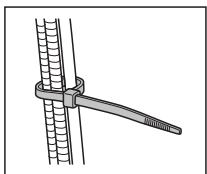


25 +/- 3 N.m

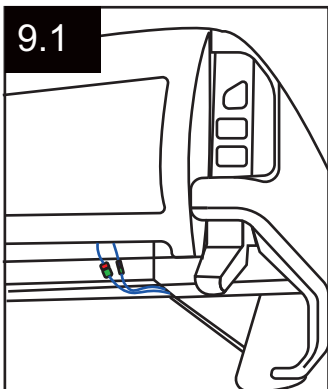


9

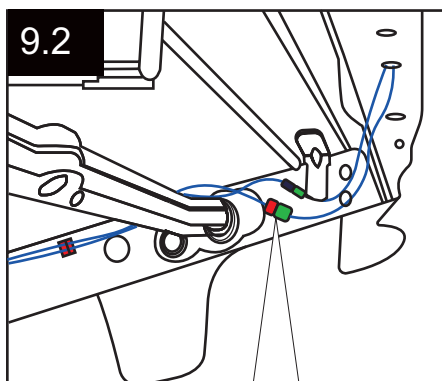
LIFT VEHICLE



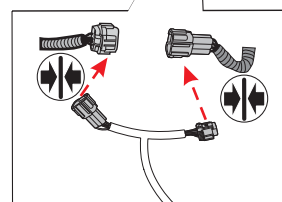
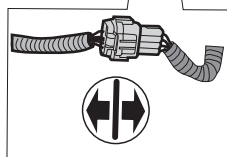
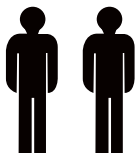
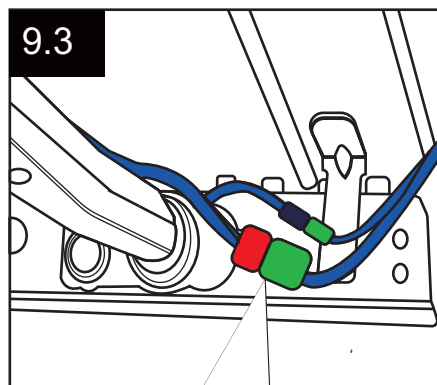
9.1



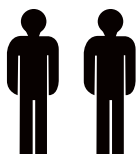
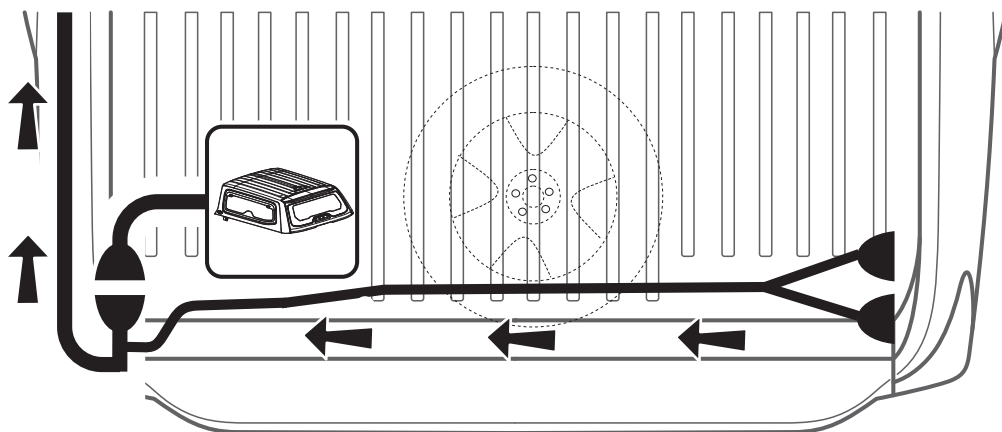
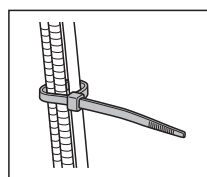
9.2



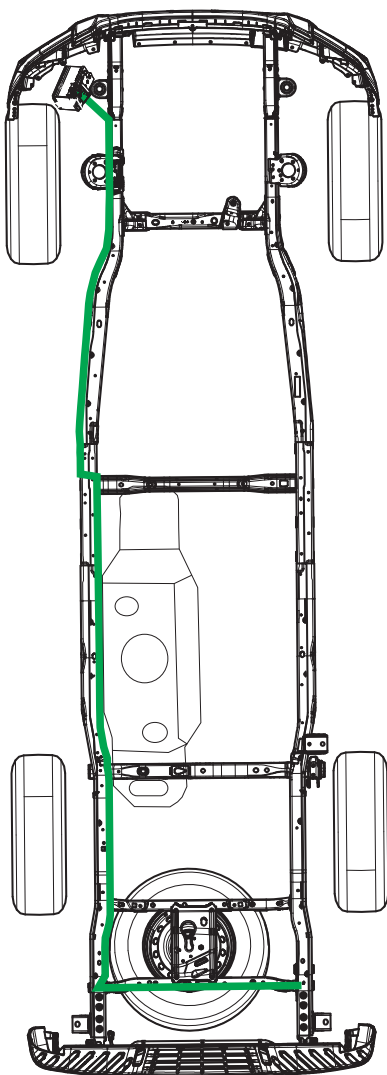
9.3



10



11

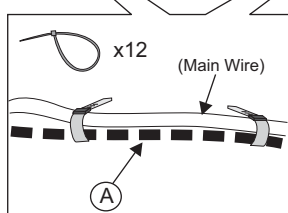
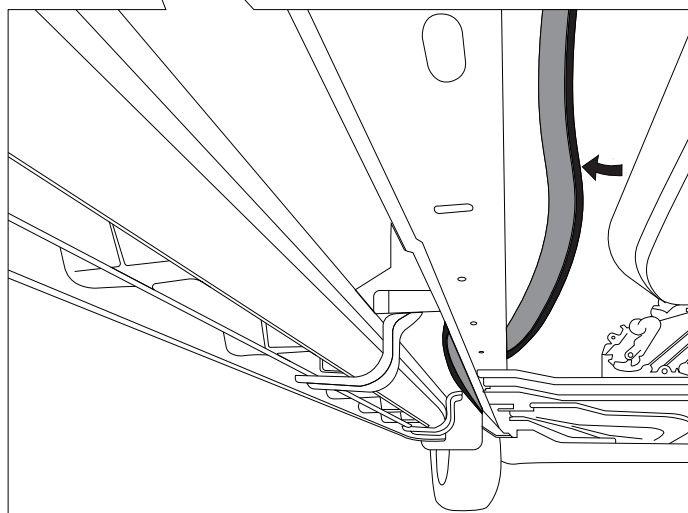
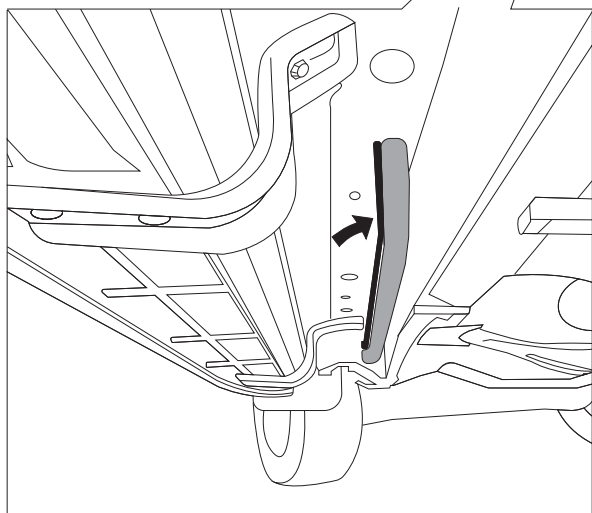
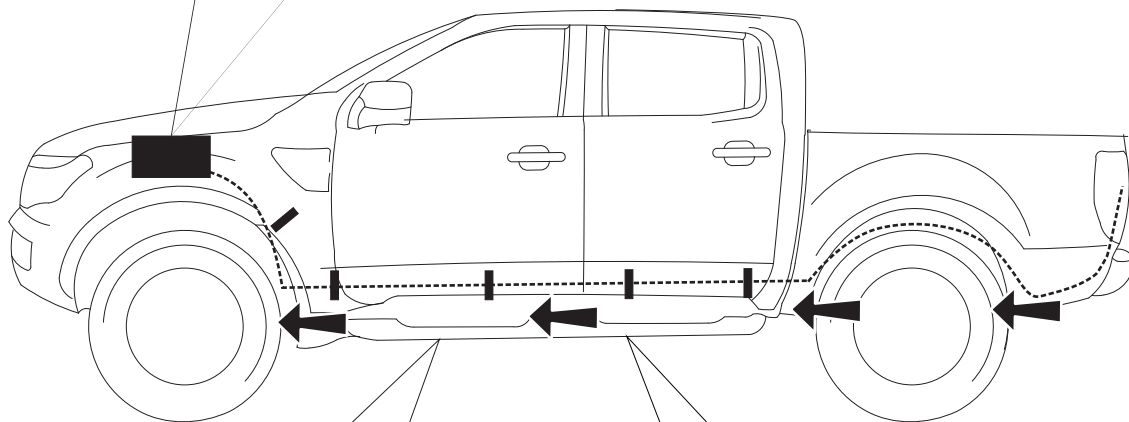
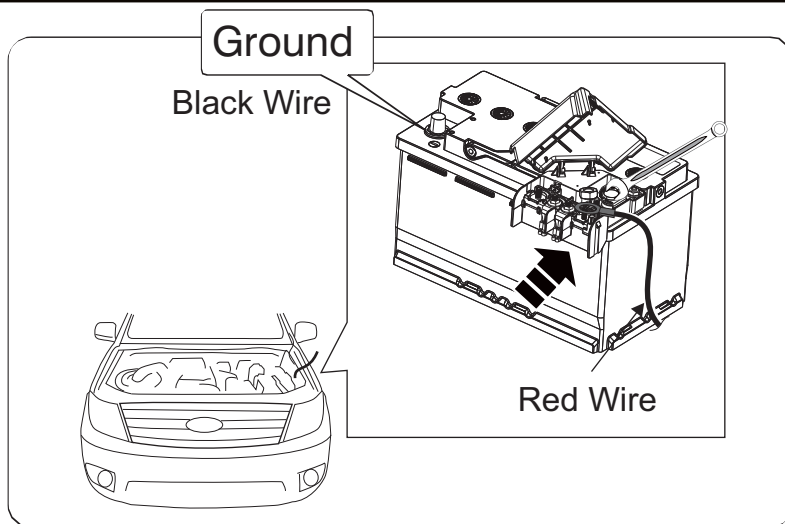
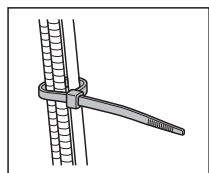


Canopy harness to follow to the main chassis wiring harness

Zip ties to be used every 300 mm. to secure the canopy harness to the chassis wiring harness.

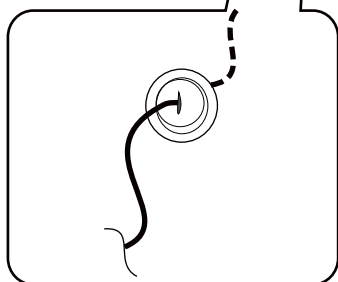
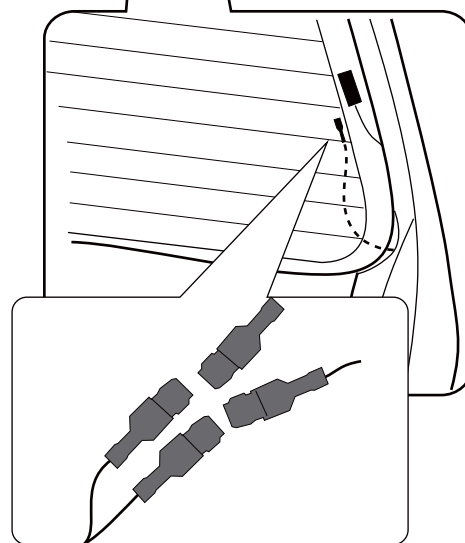
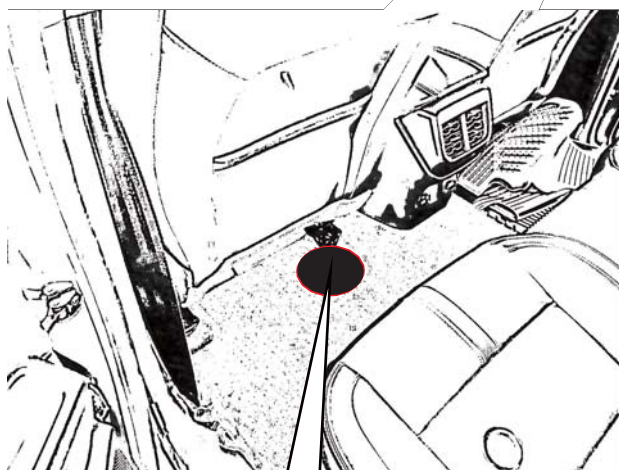
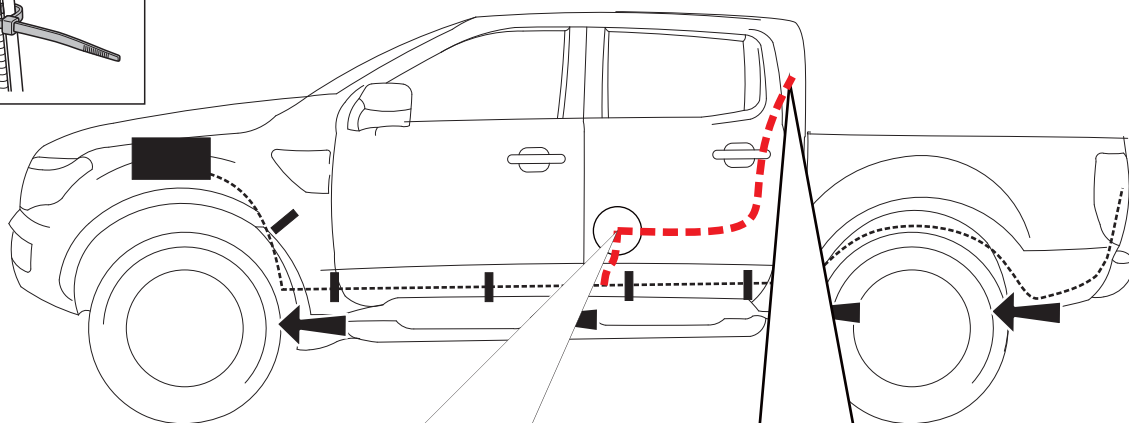
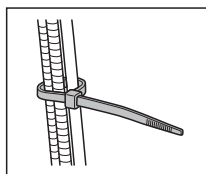
Canopy harness to route over the spare wheel and fuel tank

126

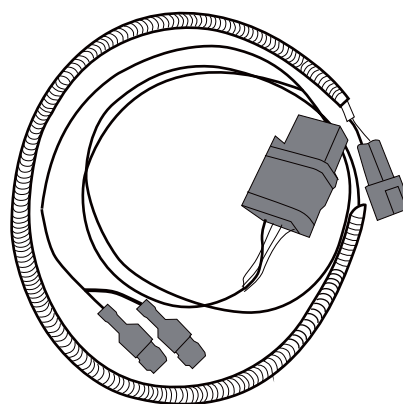


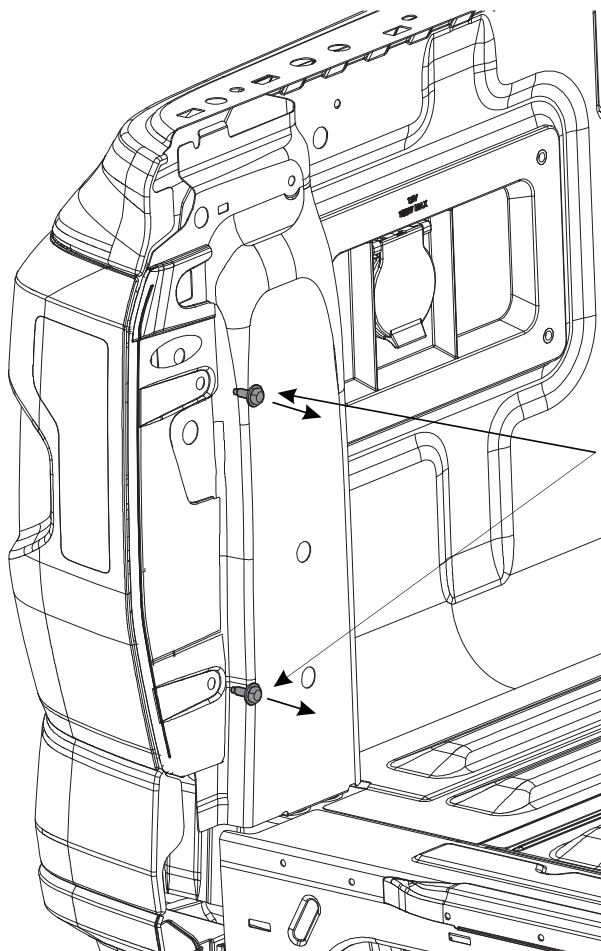
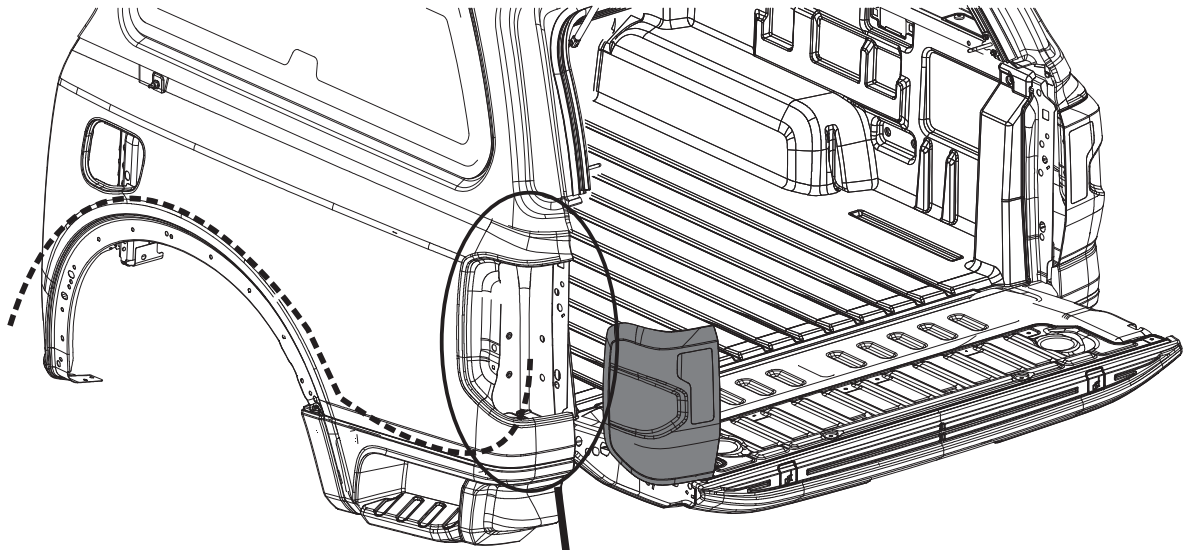
Every 300 mm.

136



DEMIST OPTION
Note: Ford Australia have not

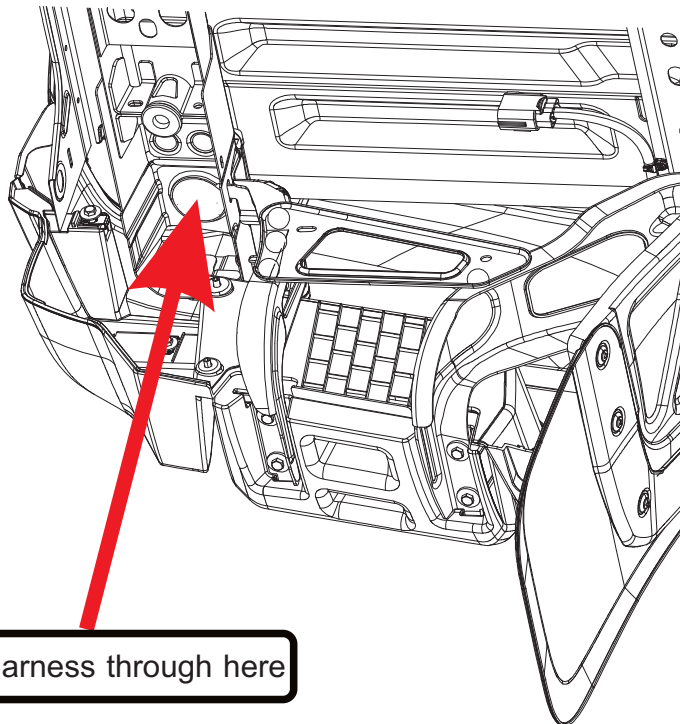
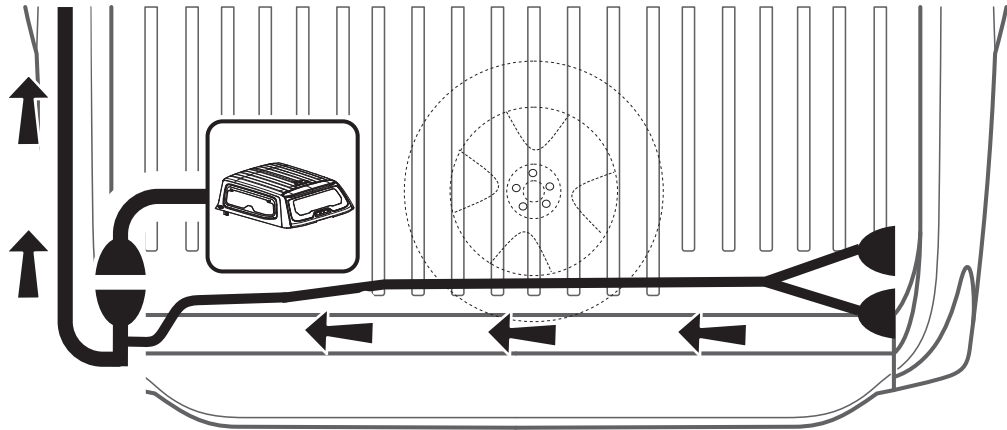




Remove Bolts.
Do not disconnect lamp harness.



15

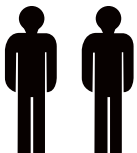


Feed canopy harness through here

CLICK!

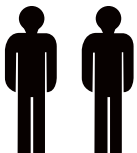
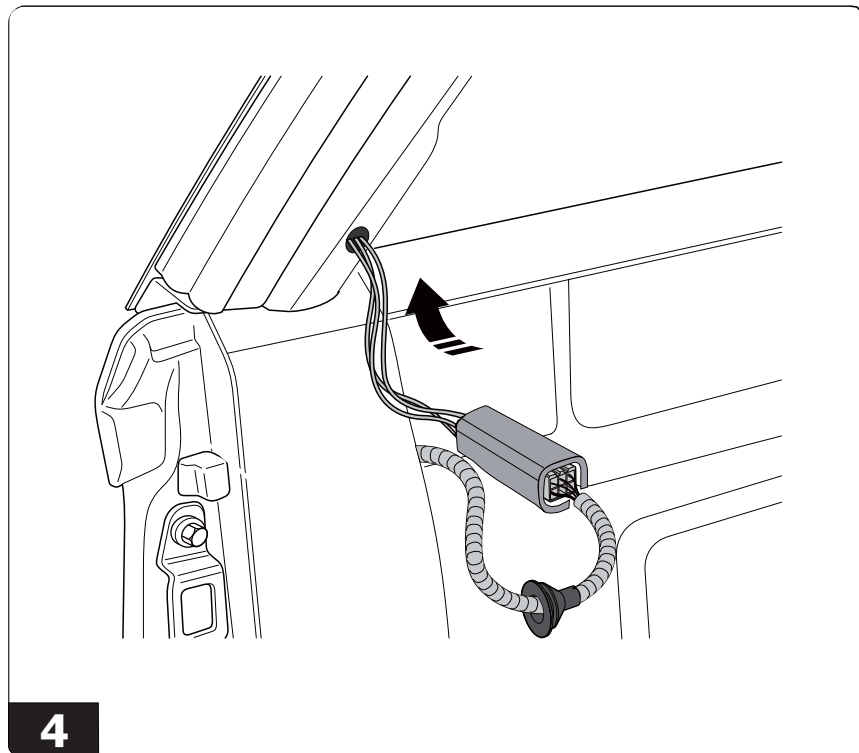
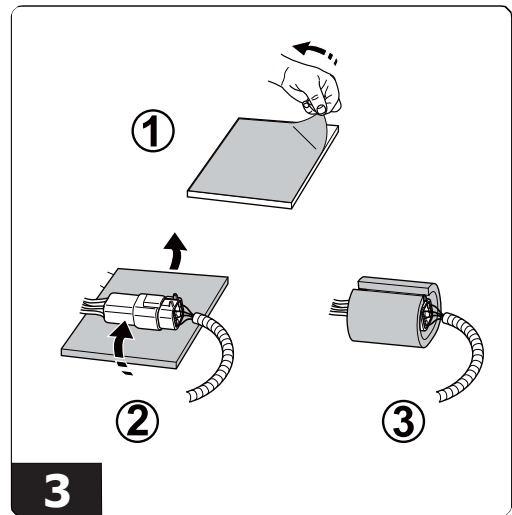
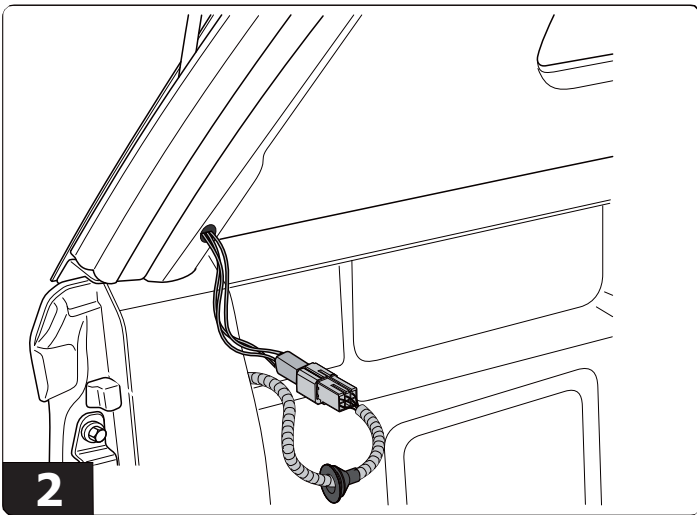
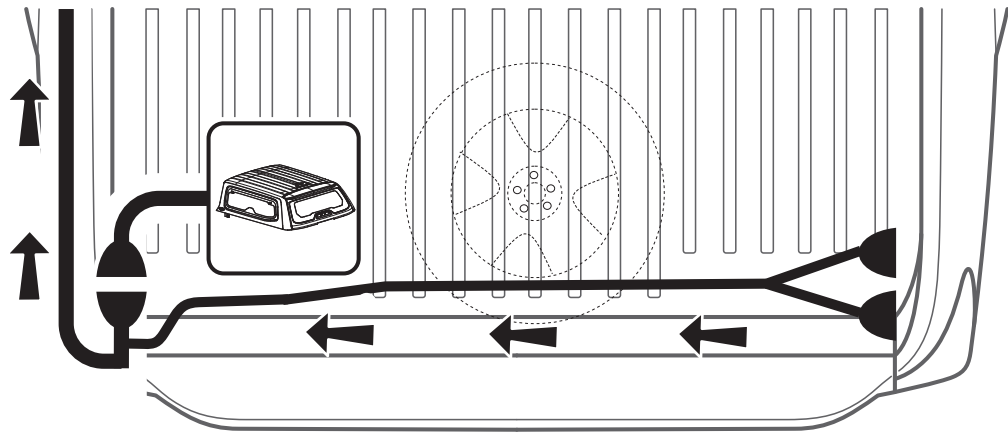
Terminal No.	Wire Colour	Function
1	Black	GND
2		
3	Yellow	Demister
4	Red	12 V.
5	GREEN	LOCK
6	BLUE	UNLOCK

Rear view of connector

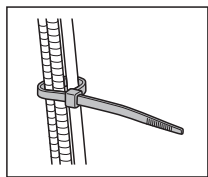


1

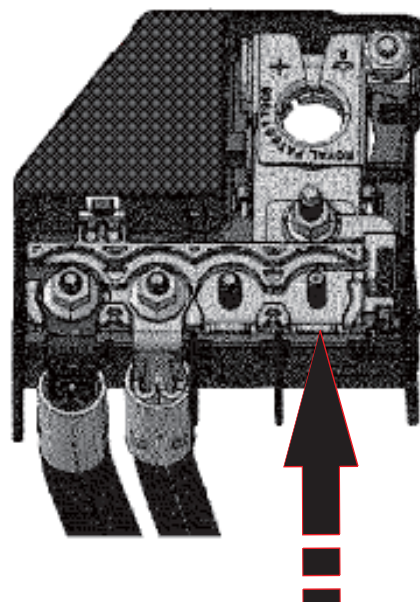
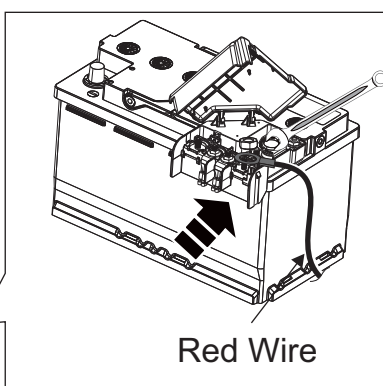
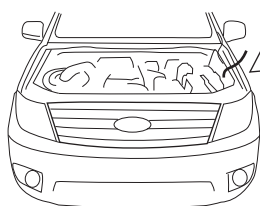
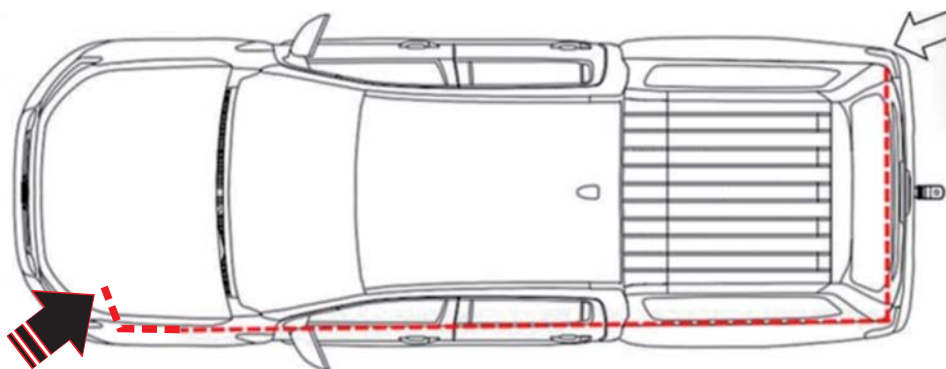
16



17



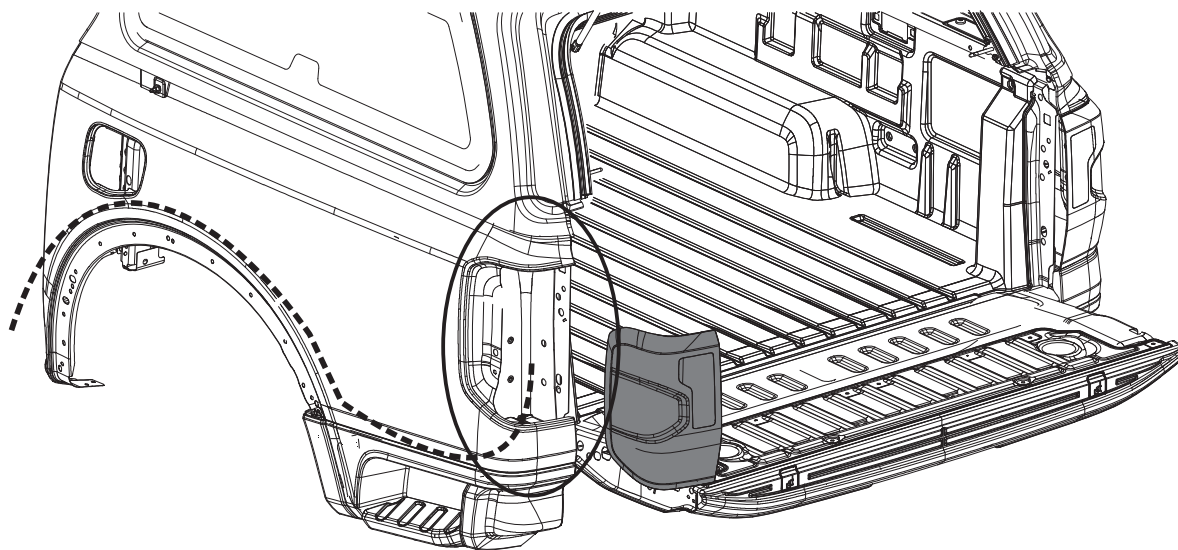
LIFT VEHICLE



Use empty Terminal to connect ring connector and supplied nut. Torque 10Nm+/- 1.5Nm

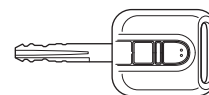
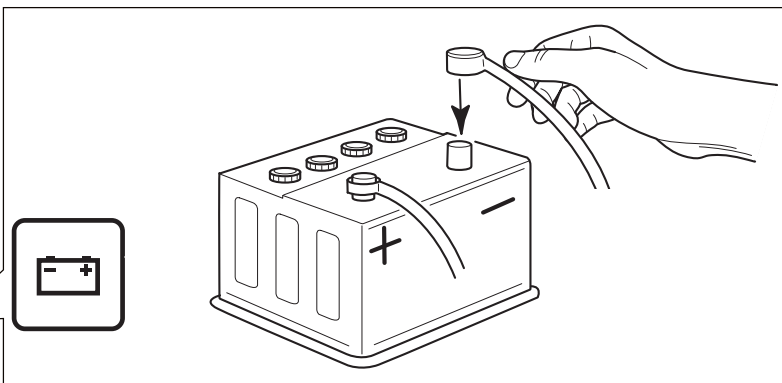
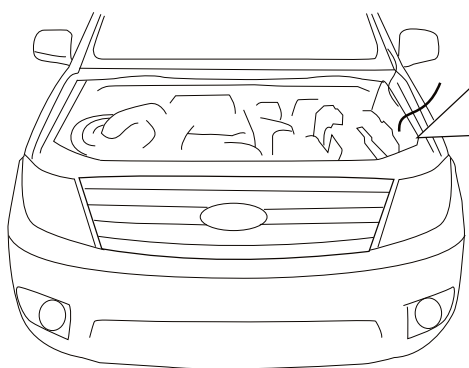
FOR TT BUILDS – NUT NOT PROVIDED. USE EXISTING TERMINAL

18



M6x16
TORQUE 5.4 + 0.9 N-m.

19



Code

FUNCTION CHECKS AFTER INSTALLATION

- Check Lock and Unlock feature on Canopy and tailgate are working correctly
- Check the unlatching buttons function correctly
- Ensure CHMSL, stop, park, indicators, licence plate lamps are functioning correctly
- Check to ensure canopy interior light turn on when opening the rear canopy hatch
- Check the lamp touch function (both lamps)