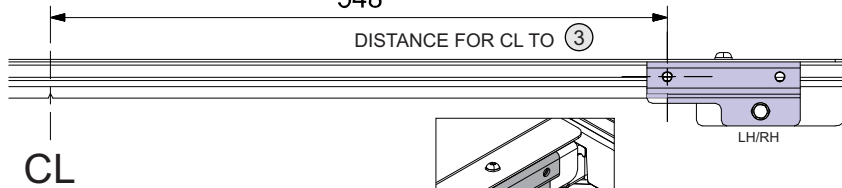


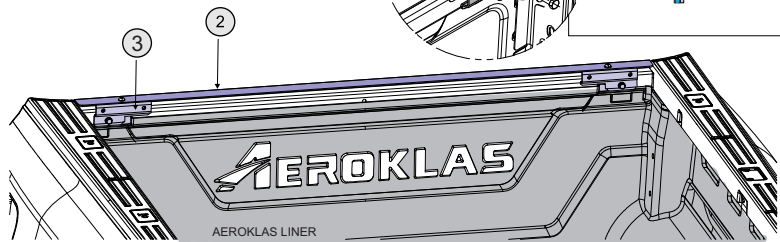
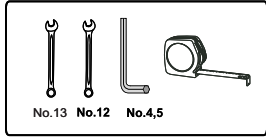
### STEP-1 INSTALL FRONT TRAY

548

DISTANCE FOR CL TO ③



#### TOOLS

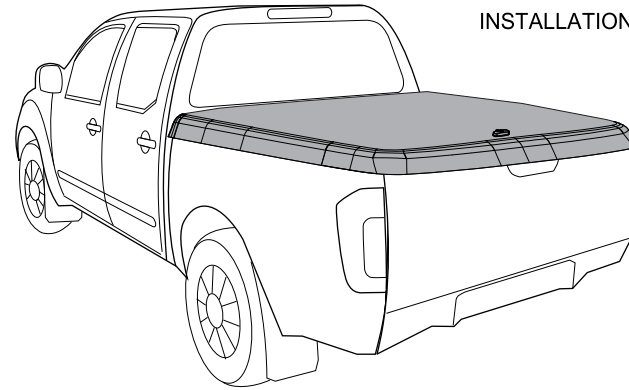


# AEROKLAS

## DECKCOVER : SPEED

INSTALLATION MANUAL FOR FORD RANGER P703 2022

คู่มือติดตั้งผ้าครอบกระบะฟอร์ด เรนเจอร์ 2022



### AEROKLASCO.,L TD.

62SoiBangna-T rad25,BangnaBangkok10260

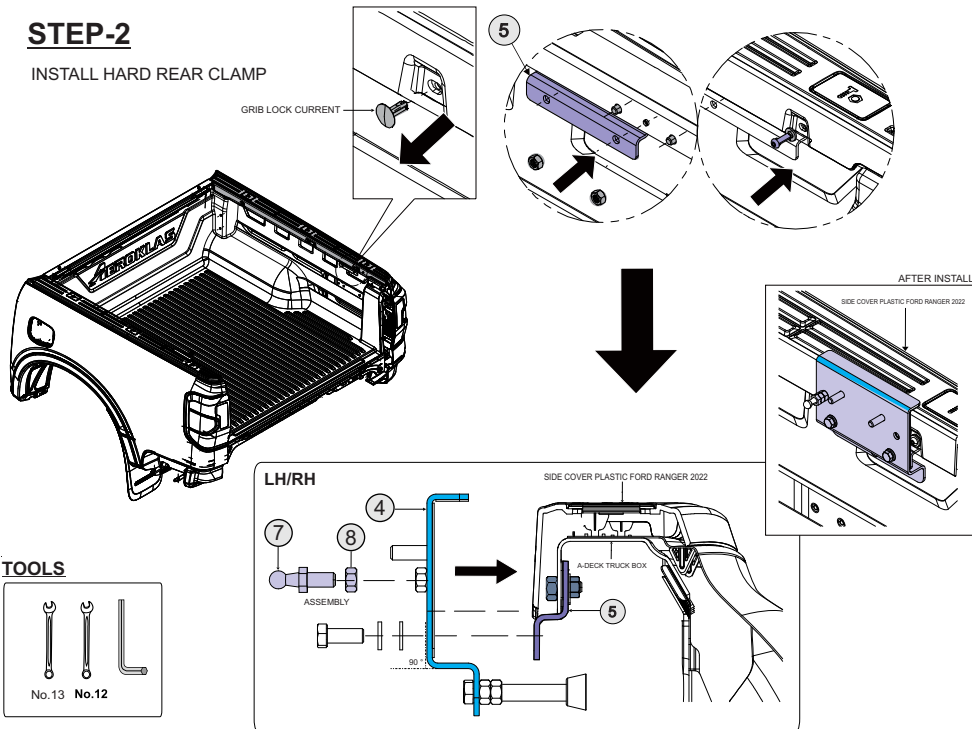
Tel:(662)7443020-9Fax:(662)7443030

www.aeroklas.com,www .deck-cover.comE-mail:webinfo@aeroklas.com

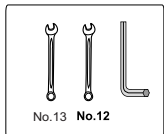
### STEP-2

INSTALL HARD REAR CLAMP

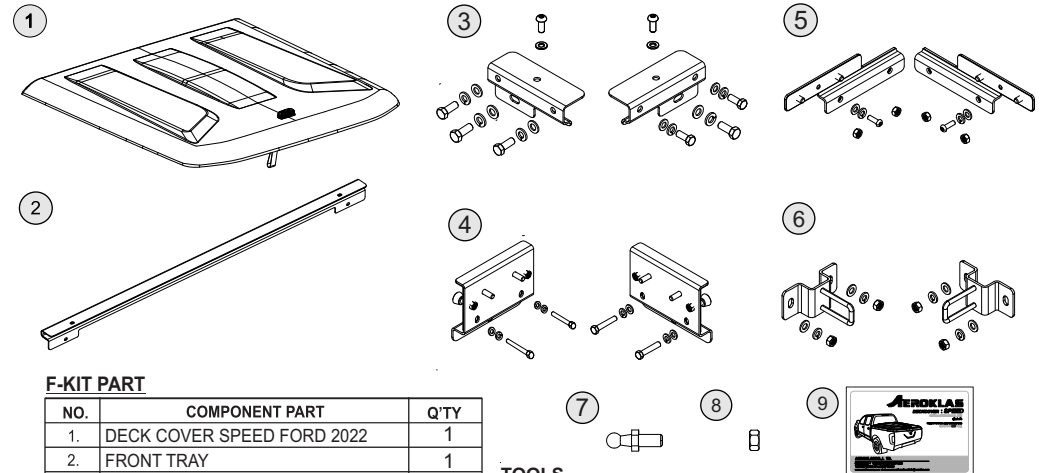
GRIB LOCK CURRENT



#### TOOLS



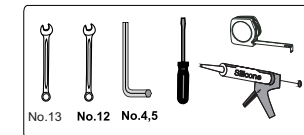
### F-KIT



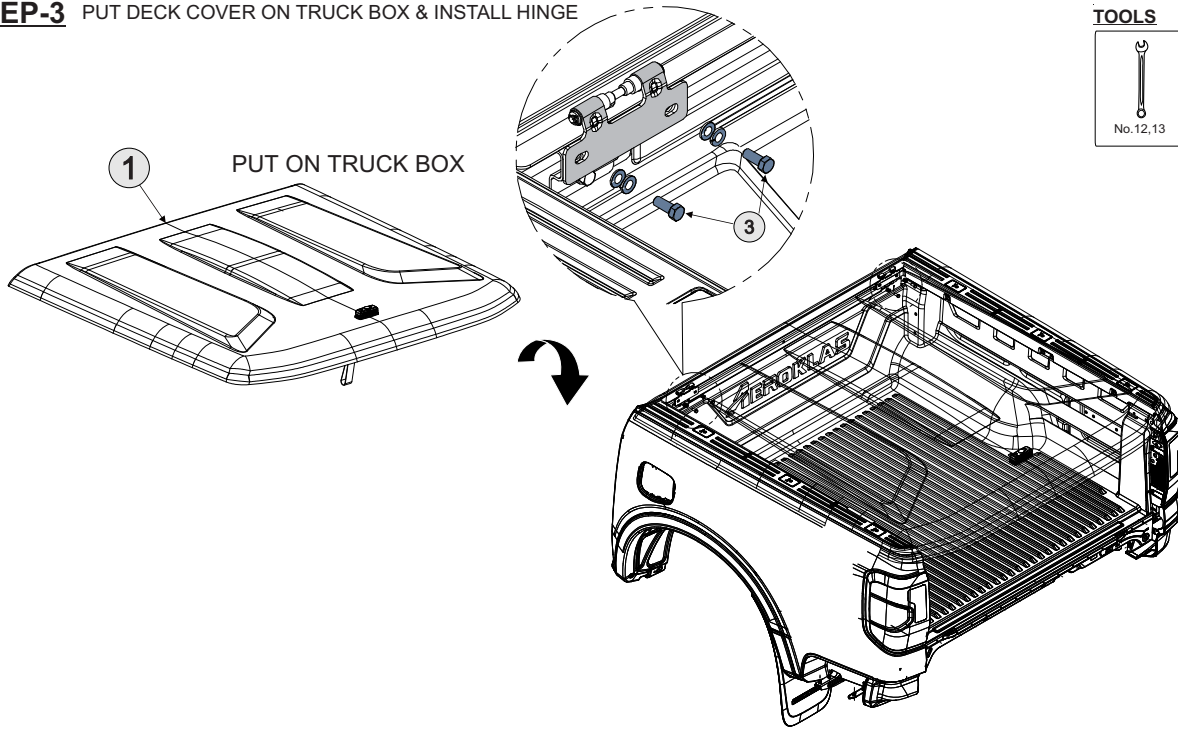
#### F-KIT PART

NO.	COMPONENT PART	Q'TY
1.	DECK COVER SPEED FORD 2022	1
2.	FRONT TRAY	1
3.	SUPPORT FRONT TRAY (SET)	1L / 1R
4.	OUTER HARD REAR CLAMP (SET)	2
5.	INTERNAL CLAMP (SET)	1L / 1R
6.	U-LOCK	2
7.	BALL STUD	2
8.	NUT M8	2
9.	INSTALLATION MANUAL	1

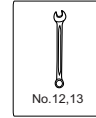
#### TOOLS



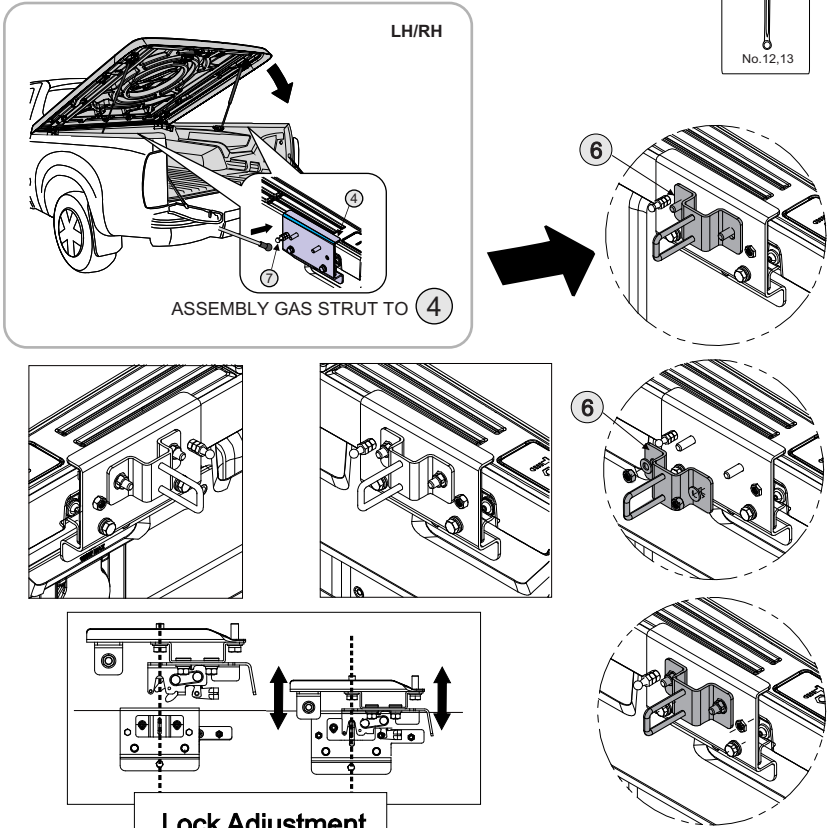
**STEP-3** PUT DECK COVER ON TRUCK BOX & INSTALL HINGE



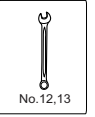
**TOOLS**



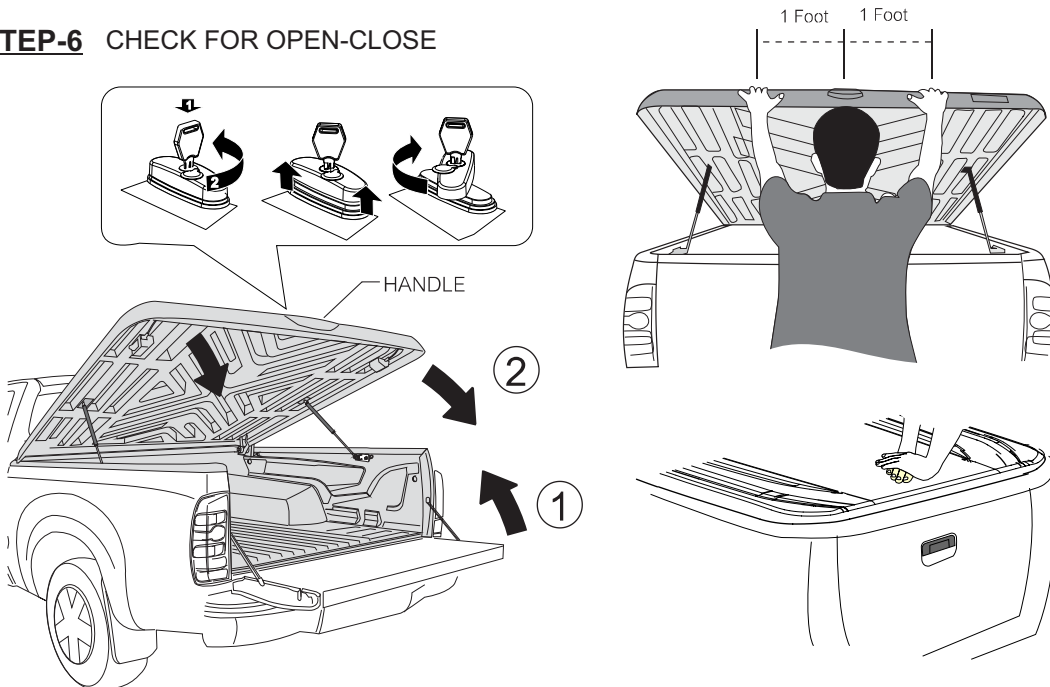
**STEP-4** INSTALL U-LOCK & ADJUST



**TOOLS**

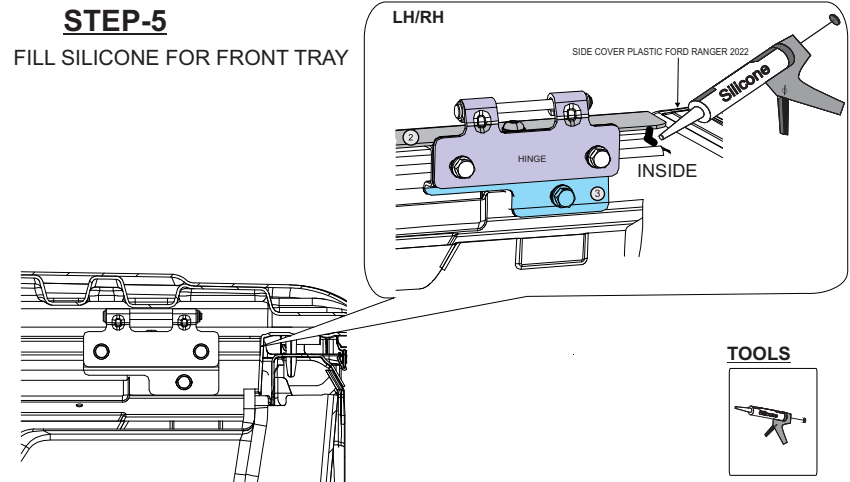


**STEP-6** CHECK FOR OPEN-CLOSE



**STEP-5**

FILL SILICONE FOR FRONT TRAY



**TOOLS**

