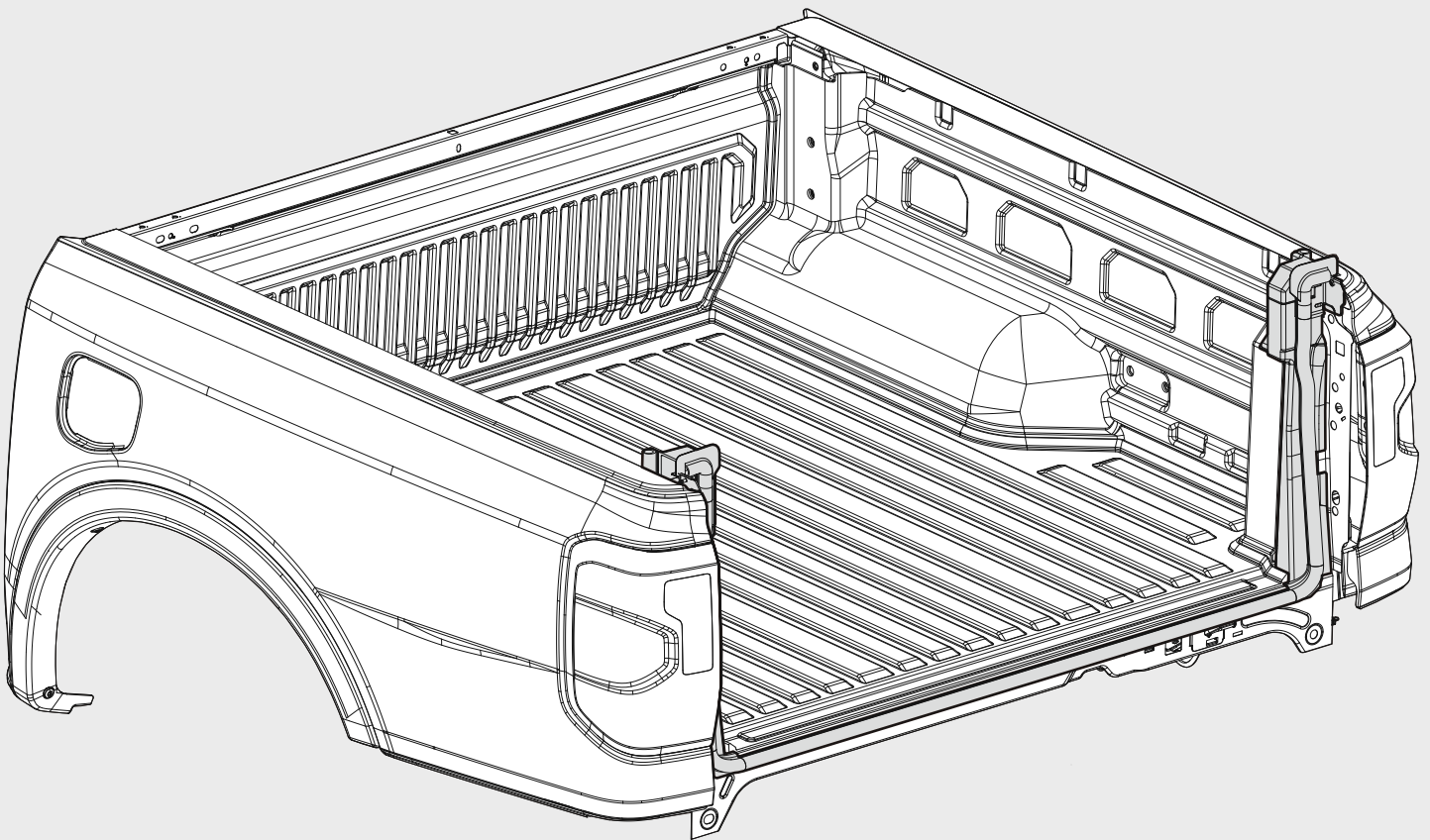


AEROKLAS - DUST DEFENCE SEAL

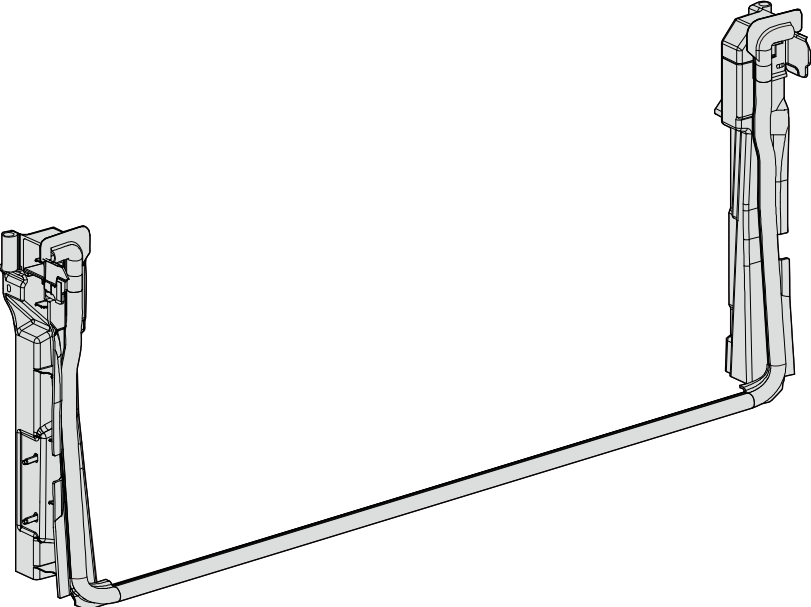


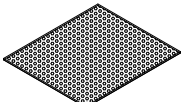
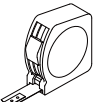
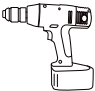



VGA2HJCNPYDSK INSTALLATION MANUAL AEROKLAS DUST DEFENCE SEAL FOR VW AMAROK 2022

Fit Time: 60 mins

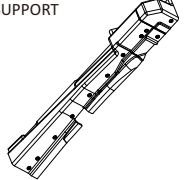
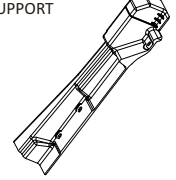

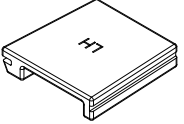
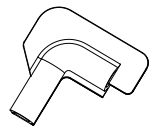
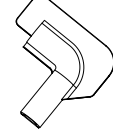
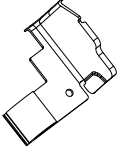
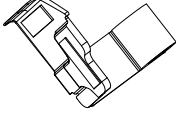
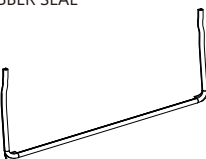
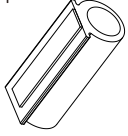
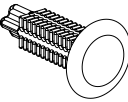

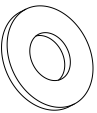

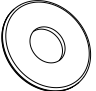

1. Part for the Tailgate for better protection against dust and water.
2. Suitable for use with VW Amarok factory supplied canopy.
3. Easy no drill install.



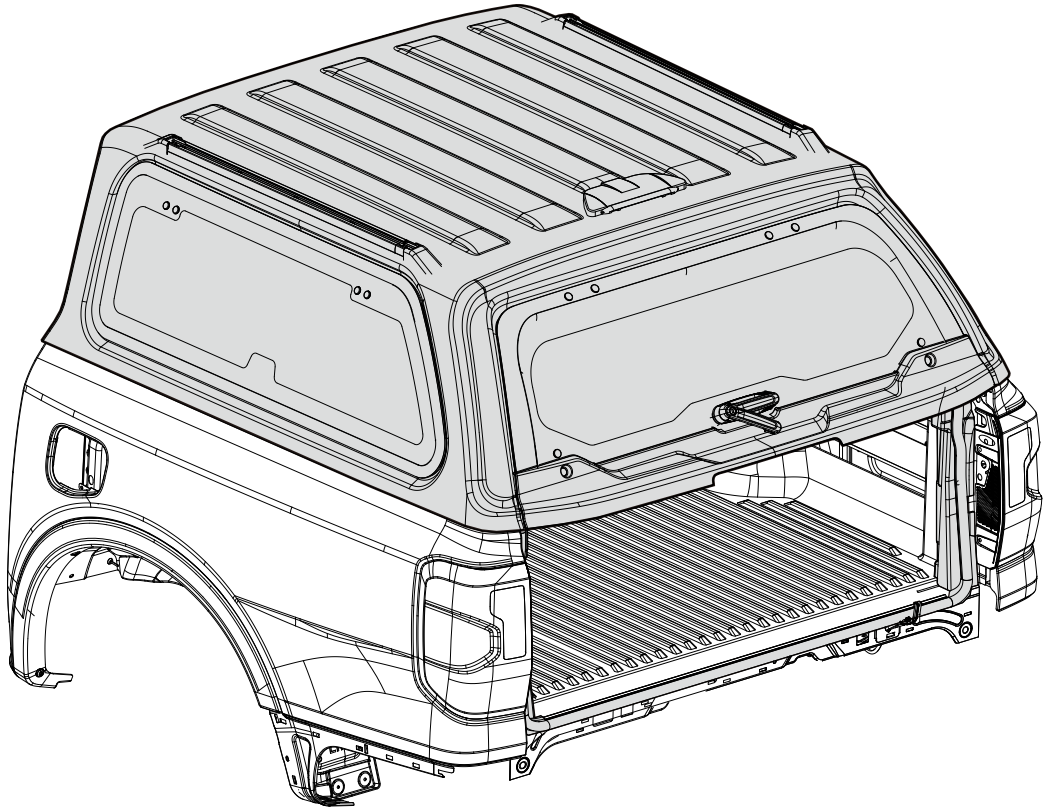
Parts List

PARTS LIST	INSTALLATION TOOLS
 <p style="text-align: center;">ISOMETRIC VIEW</p>	<div style="display: flex; flex-wrap: wrap;"> <div style="width: 50%;">  <p>SCREWDRIVER</p> </div> <div style="width: 50%;">  <p>CUTTING TOOL</p> </div> <div style="width: 50%;">  <p>SAND PAPER</p> </div> <div style="width: 50%;">  <p>TAPE MEASURE</p> </div> <div style="width: 50%;">  <p>ELECTRIC DRILL</p> </div> <div style="width: 50%;">  <p>DRILL Ø 5 mm.</p> </div> </div> <div style="display: flex; margin-top: 10px;"> <div style="width: 50%;">  <p>PRIMER</p> <p>Q x1</p> </div> <div style="width: 50%;">  <p>TEMPLATE</p> <p>R x1</p> </div> </div>

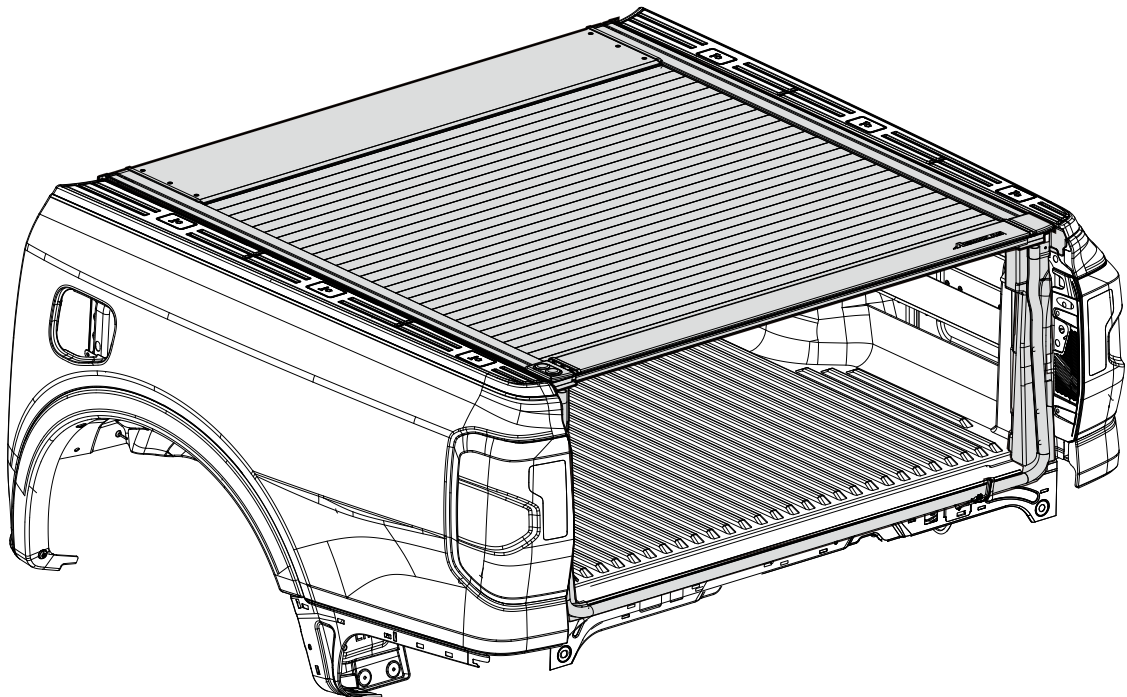
Parts List

<p>RHS SEAL SUPPORT</p>  <p>A x1</p>	<p>LHS SEAL SUPPORT</p>  <p>B x1</p>	<p>RHS COVER PAD</p>  <p>C x1</p>	<p>LHS COVER PAD</p>  <p>D x1</p>
<p>RHS RUBBER SEAL TOP FOR CANOPY</p>  <p>E x1</p>	<p>LHS RUBBER SEAL TOP FOR CANOPY</p>  <p>F x1</p>	<p>RHS RUBBER SEAL TOP FOR ROLLER LID</p>  <p>G x1</p>	<p>LHS RUBBER SEAL TOP FOR ROLLER LID</p>  <p>H x1</p>
<p>ASSY RUBBER SEAL</p>  <p>I x1</p>	<p>RUBBER SEAL PLATE FOR CANOPY</p>  <p>J x2</p>	<p>PUSH CLIP</p>  <p>K x4</p>	<p>SCREW M8x30</p>  <p>L x4</p>
<p>WASHER M8 OD18</p>  <p>M x4</p>	<p>SCREW M6x20</p>  <p>N x2</p>	<p>WASHER M6x1.2 OD20</p>  <p>O x2</p>	<p>WASHER M8 THICKNESS 3 mm.</p>  <p>P x4</p>

PRODUCT



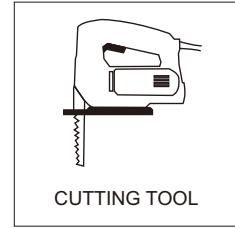
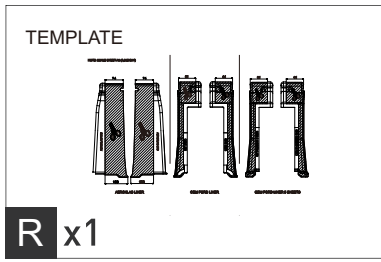
CANOPY



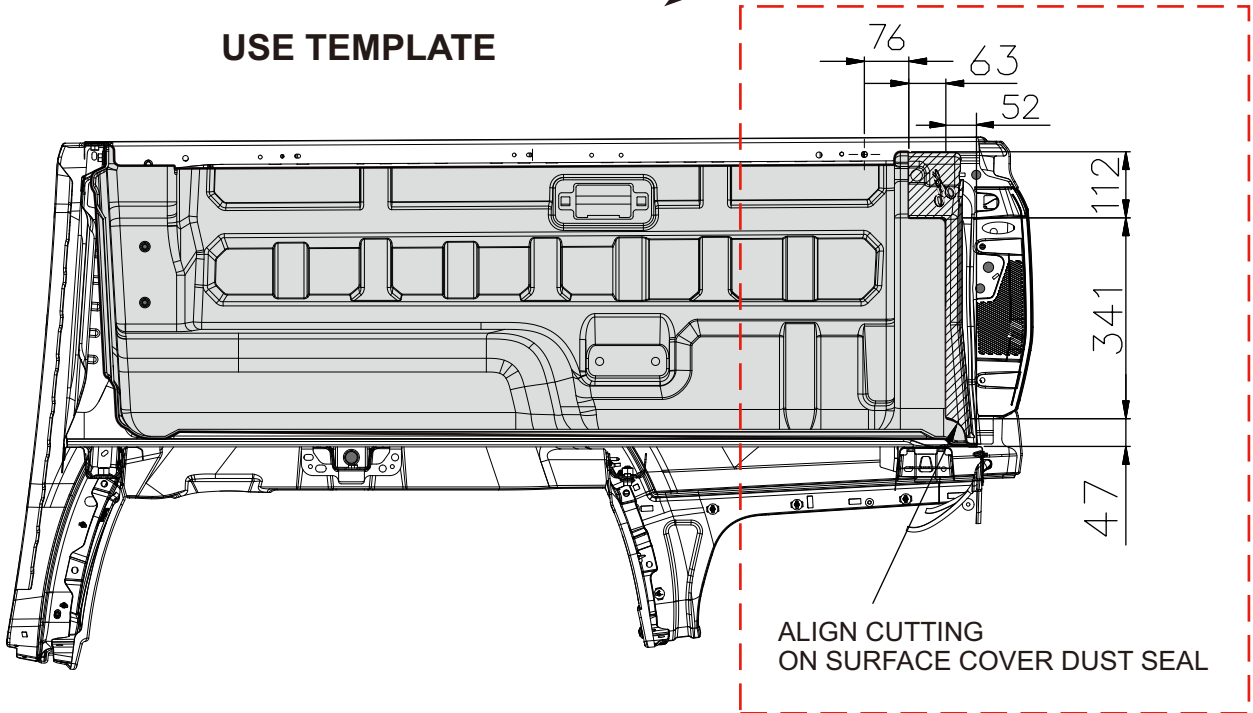
ROLLER LID

DIMENSIONS FOR CUTTING LINER

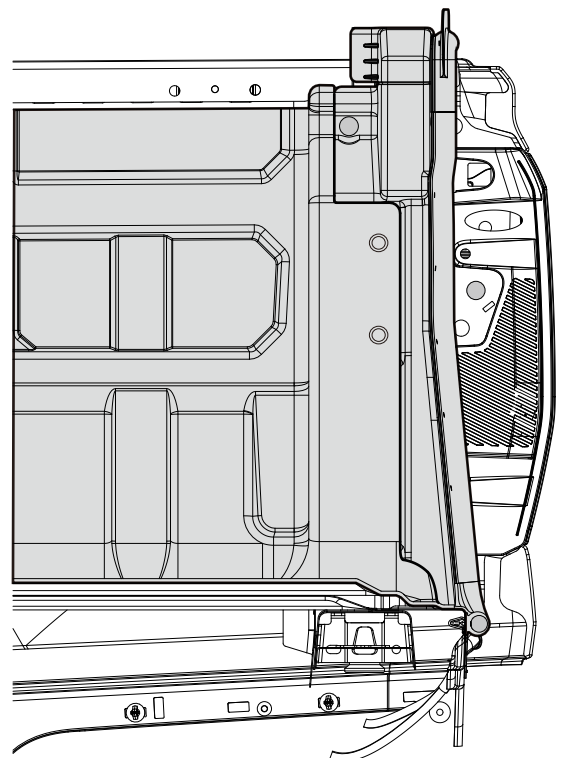
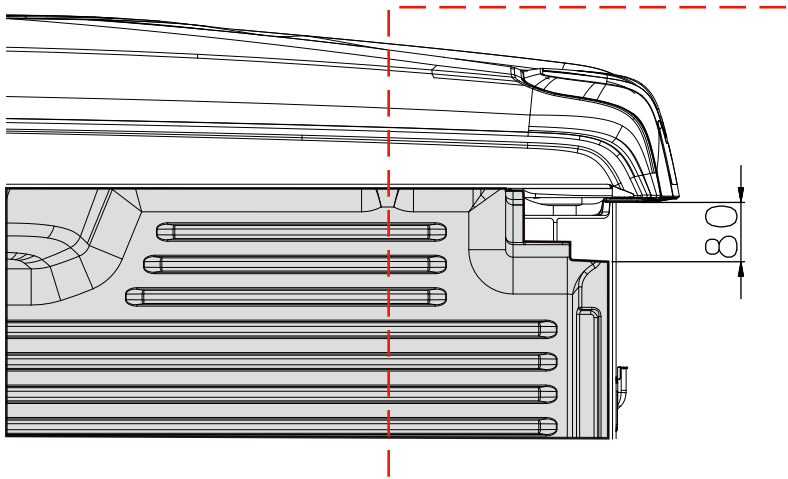
LINER OEM



USE TEMPLATE

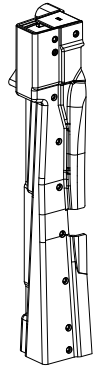


For vehicles with plastic bed liner use the supplied template.
For vehicles with spray on liner and no liner proceed to step 1.



FITTING DUST DEFENCE SEAL

1

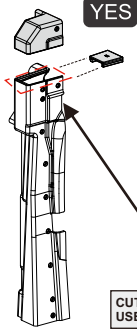


SEAL SUPPORT FOR ROLLER LID



SEAL SUPPORT FOR CANOPY

2

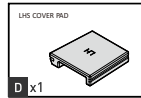
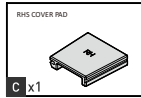


YES

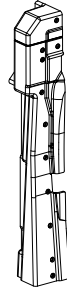
CUT THE HEAD SEAL SUPPORT
USE FOR ROLLER LID.

SEAL SUPPORT WITHOUT HEAD
USE FOR ROLLER LID.

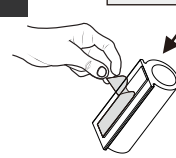
AFTER CUT THE HEAD SEAL SUPPORT,
PLEASE DECORATE WITH SANDPAPER.



NO

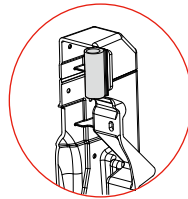
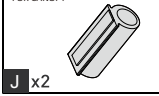


3



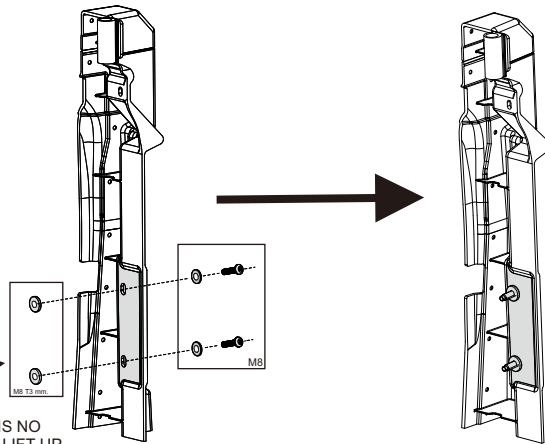
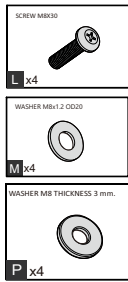
USE FOR CANOPY

RUBBER SEAL PLATE
FOR CANOPY



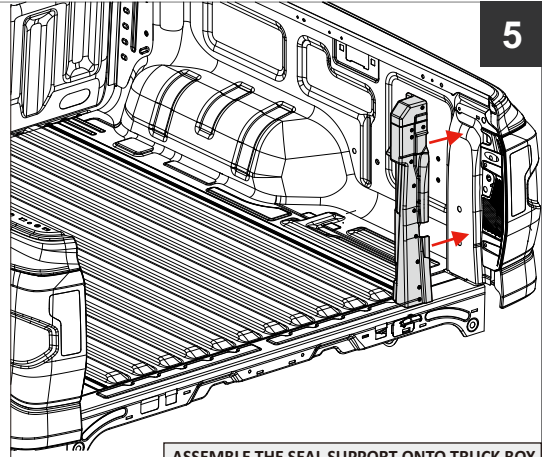
NOTE:
1. THIS STEP FOR USING DUST DEFENCE SEAL WITH ROLLER LID.
2. IF YOU USING DUST DEFENCE SEAL WITH CANOPY,
YOU CAN SKIP TO NEXT STEP (3).

4



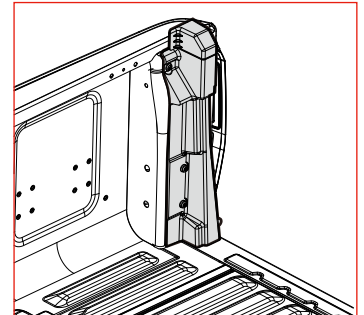
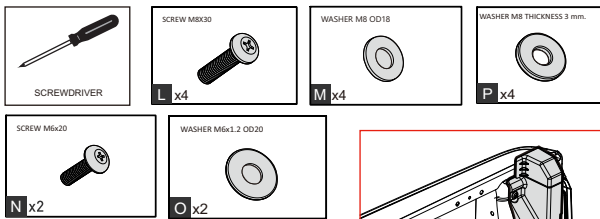
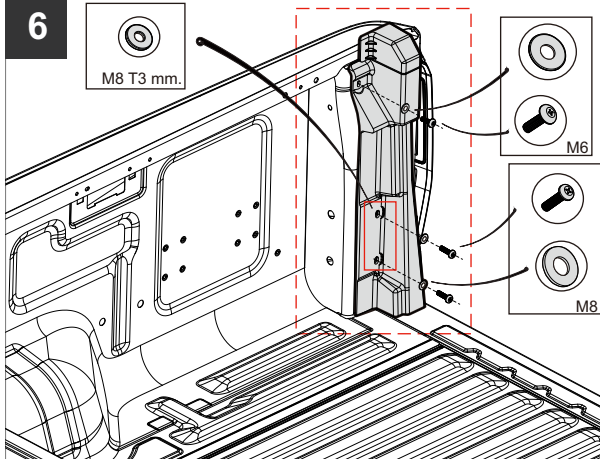
USE WHEN THERE IS NO
BRACKET TAILGATE LIFT-UP

5

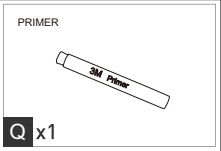
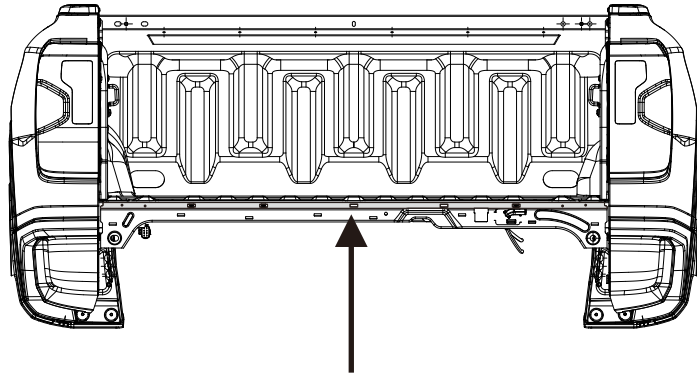


ASSEMBLE THE SEAL SUPPORT ONTO TRUCK BOX

6

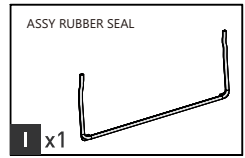
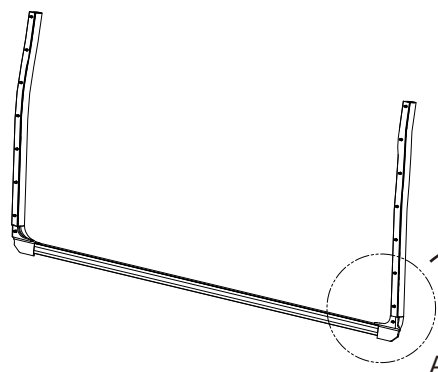
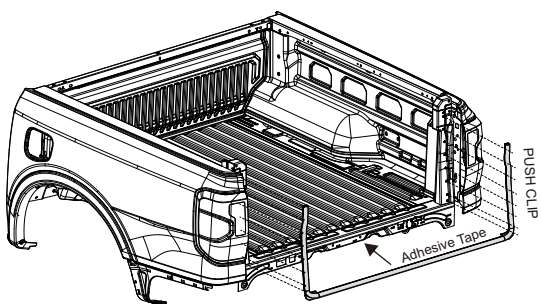


7



PLEASE CLEAN SURFACE HERE AND APPLY PRIMER

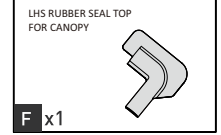
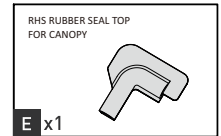
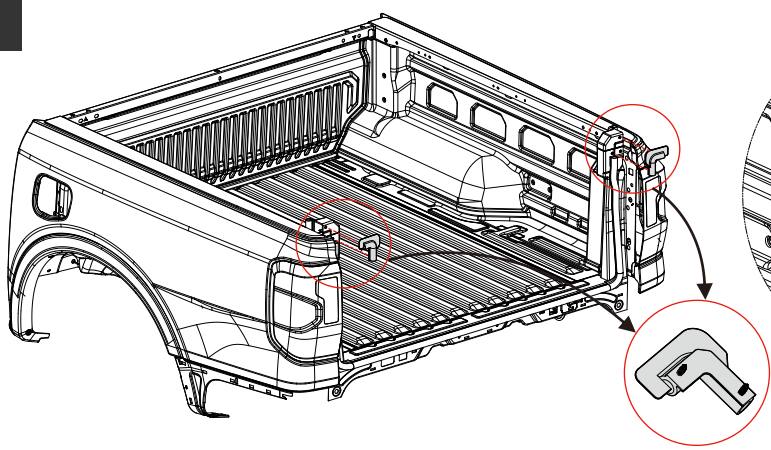
8



Adhesive Tape

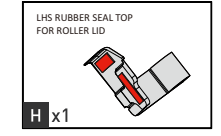
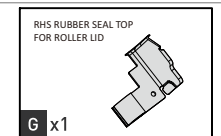
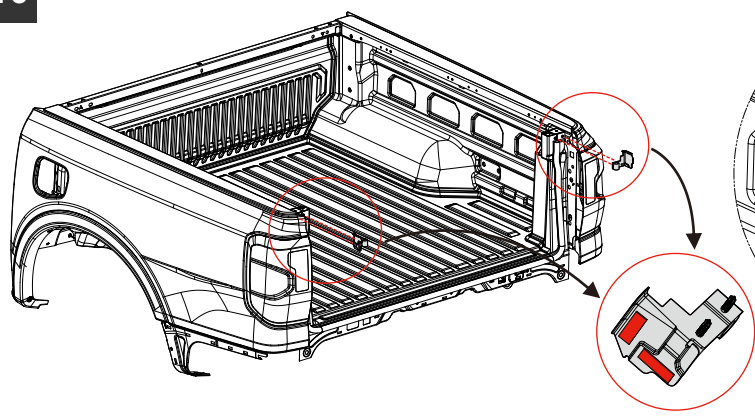
PUSH THE SEAL CLIPS INTO THE MOUNTING HOLES.

9



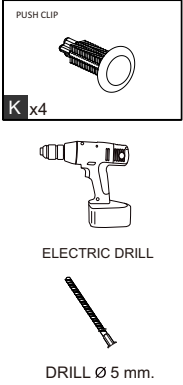
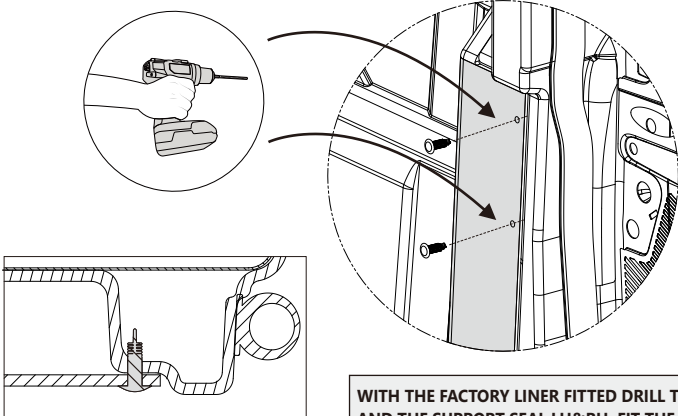
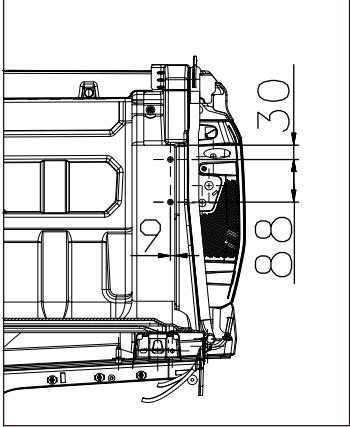
ASSEMBLE RUBBER SEAL FOR CANOPY

10



ASSEMBLE RUBBER SEAL FOR ROLLER LID

11



WITH THE FACTORY LINER FITTED DRILL THE HOLES THROUGH THE LINER AND THE SUPPORT SEAL LH&RH, FIT THE PUSH CLIPS.