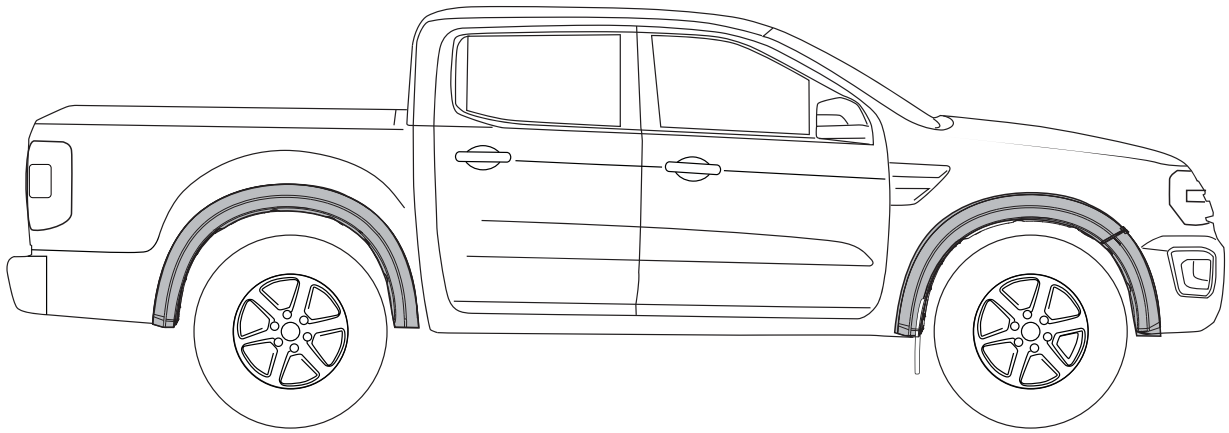
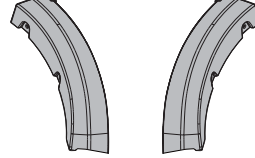
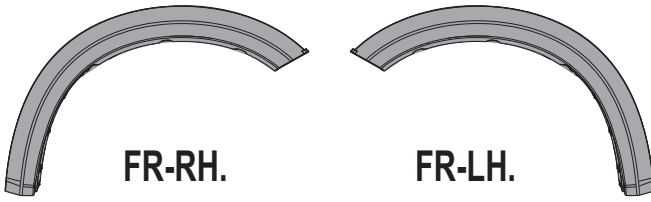
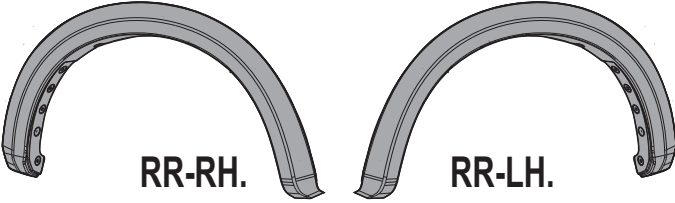
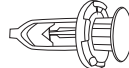
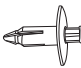
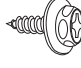



INSTALLATION INSTRUCTION
FENDER FLARE FOR FORD RANGER 2022 →



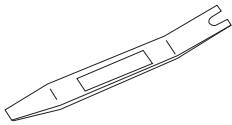
| | | Q'TY | |
|---|--|------|----|
| | | LH | RH |
| ① |  FR-RH. FR-LH. | 1 | 1 |
| ② |  FR-RH. FR-LH. | 1 | 1 |
| ③ |  RR-RH. RR-LH. | 1 | 1 |
| ④ |  | 4 | |
| ⑤ |  | 30 | |
| ⑥ |  Screw (M6x20) | 4 | |
| ⑦ |  | 1 | |

TOOLS FOR INSTALLATION



Tools.

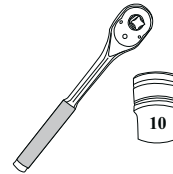
Trim Remover



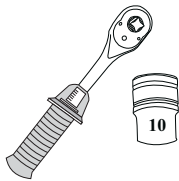
Marking Tape



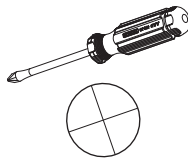
Socket Wrench
No.10



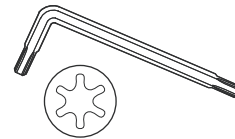
Torque Wrench
No.10



Philip's
Screwdriver



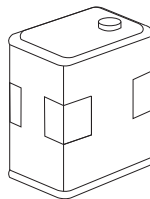
Star Wrench



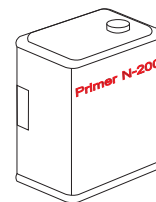
Cloth



Degreaser
(or White Gasoline)



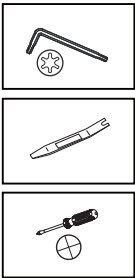
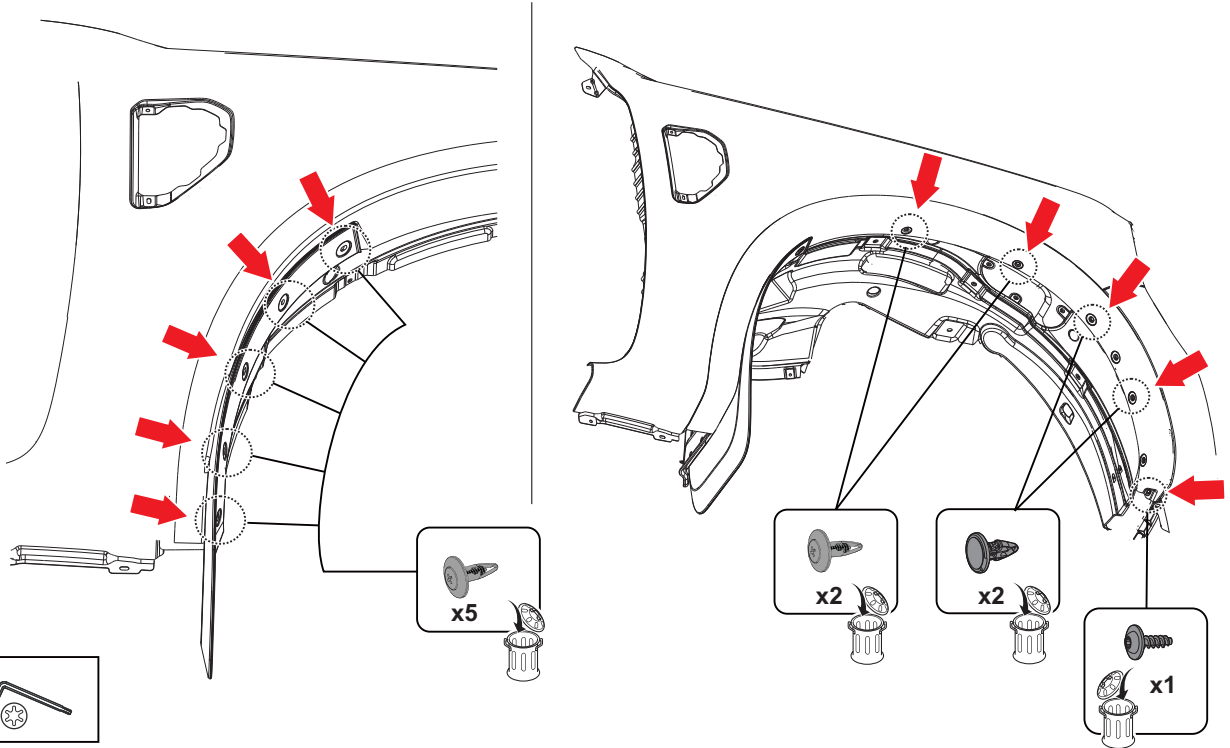
Primer N-200
OR K-520



FRONT BUMPER & FRONT FENDER FLARE

1

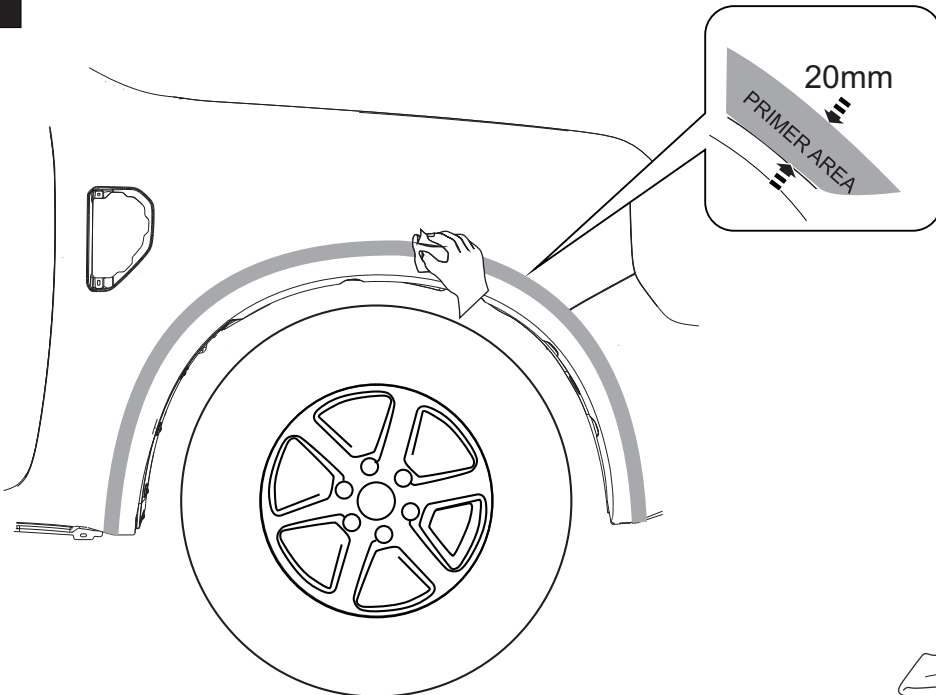
RH. VIEW



Remove Original Clip (OE) & Tapping Screw (OE).
(Not Return Install)

2

RH. VIEW



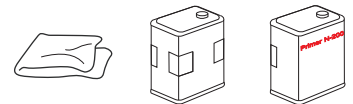
Cleaning Car Body

20mm
PRIMER AREA

↓

↓ After Dried

CAUTION
The Primer Dry In 60 Sec.

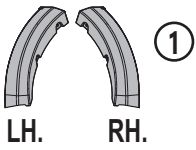


FRONT BUMPER & FRONT FENDER FLARE

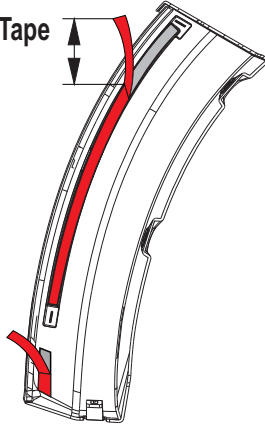
3

STEP 1. Pick Up Liner Tape and Stick Out of Released Paper.
STEP 2. Stick Out of Released Paper.

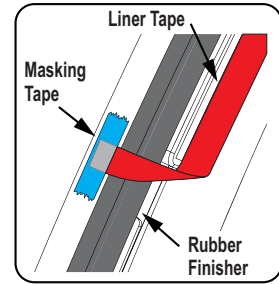
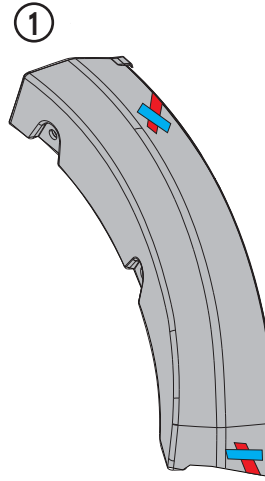
RH. VIEW



Pick Up Liner Tape
20-30 mm.



Back View.

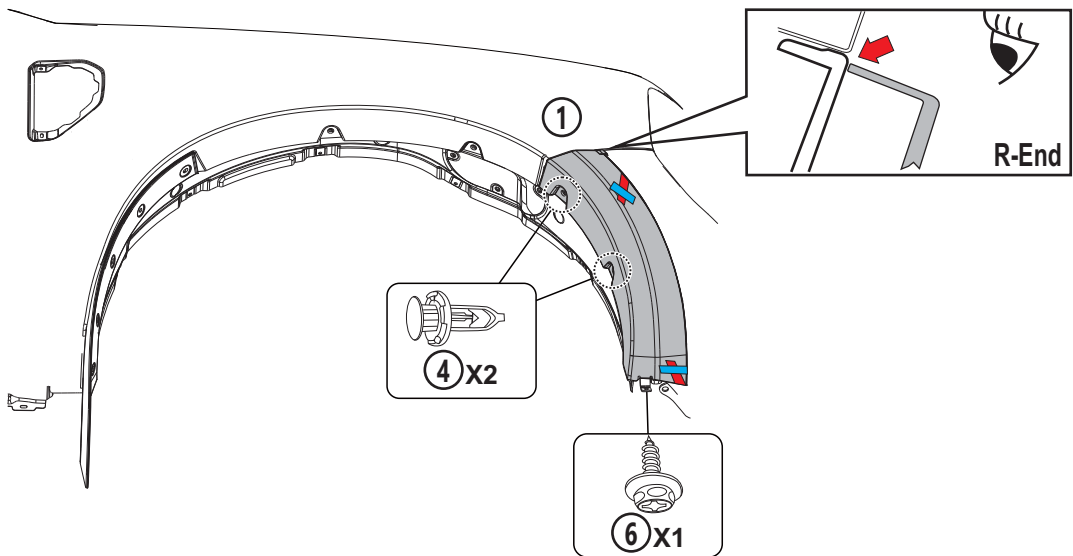
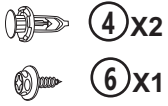


Pick Up Liner Tape and Stick Out of Released Paper.

4

STEP 1. Install Front Bumper Fender Flares RH.
STEP 2. Pre-Tightening New Screw & Pre-Install New Clip (4).

RH. VIEW



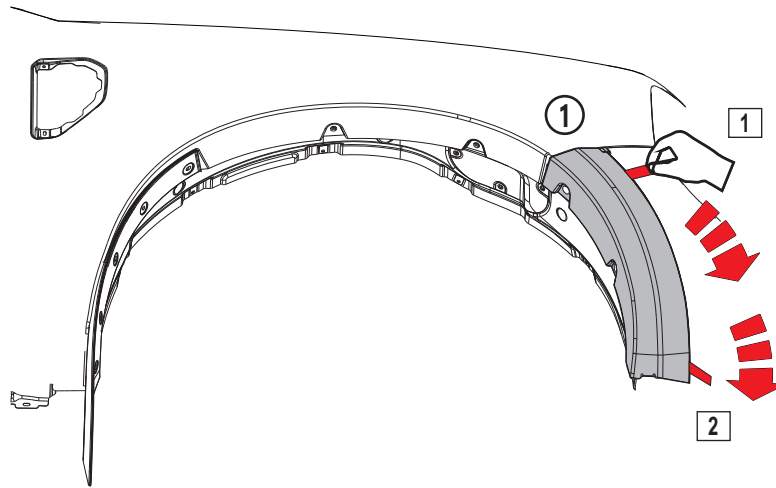
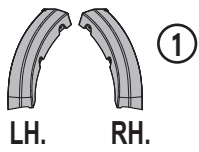
Socket Wrench
No.10

Install Front Bumper Fender Flares RH.

FRONT BUMPER & FRONT FENDER FLARE

5

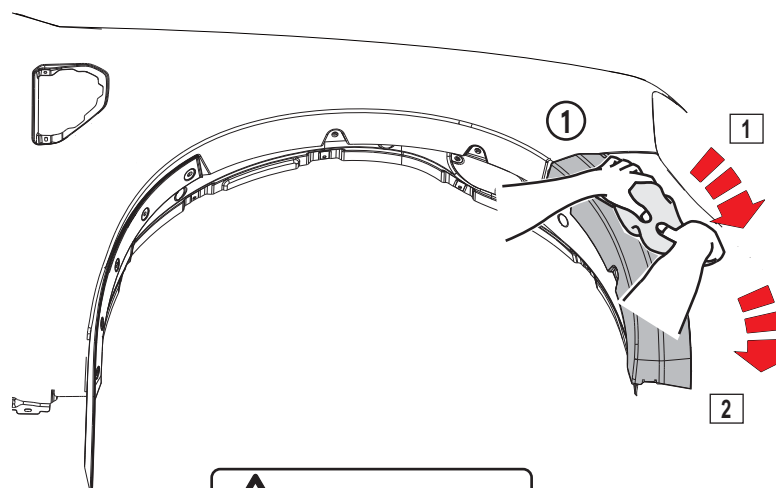
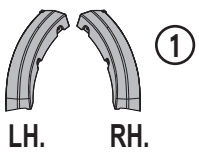
RH. VIEW



Peel the Liner Tape.

6

RH. VIEW



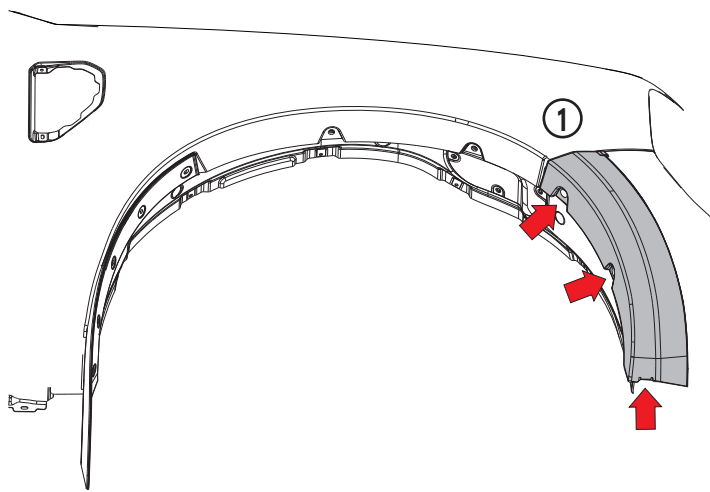
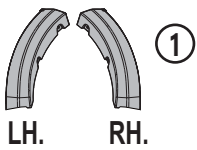
 **CAUTION**
Press securely.

Press Adhesive Tape.

FRONT BUMPER & FRONT FENDER FLARE

7

RH. VIEW

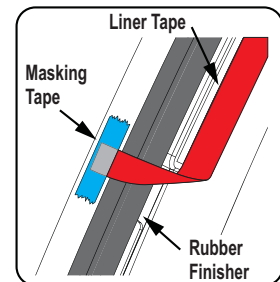
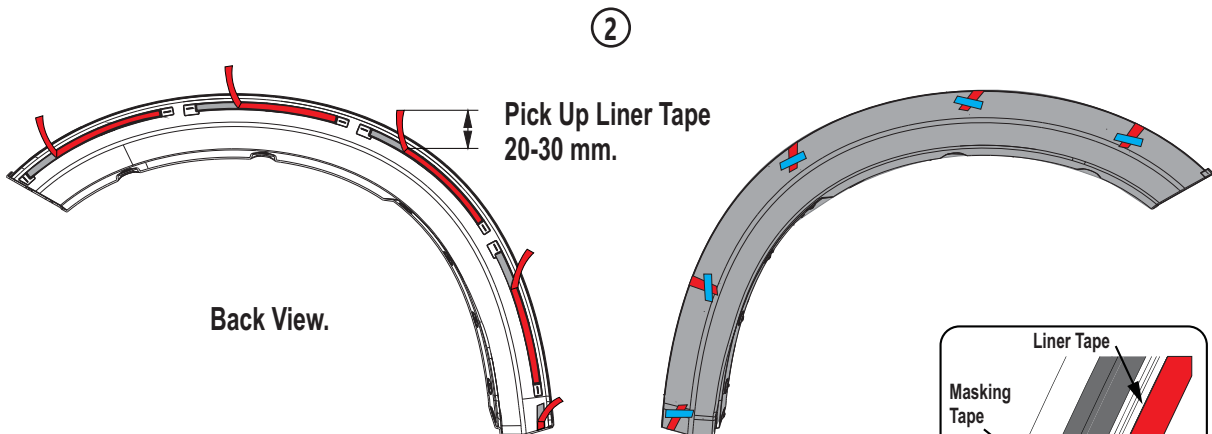
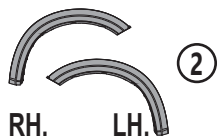


Final Tightening Tapping Screw (New) 4.5 +0.5 N-m. & Push Clip (New).

8

STEP 1. Pick Up Liner Tape and Stick Out of Released Paper.
STEP 2. Stick Out of Released Paper.

RH. VIEW



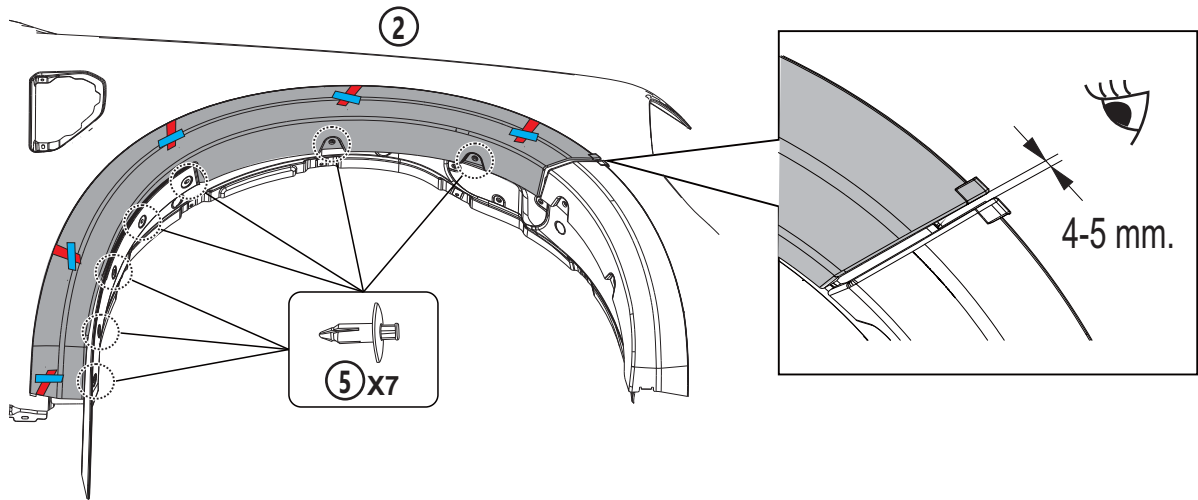
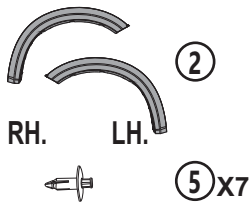
Pick Up Liner Tape and Stick Out of Released Paper.

FRONT BUMPER & FRONT FENDER FLARE

9

STEP 1. Install Front Fender Flares RH.
STEP 2. Pre-Install New Clip ⑤.

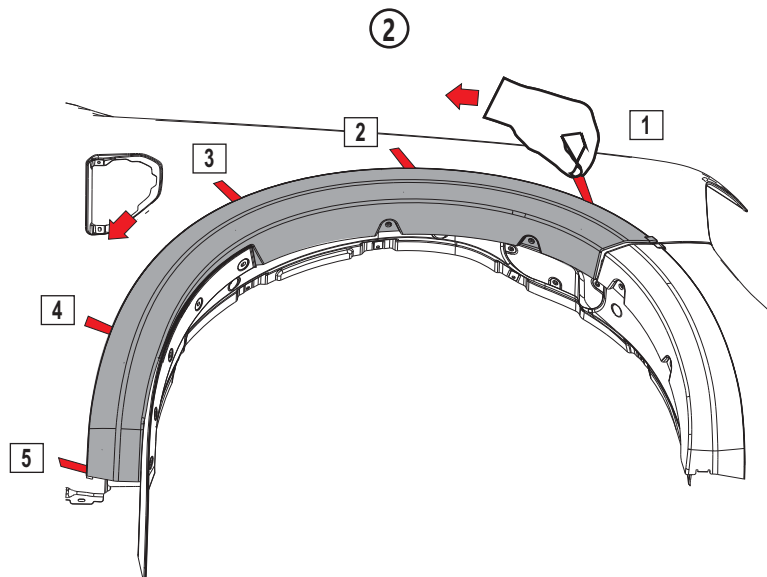
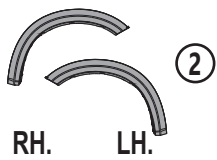
RH. VIEW



Install Front Fender Flares RH.

10

RH. VIEW

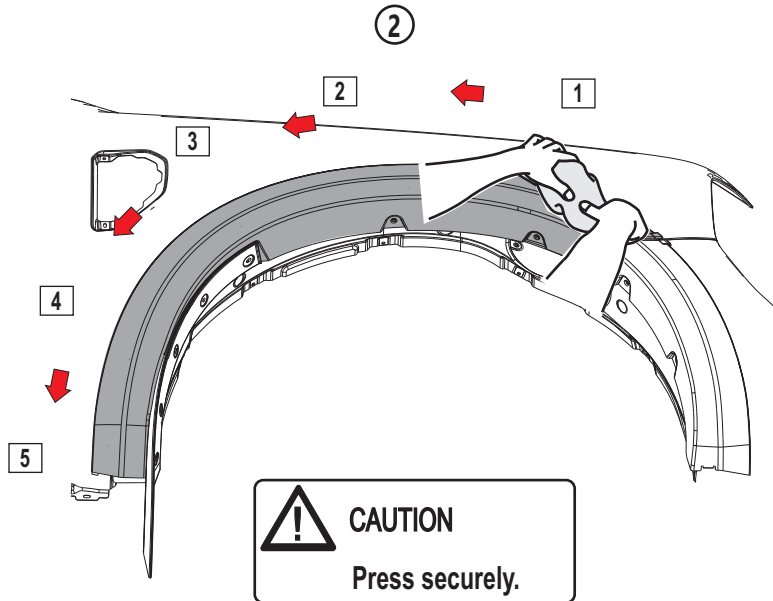
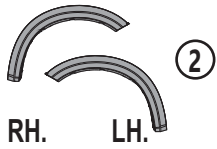


Peel the Liner Tape.

FRONT BUMPER & FRONT FENDER FLARE

11

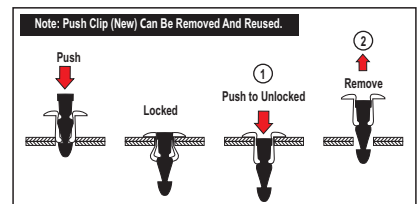
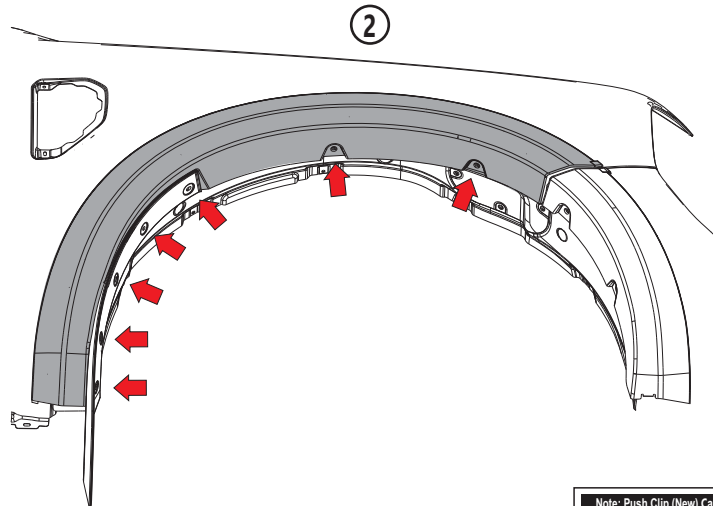
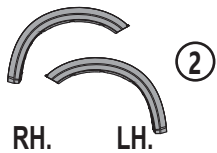
RH. VIEW



Press Adhesive Tape.

12

RH. VIEW

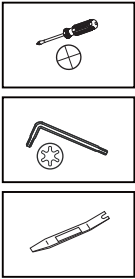
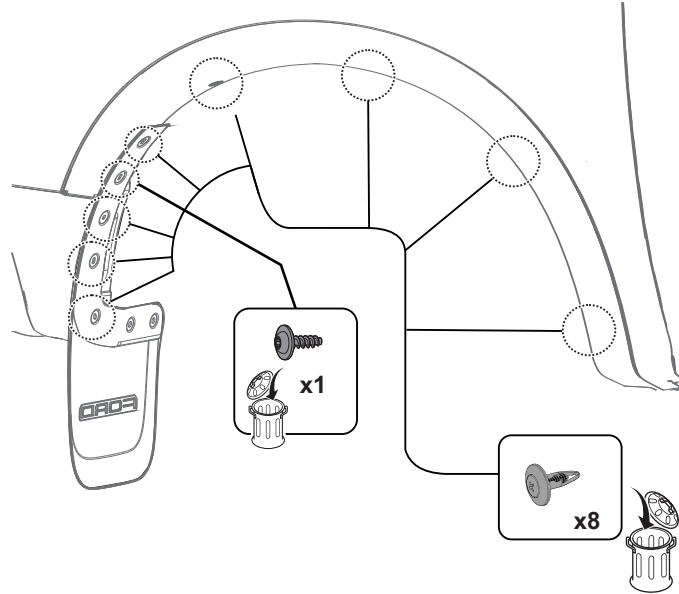


Final Tightening Push Clip (New).

REAR FENDER FLARE

13

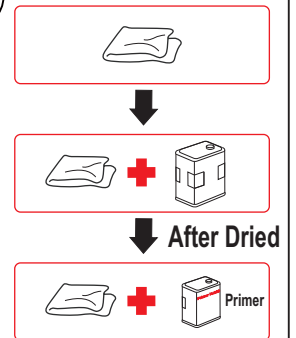
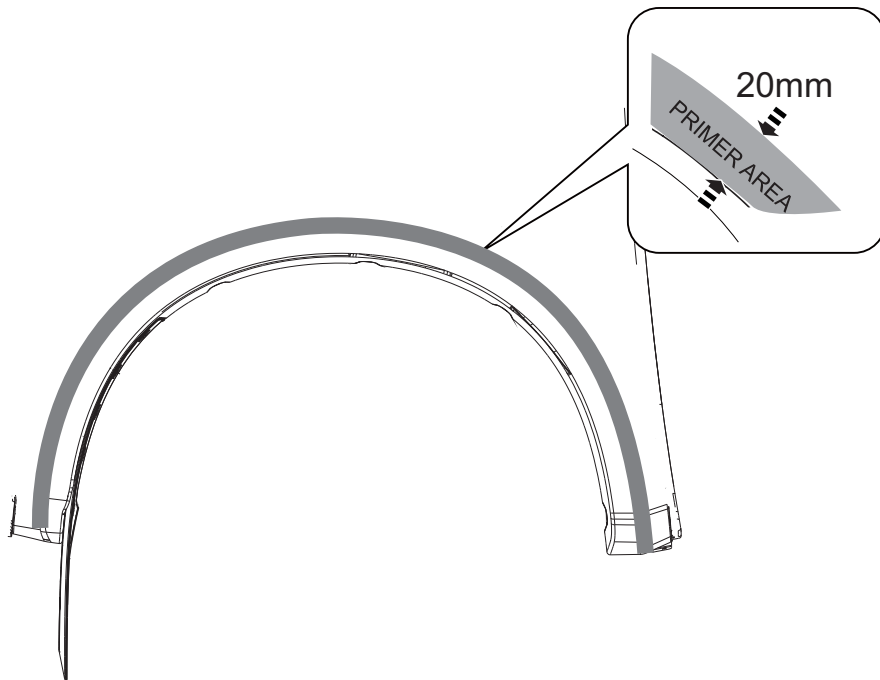
RH. VIEW



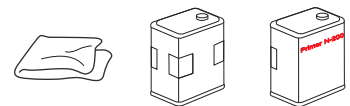
Remove Original Clip (OE) & Tapping Screw (OE).
(Not Return Install)

14

RH. VIEW



Cleaning Car Body

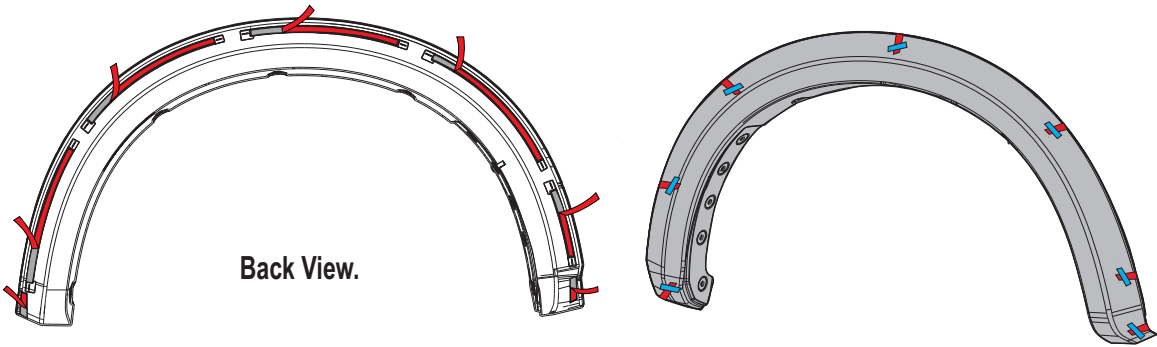
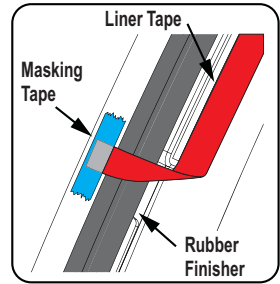
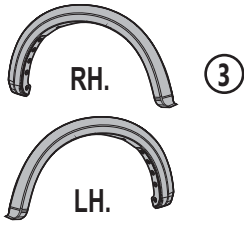


REAR FENDER FLARE

15

STEP 1. Pick Up Liner Tape and Stick Out of Released Paper.
STEP 2. Stick Out of Released Paper.

RH. VIEW



Back View.

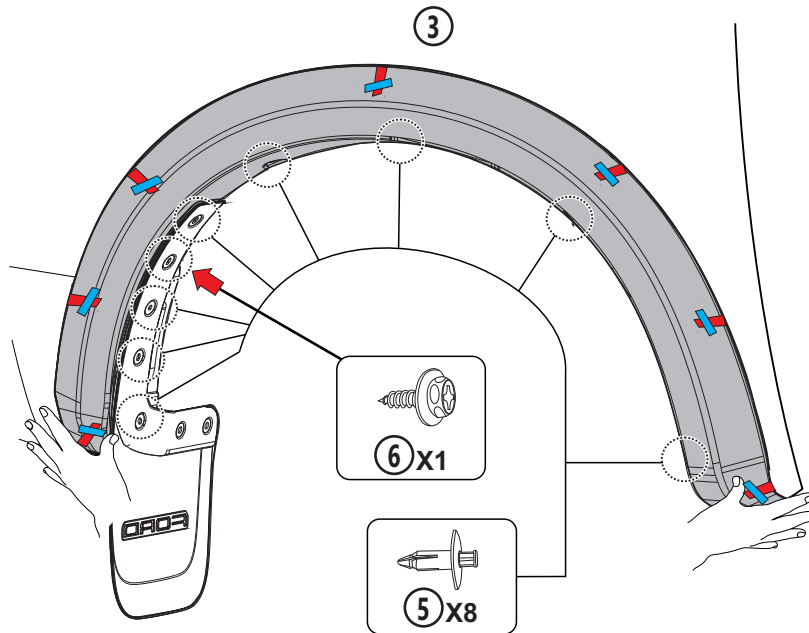
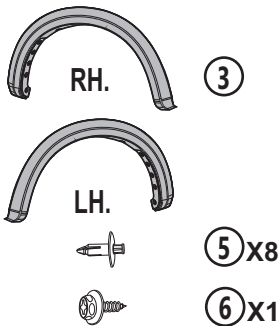


Pick Up Liner Tape and Stick Out of Released Paper.

16

STEP 1. Install Rear Fender Flares RH.
STEP 2. Pre-Tightening New Screw & Pre-Install New Clip (5).

RH. VIEW



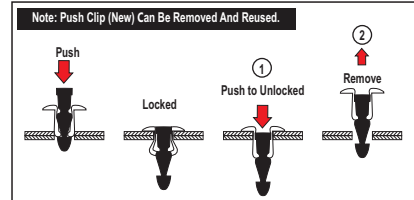
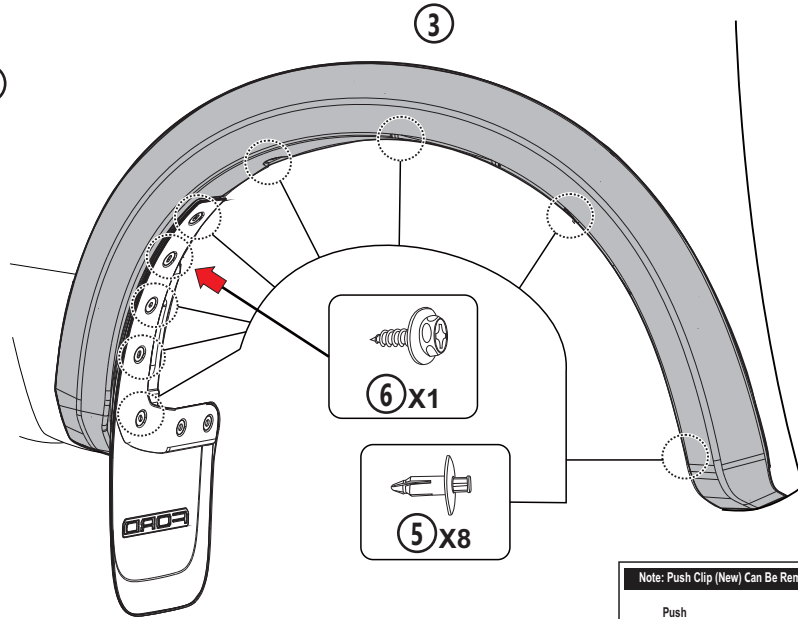
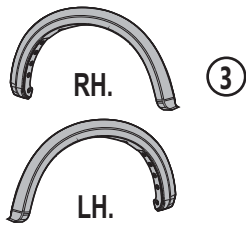
Socket Wrench
No.10

Install Rear Fender Flares RH.

REAR FENDER FLARE

19

RH. VIEW



Final Tightening Tapping Screw (New) 4.5 +0.5 N-m. & Push Clip (New).

20

For LH. Follow Step 1-19

21



24 h



No washing

