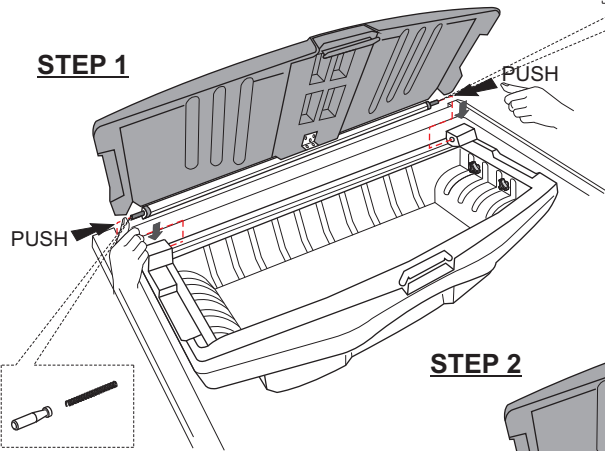


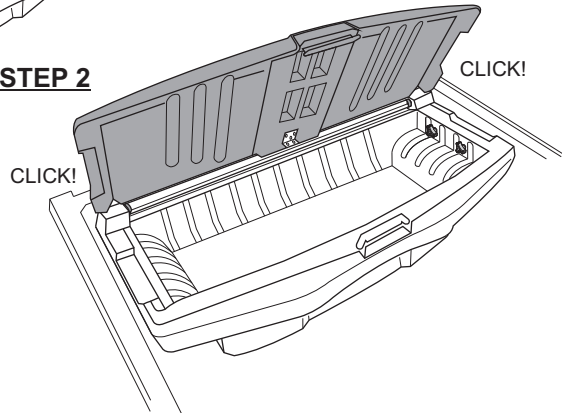
5 Spring & Pin SET 1 SET.



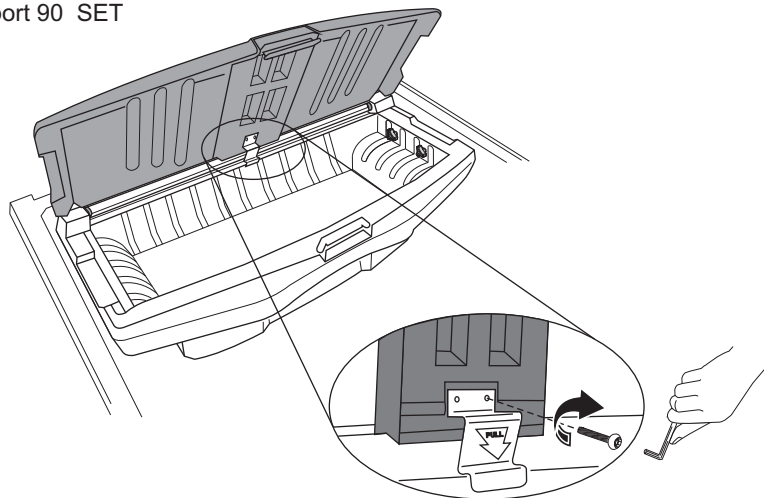
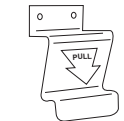
STEP 1



STEP 2



6 Plate Open Support 90 SET



Torque 10 Nm.

AEROKLAS

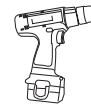
INSTALLATION MANUAL FOR U-BOX TRINITY (STANDARD)

Available Models

- Toyota Hilux 2011
- Isuzu New D-Max 2011
- Ford New Ranger 2012
- Mazda BT-50 2012
- Chevrolet Colorado 2012
- Nissan Navara 2007
- Mitsubishi Triton 2009
- VW Amarok 2011



Tools



Hand Drill



∅9



∅5

Drill ∅5 & ∅9



No.17



Hexagon No.4



Measurement tape



Screw driver



Marker/



Dry cloth

Components

No.	Part name	Qty	Photo / Drawing	No.	Part name	Qty	Photo / Drawing
1	Cover	1		4	Spring & Pin SET	1	 Spring Q'TY 2 Pin Q'TY 2
2	Body	1		5	Plate Open Support 90° SET	1	 Socket Screw Q'TY 2 Plate Open Support 90° Q'TY 1
3	Fitting SET	1	 Side Plate Q'TY 4 Adjust Rod Q'TY 4 Rubber Washer Q'TY 4 Rivet 5 mm. Q'TY 8 Plastic Knob Q'TY 4 OR U-Plate Q'TY 4	6	Keys & Installation Manual SET	1	

