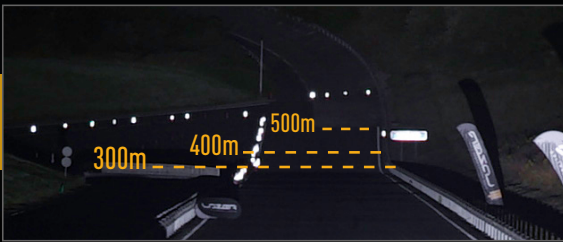


SENTINEL 9" ELITE

New for 2021, the Sentinel range are 9" round lamps that combine distinctive high-end product design, with superior lighting performance and build quality symbolic of the Lazer Lamps name. The Sentinel Elite product comes available with a sleek black internal appearance, and a combination of 32 high power LEDs, representing the very best lighting performance as expected from a product bearing the 'Elite' tag. Lighting performance aside, meticulous product styling ensures this is a product that stands out for all the right reasons.



SENTINEL 9" ELITE

- Combination of 32 premium 'bin' LEDs
- Black PCB and bezel detail result in stealth black internal appearance
- Integrated white and amber position light function available
- 5000K LED colour temperature and 80CRI maximises sharpness and definition
- Ultra-reflective vacuum-metallised spot and wide optics
- UNECE Reg 112 Class B Driving Light, approved for on-road high beam (E-Boost technology)
- Contemporary lamp design
- Supplied with 'slim' diecast aluminium mounting bracket featuring Sentinel stamp
- Electronic thermal management system optimises light output to preserve longevity of the LEDs
- Anodised pre-treatment and automotive grade powder top-coat for ultimate corrosion and chemical protection
- CAE optimised heatsink offers improved thermal dynamics
- Over voltage protected
- Reverse polarity protected
- 'Unbreakable' polycarbonate lens with hardcoat lacquer
- A2 stainless steel fasteners with automotive grade black coating
- UNECE approved Reg 10
- IP68 watertight – 1.5m submersion (30mins)
- 5-year warranty
- Supplied with pre-wired male/female 2-pin/3-pin Superseal connectors
- Designed & manufactured in UK

E-MARK REF	N/A / 20
VOLTAGE RANGE	10V - 32V
RAW LUMENS	15,323
BEAM PATTERN	Combo
BEAM DISTANCE (0.25LX)	1483m
# HIGH POWER LEDs	32
POWER CONSUMPTION	145 Watts
CURRENT DRAW†	10.1 Amps
LED LIFE	50,000 Hrs*
WEIGHT	2500g

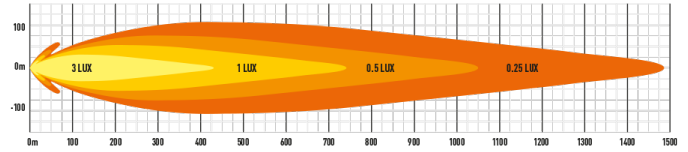


* LED Manufacturers Specifications †At 14.4 Volts

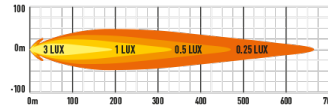
T +44 (0) 1992 677374
E sales@lazerlamps.com

Lazer Lamps Ltd, Units 1-2, Harlow Mill Business Centre,
Riverway, Harlow, Essex CM20 2FD, United Kingdom

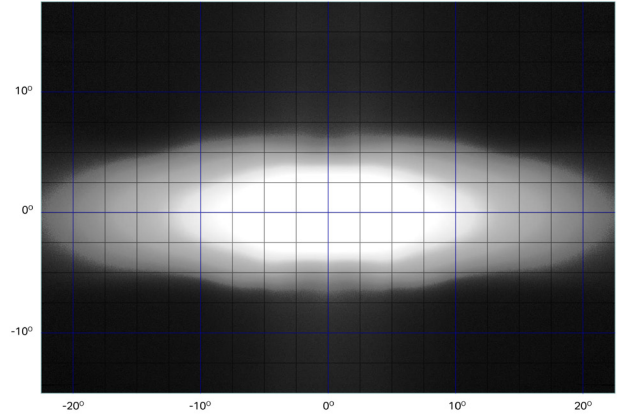
SENTINEL ELITE (E-BOOST MODE)



SENTINEL ELITE (E-MARK MODE)

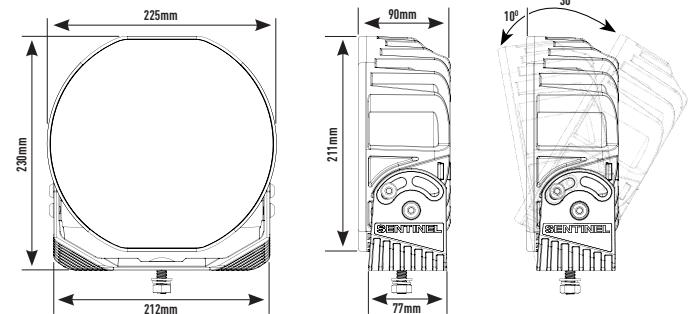


Horizontal: 52° / Vertical: 14° (2% of peak)



WIDE MOUNT

Lamp suitable for horizontal or vertical mounting positions



SLIM MOUNT

* No downward rotation when Lens Cover is fitted.

