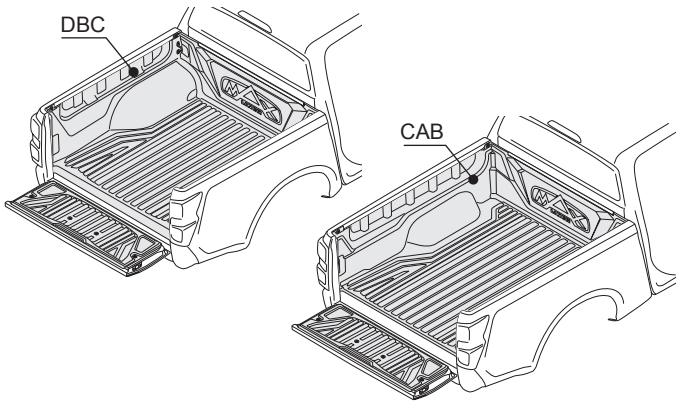


INSTALLATION INSTRUCTIONS MANUAL



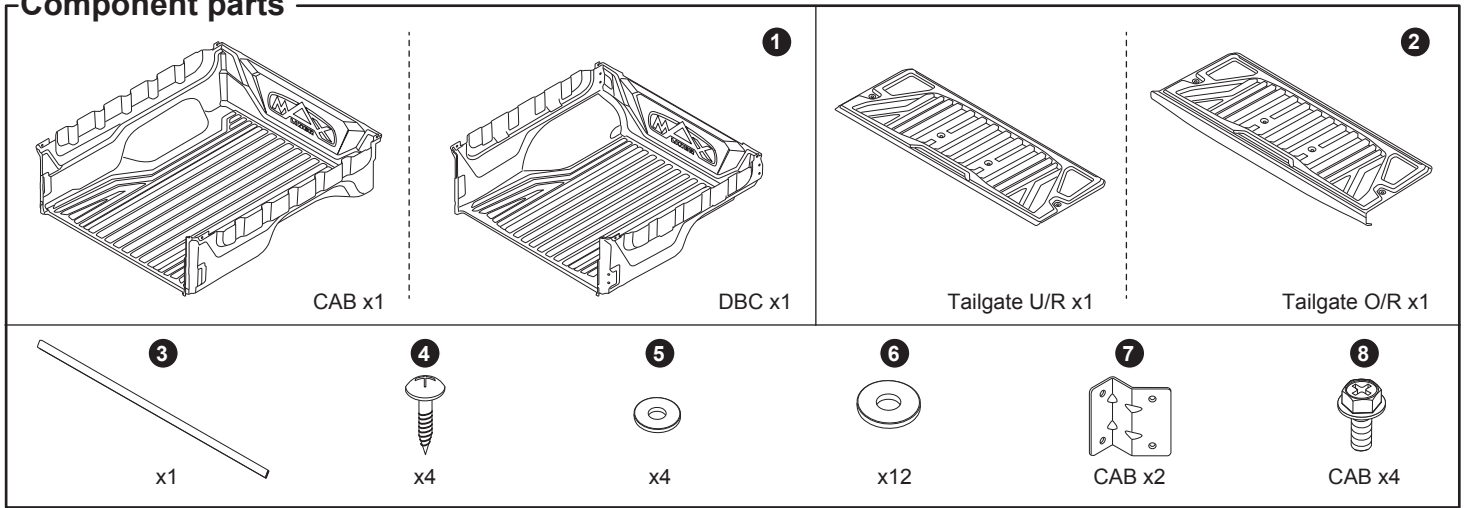
Caution for installation

Read this mounting manual carefully, before you start the installation.

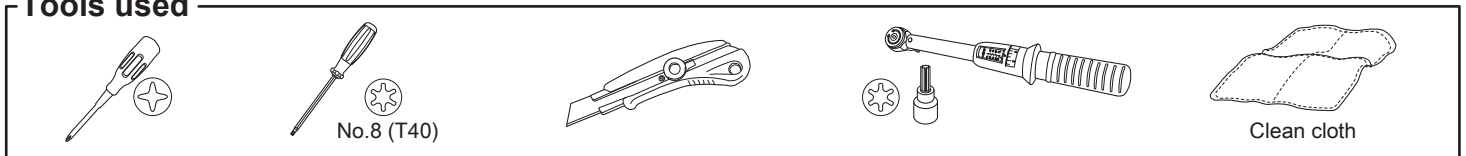
1. Area where to install product should be clean.
2. During installation, person who installed should take off any ornaments.

Product name	BEDLINER U/R
Model name	ISX D-MAX CAB / DBC 2020+ MAX BT50 CAB / DBC 2020+
Inst. number	L03-1625

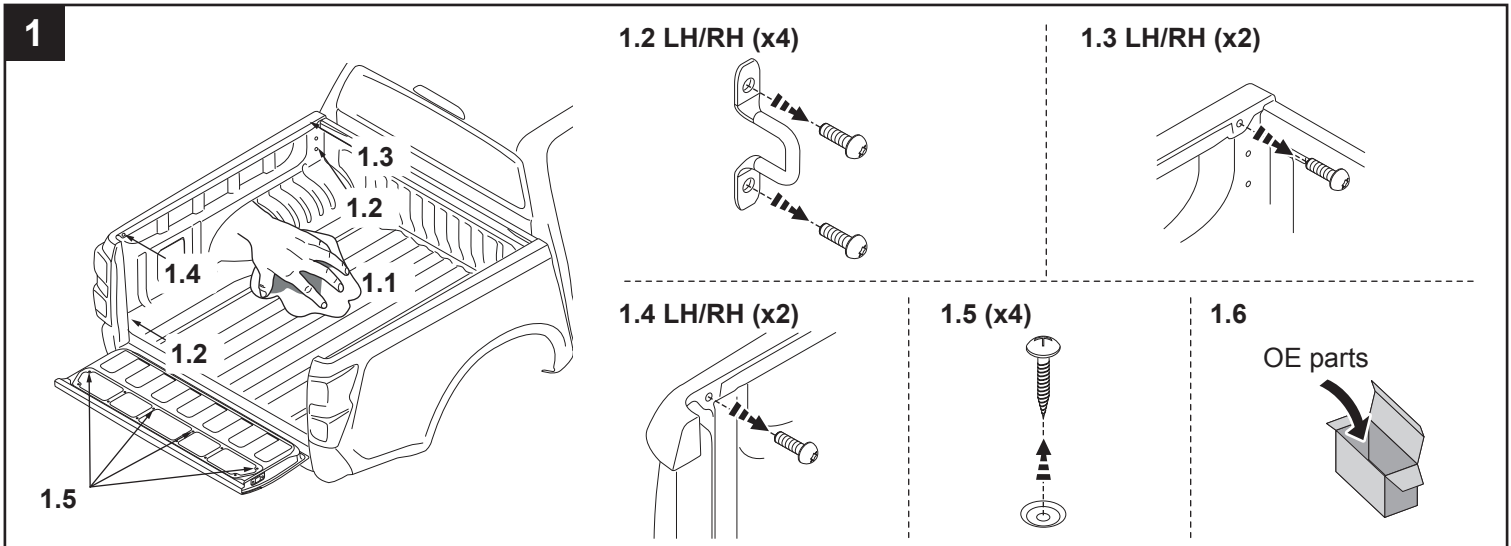
Component parts



Tools used

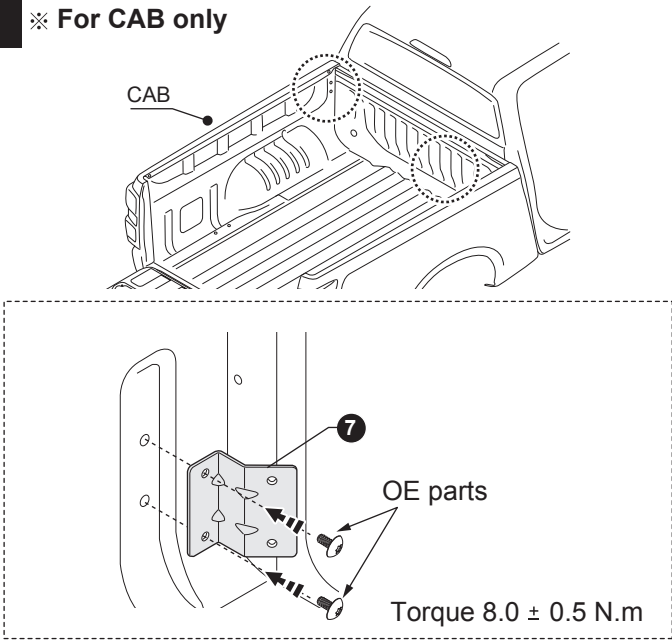


Instruction procedure (Uses the same process for both models)

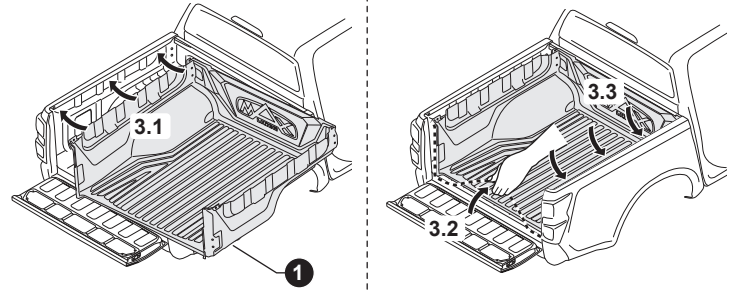


Instruction procedure (Uses the same process for both models)

2 ※ For CAB only

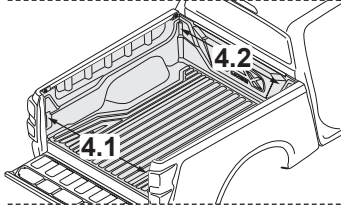
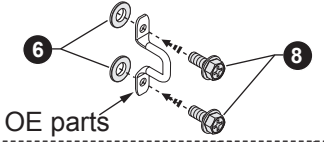


3

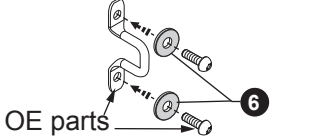


4 ※ For CAB only

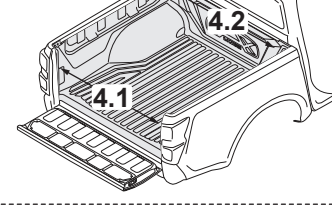
4.2 Torque 8.0 ± 0.5 N.m



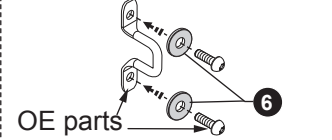
4.1 Torque 8.0 ± 0.5 N.m



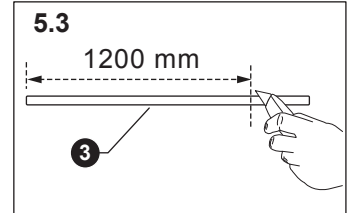
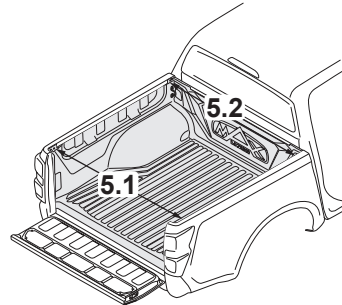
※ For DBC only



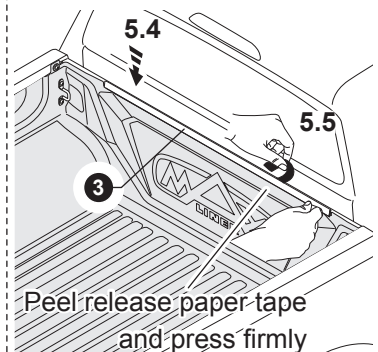
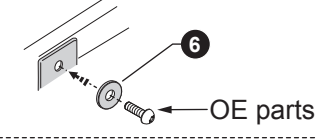
4.1-4.2 Torque 8.0 ± 0.5 N.m



5

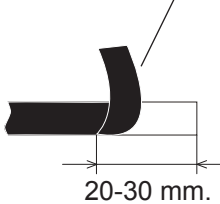


5.1-5.2 Torque 8 ± 1 N.m

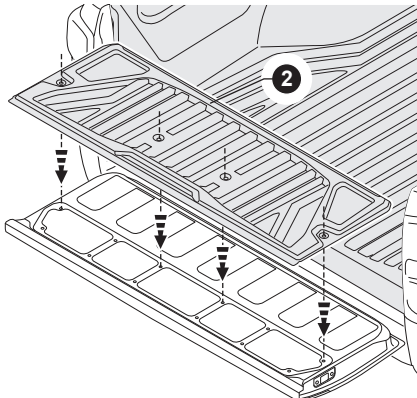


6

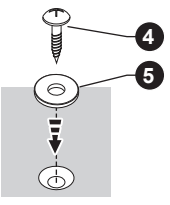
6.1 Peel release paper tape



6.2



6.3



7

