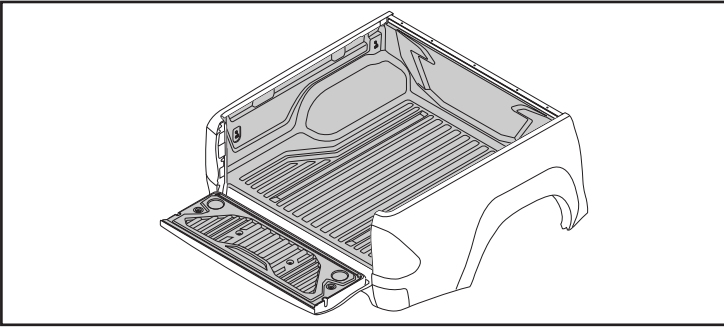


# BEDLINER INSTALLATION INSTRUCTIONS



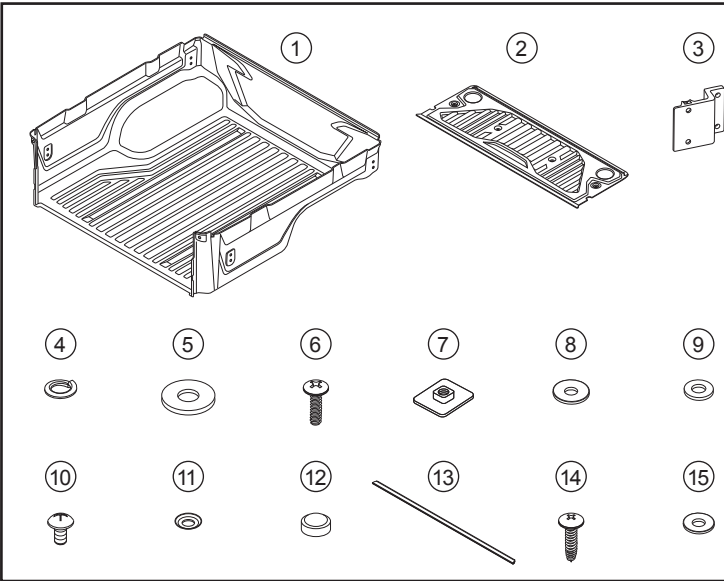
## Caution for installation

Read this mounting manual carefully, before your start the installation.

1. Area where to install product should be clean.
2. During installation, person who installed should take off any ornaments.

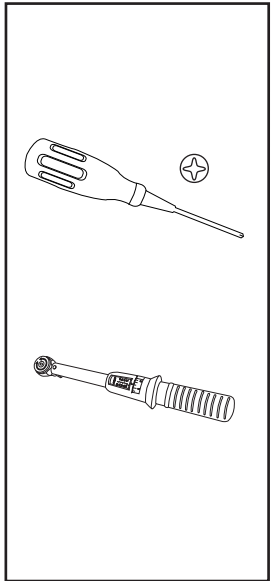
Product name : BED LINER U/R  
 Model name : TOX DBC 2015  
 Inst. number : L03-1450

## Component parts



No.	Part name	Q'ty
1.	Body liner U/R	1 pc.
2.	Body tailgate U/R	1 pc.
3.	Bracket OE hook U/R	4 sets
4.	Spring washer M8	8 pcs.
5.	Plain washer M8 OD32	8 pcs.
6.	Screw M8x26	8 pcs.
7.	Special nut M6x1	2 pcs.
8.	Plain washer OD24	2 pcs.
9.	Rubber washer D22	2 pcs.
10.	Special truss head screw M6x6	2 pcs.
11.	Cup washer	2 pcs.
12.	Plastic cap	2 pcs.
13.	U-clip lock L=1500 mm.	1 pc.
14.	Truss cross tapping screw	4 pcs.
15.	Plain washer 6/20	4 pcs.

## Tools used



## Instruction procedure

