

MISUTONIDA
italian style **4x4**
accessories

FORD TRANSIT CONNECT



Item Code

Codice Articolo

Référence Article

: TPS/362/IX

GB

STAINLESS STEEL
SIDE PROTECTIONS

ITA













TUBI PROTEZIONE
SOTTOPORTA IN ACCIAIO INOX

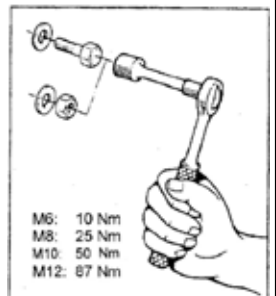
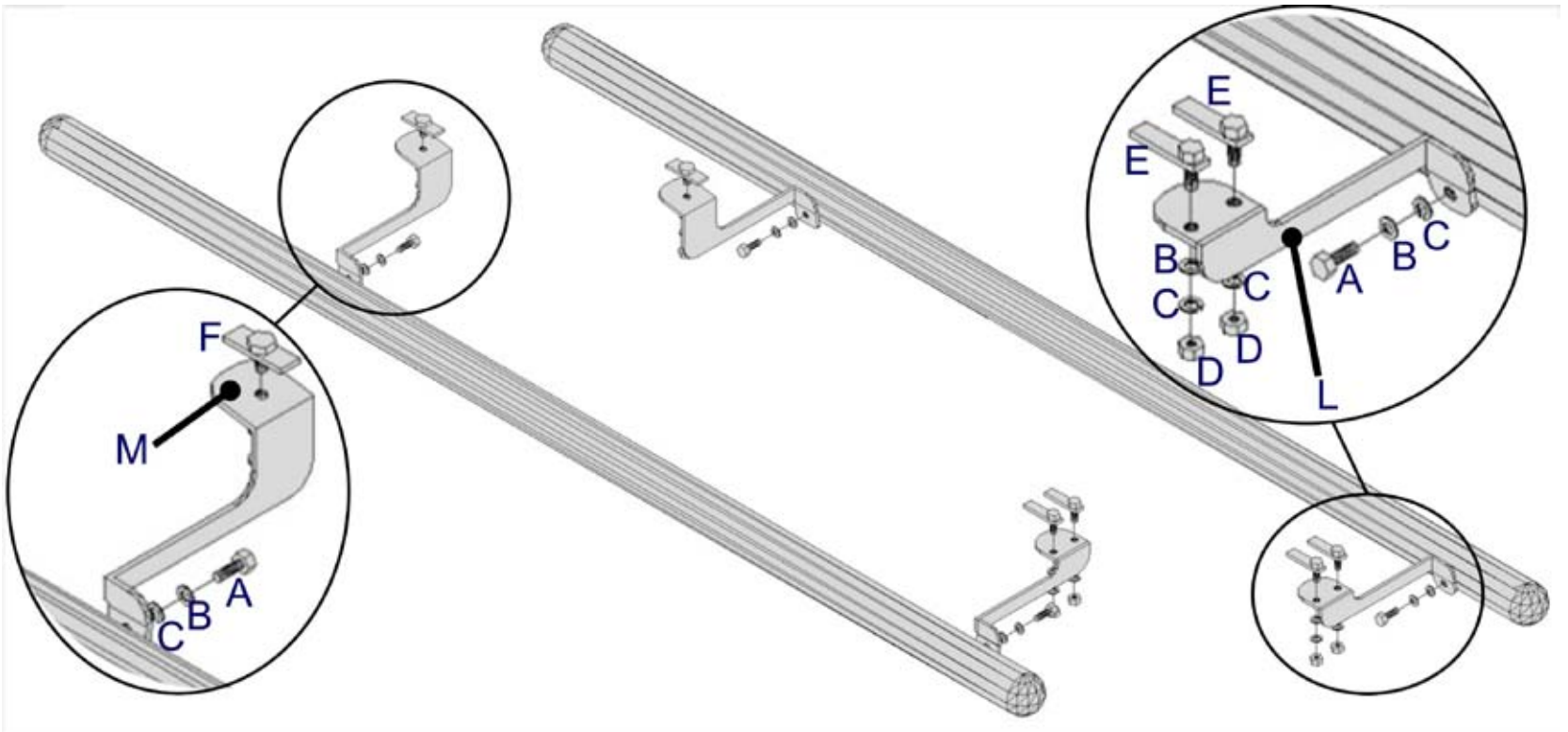
FR

PROTECTIONS LATERALES
EN ACCIER INOX

FORD TRANSIT CONNECT

Part List
Lista della bulloneria
Liste des pièces

A		TE 8X20	x 4
B		BIG GRANDI GRAND Ø 8	x 8
C		Ø 8	x 8
D		M 8	x 8
E		TPS/326/C	x 4
F		P/280/D	x 2
G		BIG GRANDI GRAND Ø 10	x 2
H		Ø 10	x 2
I		M 10	x 2
L		TPS/326/A	x 2
		M 8	x 4
M		TPS/326/B	x 2



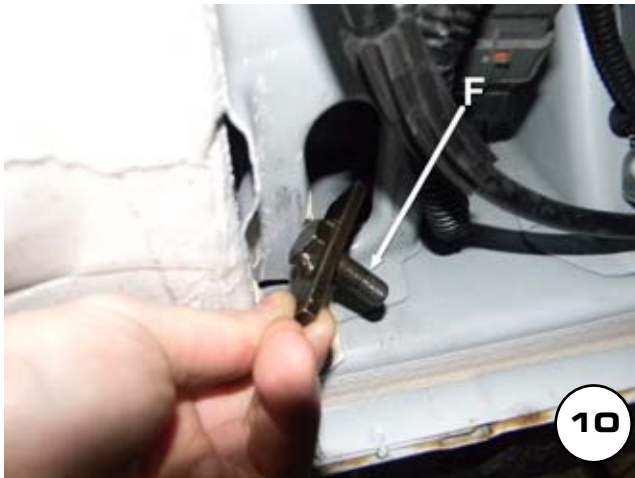
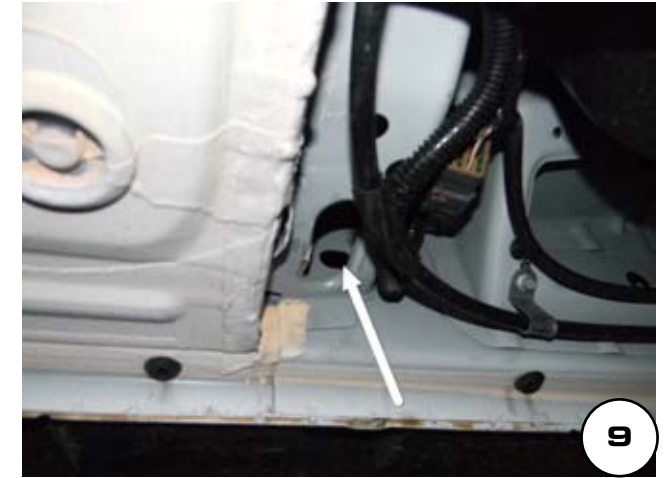


Date Data Date	Item Code Cod.Articolo Réf. Article	Vehicle model Modello Veicolo Modèle de Voiture
28/01/14	TPS/362/IX	FORD TRANSIT CONNECT

MISUTONIDA
italian style accessories **4x4**

Document checked and approved by
Documento controllato ed approvato da
Document contrôlé et approuvé par

Botta
Pietro



Date Data Date	Item Code Cod.Articolo Réf. Article	Vehicle model Modello Veicolo Modèle de Voiture
28/01/14	TPS/362/IX	FORD TRANSIT CONNECT

MISUTONIDA
italian style accessories **4x4**

Document checked and approved by
Documento controllato ed approvato da
Document contrôlé et approuvé par

Botta
Pietro



13



14



15



16



Date Data Date	Item Code Cod.Articolo Réf. Article	Vehicle model Modello Veicolo Modèle de Voiture
28/01/14	TPS/362/IX	FORD TRANSIT CONNECT

MISUTONIDA
italian style accessories **4x4**

Document checked and approved by
Documento controllato ed approvato da
Document contrôlé et approuvé par

Botta
Pietro