

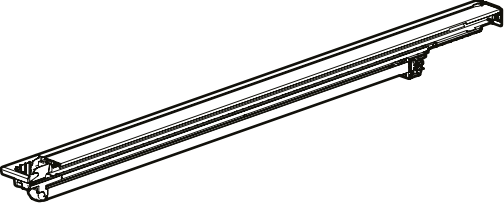
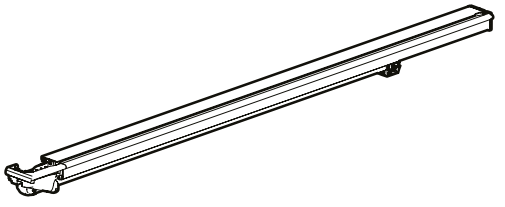
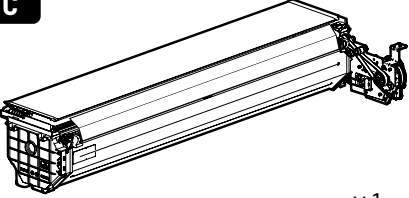

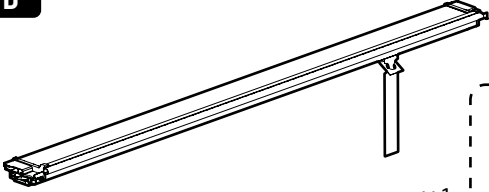

MOUNTAIN TOP[®] EVOe

Installation manual

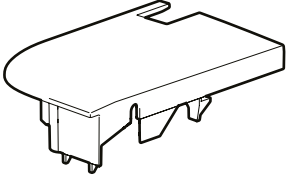
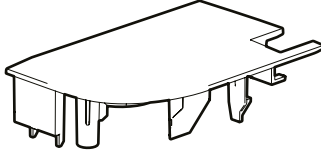


DOWNLOAD PDF

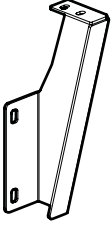
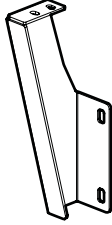


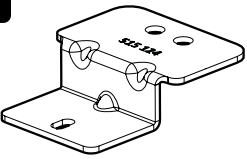
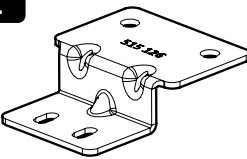
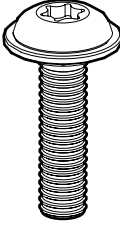
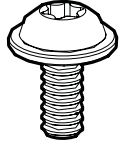
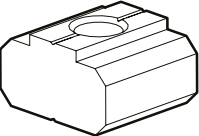
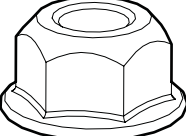
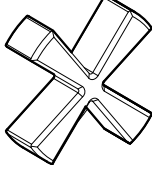
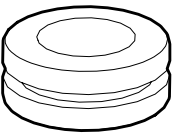
Parts

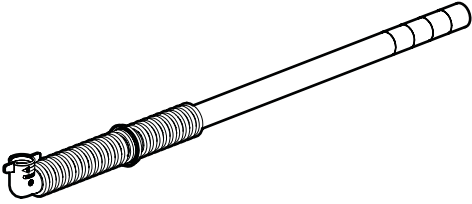
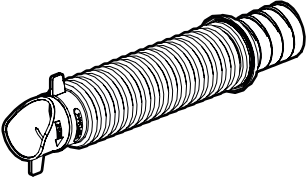
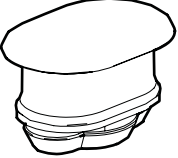

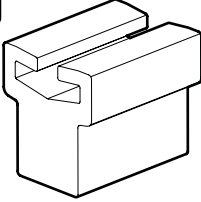
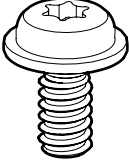
| | |
|--|---|
| <p>A</p>  <p>x1</p> | <p>B</p>  <p>x1</p> |
| <p>C</p>  <p>x1</p> <div style="border: 1px dashed black; padding: 2px; display: inline-block;"> <p>X2</p>  <p>x2</p> </div> | <p>D</p>  <p>x1</p> <div style="border: 1px dashed black; padding: 2px; display: inline-block;"> <p>Y2</p>  <p>x1</p> </div> |

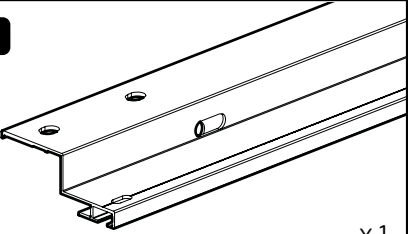
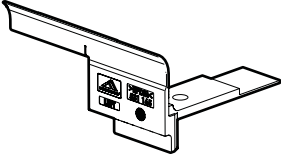
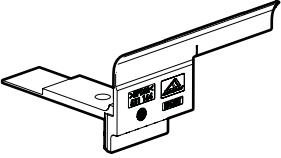
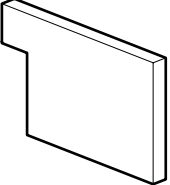
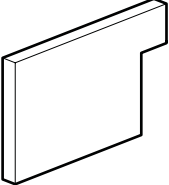
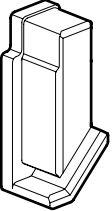
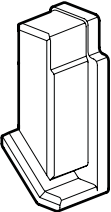
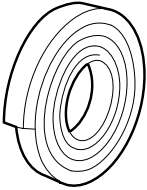
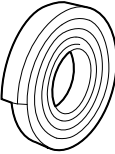
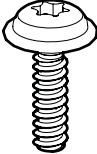
Kit

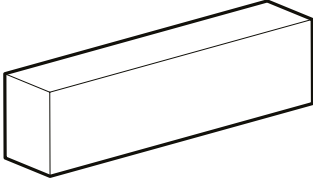
| | |
|--|--|
| <p>E</p>  <p>LEFT x1</p> | <p>F</p>  <p>RIGHT x1</p> |
|--|--|

Kit

| | | | |
|---|---|--|--|
| <p>G</p>  <p>x1</p> | <p>H</p>  <p>x1</p> | <p>I</p>  <p>x1</p> | <p>J</p>  <p>x1</p> |
| <p>K</p>  <p>Rap Cab: x 0 Double Cab: x 2</p> | <p>L</p>  <p>Rap Cab: x 4 Double Cab: x 2</p> | <p>M</p>  <p>M8X30 x 18</p> | <p>N</p>  <p>Rap Cab: x 16 Double Cab: x 14</p> <p>M6X12</p> |
| <p>O</p>  <p>x6</p> | <p>P</p>  <p>x6</p> | <p>Q</p>  <p>x2</p> | <p>R</p>  <p>x1</p> |

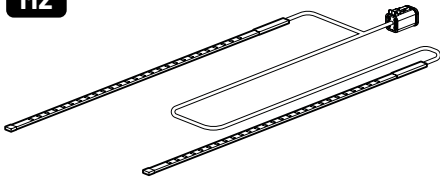
| Kit | | | | | | | |
|----------|---|-----|----------|---|---|-------|-----|
| S |  | | x 2 | | | | |
| T |  | | x 2 | | | | |
| U |  | x 2 | V |  | M6x30 | x 2 | |
| W |  | | x 5 | X |  | M6x16 | x 5 |

| Kit | | | | | | | |
|-----------|---|--------|-----------|---|---|-------|-----|
| A2 |  | | x 1 | | | | |
| B2 |  | | x 1 | | | | |
| C2 |  | | x 1 | | | | |
| D2 |  | | x 1 | | | | |
| E2 |  | | x 1 | | | | |
| F2 |  | | x 1 | | | | |
| G2 |  | x 1 | H2 |  | 6x25mm | x 2 | |
| I2 |  | 6x10mm | x 1 | J2 |  | M5x14 | x 2 |

| Kit | |
|-------------|---|
| K2 |  |
| 20x25x100mm | x 2 |

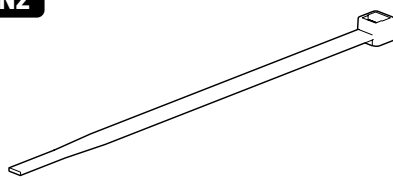
LED Kit

M2



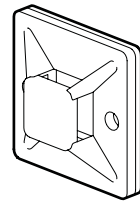
x1

N2



x6

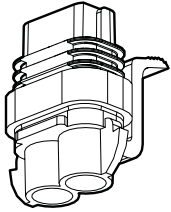
O2



x6

Power supply kit

P2



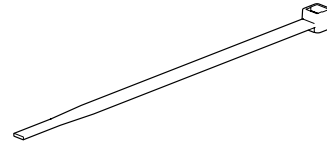
x1

Q2



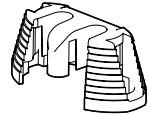
x1

R2



x6

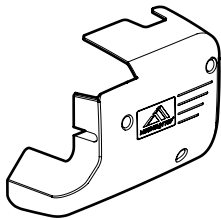
S2



x1

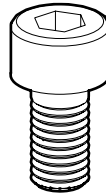
Kit

T2



x1

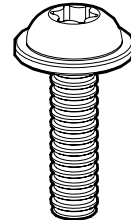
U2



M5x10

x3

V2

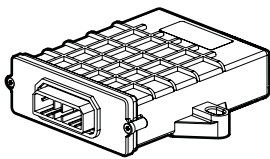


M6x20

x2

Kit

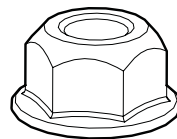
W2



x1

Kit

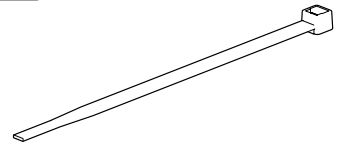
Z2



M6

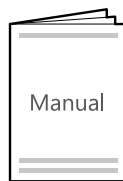
x2

Z3



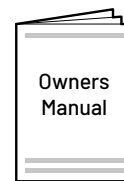
x10

Kit



Manual


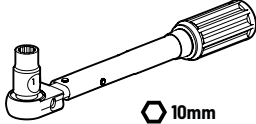


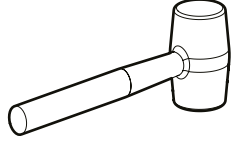
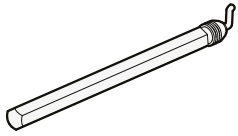
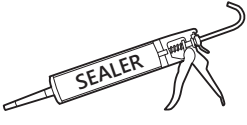
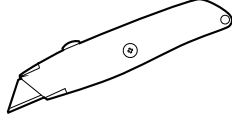
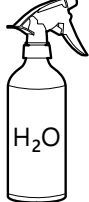
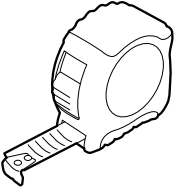
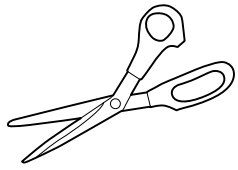

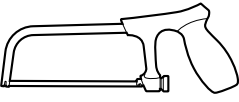

x1



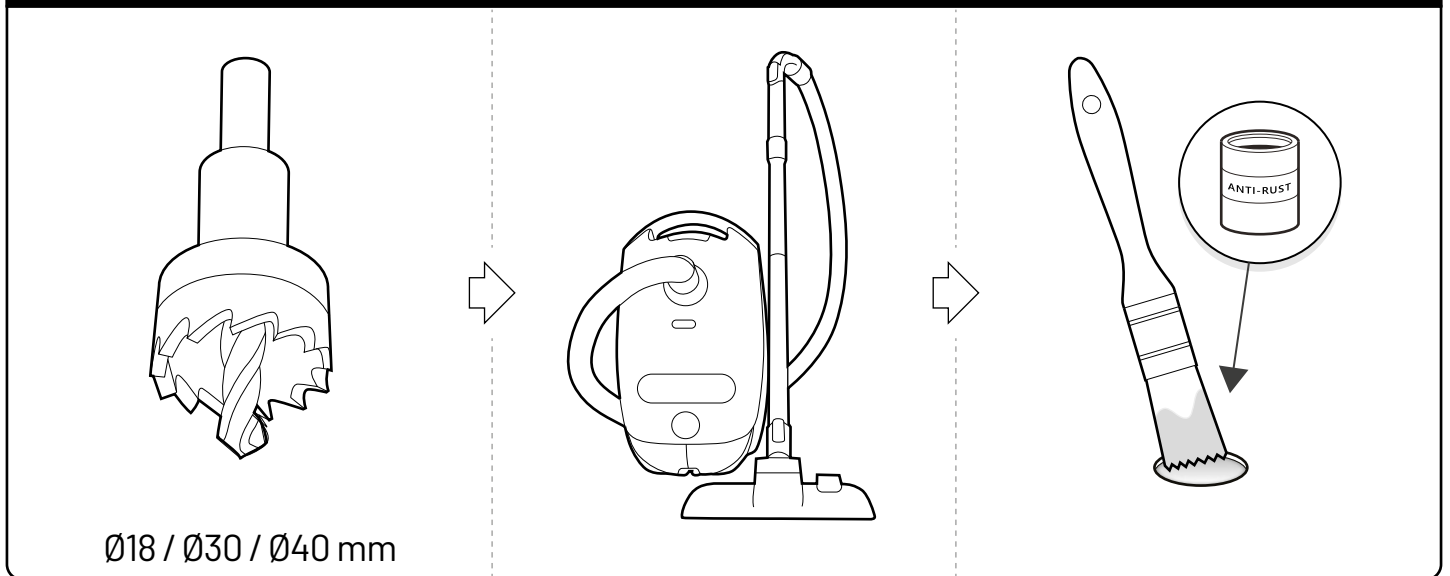
Owners
Manual

x1

Tools needed

| | | | | |
|--|---|--|---|---|
|  Ø3.5 + Ø10 MM | 1 - 25 Nm  10mm T20, T30, T40 |  Rust protection Rostschutzmittel Anti-rouille Anti roest |  | |
|  |  |  |  |  |
|  |  |  |  |  |

Applying rust protection

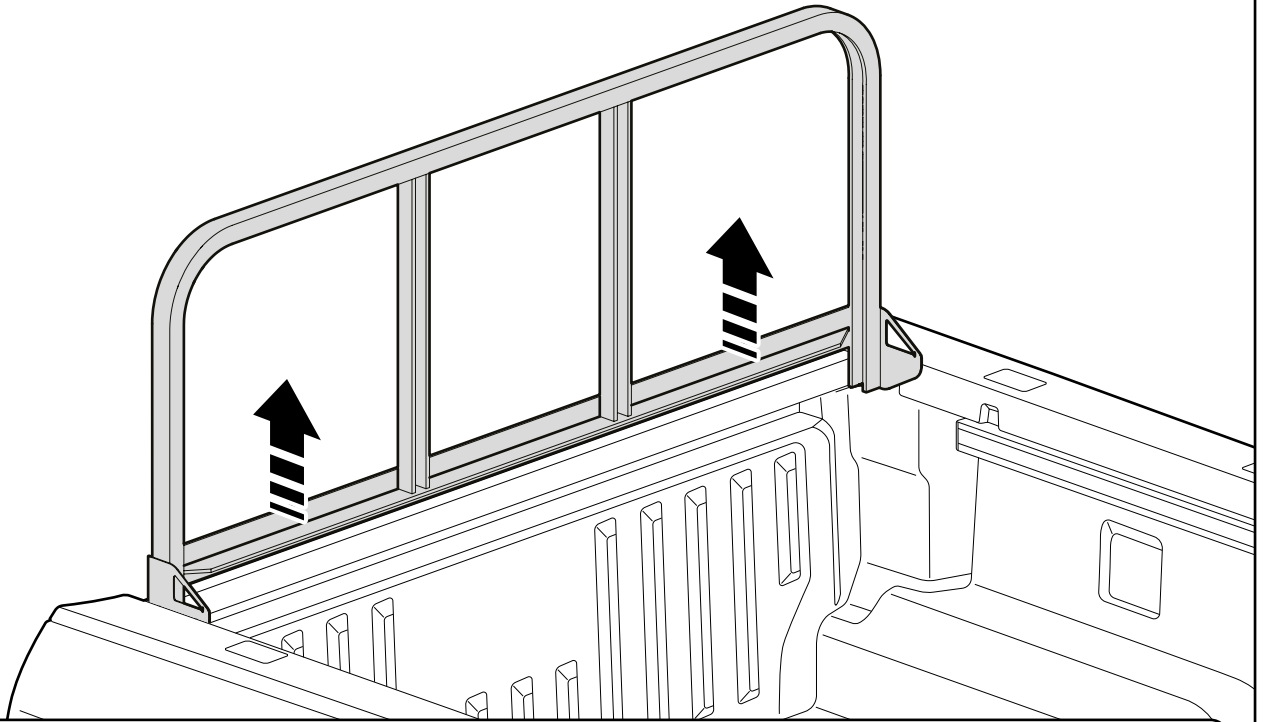




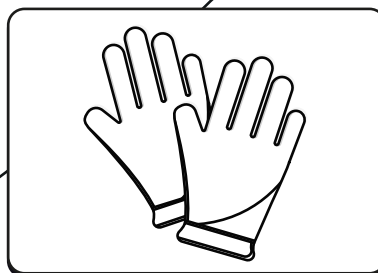
**If sheet metal is scratched during installation,
apply rust protection to damaged areas**

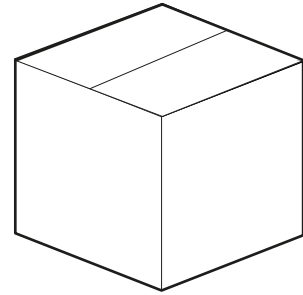
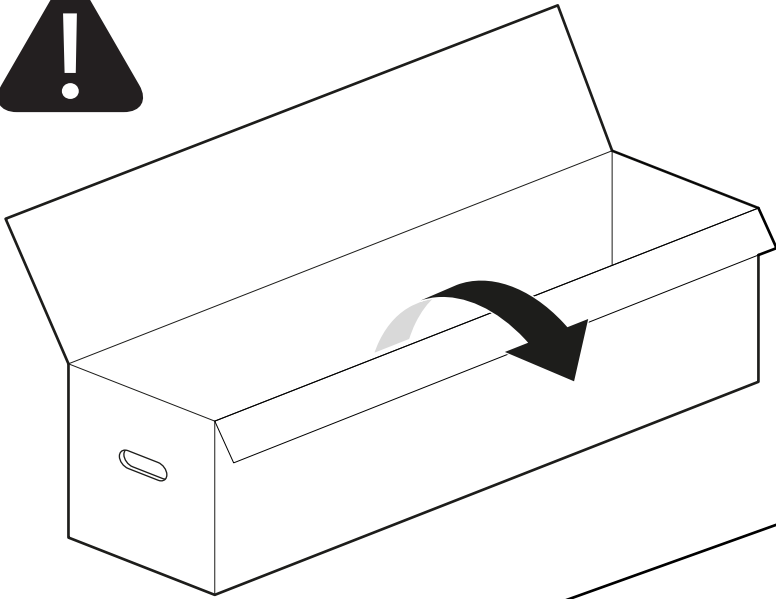


**Tie must not be attached to AC lines
(AC lines are the metal pipes in the engine bay)**

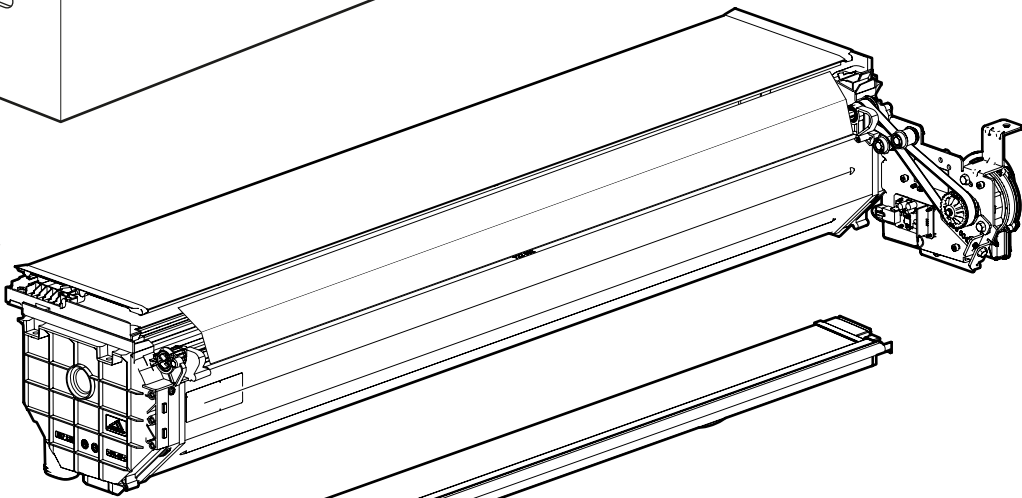


Rollershutter not compatible with load rest bar - part cannot be re-installed once Rollershutter have been installed (store parts)

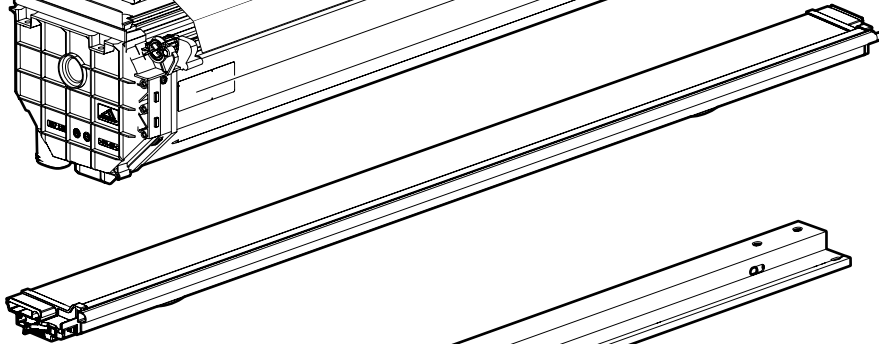




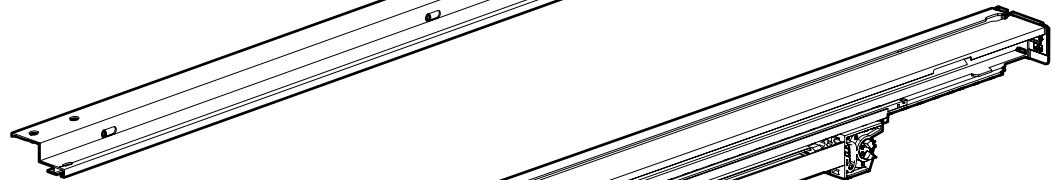
C



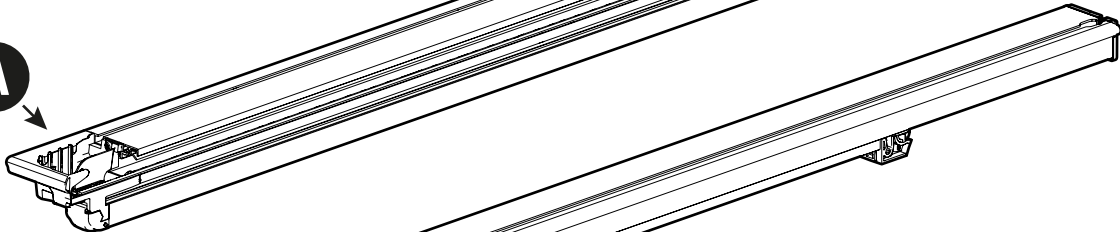
D



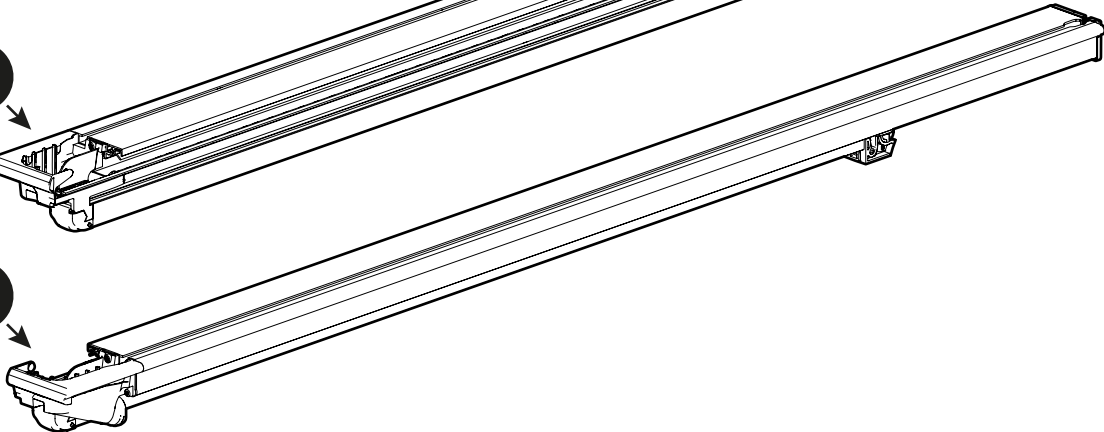
A2



A



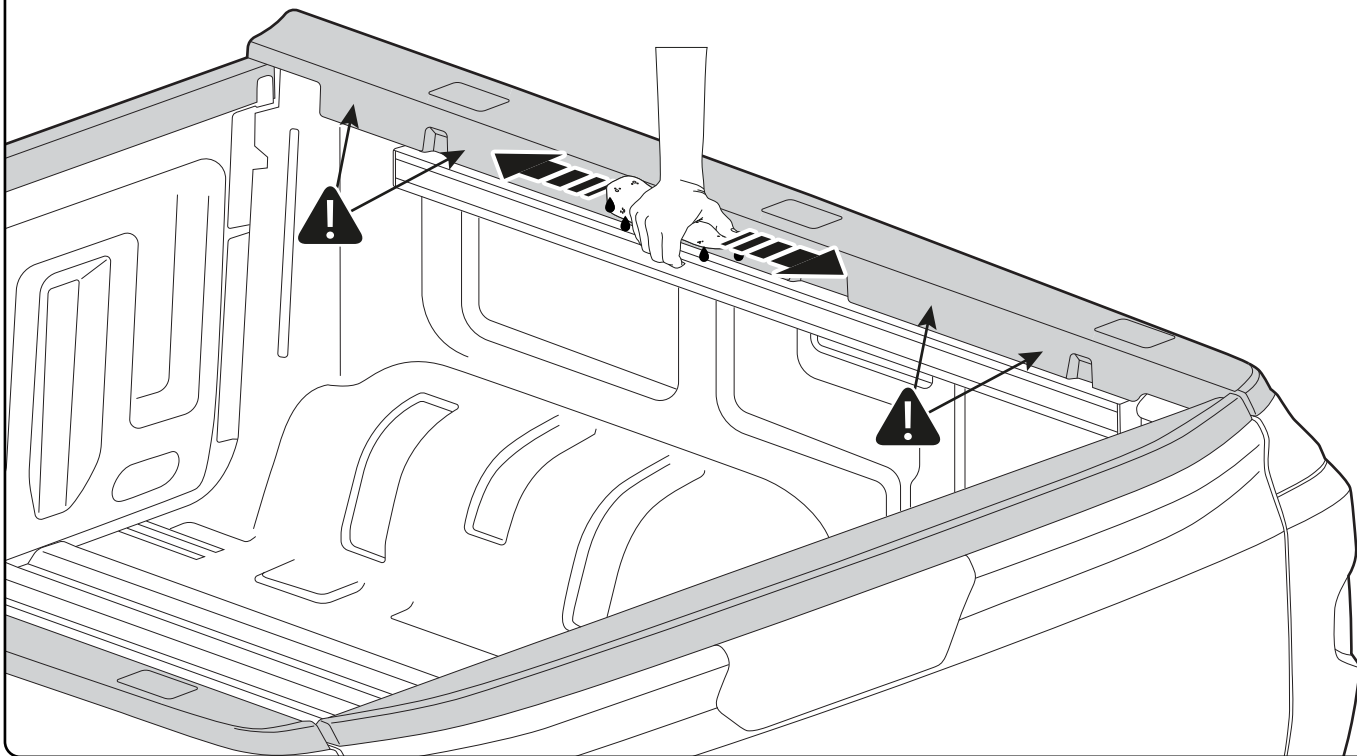
B



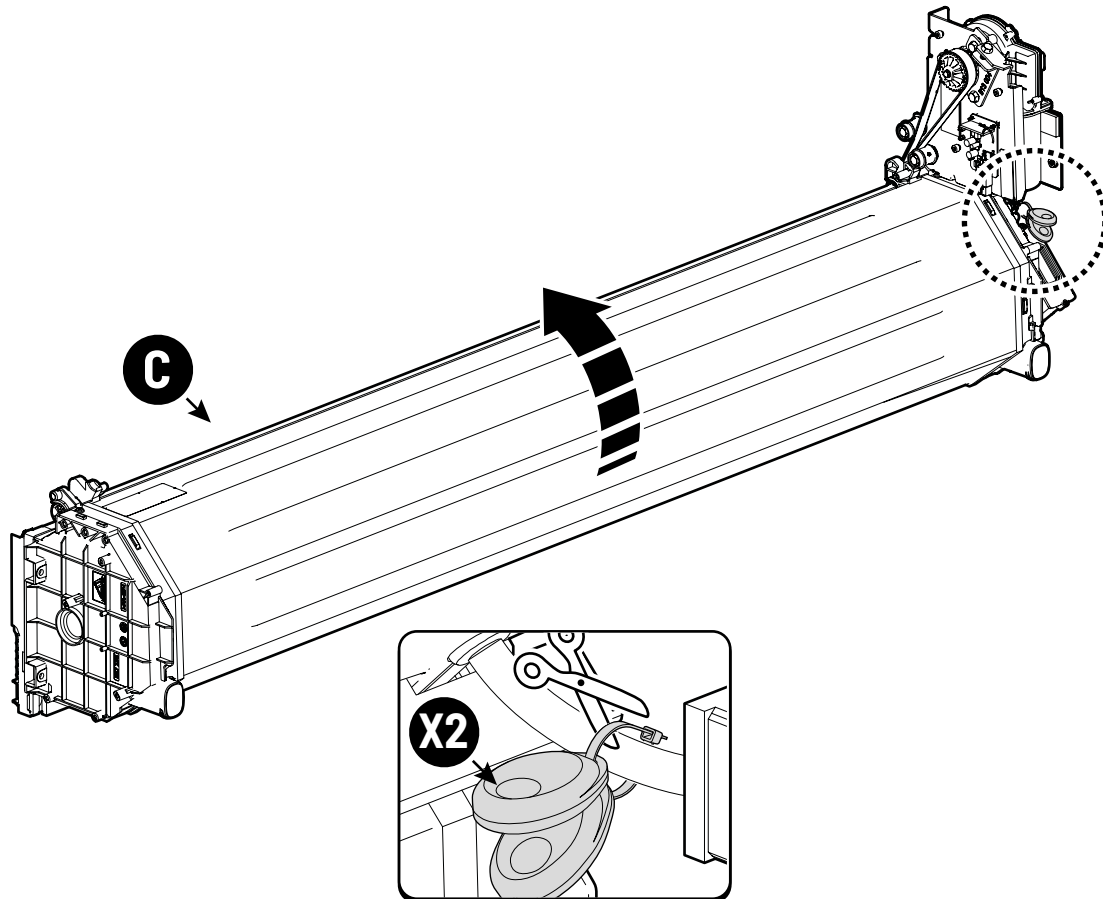
 Water & sponge

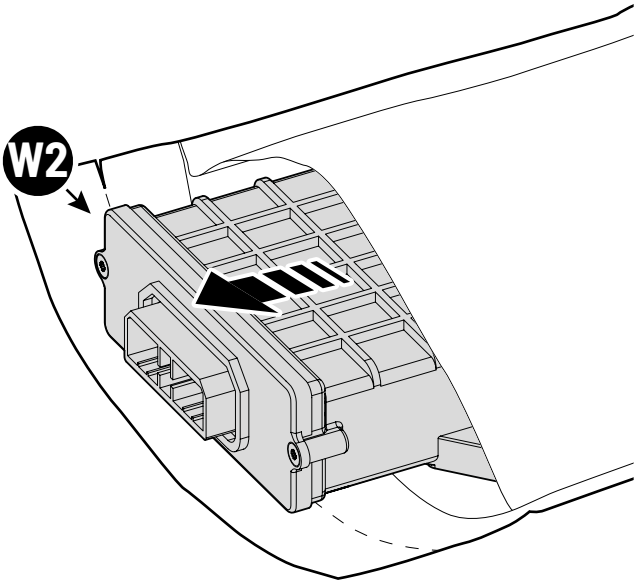


2

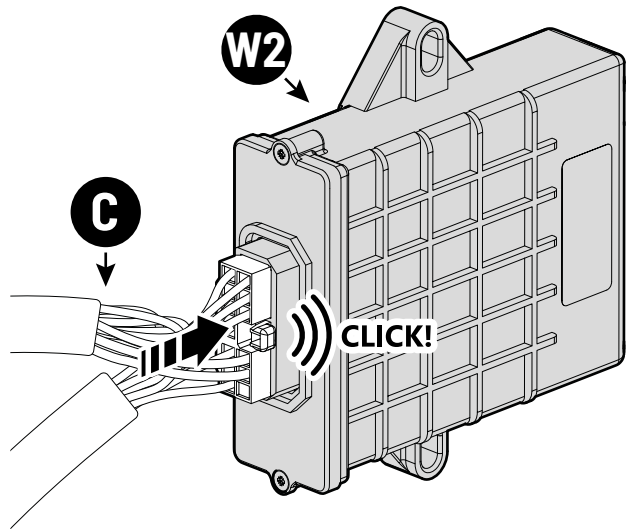


3



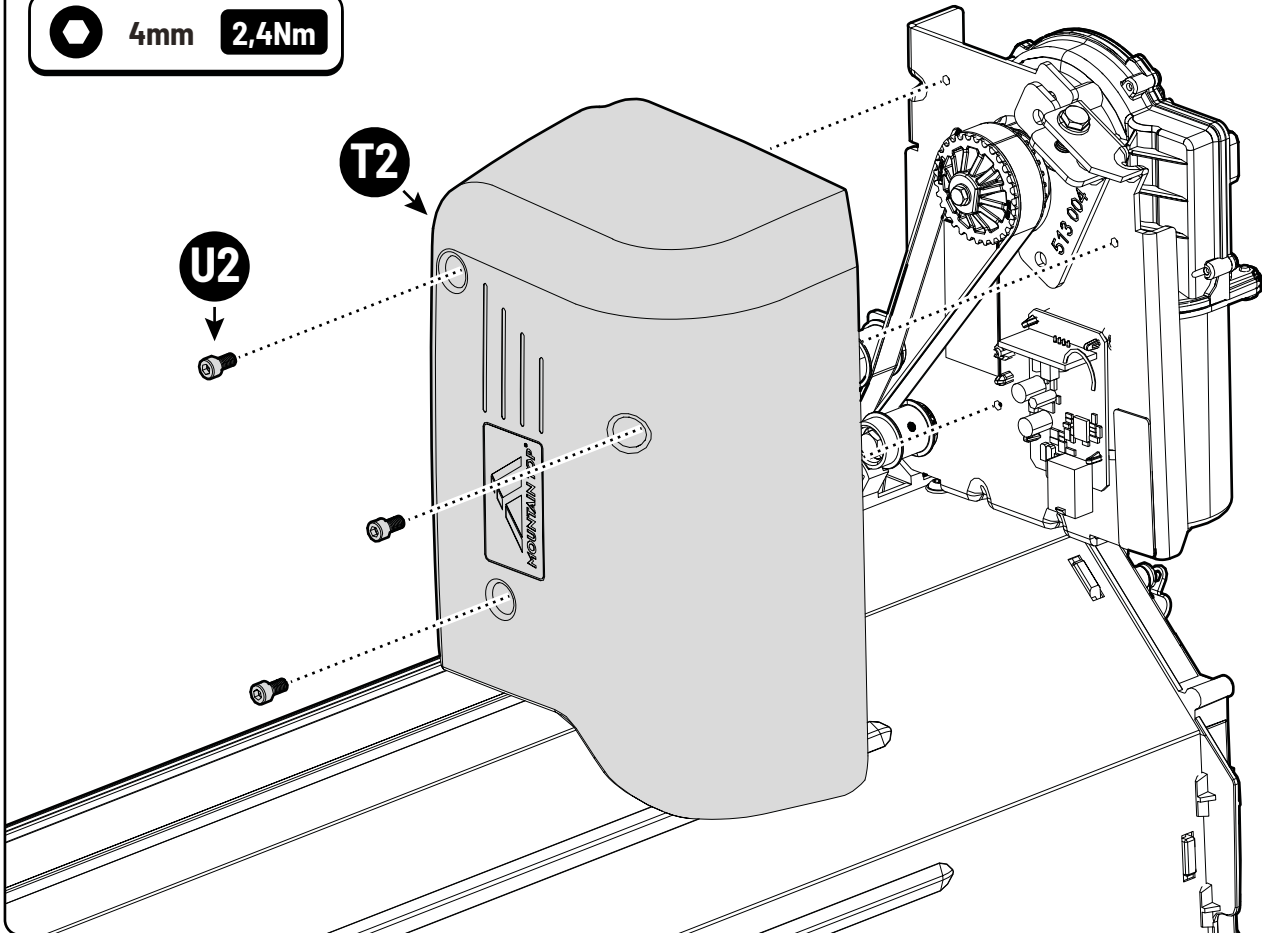


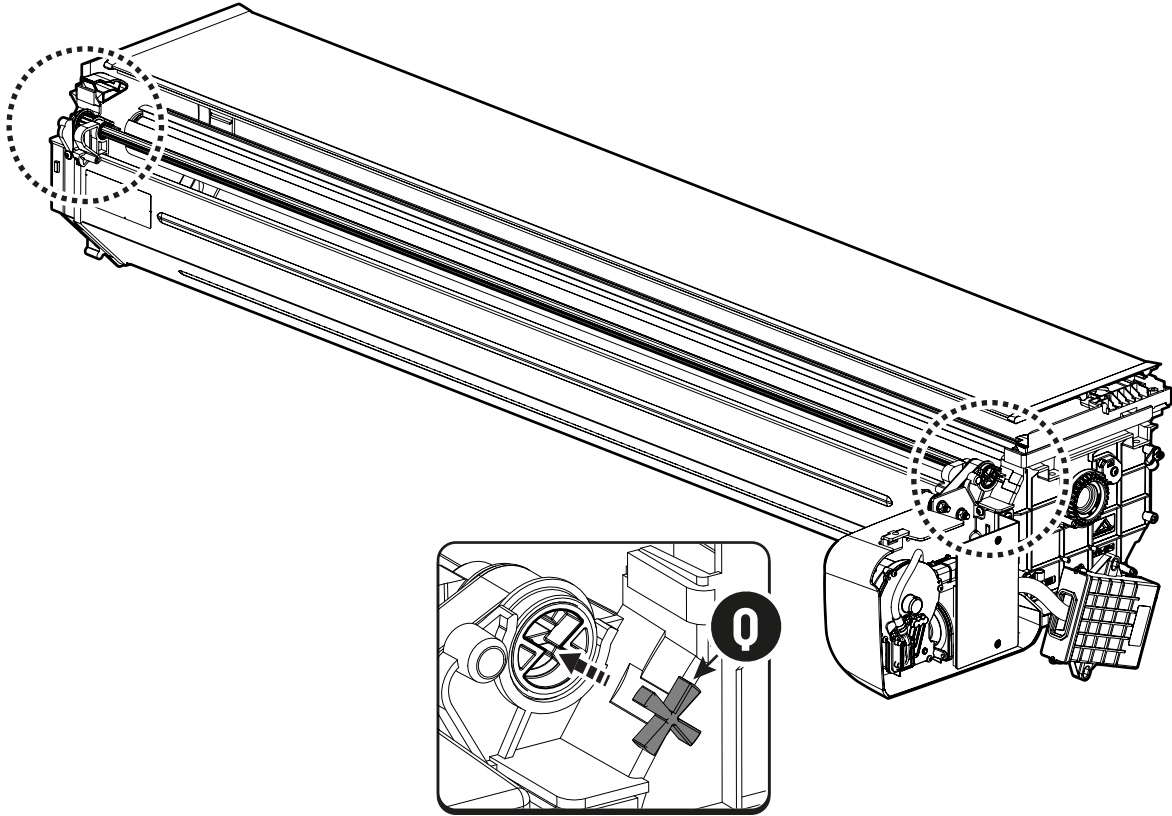
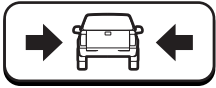
1



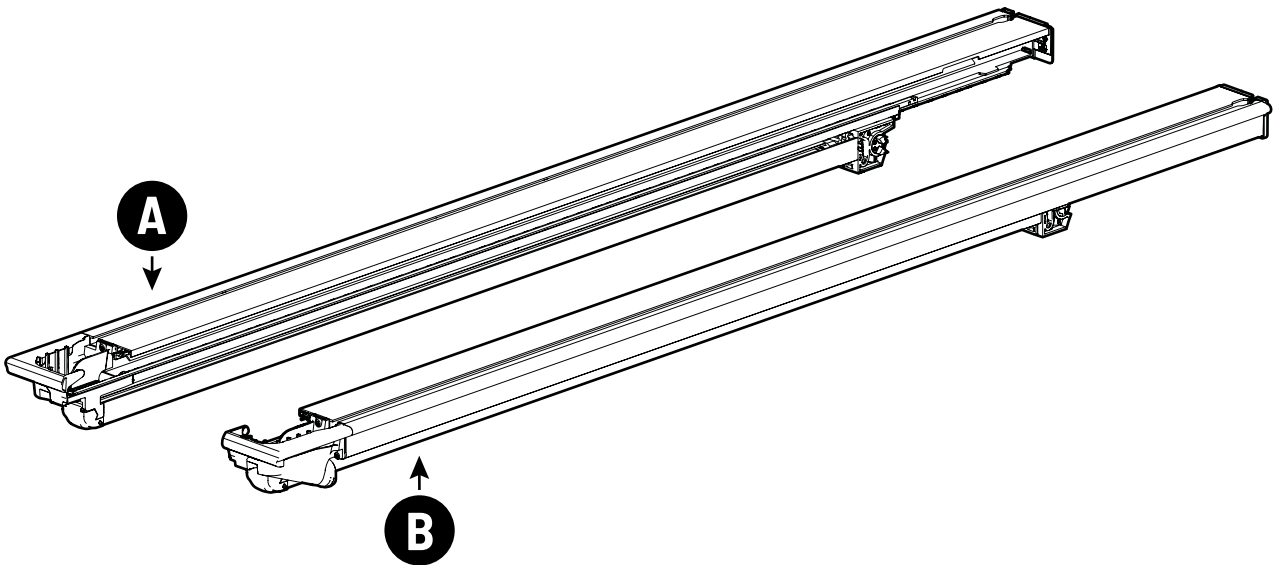
2

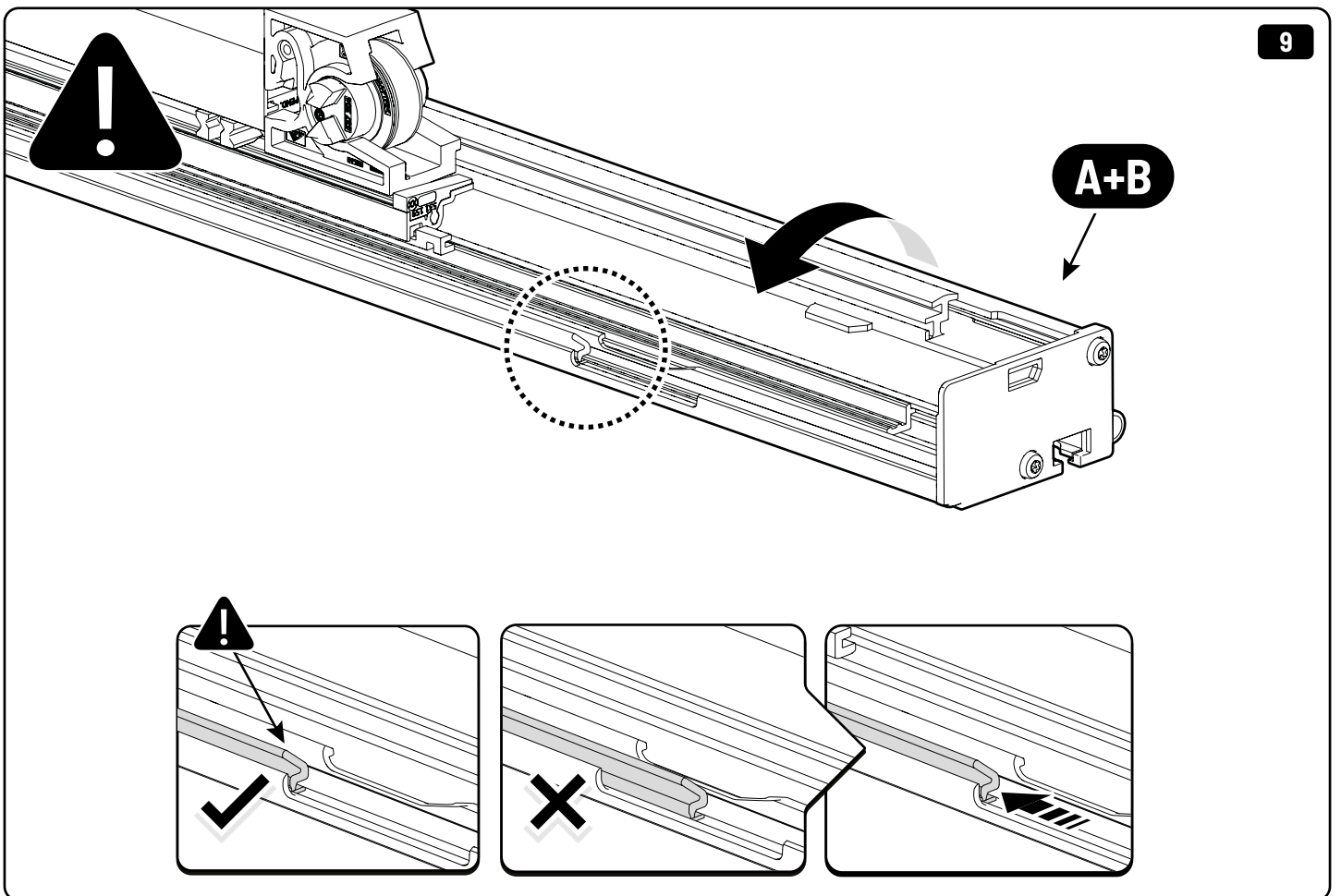
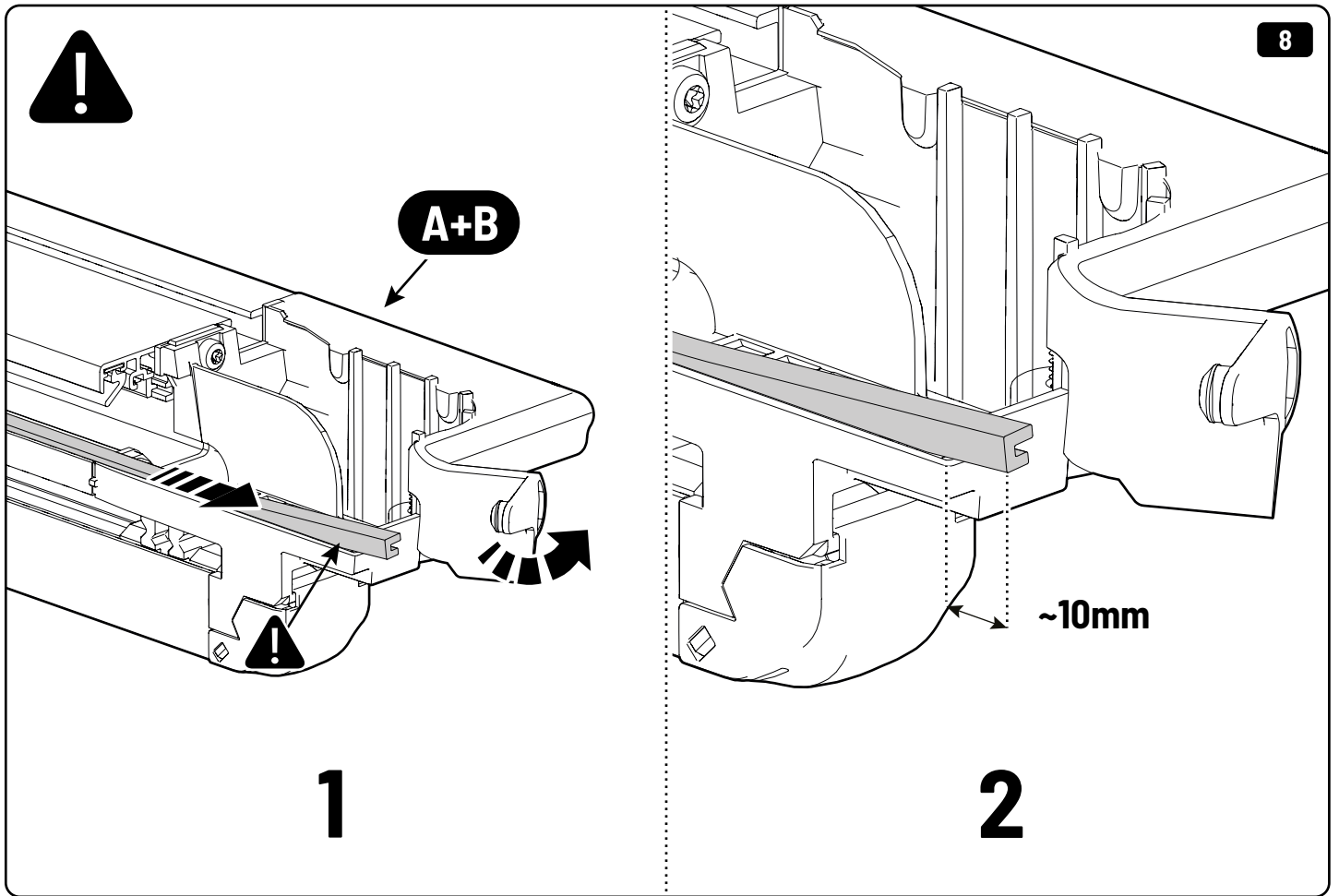
4mm 2,4Nm

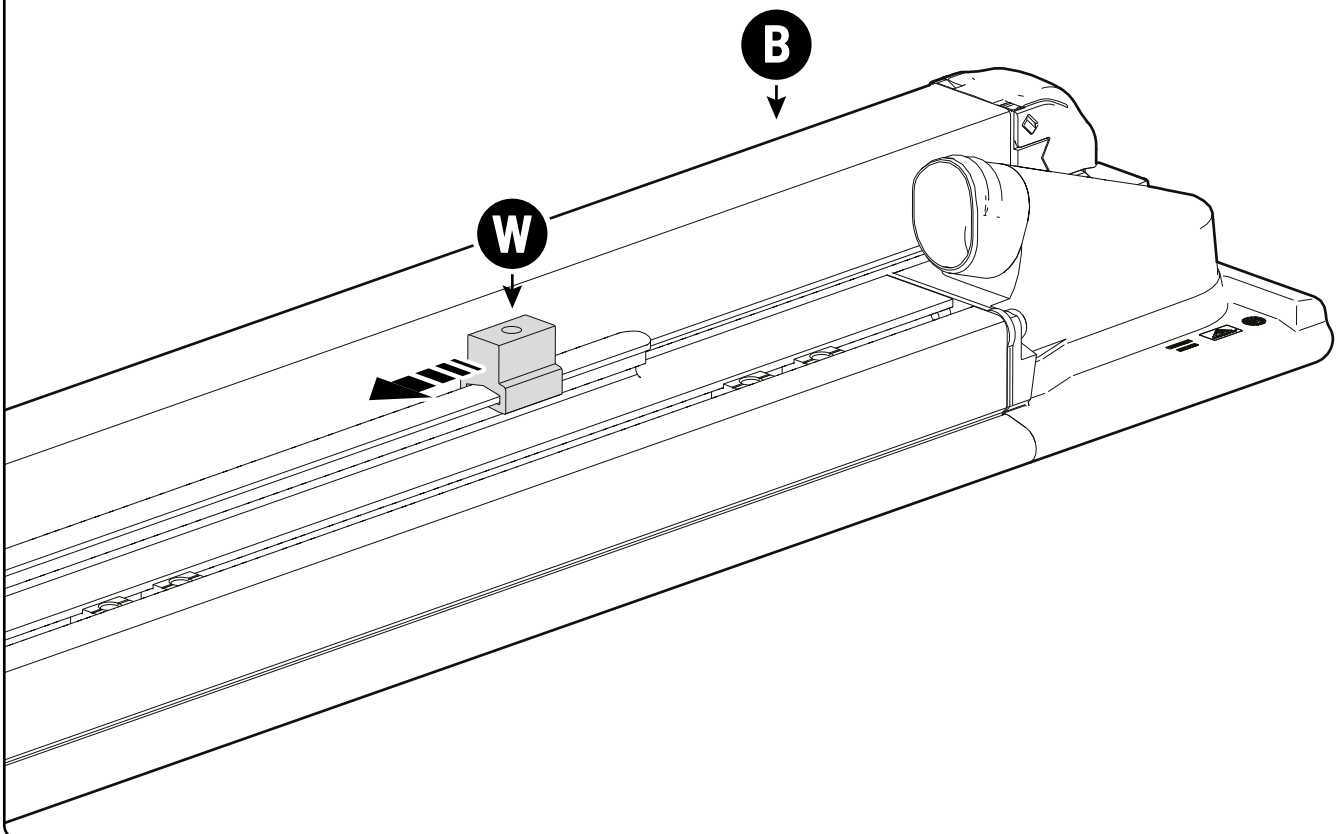
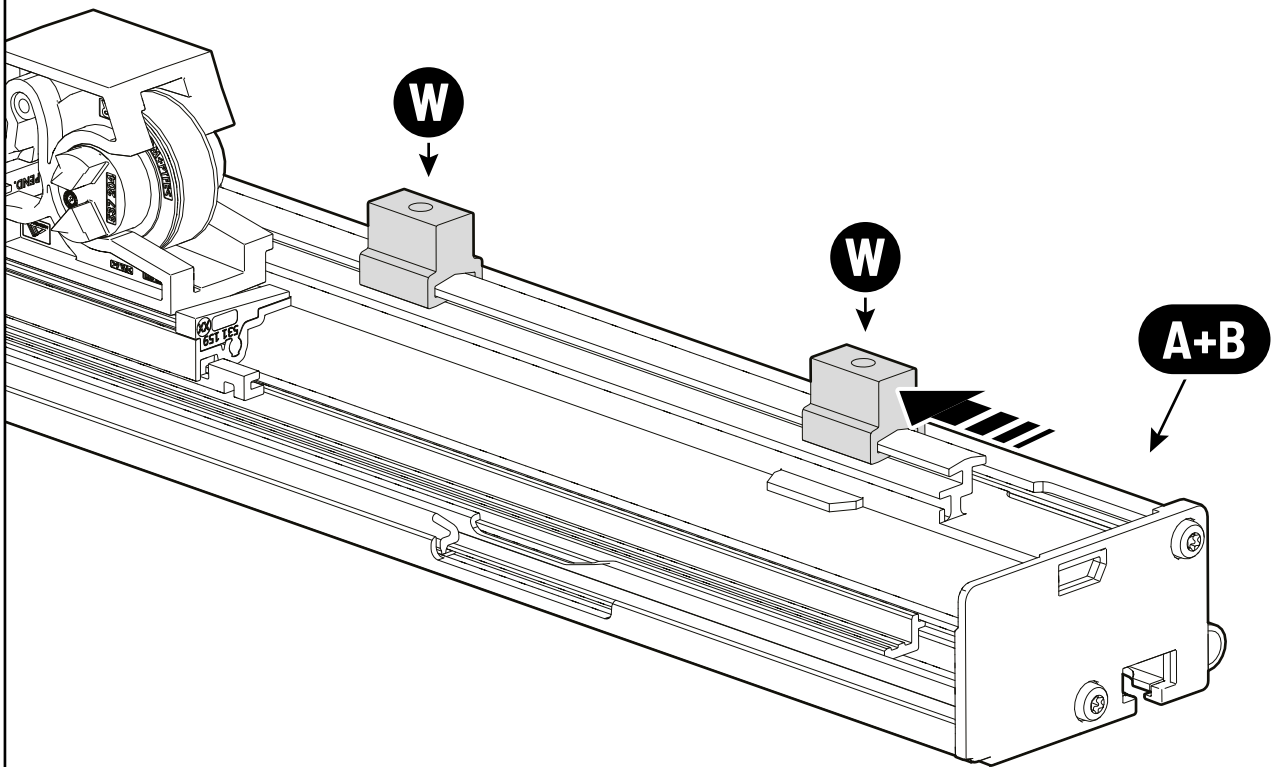


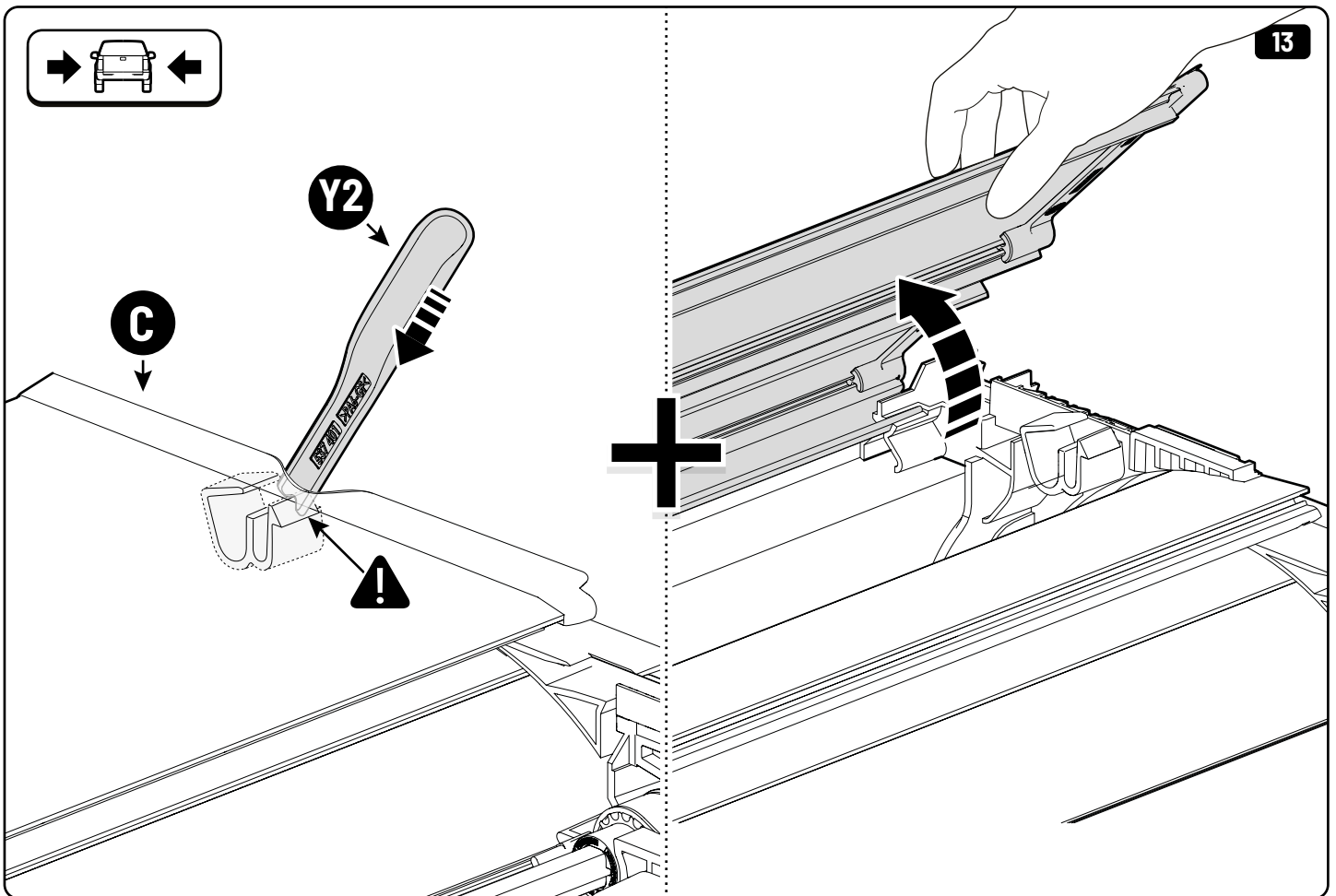
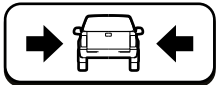
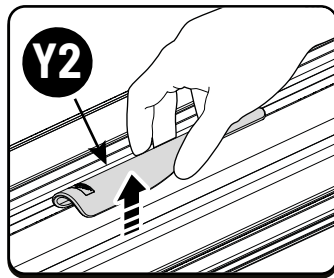
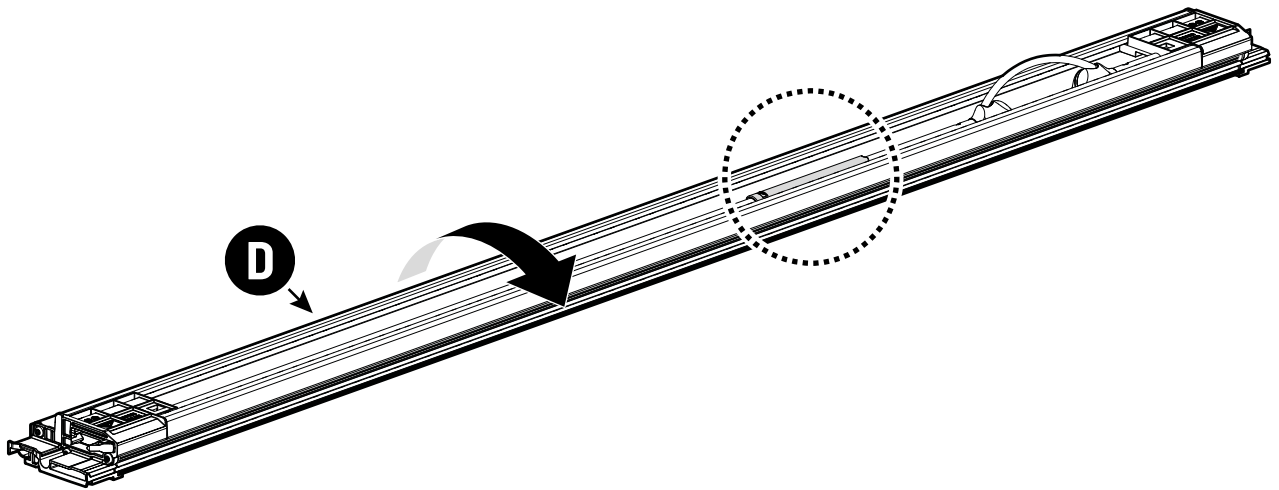


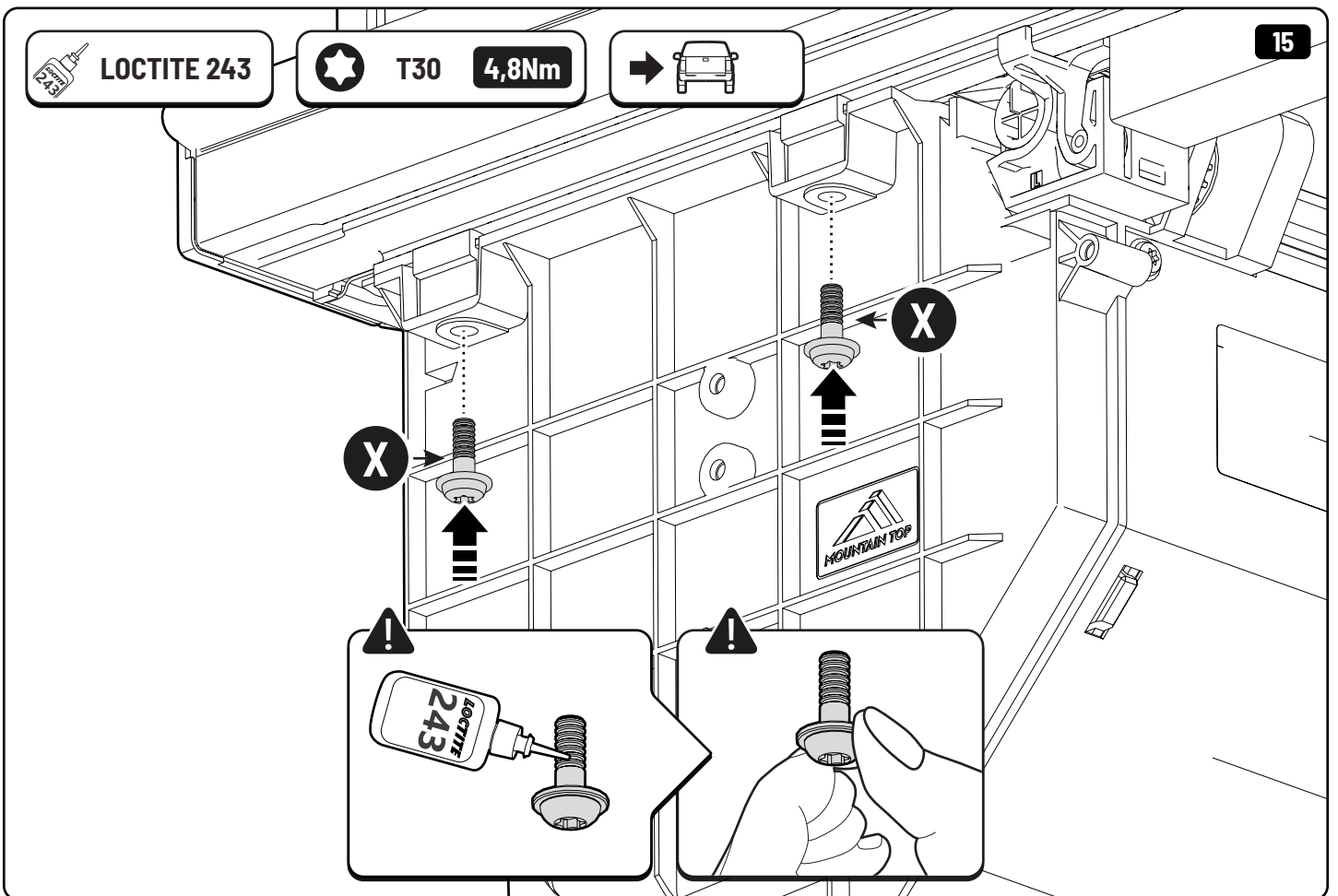
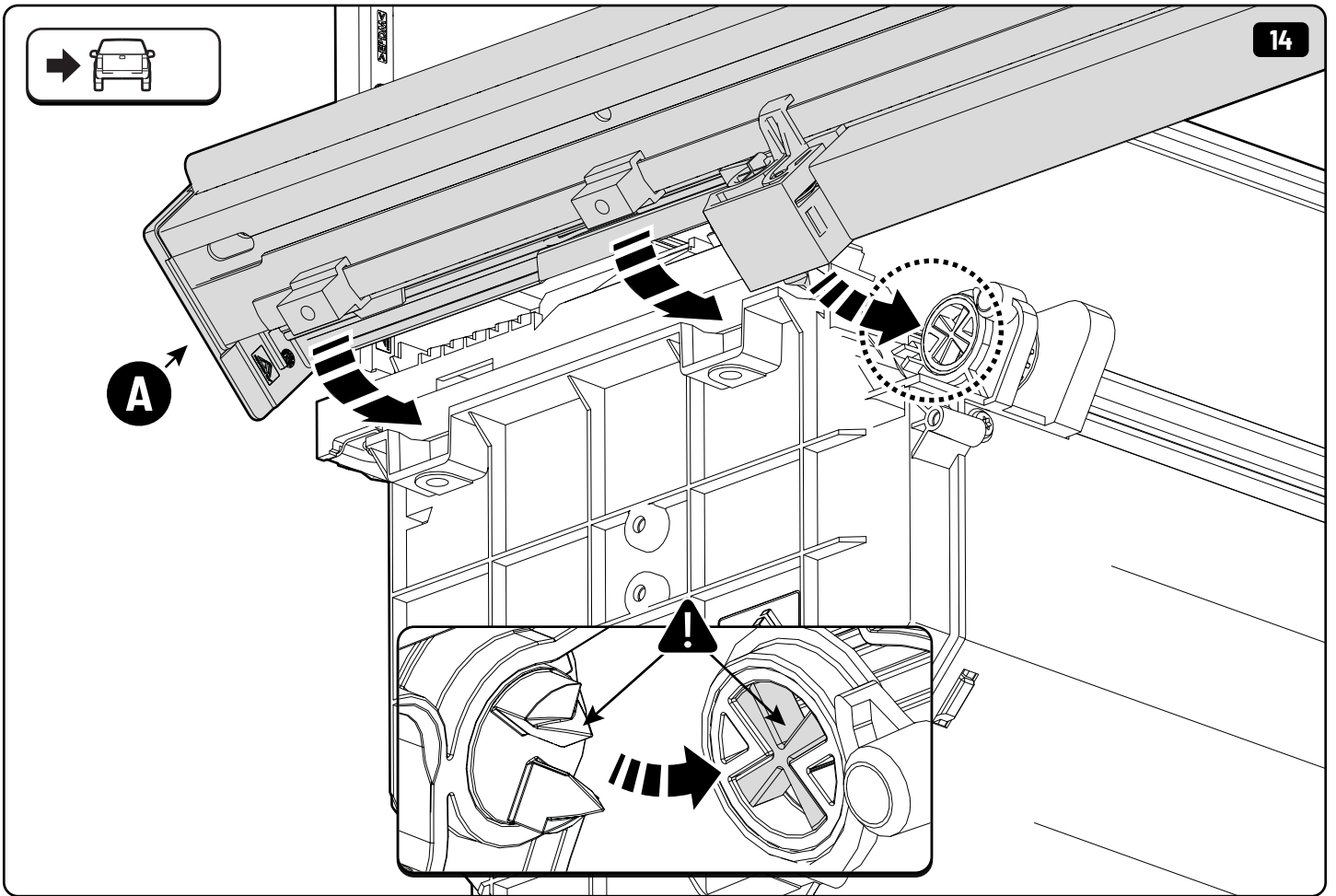
x2





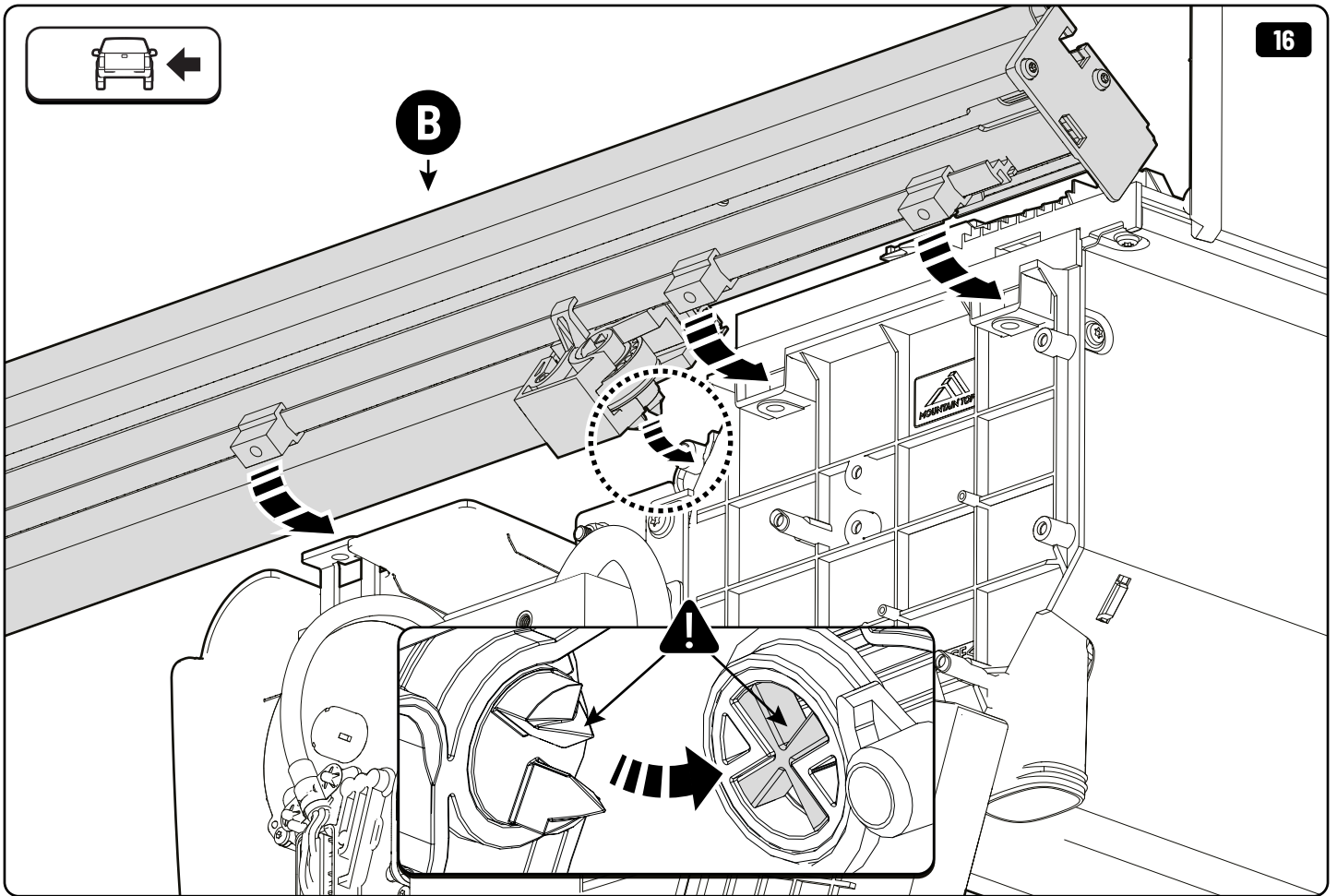




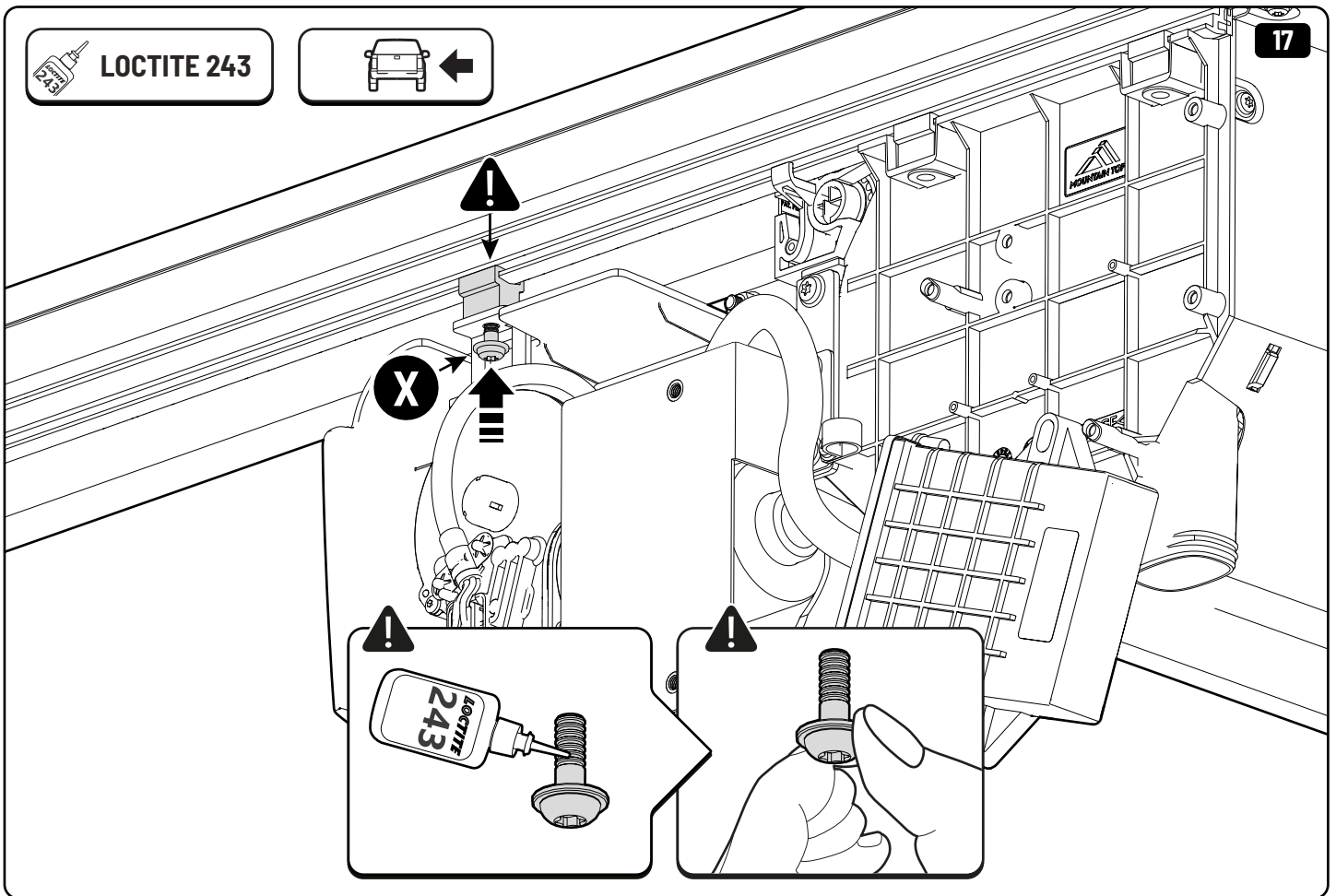


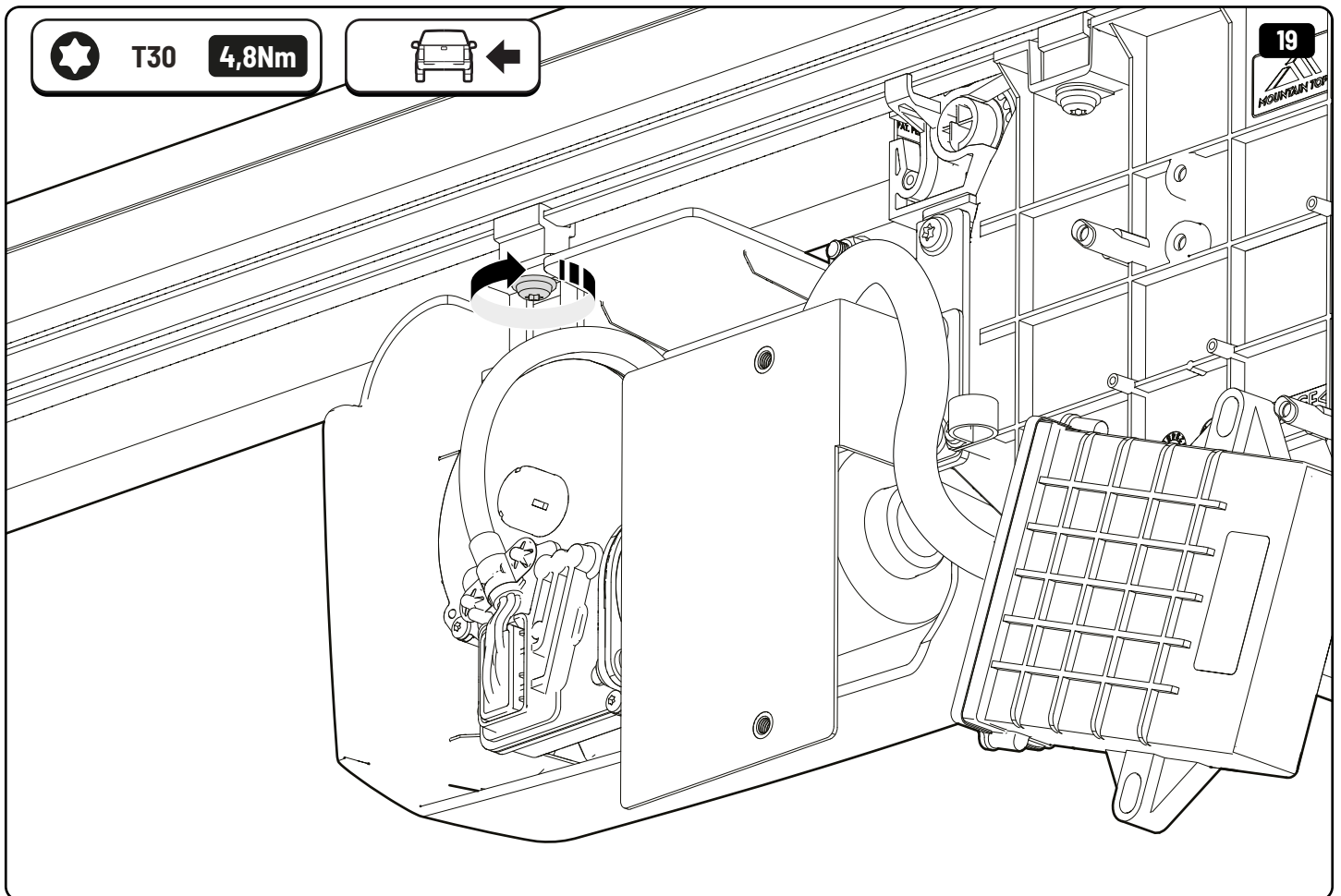
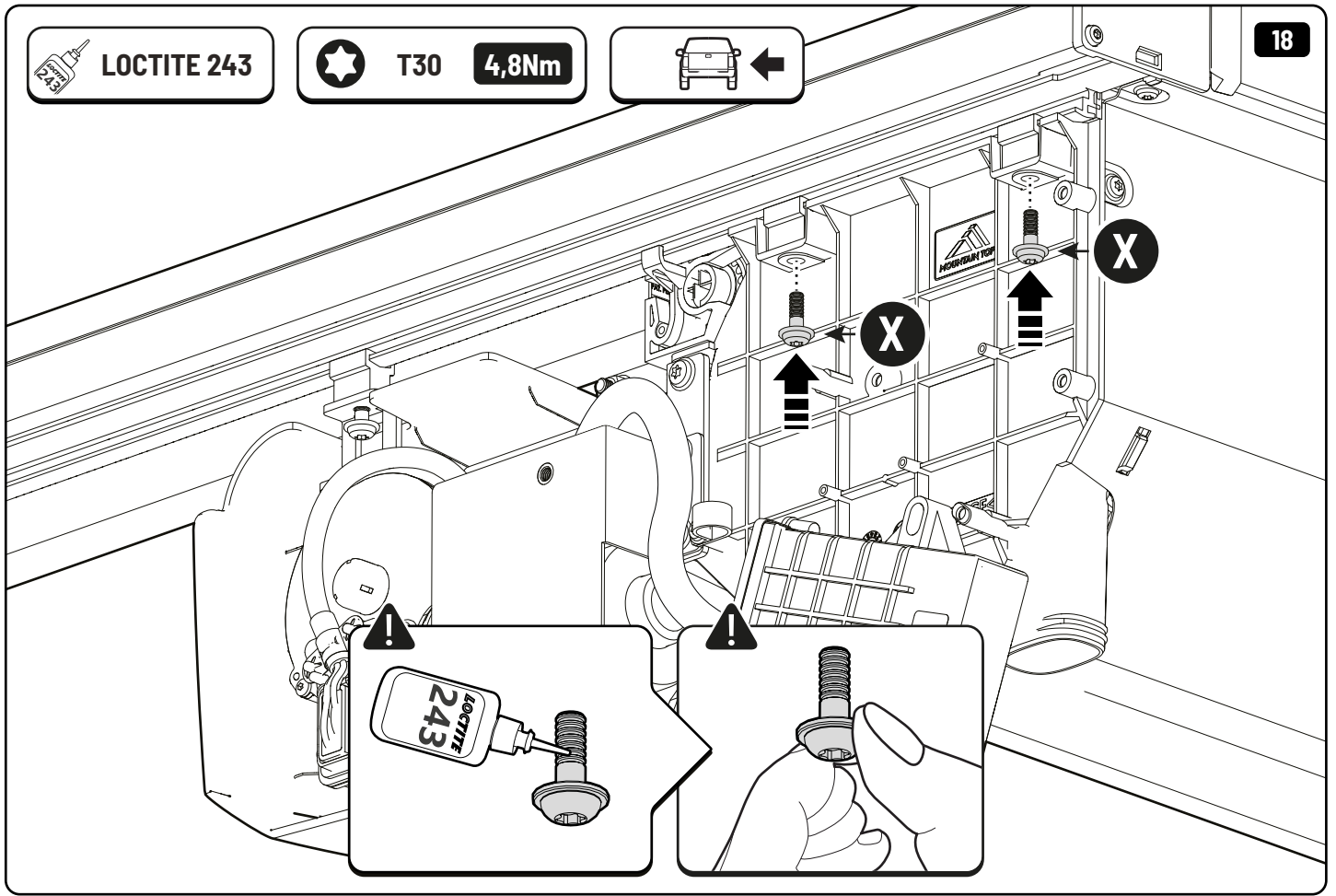


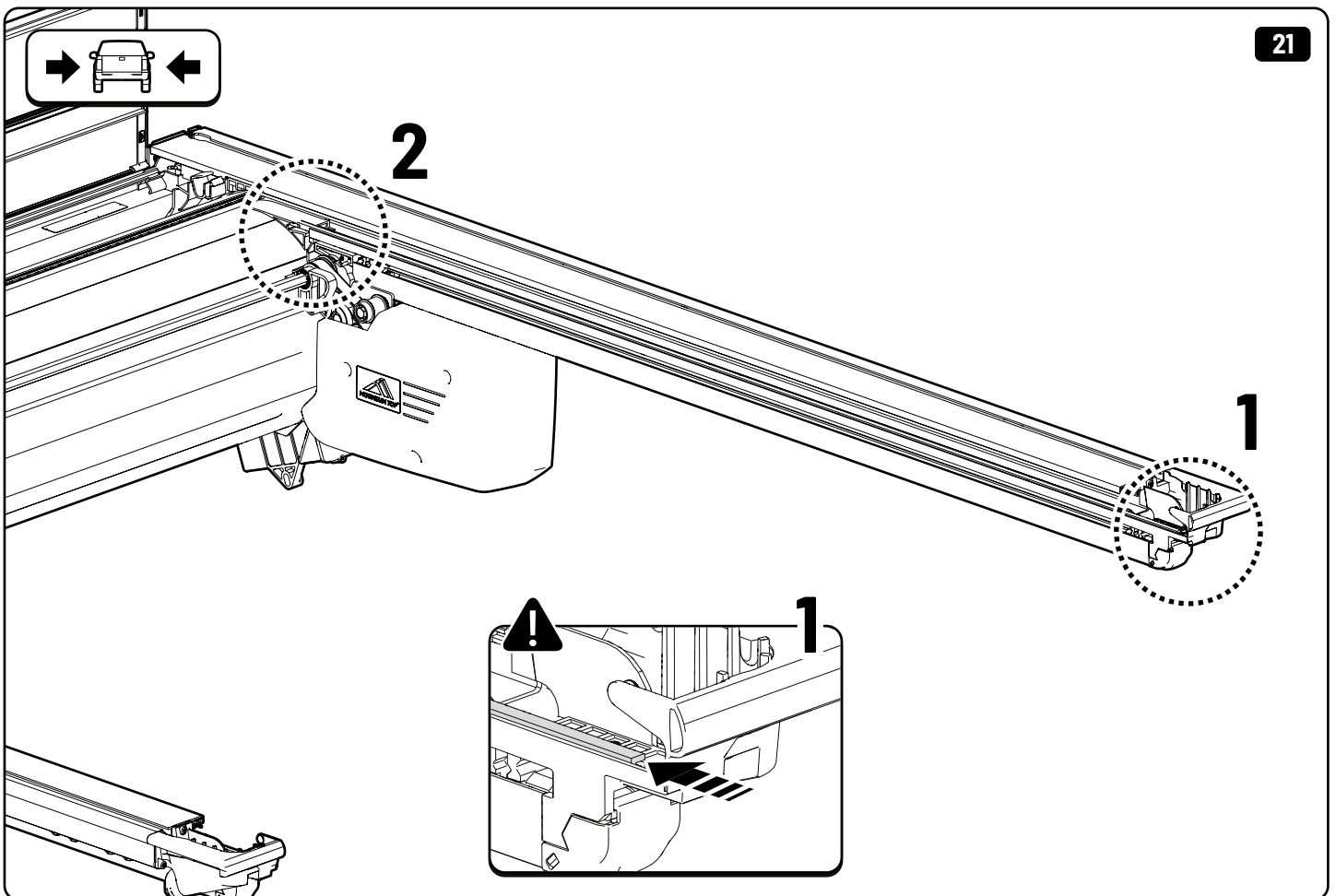
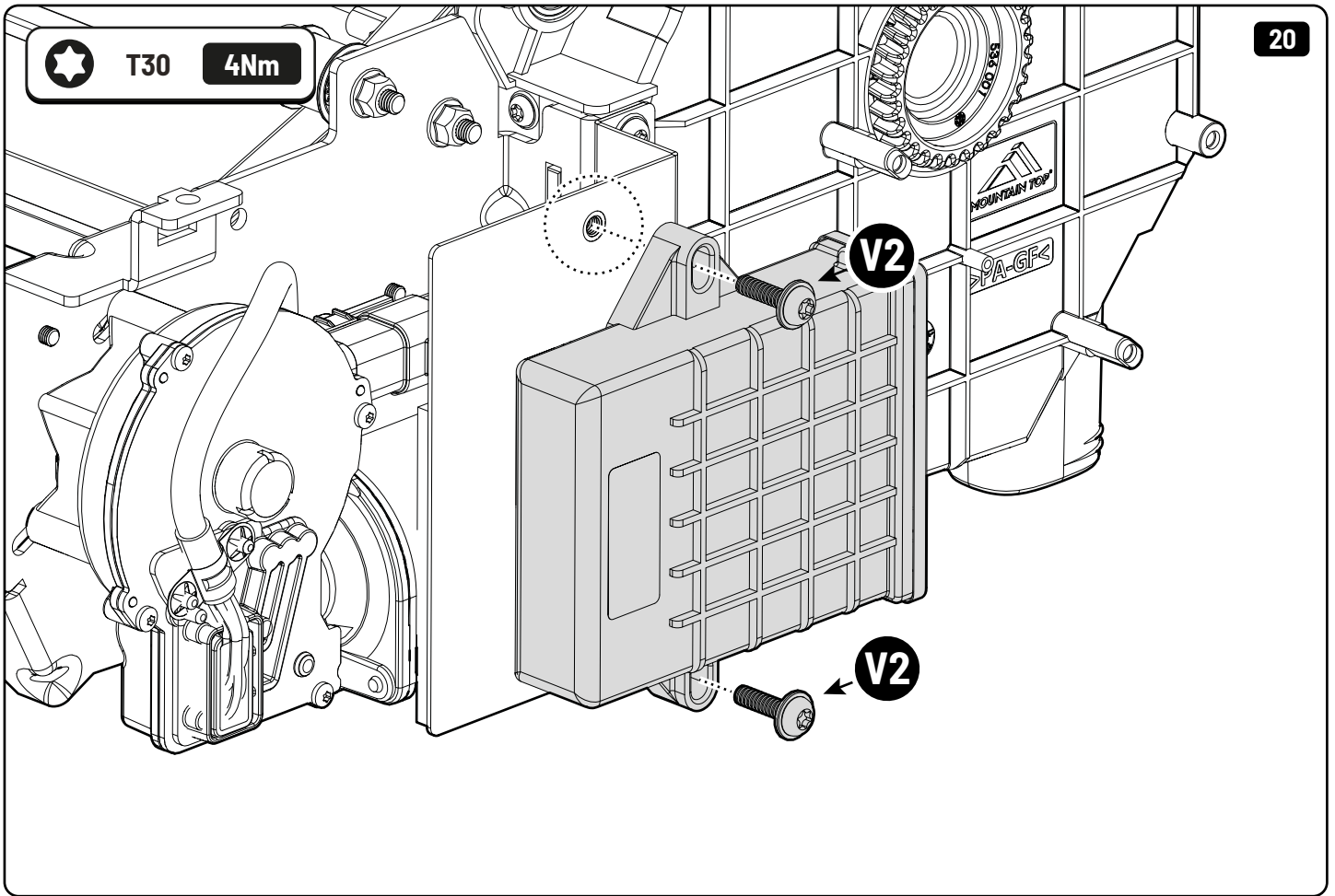
B
↓

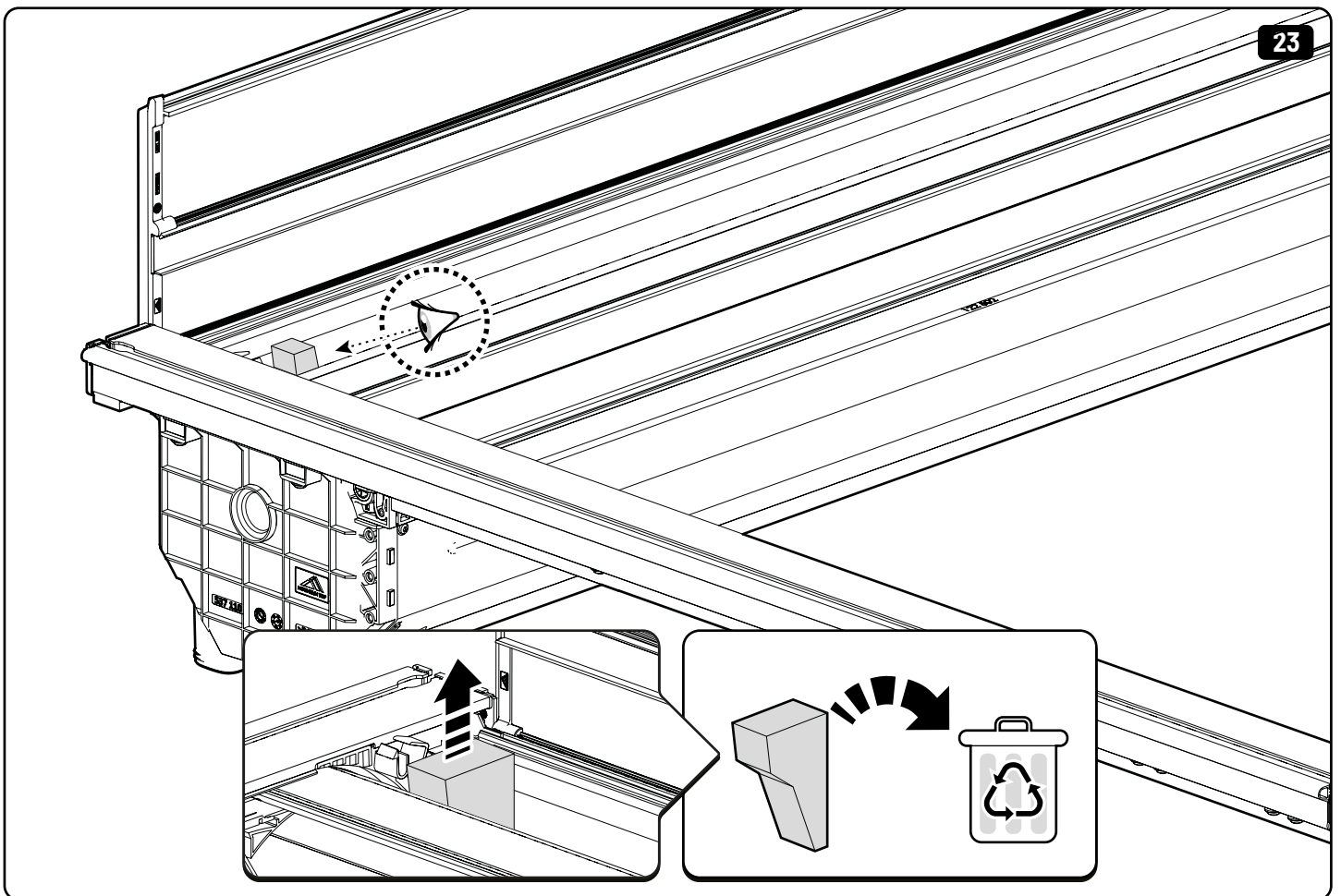
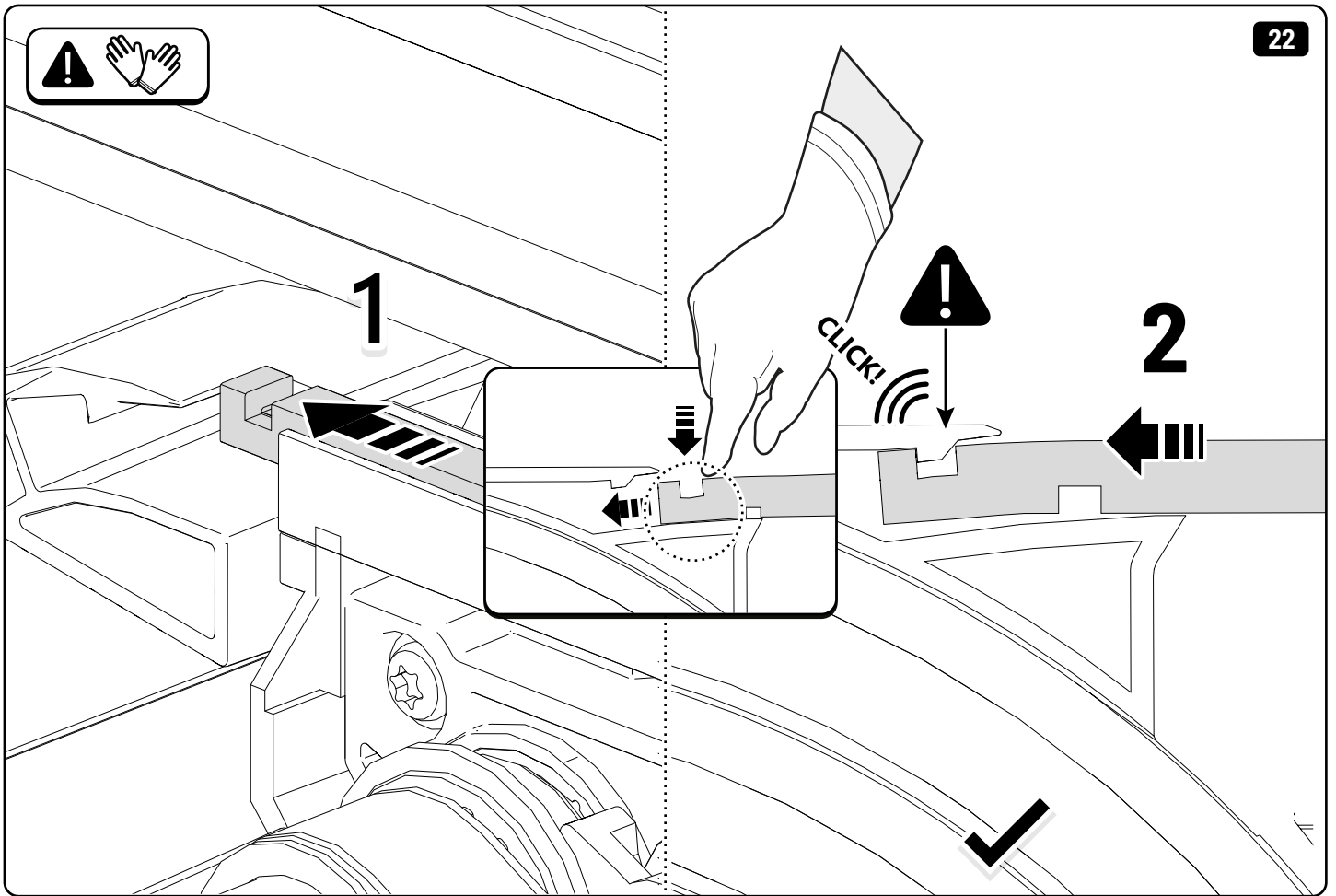


LOCTITE 243

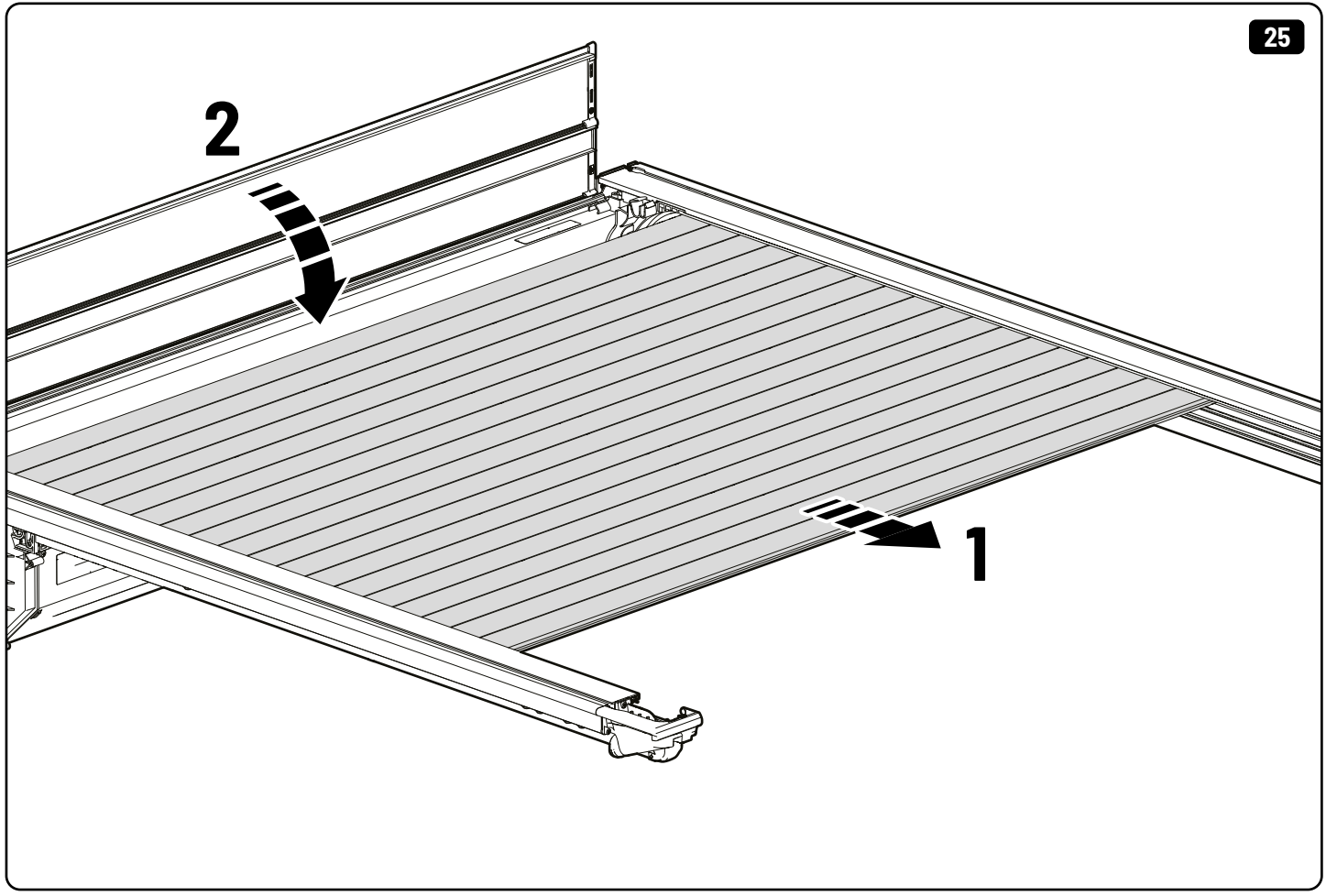
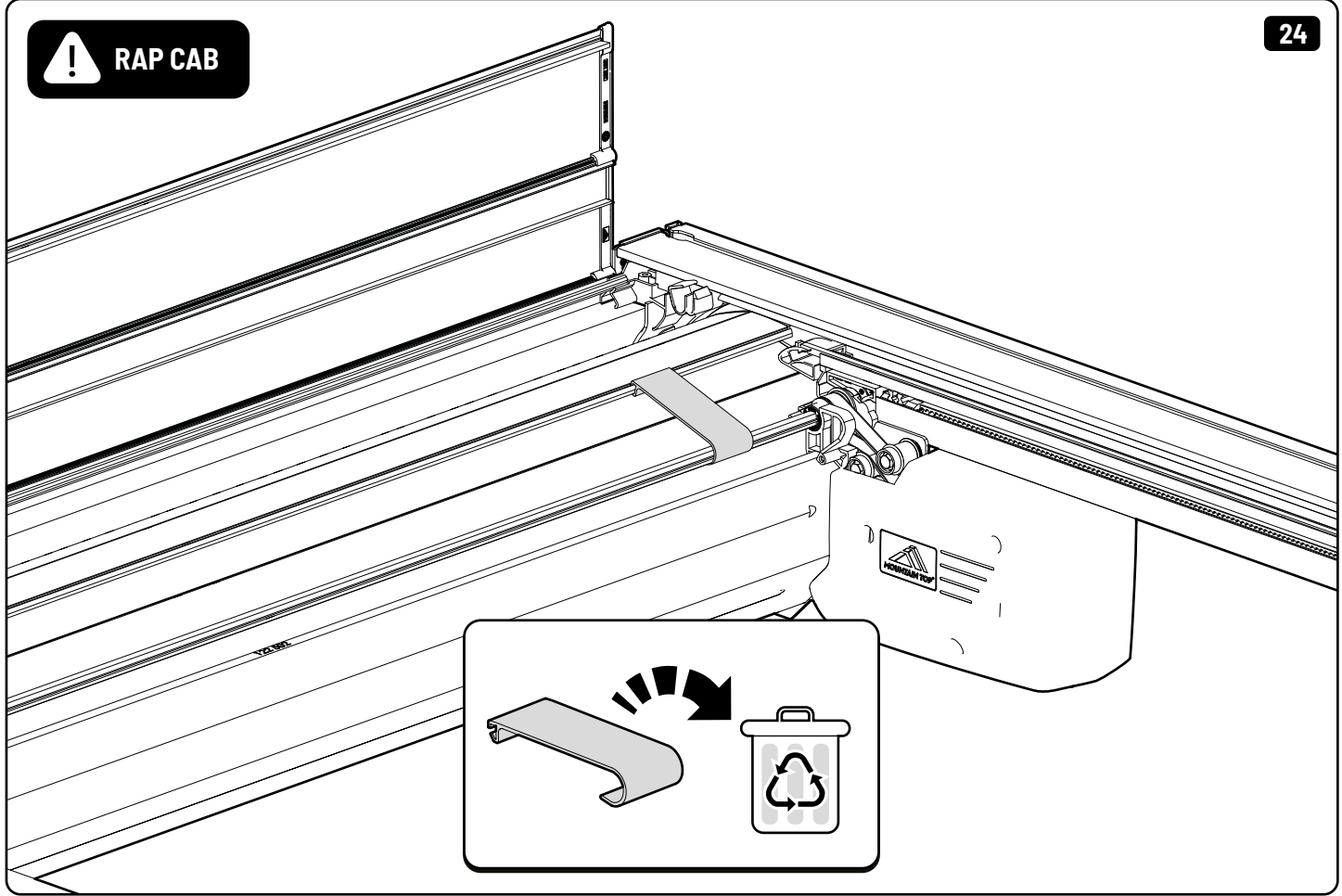


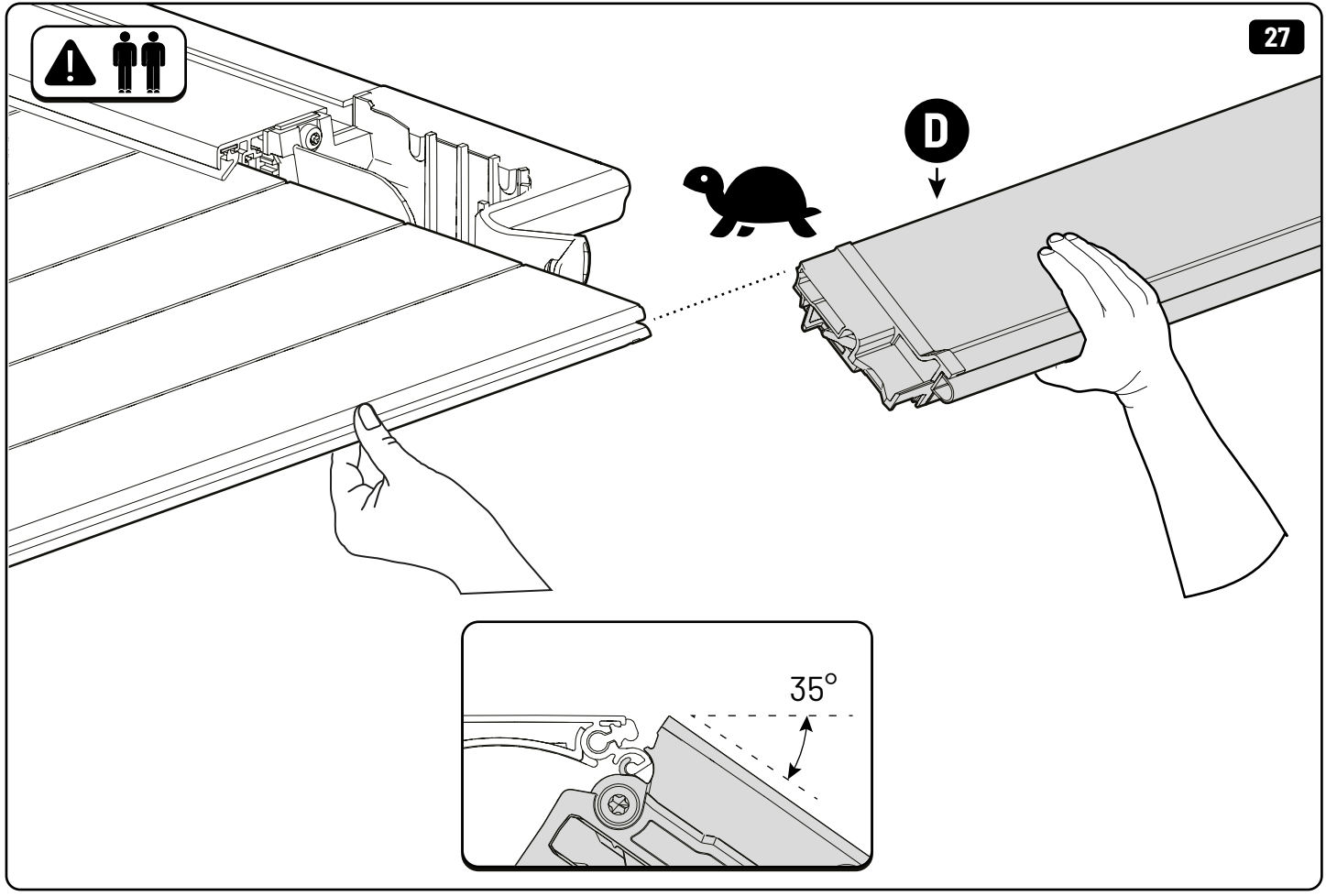
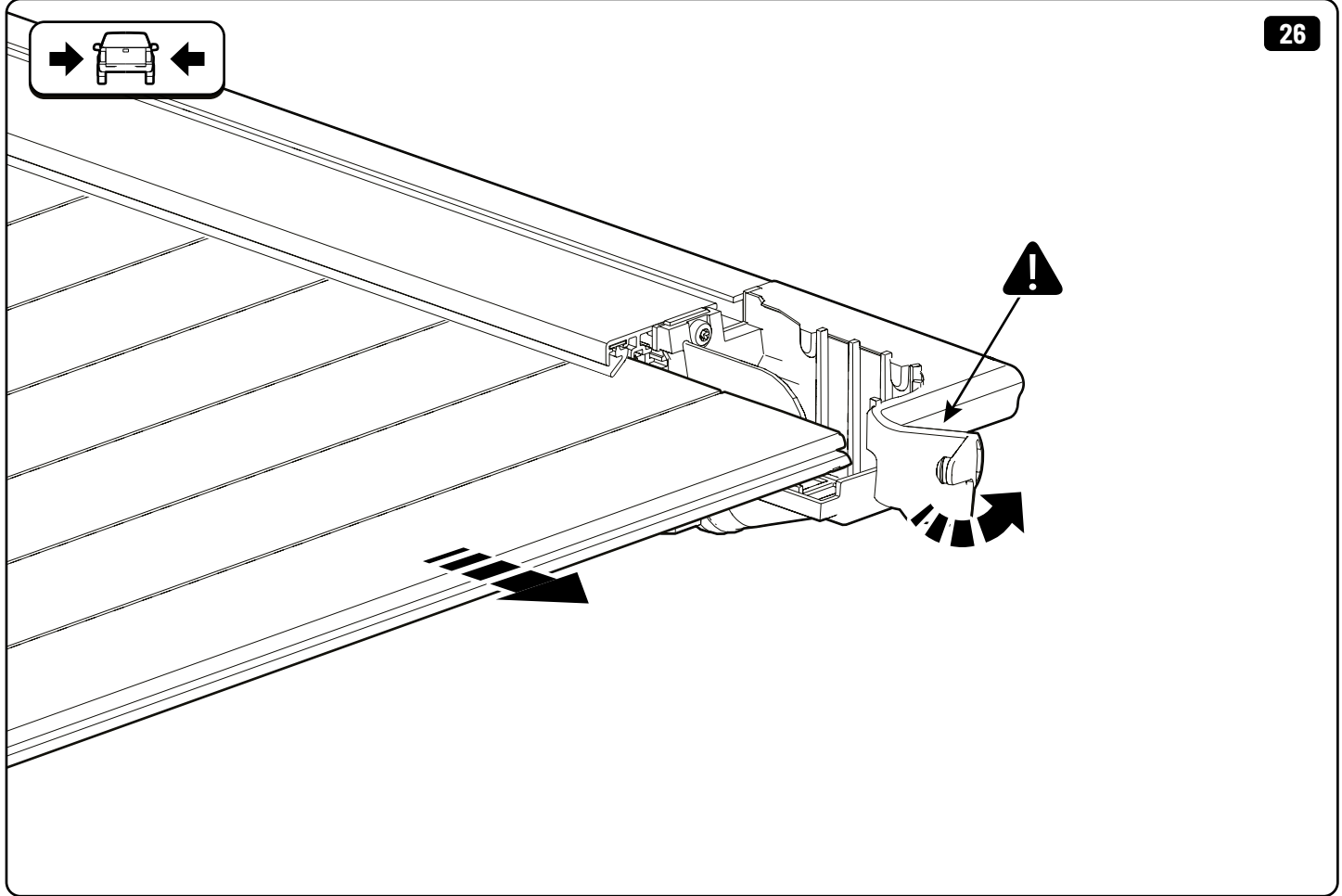
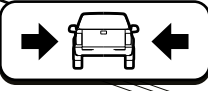


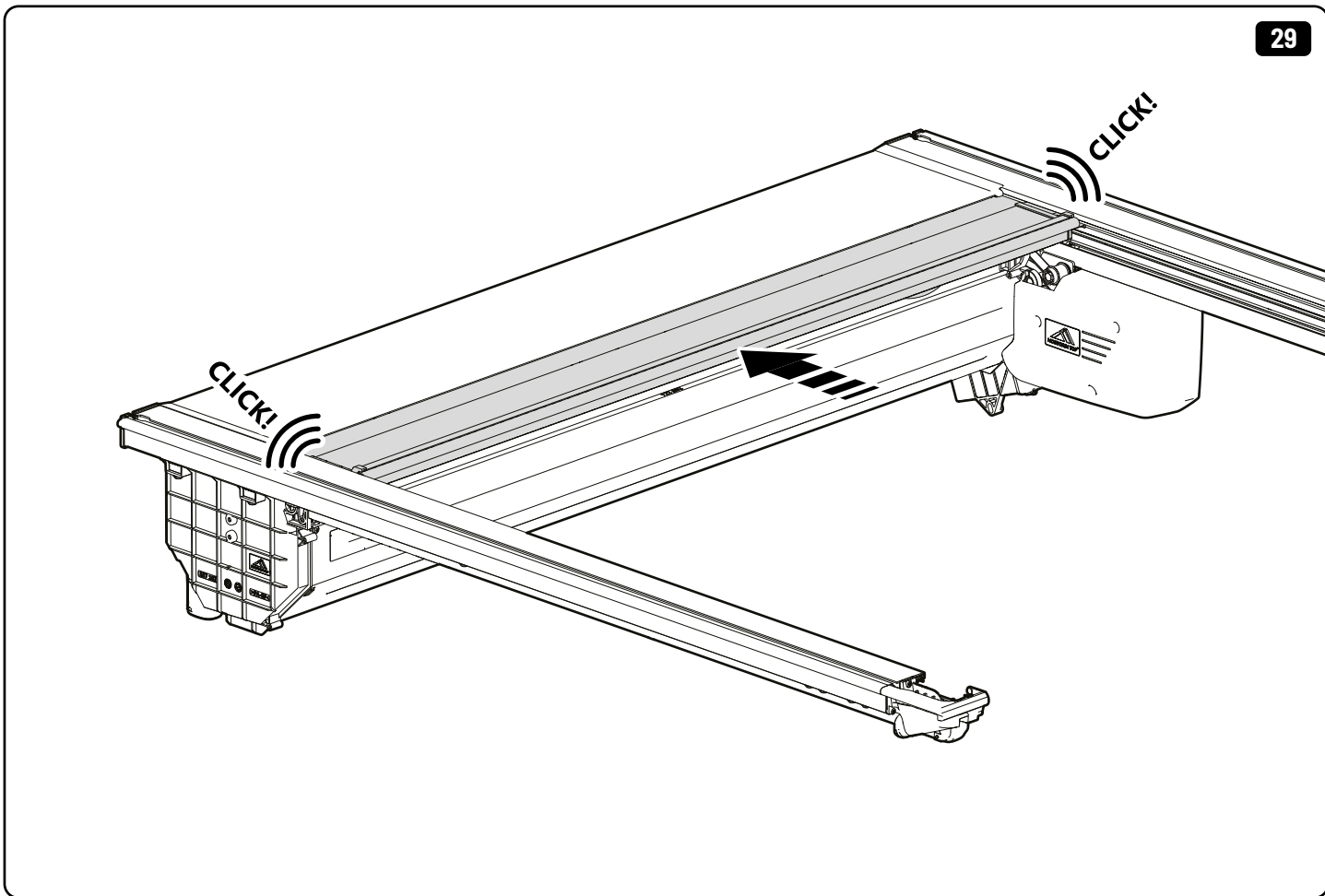
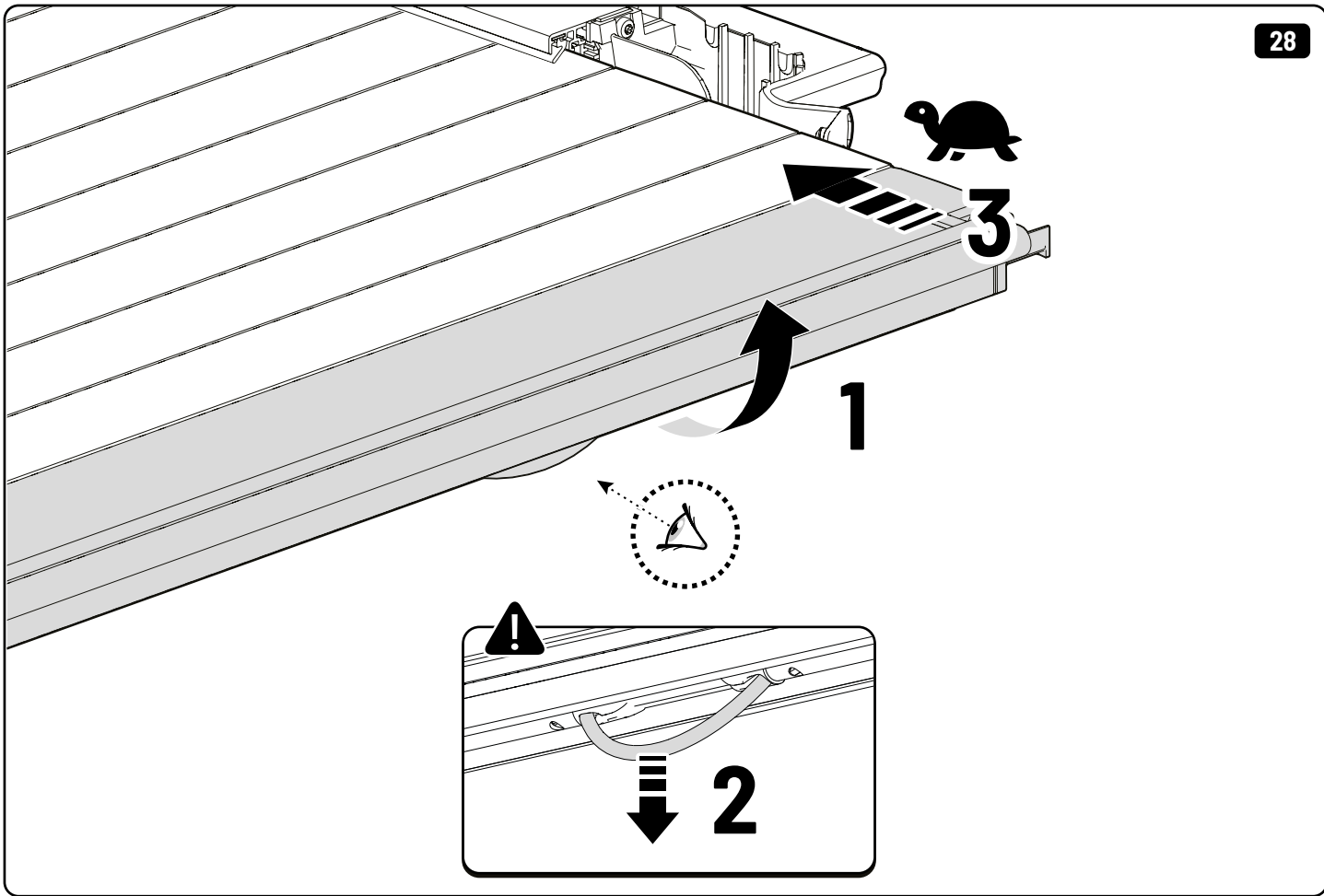


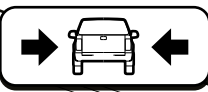
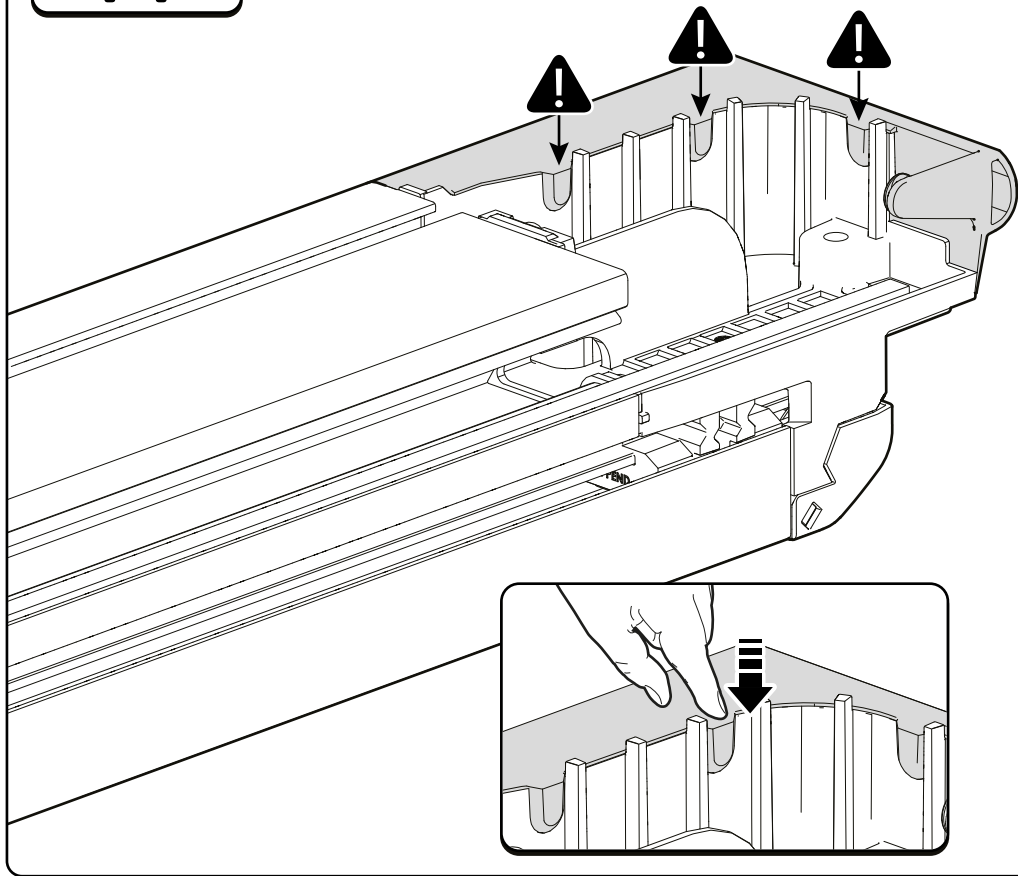
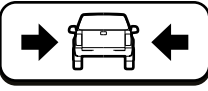


 **RAP CAB**

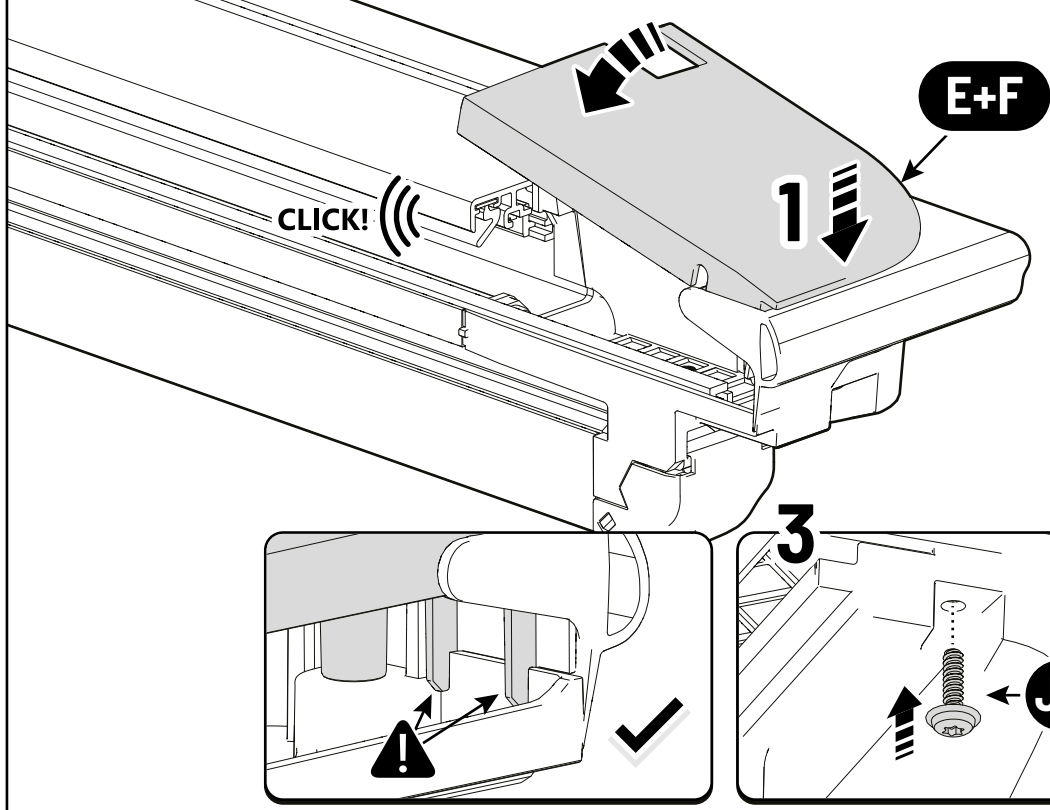


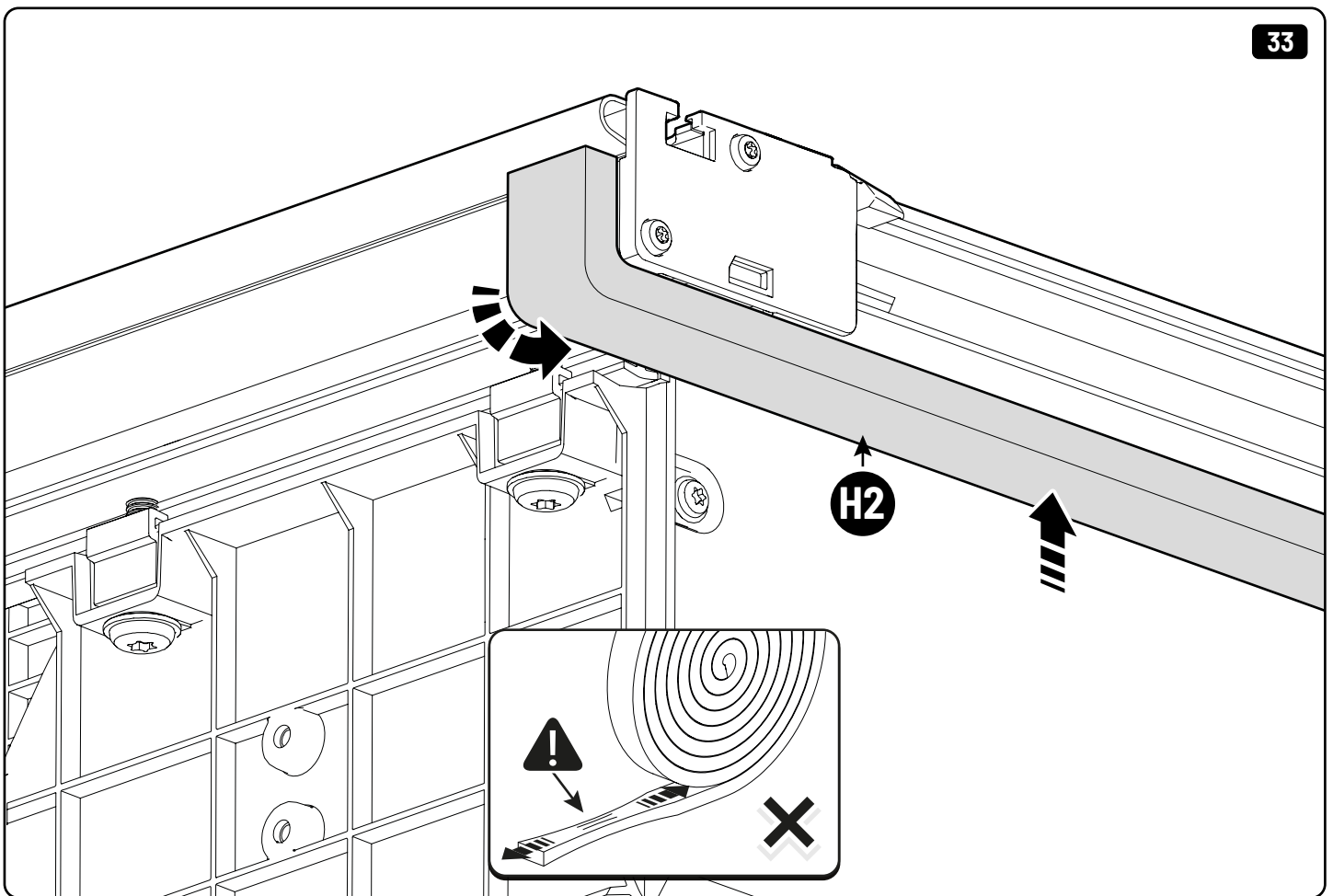
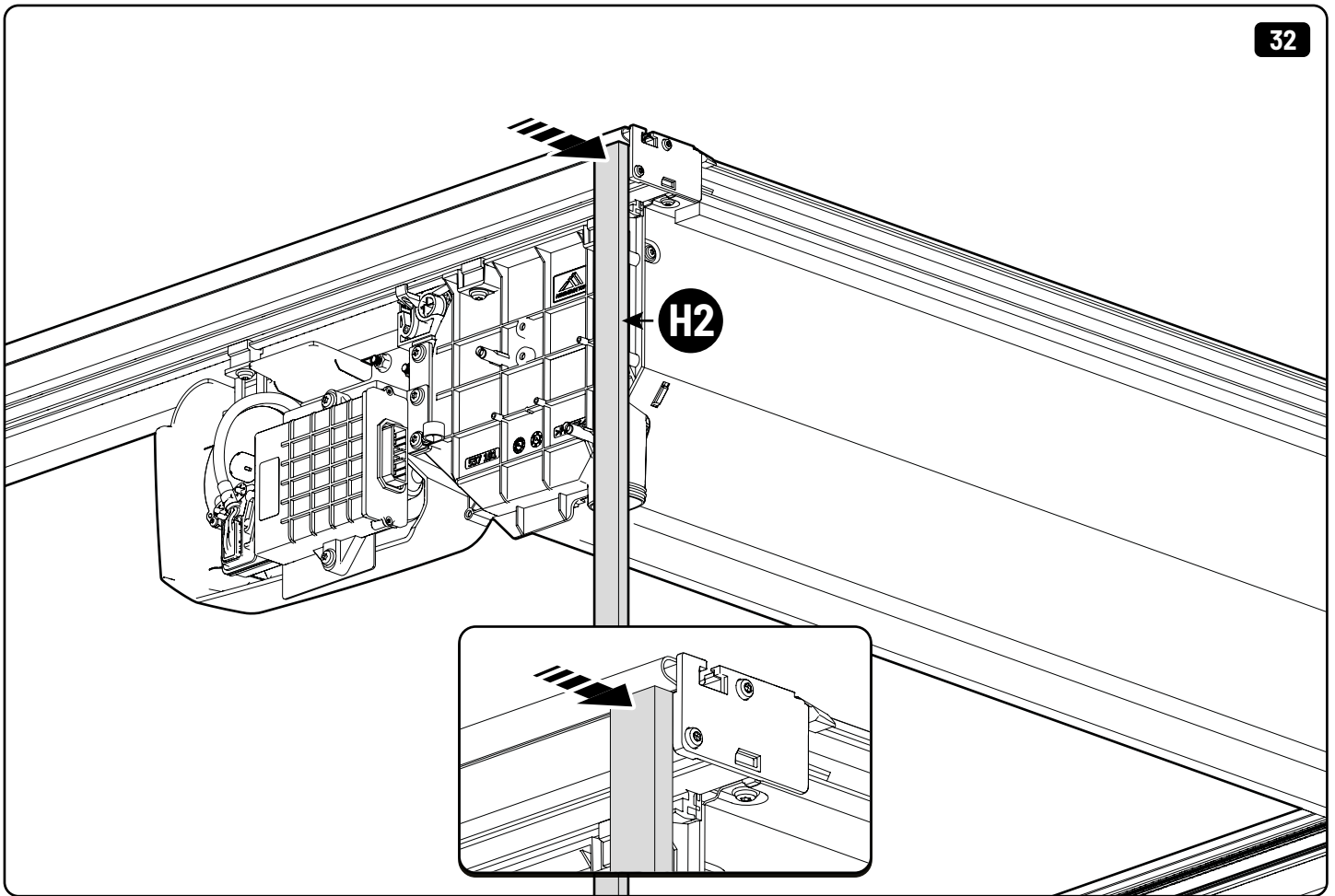






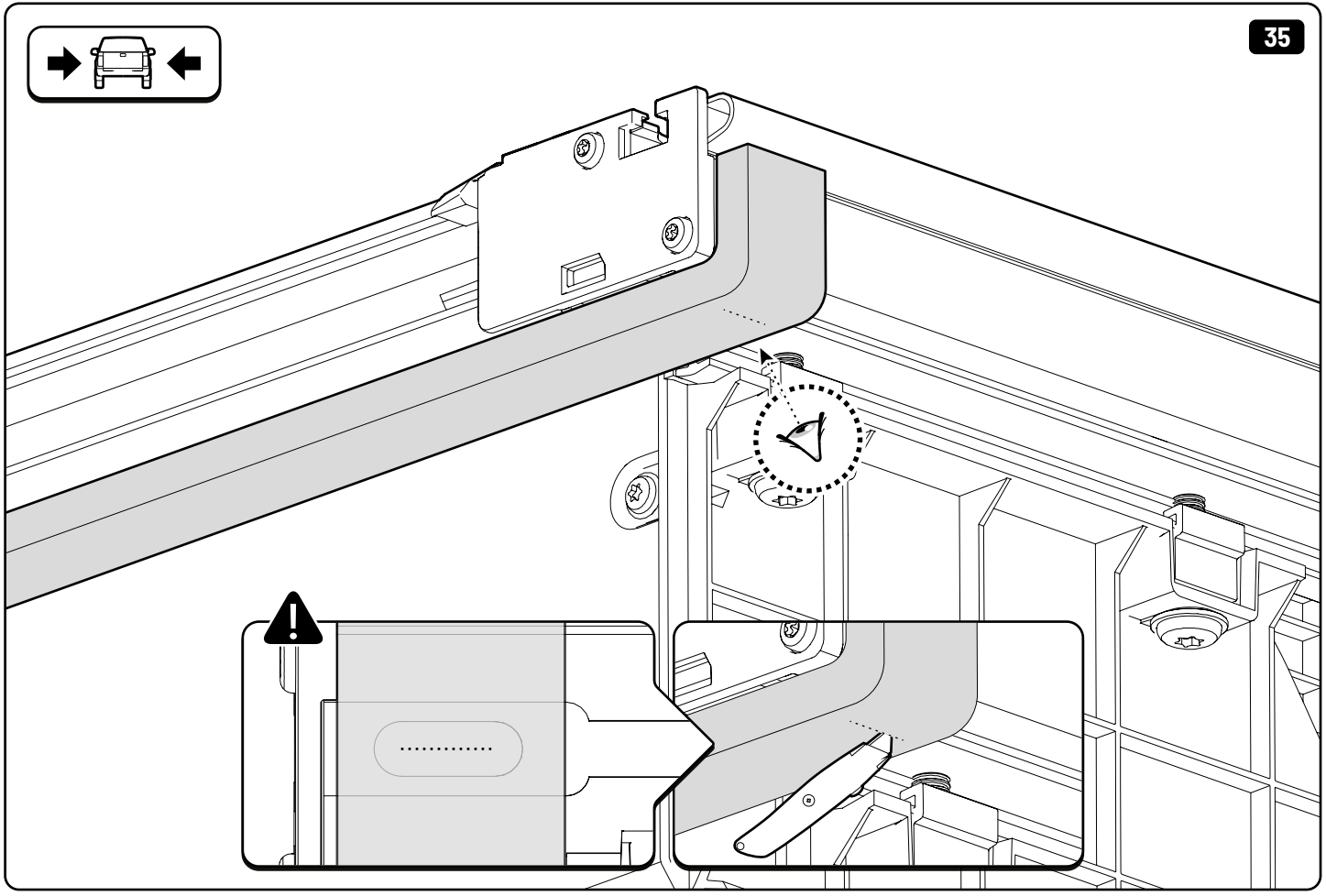
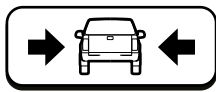
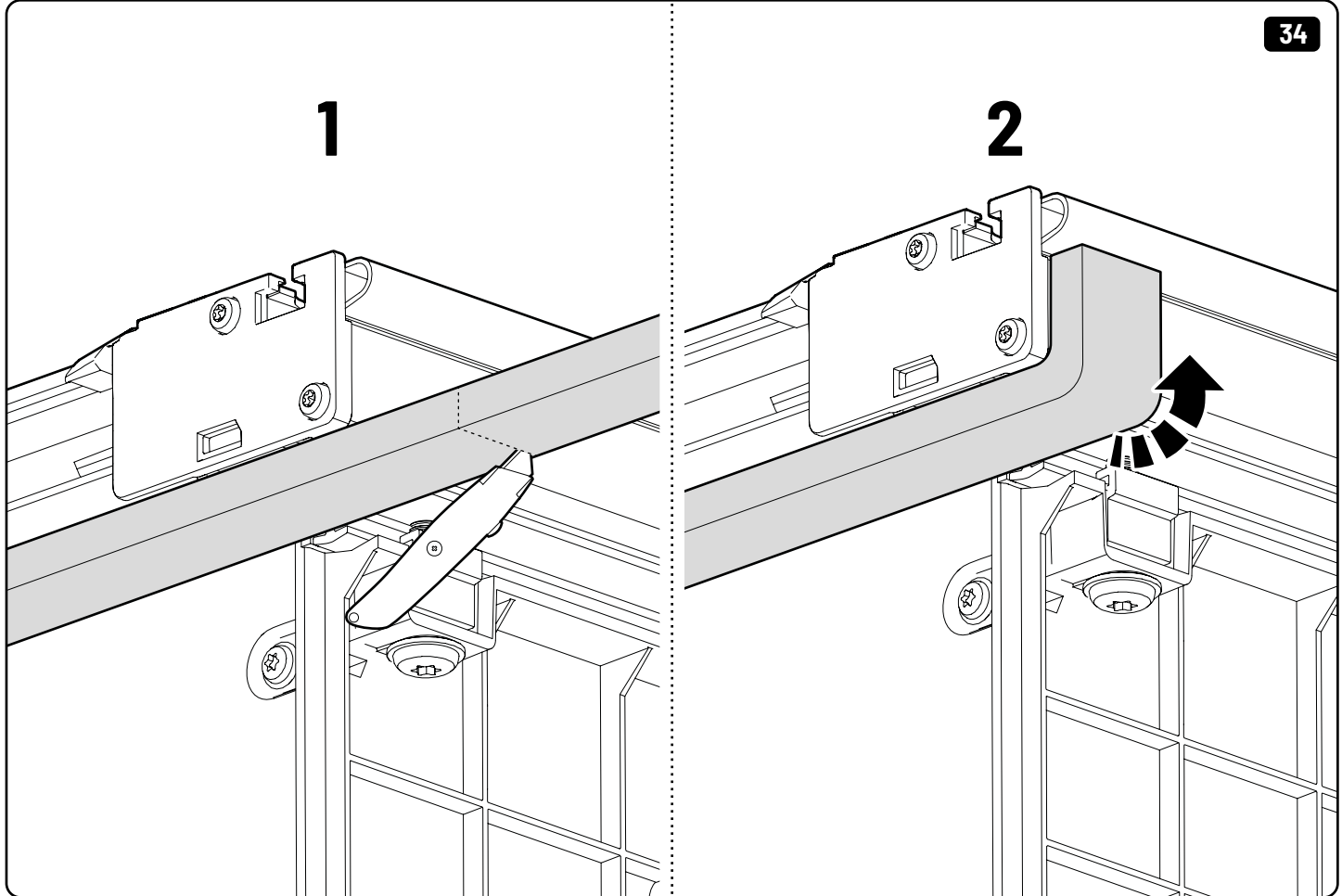
T20 2,4Nm

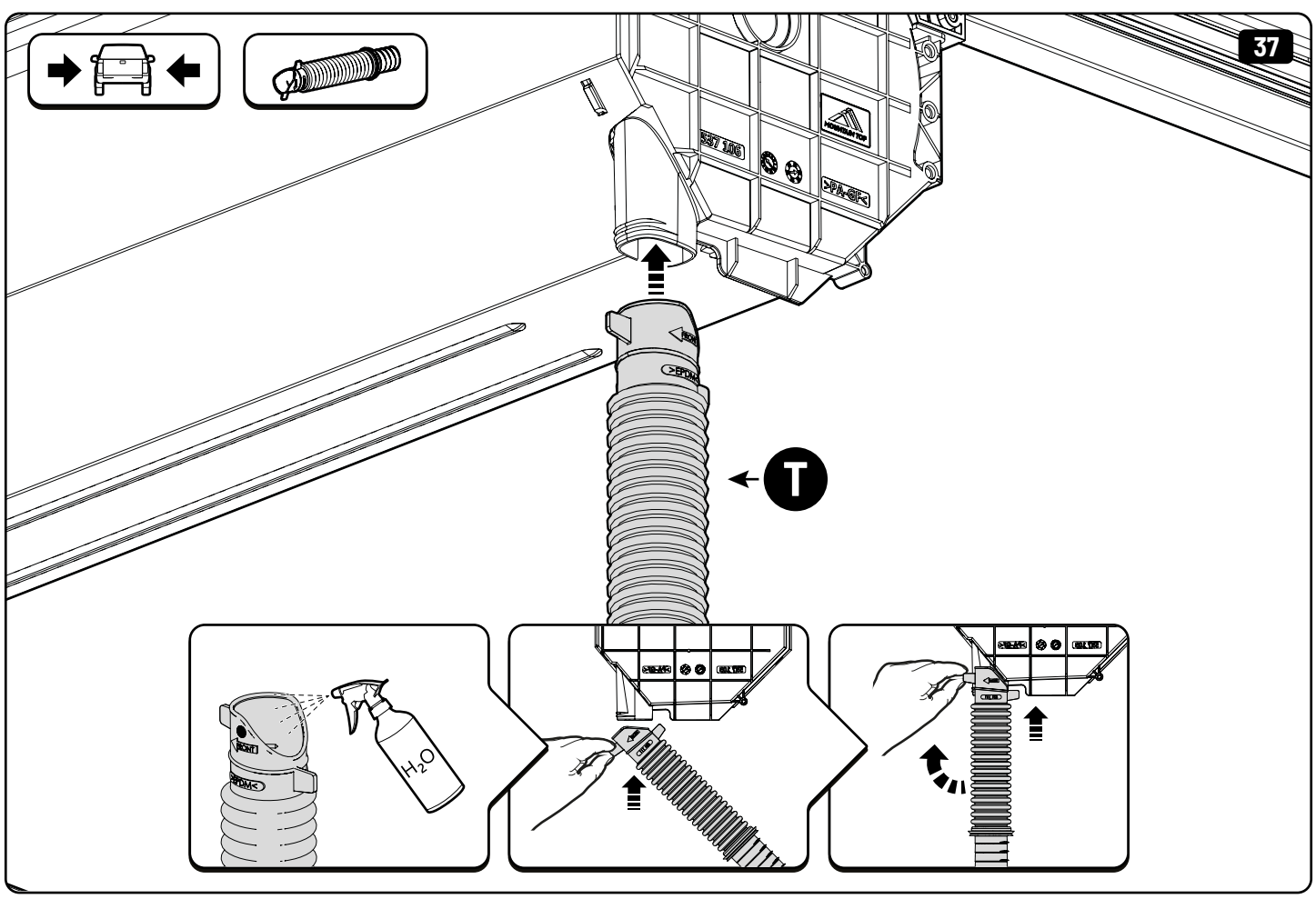
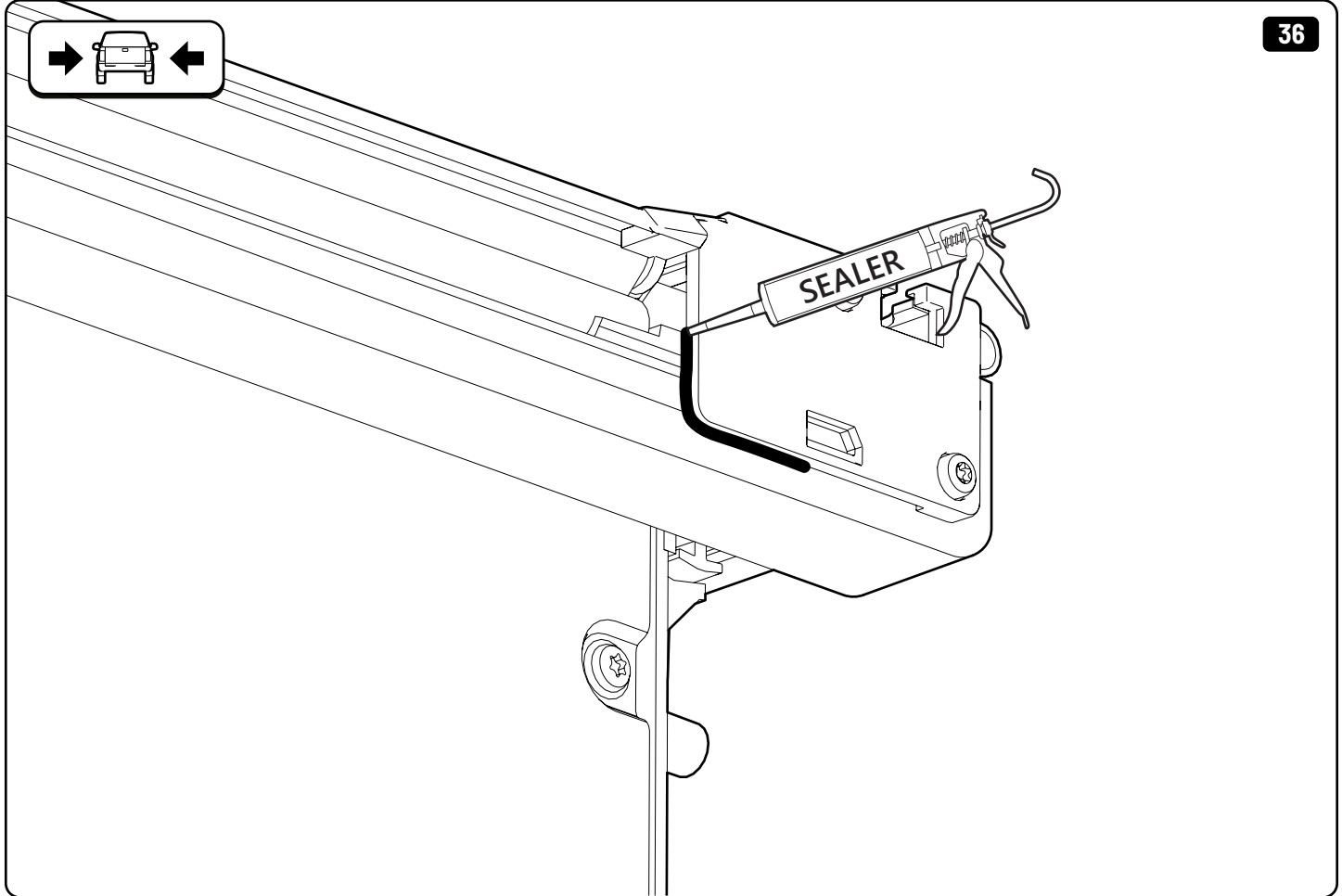


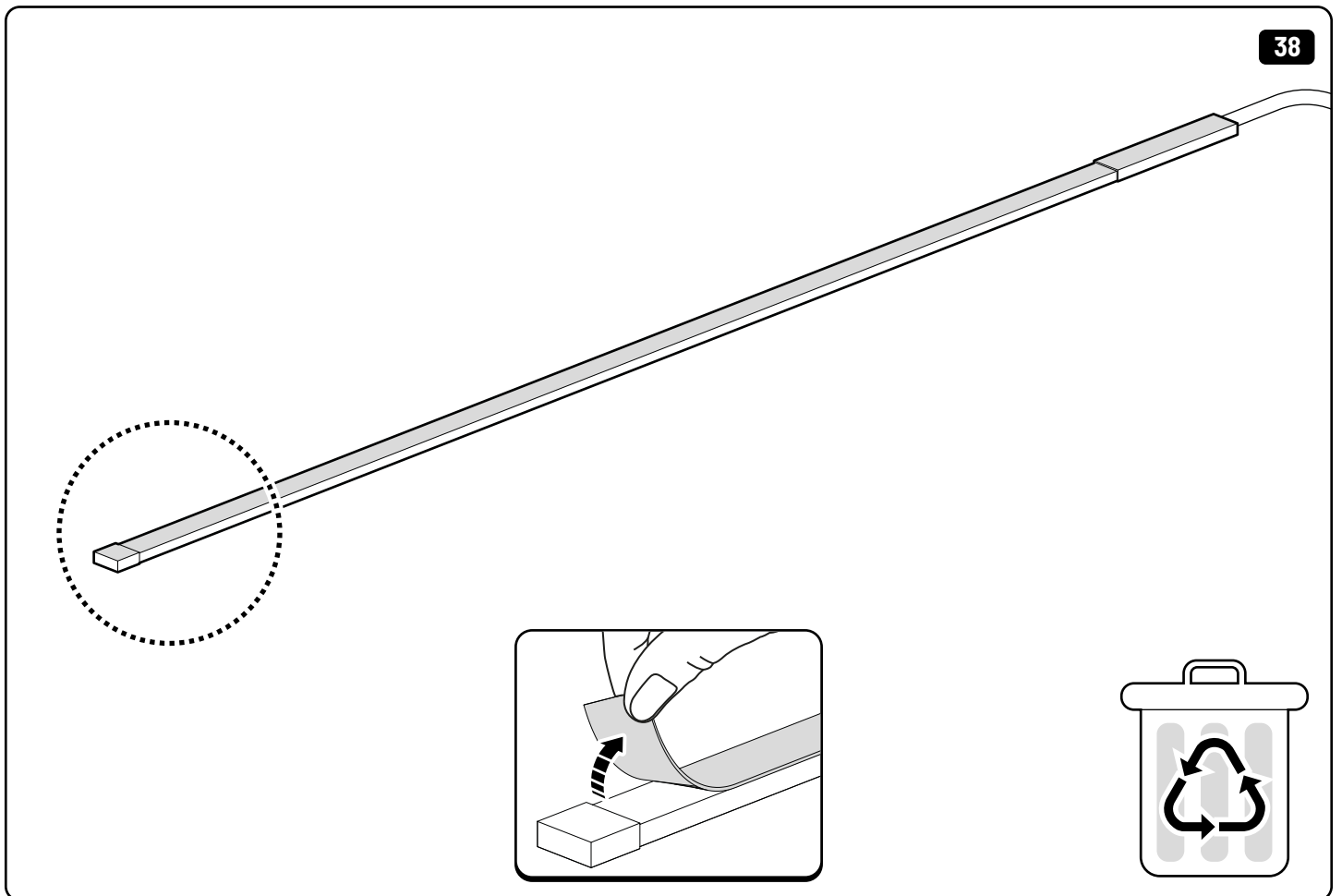
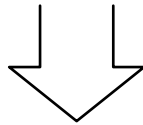
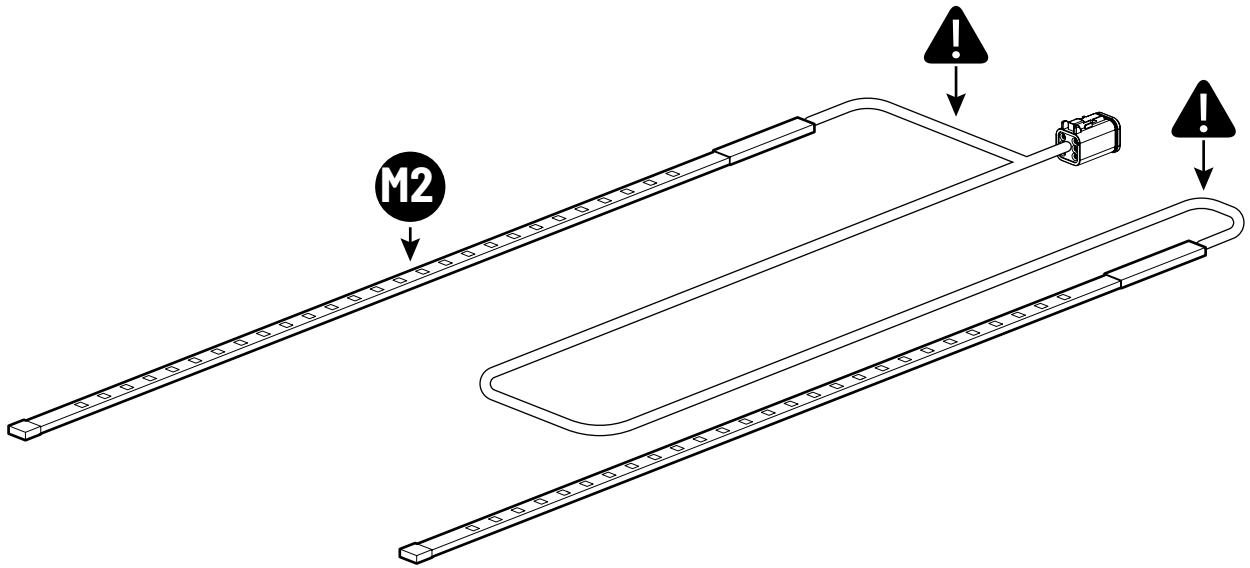


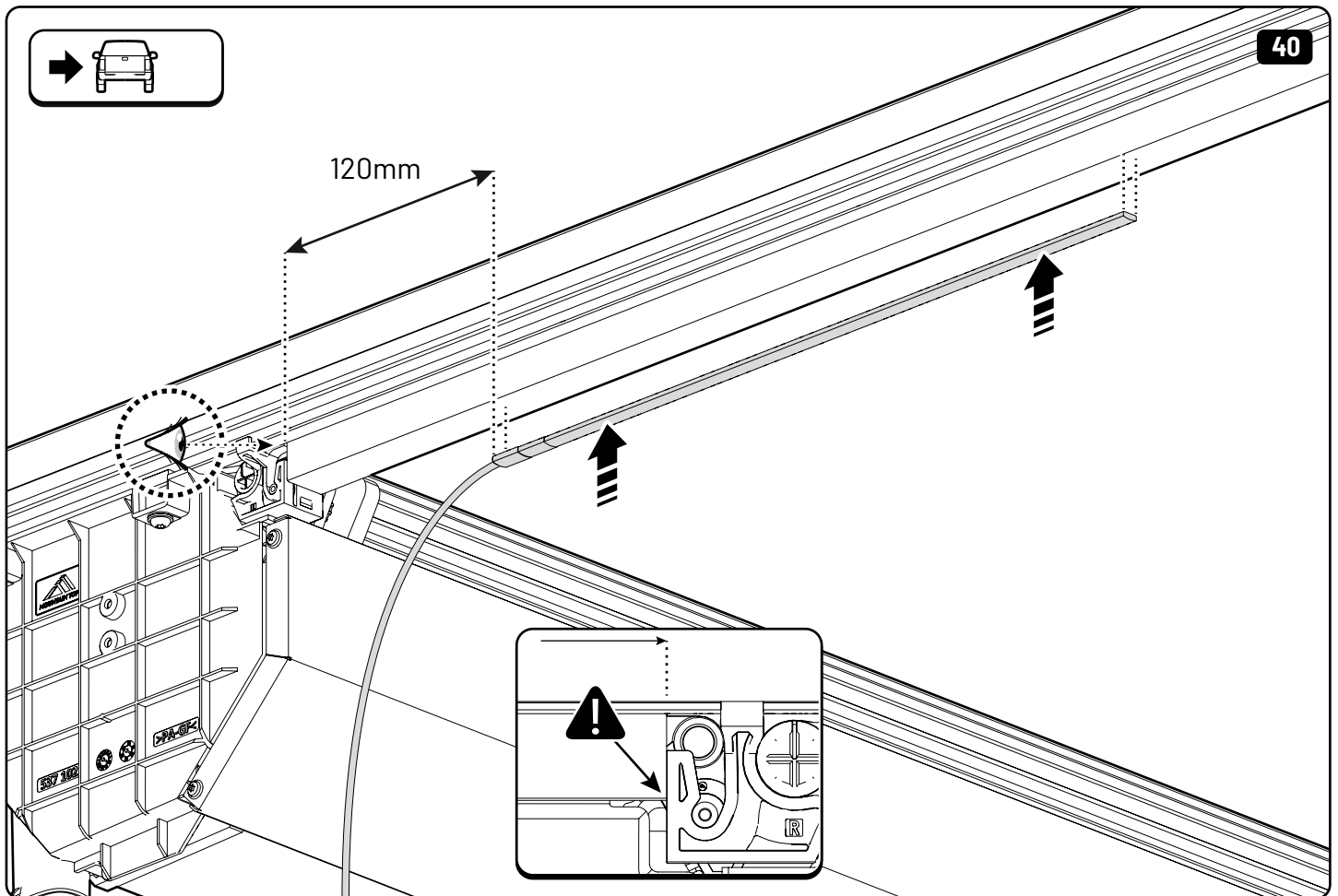
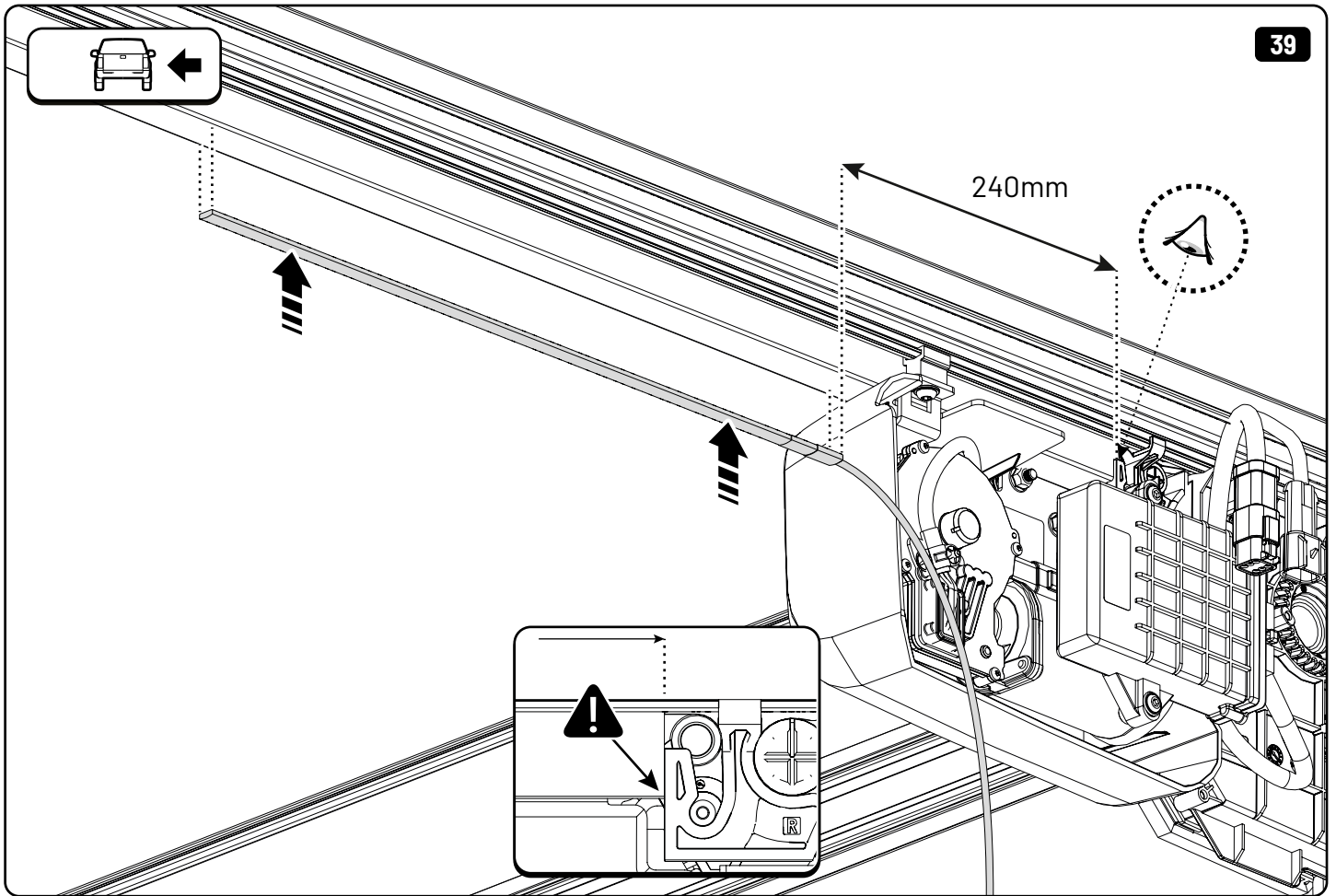
1

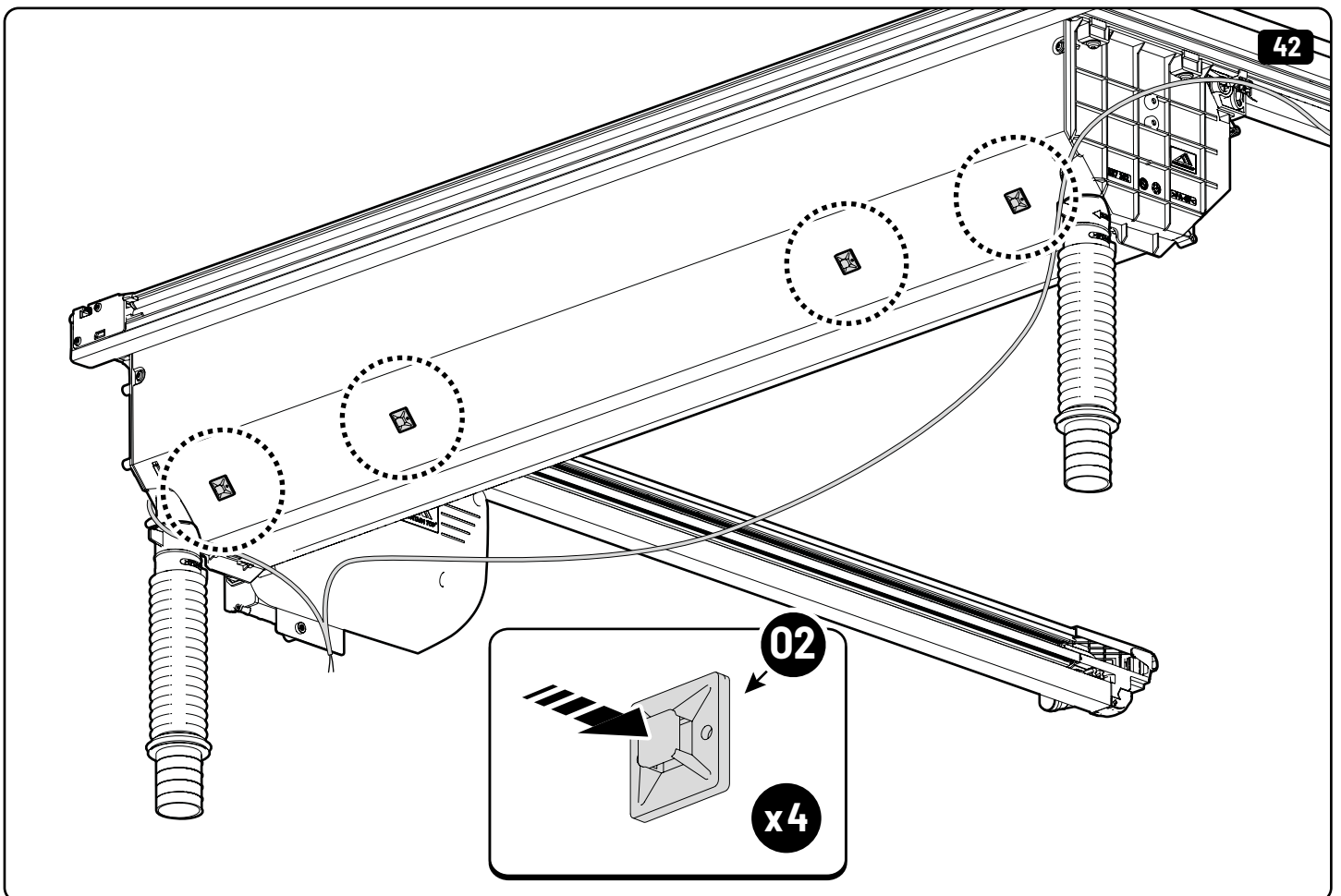
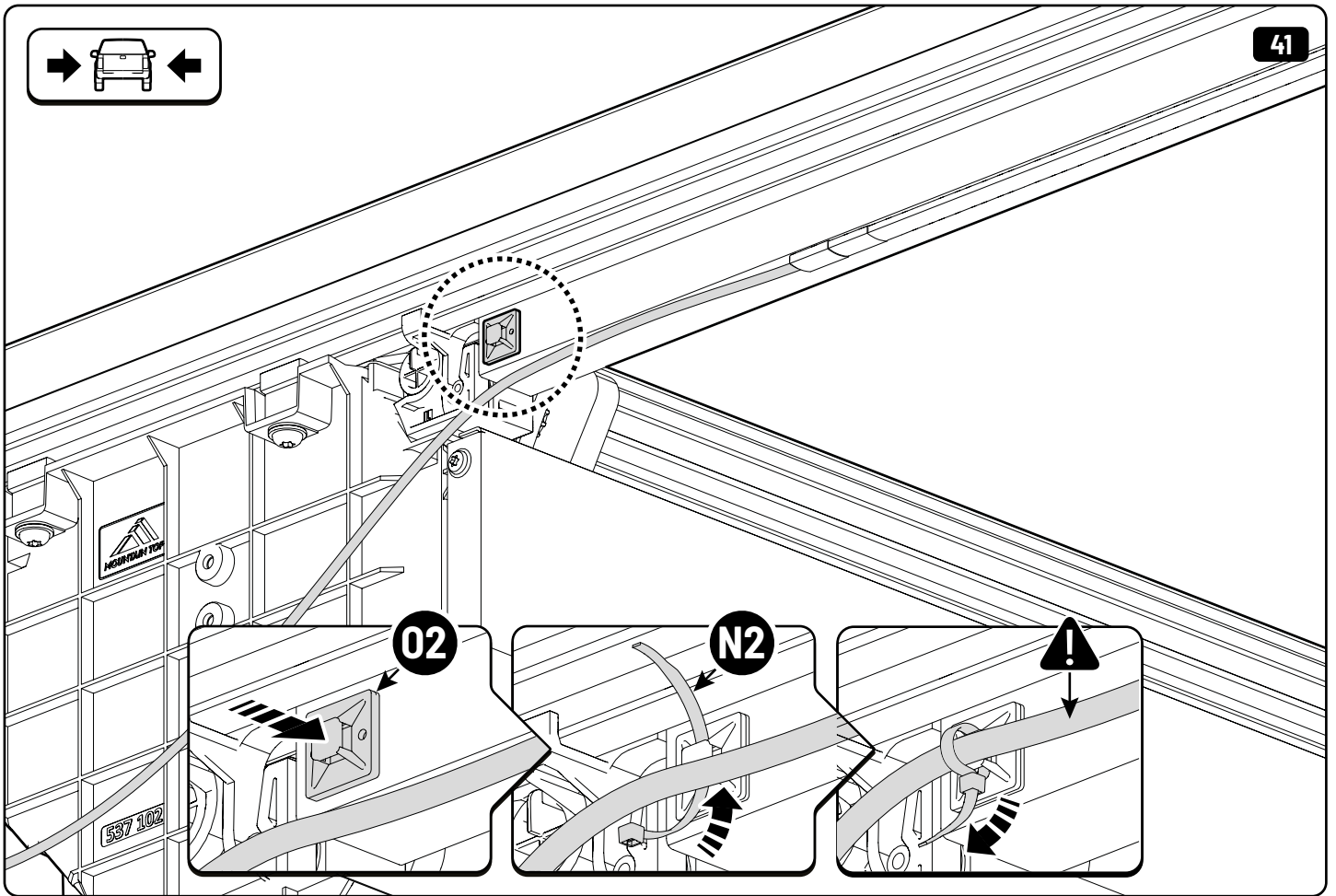
2

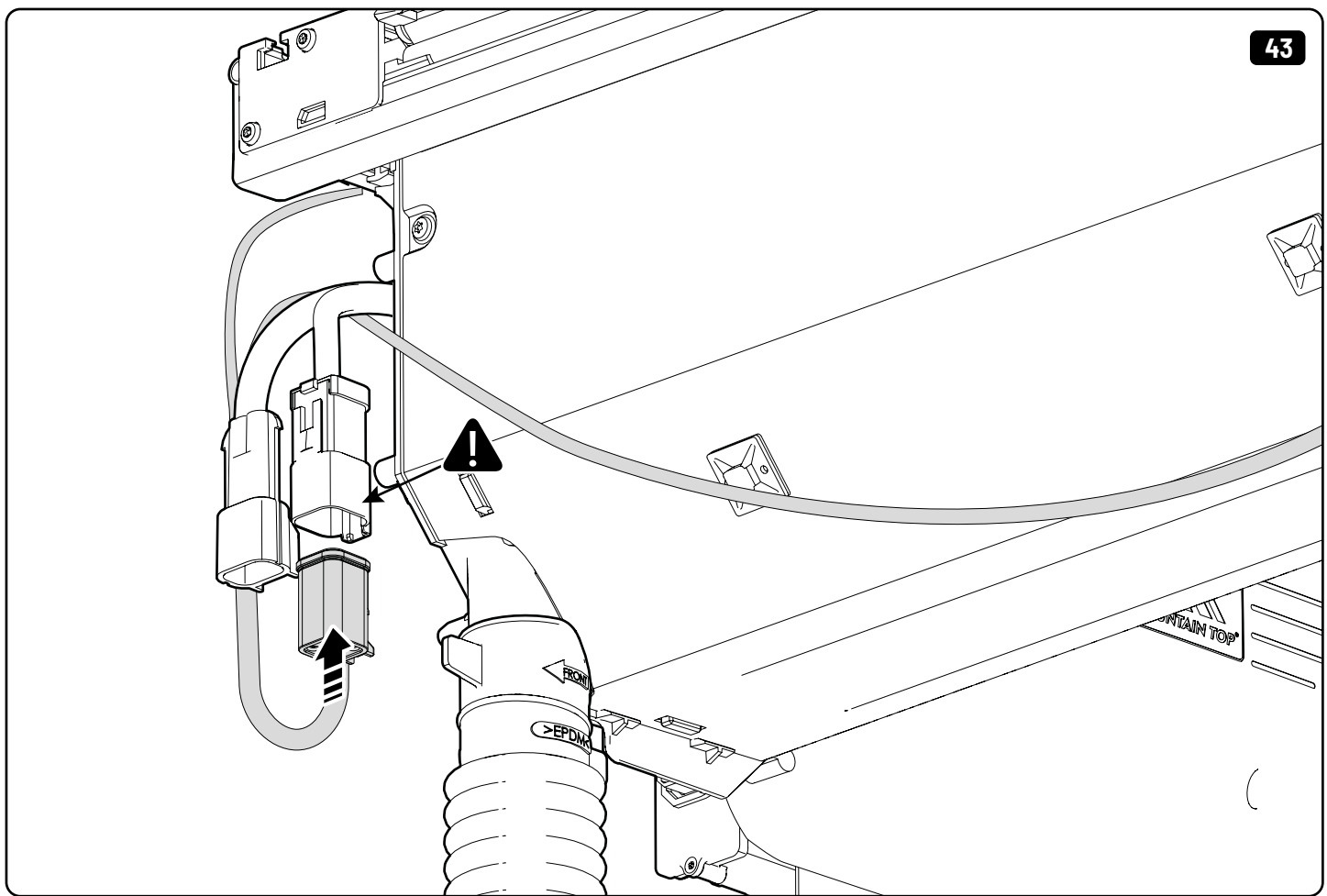


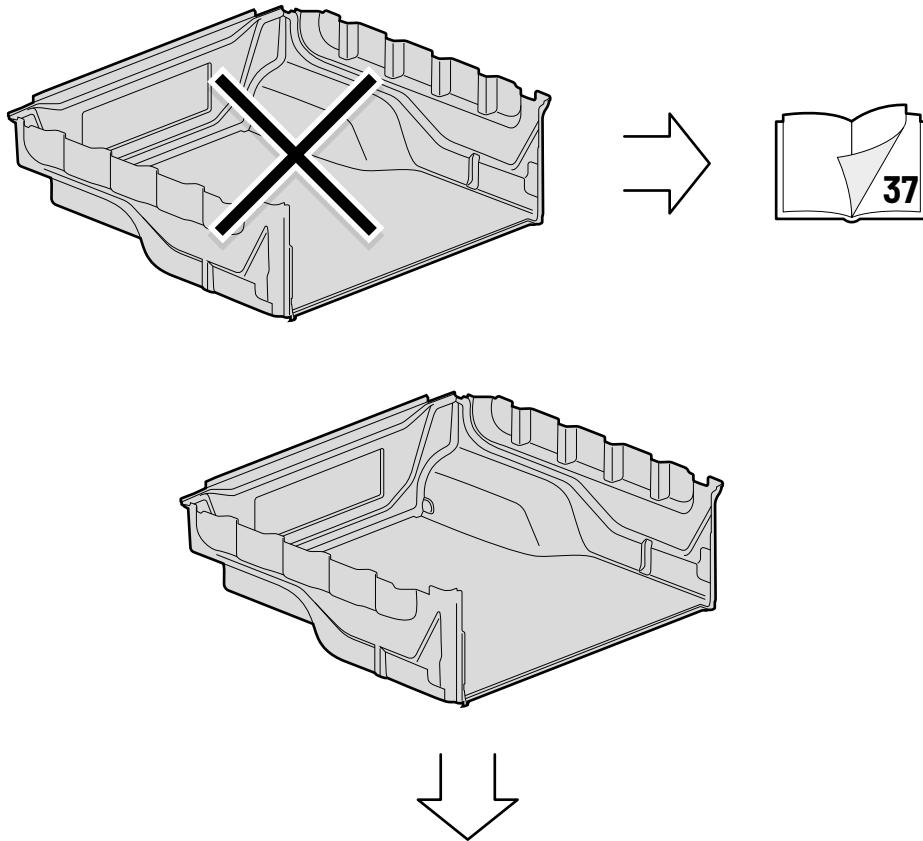






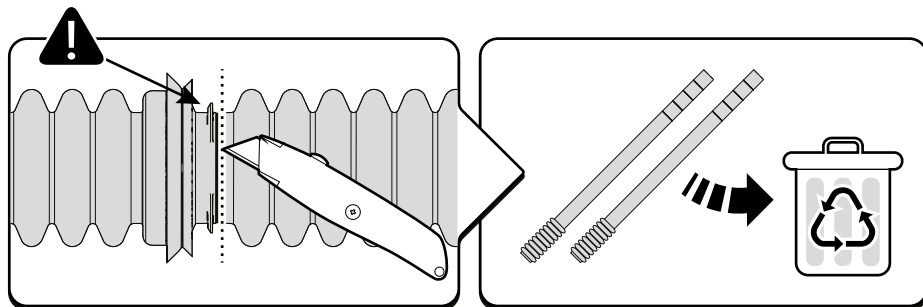
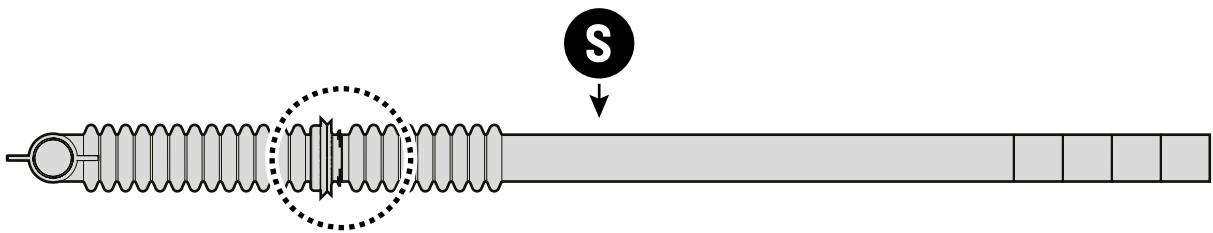




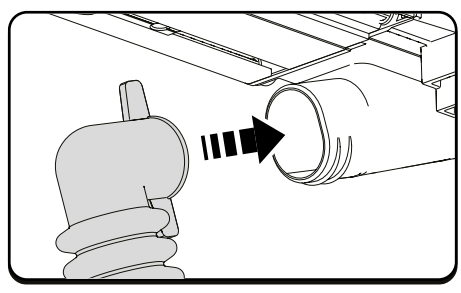
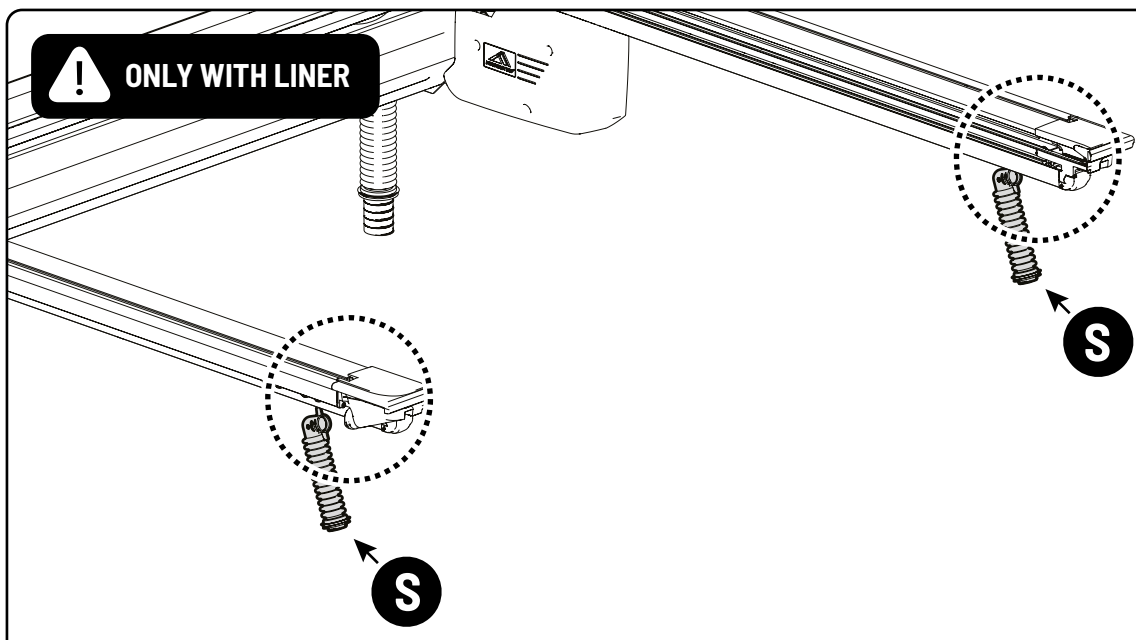


! ONLY WITH LINER

44



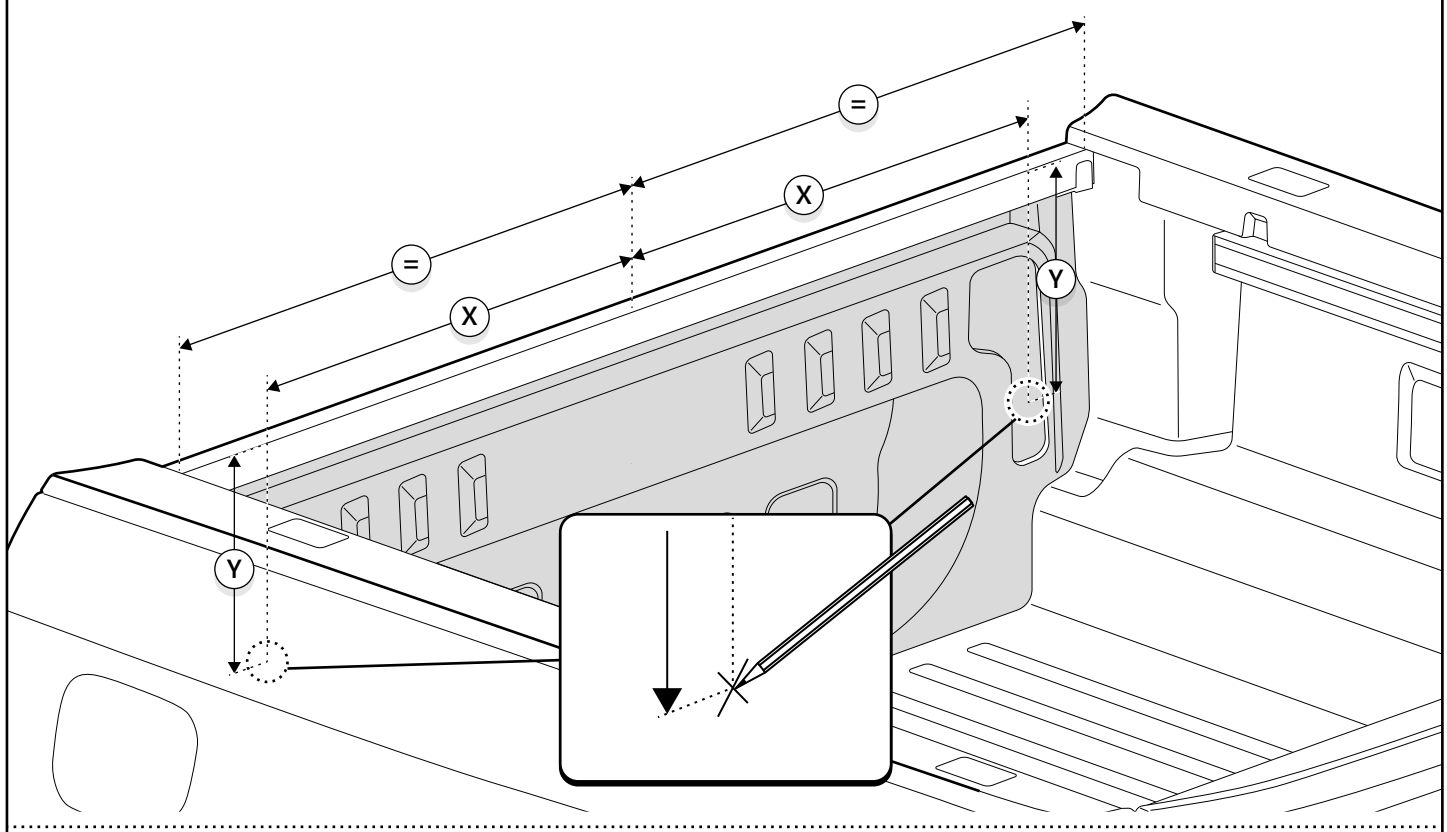
! ONLY WITH LINER



! ONLY WITH LINER

! EUROPEAN MODEL

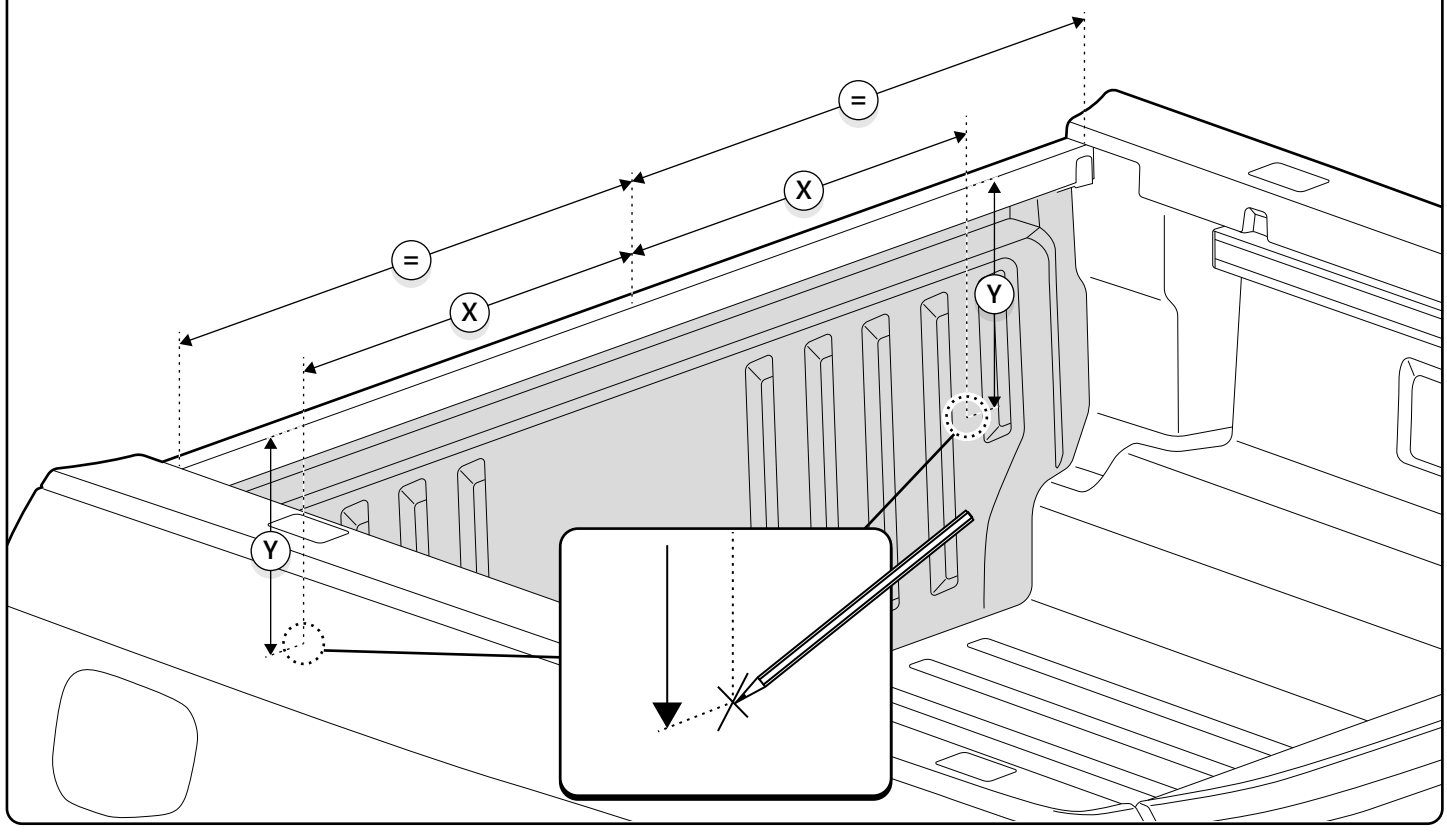
X: 650 mm Y: 290 mm



! ONLY WITH LINER

! OTHER MODELS

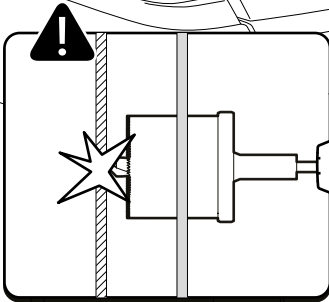
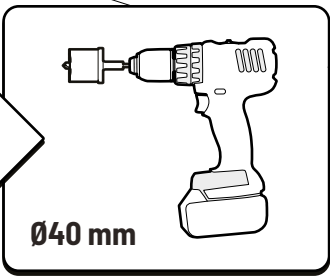
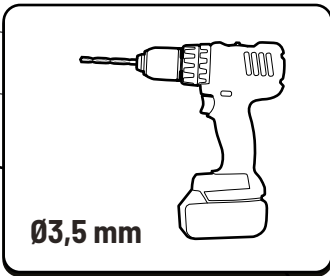
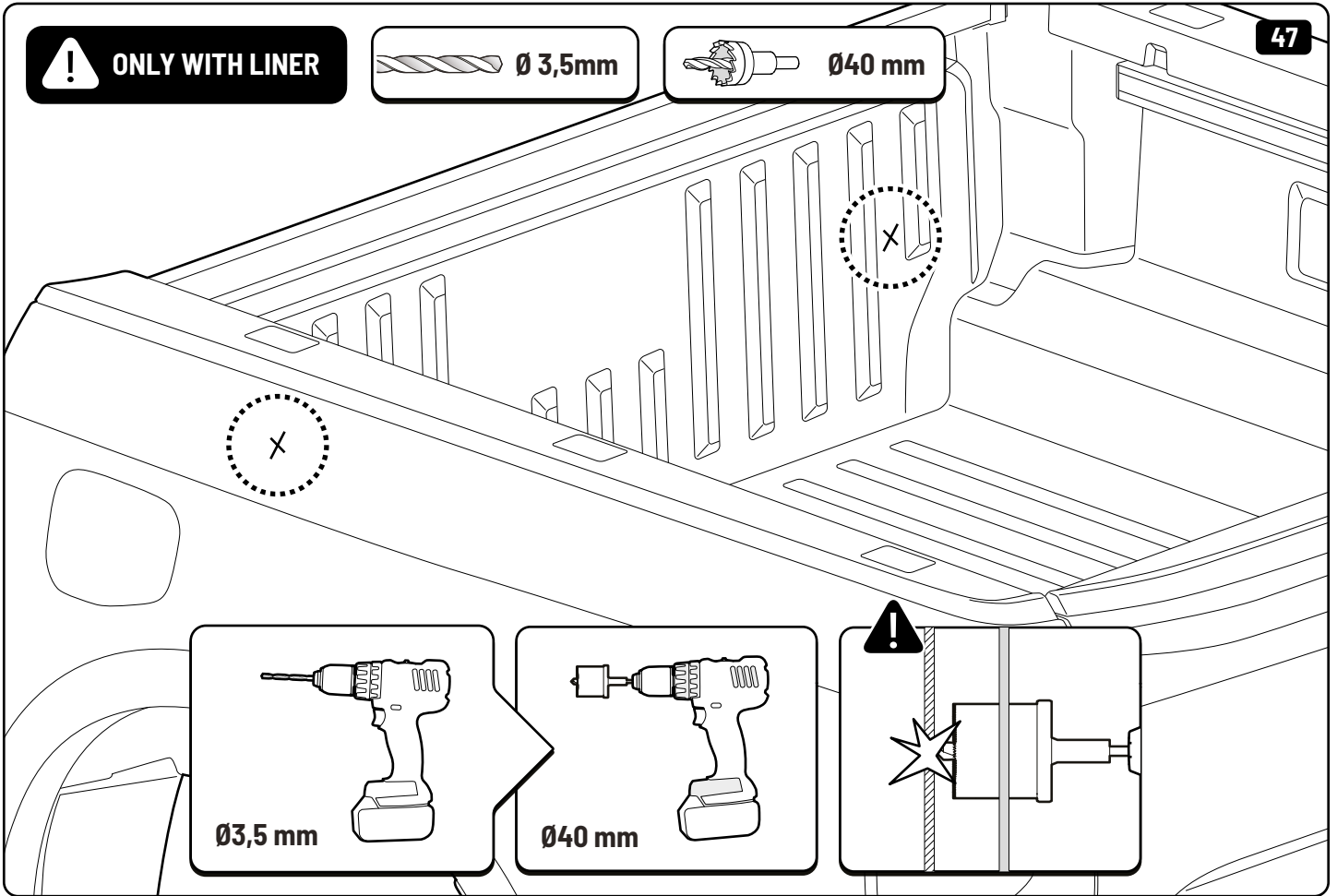
X: 560 mm Y: 330 mm



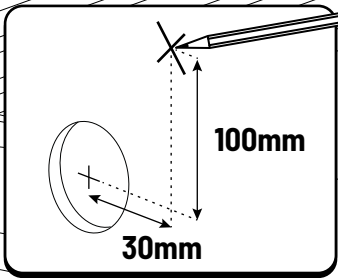
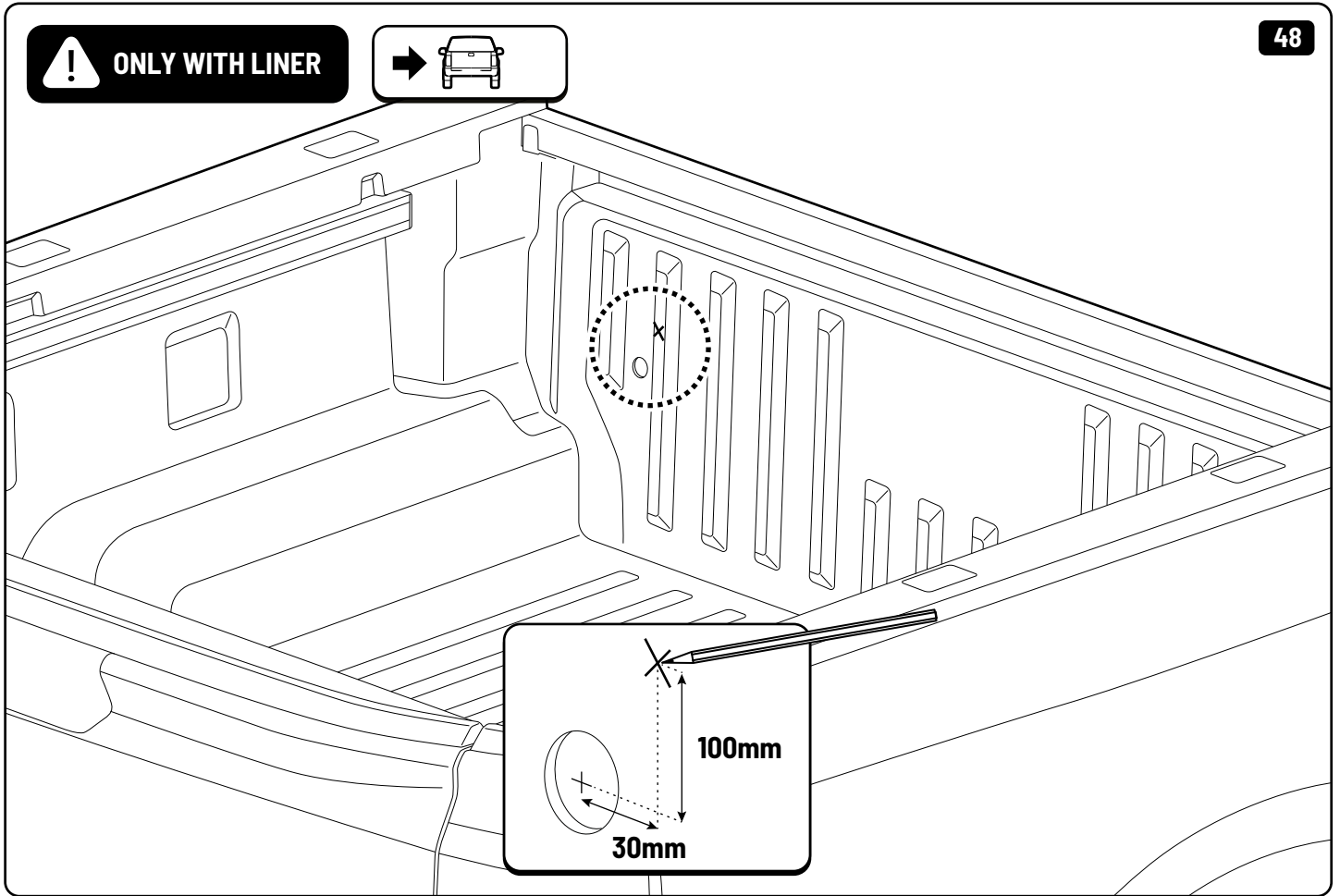
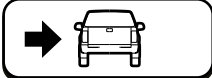
! ONLY WITH LINER

 **Ø 3,5mm**

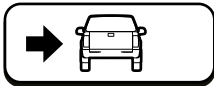
 **Ø40 mm**



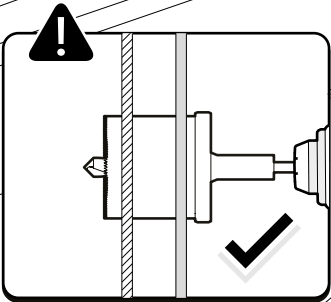
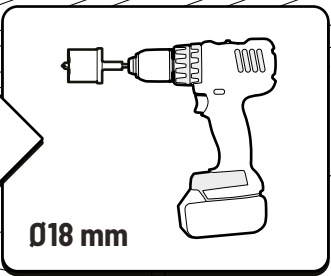
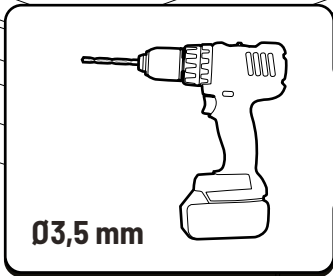
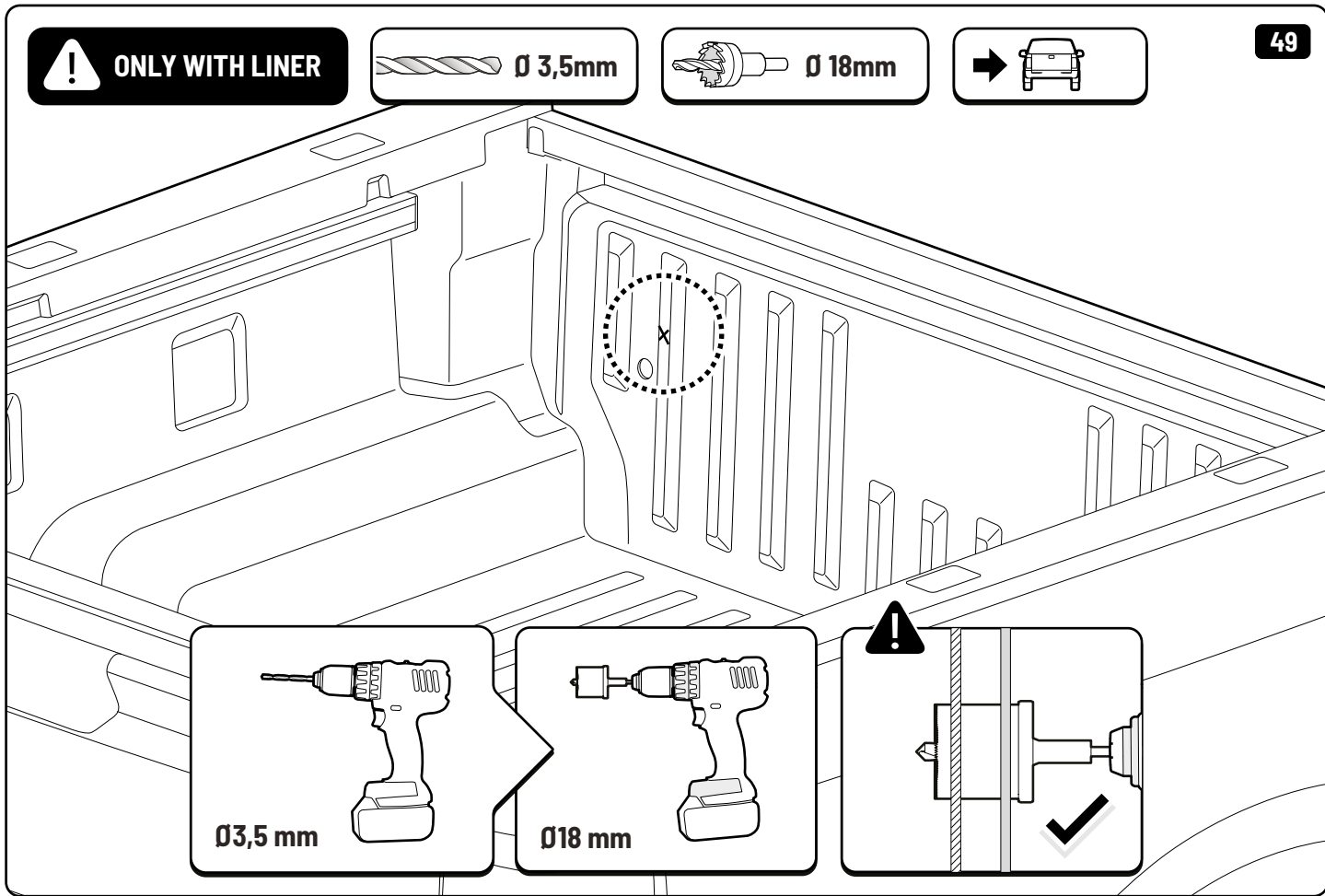
! ONLY WITH LINER



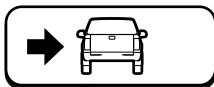
! ONLY WITH LINER



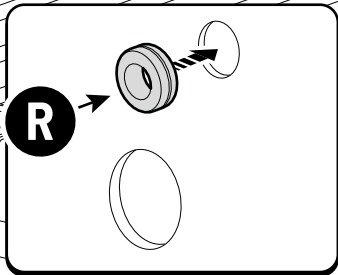
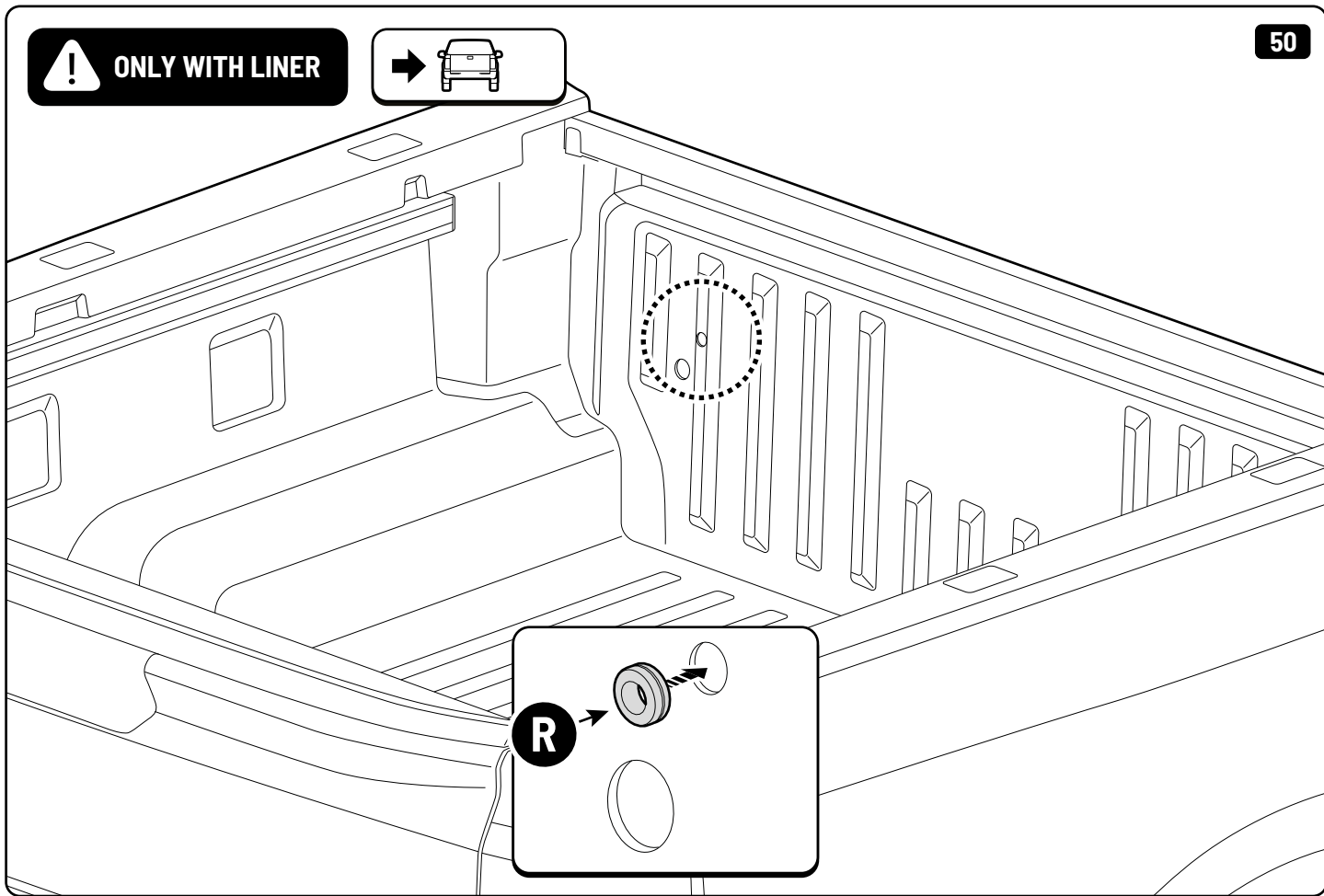
49



! ONLY WITH LINER



50



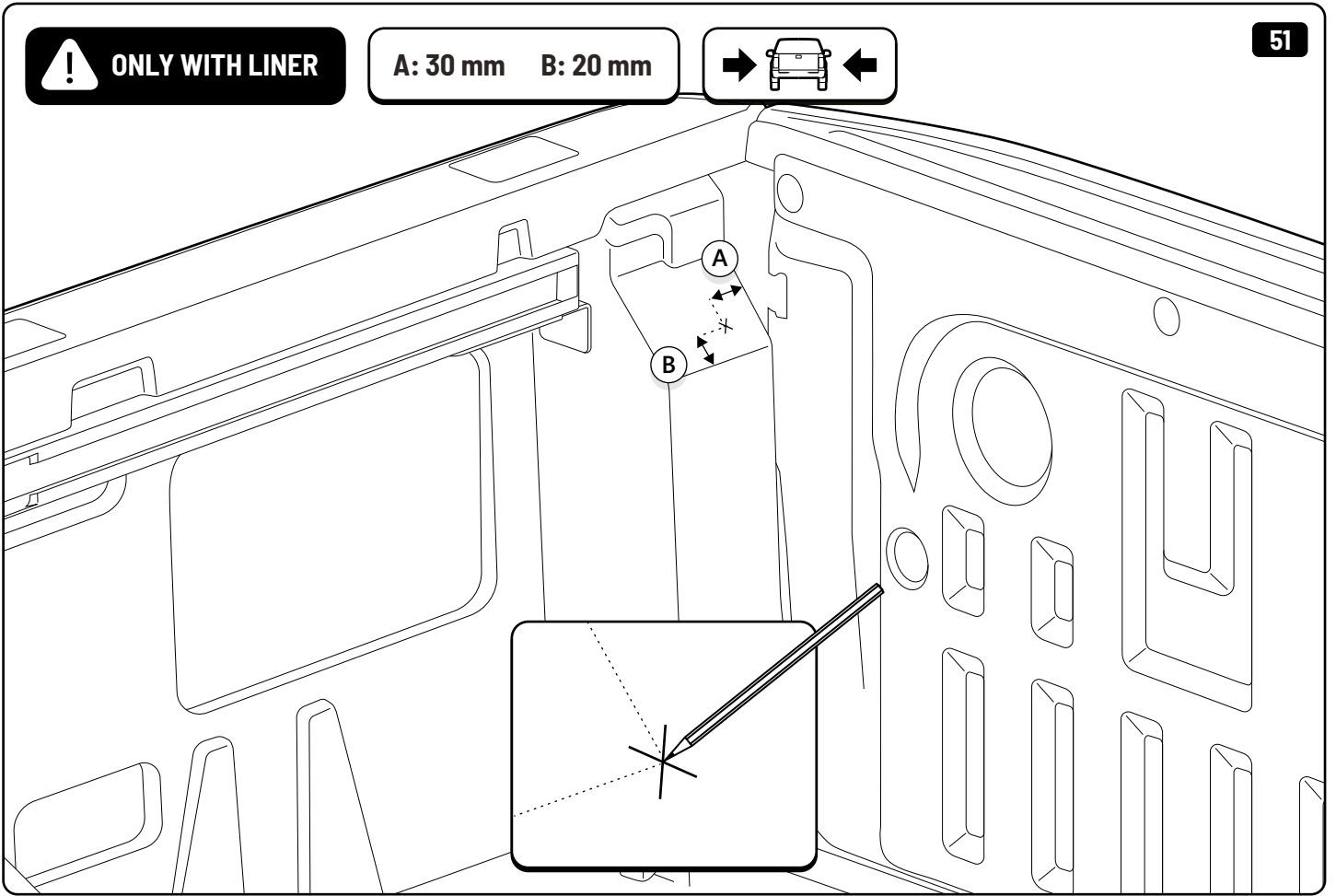


ONLY WITH LINER

A: 30 mm B: 20 mm



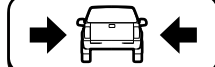
51



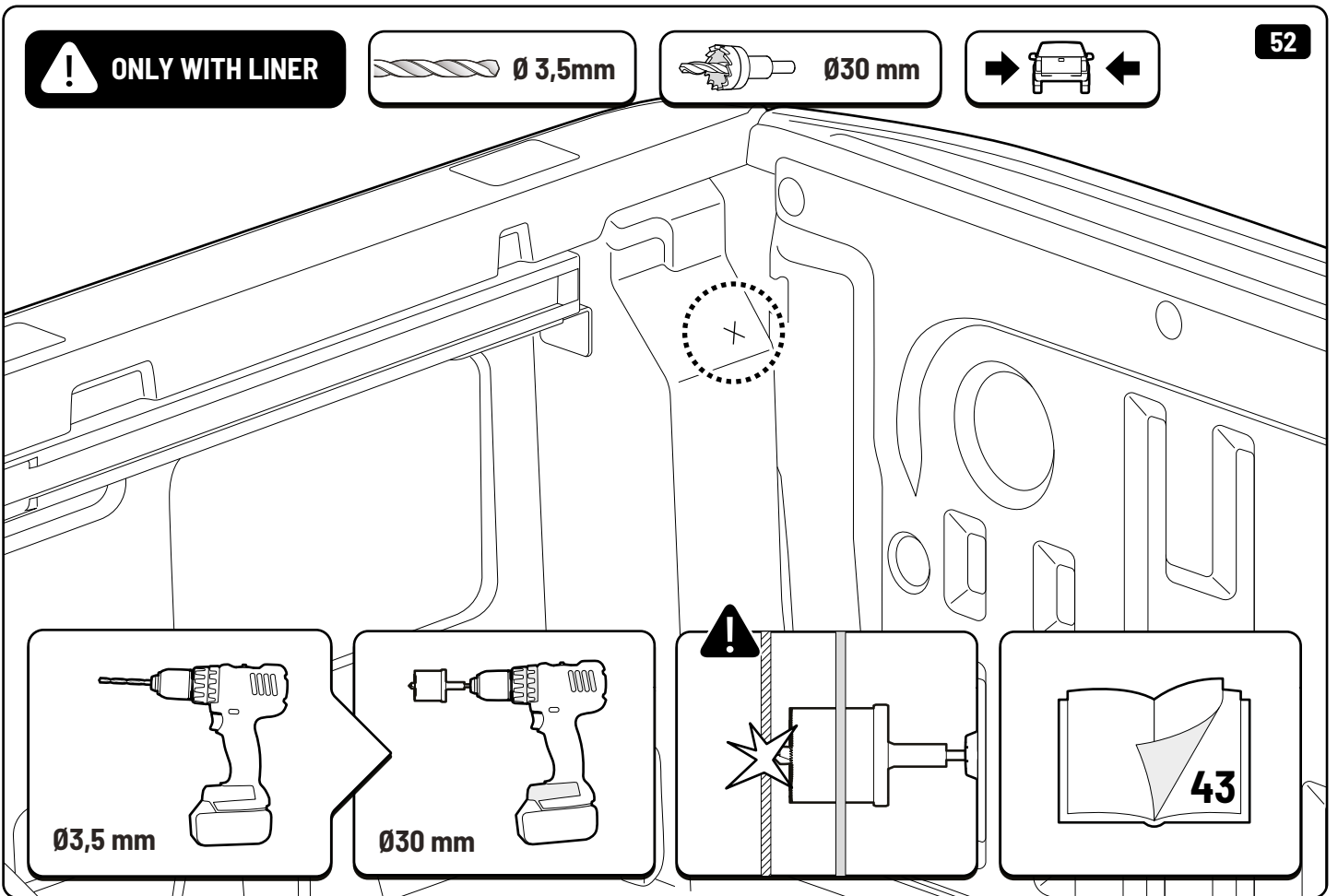
ONLY WITH LINER

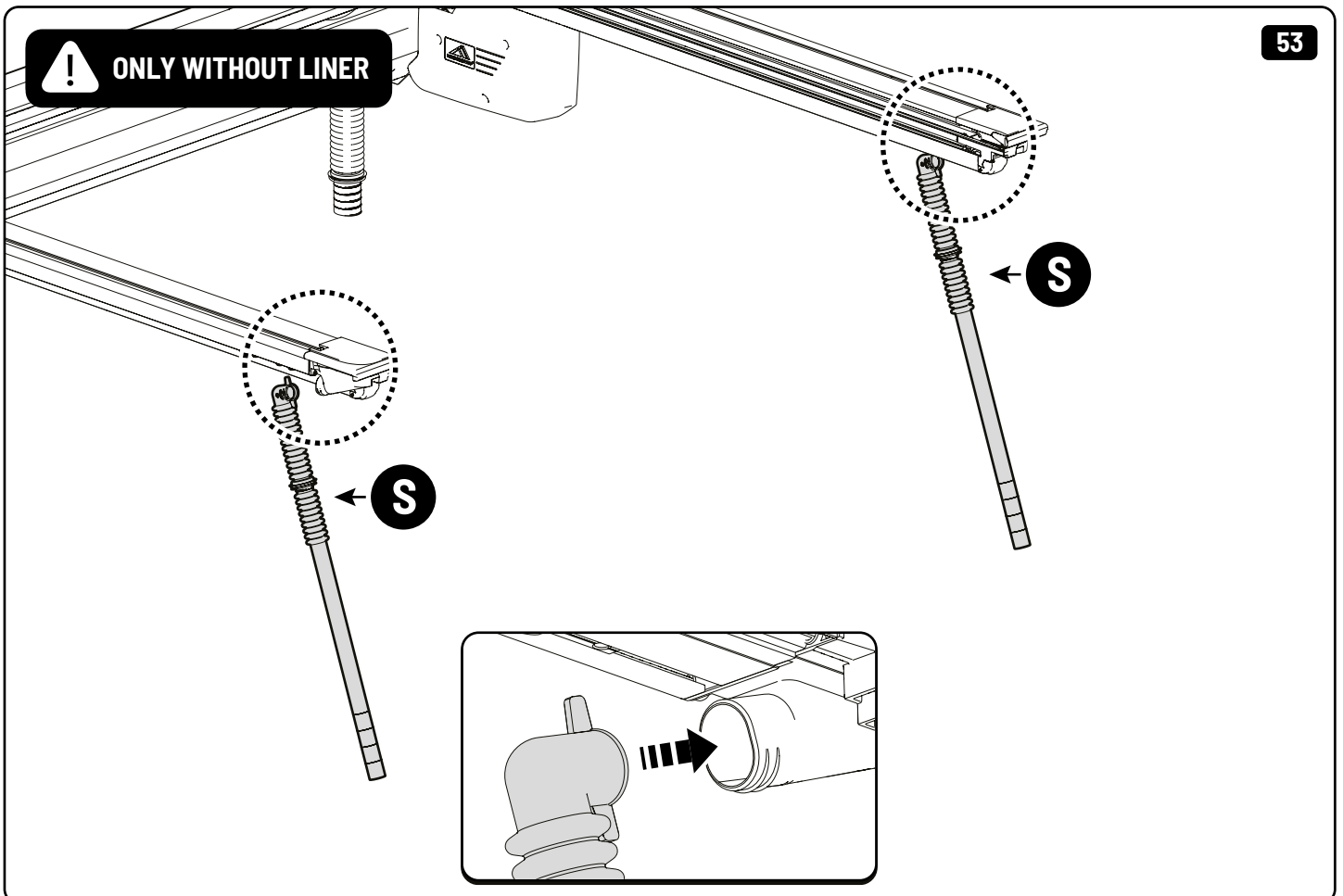
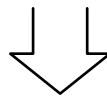
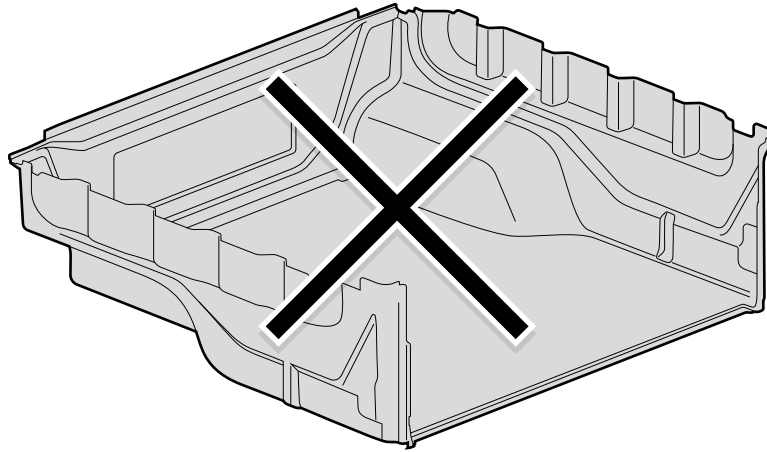
Ø 3,5mm

Ø30 mm



52

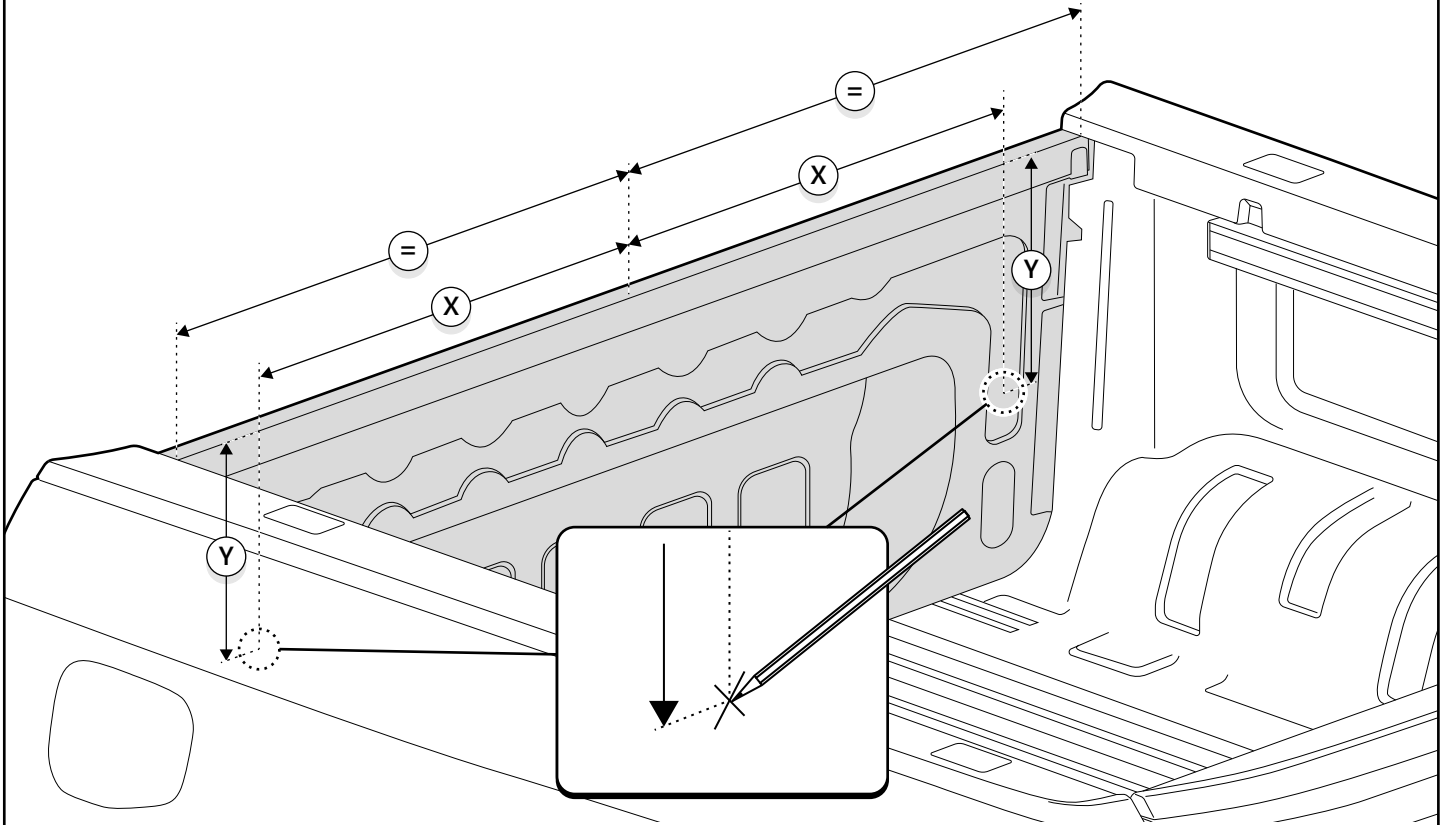




! ONLY WITHOUT LINER

! EUROPEAN MODEL

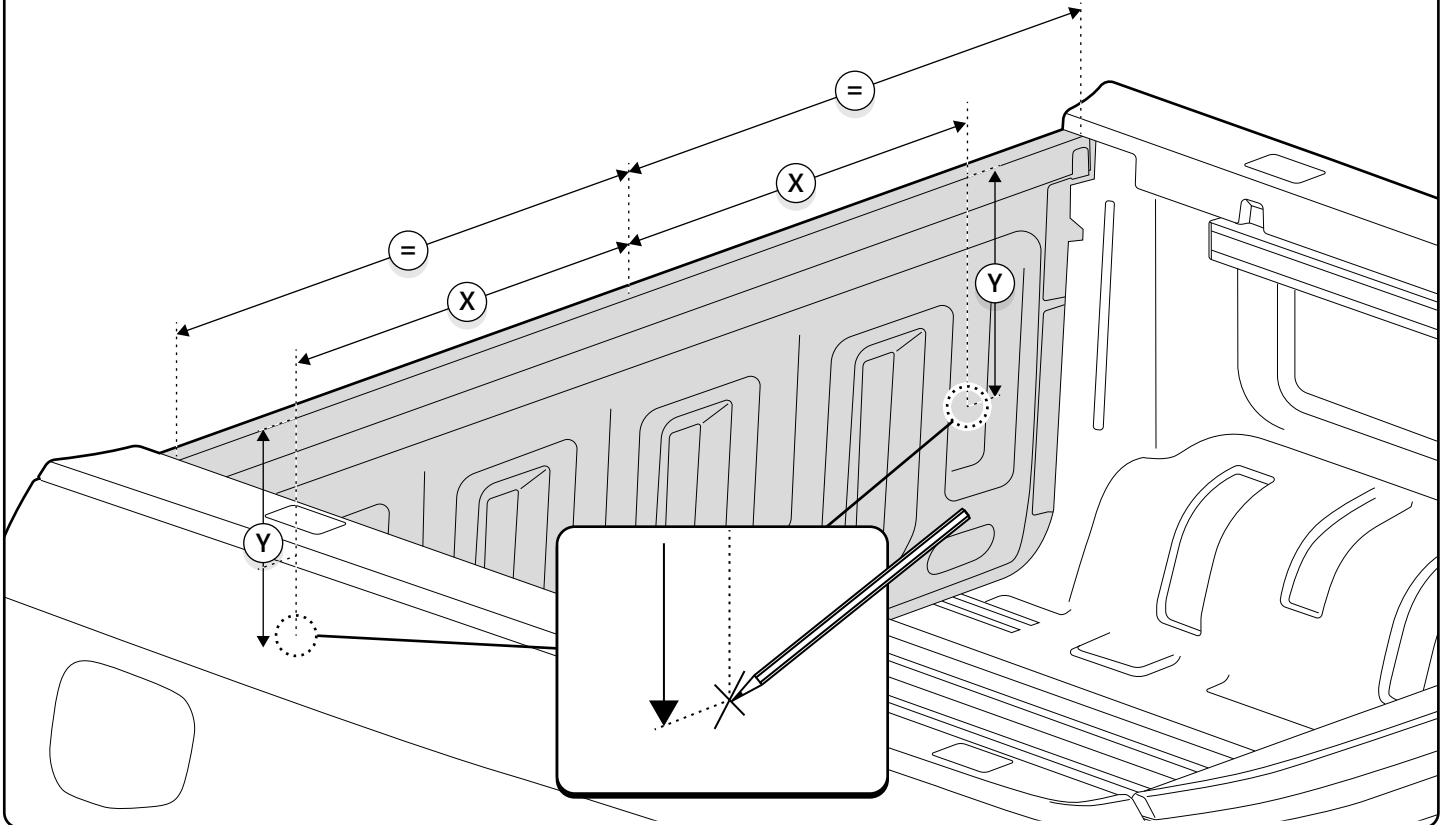
X: 650 mm Y: 290 mm



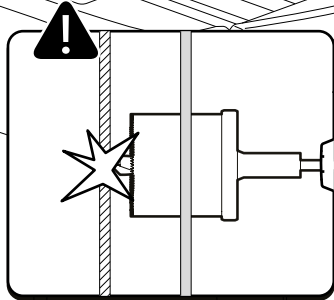
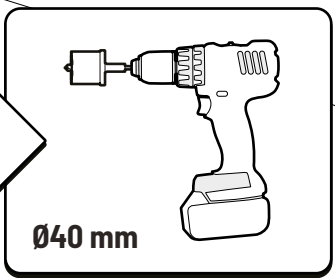
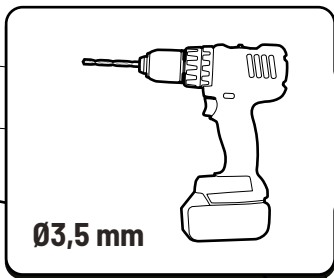
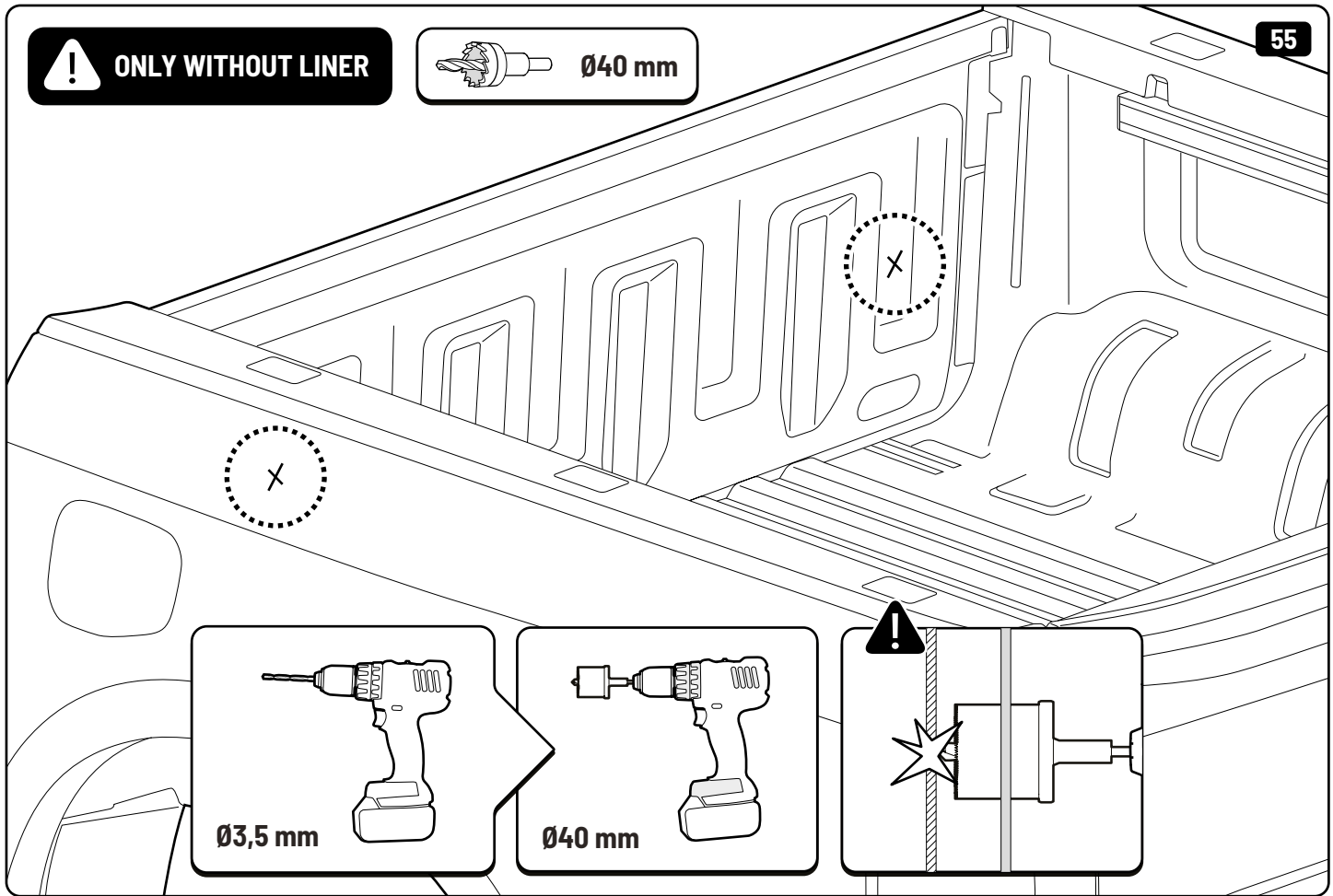
! ONLY WITHOUT LINER

! OTHER MODELS

X: 580 mm Y: 290 mm

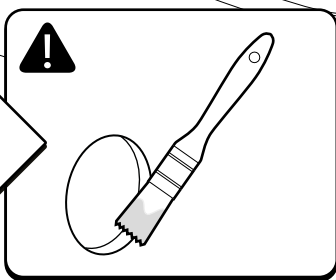
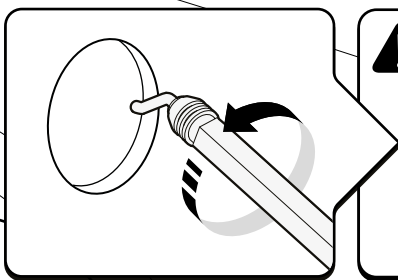
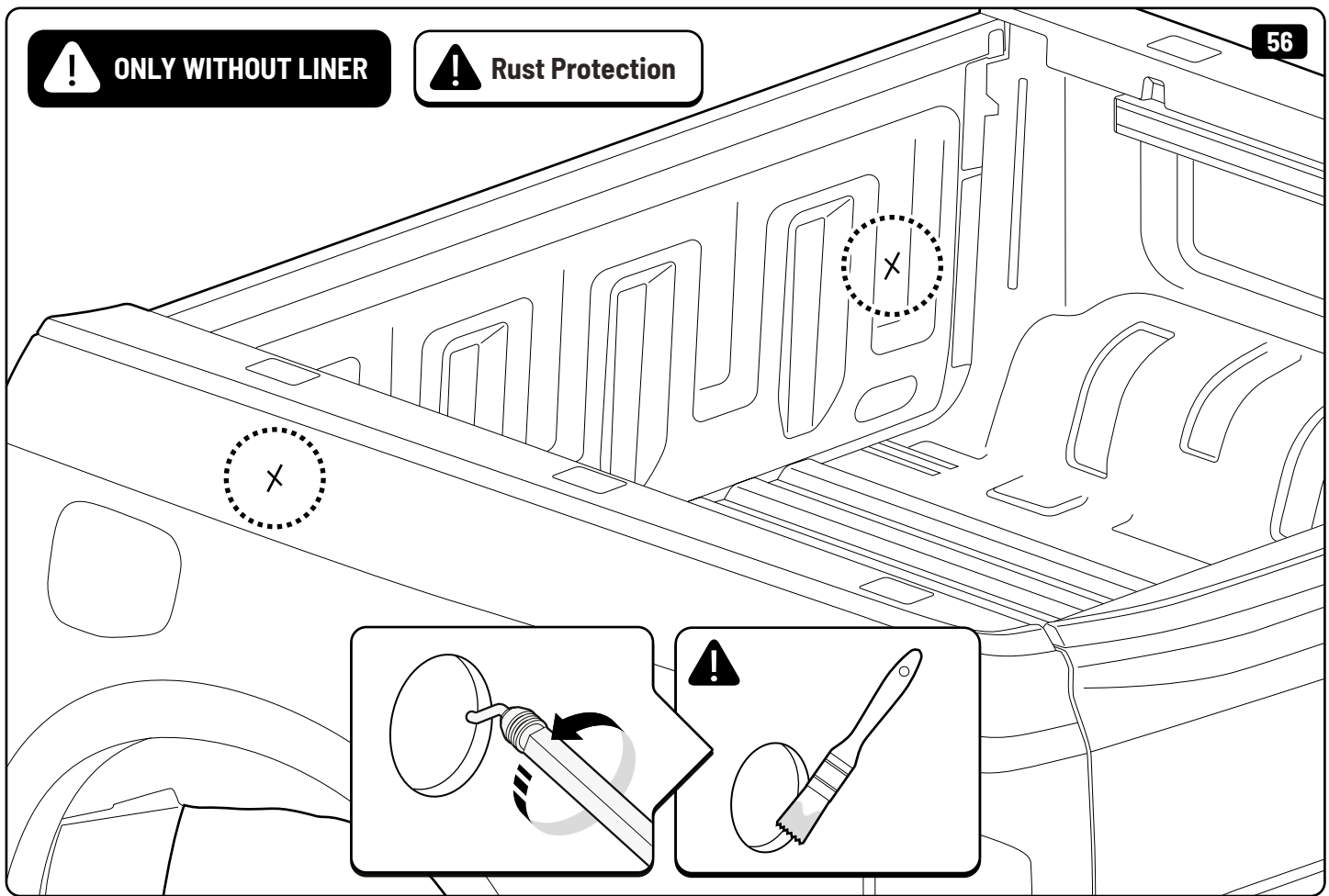


! ONLY WITHOUT LINER

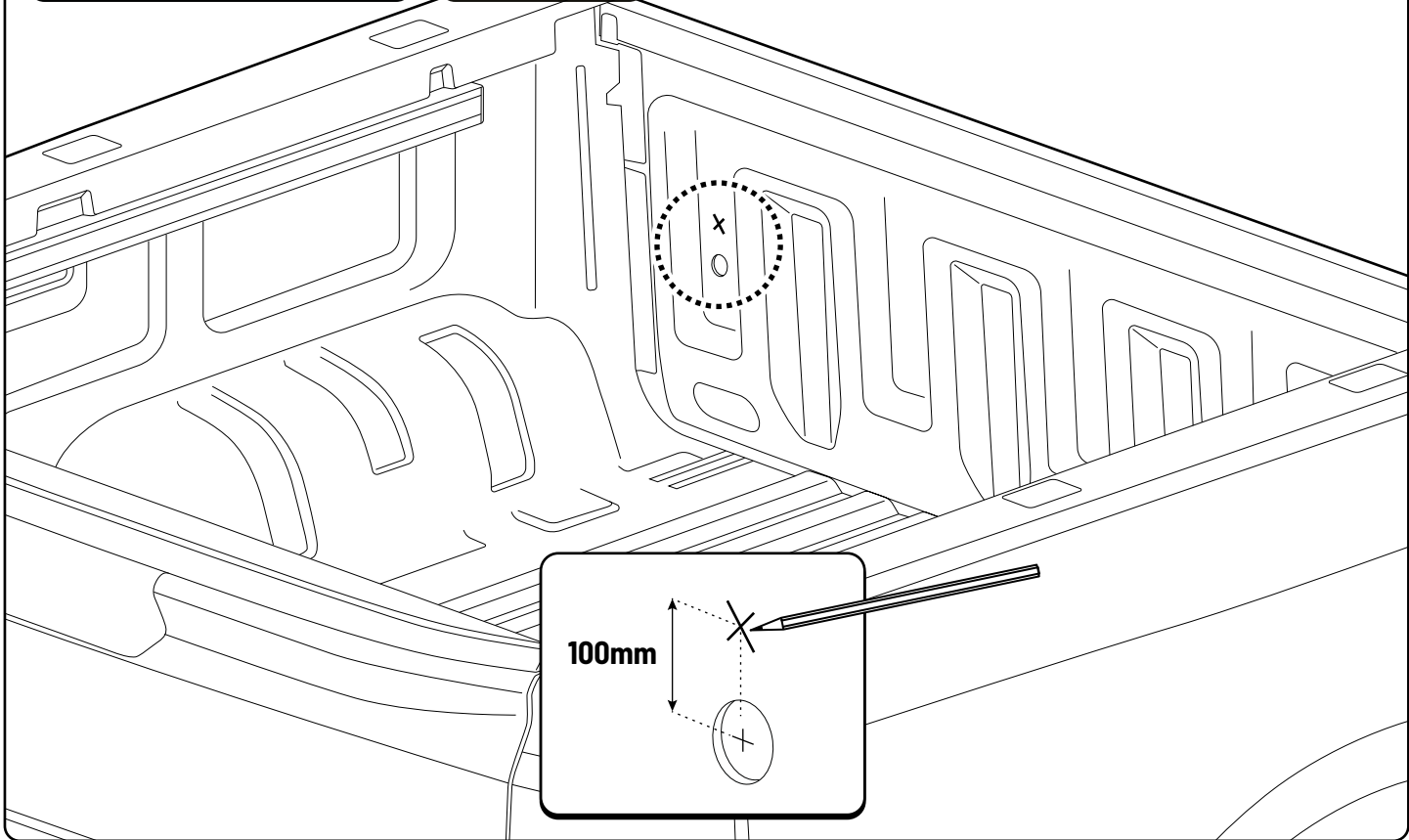
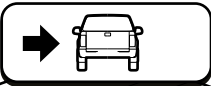


! ONLY WITHOUT LINER

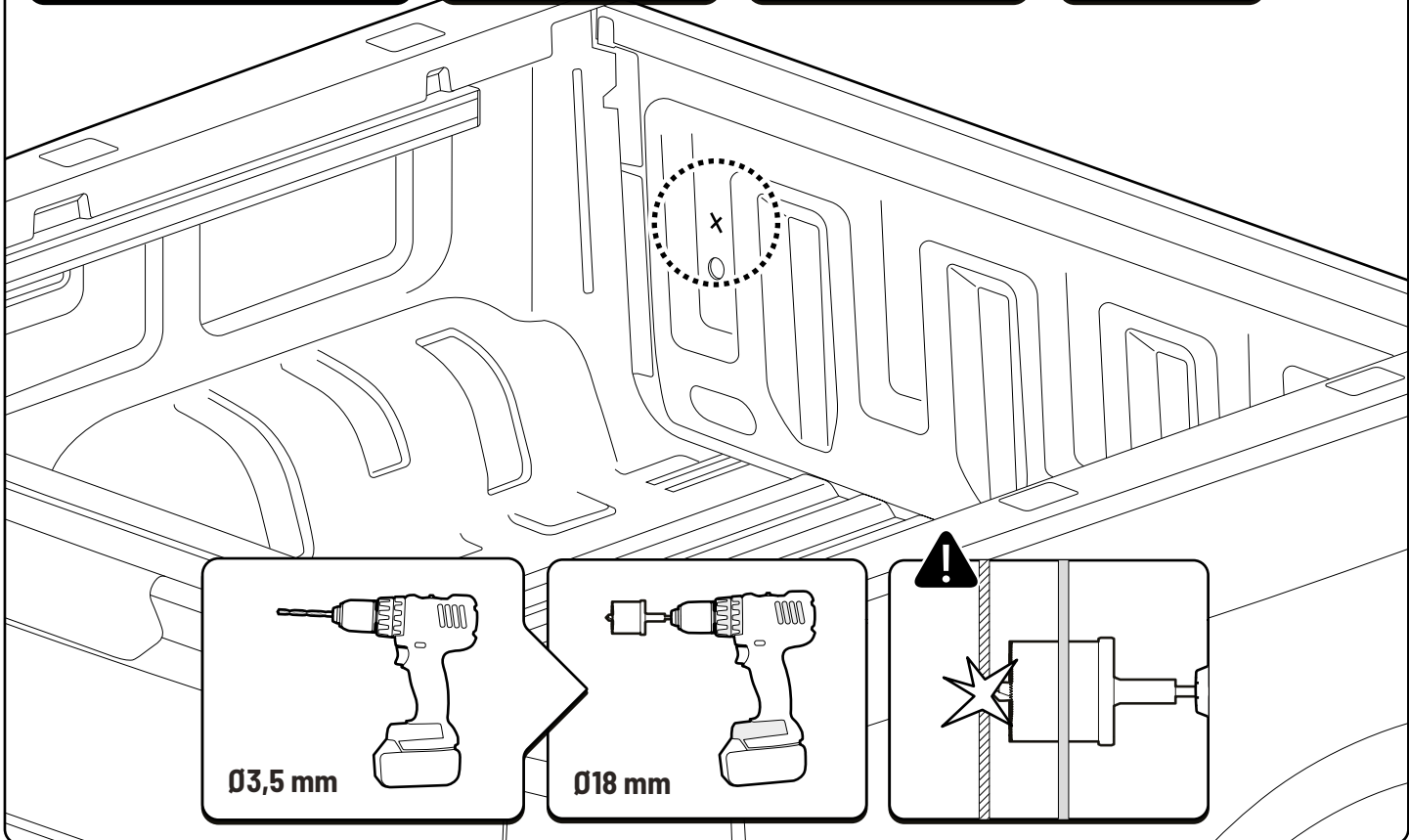
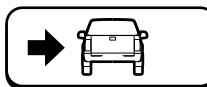
! Rust Protection



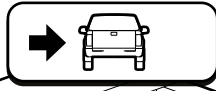
! ONLY WITHOUT LINER



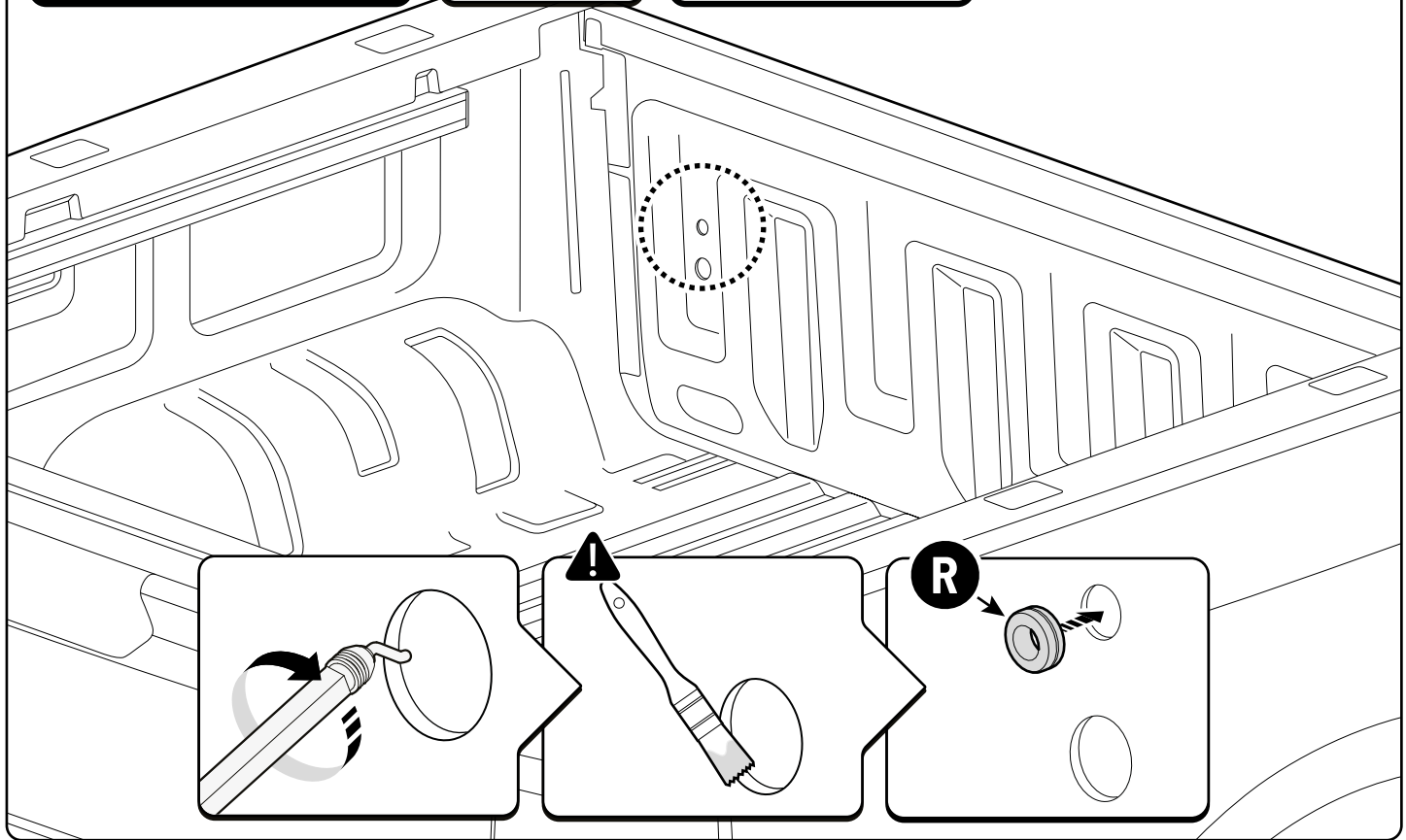
! ONLY WITHOUT LINER



! ONLY WITHOUT LINER

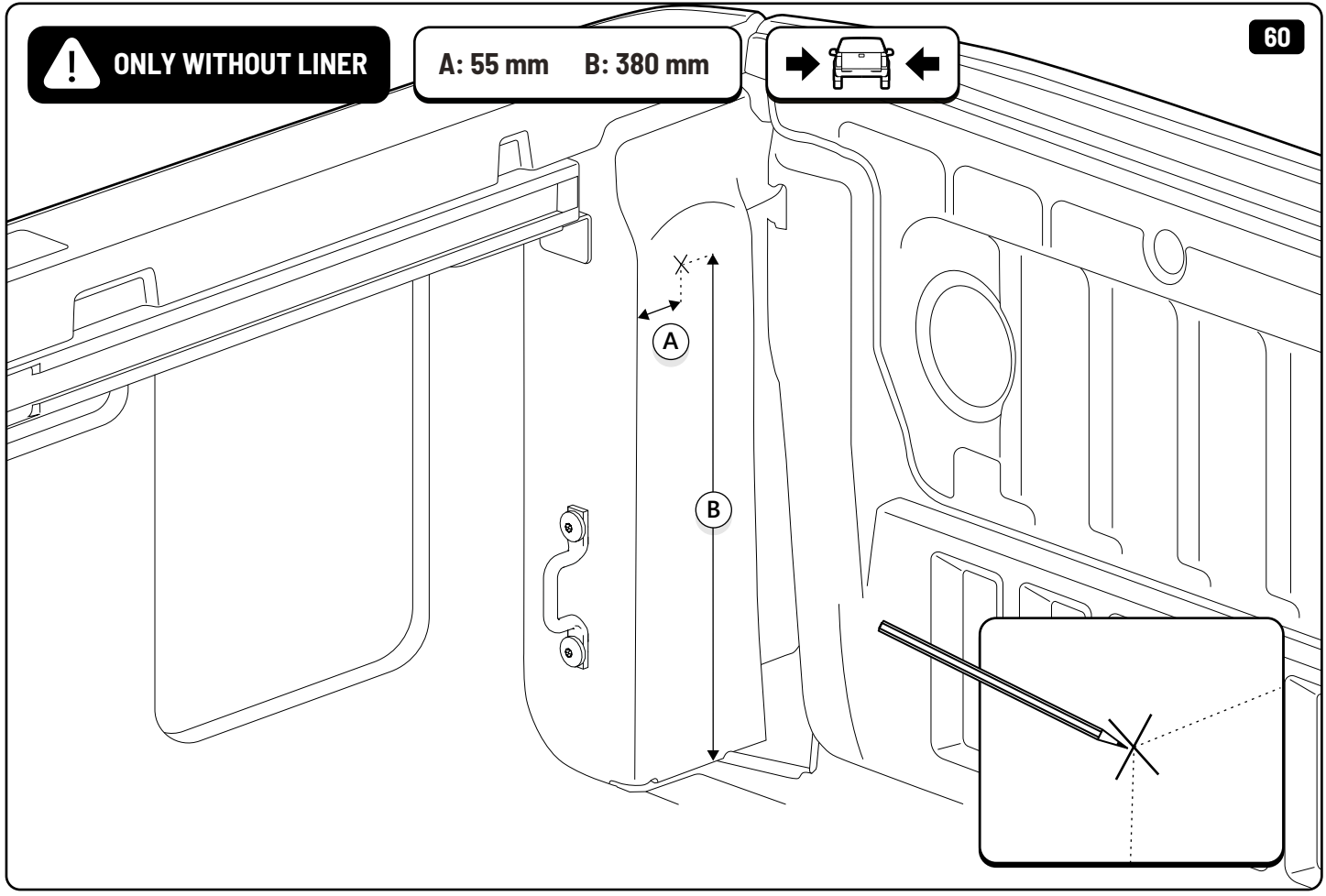


! Rust Protection



! ONLY WITHOUT LINER

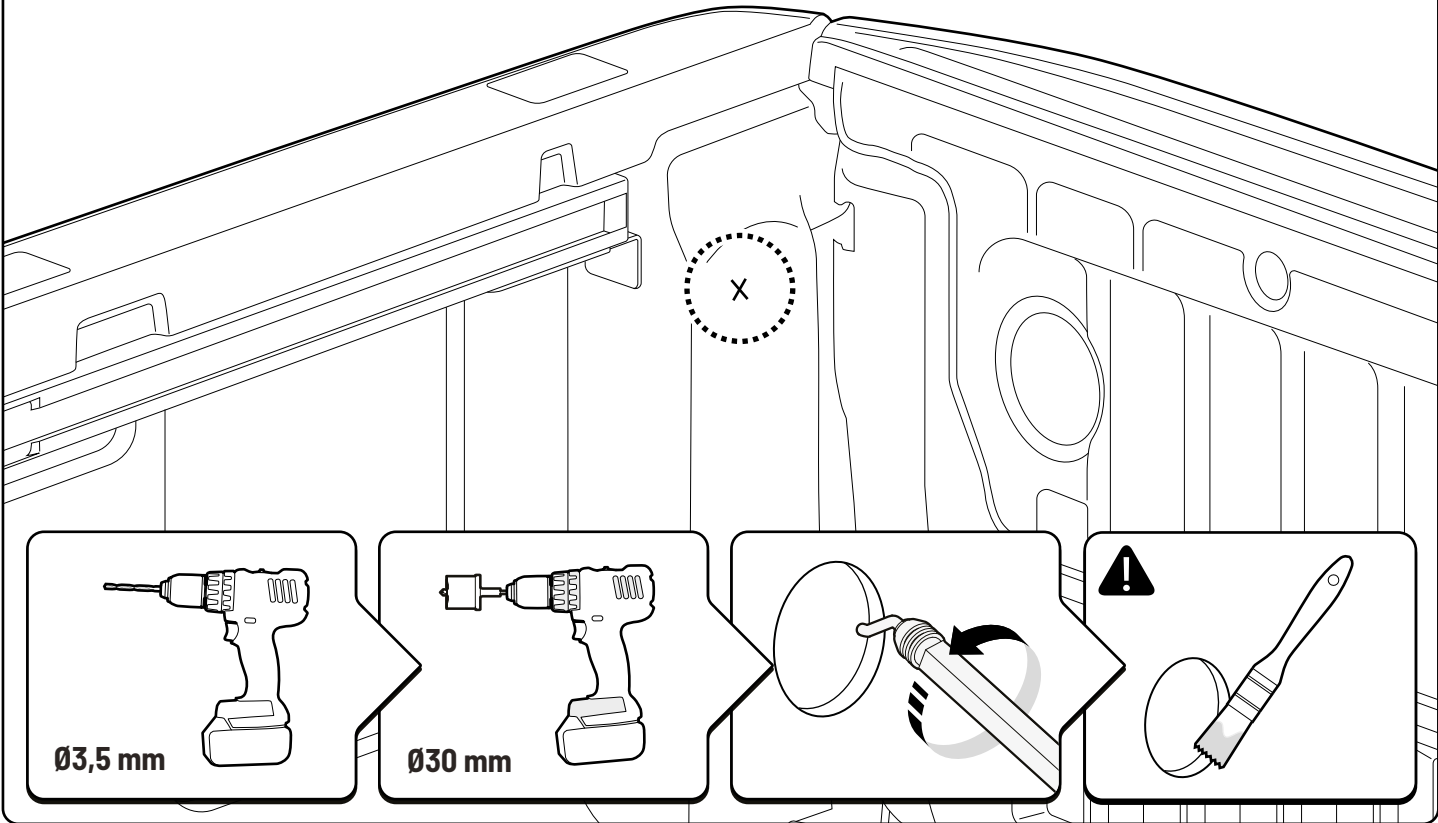
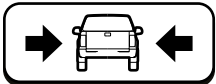
A: 55 mm B: 380 mm



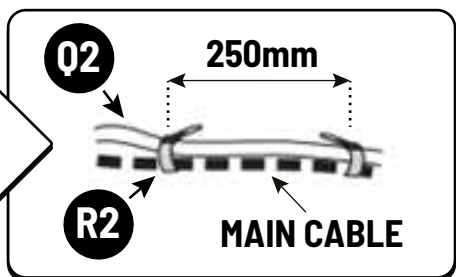
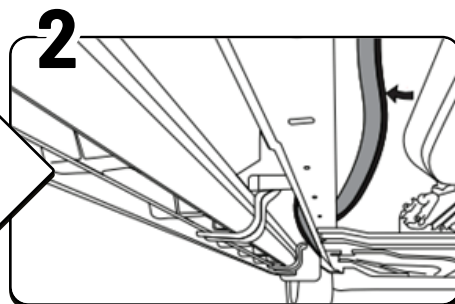
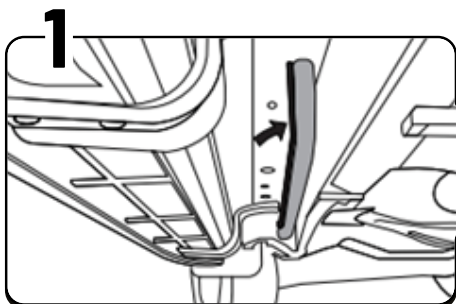
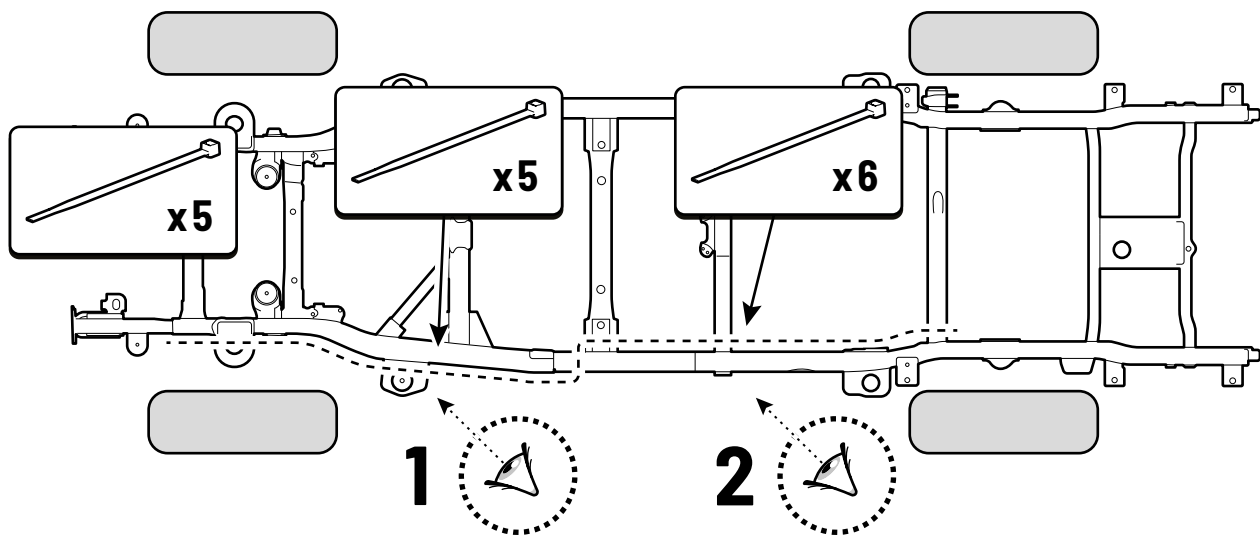
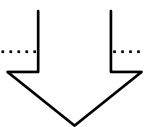
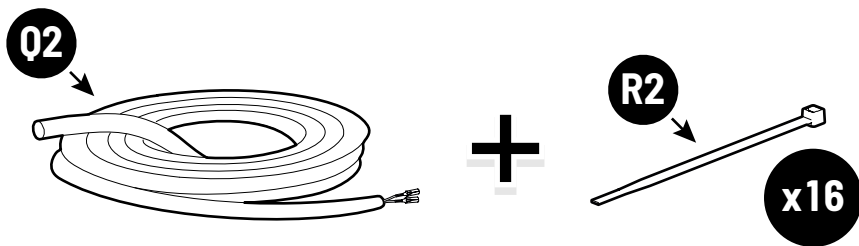
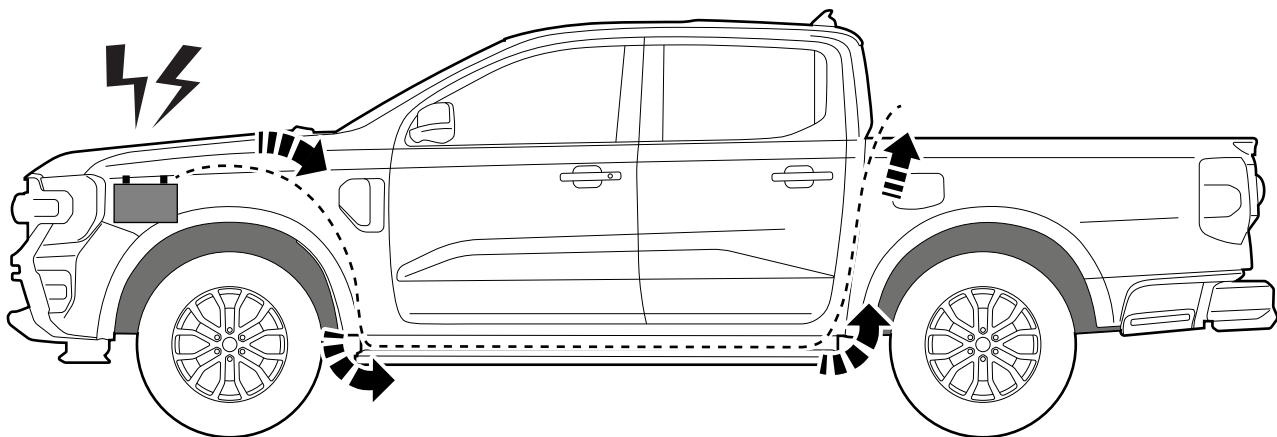
! ONLY WITHOUT LINER

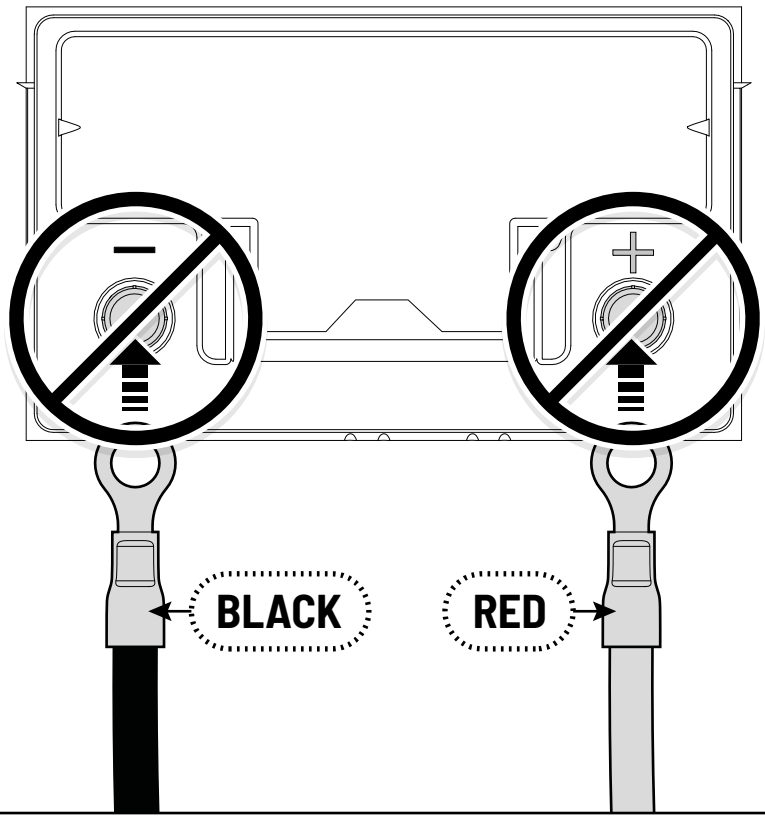
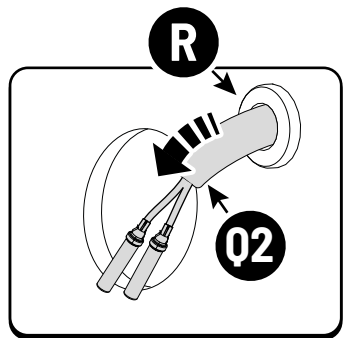
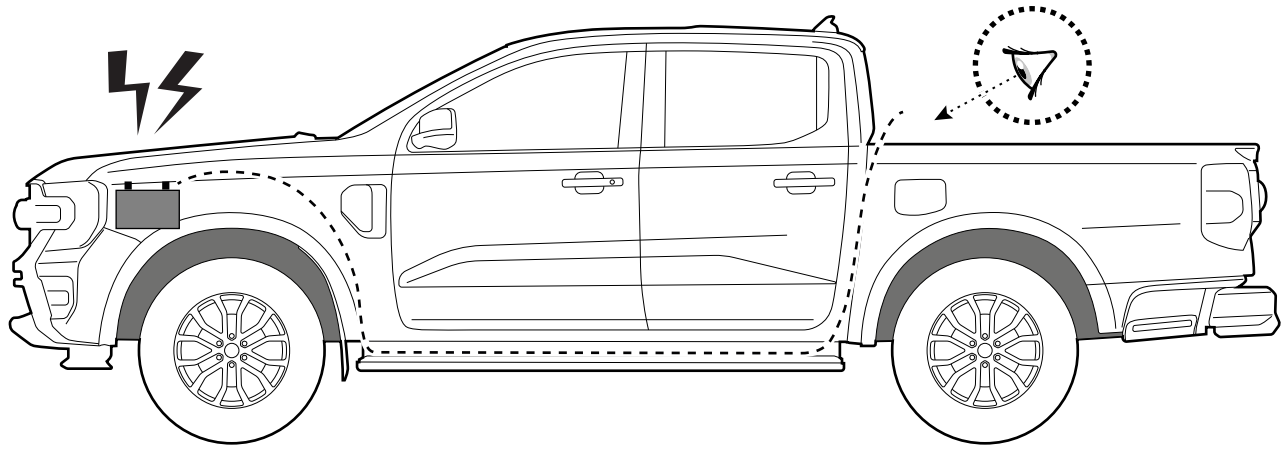


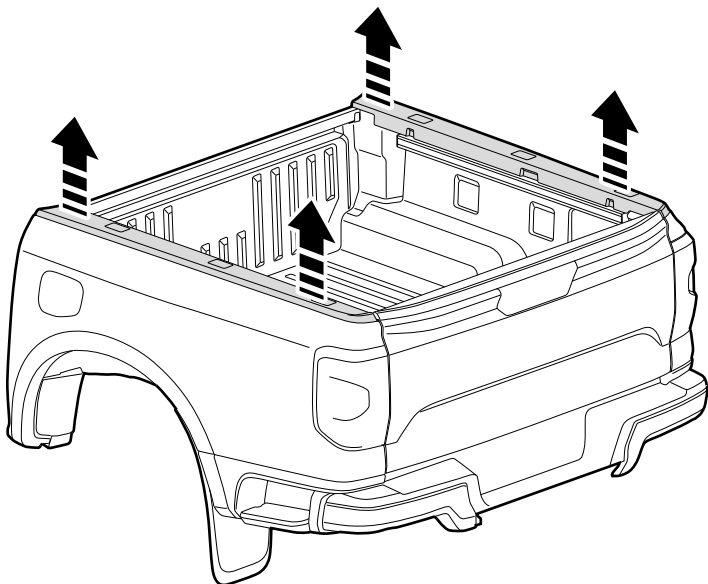
! Rust Protection



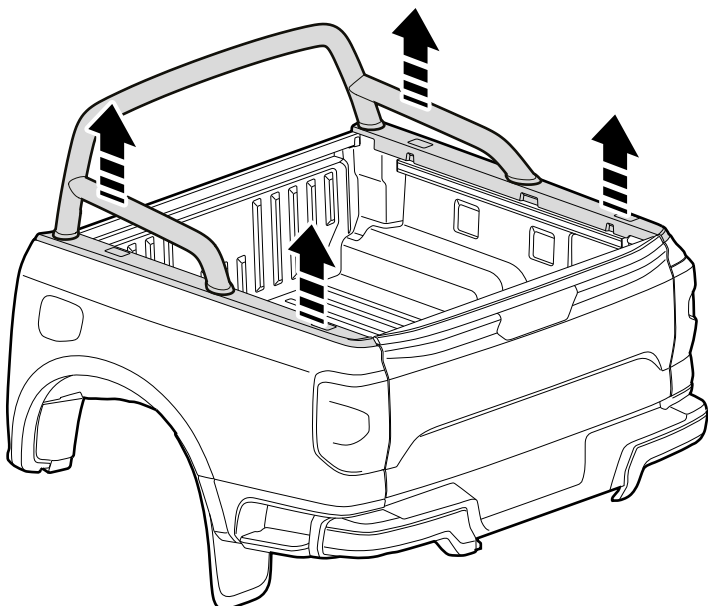
! ONLY TO BE INSTALLED BY AUTHORIZED PERSONNEL



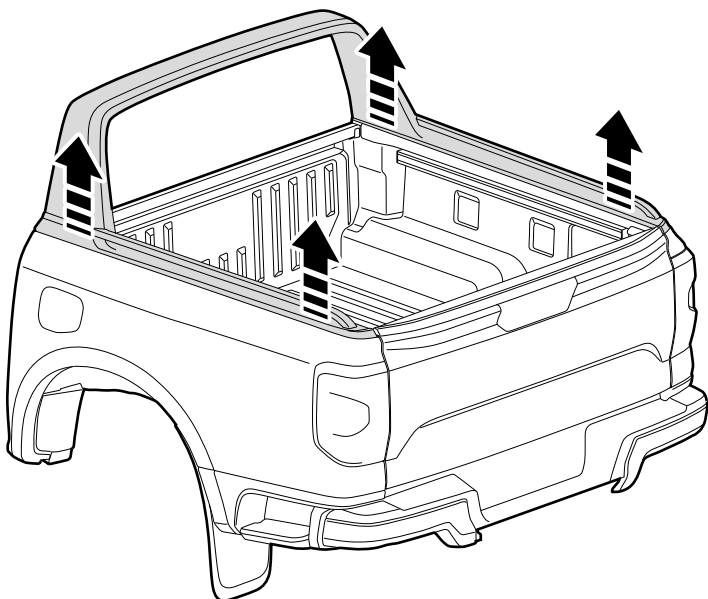




Ford XLT / Raptor



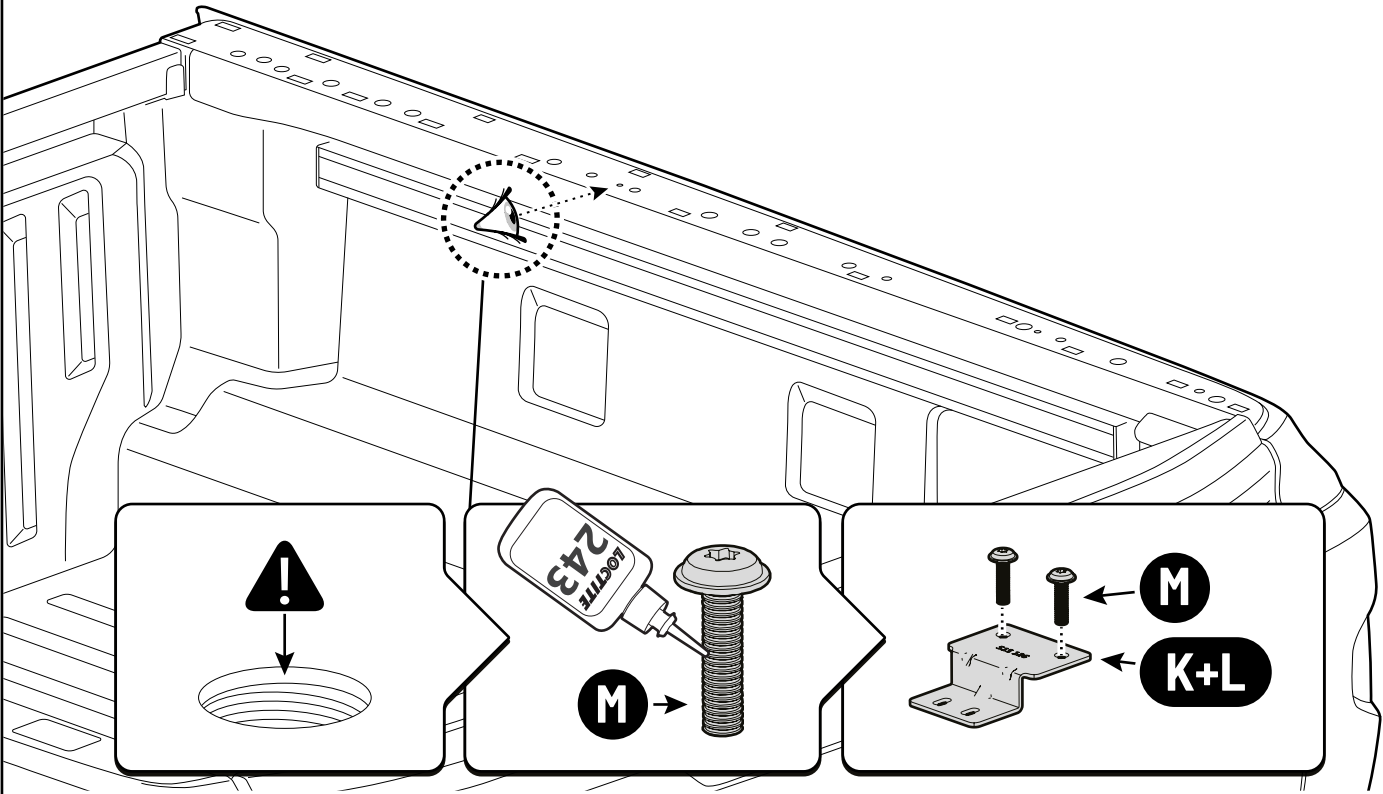
Ford XLT / Raptor



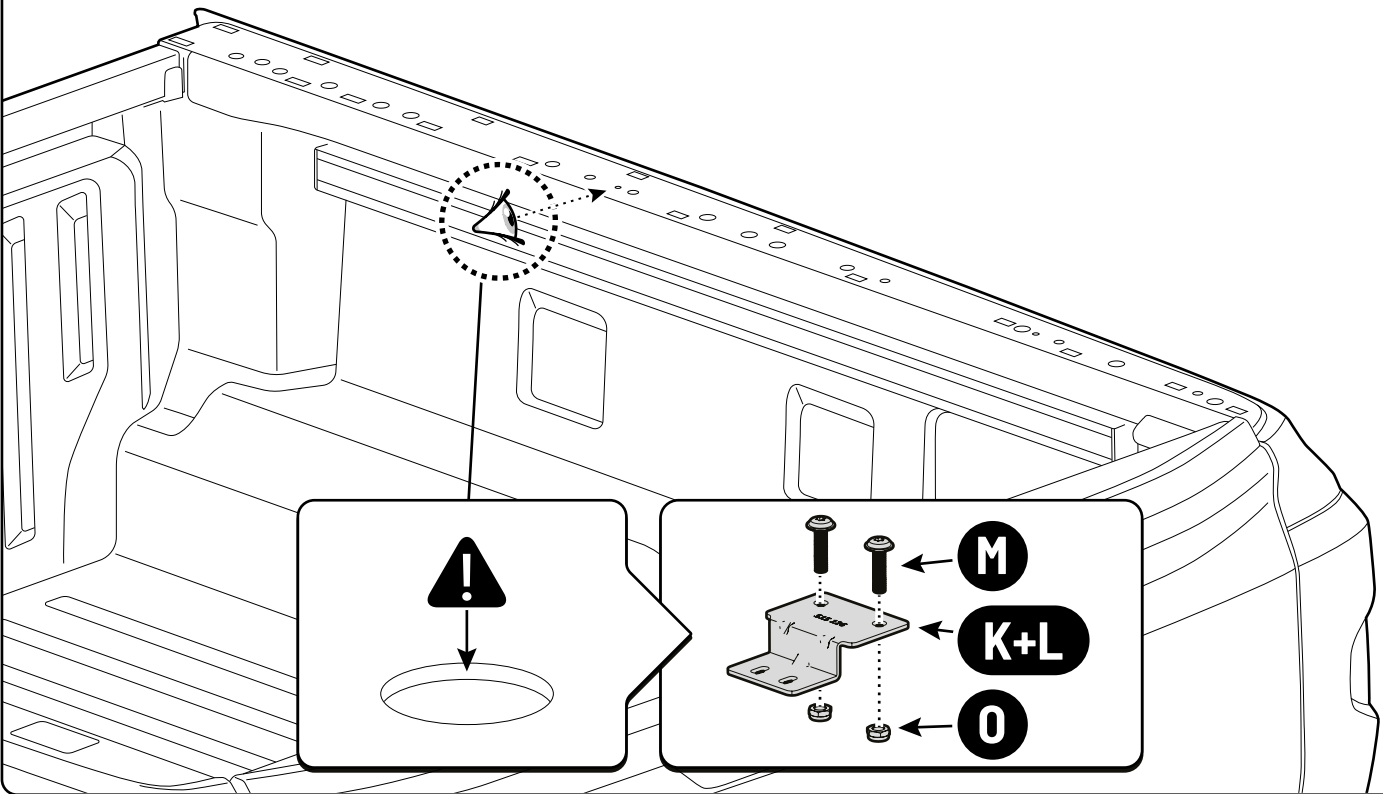
Ford Wildtrak

! ONLY FOR THREADED HOLES

LOCTITE 243

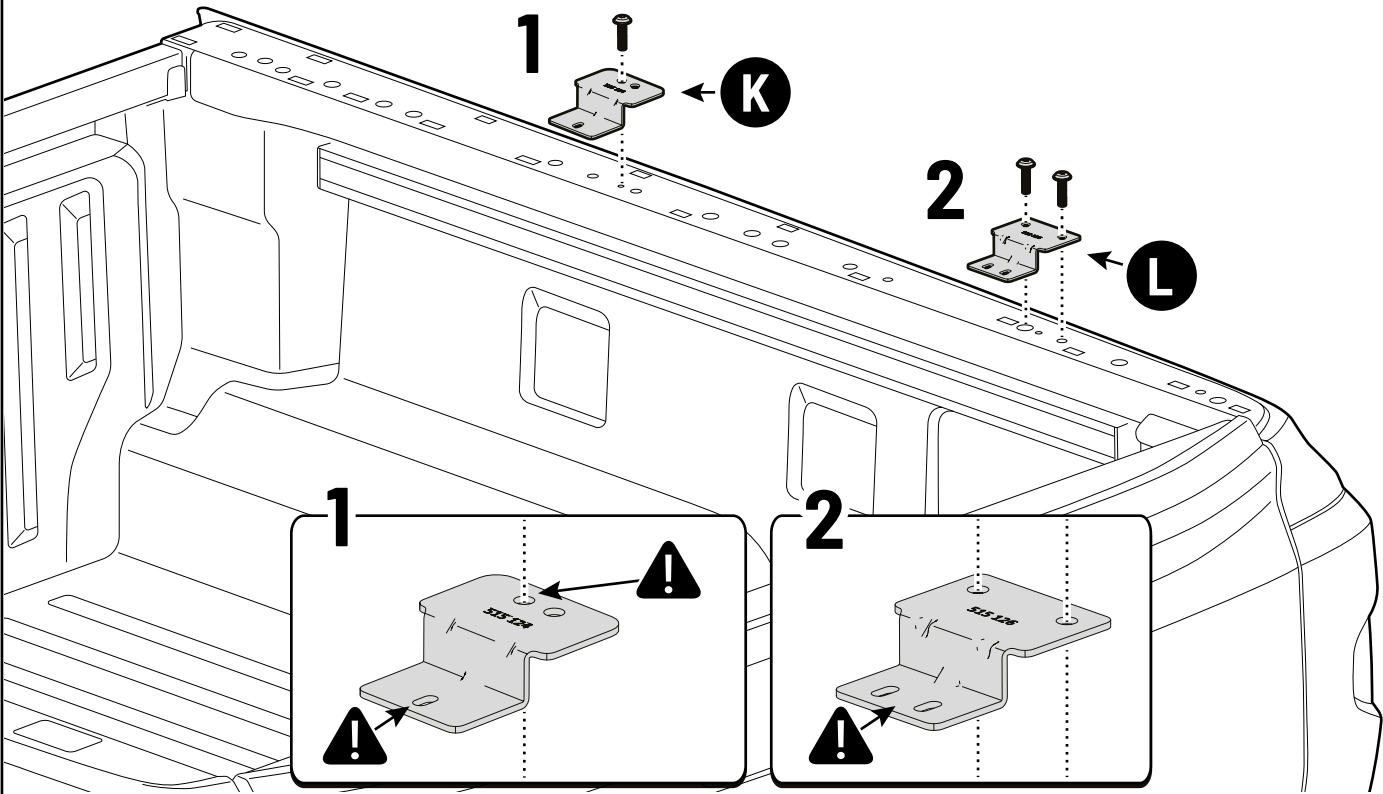


! ONLY FOR NON-THREADED HOLES



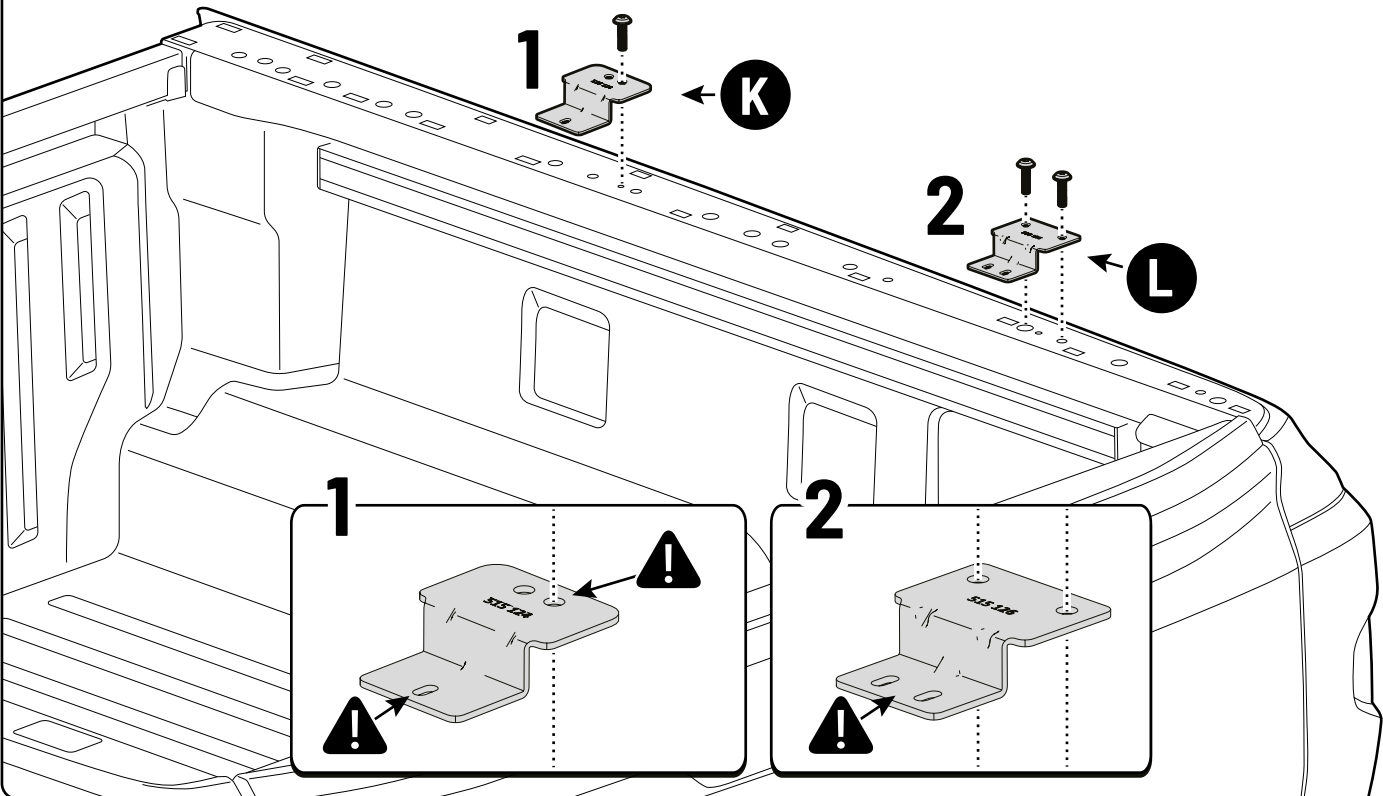
! FORD XLT / RAPTOR - DOUBLE CAB

T40 13 mm 25 Nm



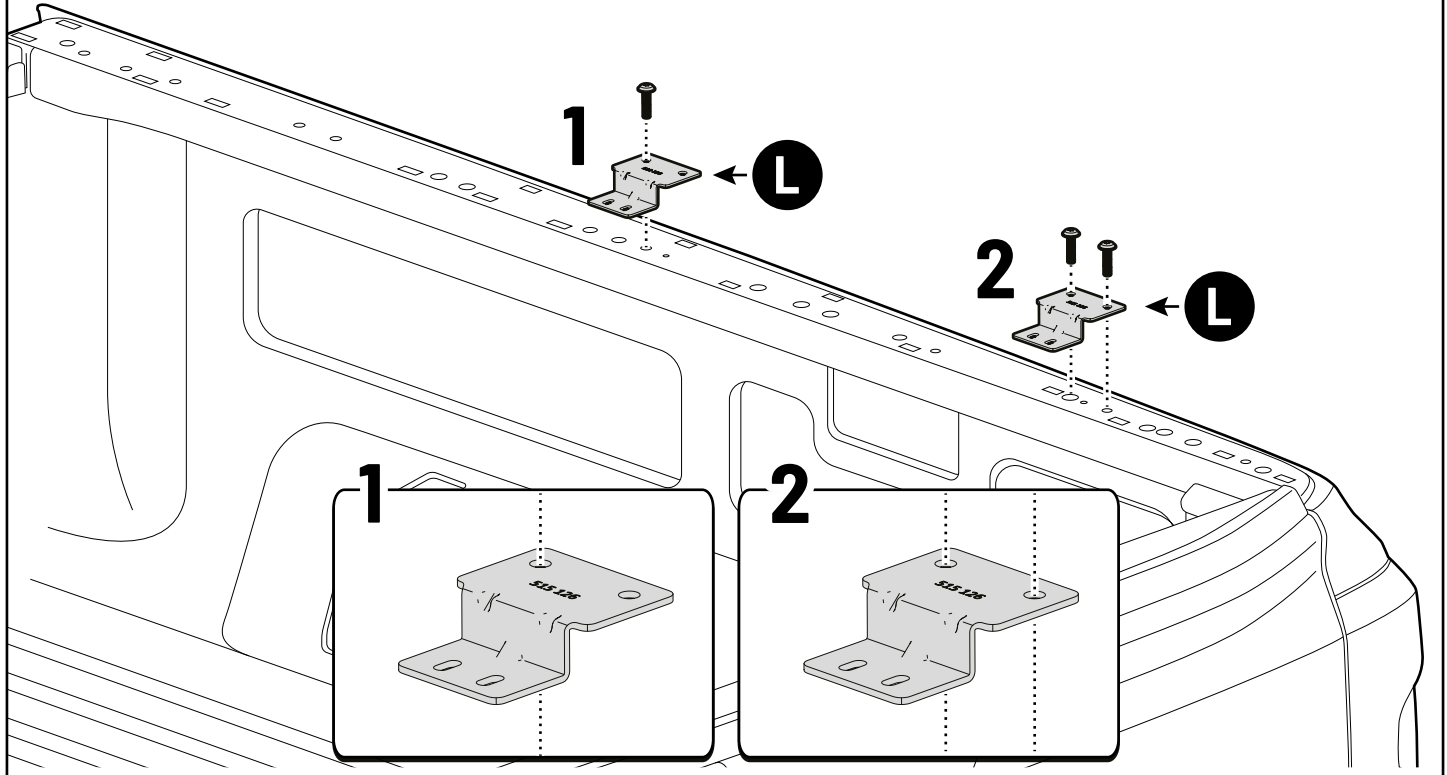
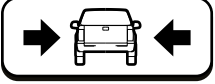
! FORD WILDTRAK - DOUBLE CAB

T40 13 mm 25 Nm



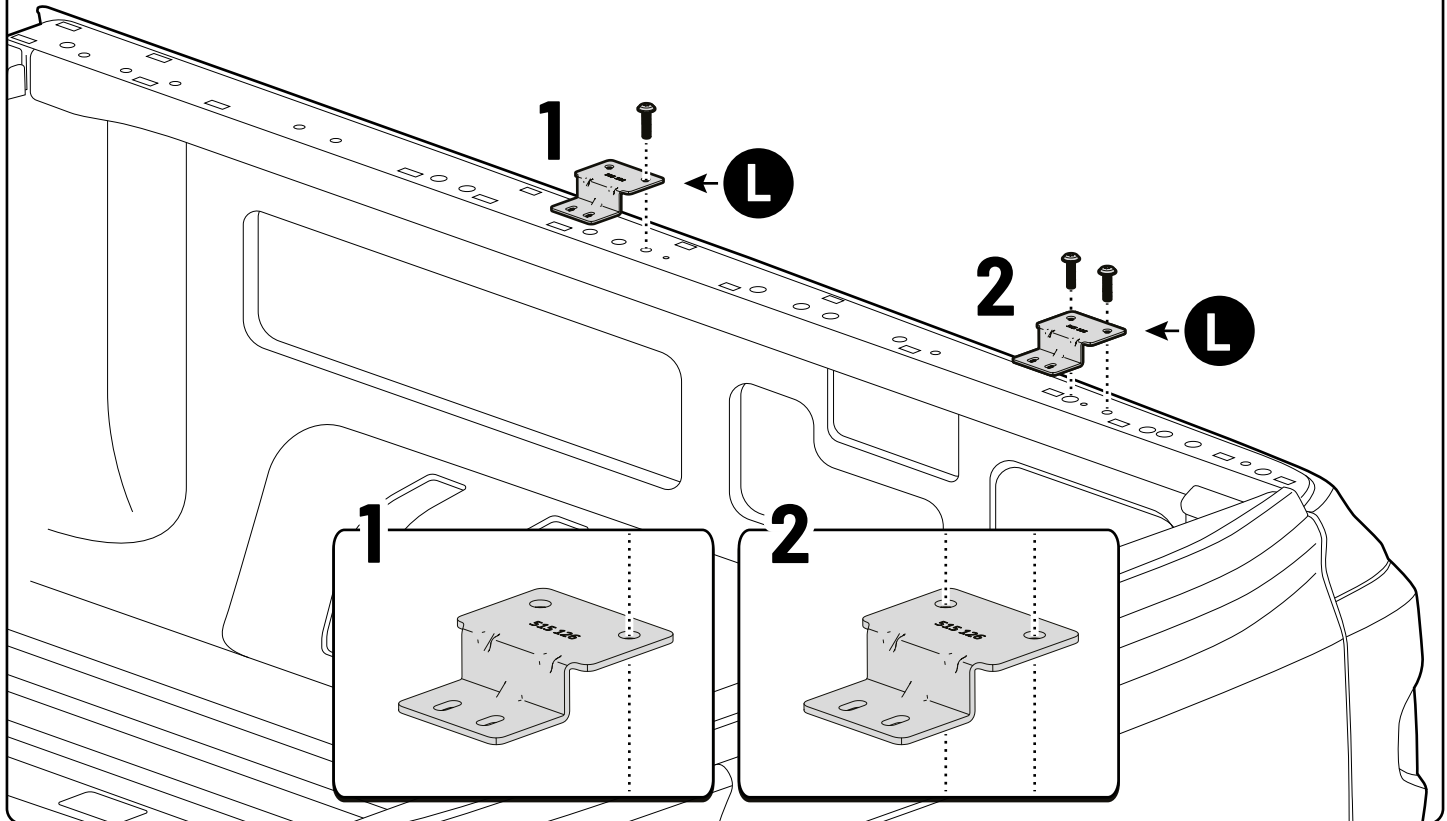
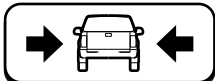
! WITH SPORTS BAR ACCESSORY - RAP CAB

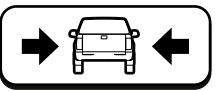
T40 13 mm 25 Nm



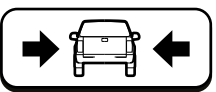
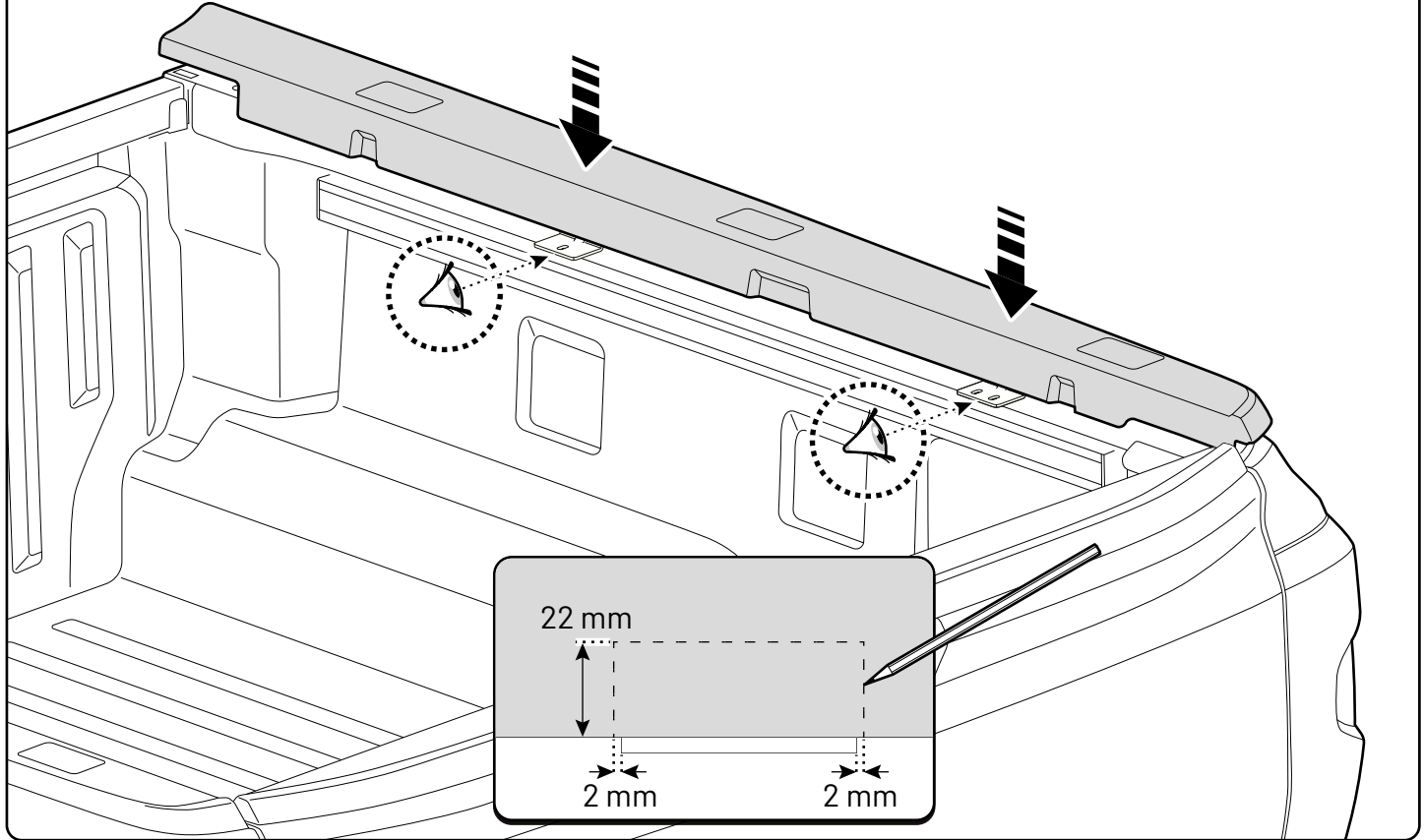
! WITHOUT SPORTS BAR ACCESSORY - RAP CAB

T40 13 mm 25 Nm

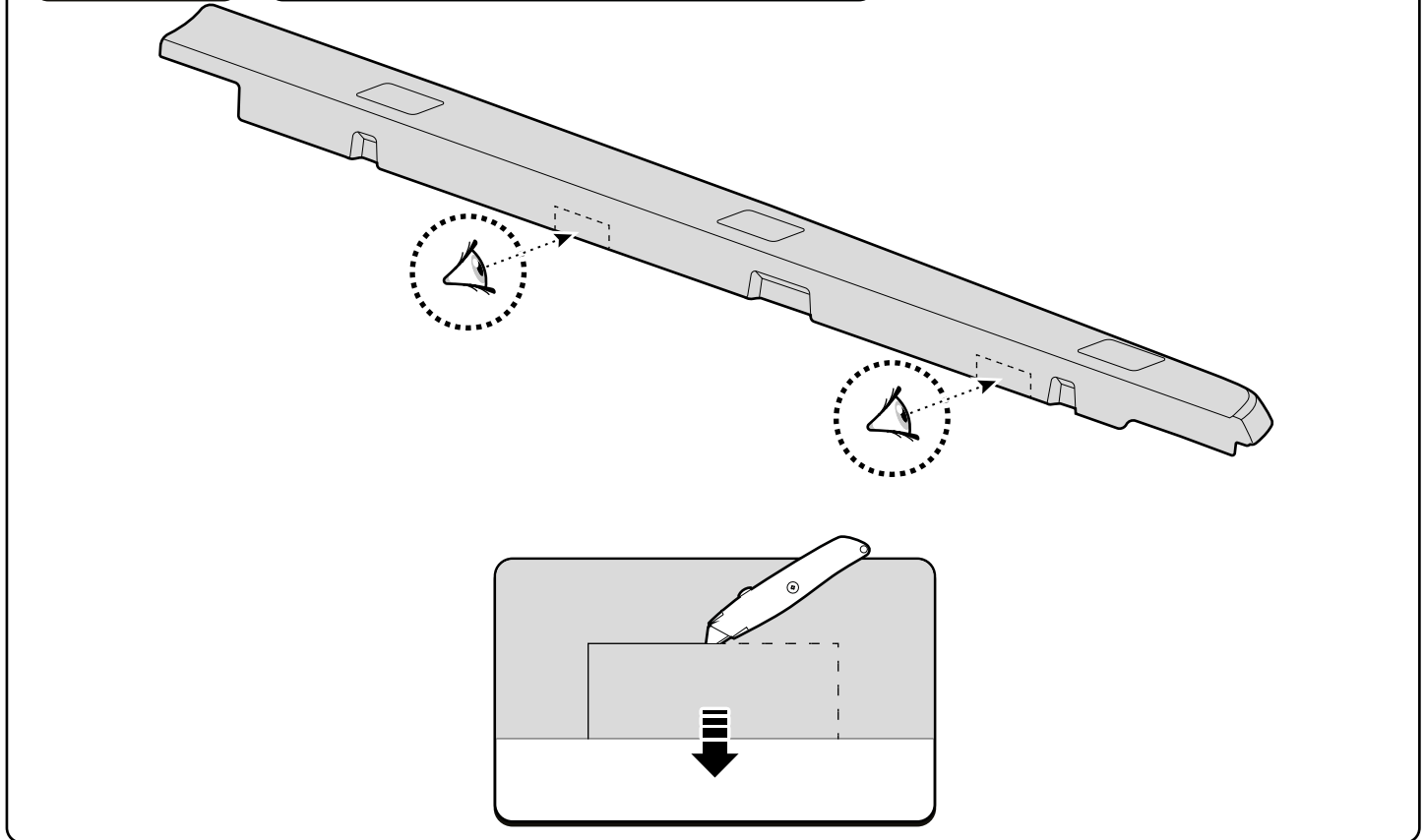


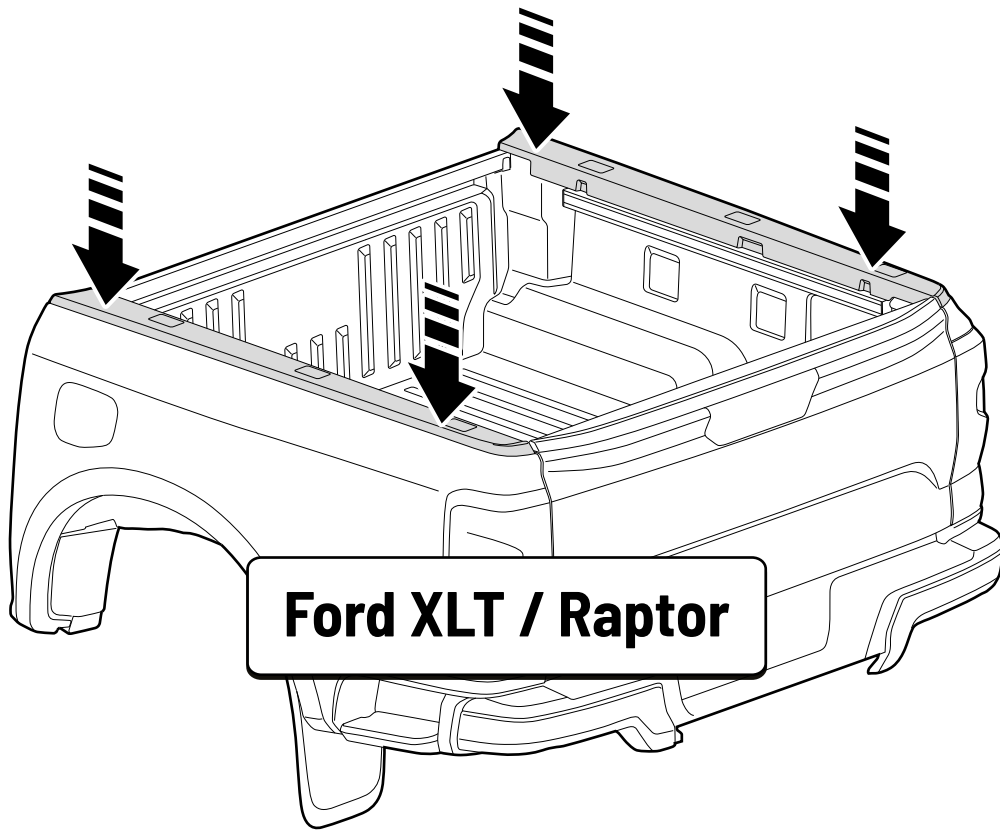


! ONLY FOR FORD RANGER XLT / RAPTOR

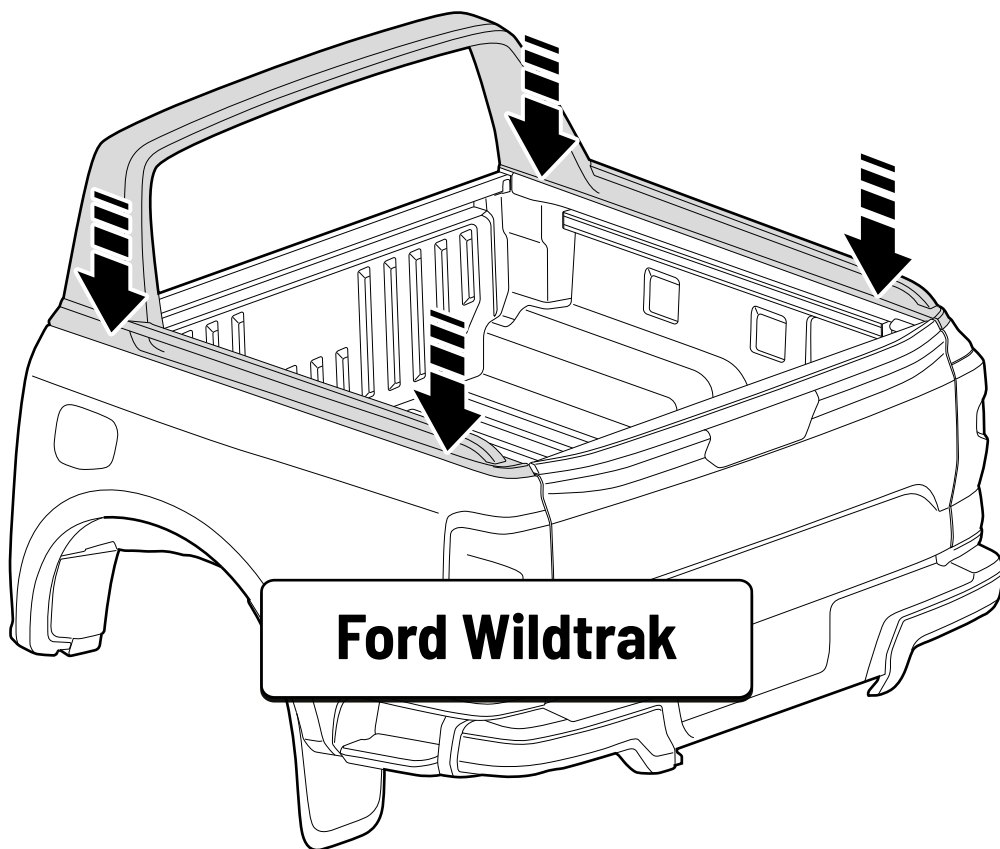


! ONLY FOR FORD RANGER XLT / RAPTOR

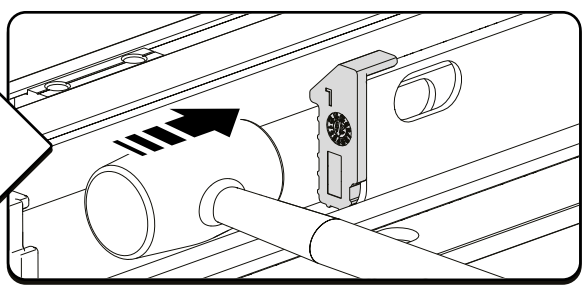
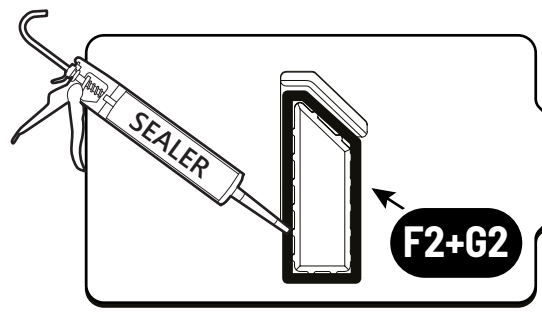
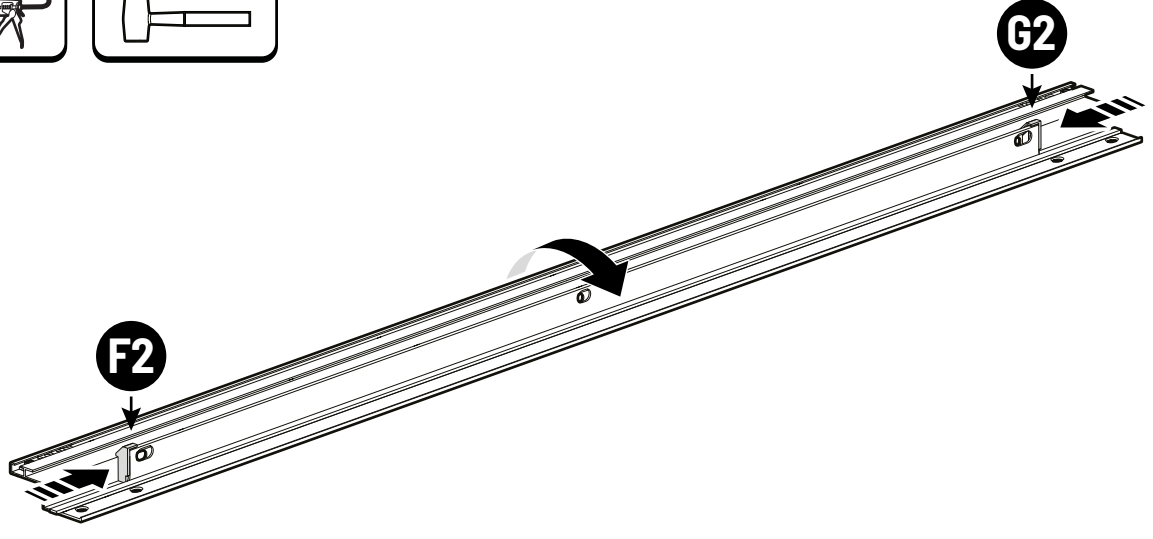
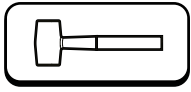
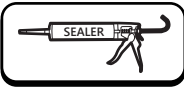
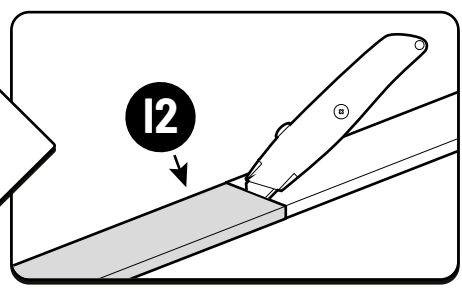
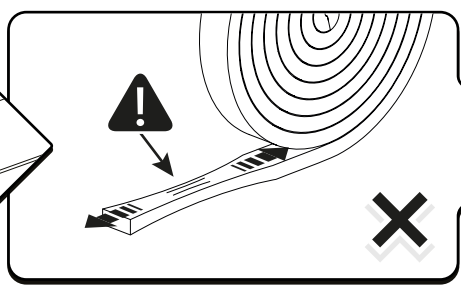
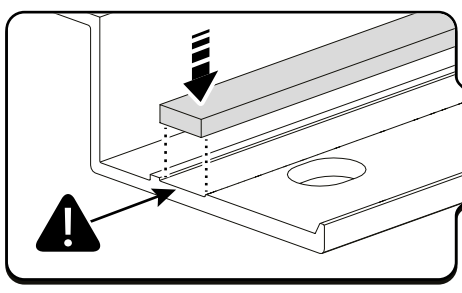
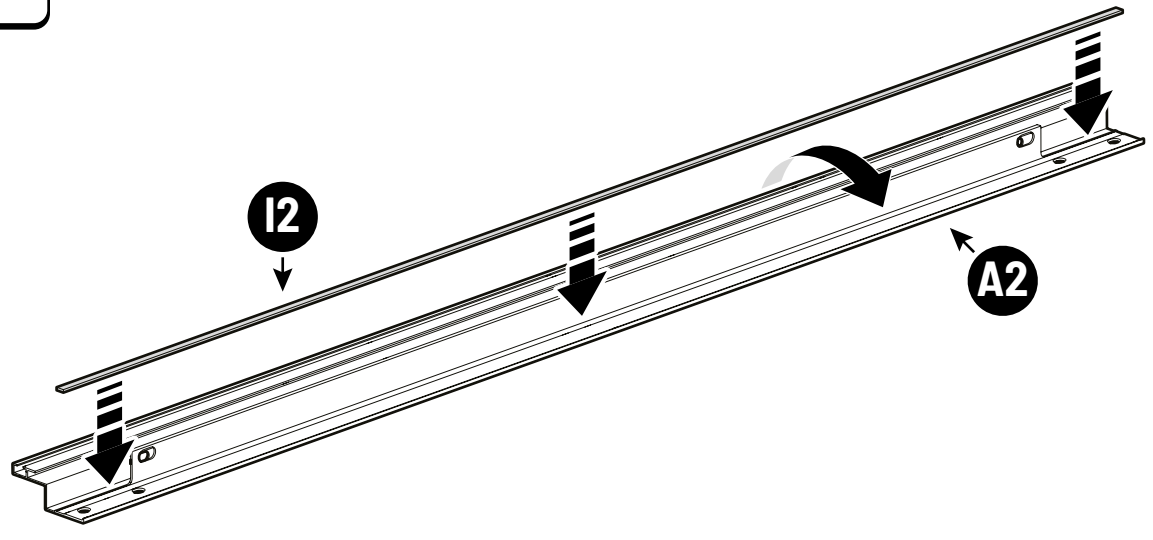
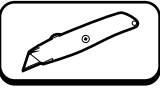


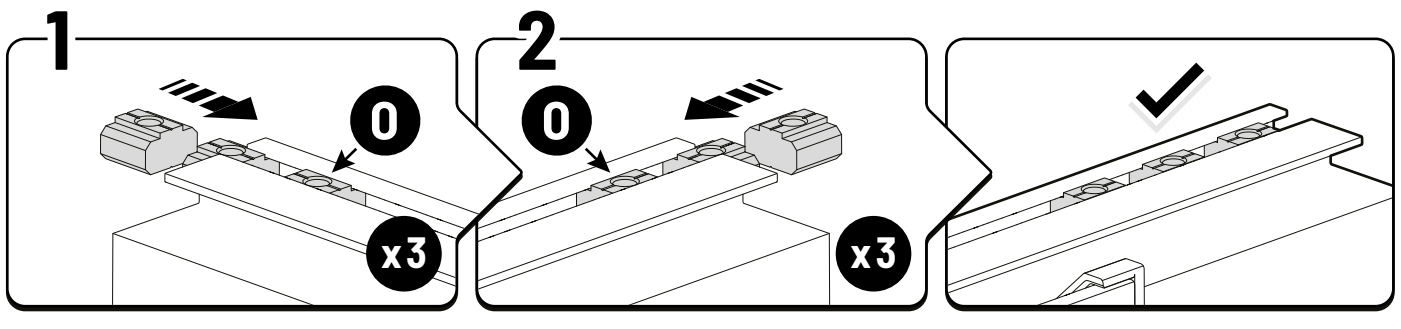
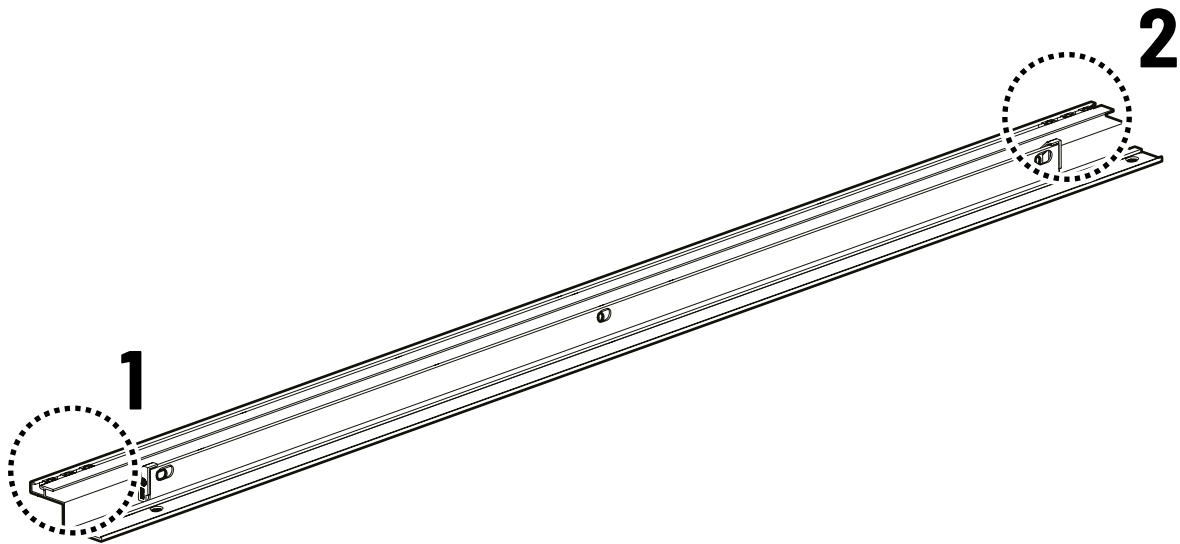


Ford XLT / Raptor

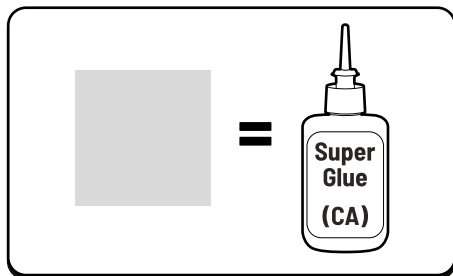
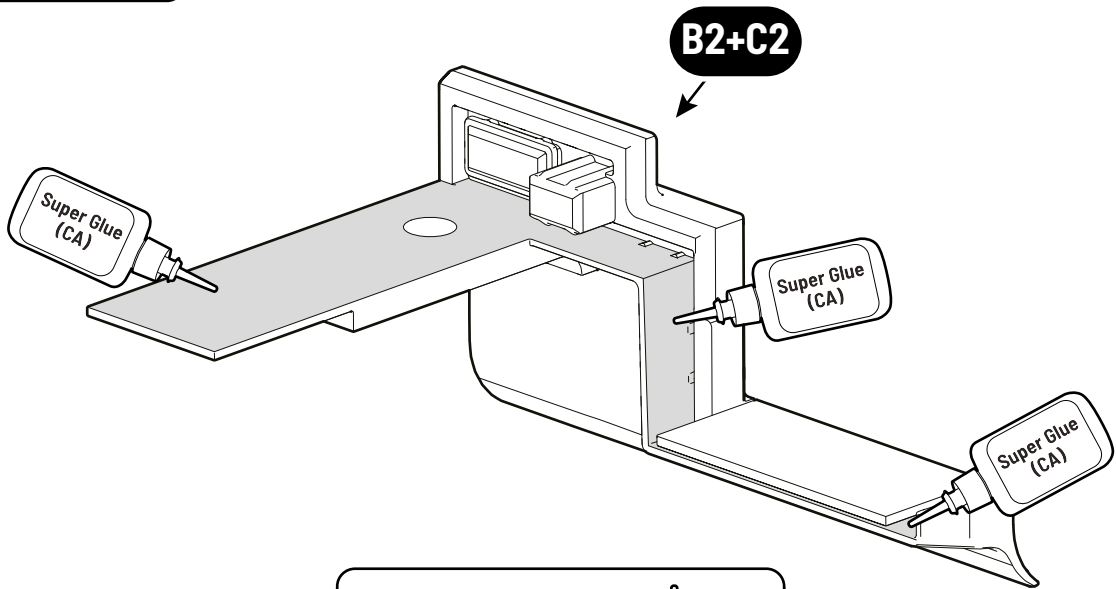


Ford Wildtrak





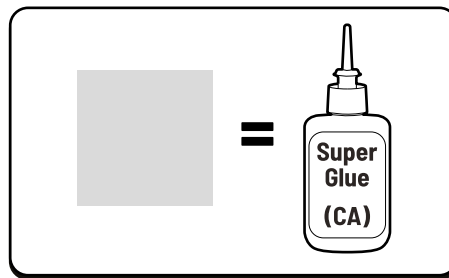
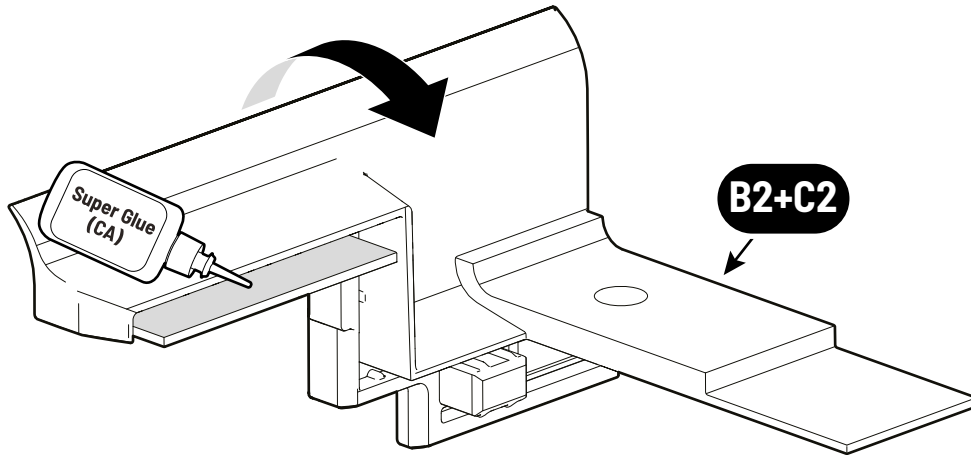
 **Super Glue (CA)**



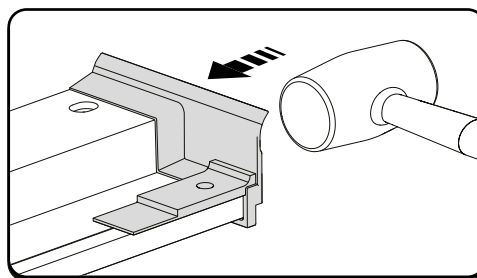
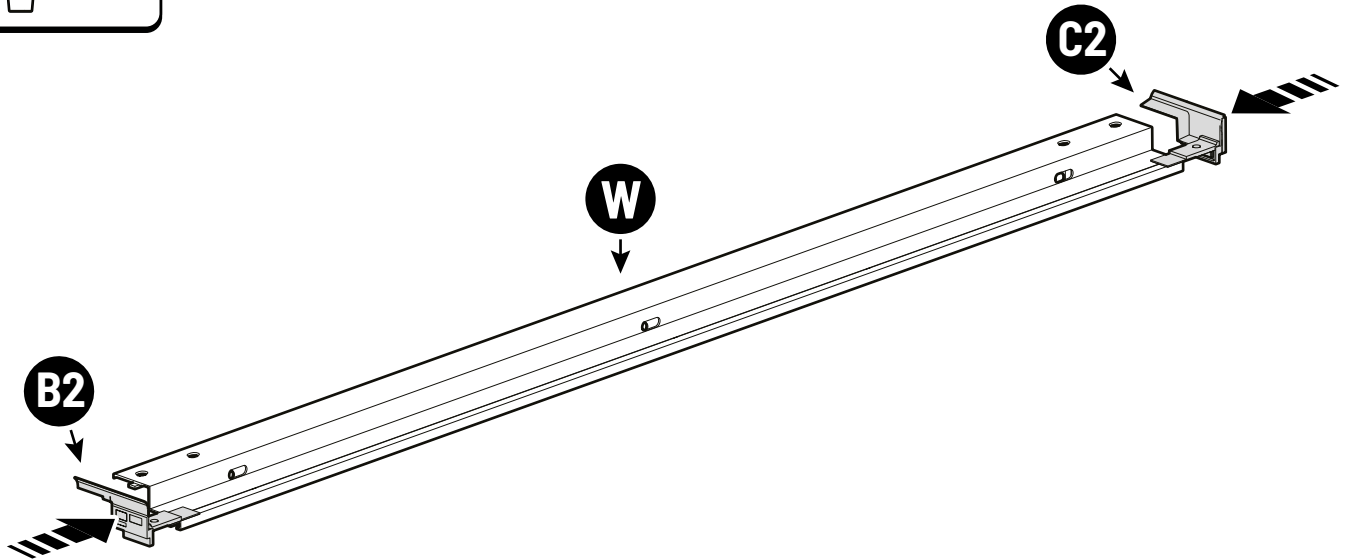


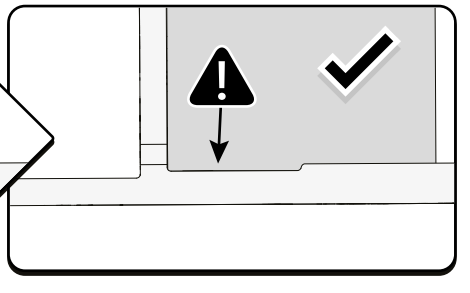
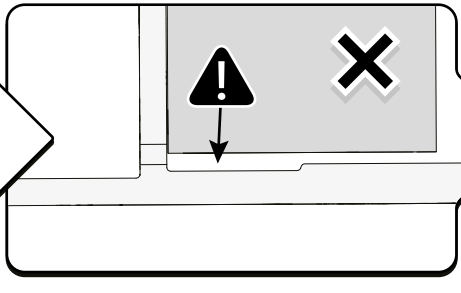
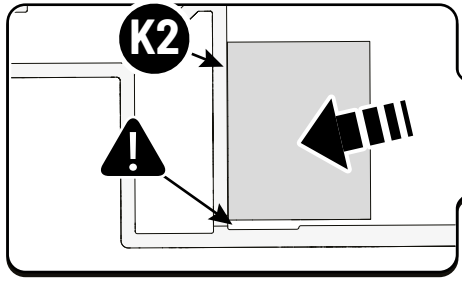
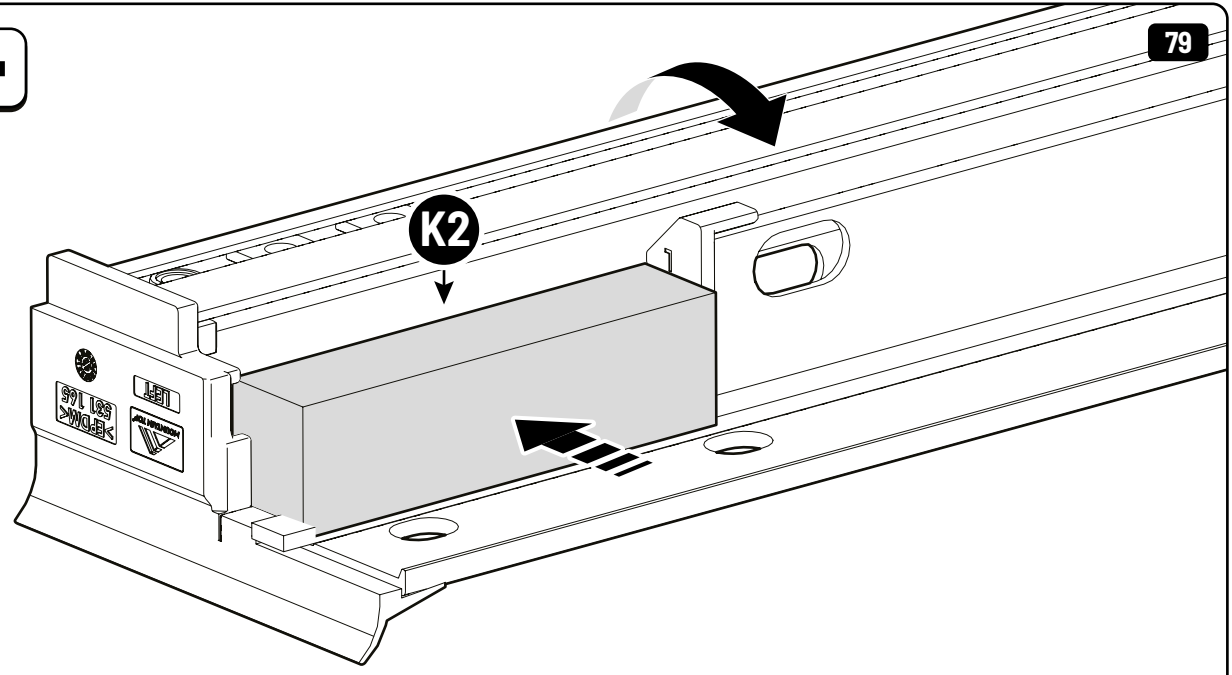
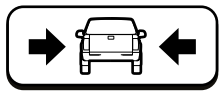
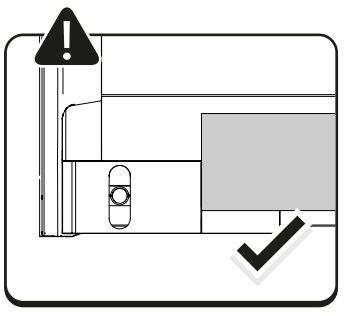
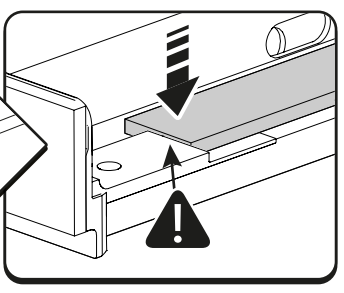
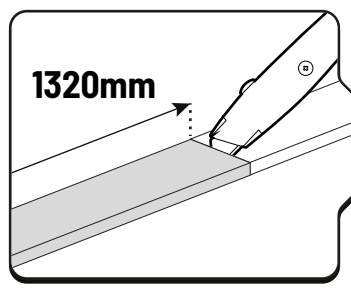
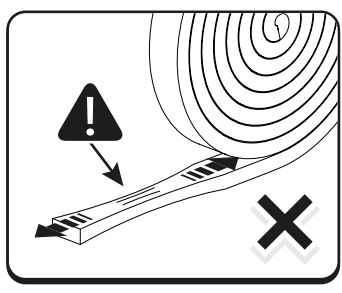
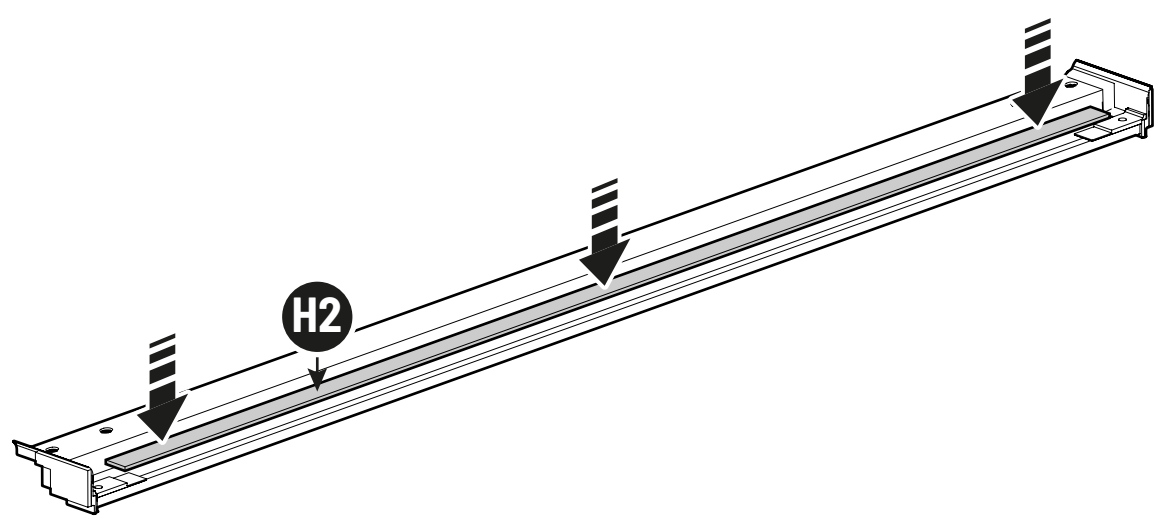
Super Glue (CA)

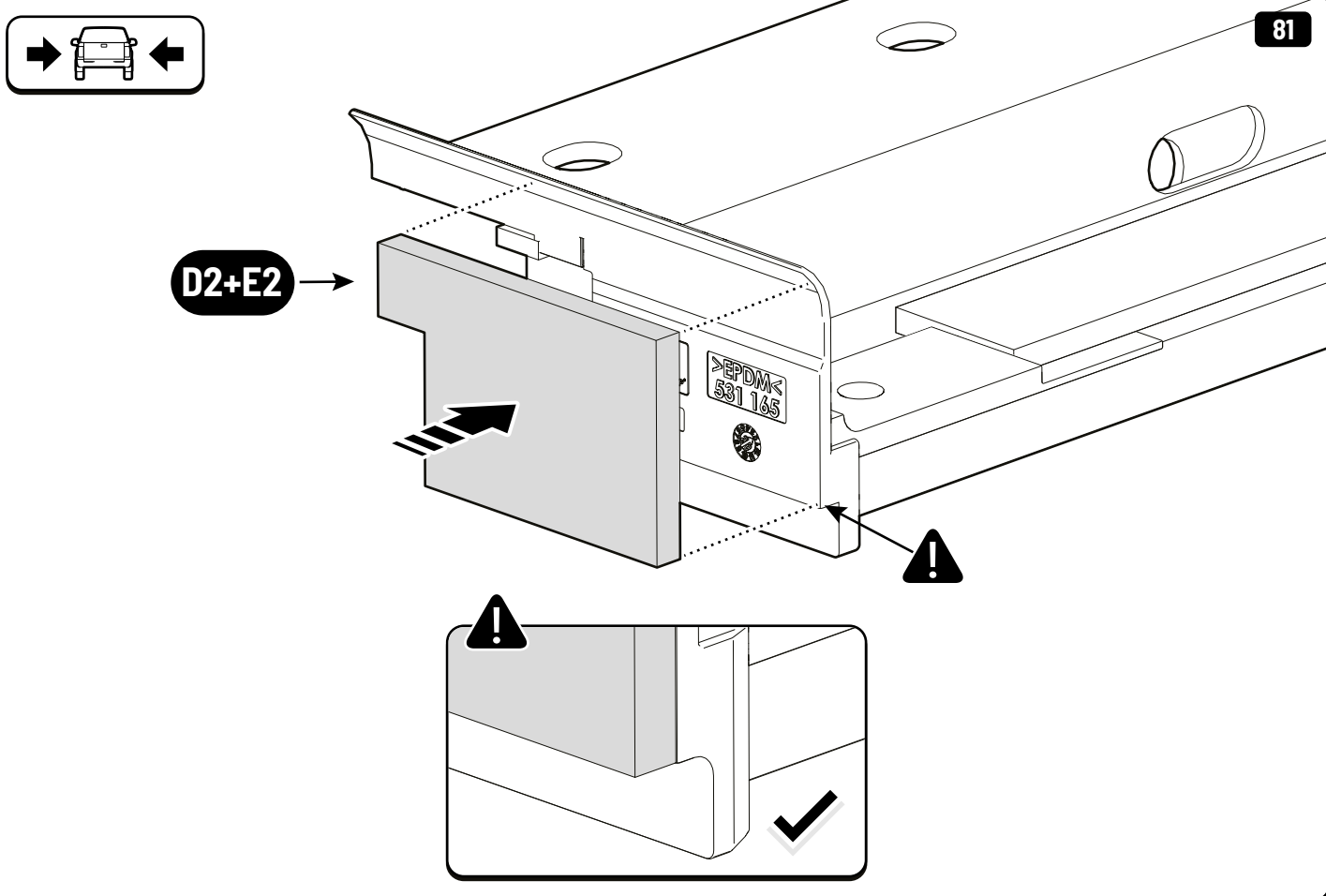
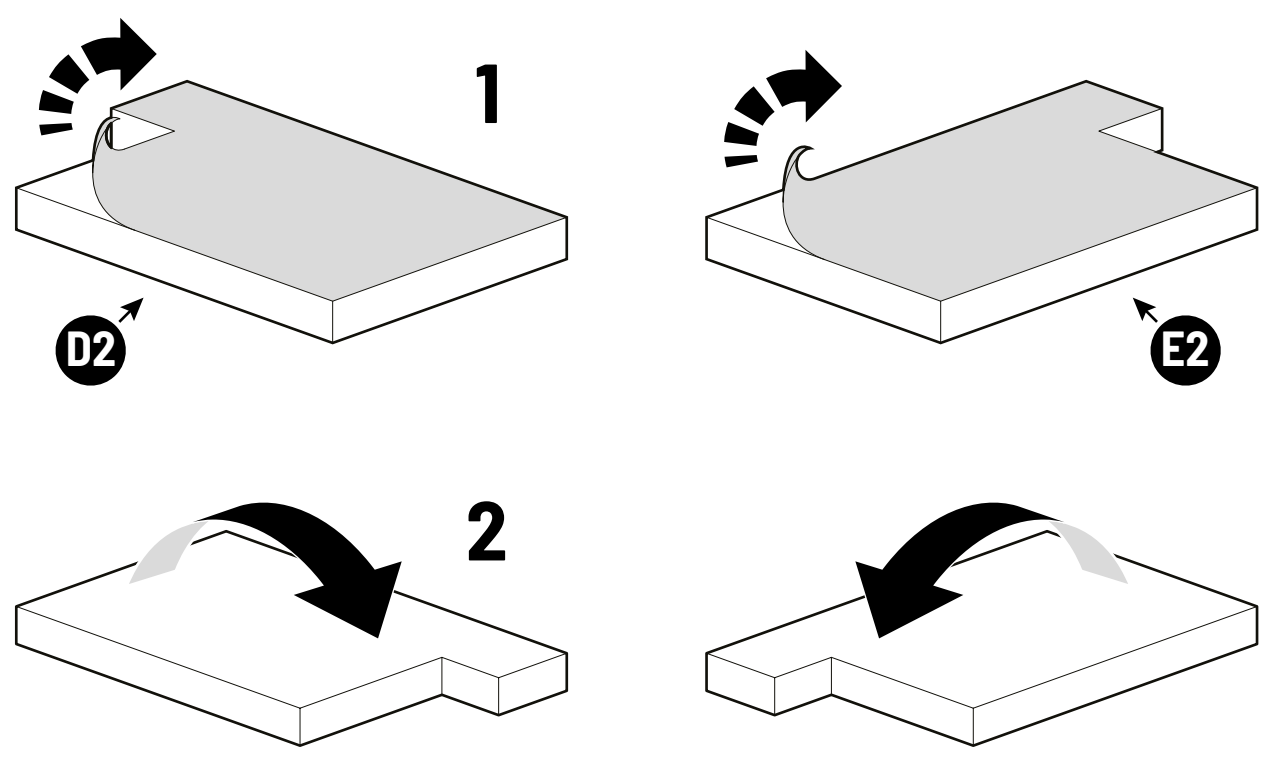
76

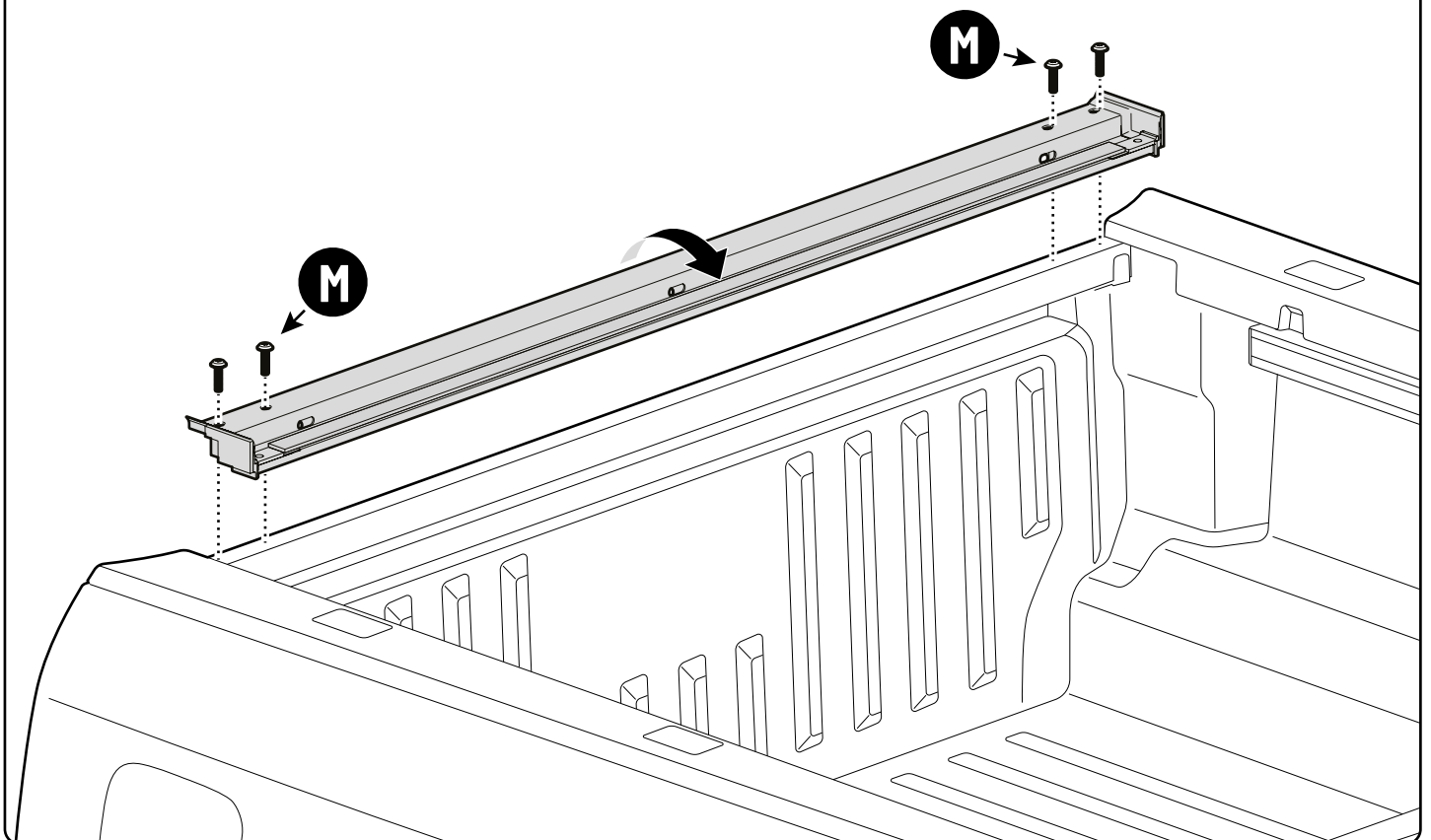
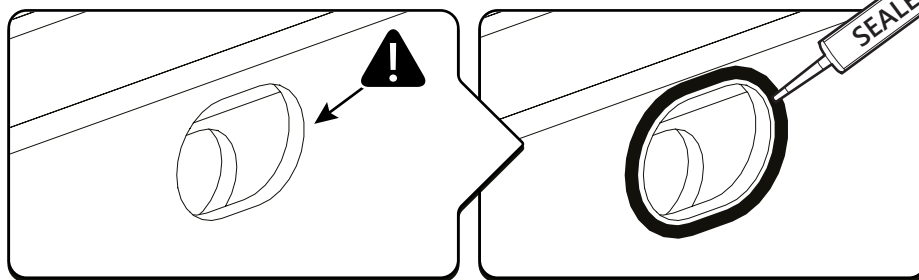
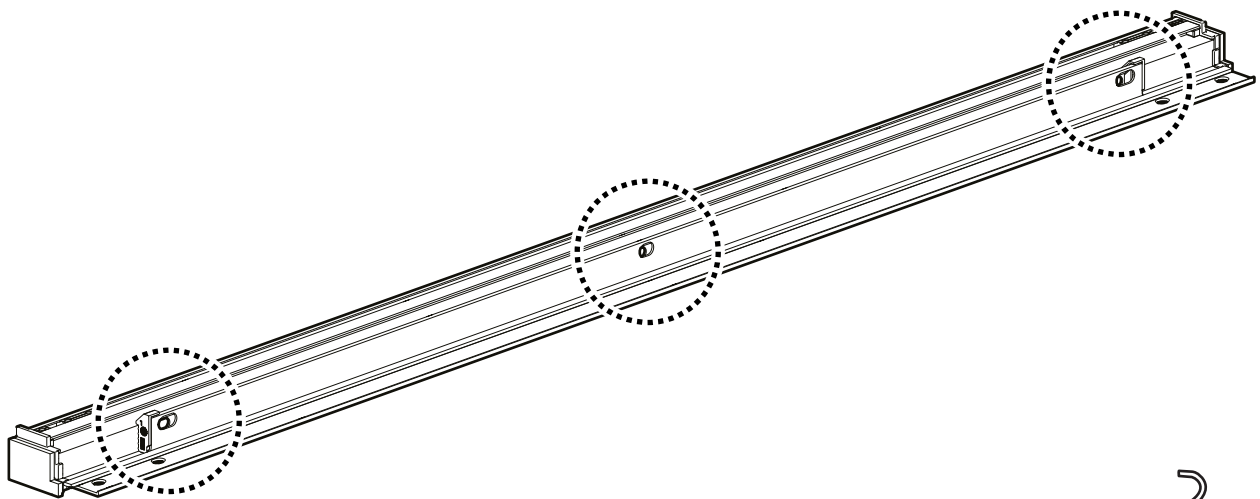


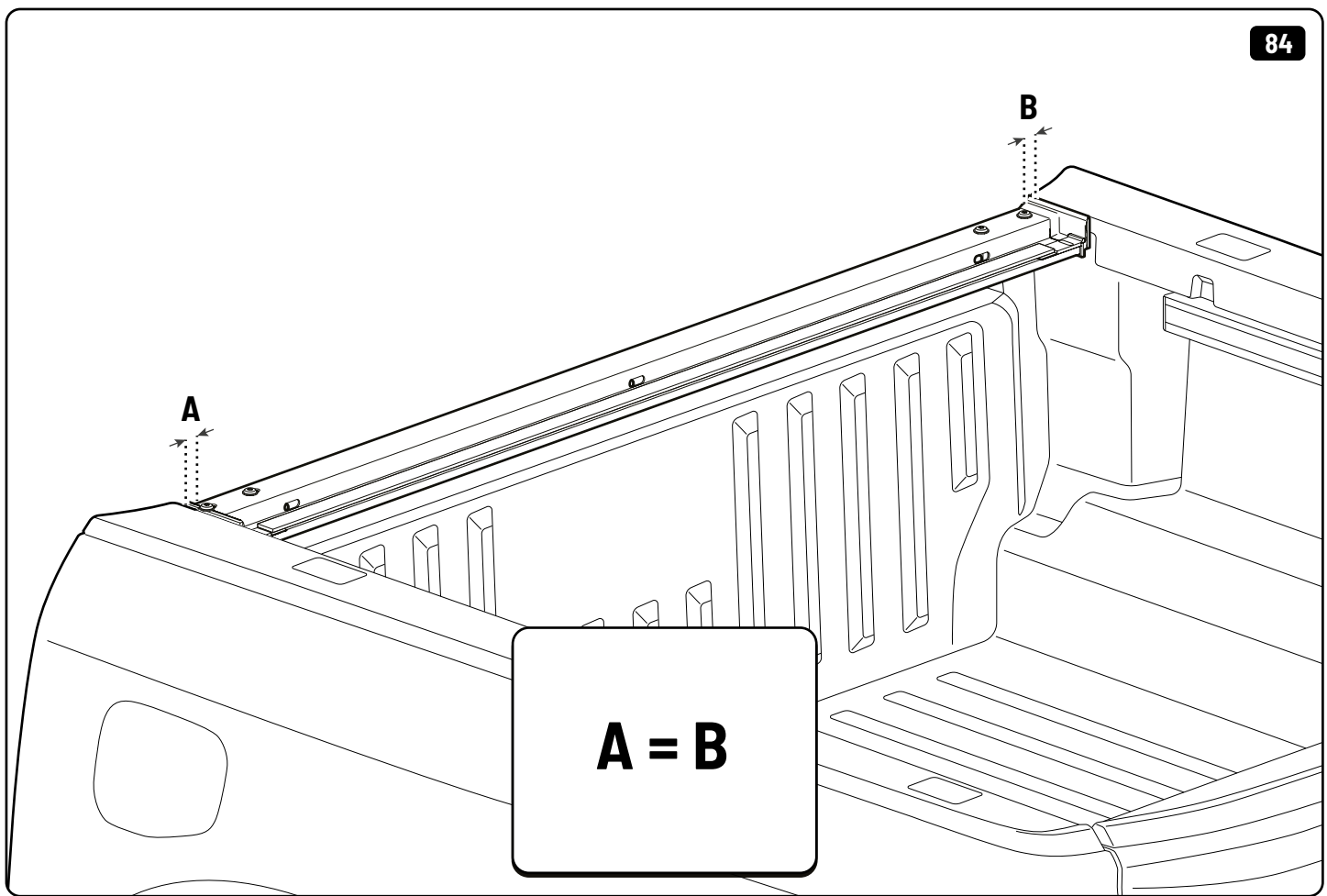
77



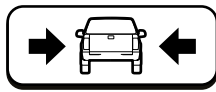




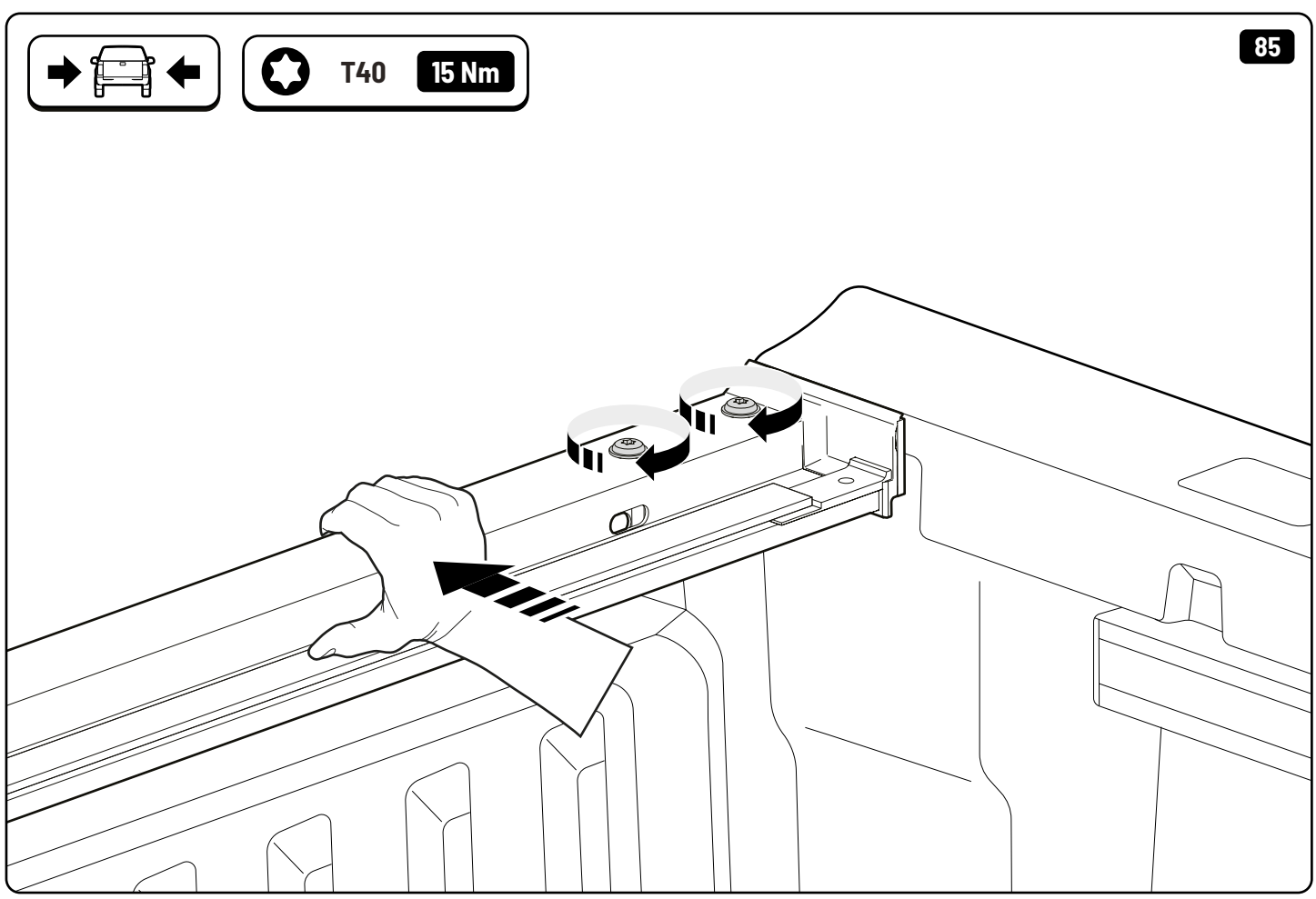


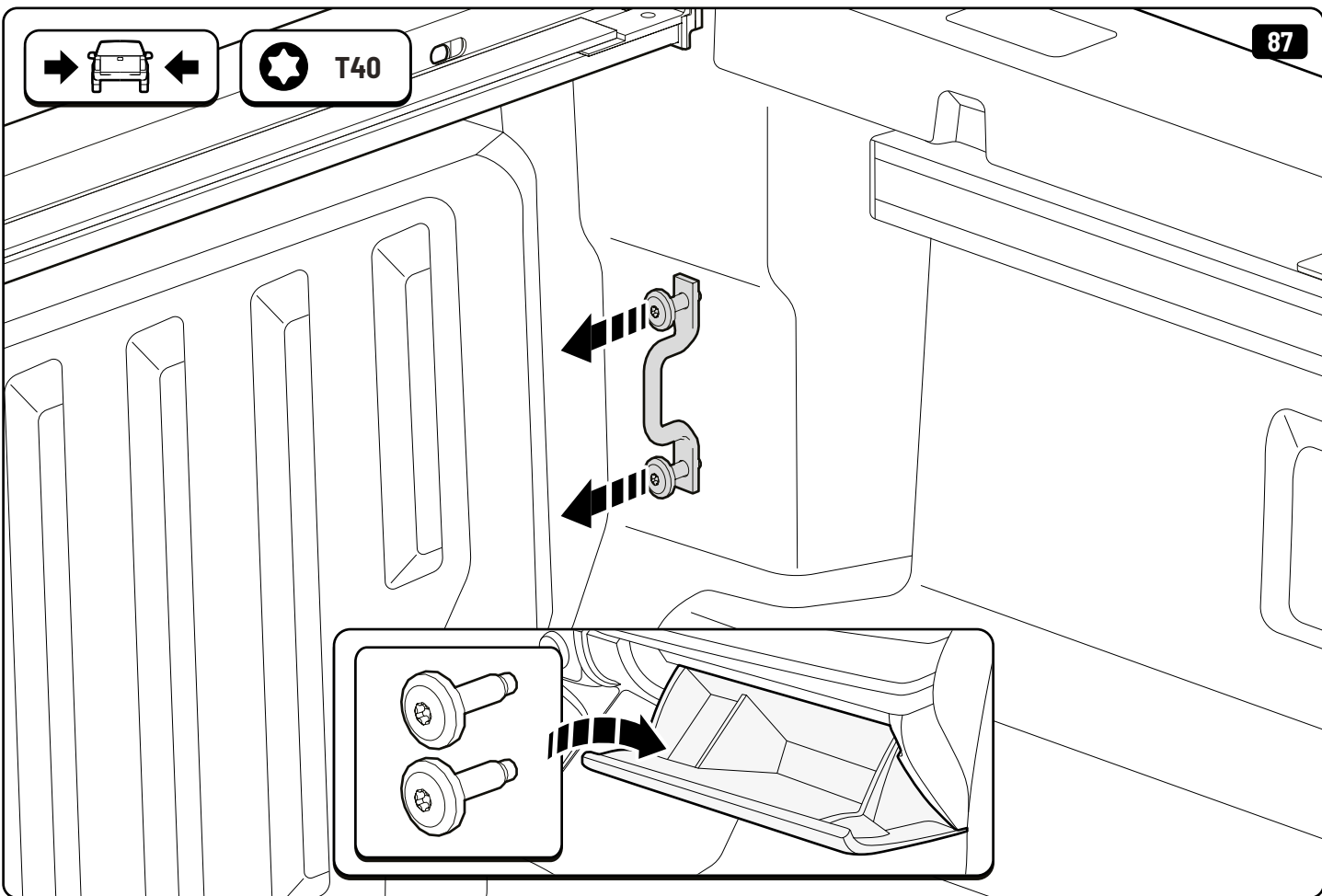
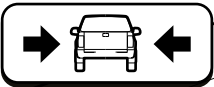
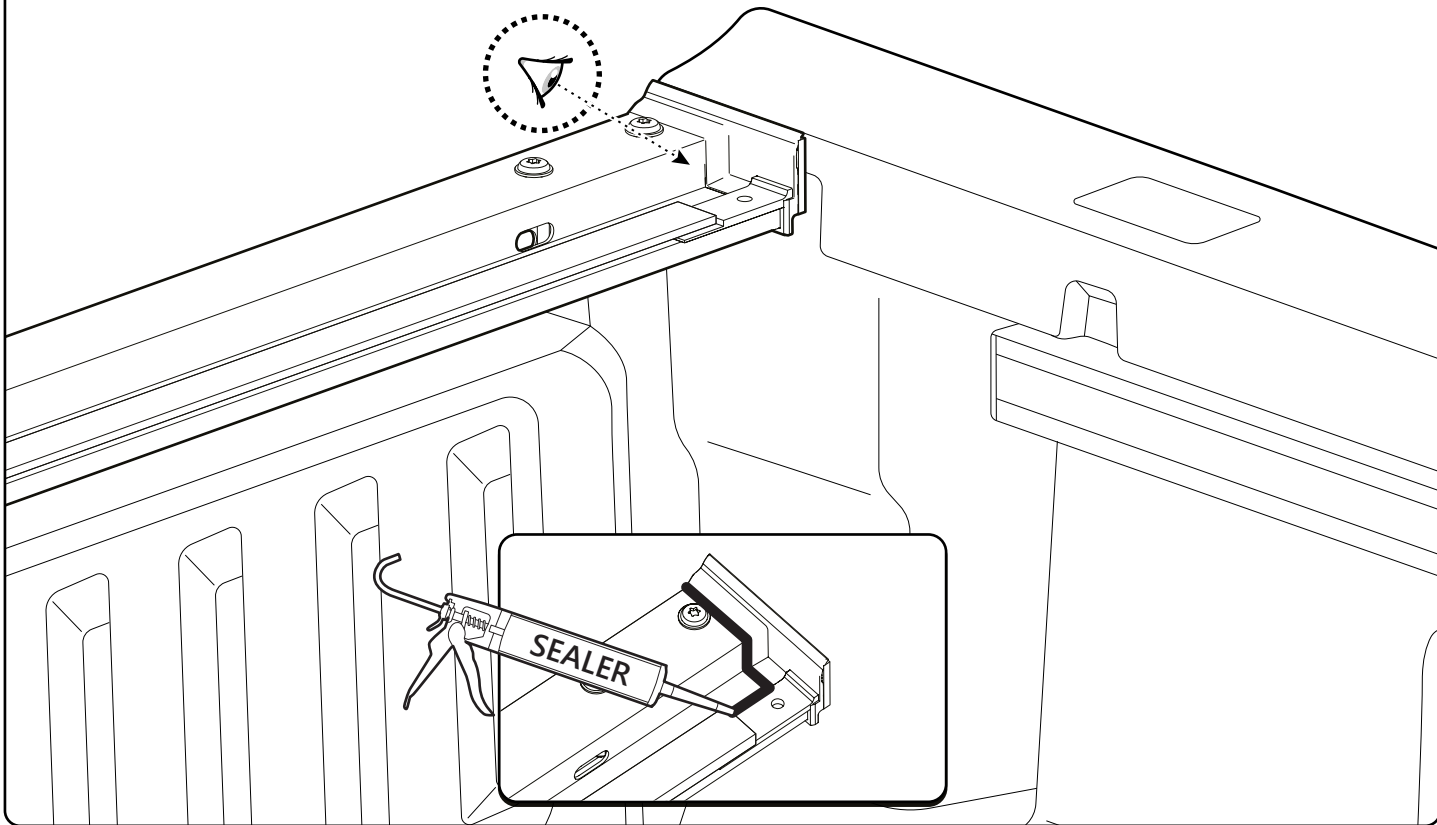
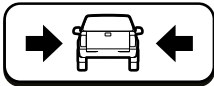


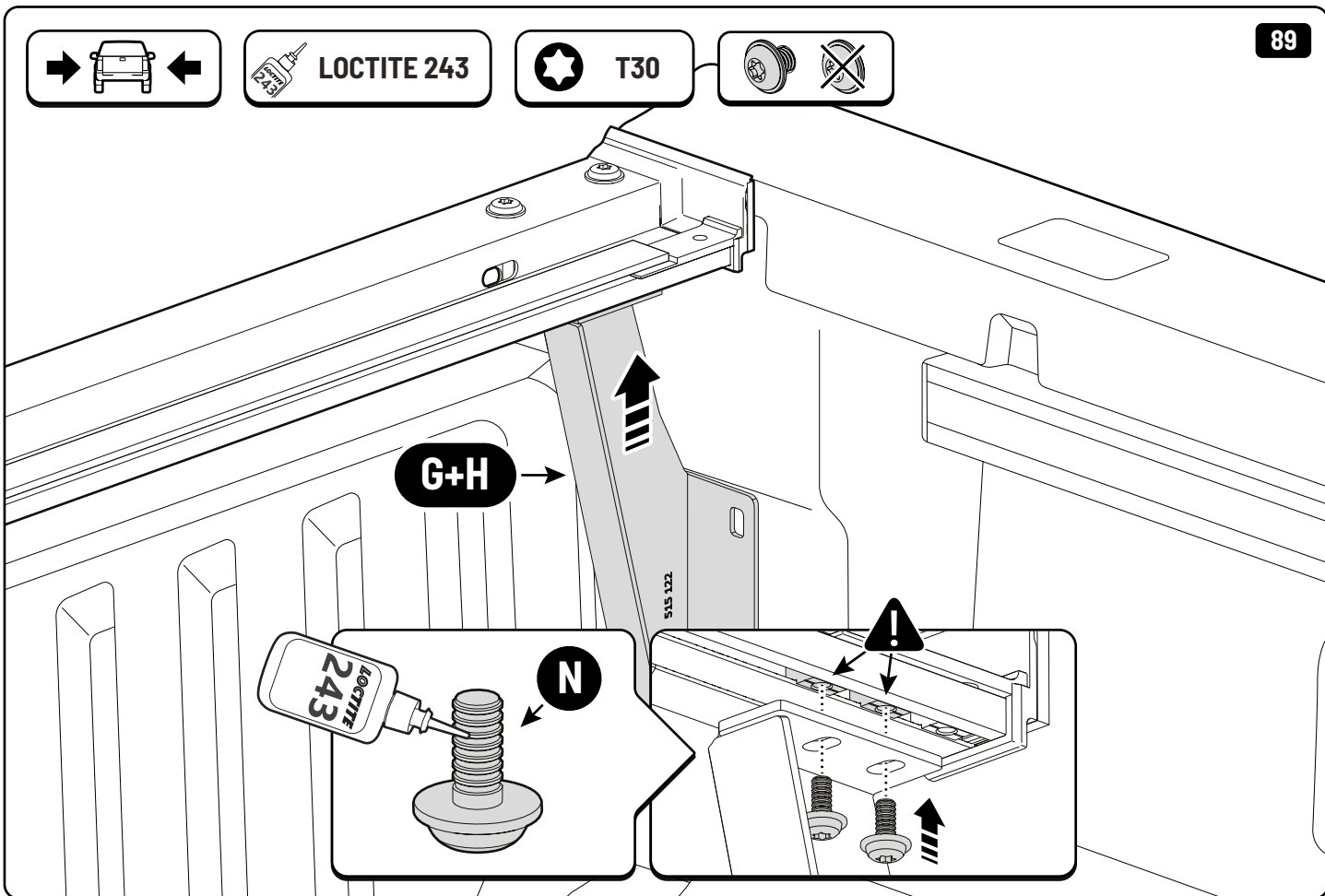
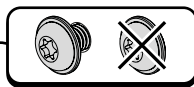
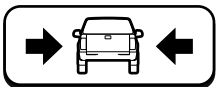
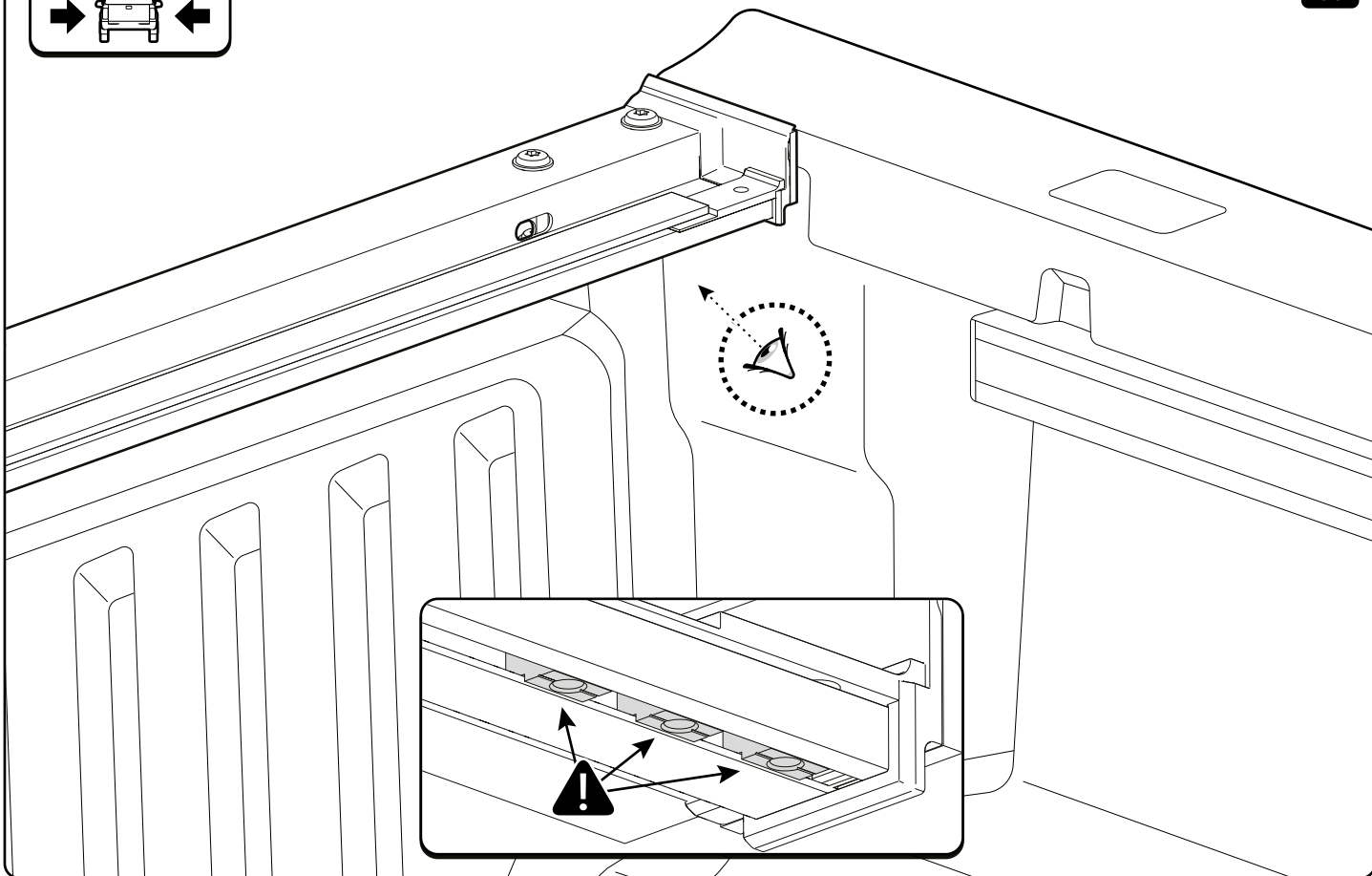
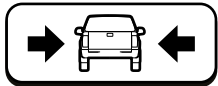
A = B

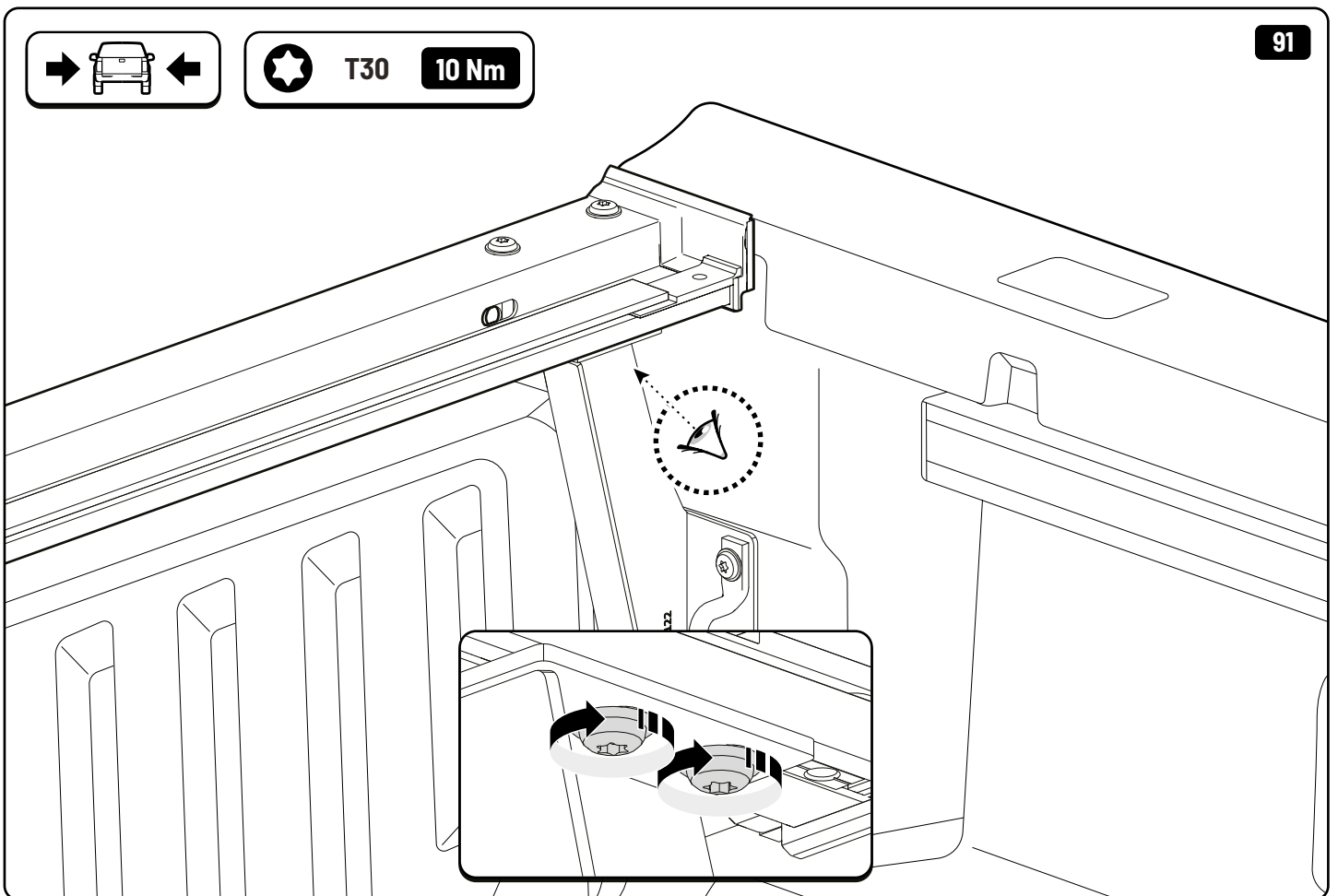
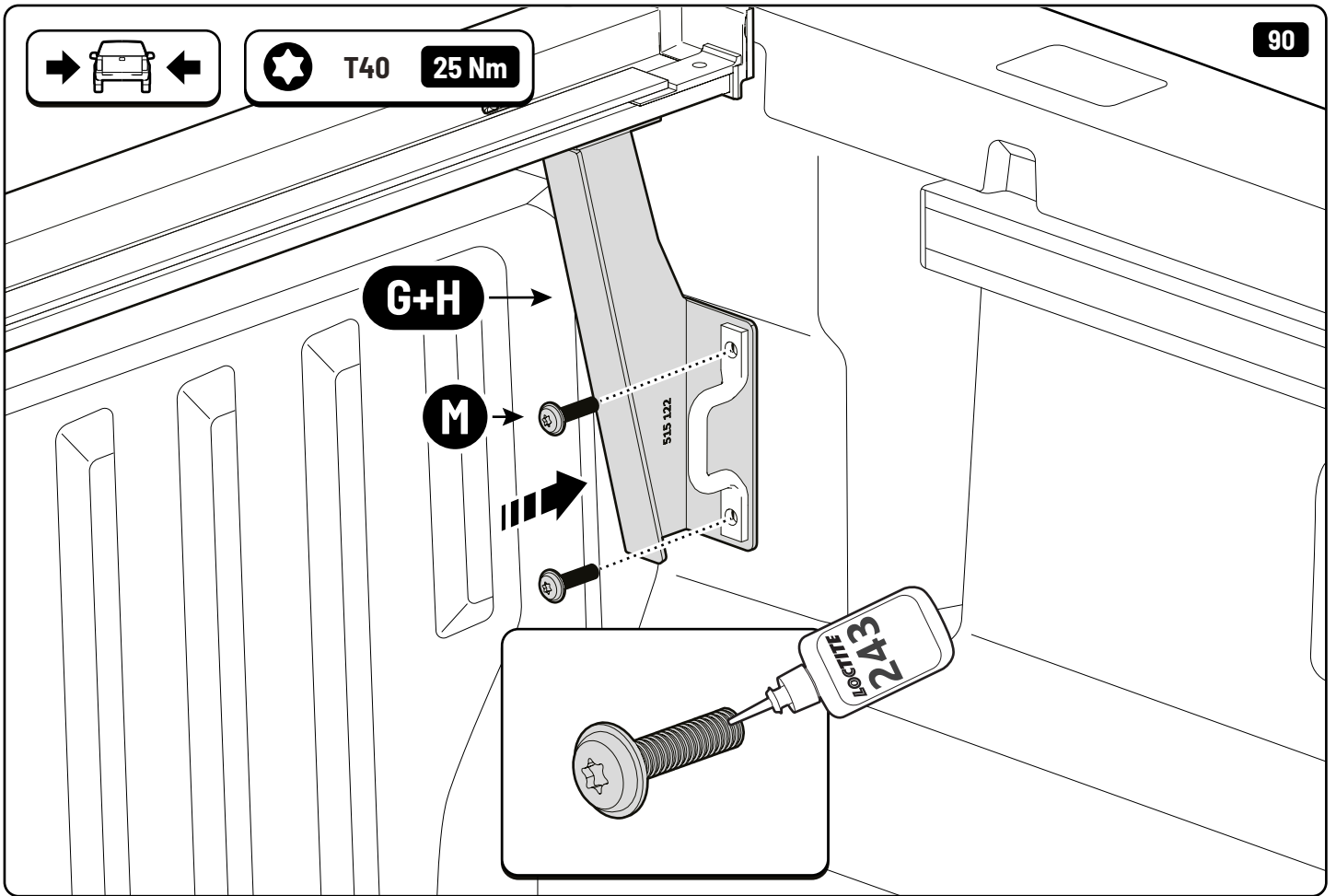


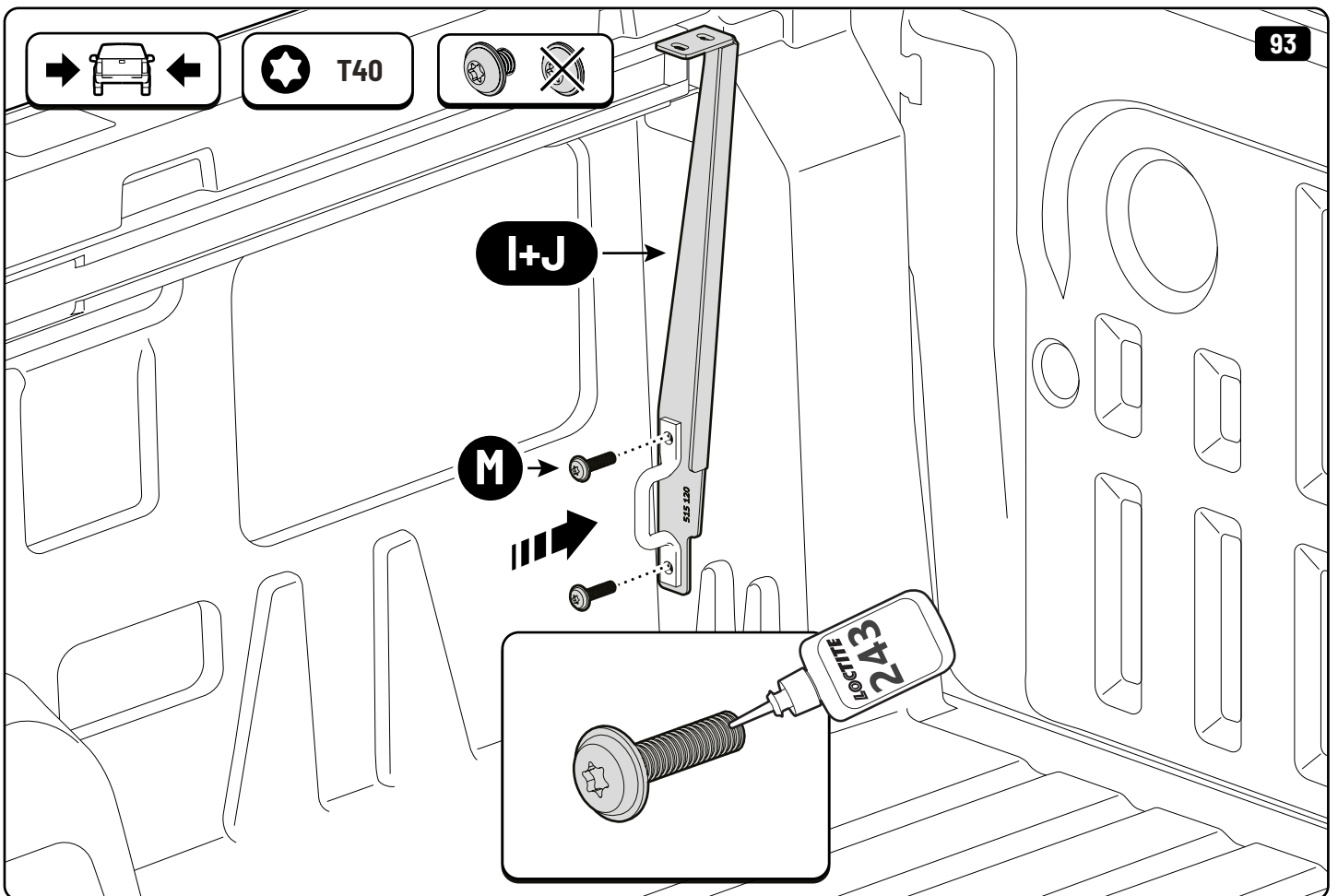
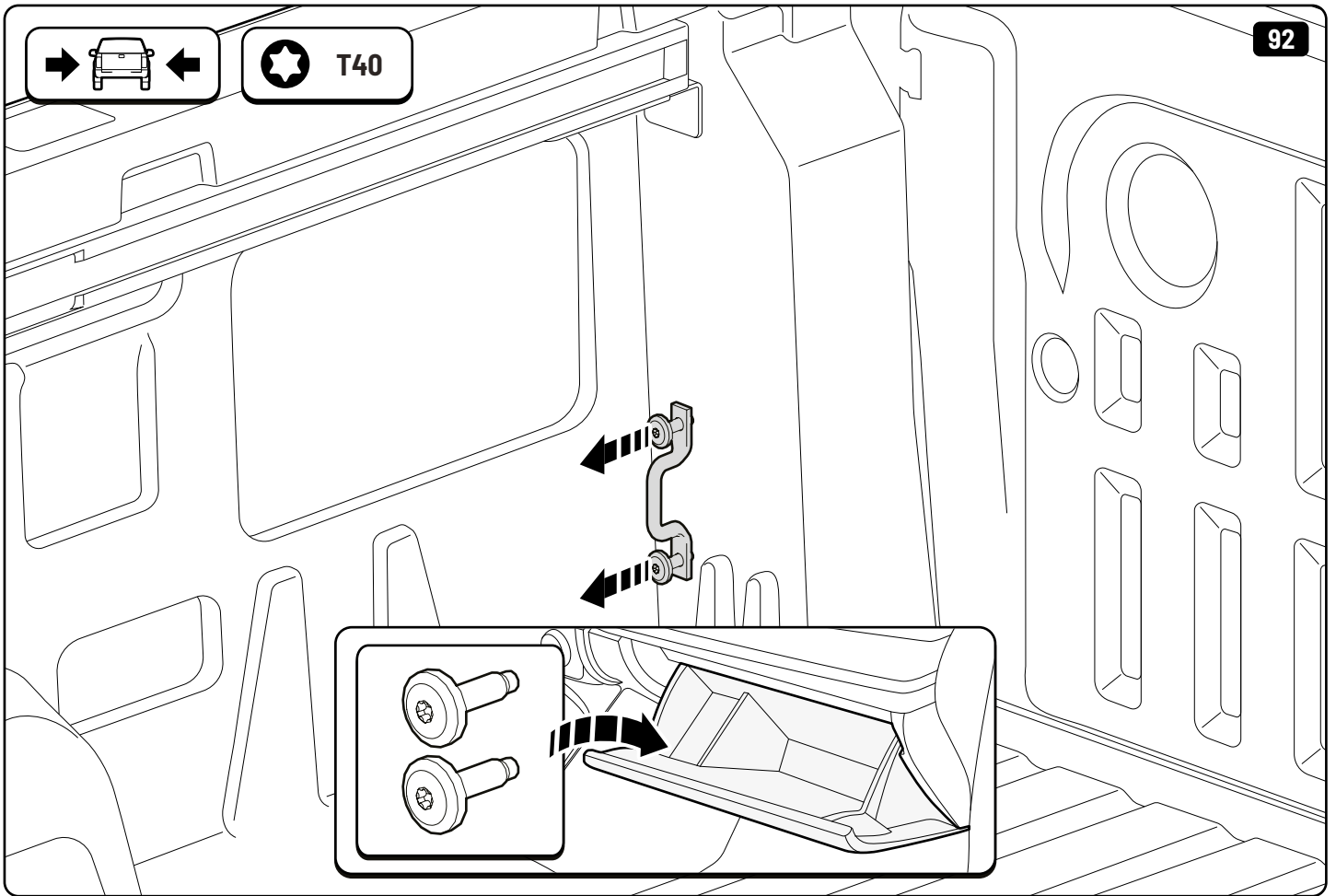
 **T40** **15 Nm**

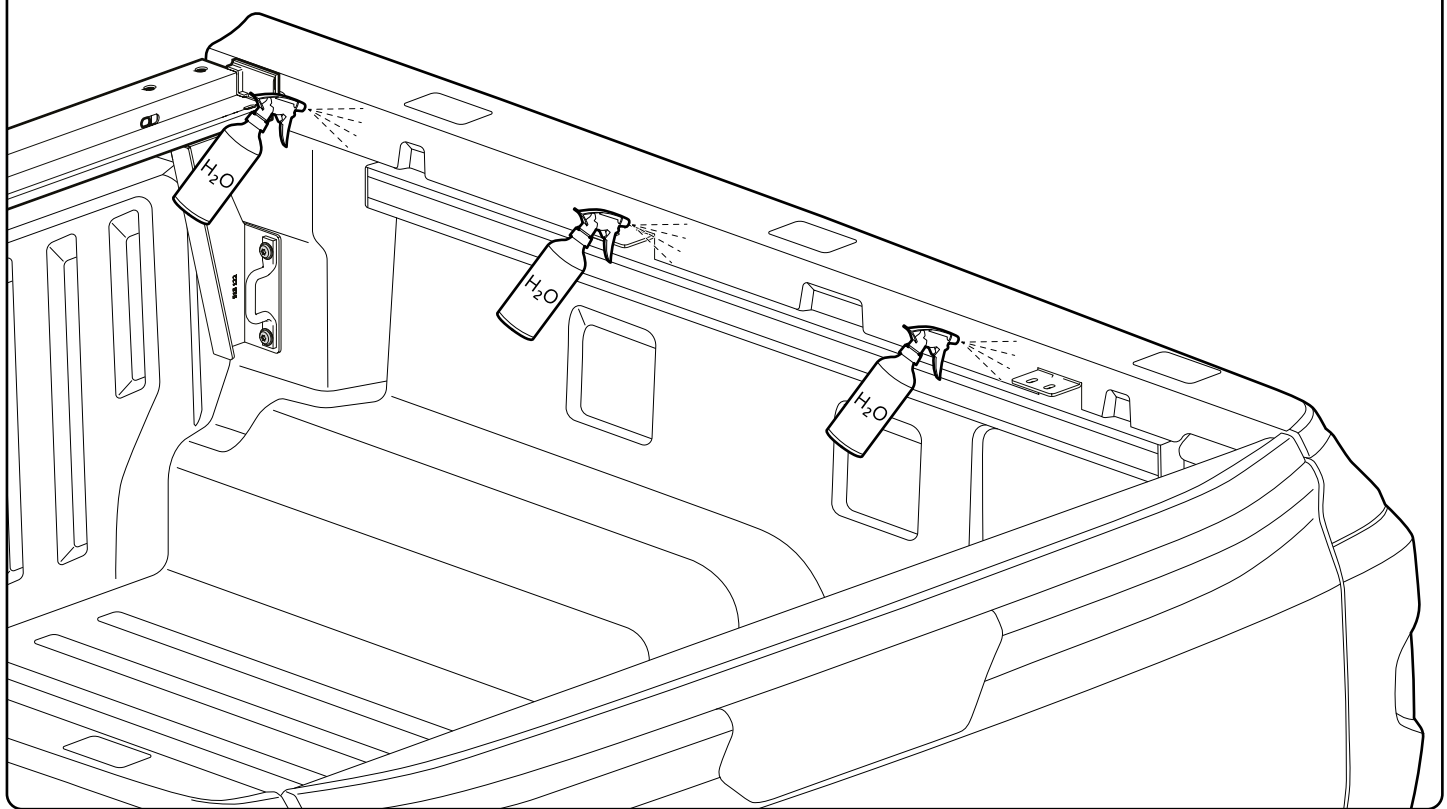
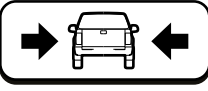








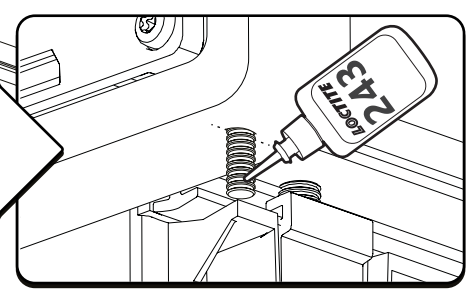
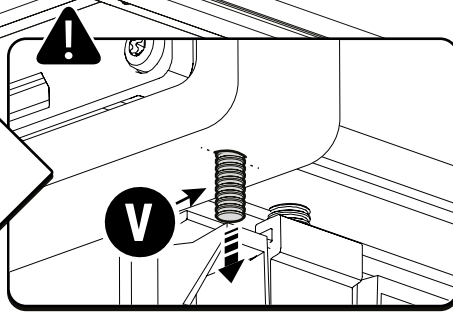
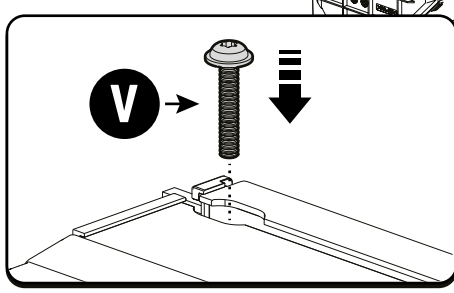
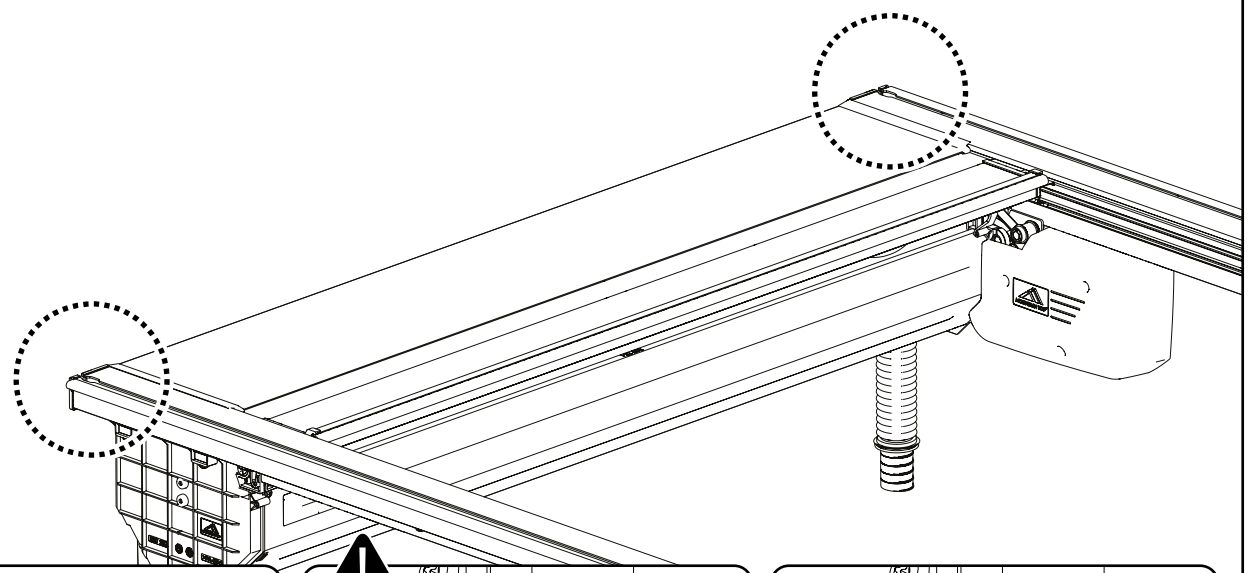
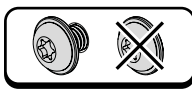


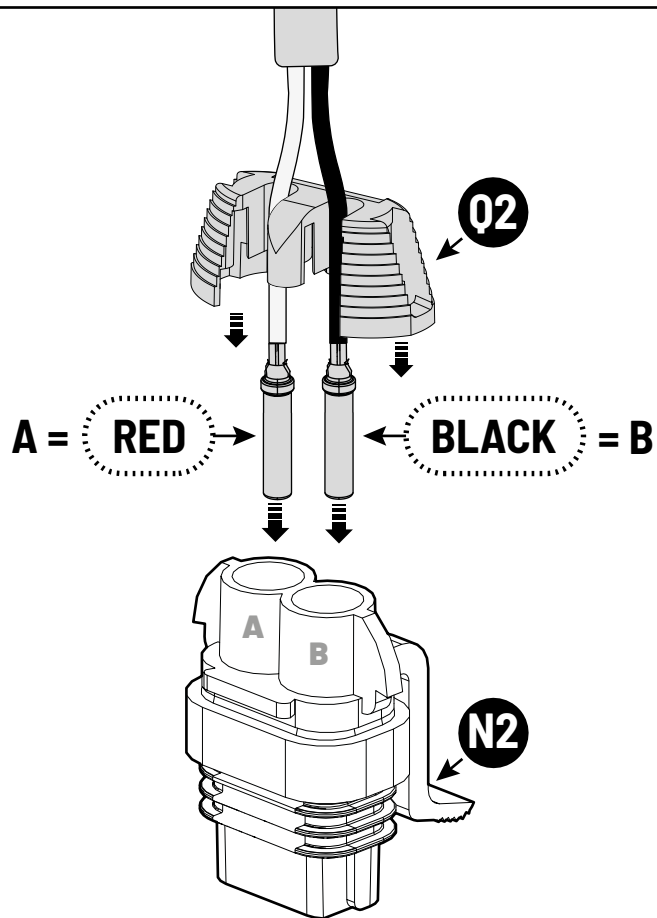
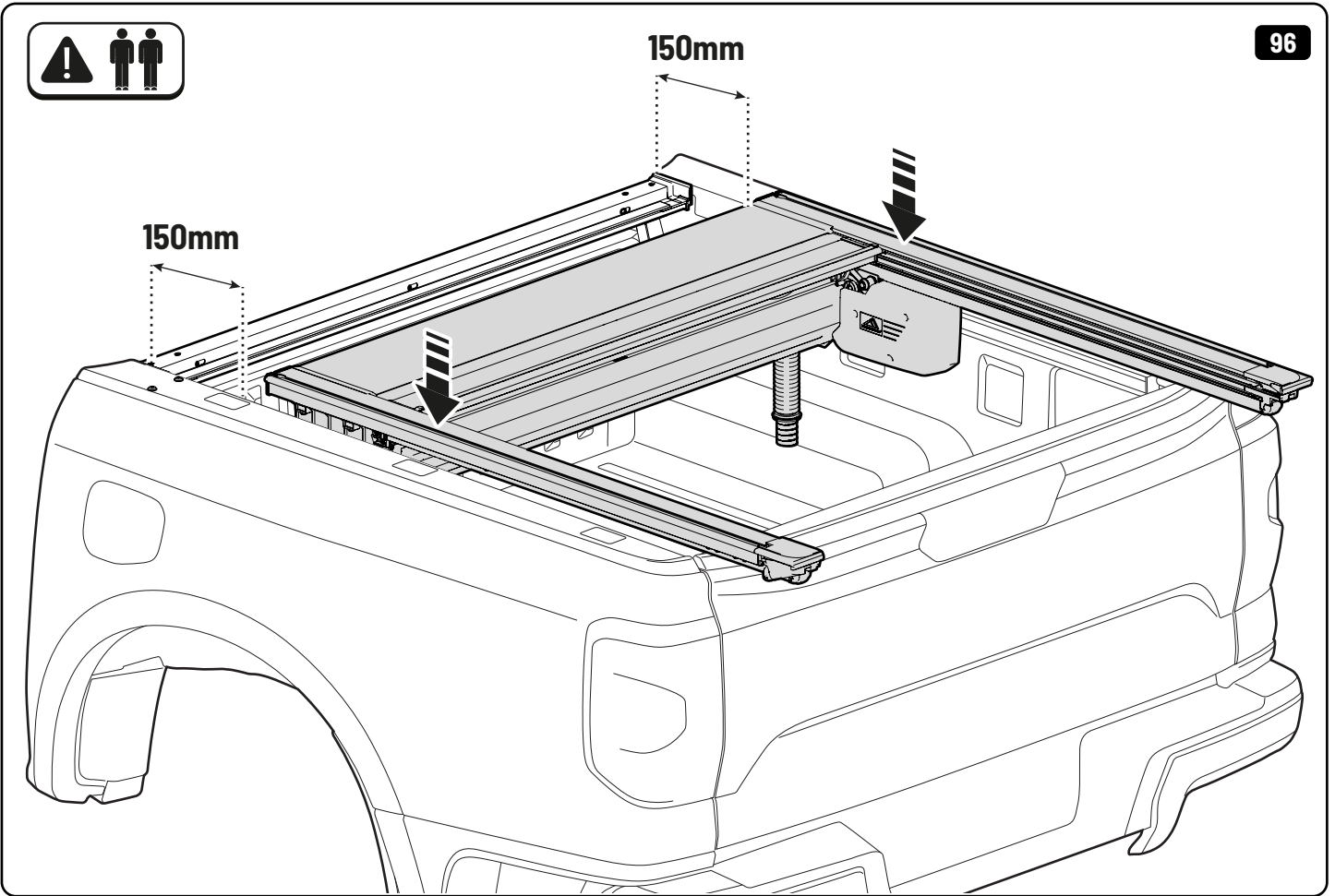


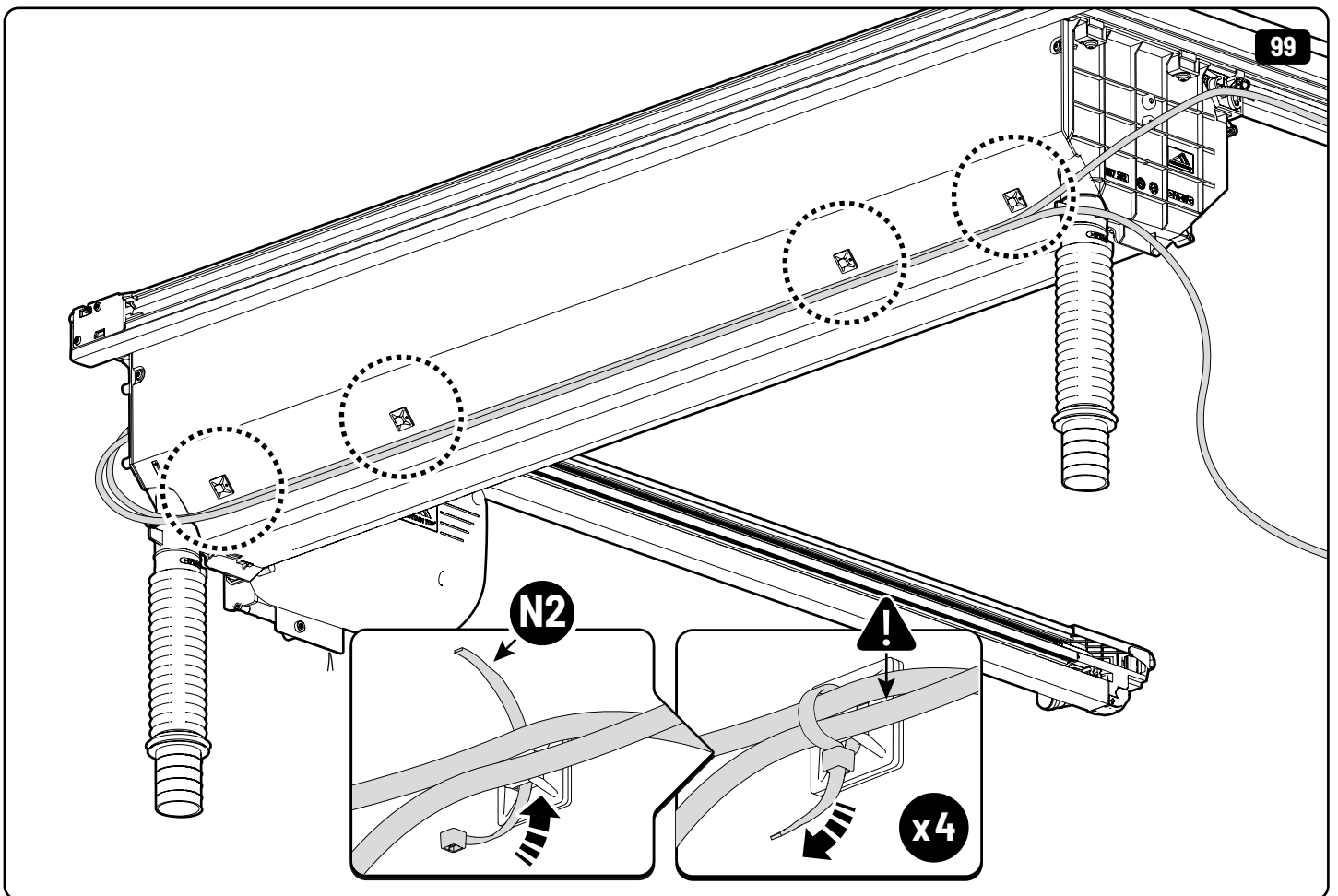
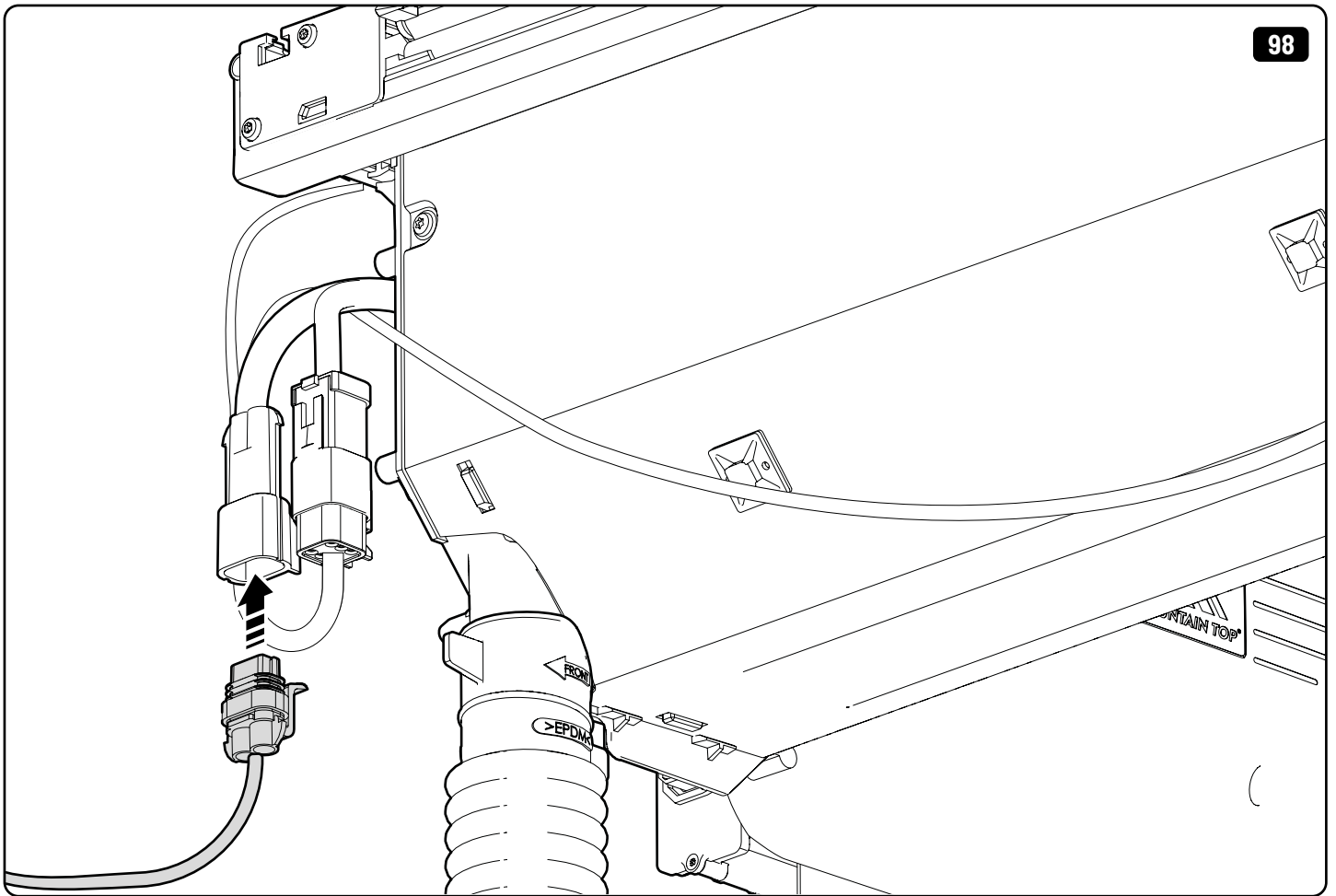
LOCTITE 243

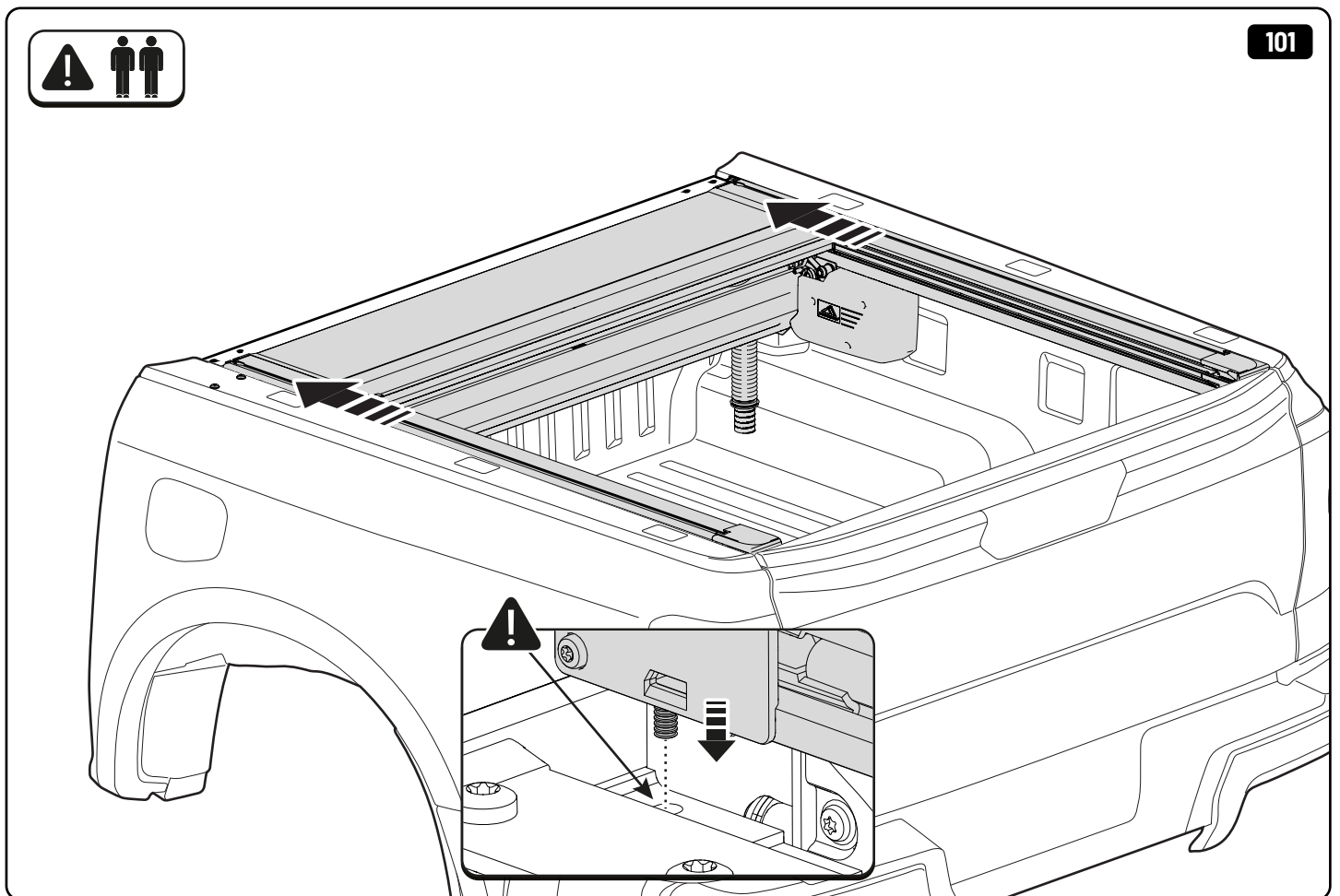
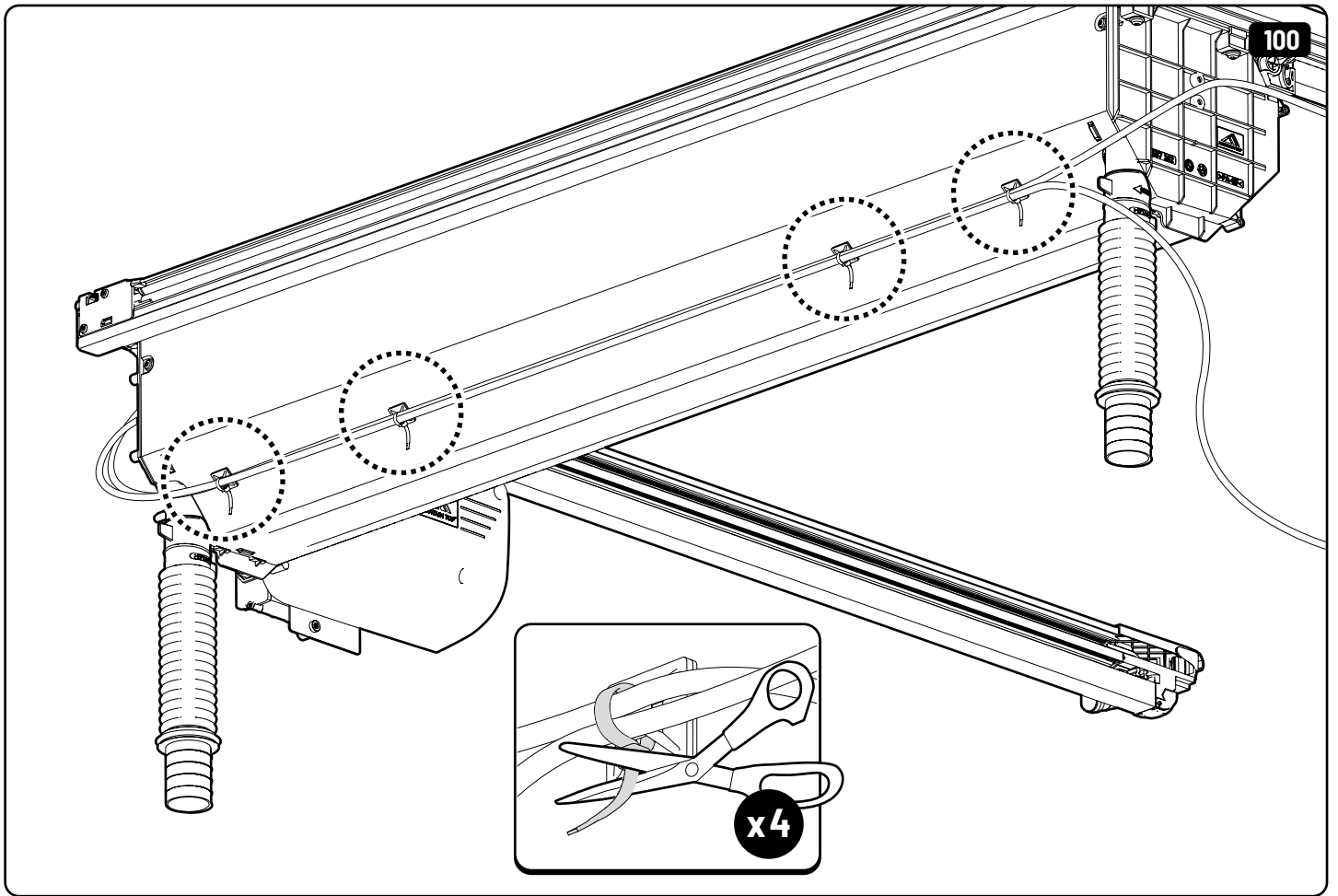


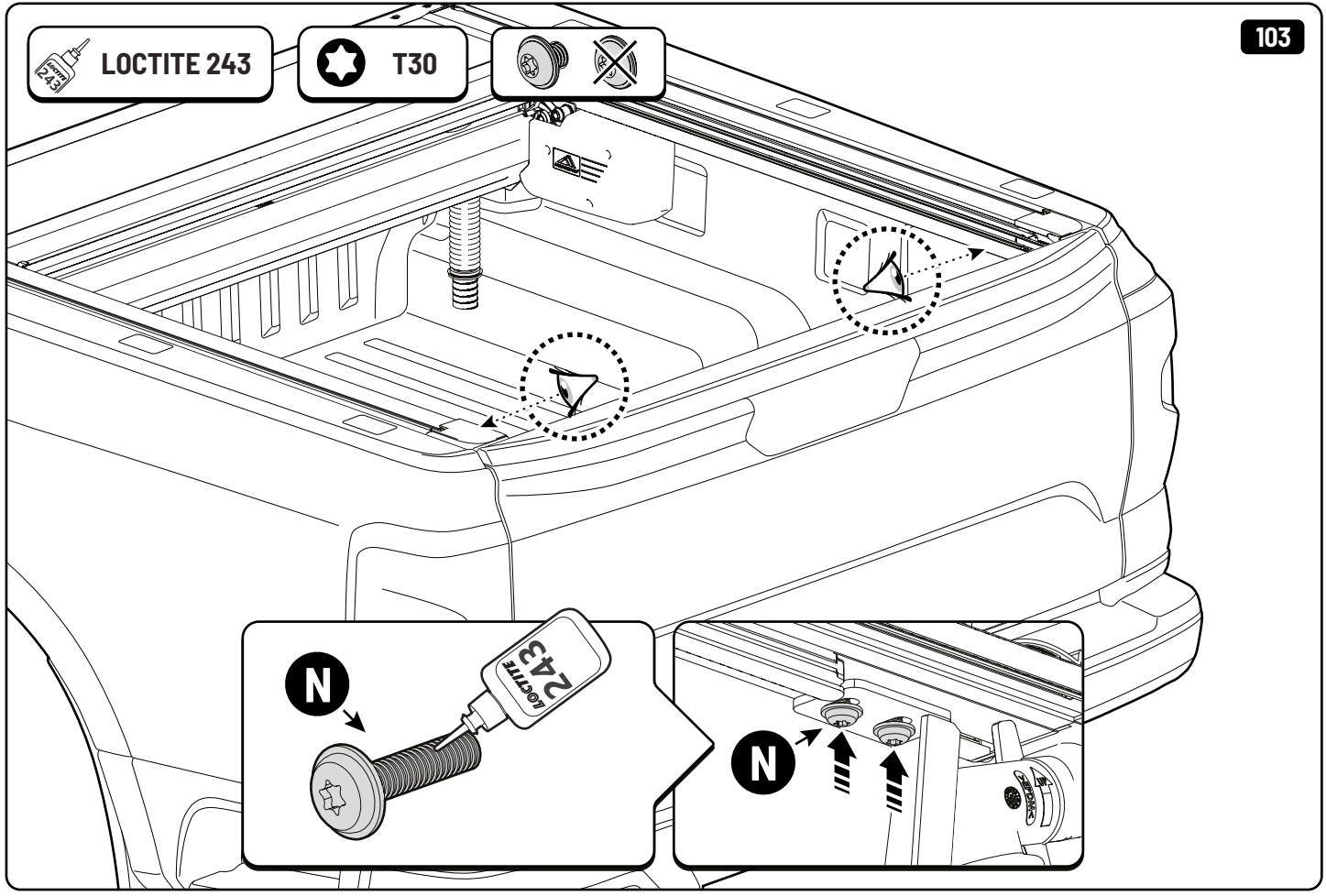
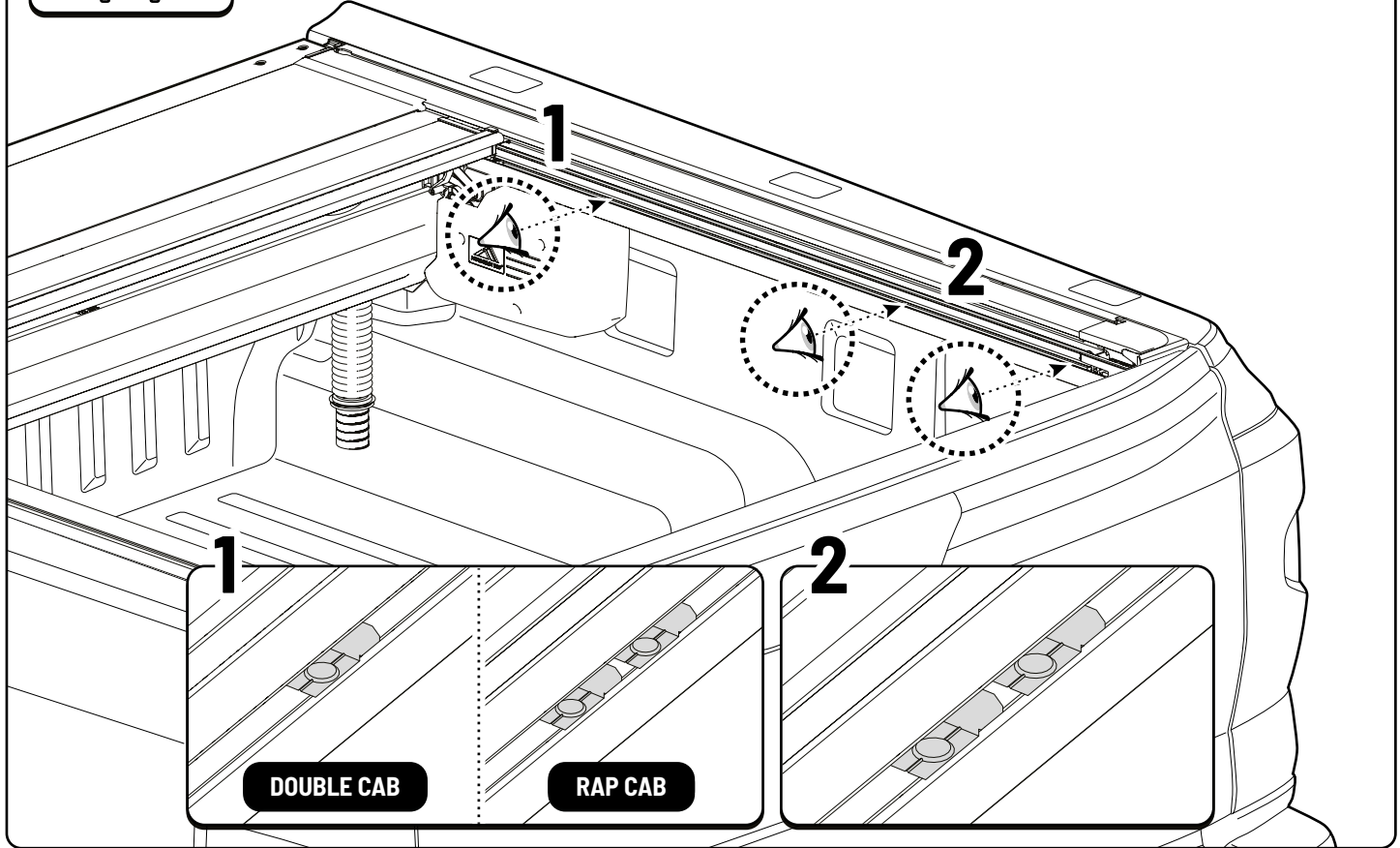
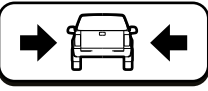
T30





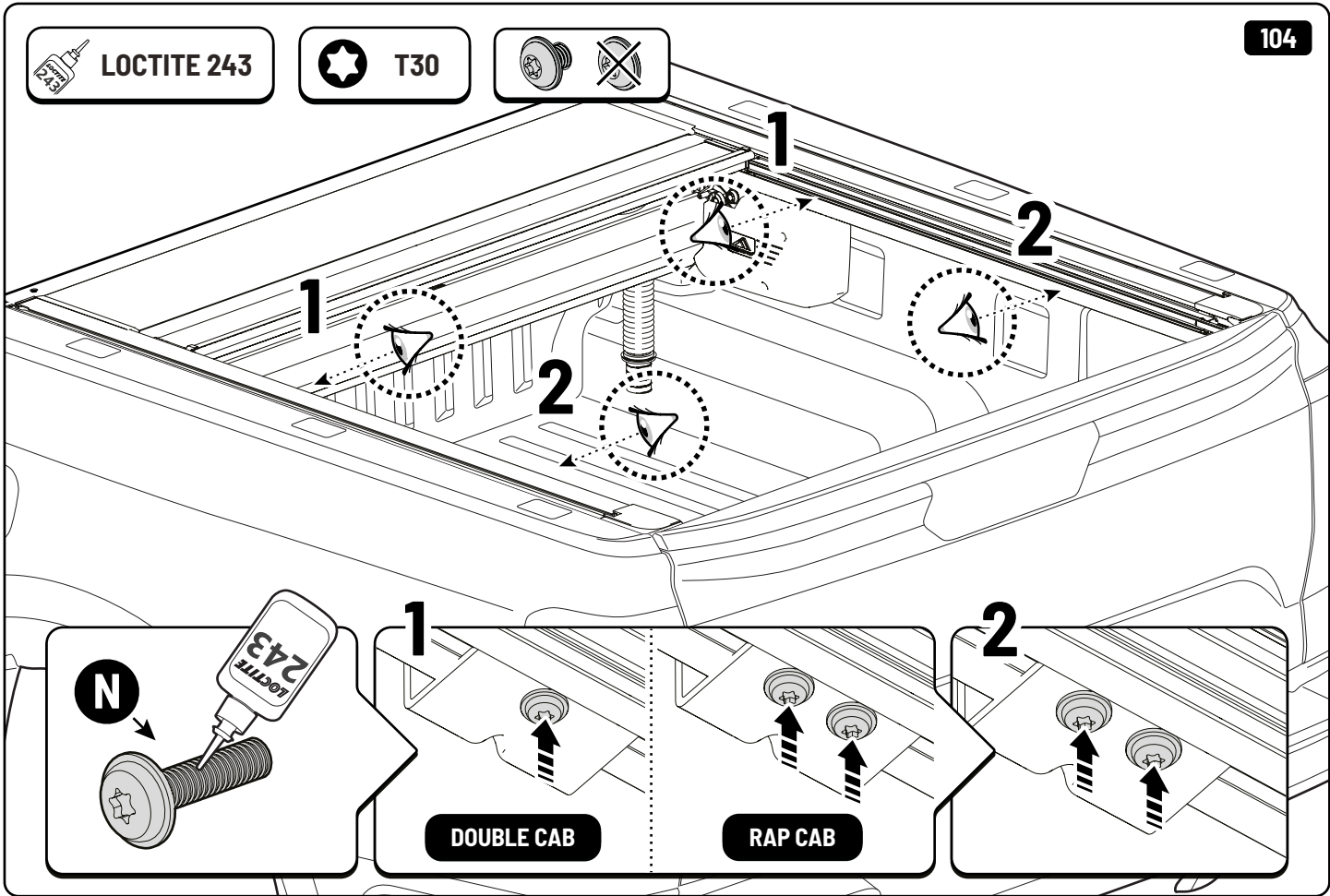




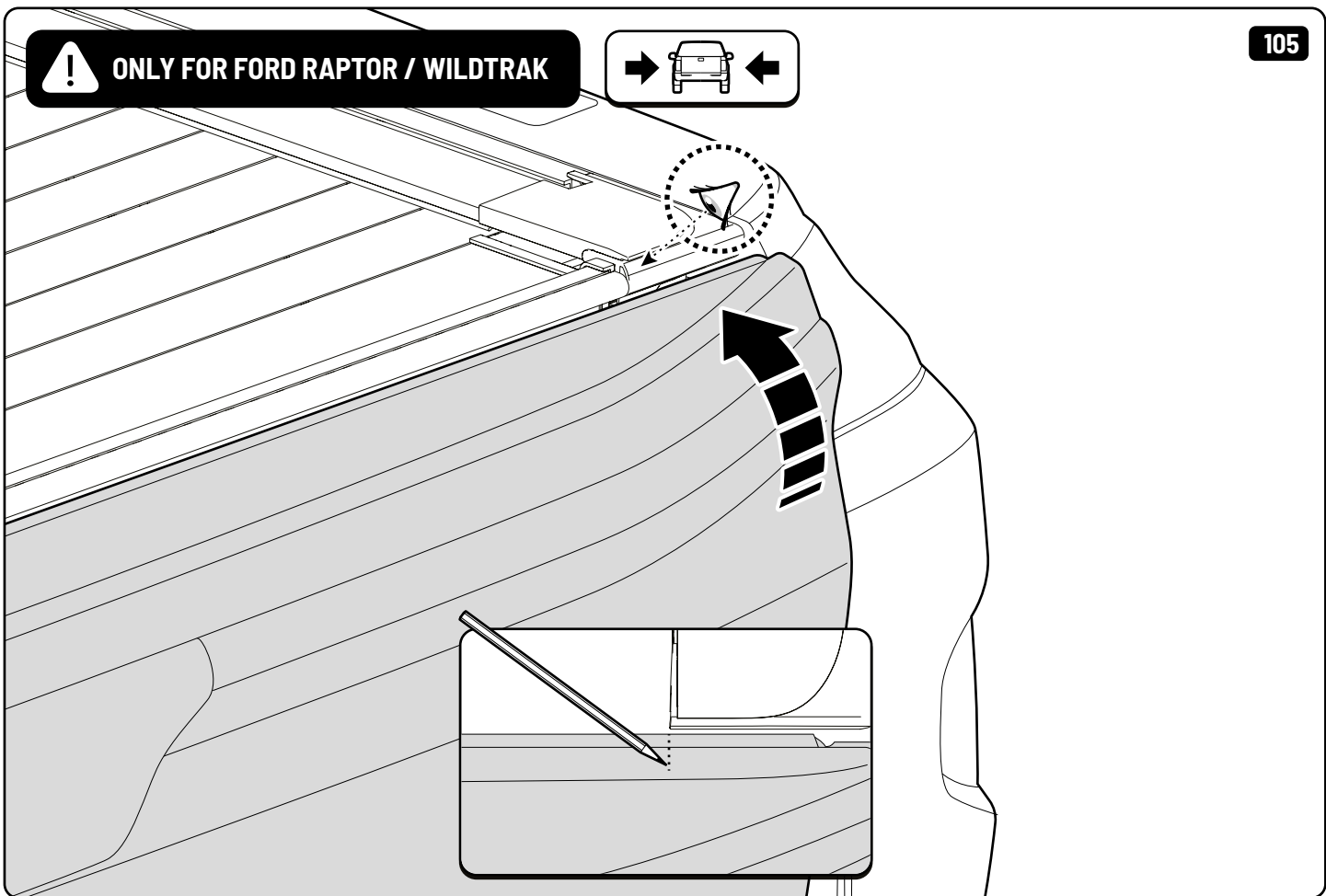
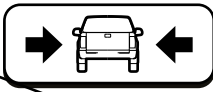


LOCTITE 243

T30



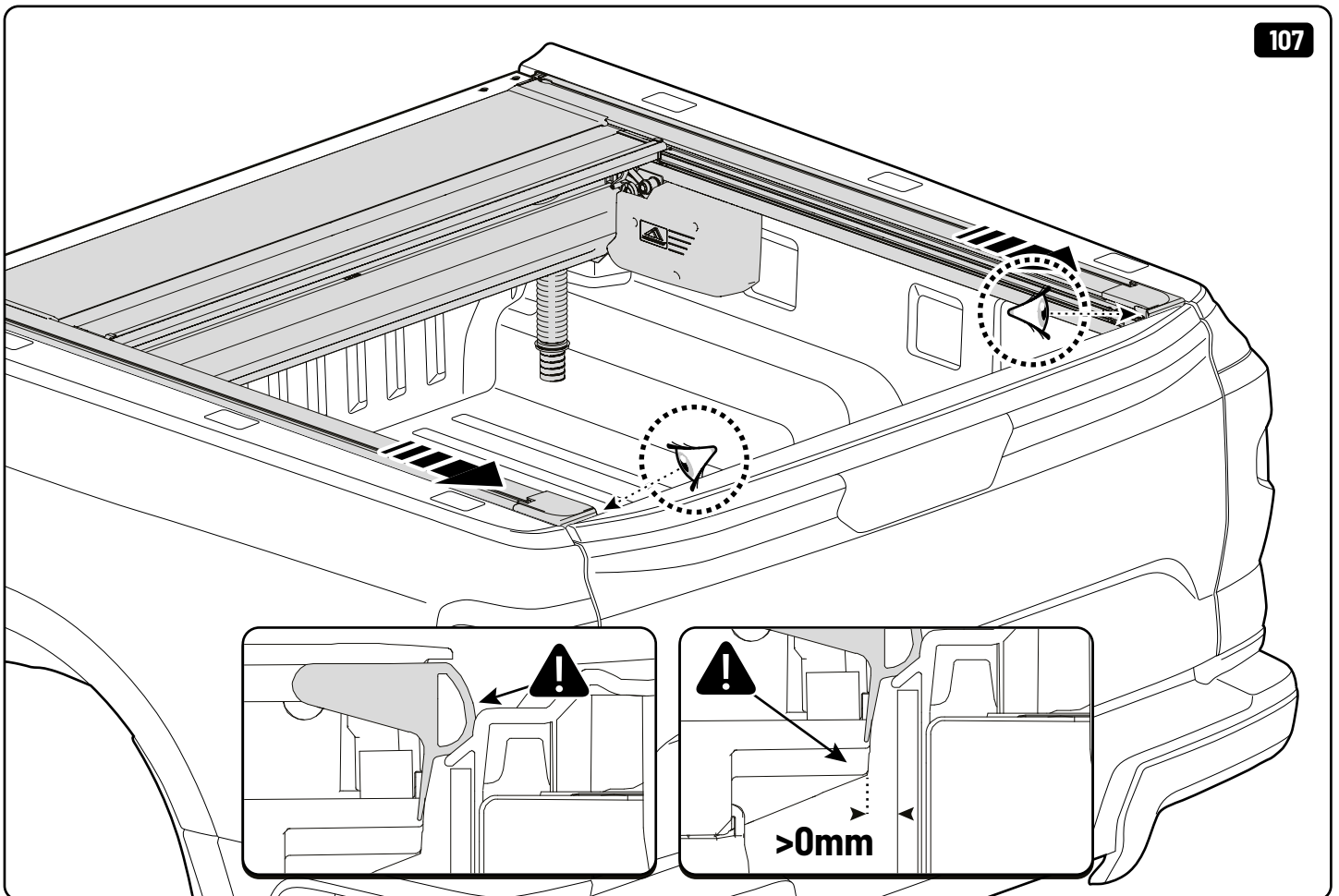
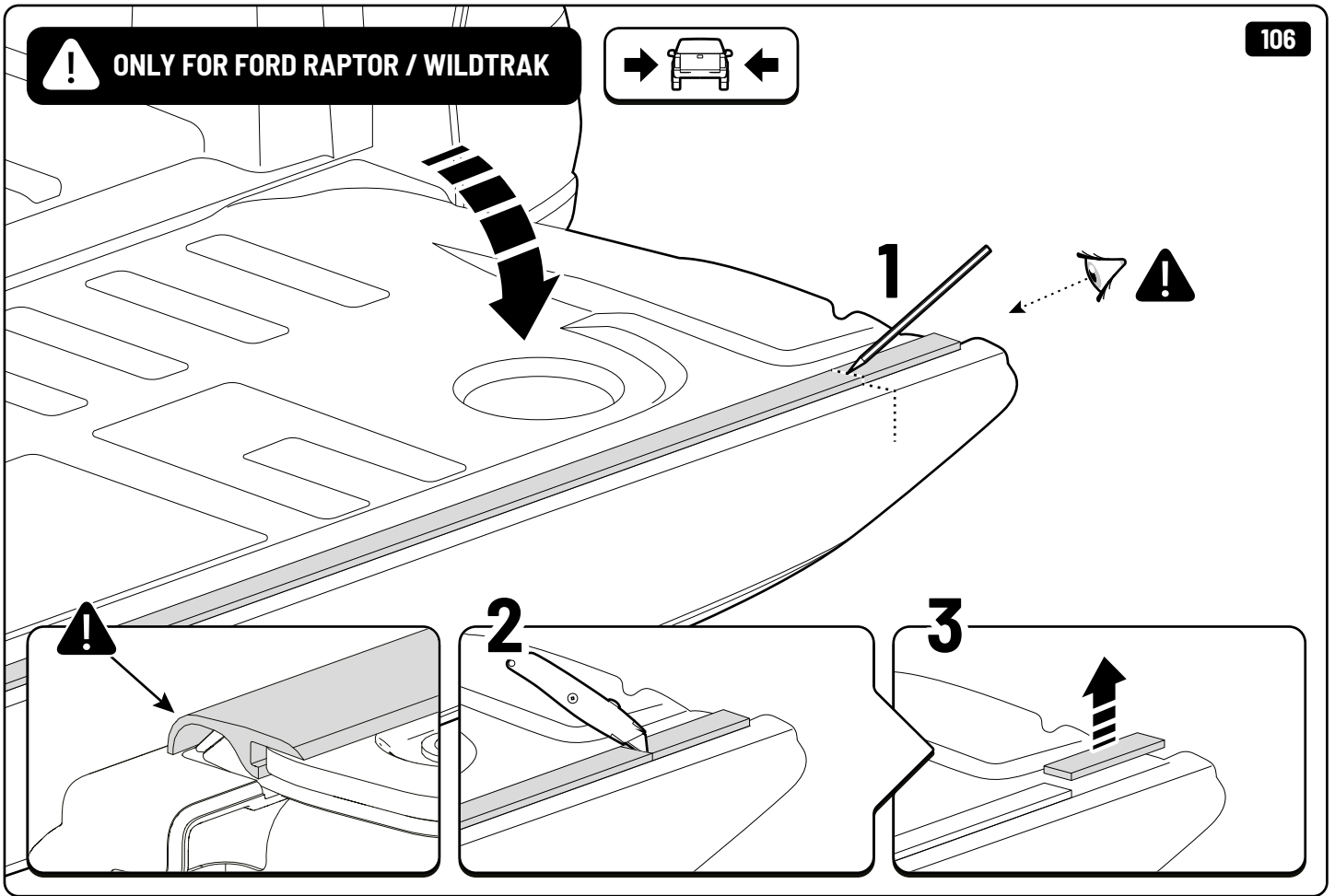
! ONLY FOR FORD RAPTOR / WILDTRAK



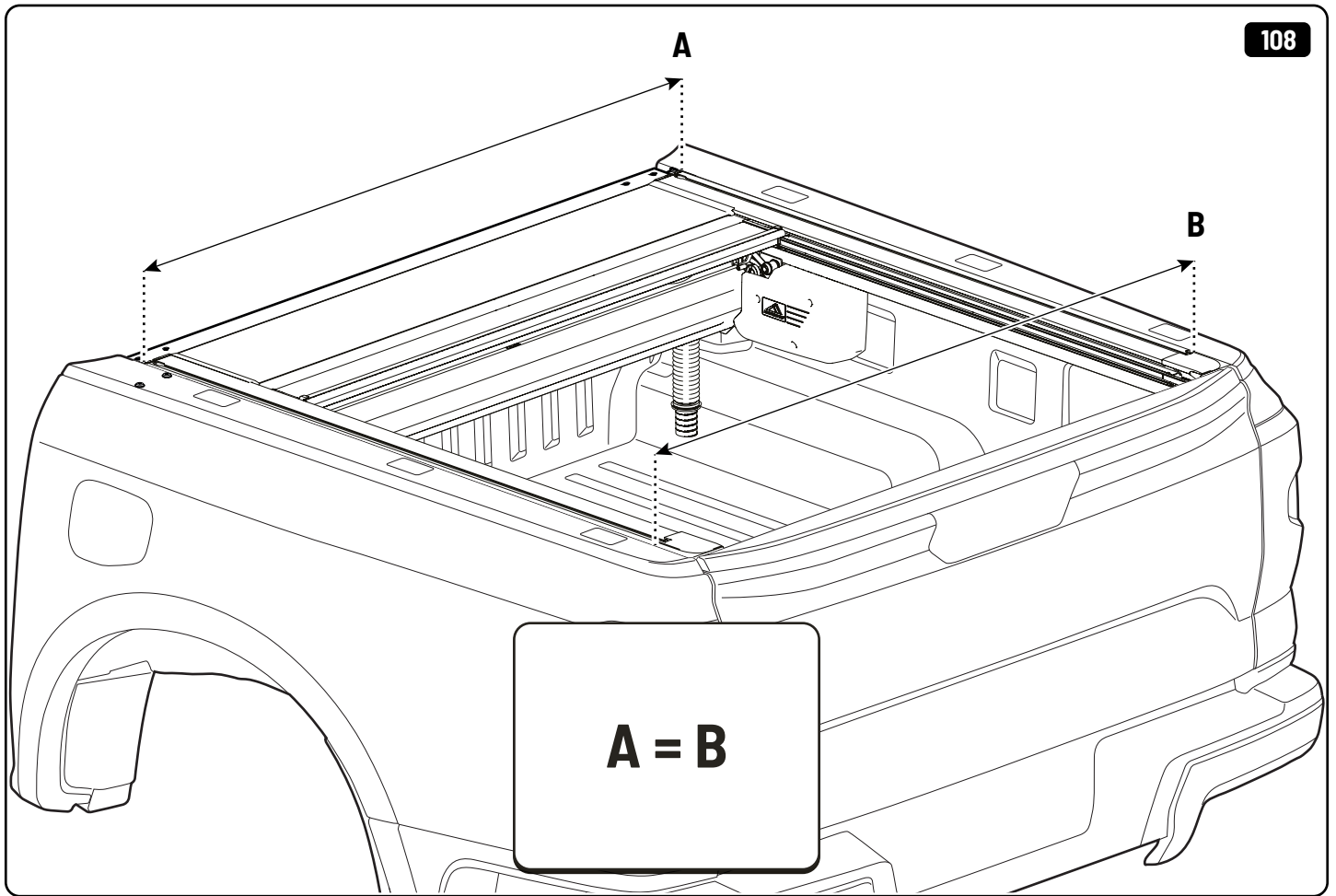
! ONLY FOR FORD RAPTOR / WILDTRAK



106

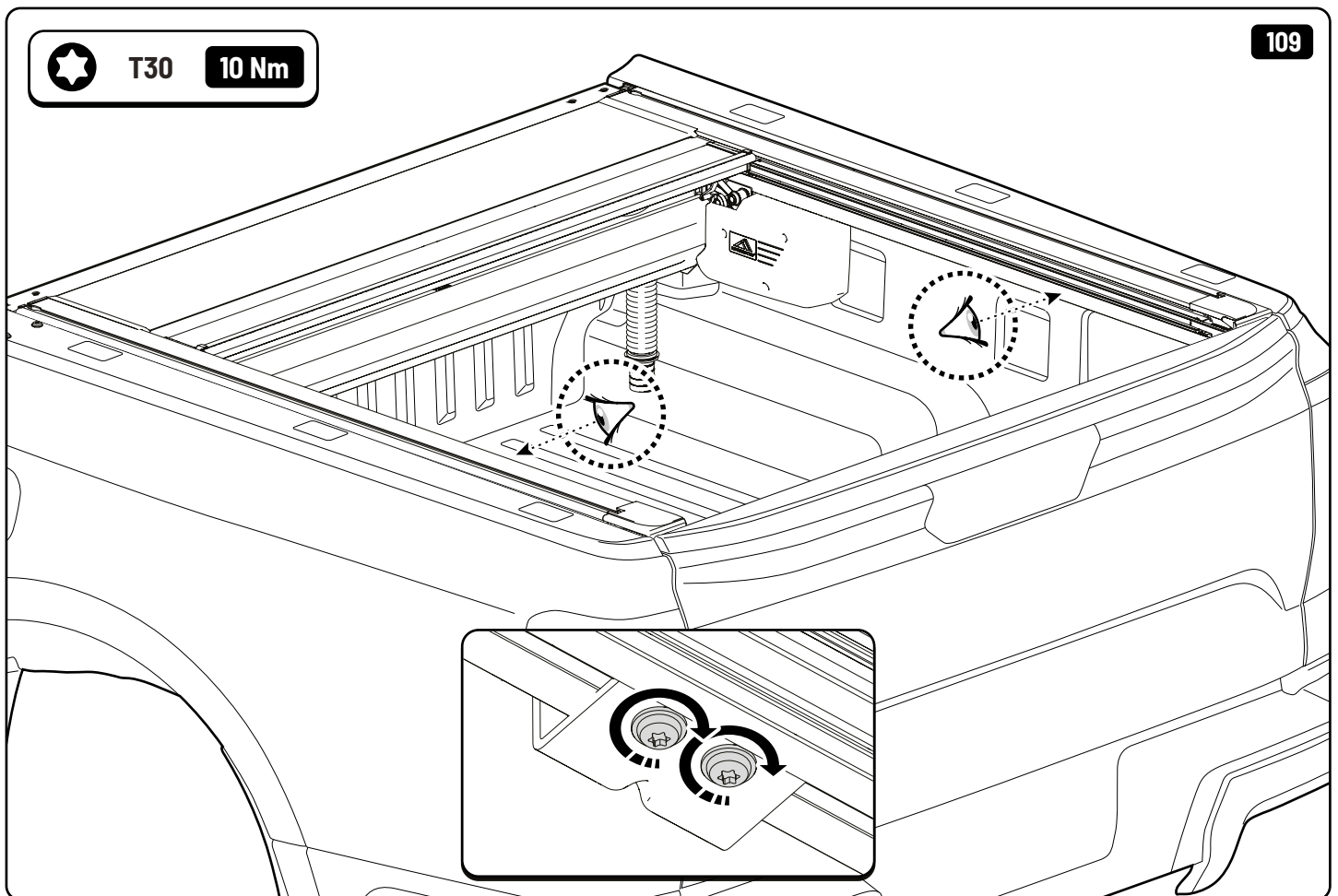


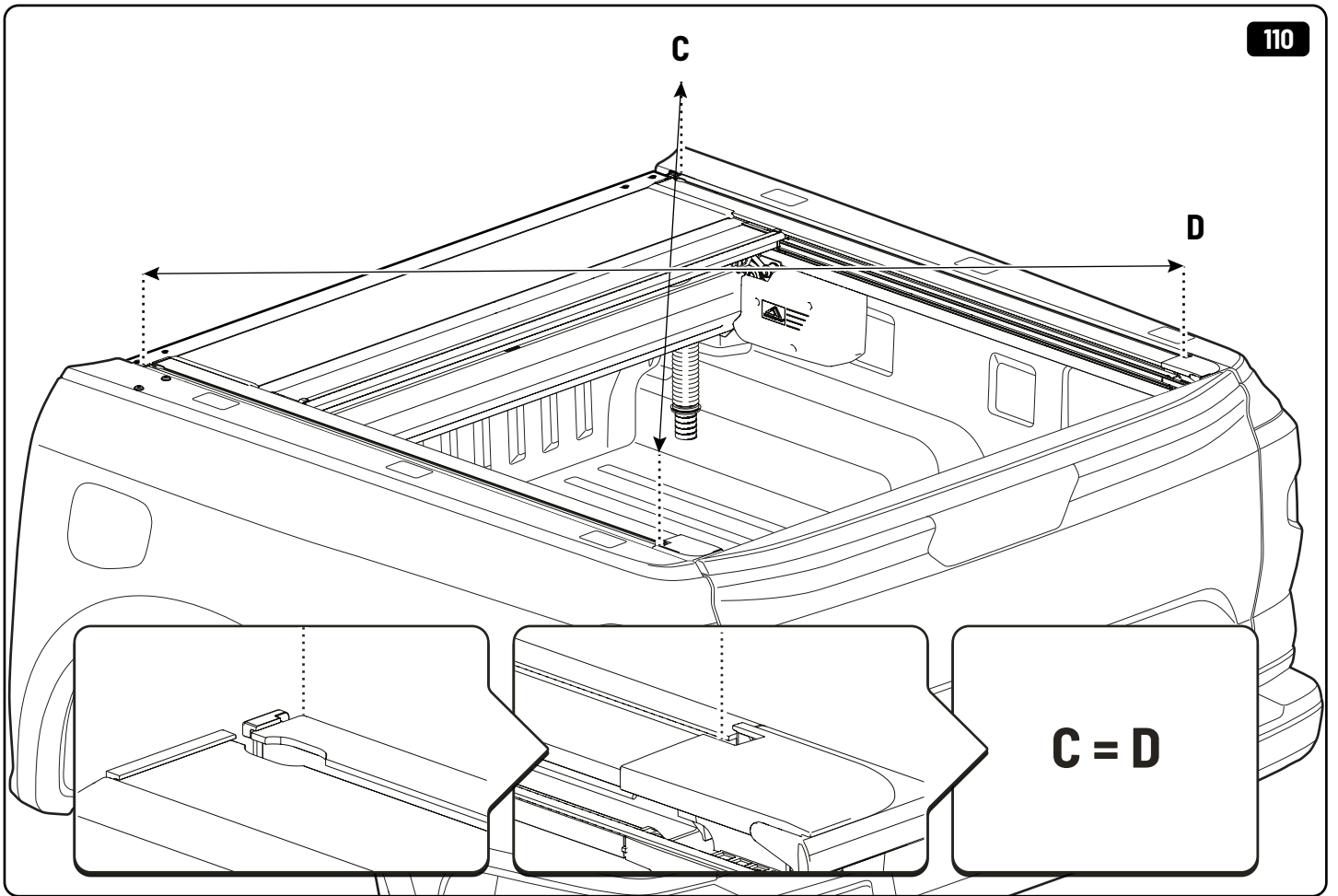
107



T30

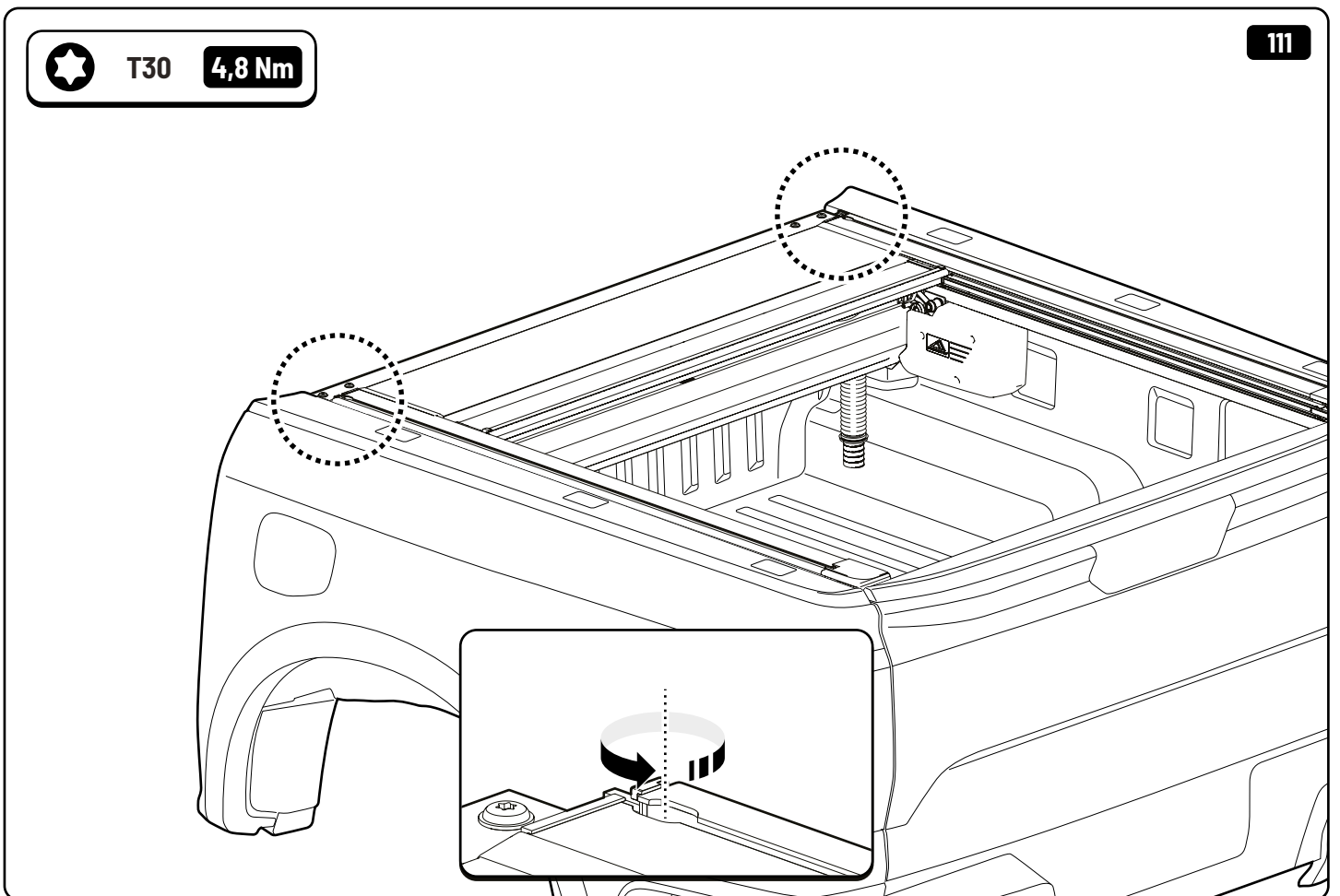
10 Nm



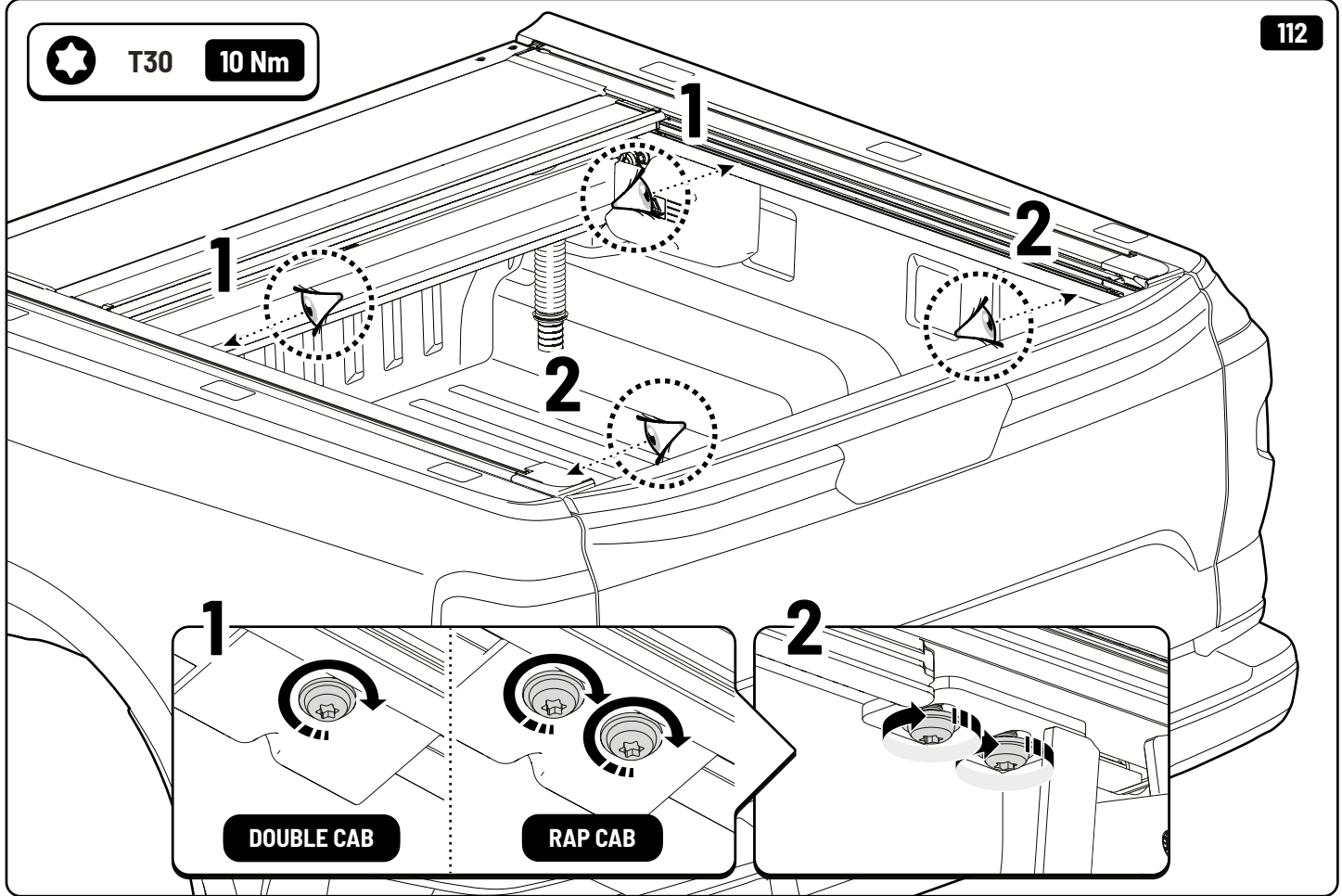


T30

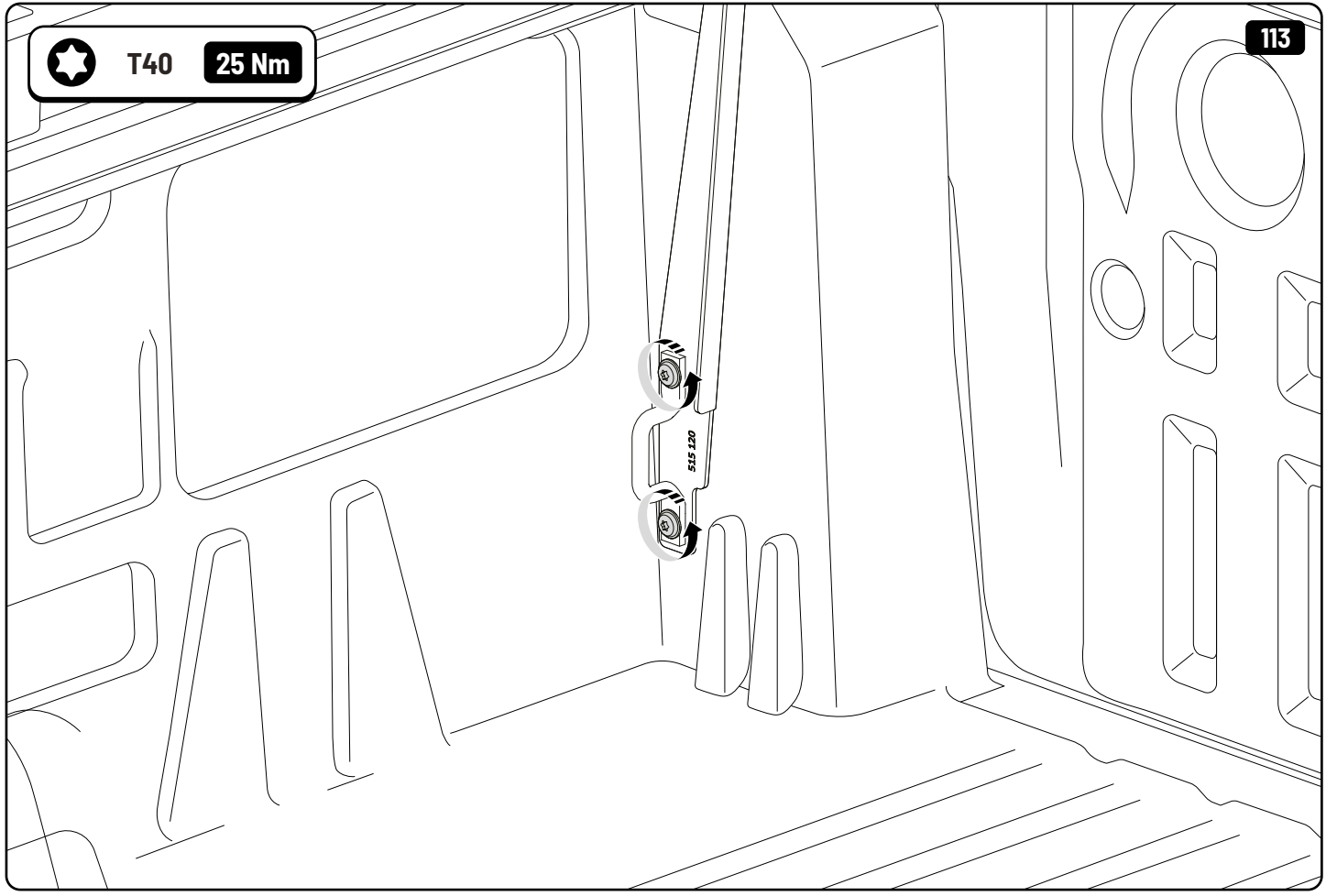
4,8 Nm

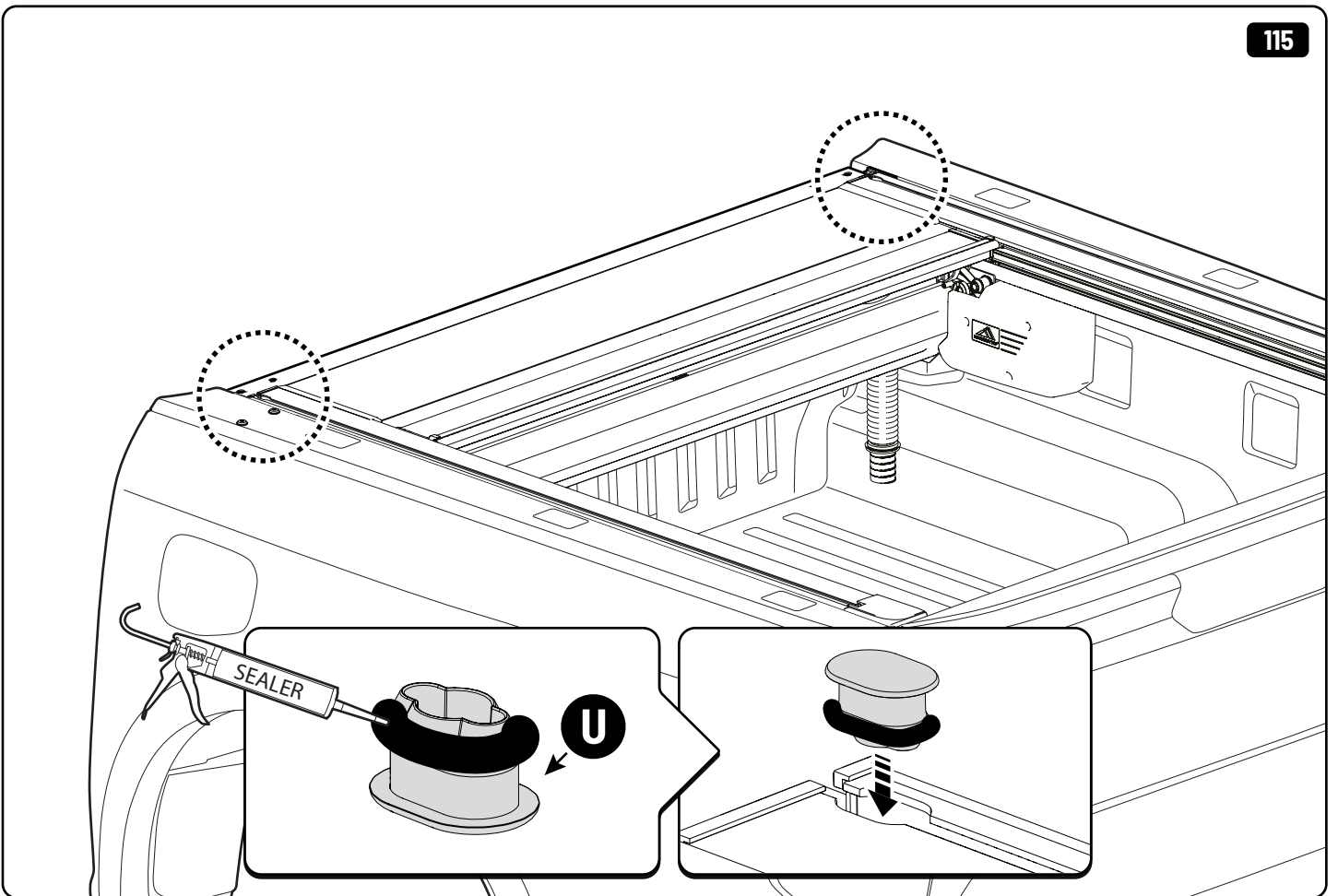
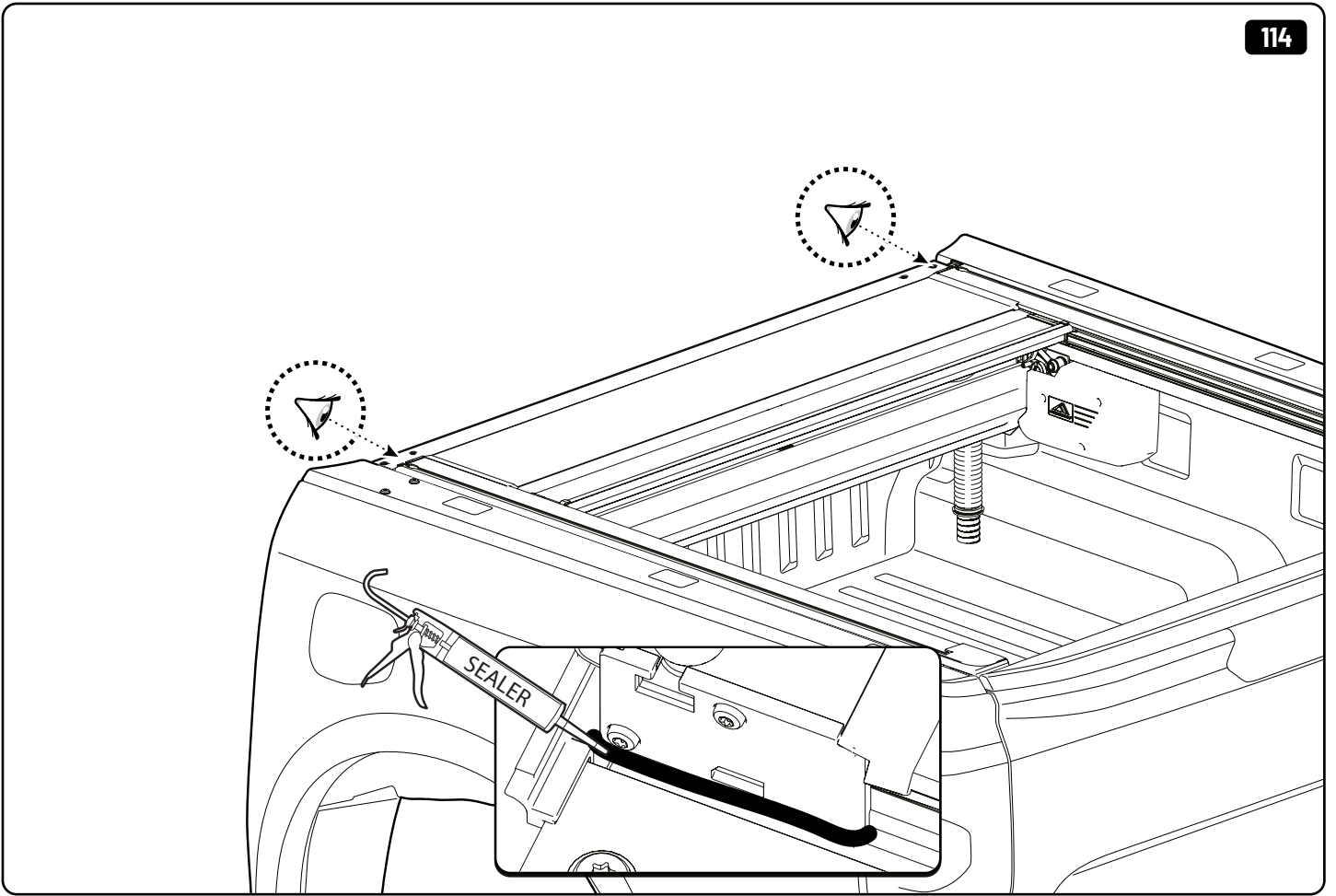


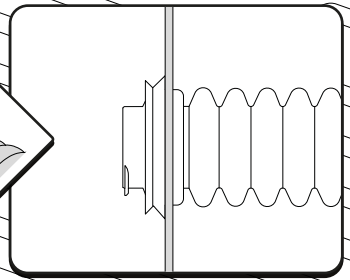
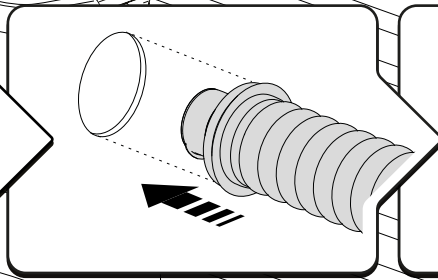
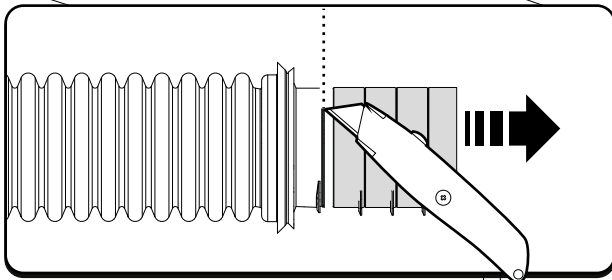
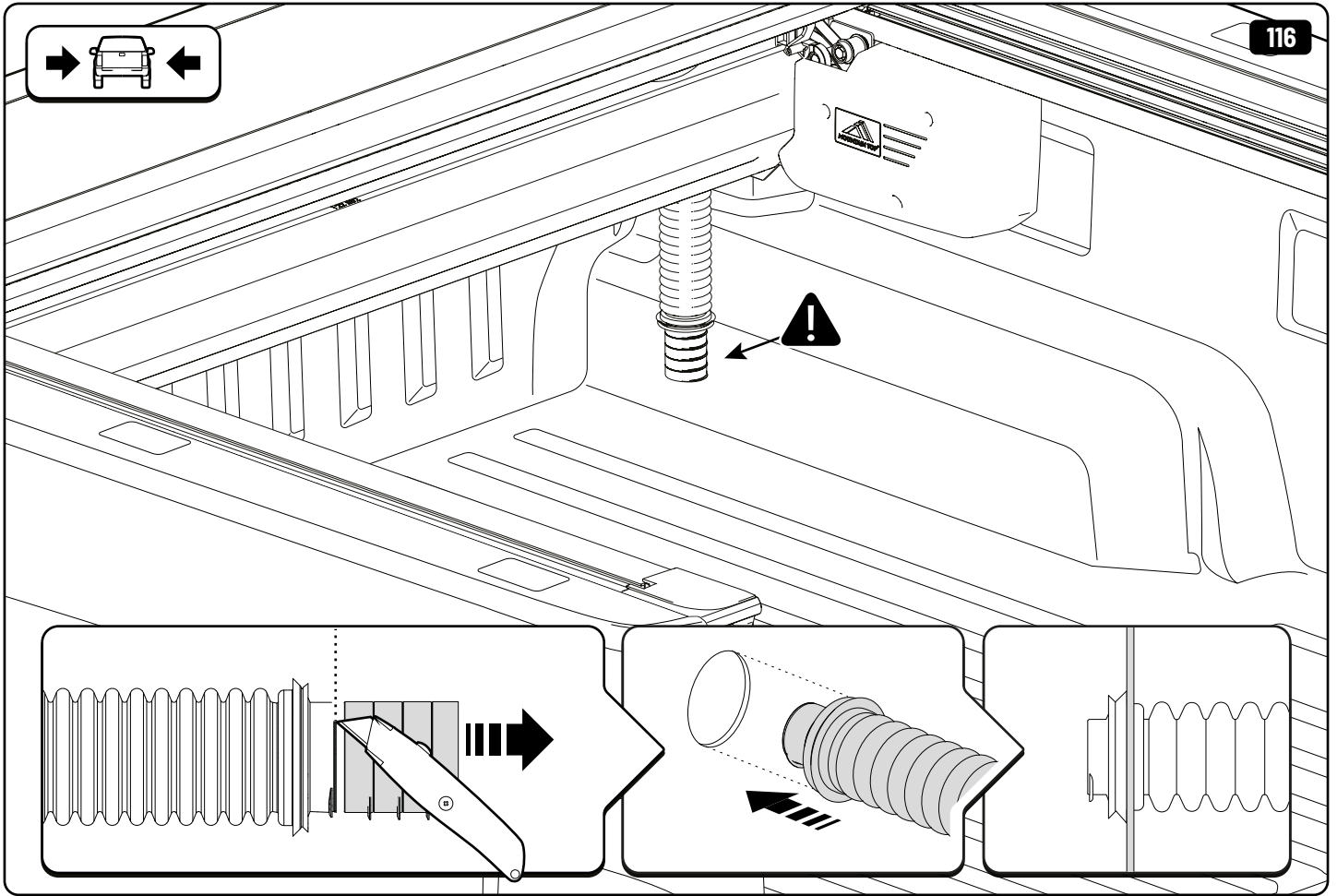
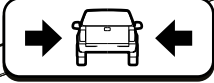
 T30 10 Nm

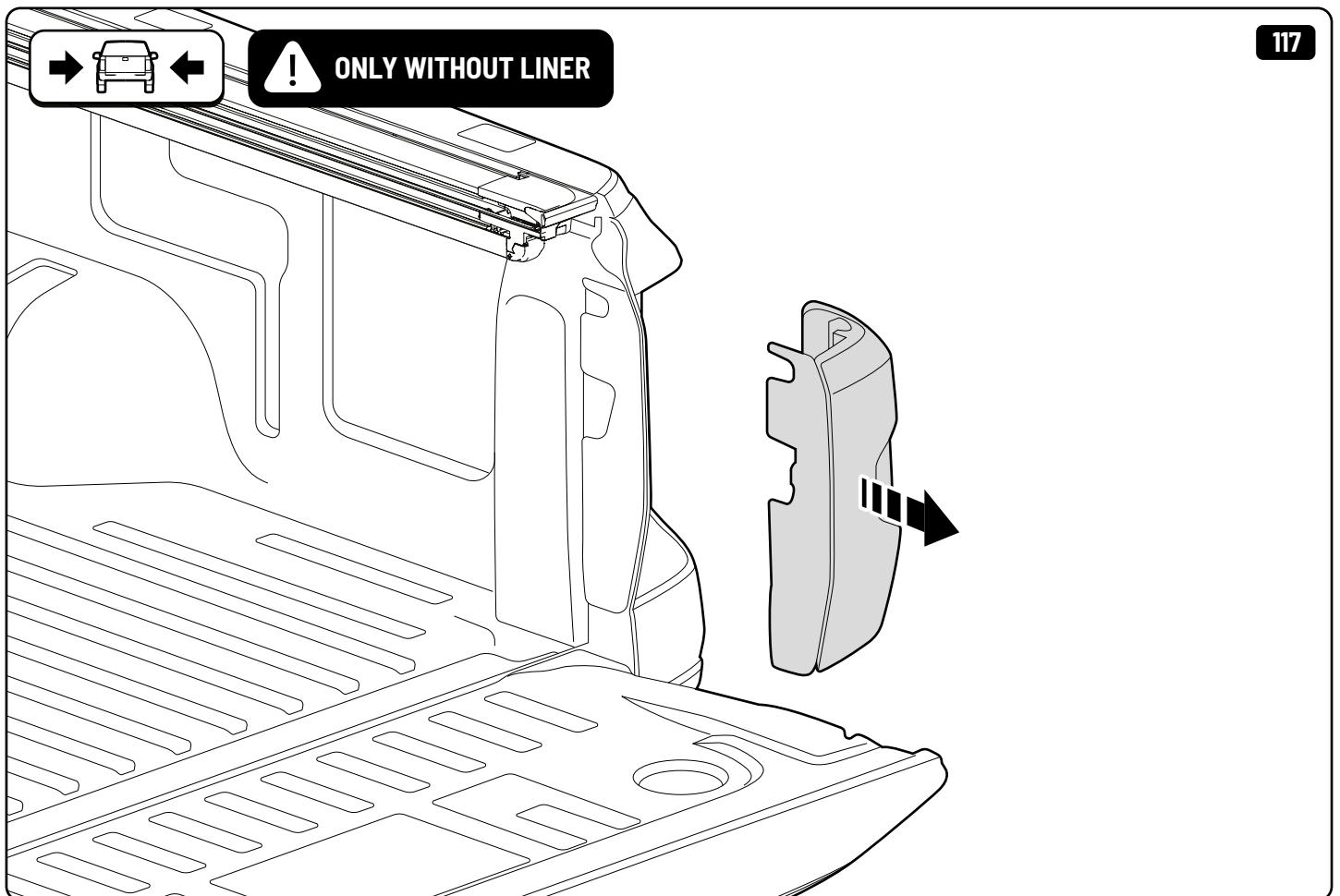
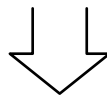
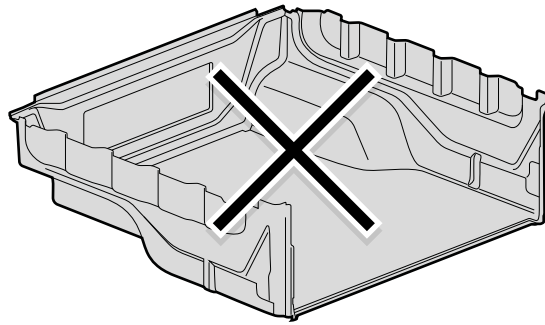
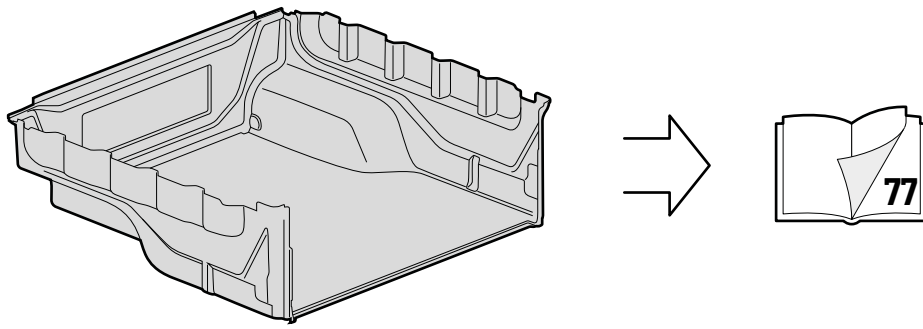


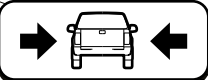
 T40 25 Nm



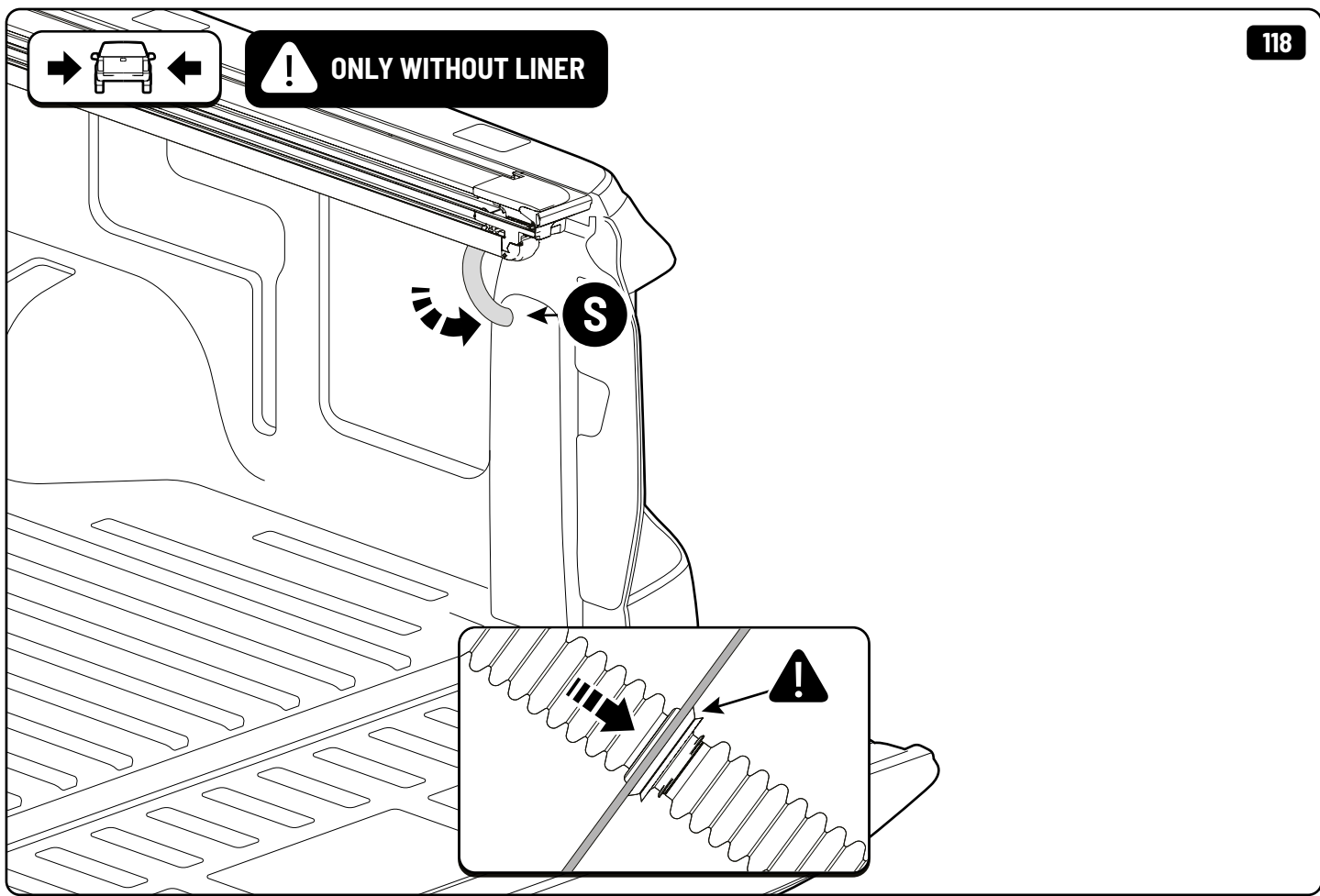




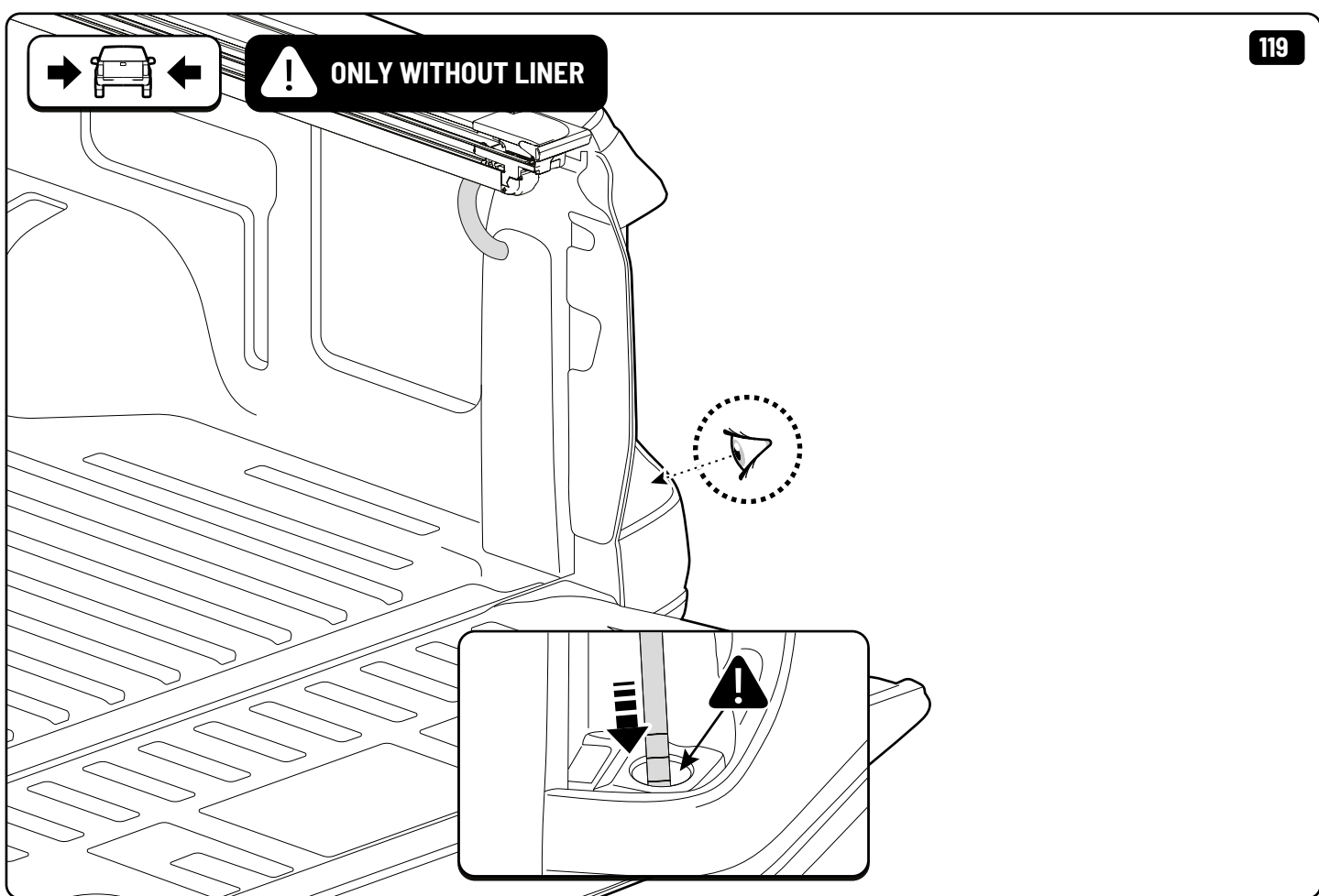




! ONLY WITHOUT LINER

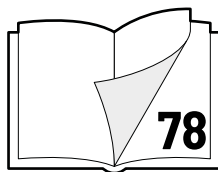
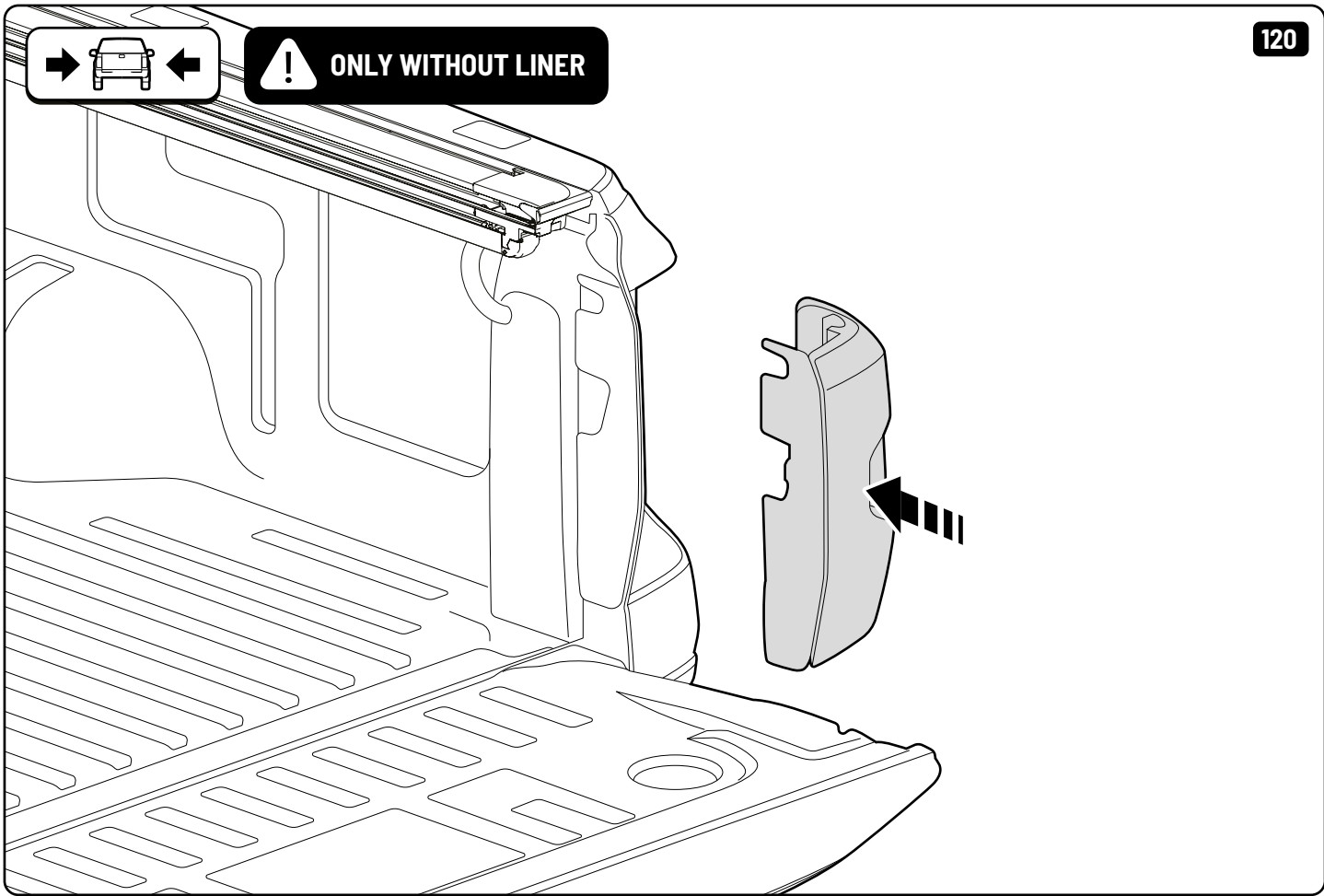


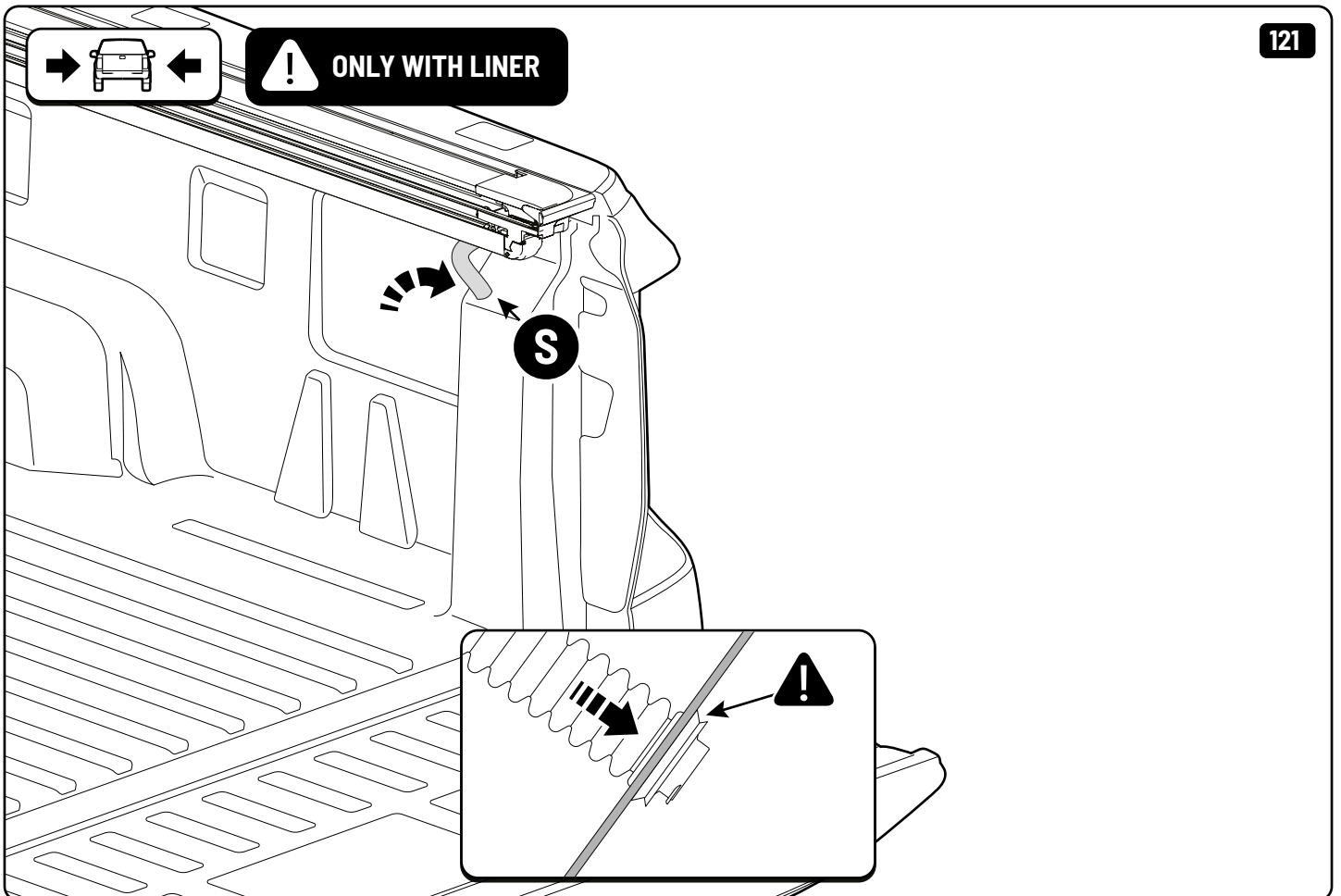
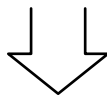
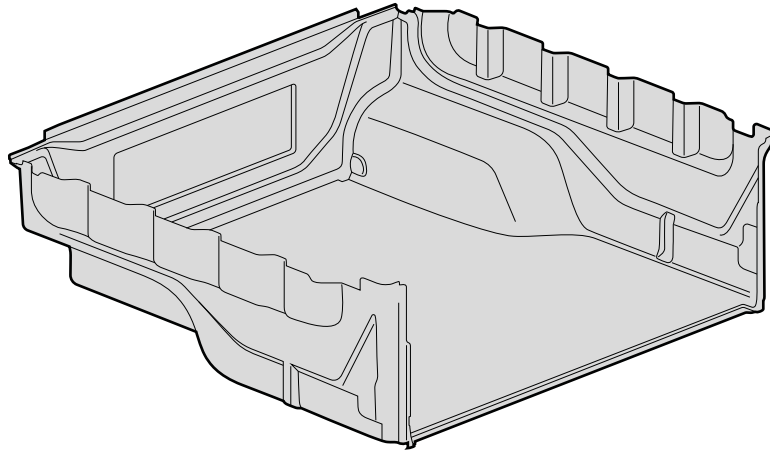
! ONLY WITHOUT LINER

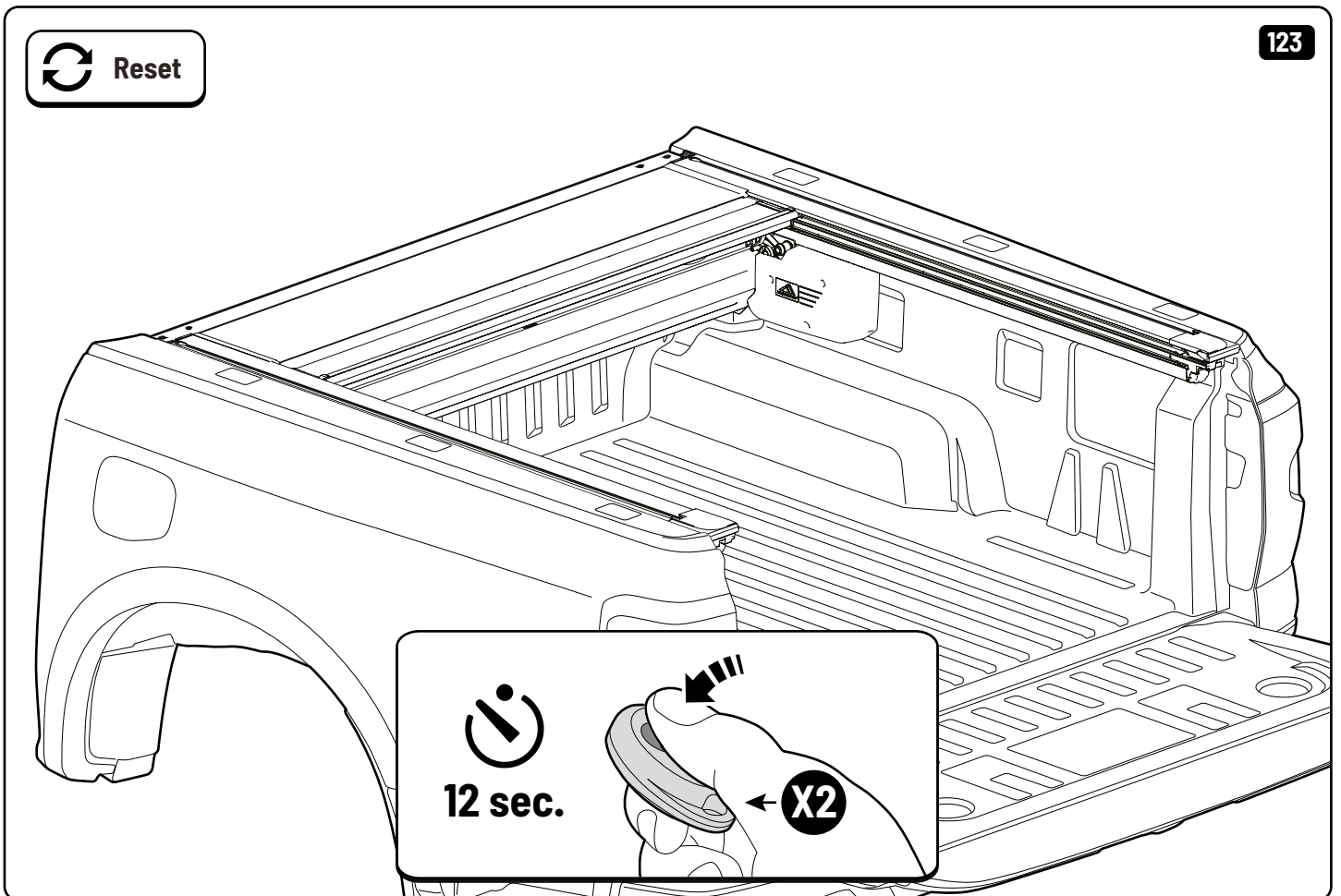
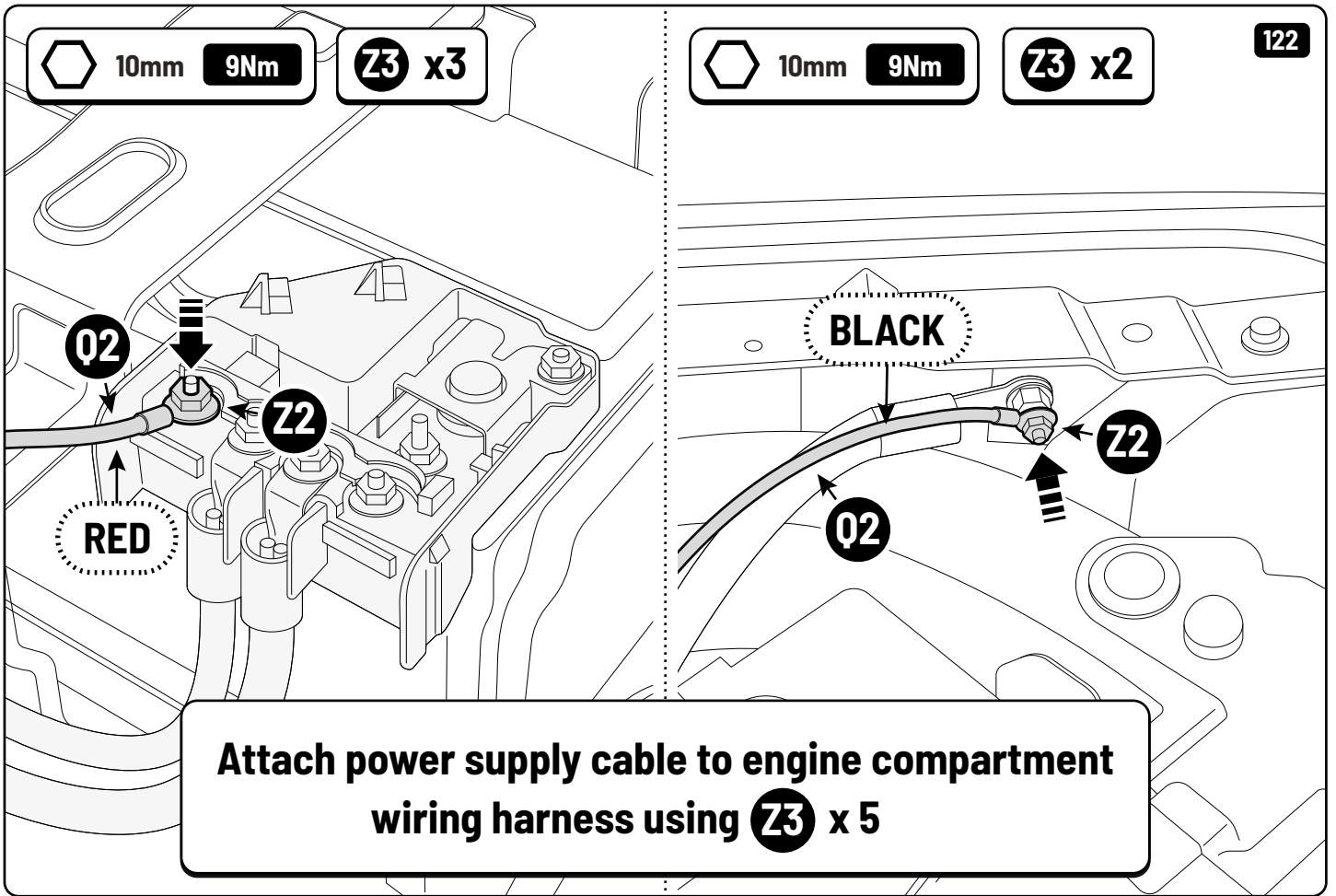




! ONLY WITHOUT LINER

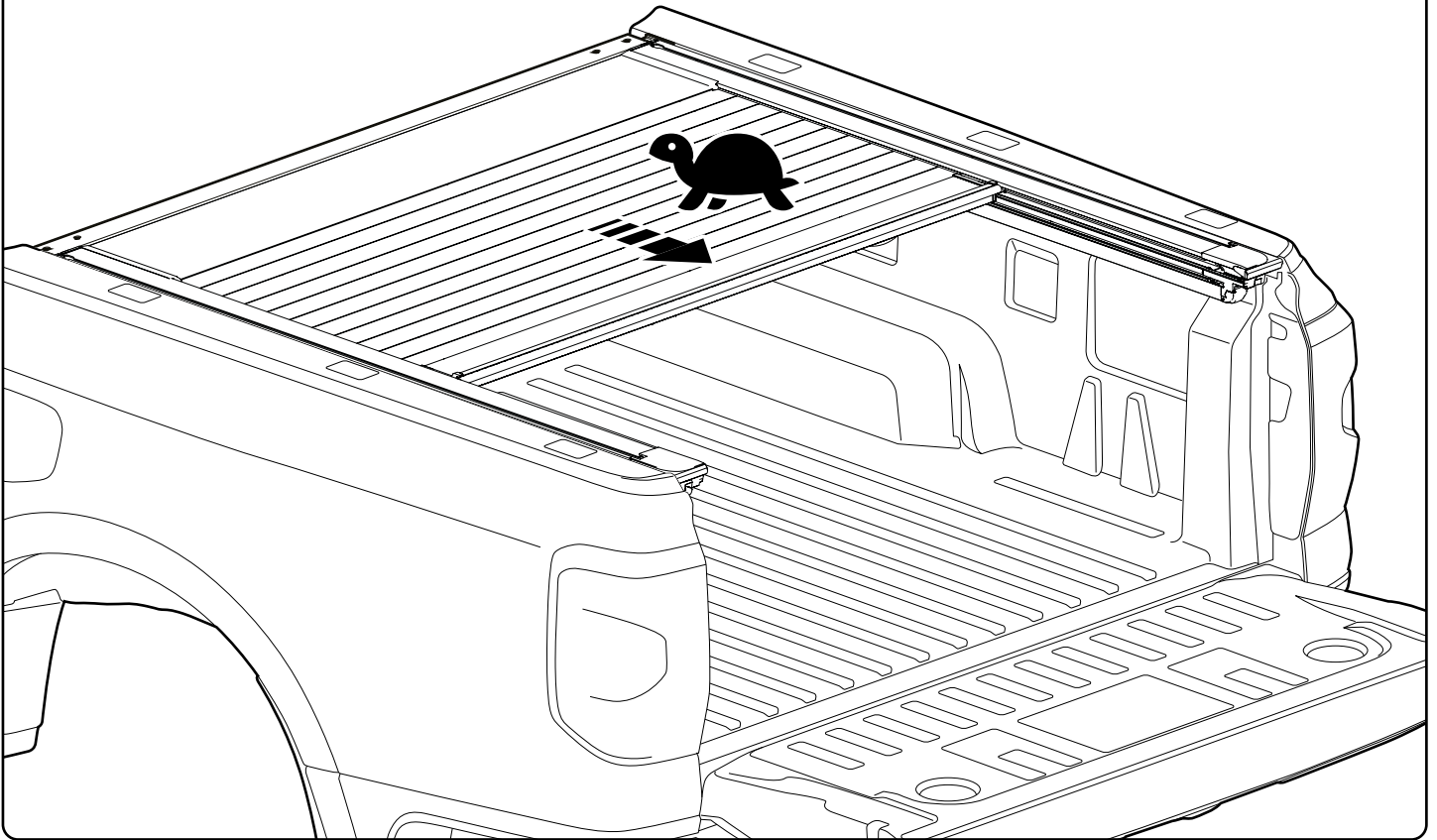




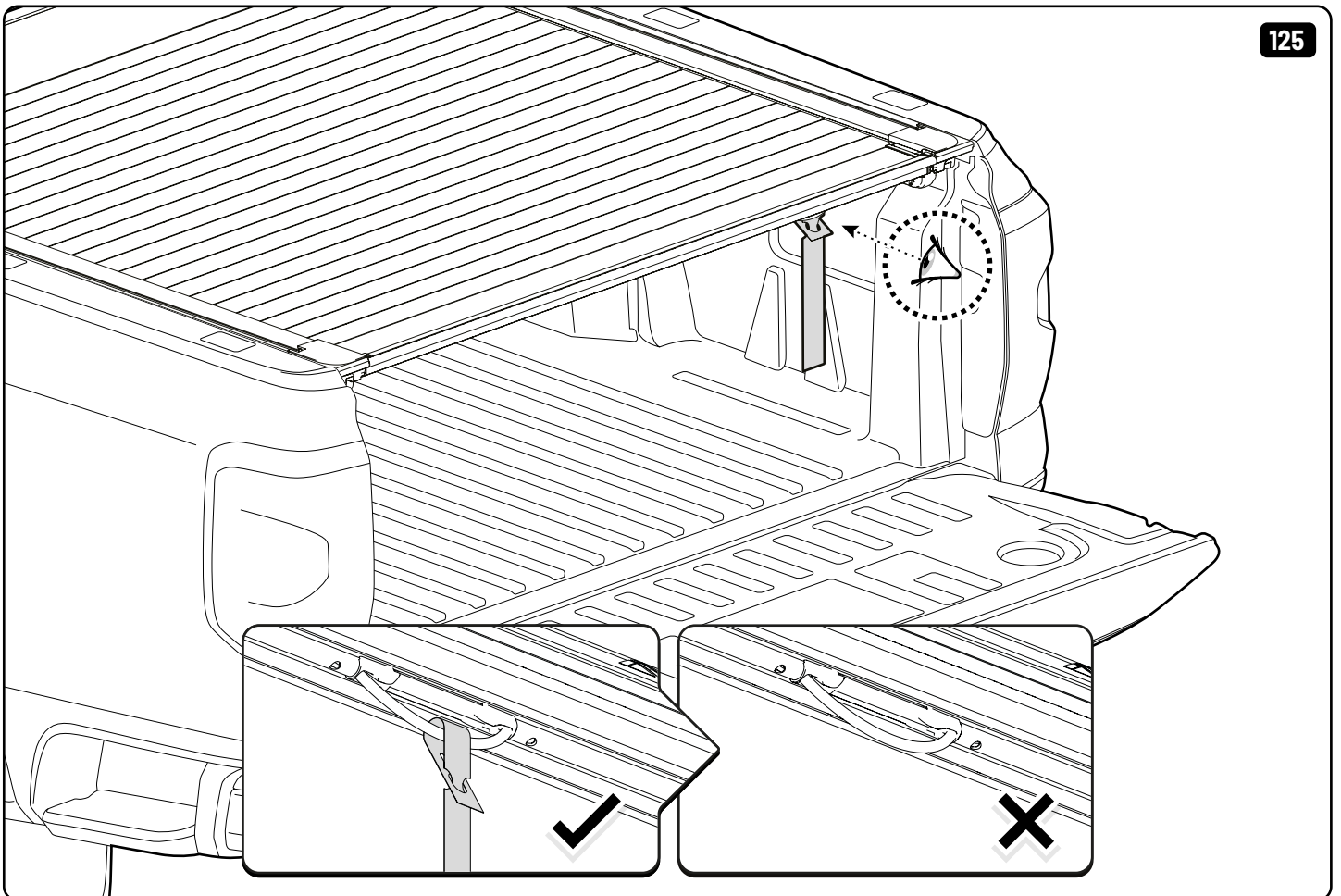


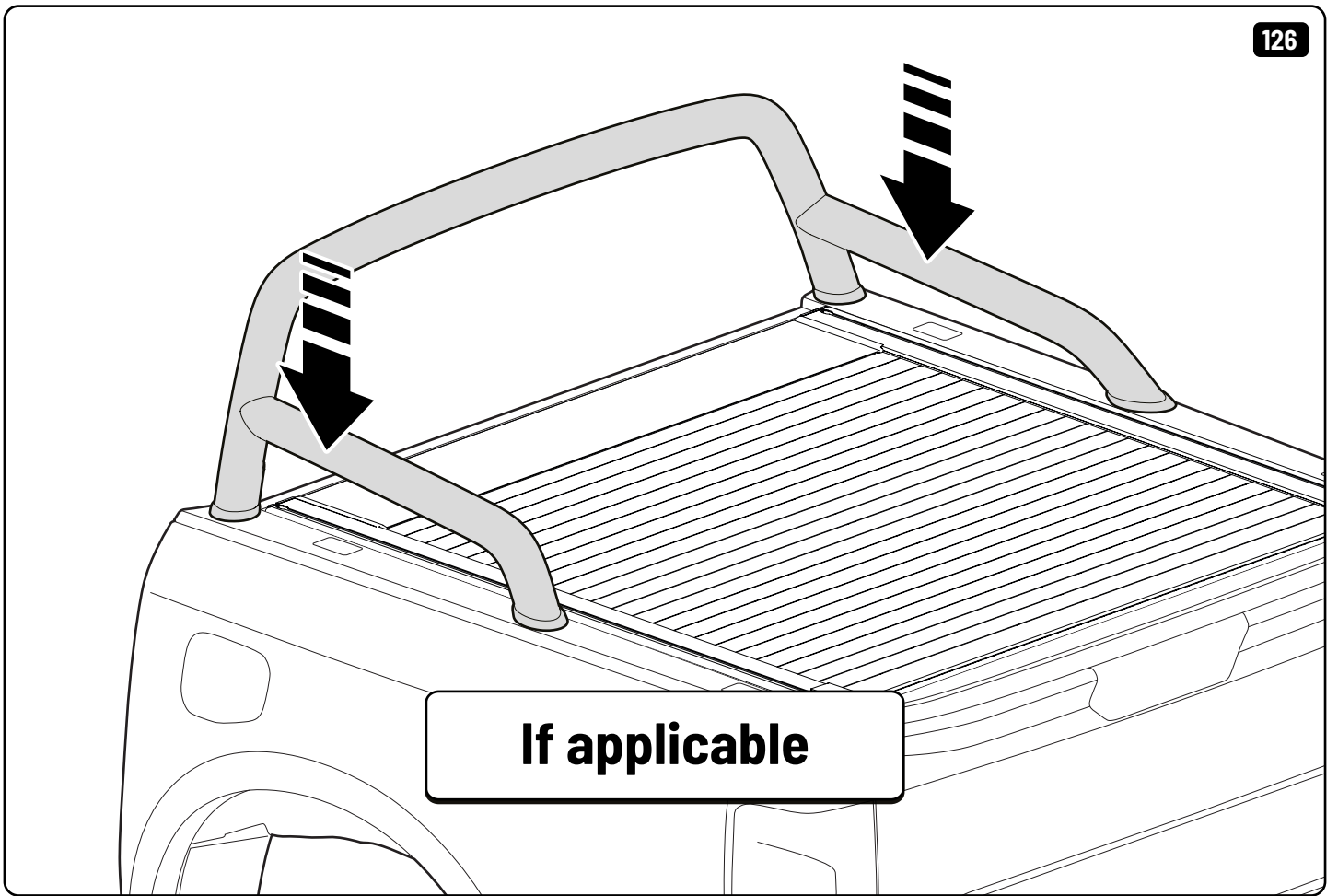
 Reset

124



125





If applicable



| Steps | Page | Done by |
|-----------------------------------|---------------|---------|
| Mounting gliding rail in canister | 18-19 | |
| Holes for drain | 33-36 / 38-42 | |
| Width + Cross measurement | 69+70 | |
| Tightening bracket screws | 69-71 | |
| Mounting drain | 73+74-76 / 77 | |
| Calibrate EVOe | 78-79 | |



Customer Service +45 4810 2950 (08:00 - 16:00 CET)
Support info@mountaintop.dk
Website www.mountaintop.dk
Address Pedersholmparken 10, 3600 Frederikssund, Denmark

| Part number (s) | Model / Year | Cab type (s) | Installation time | Weight |
|-----------------|----------------------|--------------|-------------------|--------|
| EVOe FO10 HB02 | Ford Ranger/ 2022 -> | Double Cab | 2 hour (s) | 33 kg |
| EVOe FO11 HB02 | Ford Ranger/ 2022 -> | Rap Cab | 2 hour (s) | 40 kg |

| | | |
|-----------------------------------|------------------------------------|-------------------------------------|
| GB Installation manual | S Monteringsanvisning | D Einbauanleitung |
| SF Asennusohje | E Instrucciones de montaje | CZ Návod k instalaci |
| F Notice de montage | H Szerelési utasítás | I Istruzioni di montaggio |
| PL Instrukcja montażu | P Instruções de instalação | GR Οδηγίες Εγκατάστασης |
| NL Installatie-instructies | RUS Инструкция по установке | DK Monteringsvejledning |
| TR Montaj Talimatı | N Monteringsveiledning | RO Instructiuni de instalare |