



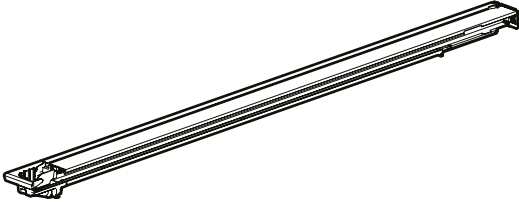
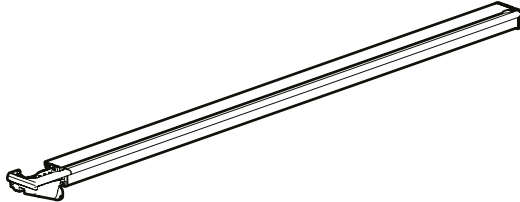
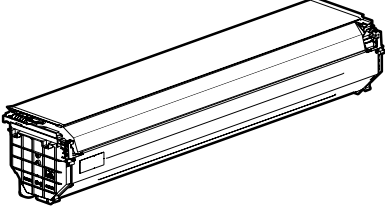
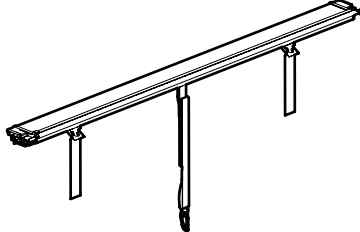

# MOUNTAIN TOP® EV0m

Installation manual

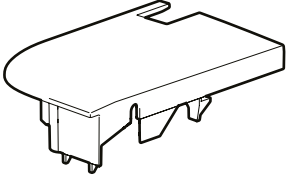
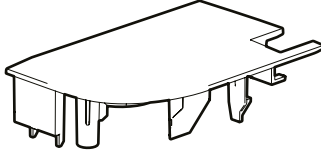


DOWNLOAD PDF

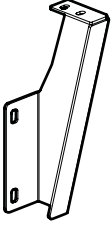
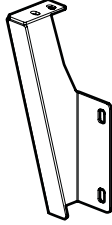


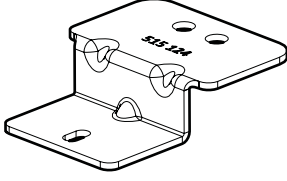
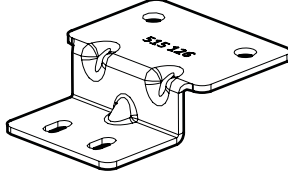
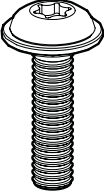
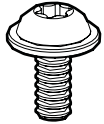
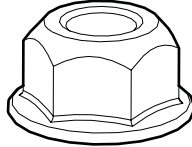
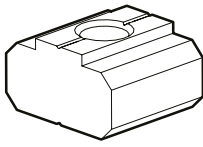
Parts

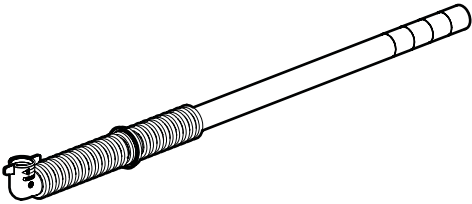
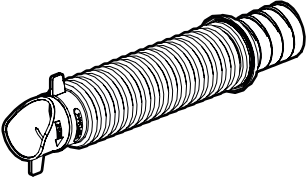
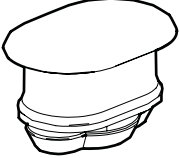

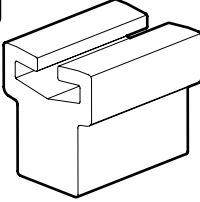
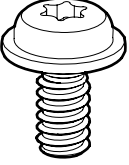
<p><b>A</b></p>  <p>x1</p>	<p><b>B</b></p>  <p>x1</p>
<p><b>C</b></p>  <p>x1</p>	<p><b>D</b></p>  <p>x1</p> <div style="border: 1px dashed black; padding: 2px; display: inline-block;"> <p><b>I2</b></p>  <p>x1</p> </div>

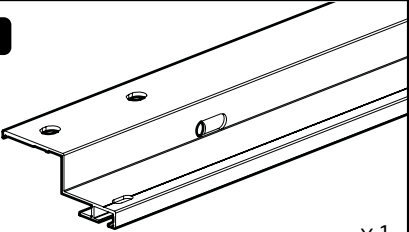
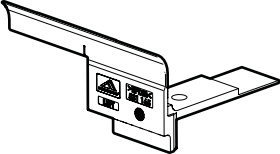
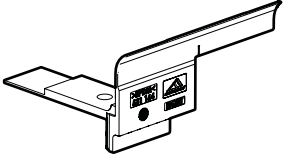
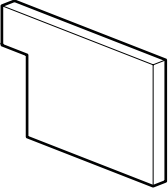
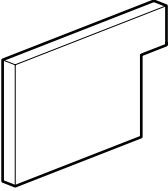
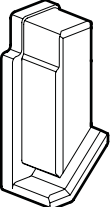
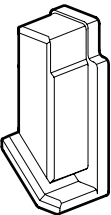
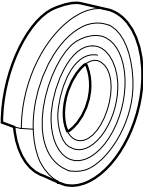
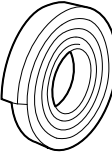
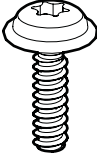
Kit

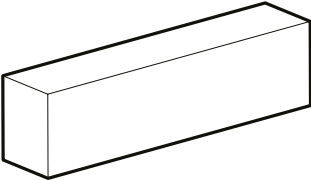
<p><b>E</b></p>  <p>LEFT x1</p>	<p><b>F</b></p>  <p>RIGHT x1</p>
--	--

Kit

<p><b>G</b></p>  <p>x1</p>	<p><b>H</b></p>  <p>x1</p>	<p><b>I</b></p>  <p>x1</p>	
<p><b>J</b></p>  <p>x1</p>	<p><b>K</b></p>  <p>x2</p>	<p><b>L</b></p>  <p>x2</p>	
<p><b>M</b></p>  <p>M8x30 x18</p>	<p><b>N</b></p>  <p>M6x12 x14</p>	<p><b>O</b></p>  <p>x6</p>	<p><b>P</b></p>  <p>x6</p>

Kit			
<b>Q</b>		<b>R</b>	
	x 2		x 2
<b>S</b>		<b>T</b>	
	x 2	M6x30	x 2
<b>U</b>		<b>V</b>	
	x 4	M6x16	x 4

Kit			
<b>W</b>		<b>X</b>	
	x 1		x 1
<b>Y</b>		<b>Z</b>	
	x 1		x 1
<b>A2</b>		<b>B2</b>	
	x 1		x 1
<b>C2</b>		<b>D2</b>	
	x 1	6x25mm	x 2
<b>E2</b>		<b>F2</b>	
	6x10mm	x 1	M5x14
			x 2

Kit	
<b>G2</b>	
20x25x100mm	x 2

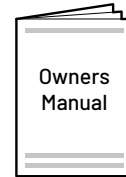
Kit



x1



x1



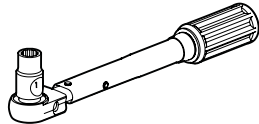
x1

Tools needed



Ø3.5 + Ø10 MM

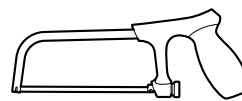
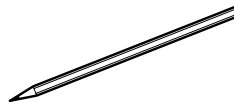
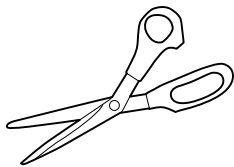
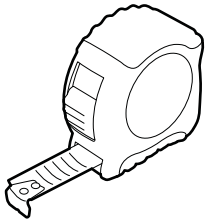
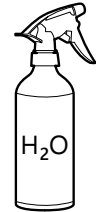
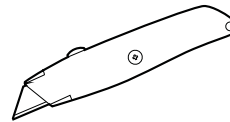
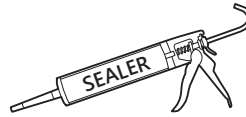
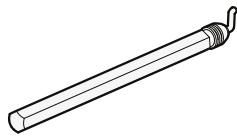
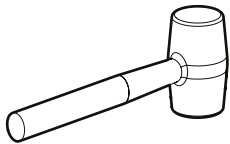
1 - 25 Nm



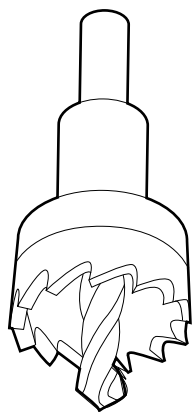
✱ T20, T30, T40



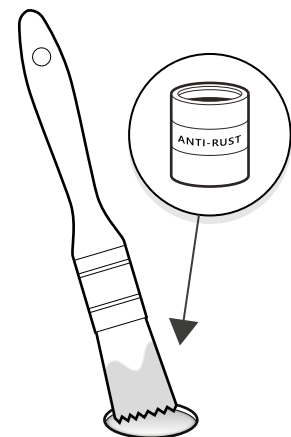
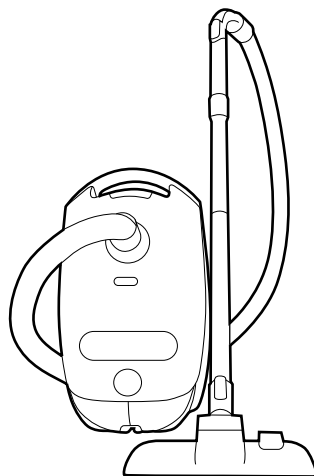
Rust protection  
Rostschutzmittel  
Anti-rouille  
Anti roest



Applying rust protection



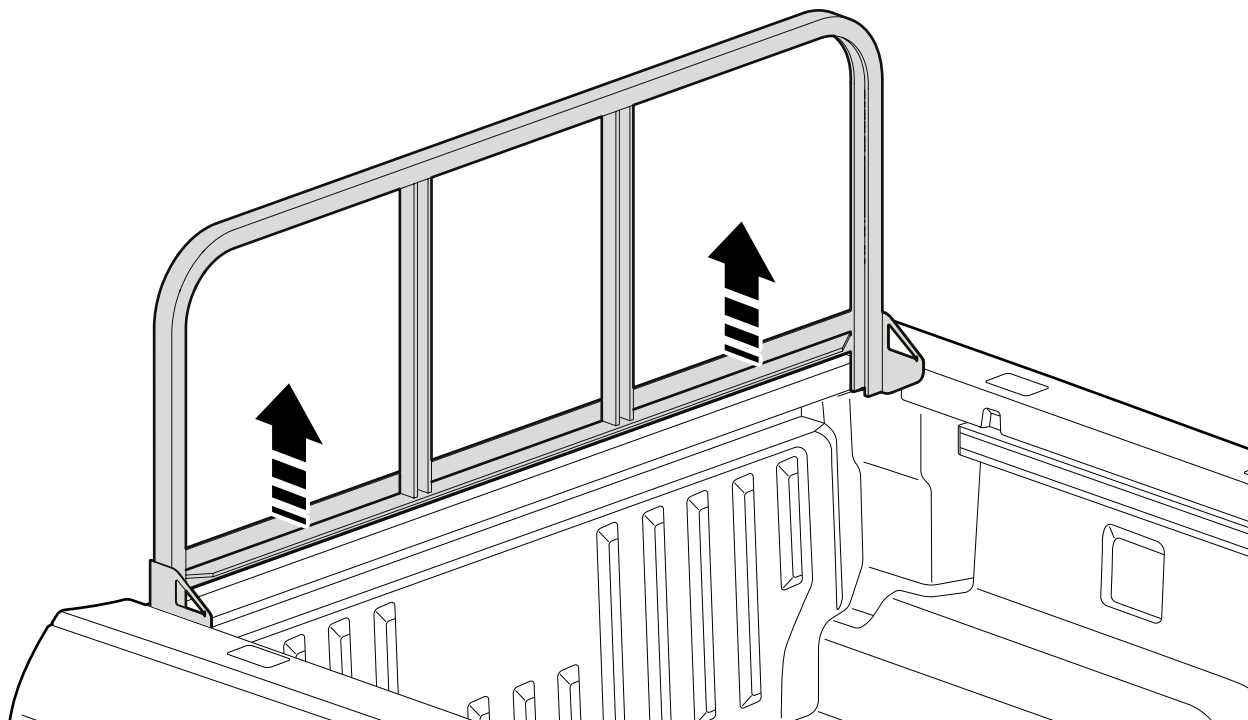
Ø30 / Ø40 mm



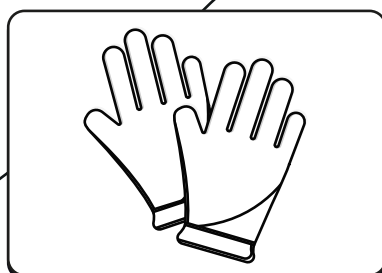


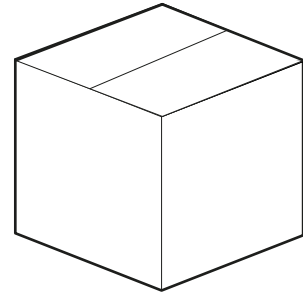
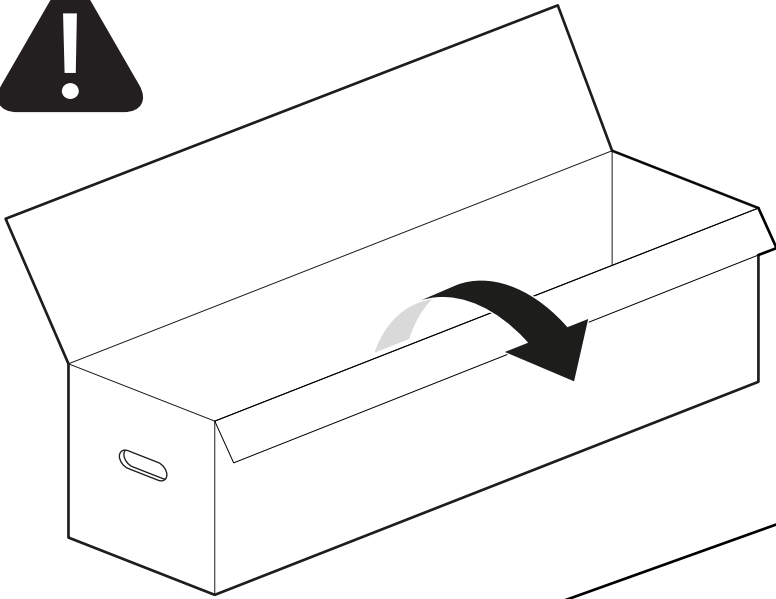


**If sheet metal is scratched during installation,  
apply rust protection to damaged areas**

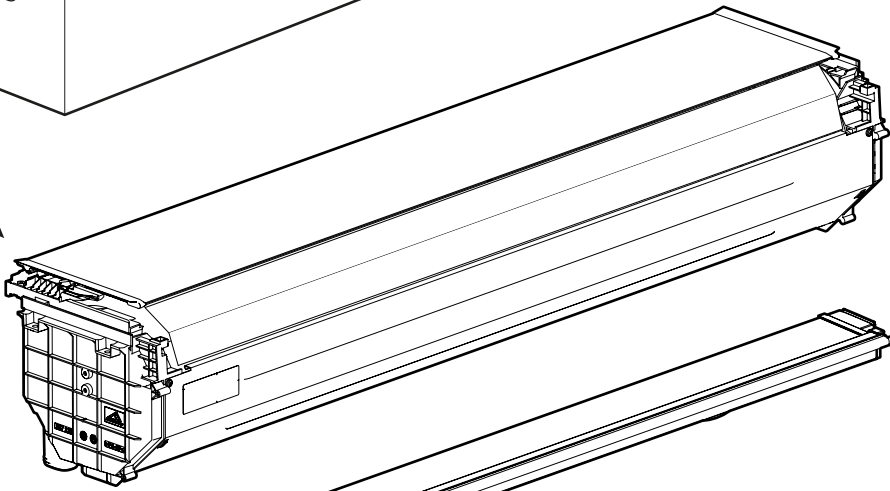


**Rollershutter not compatible with load rest bar - part cannot be re-installed once Rollershutter have been installed (store parts)**

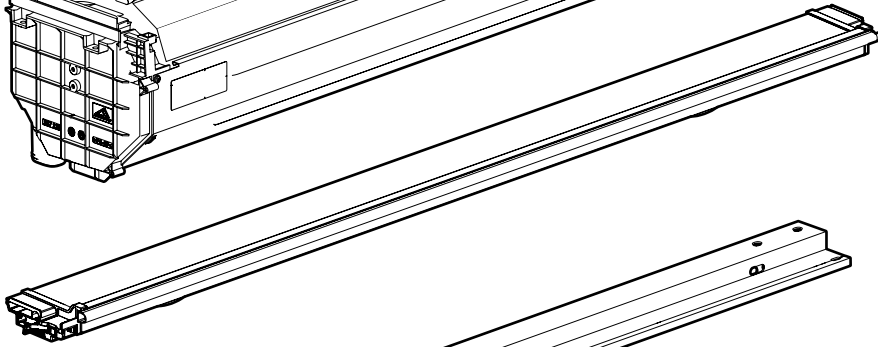




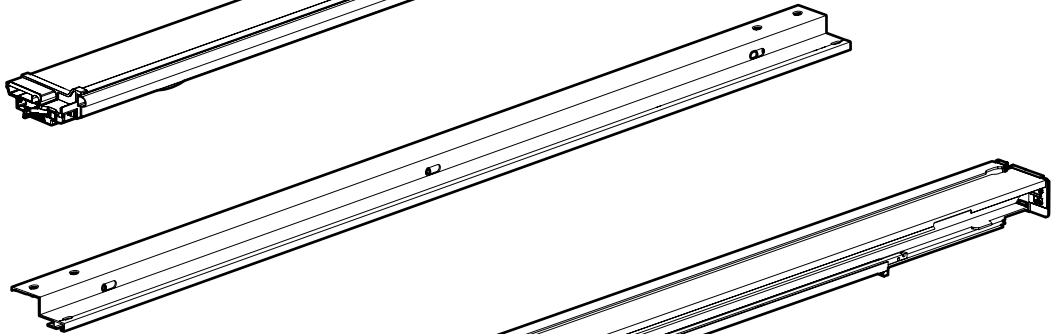
**C**



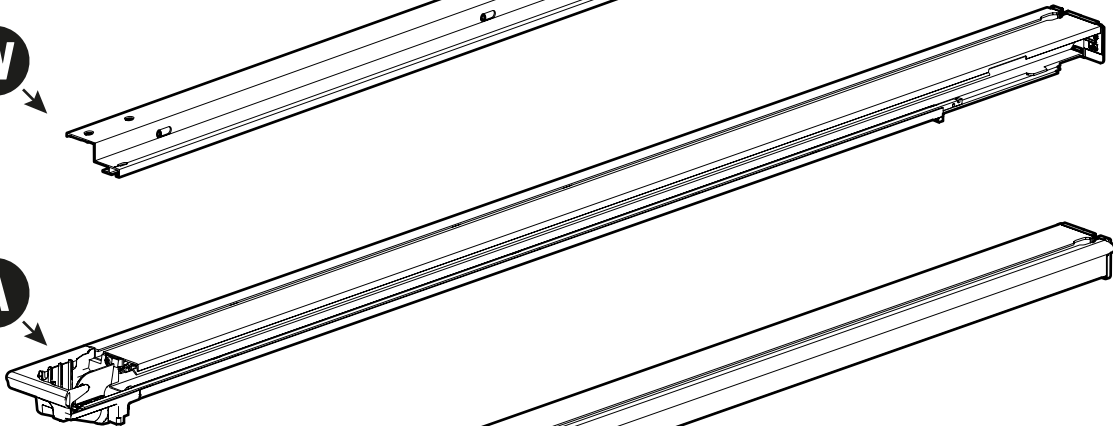
**D**



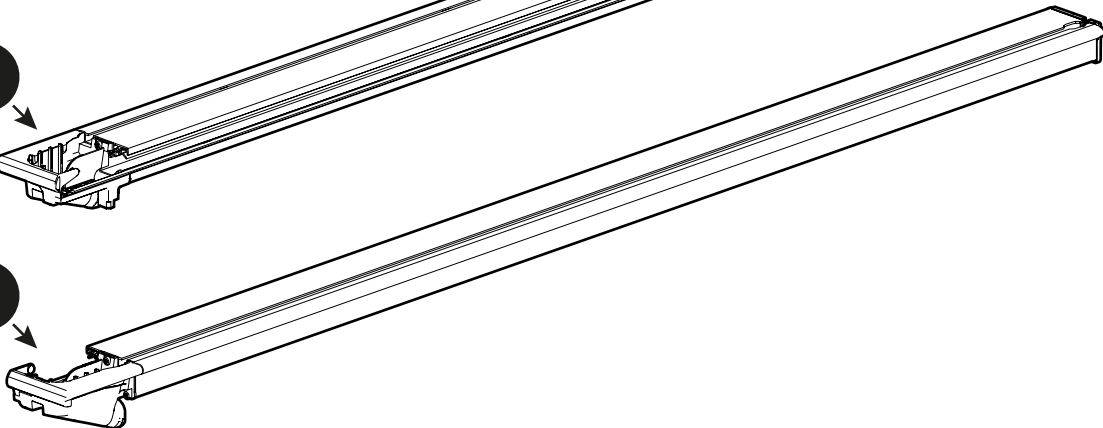
**W**



**A**



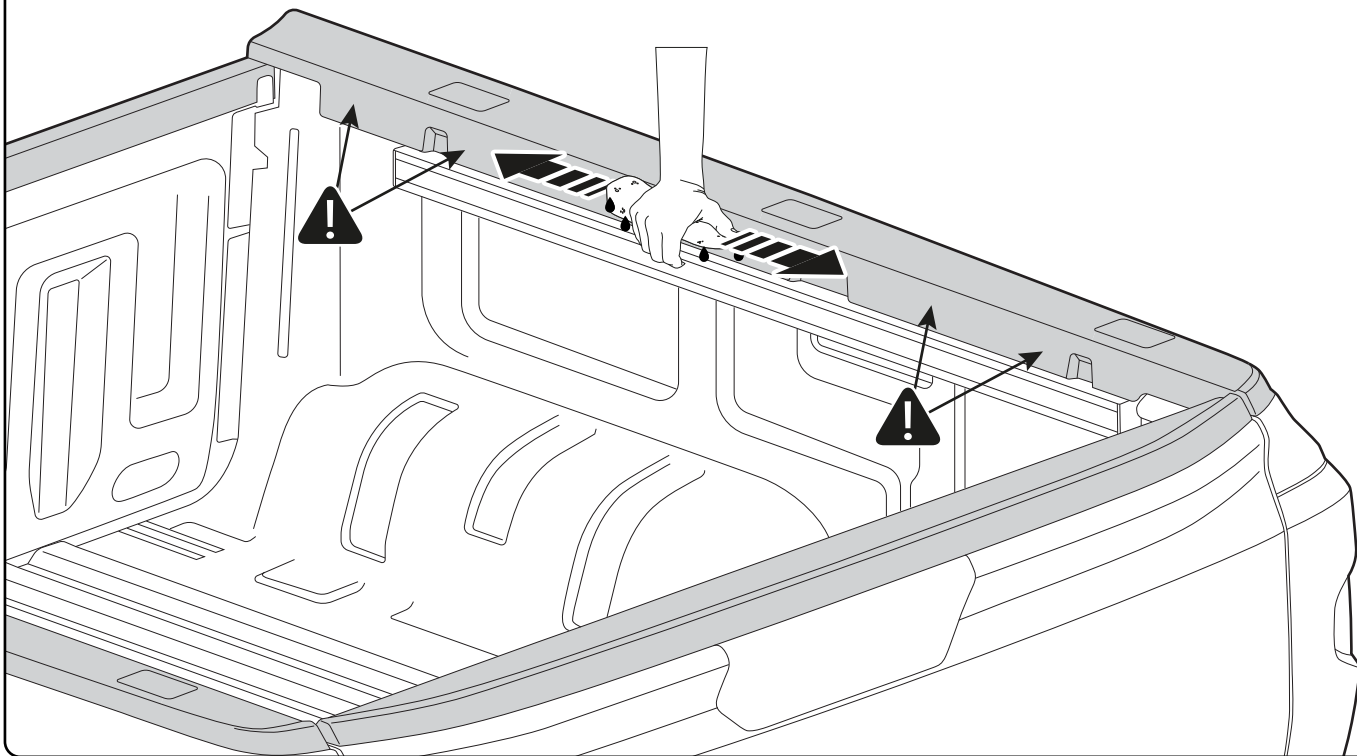
**B**



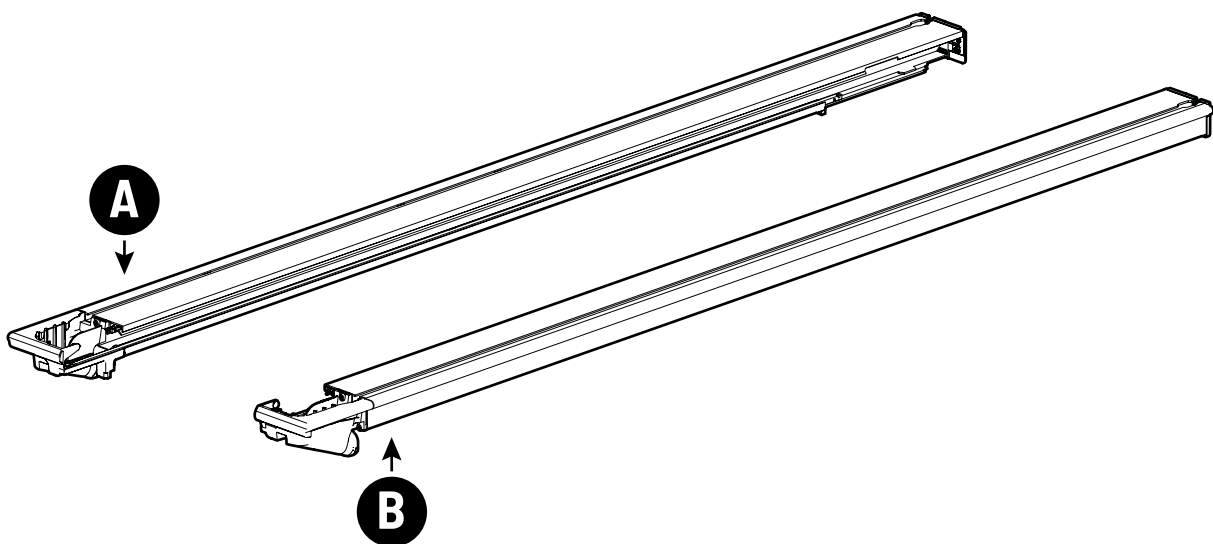
 Water & sponge

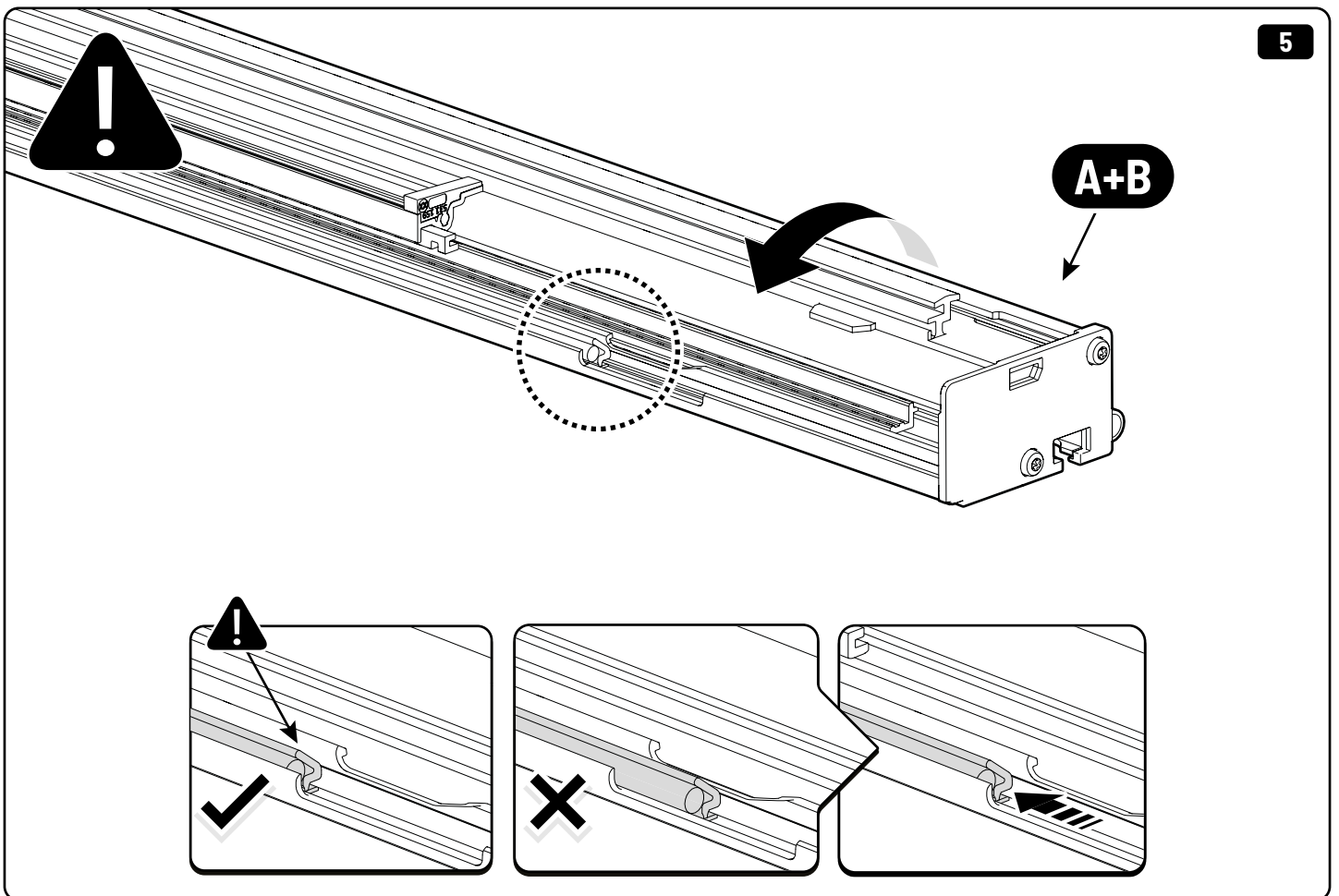
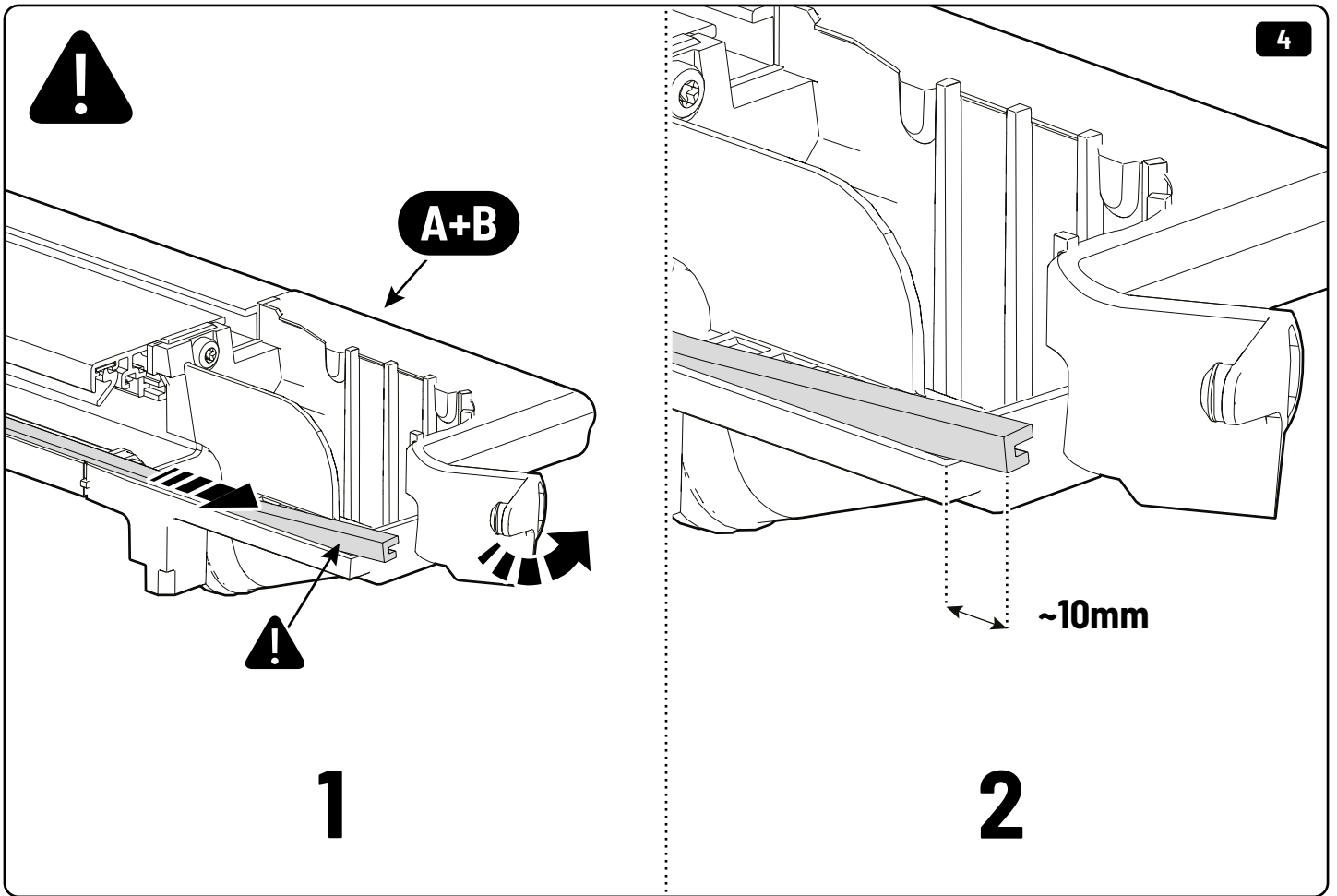


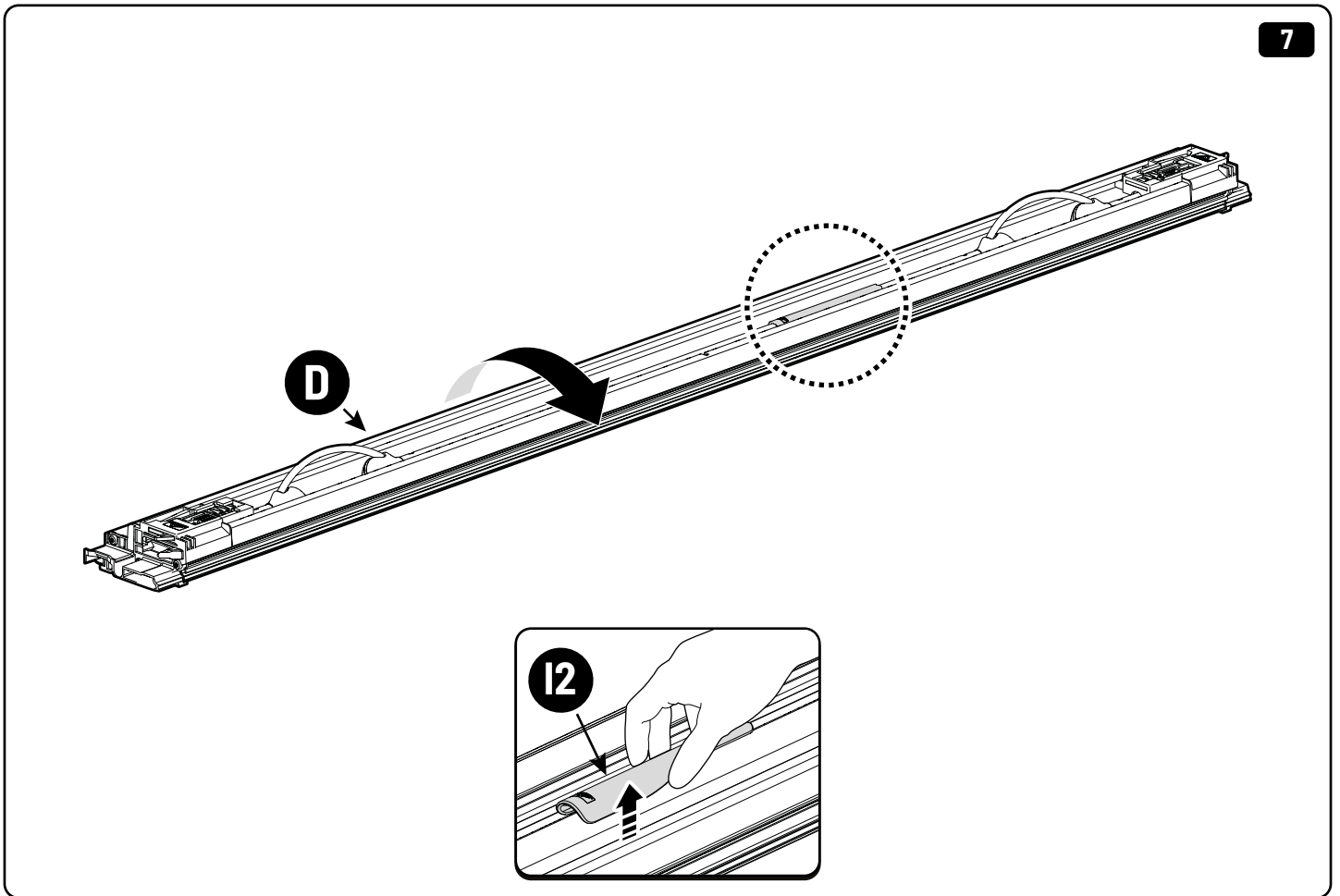
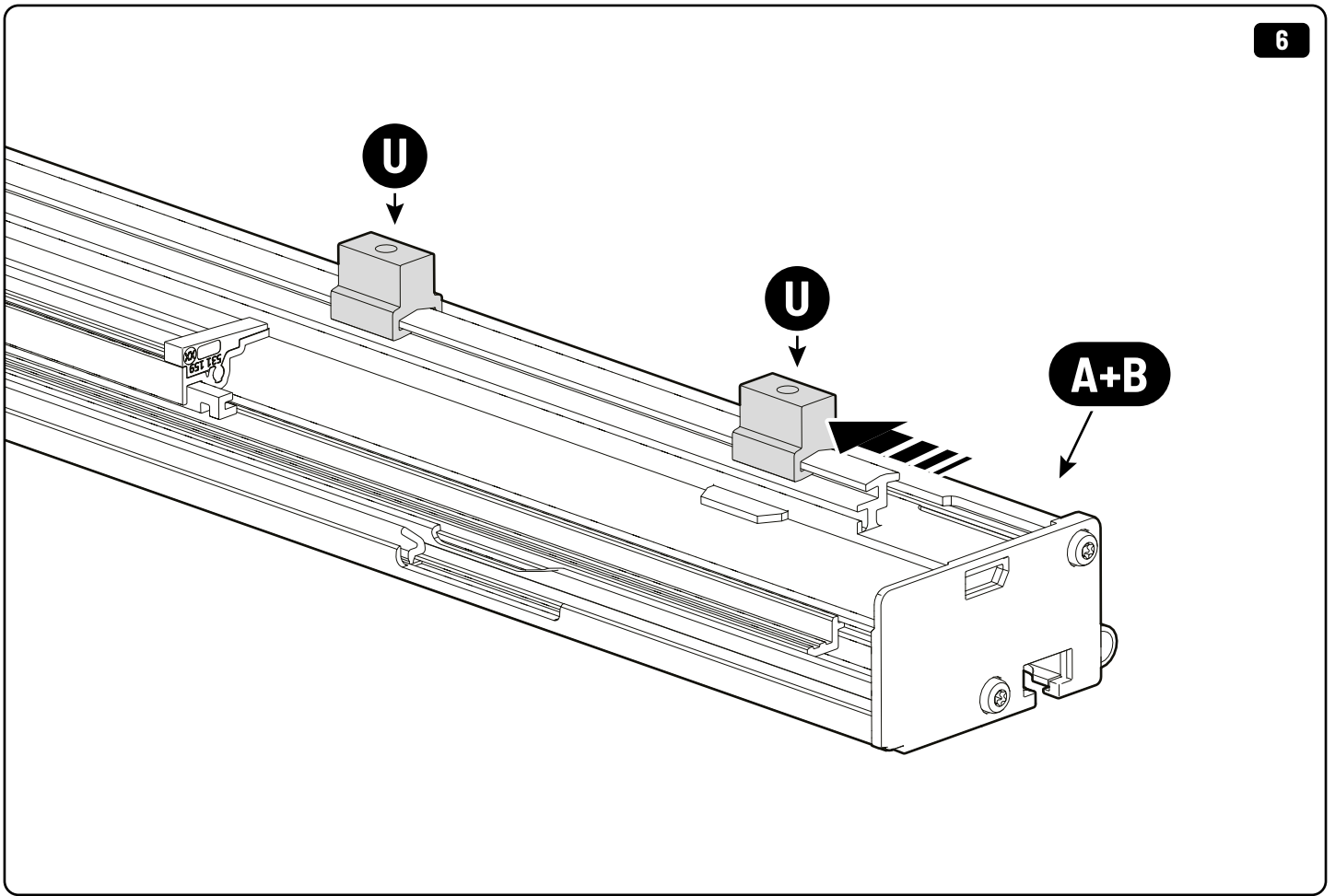
2

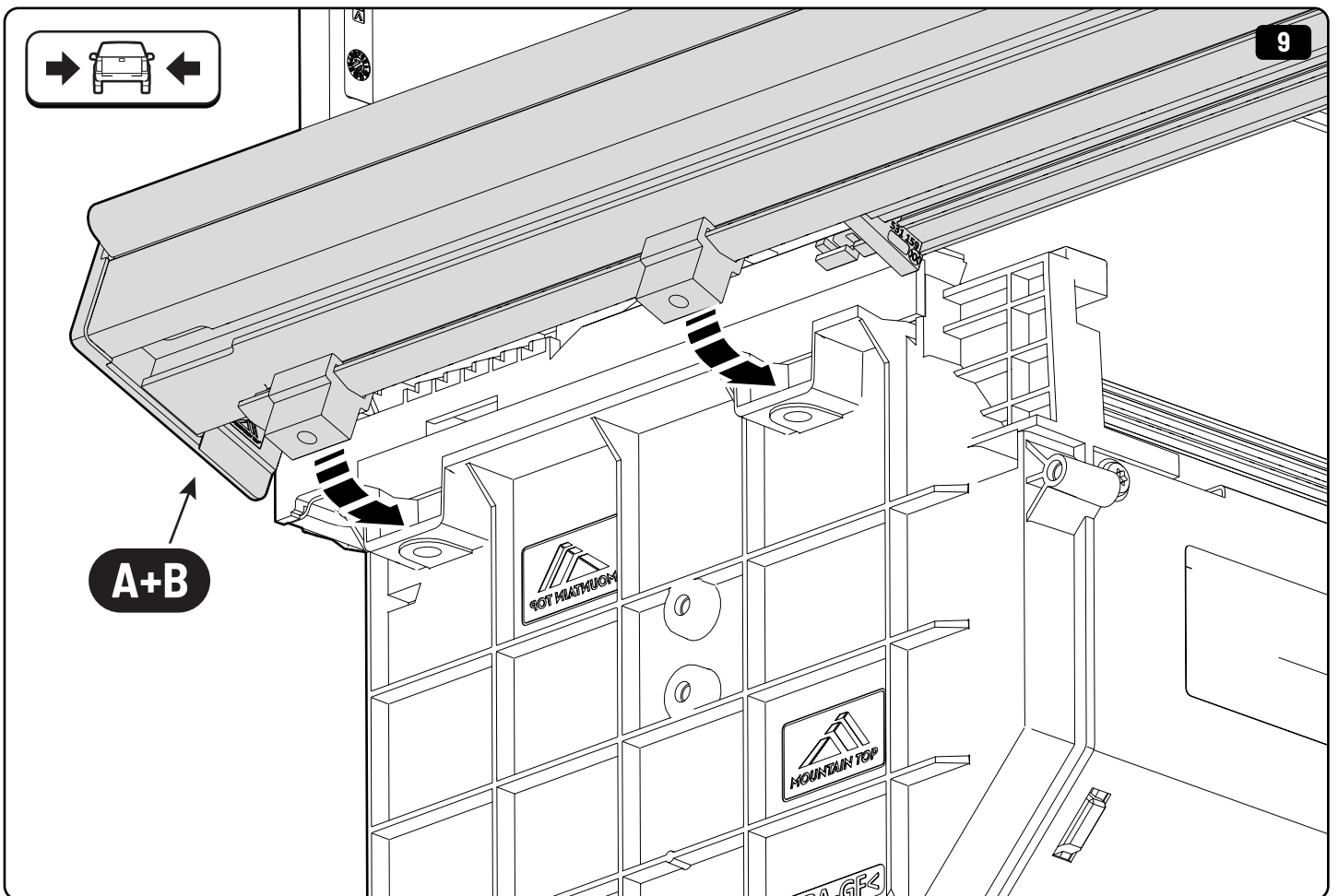
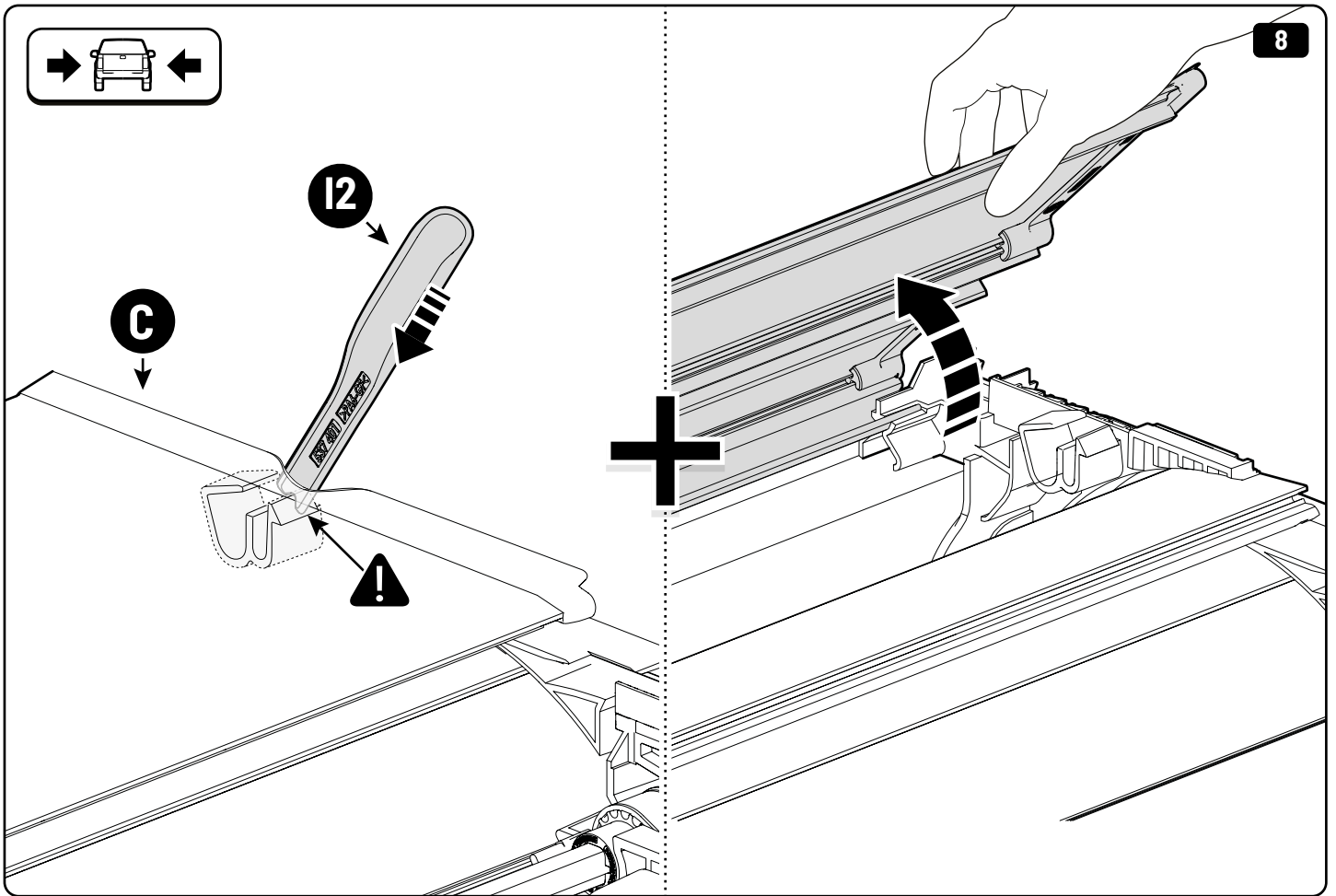


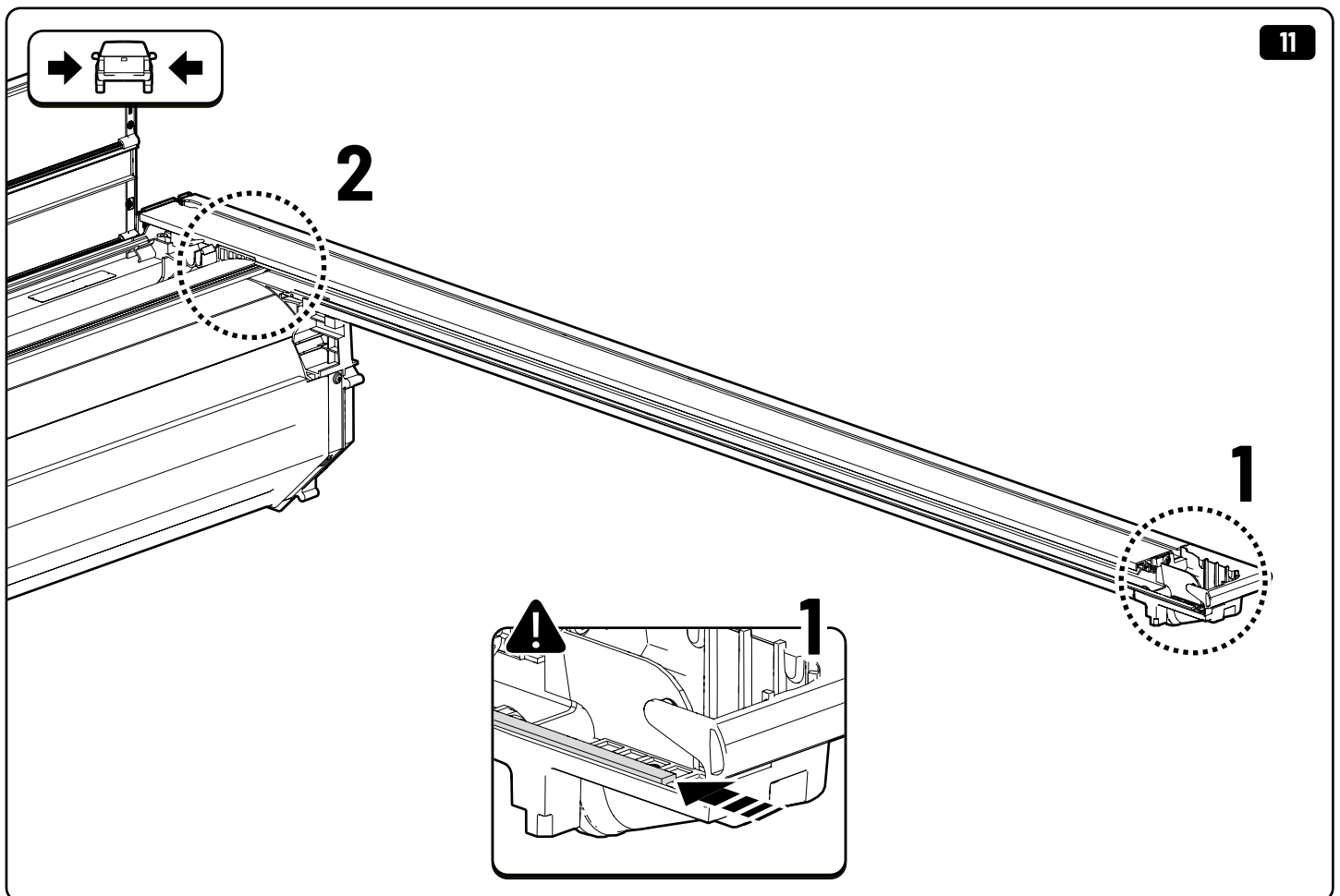
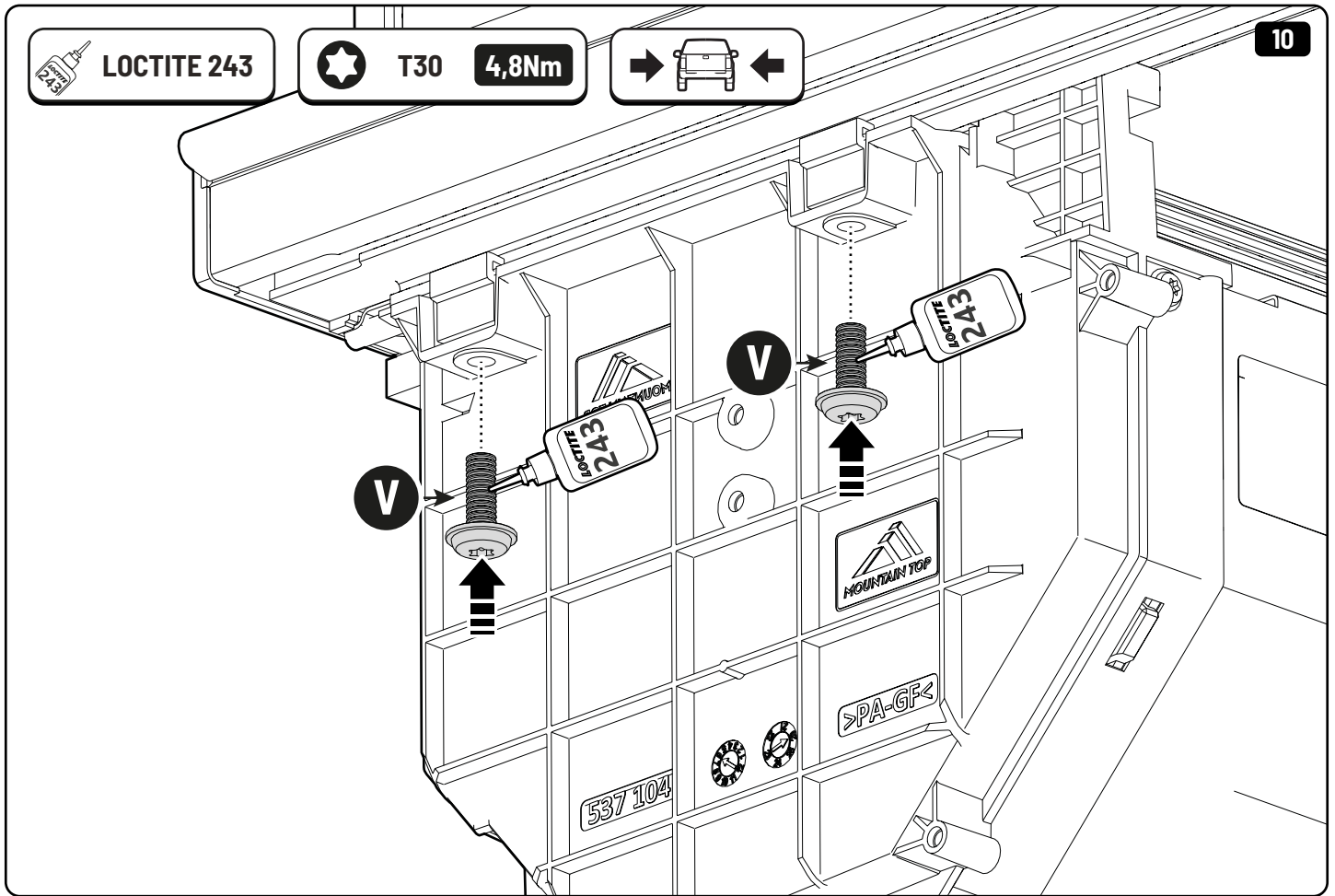
3



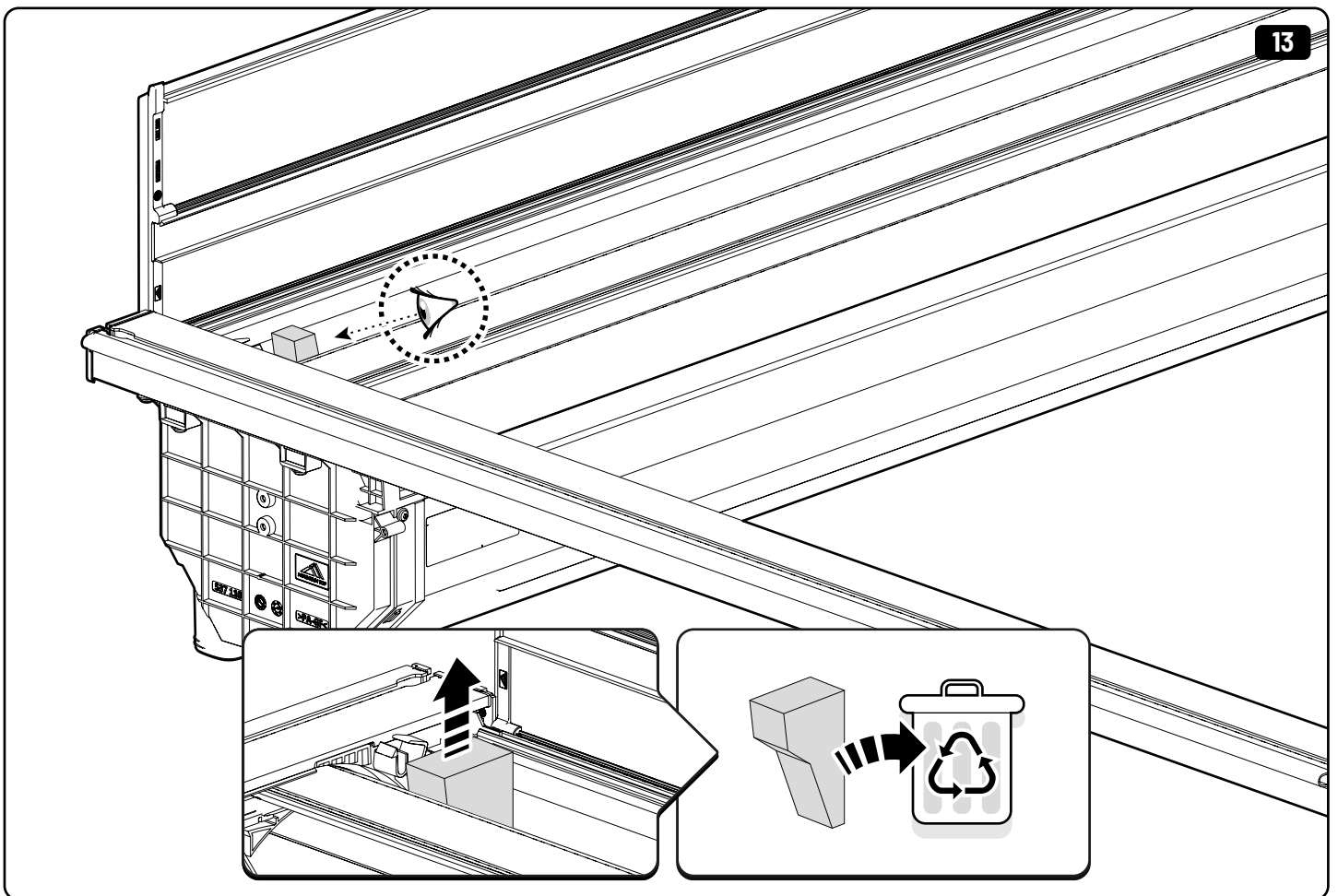
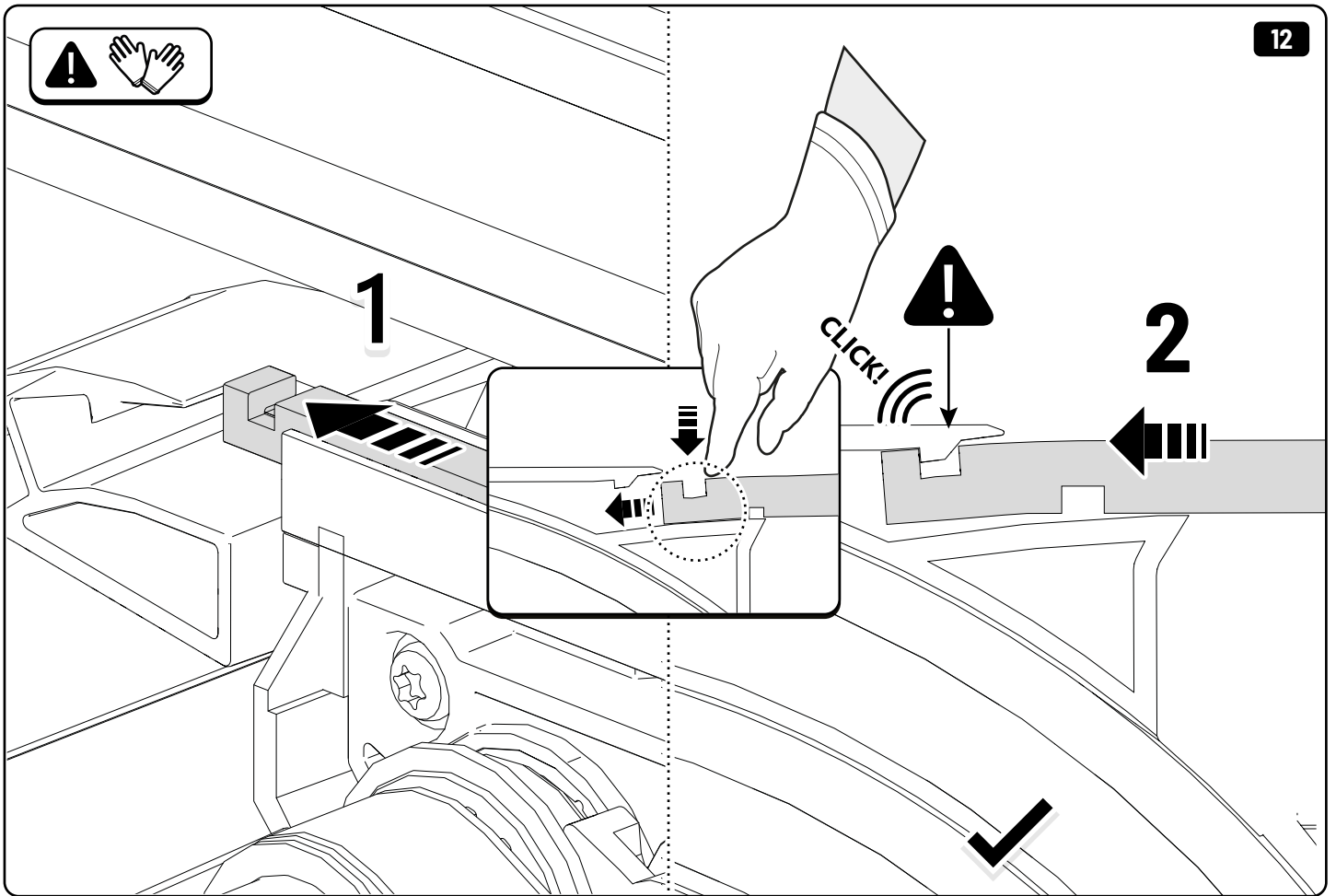


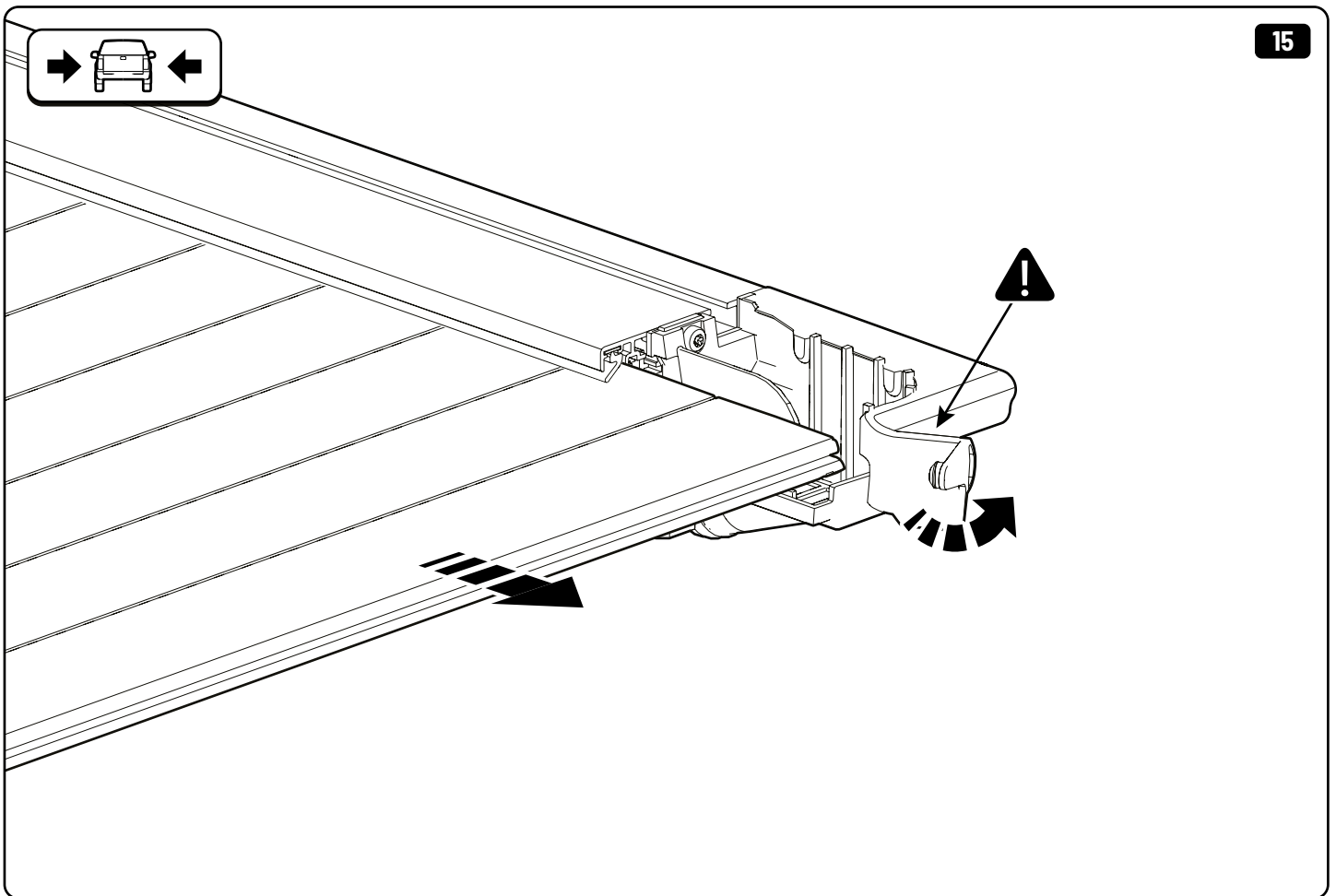
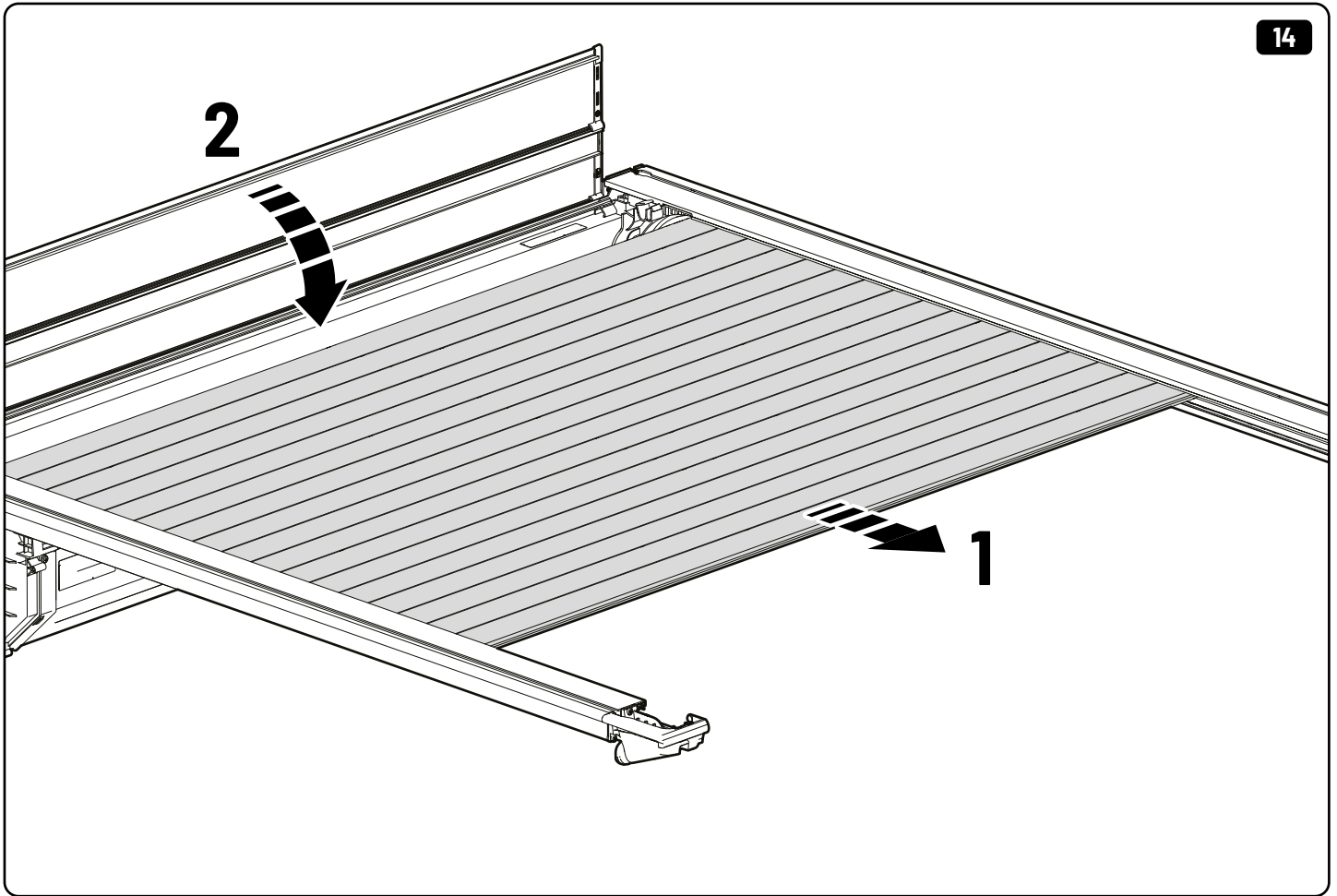


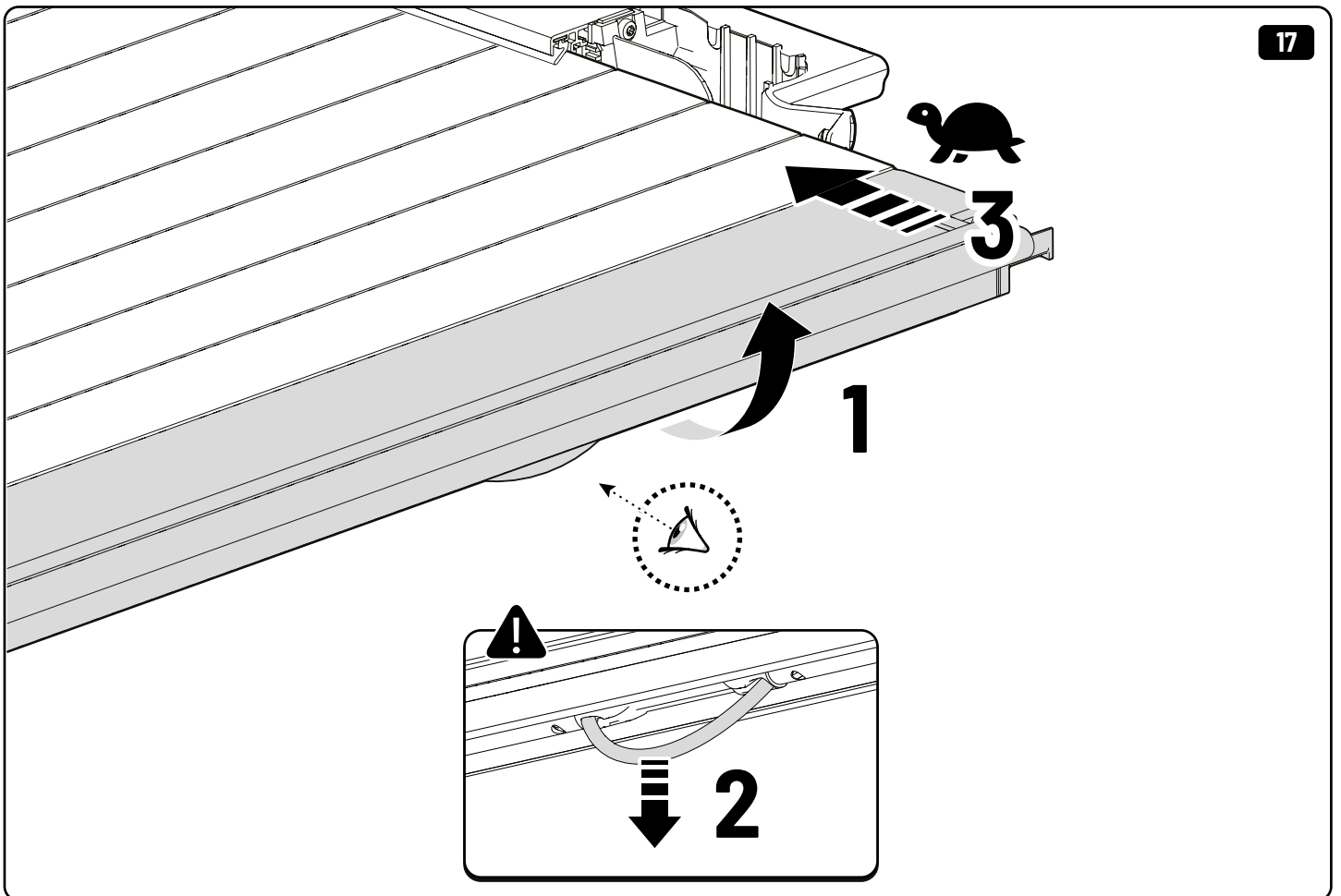
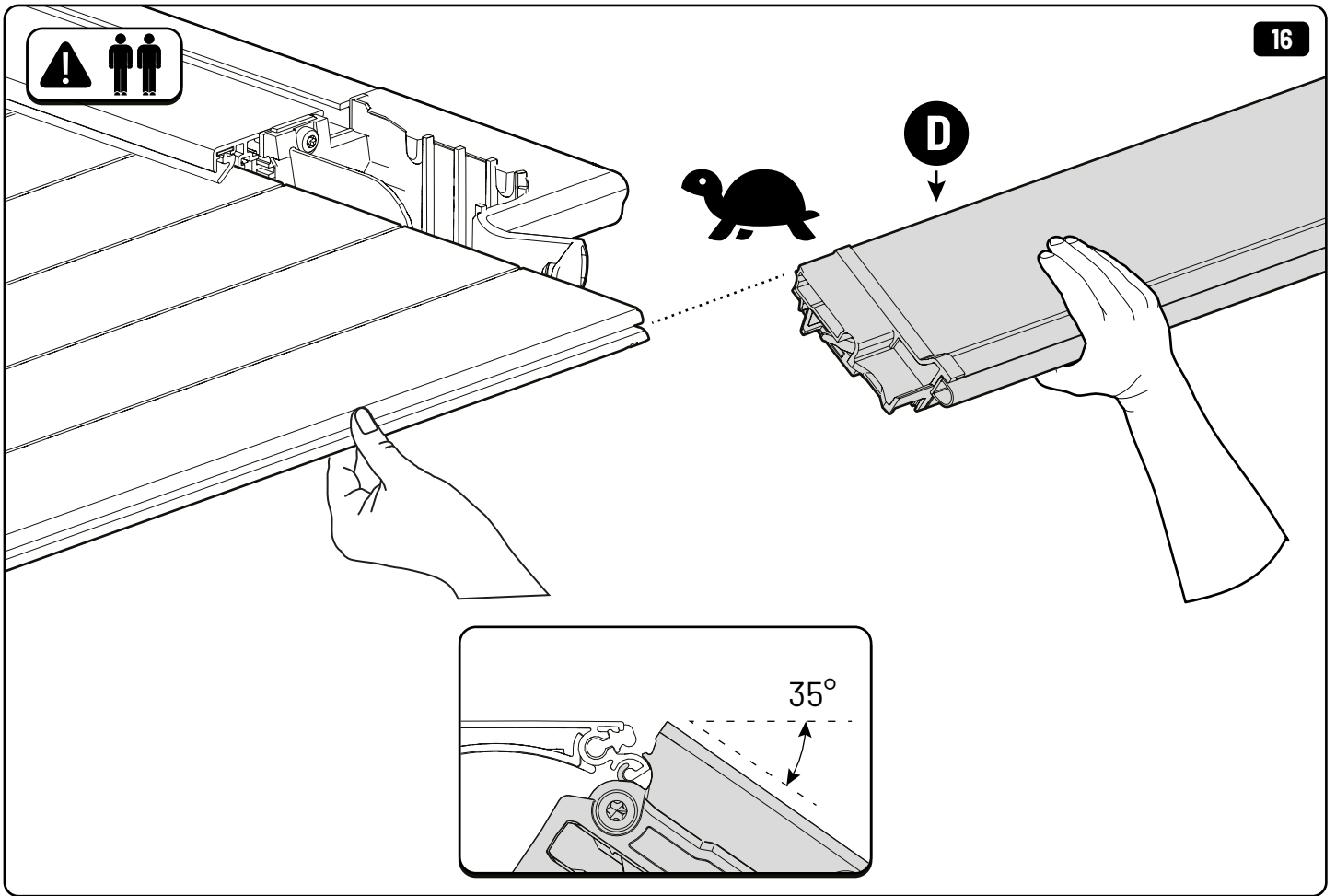


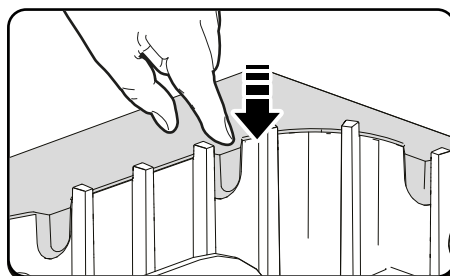
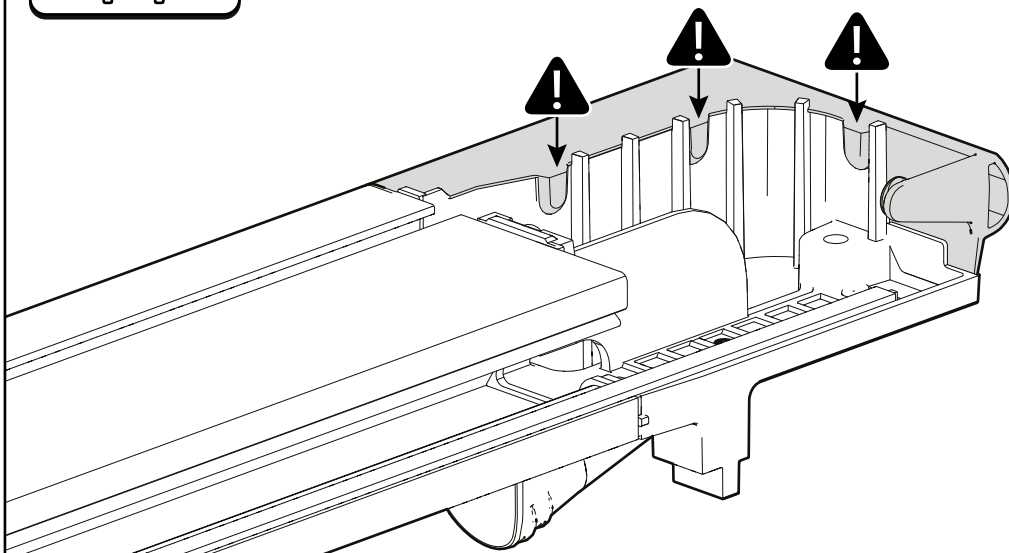
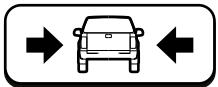
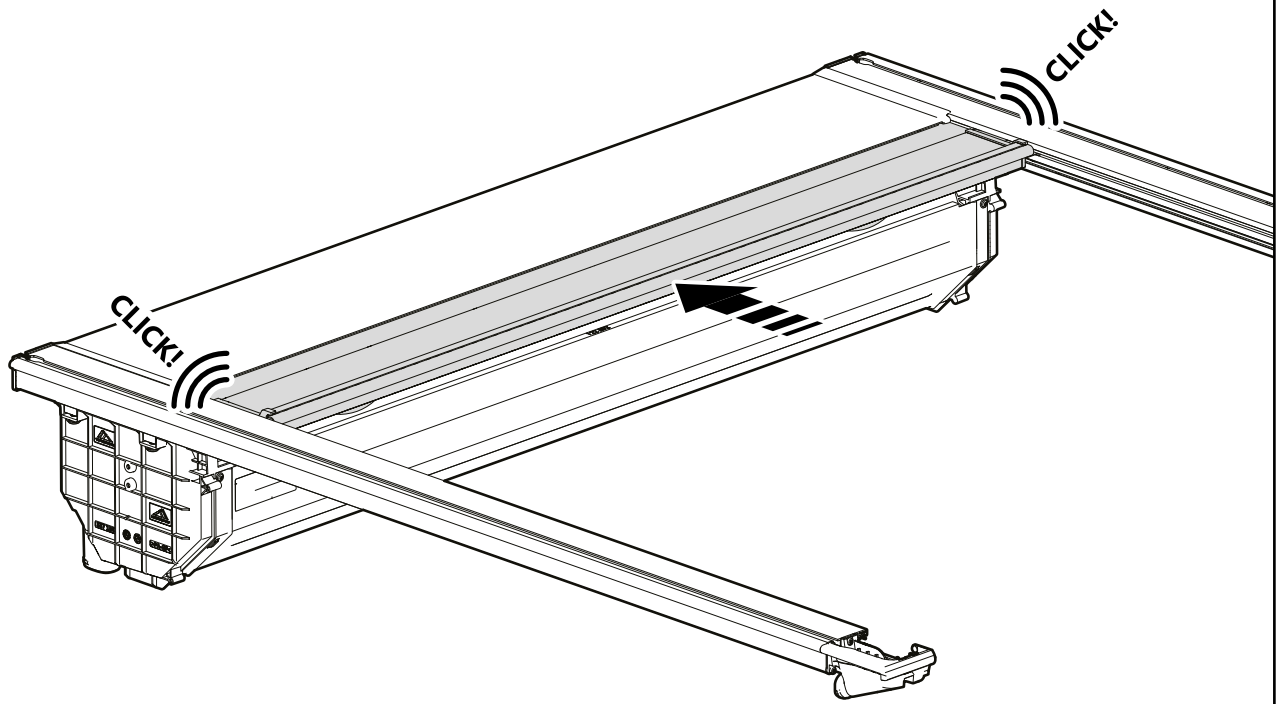




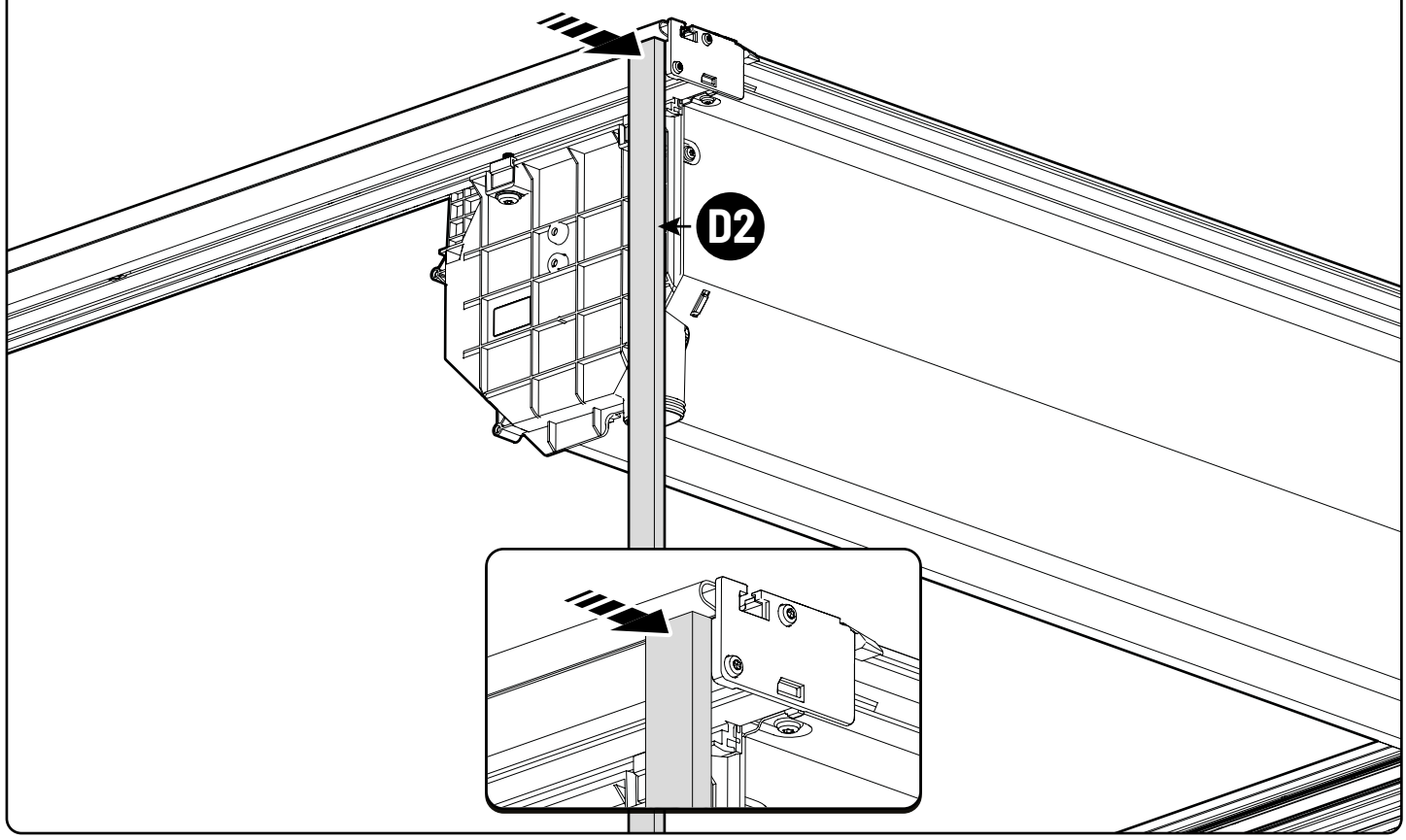
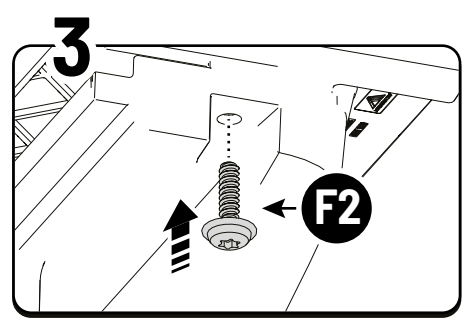
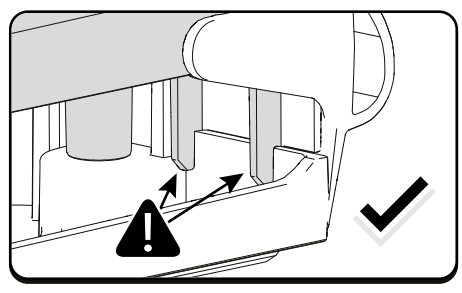
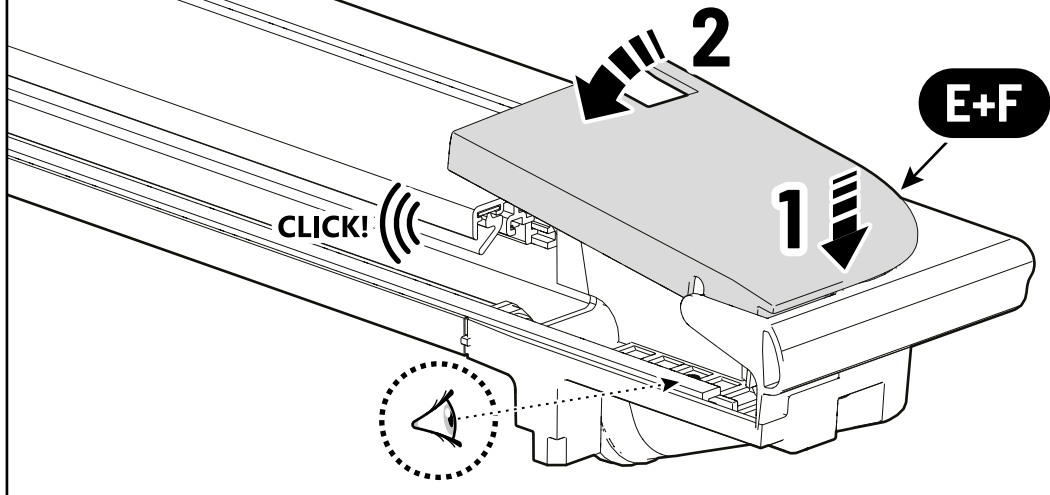


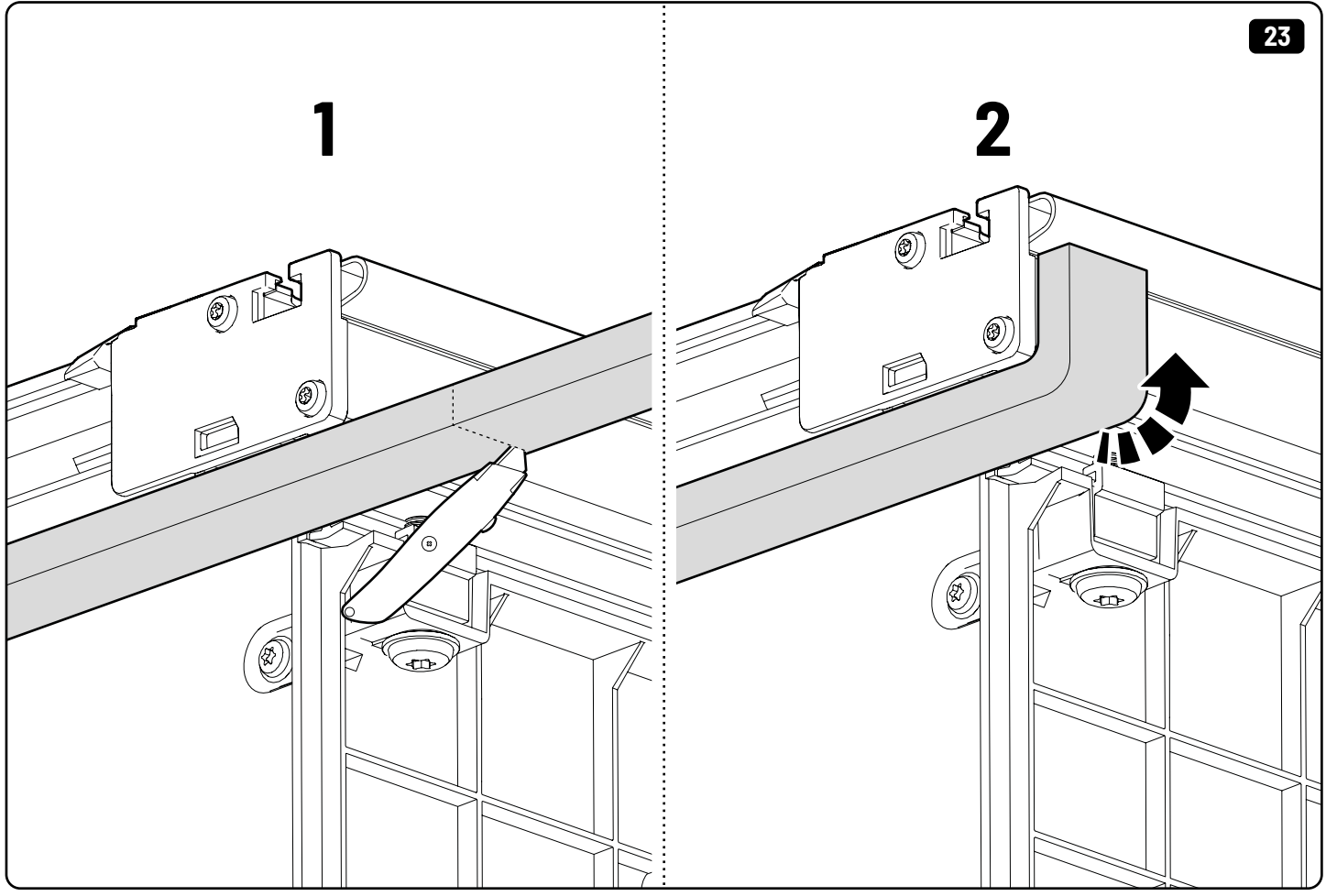
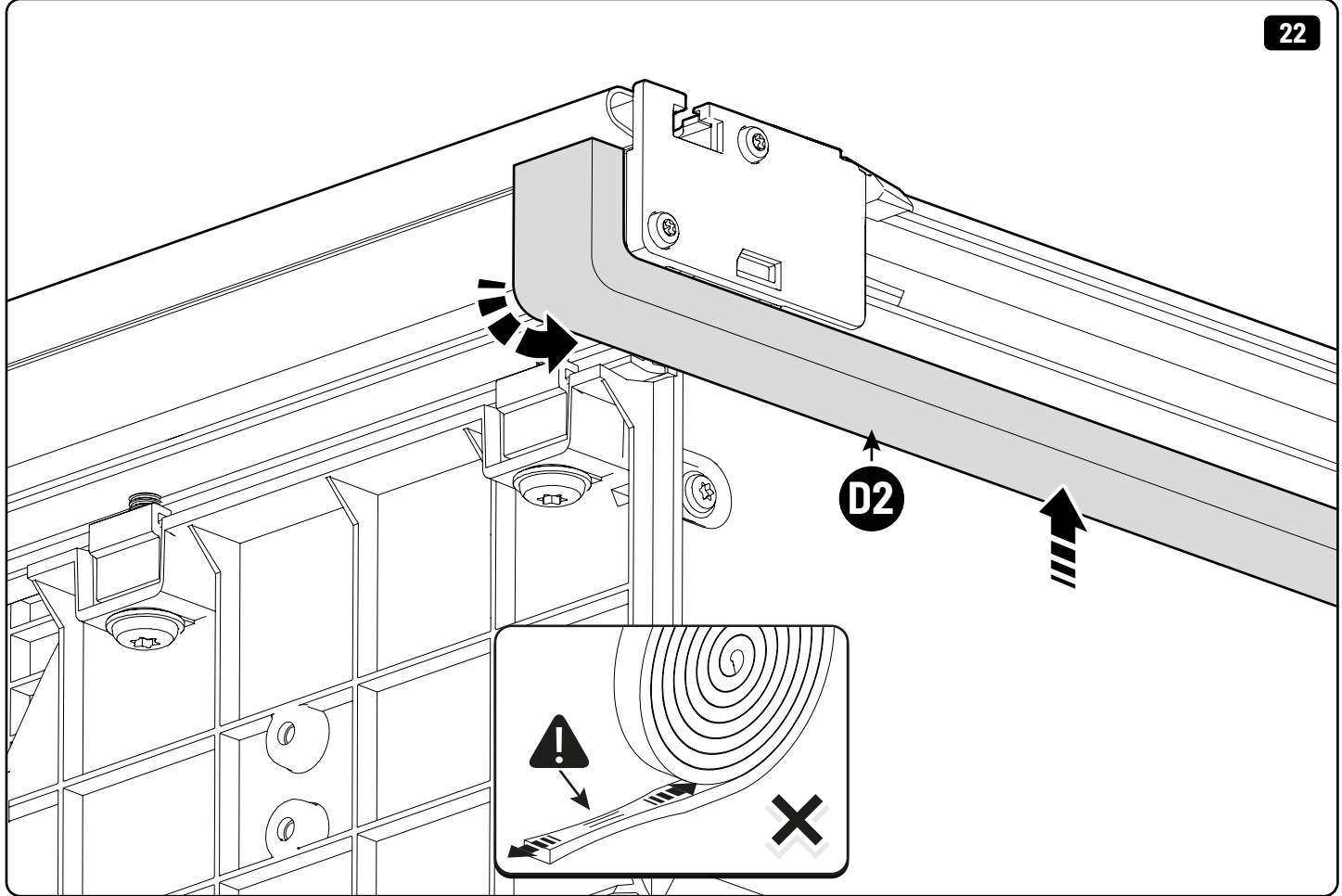


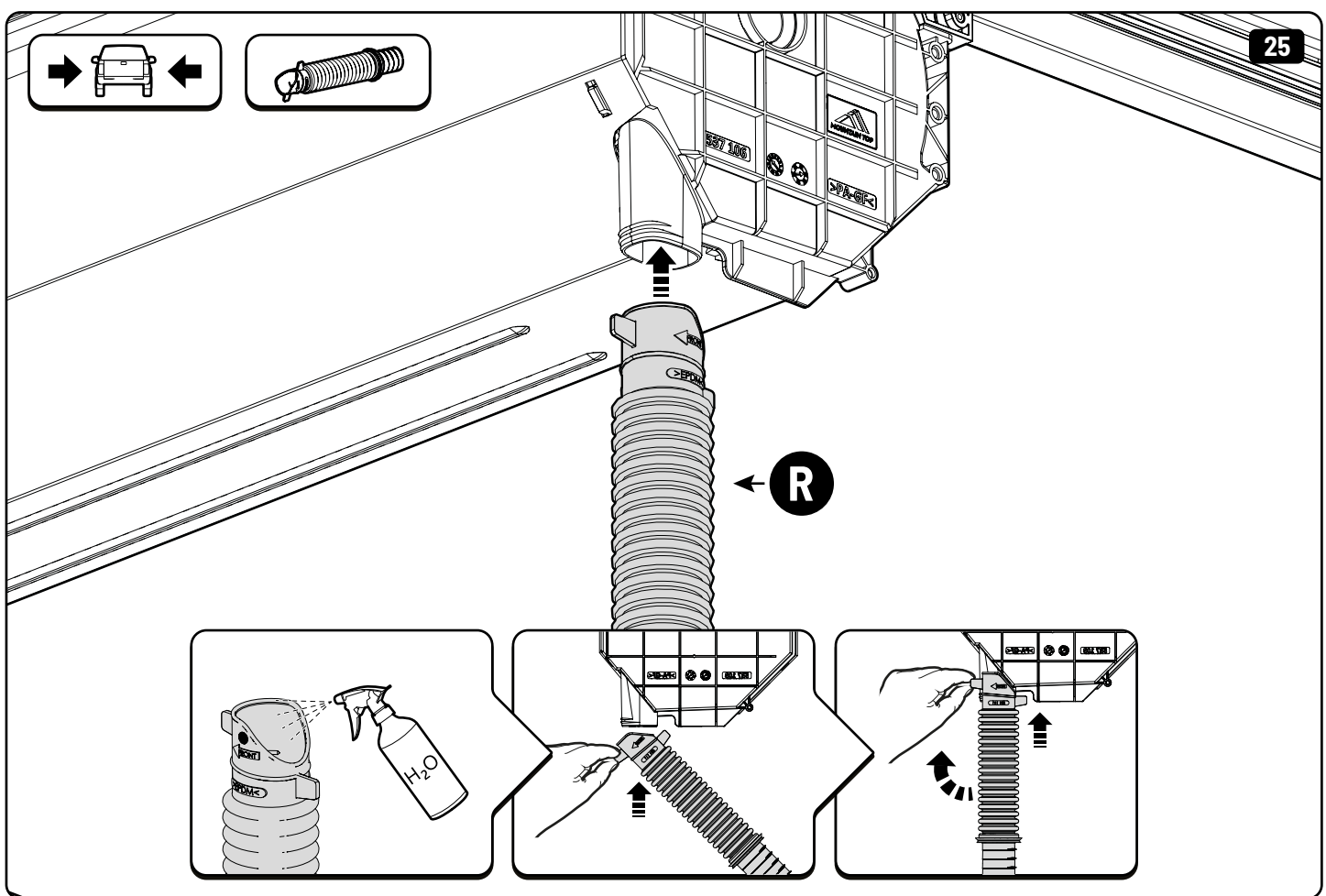
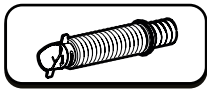
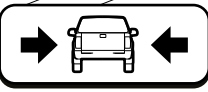
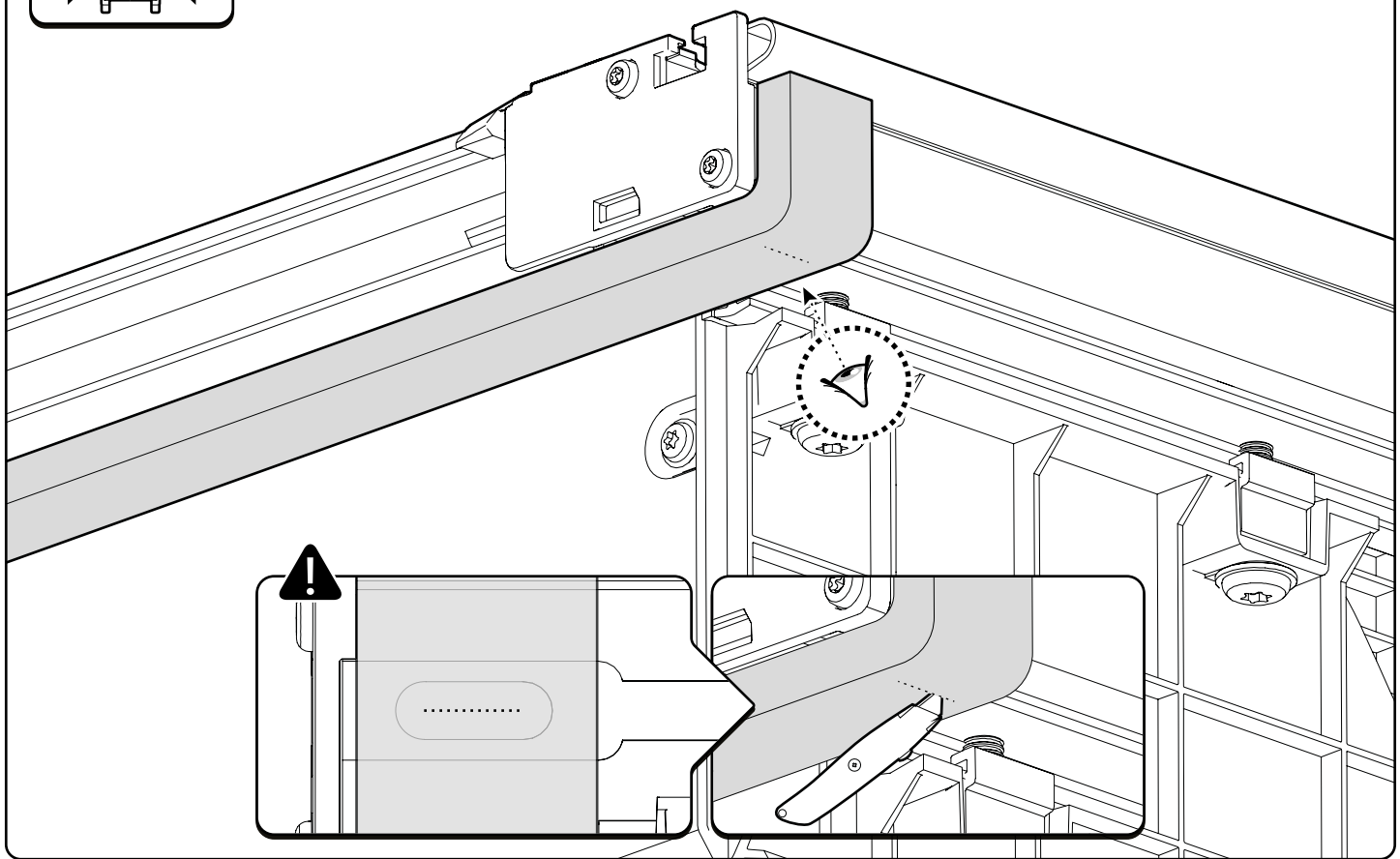
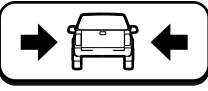


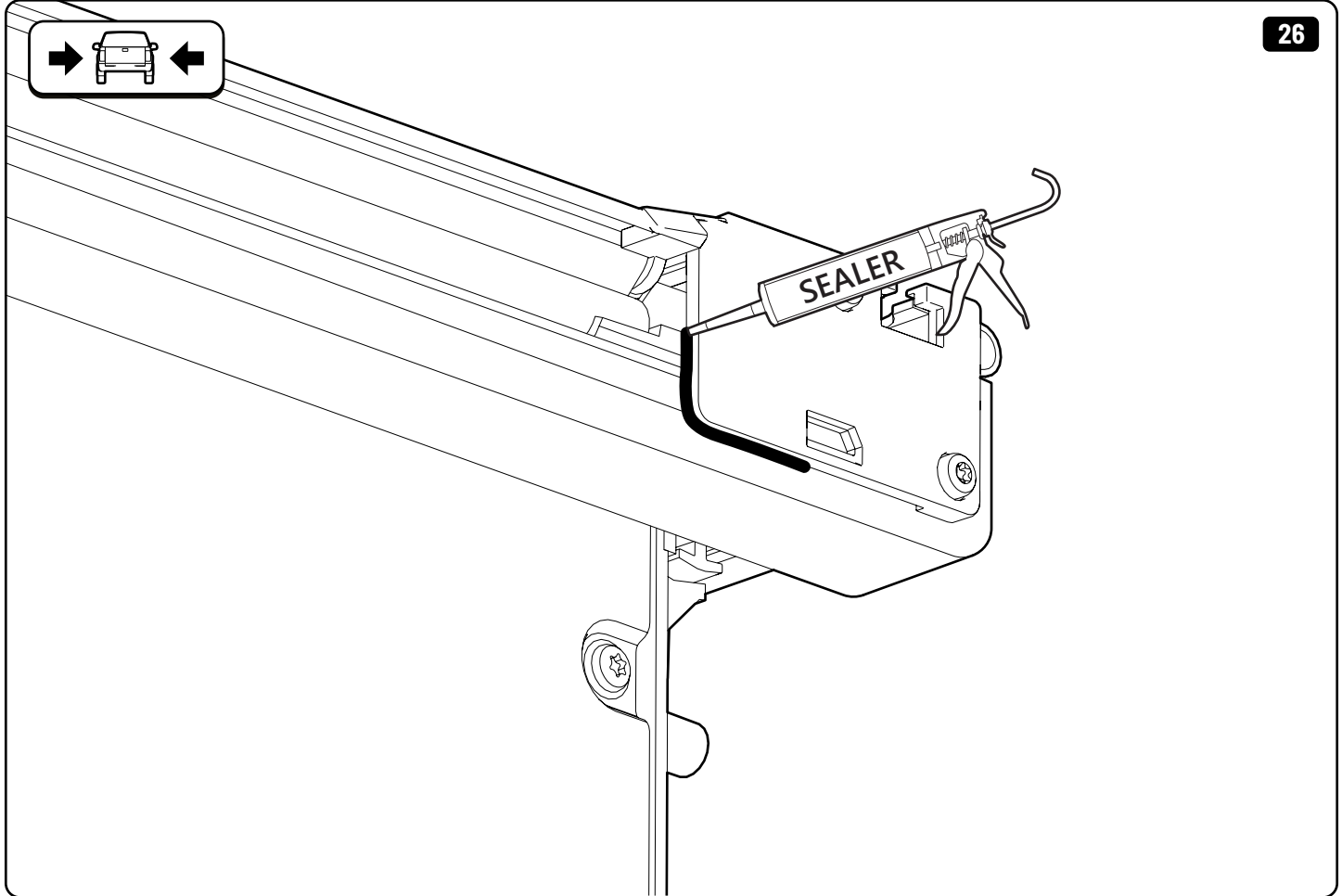


→  ← T20 2,4Nm

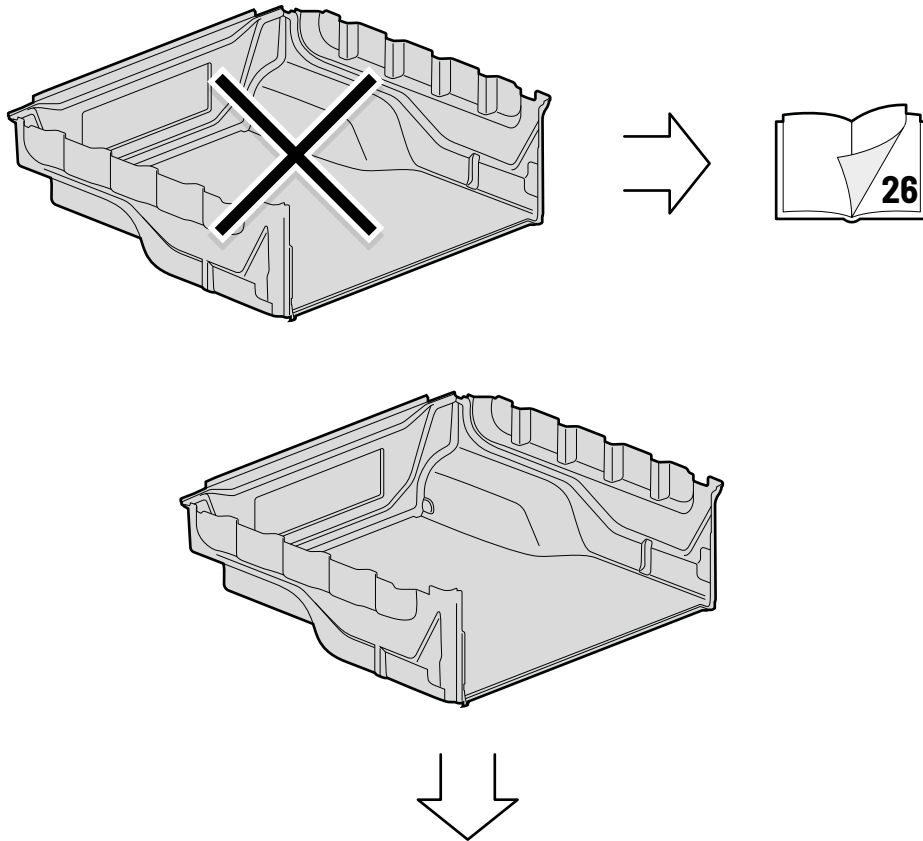






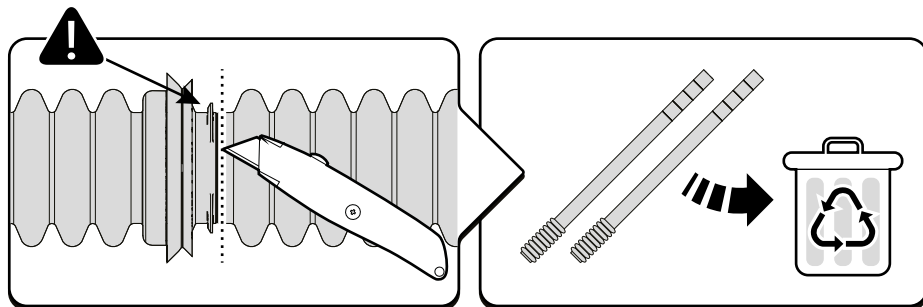
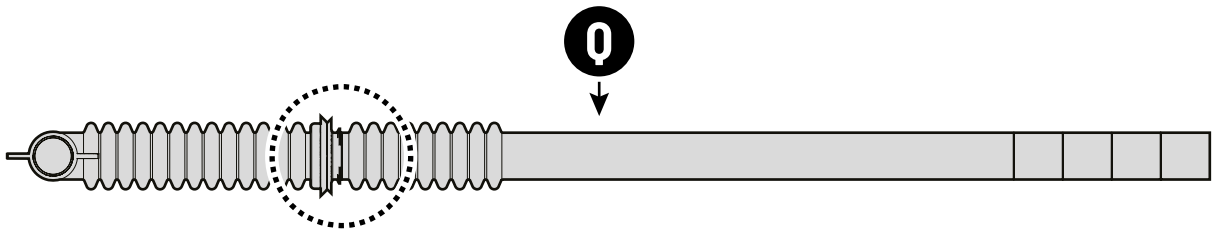




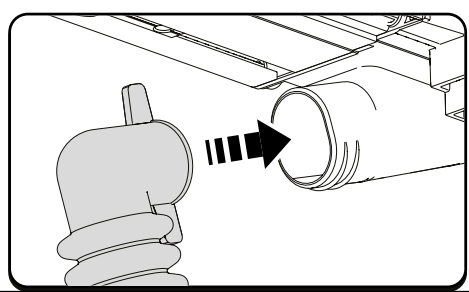
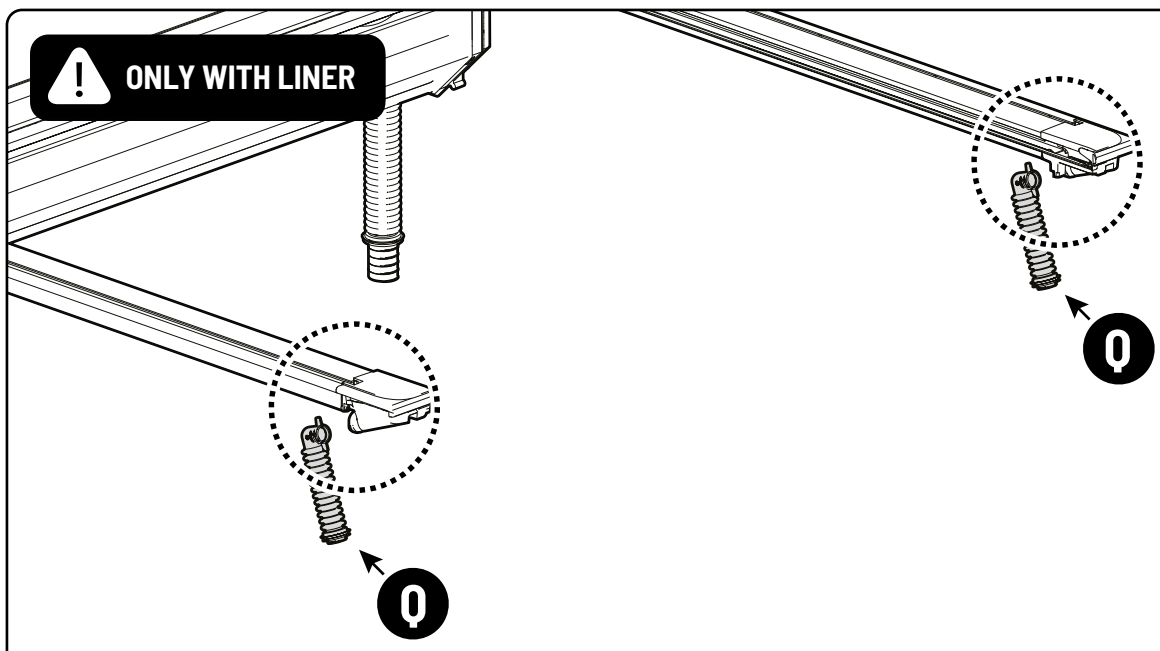


**!** ONLY WITH LINER

**27**



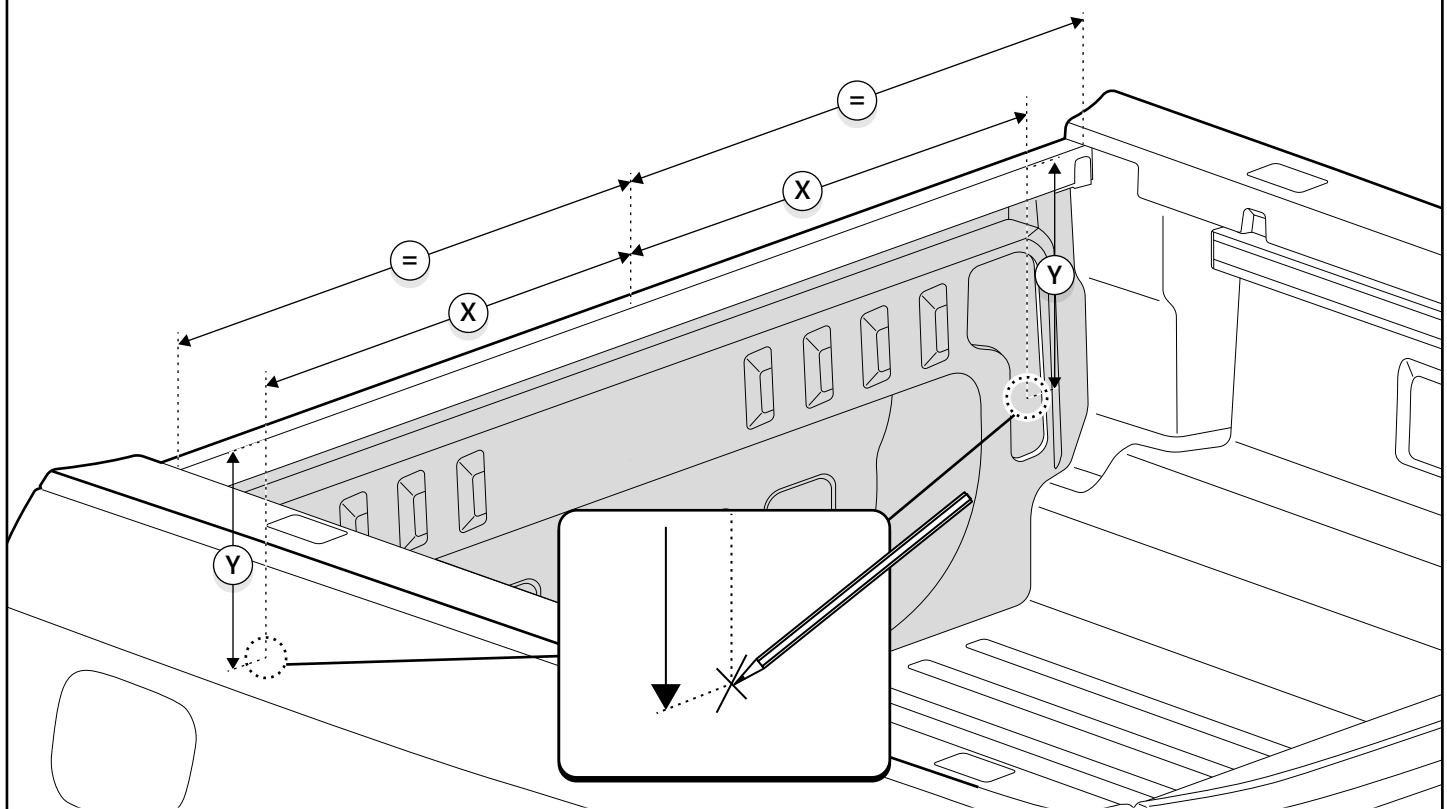
**!** ONLY WITH LINER



**!** ONLY WITH LINER

**!** EUROPEAN MODEL

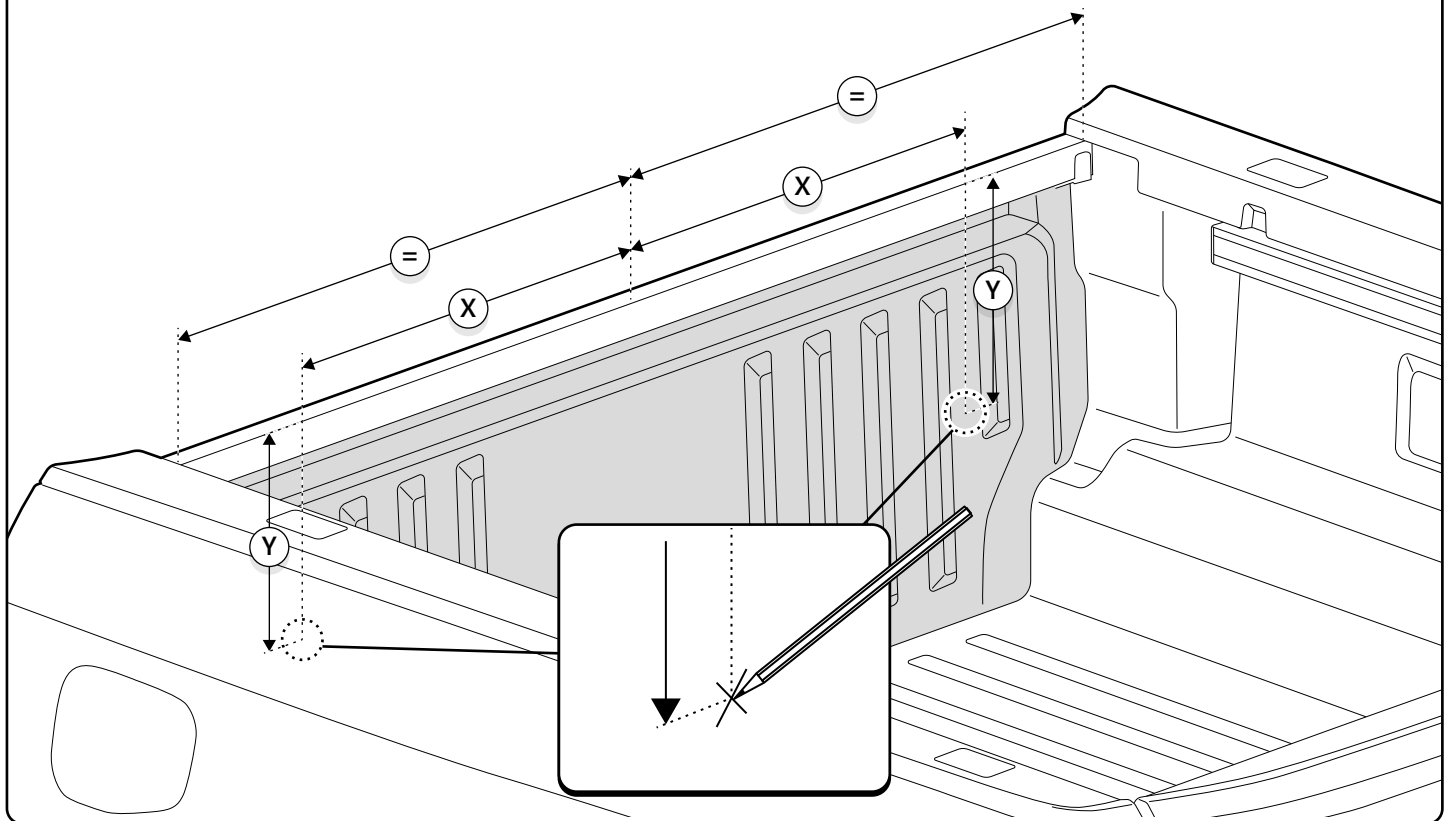
X: 650 mm Y: 290 mm



**!** ONLY WITH LINER

**!** OTHER MODELS

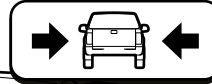
X: 560 mm Y: 330 mm



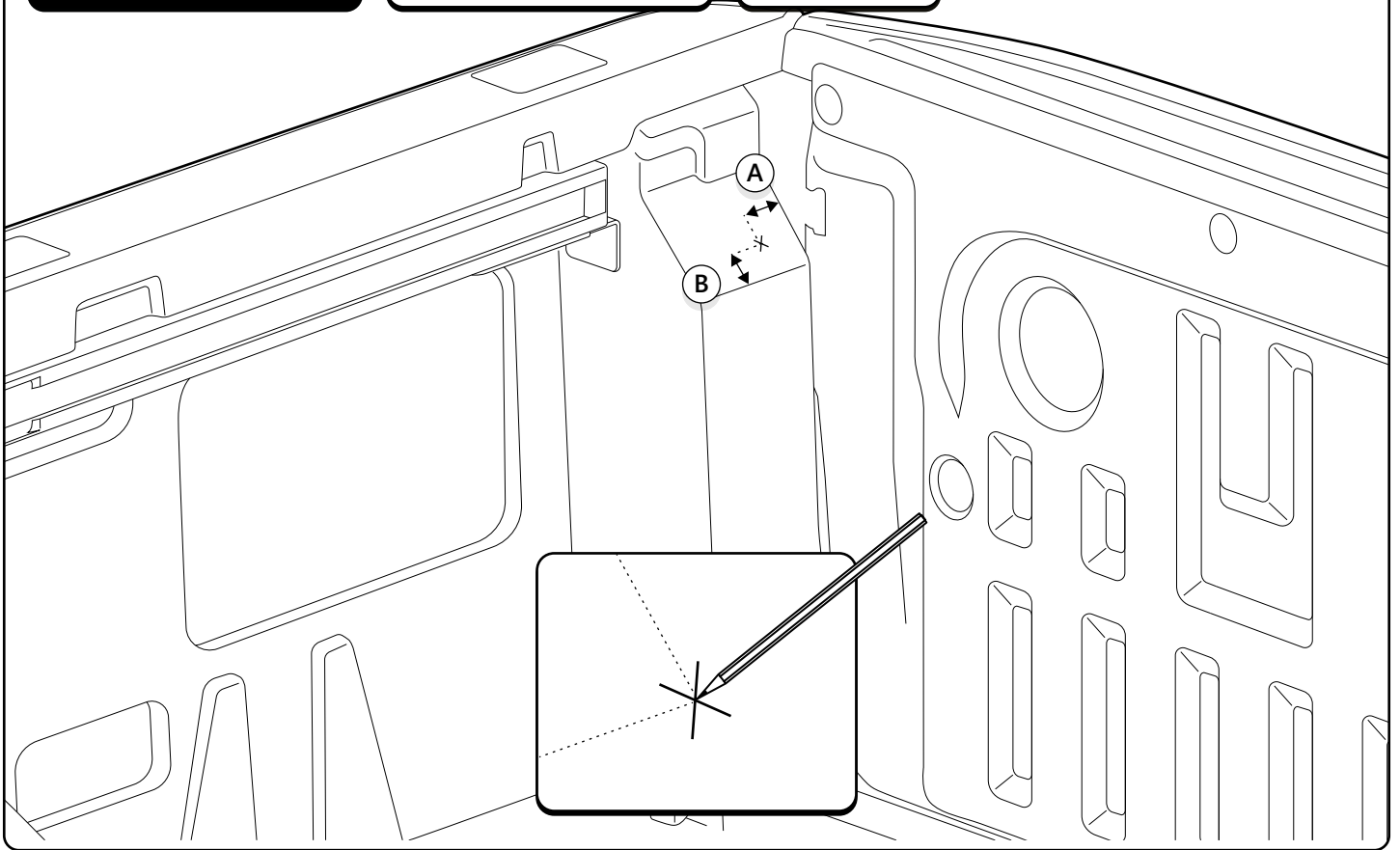


**ONLY WITH LINER**

**A: 30 mm B: 20 mm**



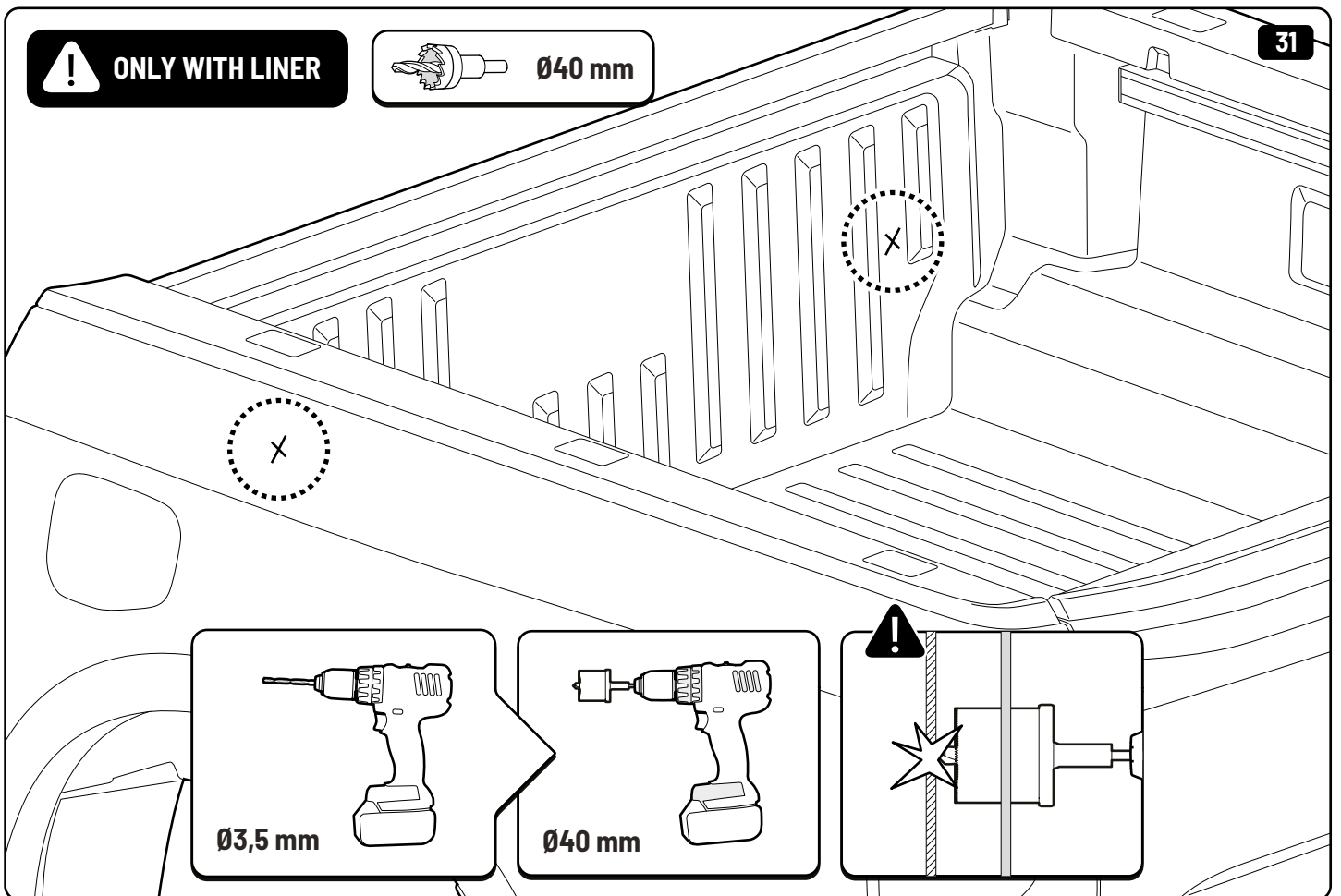
**30**



**ONLY WITH LINER**

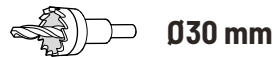
 **Ø40 mm**

**31**

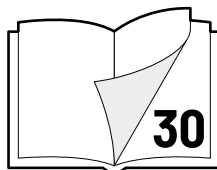
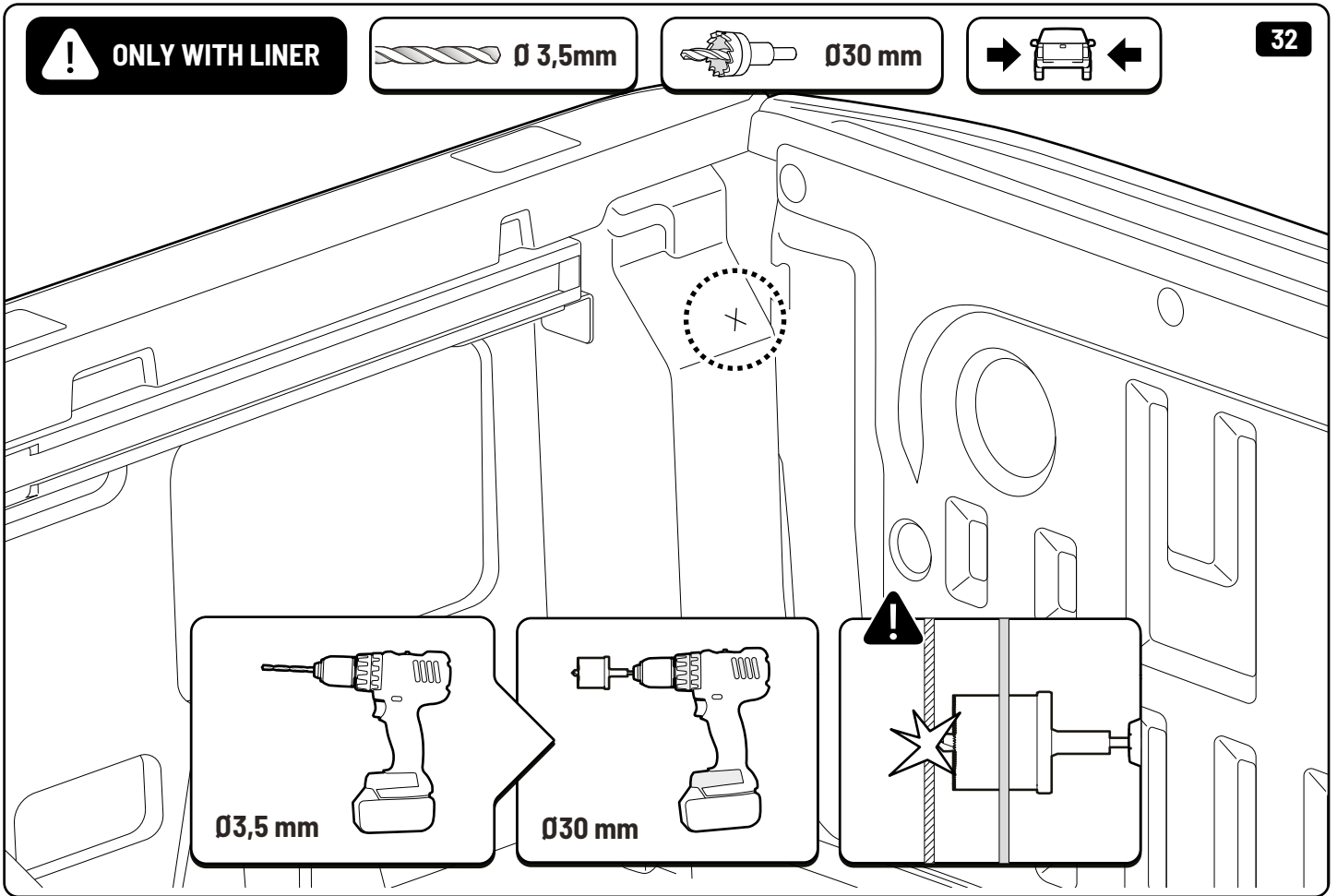


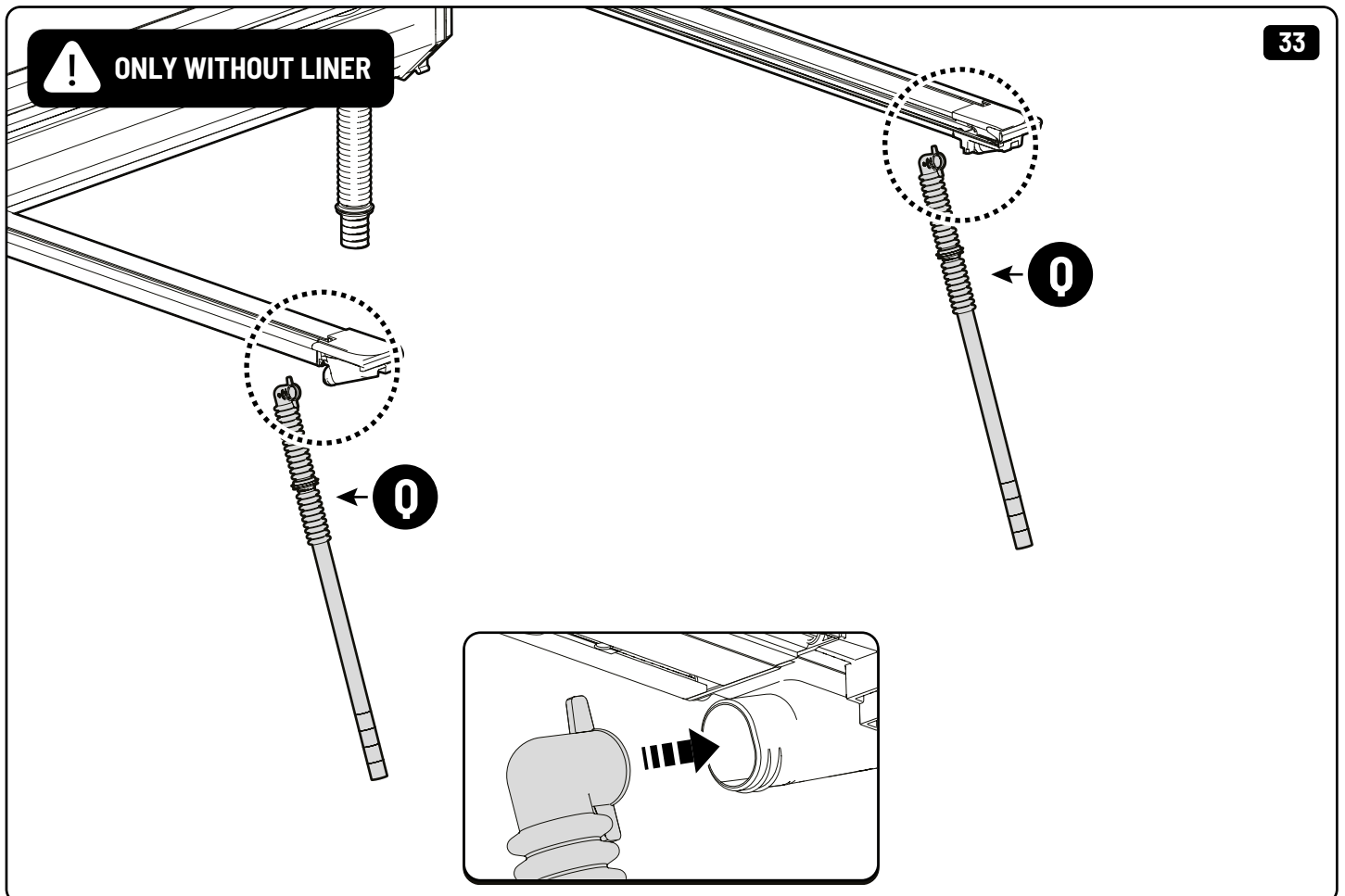
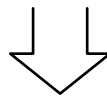
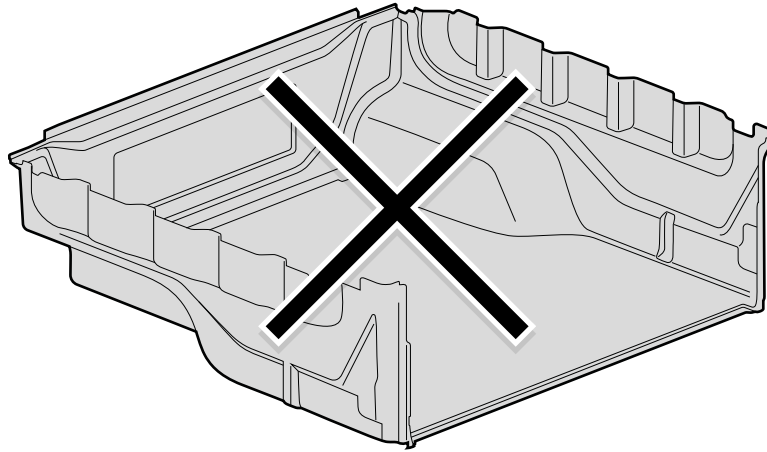


**ONLY WITH LINER**



**32**

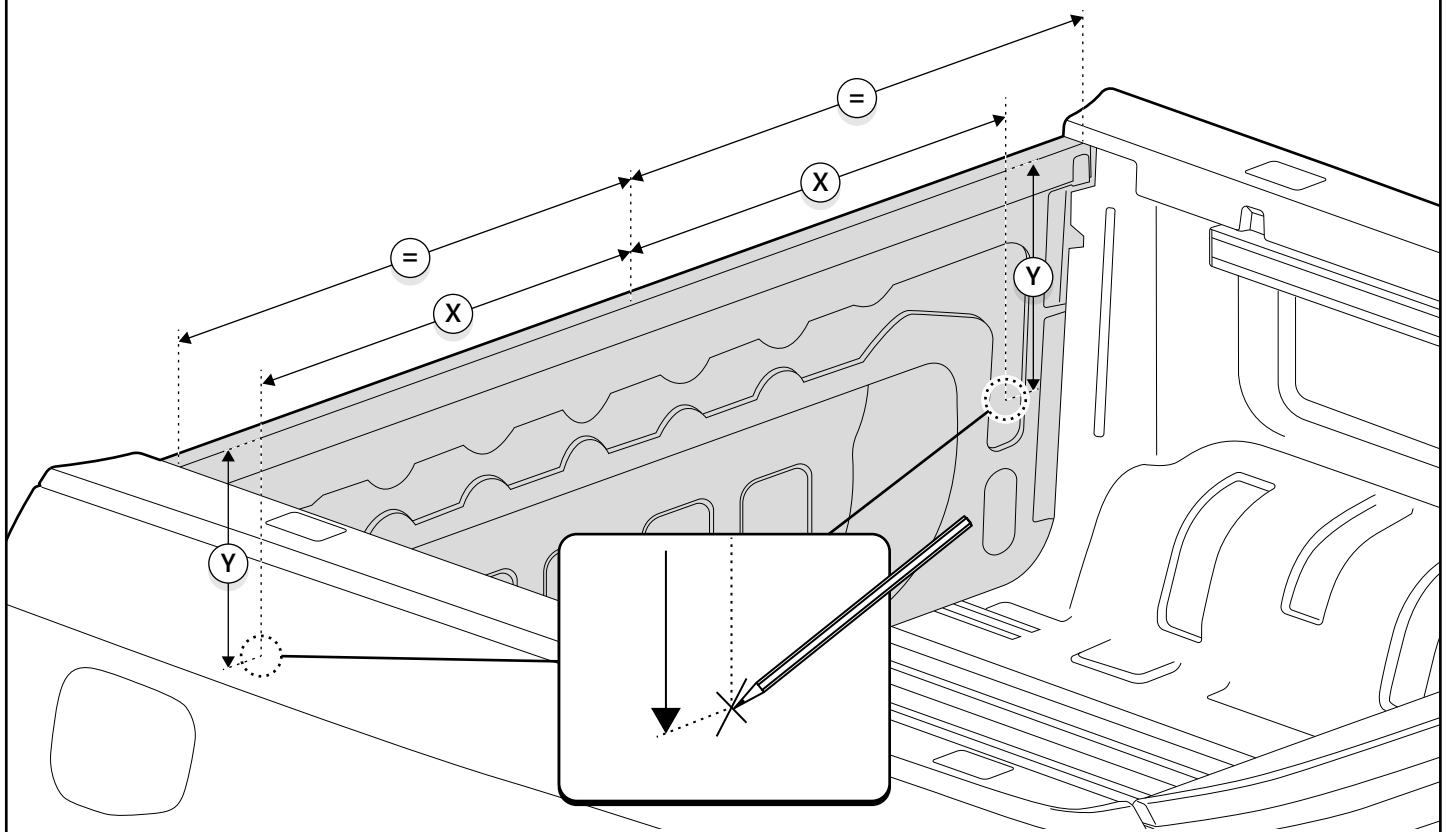




**!** ONLY WITHOUT LINER

**!** EUROPEAN MODEL

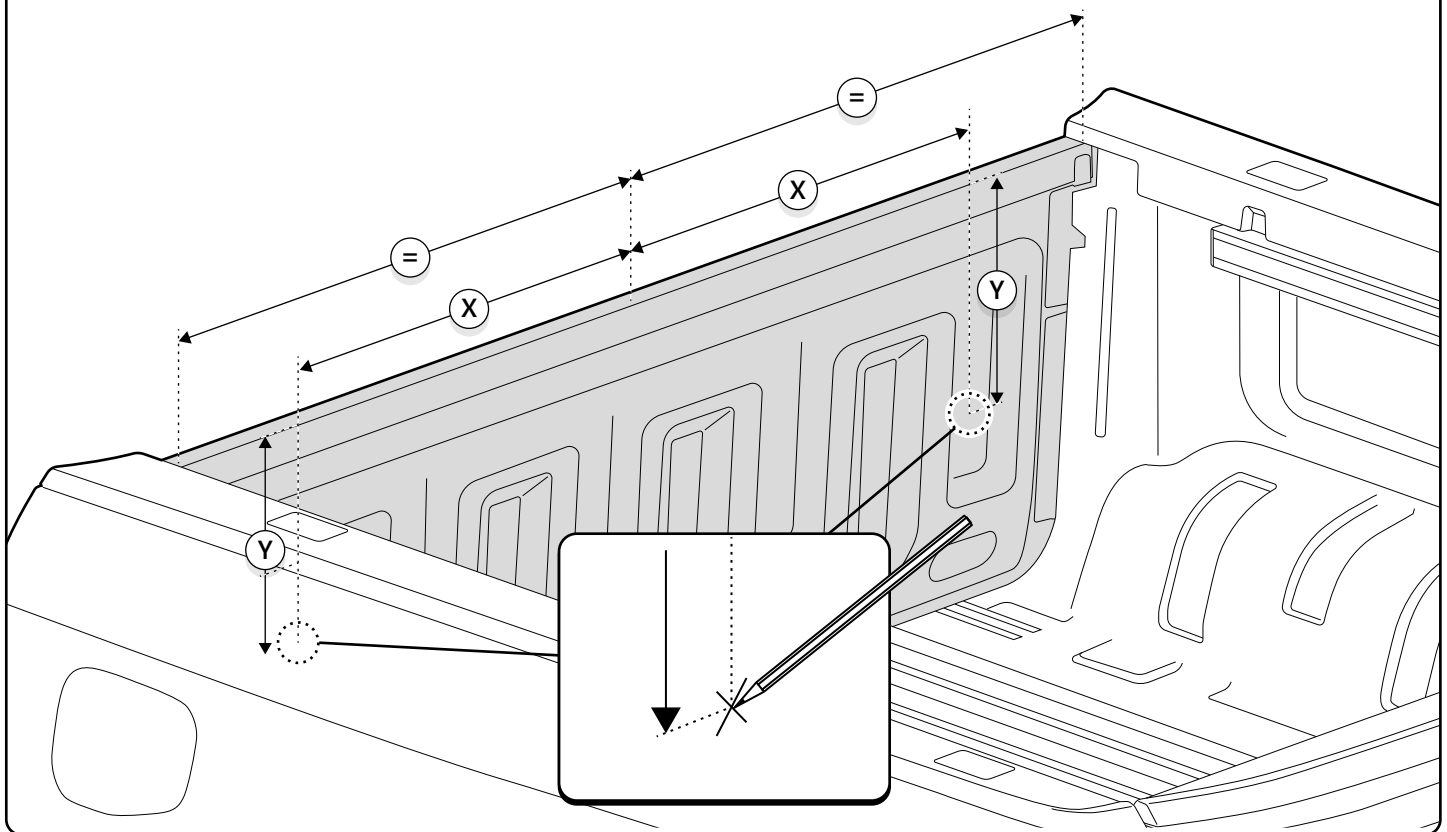
X: 650 mm Y: 290 mm



**!** ONLY WITHOUT LINER

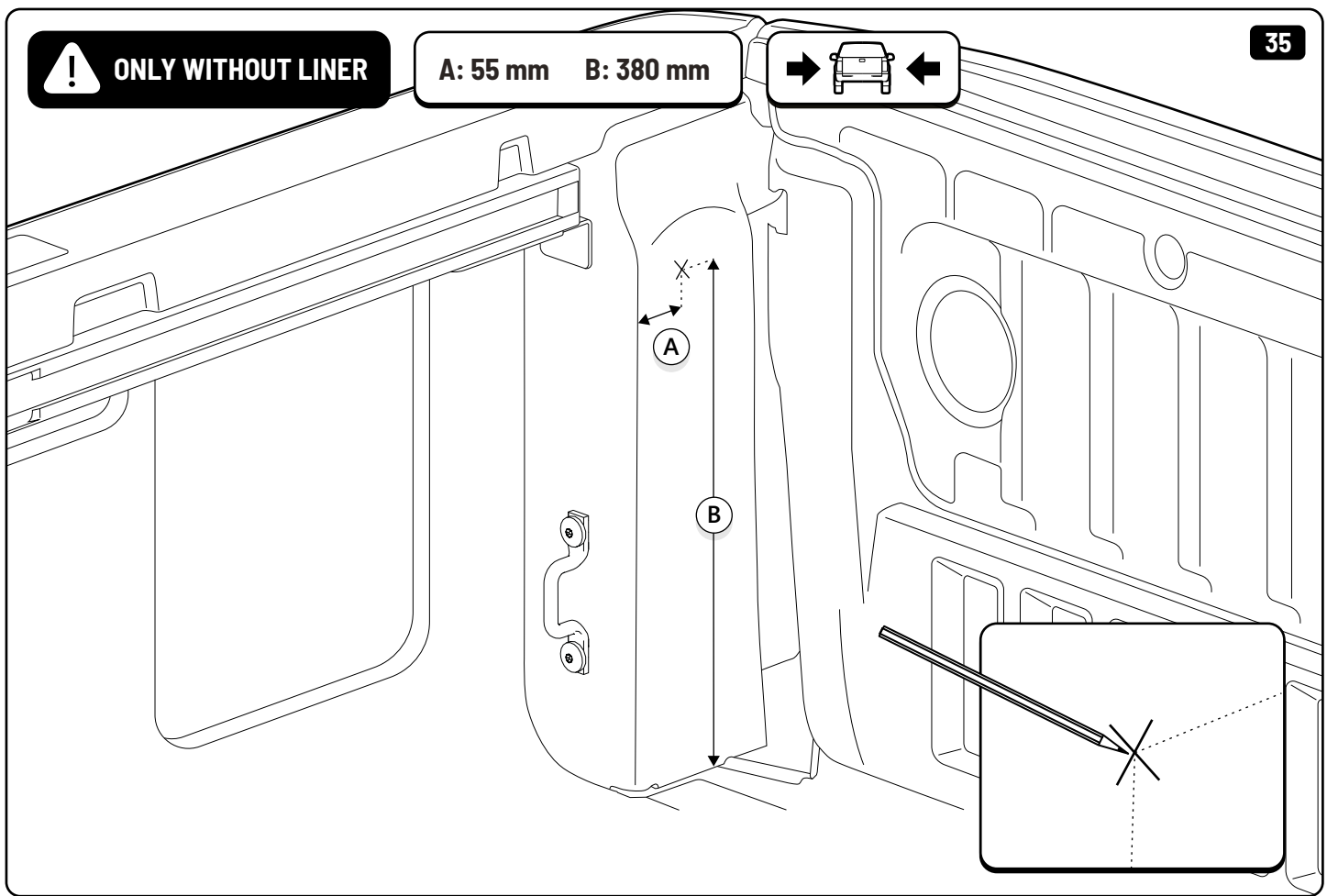
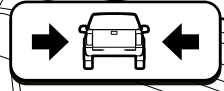
**!** OTHER MODELS

X: 580 mm Y: 290 mm



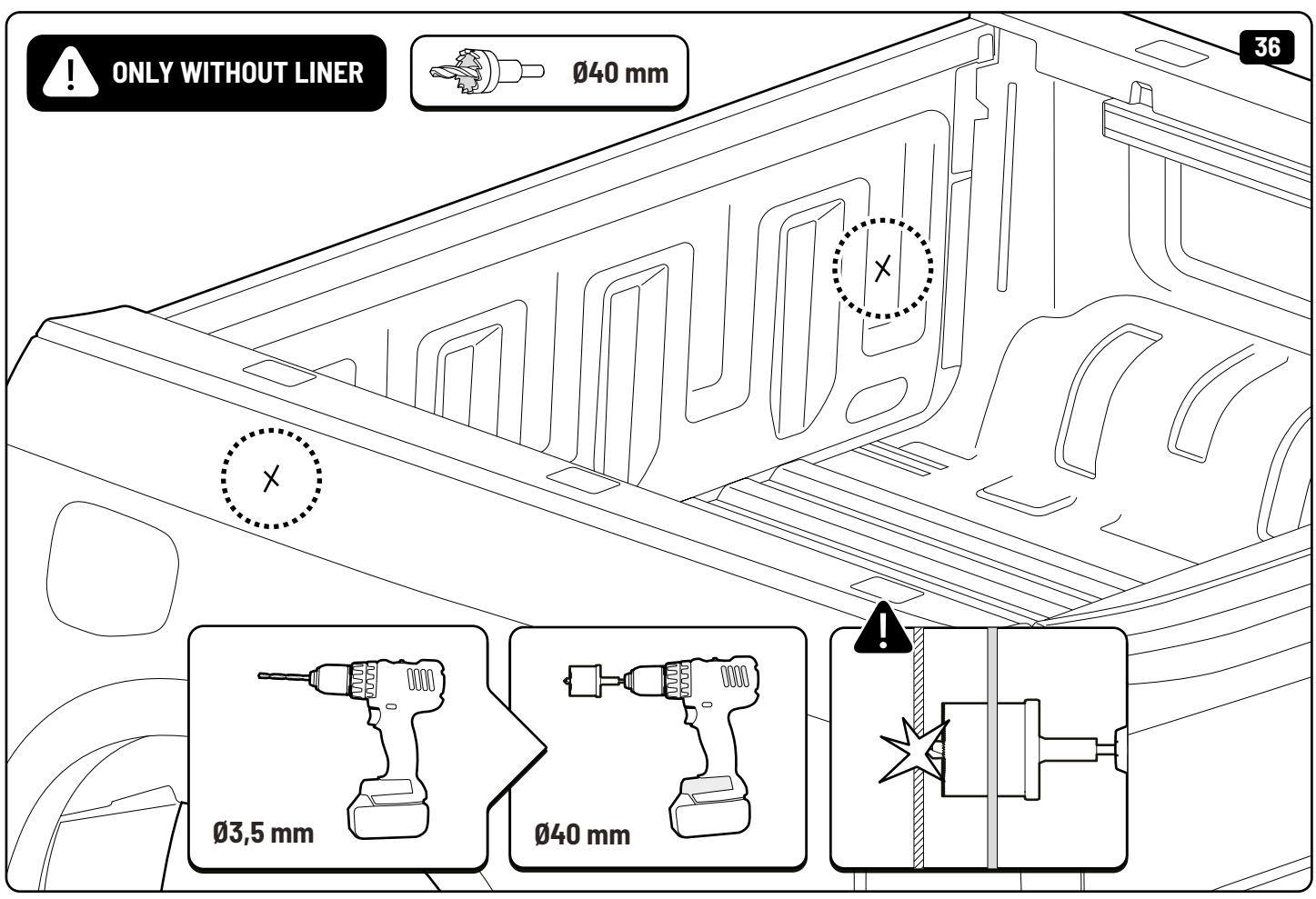
**!** ONLY WITHOUT LINER

A: 55 mm B: 380 mm



**!** ONLY WITHOUT LINER

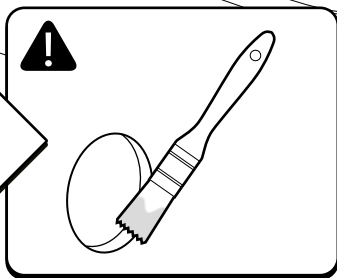
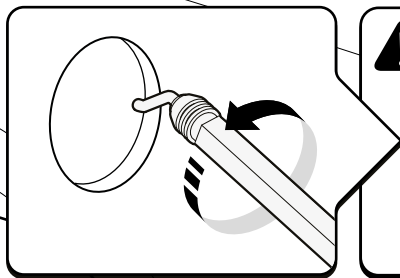
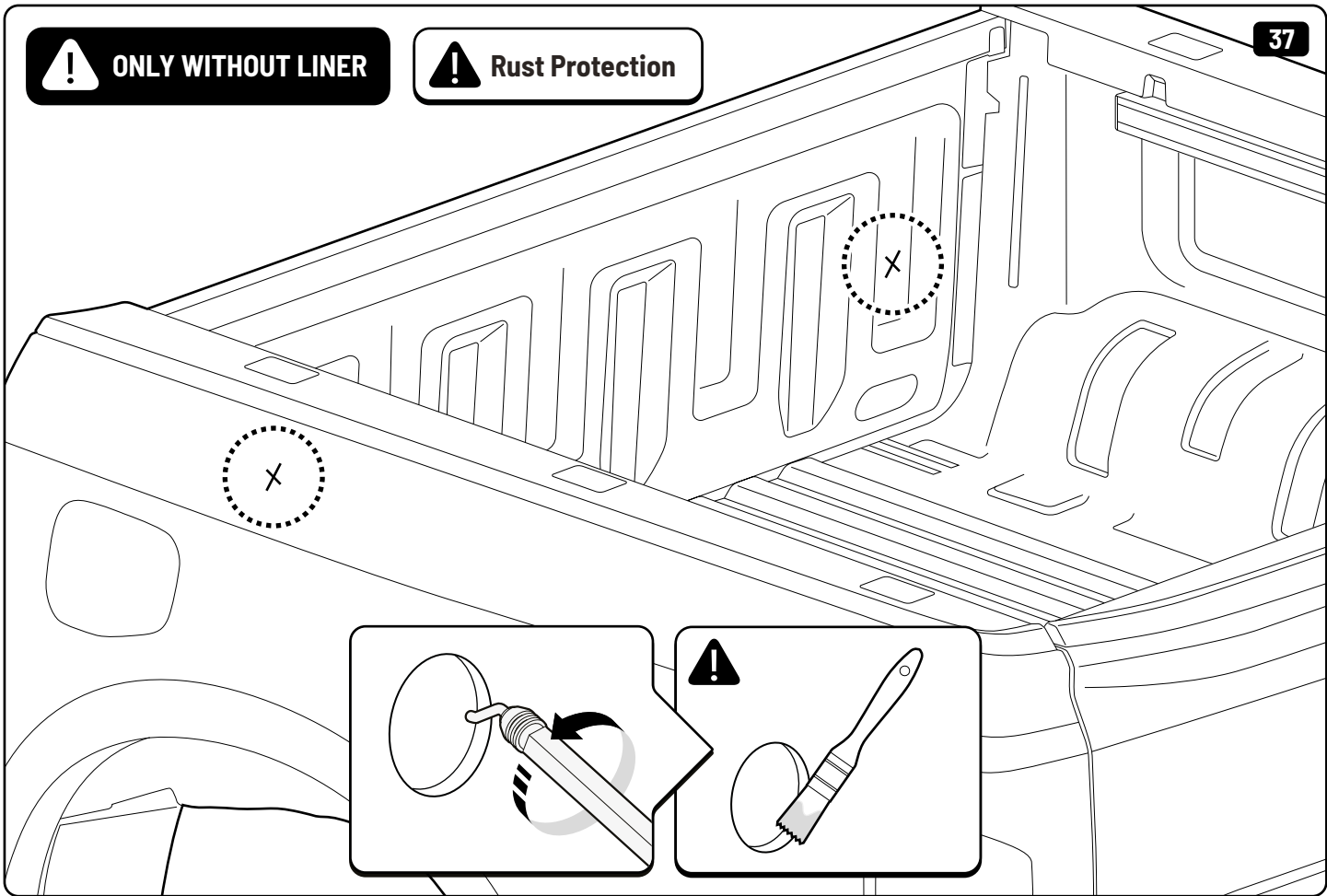
Ø40 mm





**!** ONLY WITHOUT LINER

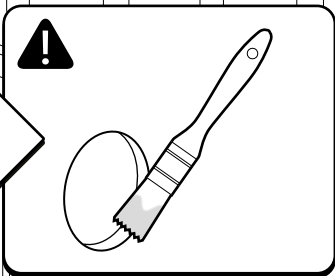
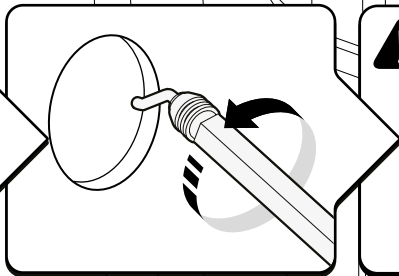
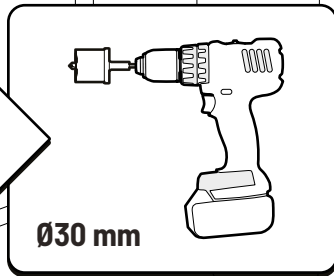
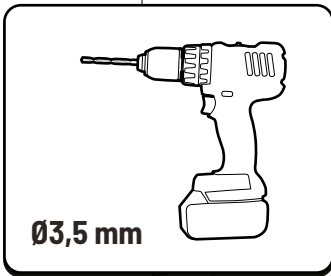
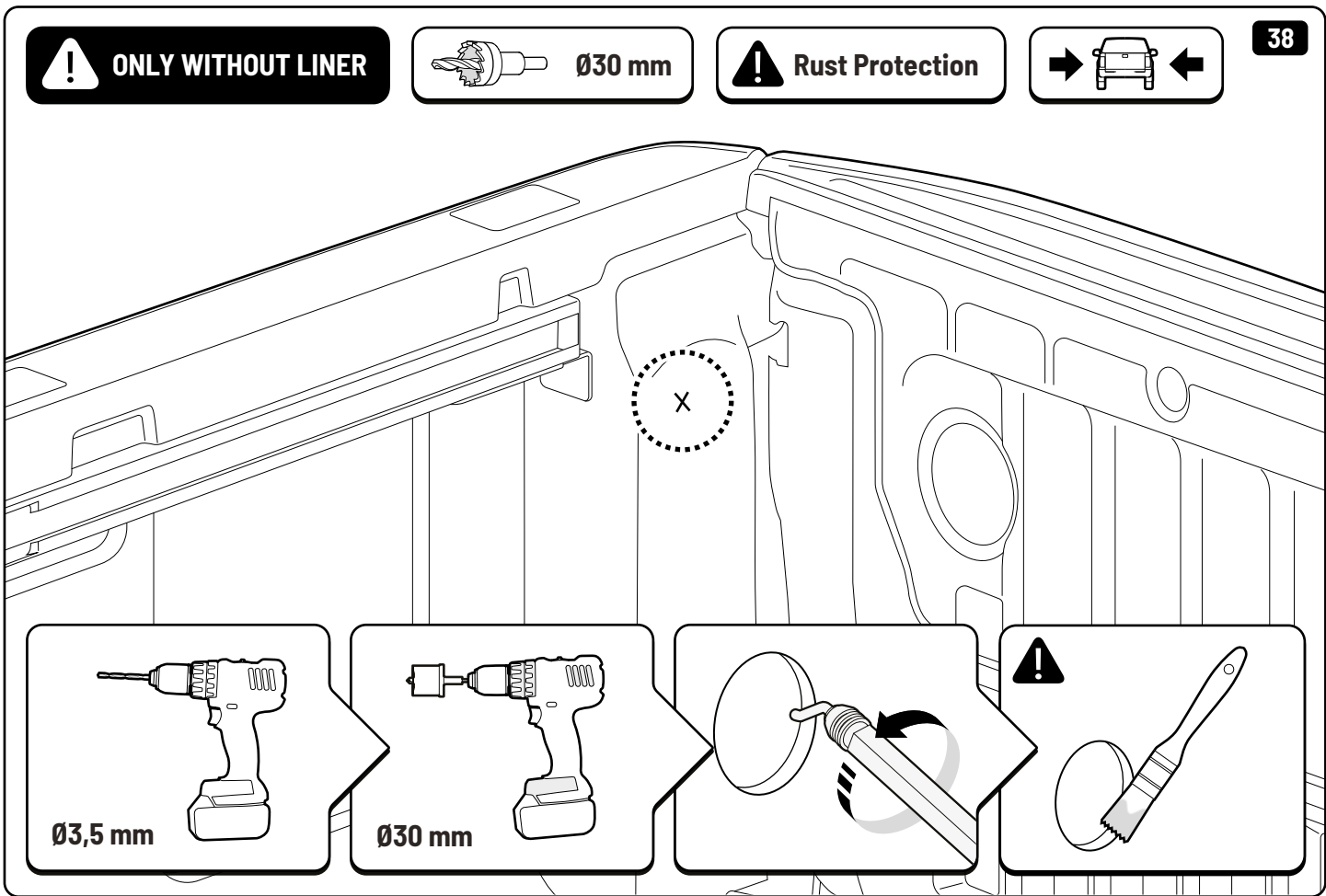
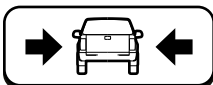
**!** Rust Protection

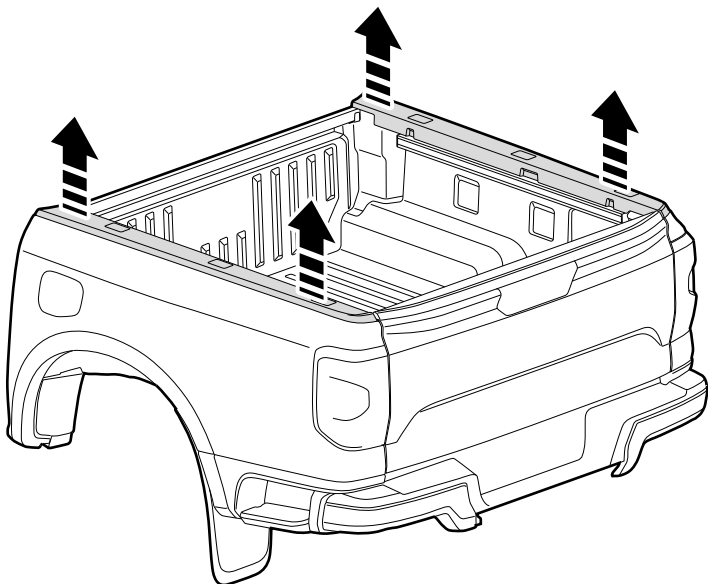


**!** ONLY WITHOUT LINER

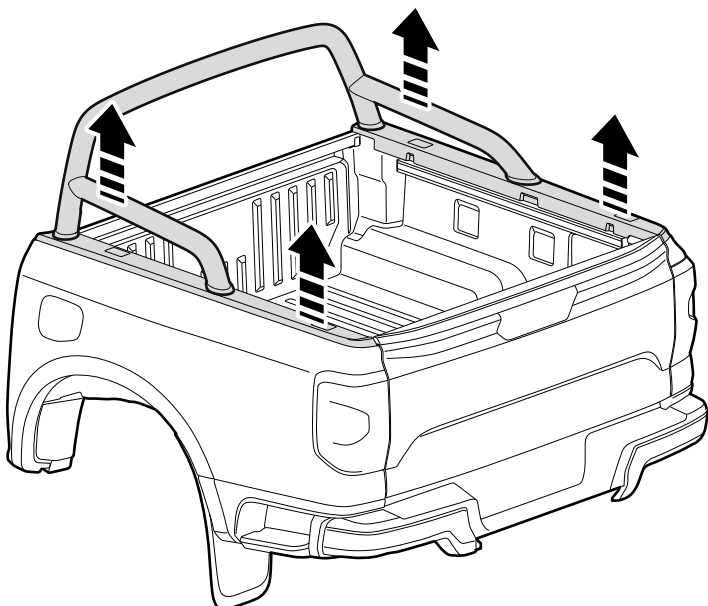
 Ø30 mm

**!** Rust Protection

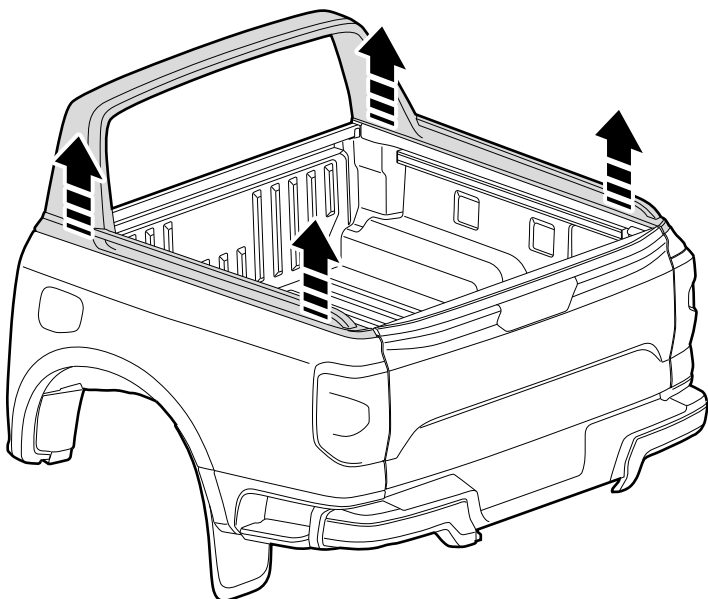




**Ford XLT / Raptor**



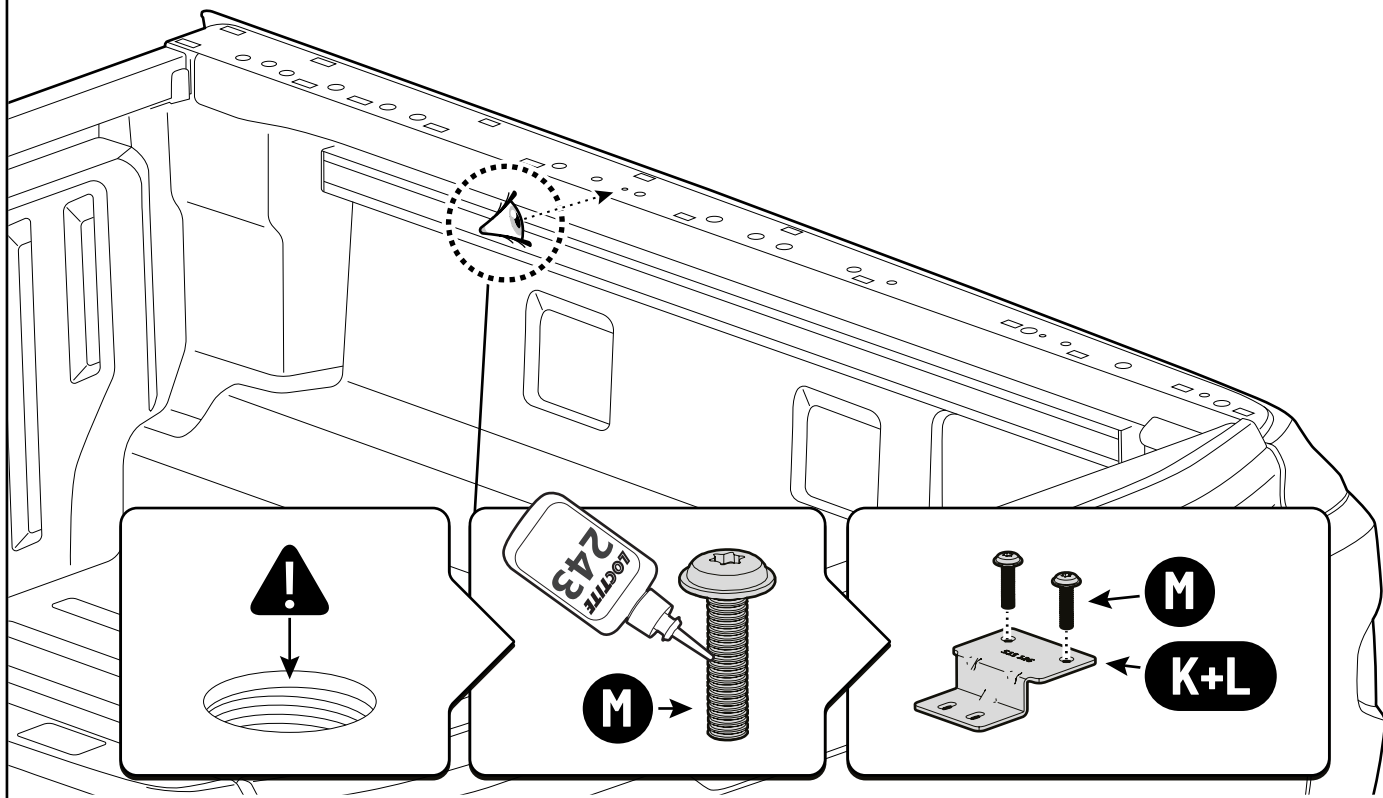
**Ford XLT / Raptor**



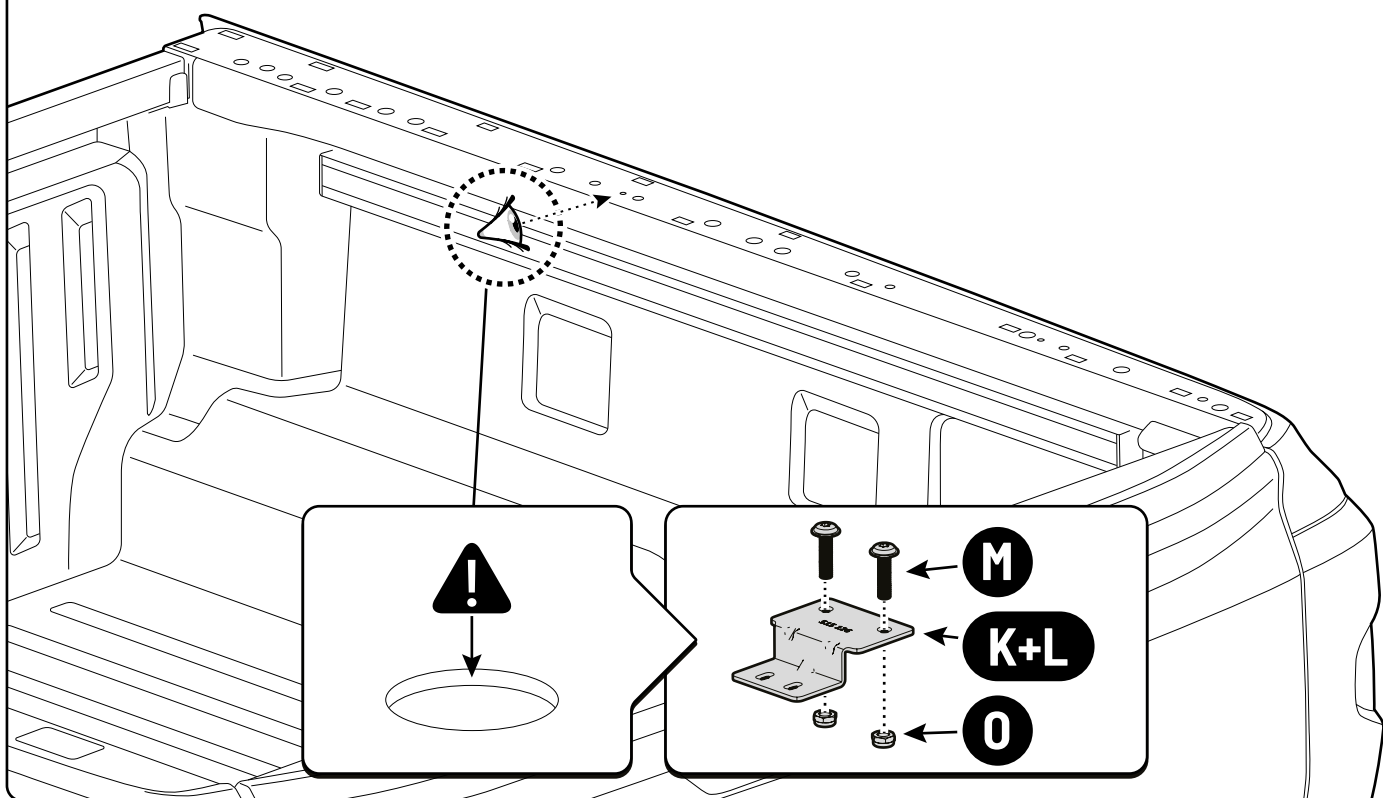
**Ford Wildtrak**

**! ONLY FOR THREADED HOLES**

 **LOCTITE 243**

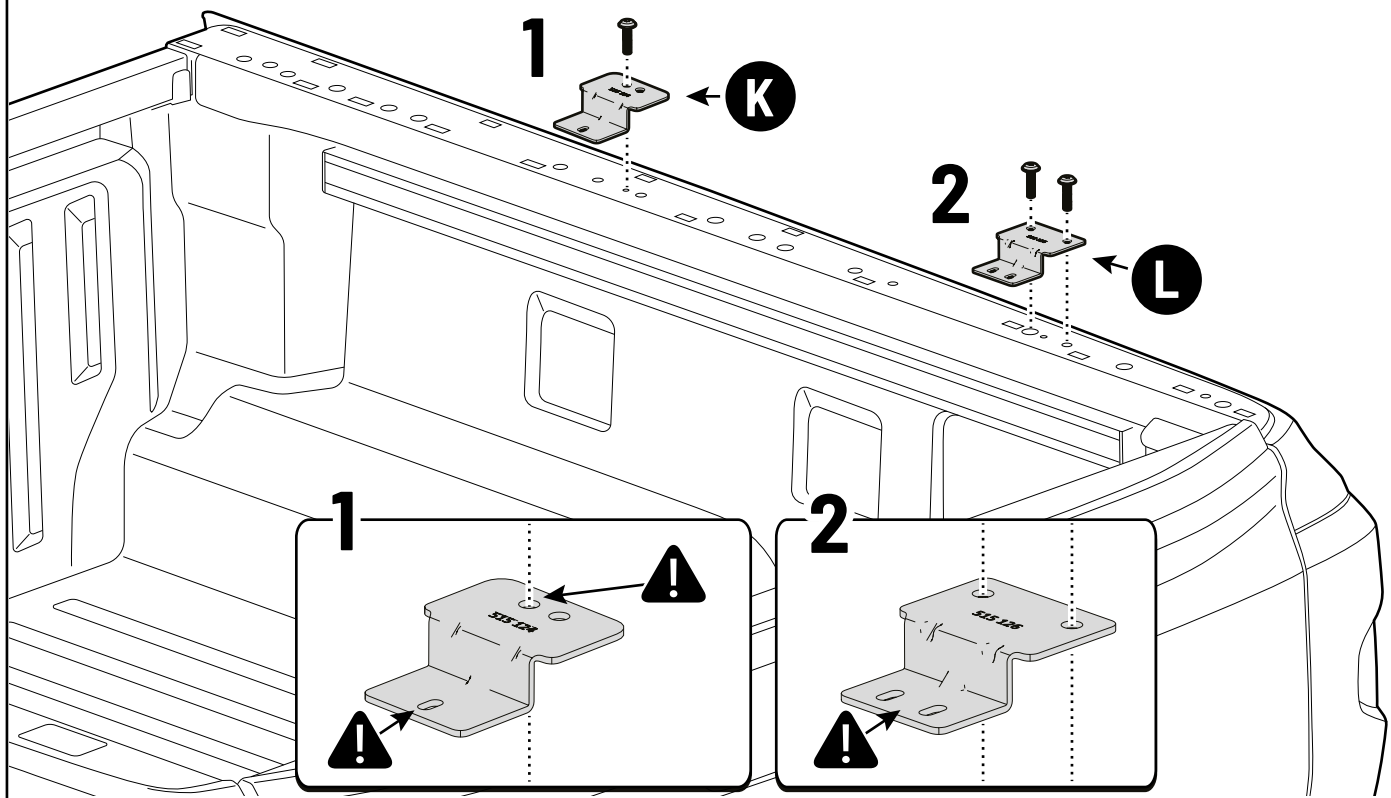
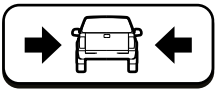


**! ONLY FOR NON-THREADED HOLES**



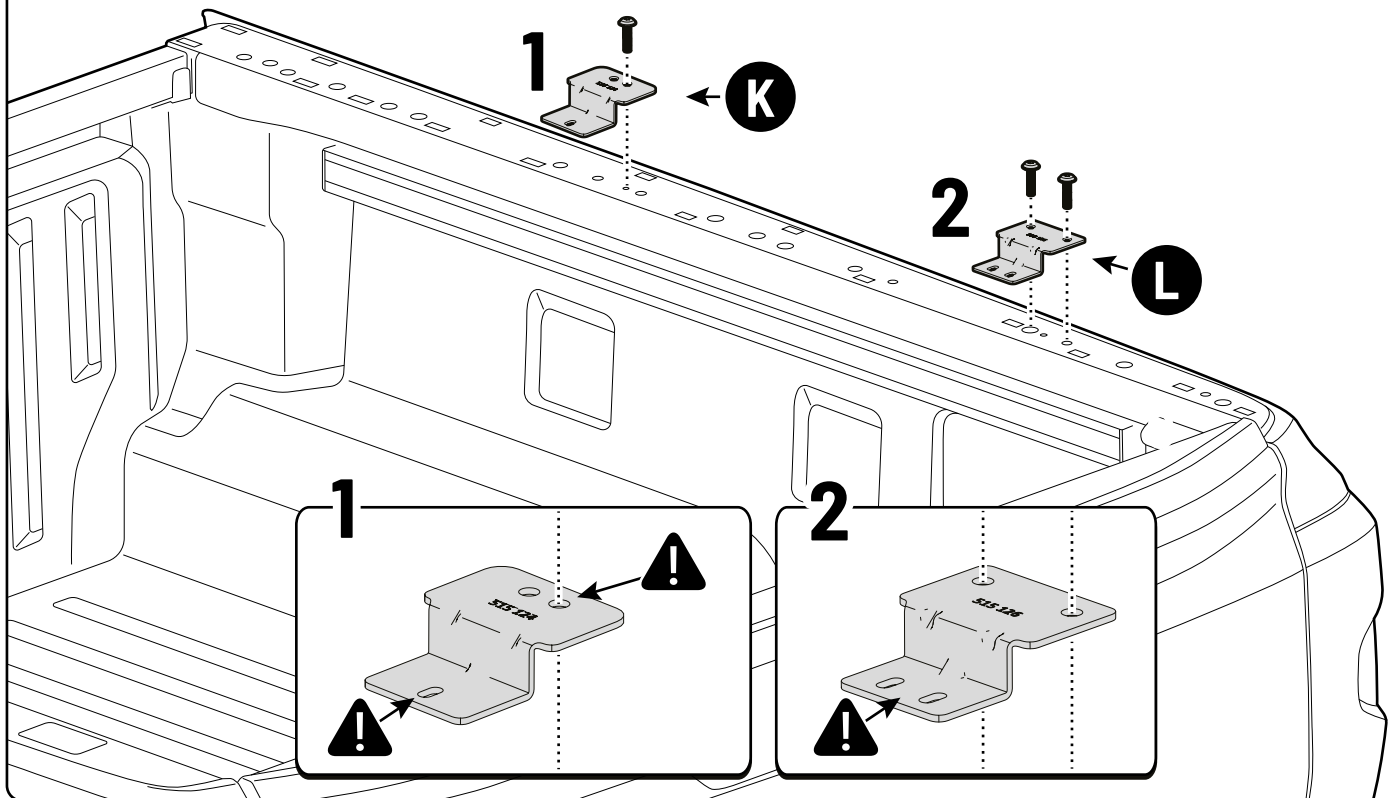
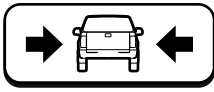
**!** FORD XLT / RAPTOR - DOUBLE CAB

T40 13 mm 25 Nm



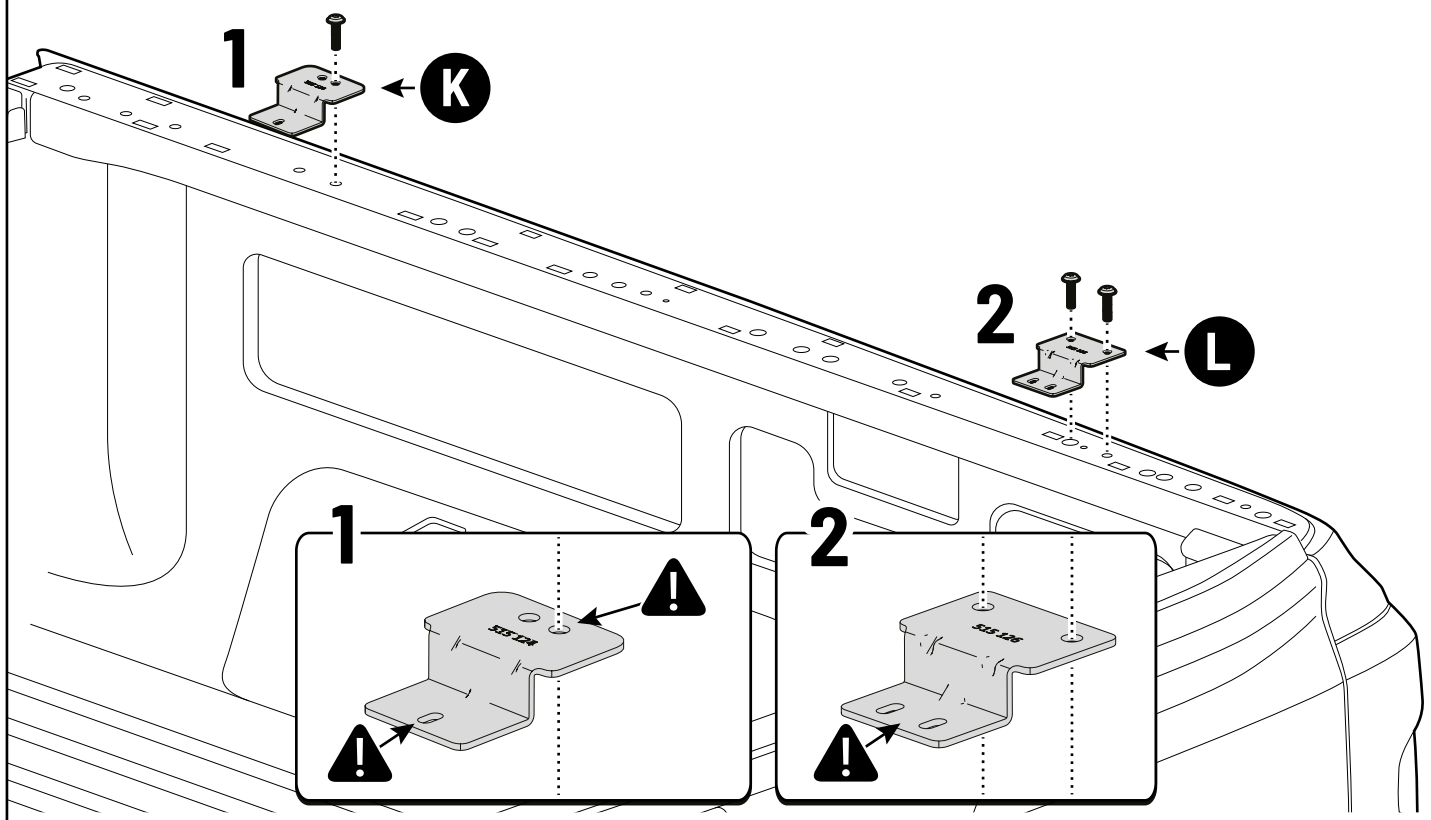
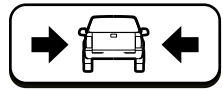
**!** FORD WILDTRAK - DOUBLE CAB

T40 13 mm 25 Nm



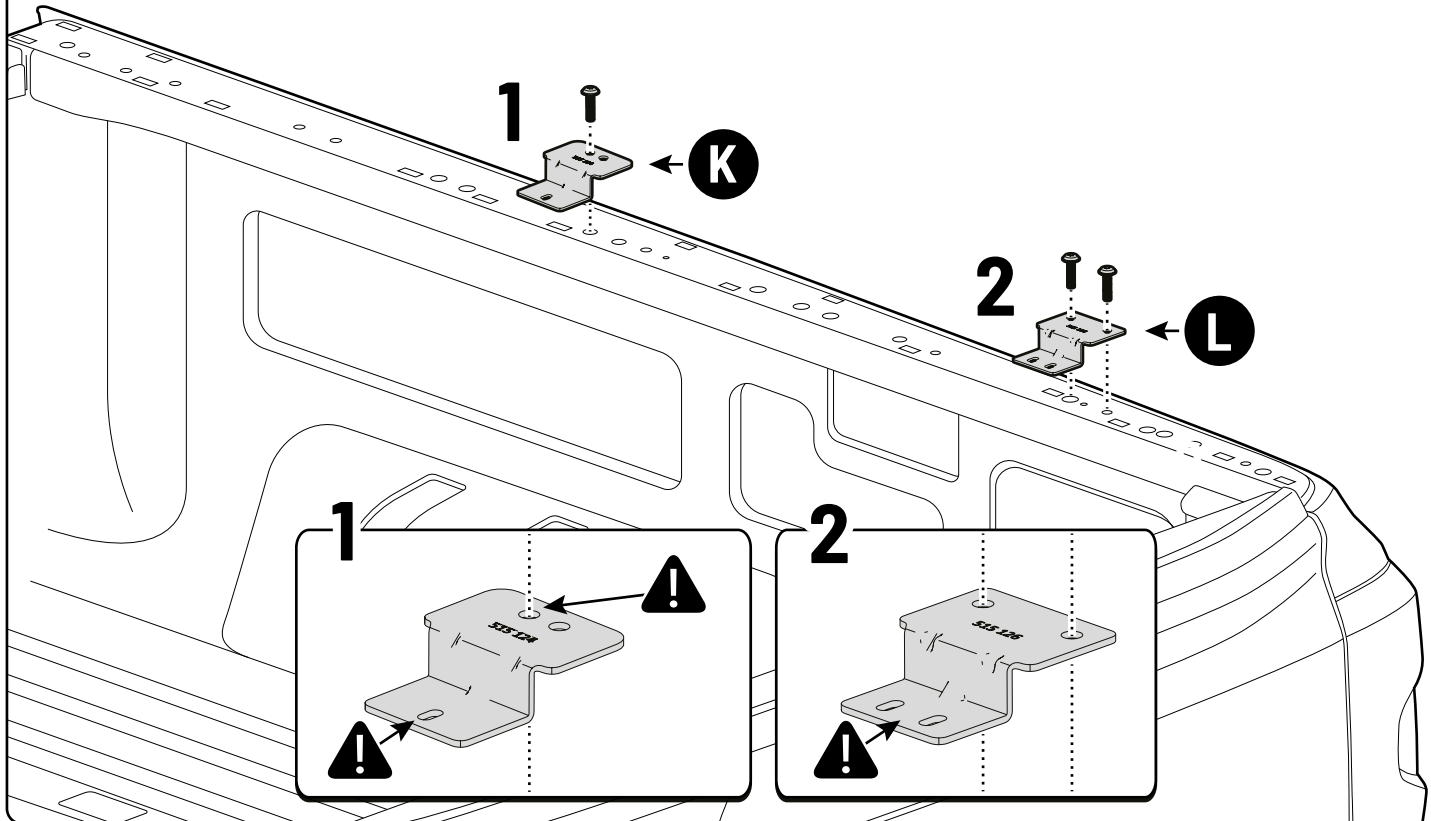
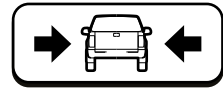
**! WITH SPORTS BAR ACCESSORY - RAP CAB**

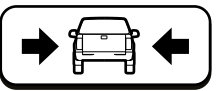
T40 13 mm 25 Nm



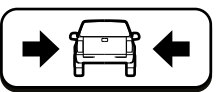
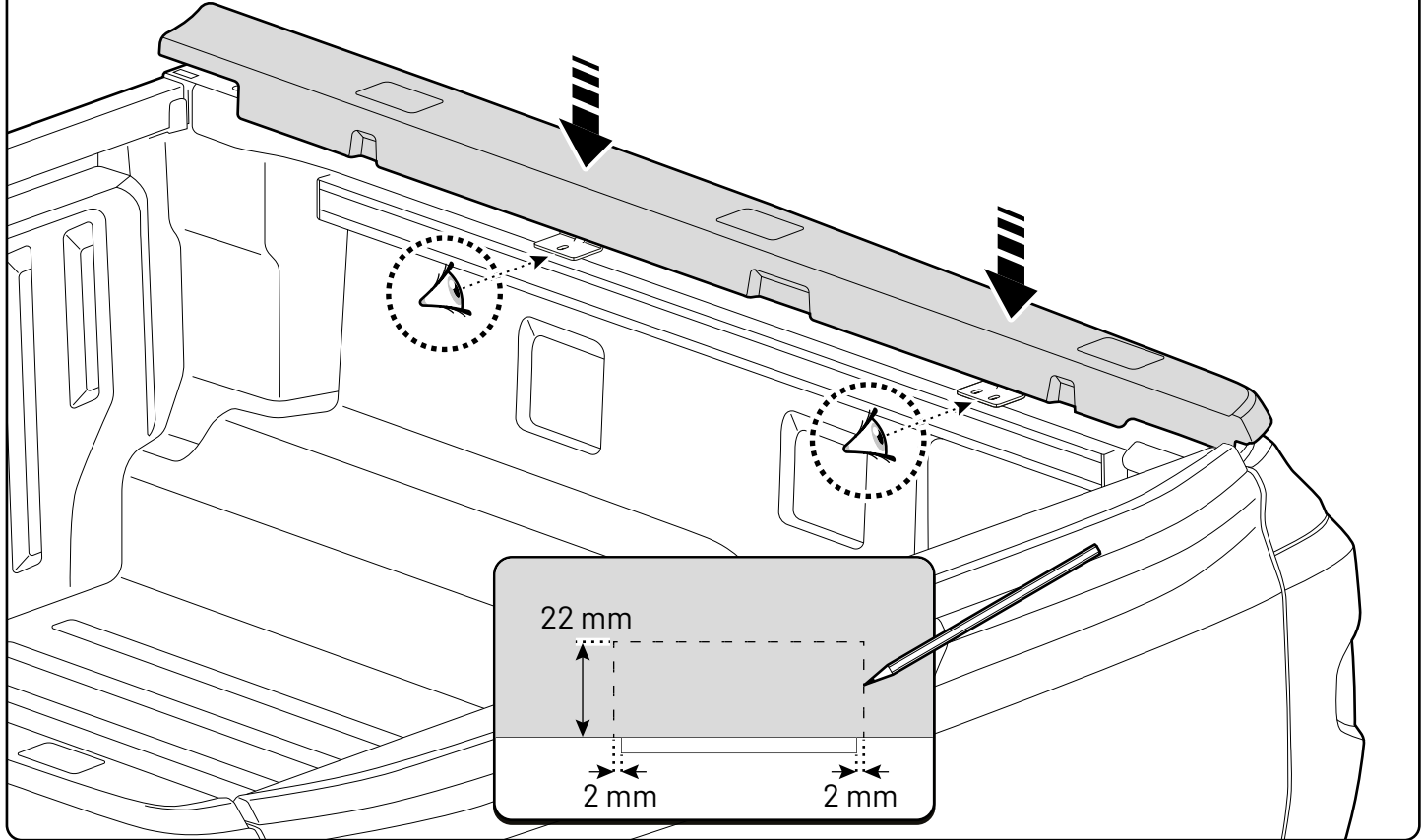
**! WITHOUT SPORTS BAR ACCESSORY - RAP CAB**

T40 13 mm 25 Nm

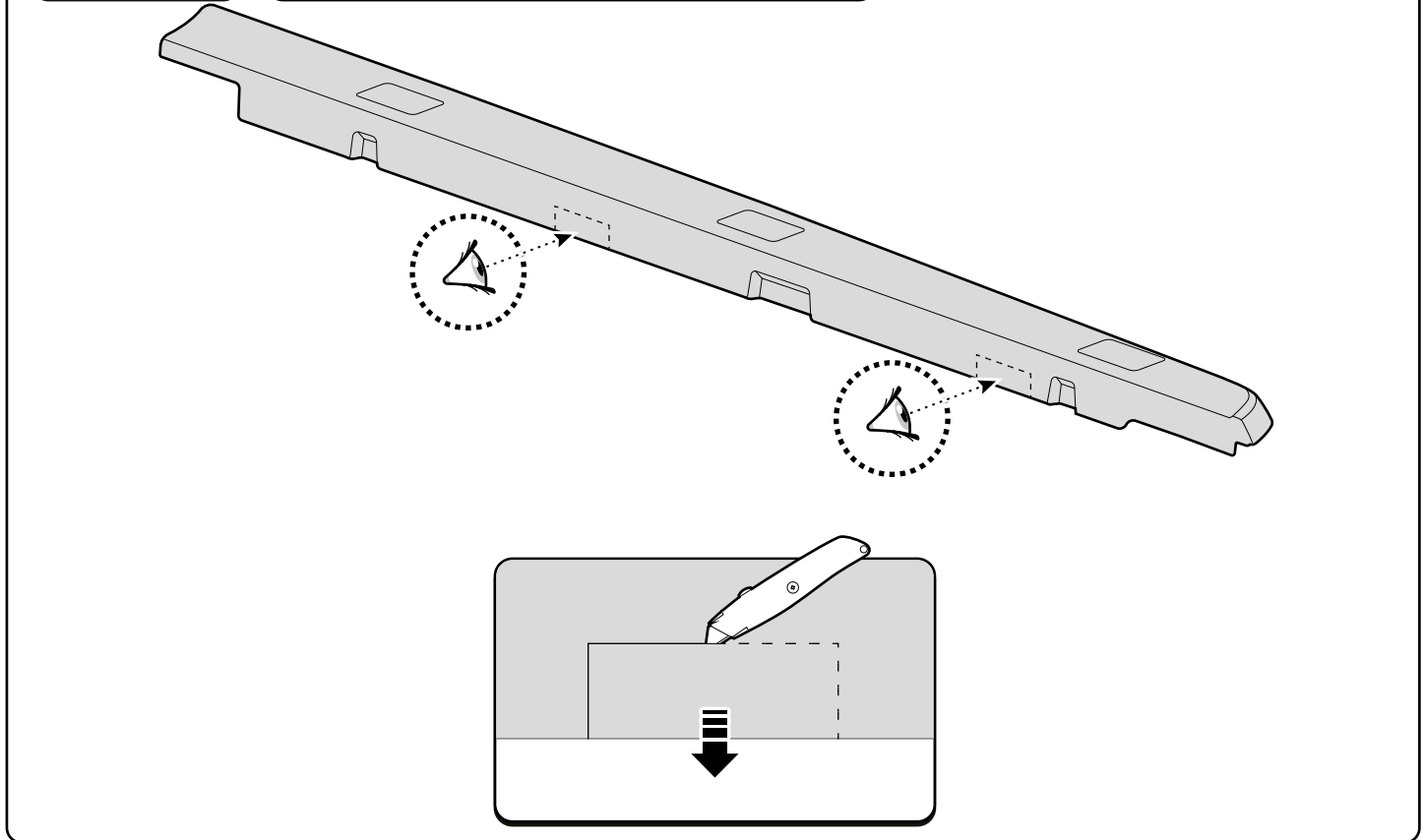


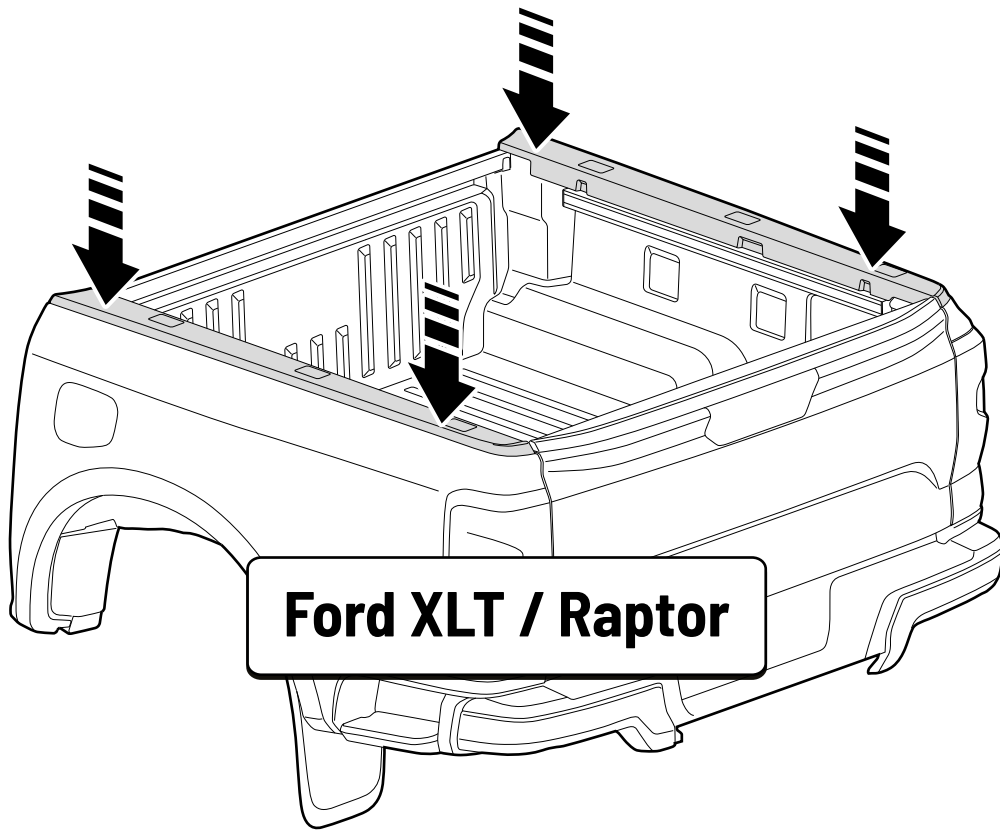


**! ONLY FOR FORD RANGER XLT / RAPTOR**

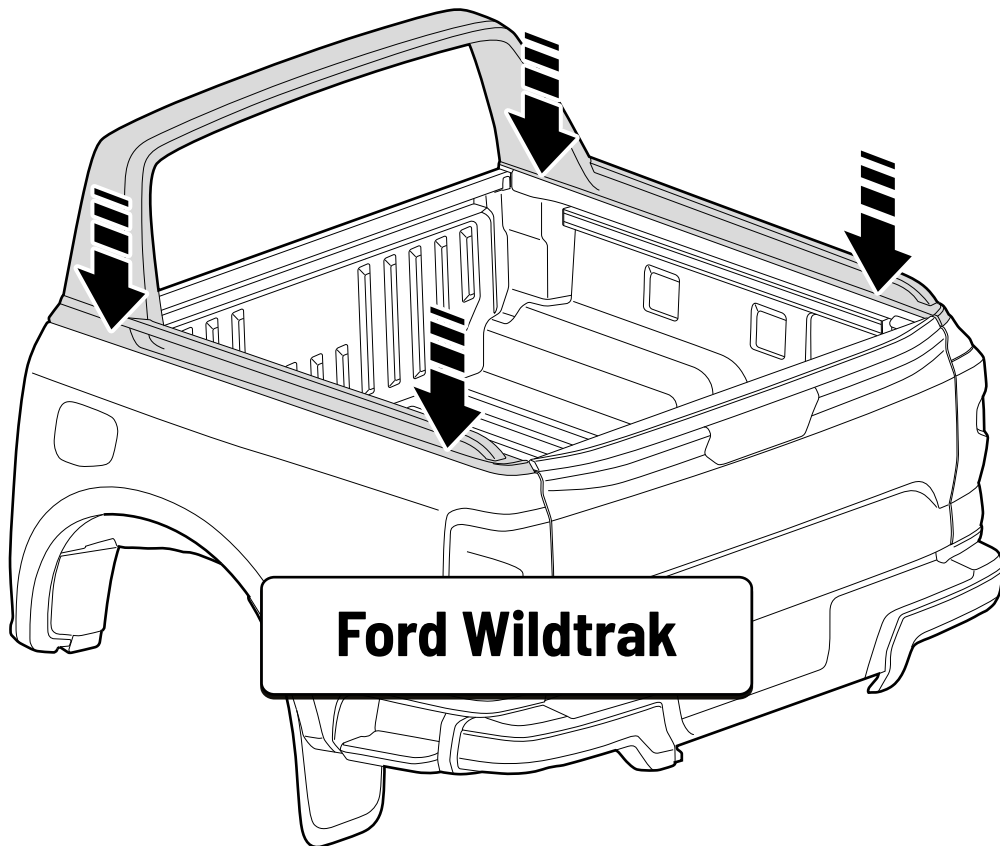


**! ONLY FOR FORD RANGER XLT / RAPTOR**



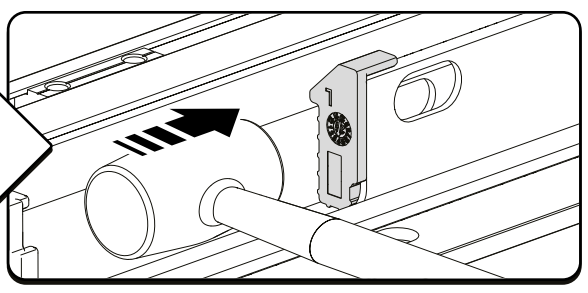
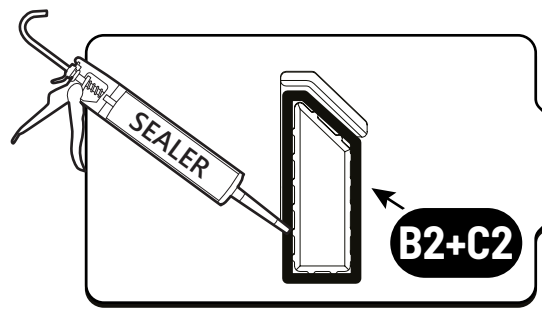
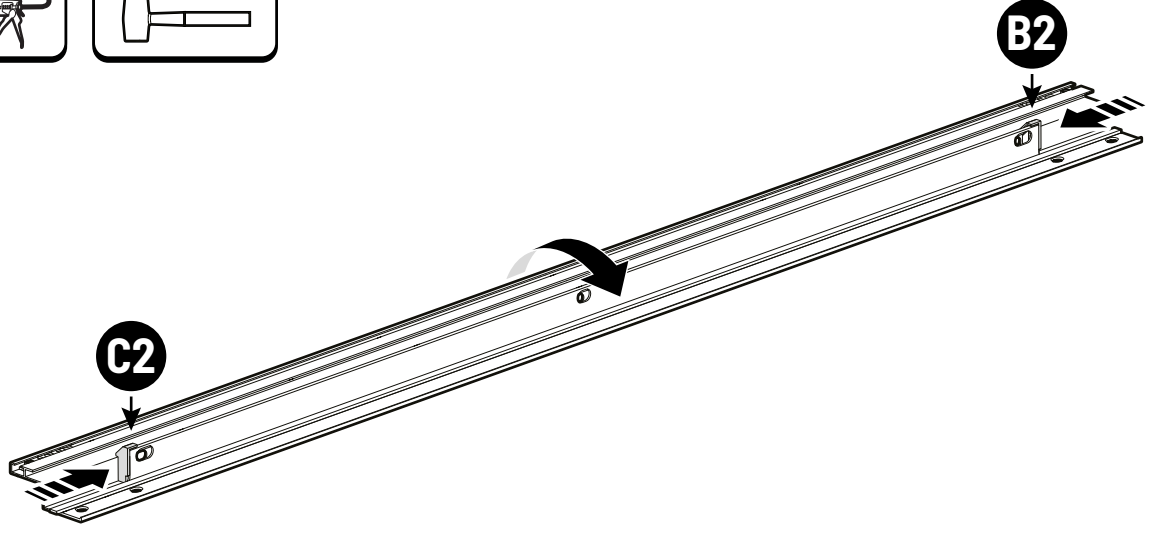
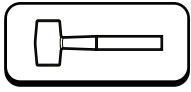
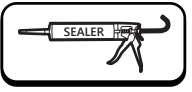
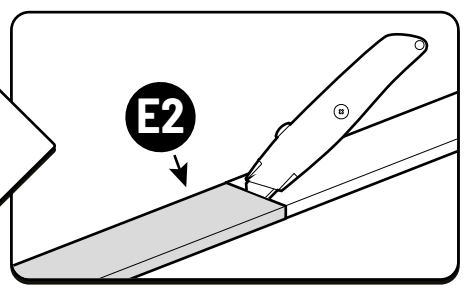
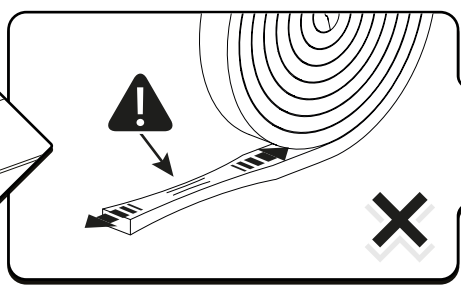
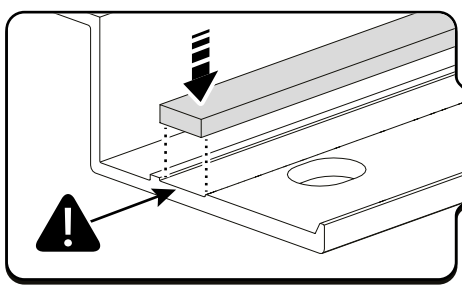
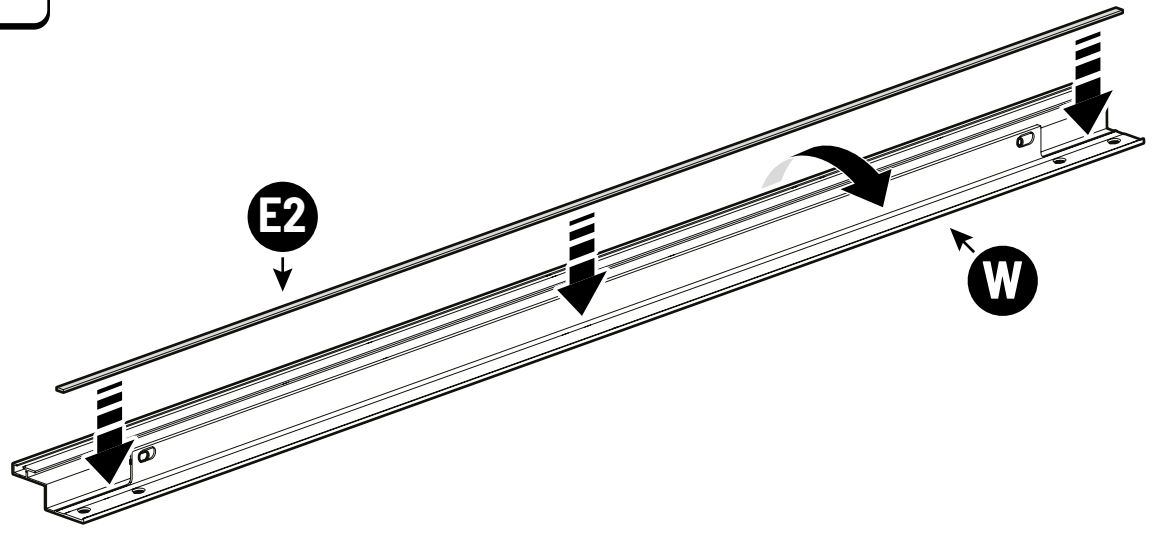
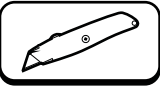


**Ford XLT / Raptor**

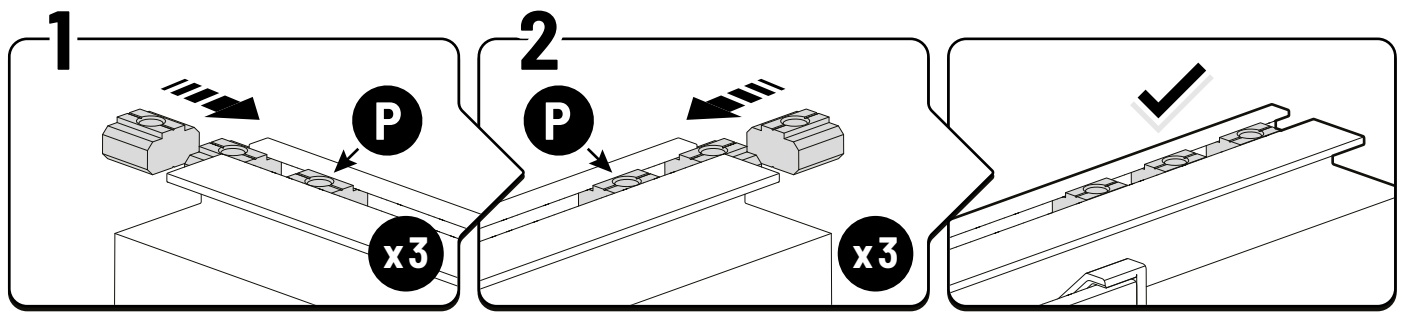
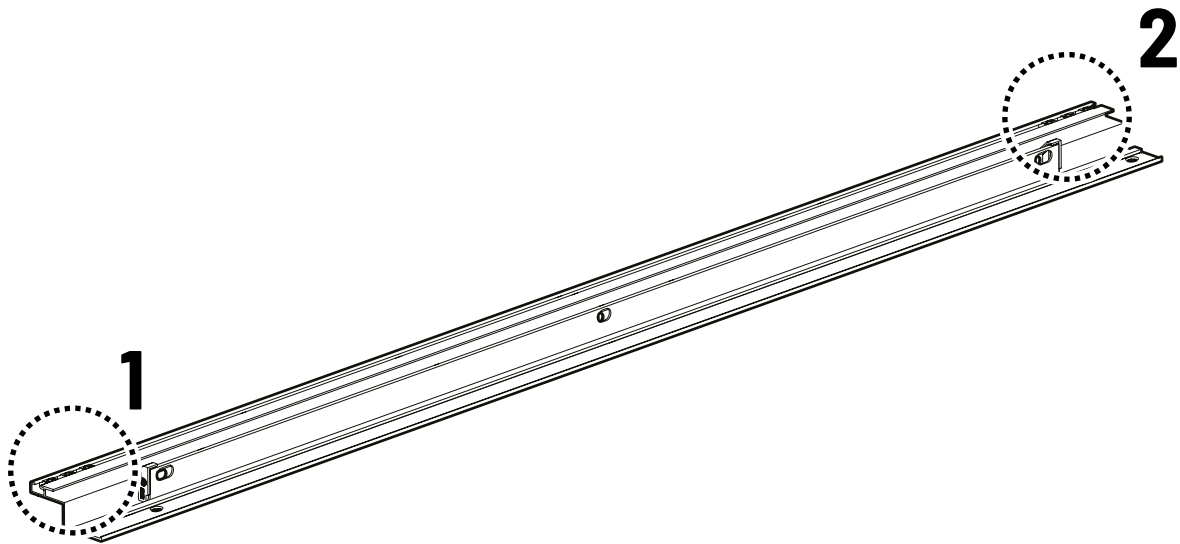


**Ford Wildtrak**

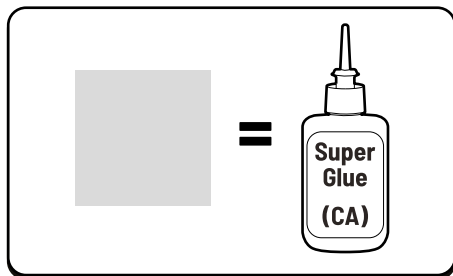
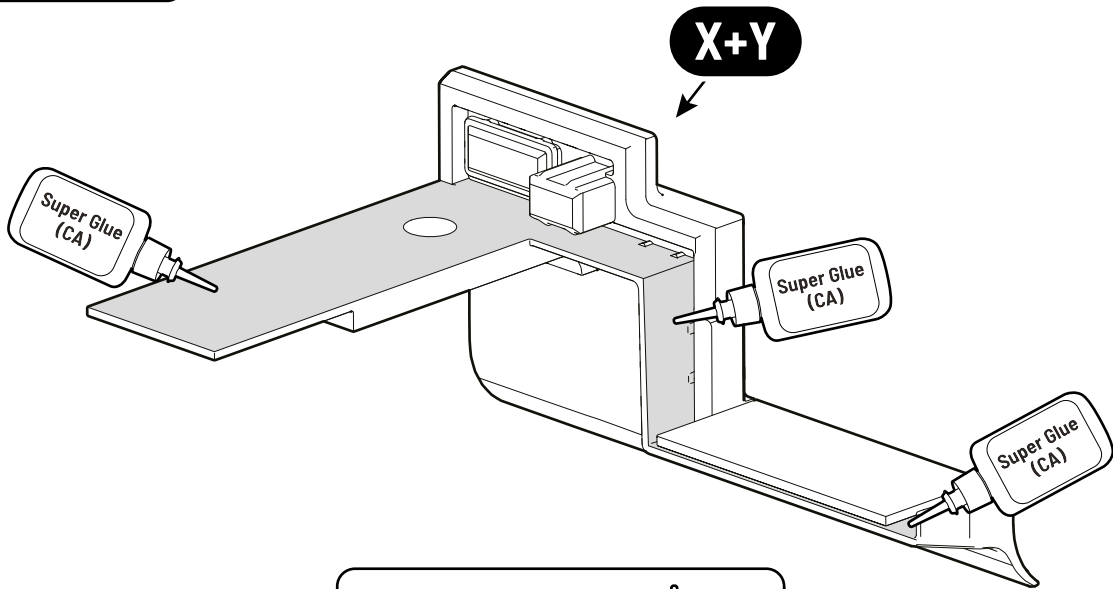








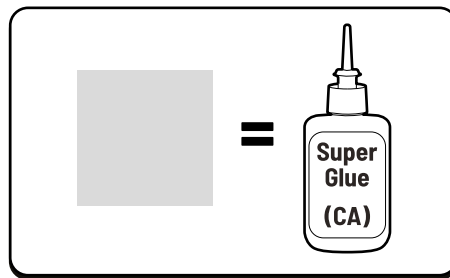
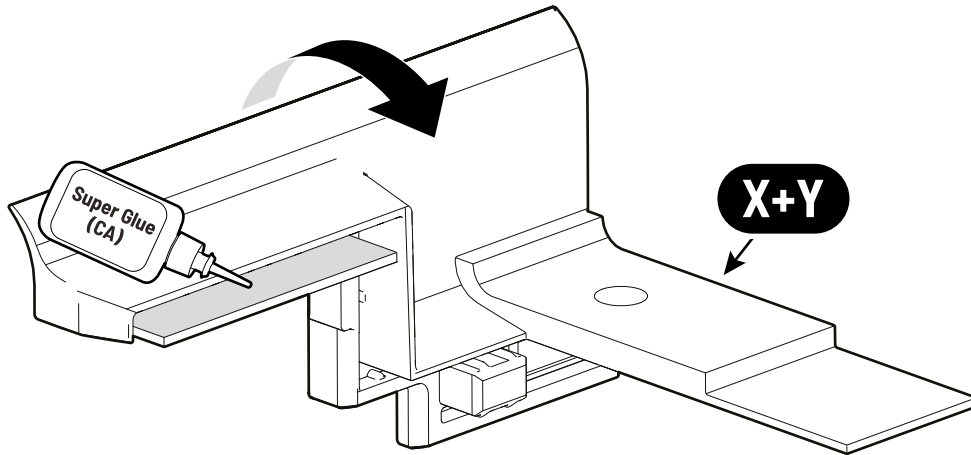
 **Super Glue (CA)**



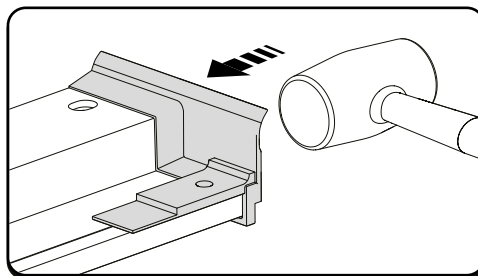
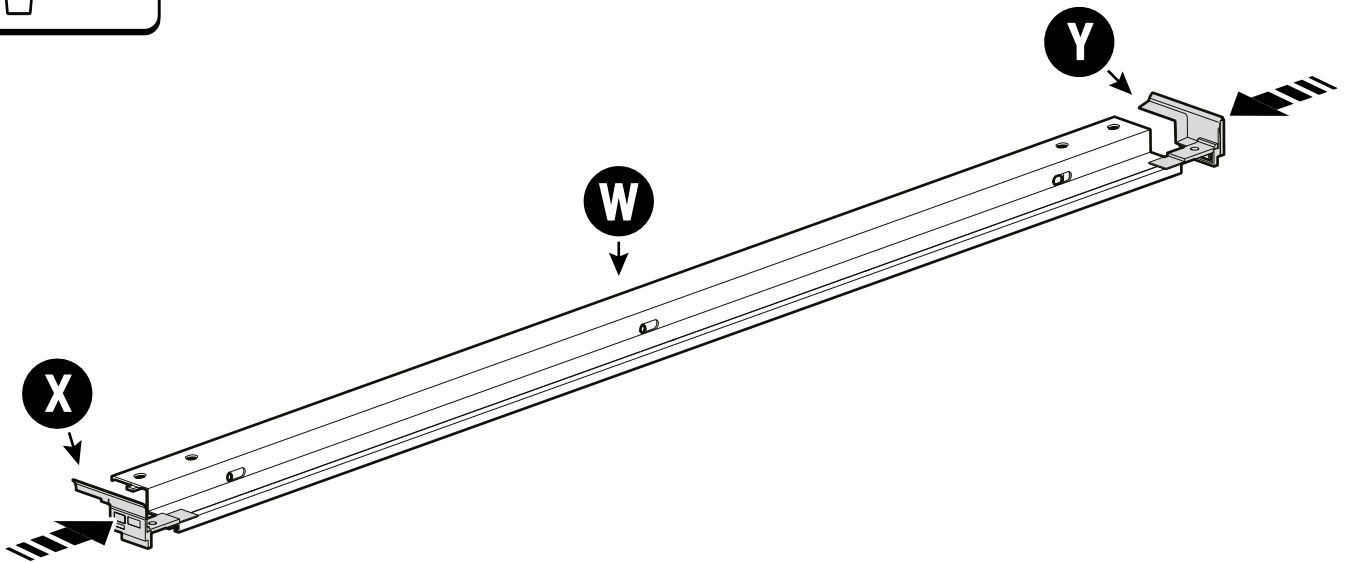


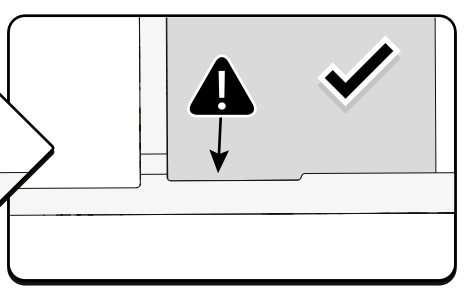
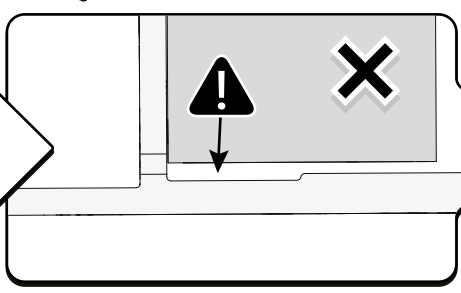
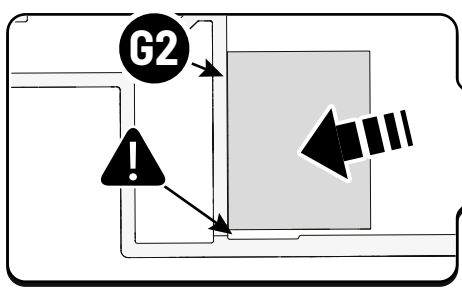
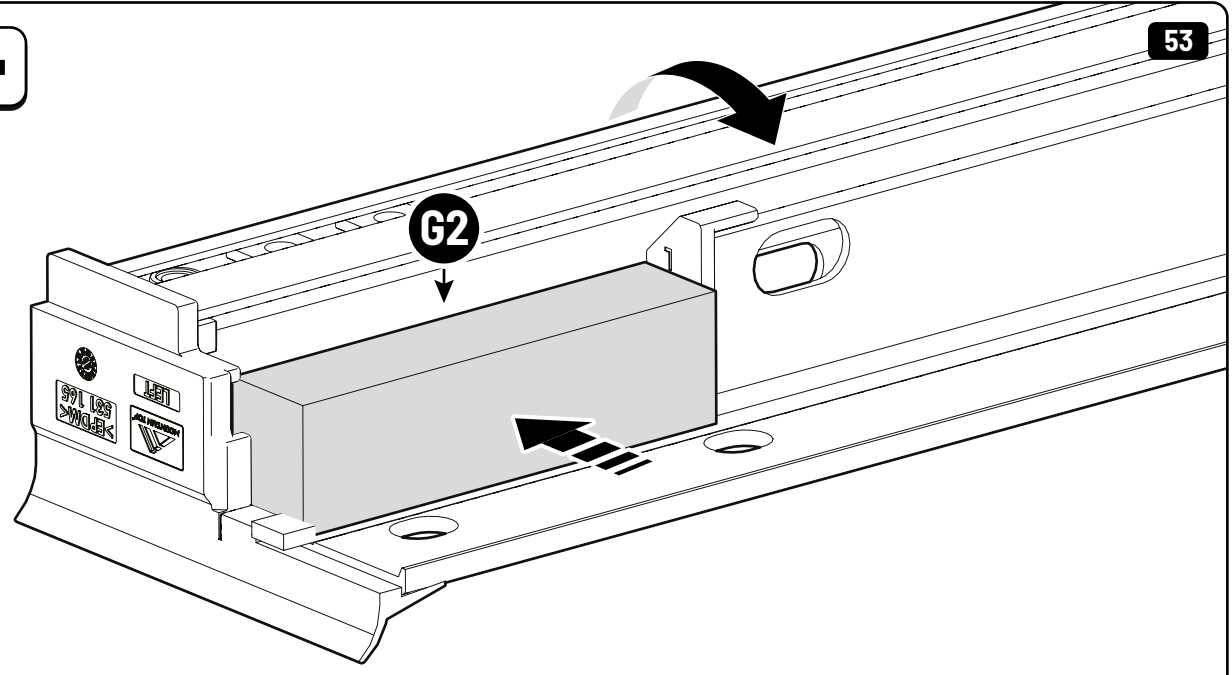
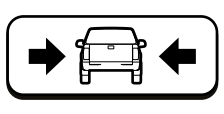
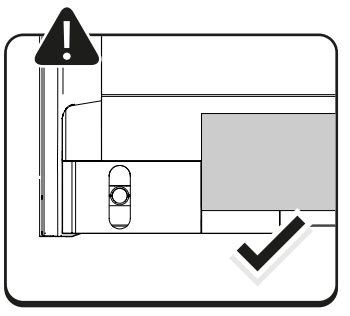
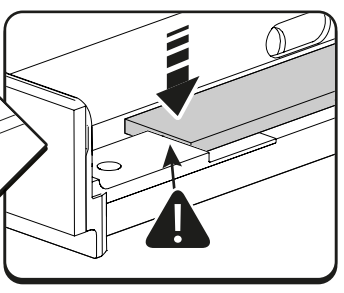
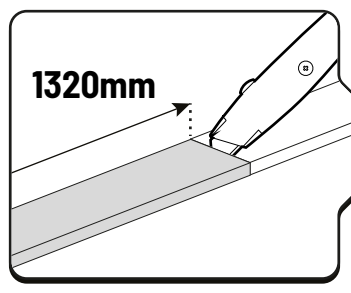
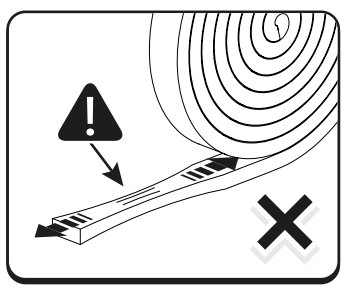
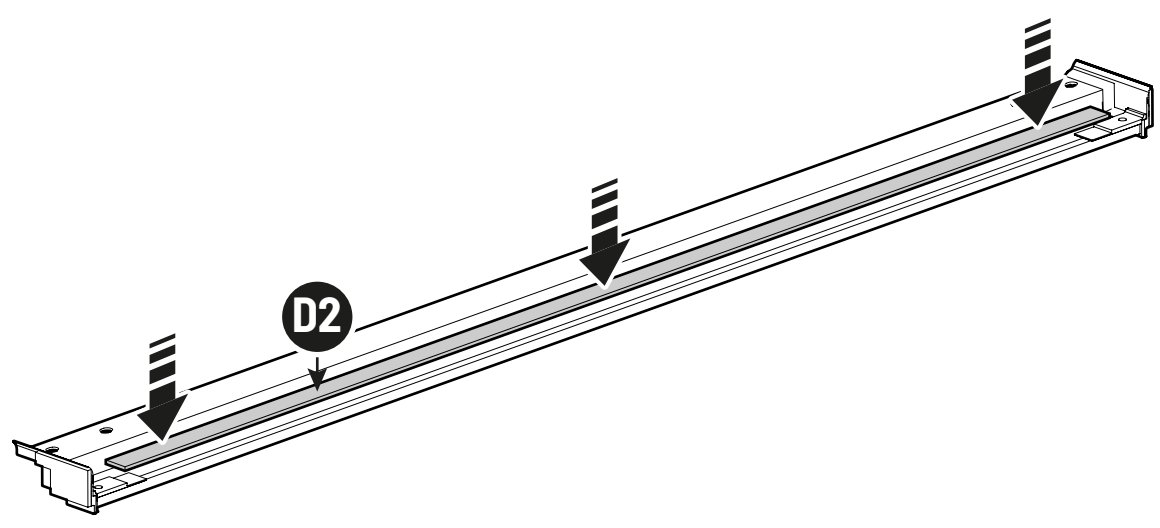
Super Glue (CA)

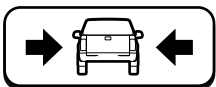
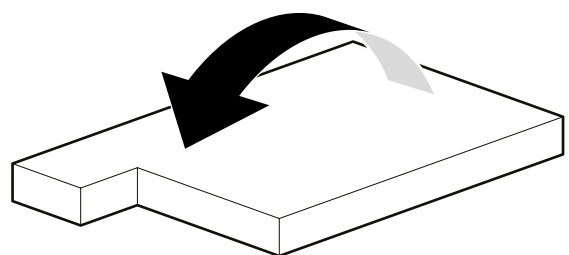
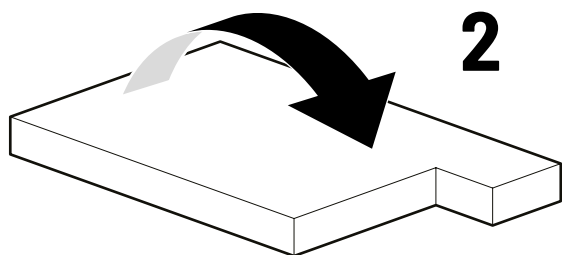
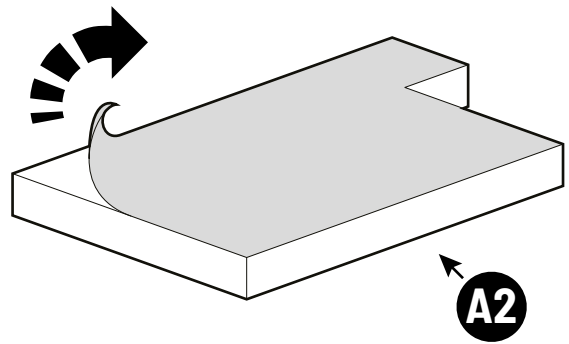
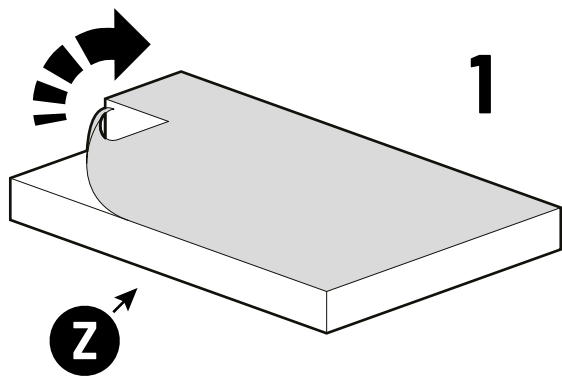
50



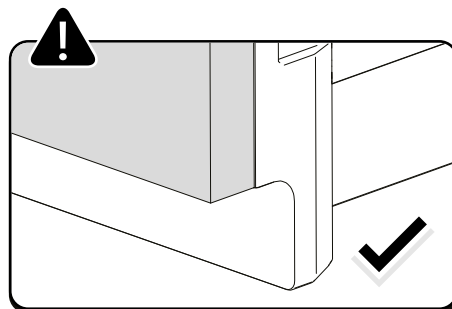
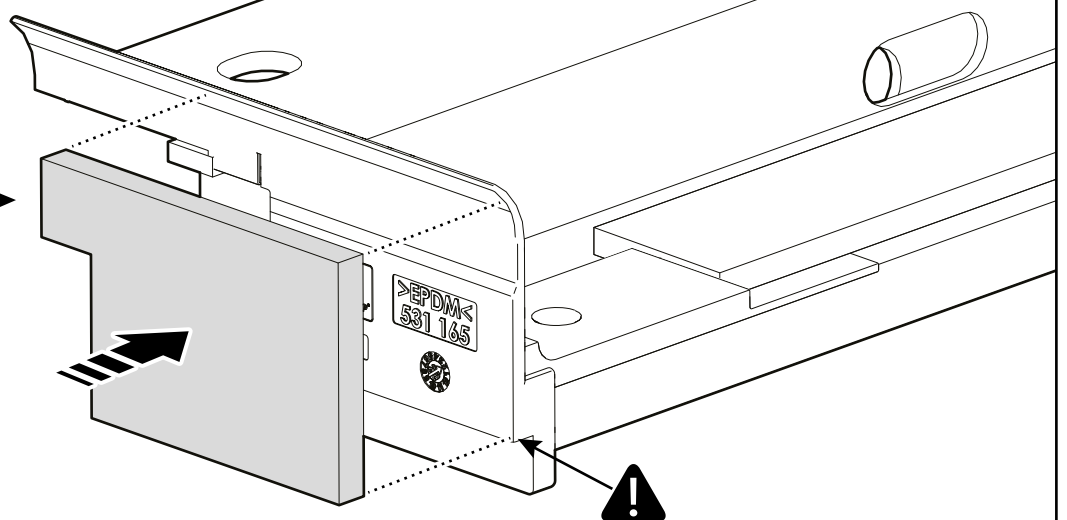
51

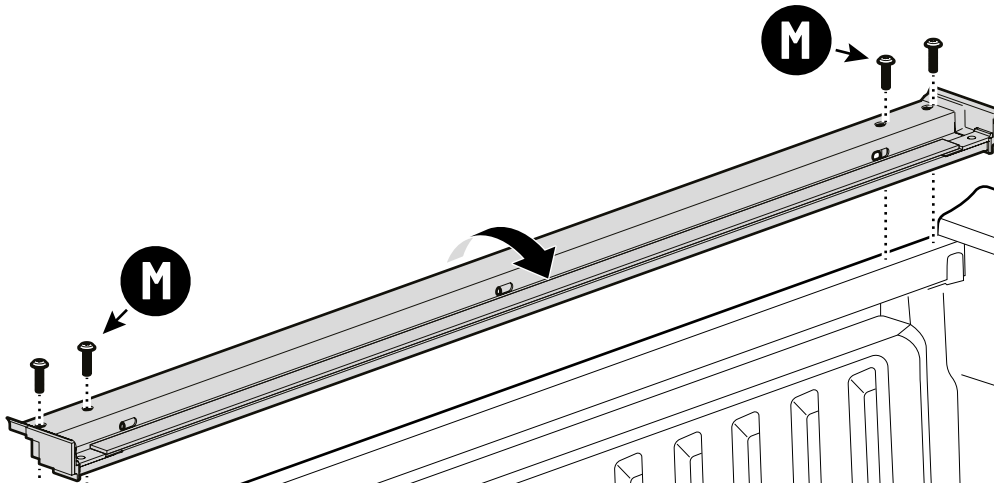
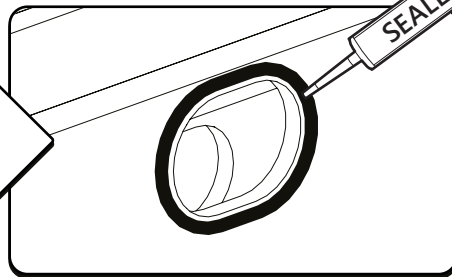
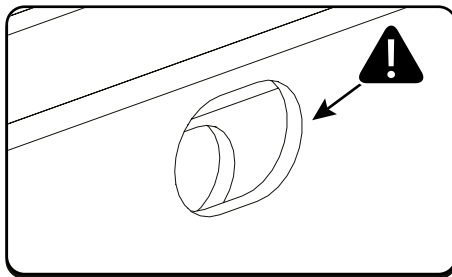
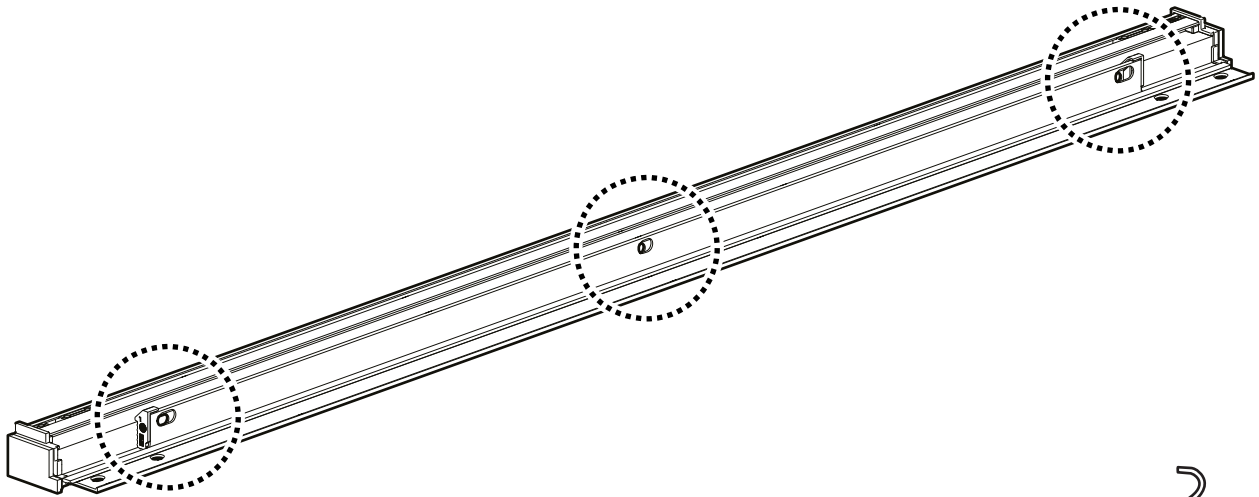


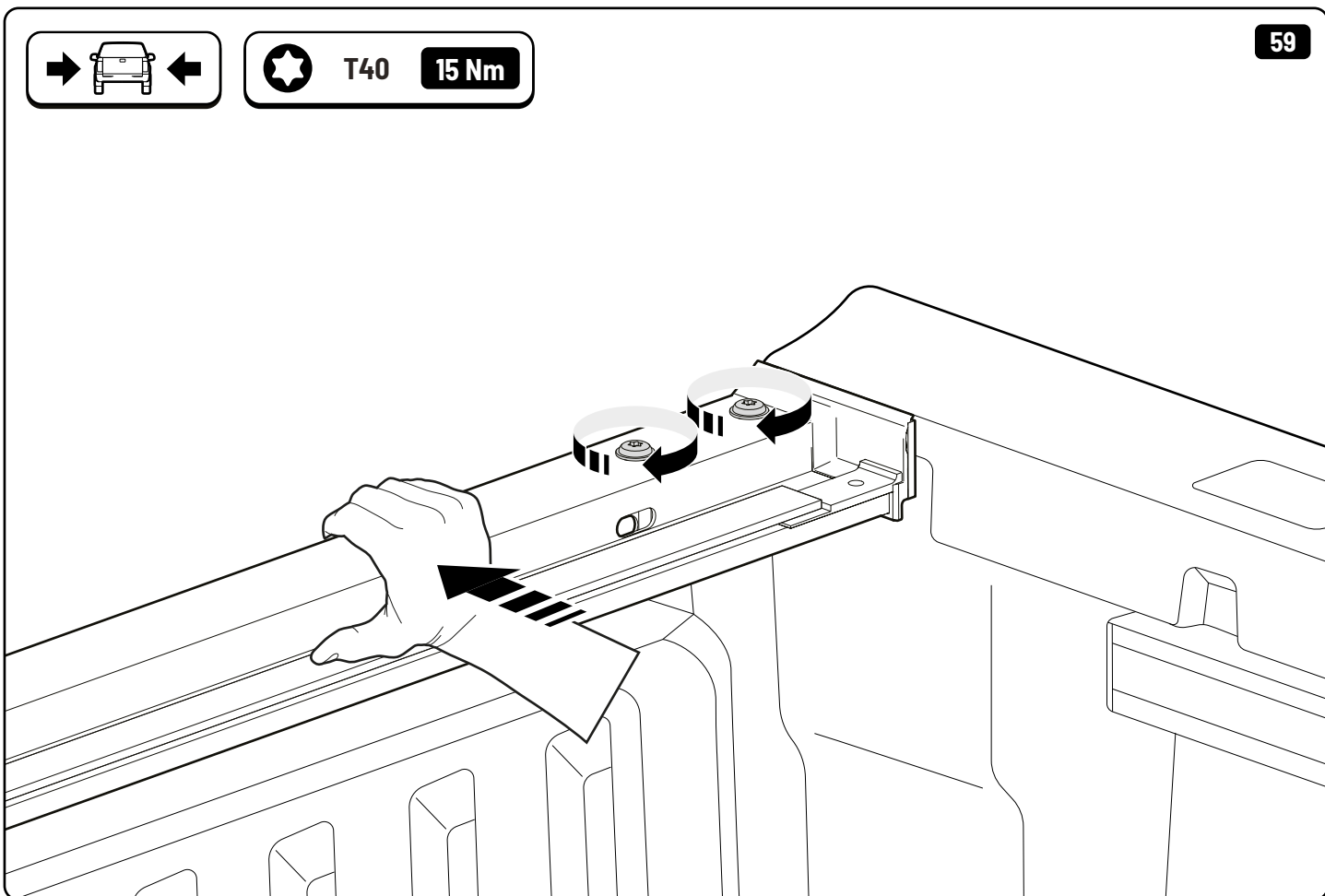
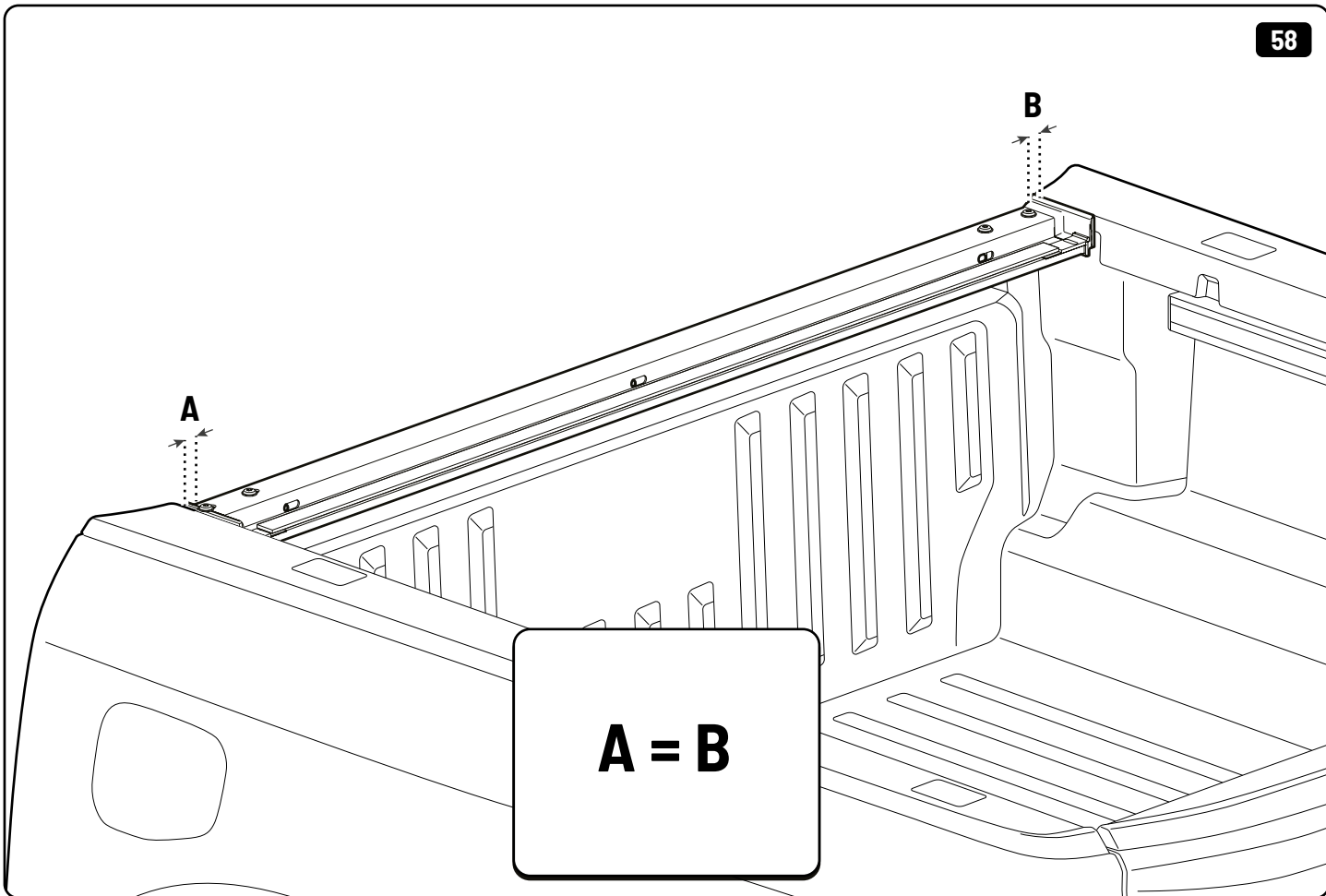


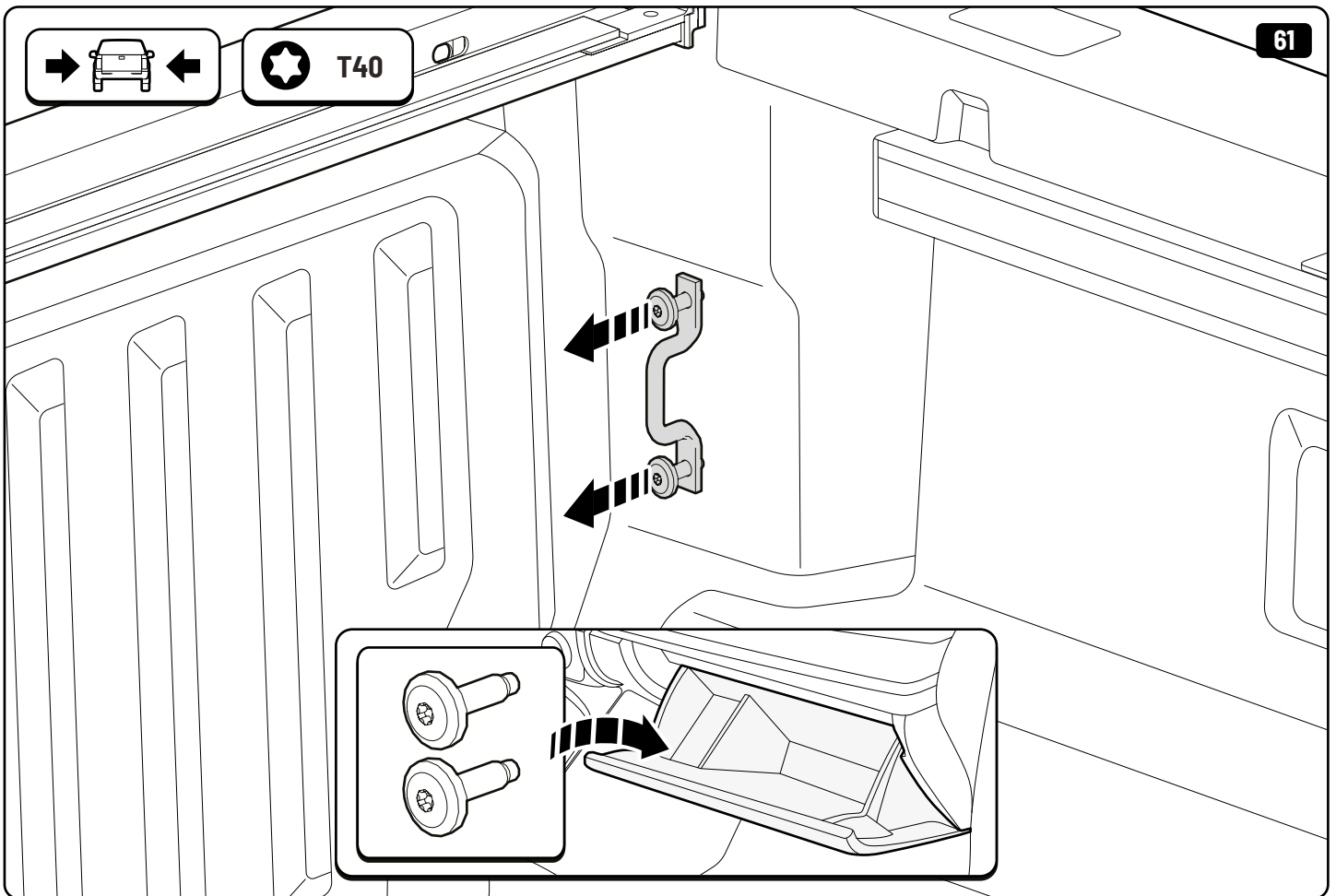
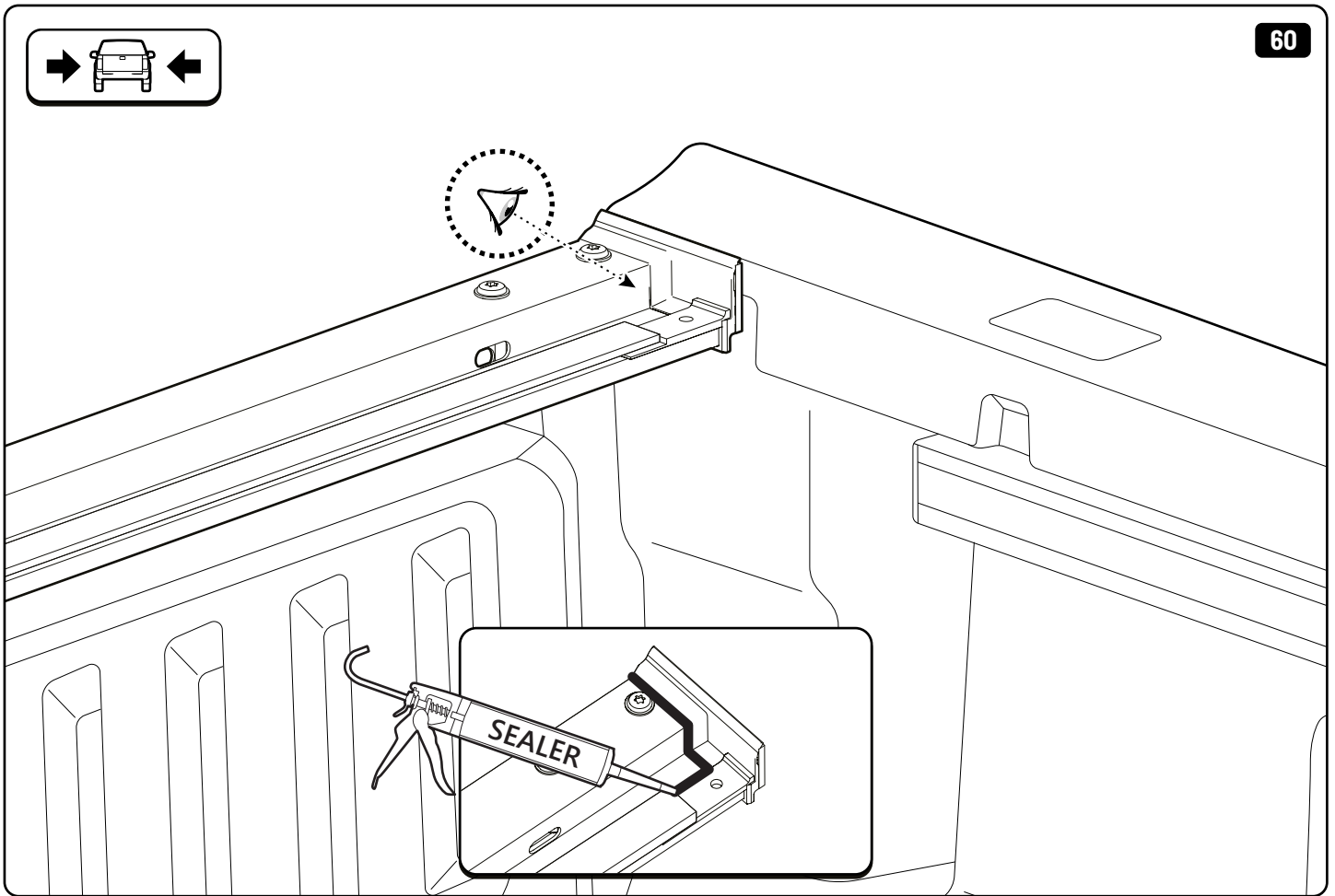


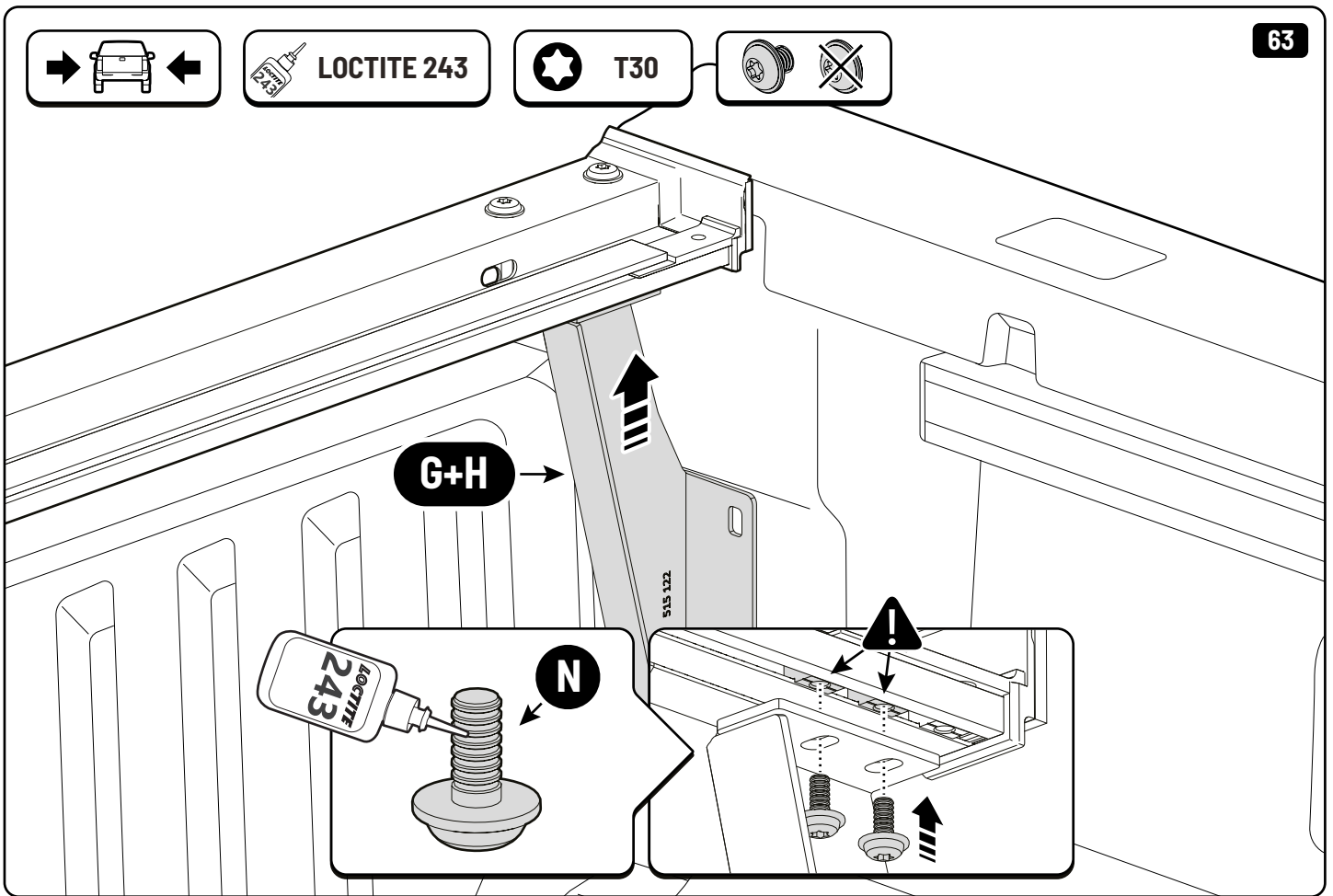
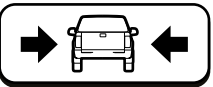
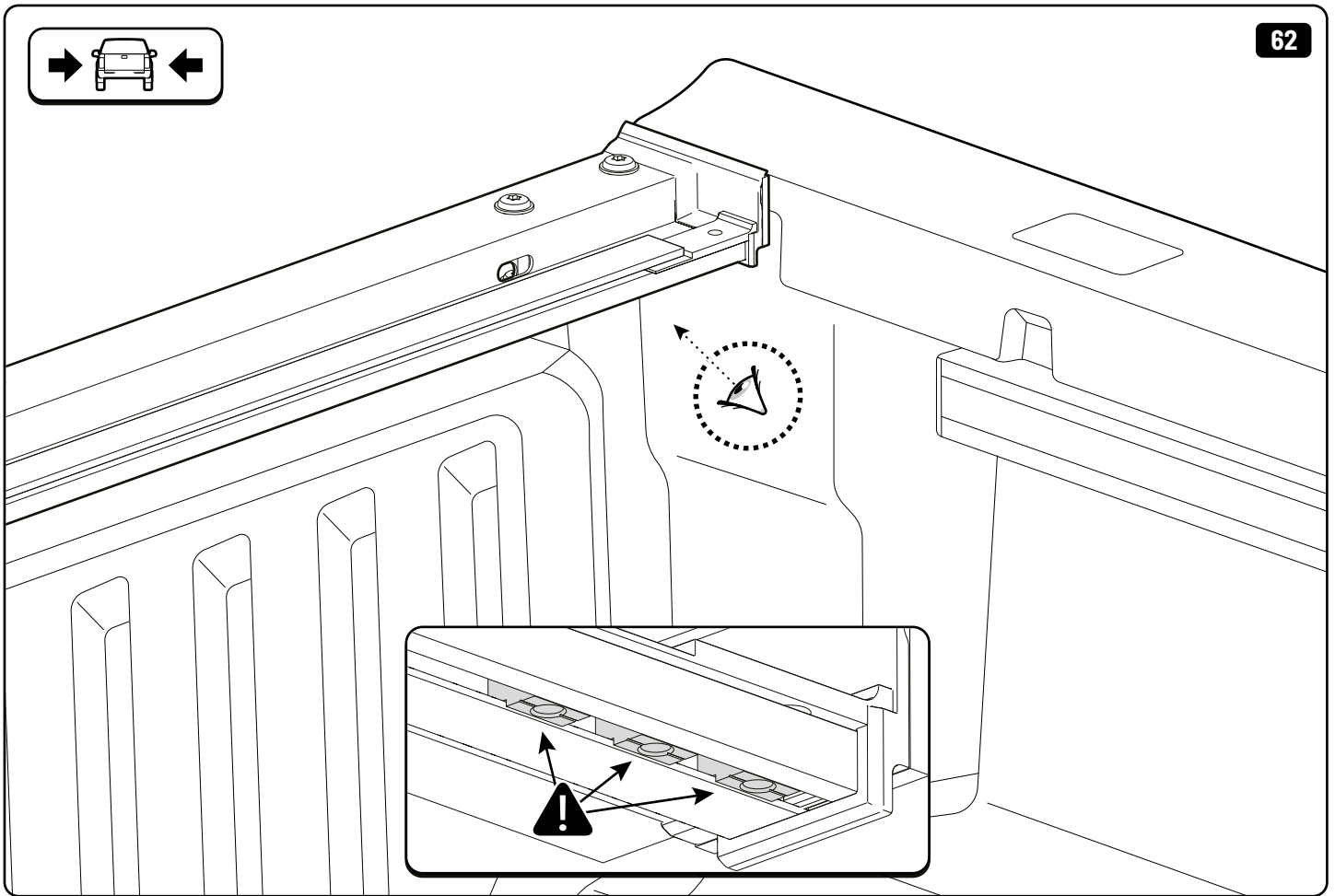
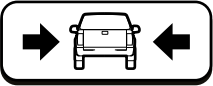
Z+A2



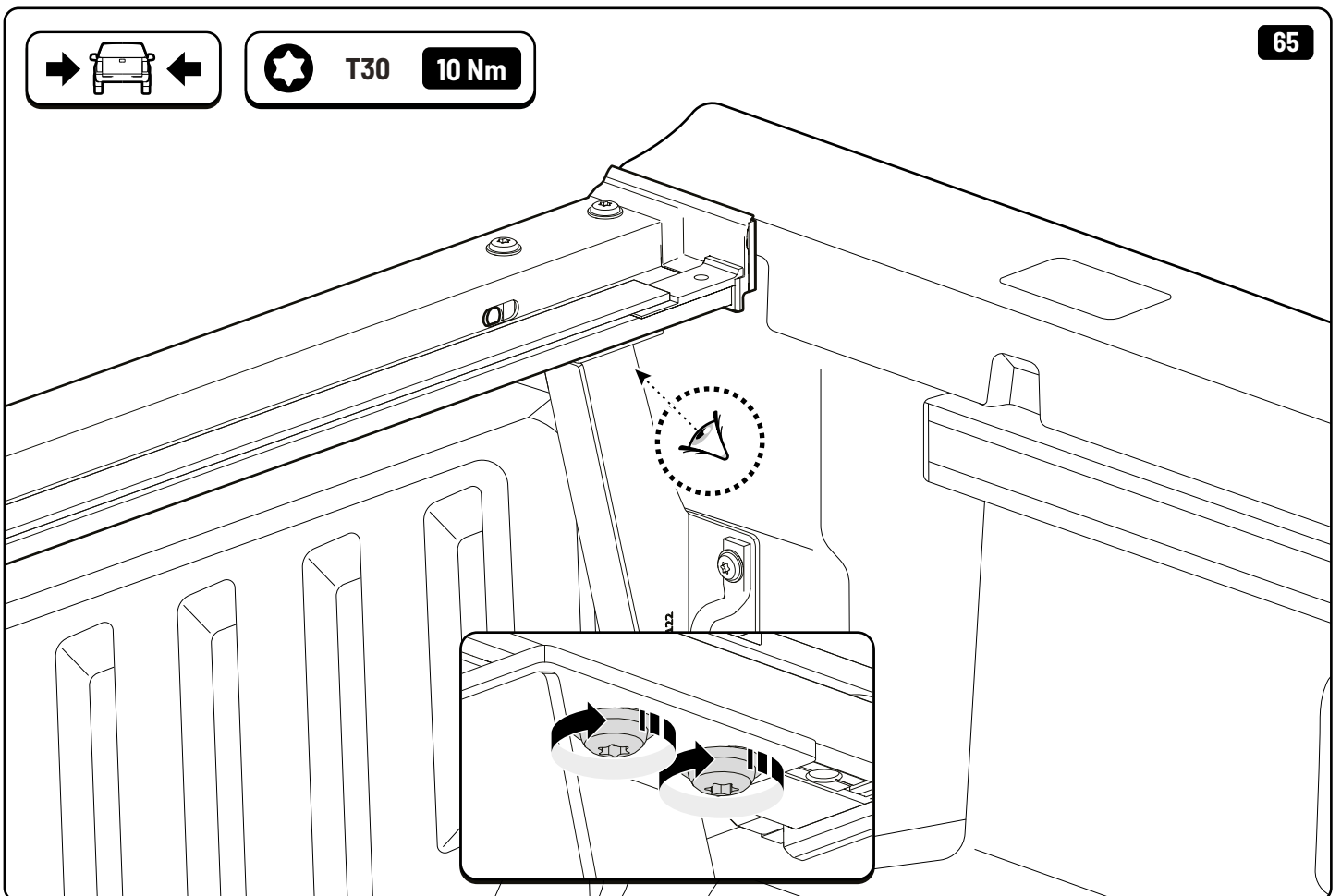
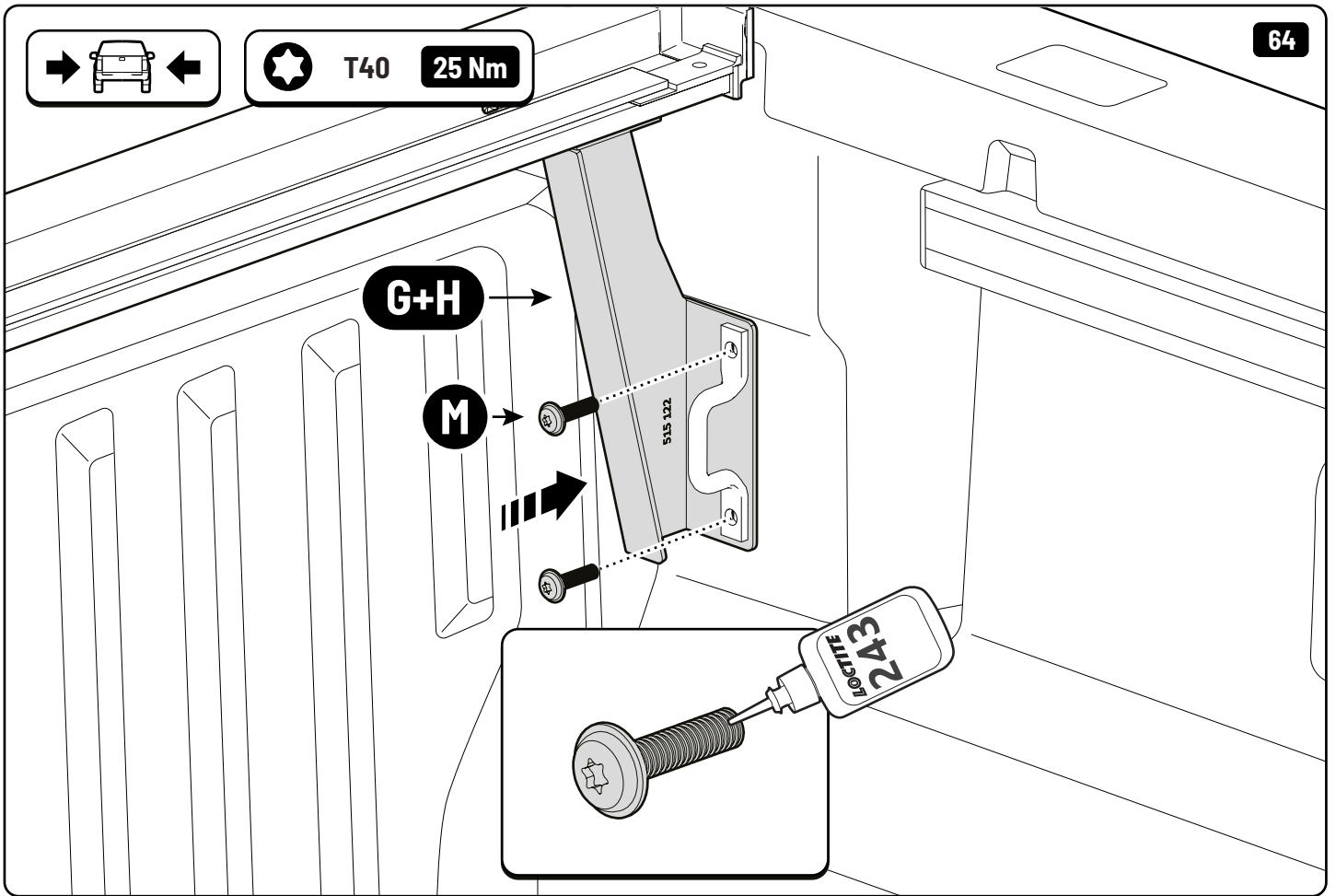


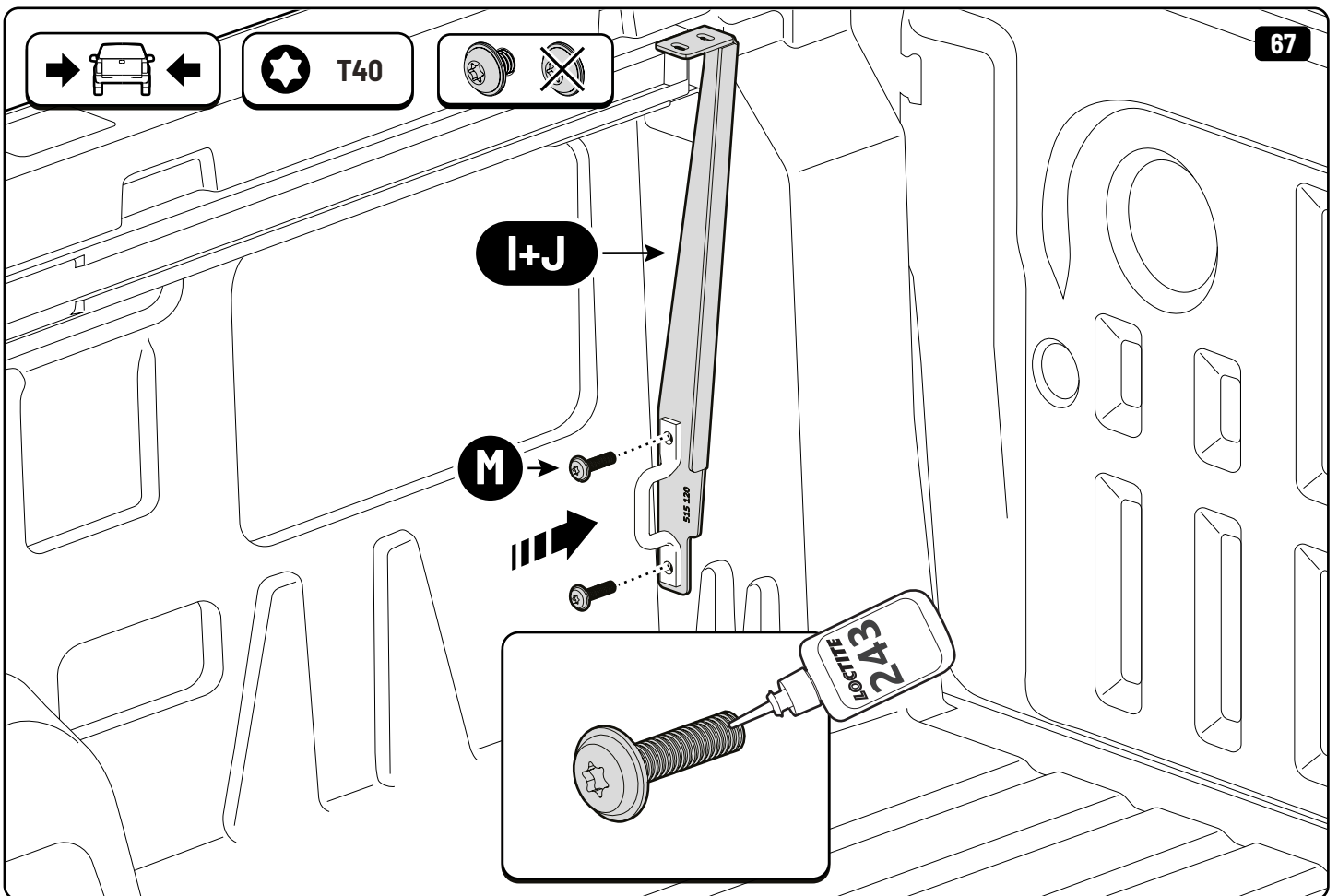
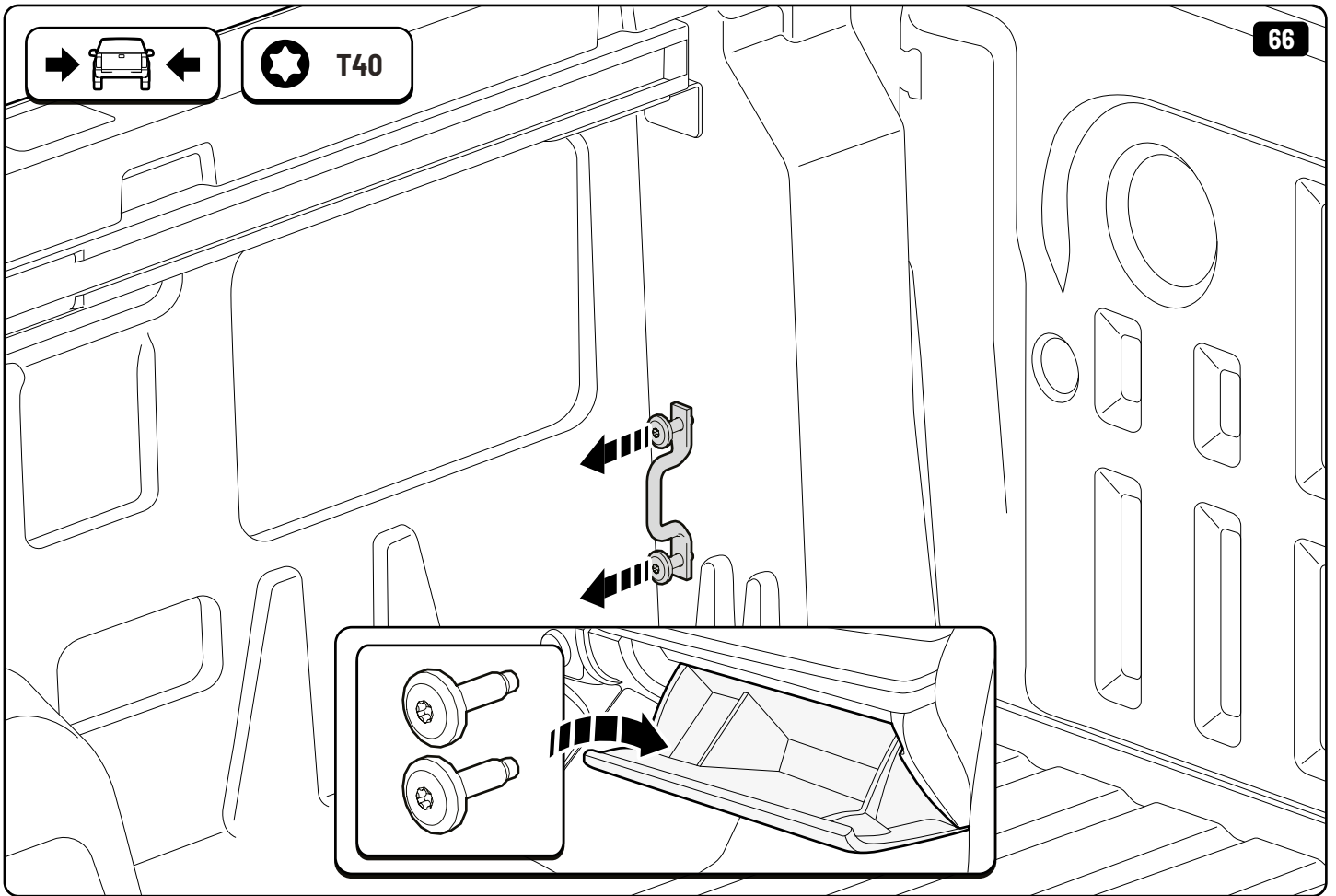


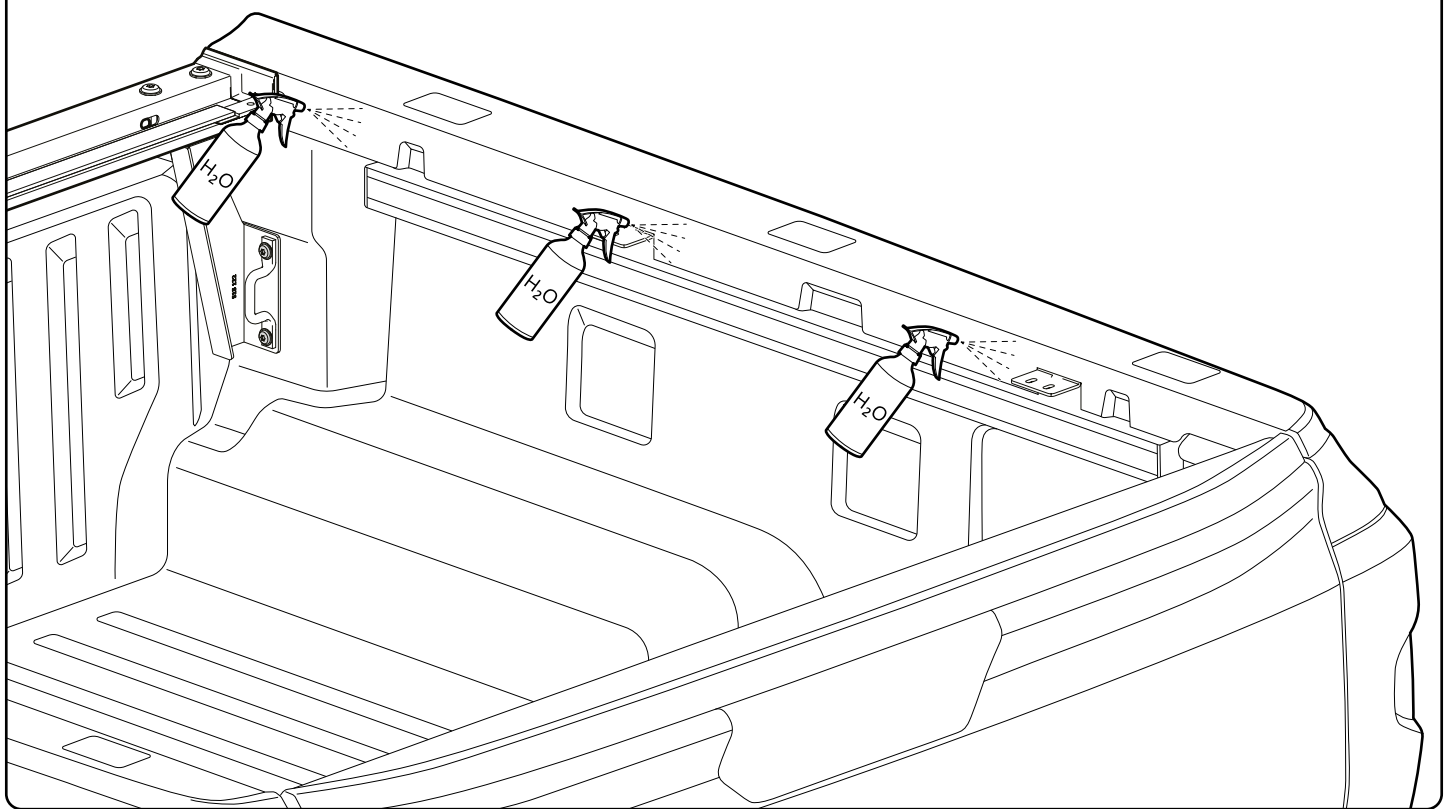
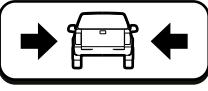






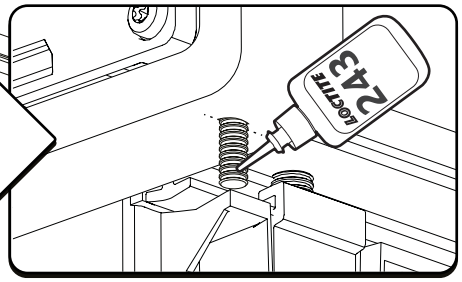
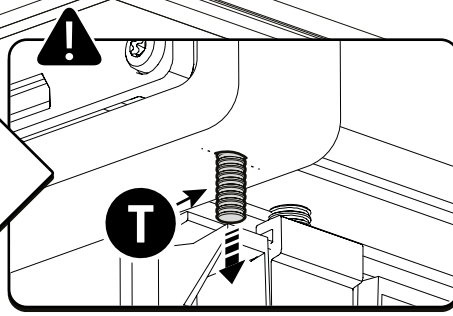
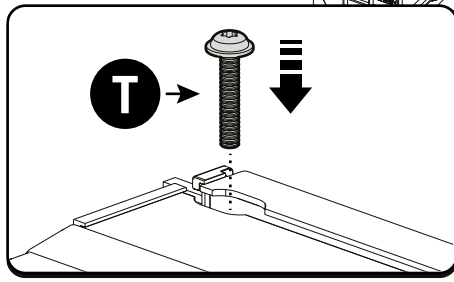
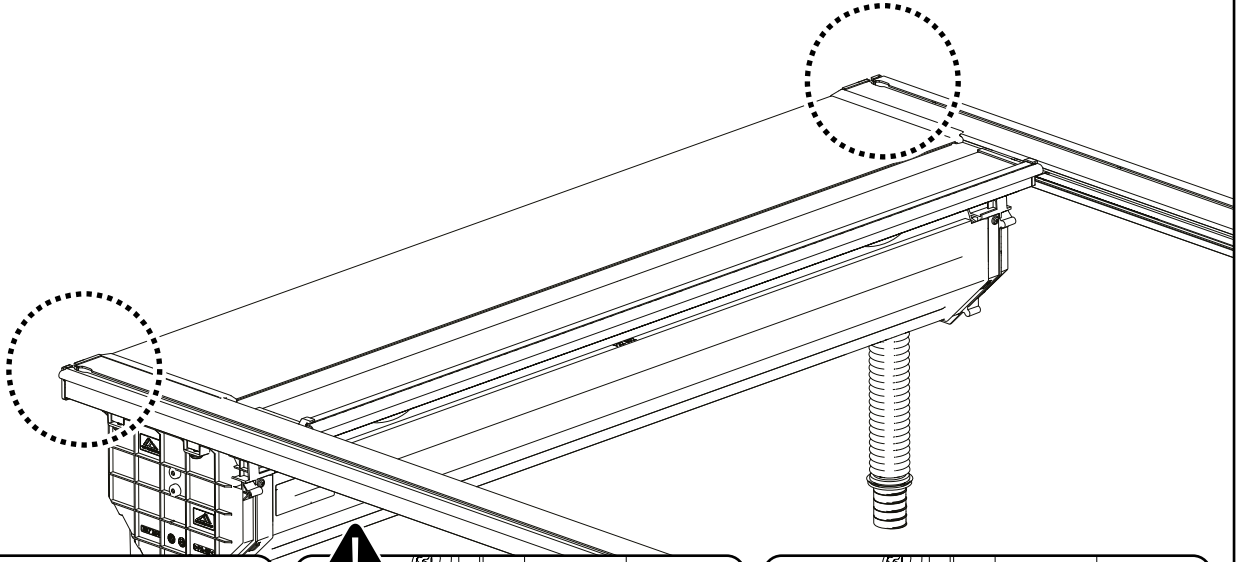
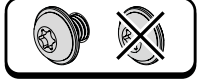


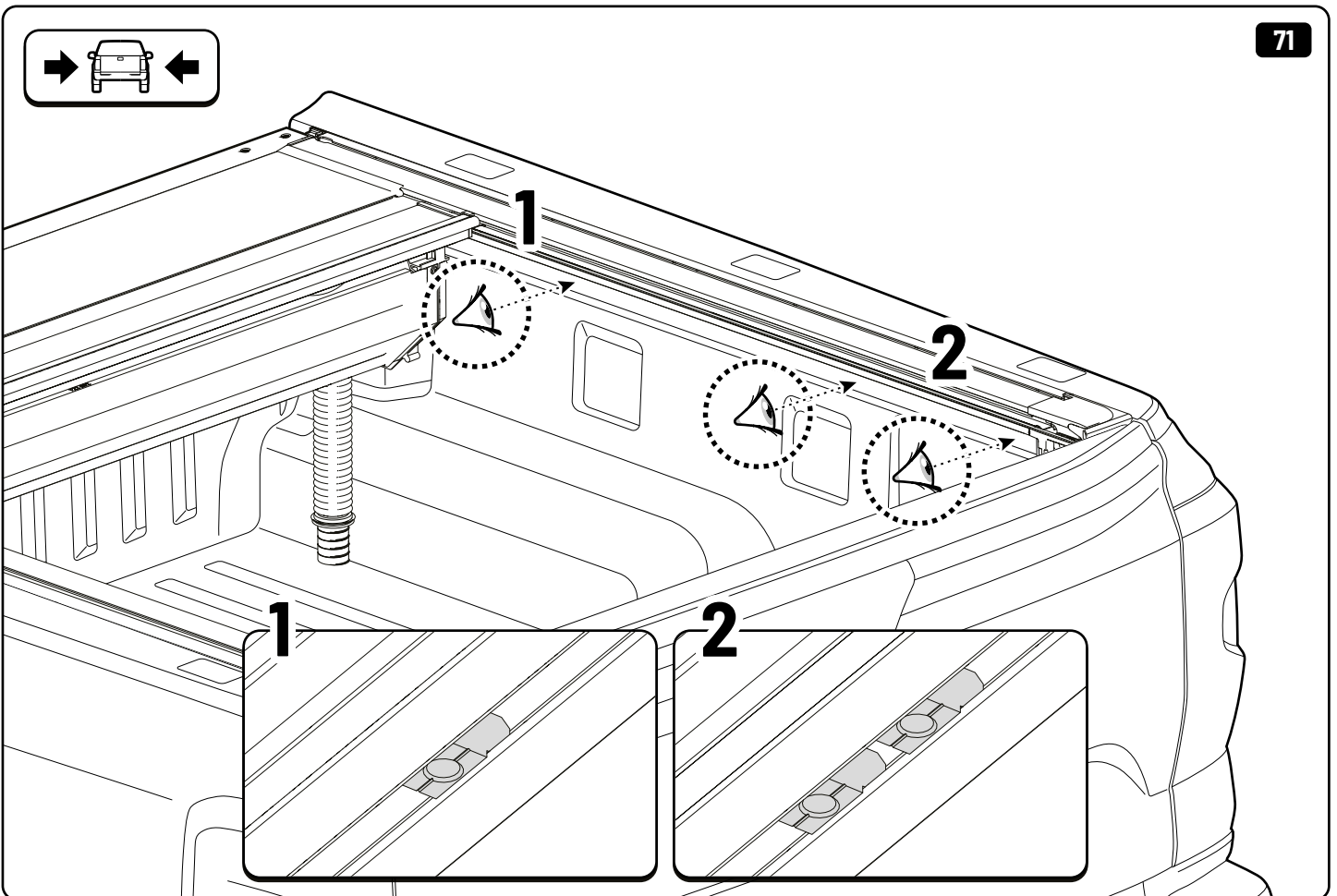
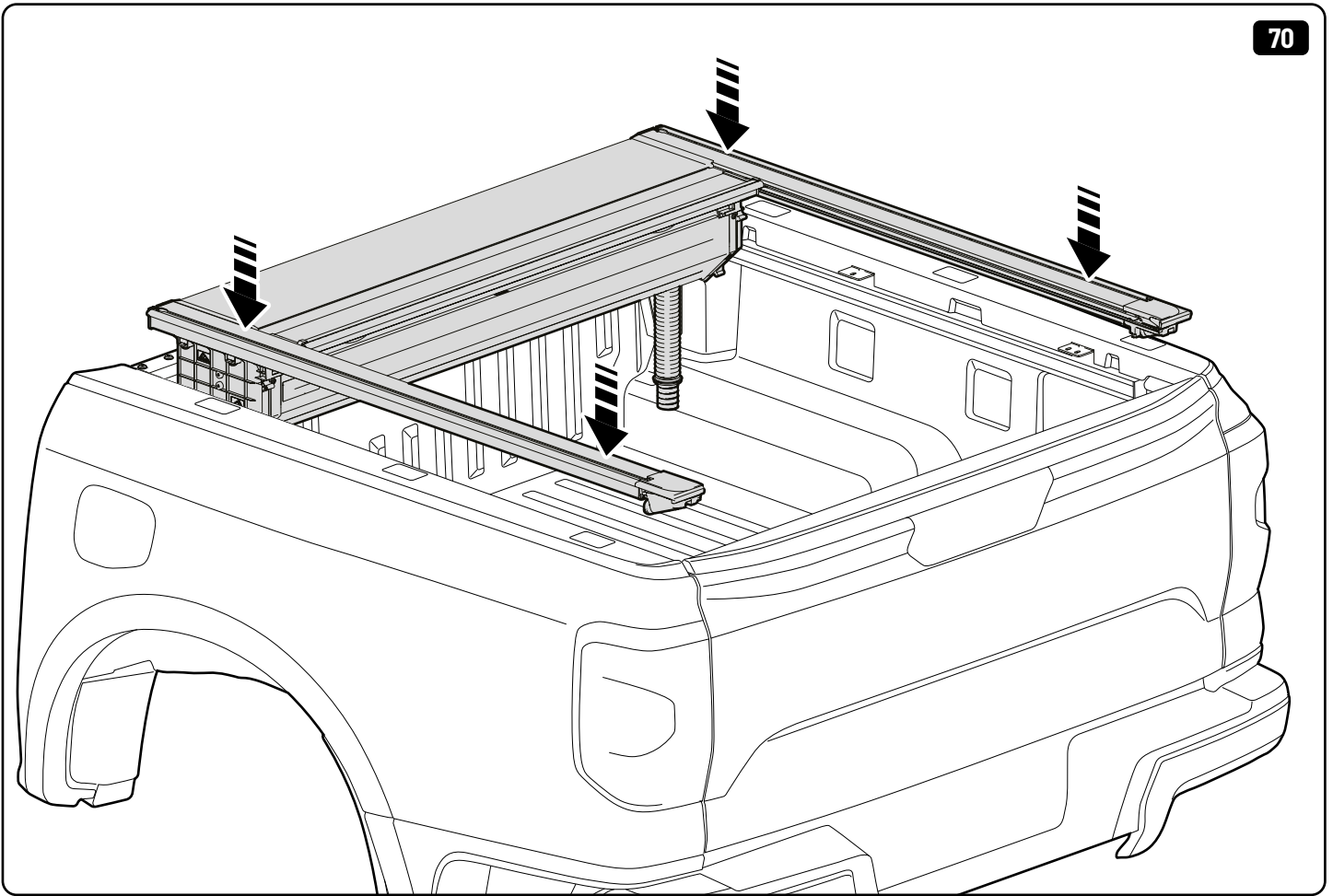




 **LOCTITE 243**

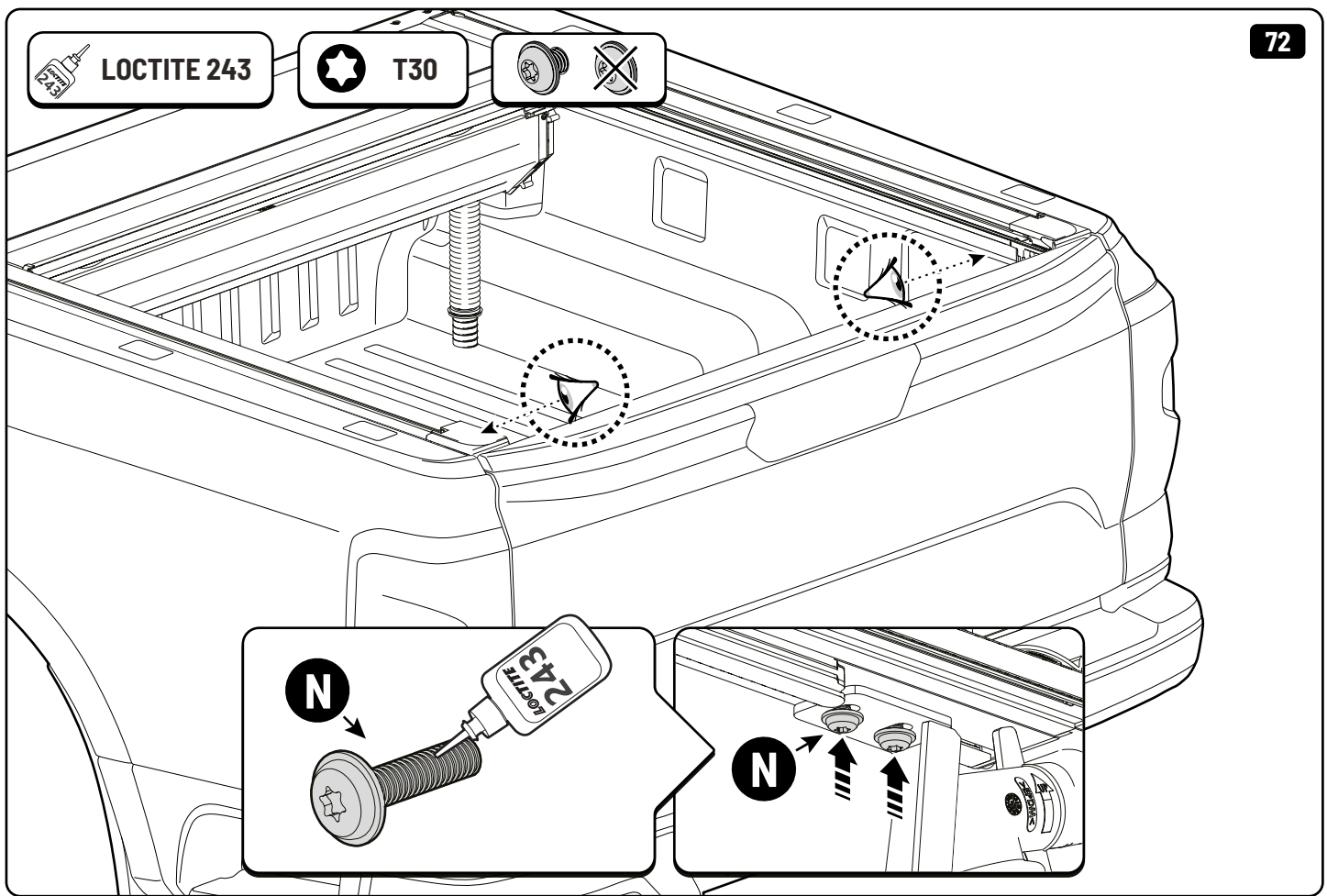
 **T30**





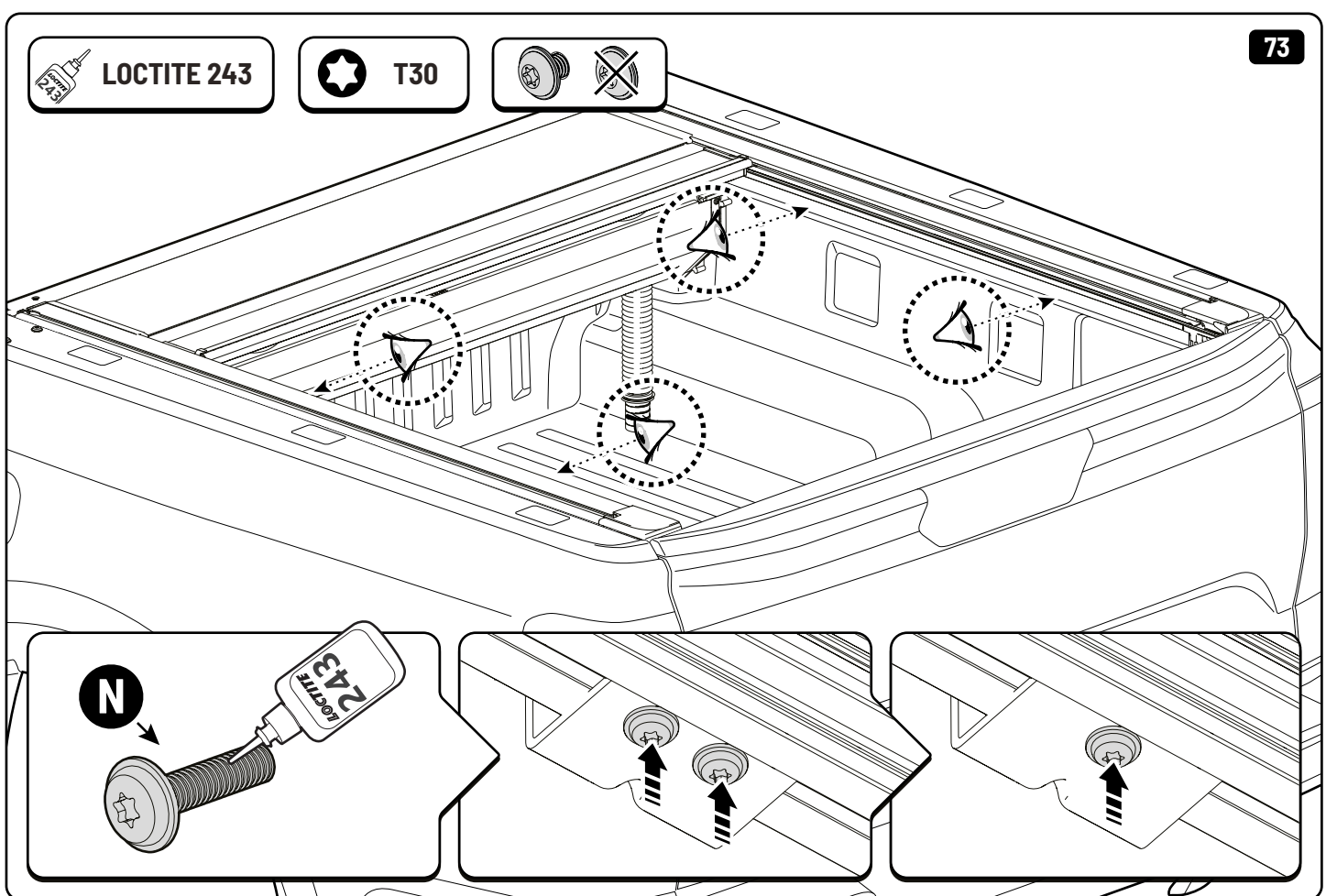

**LOCTITE 243**

**T30**

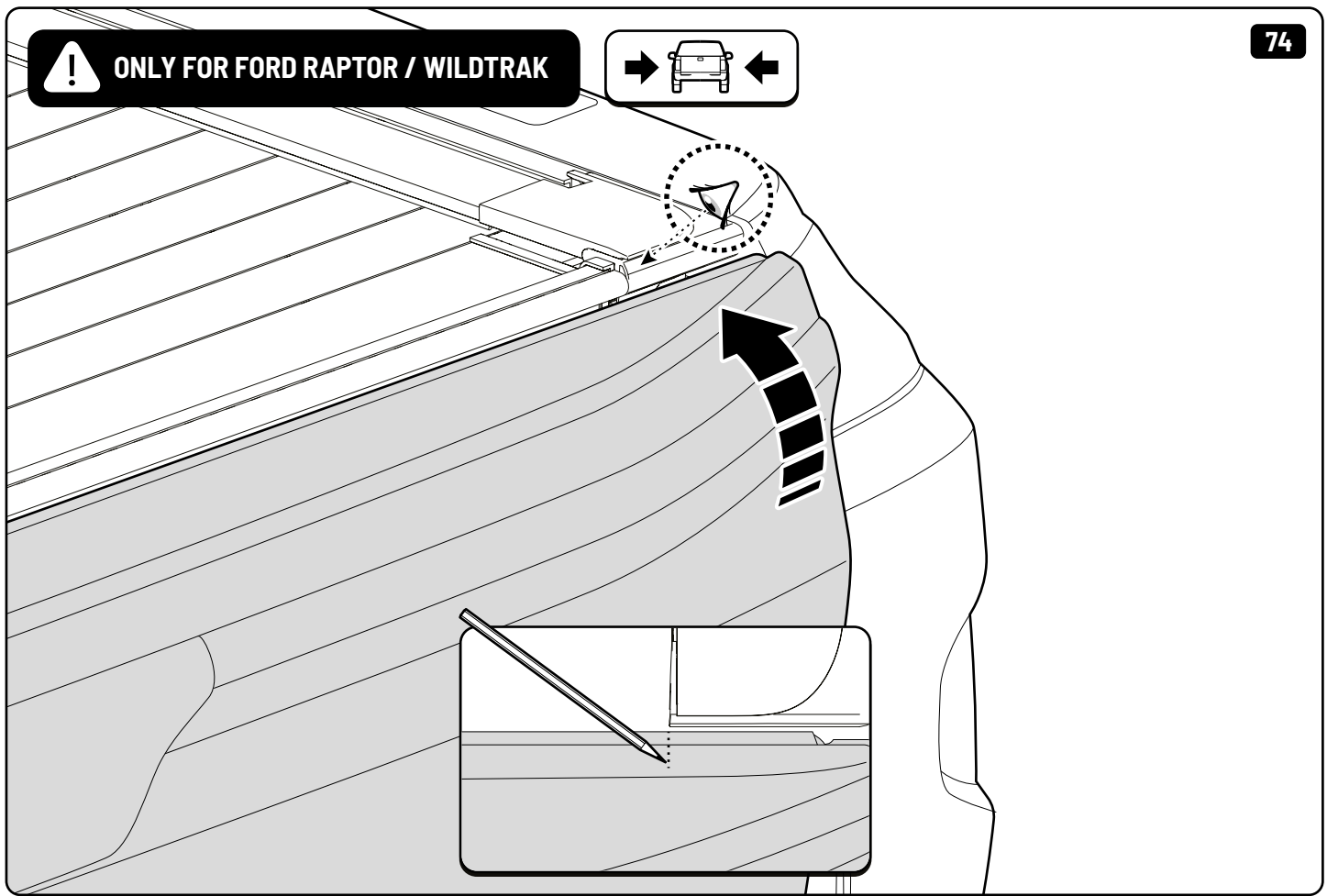




**LOCTITE 243**

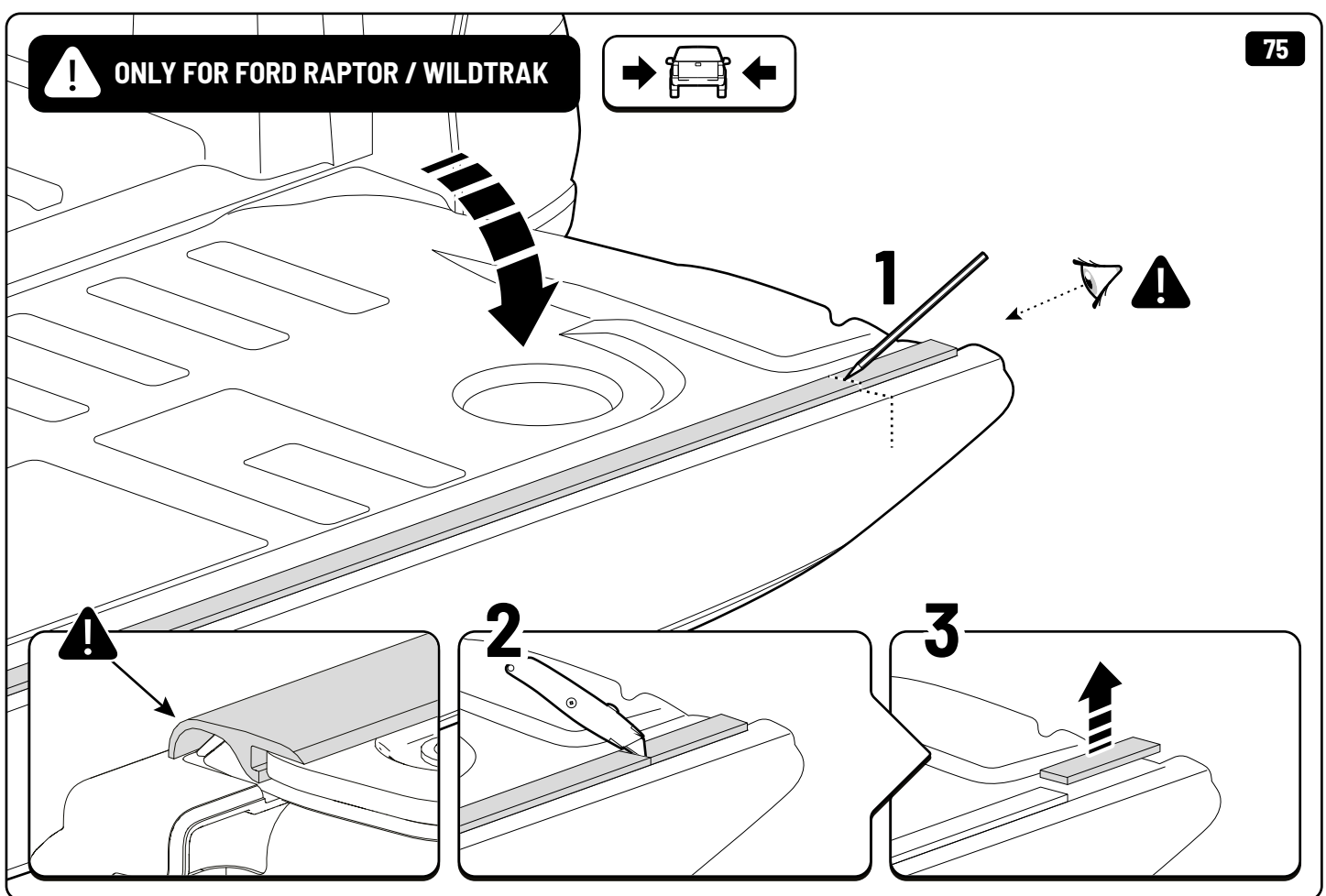
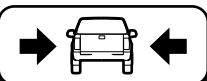
**T30**

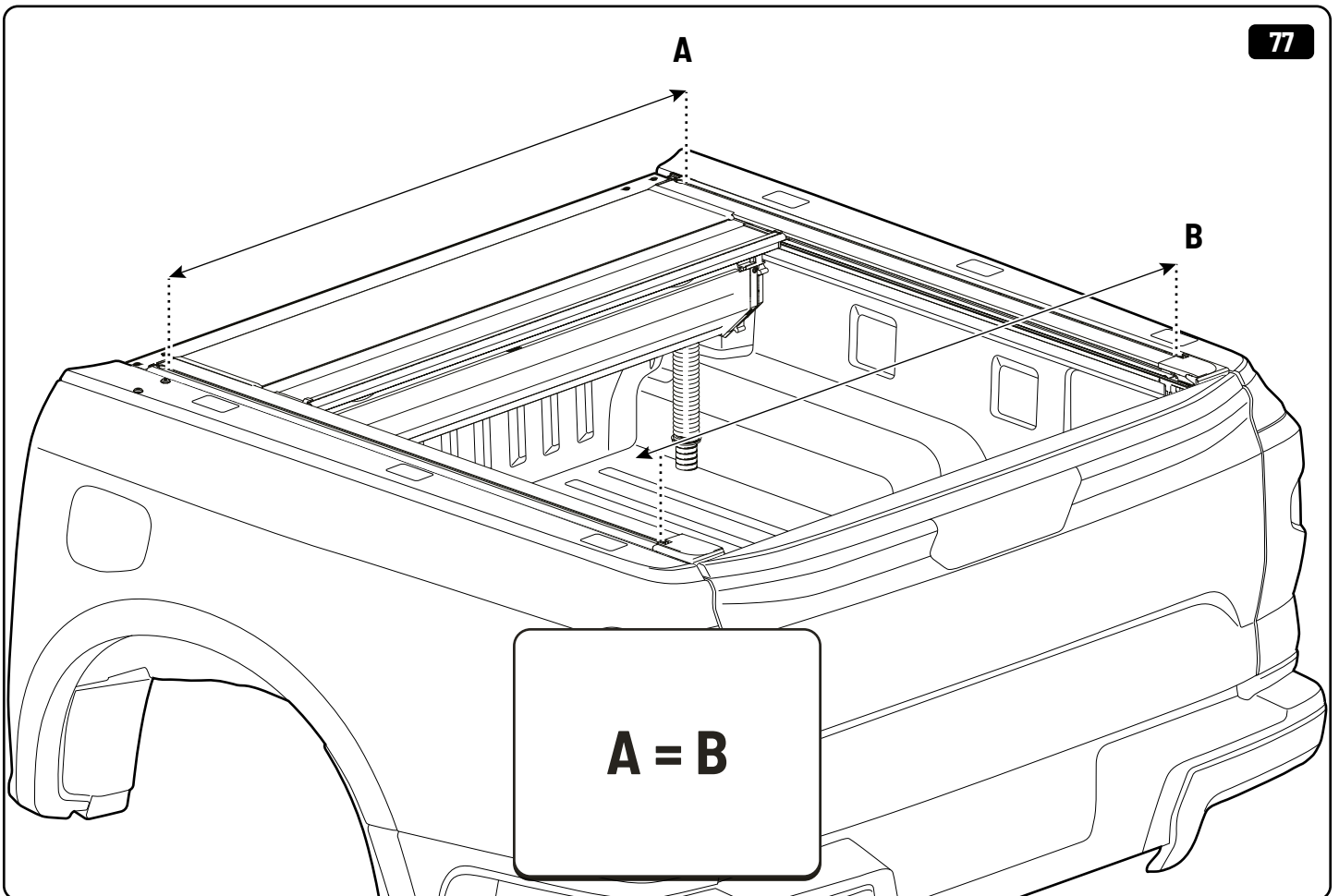
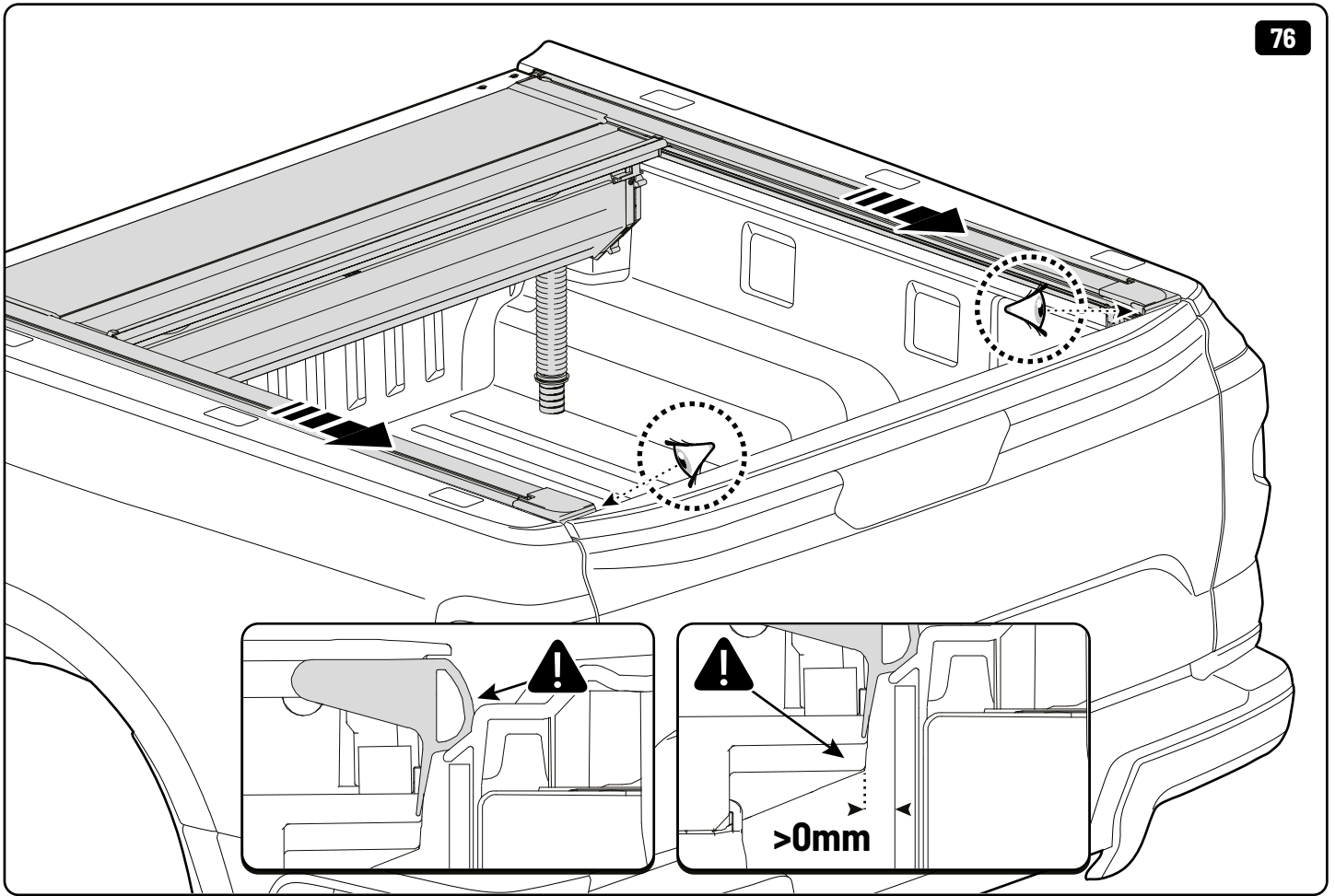
**!** ONLY FOR FORD RAPTOR / WILDTRAK



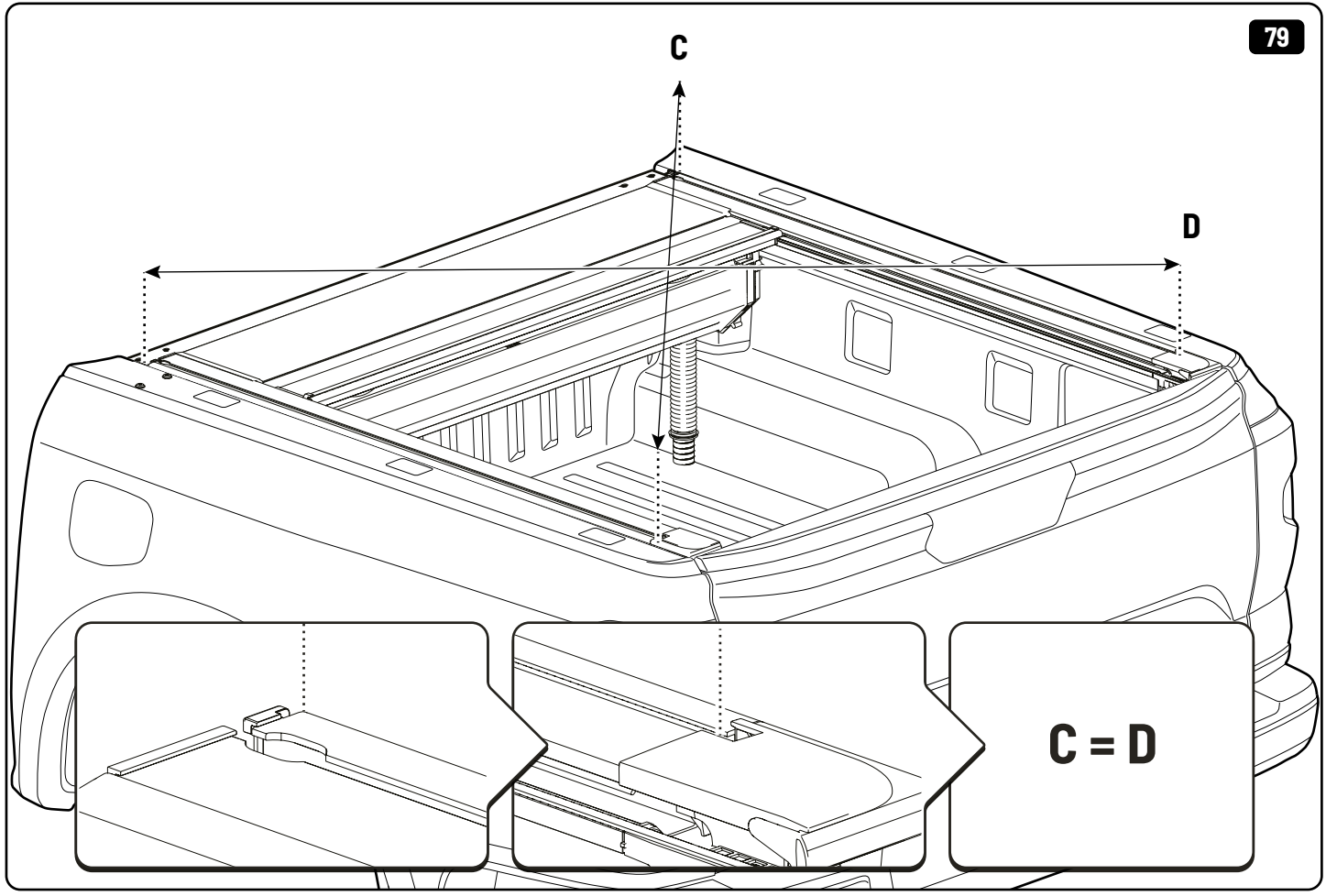
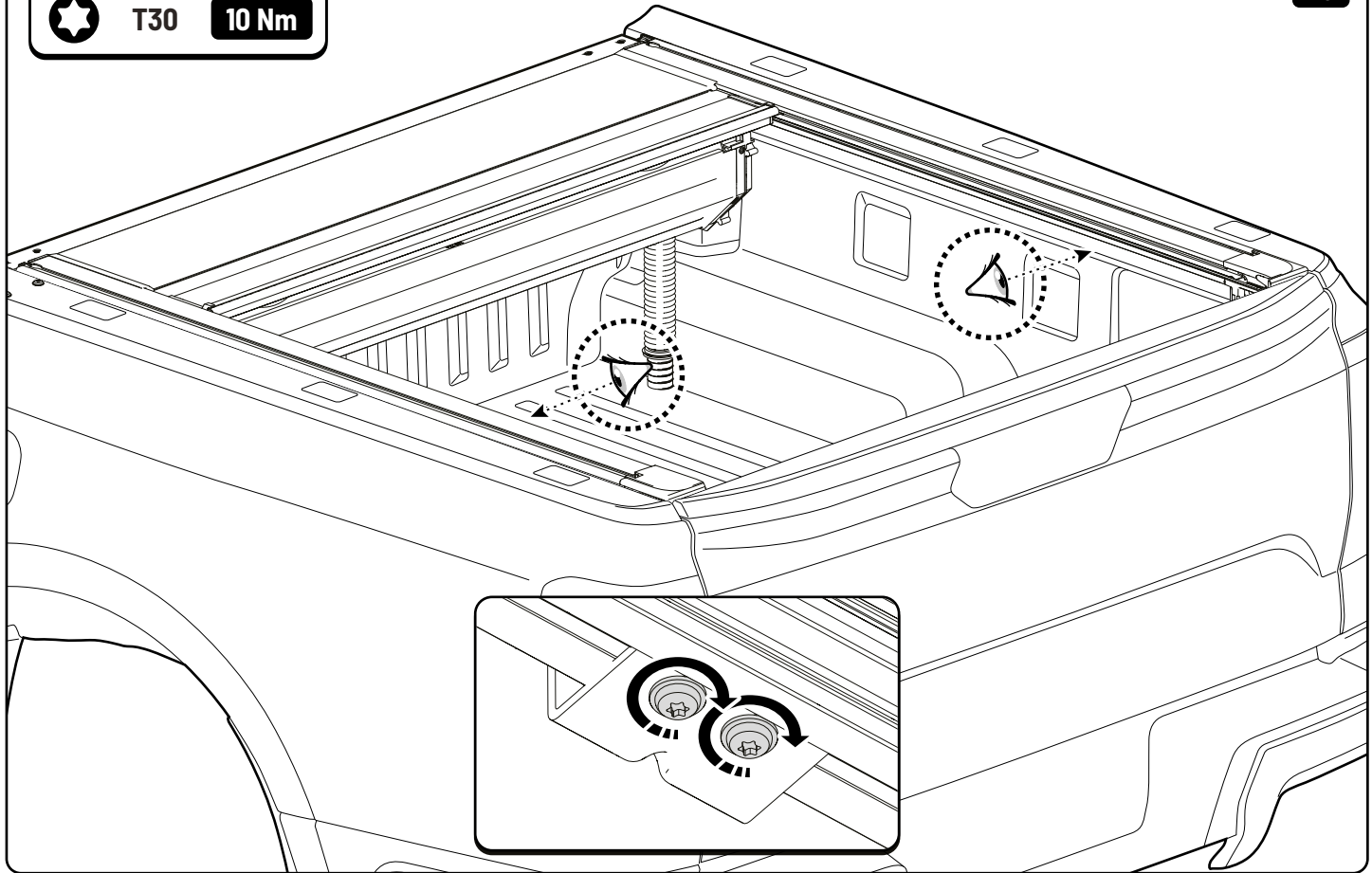
**!** ONLY FOR FORD RAPTOR / WILDTRAK







 T30 10 Nm



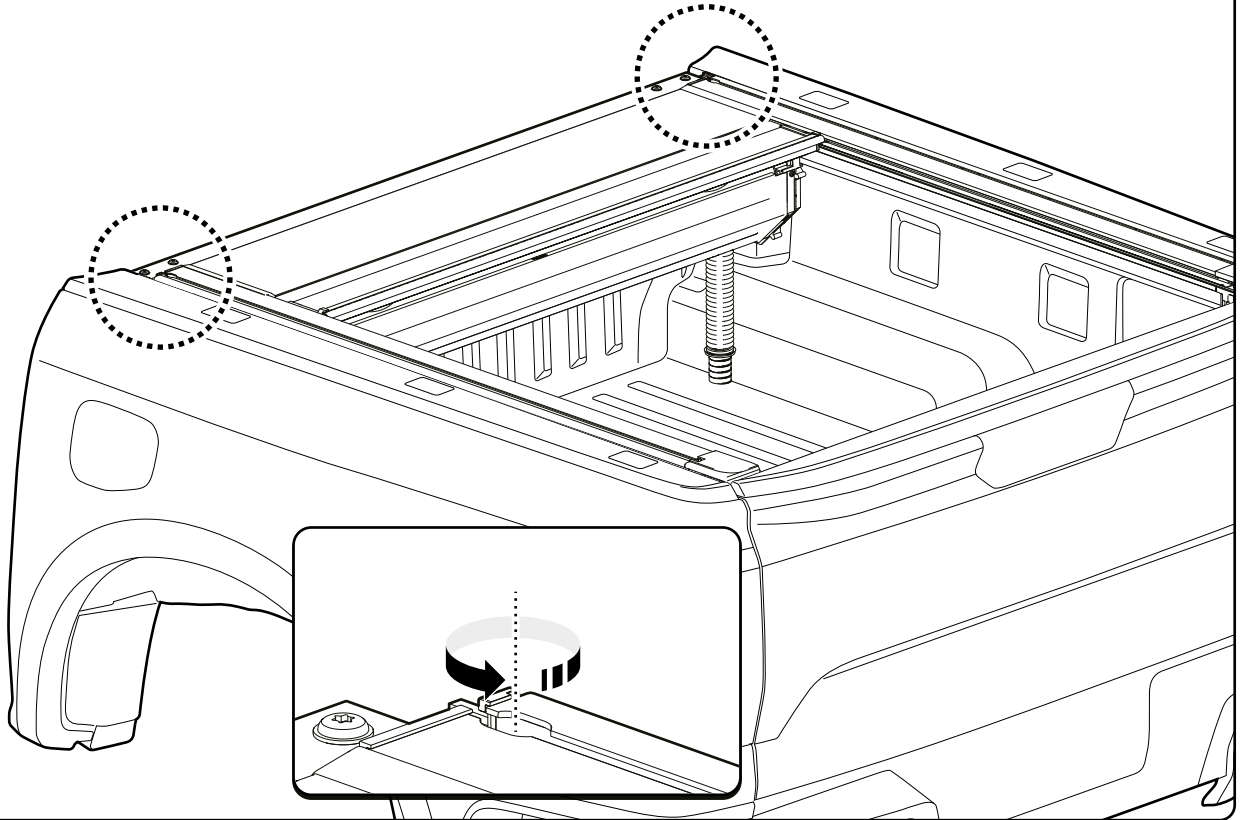




T30

4,8 Nm

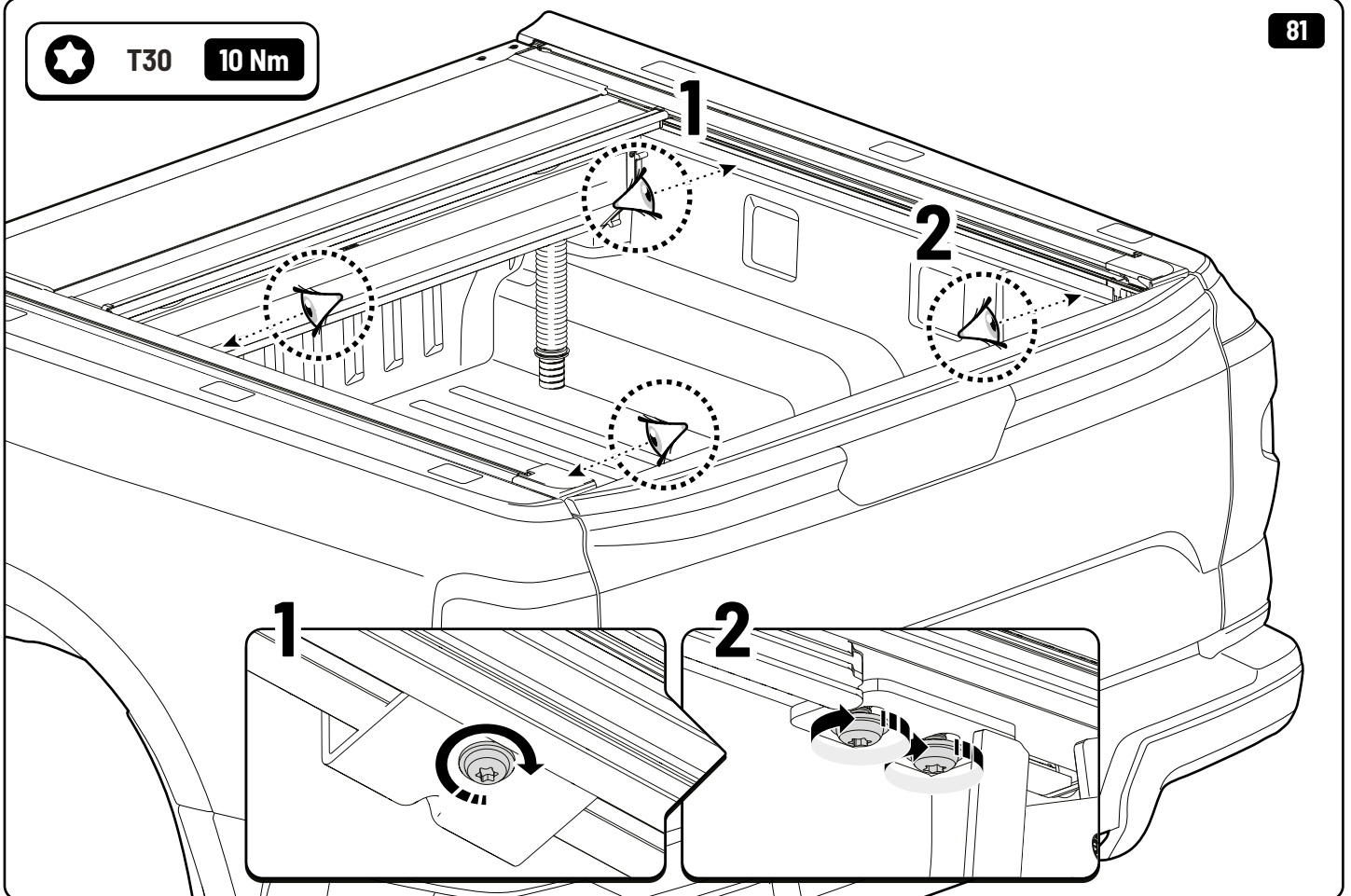
80

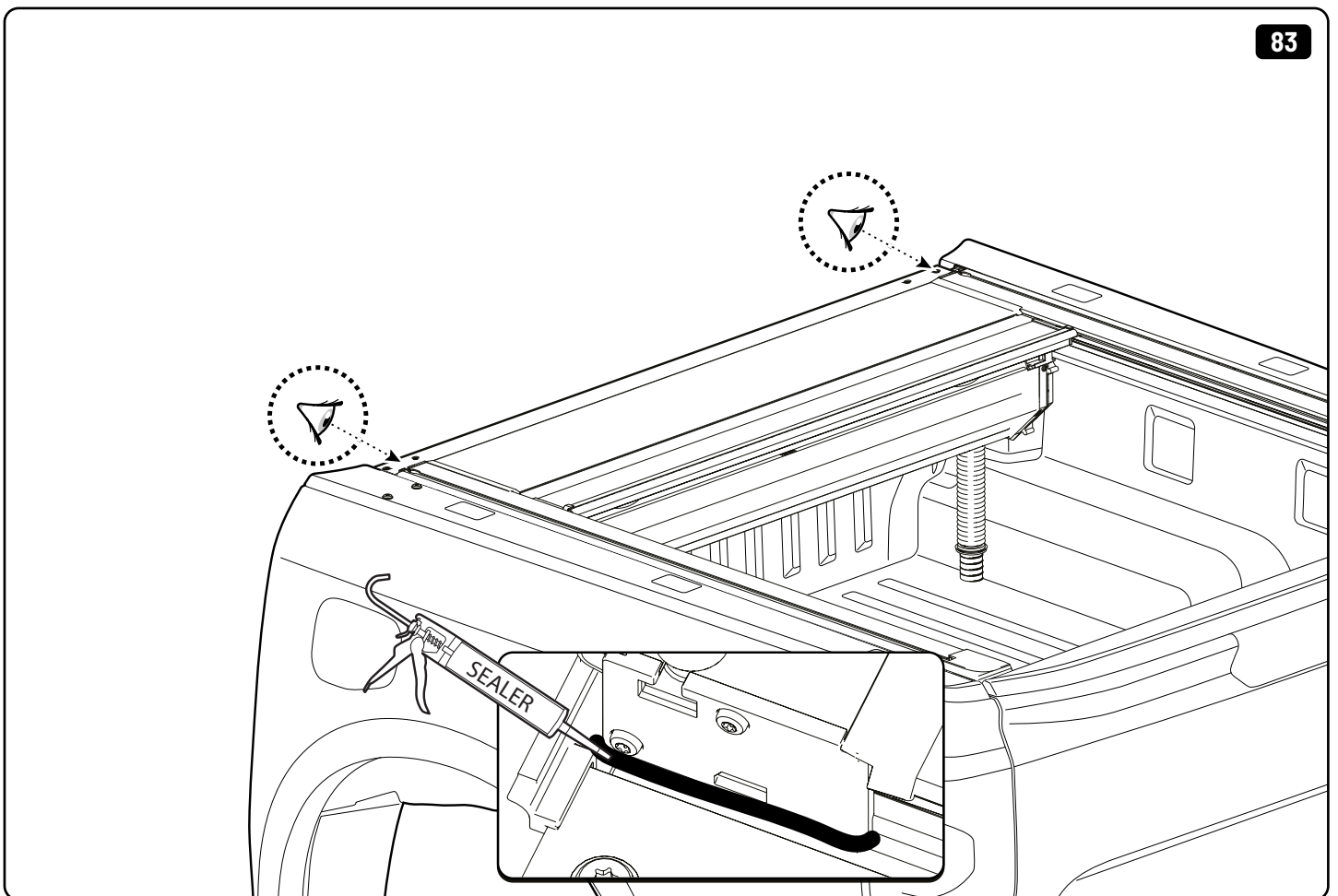


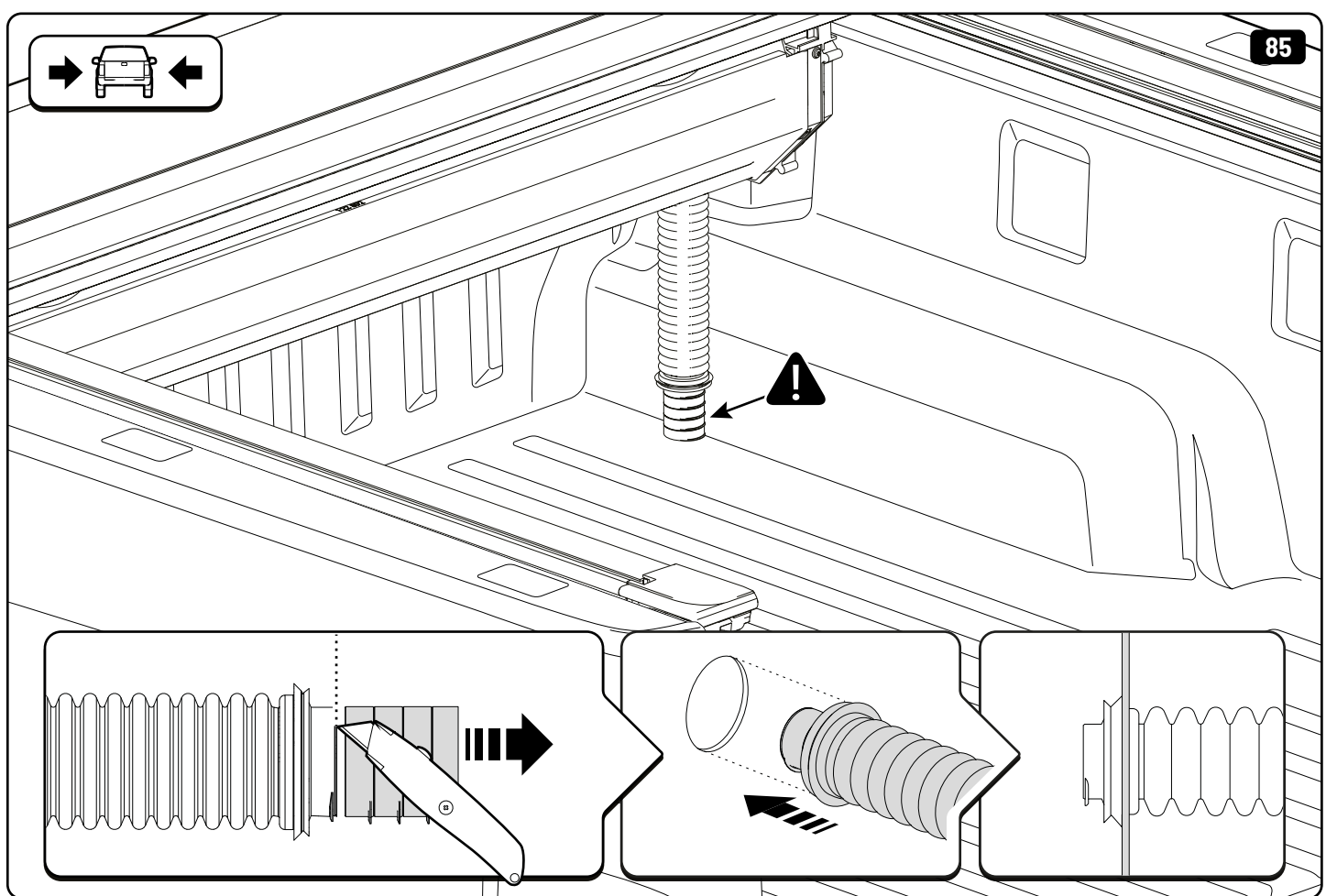
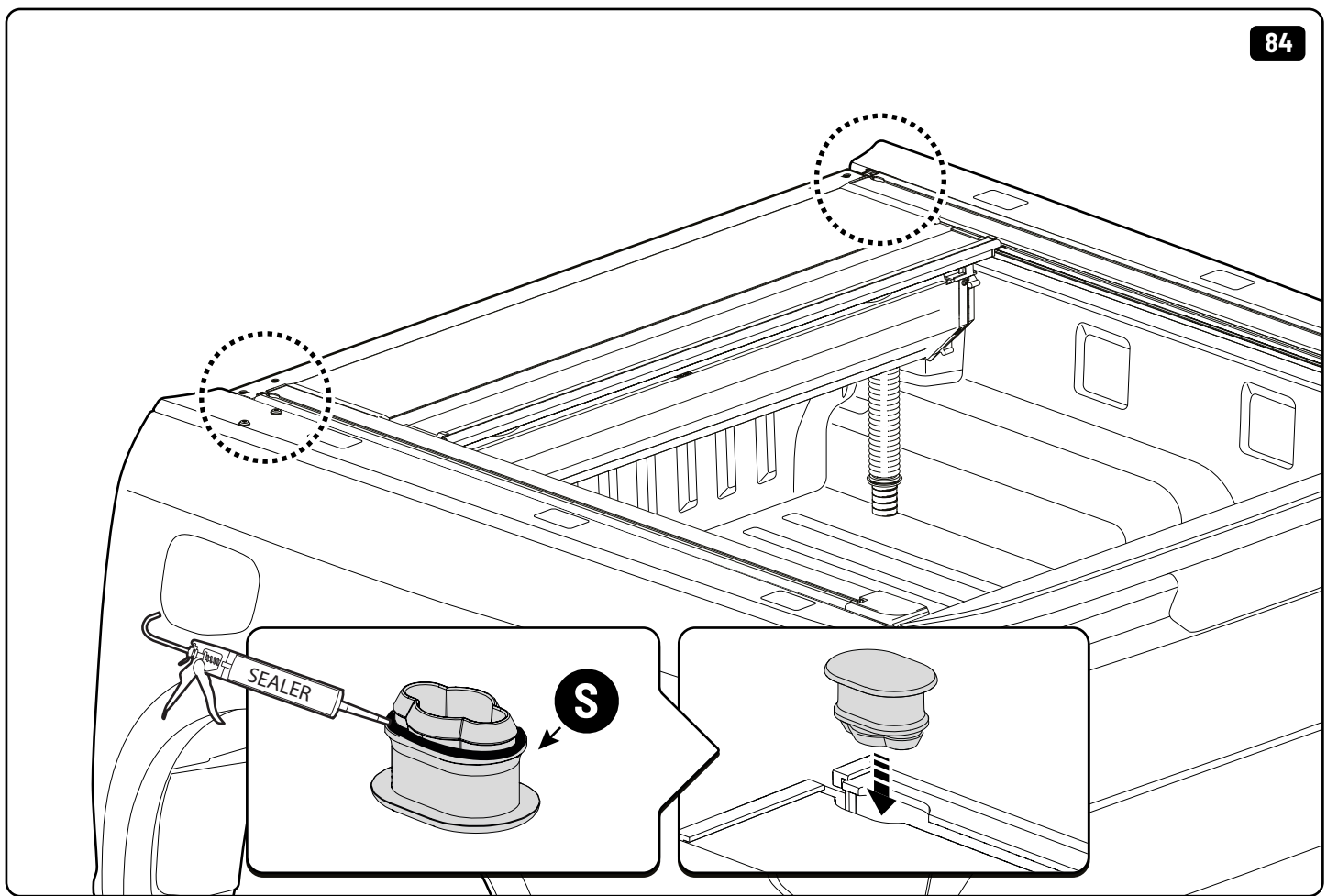
T30

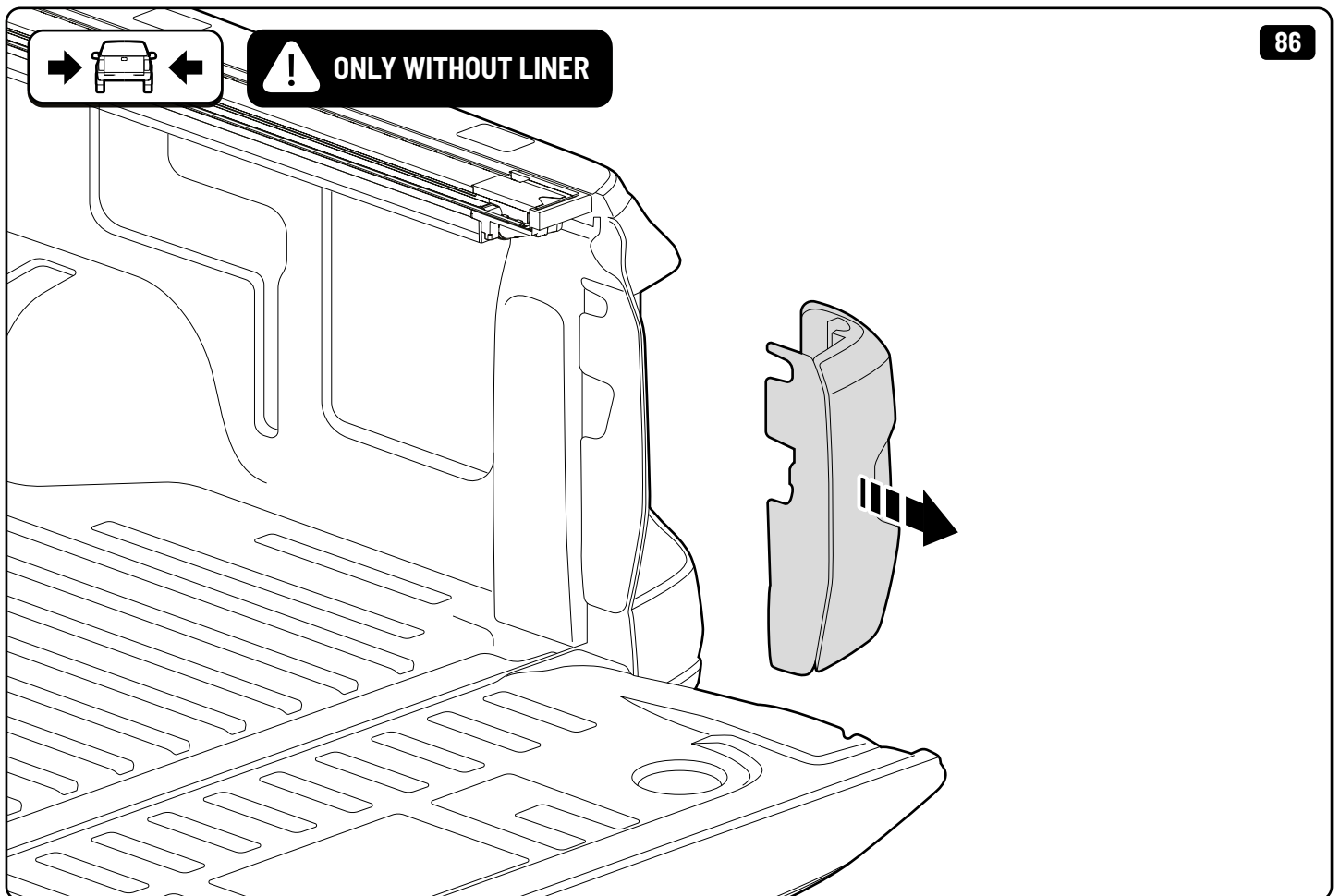
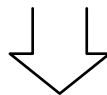
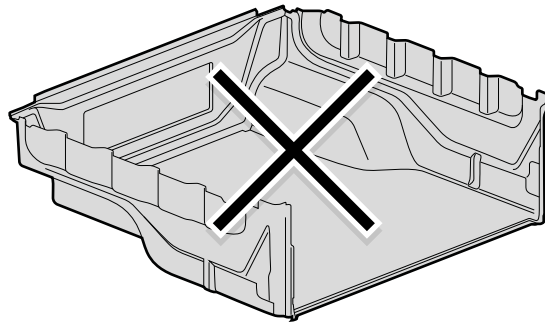
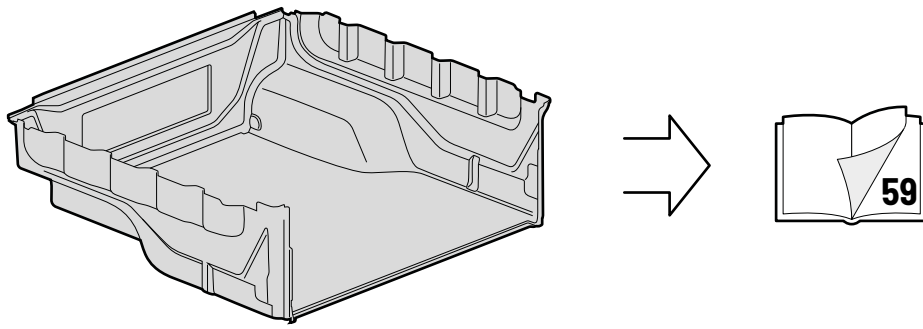
10 Nm

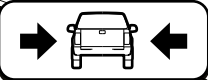
81



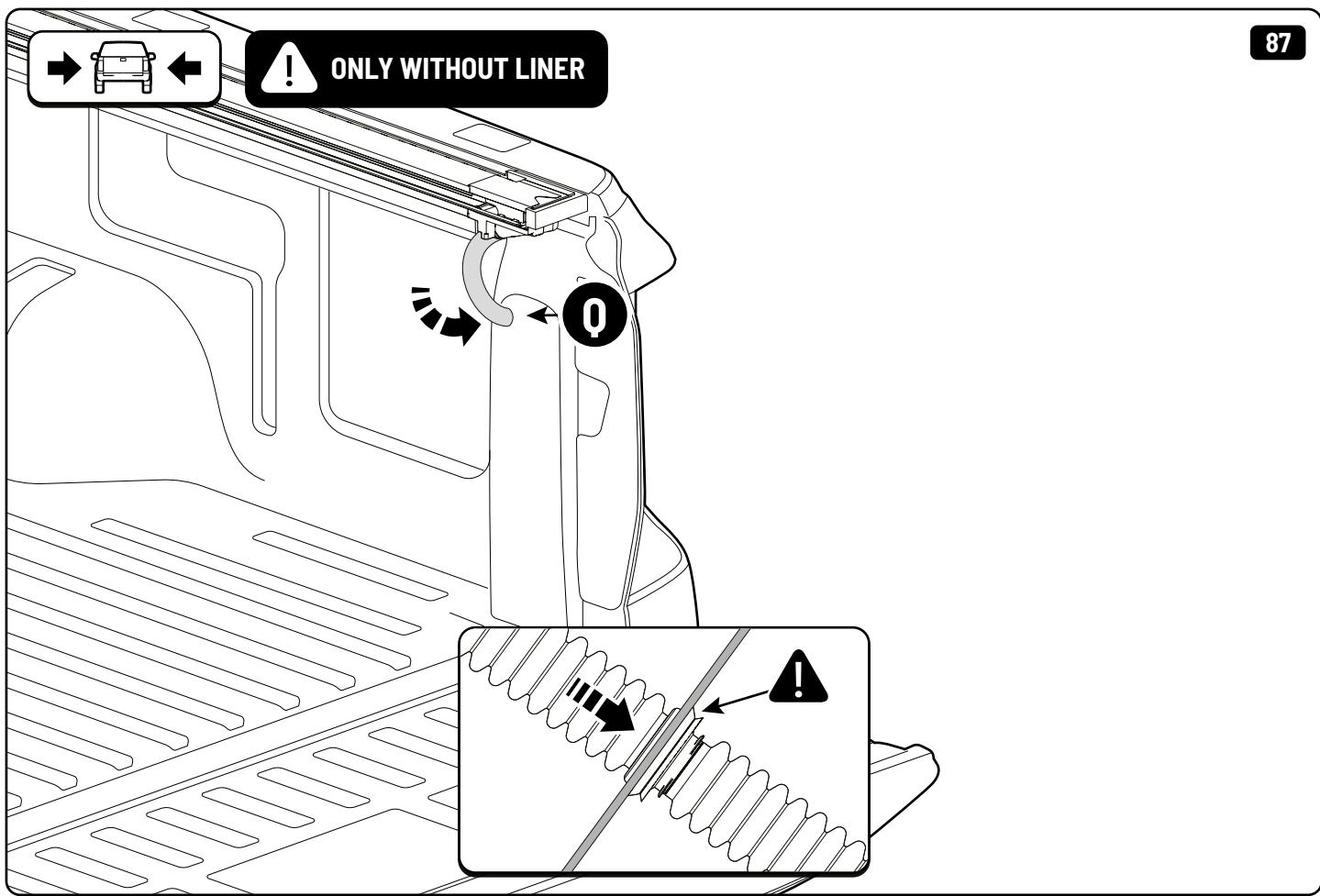




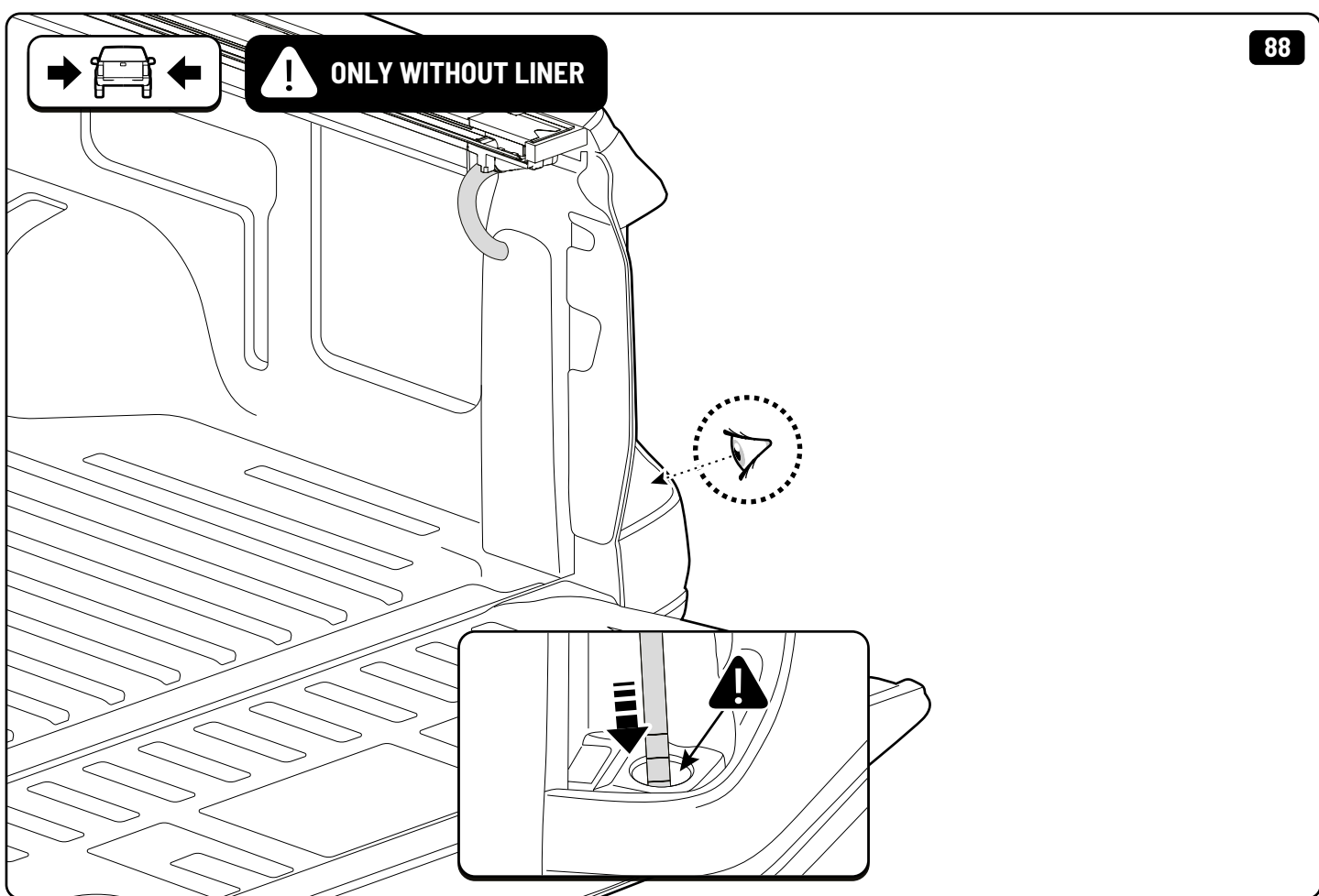




**! ONLY WITHOUT LINER**

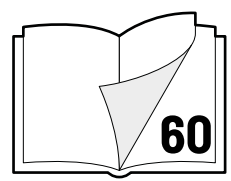
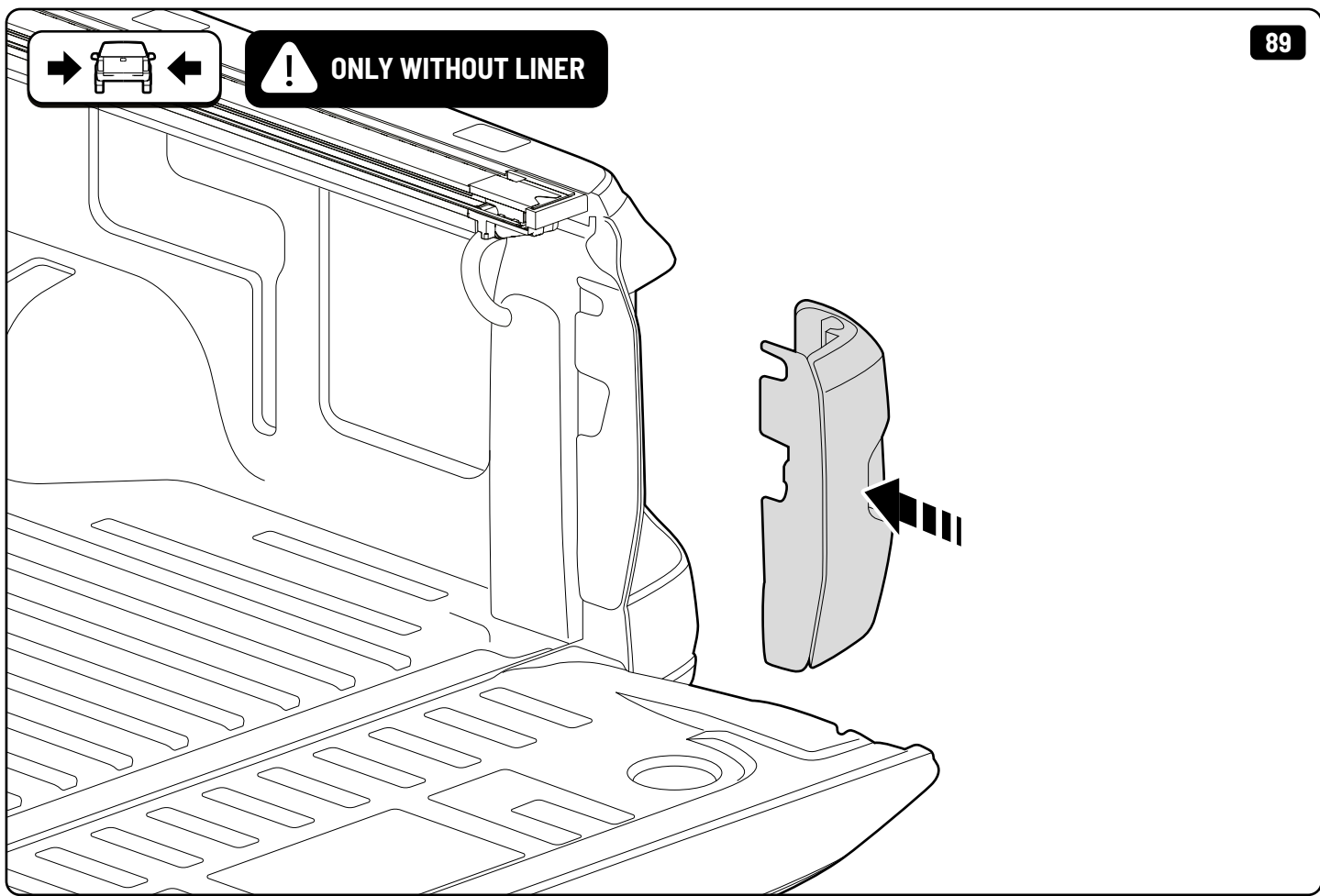


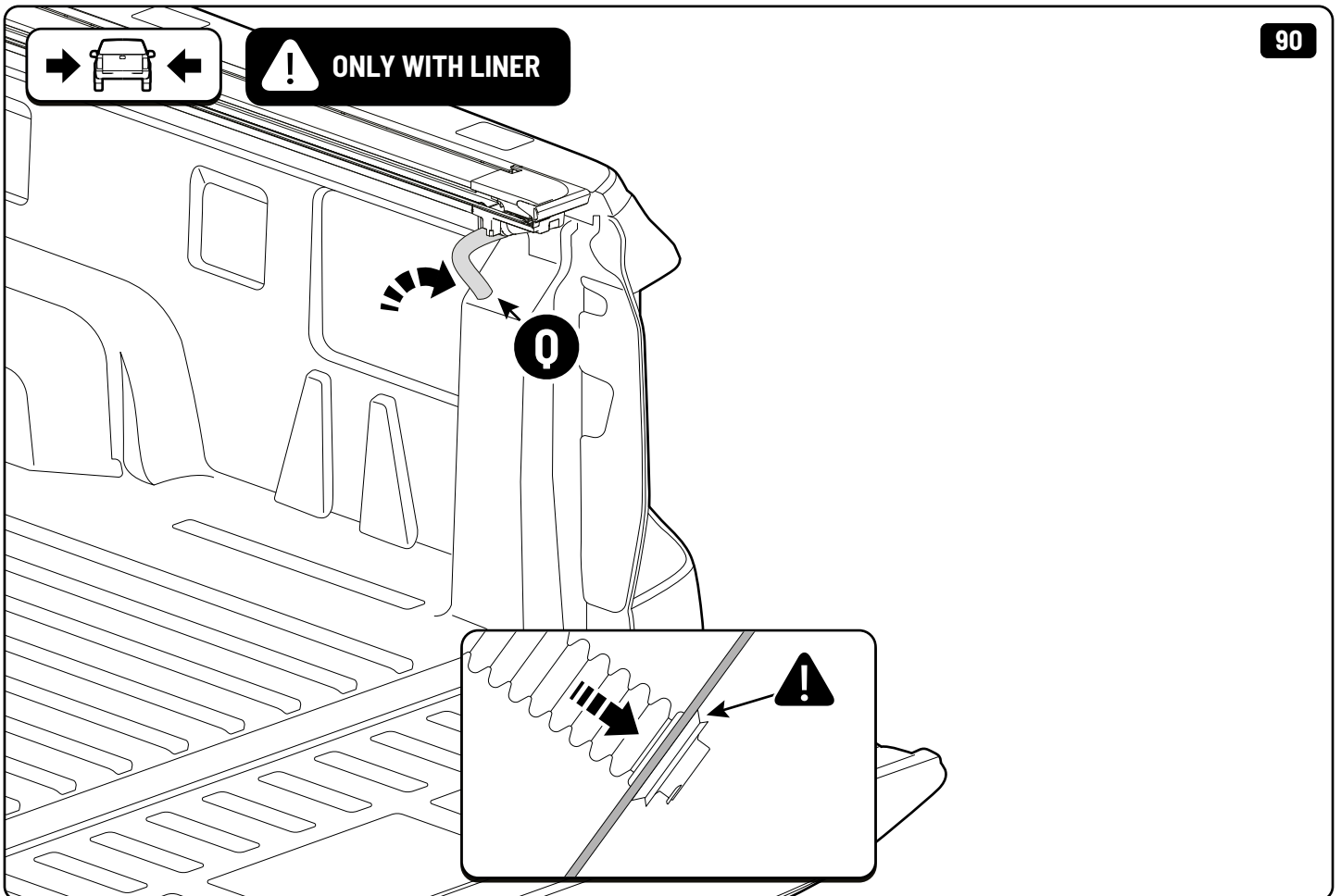
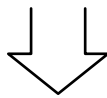
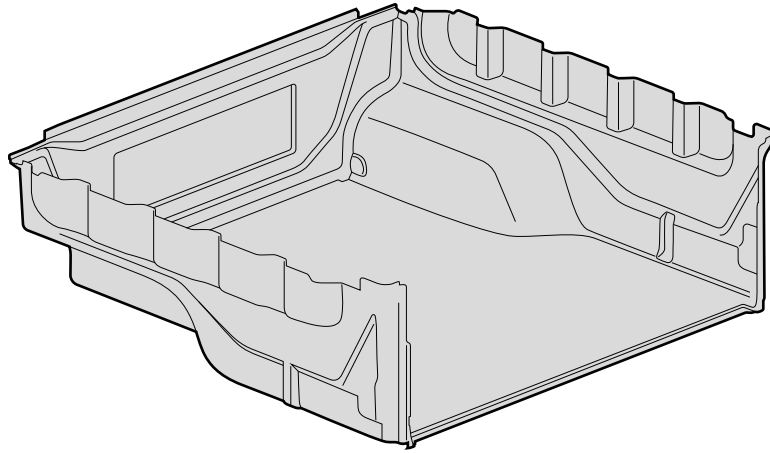
**! ONLY WITHOUT LINER**





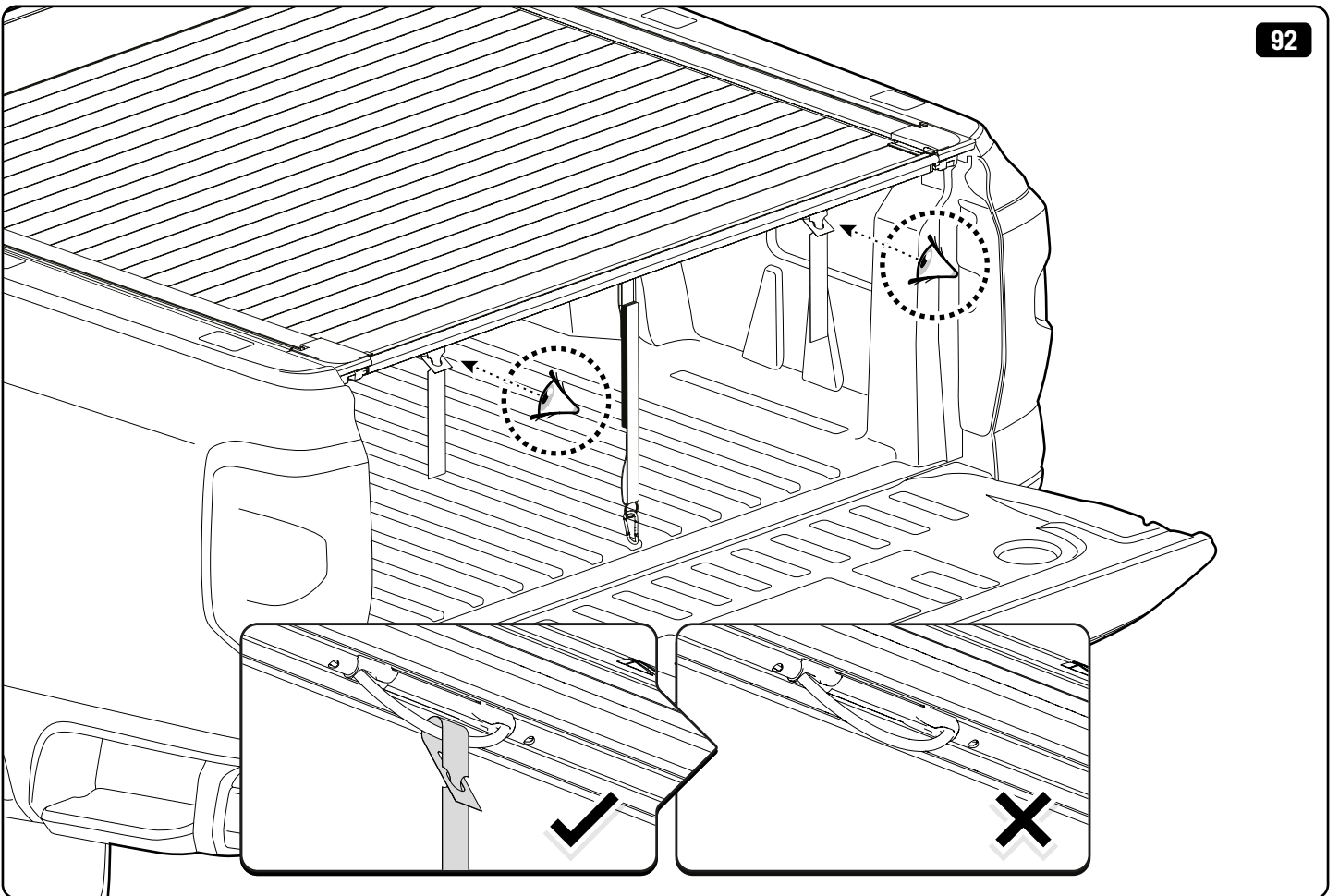
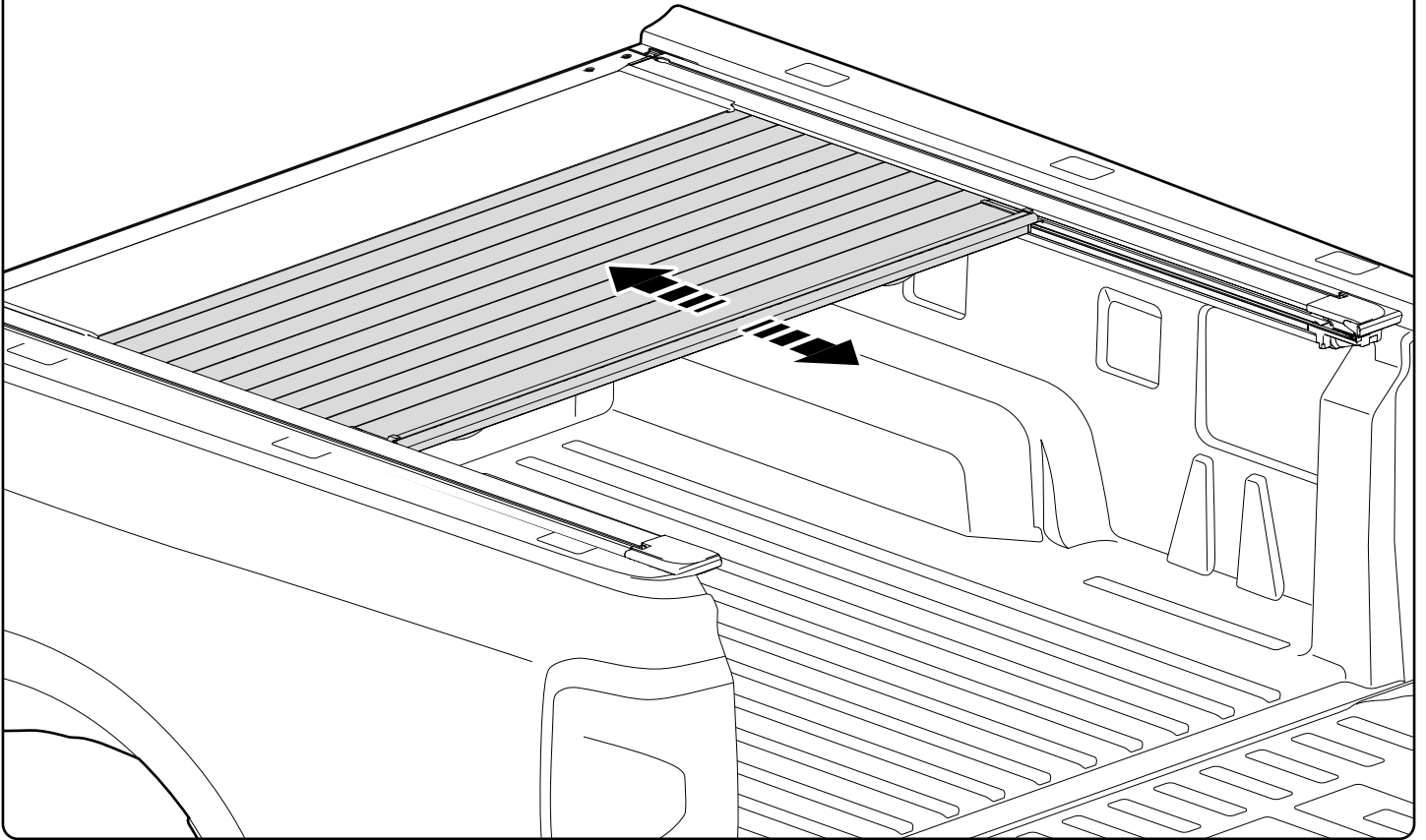
**! ONLY WITHOUT LINER**



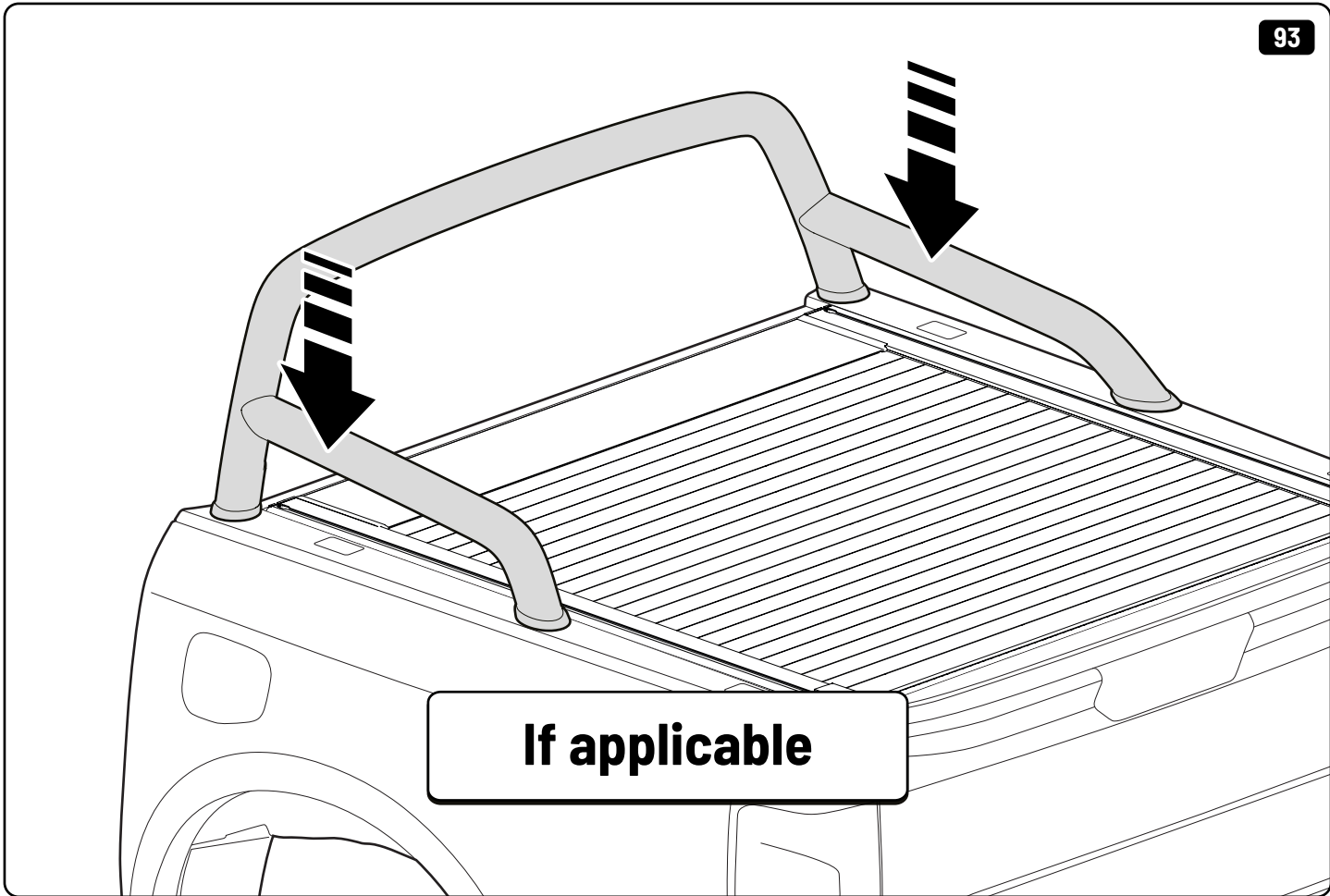




**! Check operation of Roller Shutter**









Steps	Page	Done by
Mounting gliding rail in canister	12-13	
Holes for drain	23-25 / 27-29	
Width + Cross measurement	51+52	
Tightening bracket screws	52-54	
Mounting drain	55 + 56-58 / 59	
Check operation of Roller Shutter	60	







Customer Service +45 4810 2950 (08:00 - 16:00 CET)  
Support info@mountaintop.dk  
Website www.mountaintop.dk  
Address Pedersholmparken 10, 3600 Frederikssund, Denmark

Part number (s)	Model / Year	Cab type (s)	Installation time	Weight
EV0m F010 HB02	Ford Ranger/ 2022 ->	Double Cab	1 hour (s)	30 kg
EV0m F011 HB02	Ford Ranger/ 2022 ->	Rap Cab	1 hour (s)	34 kg

<b>GB</b> Installation manual	<b>S</b> Monteringsanvisning	<b>D</b> Einbauanleitung
<b>SF</b> Asennusohje	<b>I</b> Instrucciones de montaje	<b>CZ</b> Návod k instalaci
<b>F</b> Notice de montage	<b>H</b> Szerelési utasítás	<b>I</b> Istruzioni di montaggio
<b>PL</b> Instrukcja montażu	<b>P</b> Instruções de instalação	<b>GR</b> Οδηγίες Εγκατάστασης
<b>NL</b> Installatie-instructies	<b>RUS</b> Инструкция по установке	<b>DK</b> Monteringsvejledning
<b>TR</b> Montaj Talimatı	<b>N</b> Monteringsveiledning	<b>RO</b> Instructiuni de instalare