



INSTALLATION INSTRUCTIONS (K506)

General Use Under Rail

Volkswagon-Amarok-2010-Double Cab

A 1X	B 1X 10x1"	C 5X	D 2mm VHB Tape 2X
E 4X	F 5X	G 1X	H 2X
J 4X	K 3M PRIMER 2X	◆ = EXISTING PART ○ = NEW PART	

1

8X **Y**

4X **Z**

2

(ALCOHOL) CLEAN

3

80mm

1150mm

D

4

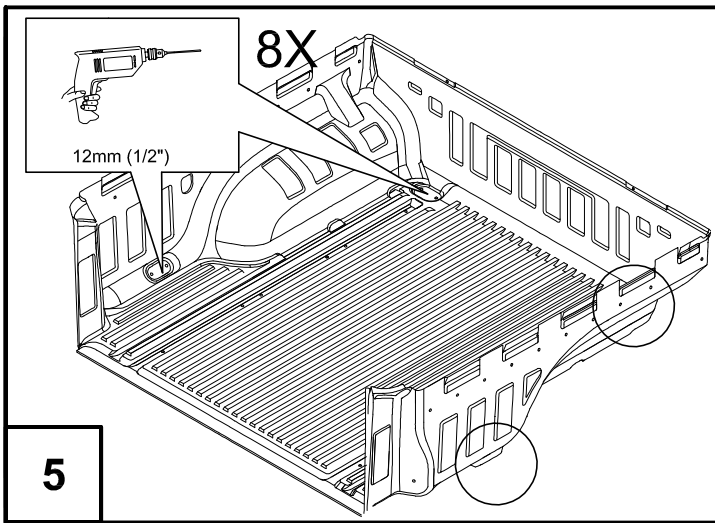
G

J

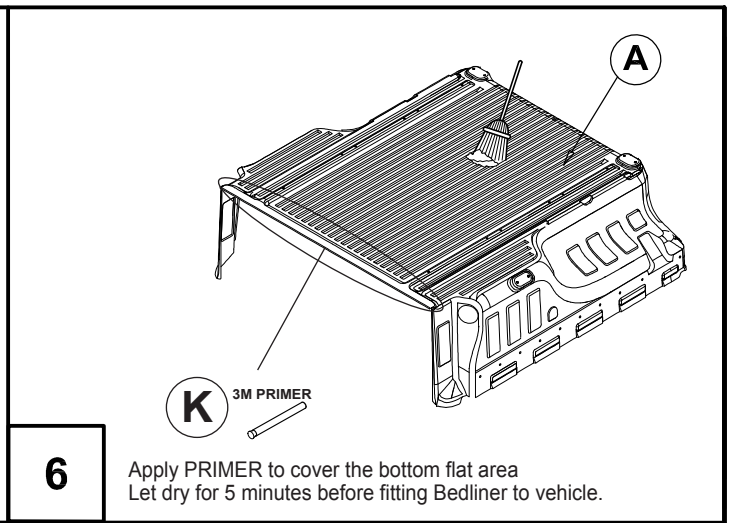
50mm

D

Fitting Kit Number	Manufacturer	Model Type	Year	Customer	Cab Size	UR or OR	Revision	Date	Page
IDFK506	Volkswagen	Amarok	2010	GENERAL USE	DC	Under Rail	8	17-02-17	1 of 3

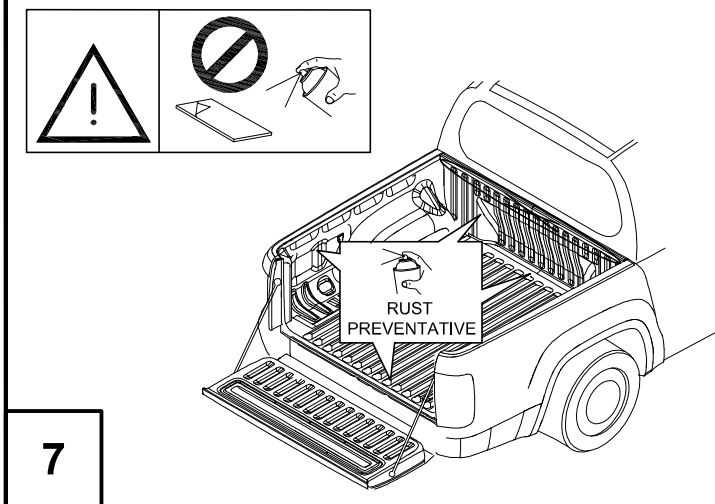


5

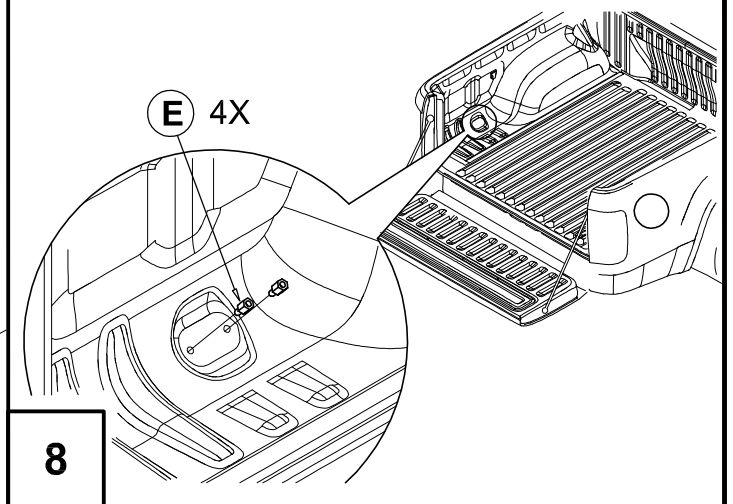


6

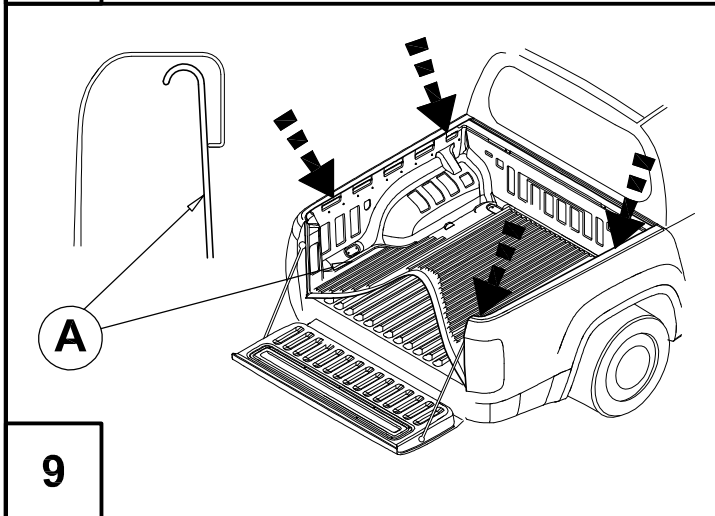
Apply PRIMER to cover the bottom flat area
Let dry for 5 minutes before fitting Bedliner to vehicle.



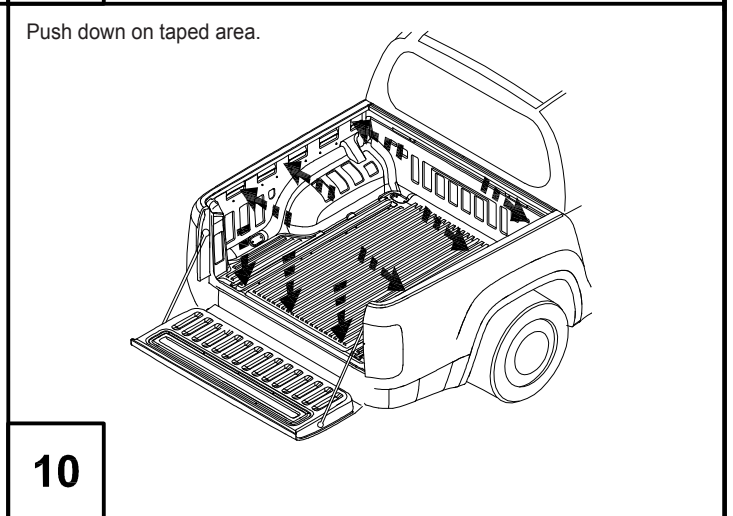
7



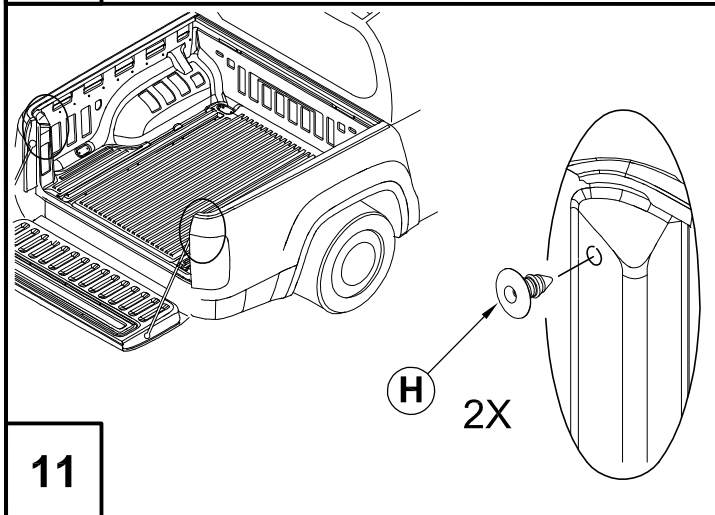
8



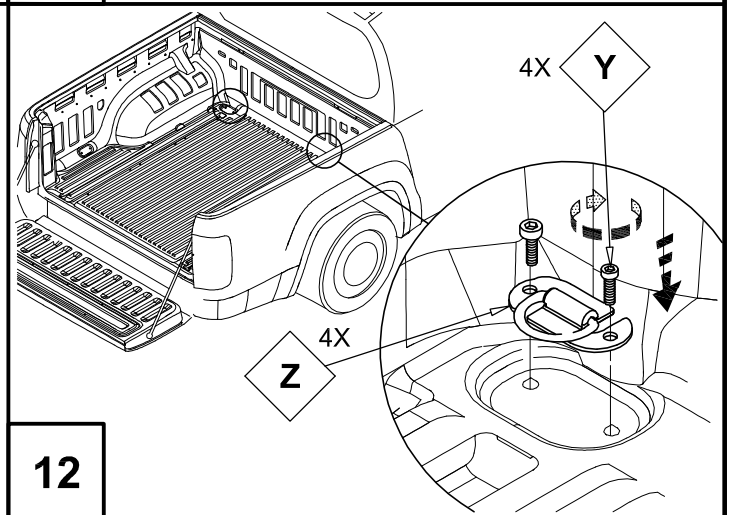
9



10

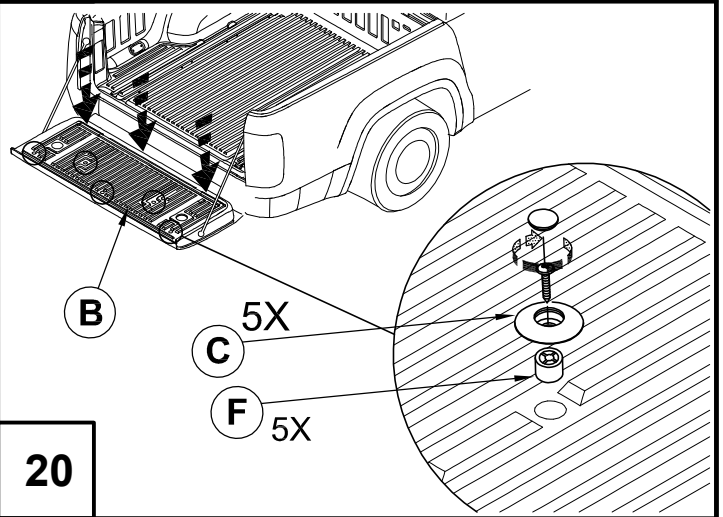
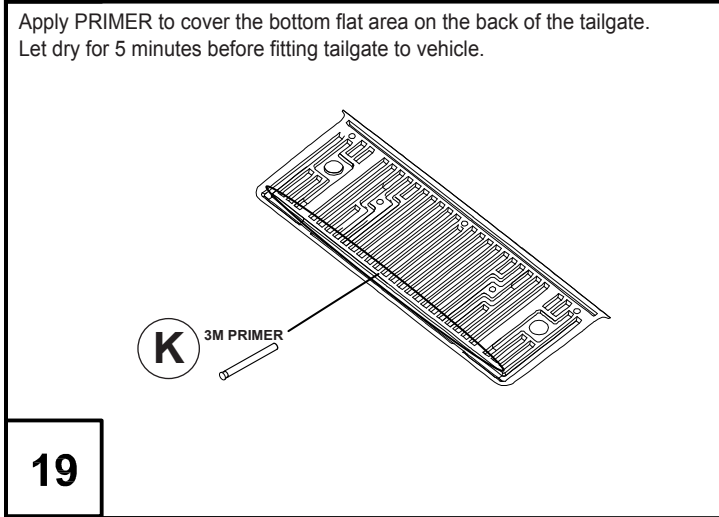
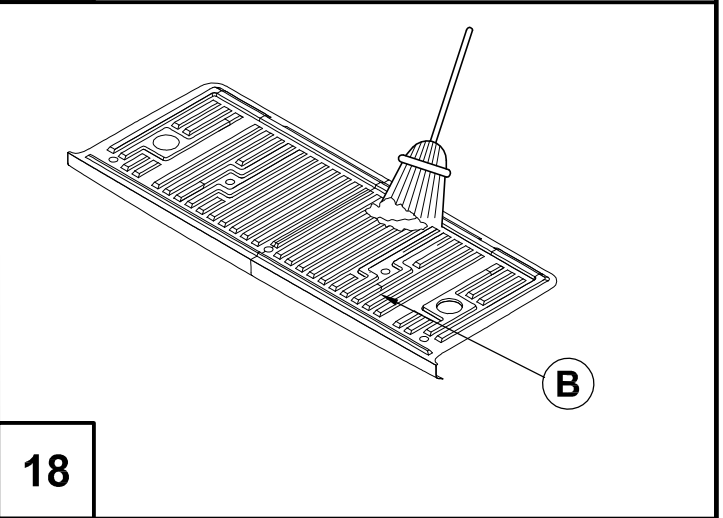
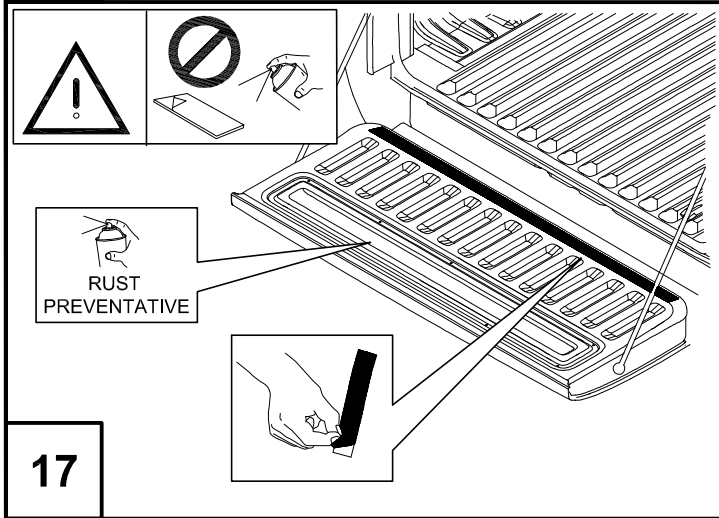
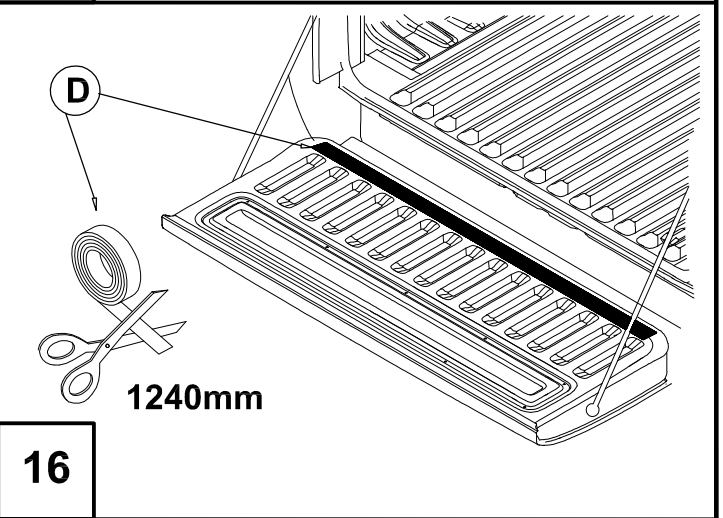
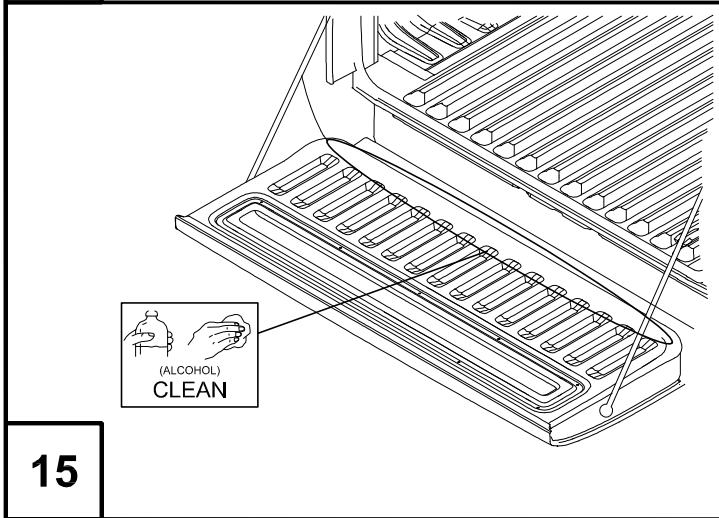
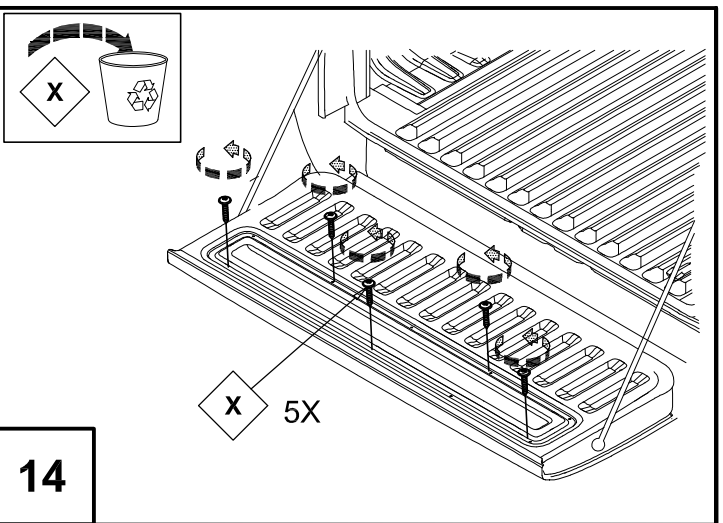
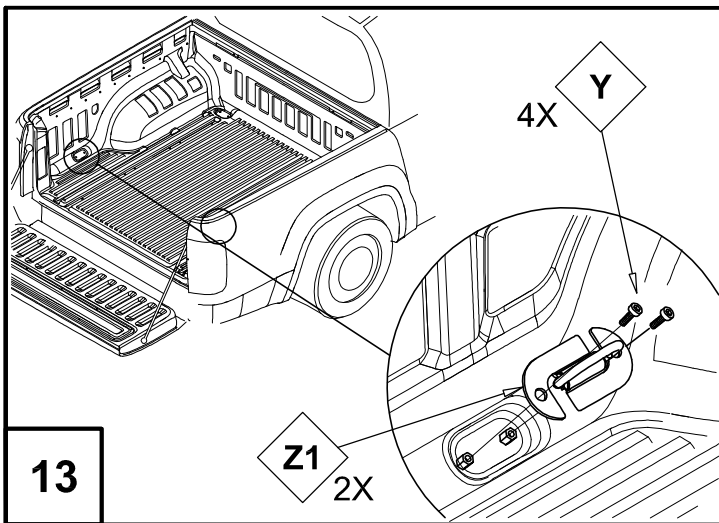


11



12

Fitting Kit Number	Manufacturer	Model Type	Year	Customer	Cab Size	UR or OR	Revision	Date	Page
IDFK506	Volkswagen	Amarok	2010	GENERAL USE	DC	Under Rail	8	17-02-17	2 of 3



Fitting Kit Number	Manufacturer	Model Type	Year	Customer	Cab Size	UR or OR	Revision	Date	Page
IDFK506	Volkswagen	Amarok	2010	GENERAL USE	DC	Under Rail	8	17-02-17	3 of 3