

FITMENT INSTRUCTIONS



FORD RANGER (P703)

DOUBLE-&-EXTENDED CAB

XTREME, XPEDITION, RHINOLITE & LX



Important Notice:
Installation of a J-brace bracket by a Ford-approved fitment center is compulsory before installing a canopy to ensure adequate bin reinforcement.

FITMENT KIT CONTENTS

DESCRIPTION	QUANTITY	ILLUSTRATION	
<ul style="list-style-type: none"> M8x25 Hexagonal Bolt M8x35 Hexagonal Bolt M8 Nyloc Nut M8 Flat Washer M8 Body Washer M8 Spring Washer 	<p>10 8 8 4 22 10</p>		
<p><u>LH FRONT (CAB SIDE)</u> <u>FITMENT BRACKET</u> QTY: 1-OFF</p>	<p><u>RH FRONT (CAB SIDE)</u> <u>FITMENT BRACKET</u> QTY: 1-OFF</p>	<p><u>LH REAR (TAIL GATE)</u> <u>FITMENT BRACKET</u> QTY: 1-OFF</p>	<p><u>RH REAR (TAIL GATE)</u> <u>FITMENT BRACKET</u> QTY: 1-OFF</p>

REQUIRED TOOLS

DESCRIPTION	ILLUSTRATION
<ul style="list-style-type: none"> T40 / T45 Torx Key / Star allen key 8mm Spanner 8mm Socket Wrench (Optional) 13mm Spanner 13mm Socket Wrench (Optional) Stanley Knife 	

INSTALLATION TIME & CARE INSTRUCTIONS

Approx. 45 Minutes (Excluding the removal of any accessories from load bin)

- ✓ Before installation, ensure that your hands and workwear are clean from oil, grime & dirt.
- ✓ Ensure that the correct tools and PPE are used whilst installing the canopy. Clean the rear cab window before fitting the canopy.
- ✓ Torque all M8 fasteners to approx. 28Nm.

FITMENT STEPS

STEP 1

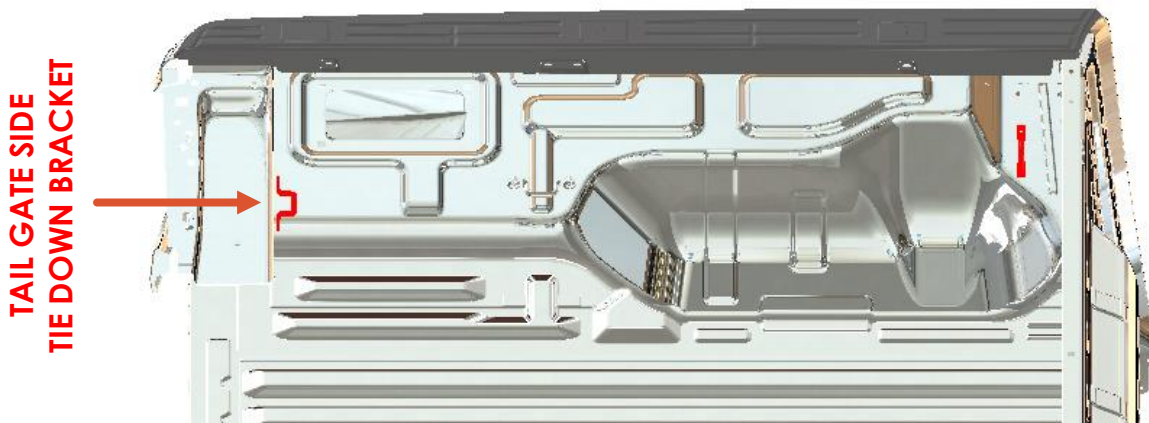
- ✓ Unpack all components and hardware from packaging, ensure that all components are accounted for as indicated in the fitment kit contents.

STEP 2

- ✓ Remove any cab guards, roll bar, tonneau cover, sports bar etc. from vehicle.

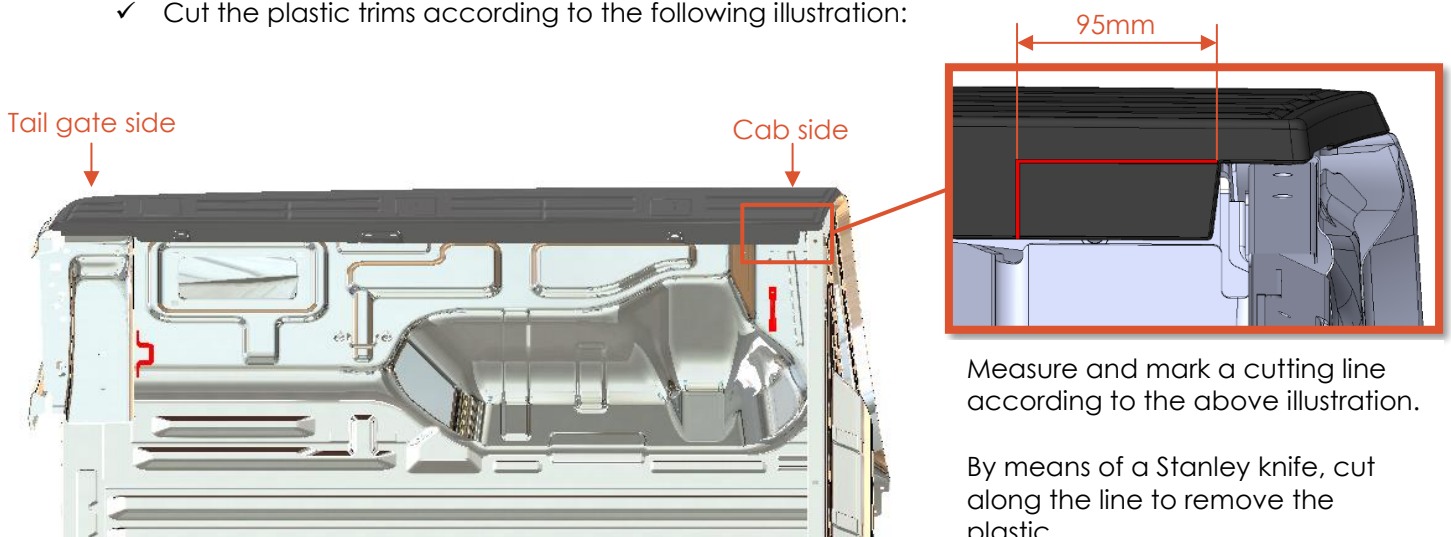
STEP 3

- ✓ Remove the tail gate side factory fitted tie-down brackets with a T40 / T45 Torx key.



Remove the tie-down brackets on both sides of the vehicle.

- ✓ Cut the plastic trims according to the following illustration:



Measure and mark a cutting line according to the above illustration.

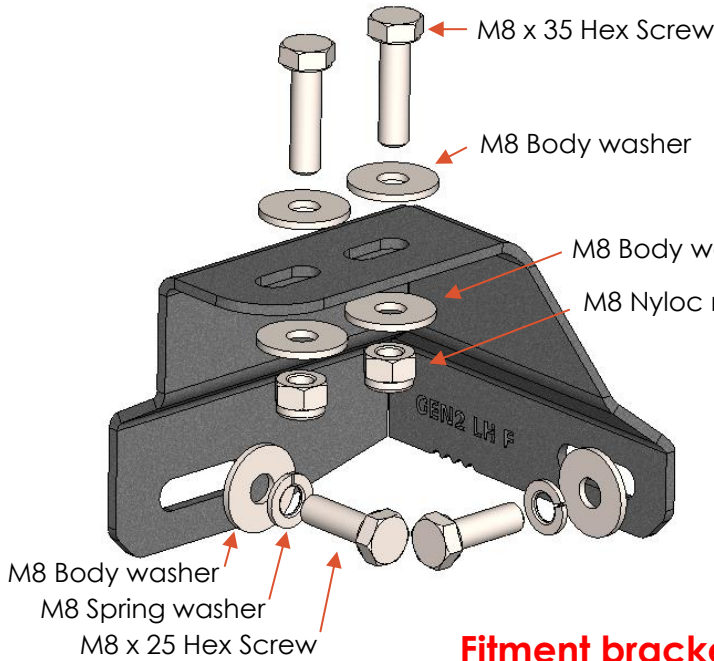
By means of a Stanley knife, cut along the line to remove the plastic.

Repeat this process on the opposite side trim.



- ✓ Identify and fit the supplied cab and tail gate side brackets to the tie down points with their respective bolts.

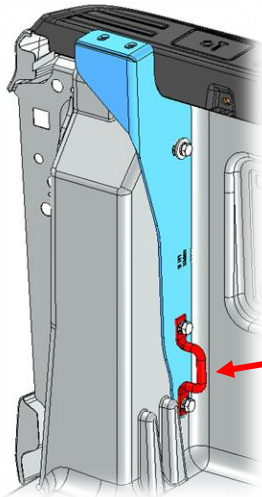
Cab side fitment brackets
Fast sets



Tail gate side fitment brackets
Fast sets

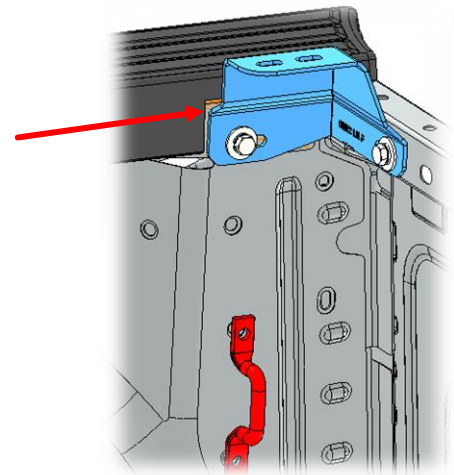


Fitment bracket orientation
Without Bin Liner:

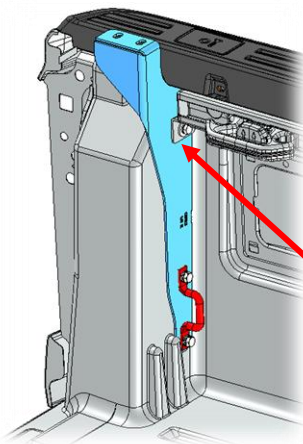


*NOTE:
Ensure that the cut-out made in the plastic side trim does not obstruct the bracket.

*NOTE:
The factory fitted tie down brackets can be placed over the fitment brackets.

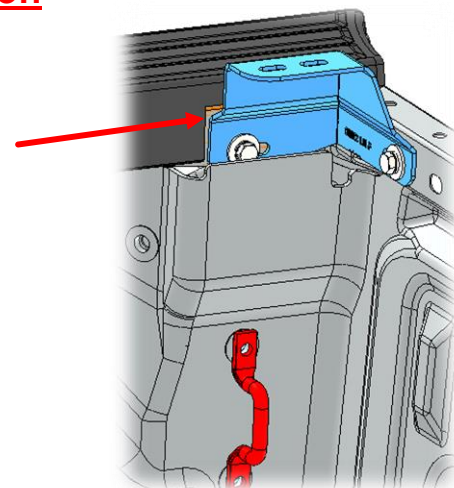


Fitment bracket orientation
With bin liner:



*NOTE:
Ensure that the cut-out made in the plastic side trim does not obstruct the bracket. Place the bracket between the bin liner and load bin as indicated.

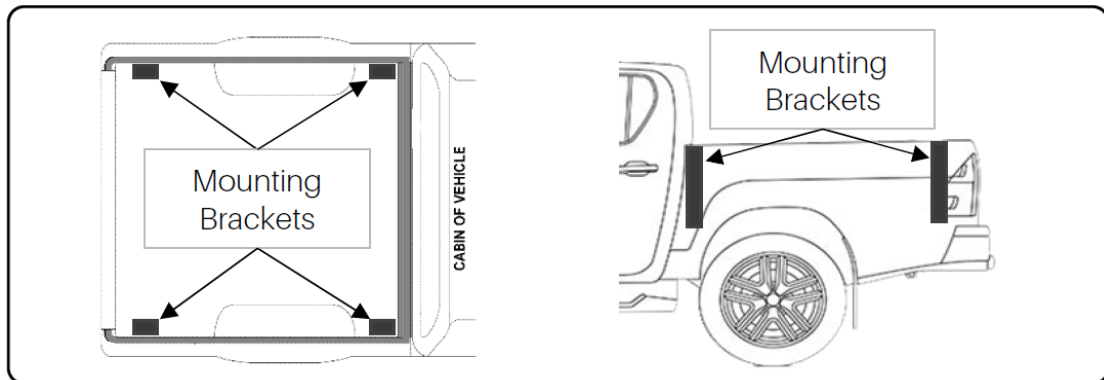
*NOTE:
Place the bracket in between the side rail fastening point and the load bin.



STEP 4

- ✓ Ensure that the rear cab window of the vehicle is clean, before loading the canopy onto the load bin.
- ✓ Load the canopy onto the load bin and align the canopy center to the vehicle.
- ✓ Confirm that the fitment holes on the inside of the canopy side trims align with the fitment holes on top of the fitment brackets.
- ✓ Secure the canopy to the brackets using a M8 x 35 Hexagonal bolt and M8 body washer from the top, with a M8 body washer and M8 Nyloc nut from the bottom. Tighten all bolts until the canopy fastening points is flat against the fitment brackets.

FIG 1.



STEP 5

- ✓ Trim sealing rubber on tailgate with knife or scissors to suit.
- ✓ Confirm alignment of canopy and the rubber seal all around.
- ✓ Check all bolts one final time.
- ✓ Enjoy your NEW Rhinoman canopy.

WARRANTY SERVICE & CARE GUIDE

- ✓ All Rhinoman products carry a comprehensive 2-year factory warranty.
- ✓ **PLEASE NOTE:** Your canopy will only be covered under warranty if it has been fitted by an approved Rhinoman fitment center or agent.
- ✓ Please do inspect the fasteners on the fitment brackets every once in a while, to ensure that all bolts are still tight and properly secured.

SHOULD YOU HAVE ANY ENQUIRIES ABOUT THE FITMENT, FEEL FREE TO CONTACT US