

INSTALLATION MANUAL

PRODUCT: REAR BUMPER
MODEL: NISSAN NAVARA (2015-)
PART NO: 2D.4102.1



Caution!

To reduce the risk of serious injury or damage, please read and understand all instructions and procedures before attempting to install or use this product. Safety glasses must be worn at all times during installation or maintenance of this product. Ensure all mounting bolts are tensioned after 1000 kms and periodically thereafter.

Notice!

Whilst the bumper adds additional protection to your vehicle, precautionary measures still need to be taken to avoid damage. Always drive to the conditions and your surroundings.

REAR BUMPER NISSAN NAVARA

Part No:	2D.4102.1
Brand:	Nissan
Model:	Navara
Year:	2015-
Material:	Aluminum/steel
Dimensions:	1850x650x250mm
Weight:	46kg 48kg (with LED)



Safety notice

- * The RIVAL Bumper is designed to compliment the use and design of the specified vehicle under conditions specified by the car manufacturer.
- * While driving the vehicle at any speed, collision with any other vehicle, animal or object must always be avoided.
- * Following any collision with any other vehicle, animal or object, the RIVAL Bumper and the vehicle must be inspected by a specialized or suitably qualified vehicle repairer for possible damage to the components and assemblies in order to confirm suitability for further use of the vehicle.
- * It is strongly recommended that you do not operate a vehicle with a damaged bumper or its components. In the case of damage, please contact the nearest RIVAL dealer.
- * The operation of a vehicle where the bumper is not properly attached and fastened to the vehicle, or where the bumper has been damaged, is extremely dangerous and must be avoided at all cost.

Installation notice

- * The RIVAL Bumper must be mounted and affixed to the vehicle according to this installation manual.
- * Personal safety during the installation process must be adhered to at all times and the use of personal safety equipment is highly recommended.

Required tools

- * Basic tool kit
- * Torque wrench

Torque setting

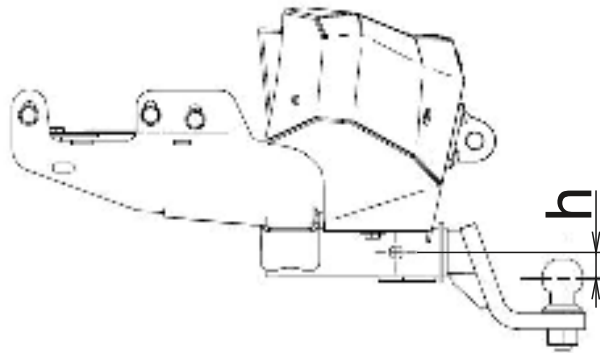
* M6	9 H·M
* M10	44 H·M
* M12	77 H·M

Technical information

Bumper design provides an ability to install 2" towing bar (50,8mm)
 Maximum permissible vertical static load on tow bar is 100kg.

Maximum gross weight of towed trailer:

Distance h, mm	Weight of trailer without brakes, kg	Weight of trailer with brakes, kg
0-35	1000	2500
36-80	750	1700

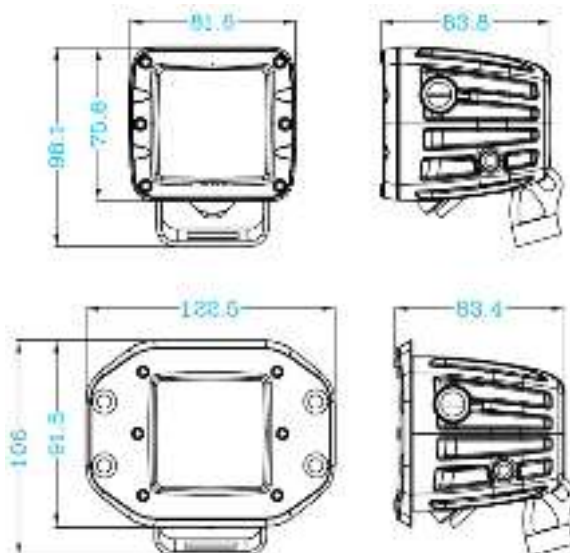


Attention!

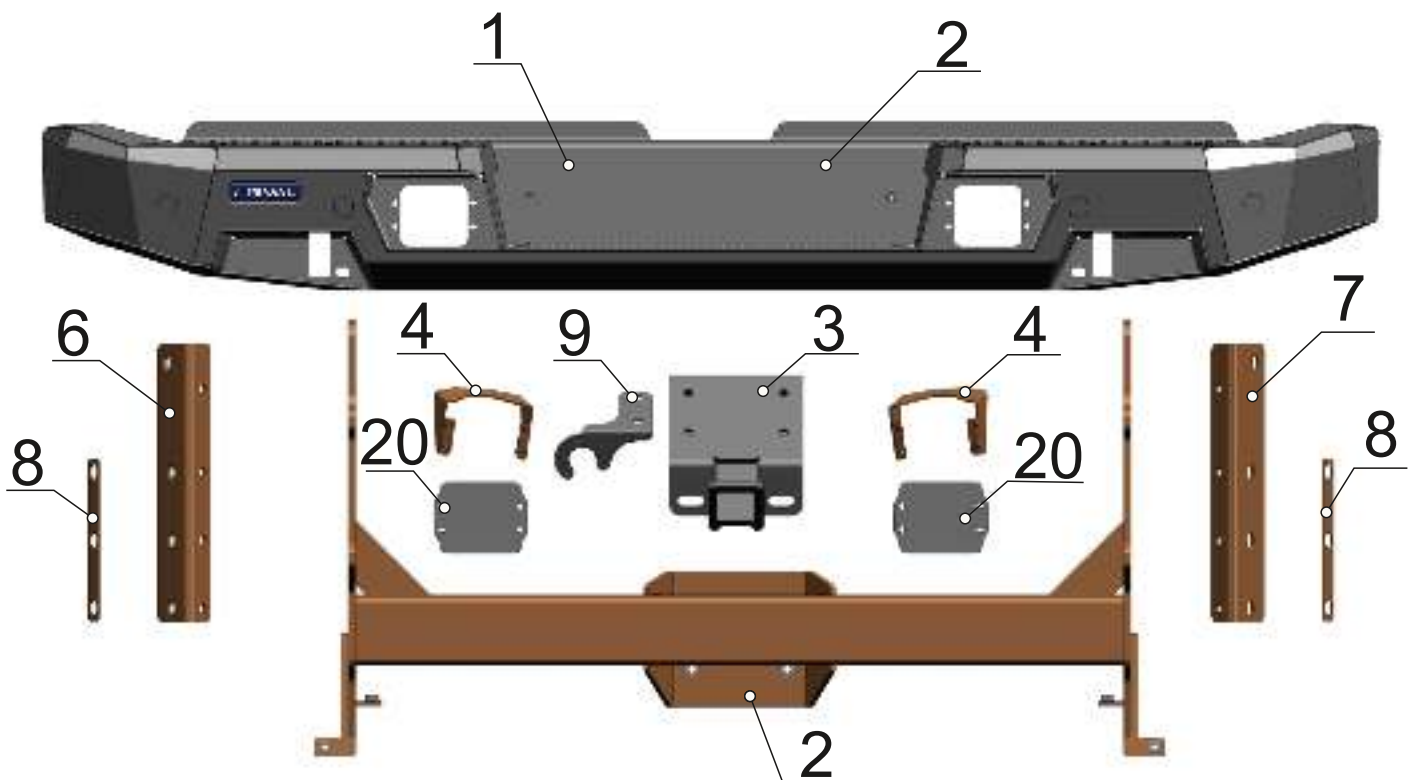
Towing of trailer that does not meet the specified requirements may cause the damage of towing hook or bumper.

*LED lights

Compatible with LED sizes below:



1. Aluminum bumper body.....	1 pc.	10. Bolt M10x40.....	11 pcs.
2. Bracket	1 pc.	11. Bolt M12x40.....	4 pcs.
3. Tow bar square.....	1 pc.	12. Bolt M12x1,25x40.....	13 pcs.
4. LED bracket.....	2 pcs.	13. Bolt M6x16.....	8 pcs.
5. Inside nut M10.....	3 pcs.	14. Screw M10x30.....	4 pcs.
6. Left bracket reinforcement.....	1 pc.	15. Nut M10.....	8 pcs.
7. Right bracket reinforcement.....	1 pc.	16. Washer M10x20.....	23 pcs.
8. Adjusting plate.....	2 pcs.	17. Washer M12x24.....	17 pcs.
9. Tow bar socket bracket..	1 pc.	18. Light cap.....	2 pcs.
		19. LED (depending on the delivery)	2 pcs.





1. Open the bonnet.
2. Disconnect the negative battery terminal cable.



3. Remove parking sensors plugs.



4. Remove license plate lights. Gently pull lights down, turn wire and light for a 90 degrees.



5. Unscrew 3 bolts of rear bumper mount from left and right side.



6. Remove bumper.



7. Mount adjusting plates (8) on reinforcements (6 and 7).



8. Mount reinforcements (6 and 7) on vehicle frame from left and right side using bolts M12x1,25x40 and washers M12x24 (17). Do not tighten yet.



9. Mount bracket (2) on OE holes in frame using bolts M12x1,25x40 (12) and washers M12x24 (17). Do not tighten yet





10. Mount inside nut M10(5) into the vehicle frame from the right side.



11. Mount bracket (2) on inside nut M10 (5) using bolt M10x40 (10) and washer M10x20 (16). Do not tighten yet.



12. Mount inside nut M10(5) into the vehicle frame from the right side.



13. Mount bracket (2) on inside nut M10 (5) using bolt M10x40 (10) and washer M10x20 (16). Do not tighten yet.



14. Mount bracket (2) from left side of vehicle into OE hole using bolt M12x1,25x40(12) and washer M12x24(17). Do not tighten yet.



15. Mount inside nut M10(5) into the vehicle frame from the left side.
16. Mount bracket (2) on inside nut M10 using bolt M10x40(10) and washer M10x20 (16). Do not tighten yet.



17. Mount bracket on reinforcement using bolts M10x40 and washers M10x20. Do not tighten yet.



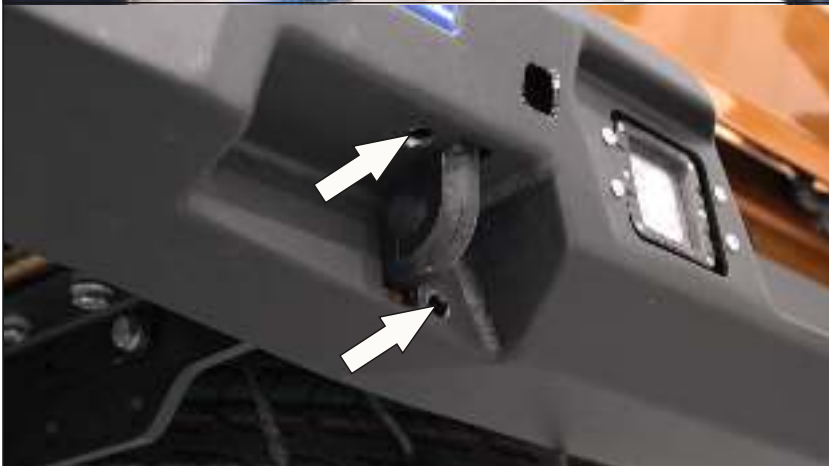
18. *Mount lights (19) on brackets (4) using fittings from light set.
*For package with LED lights.



19. * Mount brackets on bumper body (1) using screw M6x16(13).
* For package with LED lights.



20. Mount bumper body (1) on vehicle.



21. Fix bumper body in the area of towing hooks using screws M10x30 (14) and washers M10x20(16). Do not tighten yet.



22. *Mount bumper body (1) on bracket (2) in lower part using bolts M12x40(11) and washers M12x24(17). Tighten all screws.
**For vehicle without use of tow bar .*



23. Mount socket bracket (9) on tow bar bracket (3).



24. Mount tow bar bracket on vehicle using bolts M12x40 (11) and washers M12x24 (17). Tighten all screws.



25. Remove 4 parking sensors from OE bumper.



26. Remove 4 parking clips from OE bumper.



27. Knock out pre-cut holes for parking sensors from bumper body (1).
28. Mount plastic clips on bumper body into the cuts



29. Mount parking sensors on bumper body.
30. Connect plugs with parking sensors.



31. Mount license plate light on bumper body.



32. Mount license plate.

Before operating a vehicle fitted with a RIVAL bumper:

- make sure all fittings are tightened***
- check all electrical wiring attaching to lights***

