

INSTALLATION MANUAL

PRODUCT: MOUNTING BRACKETS FOR ROOF RACK
MODEL: FORD RANGER RAPTOR (2022-ON)
PART NO: 2M.1802.K



CAUTION!

To reduce the risk of serious injury or damage, please read and understand all instructions and procedures before attempting to install or use this product. Safety glasses must be worn at all times during installation or maintenance of this product. Ensure all mounting bolts are tensioned after 250 miles (400 km) and periodically there after.

MOUNTING BRACKETS



Part number 2M.1802.K
Suited to: FORD RANGER RAPTOR (2022-ON)
Material: Aluminum
Added Vehicle Height: 2.1inch (52mm)



SAFETY NOTICE

- * The RIVAL roof rack is designed to compliment the use and design of the specified vehicle under conditions specified by the car manufacturer.
- * While driving the vehicle at any speed, collision with any other vehicle, animal or object must always be avoided.
- * The operation of a vehicle where the roof rack is not properly attached and fastened to the vehicle, or where it has been damaged, must be avoided at all cost.
- * It is recommended that you carry out regular inspections of all the bracket fittings.
- * Roof load capacity specified by vehicle manufacturer - 176lbs (80kg)
- * Recommended speed limit with installed roof rack up to 56m/h (90 km/h)

INSTALLATION NOTICE

- * The RIVAL roof rack must be mounted and affixed to the vehicle according to the installation manual provided by an authorized RIVAL dealer or Motor dealer or by a special vehicle repair or fitment center.
- * Personal safety during the installation process must be adhered to at all times and the use of personal safety equipment is highly recommended.

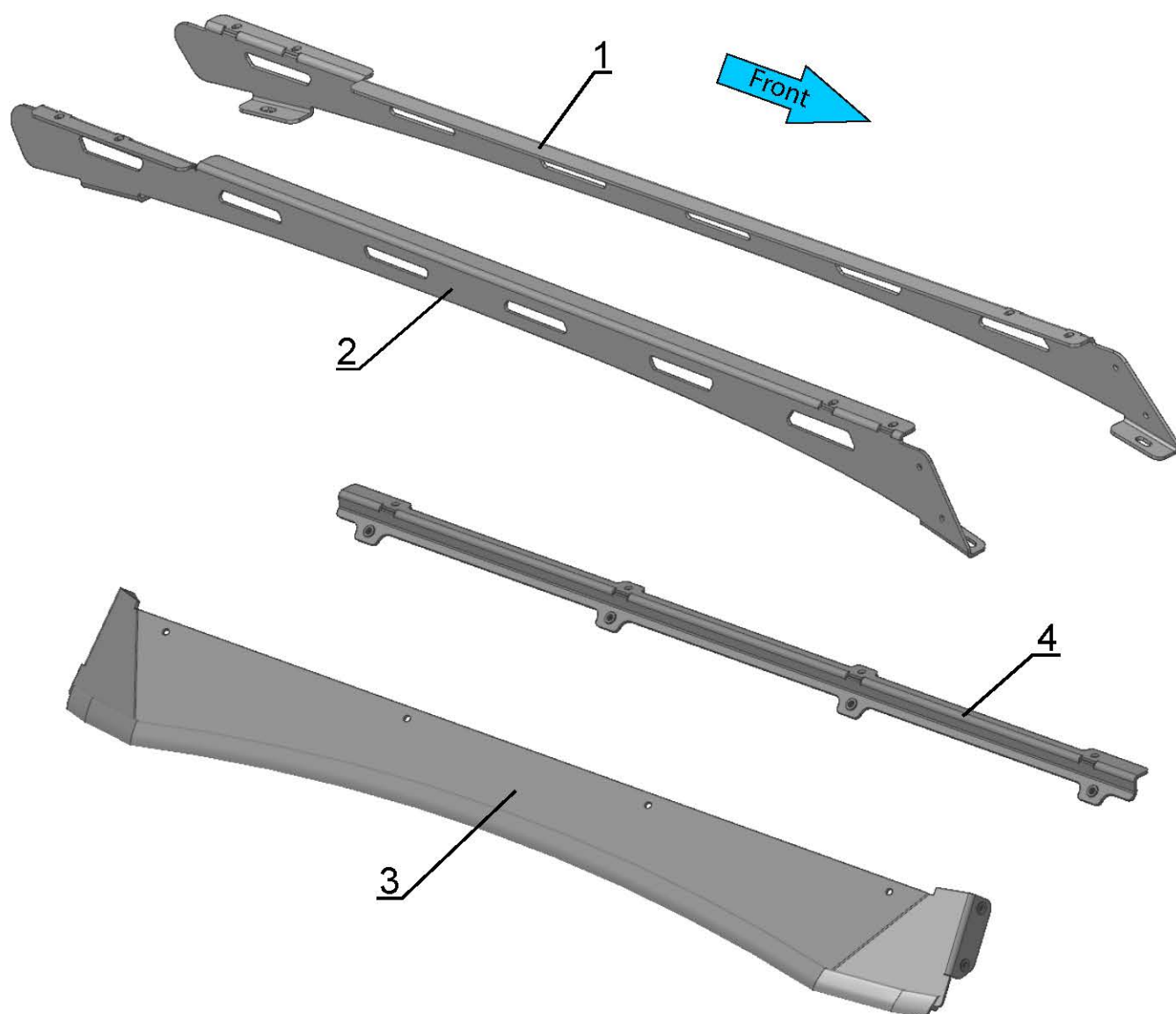
REQUIRED TOOLS

- * Basic tool kit
- * Torque wrench
- * Measure tape
- * Auto trim Removal Tool

TORQUE SETTING

M6 - 9 Nm (6.6 lb/ft),
M8 - 24 Nm (17.7 lb/ft)

PARTS LISTING



- | | |
|--------------------------------|-------|
| 1. Left bracket | Qty 1 |
| 2. Right bracket..... | Qty 1 |
| 3. Wind deflector..... | Qty 1 |
| 4. Wind deflector bracket..... | Qty 1 |

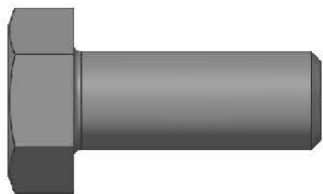
PARTS LISTING



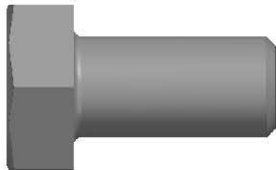
A



B



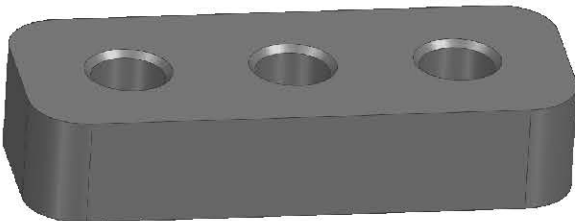
C



D



E



F



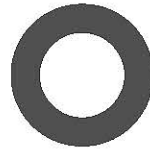
G



H



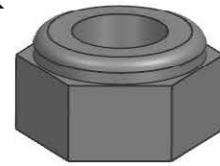
I



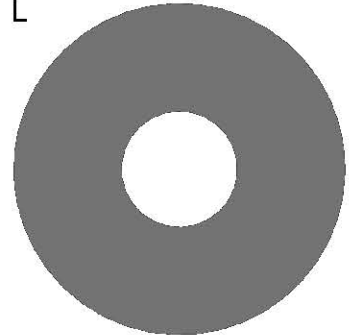
J



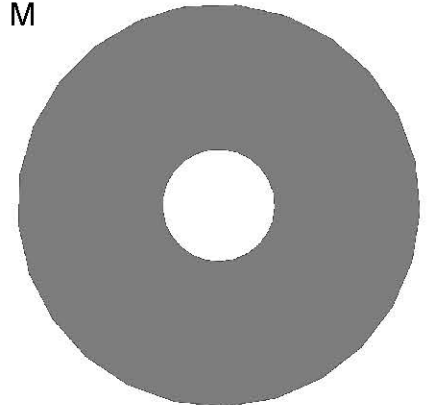
K



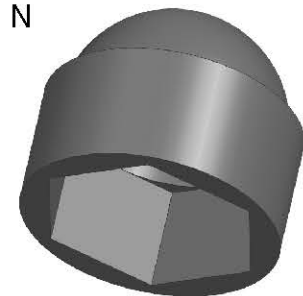
L



M



N



| | |
|----------------------------------|--------|
| A. Guard film..... | Qty 1 |
| B. Bolt M8x20..... | Qty 12 |
| C. Bolt M8x16..... | Qty 12 |
| D. Screw M6x20..... | Qty 8 |
| E. Spacer..... | Qty 4 |
| F. Spring washer 6..... | Qty 8 |
| G. Washer 6..... | Qty 8 |
| H. Spring washer 8..... | Qty 12 |
| I. Washer 8..... | Qty 12 |
| J. Sealant..... | Qty 1 |
| K. Nut M8..... | Qty 12 |
| L. Flat washer 8..... | Qty 8 |
| M. Reinforced flat washer 8..... | Qty 4 |
| N. Plastic cap for nut M8..... | Qty 4 |

INSTALLATION PROCEDURE



Fig. 1



Fig. 2

1. Remove all pillar grab handles, using plastic trim tool and ratchet wrench, as showing in fig.1 and fig.2.



Fig. 3



Fig. 4

2. Remove all grab handles, using plastic trim tool and ratchet wrench, as showing in fig.3 and fig.4.



Fig. 5



Fig. 6

3. Remove sun visors, using plastic trim tool and ratchet wrench, as shown in fig.5 and fig.6.

INSTALLATION PROCEDURE



Fig. 7



Fig. 8

4. Remove the visor roof clips, using plastic trim tool and ratchet wrench, as shown in fig.7 and fig.8.



Fig. 9

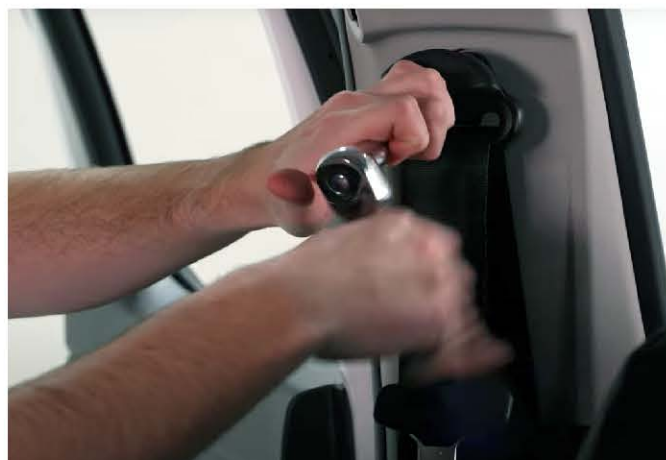


Fig. 10

5. Remove the pillar seat belts, using plastic trim tool and ratchet wrench, as shown in fig.9 and fig.10.



Fig. 11



Fig. 12

6. Pull down the rubber seal on all doors, as shown in fig.11 and fig.12.

INSTALLATION PROCEDURE



Fig. 13



Fig. 14

7. Remove rear the seat belt caps, using plastic trim tool and ratchet wrench, as shown in fig.13 and fig.14.



Fig. 15

8. Remove the middle seat belt pillar (fig.15).



Fig. 16

9. Remove the bolts and rubber stoppers from the rear panel (fig.16).



Fig. 17

10. Remove the rear panel (fig.17).



Fig. 18

11. Loosen the lower pillar covers by unclipping at the top (fig.18).

INSTALLATION PROCEDURE



Fig. 19

12. Remove the upper pillar covers (fig.19).



Fig. 20

13. Remove the middle pillar covers start by unclipping at the top and working your way down (fig.20).



Fig. 21

14. Remove the front pillar covers unclip from the top (fig.21).



Fig. 22

15. At the bottom carefully unclip the speaker wire (fig.22).



Fig. 23

16. Open the sunglasses compartment and pry the cosole downward (fig.23).



Fig. 24

17. Carefully detach the wire connectors from the center console (fig.24).

INSTALLATION PROCEDURE



Fig. 25

18. Remove both screws in the center console (fig.25).



Fig. 26

19. Lower the roof lining by detaching the magnetic connection point in the middle of the roof, as far as the wiring allows (fig.26)



Fig. 27

20. Unscrew all 4 connection points, as shown in fig.27 and fig.28.



Fig. 28



Fig. 29

21. Peel the ditch rubbers upwards starting from the rear and making your way to the front on both sides of the vehicle. (fig.29).

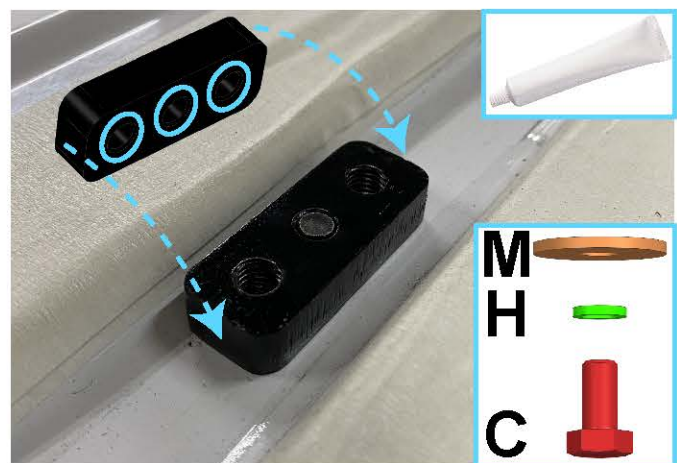


Fig. 30

22. Apply sealant to the spacers (item E) and the threads of the M8x16 bolts (item C) and fix the spacers to the center holes using bolts M8x16 (item C), spring washers 8 (item H) and reinforced flat washers (item M) (fig.30).
***Do not tighten yet.**

INSTALLATION PROCEDURE

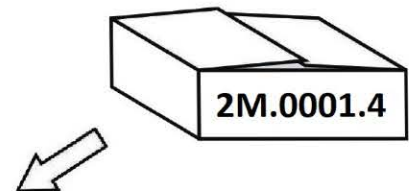
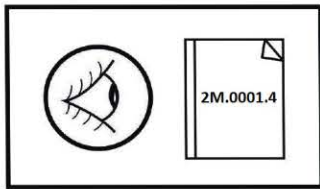


Fig. 31

23. Assemble the roof rack platform following the instructions 2M.0001.4 (fig.31).



Fig. 32

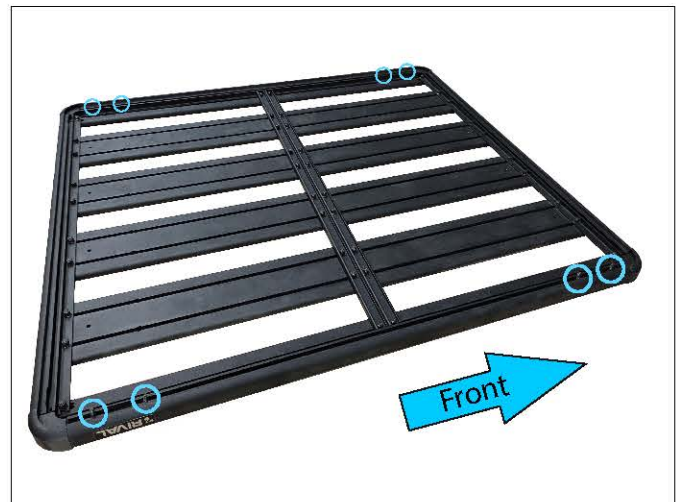


Fig. 33

24. Insert 4 bolts M8x20 (item B) into T-slots on both sides as shown in fig.32 and fig.33.

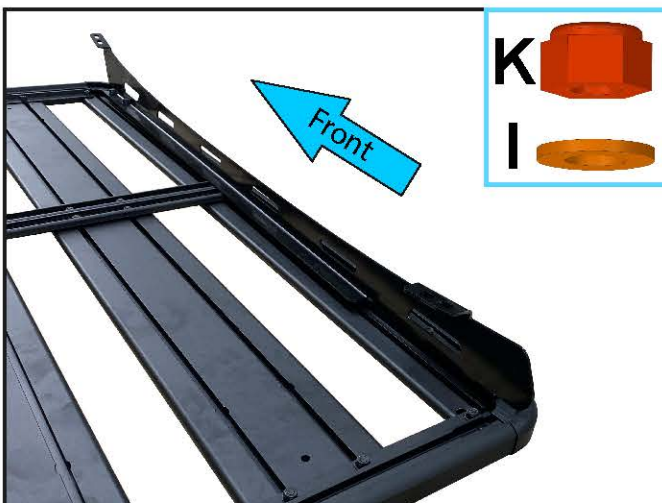


Fig. 34

25. Install the right and the left brackets (item 1,2) on both sides of roof rack platform and fix using washers 8 (item I) and nuts M8 (item K) (fig.34).

***Tighten hardware after that.**



Fig. 35

26. Insert 4 bolts M8x20 (item B) into T-slot in the front of roof rack as shown in fig.35.

INSTALLATION PROCEDURE

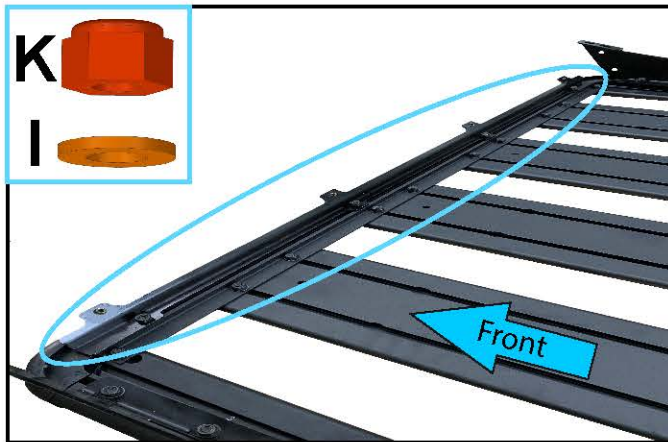


Fig. 36

27. Install and fix the wind deflector bracket (item 4) on the roof rack platform using washers 8 (item I), nuts M8 (item K) (fig.36).
***Tighten hardware after that.**

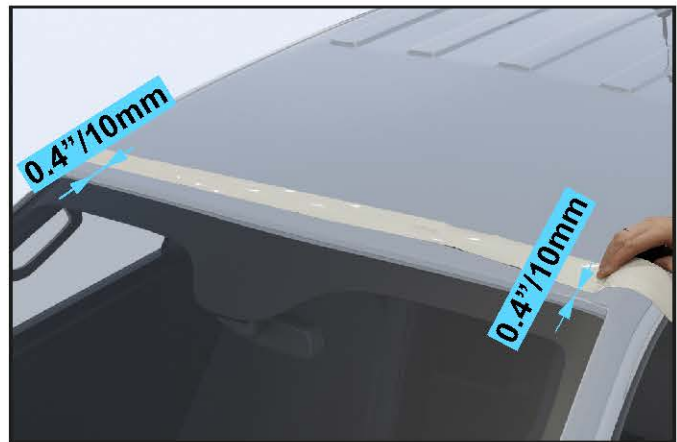


Fig. 37

28. Tape the guard film (item A) at a distance of 0.4 inch (10 mm) from the windscreen of the vehicle as shown in fig.37.

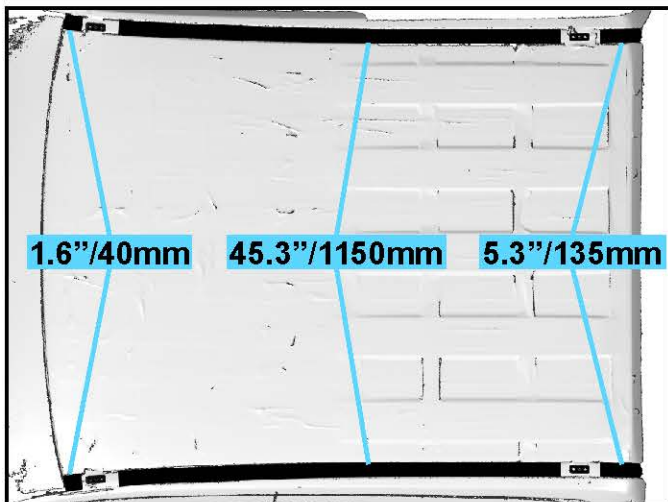


Fig. 38

29. Cut ditch molding using dimensions: 1.6 inch (40mm), 45.3 inch (1150mm), 5.3 inch (135mm). Install cut parts as shown in fig.38.

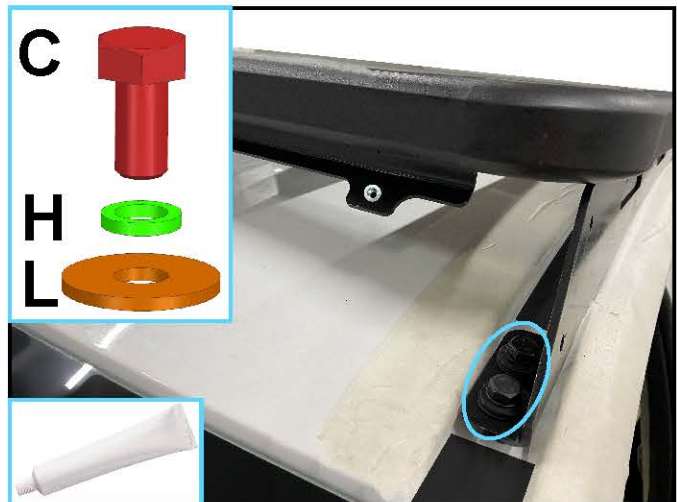


Fig. 39

30. Install the roof rack on the vehicle by placing it on spacers (item E) and fix using bolts M8x16 (item C), spring washers 8 (item H) and washers 8 (item L) (fig.39).



Fig. 40

31. Install the wind deflector (item 3) and fix using screws M6x20 (item D) washers 6 (item F) and washers spring 6 (item G) (fig.40).



Fig. 41

32. Loosen plastic caps for nuts M8 (item N) on the rear nuts M8 (item K) installed on step 25 (fig.41).

INSTALLATION PROCEDURE



Before operating a vehicle fitted with a RIVAL Roof rack:

- make sure all fittings are tightened



Thank you for your choice!

**Sincerely,
RIVAL 4x4 Team**