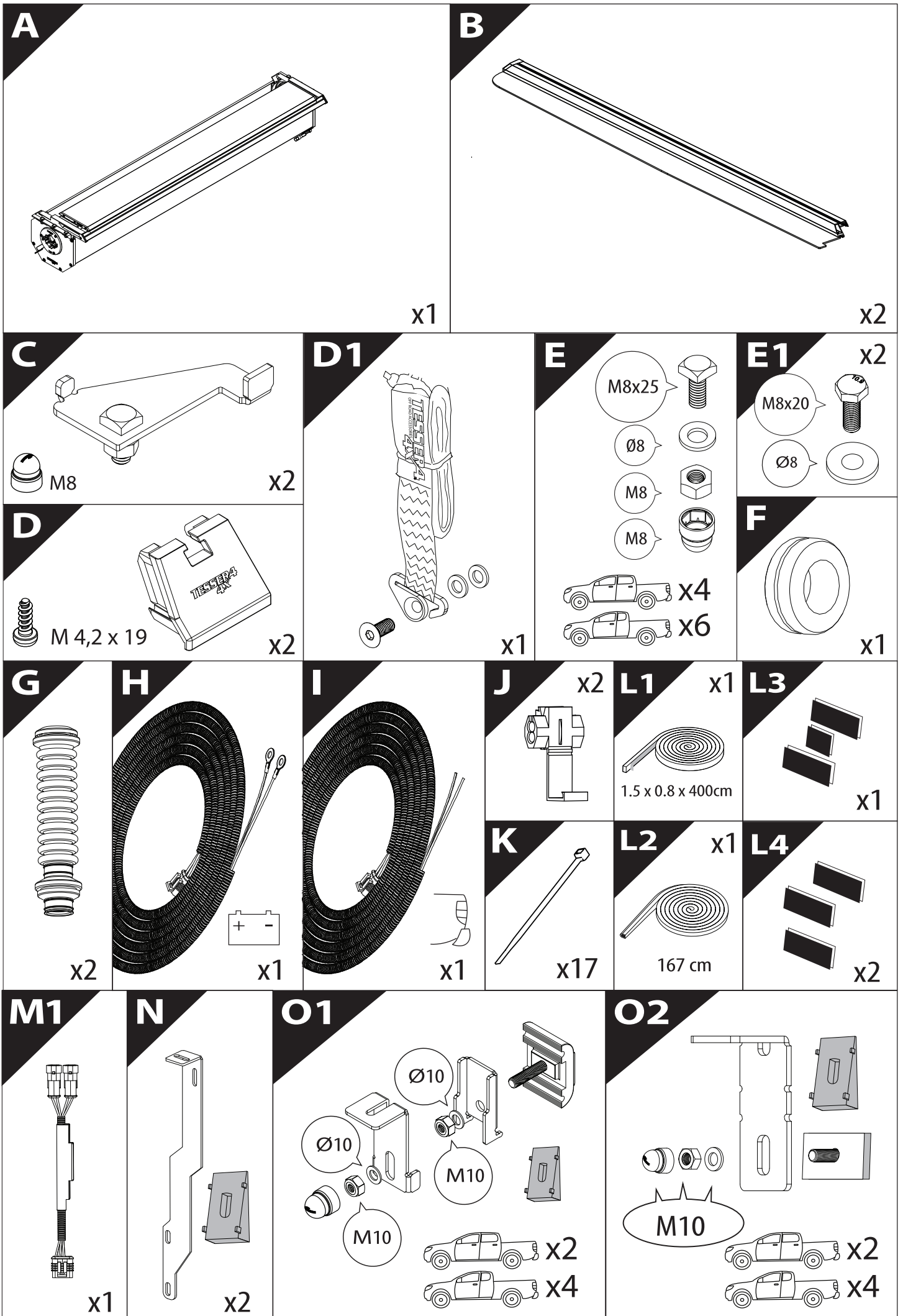
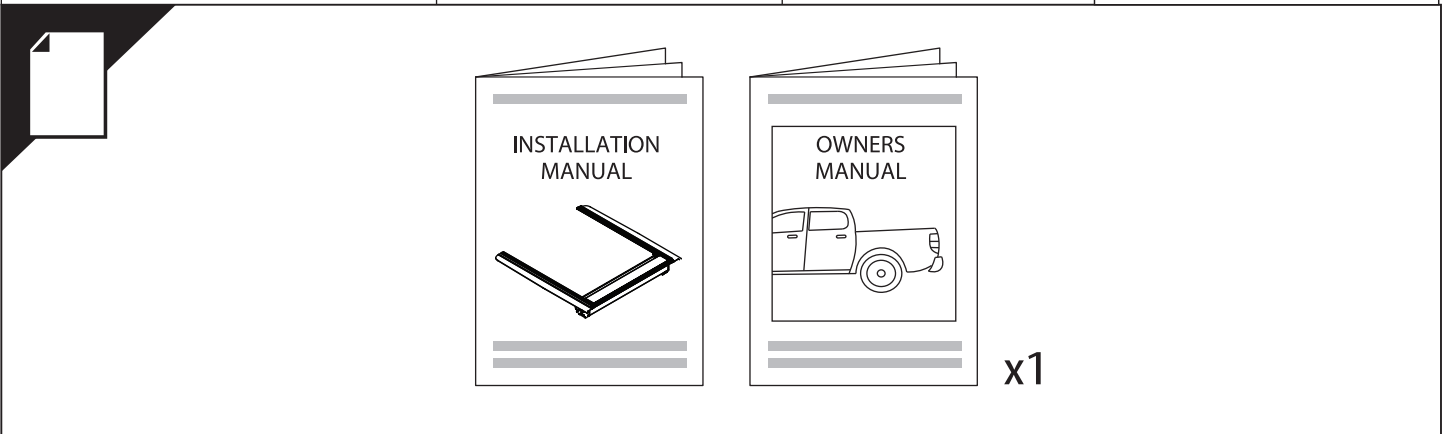
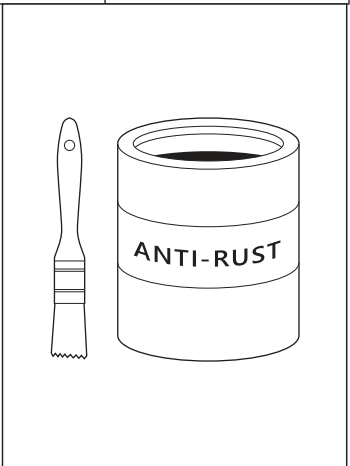
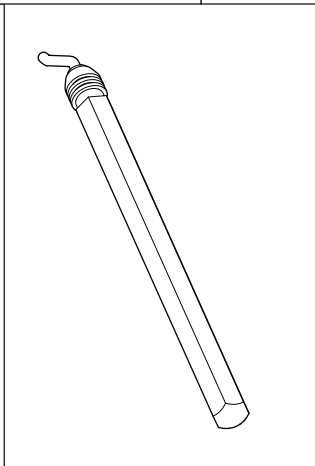
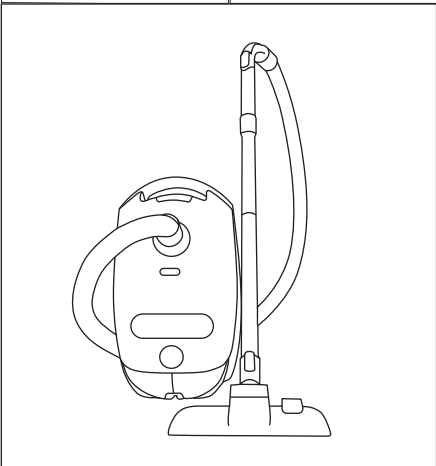
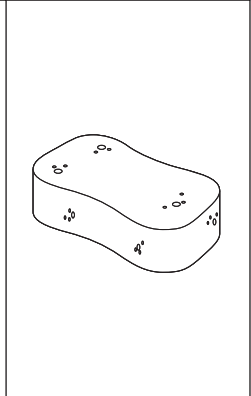
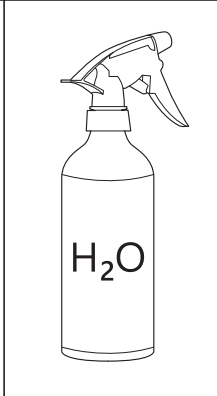
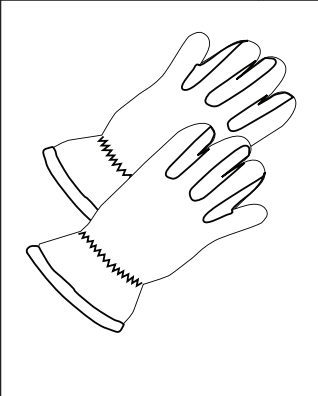
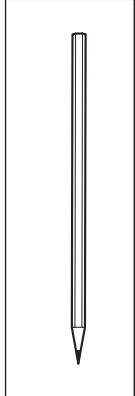
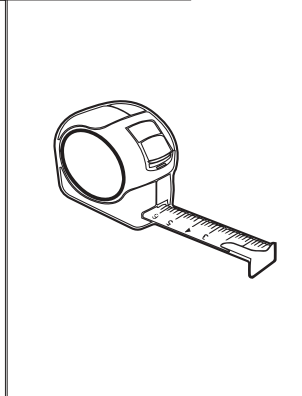
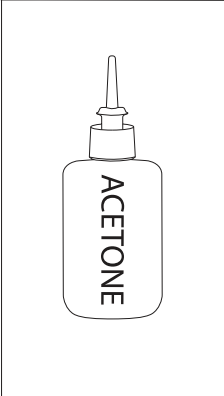
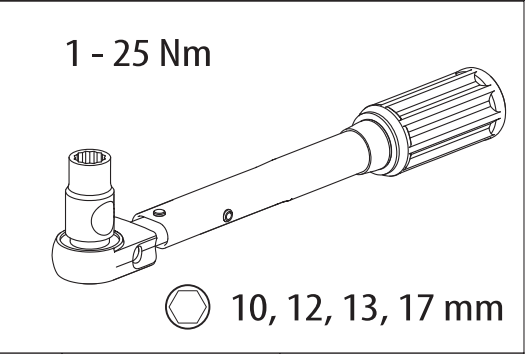
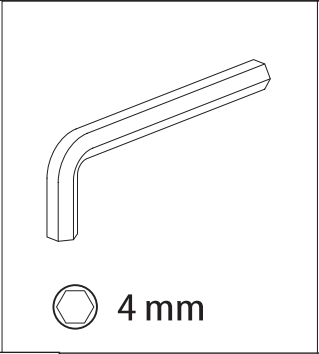
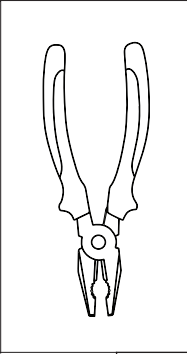
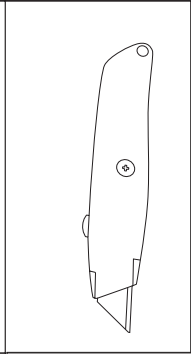
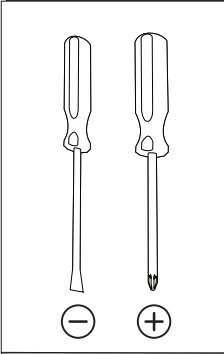
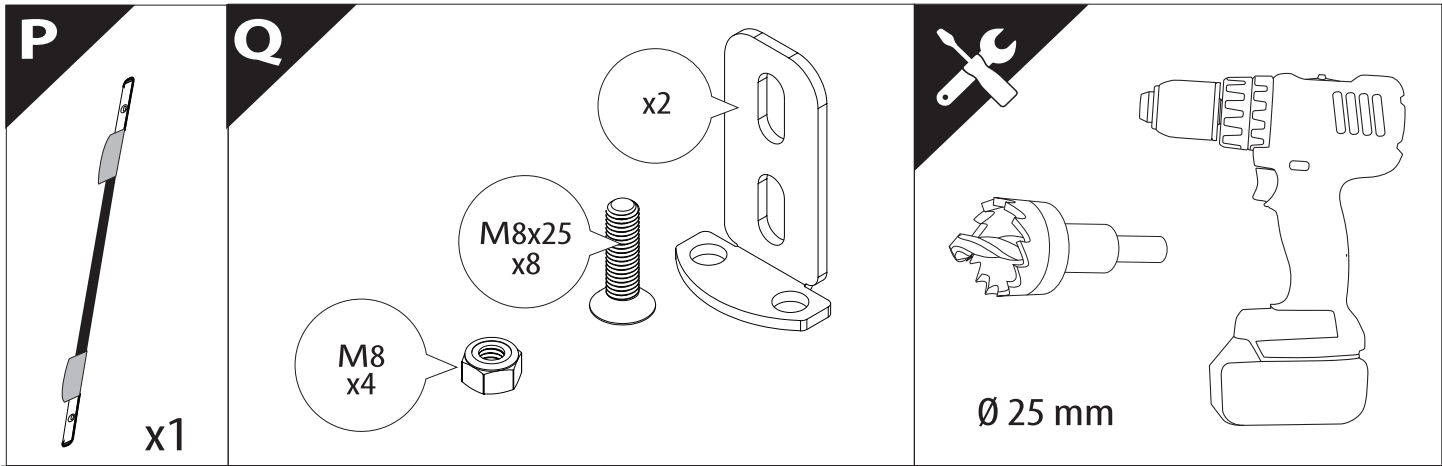
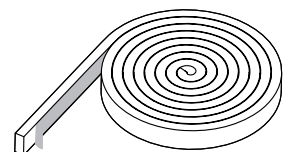
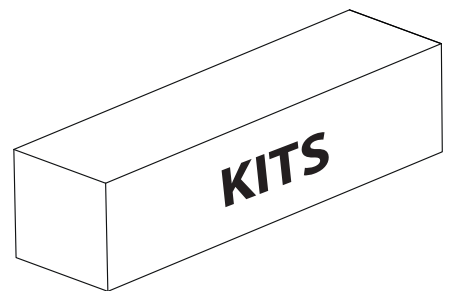
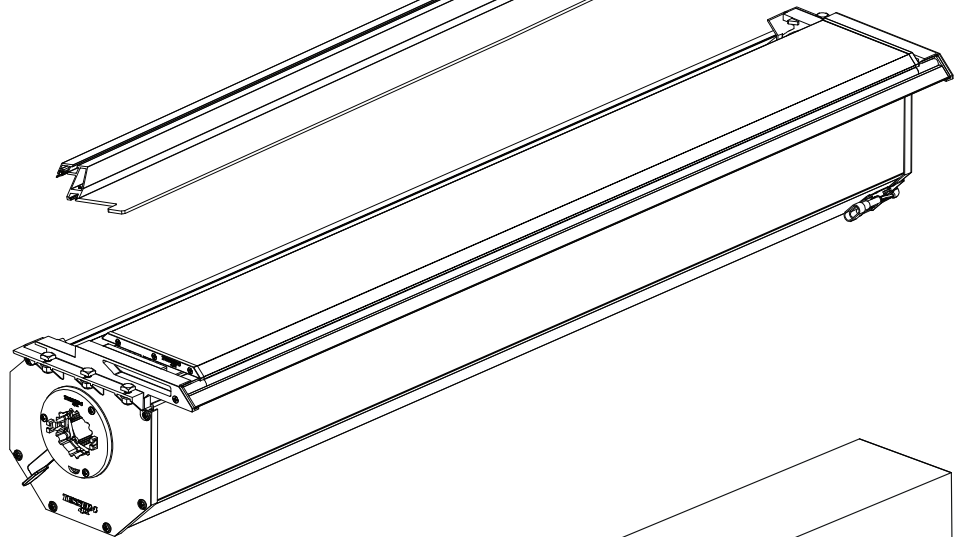
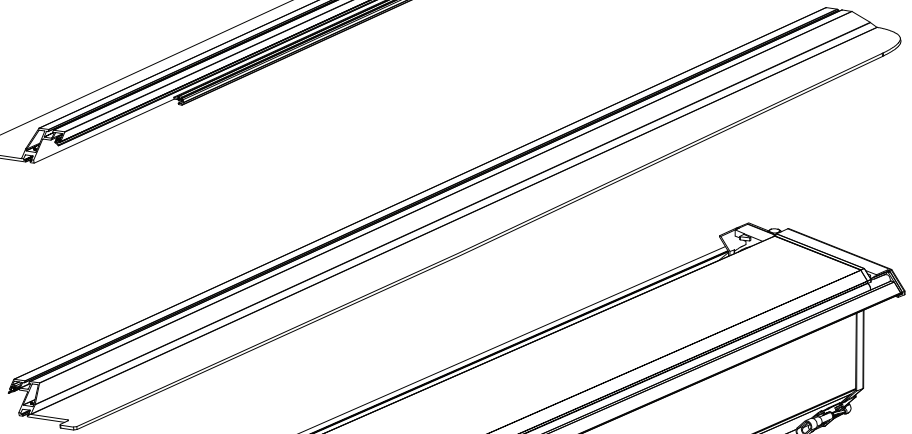
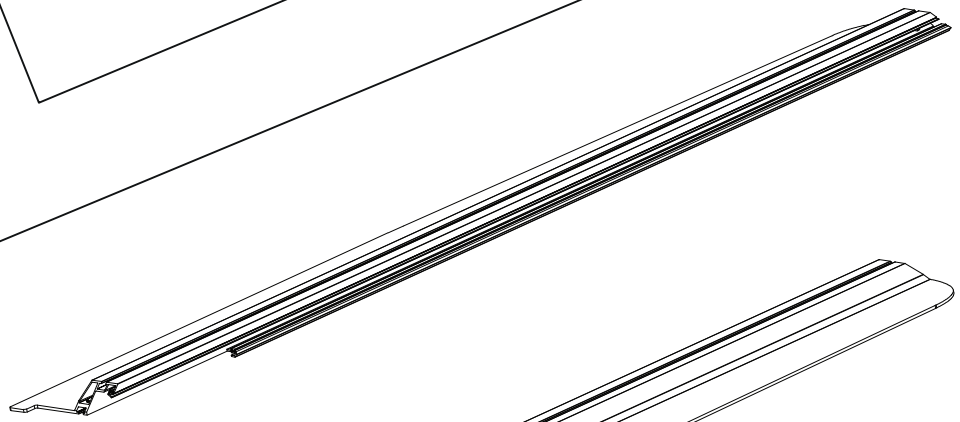
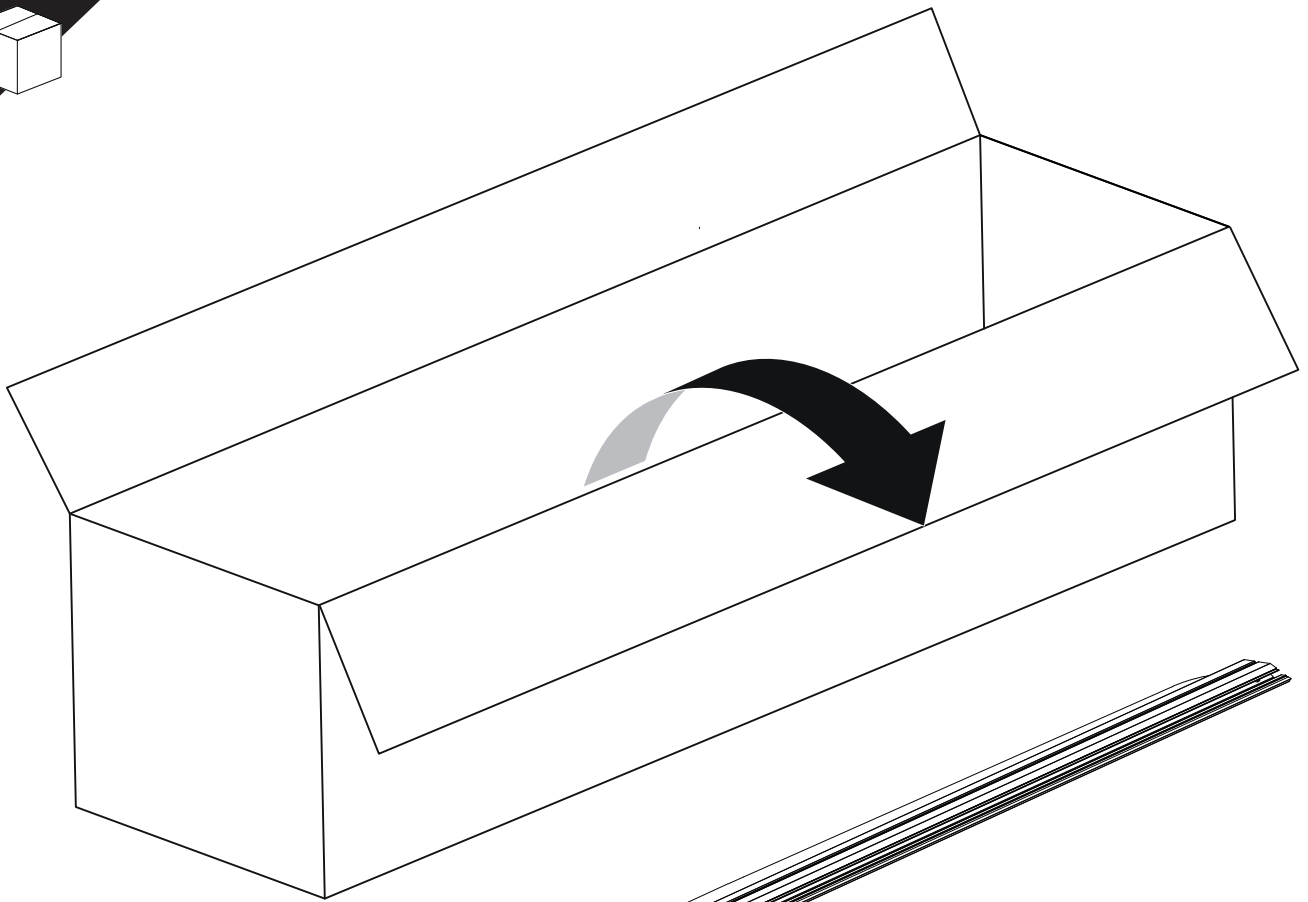


Installation Manual

PART NUMBER(S)	Model Year
TESS 14060 ROLL+ADAPT 008	FORD RANGER 2023+ SPORT WITH OEM ROLLBAR WITH OR WITHOUT C-CHANNELS
TESS 14070 ROLL+ADAPT 008	
Cab(s)	Installation Time / Weight
Double Cab & Space Cab	40-60 minutes / 53-57 kg





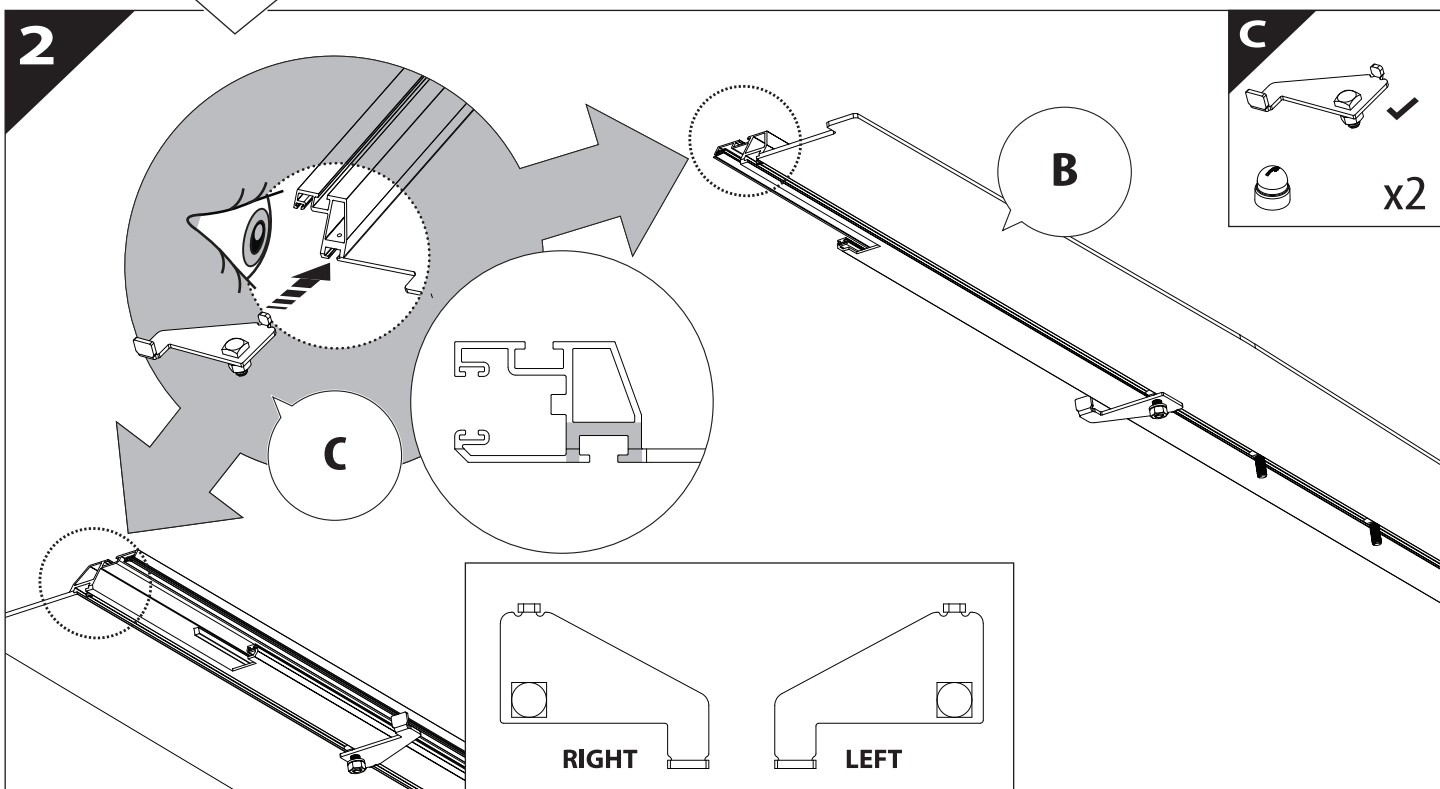
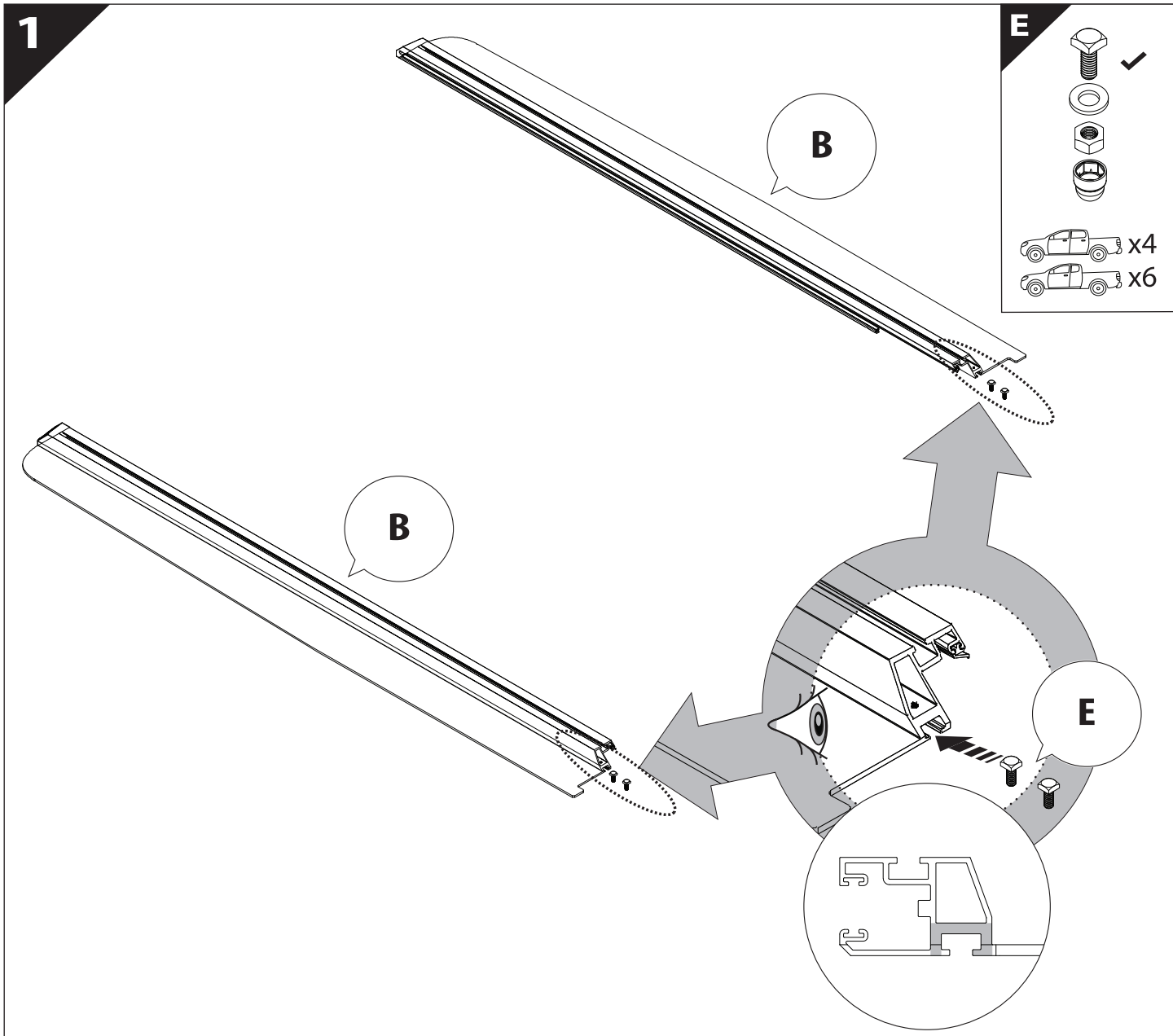


B

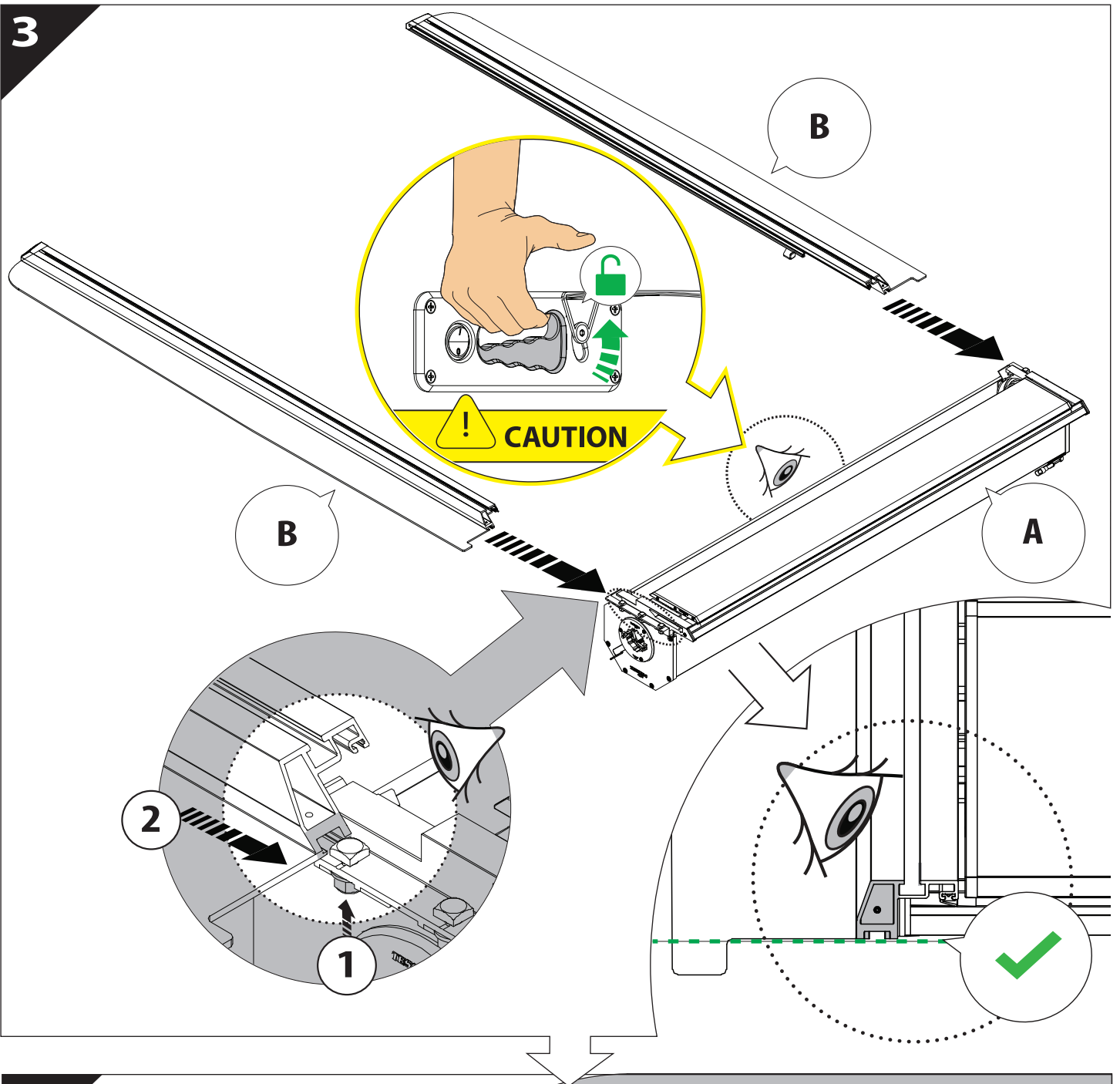
A

KITS

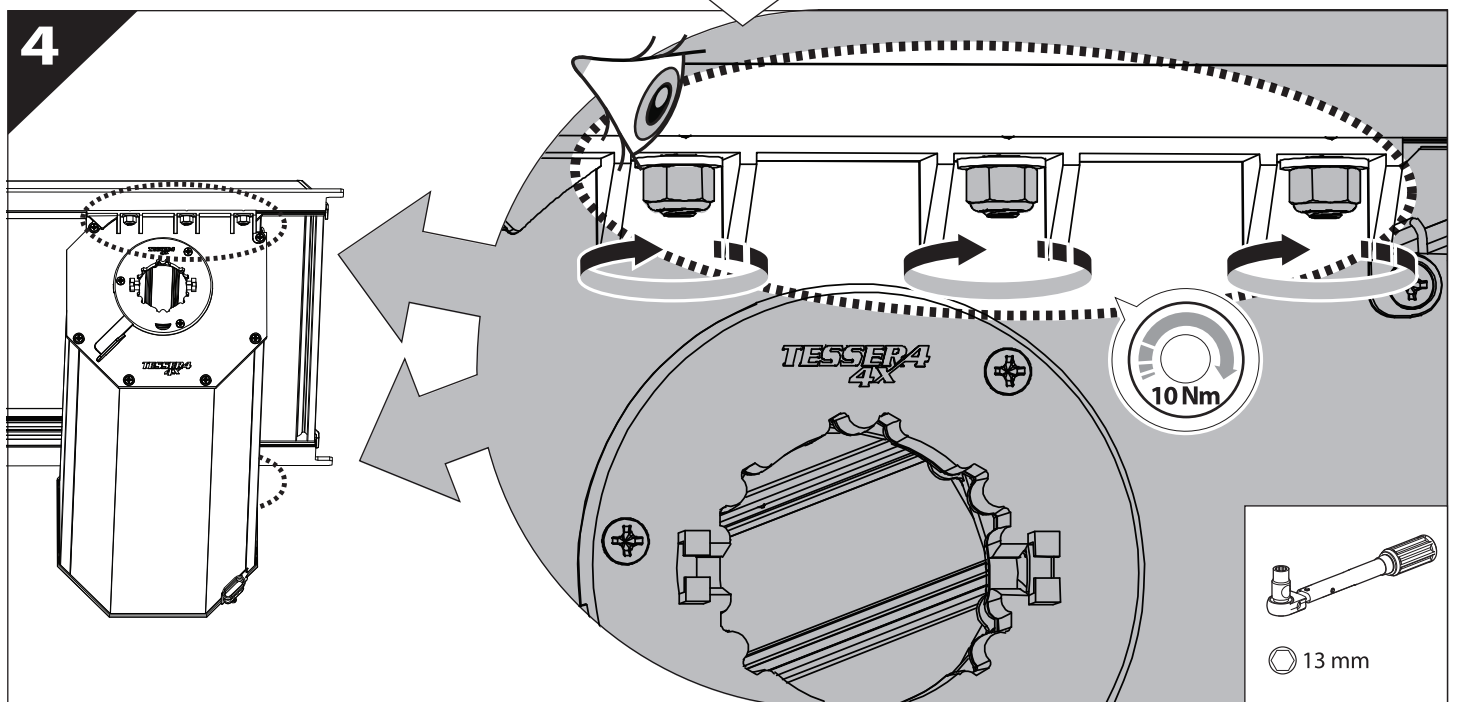
L

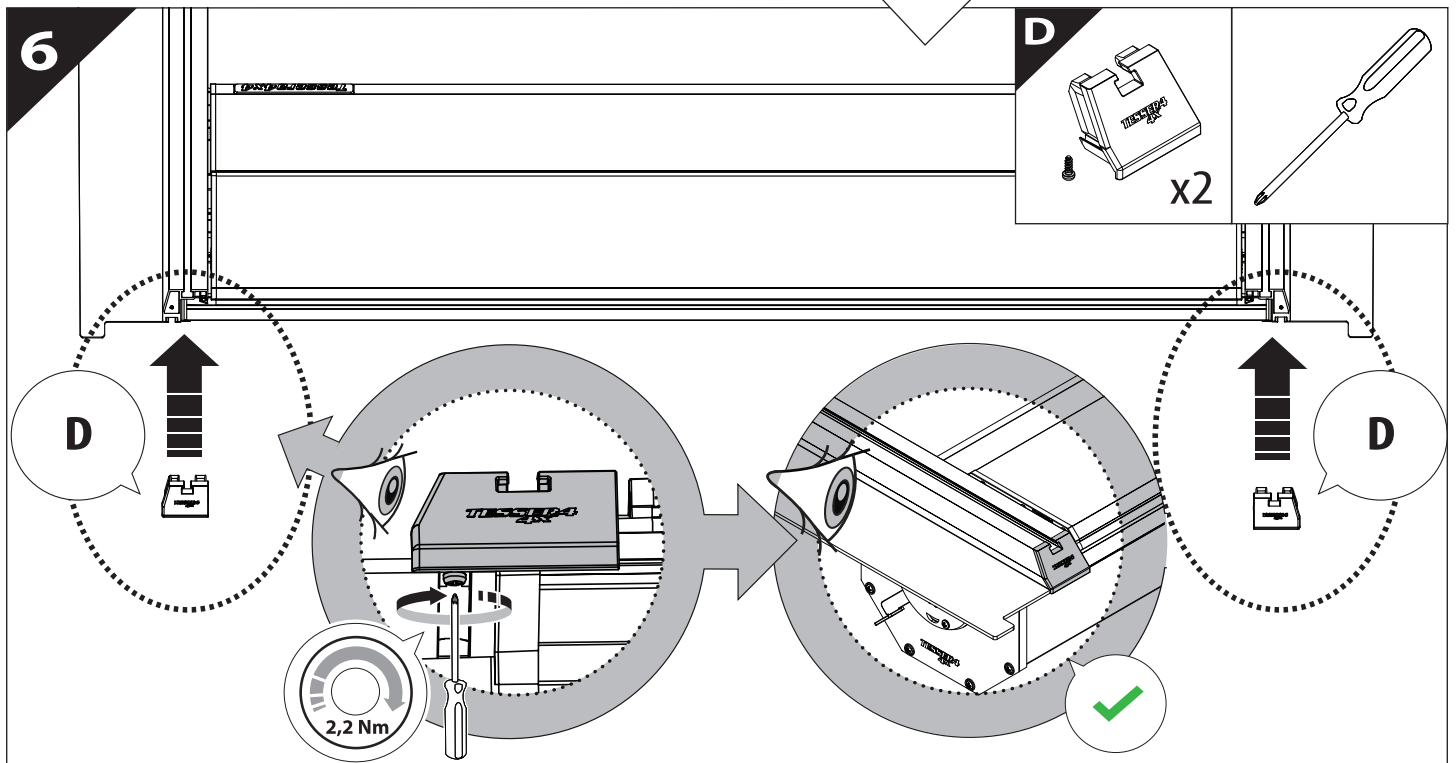
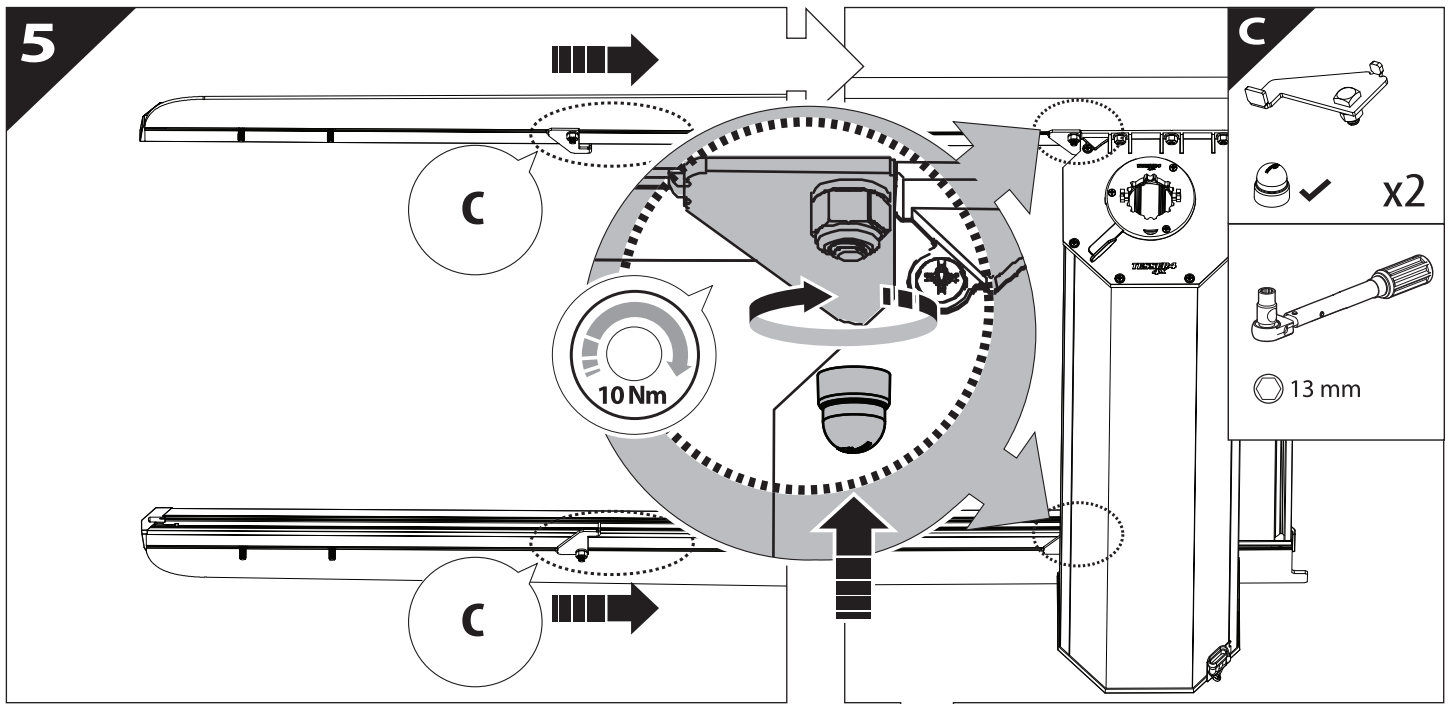


3

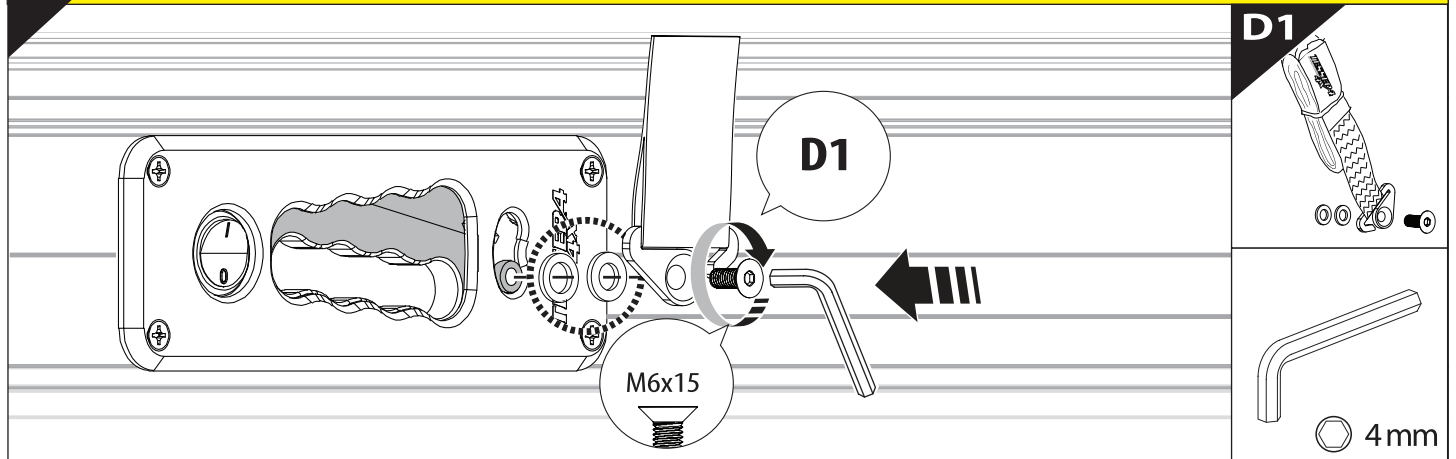


4

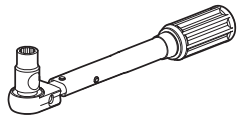




6.1 **CAUTION** Basic Version ✓ & Basic+S-KIT Version ✓

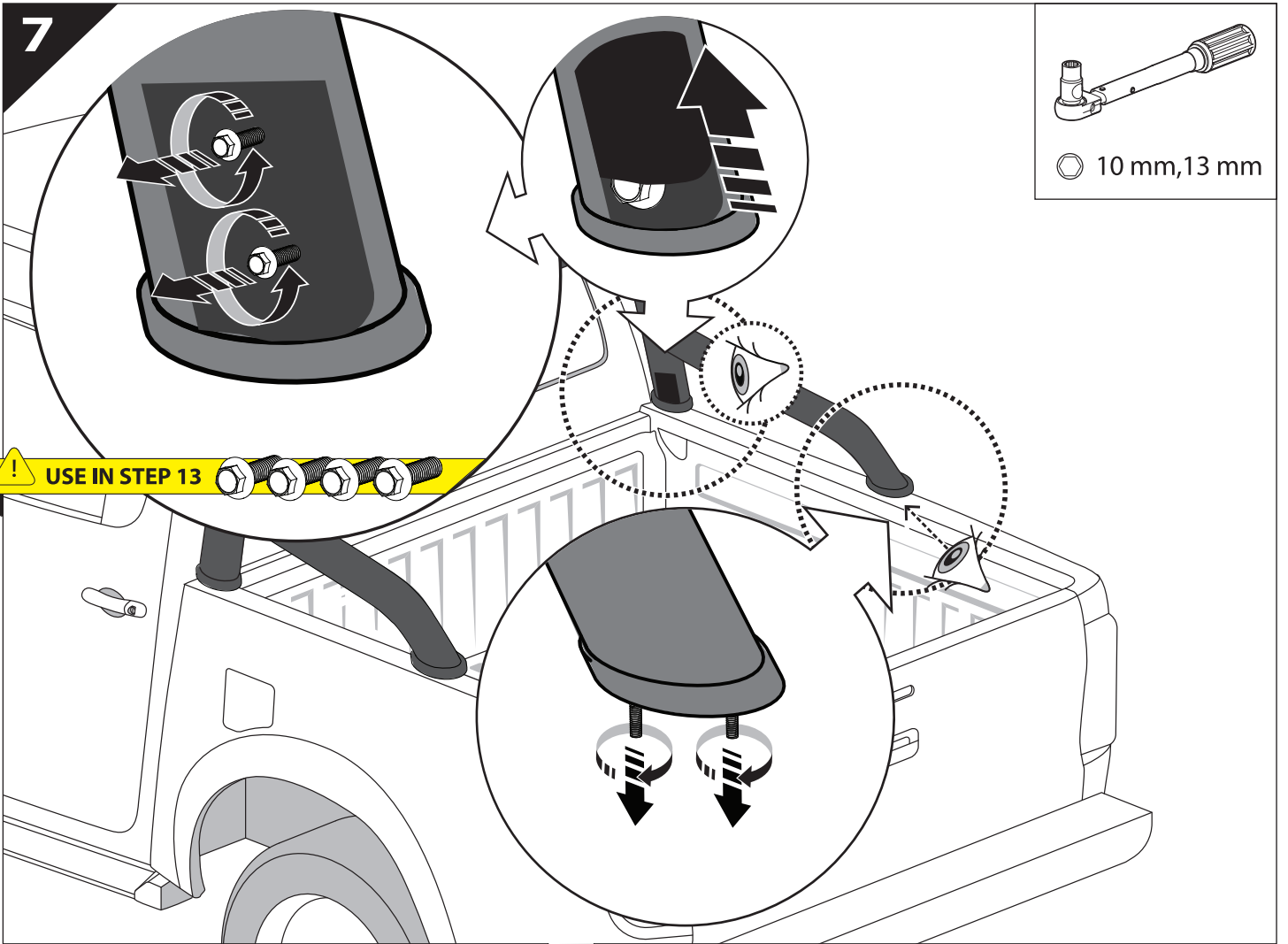


7



10 mm, 13 mm

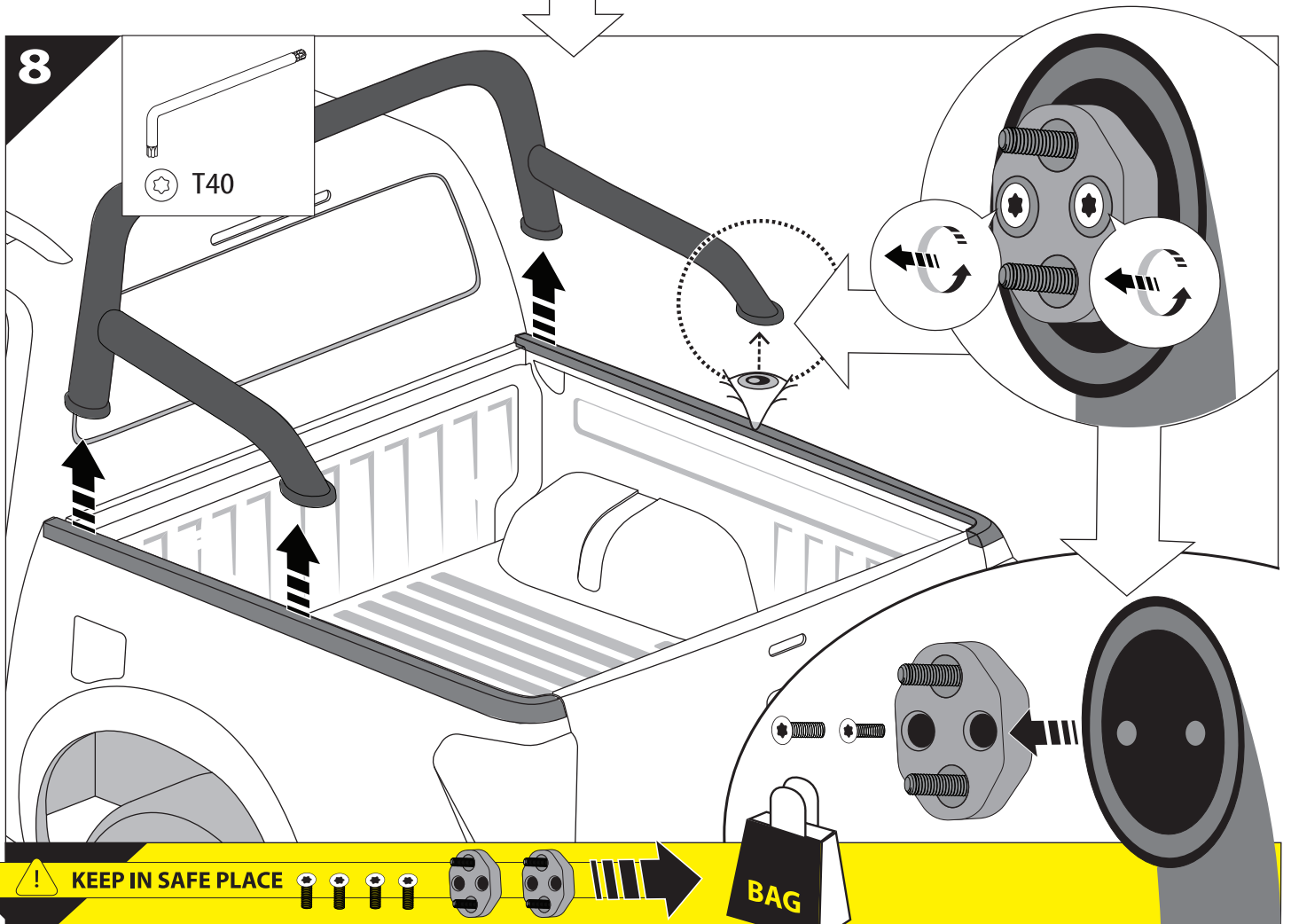
! USE IN STEP 13

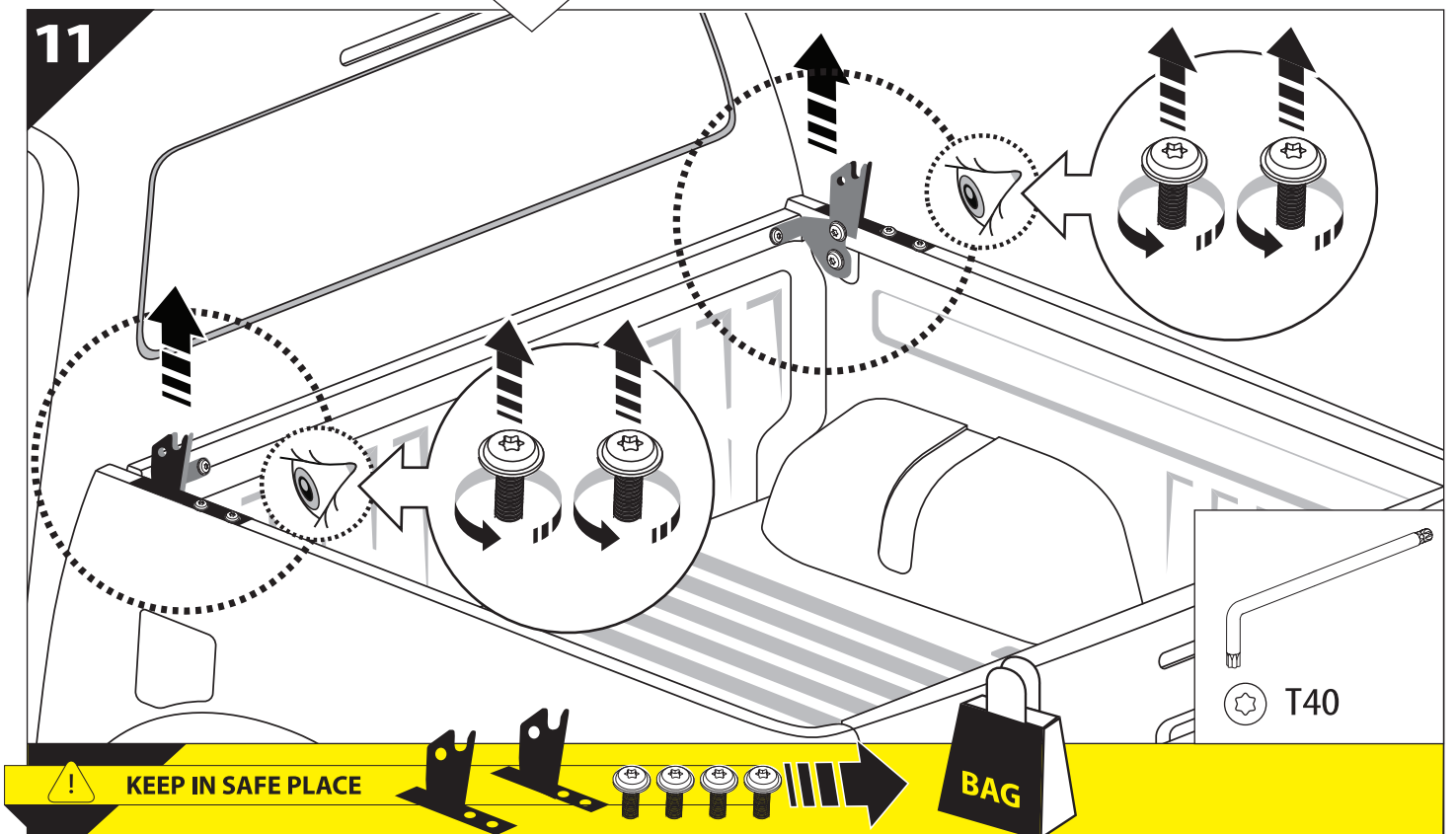
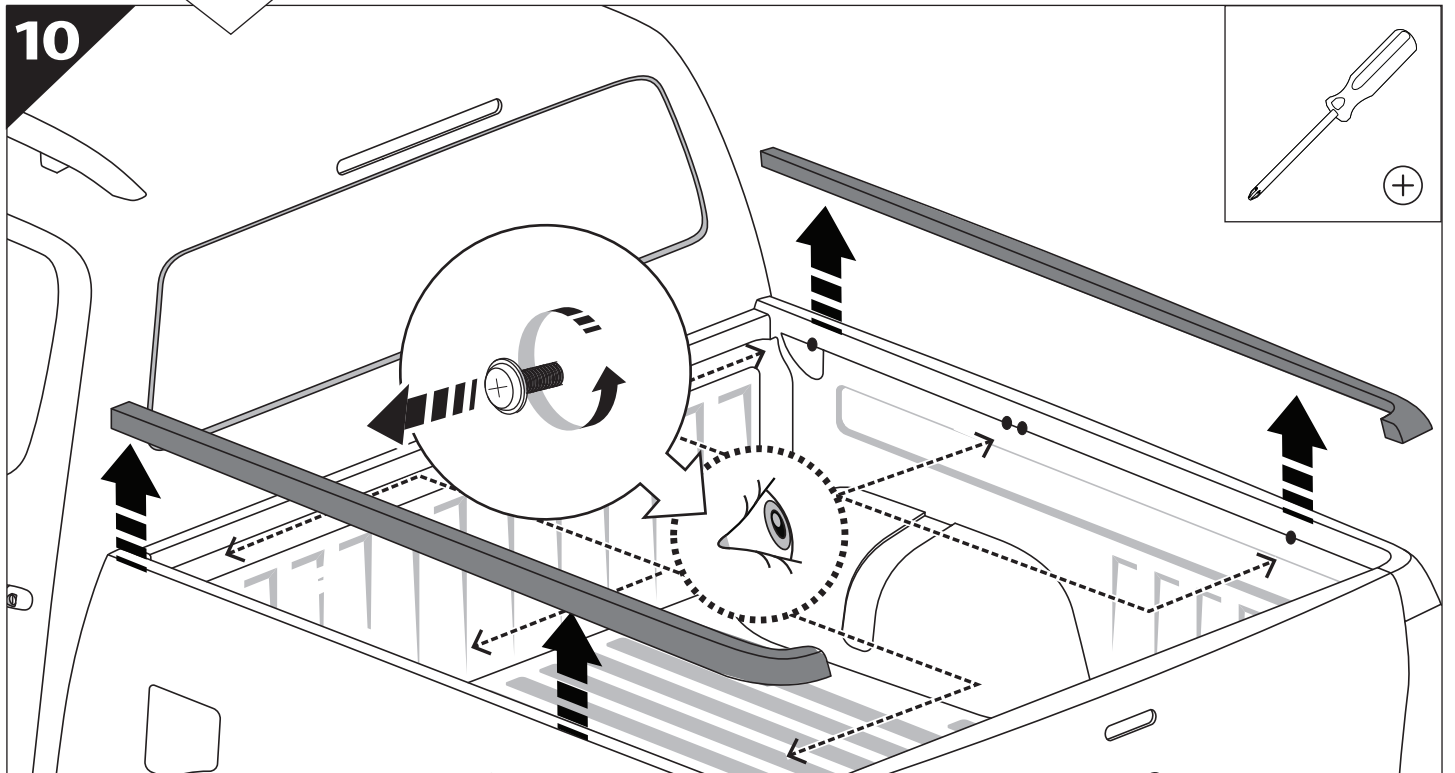
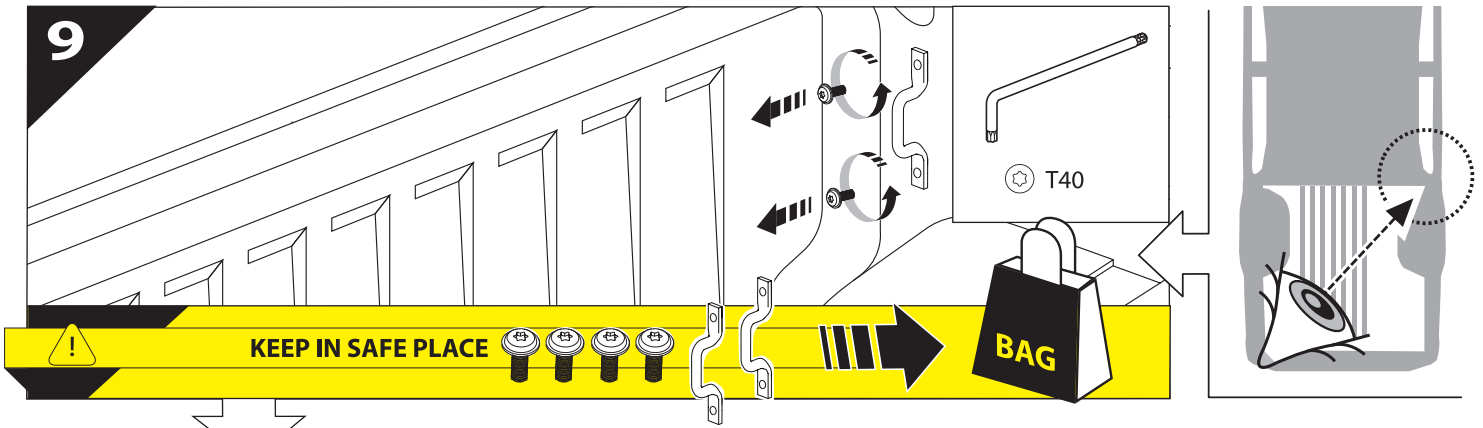


8

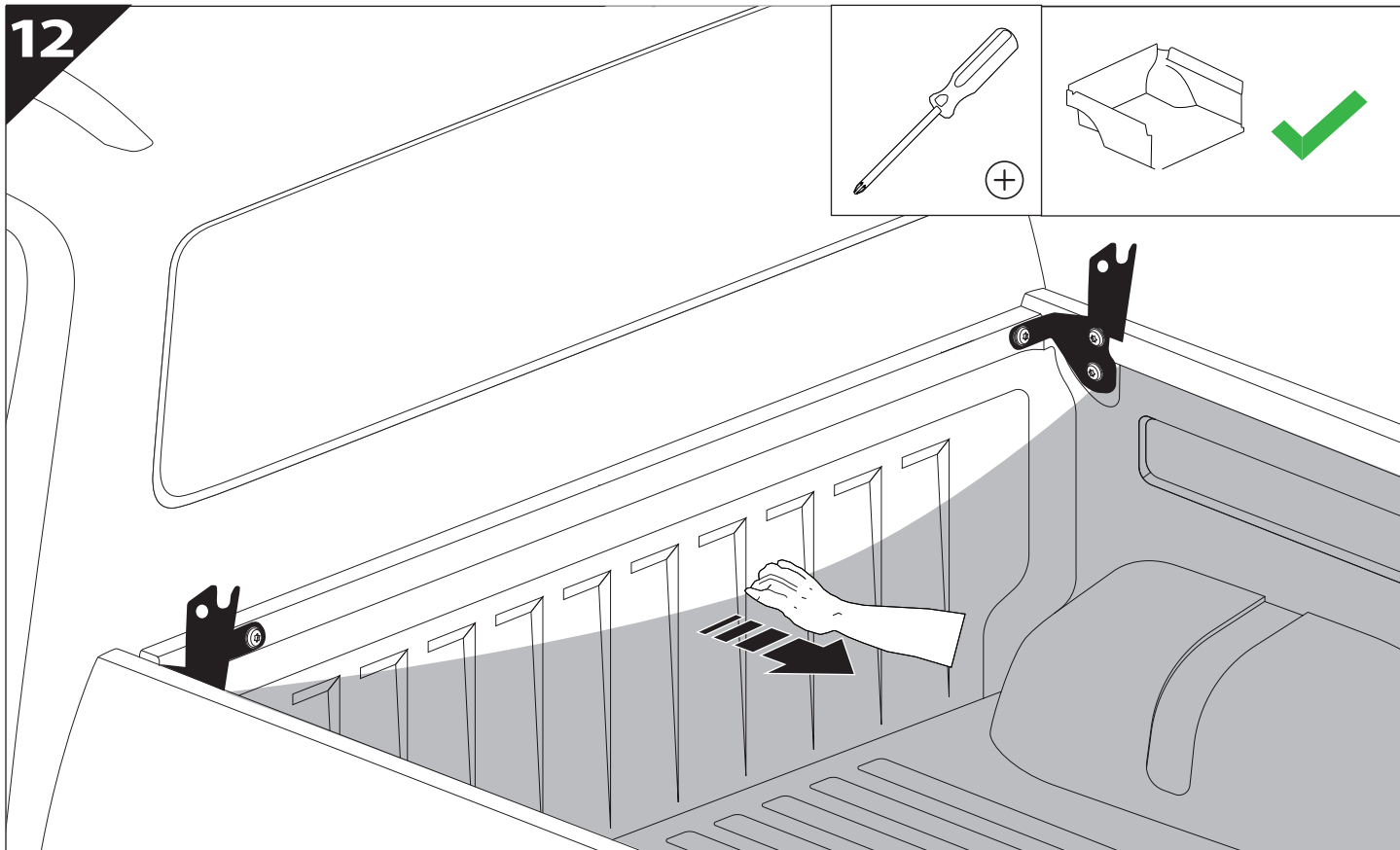


T40

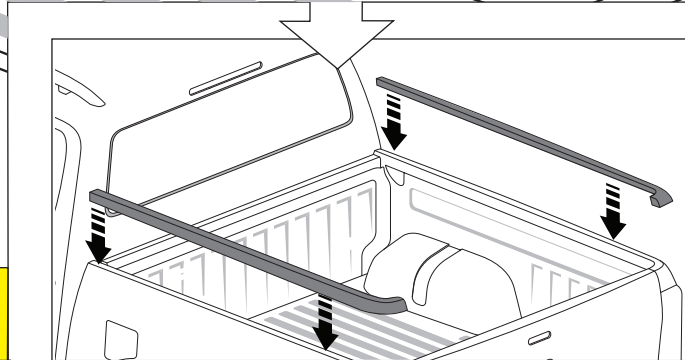
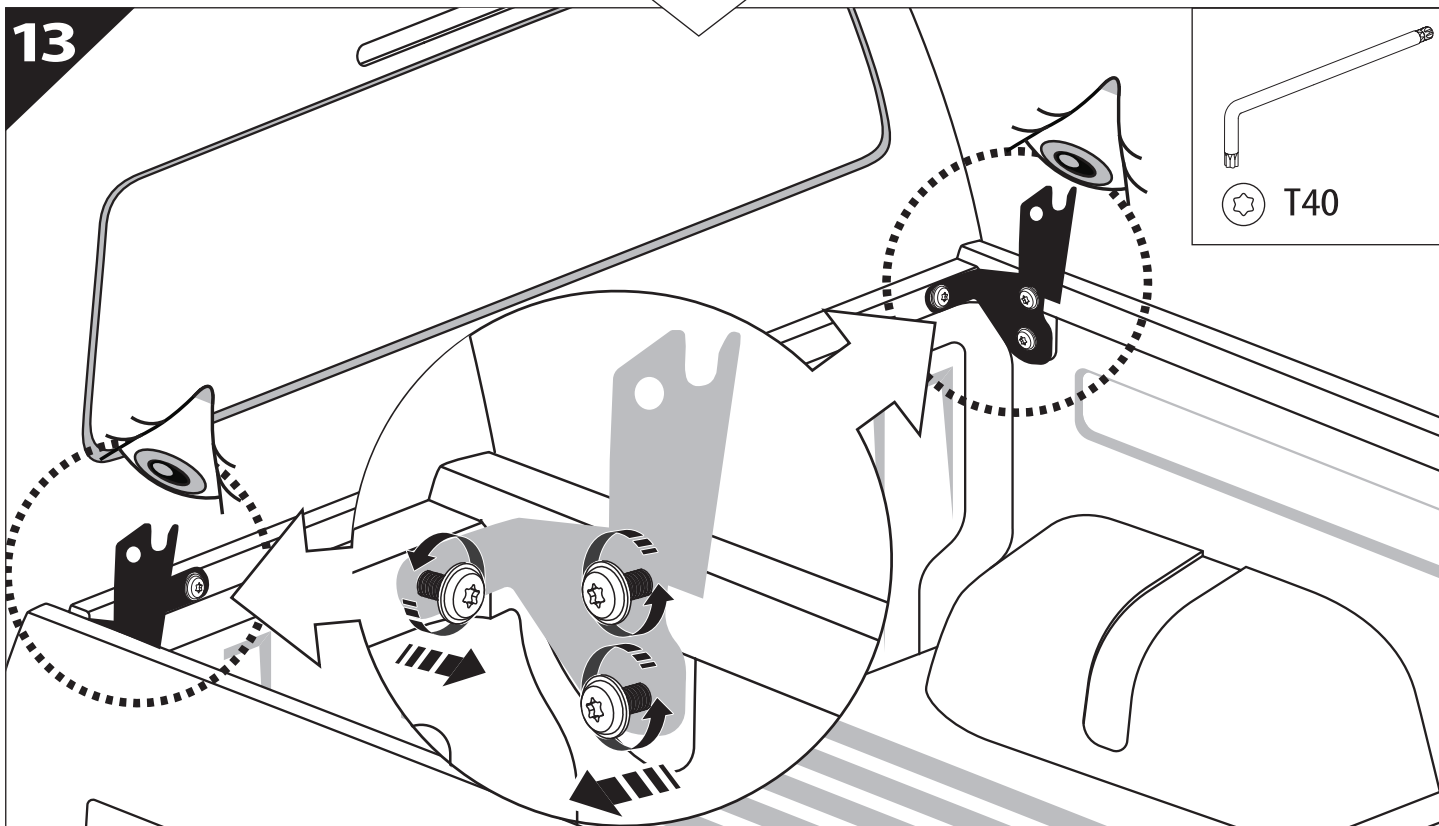




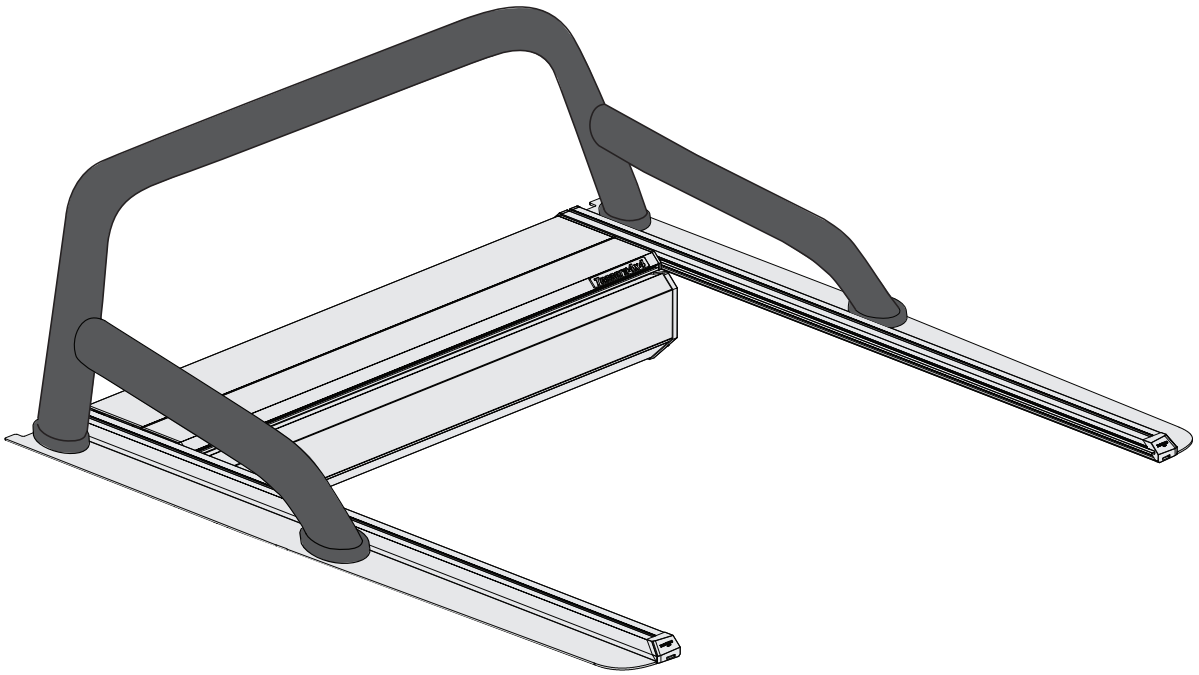
12



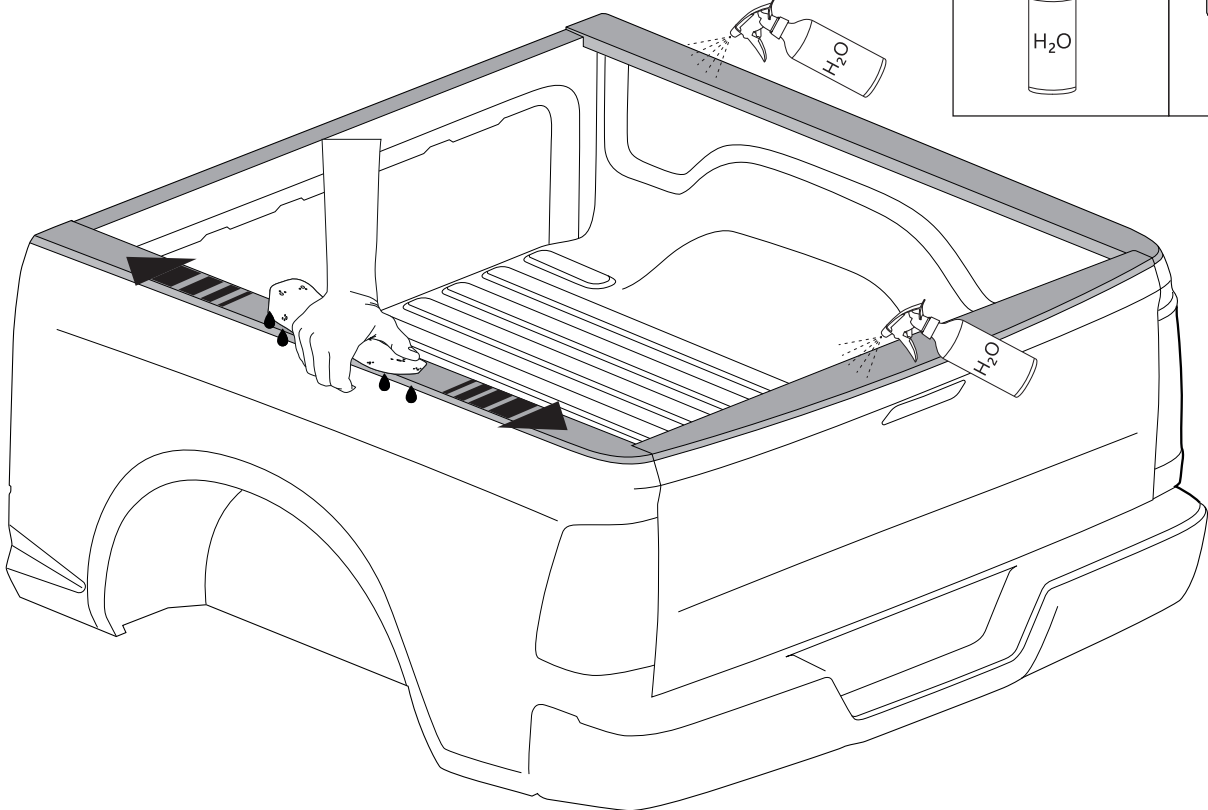
13



15. ①



16



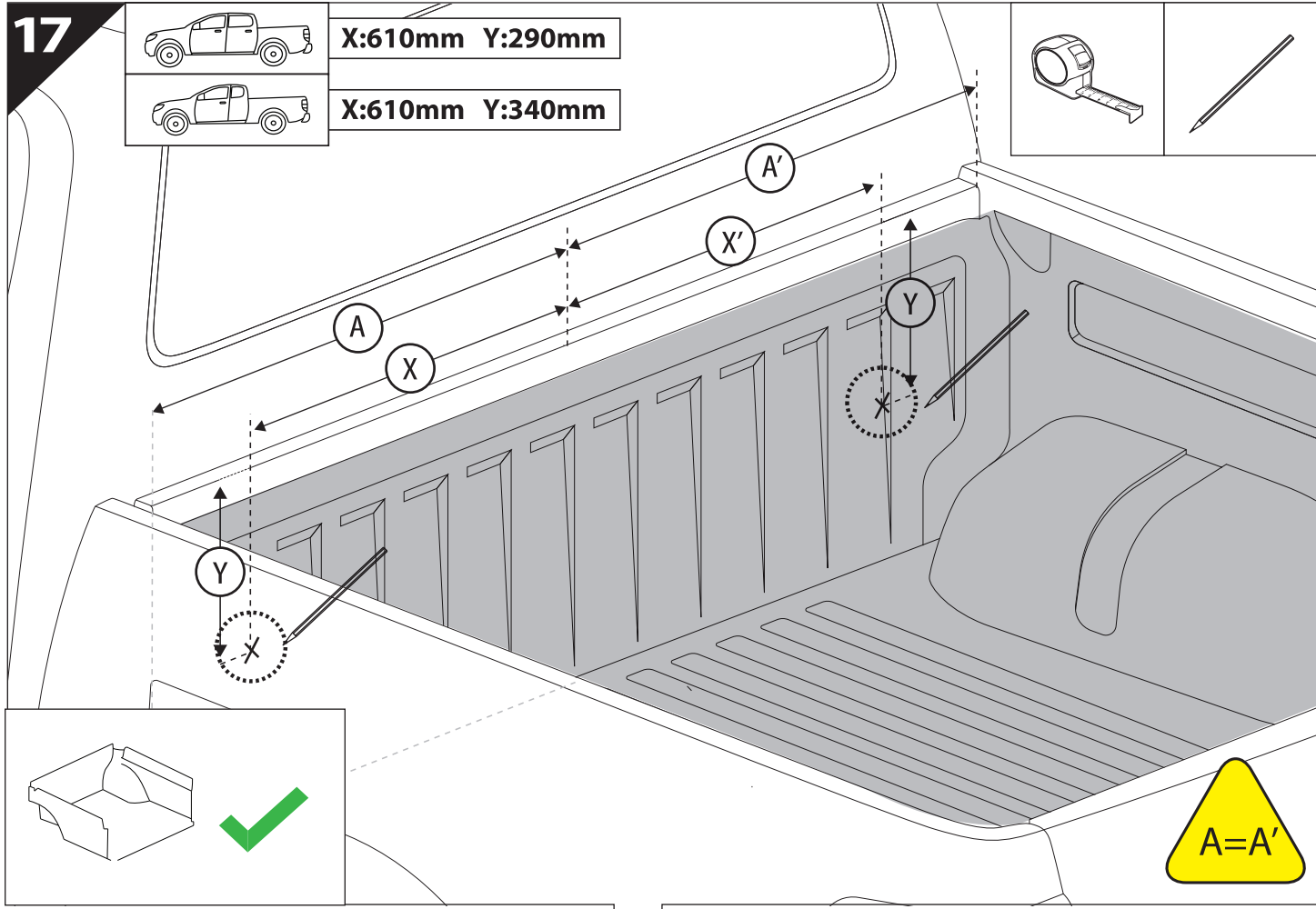
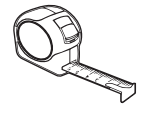
17



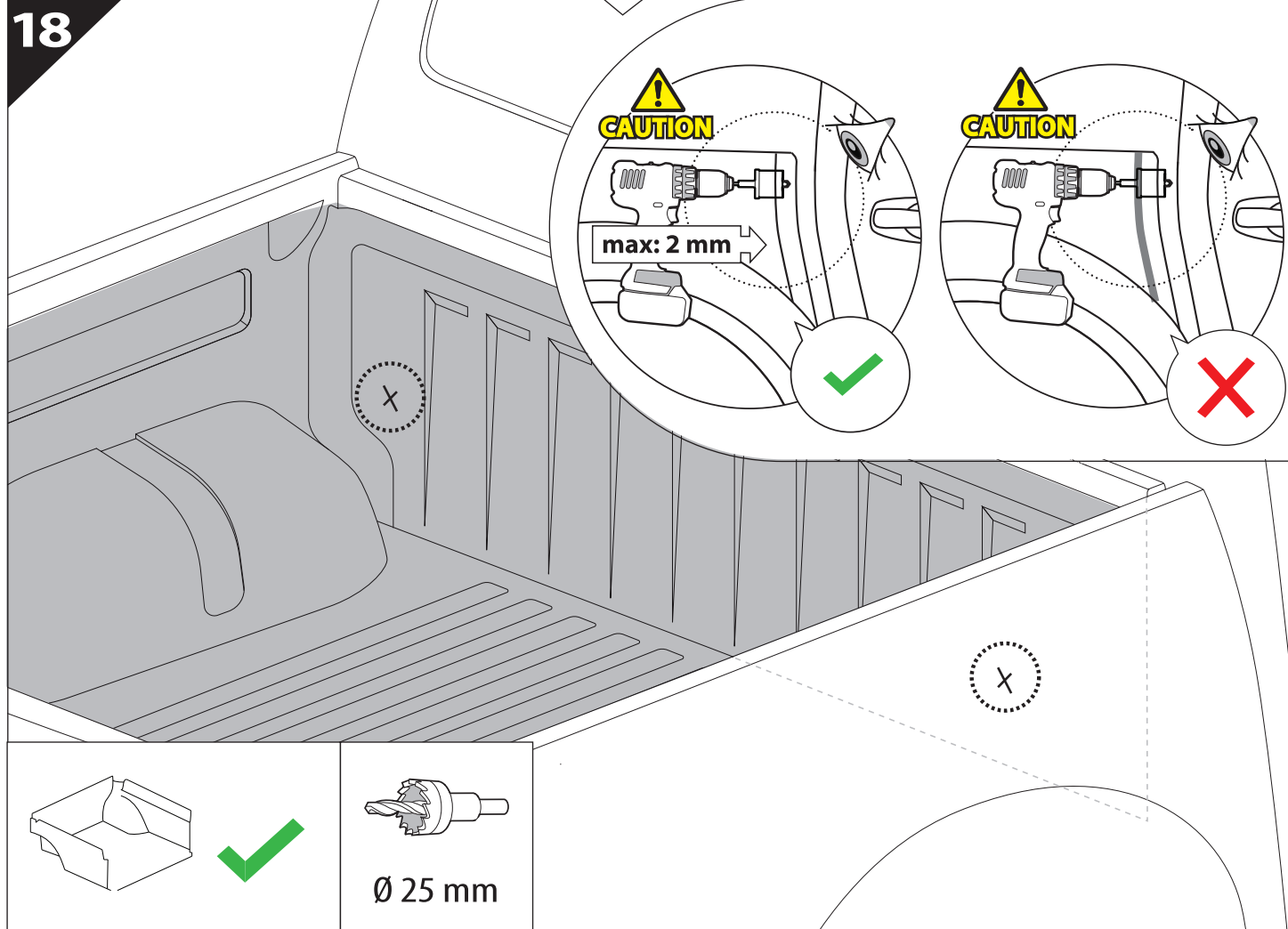
X:610mm Y:290mm

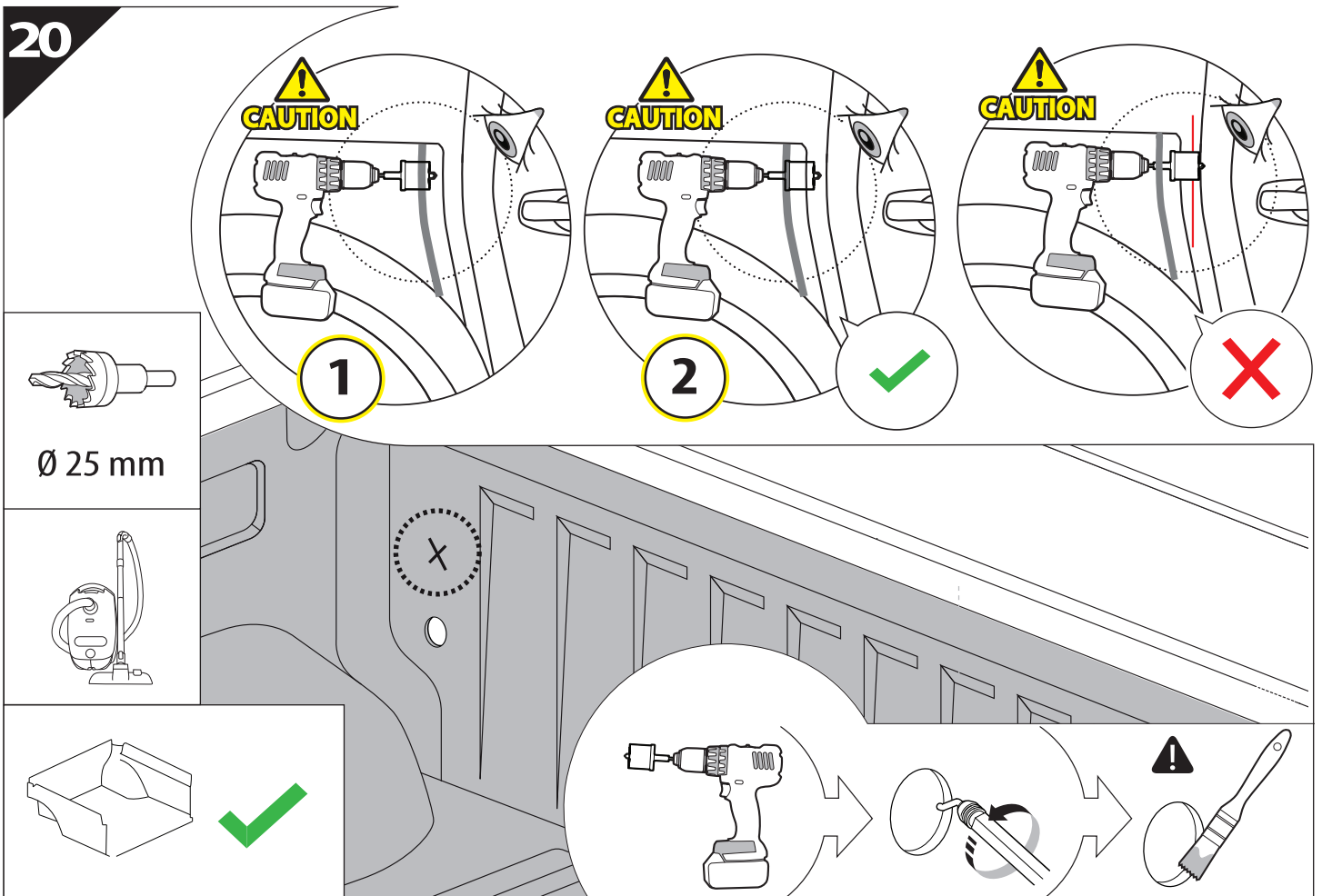
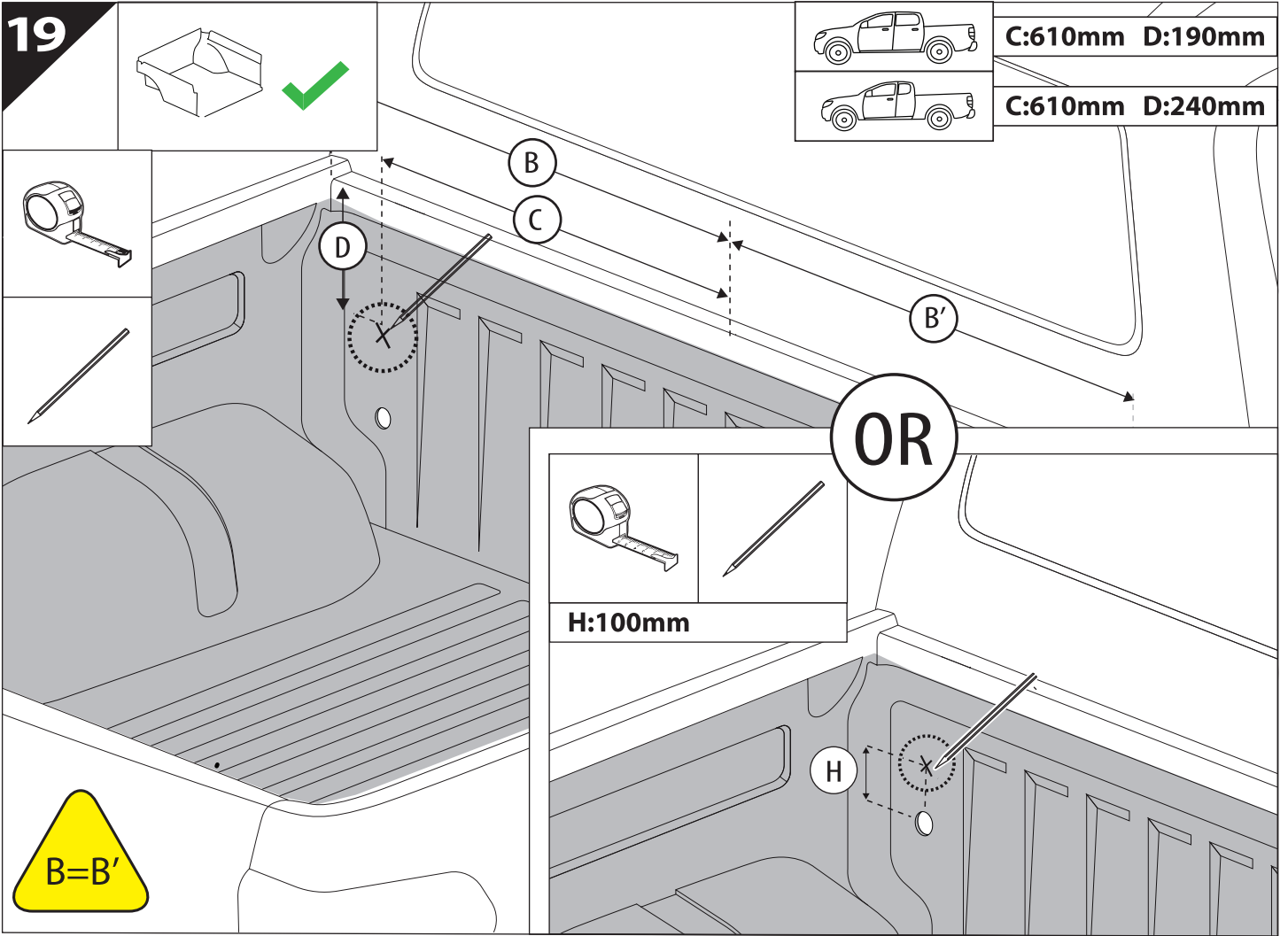


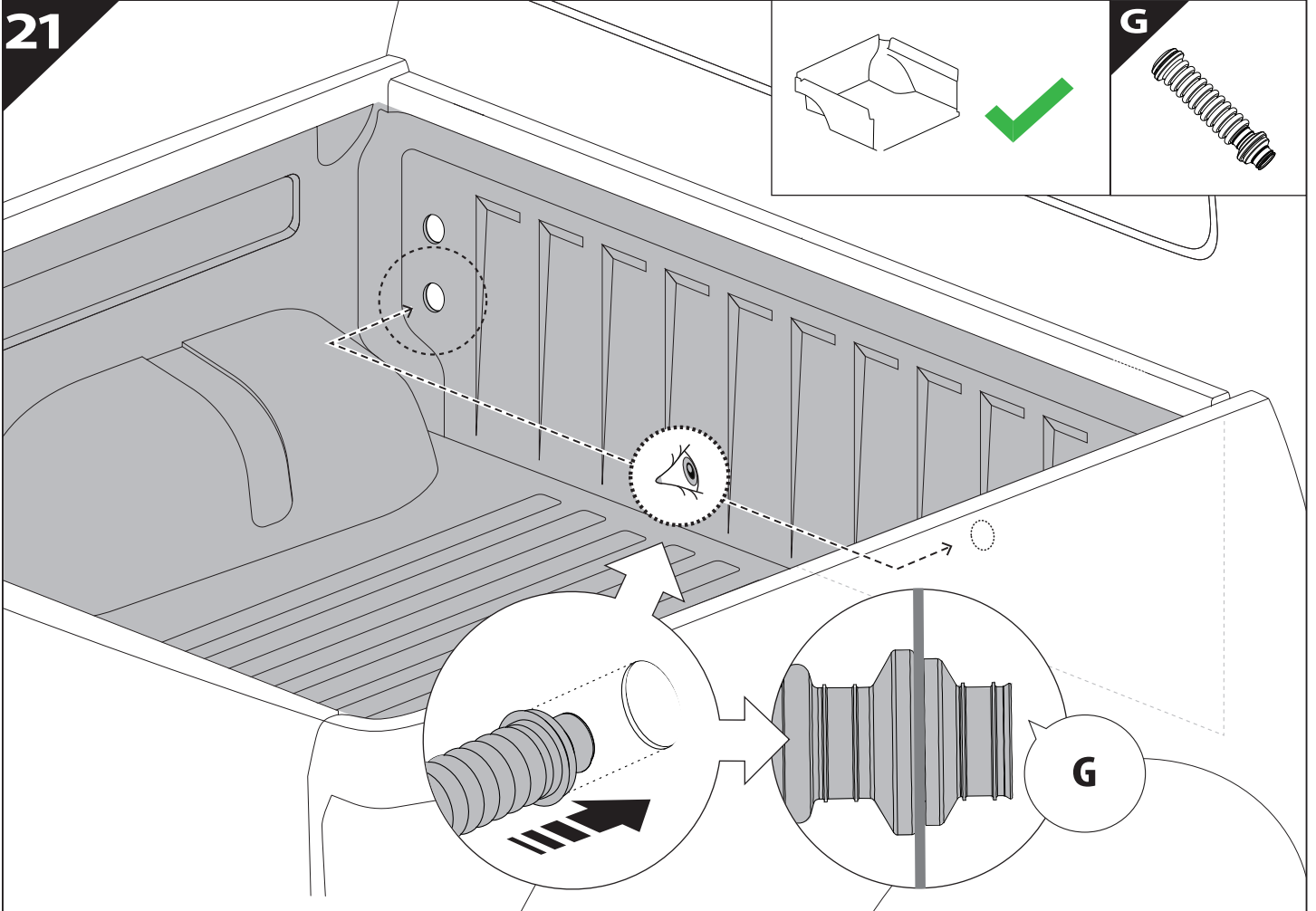
X:610mm Y:340mm



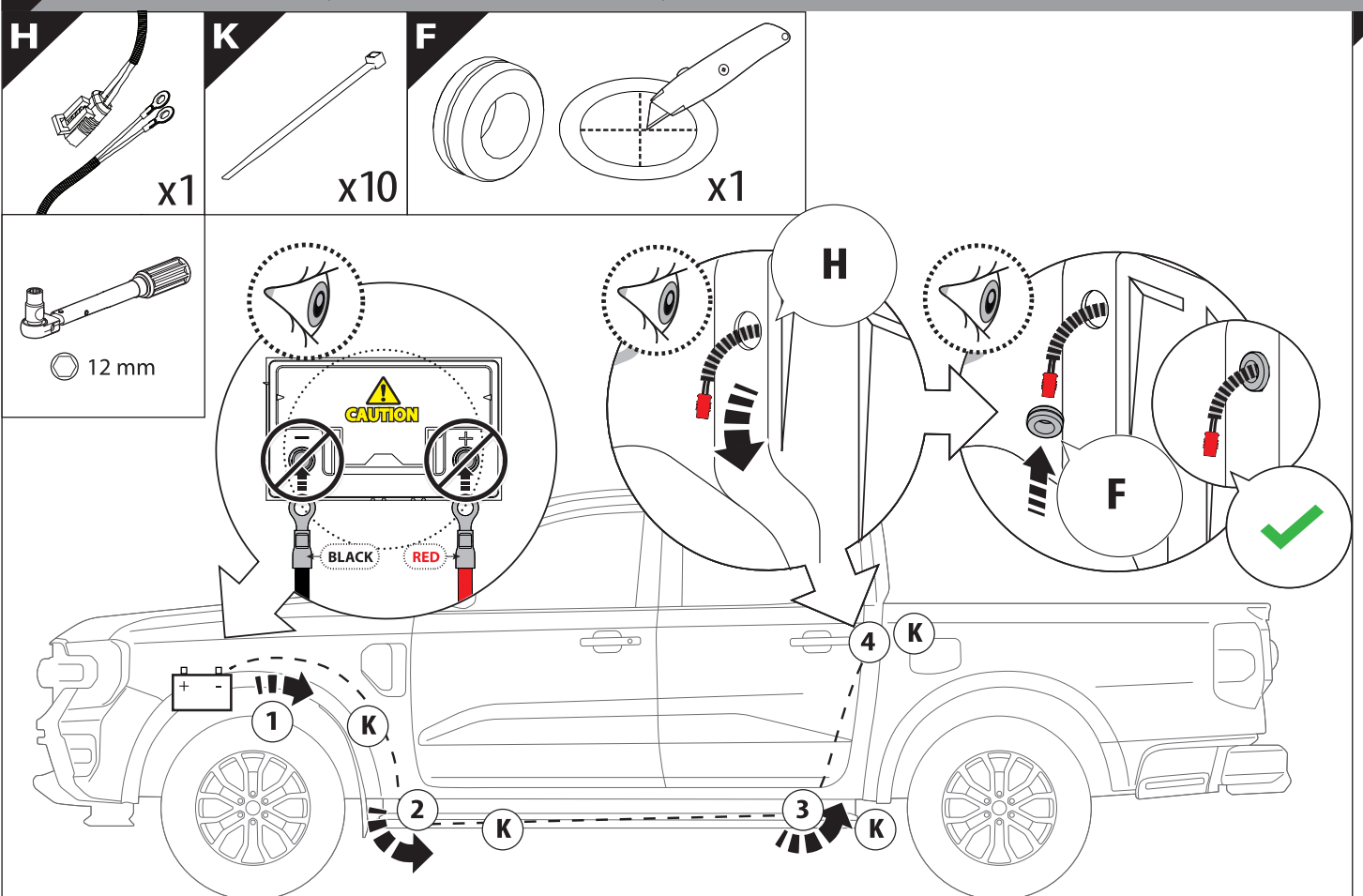
18



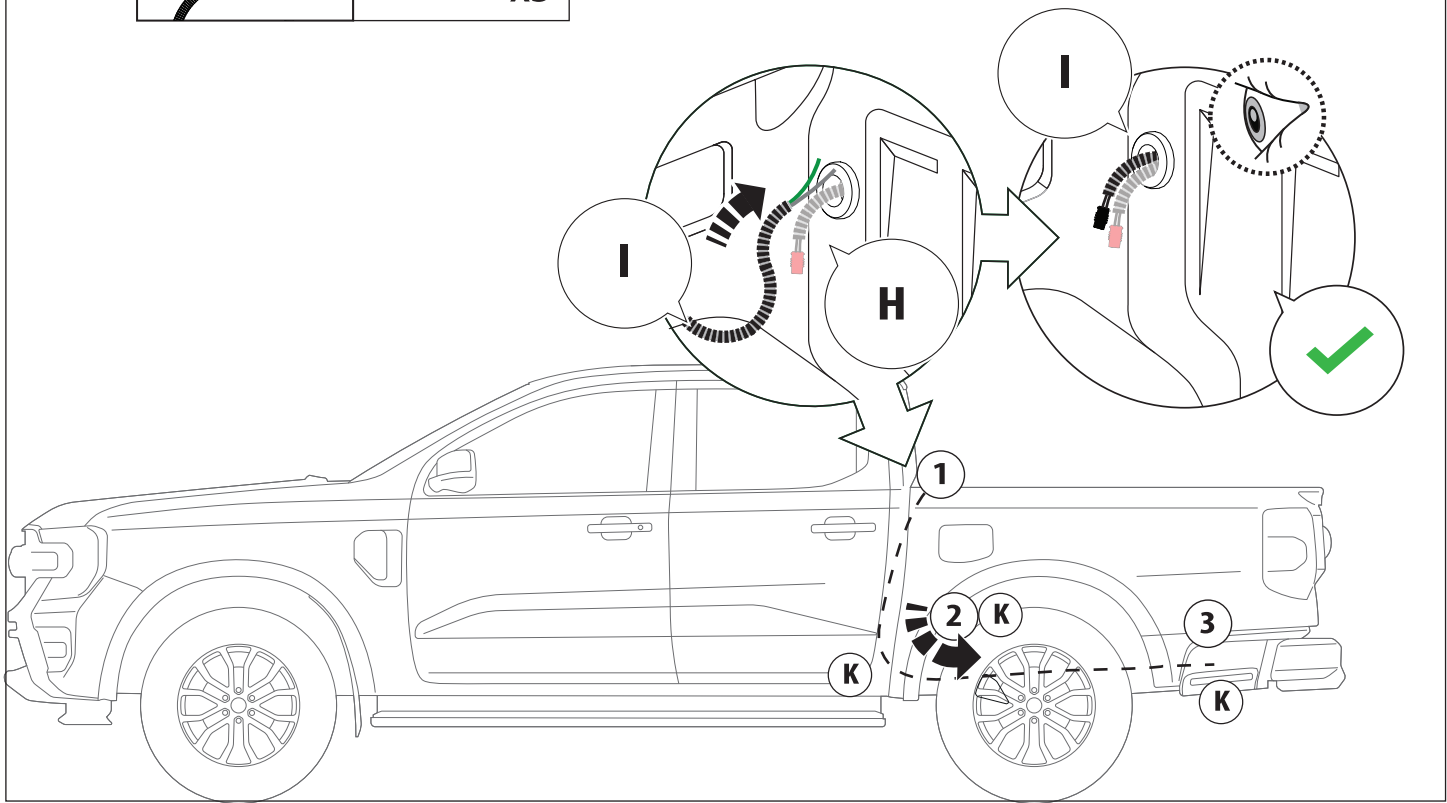
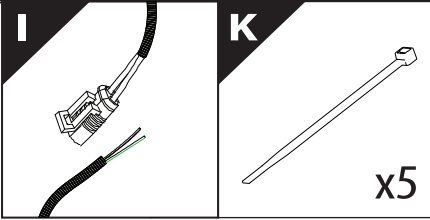




22 Only to be installed by authorized personnel



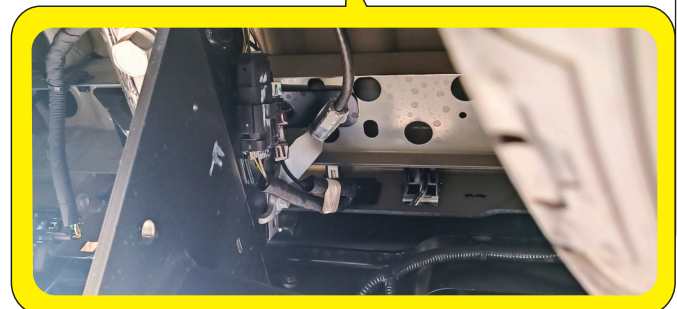
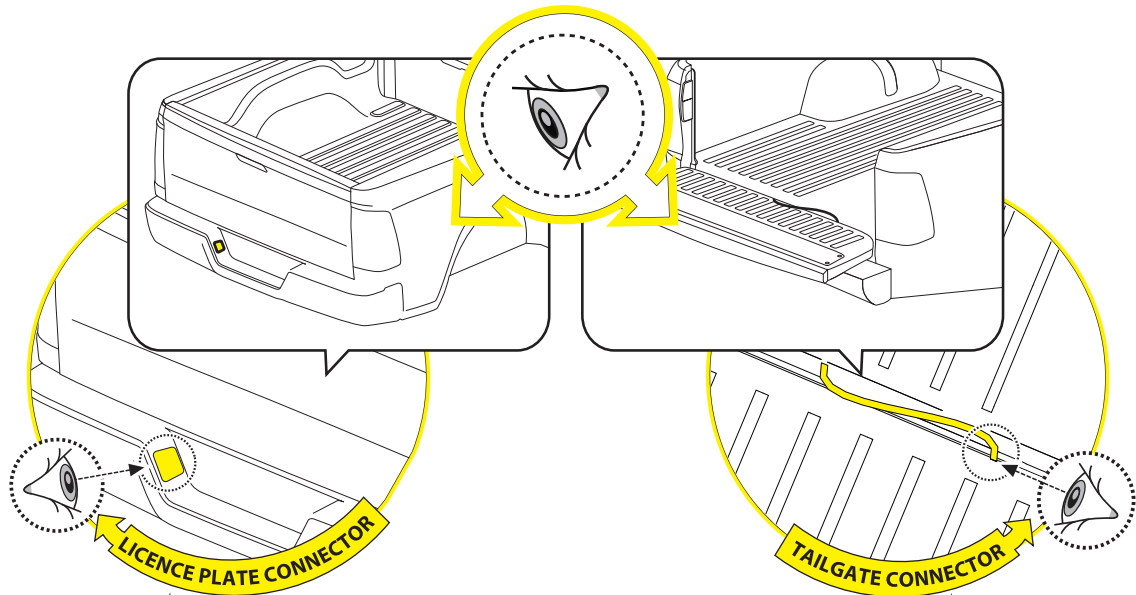
23



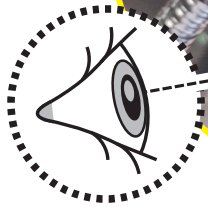
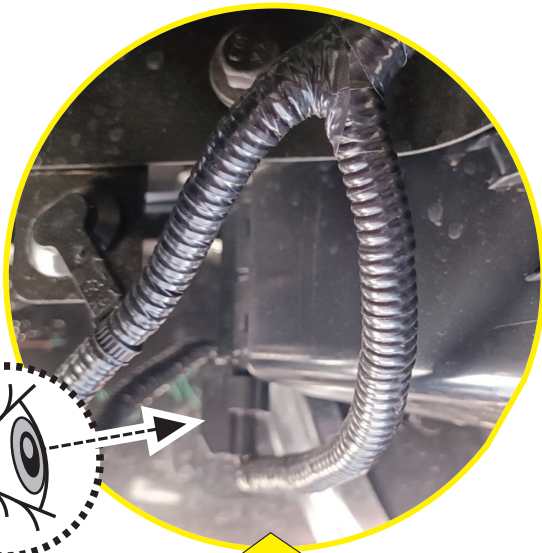
24



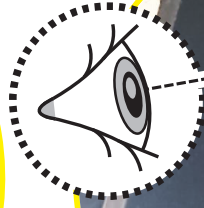
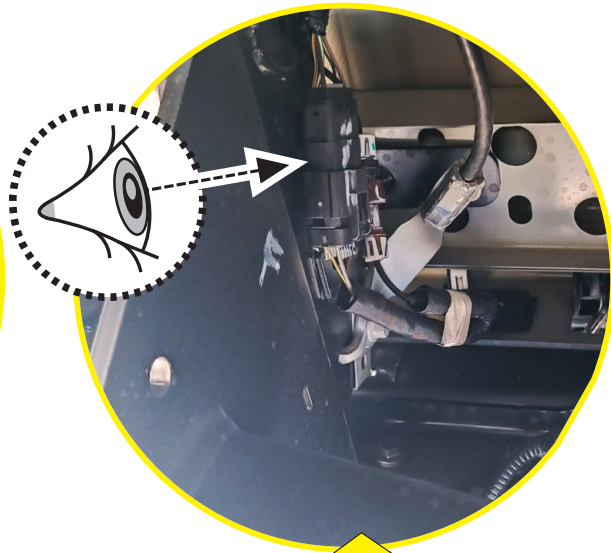
CAUTION: LIMITED, WILDTRAK, WILDTRAK X, PLATINUM



24.1



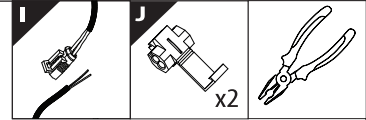
LICENCE PLATE CONNECTOR



TAILGATE CONNECTOR

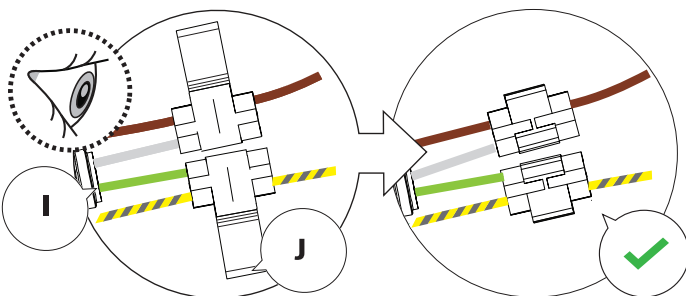
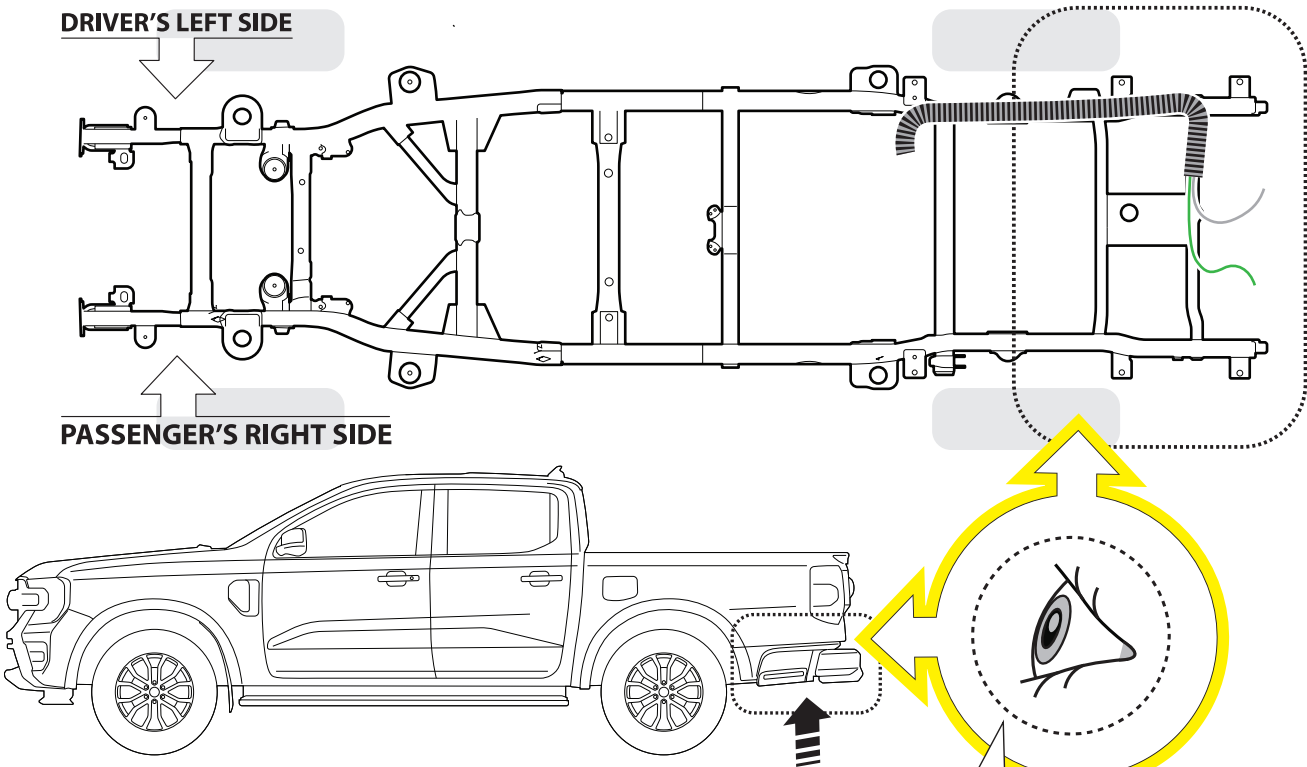
24.2

BOTTOM VIEW



DRIVER'S LEFT SIDE

PASSENGER'S RIGHT SIDE

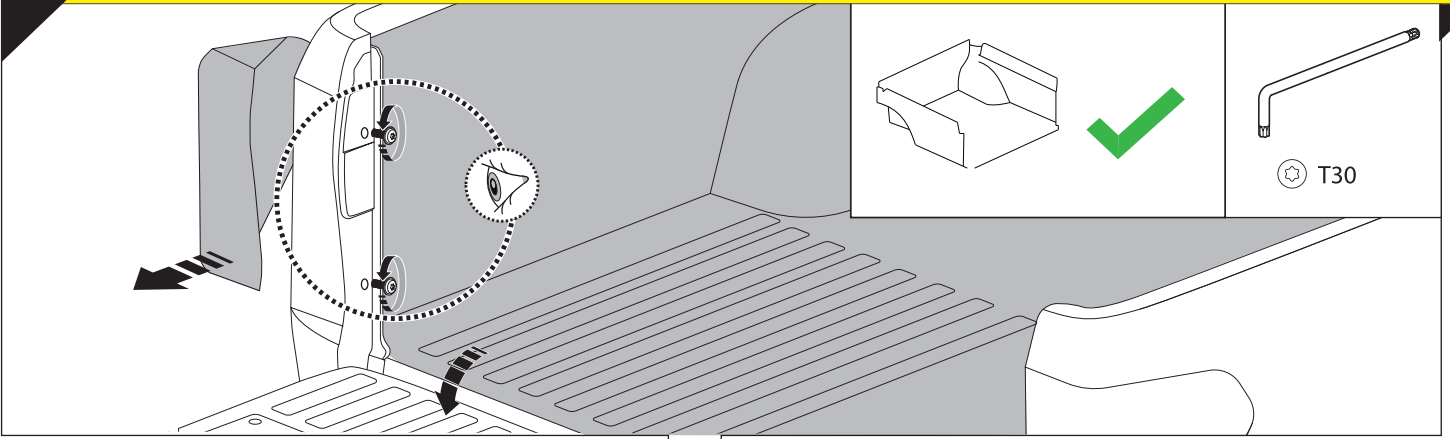


	CAR		TESSERA ROLL+
BEAM		↔	
LICENCE PLATE 2 PIN LIGHT CONNECTOR			
STOP		↔	
TAILGATE CONNECTOR			

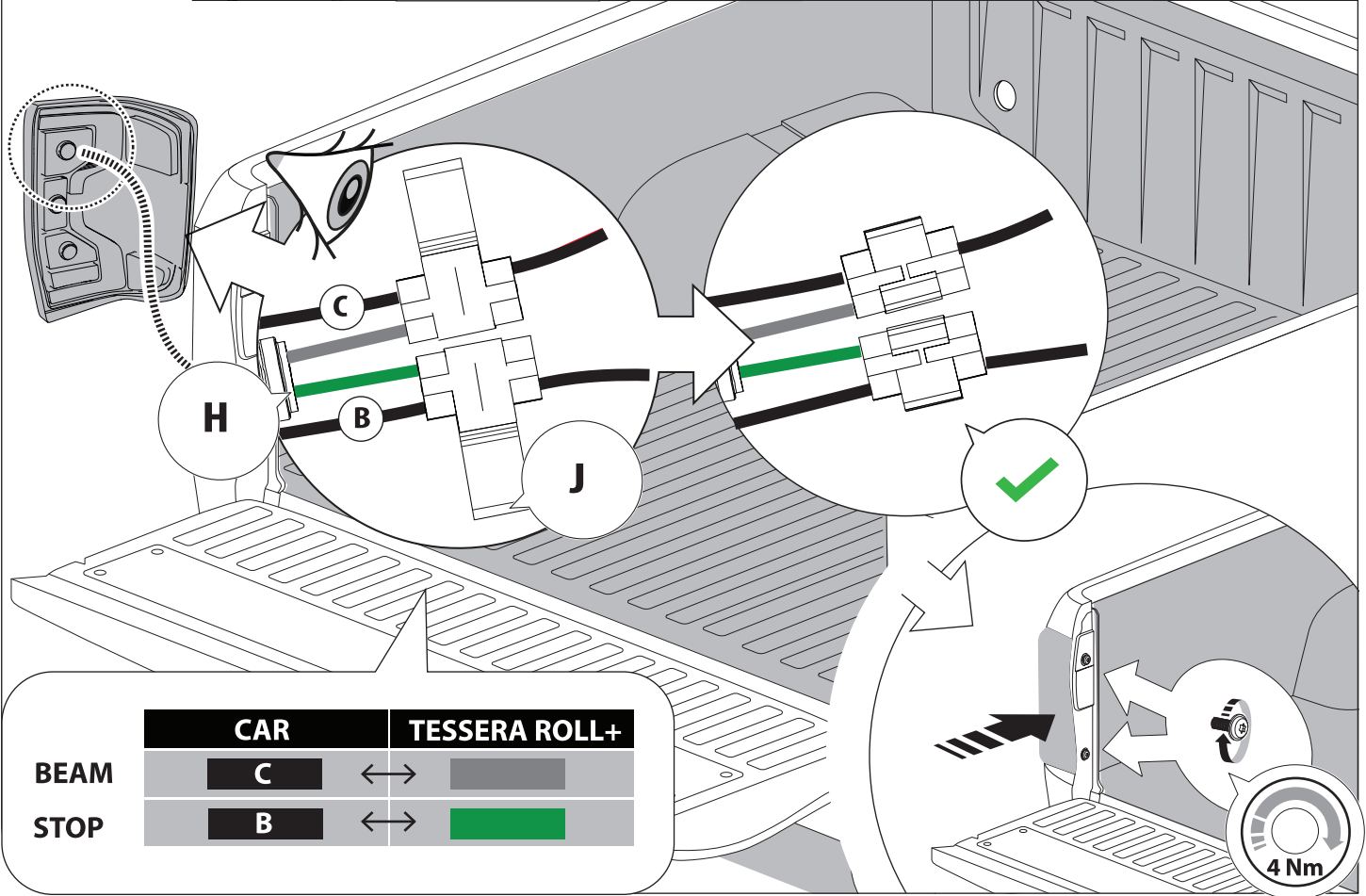
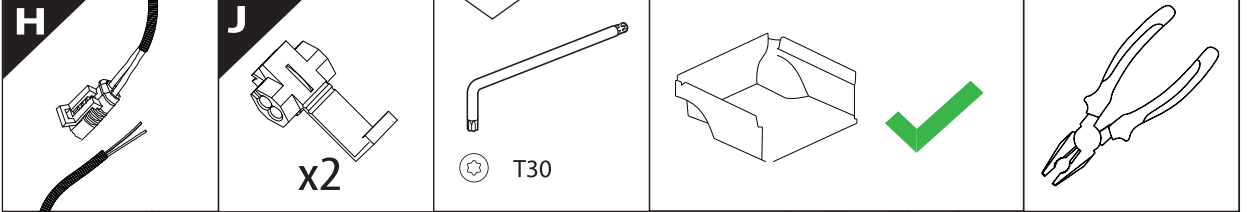
25



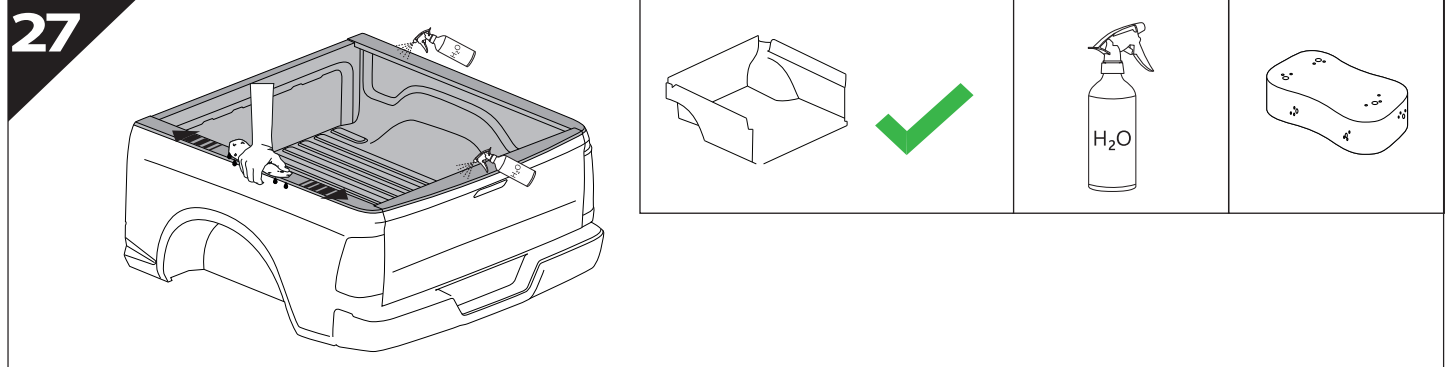
CAUTION: XL, XLT, TREMOR

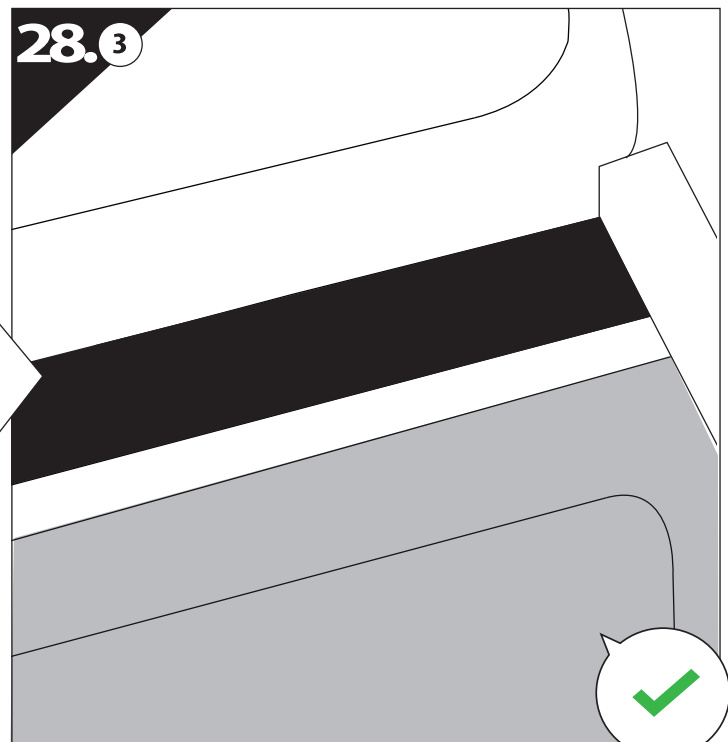
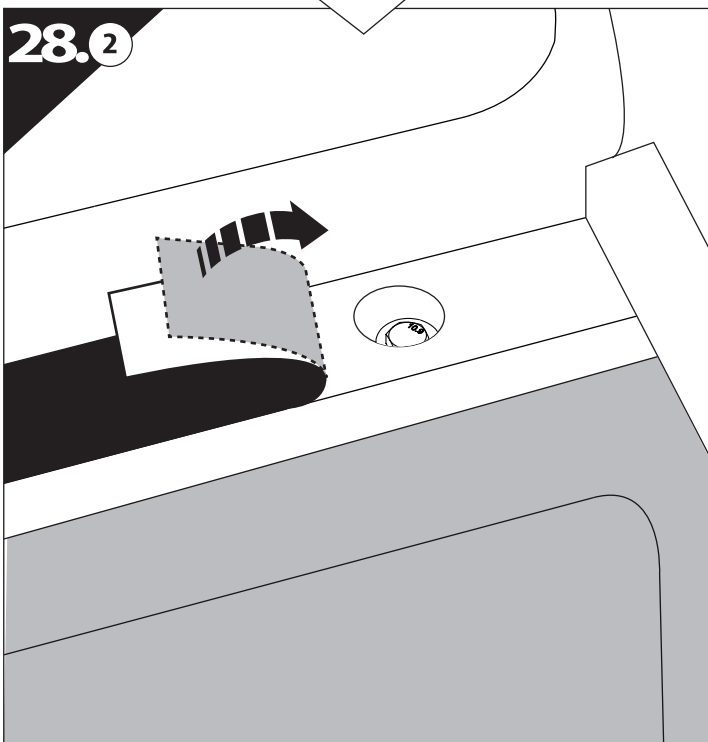
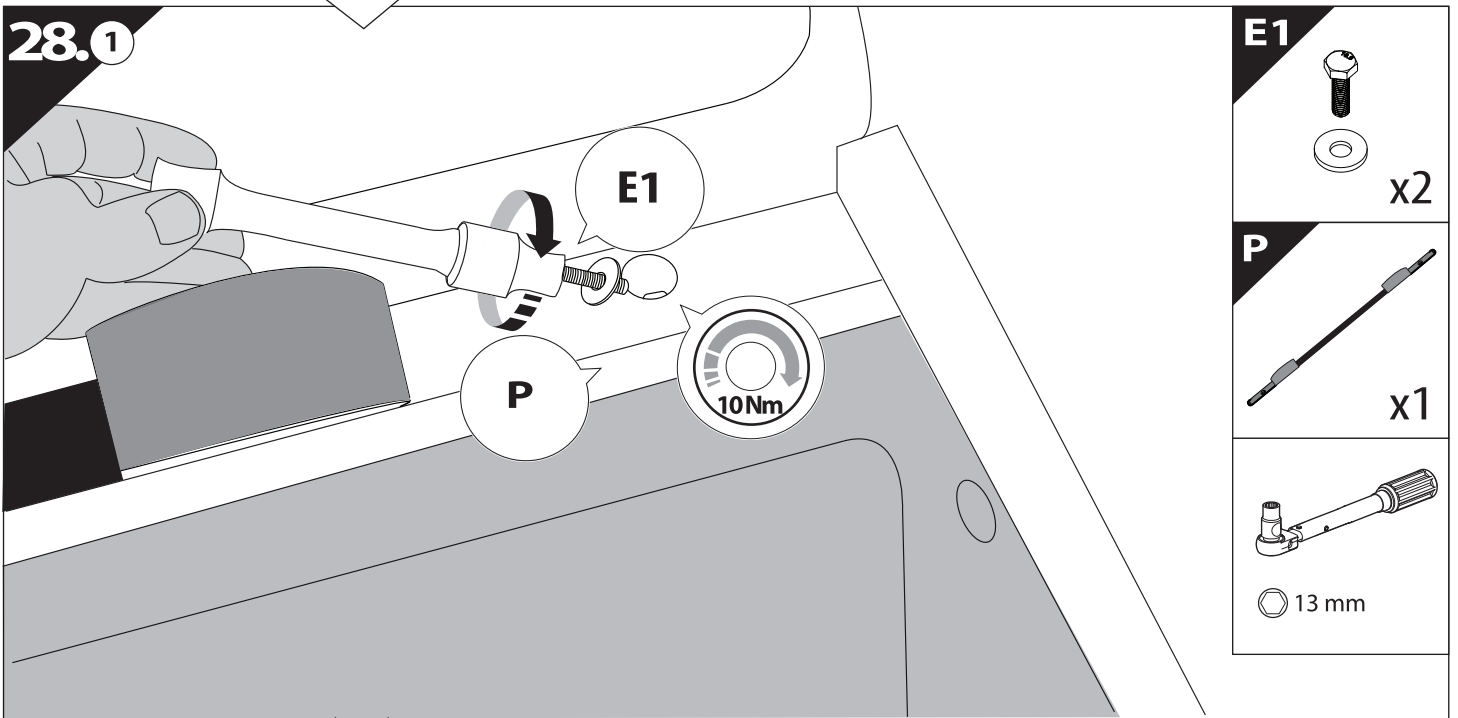
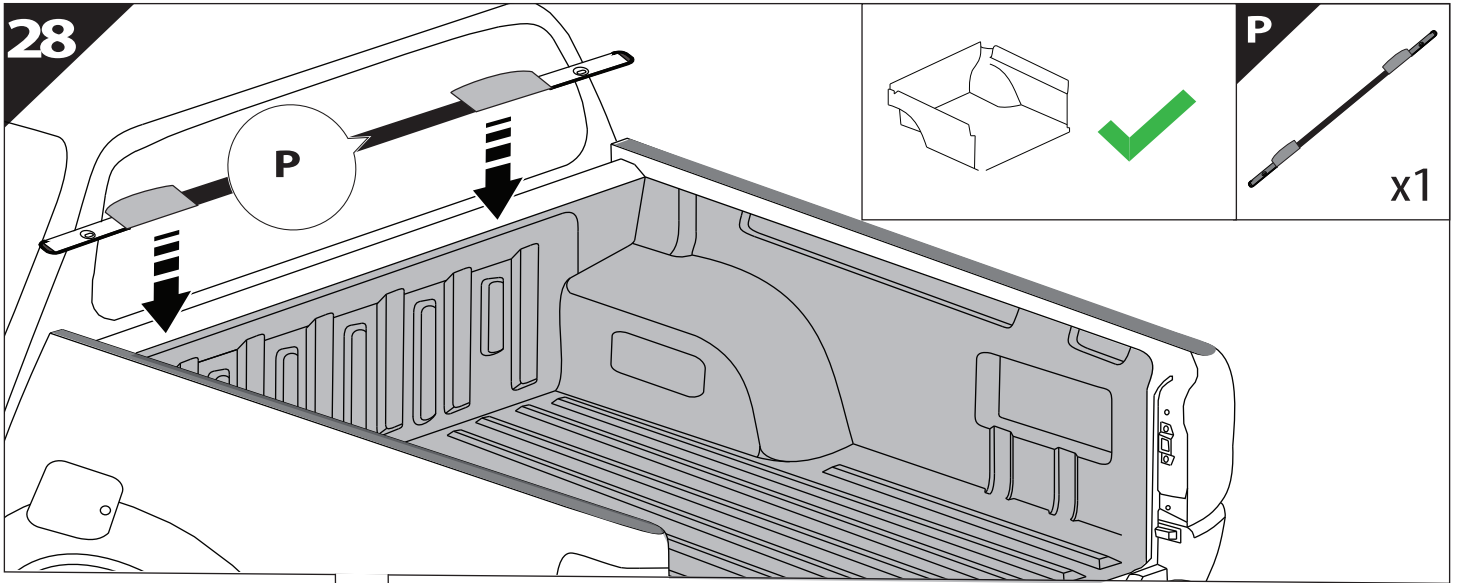


26



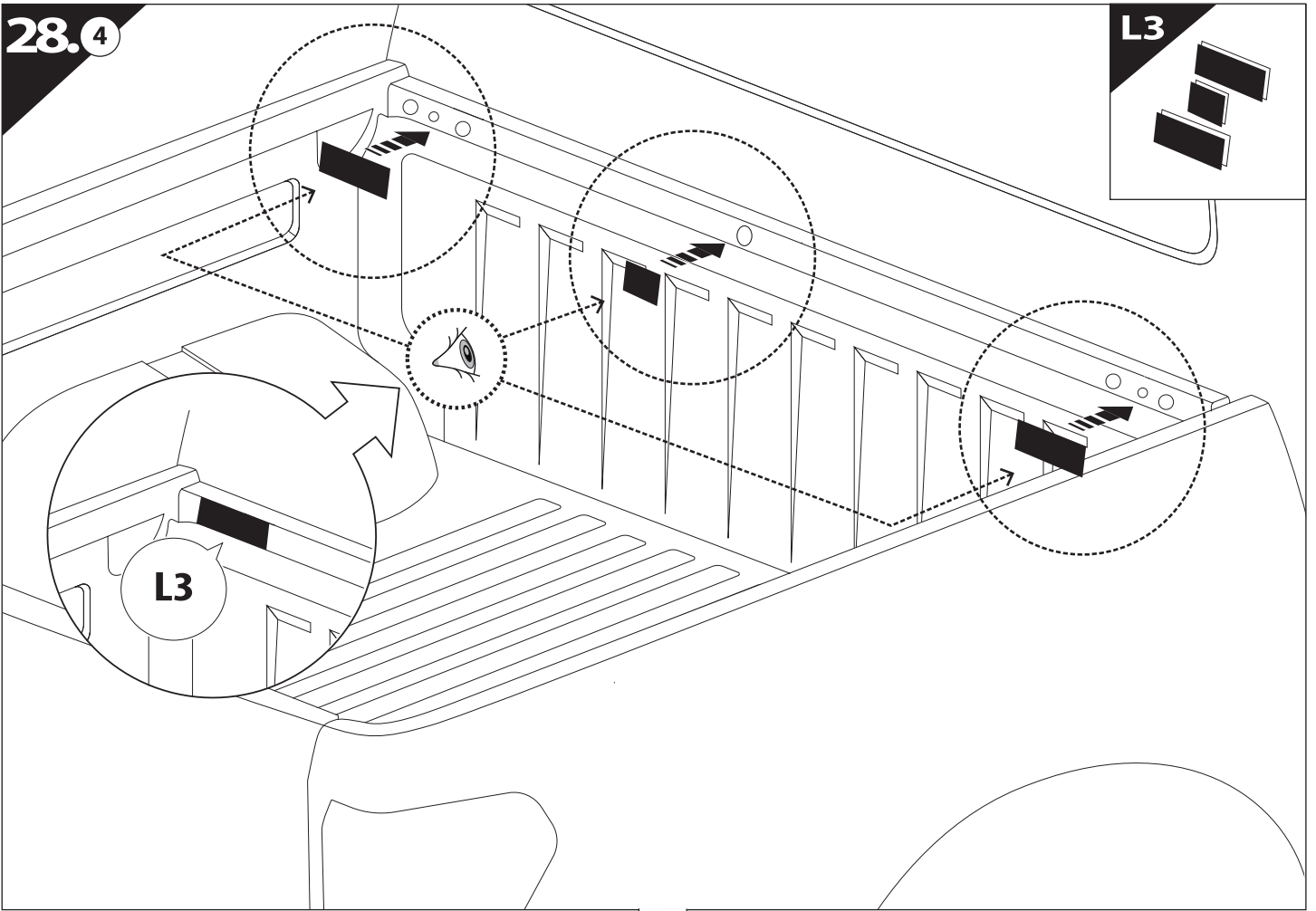
27





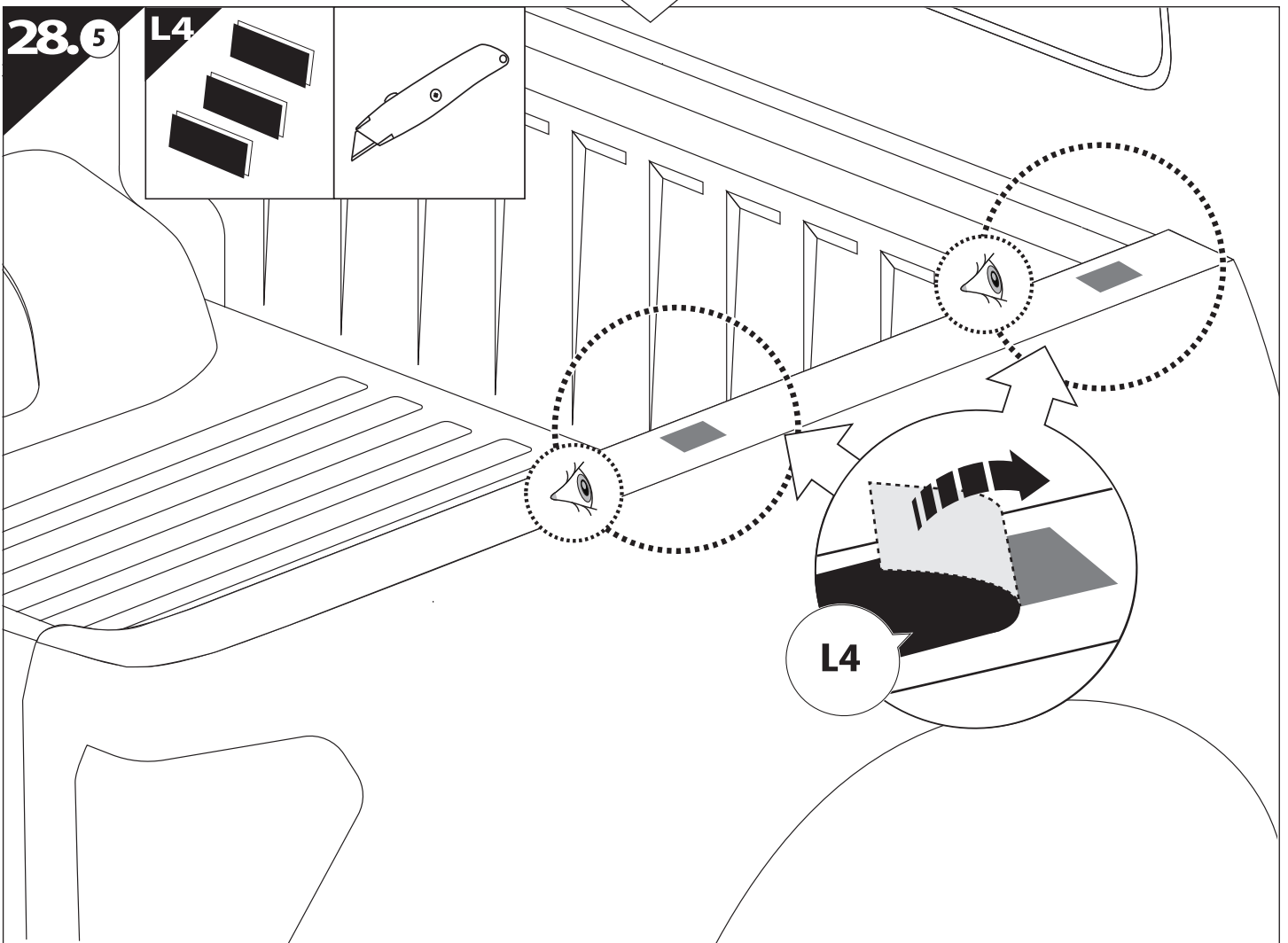
28.4

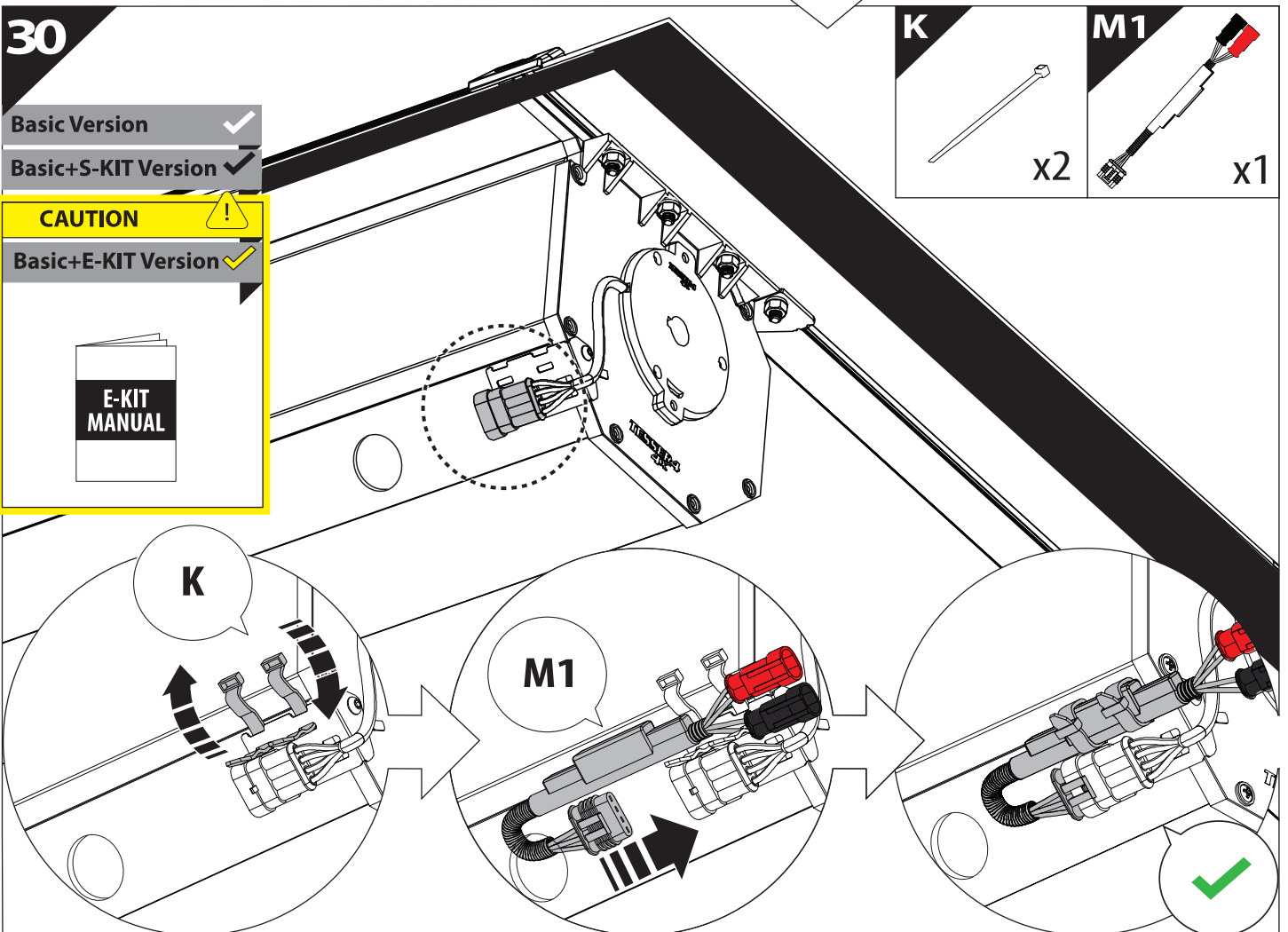
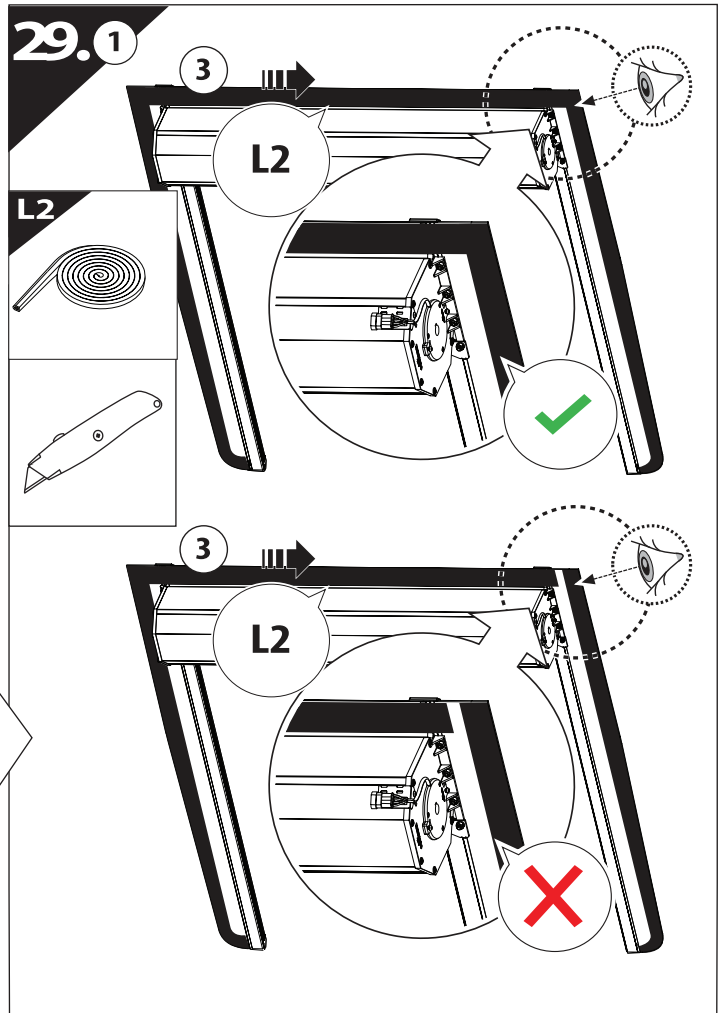
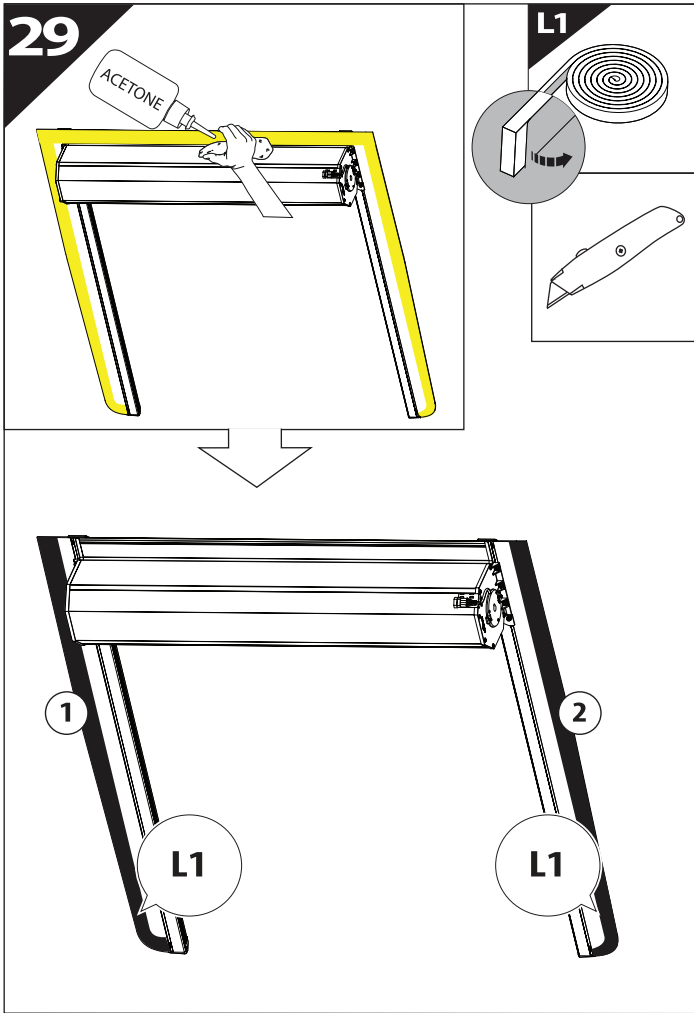
L3



28.5

L4

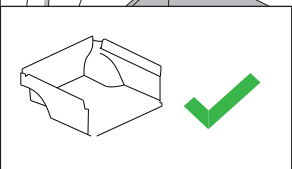
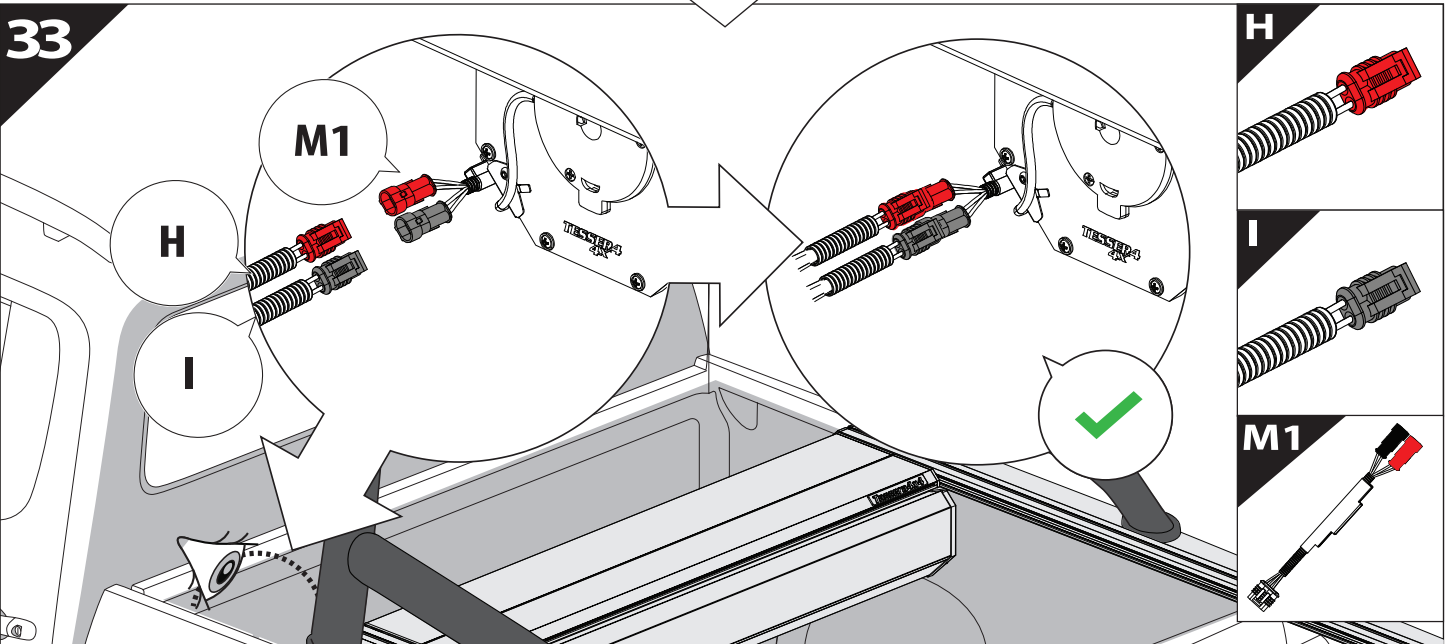
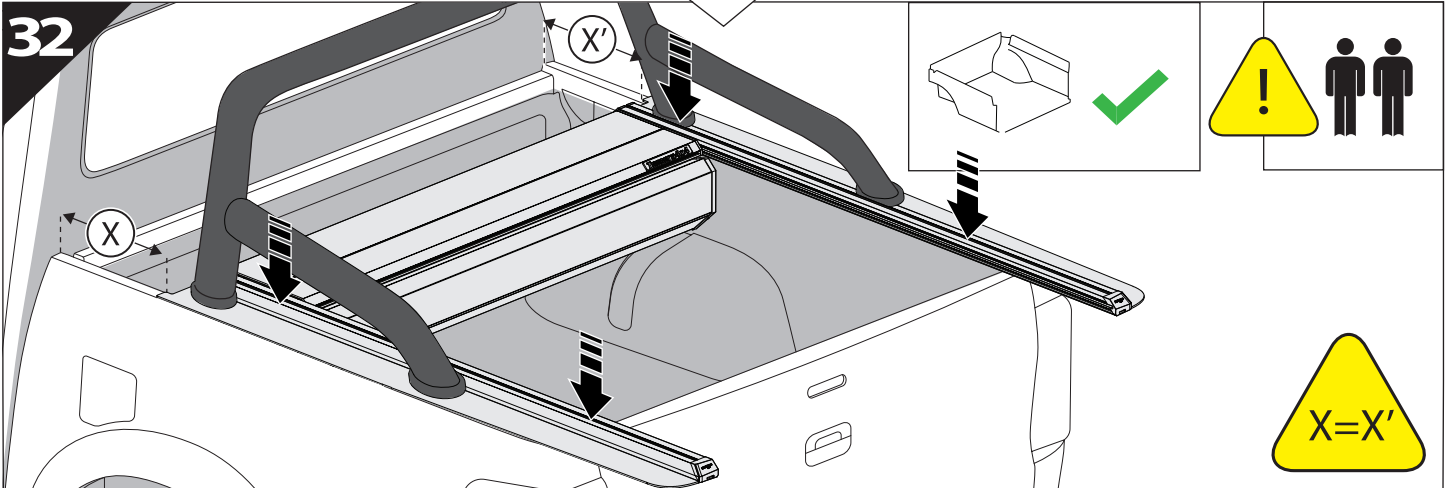
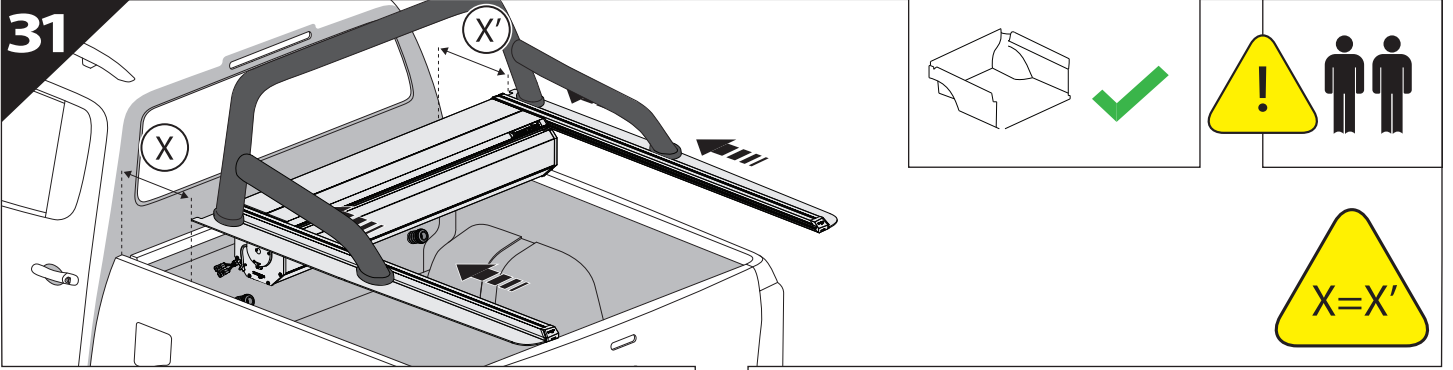




30. 1

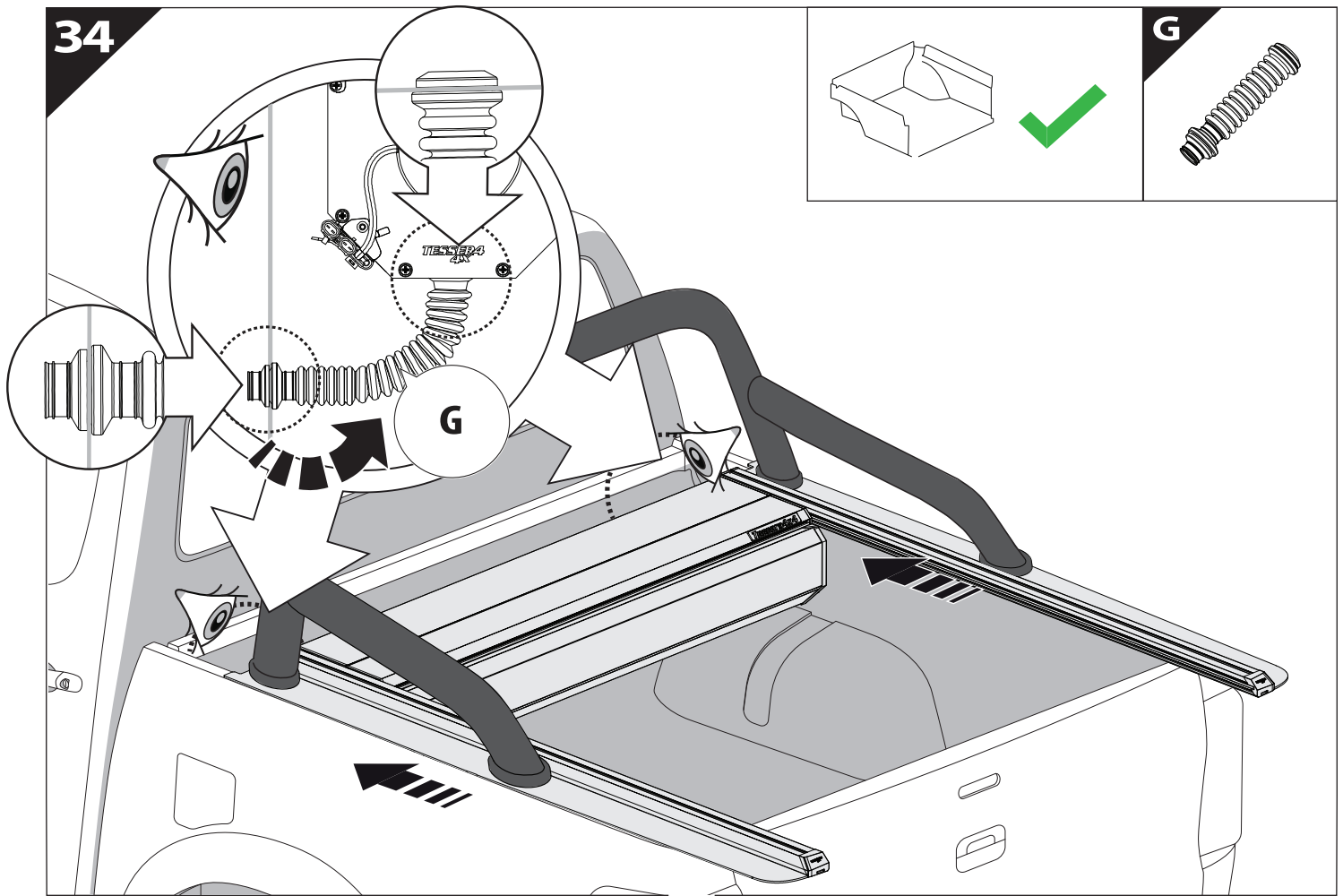
Basic+S-KIT Version

S-KIT
MANUAL

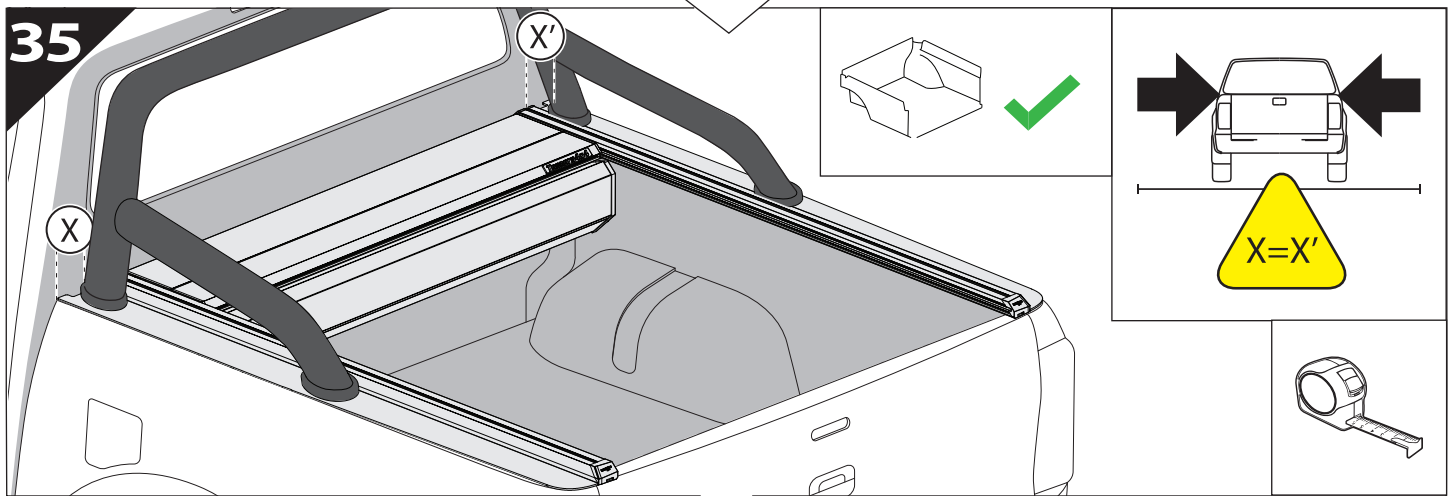


Basic+E-KIT Version		E-KIT MANUAL	
M2		M1	

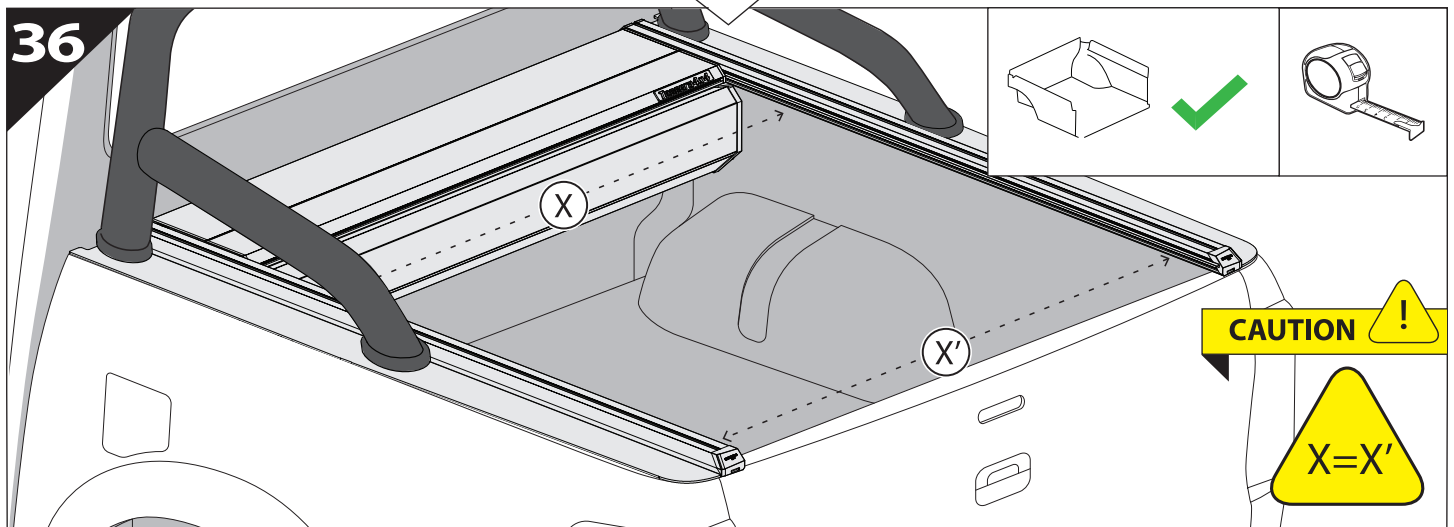
34

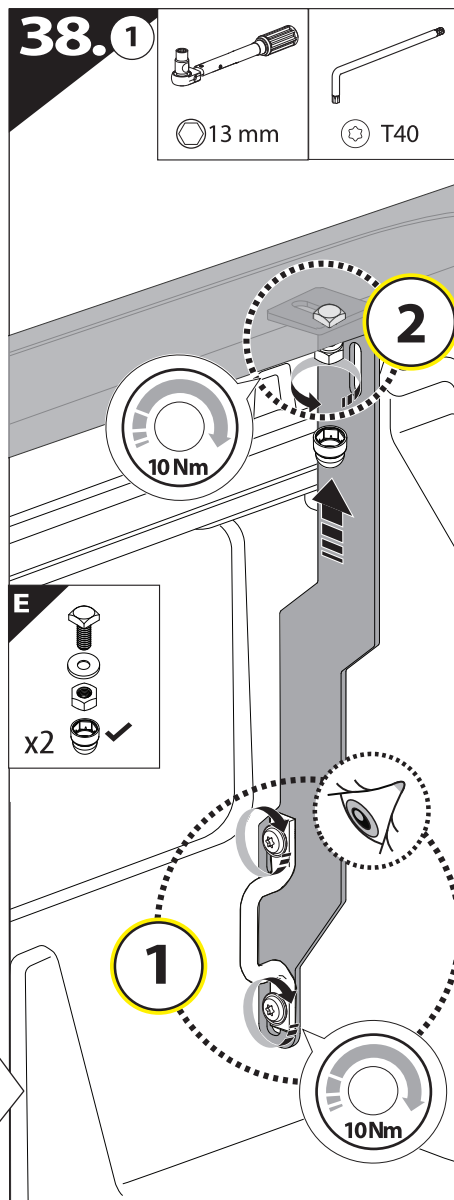
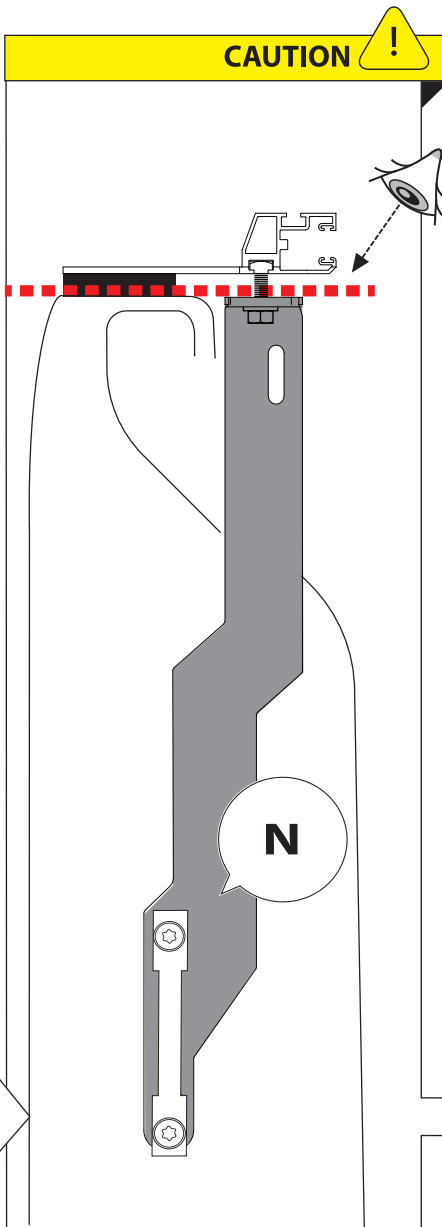
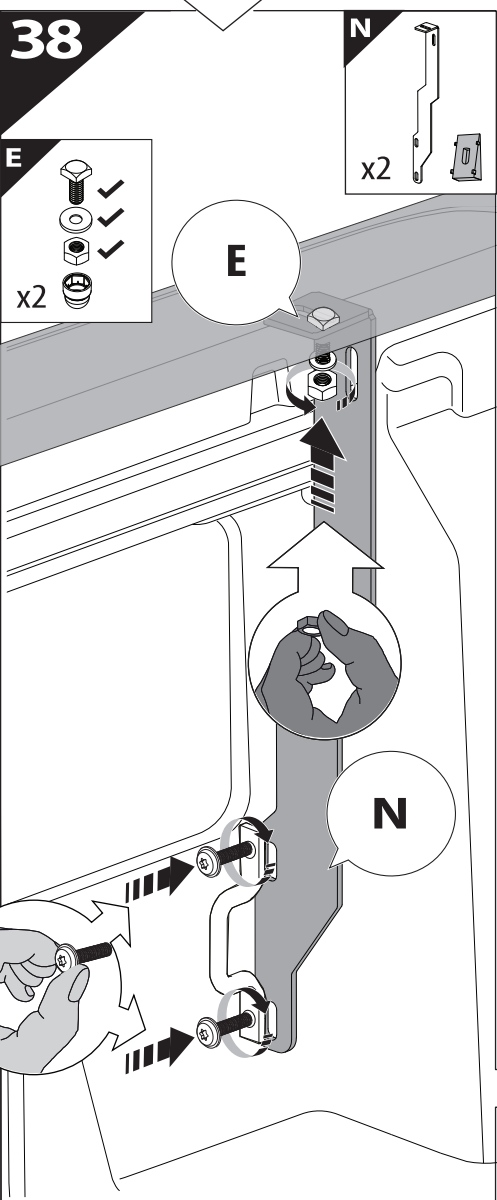
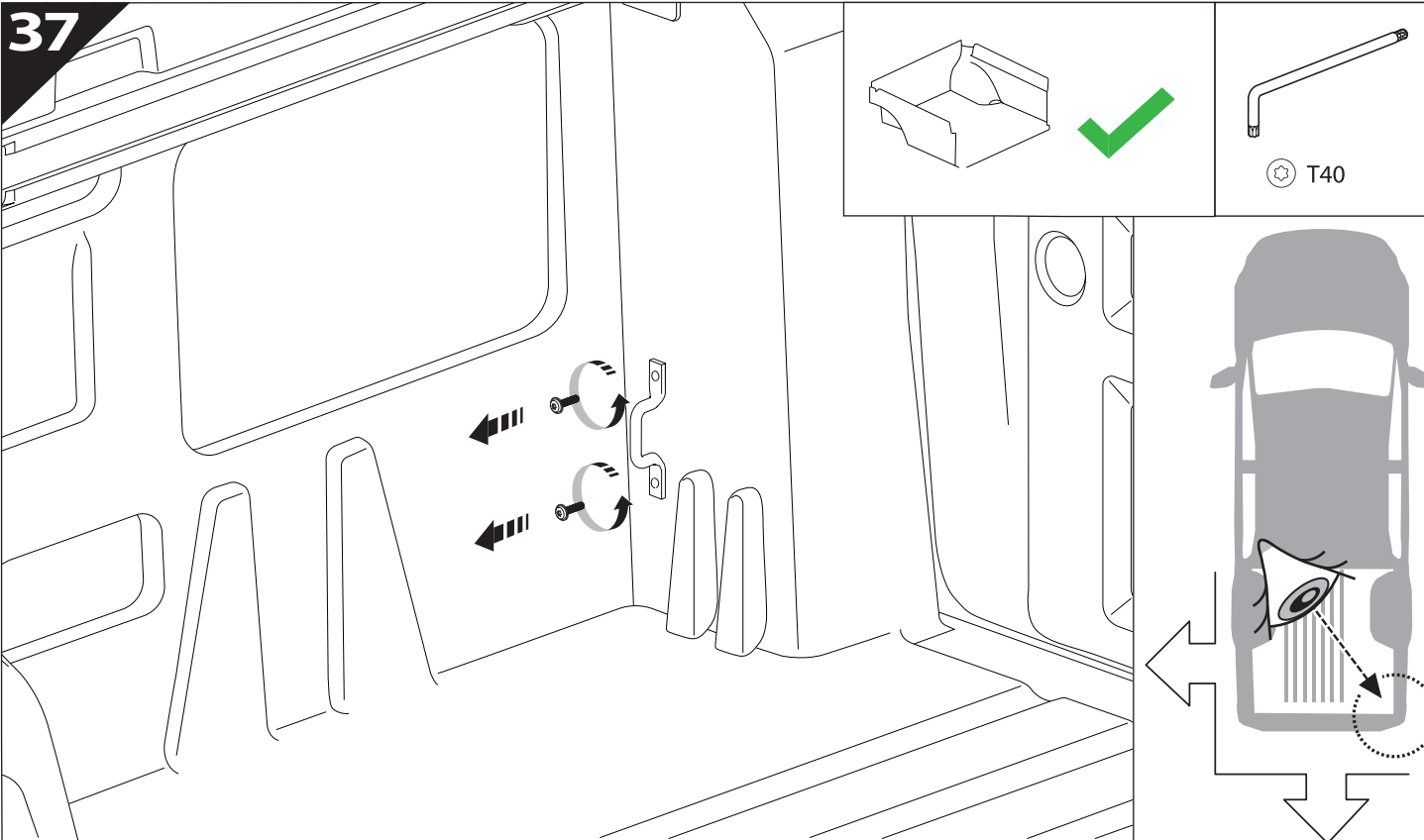


35



36



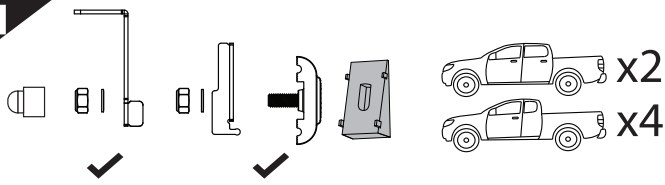


39 A

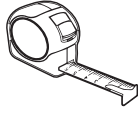
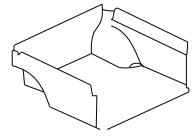
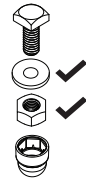


WITHOUT C - CHANNELS

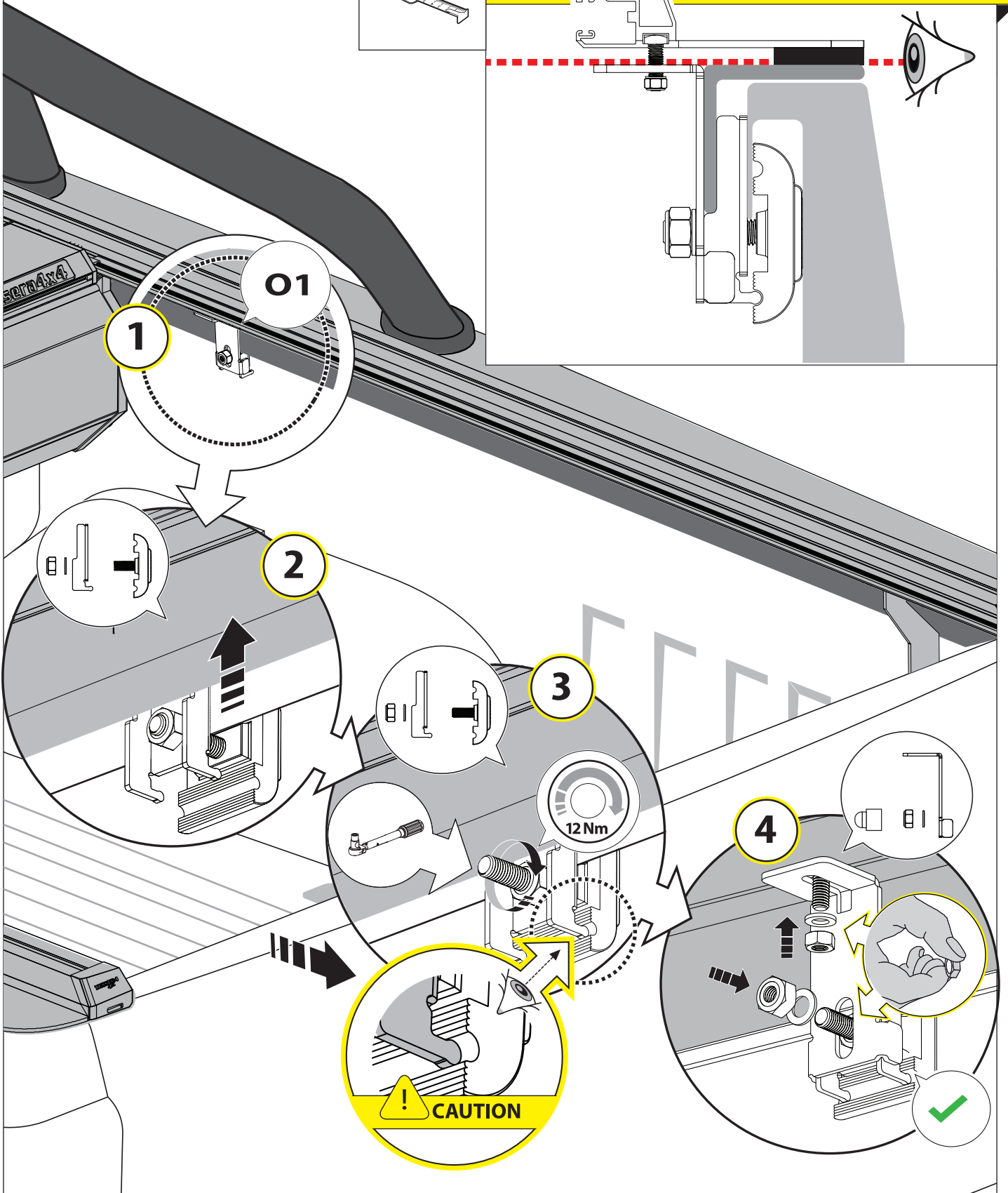
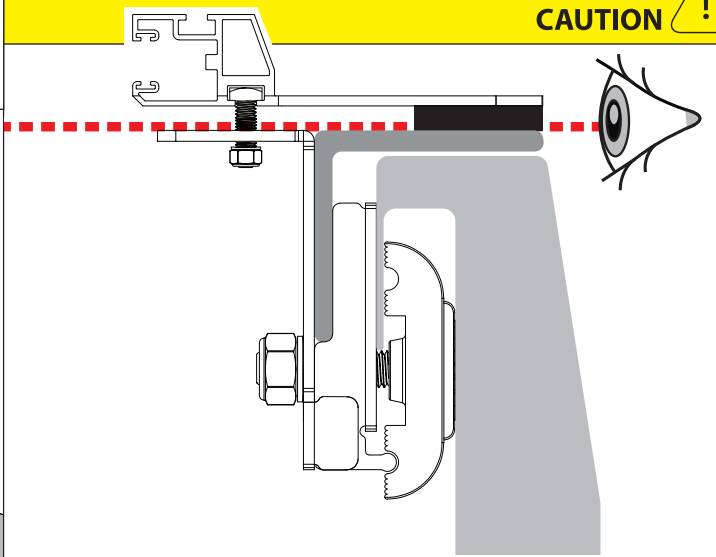
O1

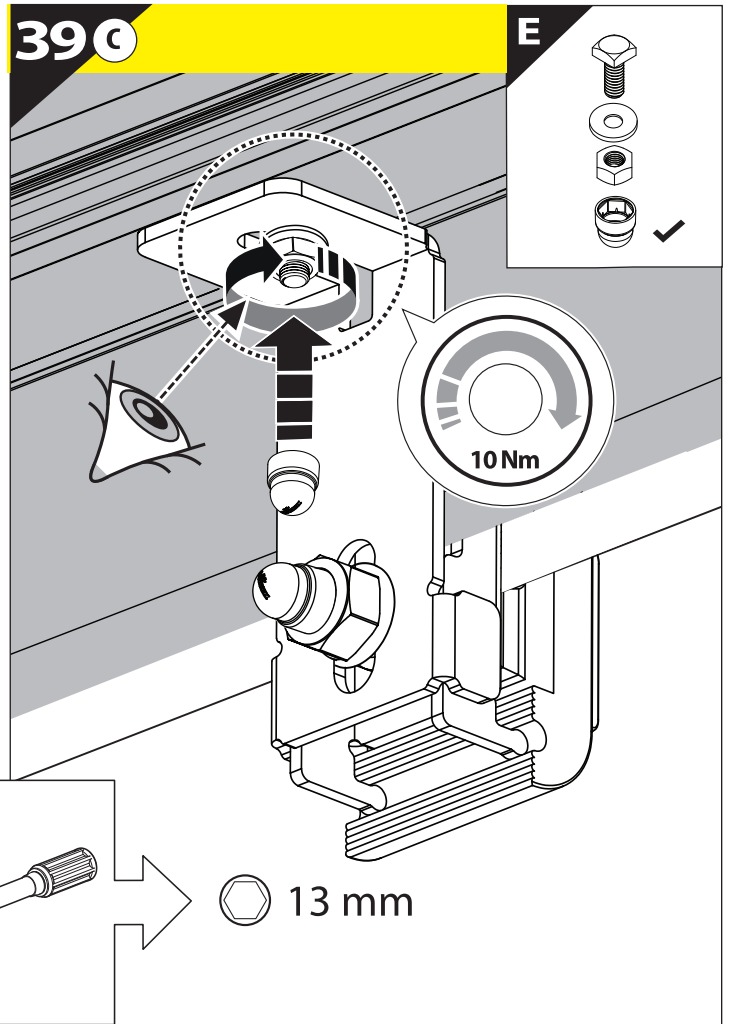
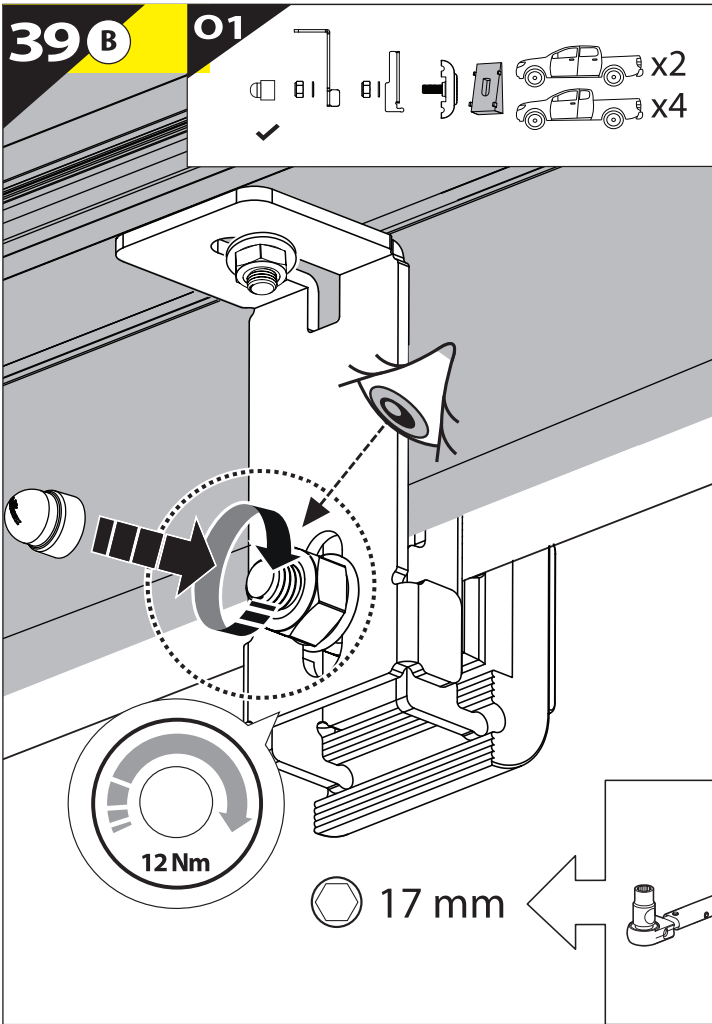


E

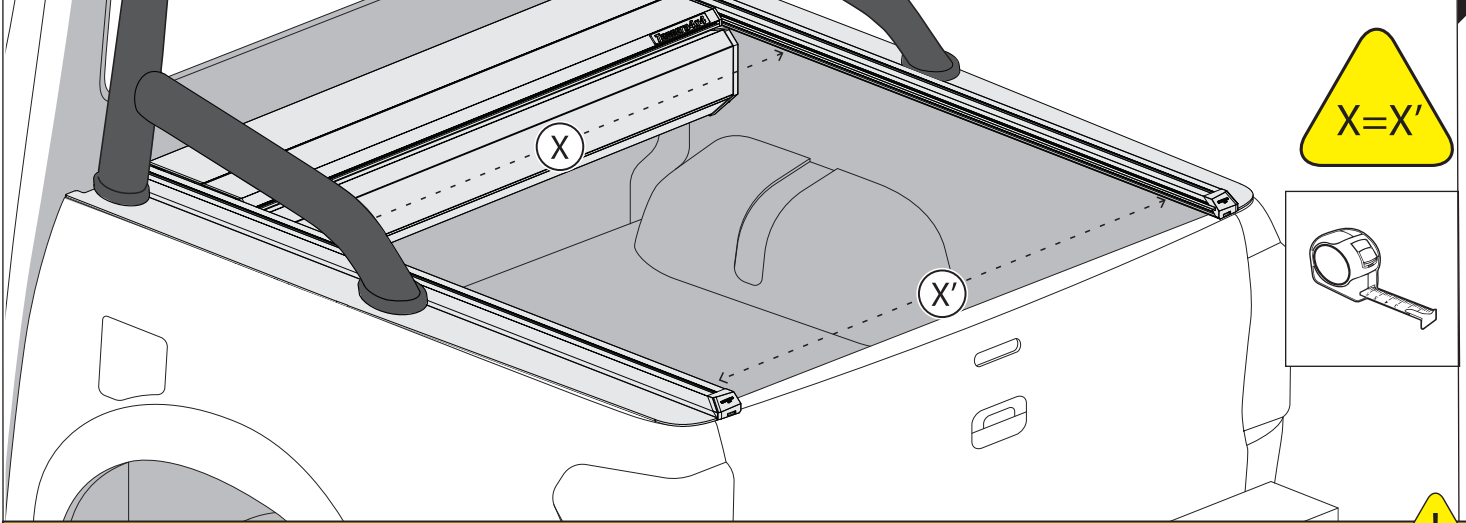


CAUTION

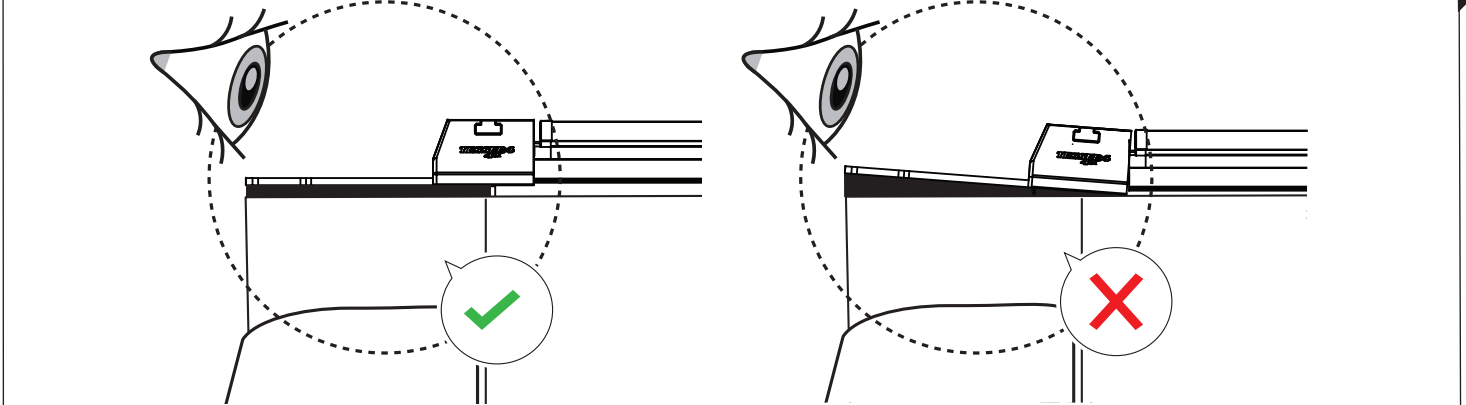




CAUTION !



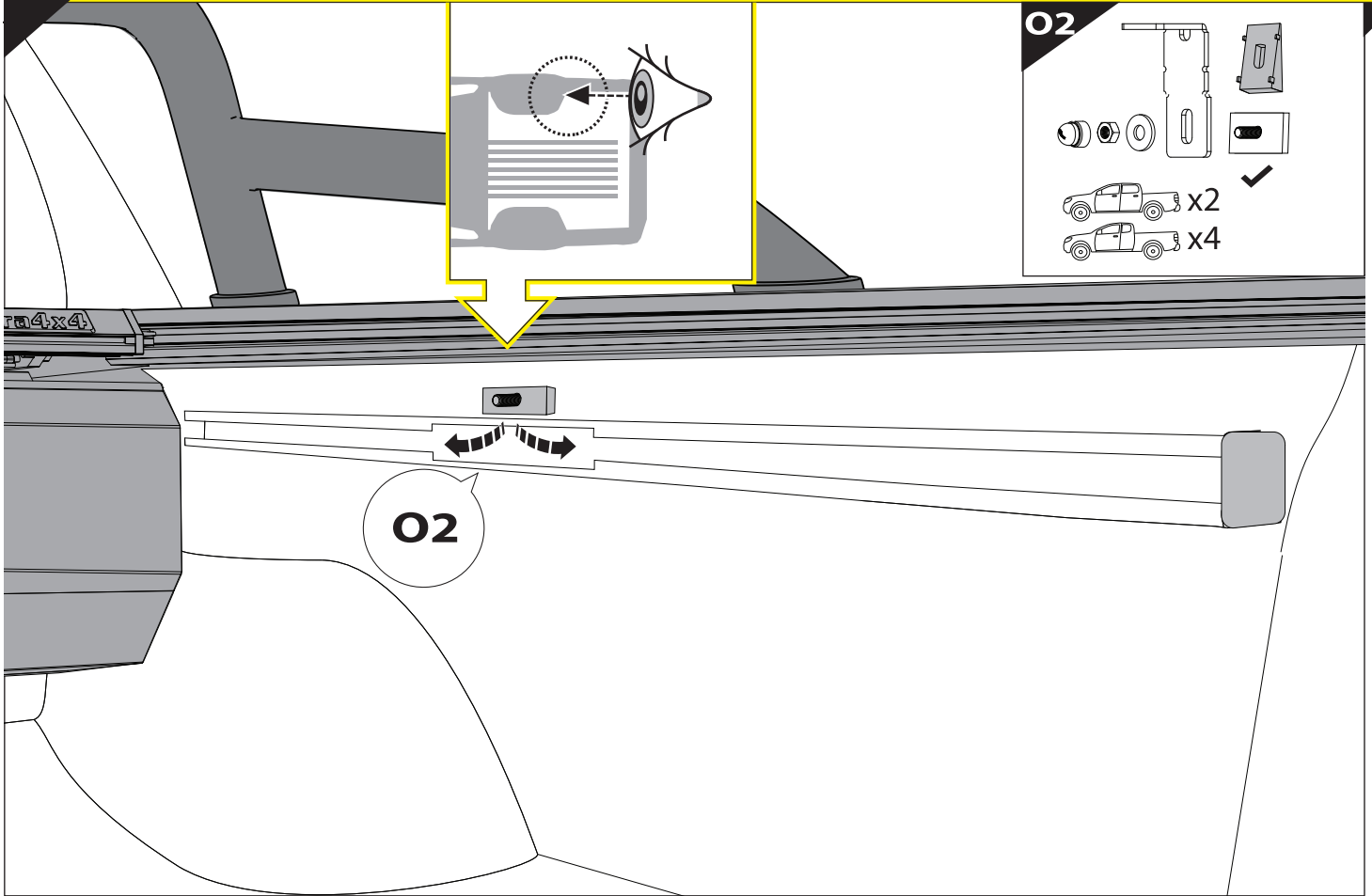
CAUTION !



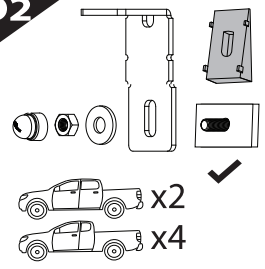
39 A



WITH C - CHANNELS

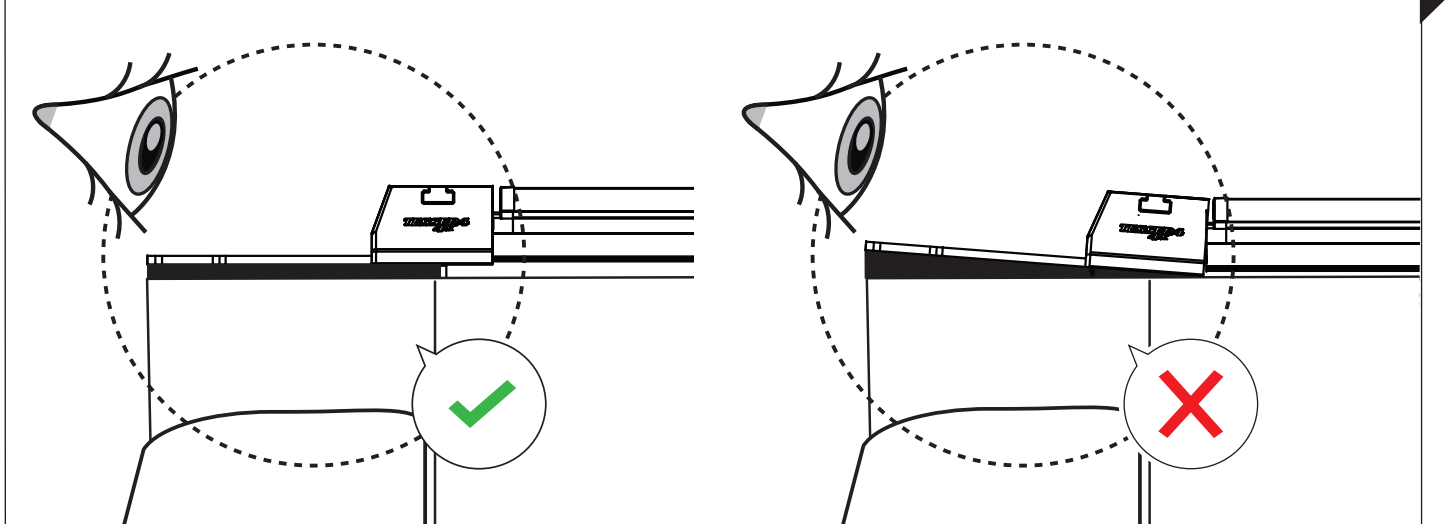
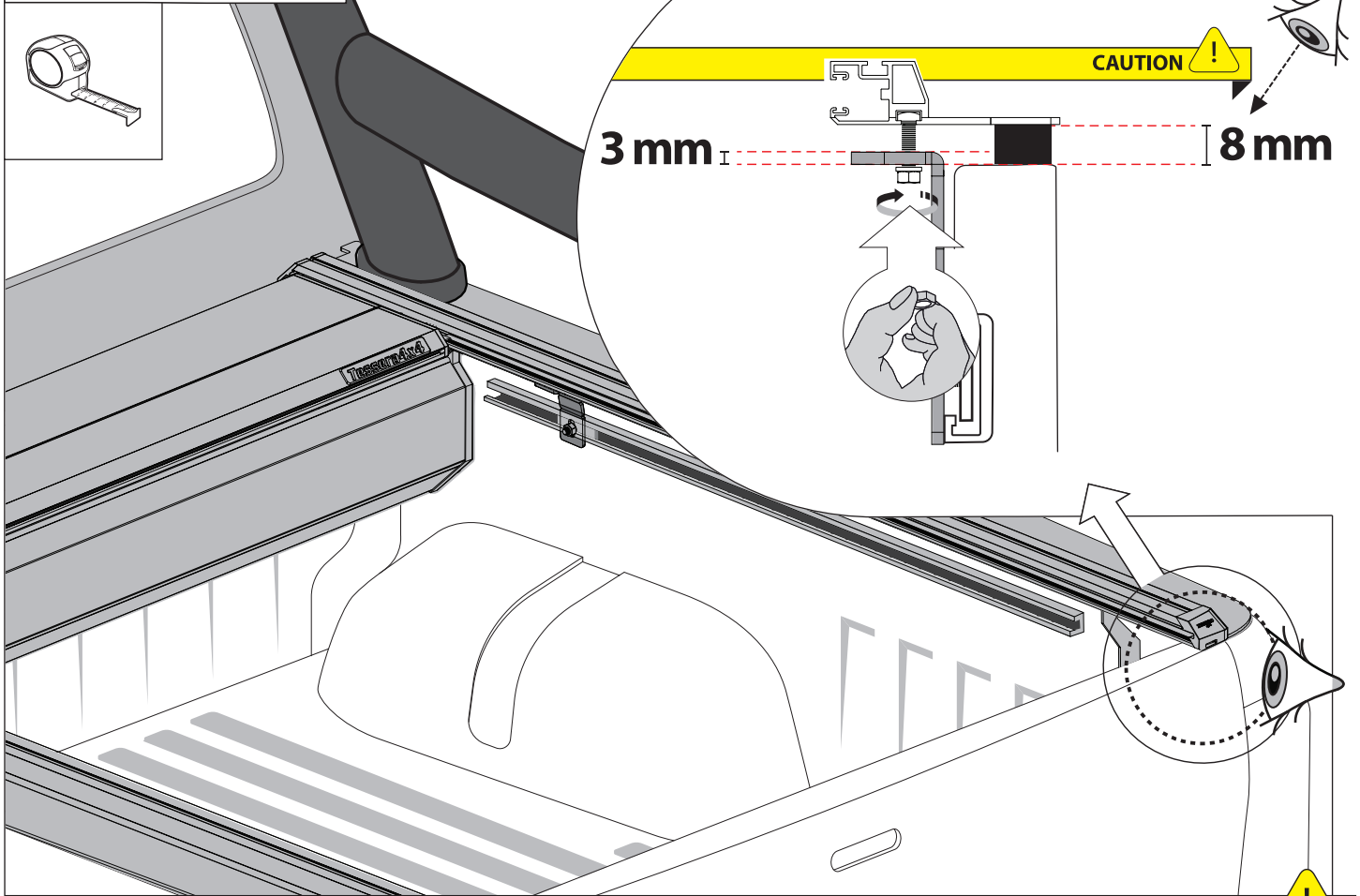
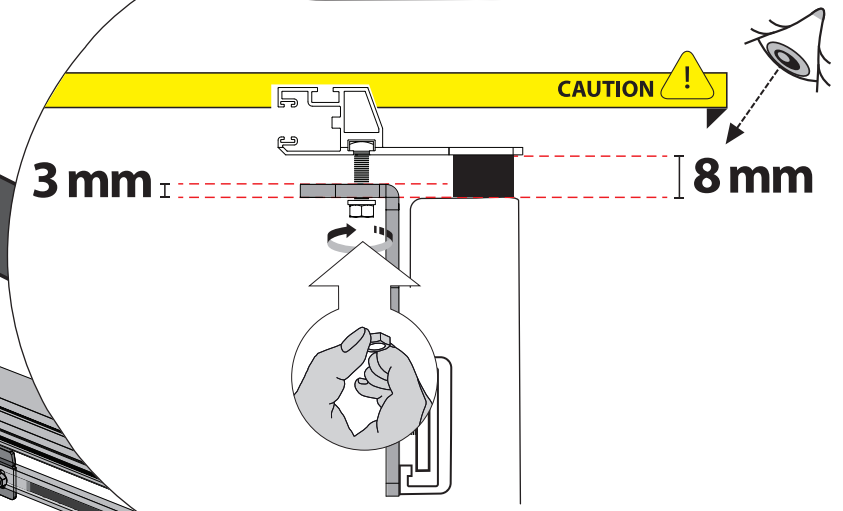
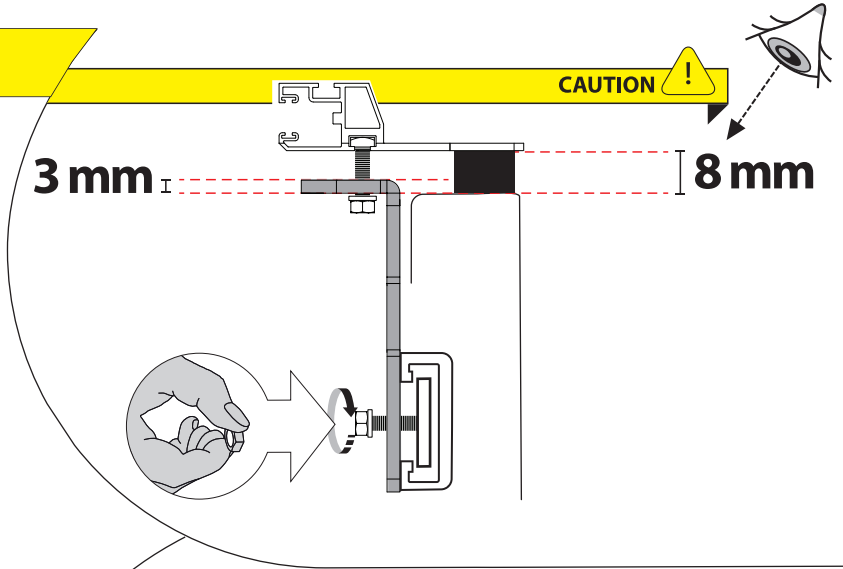
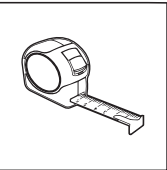
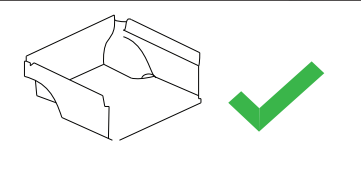
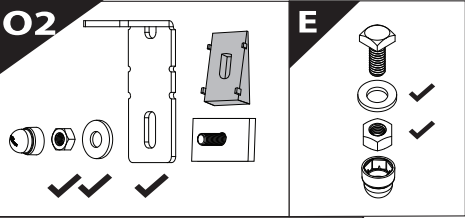


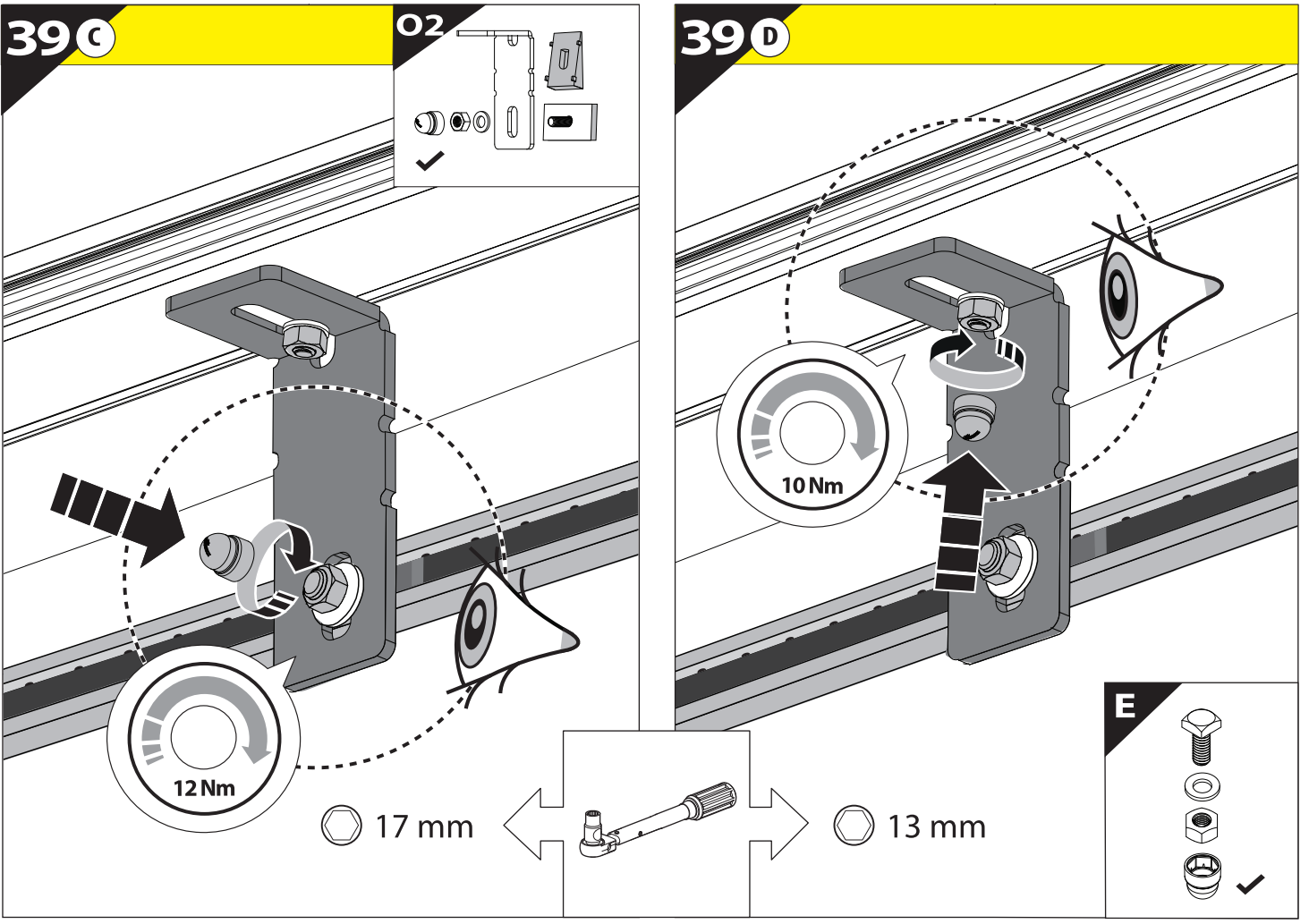
O2



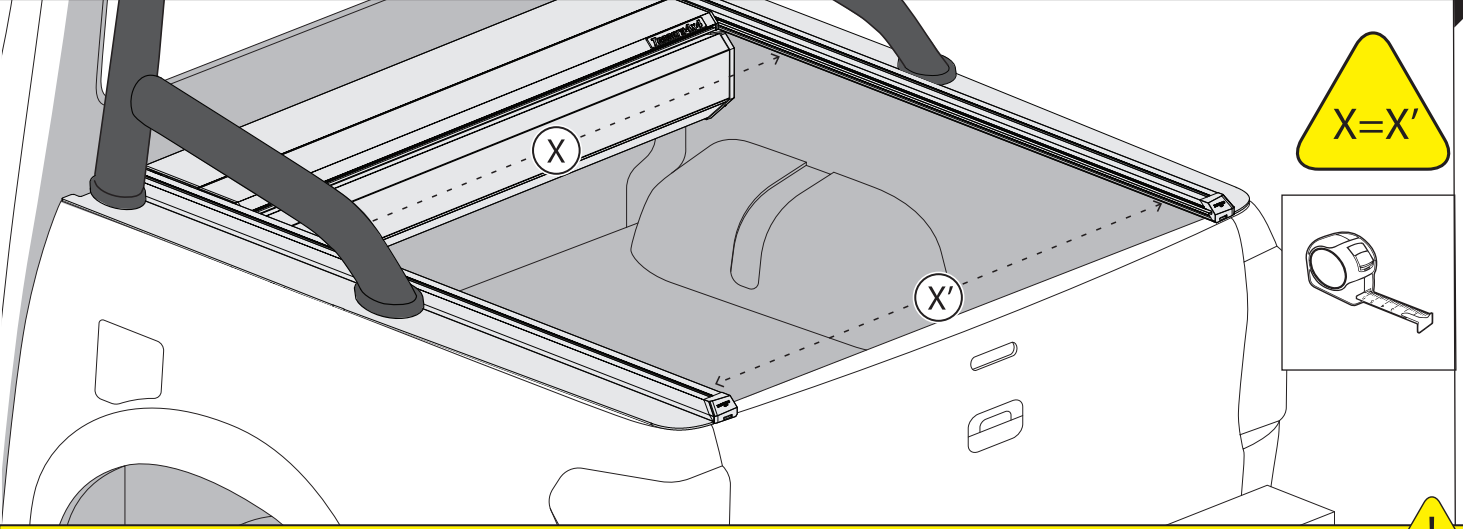
O2

39 B

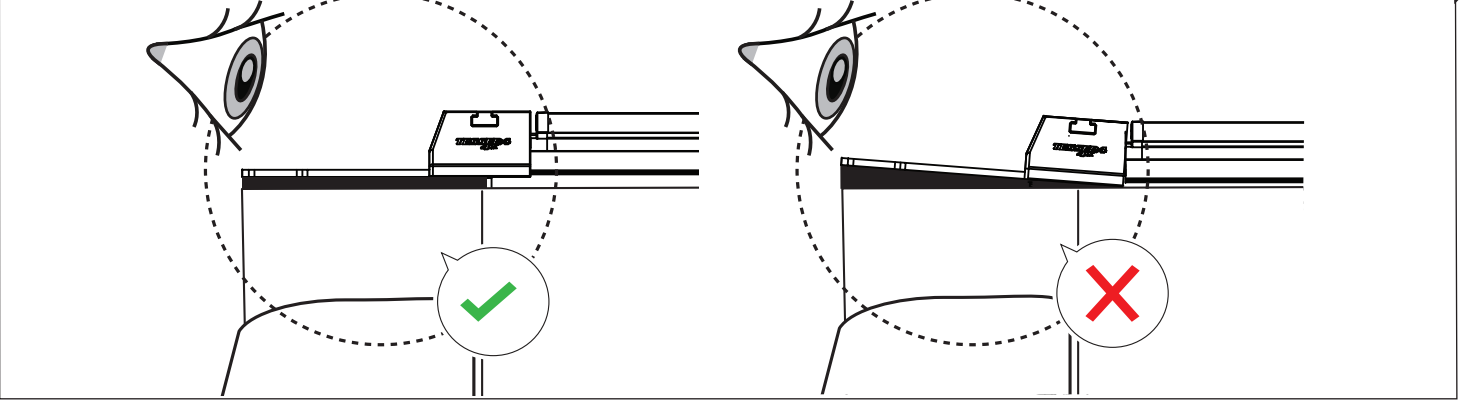




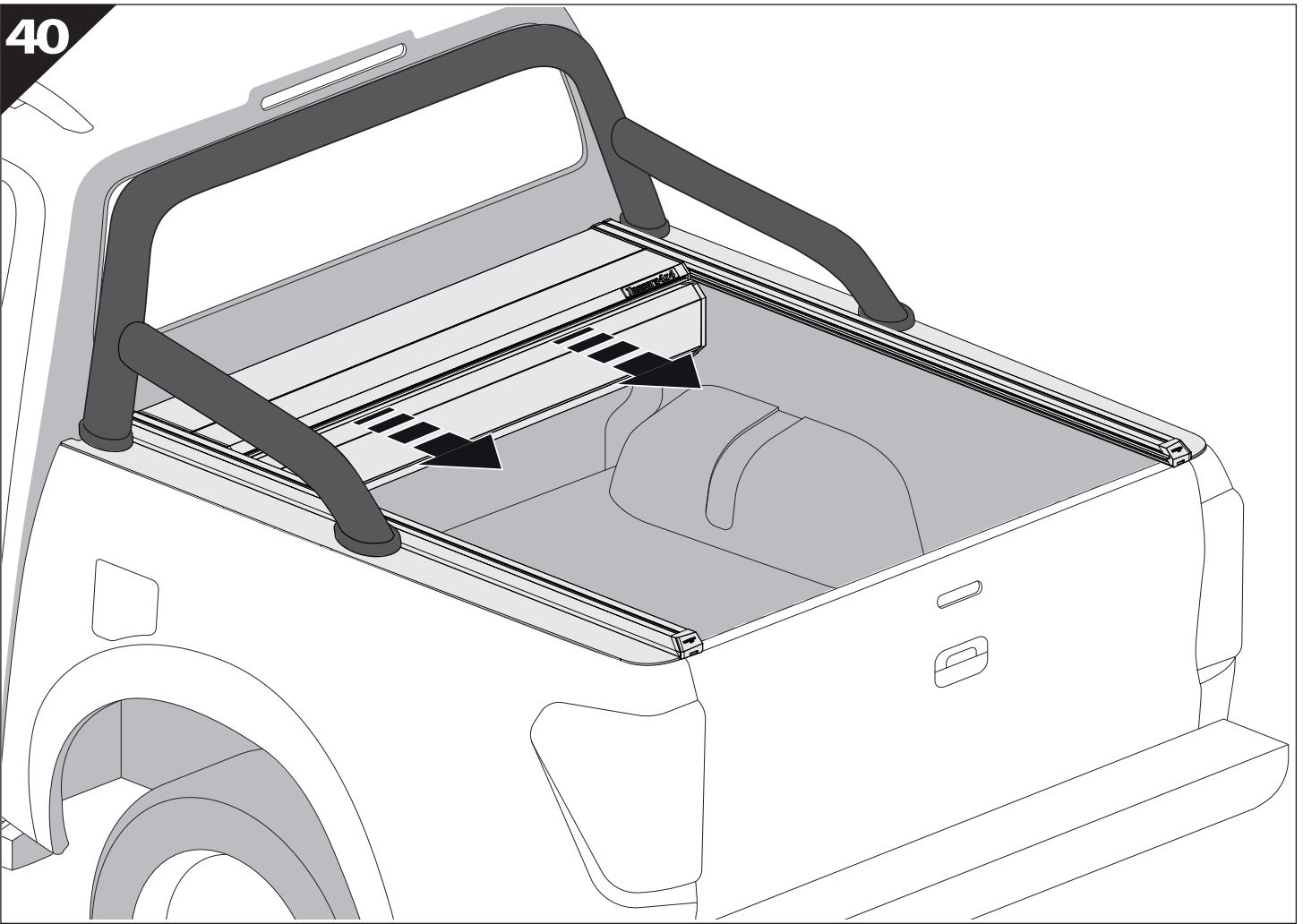
CAUTION !



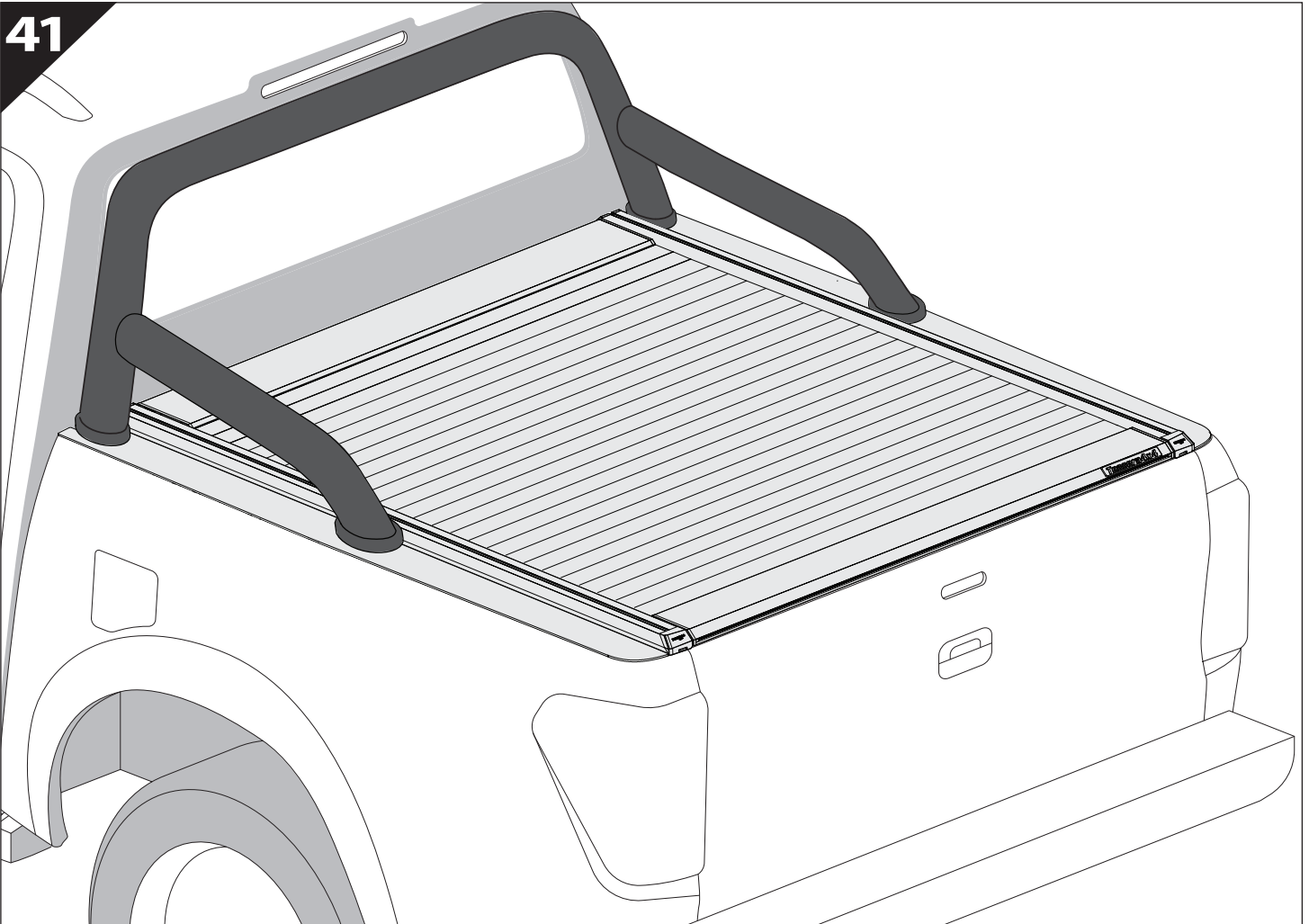
CAUTION !



40



41



GR: Οδηγίες Εγκατάστασης
GB: Installation manual
SF: Asennusohje
F: Notice de montage
PL: Instrukcja montażu
NL: Installatie-instructies
TR: Montaj Talimatı
S: Monteringsanvisning
E: Instrucciones de montaje

H: Szerelési utasítás
P: Instruções de instalação
RUS: Инструкция по установке
N: Monteringsveiledning
D: Einbauanleitung
CZ: Návod k instalaci
I: Istruzioni de montaggio
DK: Monteringsvejledning
RO: Instructiuni de instalare

Customer Service:

+30 (210) 5541161, +30 (210) 5541154 (08:00 - 16:00 EET)

Support department:

info@gianso.gr

Website:

www.tessera4x4.com

Address:

19.5 km of National road Athens-Korinthos (Elefsina) Greece, P.C: 19200