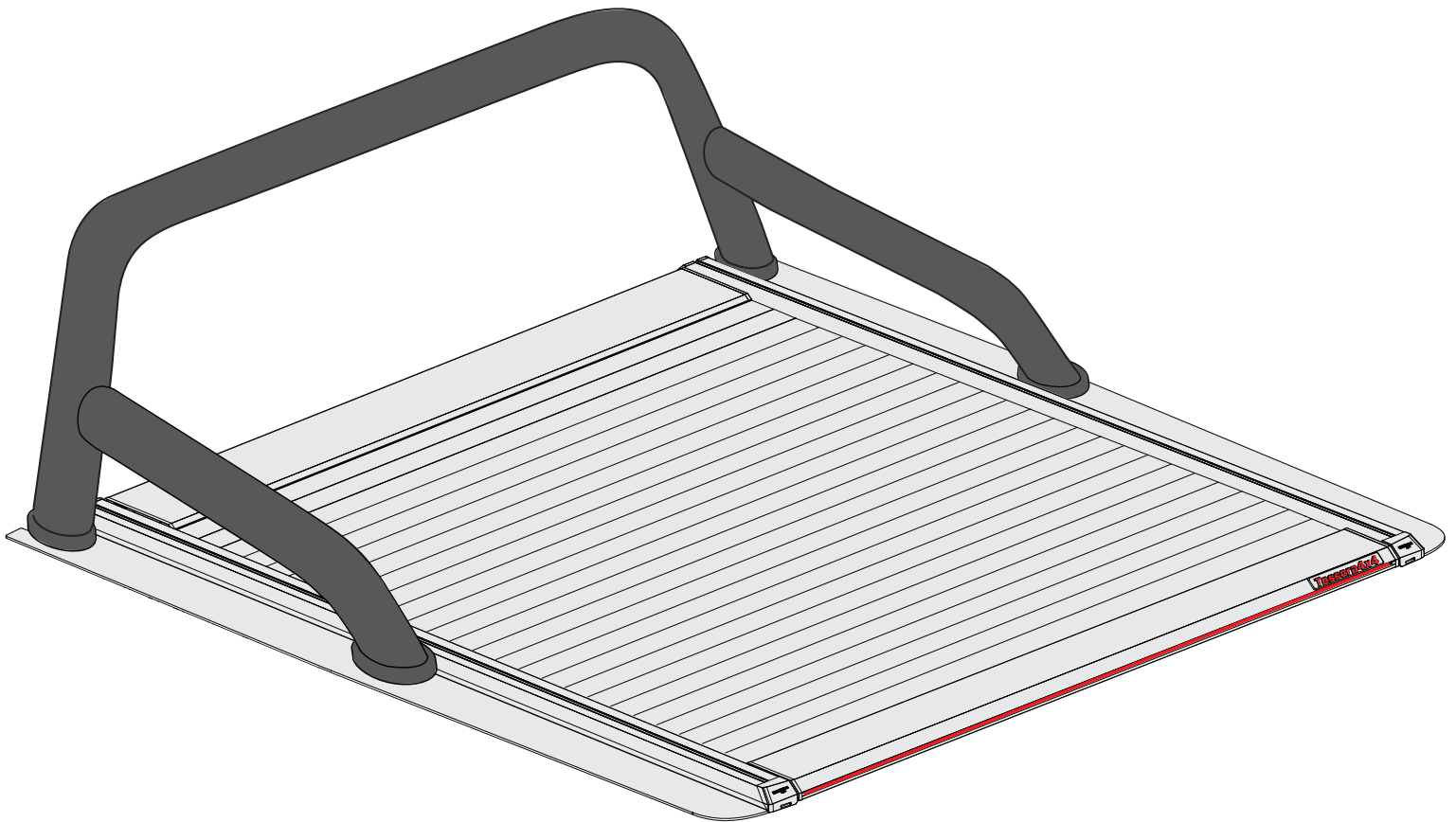


# Tessera Roll+

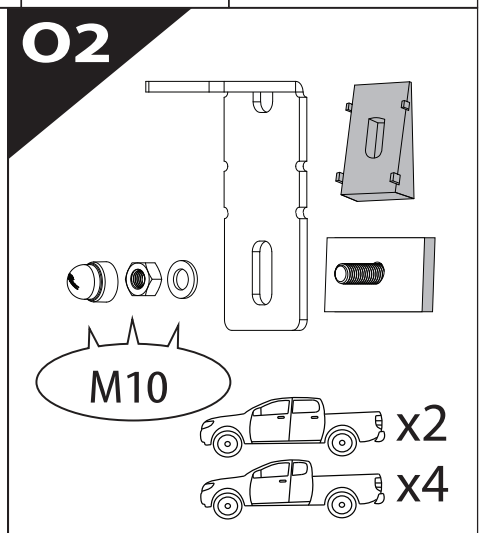
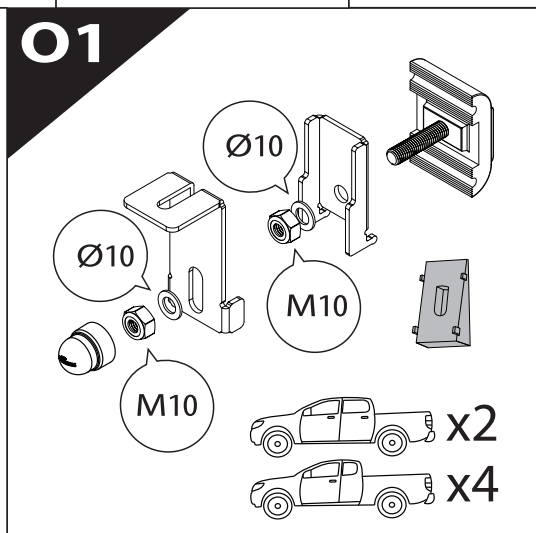
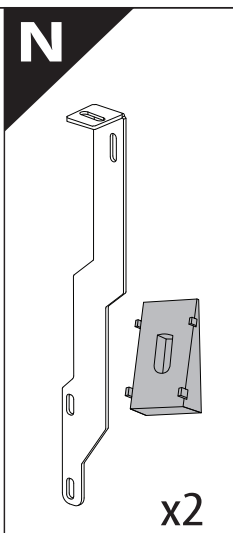
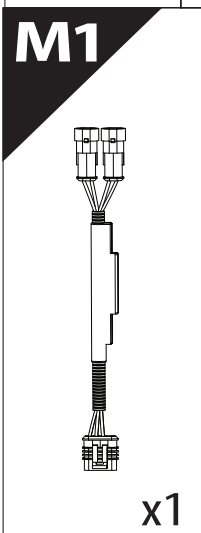
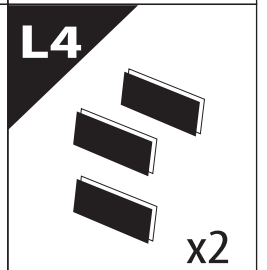
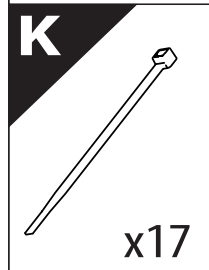
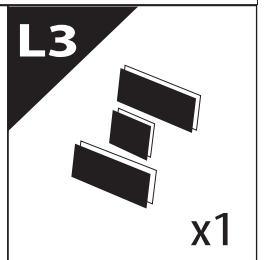
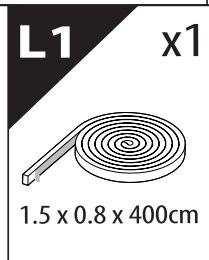
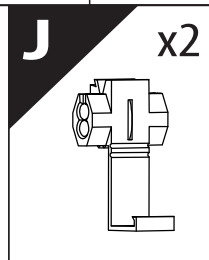
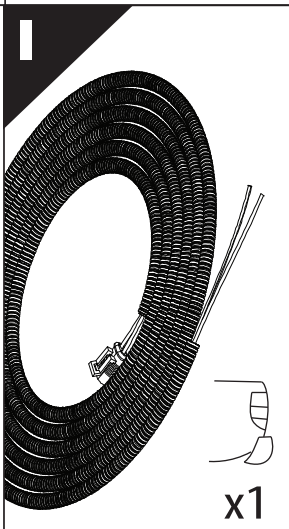
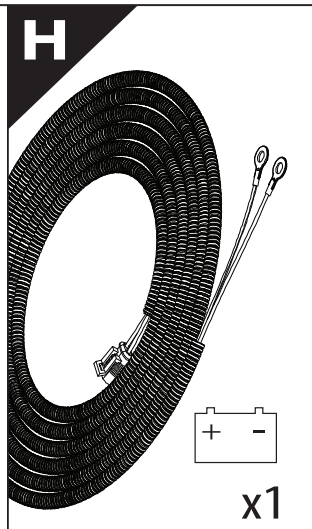
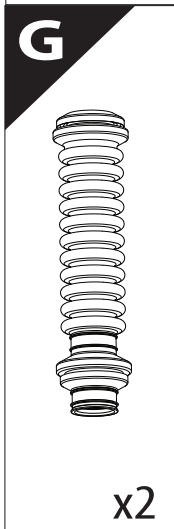
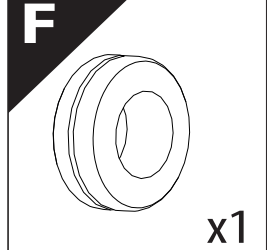
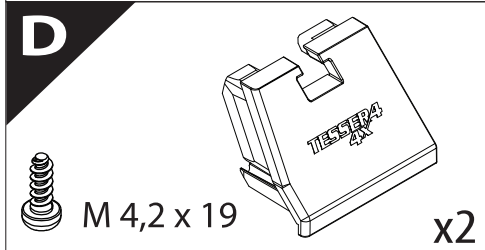
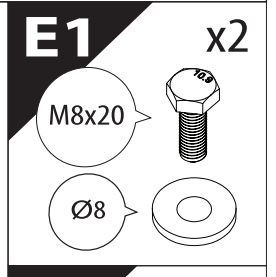
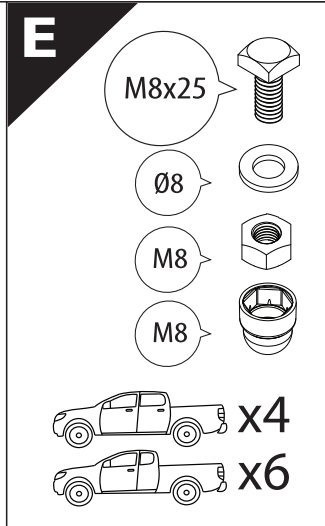
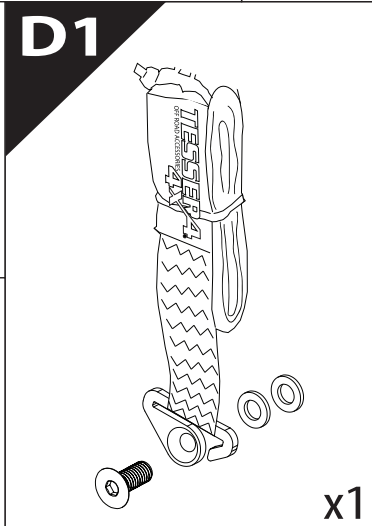
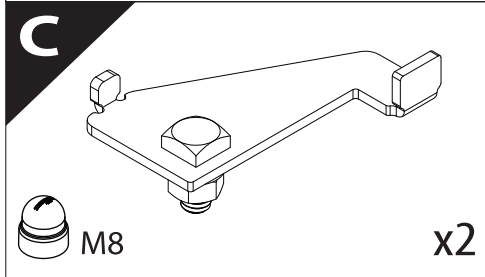
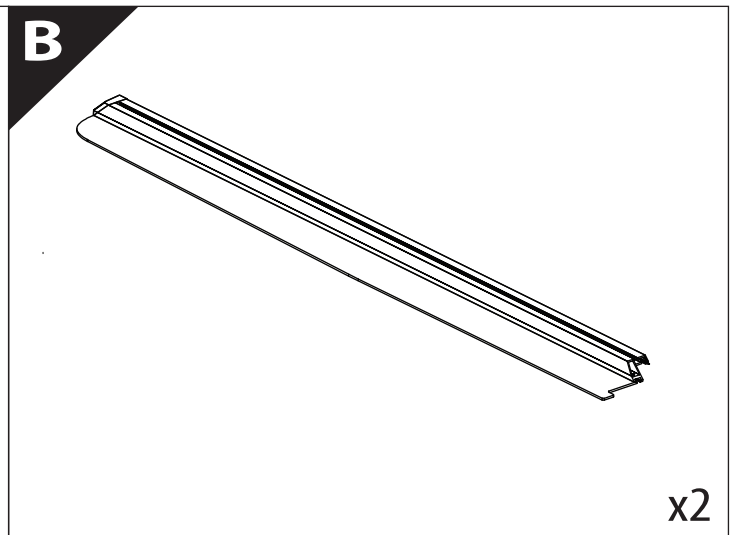
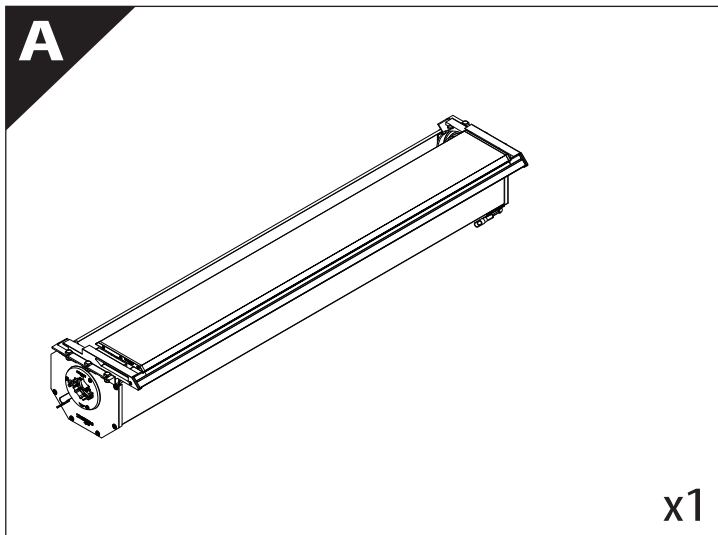
## Basic Version + ⚙️ S-KIT

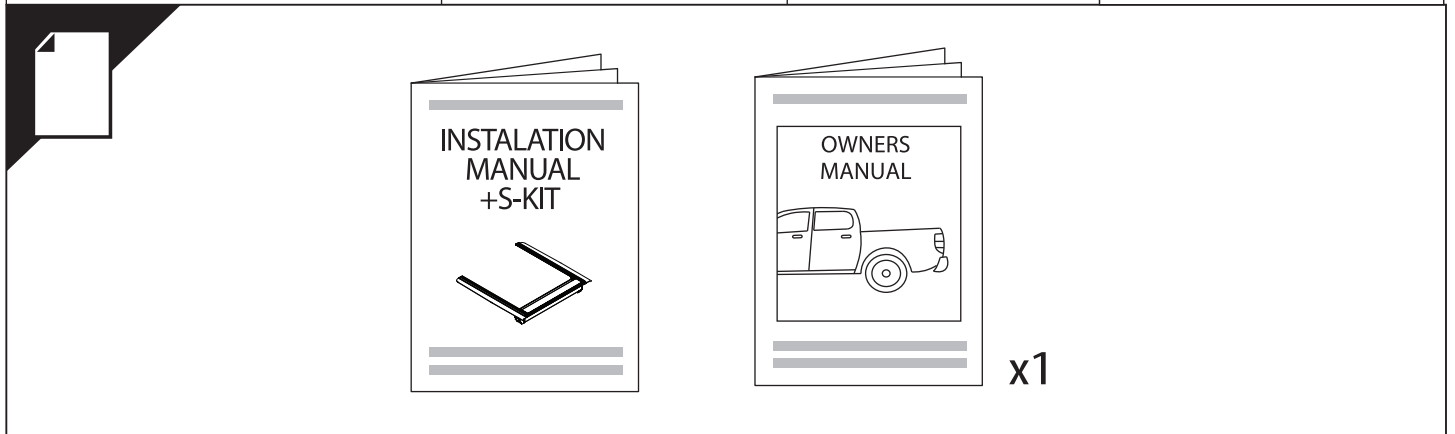
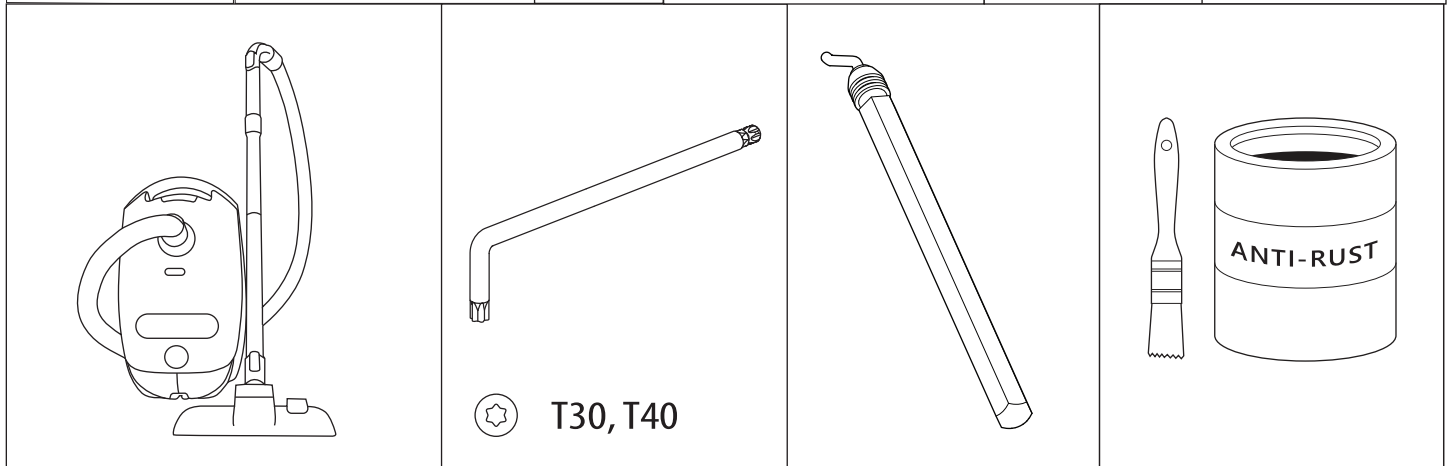
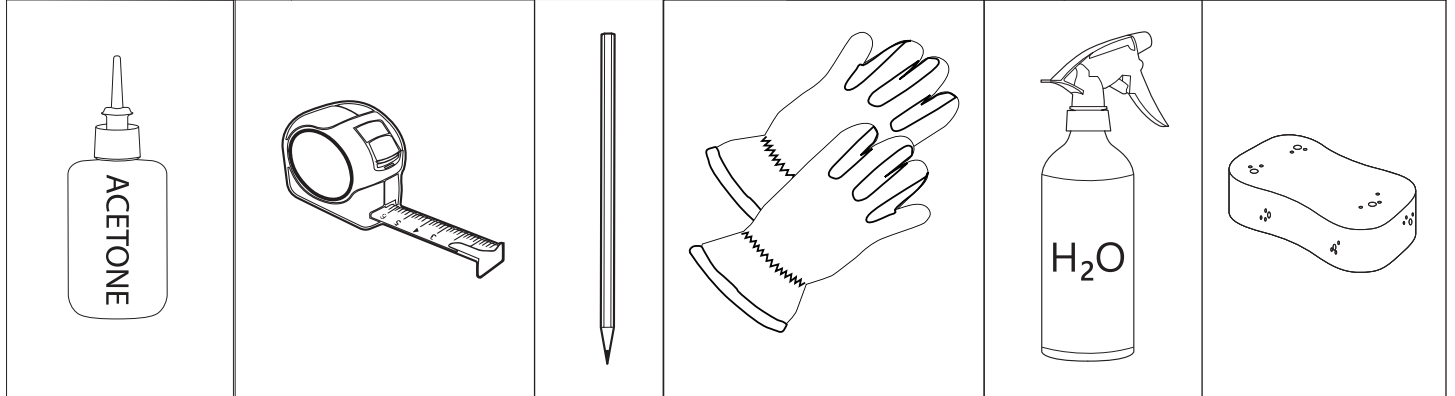
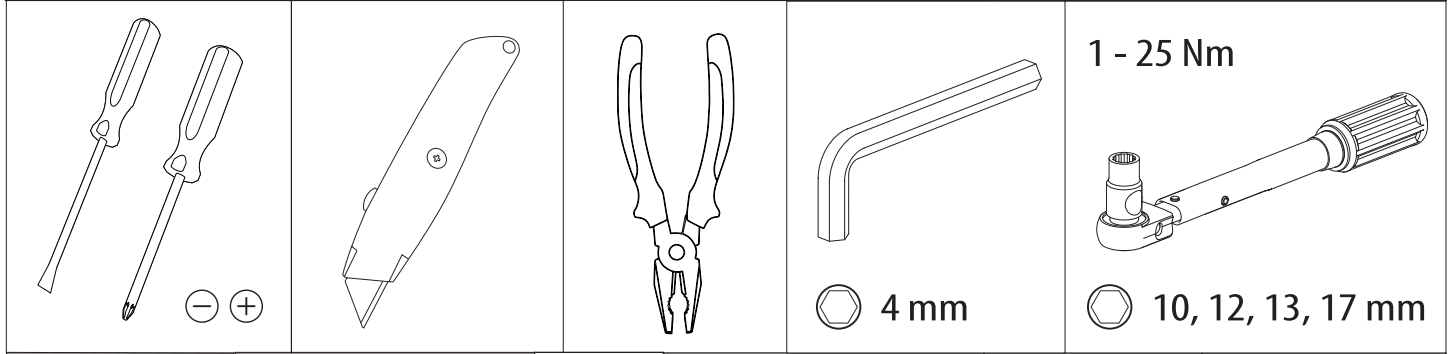
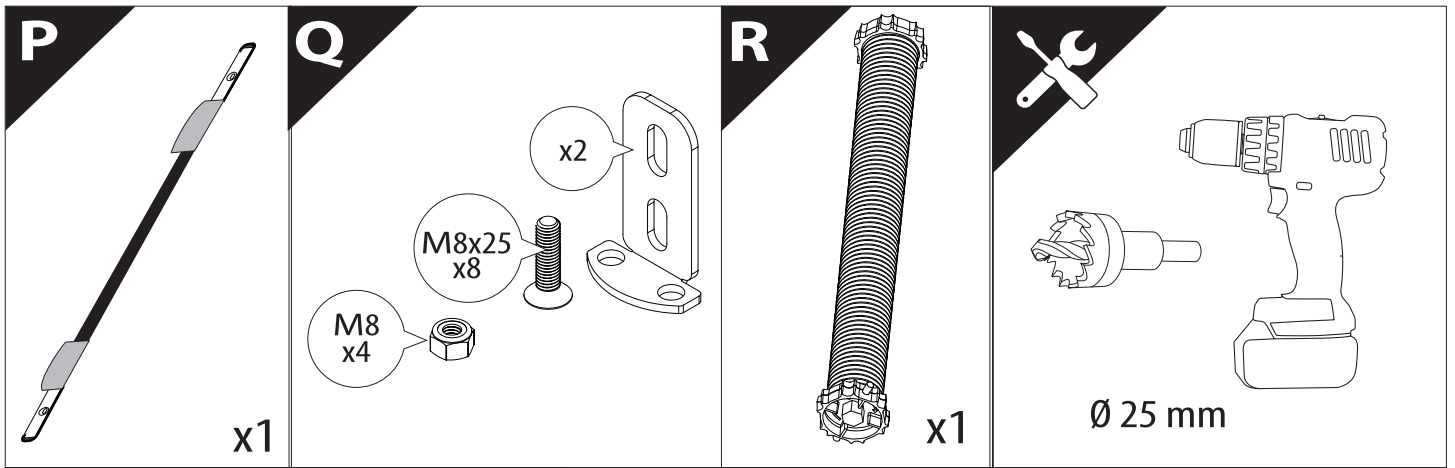


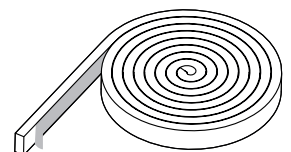
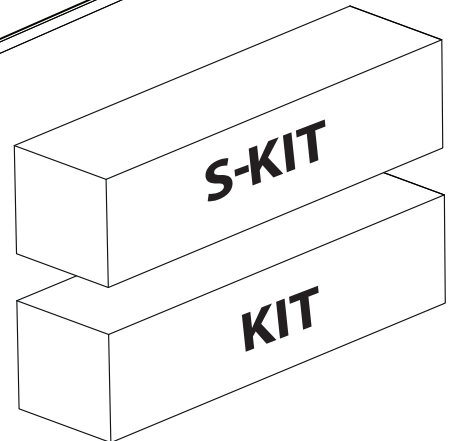
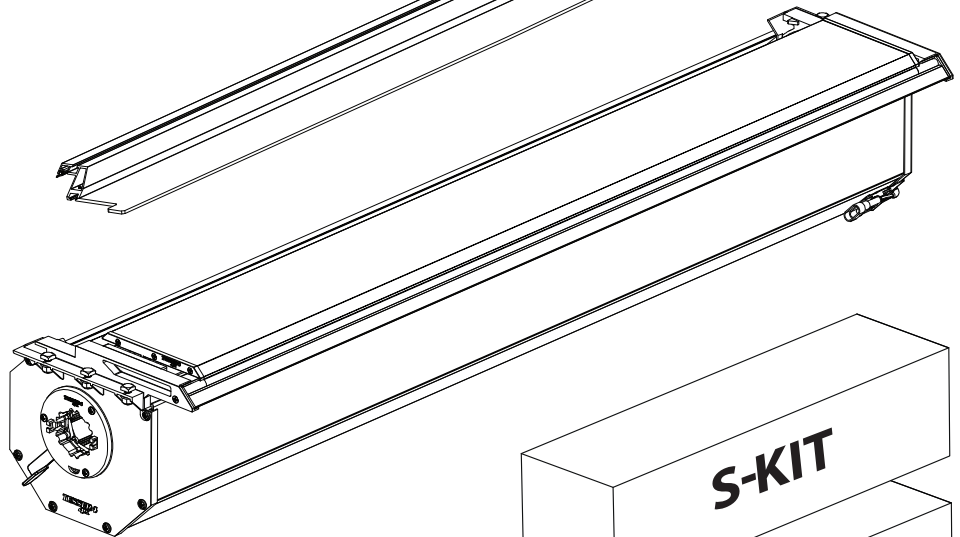
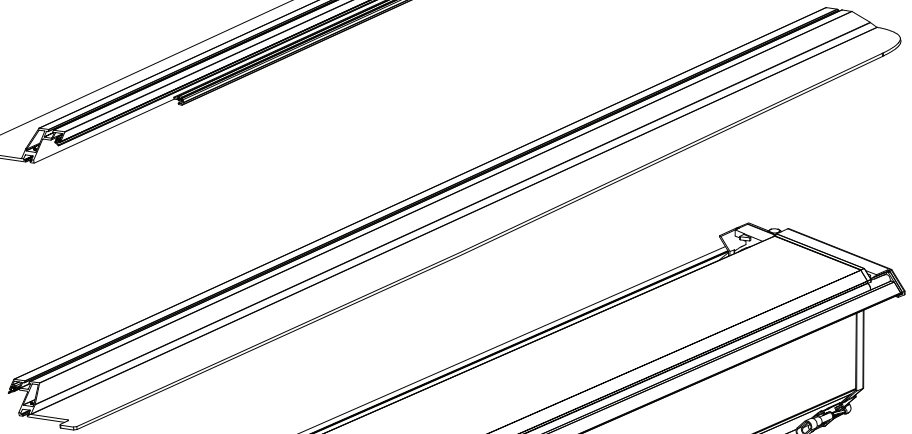
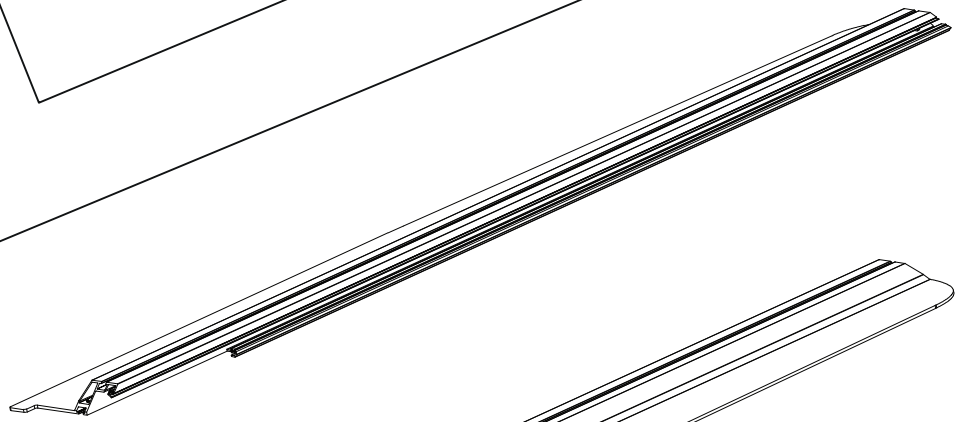
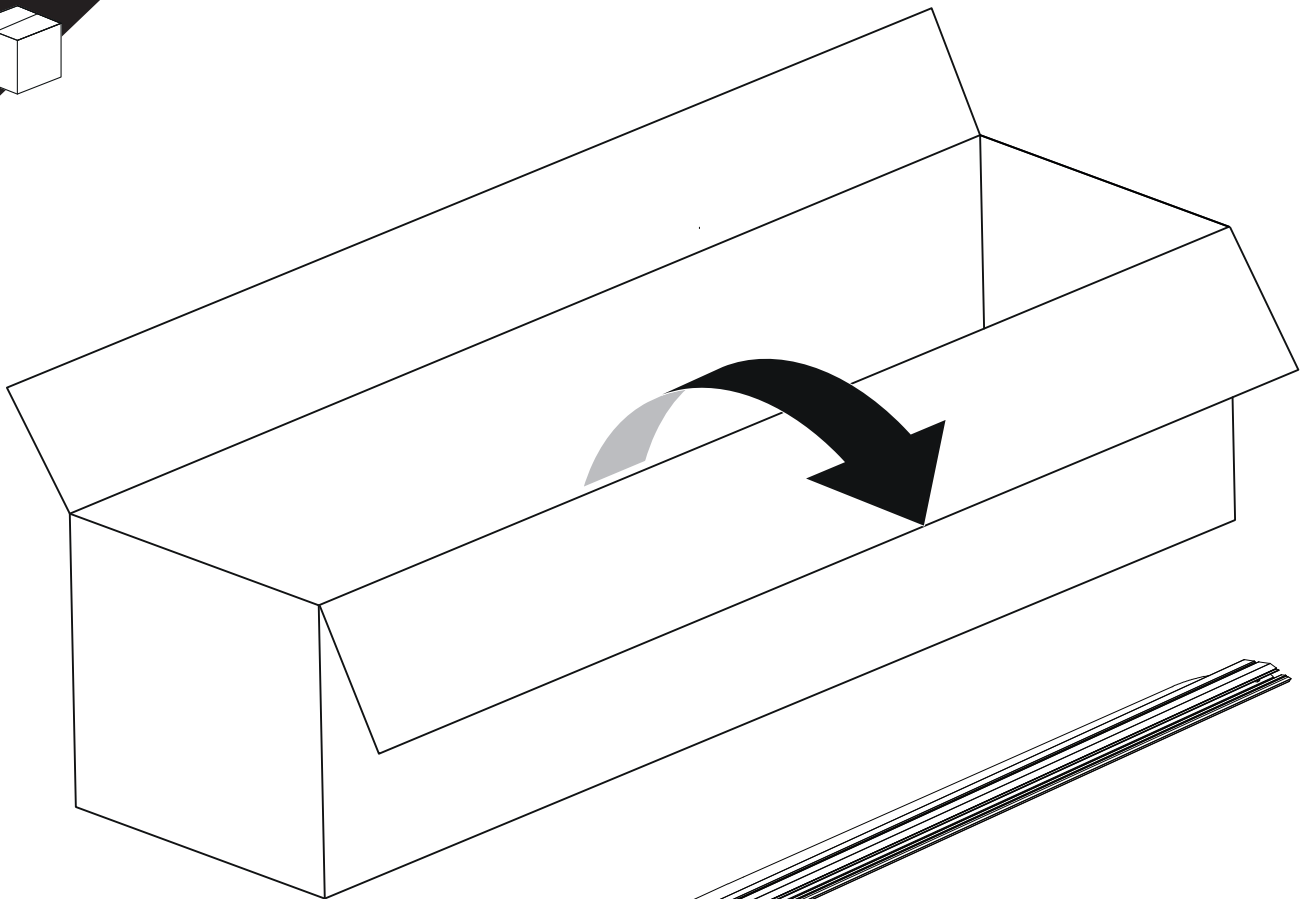
## Installation Manual

PART NUMBER(S)	Model Year
TESS 14060 ROLL+ ADAPT 008 +S-KIT	FORD RANGER 2023+ SPORT WITH OEM ROLLBAR WITH OR WITHOUT C-CHANNELS
TESS 14070 ROLL+ ADAPT 008 +S-KIT	
Cab(s)	Installation Time / Weight
Double Cab & Space Cab	40-60 minutes / 53-57 kg







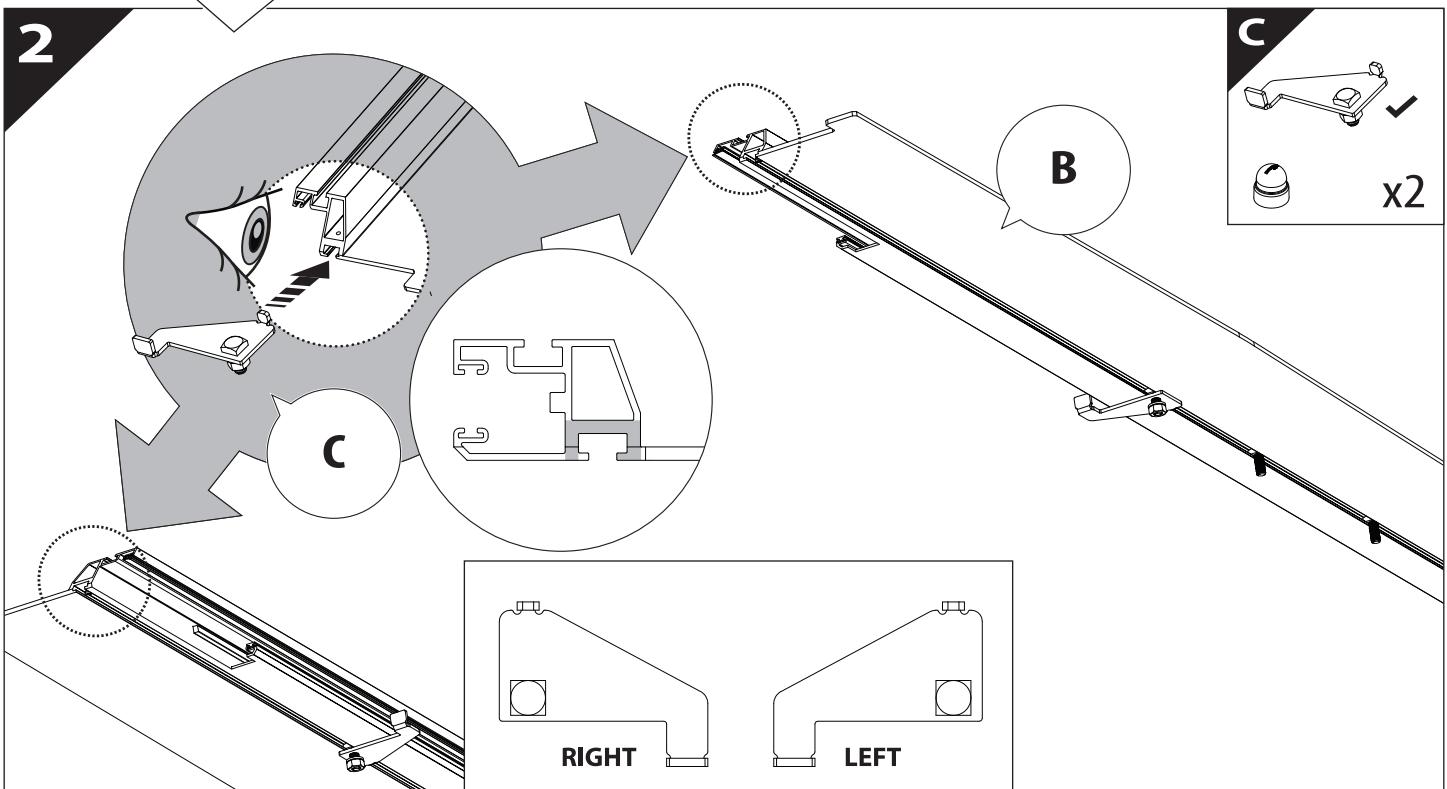
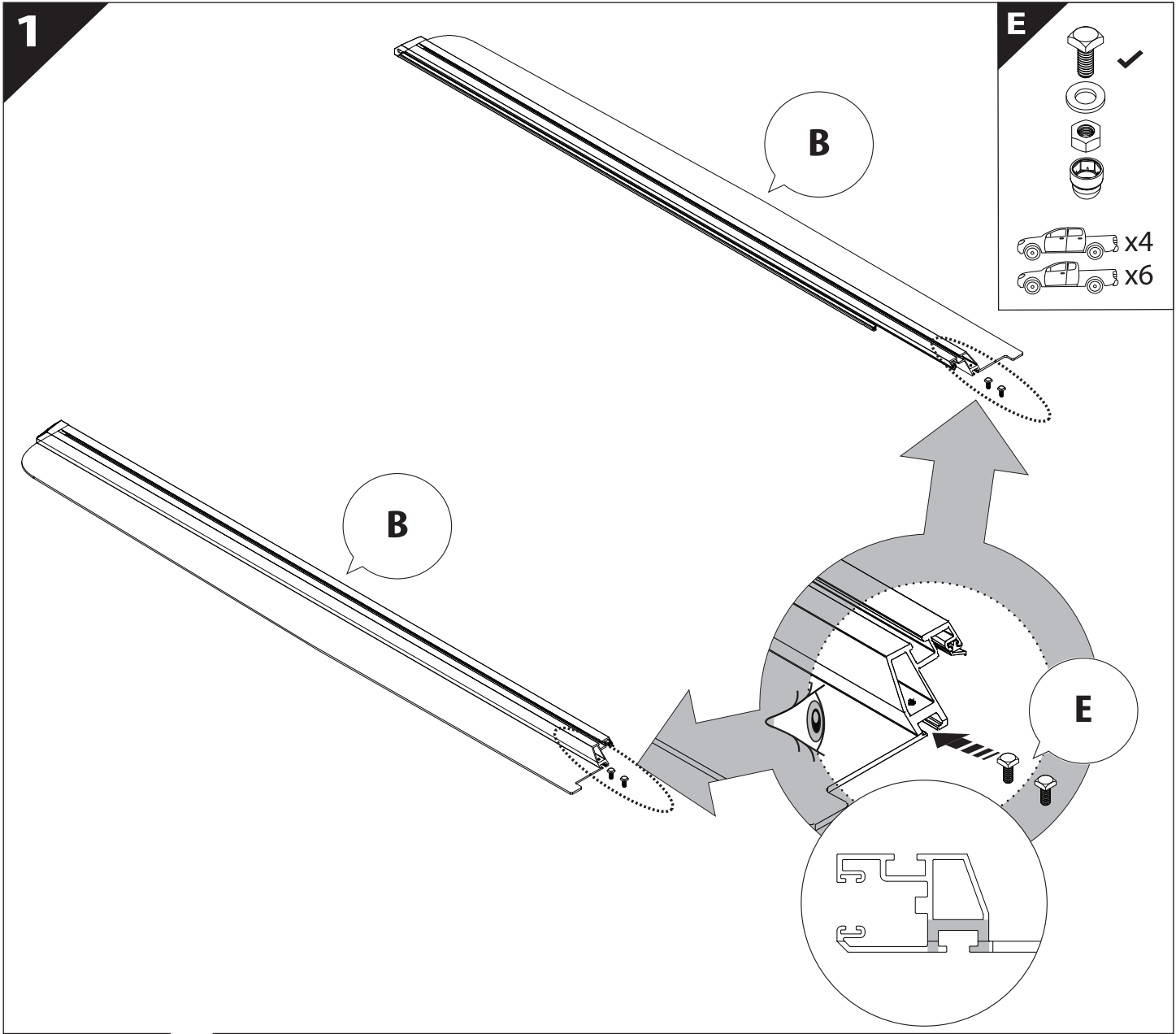


**B**

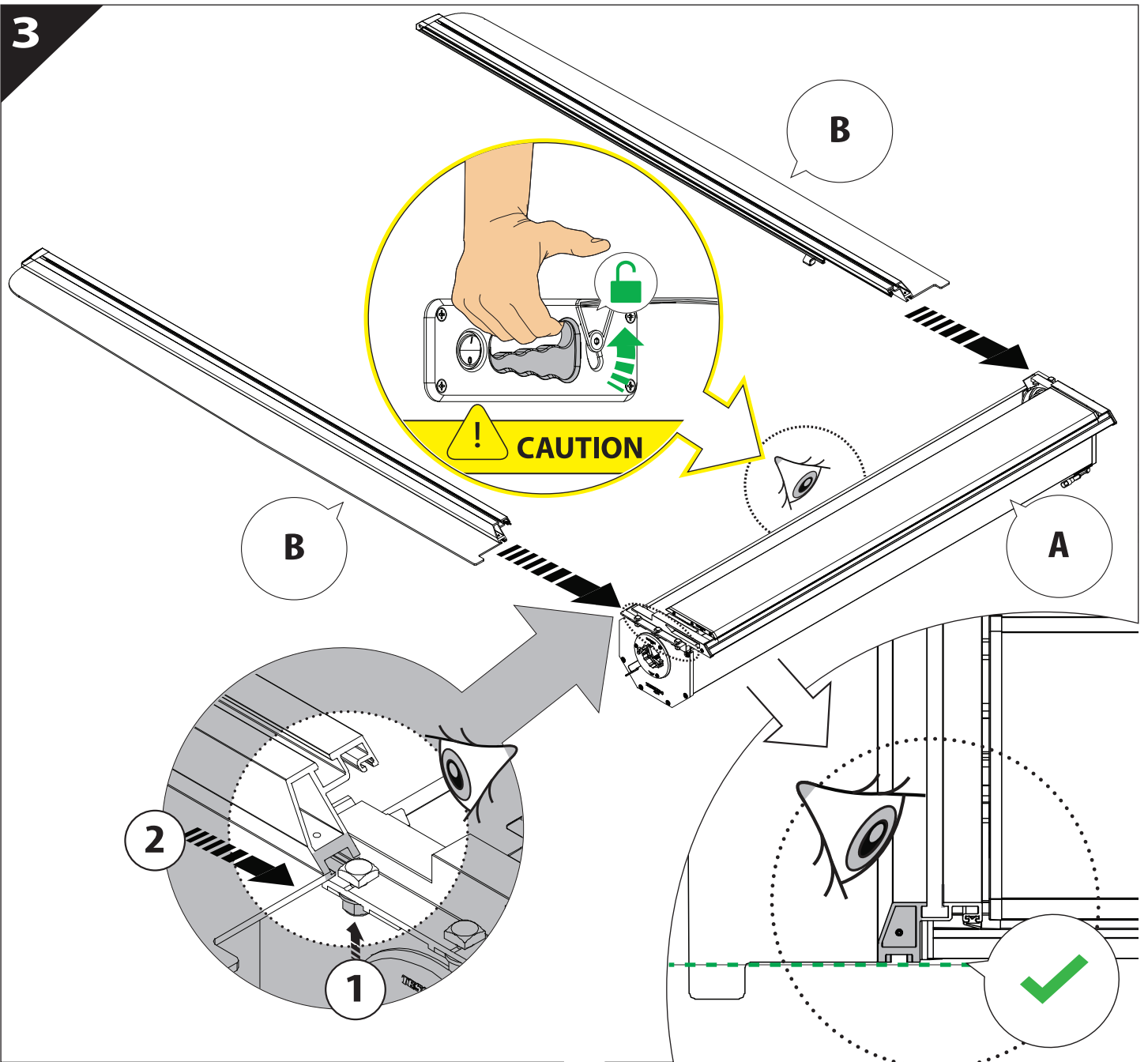
**A**

**KITS**

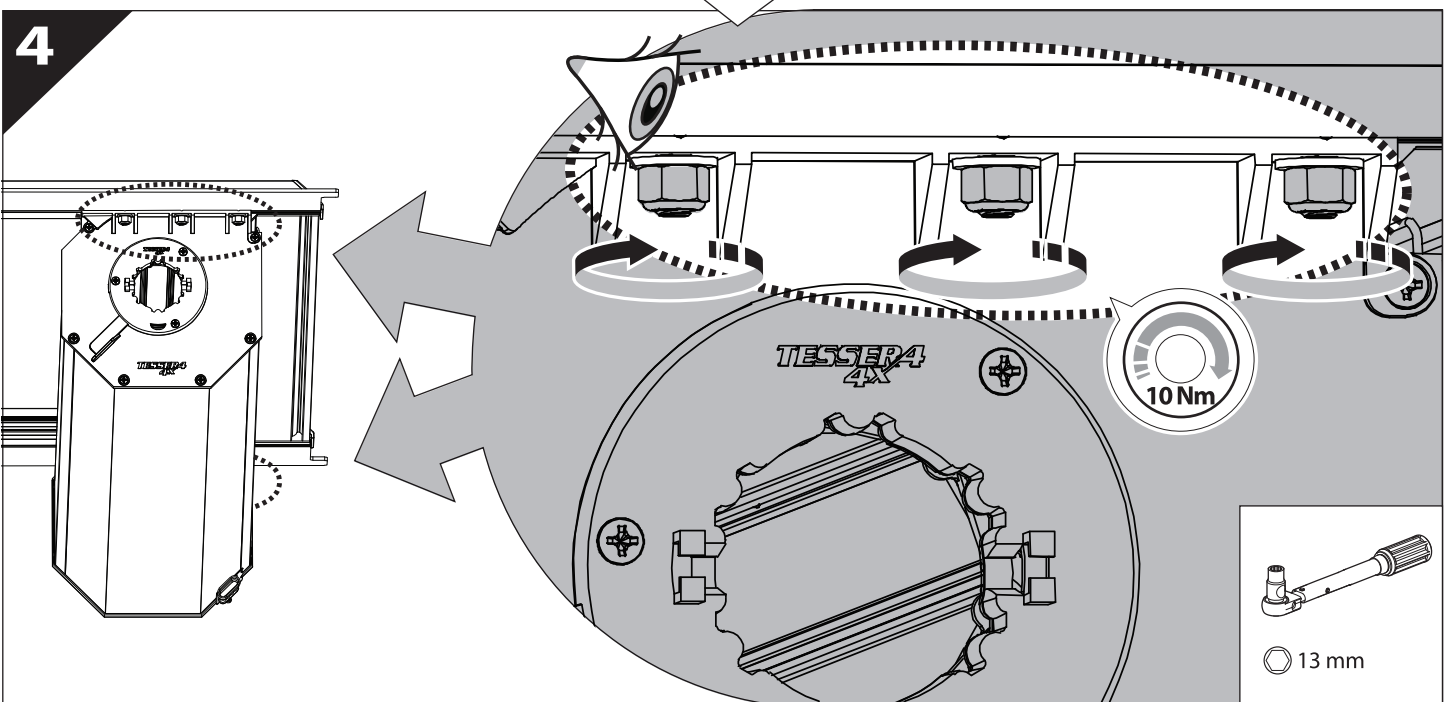
**L**

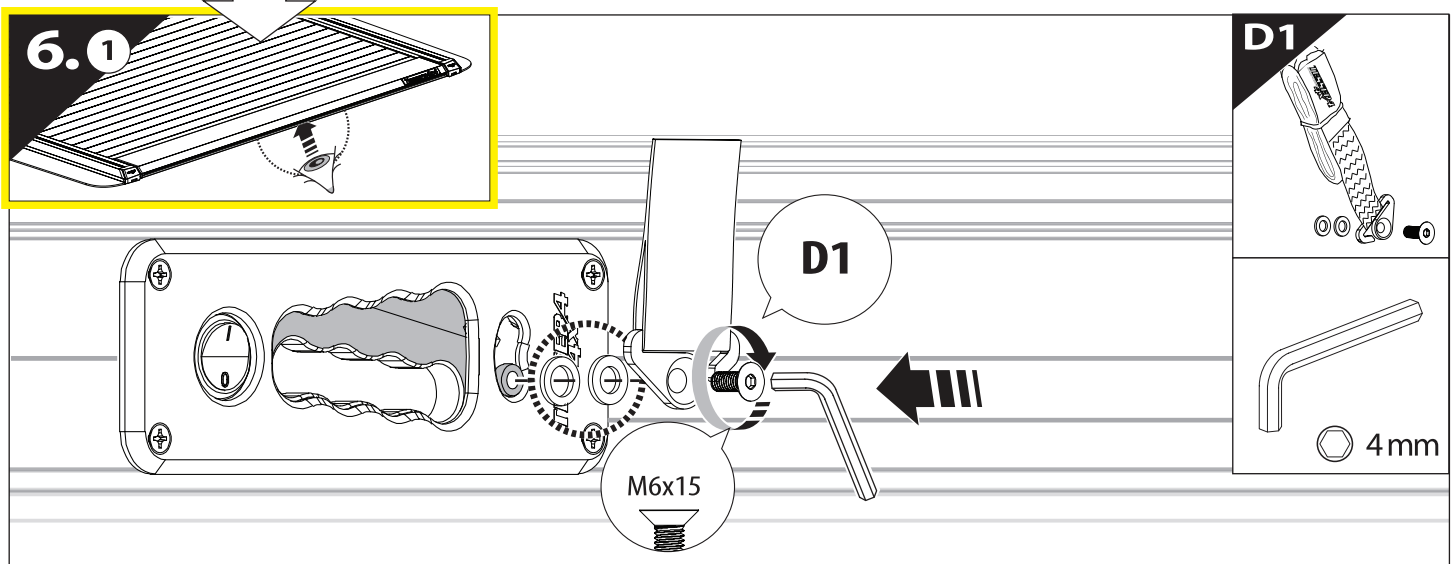
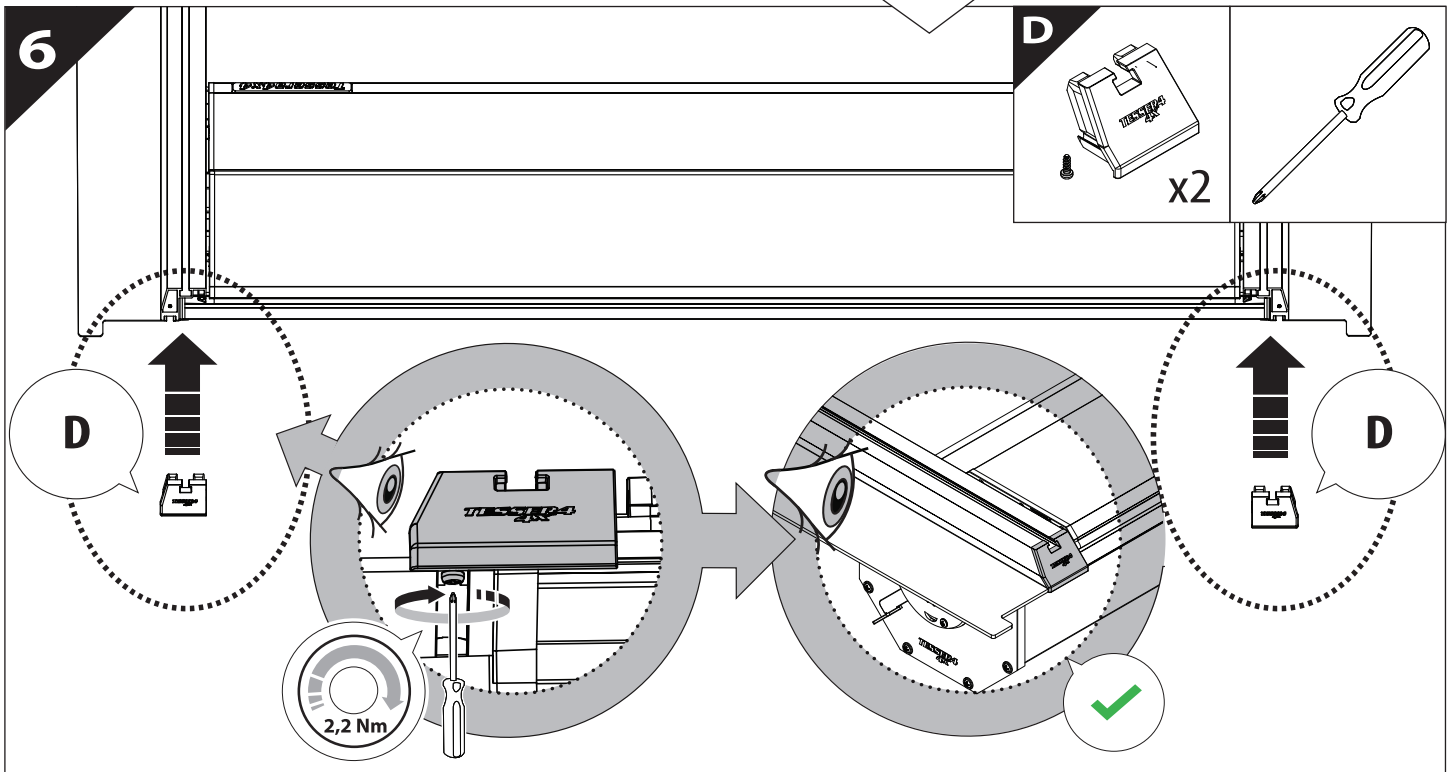
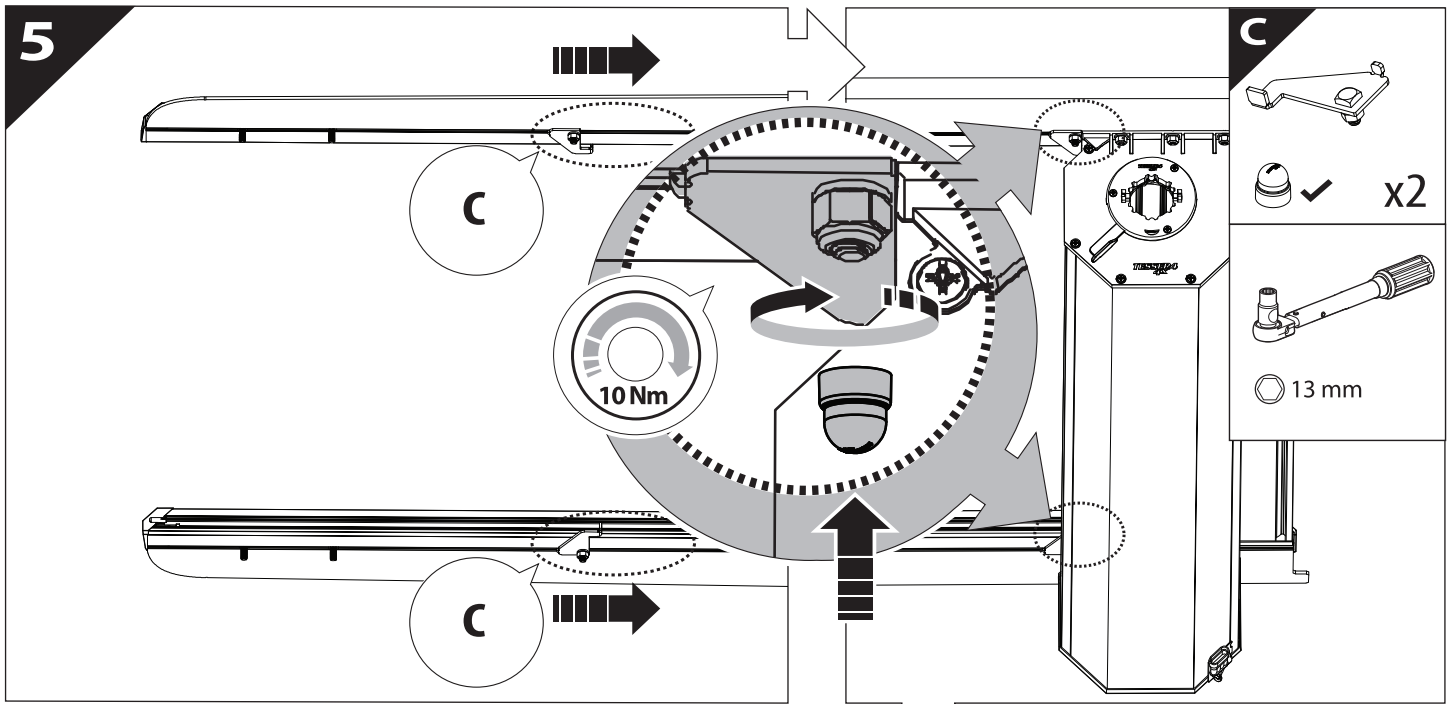


3

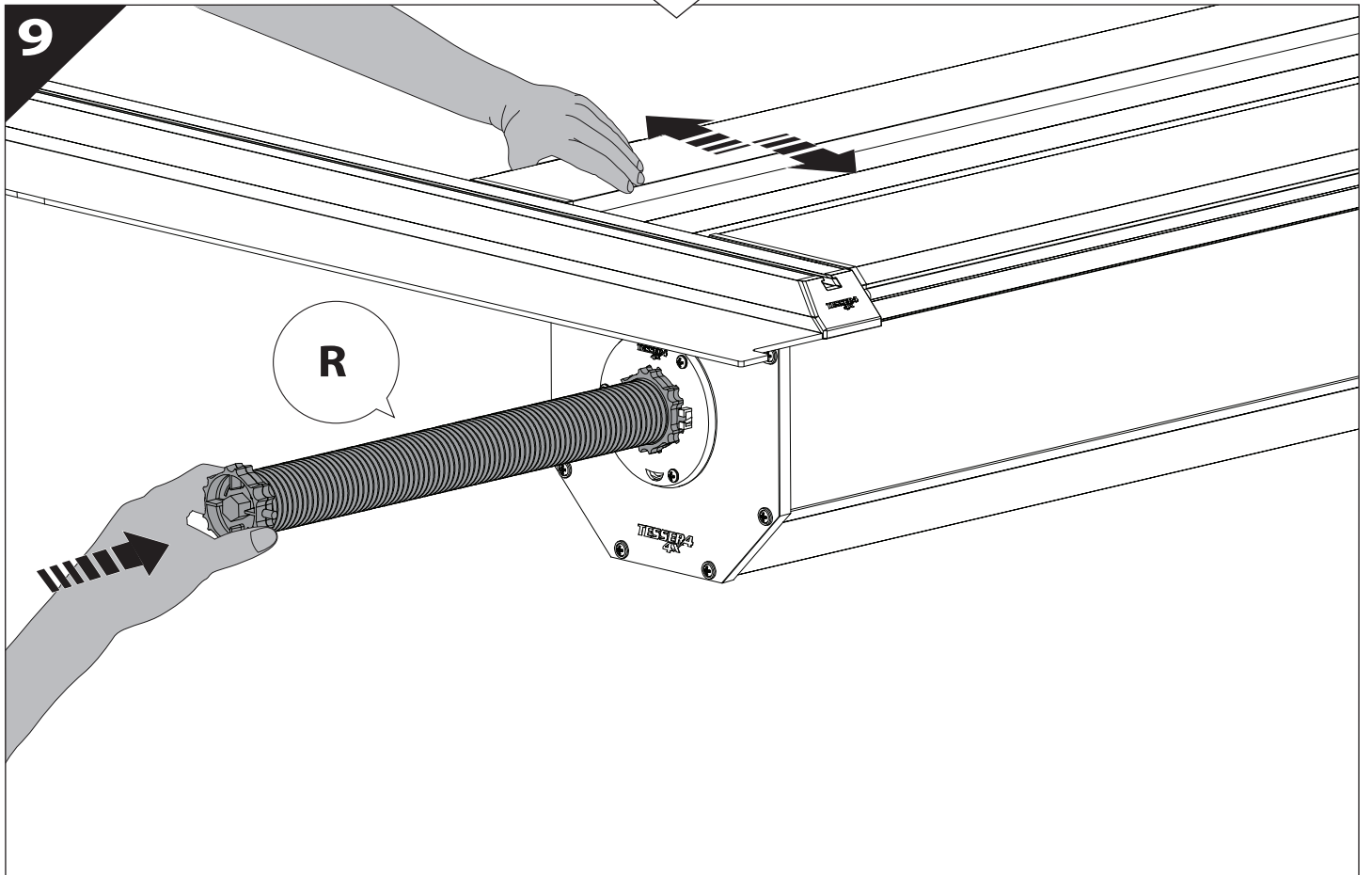
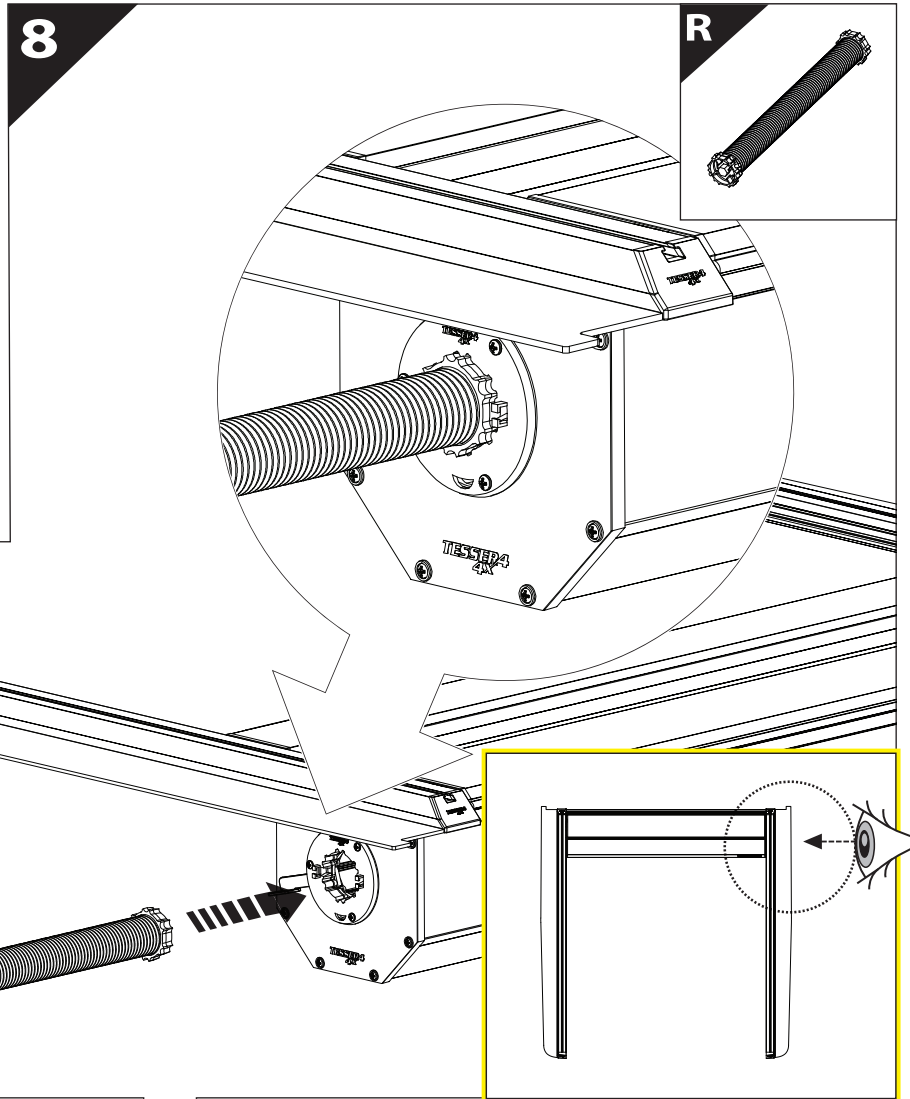
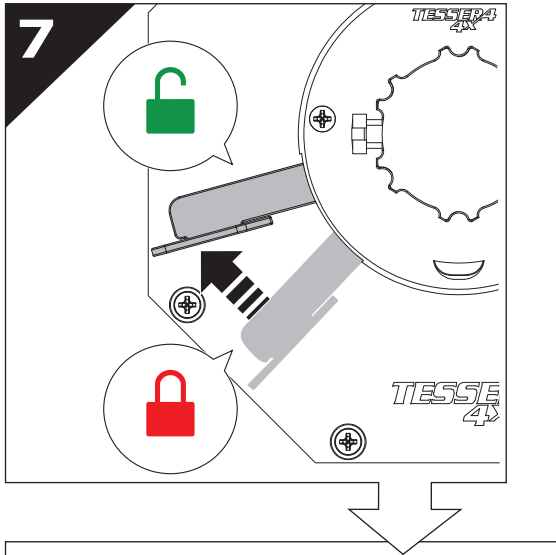


4

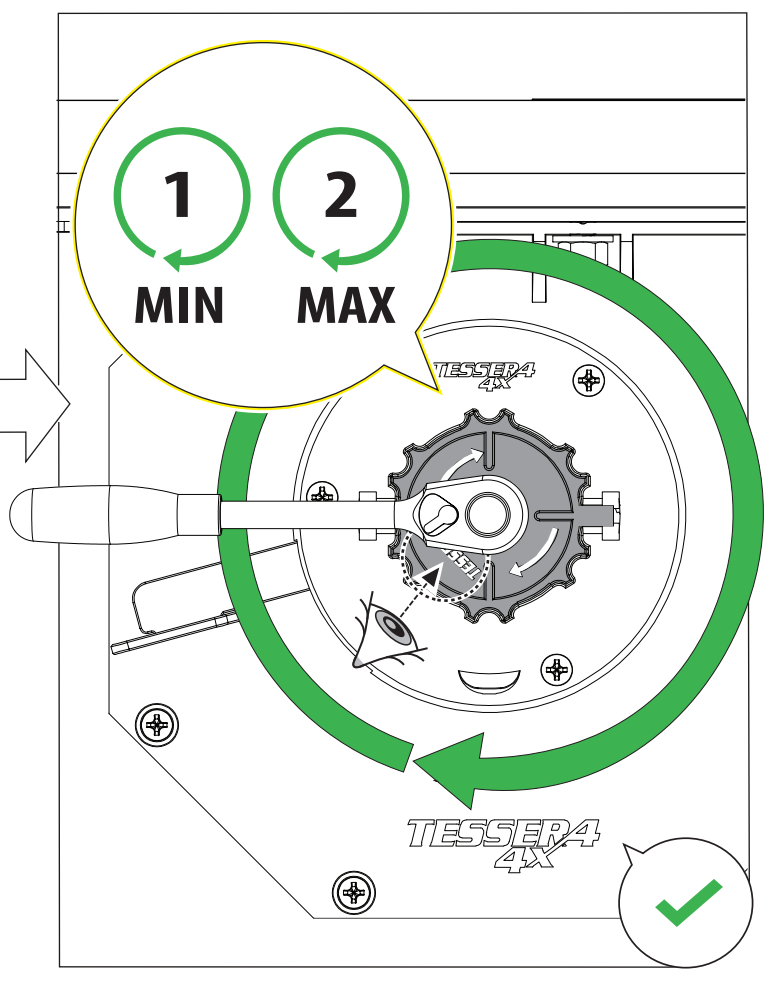
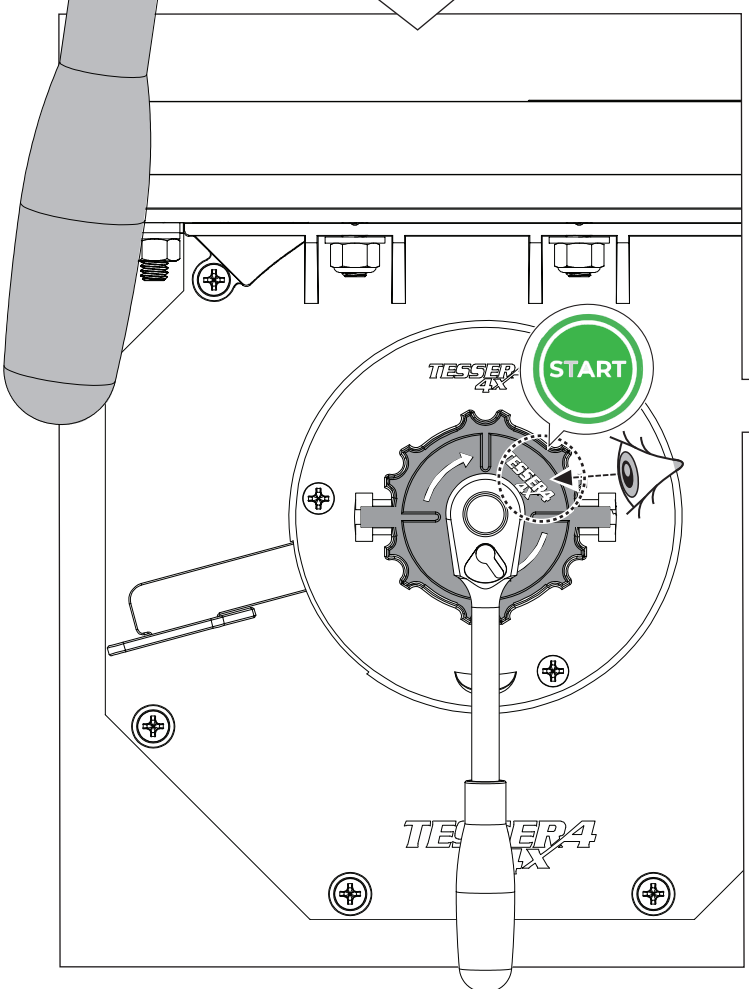
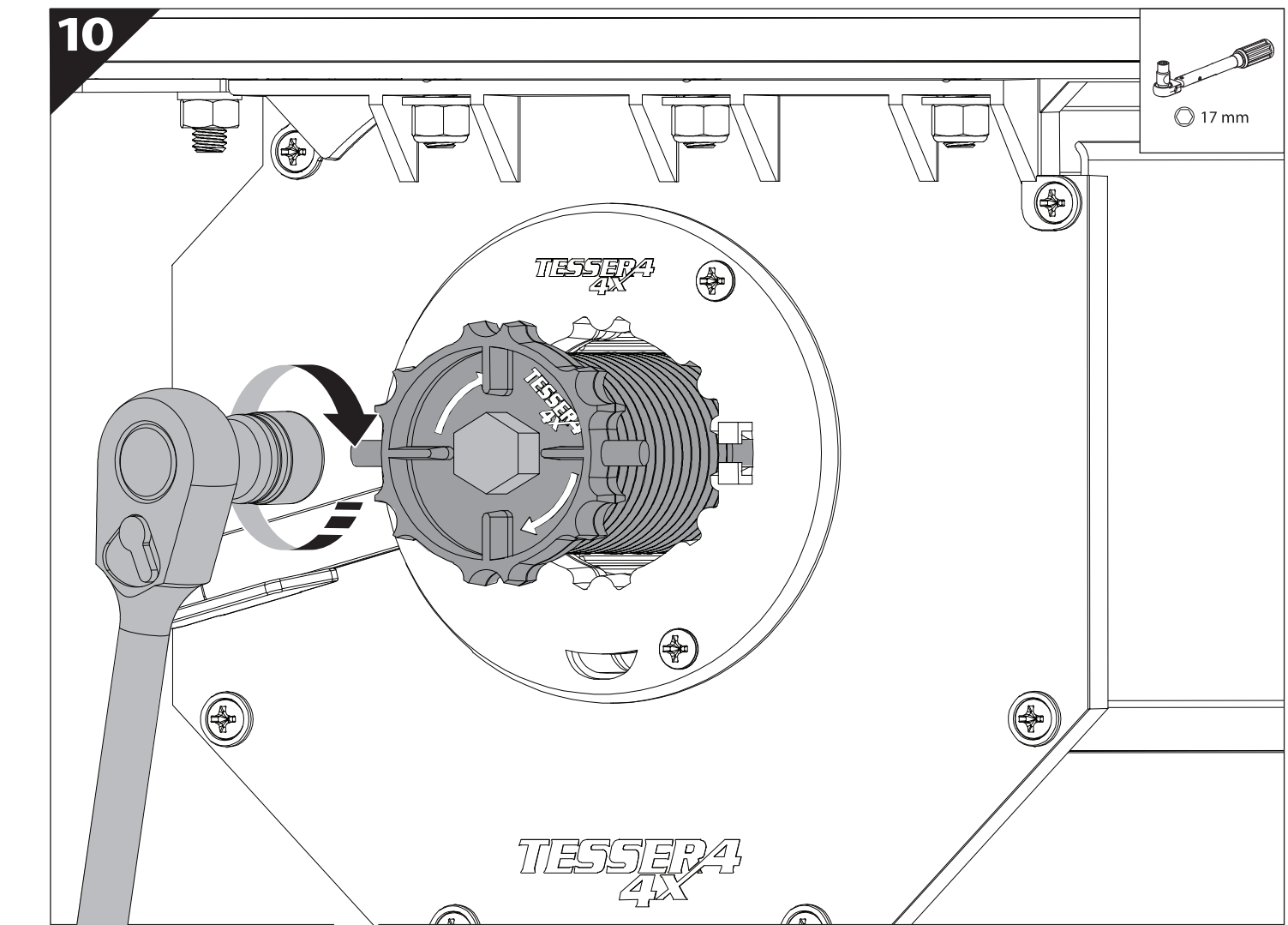
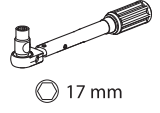




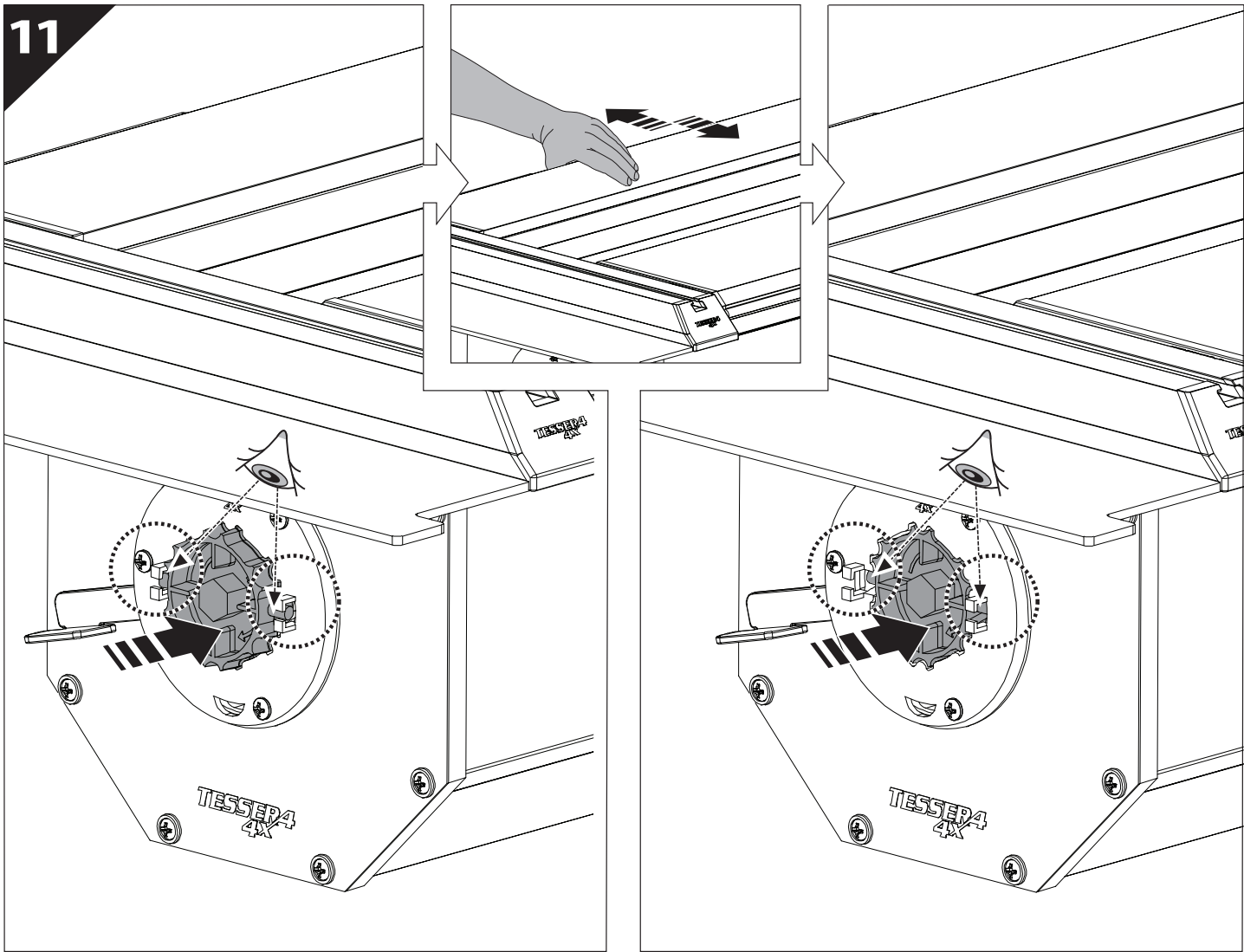




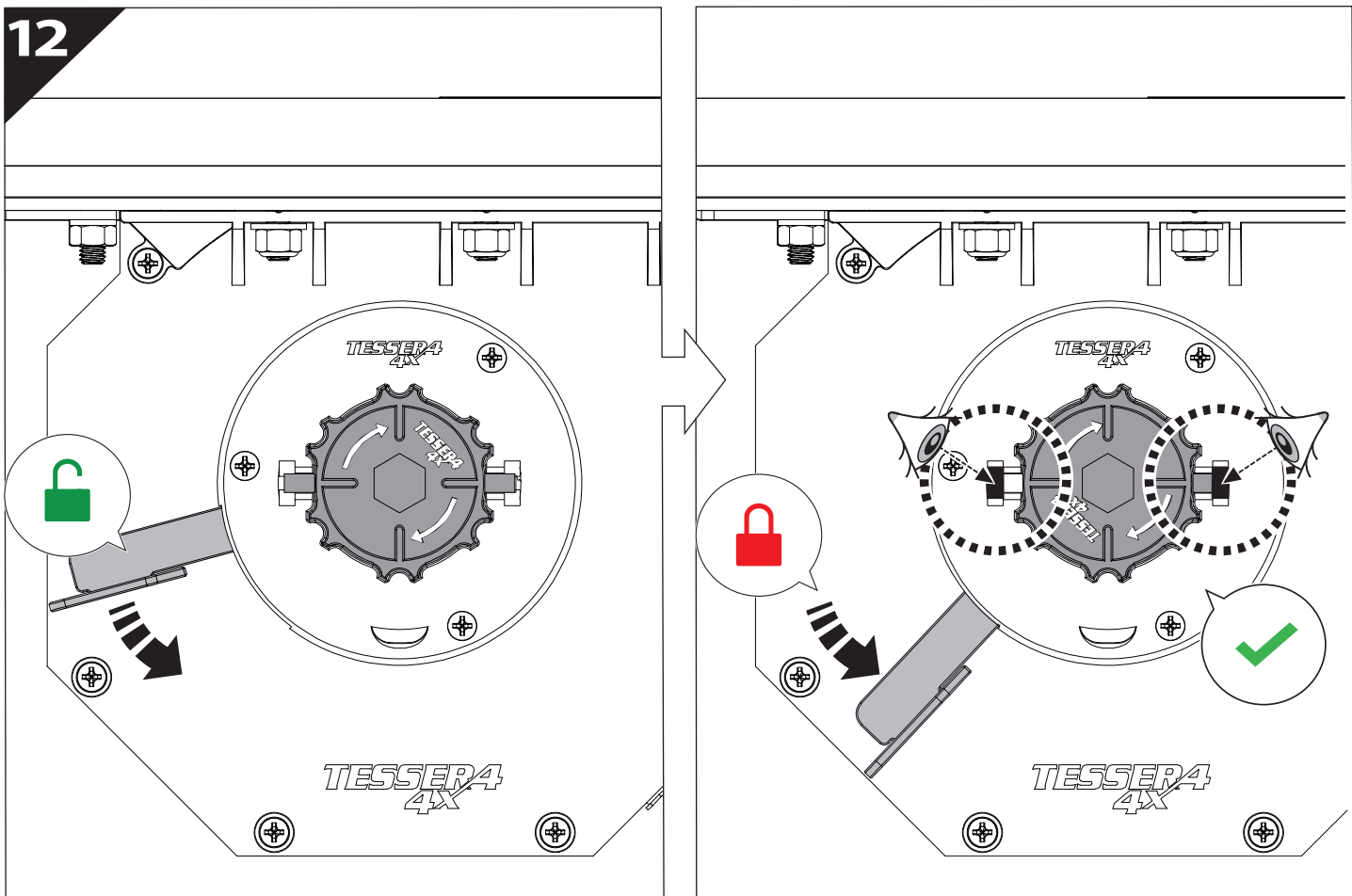
10



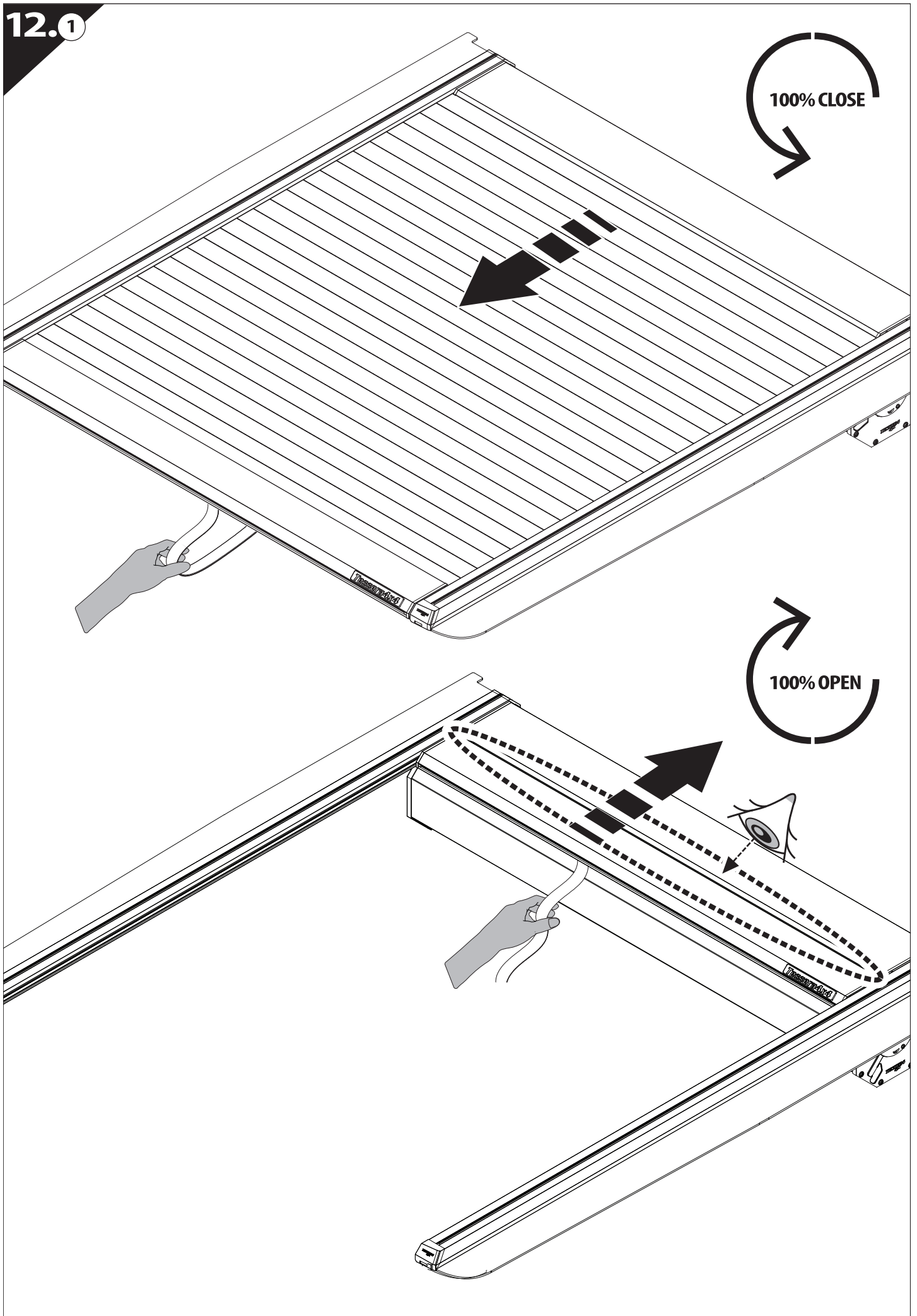
11



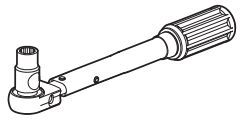
12



12.0

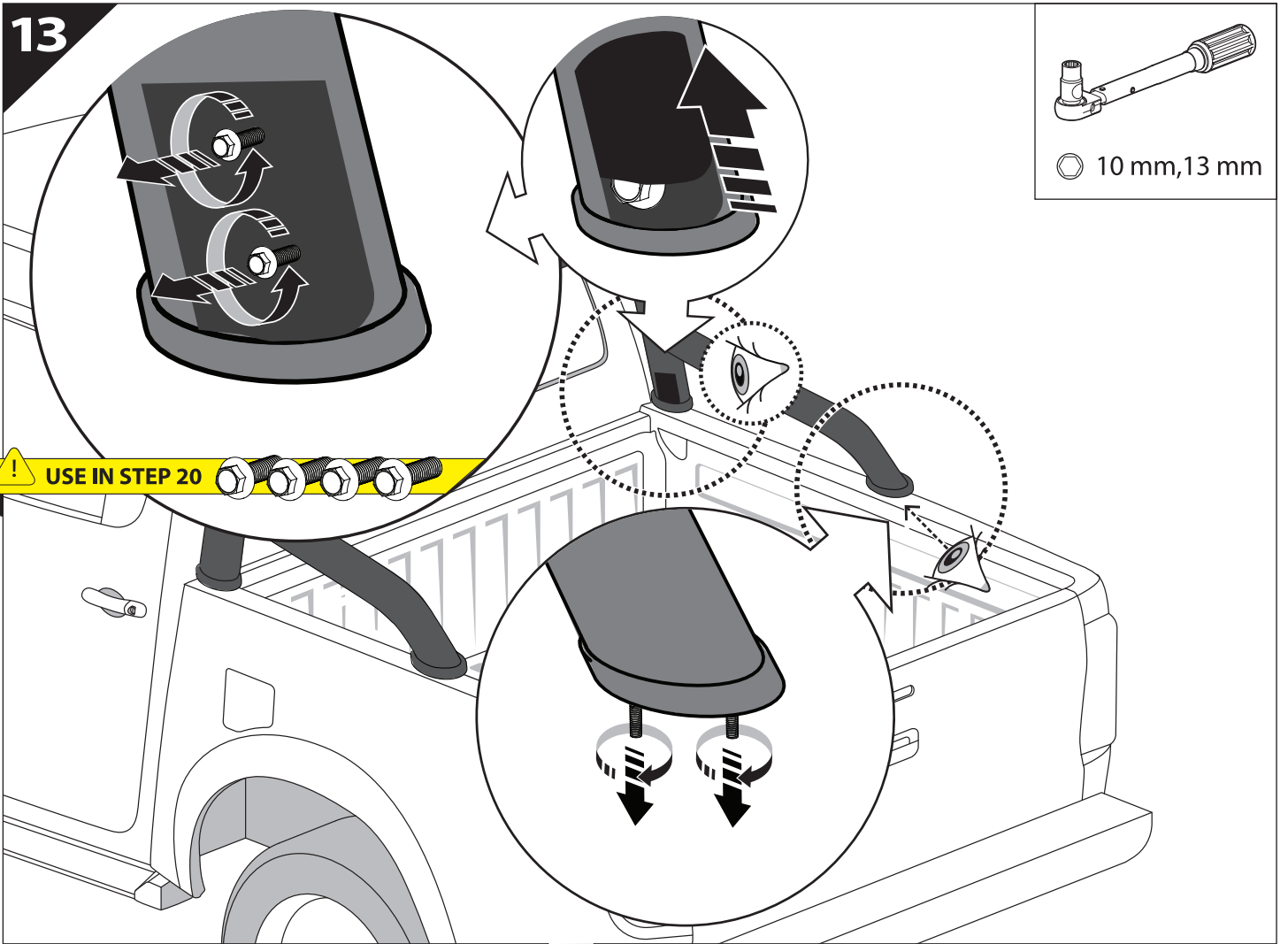


13



10 mm, 13 mm

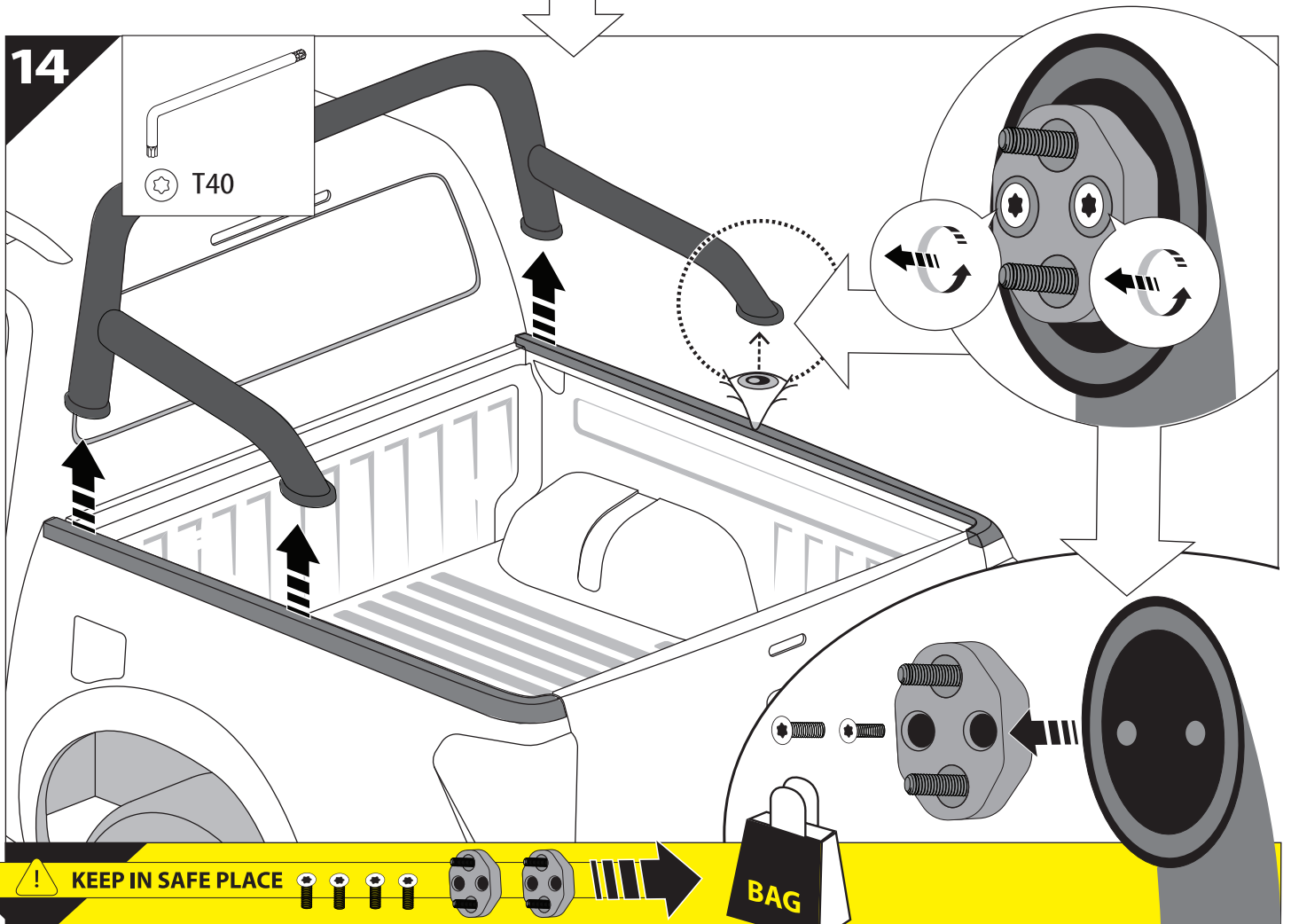
! USE IN STEP 20



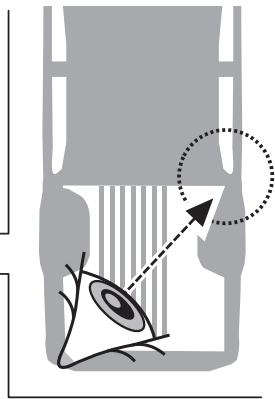
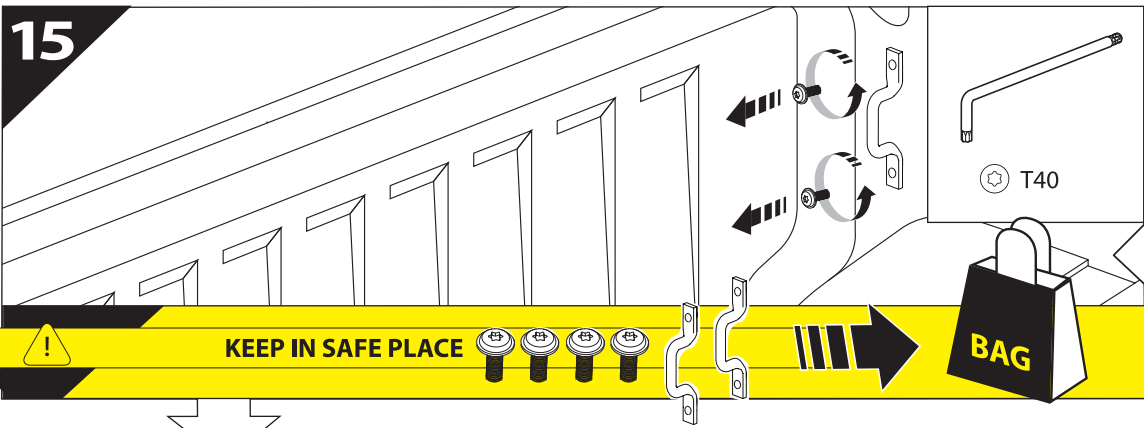
14



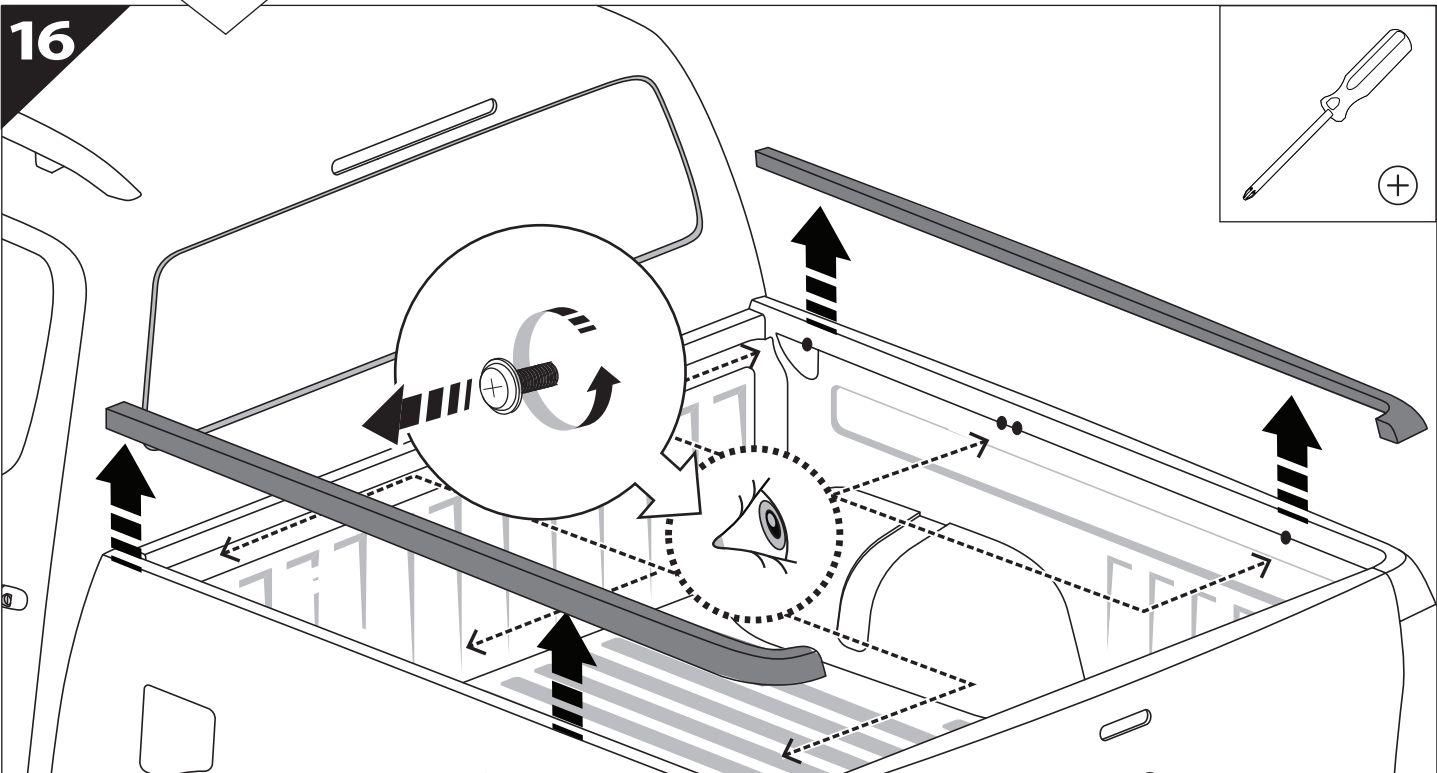
T40



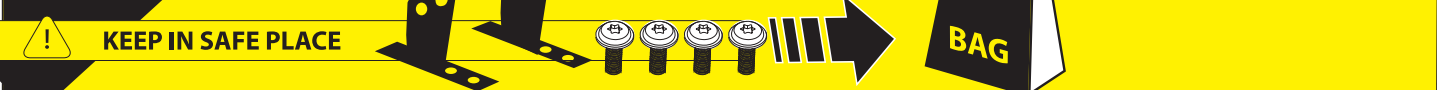
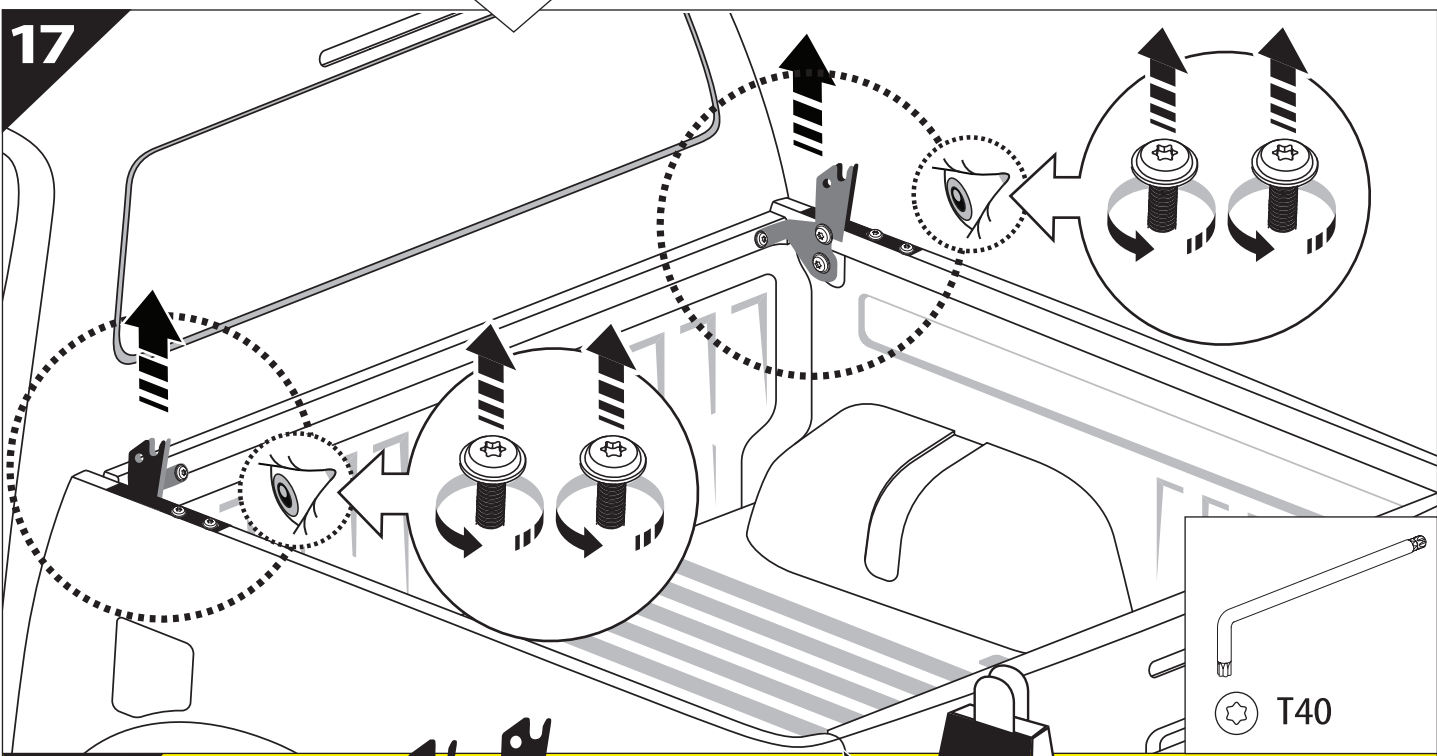
15



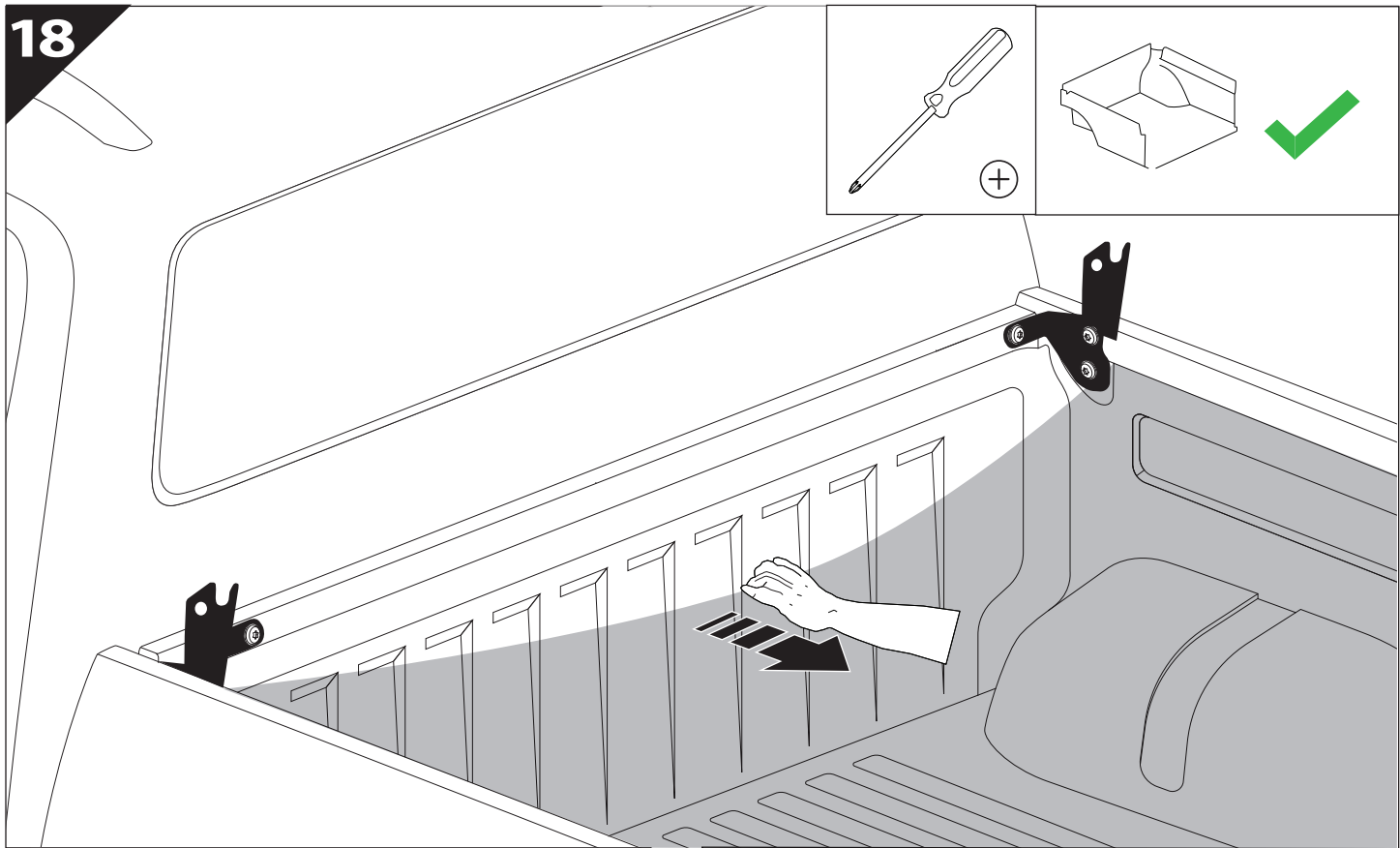
16



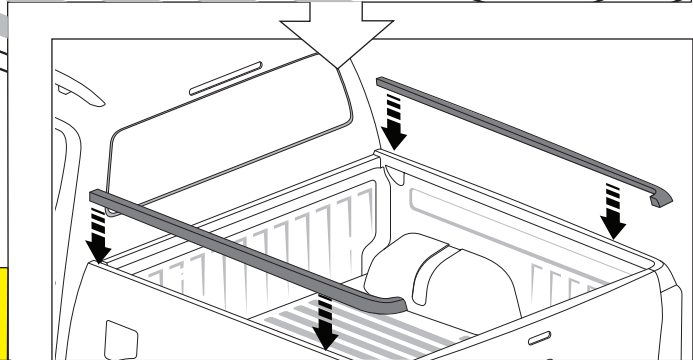
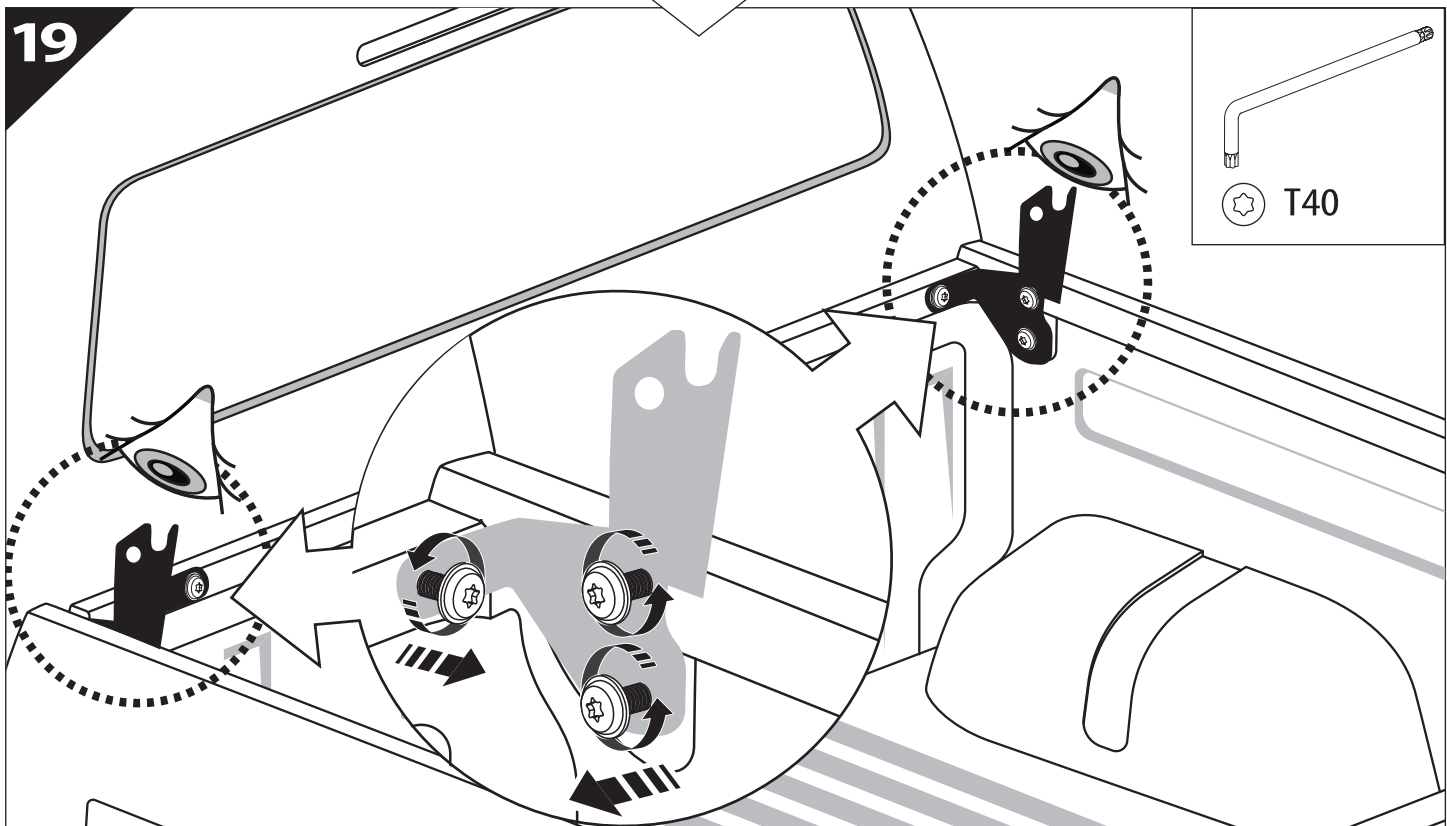
17



18

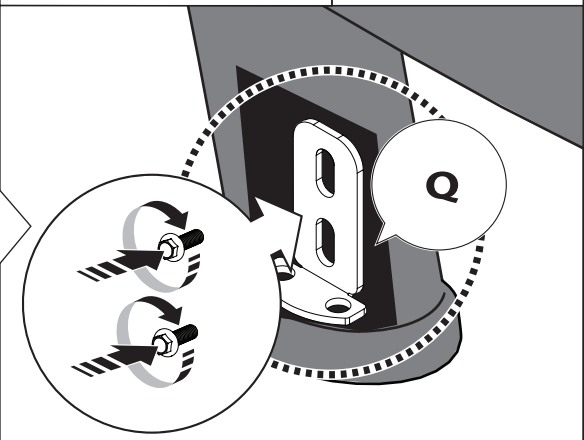
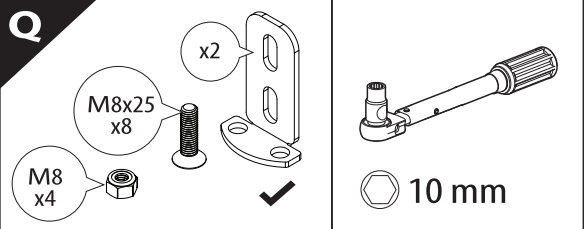
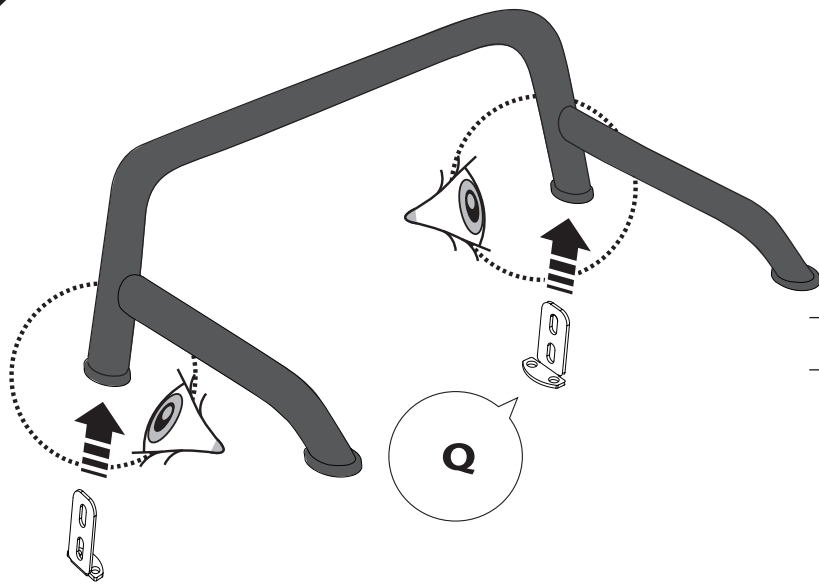


19



20

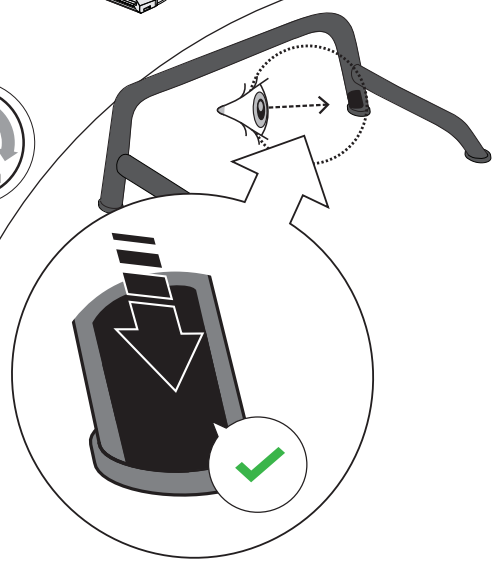
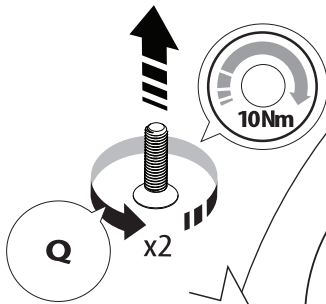
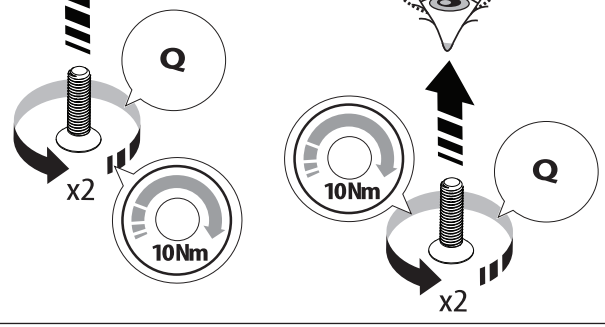
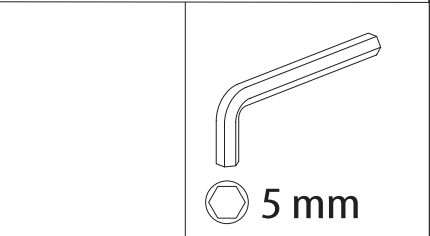
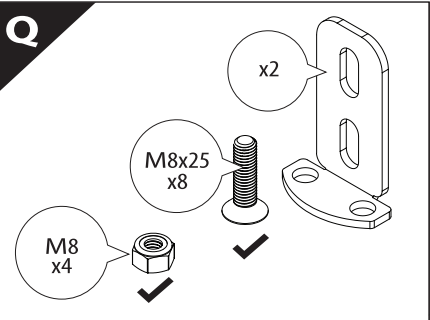
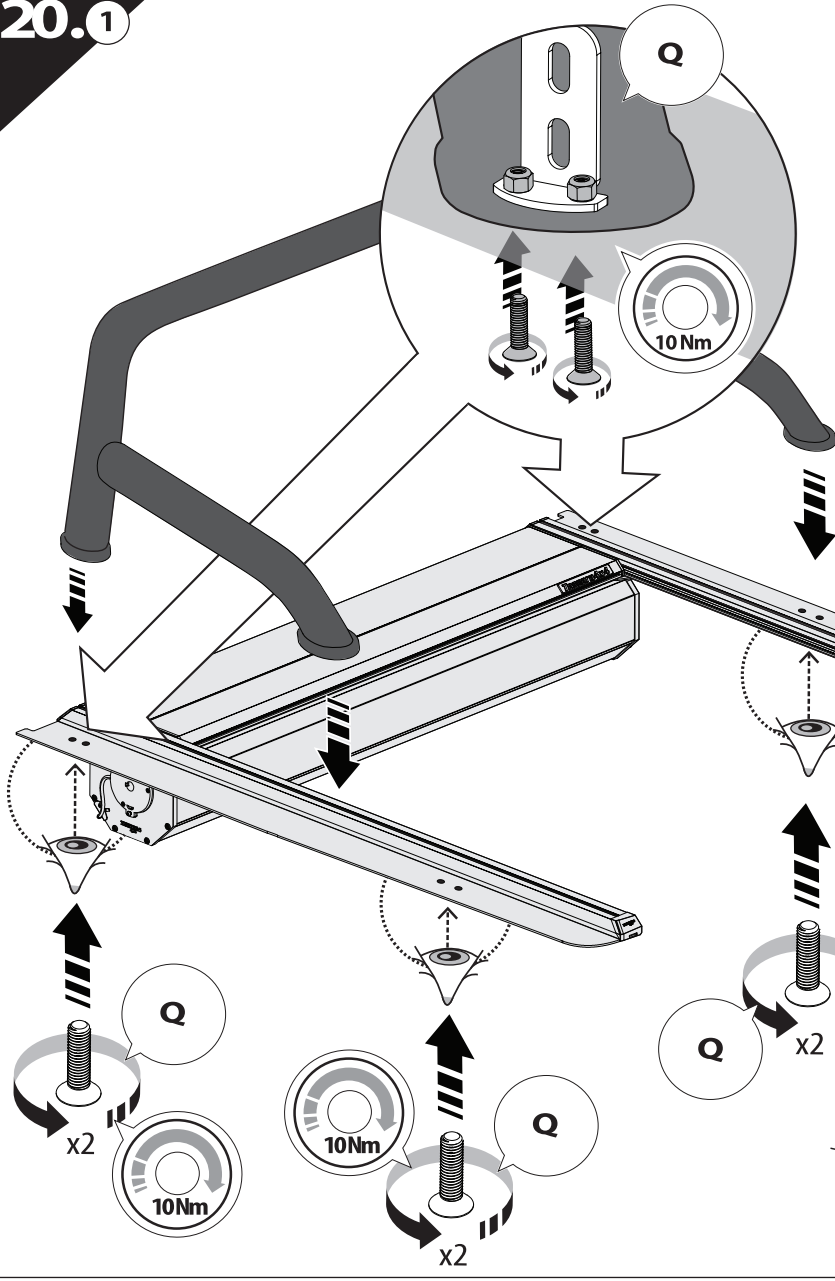
Q



! FROM STEP 13

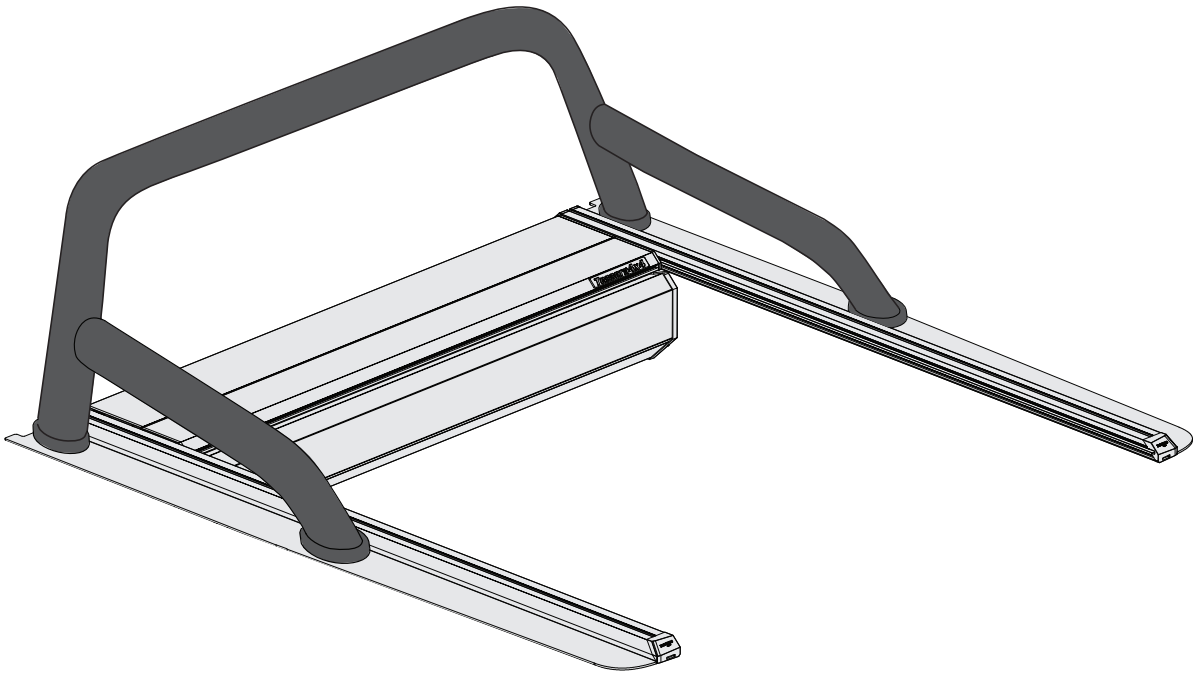
20.1

Q

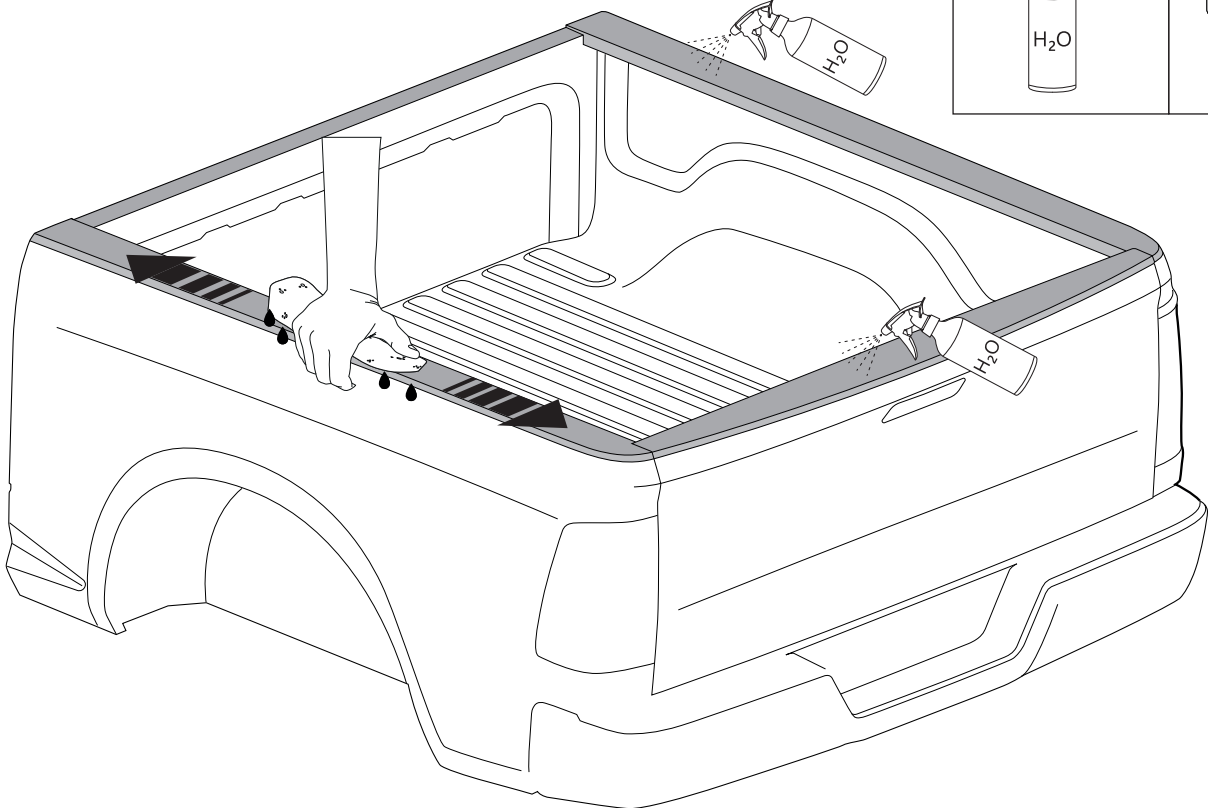


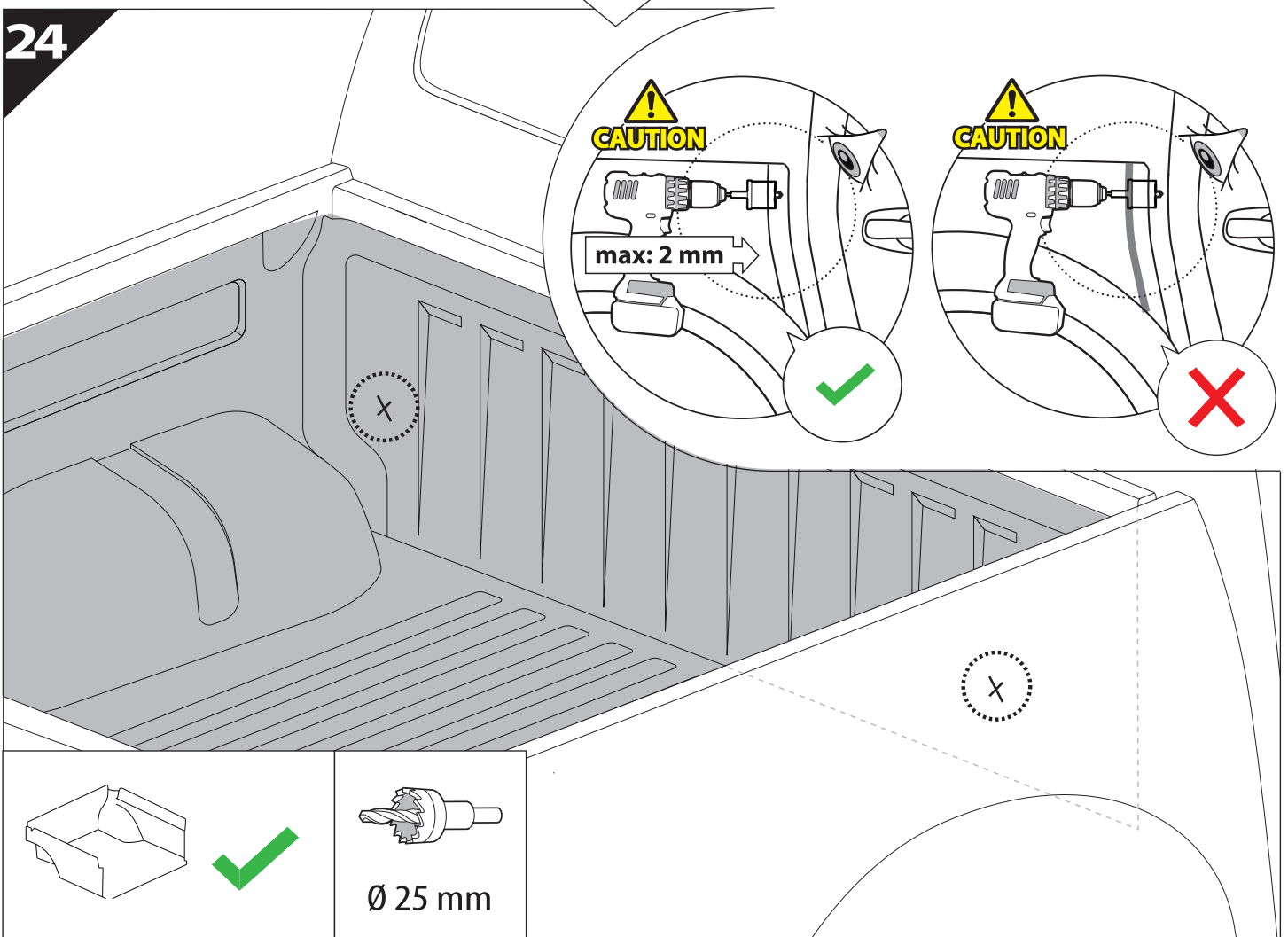
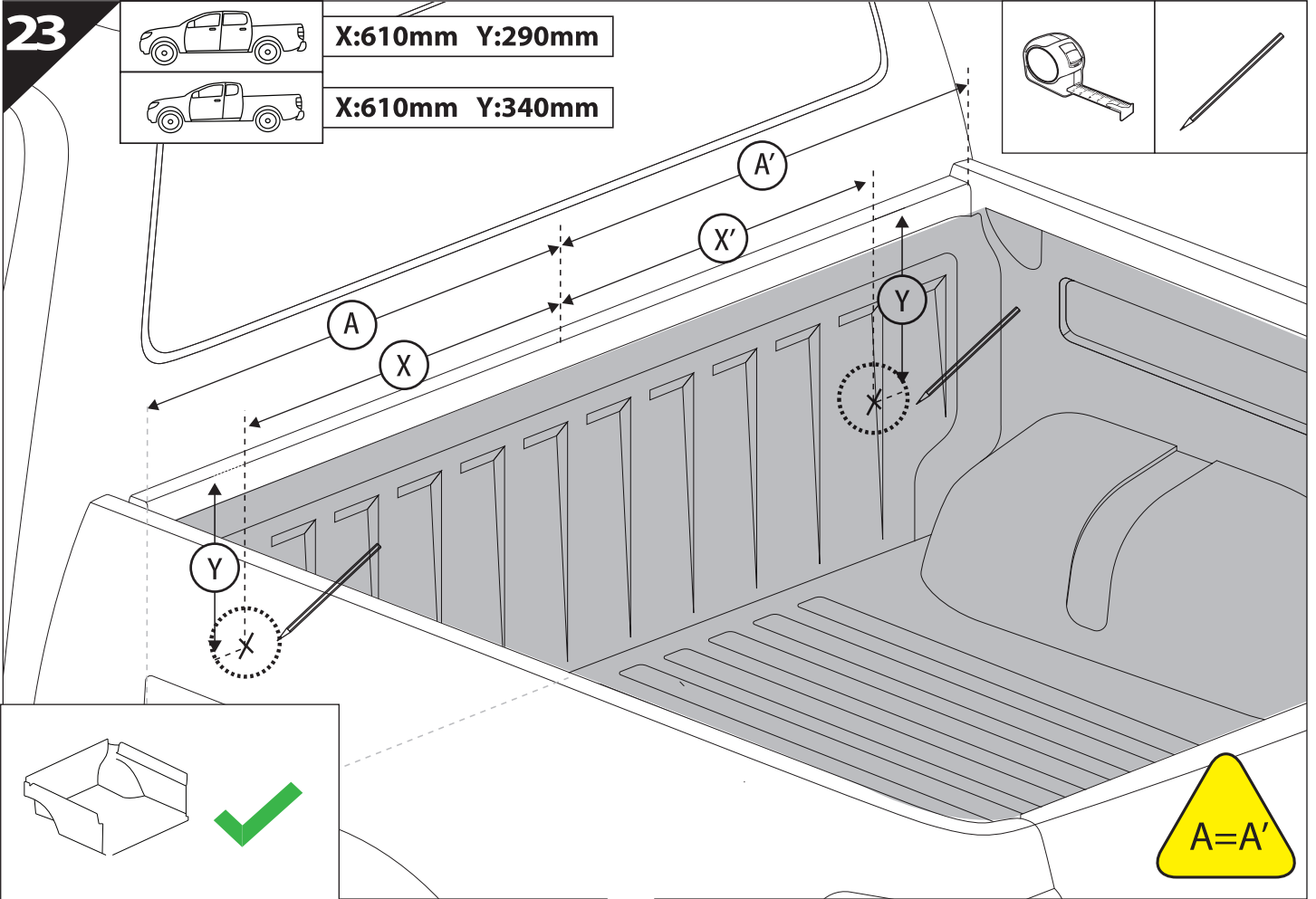


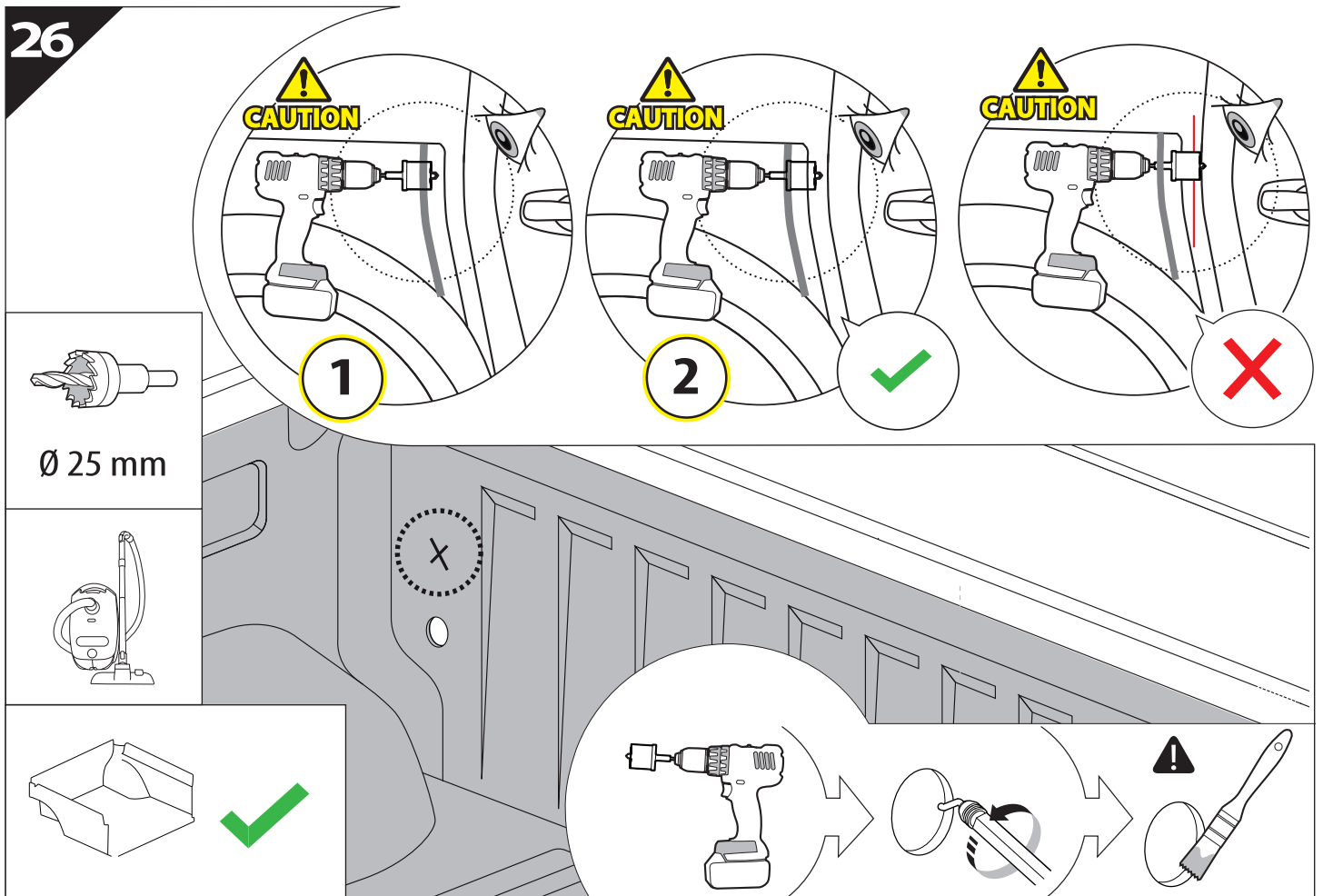
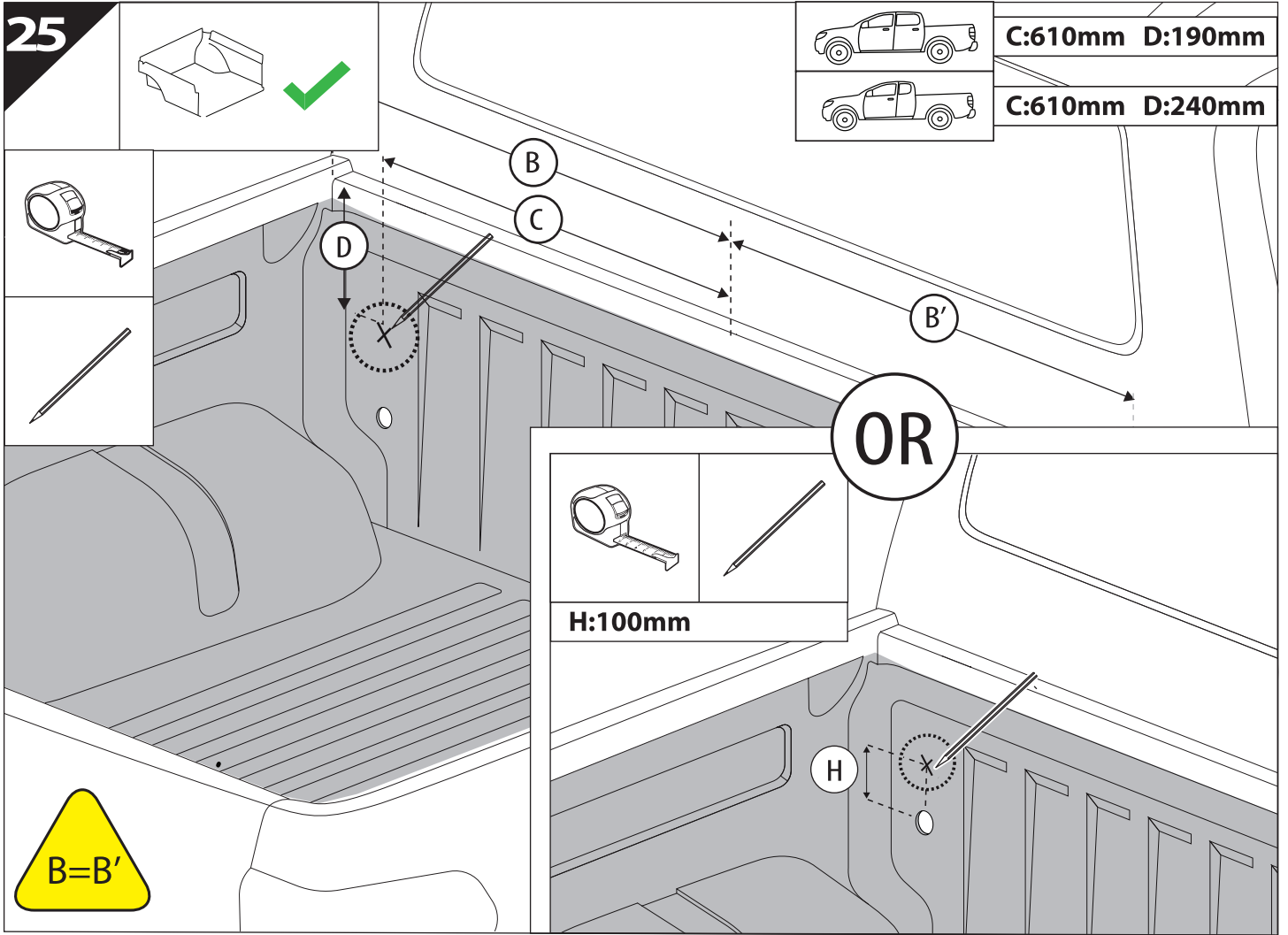
21

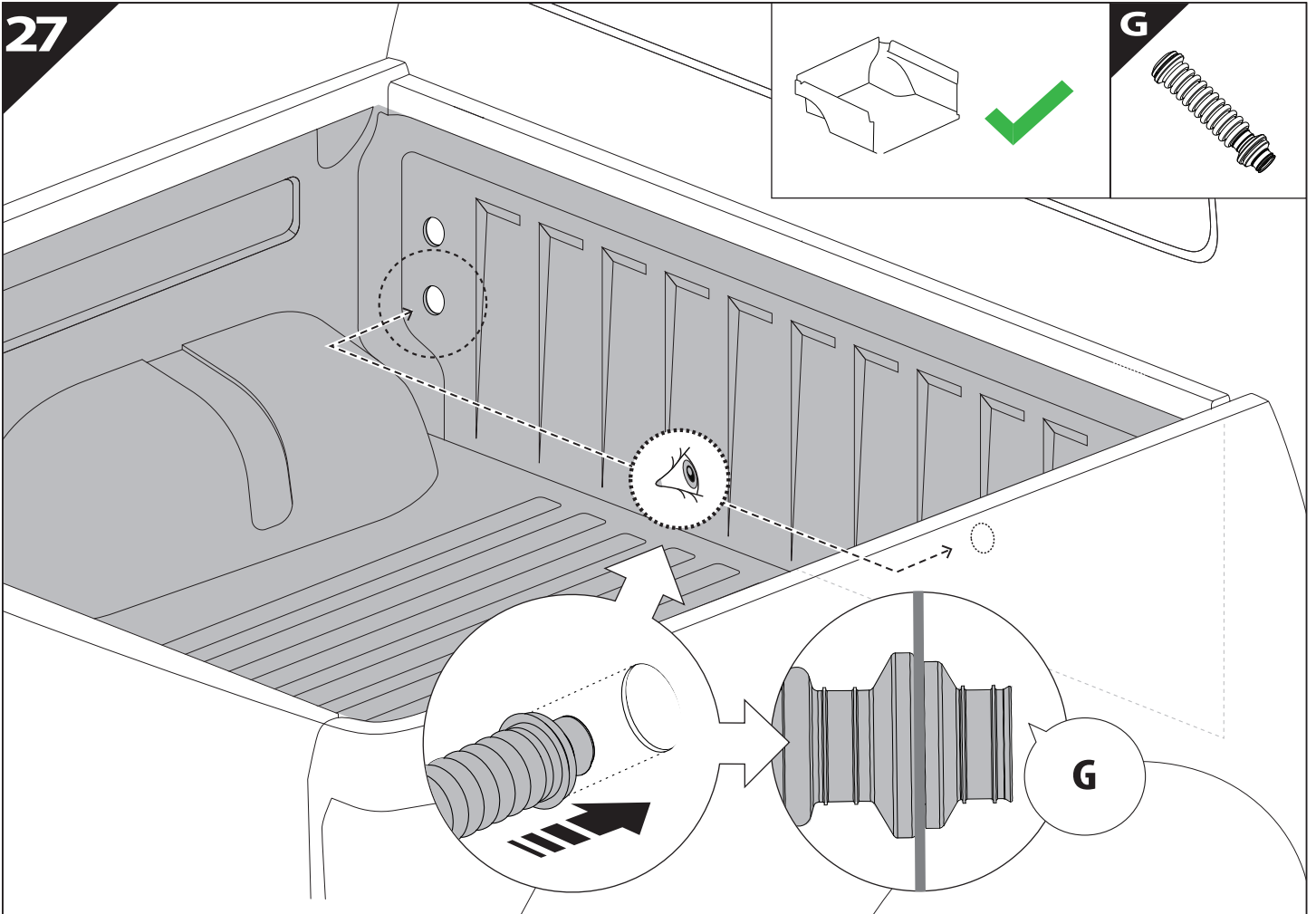


22

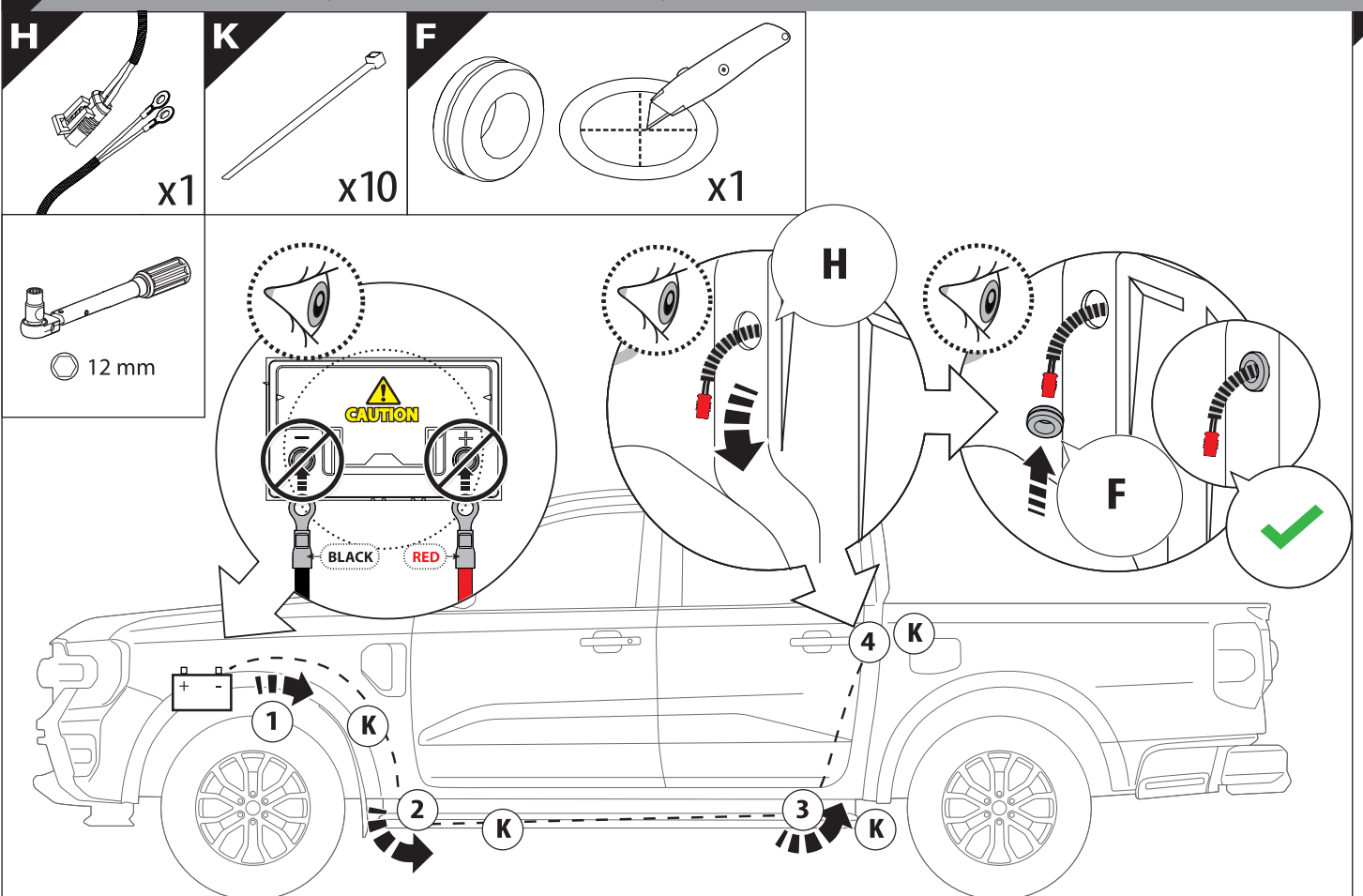




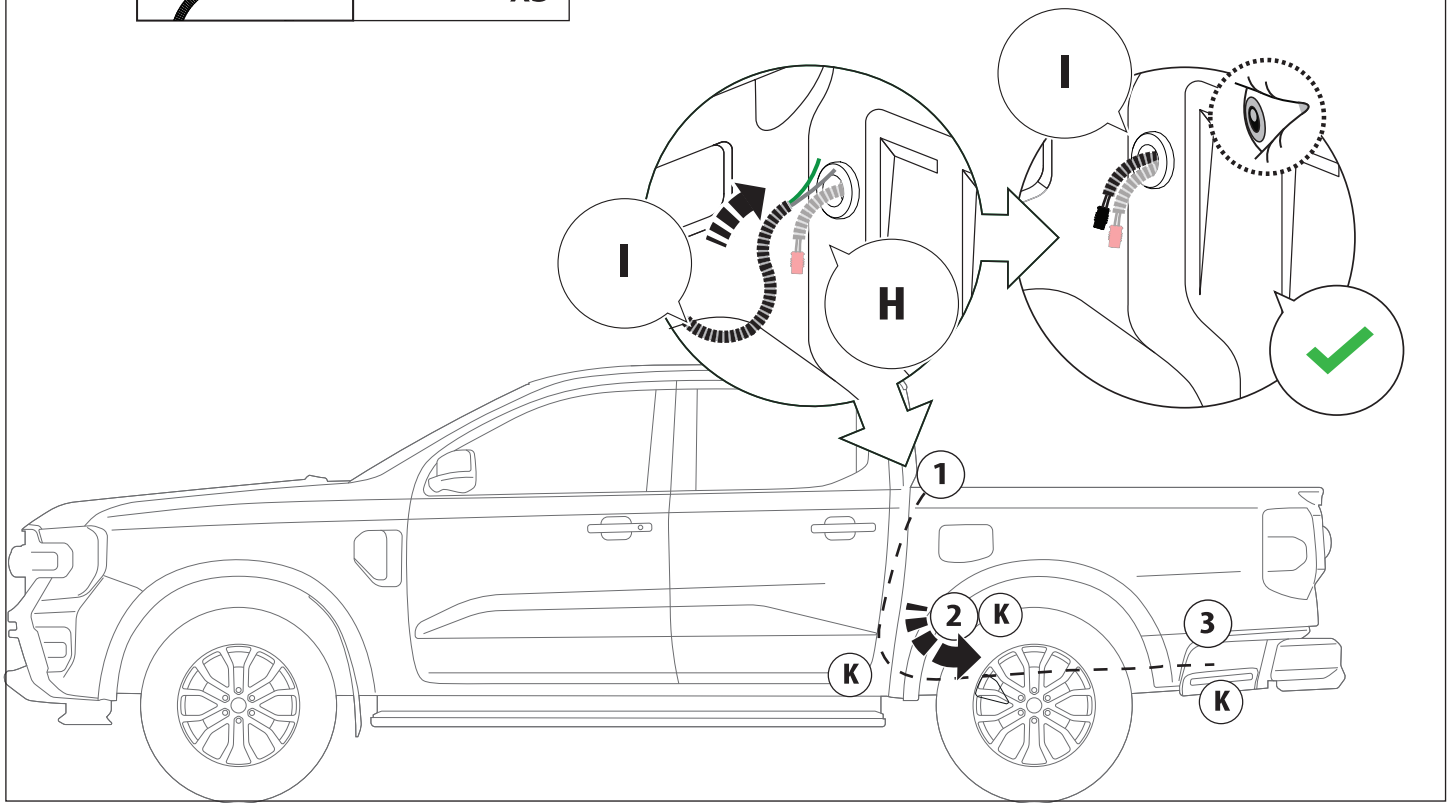
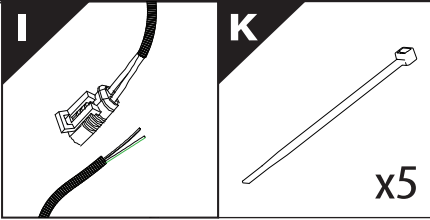




**28** Only to be installed by authorized personnel



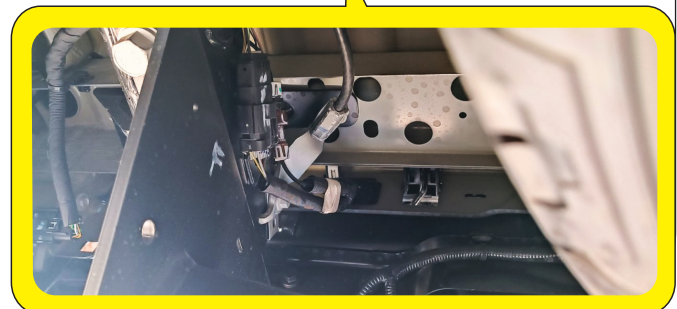
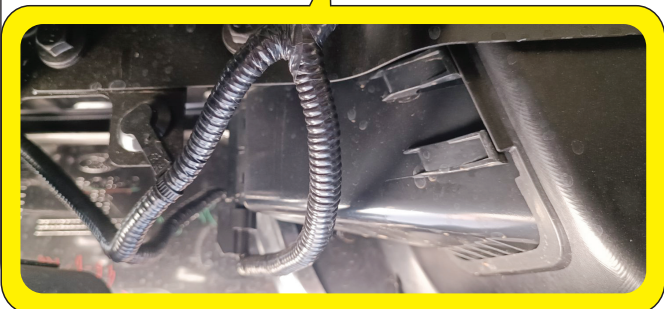
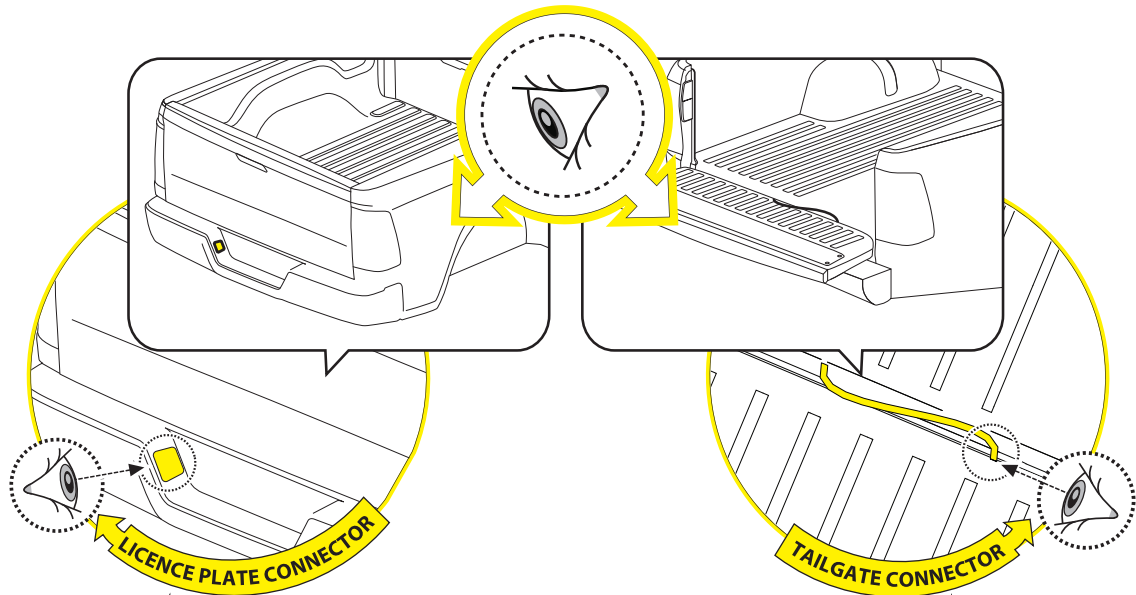
29



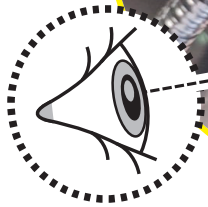
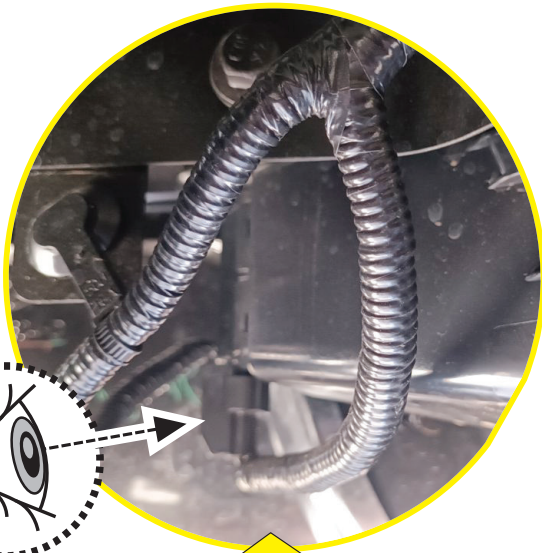
30



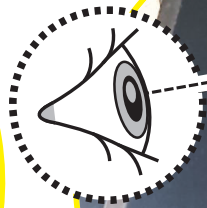
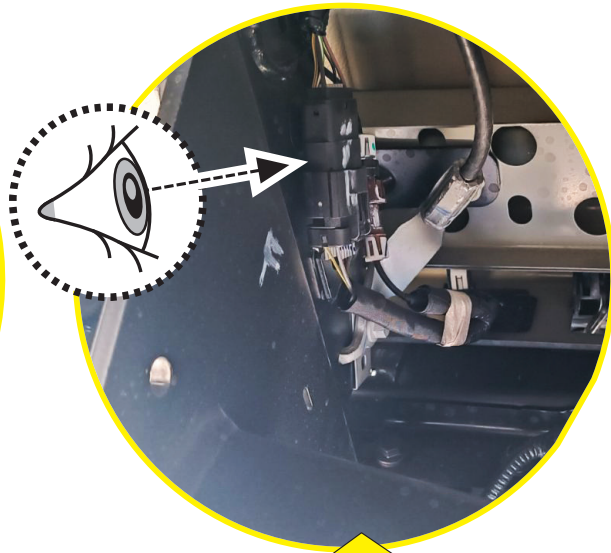
**CAUTION: LIMITED, WILDTRAK, WILDTRAK X, PLATINUM**



# 30.1



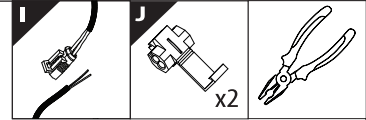
LICENCE PLATE CONNECTOR



TAILGATE CONNECTOR

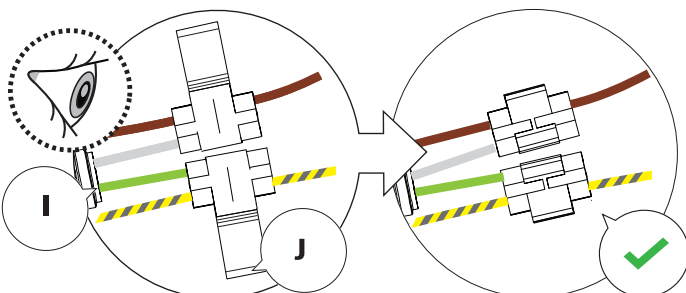
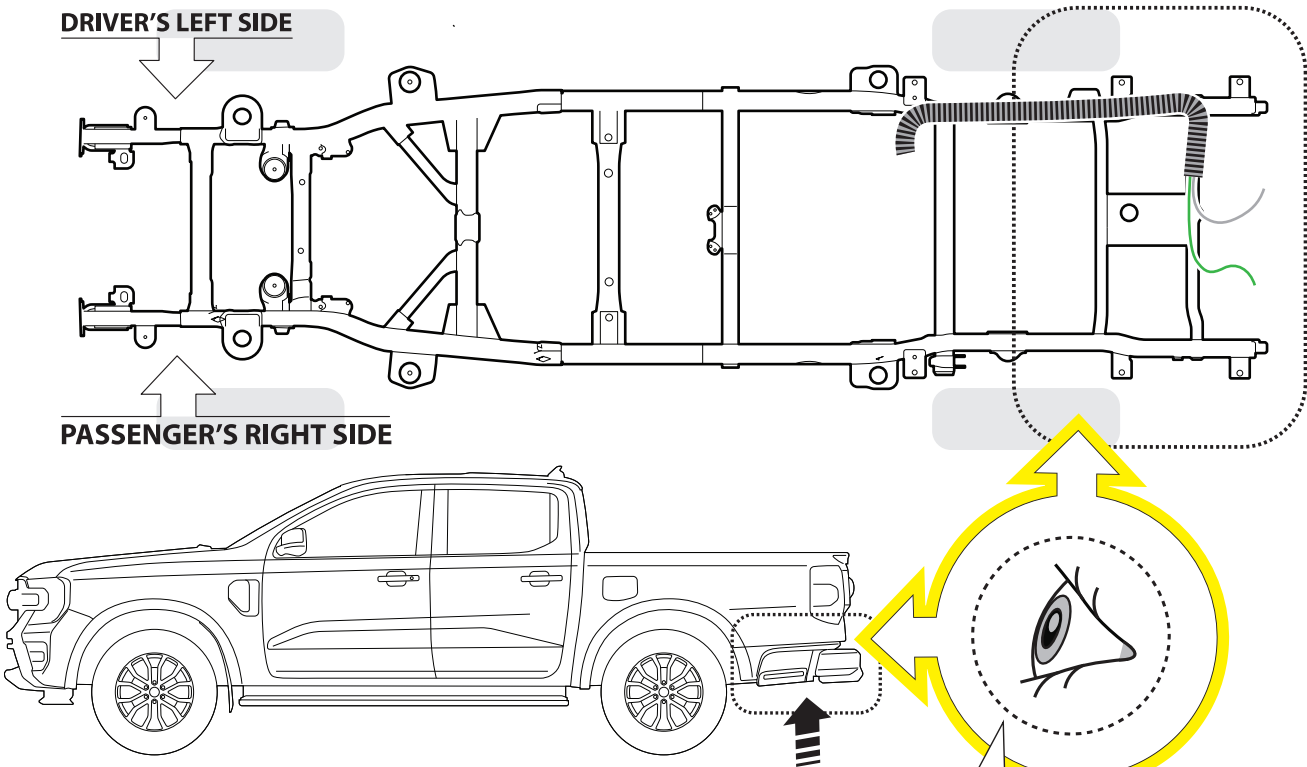
# 30.2

## BOTTOM VIEW



DRIVER'S LEFT SIDE

PASSENGER'S RIGHT SIDE

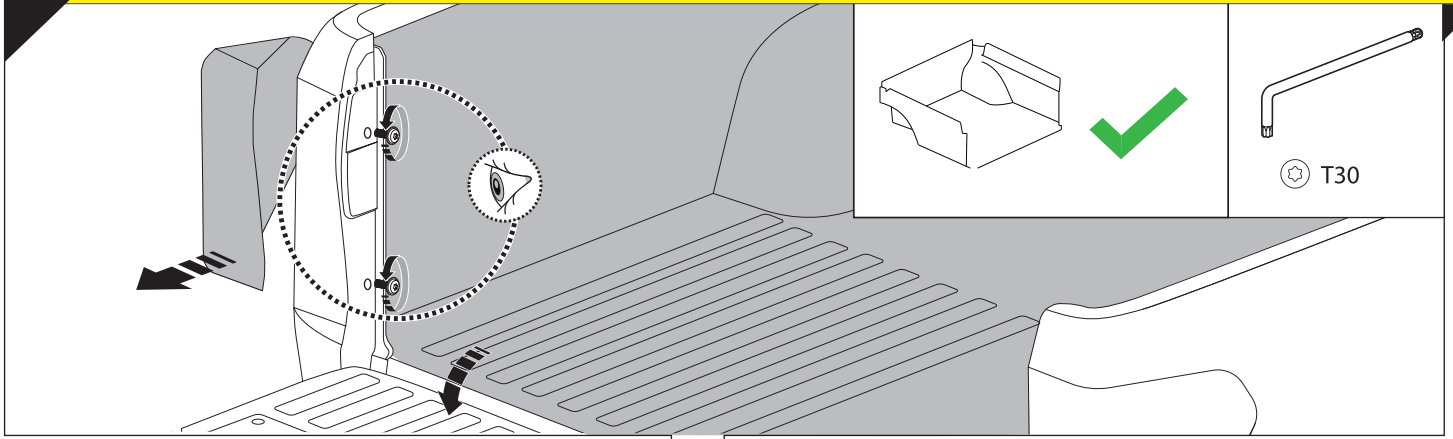


	CAR		TESSERA ROLL+
BEAM		↔	
LICENCE PLATE 2 PIN LIGHT CONNECTOR			
STOP		↔	
TAILGATE CONNECTOR			

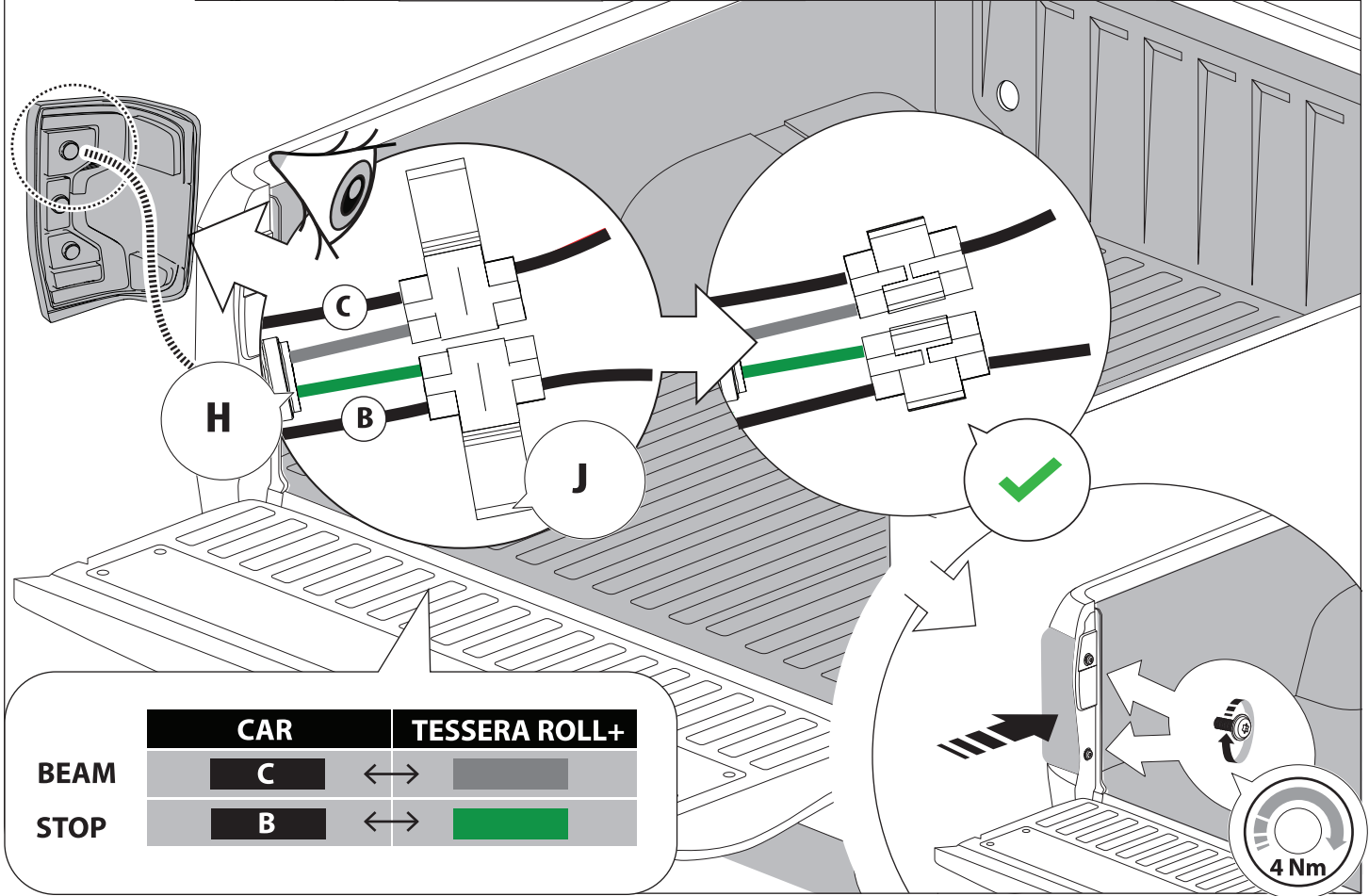
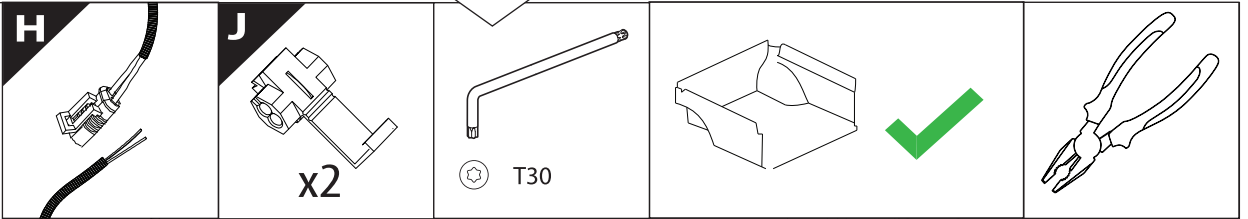
31



CAUTION: XL, XLT, TREMOR

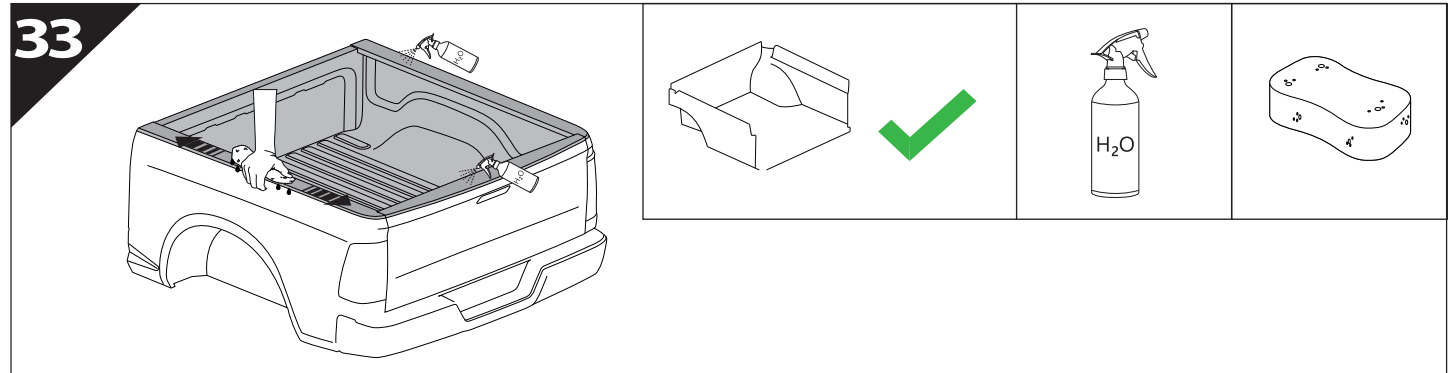


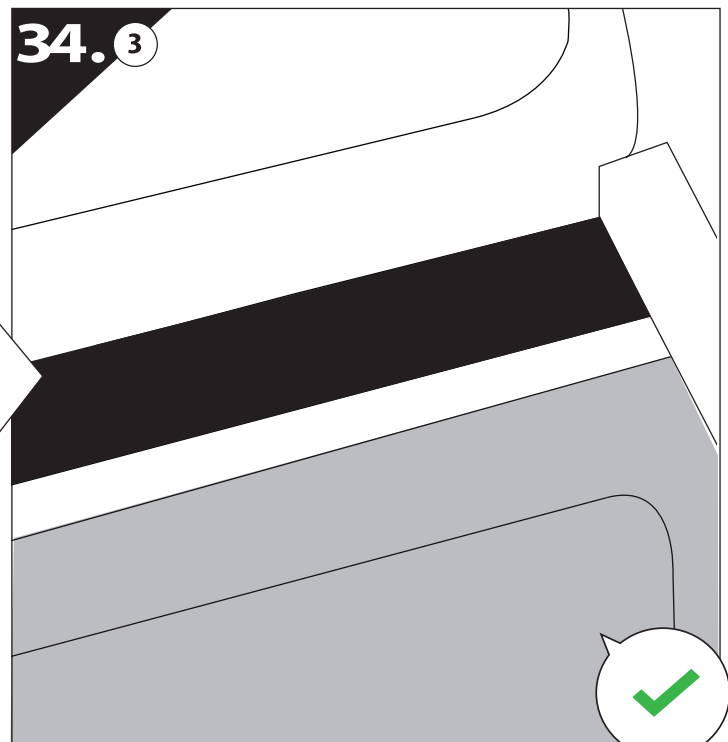
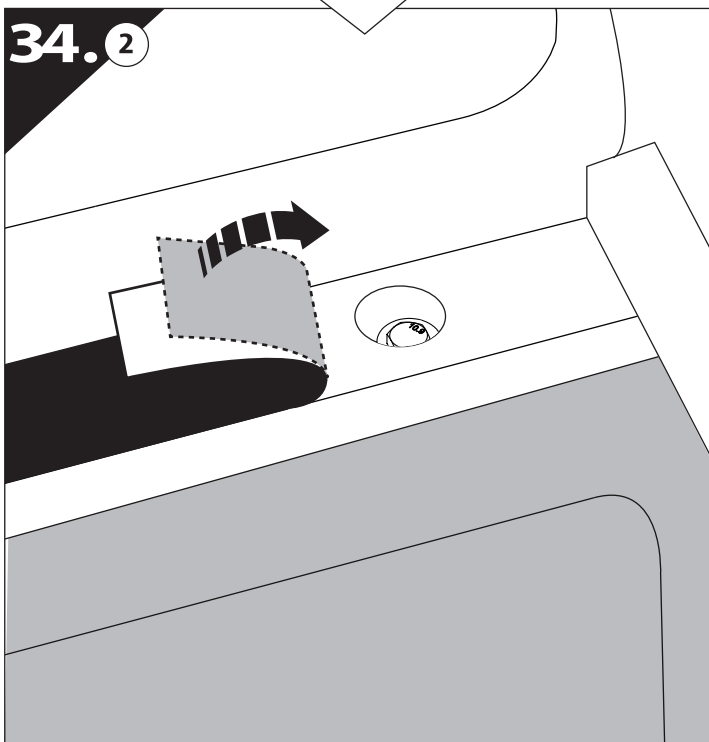
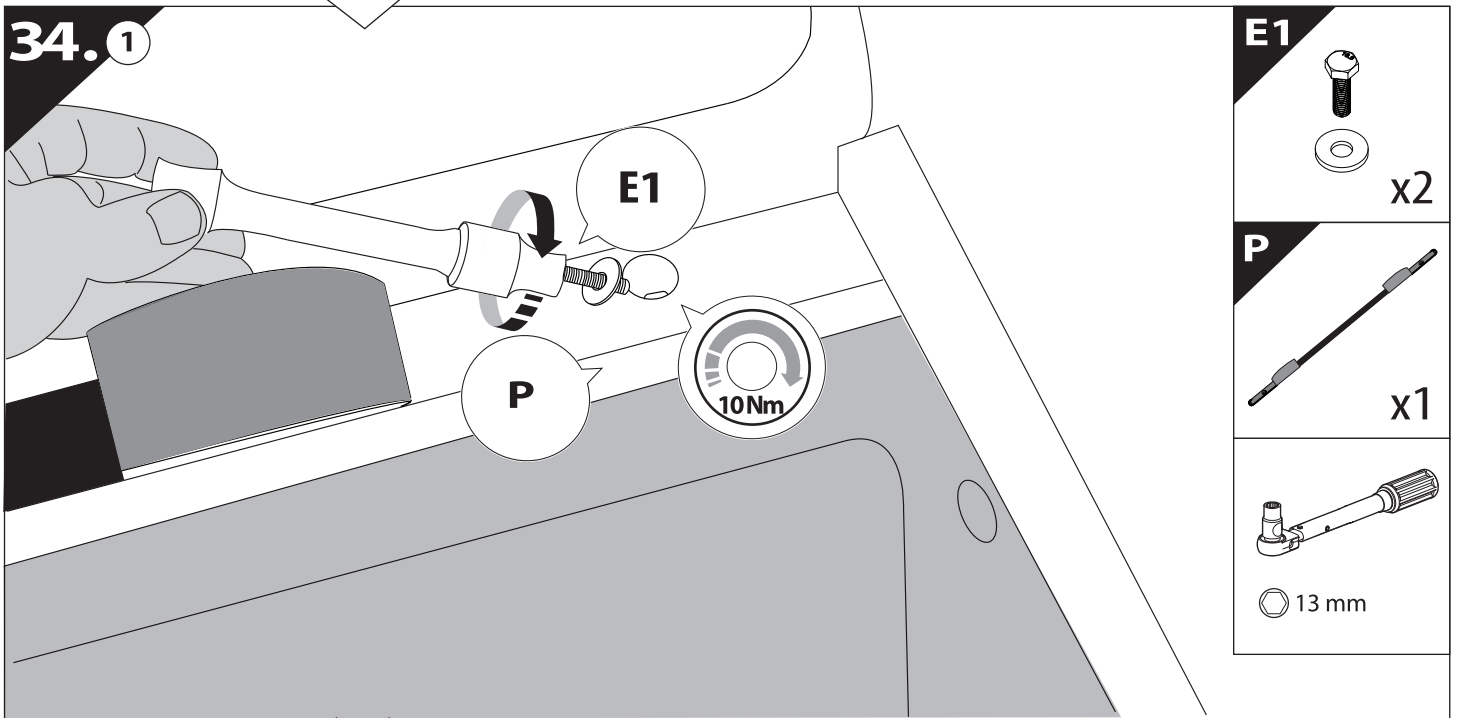
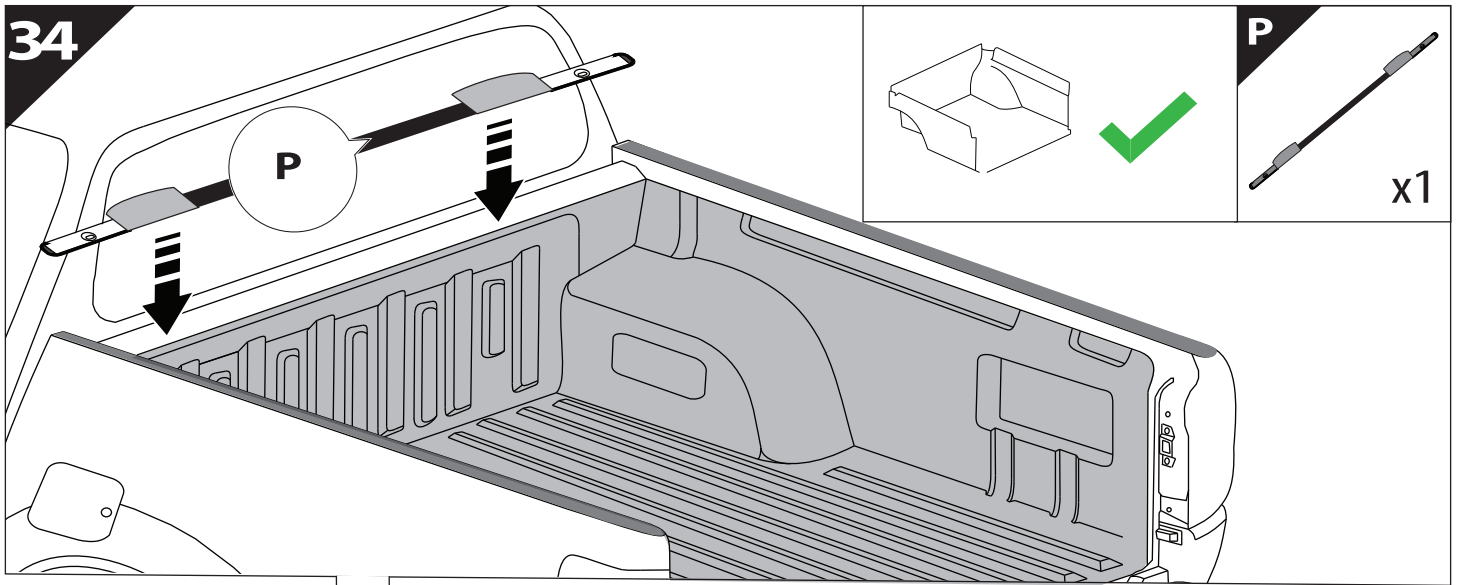
32



	CAR		TESSERA ROLL+
BEAM	C	↔	■
STOP	B	↔	■

33

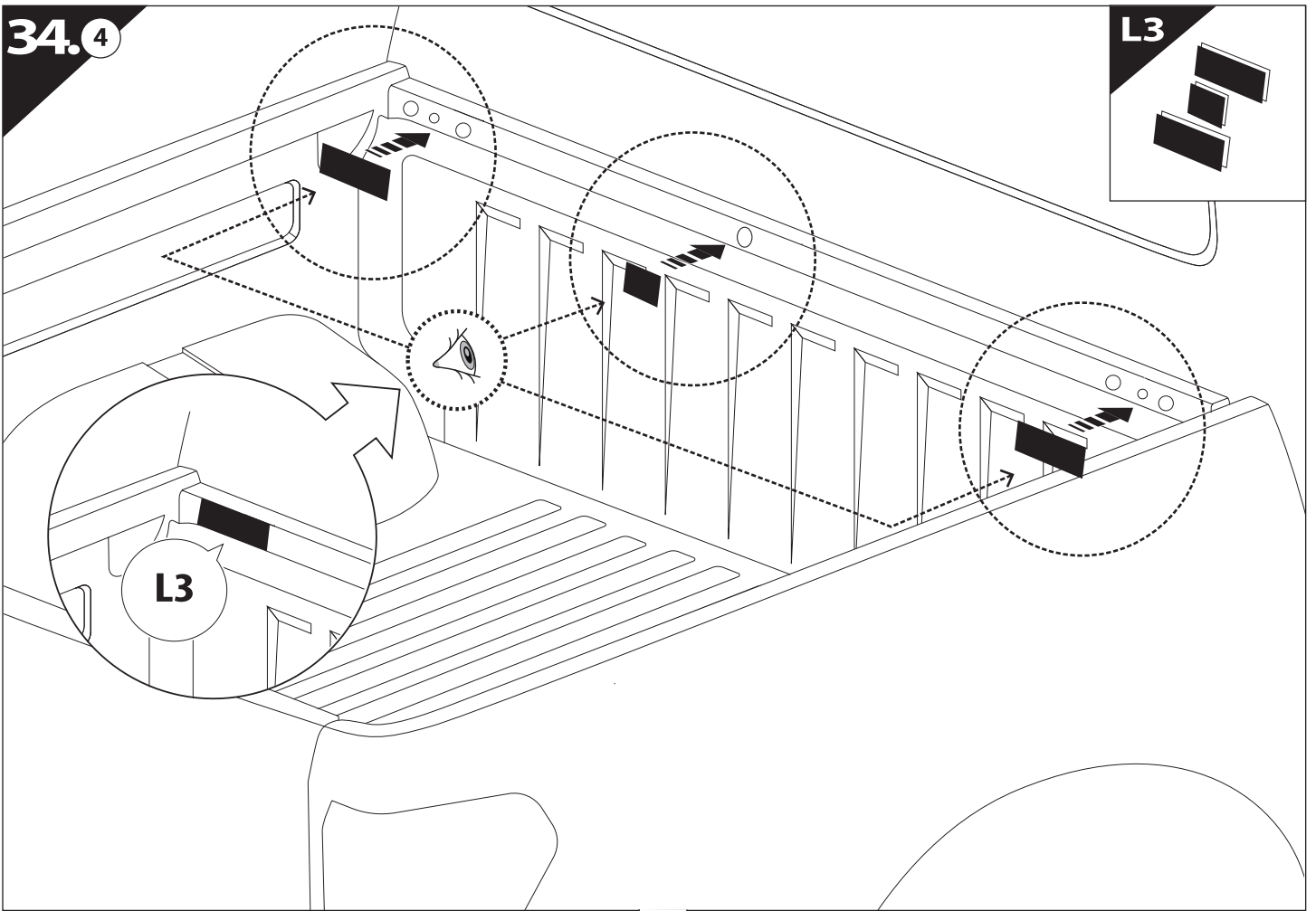




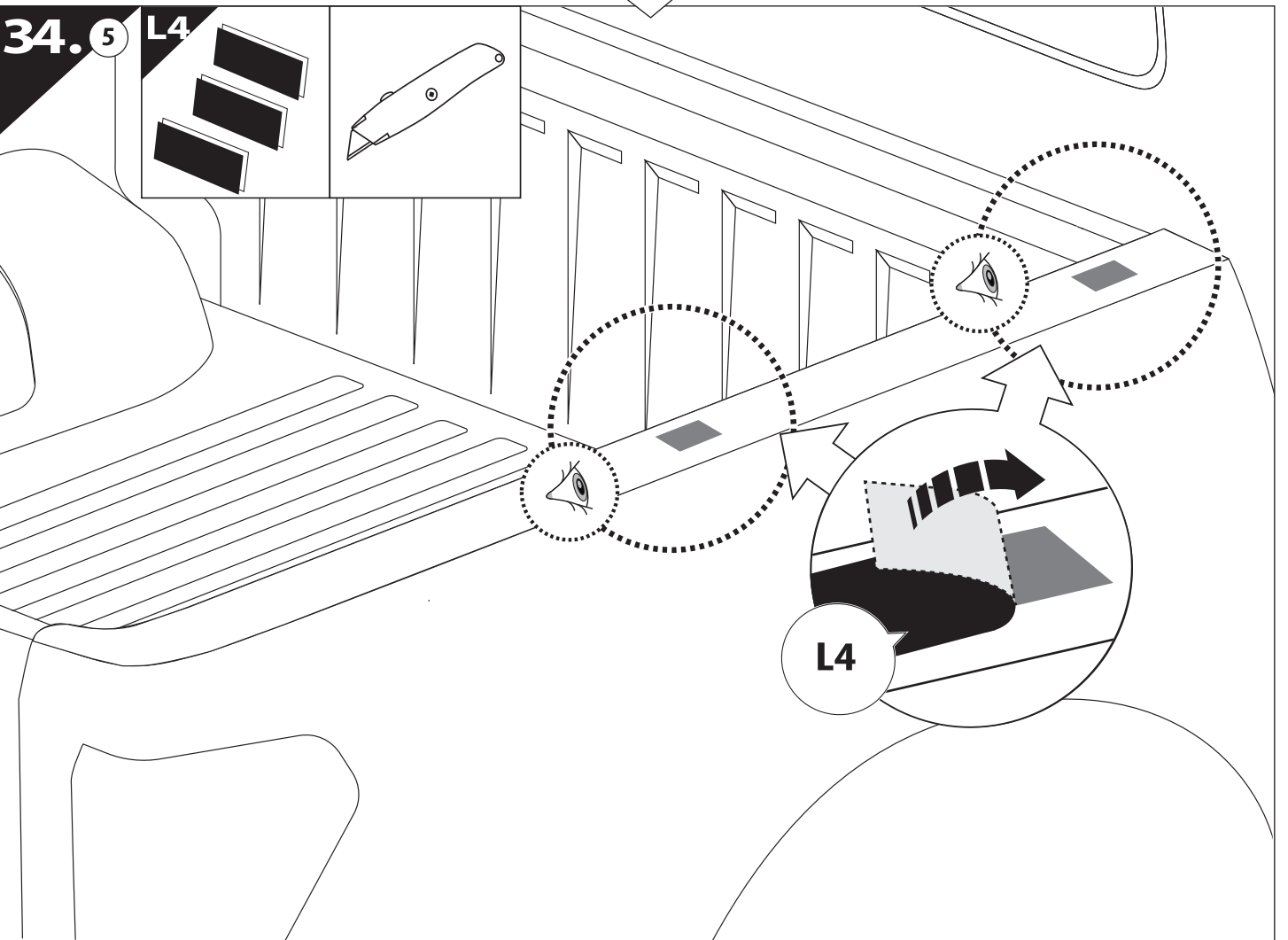


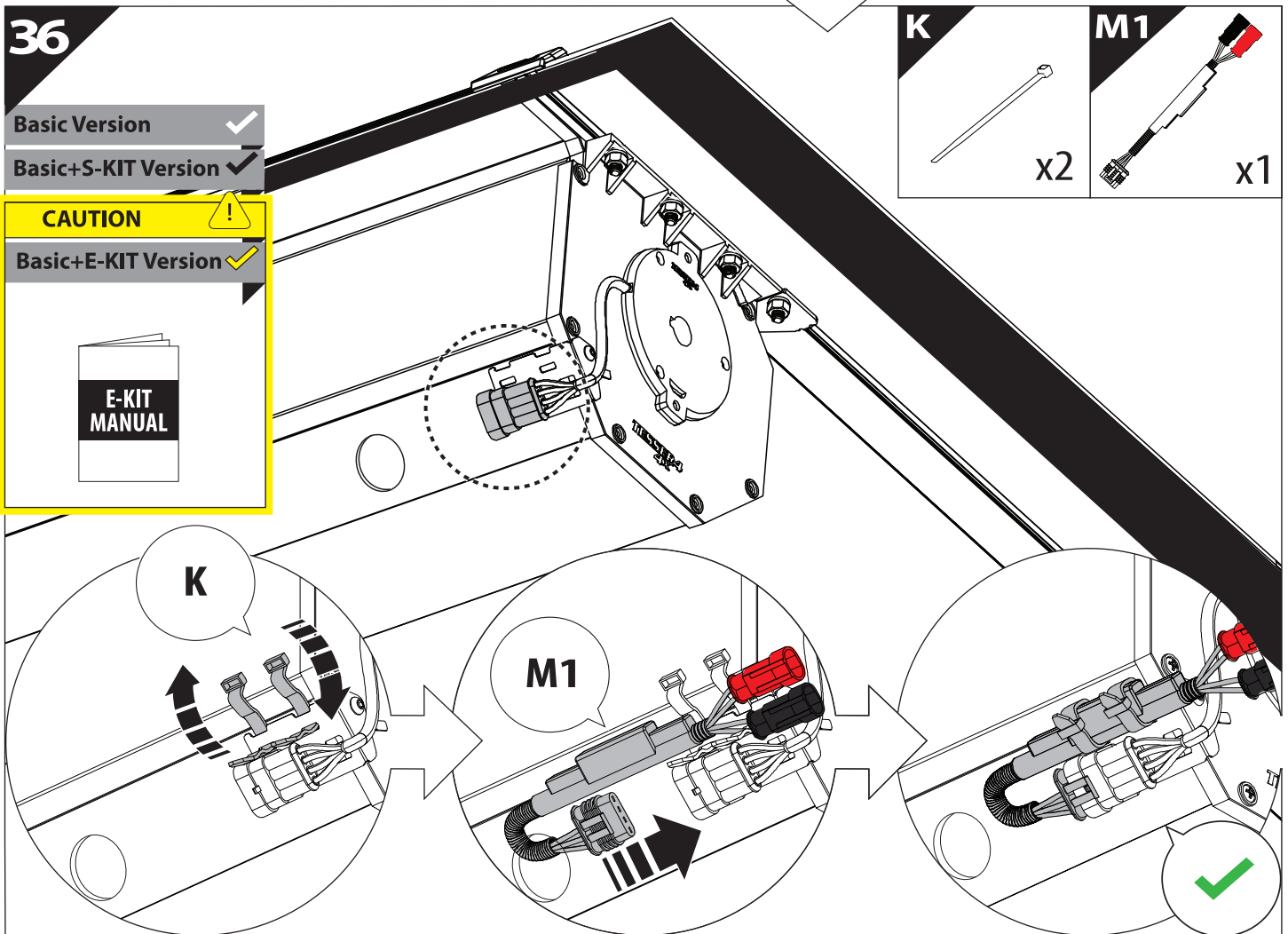
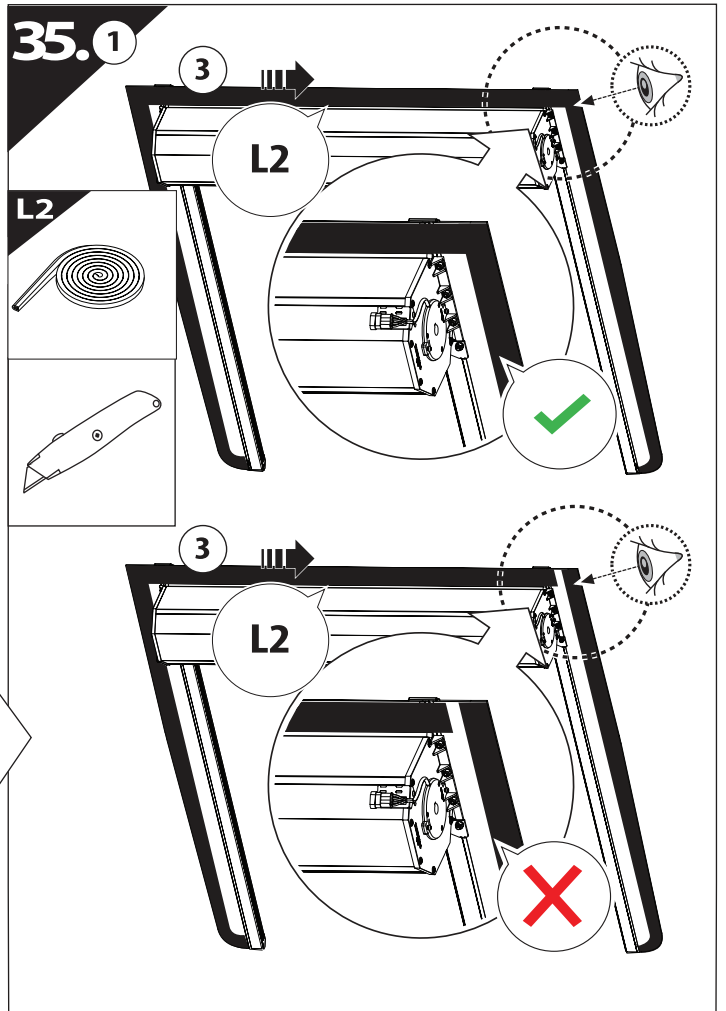
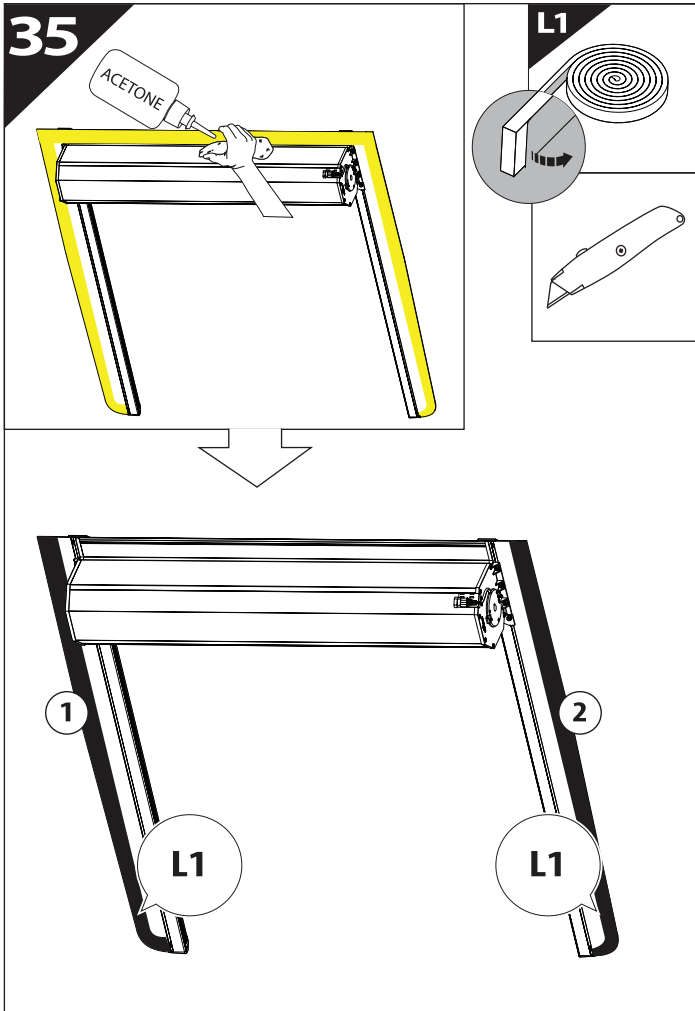
34.4

L3



34.5 L4



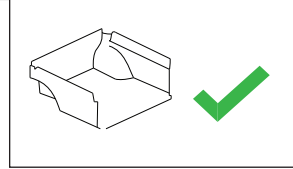
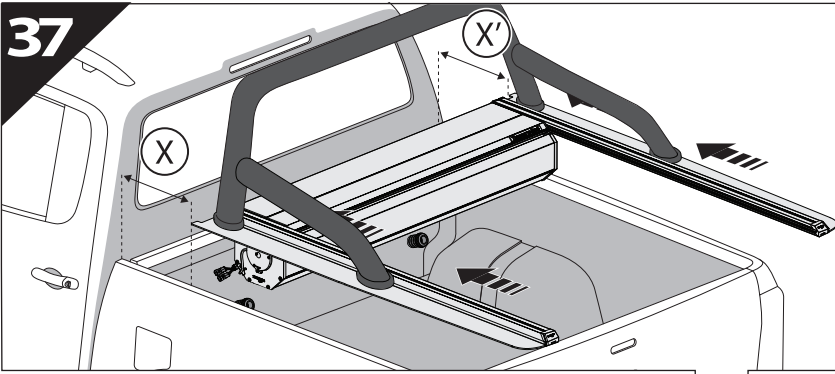


36. 1

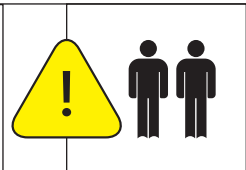
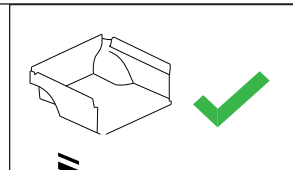
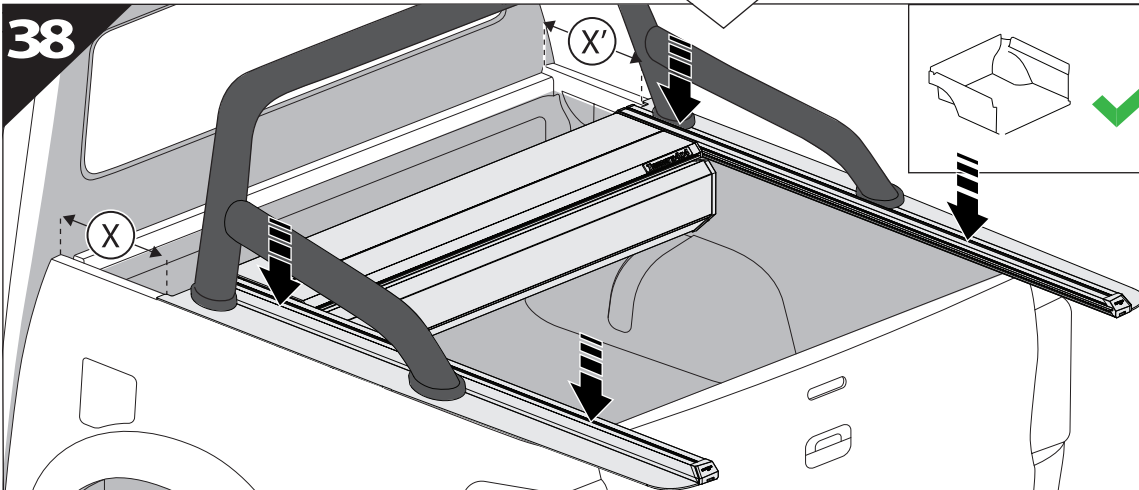
Basic+S-KIT Version

S-KIT  
MANUAL

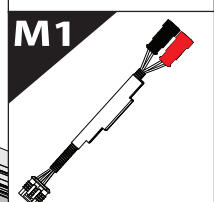
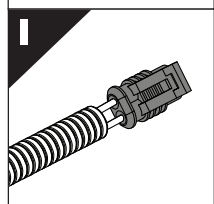
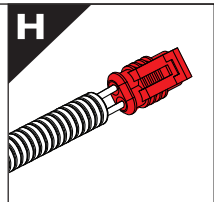
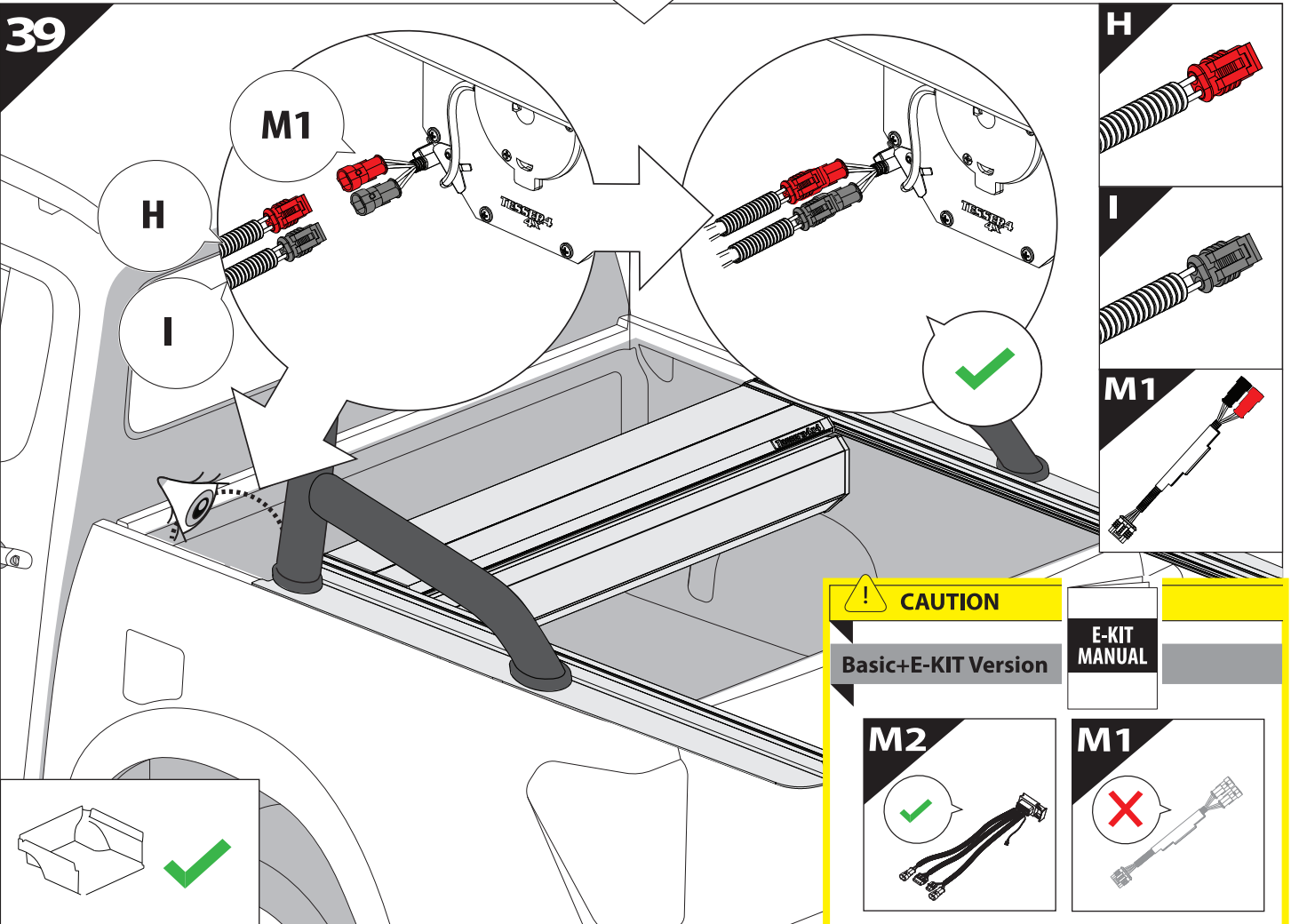
37



38

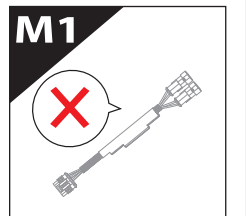
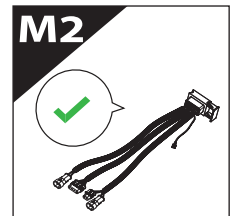


39

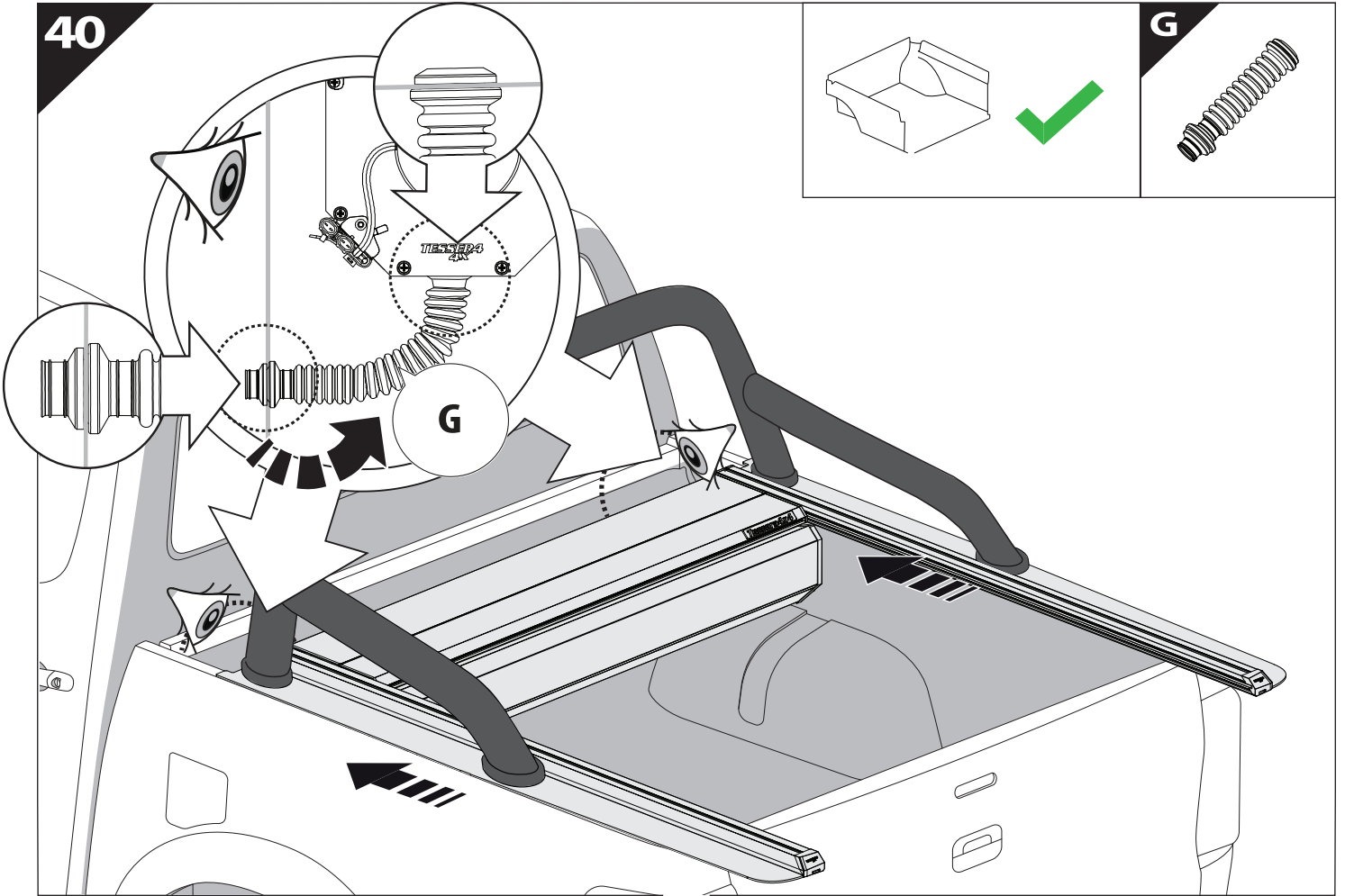


**CAUTION**  
Basic+E-KIT Version

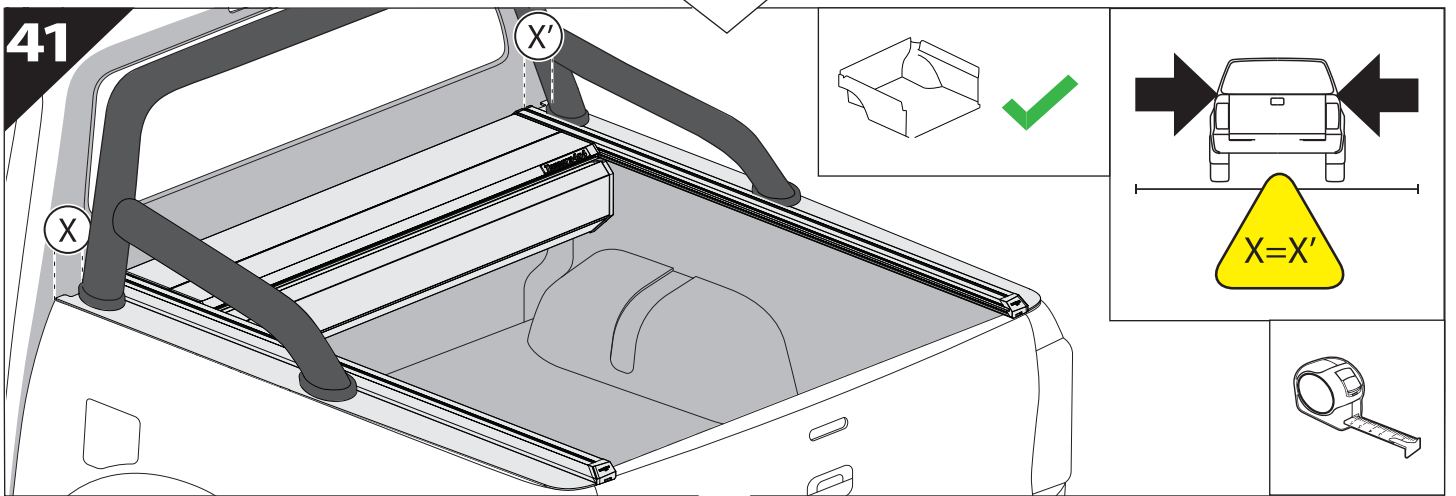
E-KIT  
MANUAL



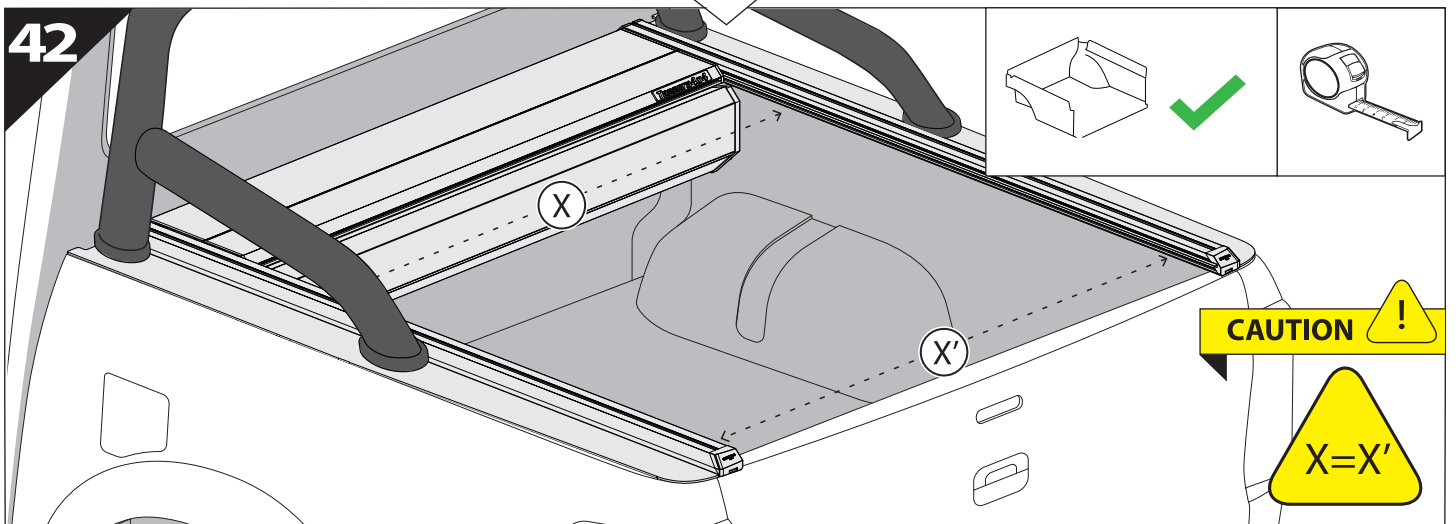
40

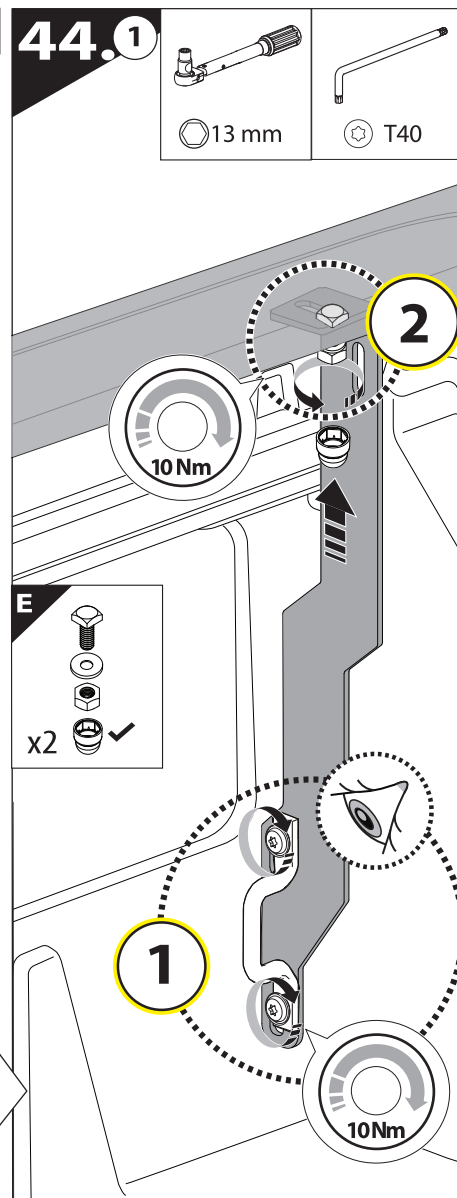
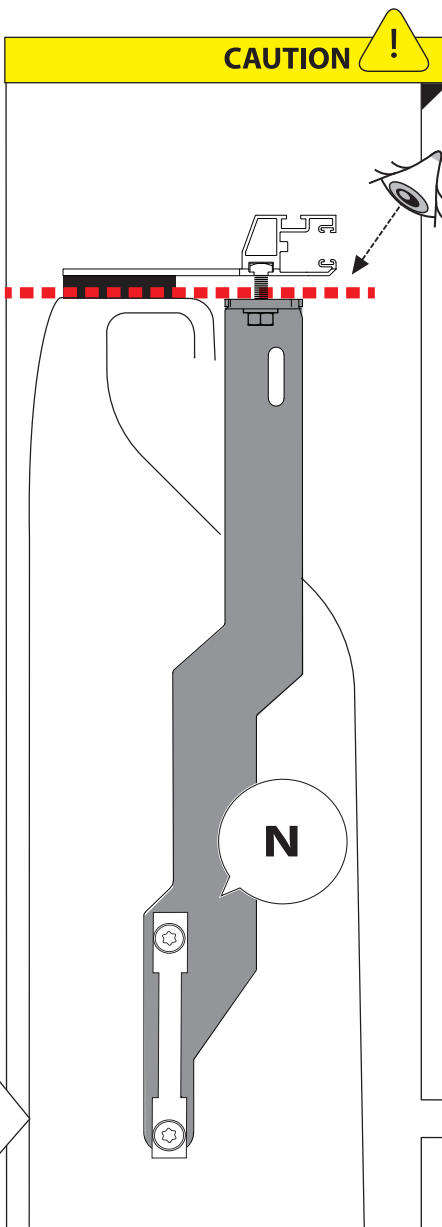
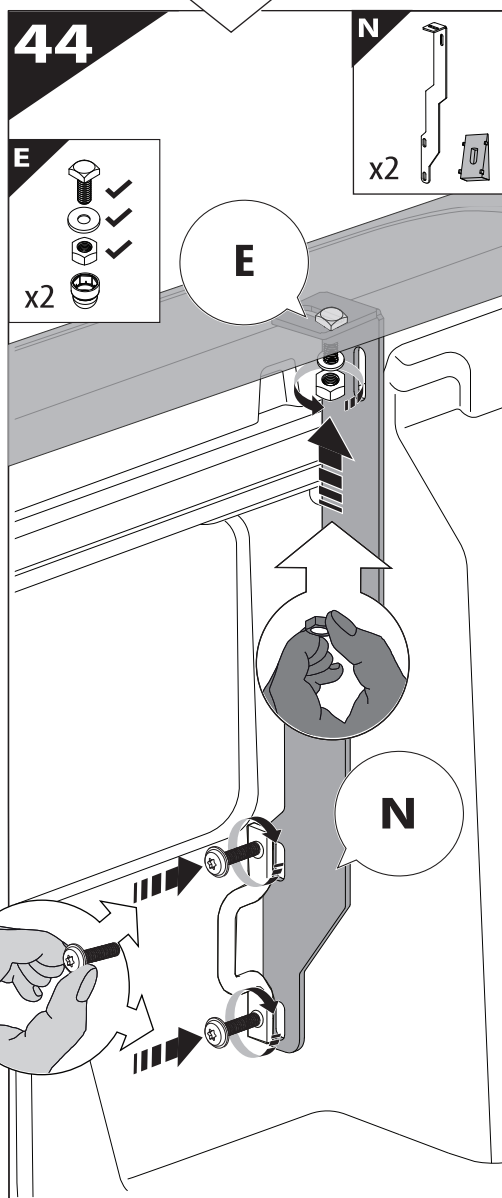
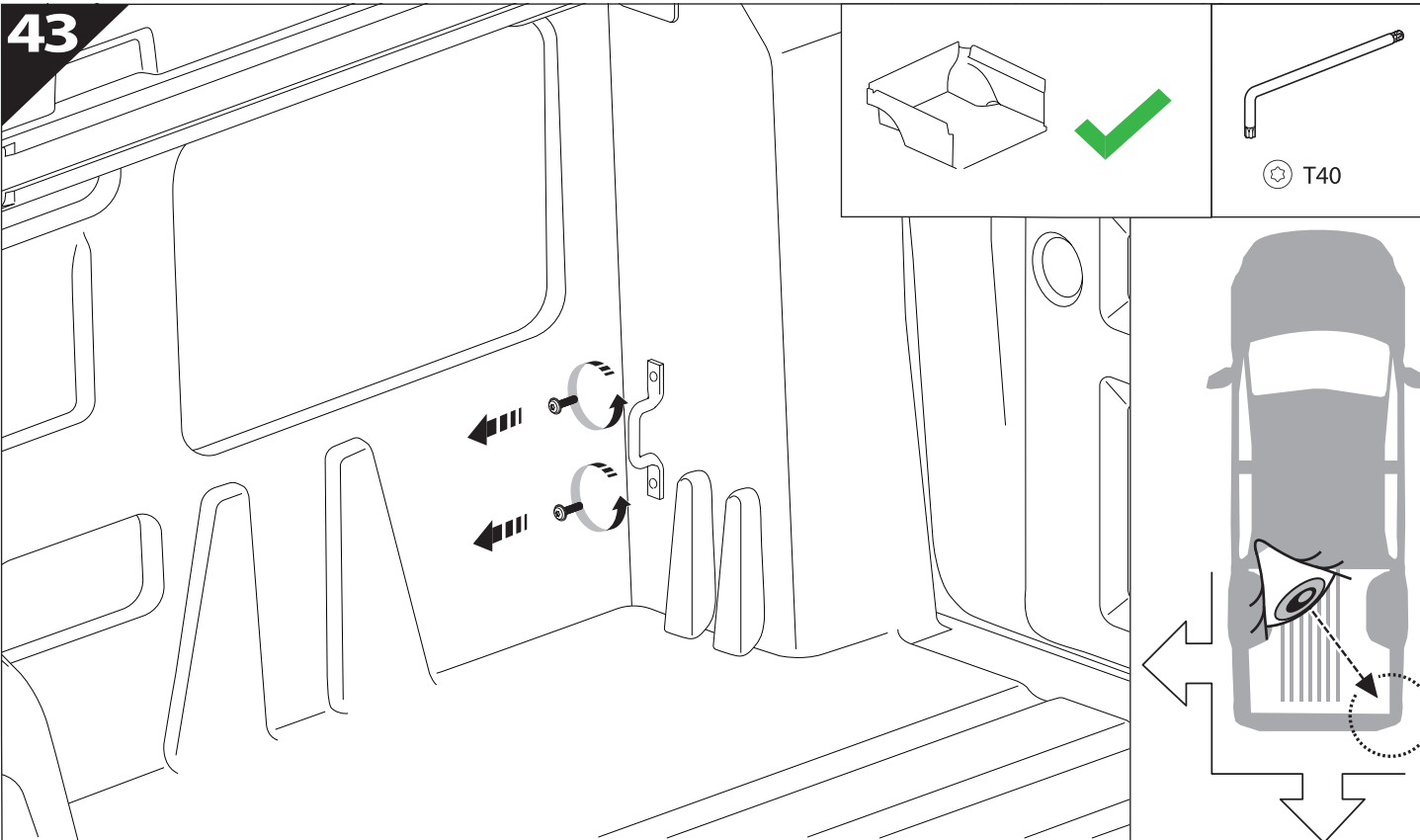


41



42



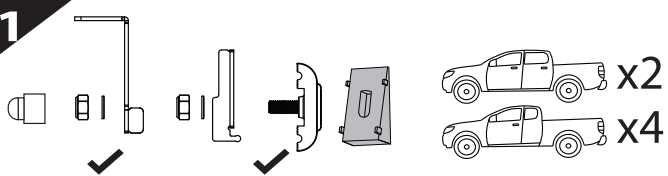


45 A

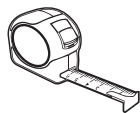
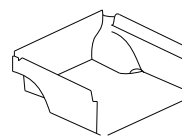
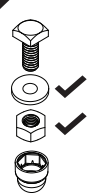


WITHOUT C - CHANNELS

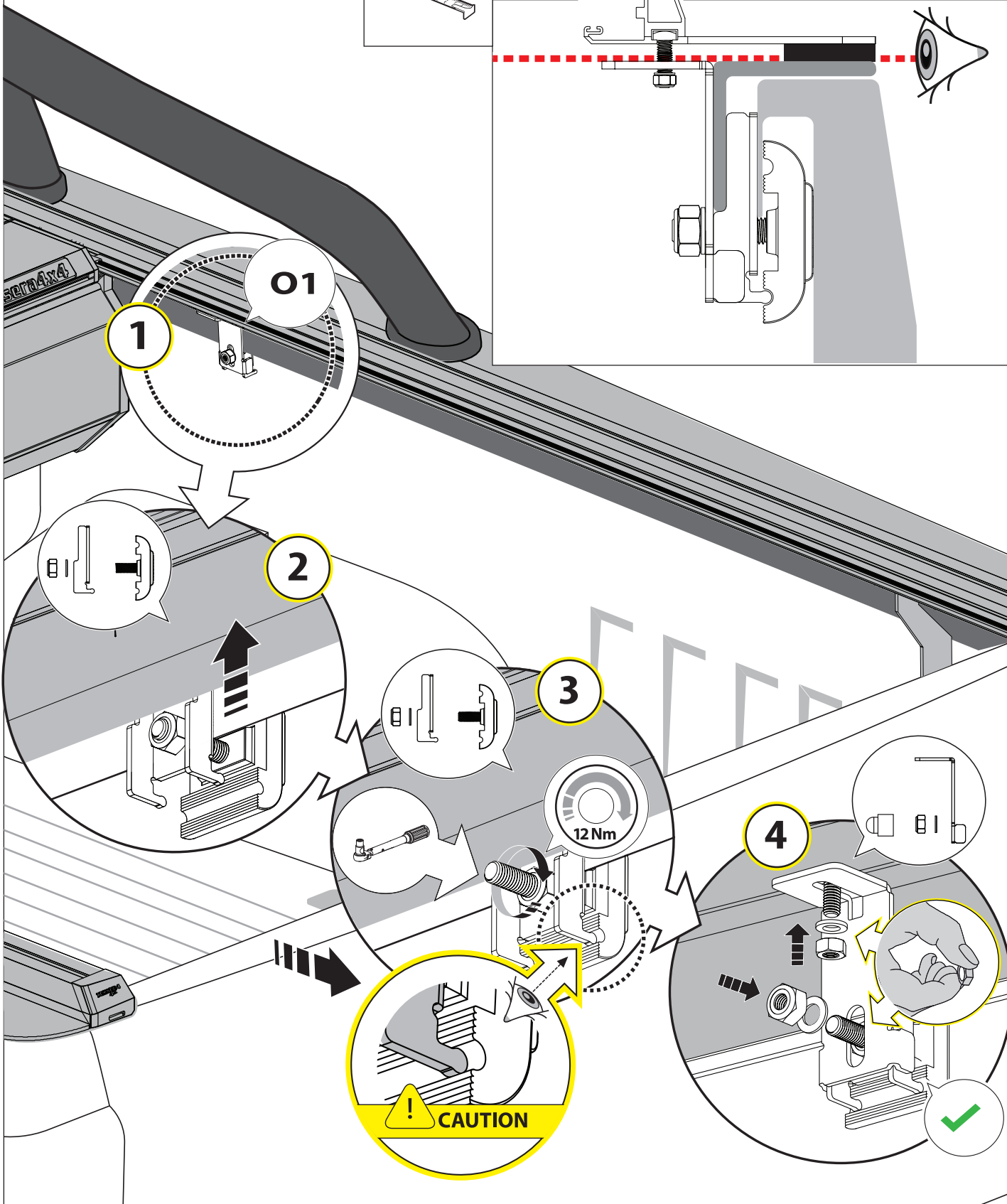
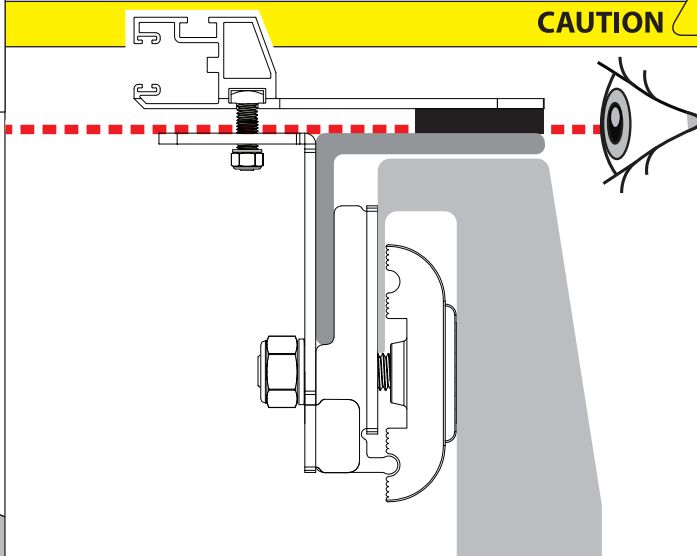
O1

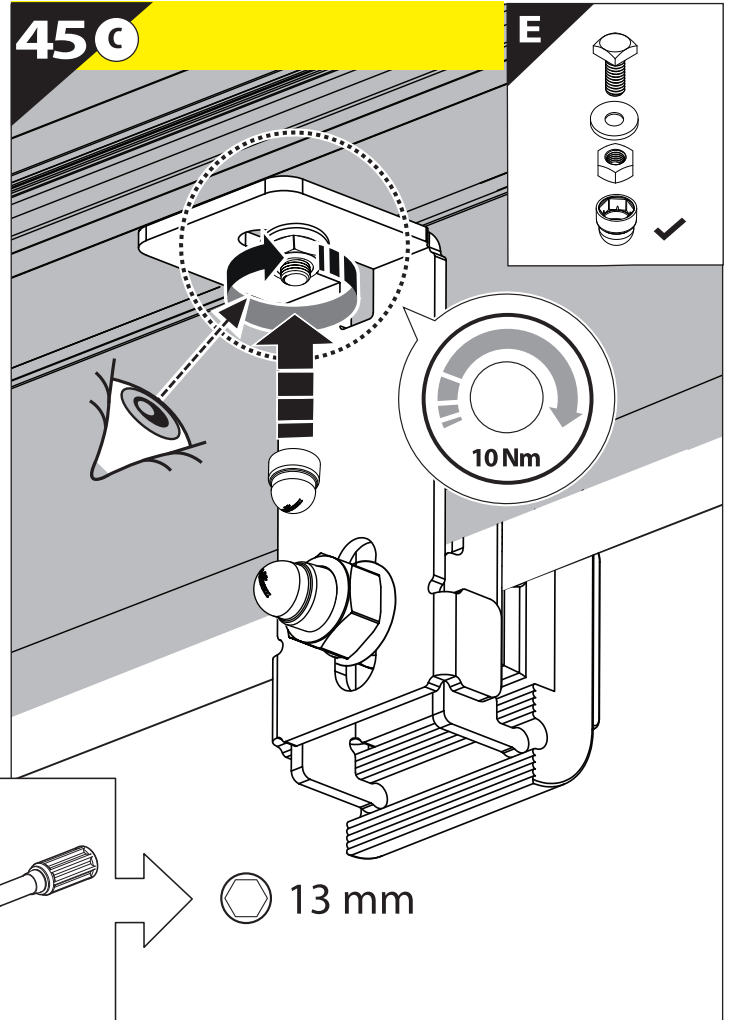
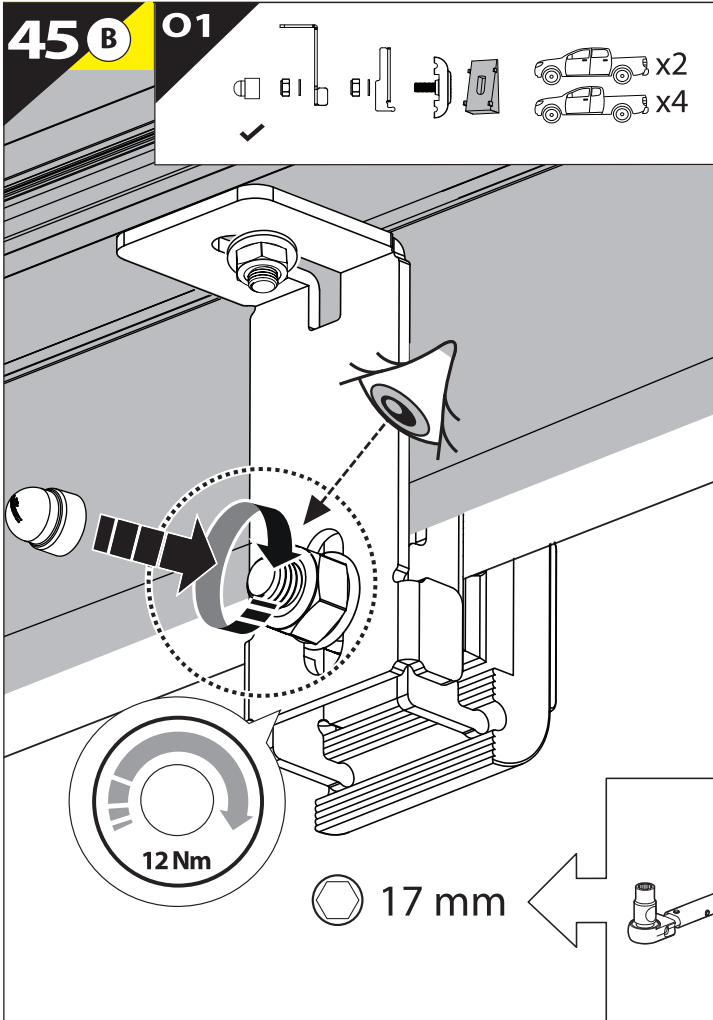


E

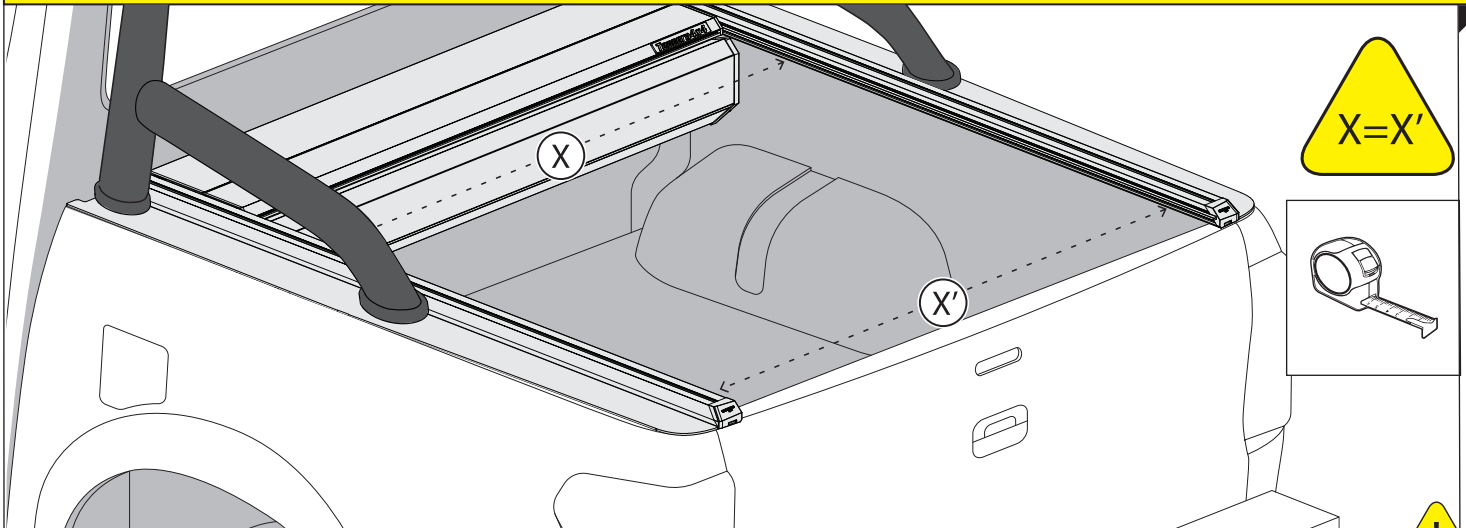


CAUTION

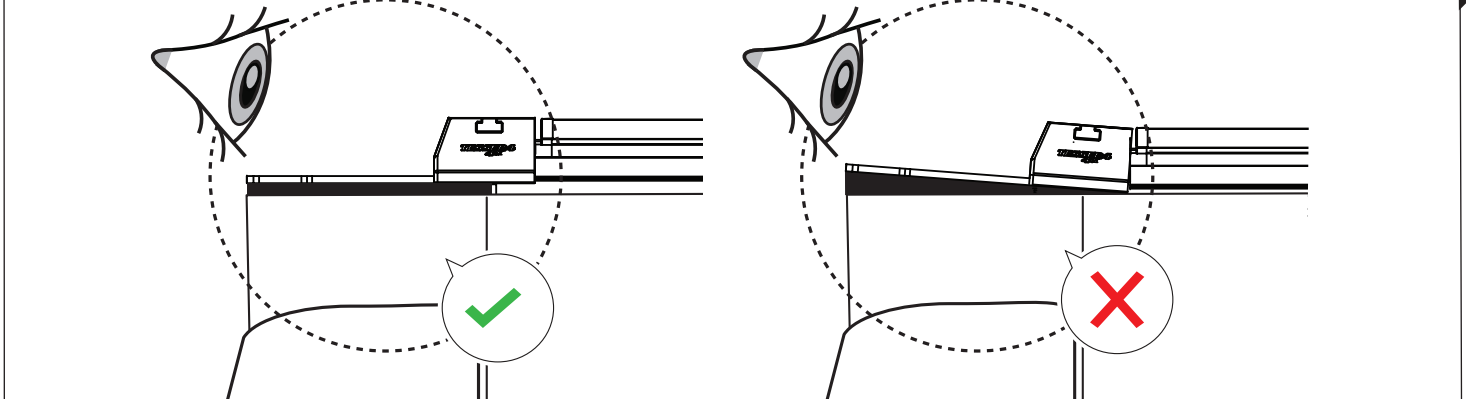




**CAUTION** !



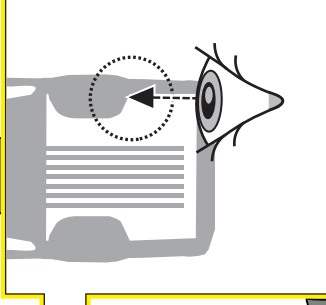
**CAUTION** !



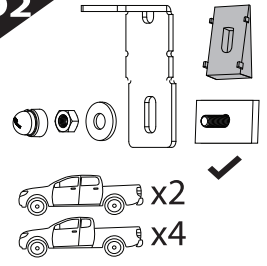
45 A



WITH C - CHANNELS



O2



4x4

O2

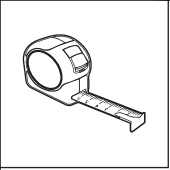
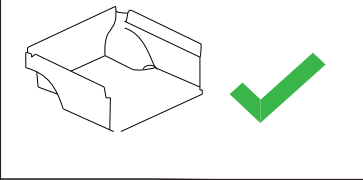
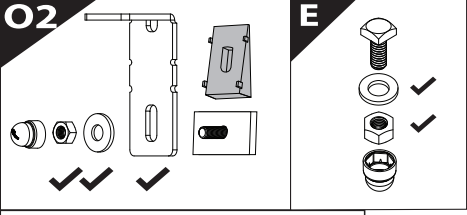


45 B

CAUTION !

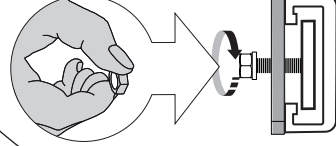
O2

E



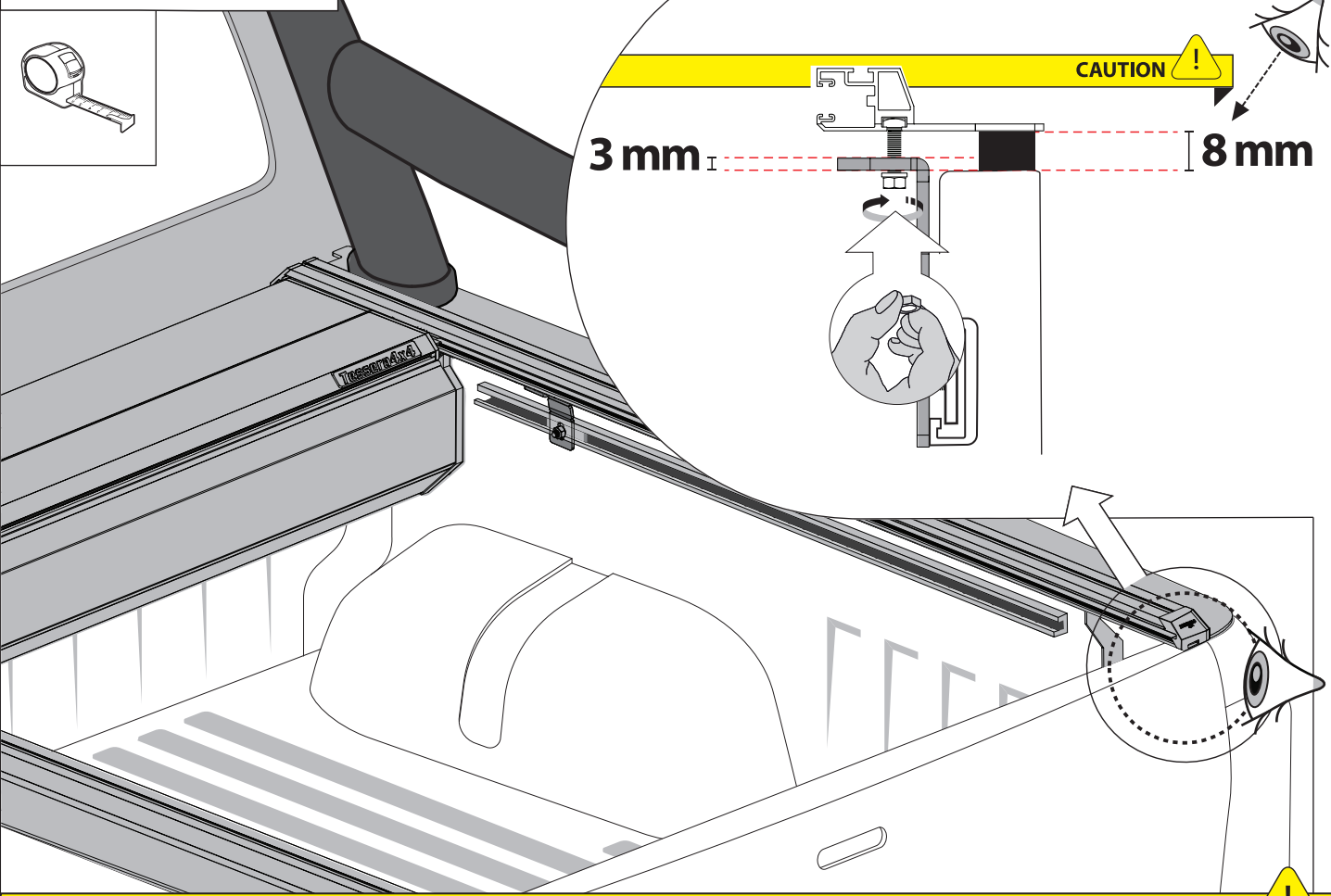
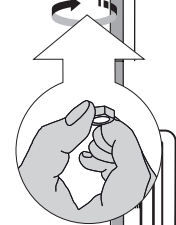
3 mm I

8 mm

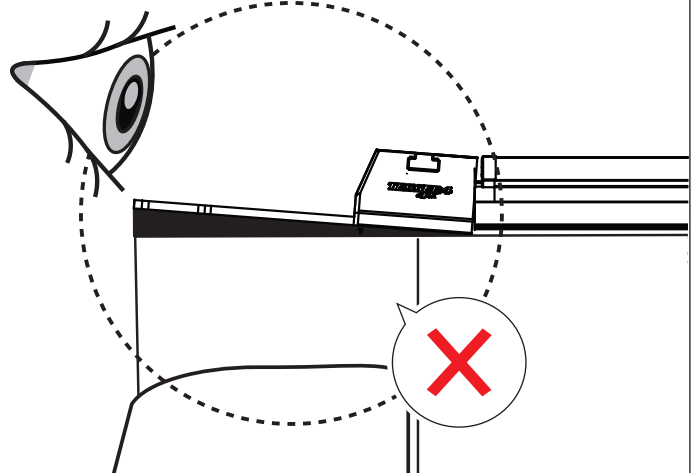
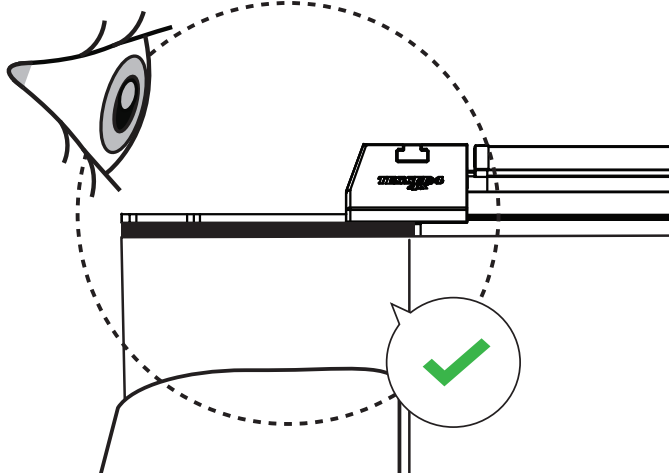


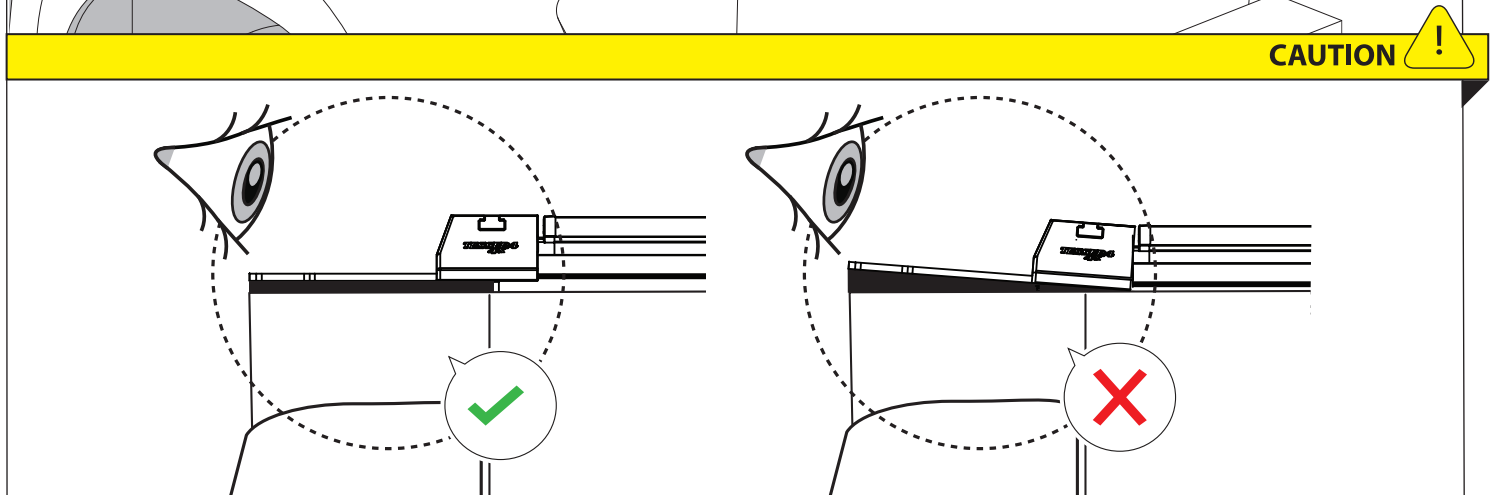
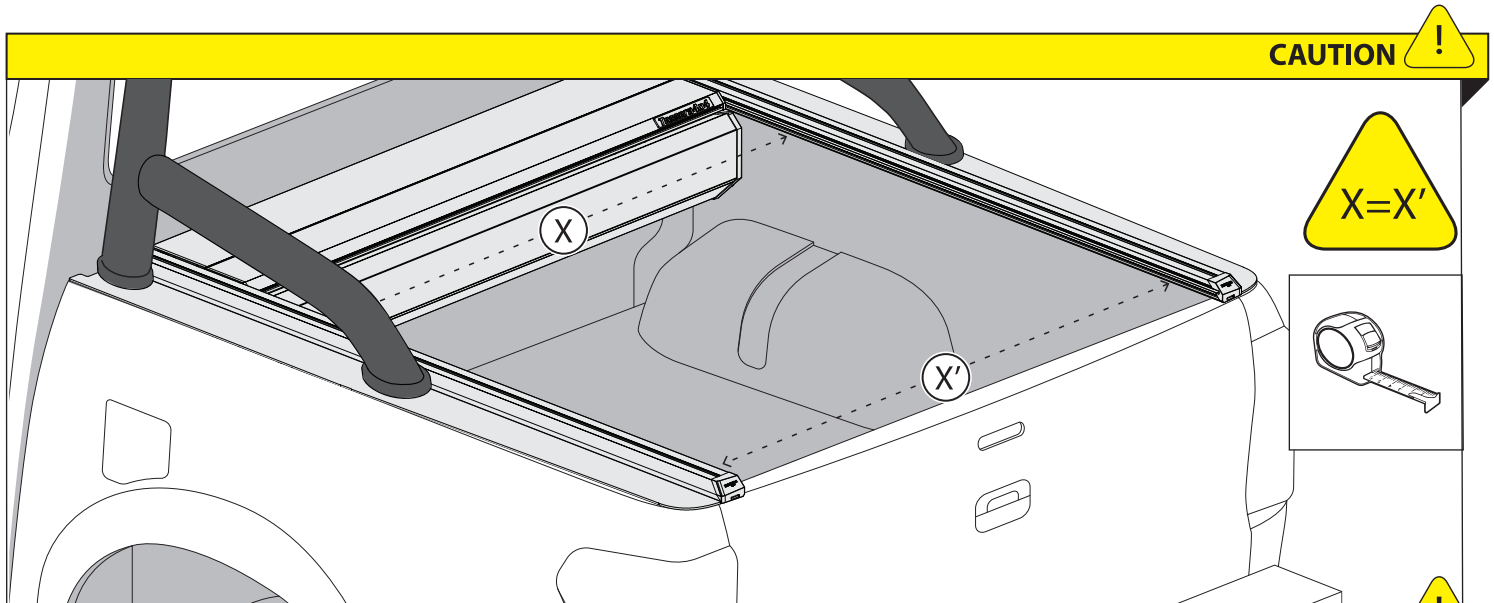
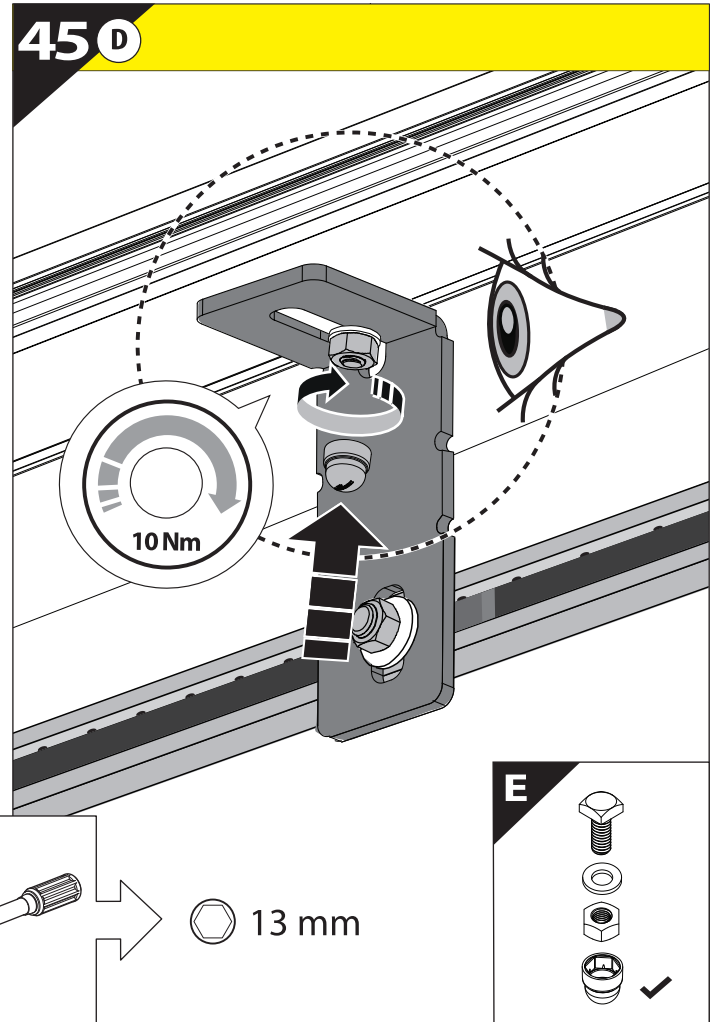
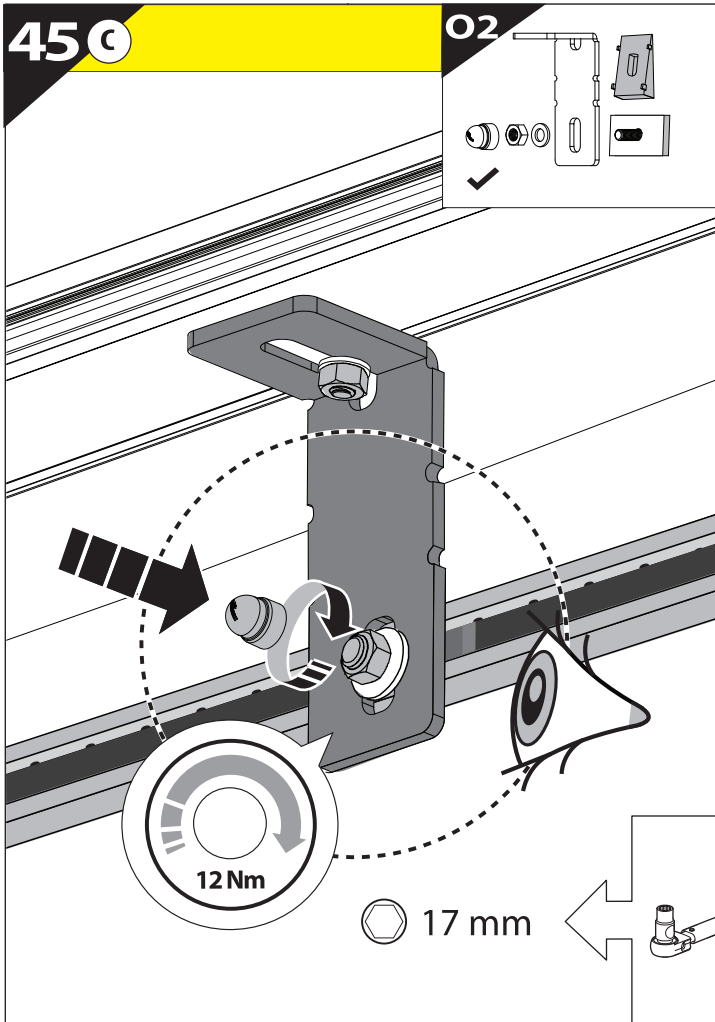
3 mm I

8 mm

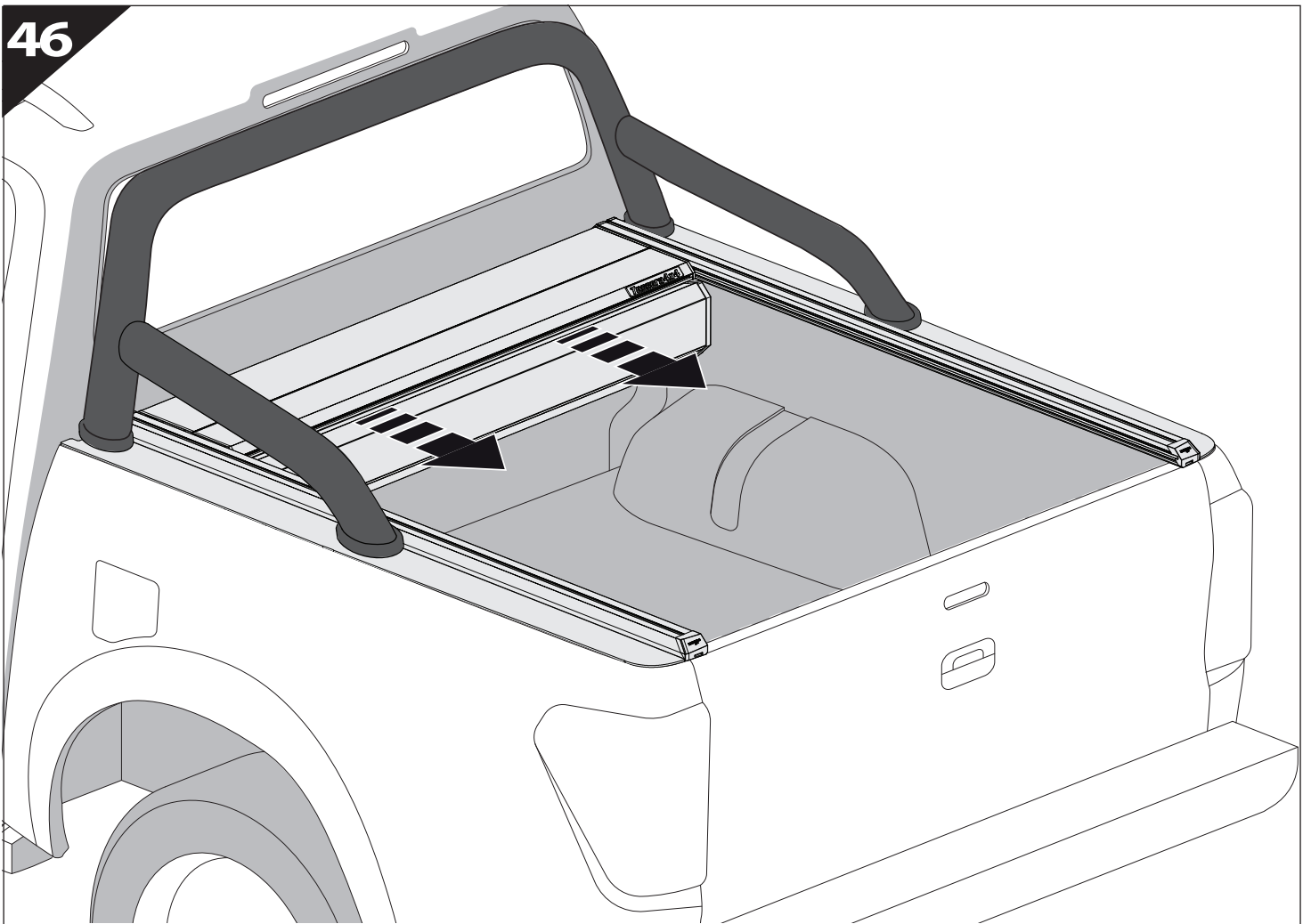


CAUTION !

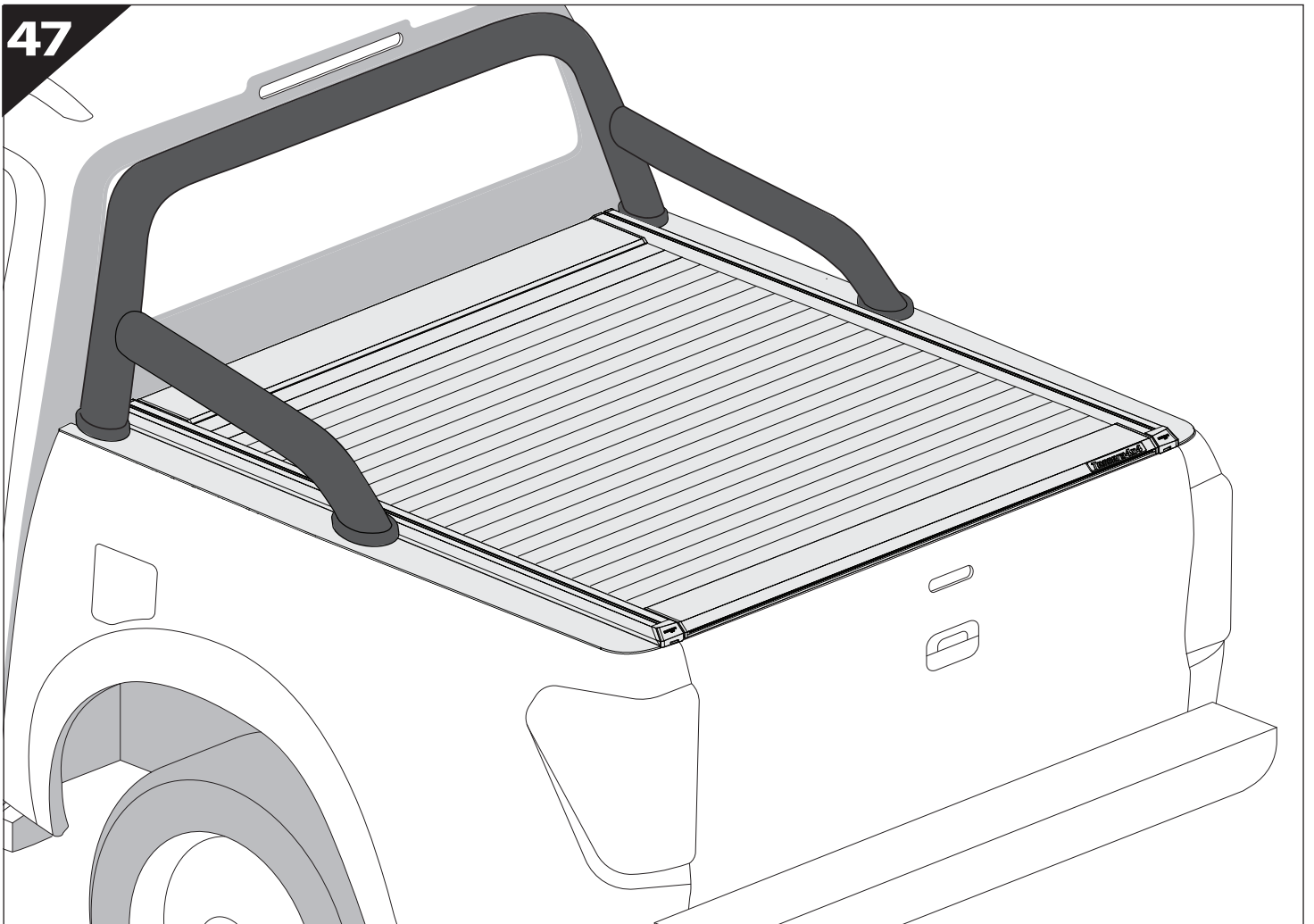




46



47





**GR:** Οδηγίες Εγκατάστασης  
**GB:** Installation manual  
**SF:** Asennusohje  
**F:** Notice de montage  
**PL:** Instrukcja montażu  
**NL:** Installatie-instructies  
**TR:** Montaj Talimatı  
**S:** Monteringsanvisning  
**E:** Instrucciones de montaje

**H:** Szerelési utasítás  
**P:** Instruções de instalação  
**RUS:** Инструкция по установке  
**N:** Monteringsveiledning  
**D:** Einbauanleitung  
**CZ:** Návod k instalaci  
**I:** Istruzioni de montaggio  
**DK:** Monteringsvejledning  
**RO:** Instructiuni de instalare

Customer Service:

+30 (210) 5541161, +30 (210) 5541154 (08:00 - 16:00 EET)

Support department:

[info@gianso.gr](mailto:info@gianso.gr)

Website:

[www.tessera4x4.com](http://www.tessera4x4.com)

Address:

19.5 km of National road Athens-Korinthos (Elefsina) Greece, P.C: 19200