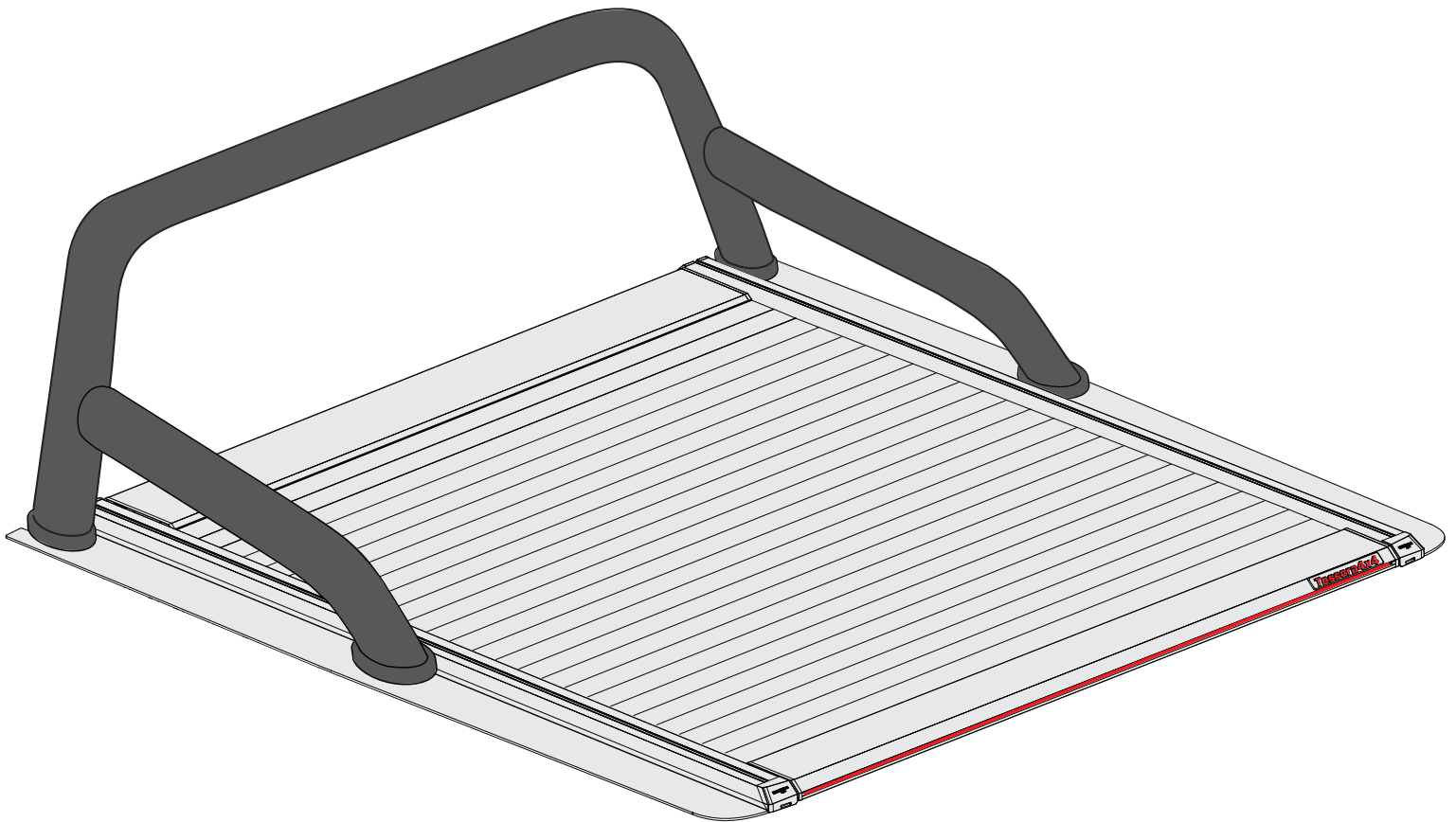


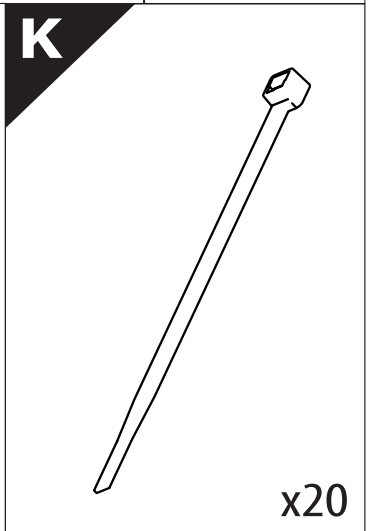
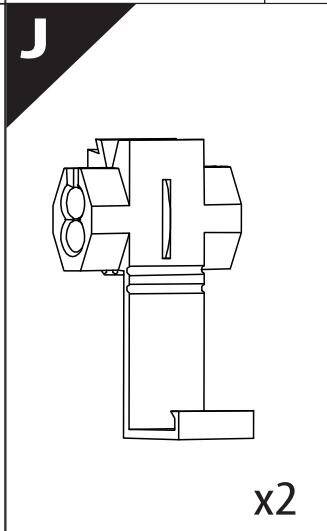
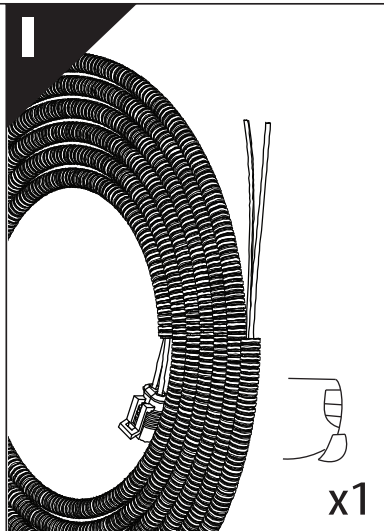
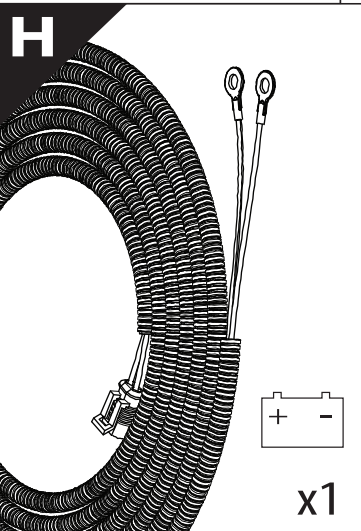
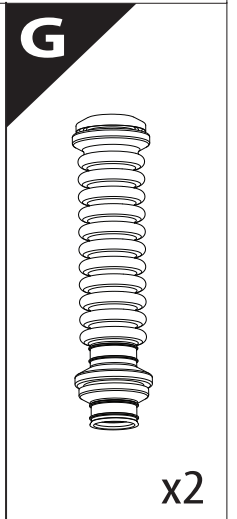
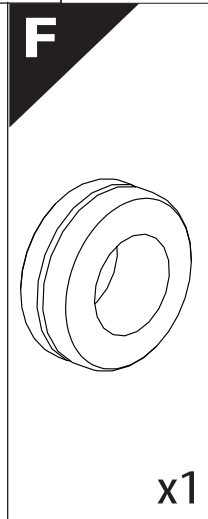
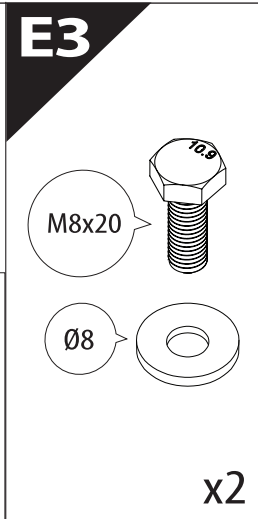
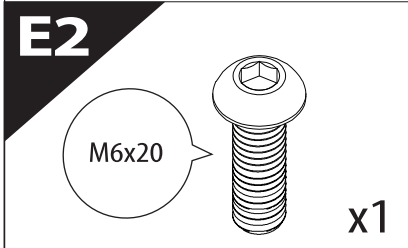
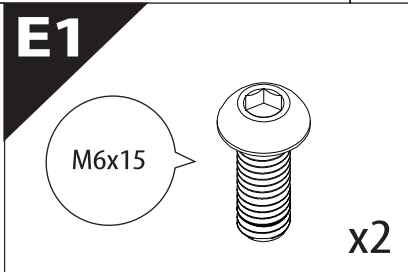
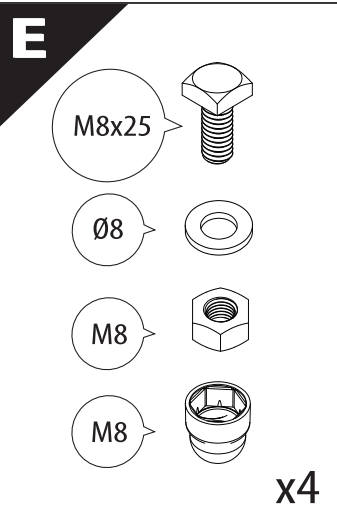
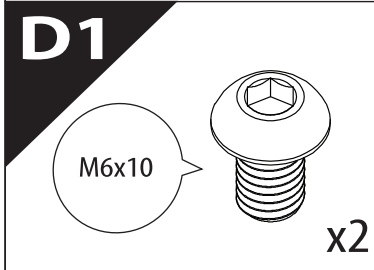
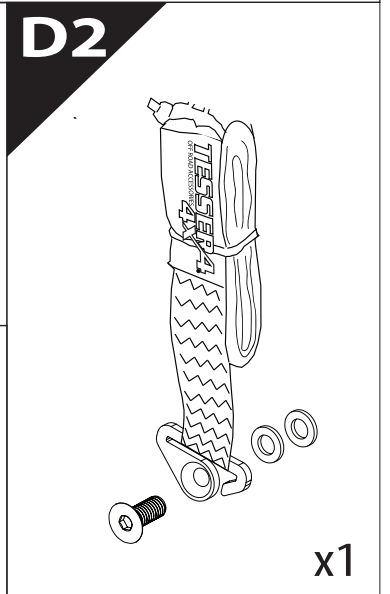
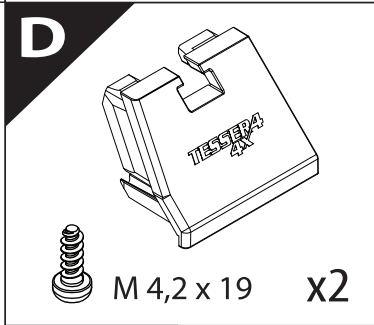
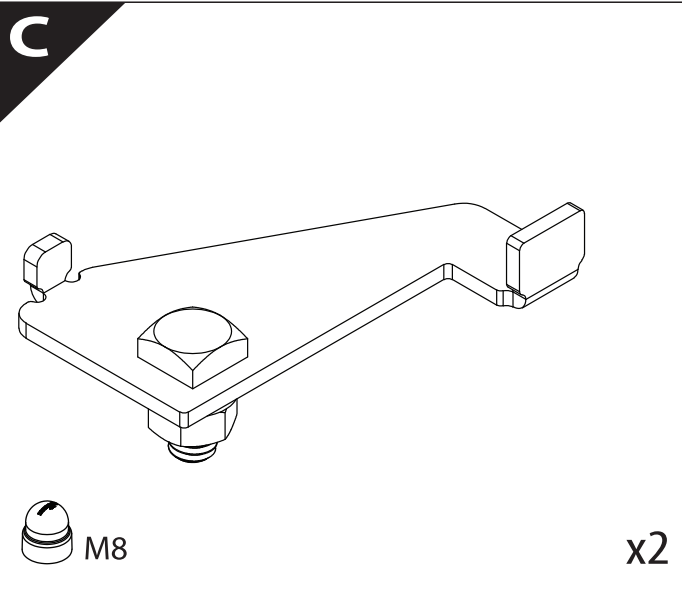
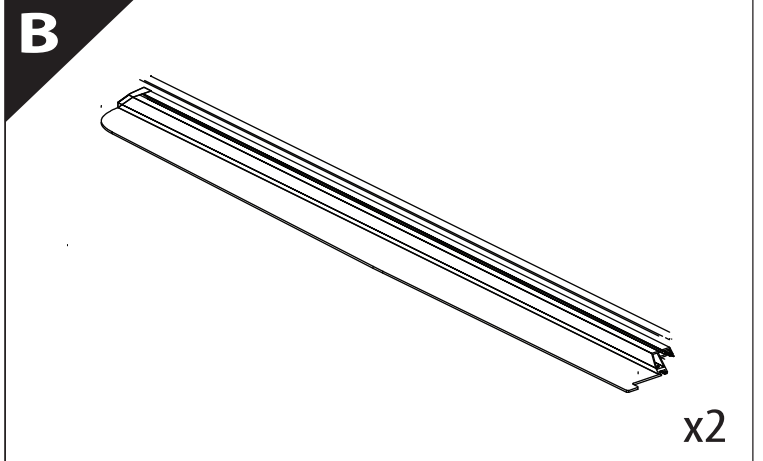
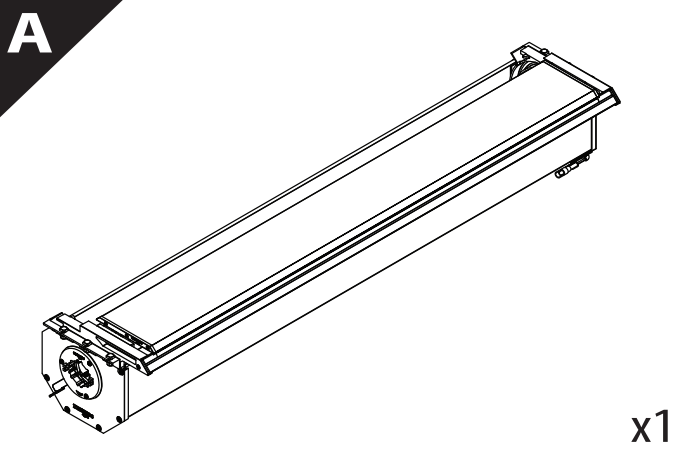
# Tessera Roll+

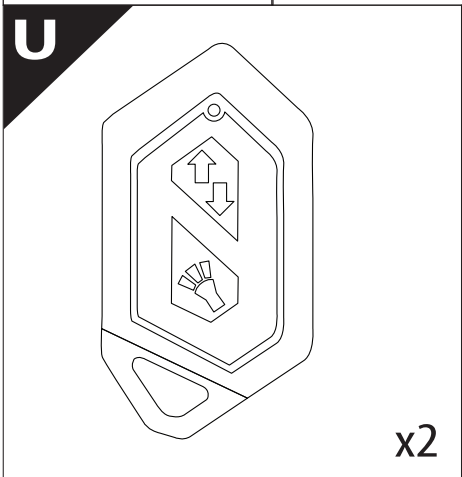
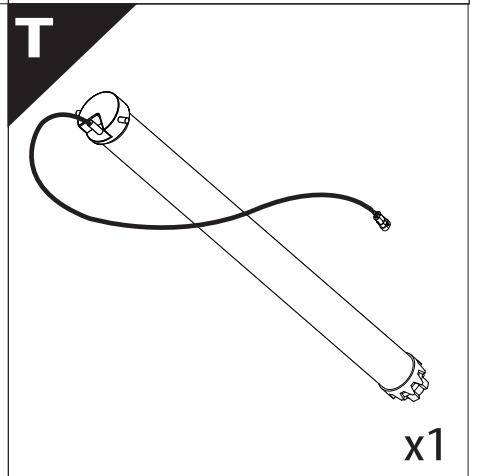
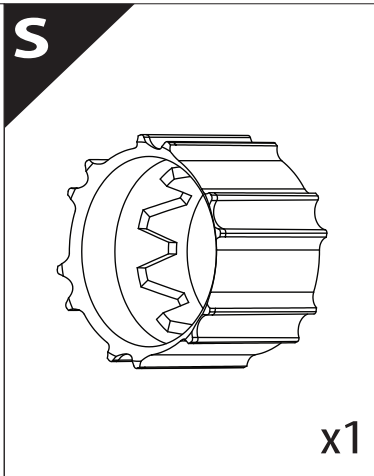
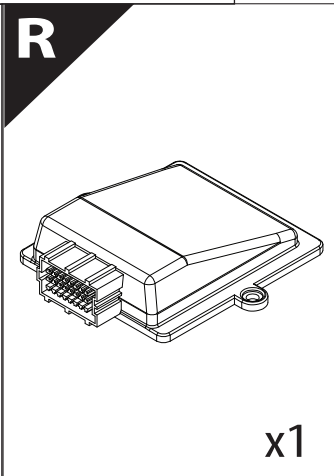
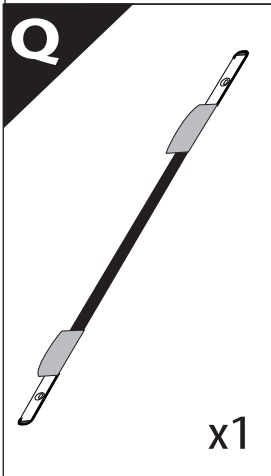
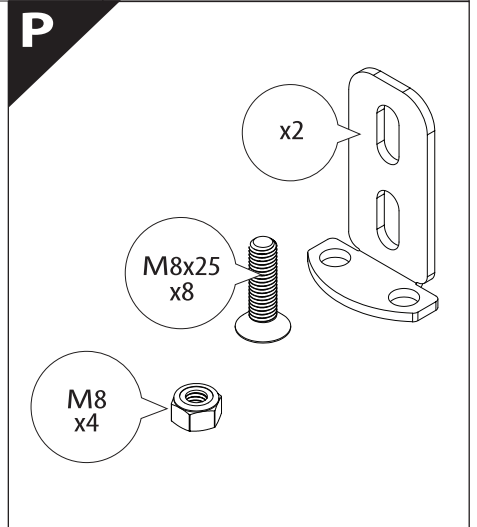
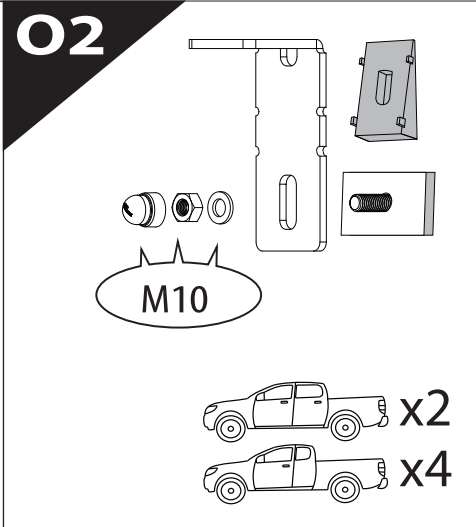
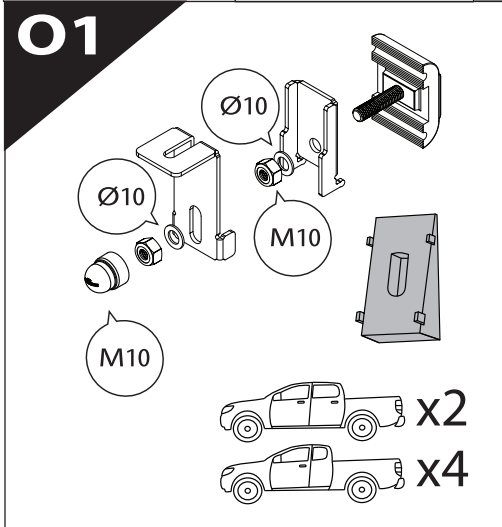
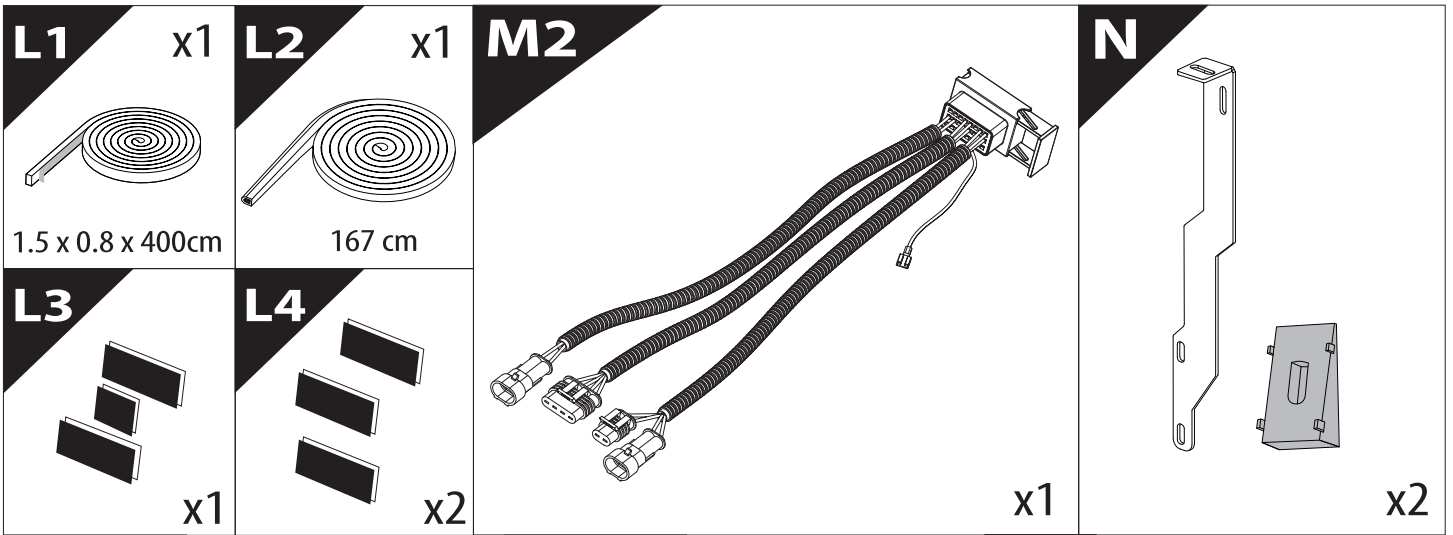
## Basic Version + ⚡ E-KIT

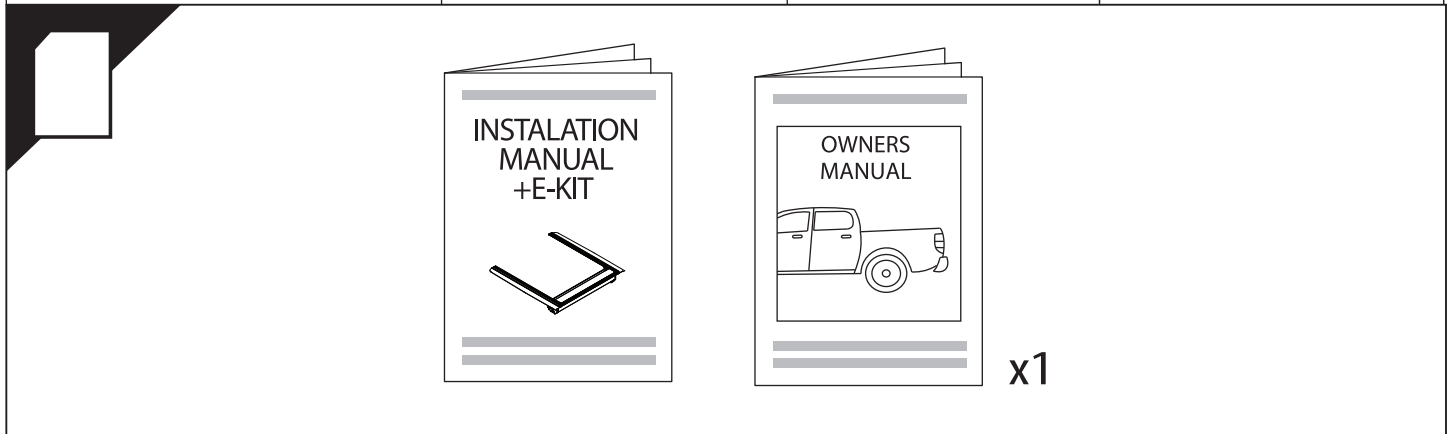
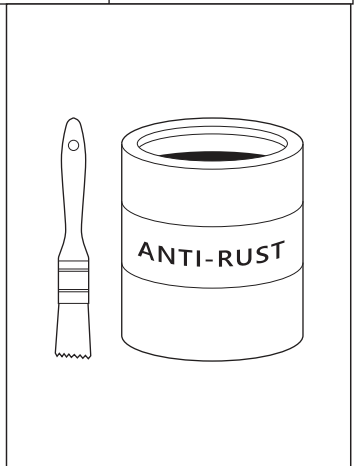
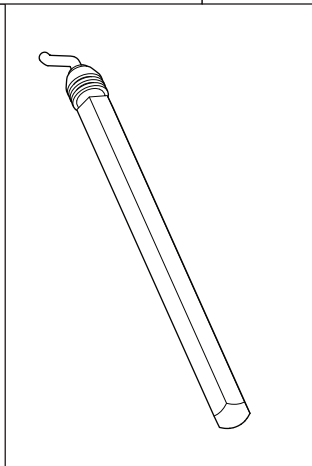
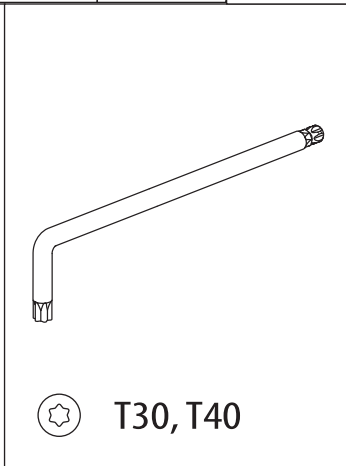
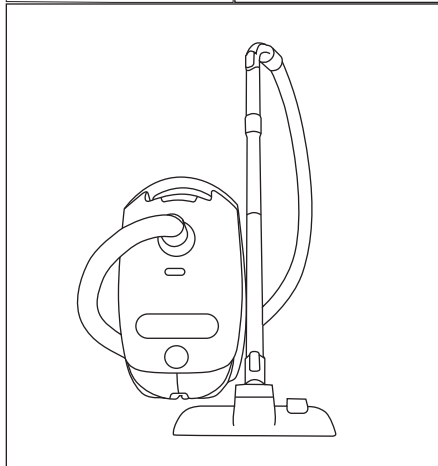
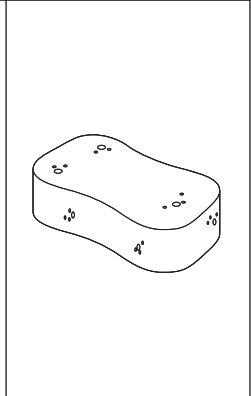
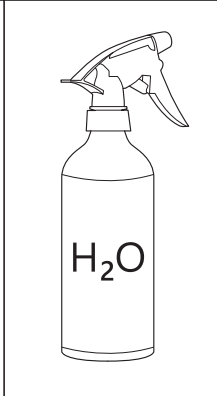
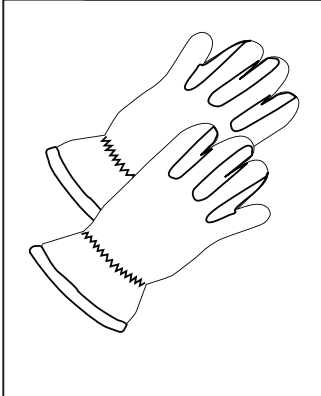
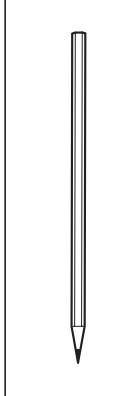
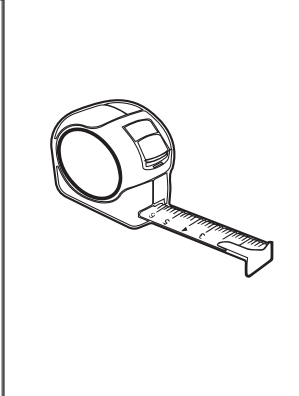
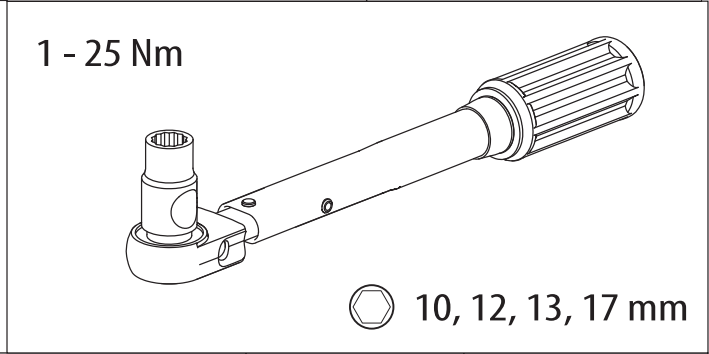
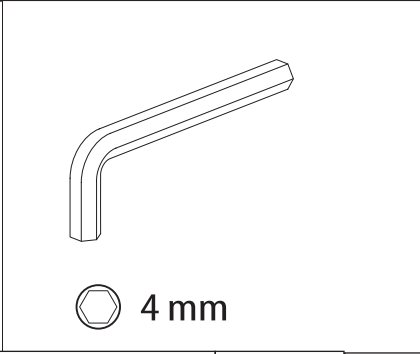
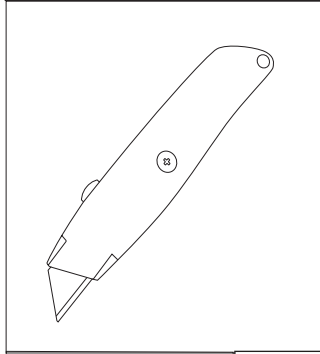
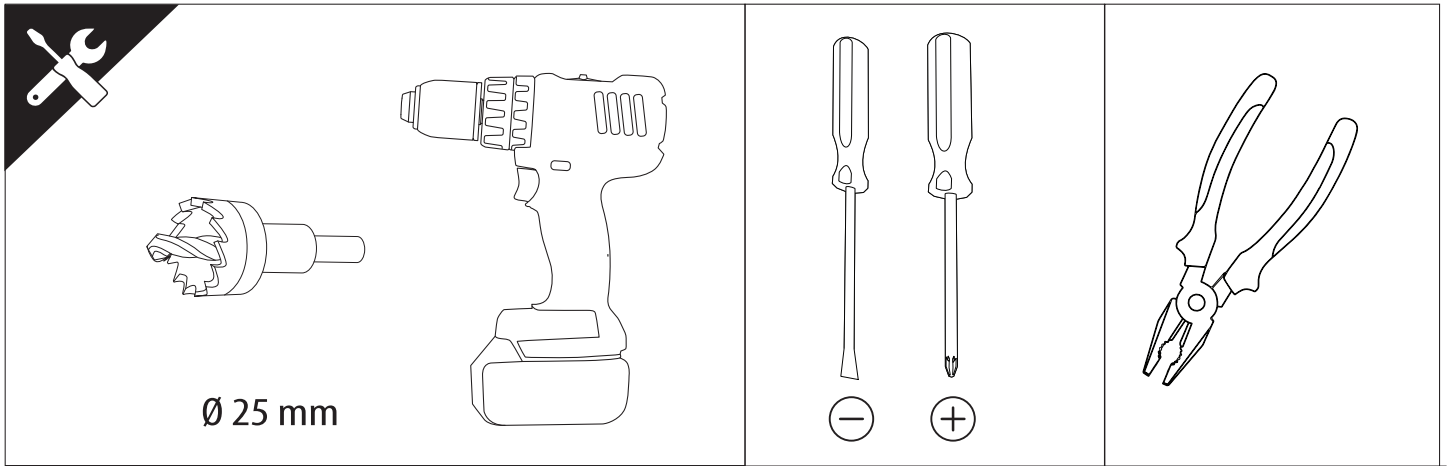


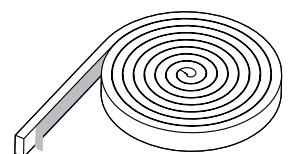
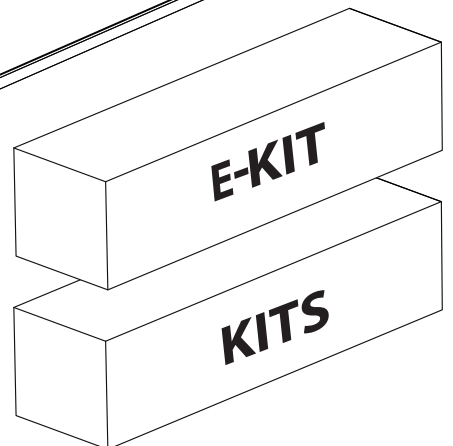
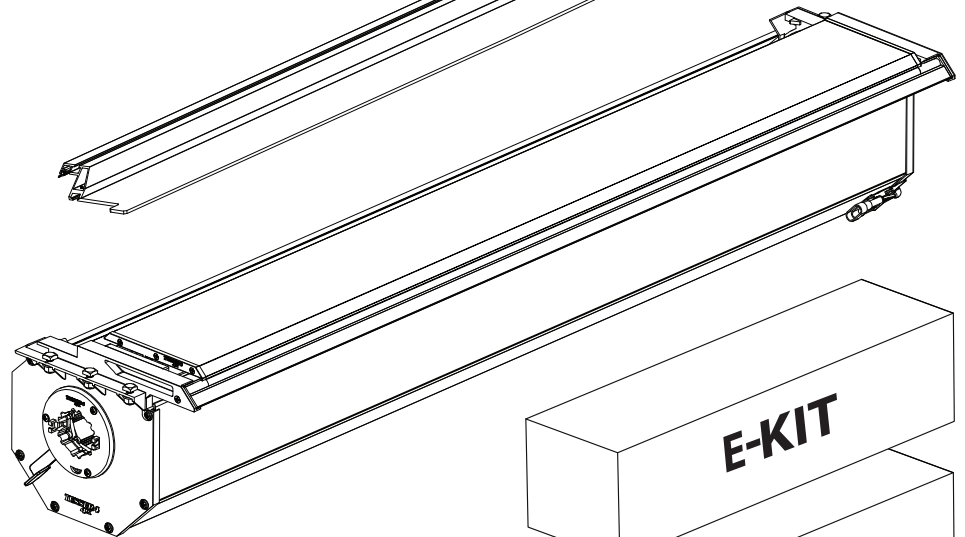
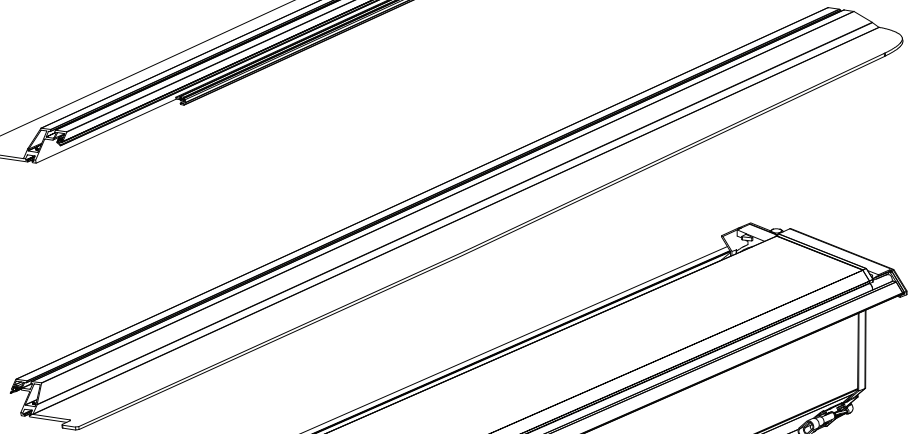
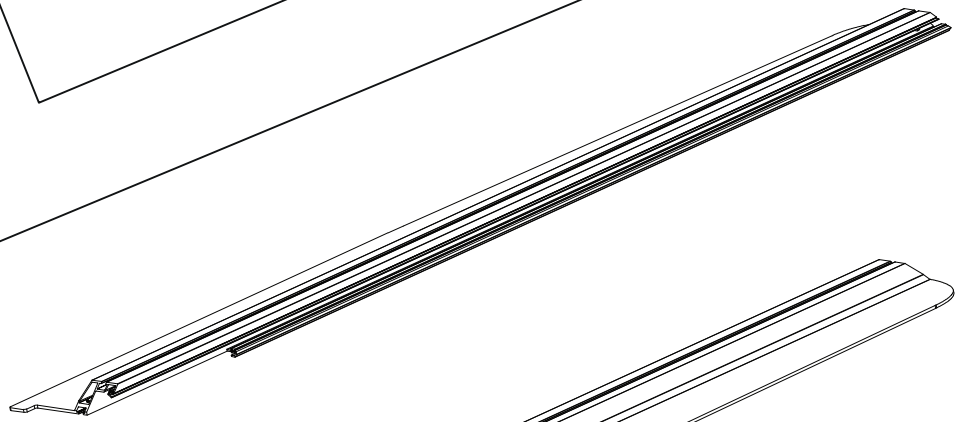
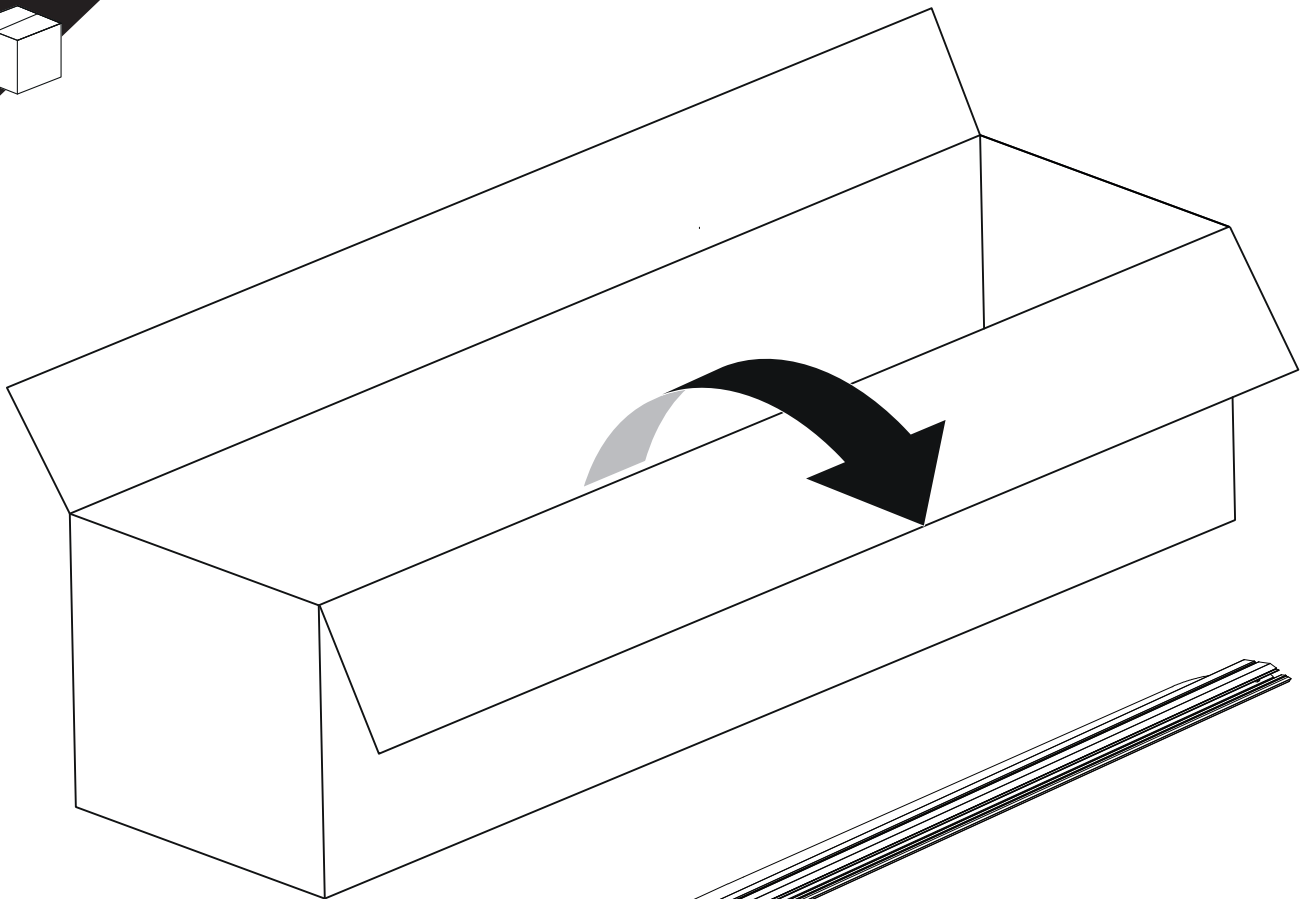
## Installation Manual

PART NUMBER(S)	Model Year
TESS 14060 ROLL+ ADAPT 008 +E-KIT	FORD RANGER 2023+ SPORT WITH OEM ROLLBAR WITH OR WITHOUT C-CHANNELS
TESS 14070 ROLL+ ADAPT 008 +E-KIT	
Cab(s)	Installation Time / Weight
Double Cab & Space Cab	40-60 minutes / 53-57 kg







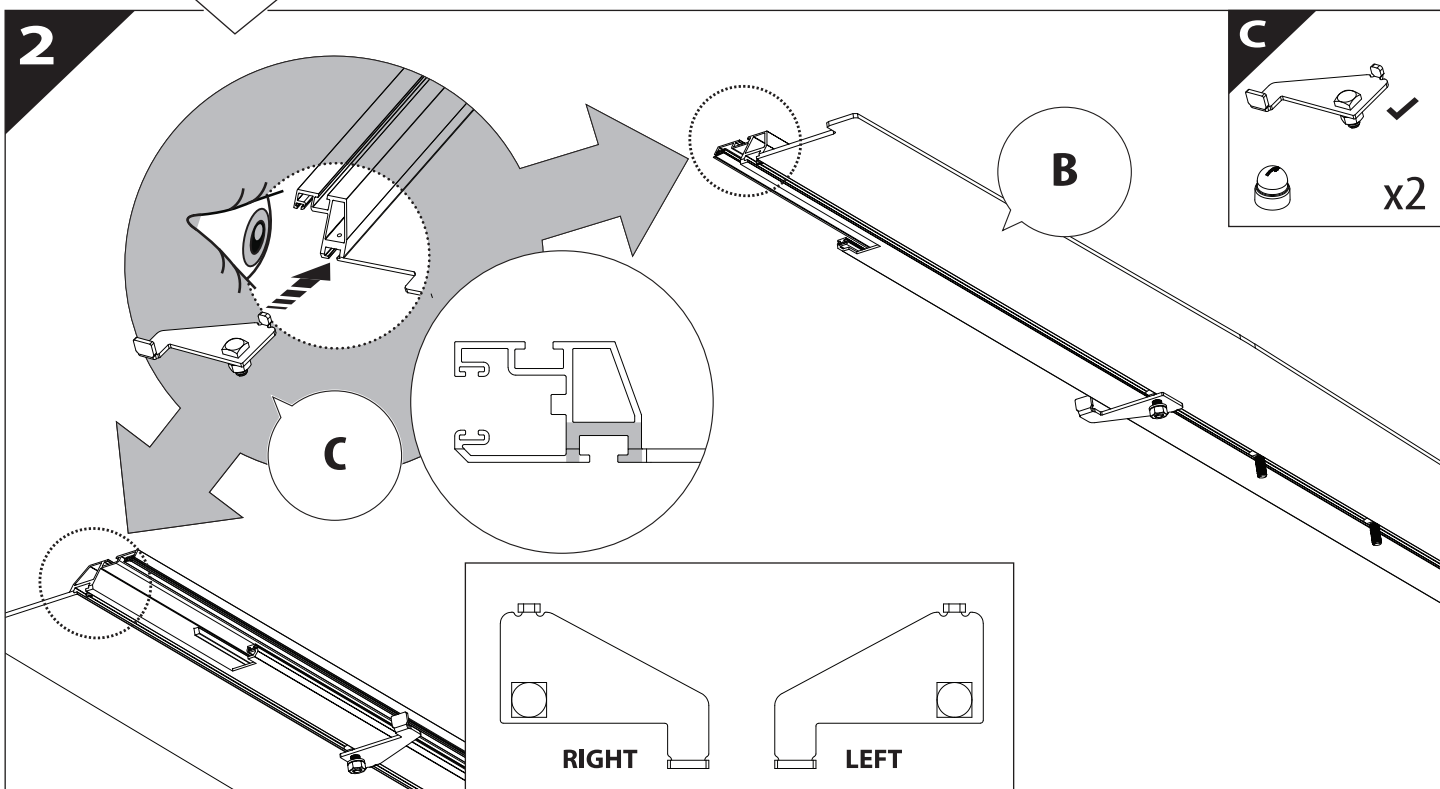
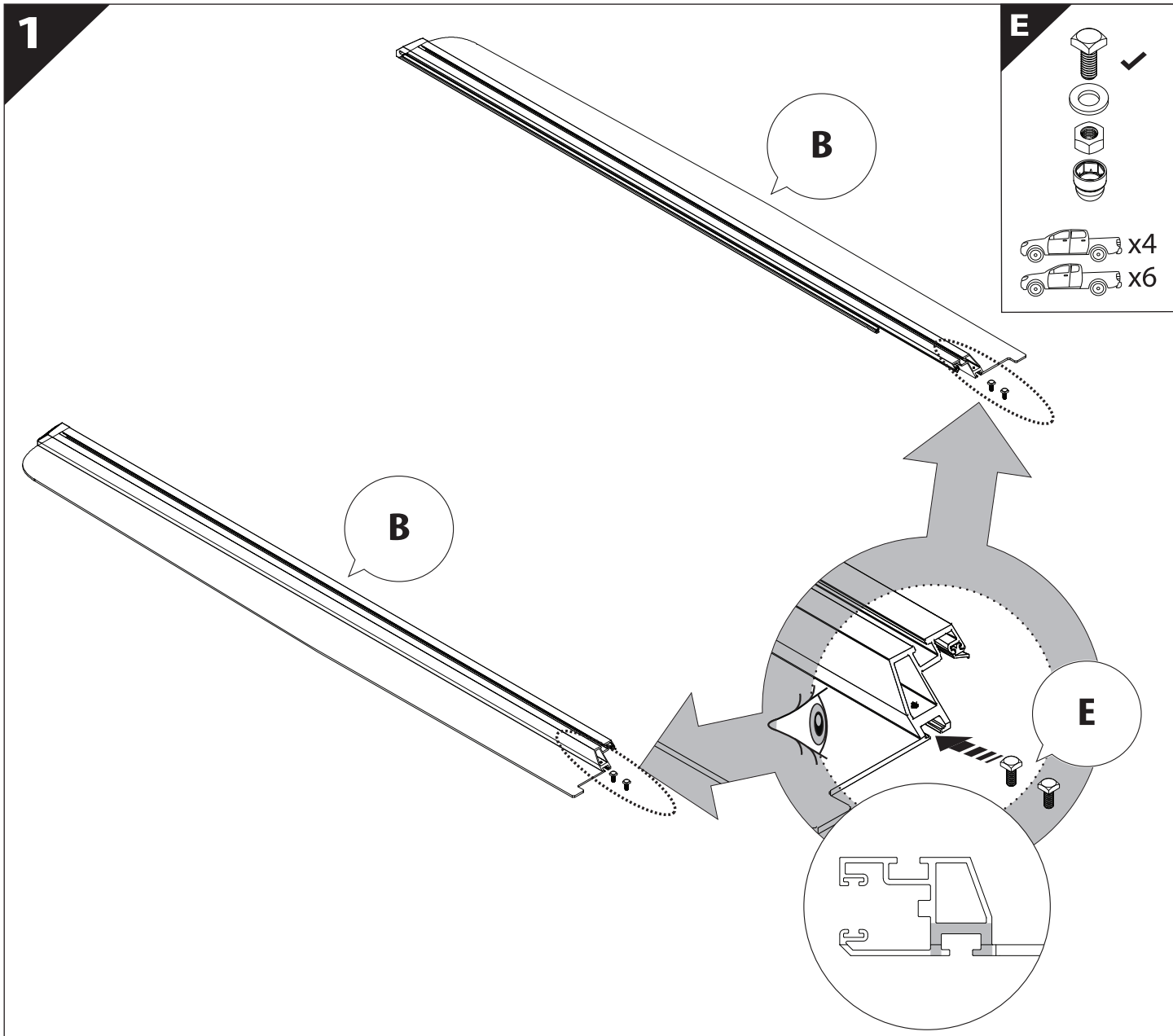


**B**

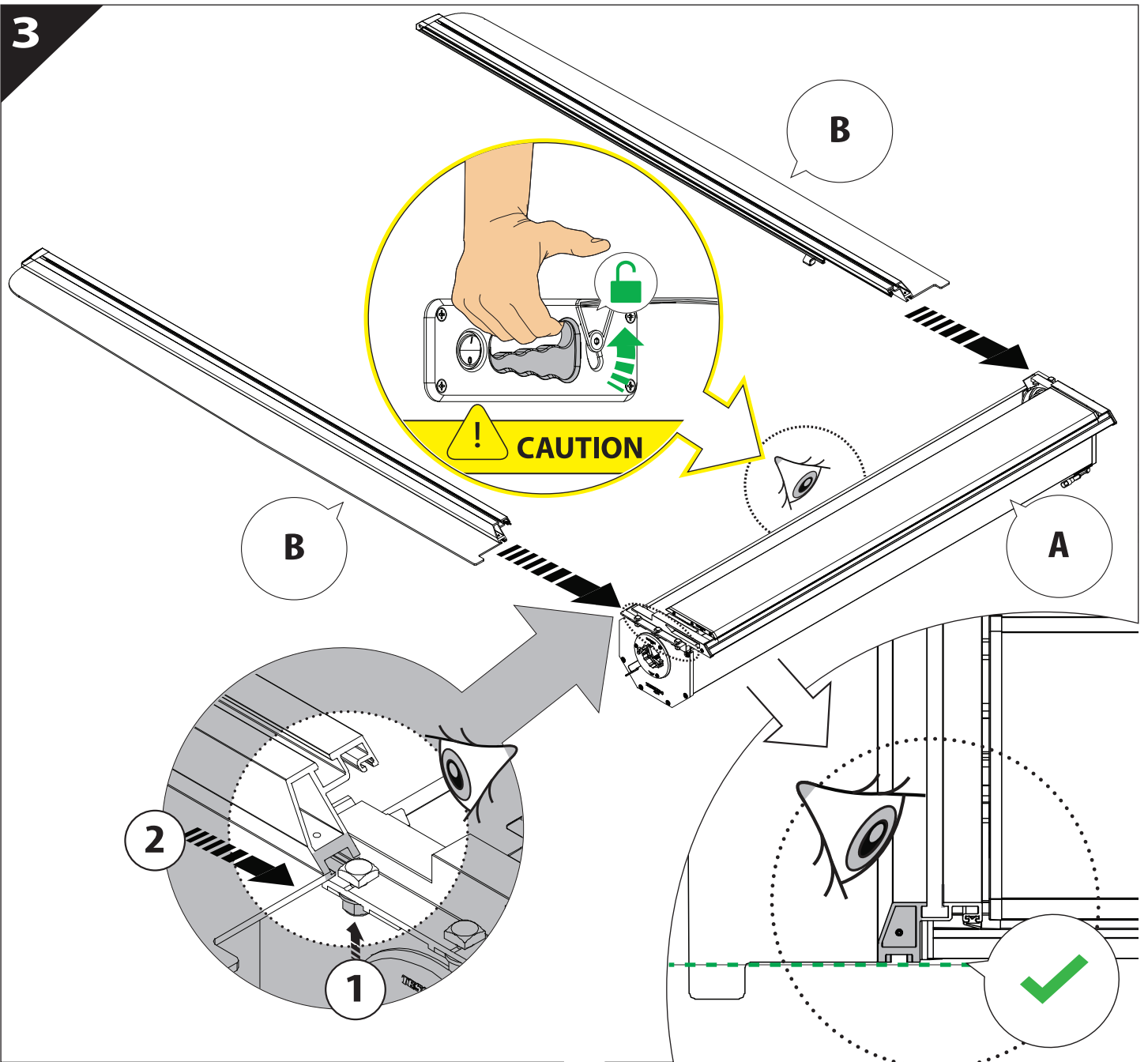
**A**

**KITS**

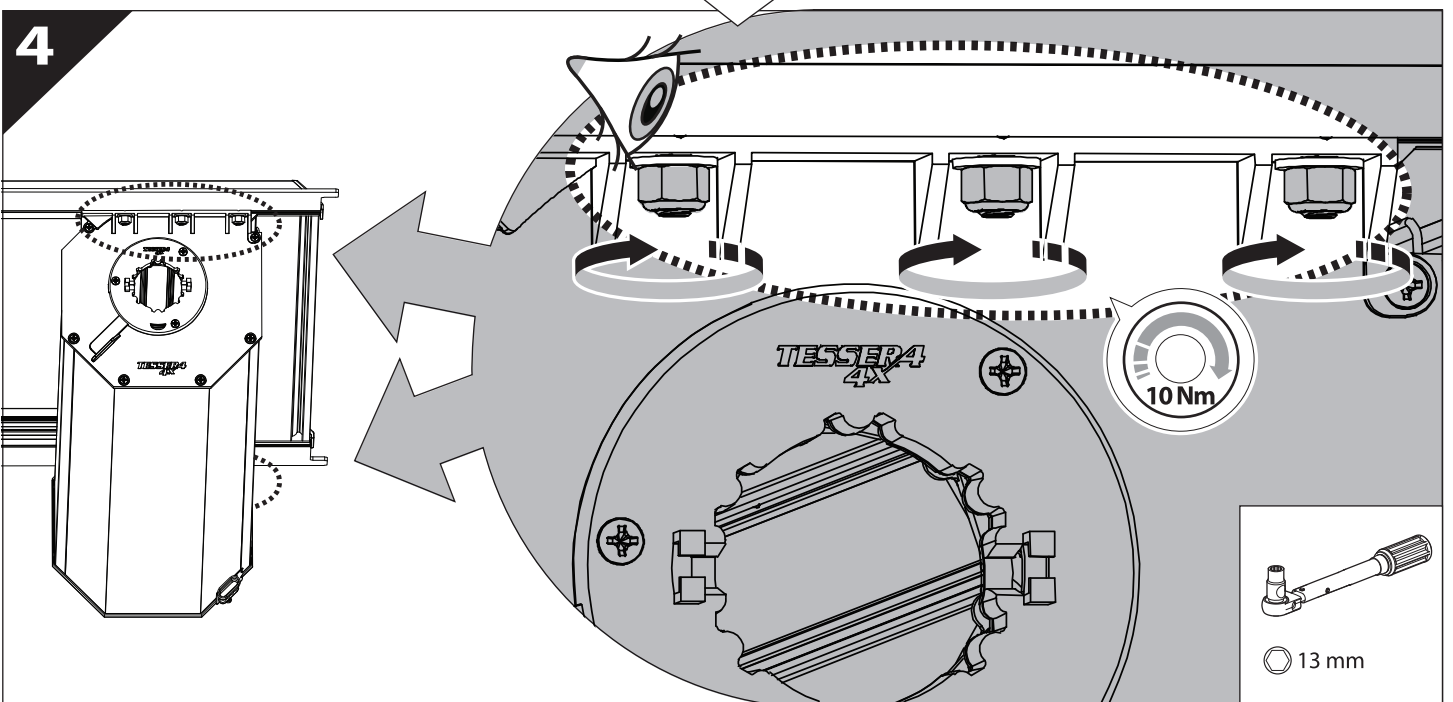
**L**

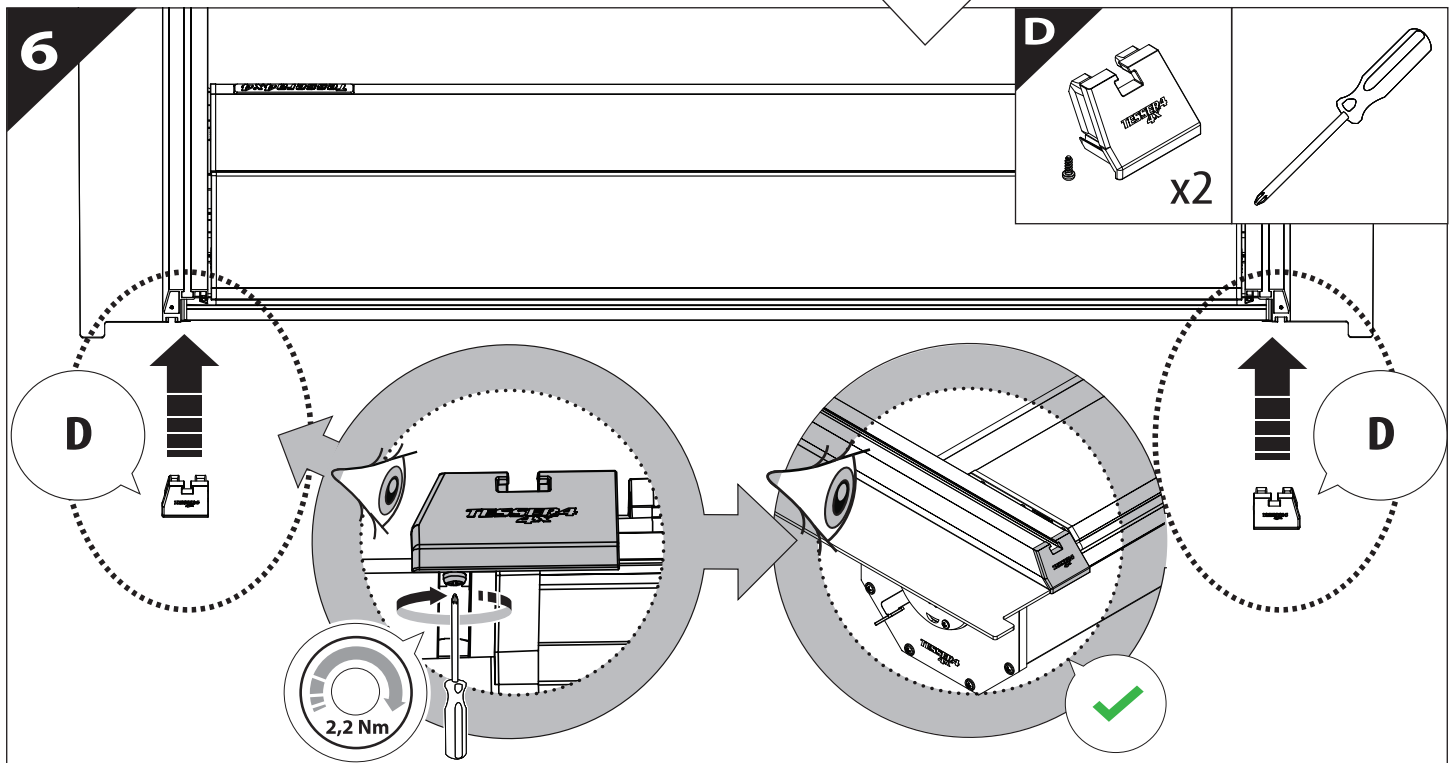
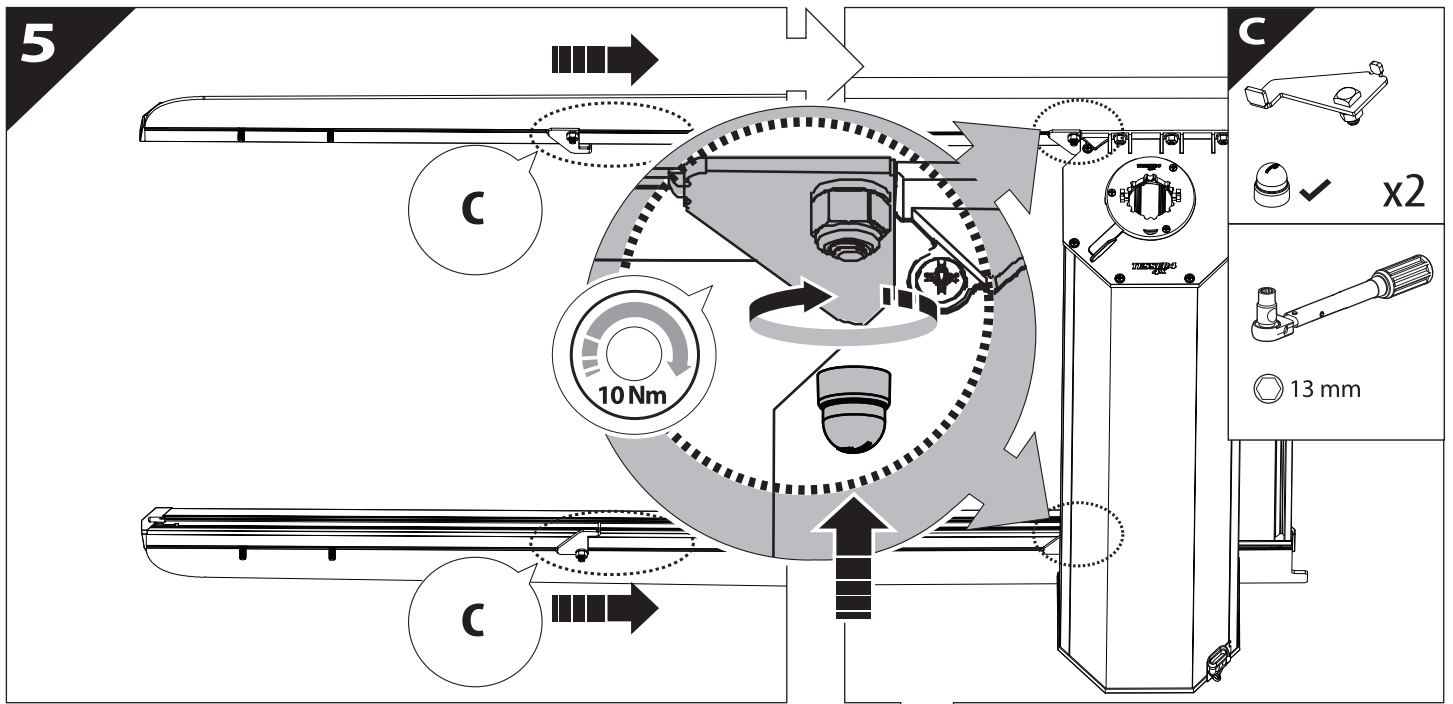


3

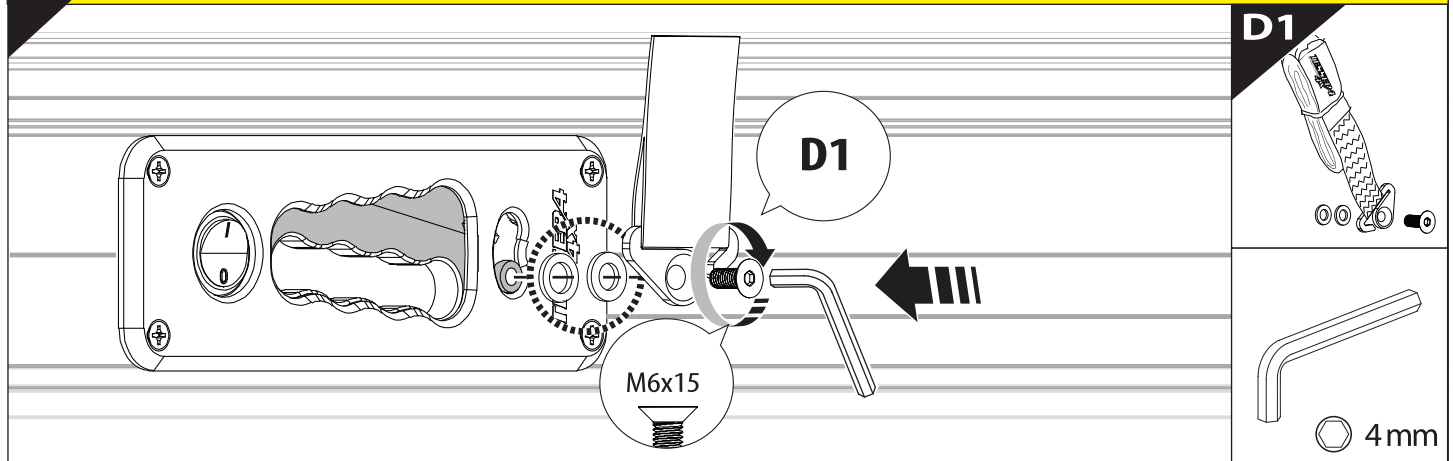


4



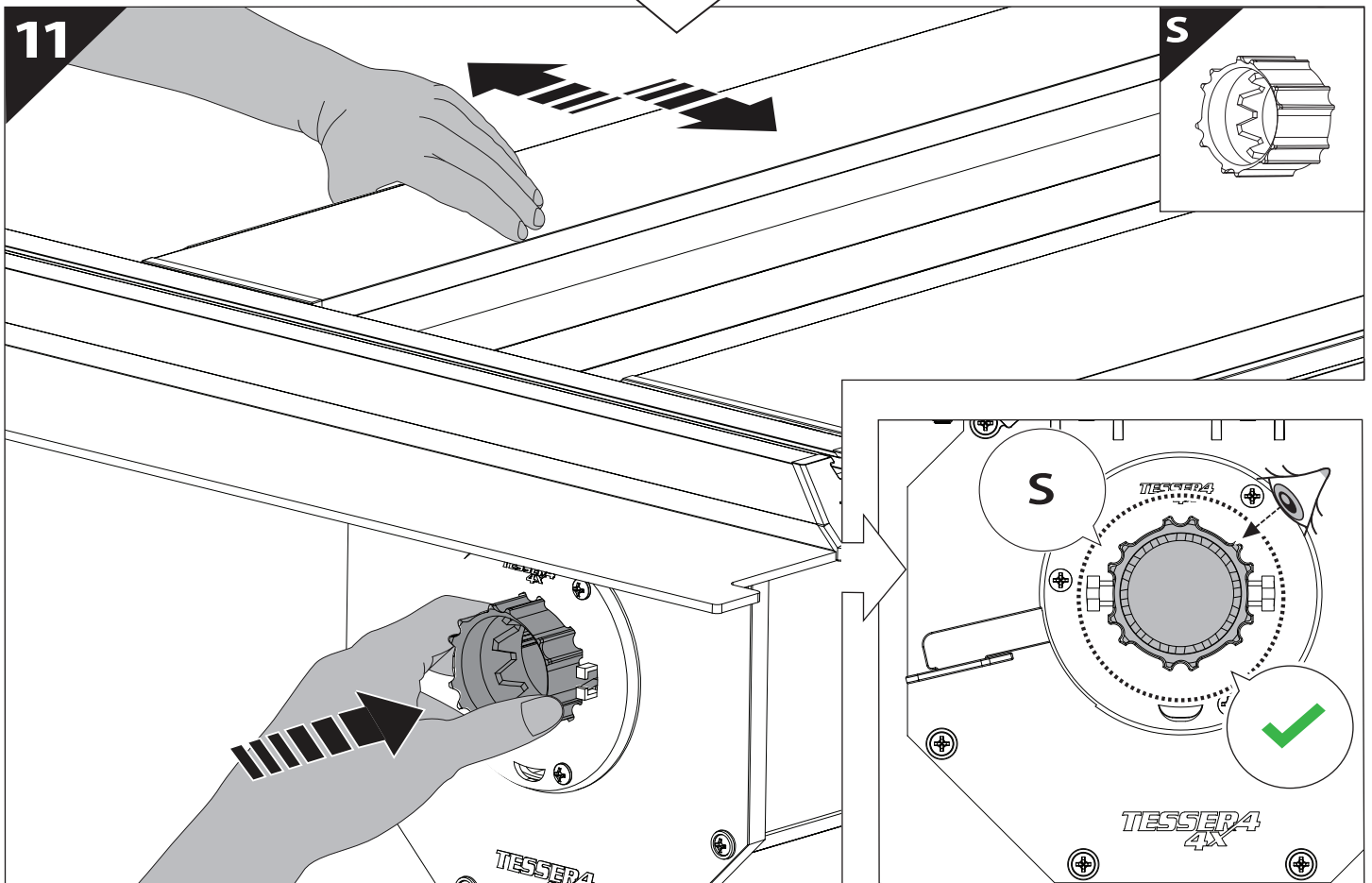
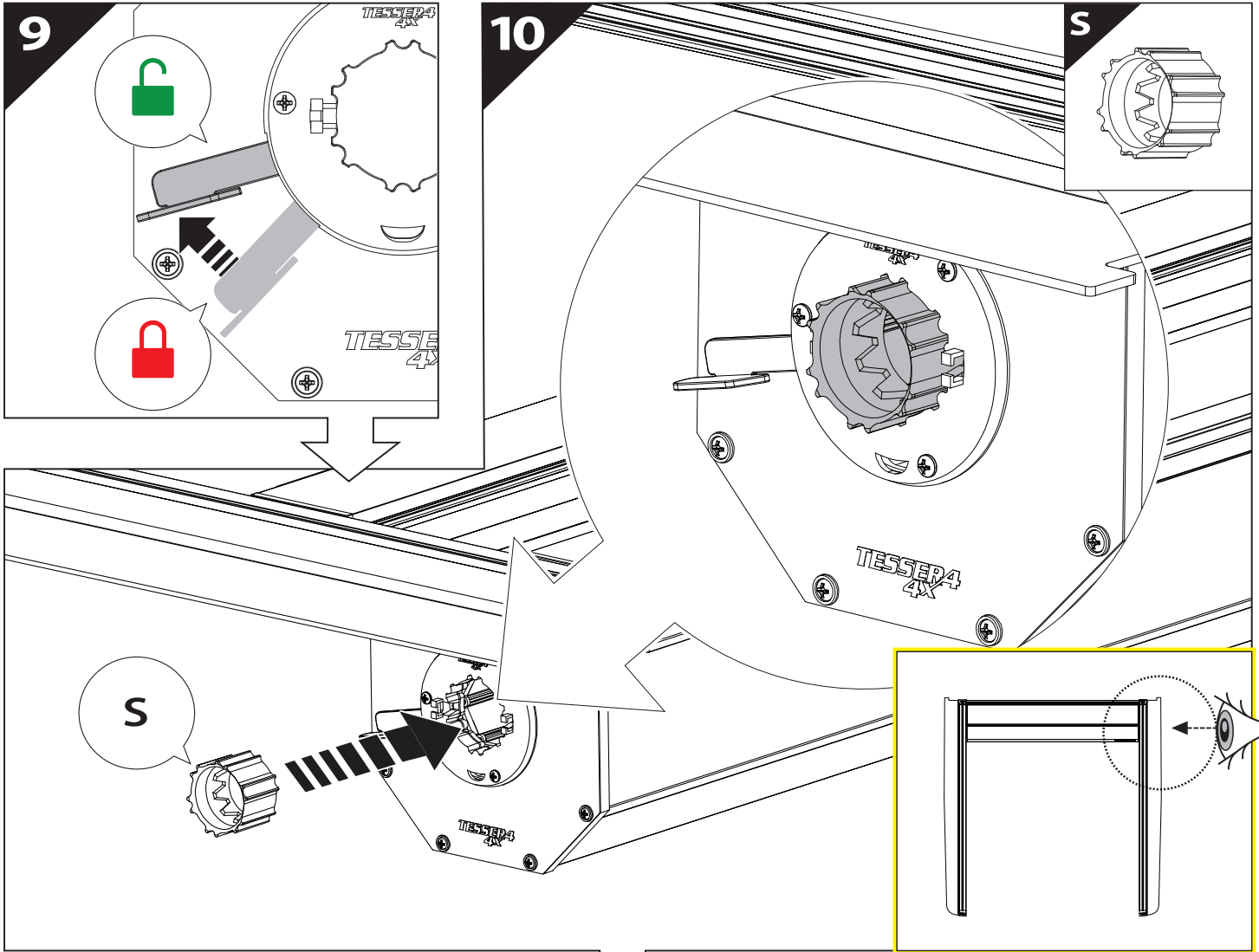


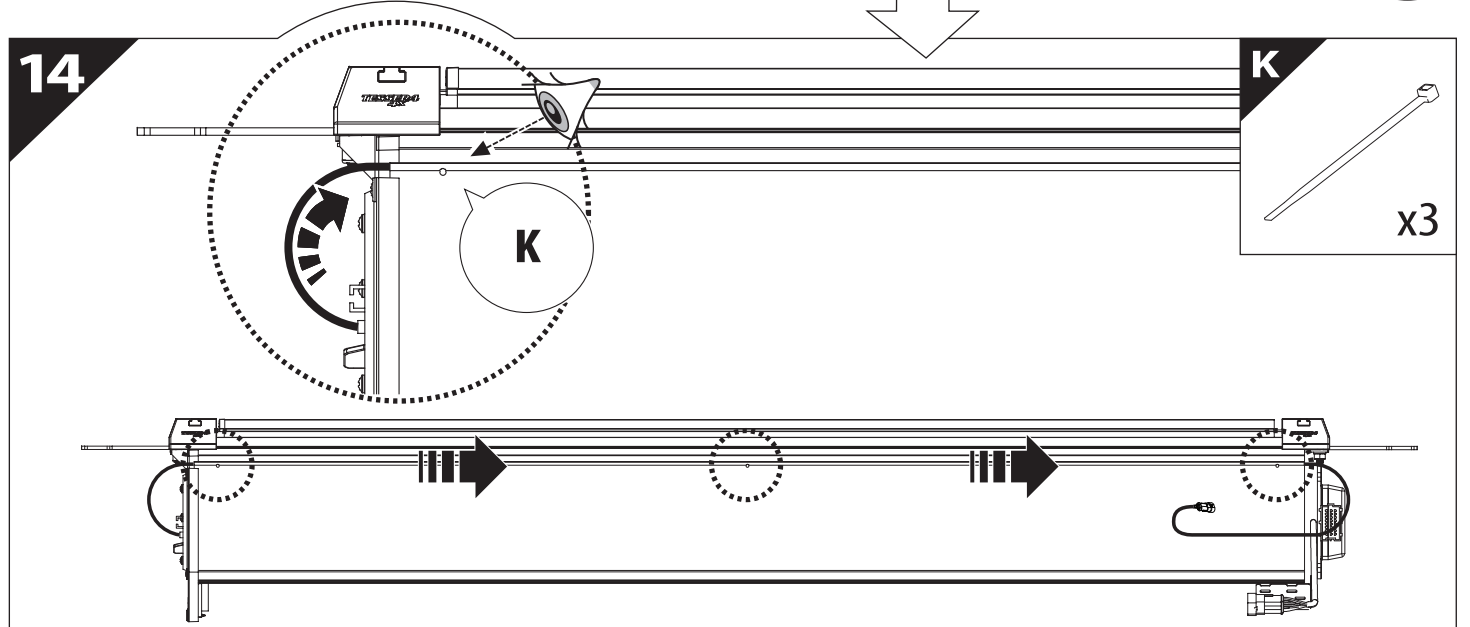
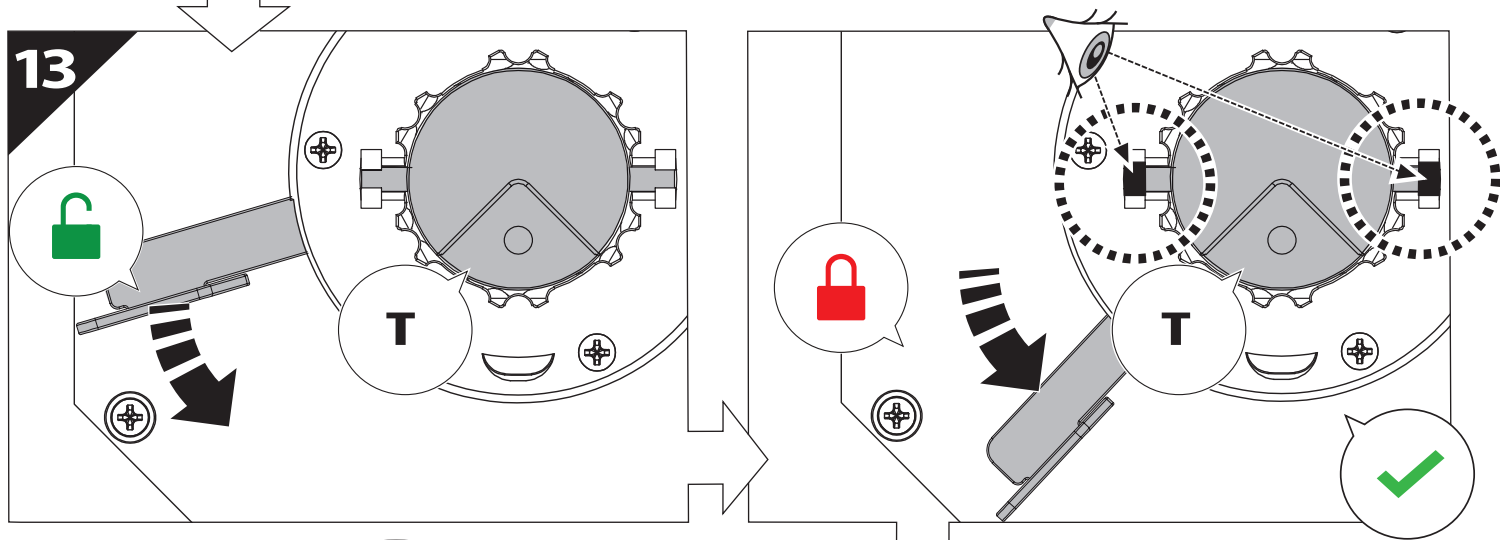
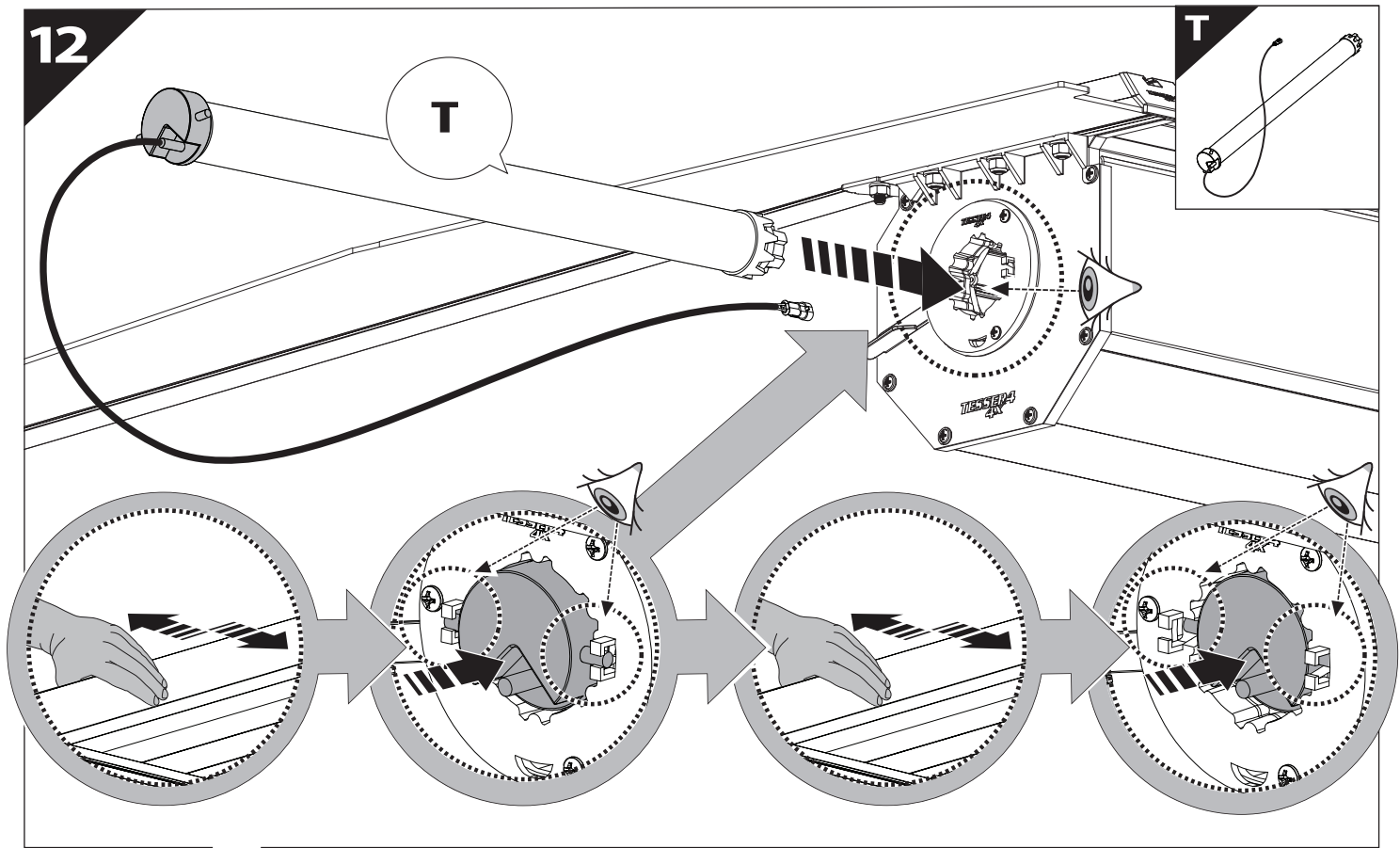
**6.1** **CAUTION** Basic Version ✓ & Basic+S-KIT Version ✓



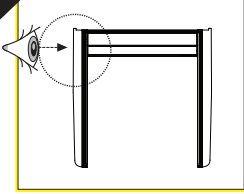




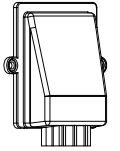




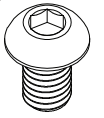
15



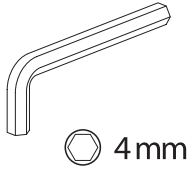
R



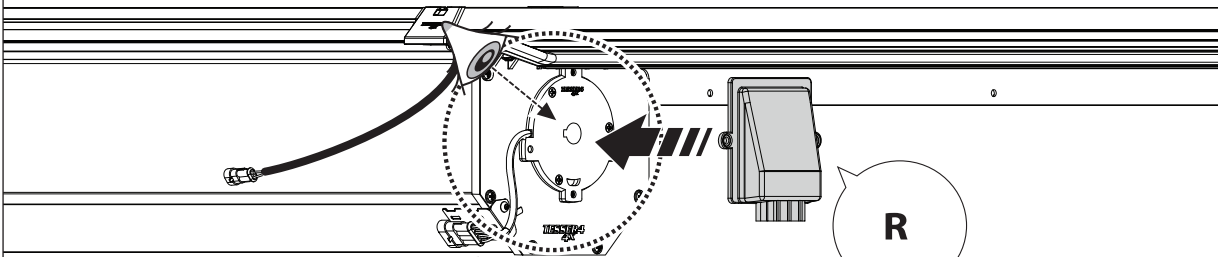
D1



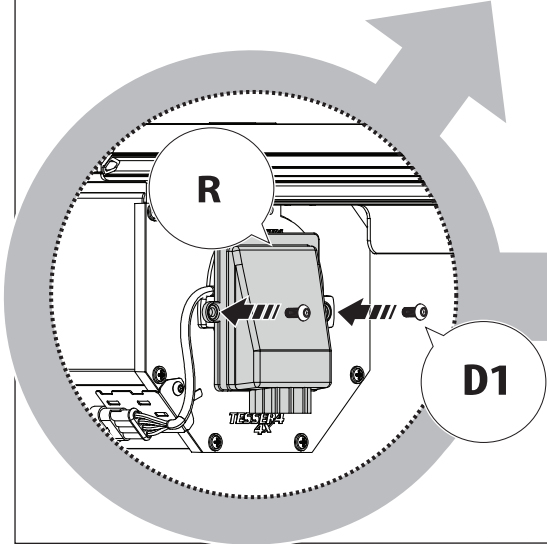
x2



4mm

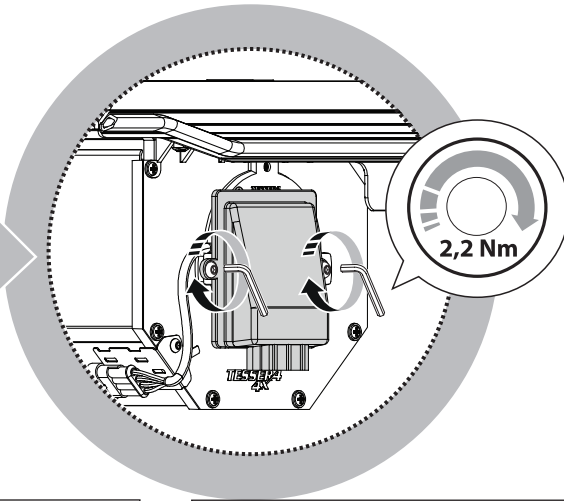


R



R

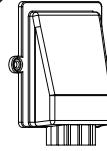
D1



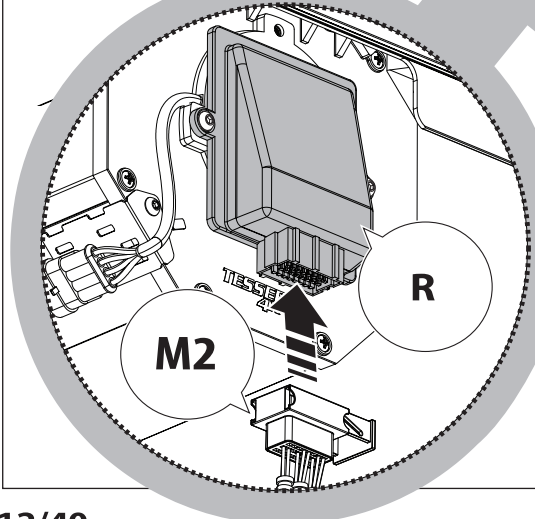
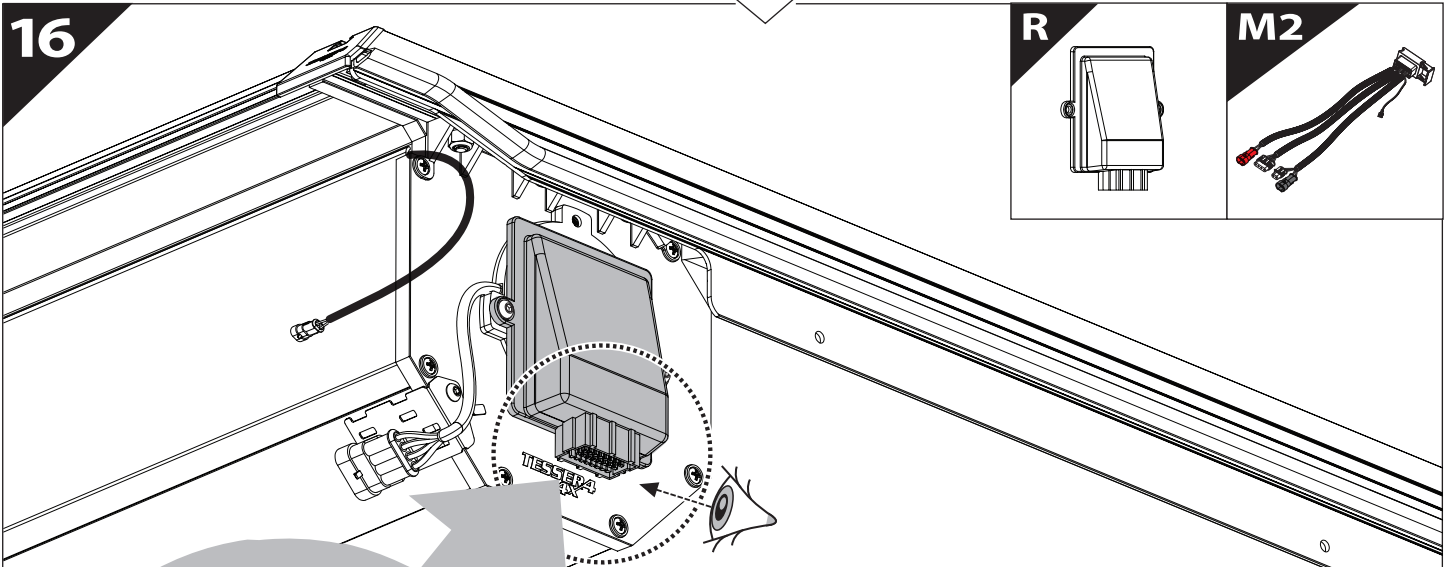
2,2 Nm

16

R

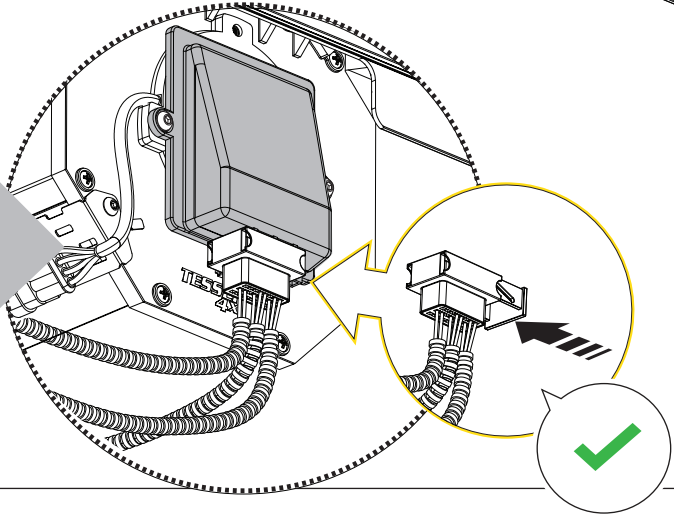


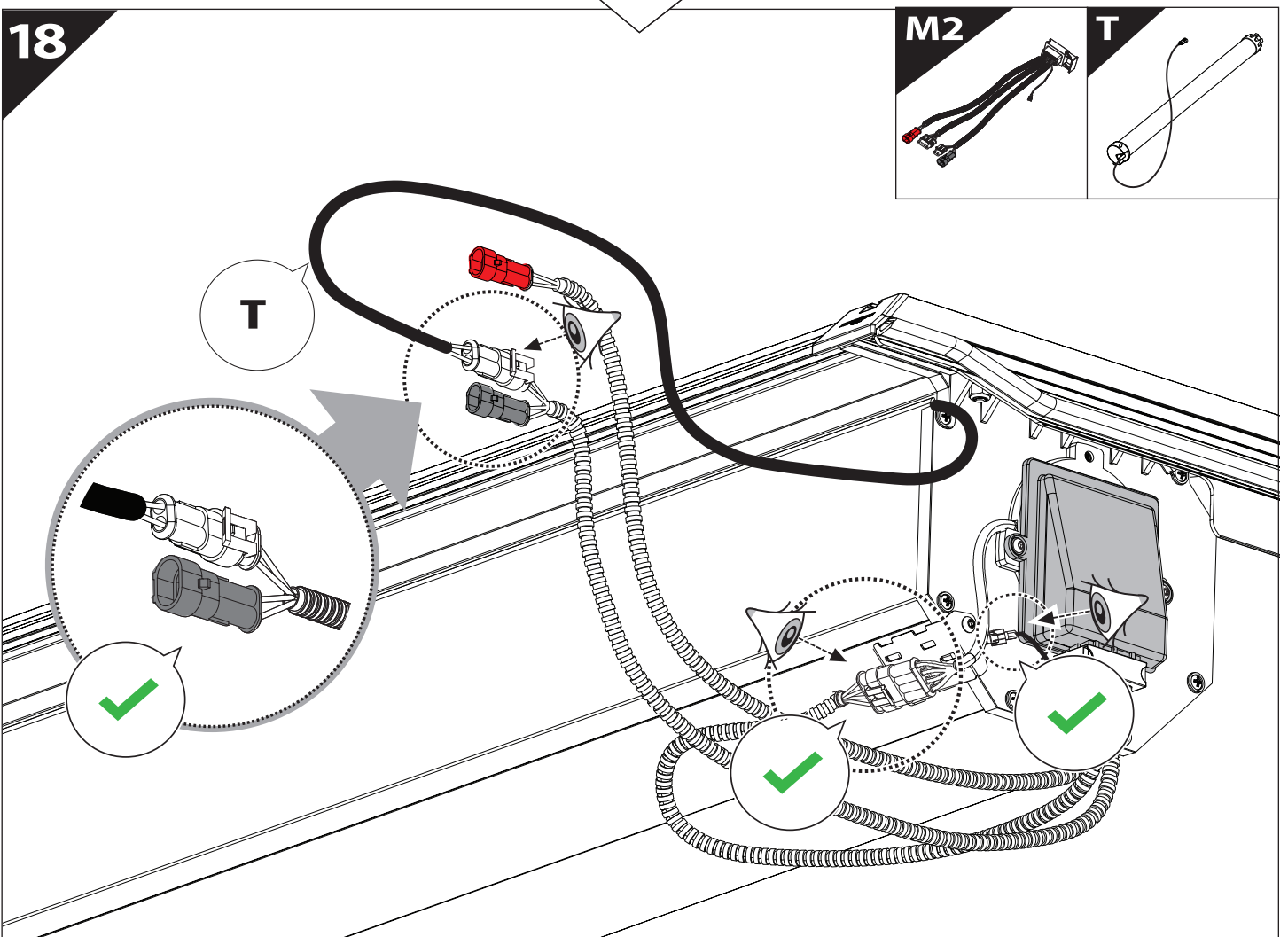
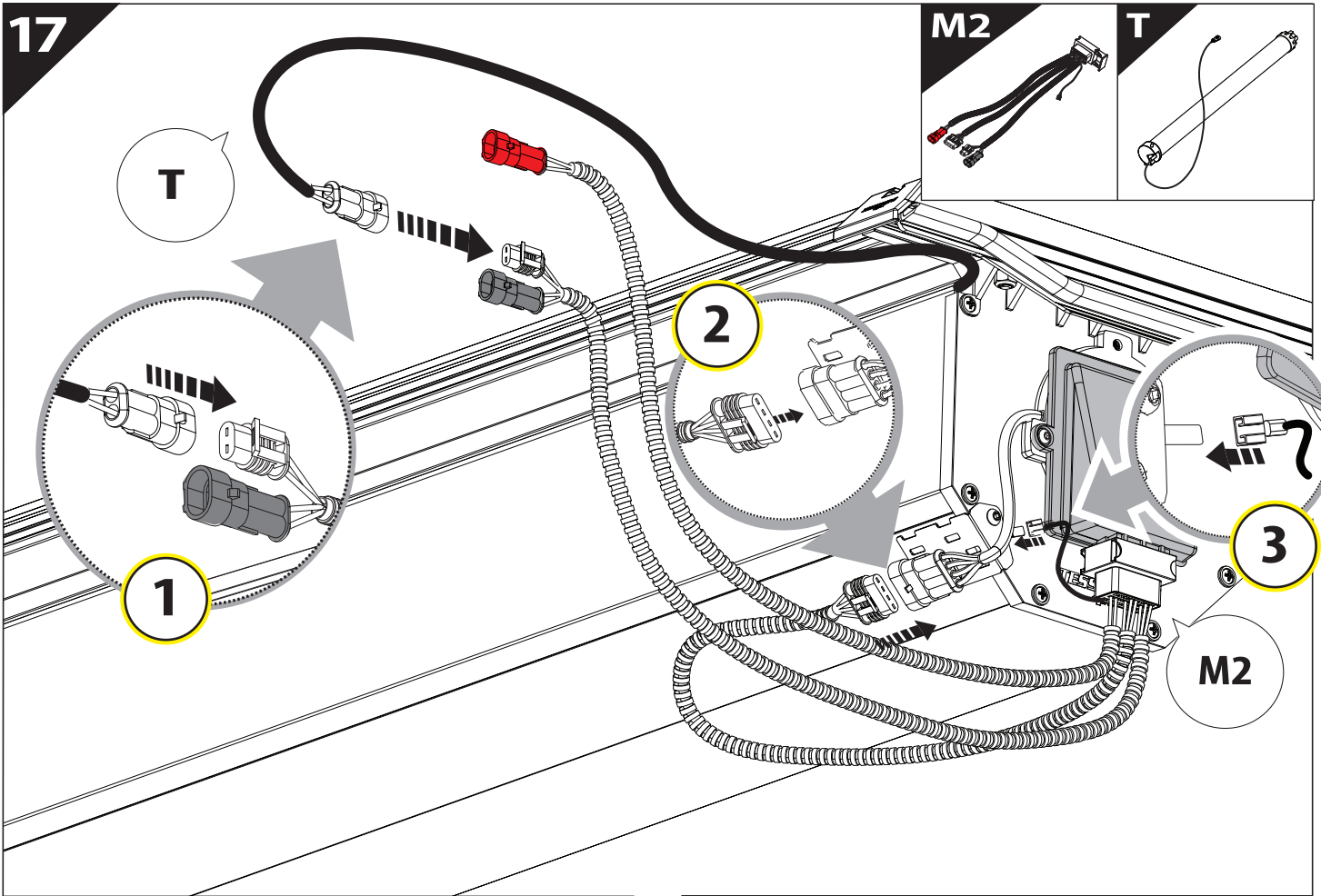
M2



M2

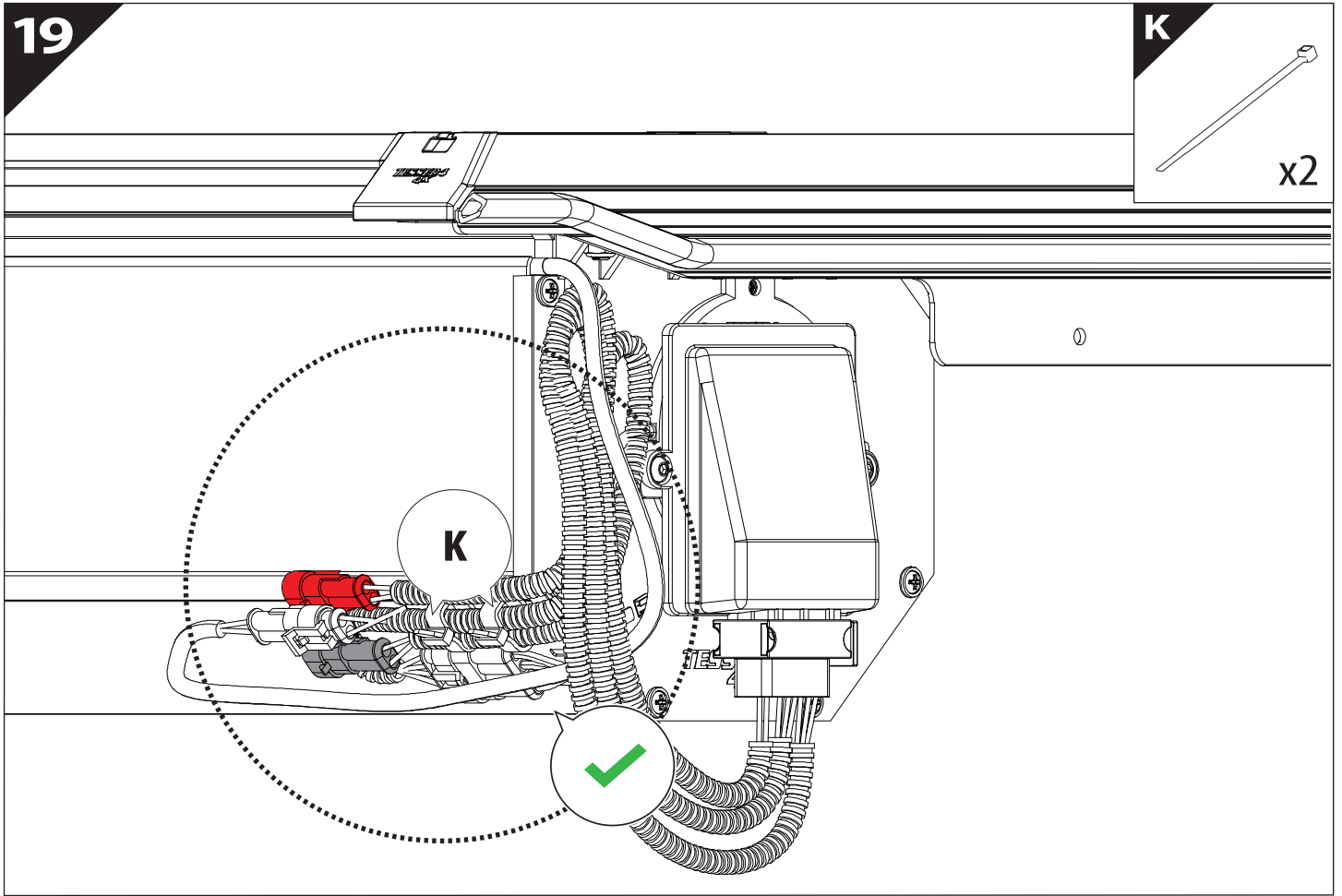
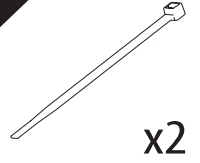
R



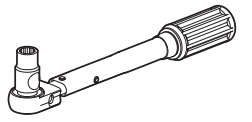


19

K

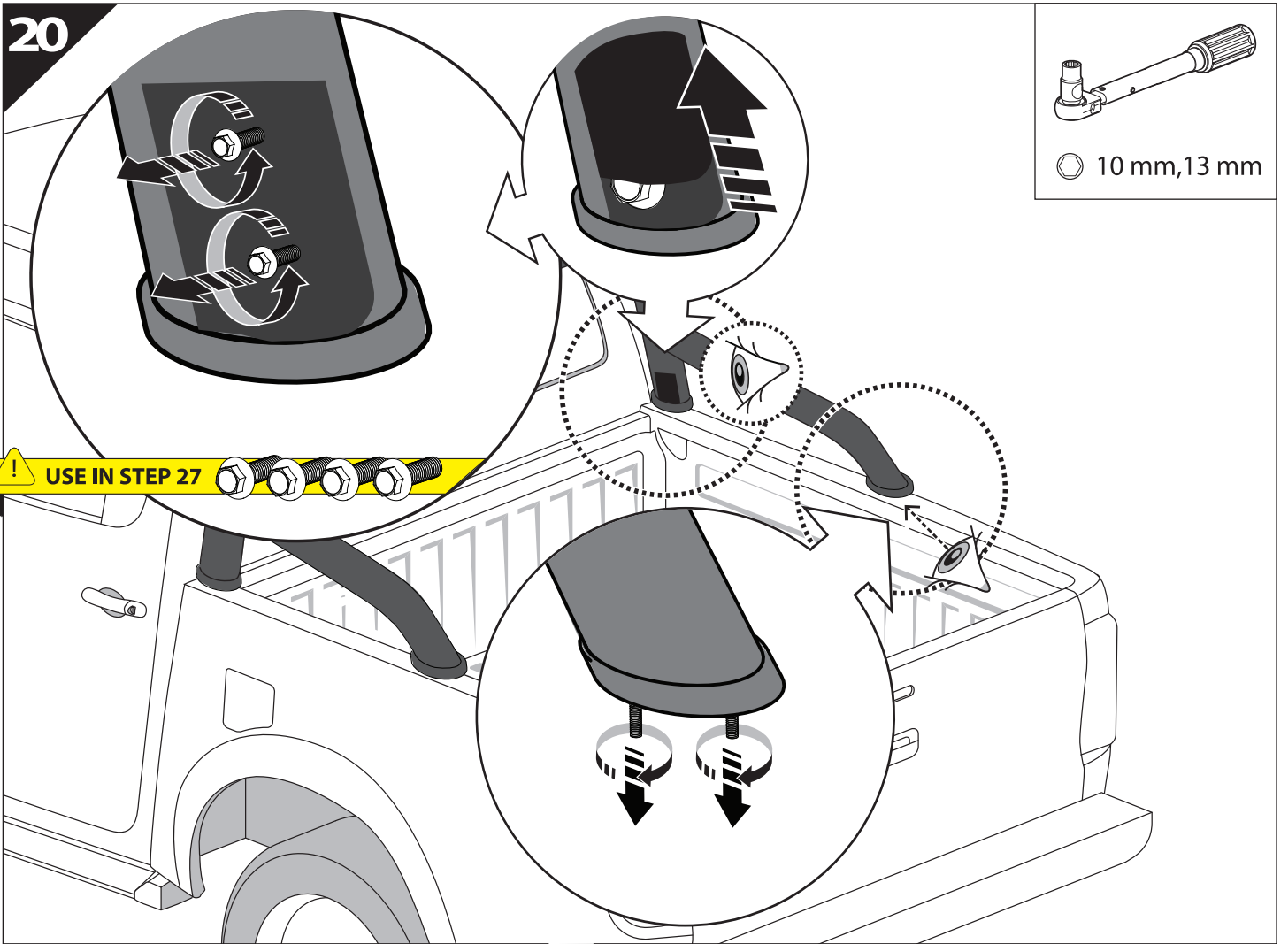


20



10 mm, 13 mm

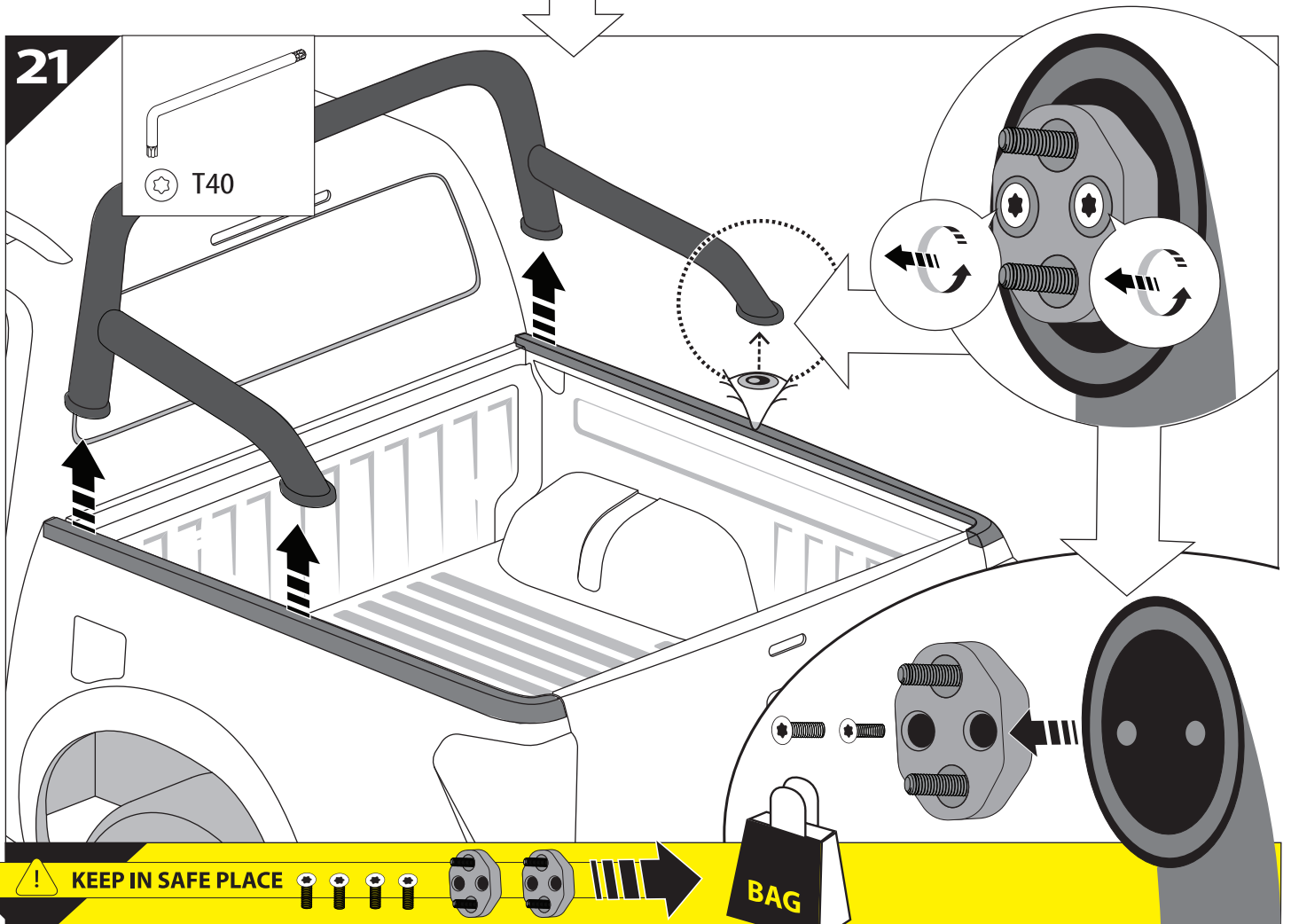
! USE IN STEP 27



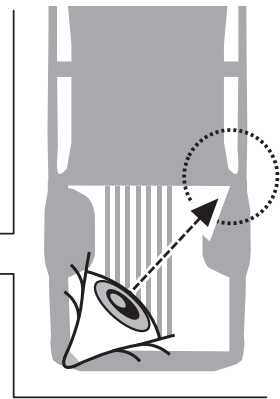
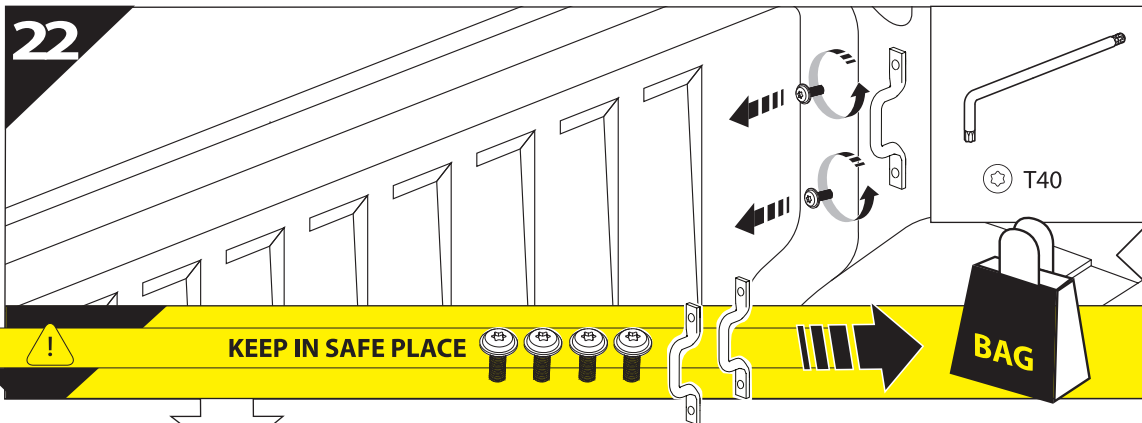
21



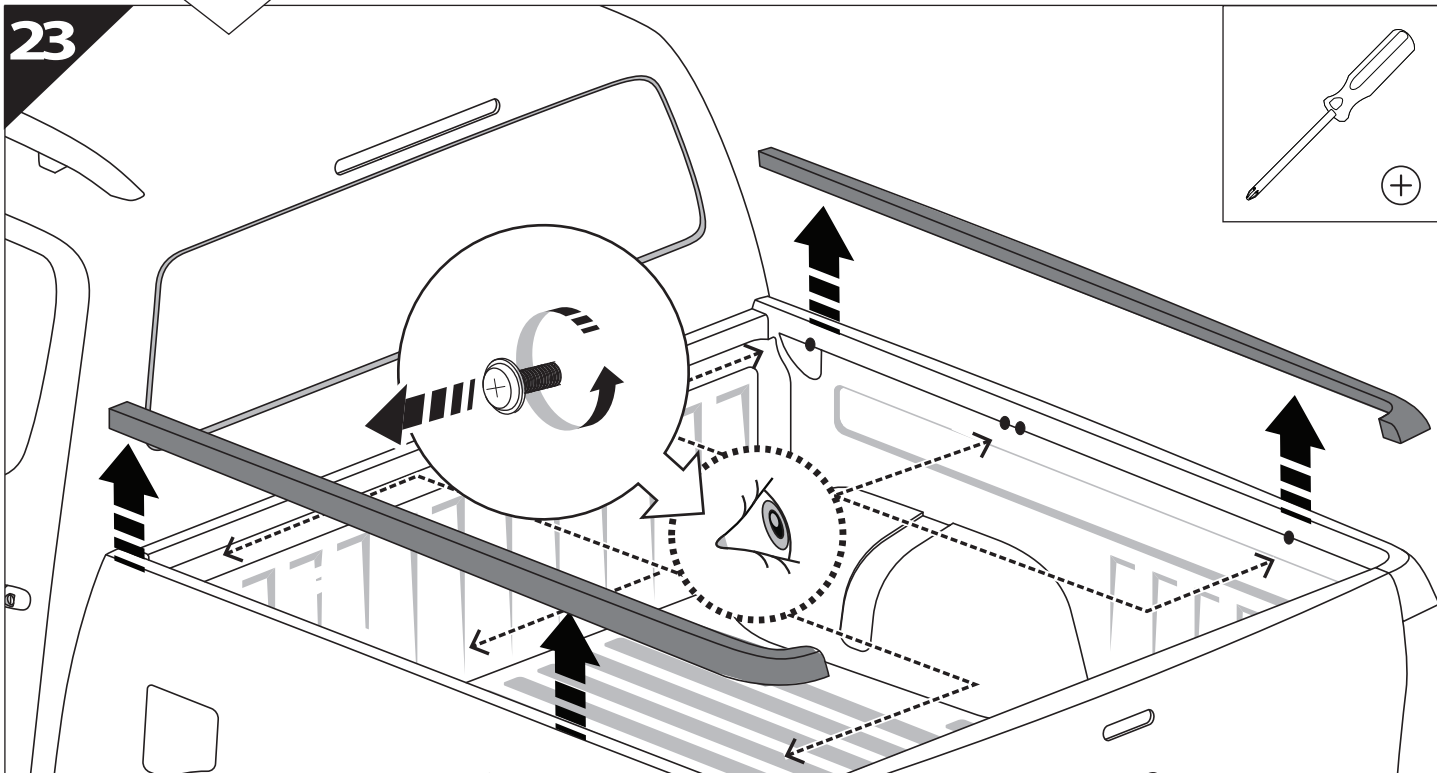
T40



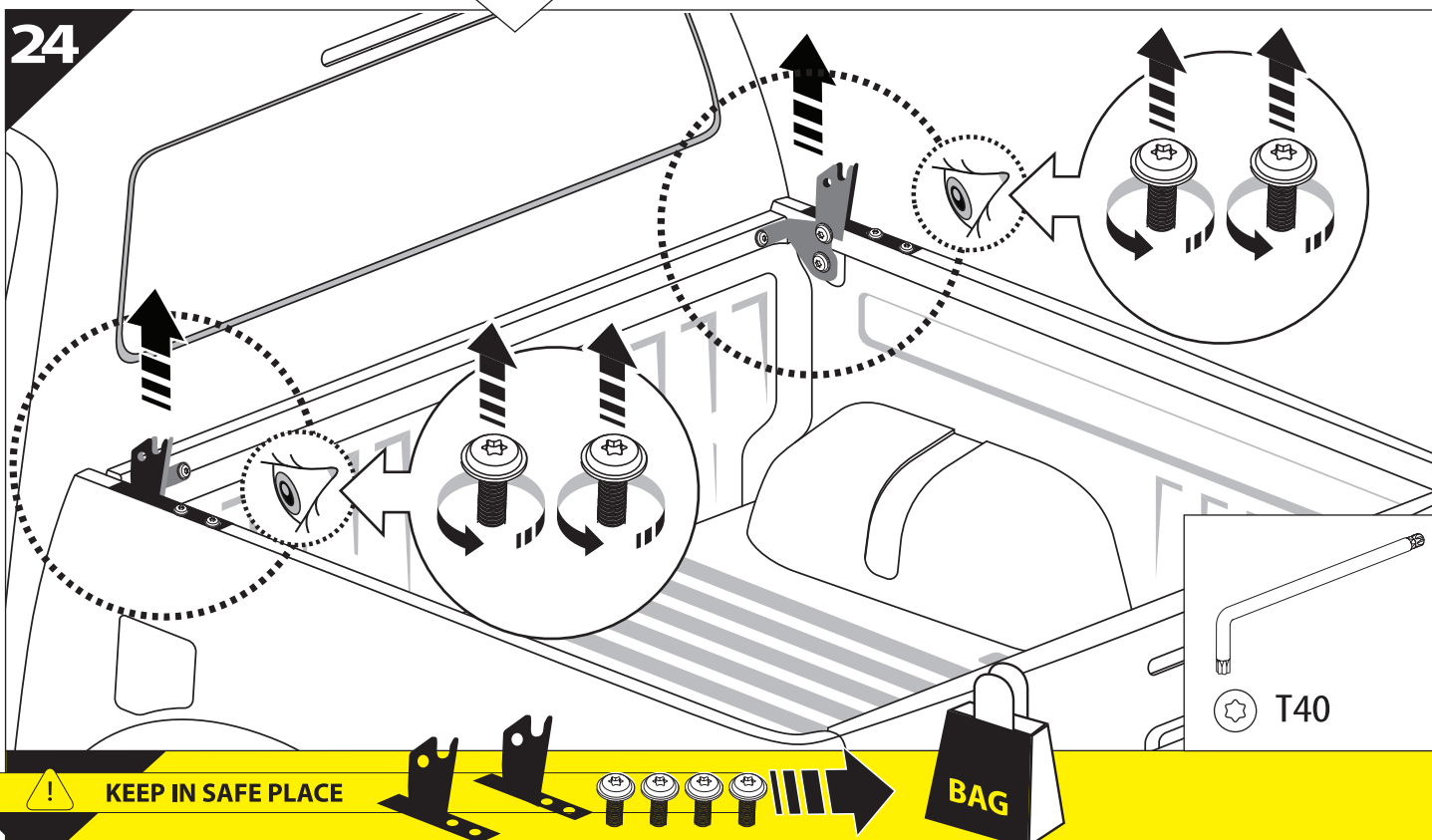
22



23

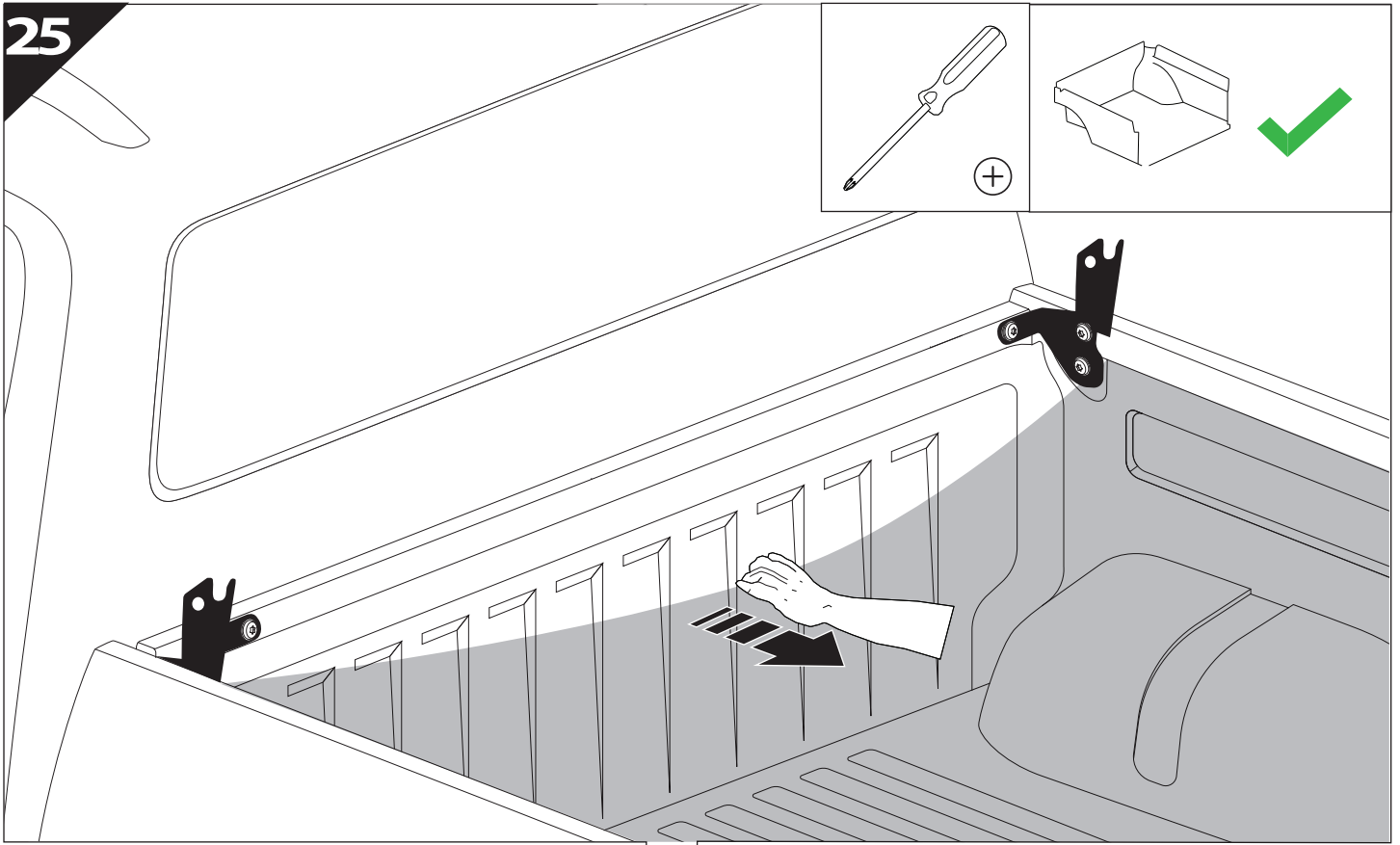


24

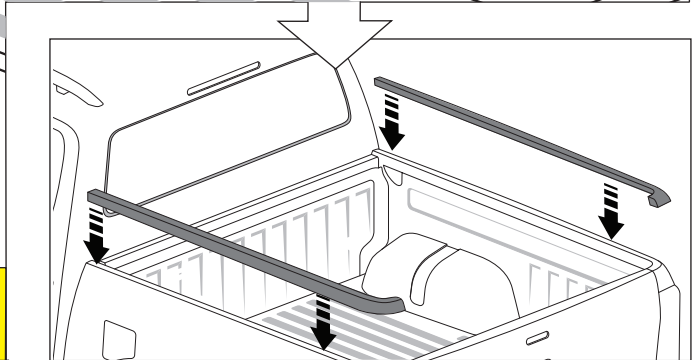
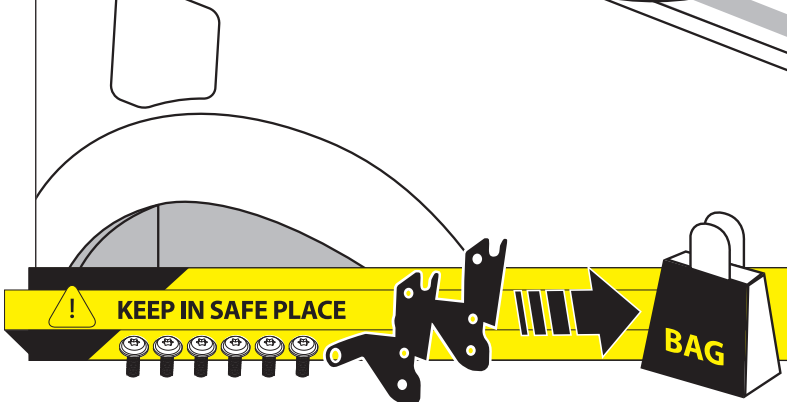
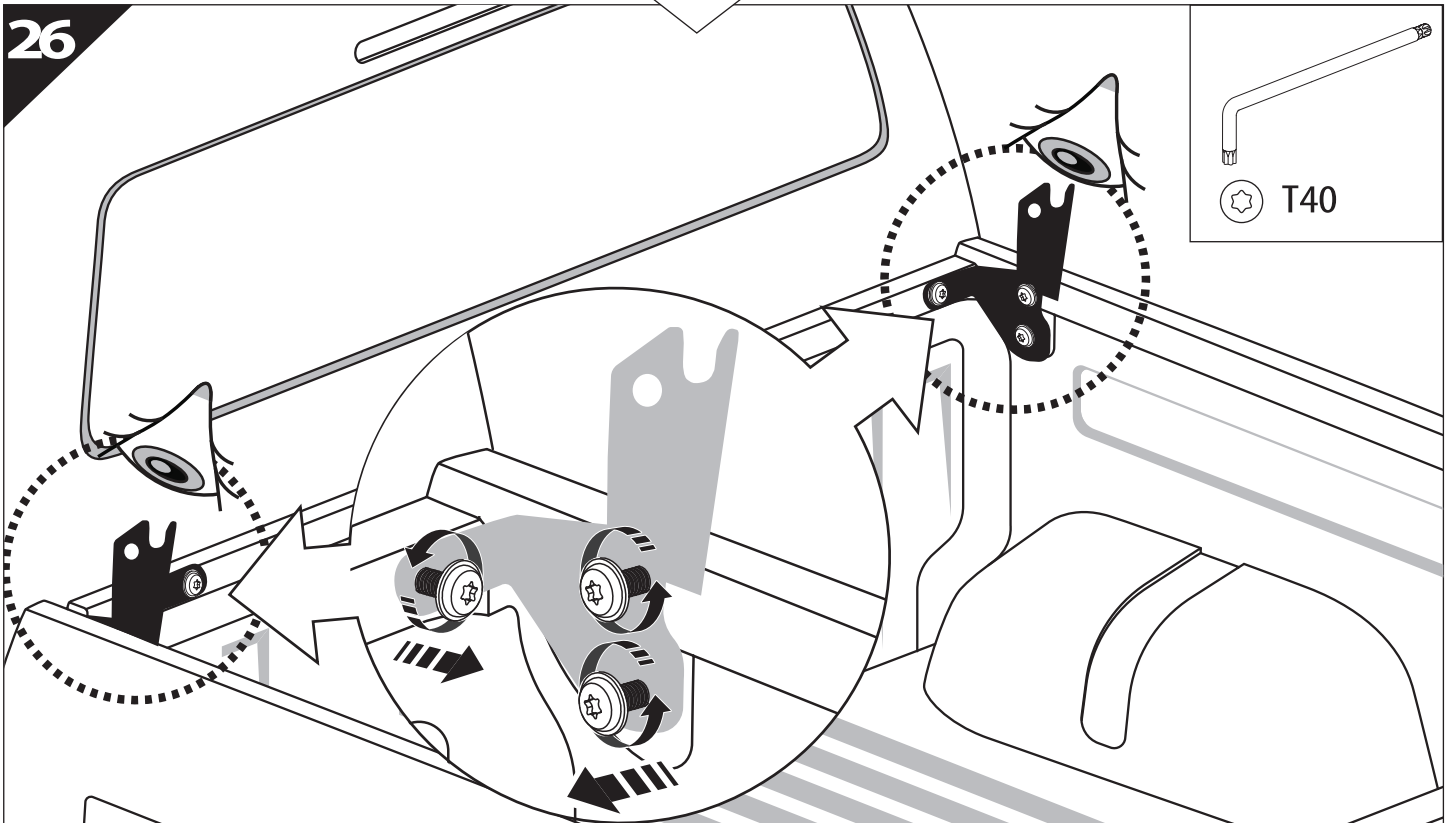




25

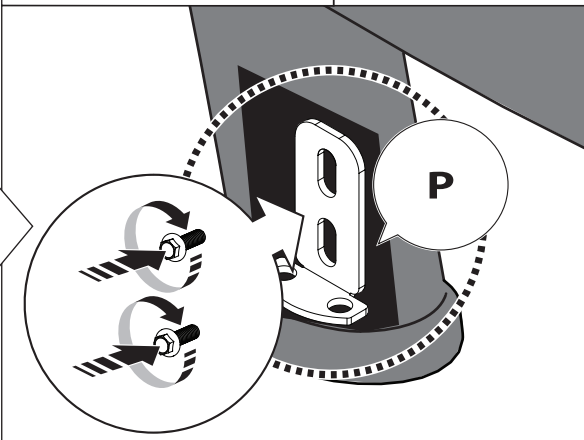
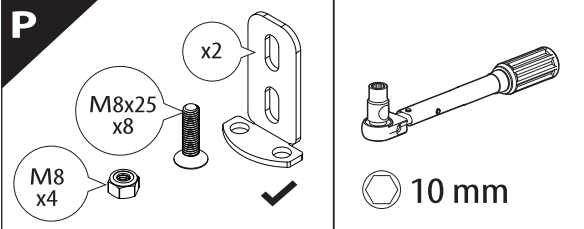
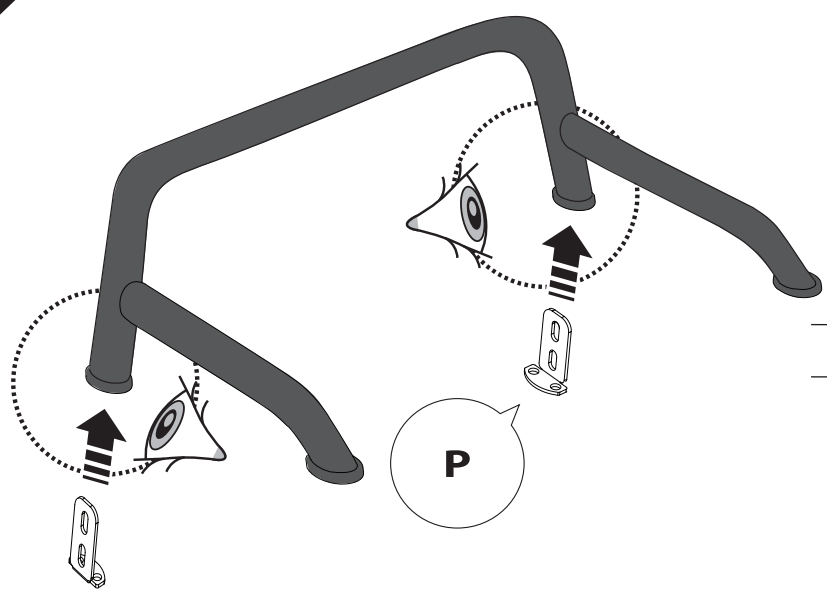


26



27

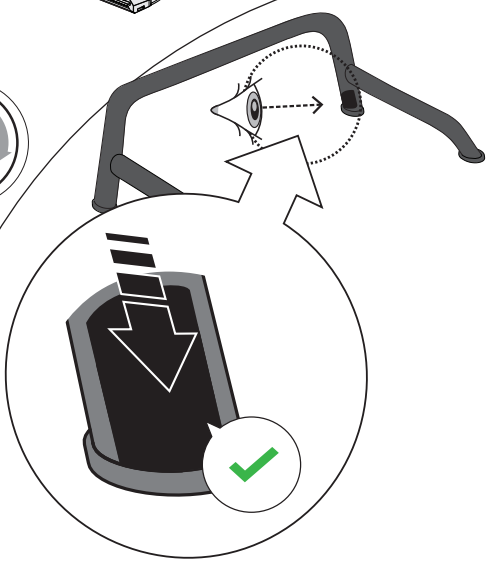
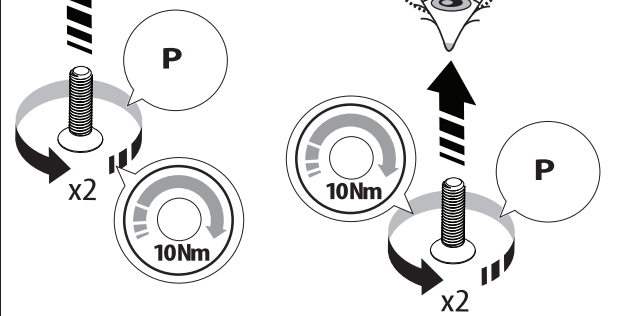
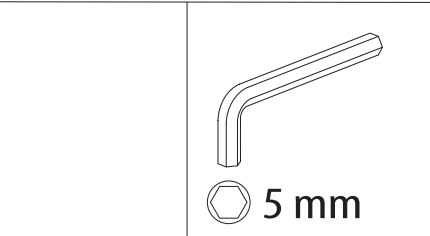
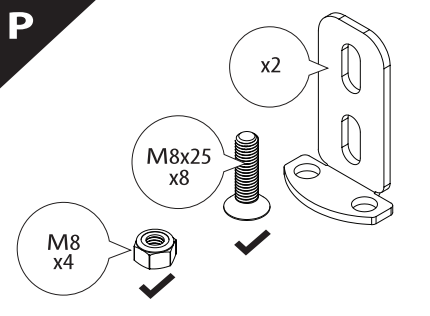
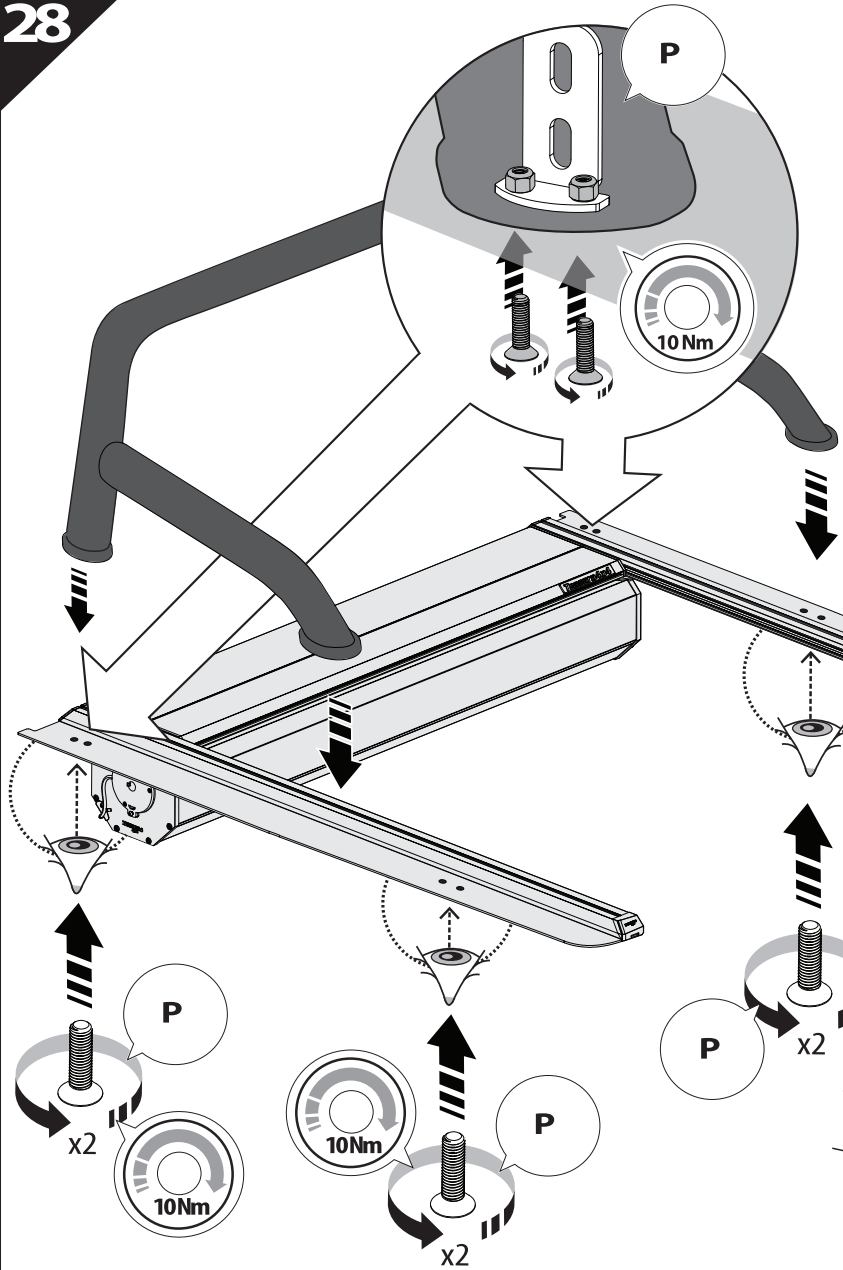
P



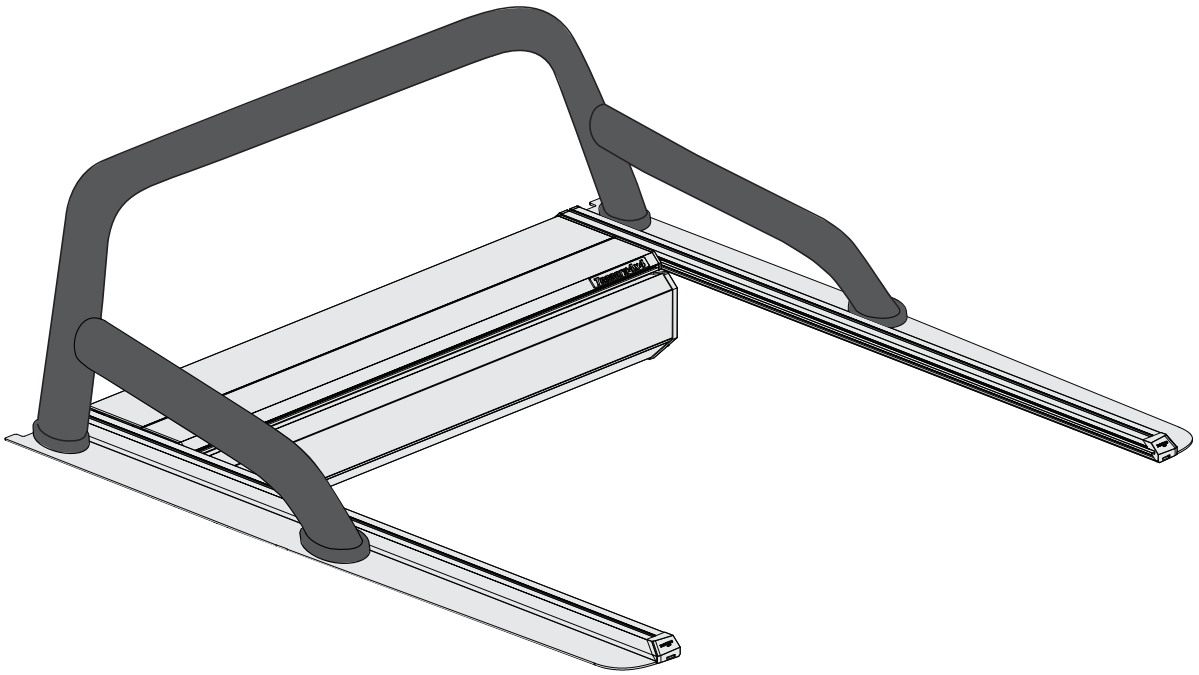
**! FROM STEP 20**

28

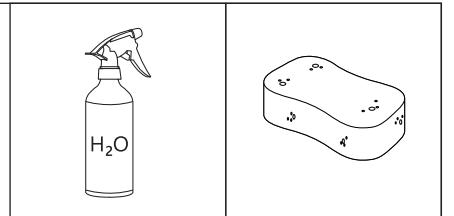
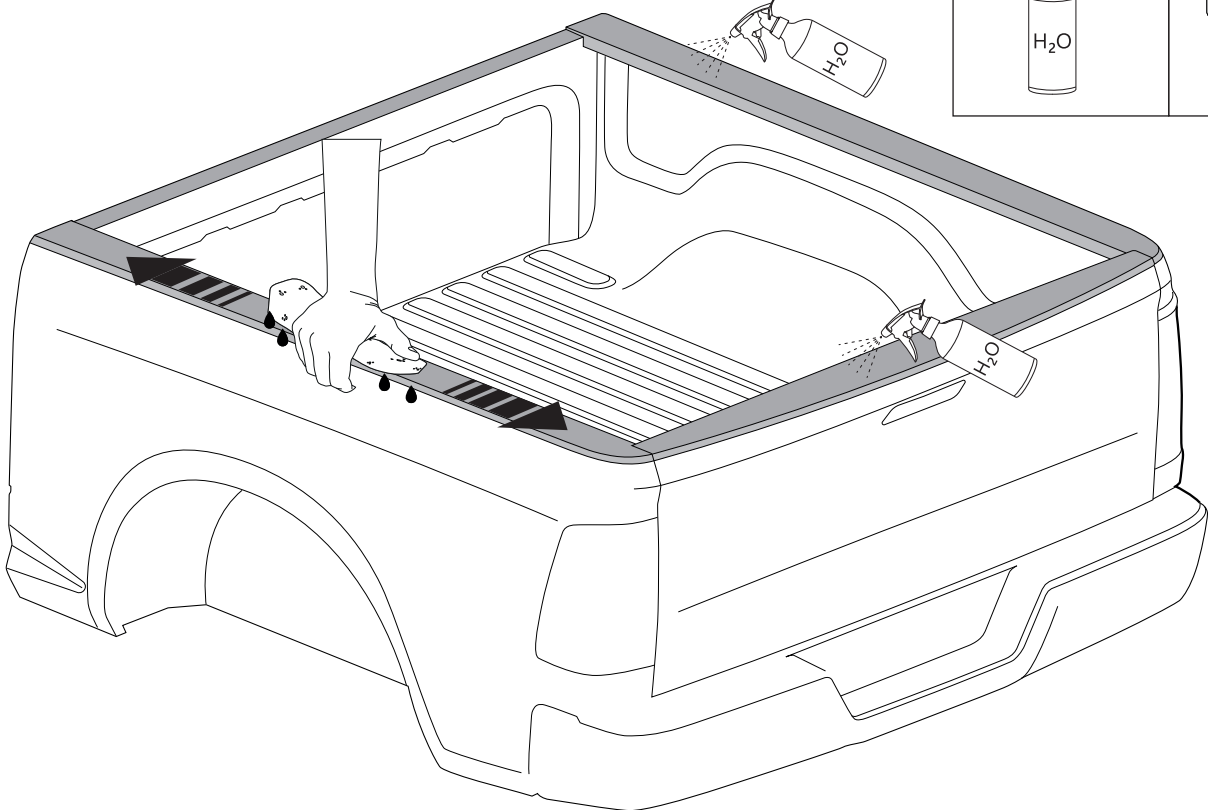
P

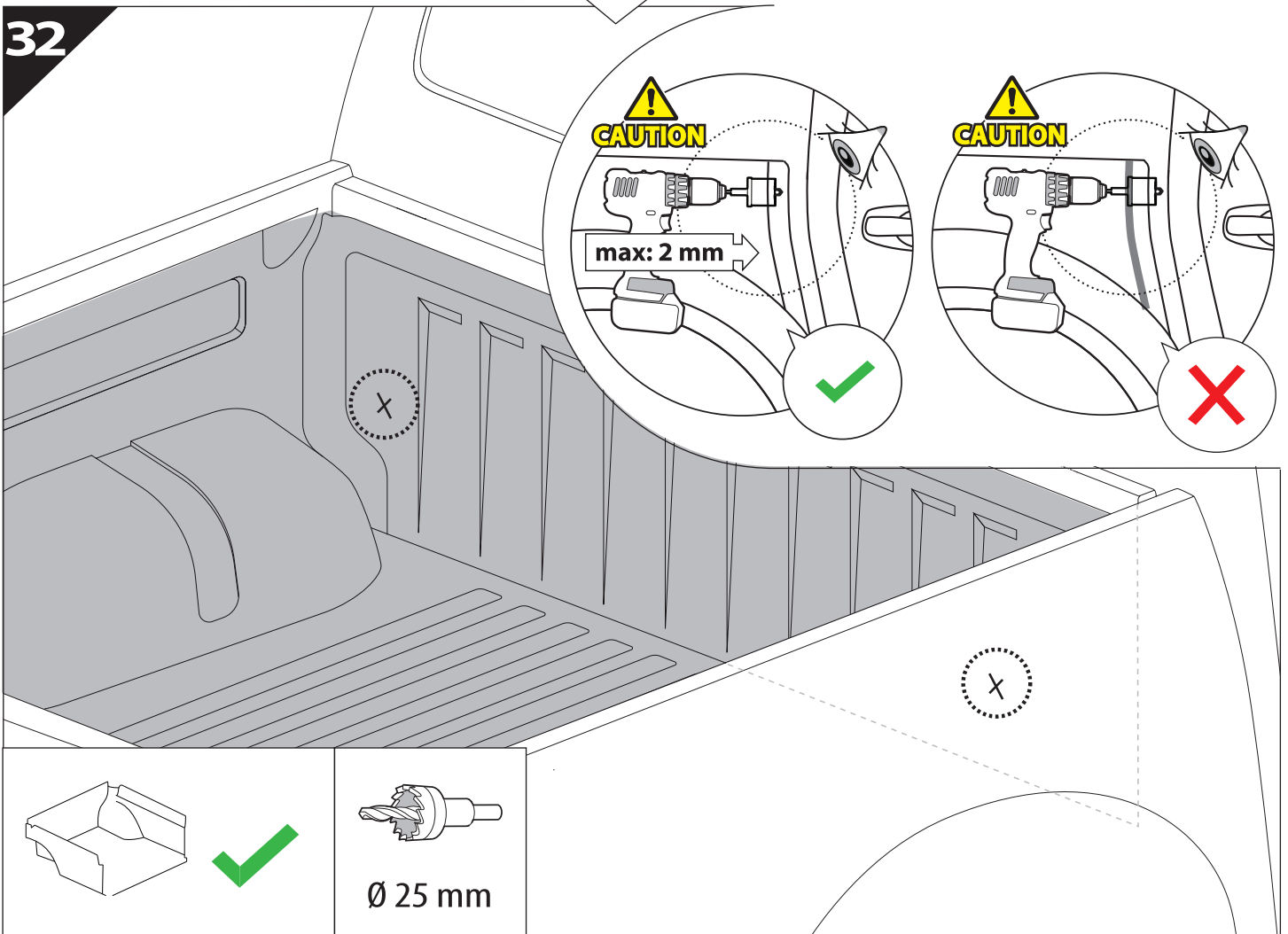
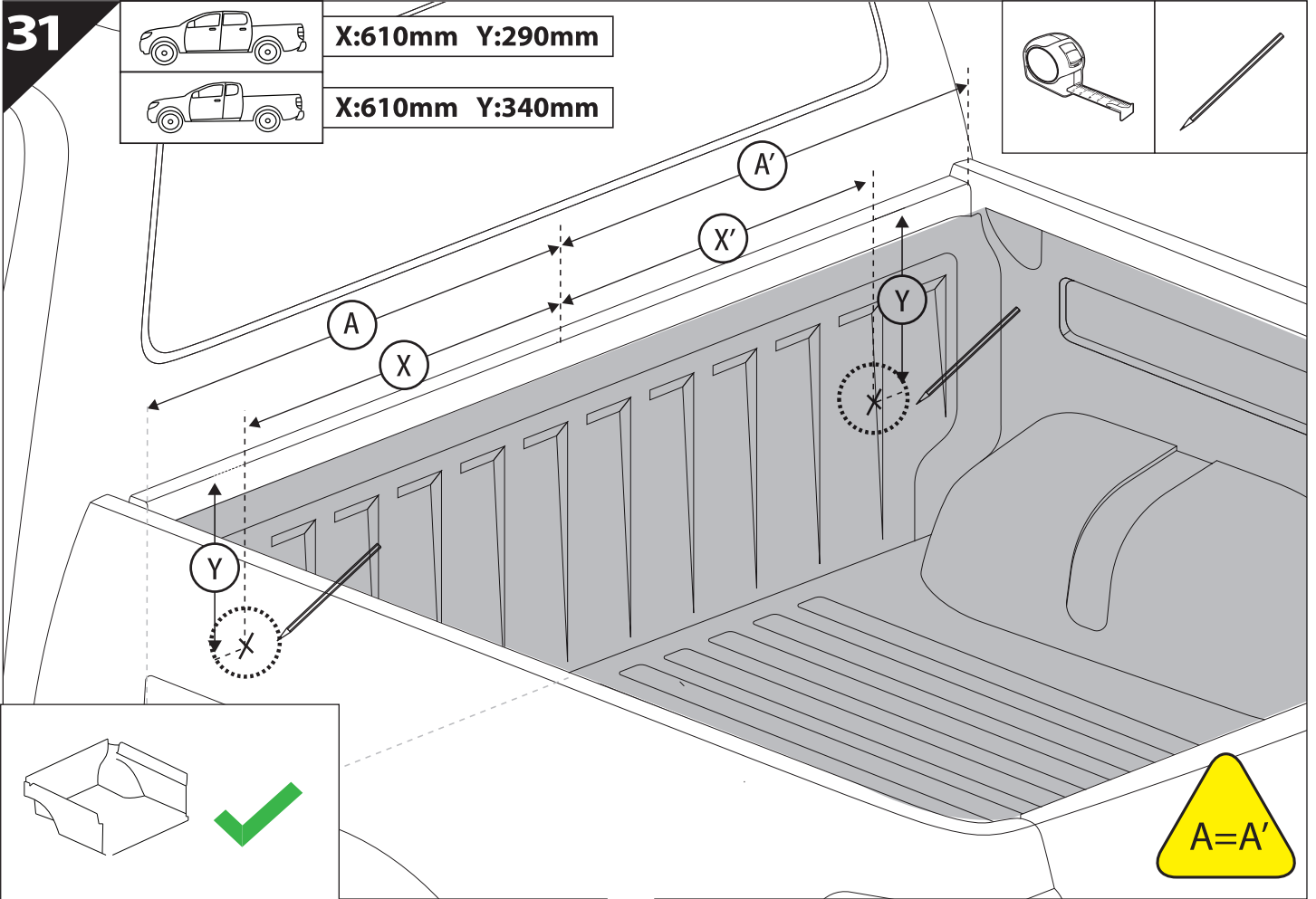


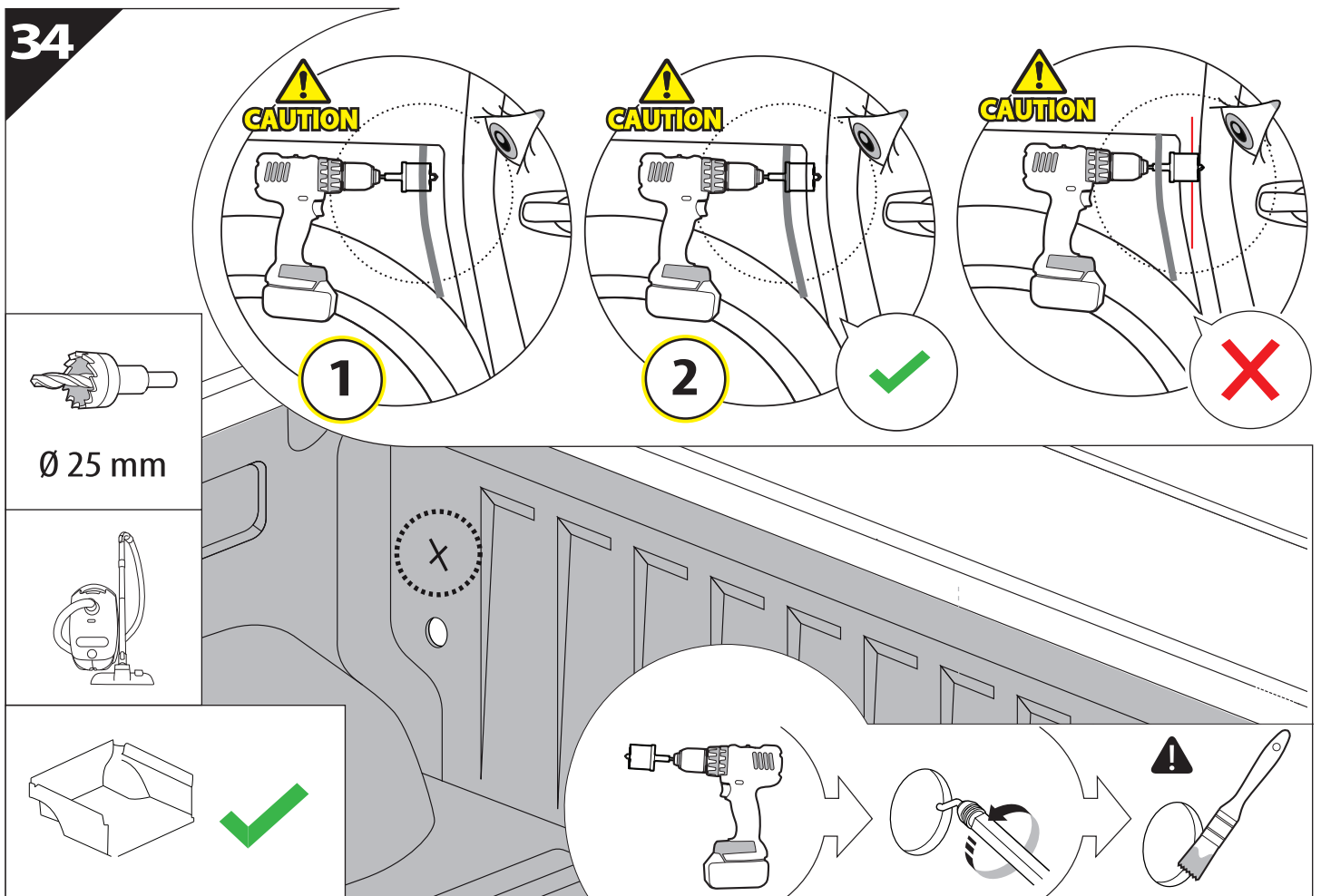
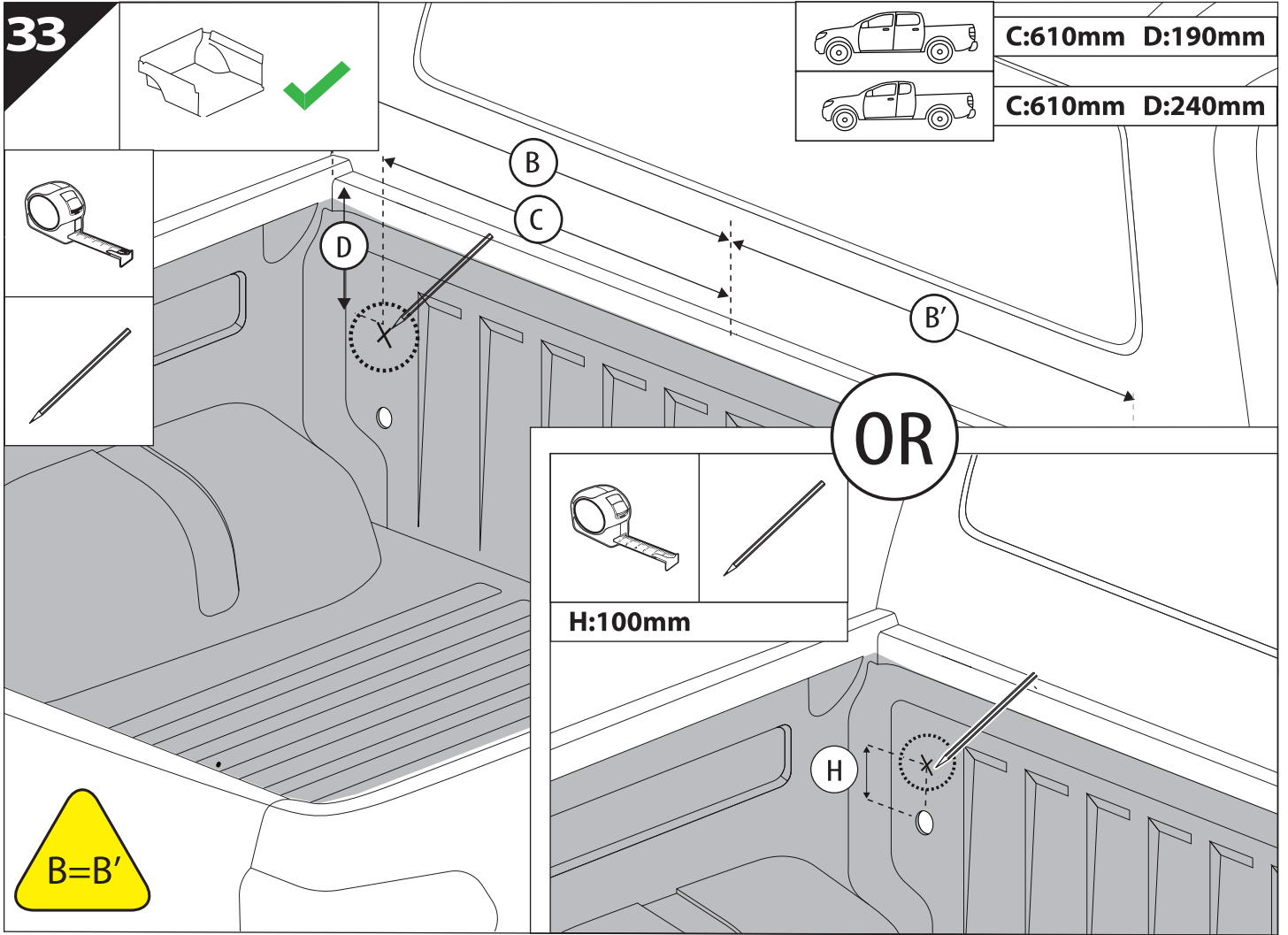
29

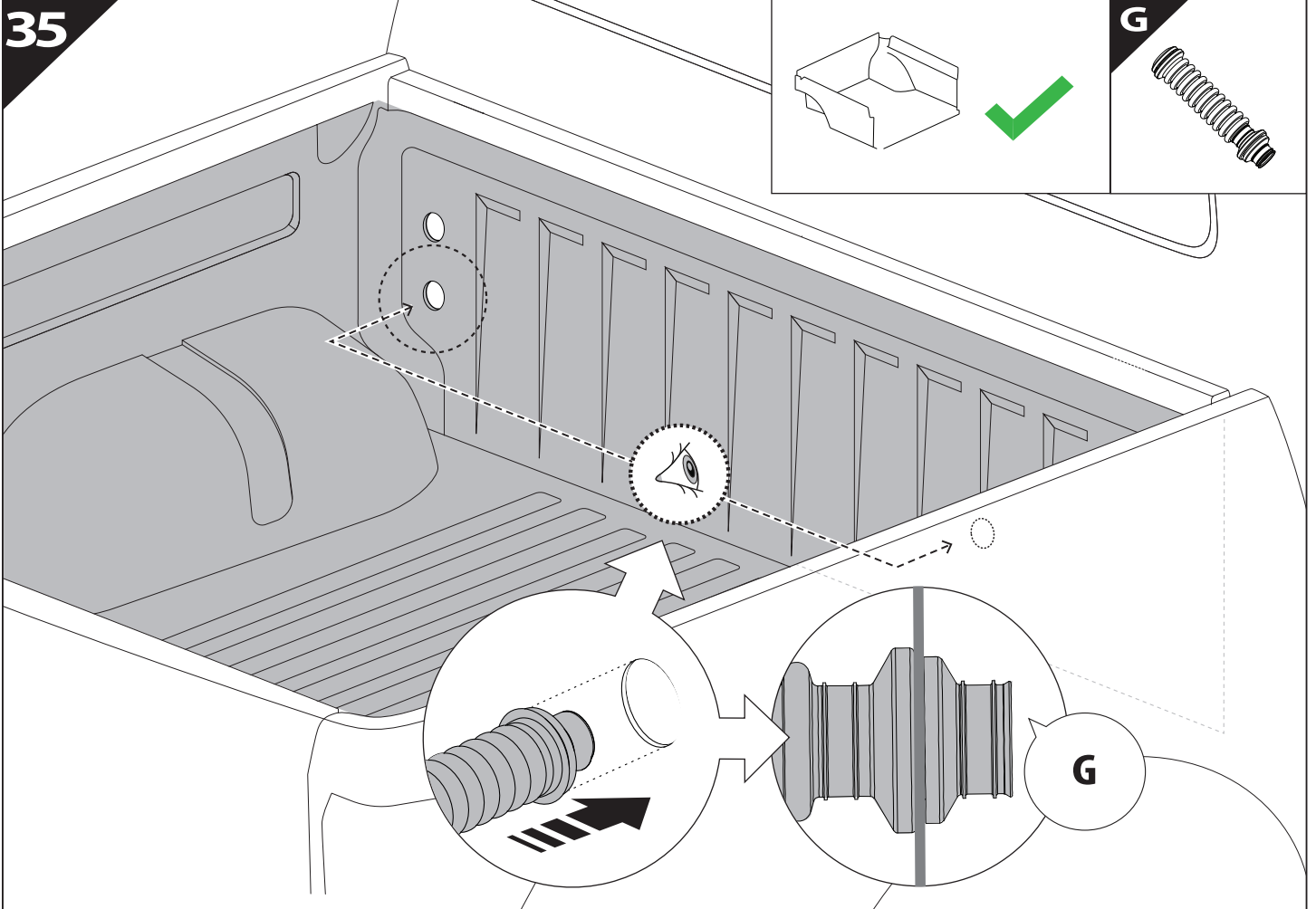


30

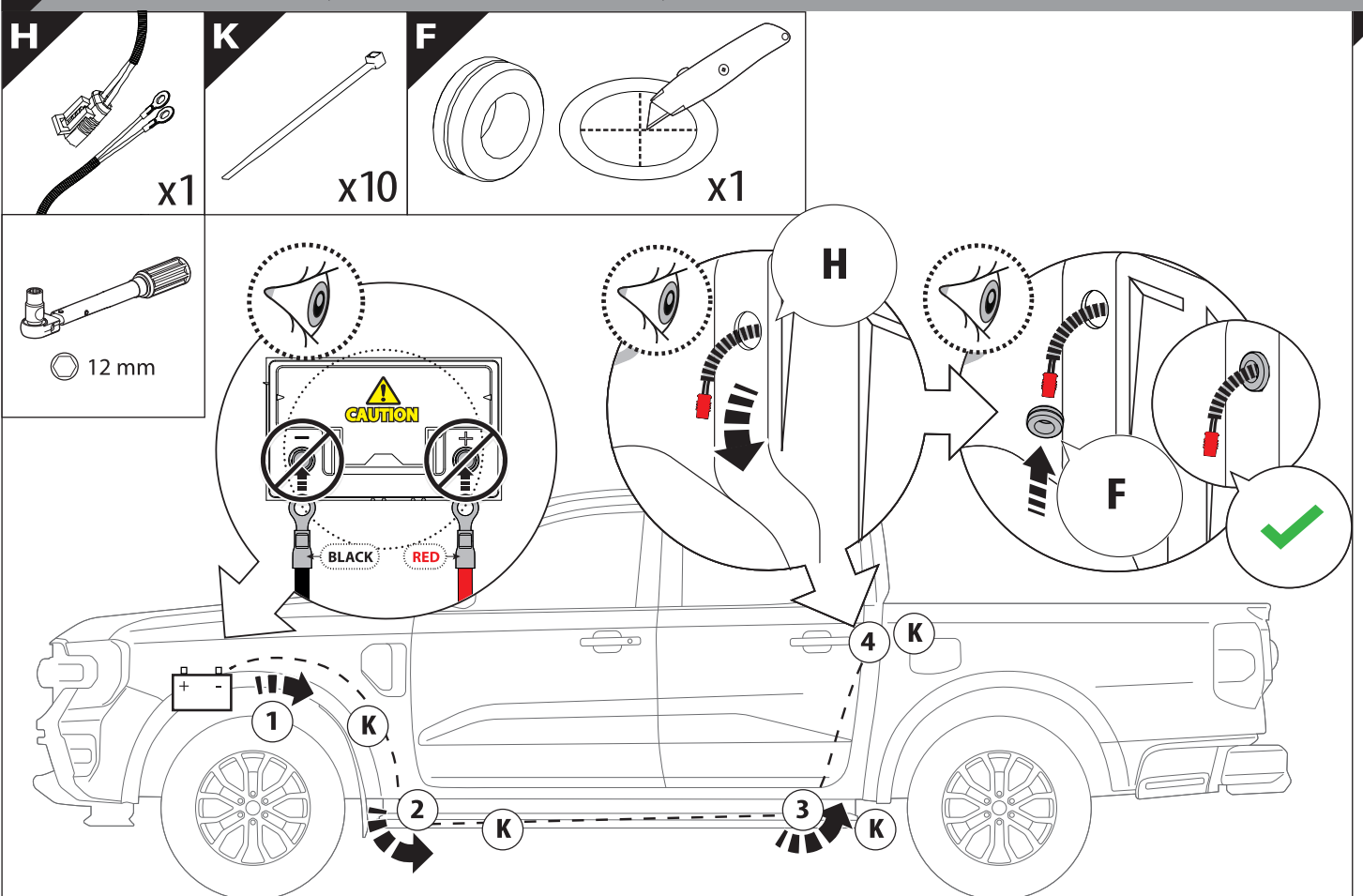




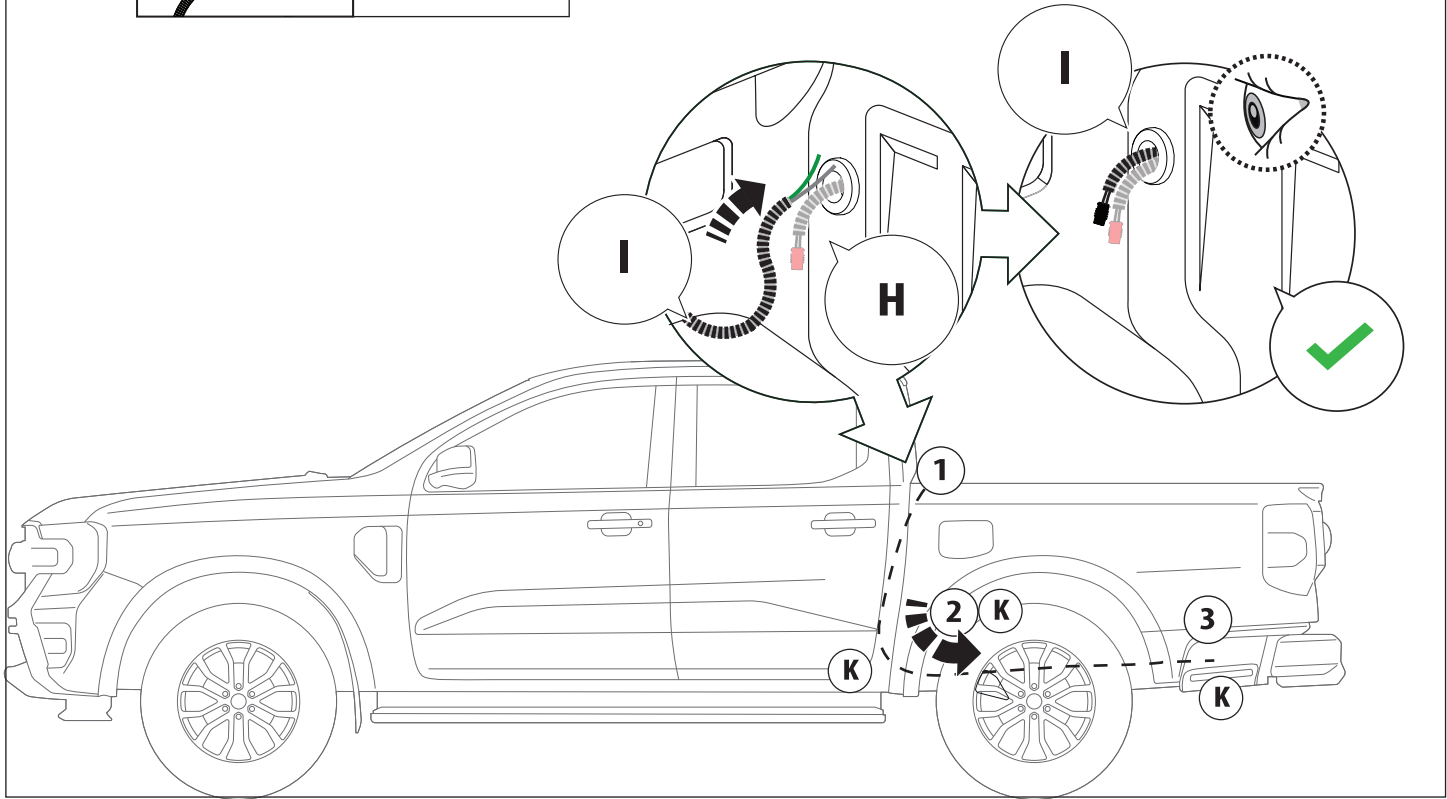
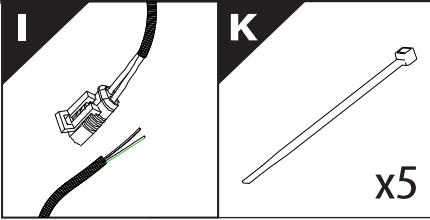




**36** Only to be installed by authorized personnel



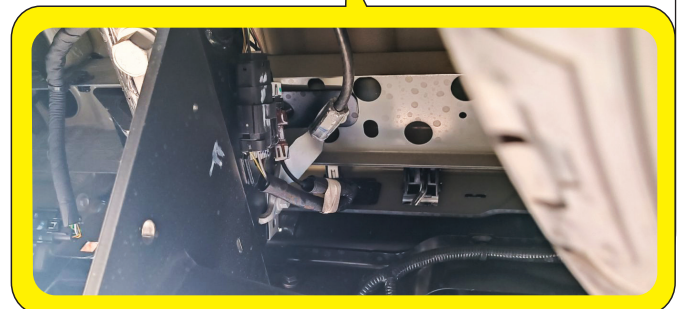
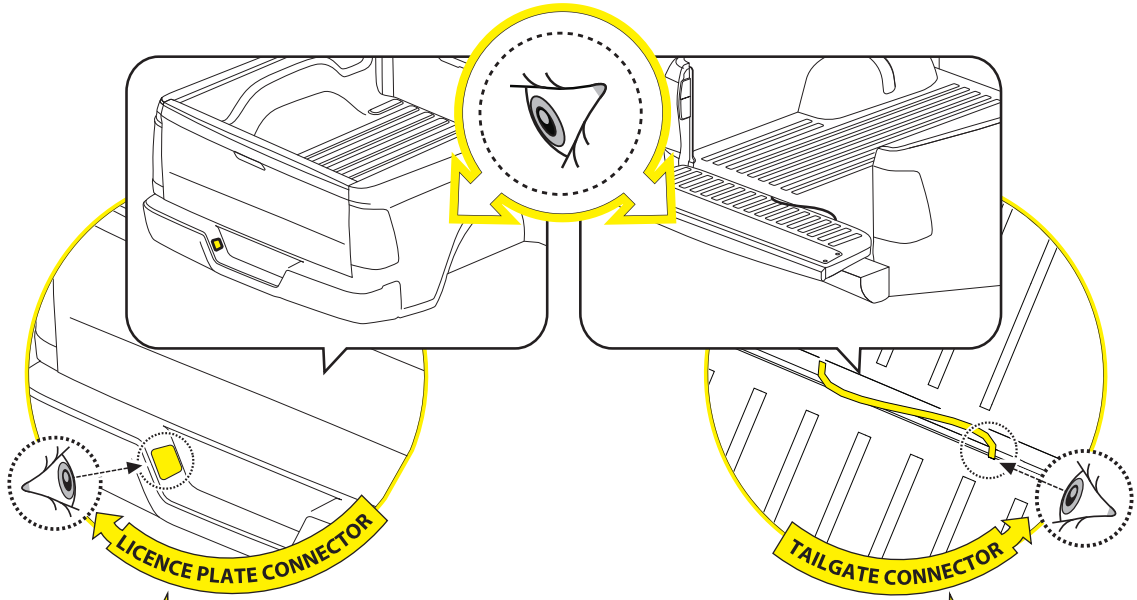
37



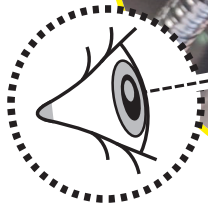
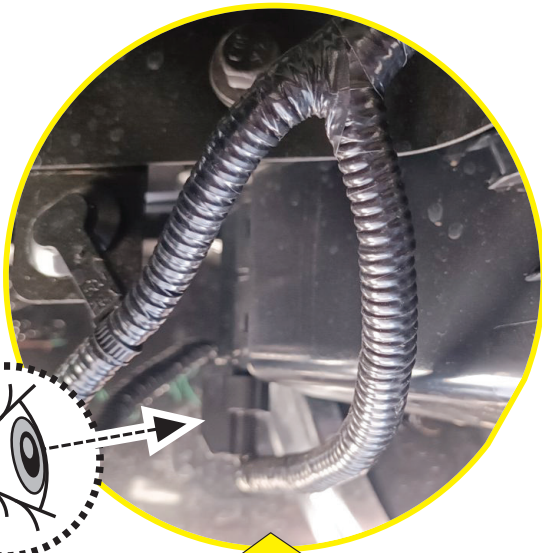
38



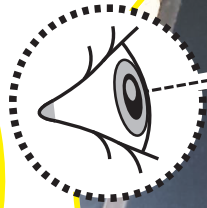
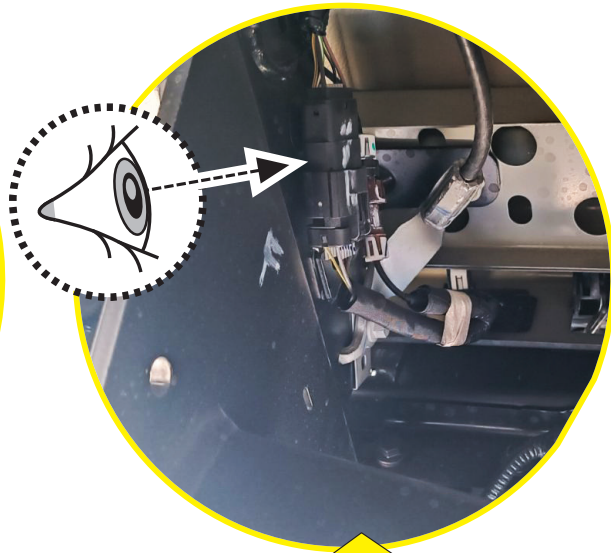
**CAUTION: LIMITED, WILDTRAK, WILDTRAK X, PLATINUM**



38.1



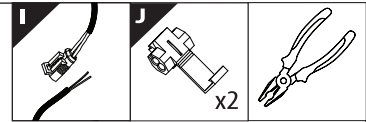
LICENCE PLATE CONNECTOR



TAILGATE CONNECTOR

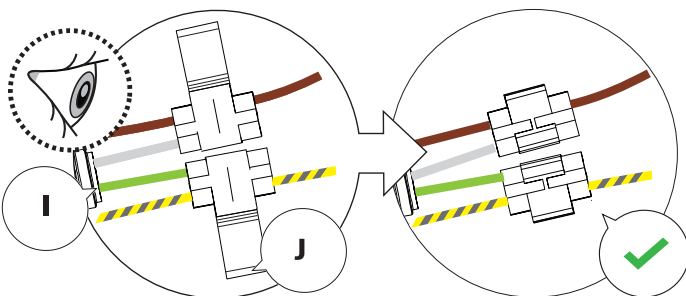
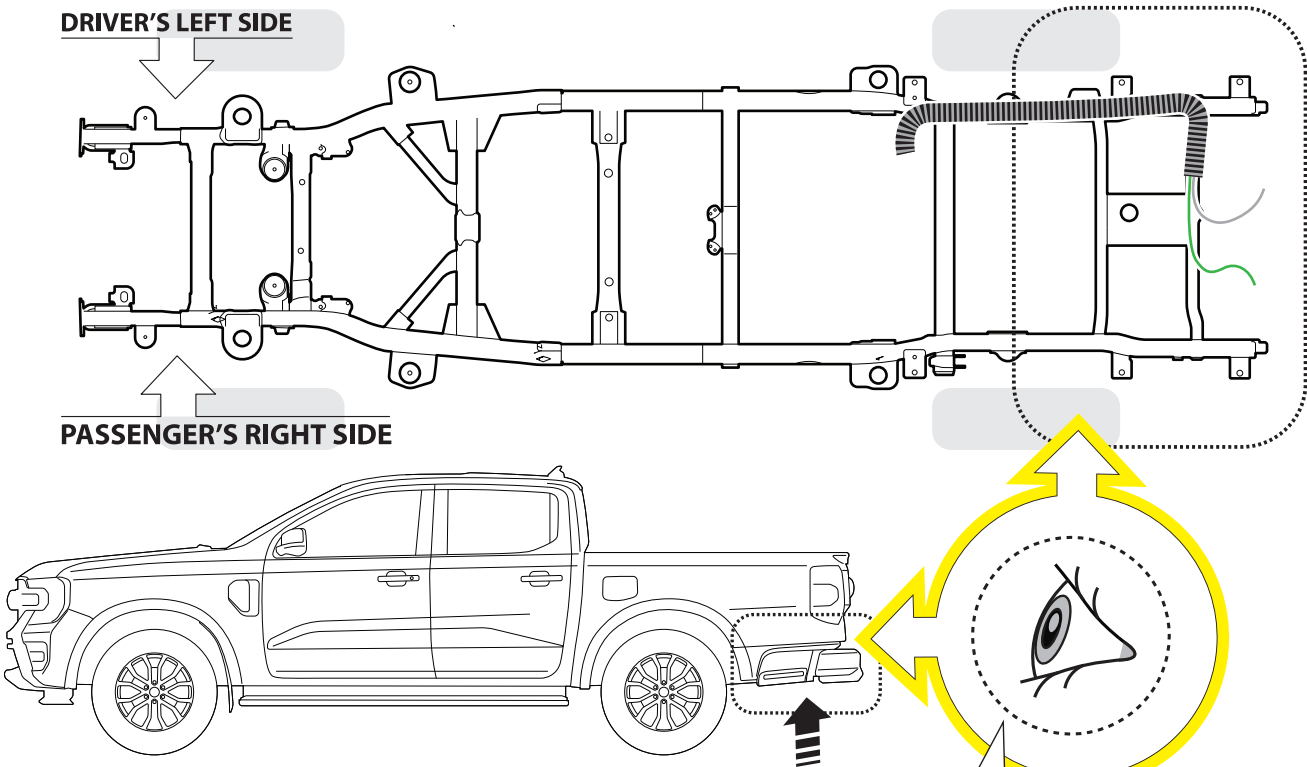
39

BOTTOM VIEW



DRIVER'S LEFT SIDE

PASSENGER'S RIGHT SIDE



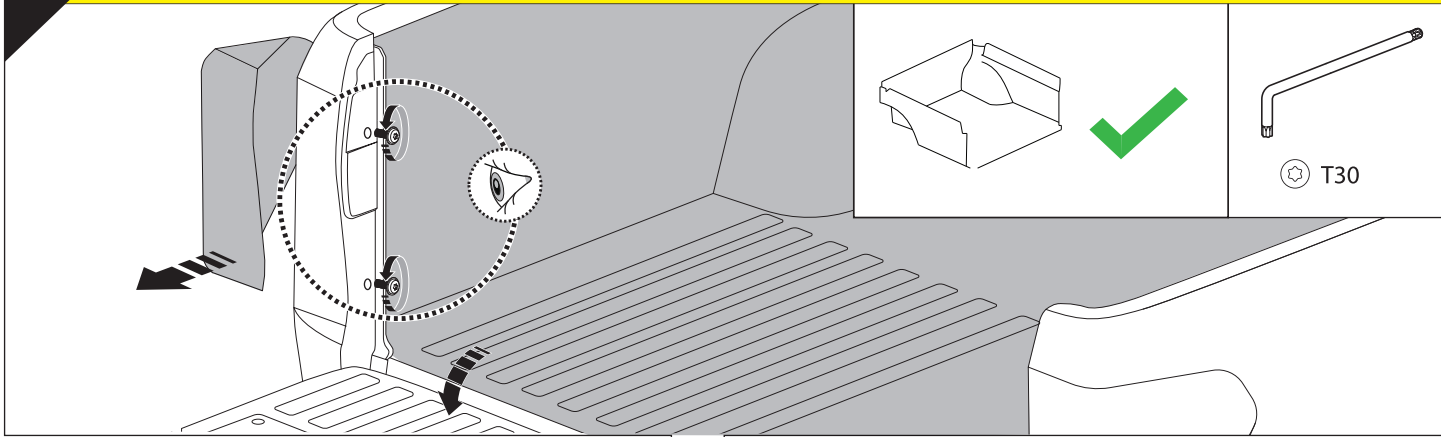
	CAR		TESSERA ROLL+
BEAM		↔	
LICENCE PLATE 2 PIN LIGHT CONNECTOR			
STOP		↔	
TAILGATE CONNECTOR			



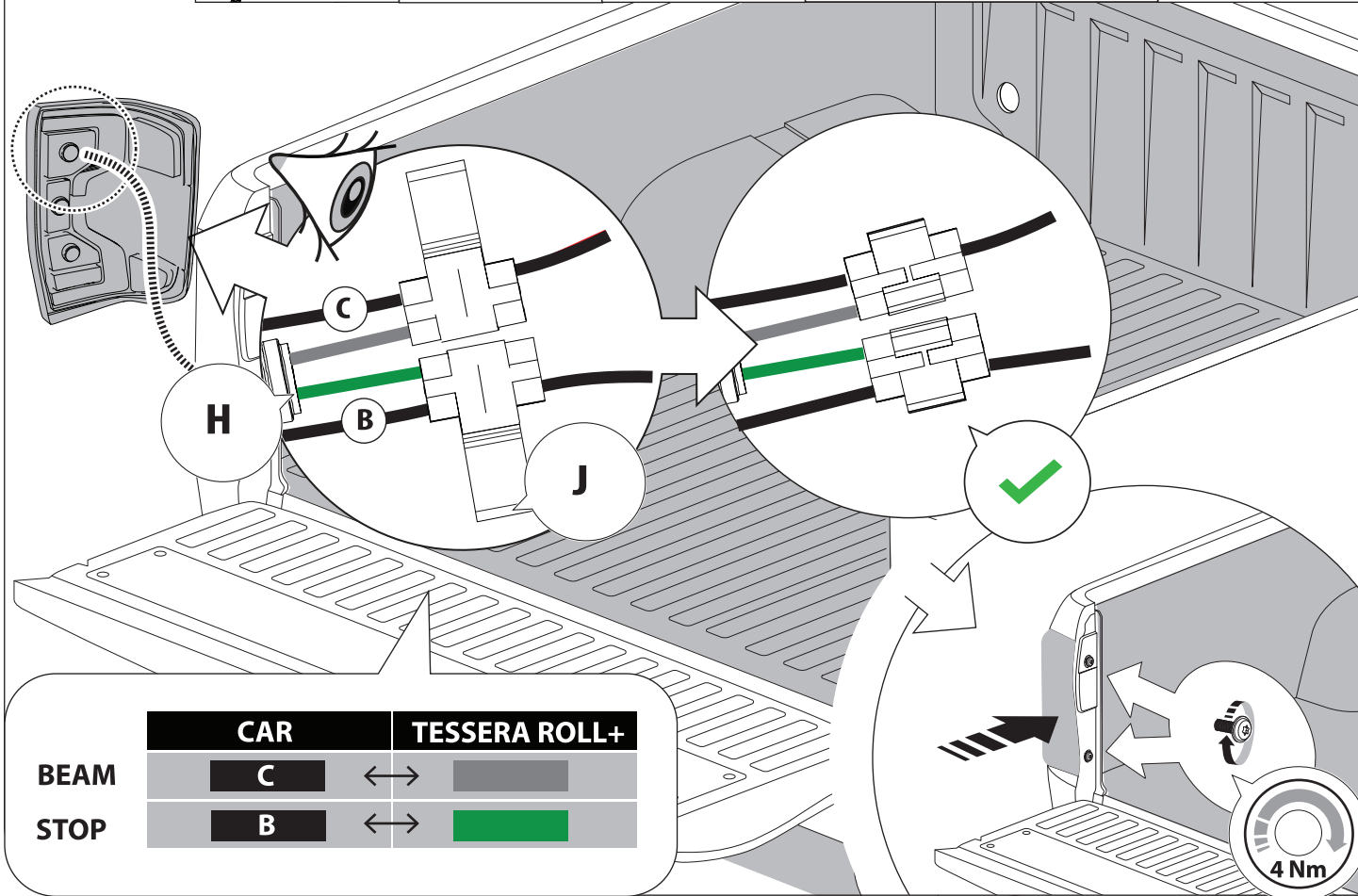
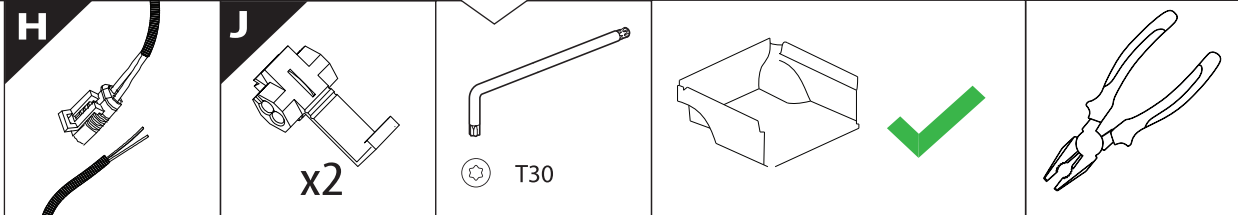
40



CAUTION: XL, XLT, TREMOR

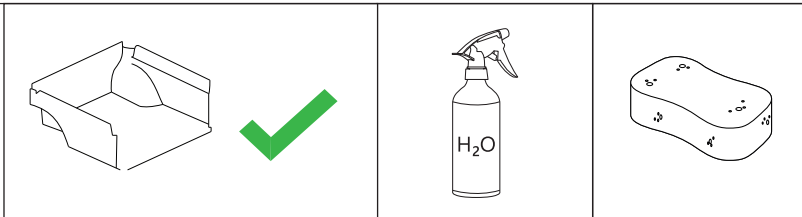
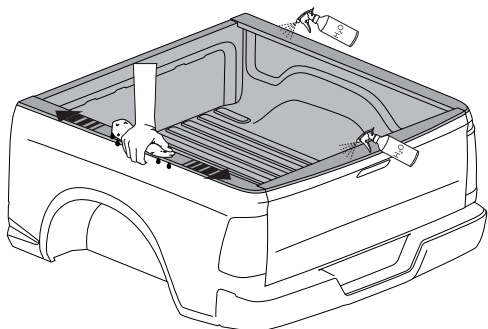


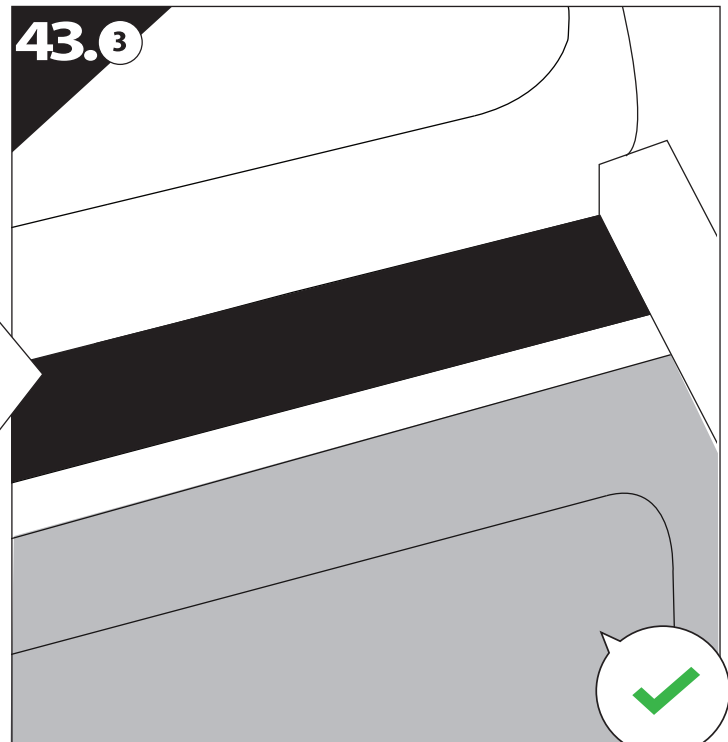
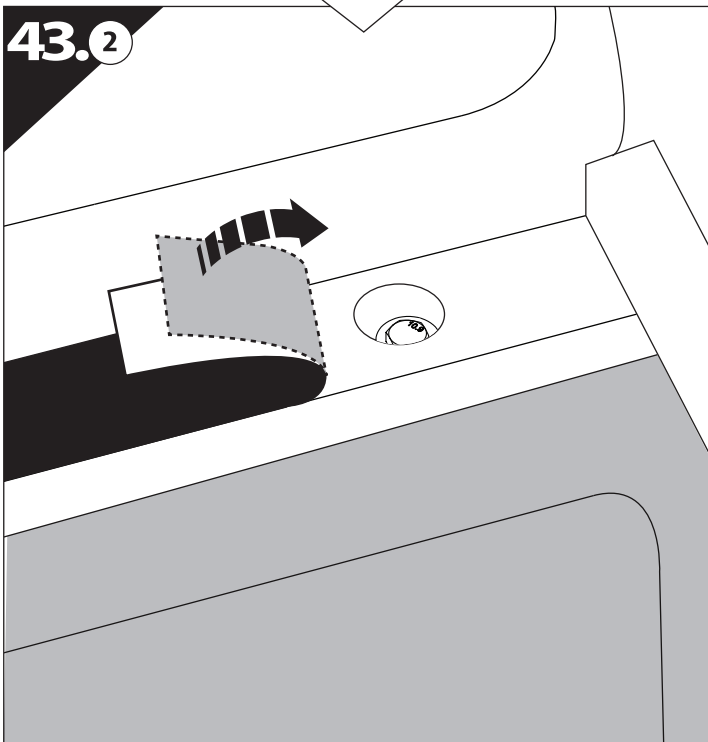
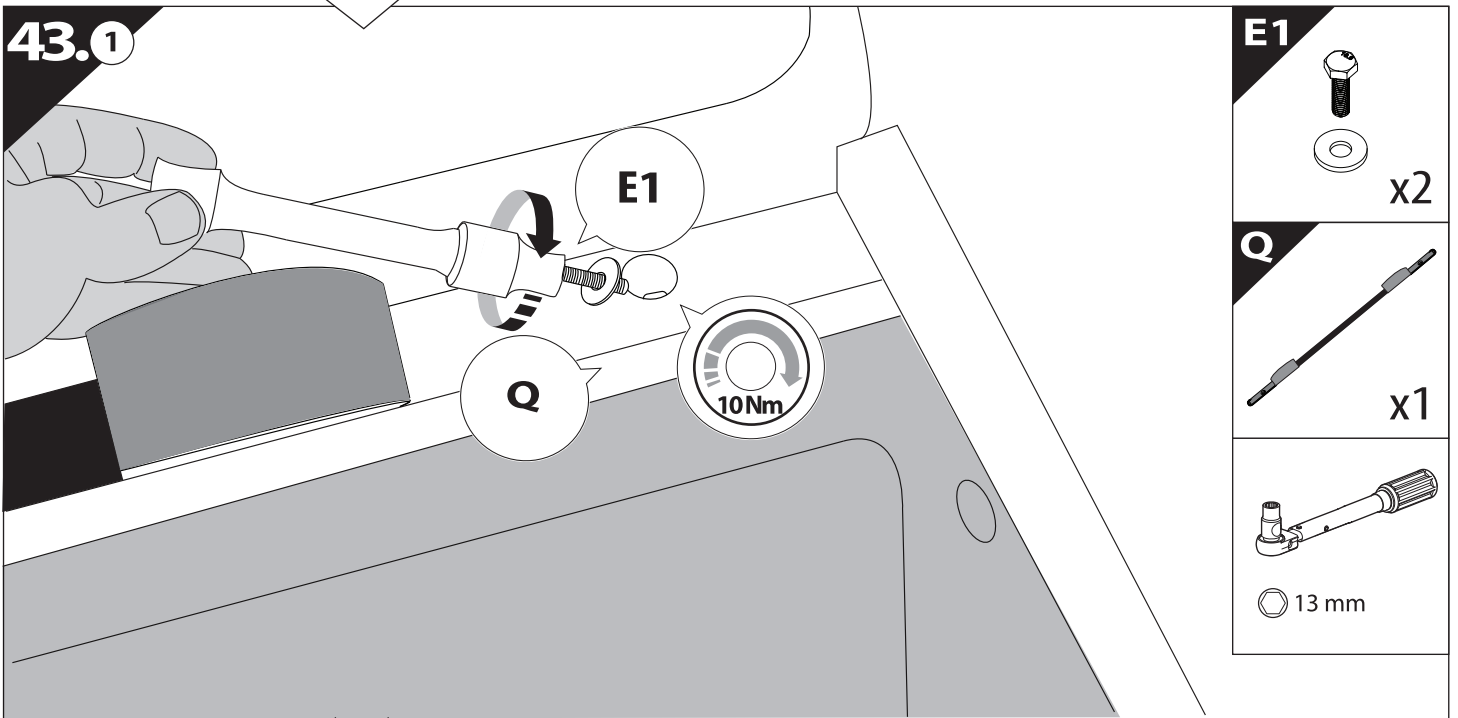
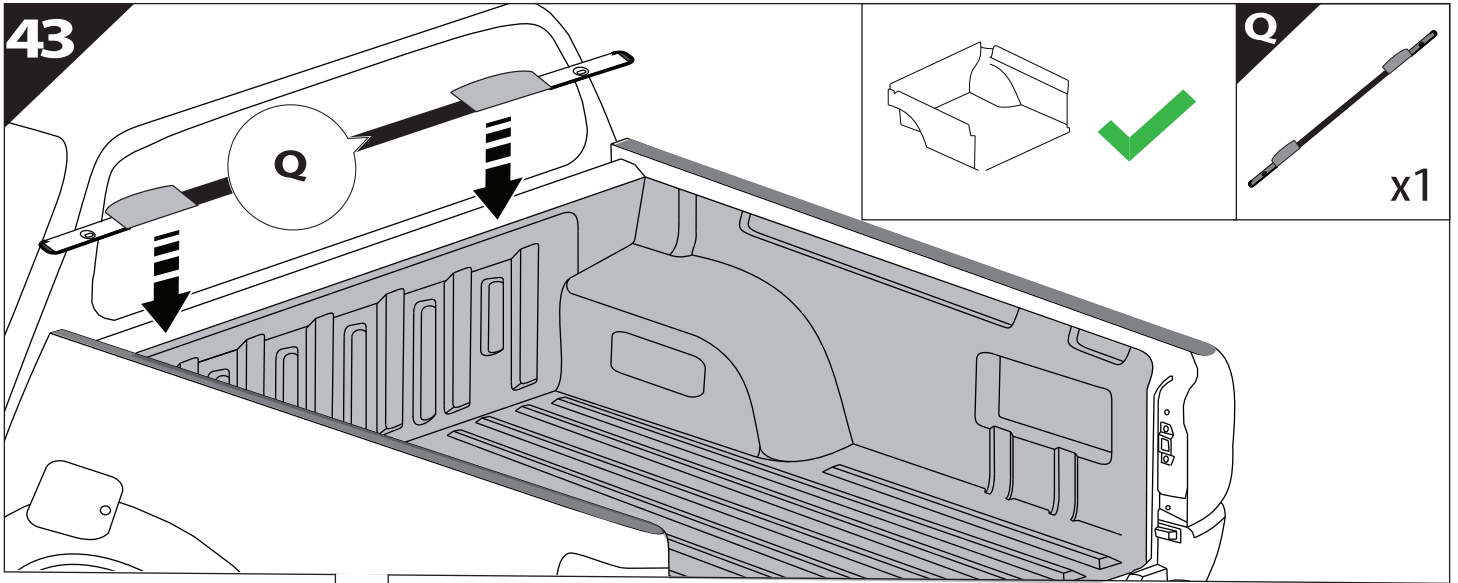
41



	CAR		TESSERA ROLL+
BEAM	C	↔	■
STOP	B	↔	■

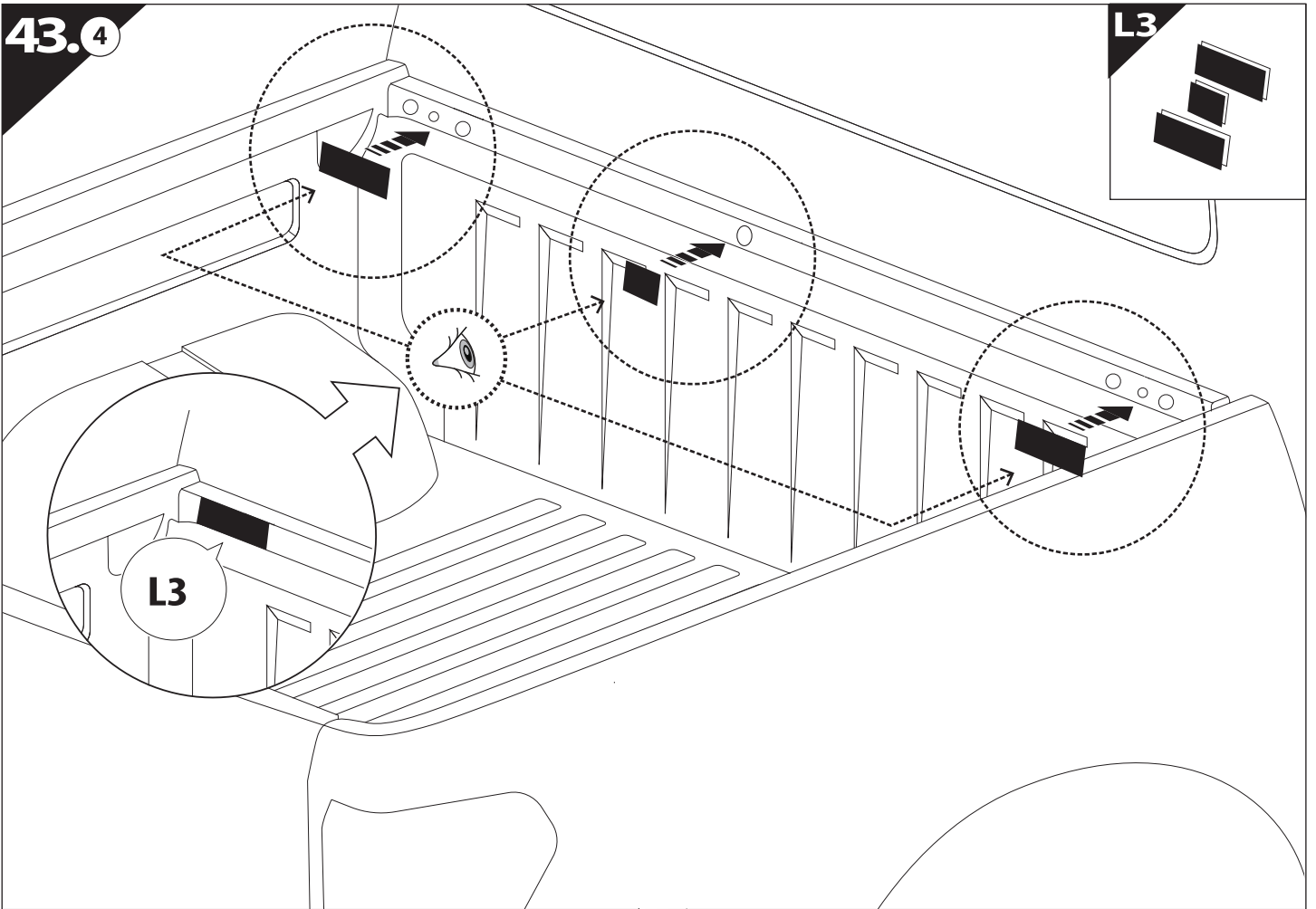
42





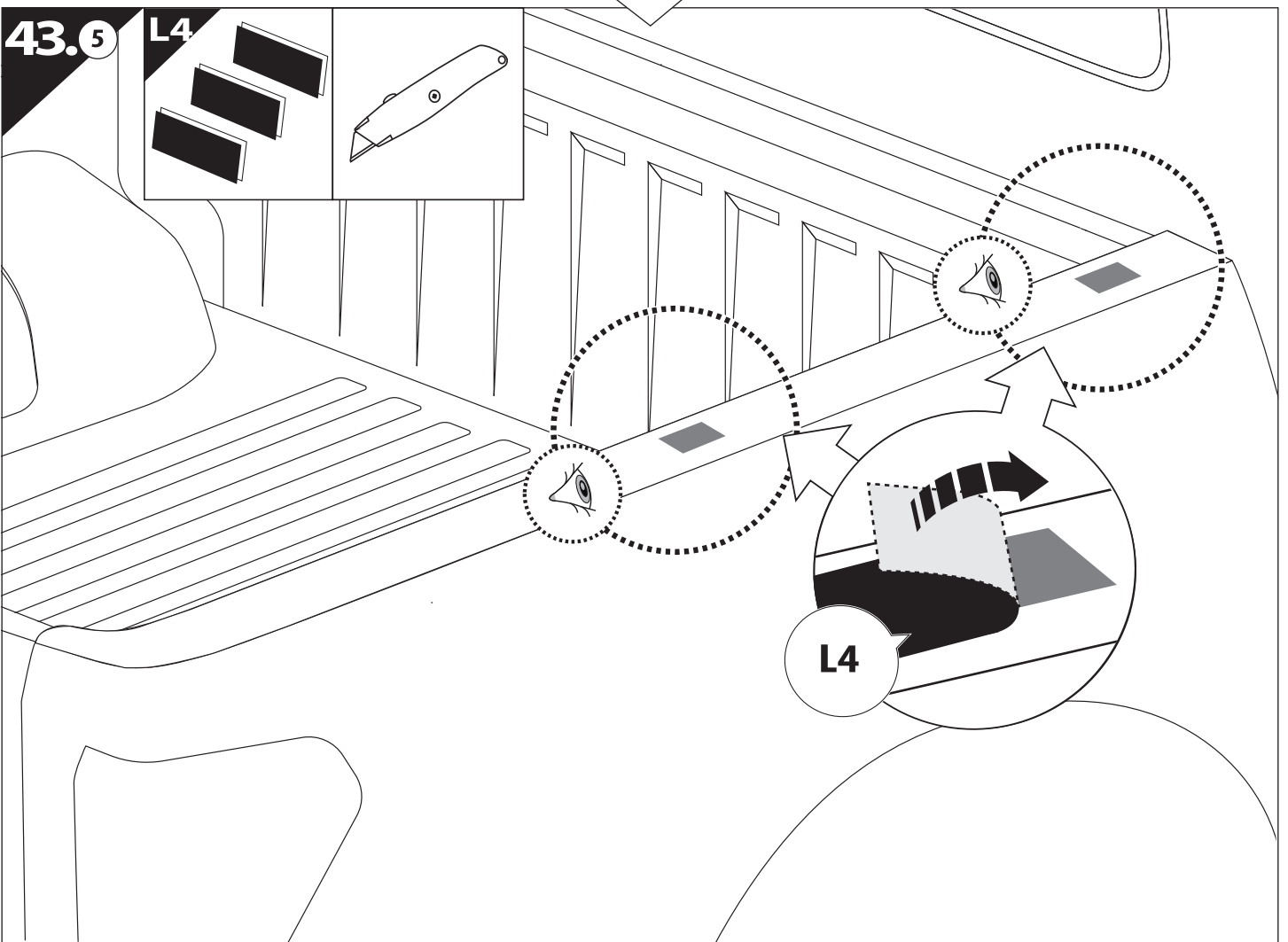
43.4

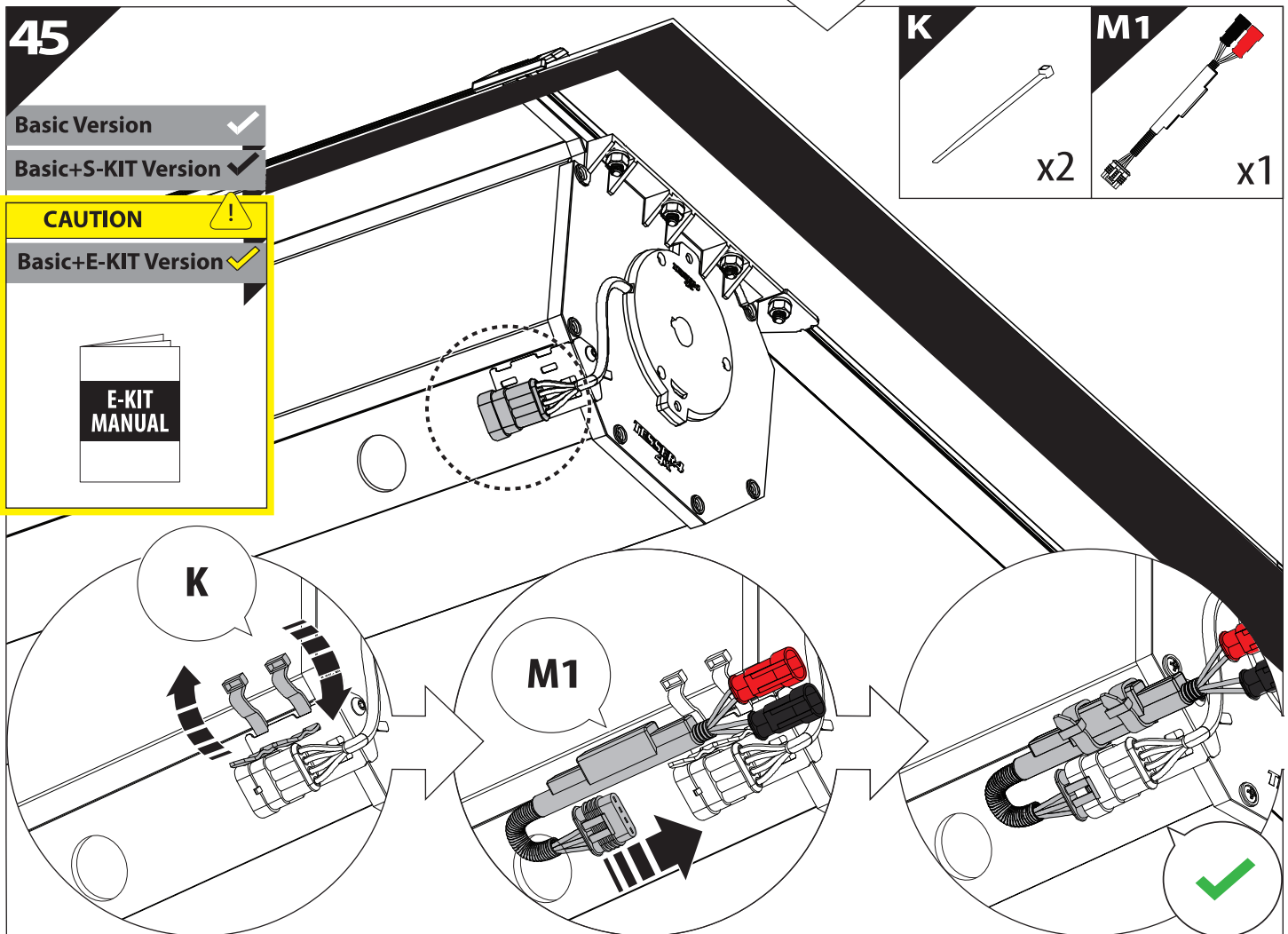
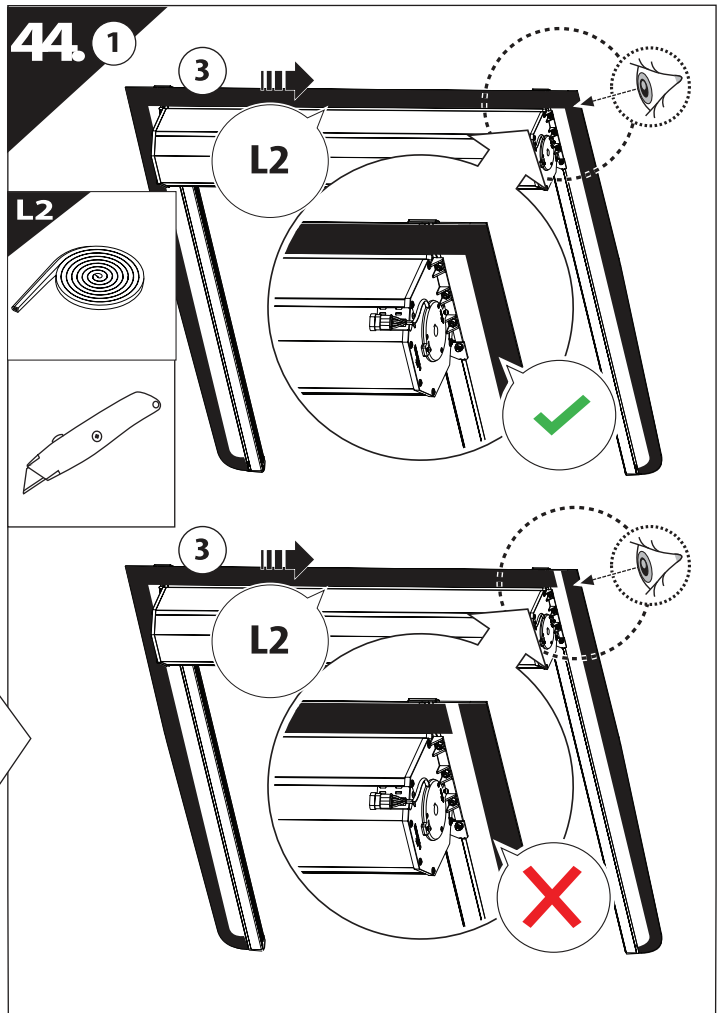
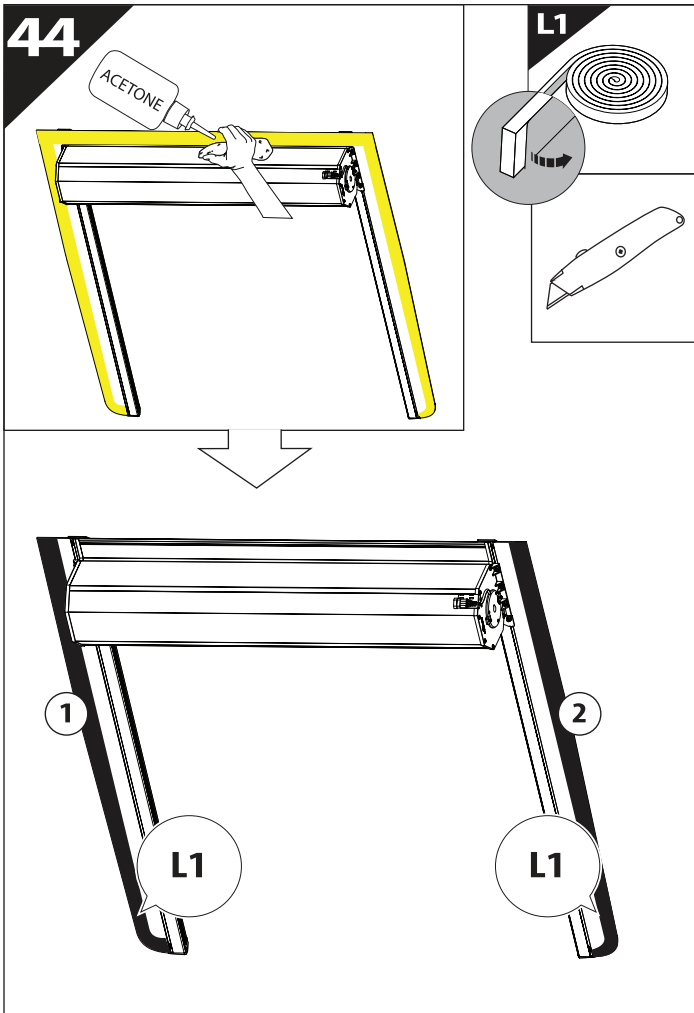
L3



43.5

L4



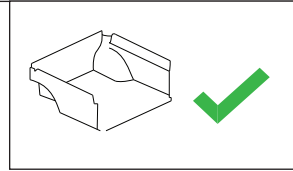
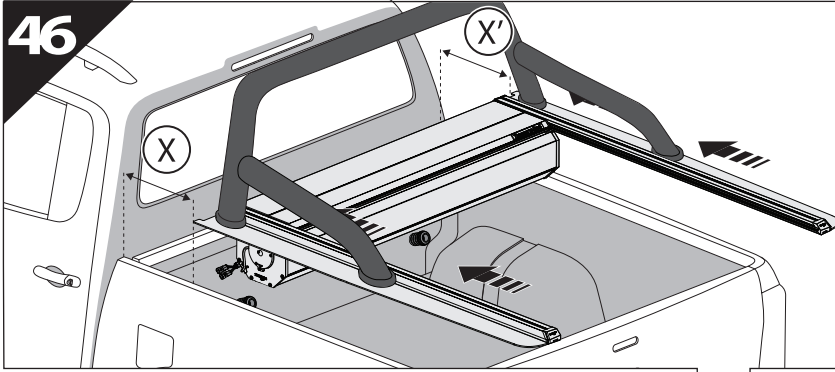


45. 1

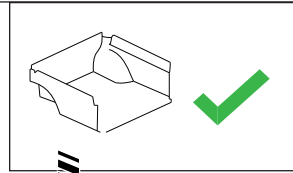
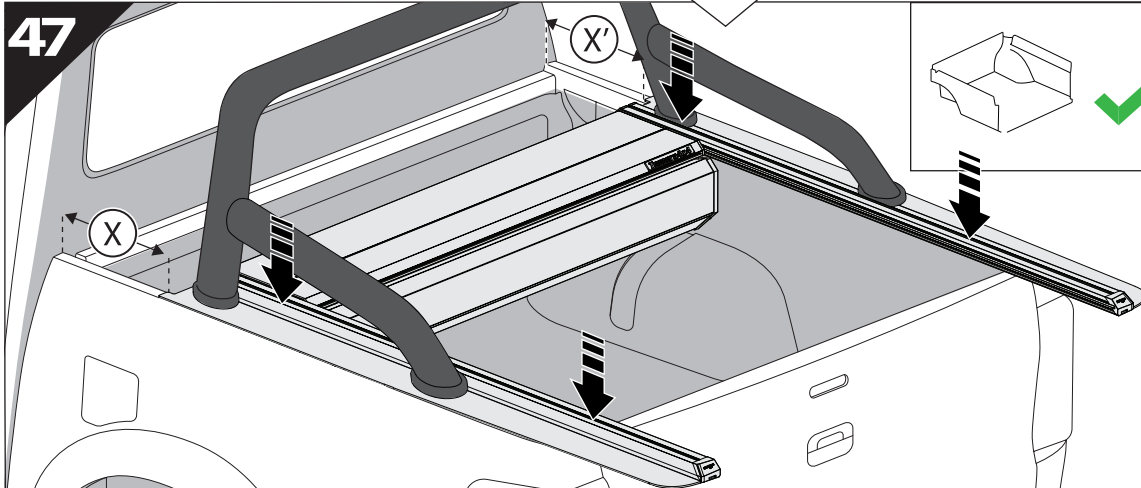
Basic+S-KIT Version

S-KIT  
MANUAL

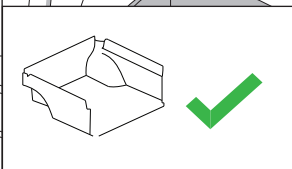
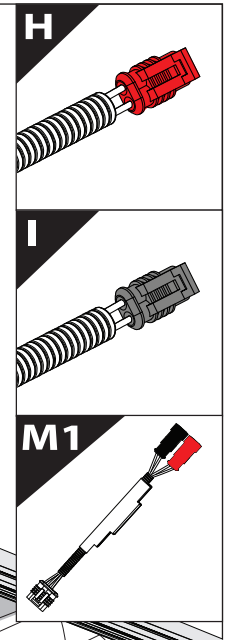
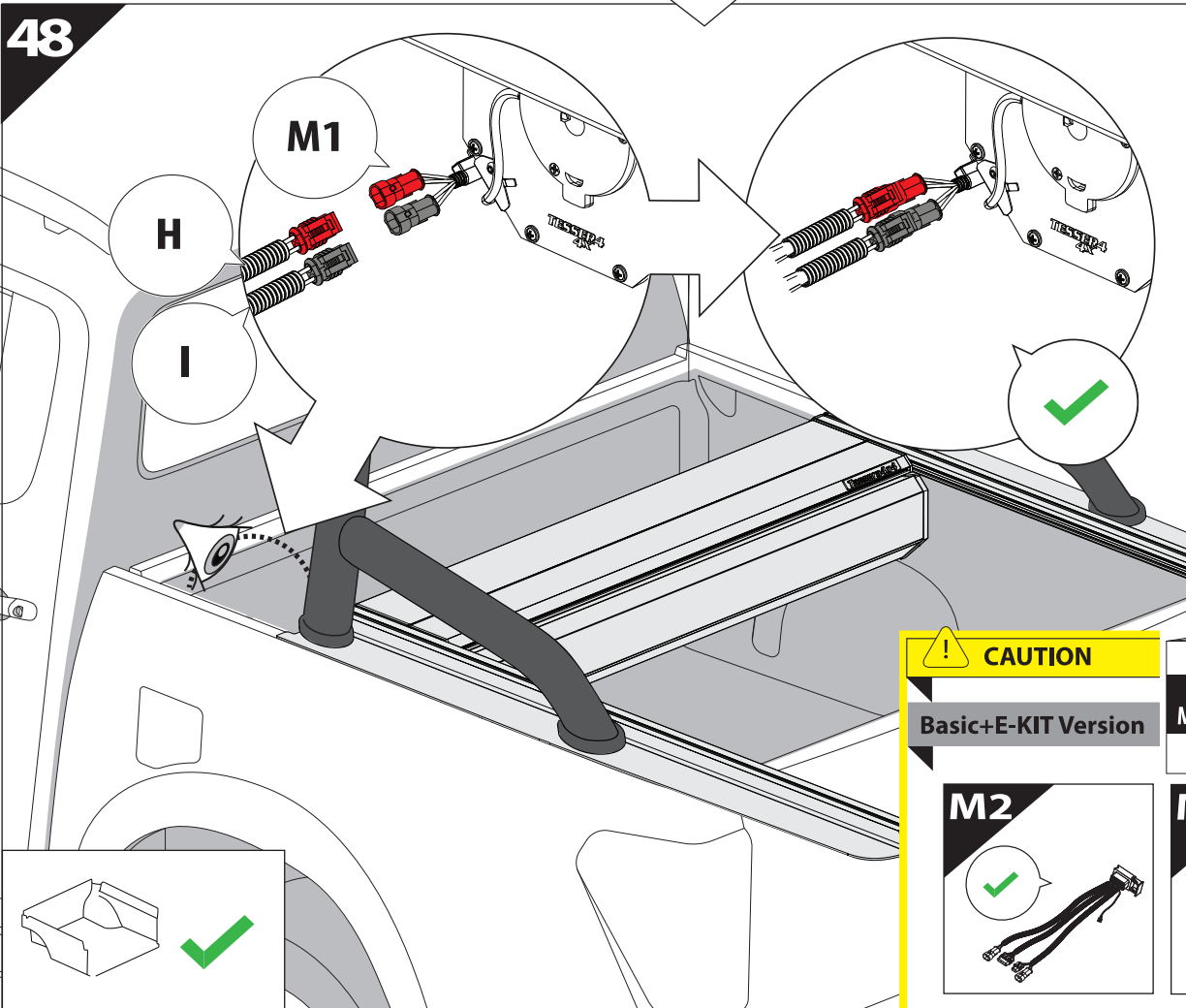
46



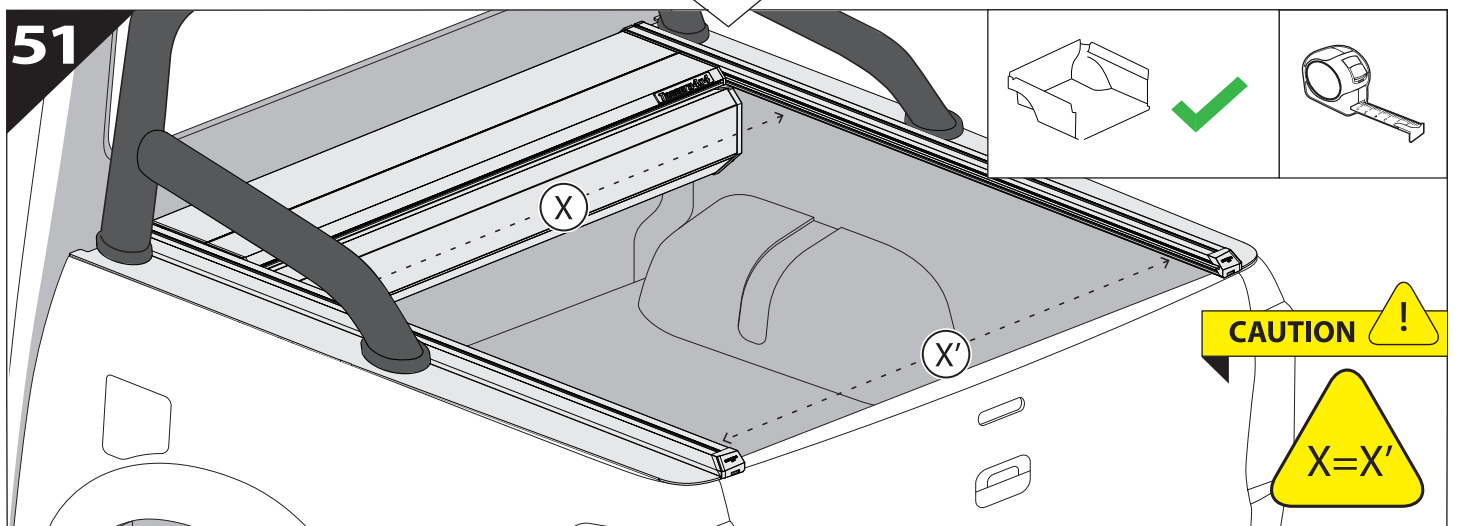
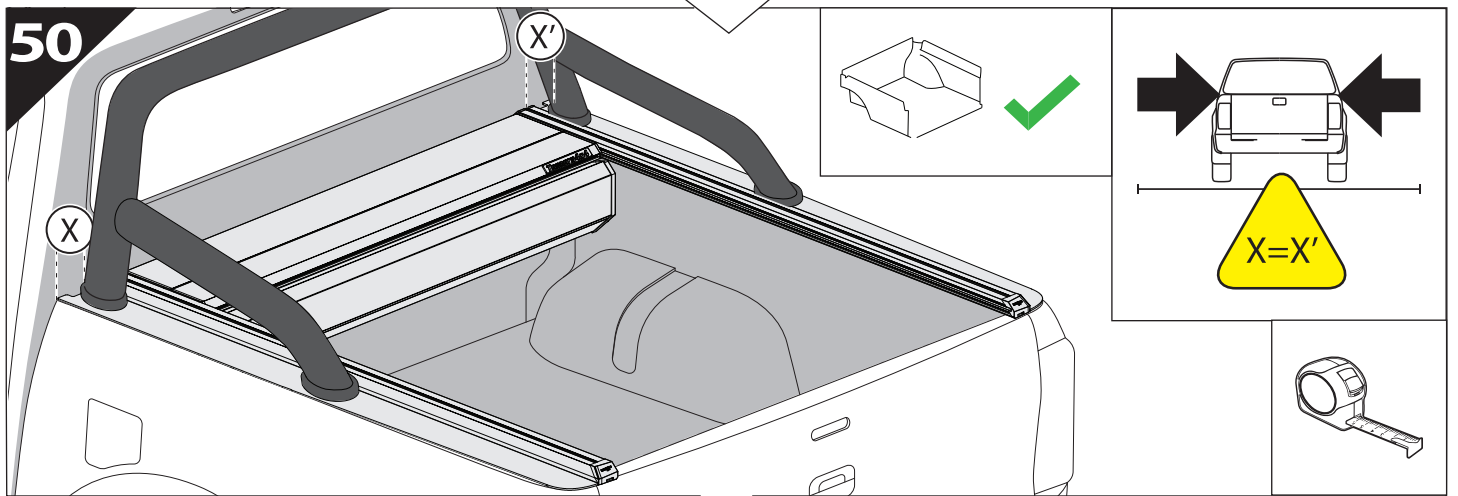
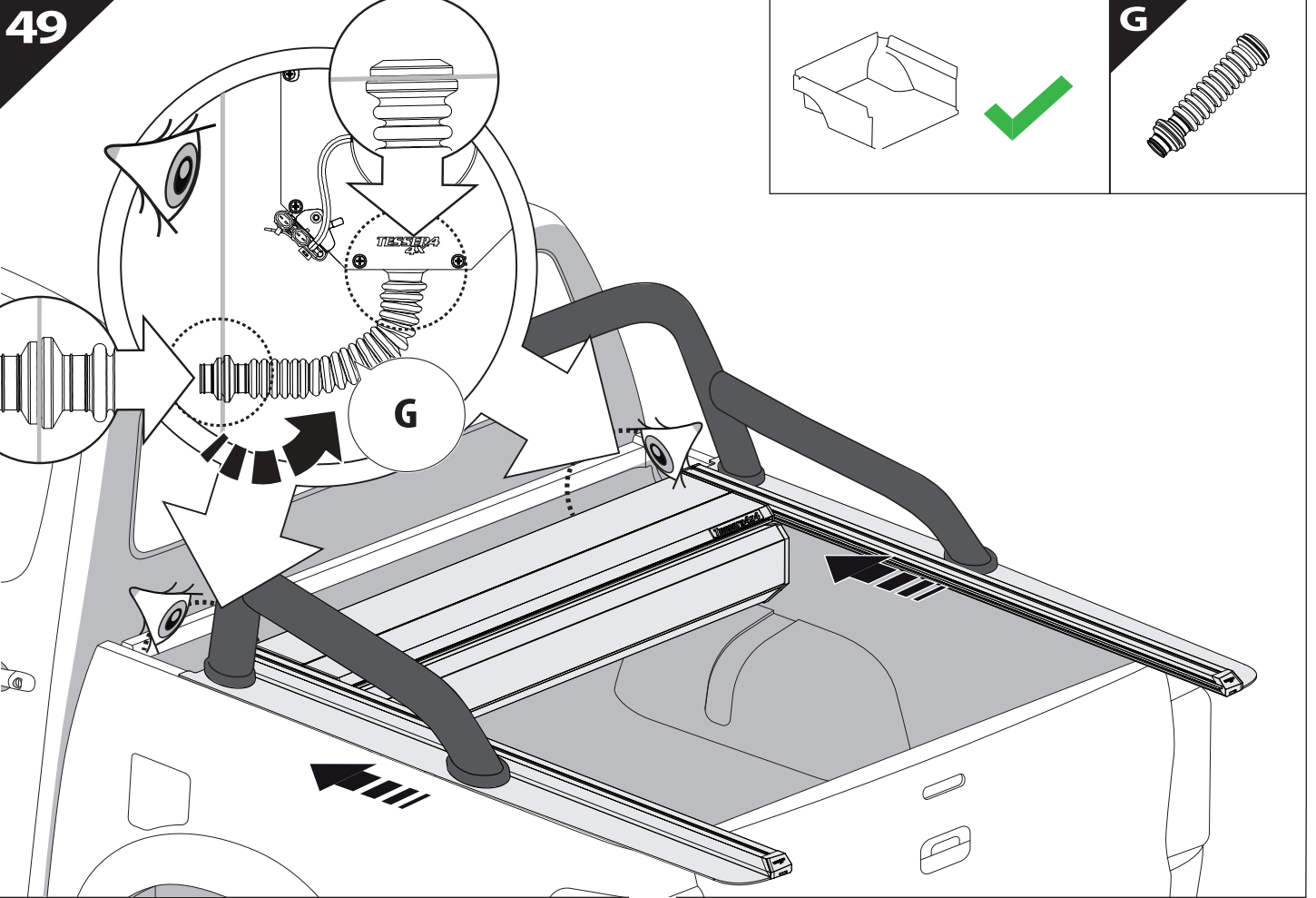
47



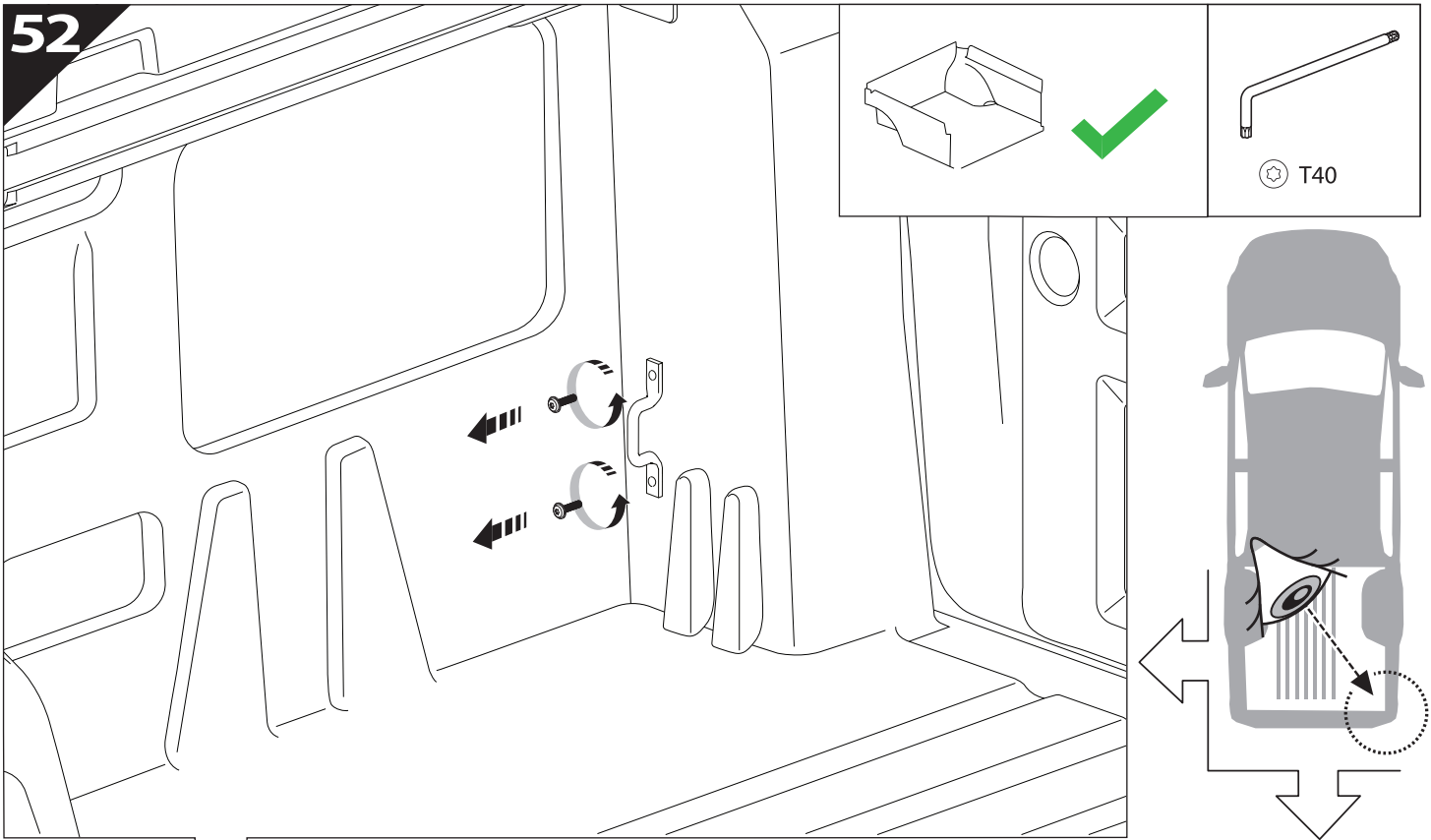
48



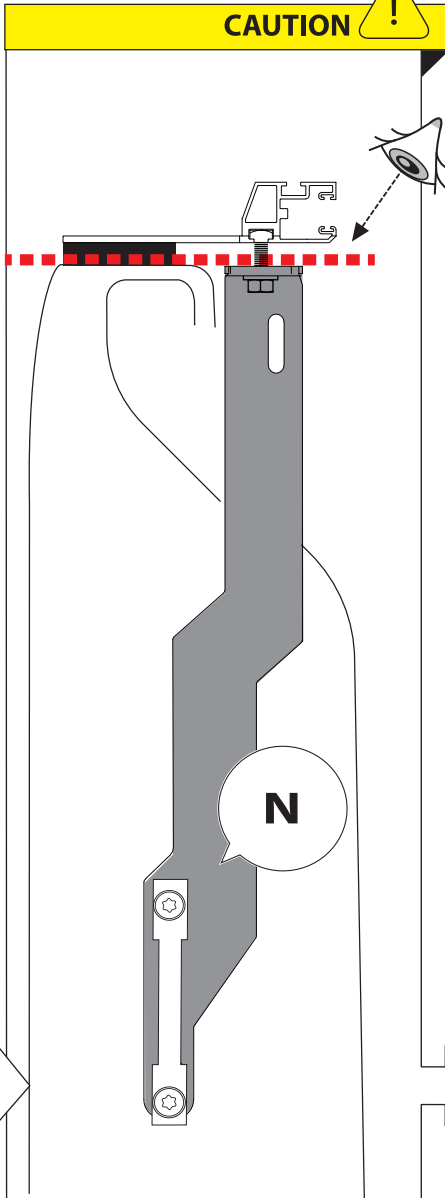
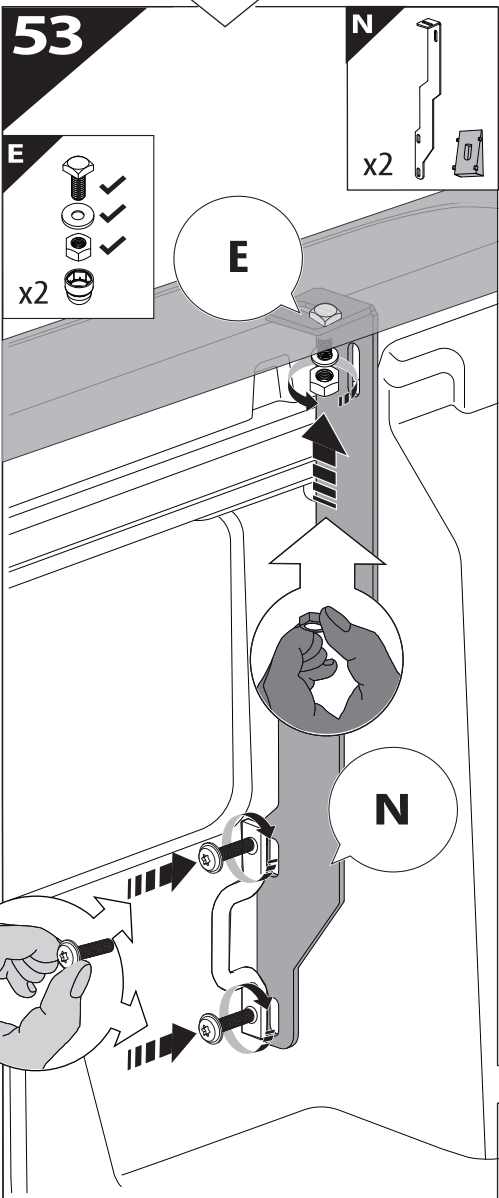
<b>CAUTION</b>	
Basic+E-KIT Version	
E-KIT MANUAL	
M2 ✓ 	M1 ✗ 



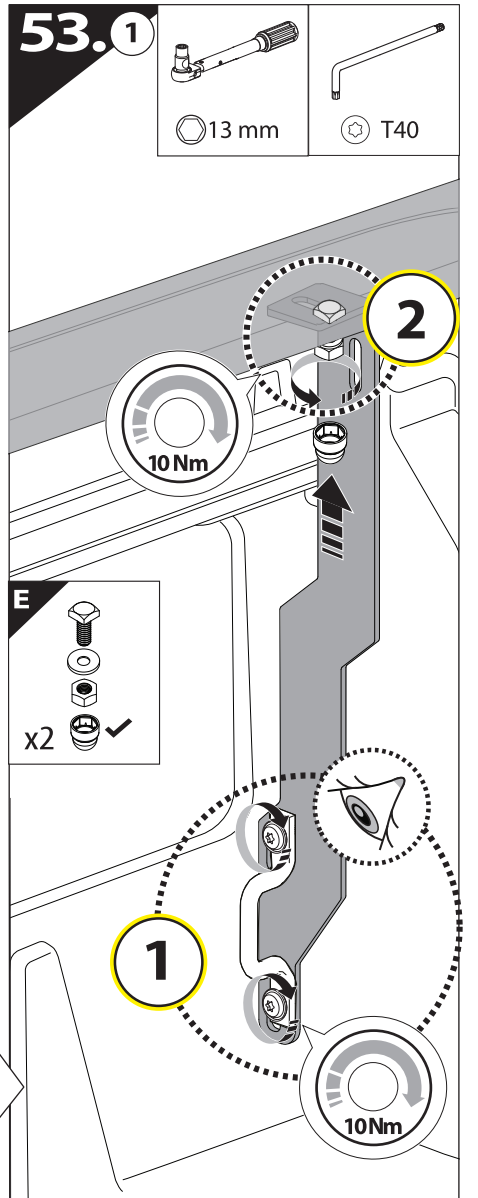
52



53

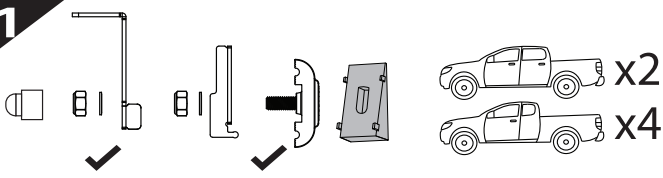


53.1

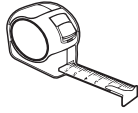
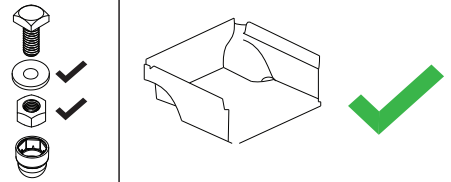




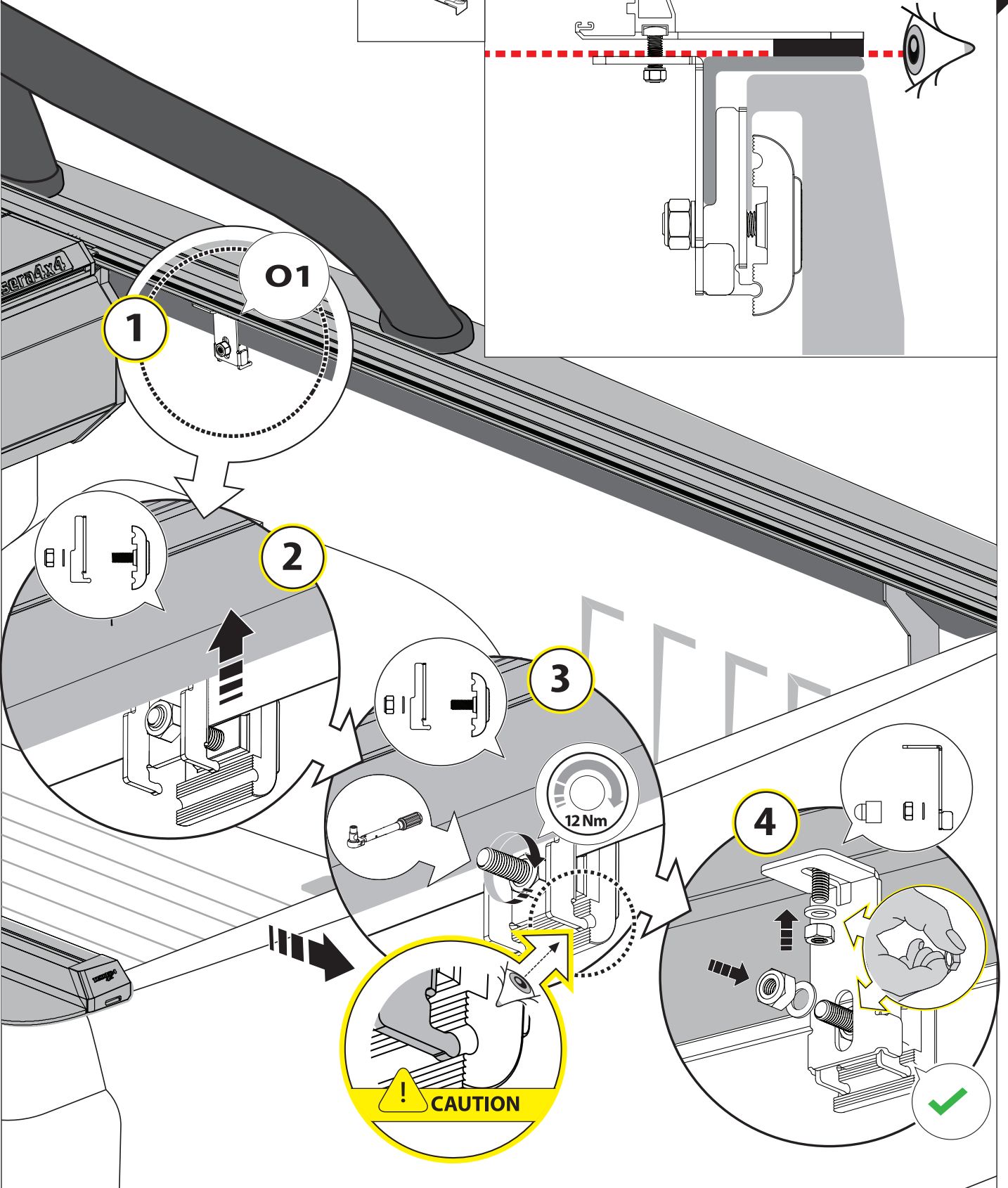
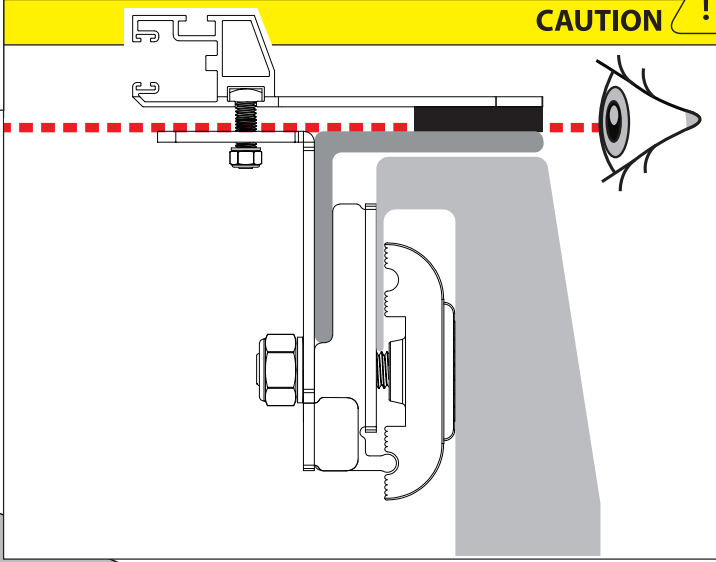
O1



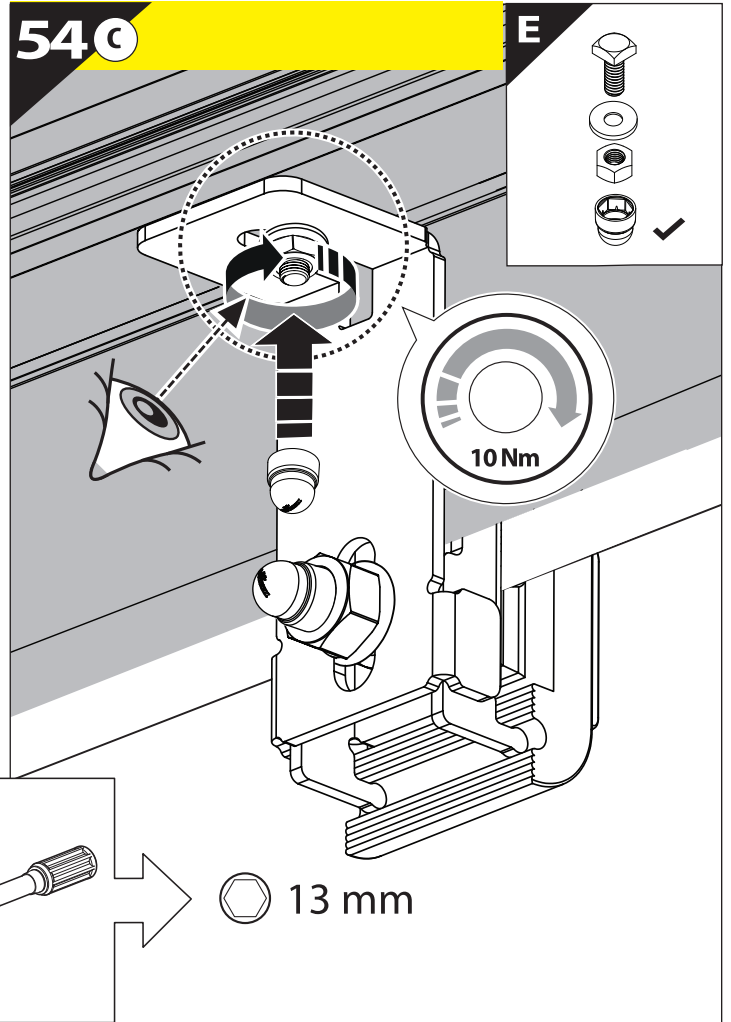
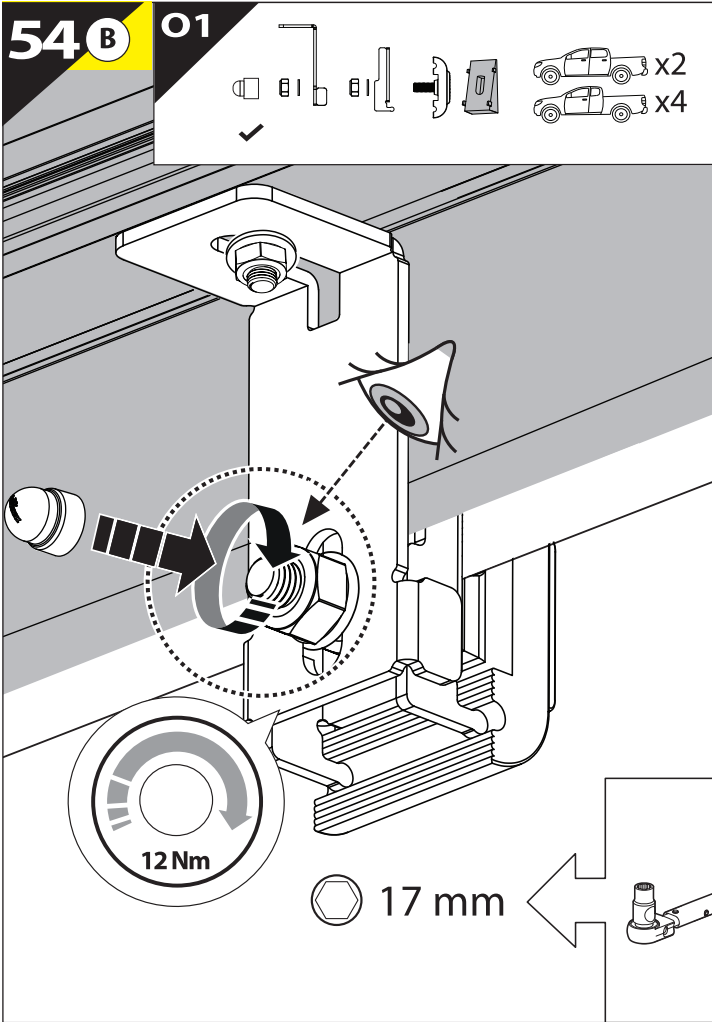
E



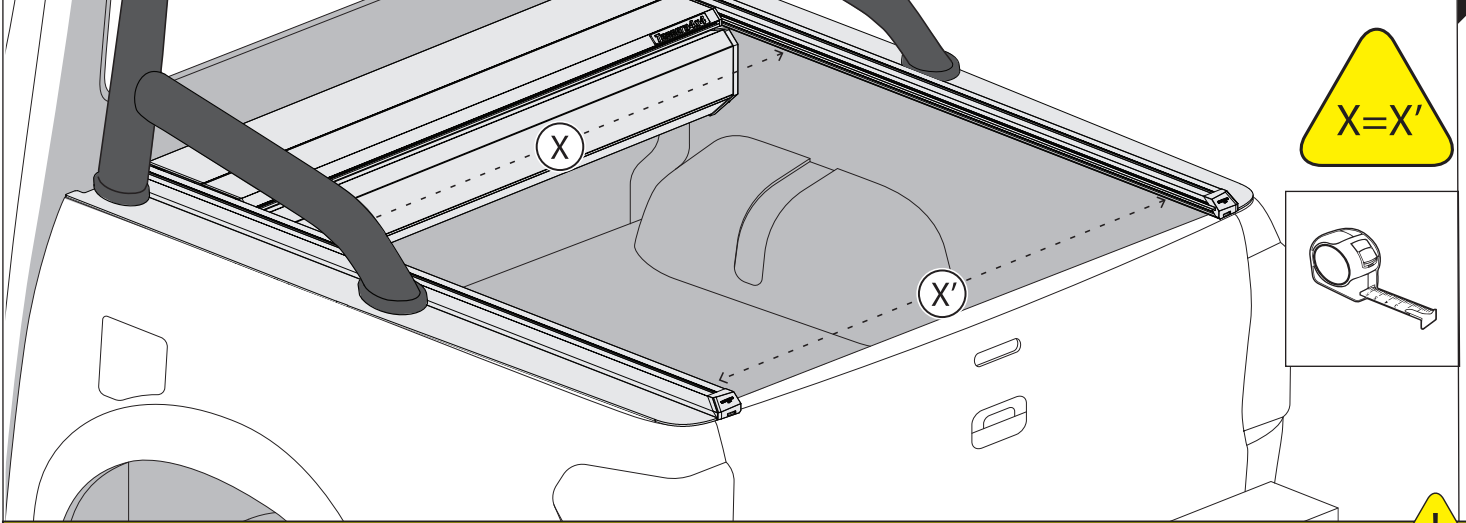
CAUTION



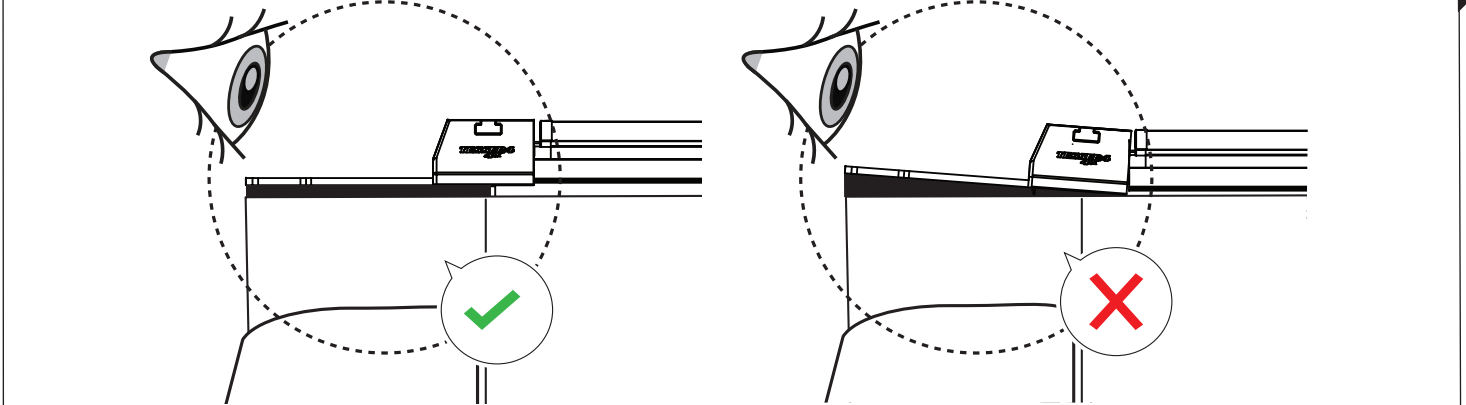




**CAUTION** !



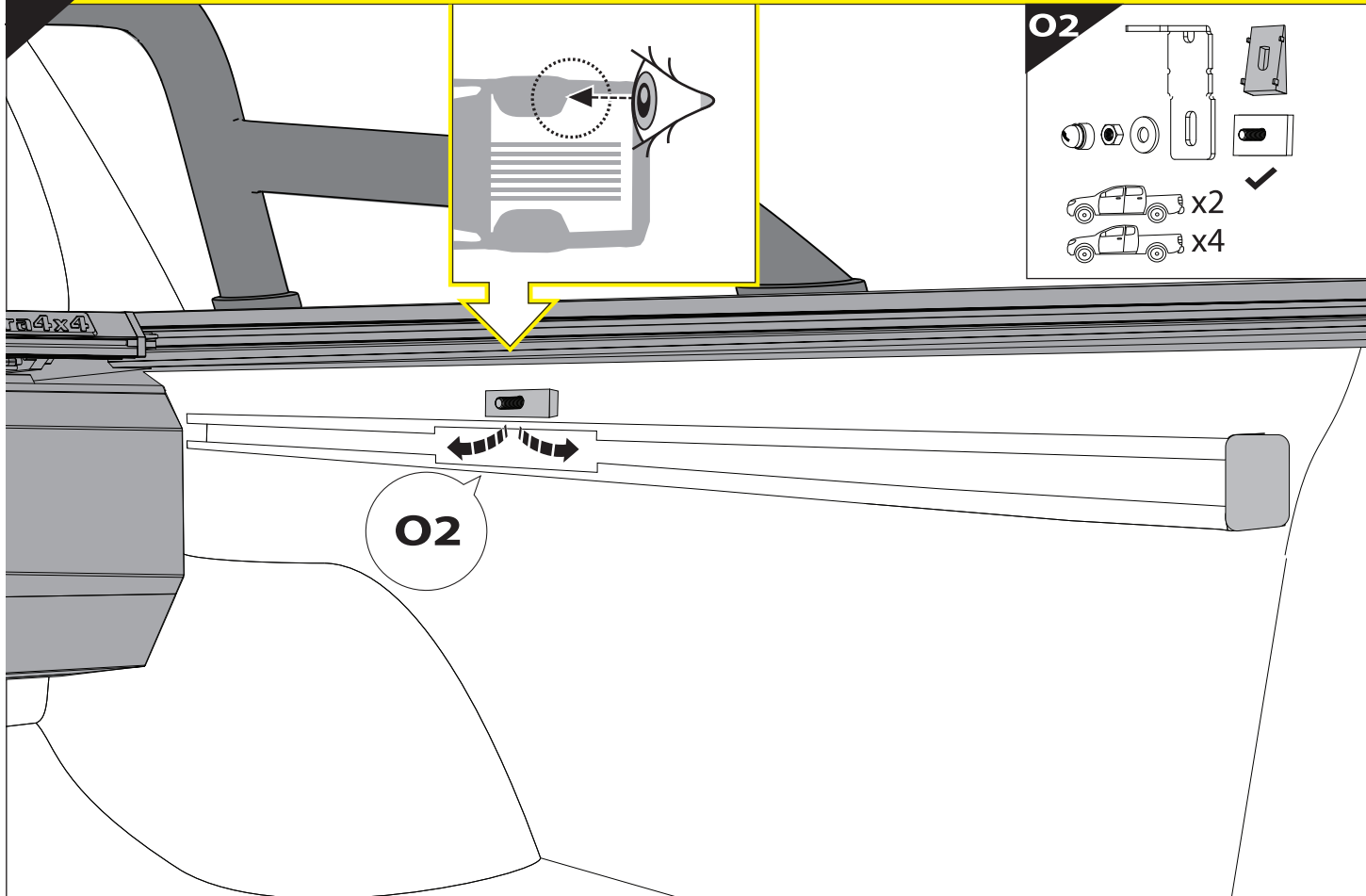
**CAUTION** !



54A



WITH C - CHANNELS

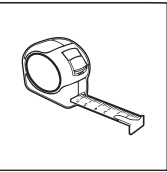
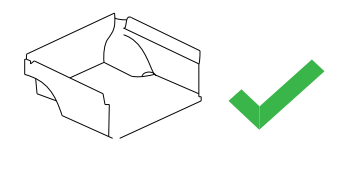
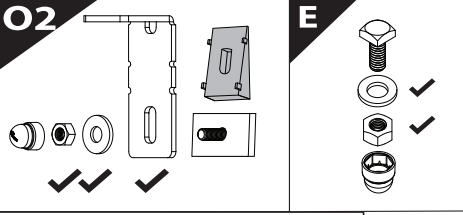


54 B

CAUTION !

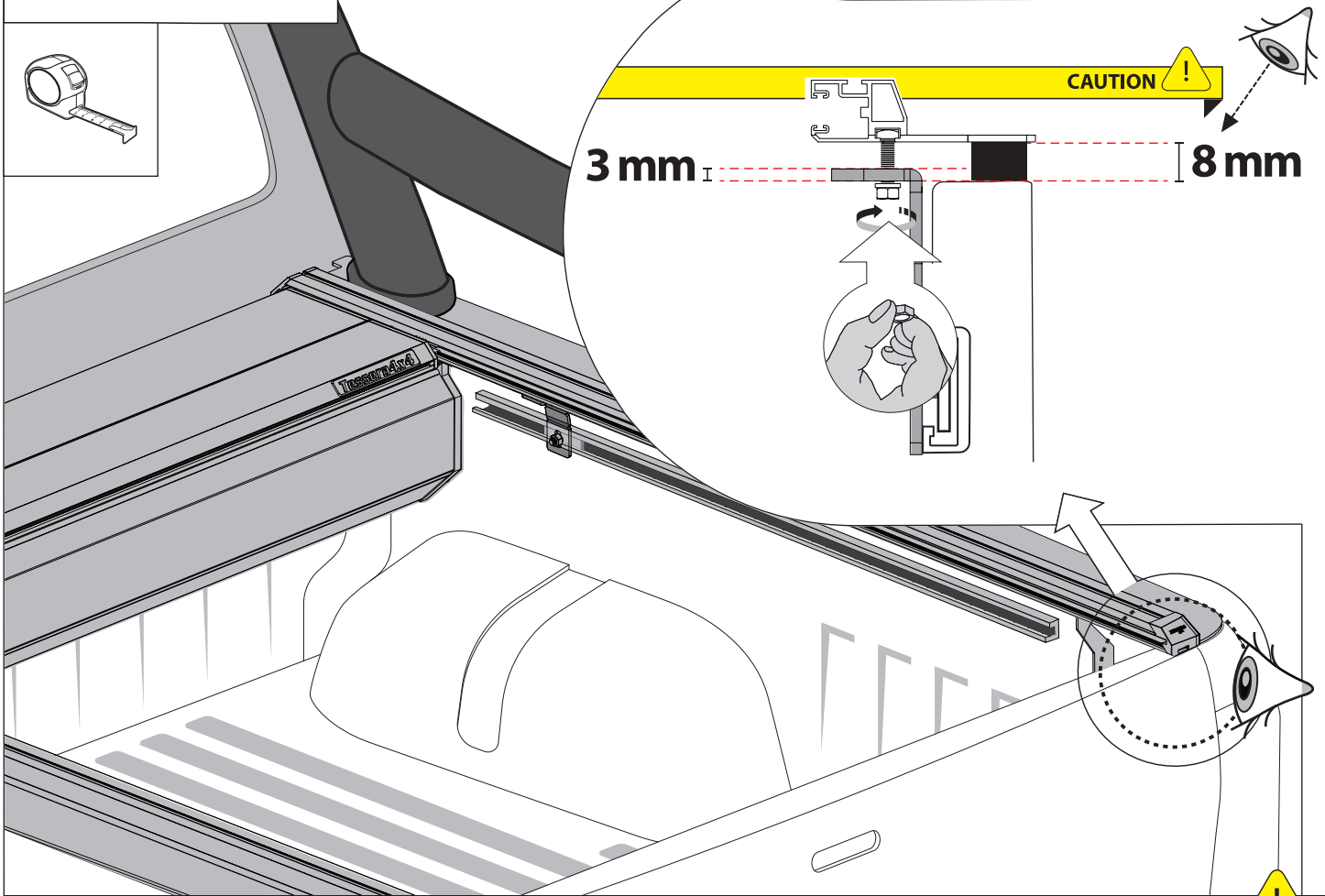
3 mm

8 mm

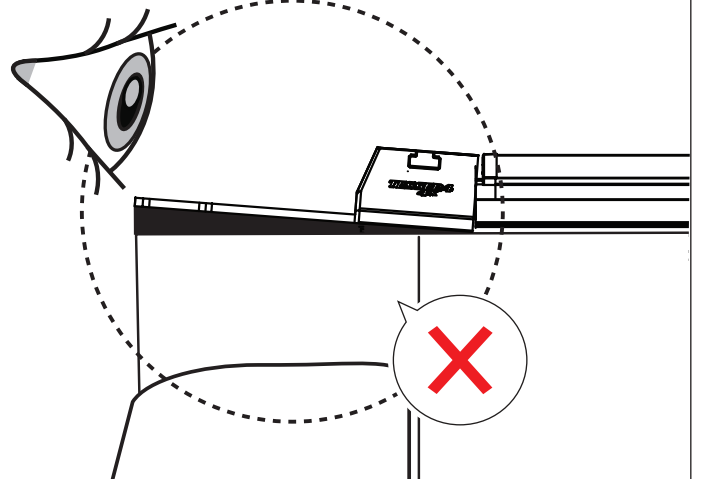
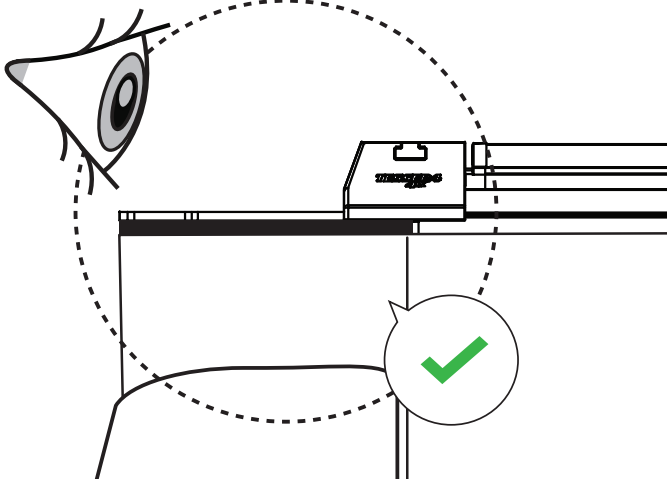


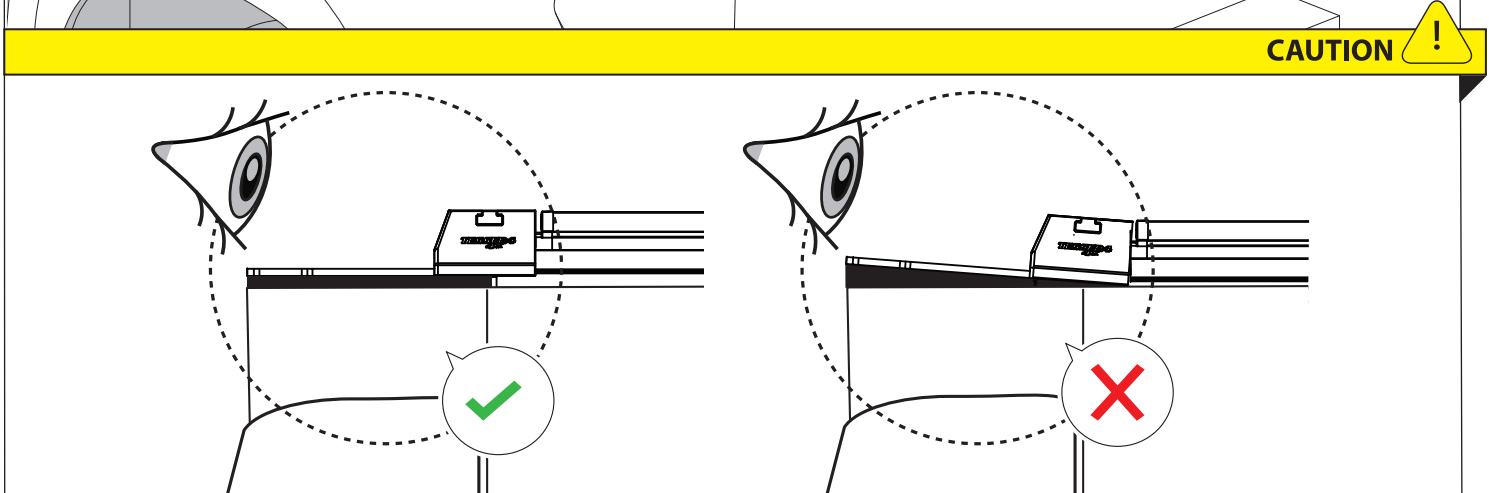
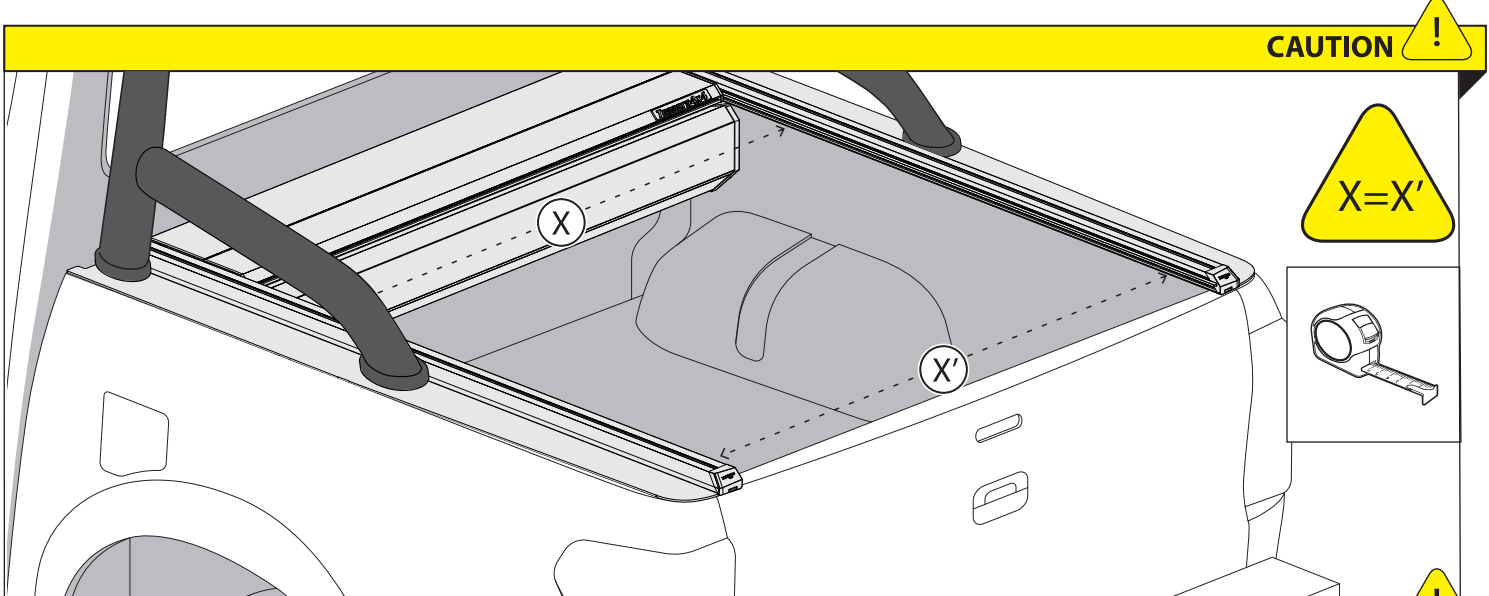
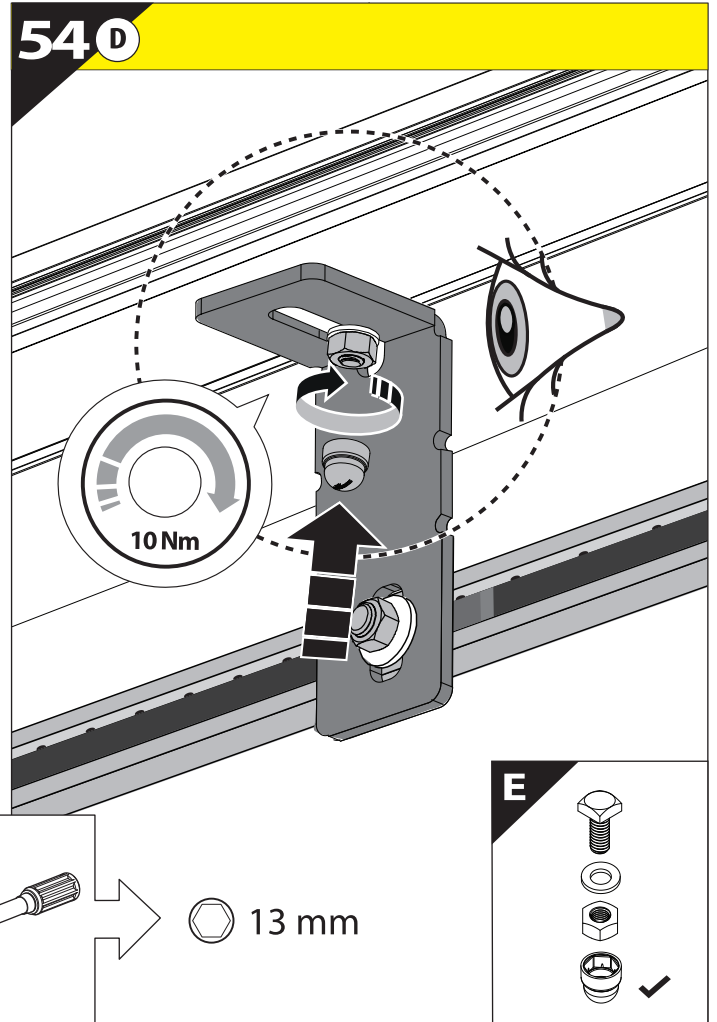
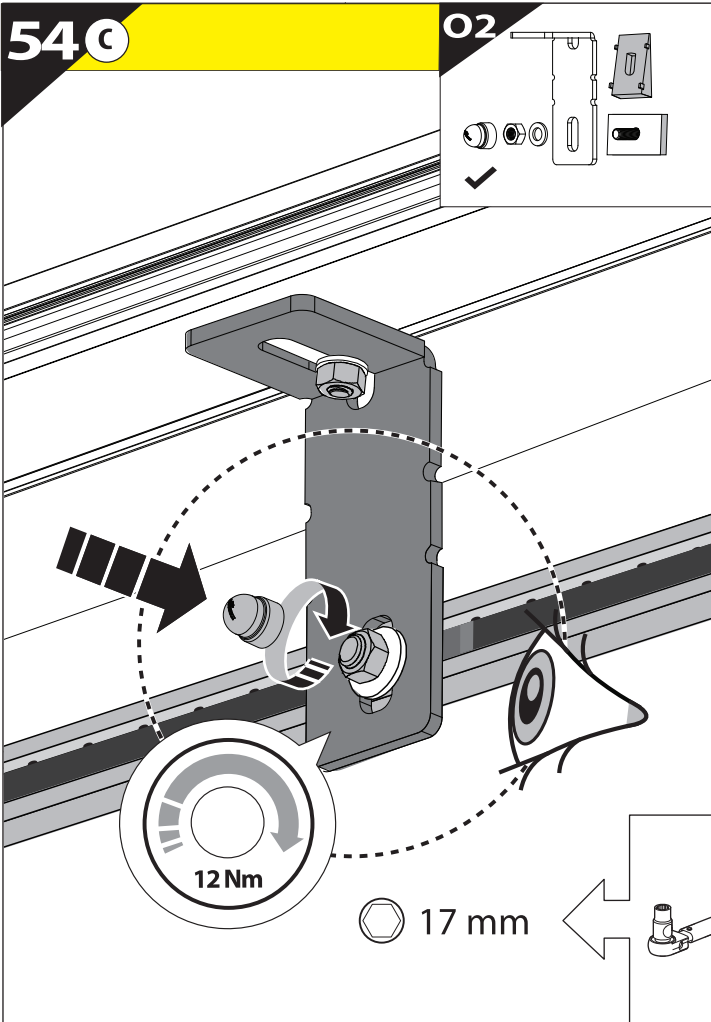
3 mm

8 mm

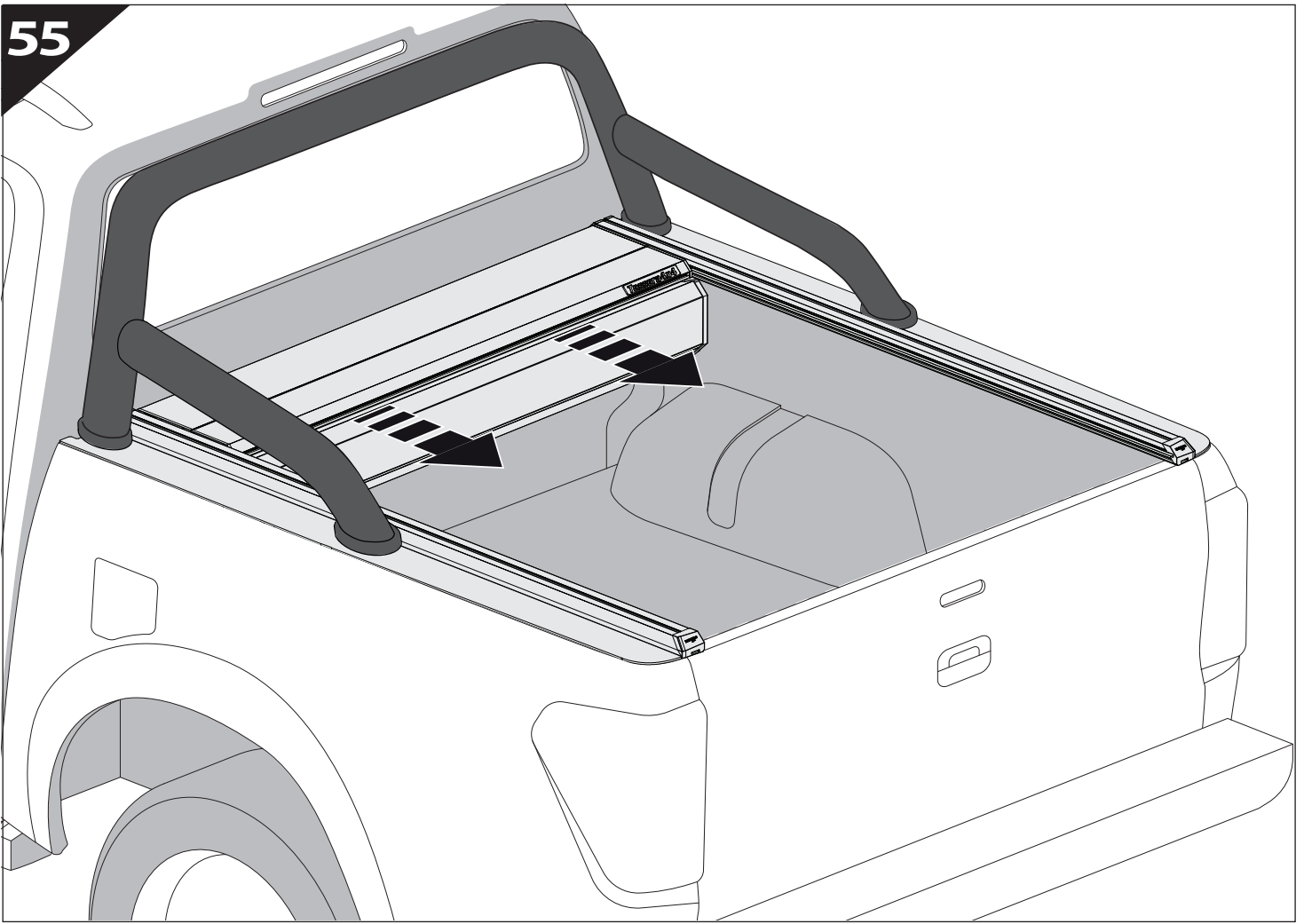


CAUTION !

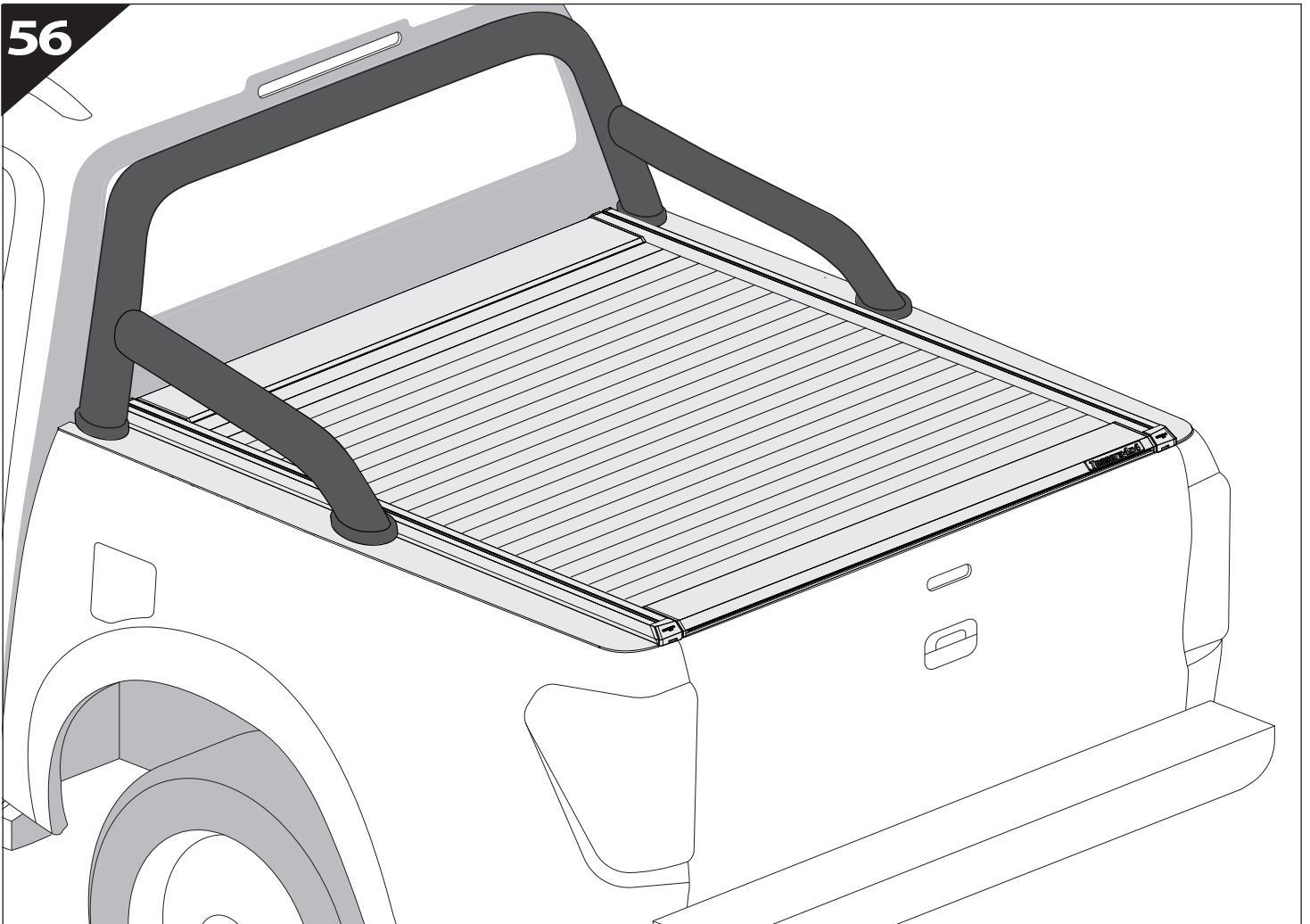




55



56







**GR:** Οδηγίες Εγκατάστασης  
**GB:** Installation manual  
**SF:** Asennusohje  
**F:** Notice de montage  
**PL:** Instrukcja montażu  
**NL:** Installatie-instructies  
**TR:** Montaj Talimatı  
**S:** Monteringsanvisning  
**E:** Instrucciones de montaje

**H:** Szerelési utasítás  
**P:** Instruções de instalação  
**RUS:** Инструкция по установке  
**N:** Monteringsveiledning  
**D:** Einbauanleitung  
**CZ:** Návod k instalaci  
**I:** Istruzioni de montaggio  
**DK:** Monteringsvejledning  
**RO:** Instructiuni de instalare

Customer Service:

+30 (210) 5541161, +30 (210) 5541154 (08:00 - 16:00 EET)

Support department:

[info@gianso.gr](mailto:info@gianso.gr)

Website:

[www.tessera4x4.com](http://www.tessera4x4.com)

Address:

19.5 km of National road Athens-Korinthos (Elefsina) Greece, P.C: 19200