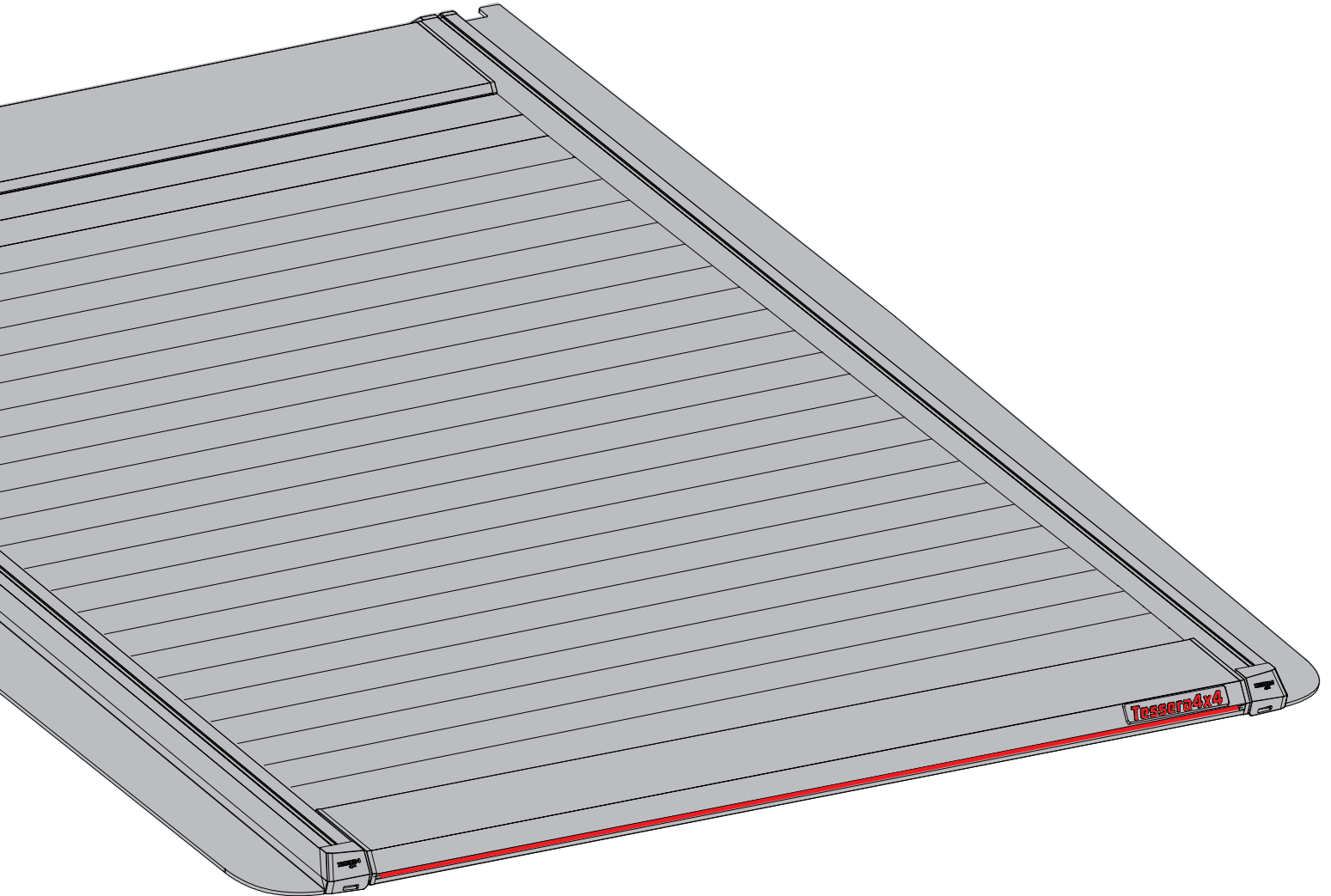


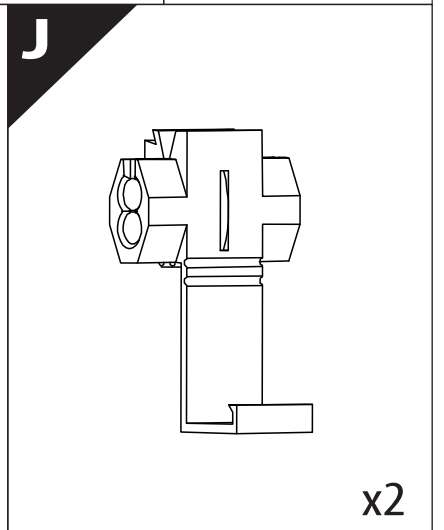
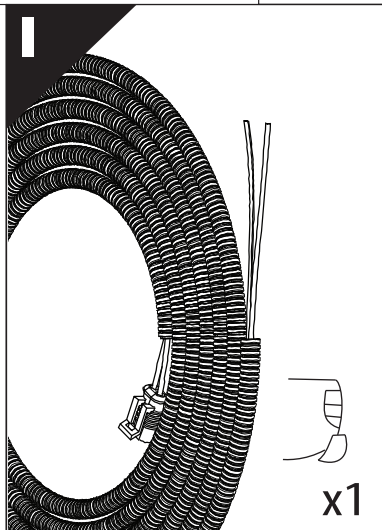
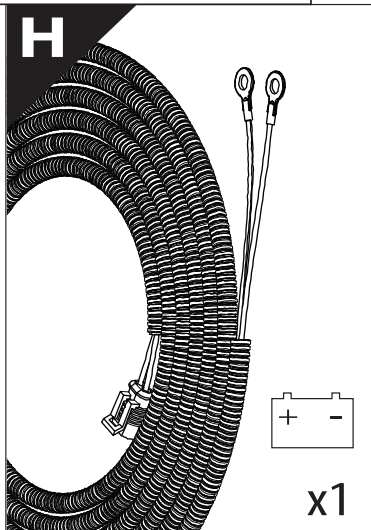
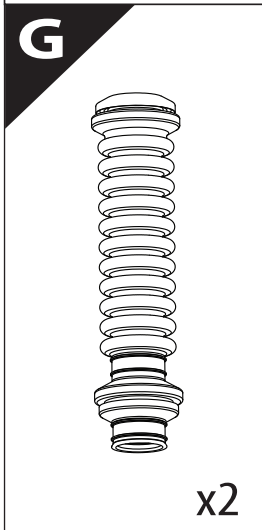
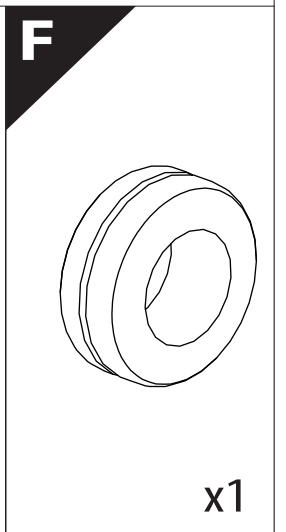
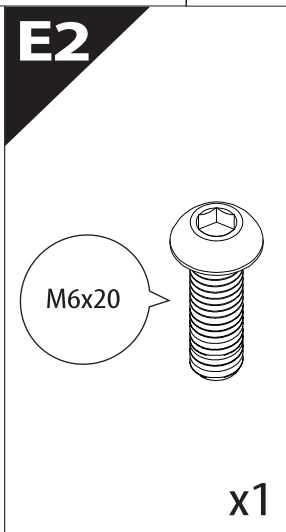
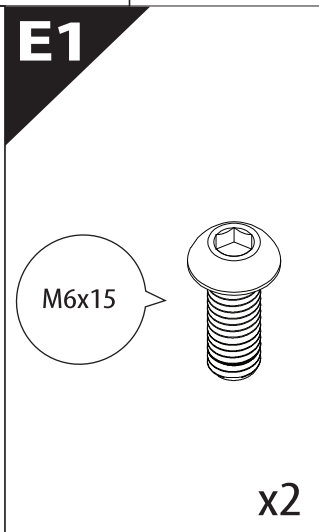
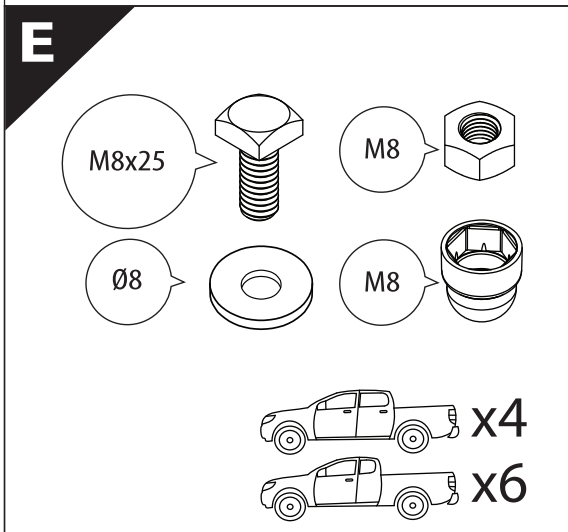
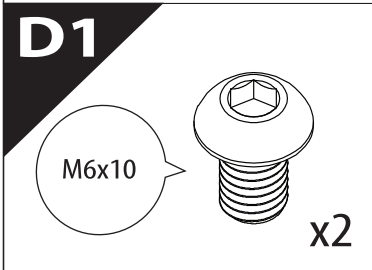
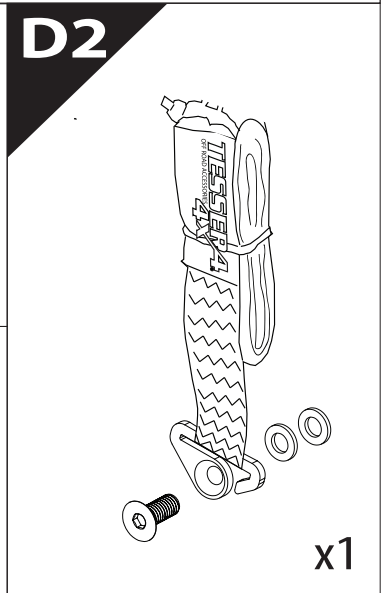
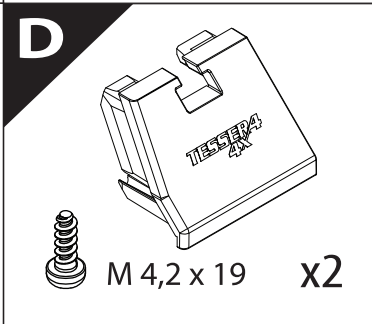
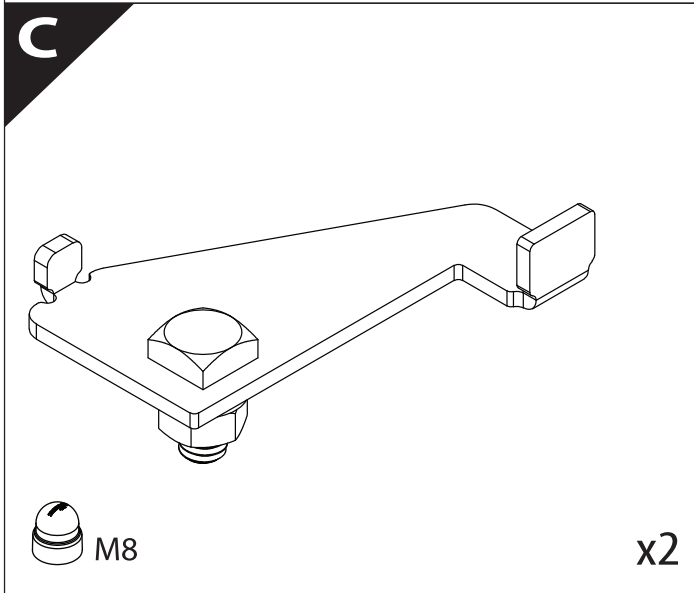
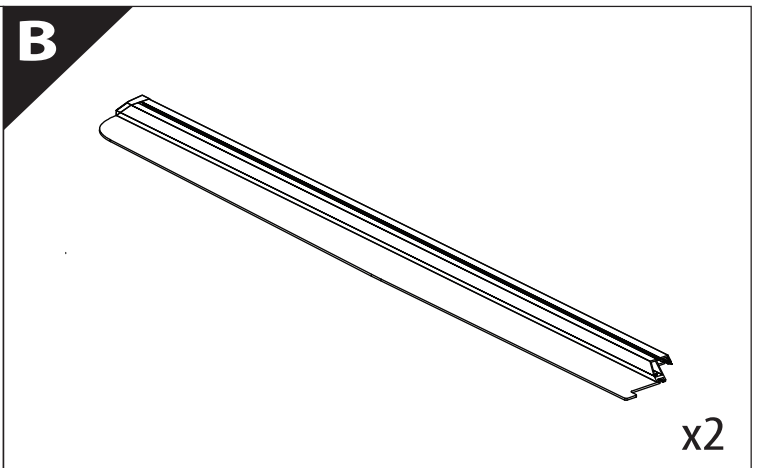
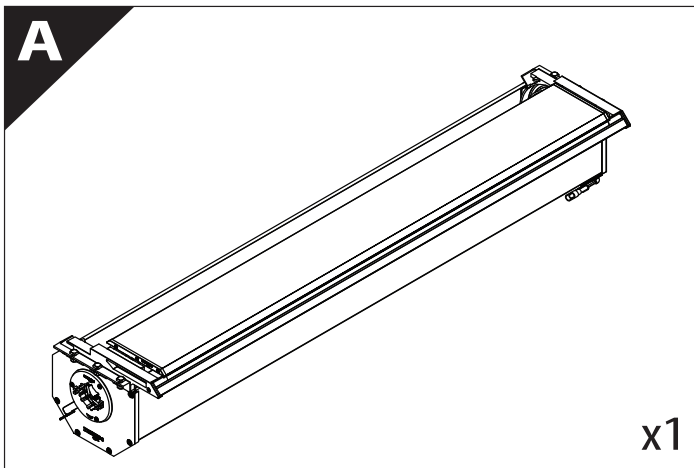
Tessera Roll+

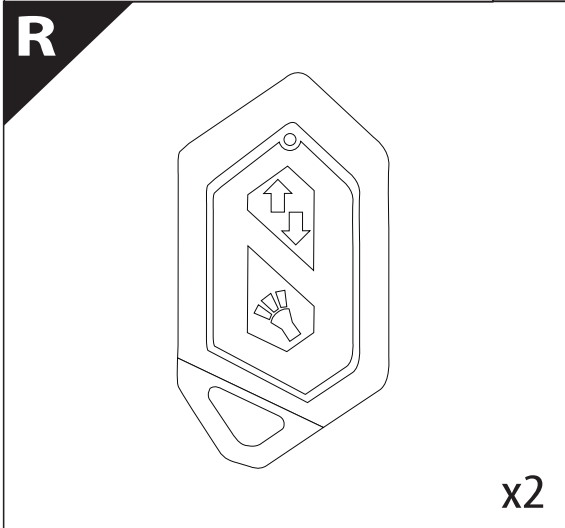
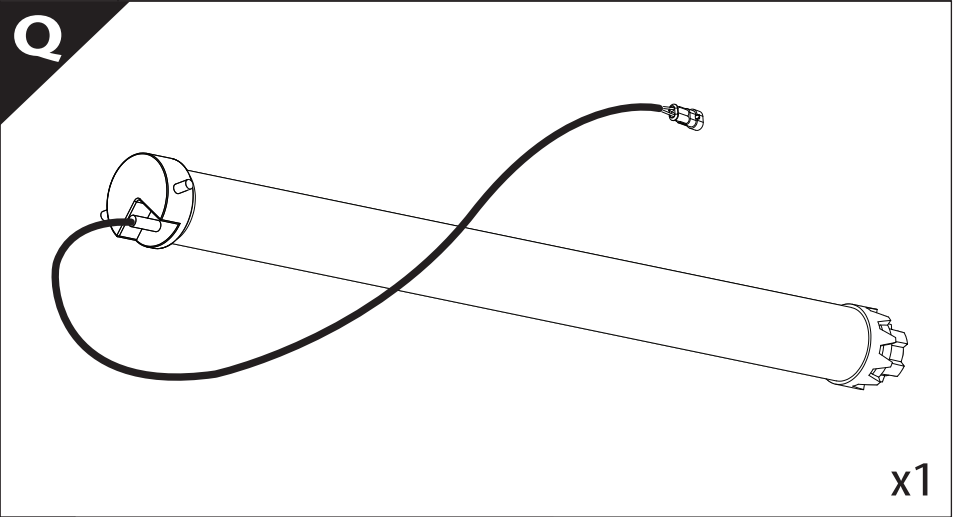
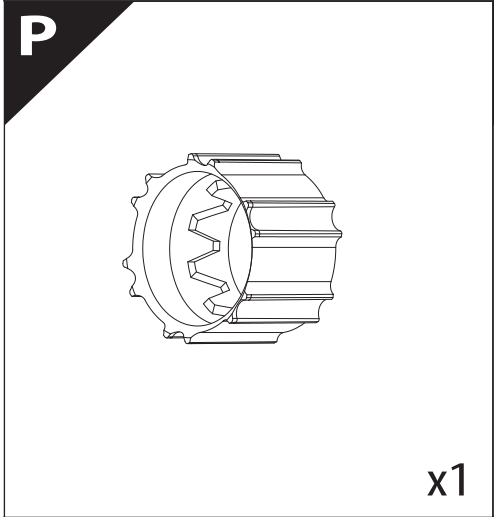
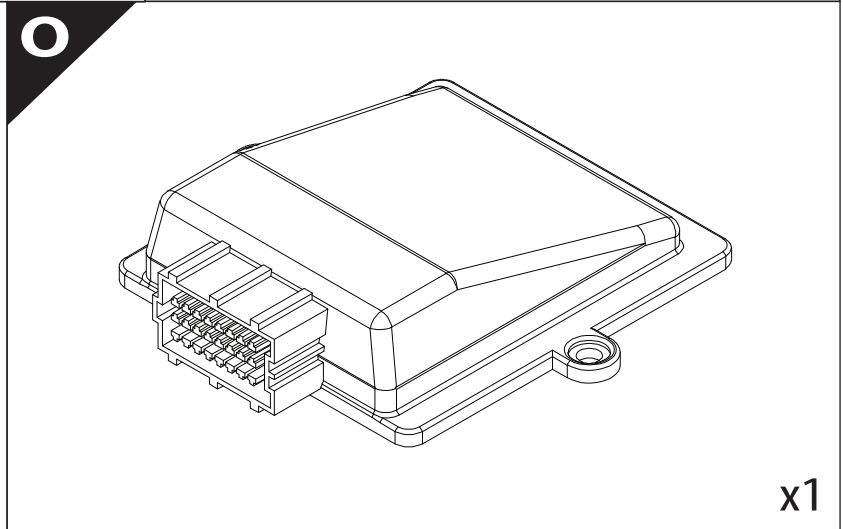
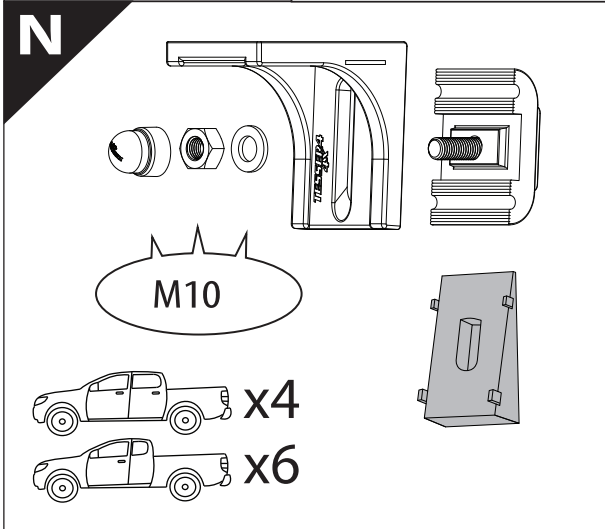
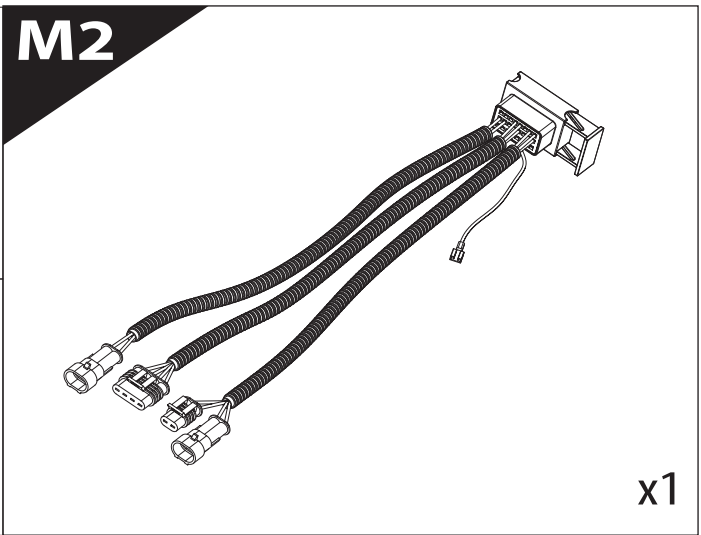
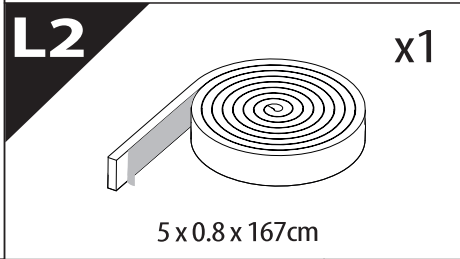
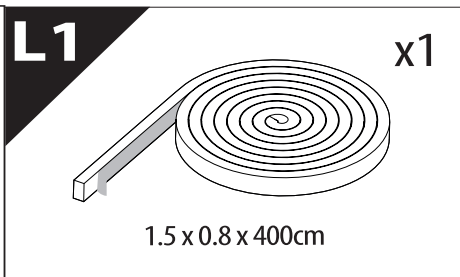
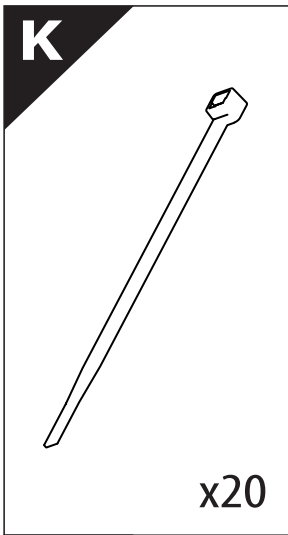
Basic Version + ⚡ E-KIT

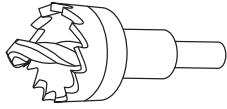


Installation Manual

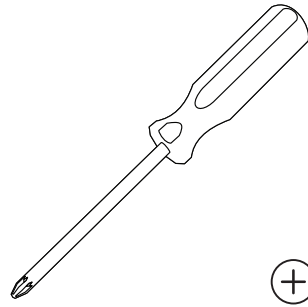
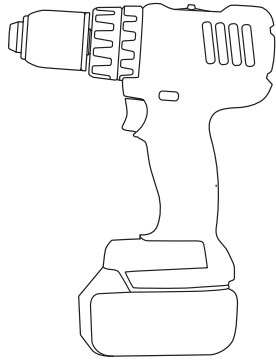
PART NUMBER(S)	Model Year
TESS-1404 ROLL+E-KIT	ISUZU DMAX 2012+
TESS-1405 ROLL+E-KIT	
Cab(s)	Installation Time / Weight
Double Cab & Space Cab	40-60 minutes / 53-57 kg



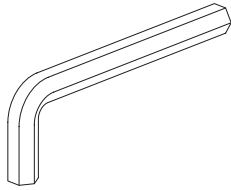
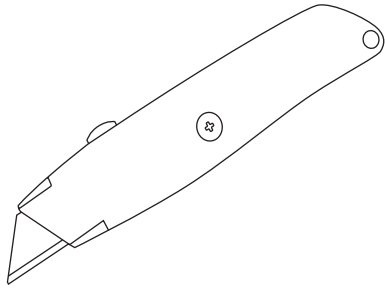
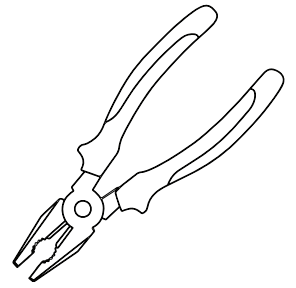




Ø 25 mm / Ø 40 mm

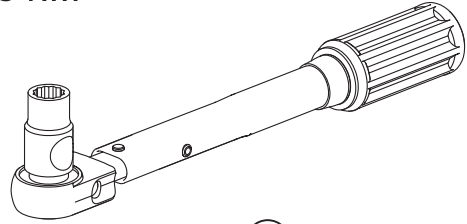


+



4 mm

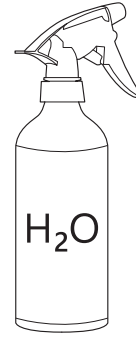
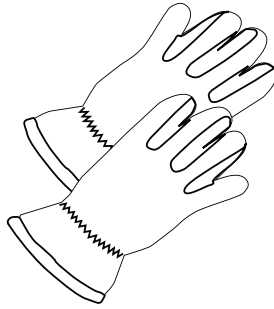
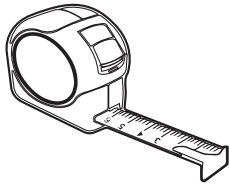
1 - 25 Nm



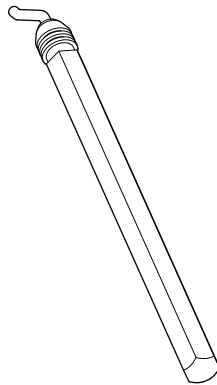
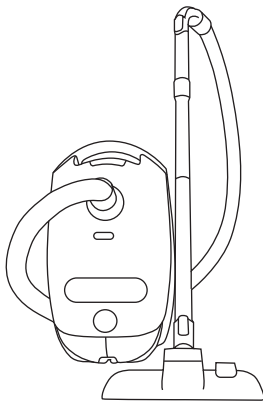
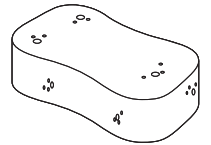
12, 13, 17 mm



ACETONE



H₂O



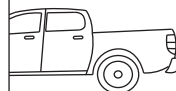
ANTI-RUST



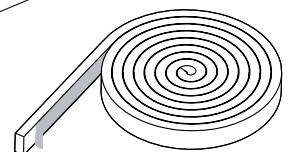
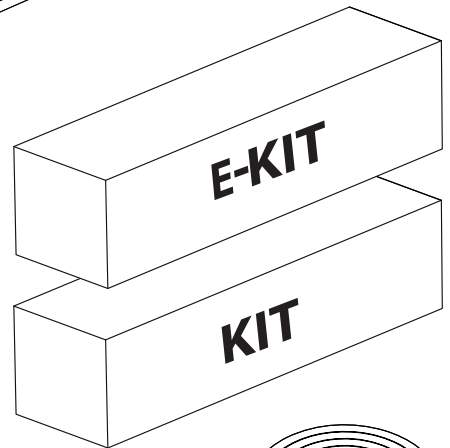
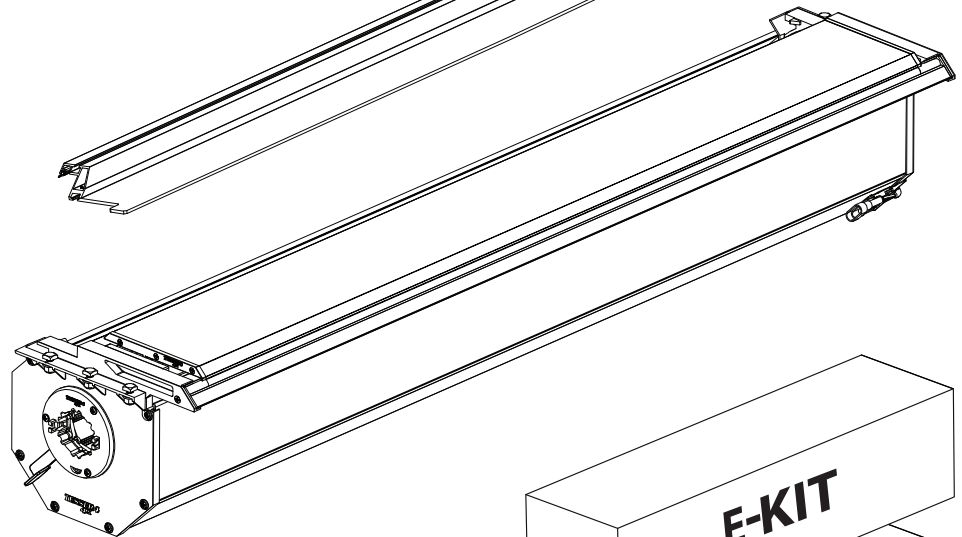
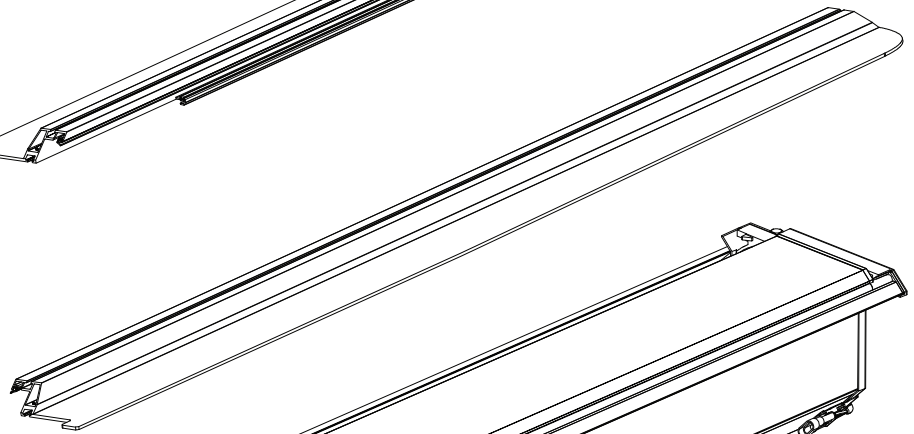
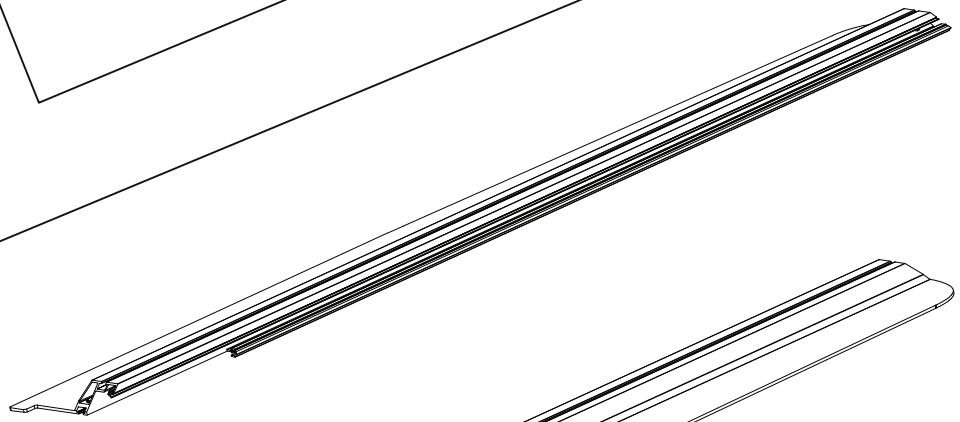
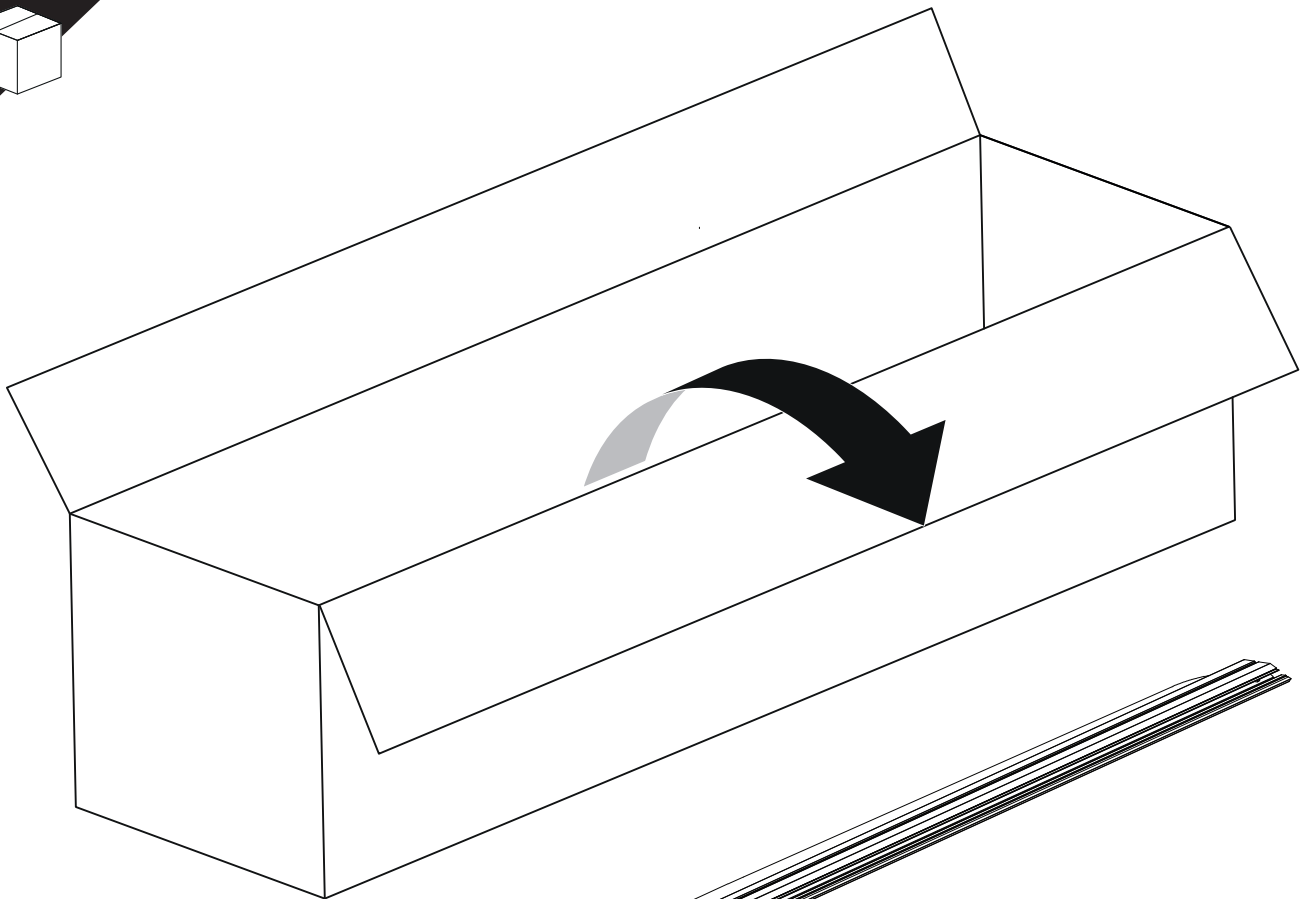
INSTALATION
MANUAL
+E-KIT



OWNERS
MANUAL



x1

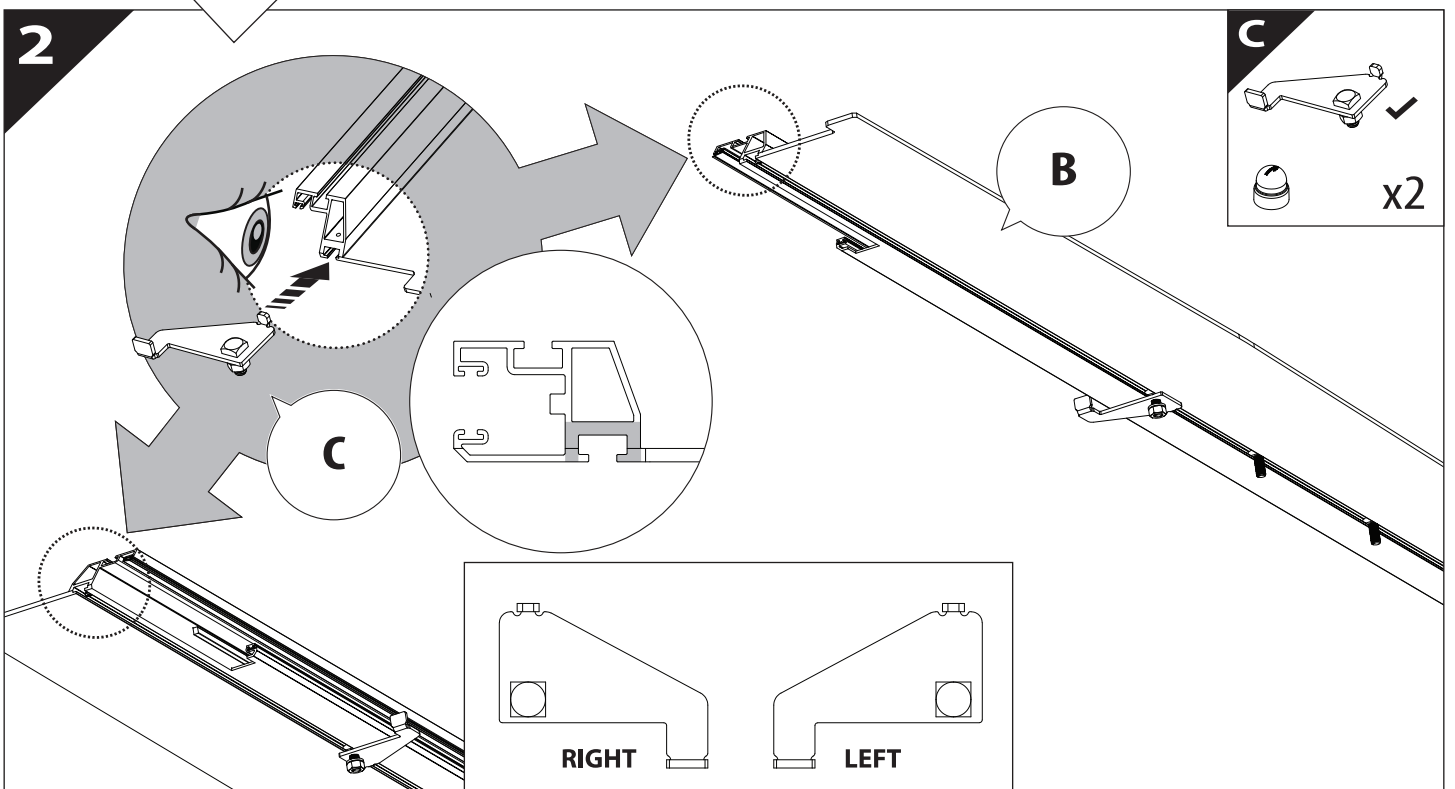
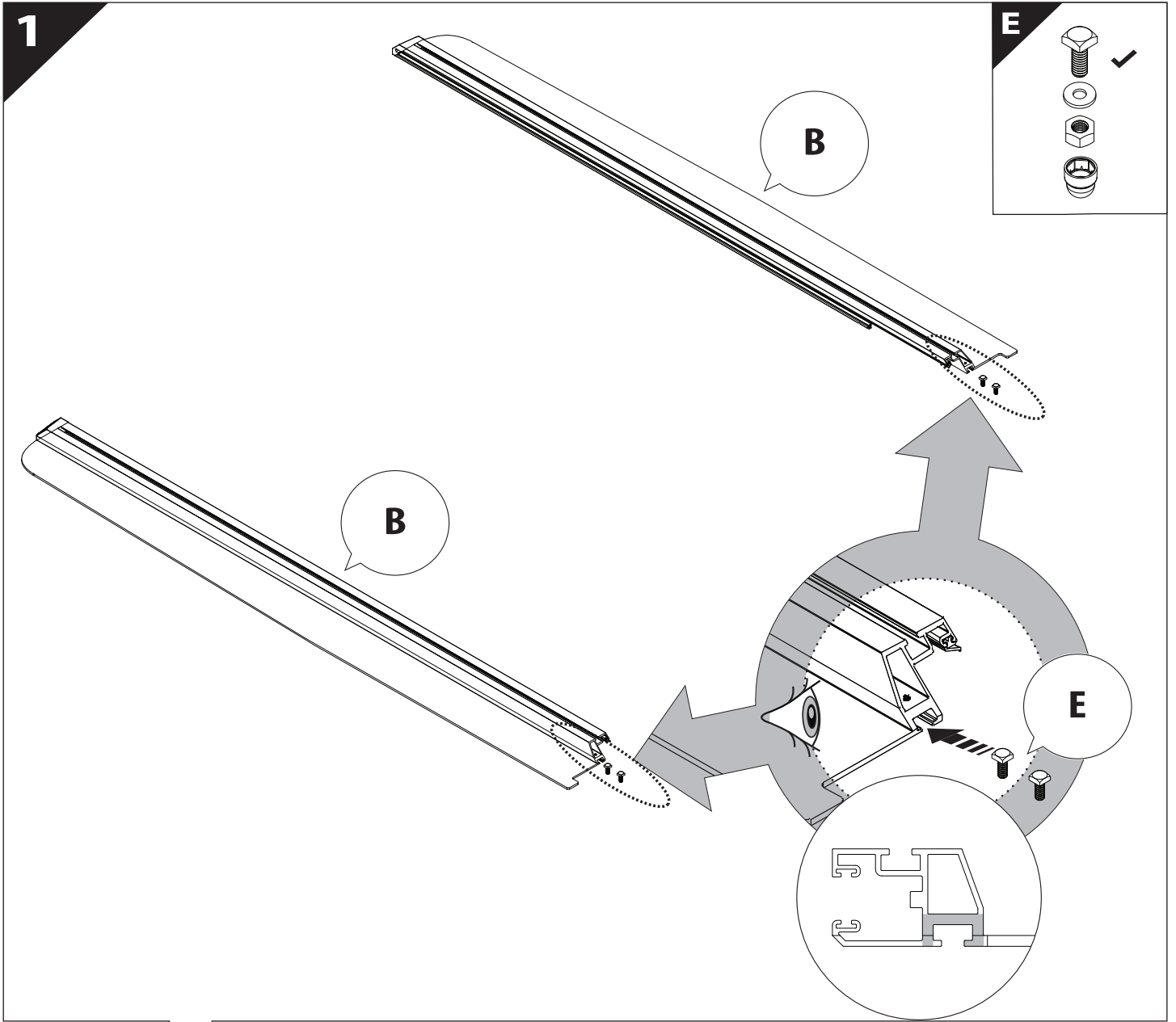


B

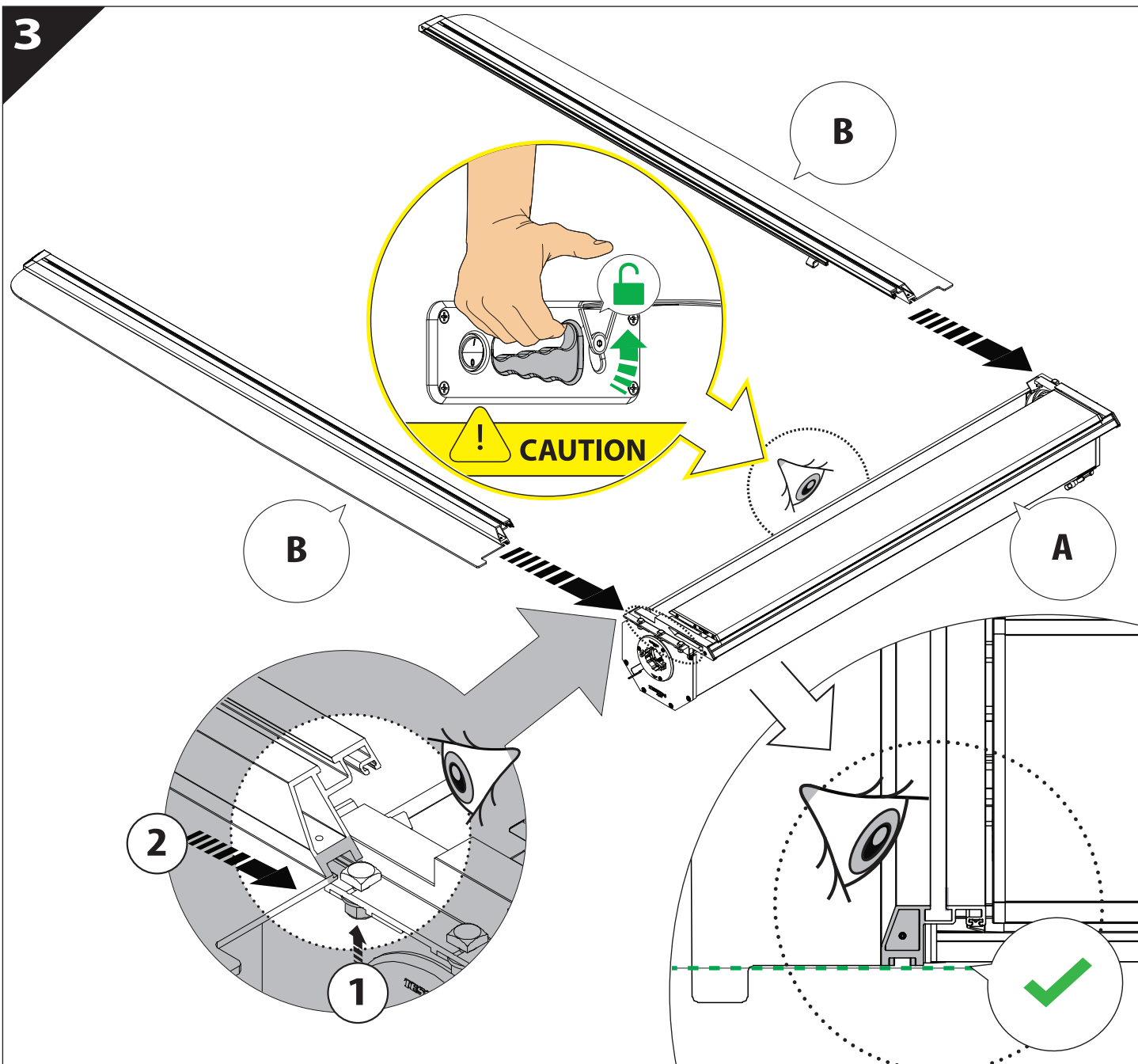
A

KITS

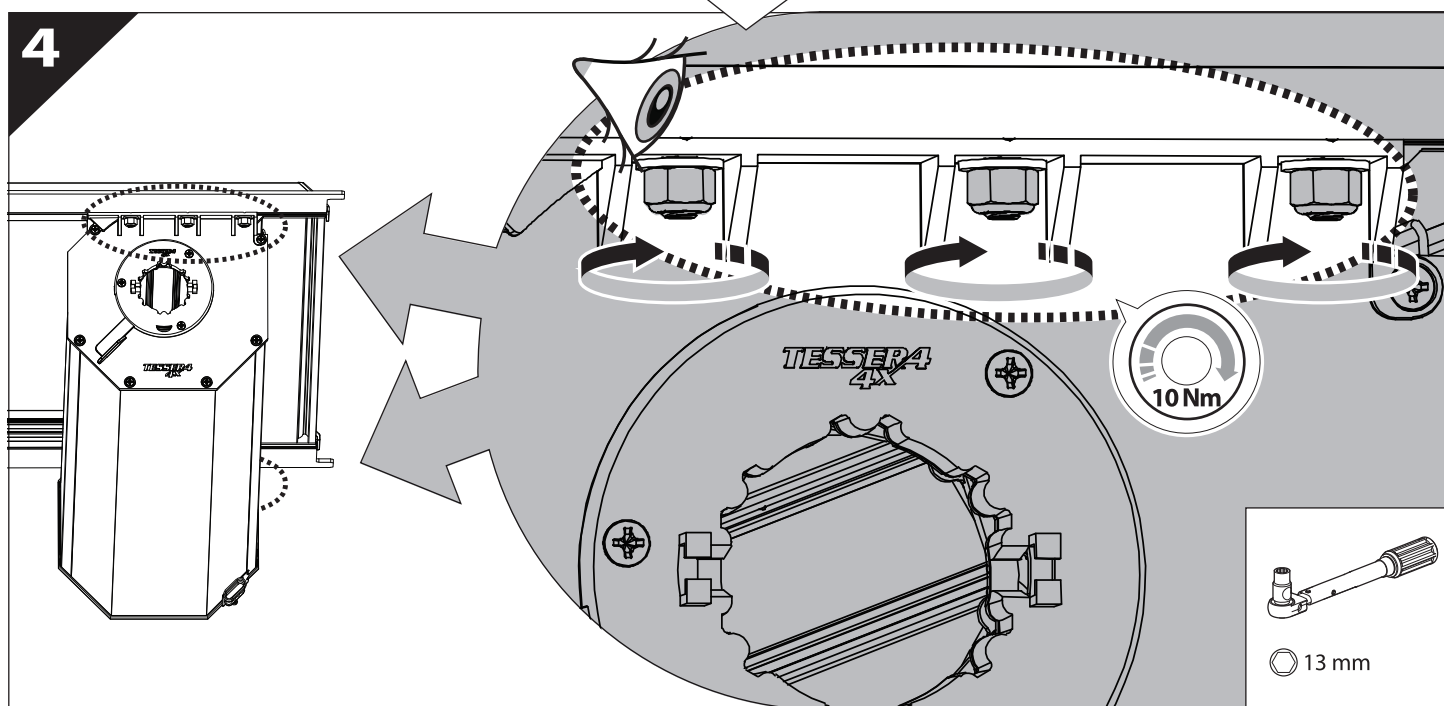
L

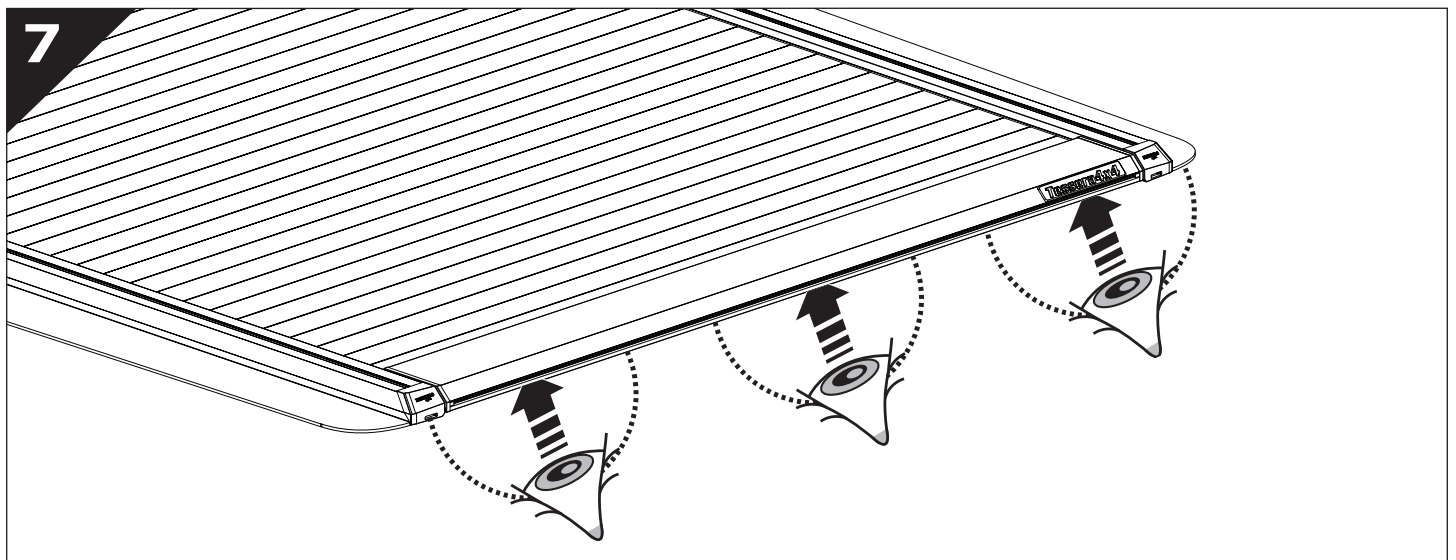
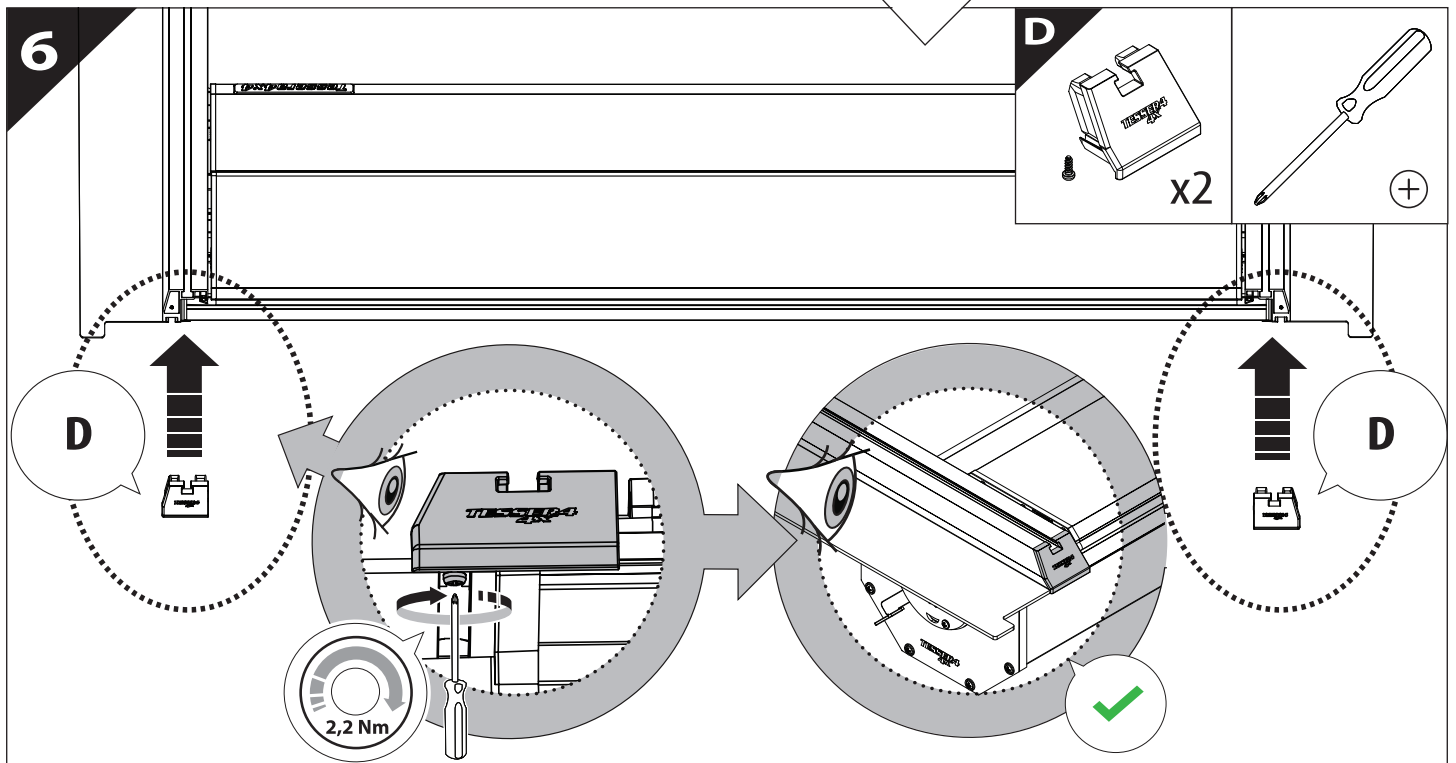
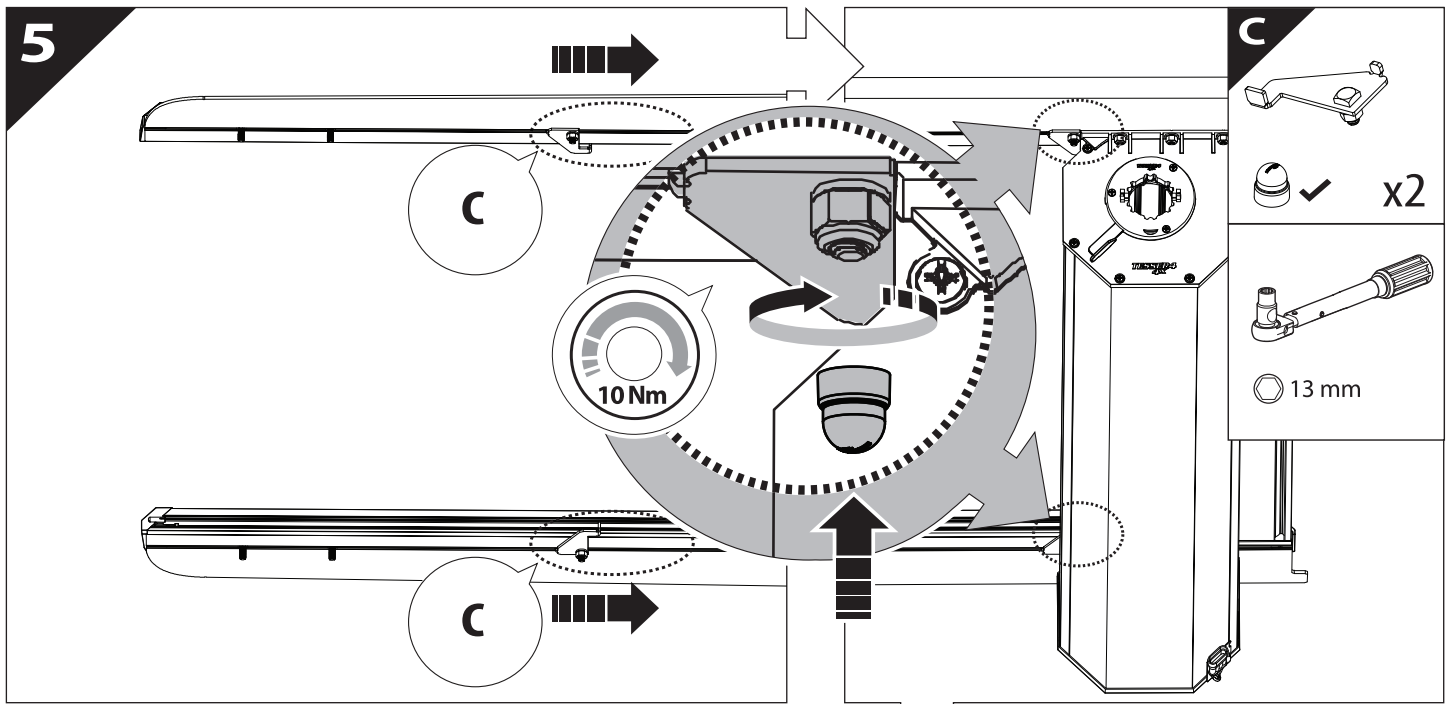


3



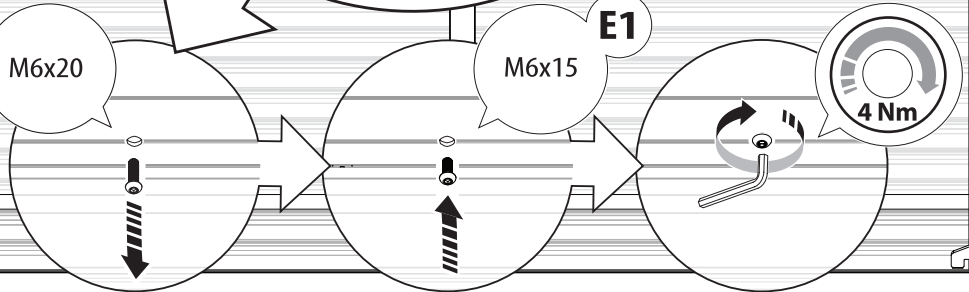
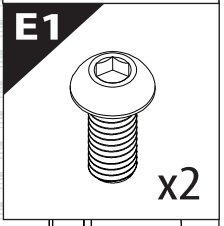
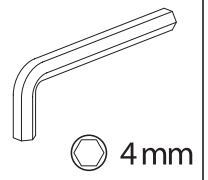
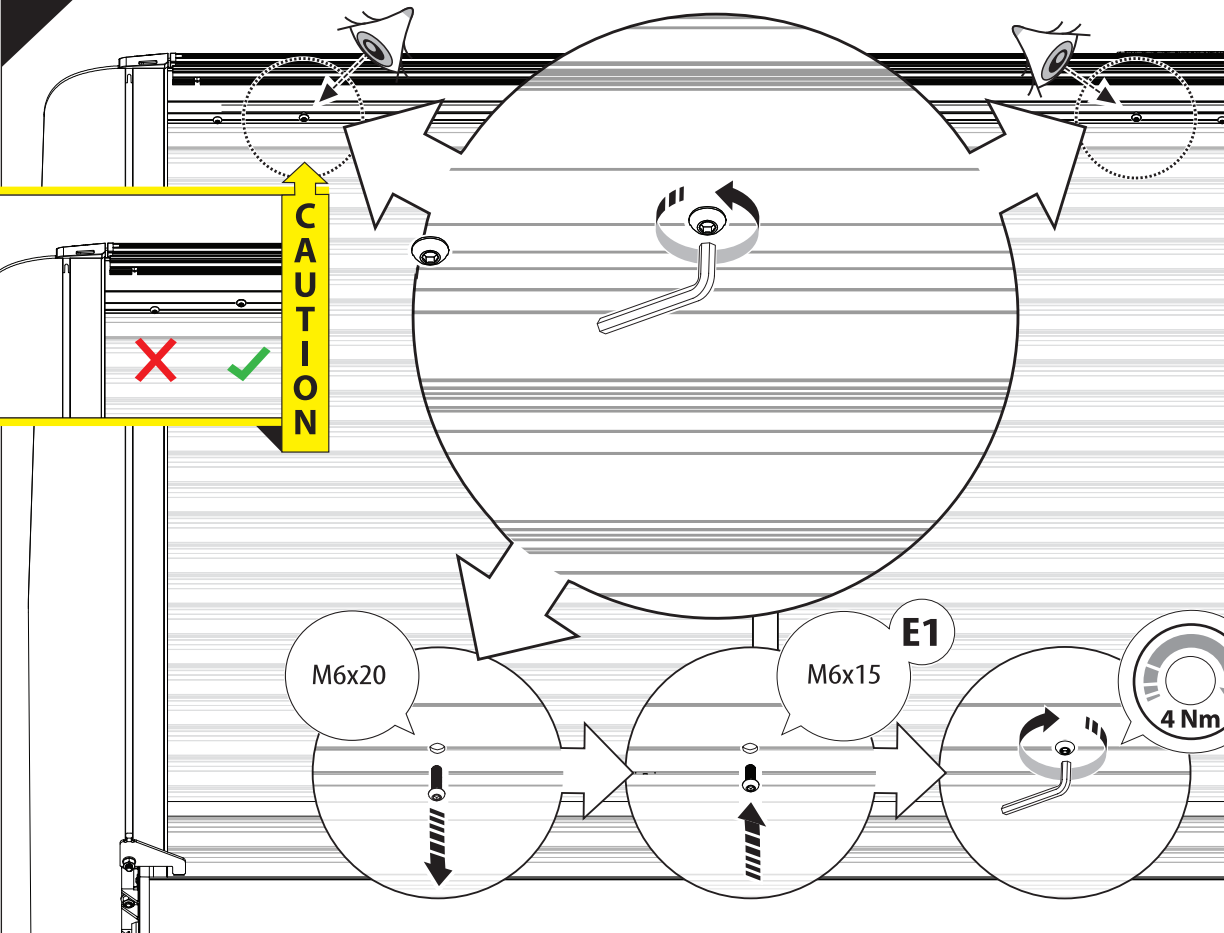
4



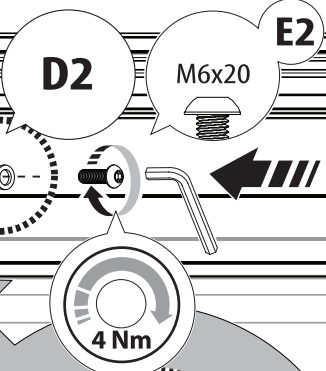
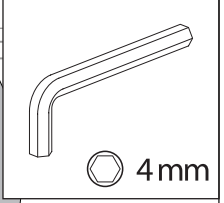
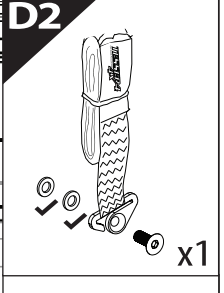
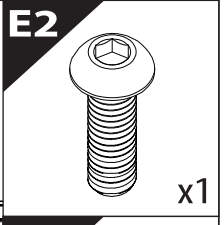
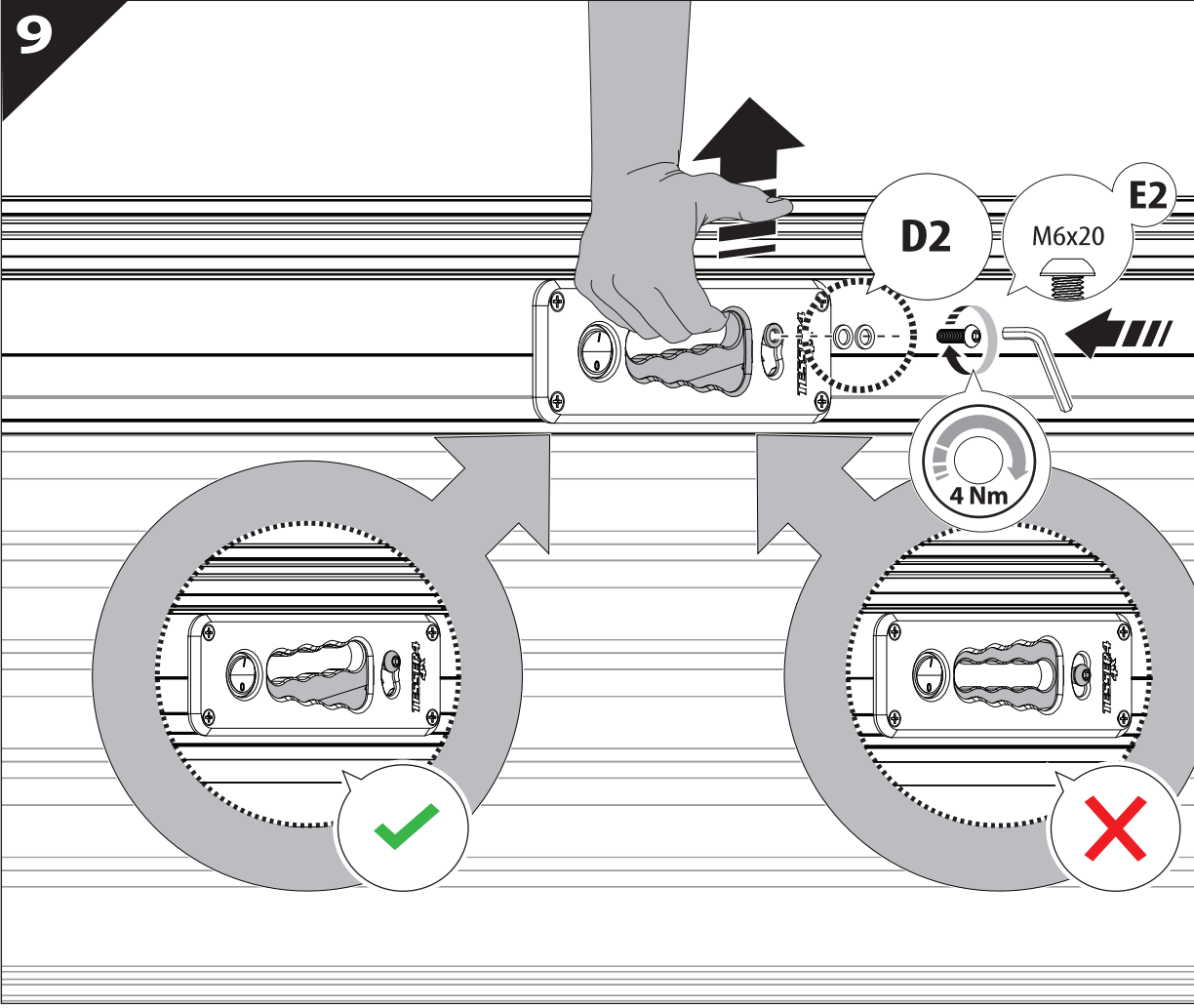


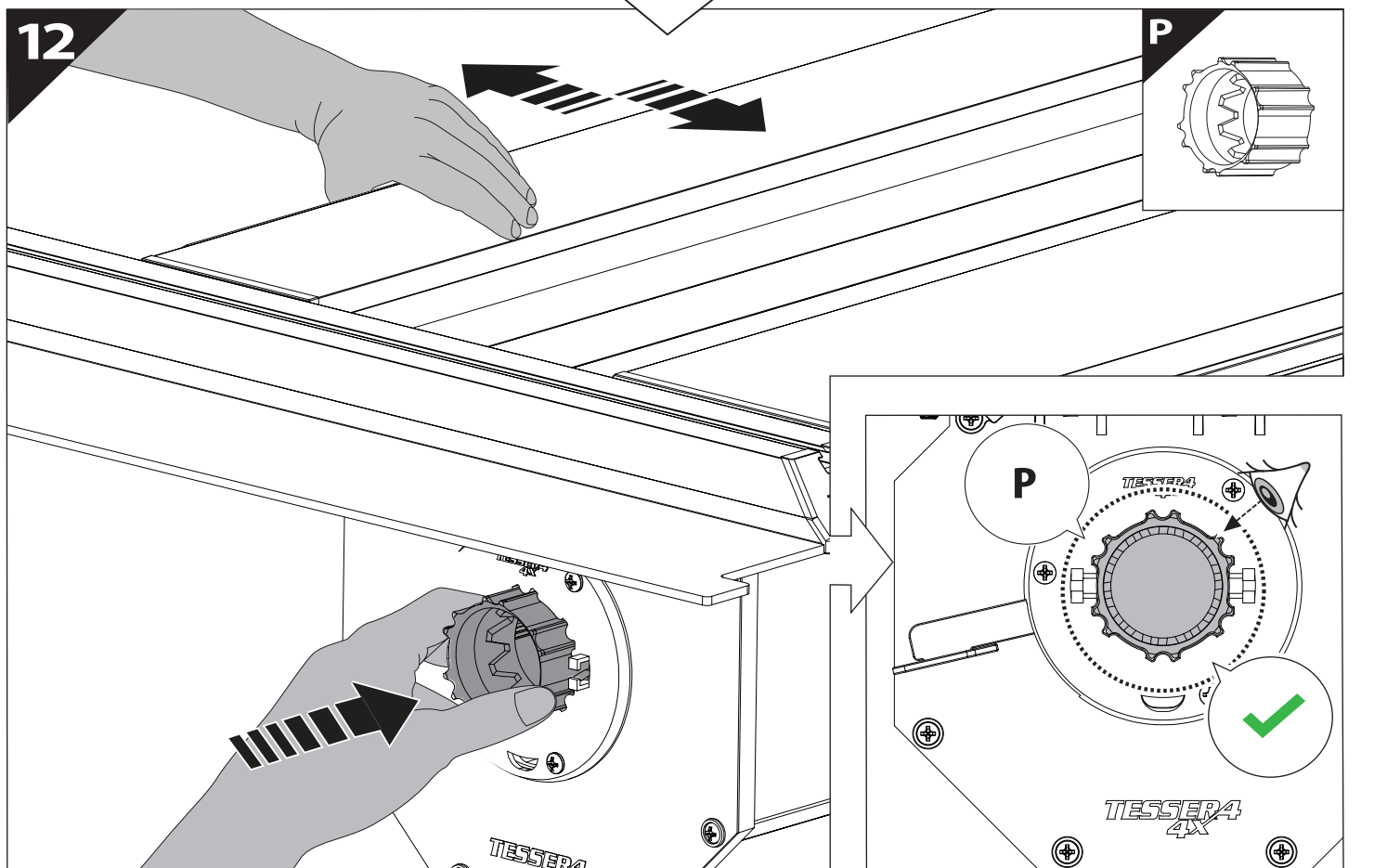
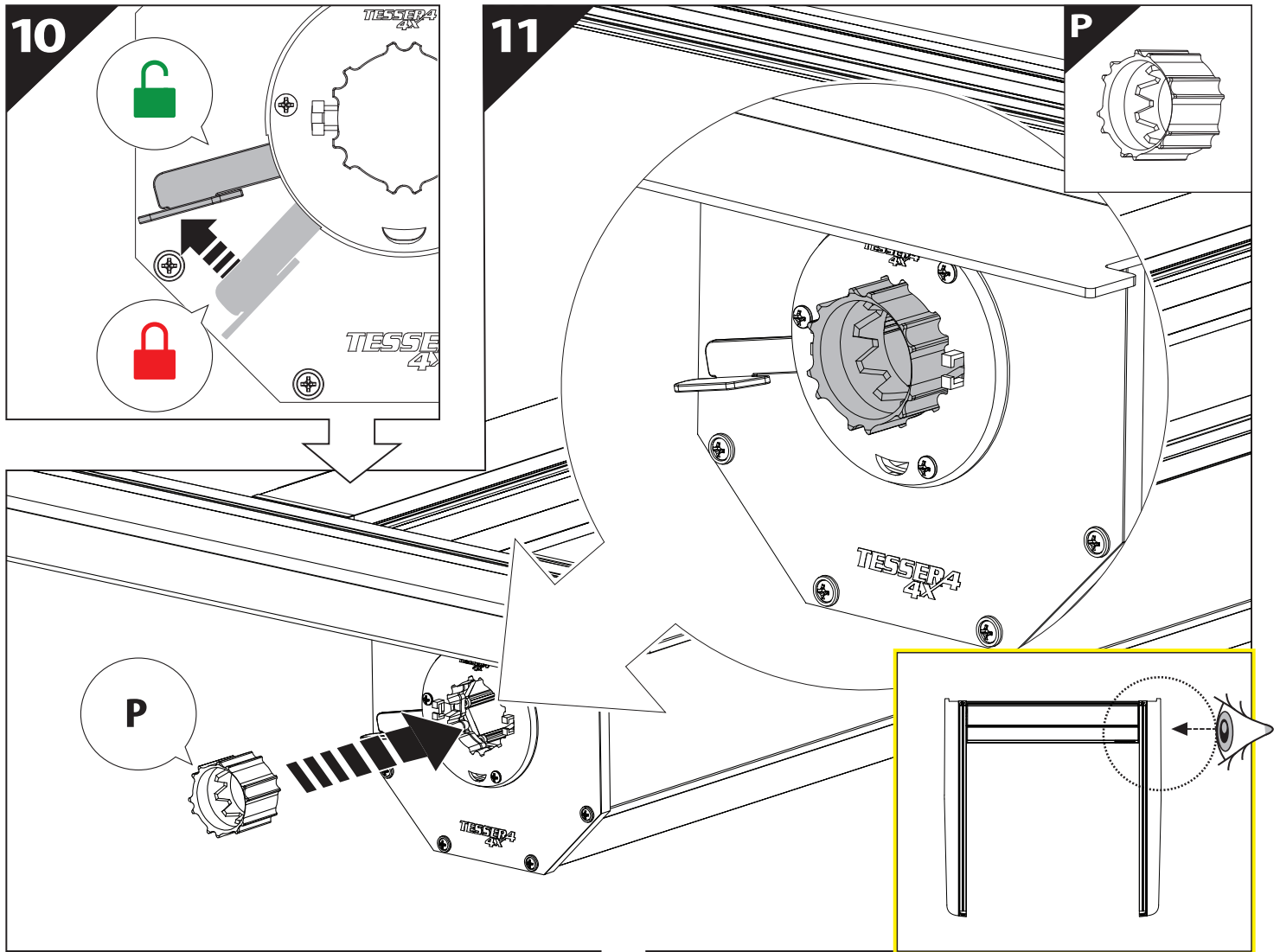
8

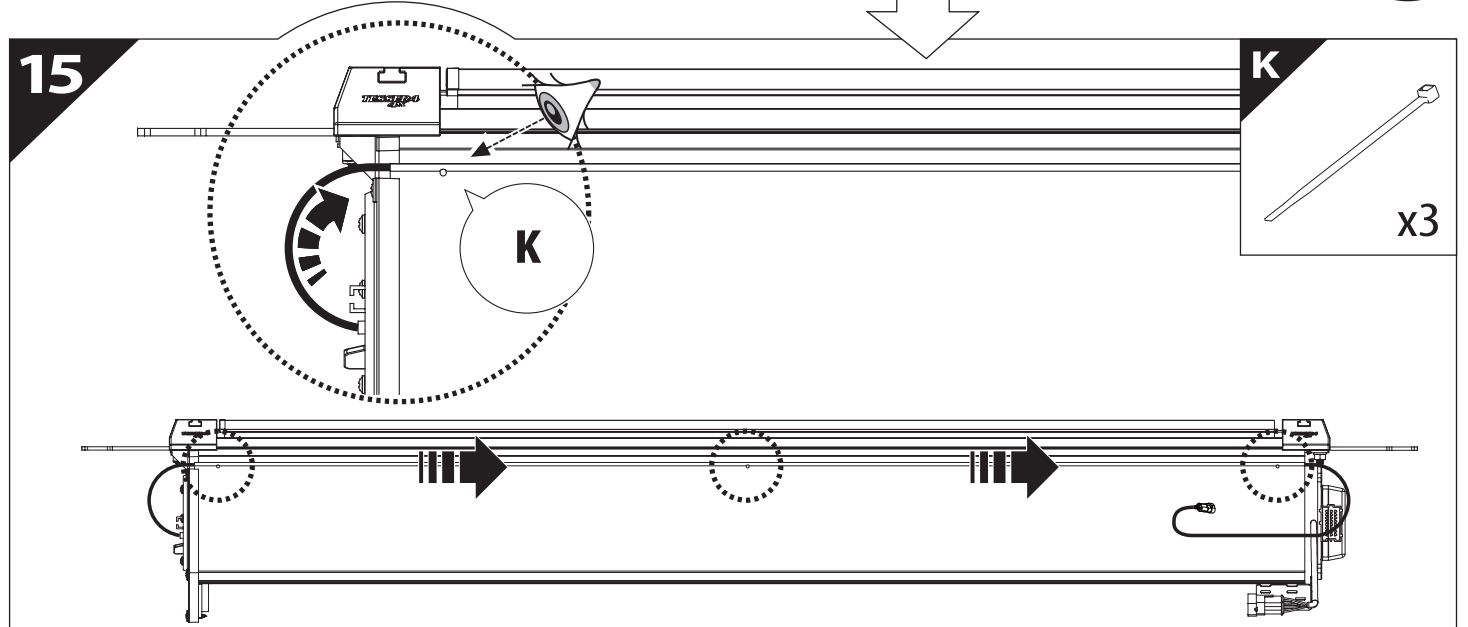
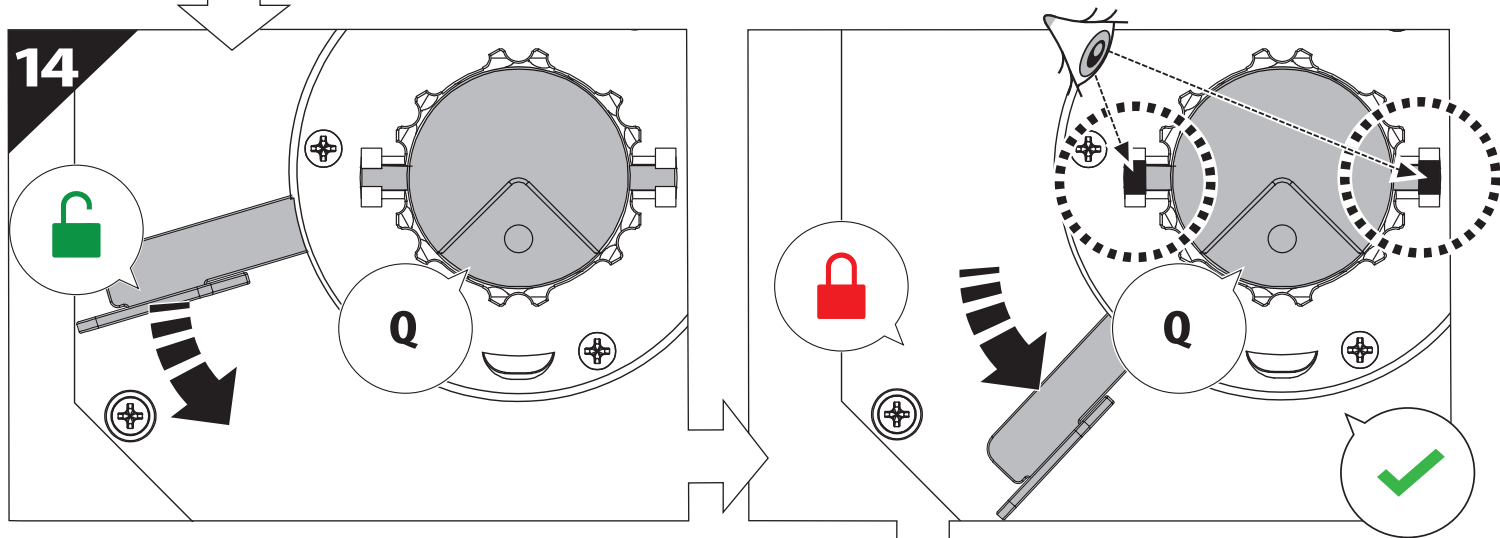
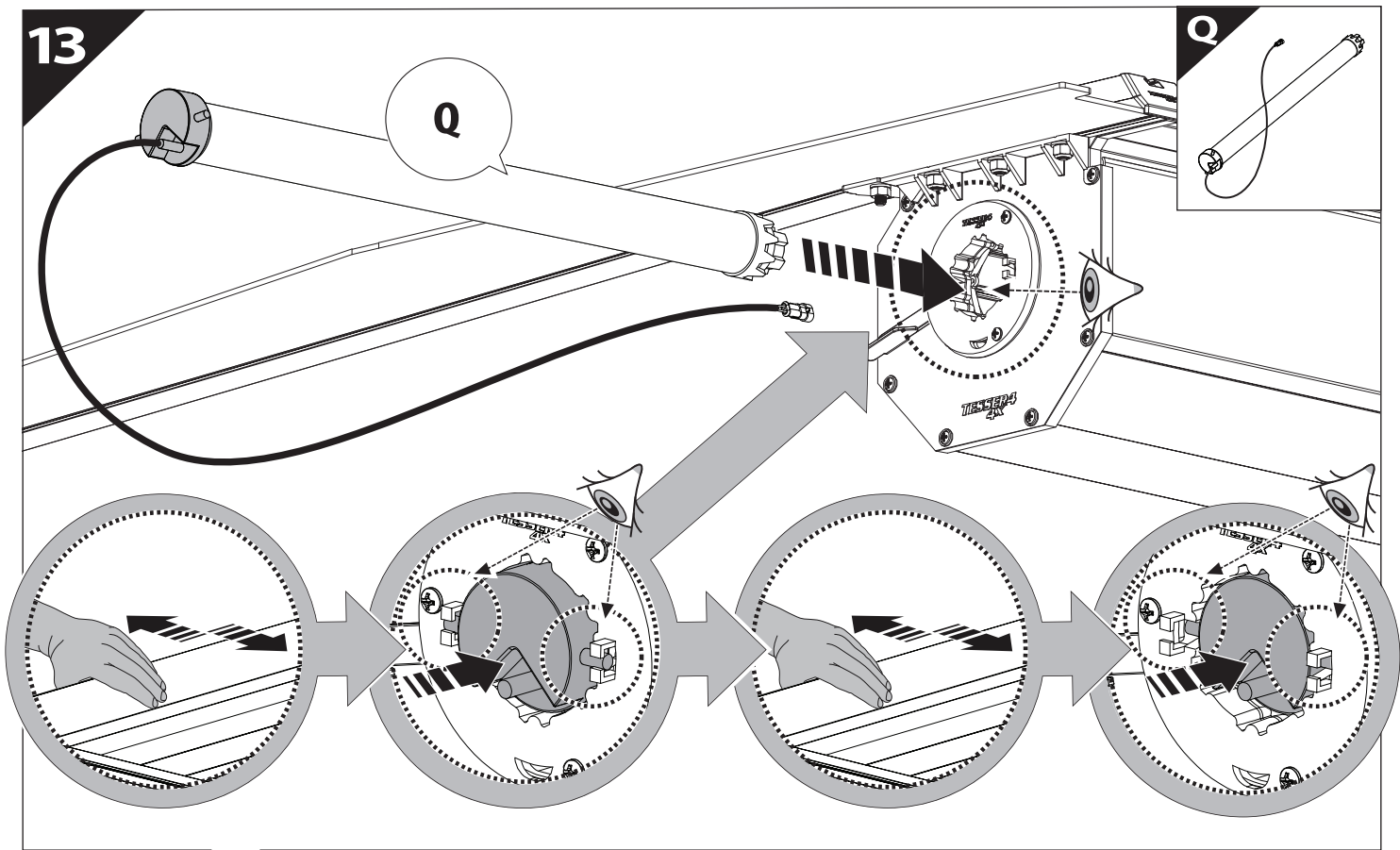
CAUTION



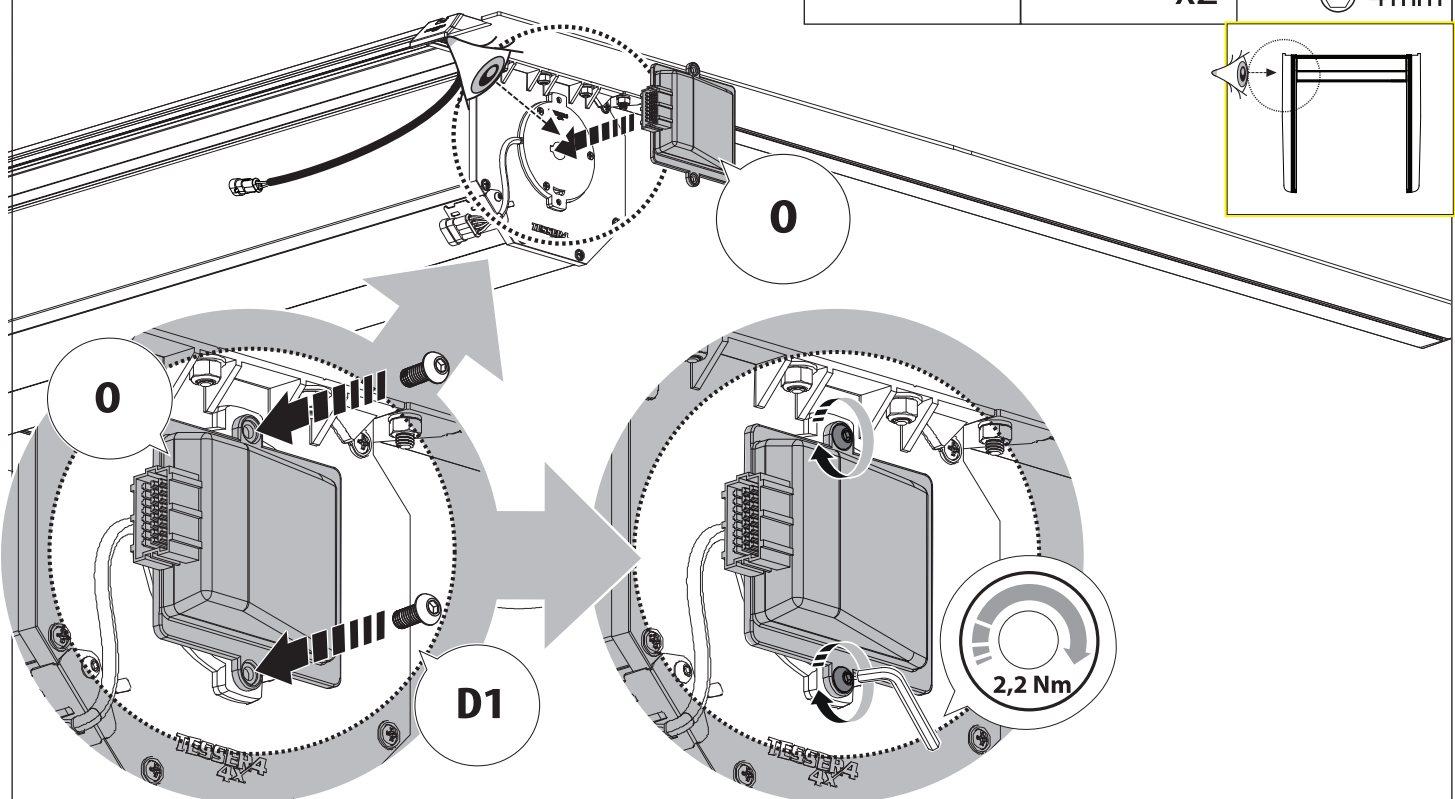
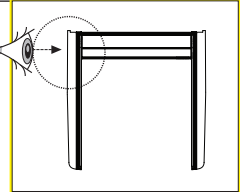
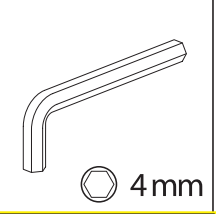
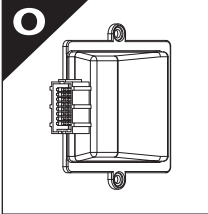
9



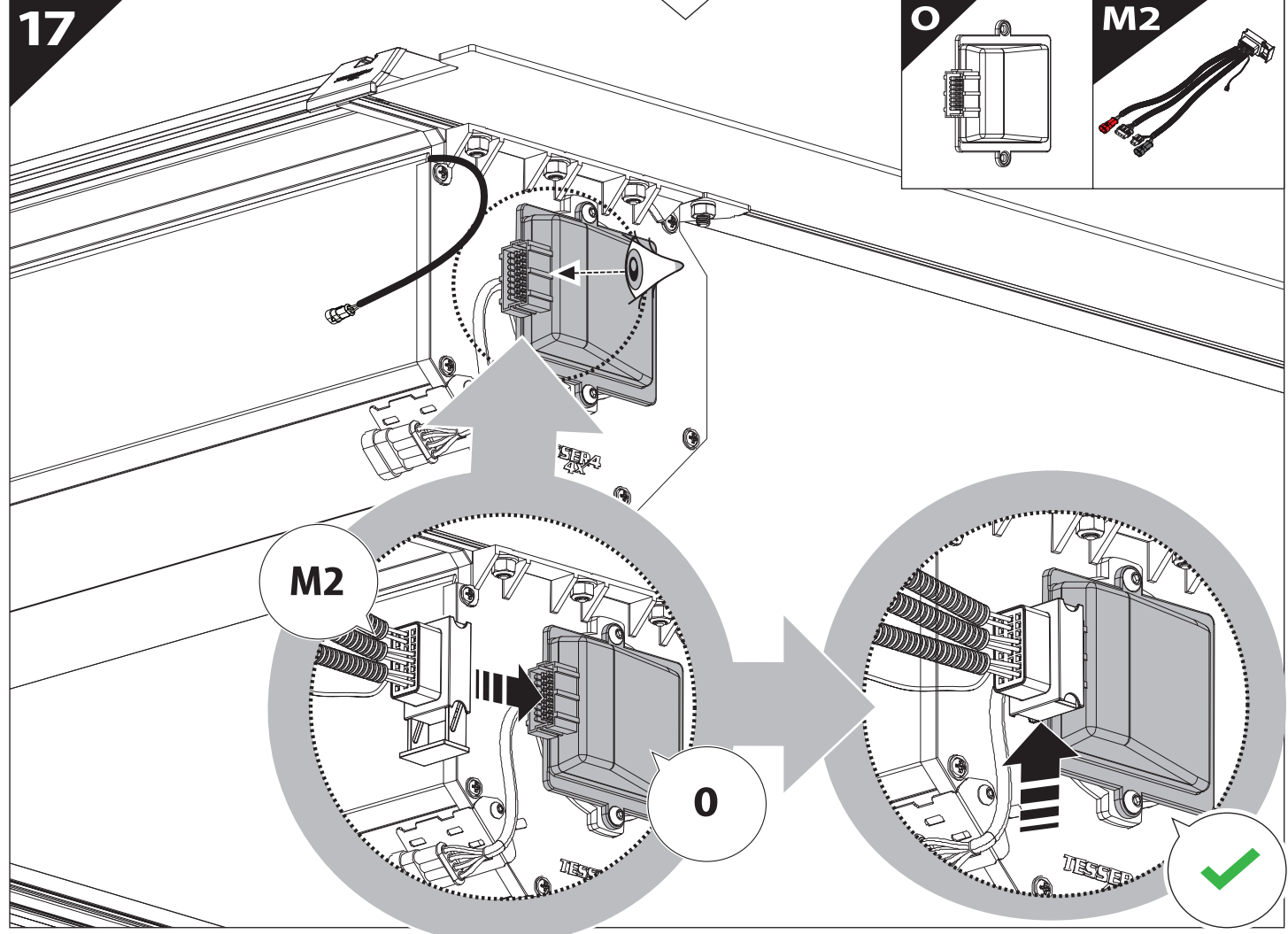
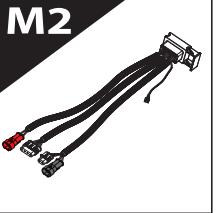
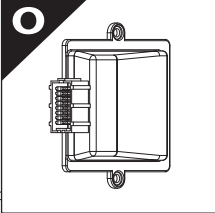




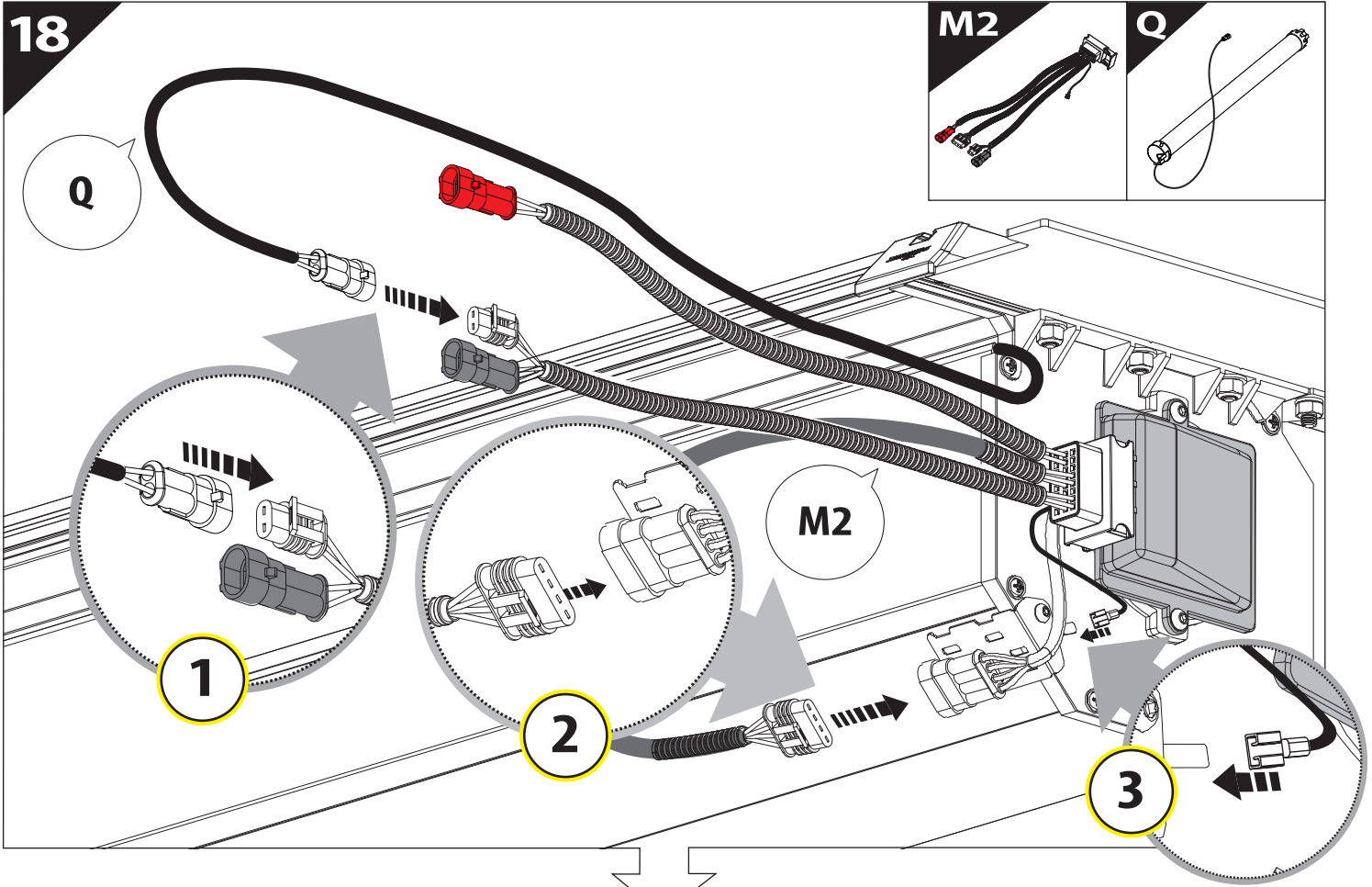
16



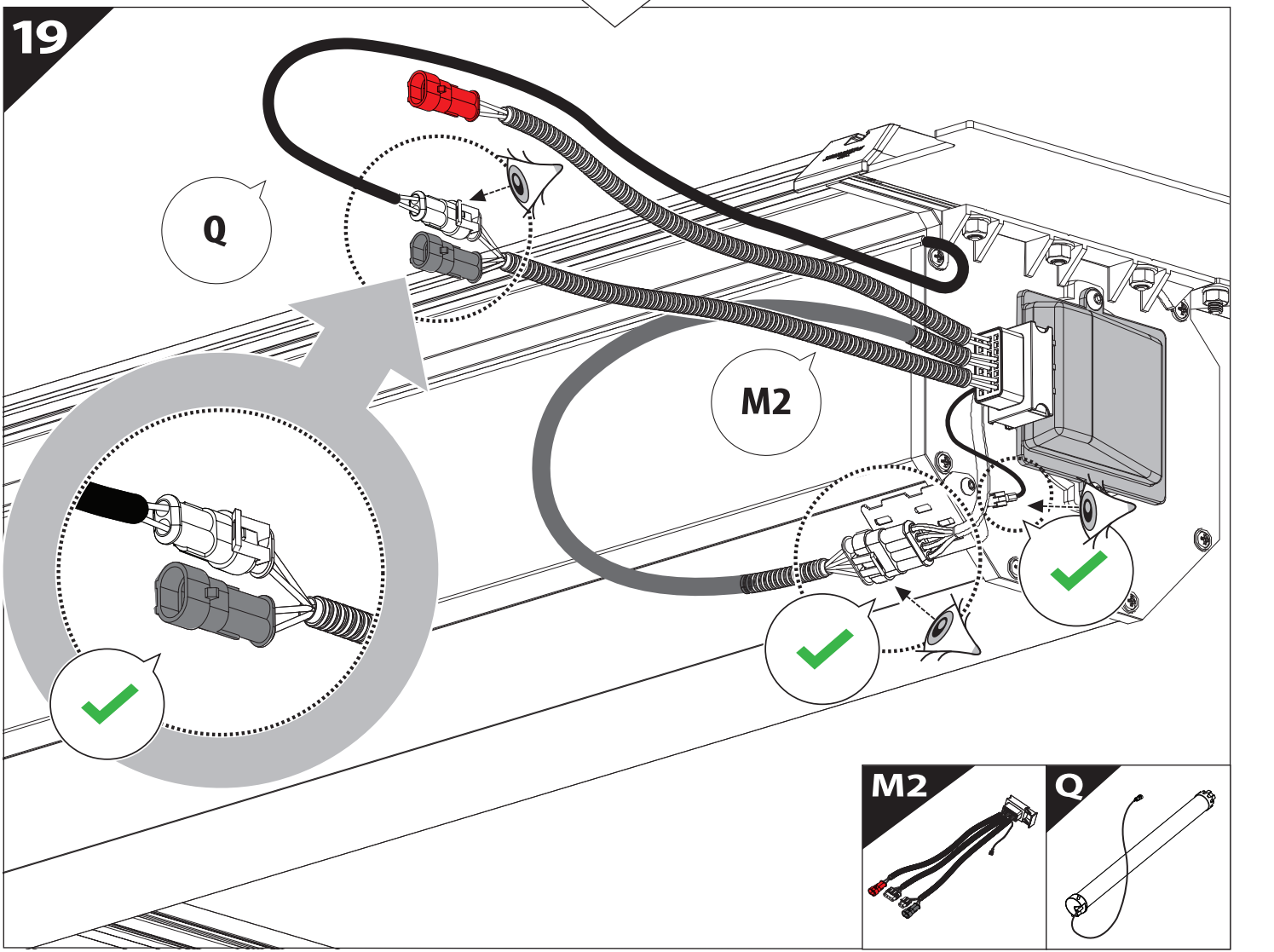
17



18

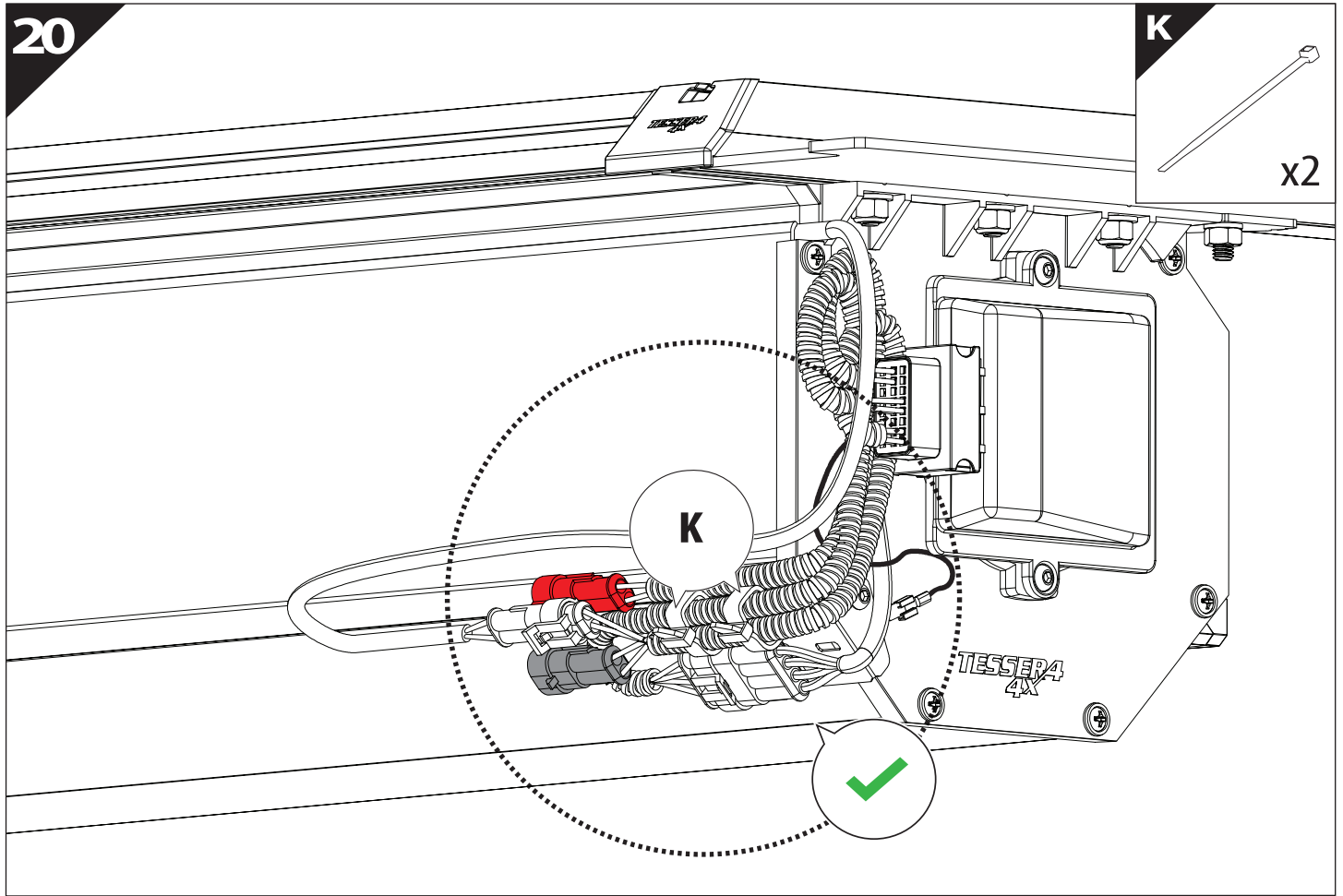


19

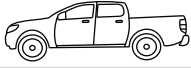


20

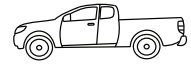
K



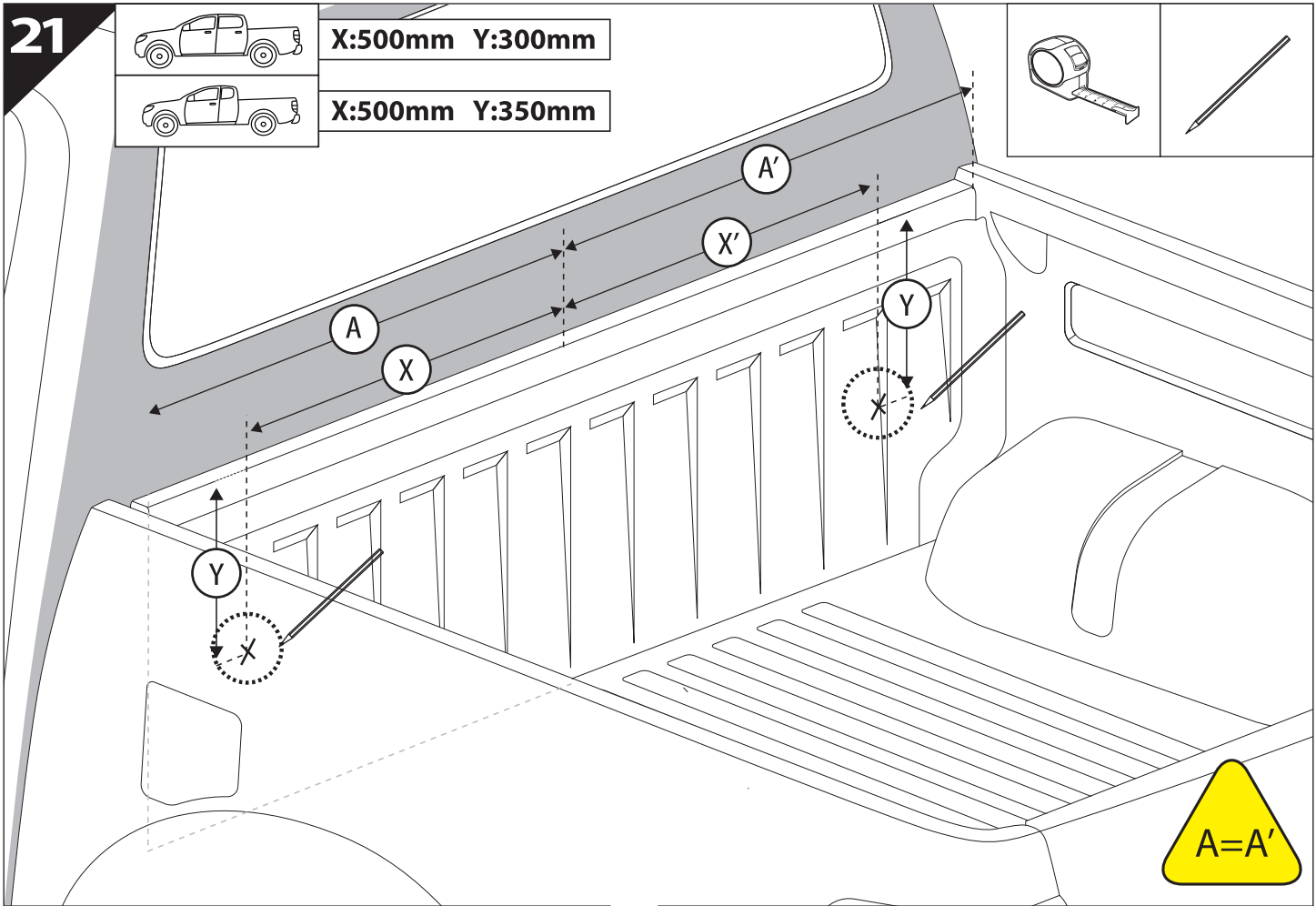
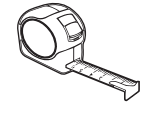
21



X:500mm Y:300mm



X:500mm Y:350mm



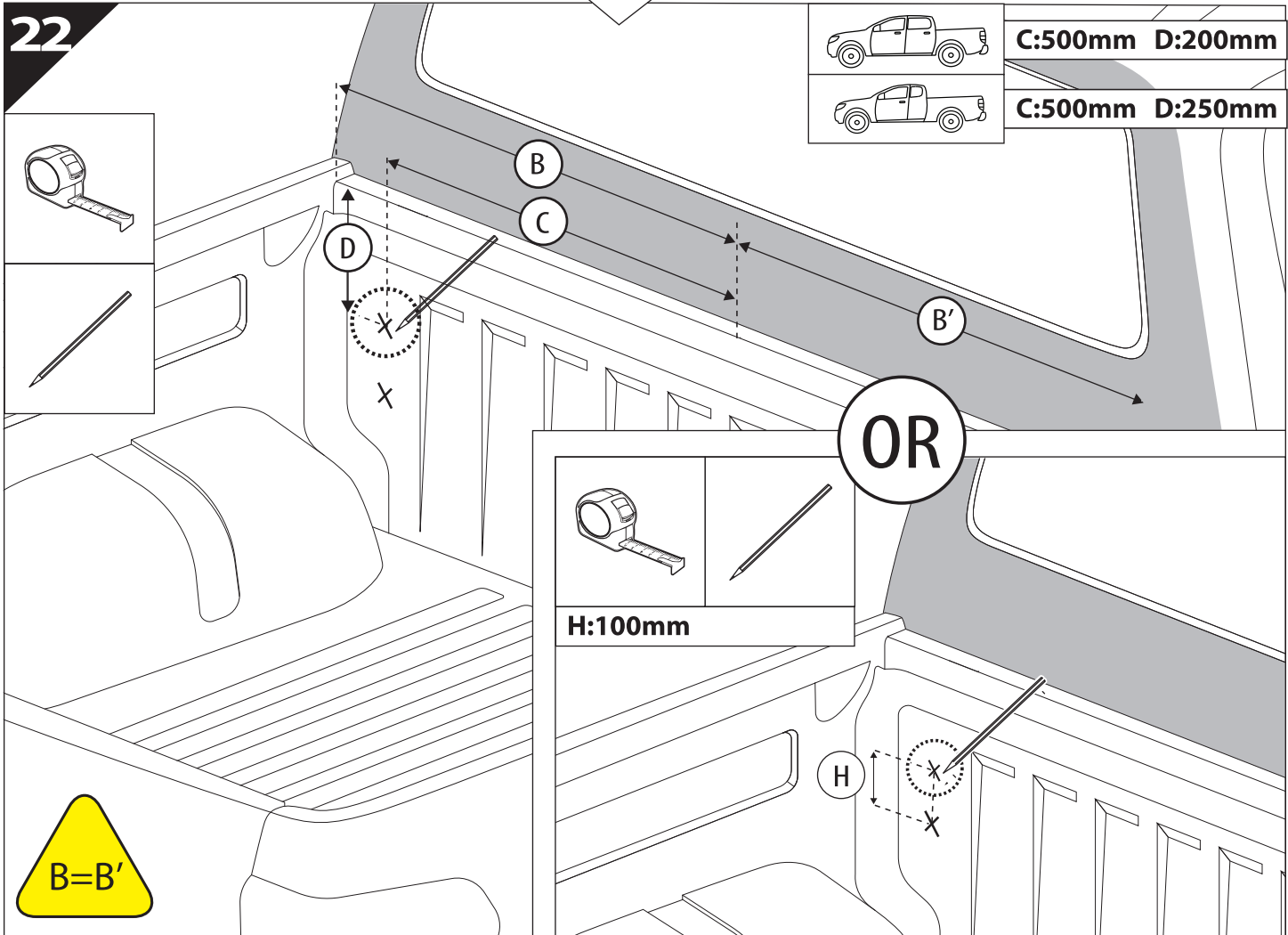
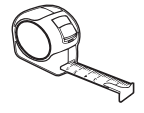
22

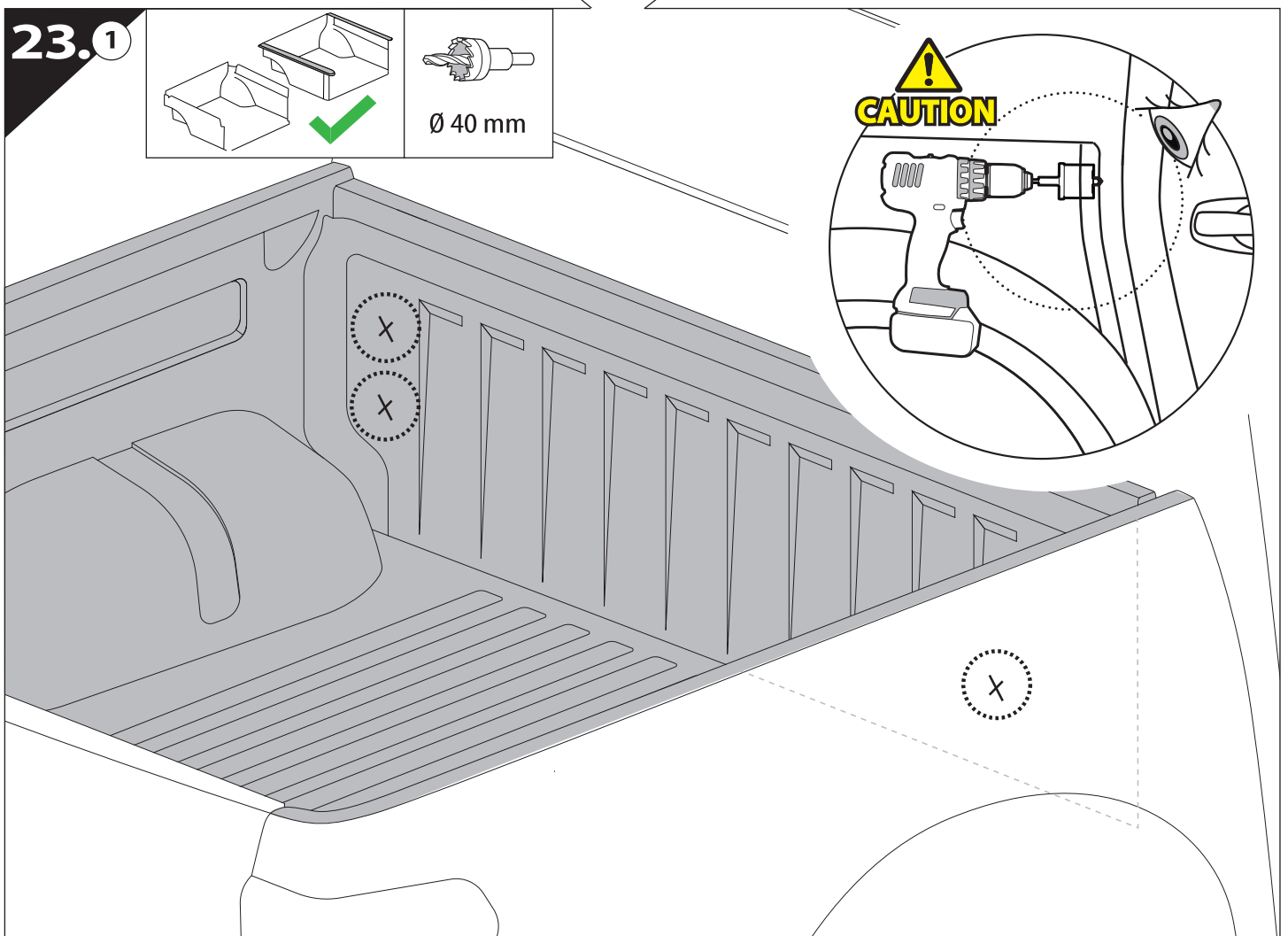
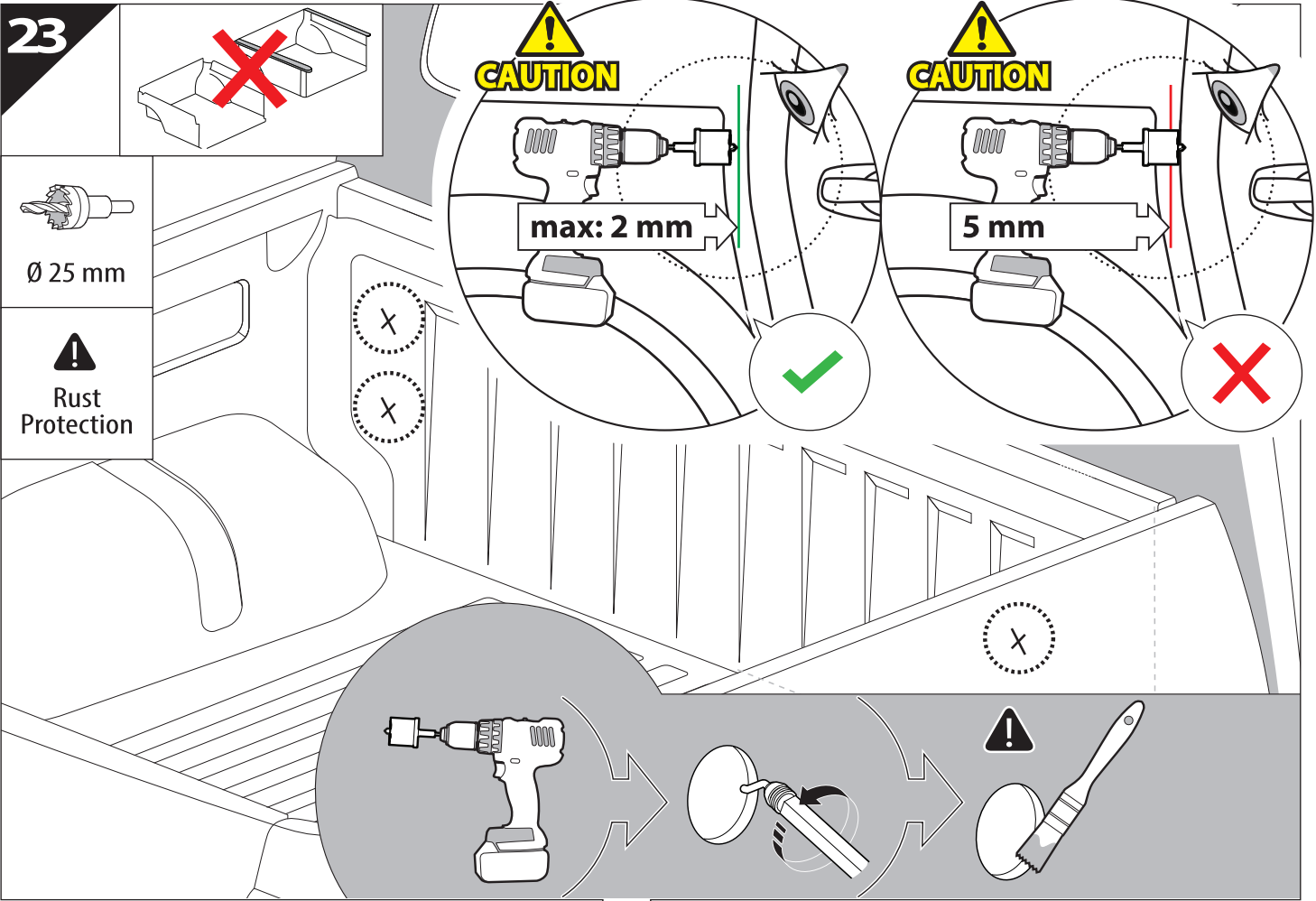


C:500mm D:200mm

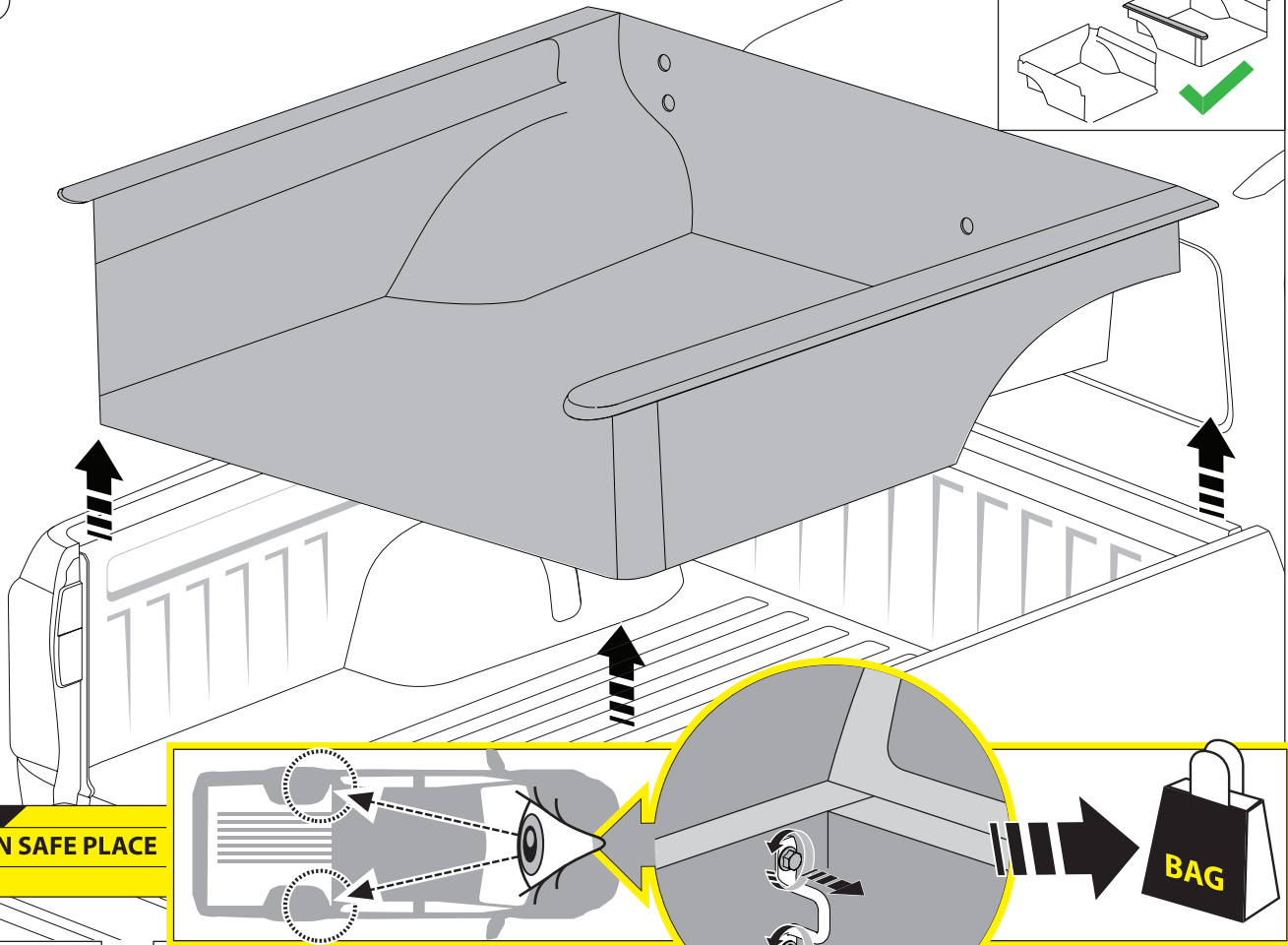
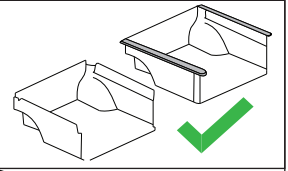


C:500mm D:250mm



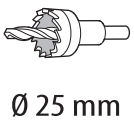
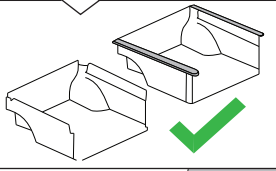


23.2

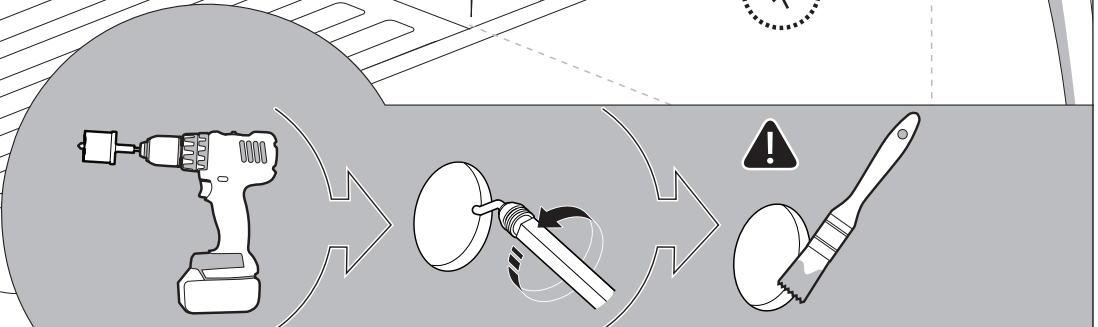
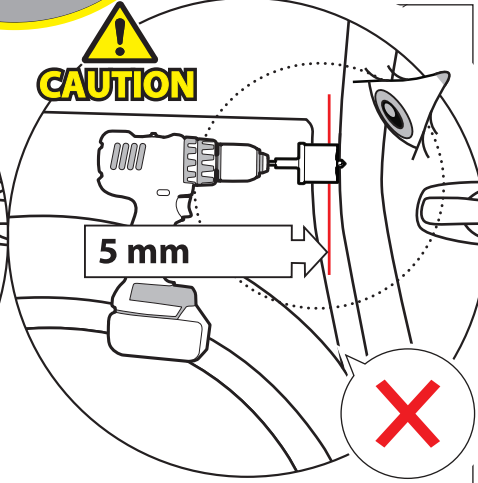
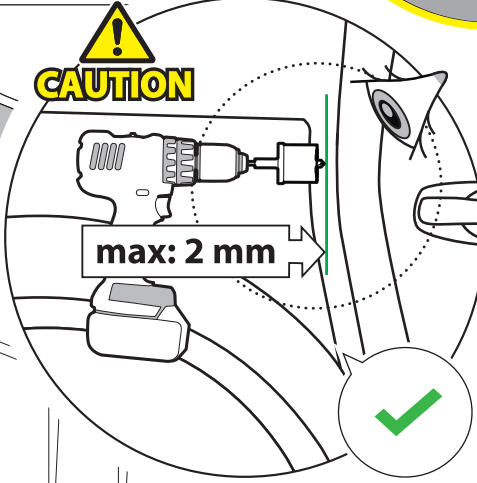


! KEEP IN SAFE PLACE

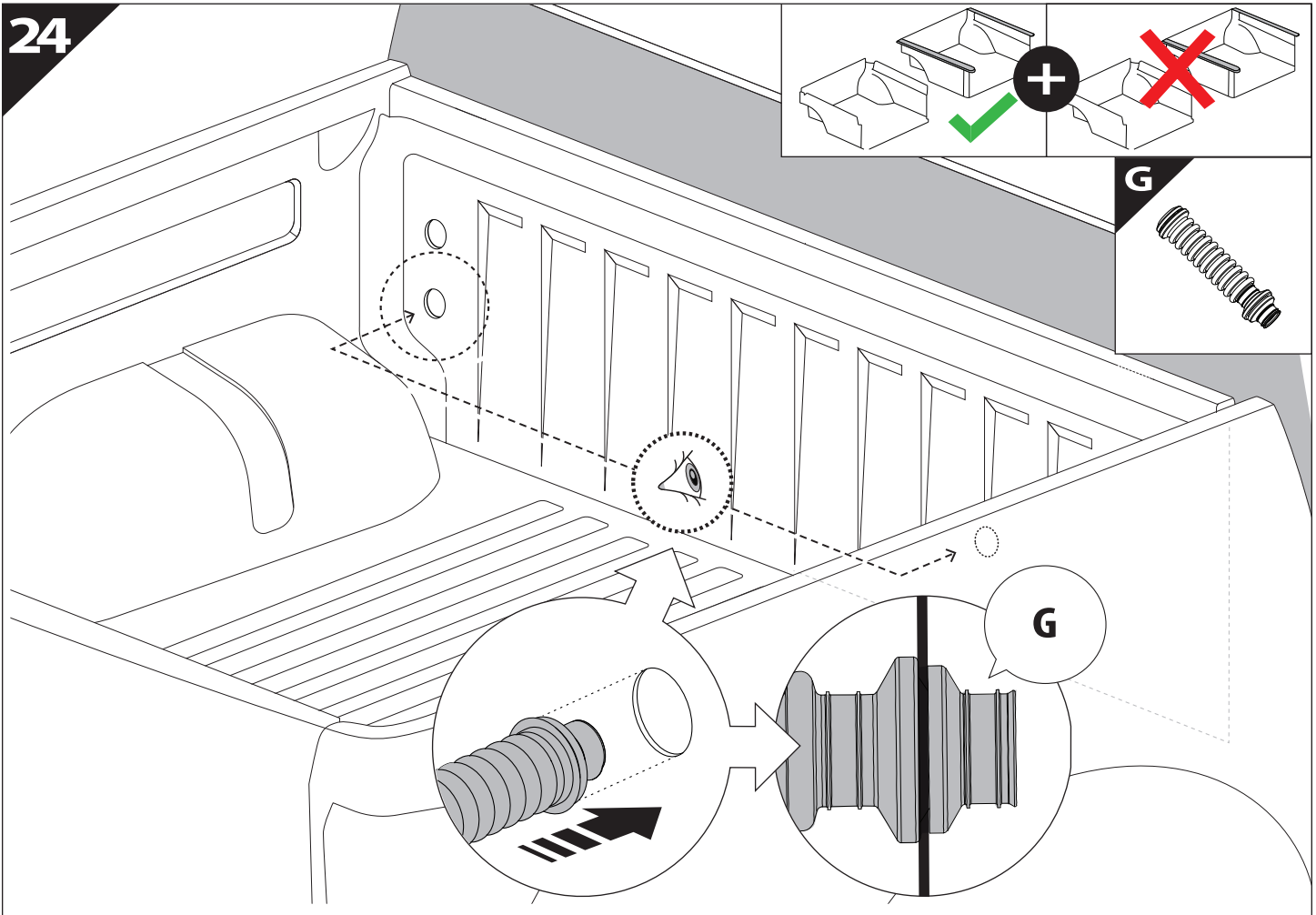
23.3



! Rust Protection

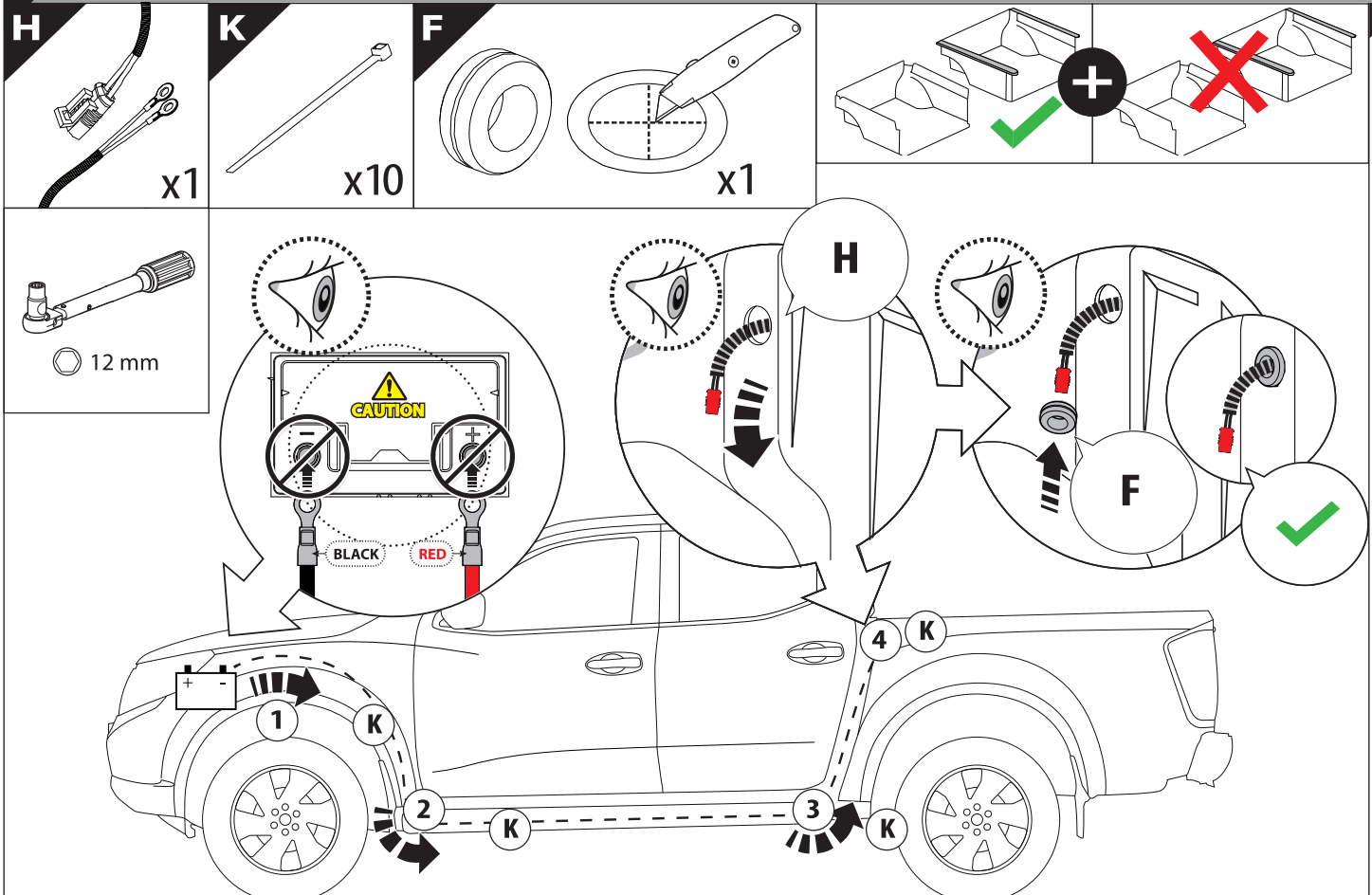


24

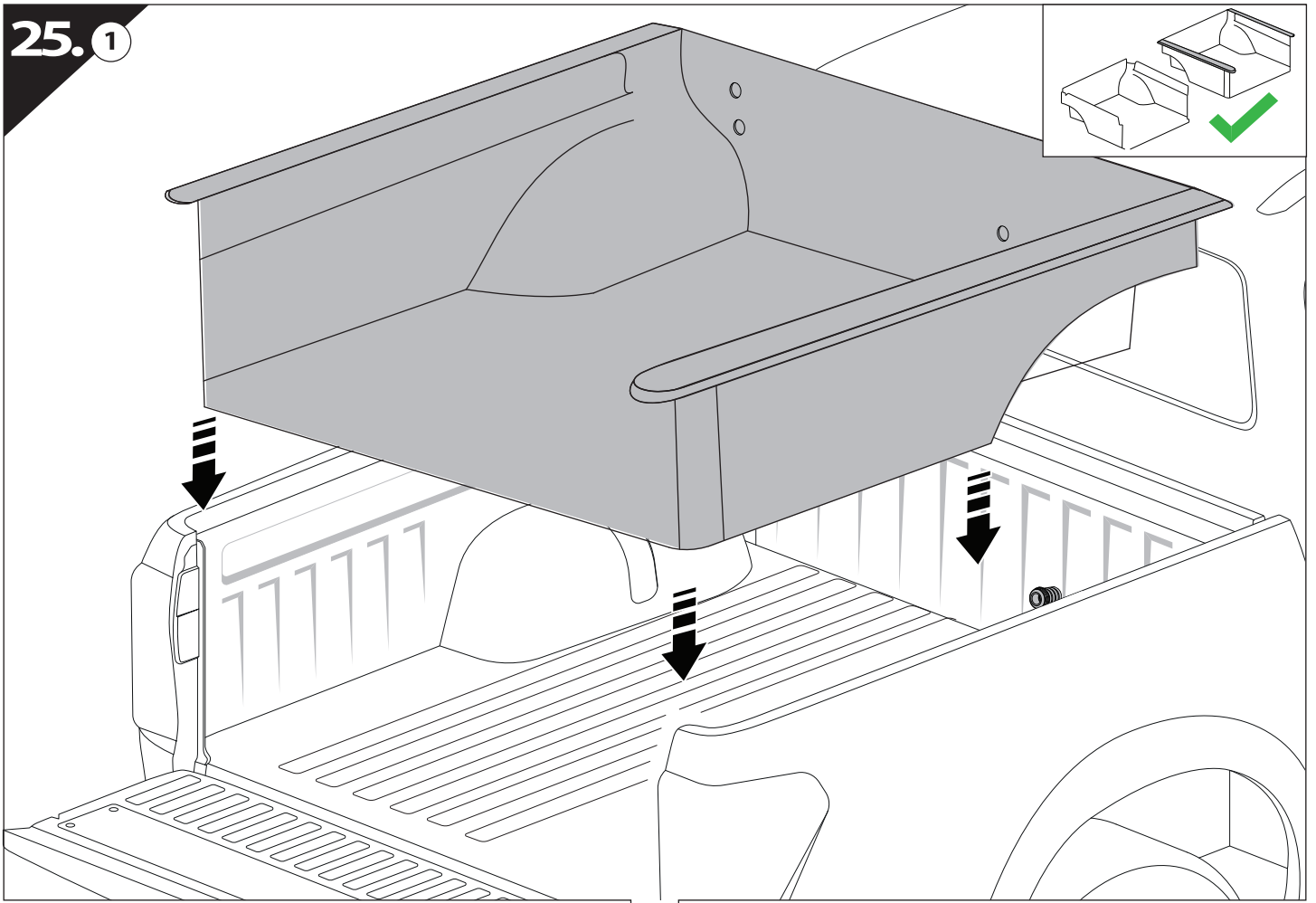


25

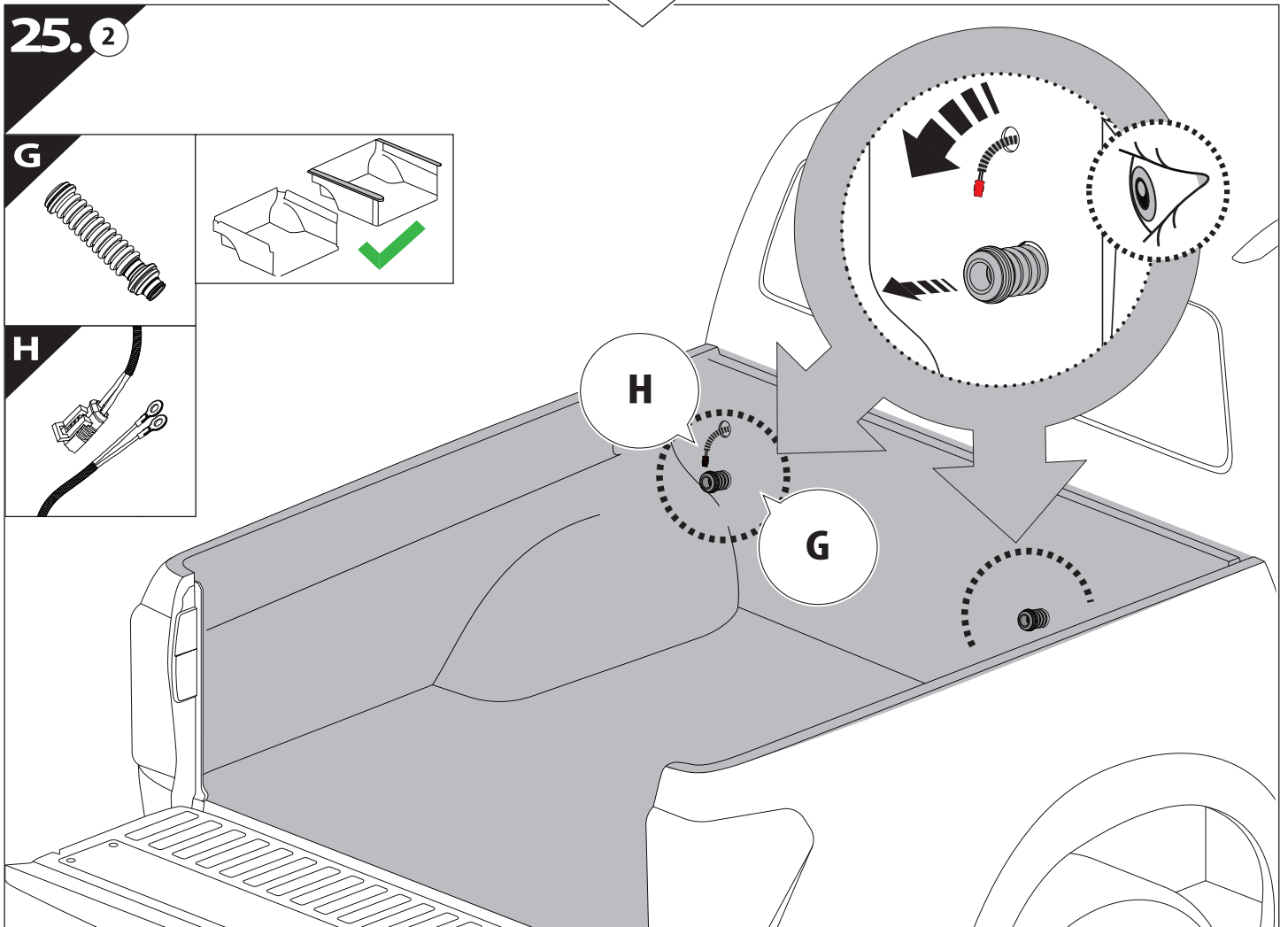
Only to be installed by authorized personnel



25. ①

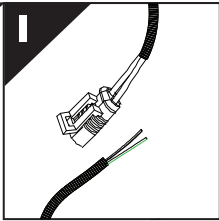


25. ②

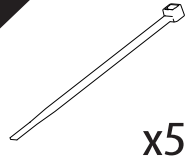


26

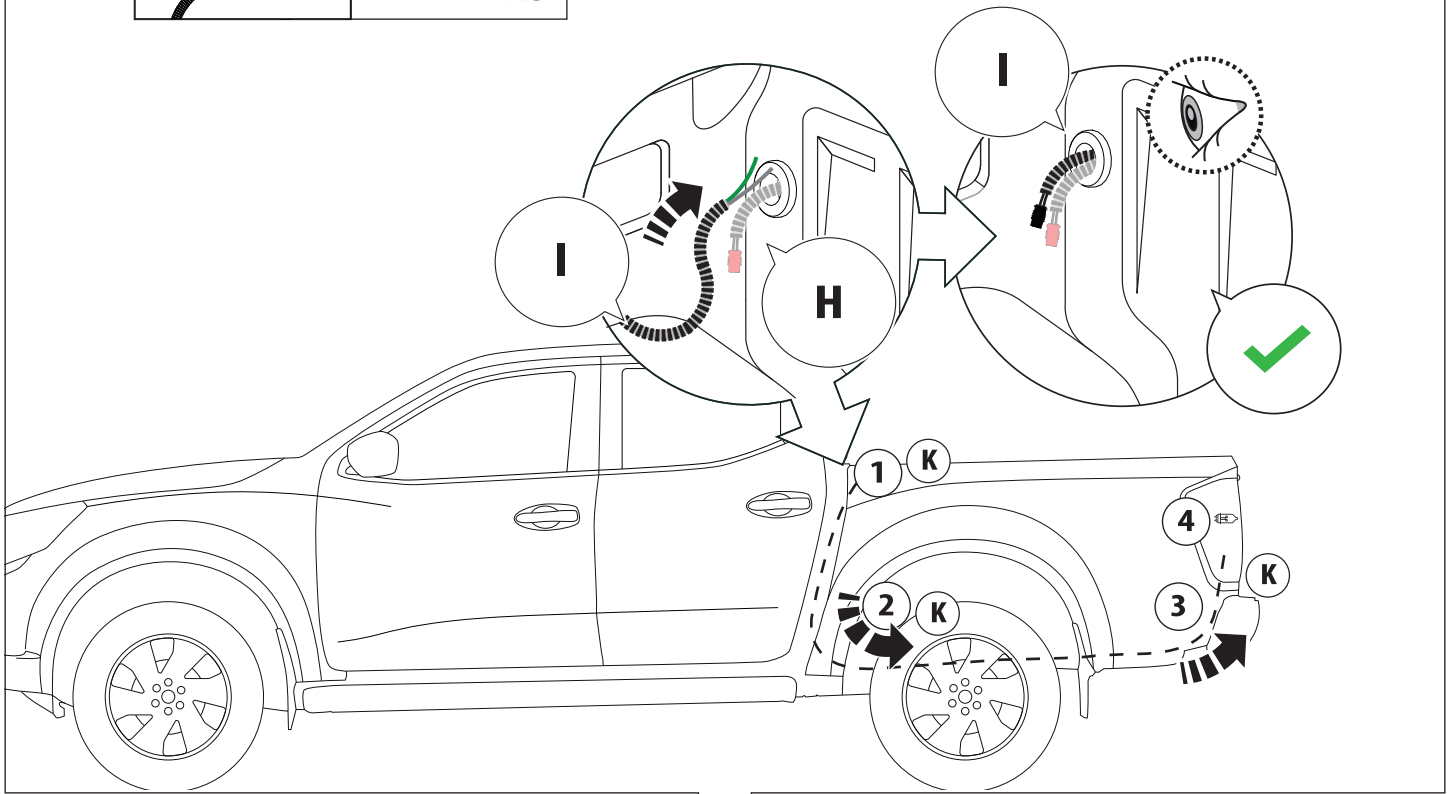
I



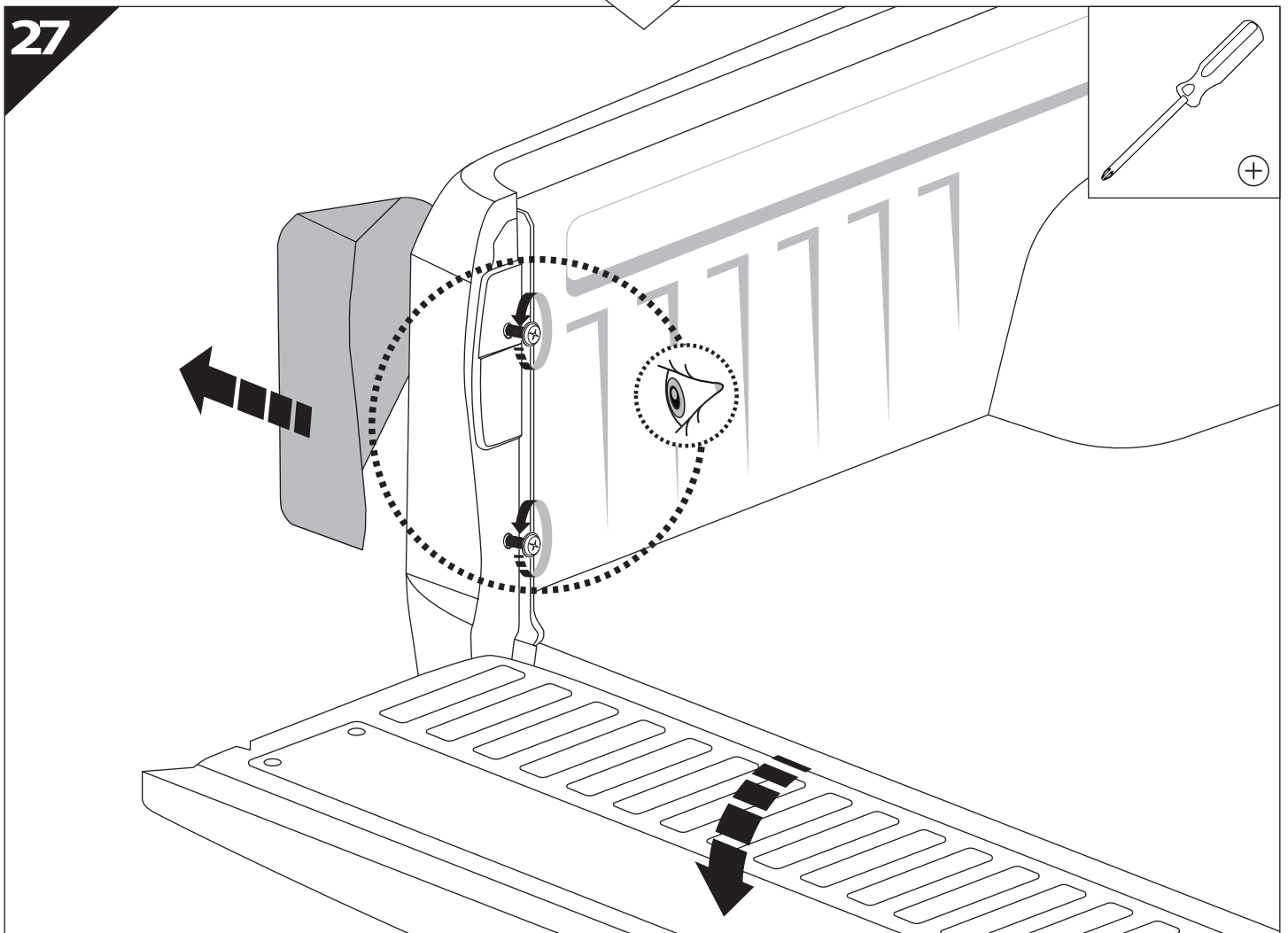
K



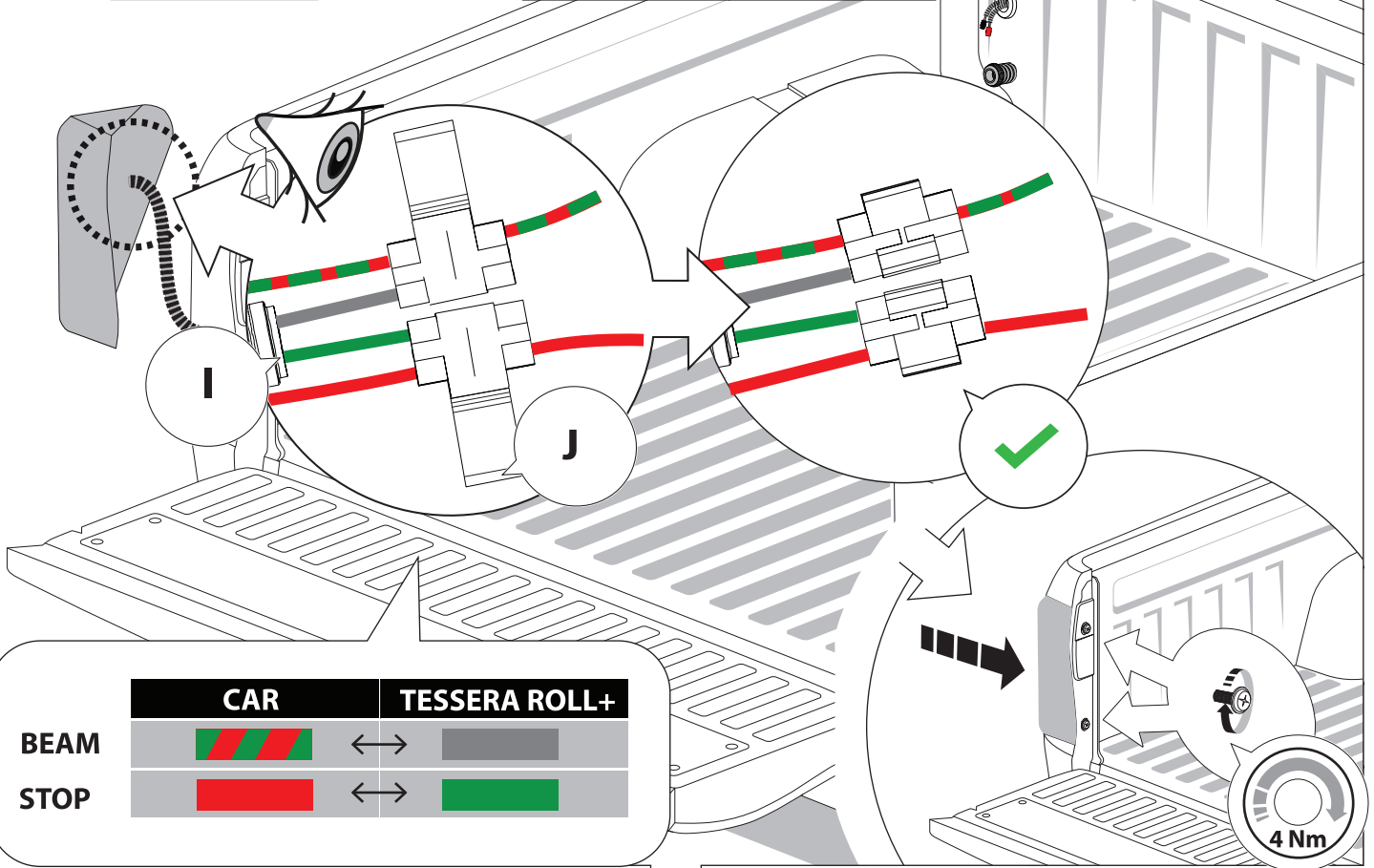
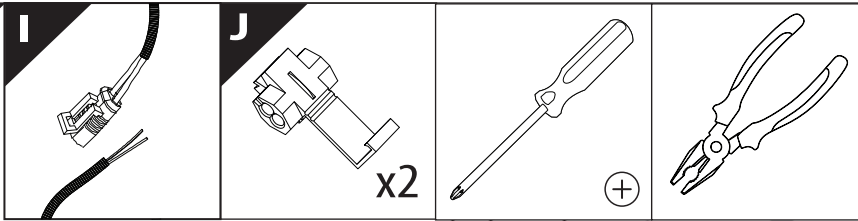
x5



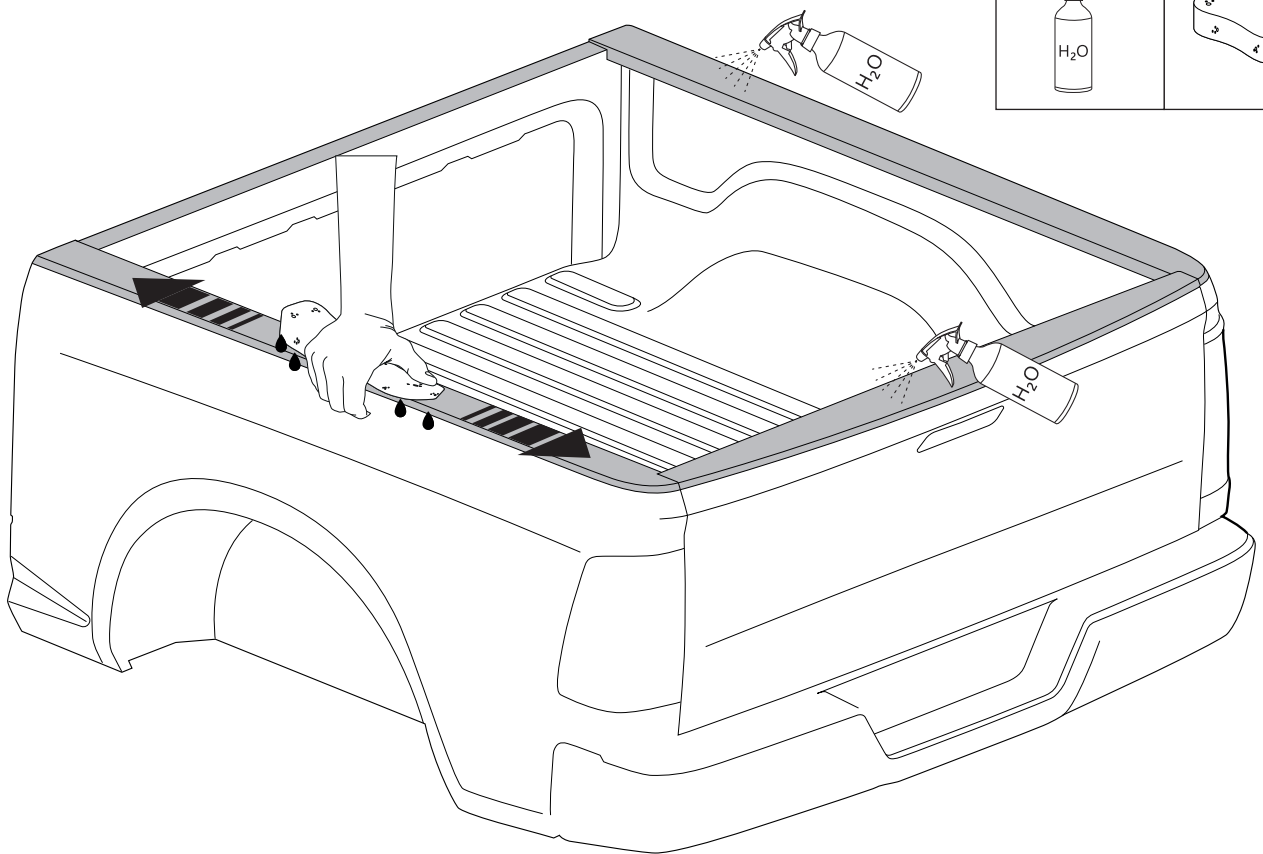
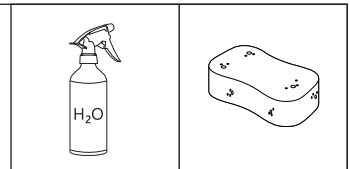
27

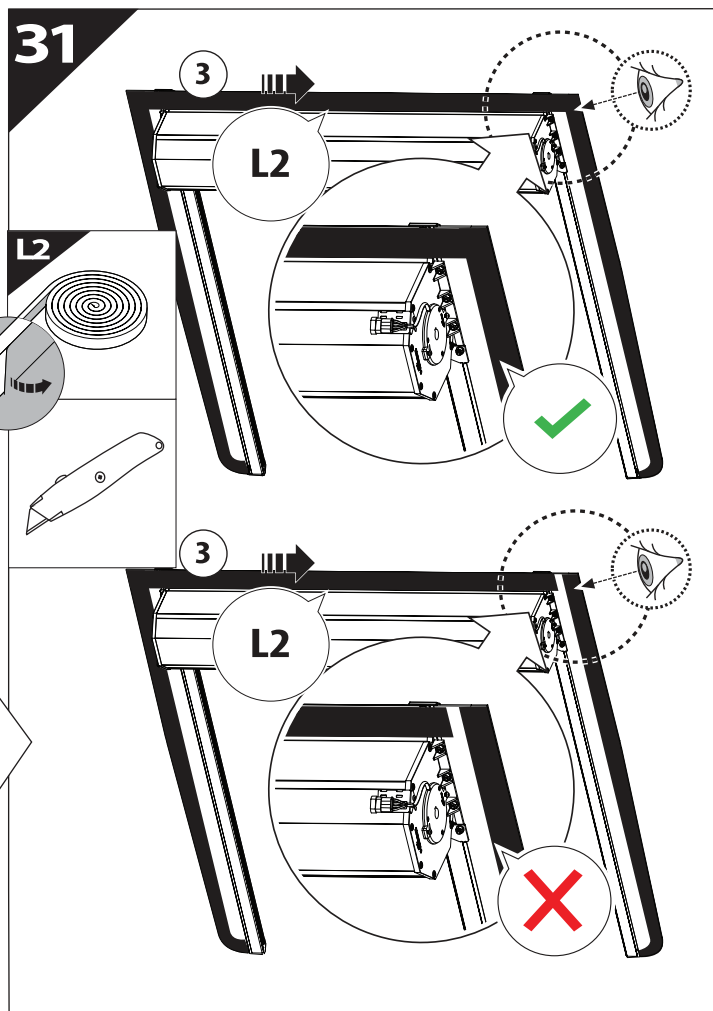
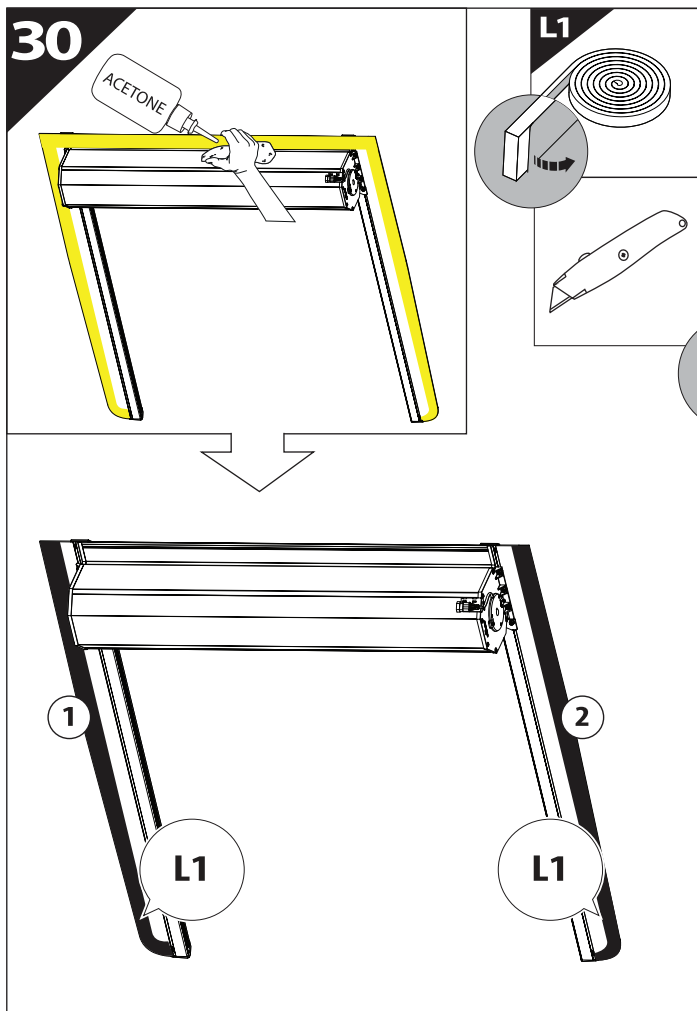


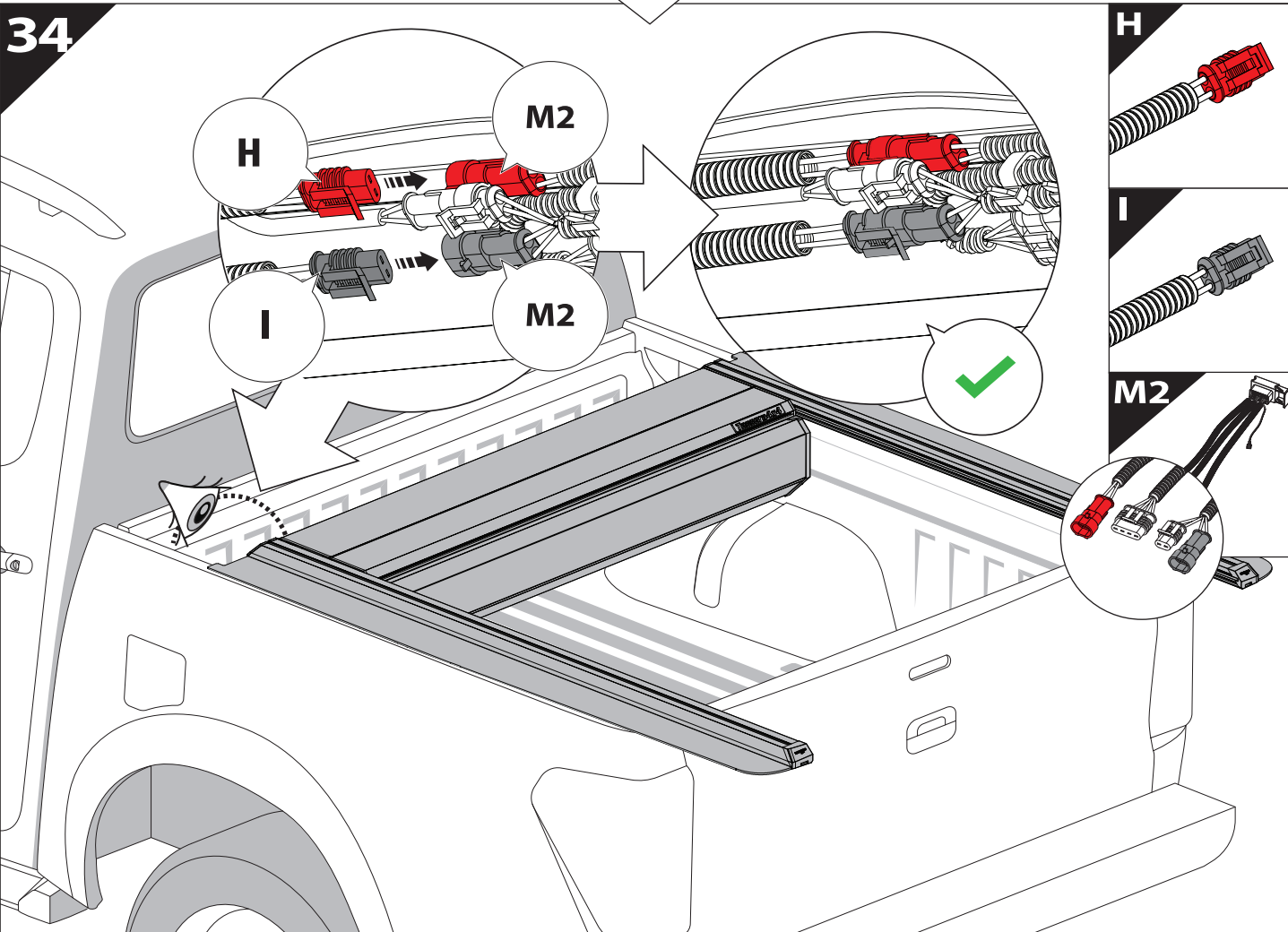
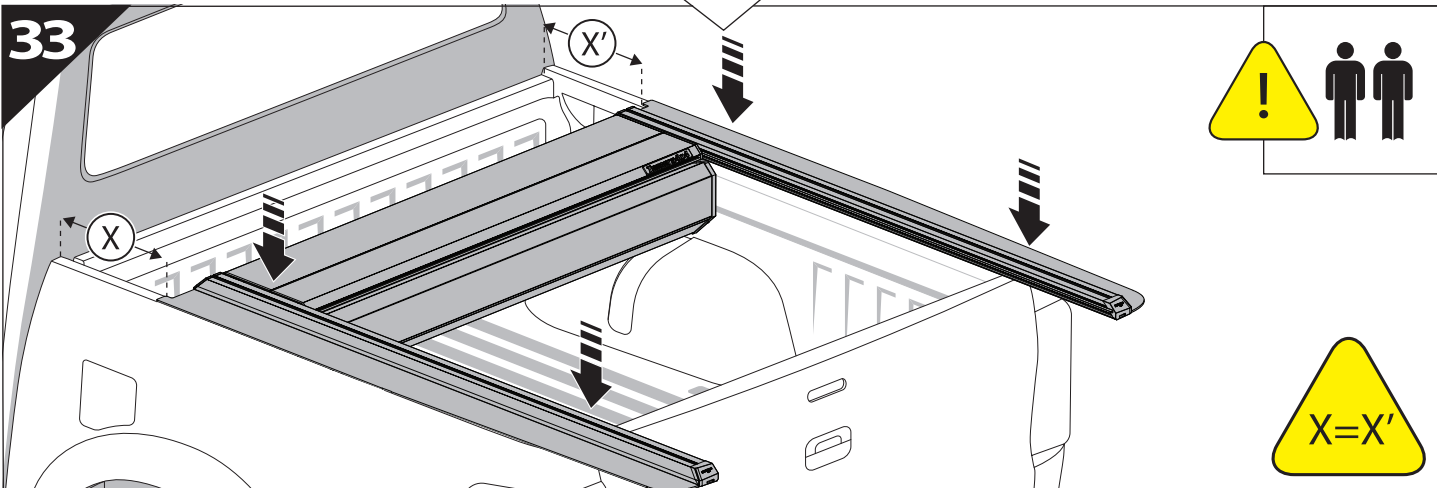
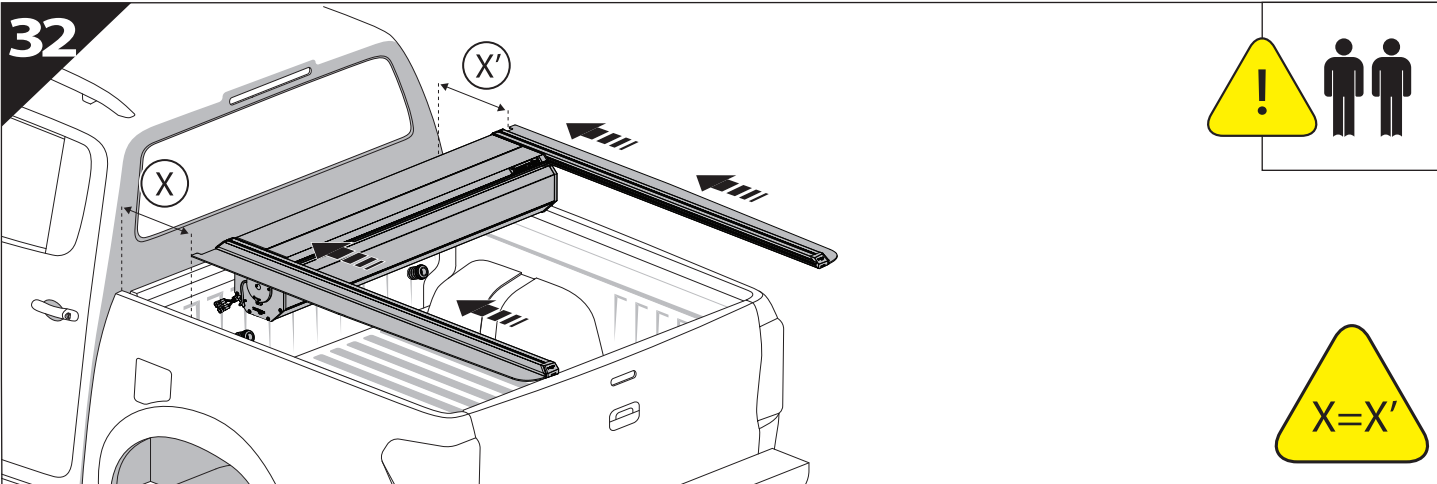
28



29

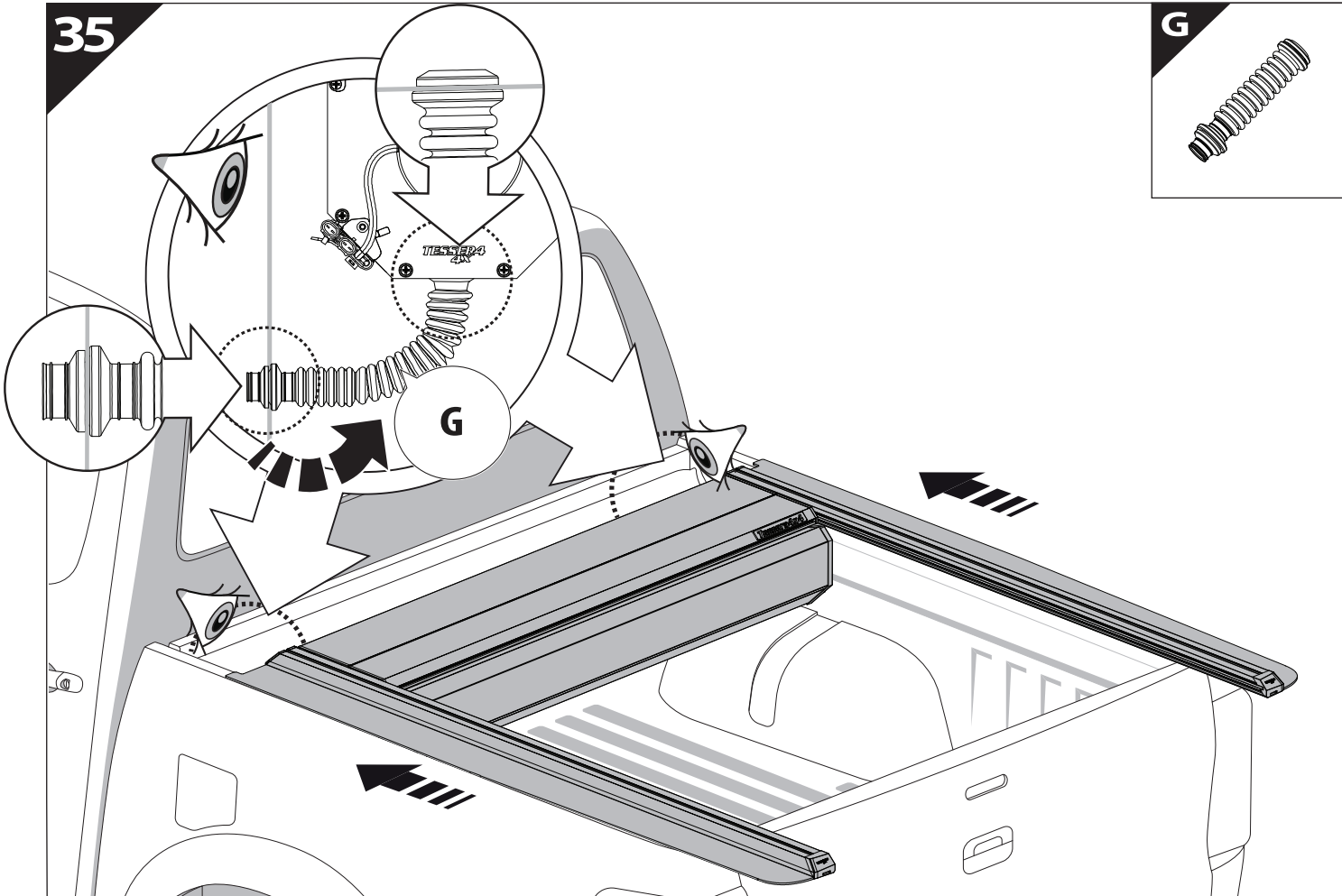






35

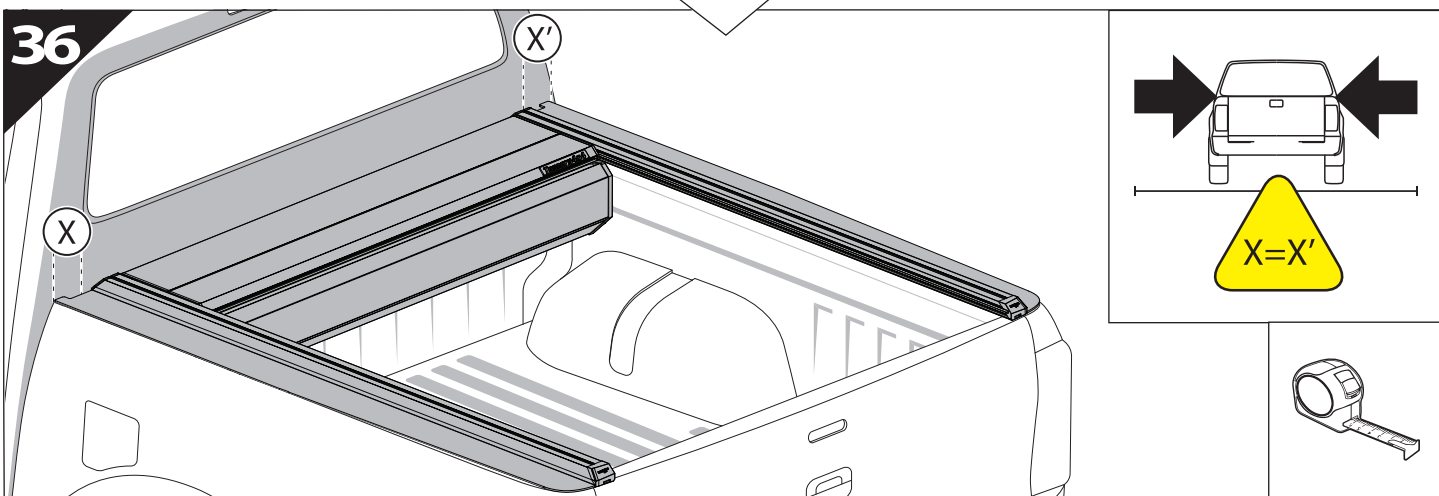
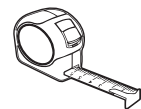
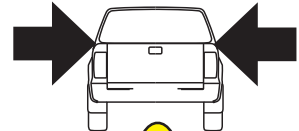
G



36

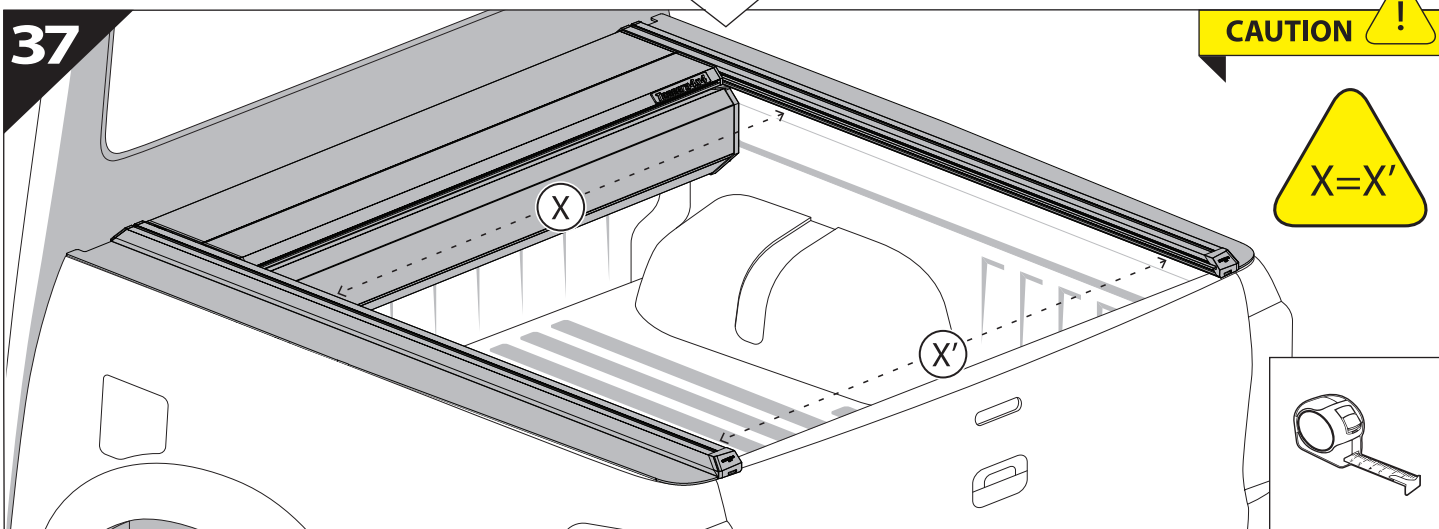
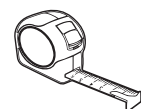
X'

X

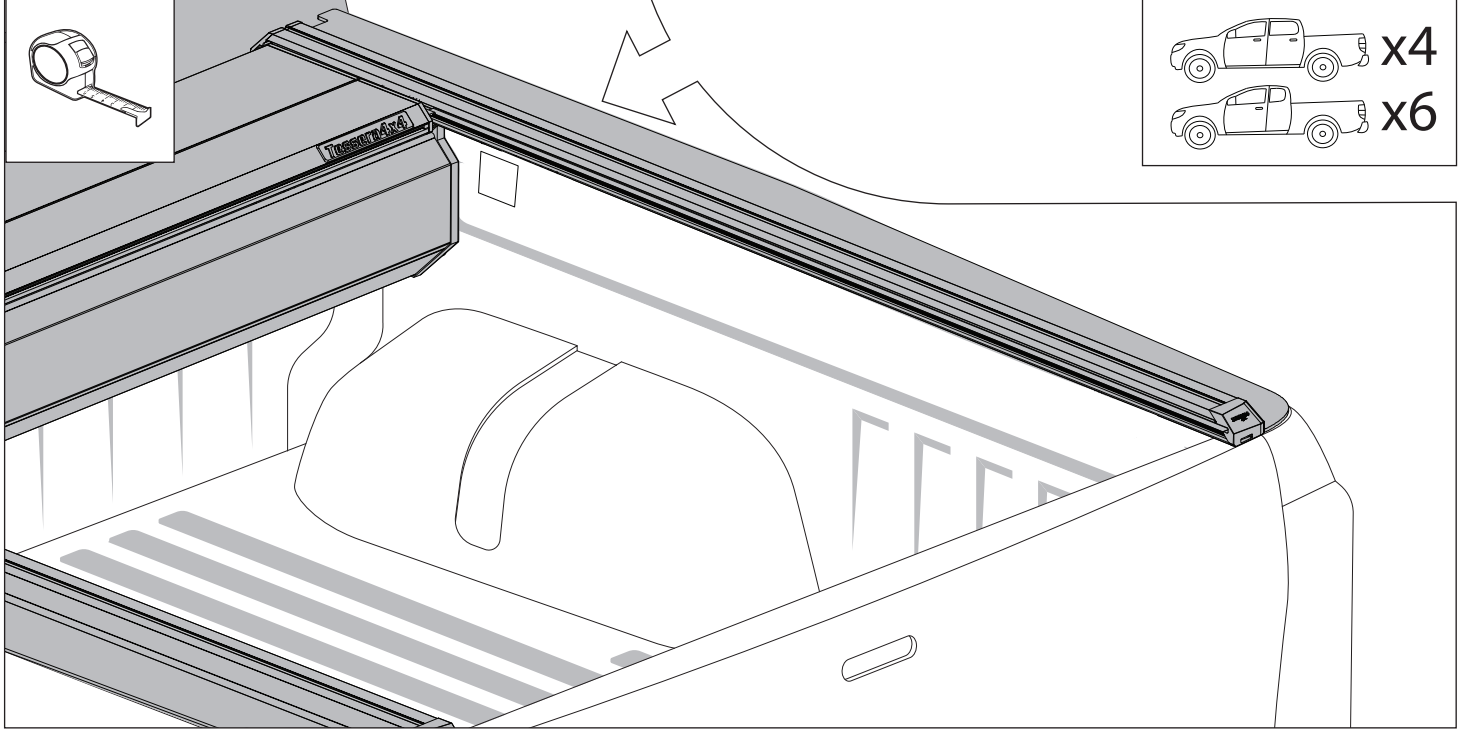
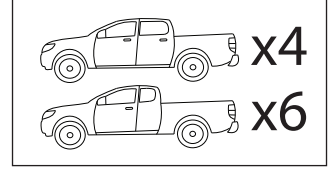
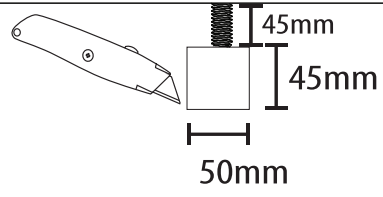
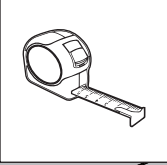
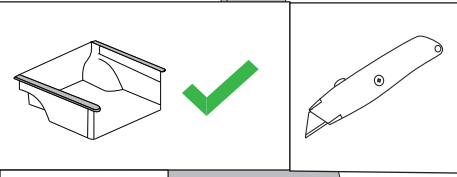


37

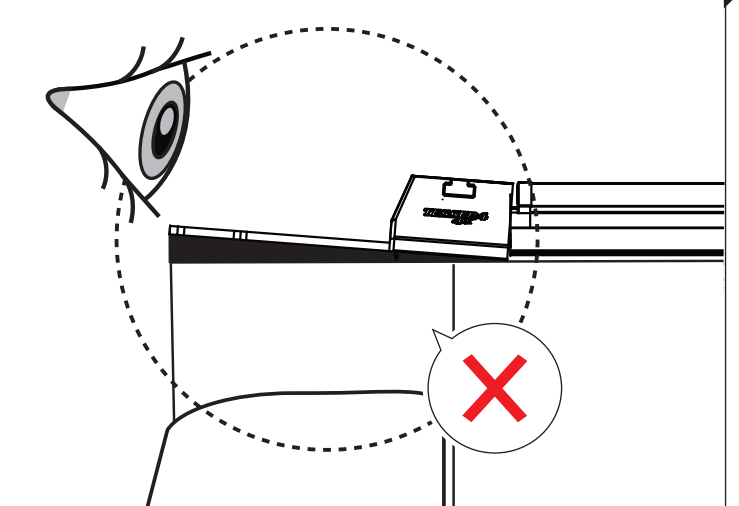
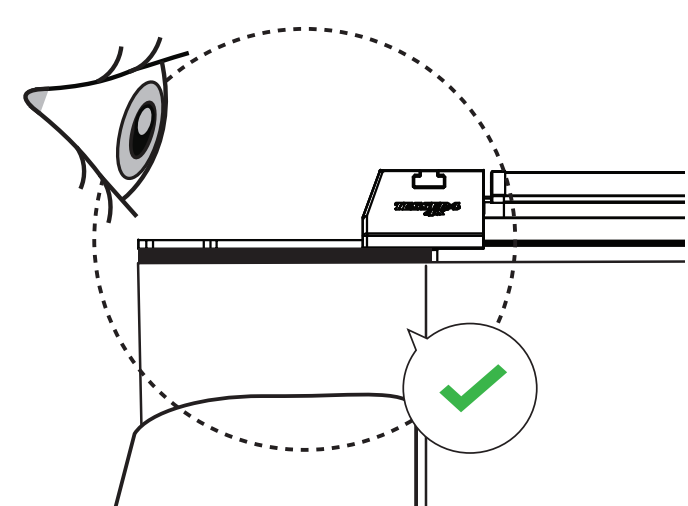
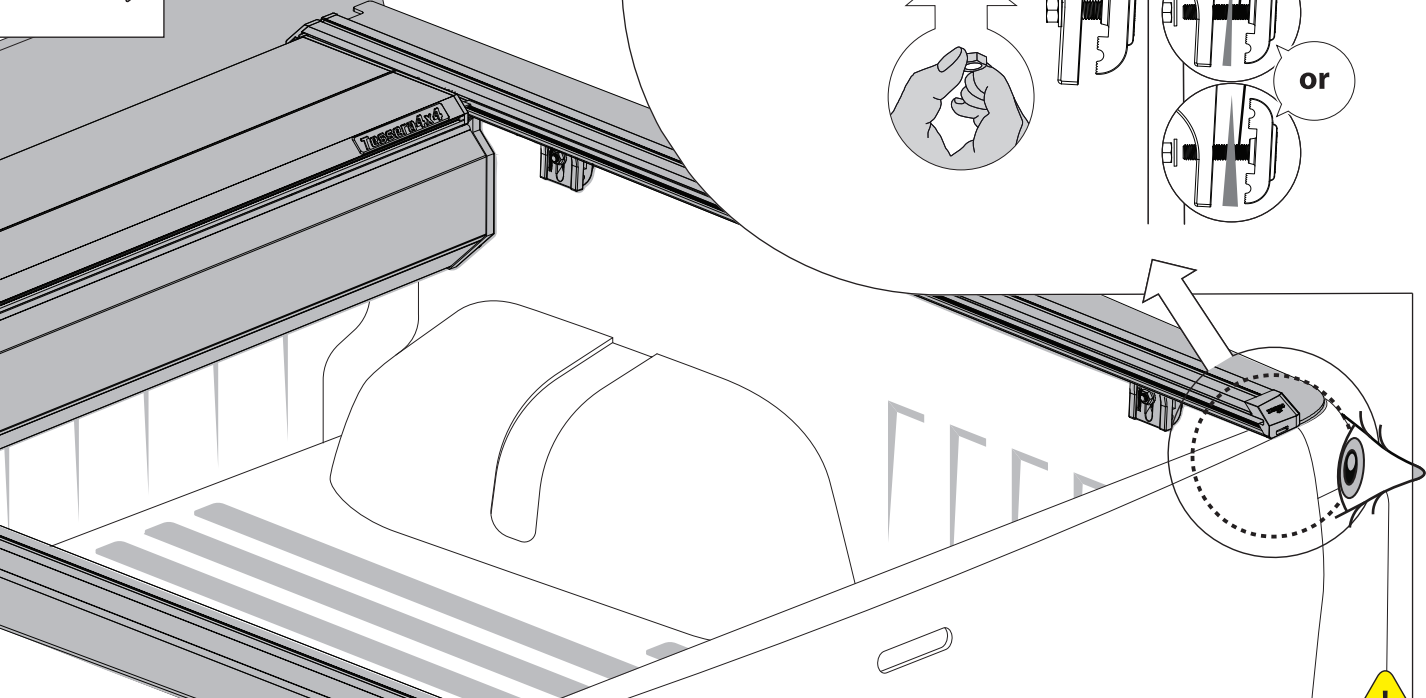
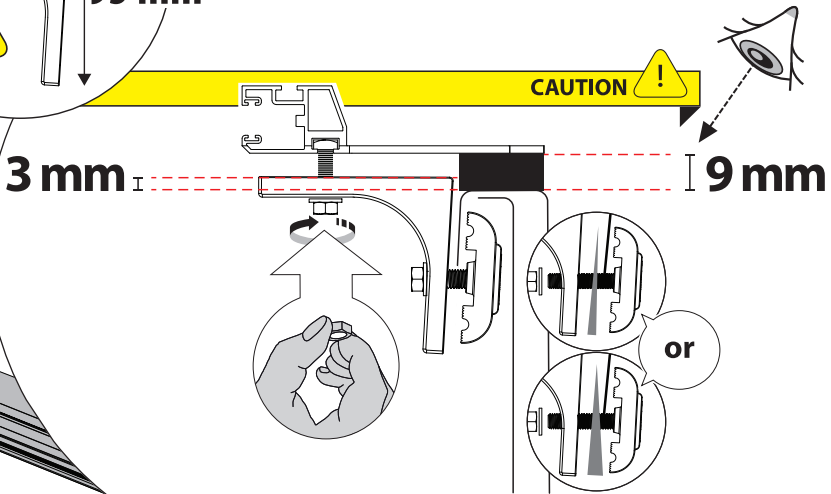
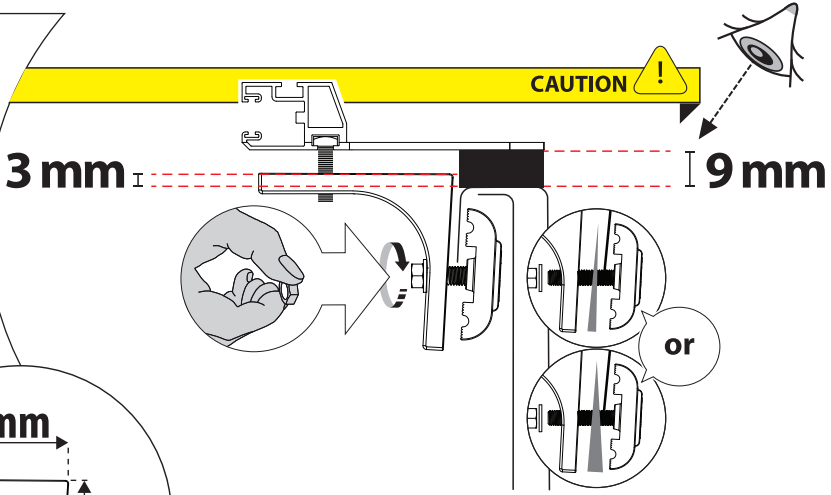
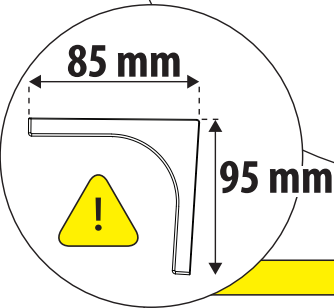
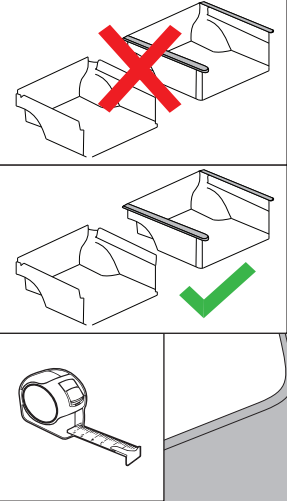
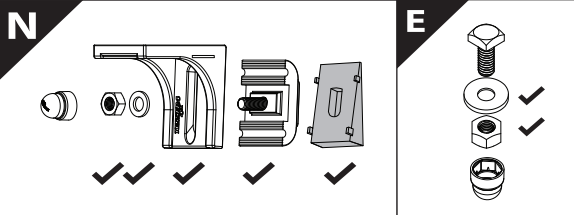
CAUTION

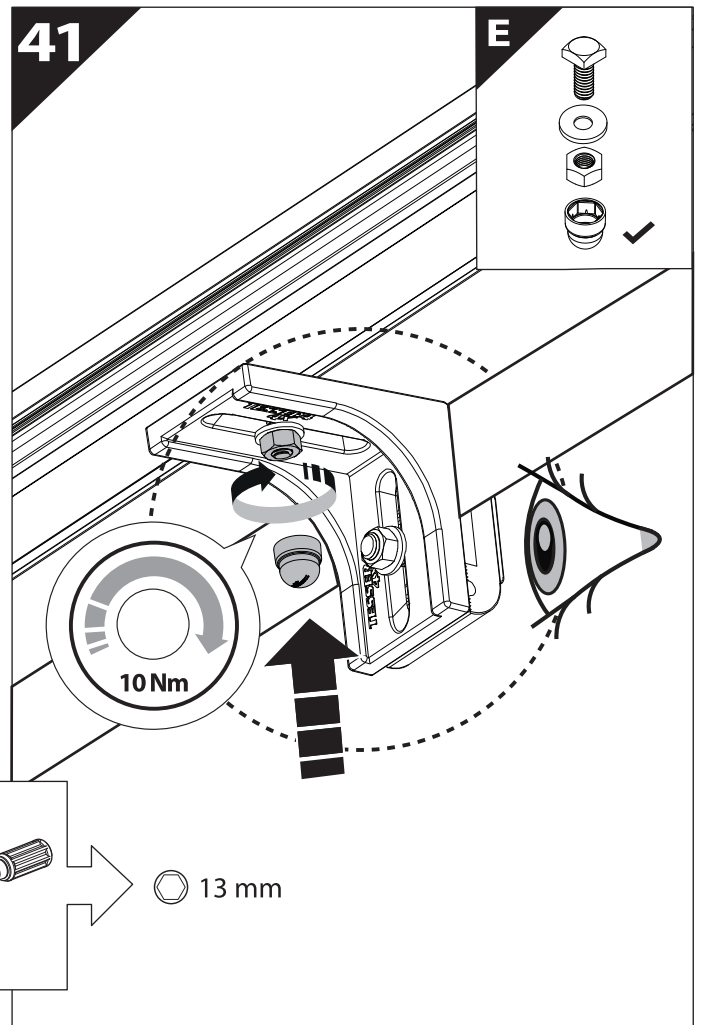
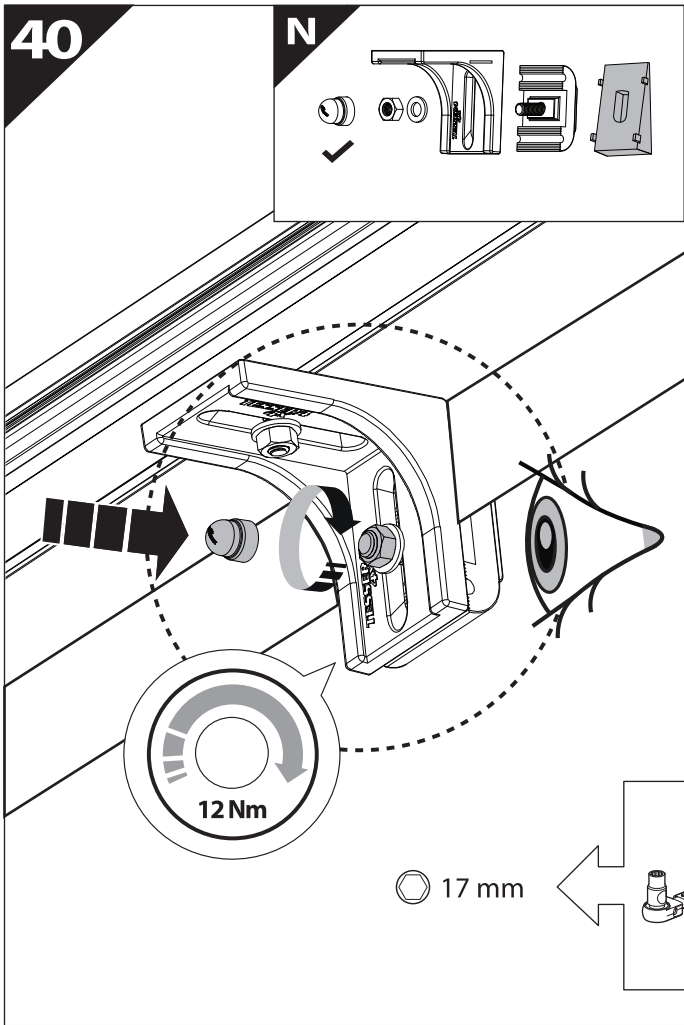


38

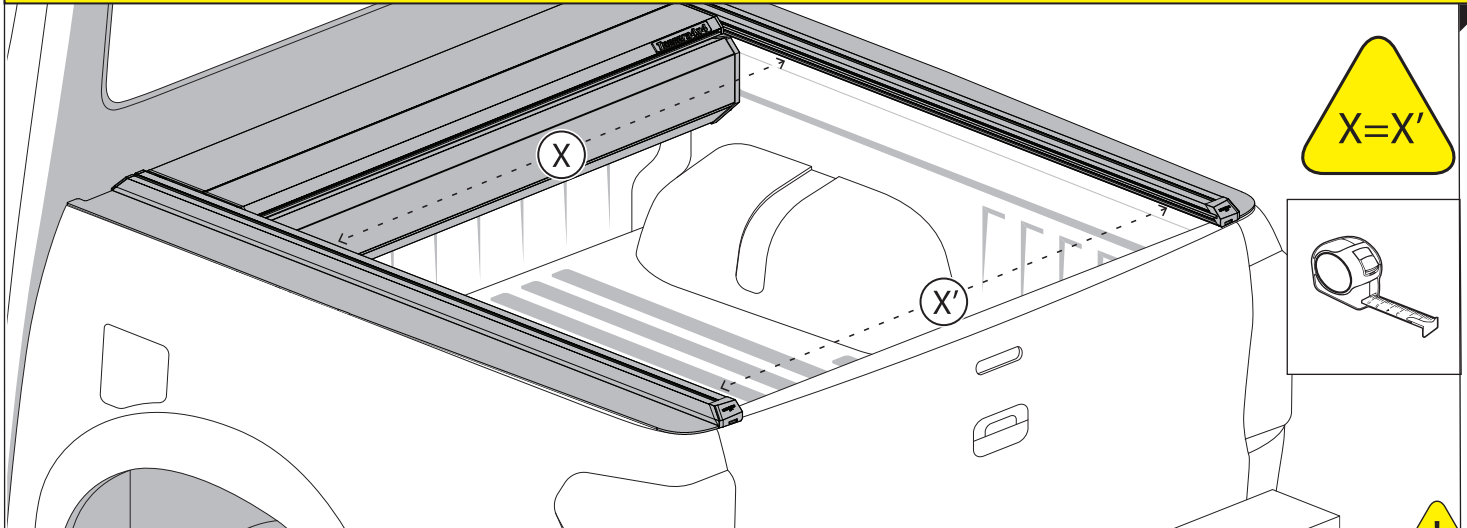


39

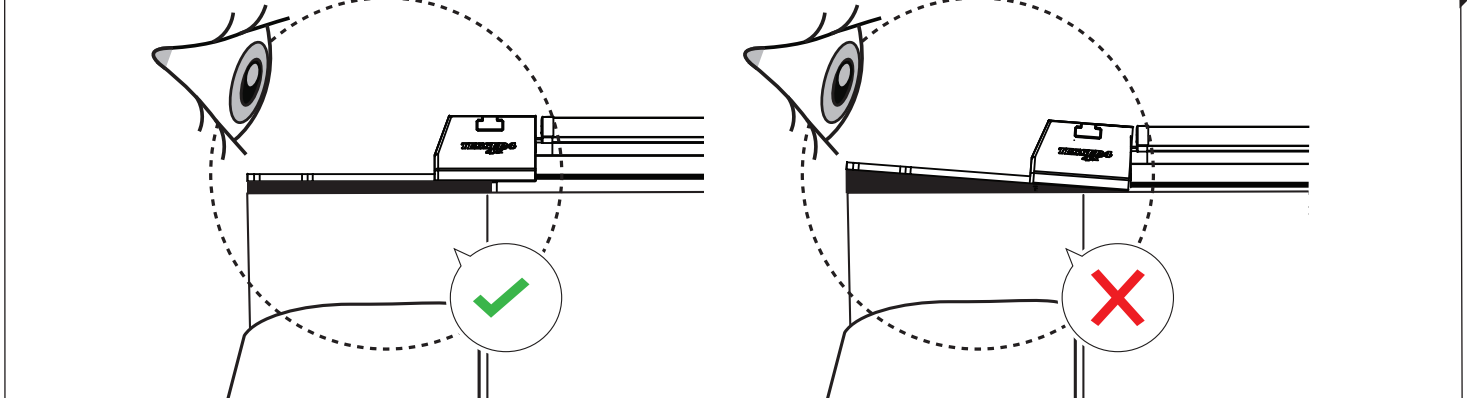




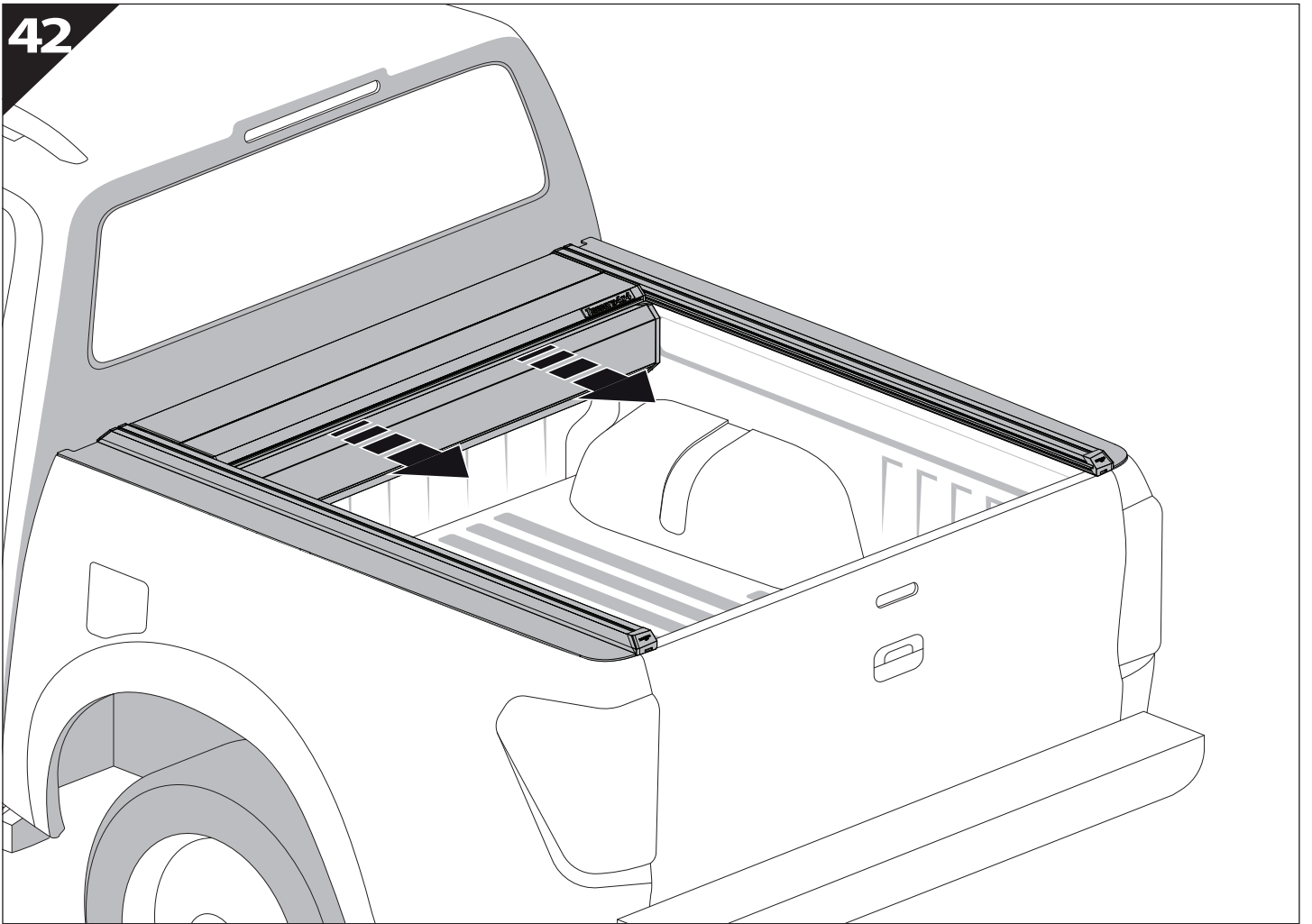
CAUTION !



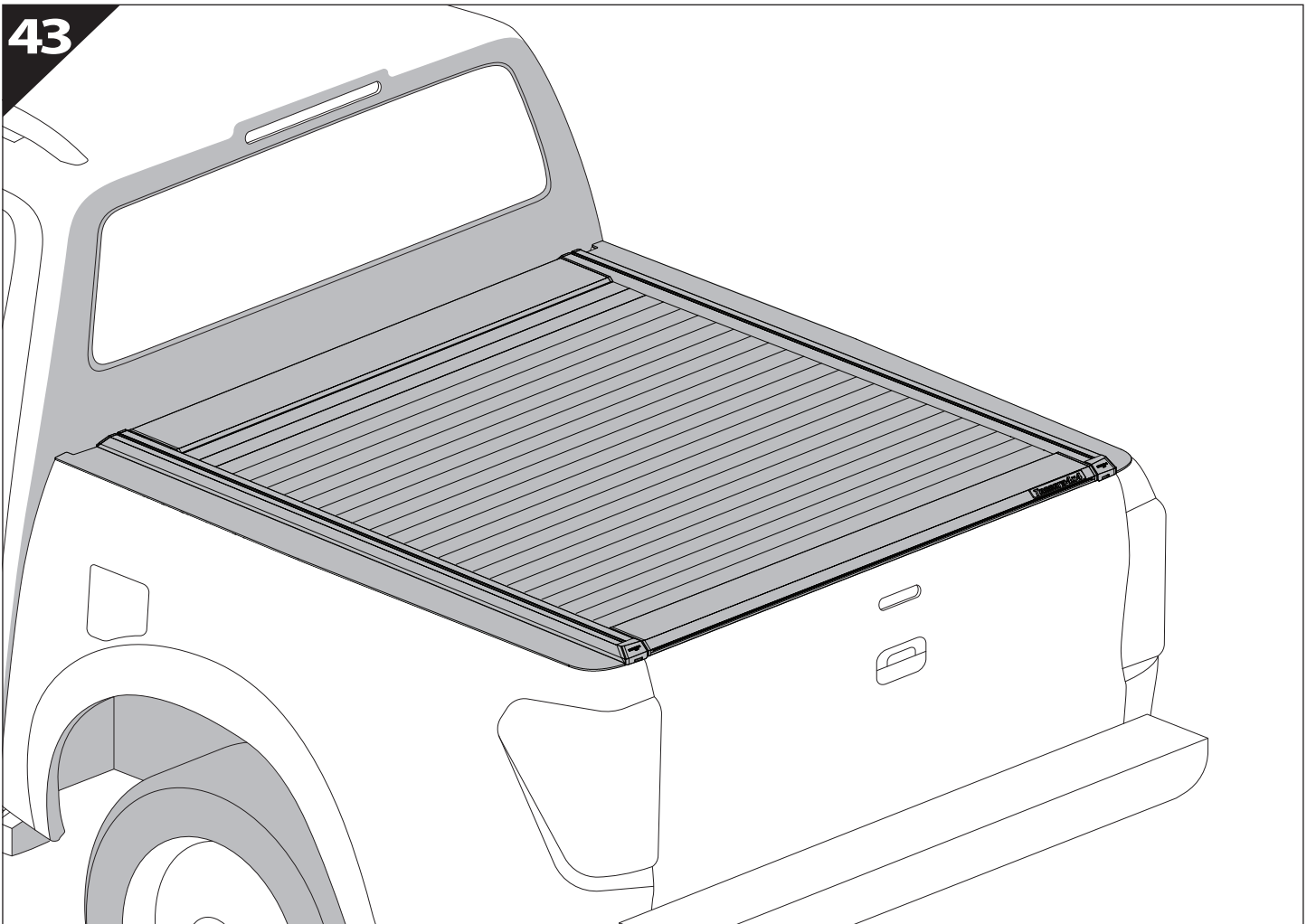
CAUTION !



42



43





GR: Οδηγίες Εγκατάστασης
GB: Installation manual
SF: Asennusohje
F: Notice de montage
PL: Instrukcja montażu
NL: Installatie-instructies
TR: Montaj Talimatı
S: Monteringsanvisning
E: Instrucciones de montaje

H: Szerelési utasítás
P: Instruções de instalação
RUS: Инструкция по установке
N: Monteringsveiledning
D: Einbauanleitung
CZ: Návod k instalaci
I: Istruzioni de montaggio
DK: Monteringsvejledning
RO: Instructiuni de instalare

Customer Service:

+30 (210) 5541161, +30 (210) 5541154 (08:00 - 16:00 EET)

Support department:

info@gianso.gr

Website:

www.tessera4x4.com

Address:

19.5 km of National road Athens-Korinthos (Elefsina) Greece, P.C: 19200