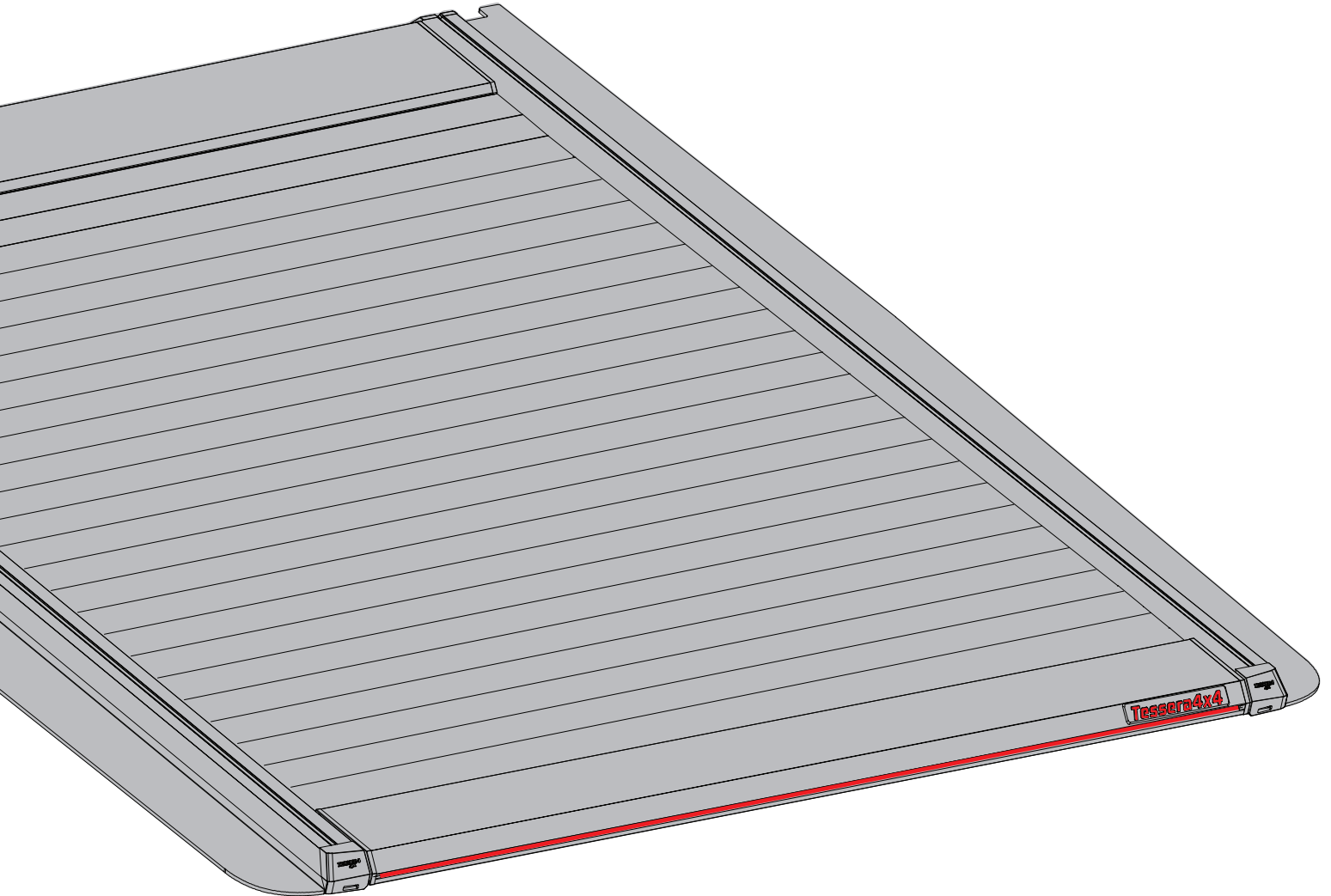


# Tessera Roll+

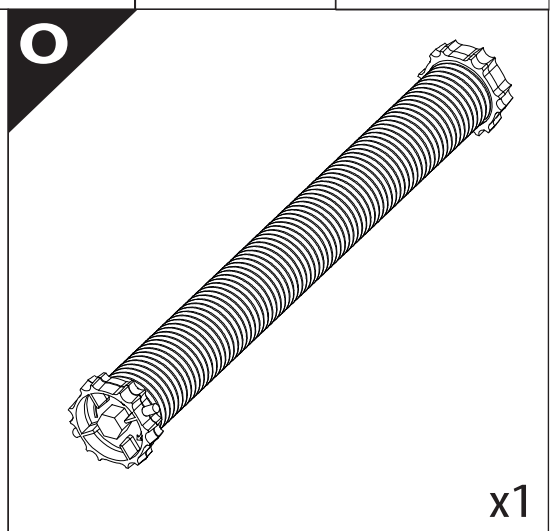
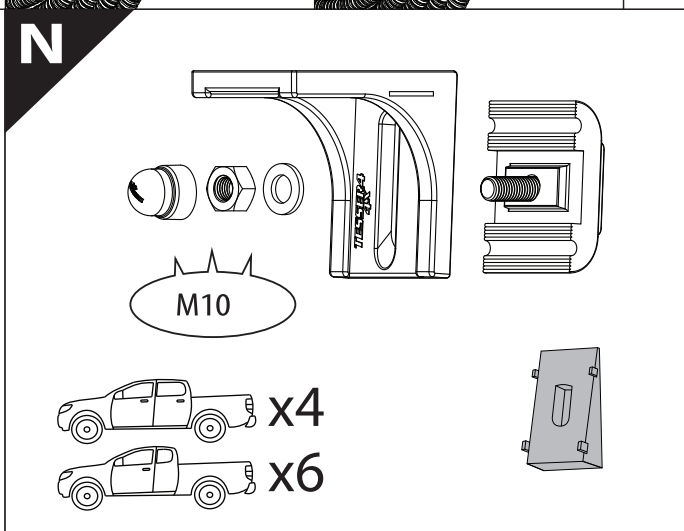
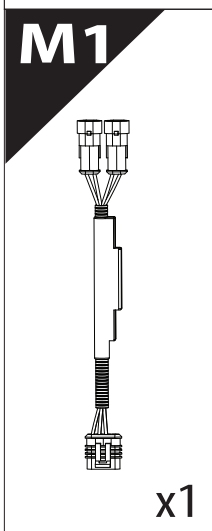
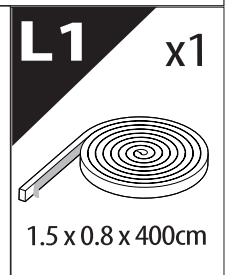
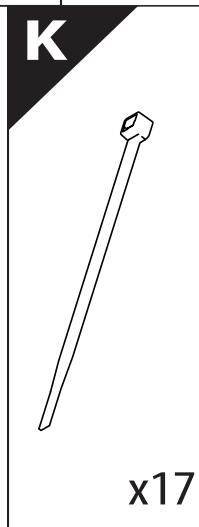
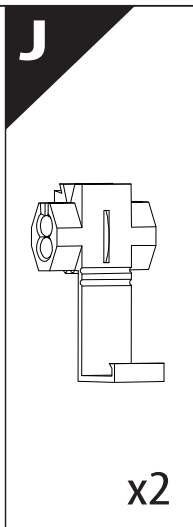
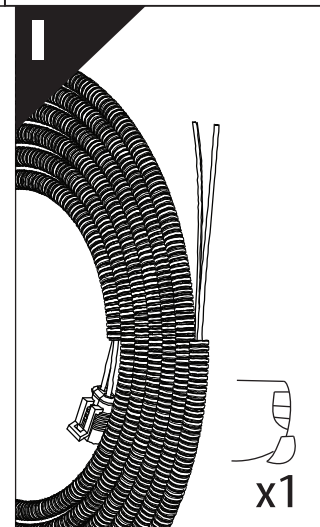
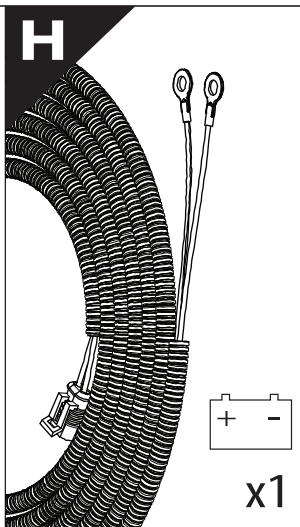
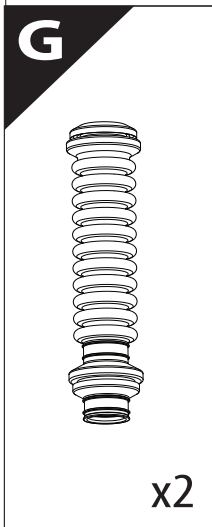
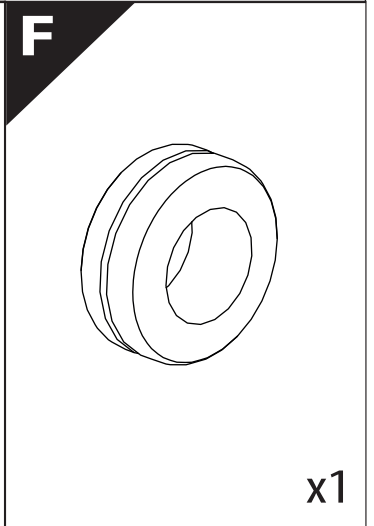
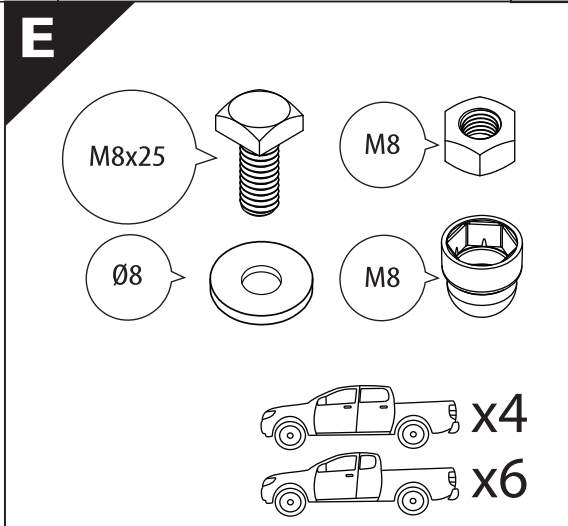
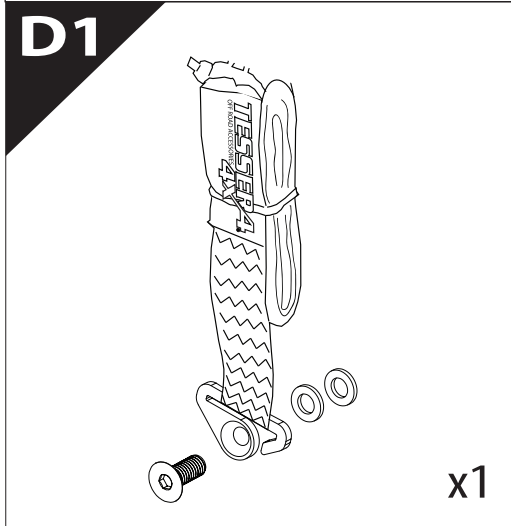
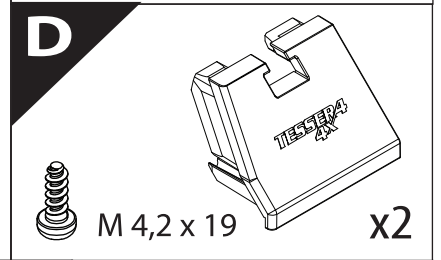
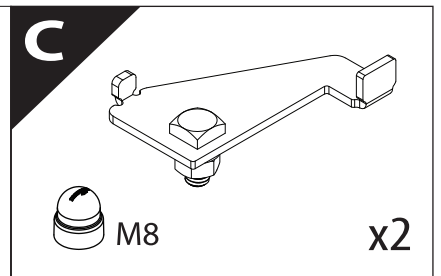
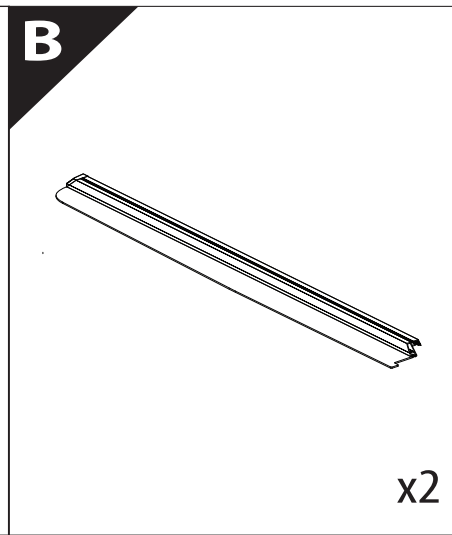
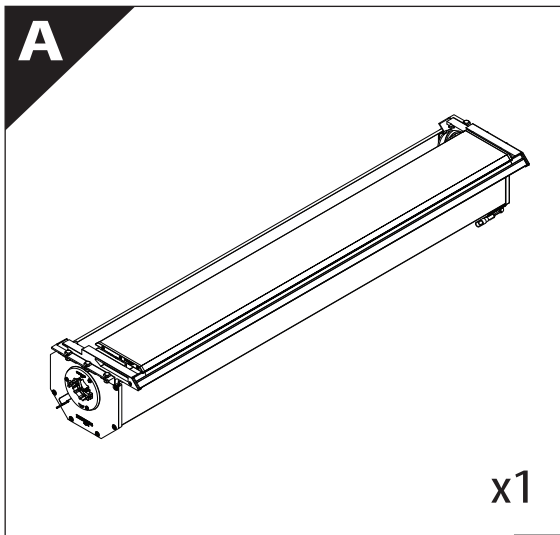
## Basic Version + ⚙️ S-KIT

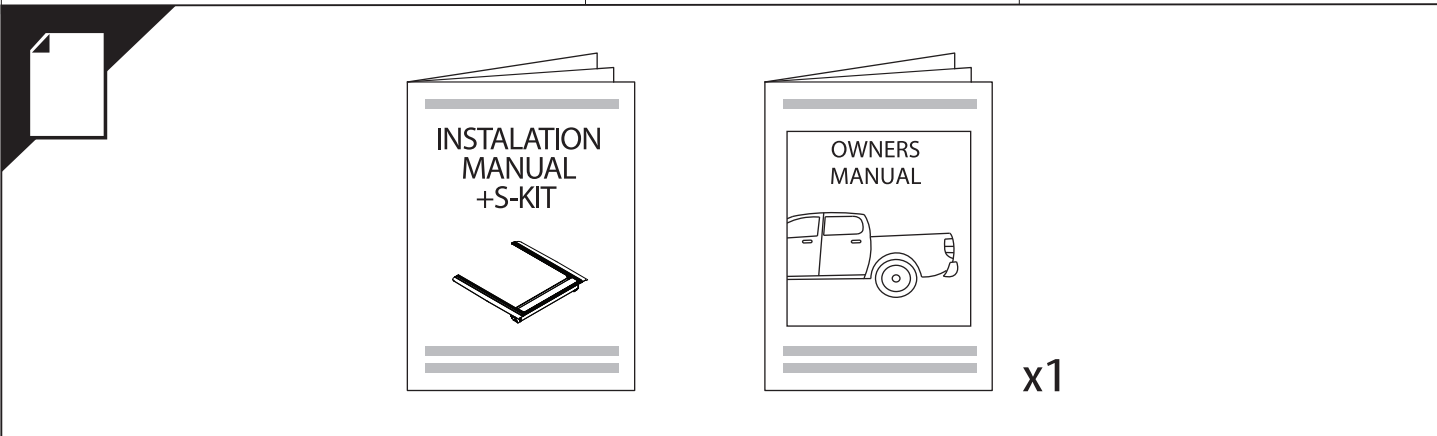
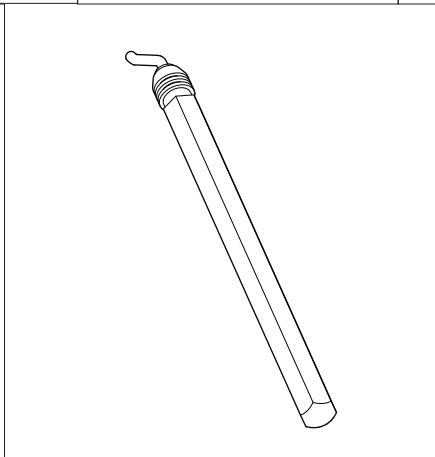
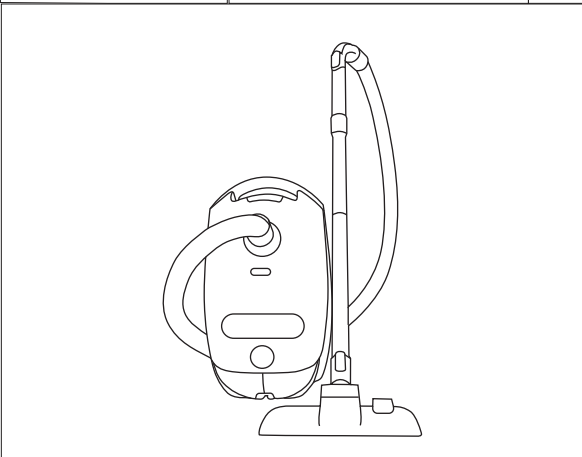
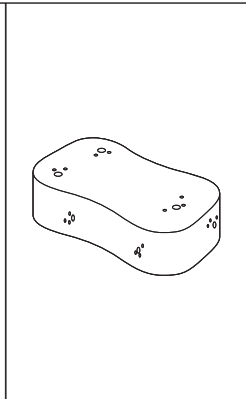
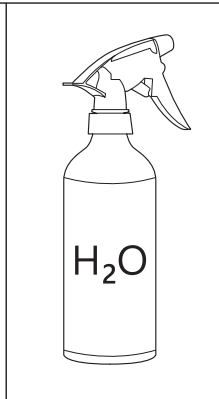
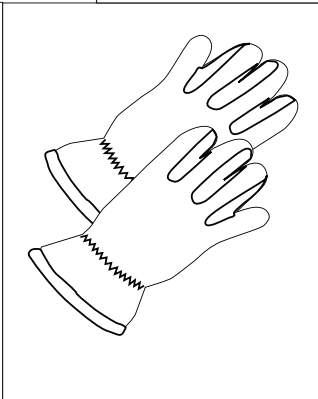
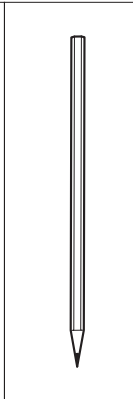
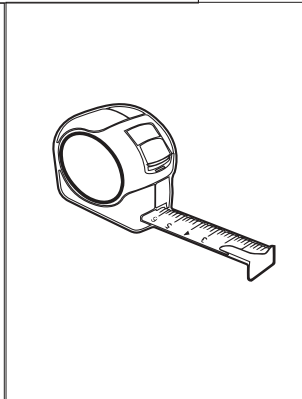
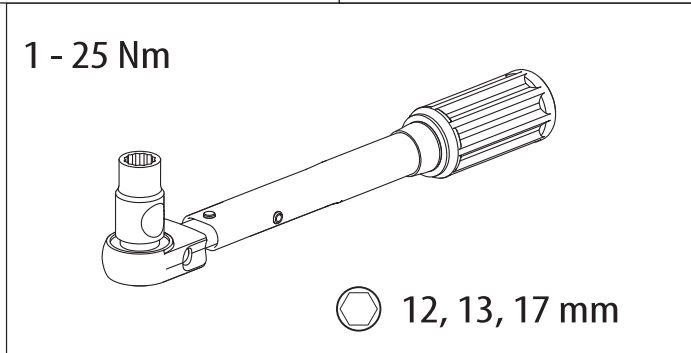
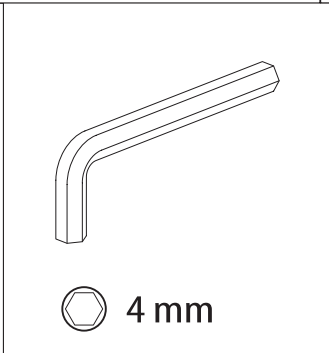
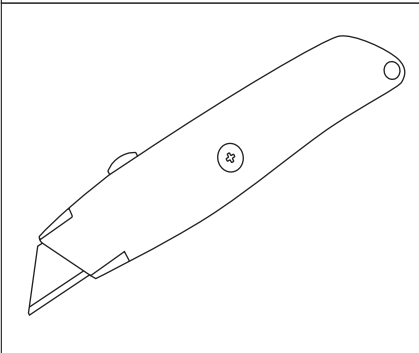
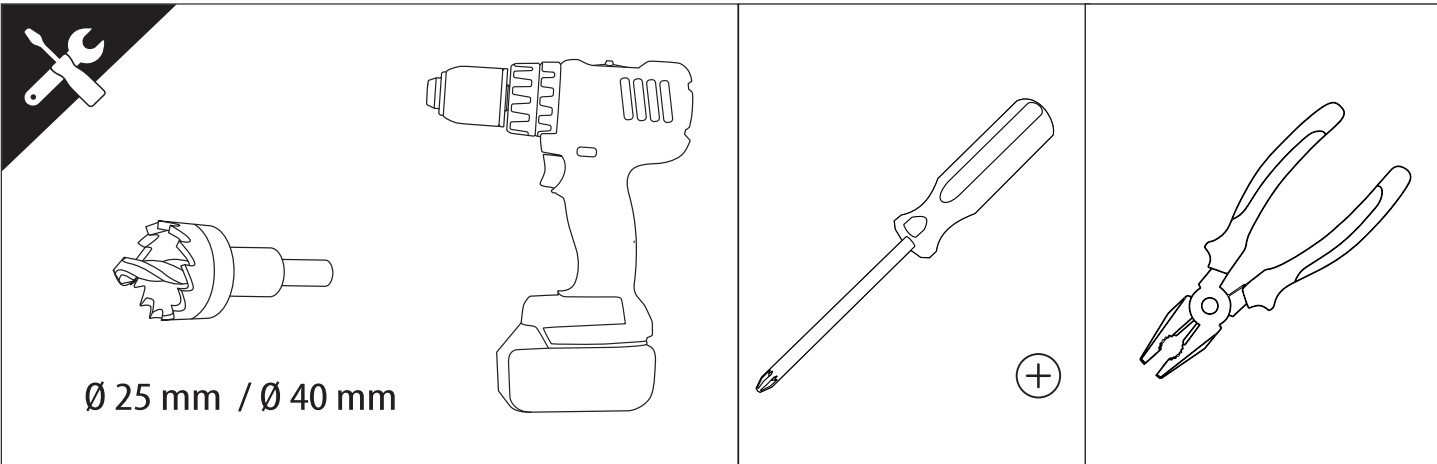


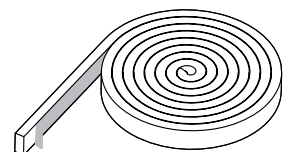
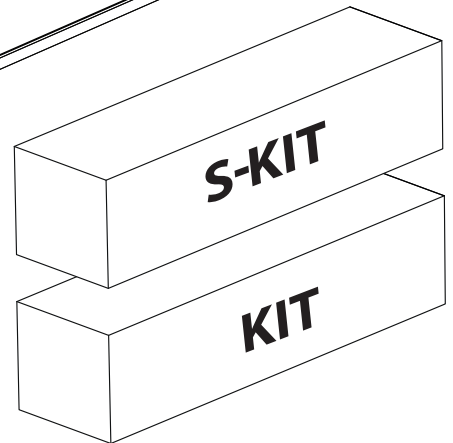
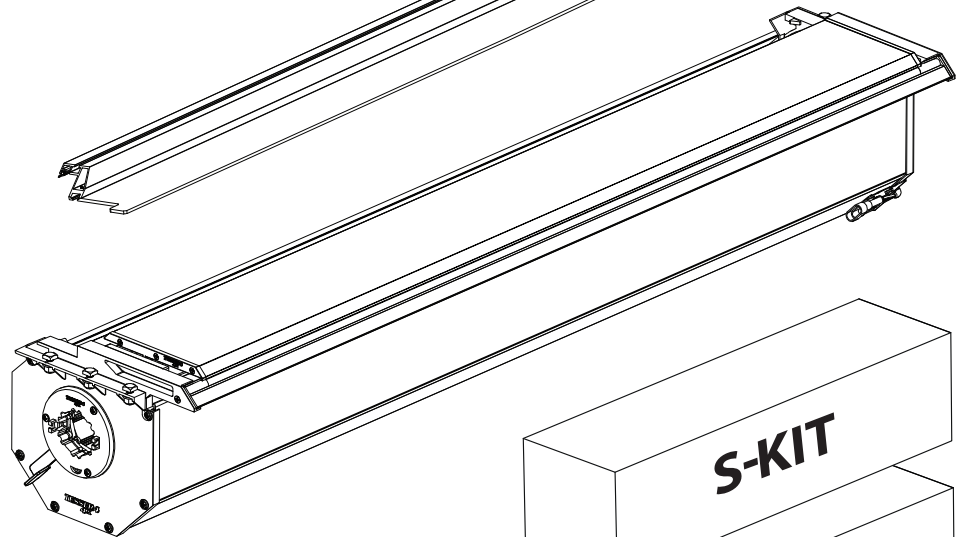
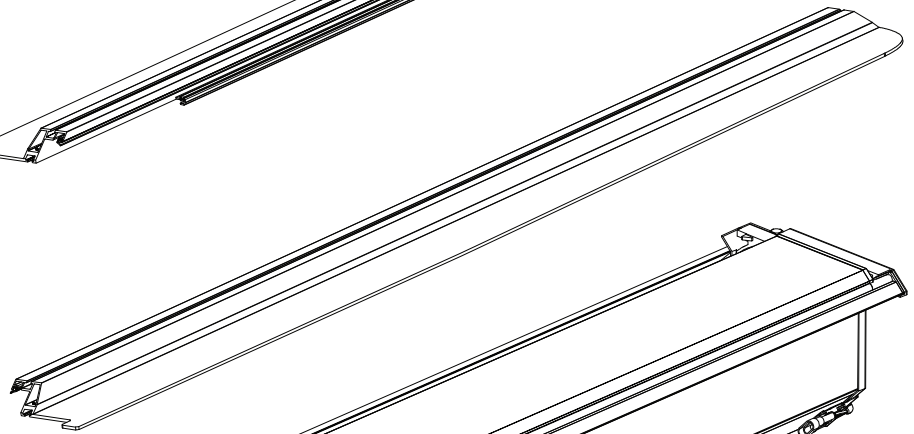
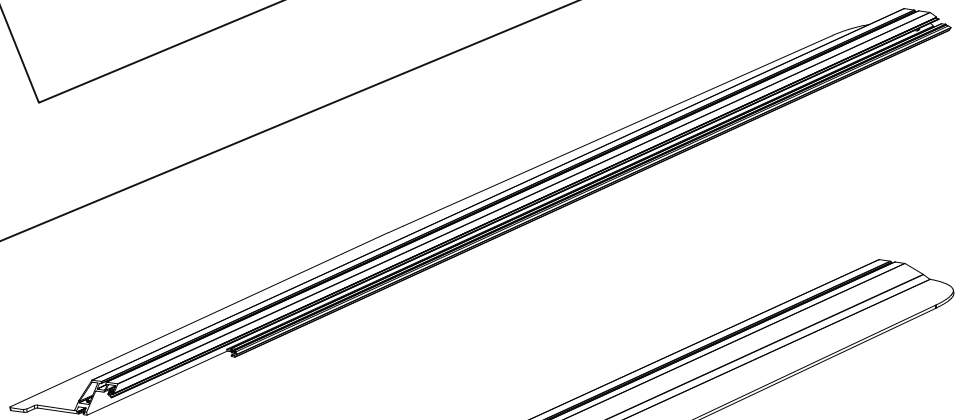
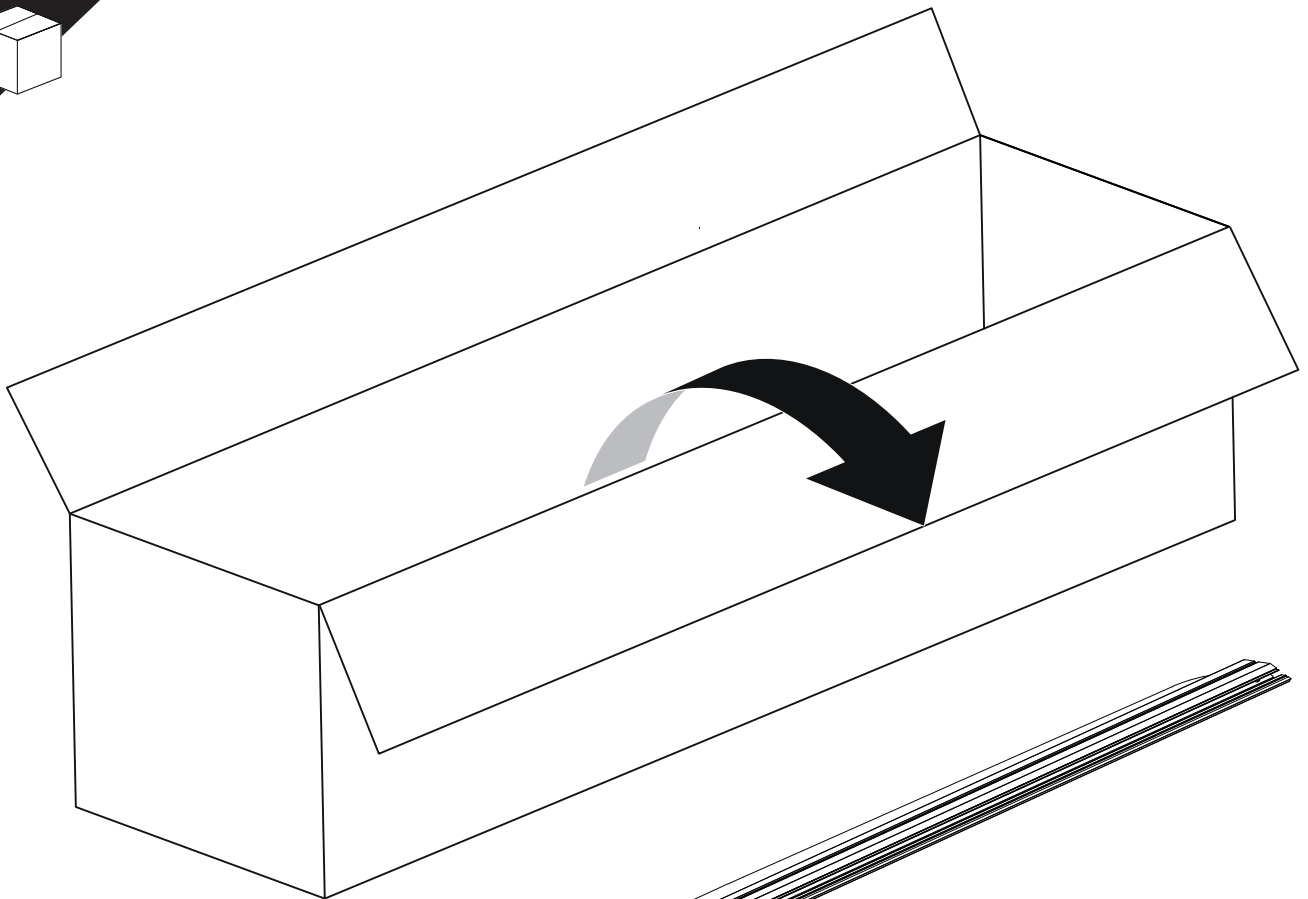
## Installation Manual

PART NUMBER(S)	Model Year
TESS 1404 ROLL+S-KIT	ISUZU DMAX 2012+
TESS 1405 ROLL+S-KIT	
Cab(s)	Installation Time / Weight
Double Cab & Space Cab	40-60 minutes / 53-57 kg







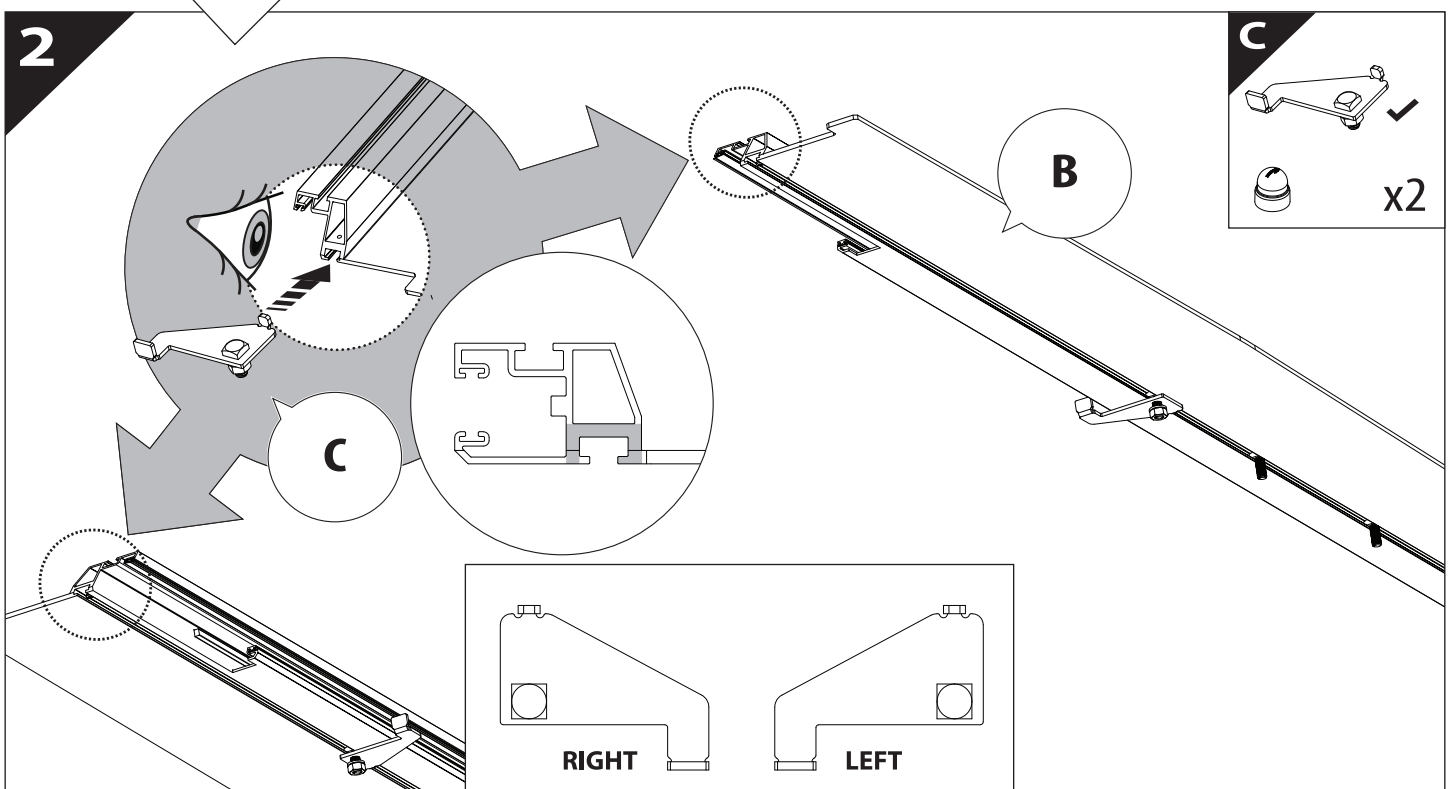
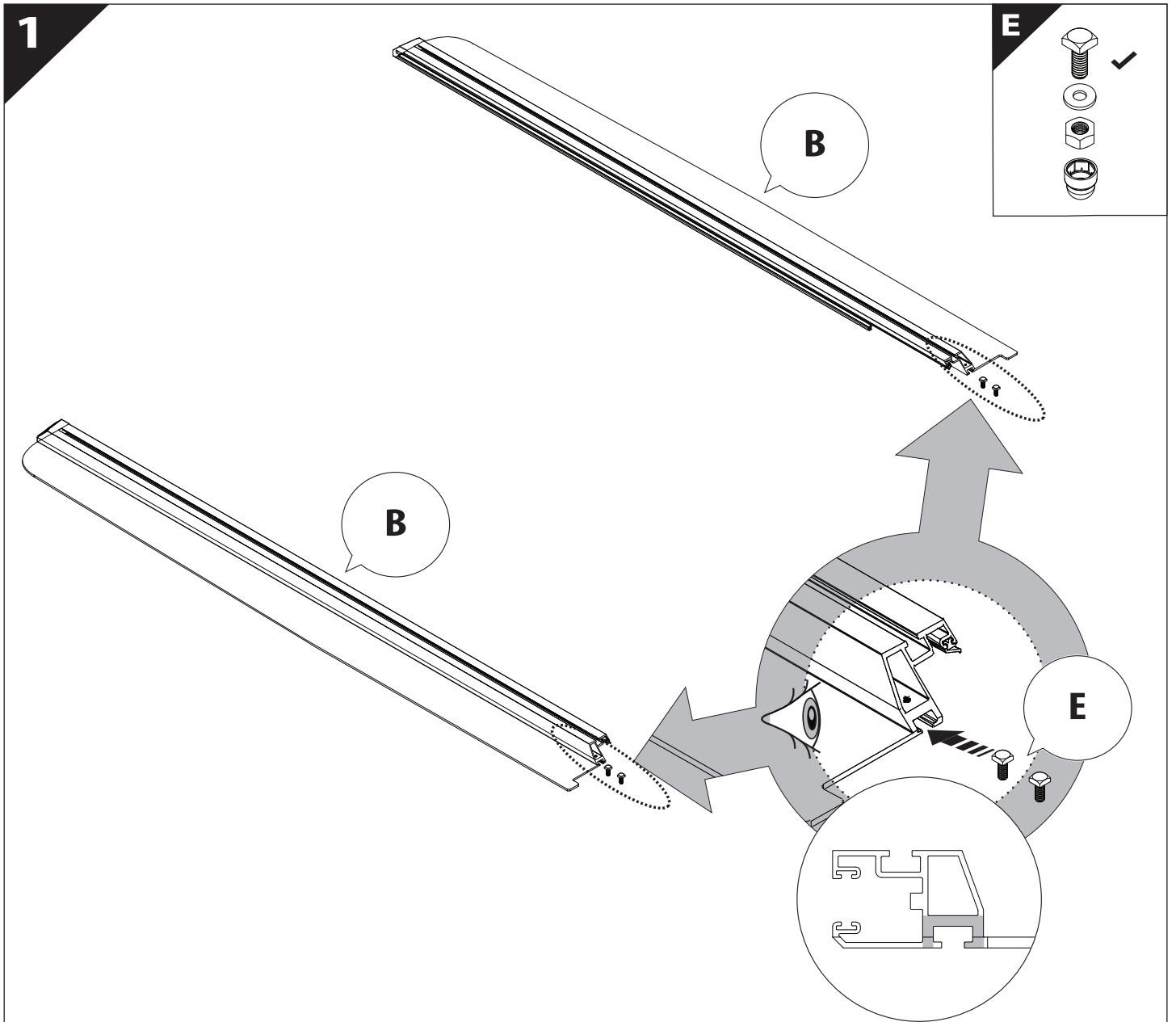


**B**

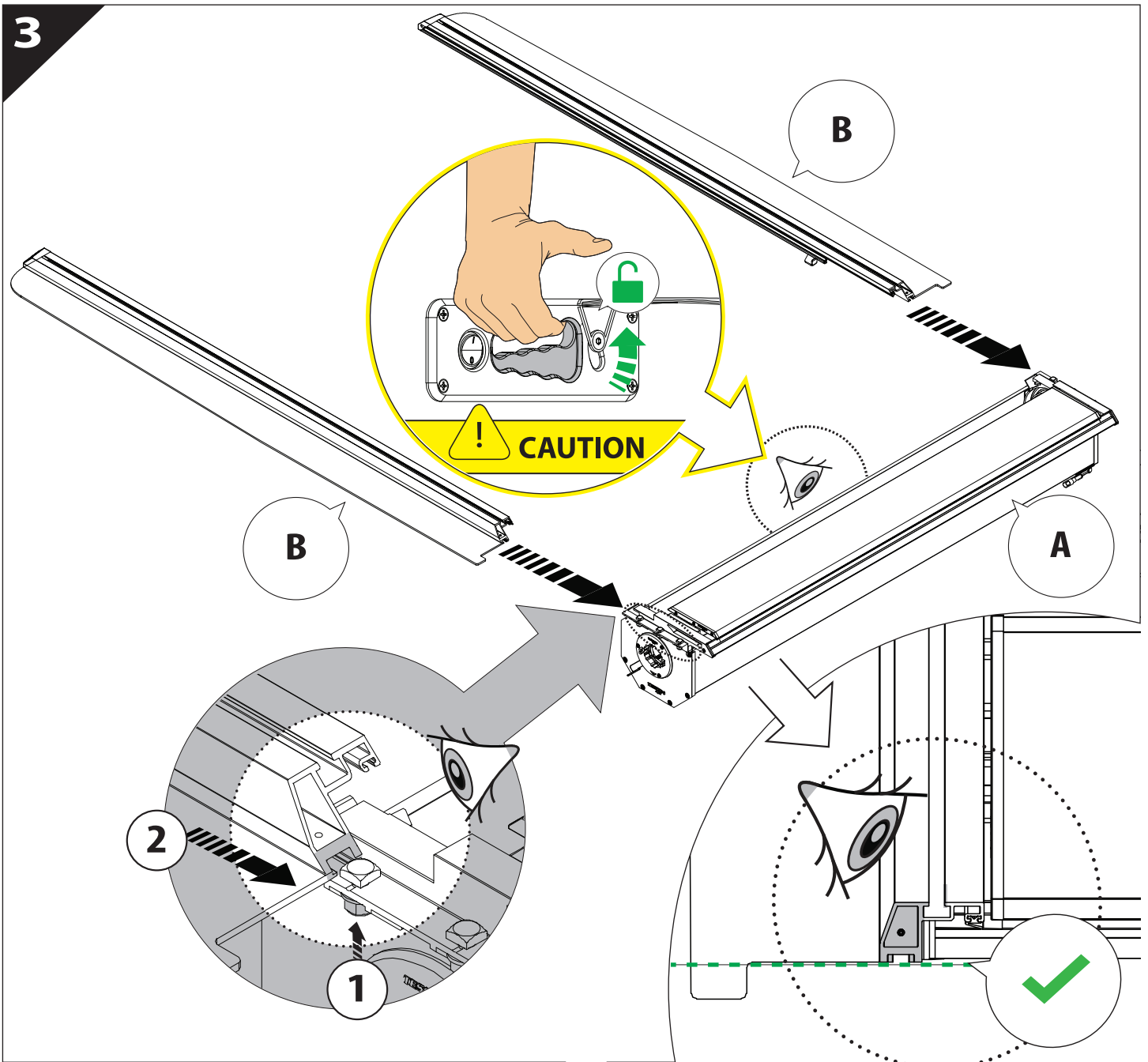
**A**

**KITS**

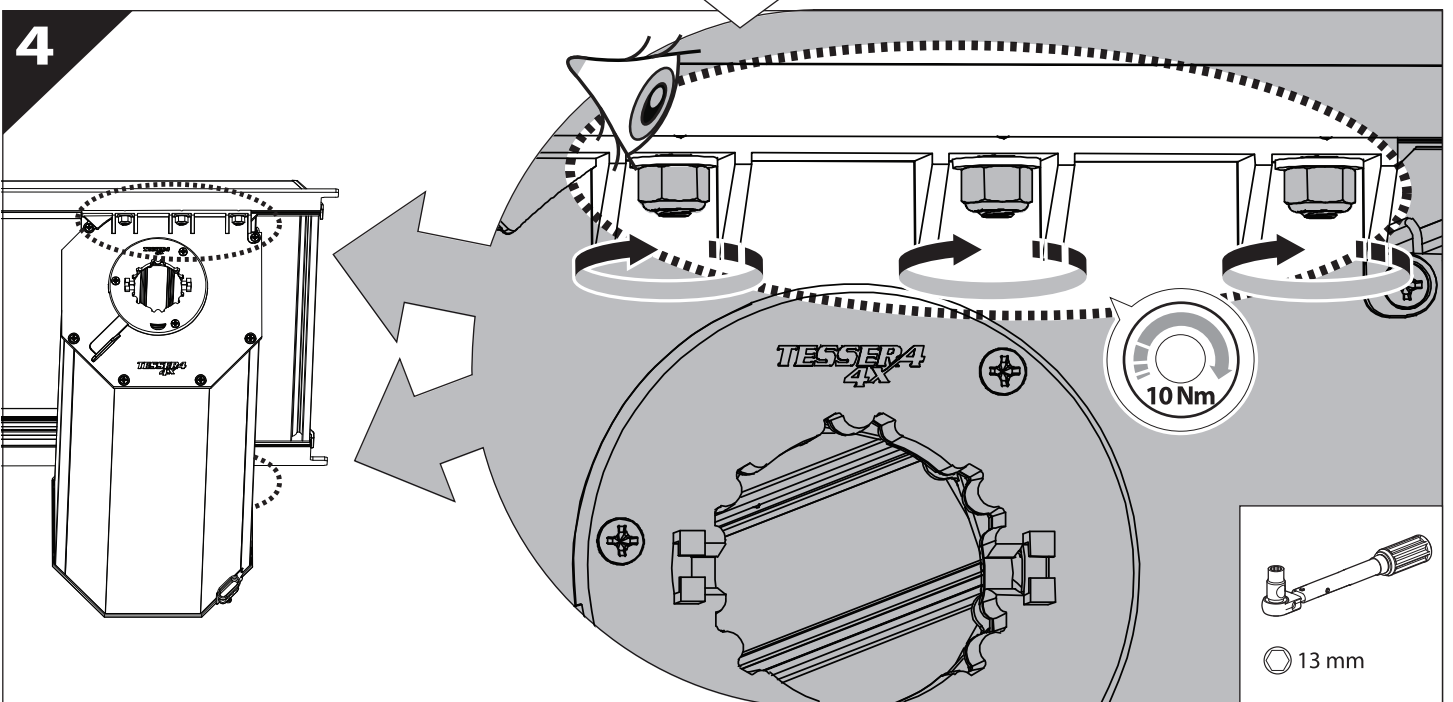
**L**

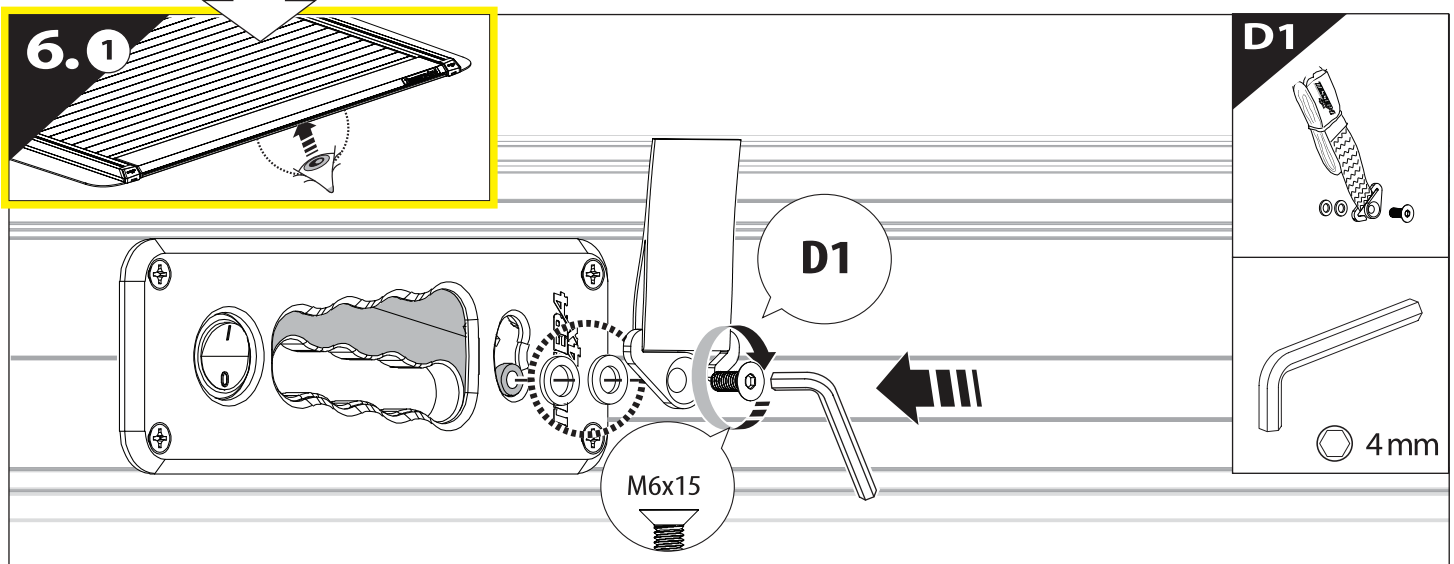
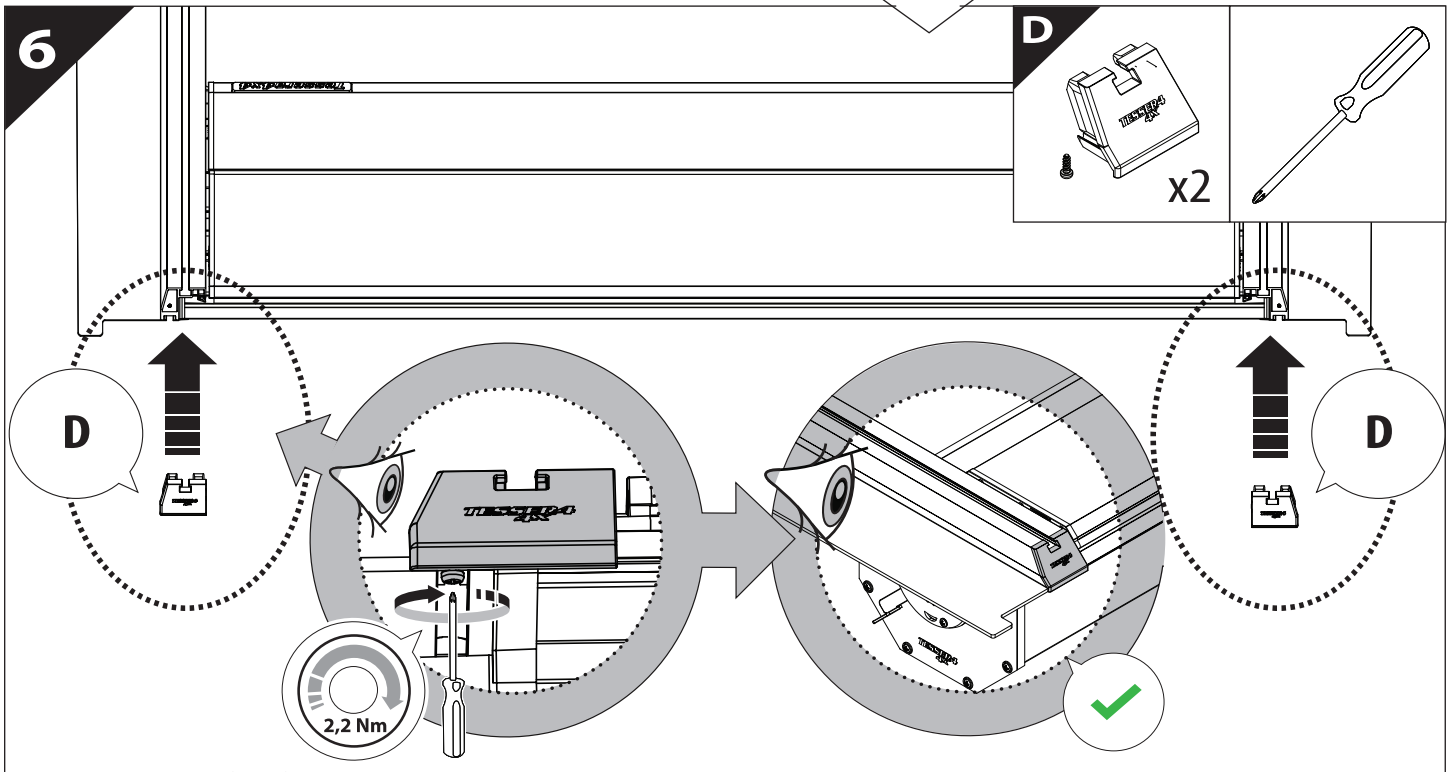
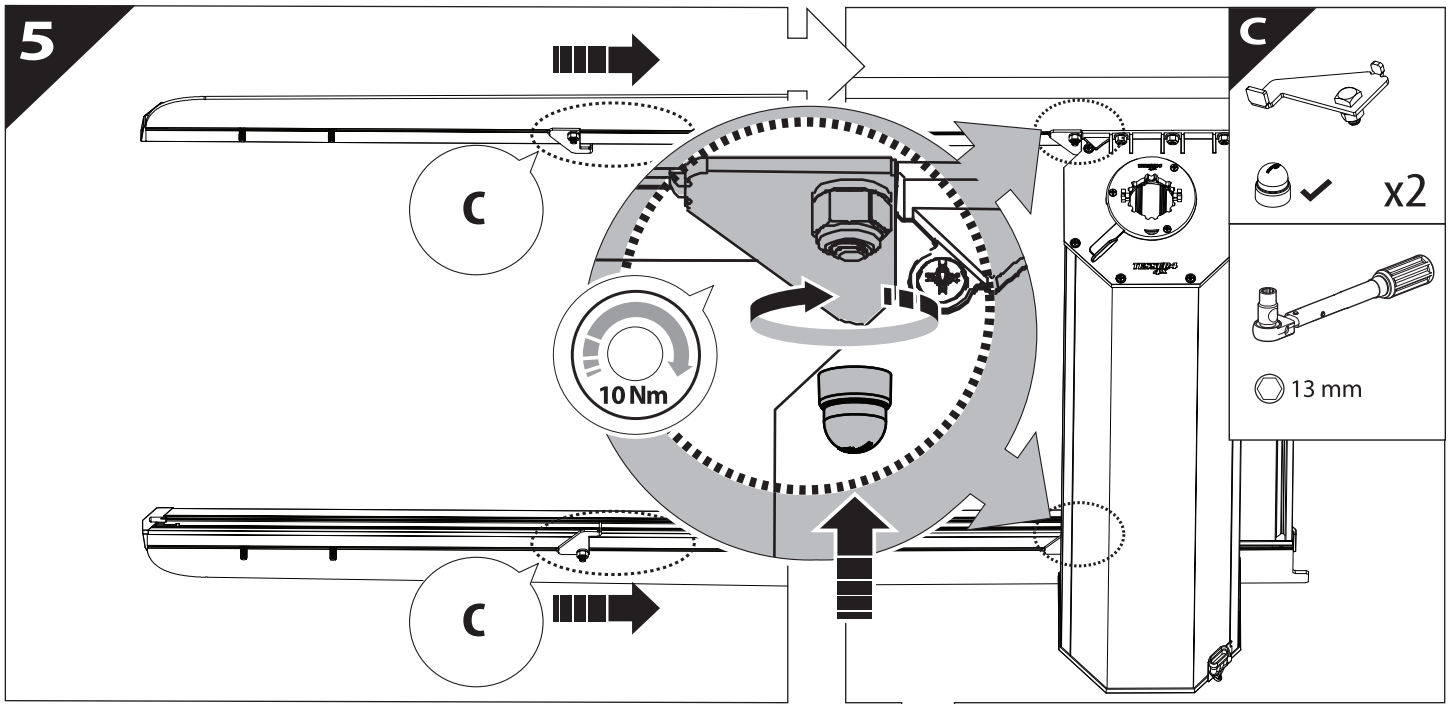


3

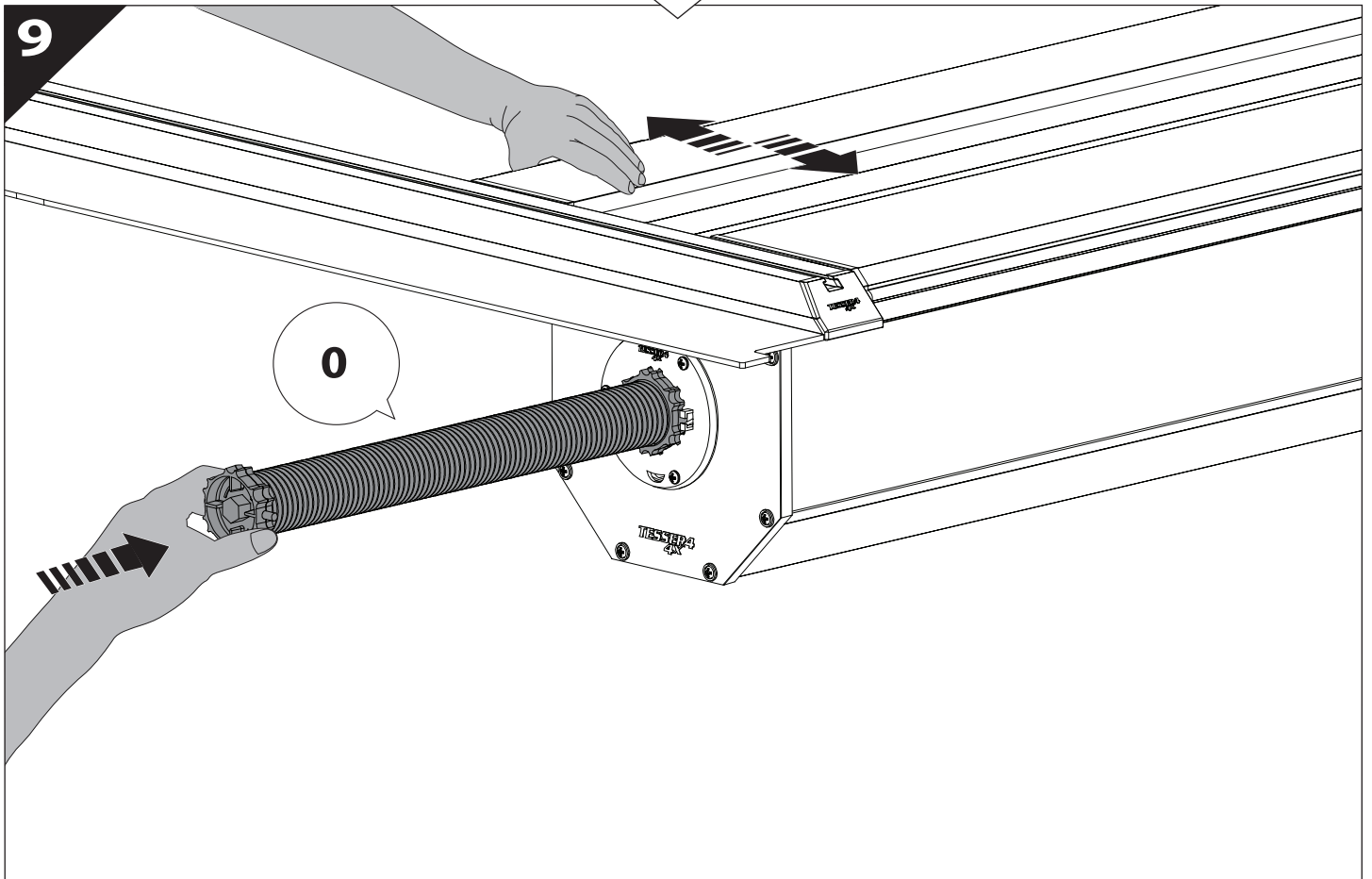
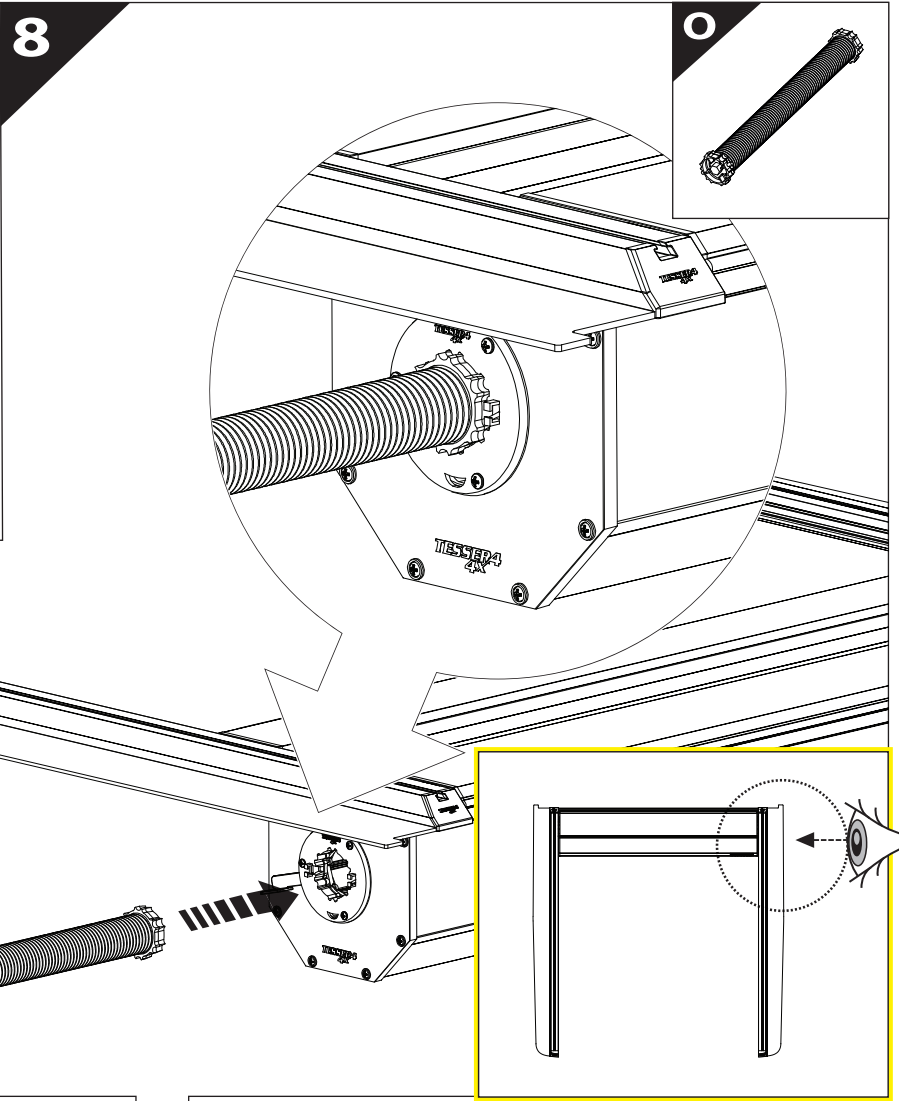
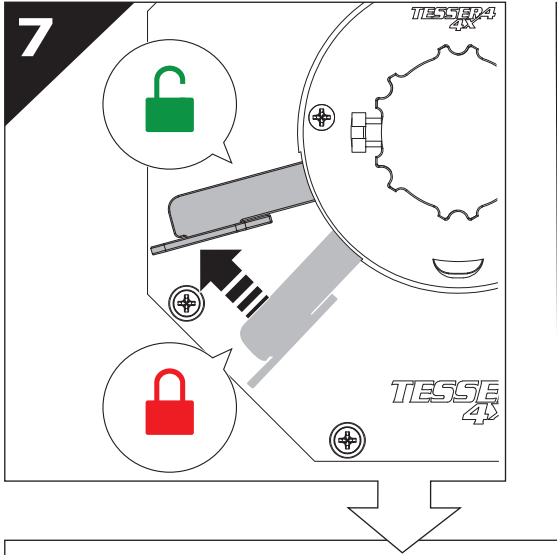


4

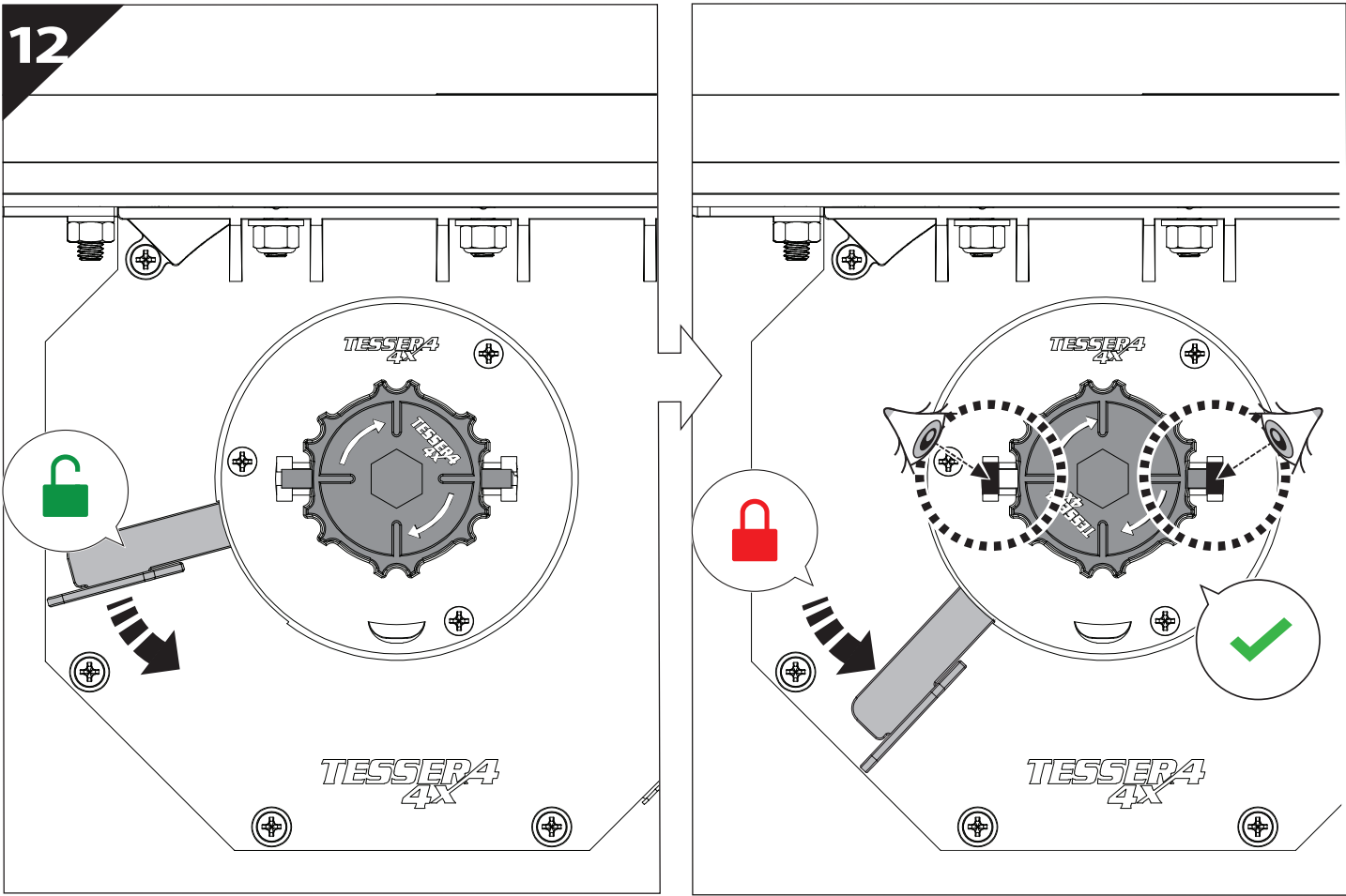
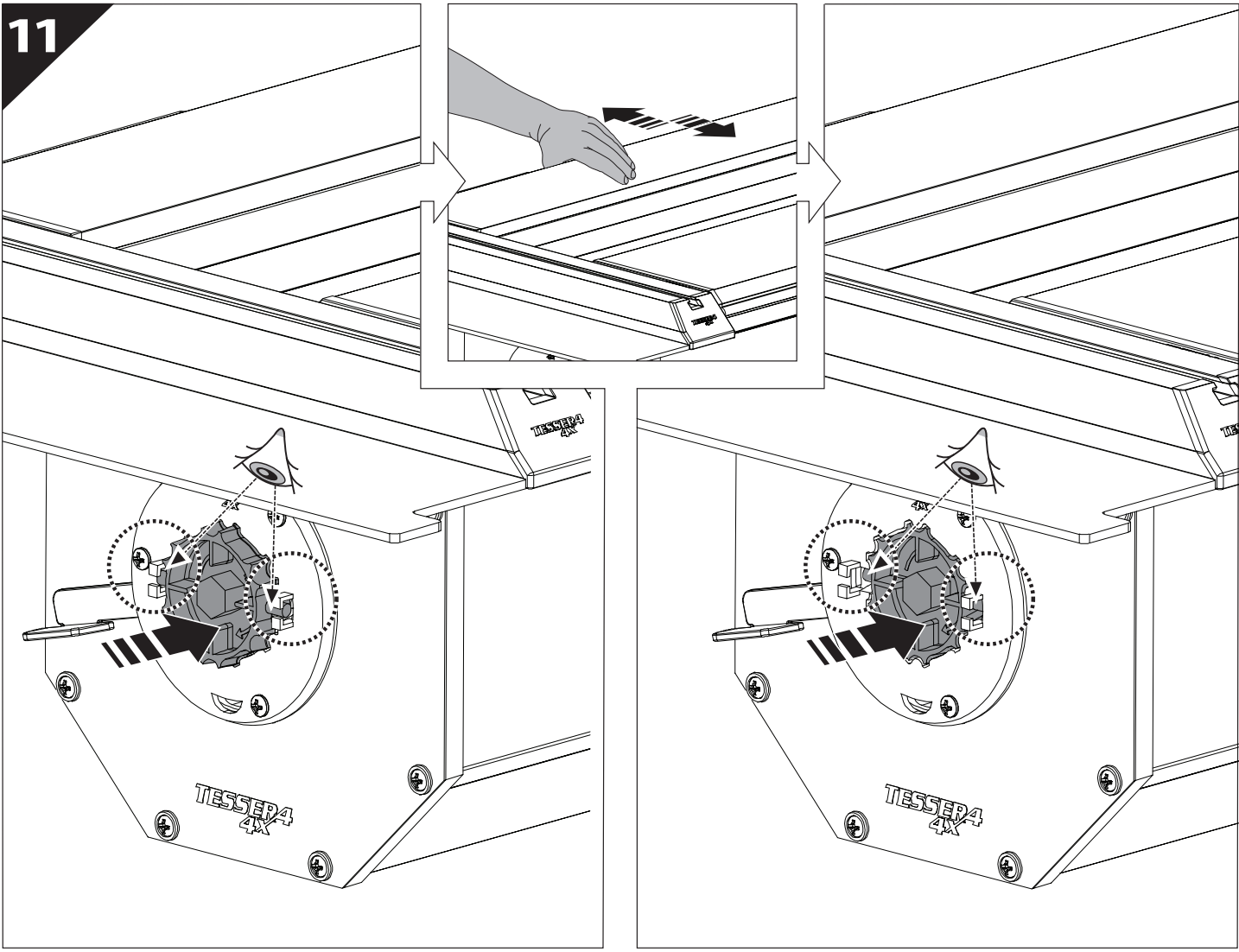




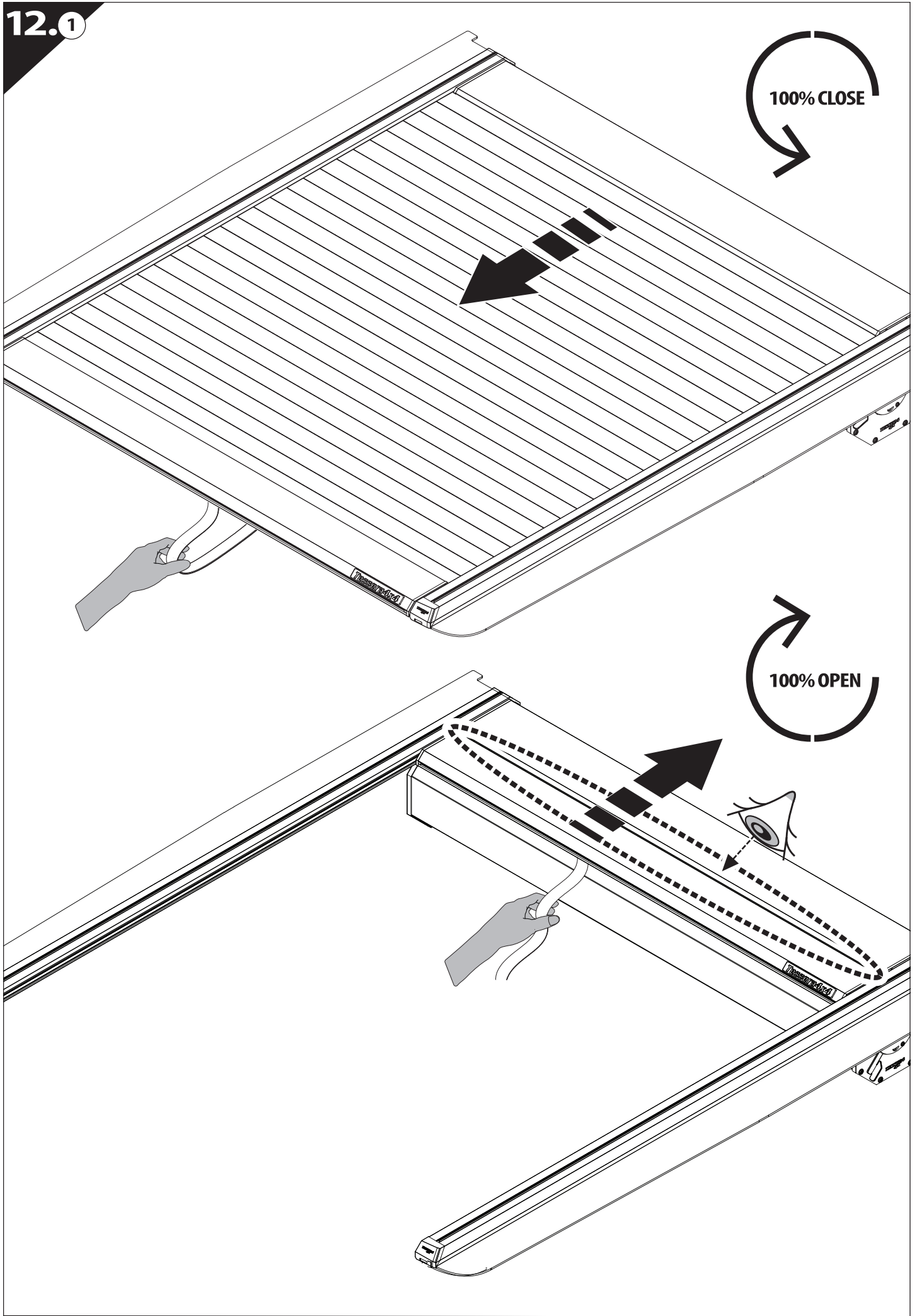








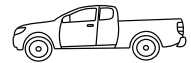
12.0



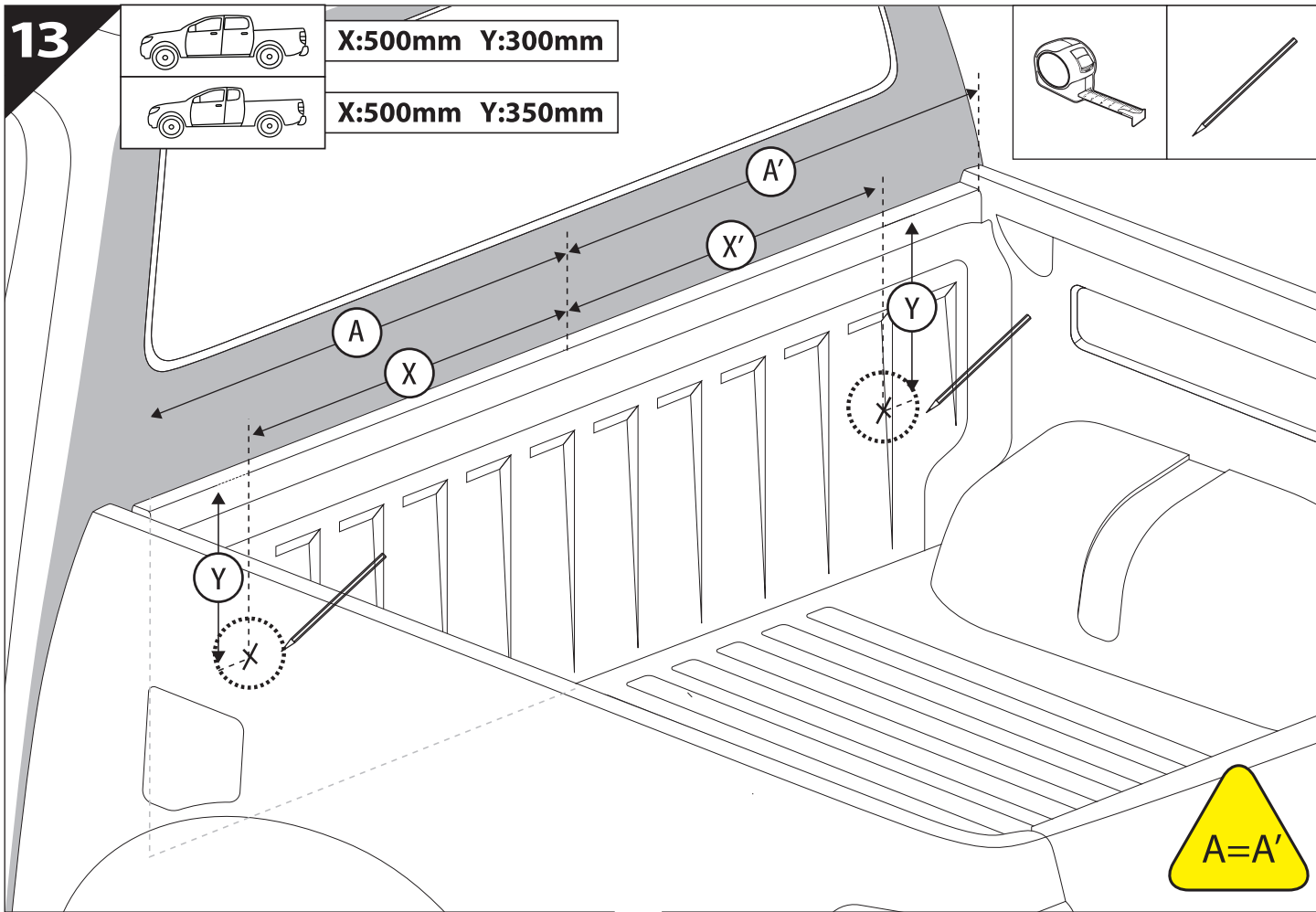
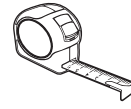
13



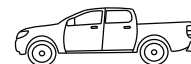
X:500mm Y:300mm



X:500mm Y:350mm



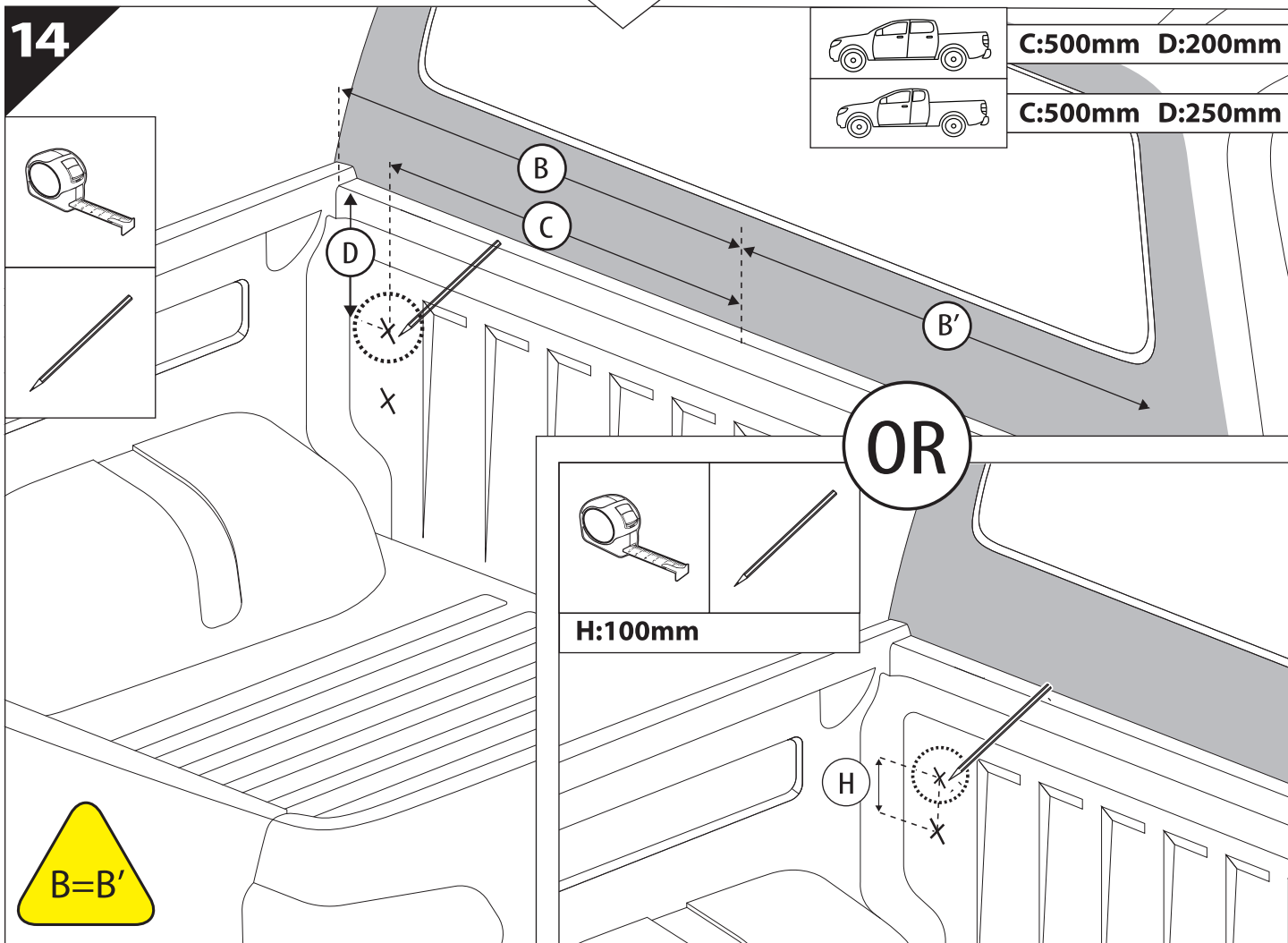
14



C:500mm D:200mm

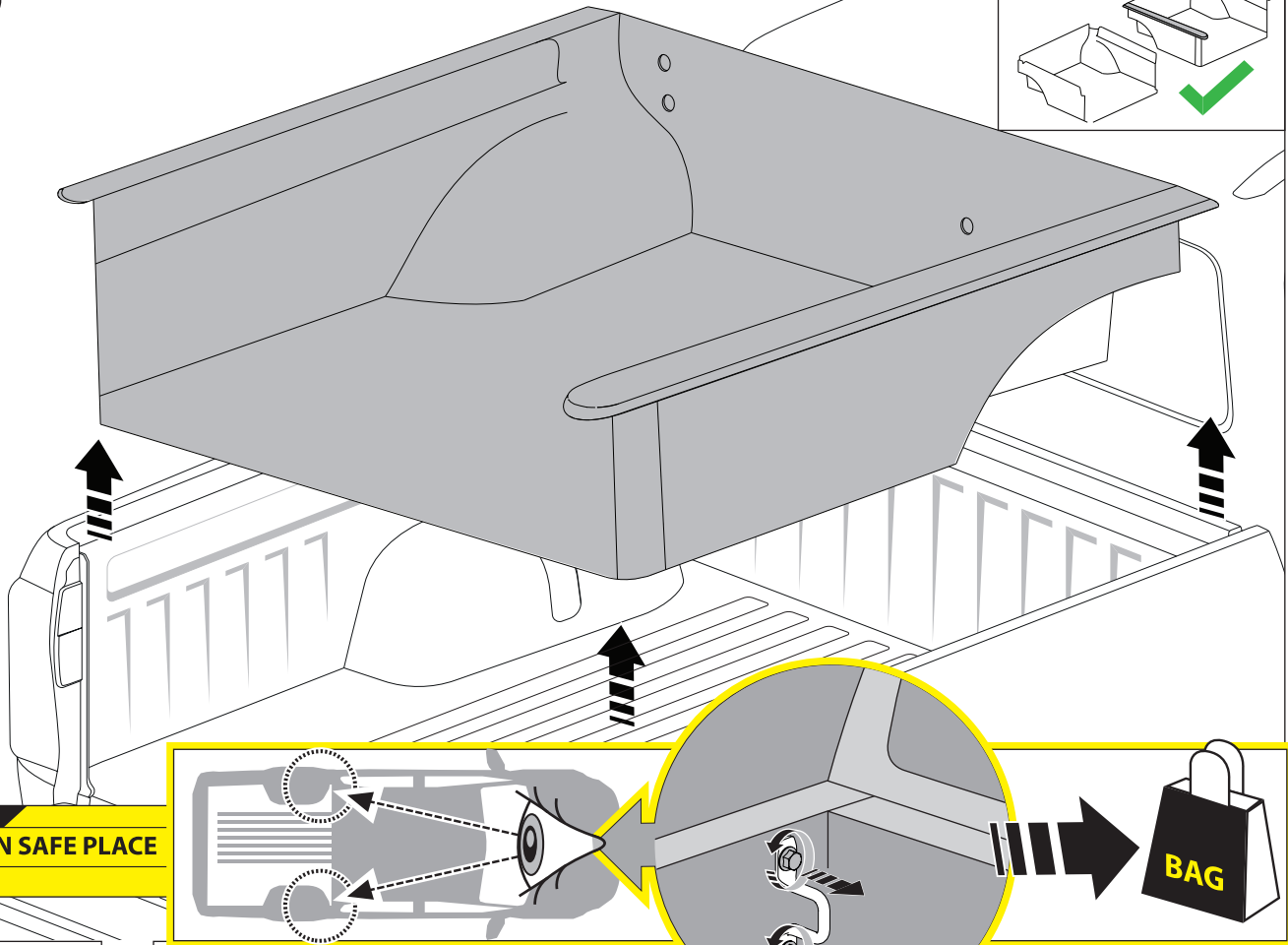
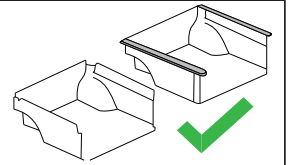


C:500mm D:250mm



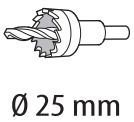
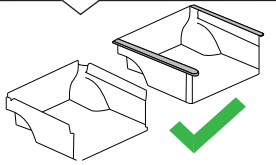


# 15.2

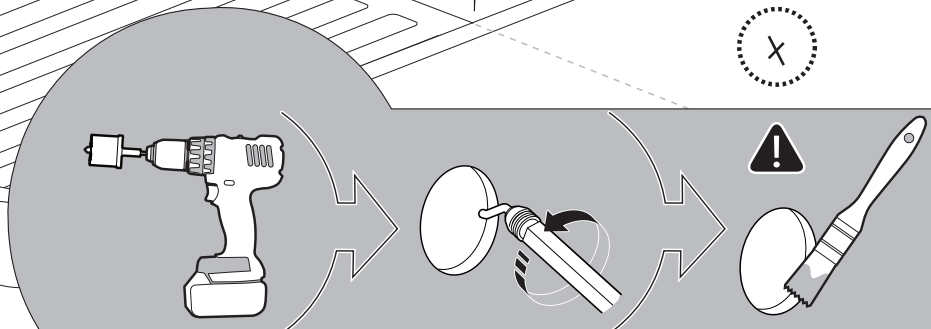
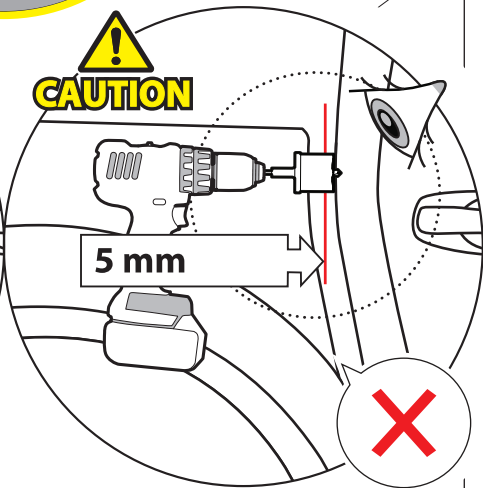
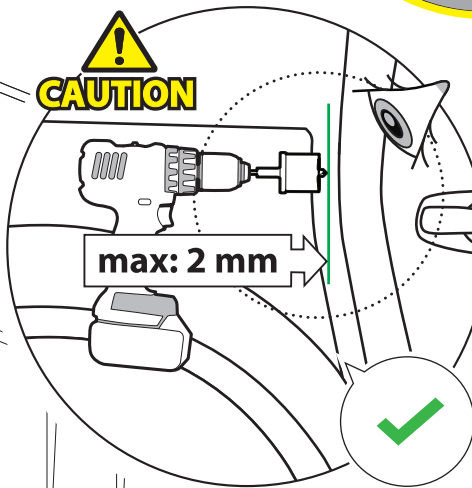


**! KEEP IN SAFE PLACE**

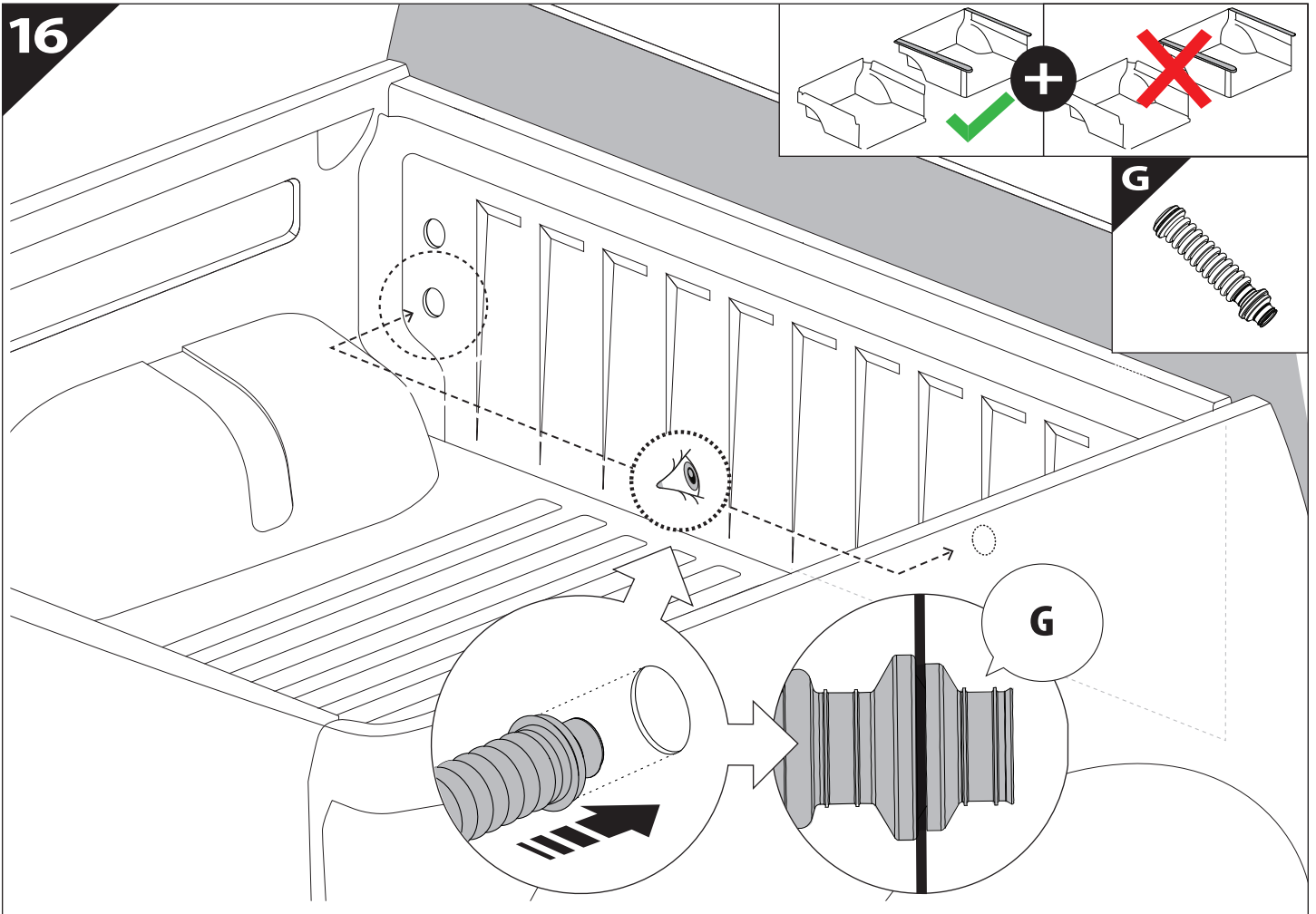
# 15.3



**! Rust Protection**

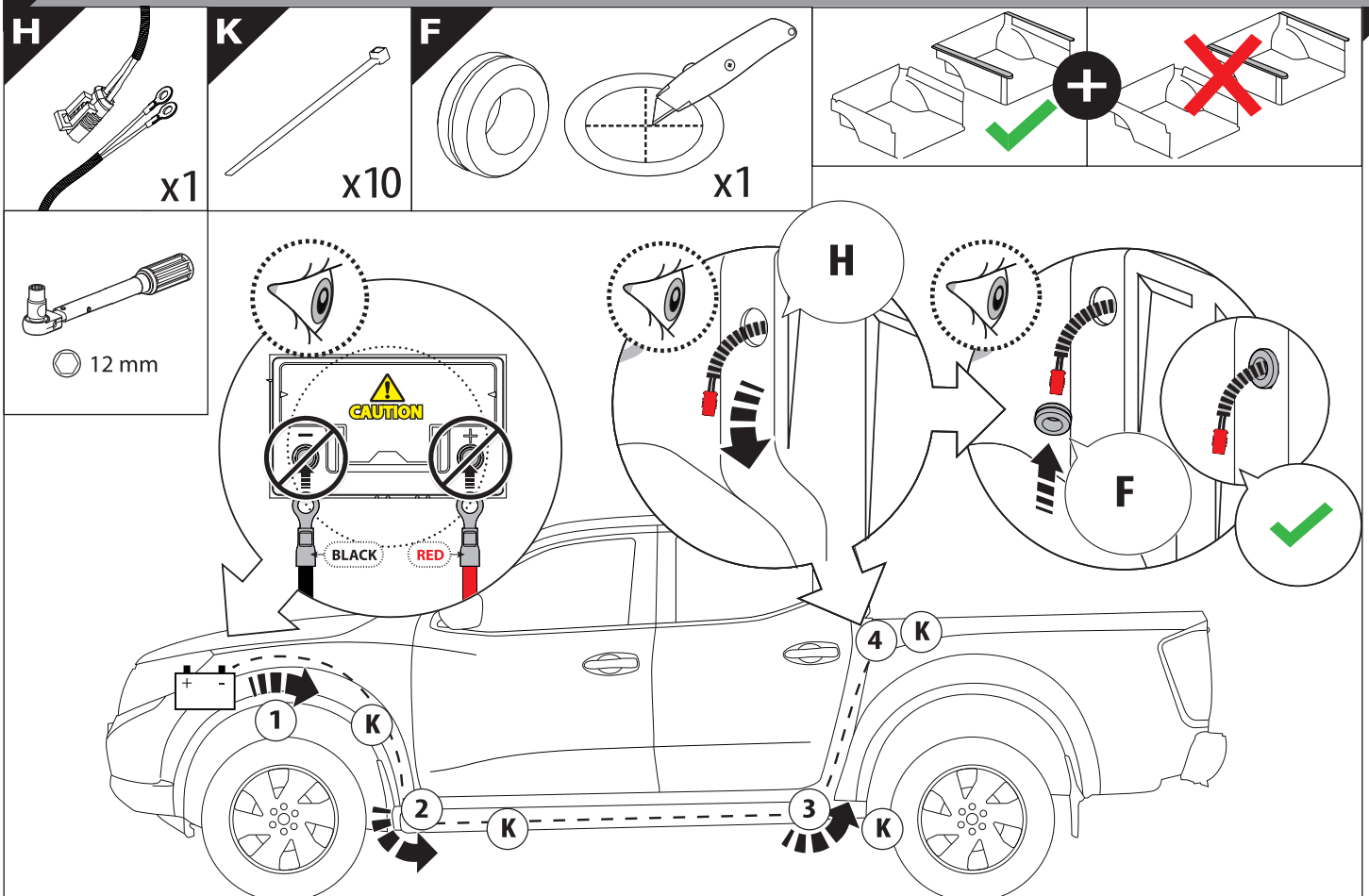


16



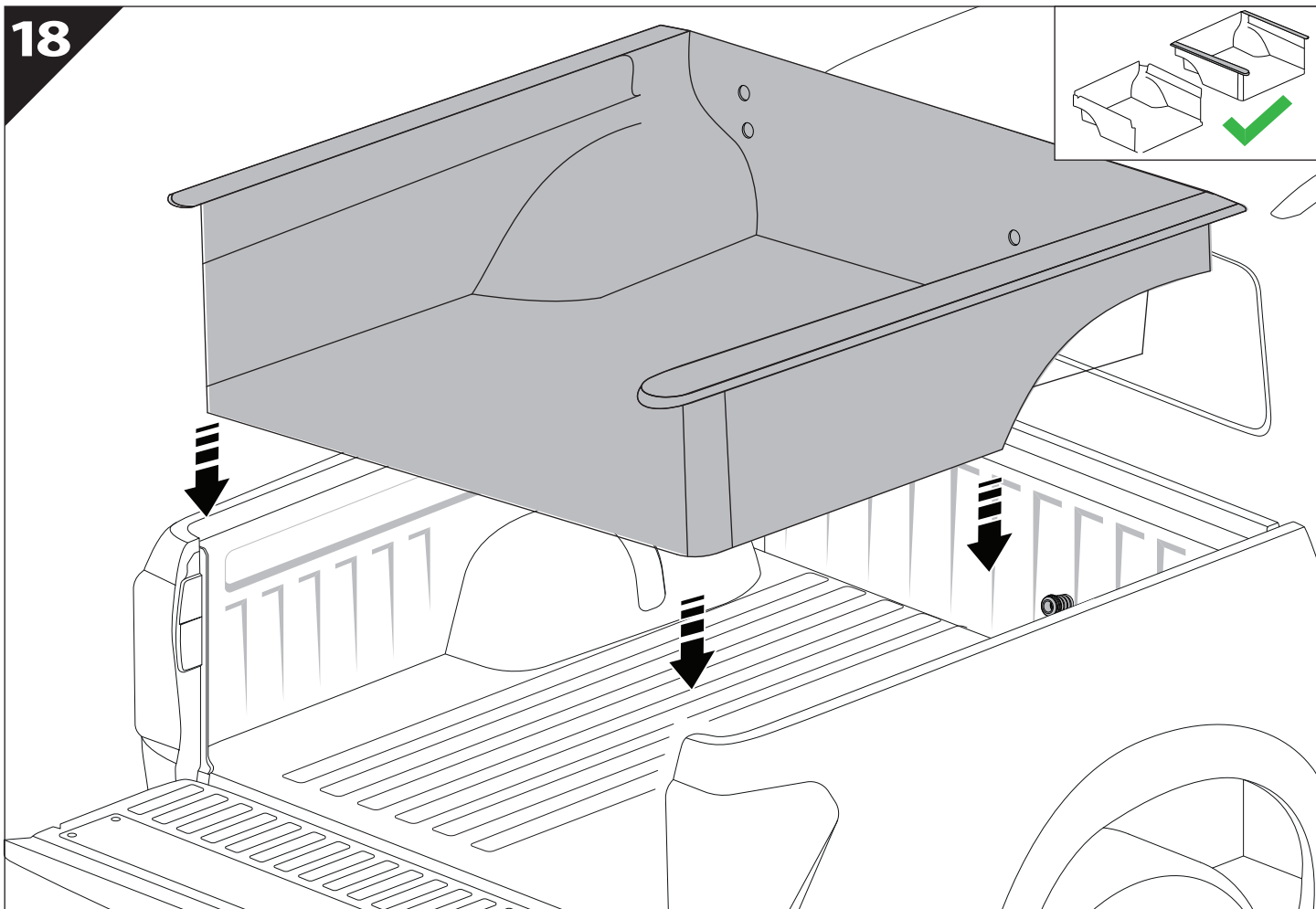
17

Only to be installed by authorized personnel

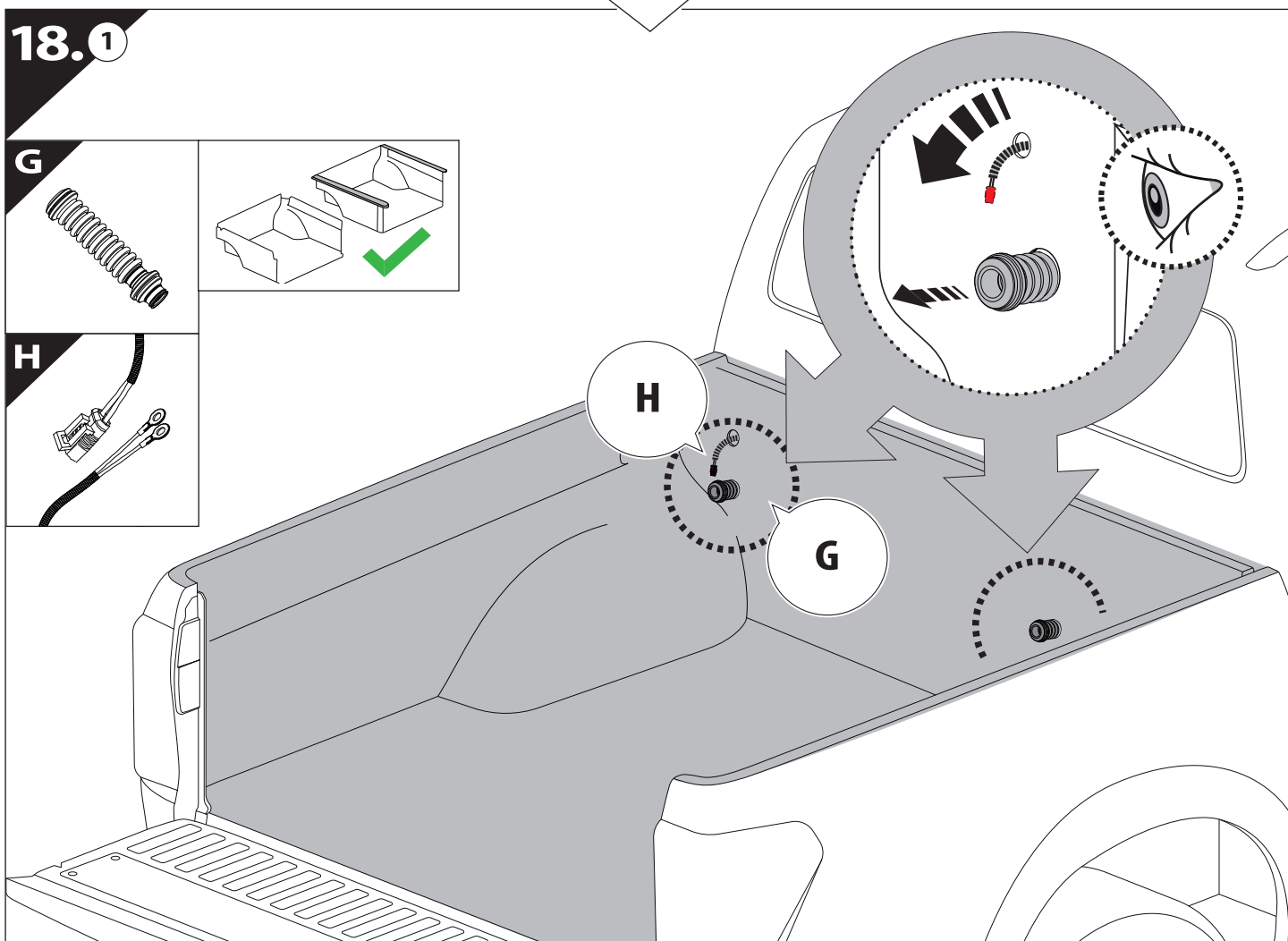


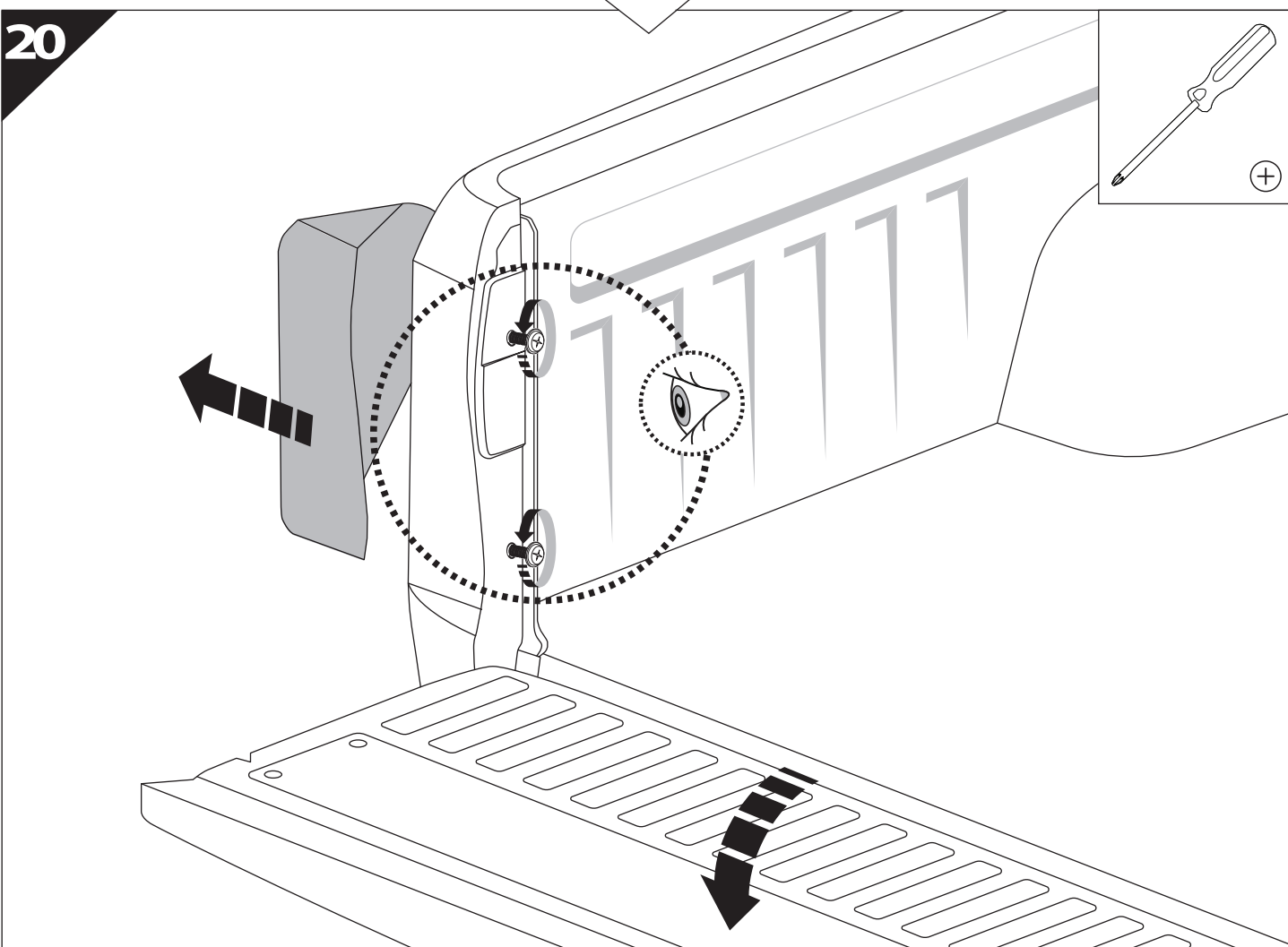
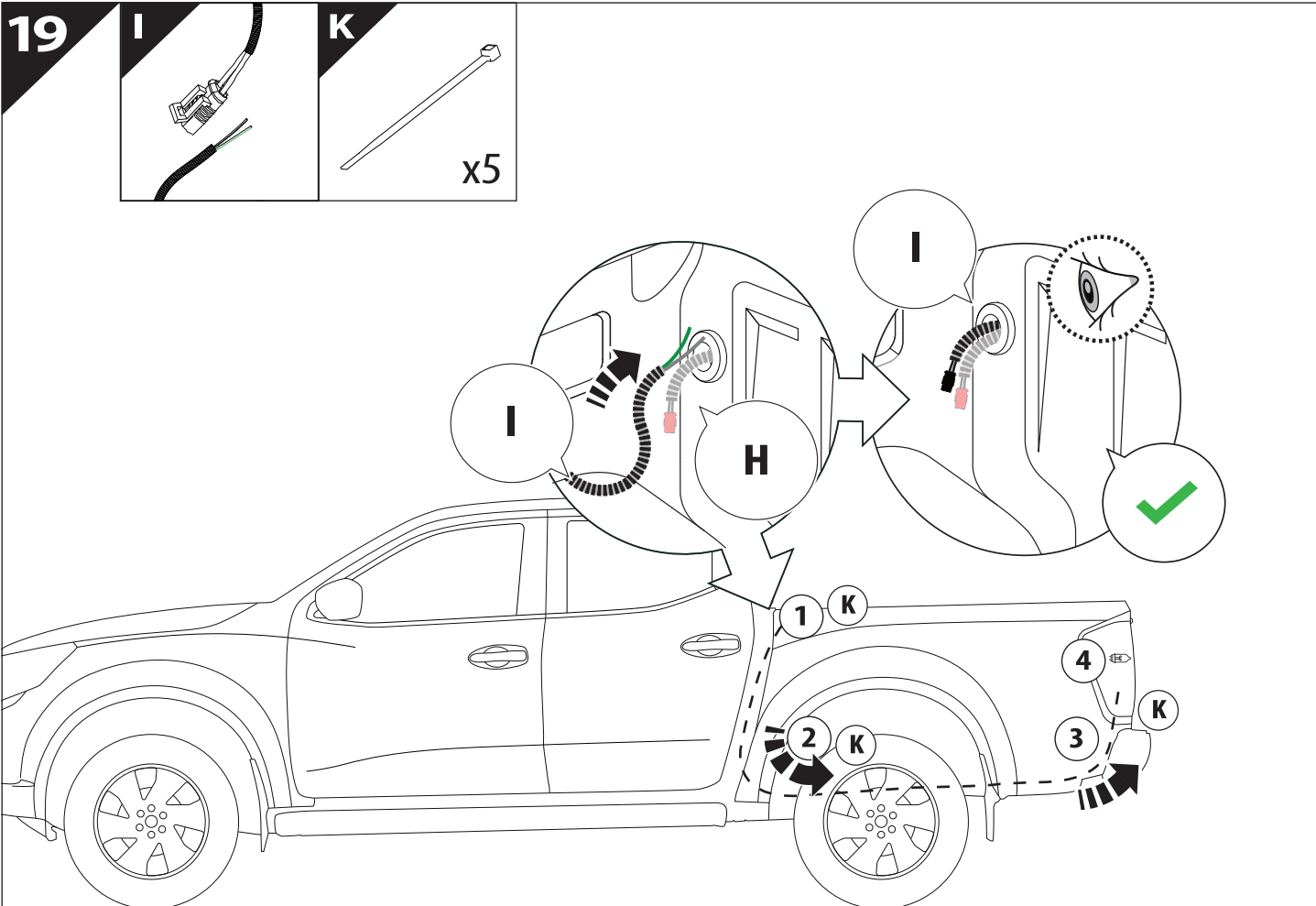


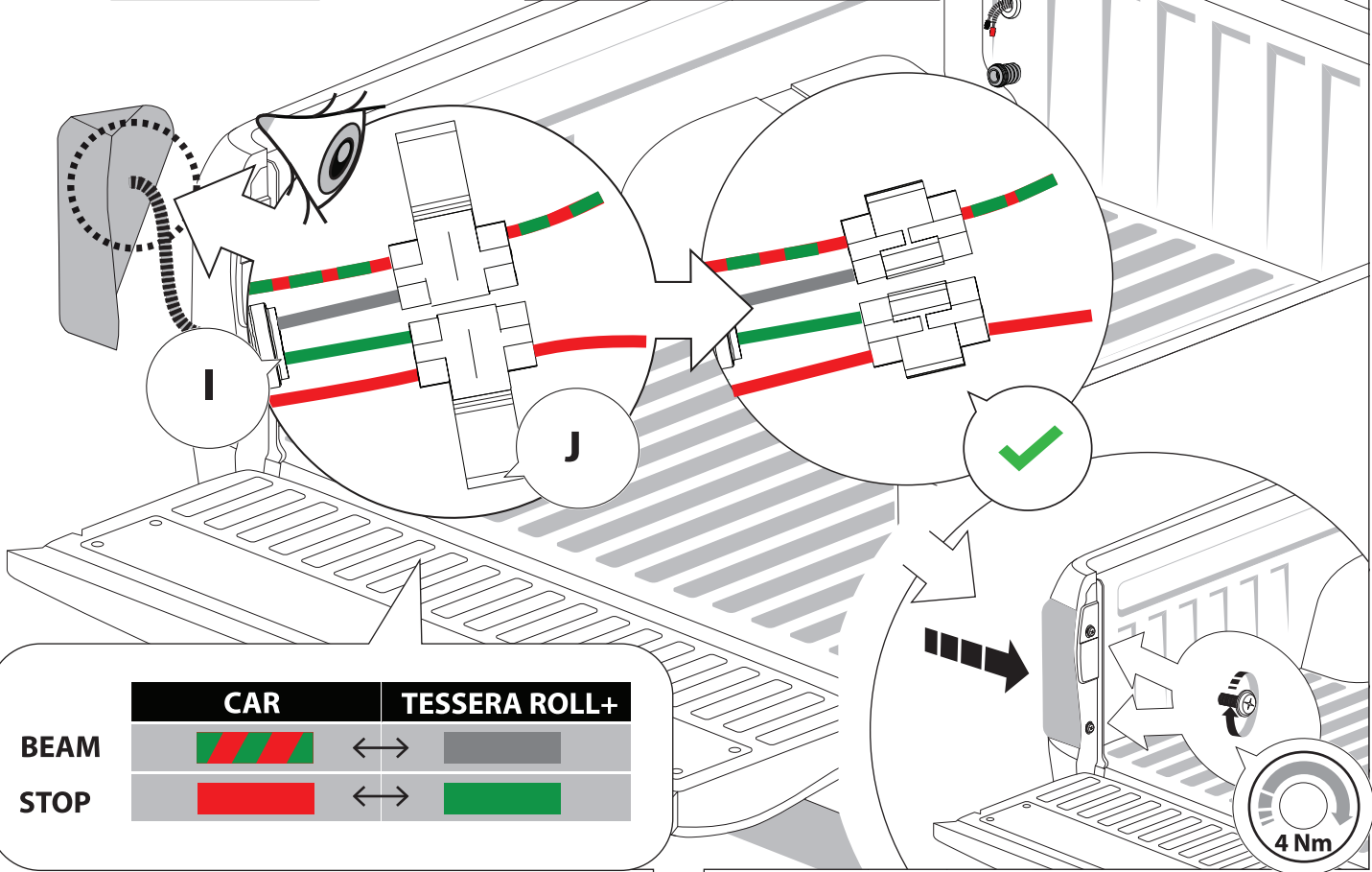
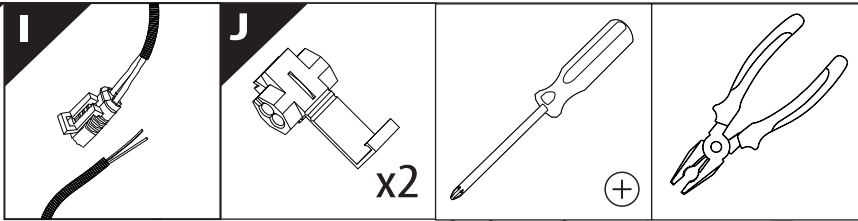
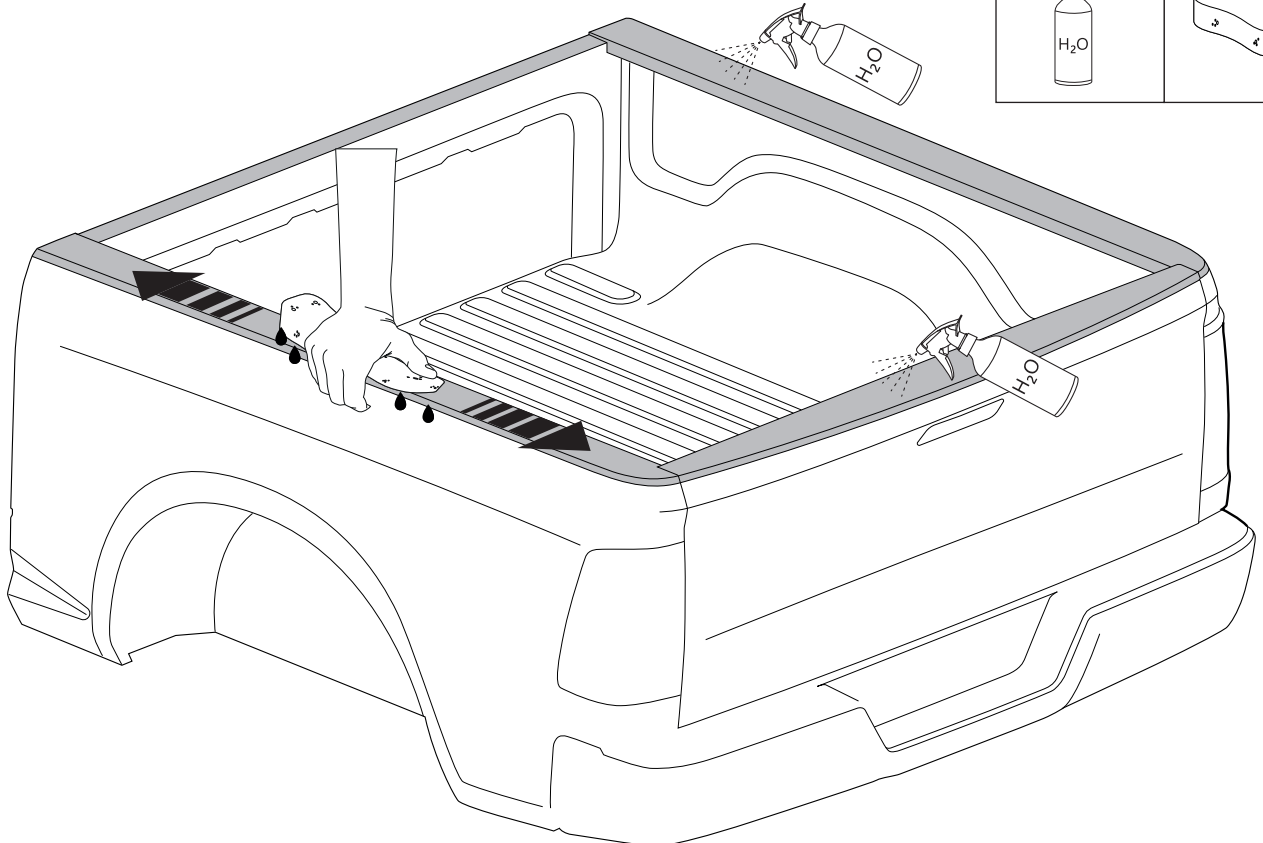
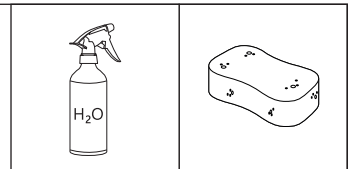
18

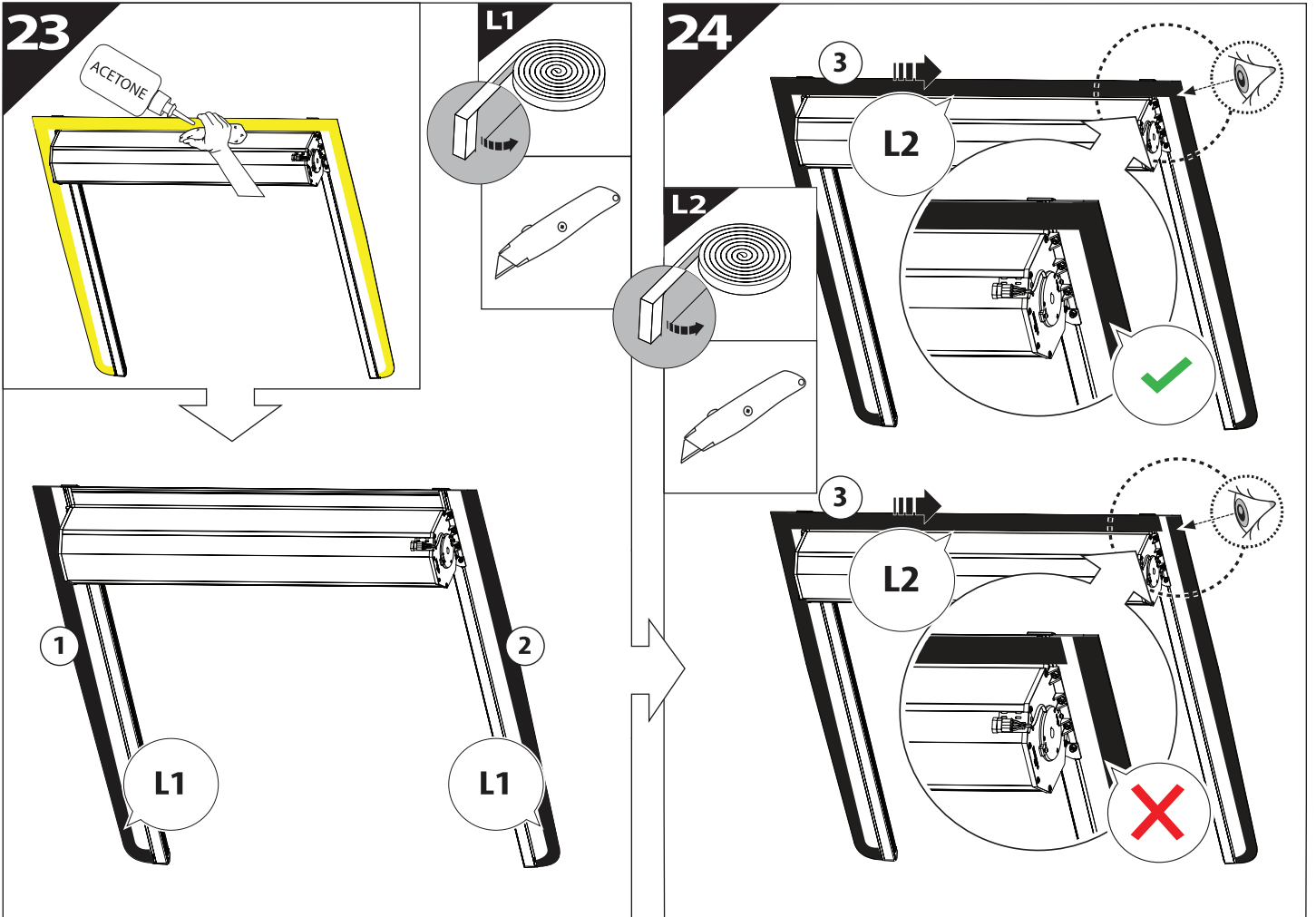


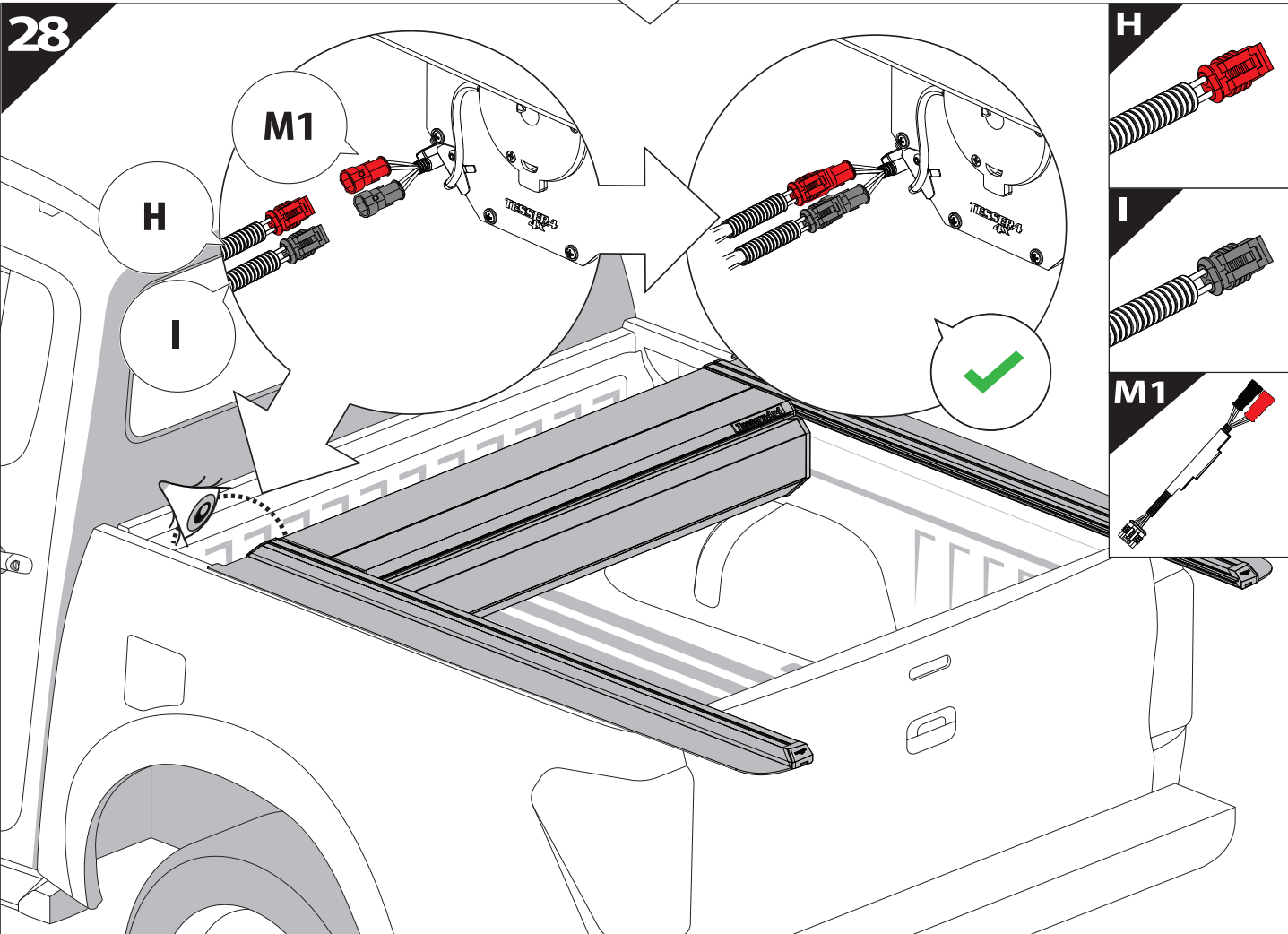
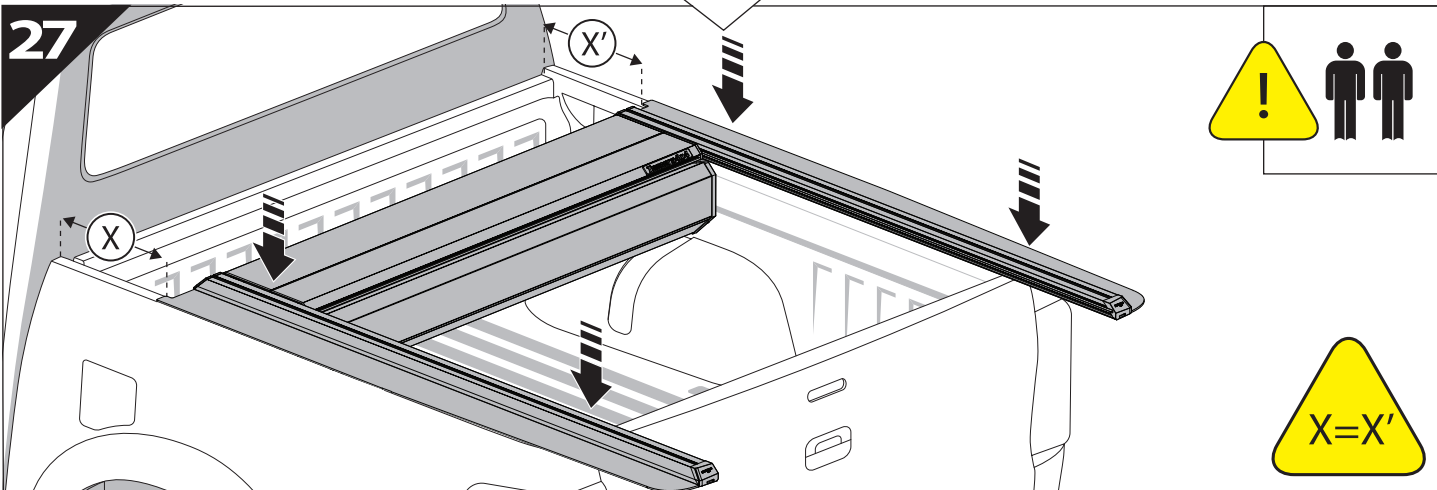
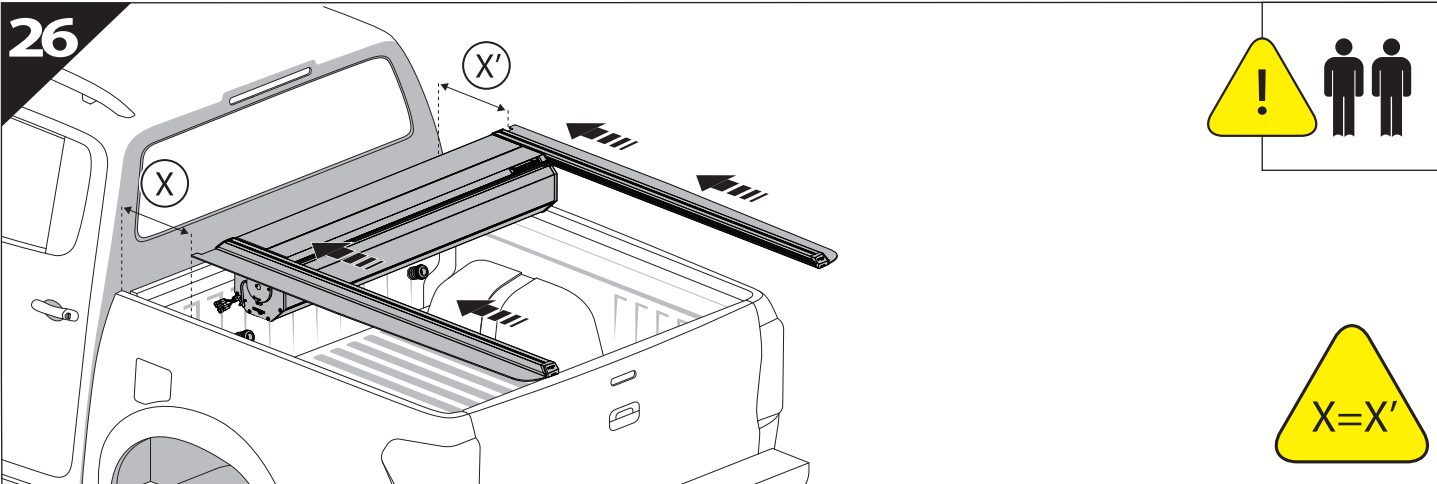
18.0





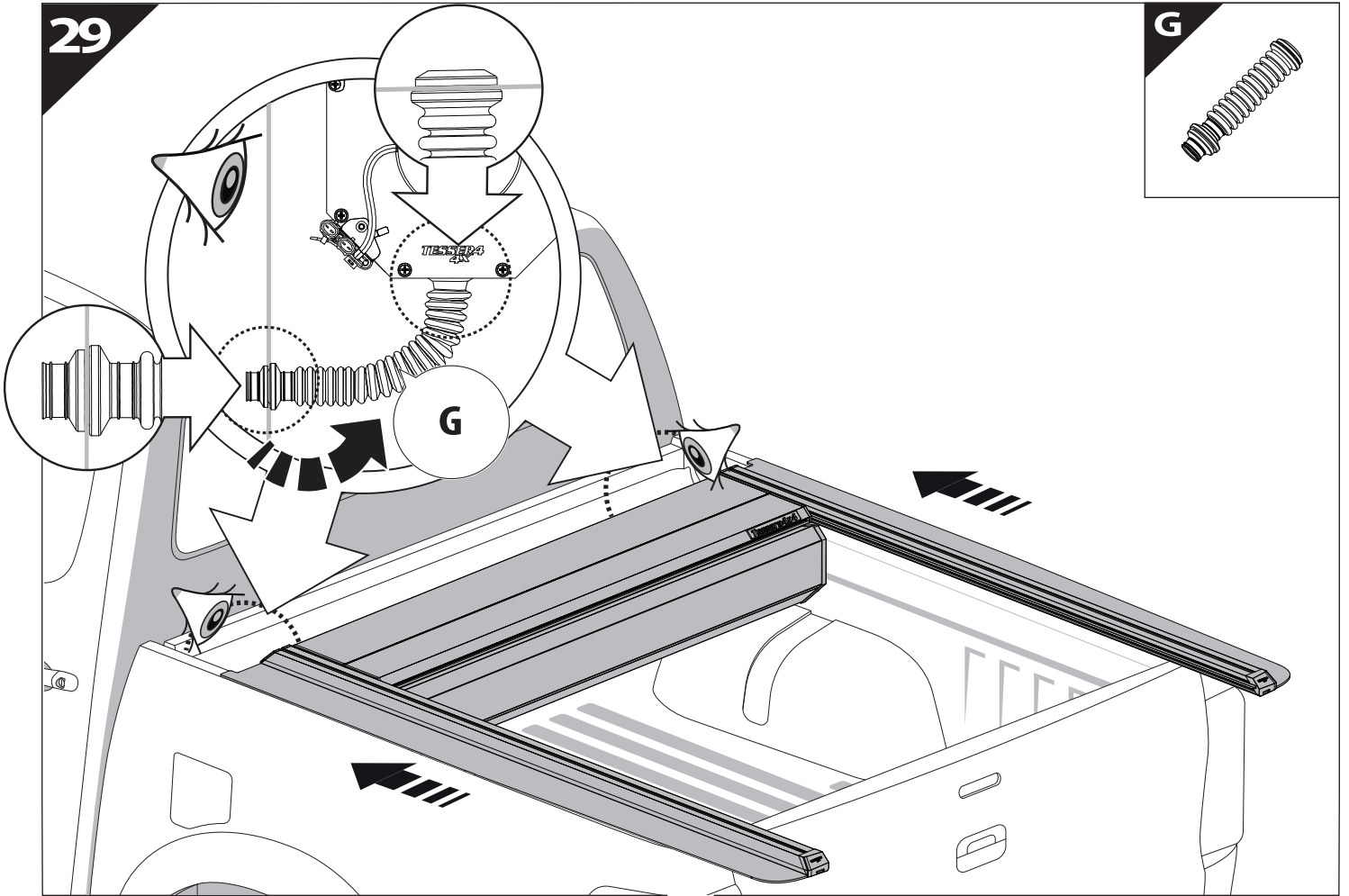
**21****22**





29

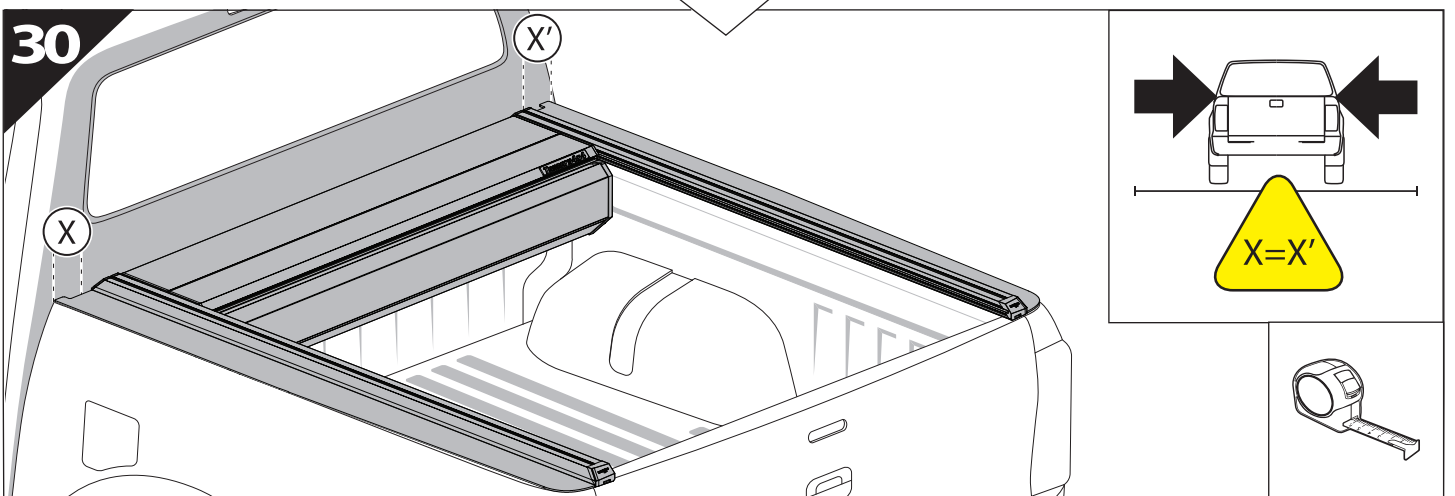
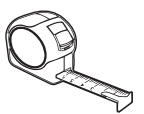
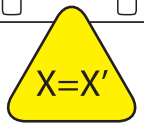
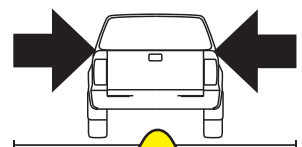
G



30

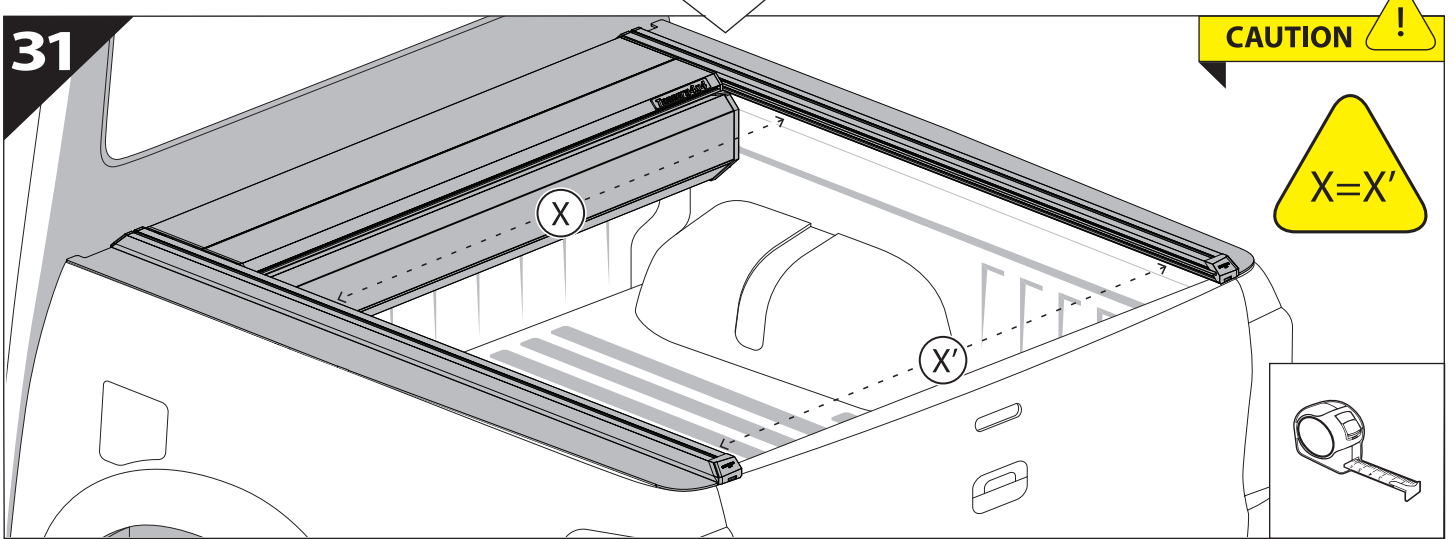
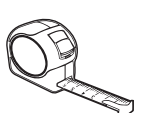
X'

X

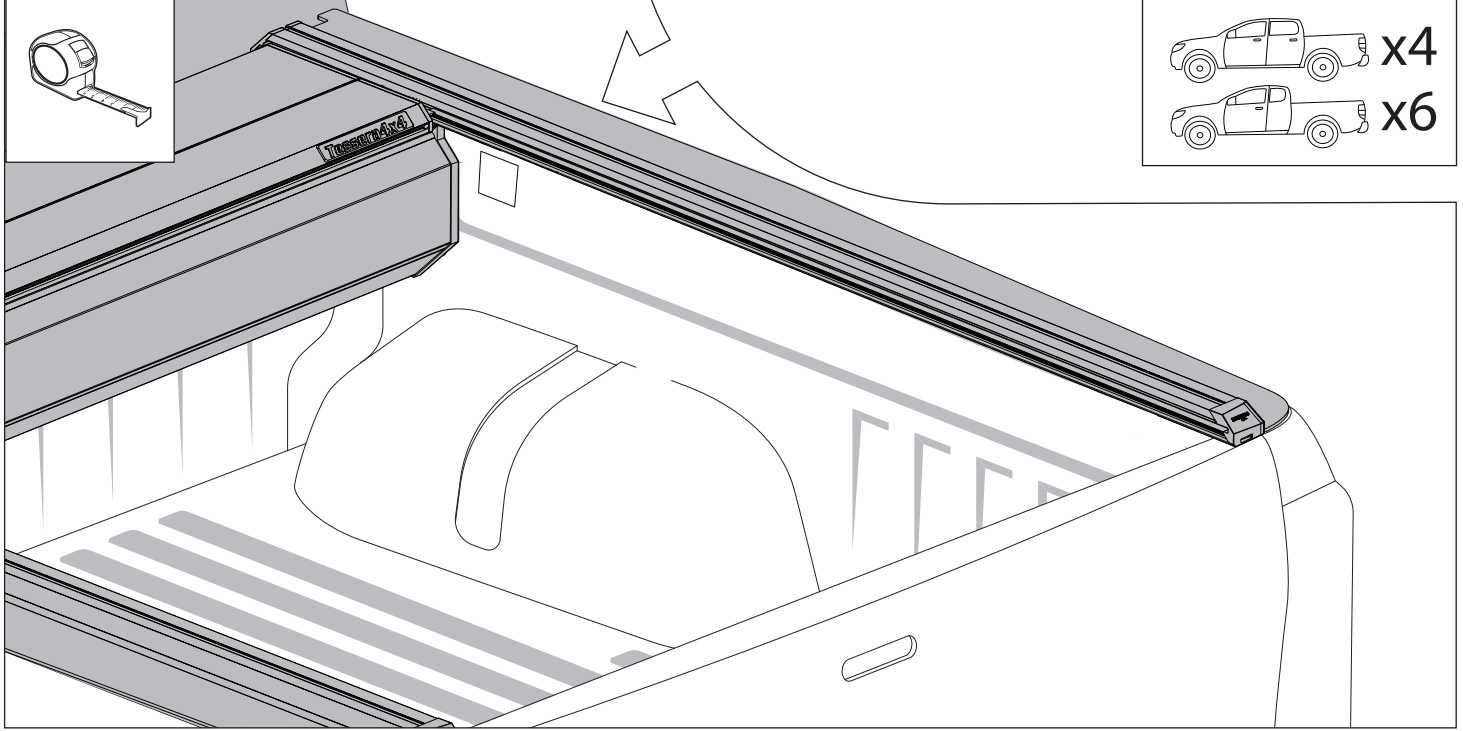
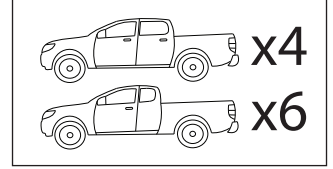
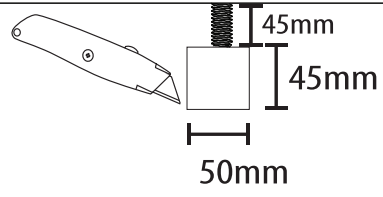
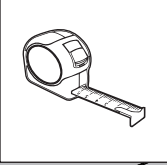
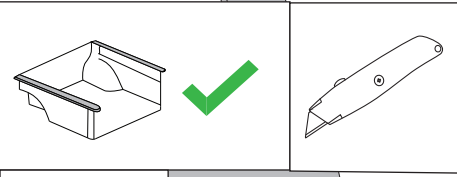


31

CAUTION !

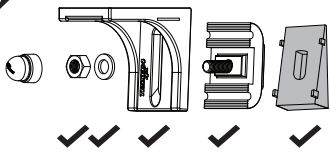


32

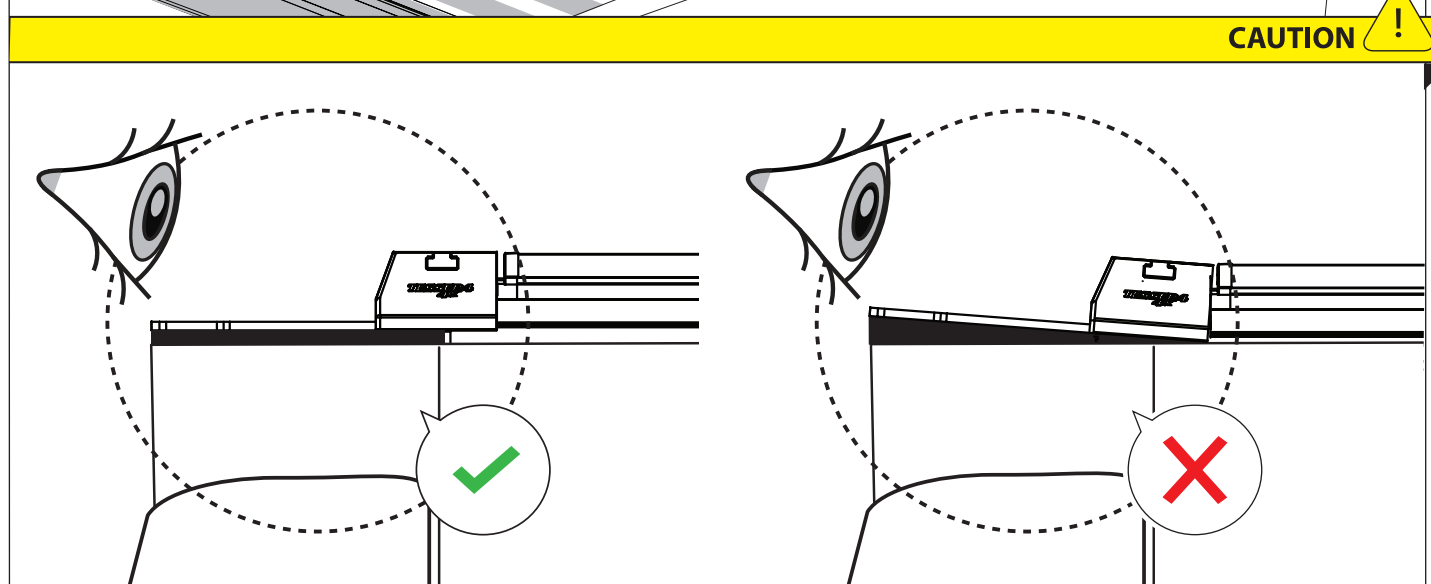
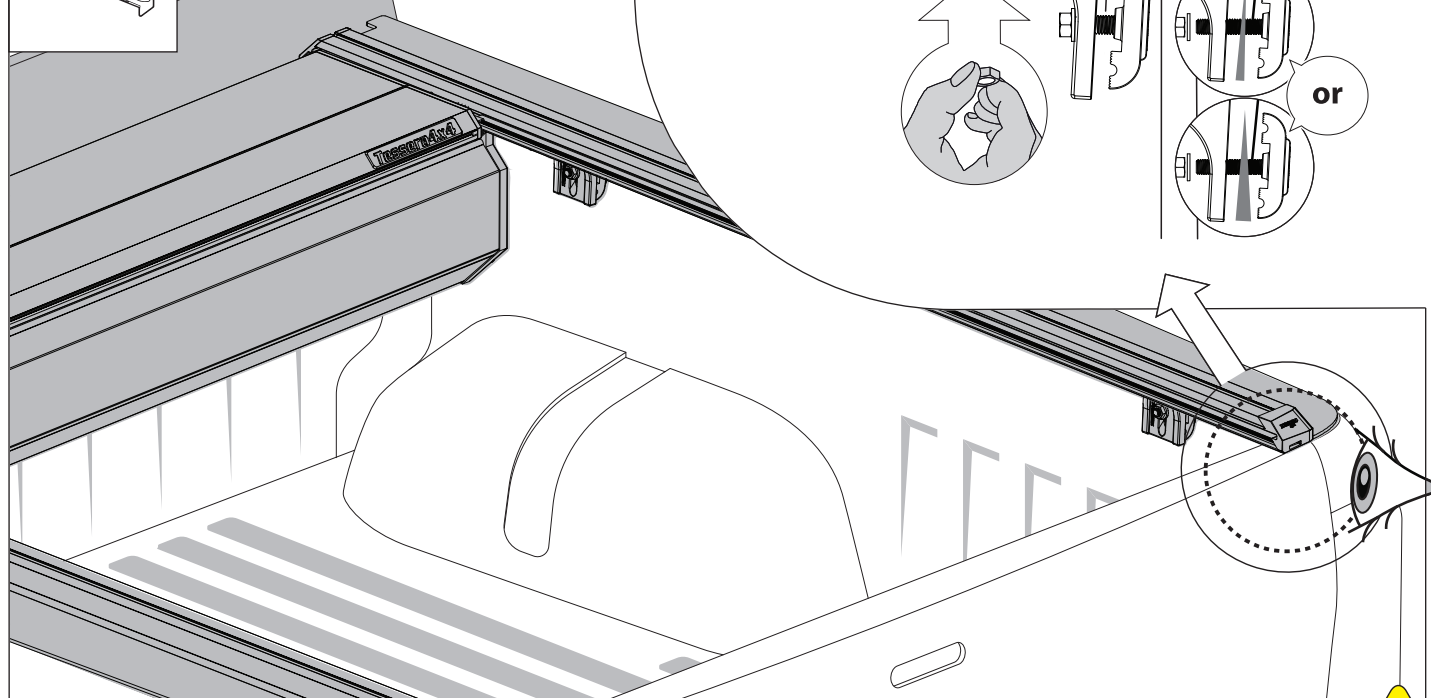
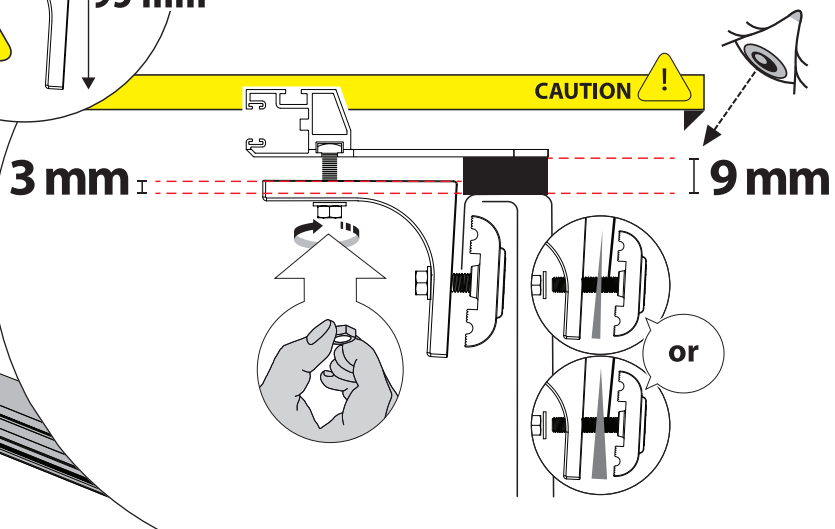
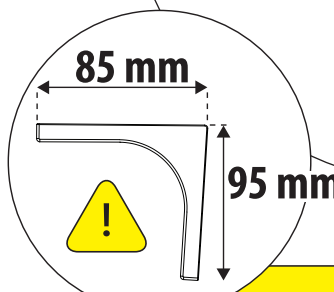
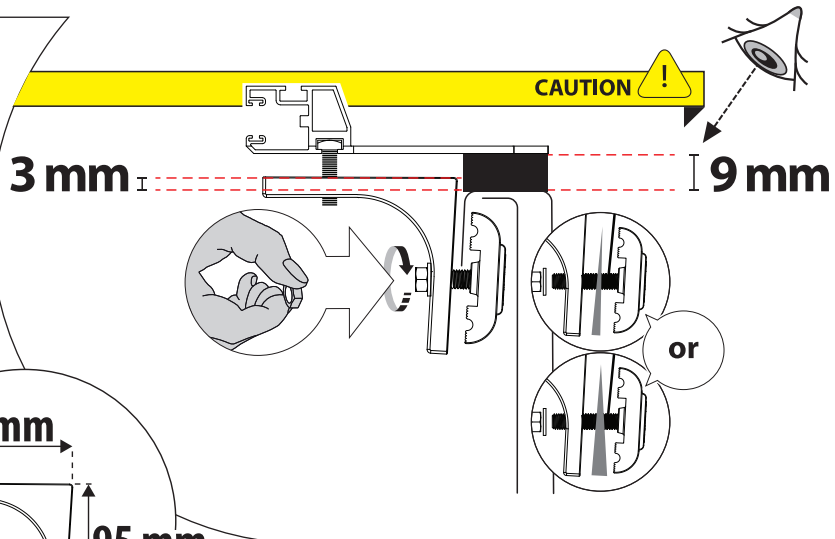
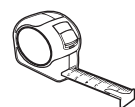
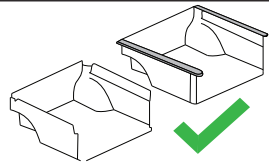
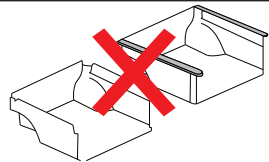
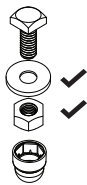


33

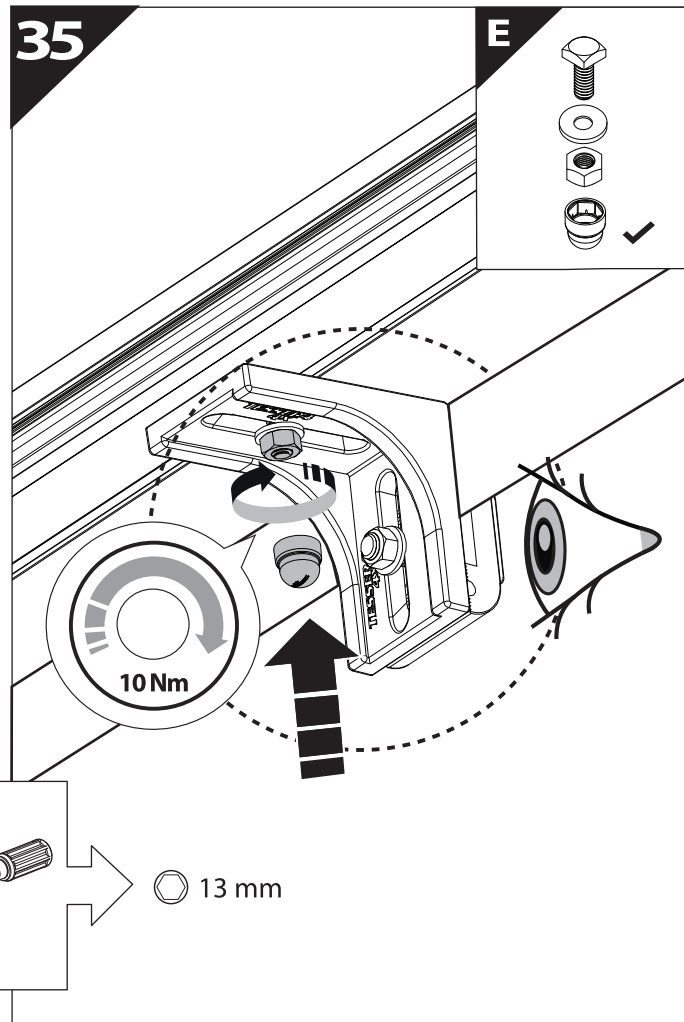
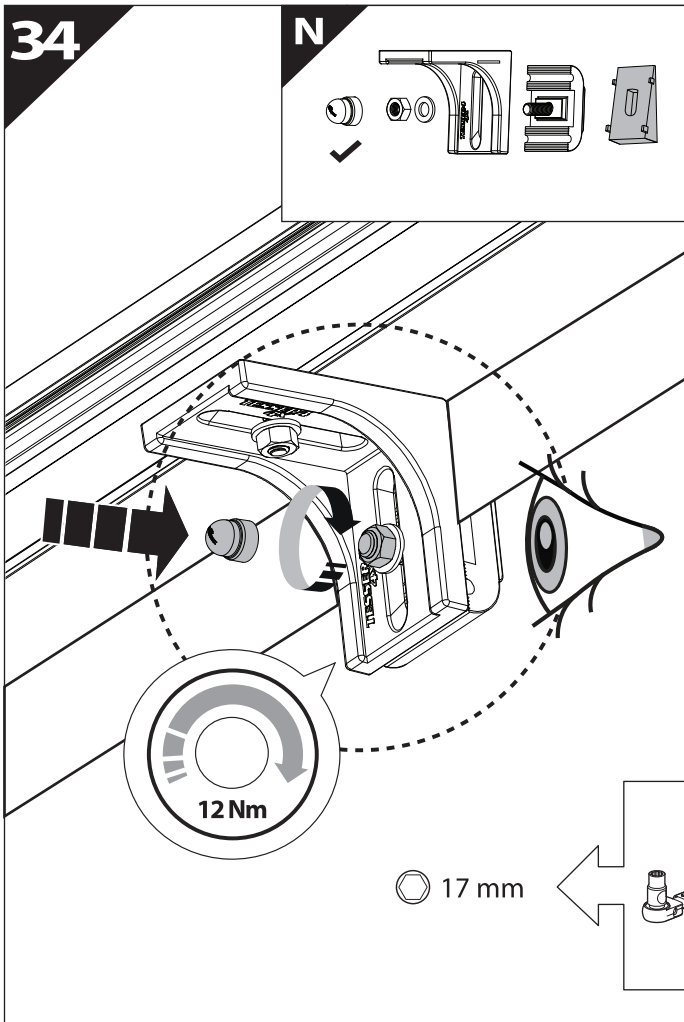
N



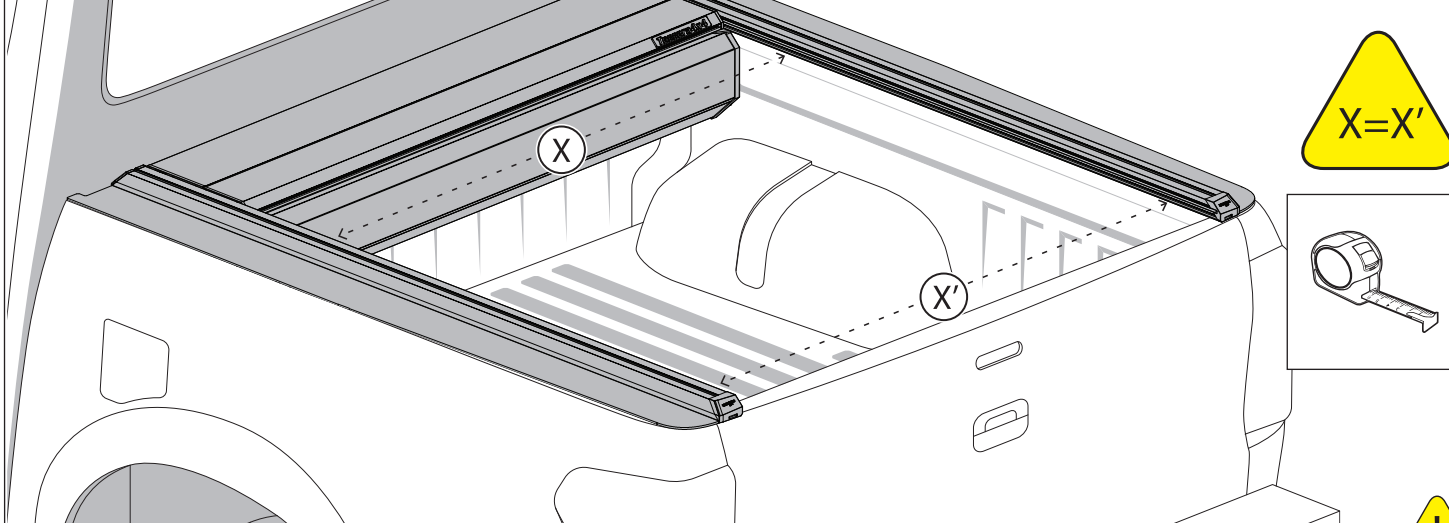
E



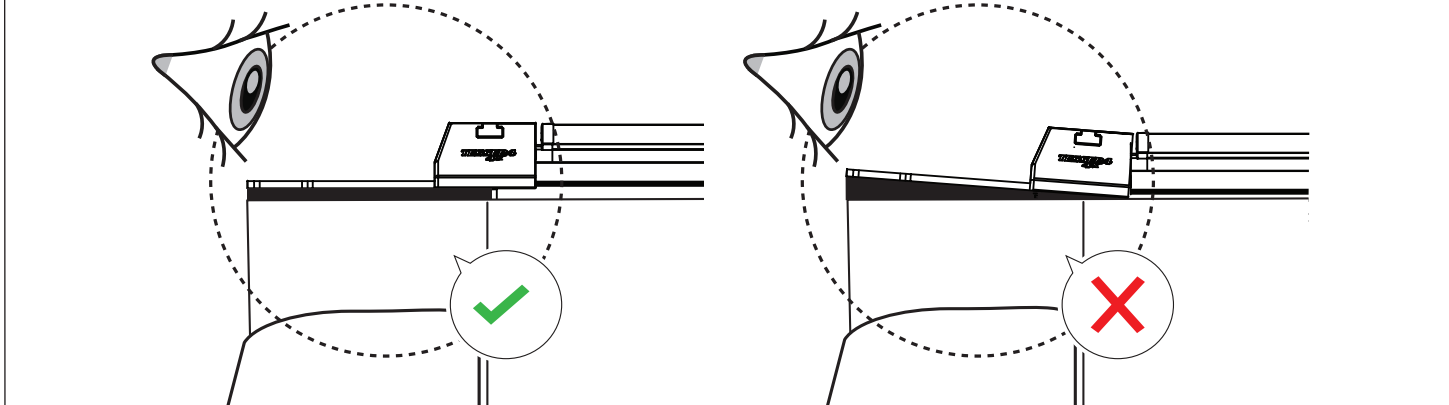




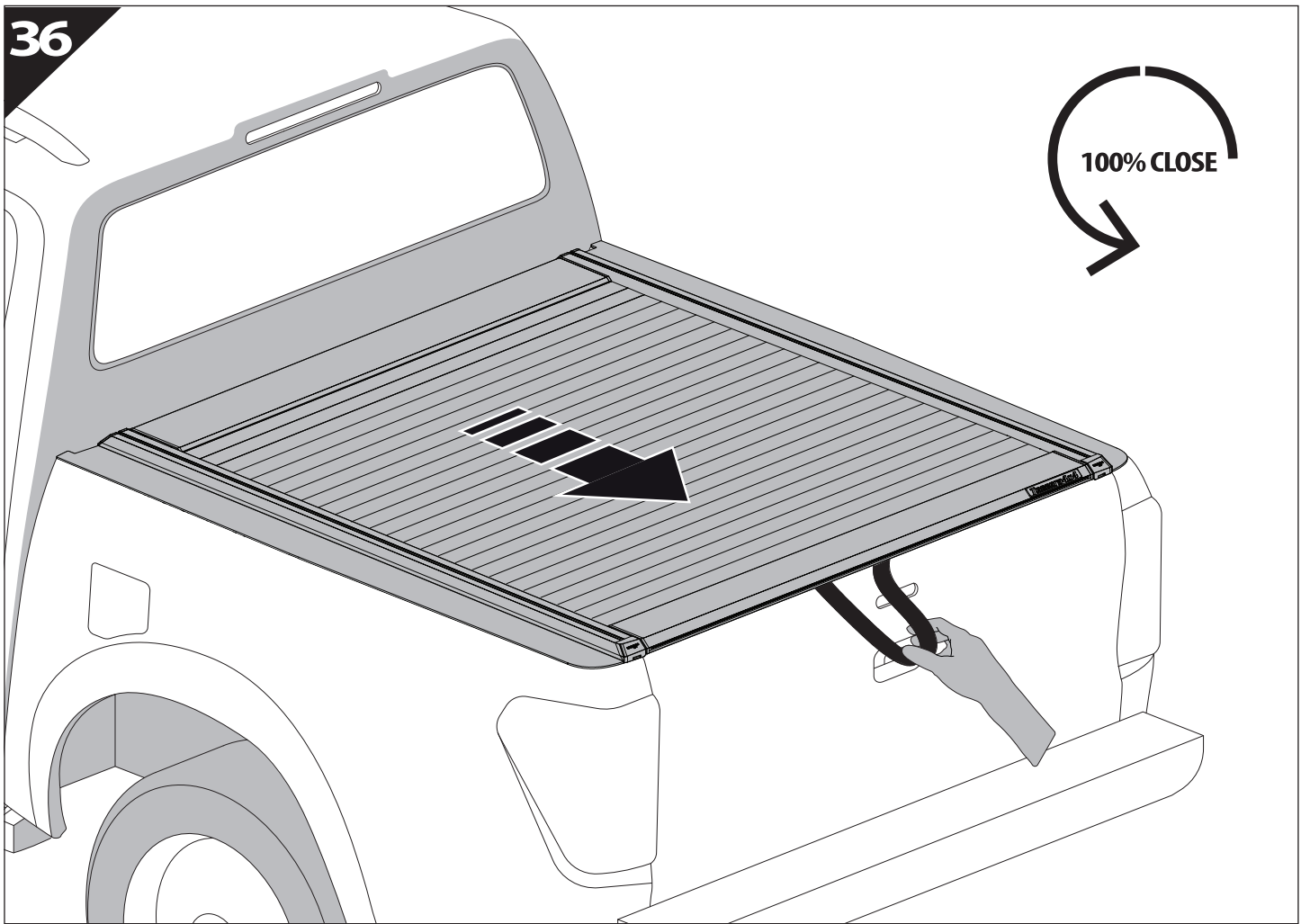
**CAUTION** !



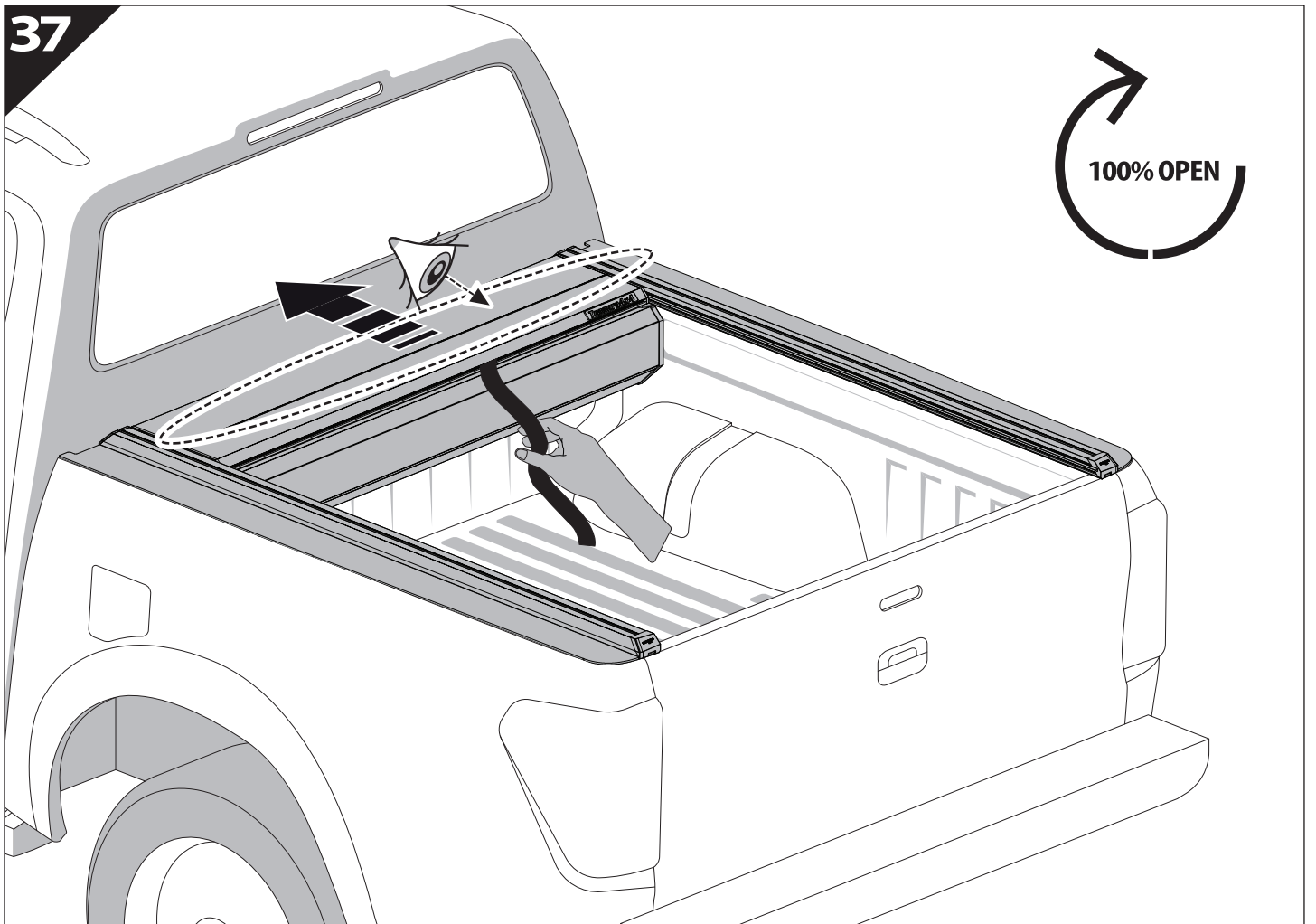
**CAUTION** !



36



37







**GR:** Οδηγίες Εγκατάστασης  
**GB:** Installation manual  
**SF:** Asennusohje  
**F:** Notice de montage  
**PL:** Instrukcja montażu  
**NL:** Installatie-instructies  
**TR:** Montaj Talimatı  
**S:** Monteringsanvisning  
**E:** Instrucciones de montaje

**H:** Szerelési utasítás  
**P:** Instruções de instalação  
**RUS:** Инструкция по установке  
**N:** Monteringsveiledning  
**D:** Einbauanleitung  
**CZ:** Návod k instalaci  
**I:** Istruzioni de montaggio  
**DK:** Monteringsvejledning  
**RO:** Instructiuni de instalare

Customer Service:

+30 (210) 5541161, +30 (210) 5541154 (08:00 - 16:00 EET)

Support department:

[info@gianso.gr](mailto:info@gianso.gr)

Website:

[www.tessera4x4.com](http://www.tessera4x4.com)

Address:

19.5 km of National road Athens-Korinthos (Elefsina) Greece, P.C: 19200