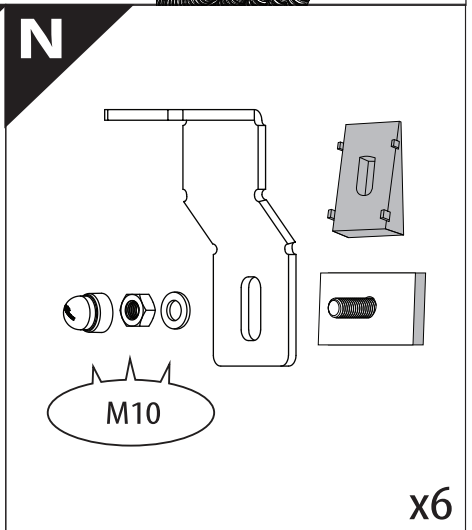
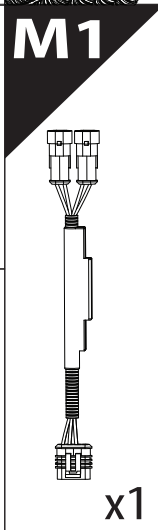
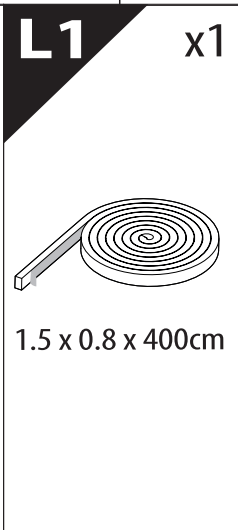
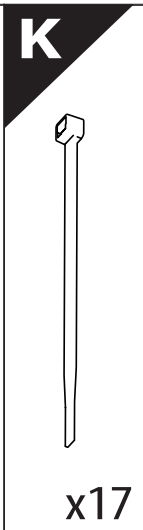
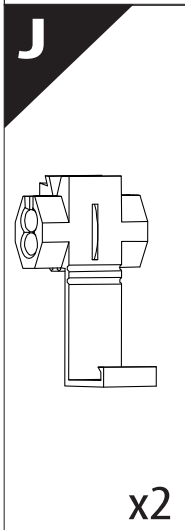
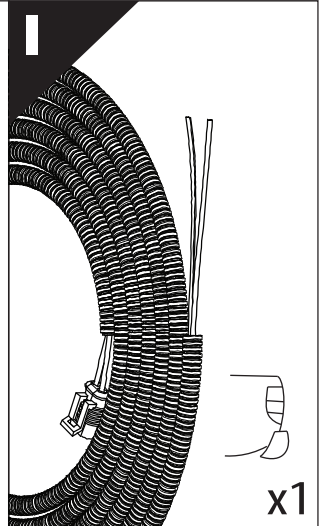
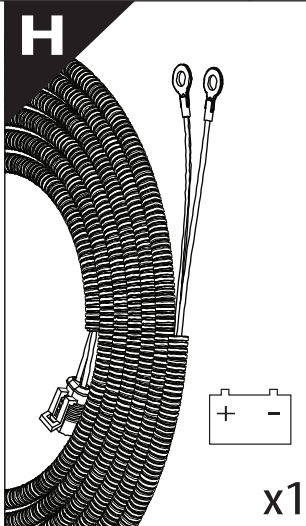
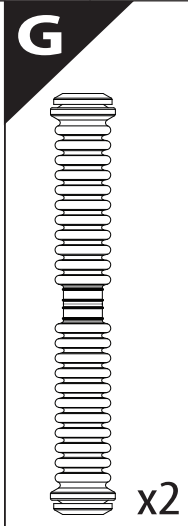
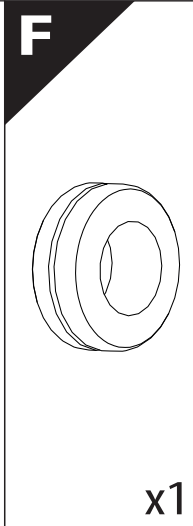
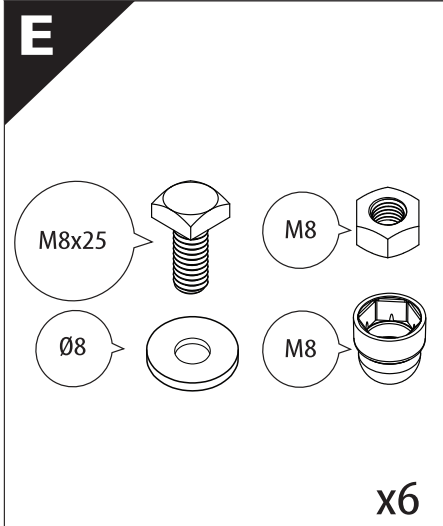
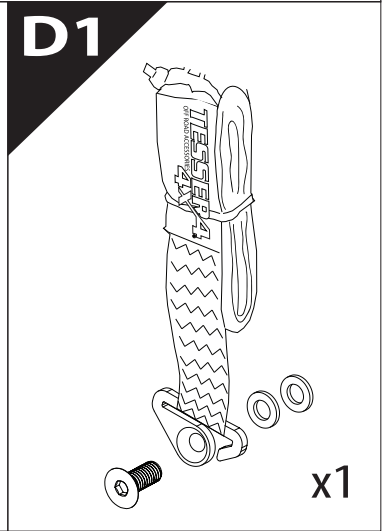
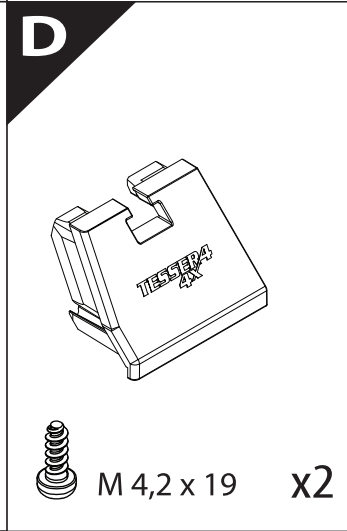
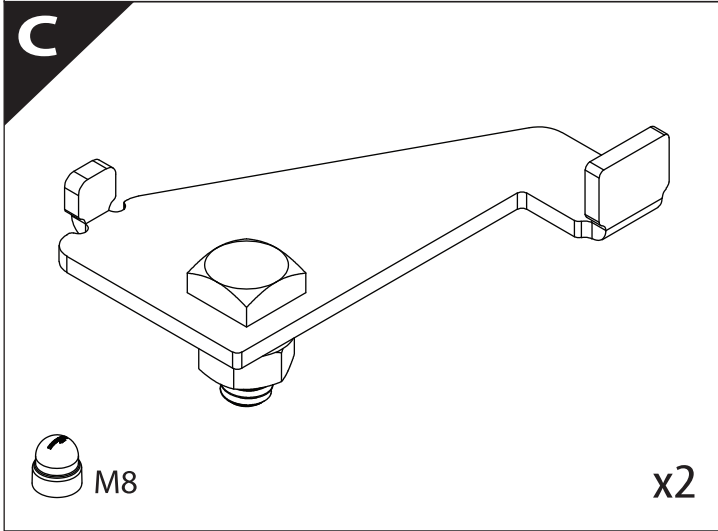
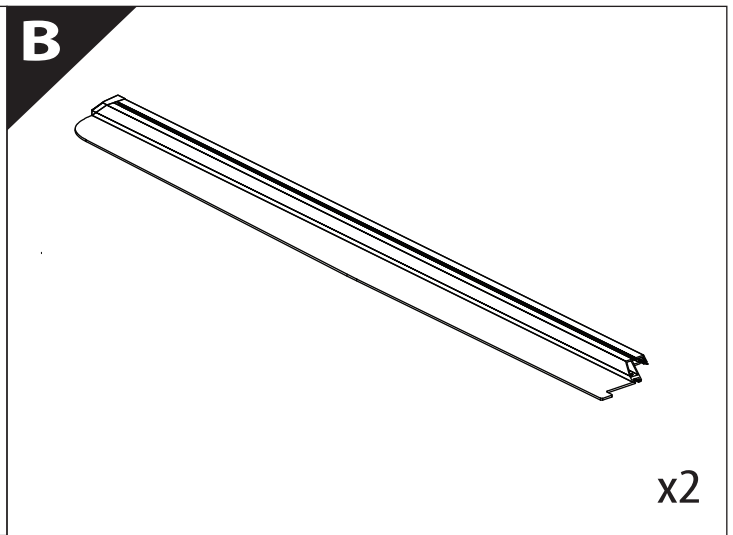
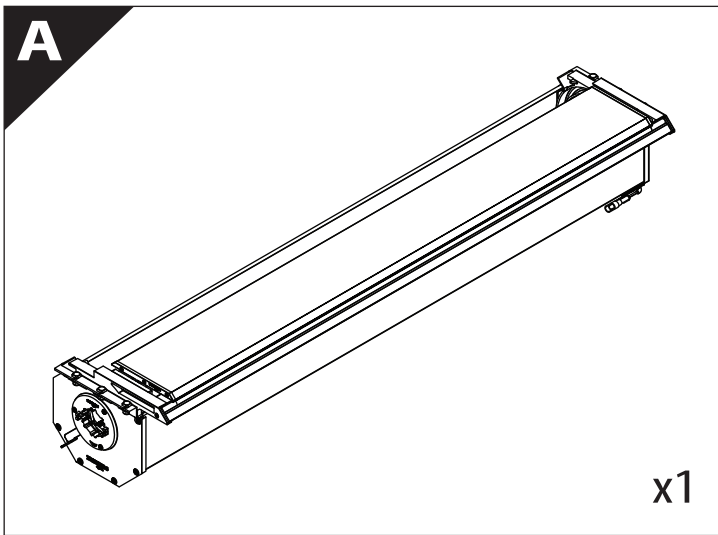
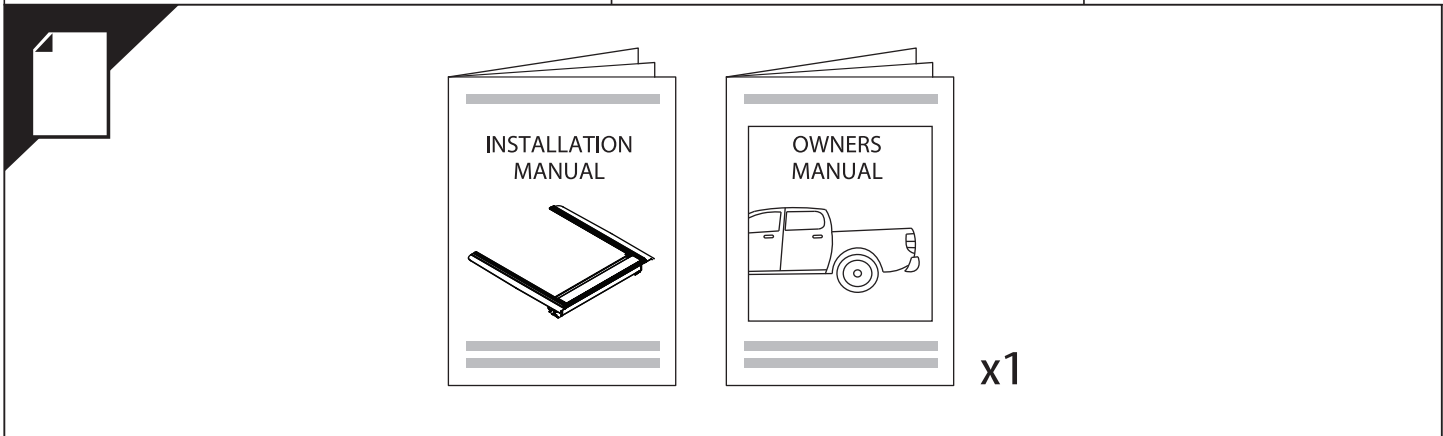
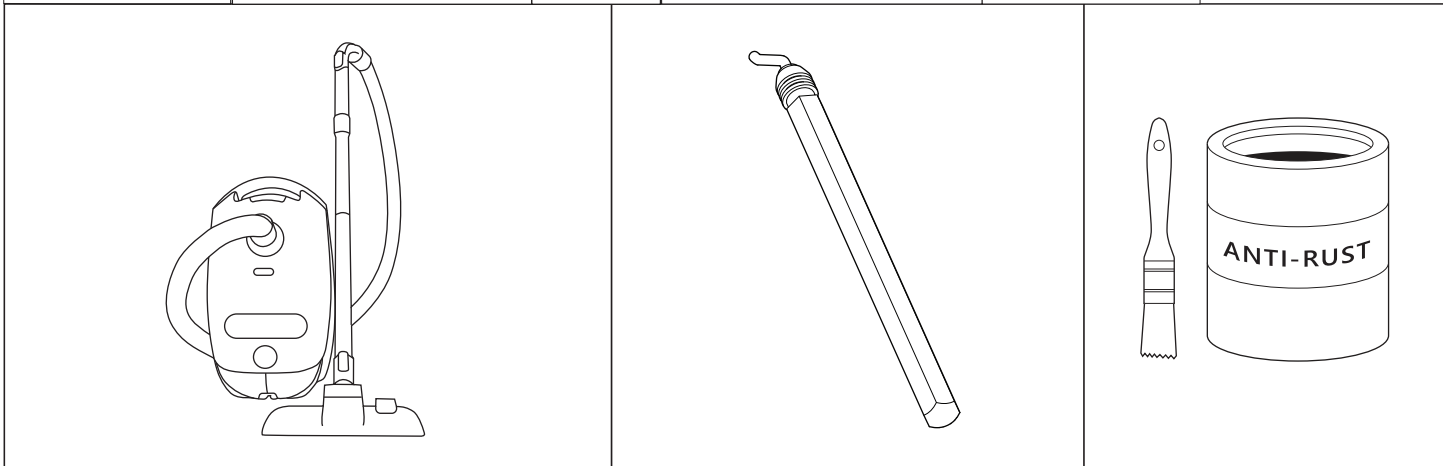
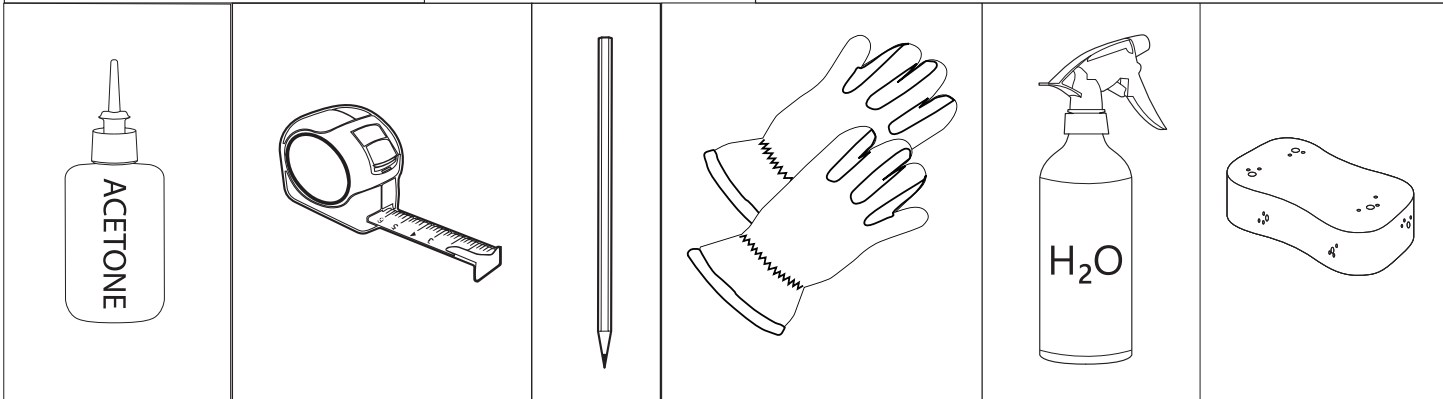
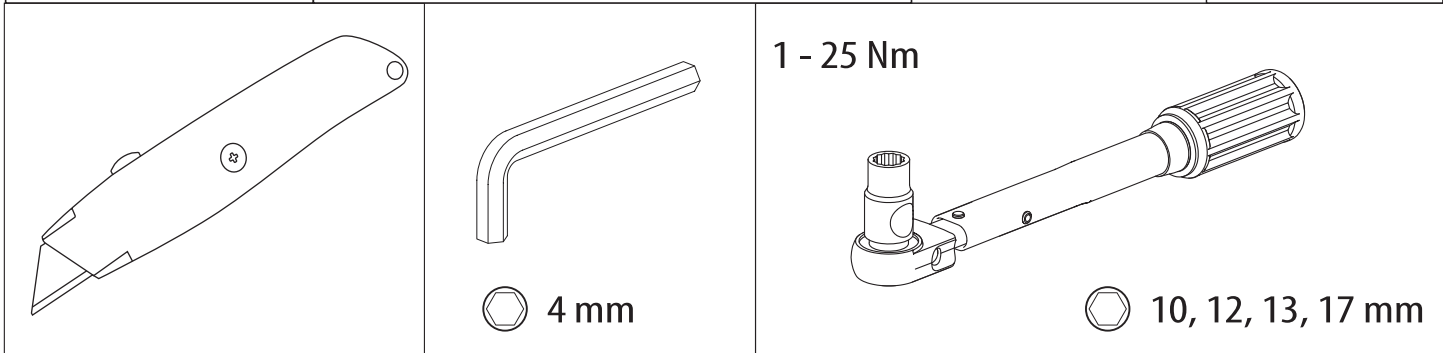
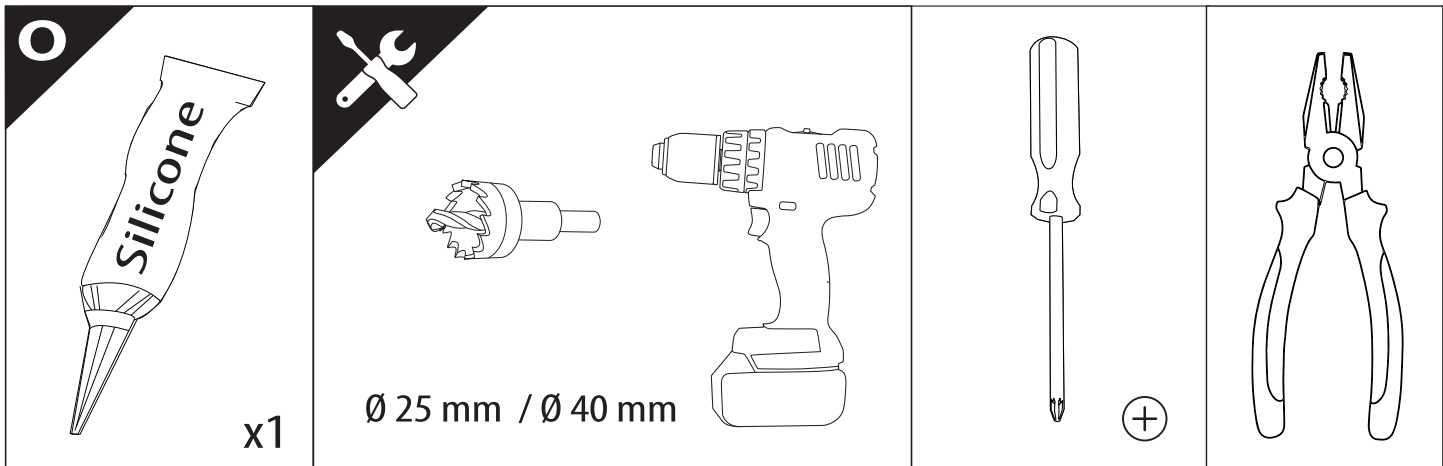


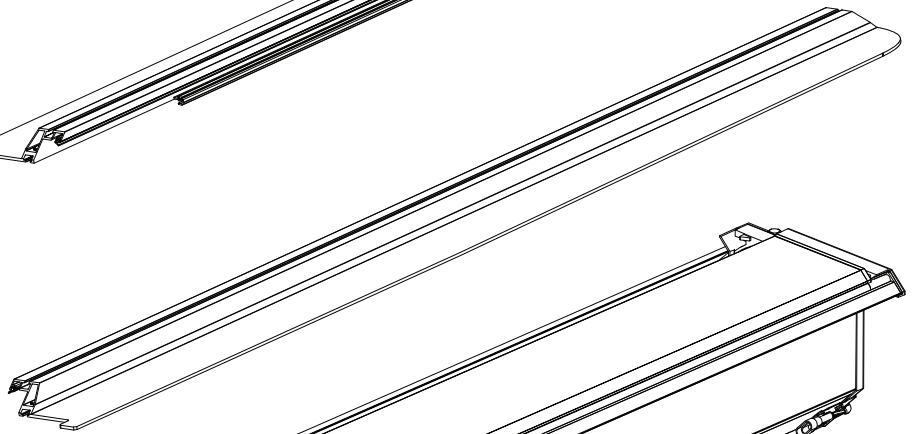
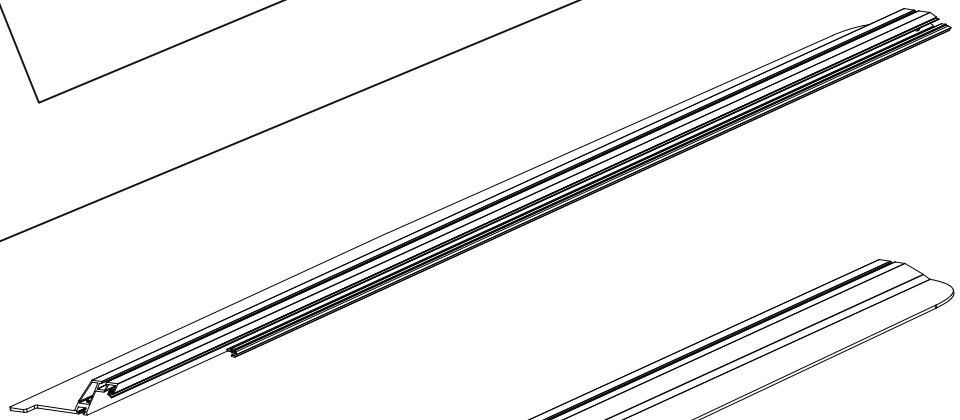
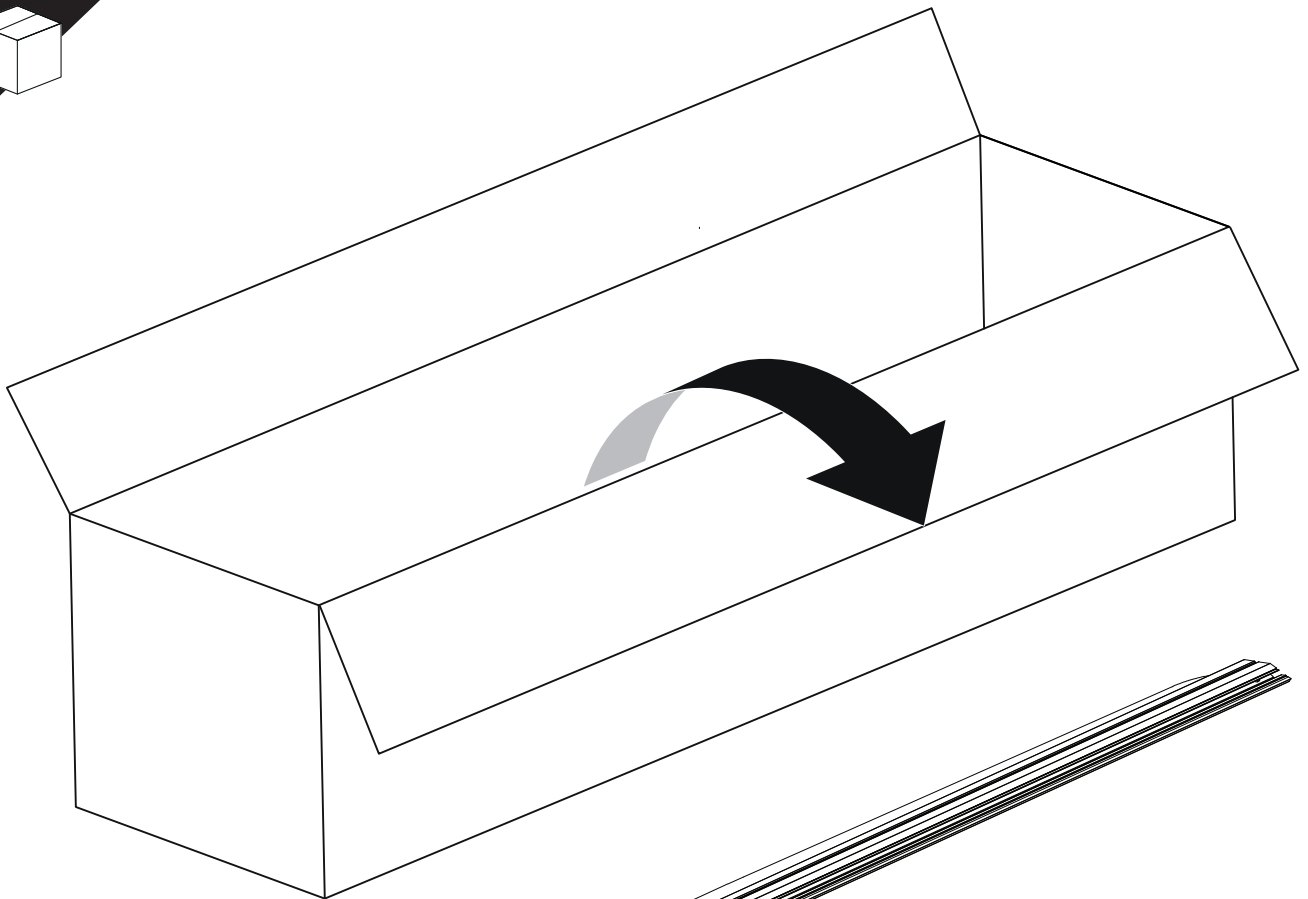
# Installation Manual

<b>PART NUMBER(S)</b>	<b>Model Year</b>
<b>TESS 1419 ROLL</b>	<b>Mercedes X-Class 2018+ (with c-channels)</b>
<b>Cab(s)</b>	<b>Installation Time / Weight</b>
<b>Double Cab</b>	<b>40-60 minutes / 53-57 kg</b>

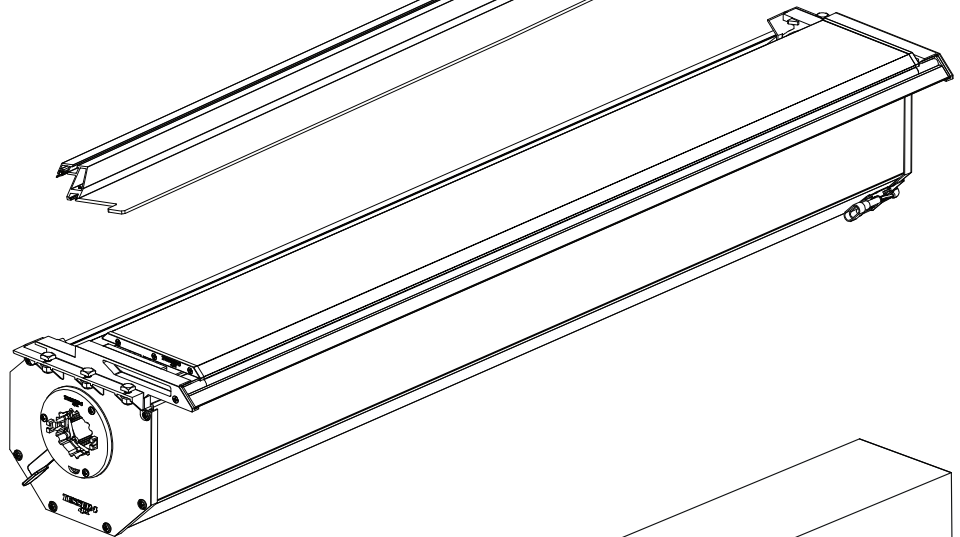






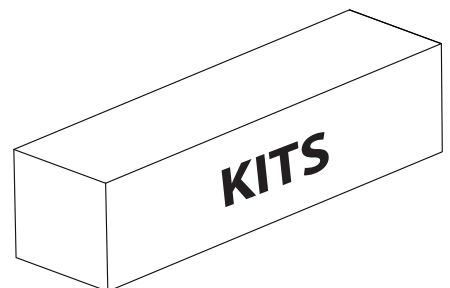


**B**

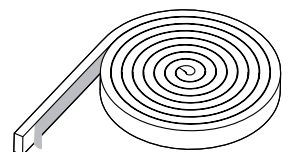


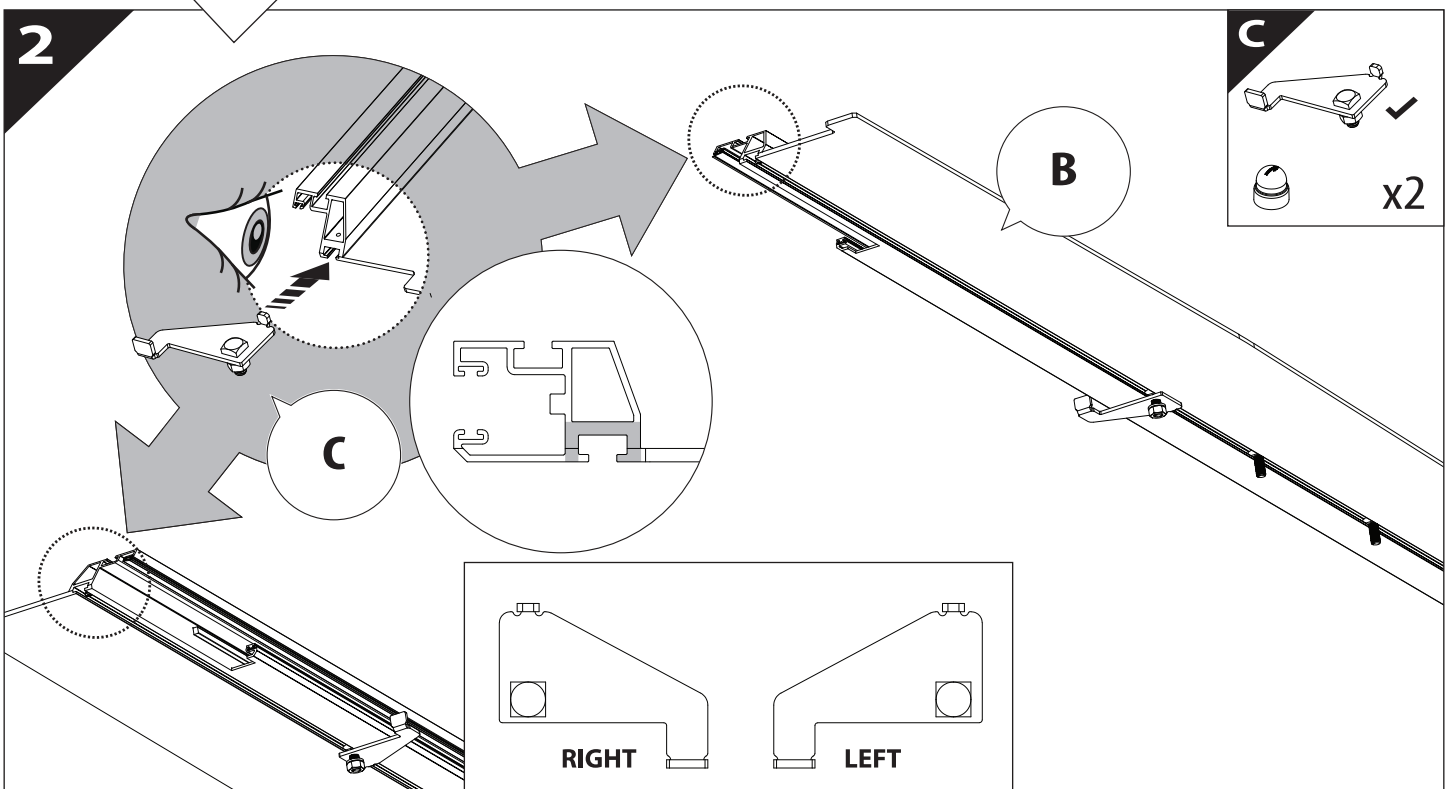
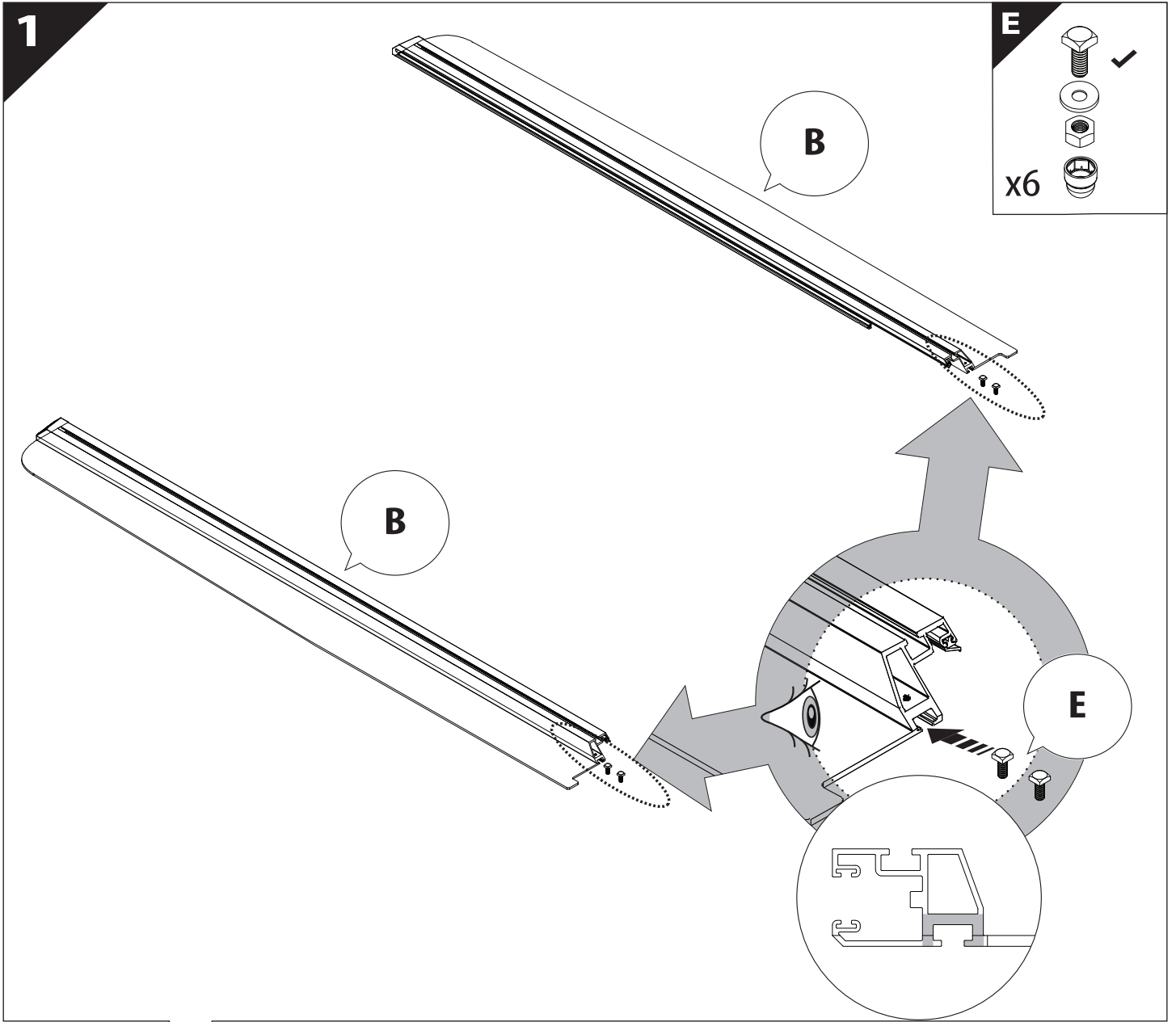
**A**

**KITS**

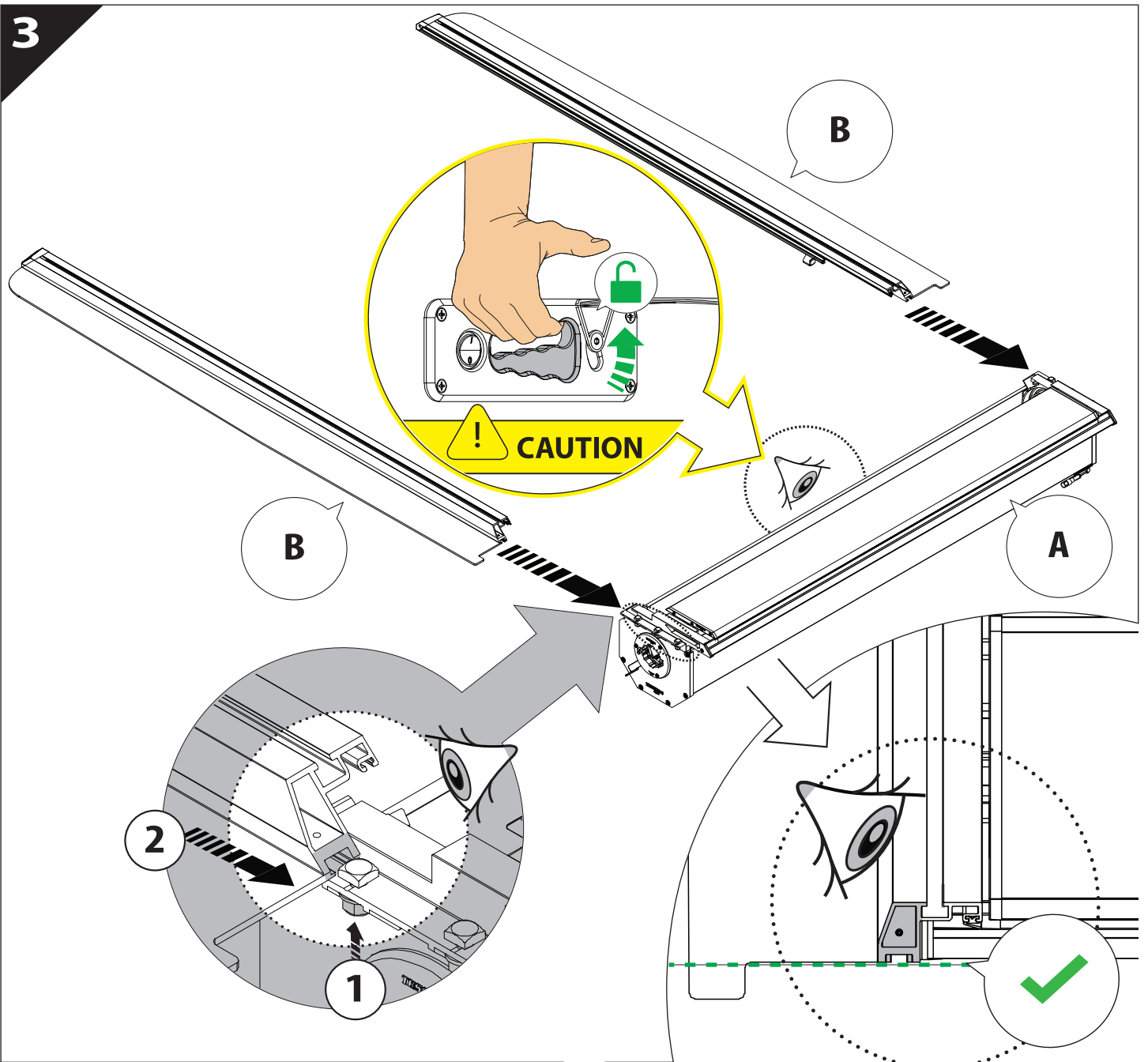


**L**

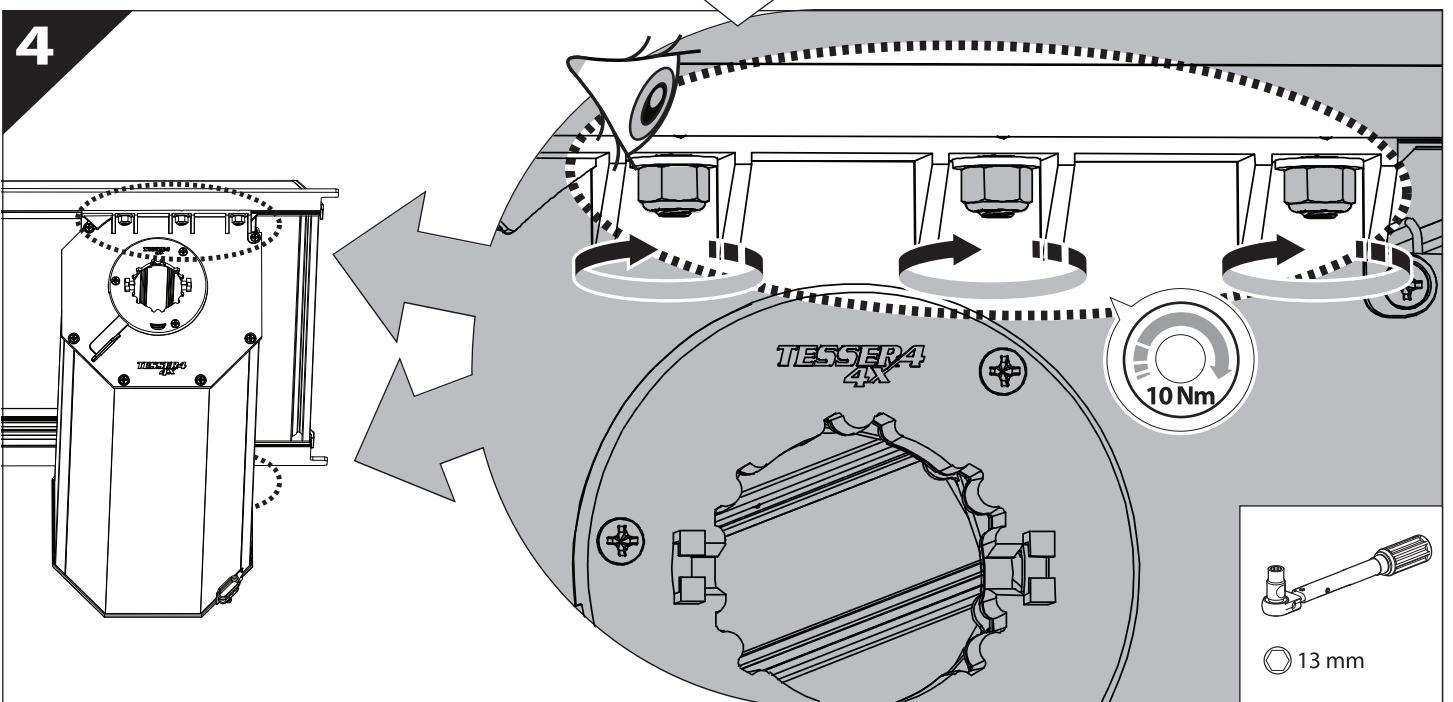


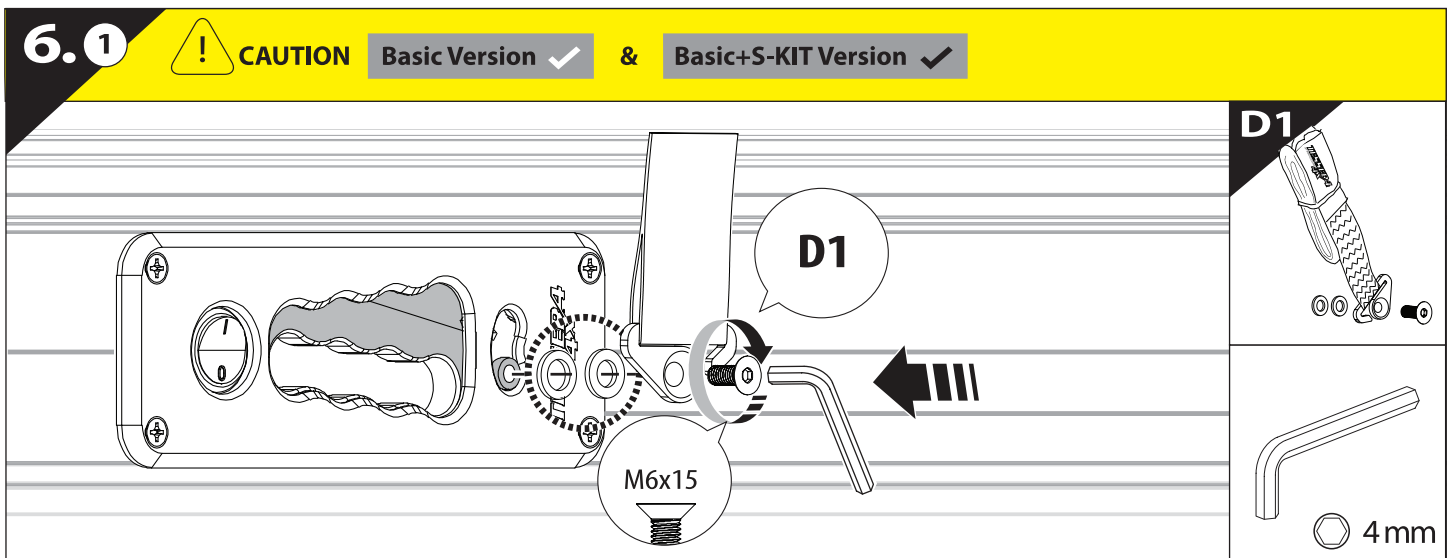
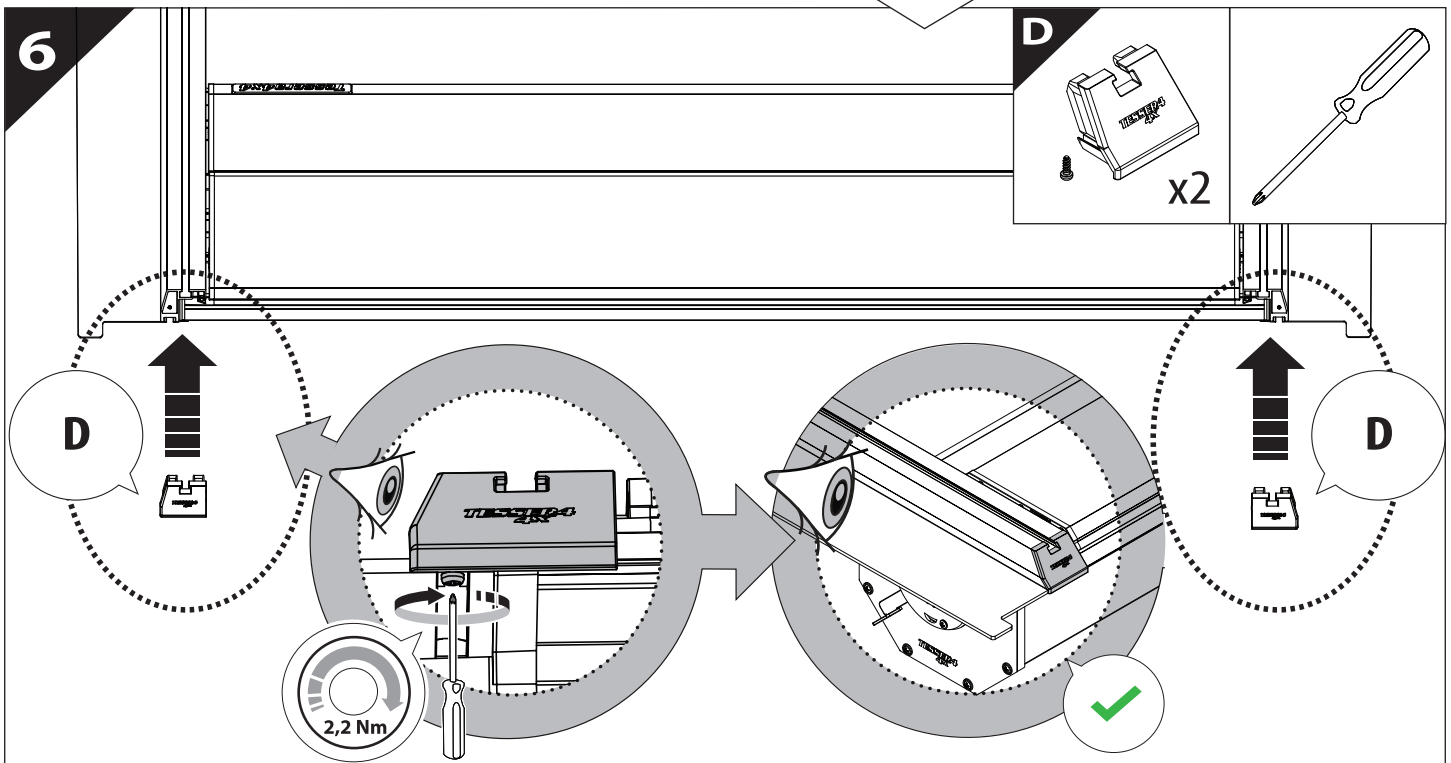
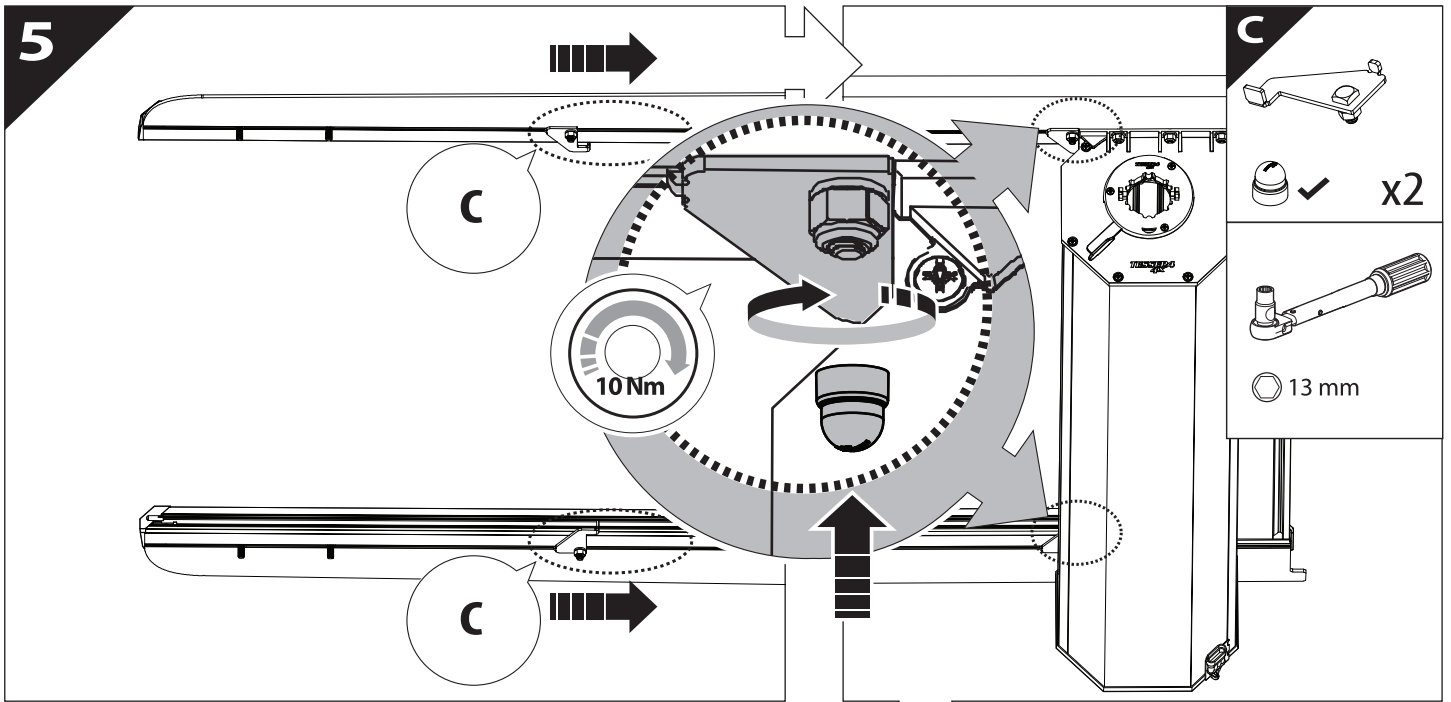


3

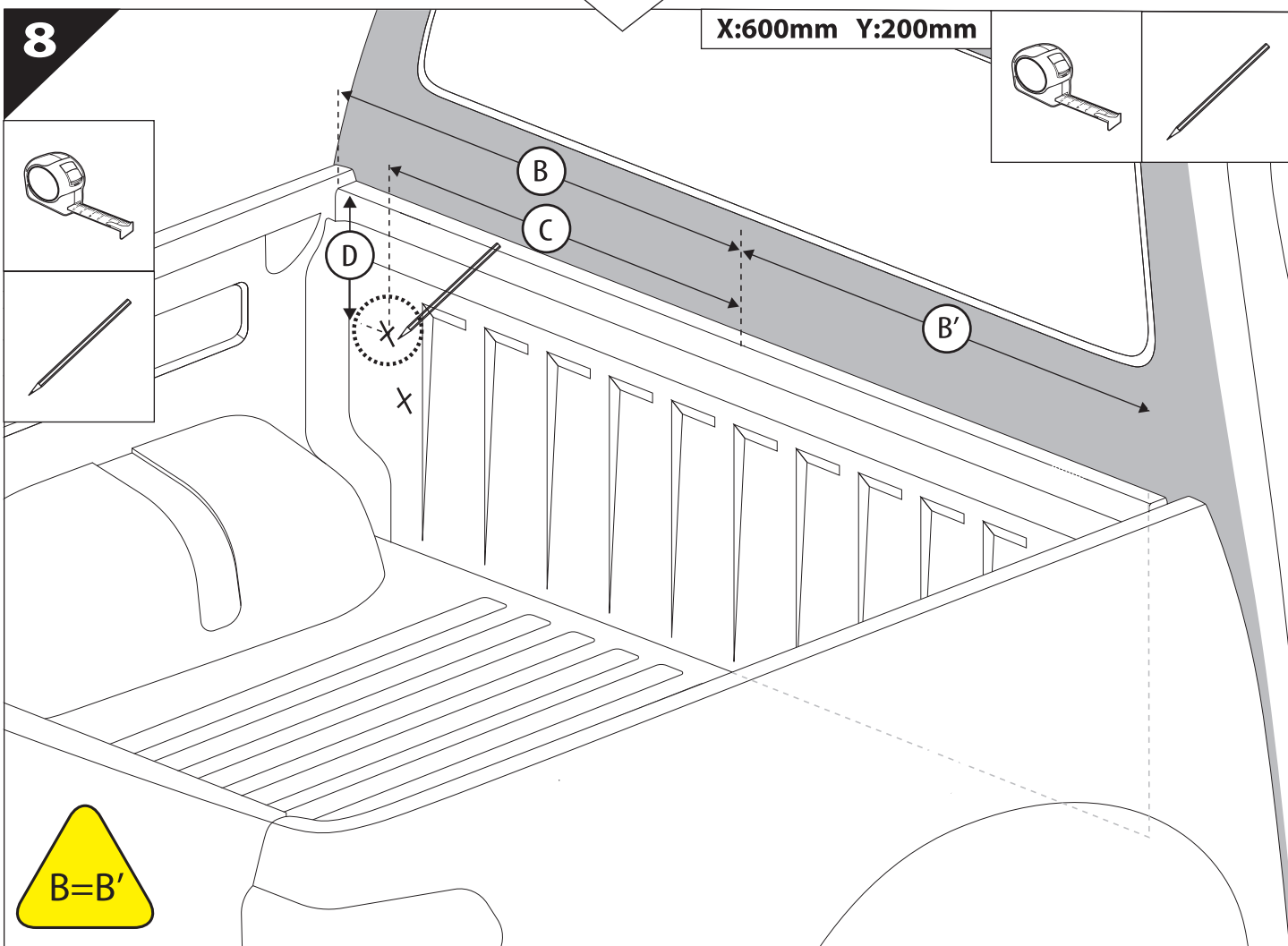
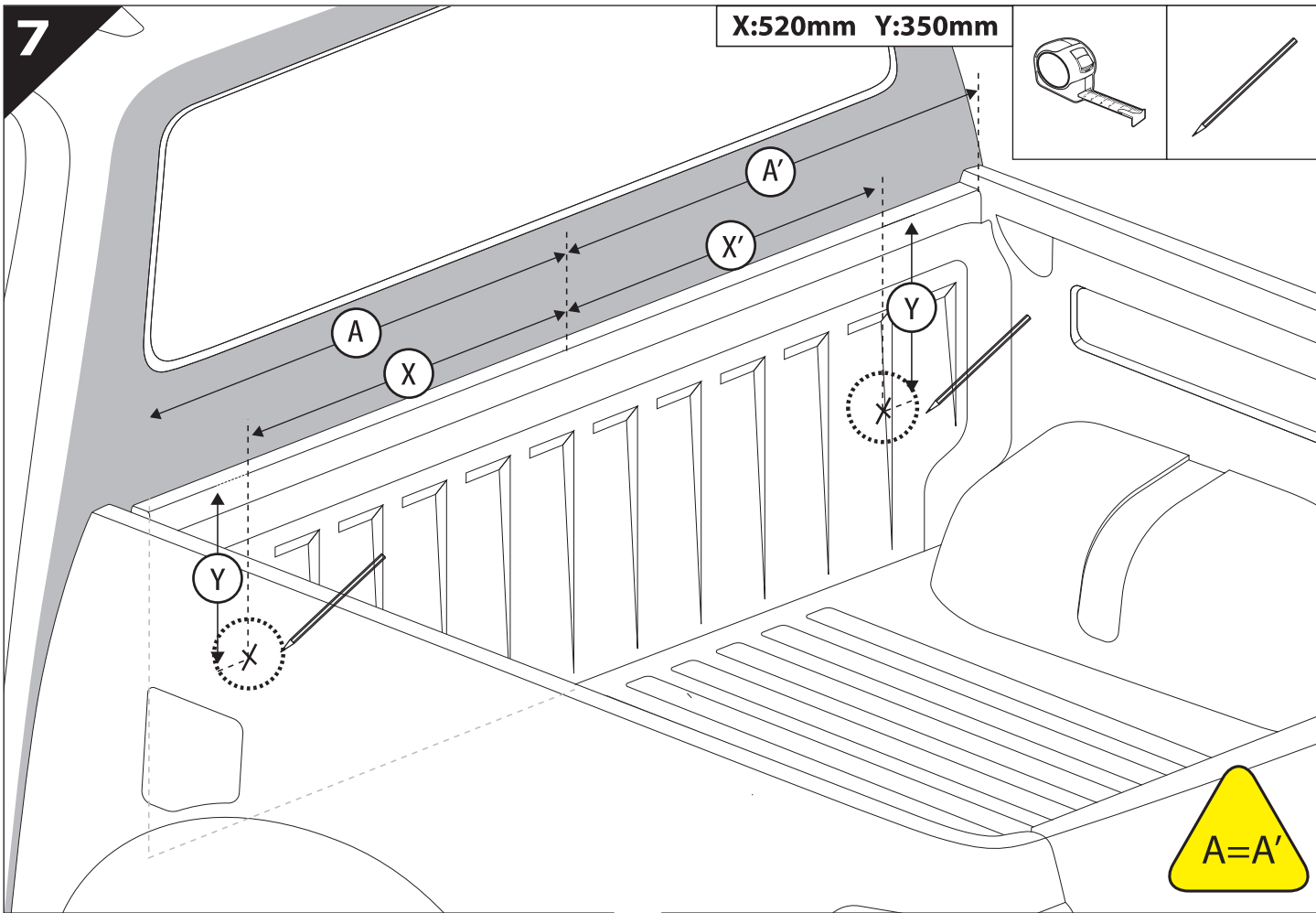


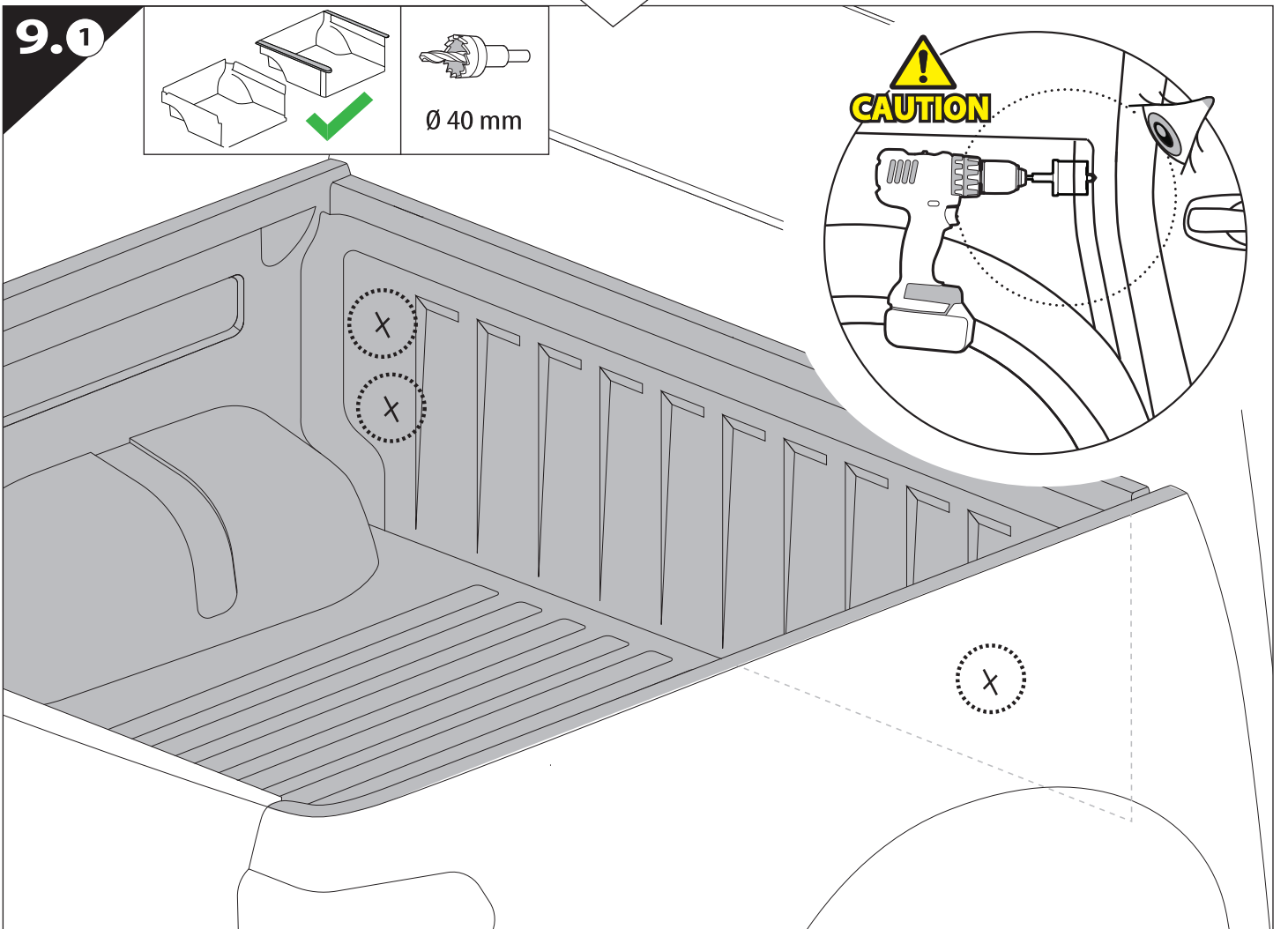
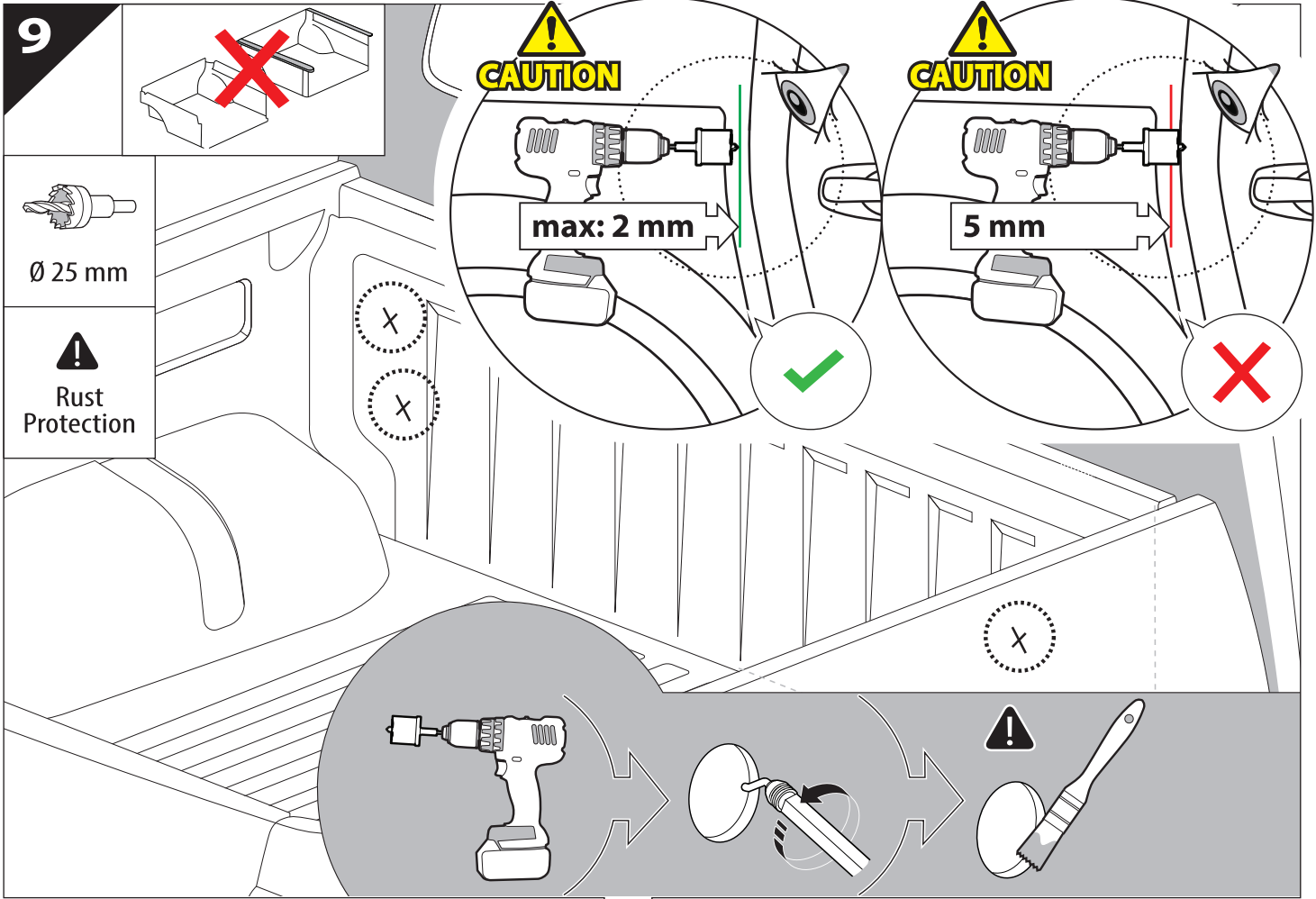
4



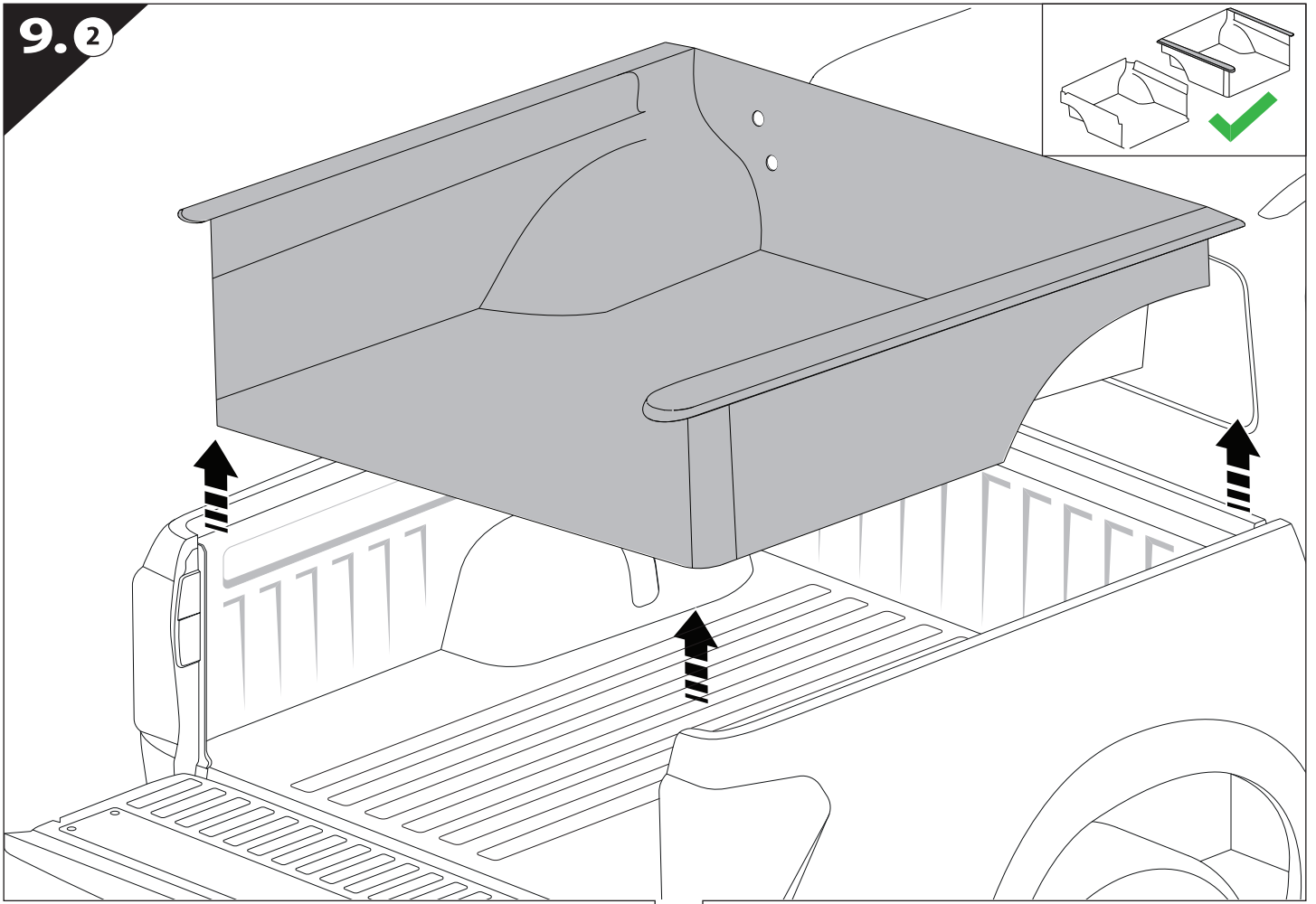




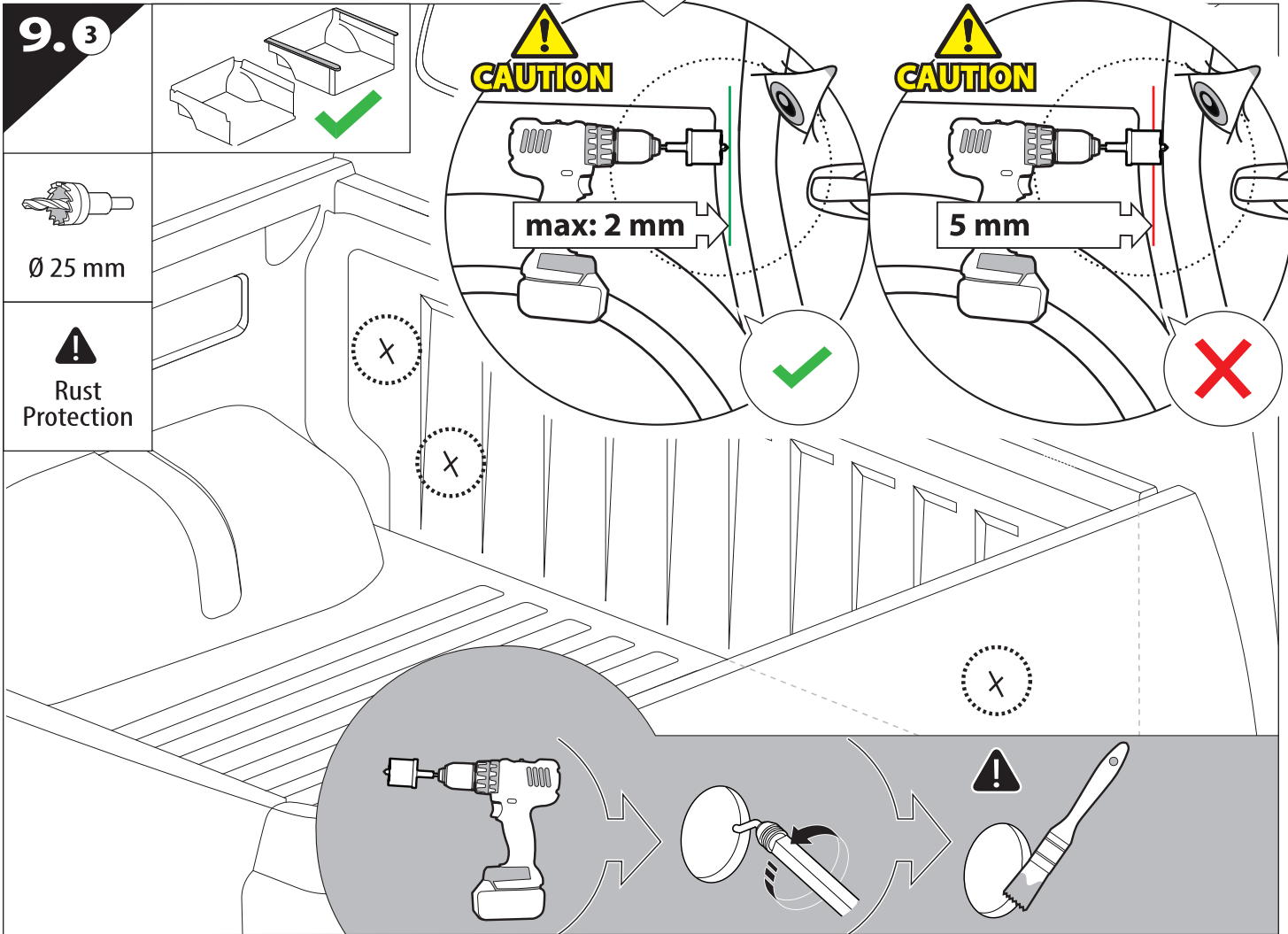




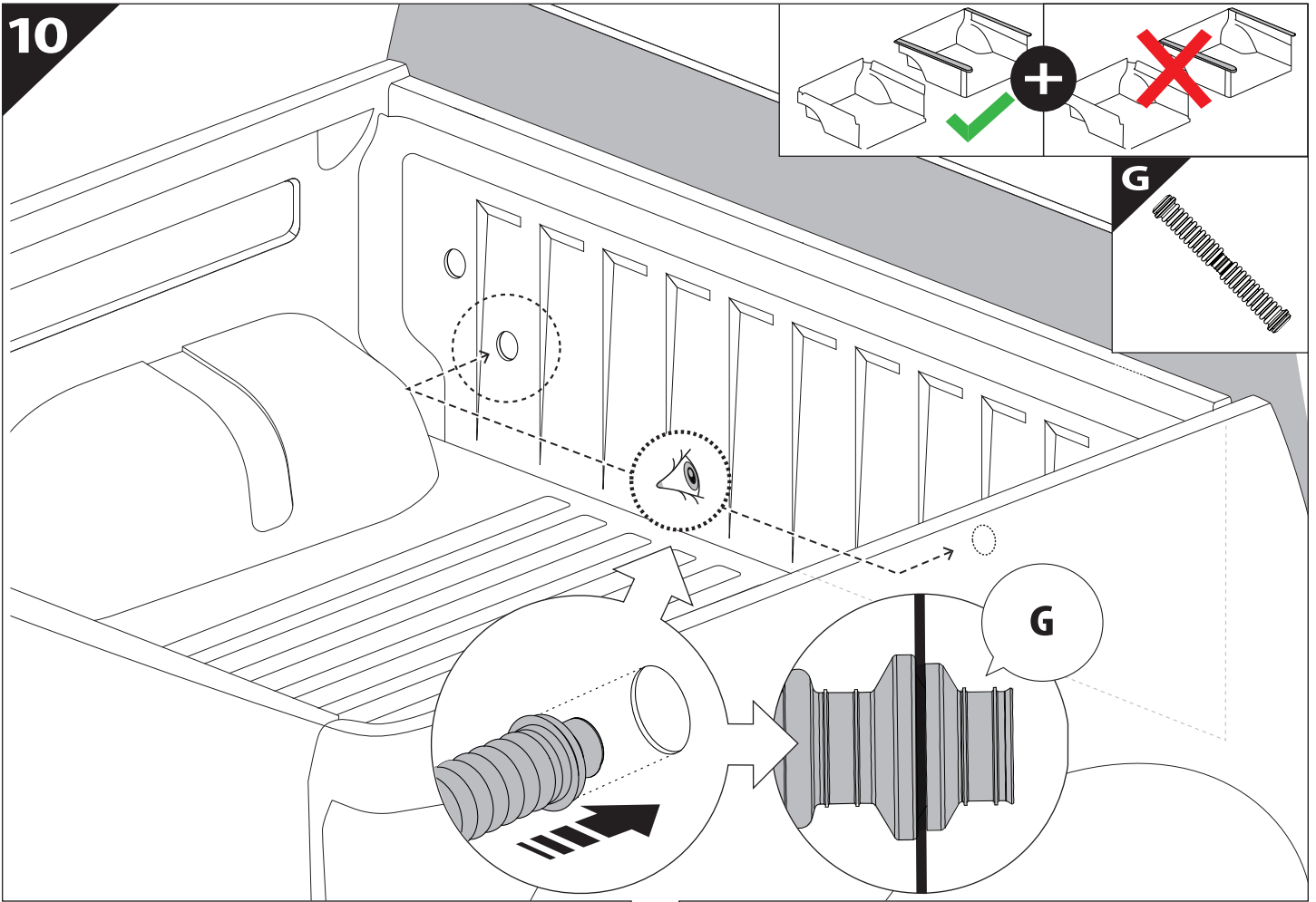
9.2



9.3

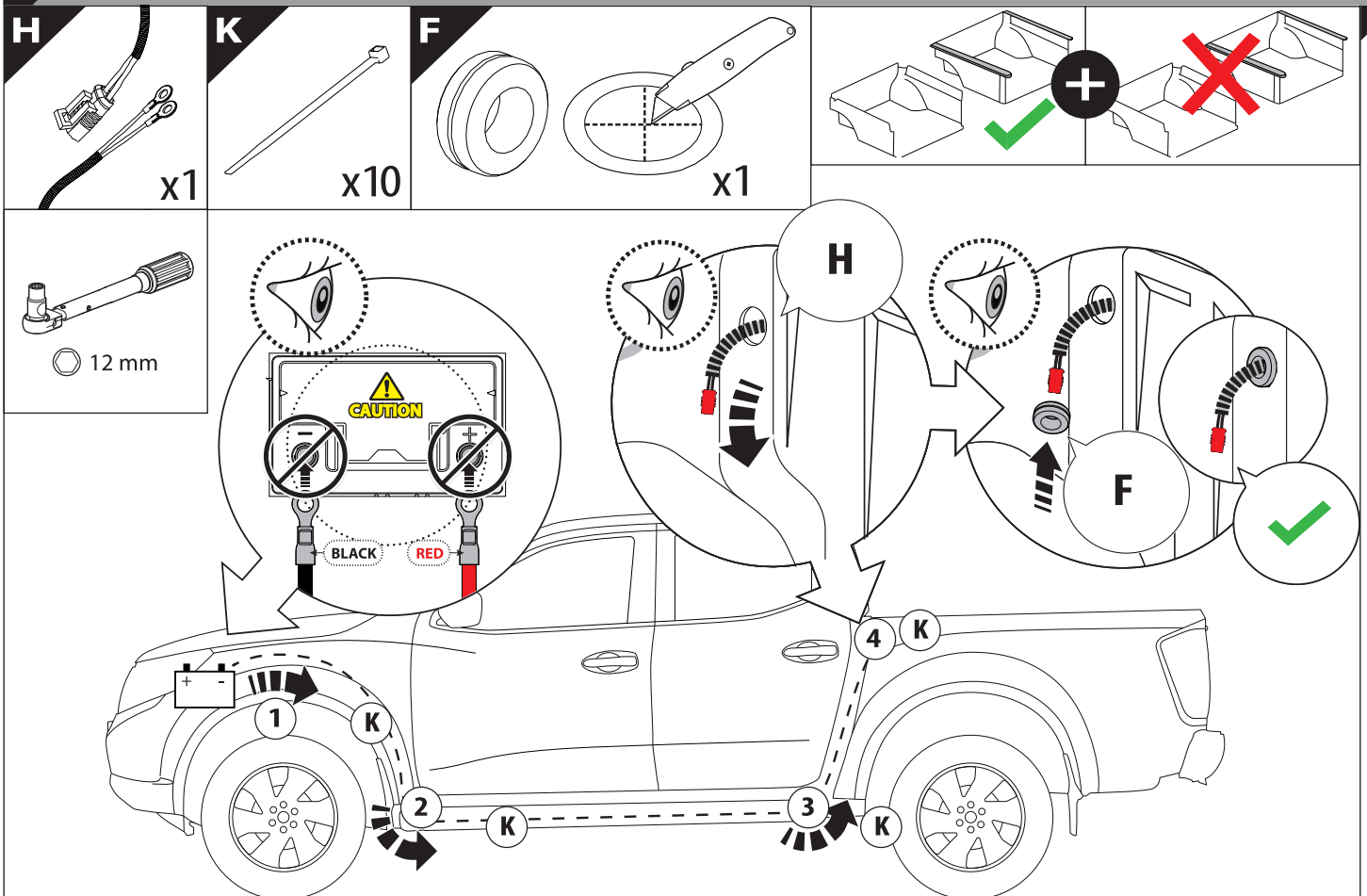


10

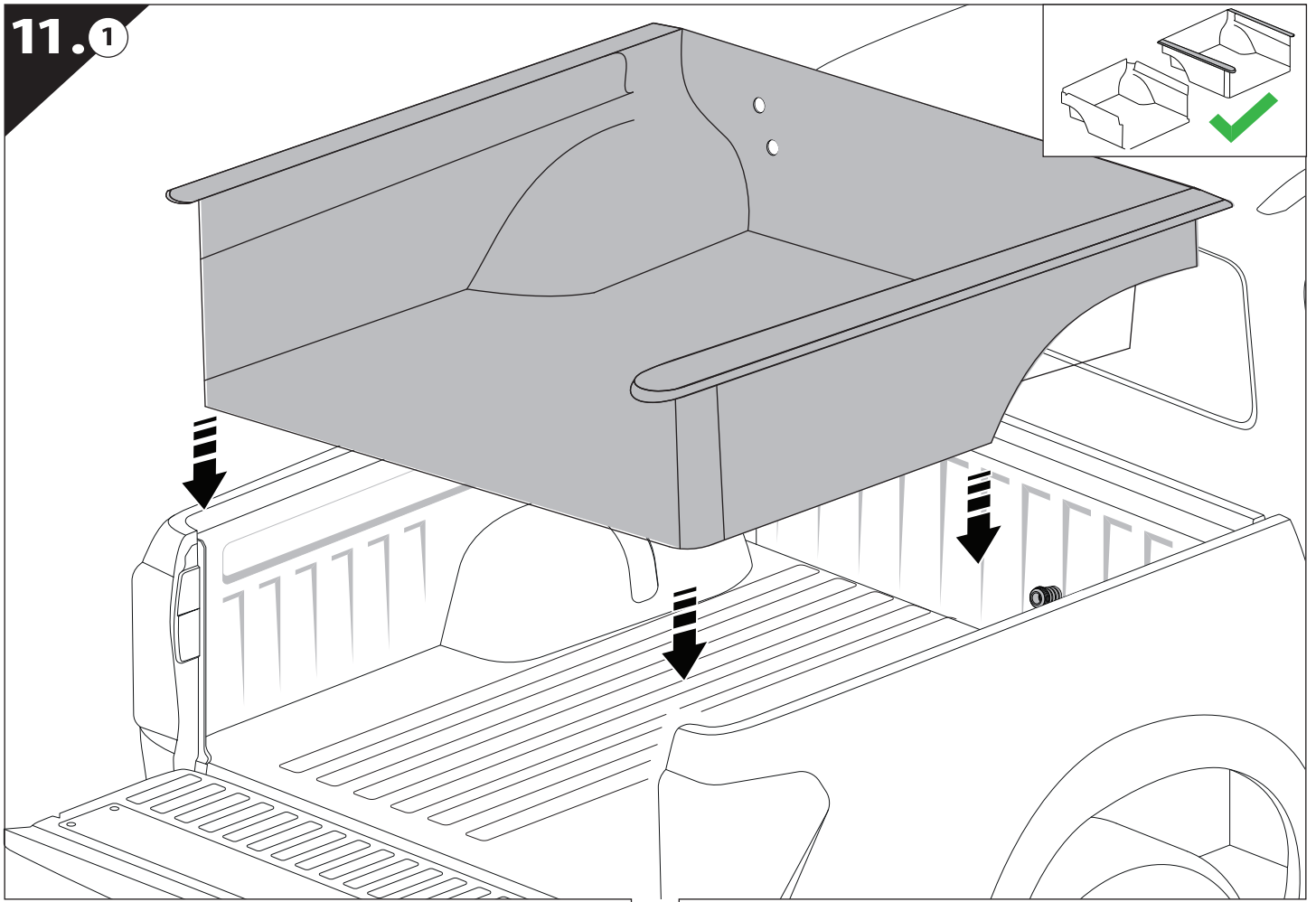


11

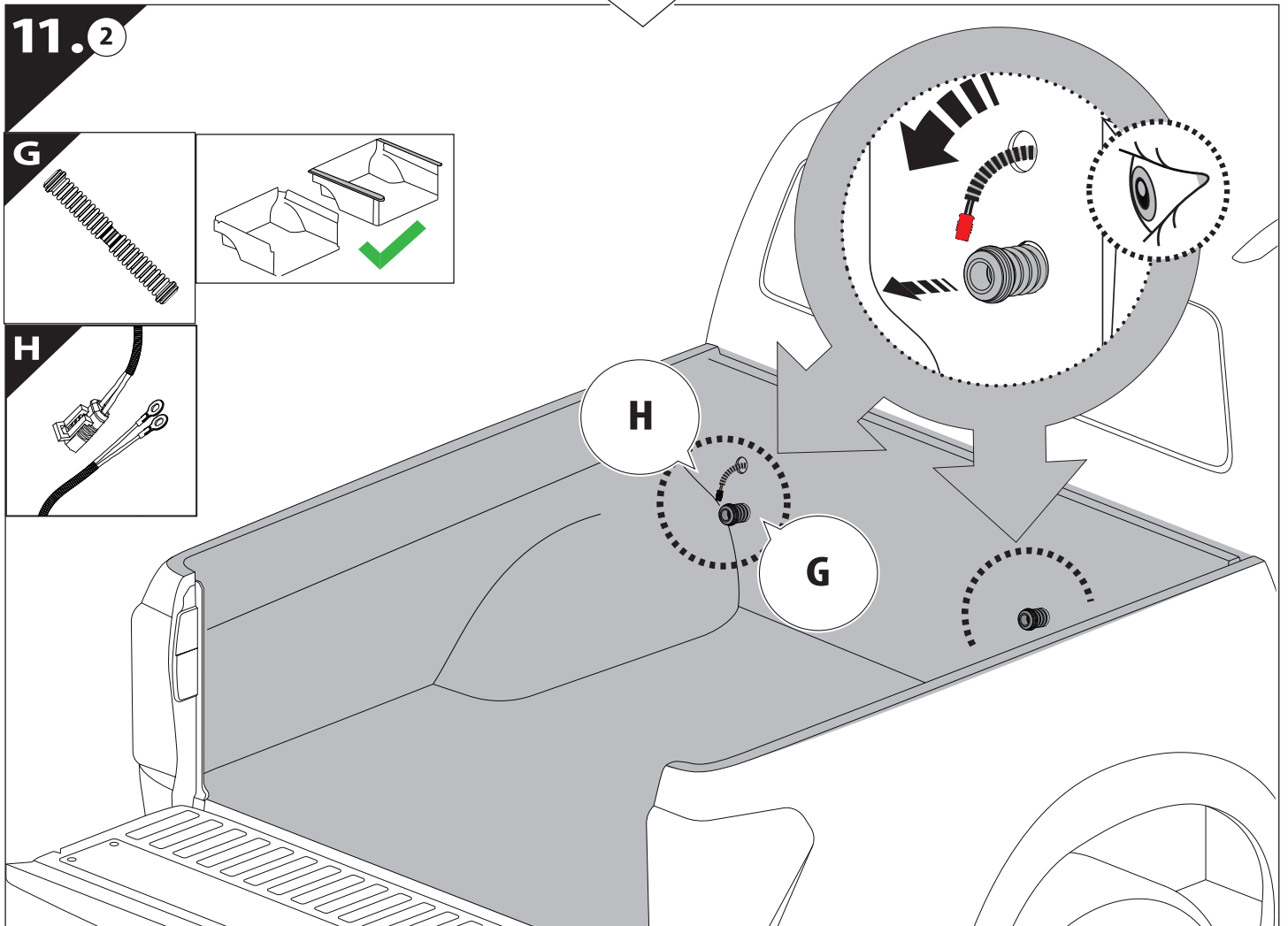
Only to be installed by authorized personnel



11.1

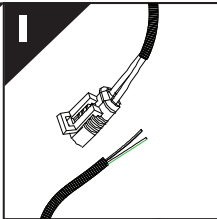


11.2

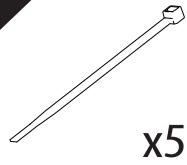


12

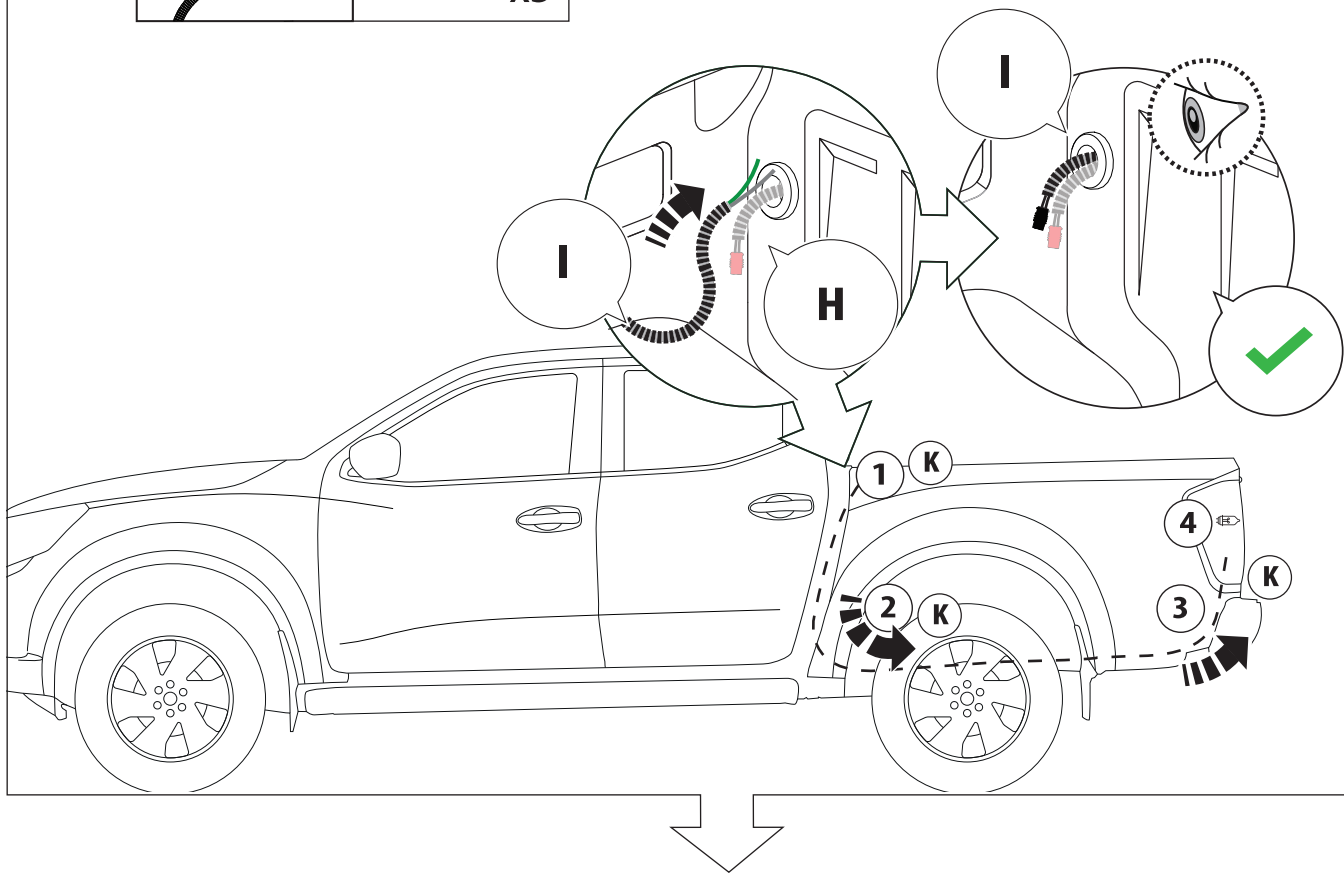
I

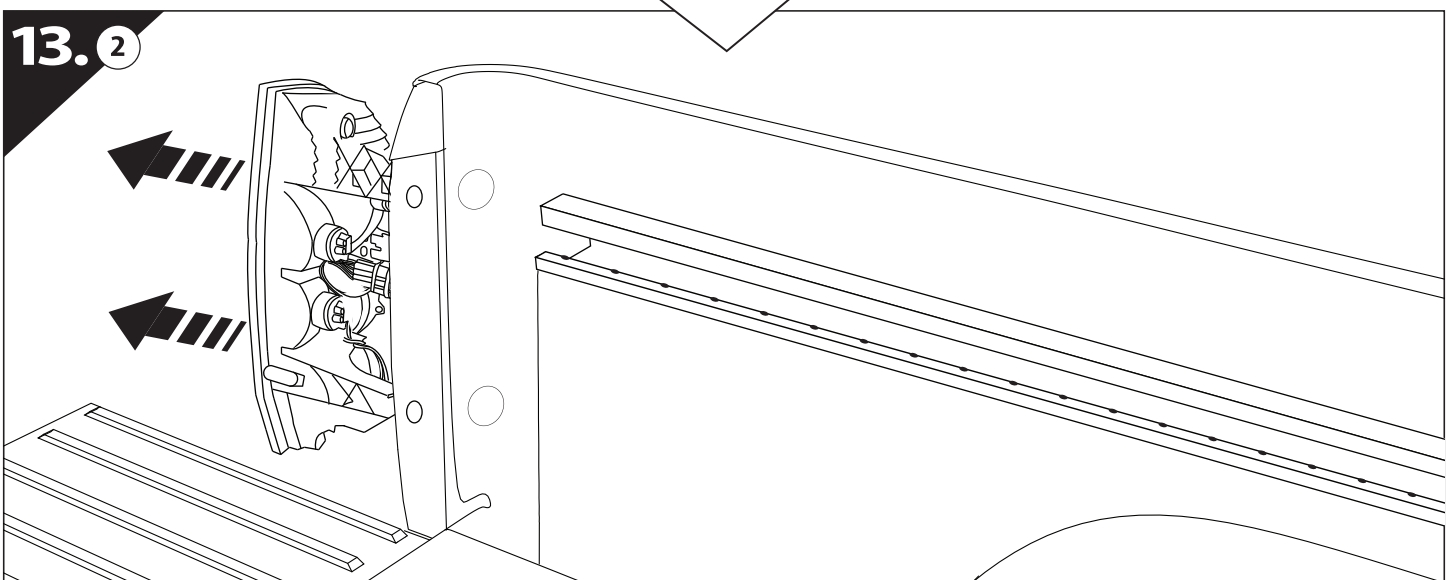
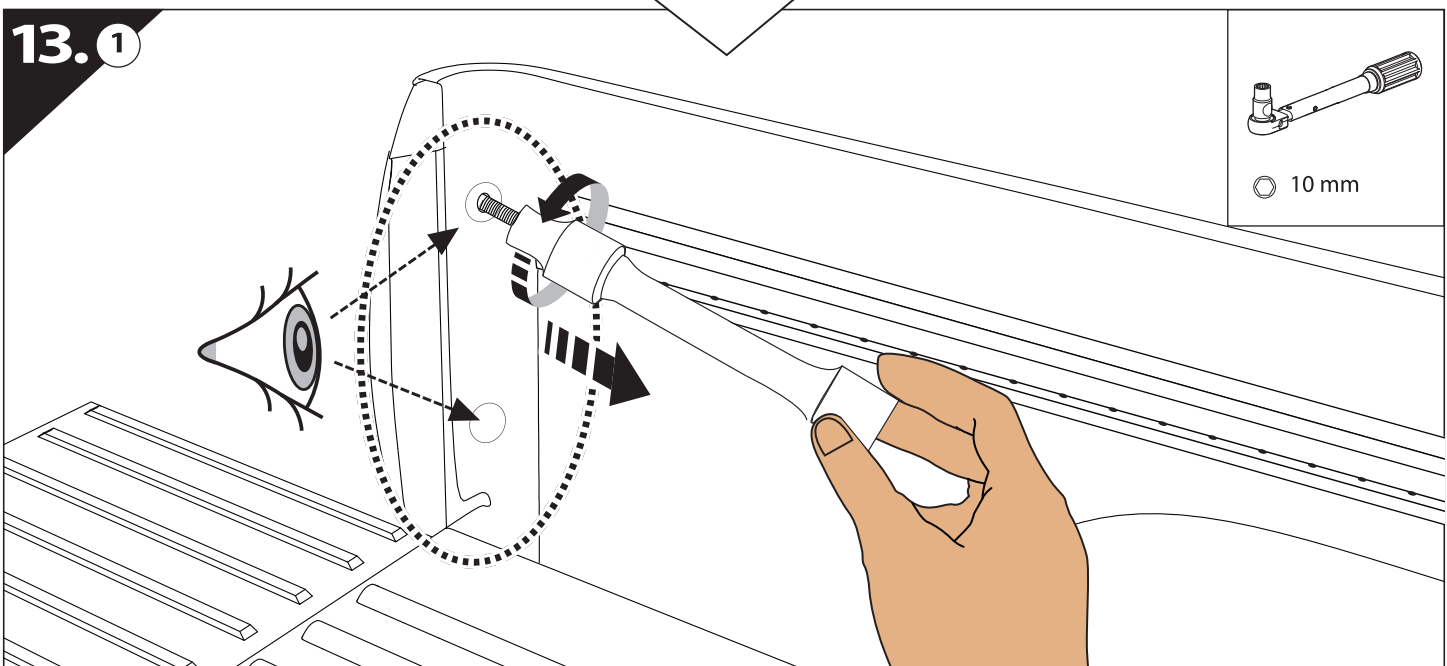
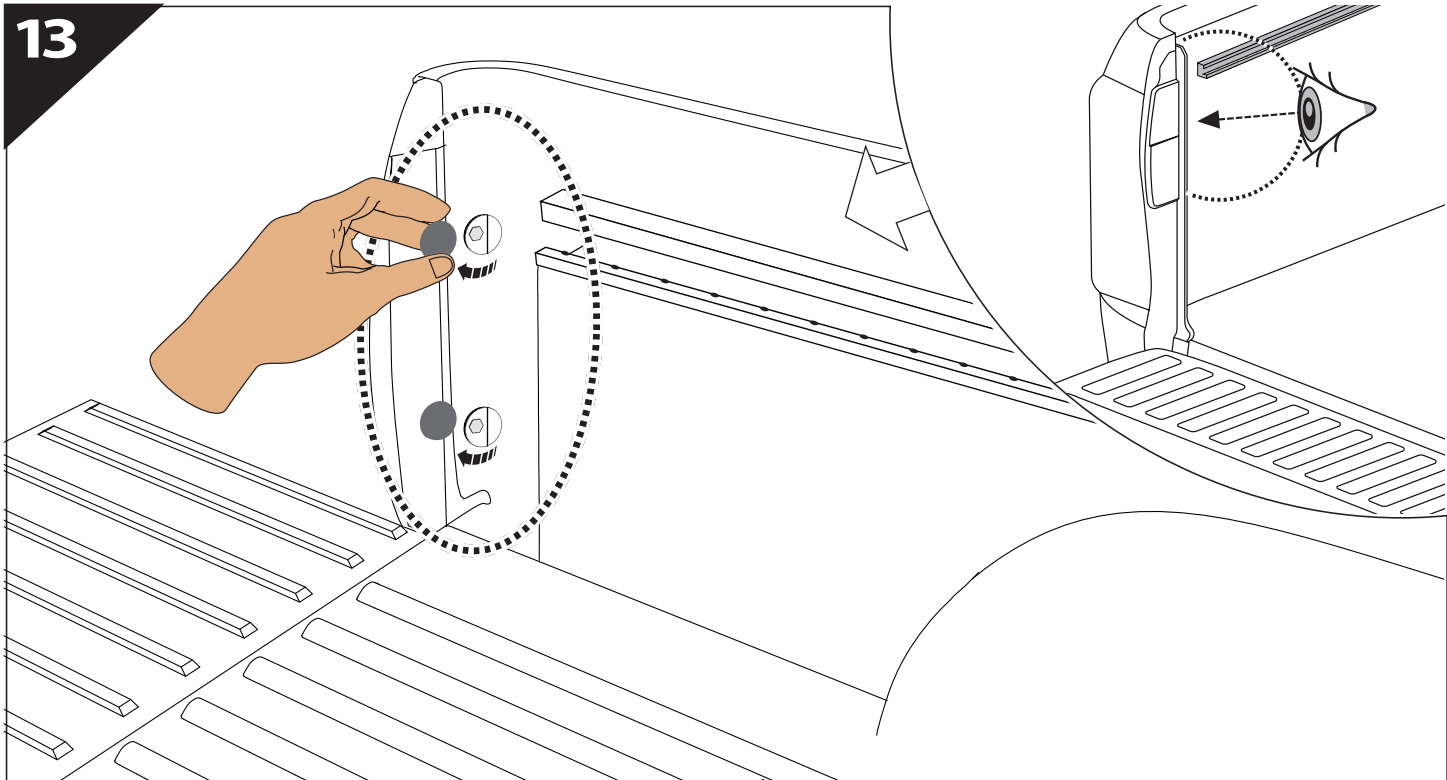


K



x5





# 14

I

J

x2

10 mm

Pliers

	CAR		TESSERA ROLL+
BEAM	2	↔	
BRAKE	1	↔	

**4 Nm**

# 15

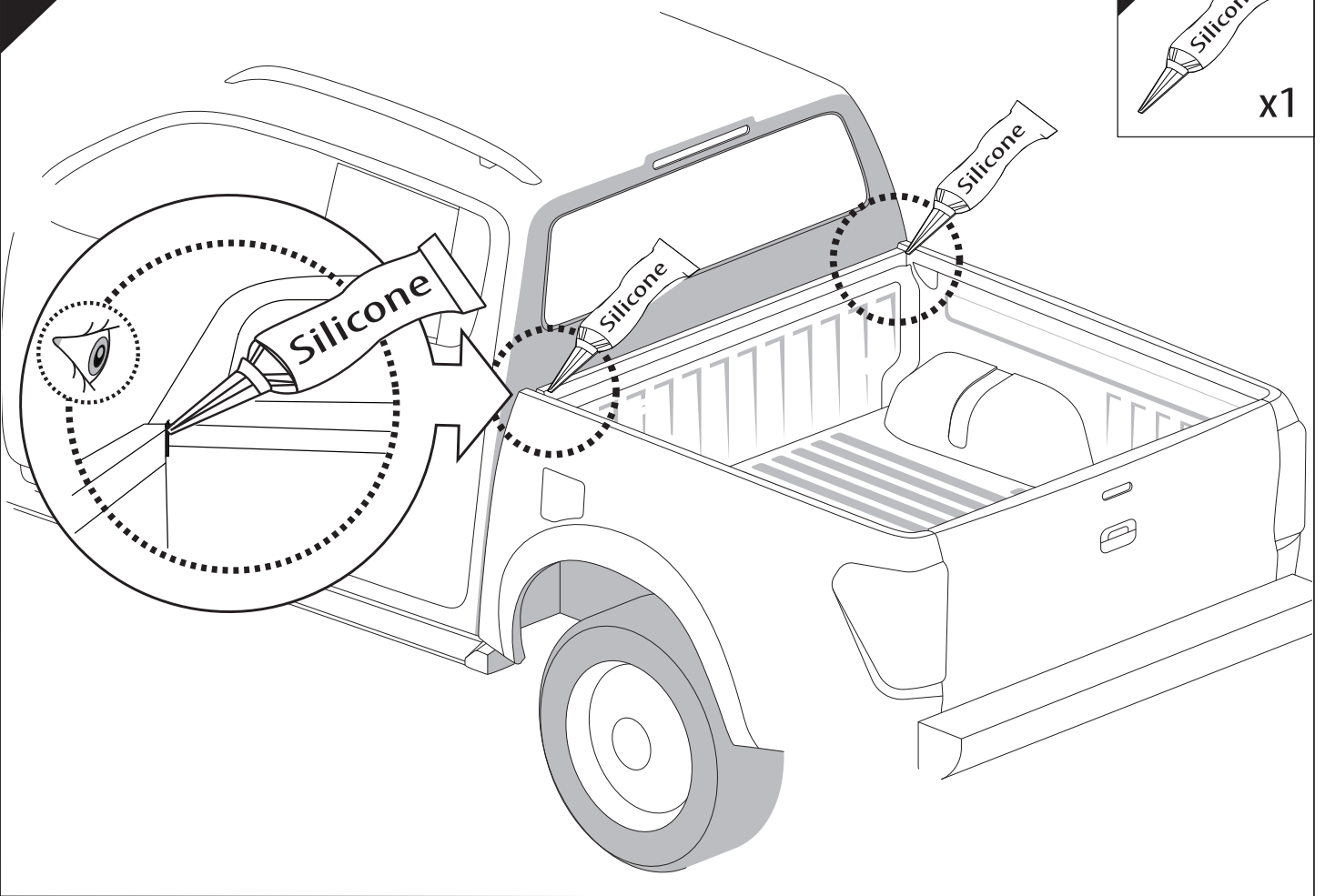
H<sub>2</sub>O

Sponge



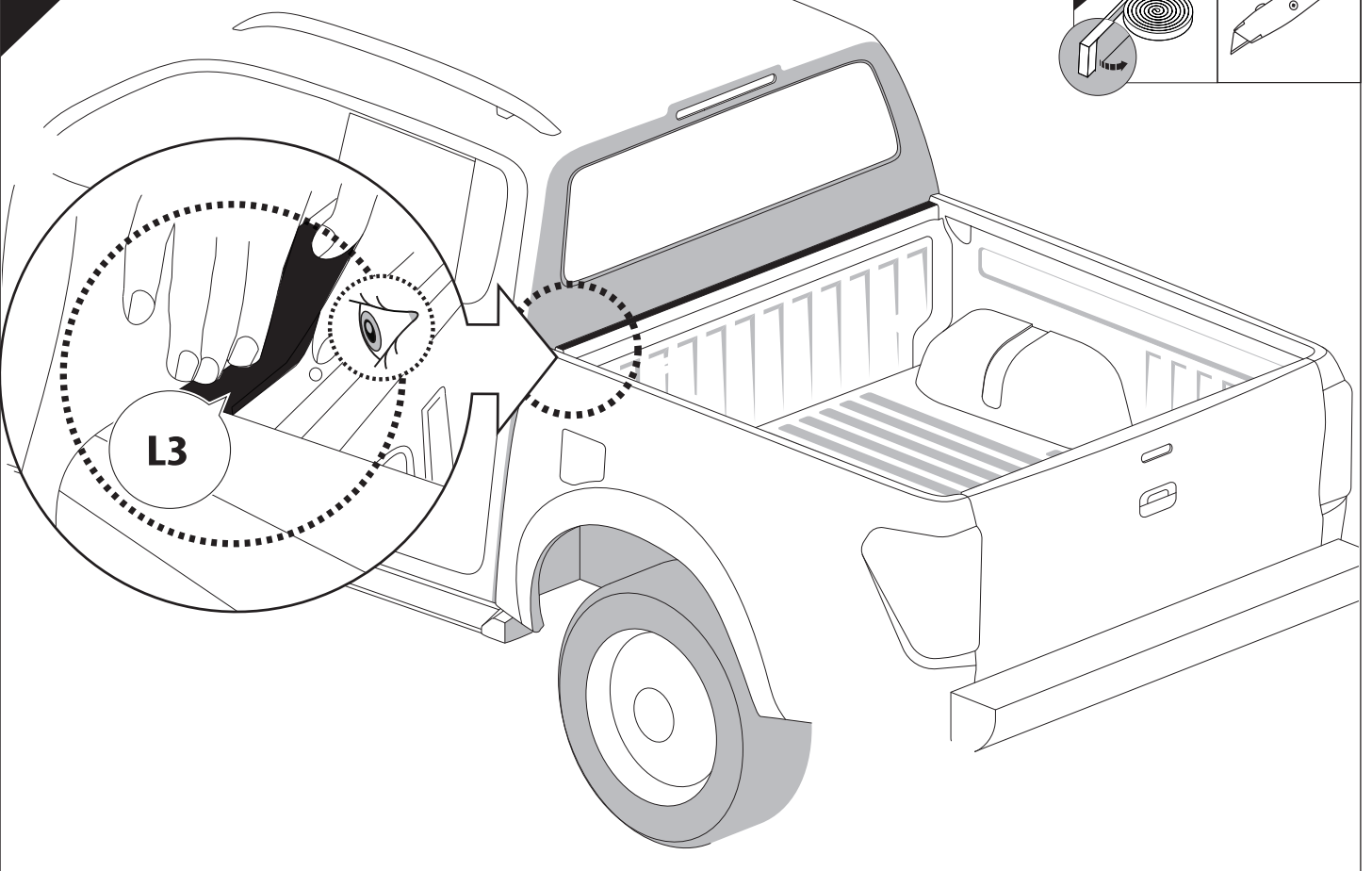
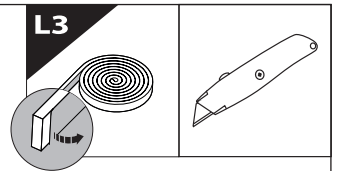
16

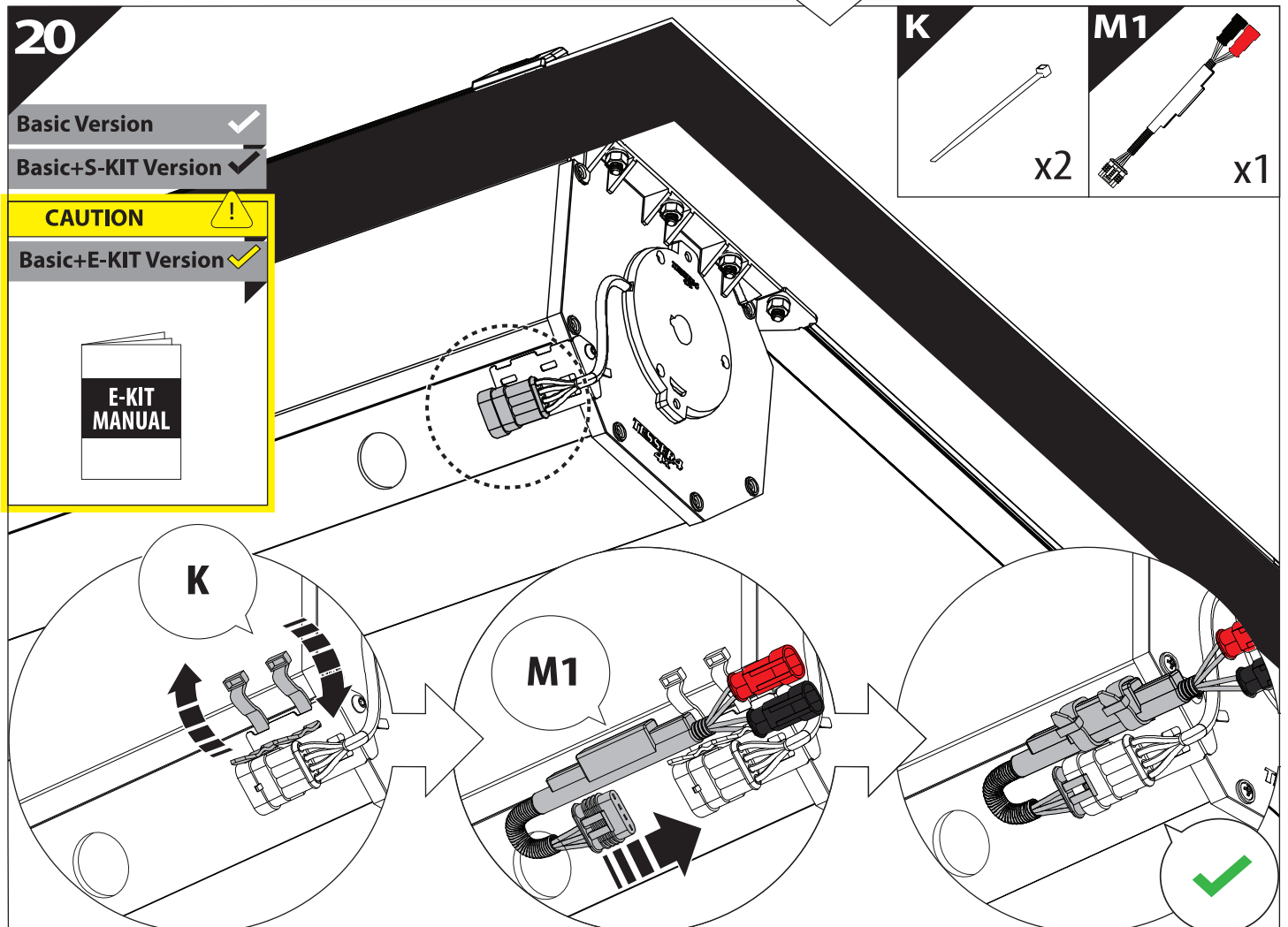
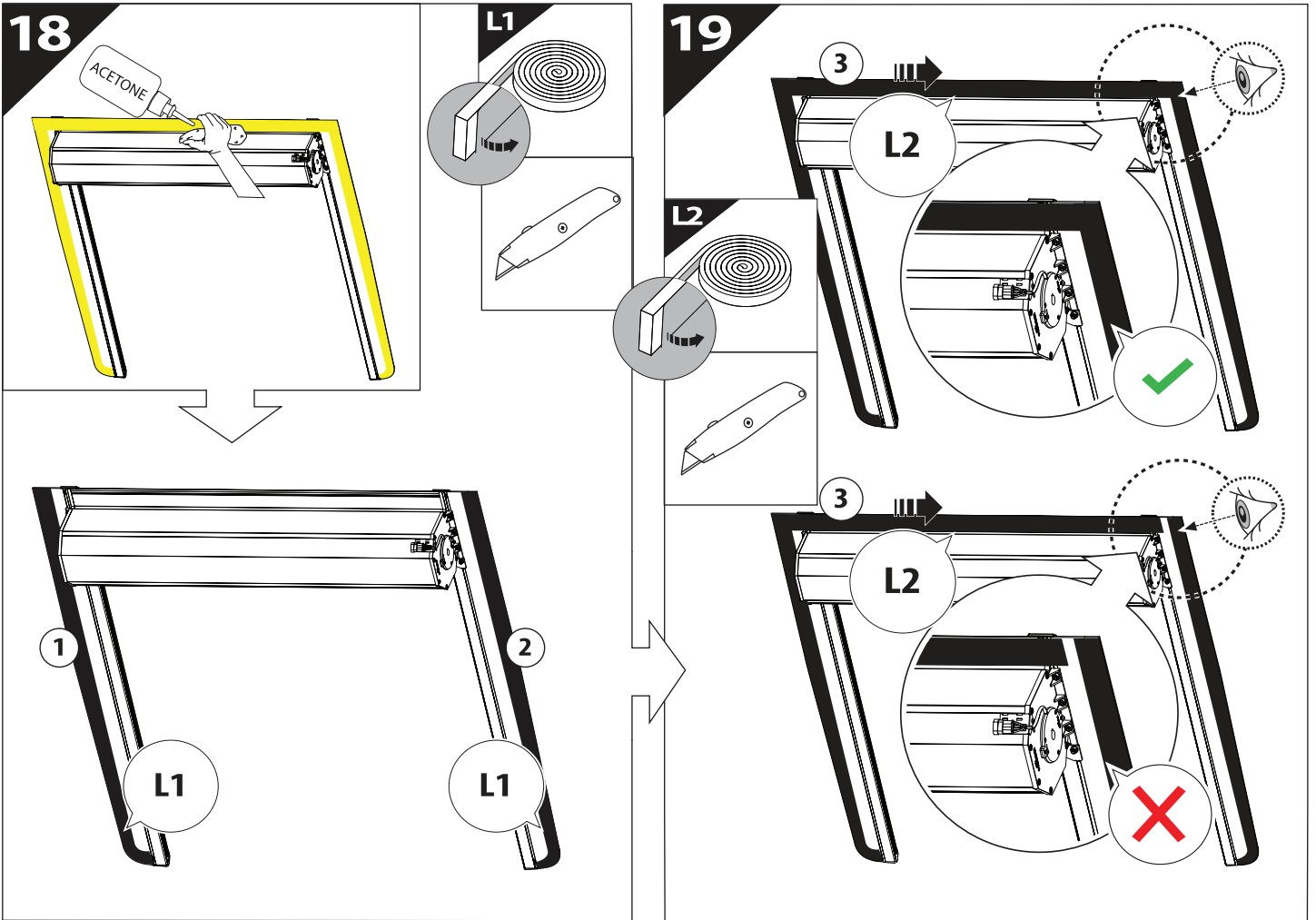
O

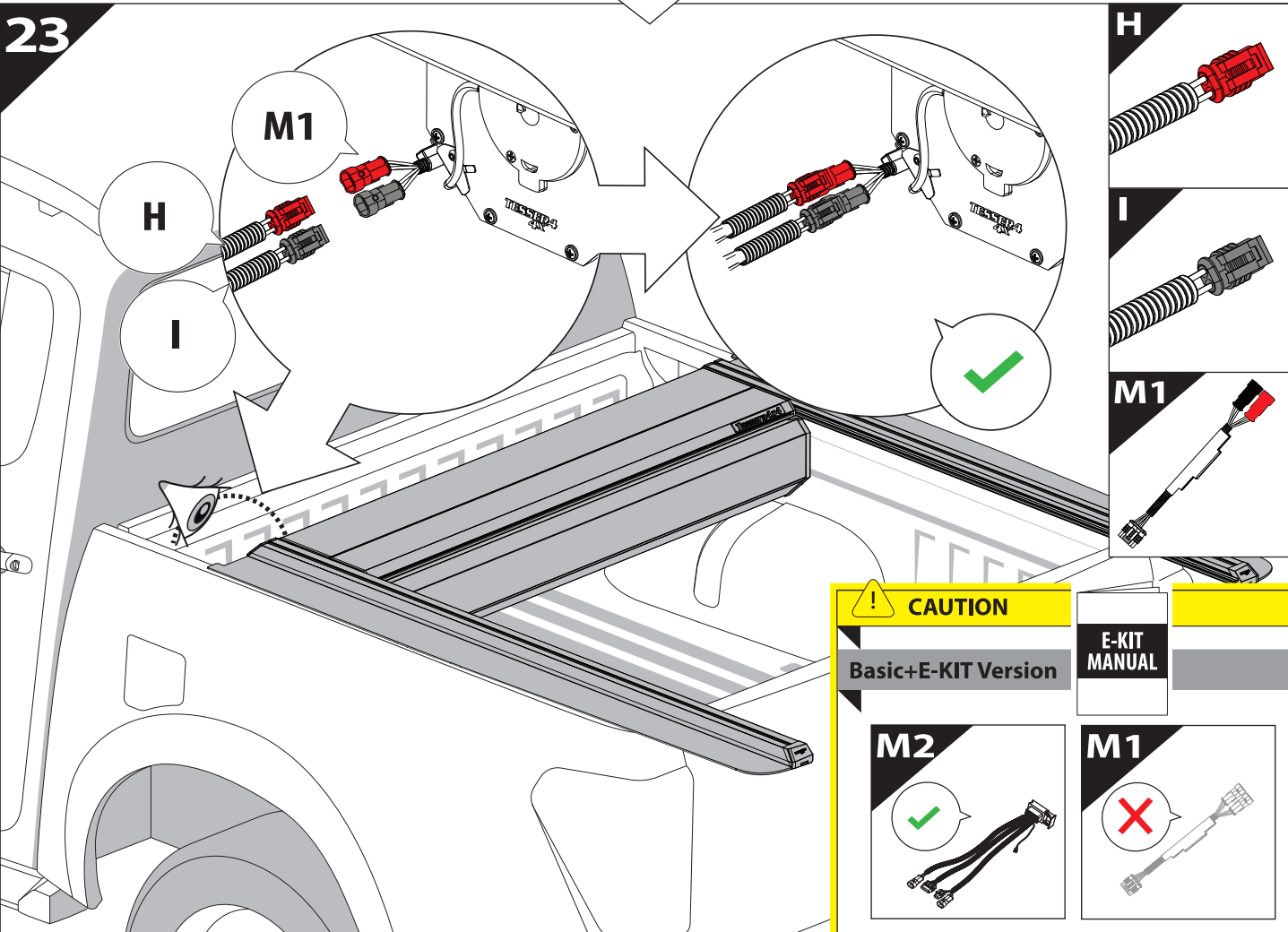
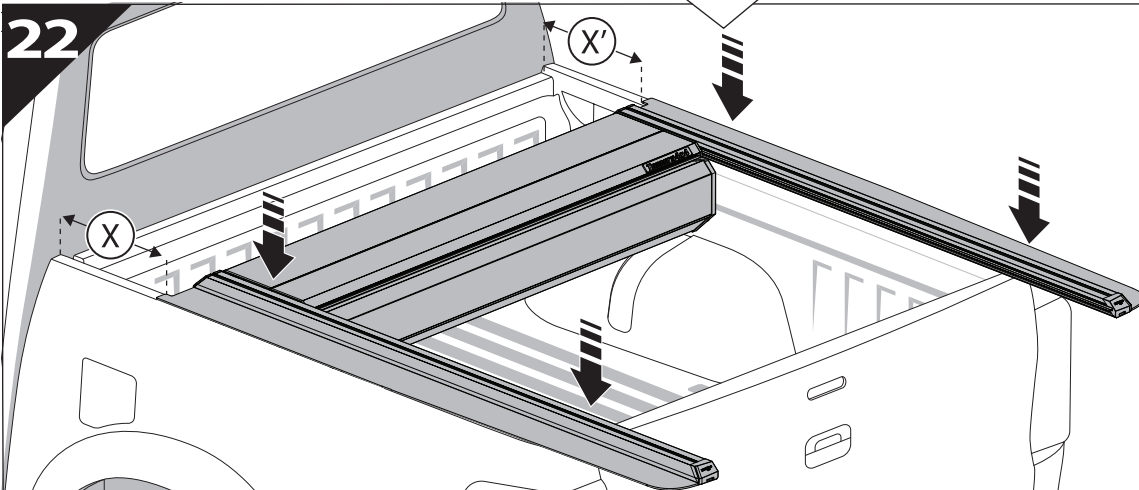
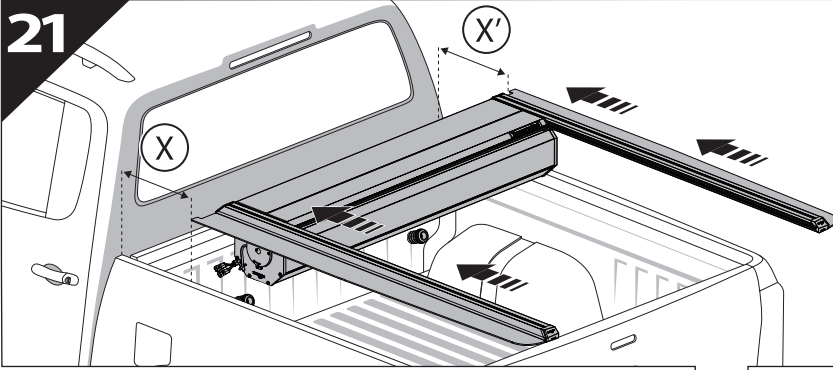


17

L3







**CAUTION**

Basic+E-KIT Version

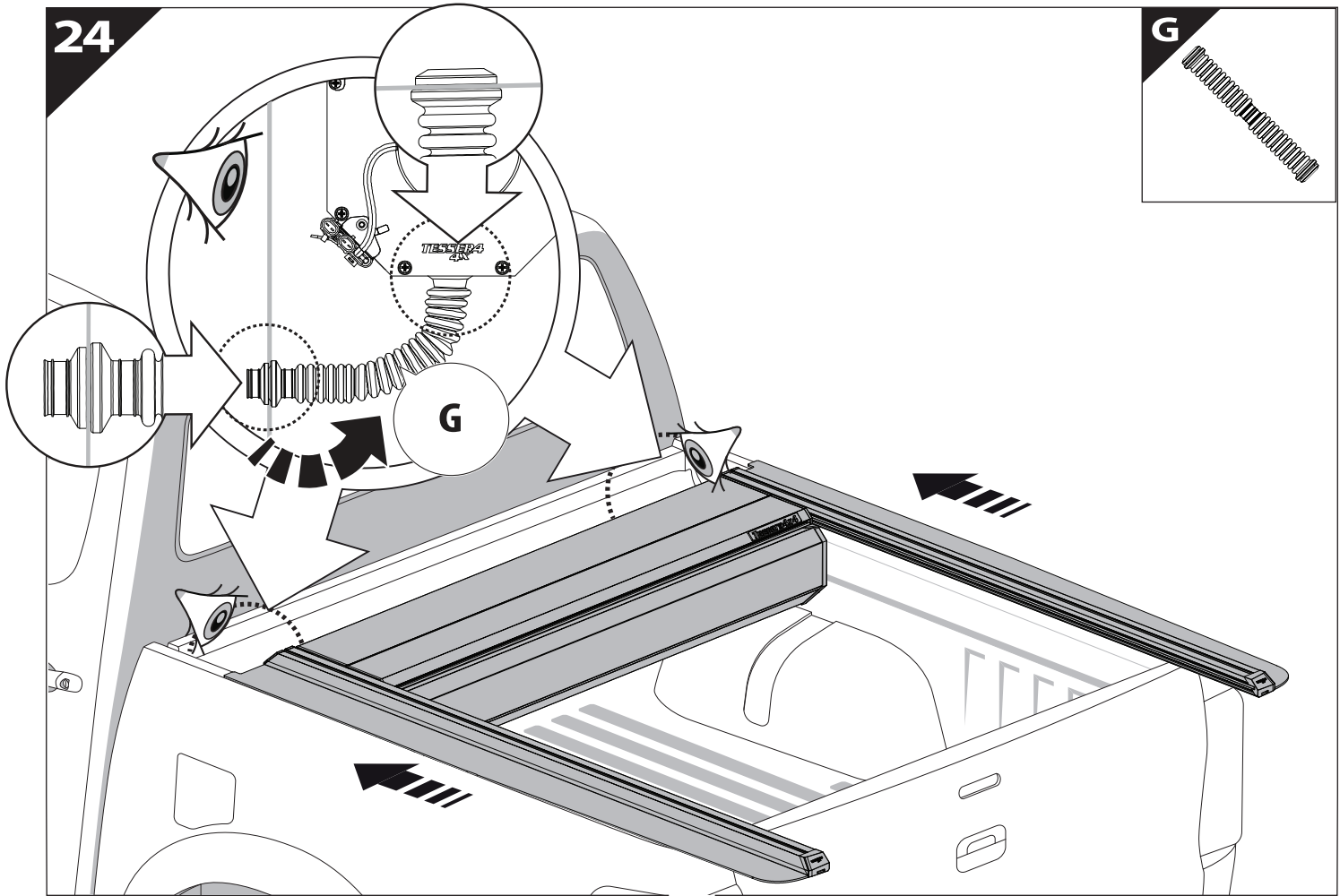
E-KIT  
MANUAL

M2

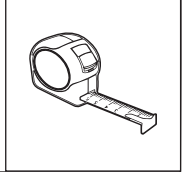
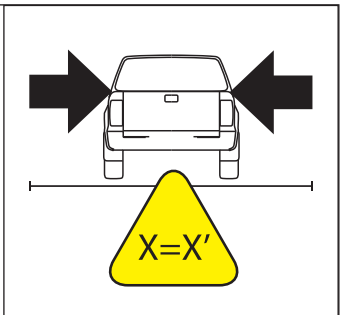
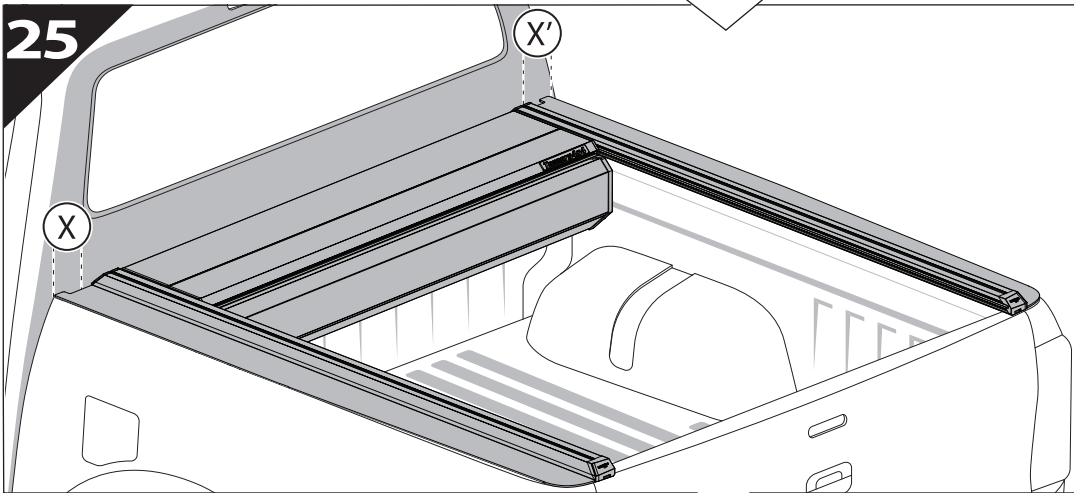
M1

24

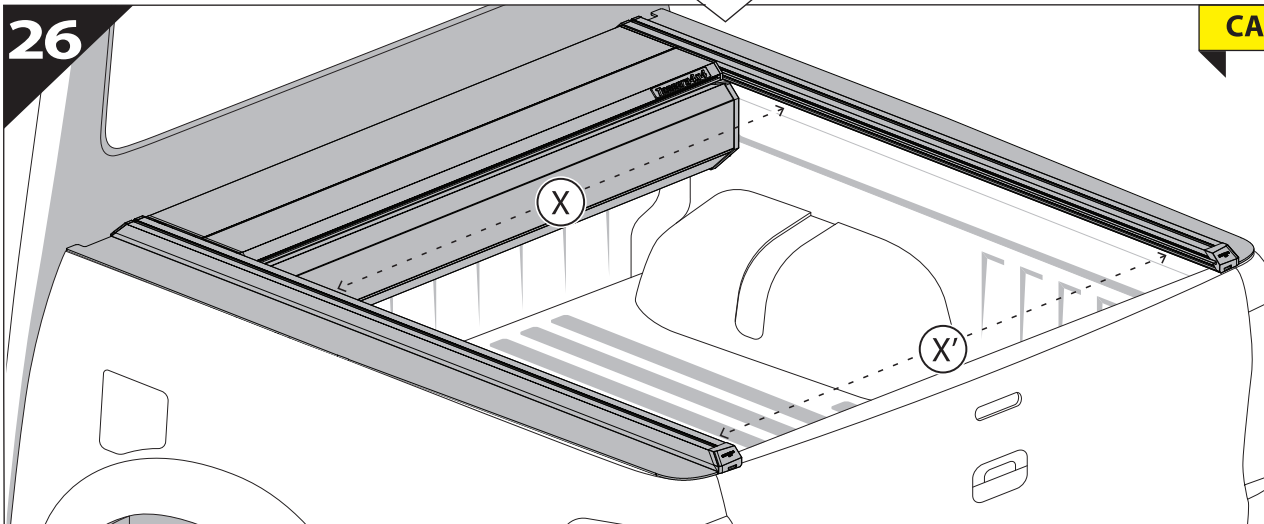
G



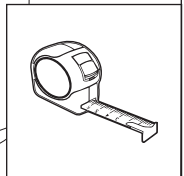
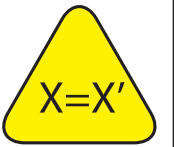
25

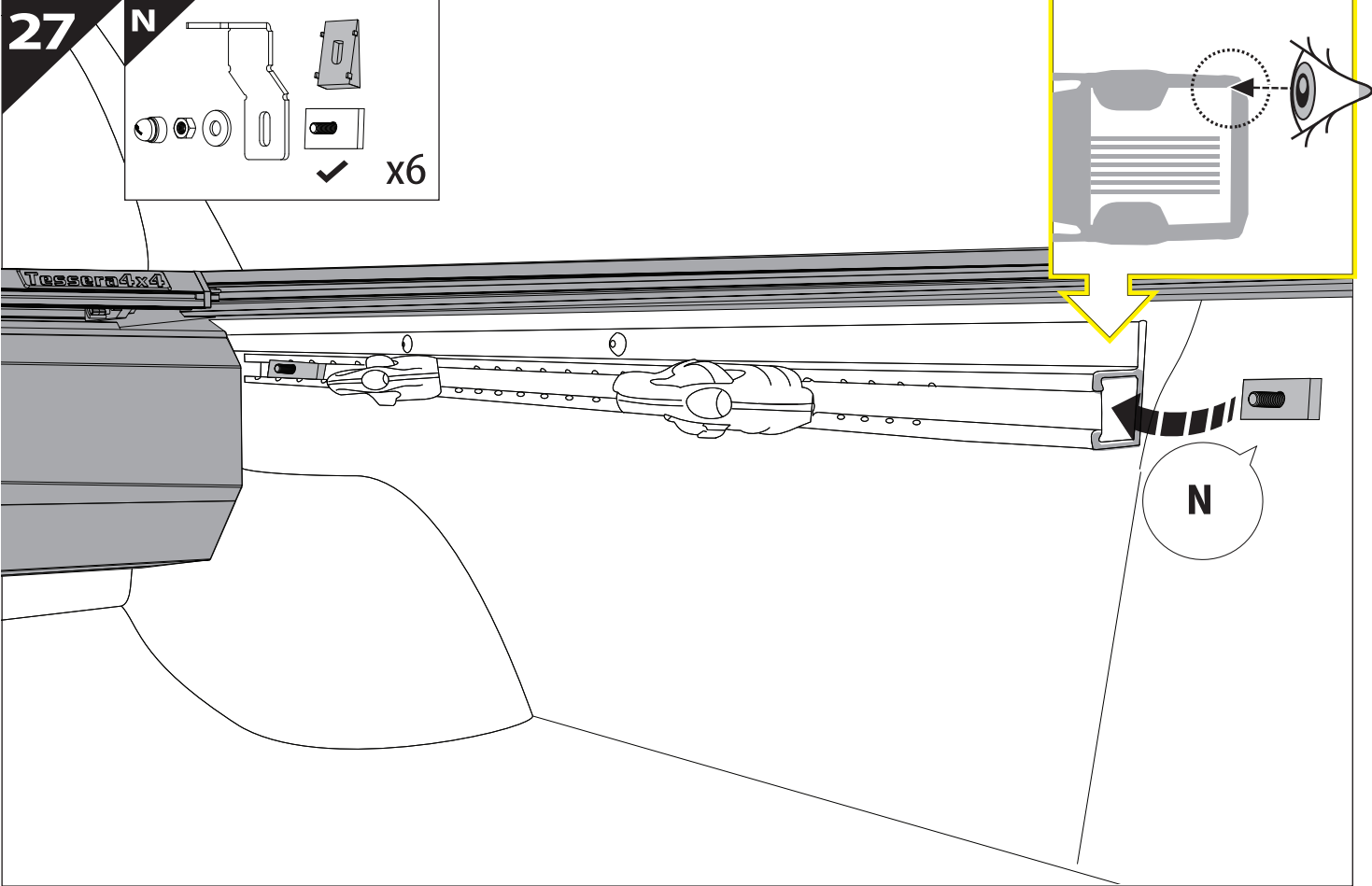


26

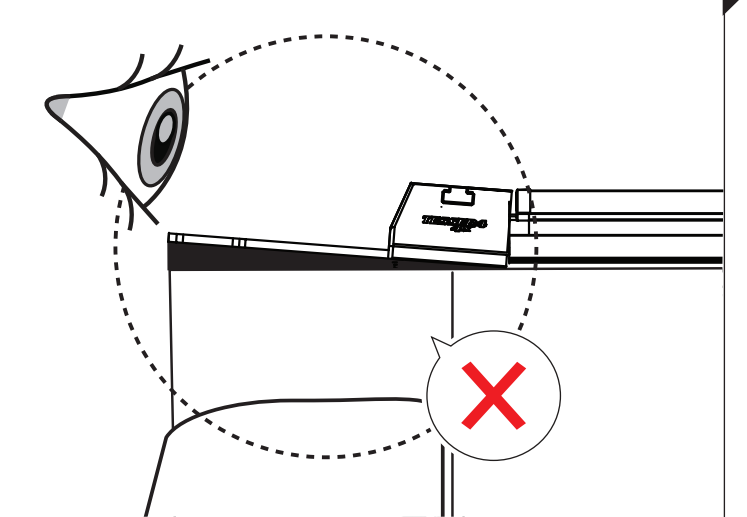
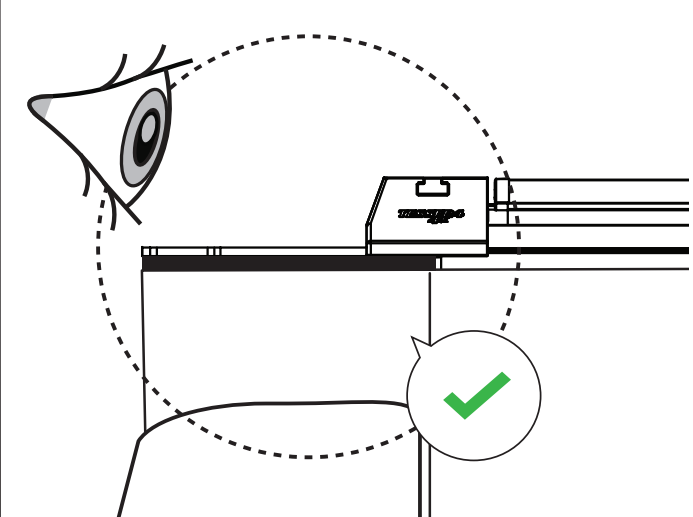
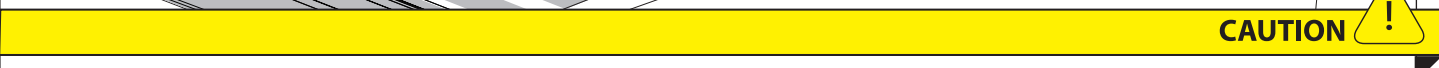
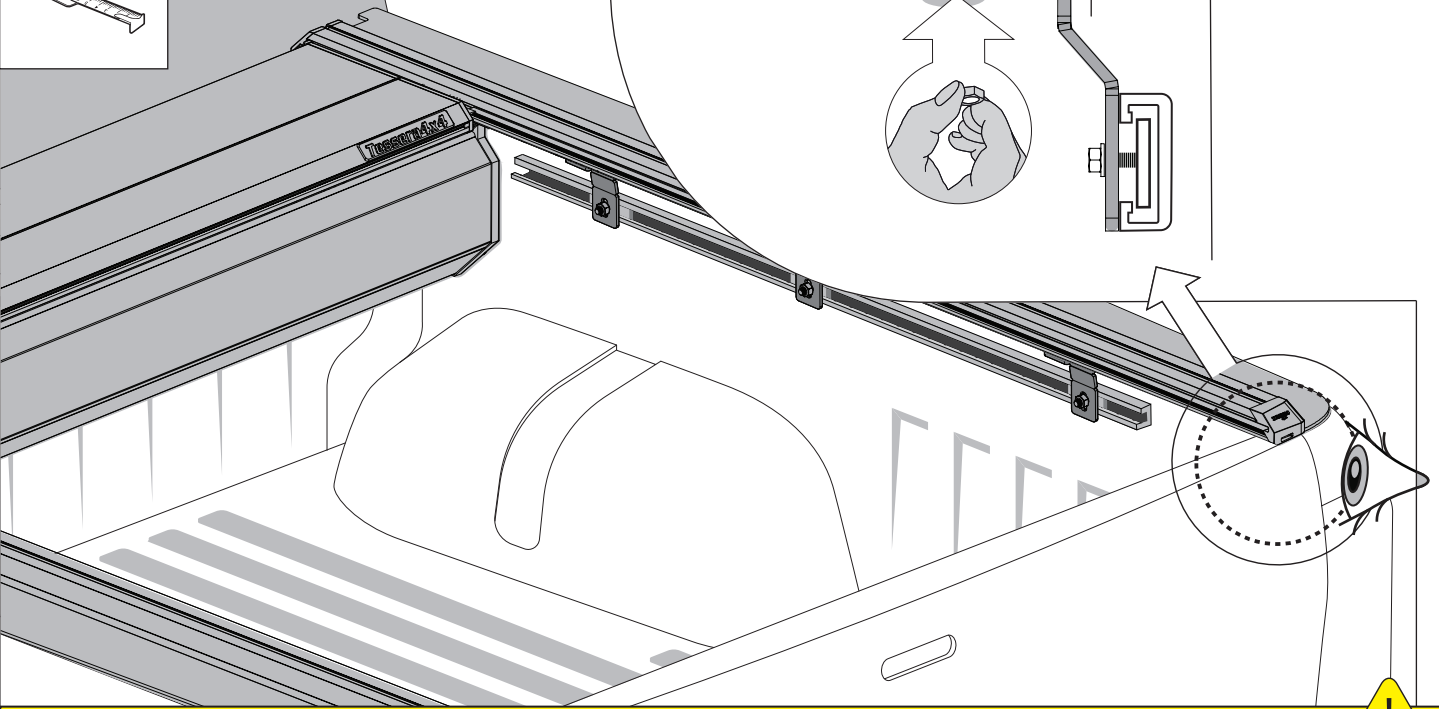
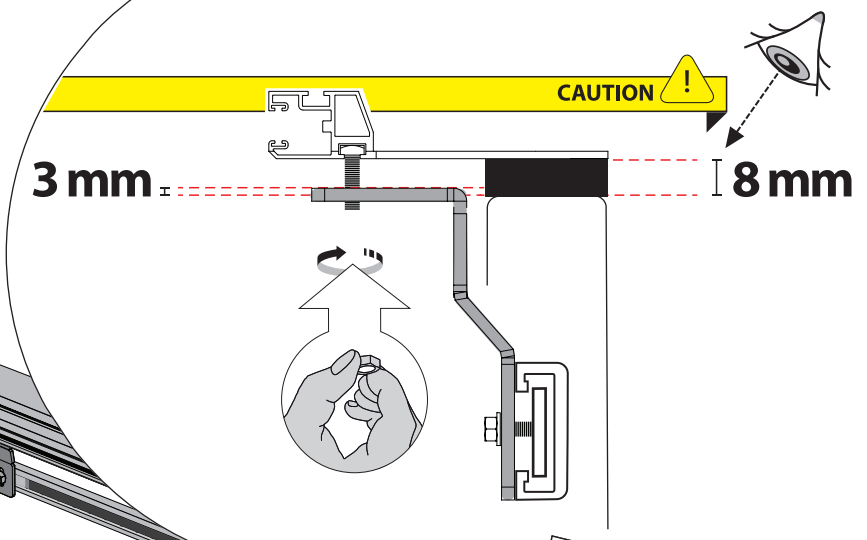
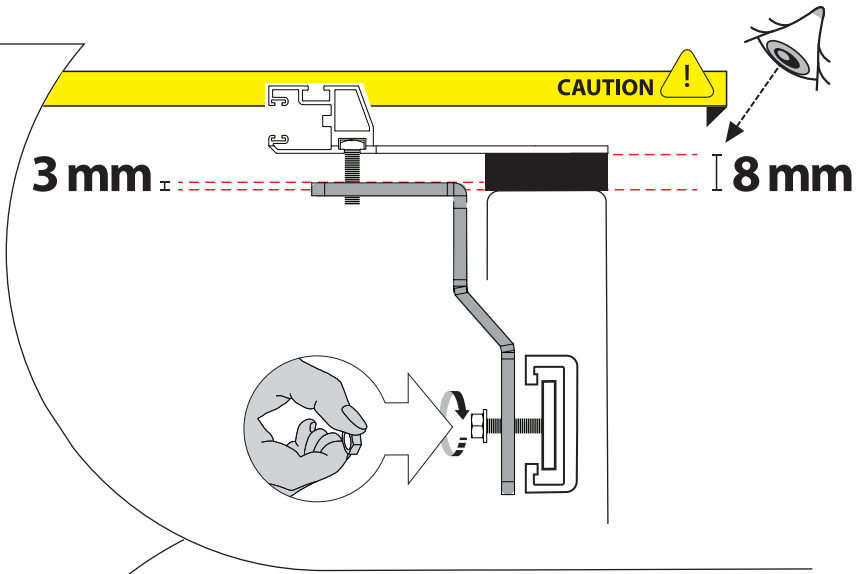
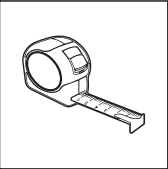
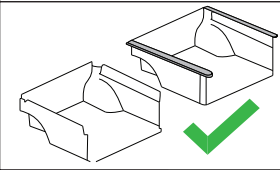
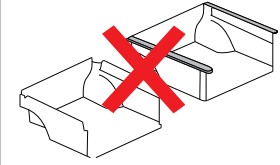
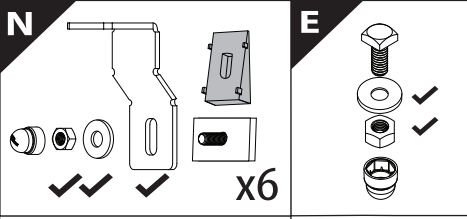


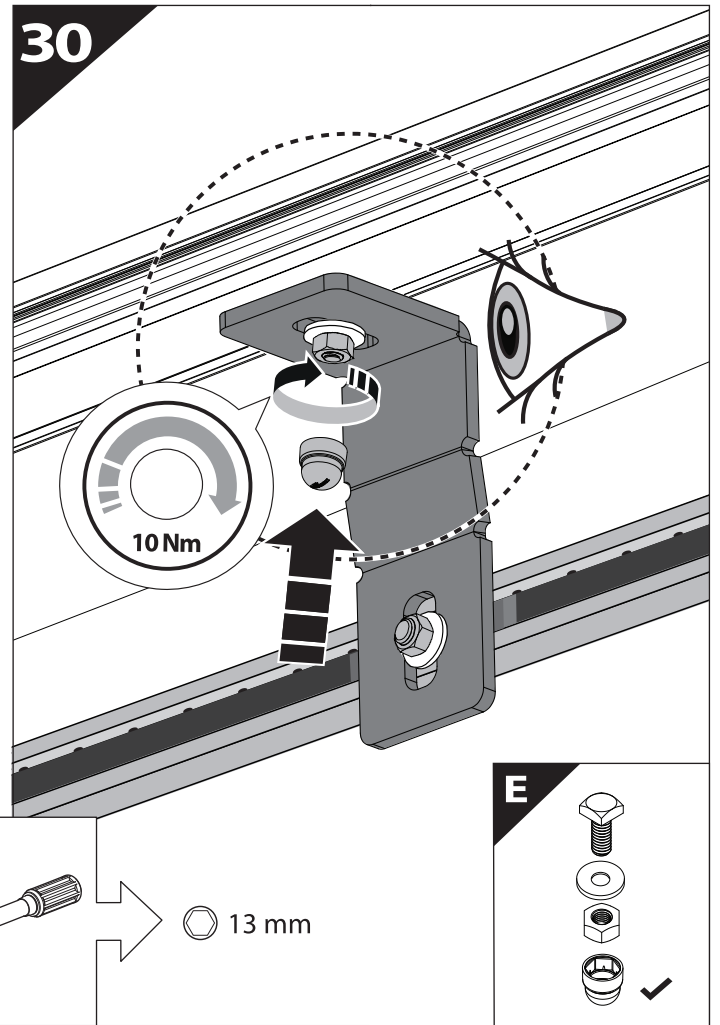
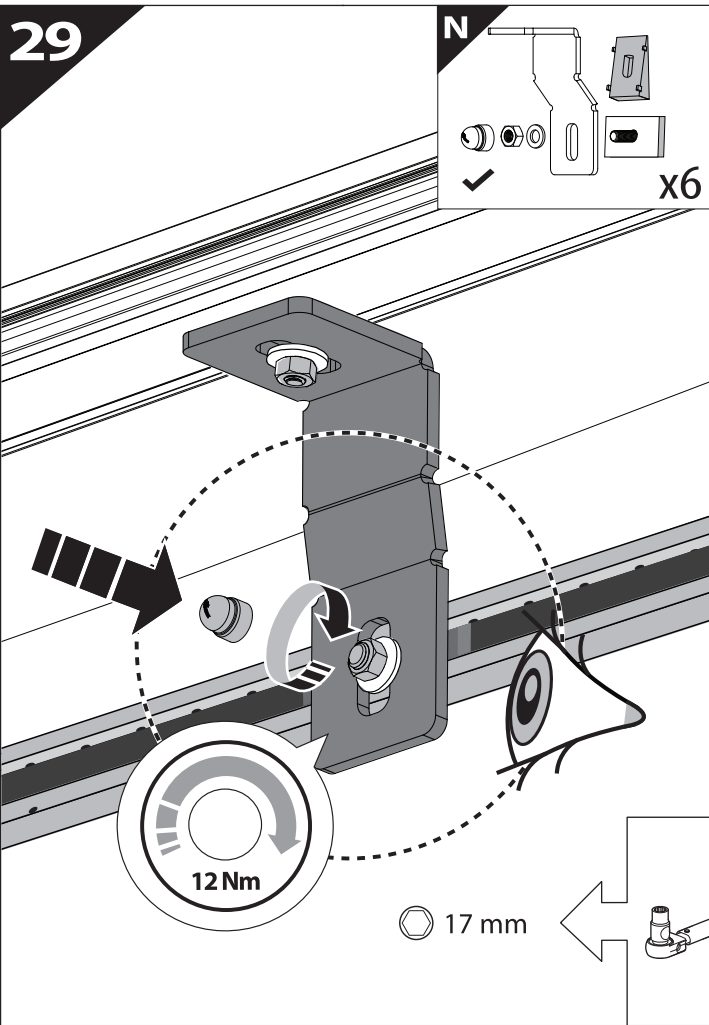
CAUTION !



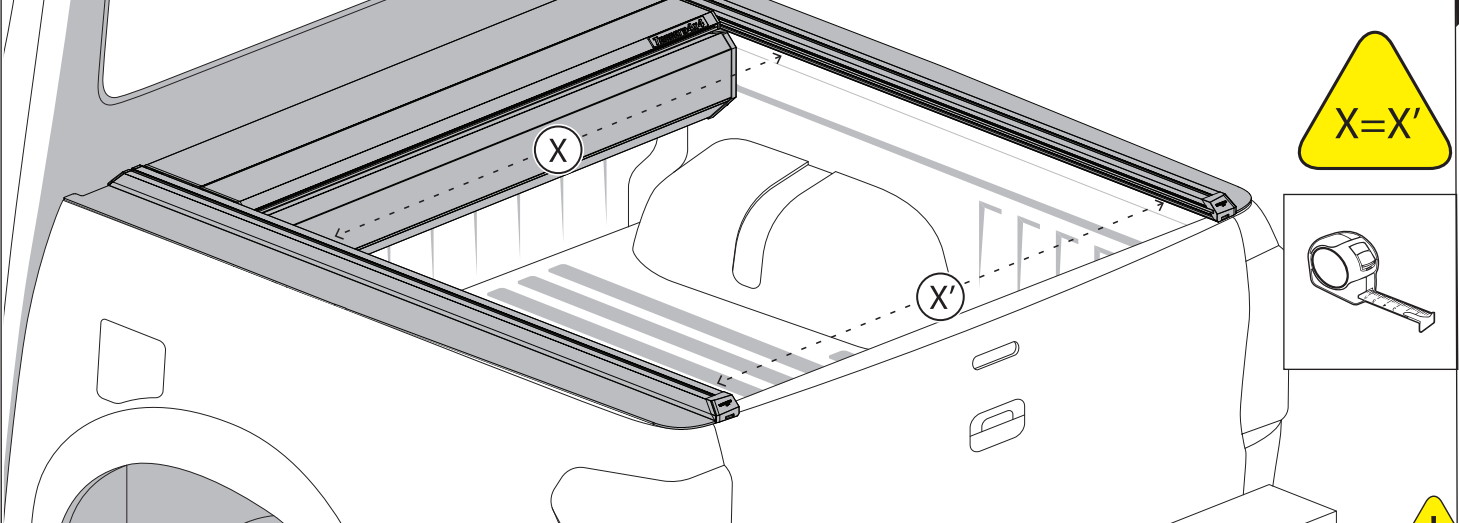


28

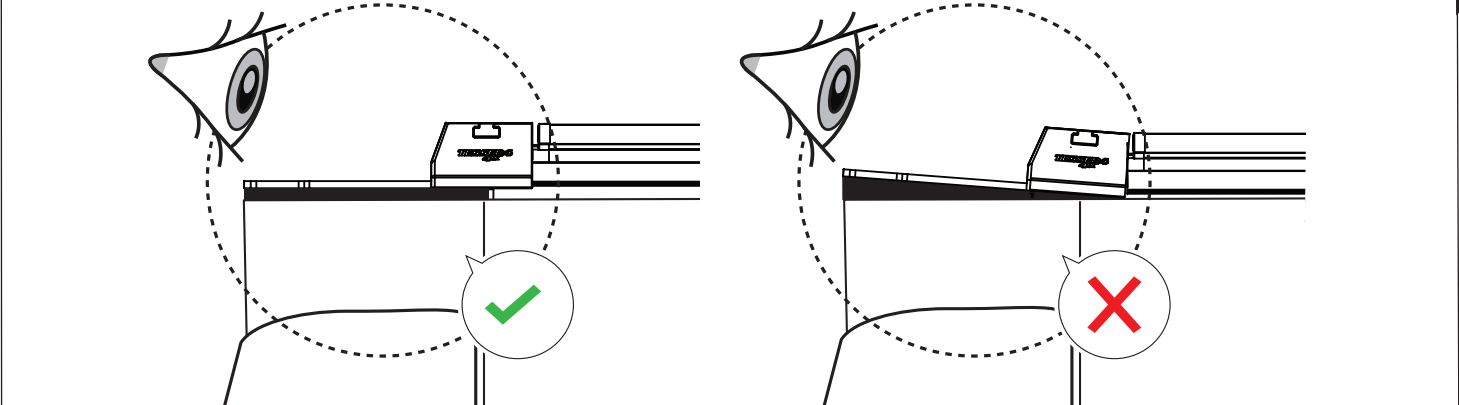


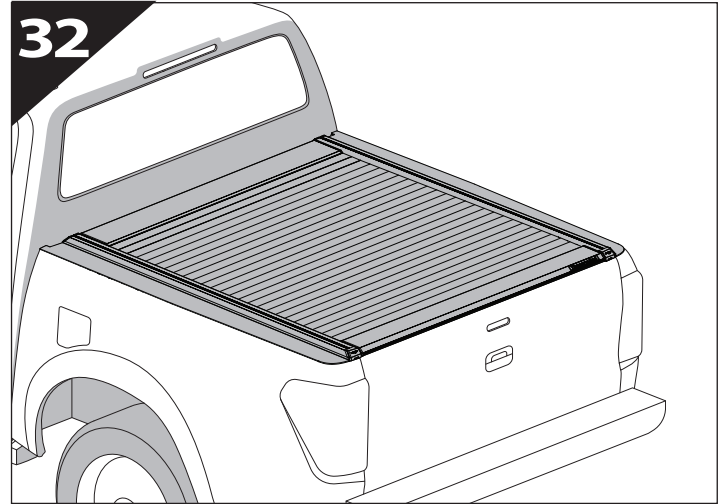
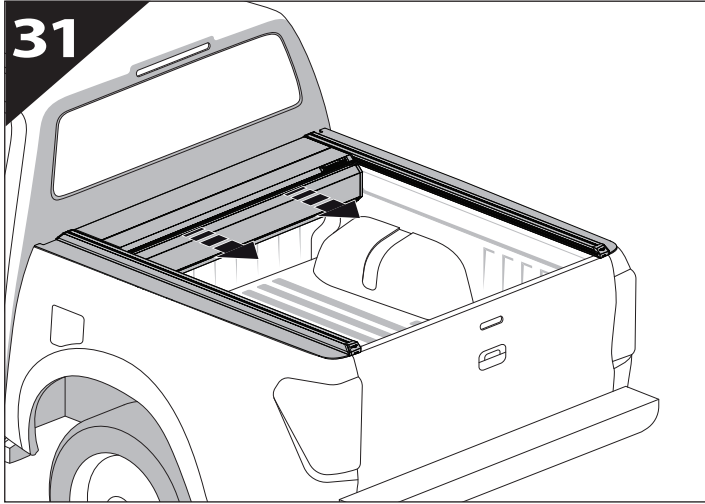


**CAUTION** !



**CAUTION** !





**GR:** Οδηγίες Εγκατάστασης  
**GB:** Installation manual  
**SF:** Asennusohje  
**F:** Notice de montage  
**PL:** Instrukcja montażu  
**NL:** Installatie-instructies  
**TR:** Montaj Talimatı  
**S:** Monteringsanvisning  
**E:** Instrucciones de montaje

**H:** Szerelési utasítás  
**P:** Instruções de instalação  
**RUS:** Инструкция по установке  
**N:** Monteringsveiledning  
**D:** Einbauanleitung  
**CZ:** Návod k instalaci  
**I:** Istruzioni de montaggio  
**DK:** Monteringsvejledning  
**RO:** Instructiuni de instalare

Customer Service:

+30 (210) 5541161, +30 (210) 5541154 (08:00 - 16:00 EET)

Support department:

[info@gianso.gr](mailto:info@gianso.gr)

Website:

[www.tessera4x4.com](http://www.tessera4x4.com)

Address:

19.5 km of National road Athens-Korinthos (Elefsina) Greece, P.C: 19200