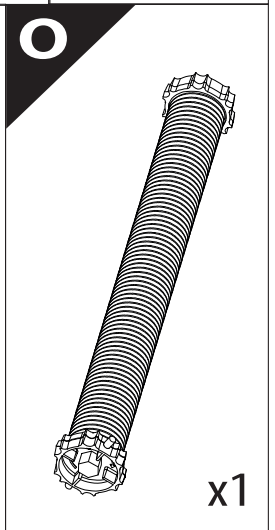
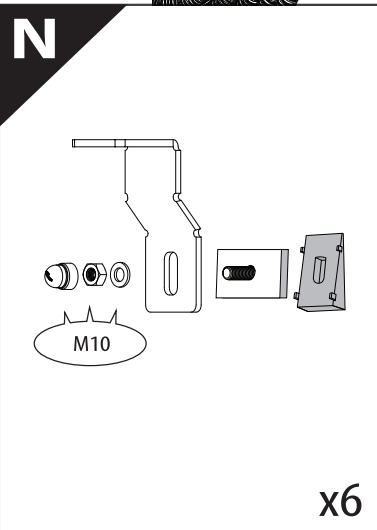
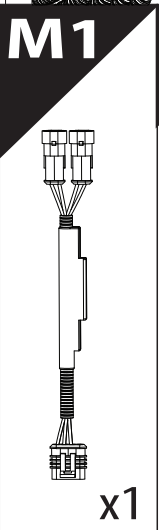
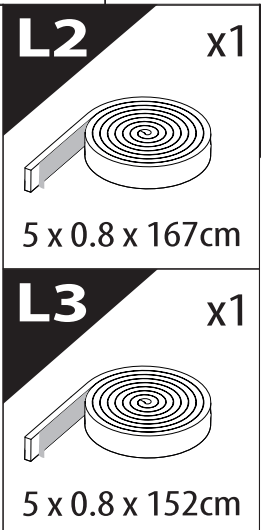
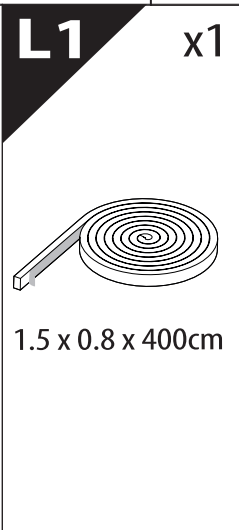
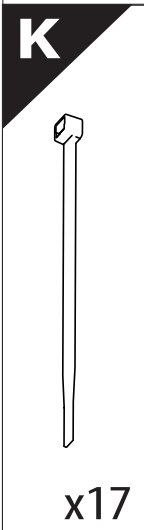
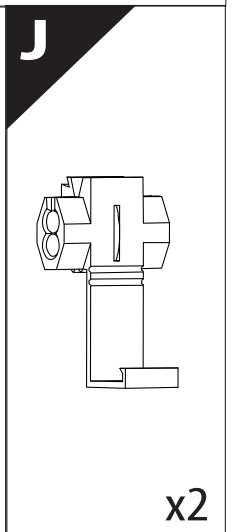
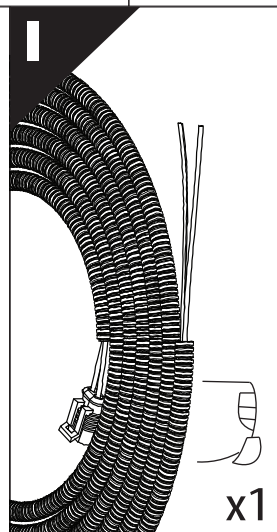
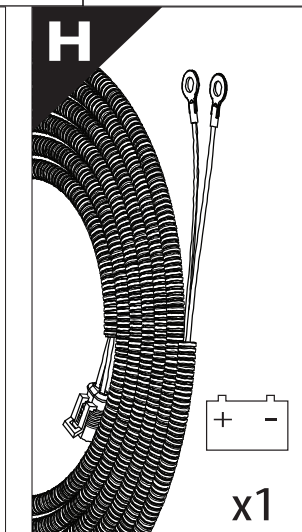
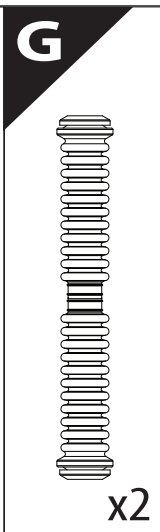
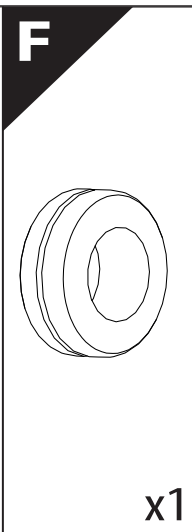
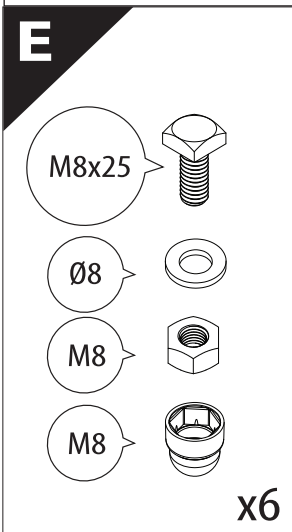
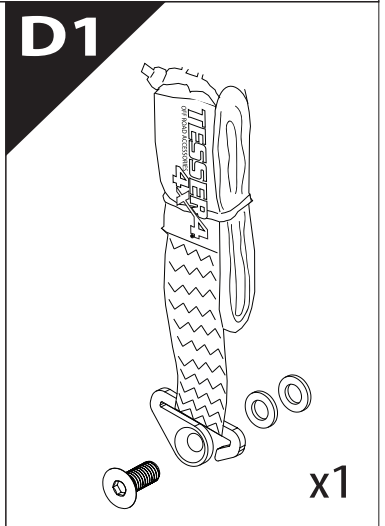
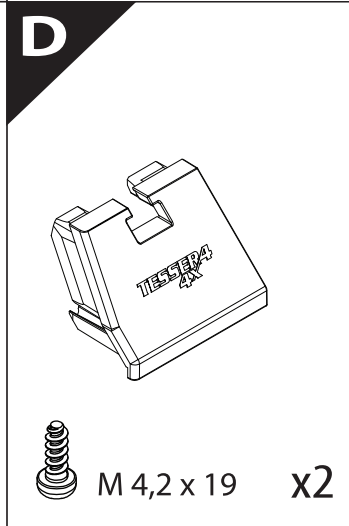
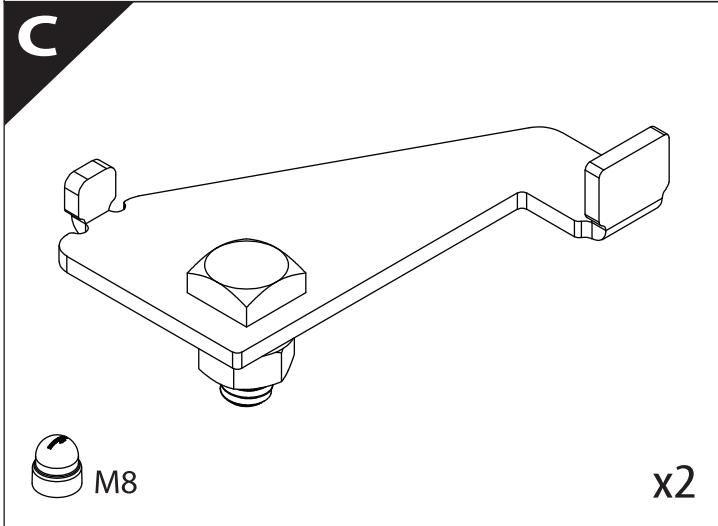
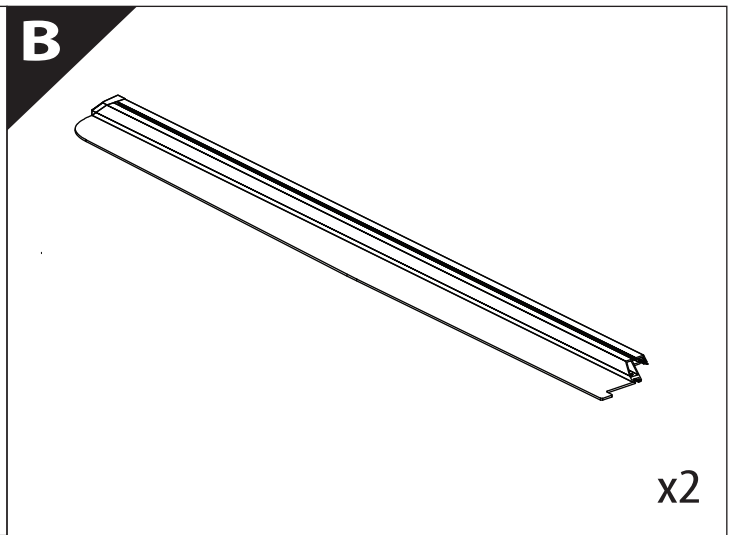
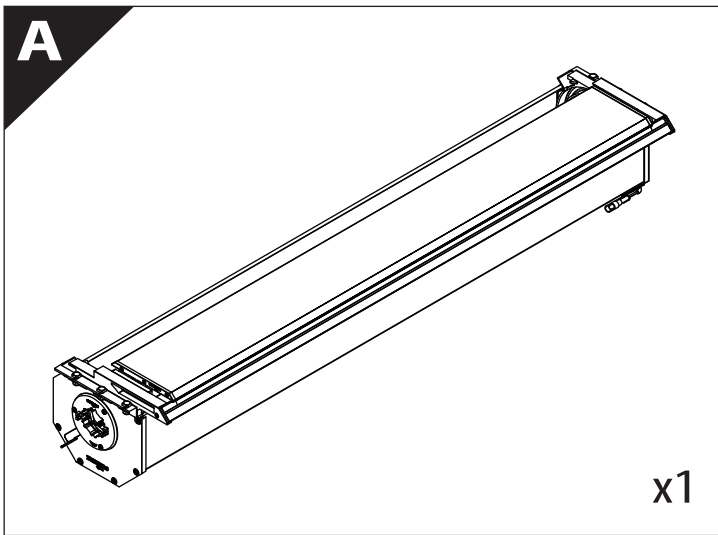


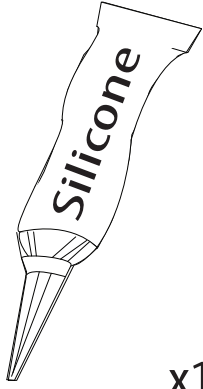


Installation Manual

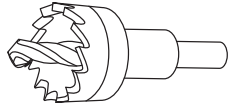
PART NUMBER(S)	Model Year
TESS 1419 ROLL+S-KIT	Mercedes X-Class 2018+ (with c-channels)
Cab(s)	Installation Time / Weight
Double Cab	40-60 minutes / 53-57 kg



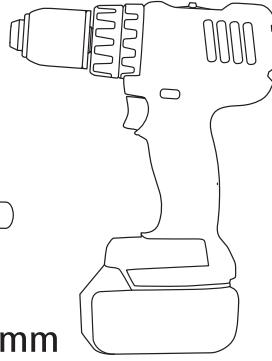
P



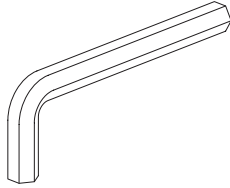
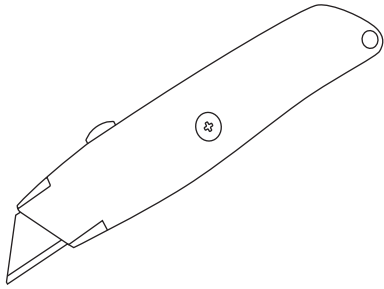
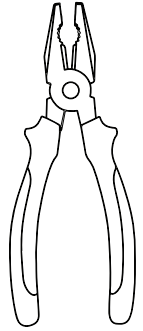
x1



Ø 25 mm / Ø 40 mm

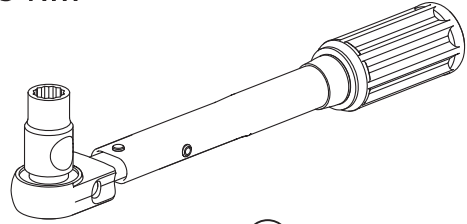


+



4 mm

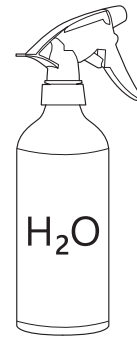
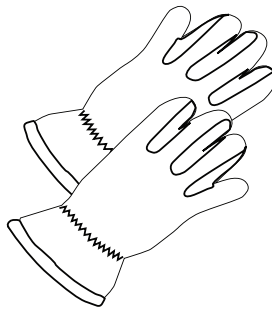
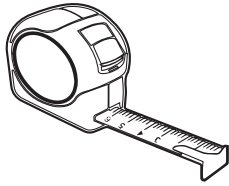
1 - 25 Nm



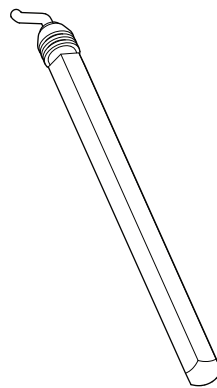
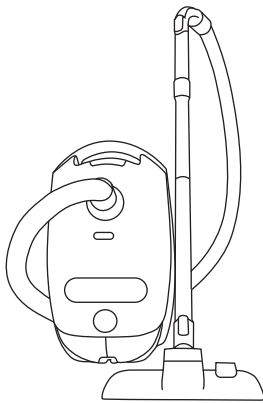
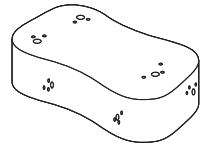
12, 13, 17 mm



ACETONE



H₂O



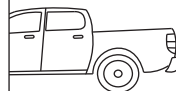
ANTI-RUST



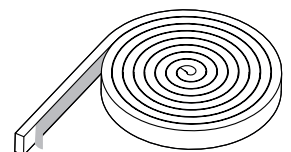
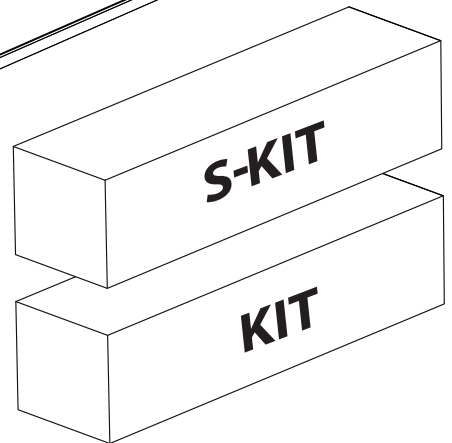
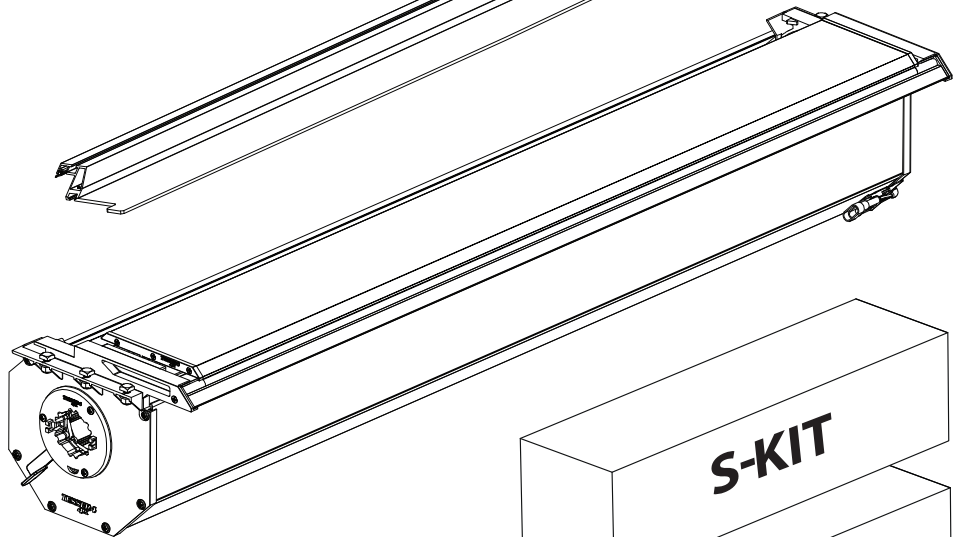
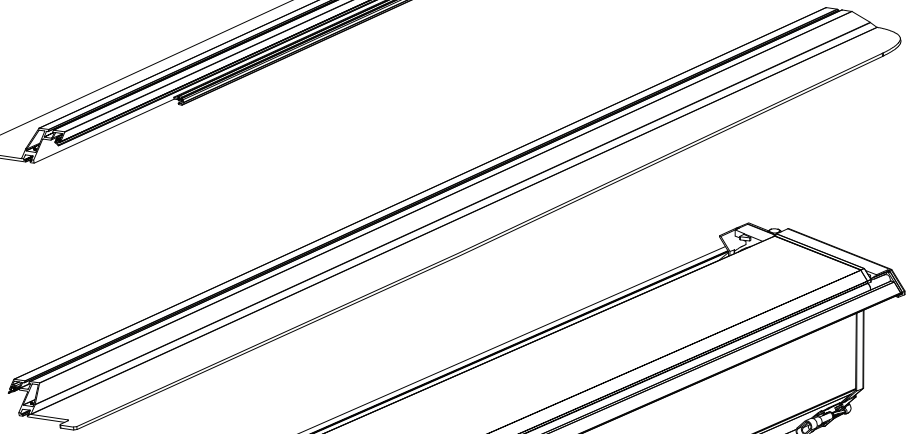
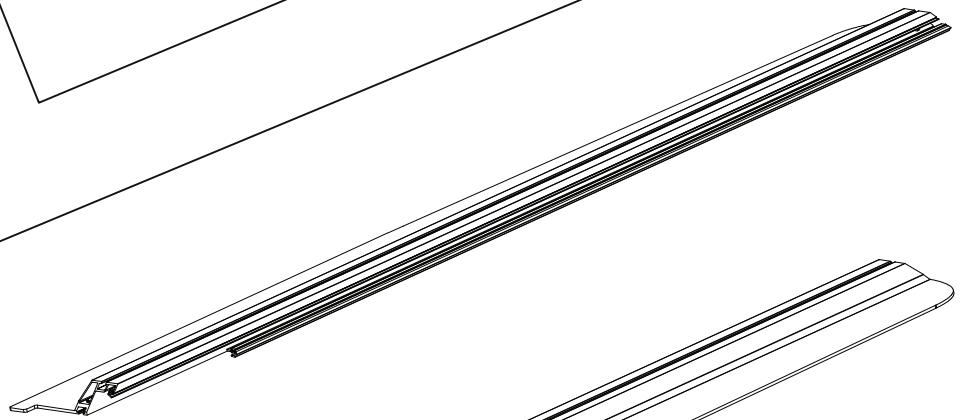
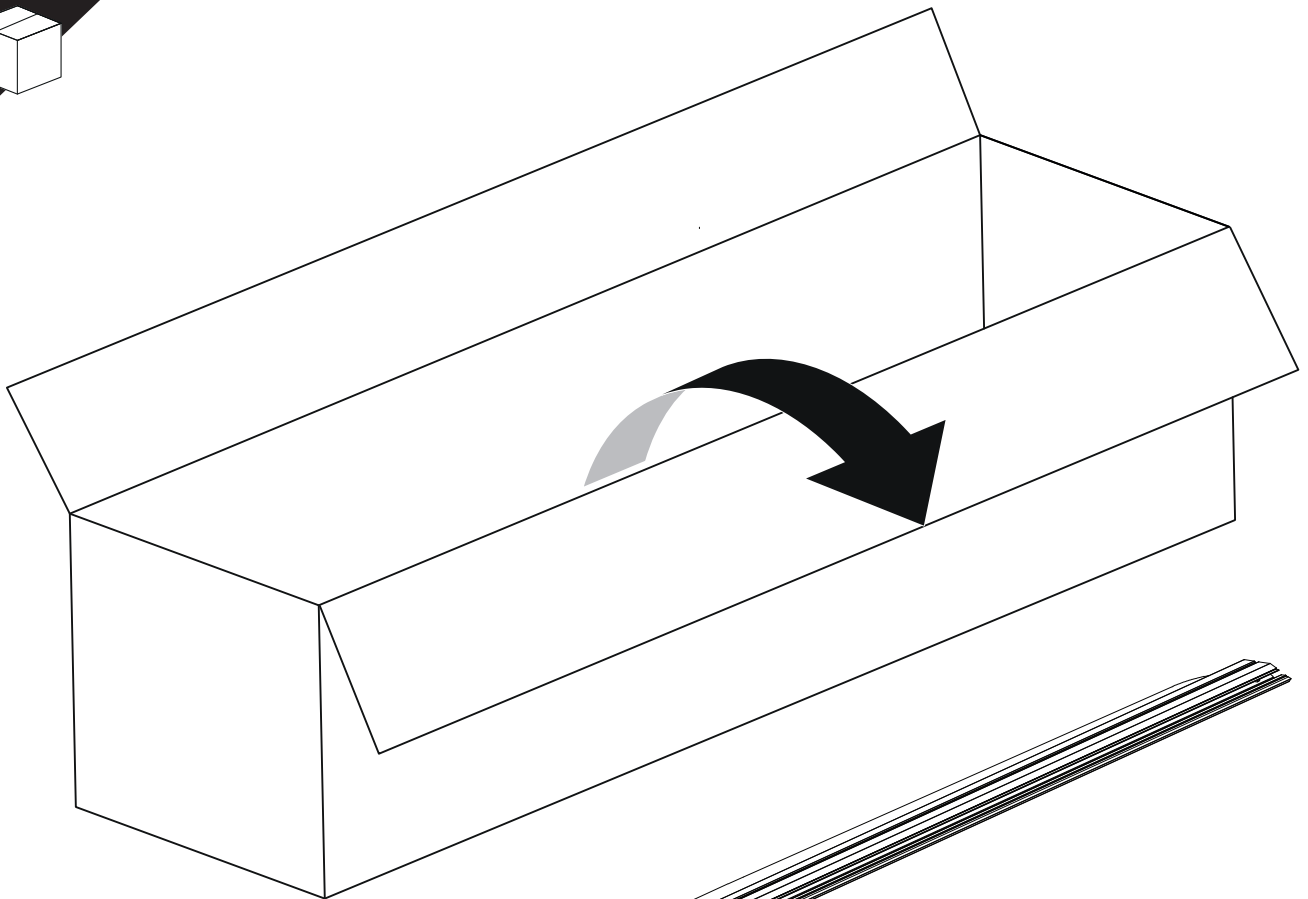
INSTALATION
MANUAL
+S-KIT



OWNERS
MANUAL



x1

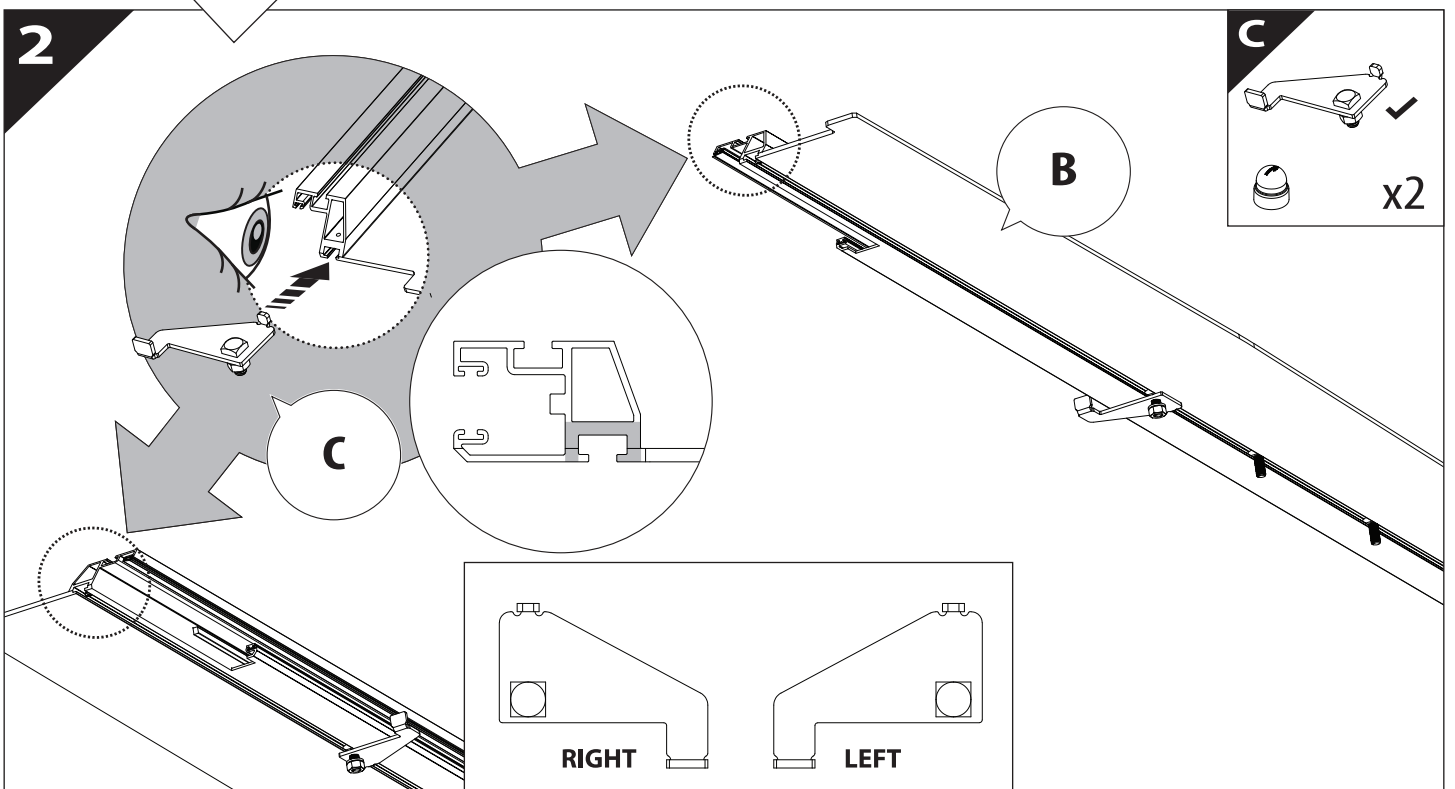
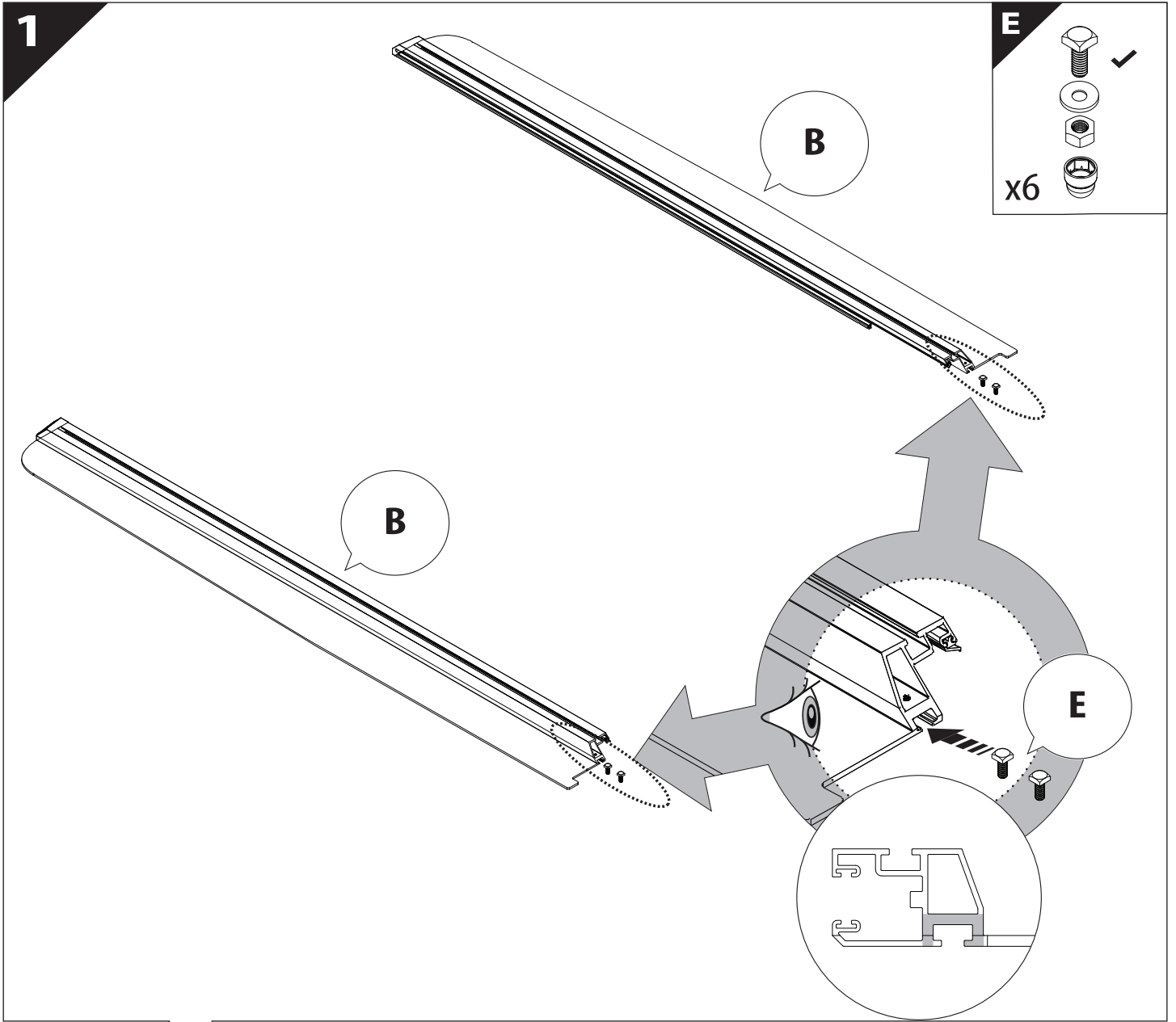


B

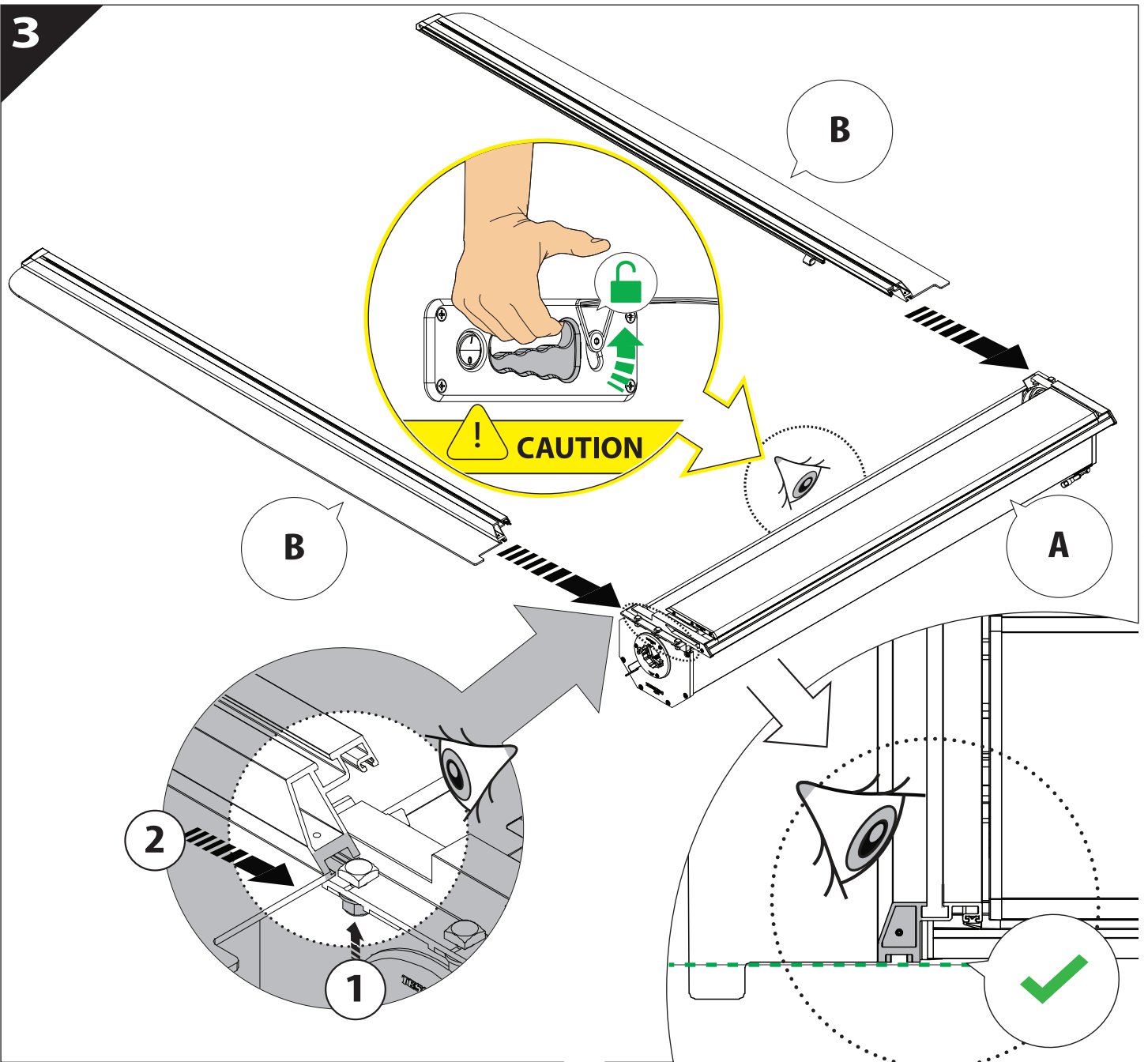
A

KITS

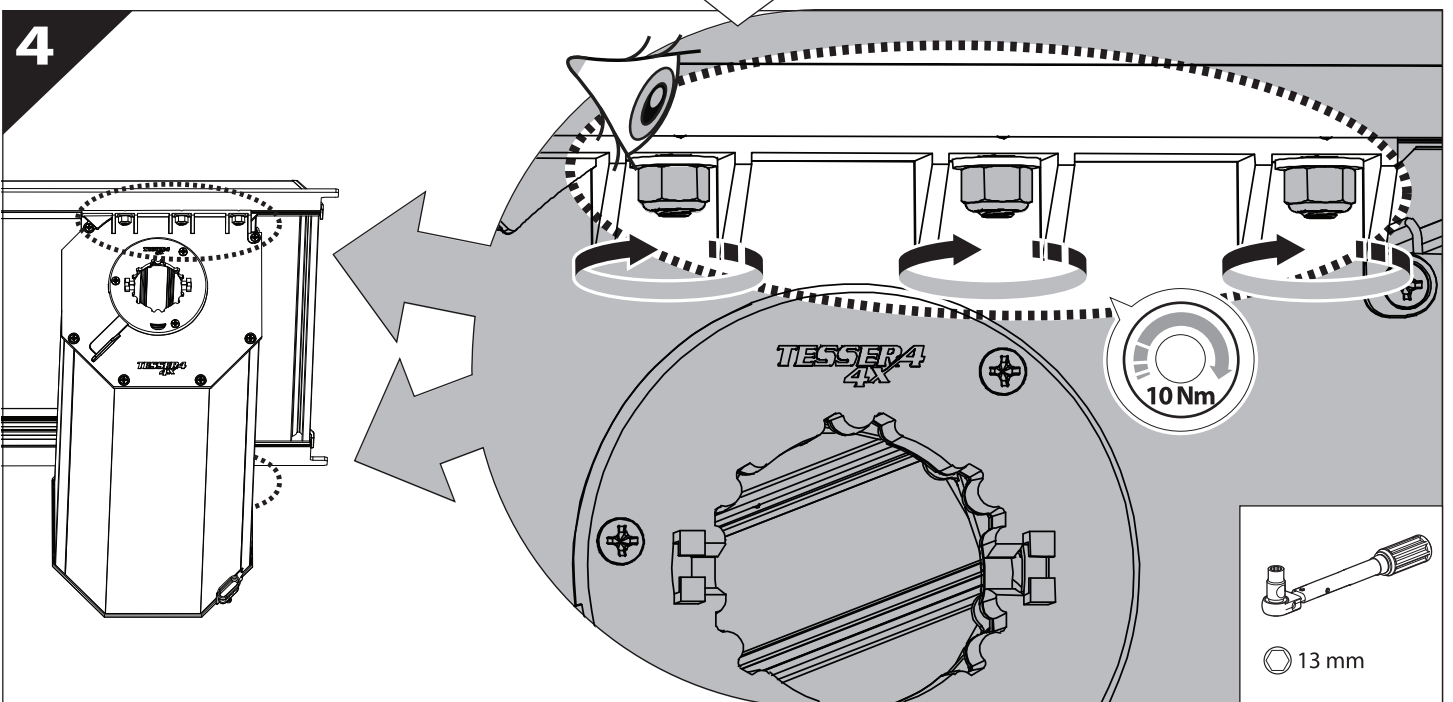
L

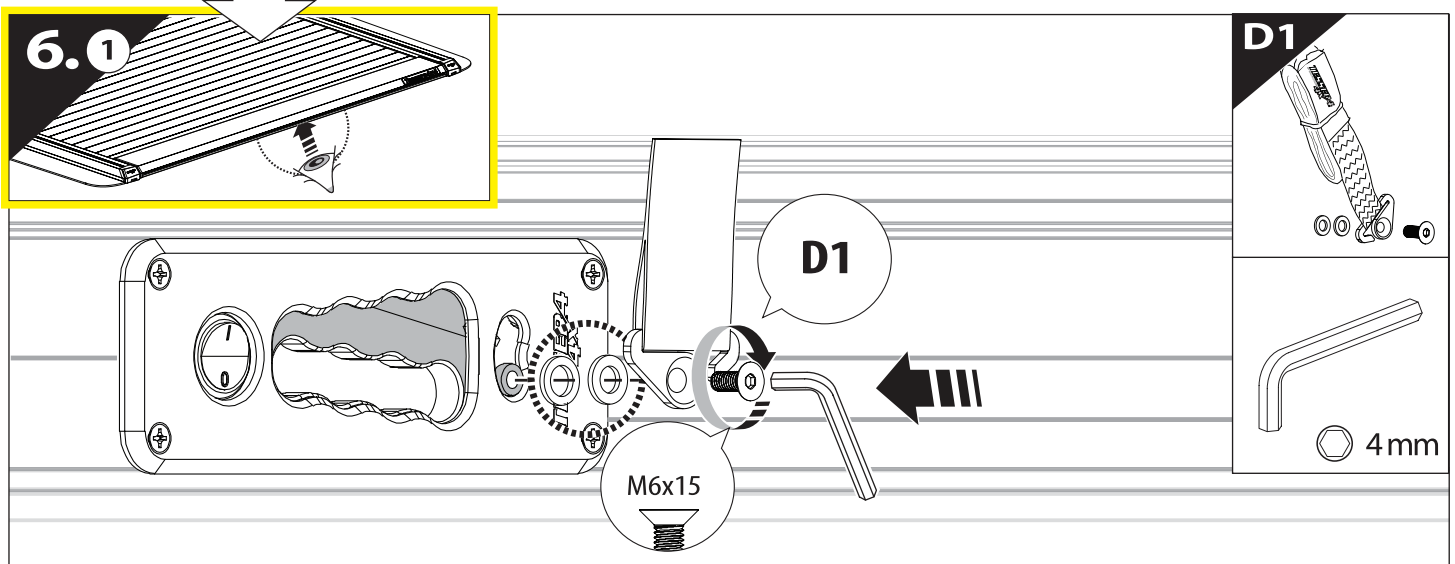
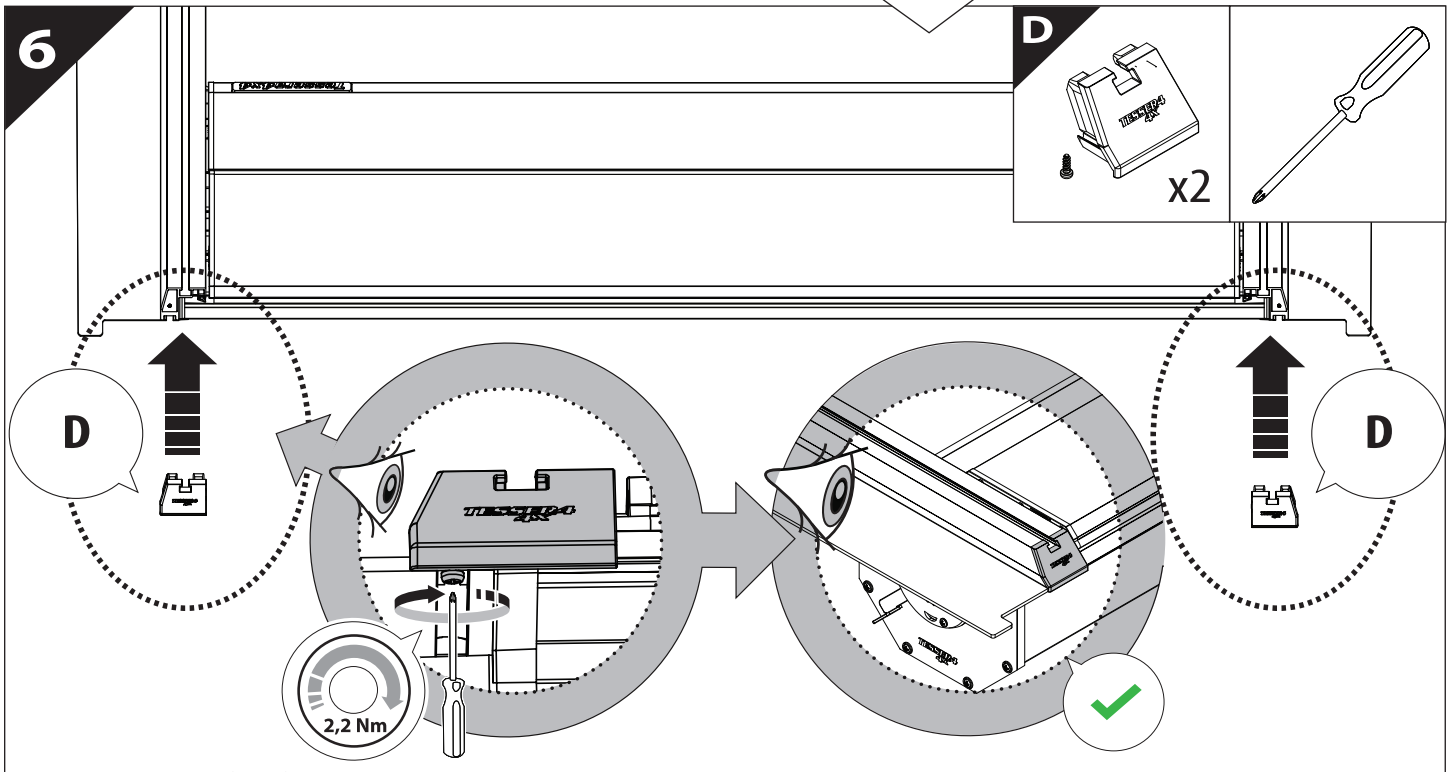
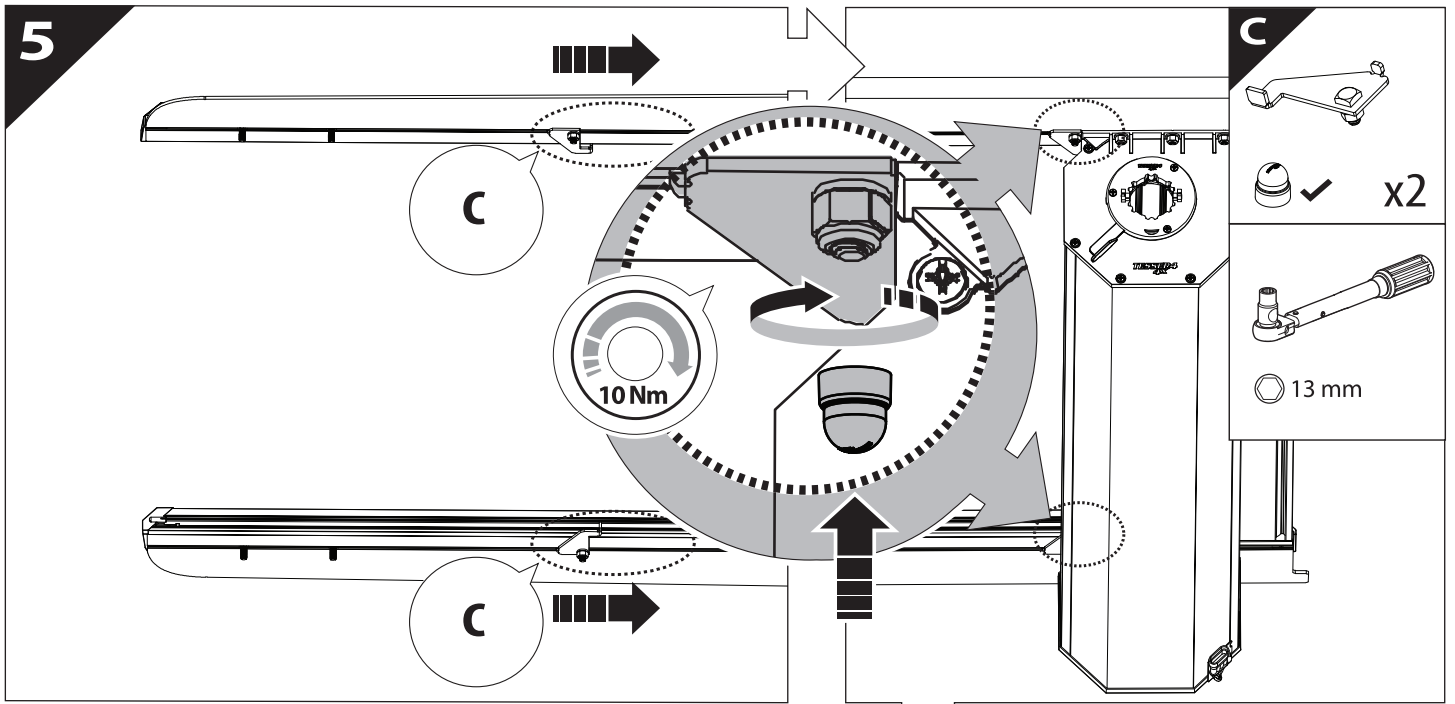


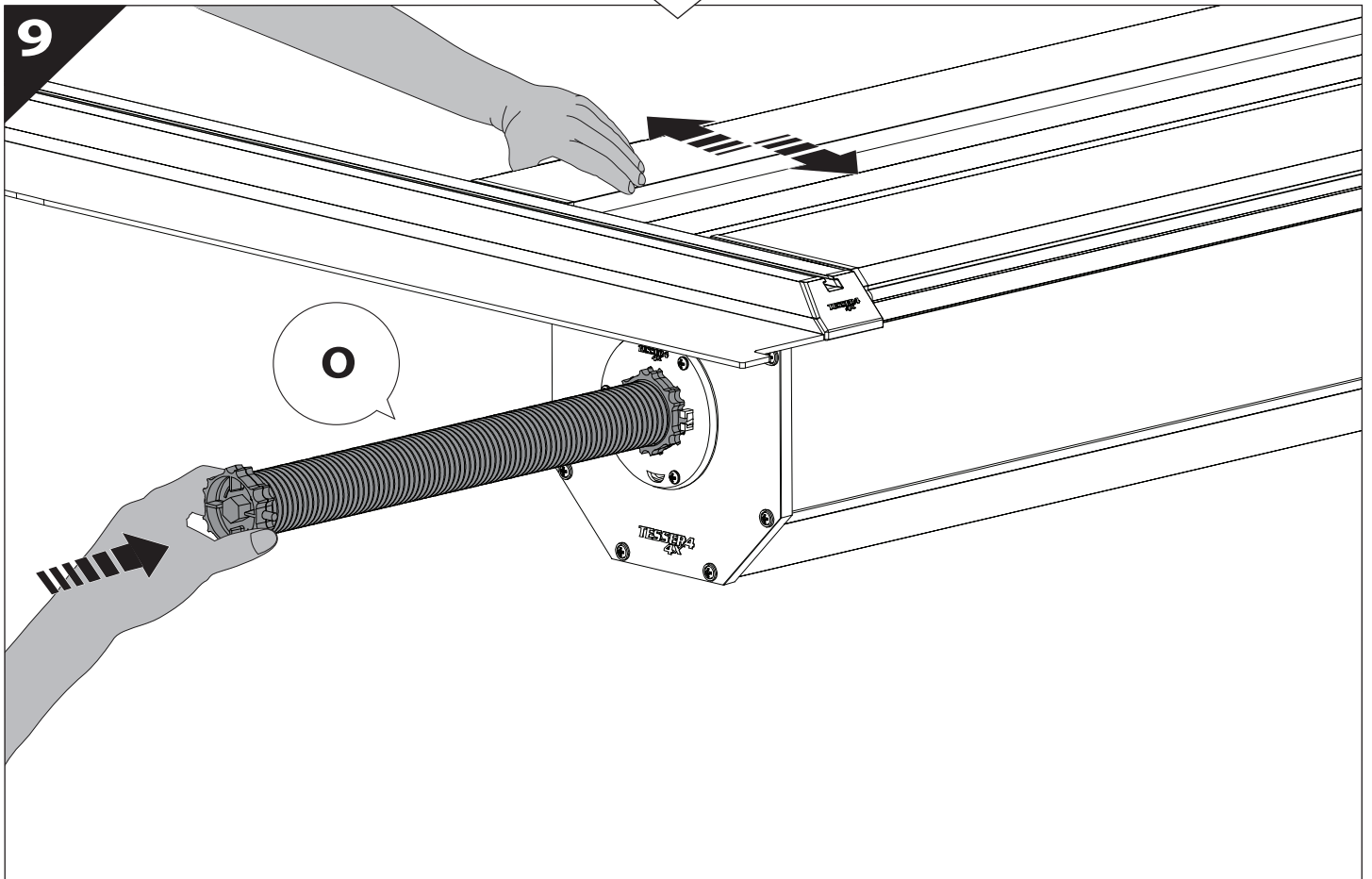
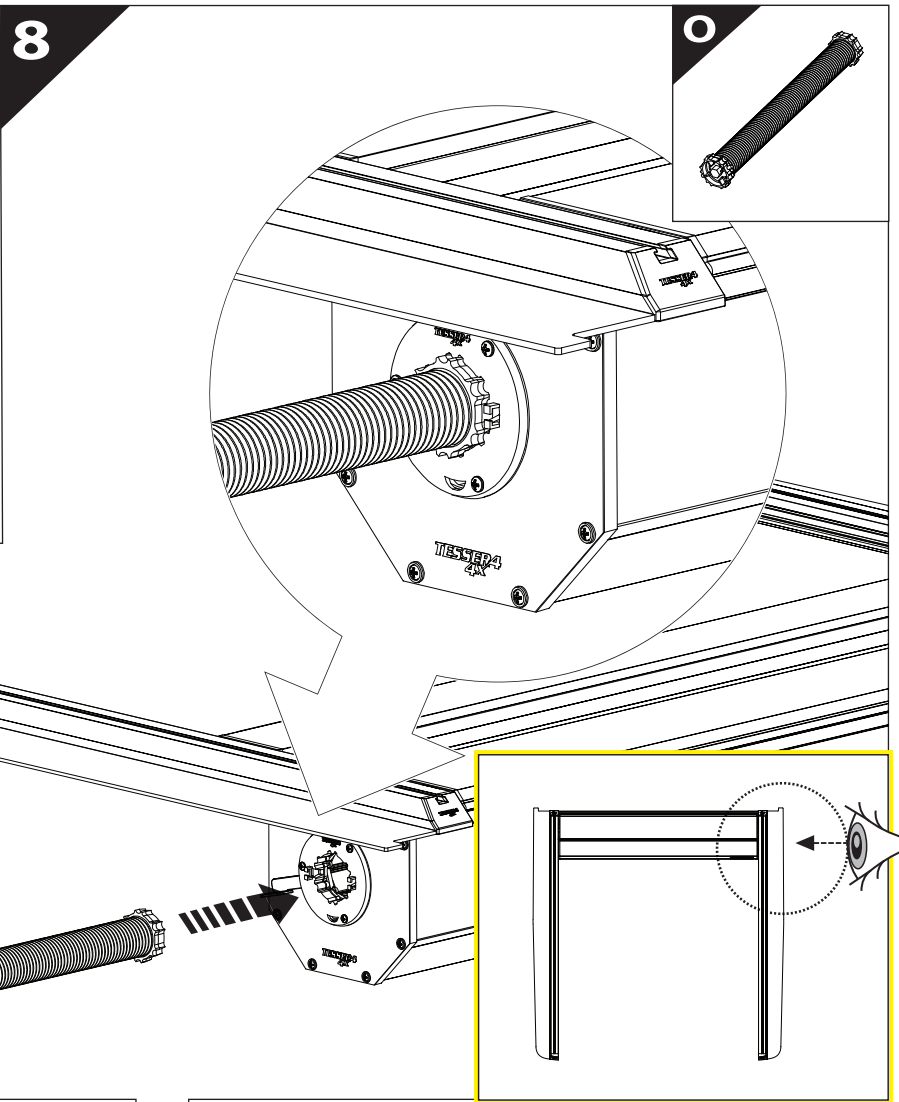
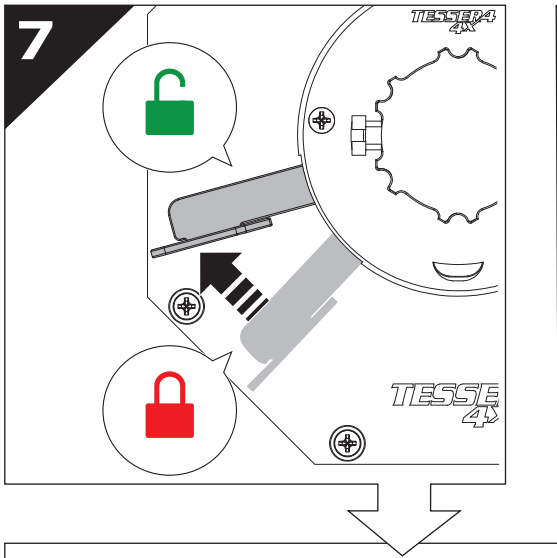
3



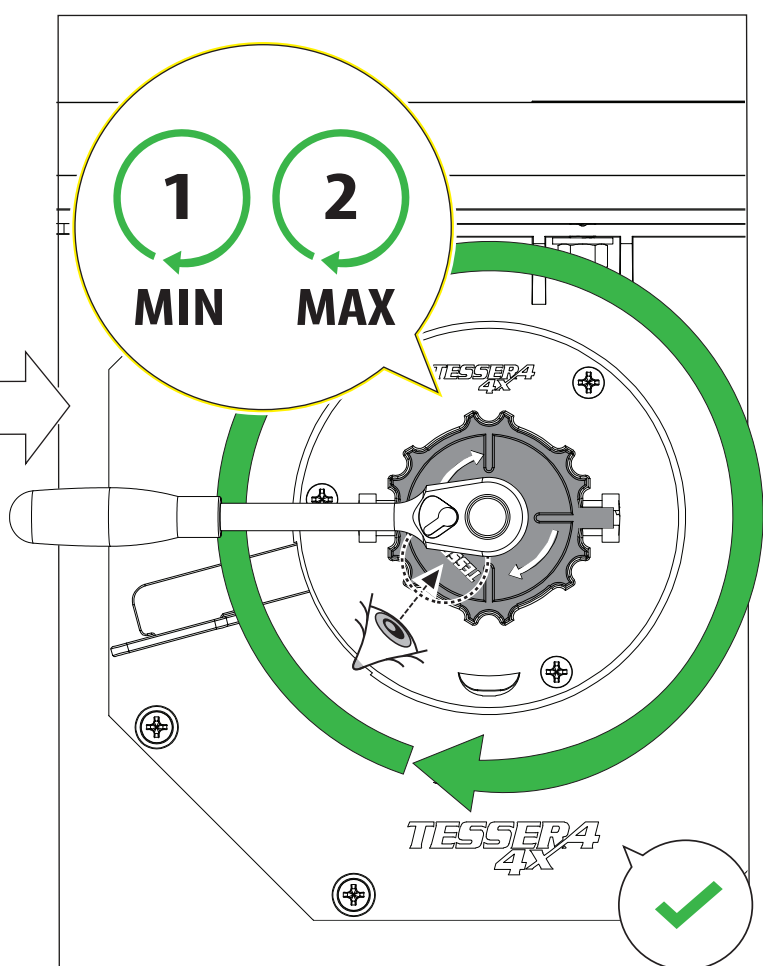
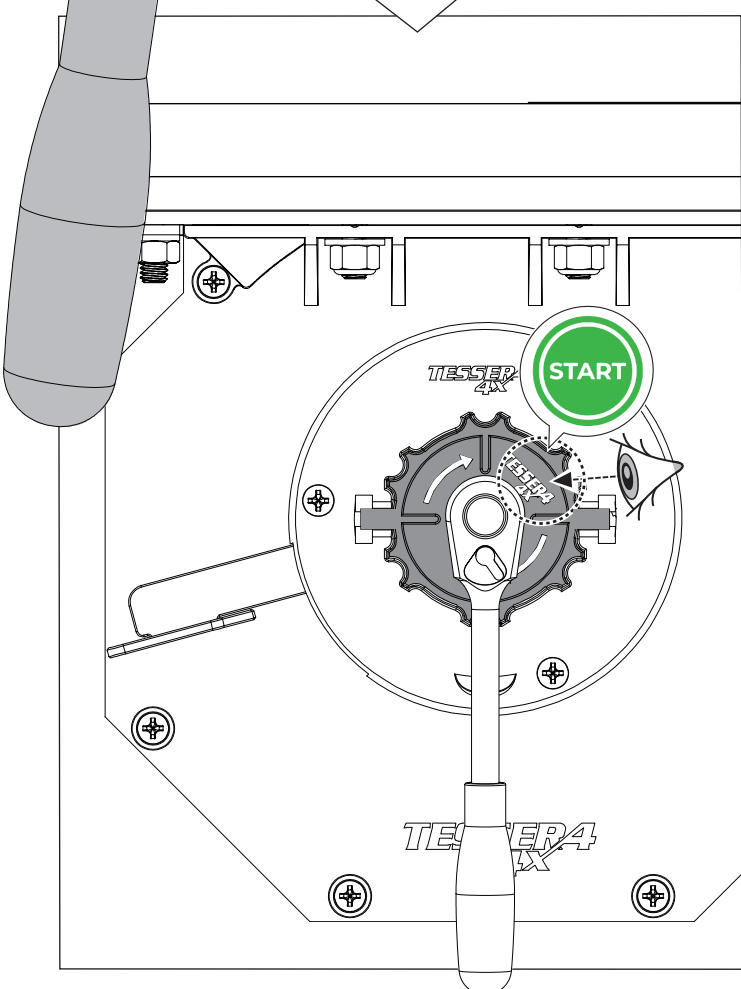
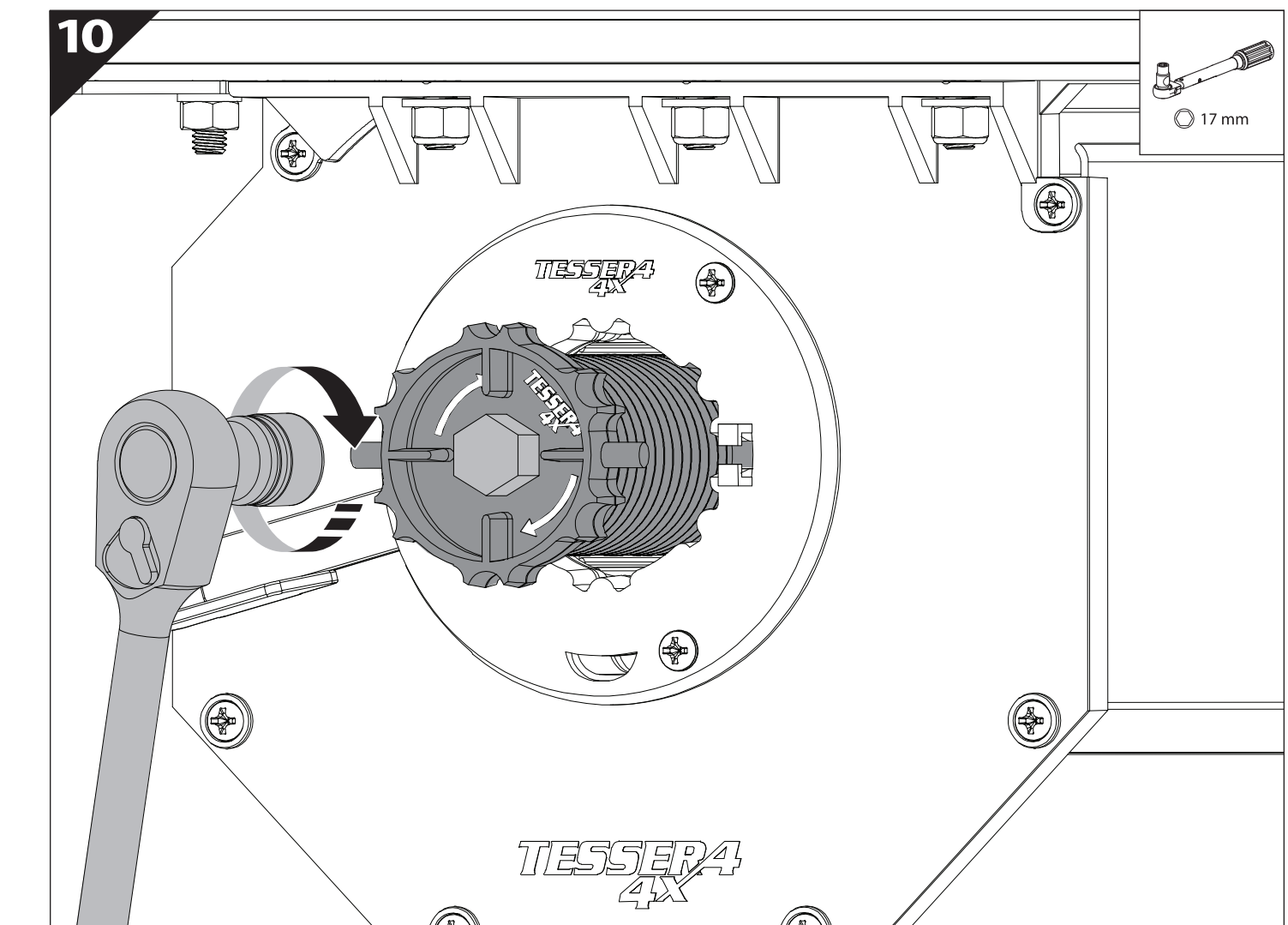
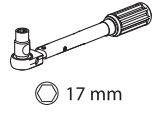
4



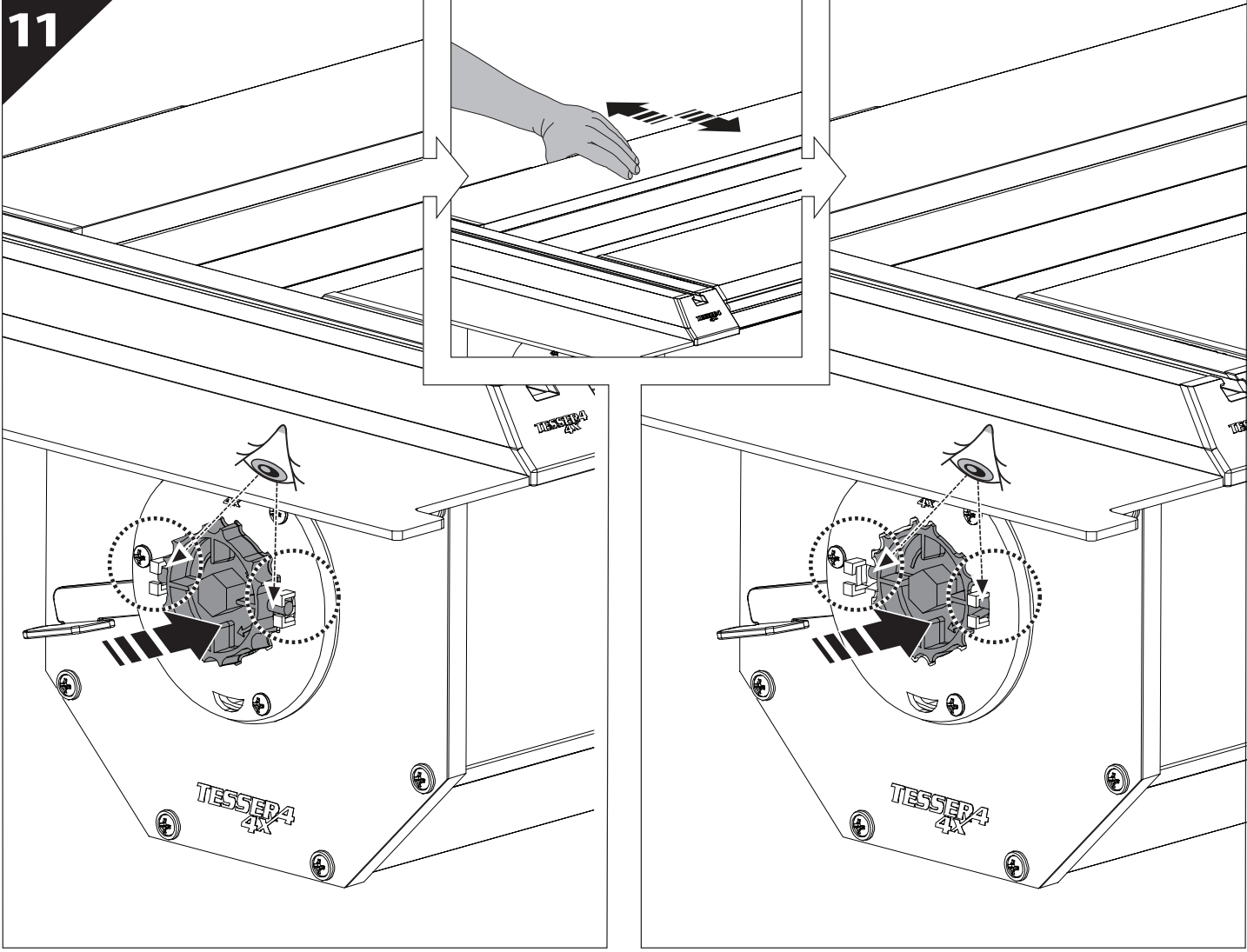




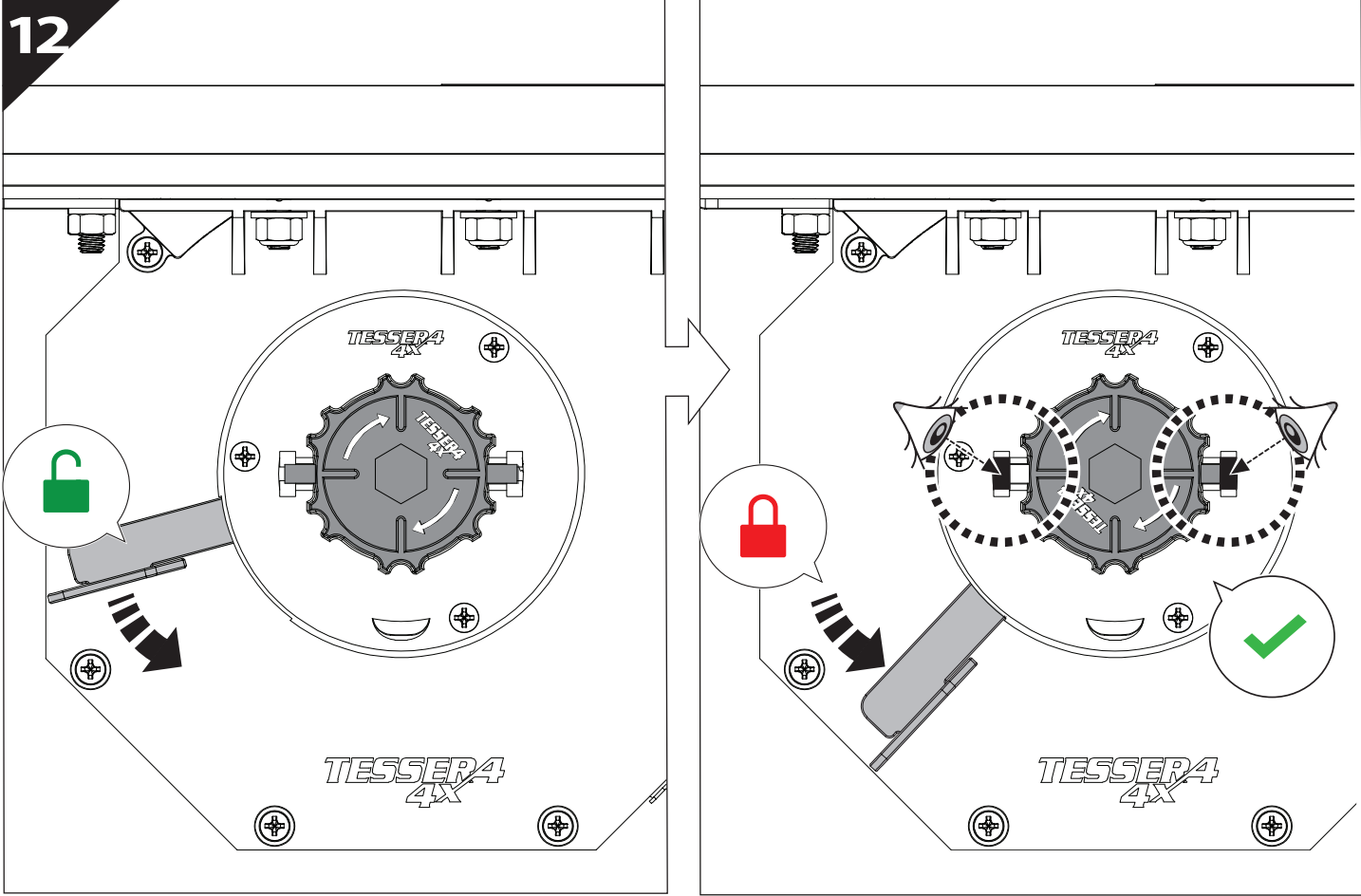
10



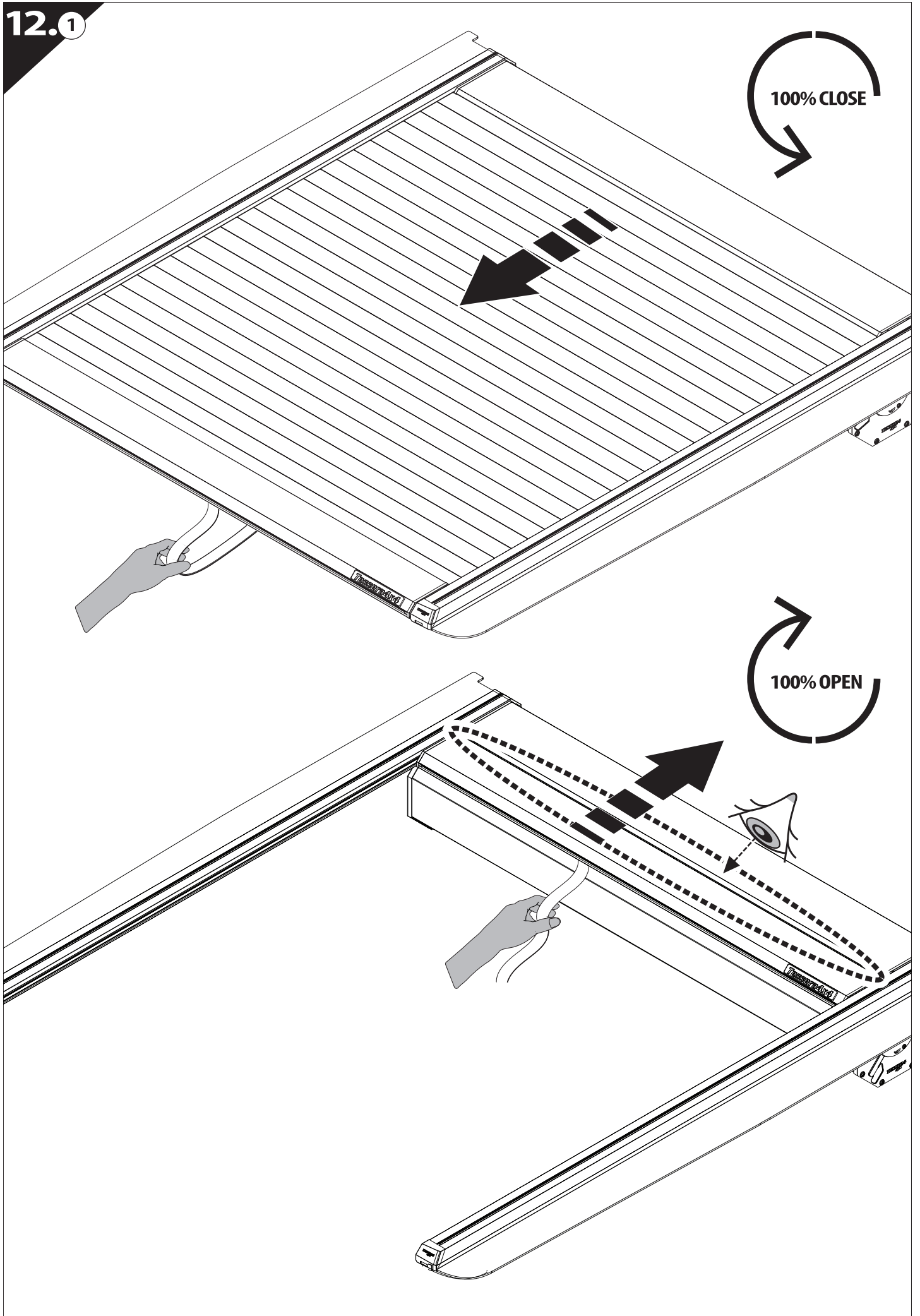
11



12

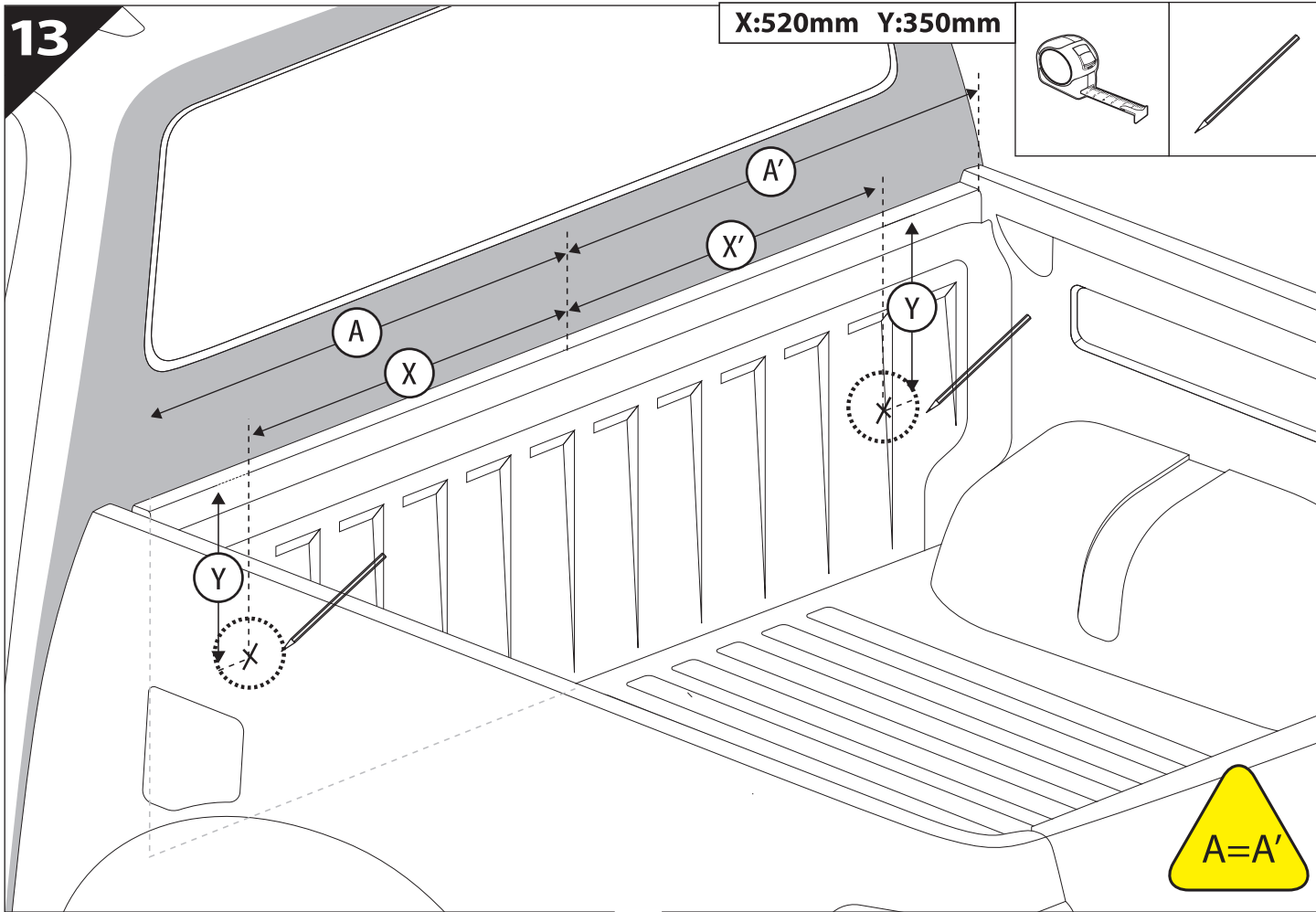
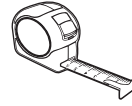


12.0



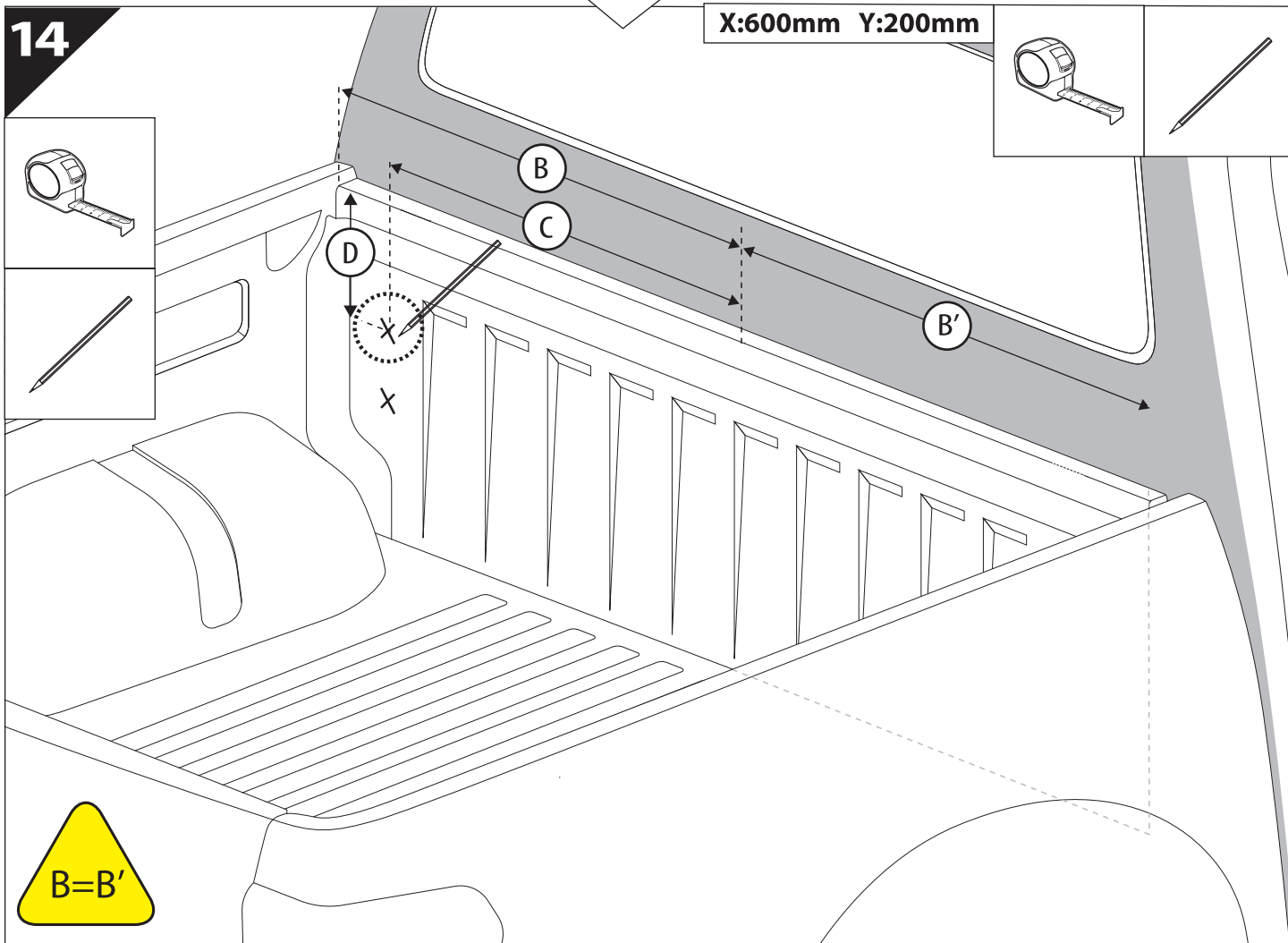
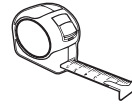
13

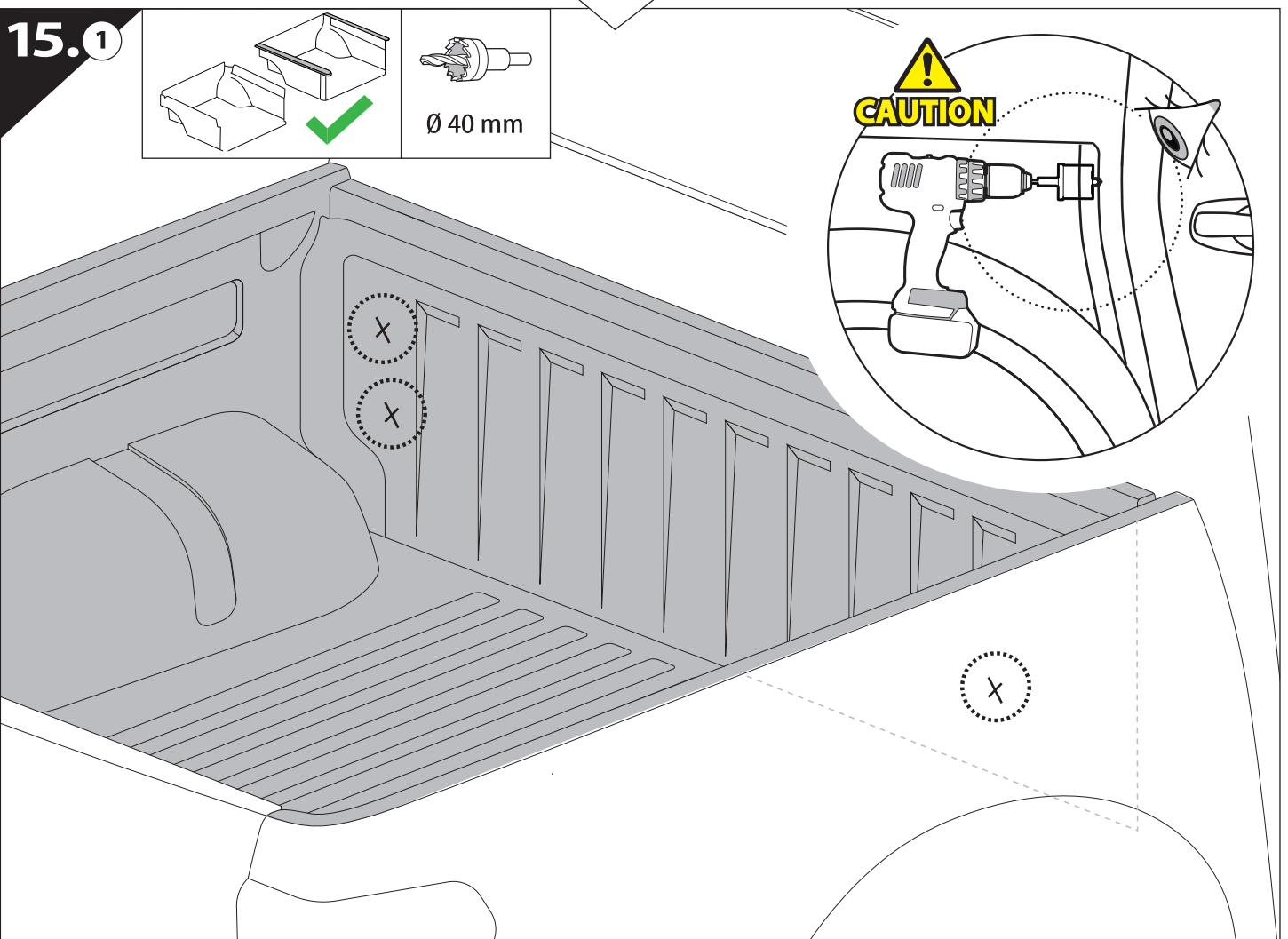
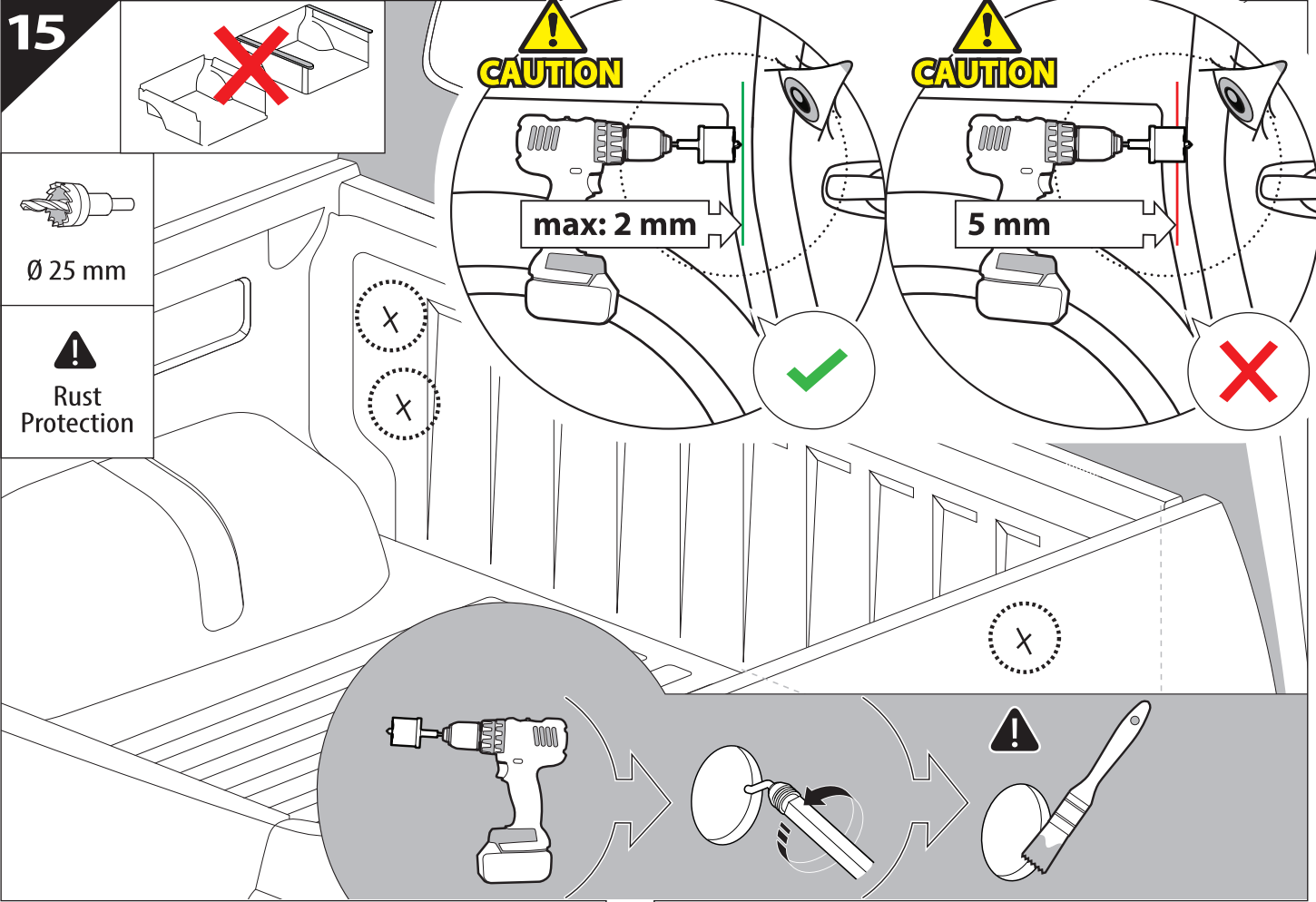
X:520mm Y:350mm



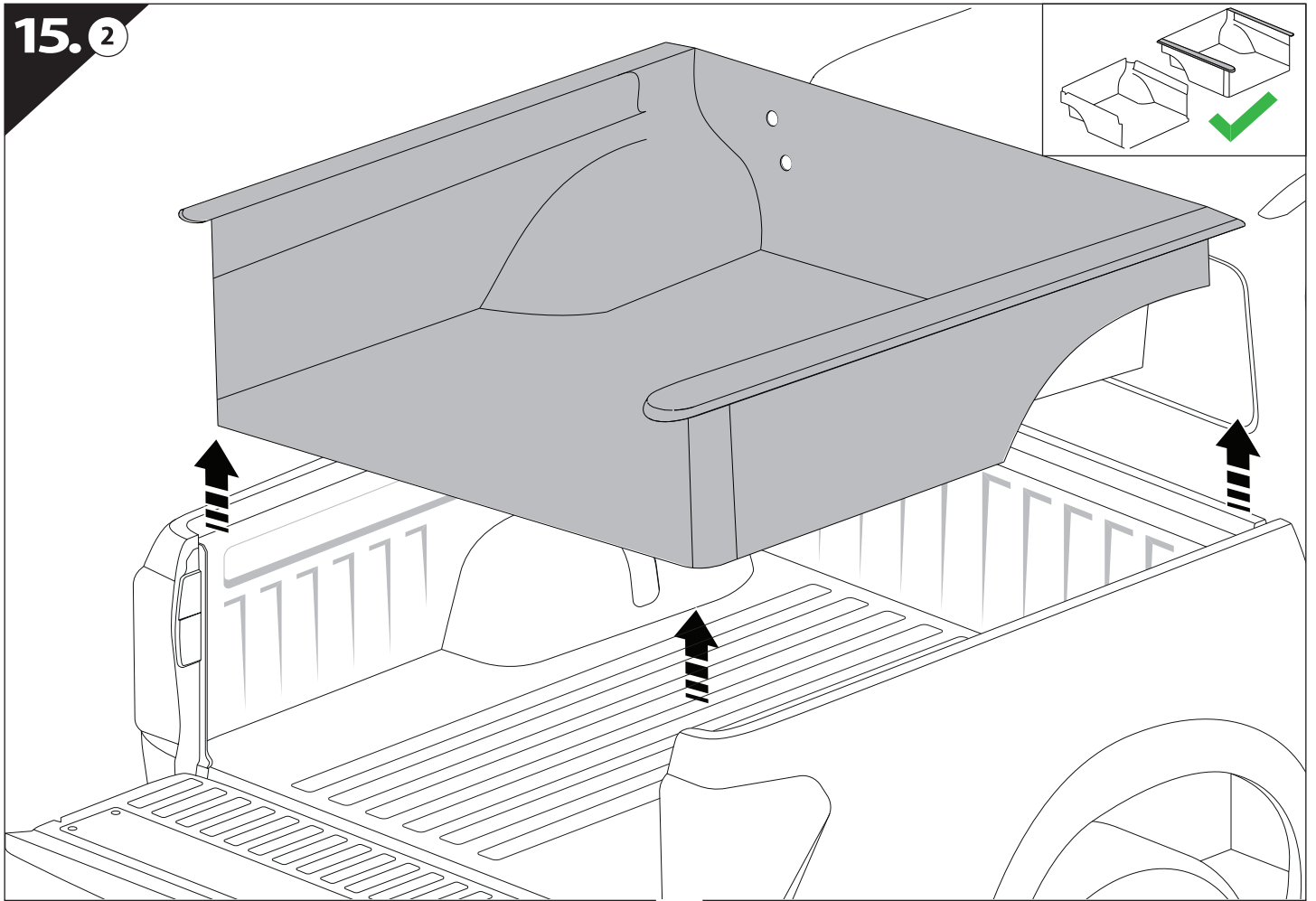
14

X:600mm Y:200mm

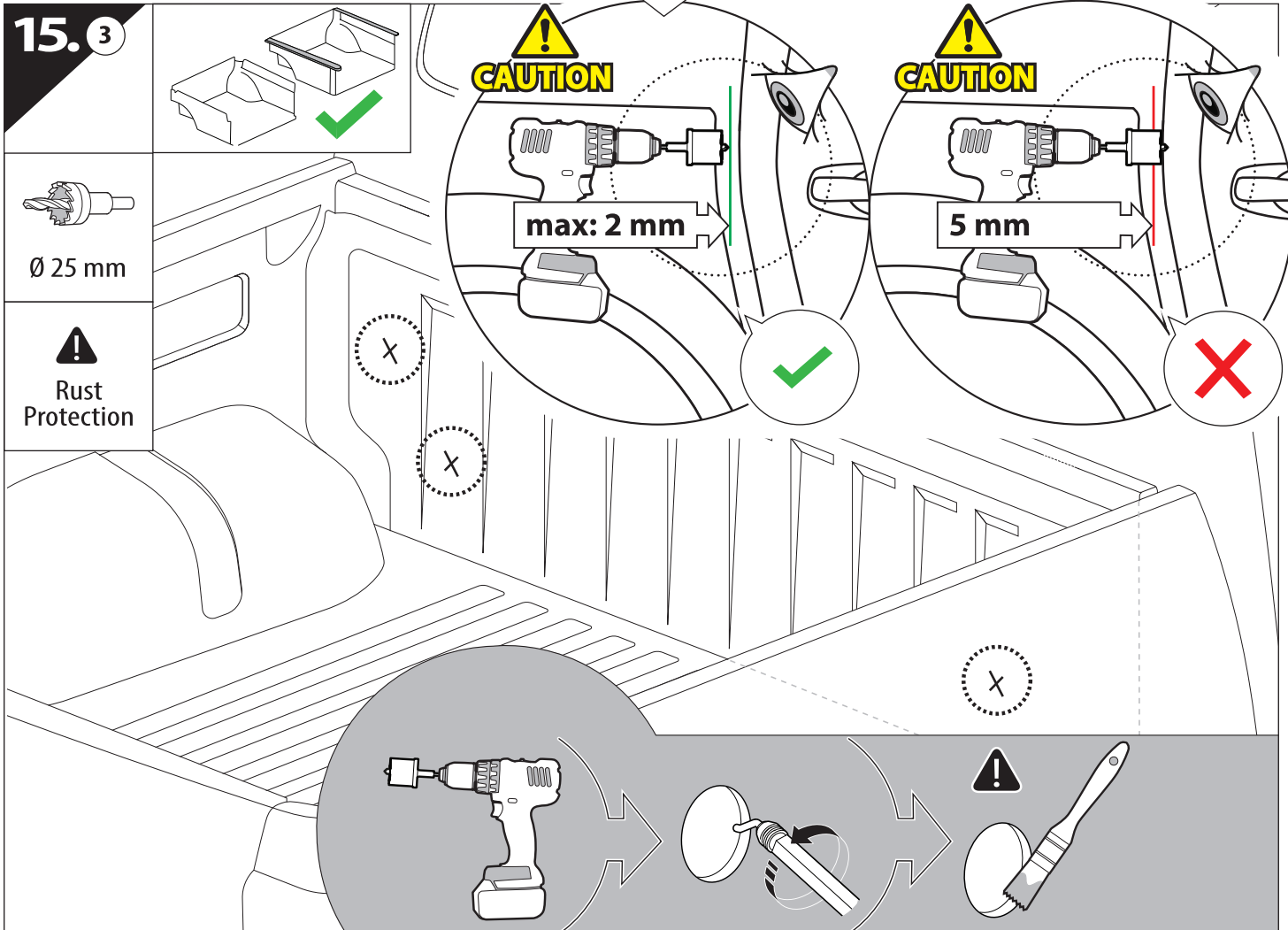




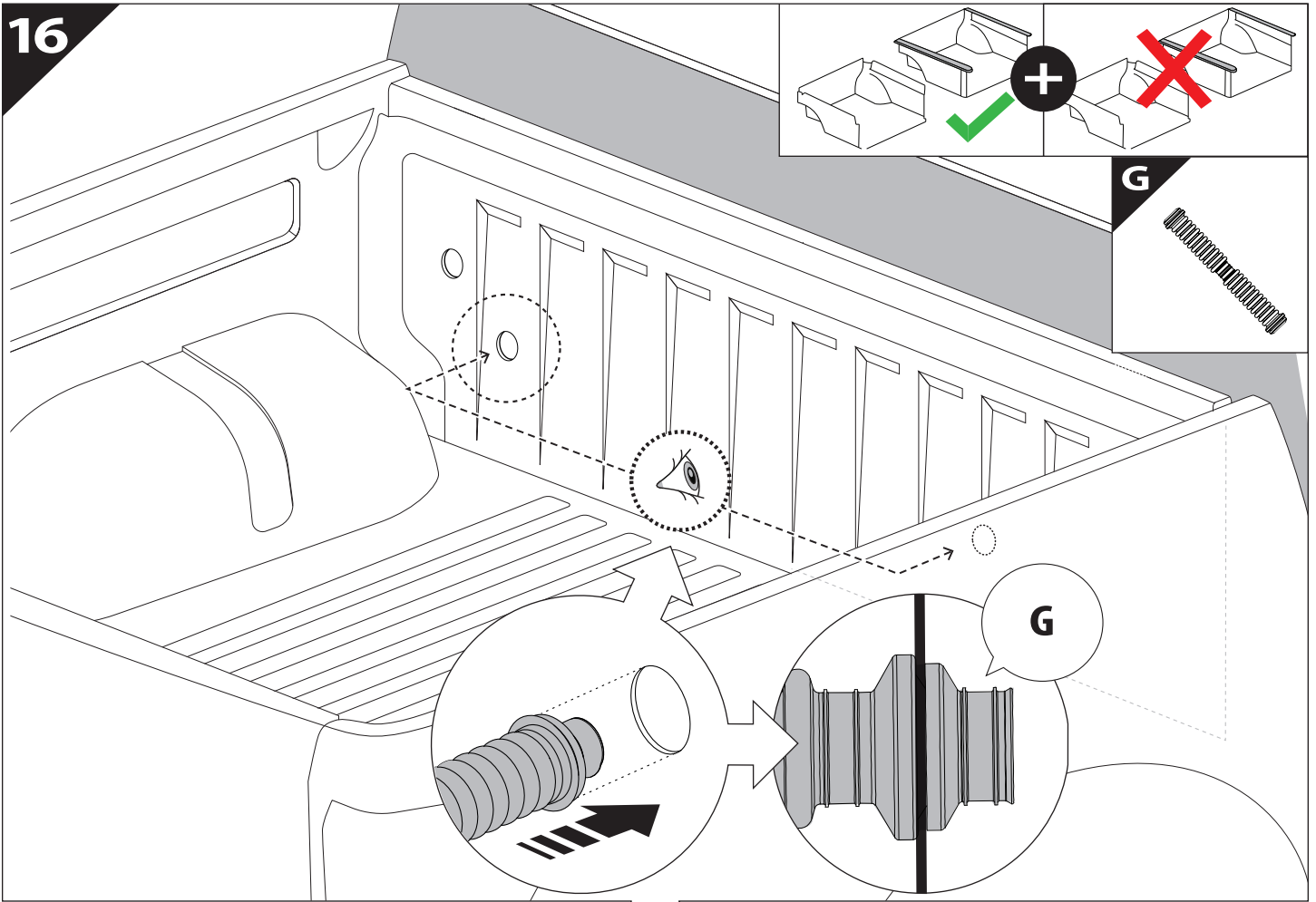
15.2



15.3

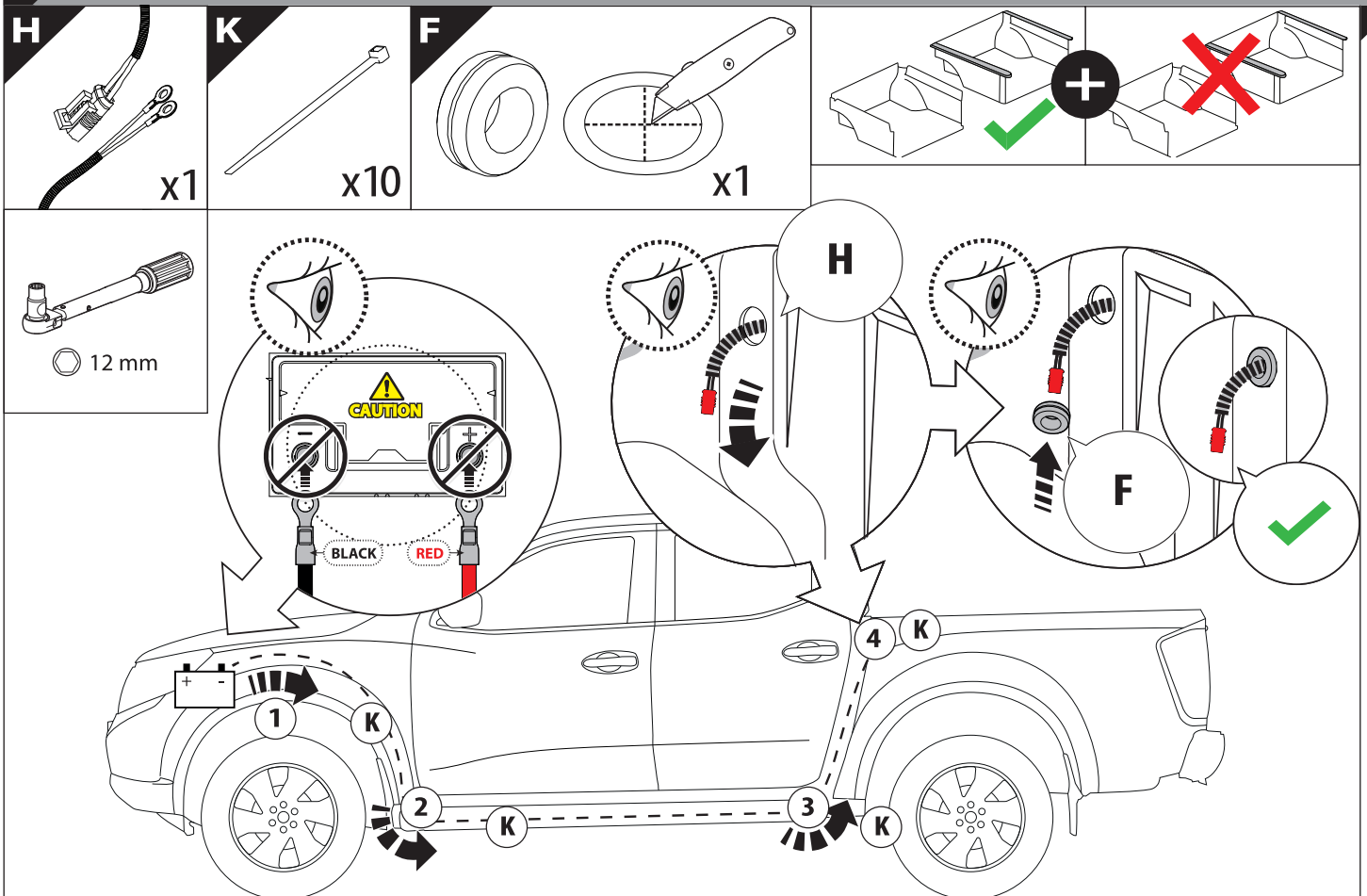


16

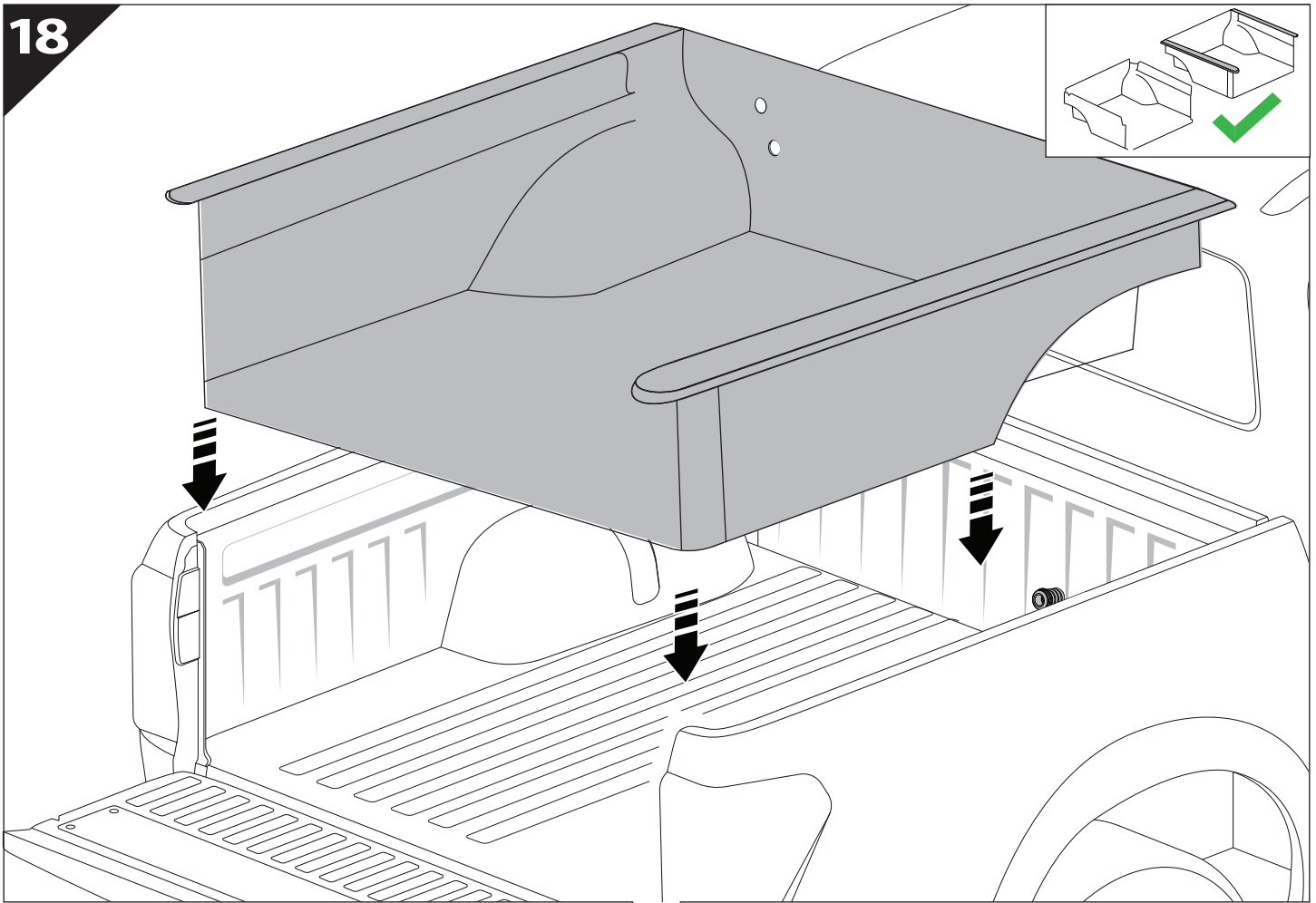


17

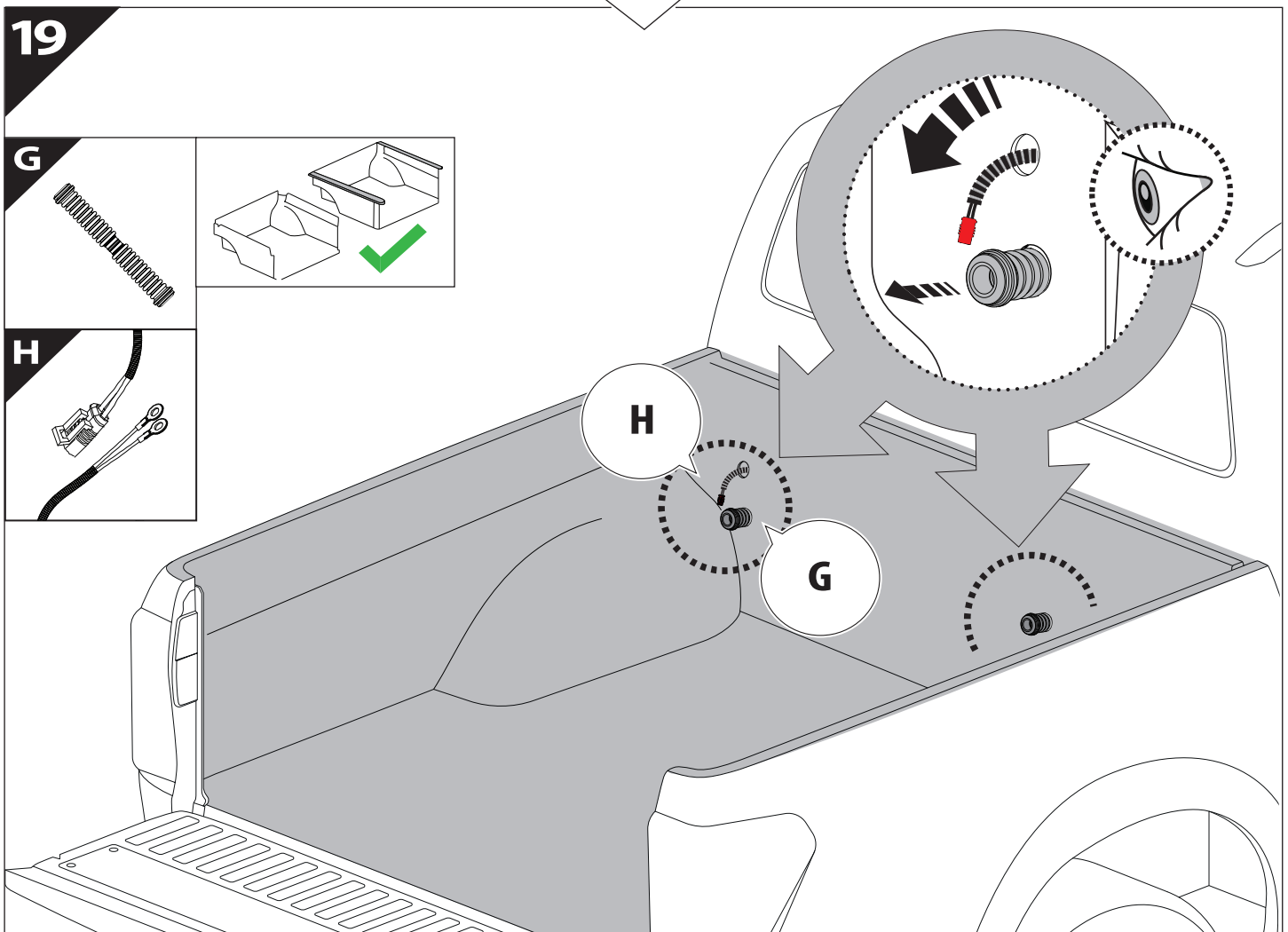
Only to be installed by authorized personnel



18

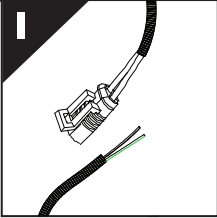


19

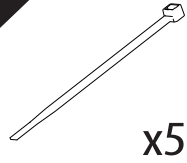


20

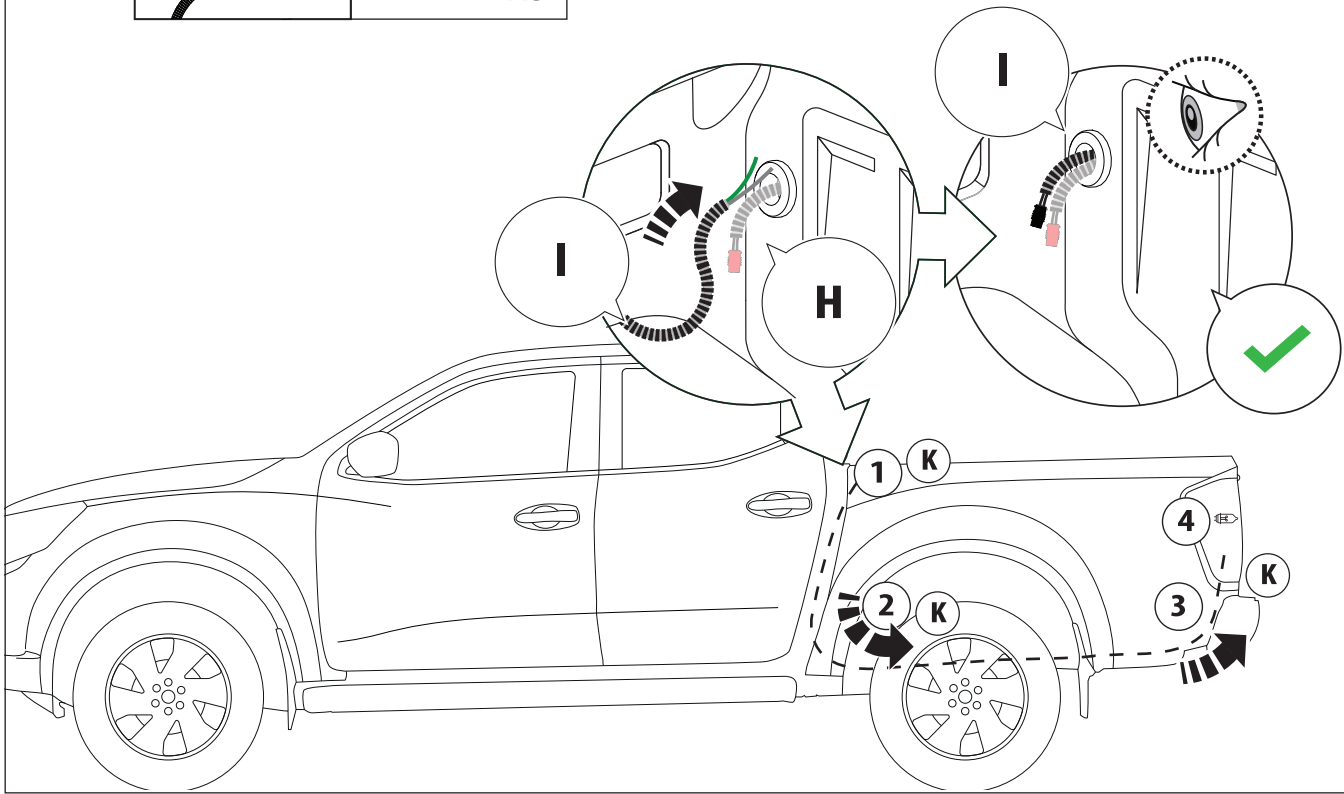
I

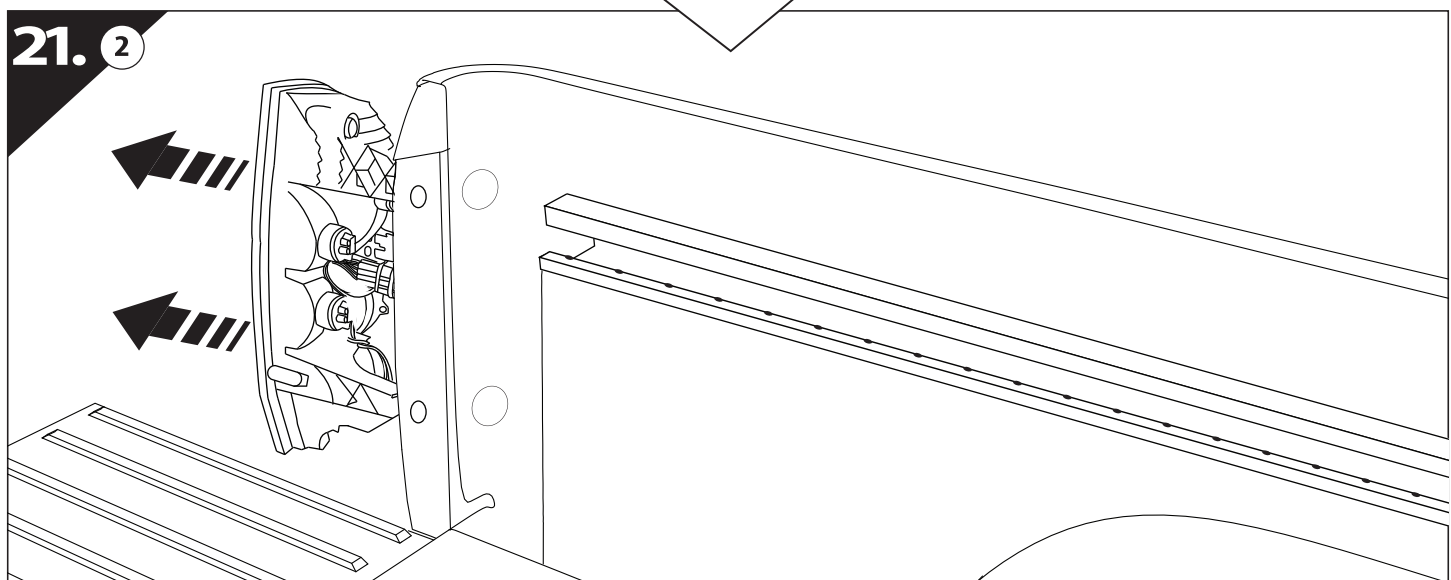
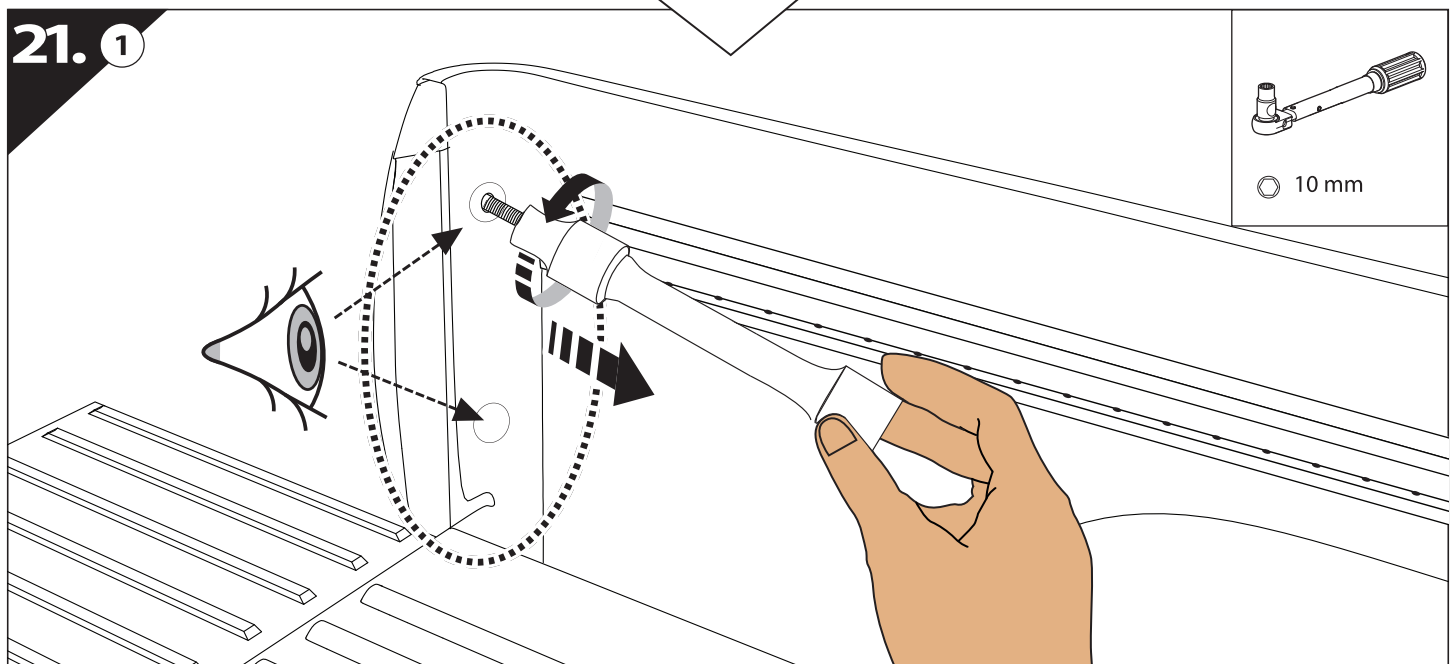
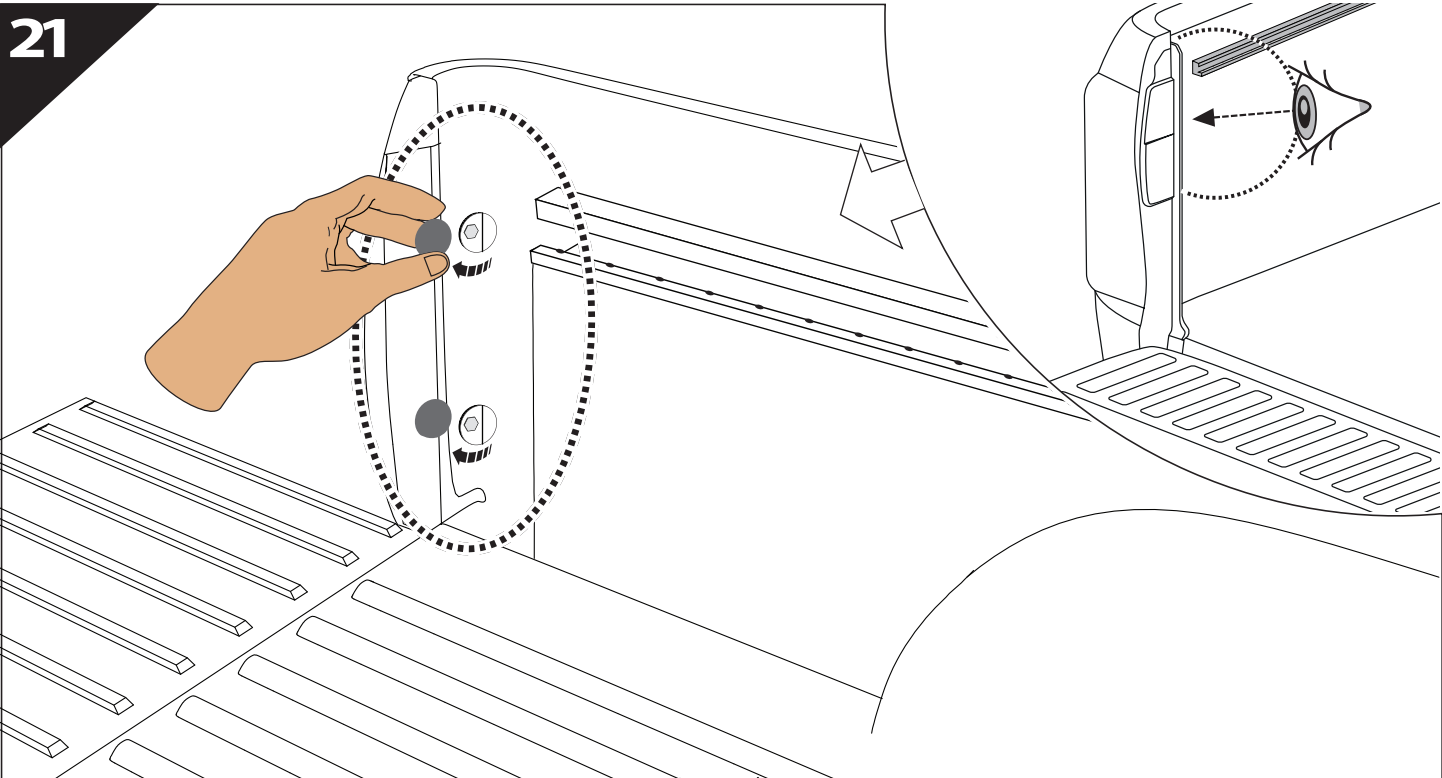


K

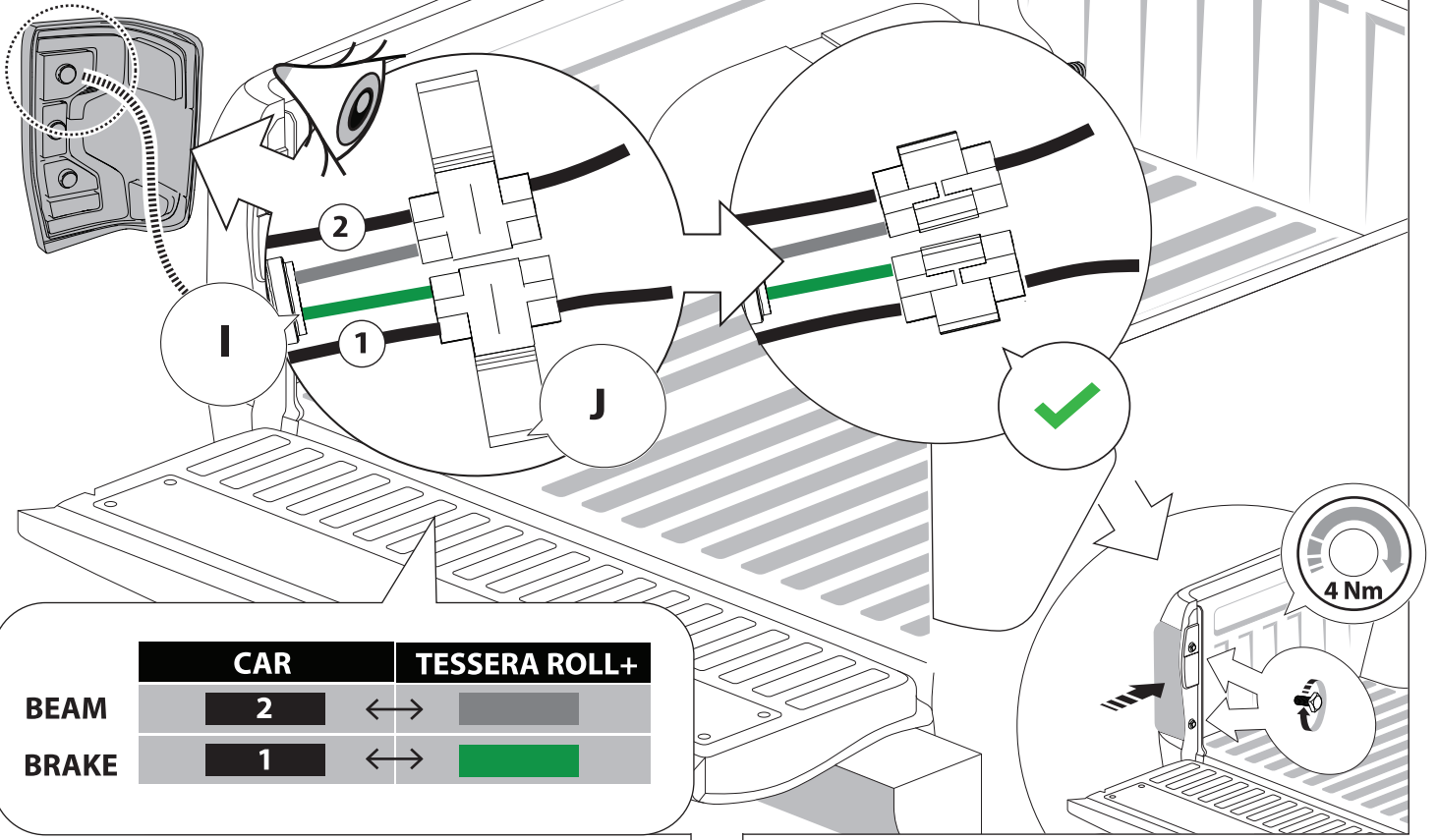
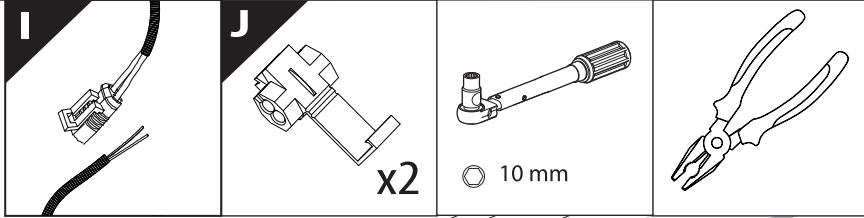


x5



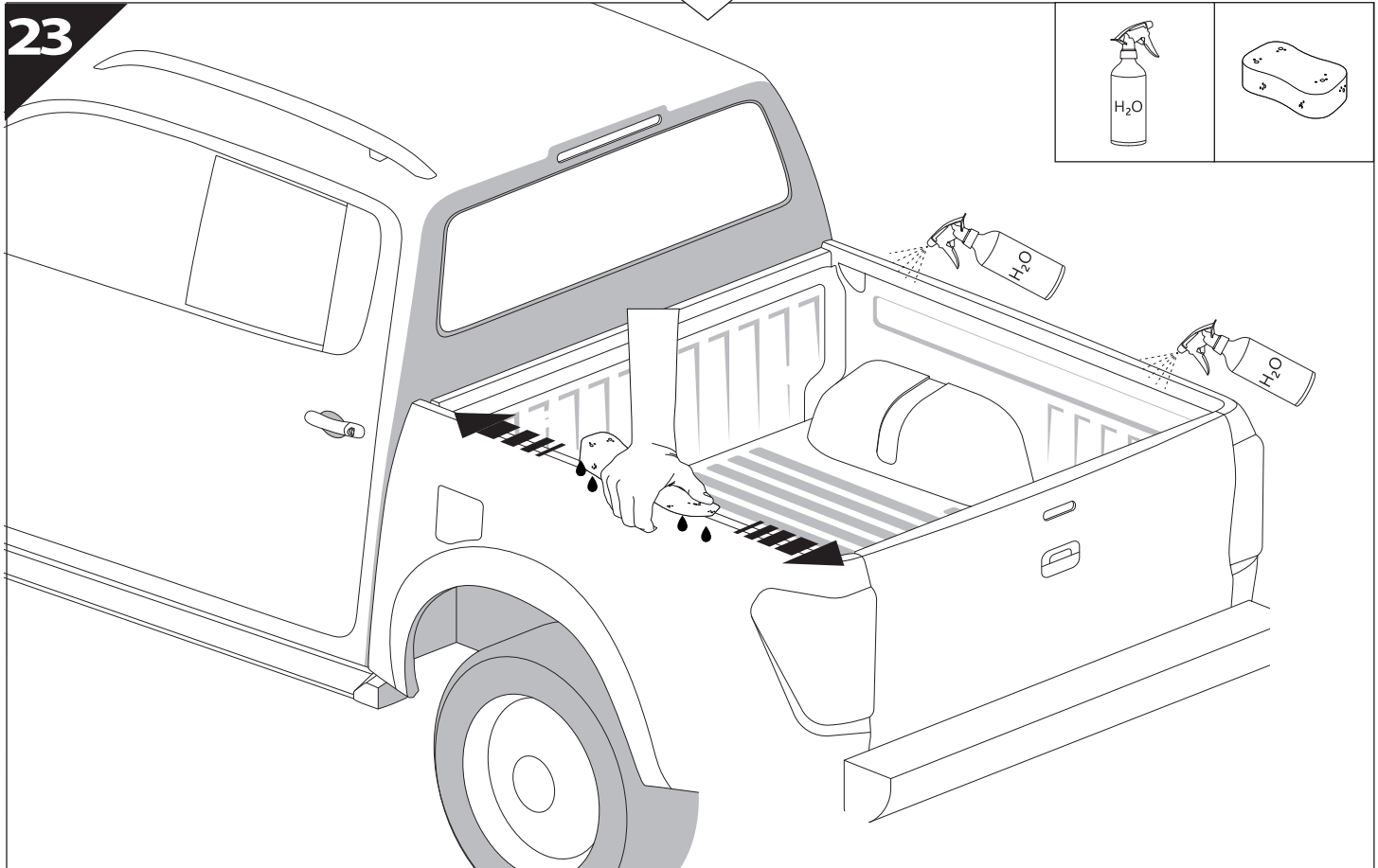
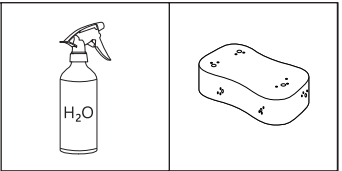


22



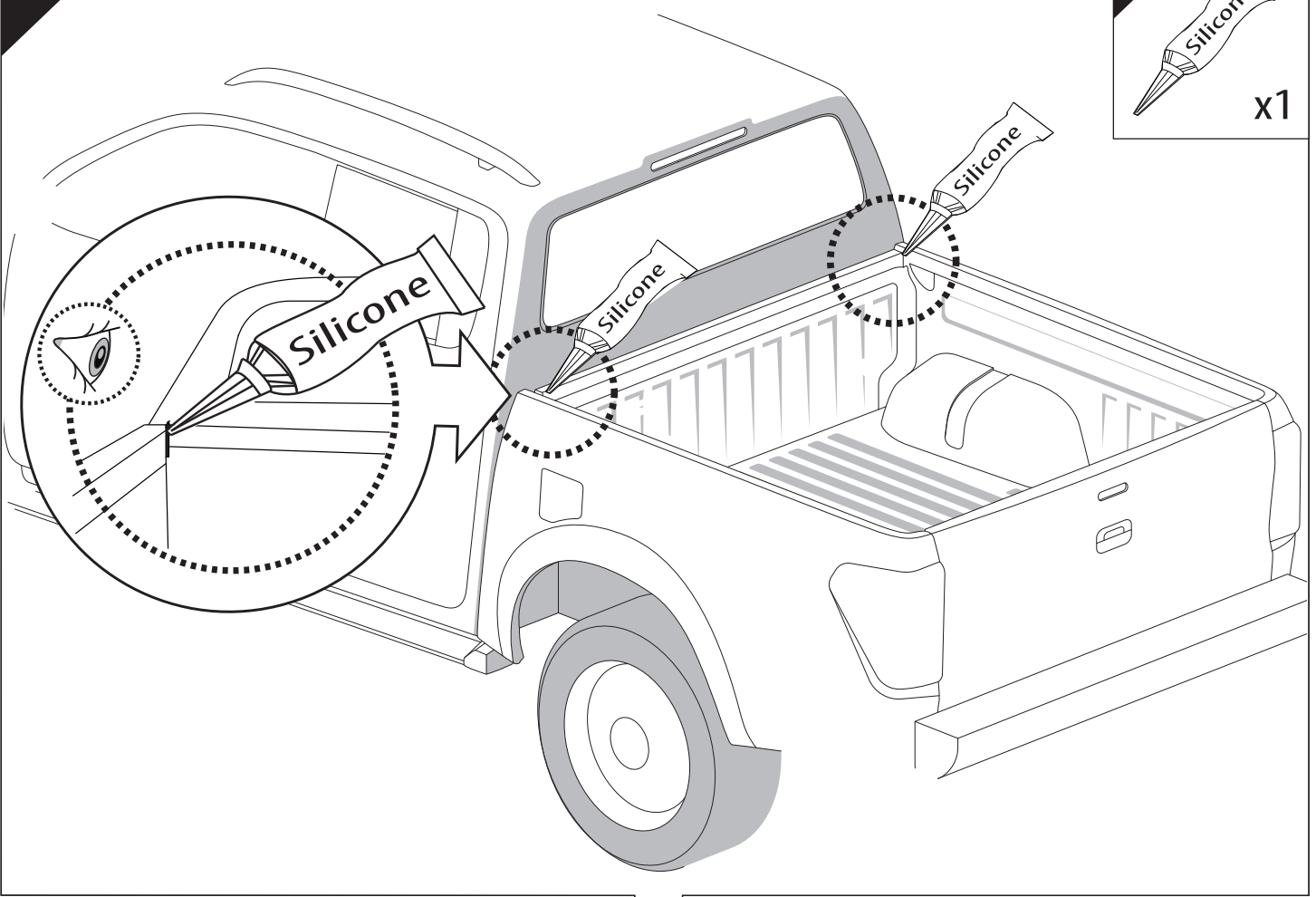
	CAR		TESSERA ROLL+
BEAM	2	↔	
BRAKE	1	↔	

23



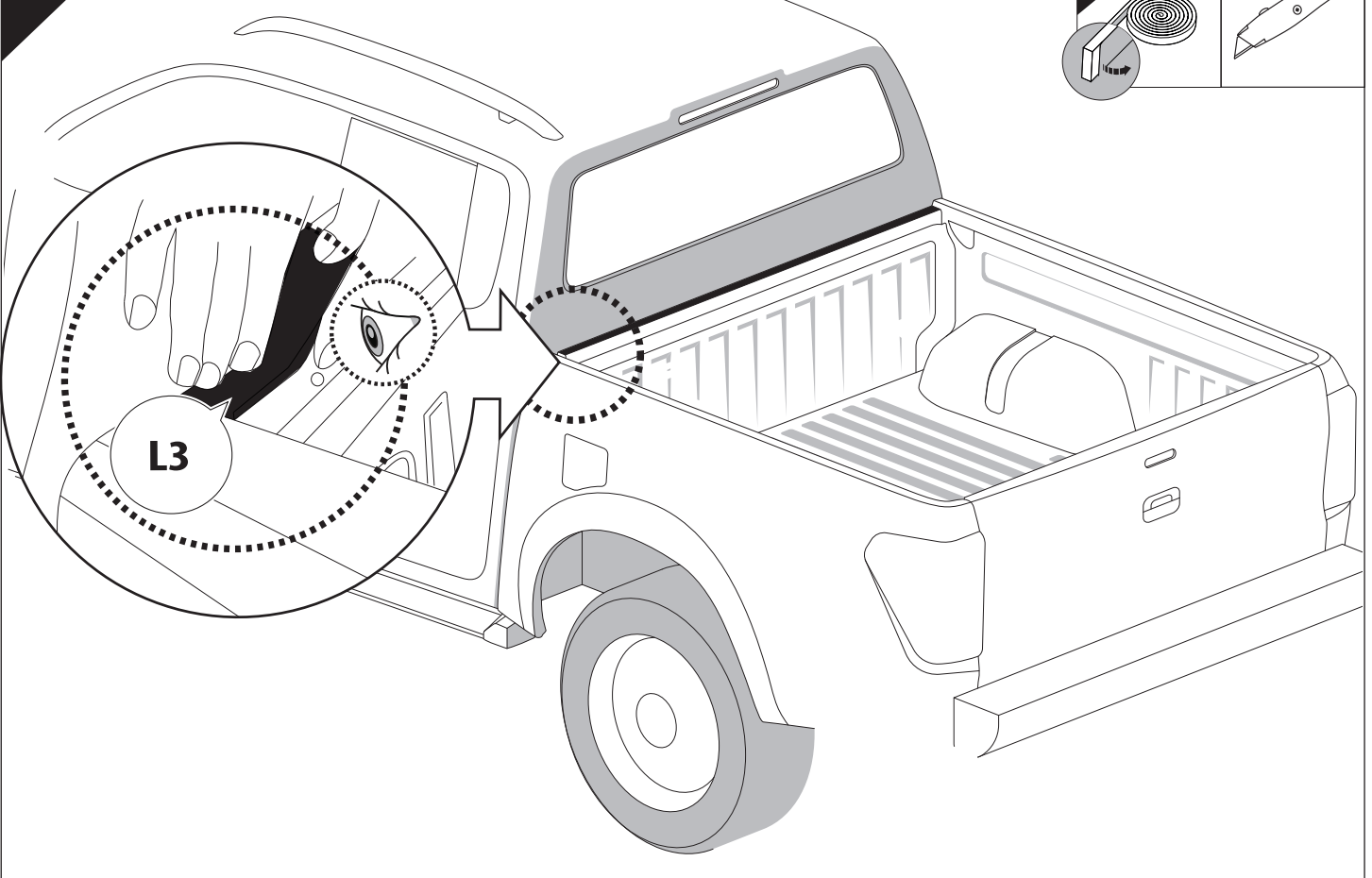
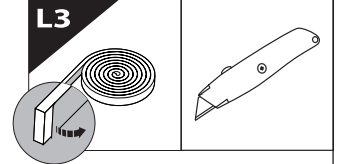
24

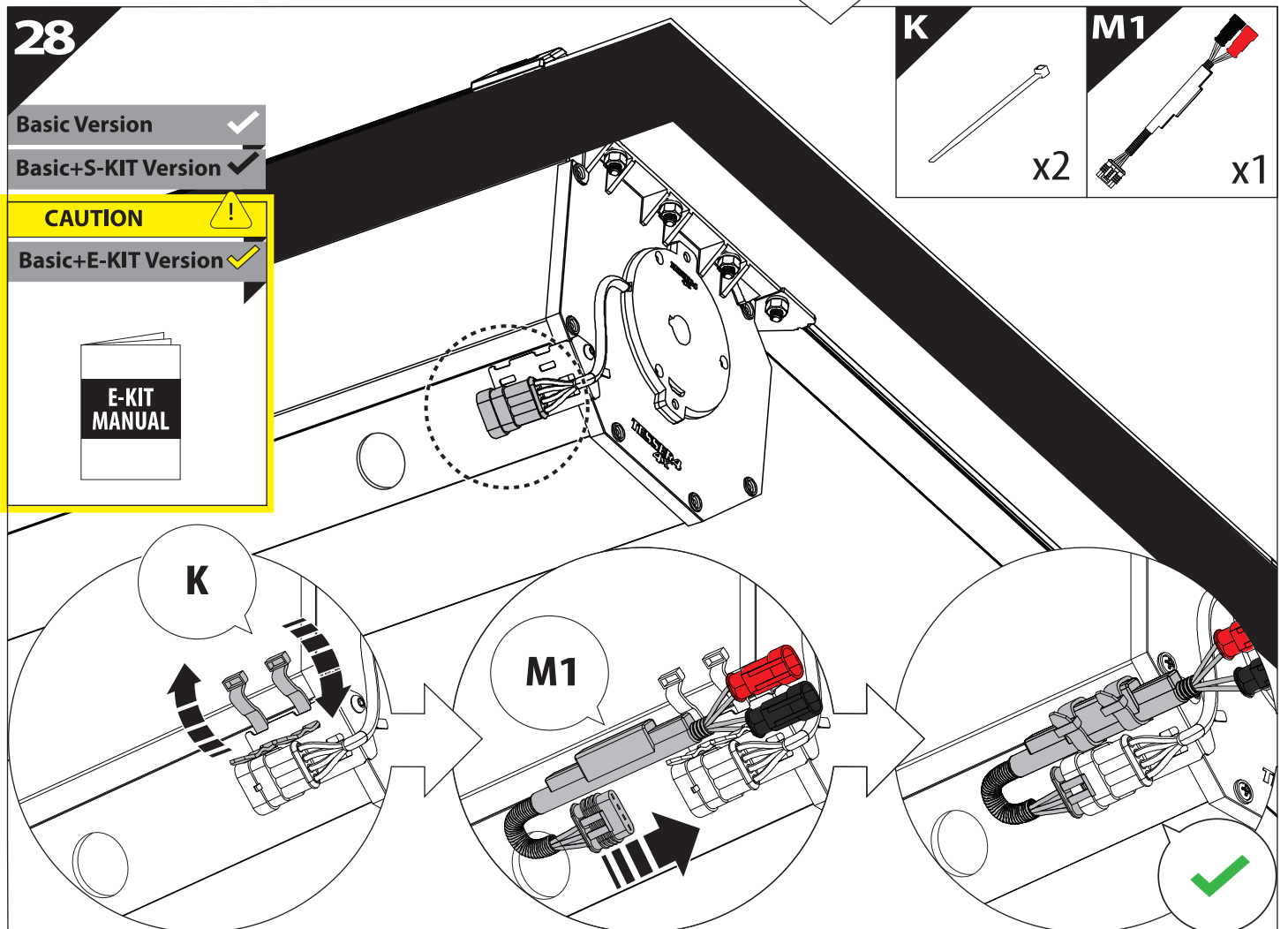
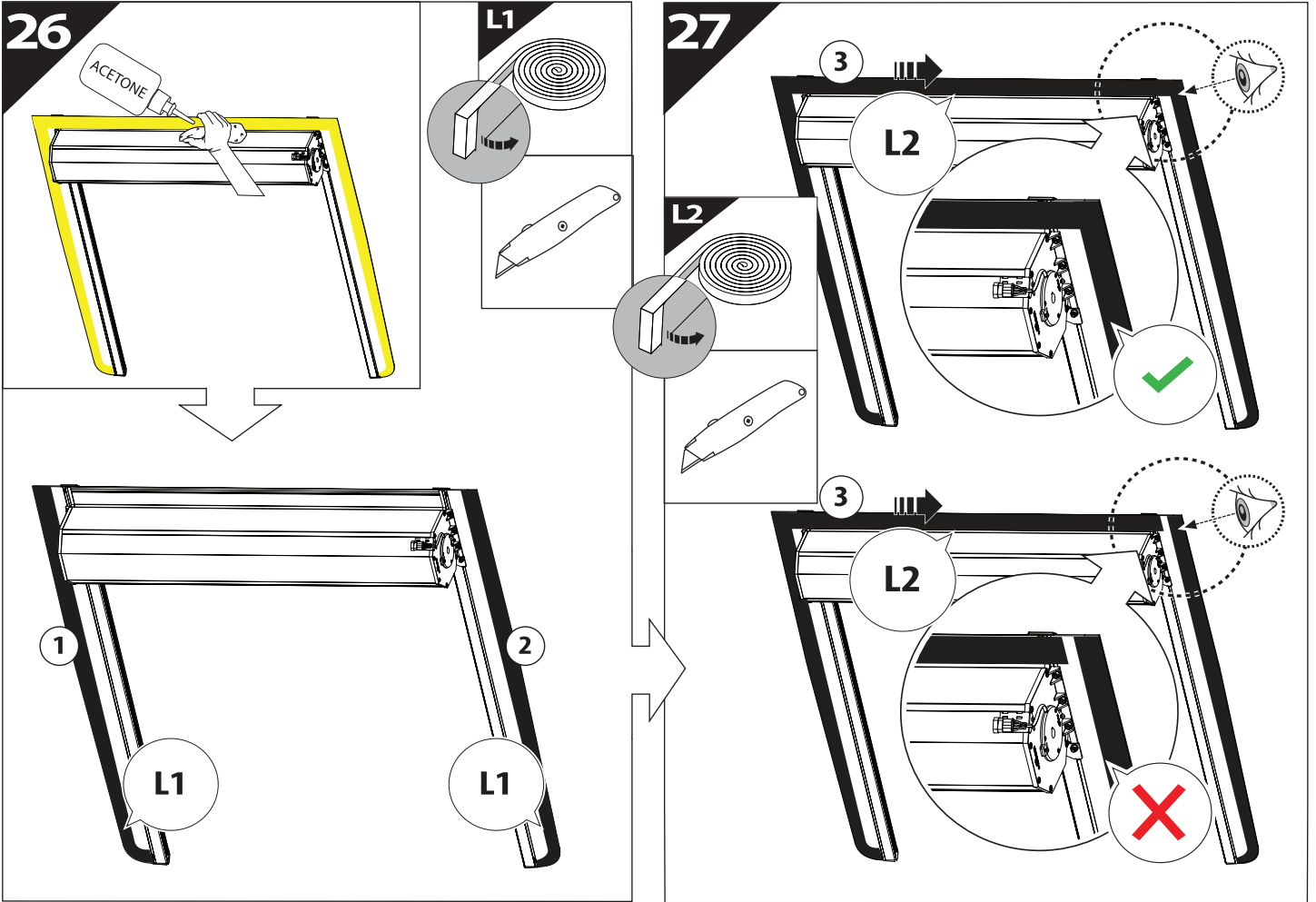
P

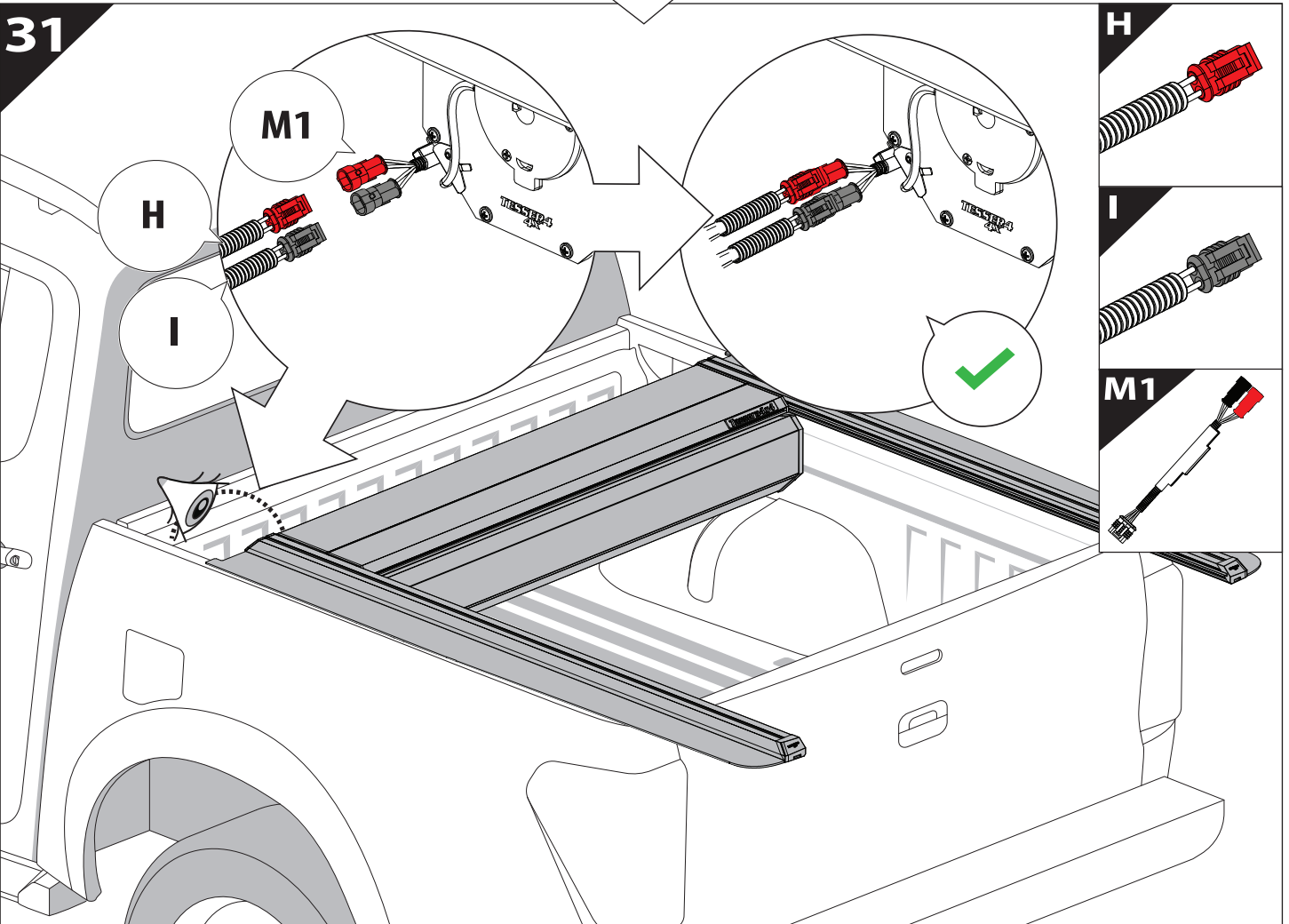
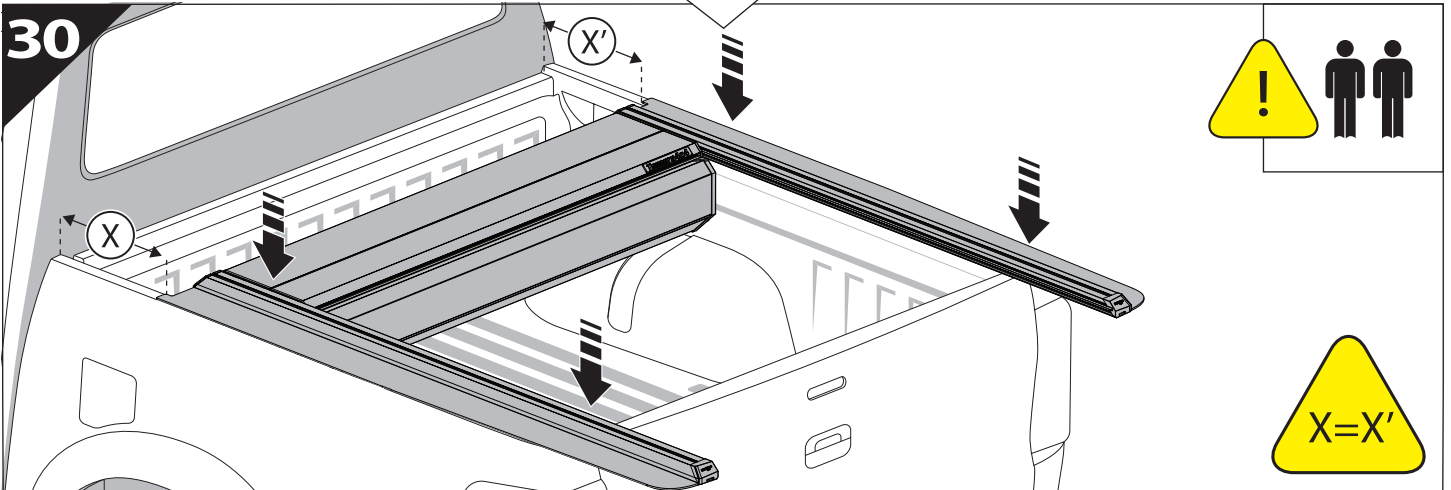
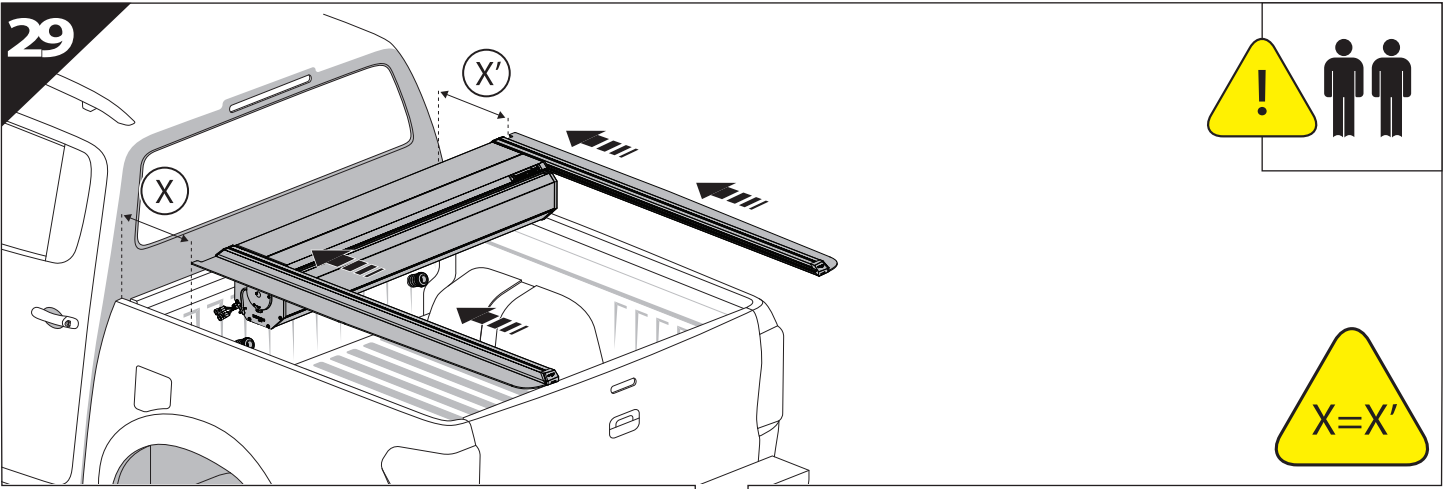


25

L3

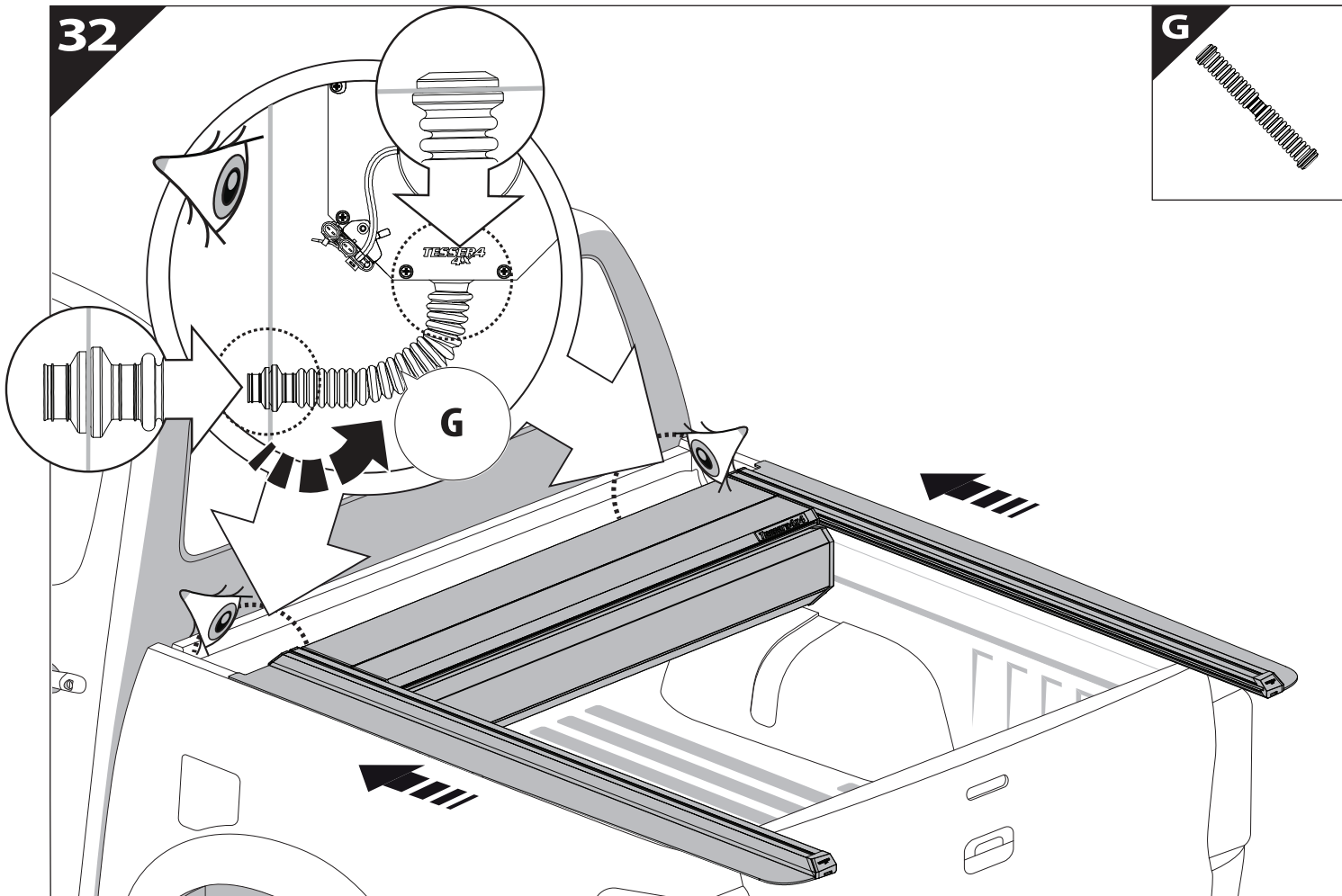






32

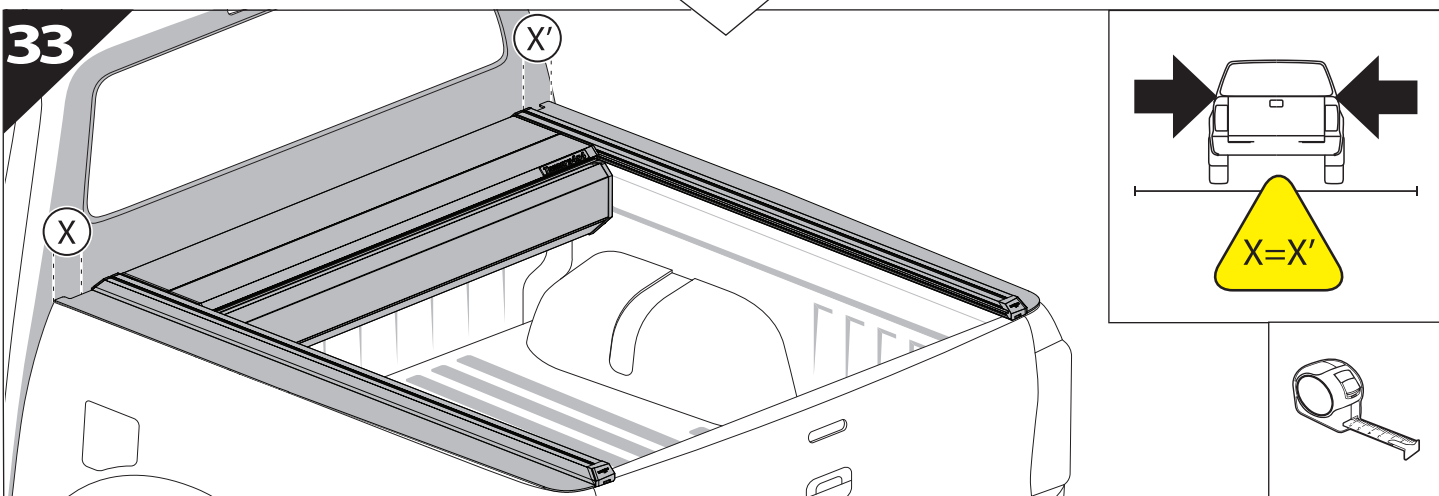
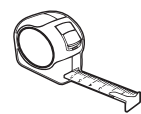
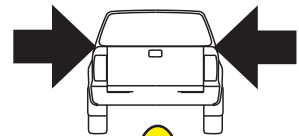
G



33

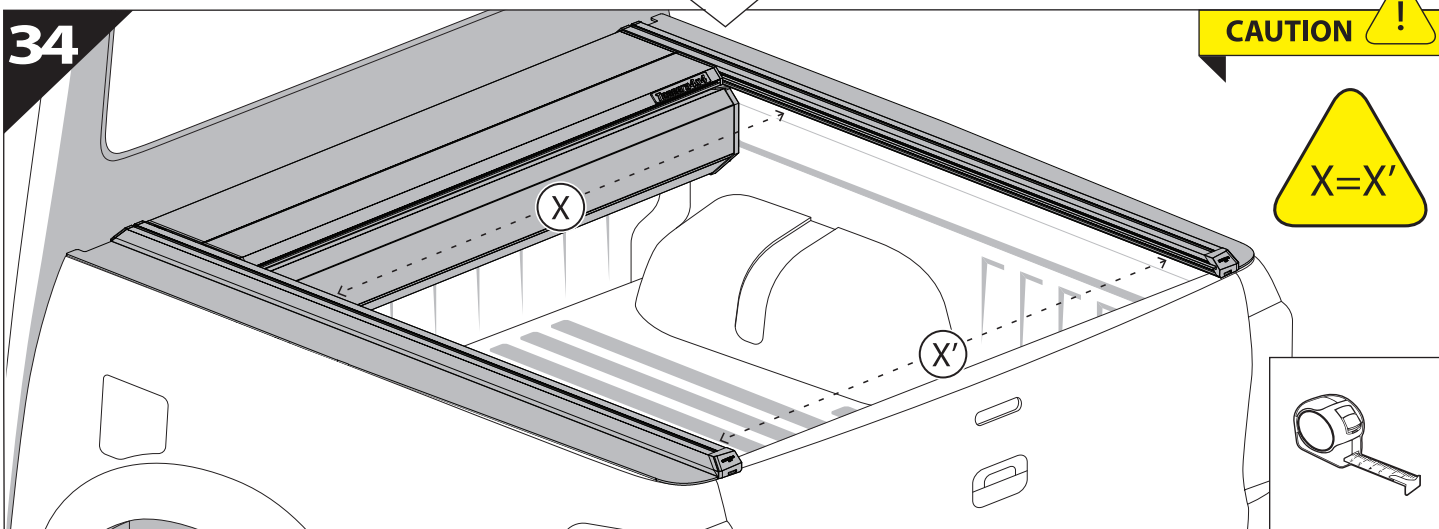
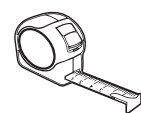
X'

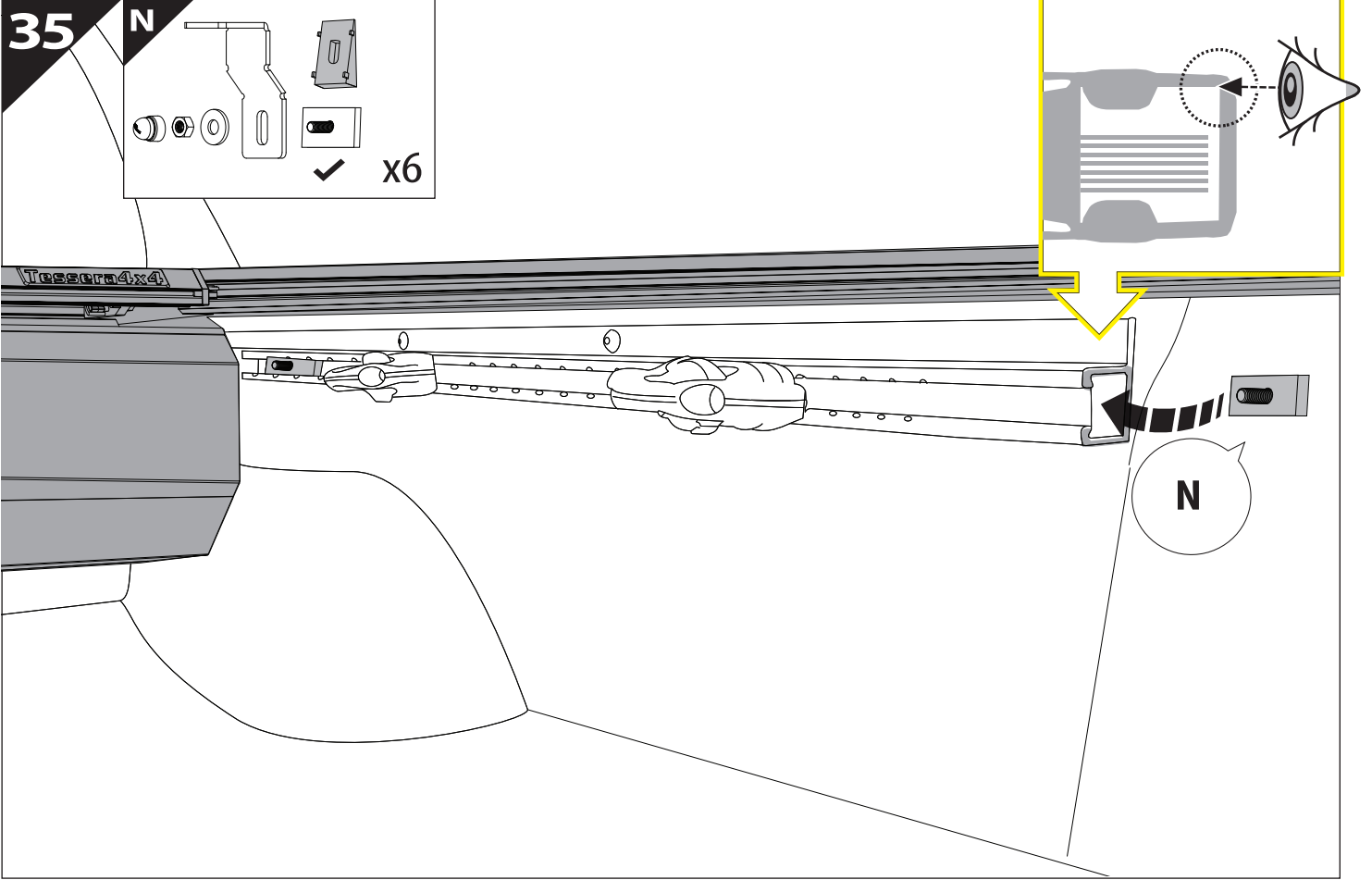
X



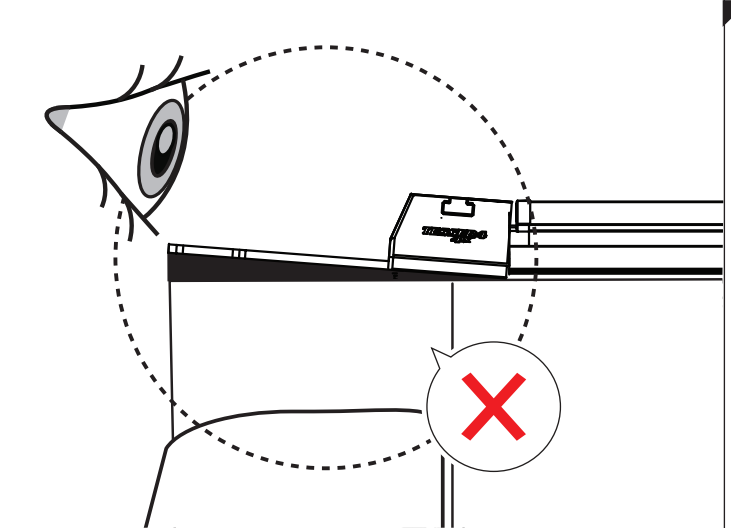
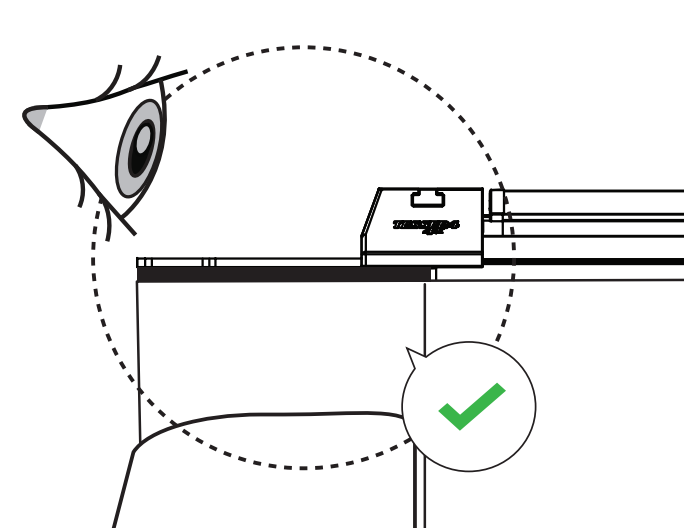
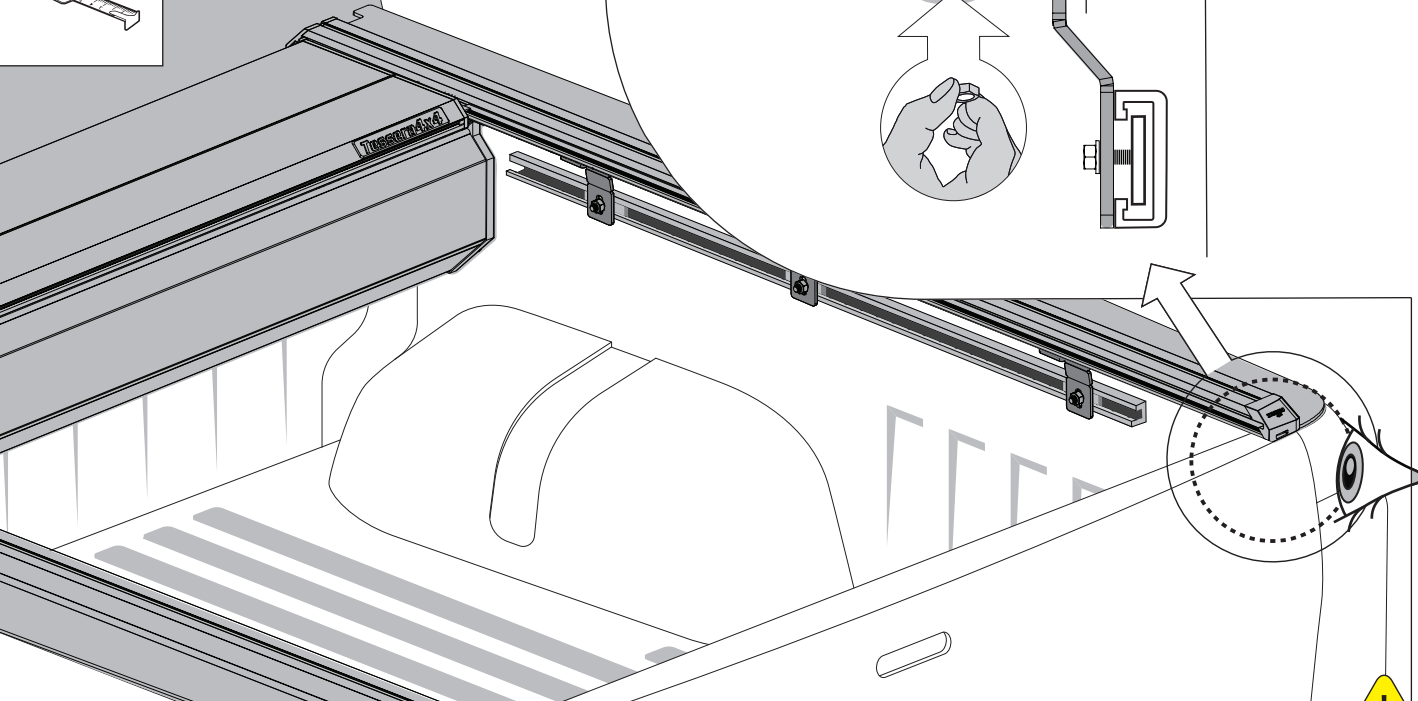
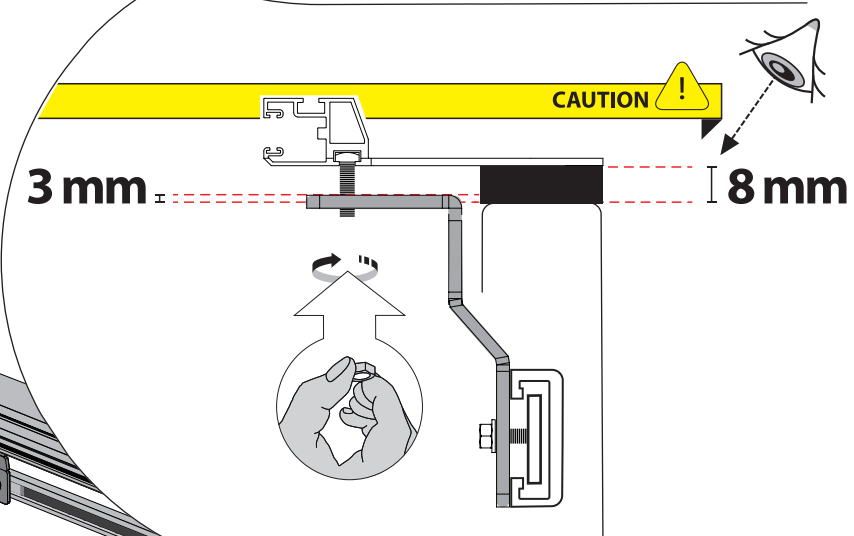
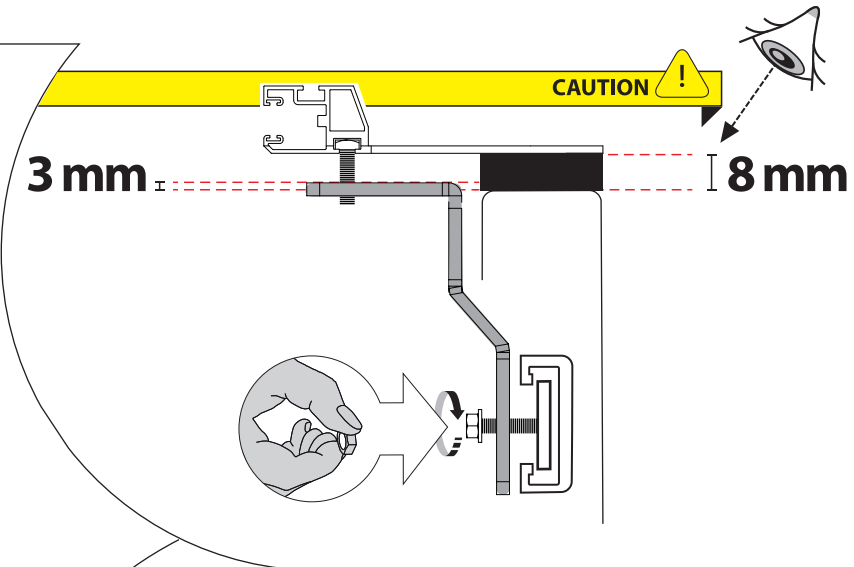
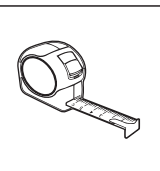
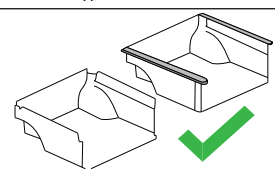
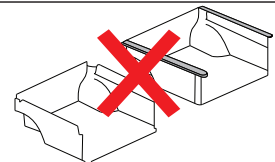
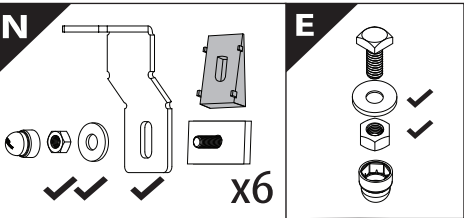
34

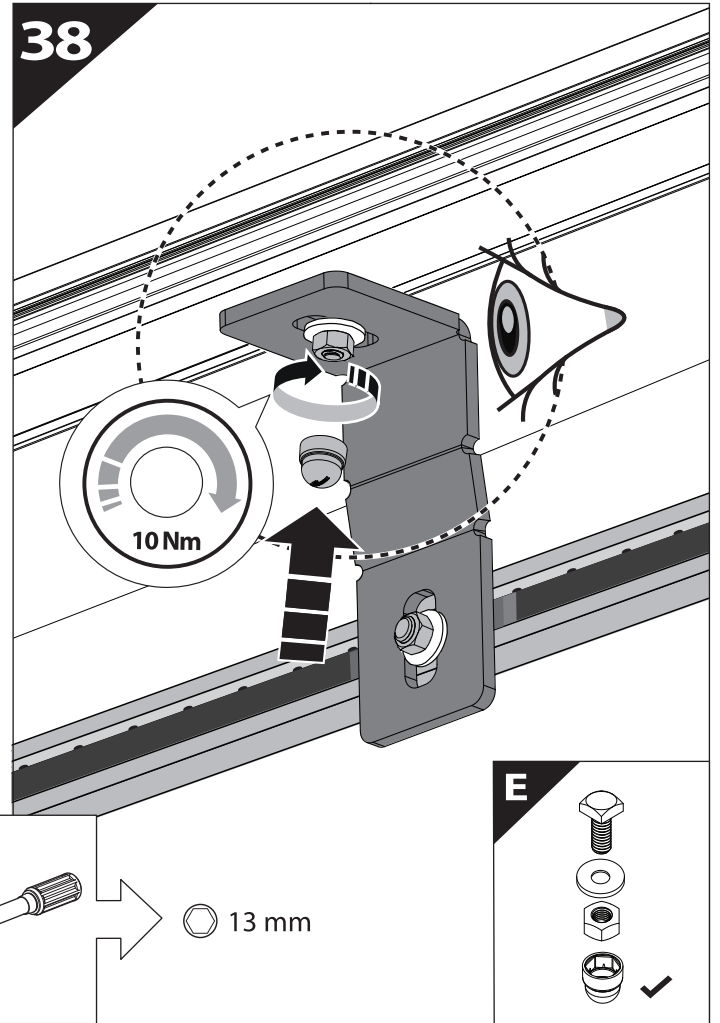
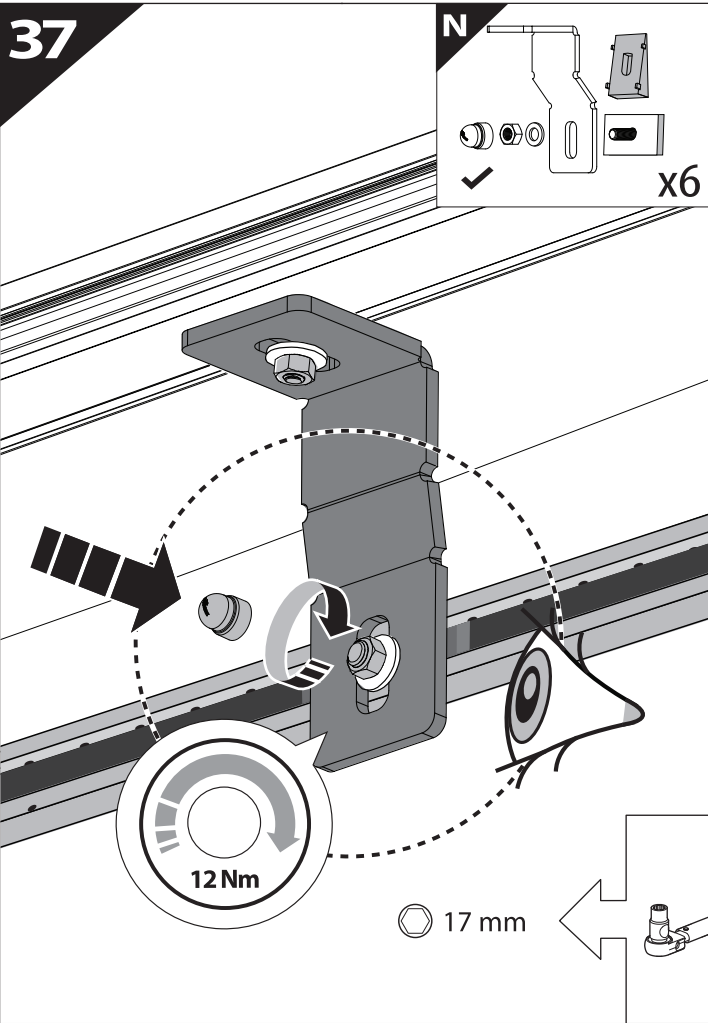
CAUTION



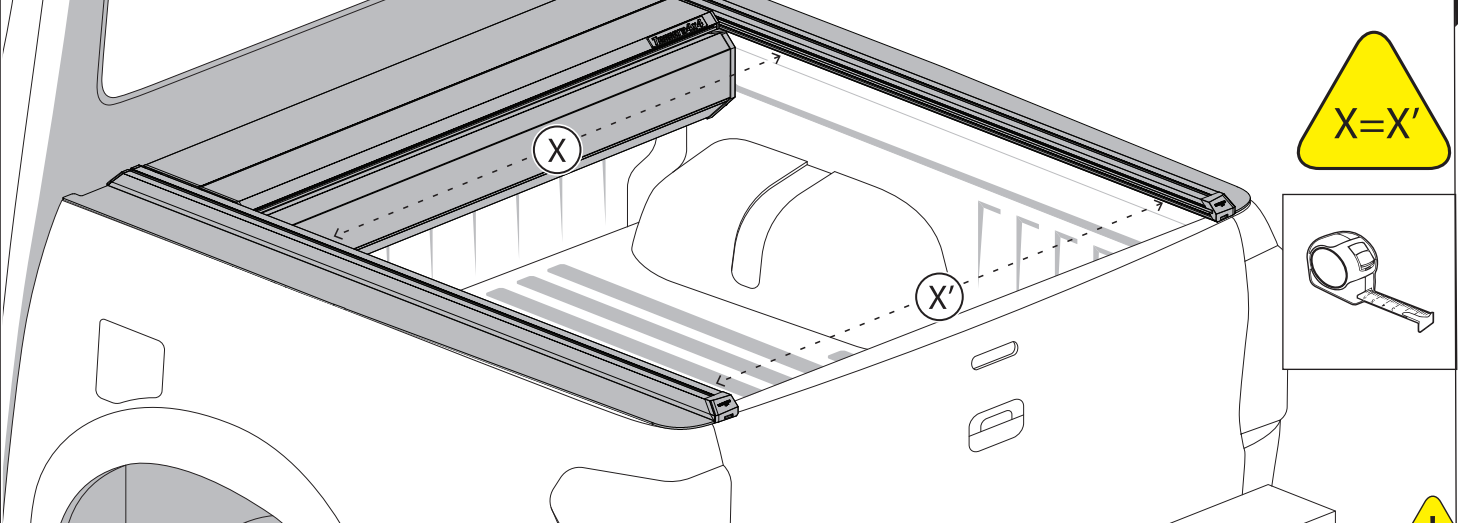


36

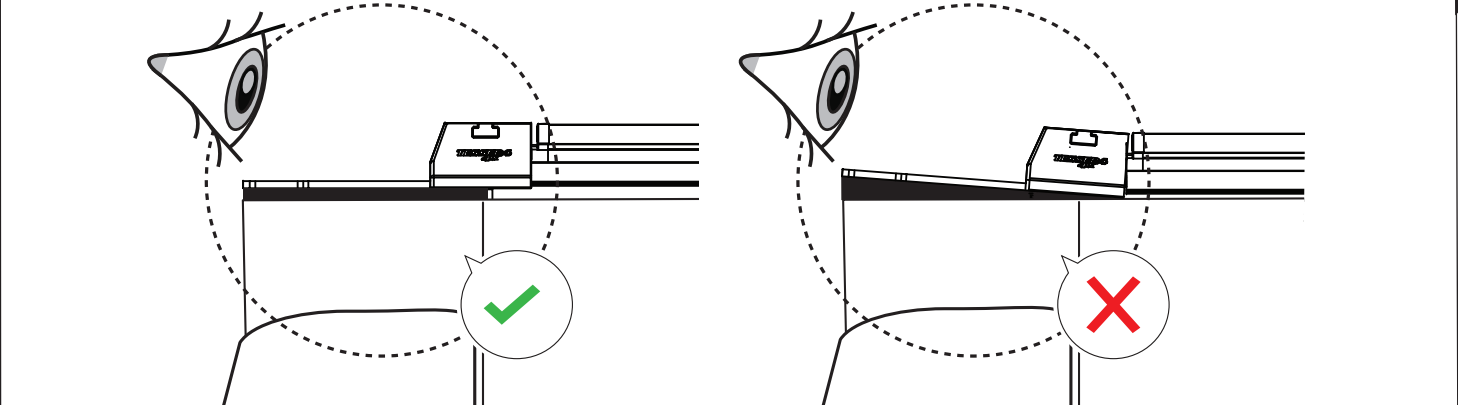




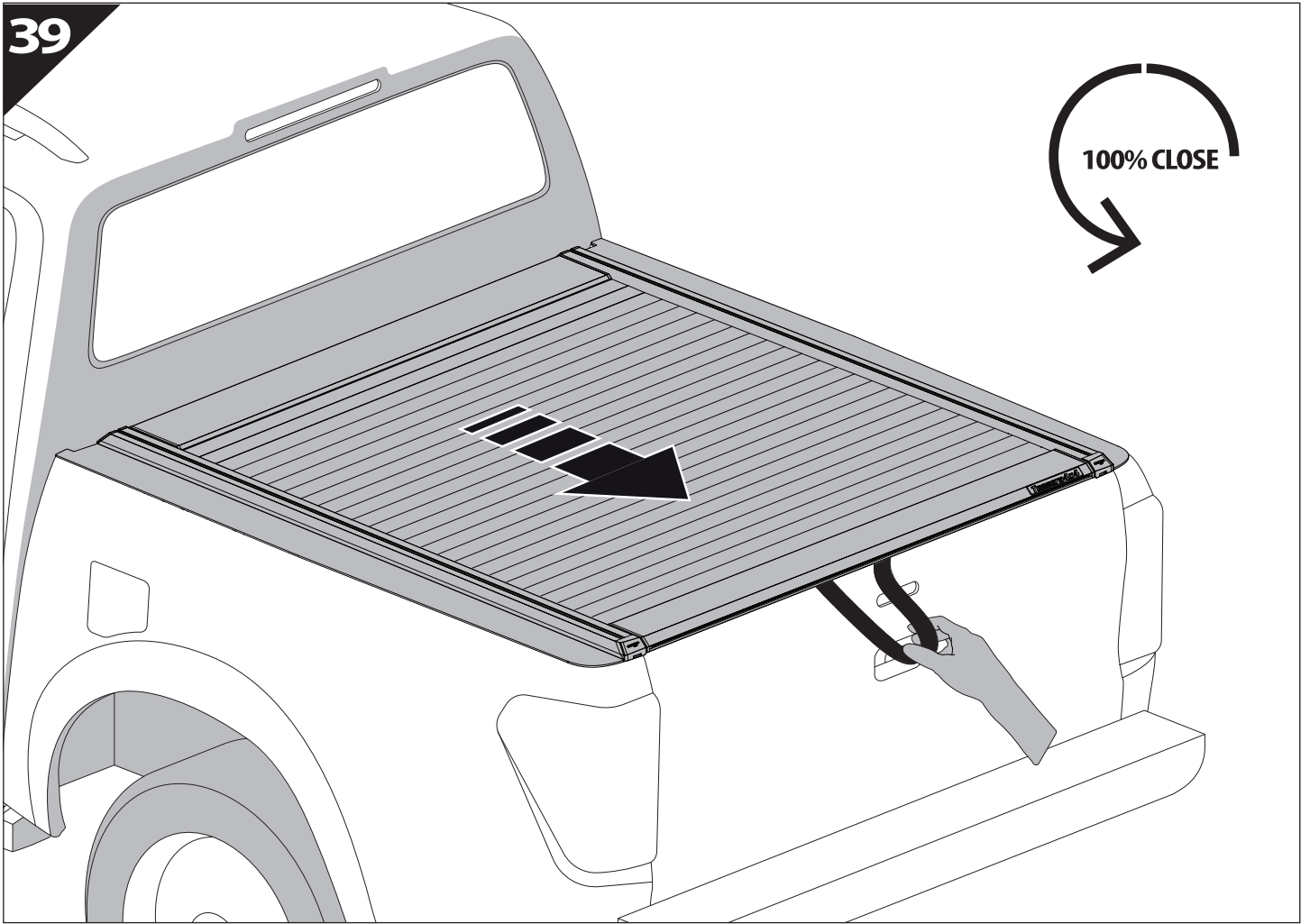
CAUTION !



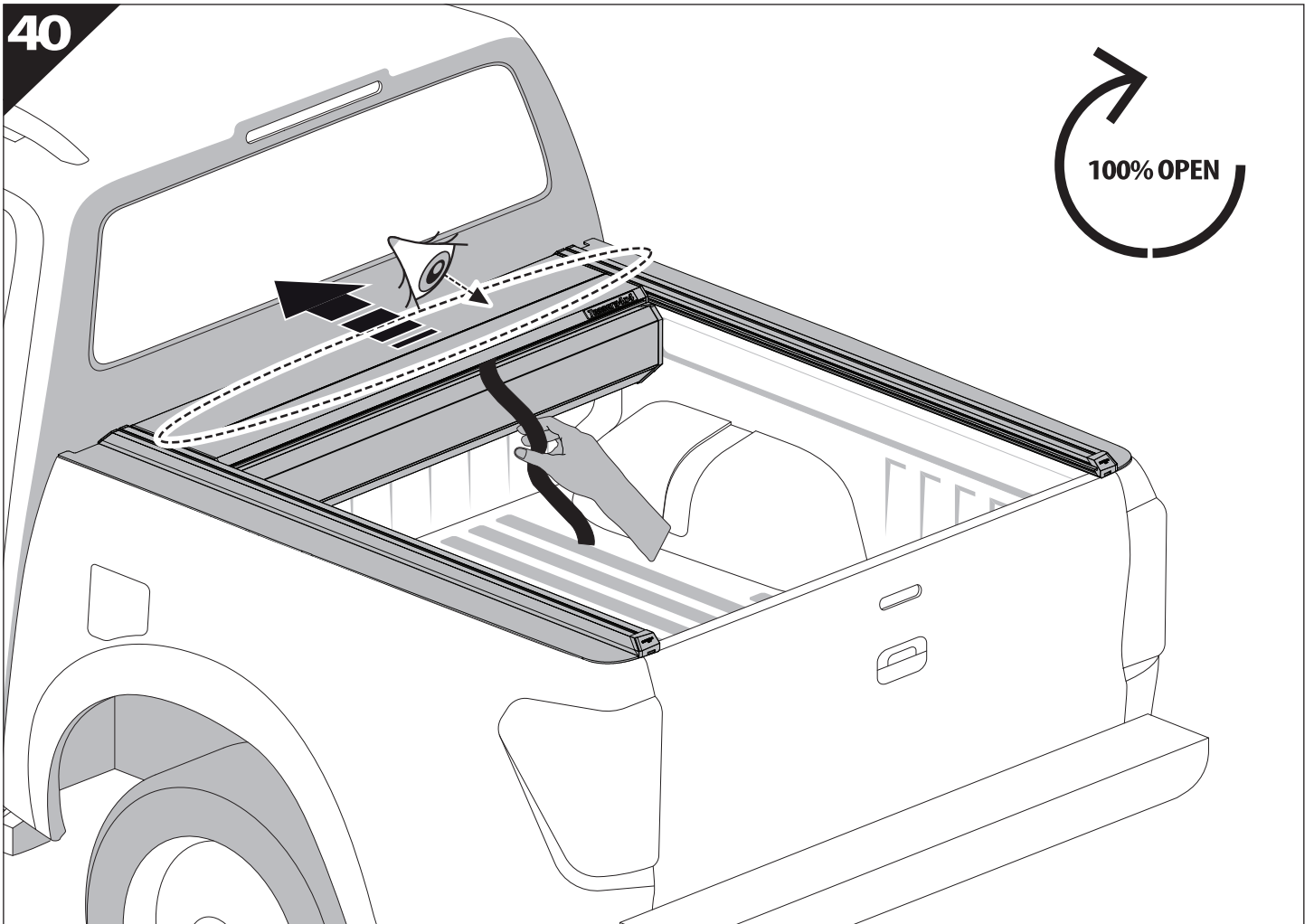
CAUTION !



39



40





GR: Οδηγίες Εγκατάστασης
GB: Installation manual
SF: Asennusohje
F: Notice de montage
PL: Instrukcja montażu
NL: Installatie-instructies
TR: Montaj Talimatı
S: Monteringsanvisning
E: Instrucciones de montaje

H: Szerelési utasítás
P: Instruções de instalação
RUS: Инструкция по установке
N: Monteringsveiledning
D: Einbauanleitung
CZ: Návod k instalaci
I: Istruzioni de montaggio
DK: Monteringsvejledning
RO: Instructiuni de instalare

Customer Service:

+30 (210) 5541161, +30 (210) 5541154 (08:00 - 16:00 EET)

Support department:

info@gianso.gr

Website:

www.tessera4x4.com

Address:

19.5 km of National road Athens-Korinthos (Elefsina) Greece, P.C: 19200