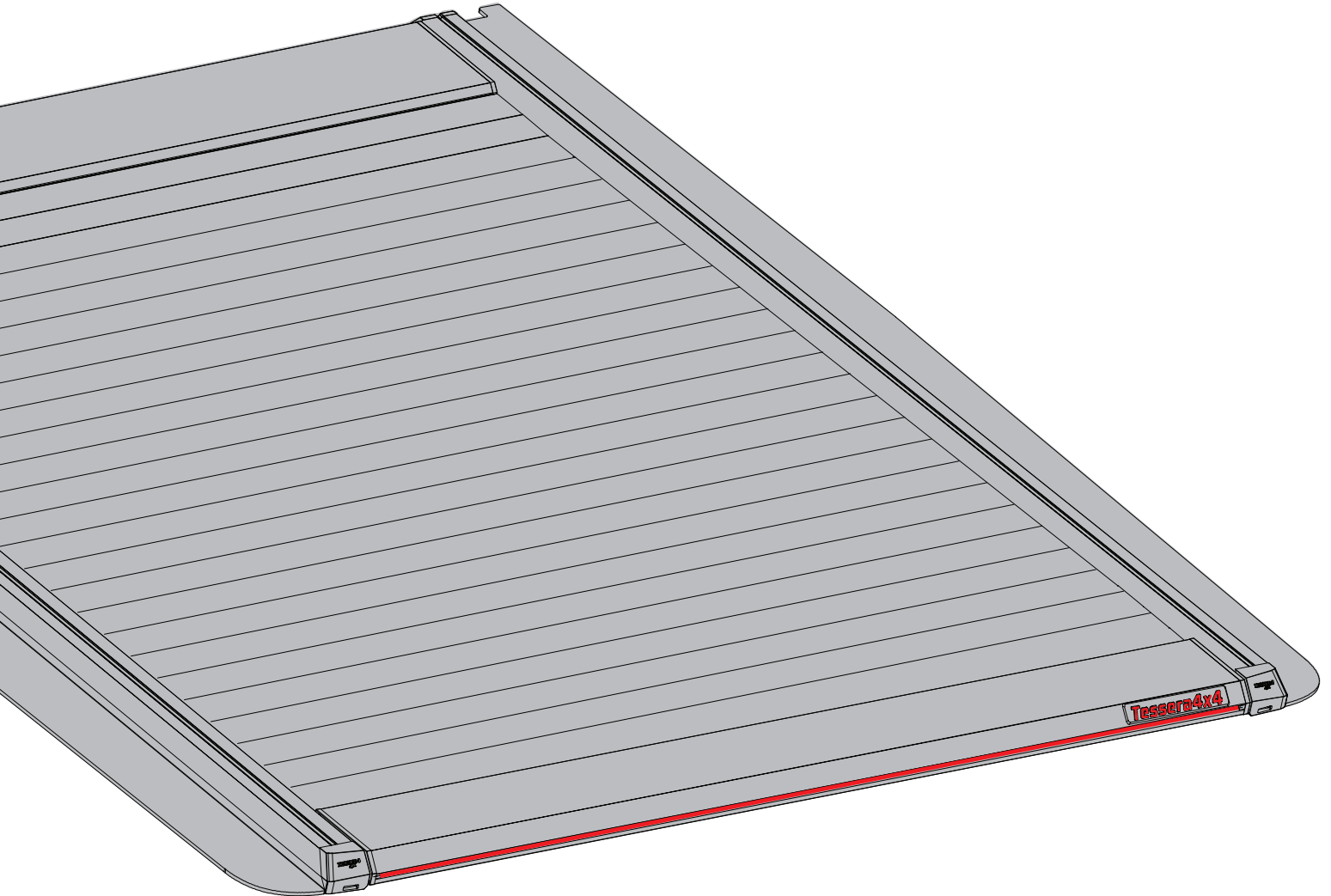


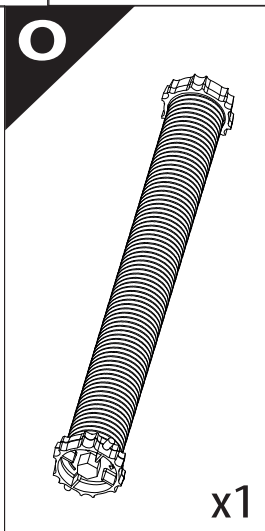
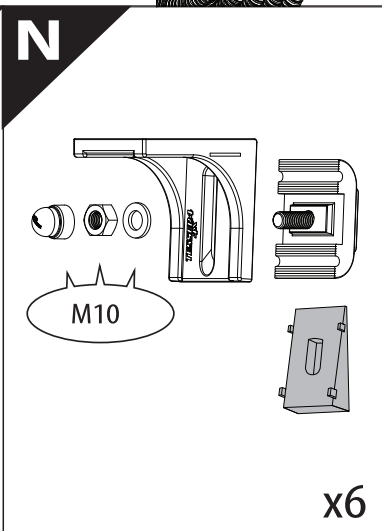
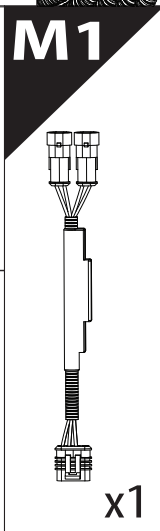
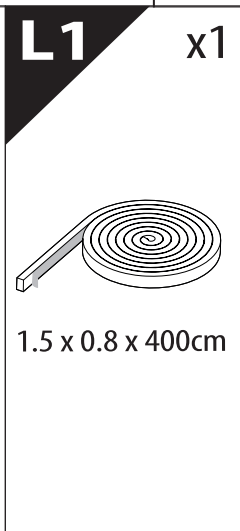
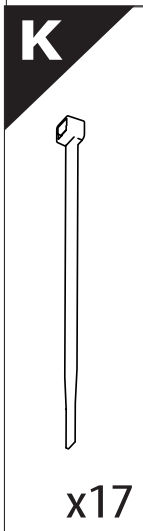
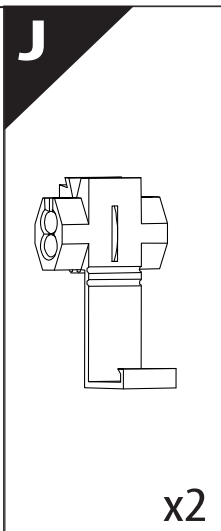
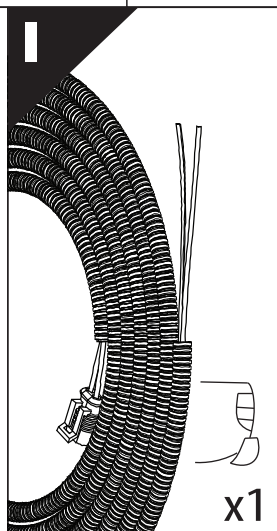
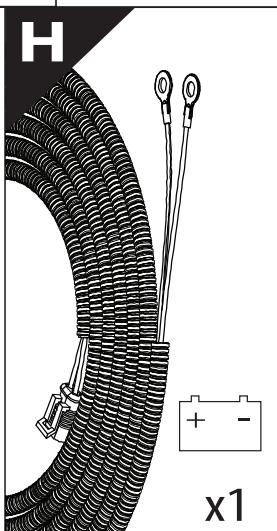
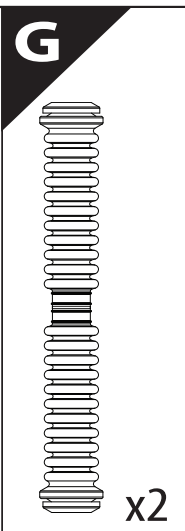
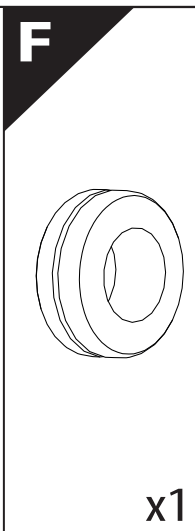
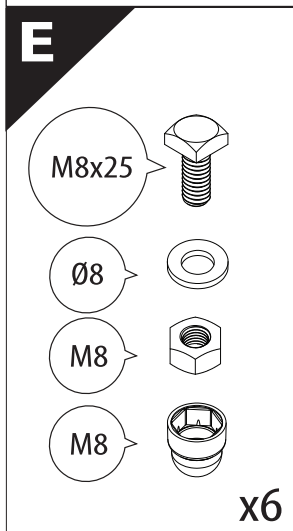
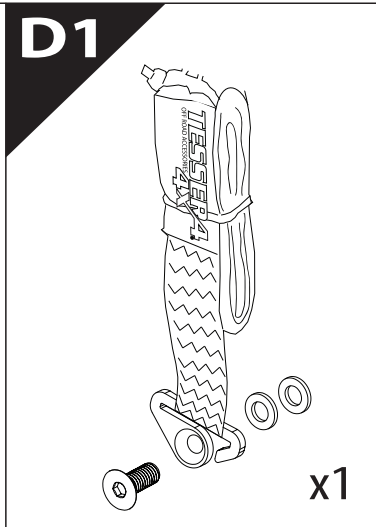
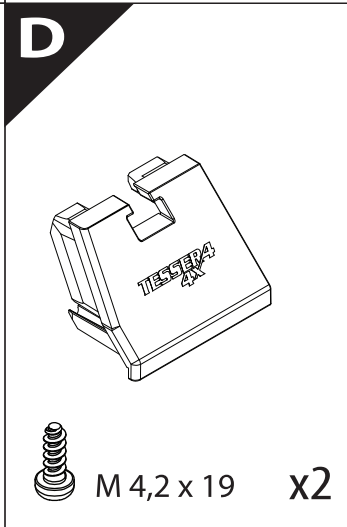
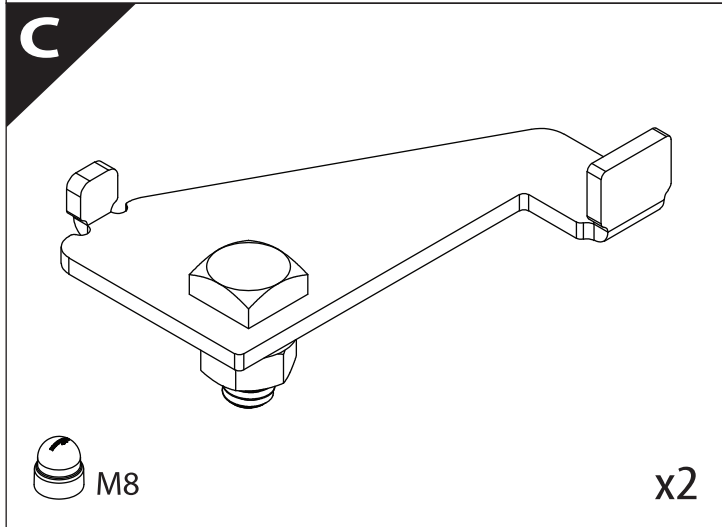
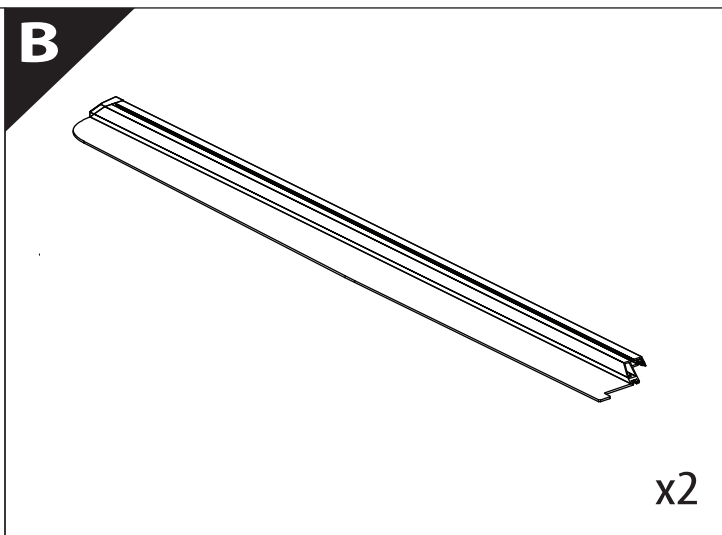
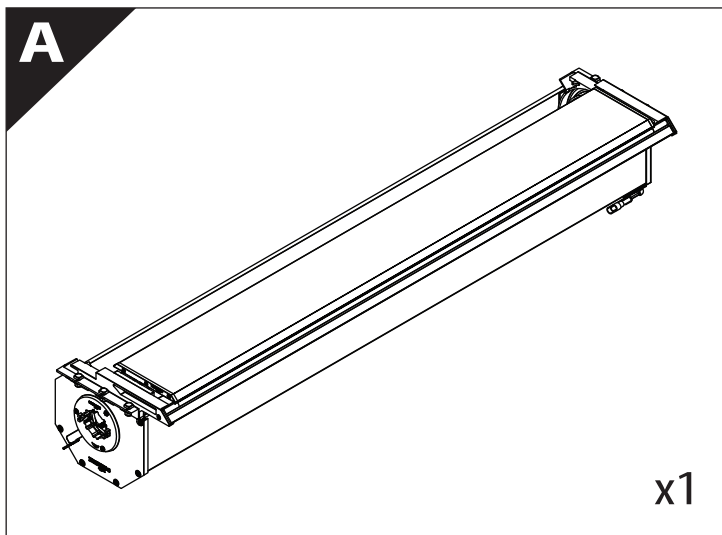
Tessera Roll+

Basic Version + ⚙️ S-KIT

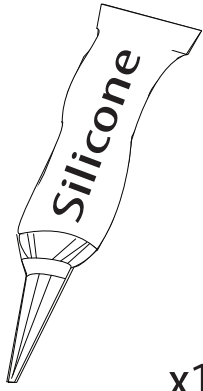


Installation Manual

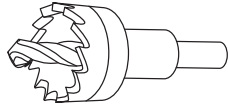
PART NUMBER(S)	Model Year
TESS 1419 ROLL+S-KIT	Mercedes X-Class 2018+ (no-c-channels)
Cab(s)	Installation Time / Weight
Double Cab	40-60 minutes / 53-57 kg



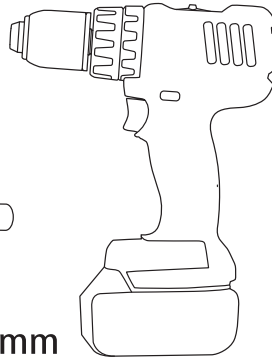
P



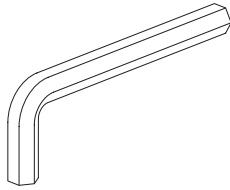
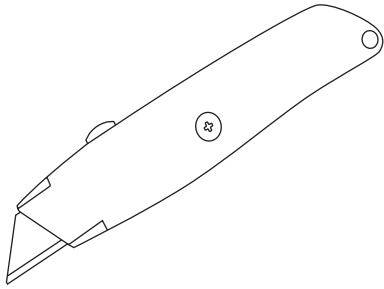
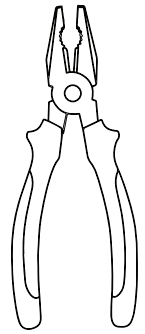
x1



Ø 25 mm / Ø 40 mm

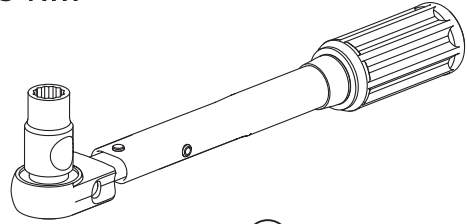


+



4 mm

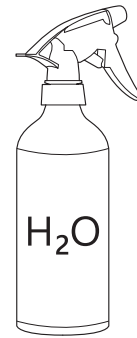
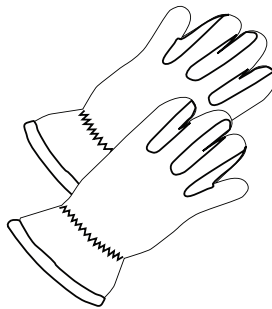
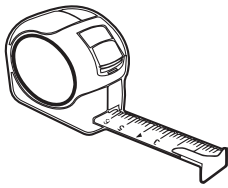
1 - 25 Nm



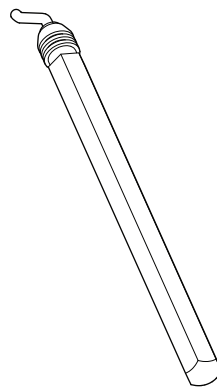
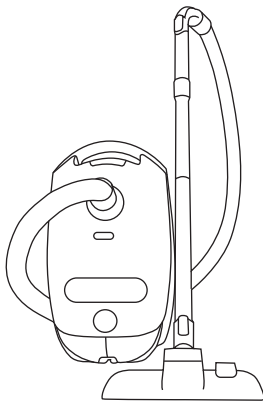
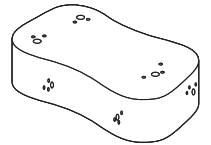
12, 13, 17 mm



ACETONE



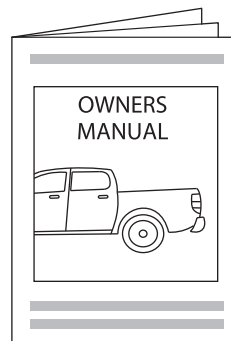
H₂O



ANTI-RUST



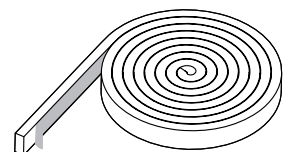
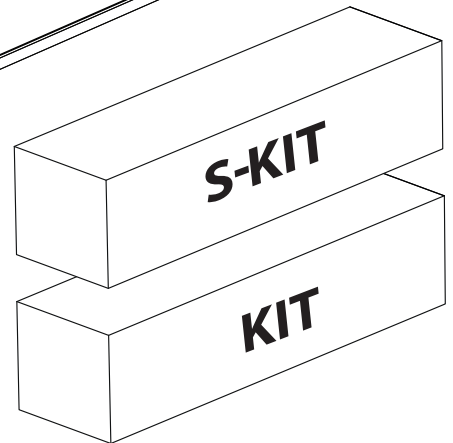
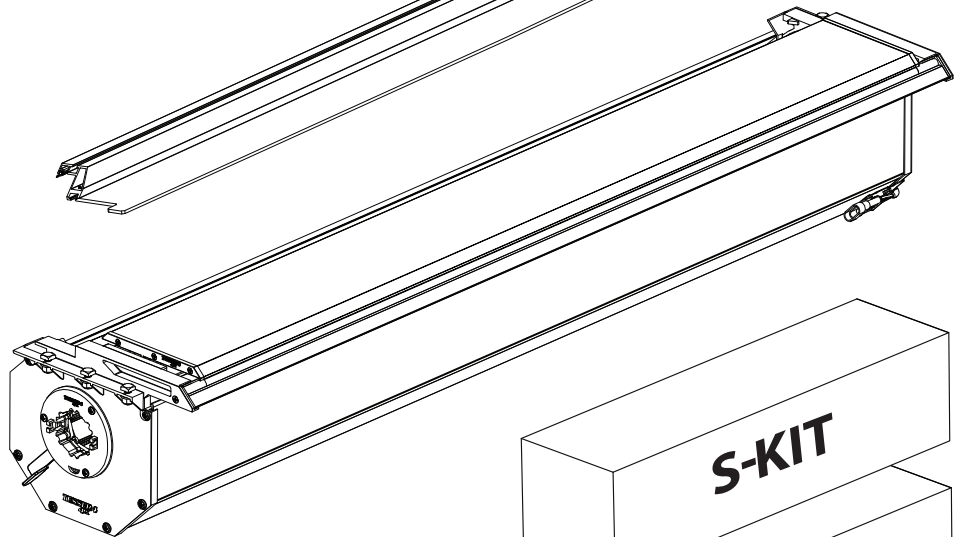
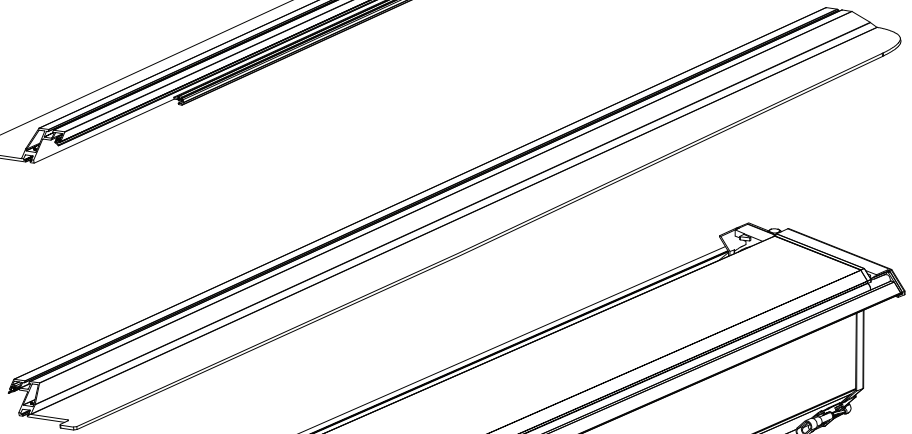
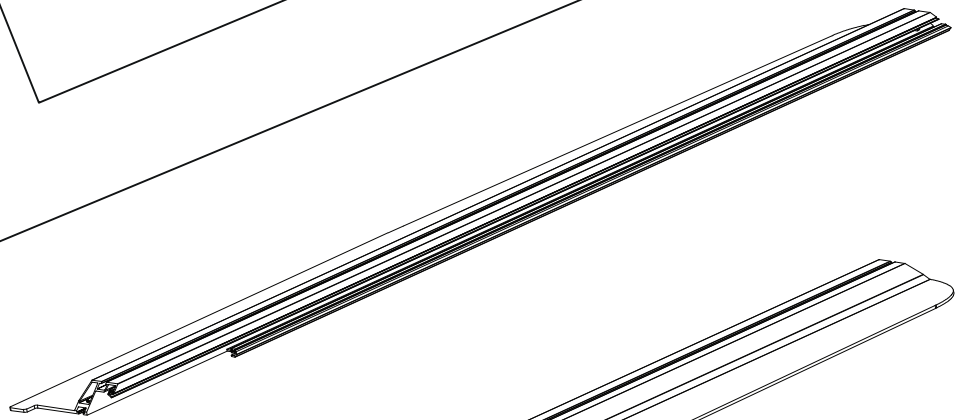
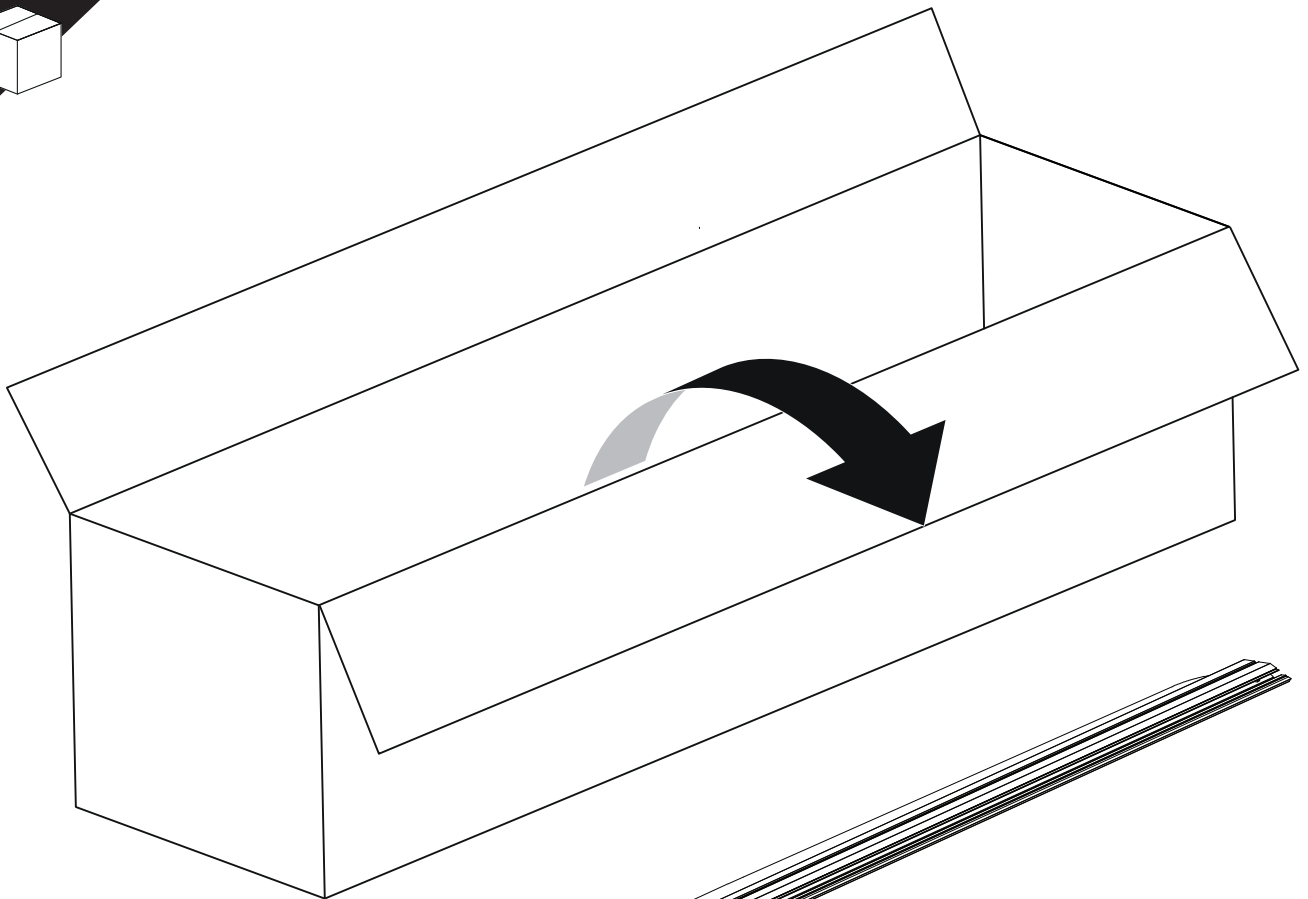
INSTALATION
MANUAL
+S-KIT



OWNERS
MANUAL



x1

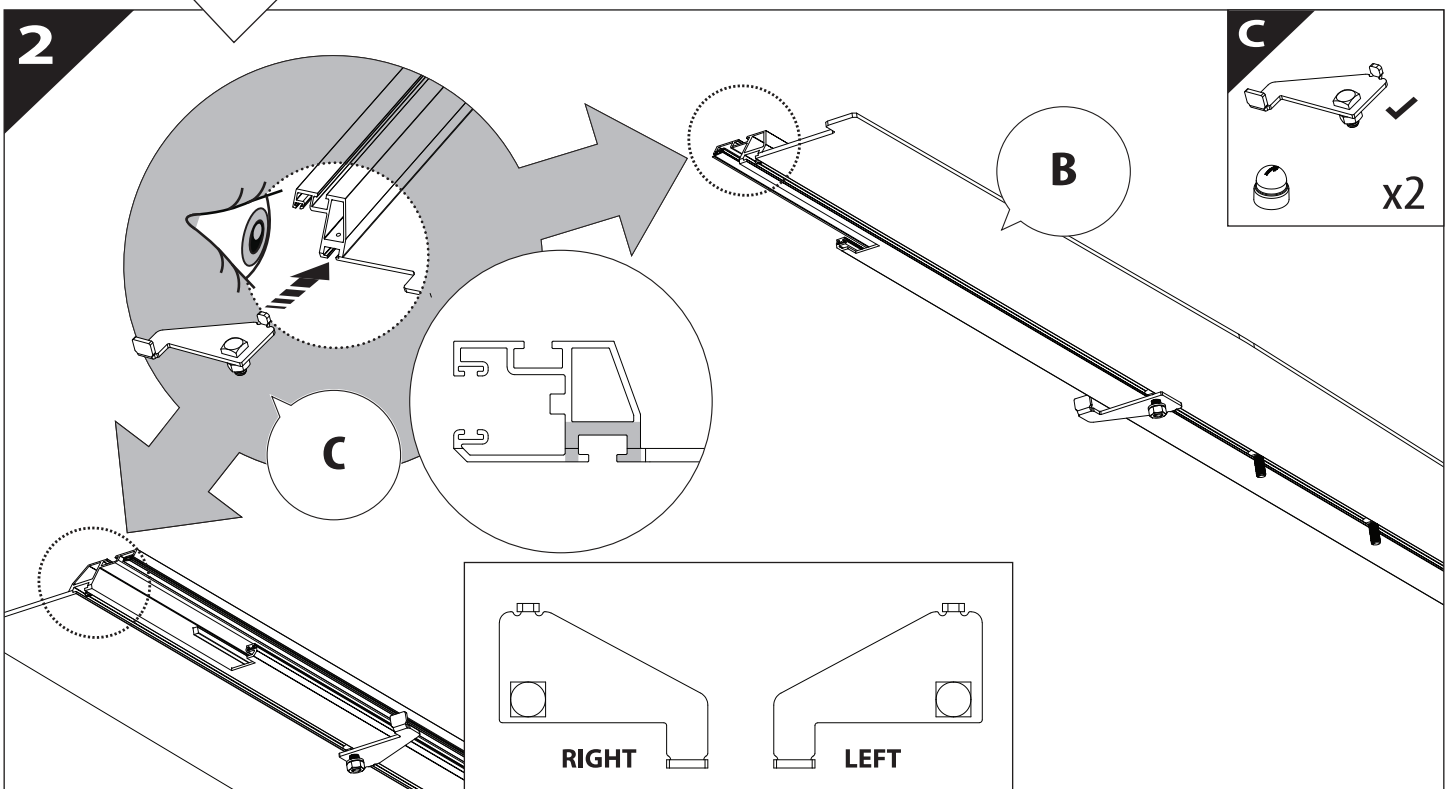
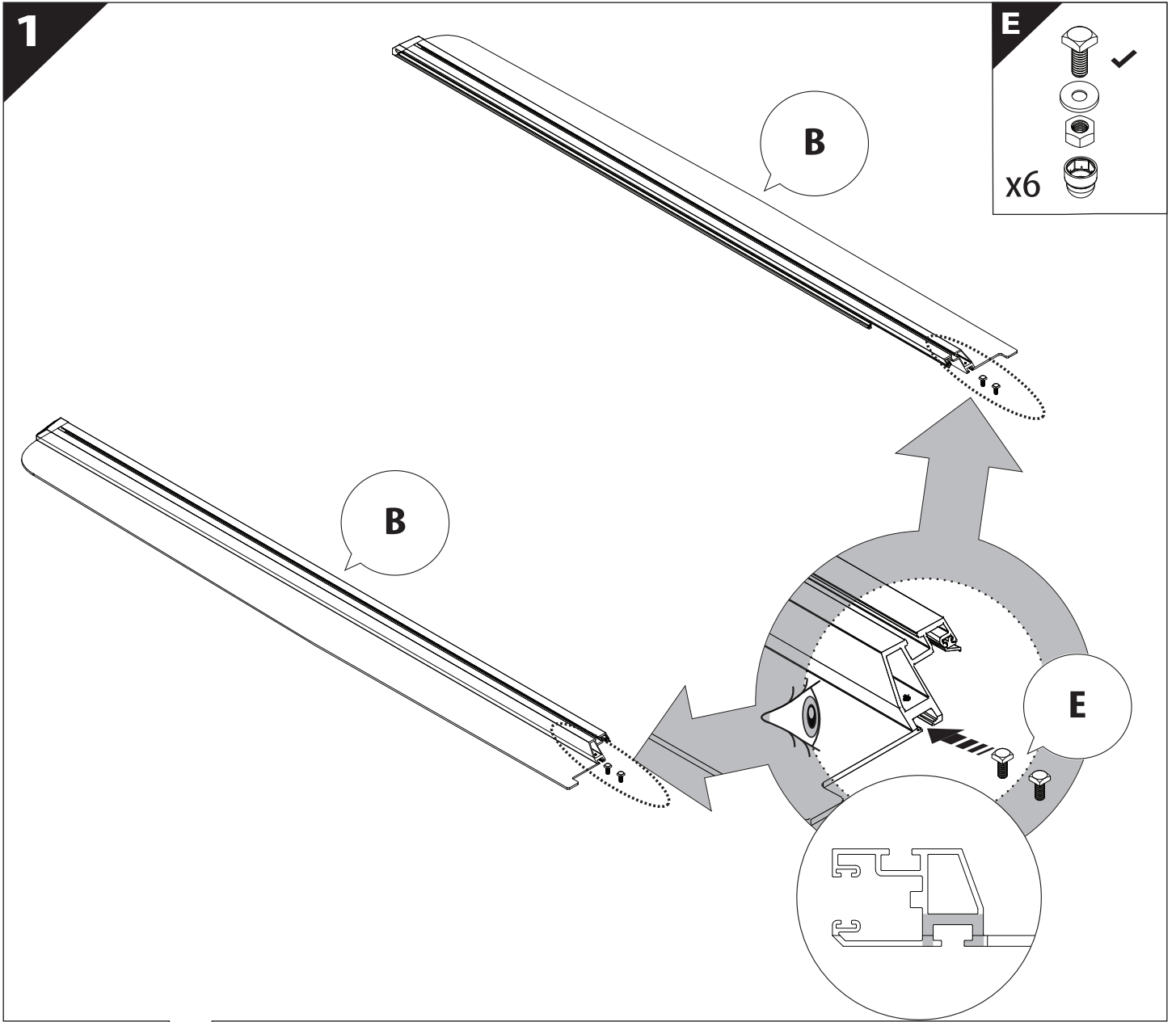


B

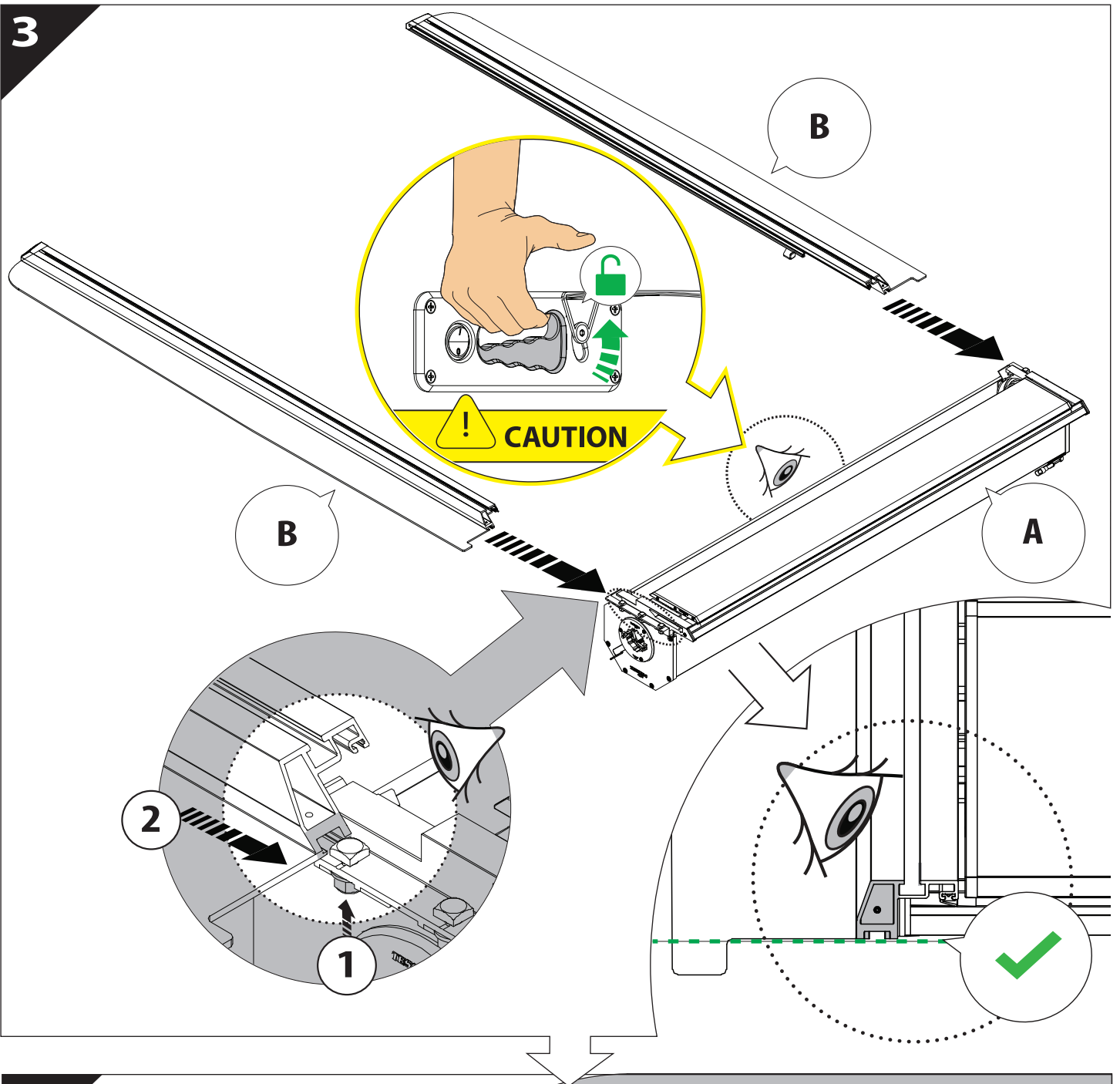
A

KITS

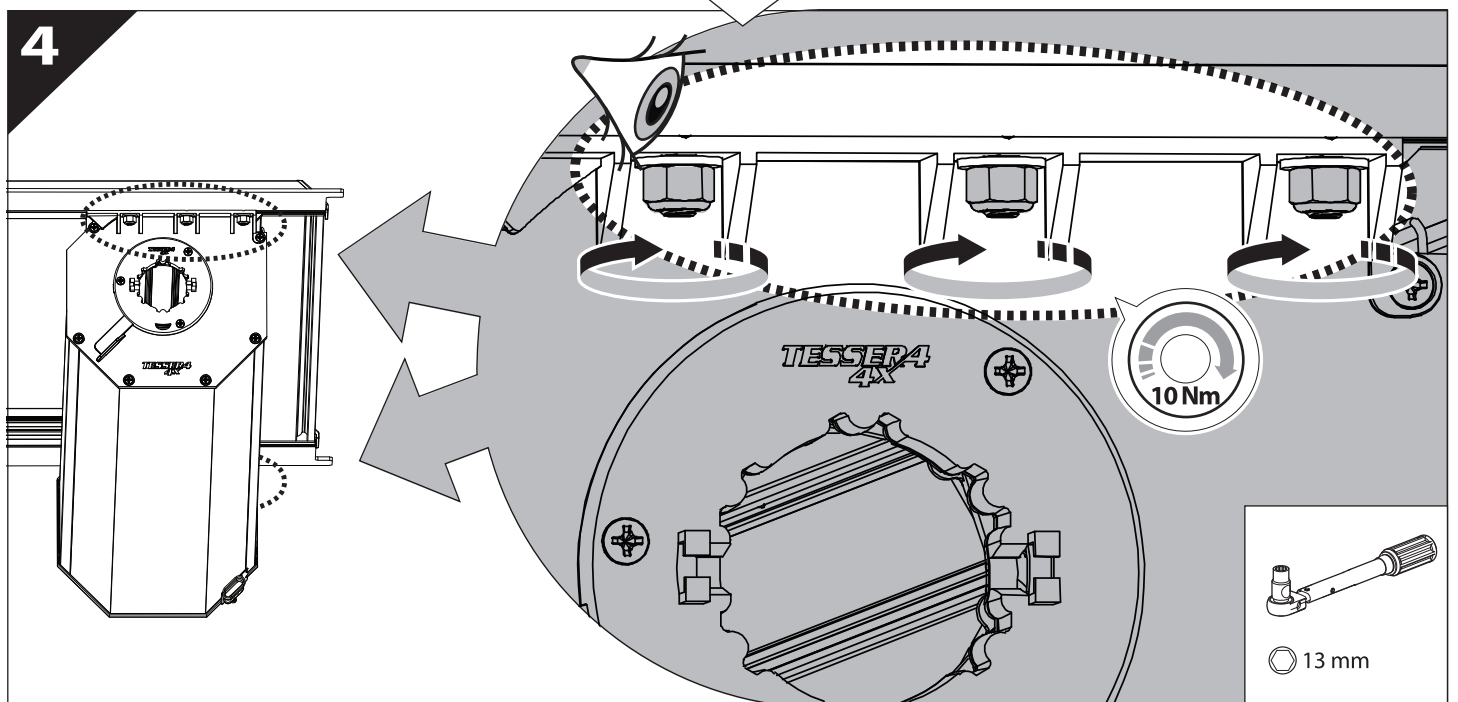
L

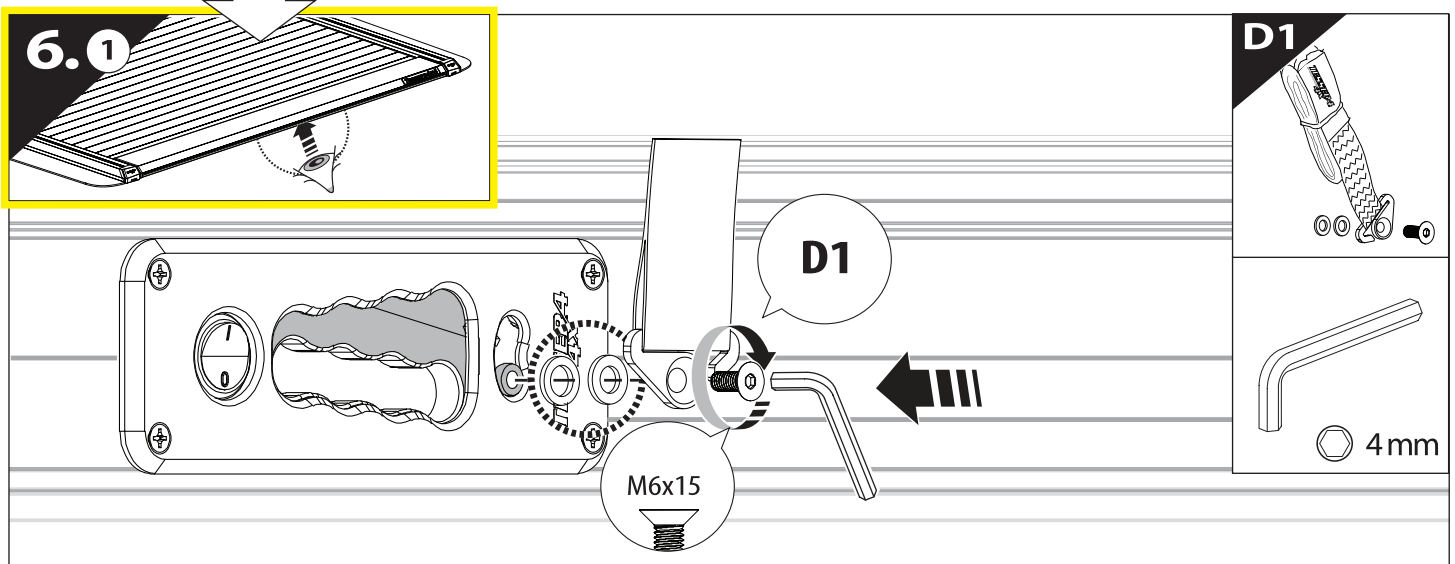
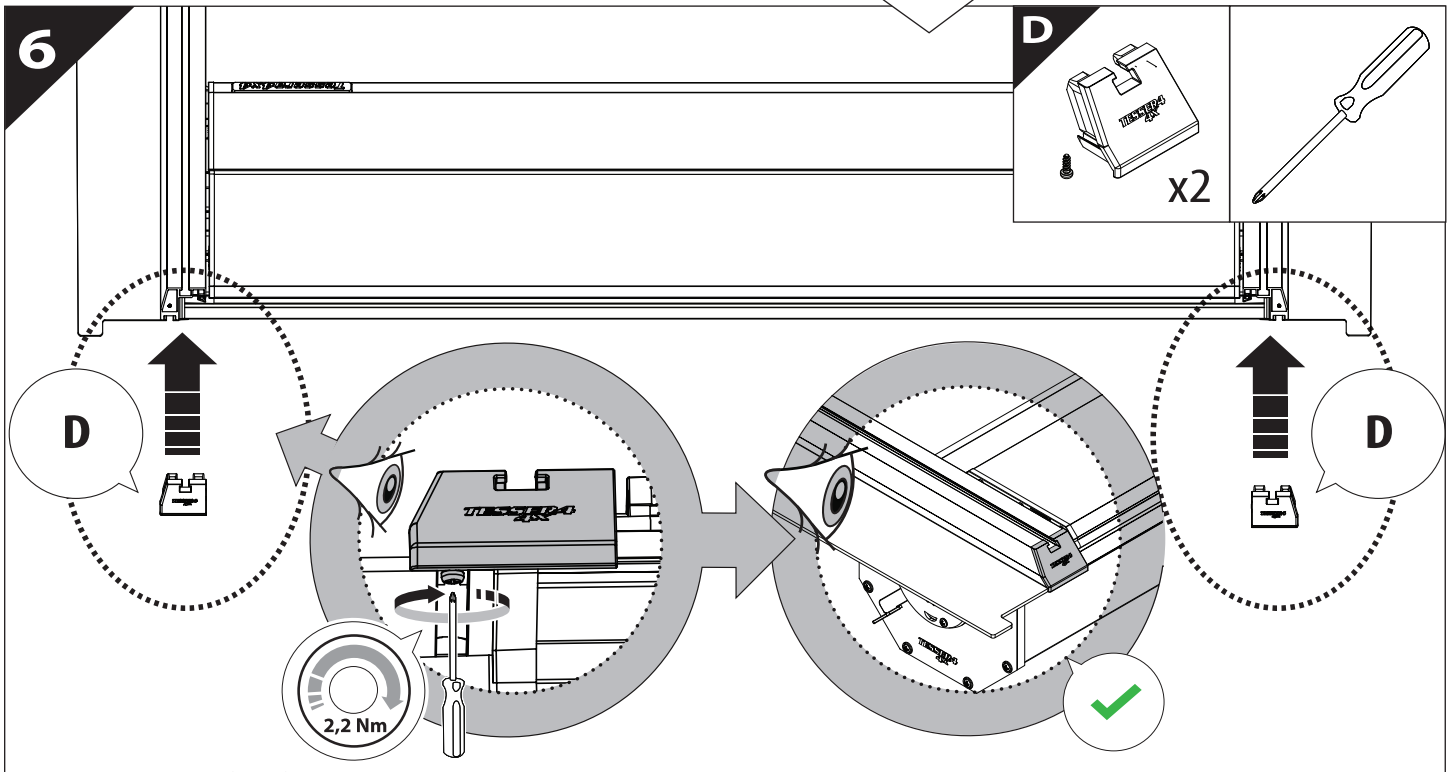
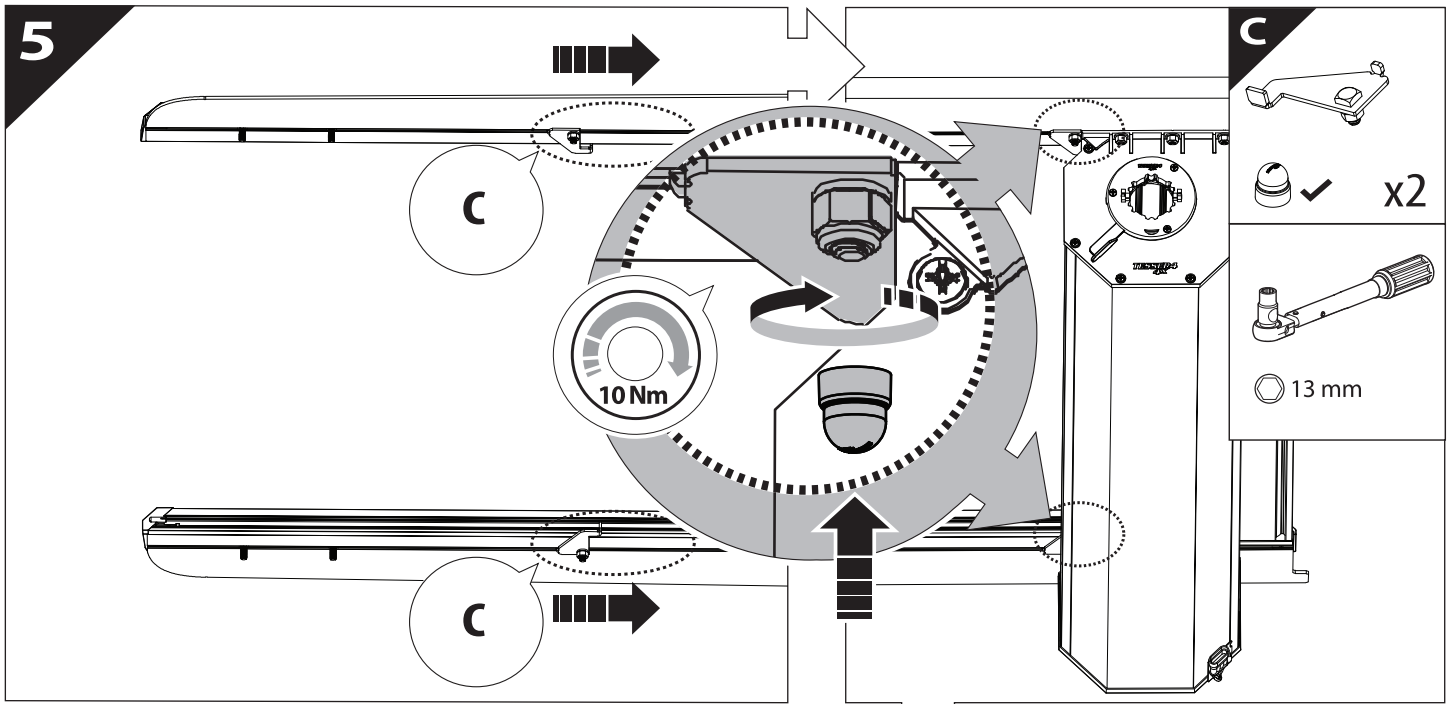


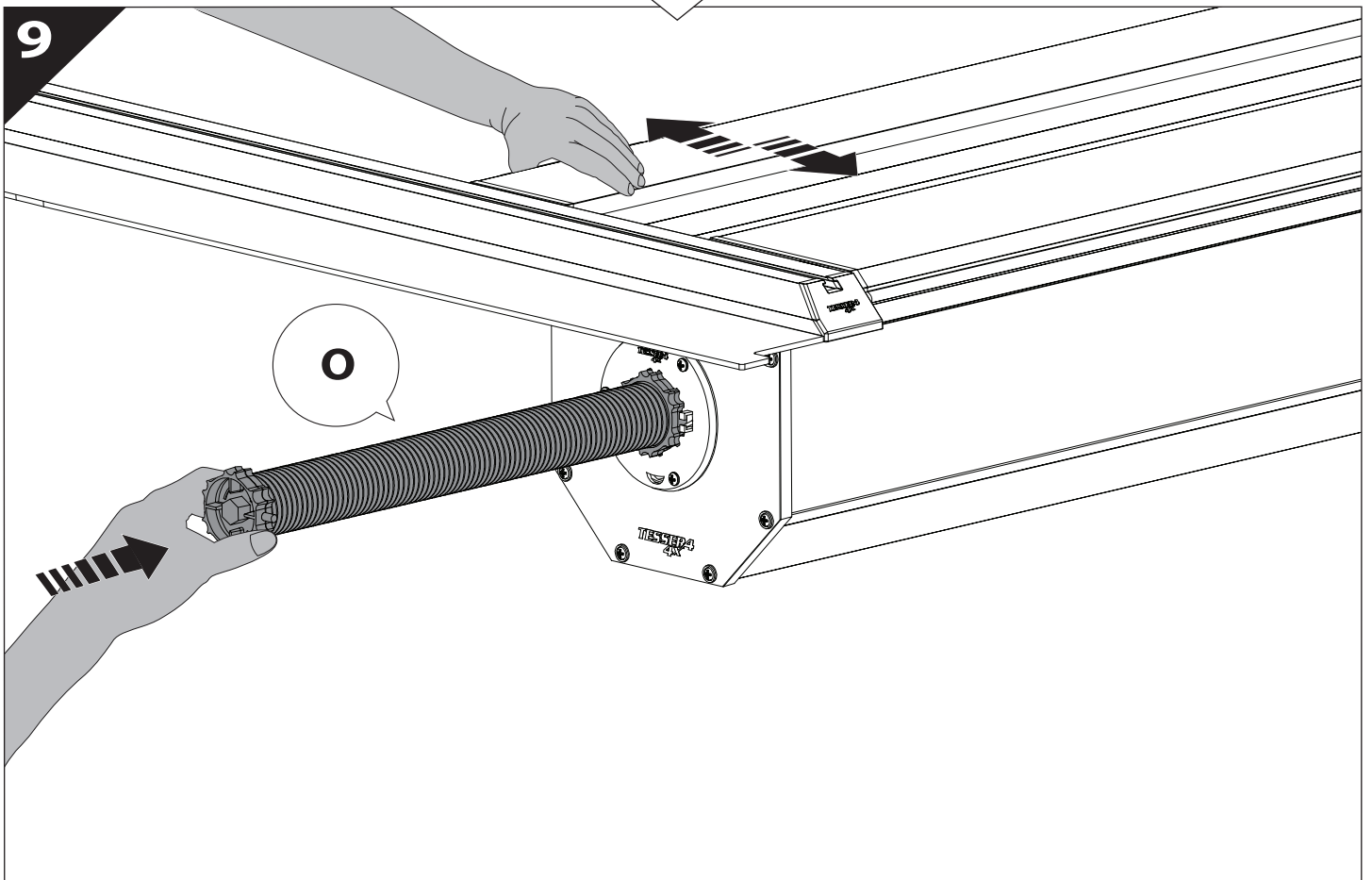
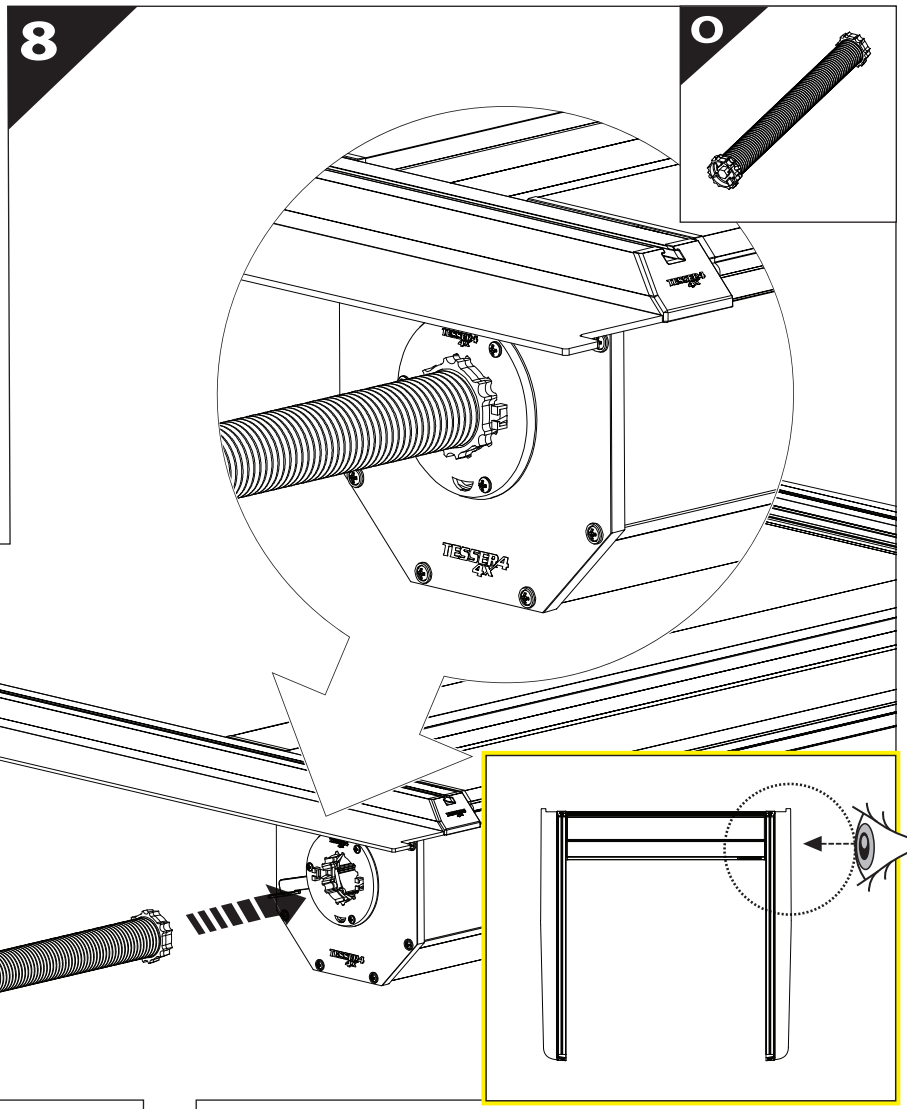
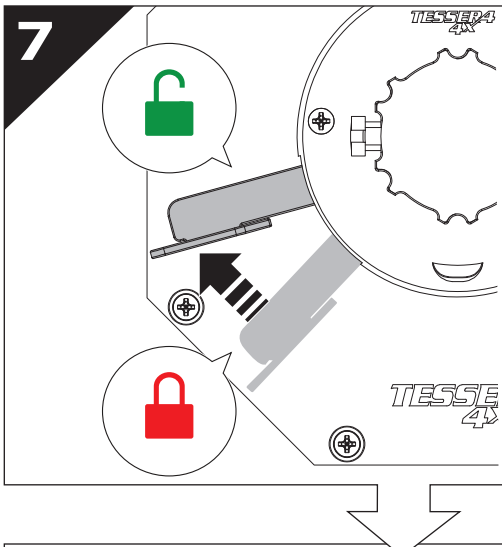
3



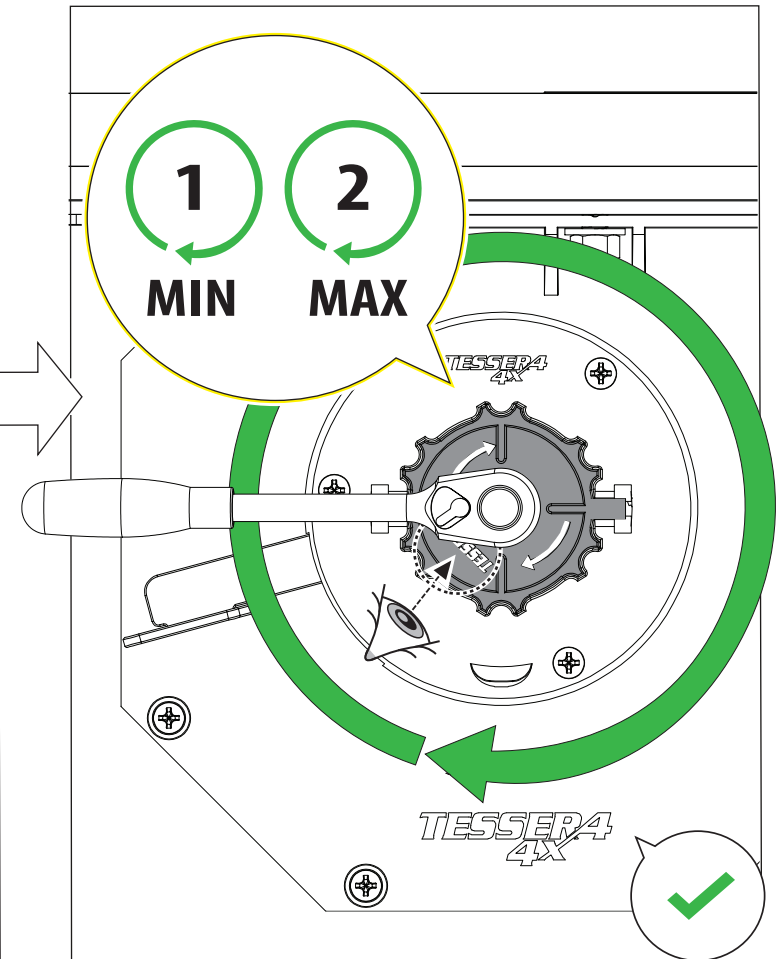
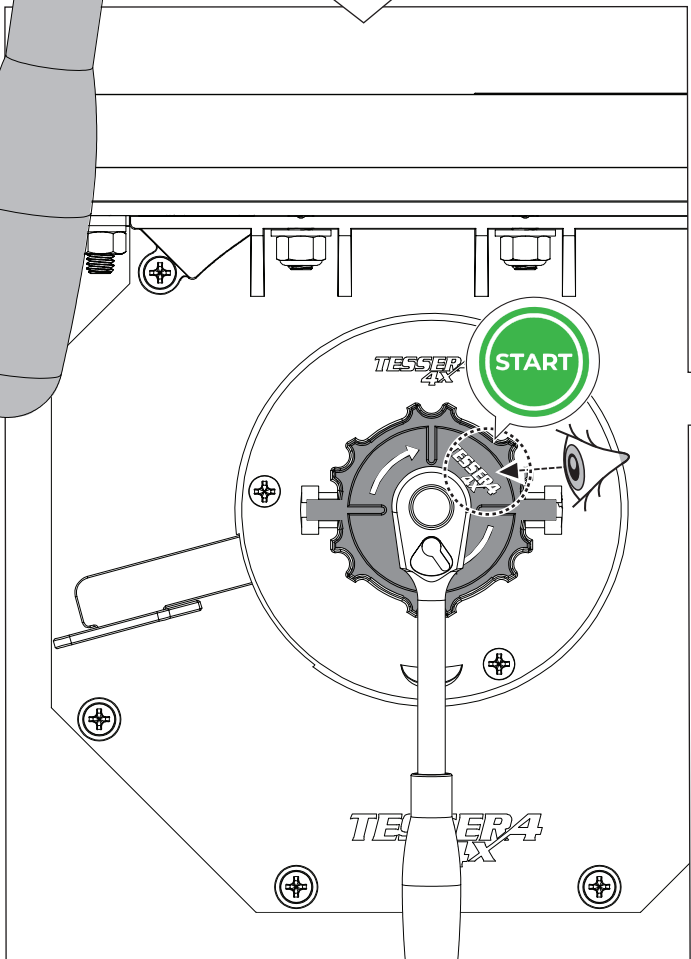
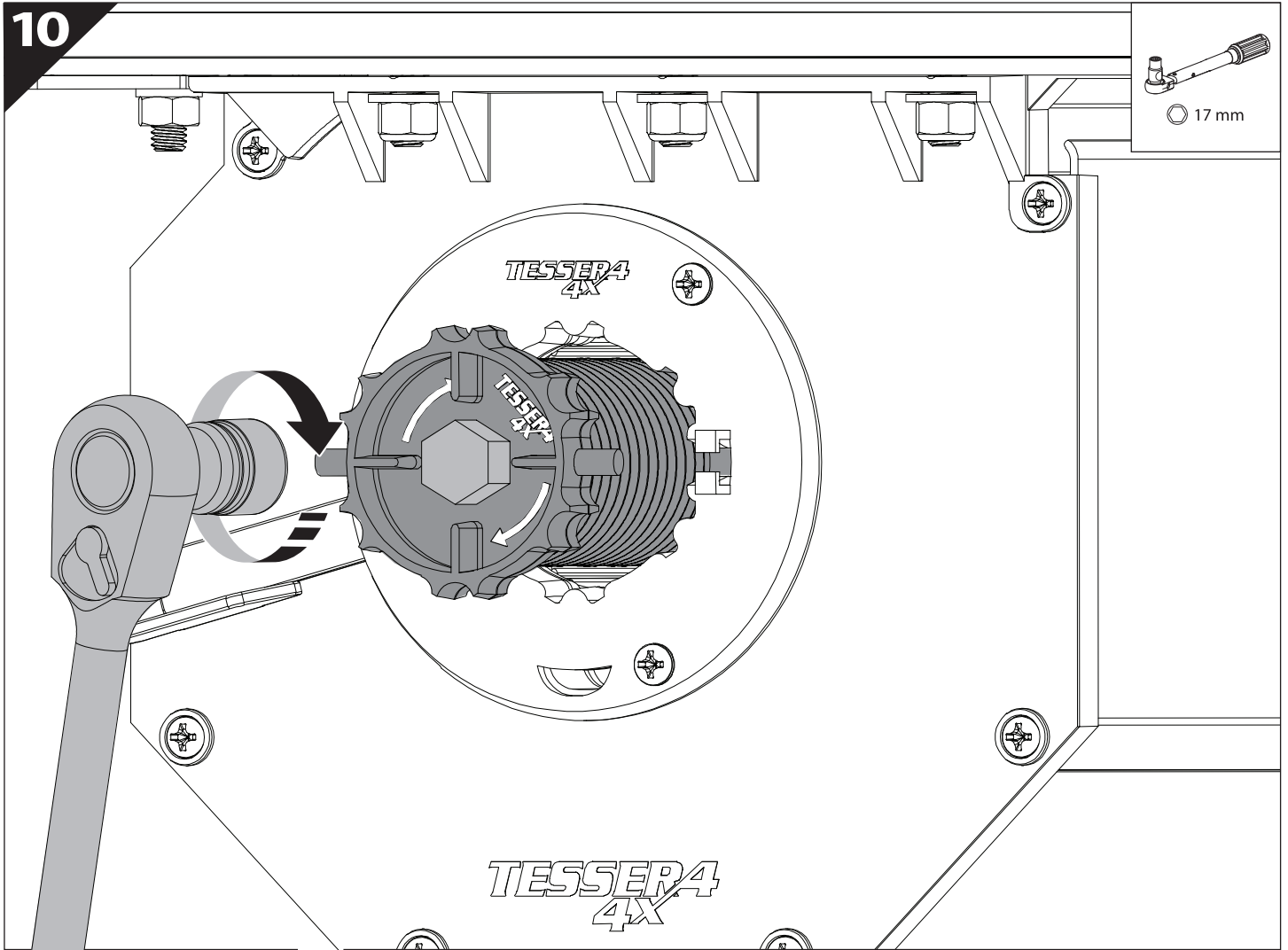
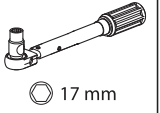
4



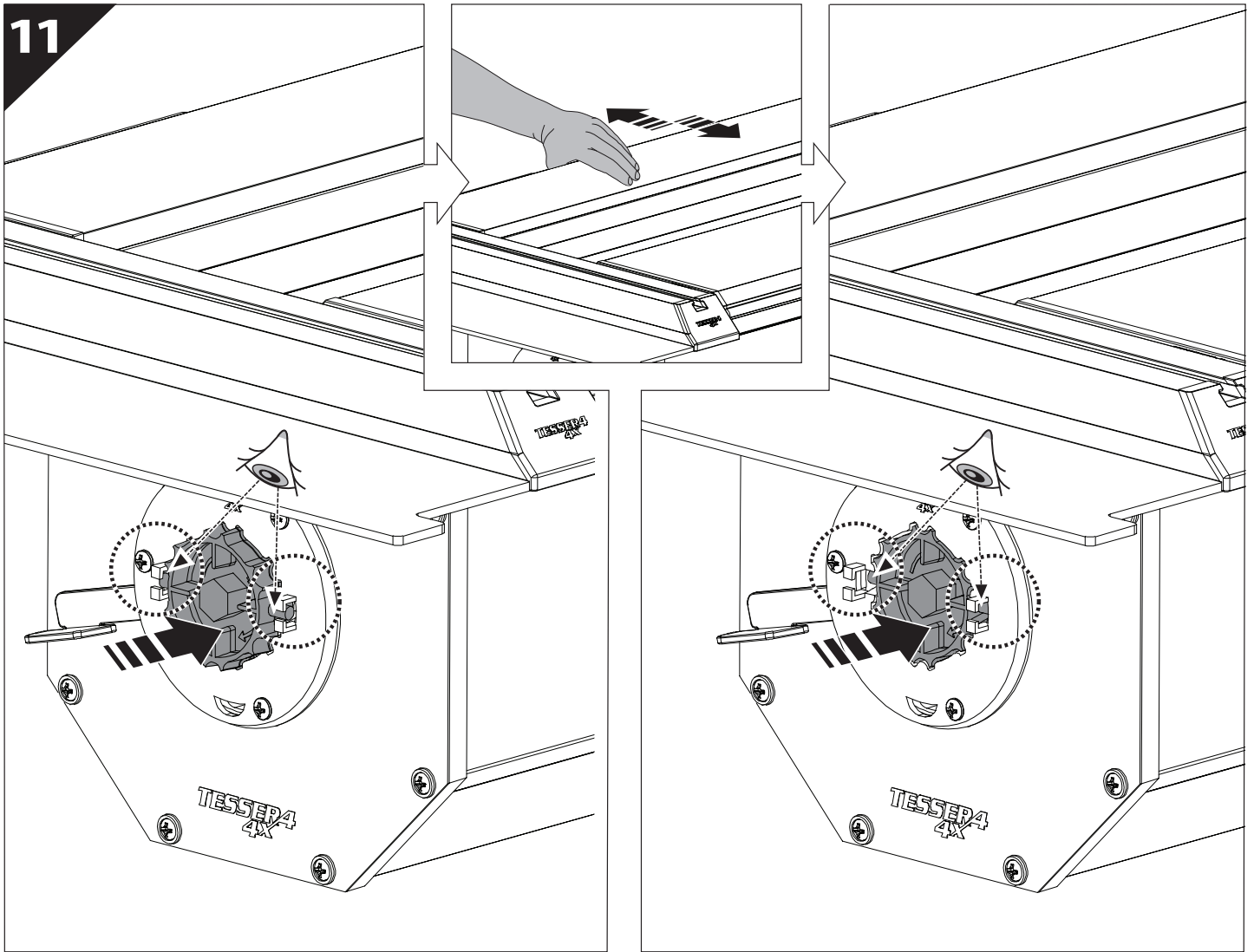




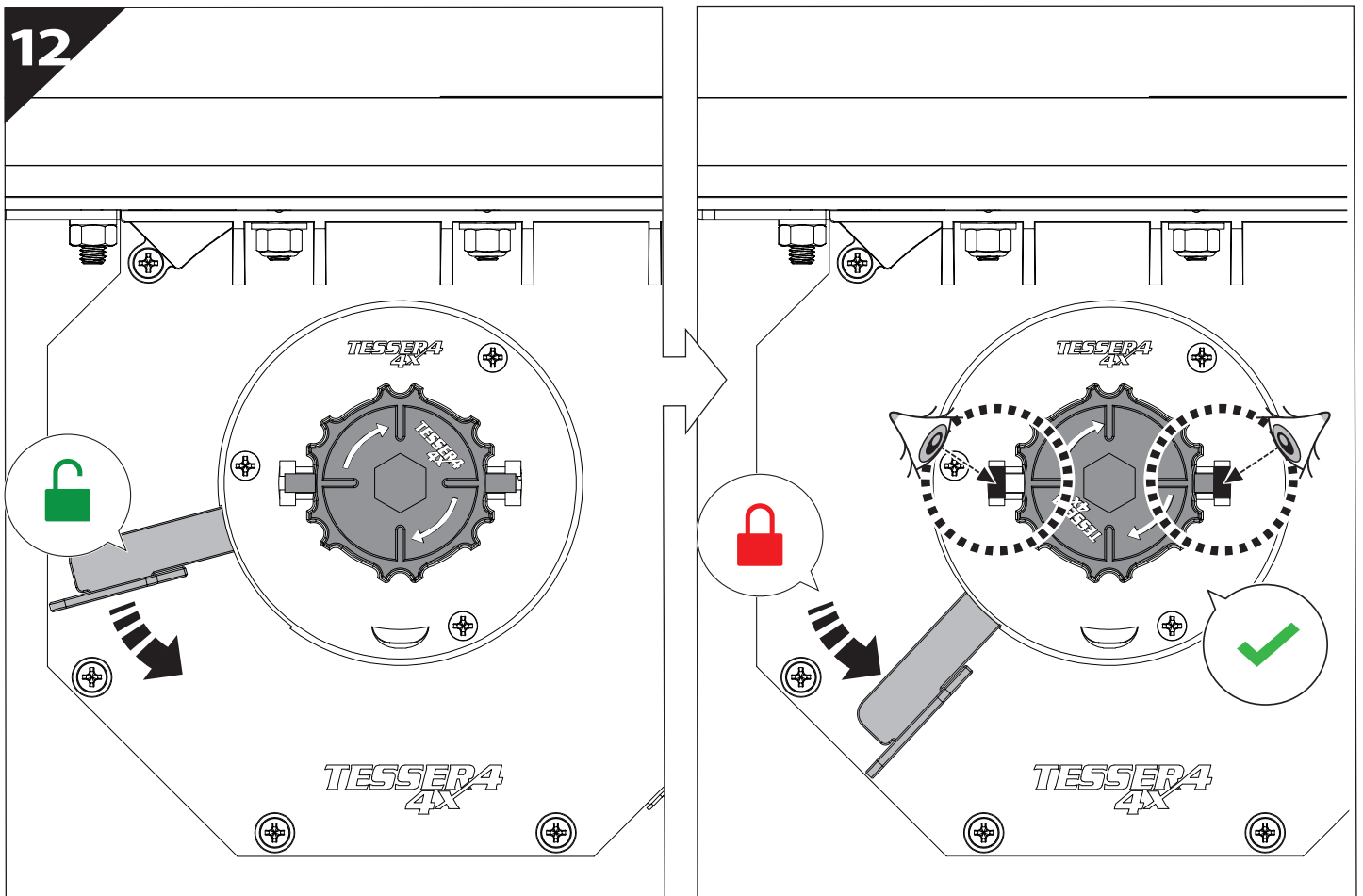
10

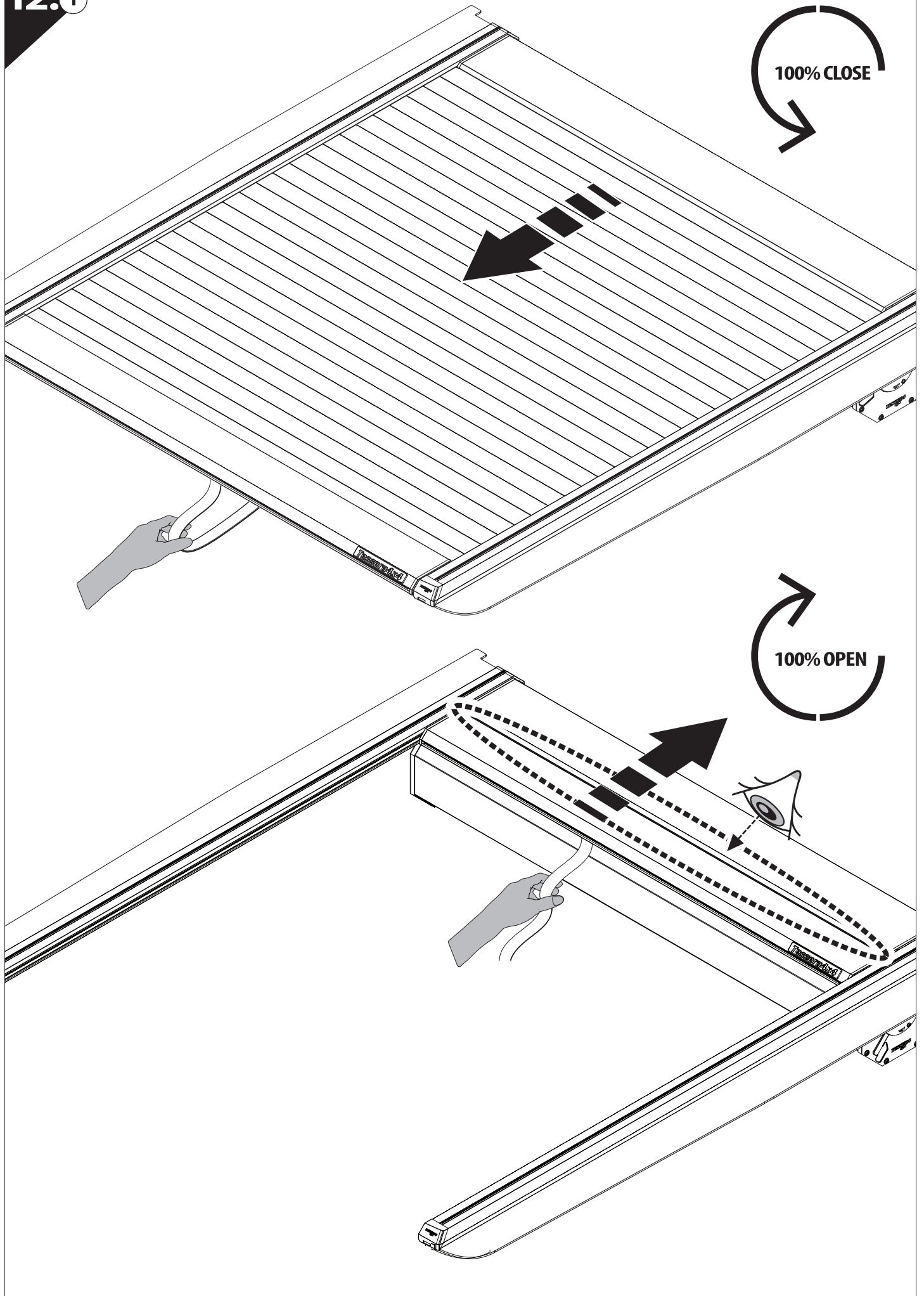


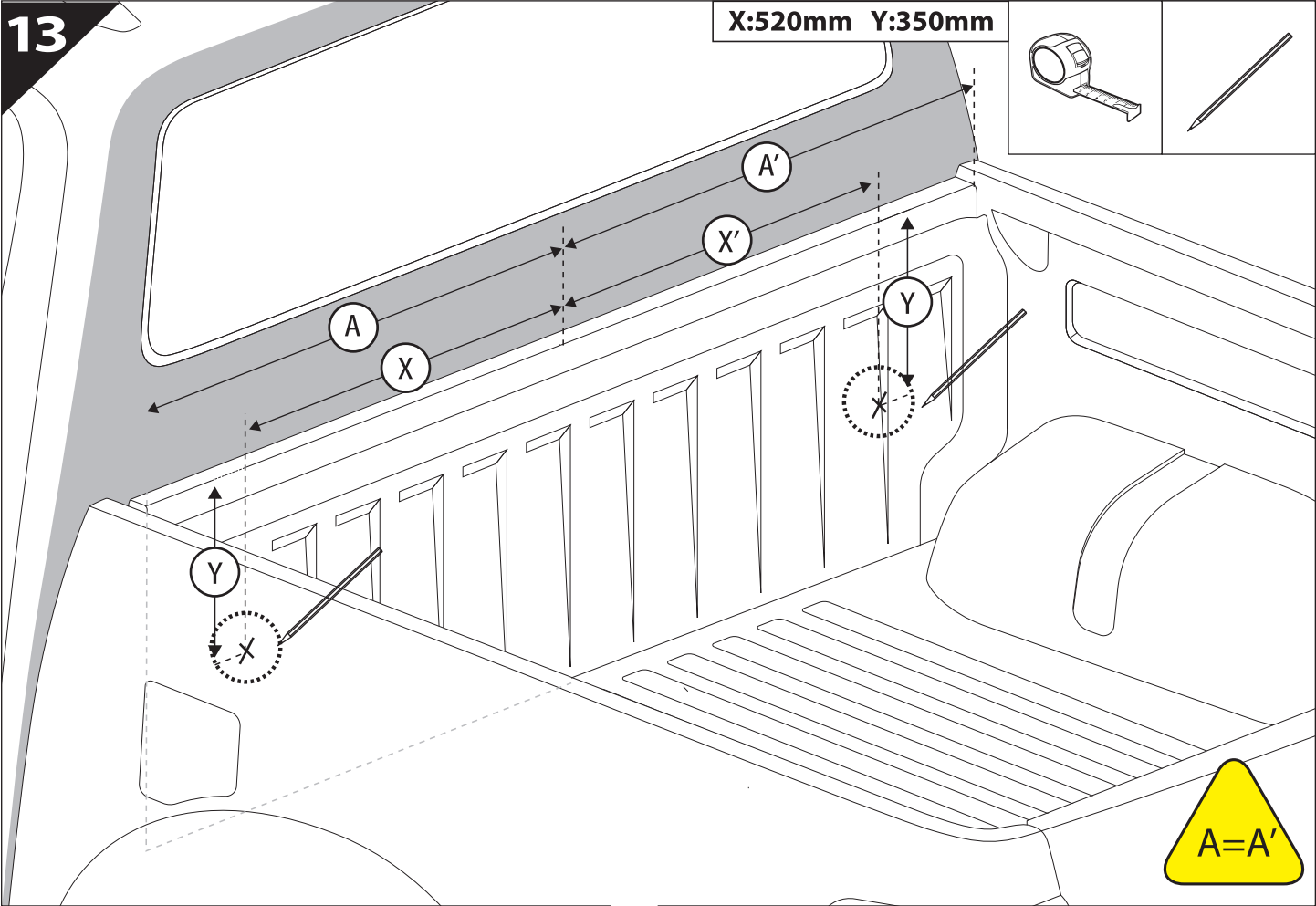
11

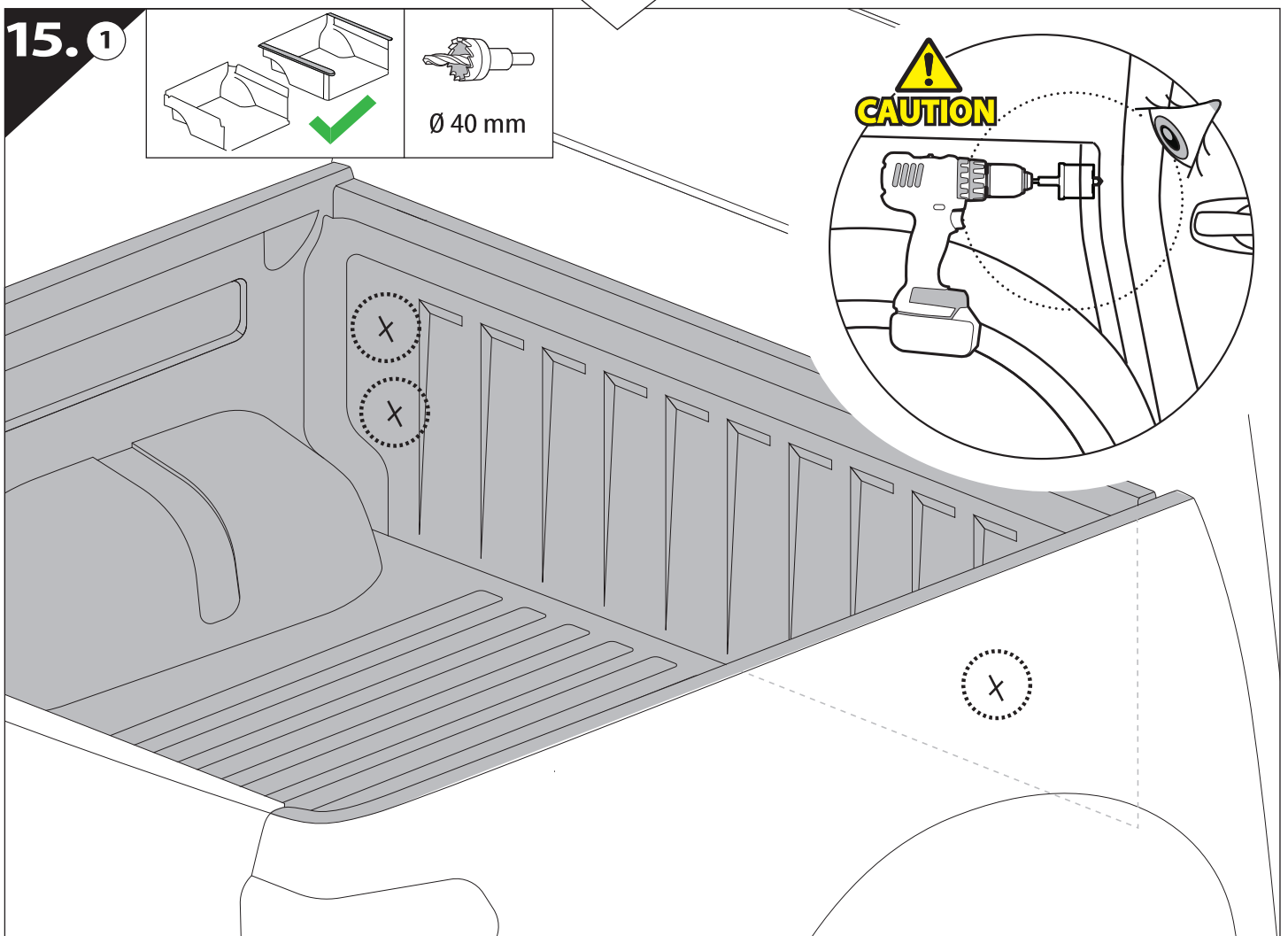
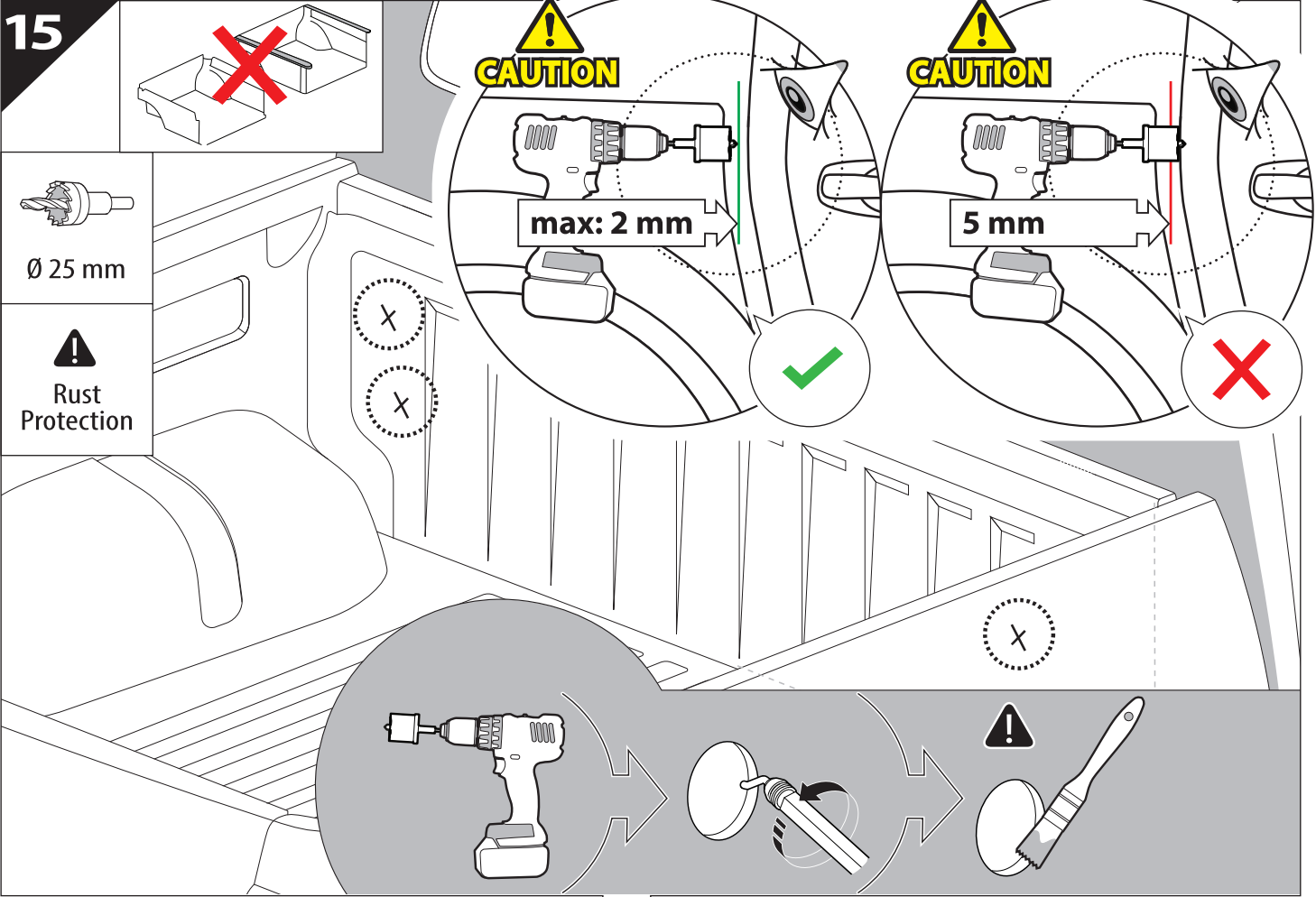


12

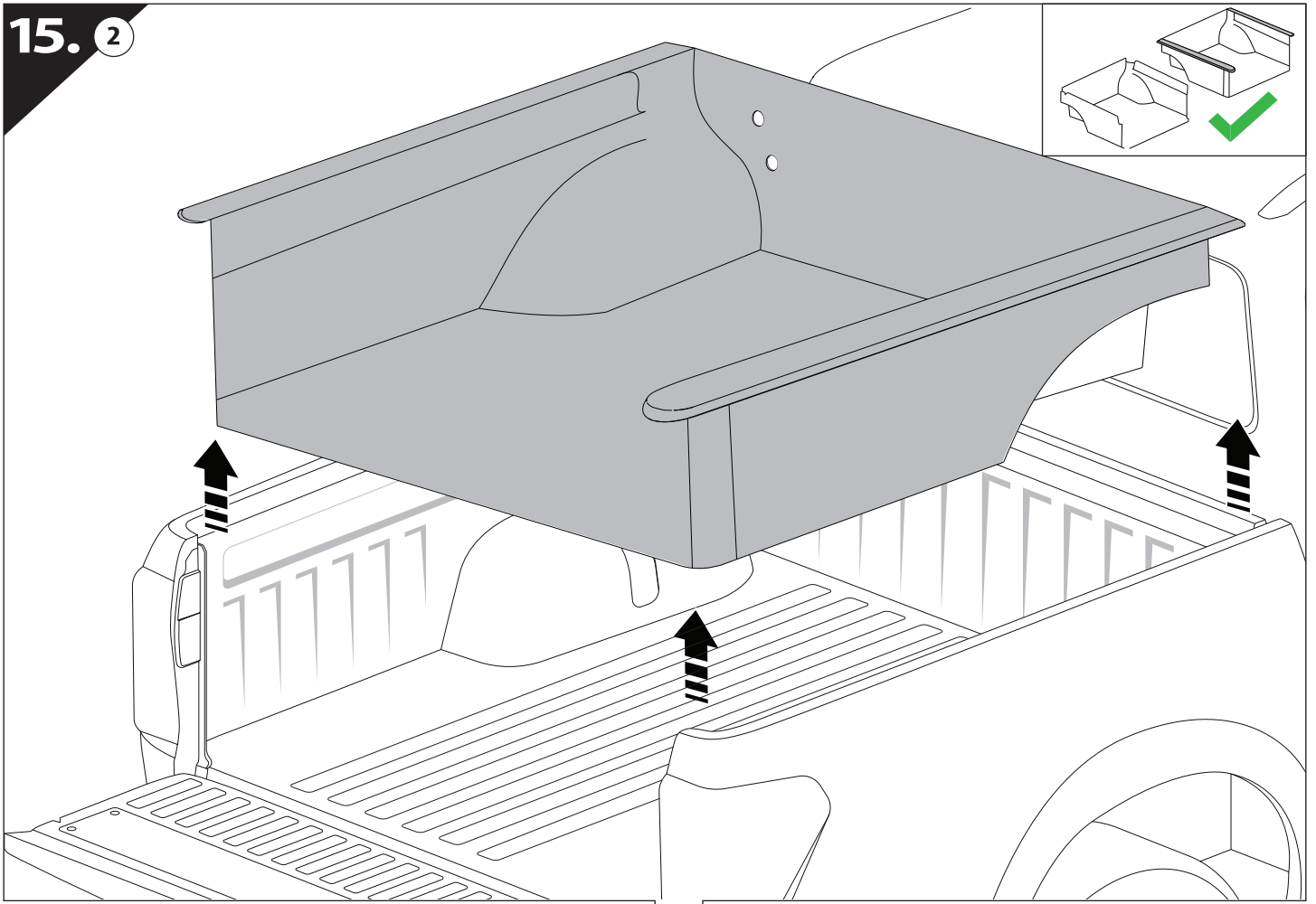




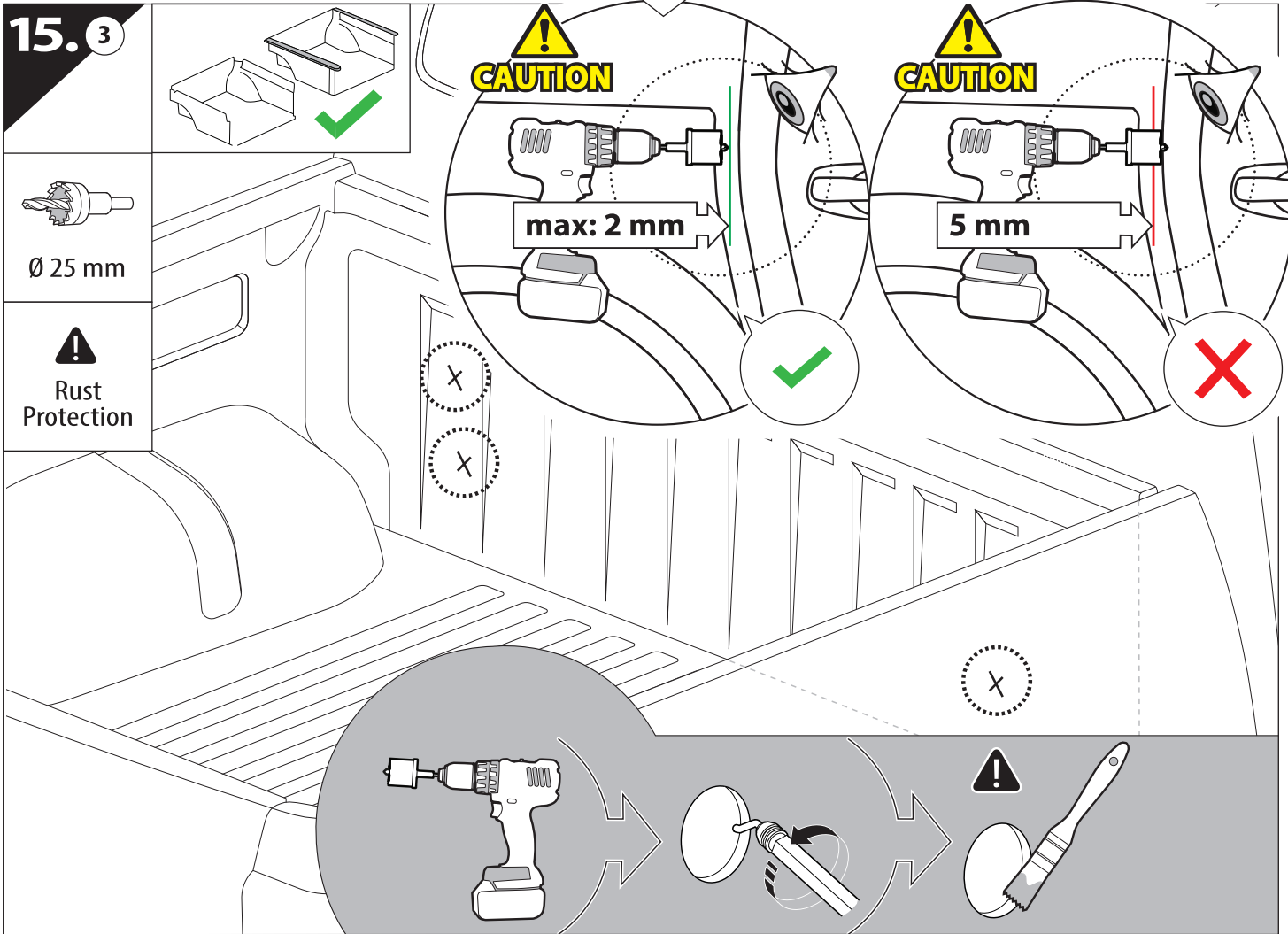




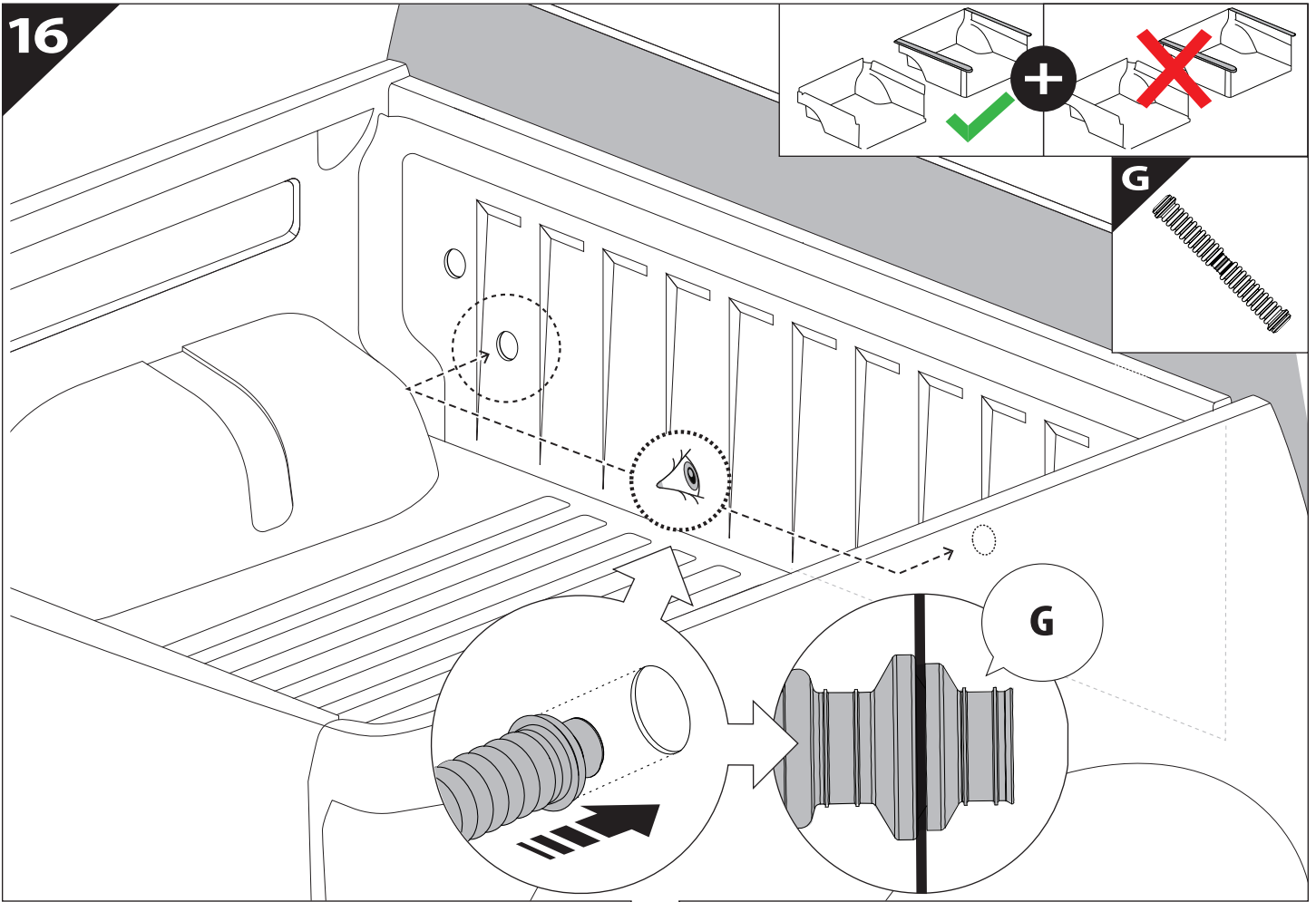
15. 2



15. 3

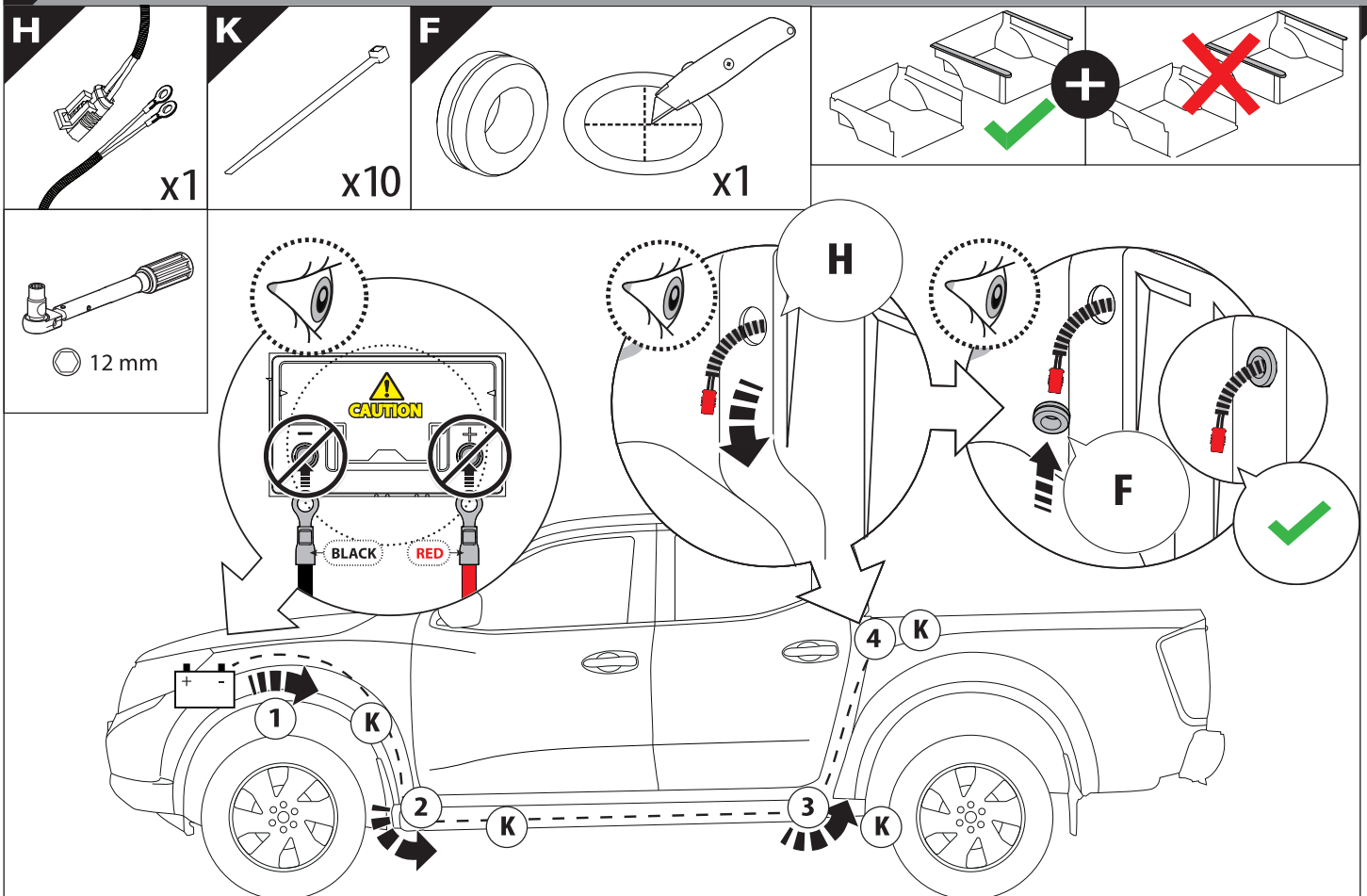


16

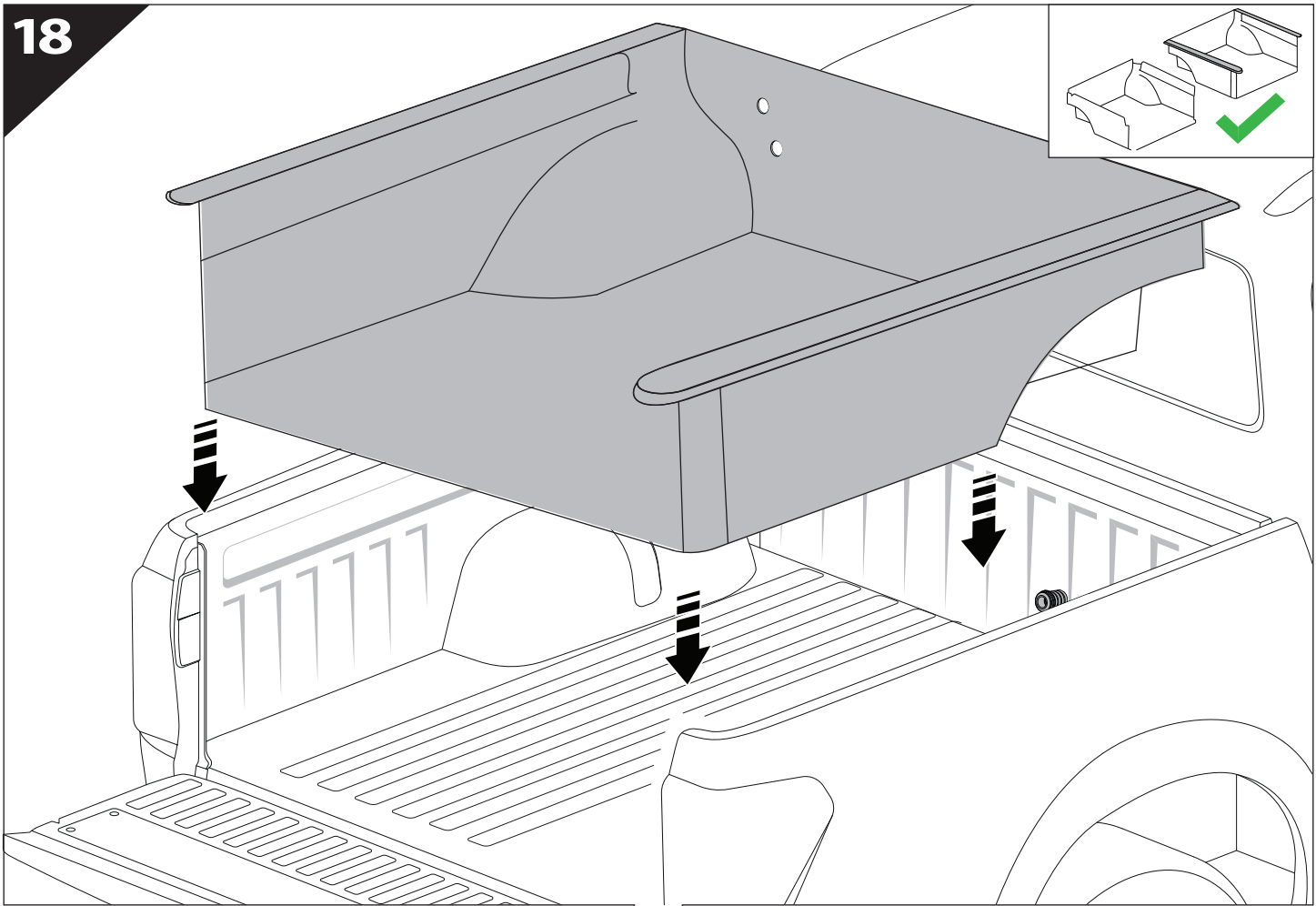


17

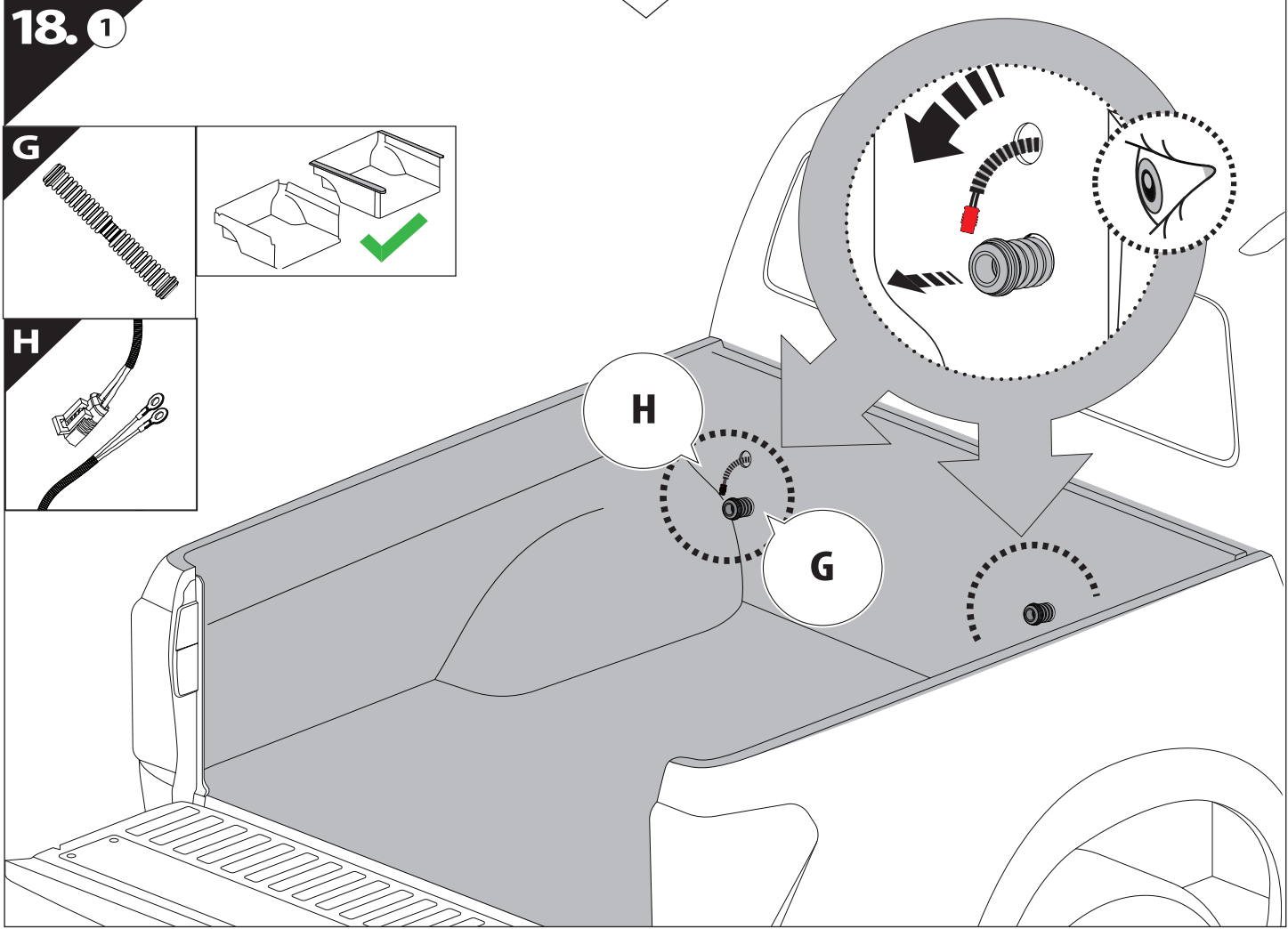
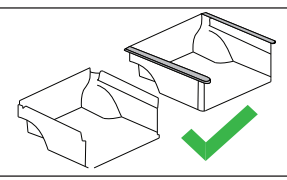
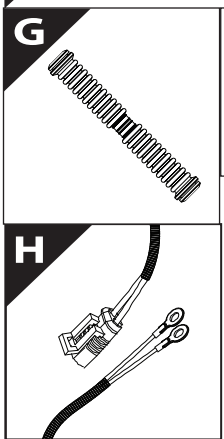
Only to be installed by authorized personnel



18

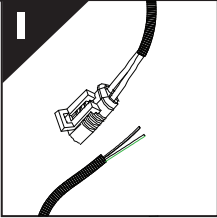


18. ①

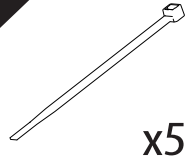


19

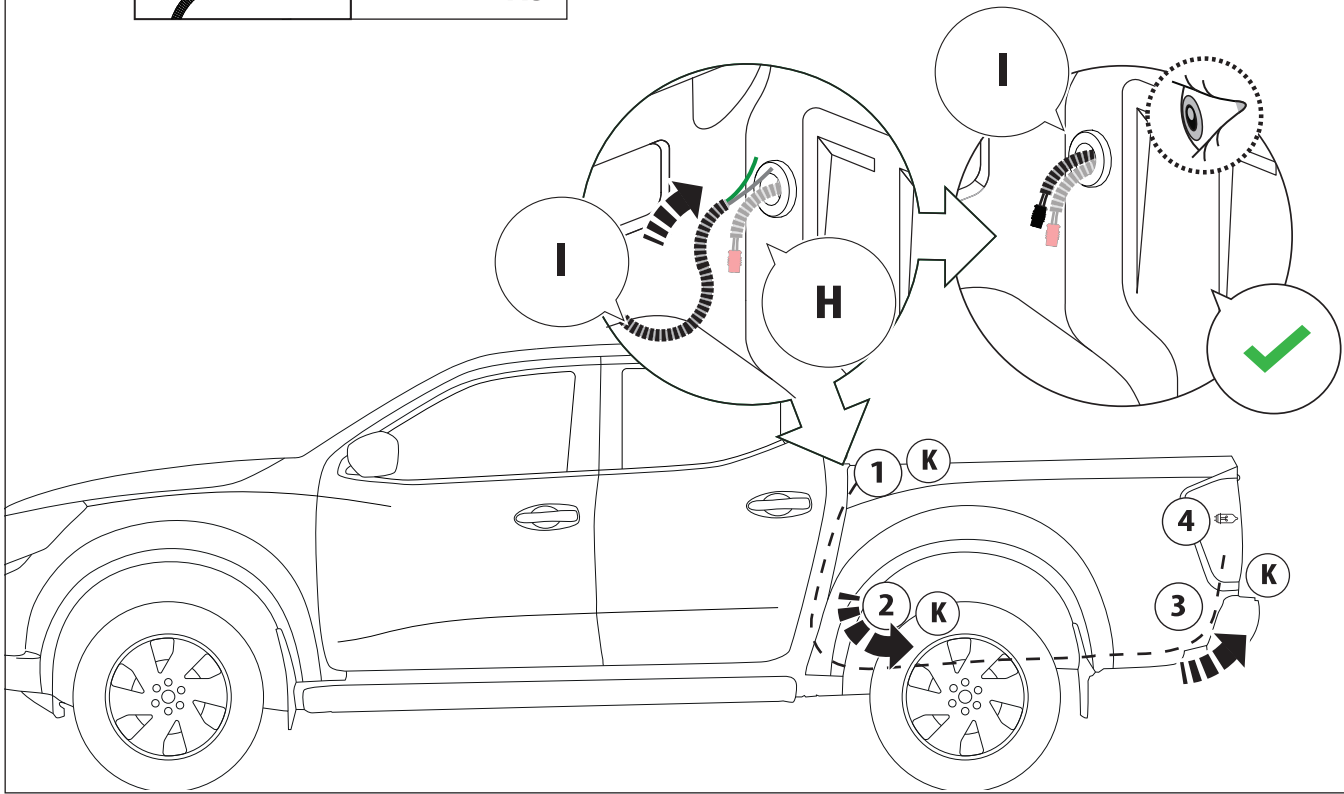
I



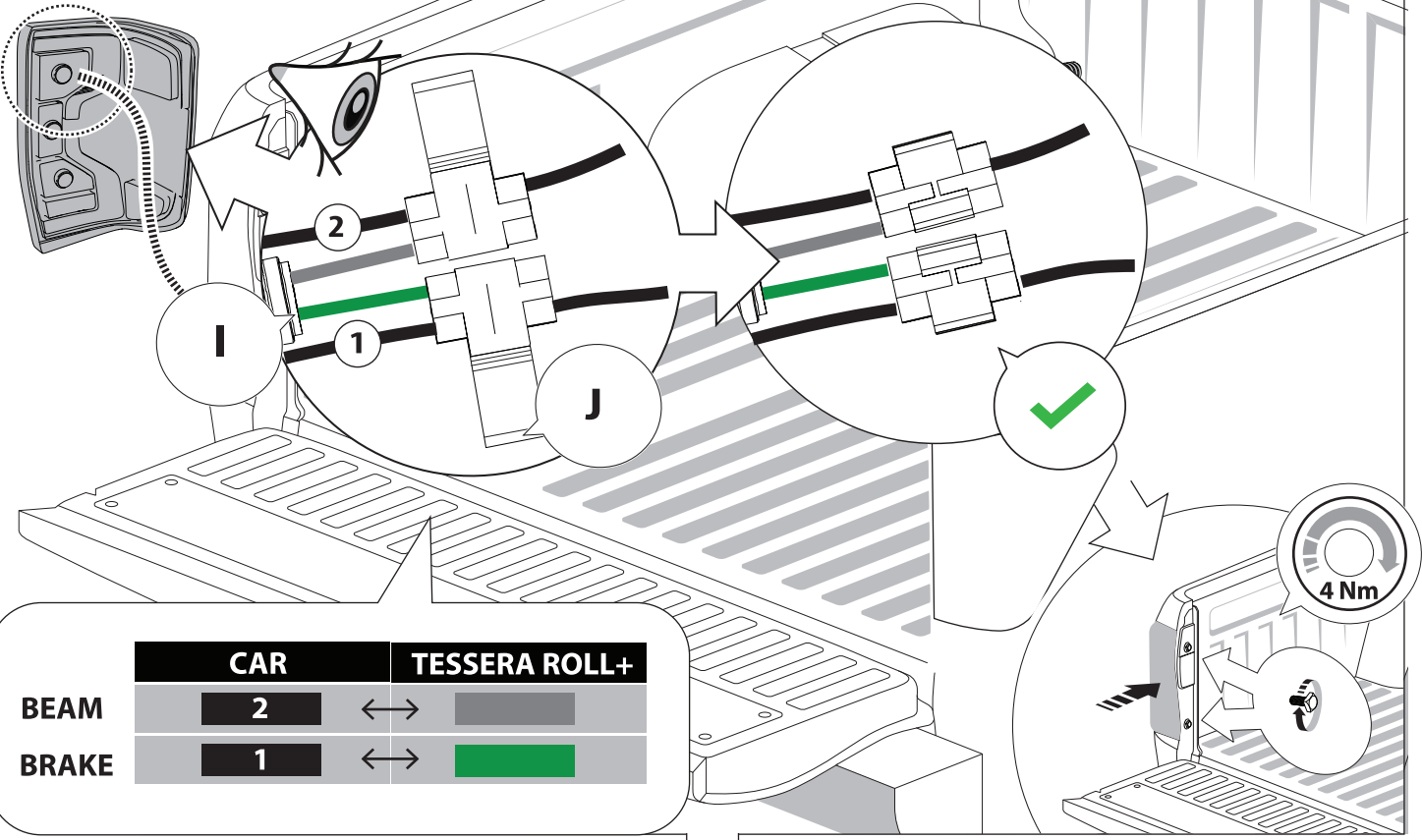
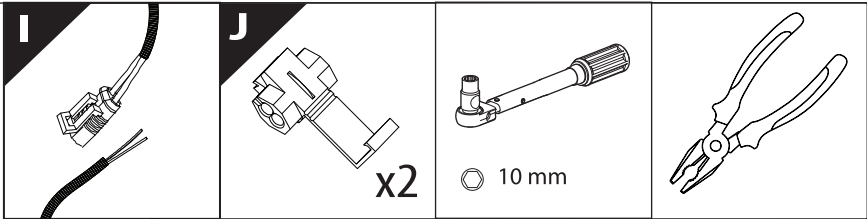
K



x5

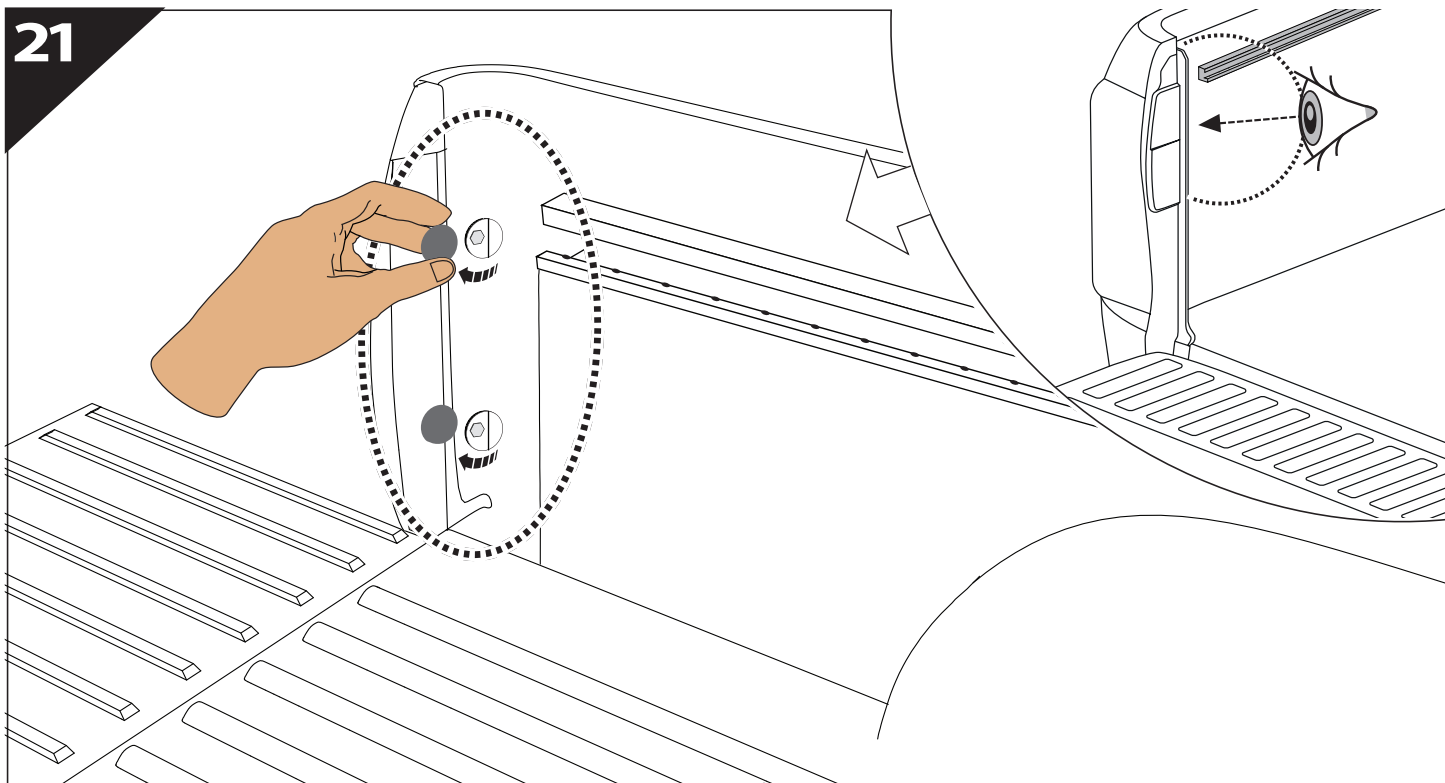


20

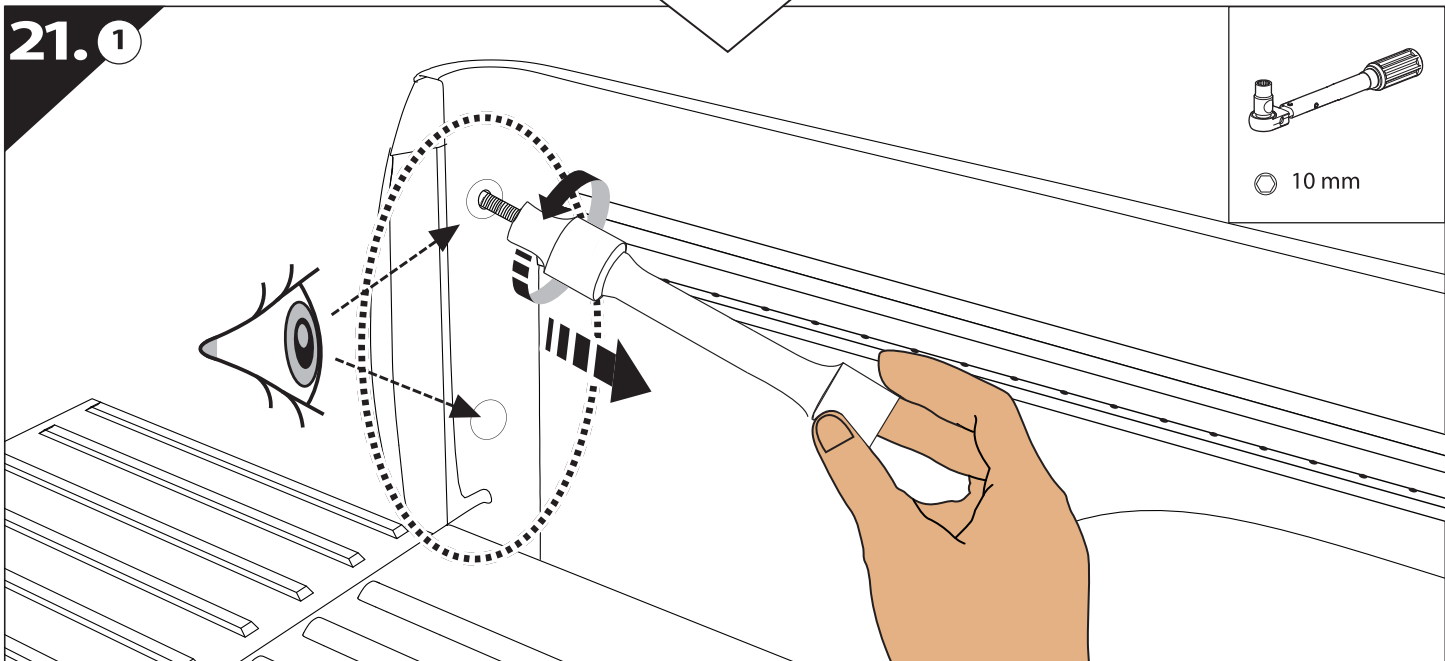


	CAR		TESSERA ROLL+
BEAM	2	↔	
BRAKE	1	↔	

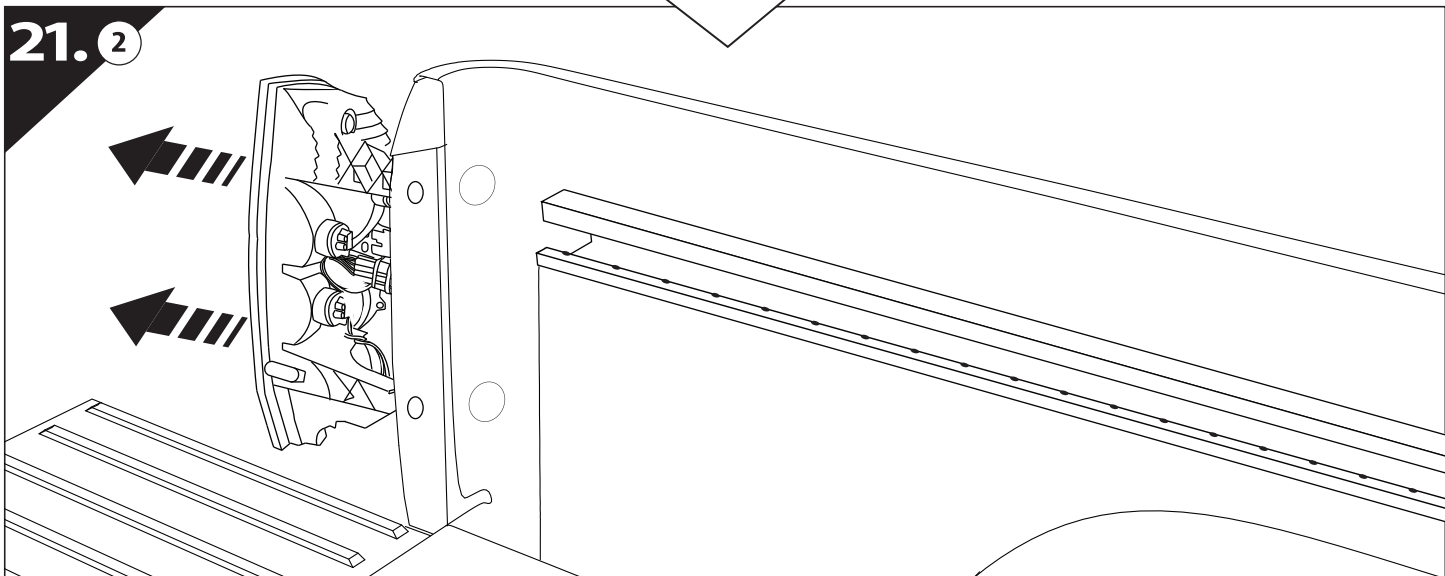
21



21.1

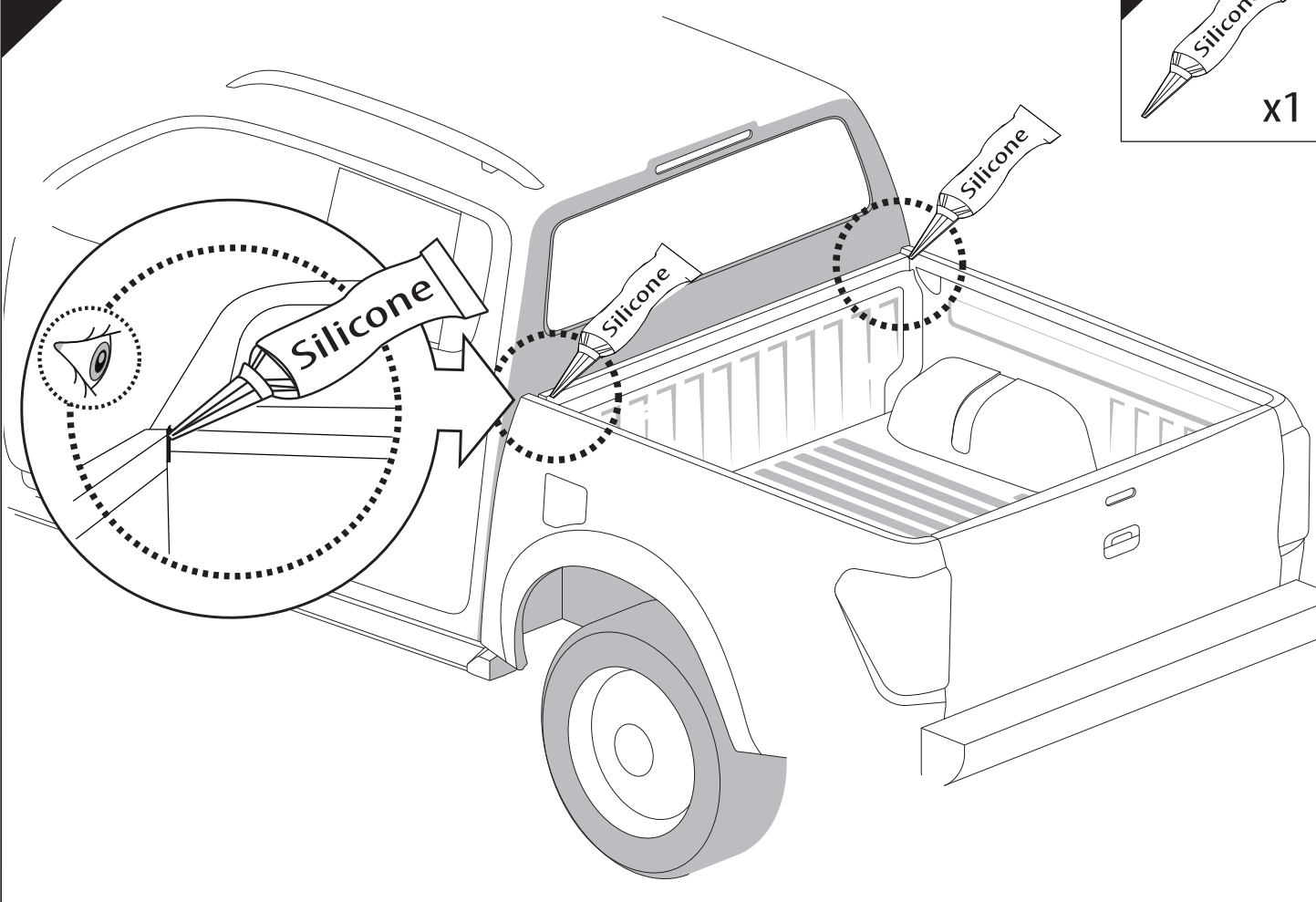


21.2



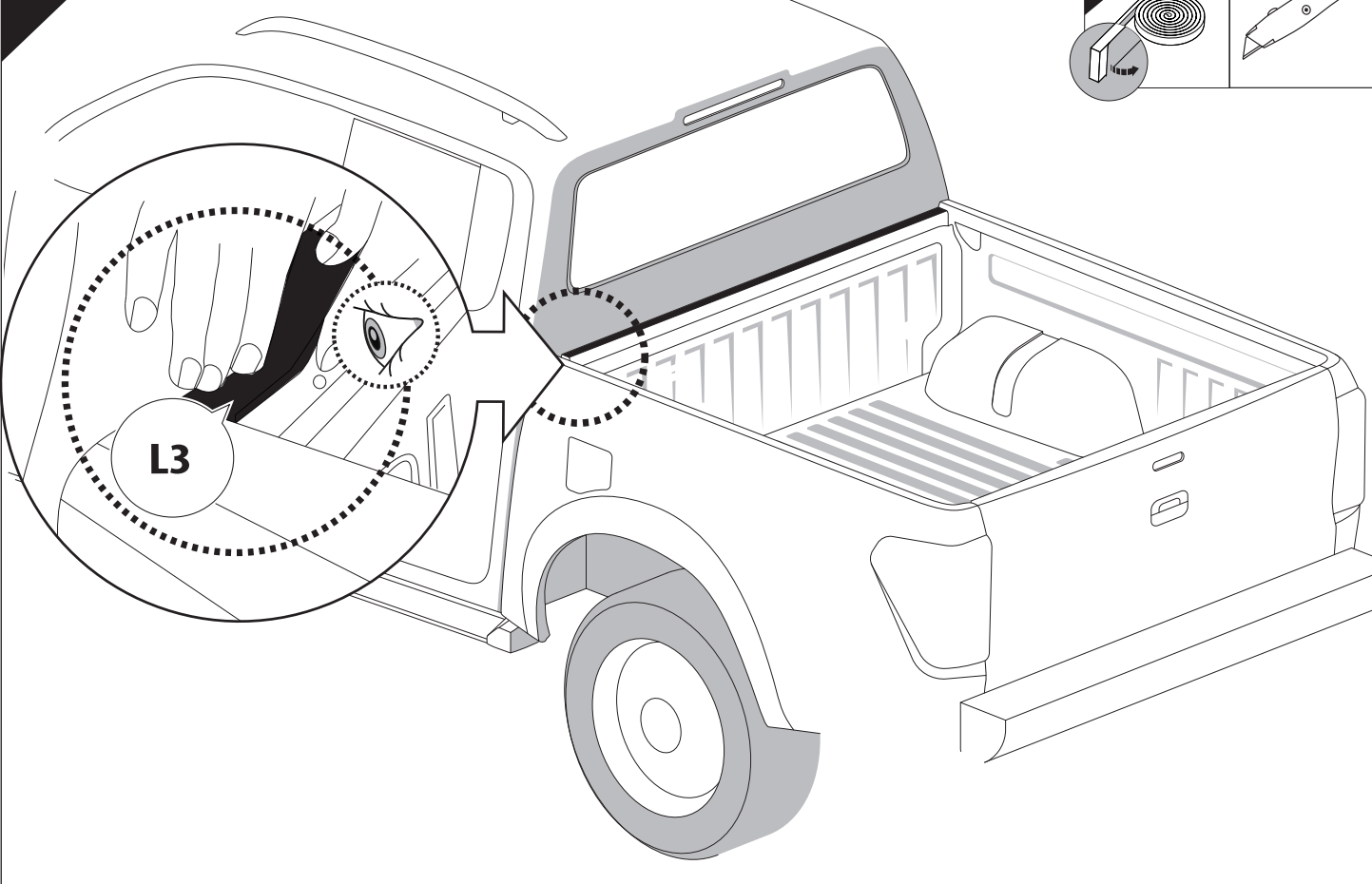
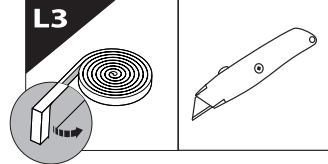
22

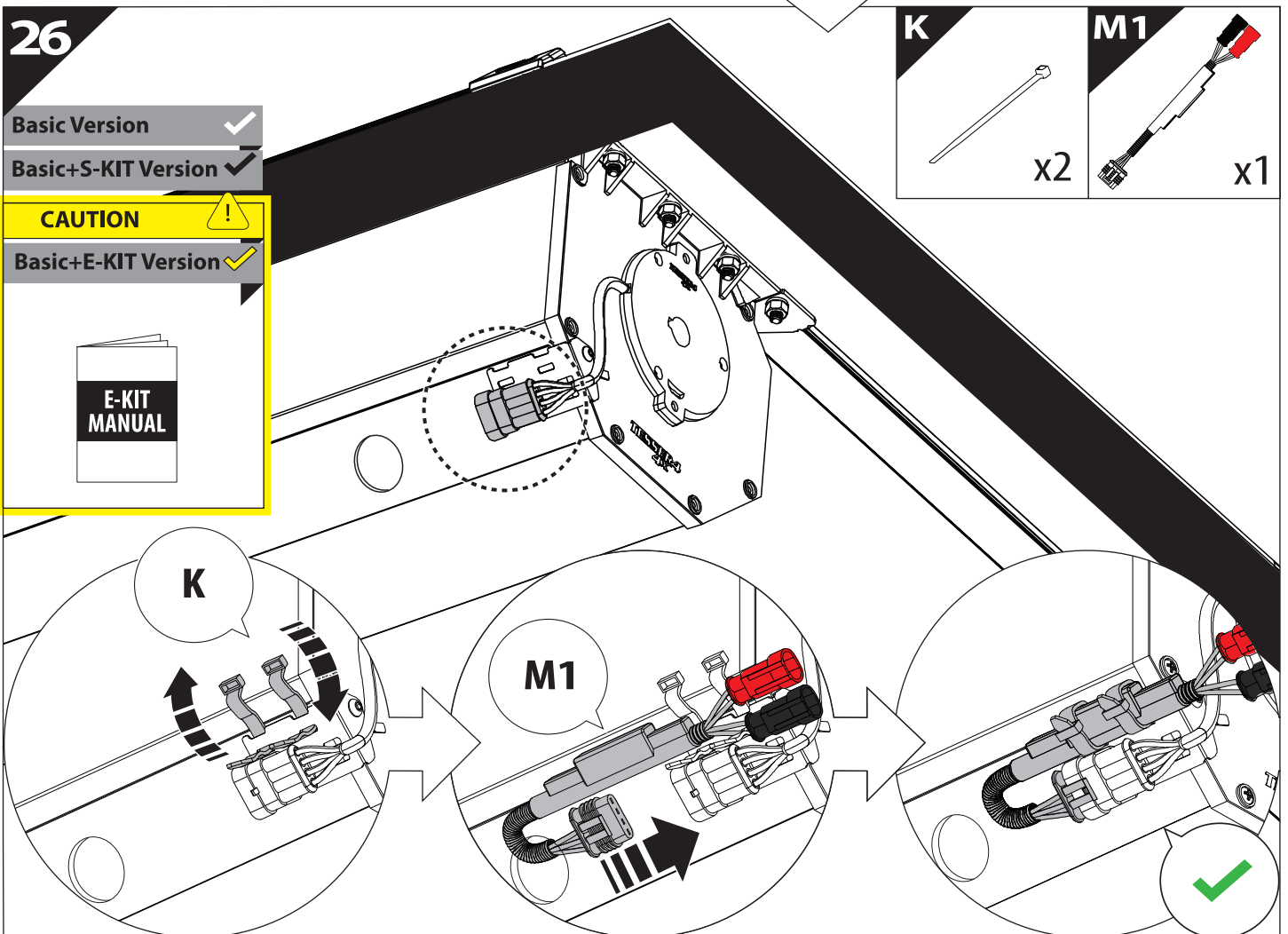
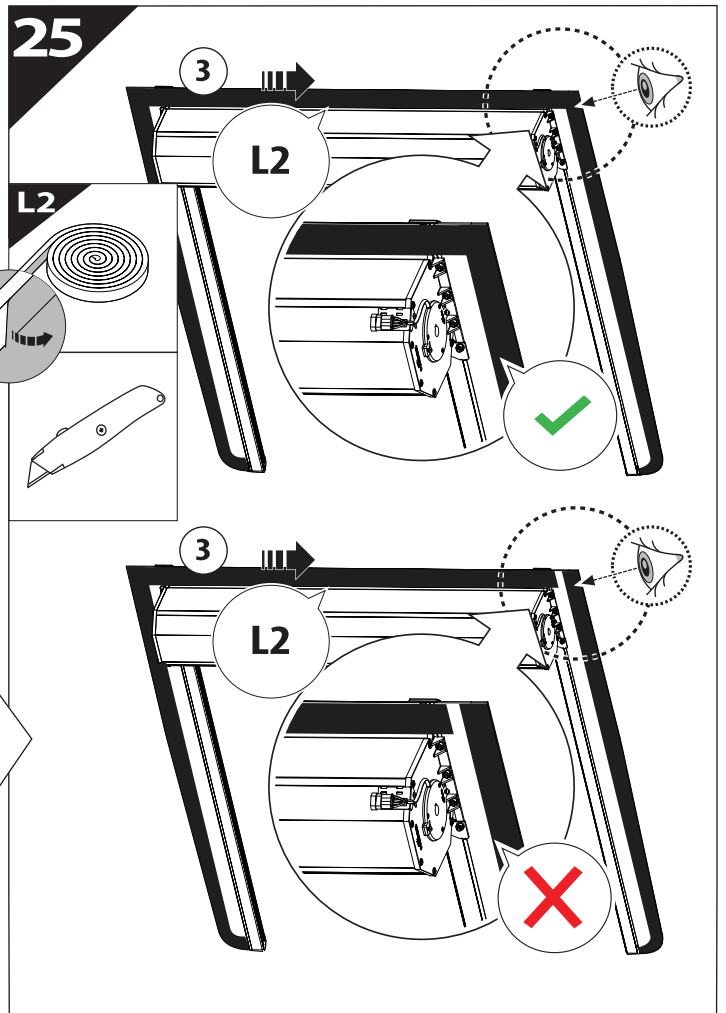
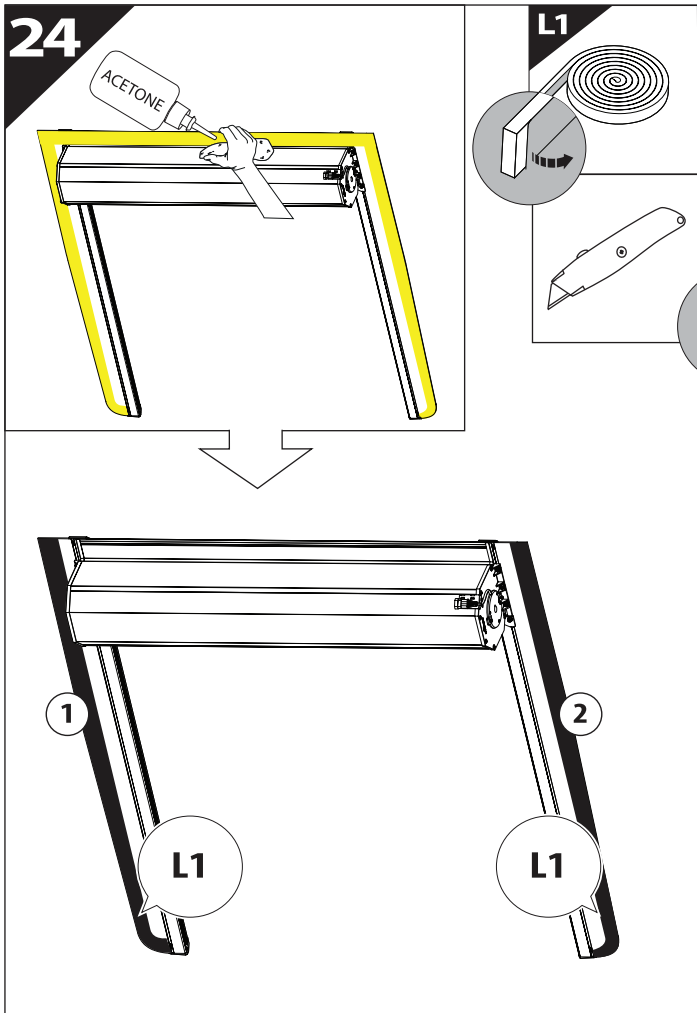
P

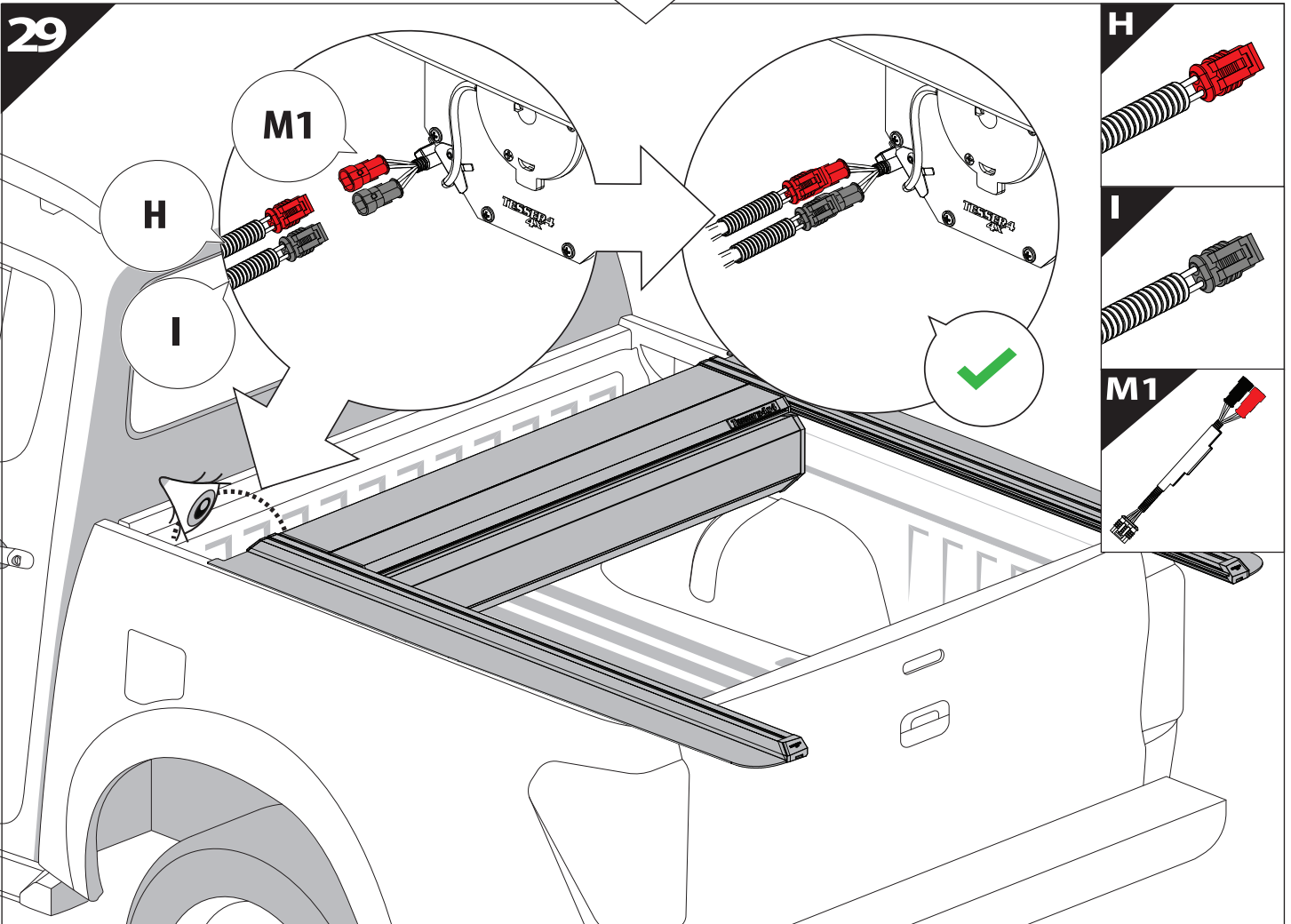
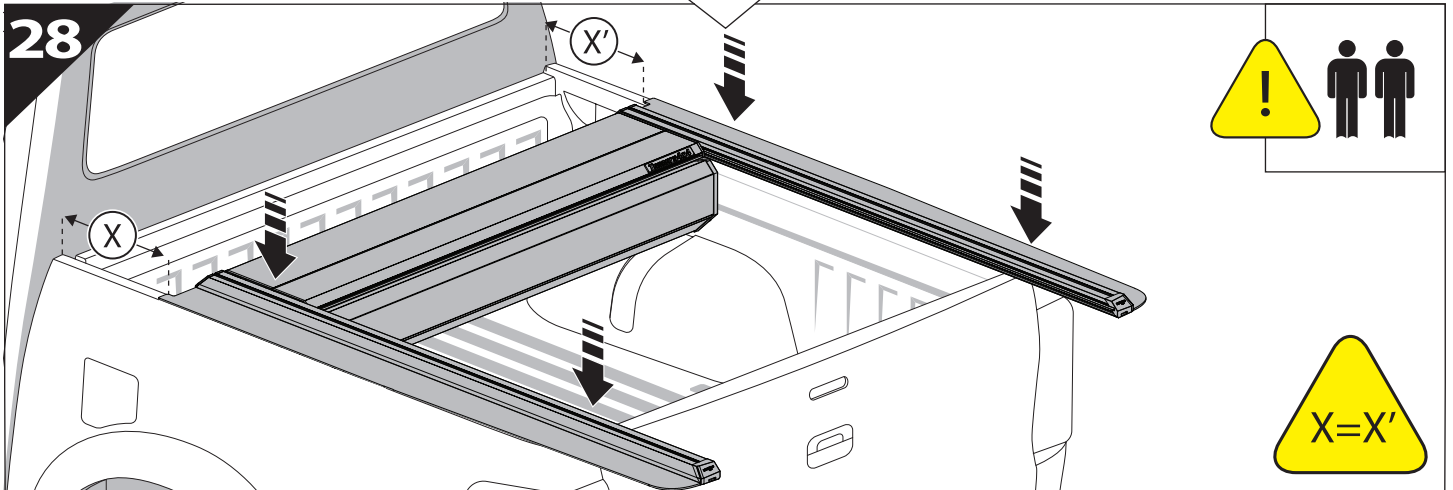
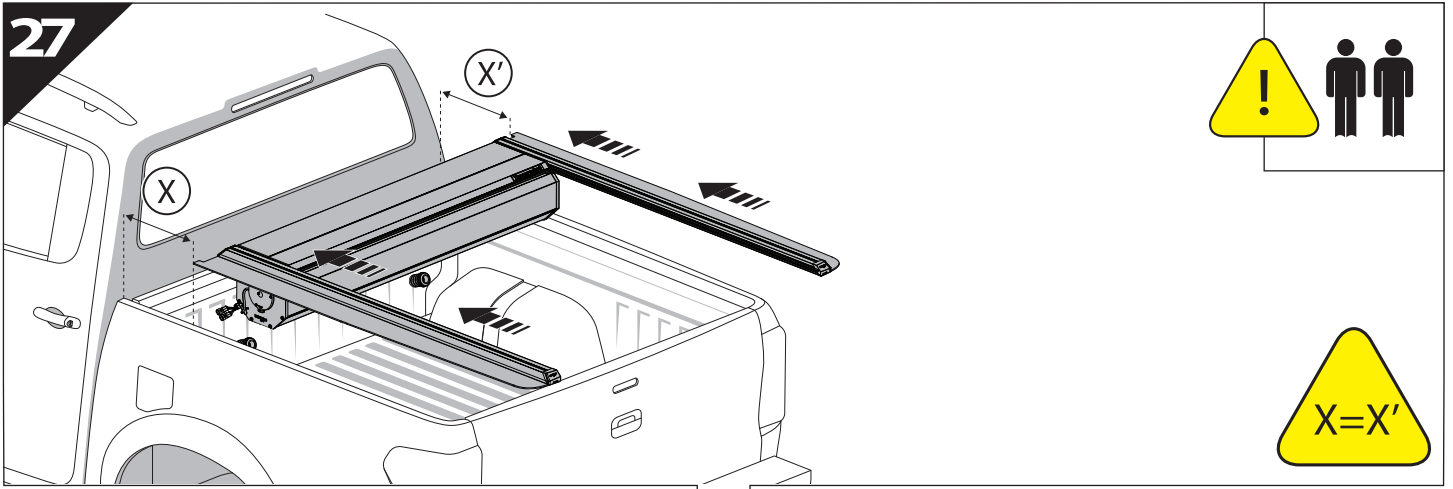


23

L3

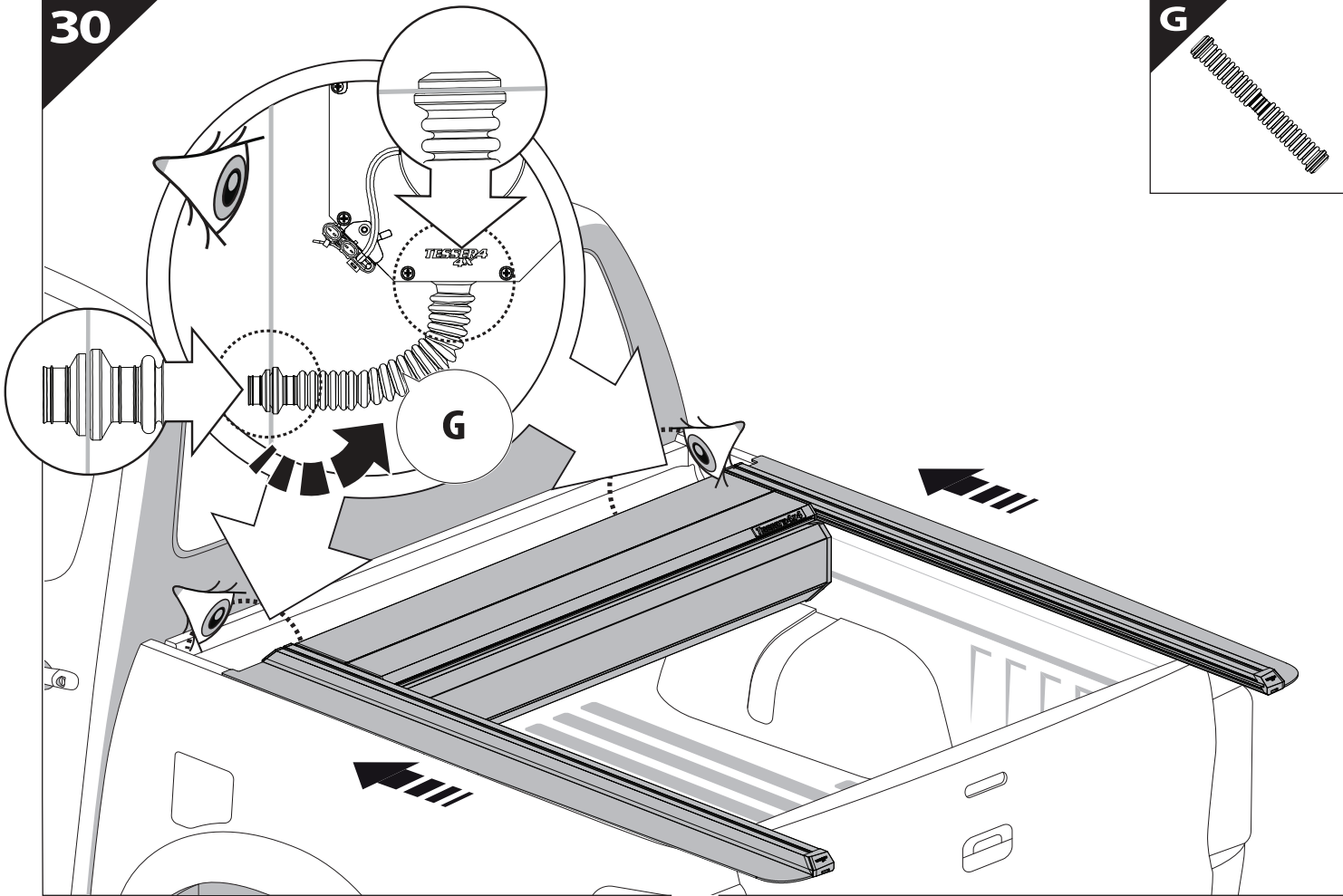






30

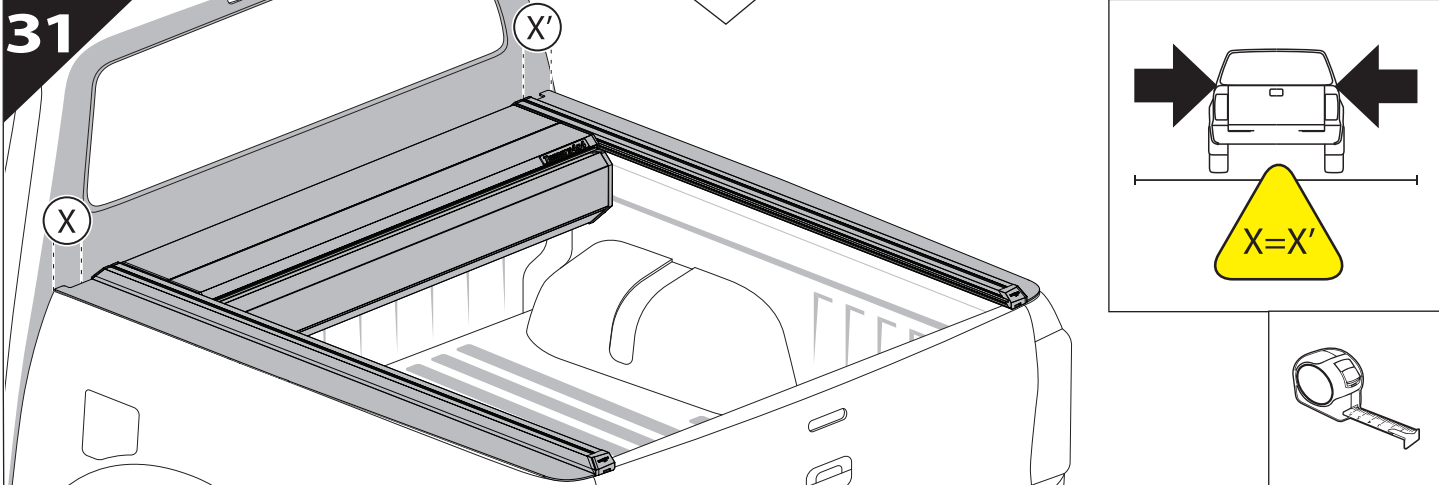
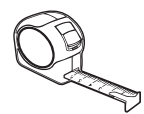
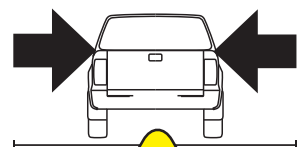
G



31

X'

X



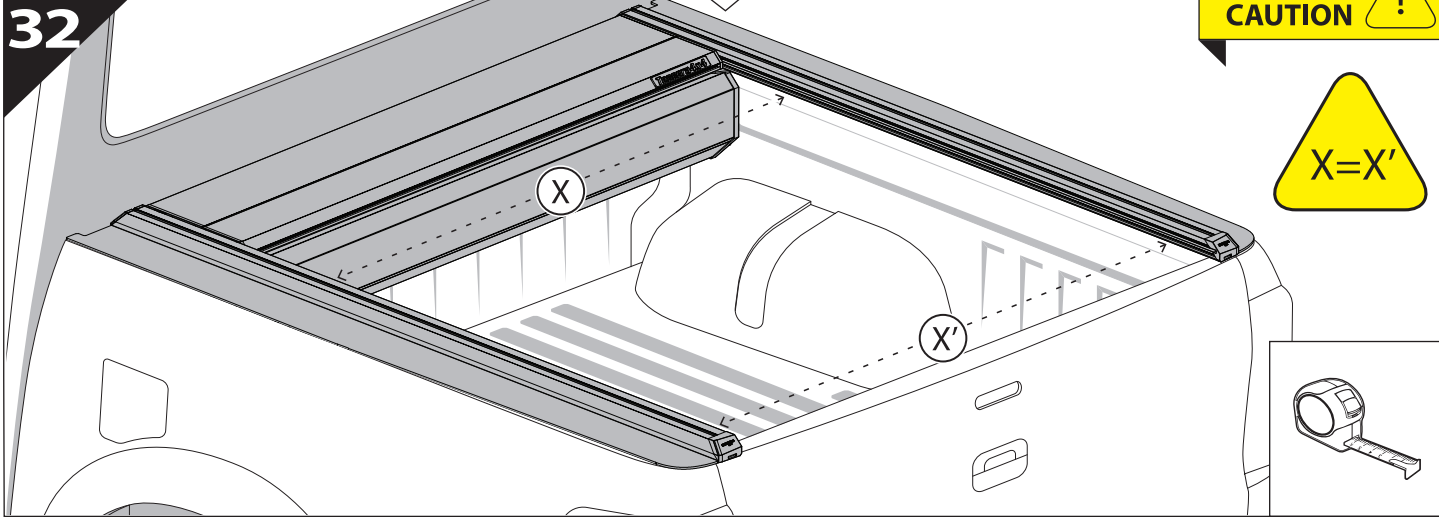
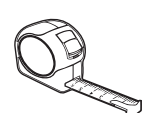
32

CAUTION !

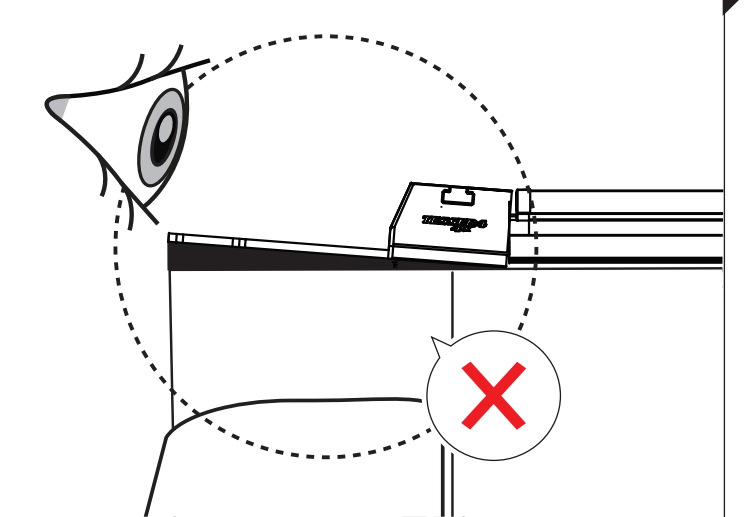
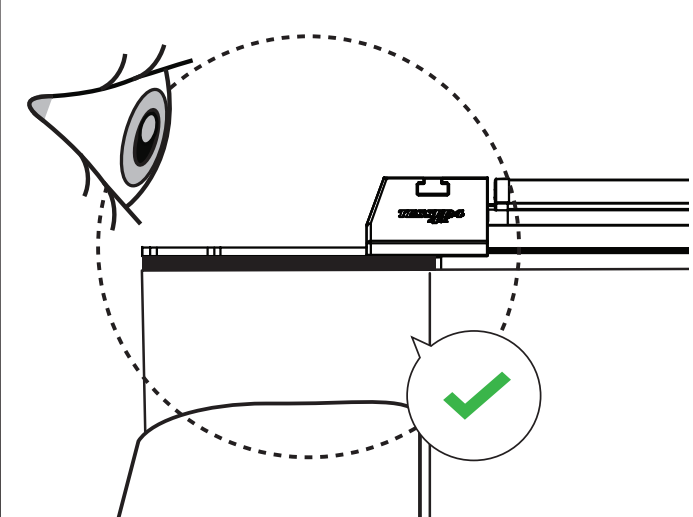
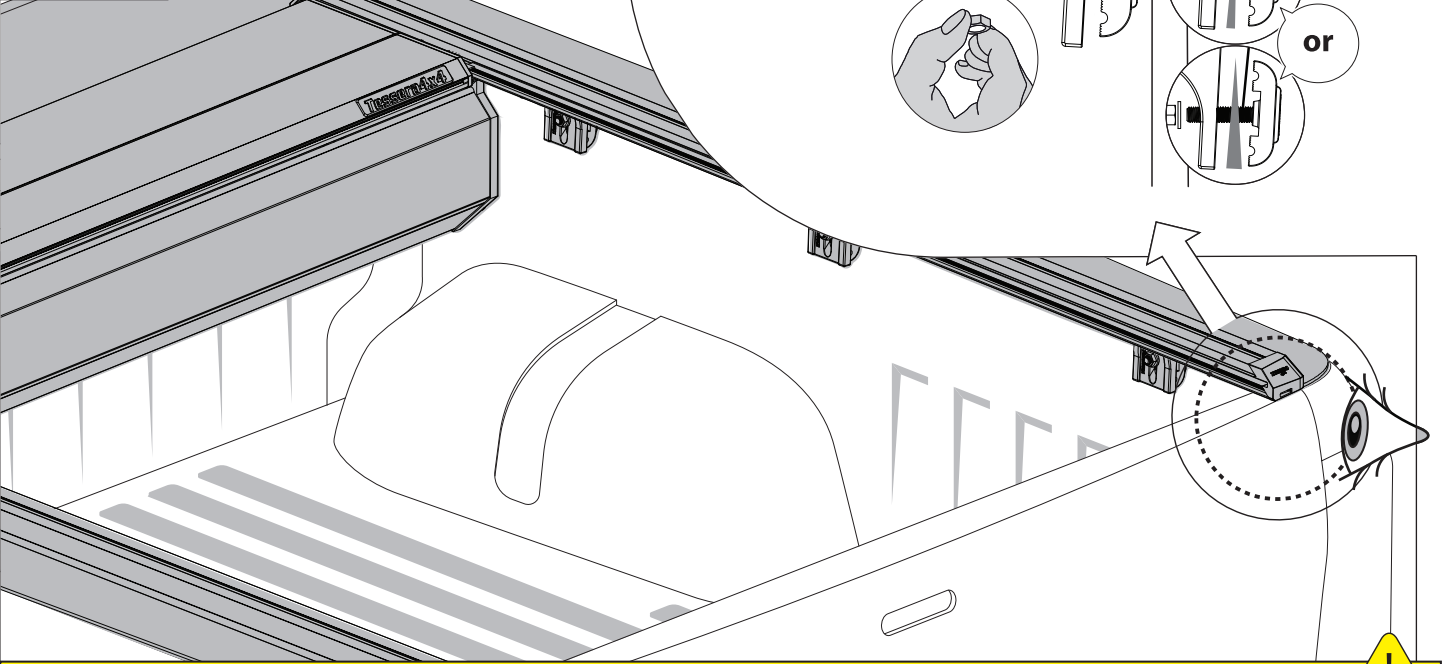
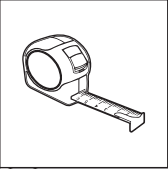
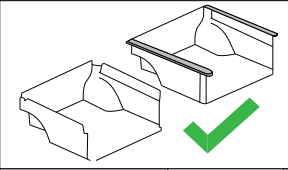
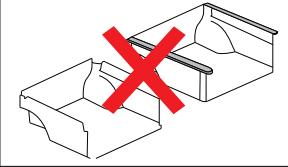
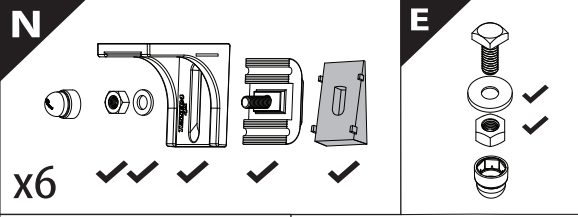


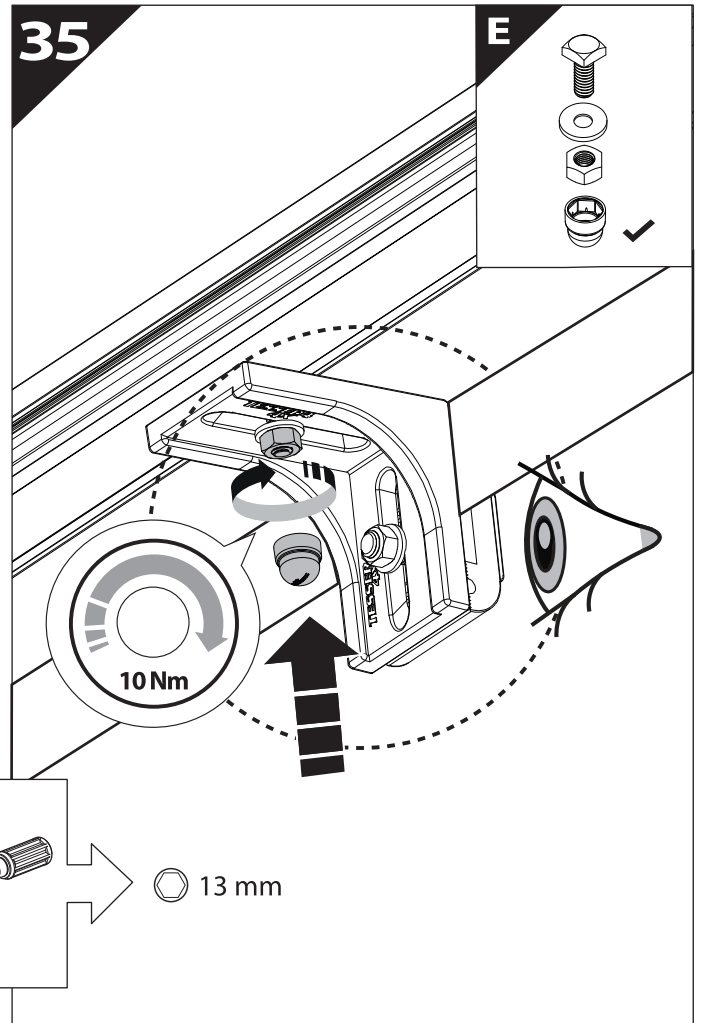
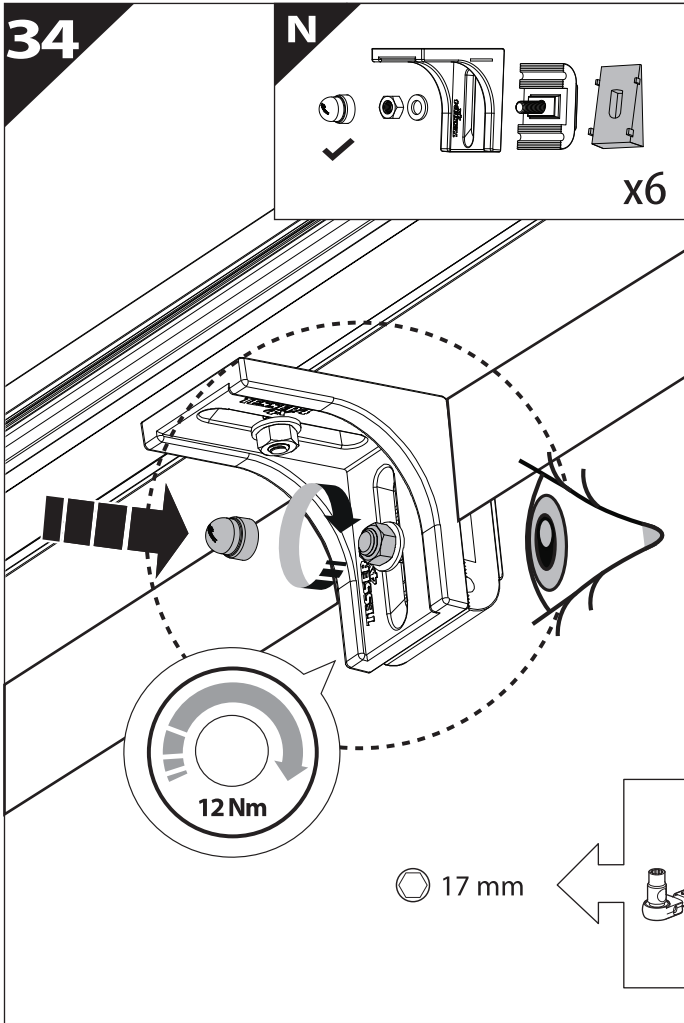
X

X'

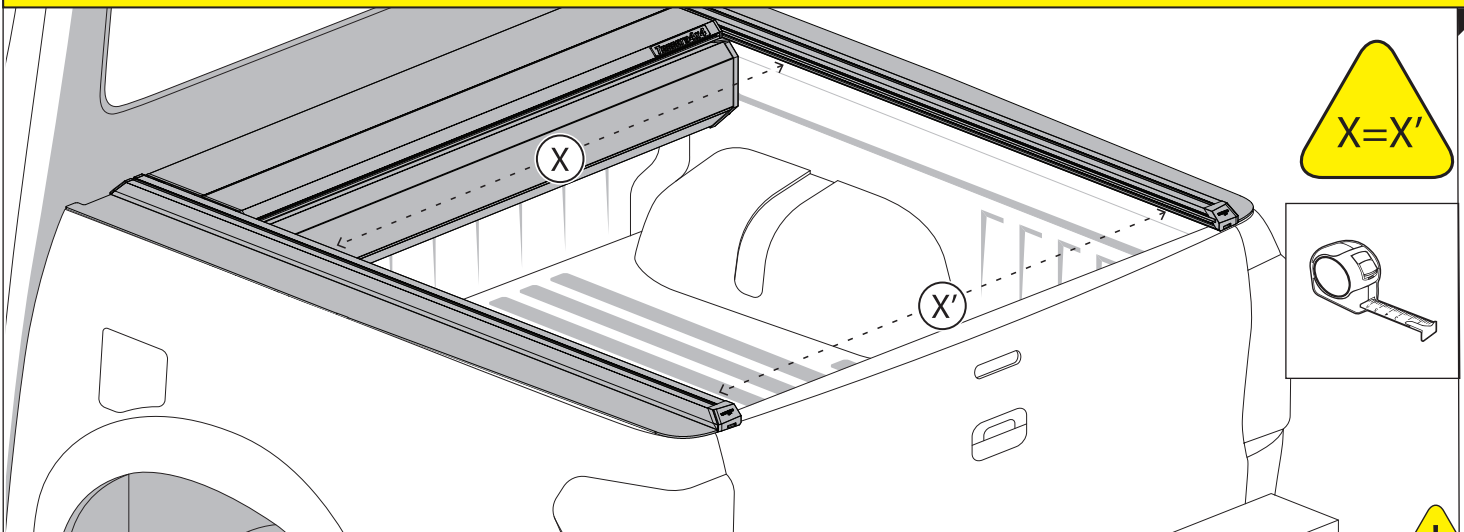


33

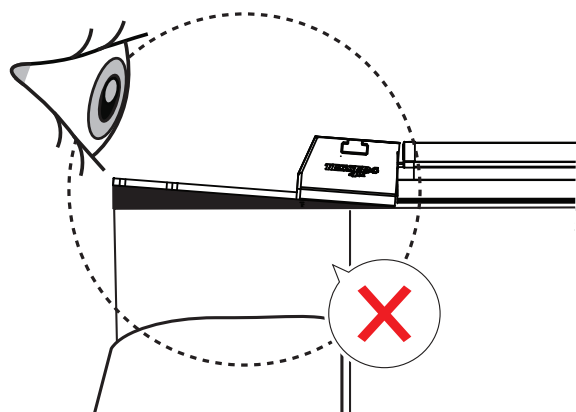
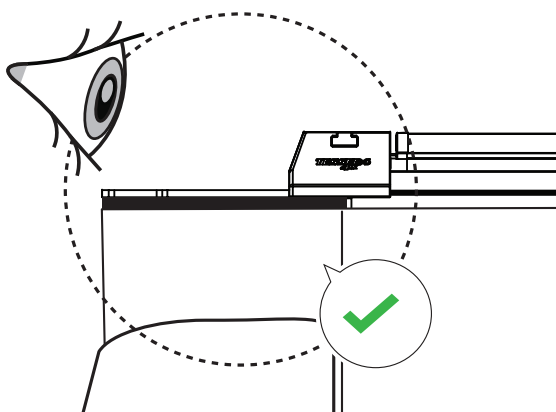




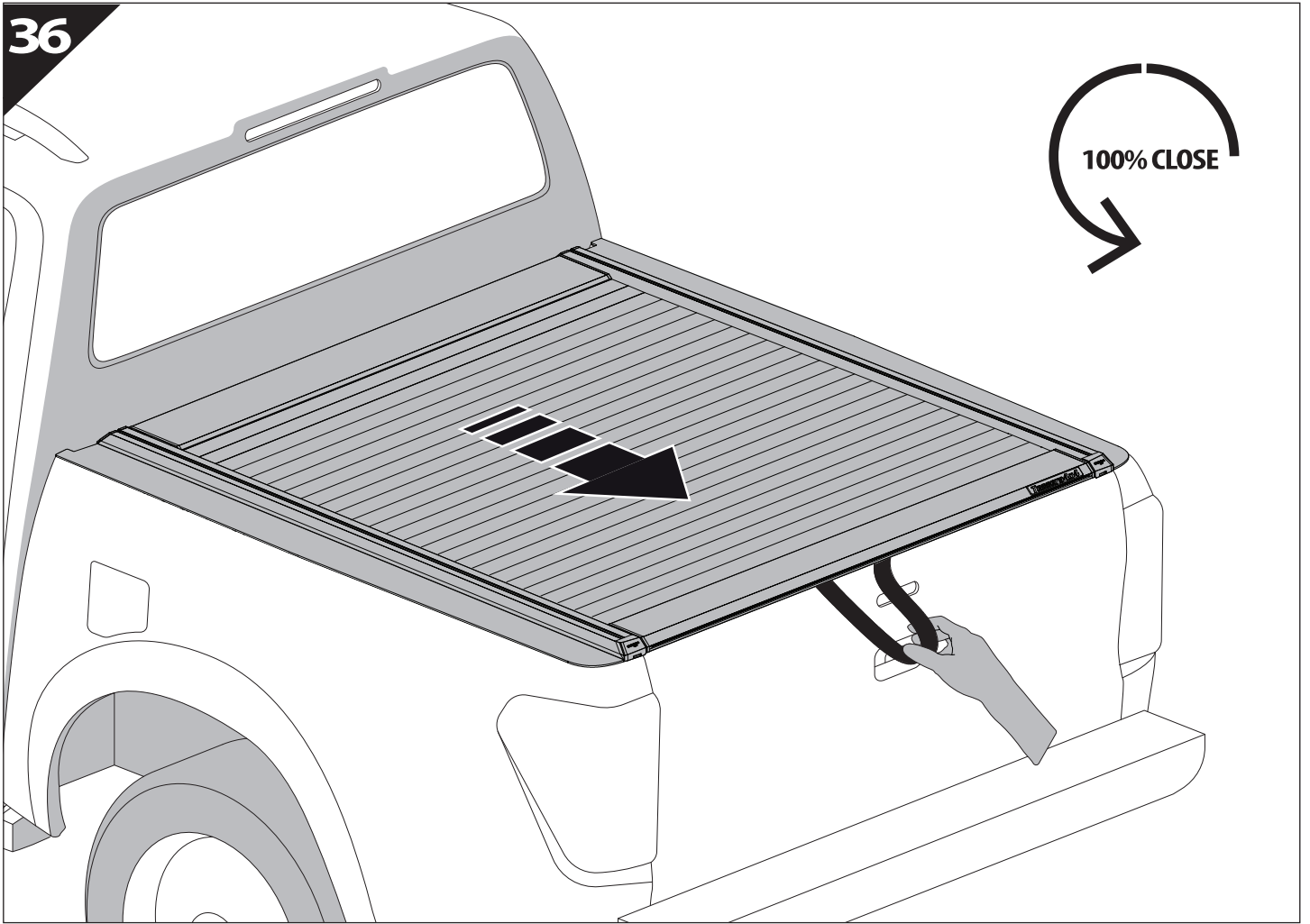
CAUTION !



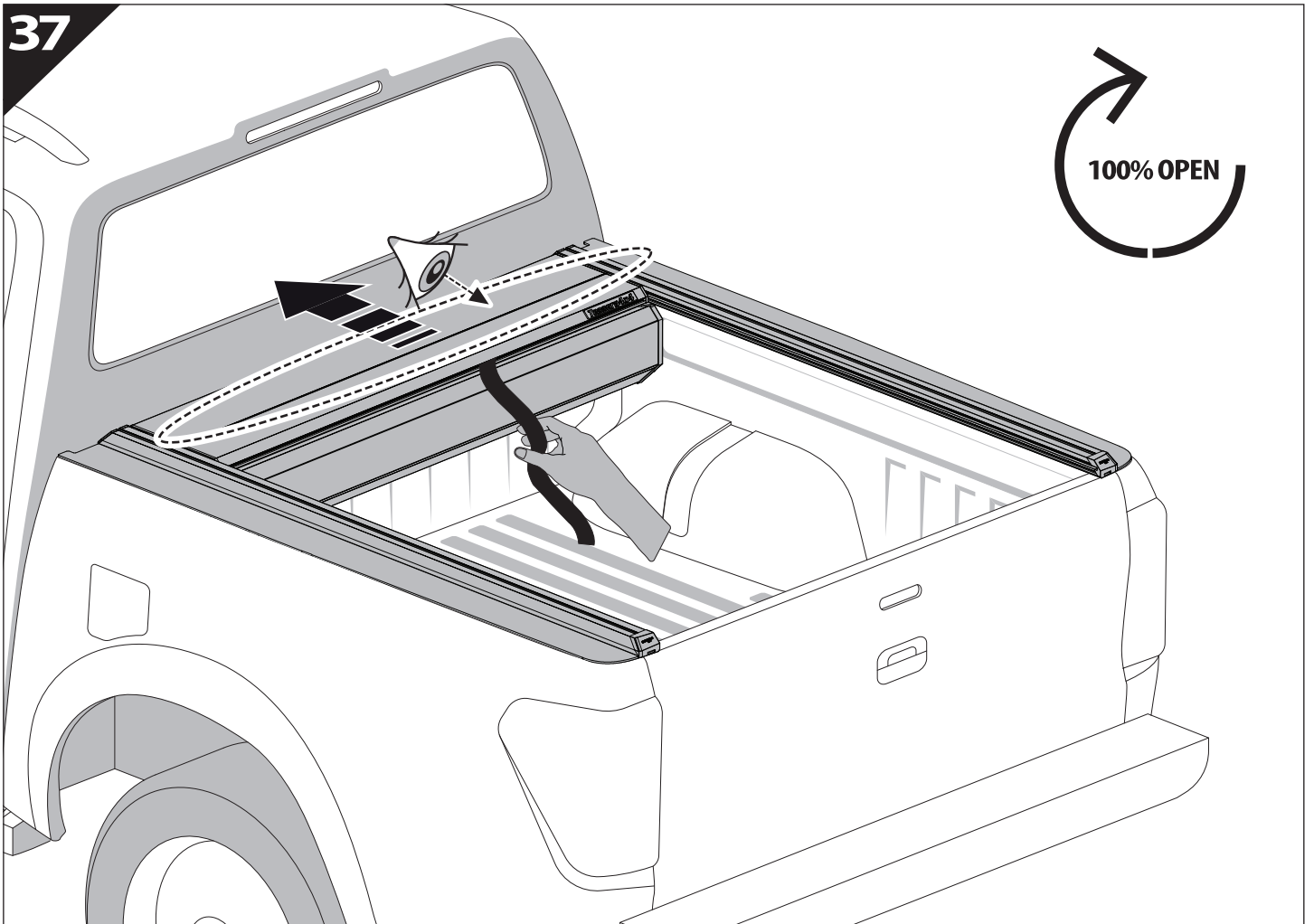
CAUTION !



36



37



GR: Οδηγίες Εγκατάστασης
GB: Installation manual
SF: Asennusohje
F: Notice de montage
PL: Instrukcja montażu
NL: Installatie-instructies
TR: Montaj Talimatı
S: Monteringsanvisning
E: Instrucciones de montaje

H: Szerelési utasítás
P: Instruções de instalação
RUS: Инструкция по установке
N: Monteringsveiledning
D: Einbauanleitung
CZ: Návod k instalaci
I: Istruzioni de montaggio
DK: Monteringsvejledning
RO: Instructiuni de instalare

Customer Service:

+30 (210) 5541161, +30 (210) 5541154 (08:00 - 16:00 EET)

Support department:

info@gianso.gr

Website:

www.tessera4x4.com

Address:

19.5 km of National road Athens-Korinthos (Elefsina) Greece, P.C: 19200