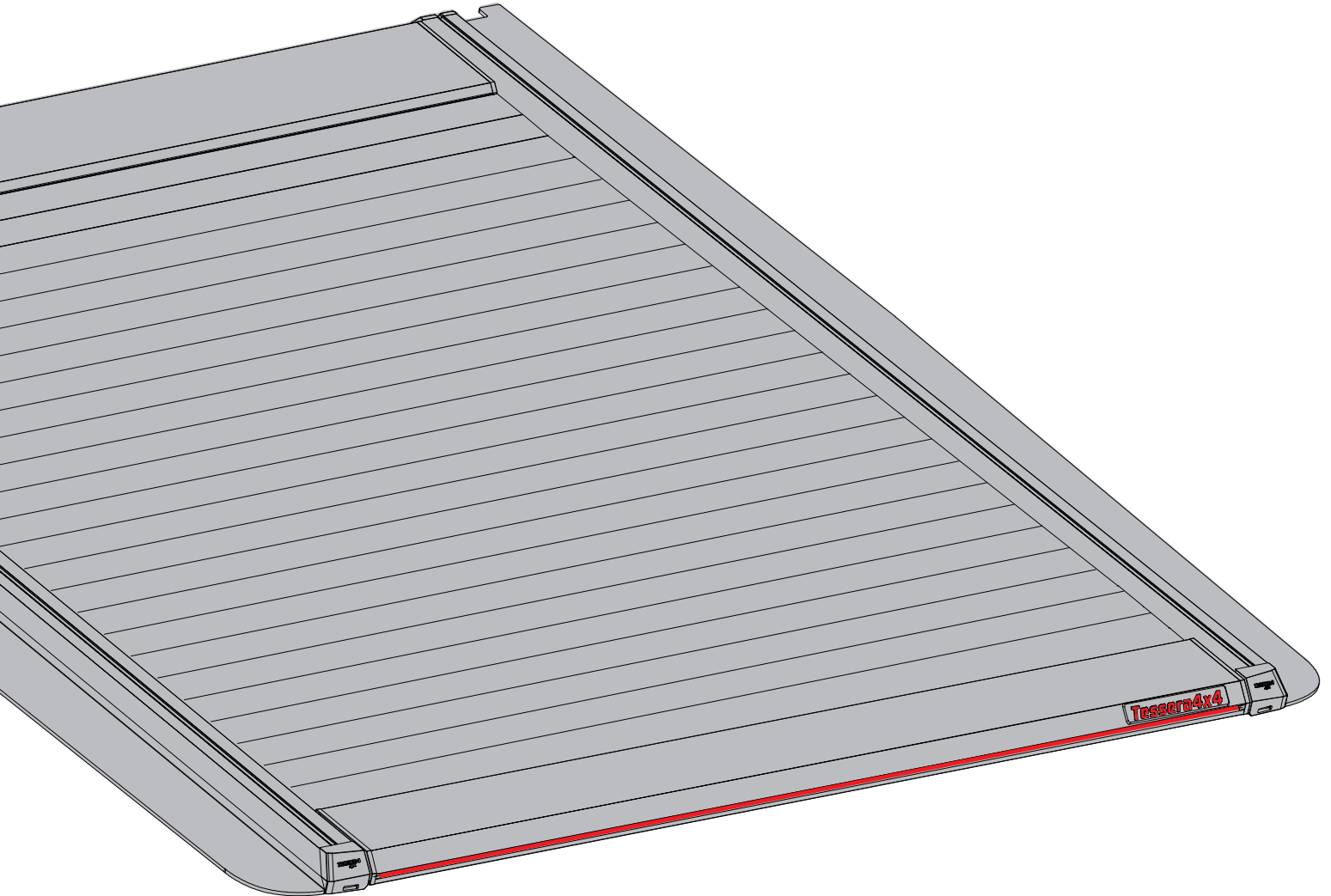


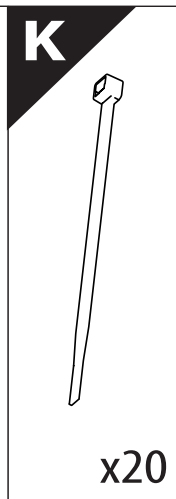
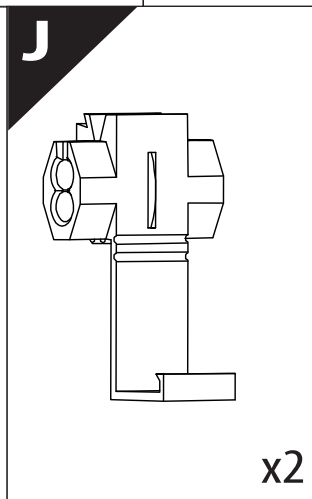
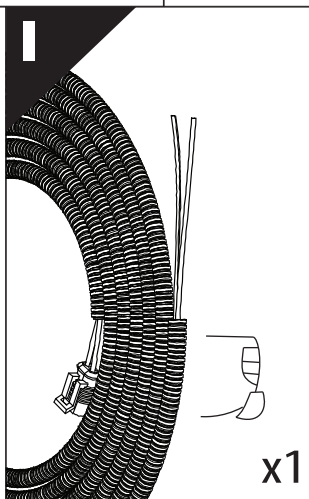
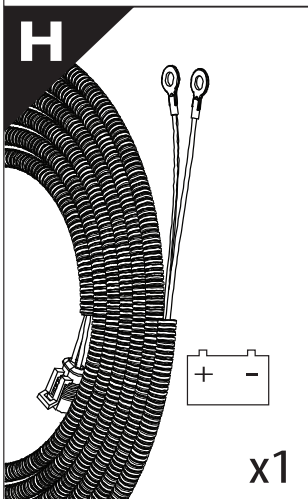
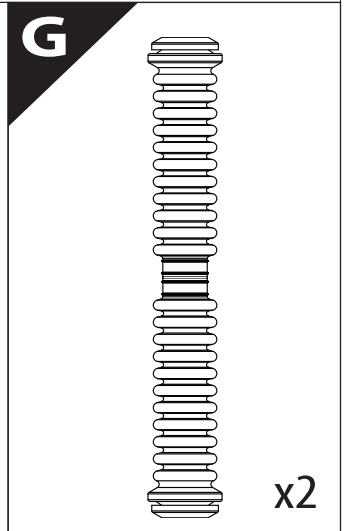
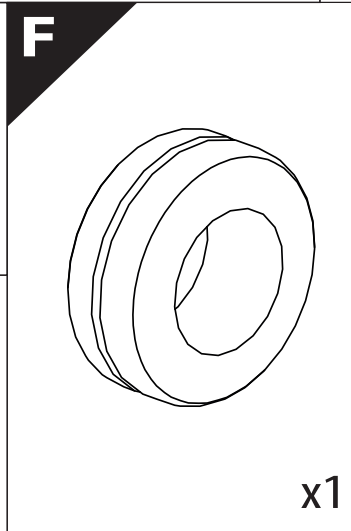
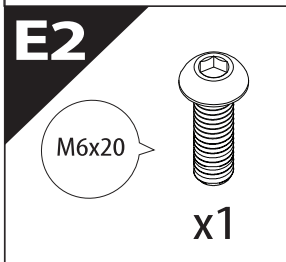
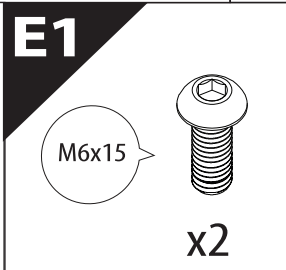
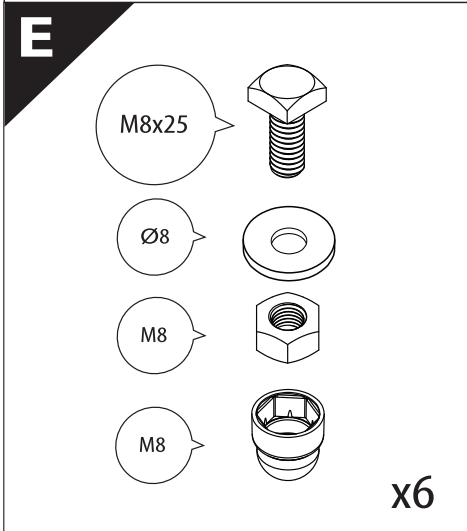
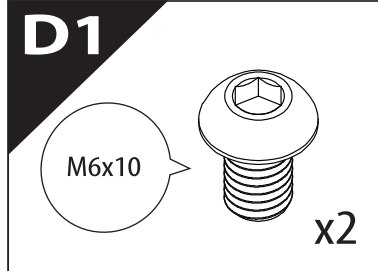
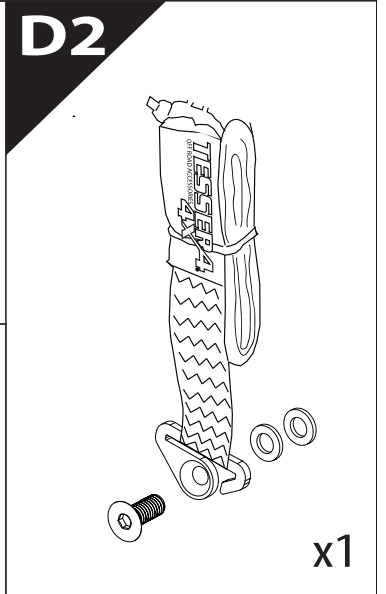
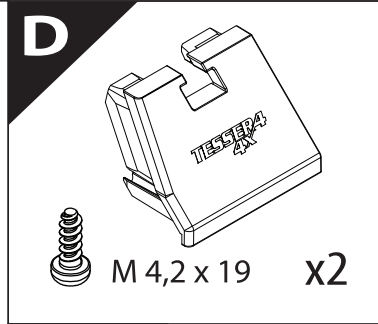
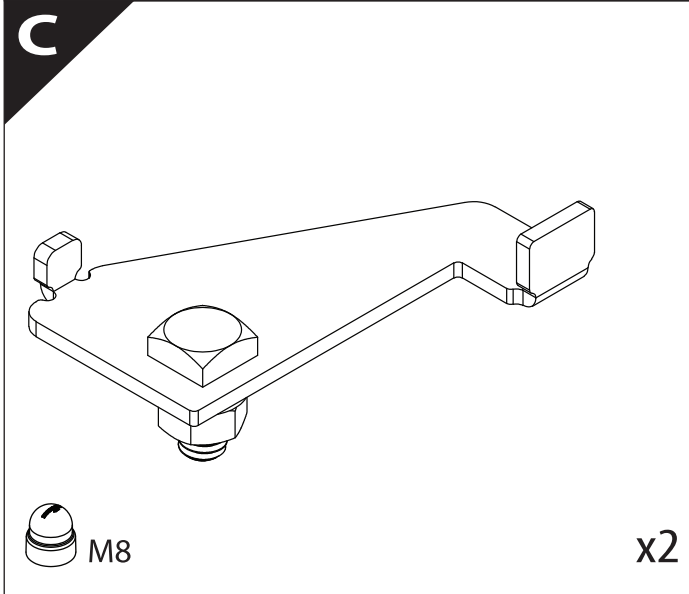
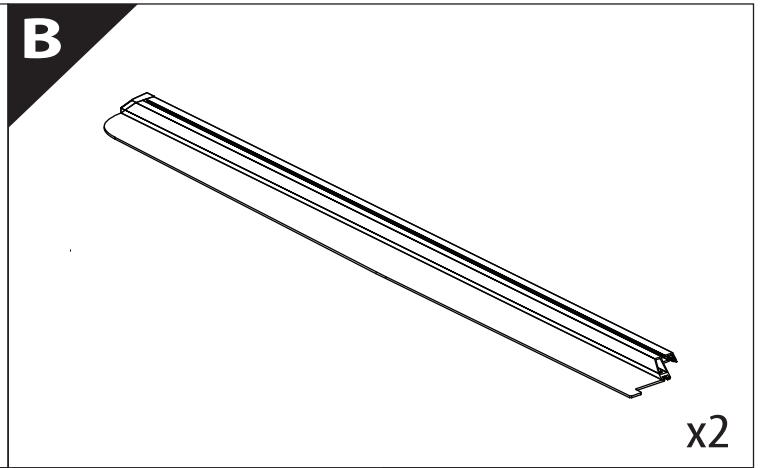
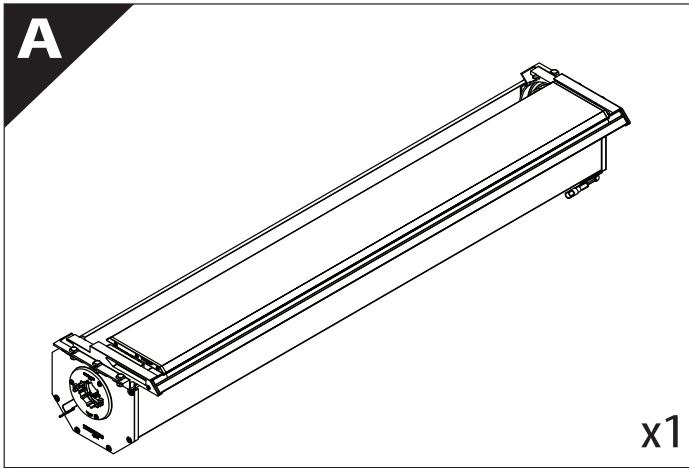
Tessera Roll+

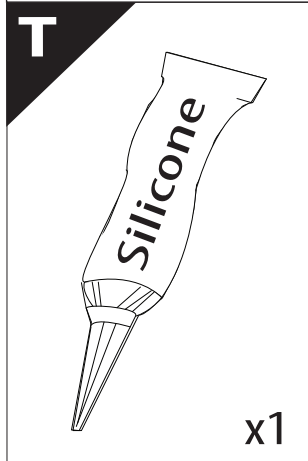
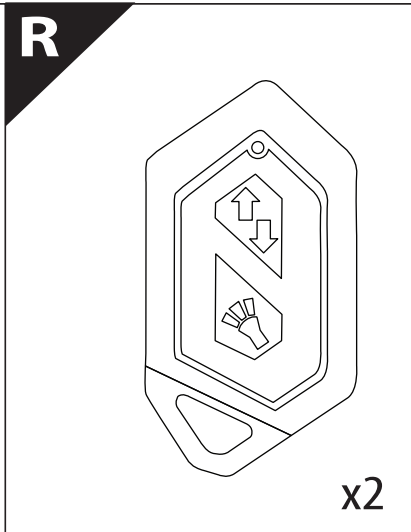
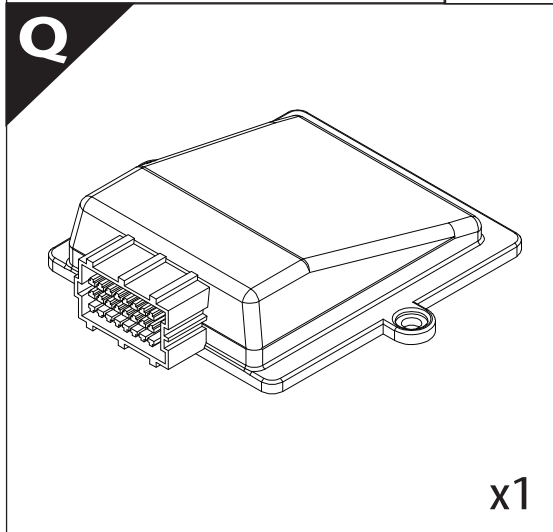
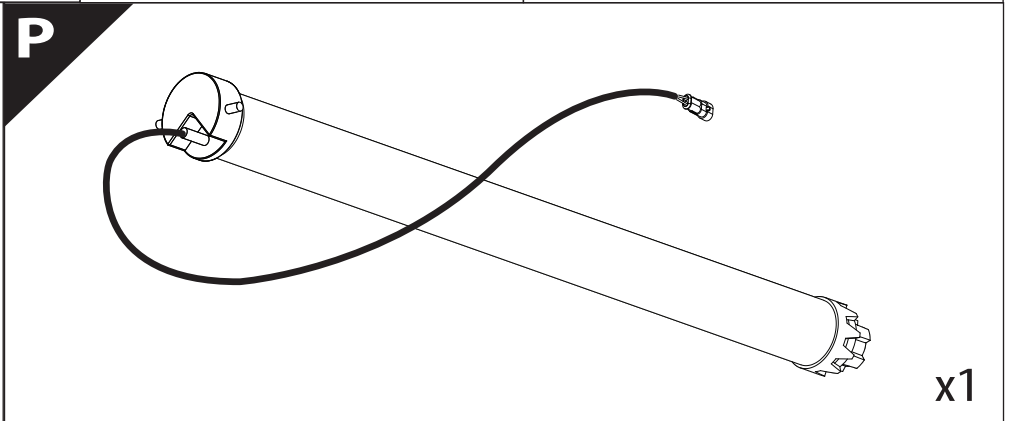
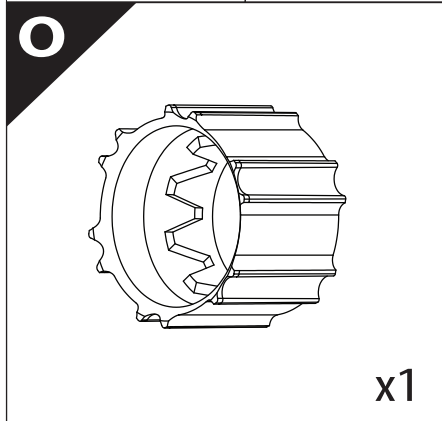
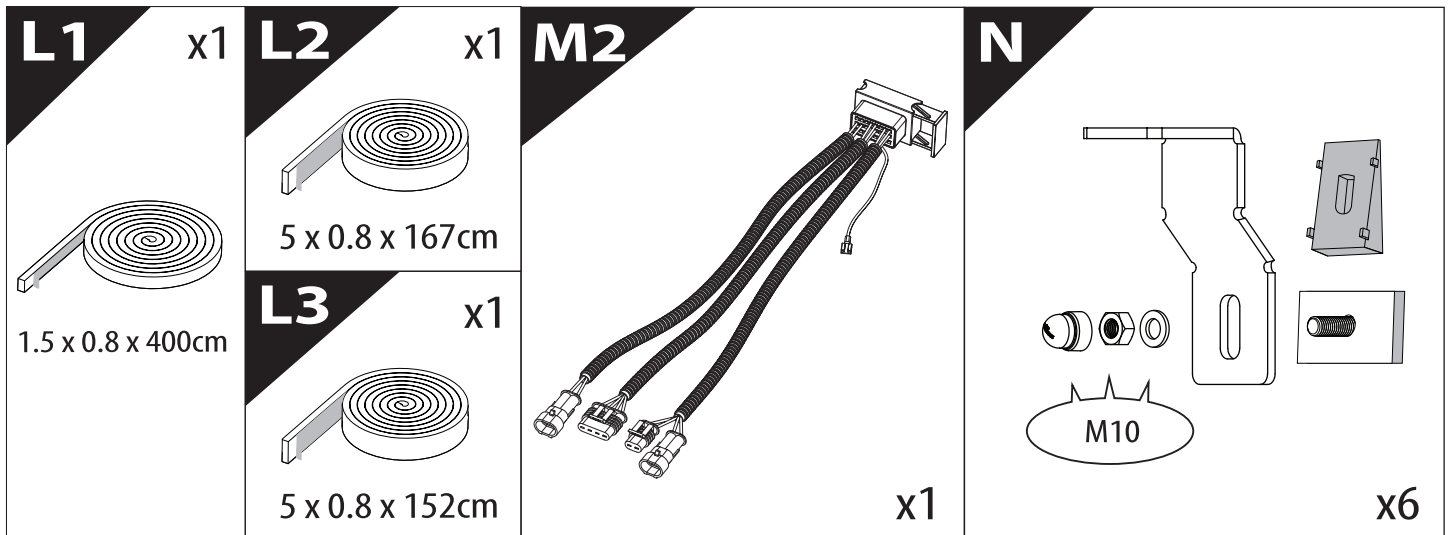
Basic Version + ⚡ E-KIT

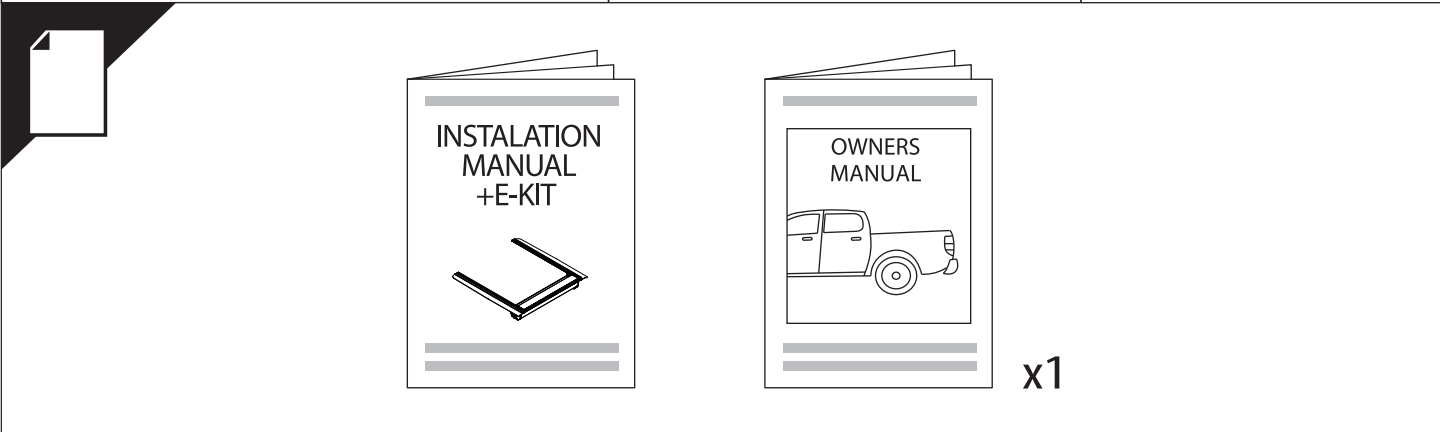
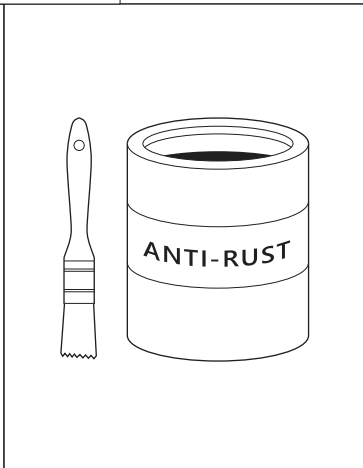
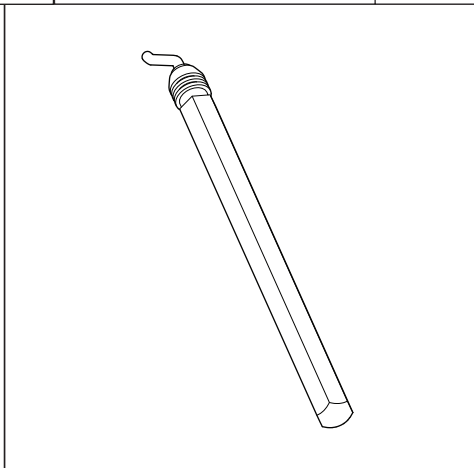
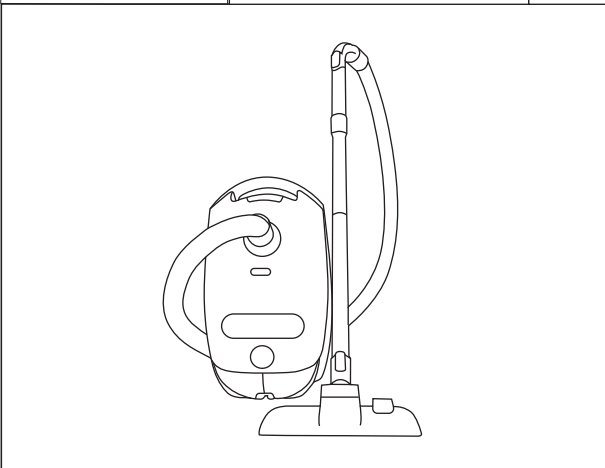
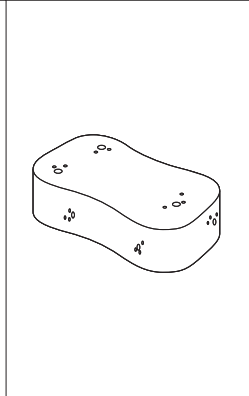
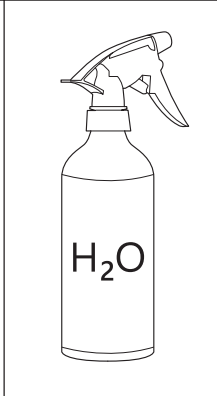
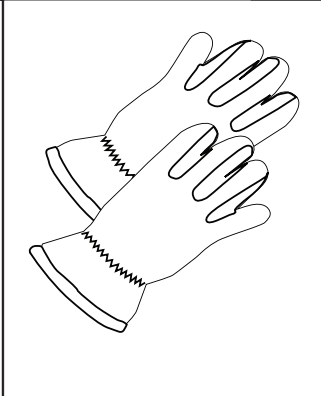
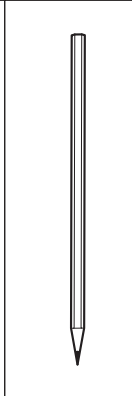
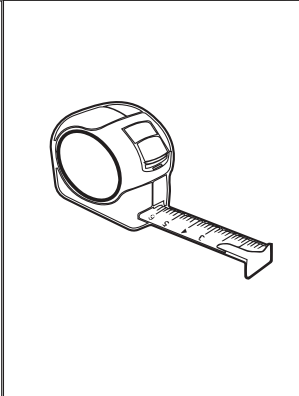
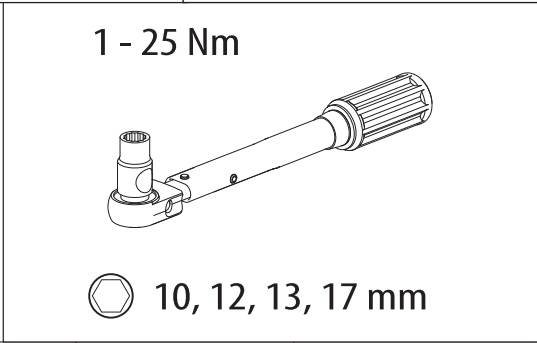
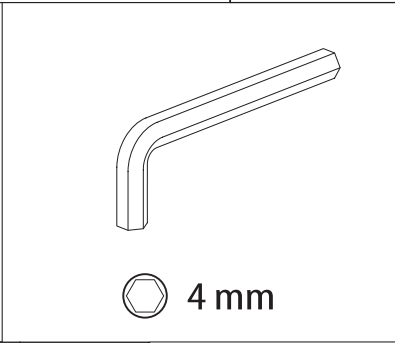
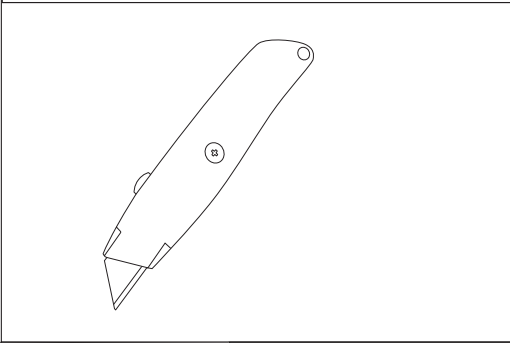
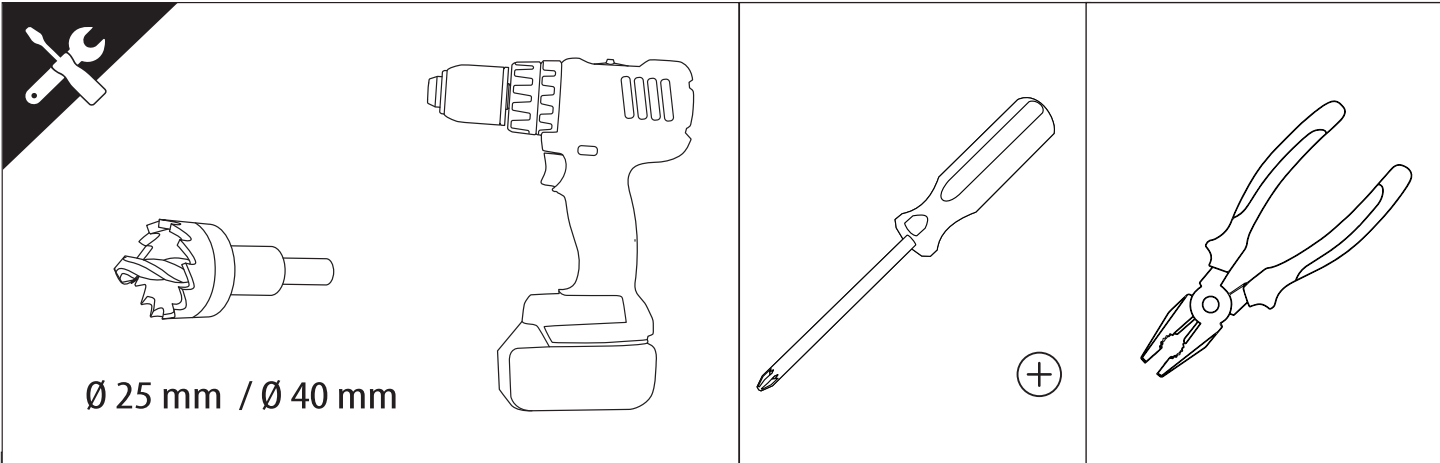


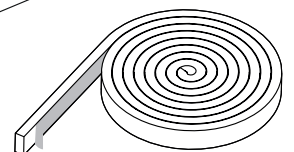
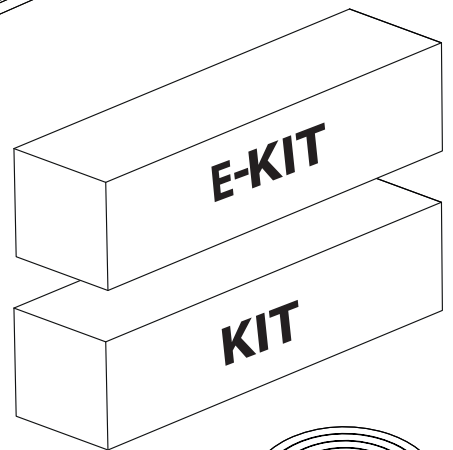
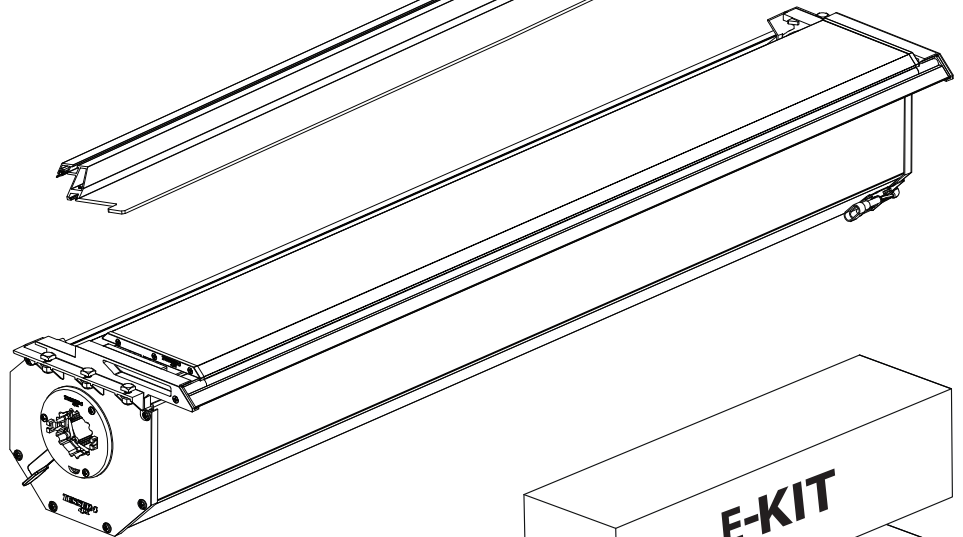
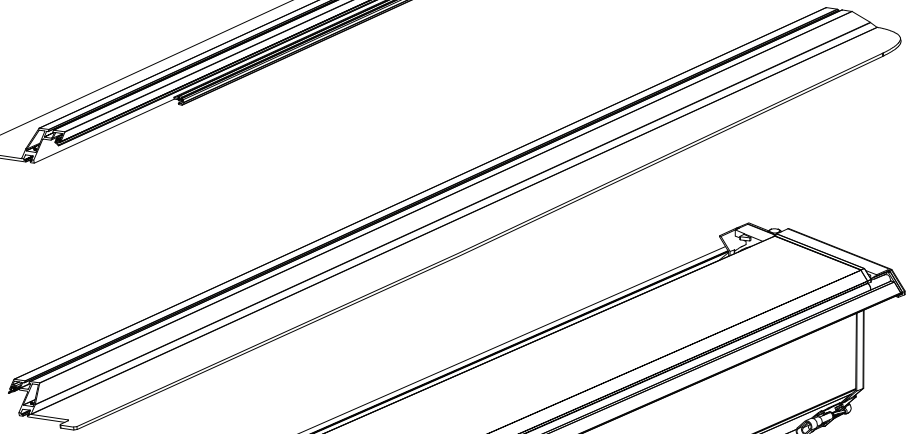
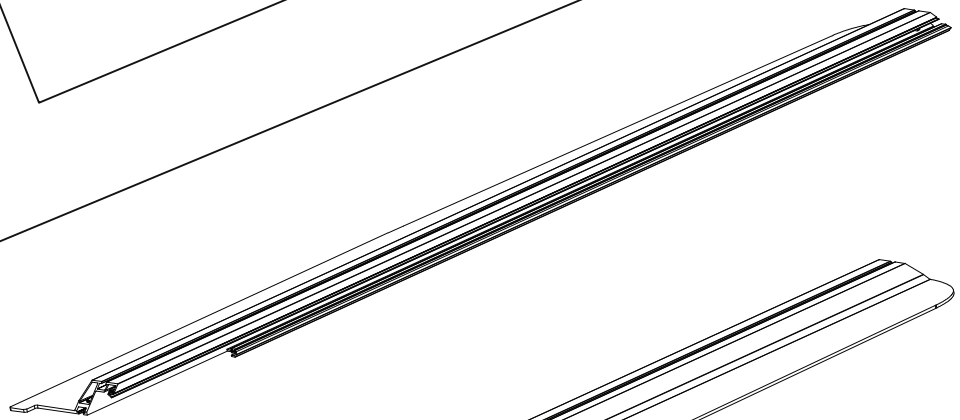
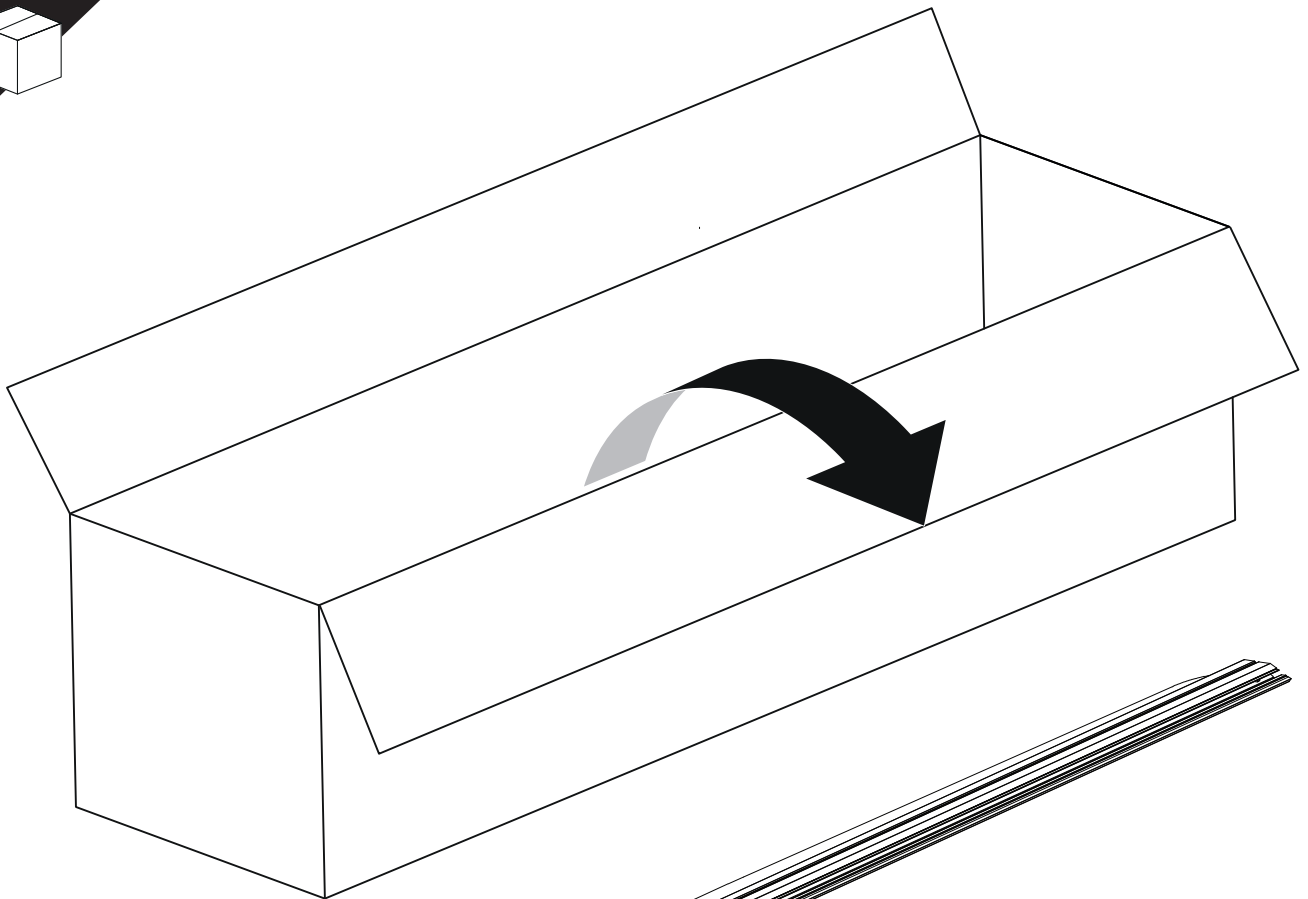
Installation Manual

PART NUMBER(S)	Model Year
TESS 1419 ROLL+E-KIT	Mercedes X-Class 2018+ (with c-channels)
Cab(s)	Installation Time / Weight
Double Cab	40-60 minutes / 53-57 kg







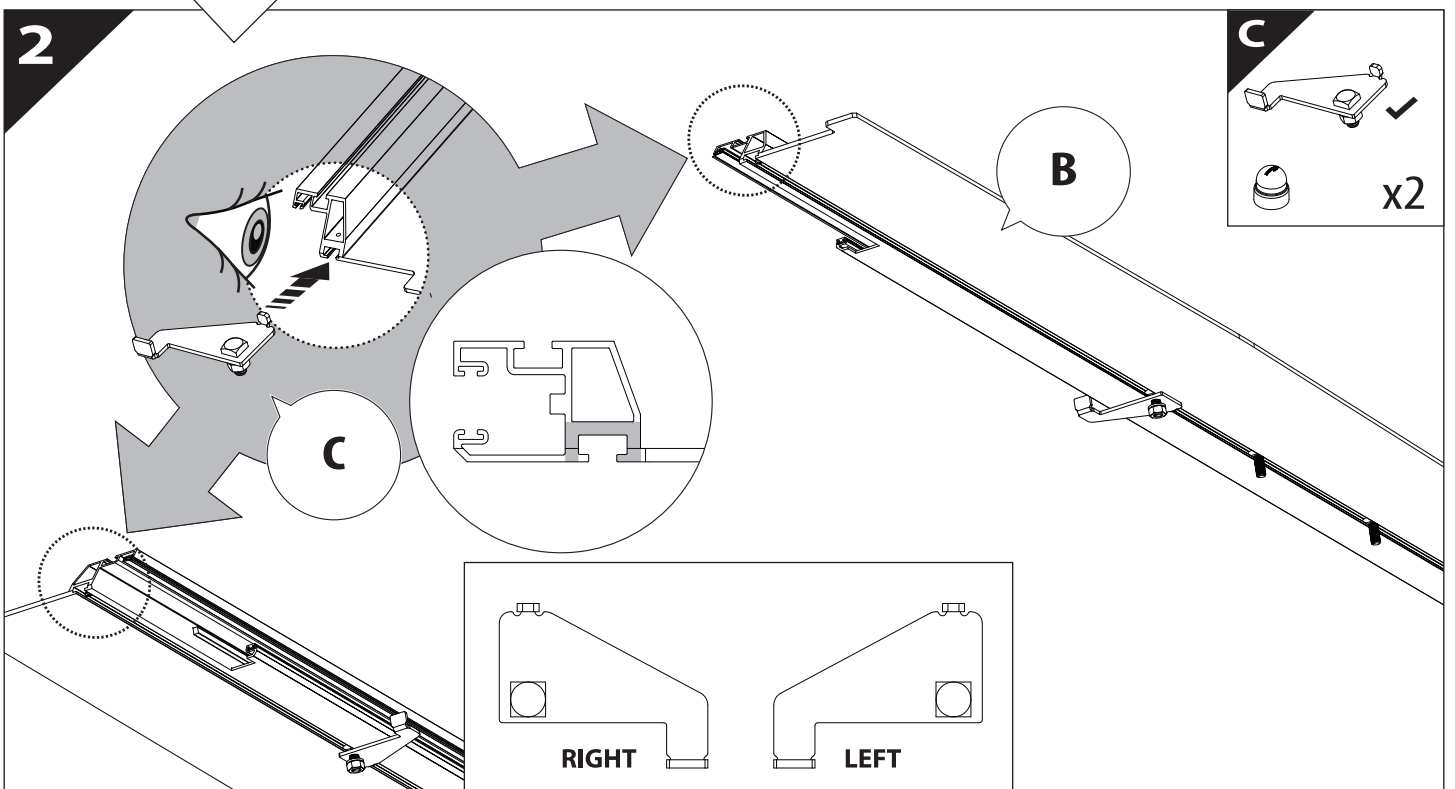
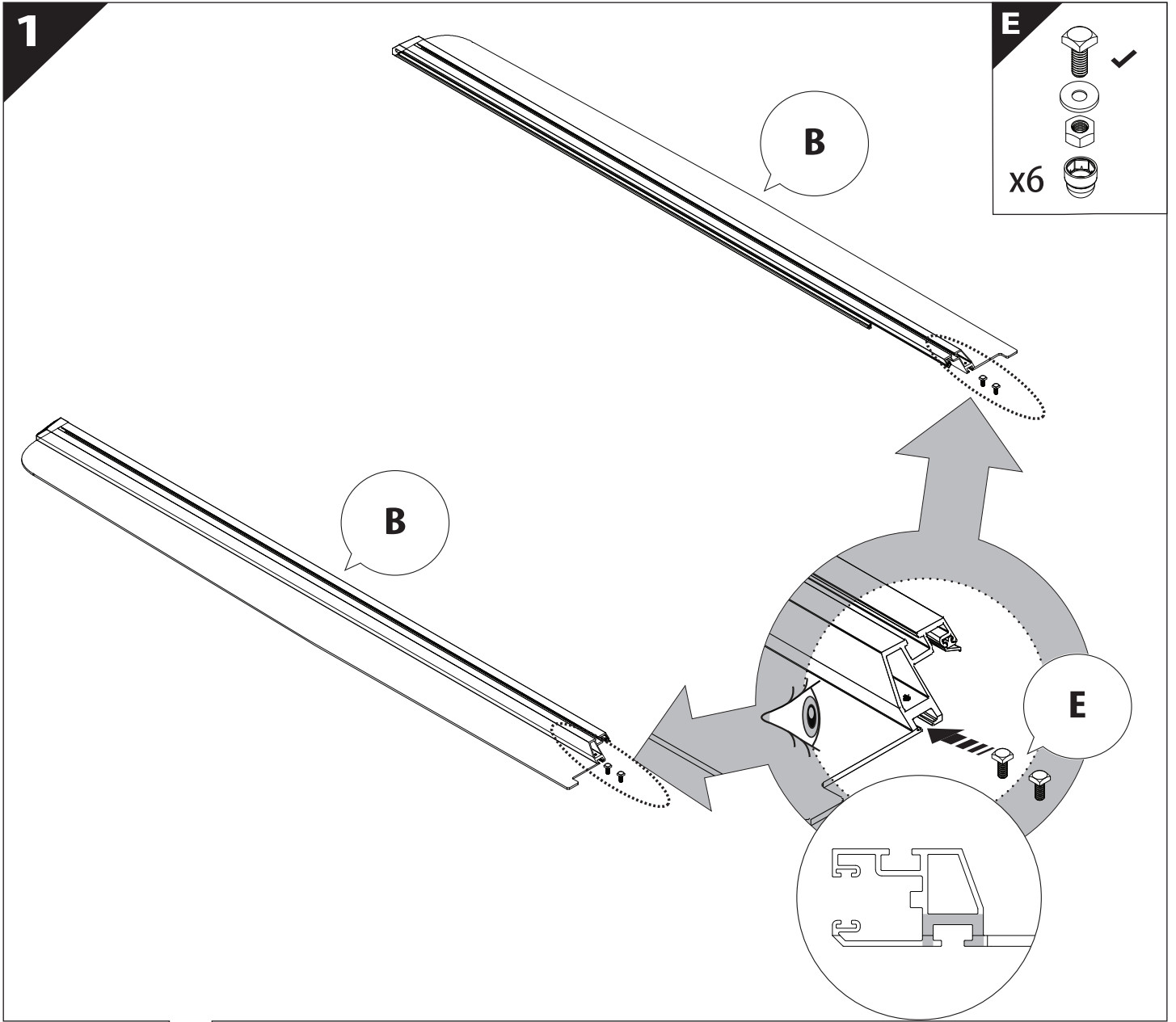


B

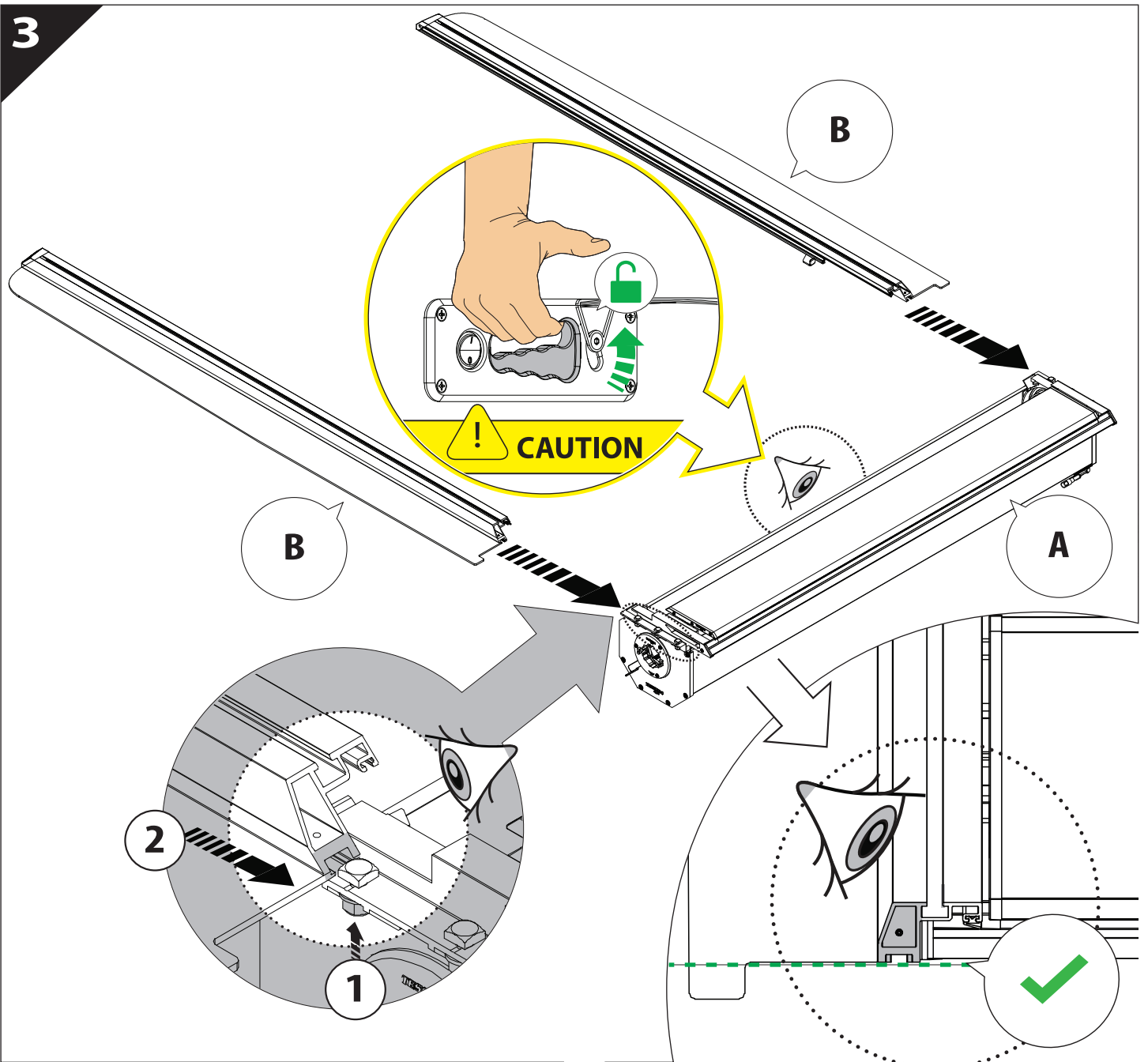
A

KITS

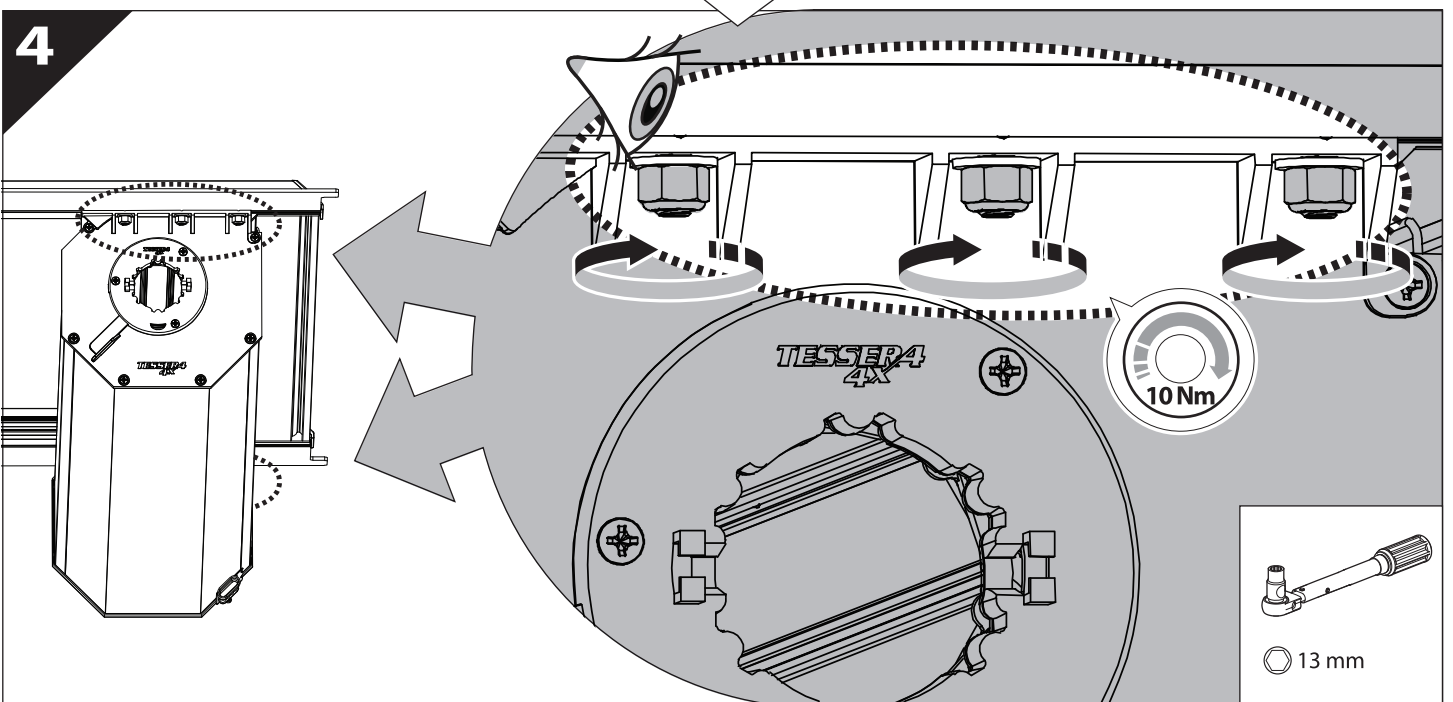
L

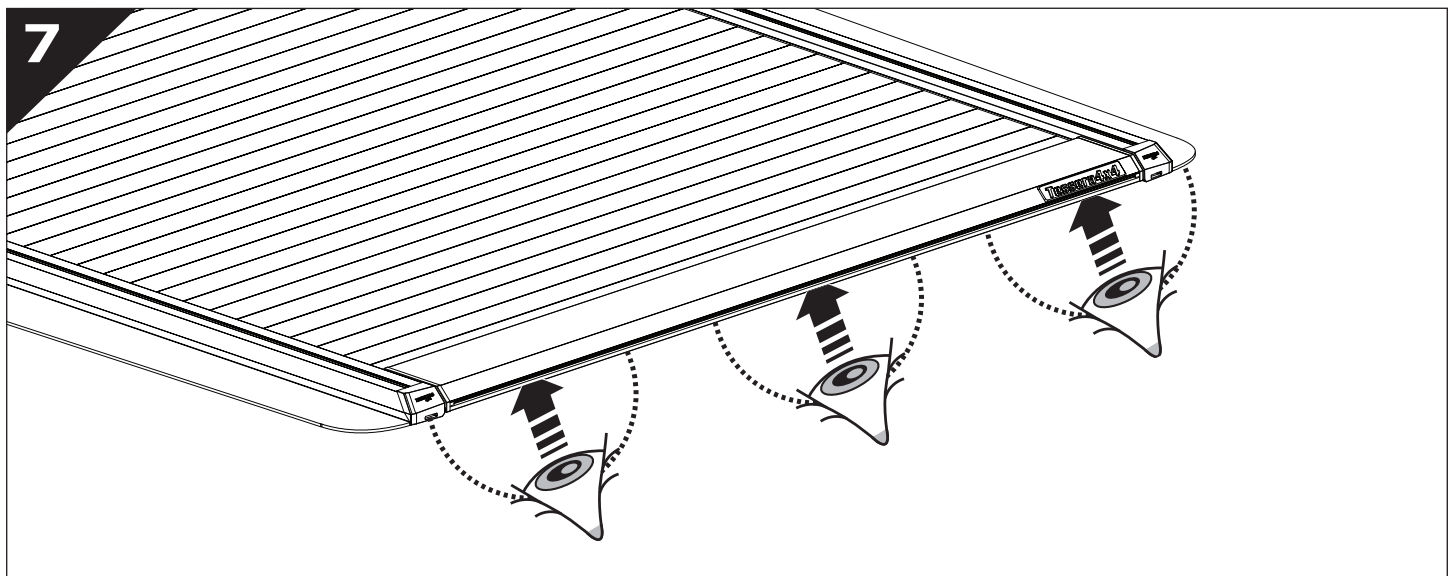
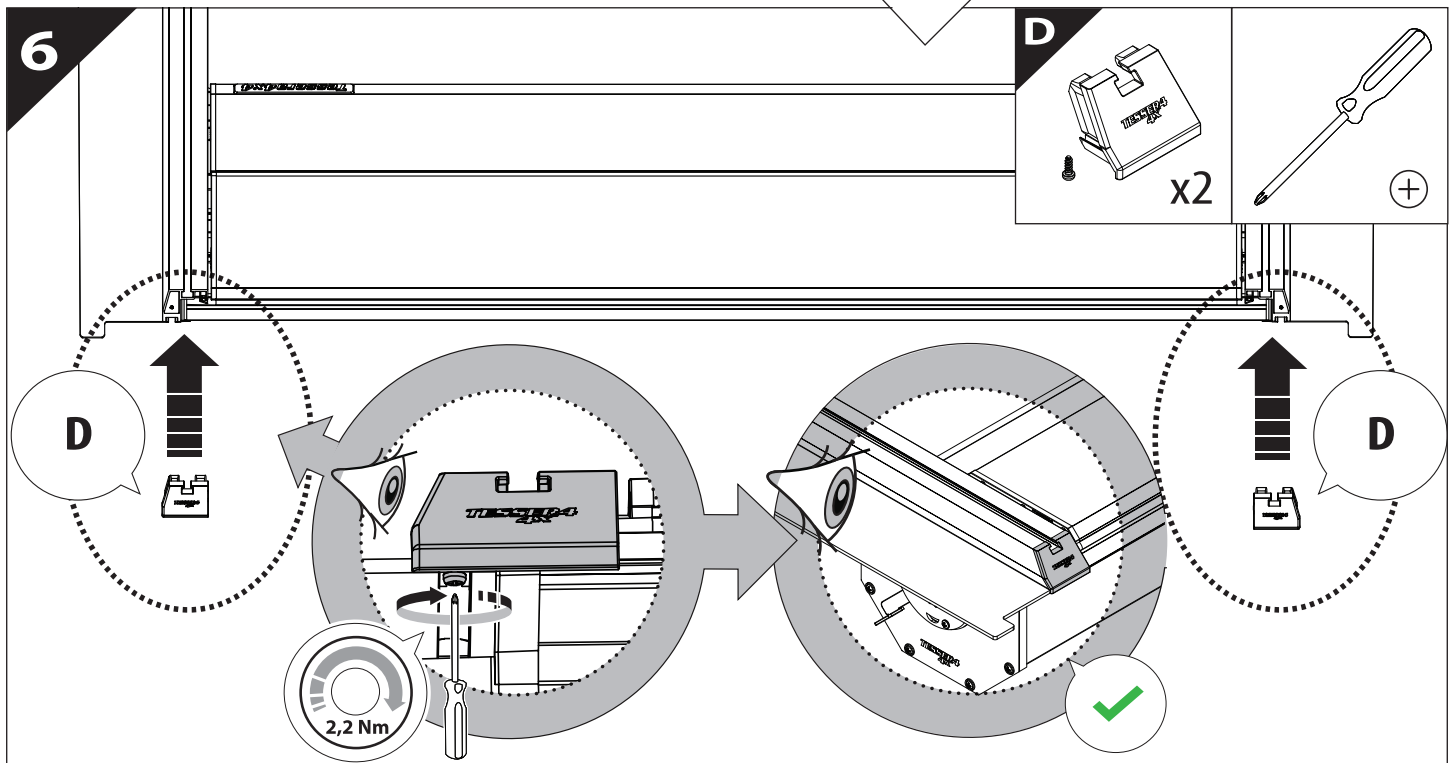
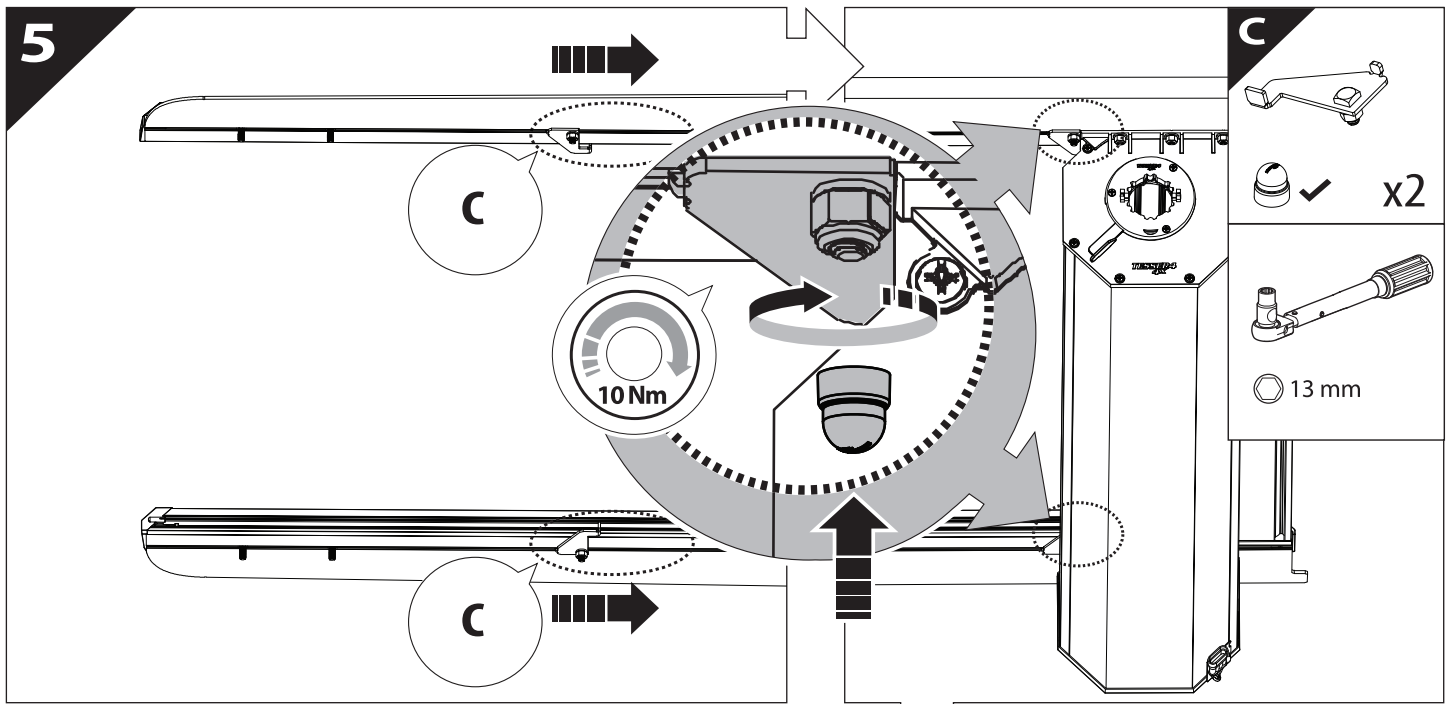


3



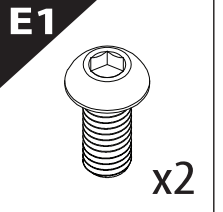
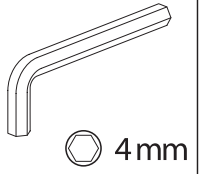
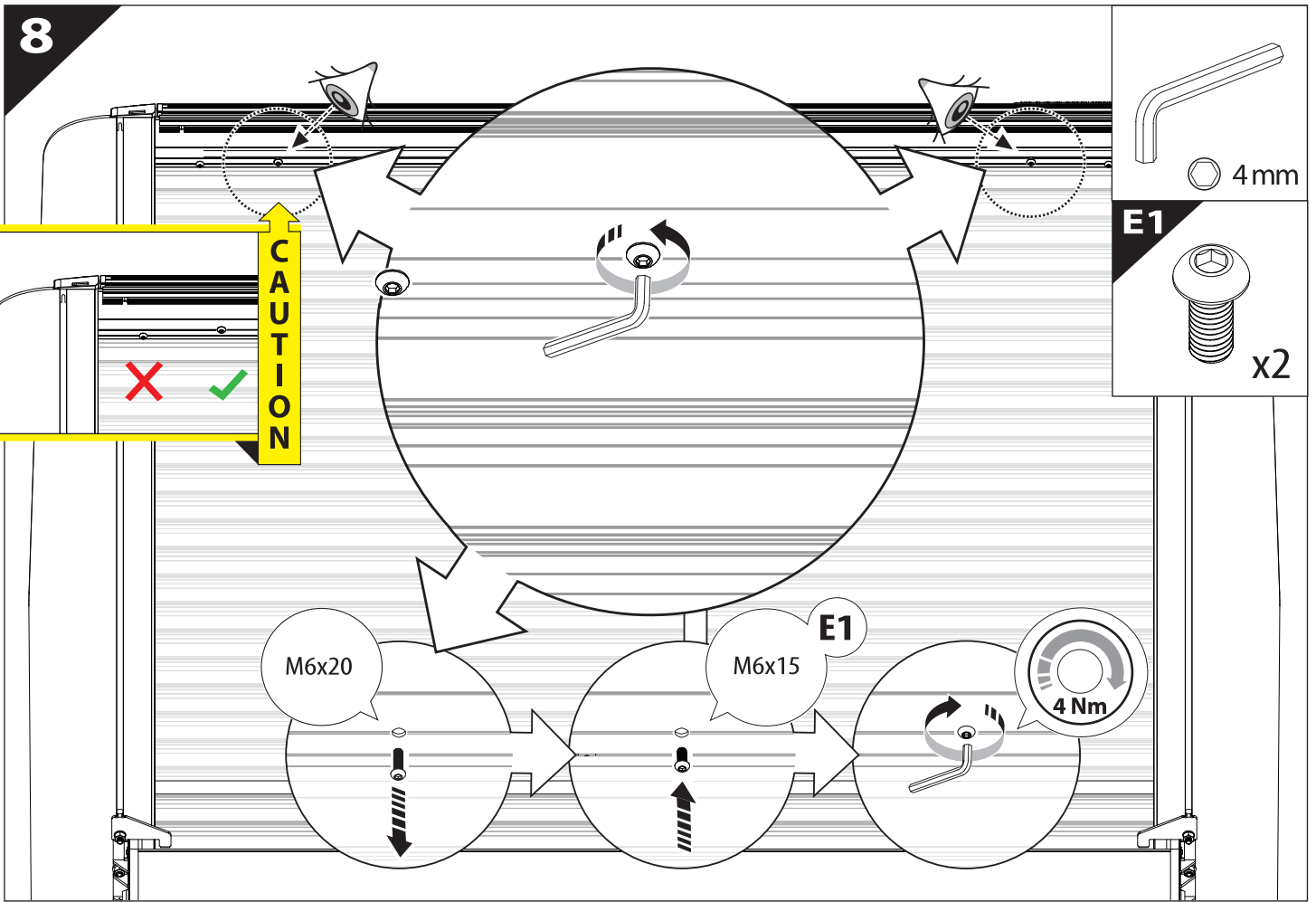
4





8

CAUTION



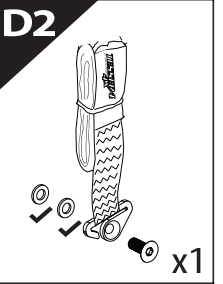
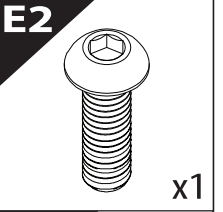
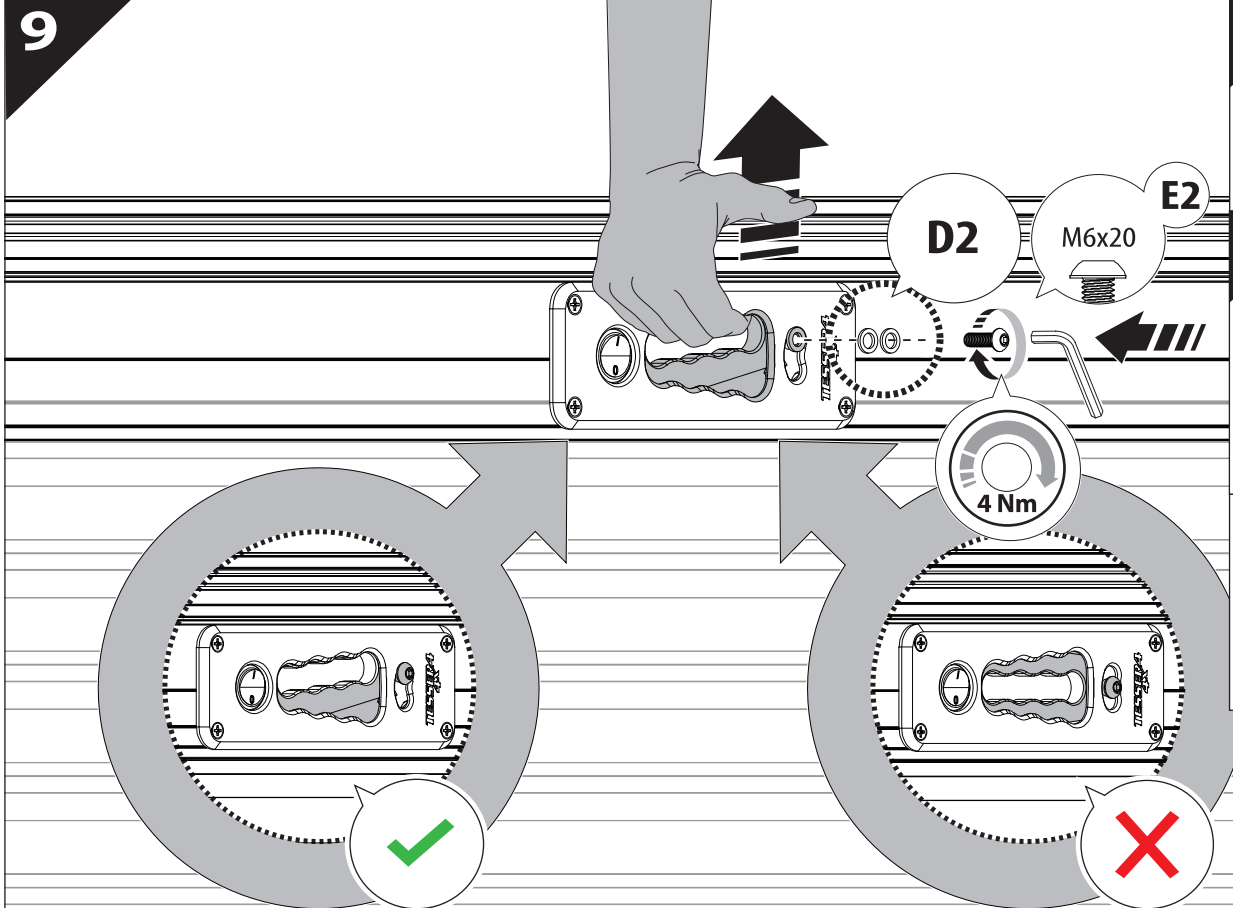
M6x20

M6x15

E1

4 Nm

9

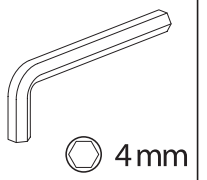


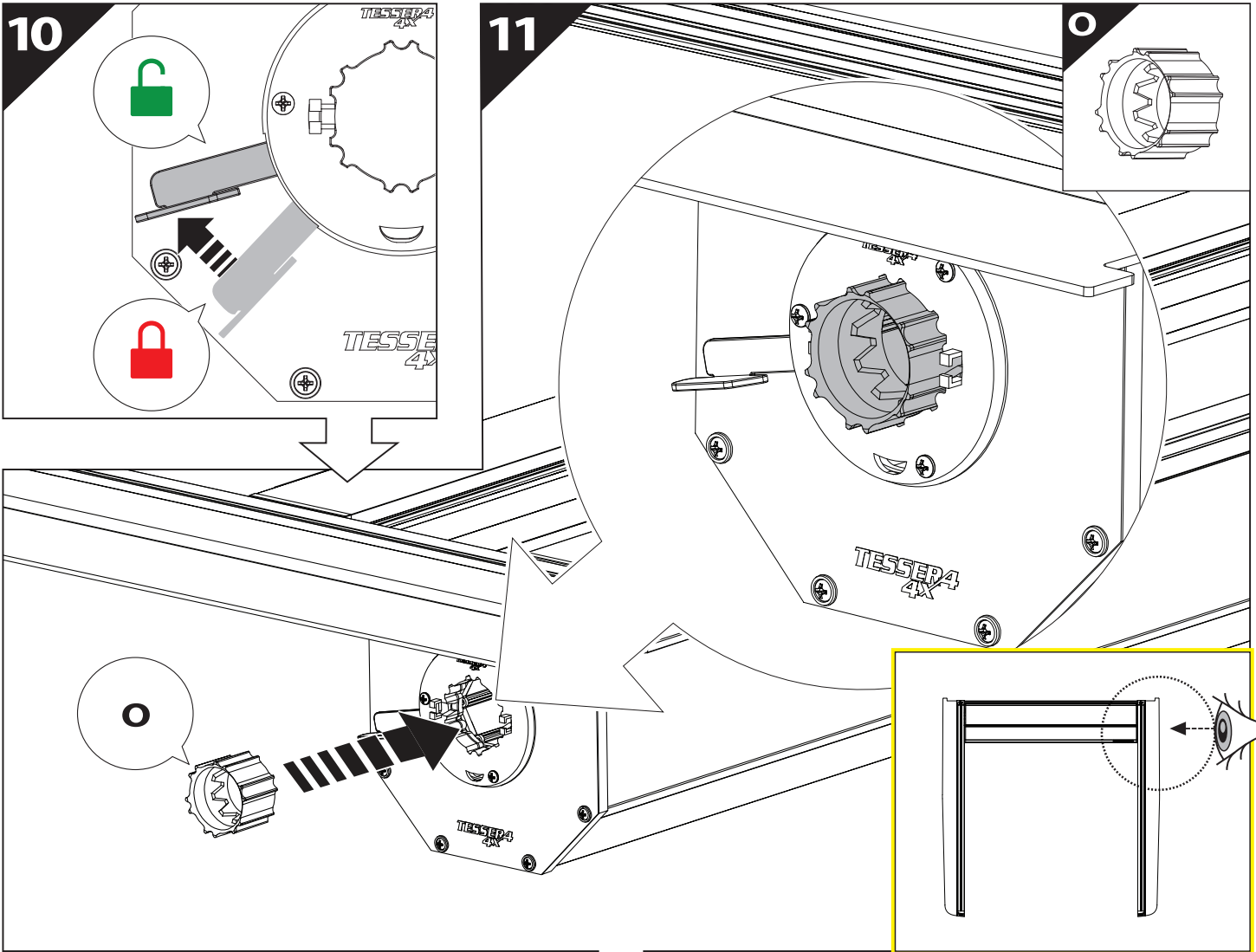
D2

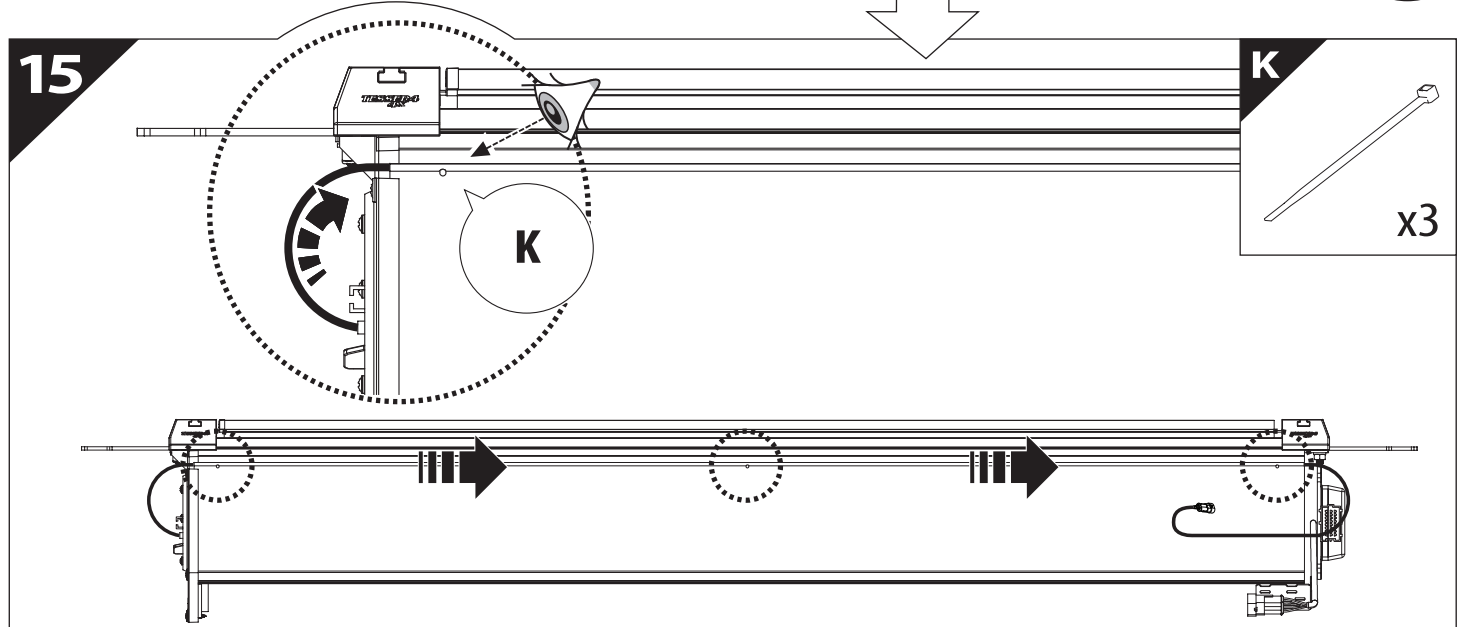
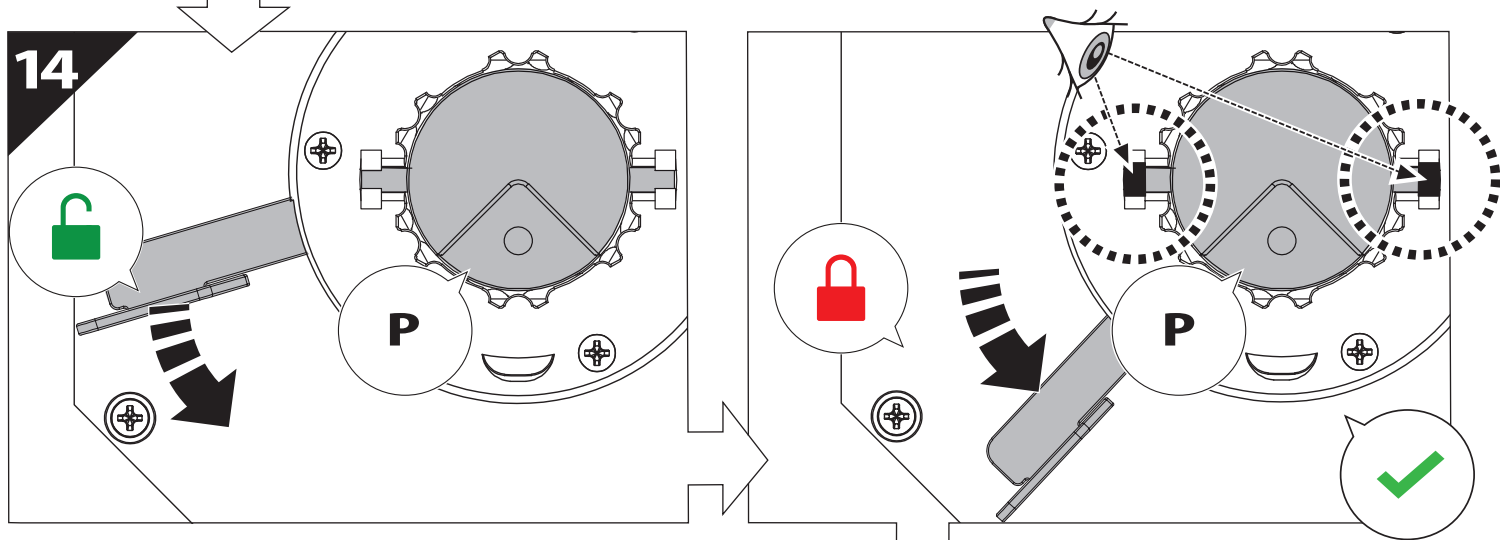
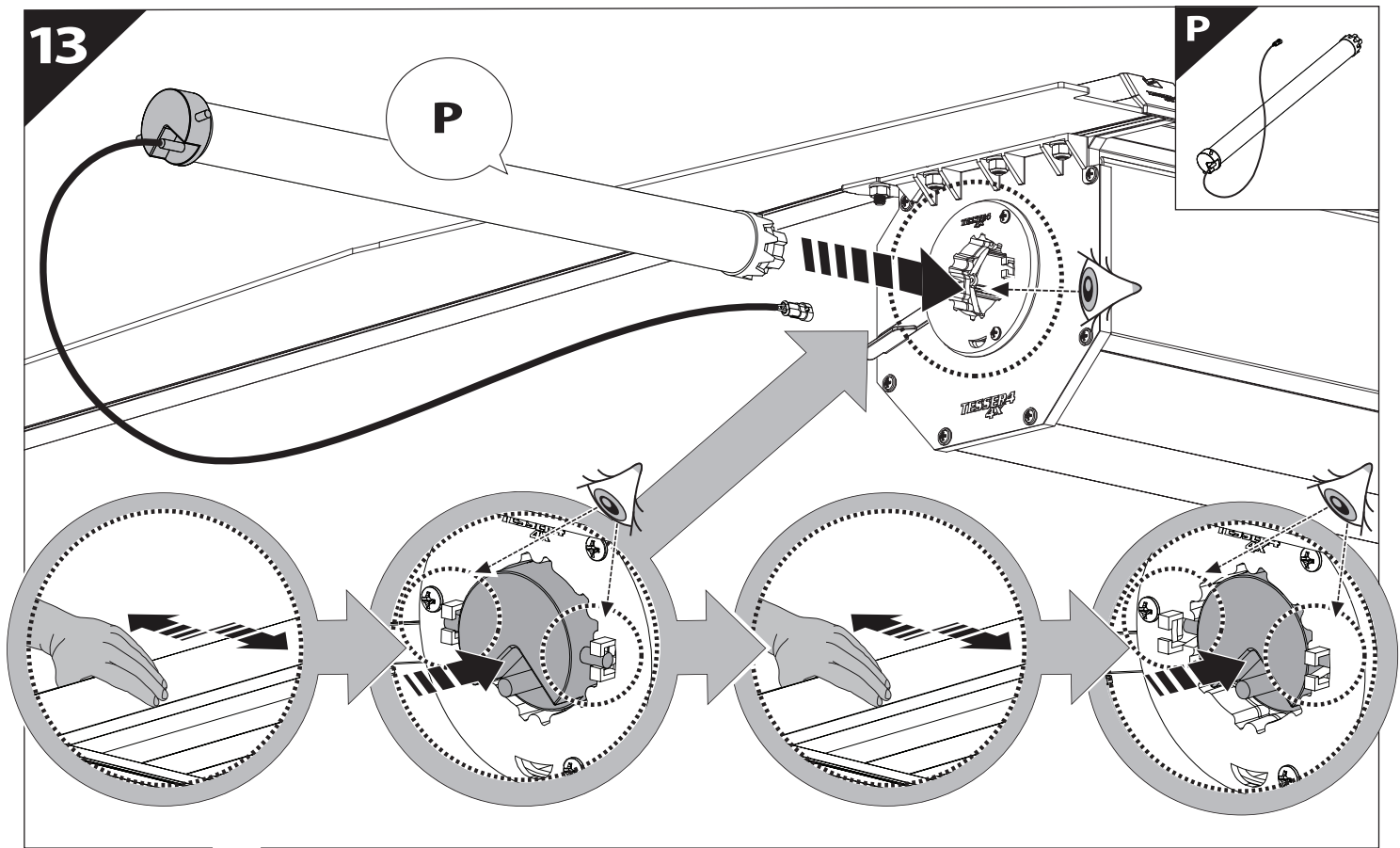
M6x20

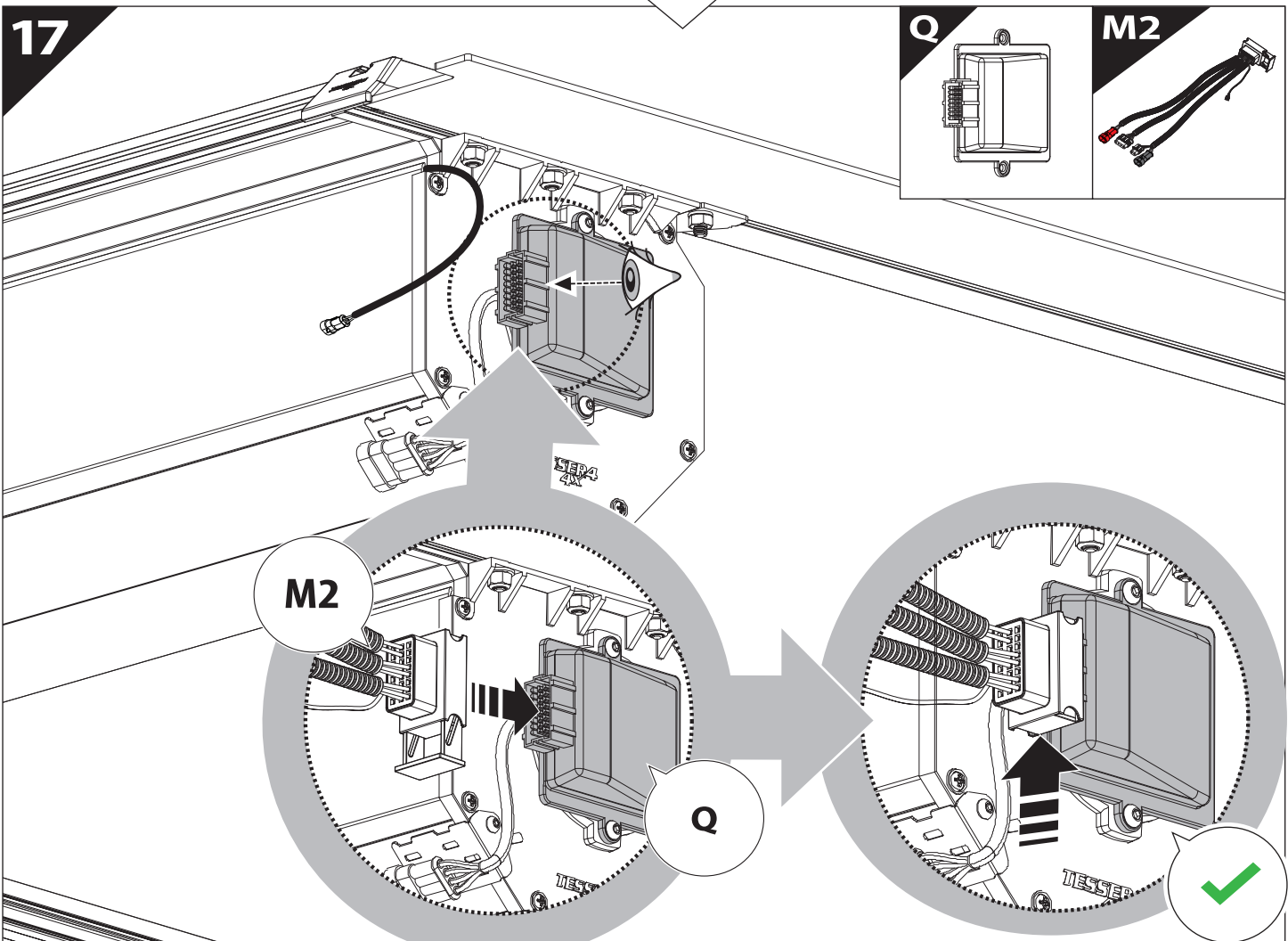
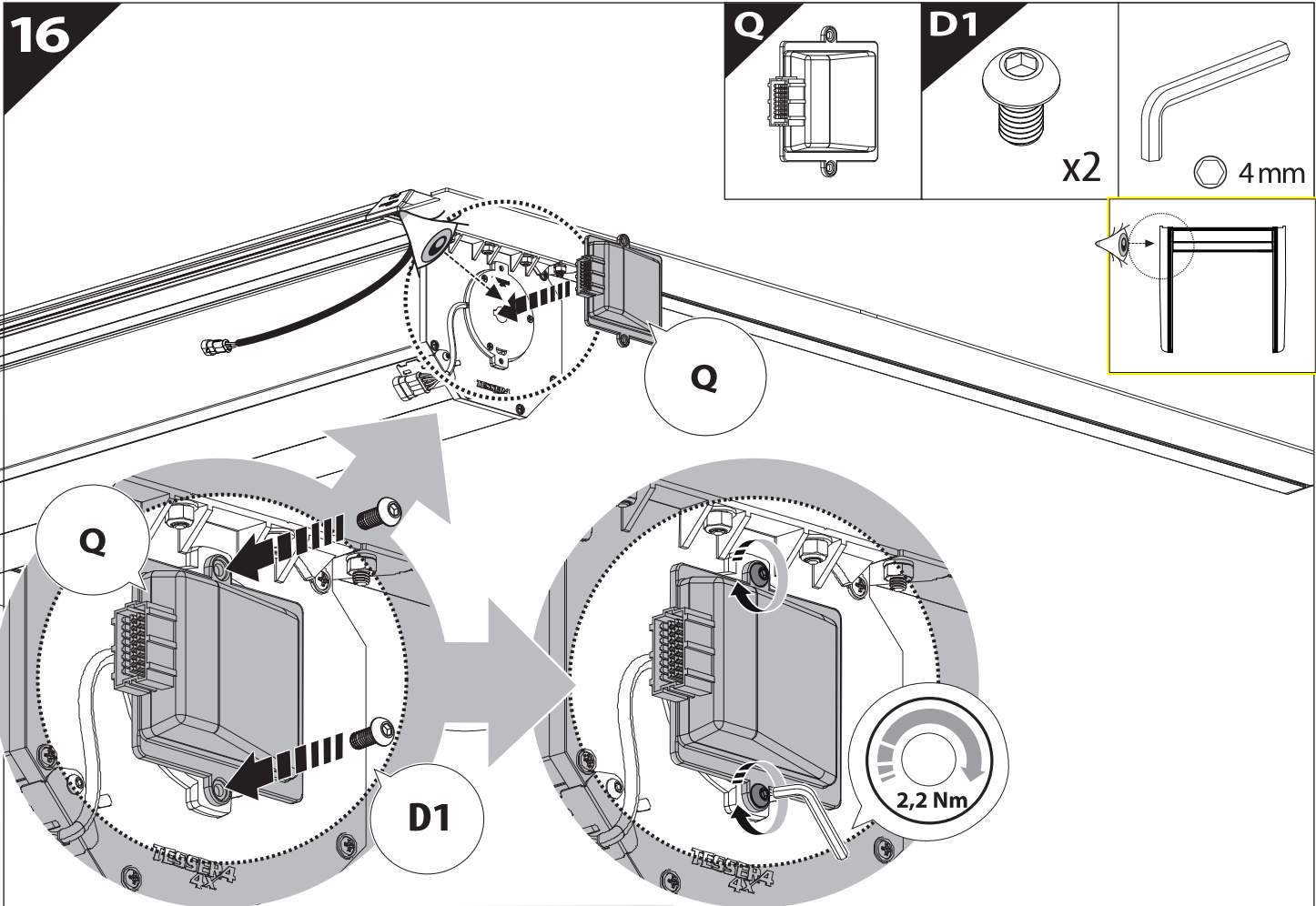
E2

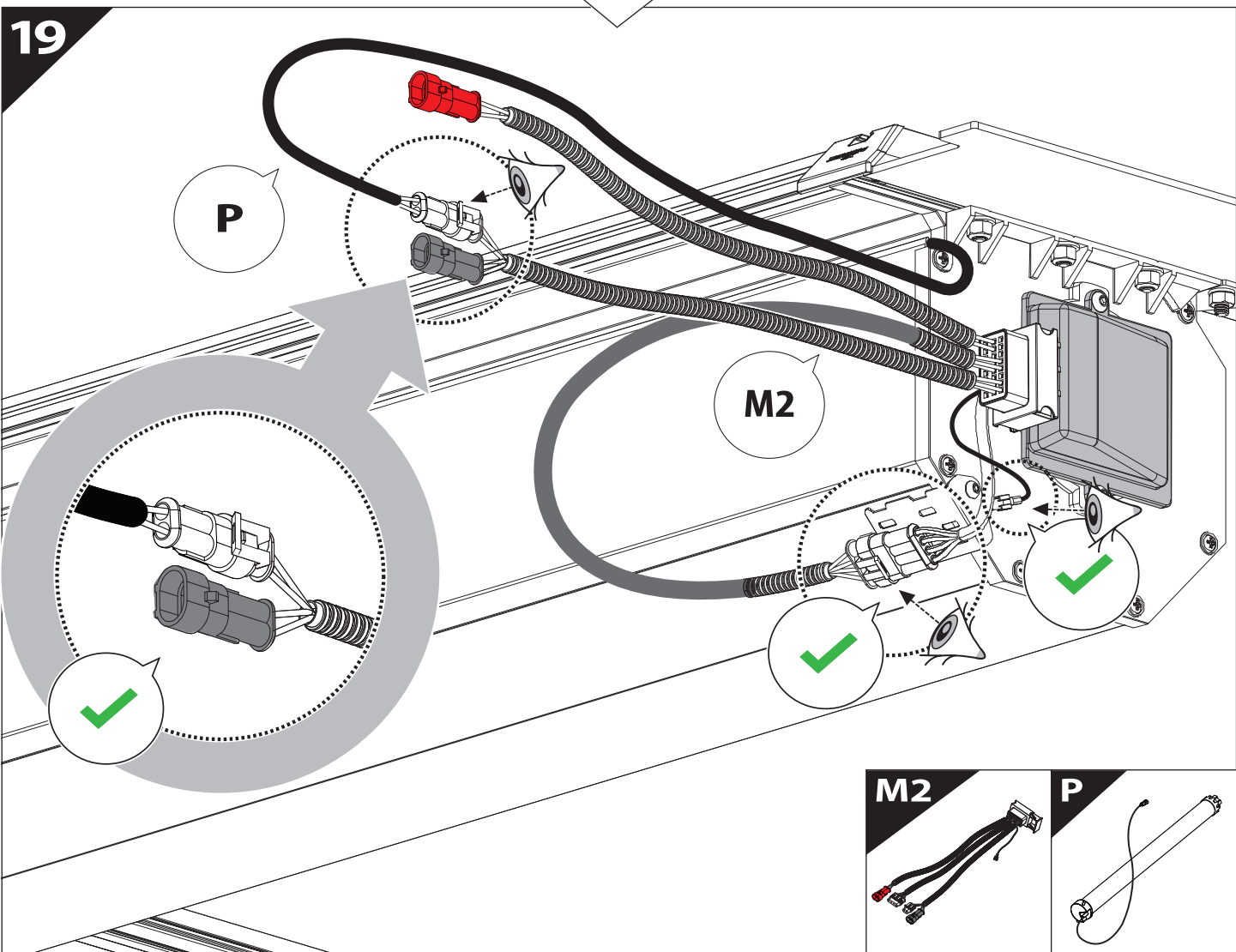
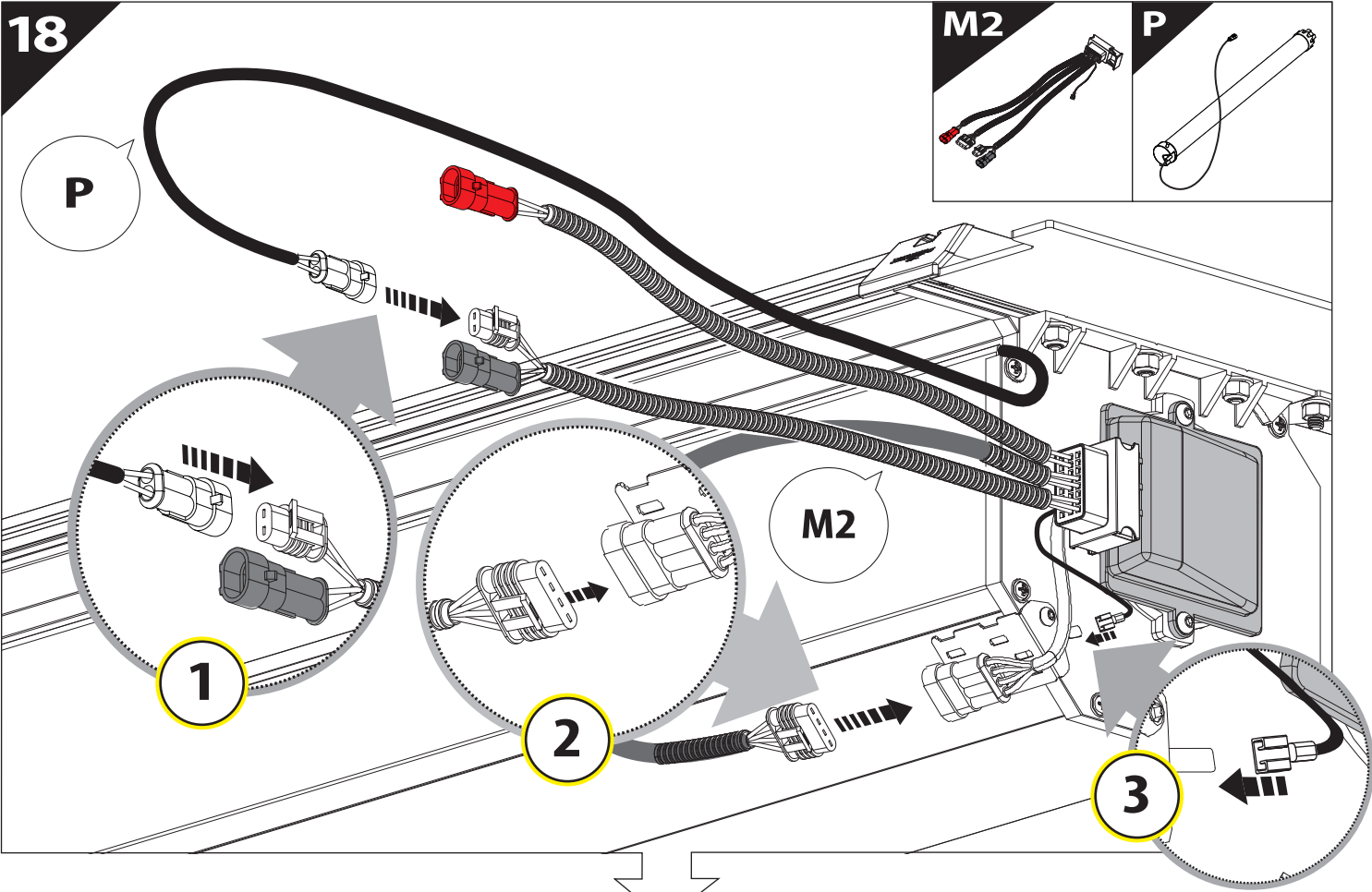
4 Nm

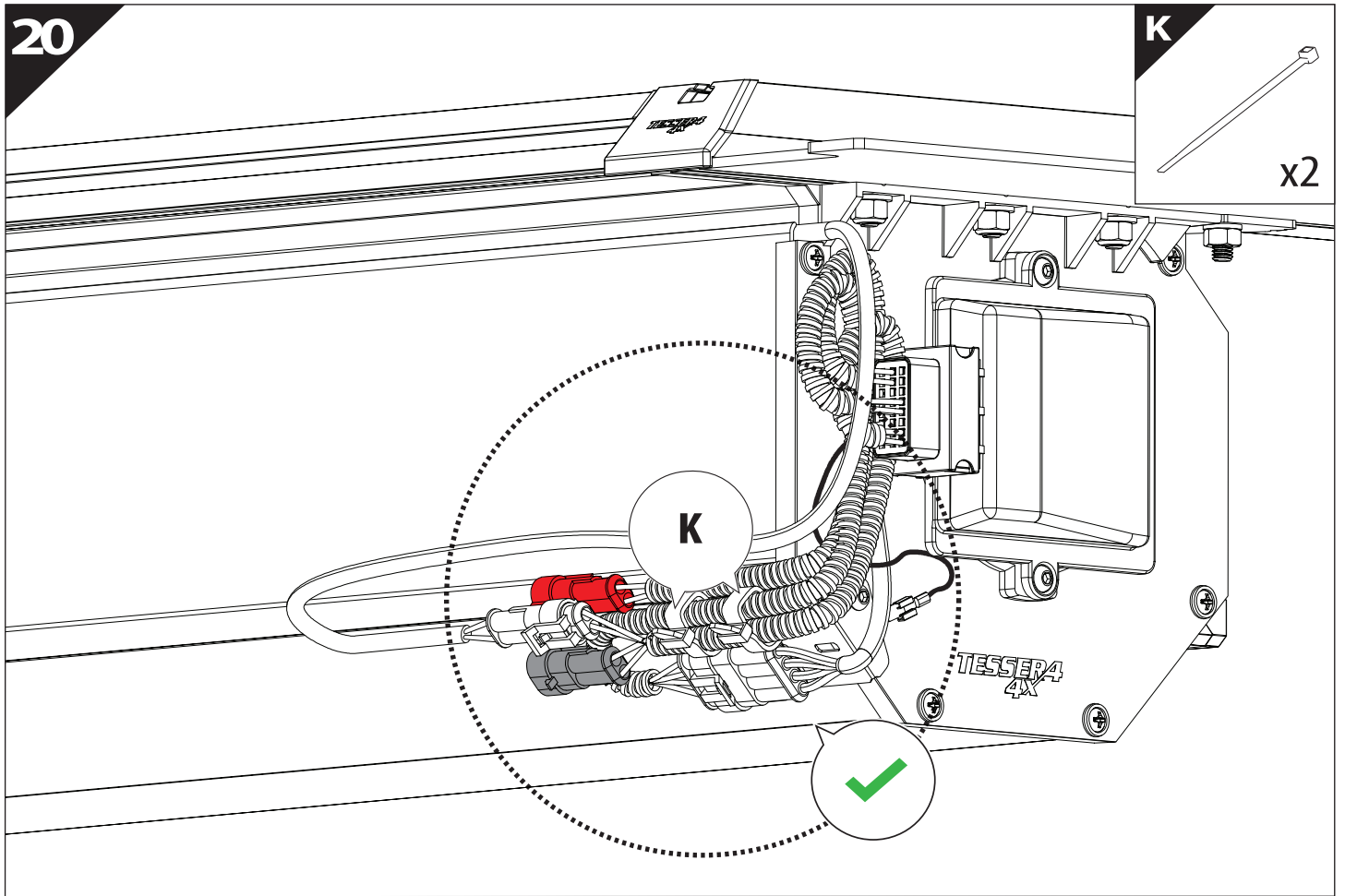


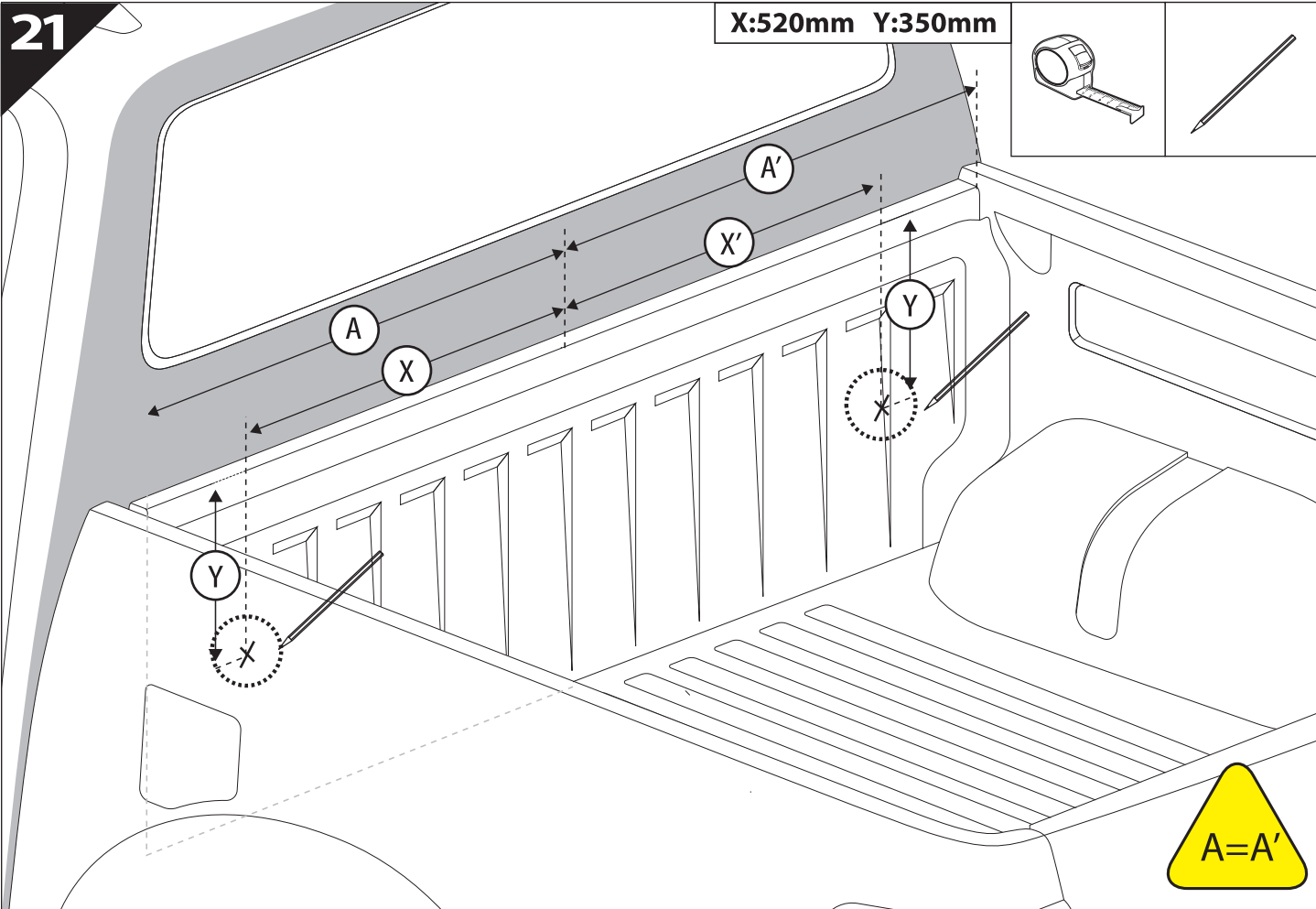


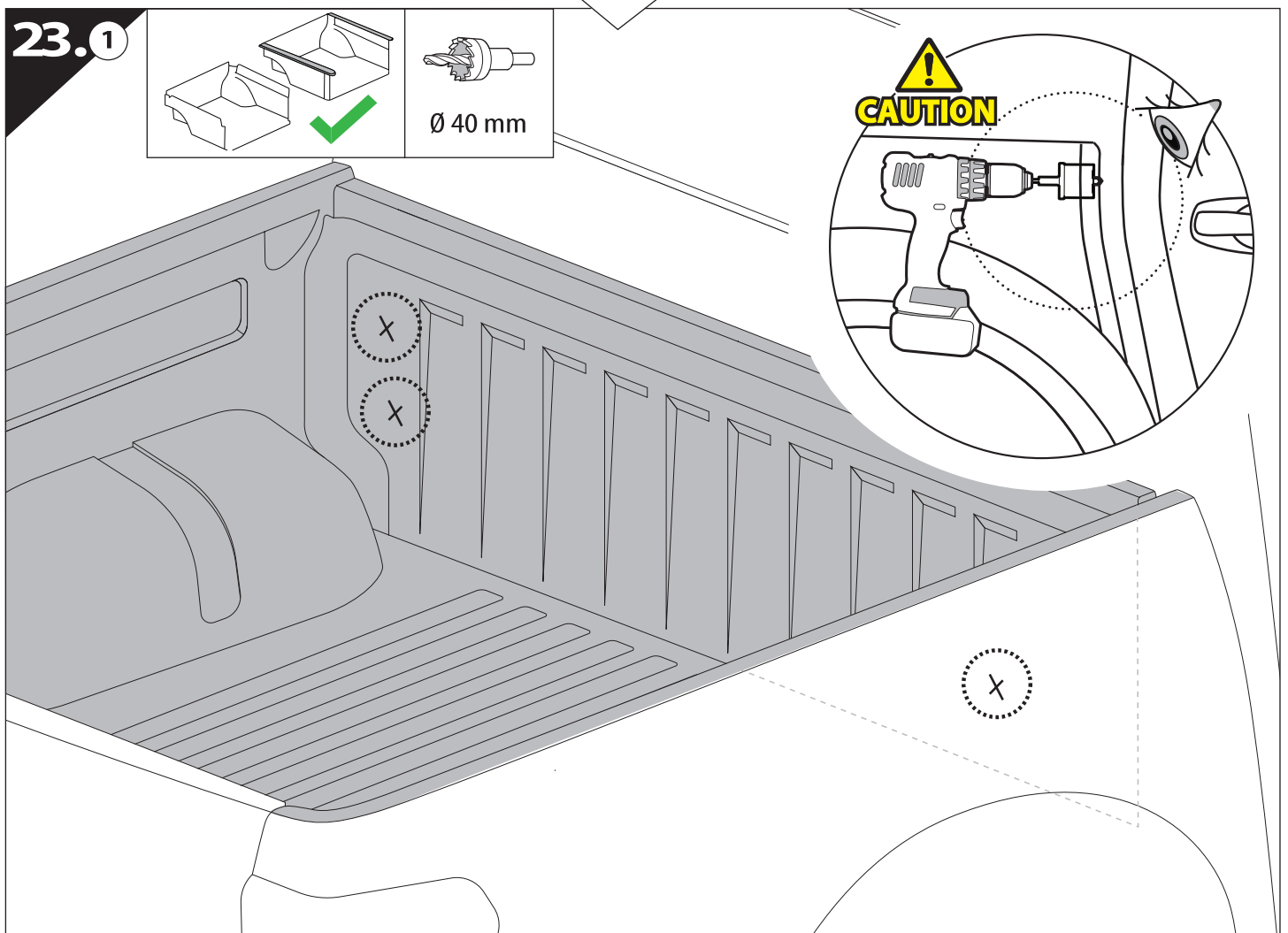
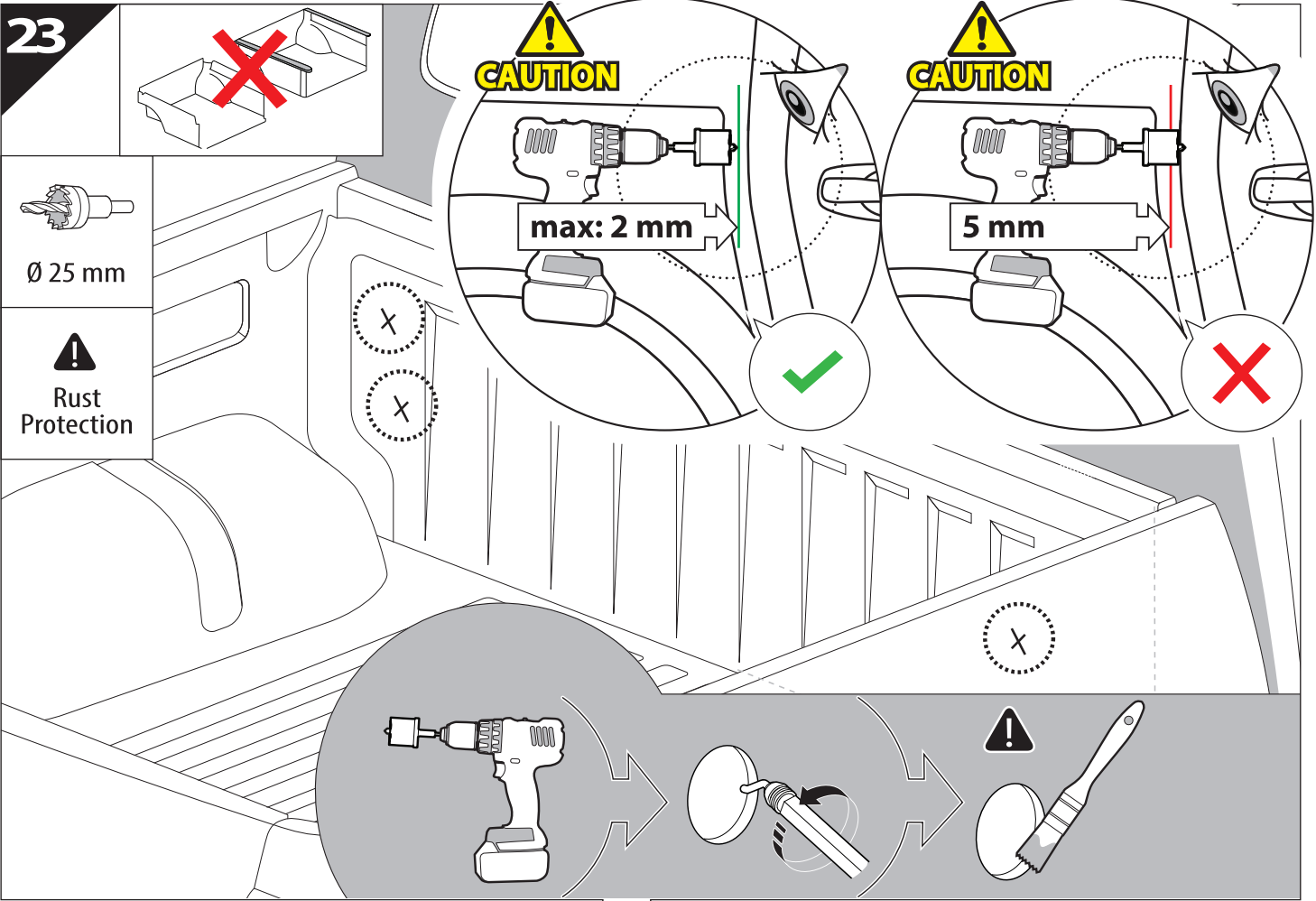




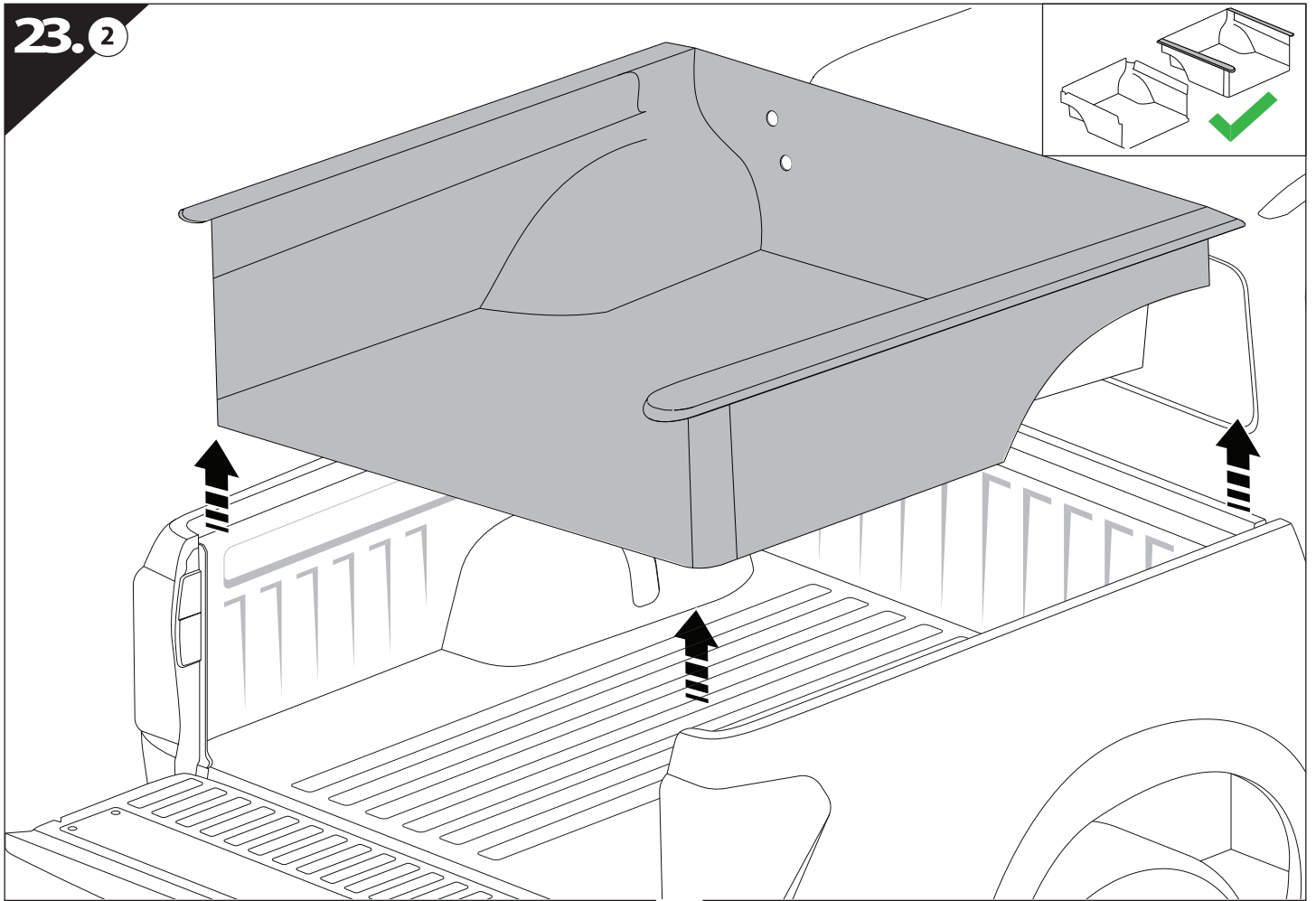




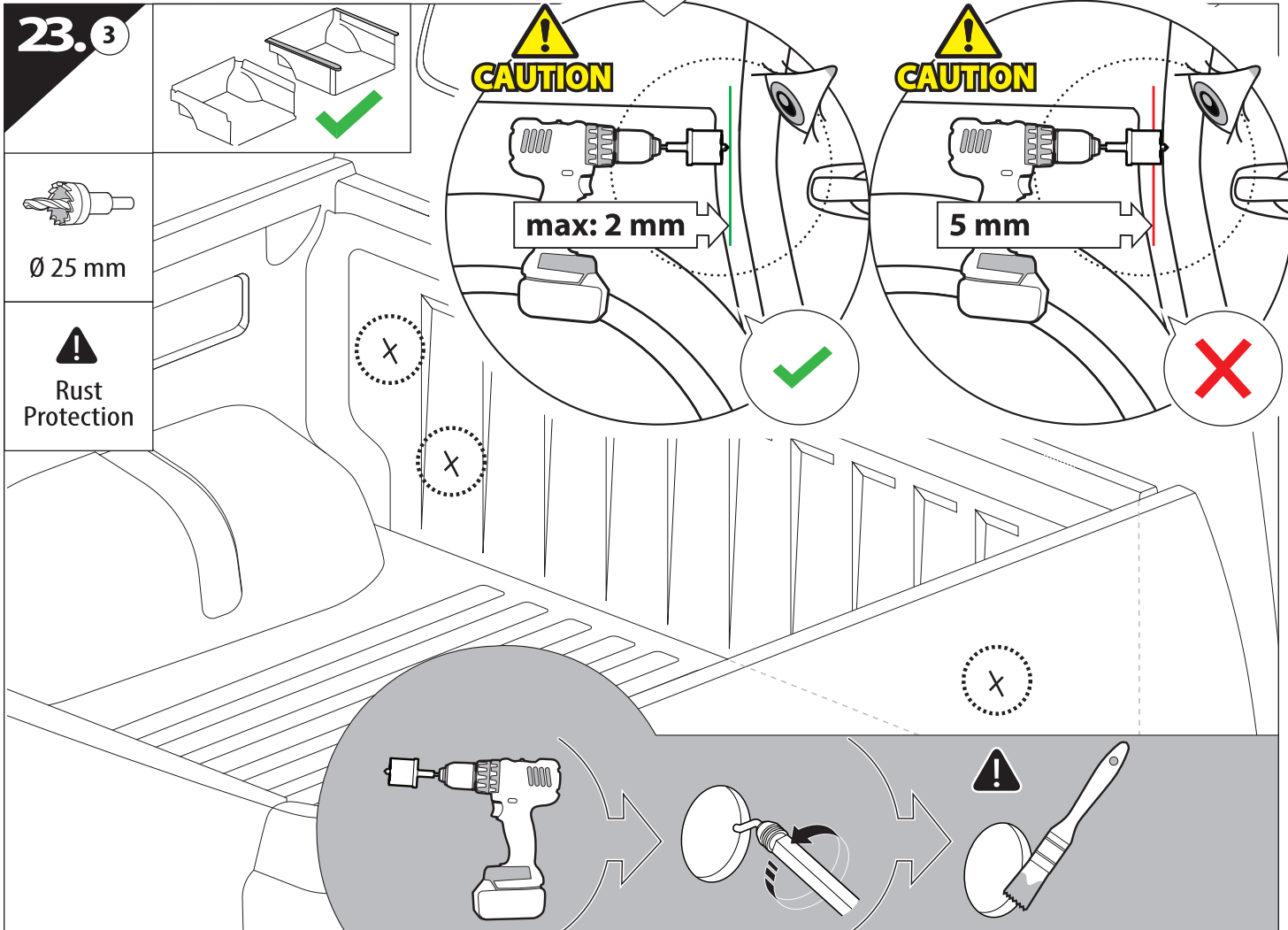


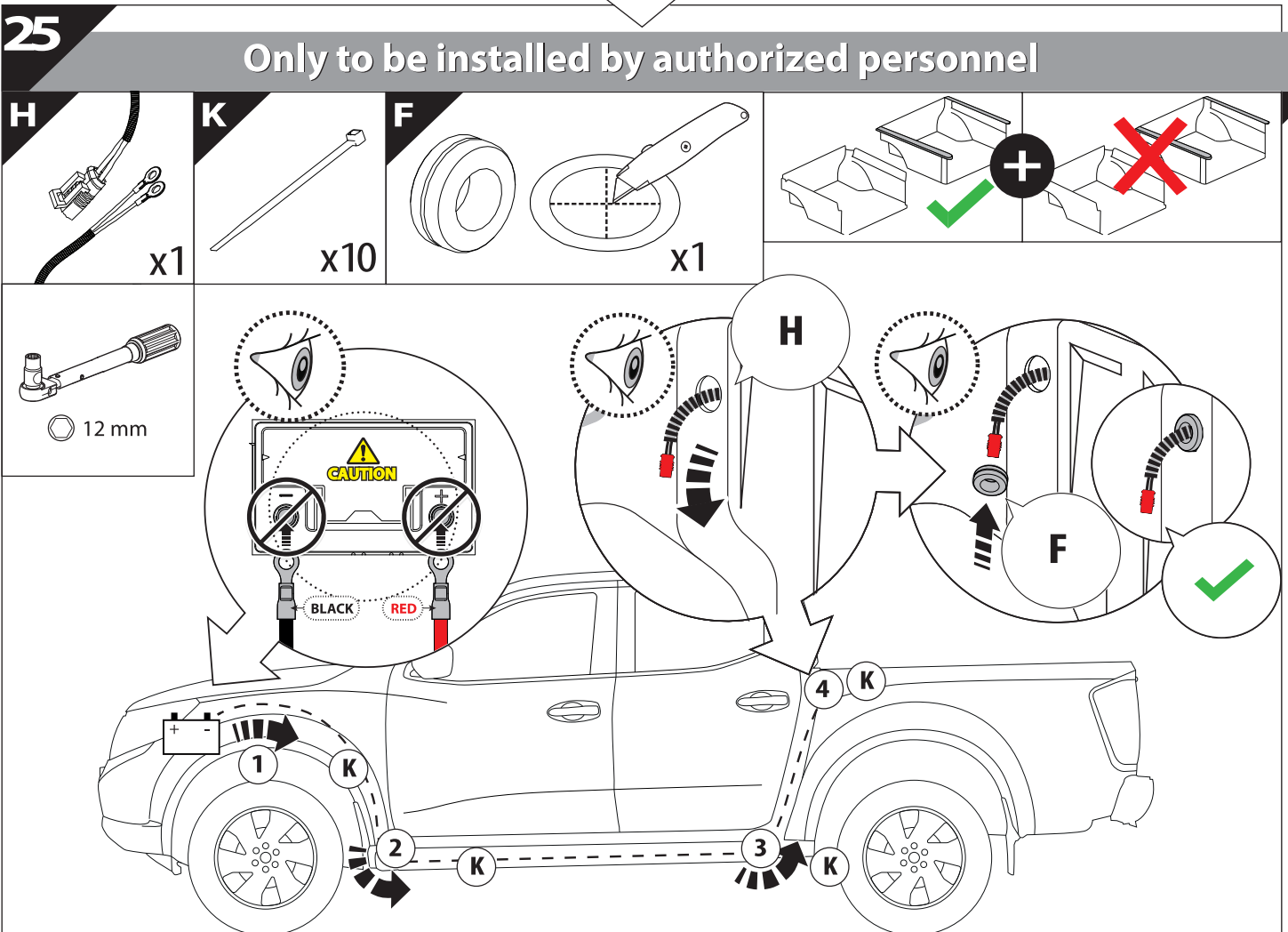
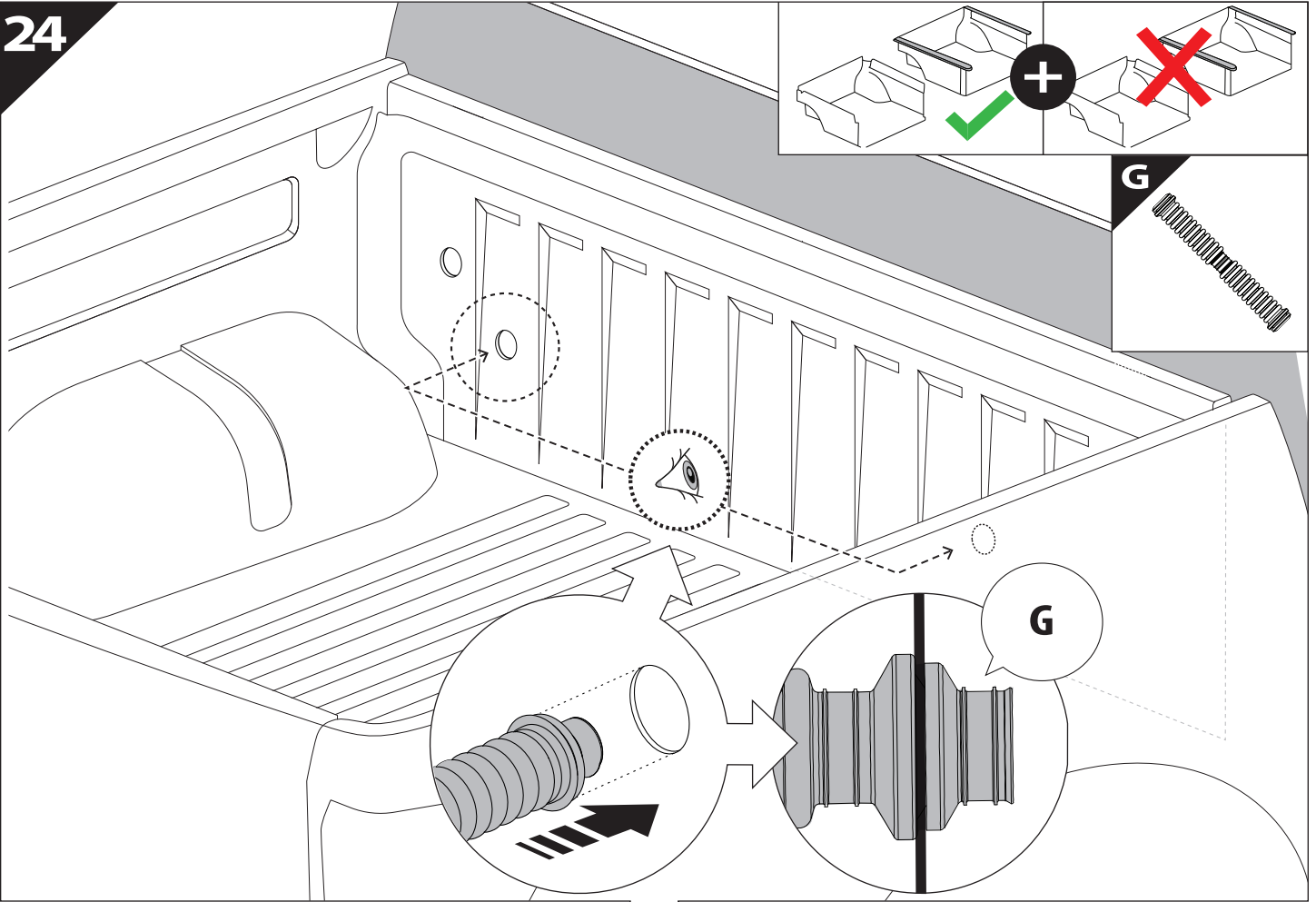


23.2

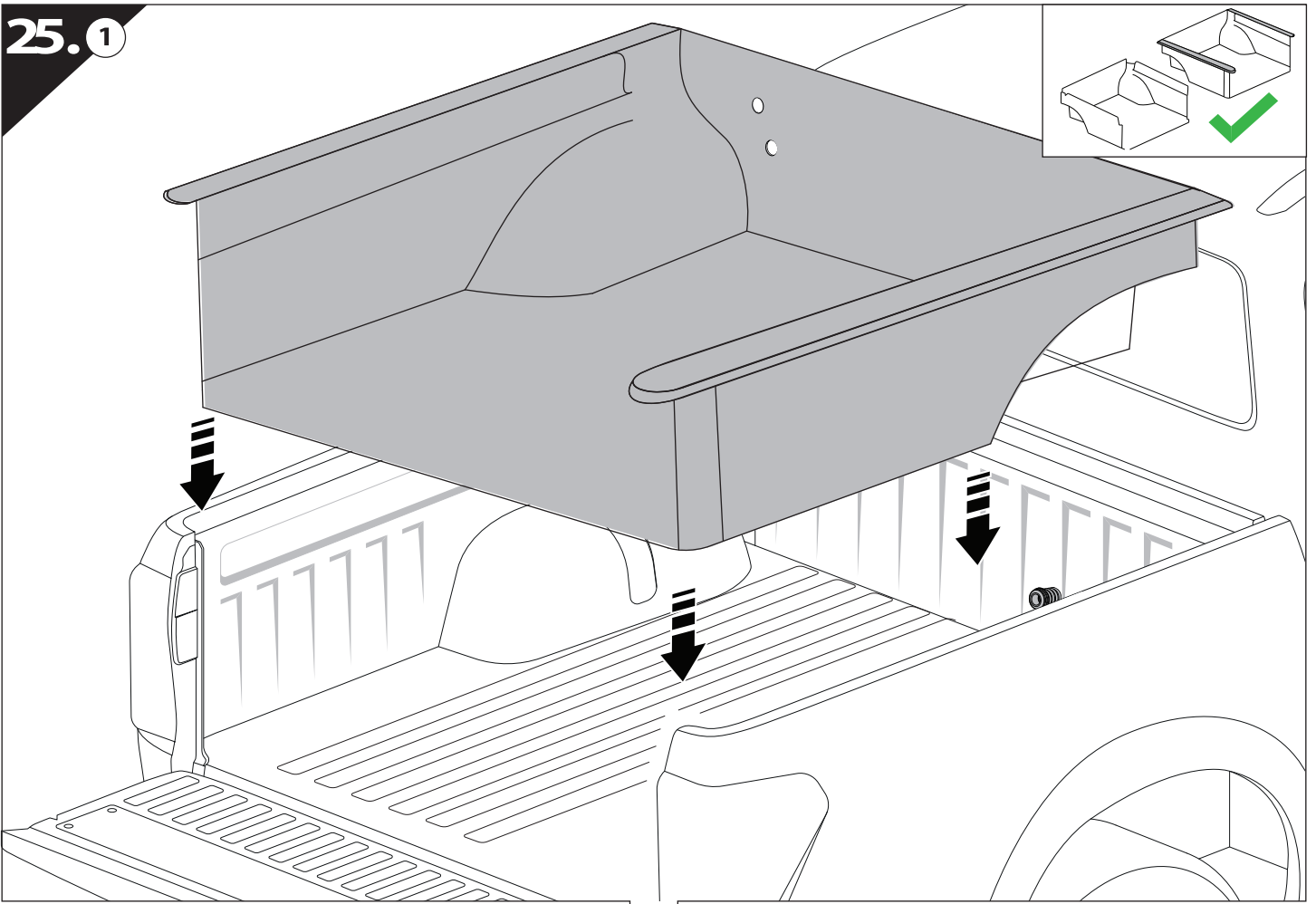


23.3

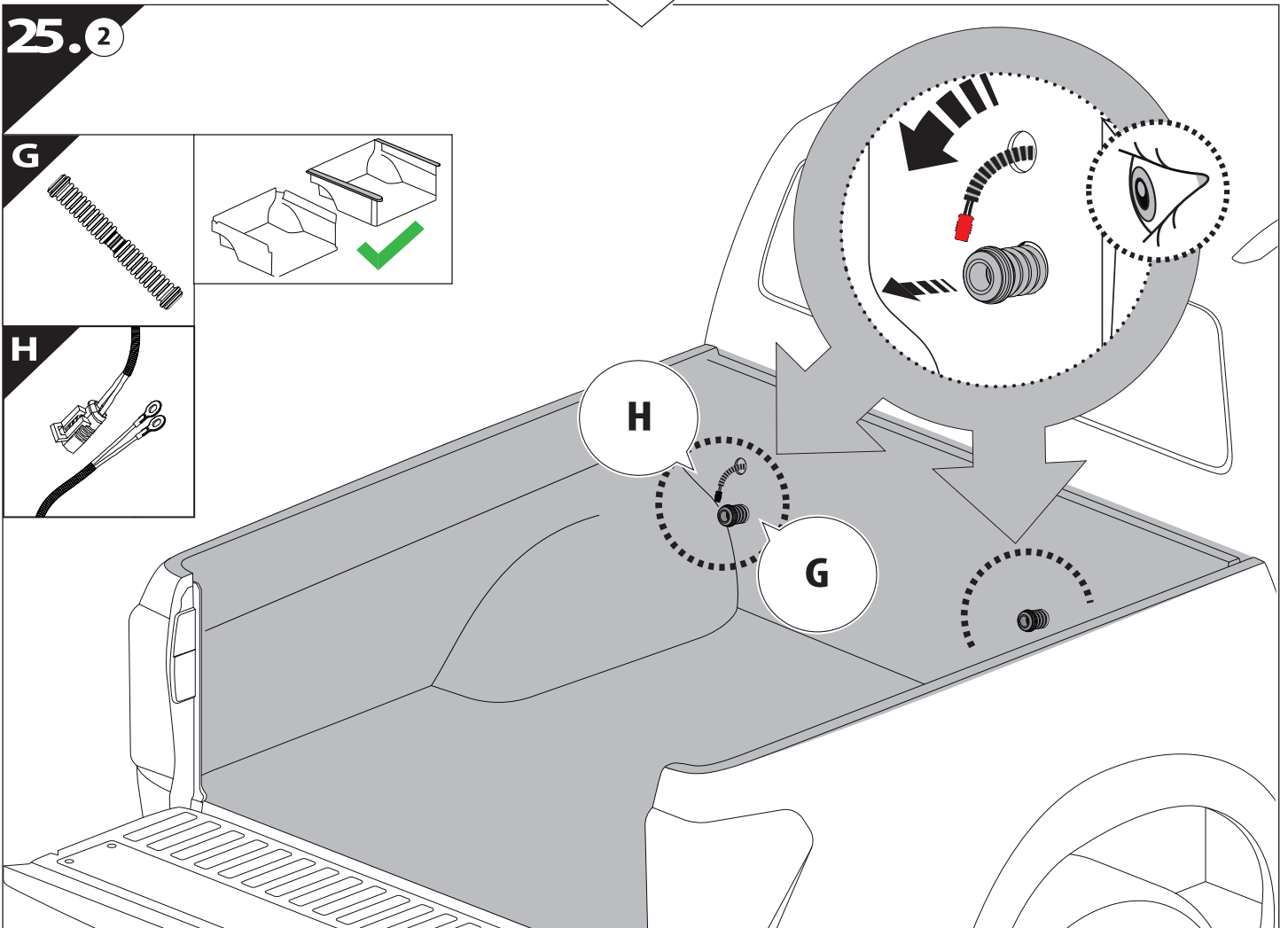




25.1

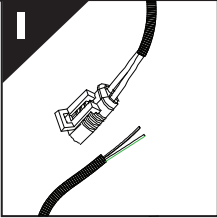


25.2

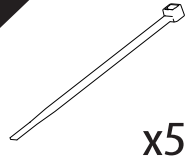


26

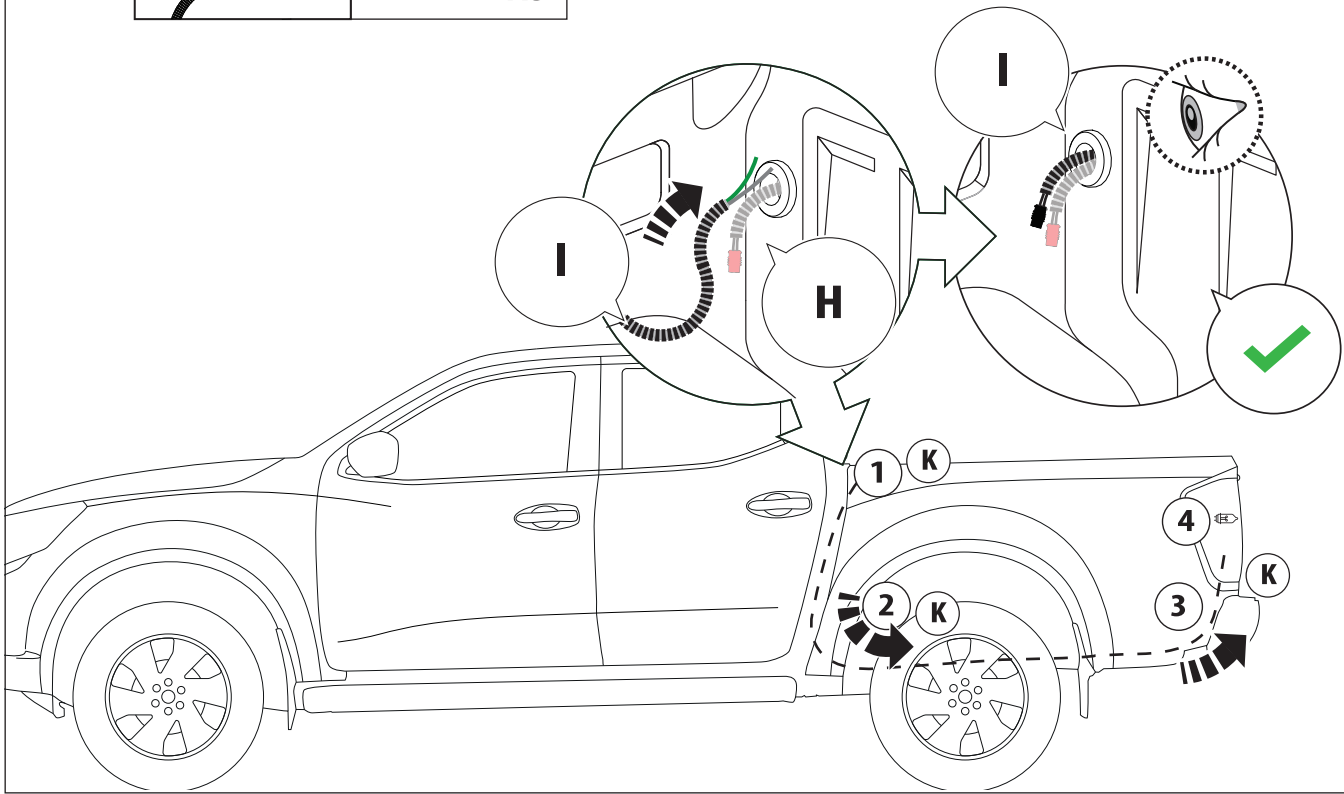
I

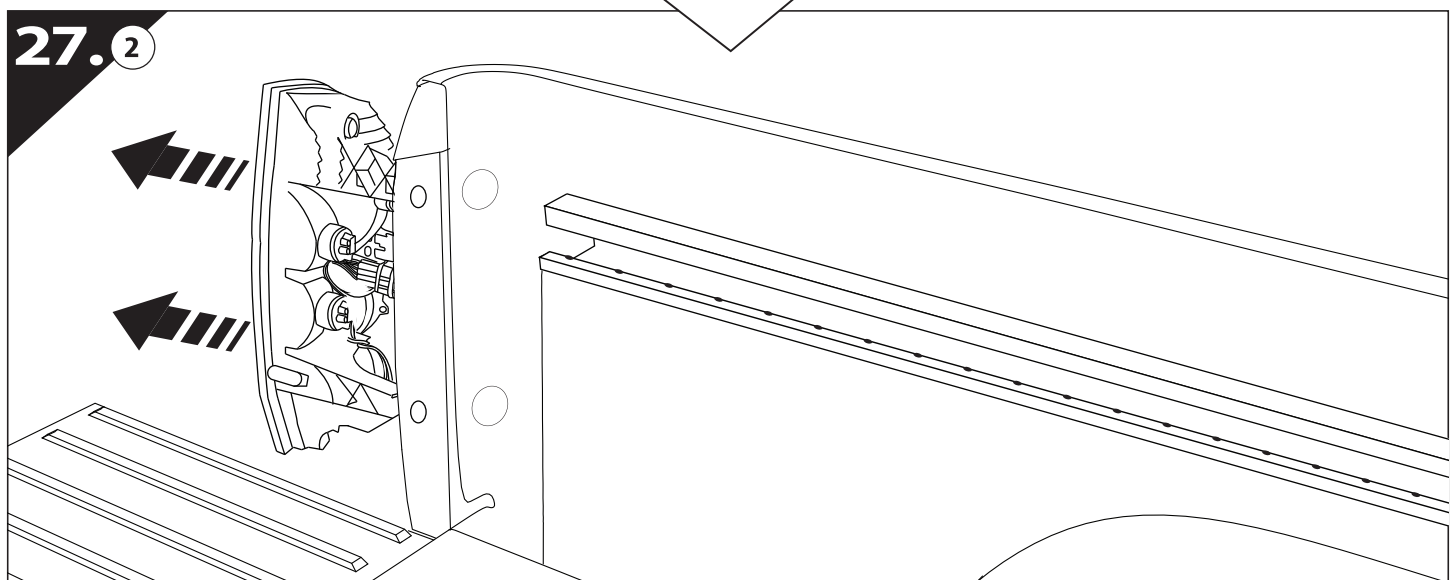
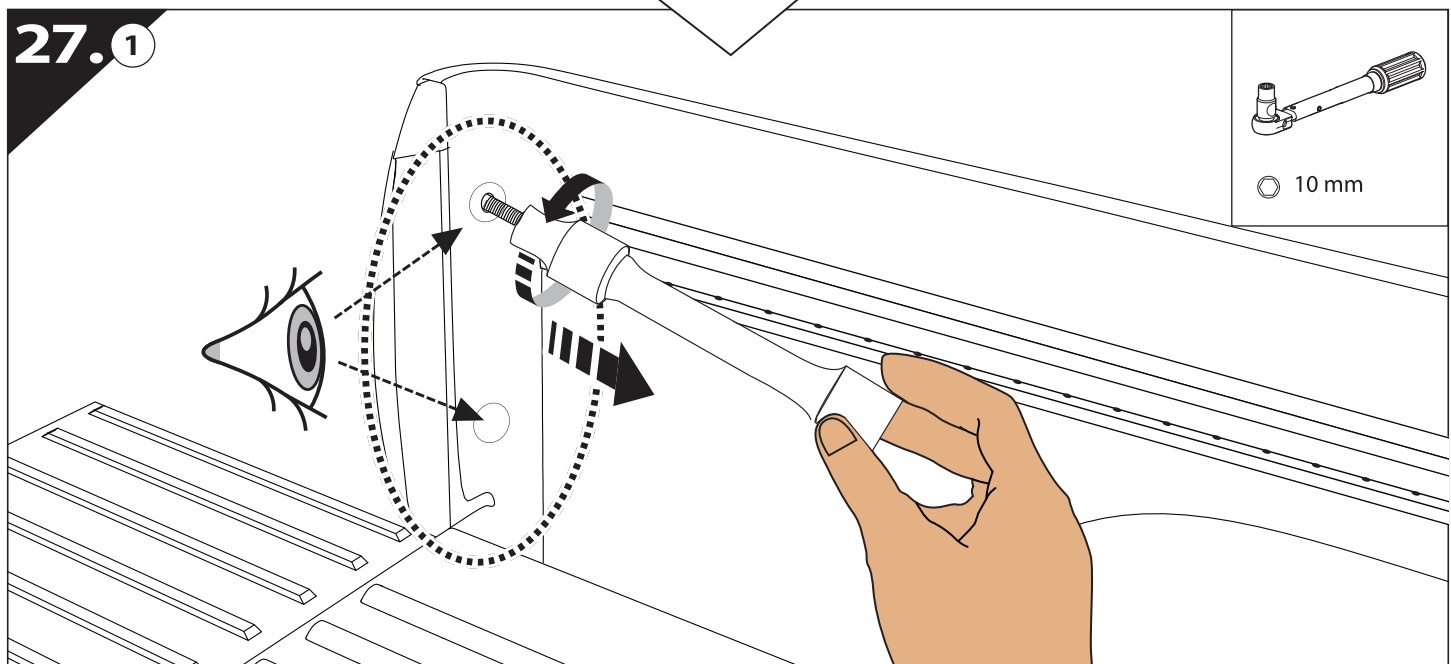
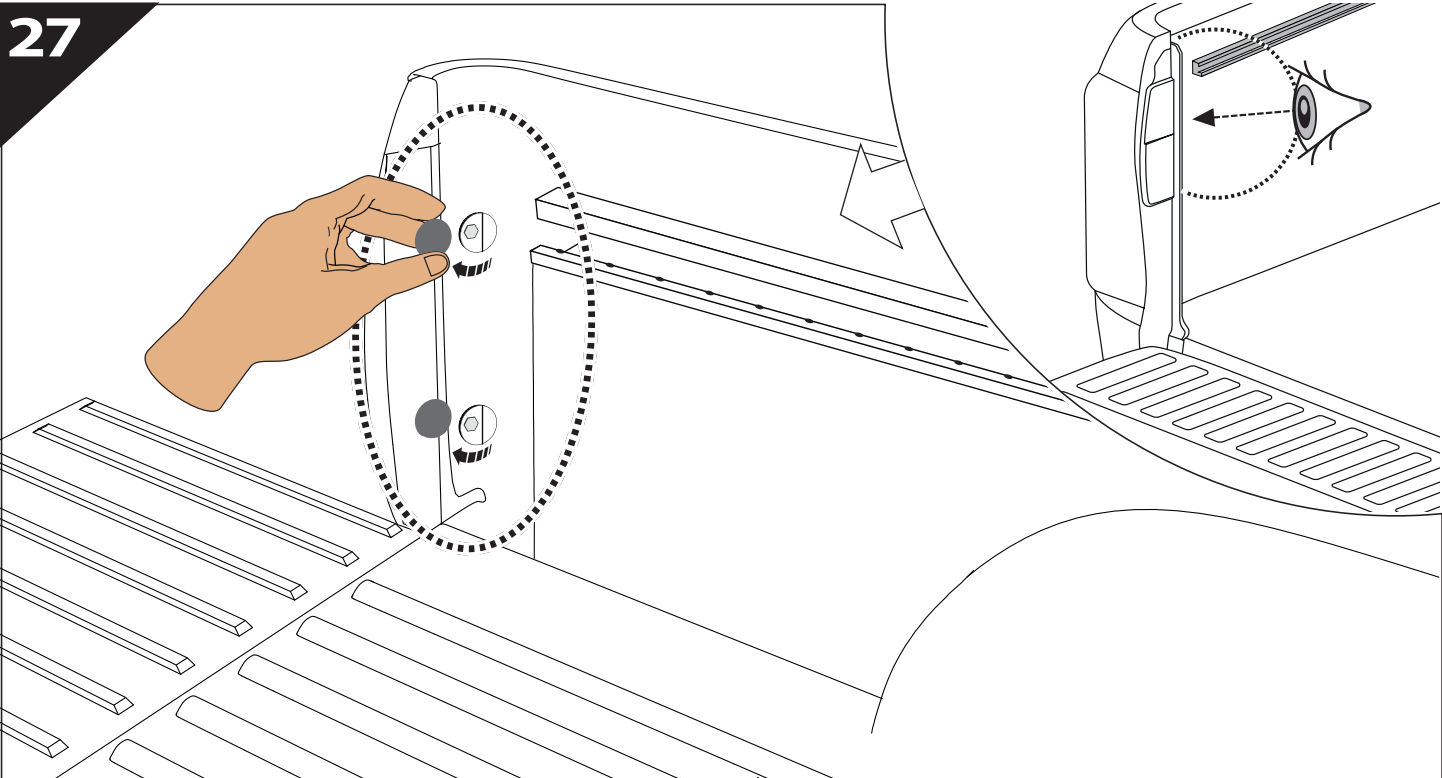


K

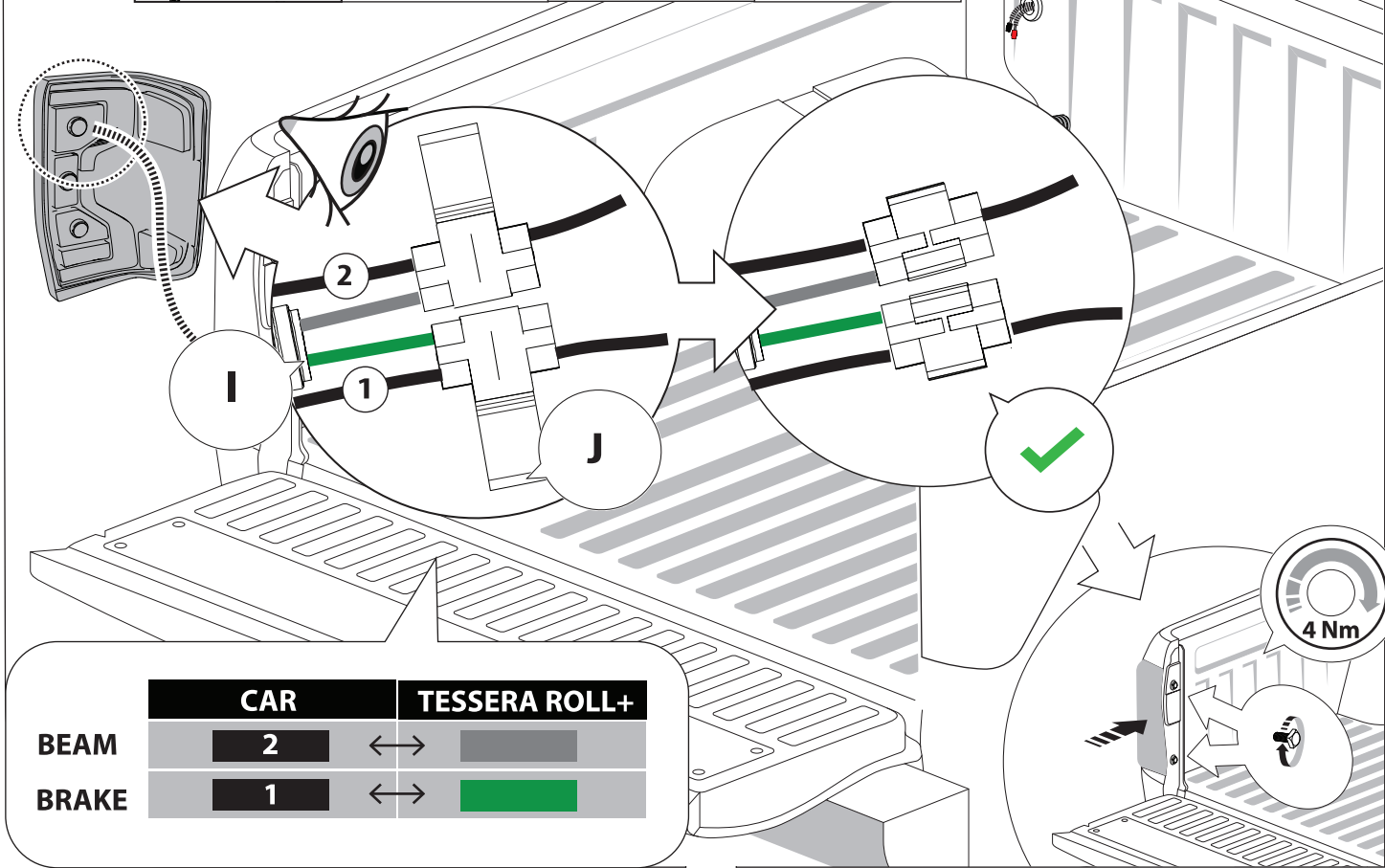
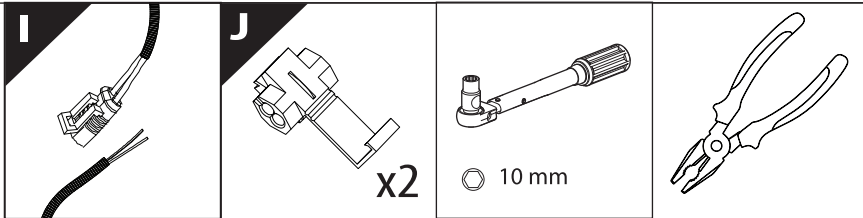


x5



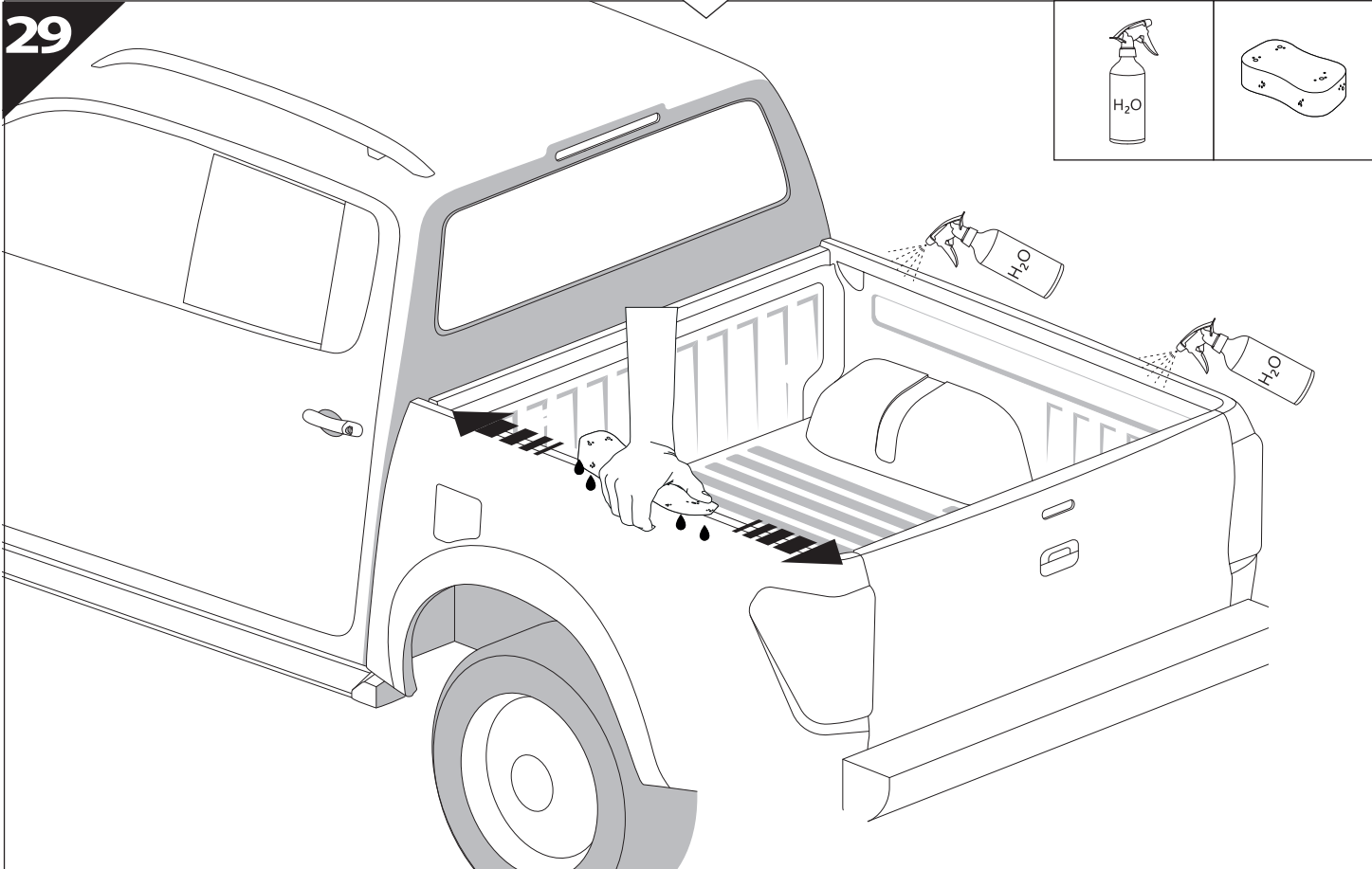
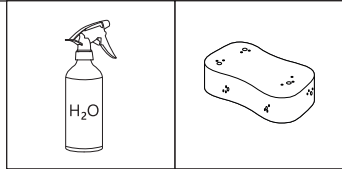


28



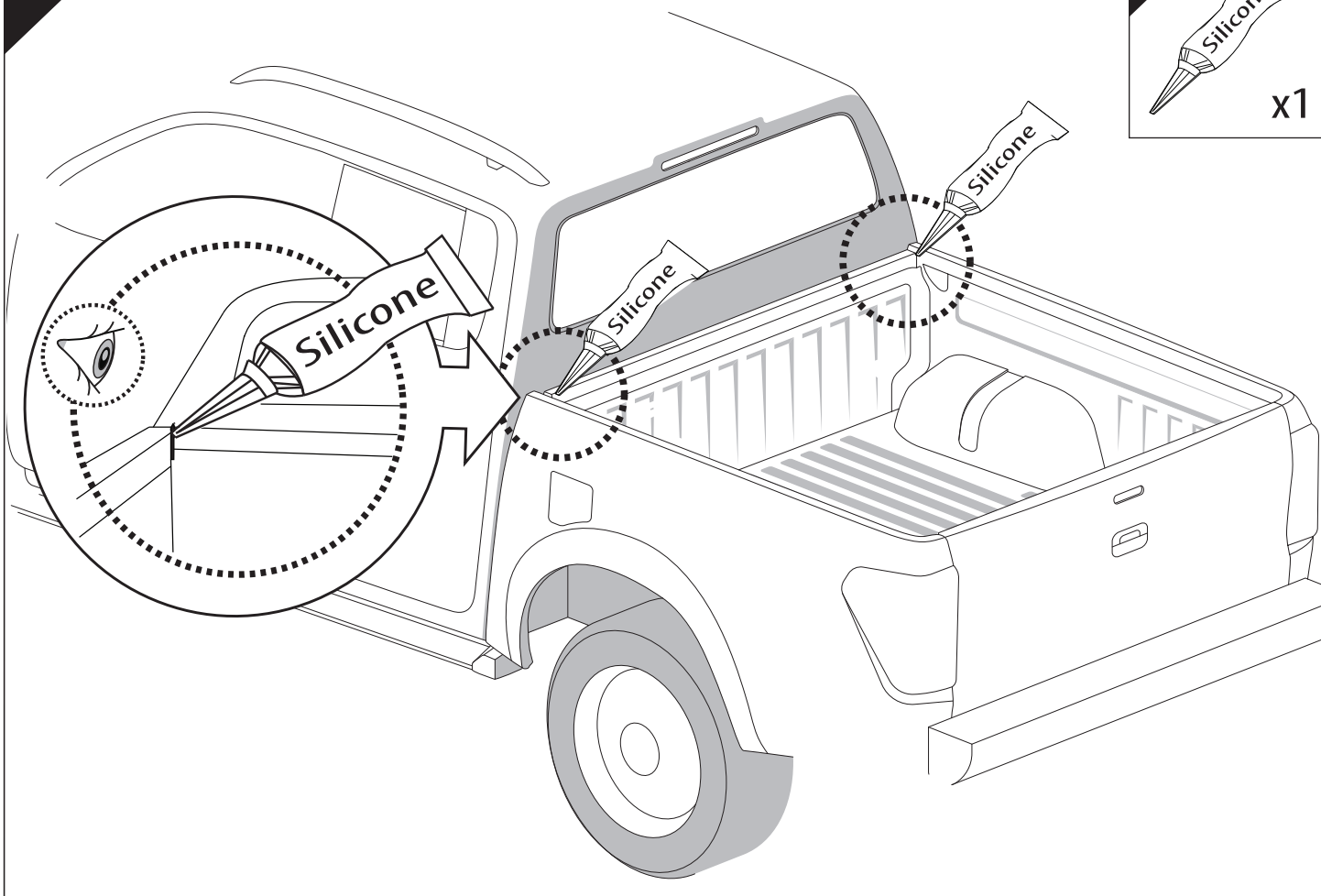
	CAR		TESSERA ROLL+
BEAM	2	↔	
BRAKE	1	↔	

29



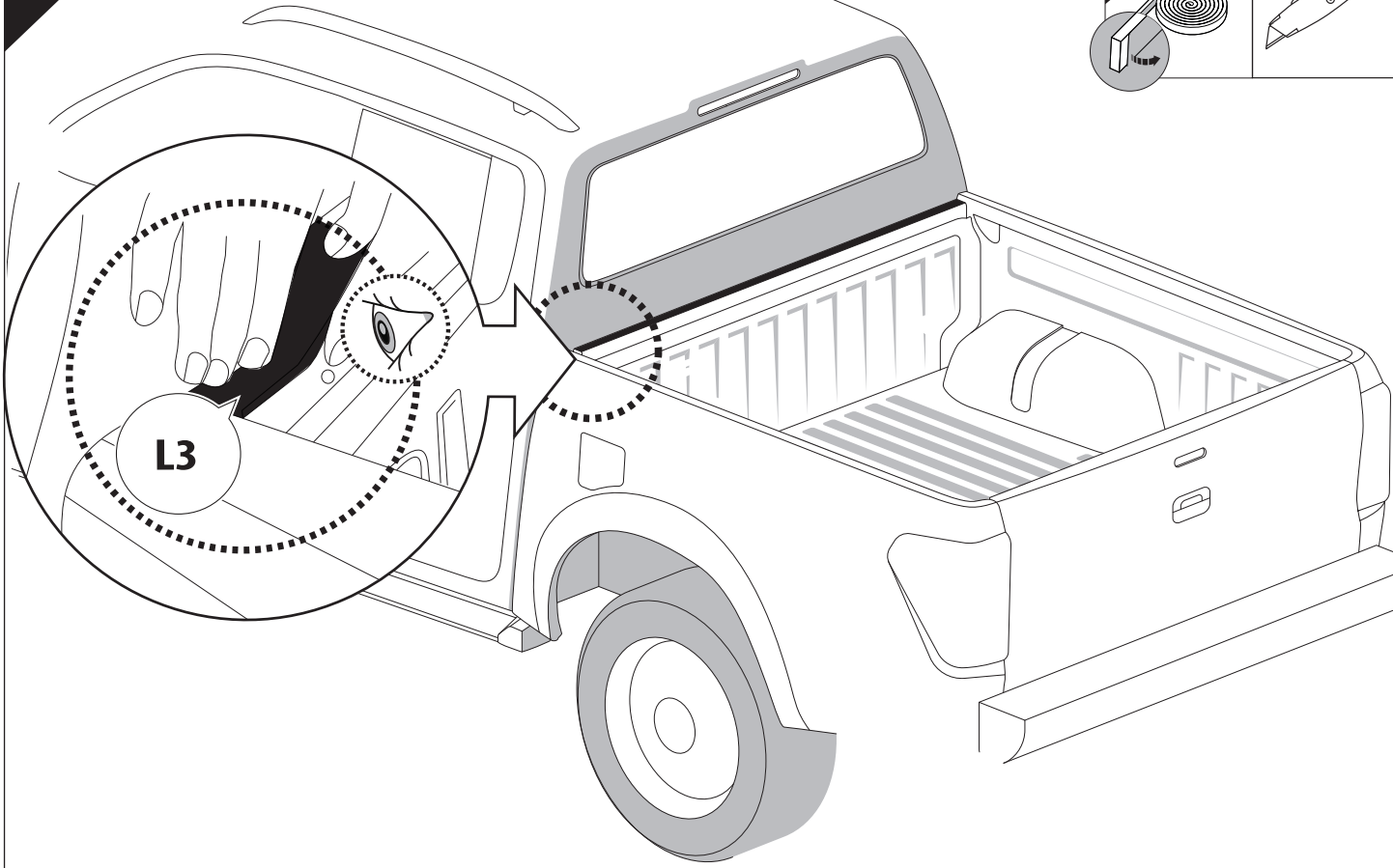
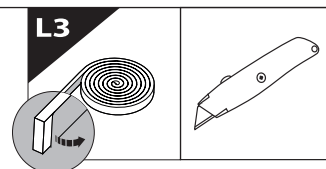
30

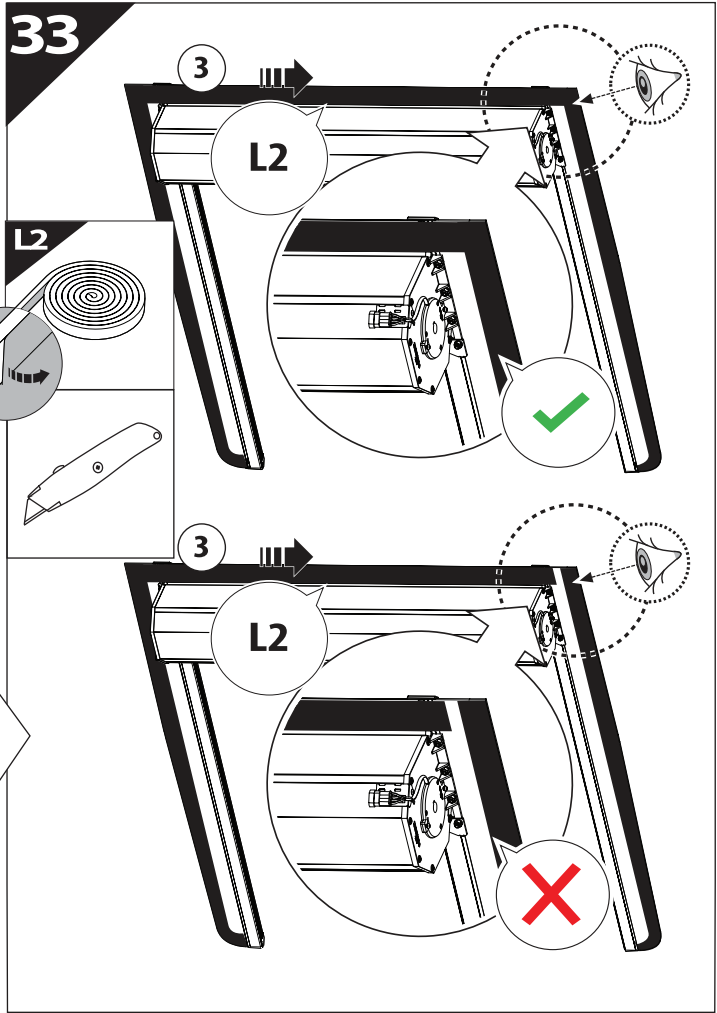
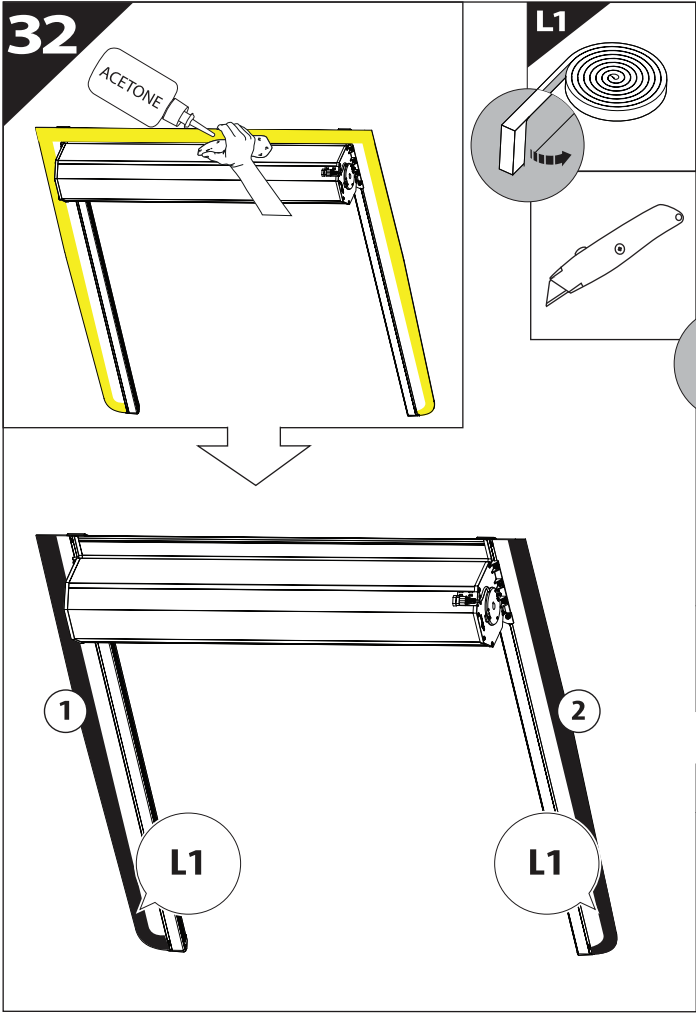
T

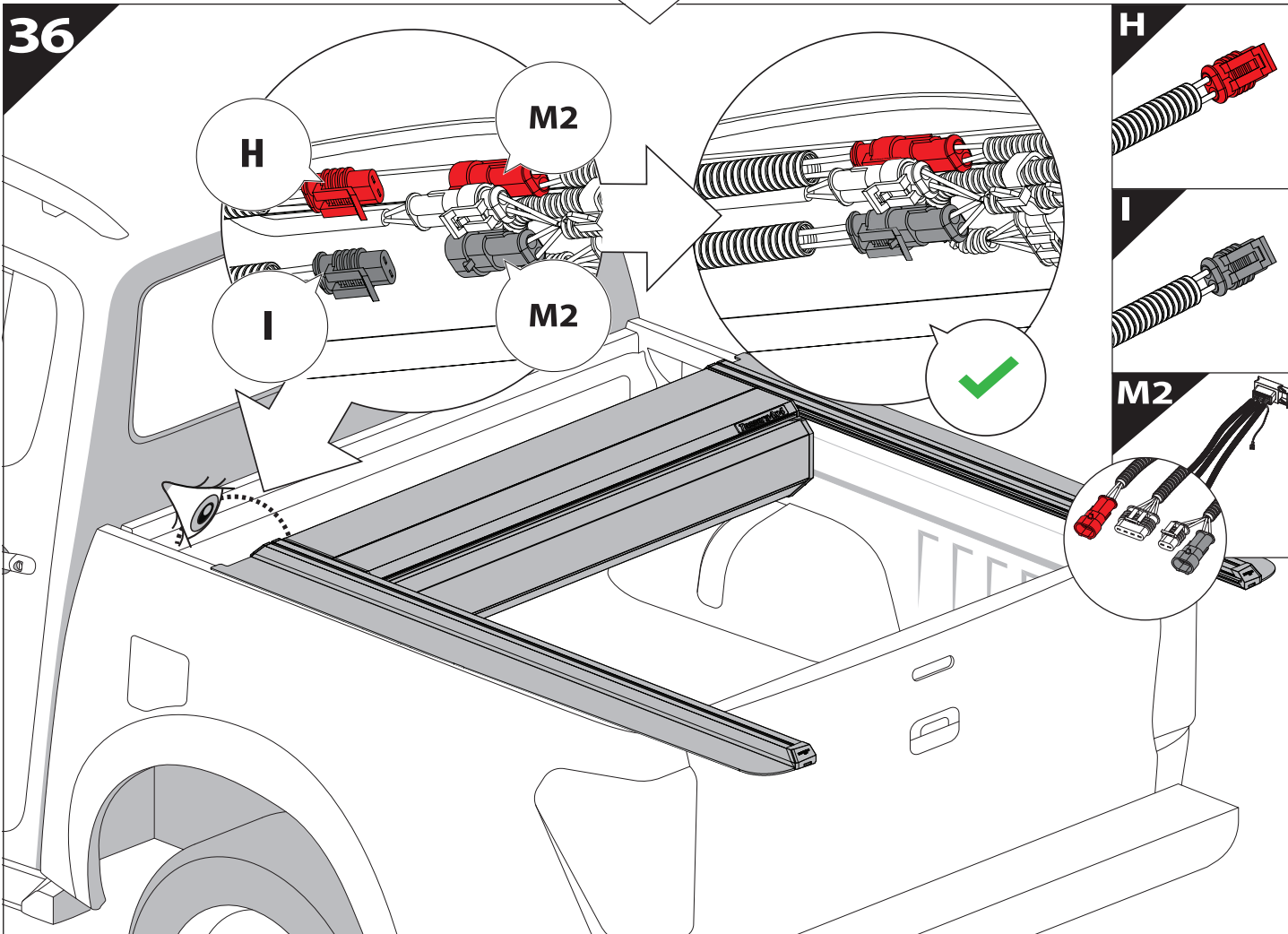
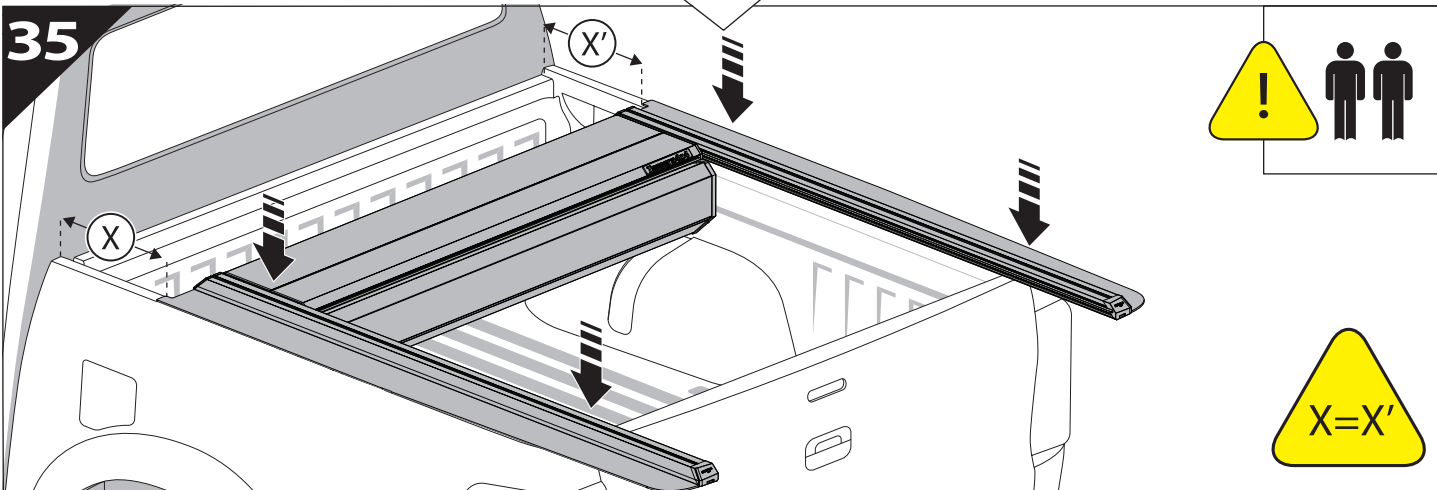
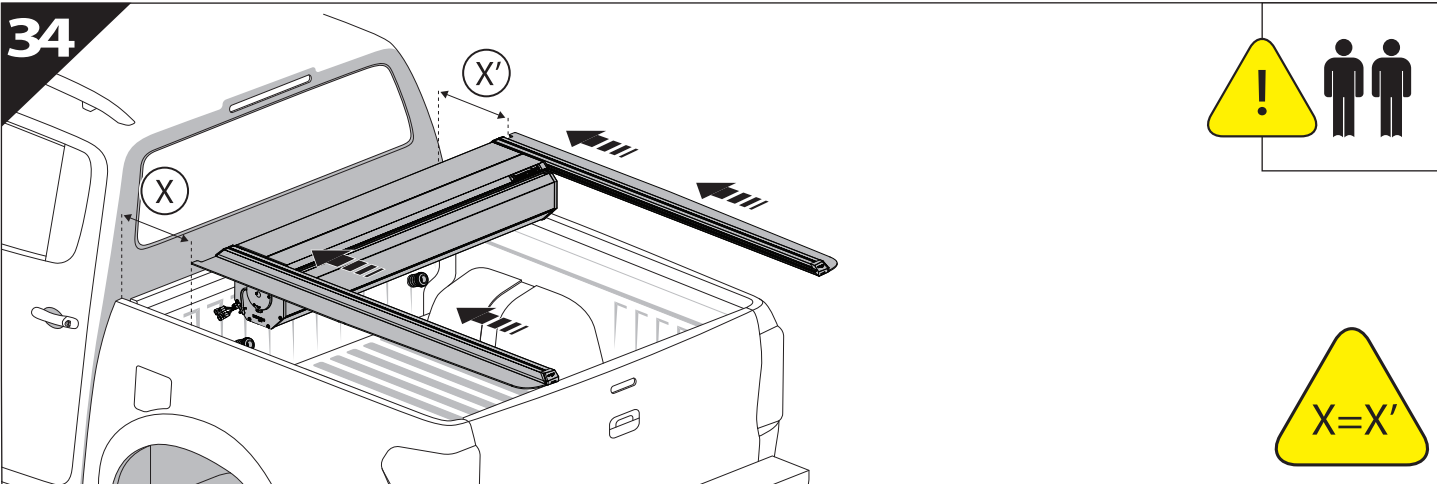


31

L3

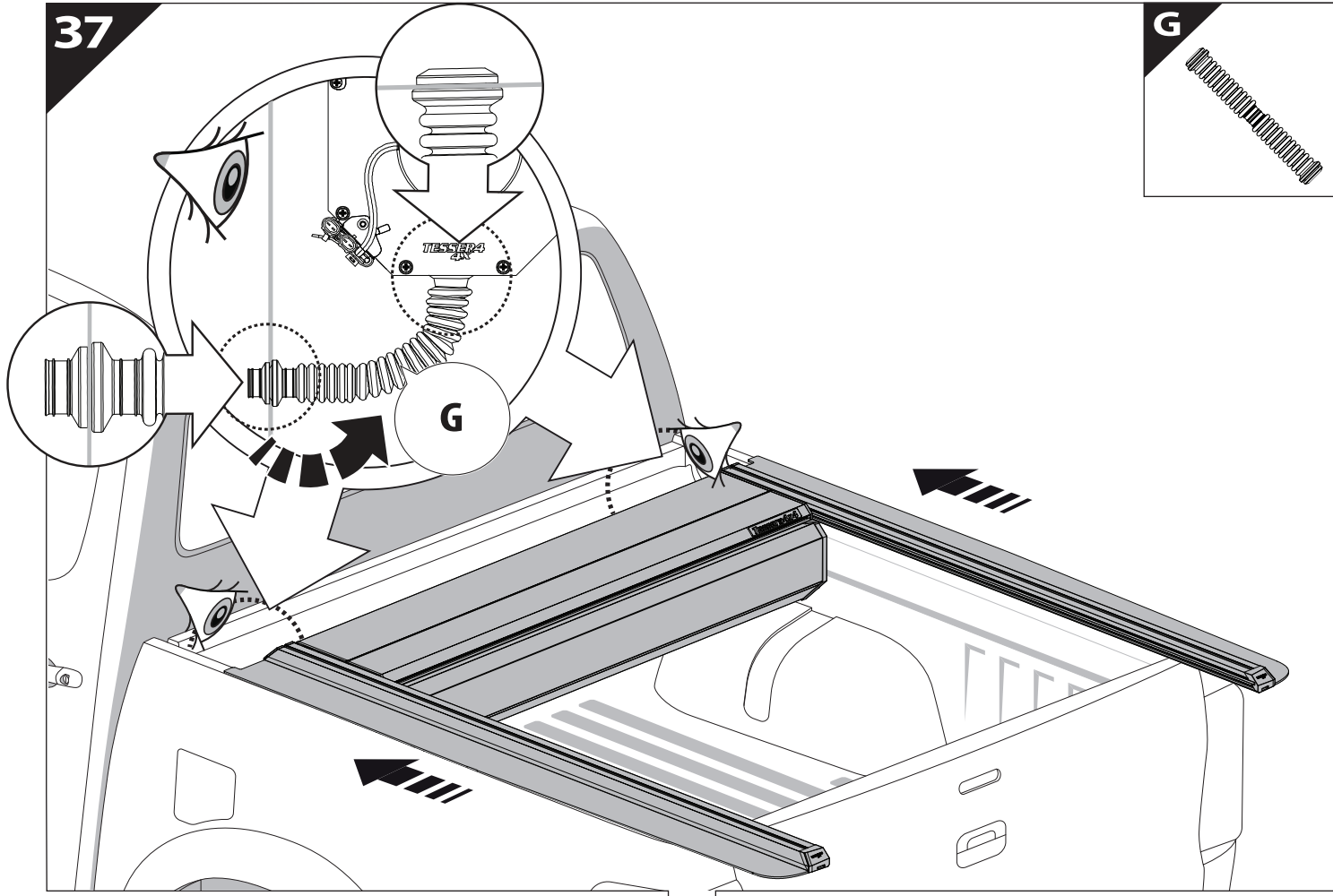




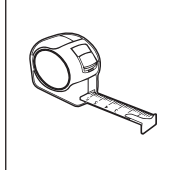
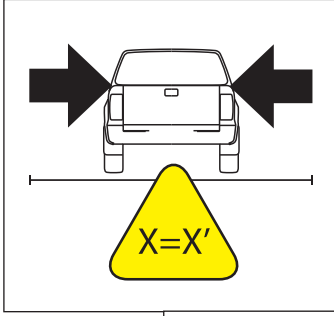
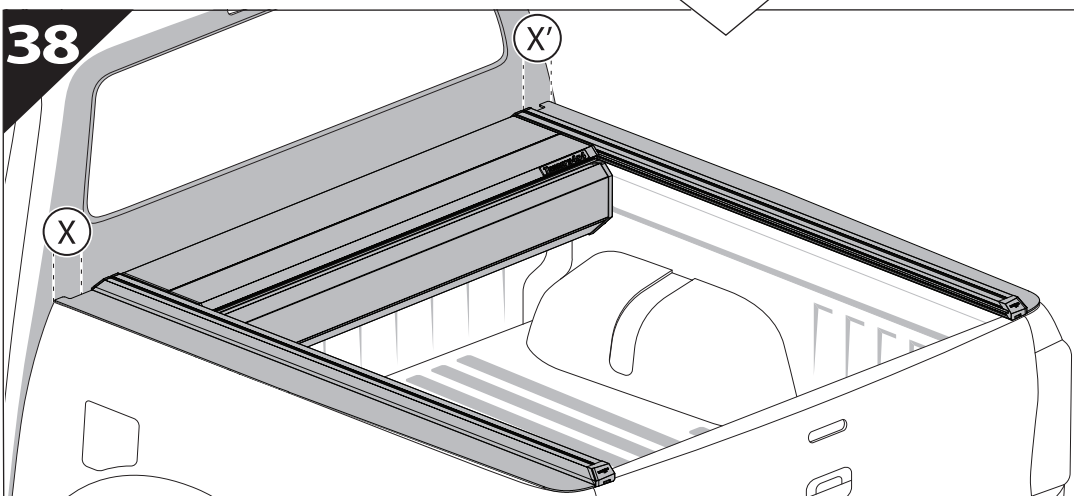


37

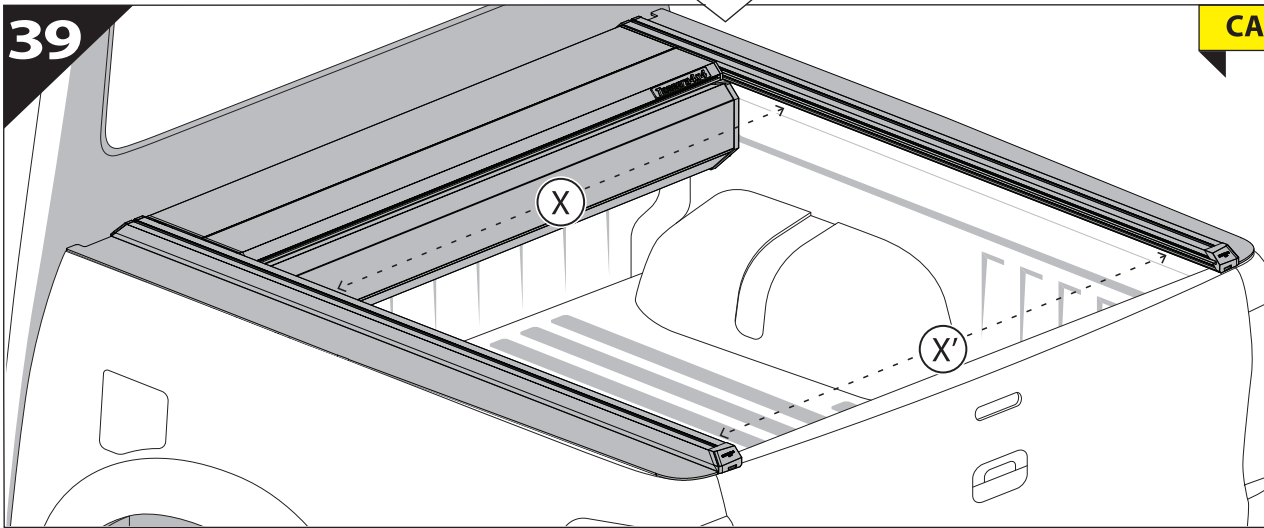
G



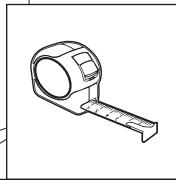
38

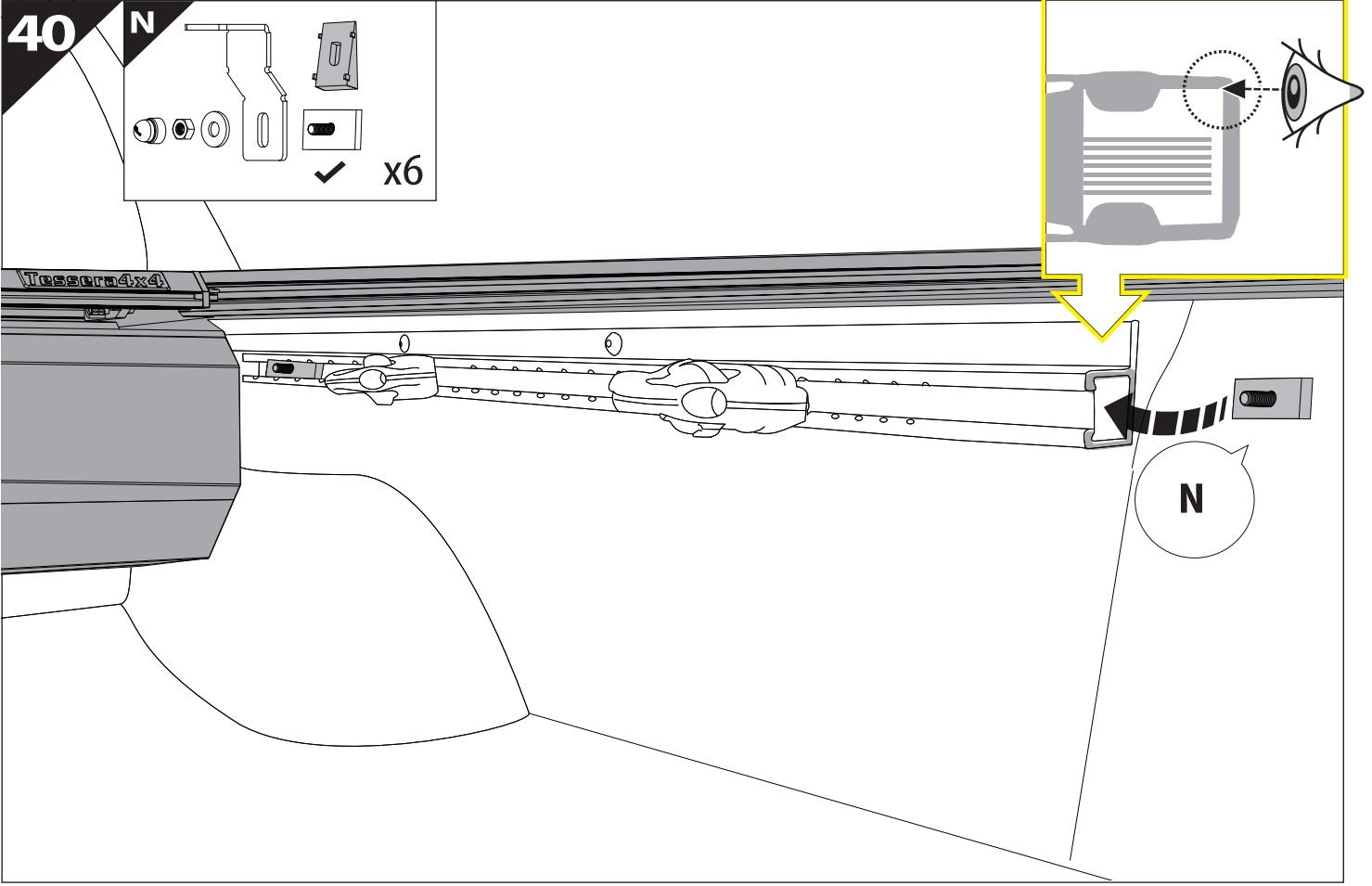


39

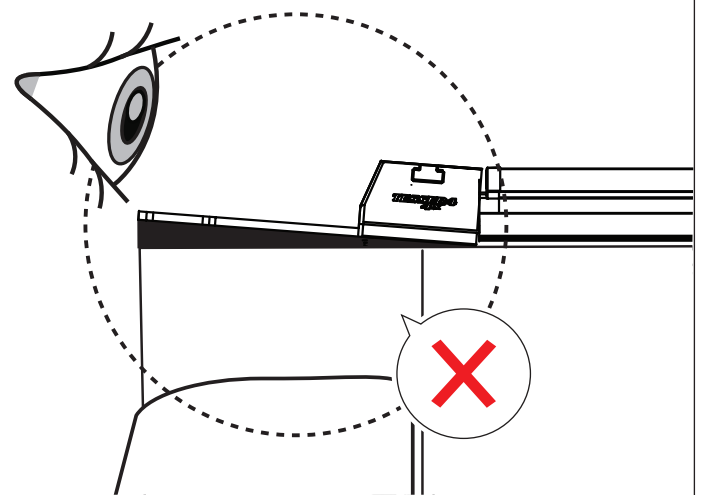
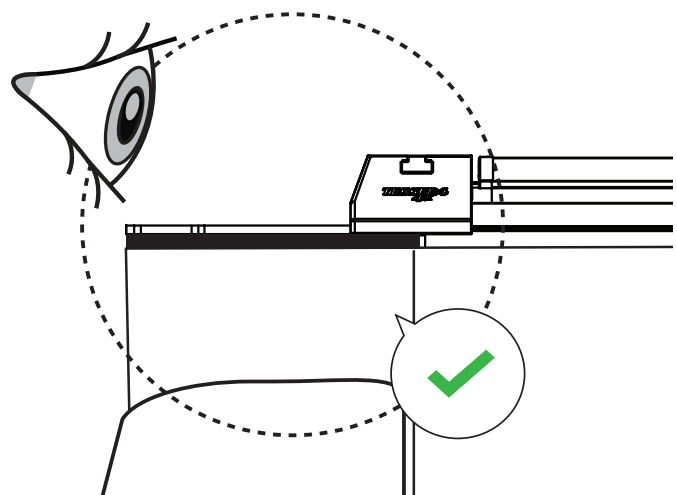
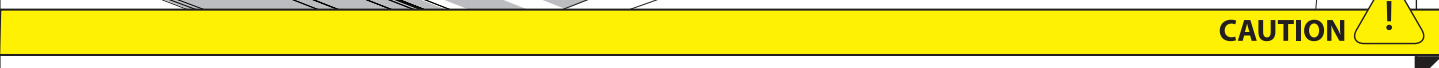
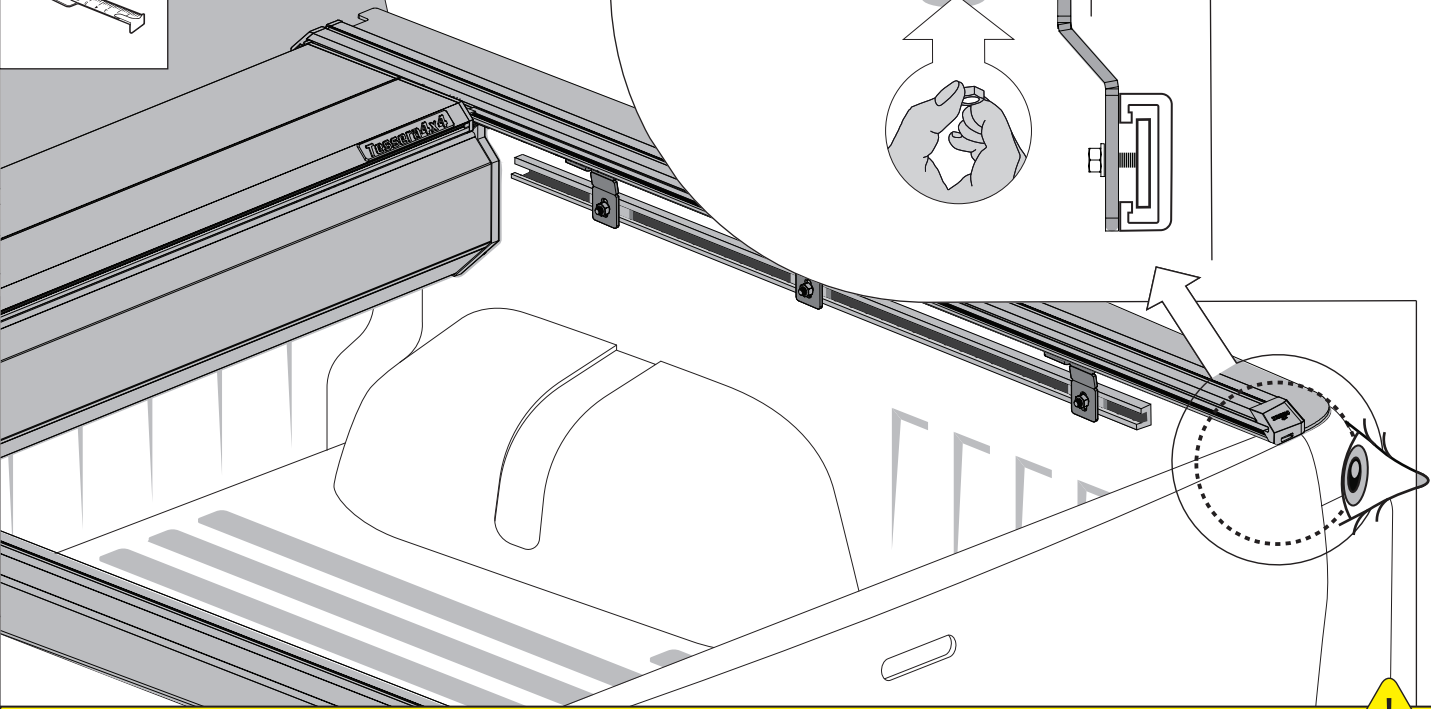
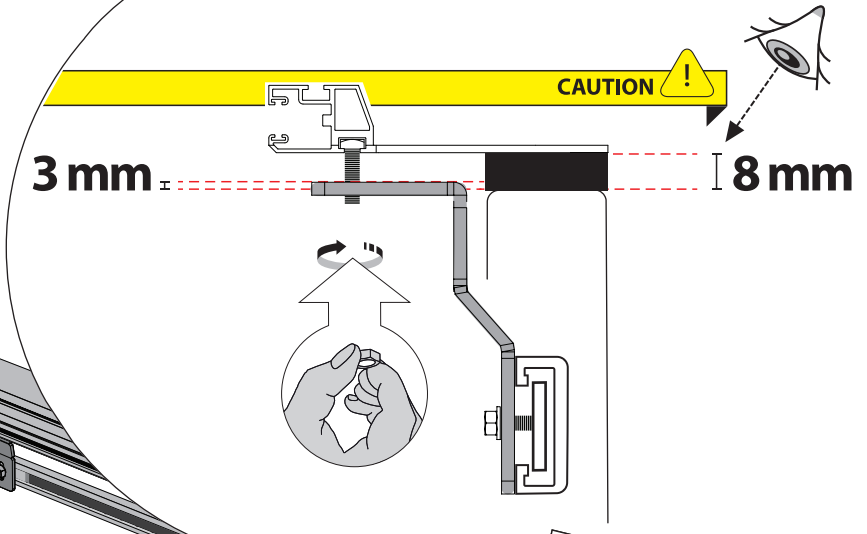
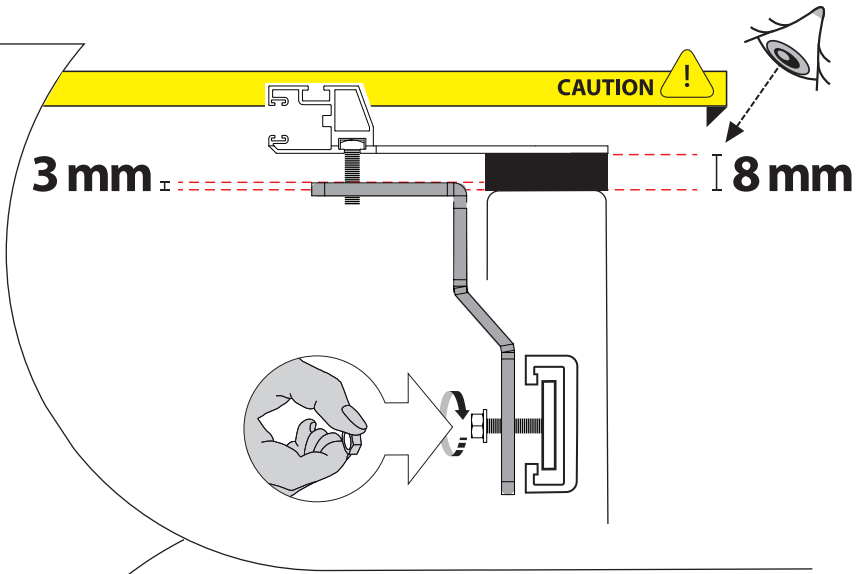
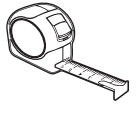
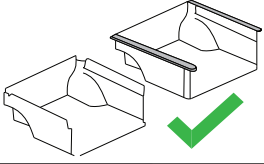
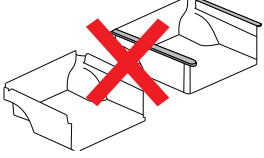
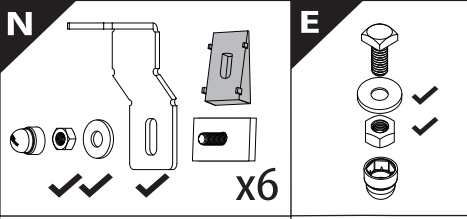


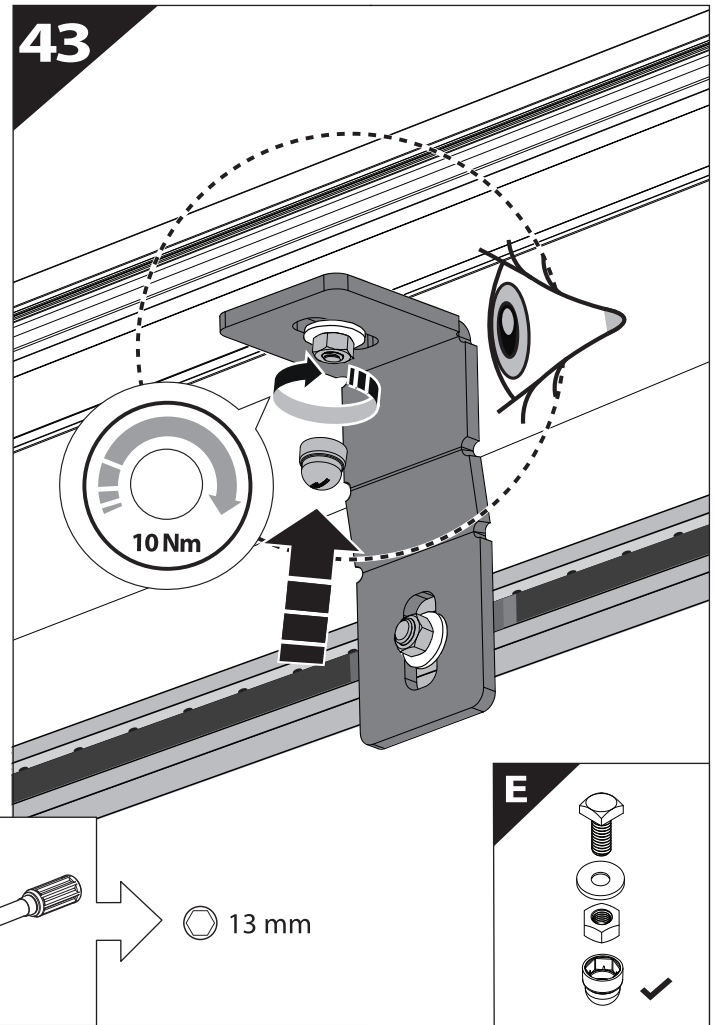
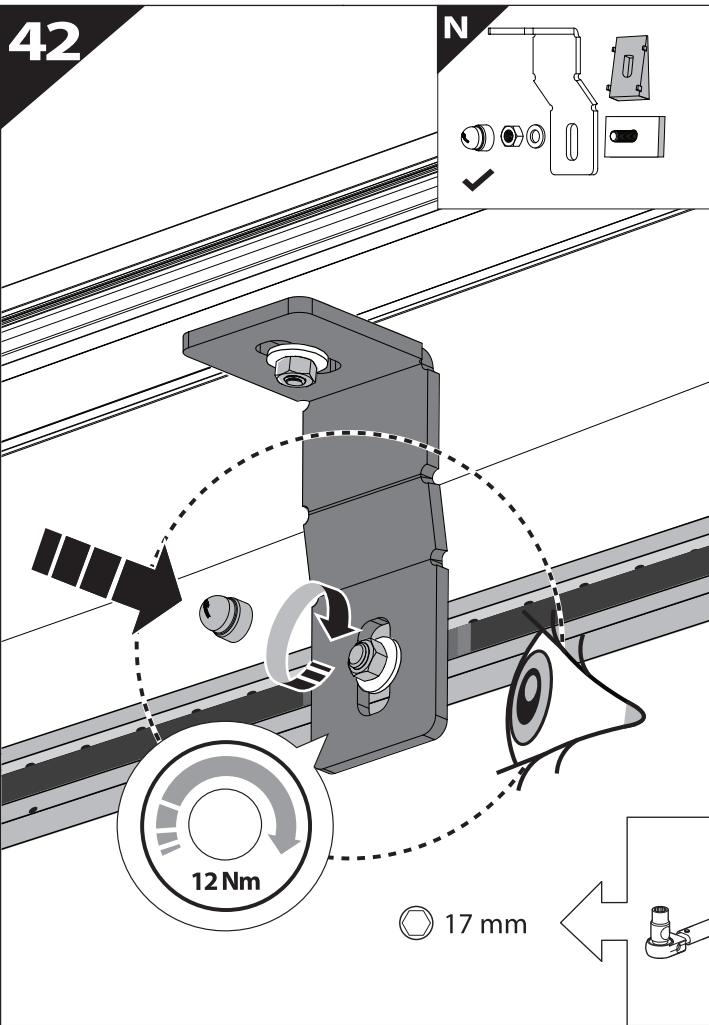
CAUTION !



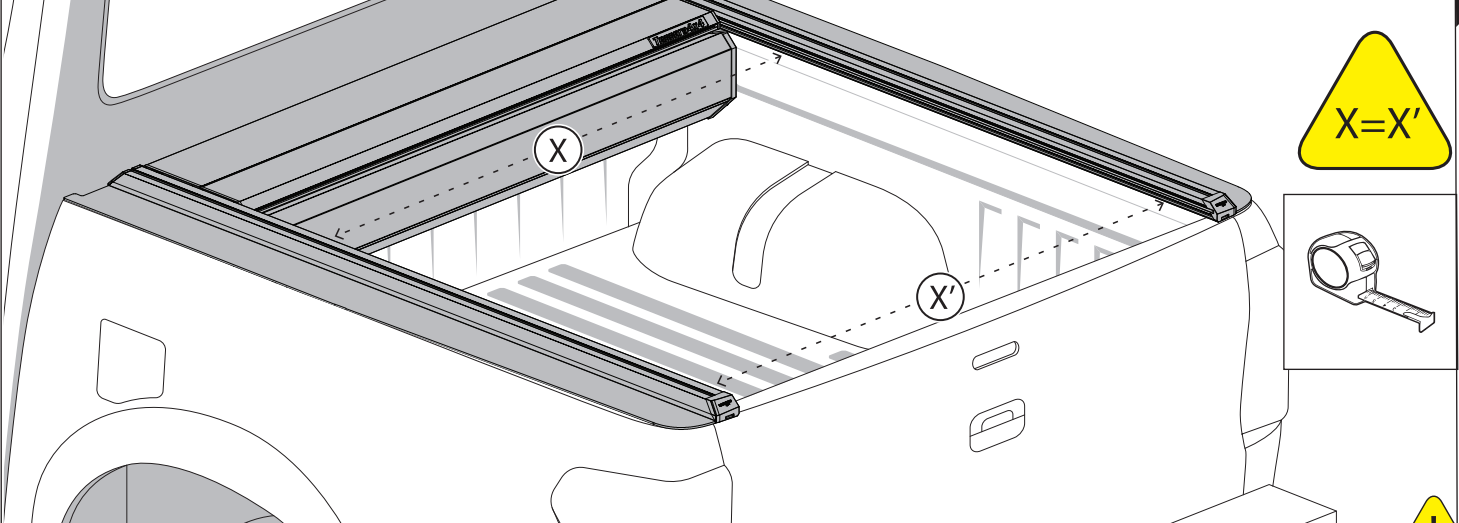


41

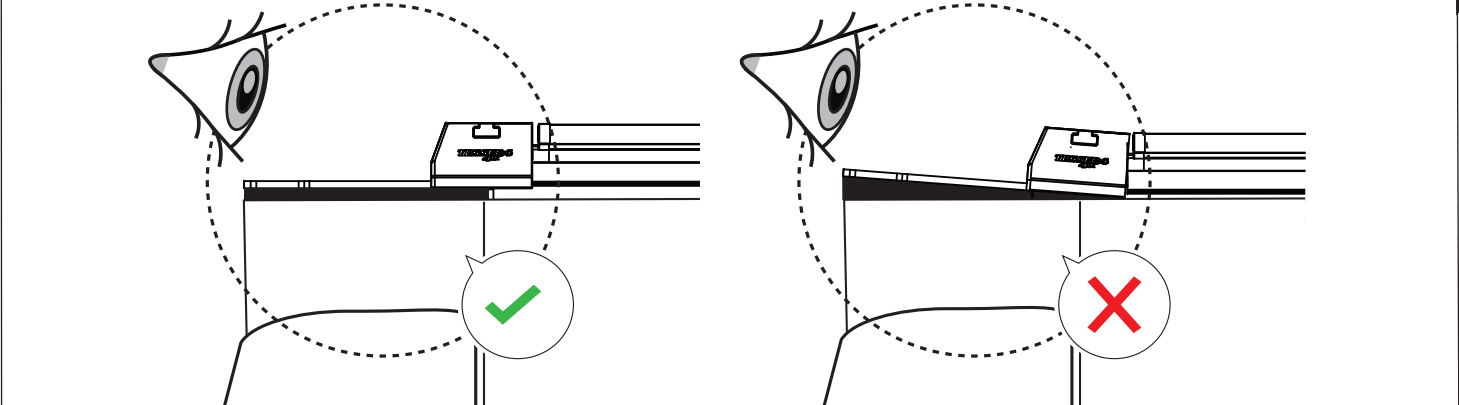




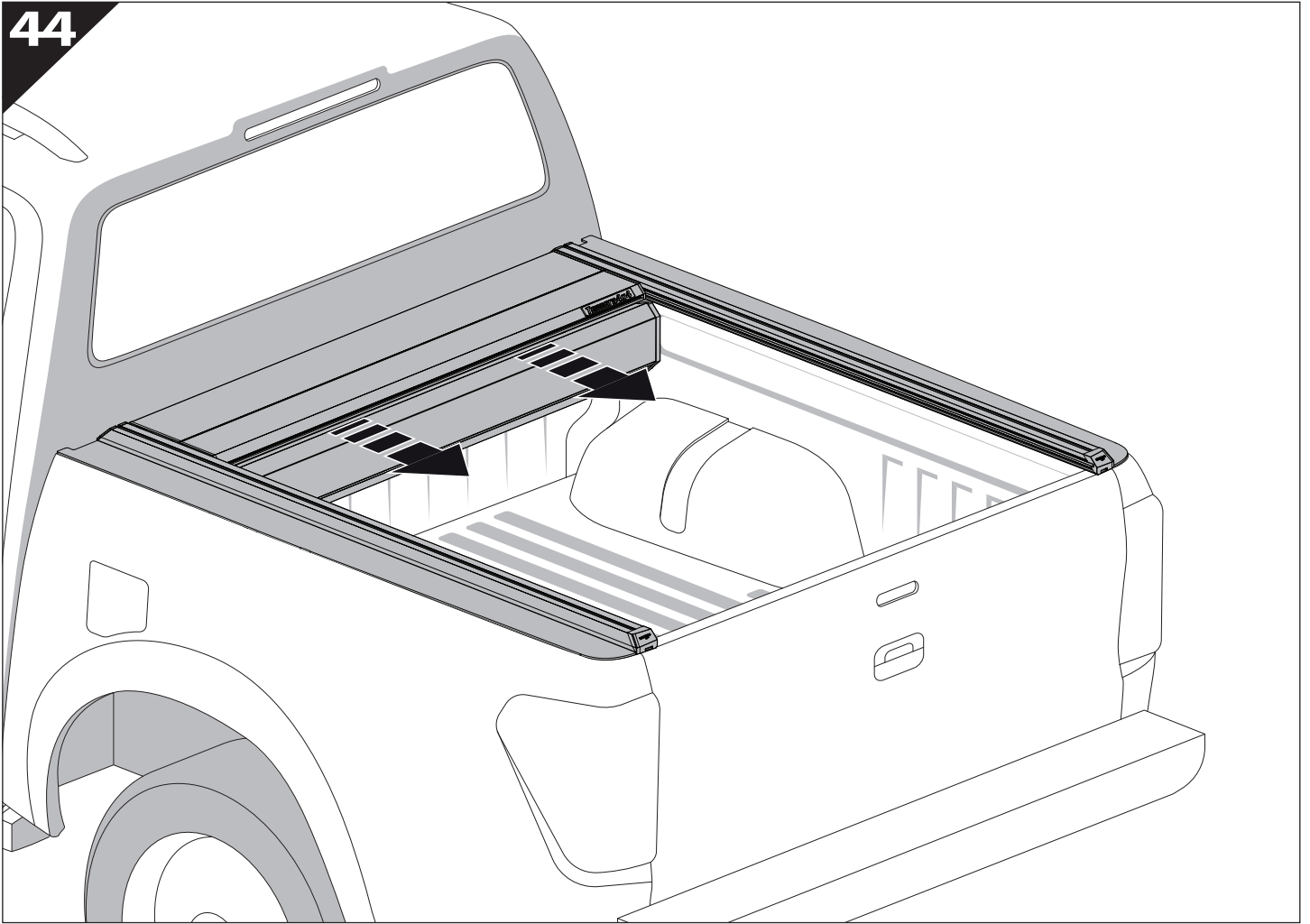
CAUTION !



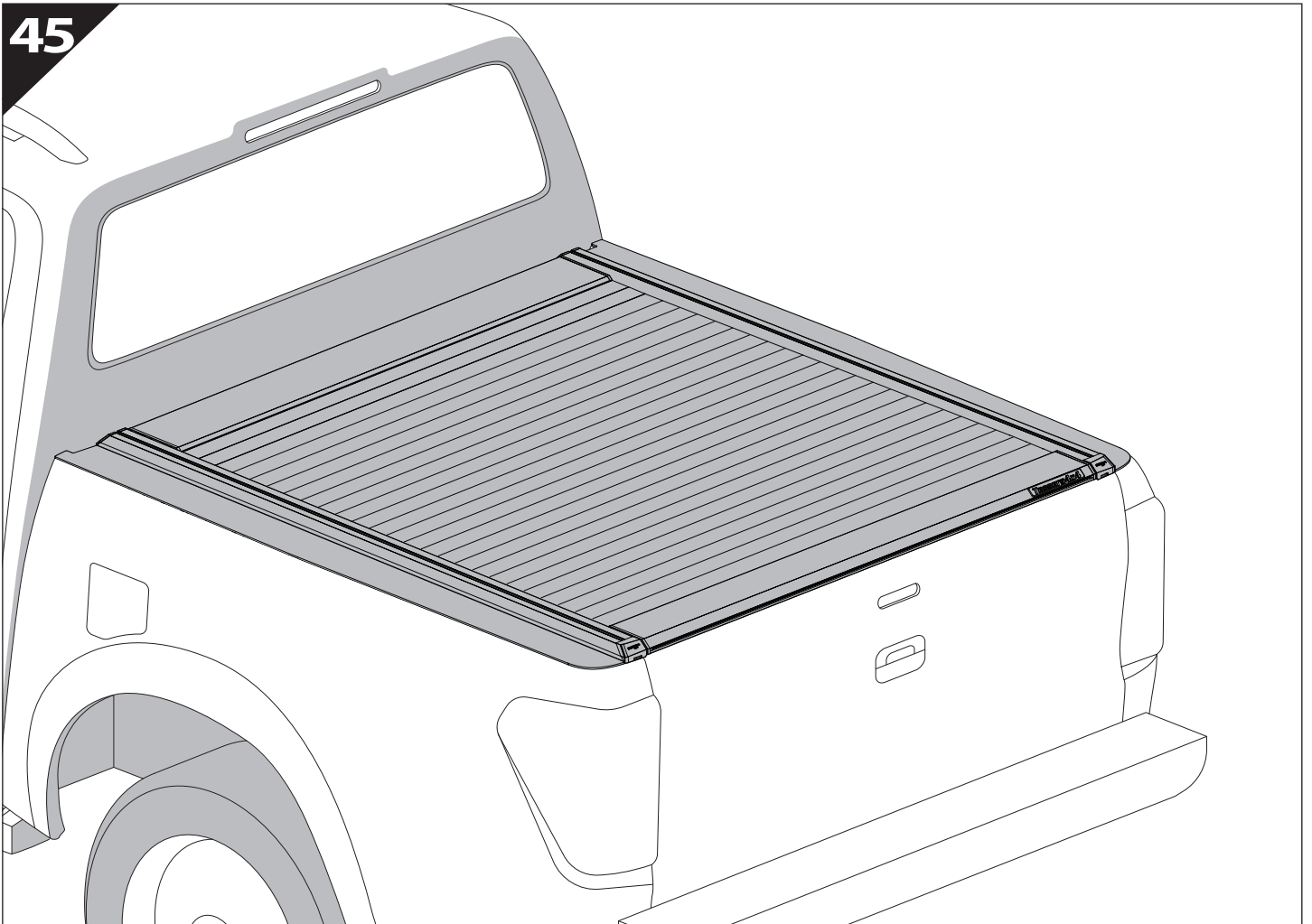
CAUTION !



44



45





GR: Οδηγίες Εγκατάστασης
GB: Installation manual
SF: Asennusohje
F: Notice de montage
PL: Instrukcja montażu
NL: Installatie-instructies
TR: Montaj Talimatı
S: Monteringsanvisning
E: Instrucciones de montaje

H: Szerelési utasítás
P: Instruções de instalação
RUS: Инструкция по установке
N: Monteringsveiledning
D: Einbauanleitung
CZ: Návod k instalaci
I: Istruzioni de montaggio
DK: Monteringsvejledning
RO: Instructiuni de instalare

Customer Service:

+30 (210) 5541161, +30 (210) 5541154 (08:00 - 16:00 EET)

Support department:

info@gianso.gr

Website:

www.tessera4x4.com

Address:

19.5 km of National road Athens-Korinthos (Elefsina) Greece, P.C: 19200