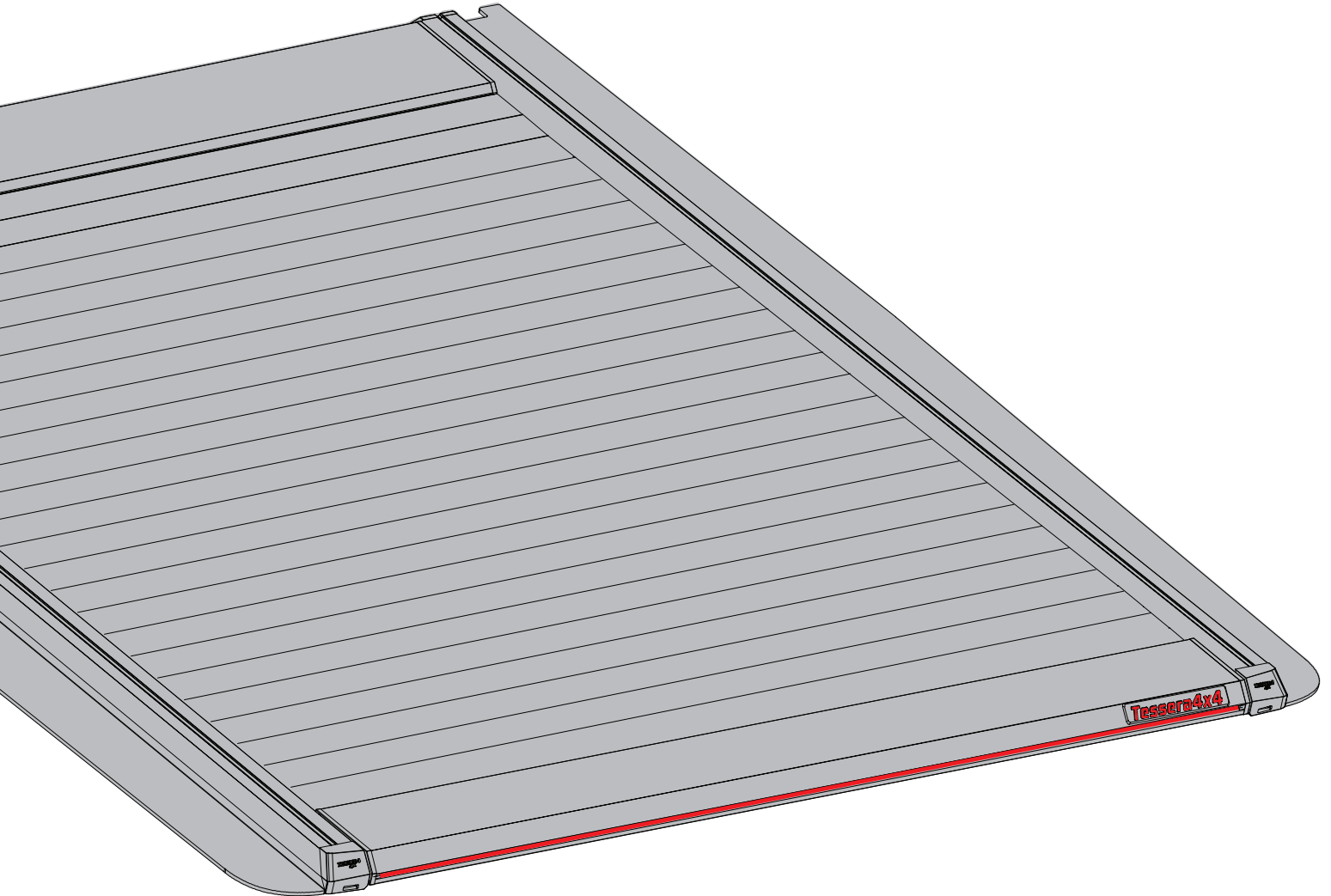


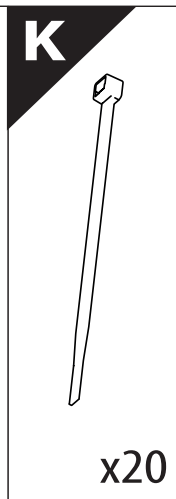
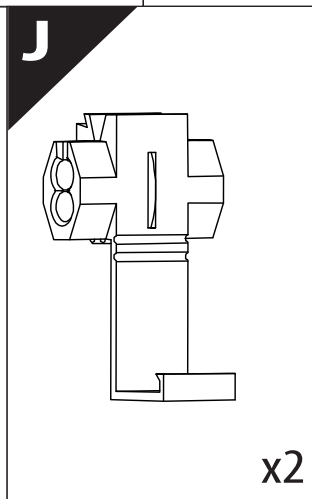
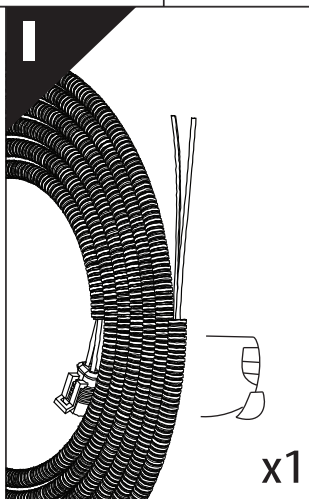
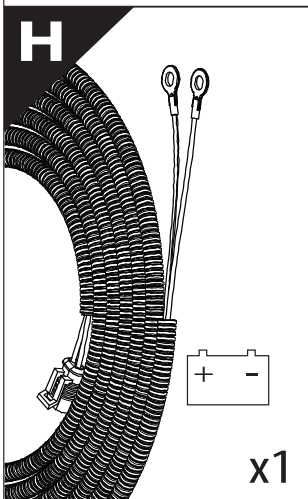
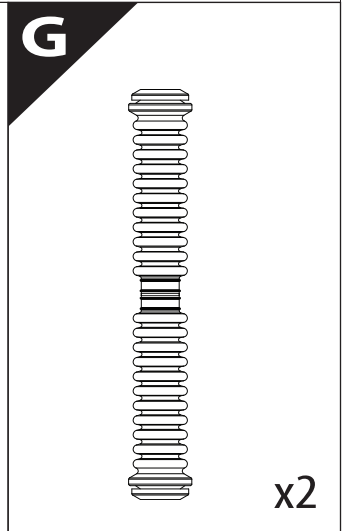
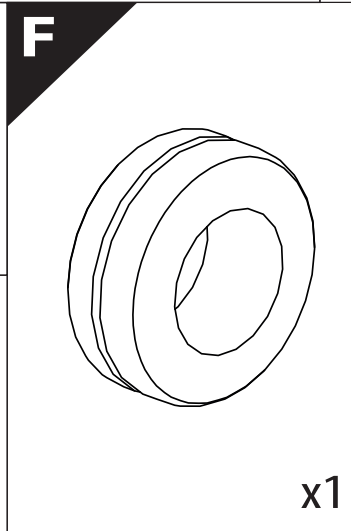
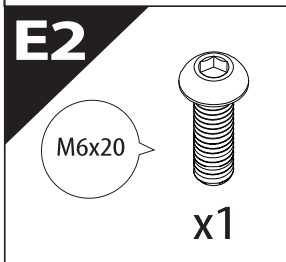
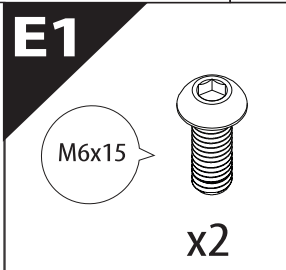
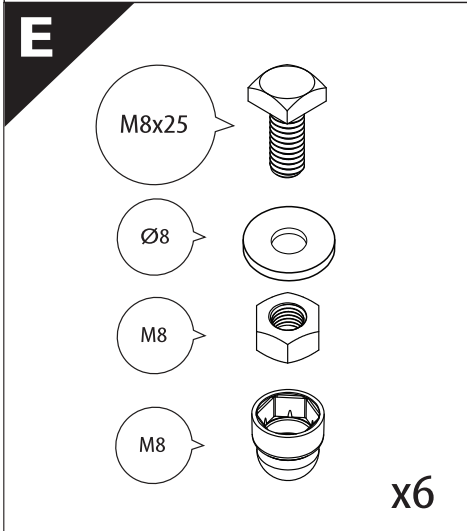
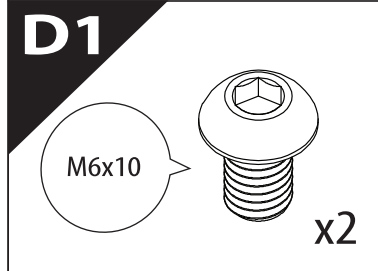
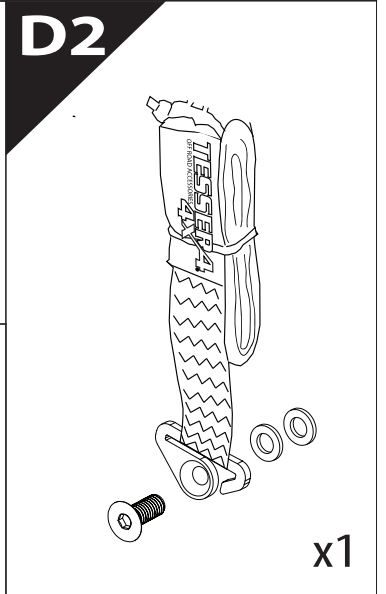
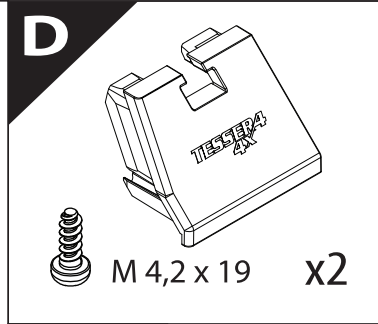
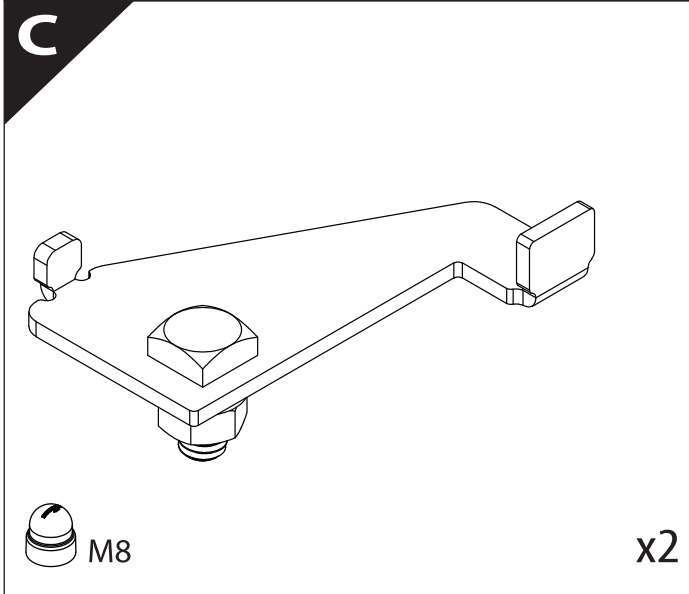
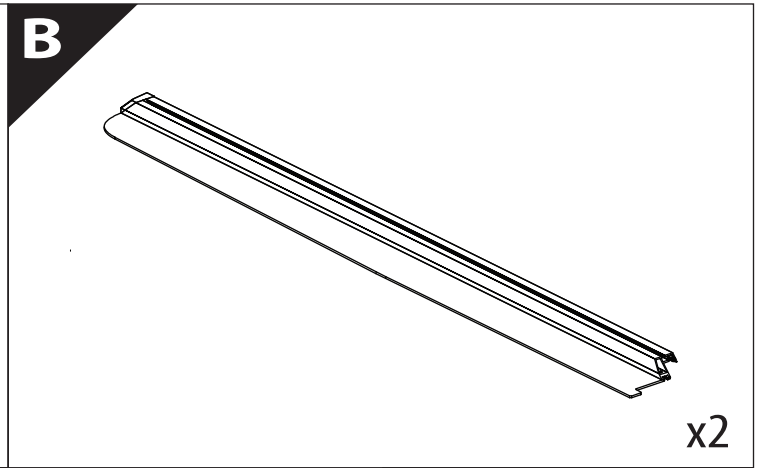
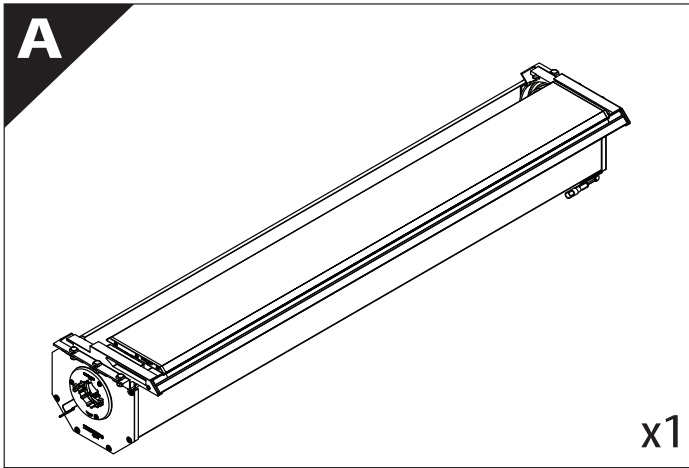
Tessera Roll+

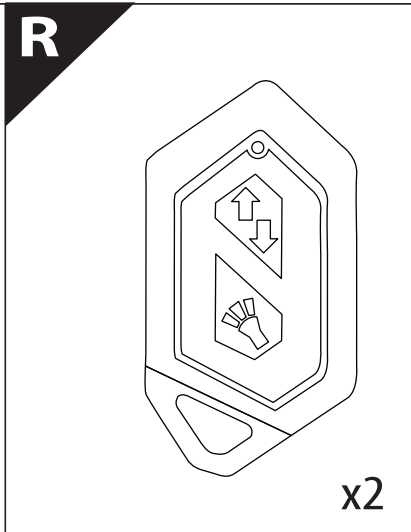
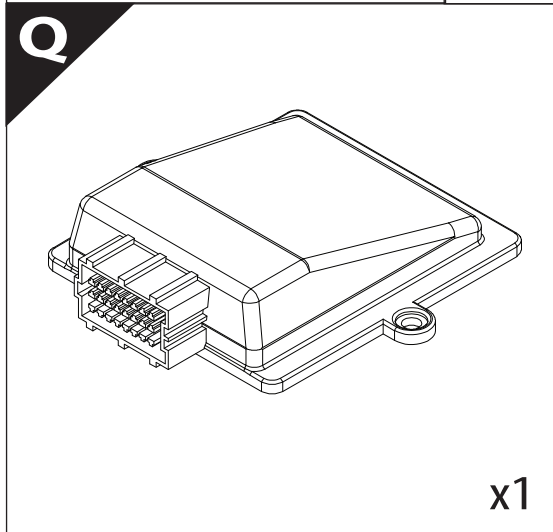
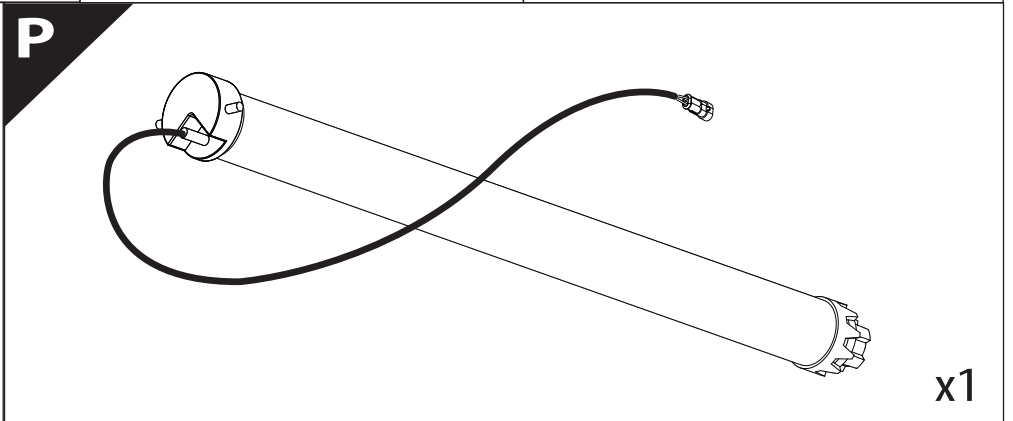
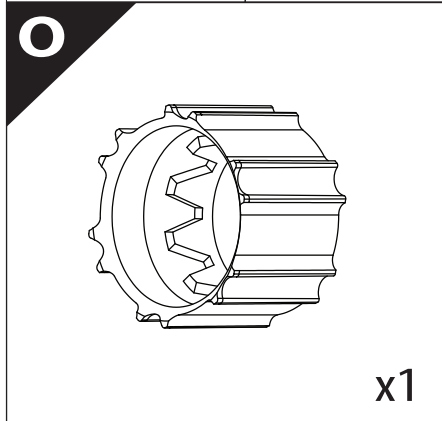
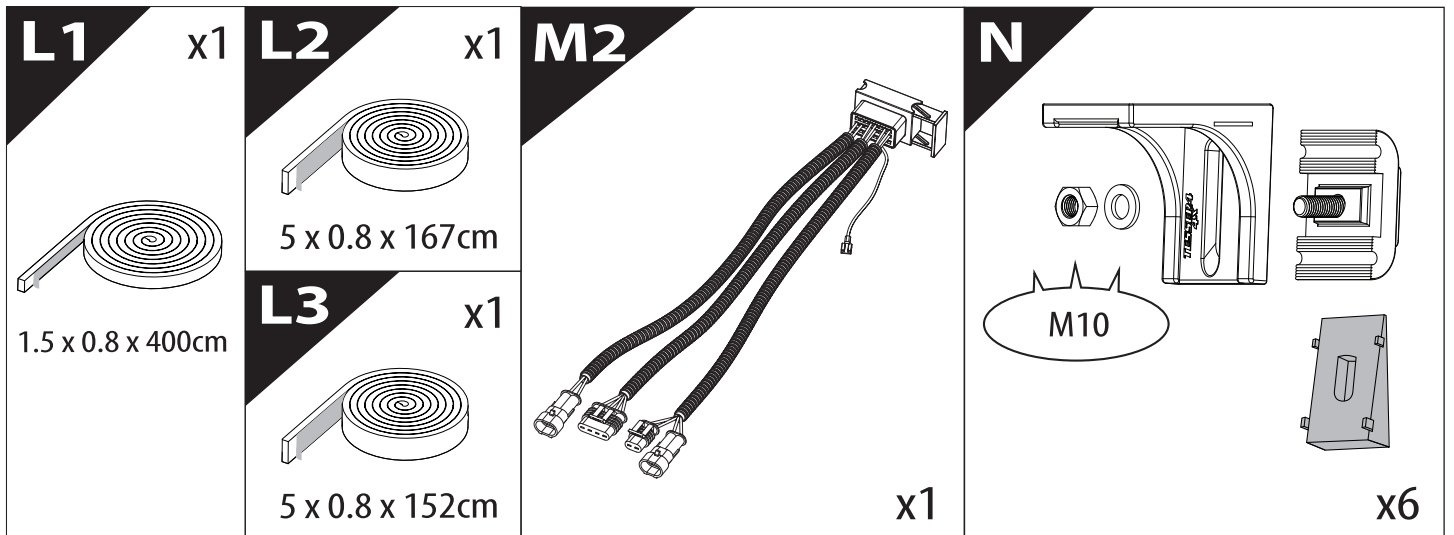
Basic Version + ⚡ E-KIT

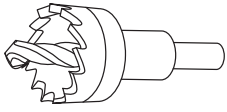


Installation Manual

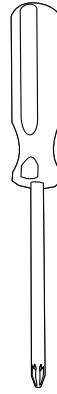
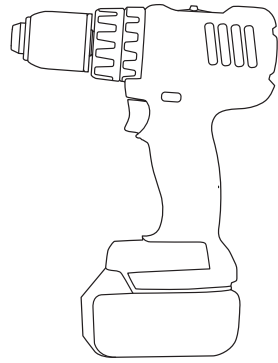
PART NUMBER(S)	Model Year
TESS 1419 ROLL+E-KIT	Mercedes X-Class 2018+ (no-c-channels)
Cab(s)	Installation Time / Weight
Double Cab	40-60 minutes / 53-57 kg



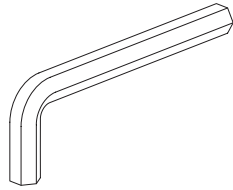
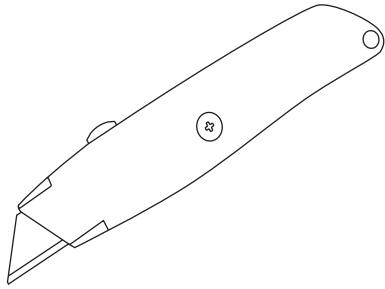
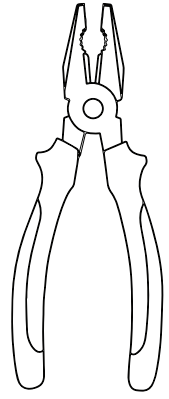




Ø 25 mm / Ø 40 mm

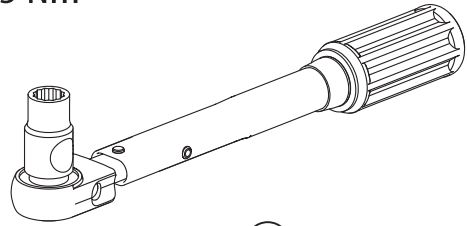


+



4 mm

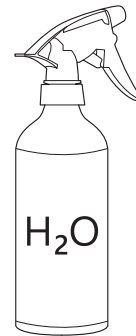
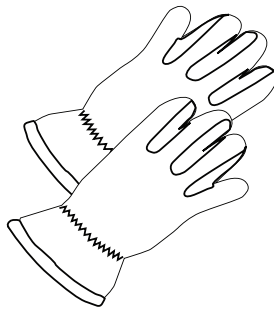
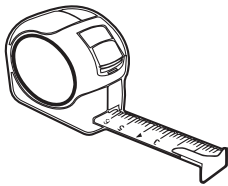
1 - 25 Nm



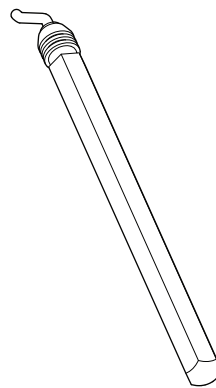
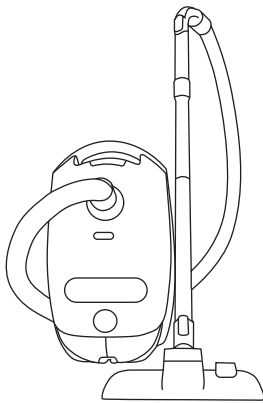
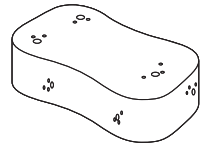
10, 12, 13, 17 mm



ACETONE



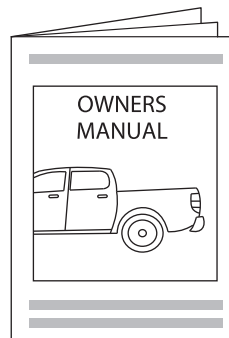
H₂O



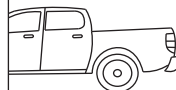
ANTI-RUST



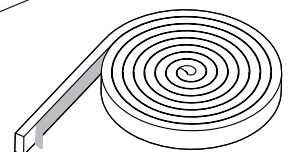
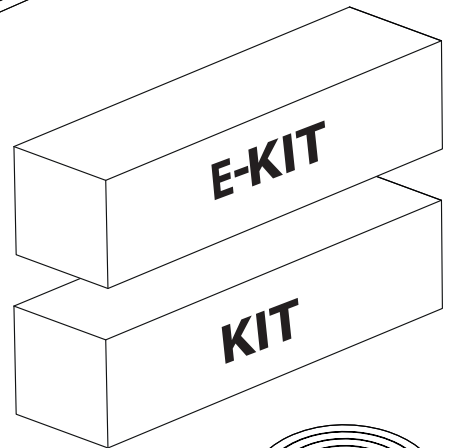
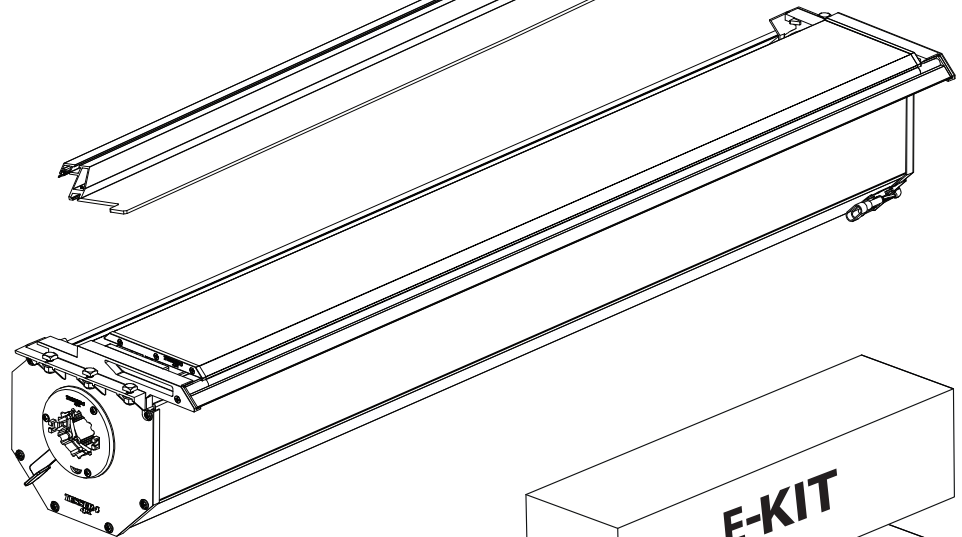
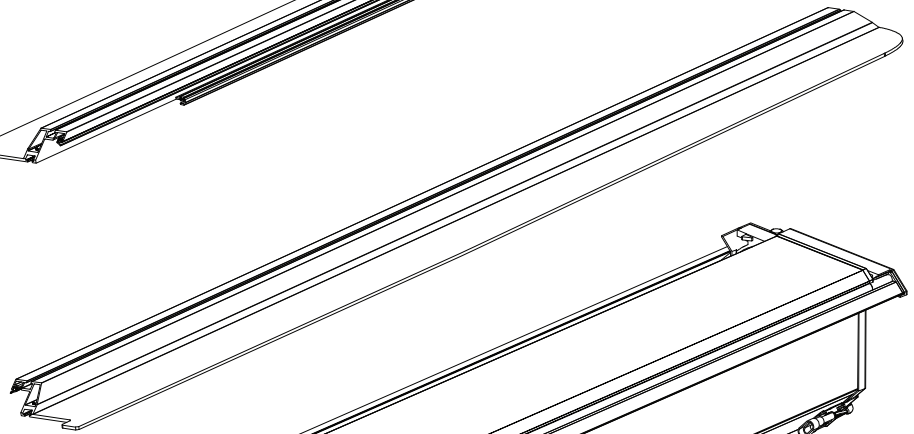
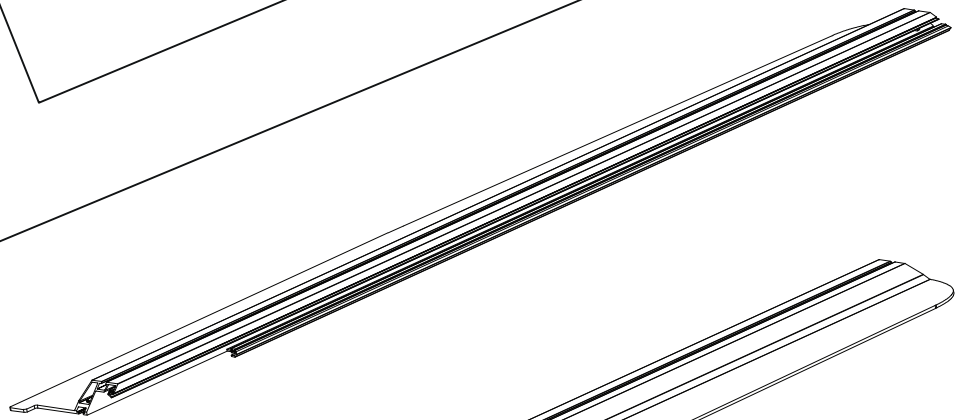
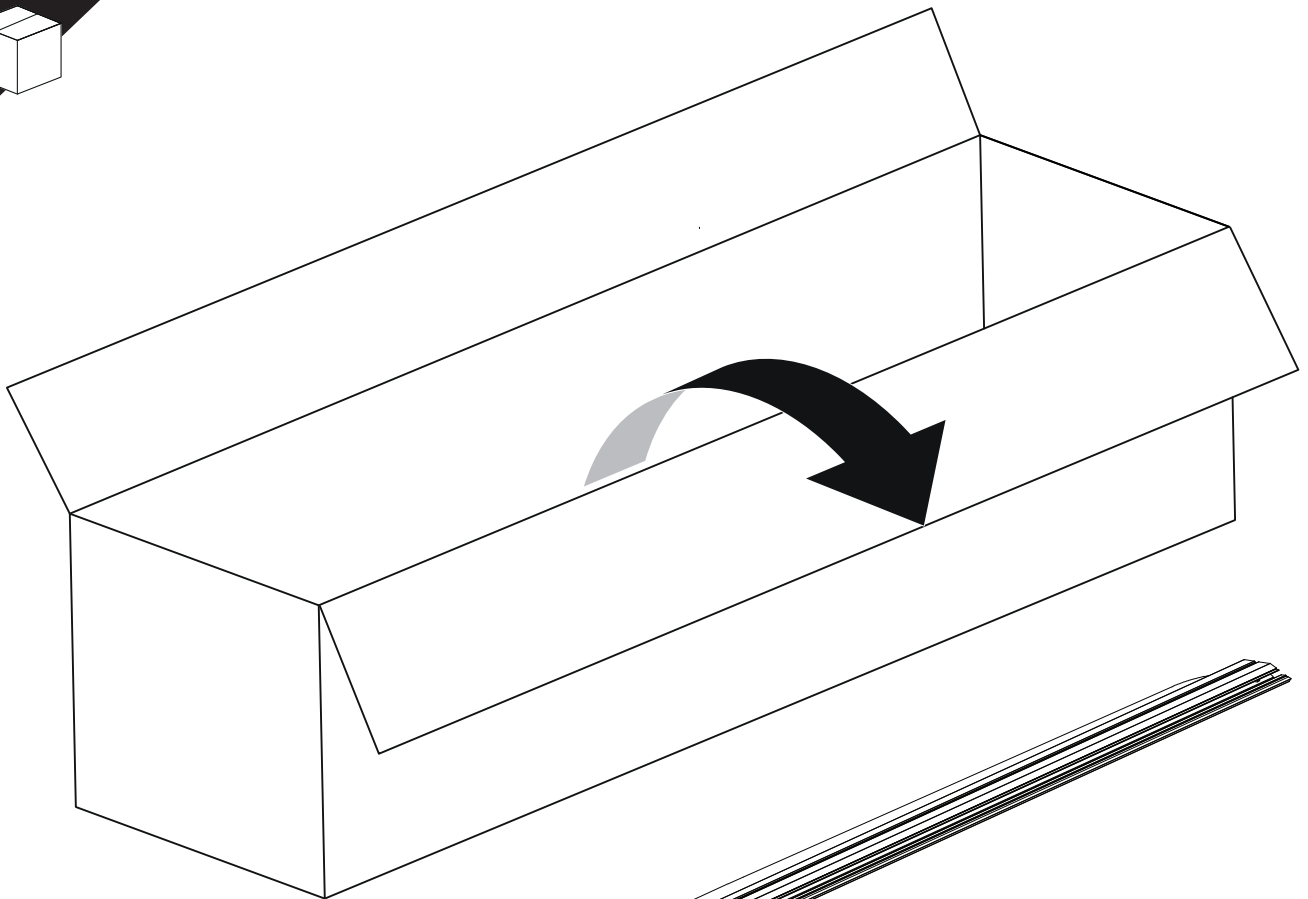
INSTALLATION
MANUAL
+E-KIT



OWNERS
MANUAL



x1

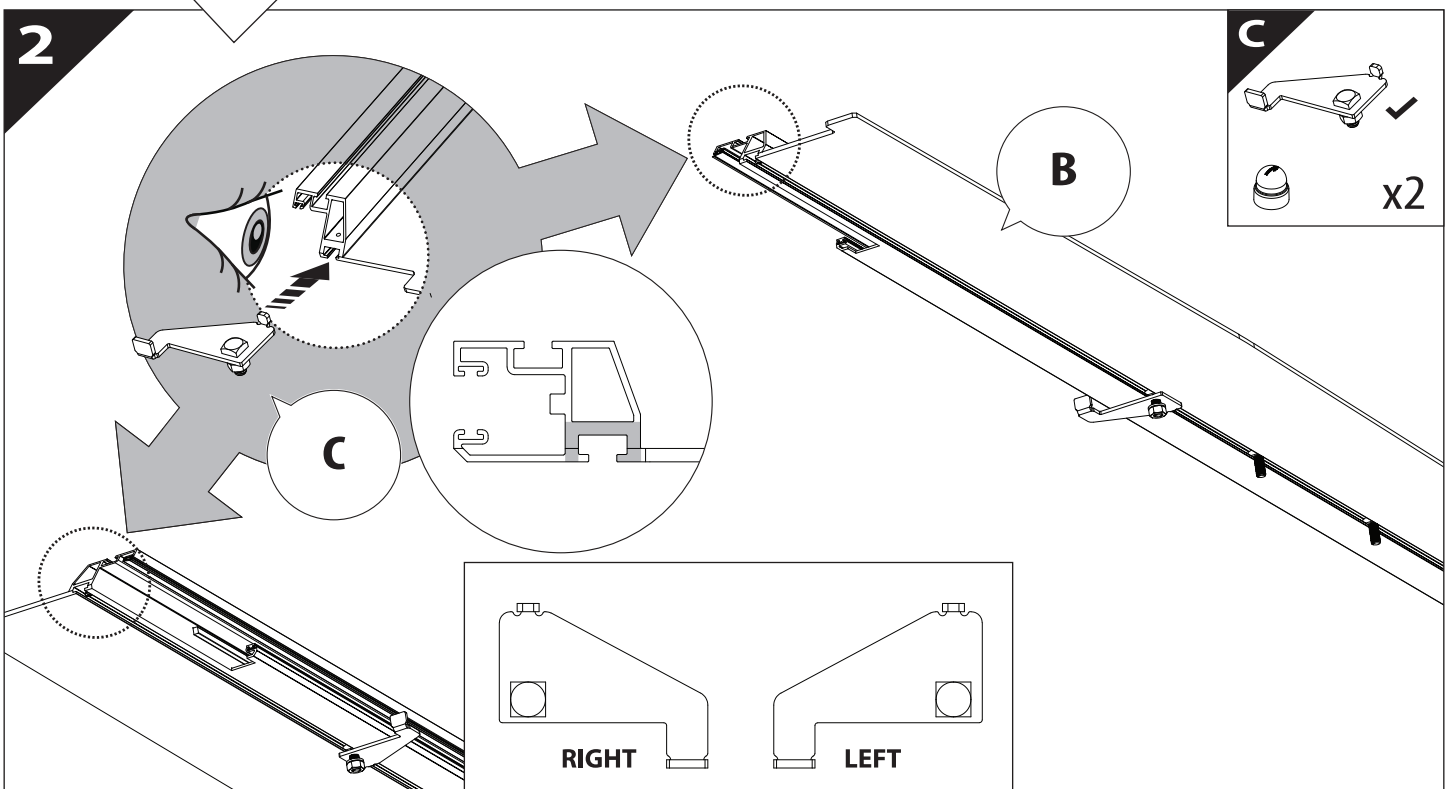
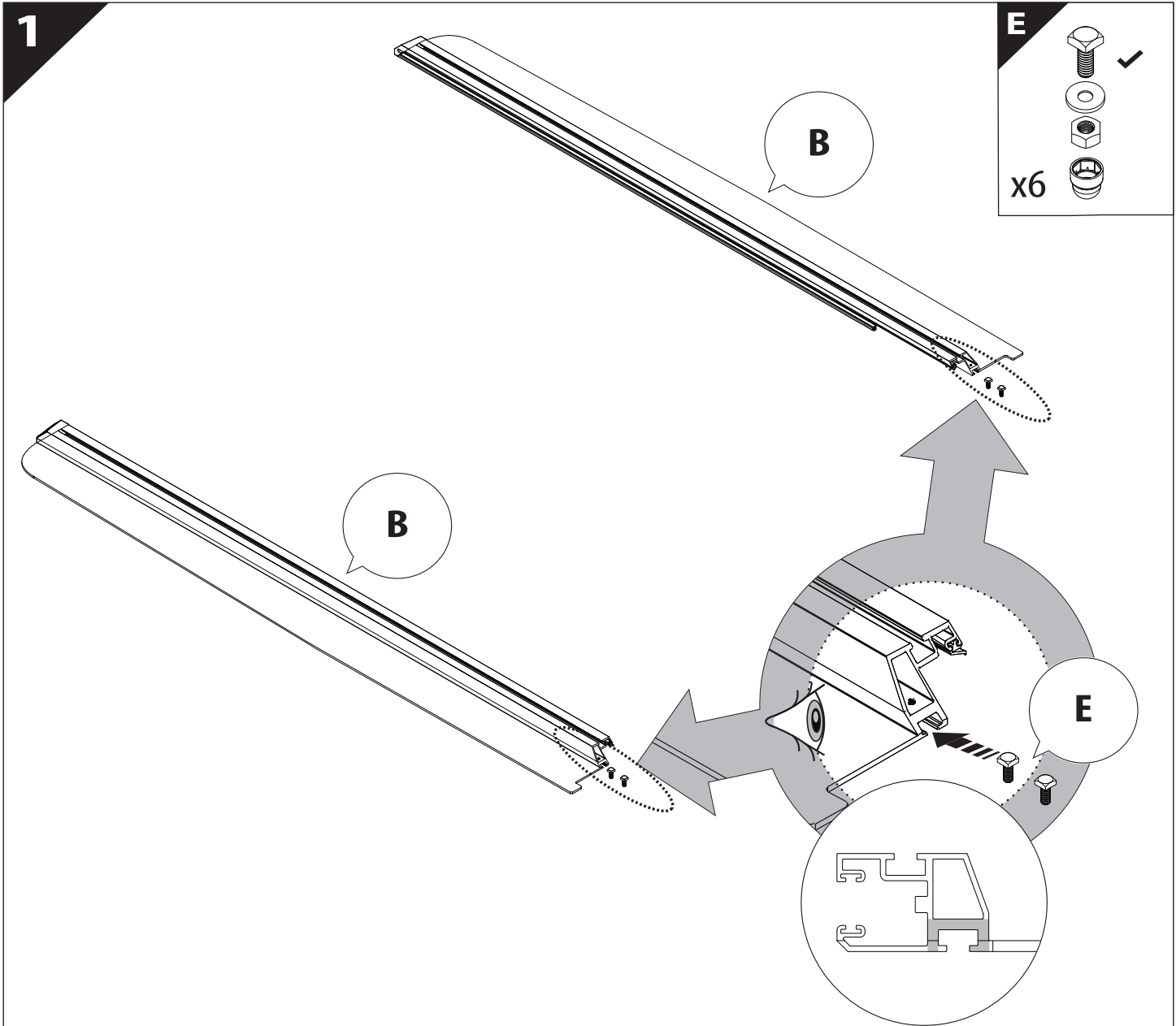


B

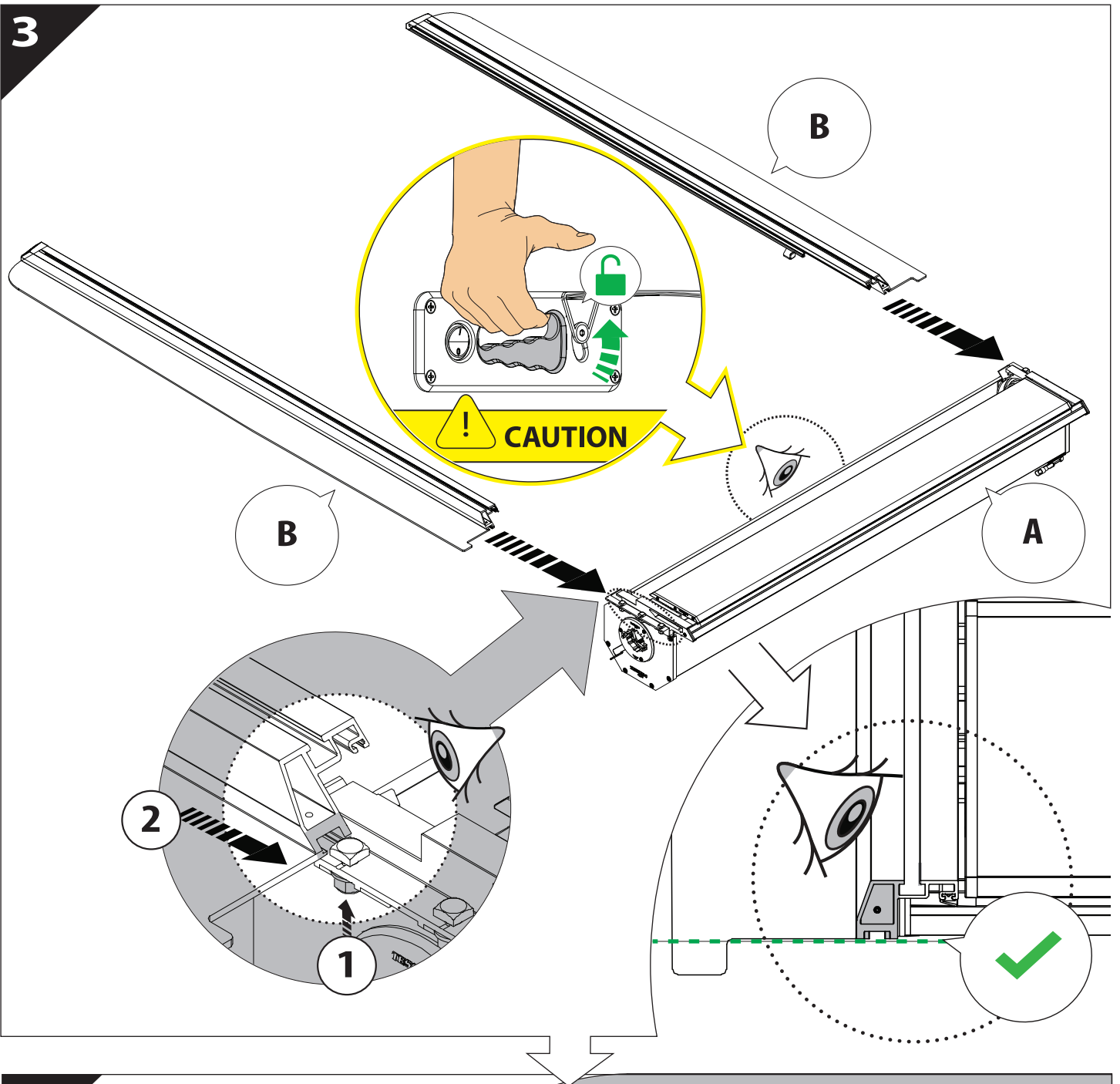
A

KITS

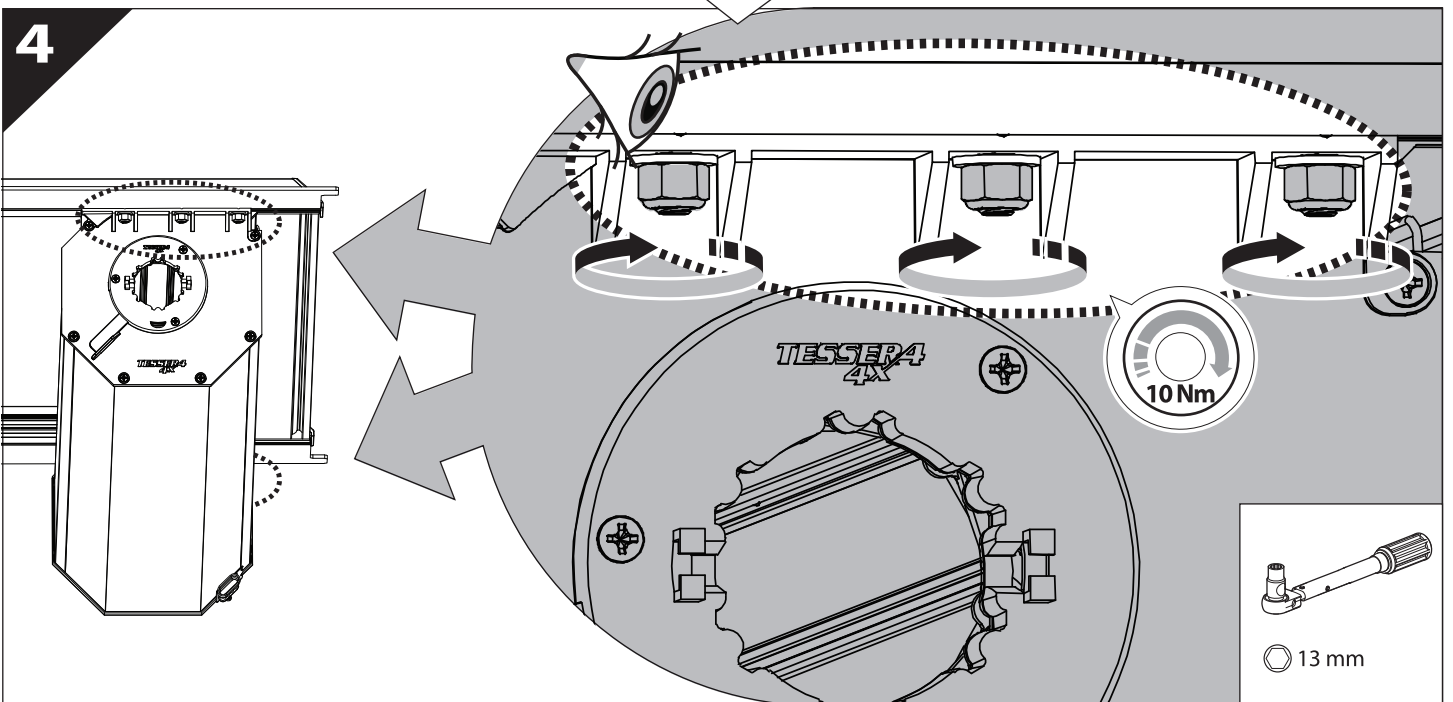
L

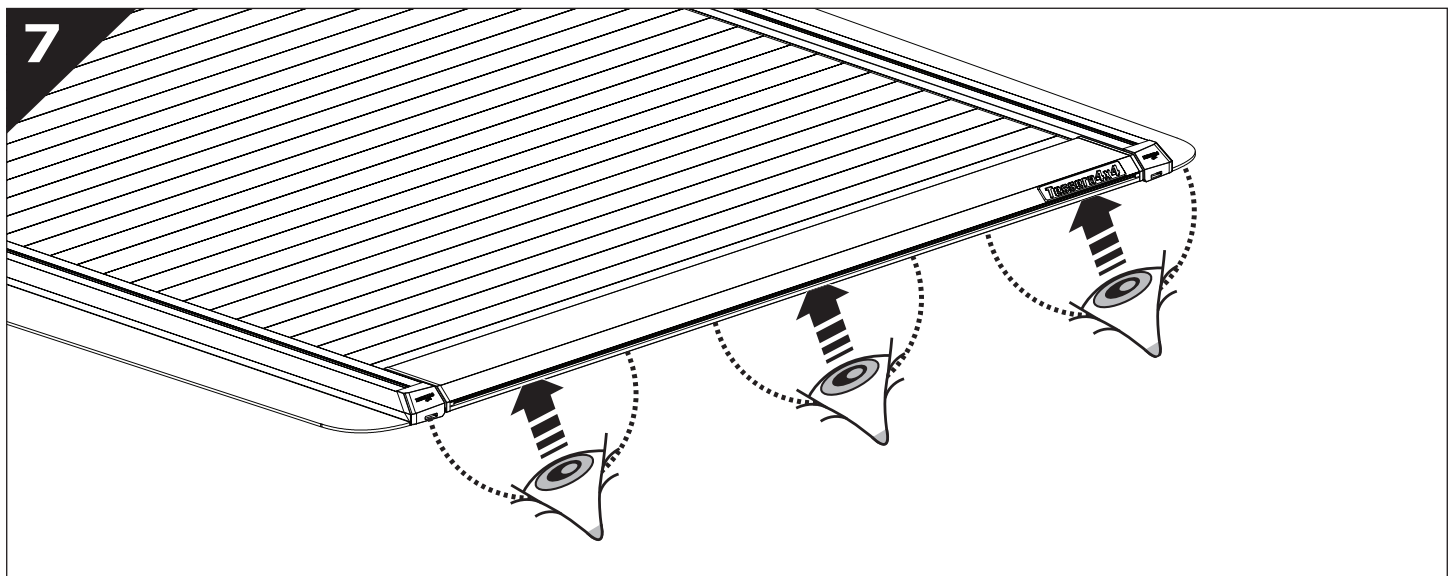
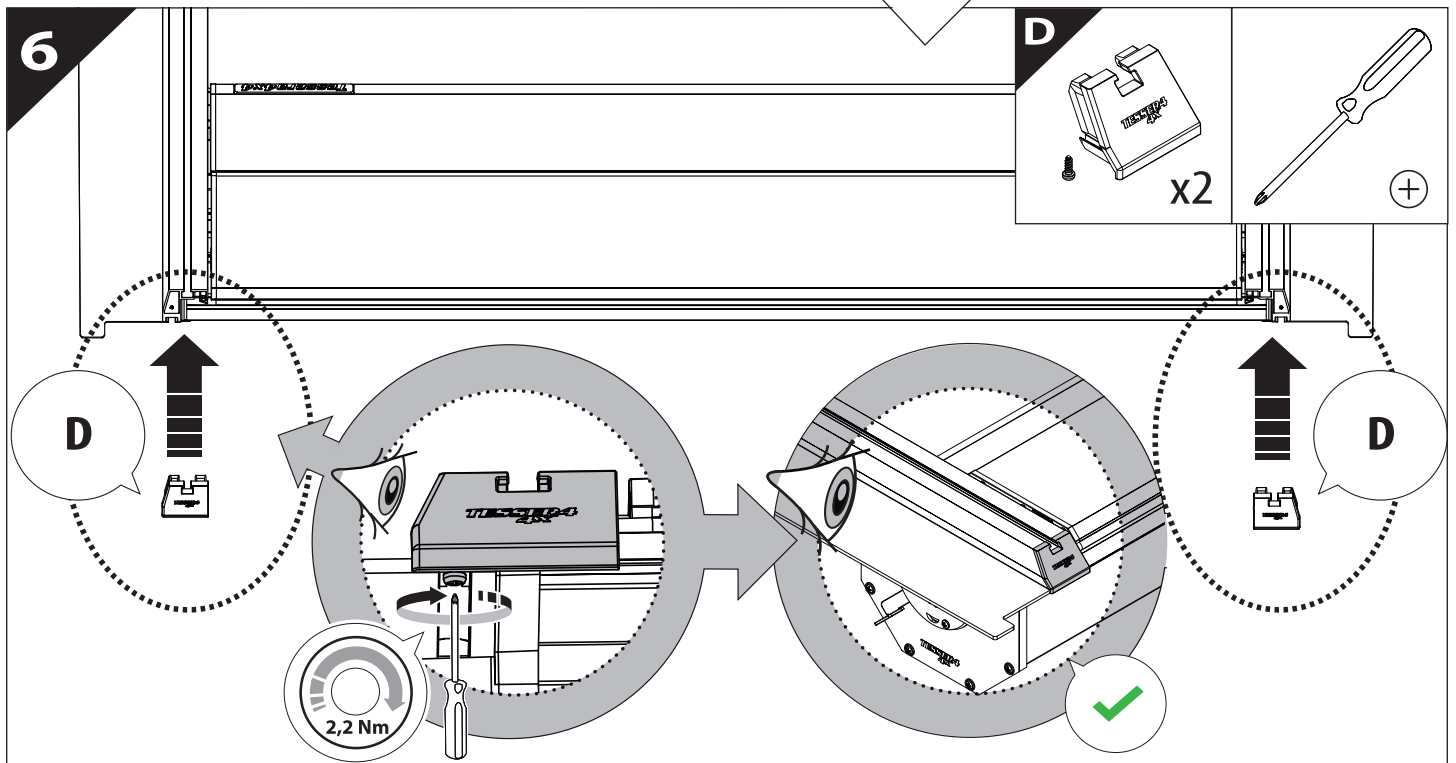
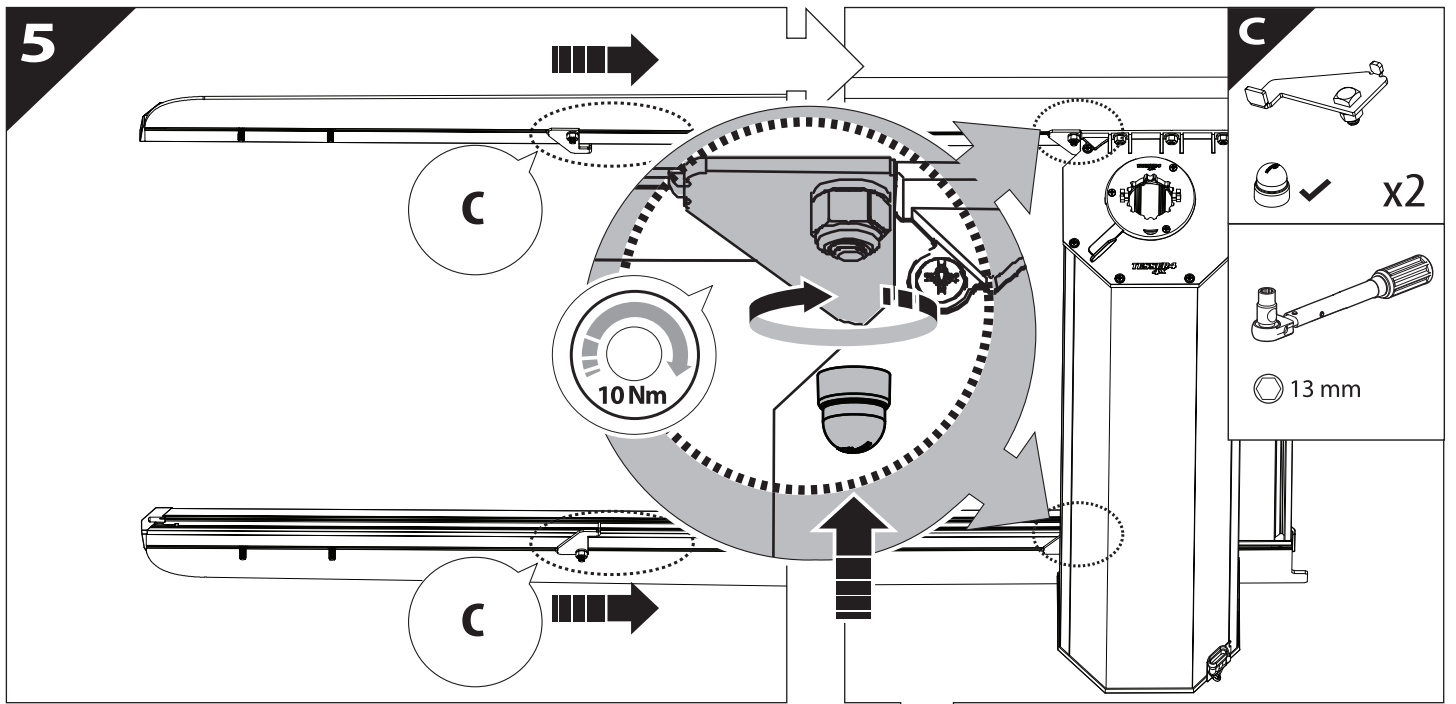


3

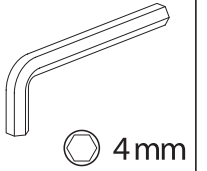
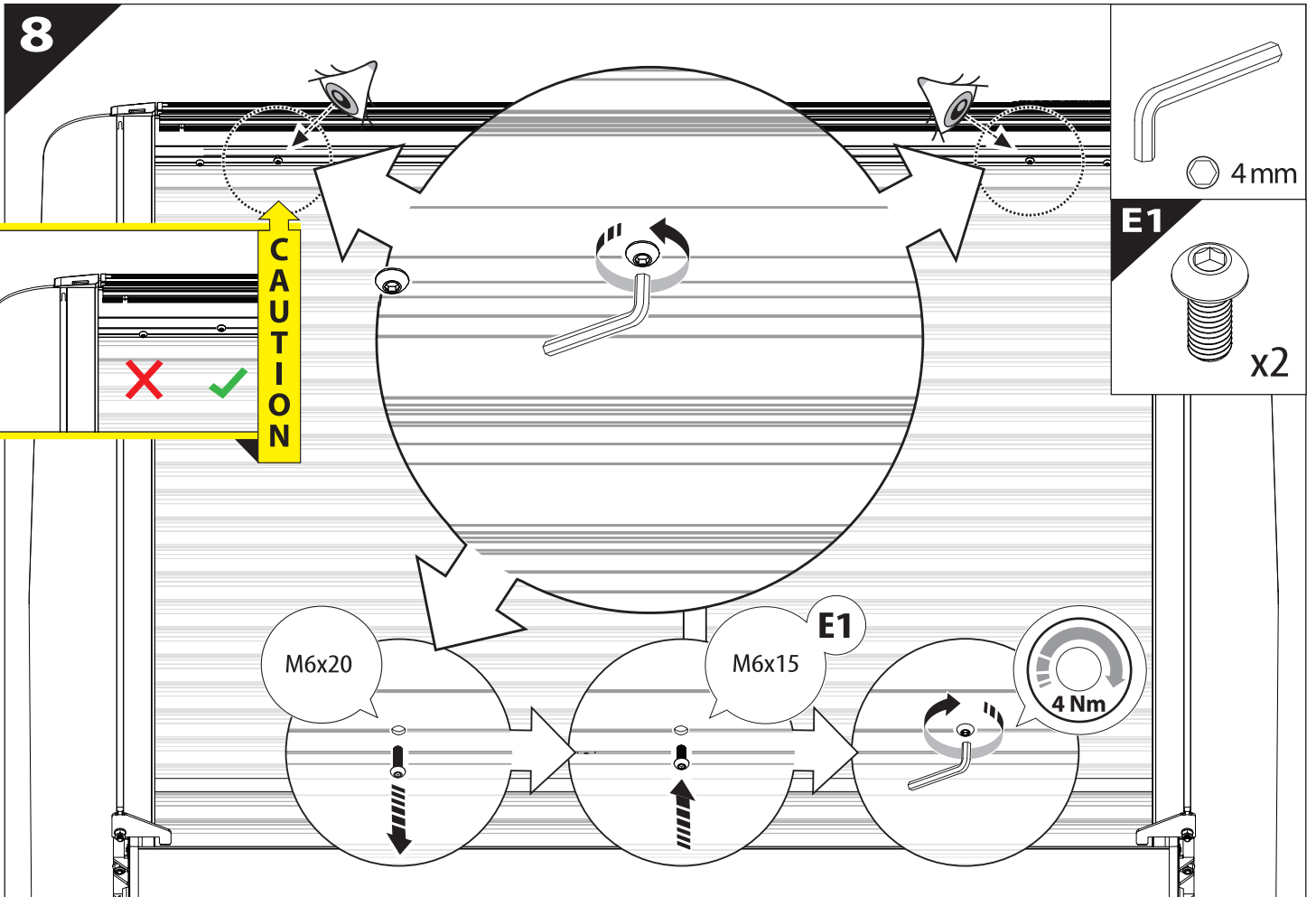
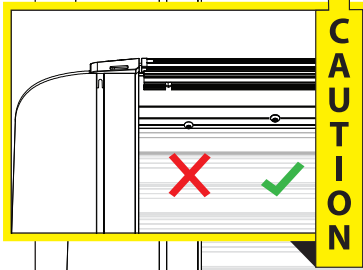


4





8



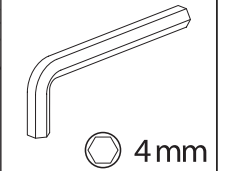
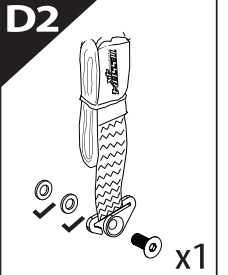
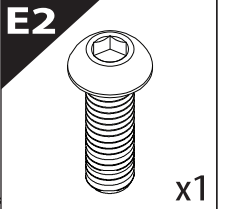
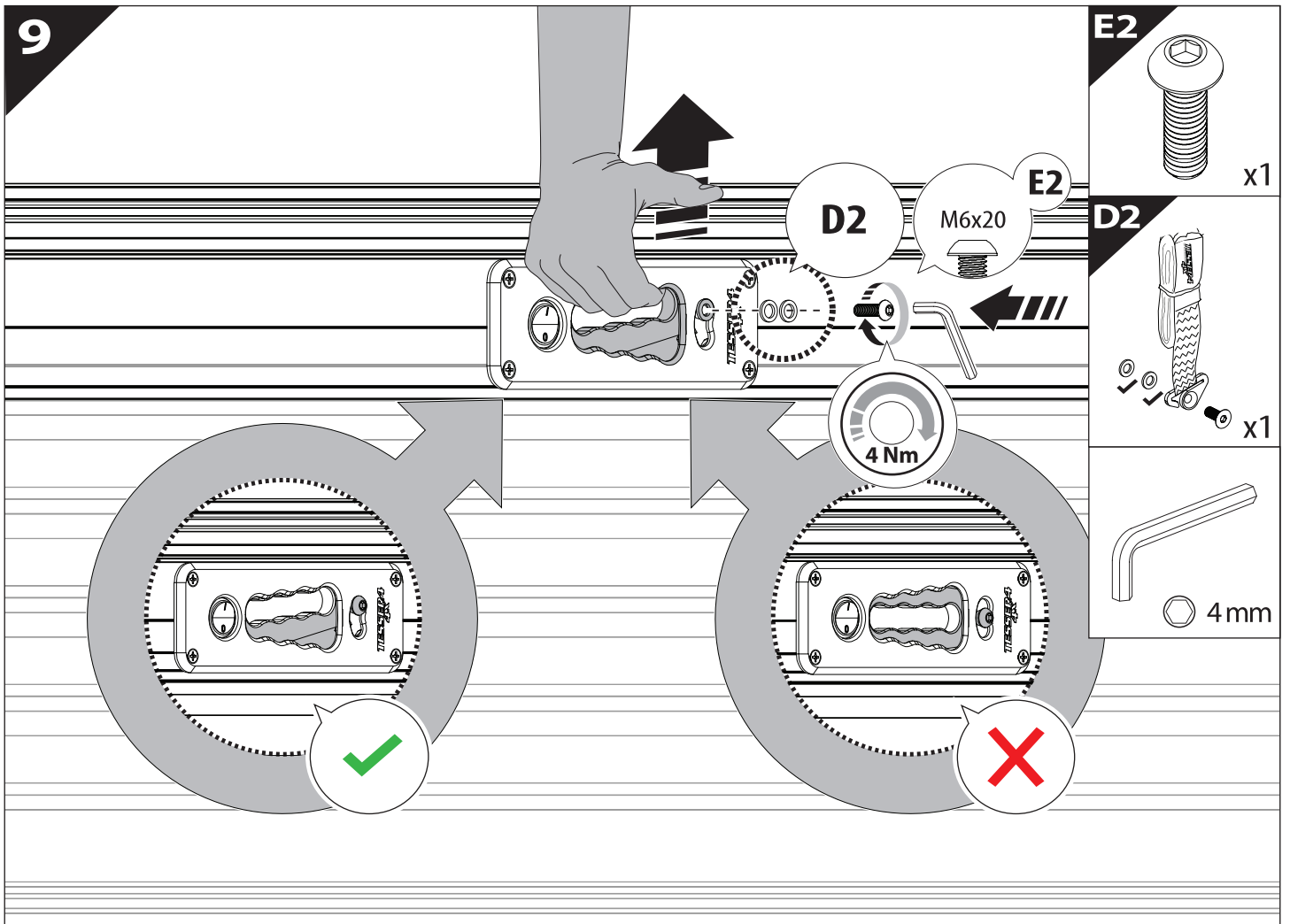
M6x20

M6x15

E1

4 Nm

9



D2

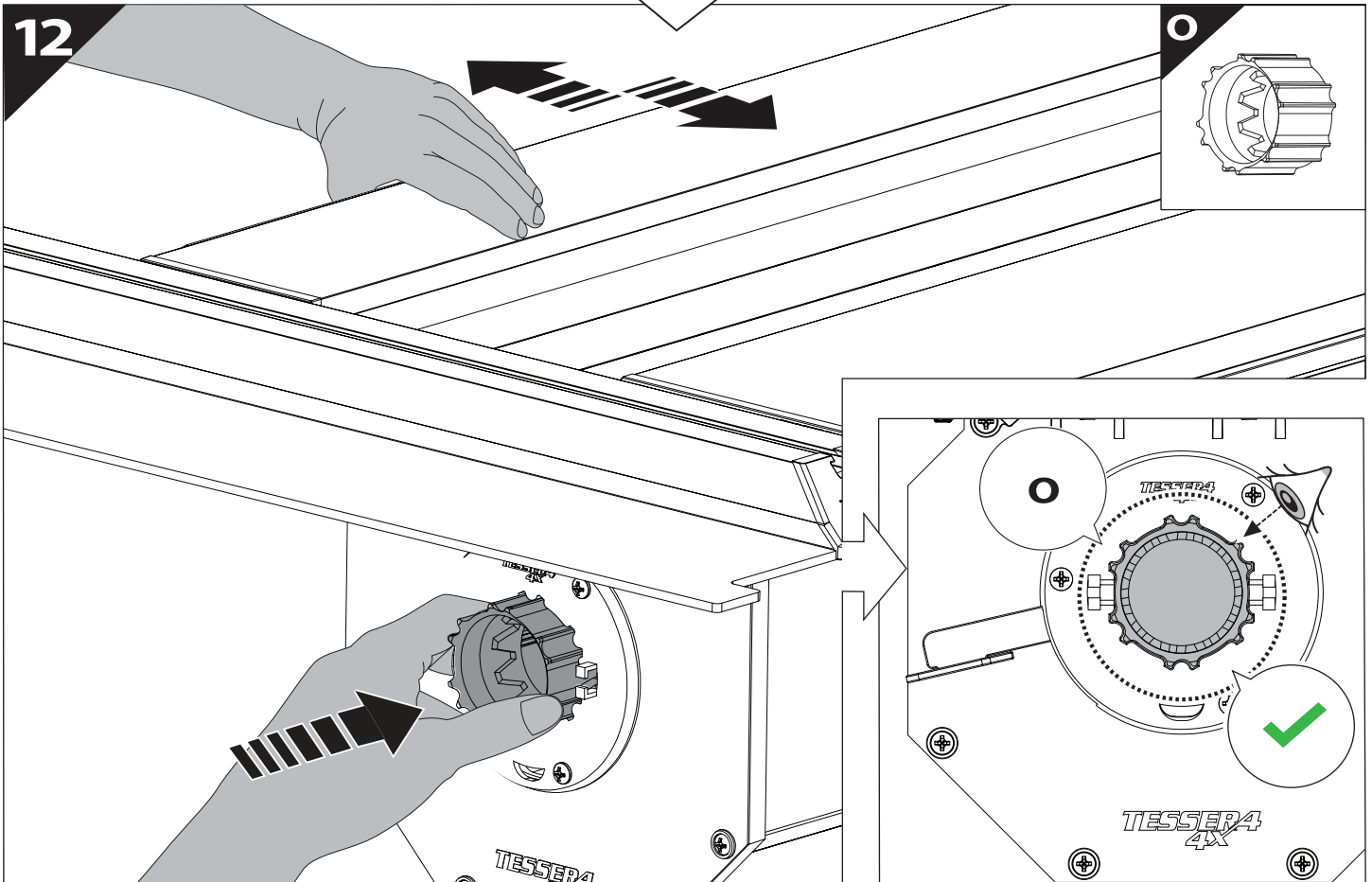
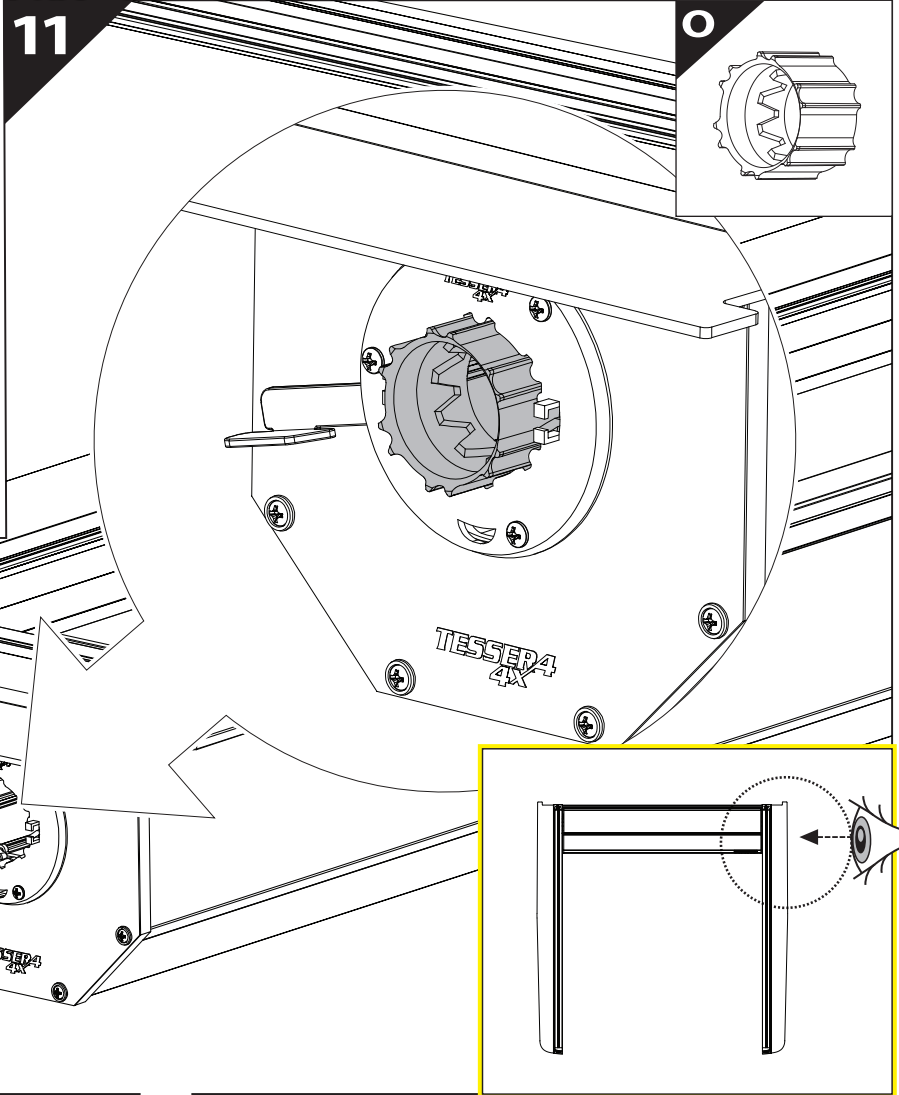
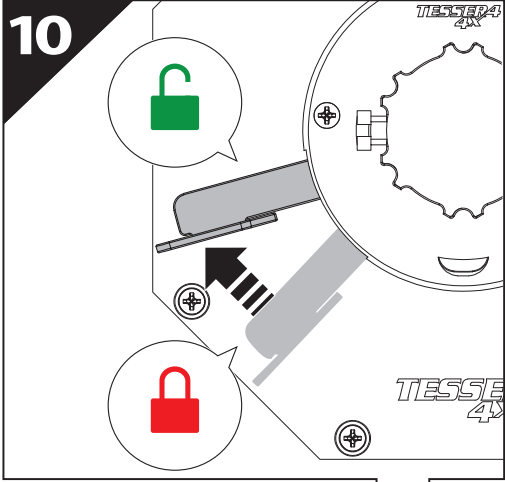
M6x20

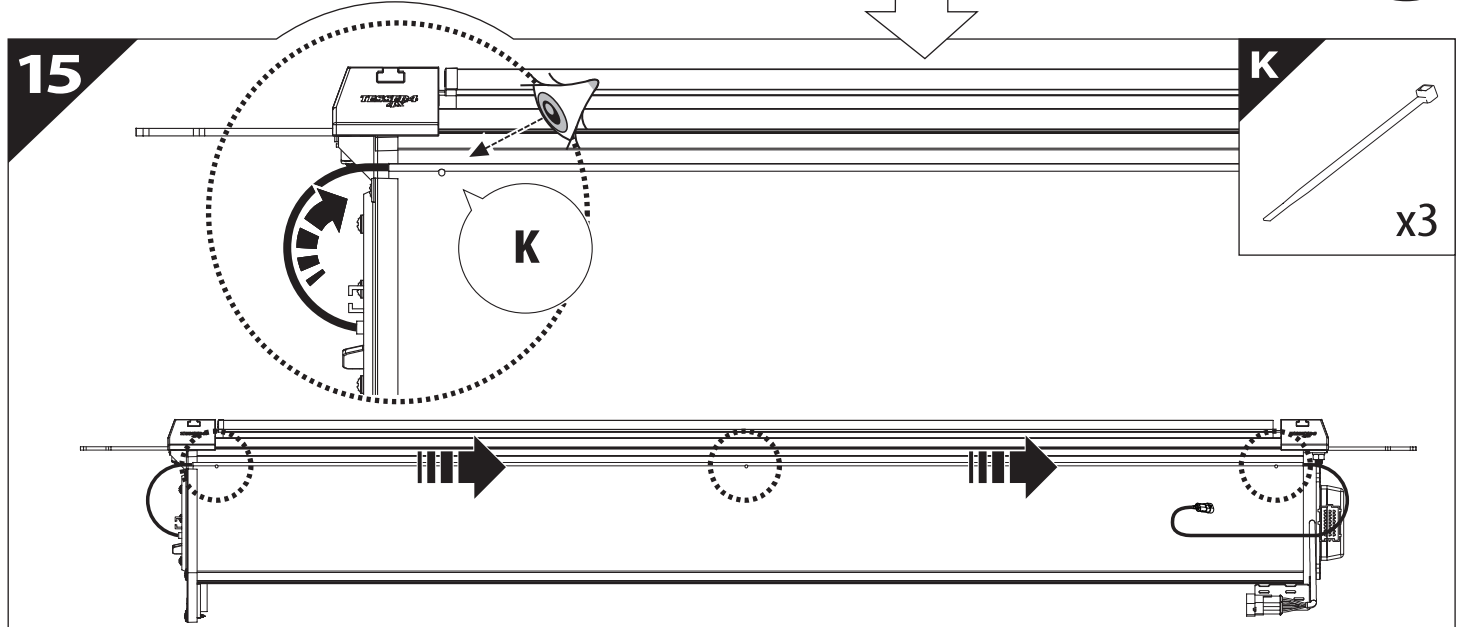
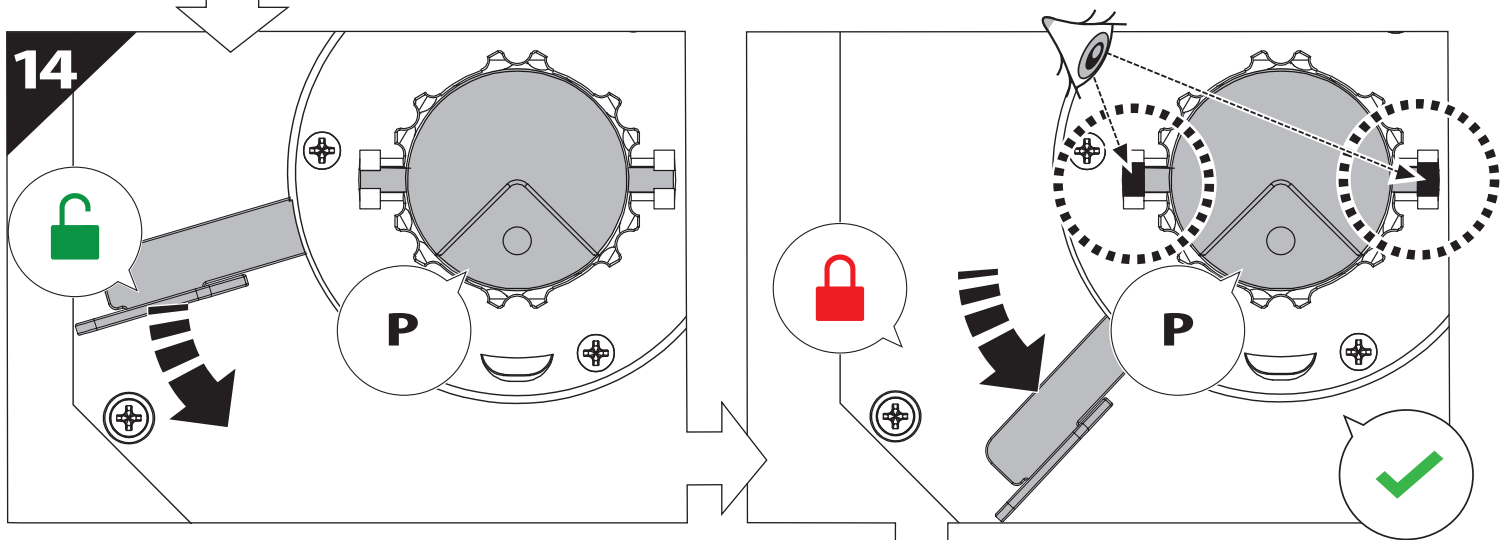
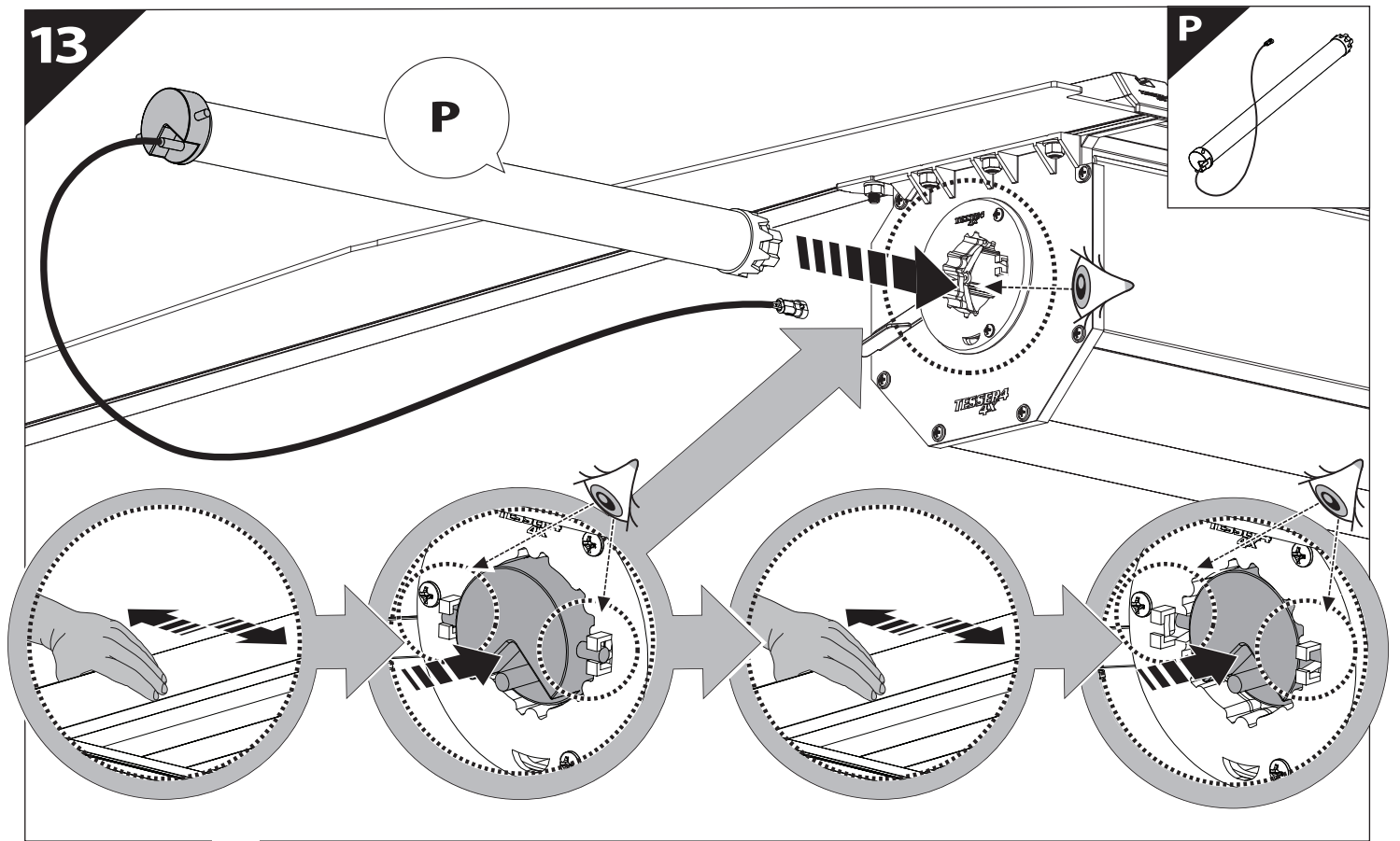
E2

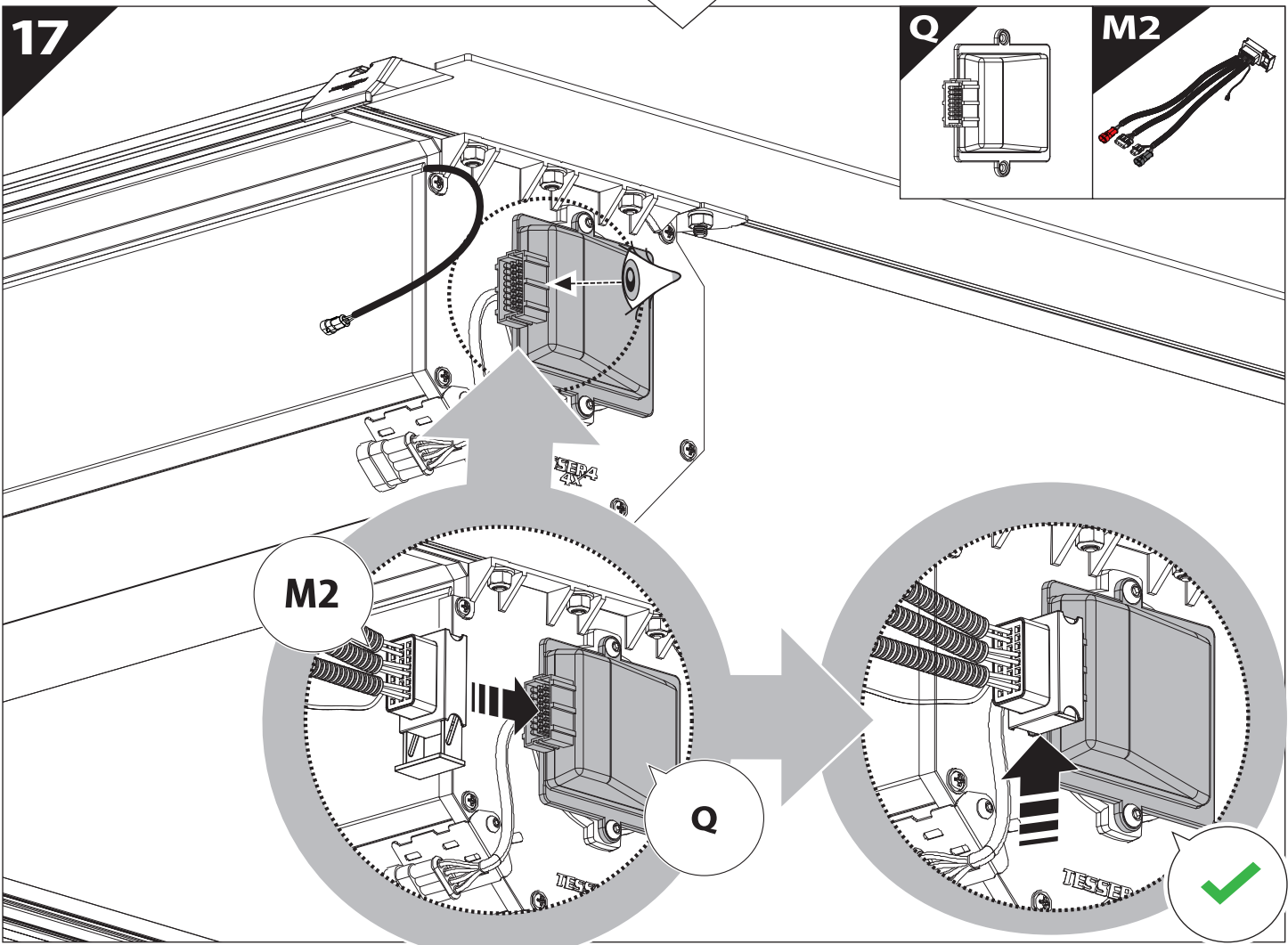
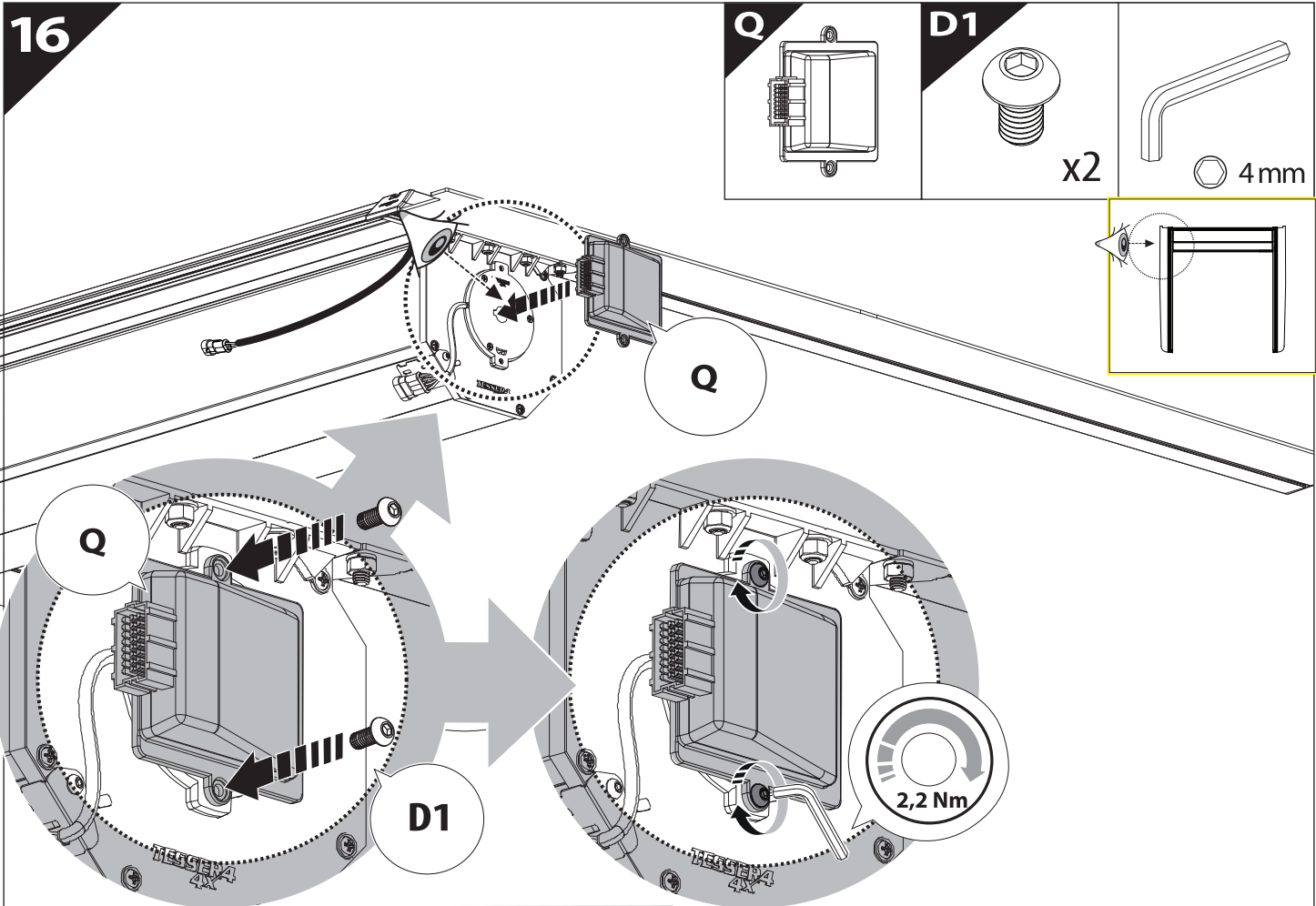
4 Nm

✓

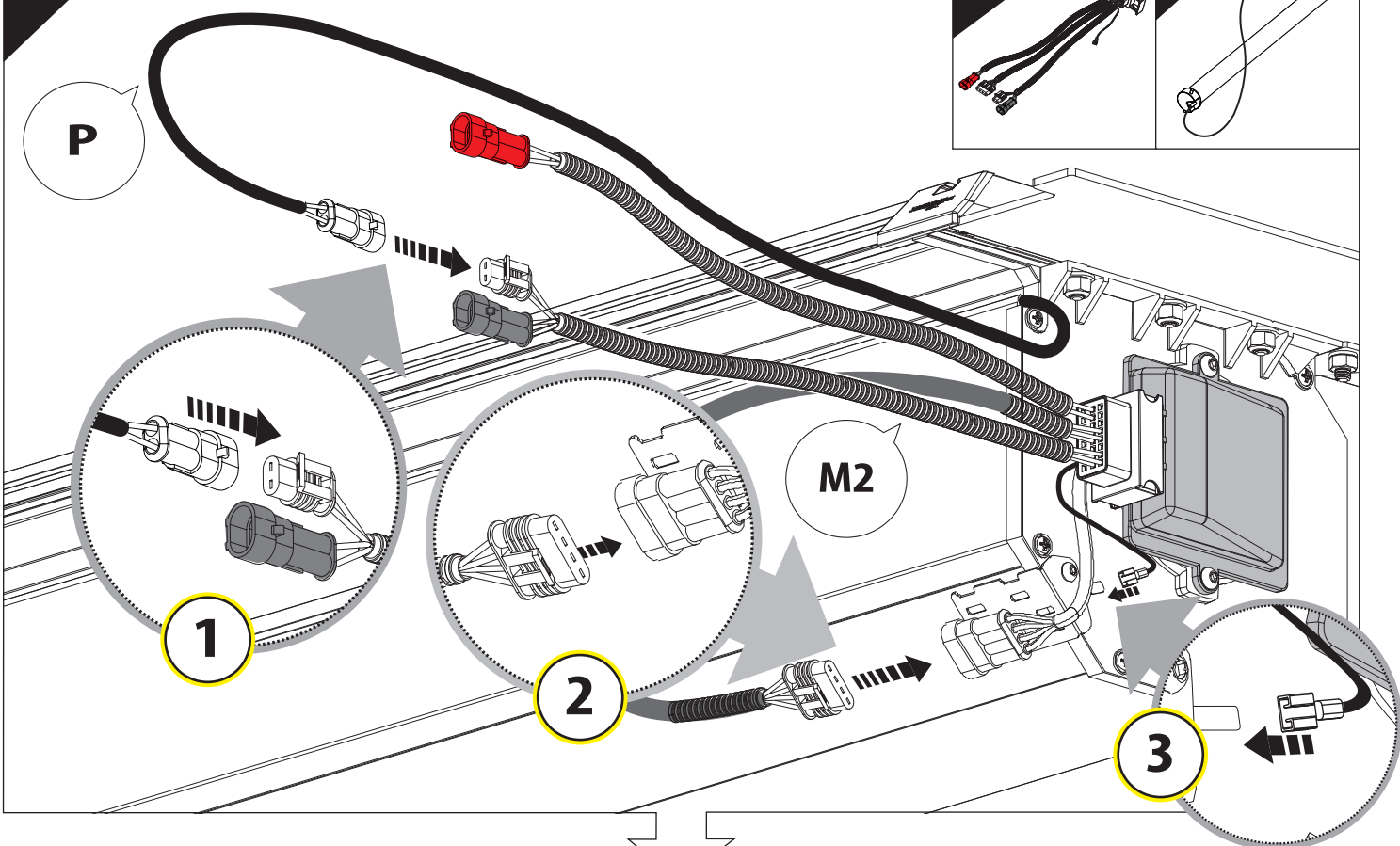
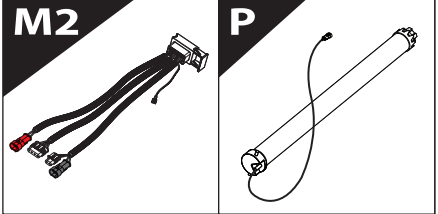
✗



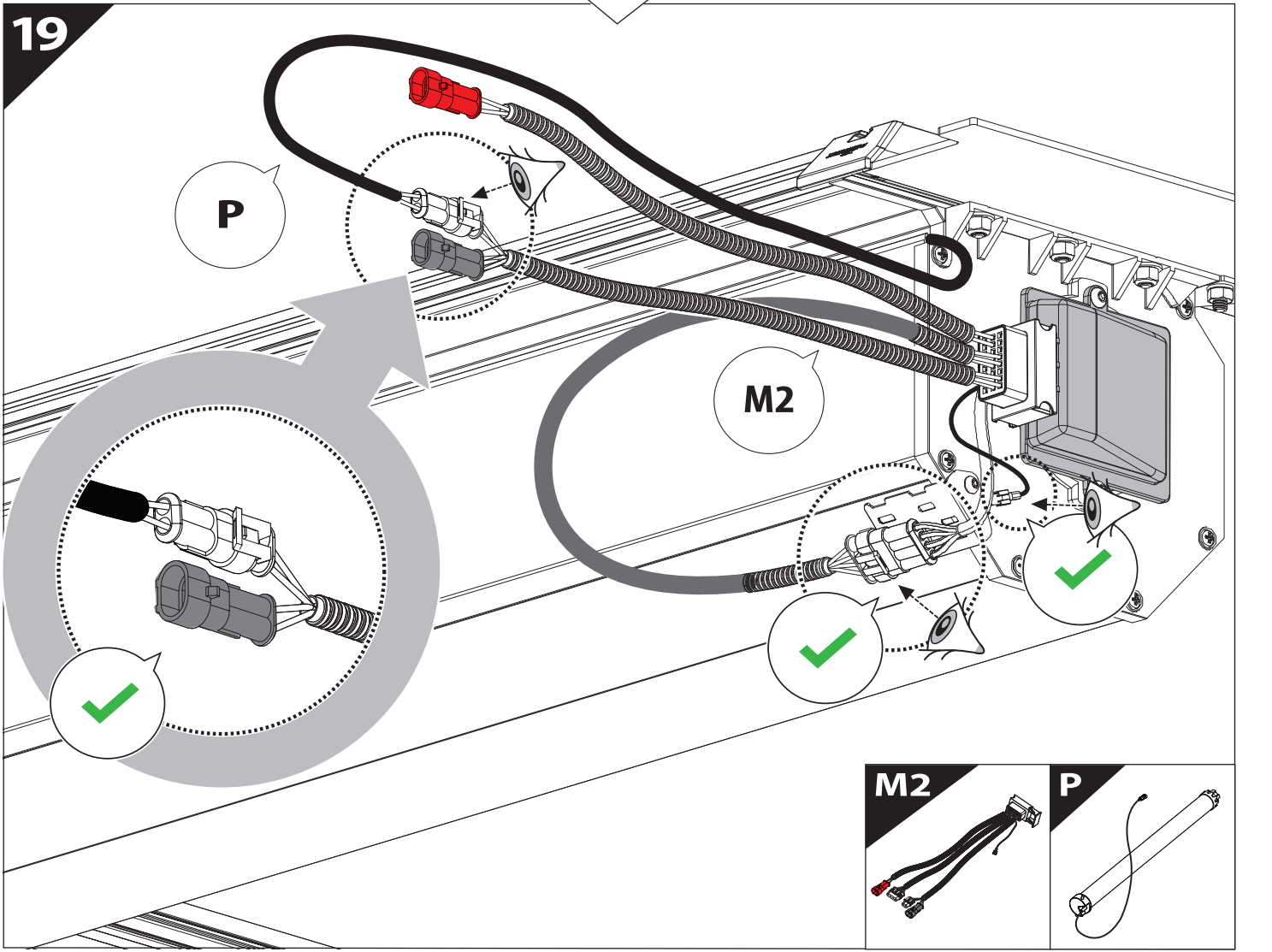
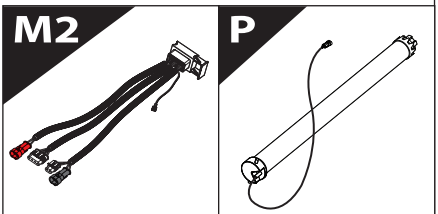


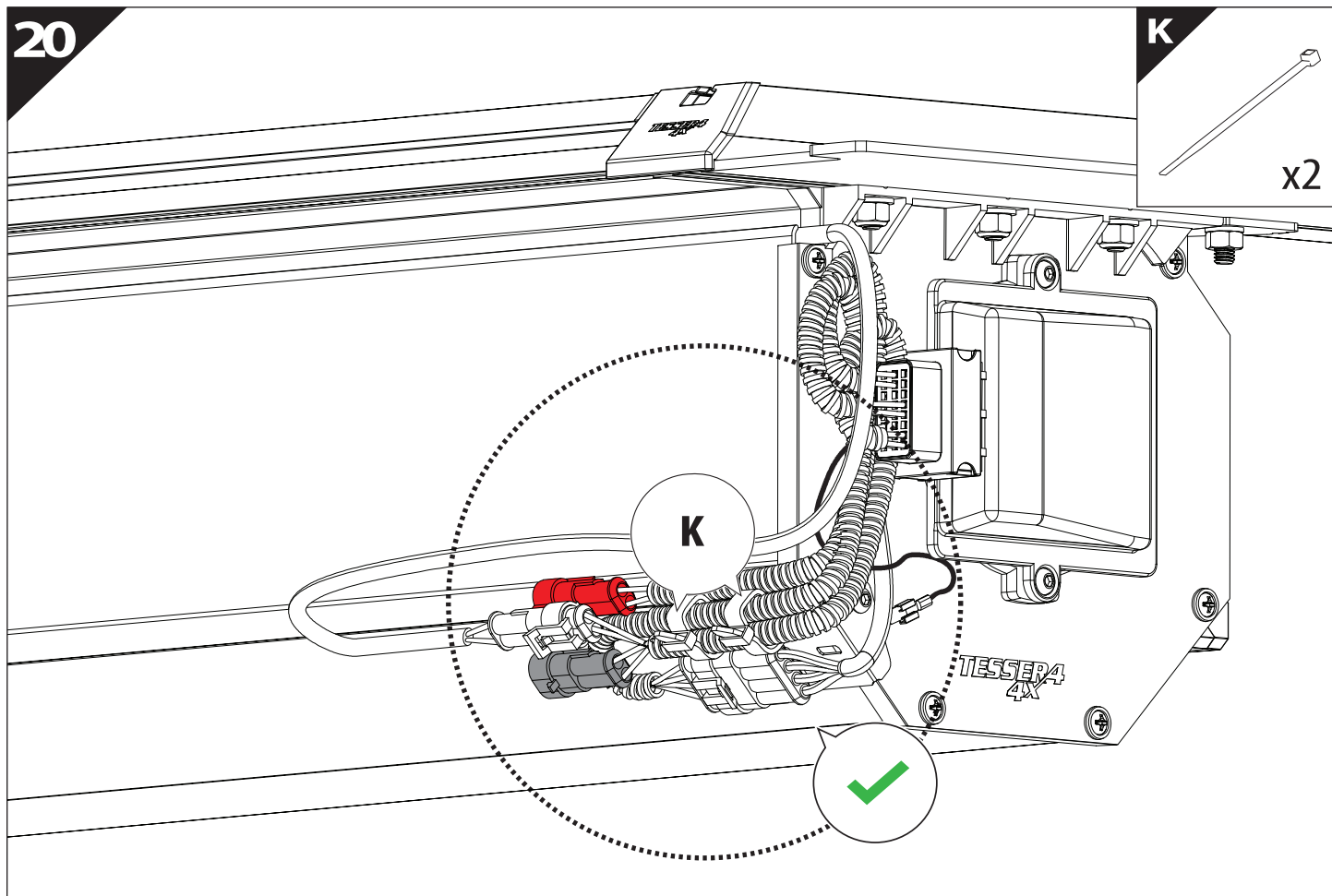


18



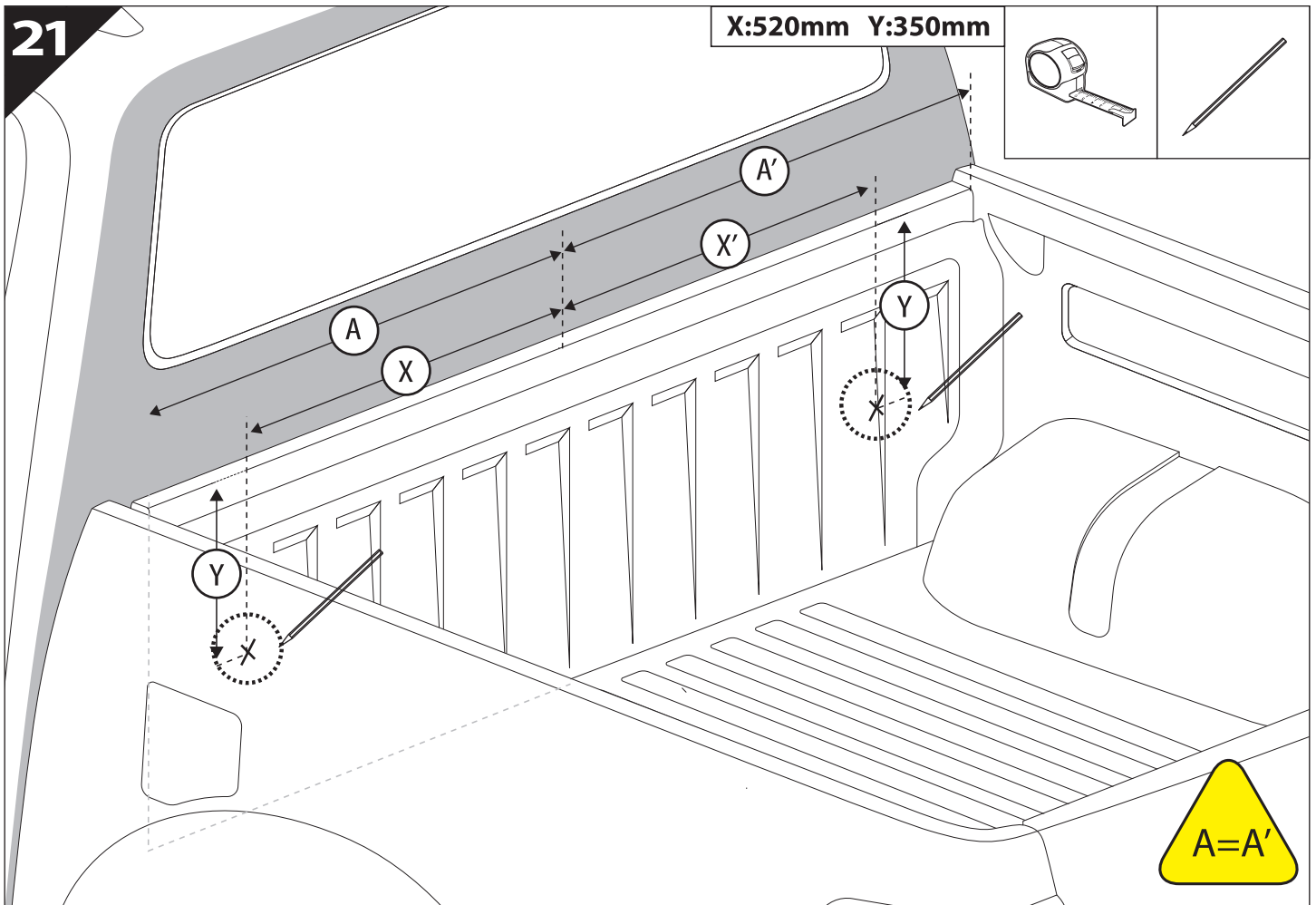
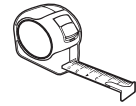
19



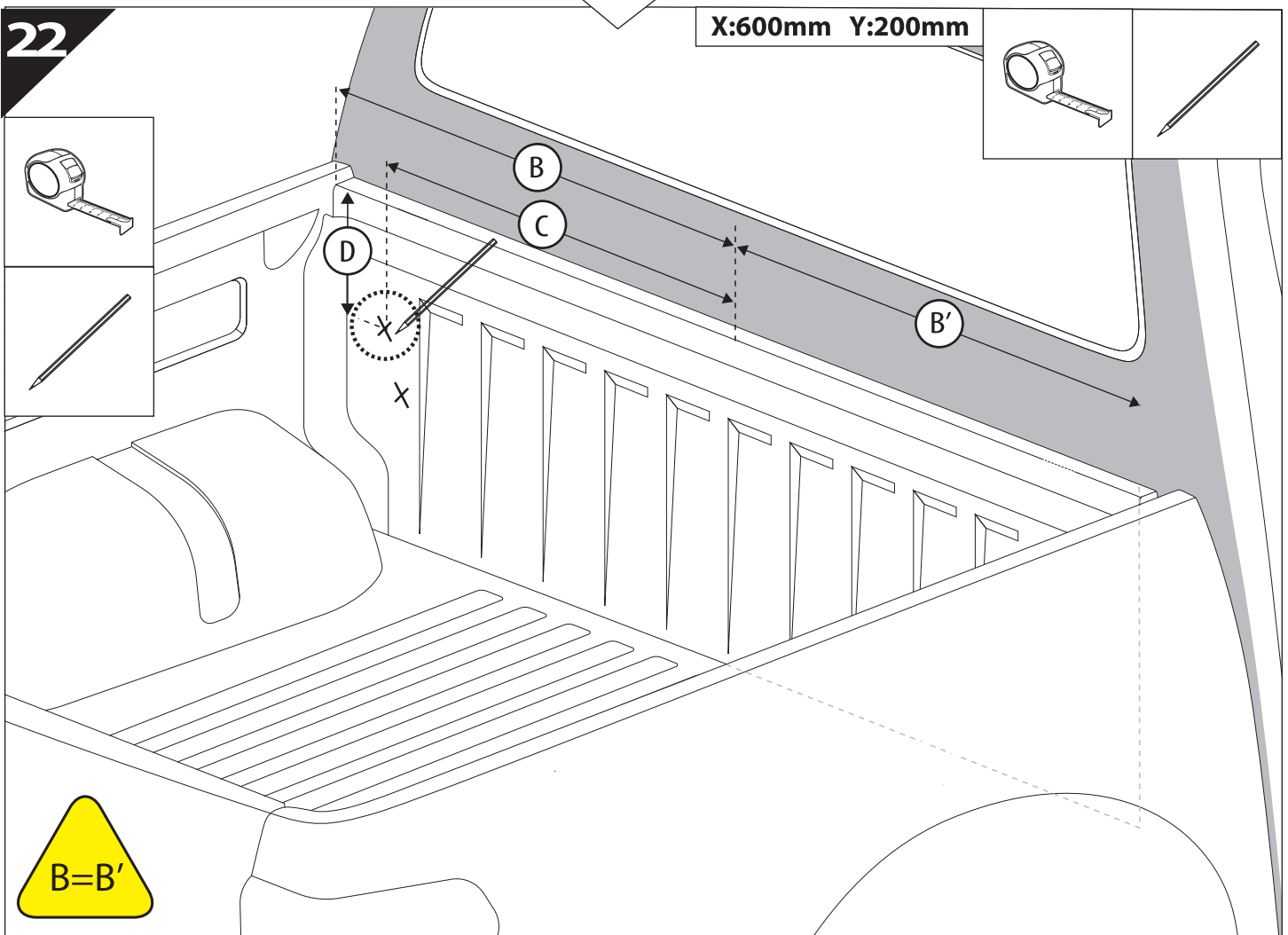
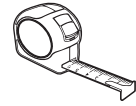


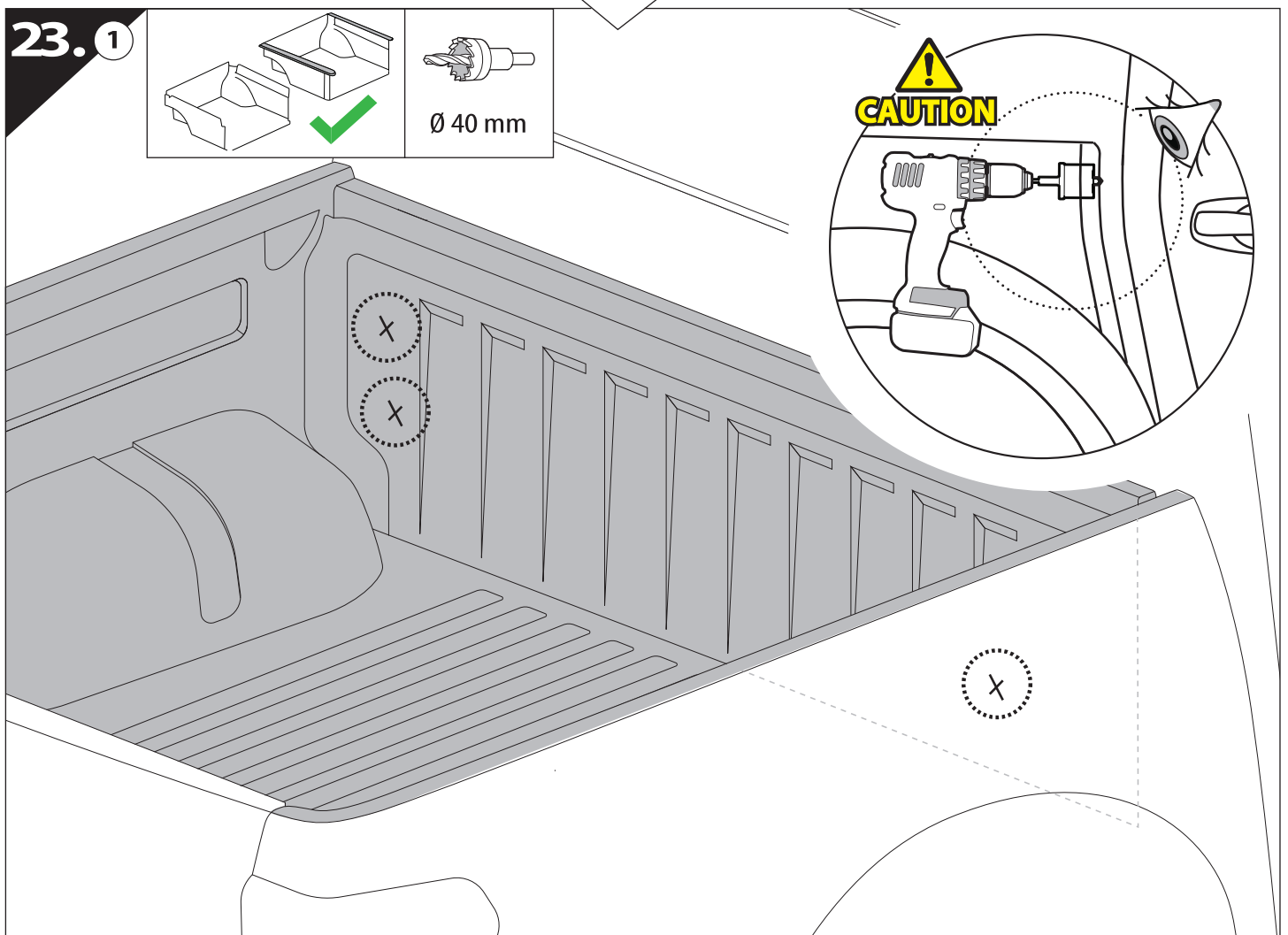
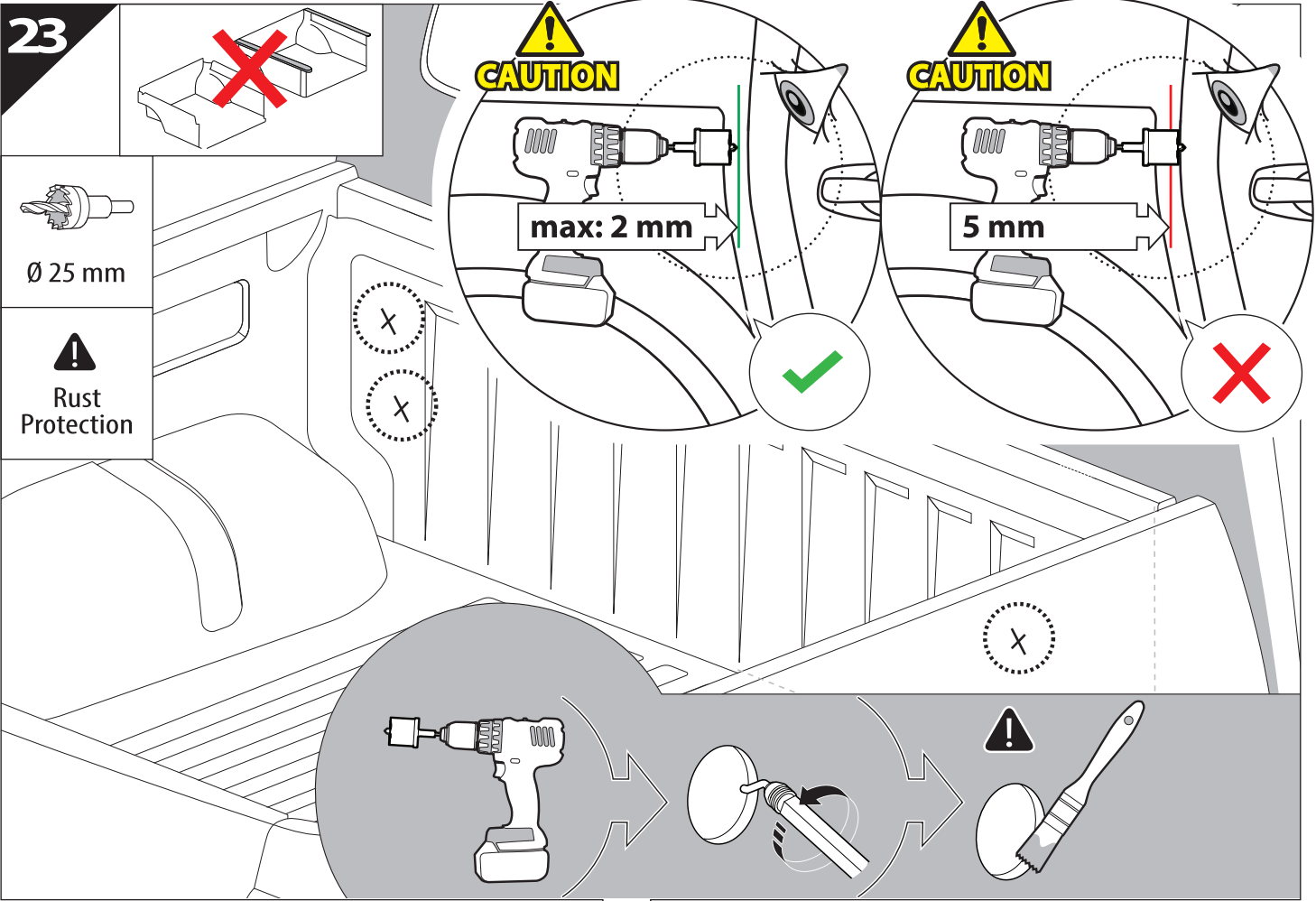
21

X:520mm Y:350mm

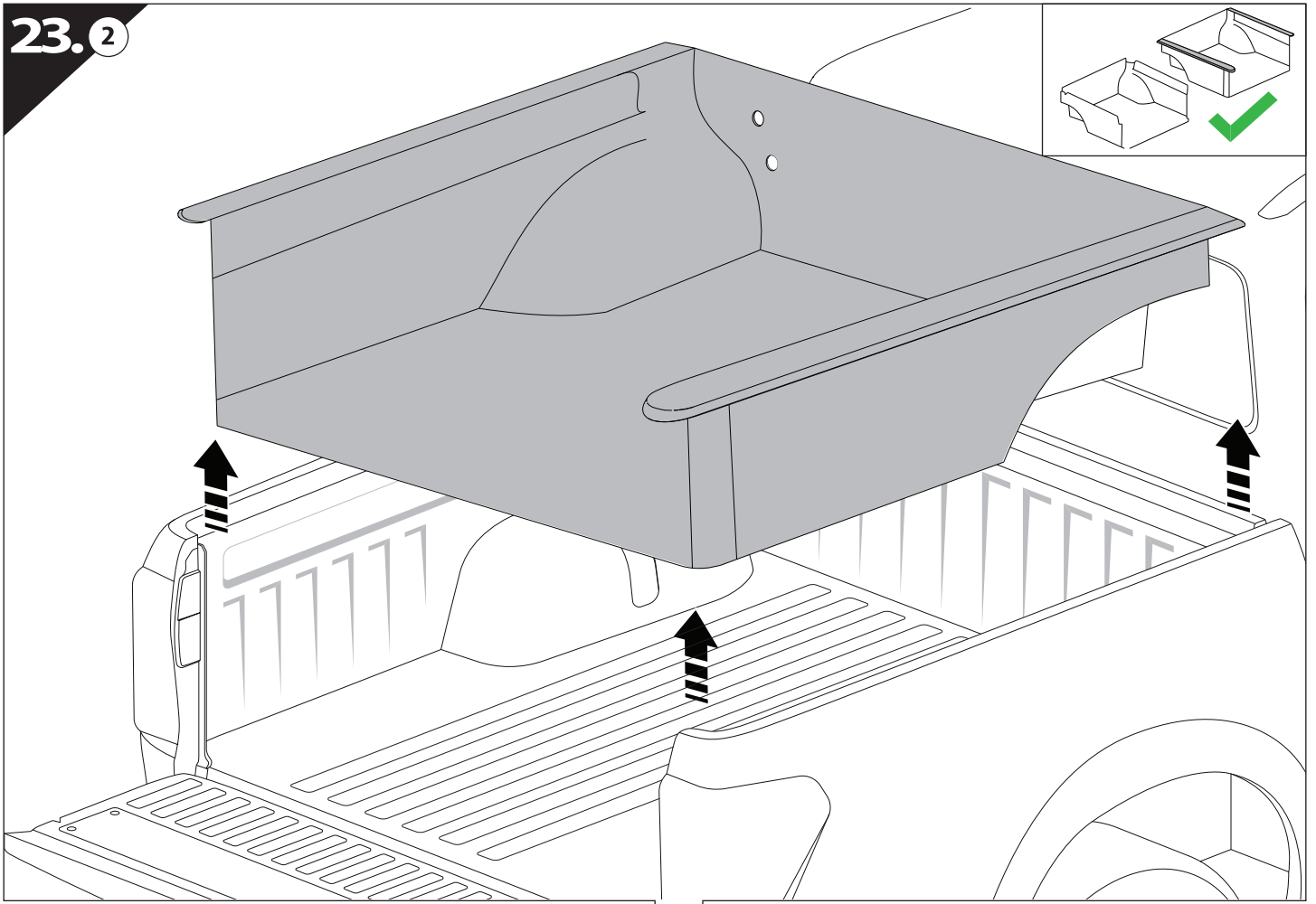


X:600mm Y:200mm

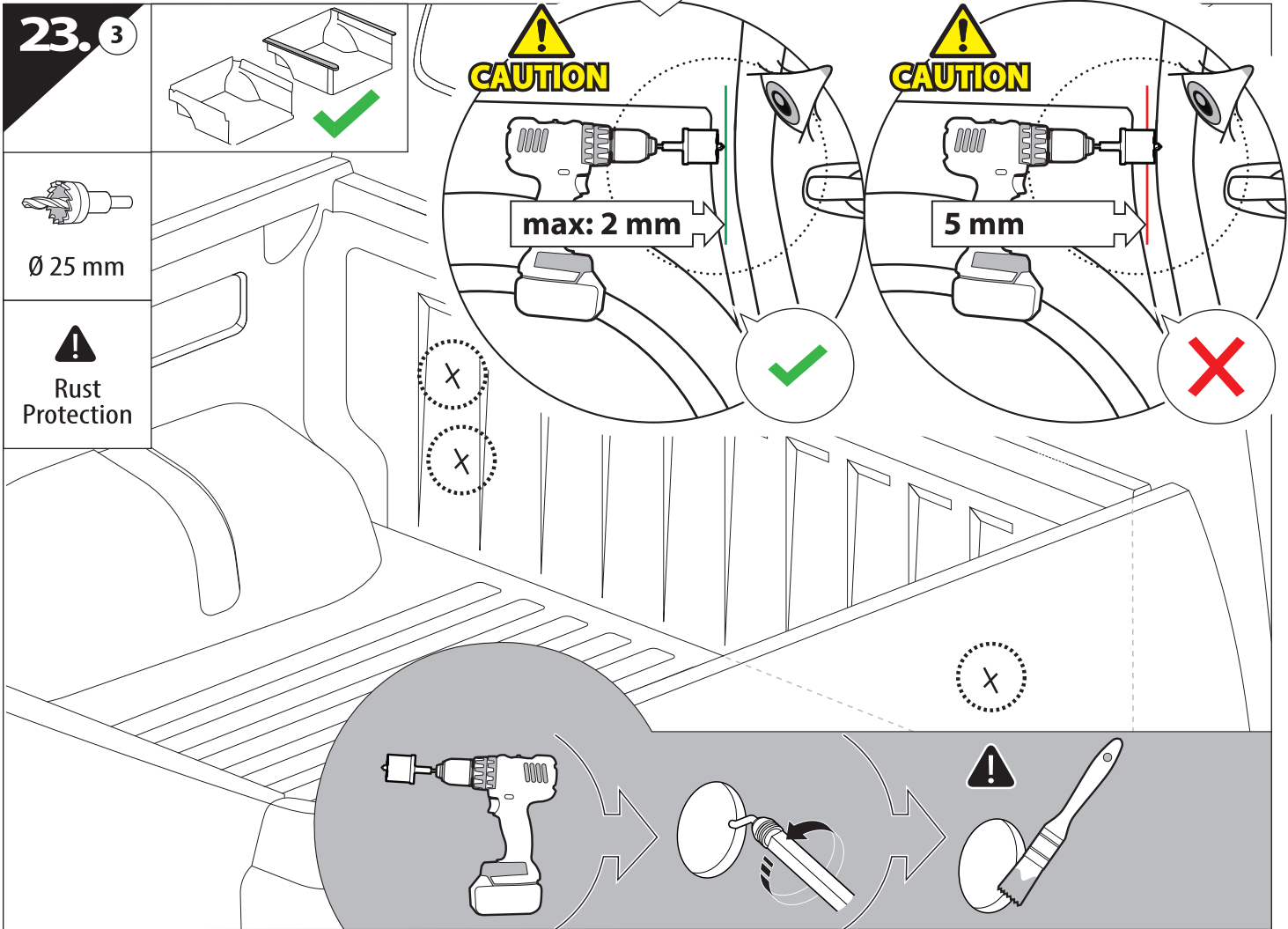


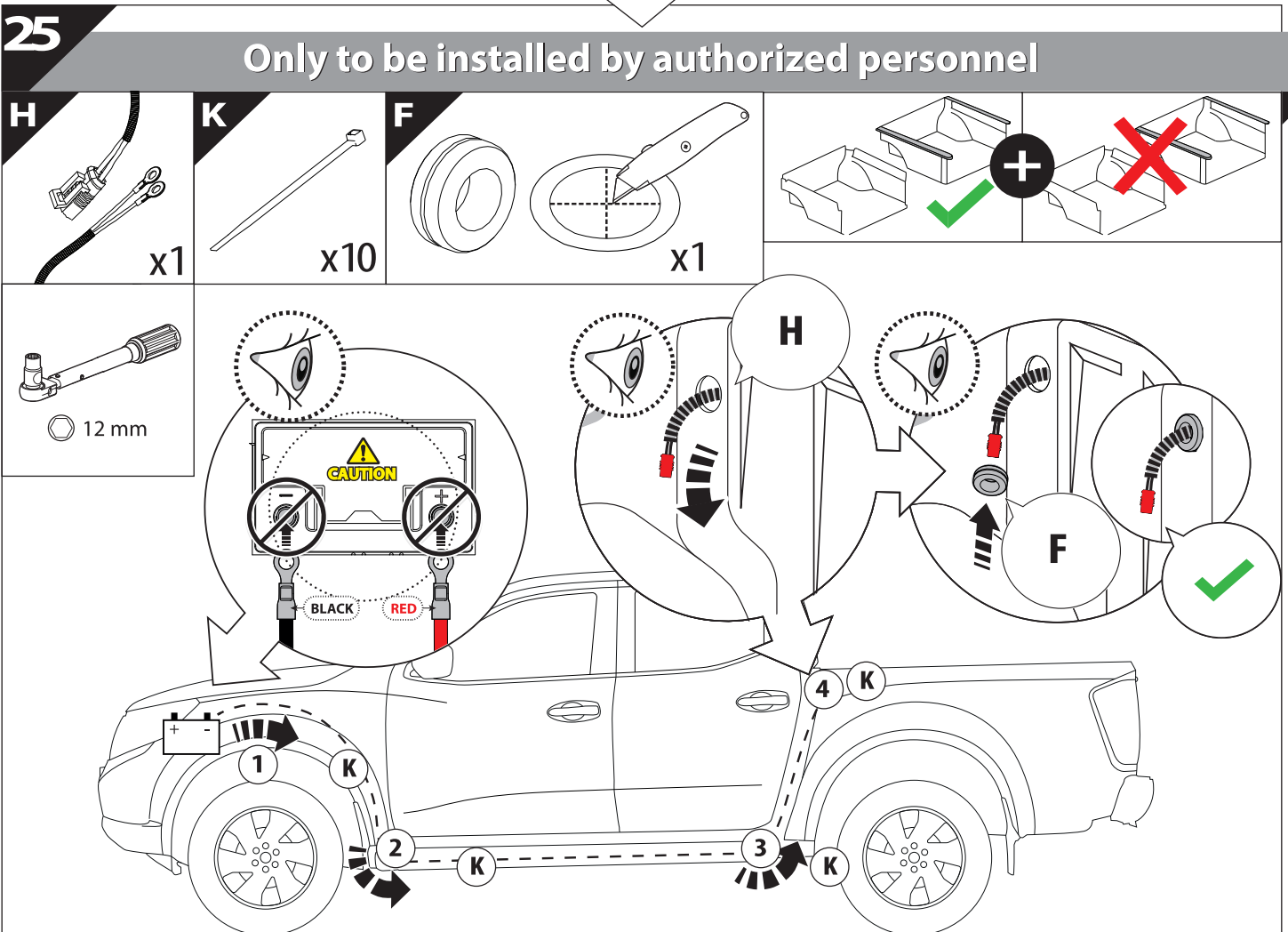
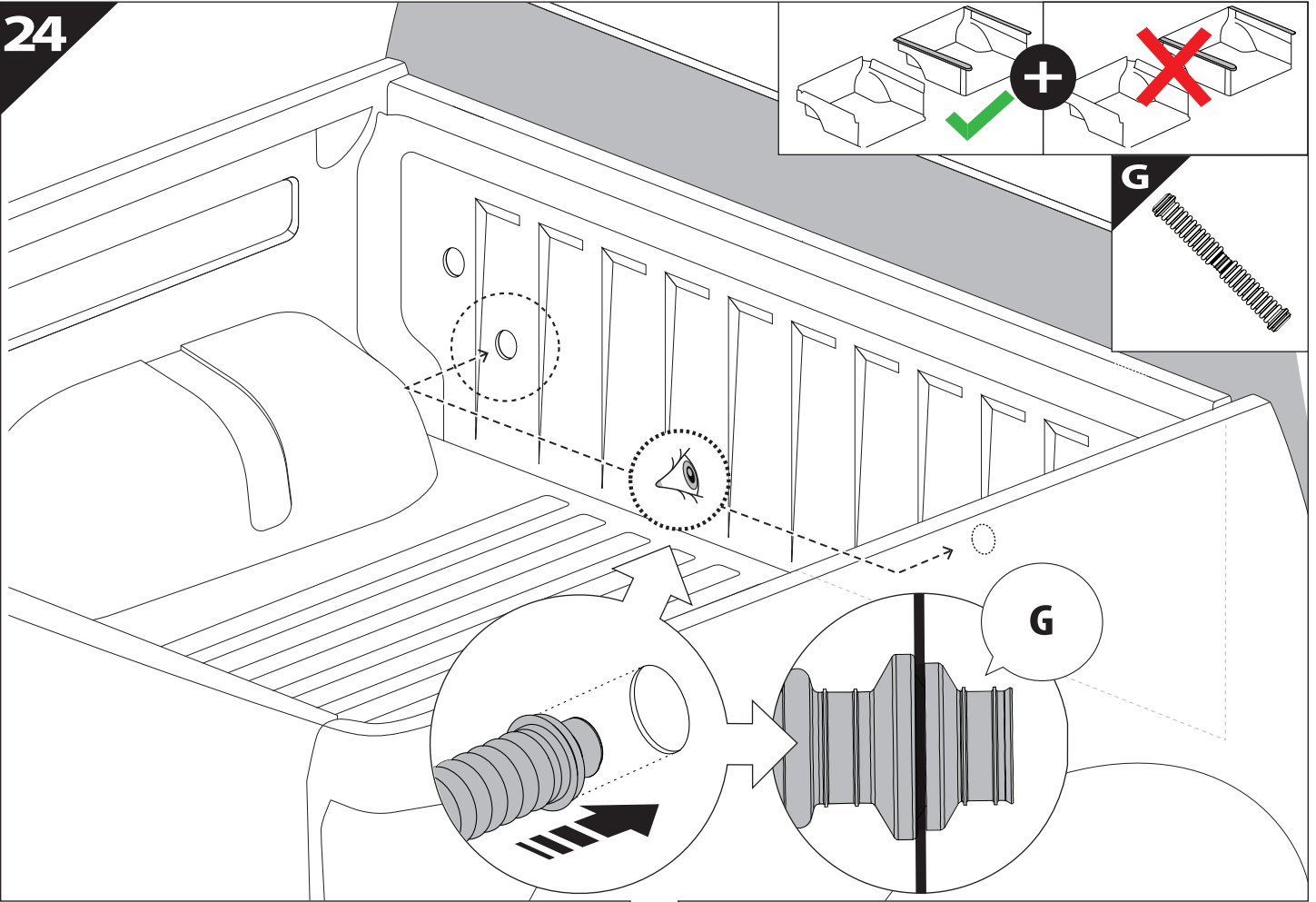


23.2

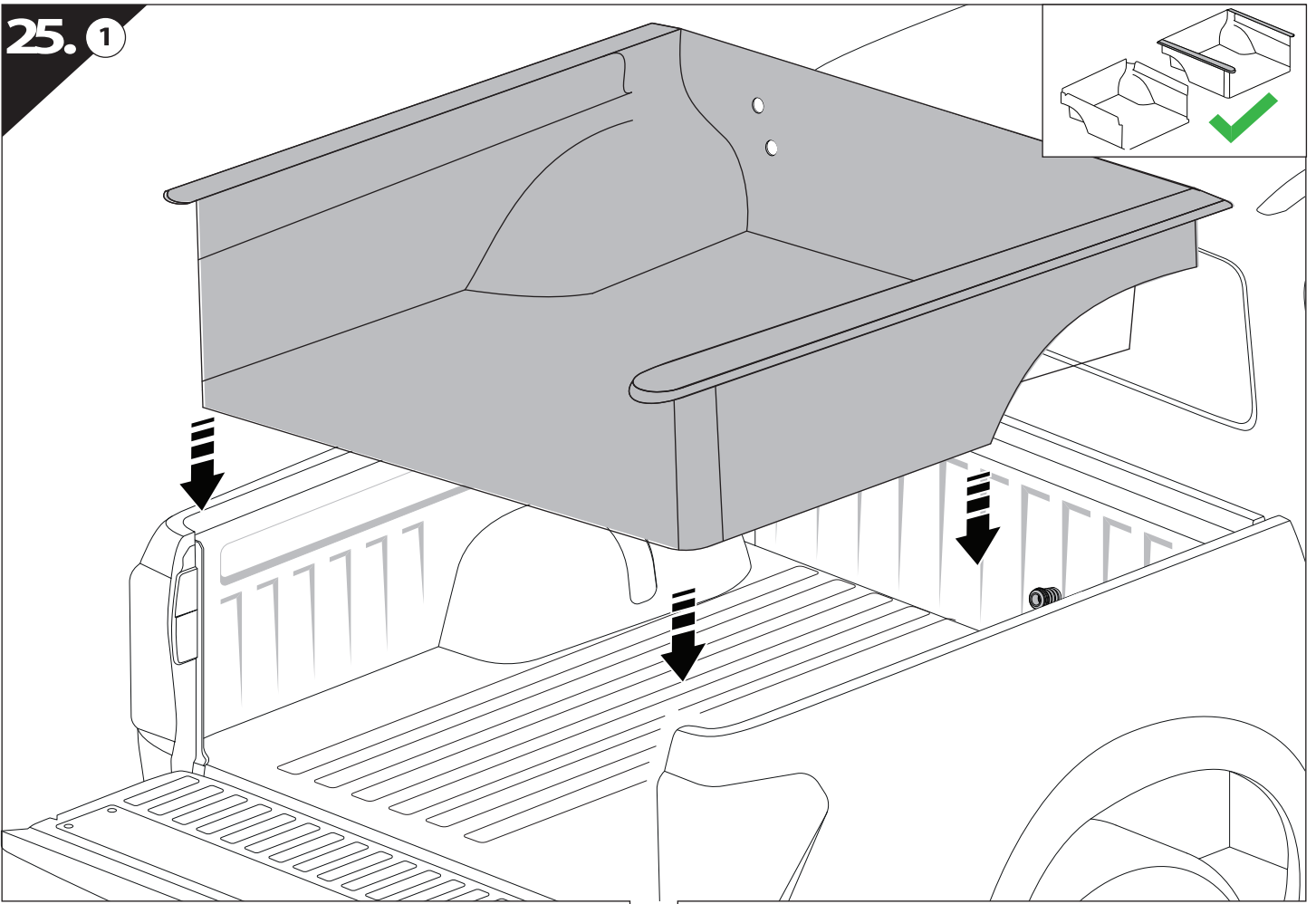


23.3

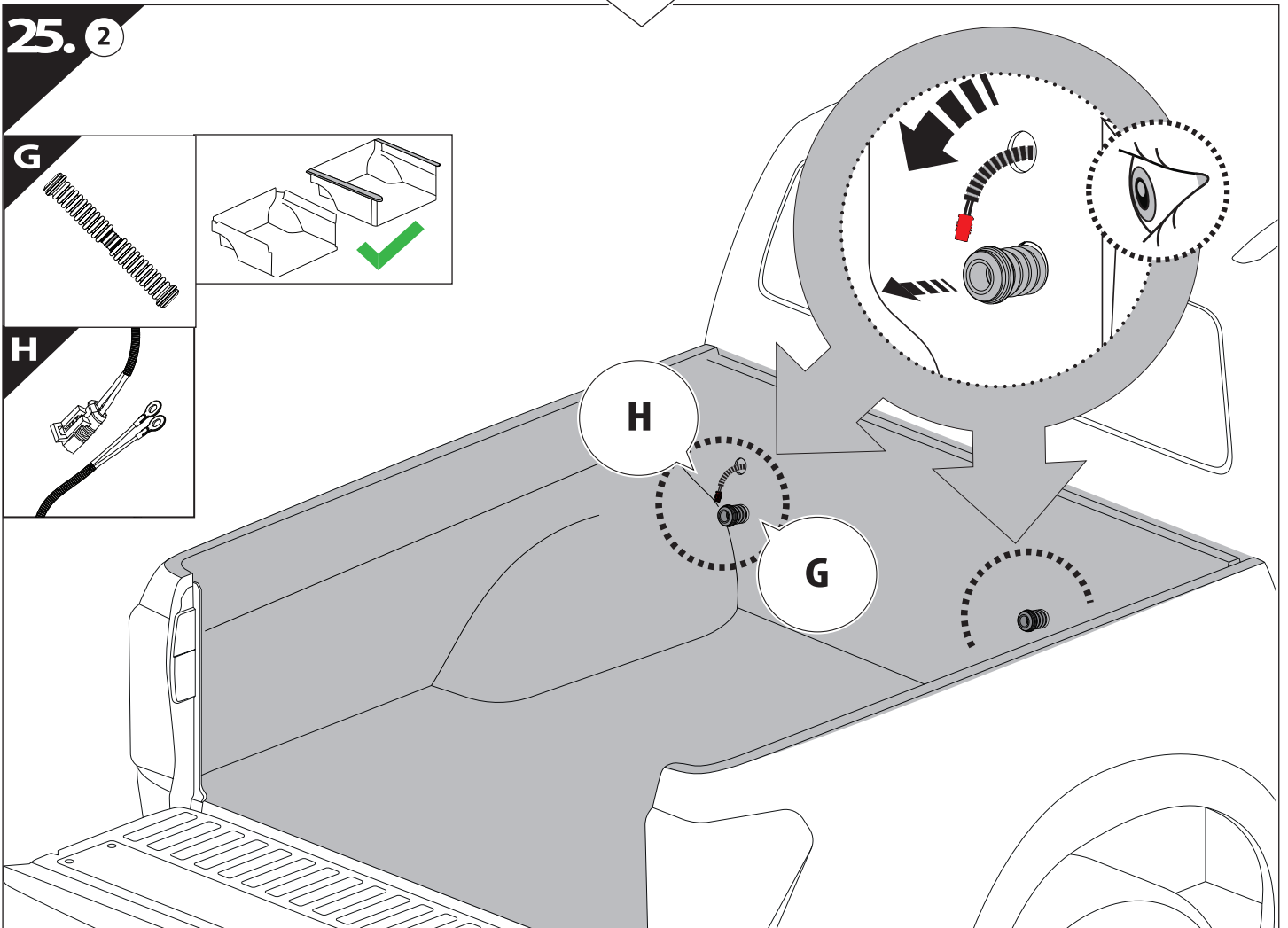




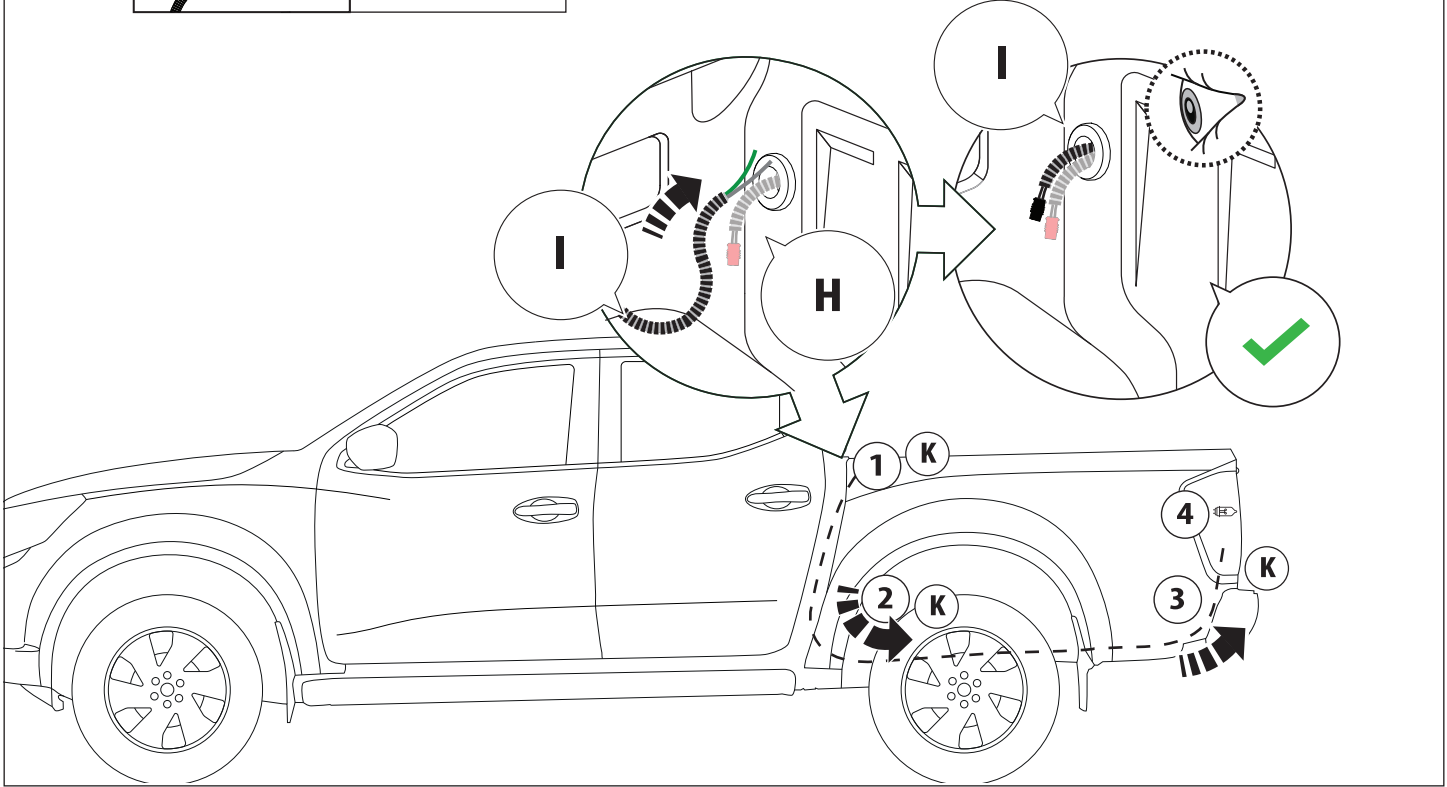
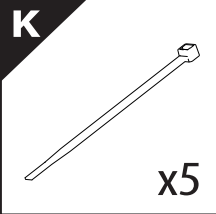
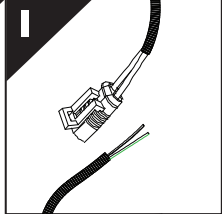
25. ①



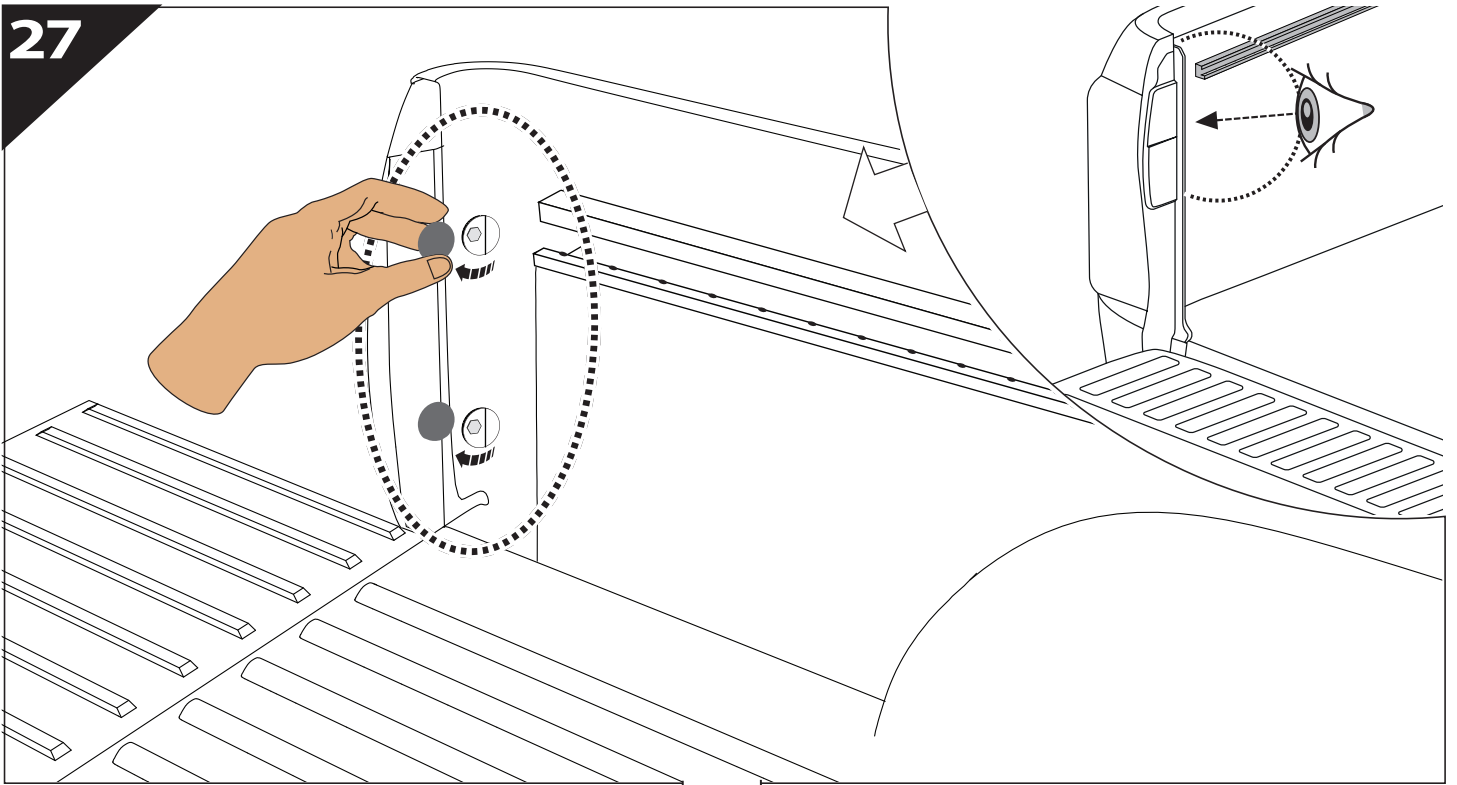
25. ②



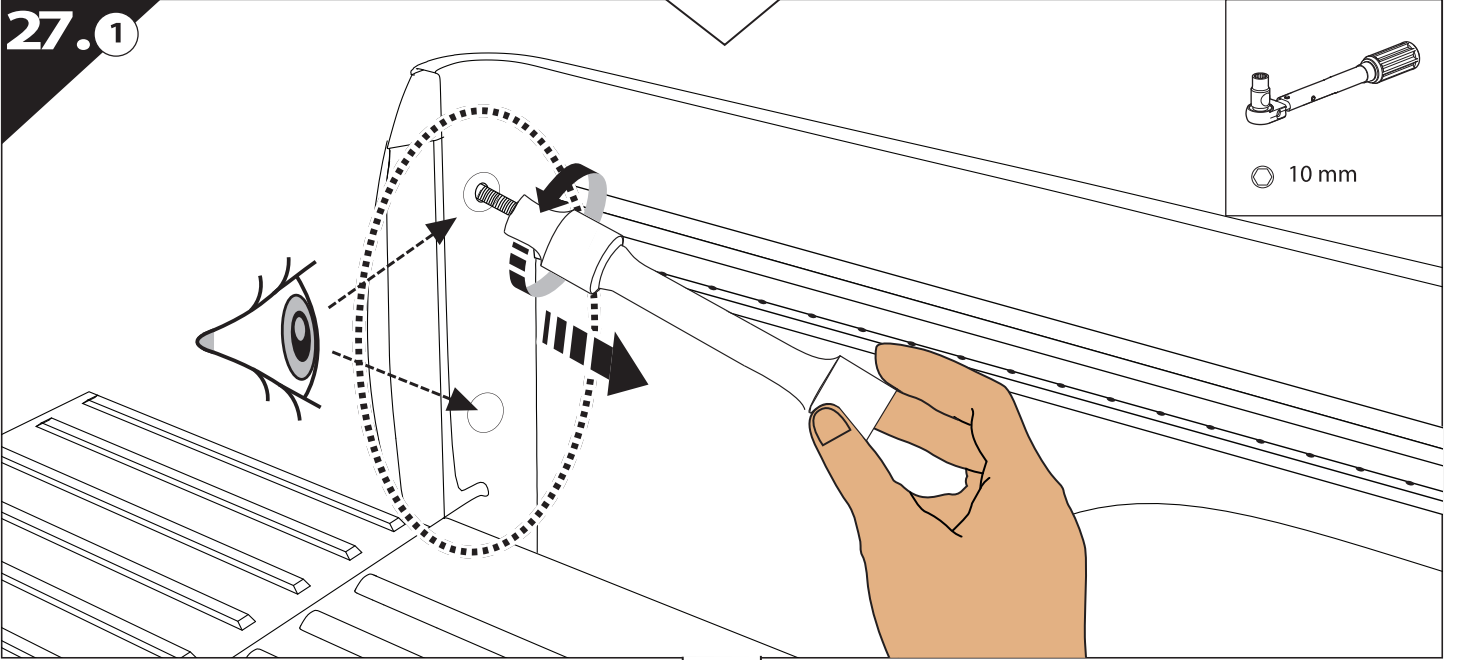
26



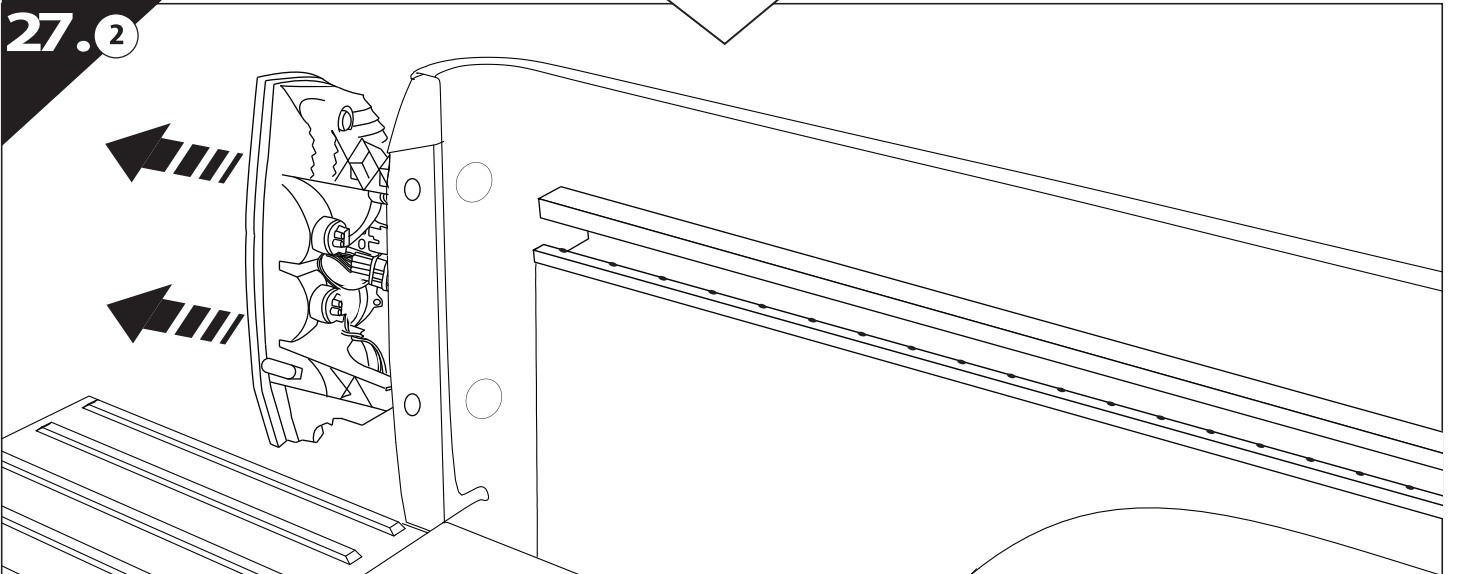
27



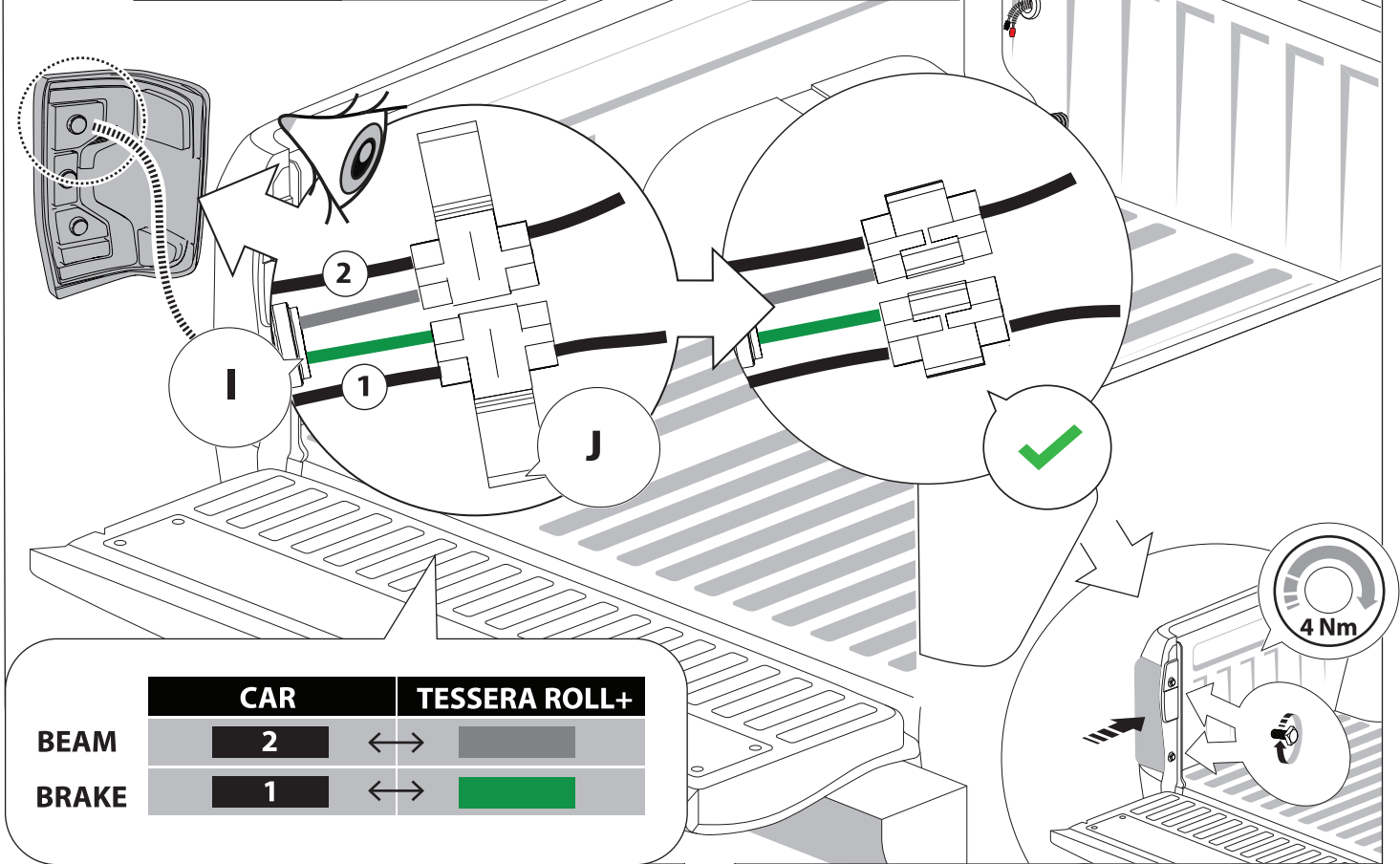
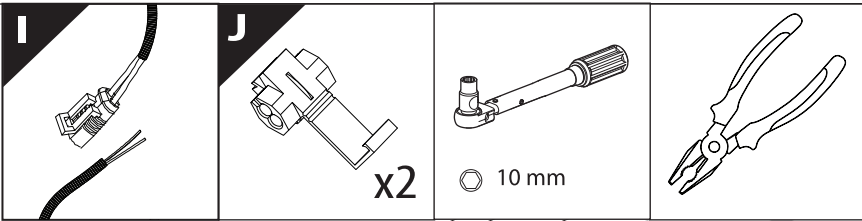
27.1



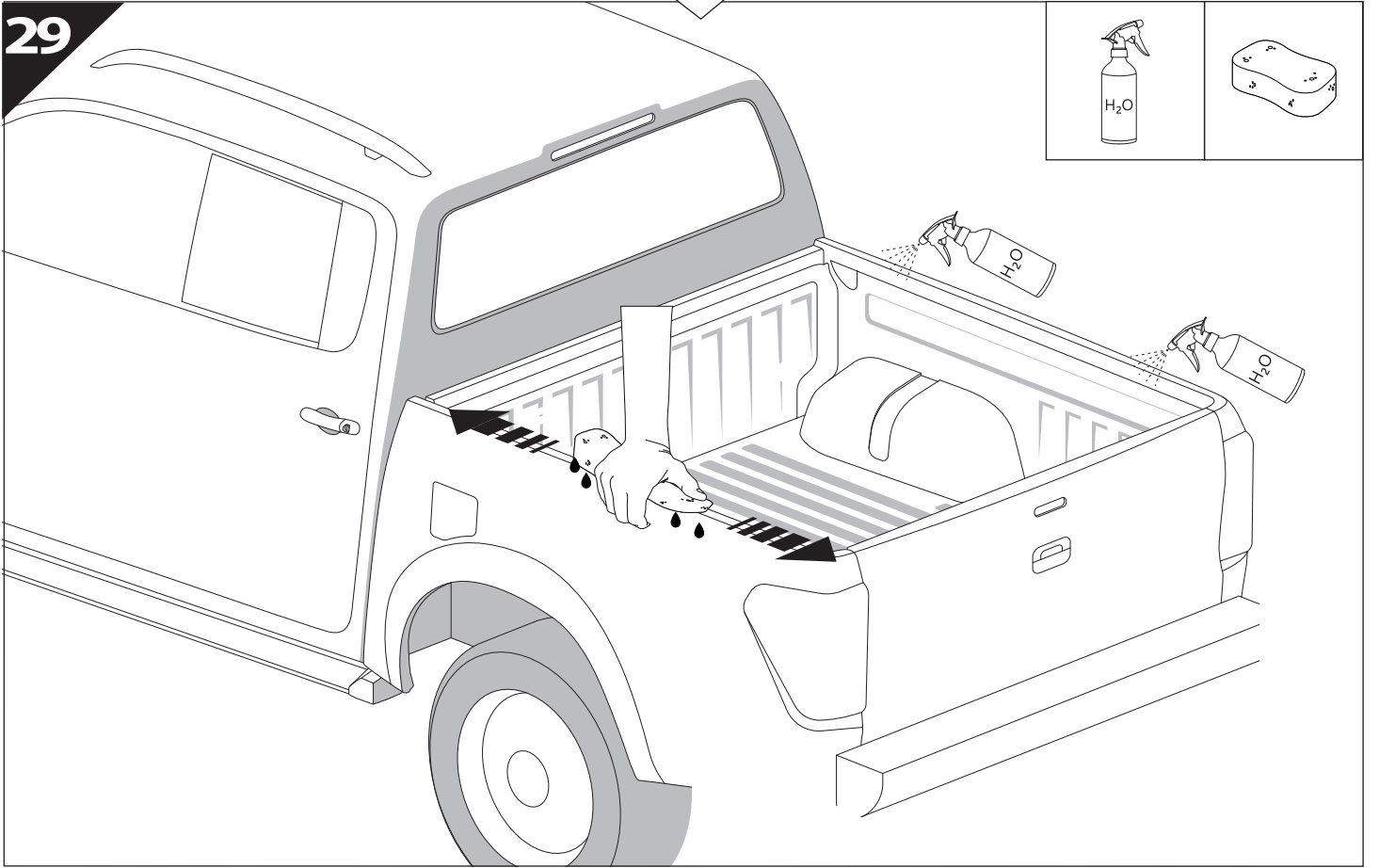
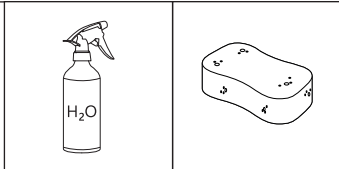
27.2

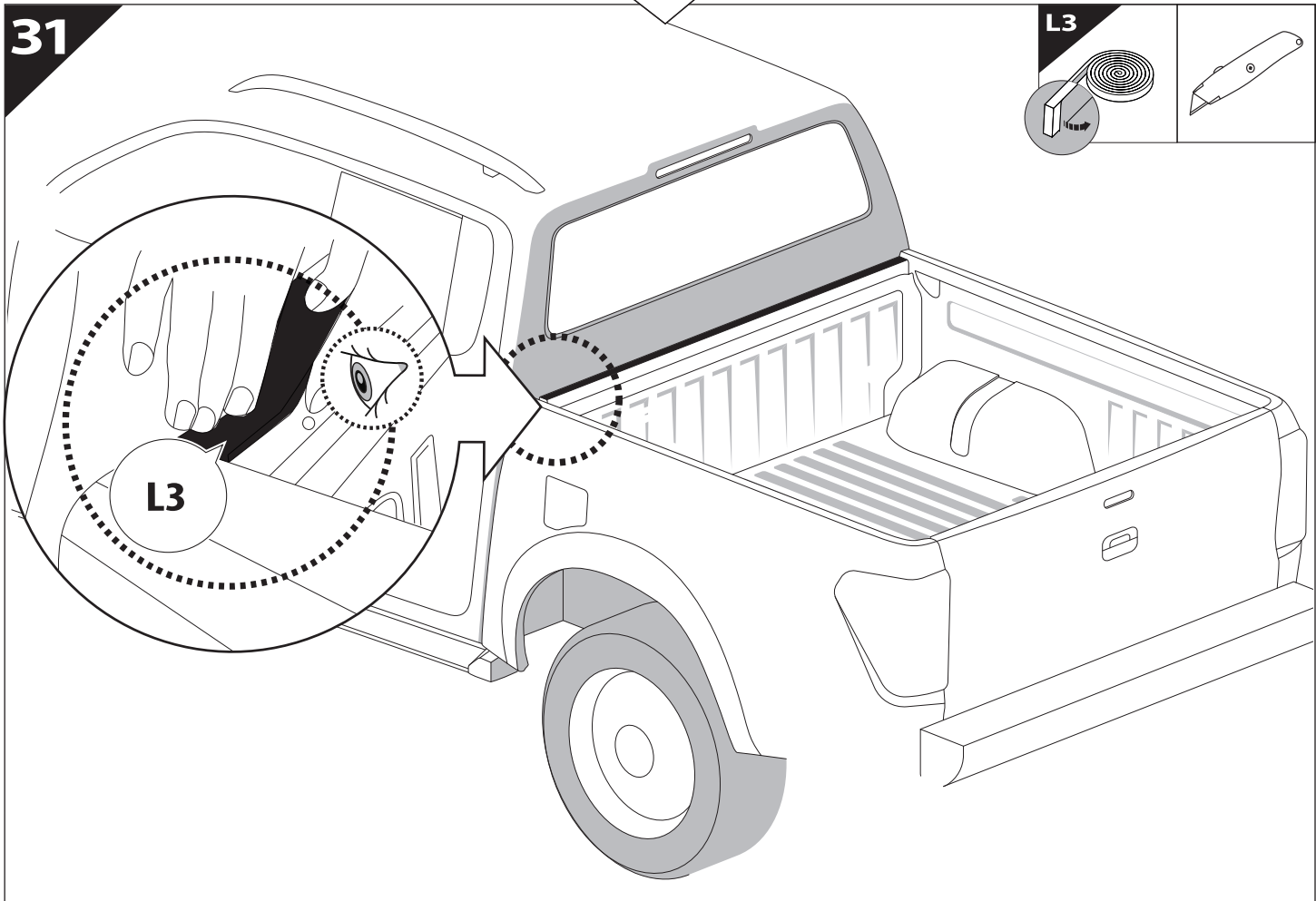
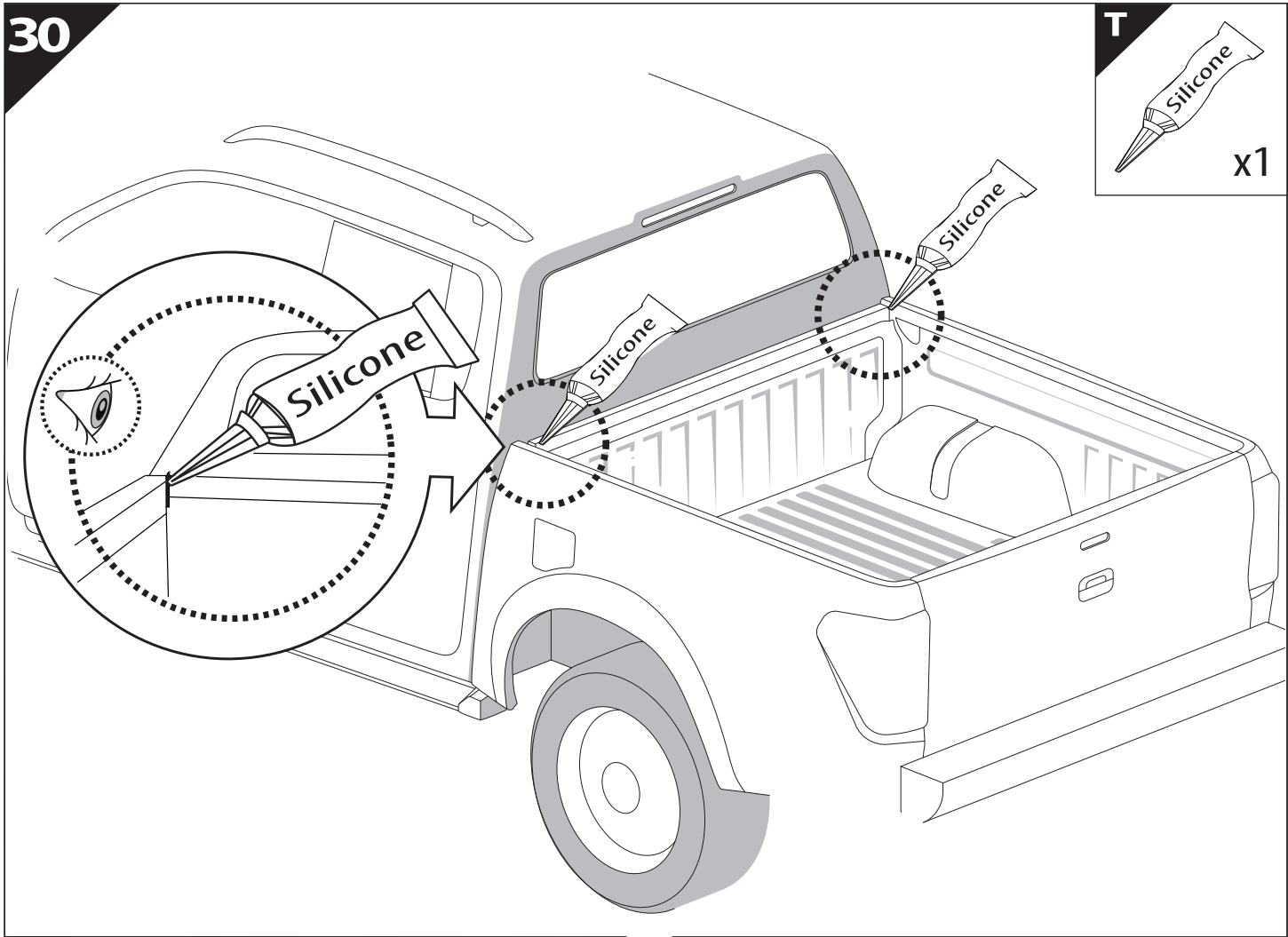


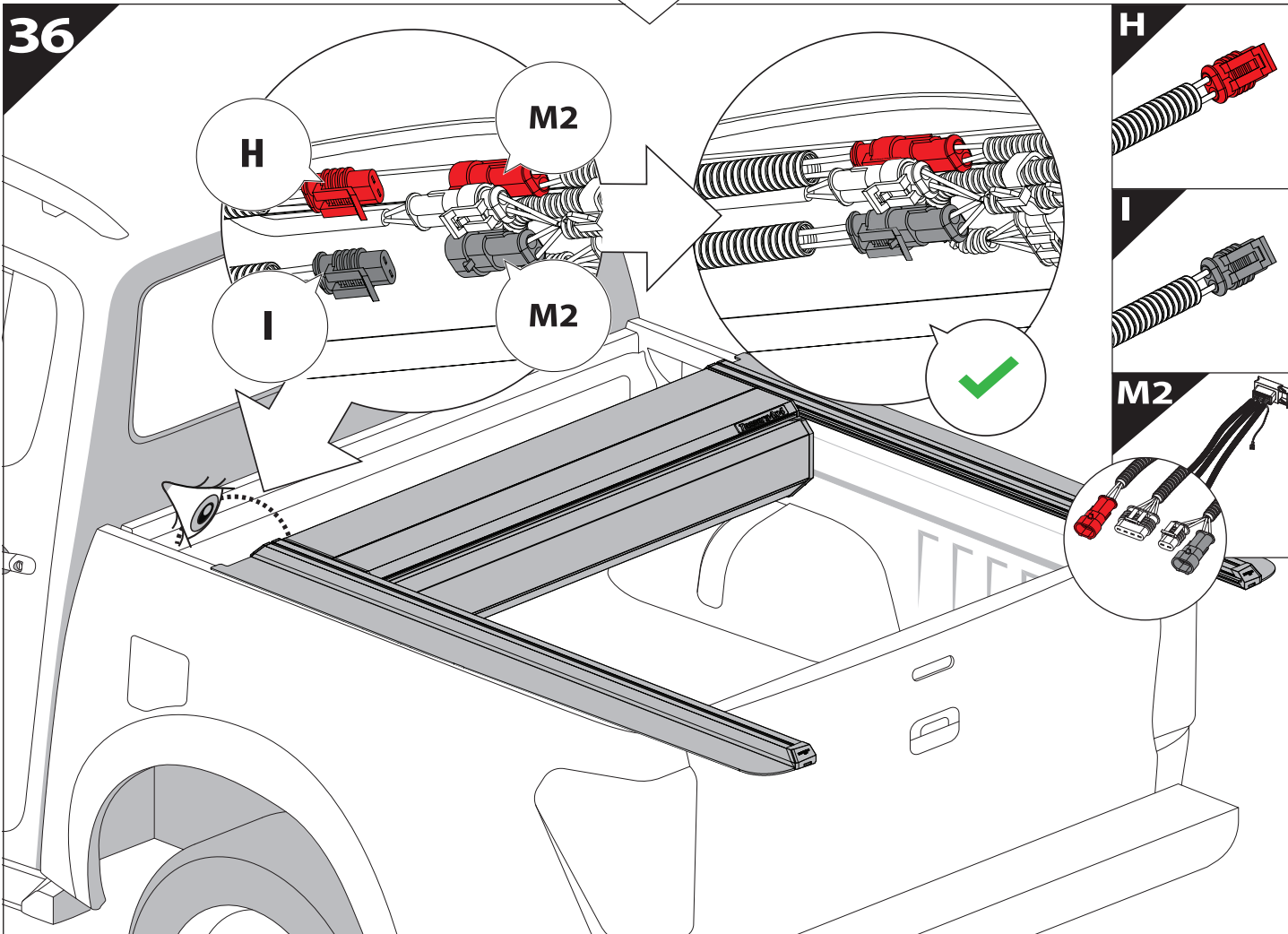
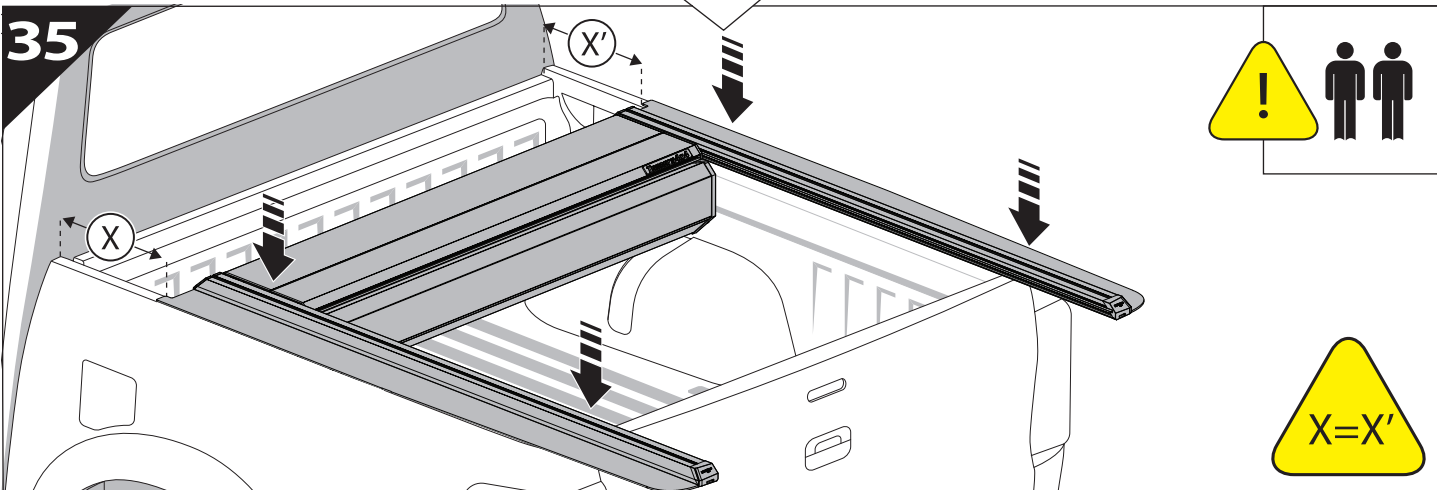
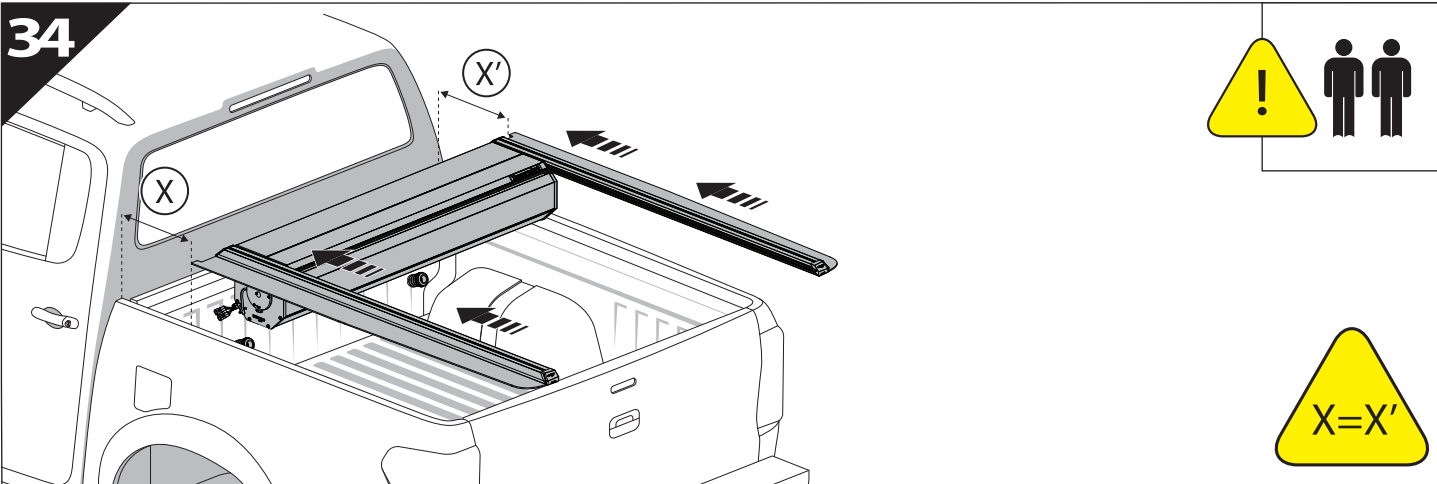
28



29

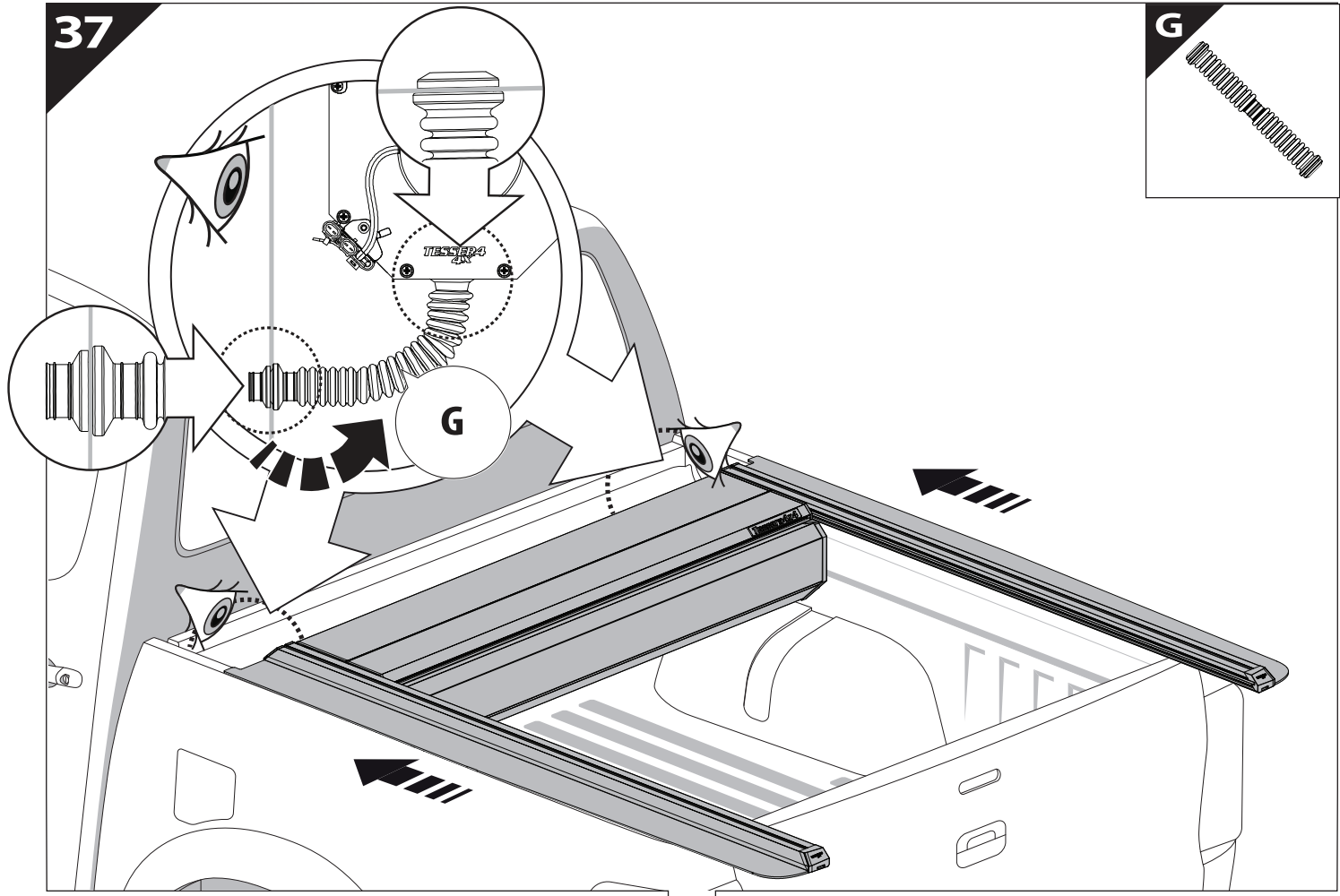




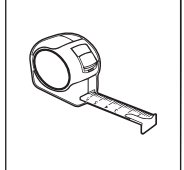
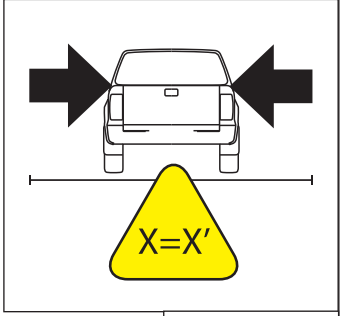
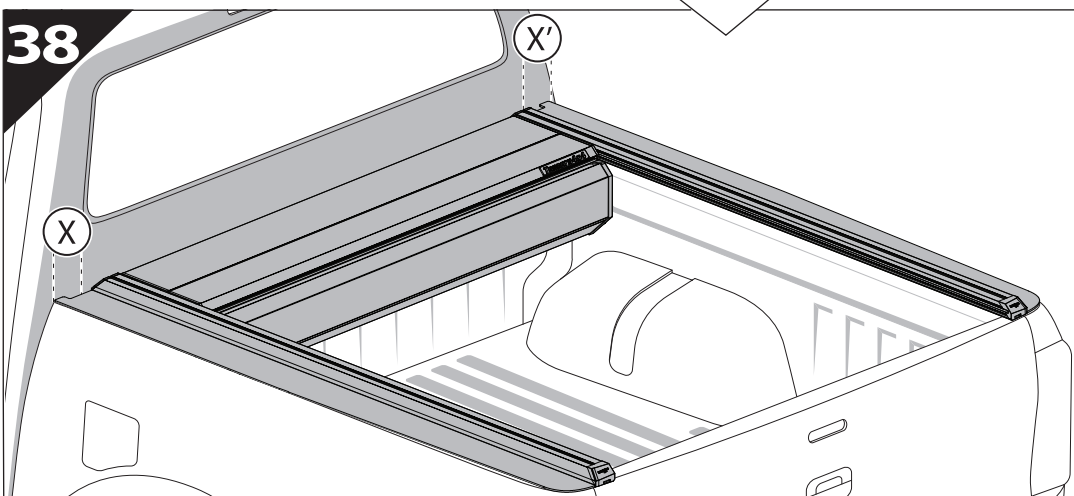


37

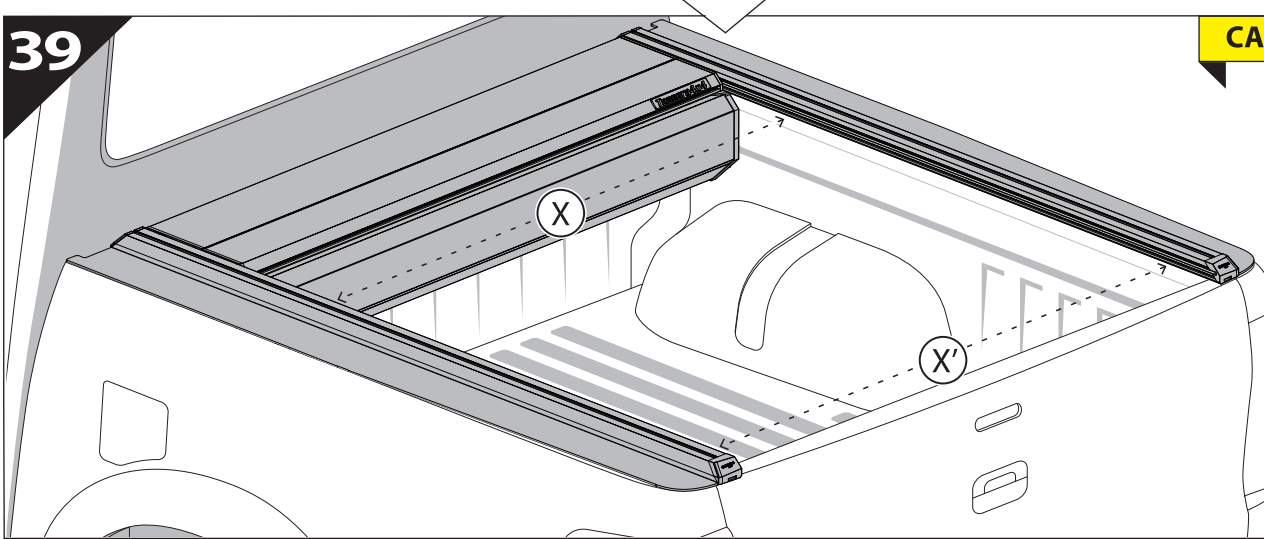
G



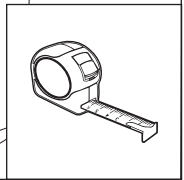
38



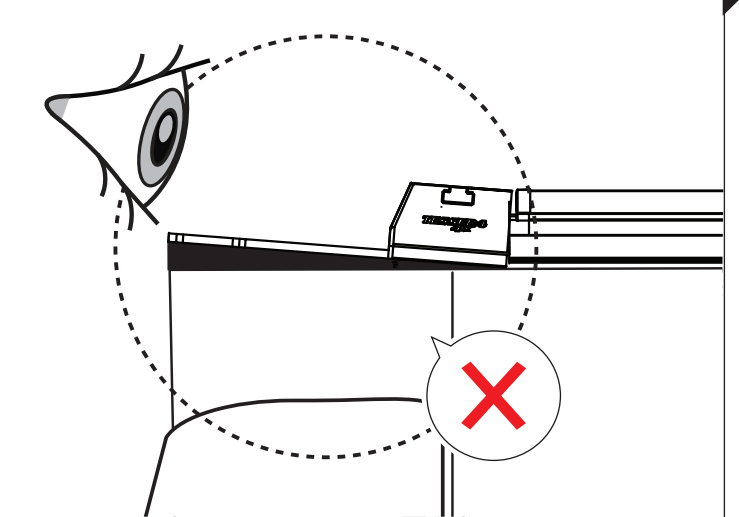
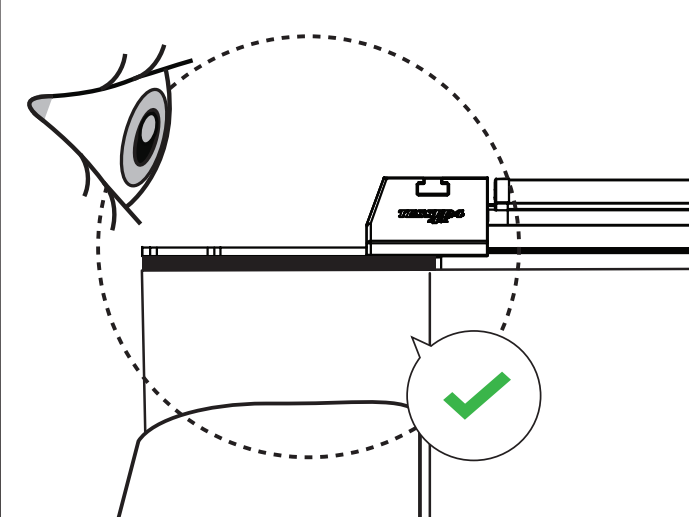
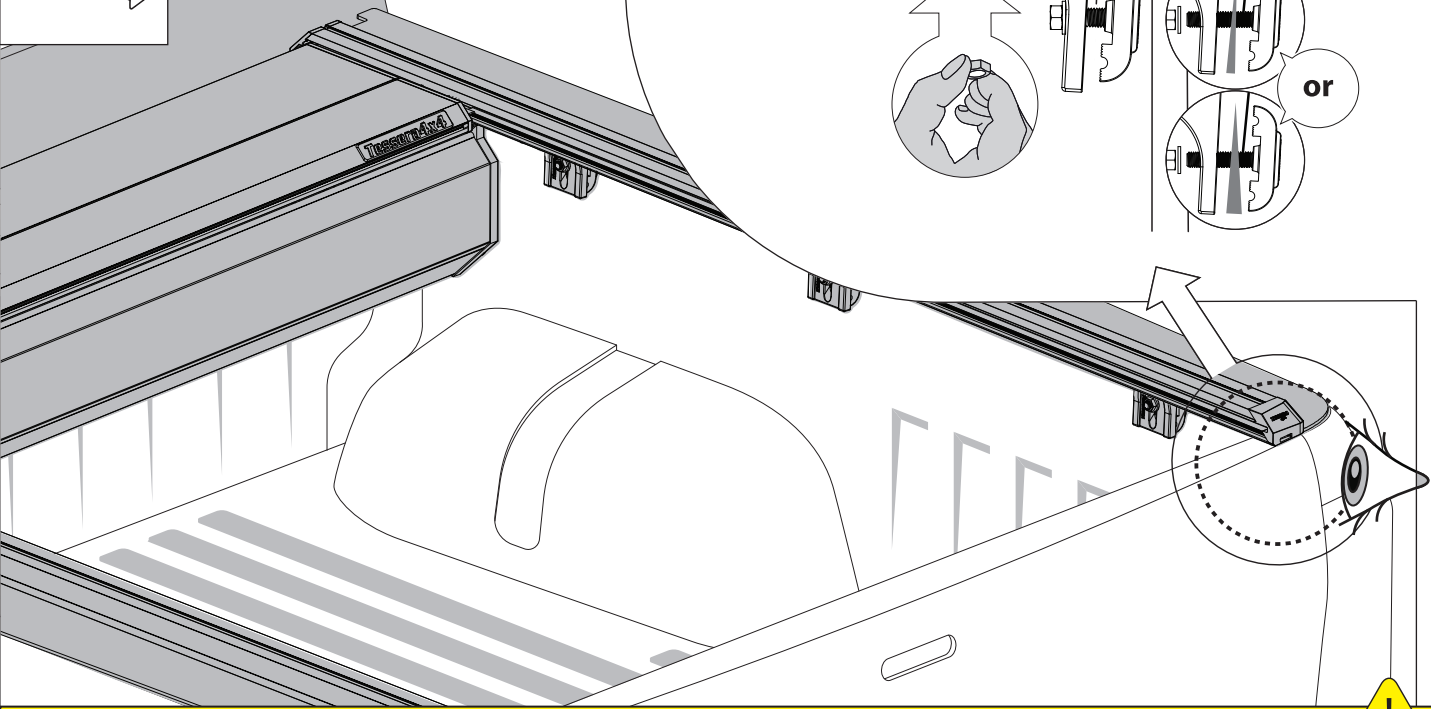
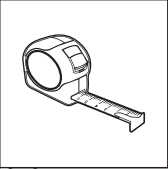
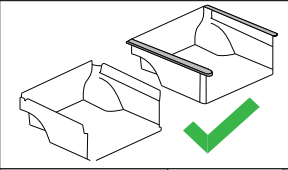
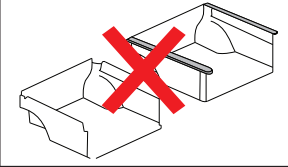
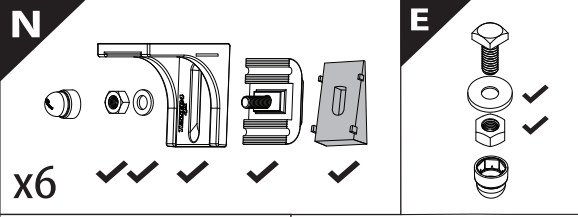
39

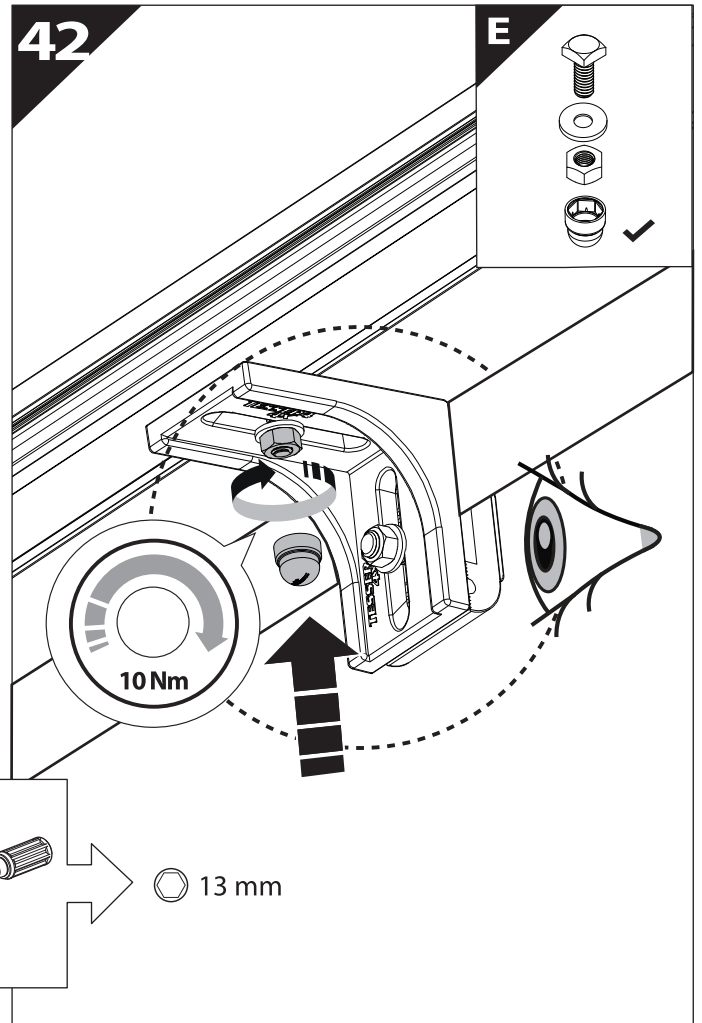
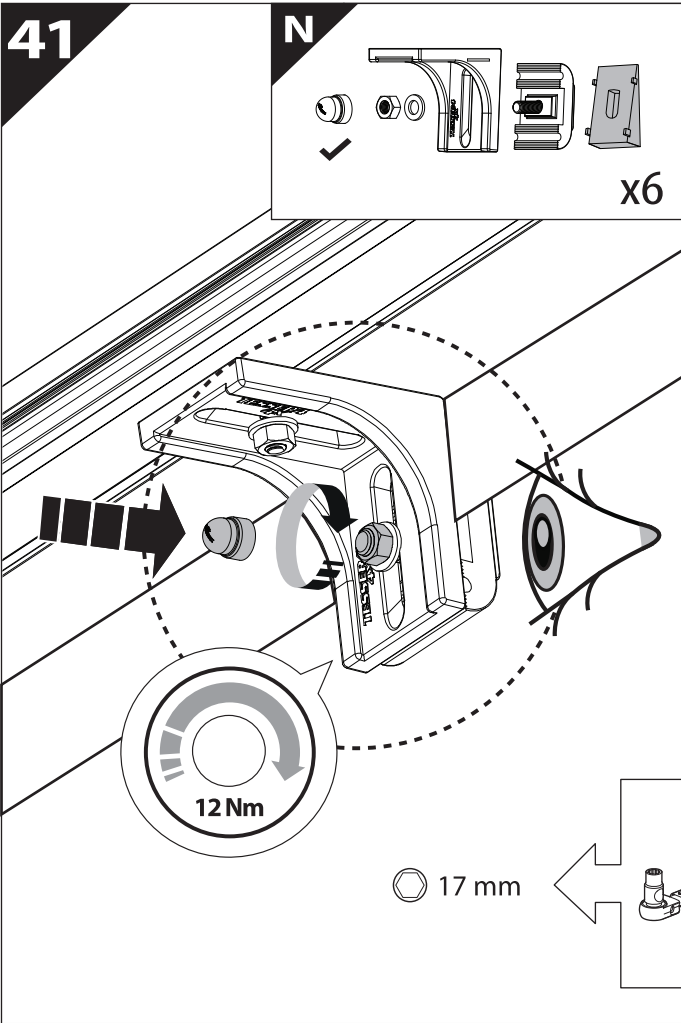


CAUTION !

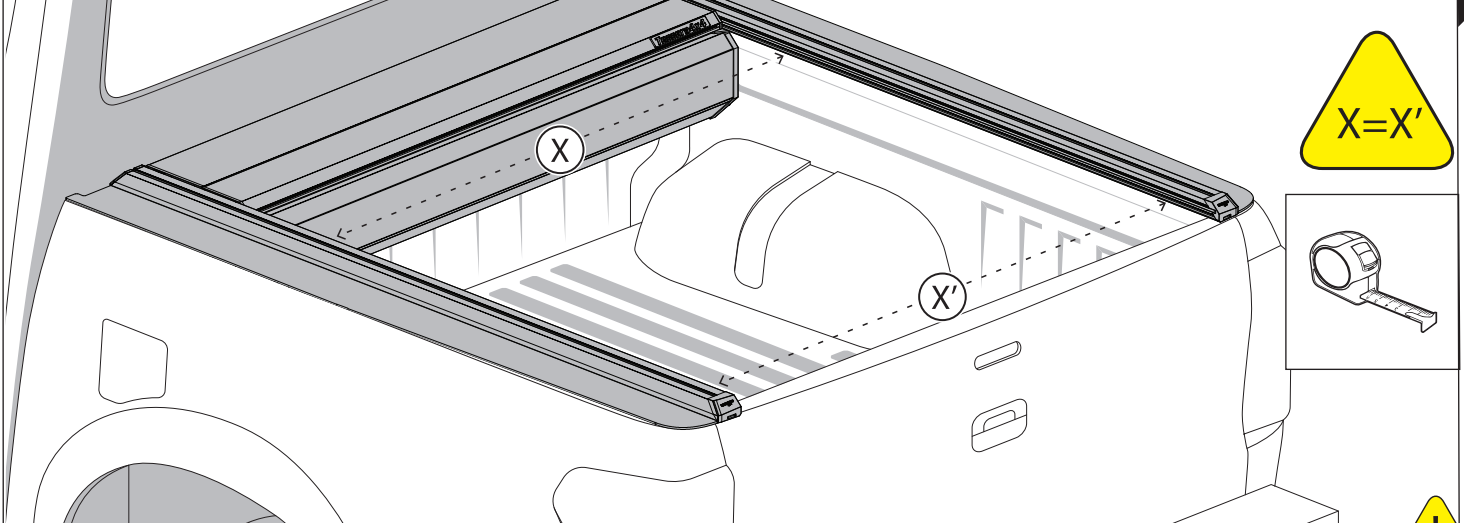


40

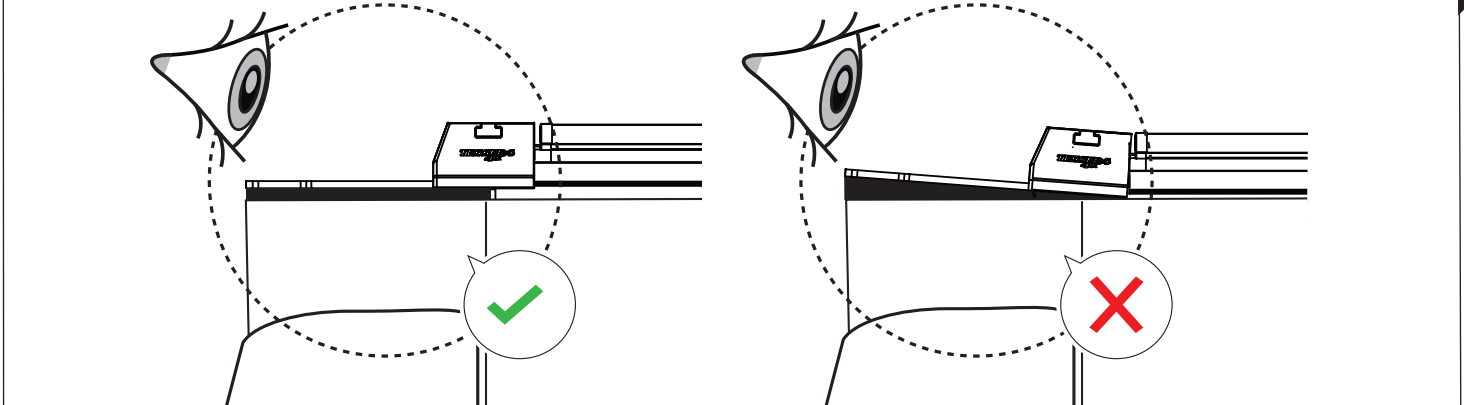




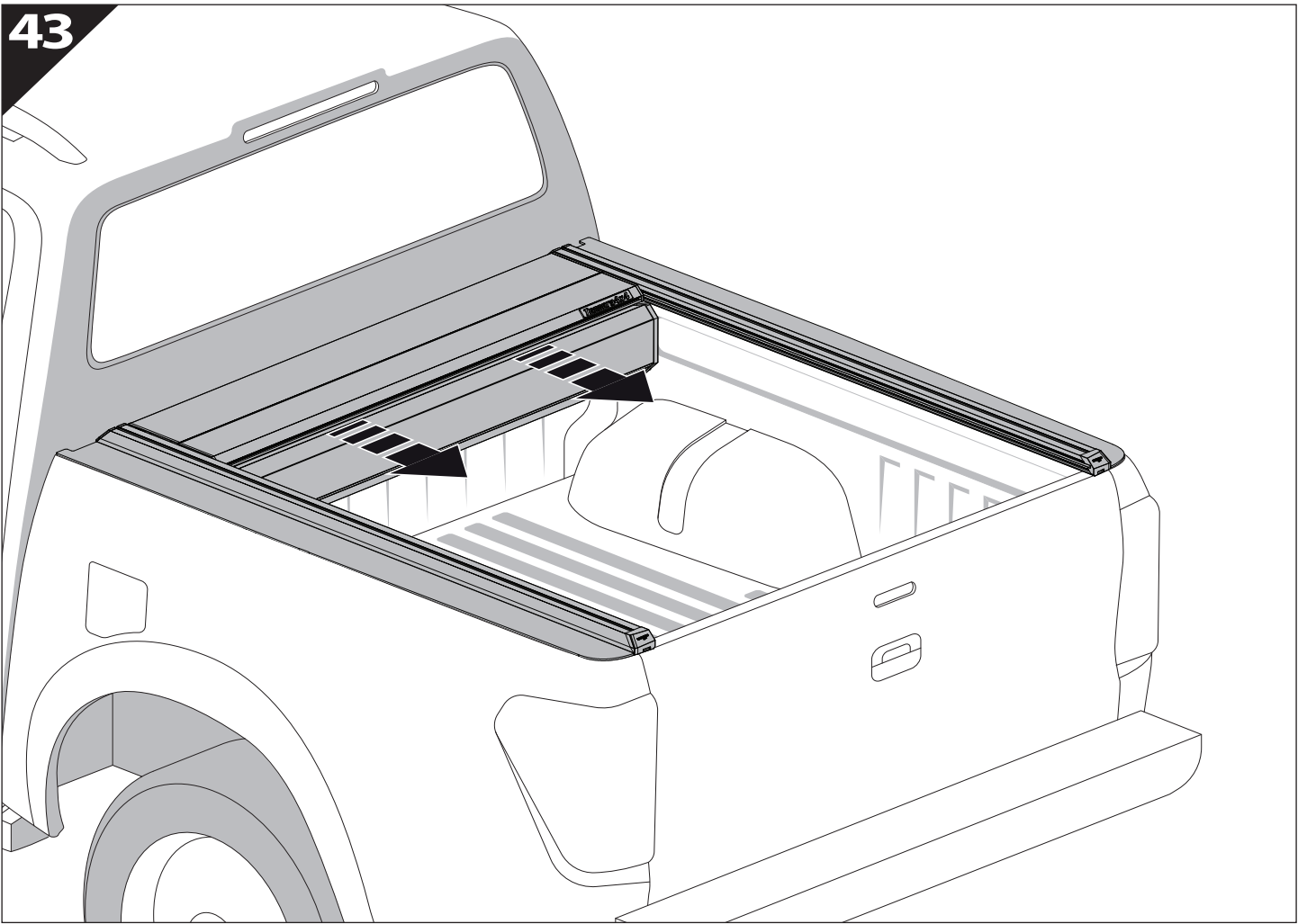
CAUTION !



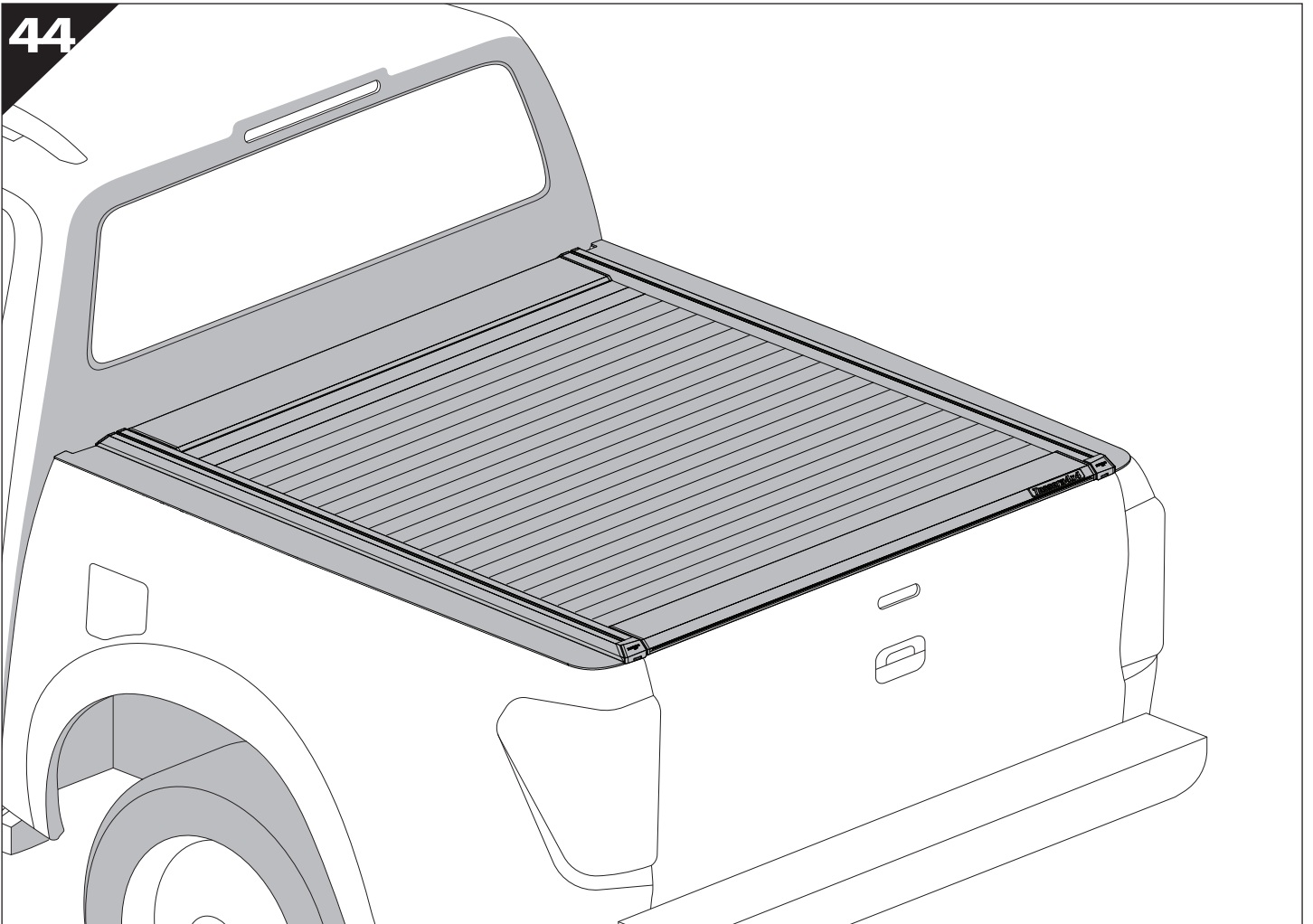
CAUTION !



43



44



GR: Οδηγίες Εγκατάστασης
GB: Installation manual
SF: Asennusohje
F: Notice de montage
PL: Instrukcja montażu
NL: Installatie-instructies
TR: Montaj Talimatı
S: Monteringsanvisning
E: Instrucciones de montaje

H: Szerelési utasítás
P: Instruções de instalação
RUS: Инструкция по установке
N: Monteringsveiledning
D: Einbauanleitung
CZ: Návod k instalaci
I: Istruzioni de montaggio
DK: Monteringsvejledning
RO: Instructiuni de instalare

Customer Service:

+30 (210) 5541161, +30 (210) 5541154 (08:00 - 16:00 EET)

Support department:

info@gianso.gr

Website:

www.tessera4x4.com

Address:

19.5 km of National road Athens-Korinthos (Elefsina) Greece, P.C: 19200