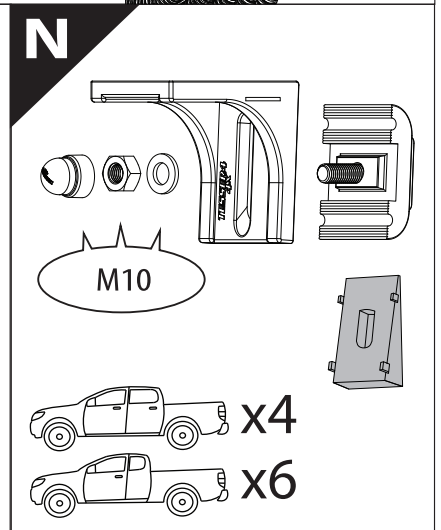
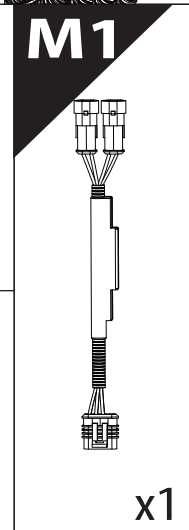
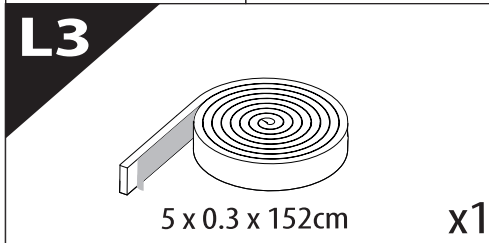
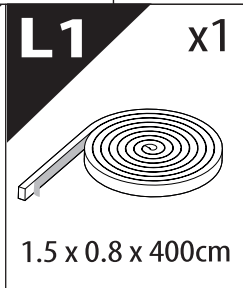
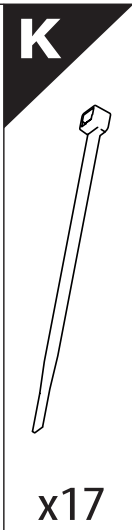
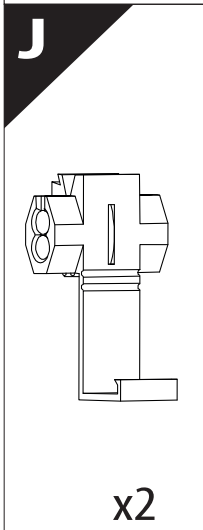
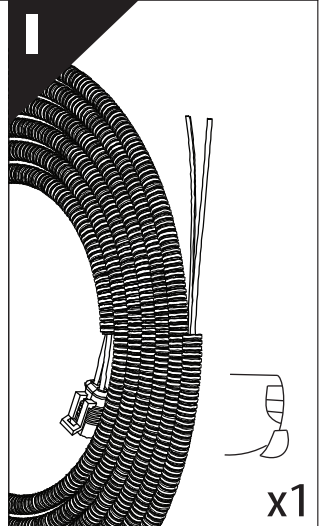
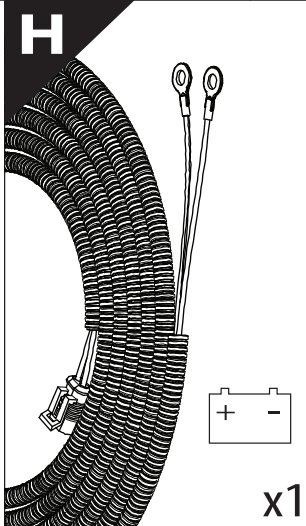
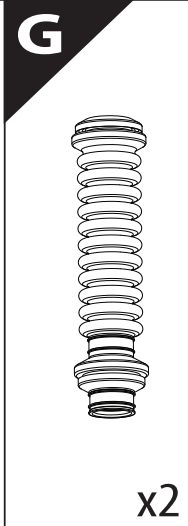
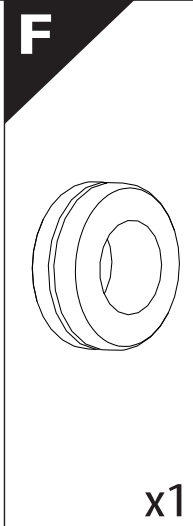
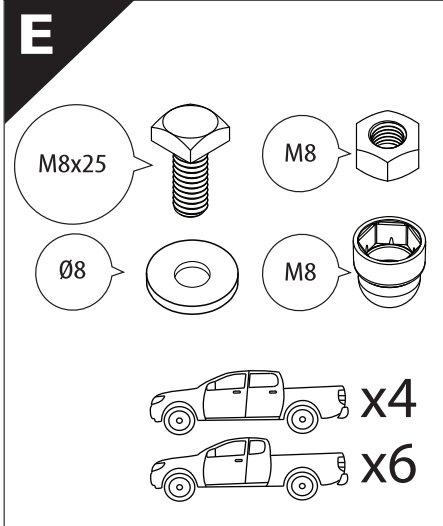
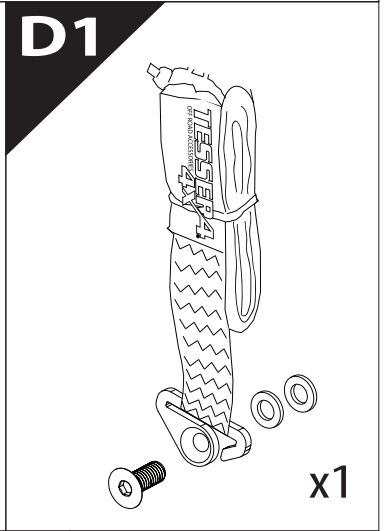
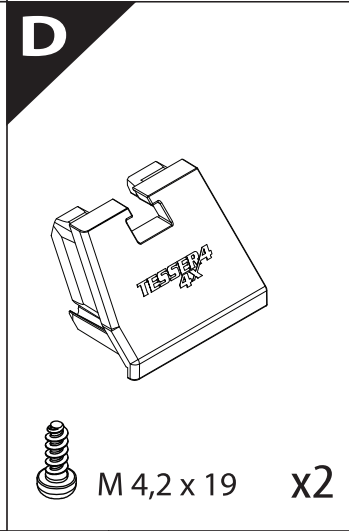
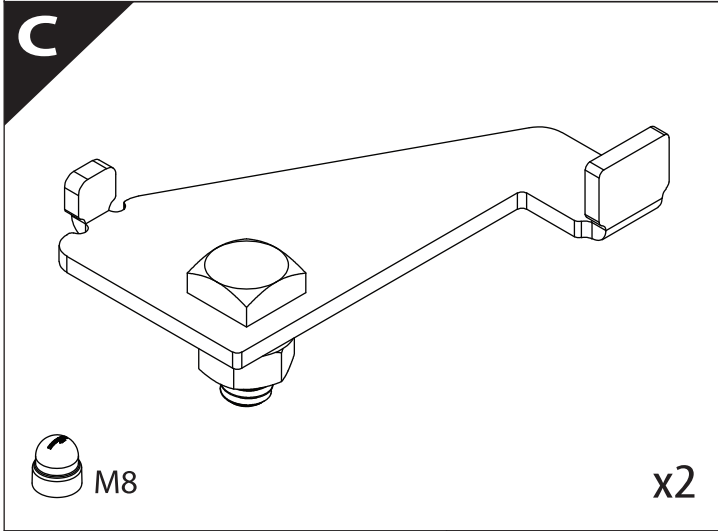
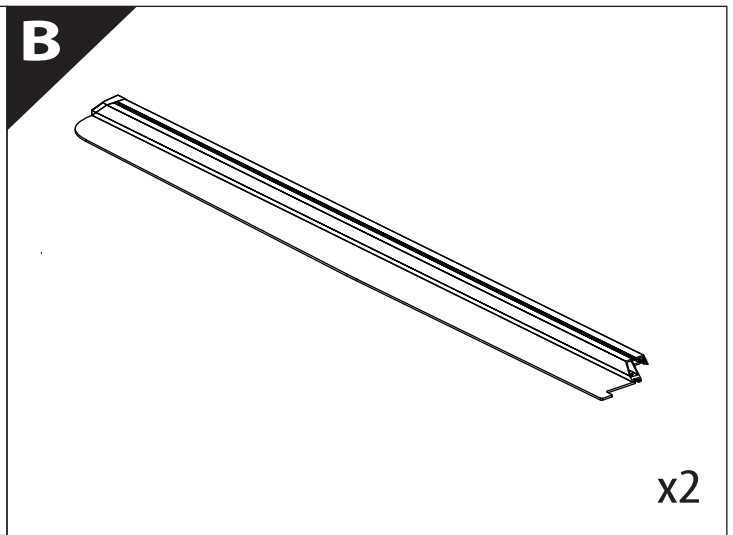
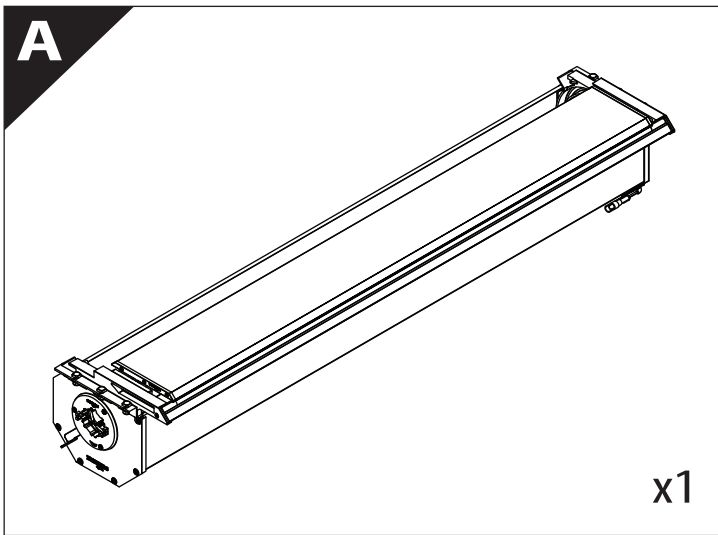
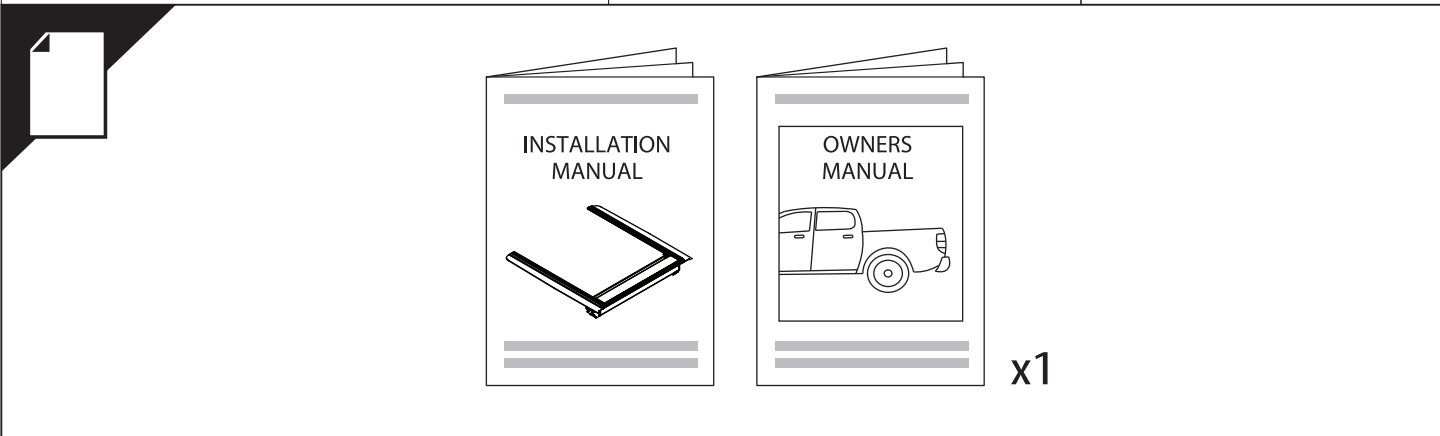
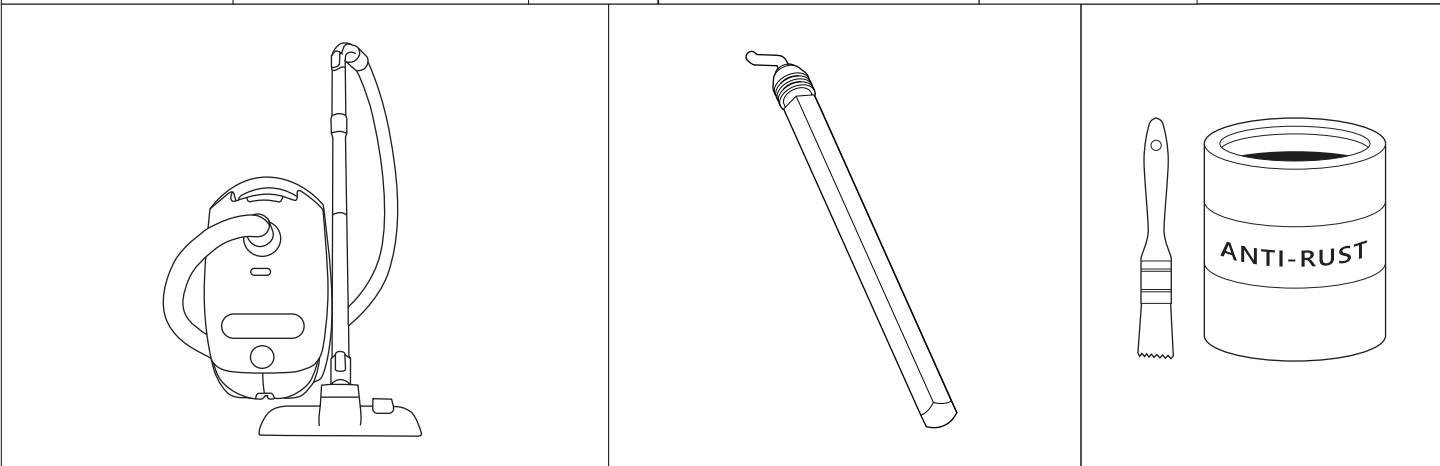
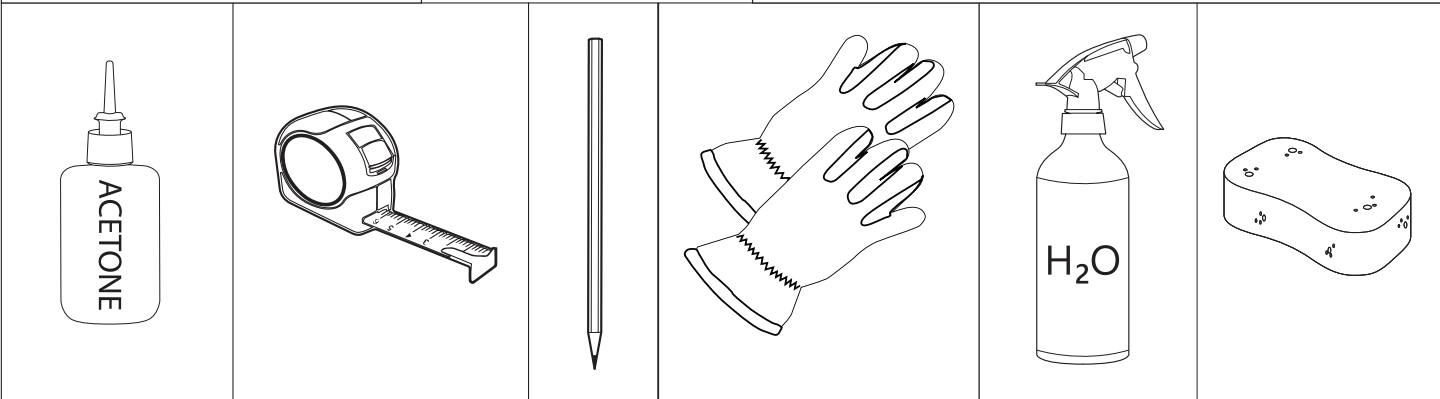
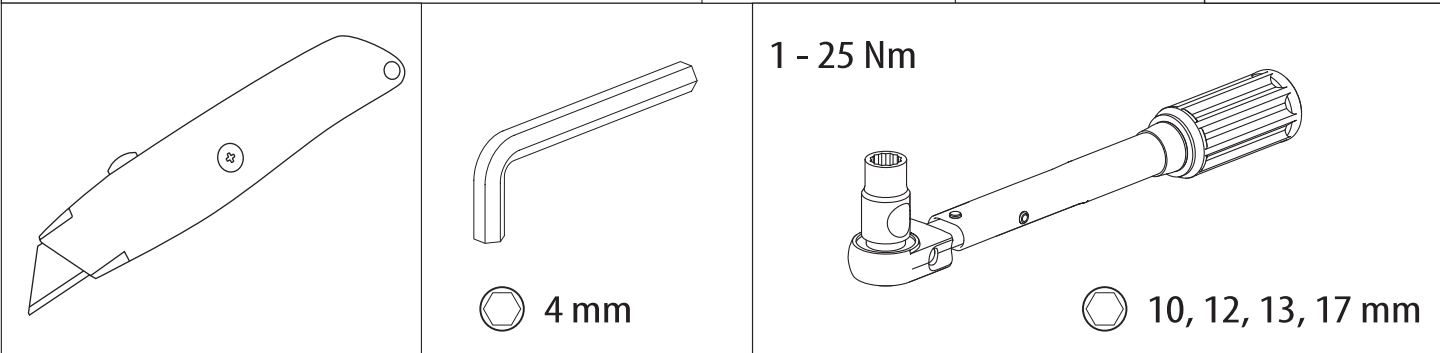
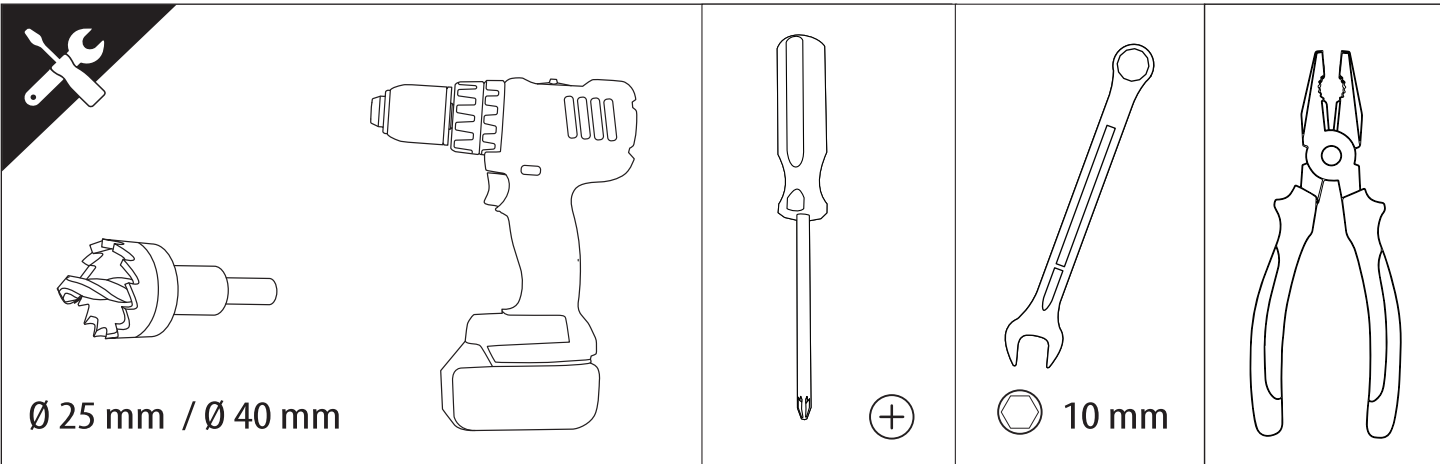


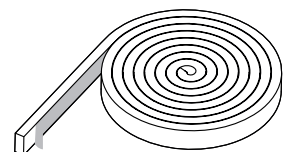
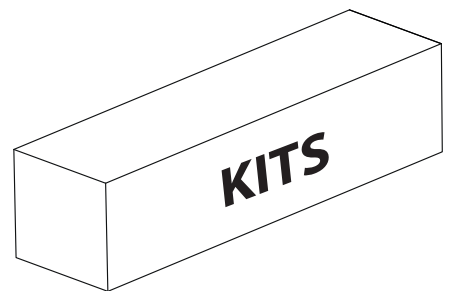
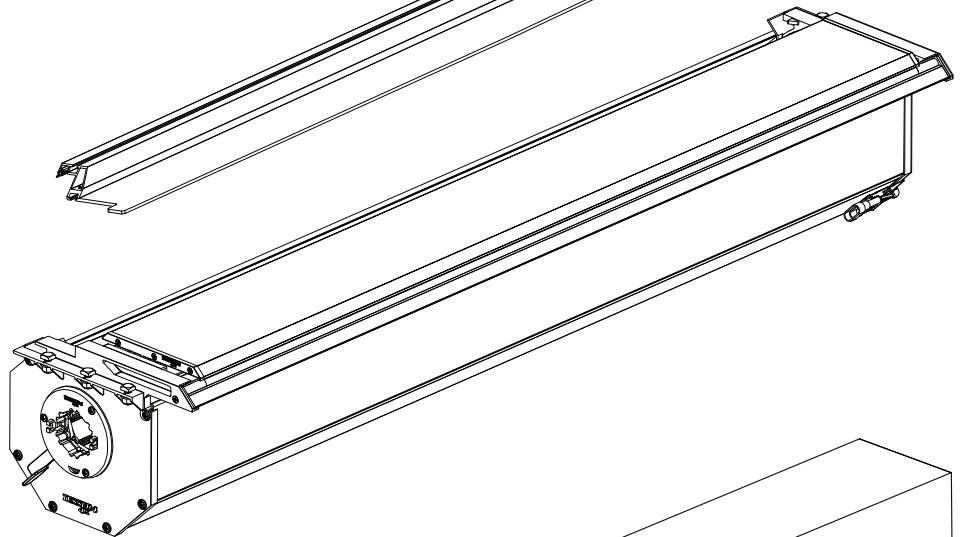
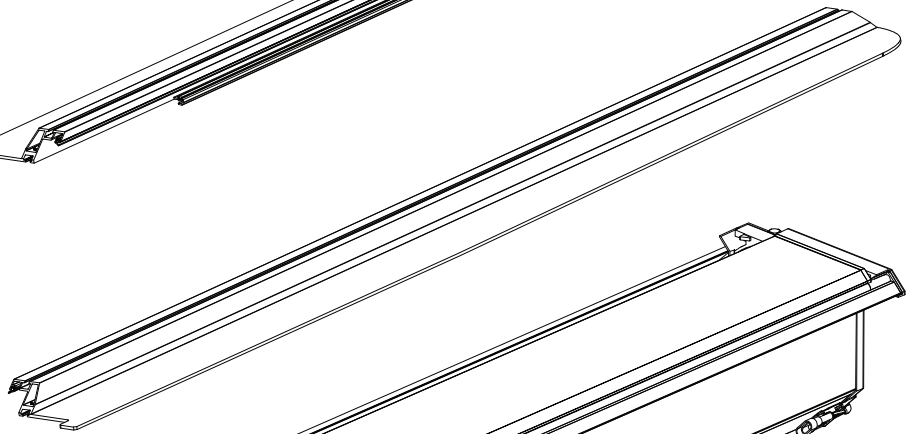
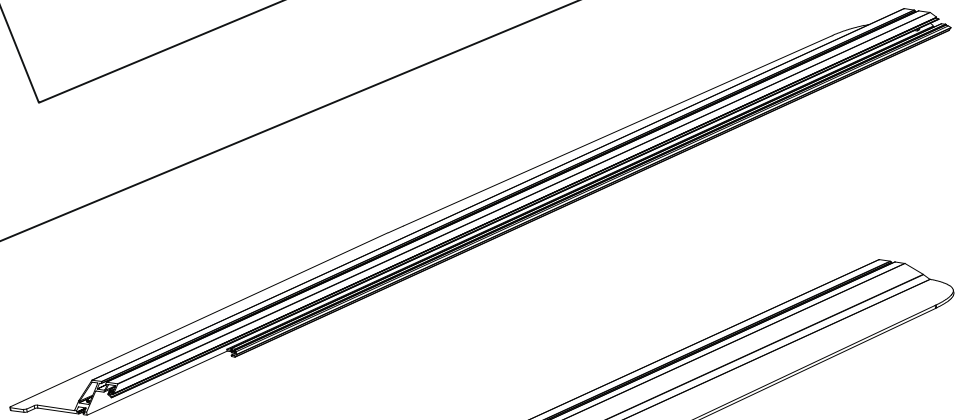
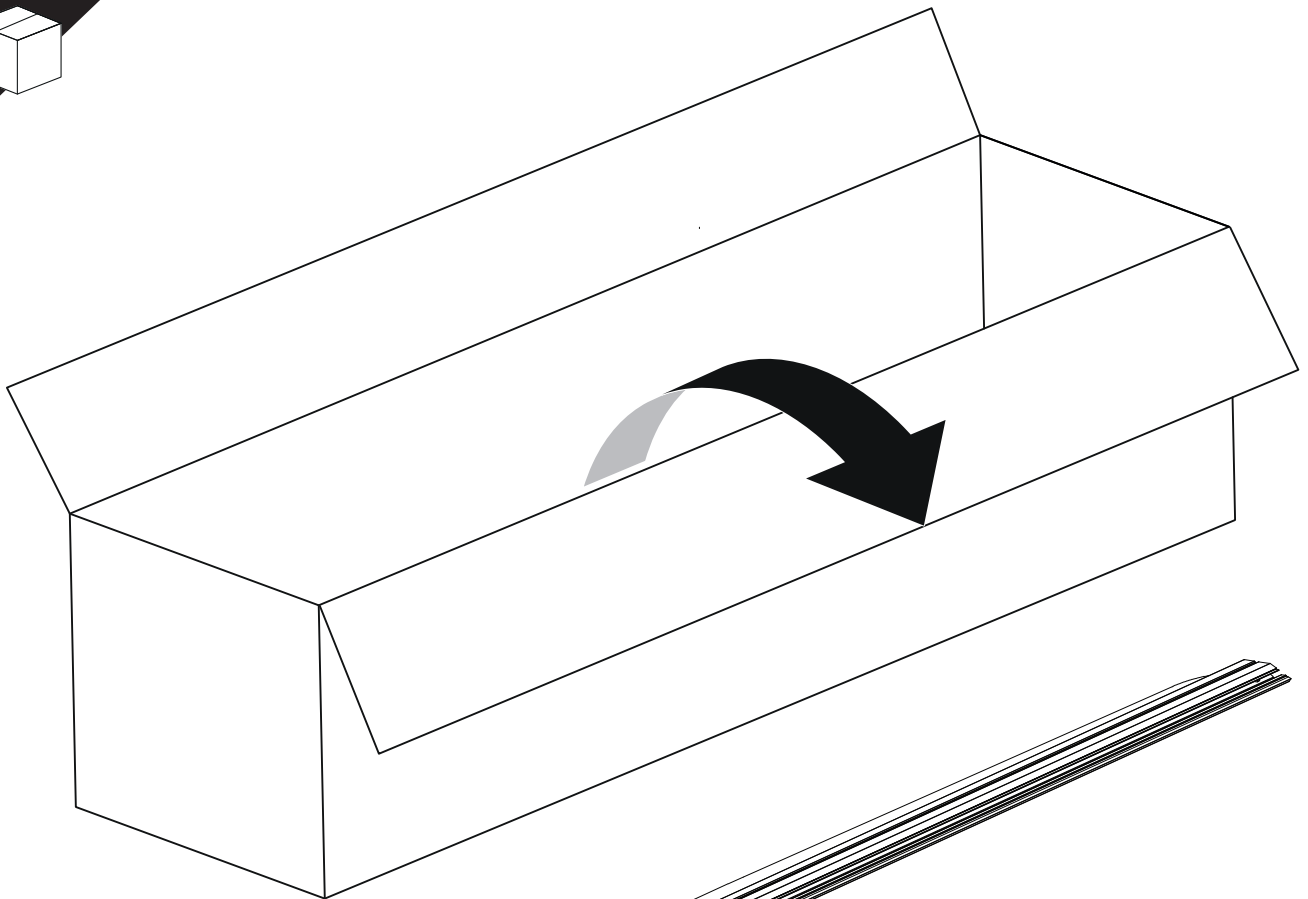
# Installation Manual

<b>PART NUMBER(S)</b>	<b>Model Year</b>
<b>TESS 140 ROLL</b>	<b>Nissan D40 (no c-channels)</b>
<b>TESS 1402 ROLL</b>	
<b>TESS 1403 ROLL</b>	
<b>Cab(s)</b>	<b>Installation Time / Weight</b>
<b>Double Cab &amp; Space Cab</b>	<b>40-60 minutes / 53-57 kg</b>







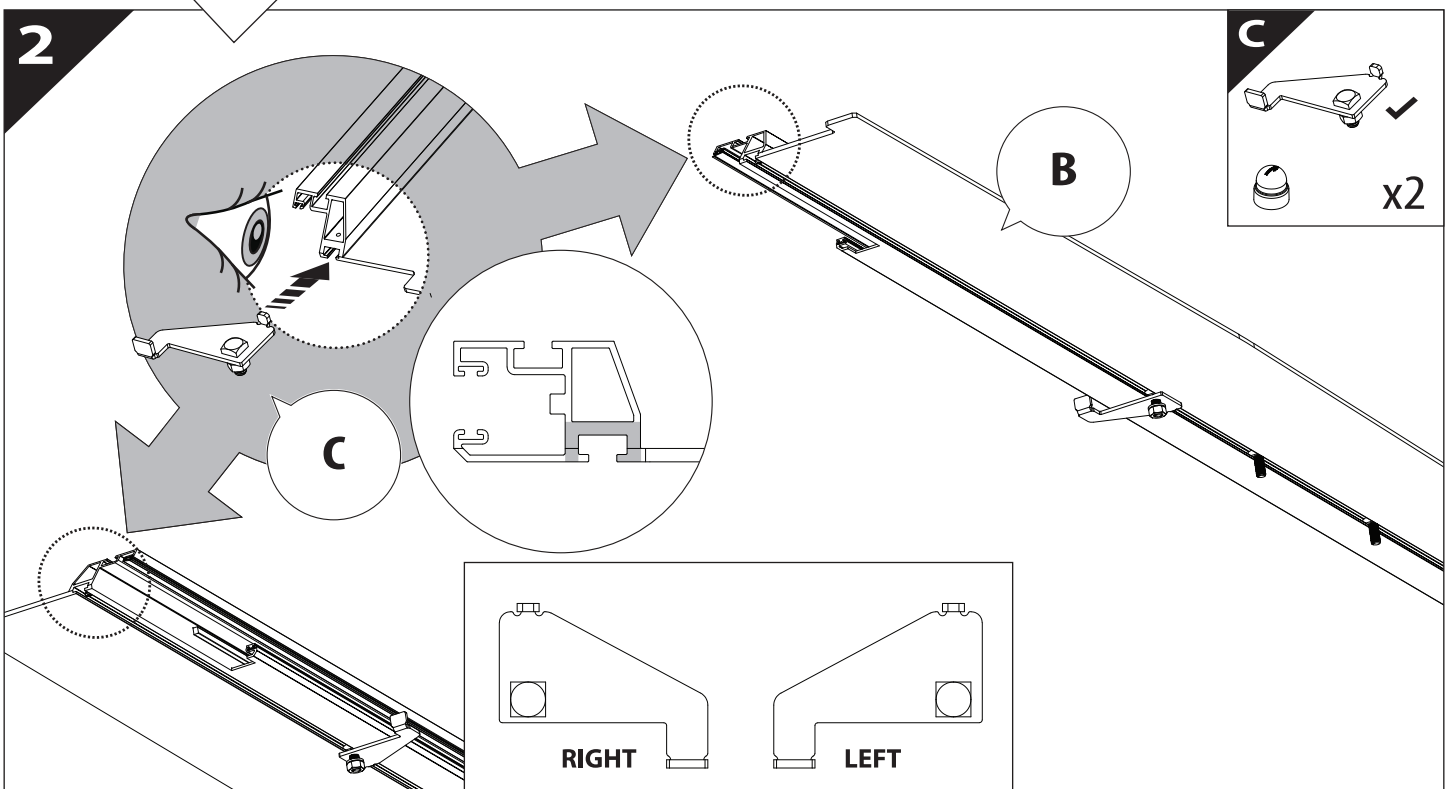
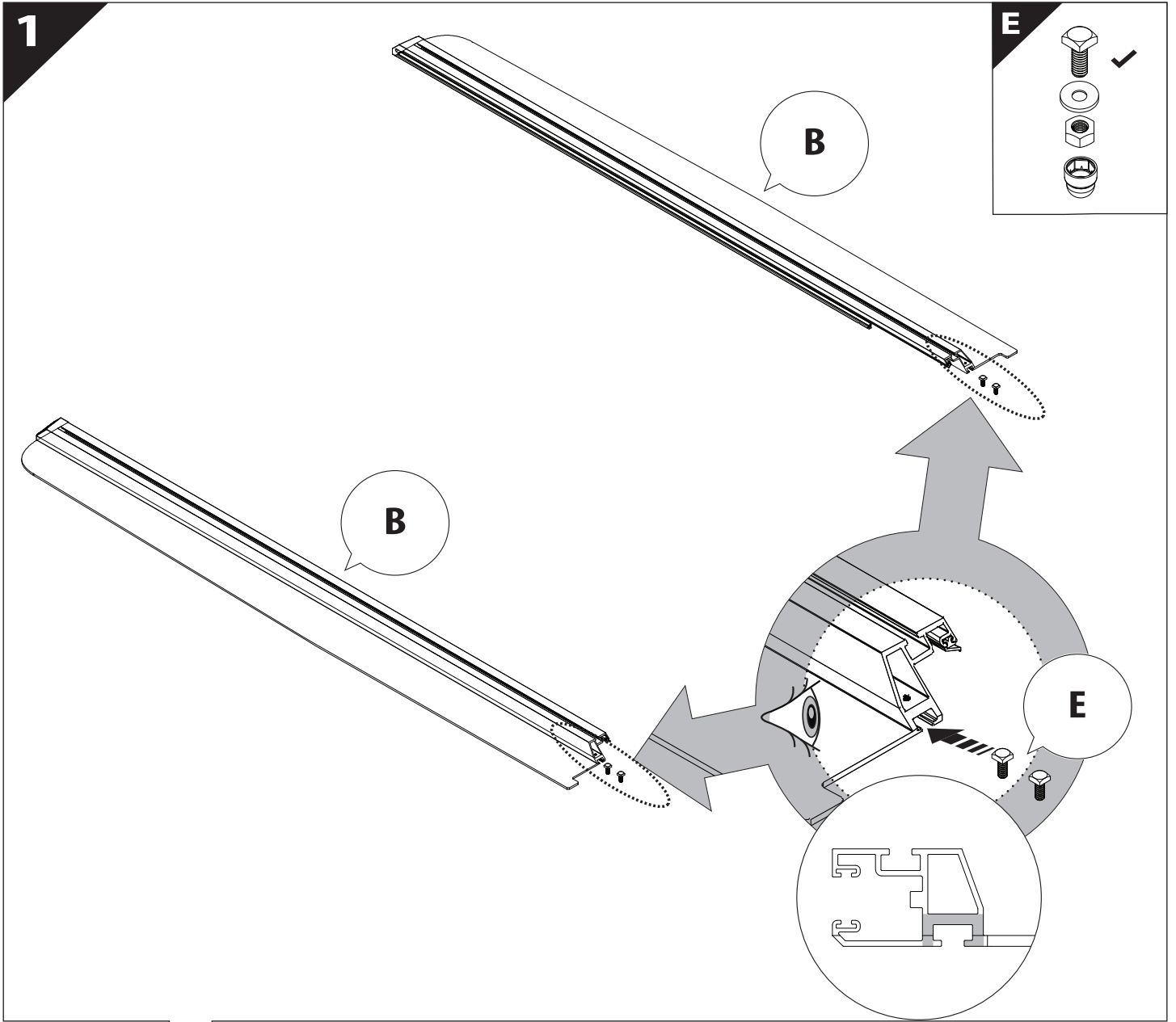


**B**

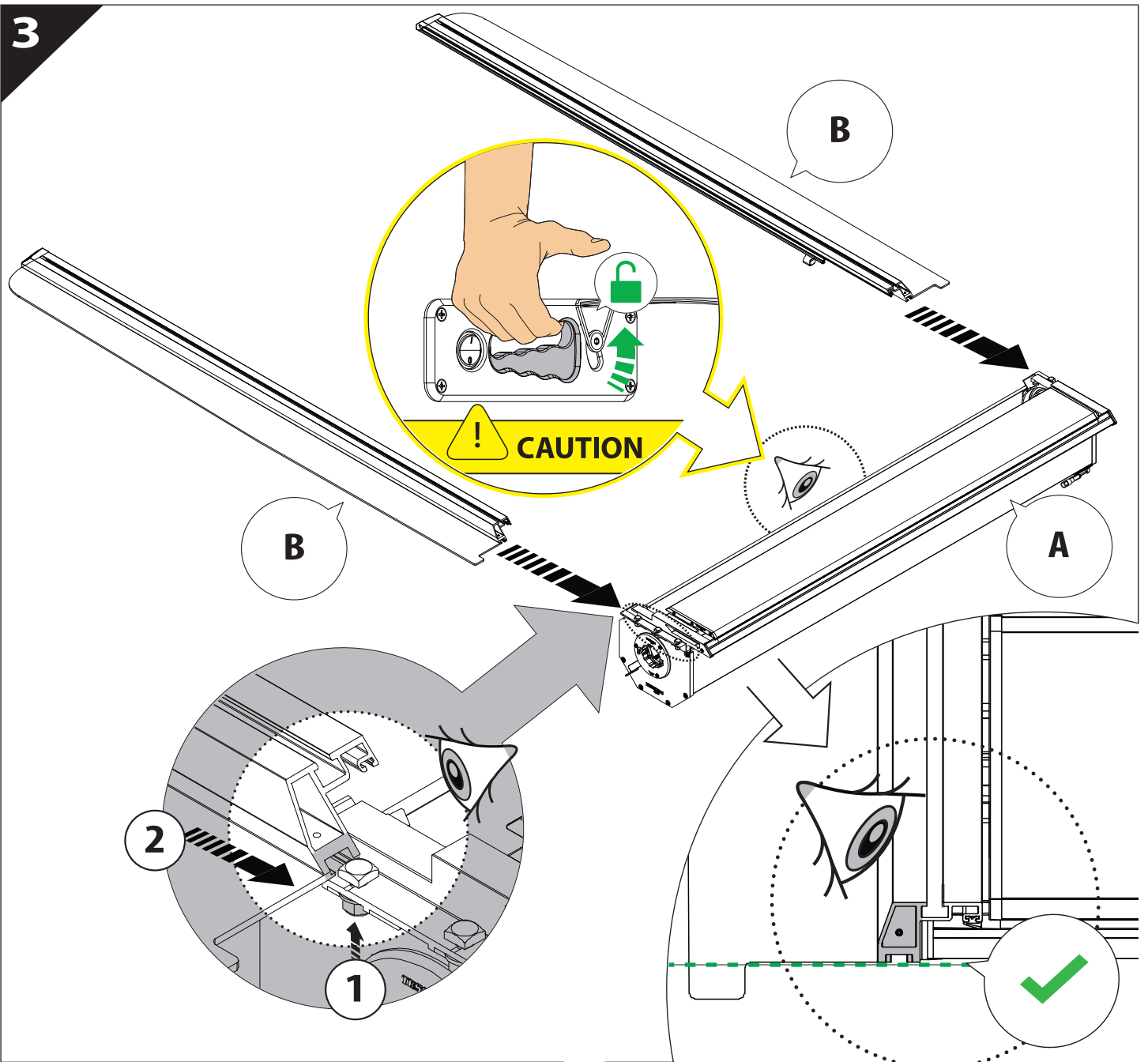
**A**

**KITS**

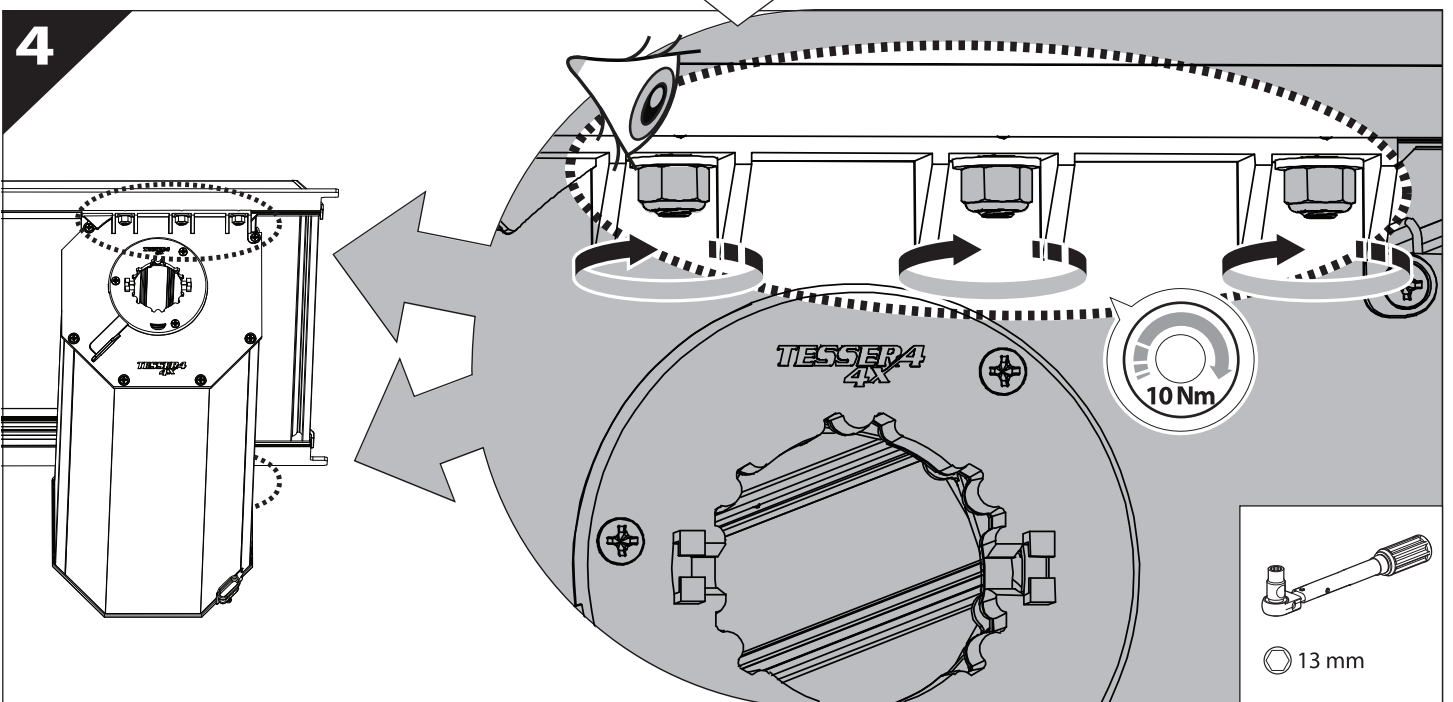
**L**

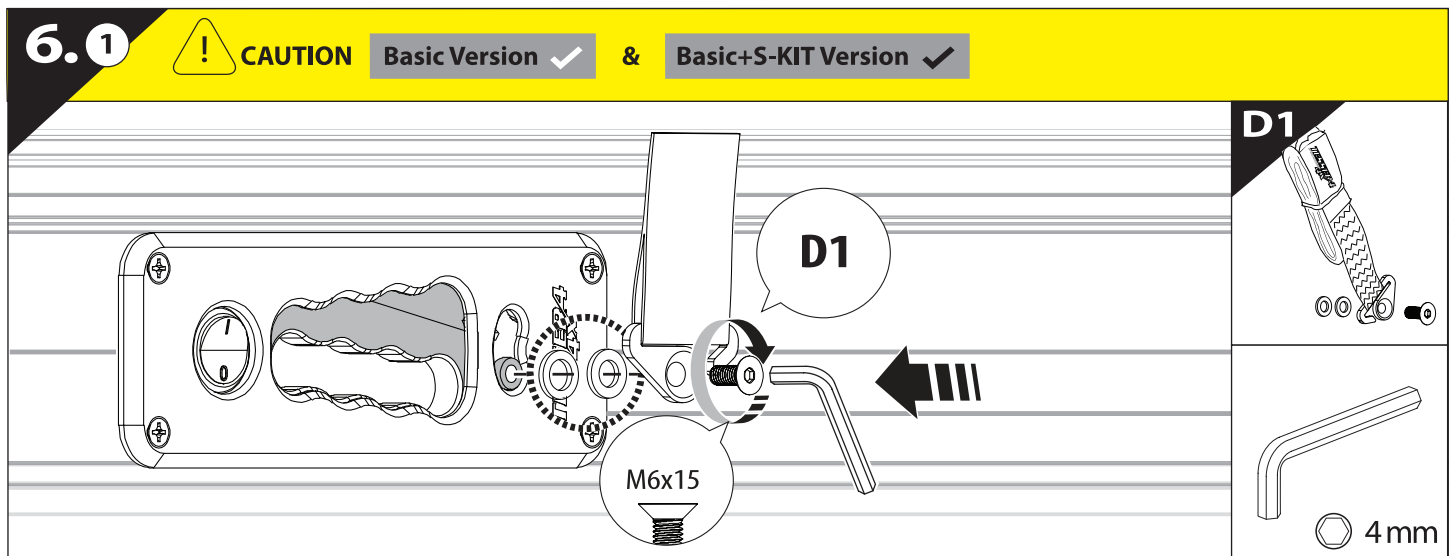
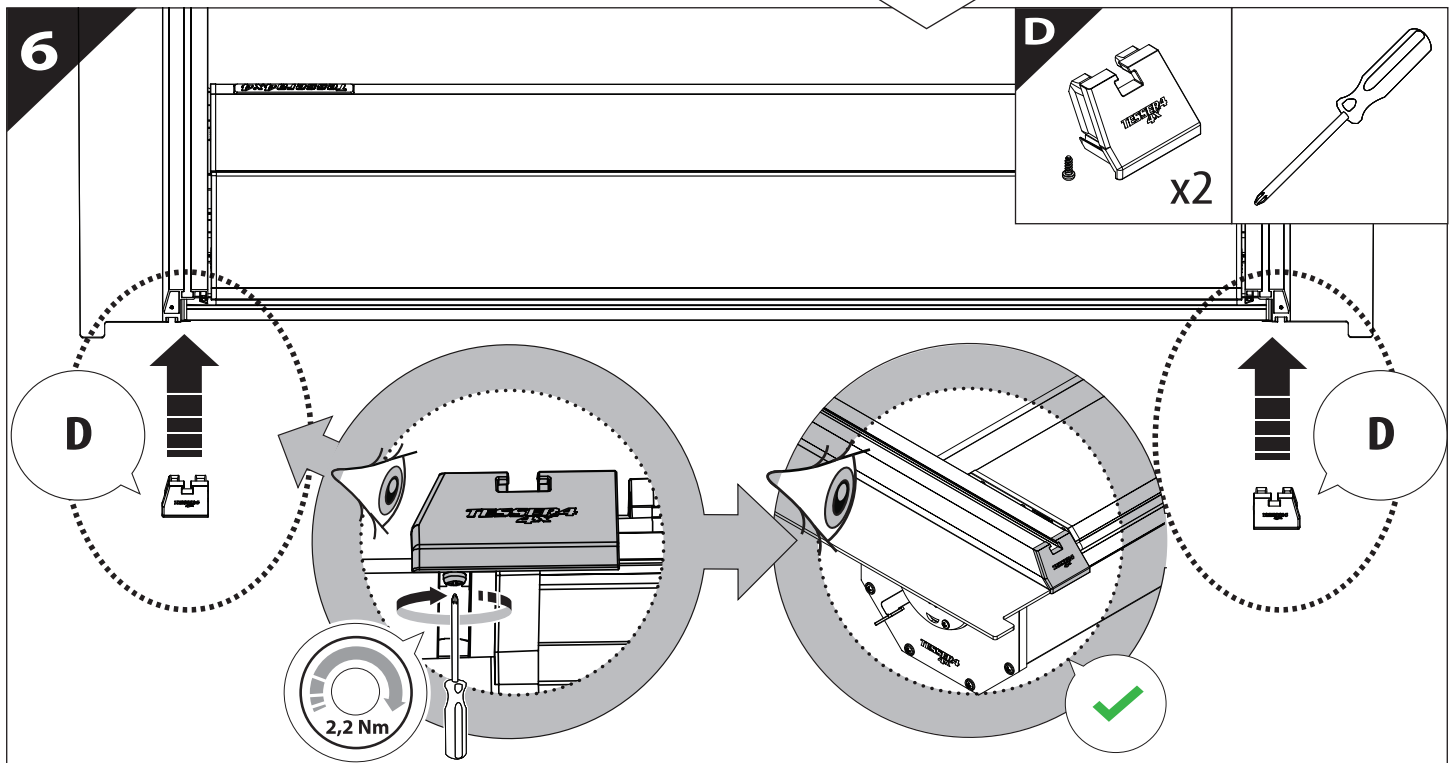
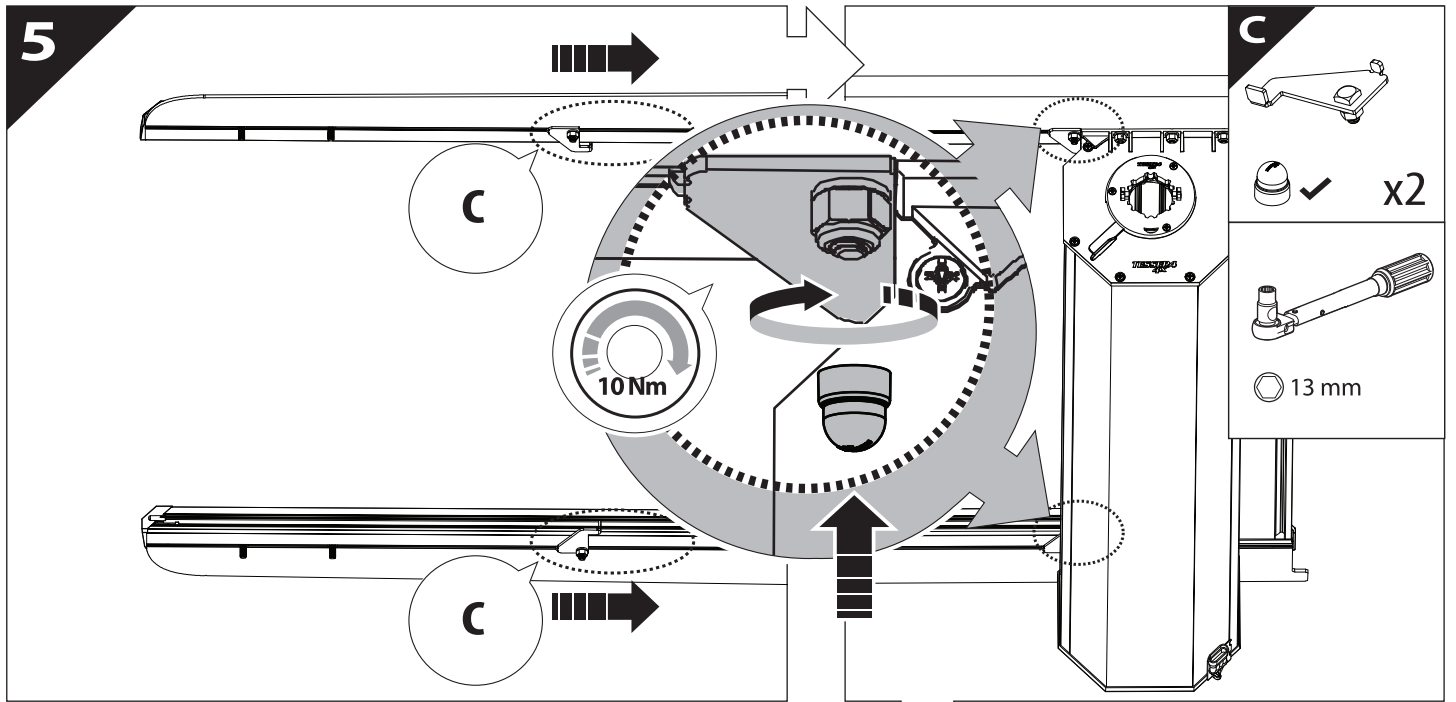


3

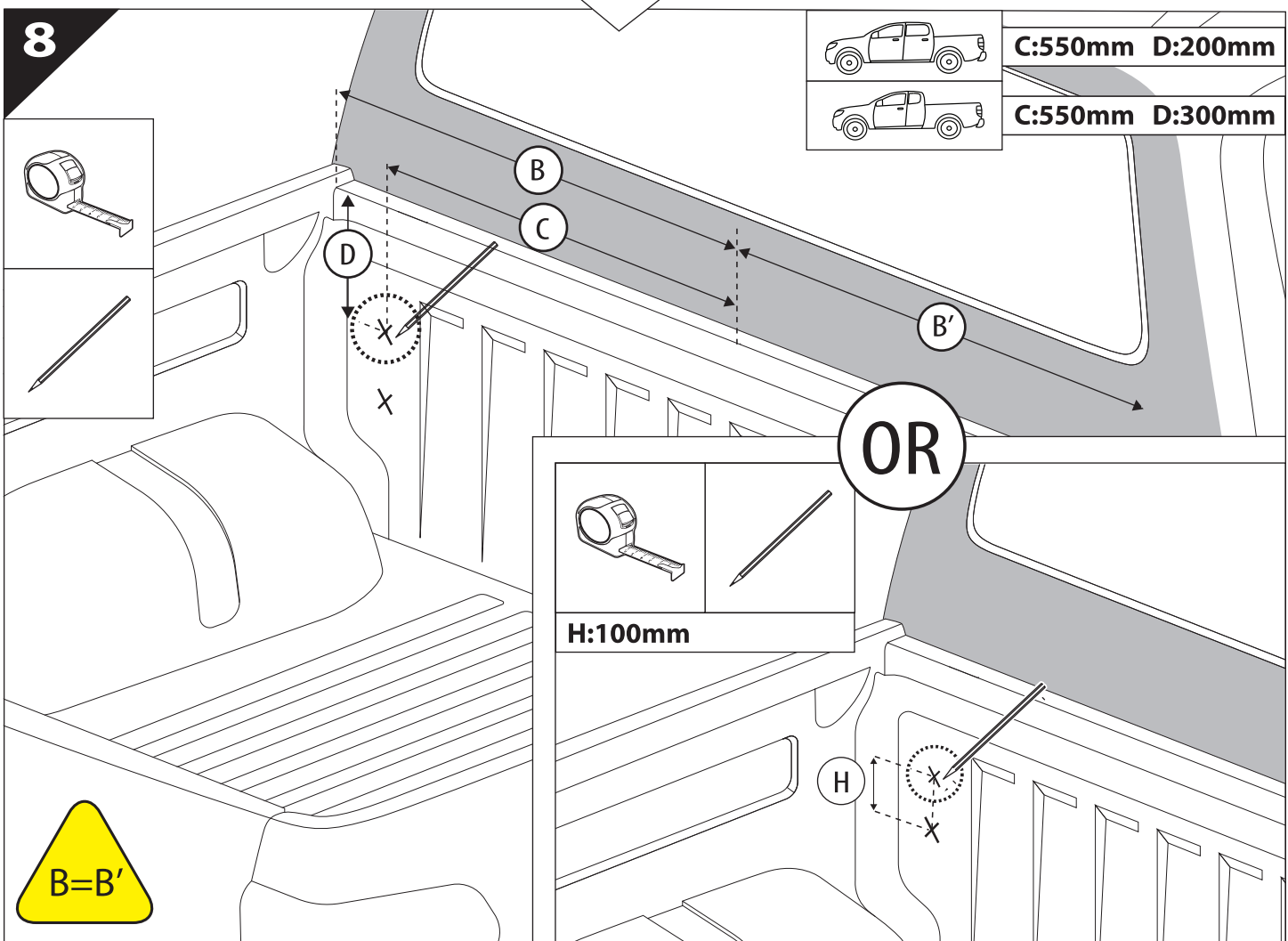
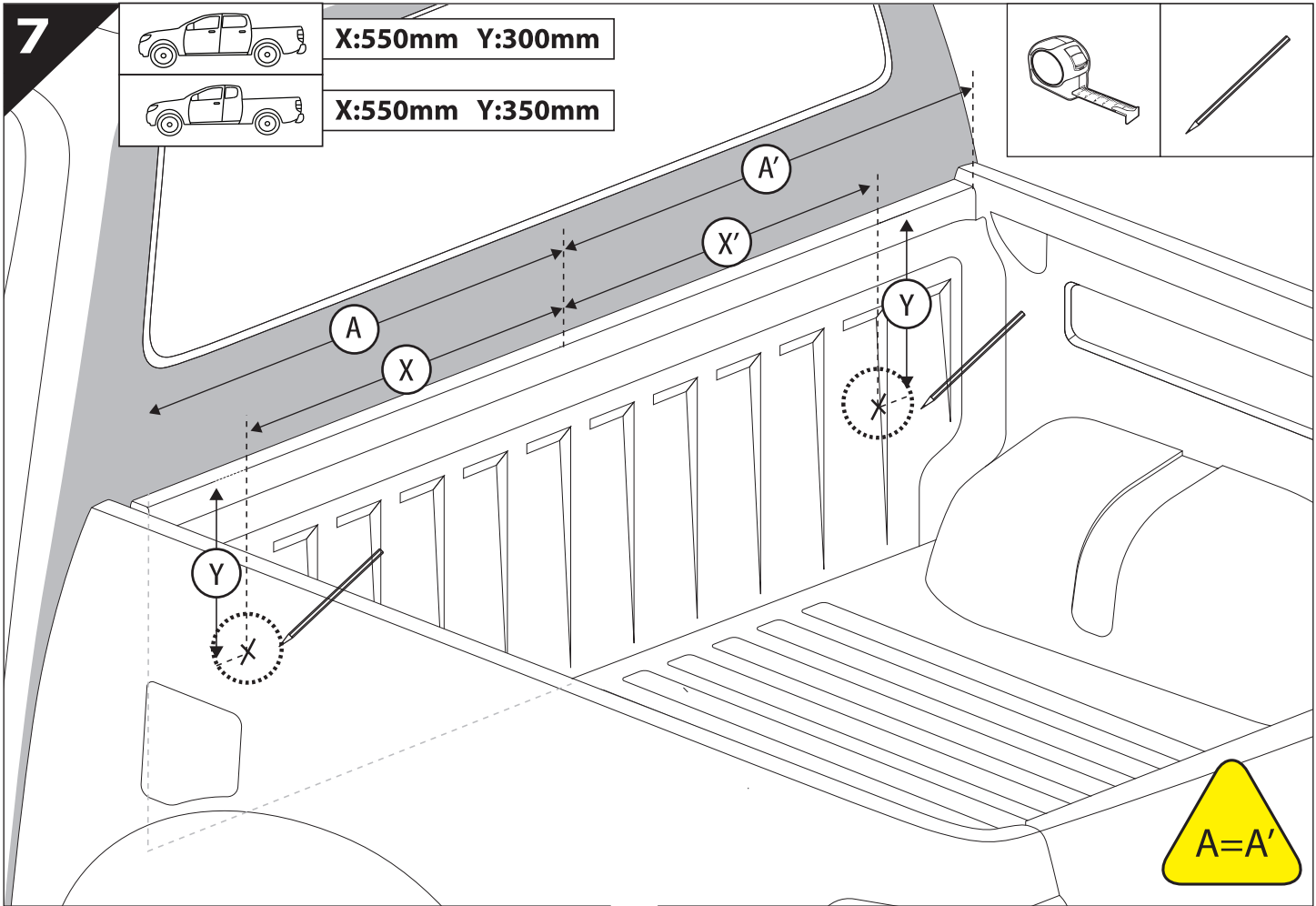


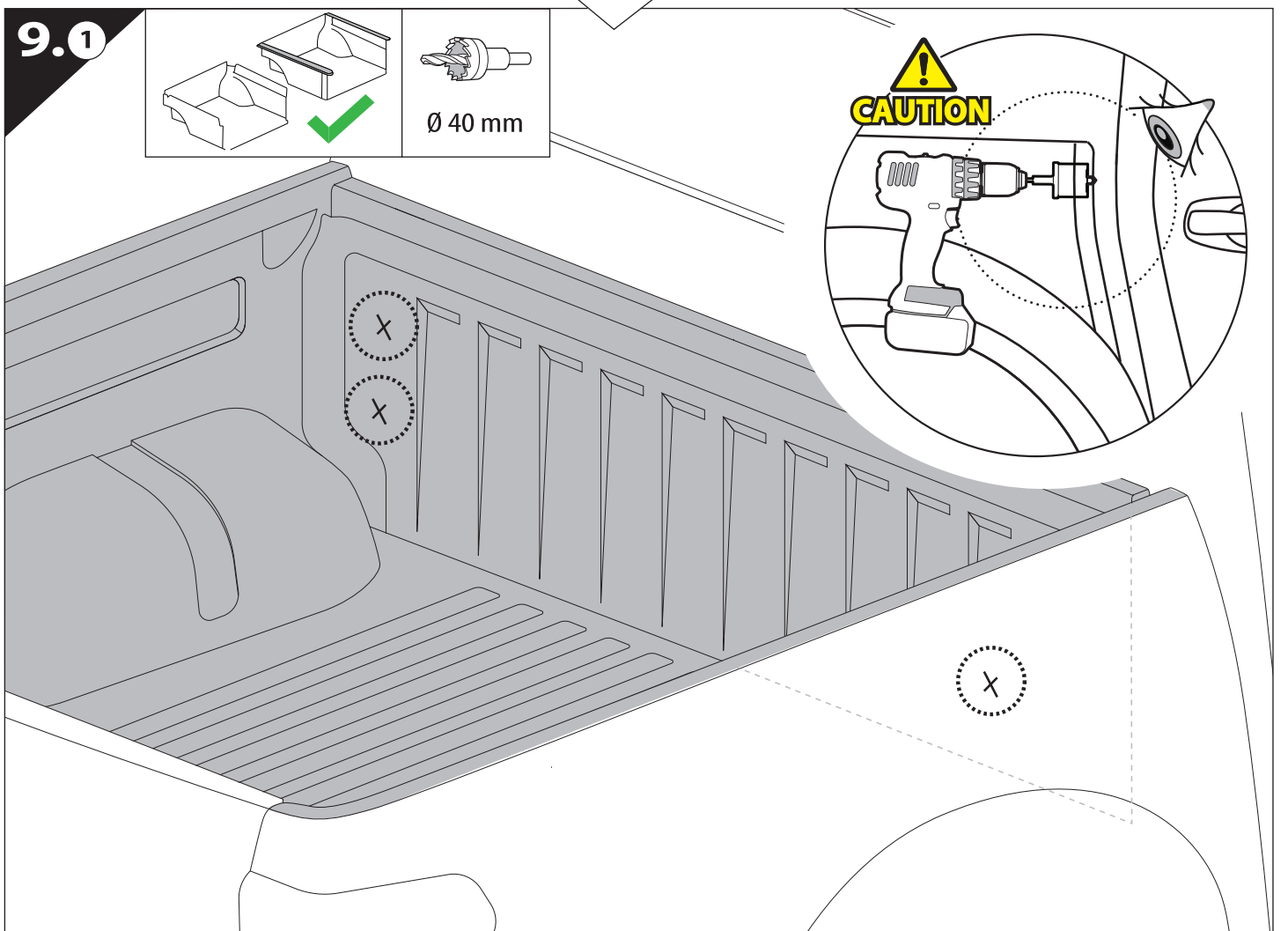
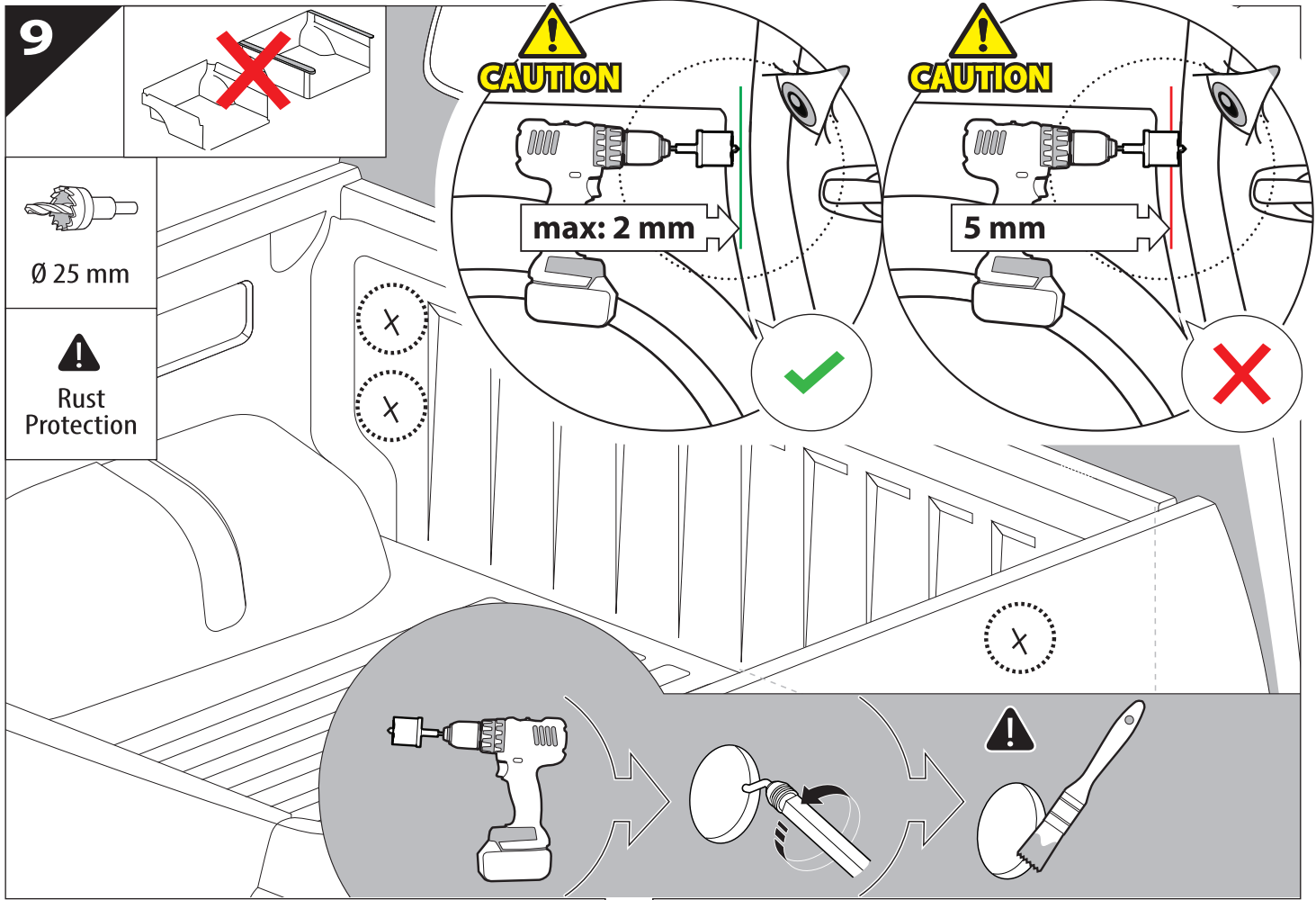
4



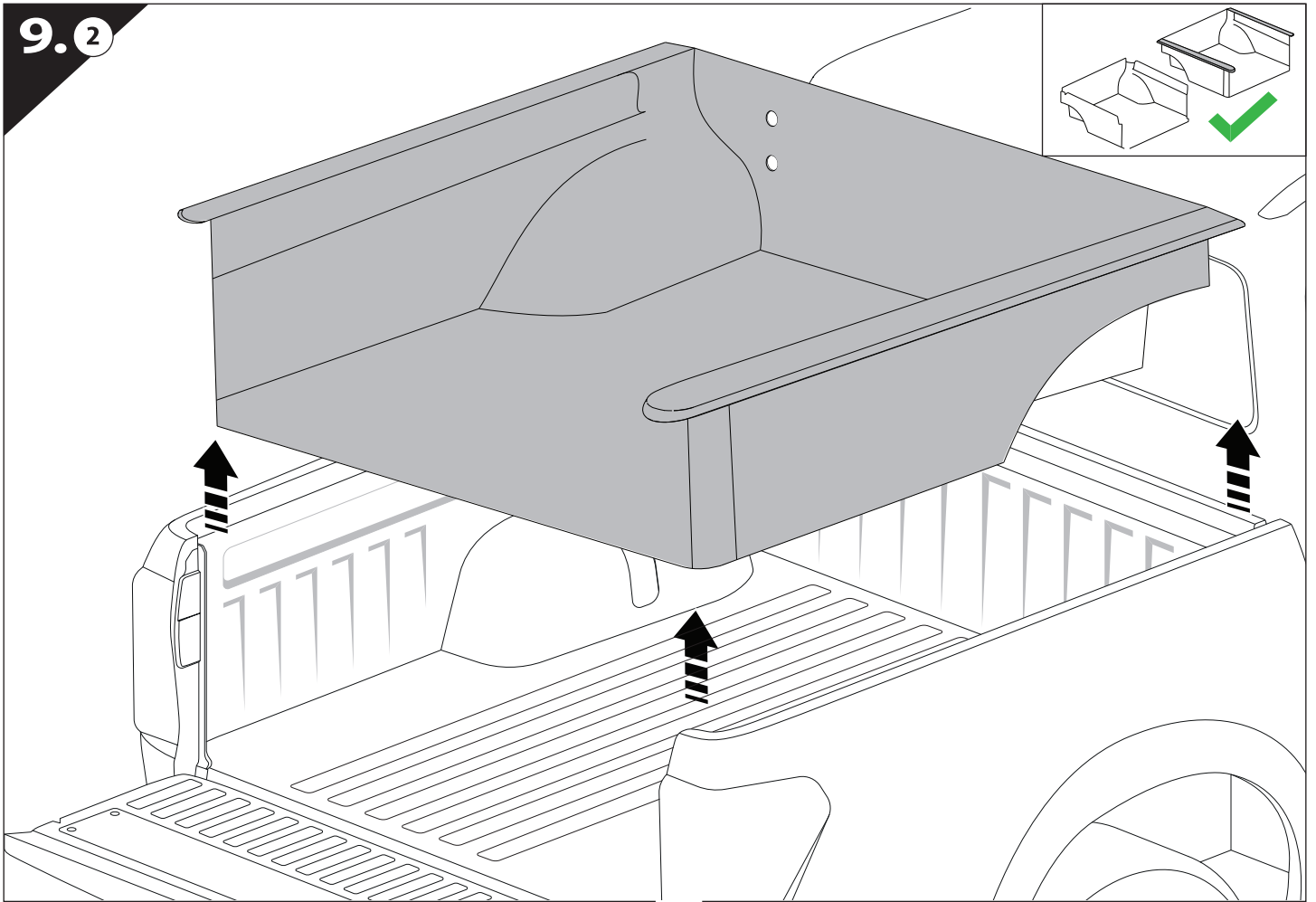




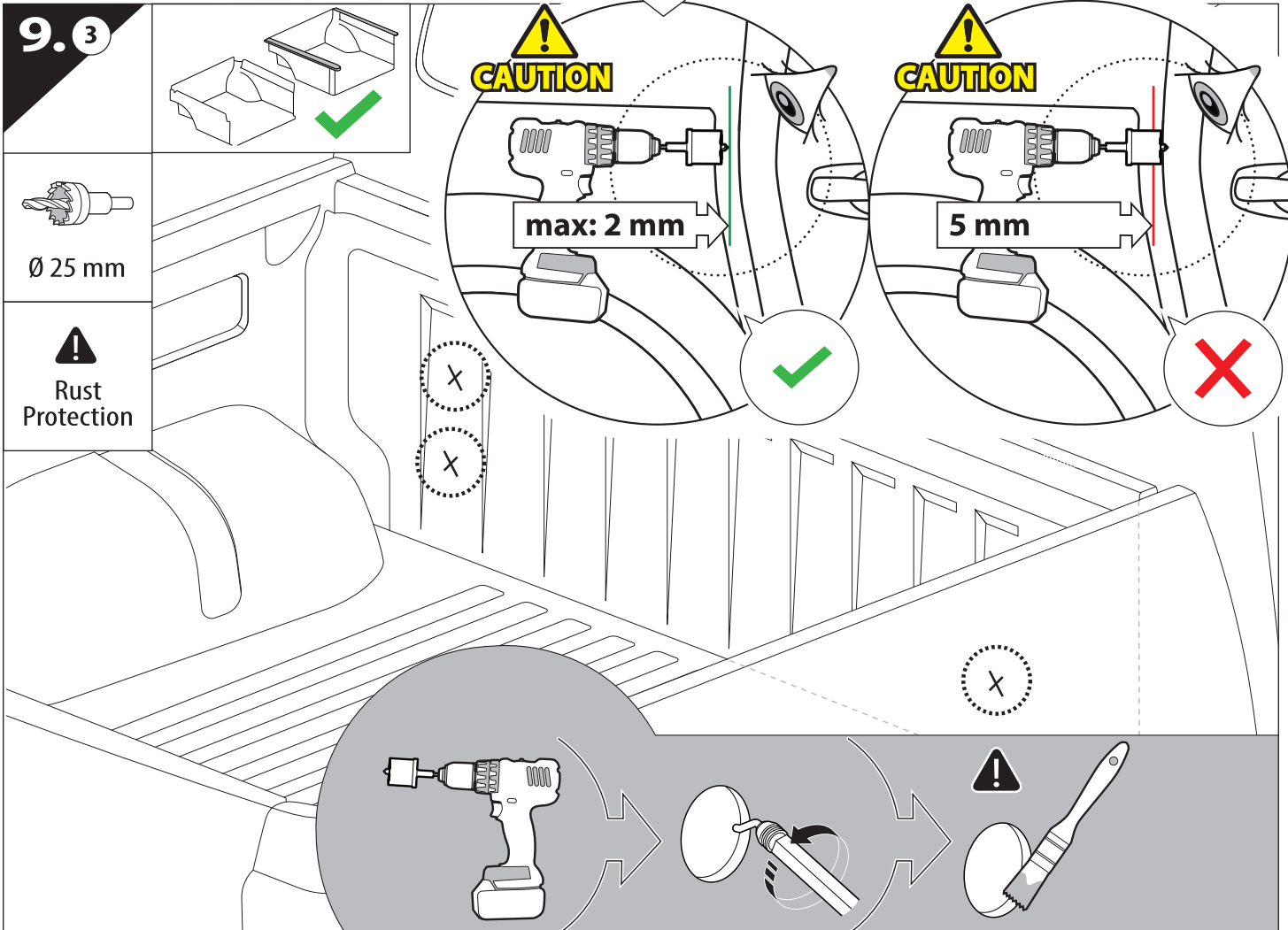


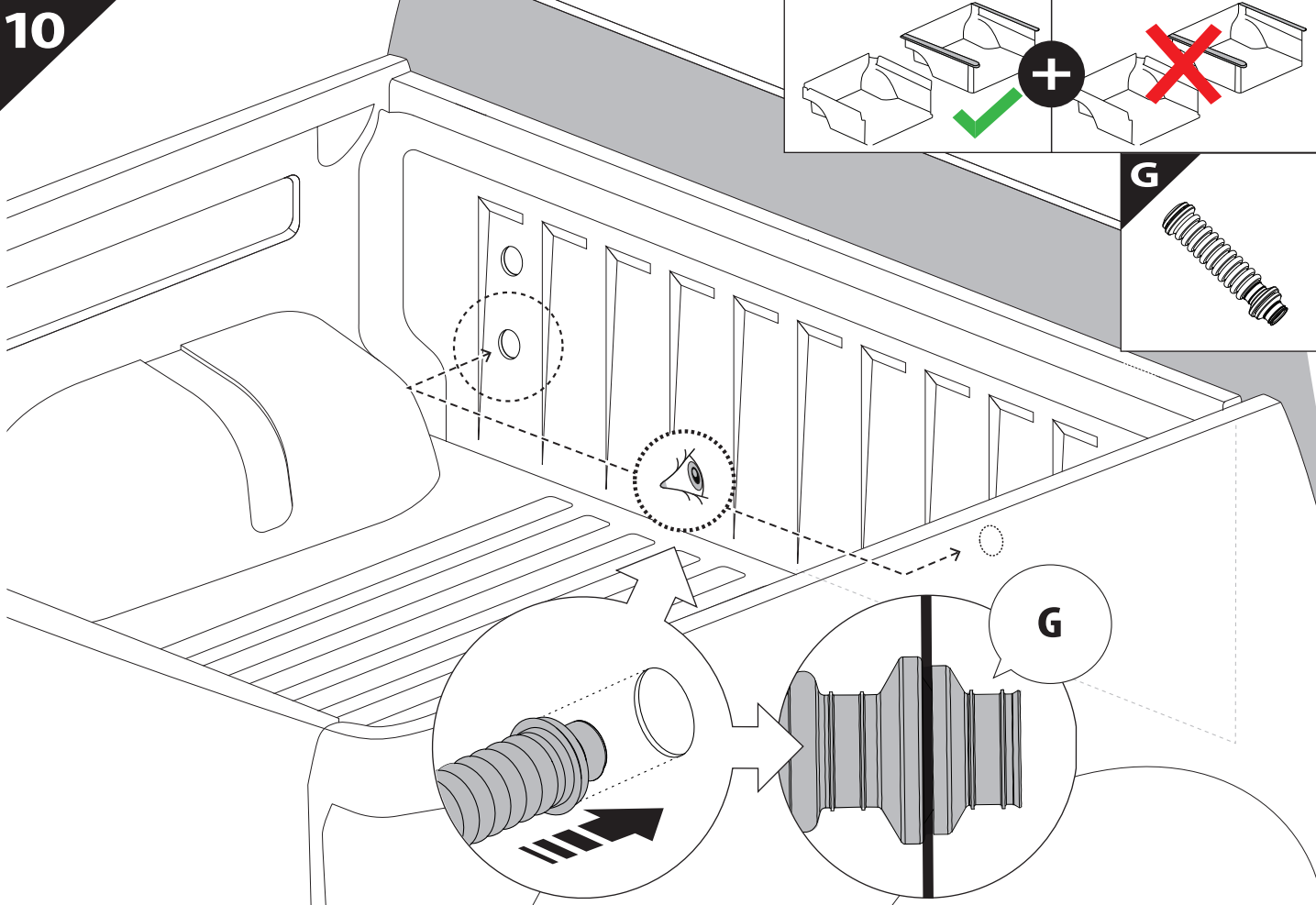


9.2

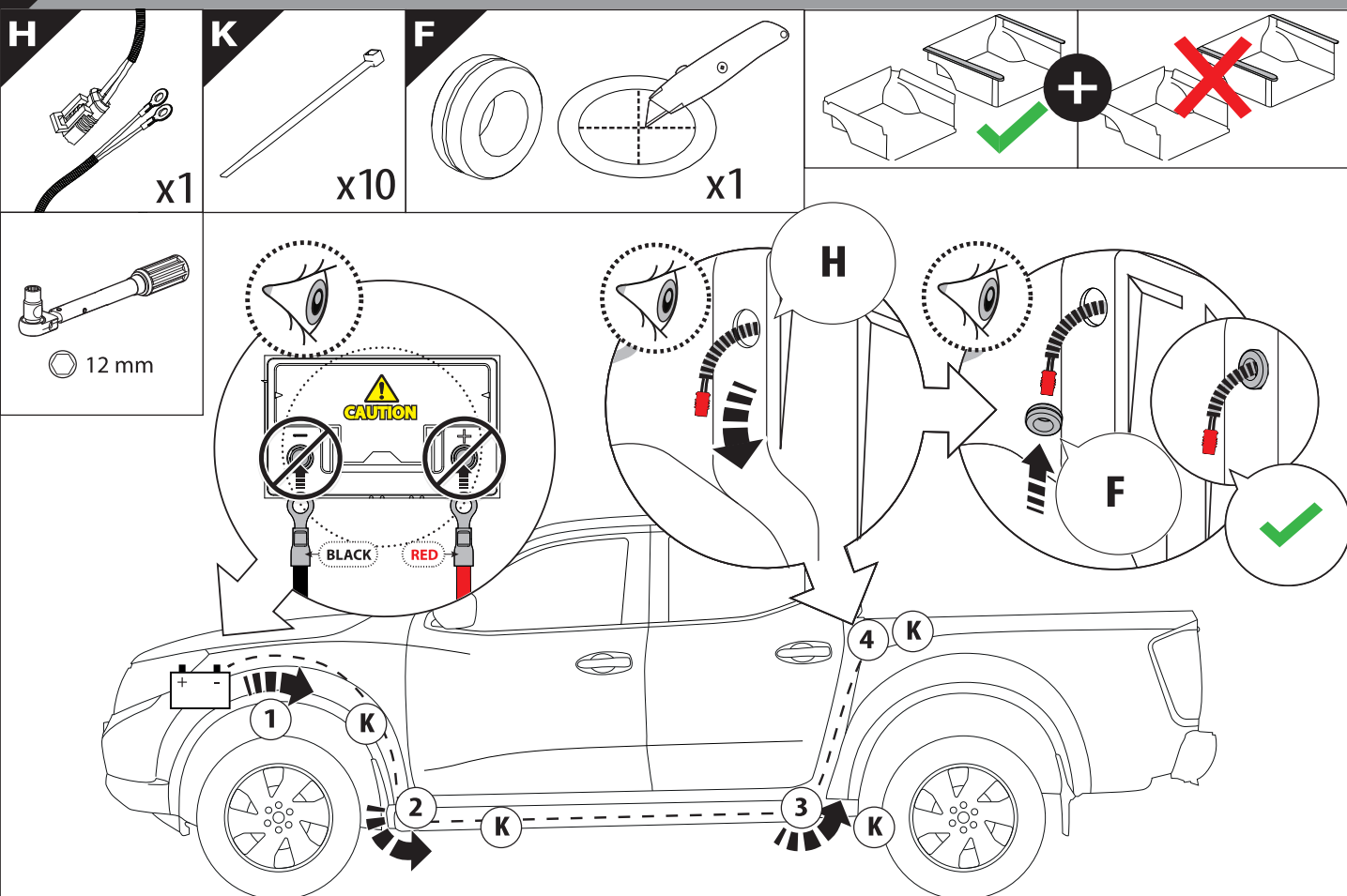


9.3

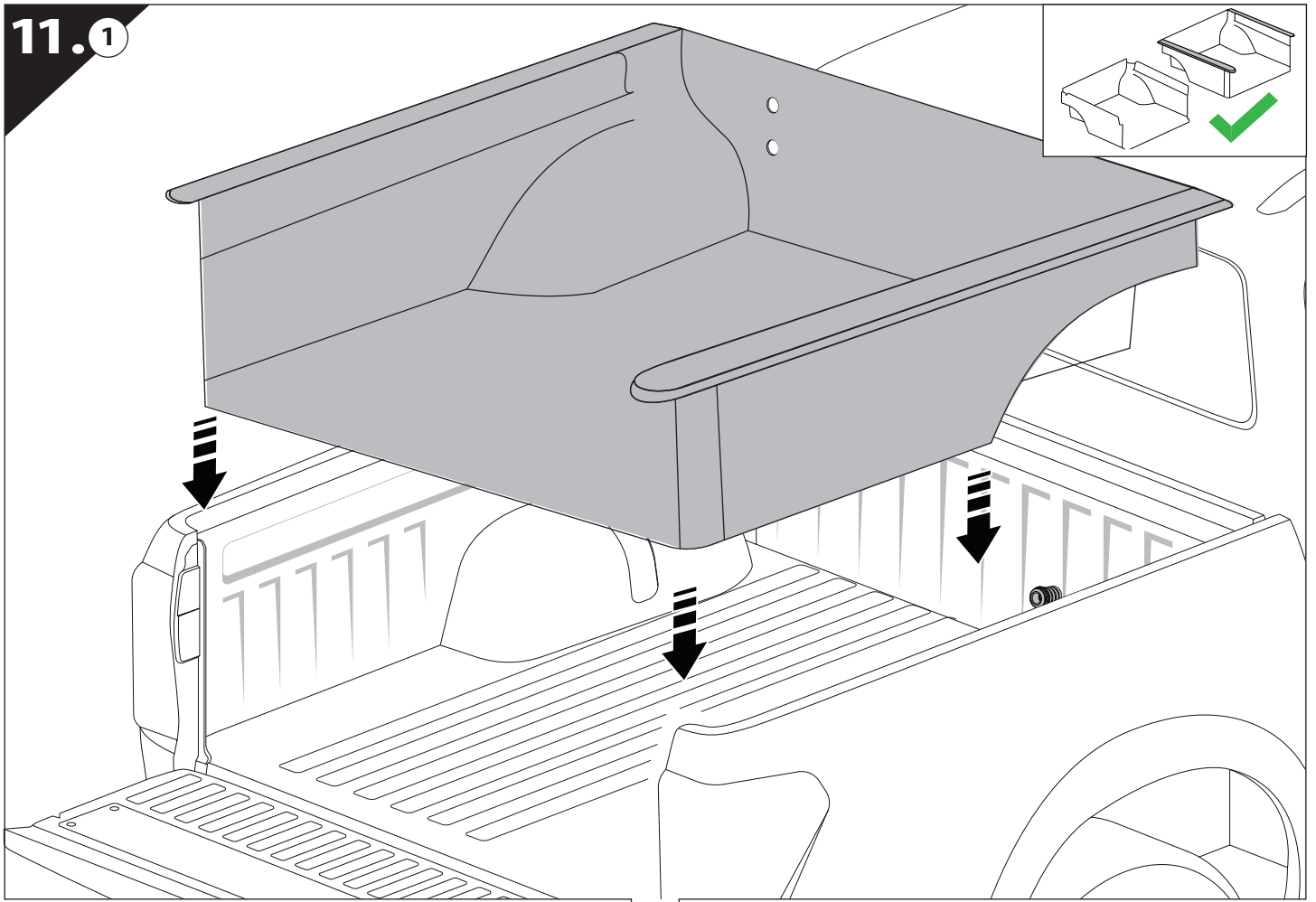




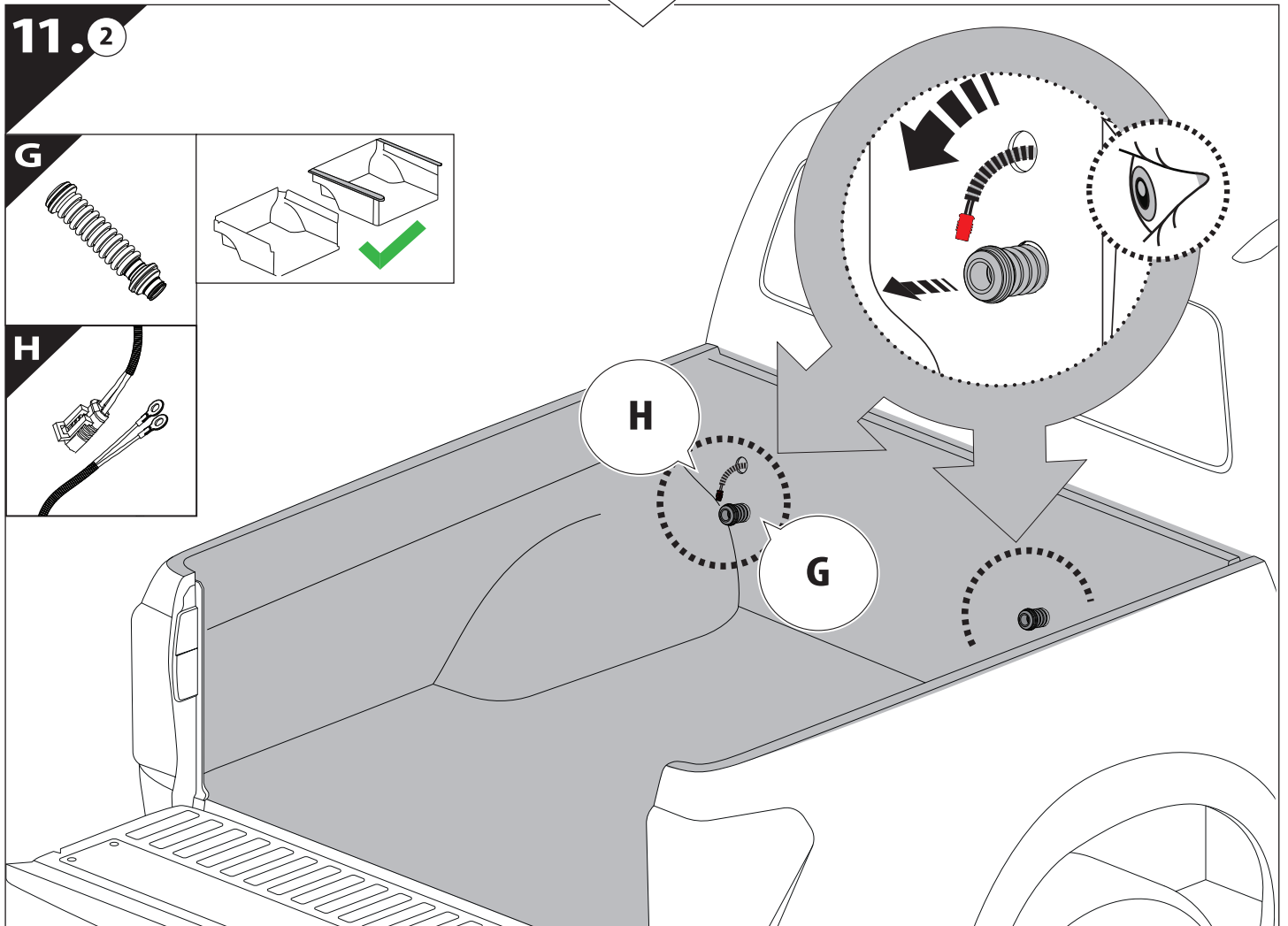
**11** Only to be installed by authorized personnel

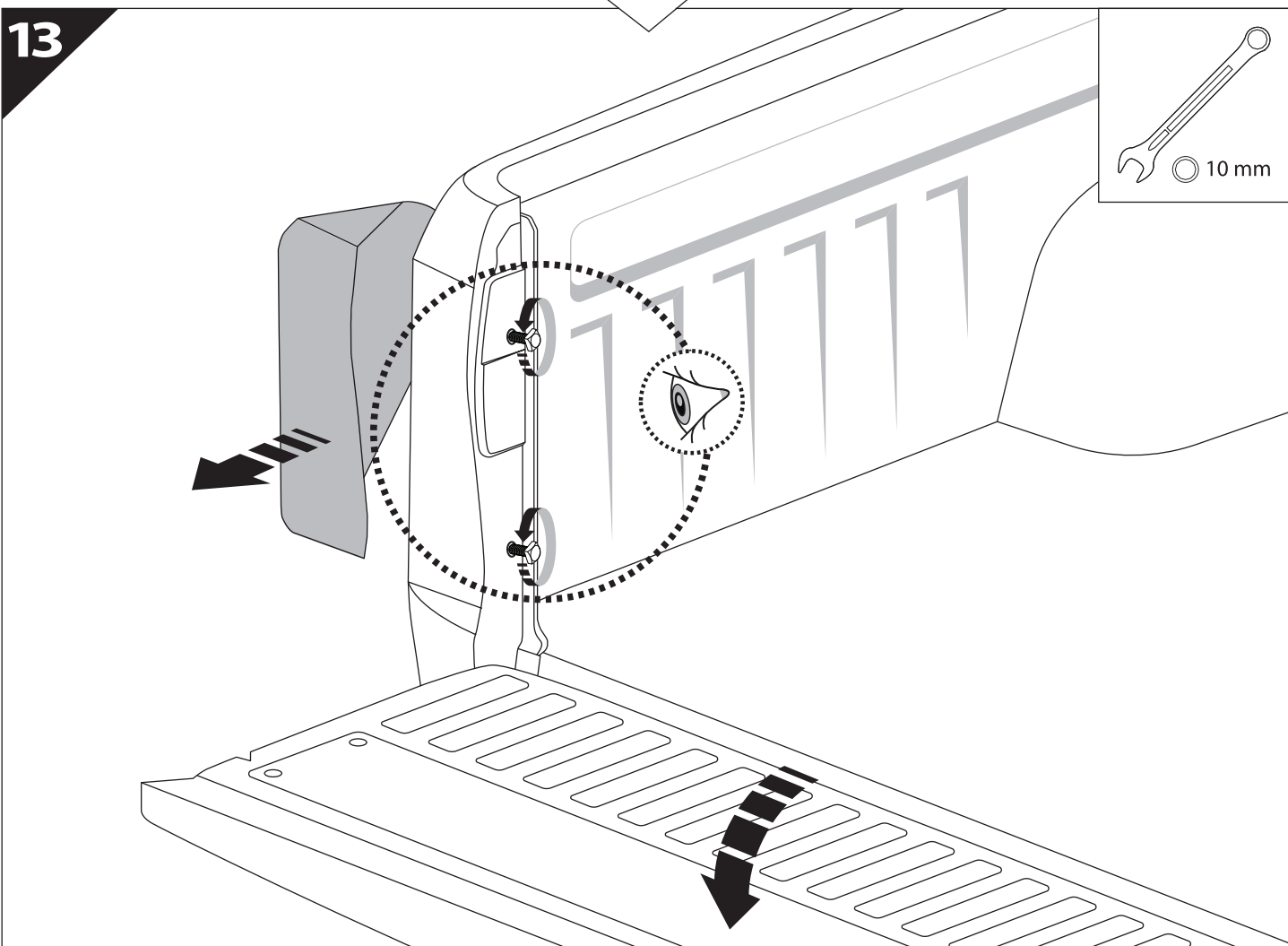
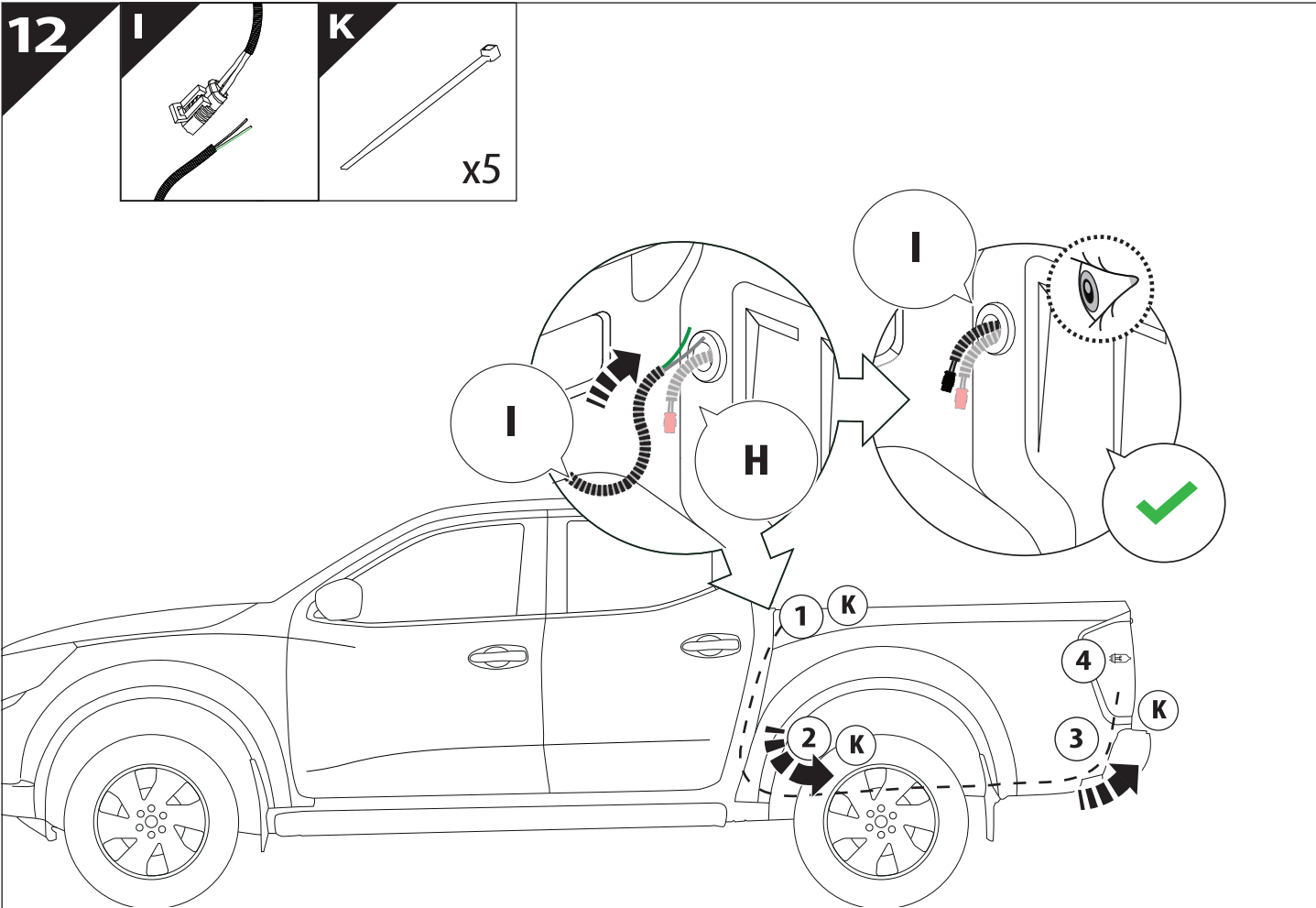


11.1

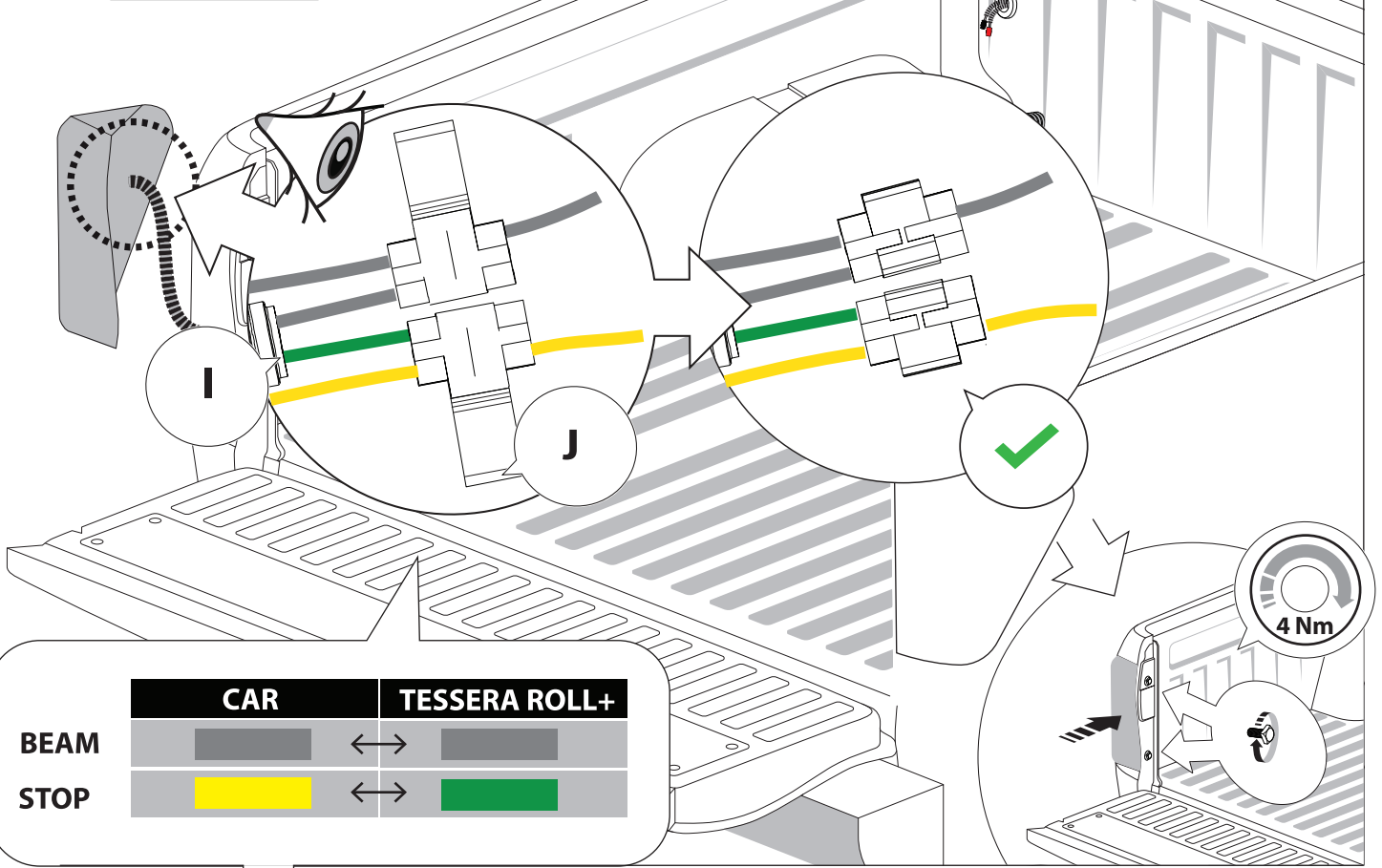
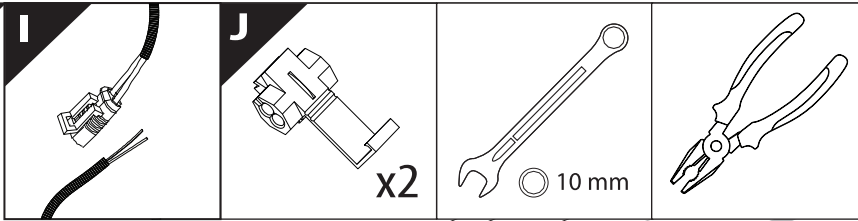


11.2

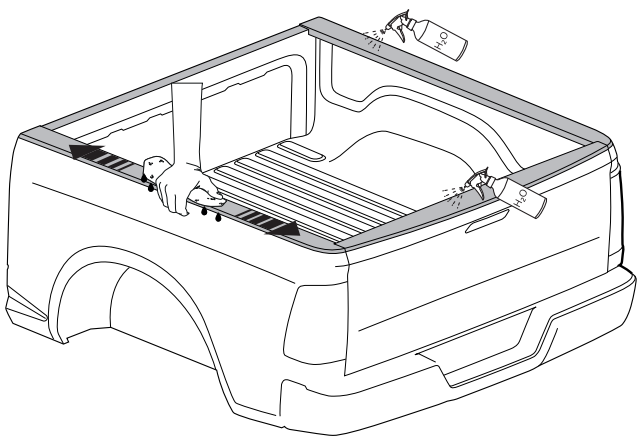
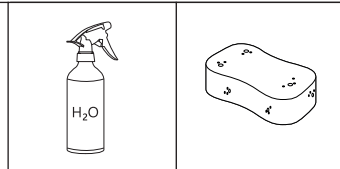
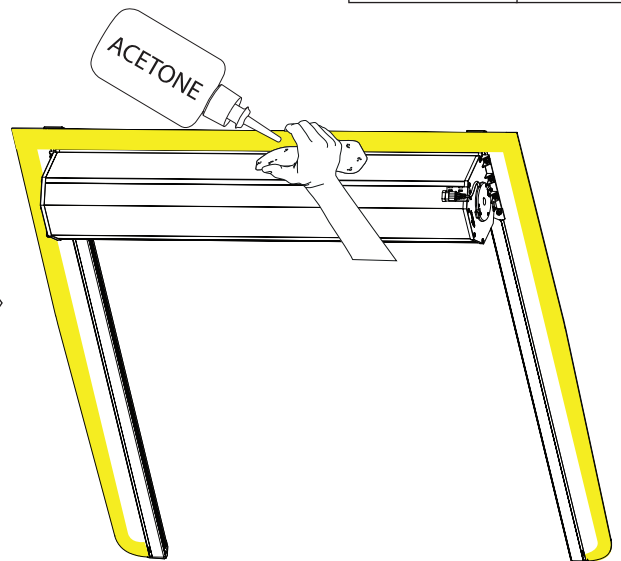
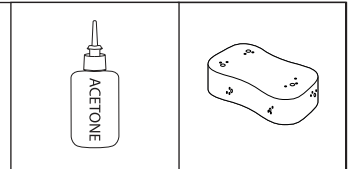


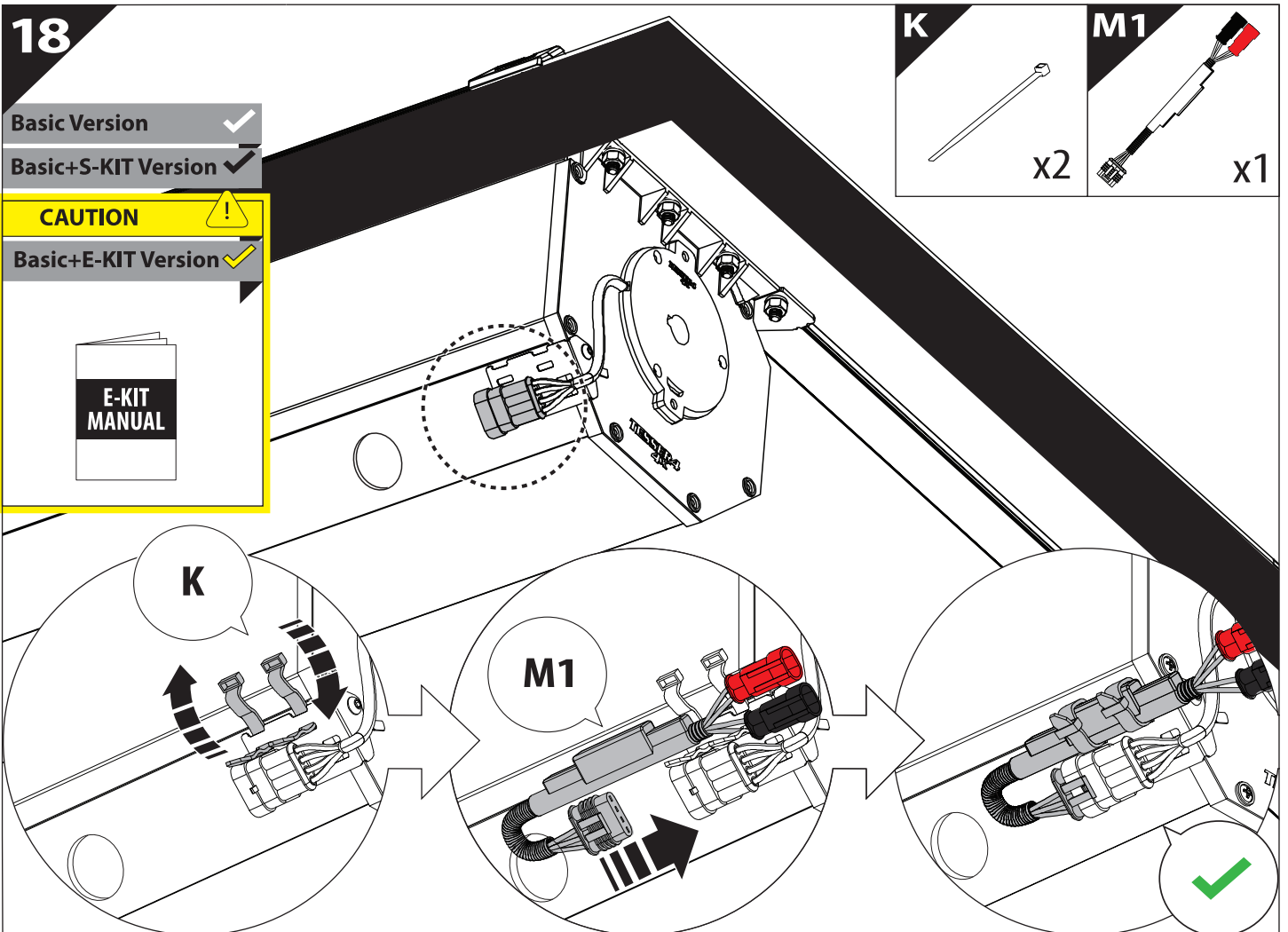
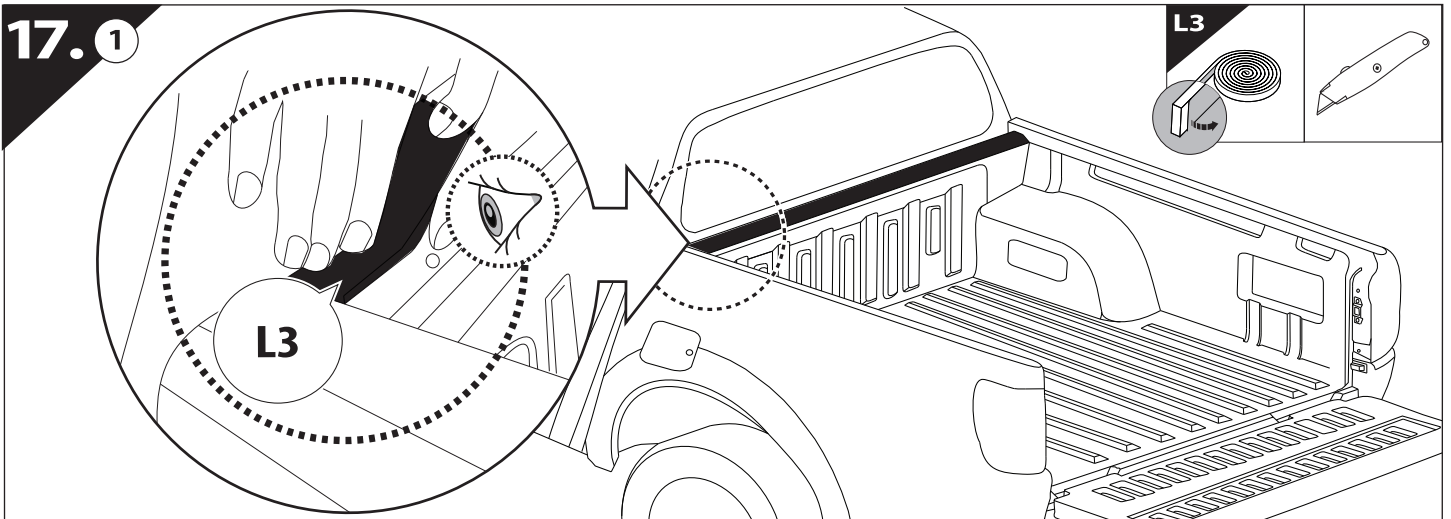
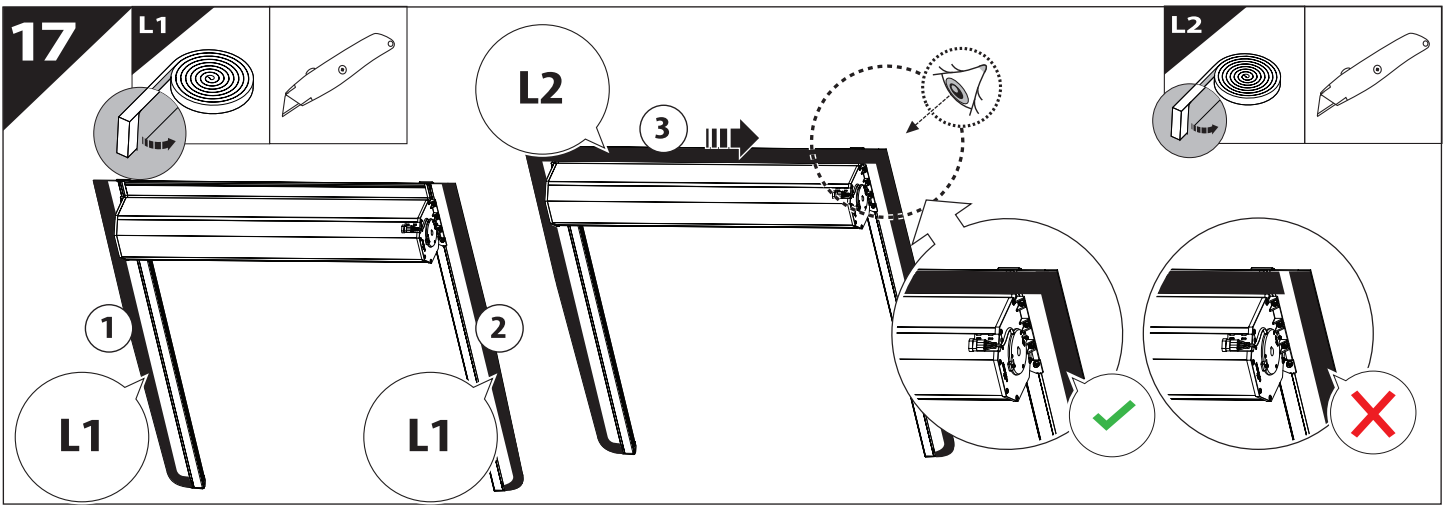




**14**

	CAR		TESSERA ROLL+
BEAM		↔	
STOP		↔	

**15****16**



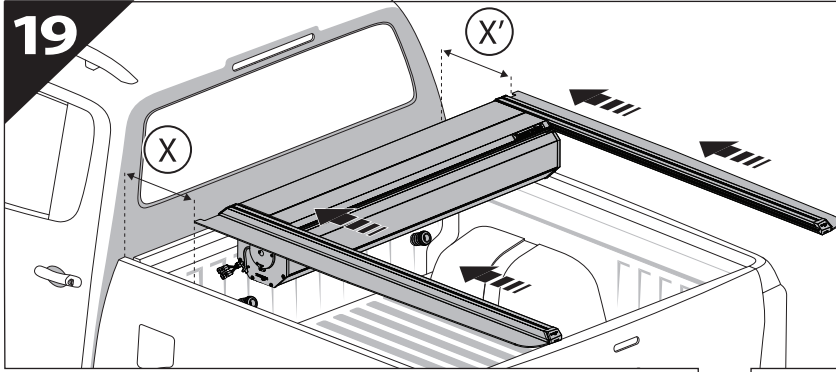


# 18. 1

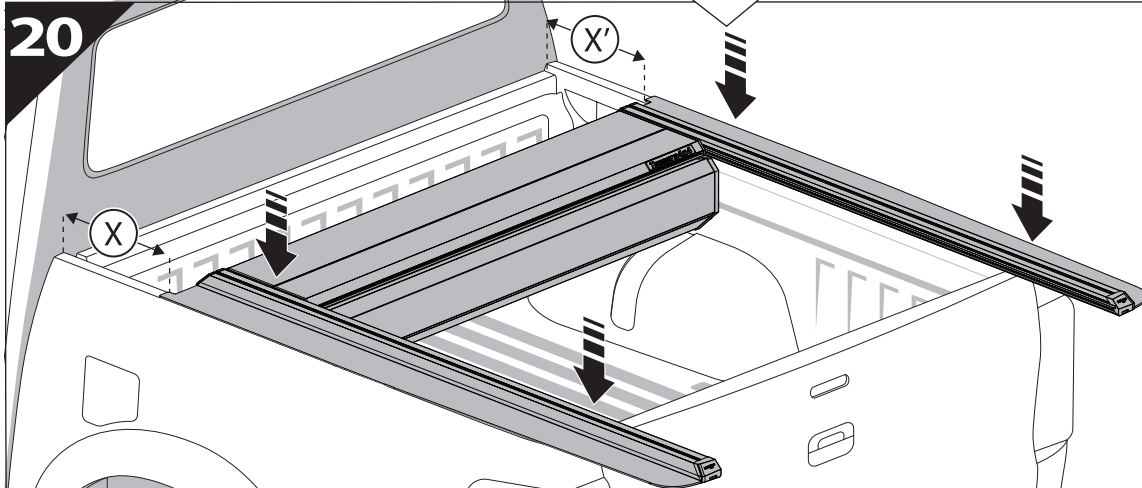
Basic+S-KIT Version

S-KIT  
MANUAL

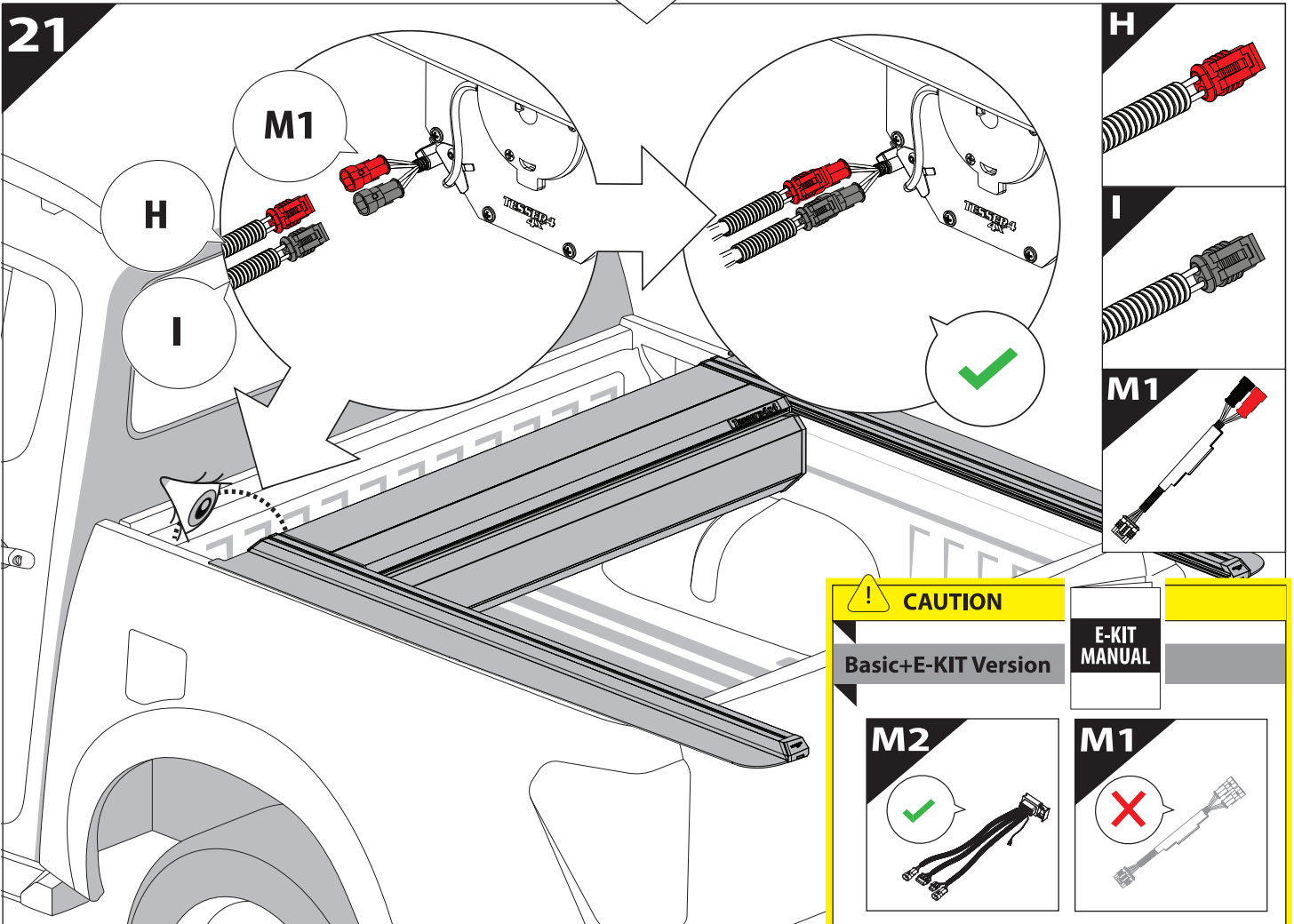
## 19



## 20

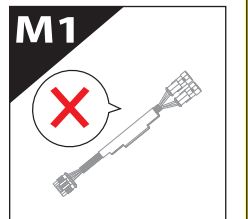
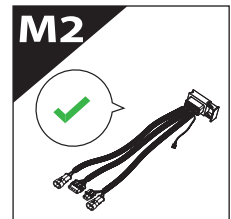


## 21



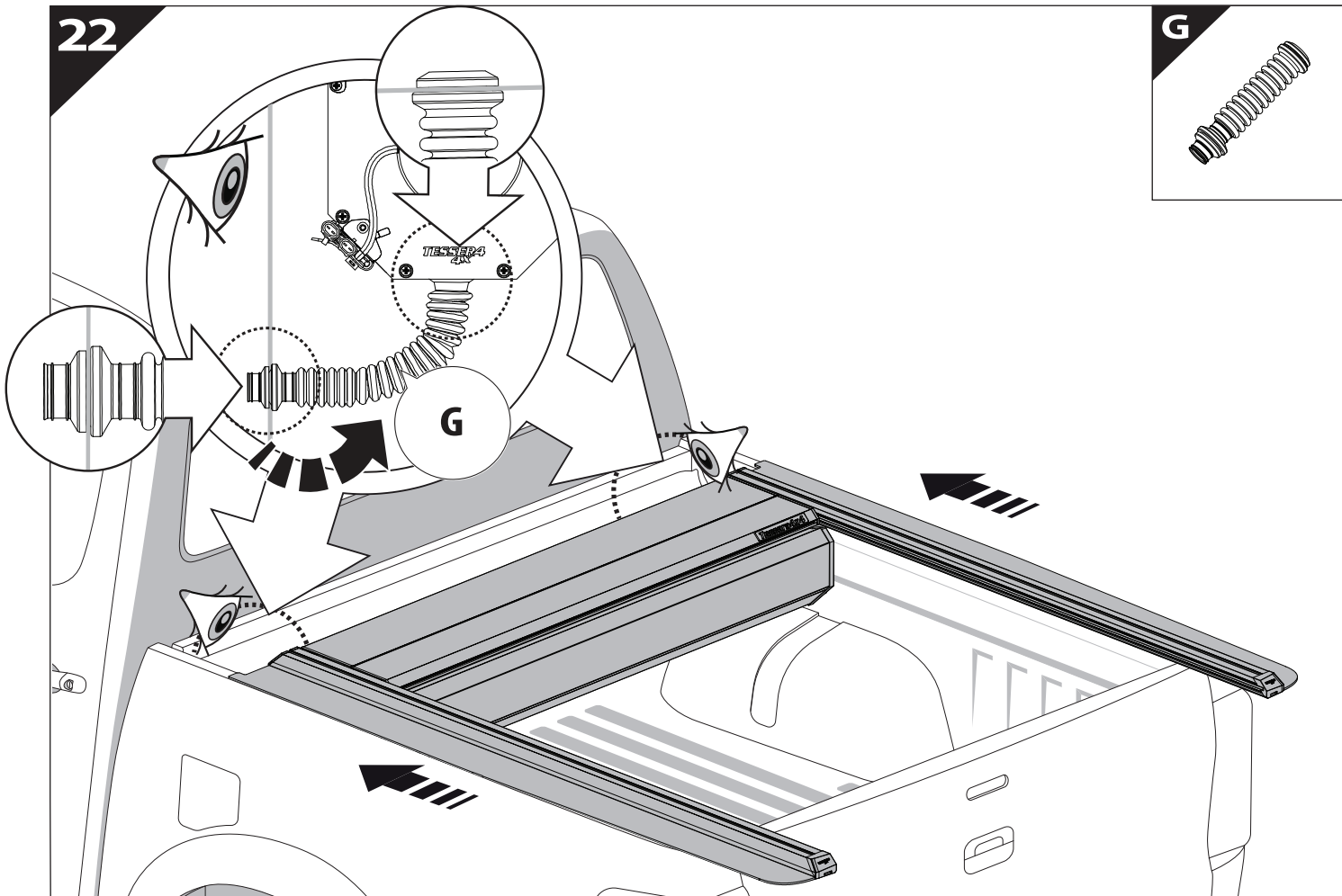
**CAUTION**  
Basic+E-KIT Version

E-KIT  
MANUAL

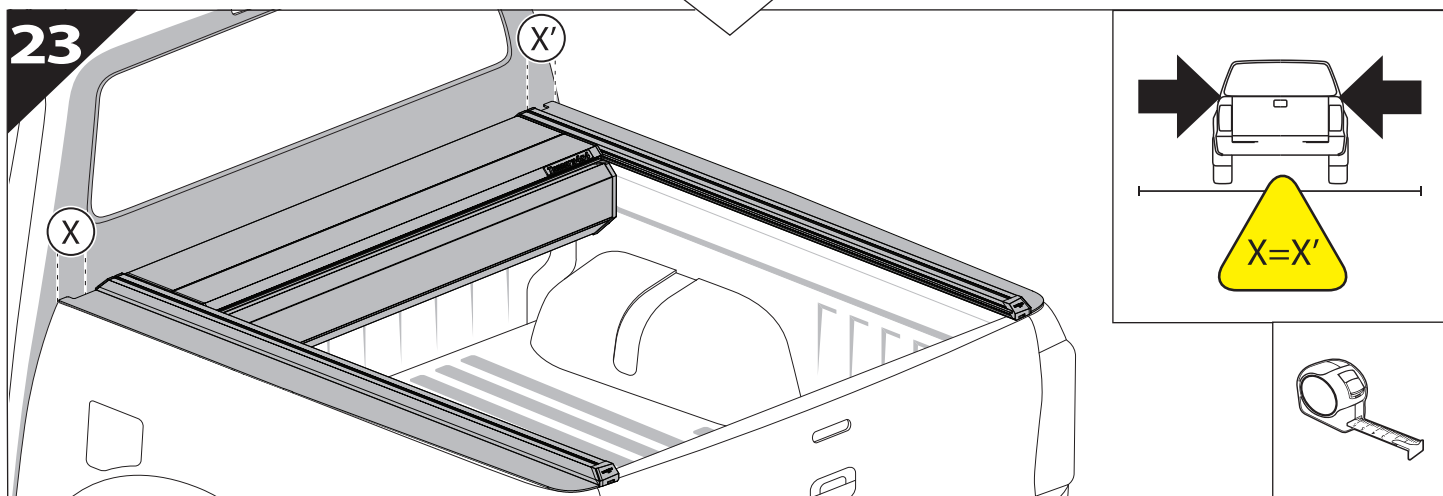


22

G

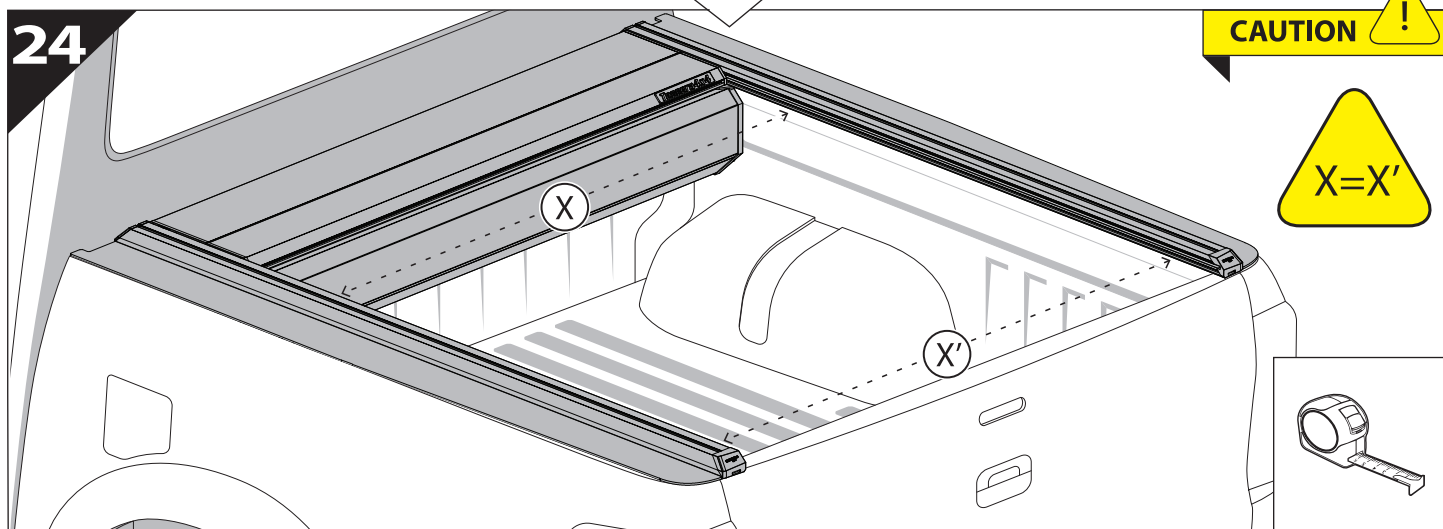


23

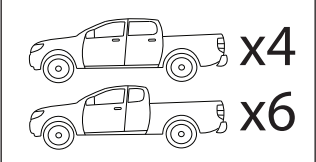
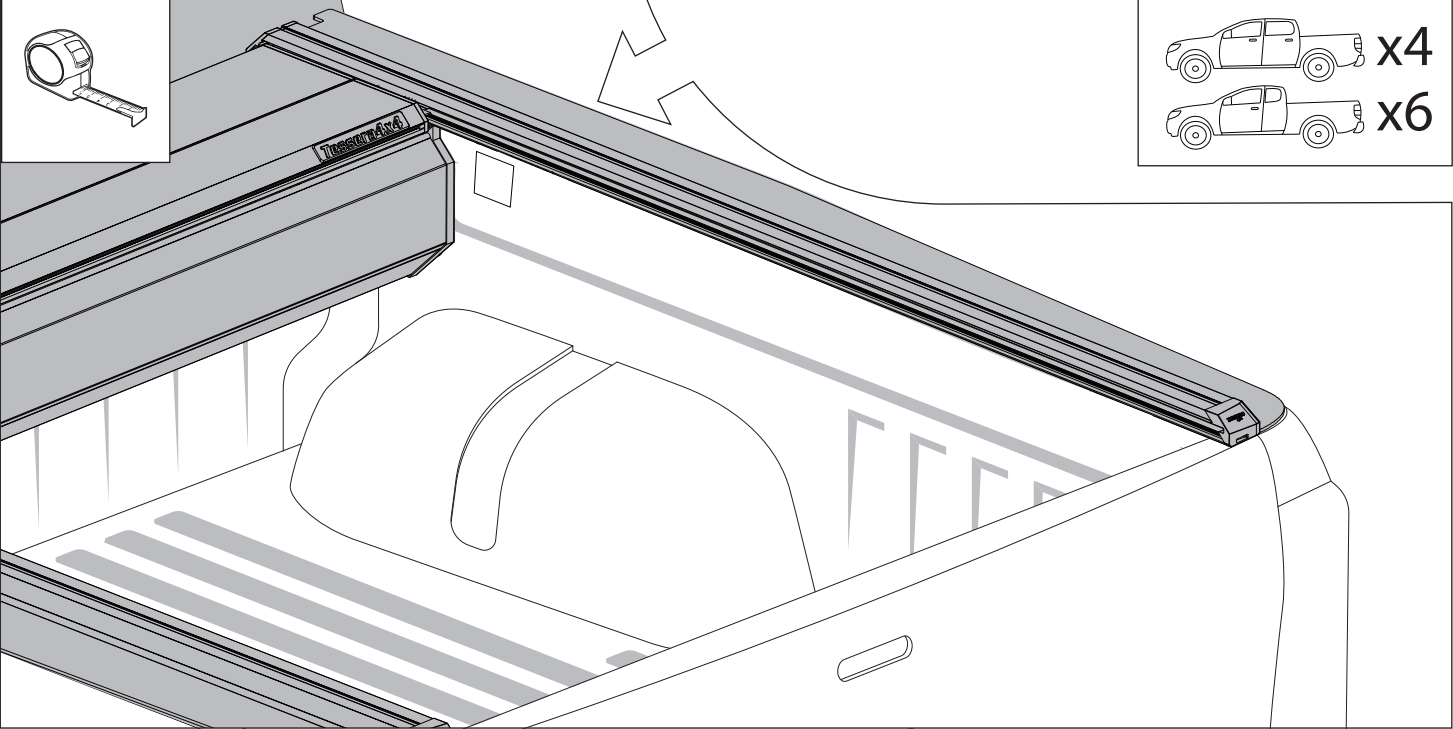
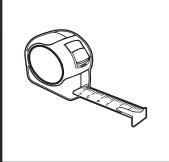
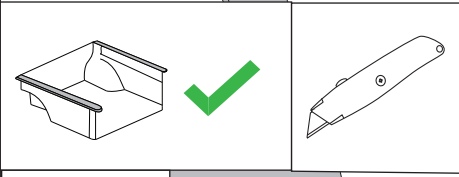


24

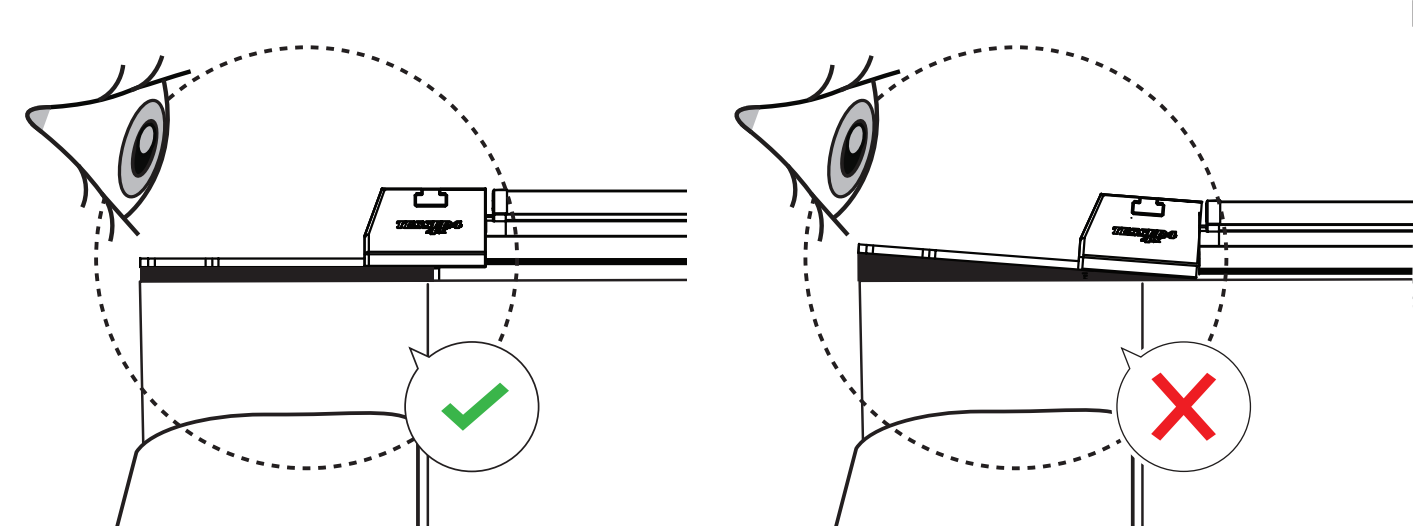
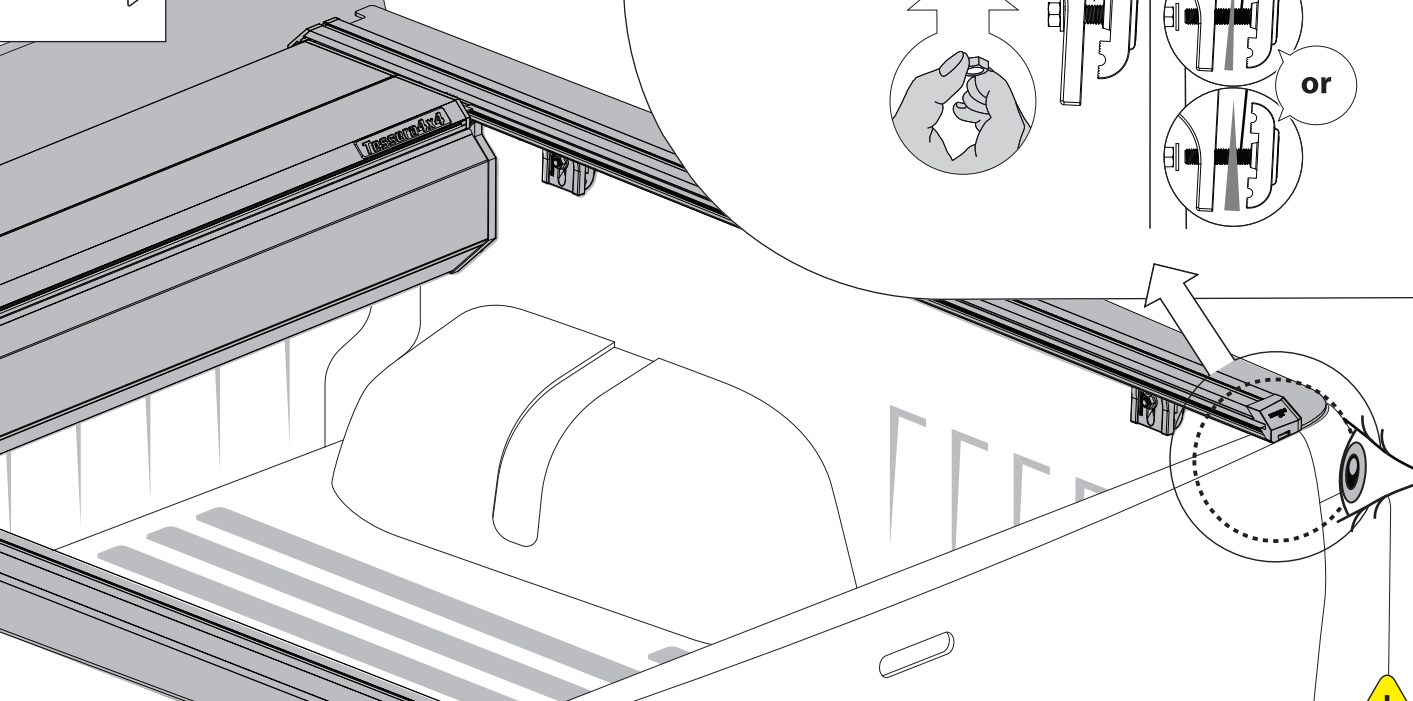
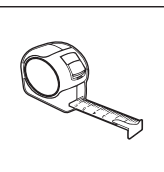
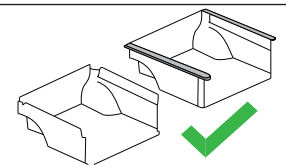
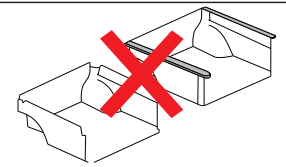
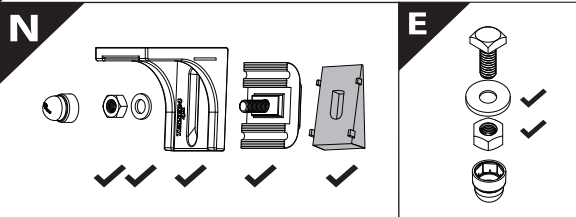
CAUTION !

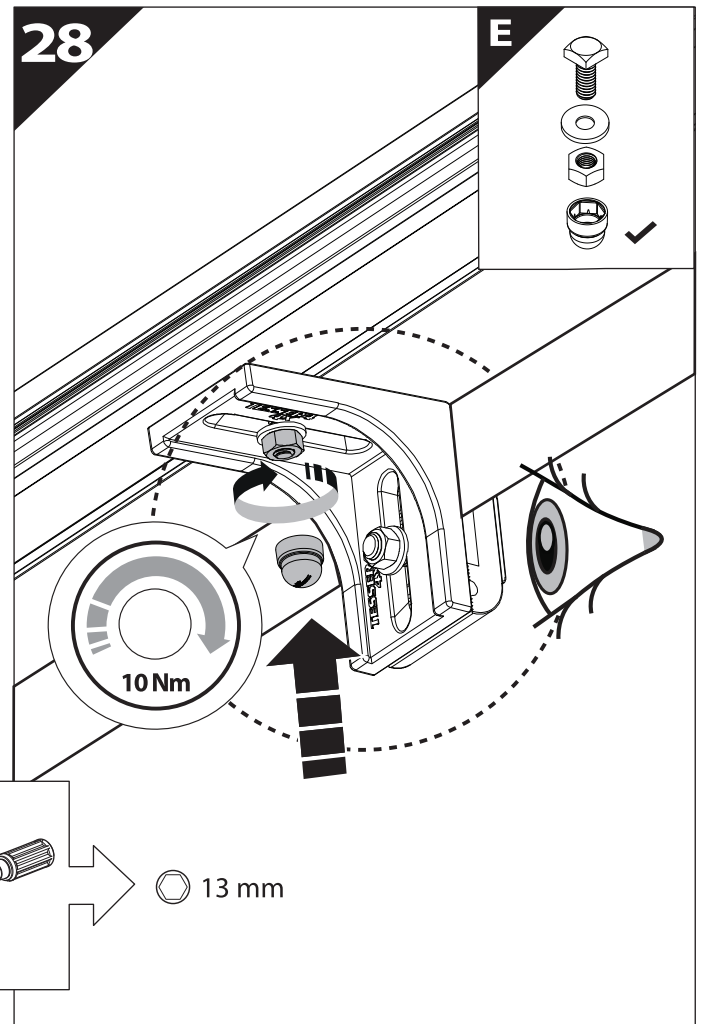
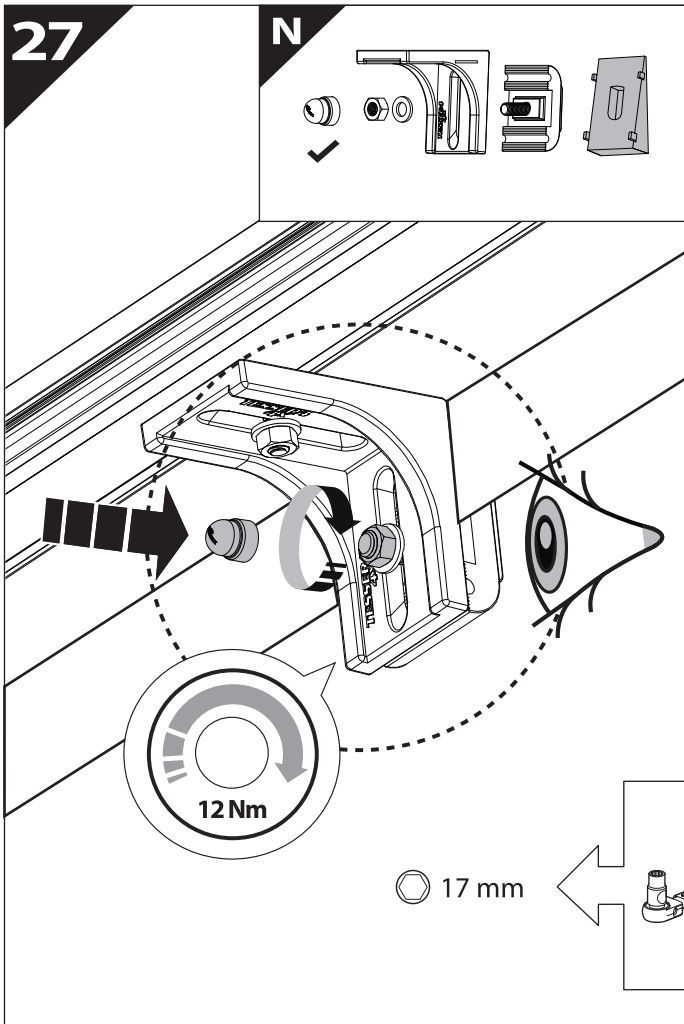


25

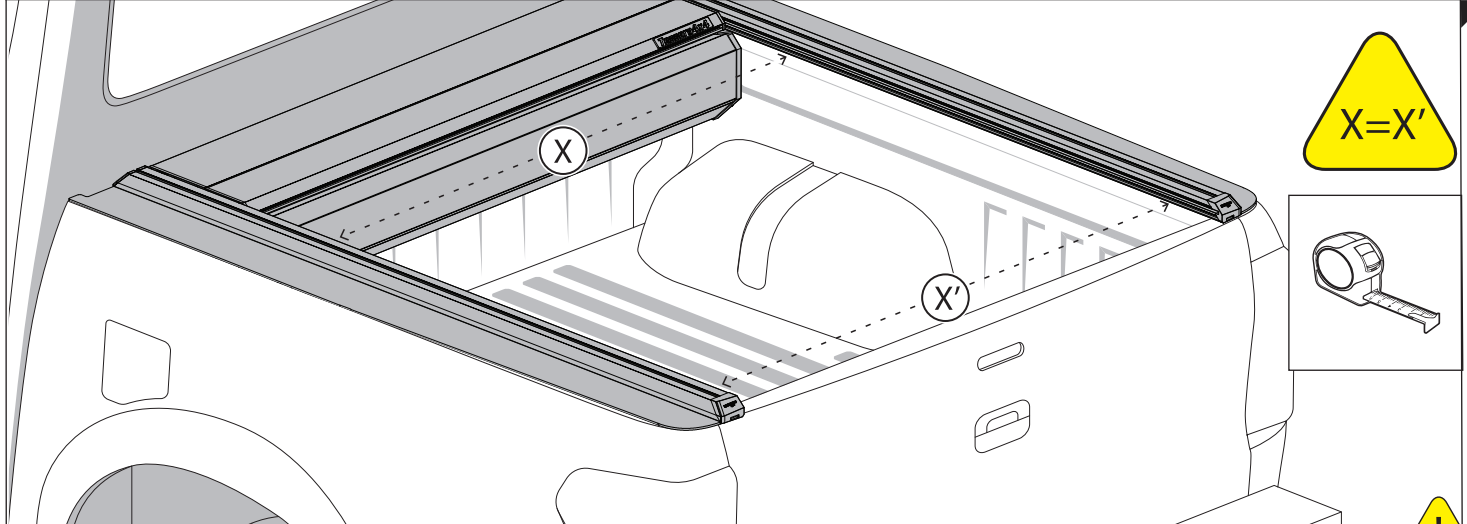


26

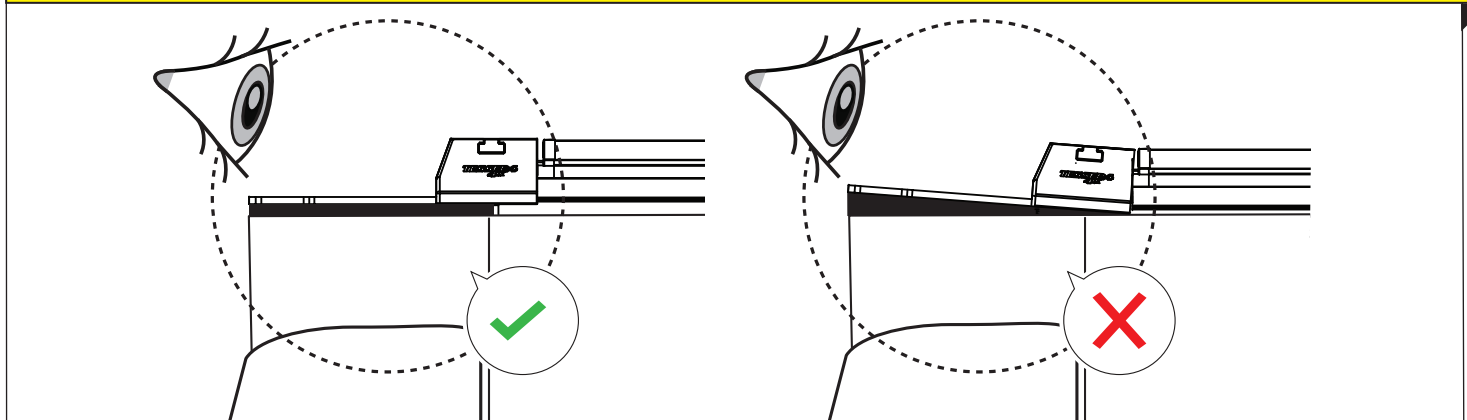




**CAUTION** !

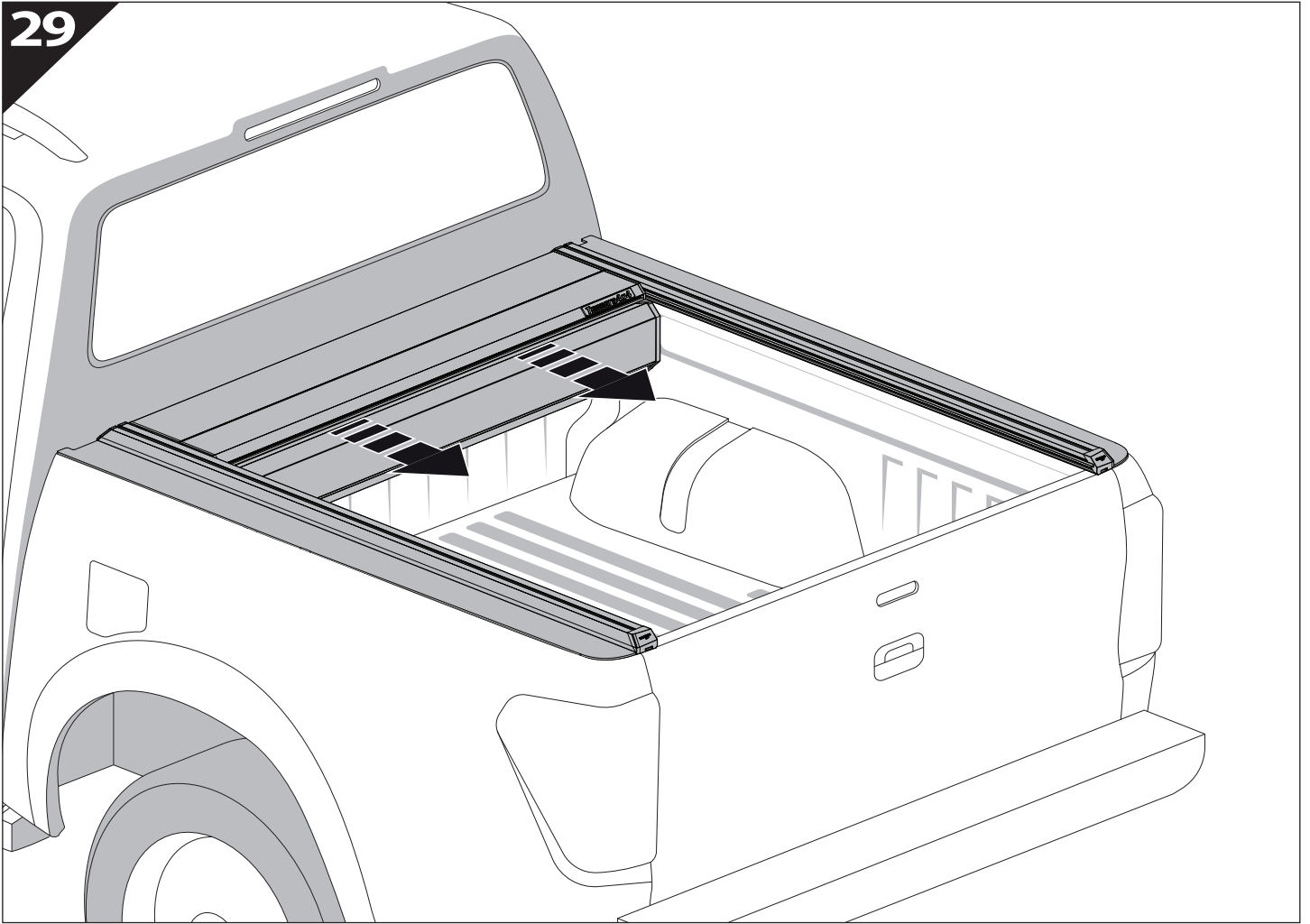


**CAUTION** !

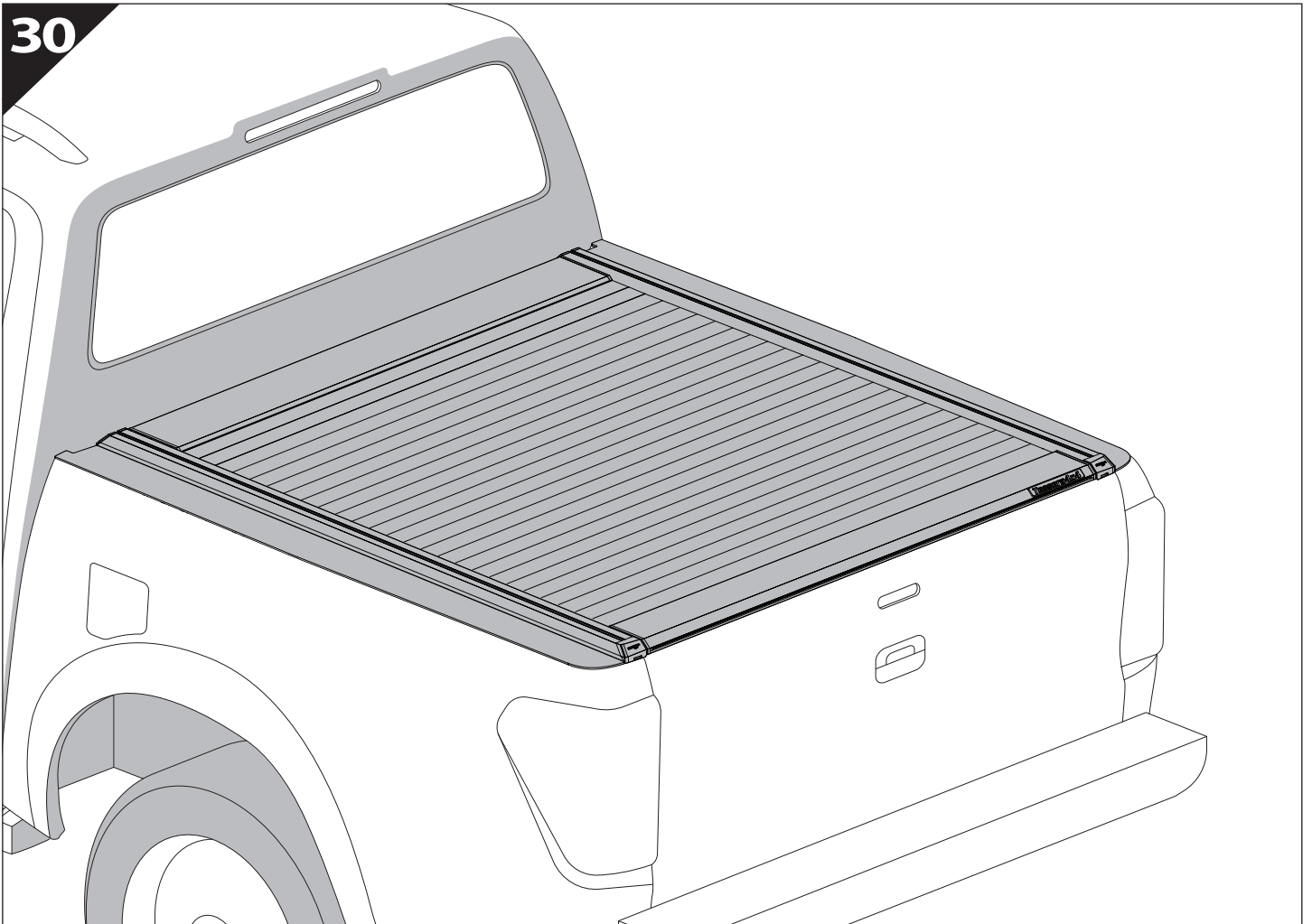




29



30







**GR:** Οδηγίες Εγκατάστασης  
**GB:** Installation manual  
**SF:** Asennusohje  
**F:** Notice de montage  
**PL:** Instrukcja montażu  
**NL:** Installatie-instructies  
**TR:** Montaj Talimatı  
**S:** Monteringsanvisning  
**E:** Instrucciones de montaje

**H:** Szerelési utasítás  
**P:** Instruções de instalação  
**RUS:** Инструкция по установке  
**N:** Monteringsveiledning  
**D:** Einbauanleitung  
**CZ:** Návod k instalaci  
**I:** Istruzioni de montaggio  
**DK:** Monteringsvejledning  
**RO:** Instructiuni de instalare

Customer Service:

+30 (210) 5541161, +30 (210) 5541154 (08:00 - 16:00 EET)

Support department:

[info@gianso.gr](mailto:info@gianso.gr)

Website:

[www.tessera4x4.com](http://www.tessera4x4.com)

Address:

19.5 km of National road Athens-Korinthos (Elefsina) Greece, P.C: 19200