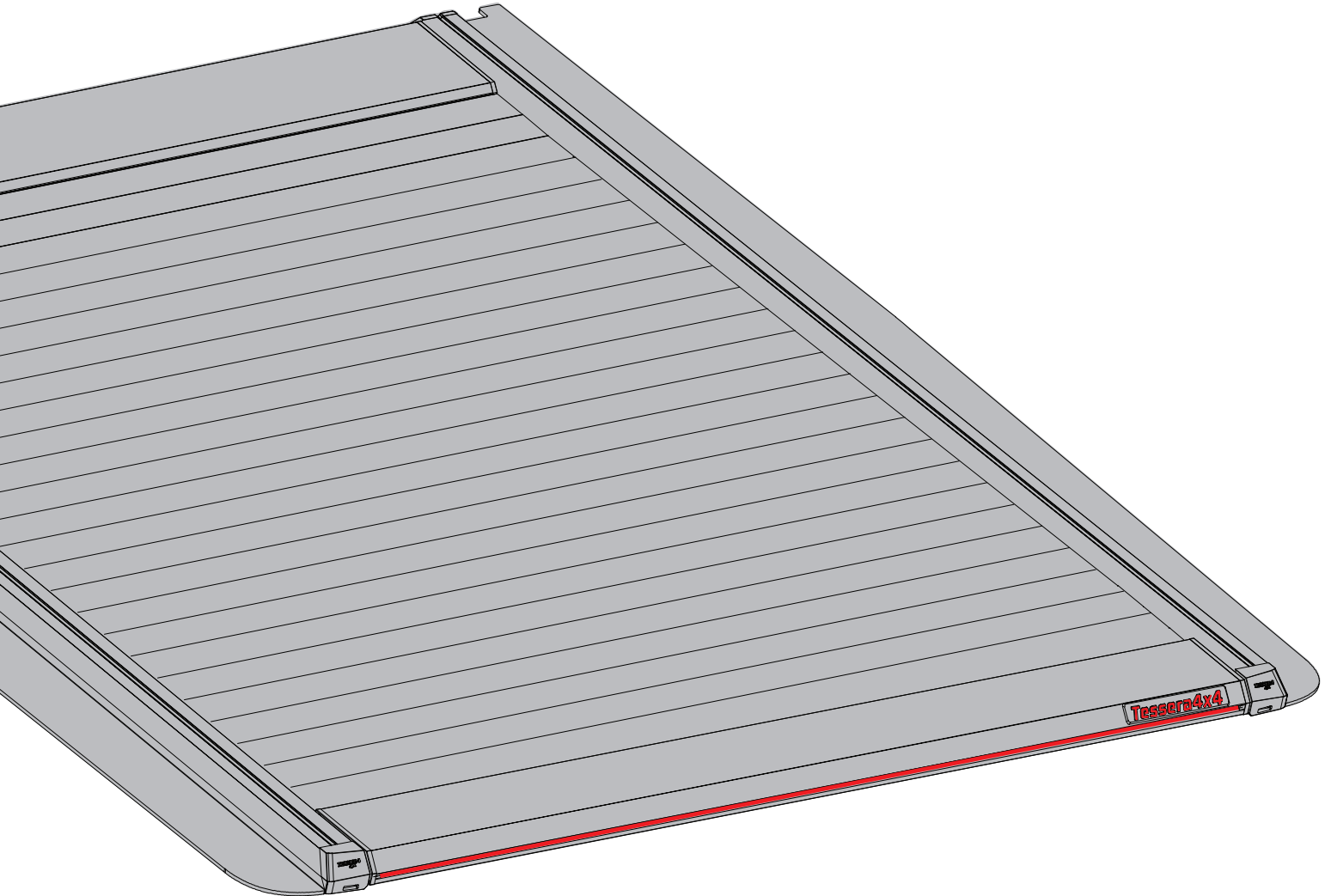


# Tessera Roll+

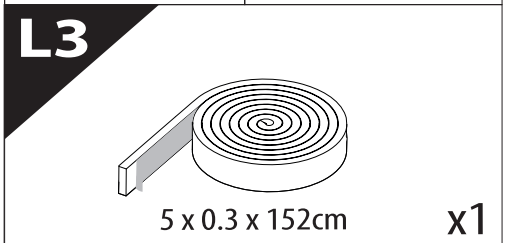
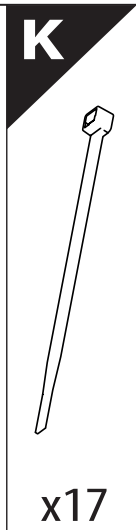
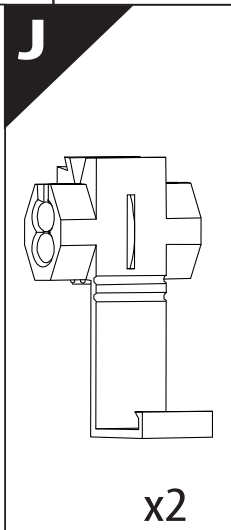
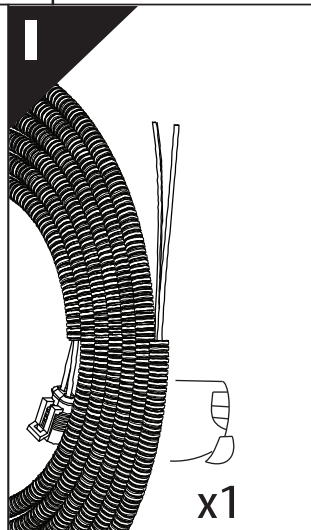
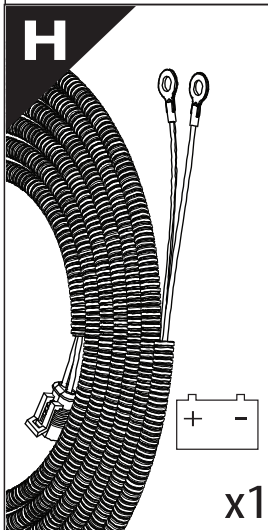
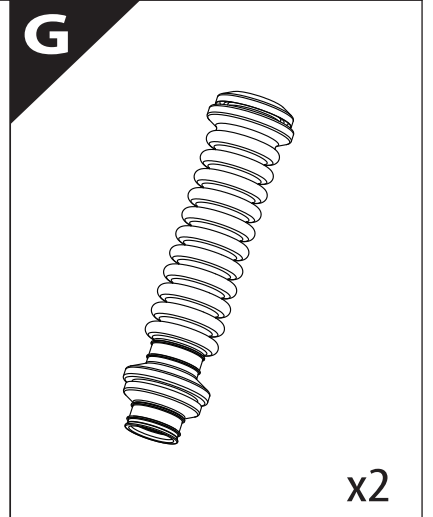
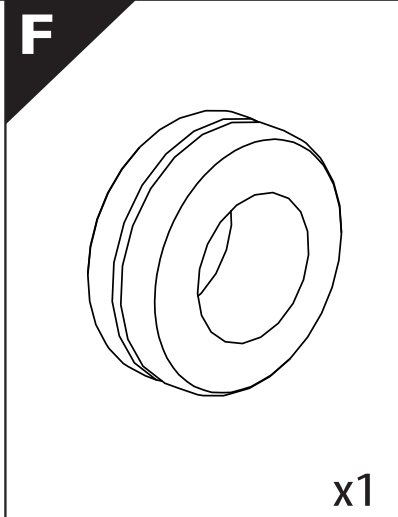
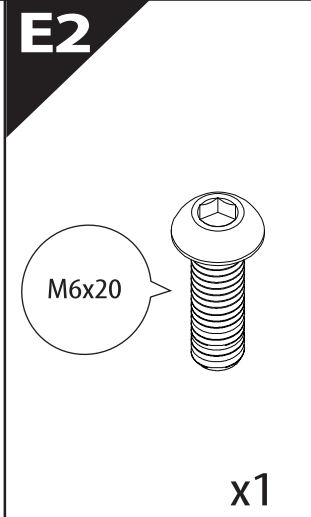
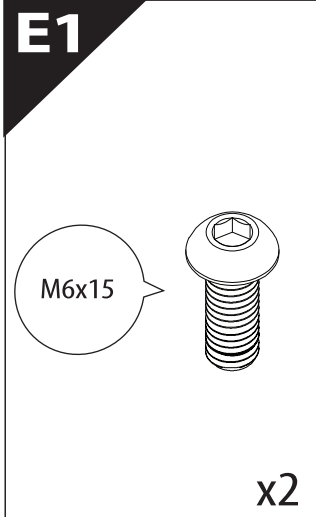
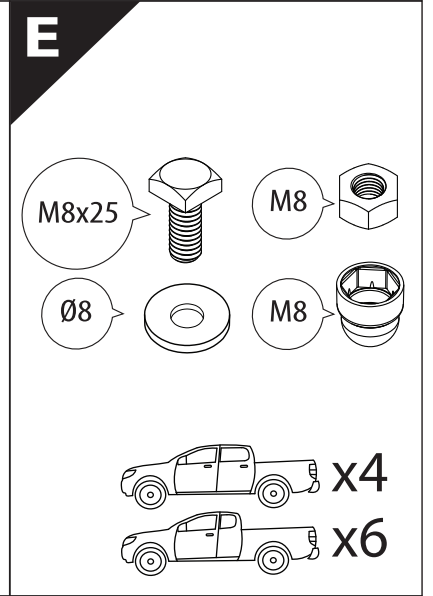
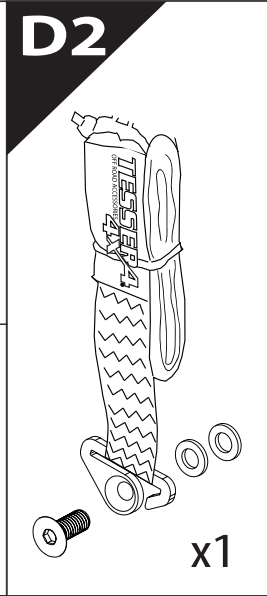
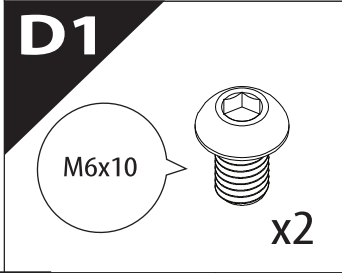
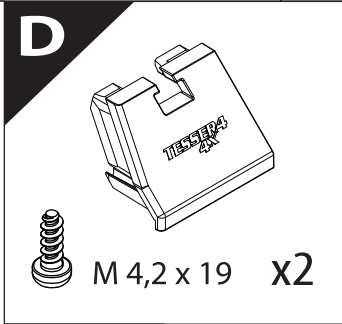
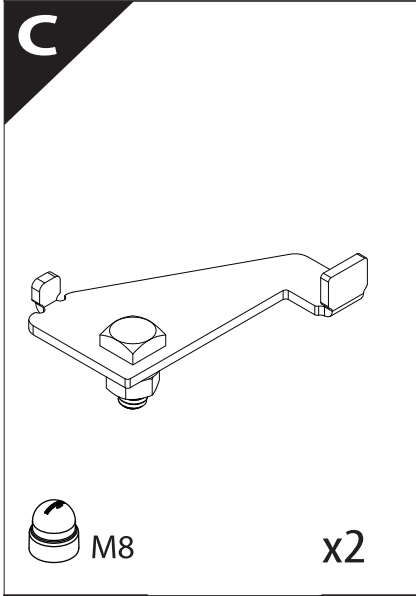
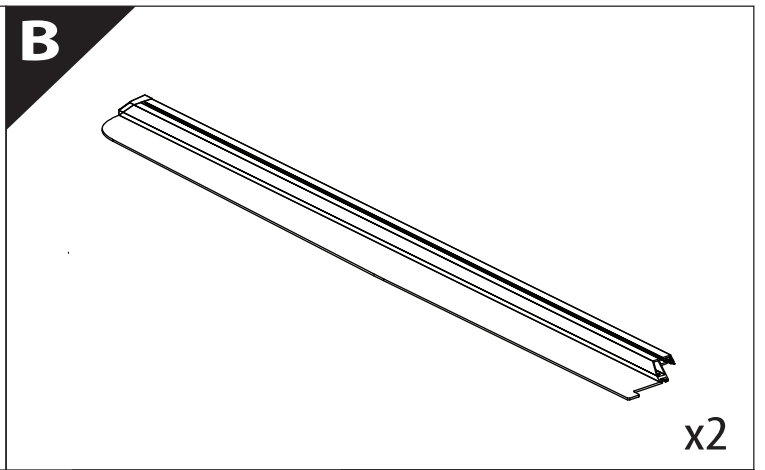
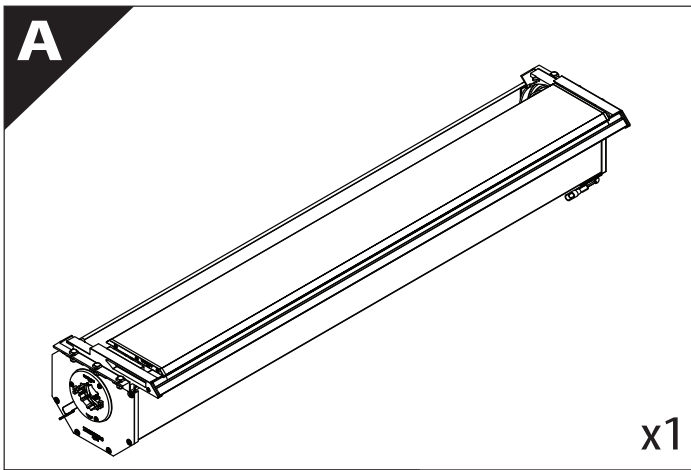
## Basic Version + ⚡ E-KIT

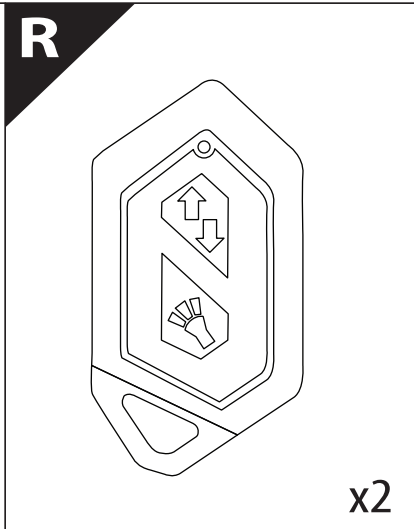
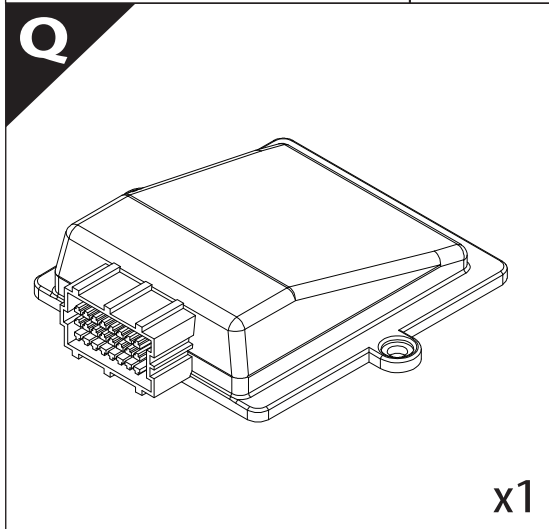
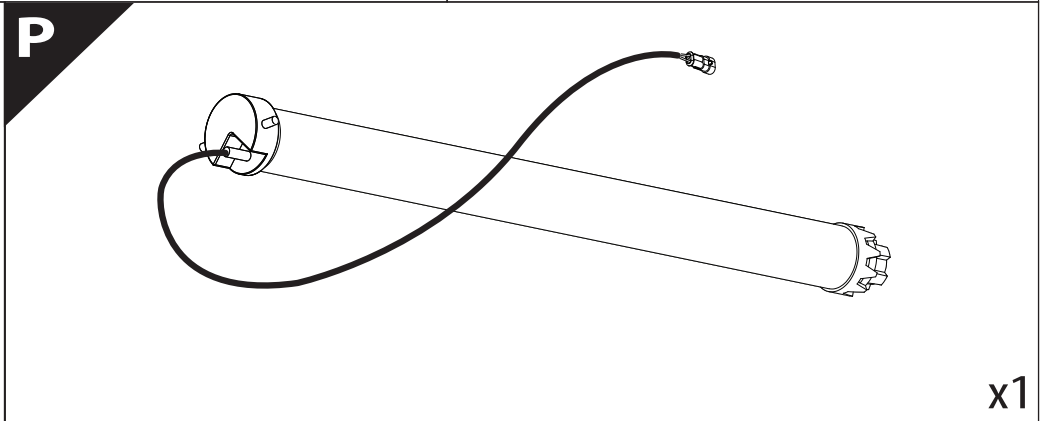
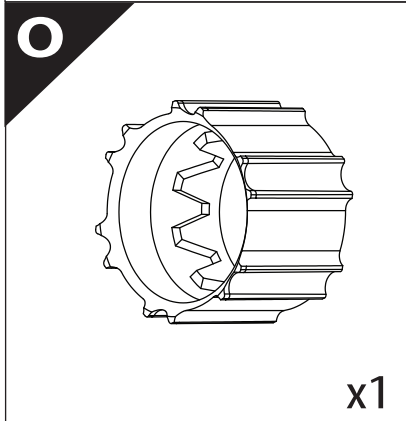
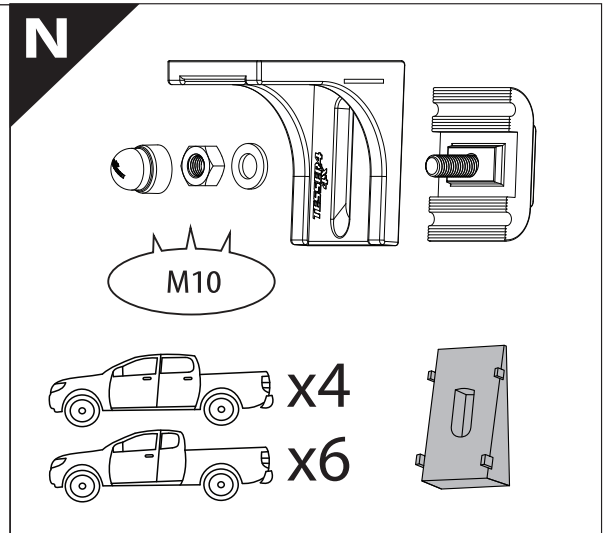
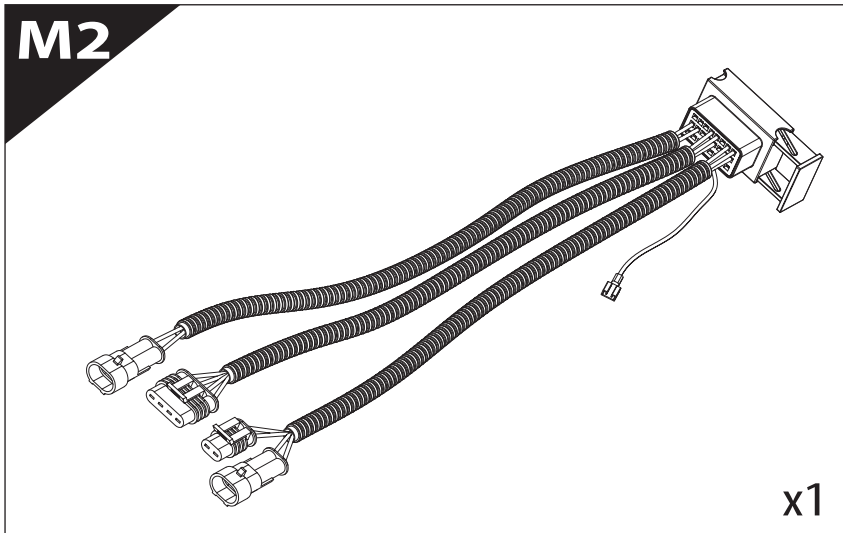


## Installation Manual

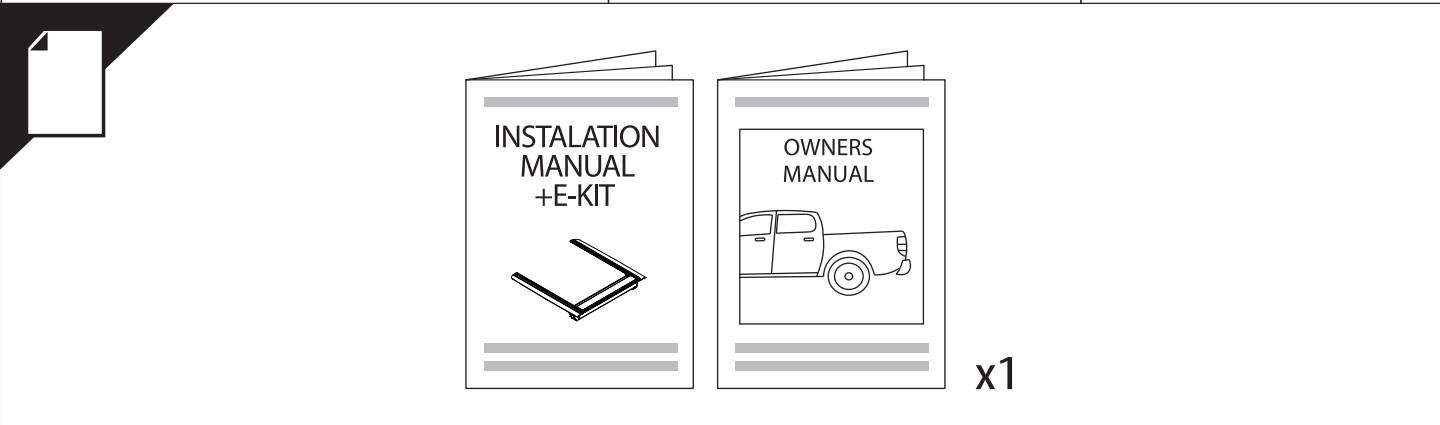
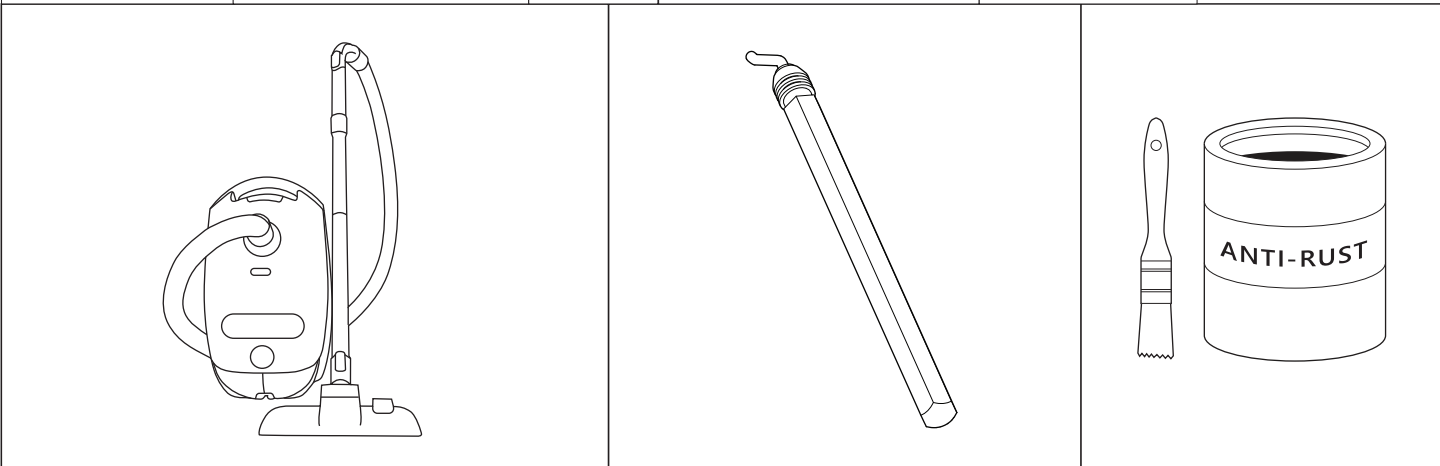
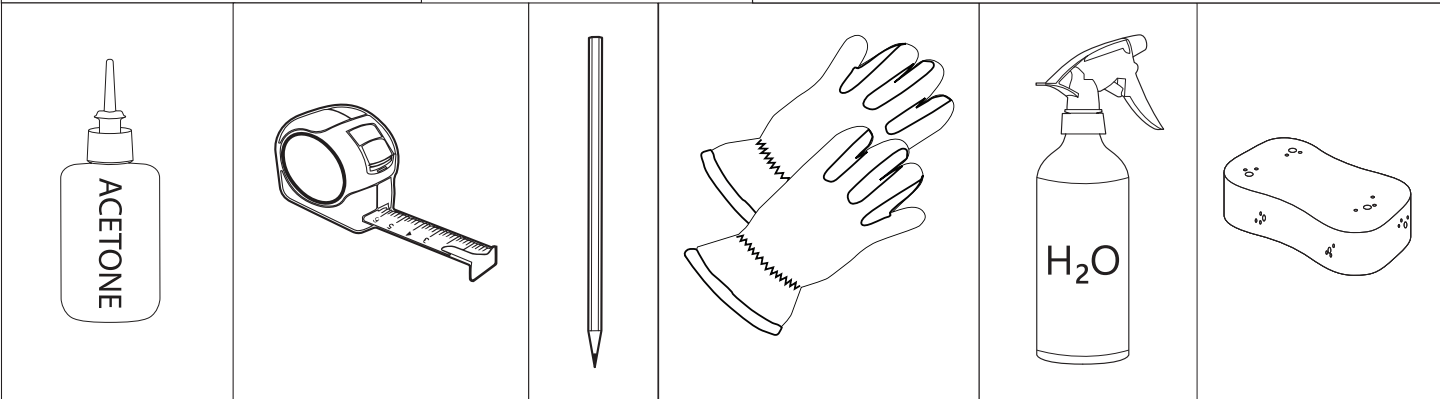
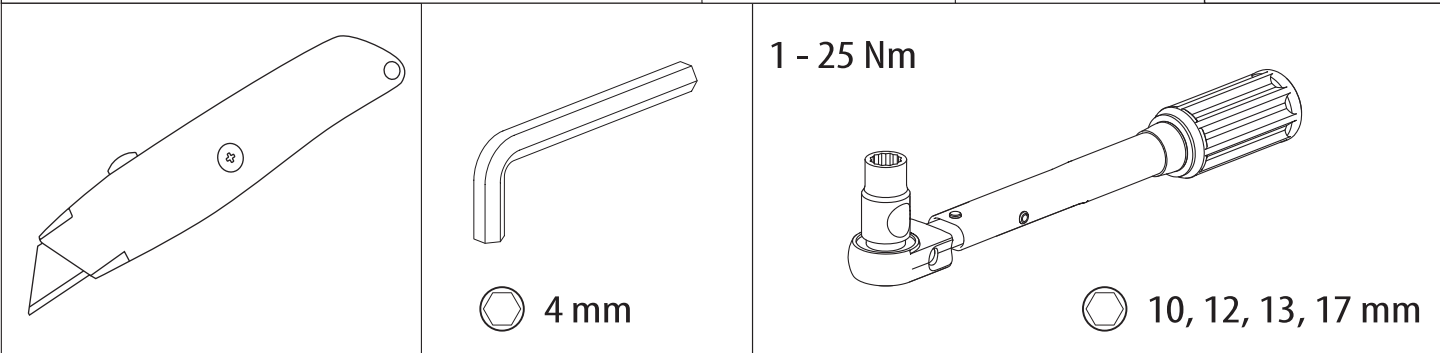
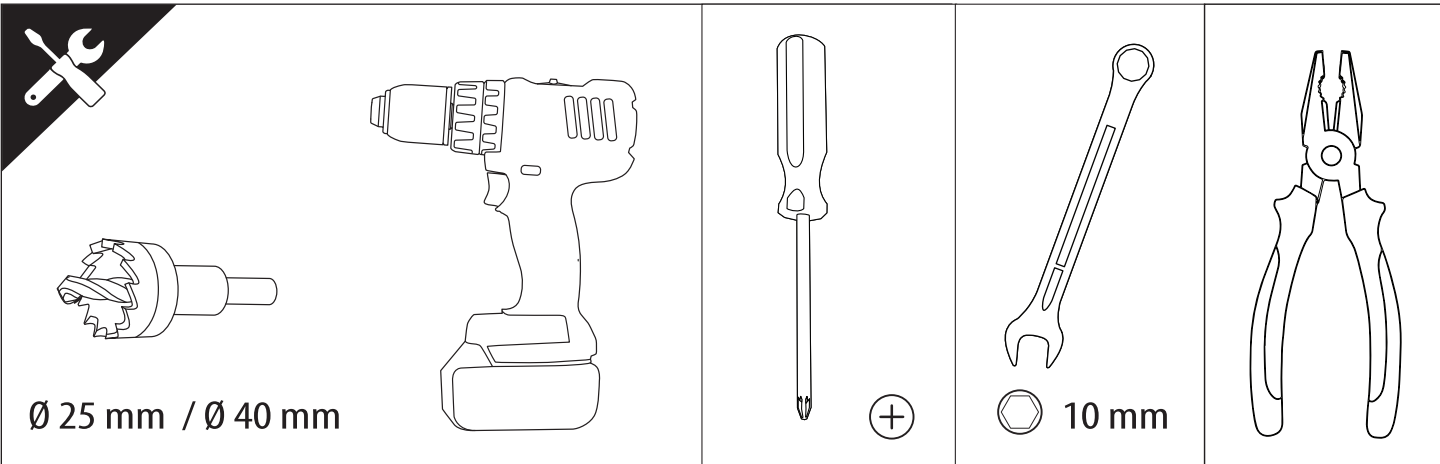
| PART NUMBER(S)         | Model Year                 |
|------------------------|----------------------------|
| TESS 140 ROLL+E-KIT    | Nissan D40 (no c-channels) |
| TESS 1402 ROLL+E-KIT   |                            |
| TESS 1403 ROLL+E-KIT   |                            |
| Cab(s)                 | Installation Time / Weight |
| Double Cab & Space Cab | 40-60 minutes / 53-57 kg   |

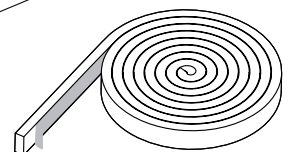
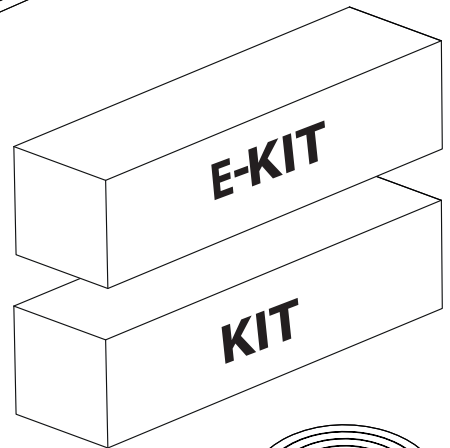
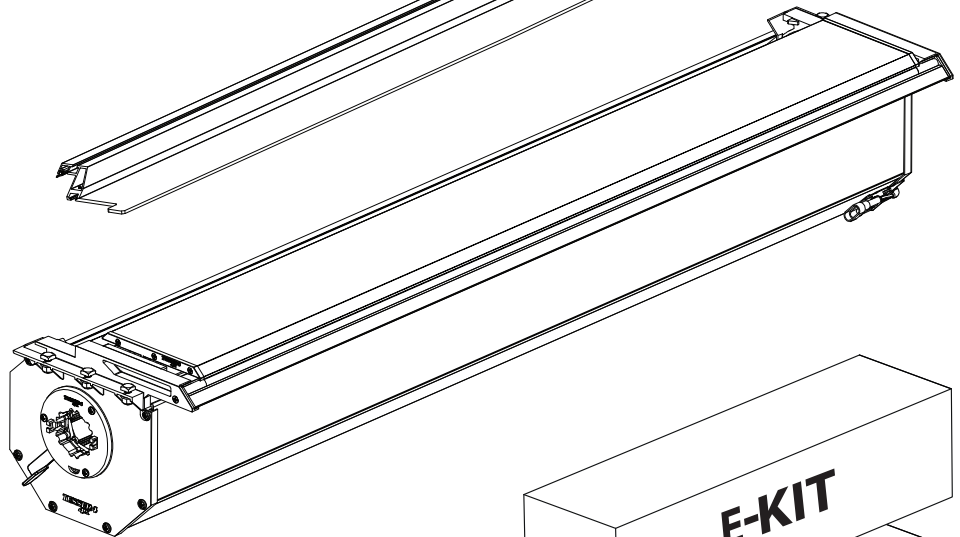
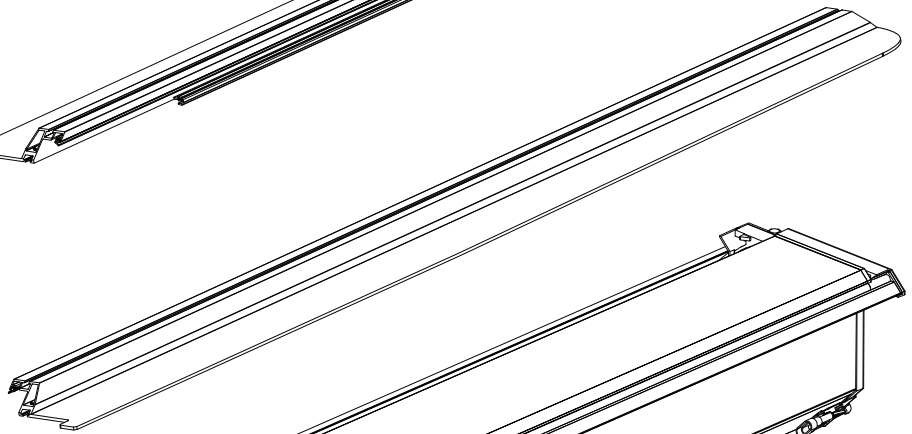
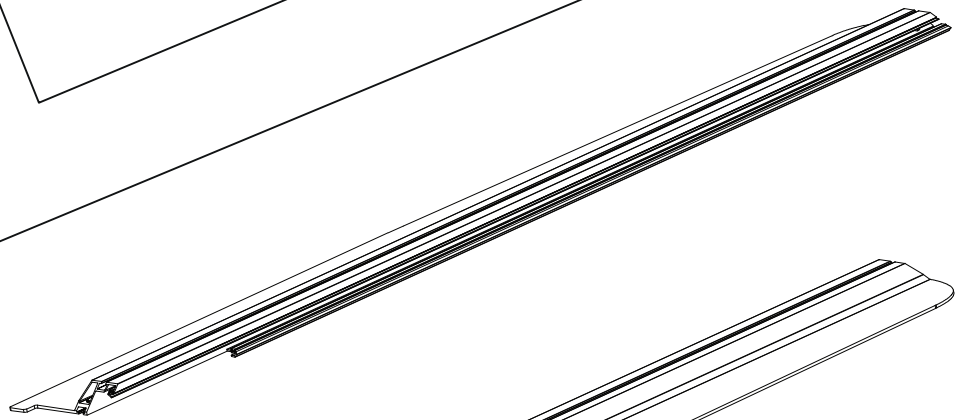
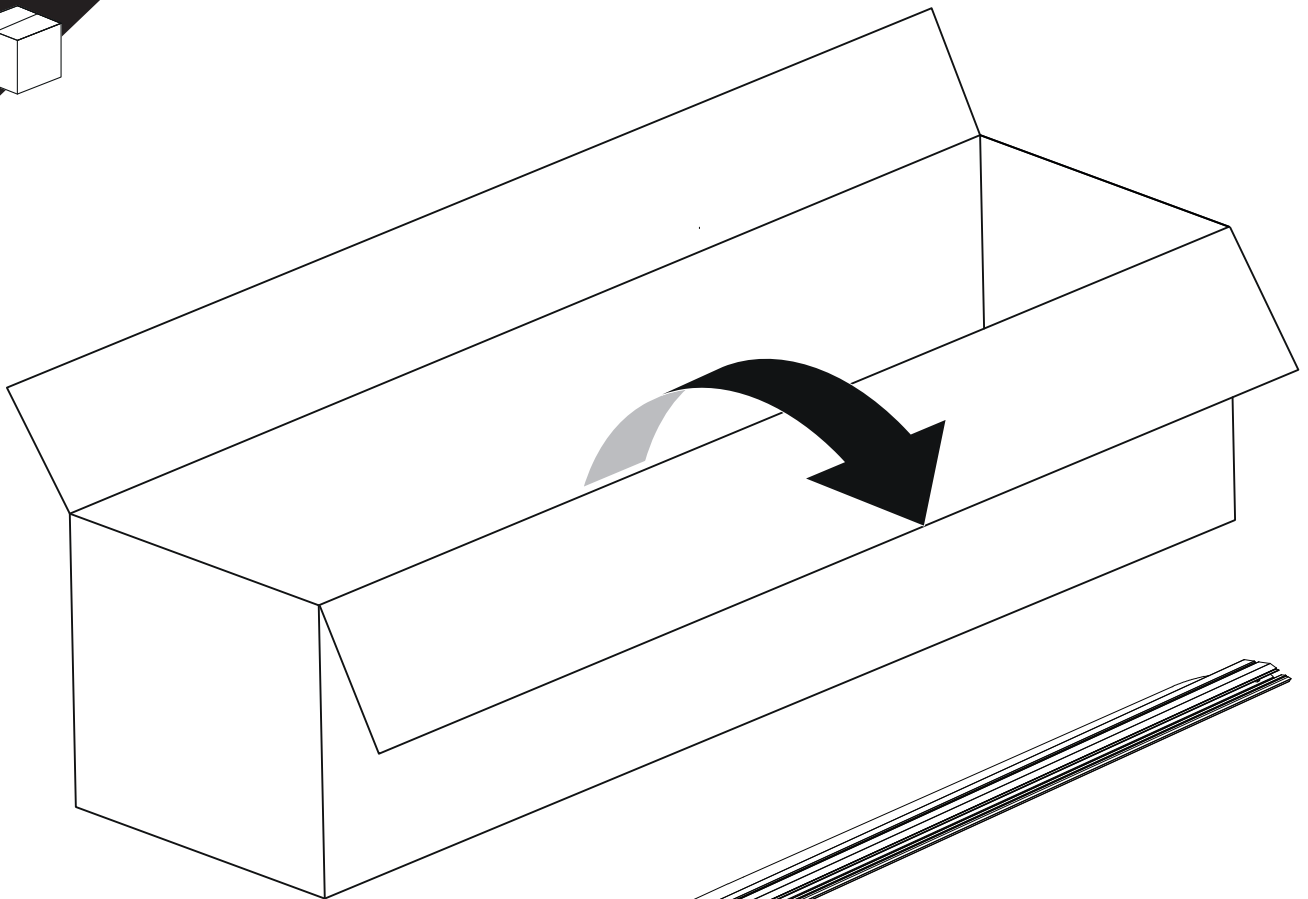










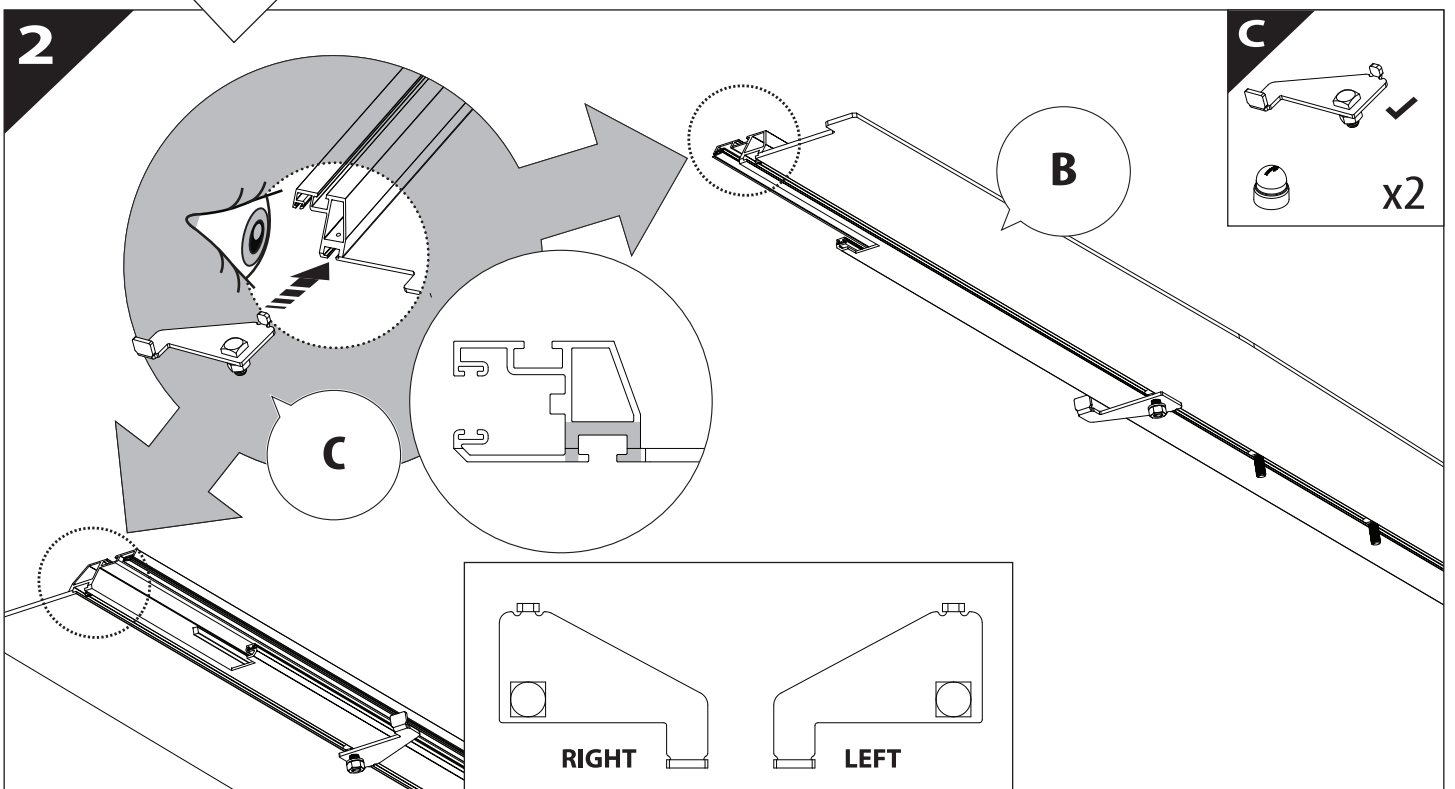
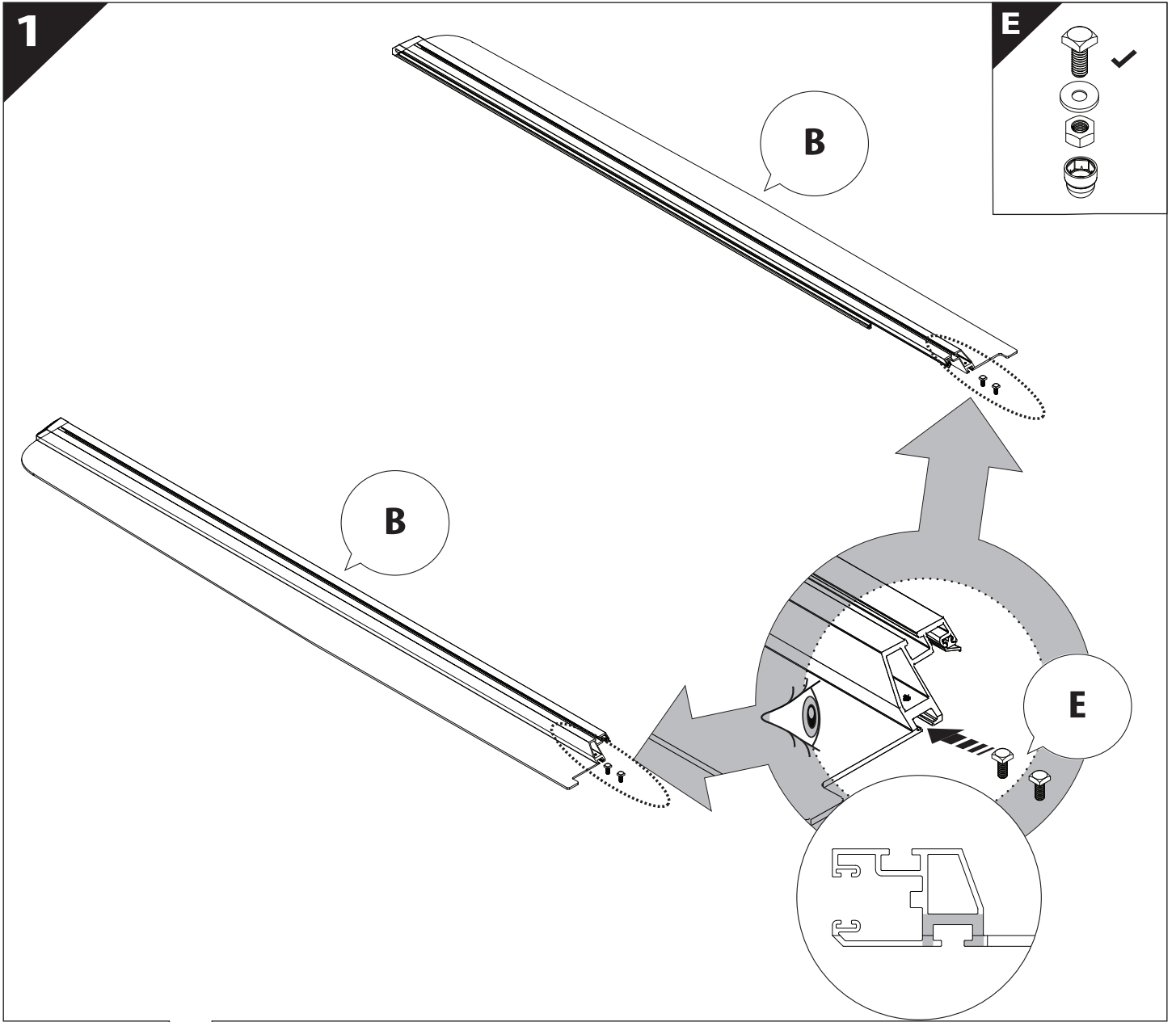


**B**

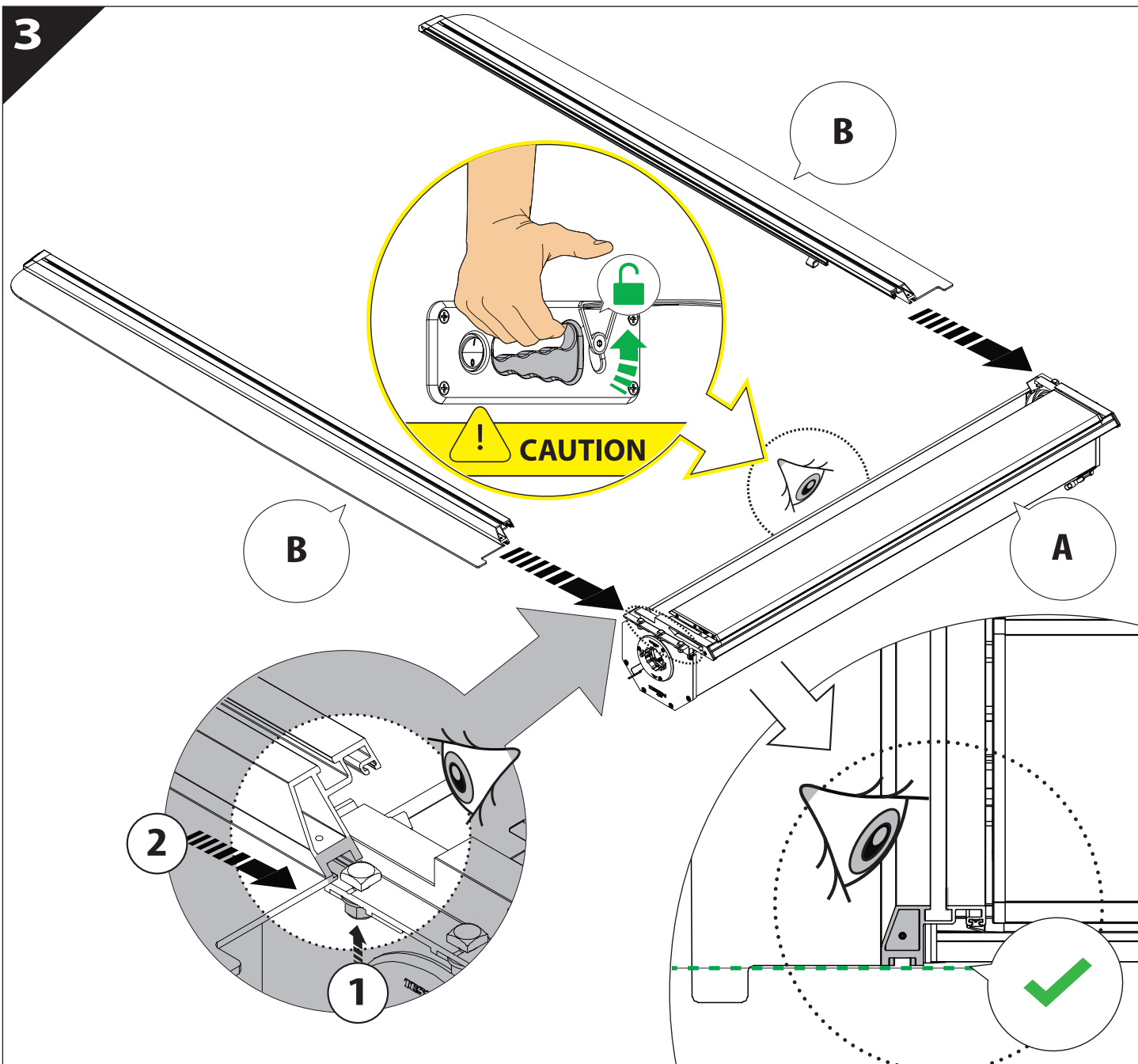
**A**

**KITS**

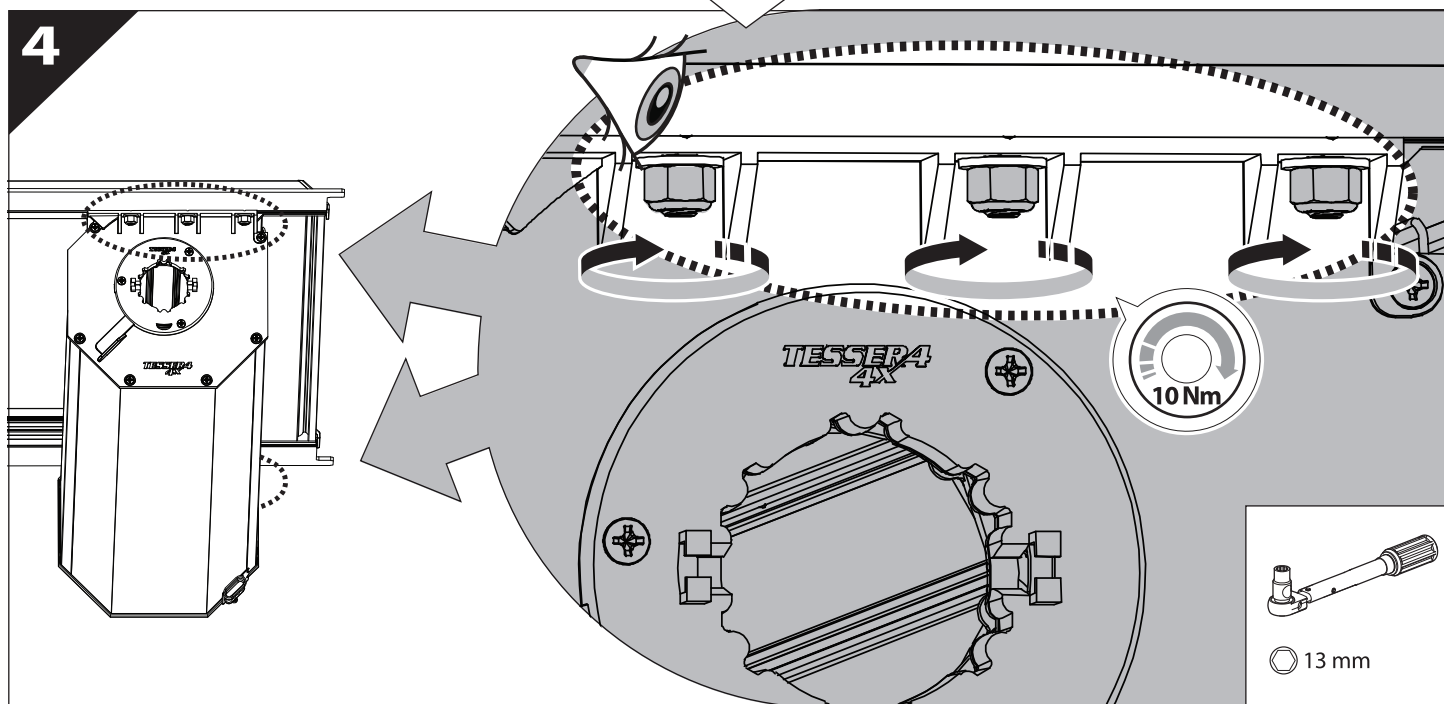
**L**

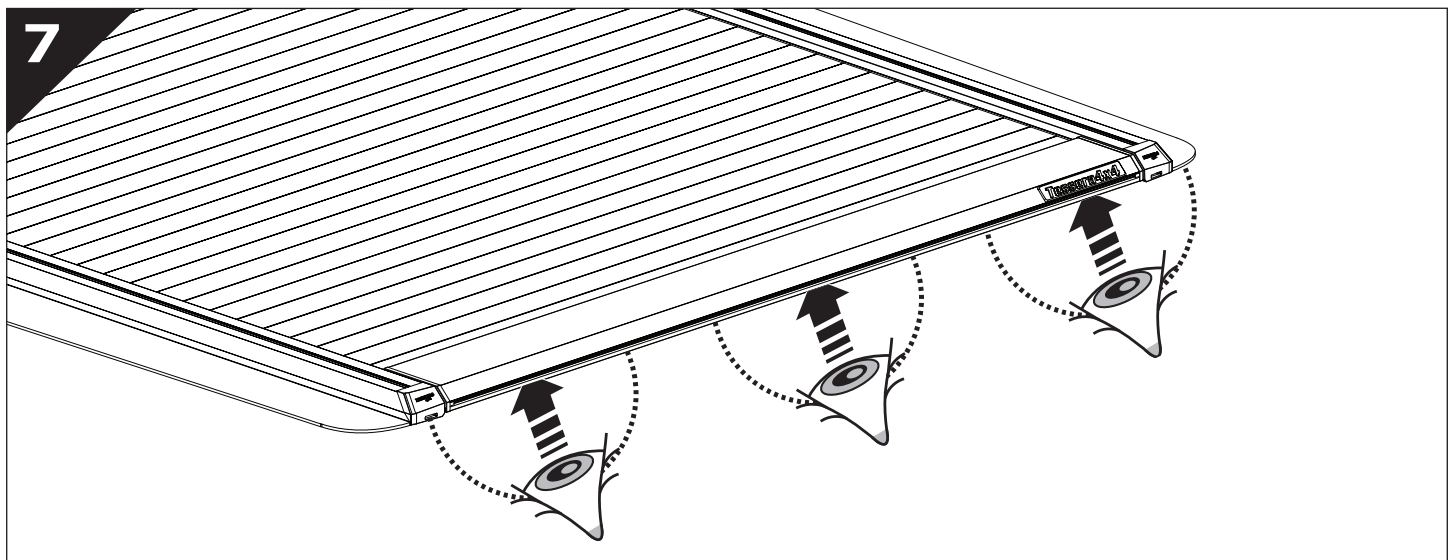
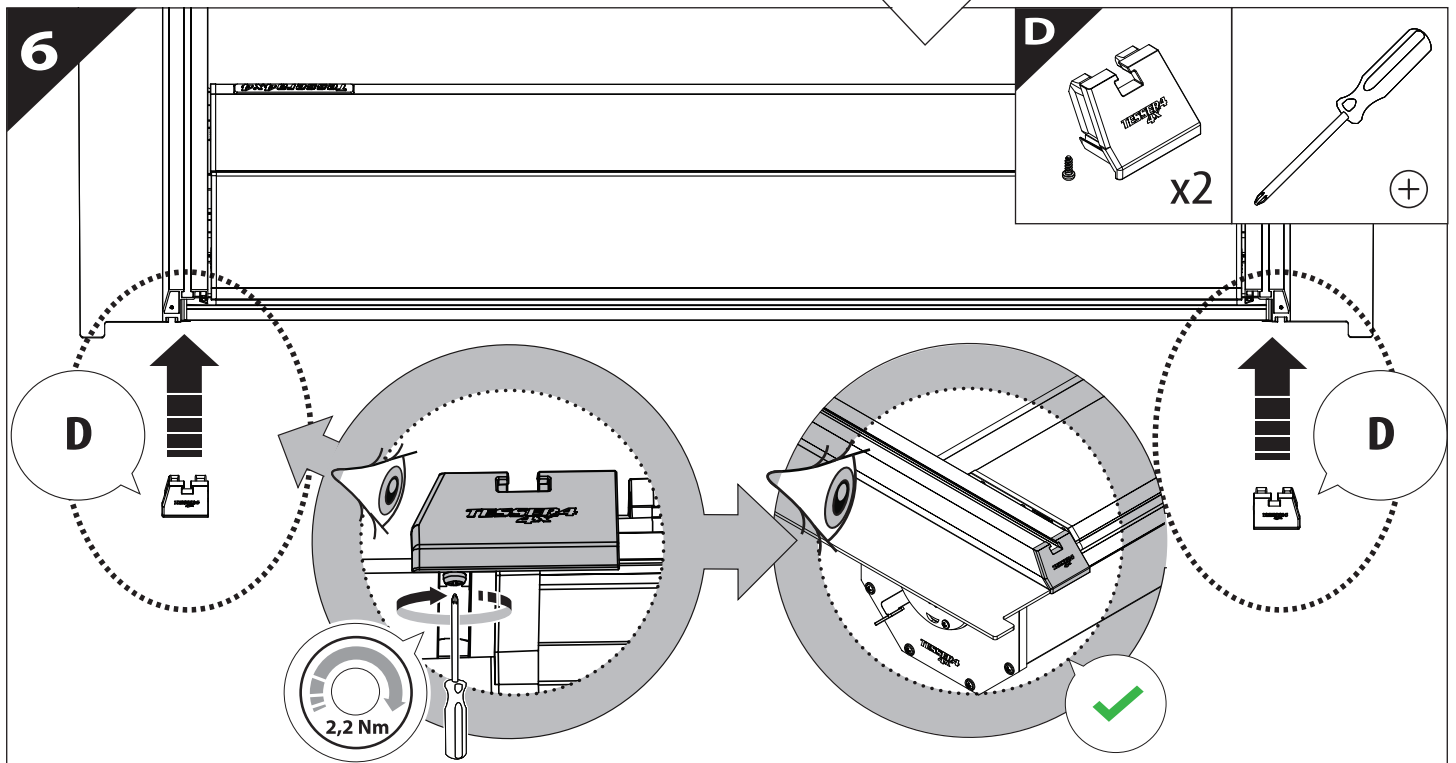
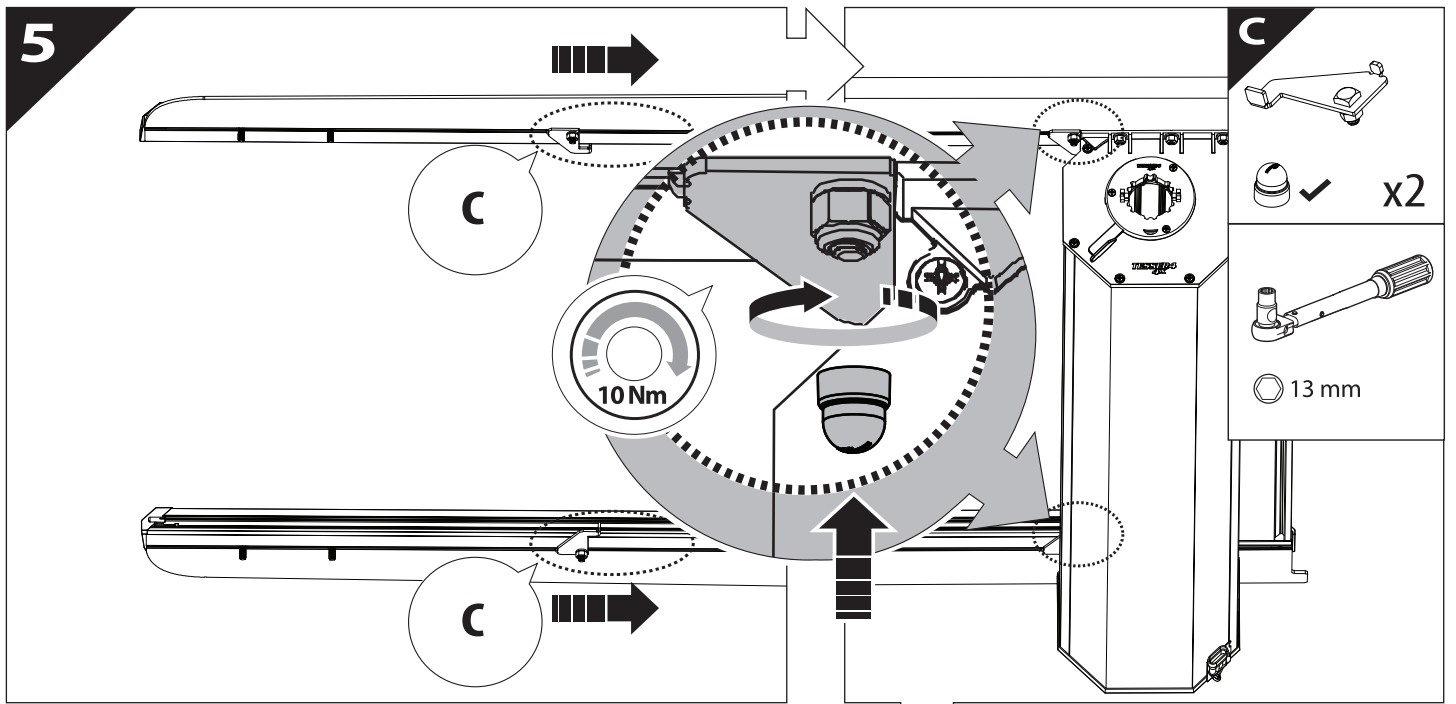


3



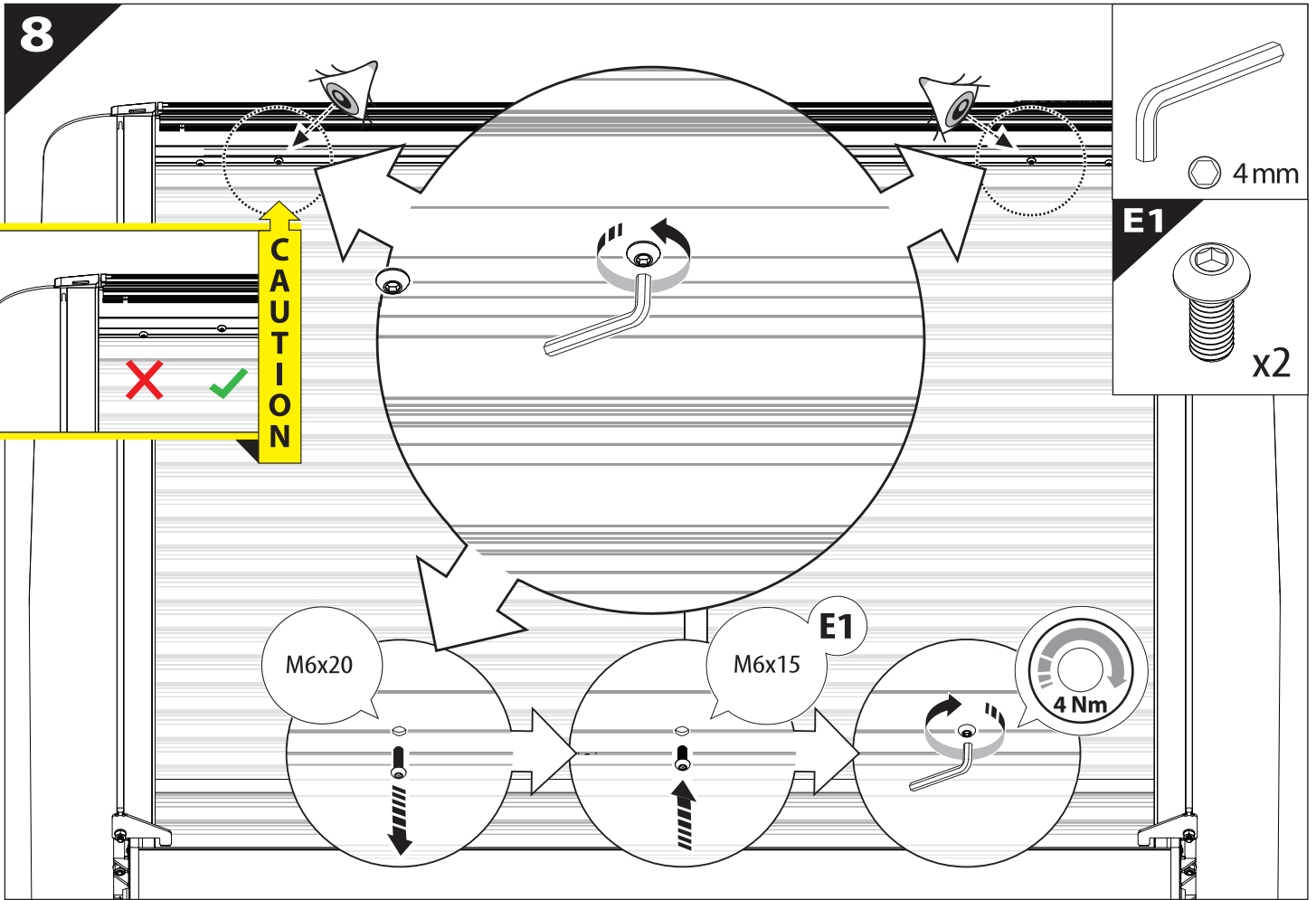
4



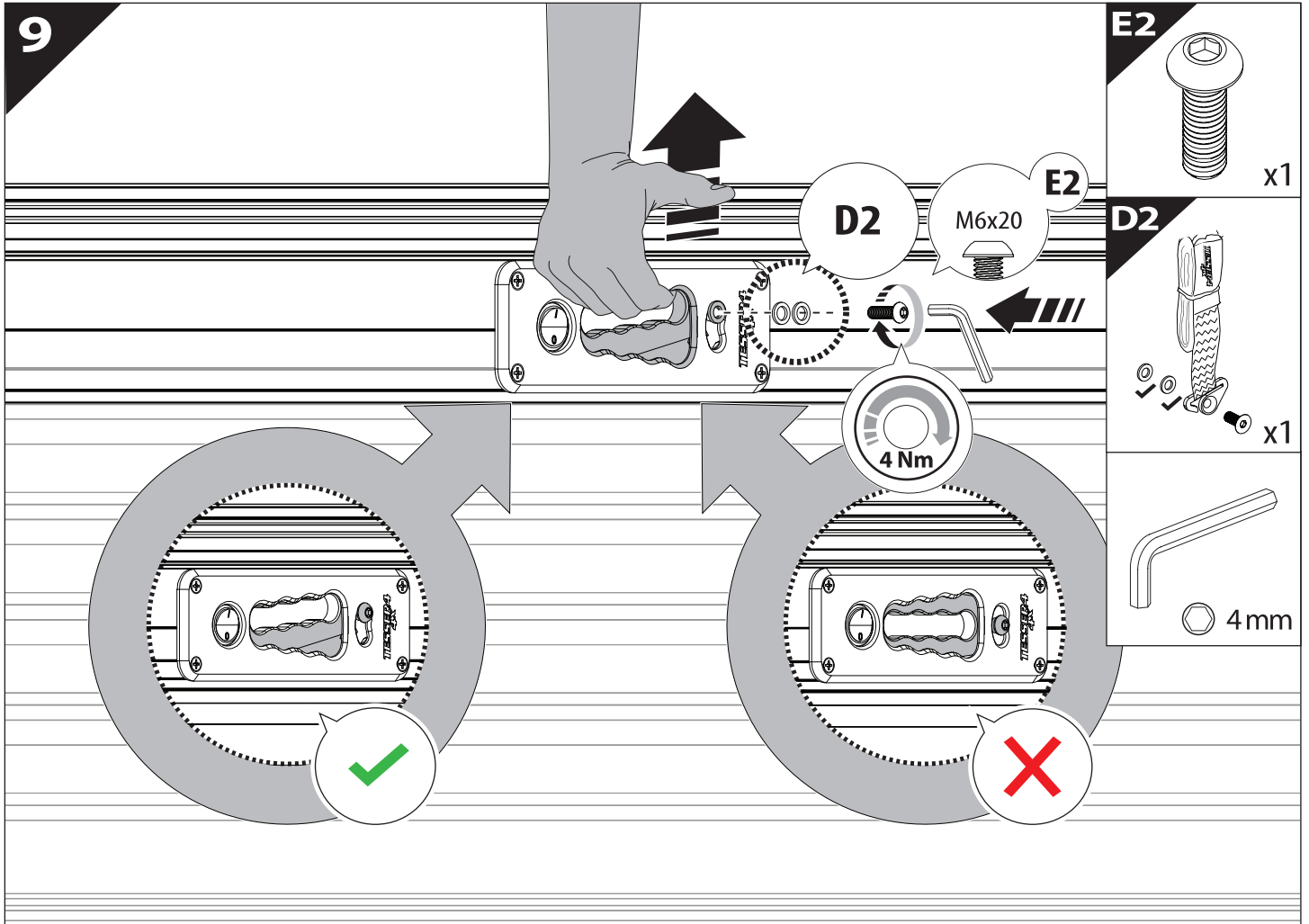


8

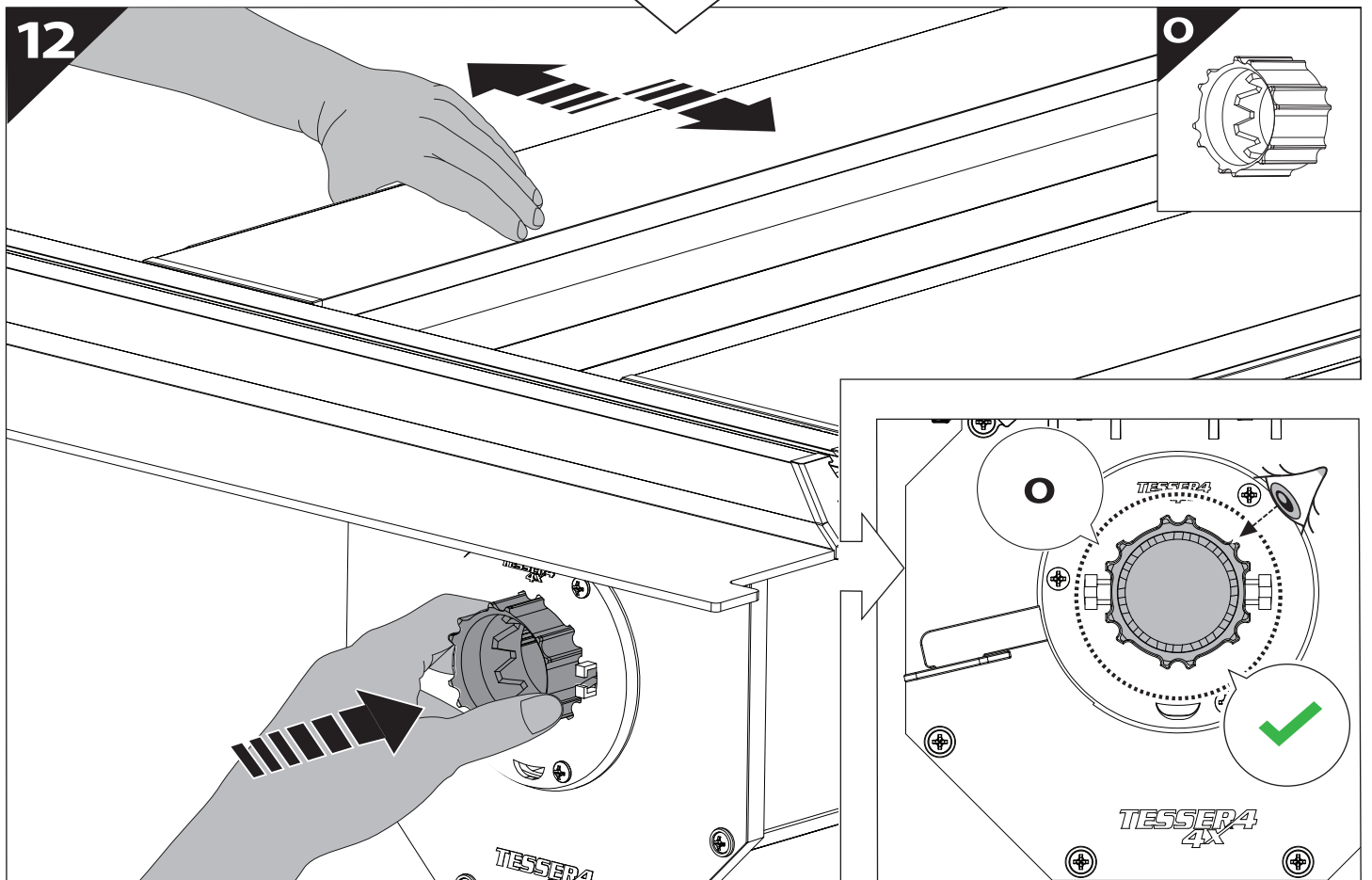
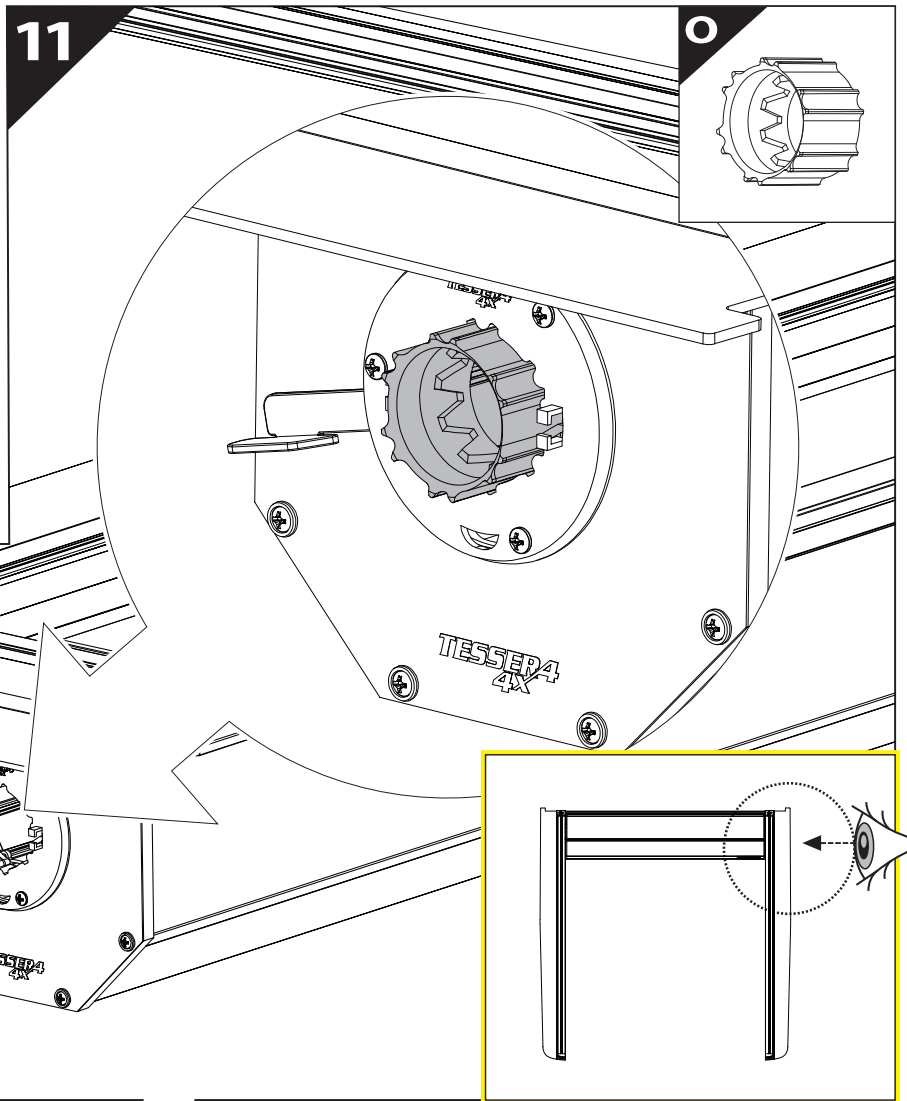
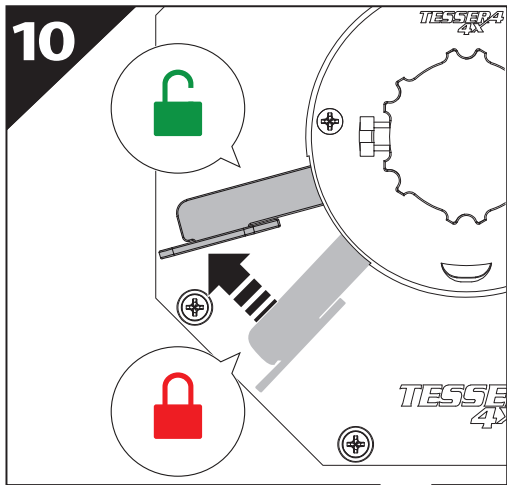
**CAUTION**



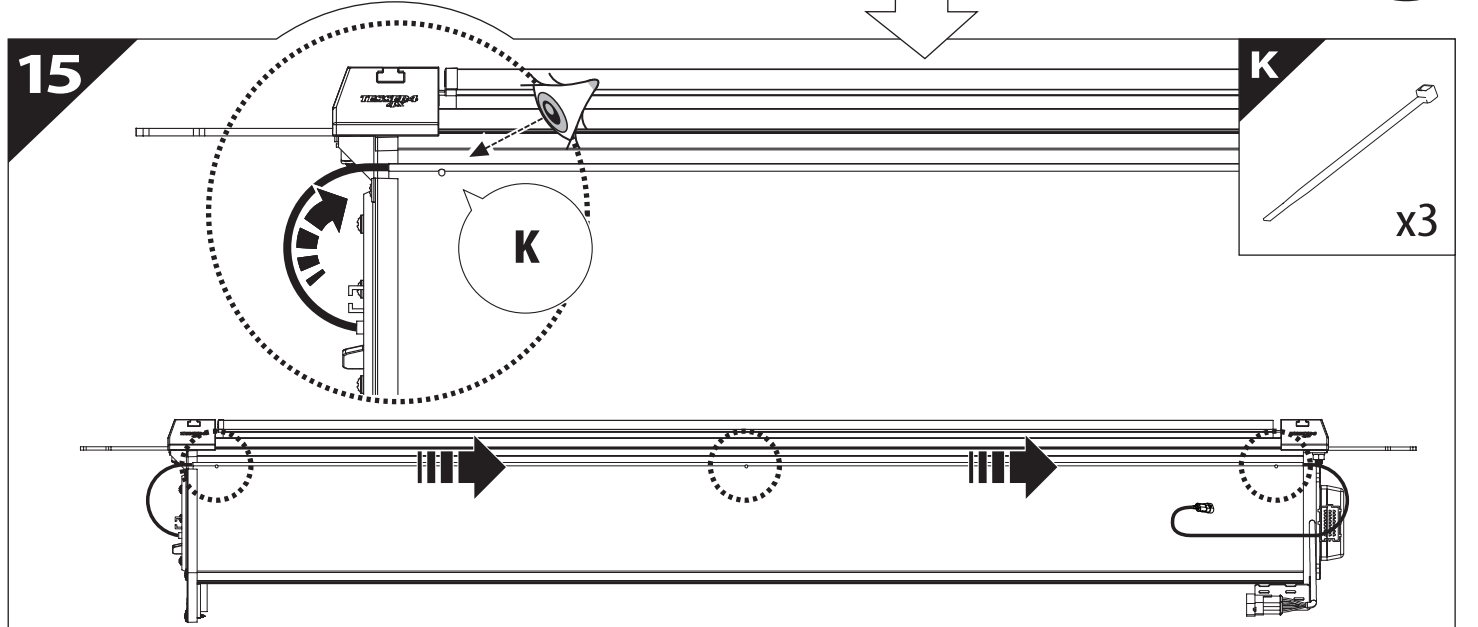
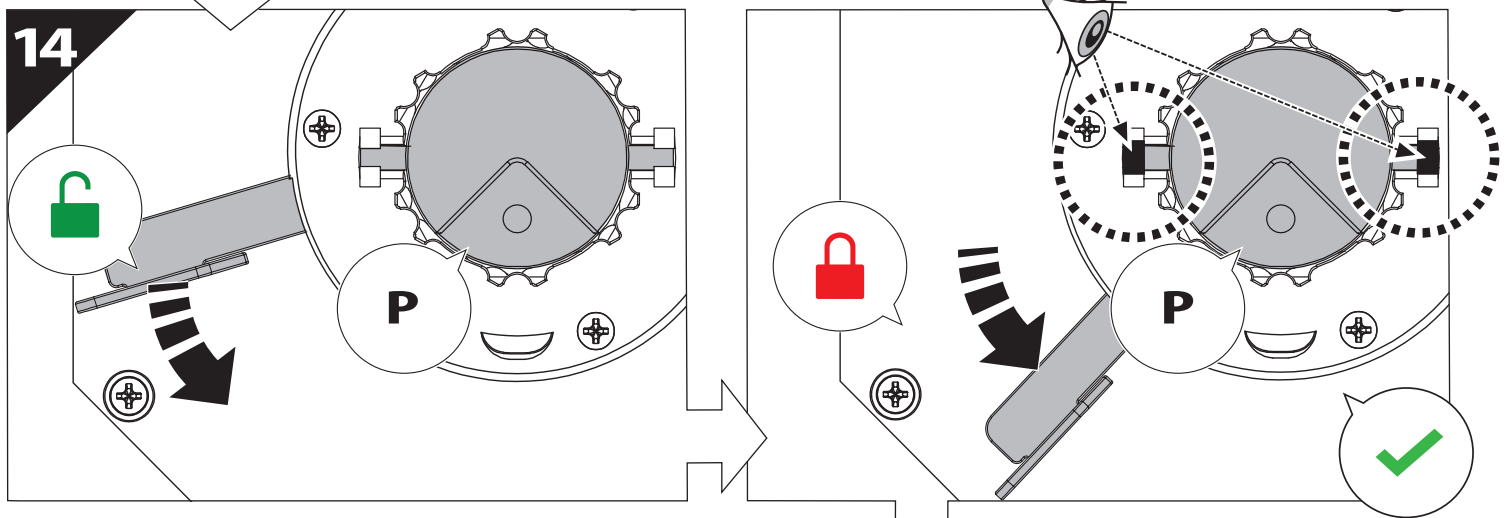
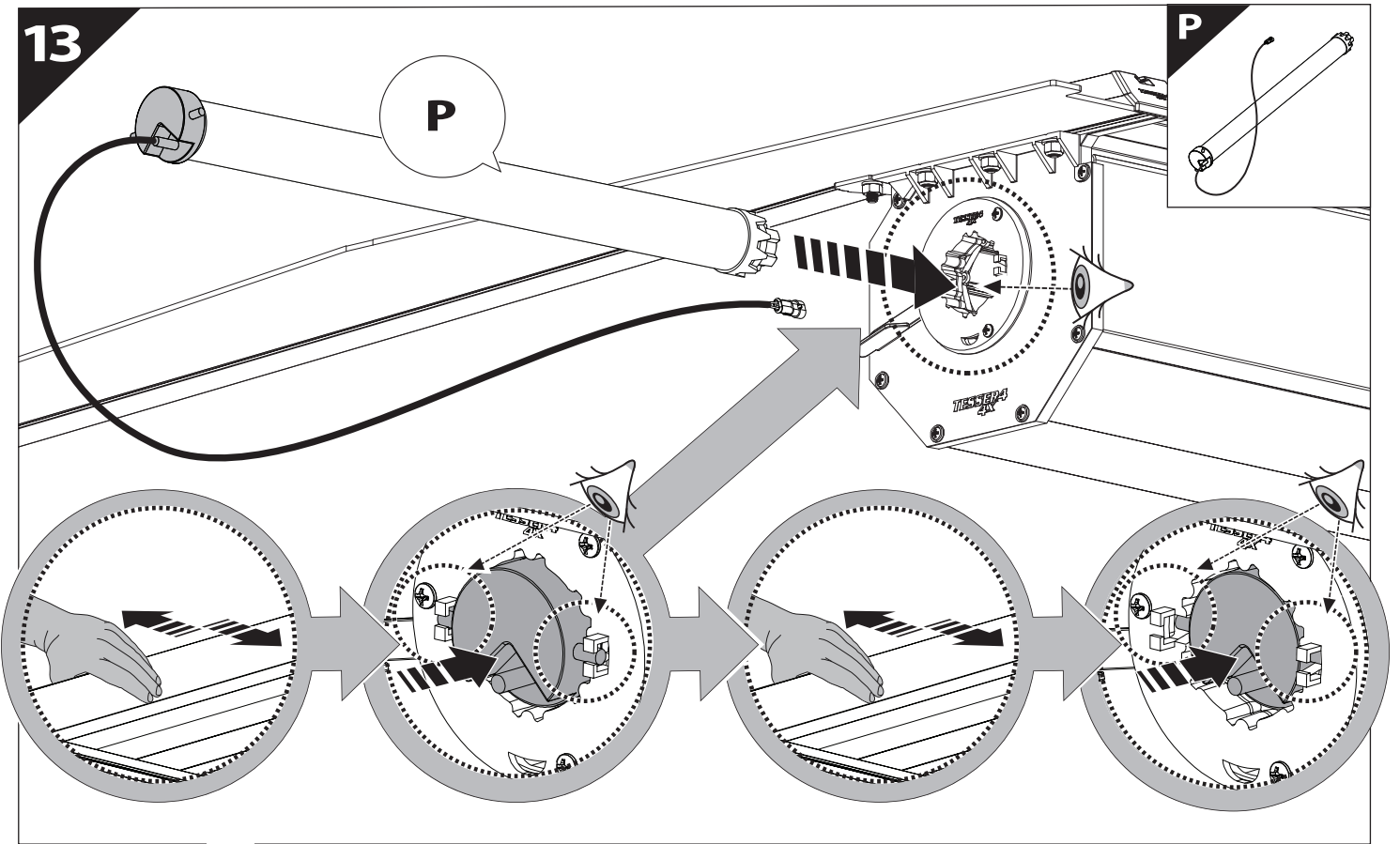
9



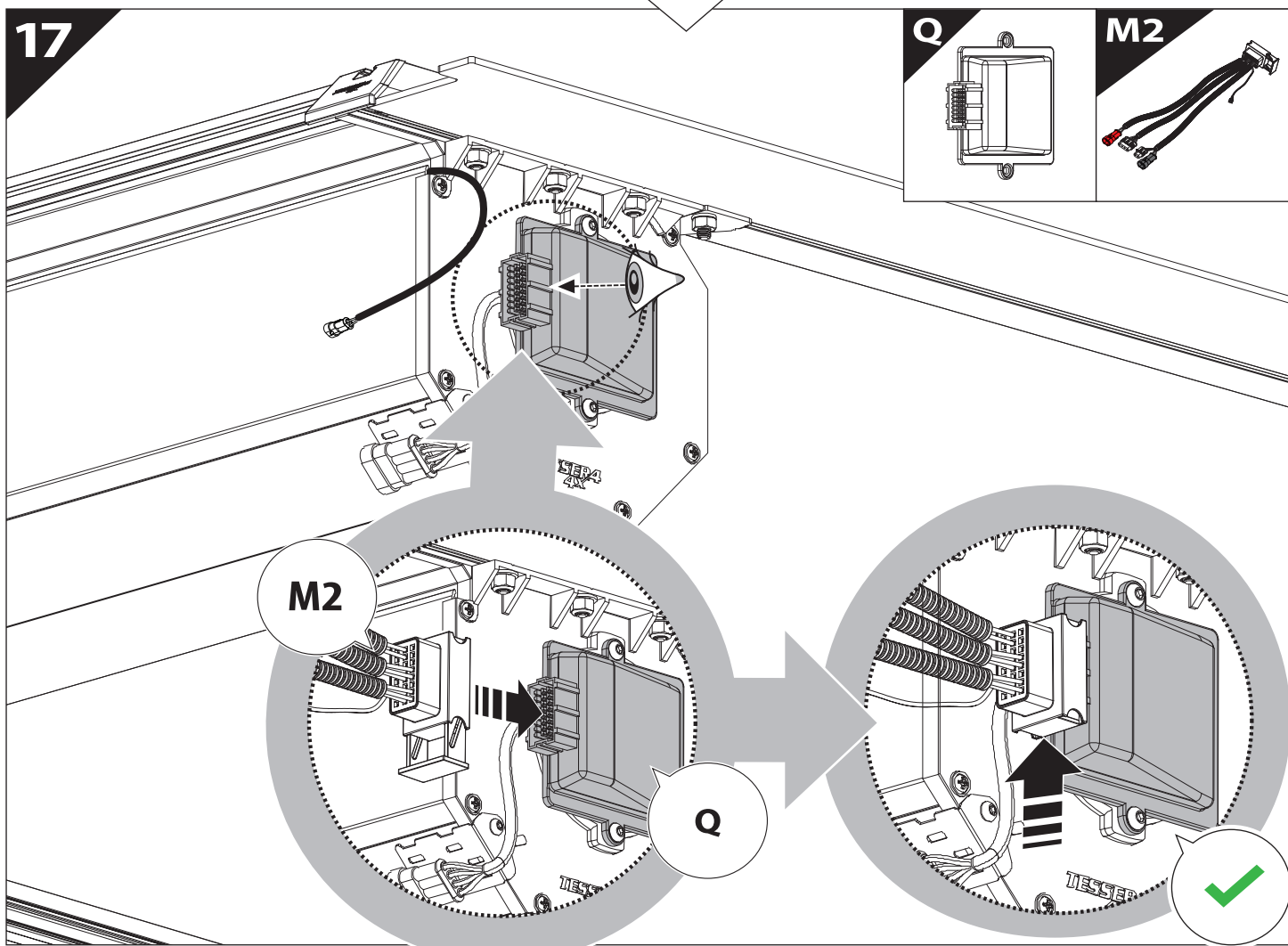
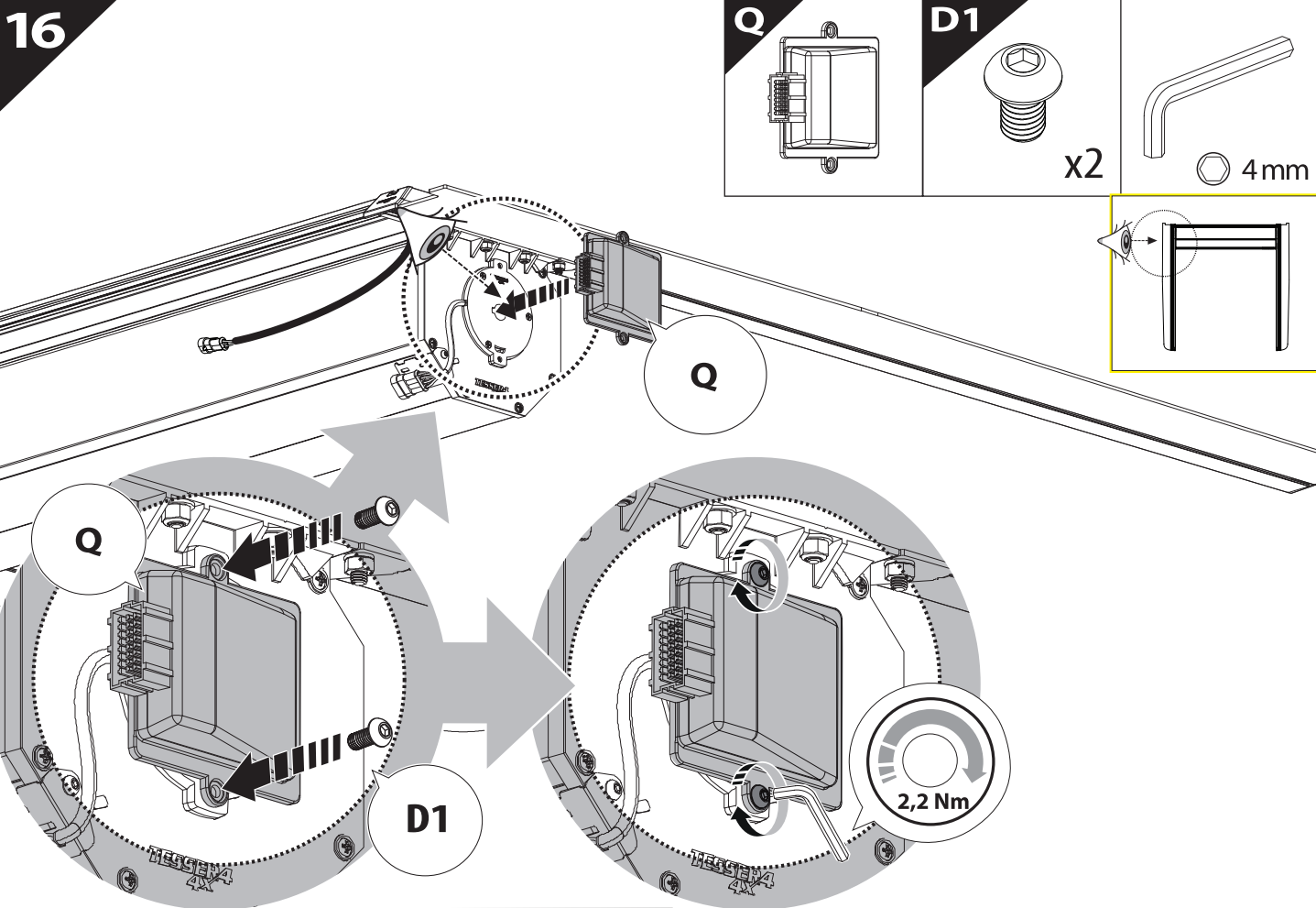
**E2**



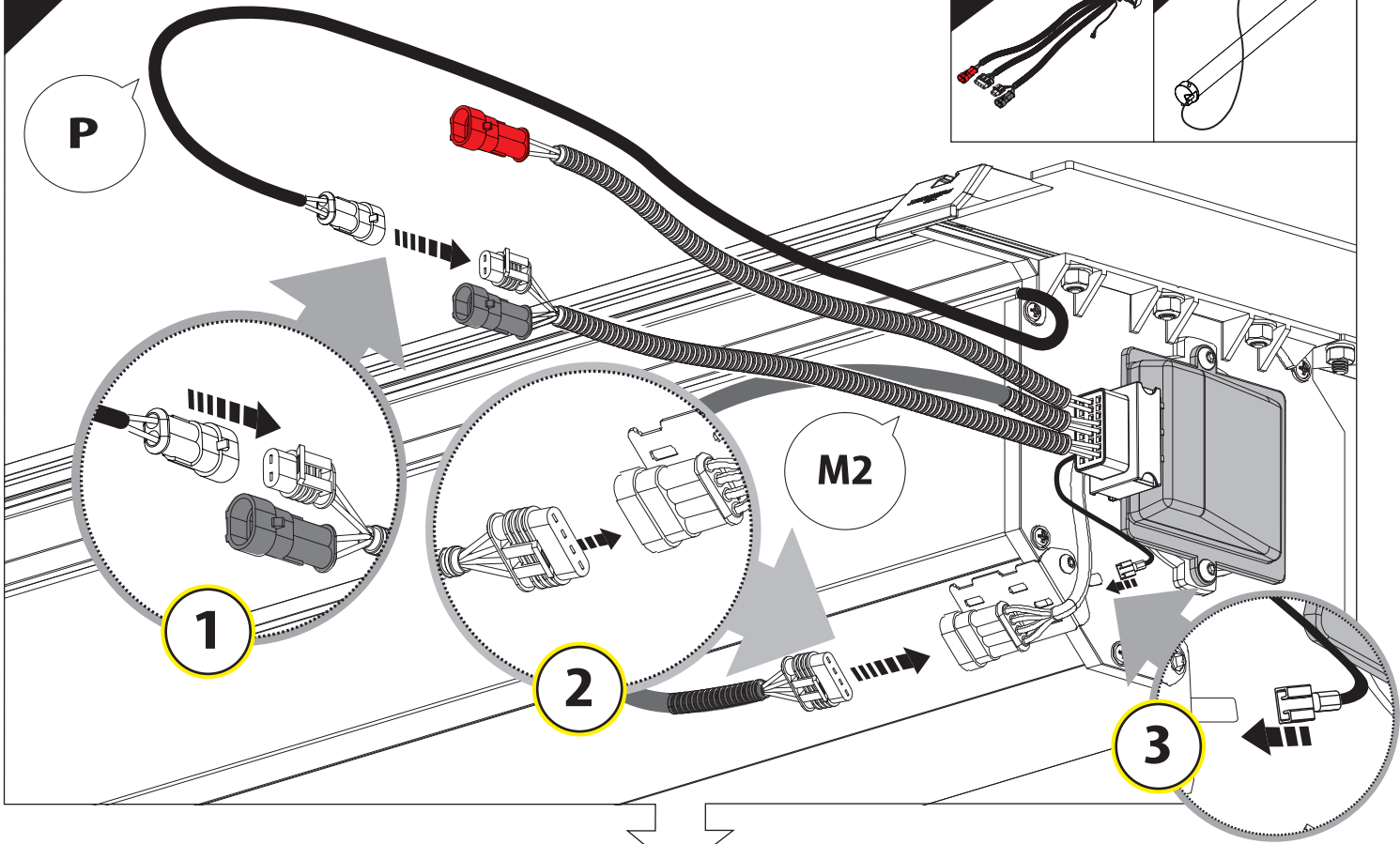
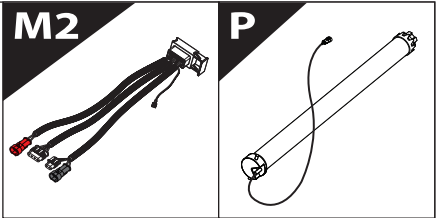




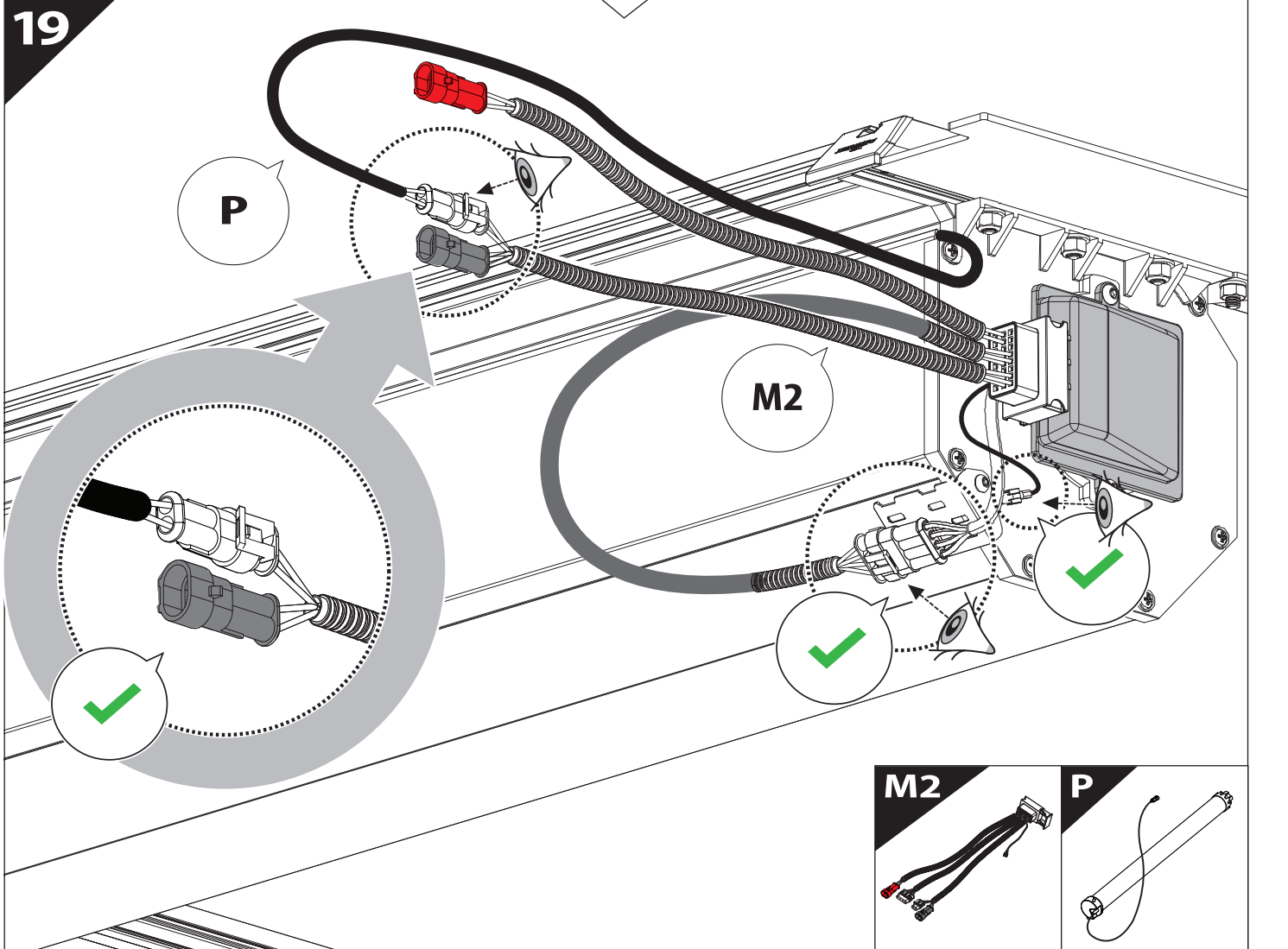
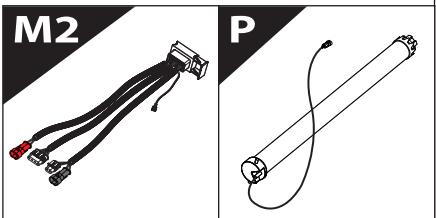




18

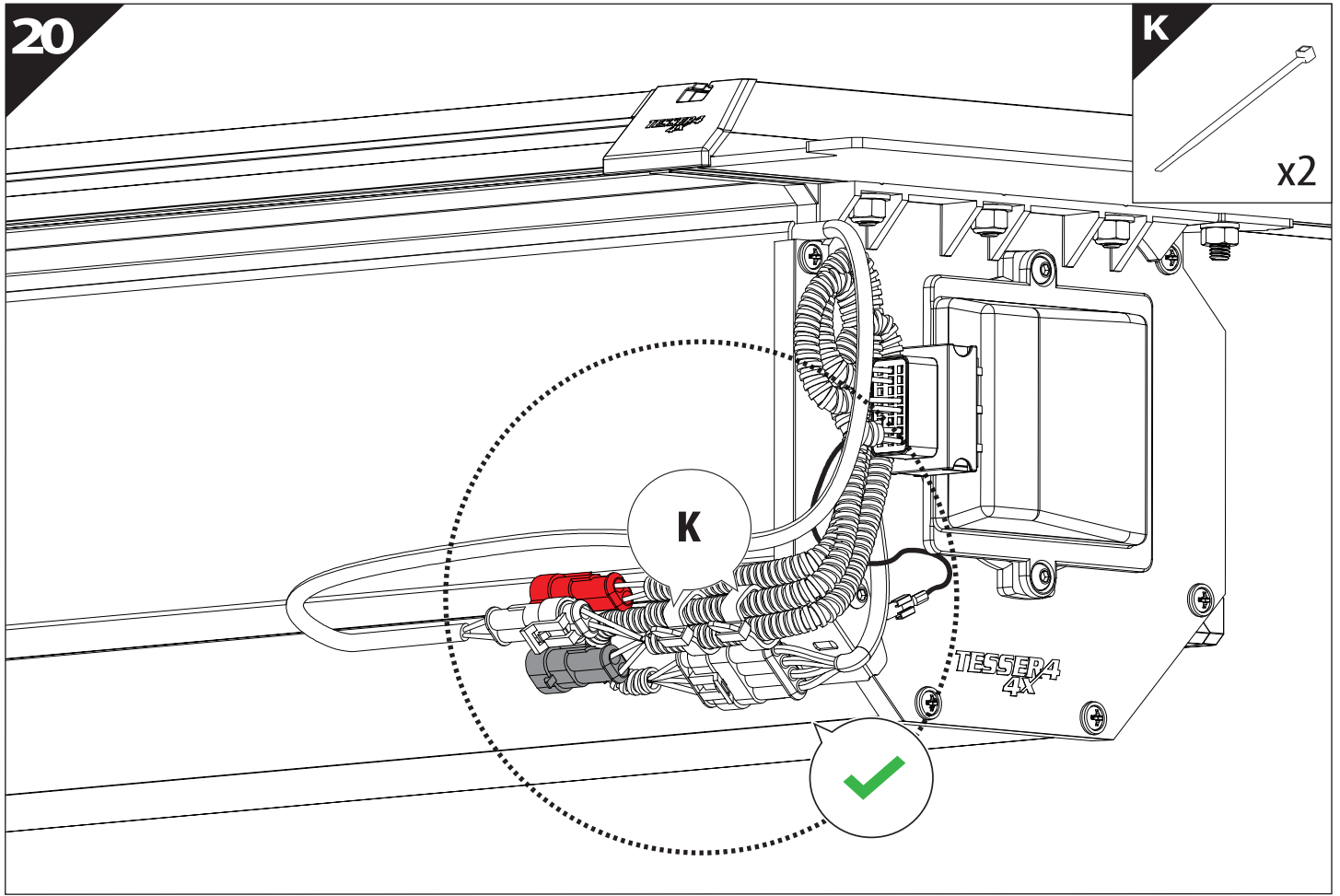


19



20

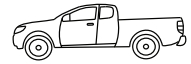
K



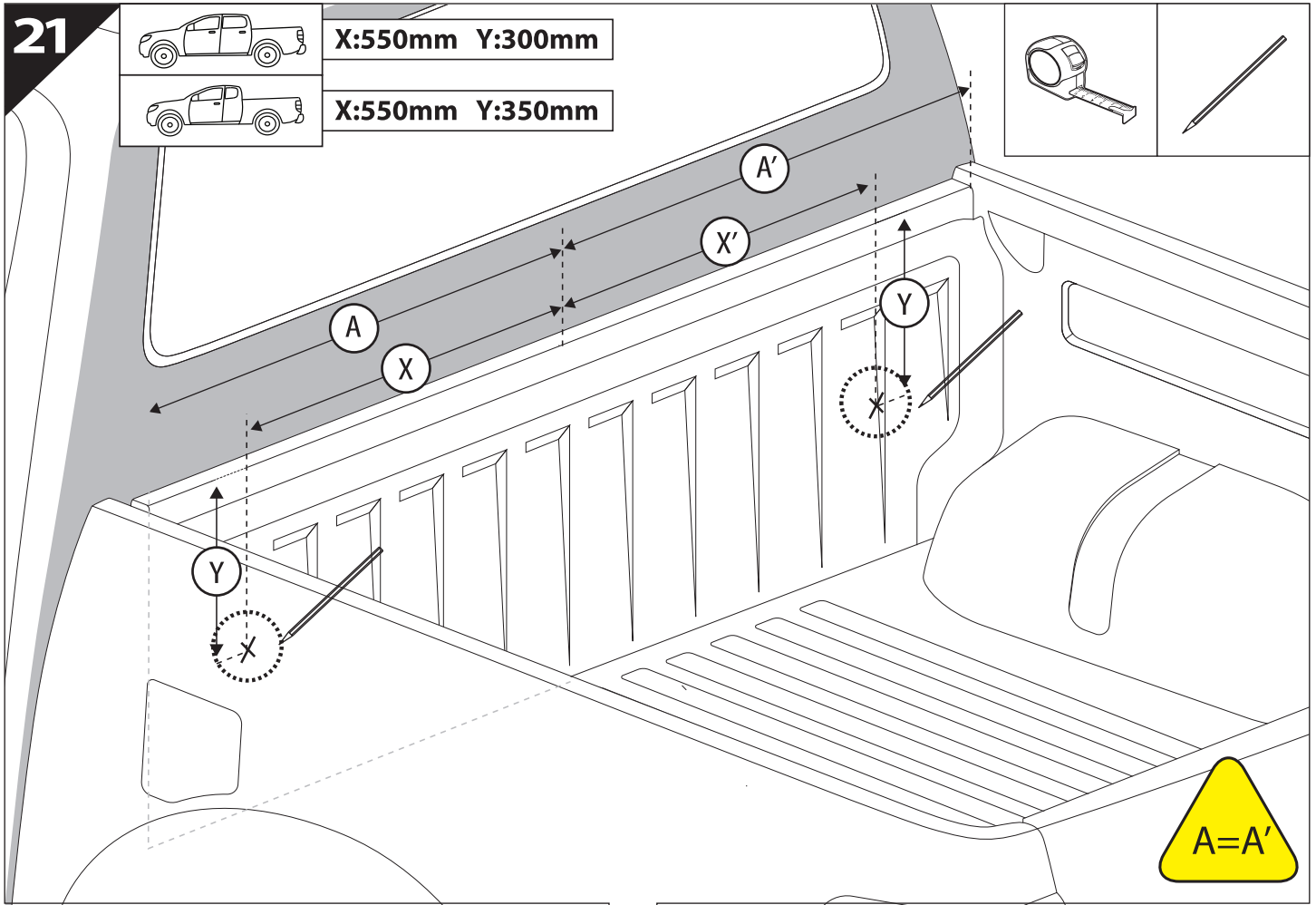
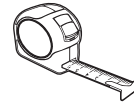
21



X:550mm Y:300mm



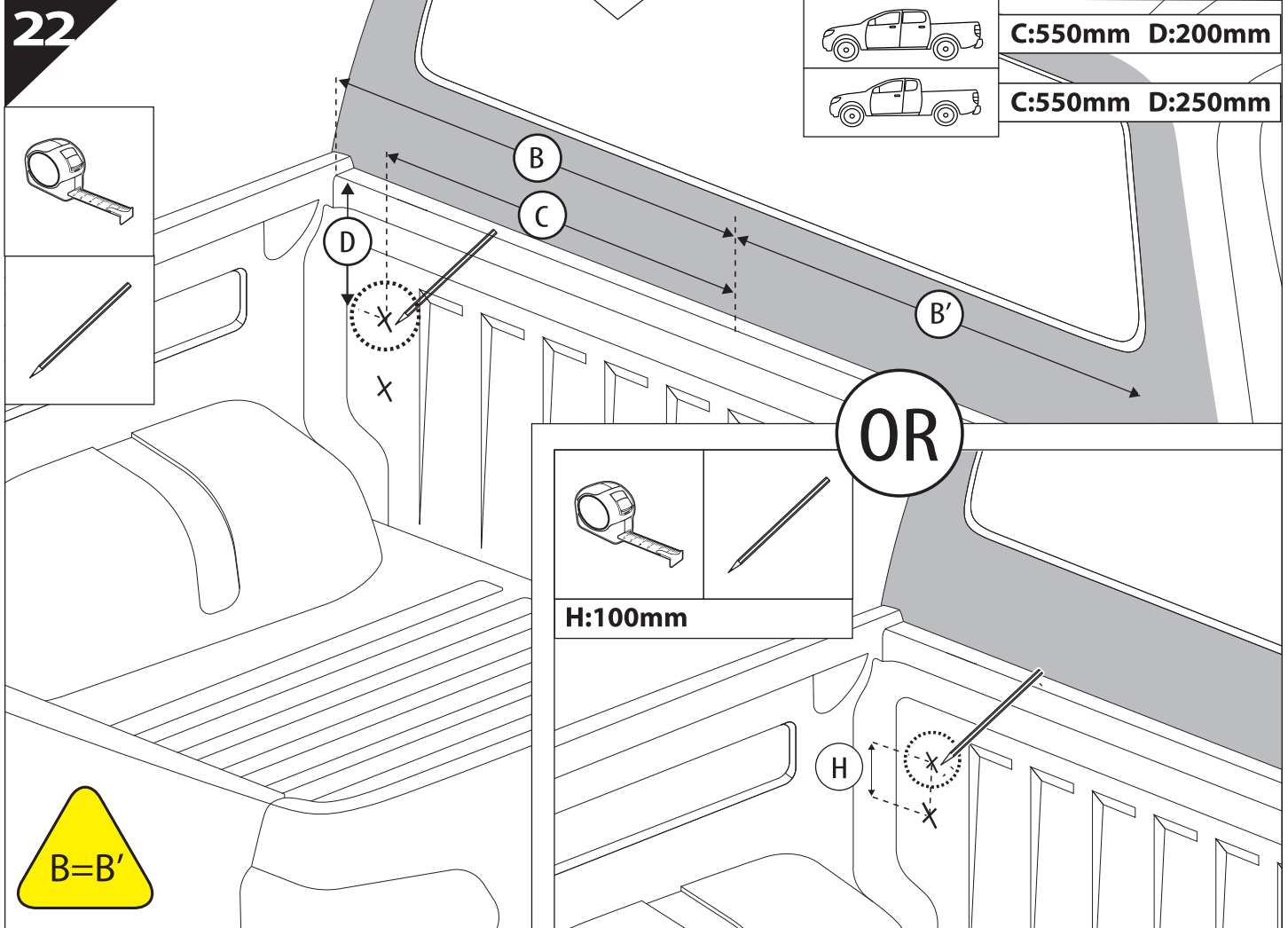
X:550mm Y:350mm

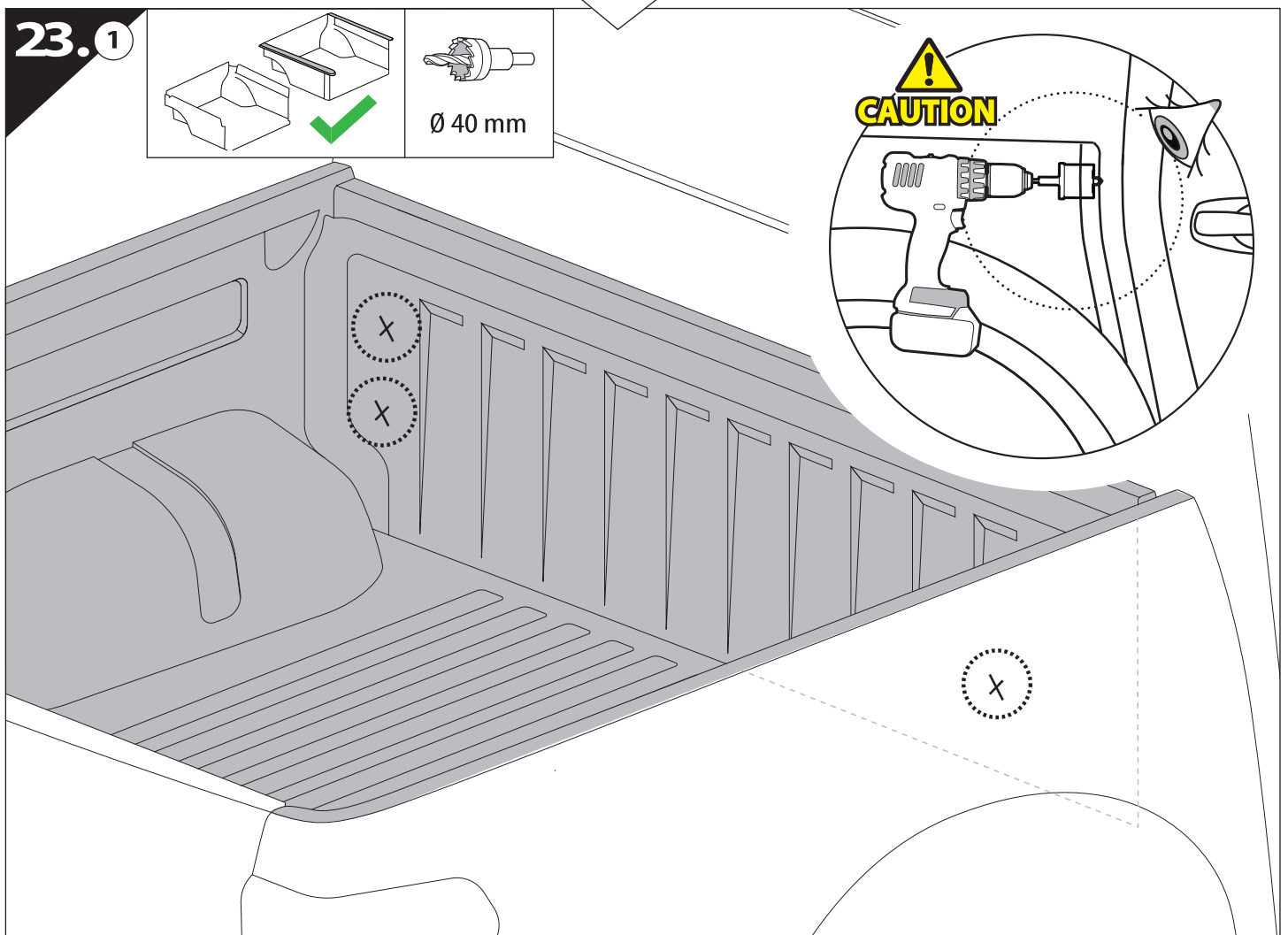
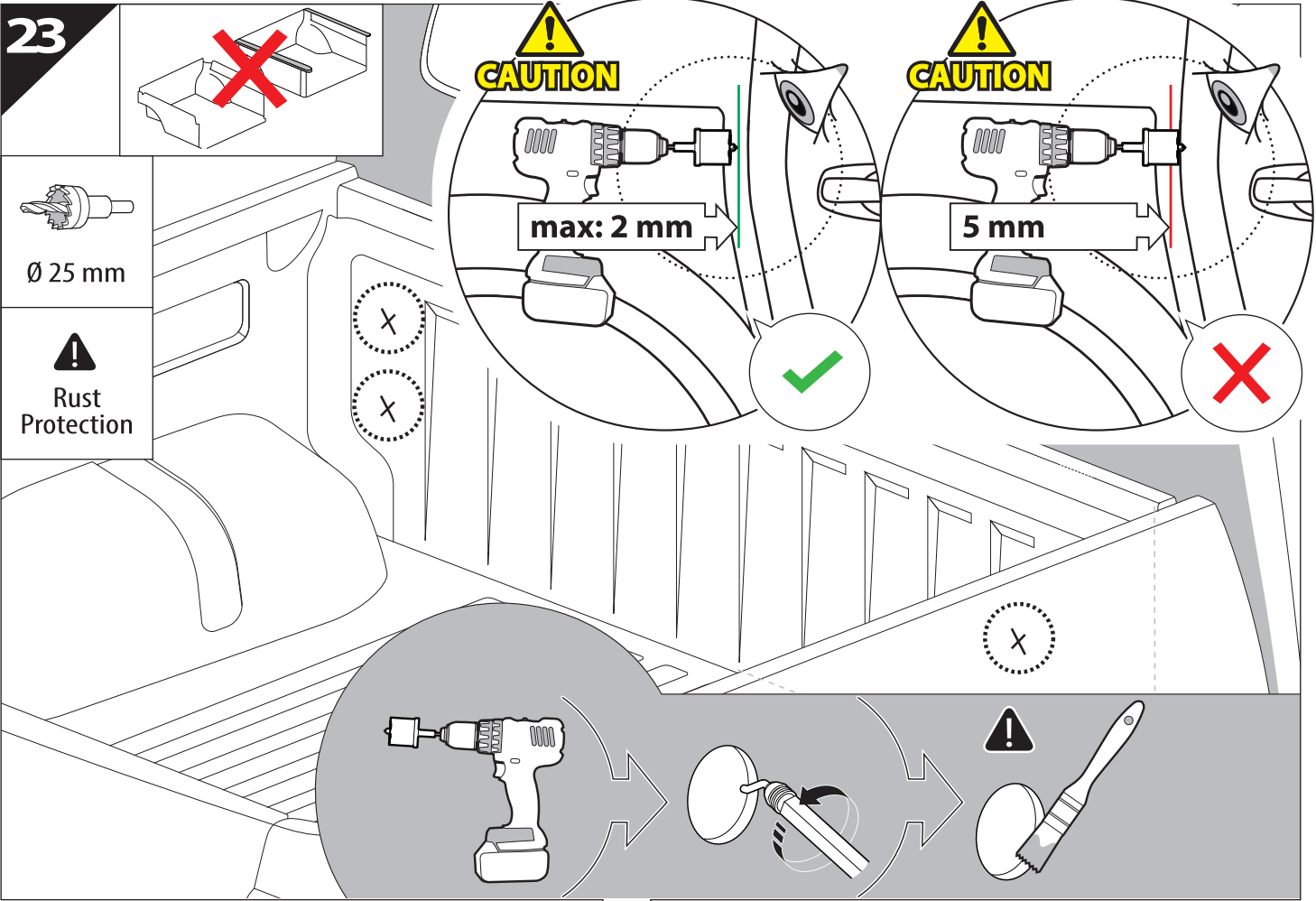


C:550mm D:200mm



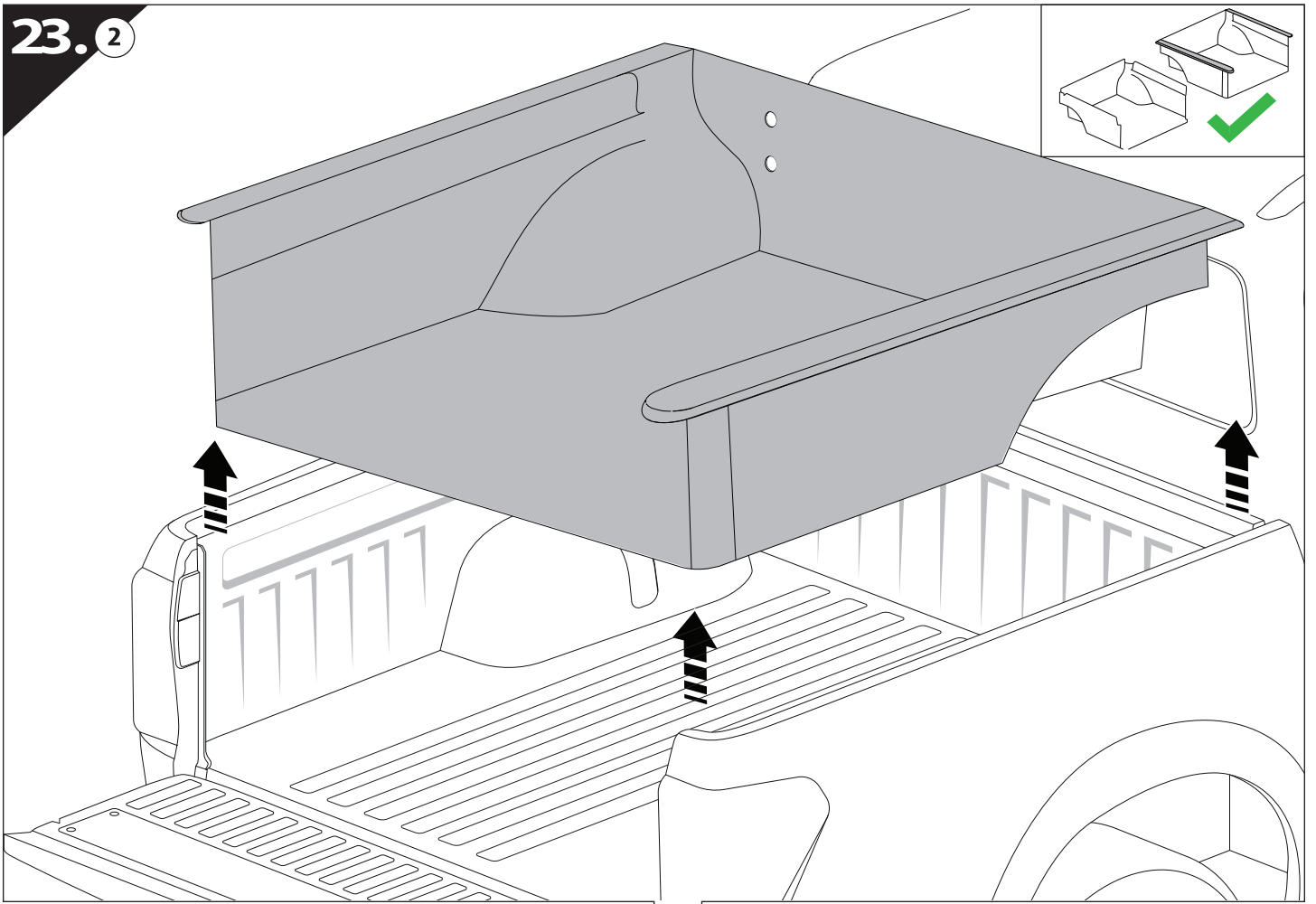
C:550mm D:250mm



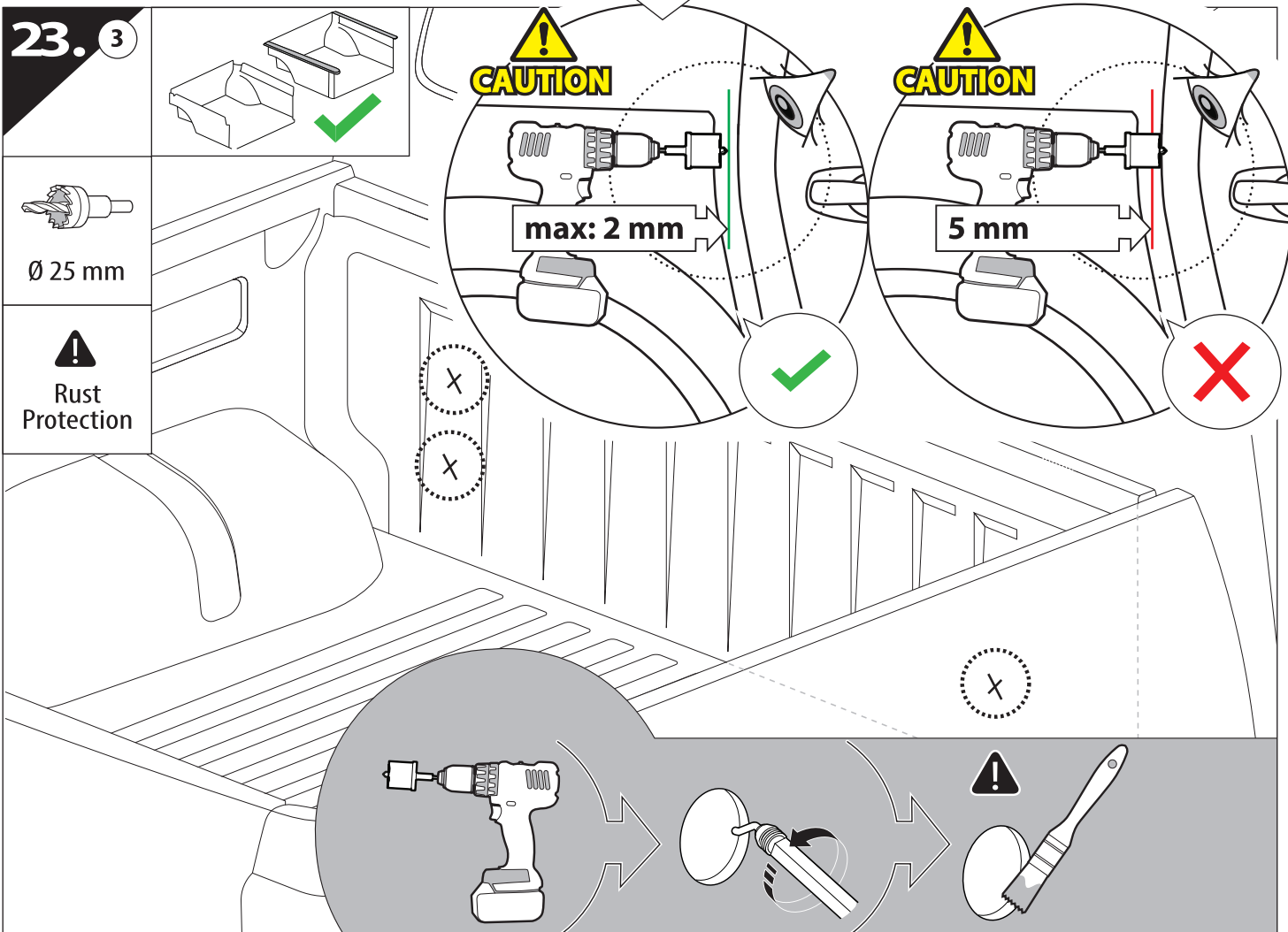


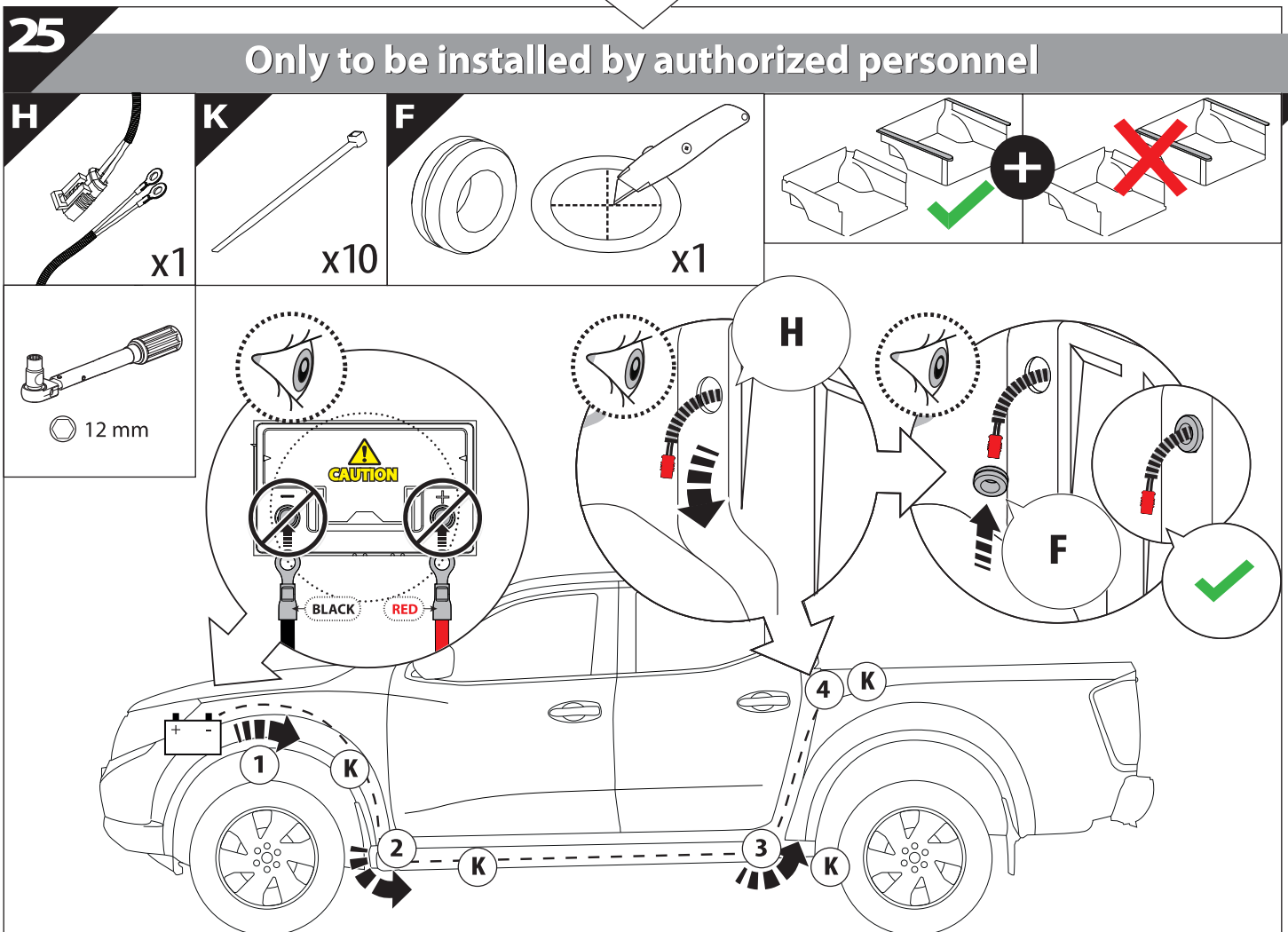
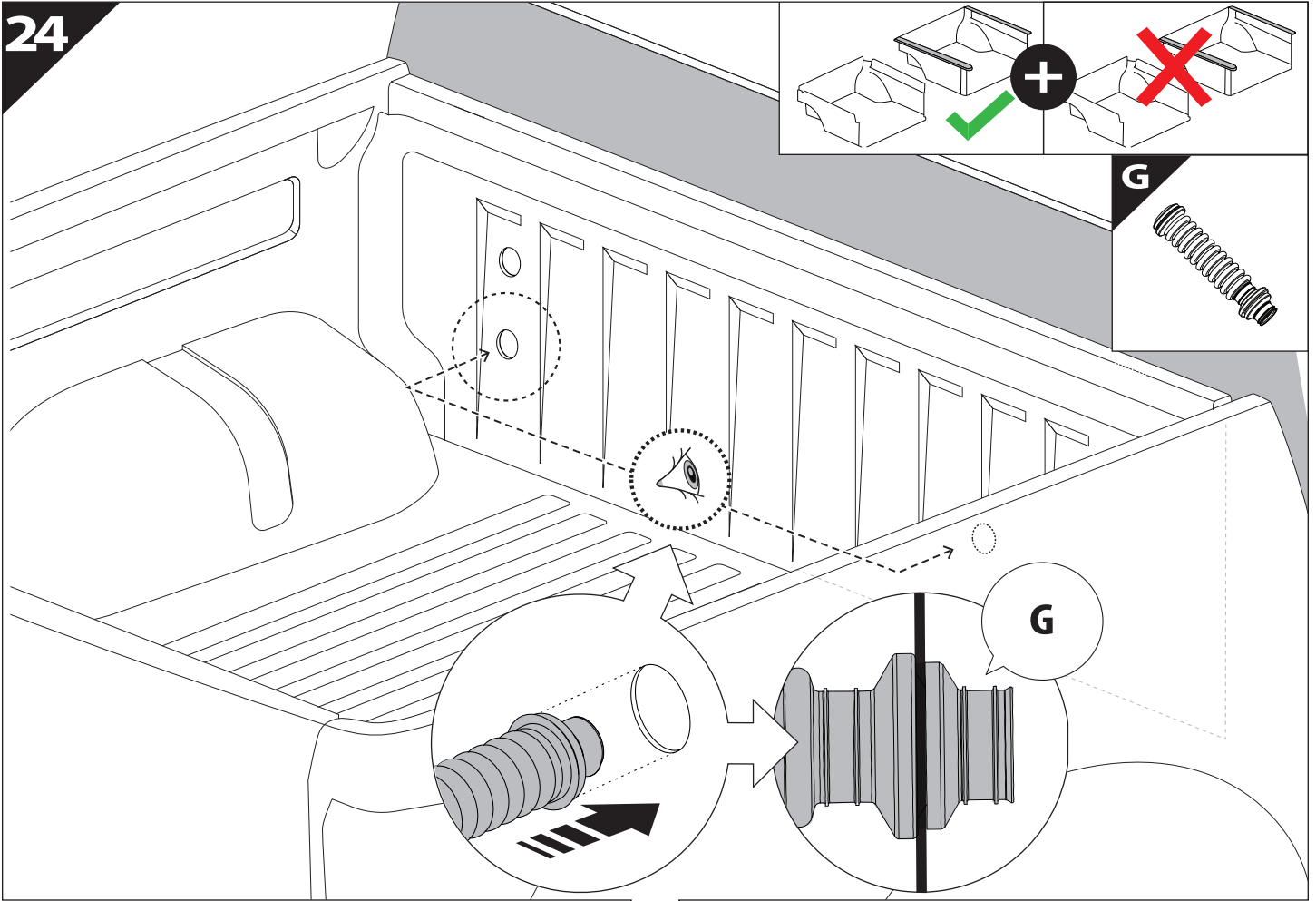


23.2

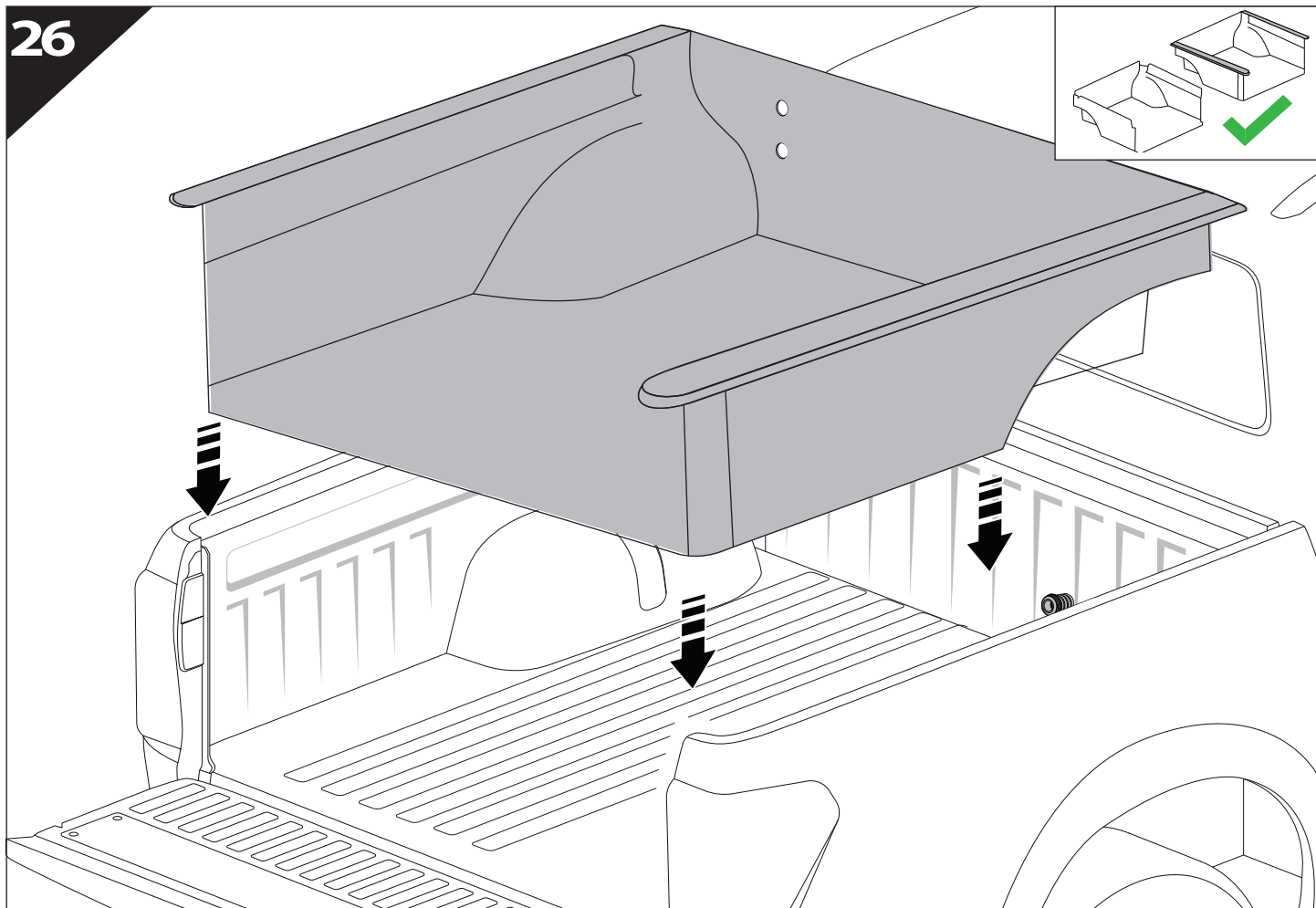


23.3

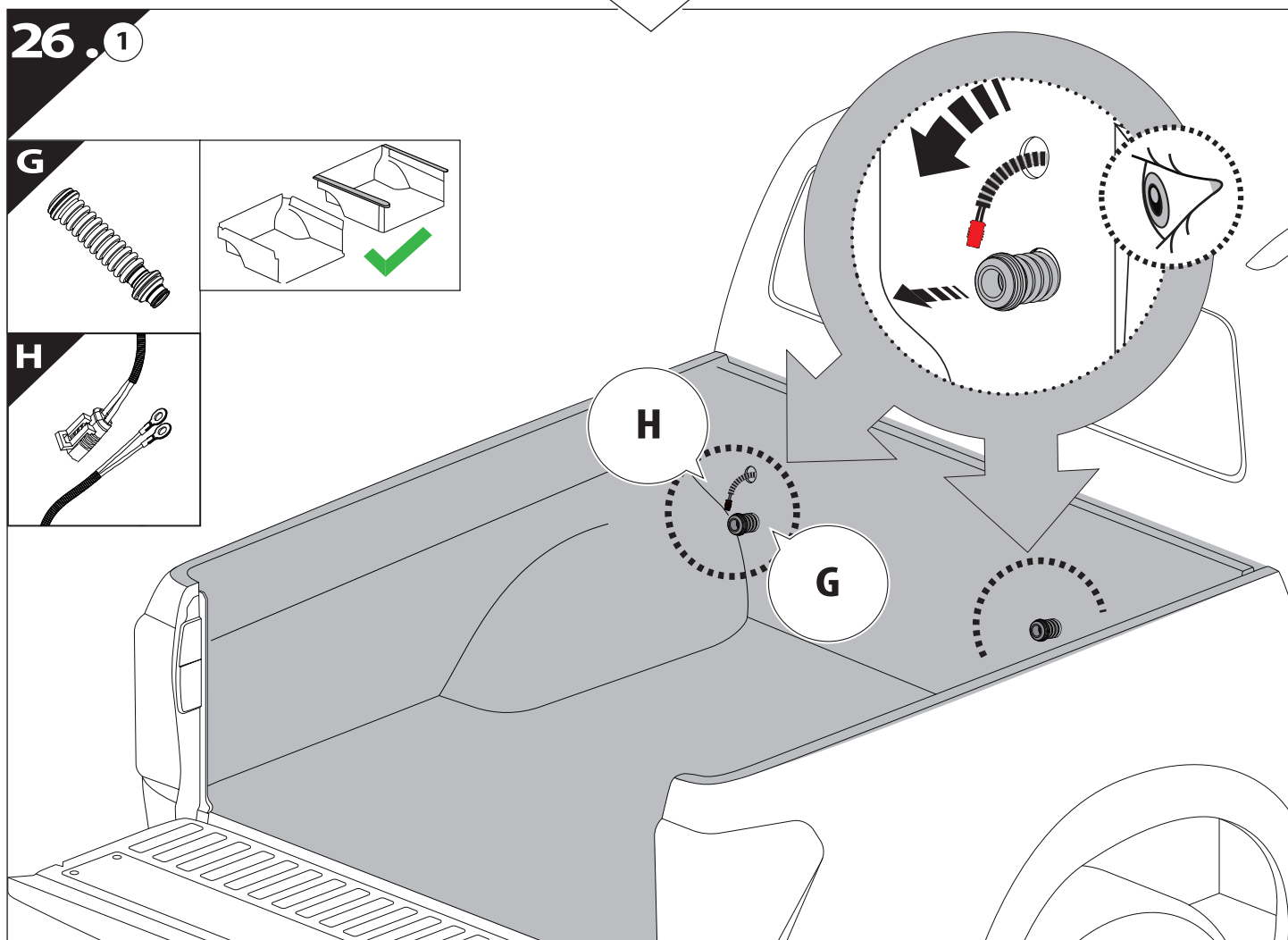




26



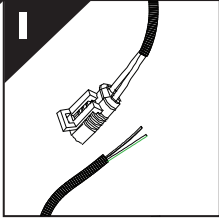
26.1



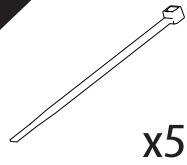


27

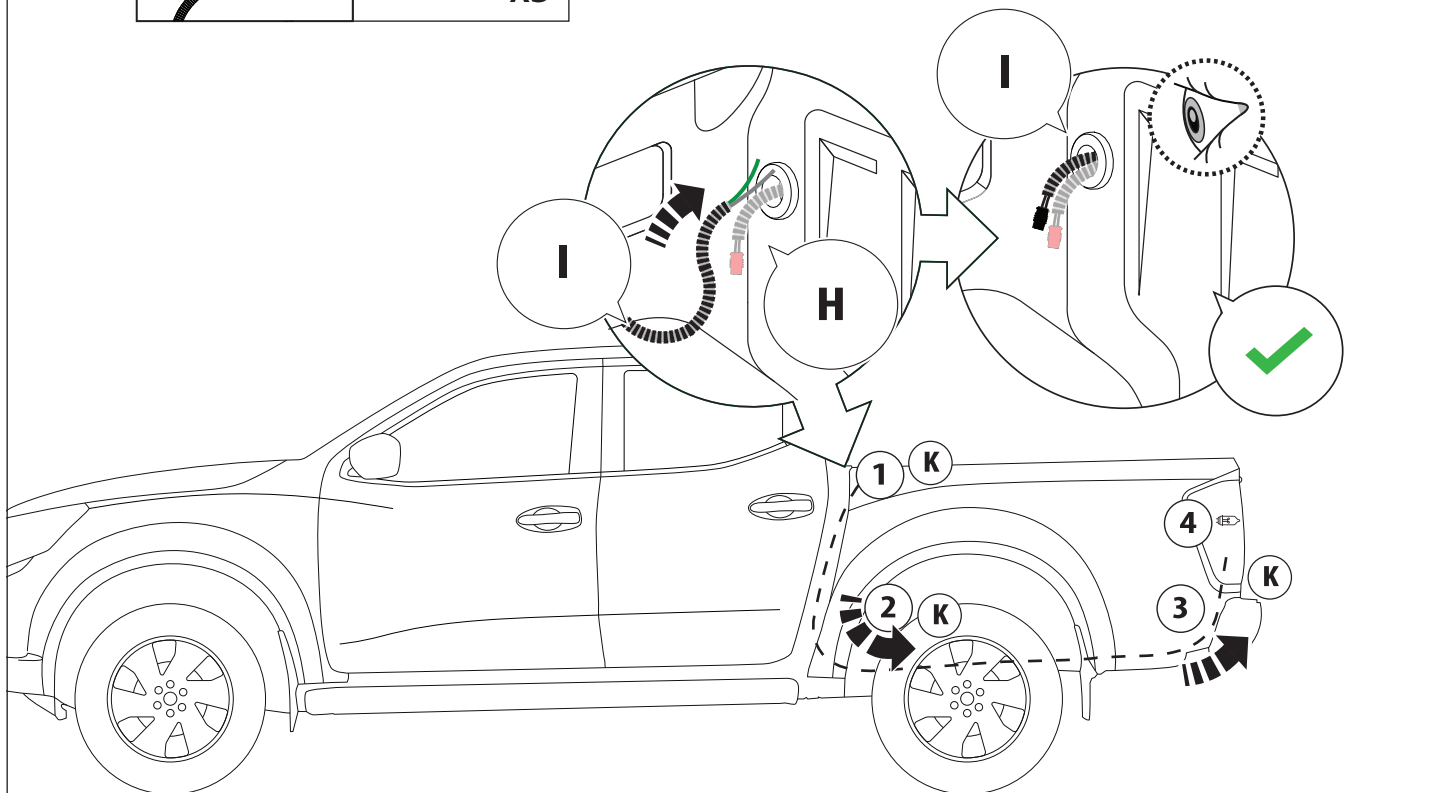
I



K



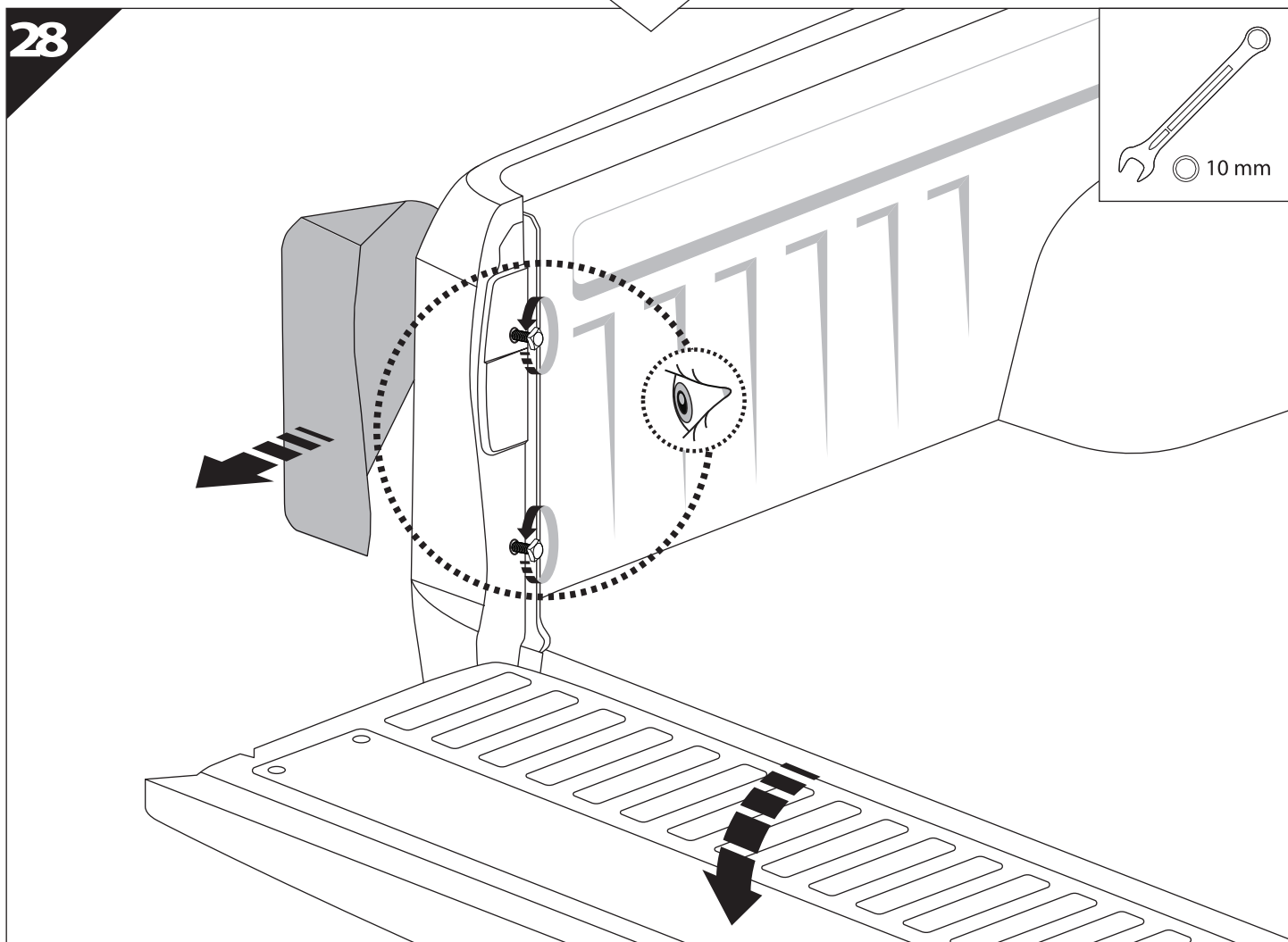
x5

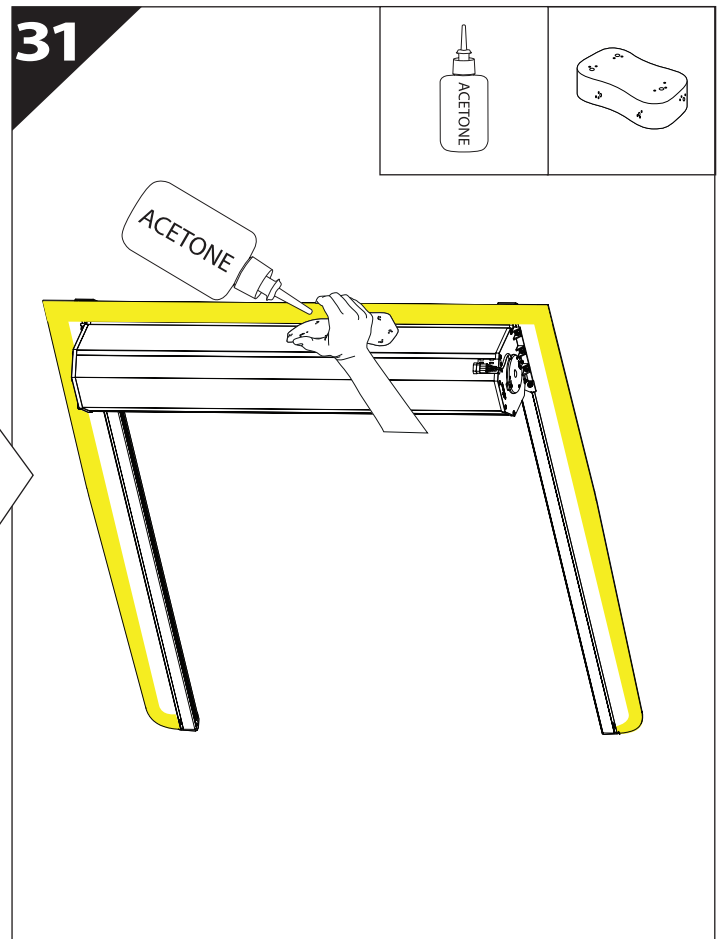
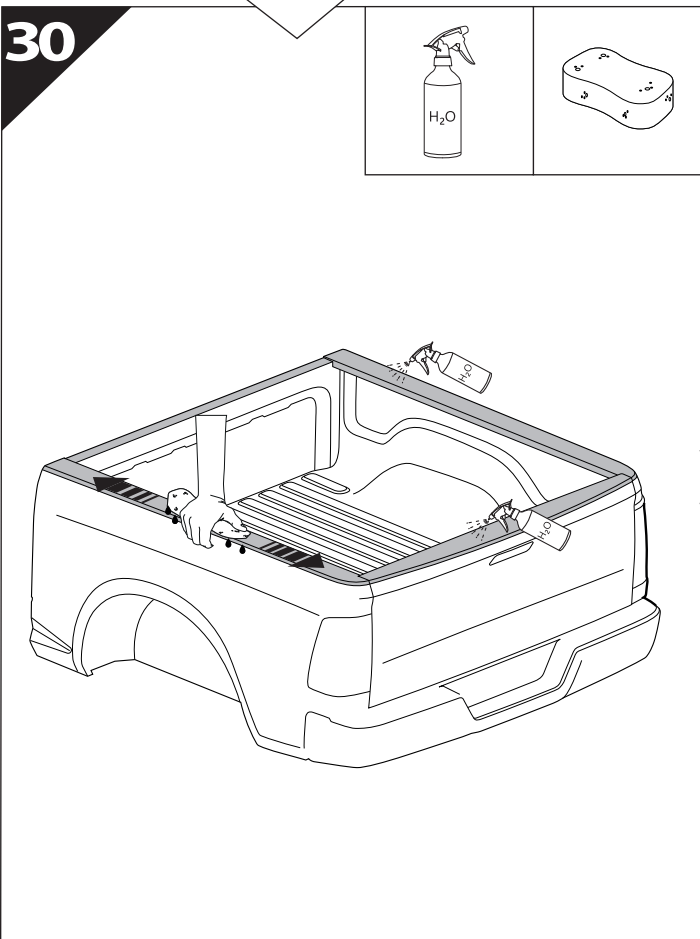
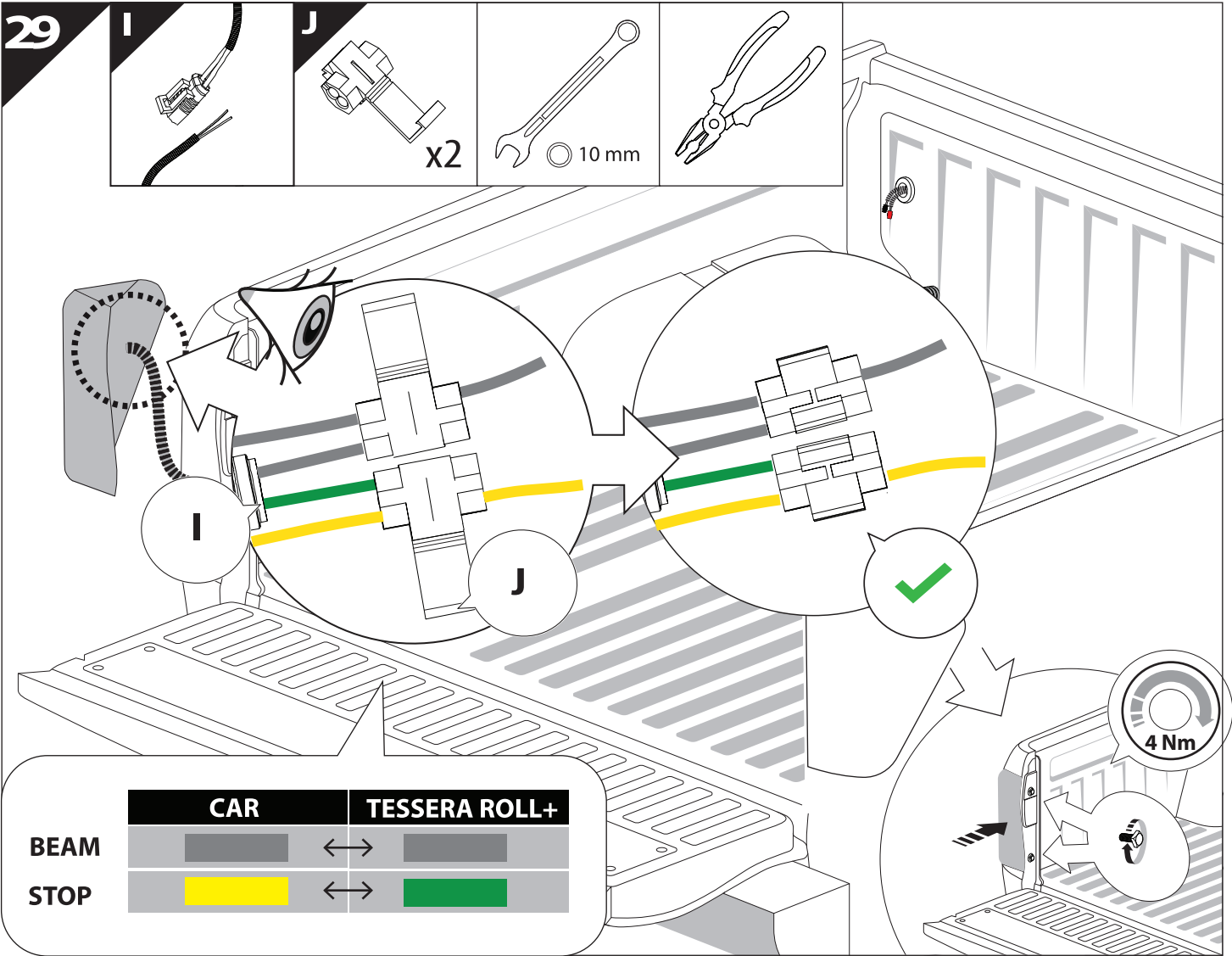


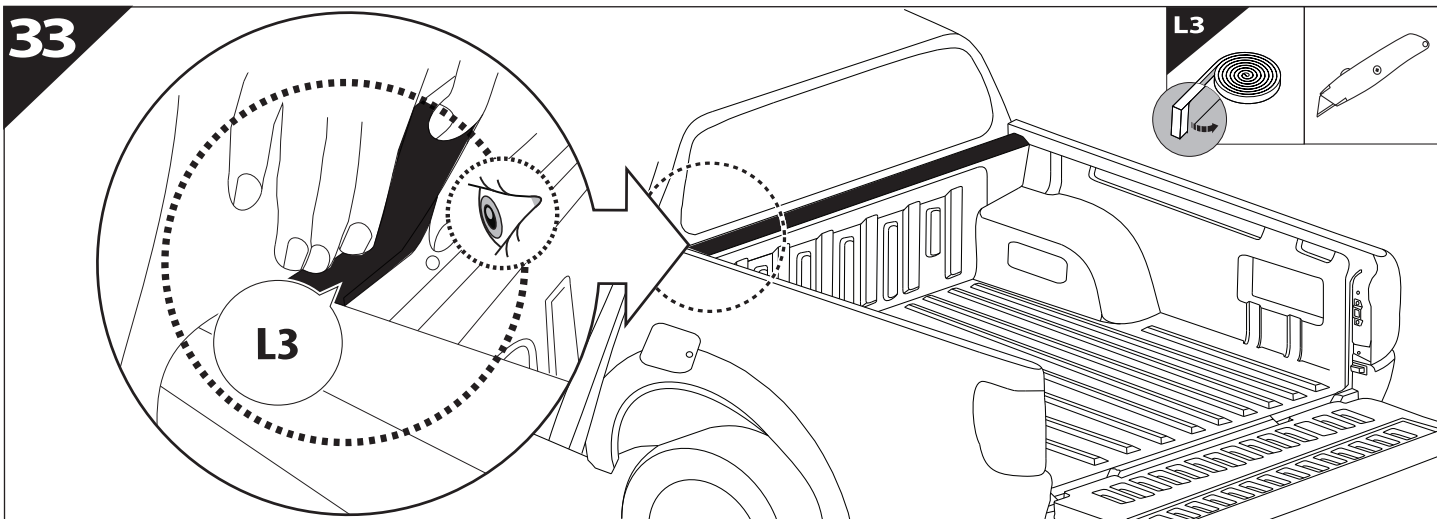
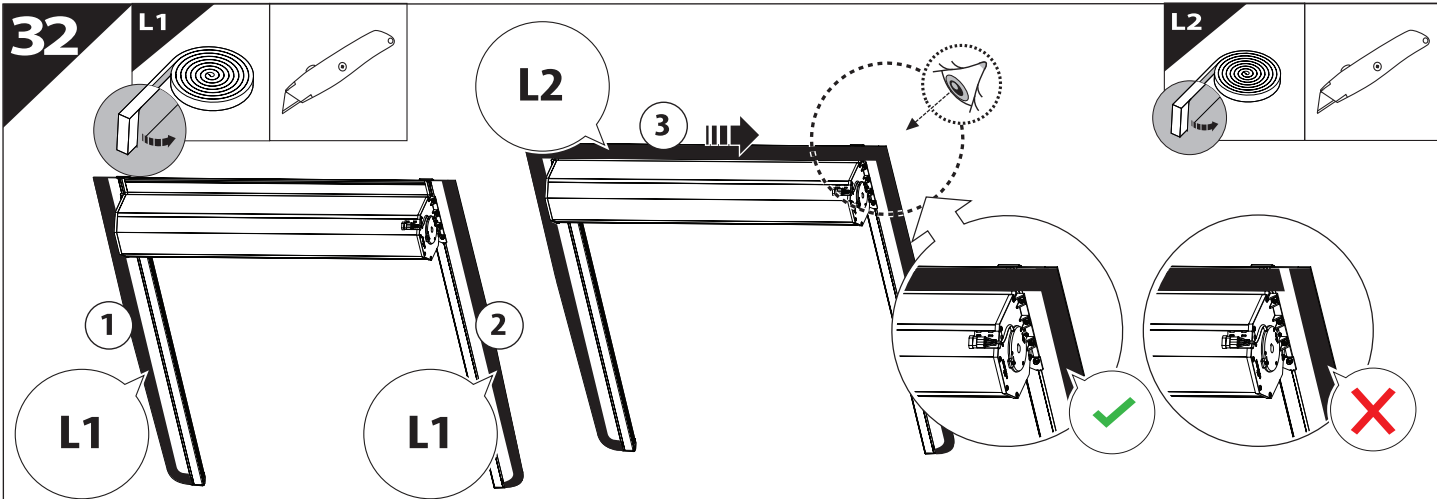
28

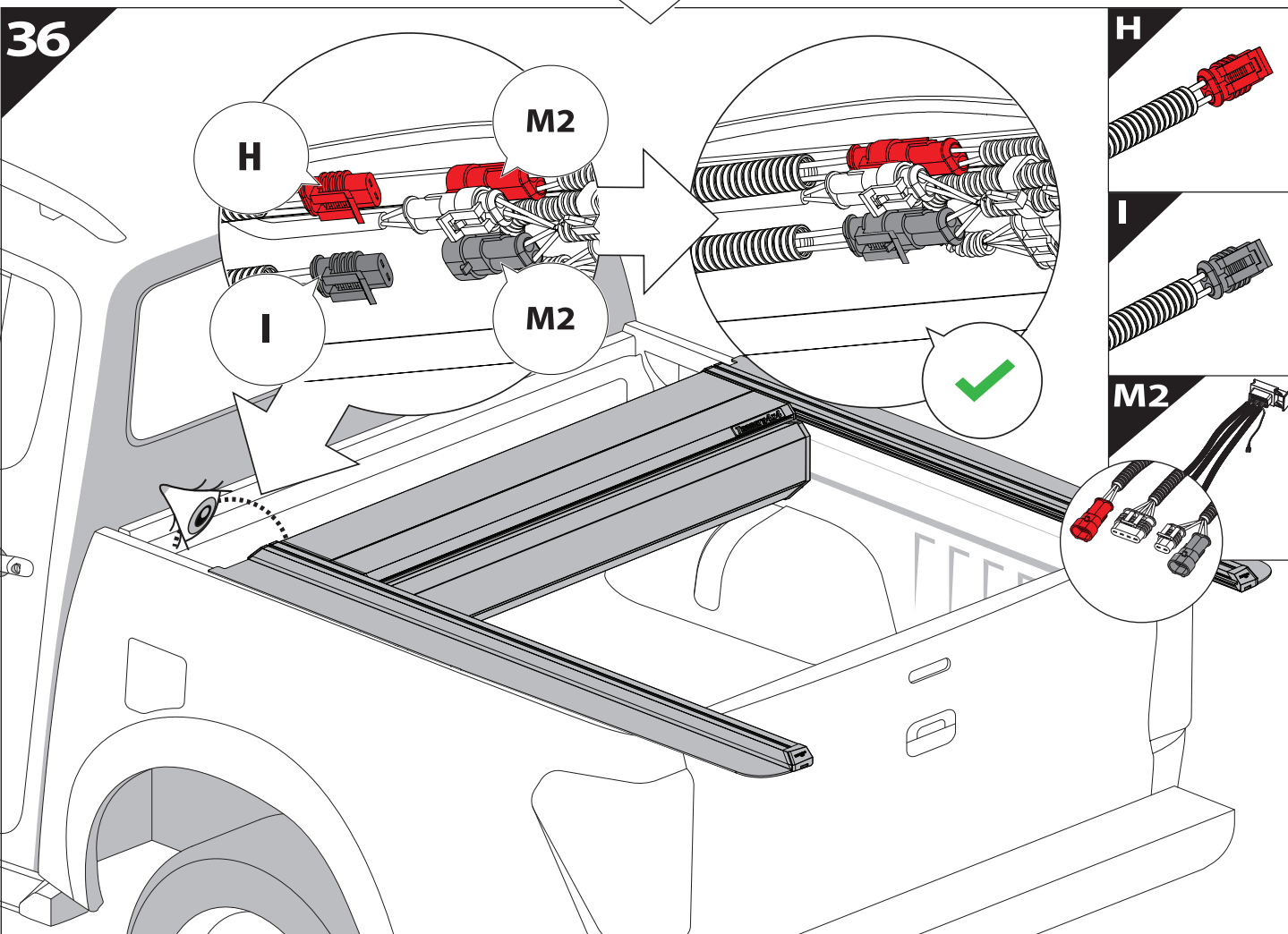
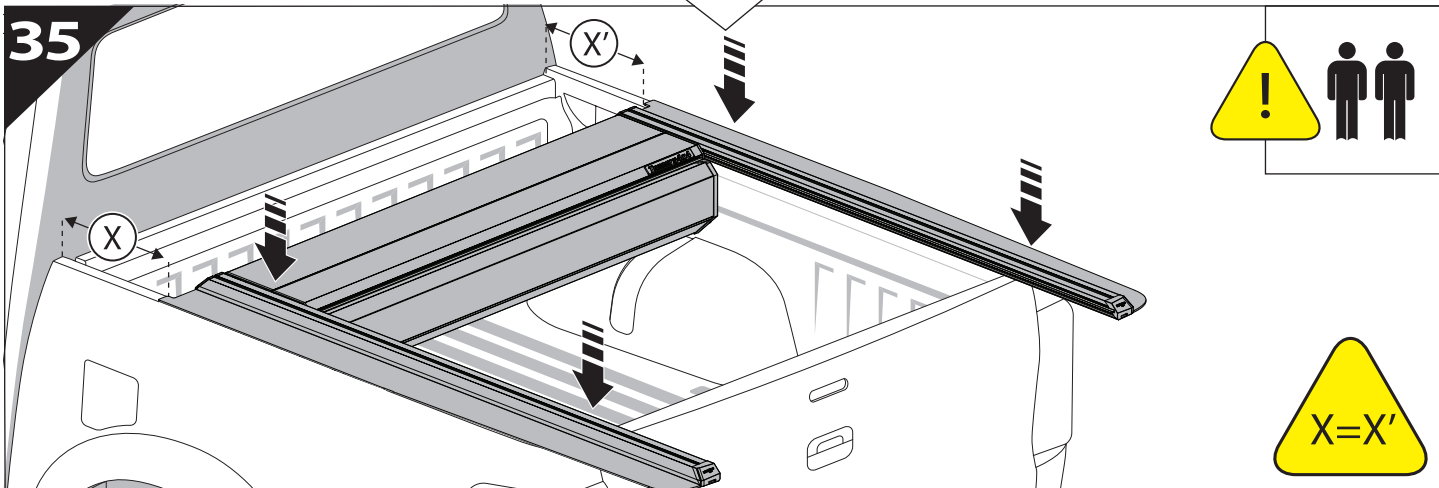
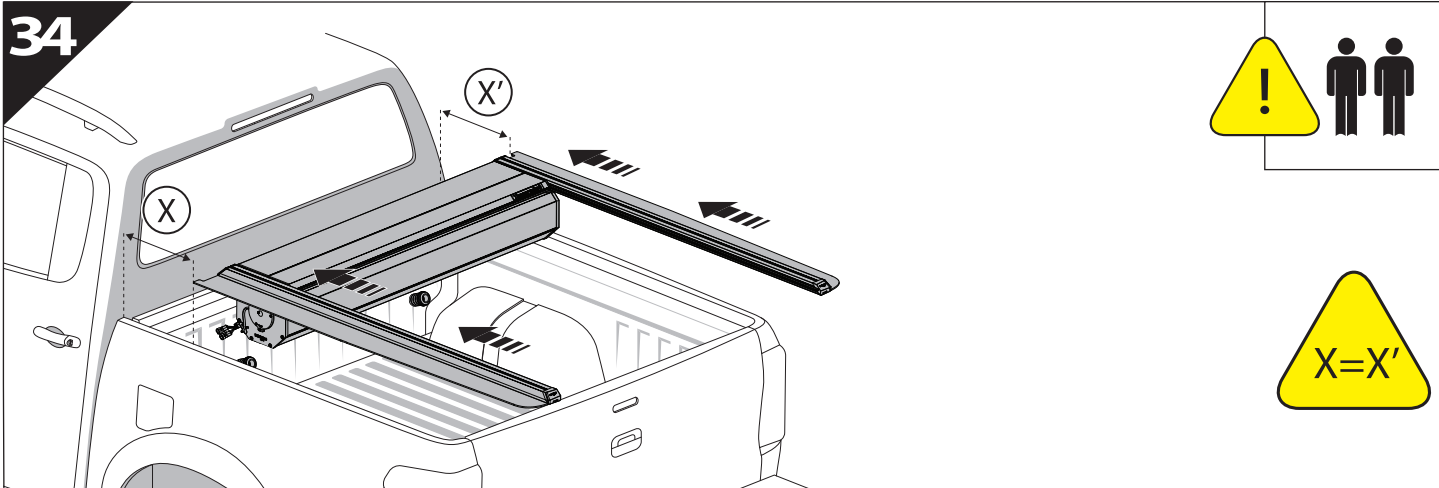


10 mm



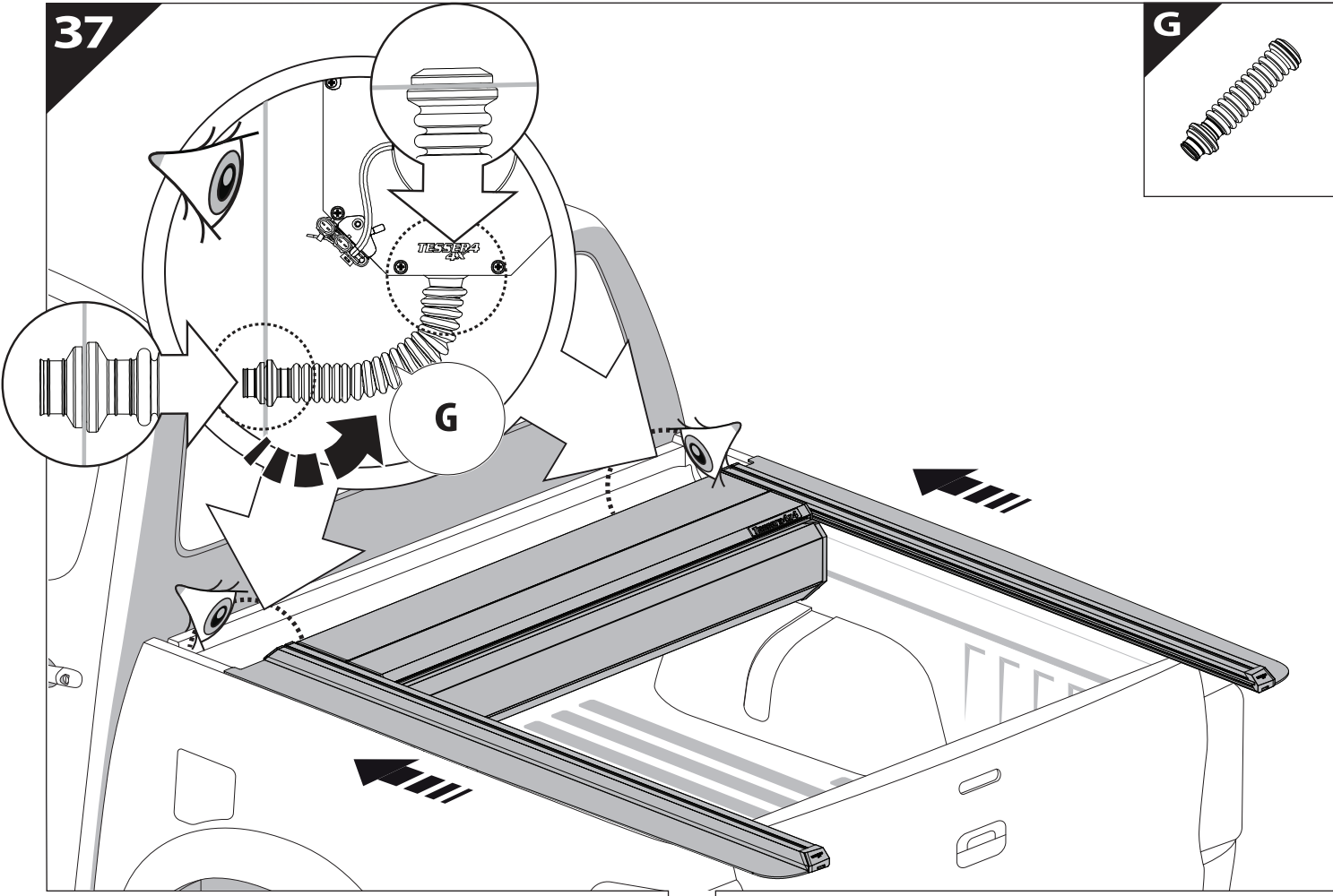




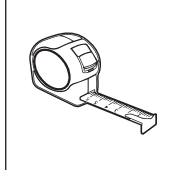
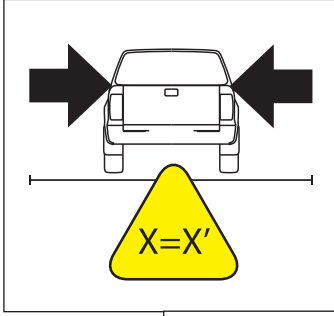
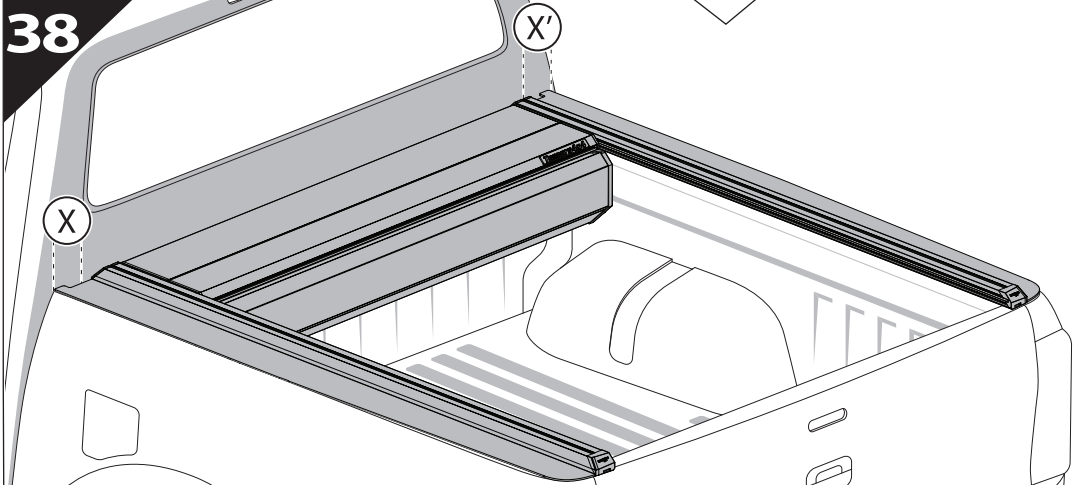


37

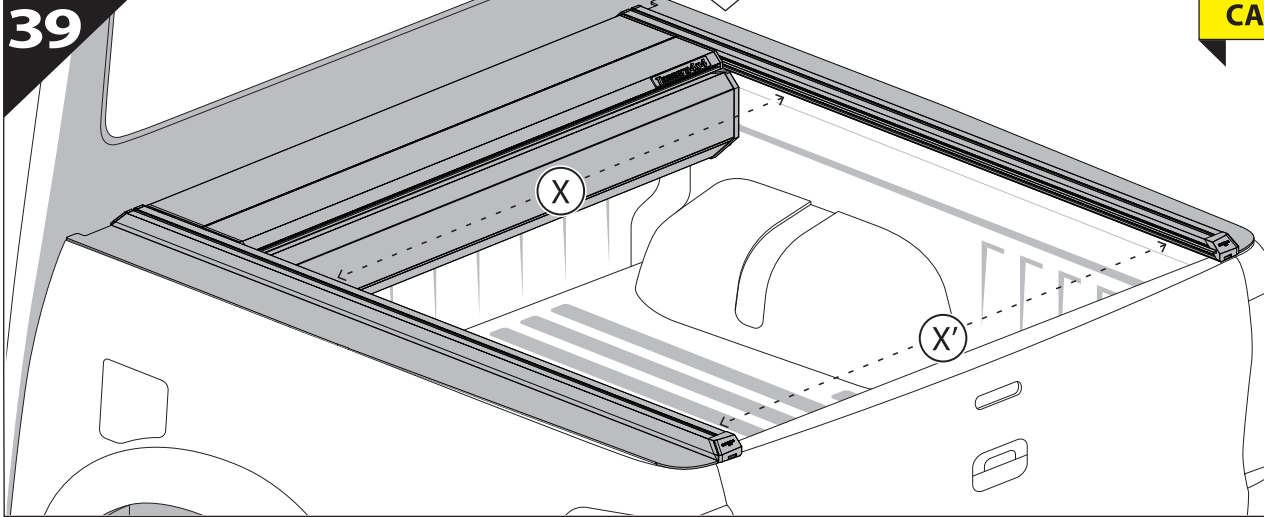
G



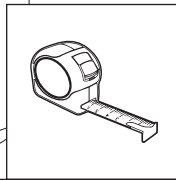
38



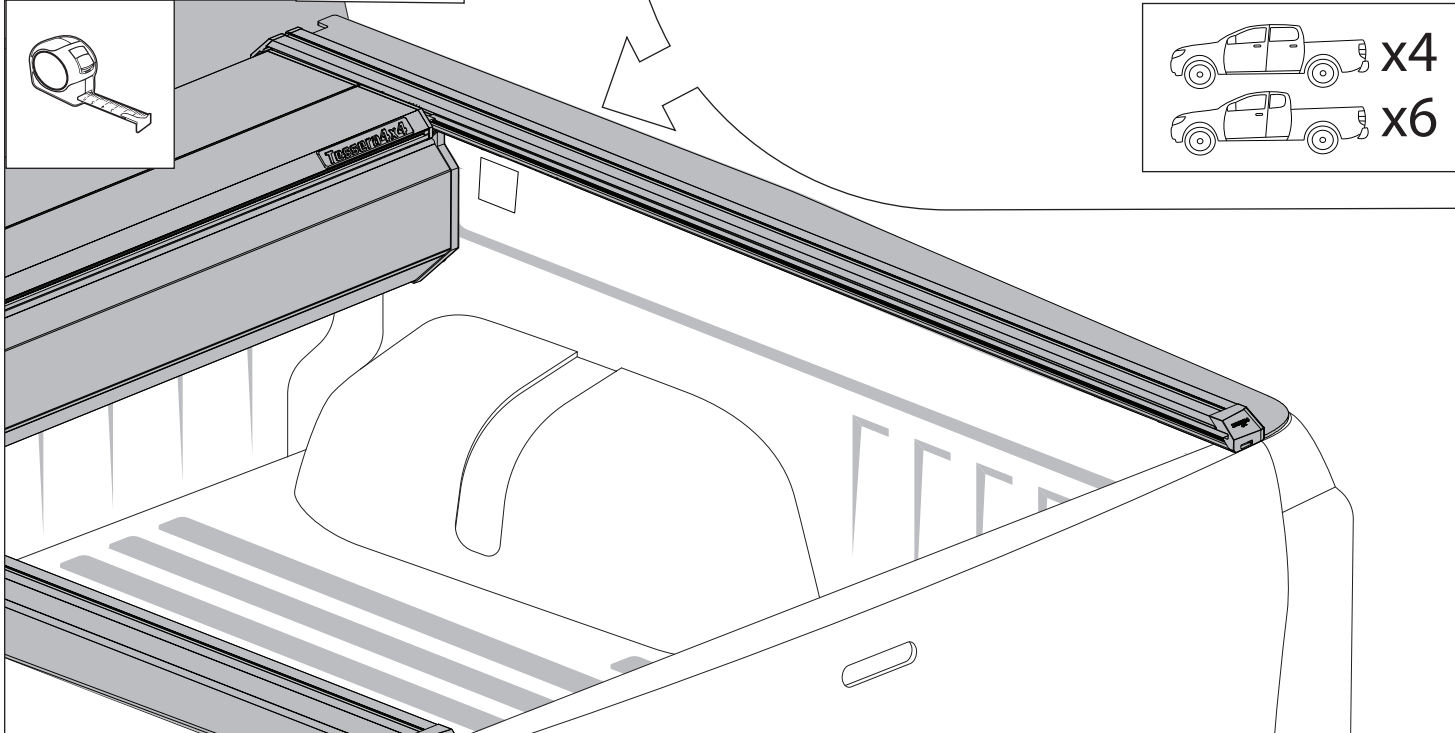
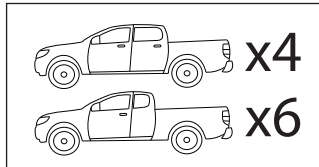
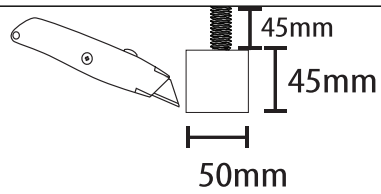
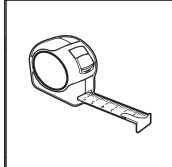
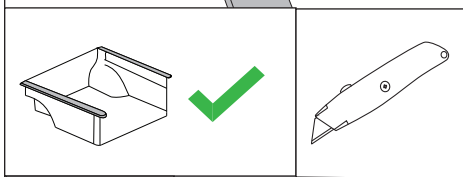
39



CAUTION !



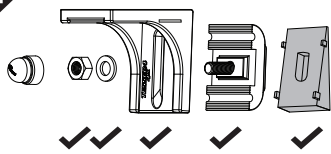
40



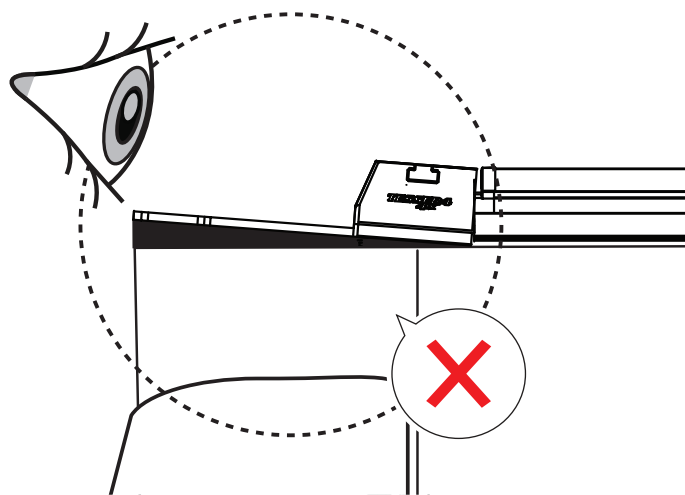
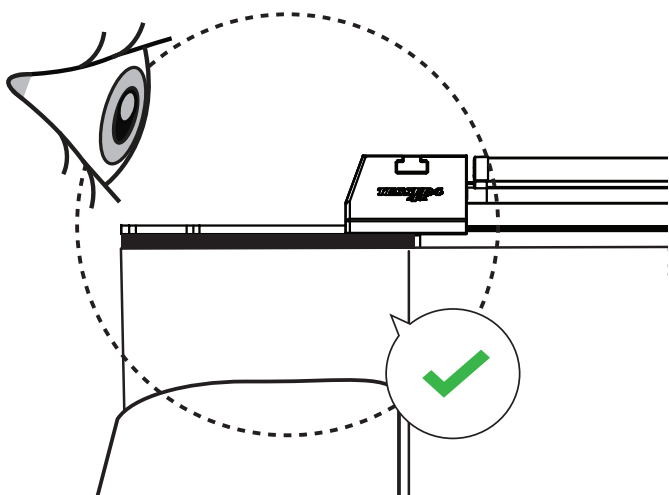
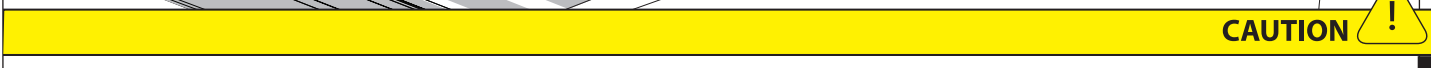
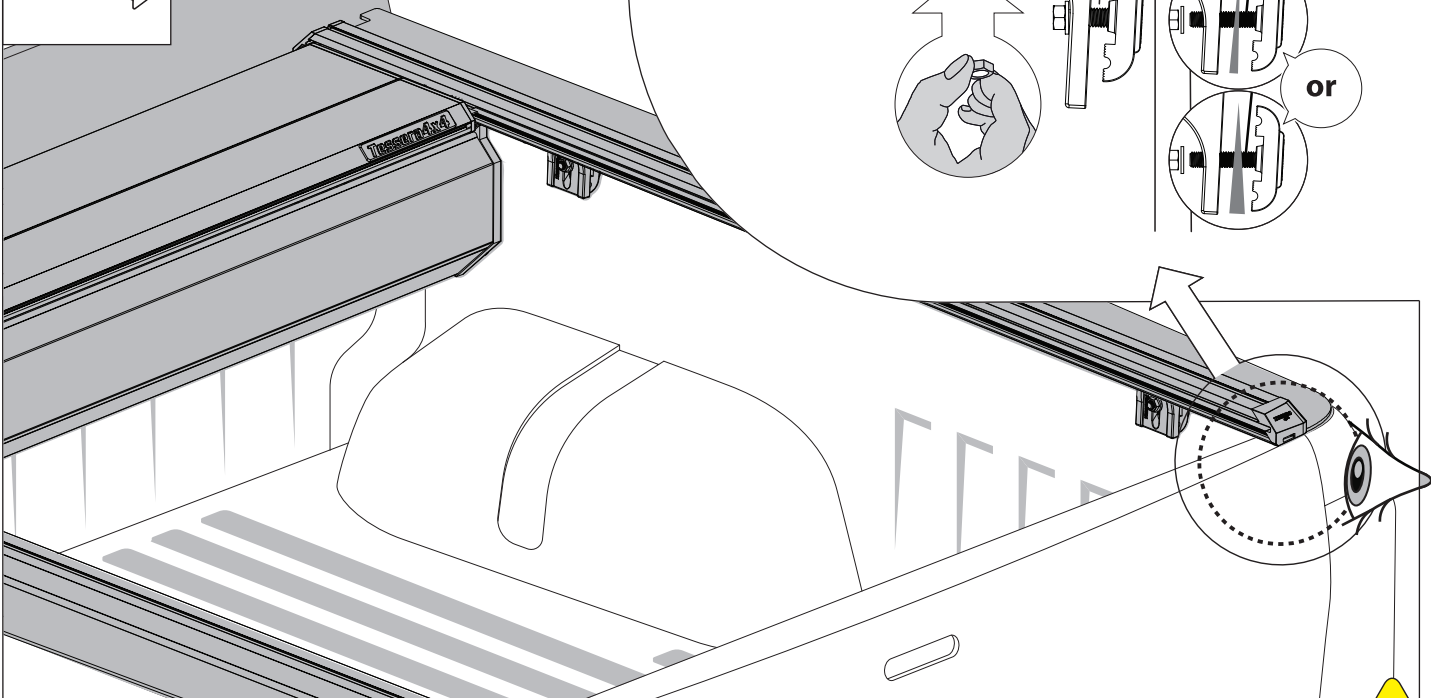
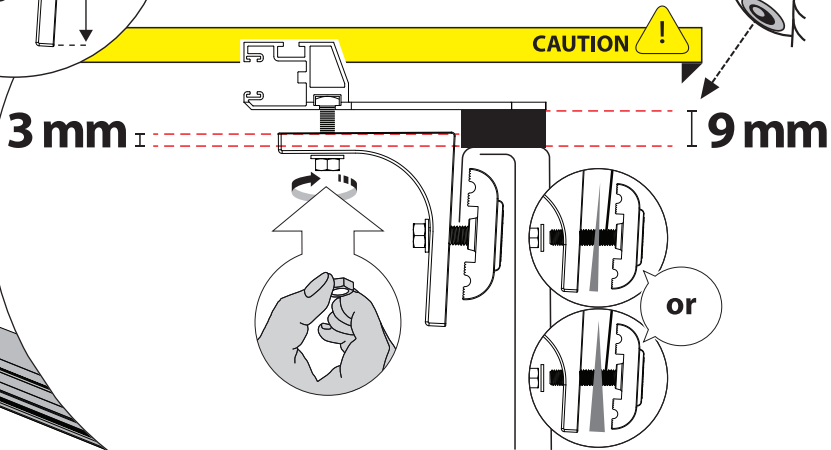
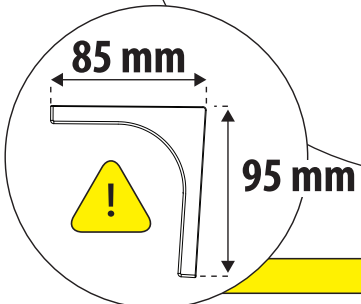
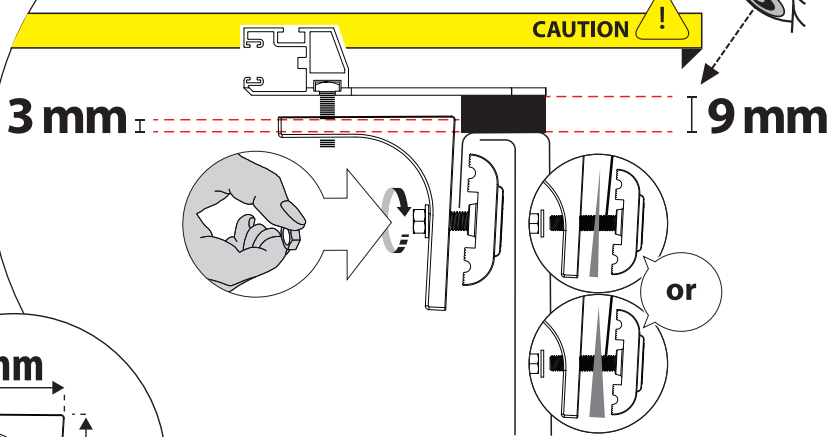
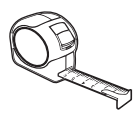
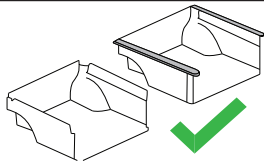
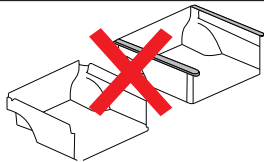
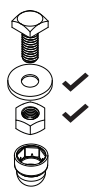


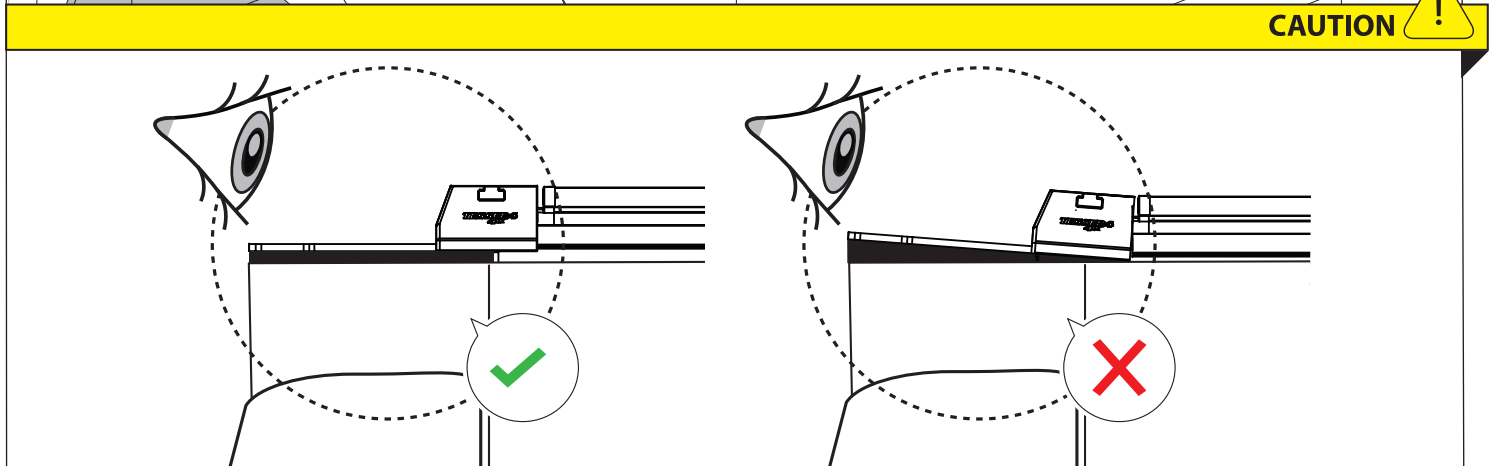
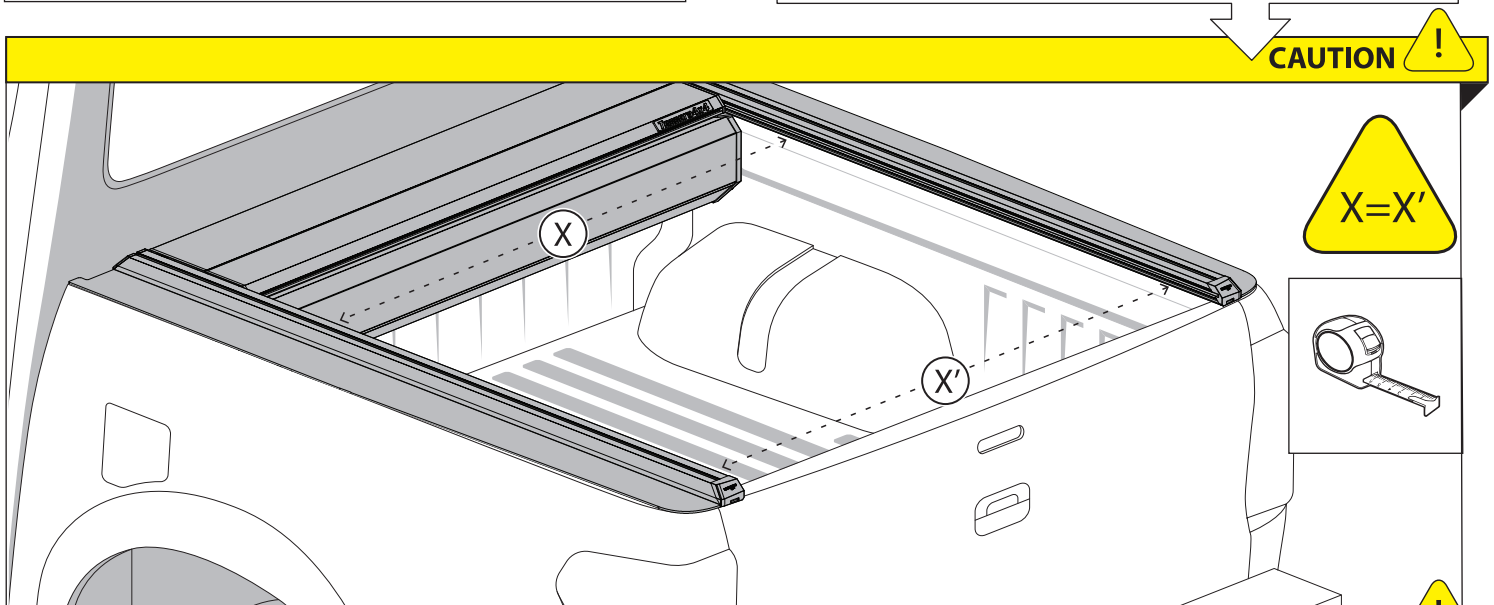
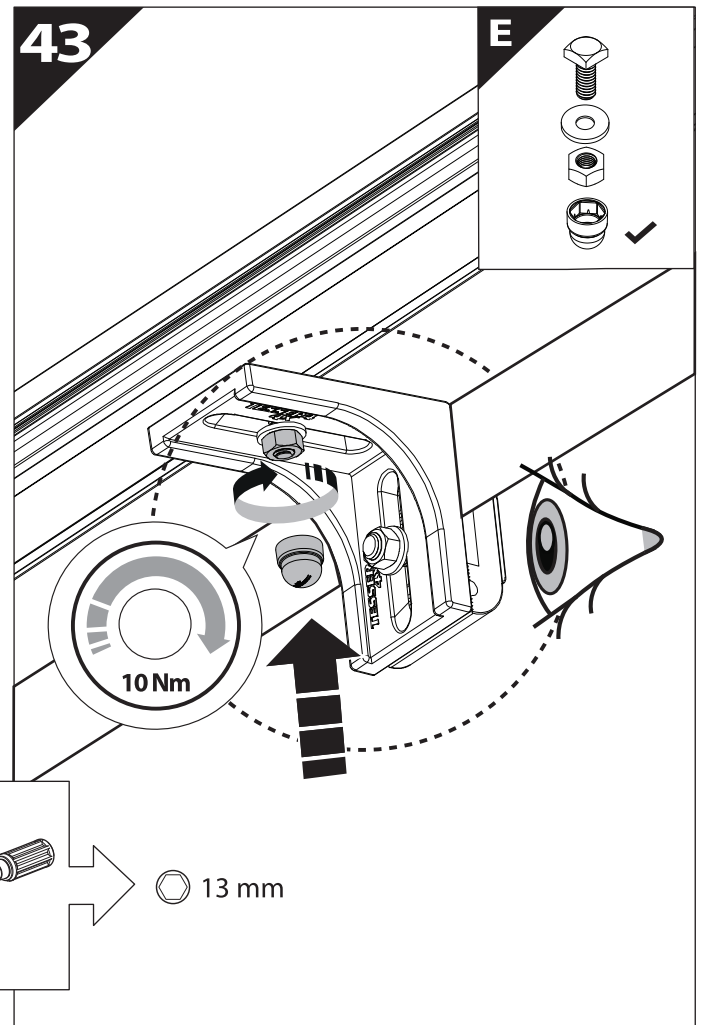
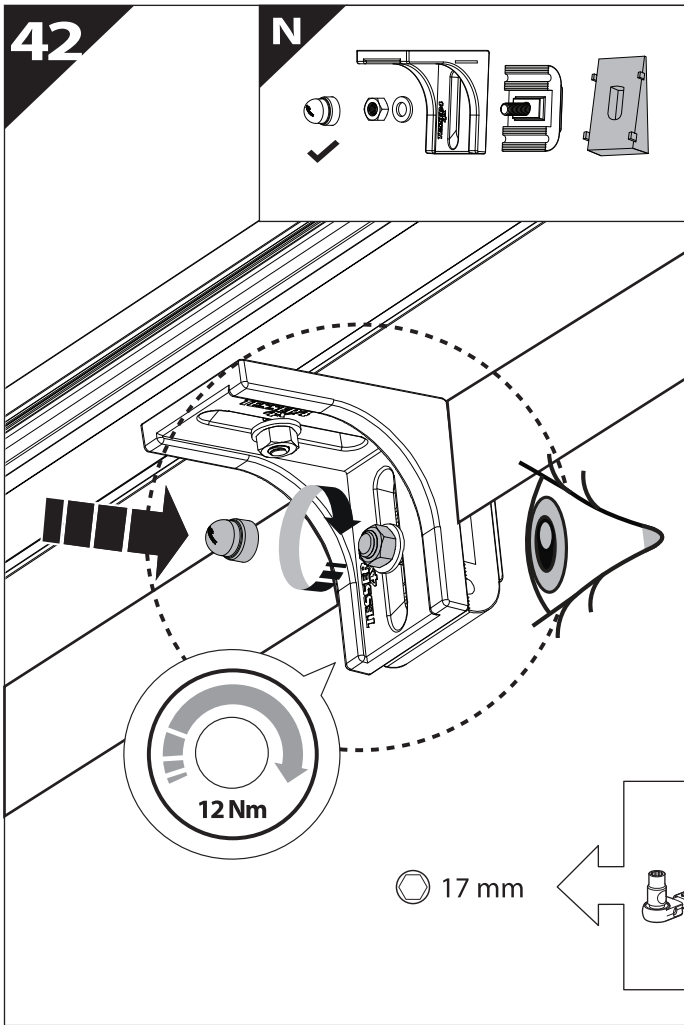
41

N



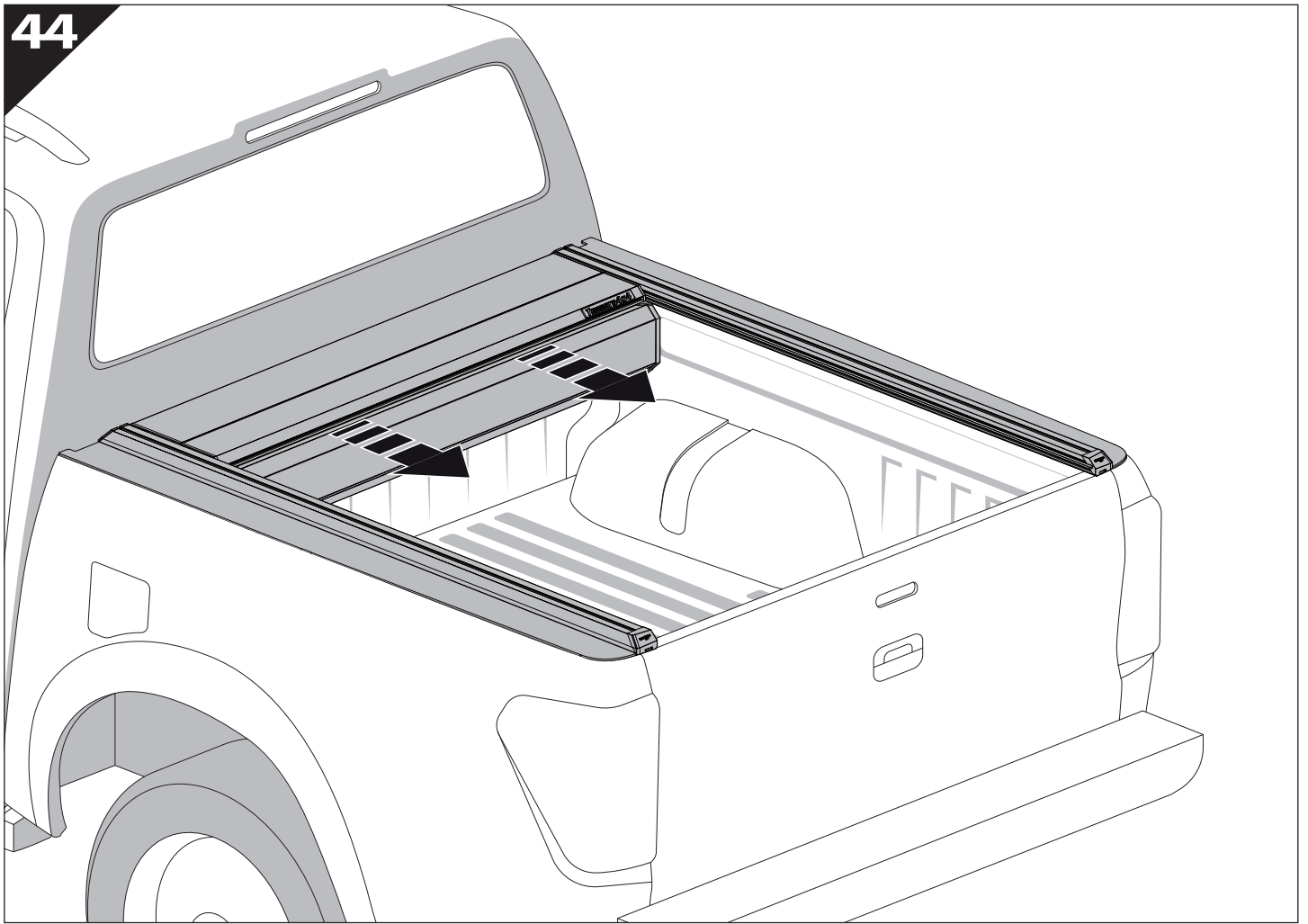
E



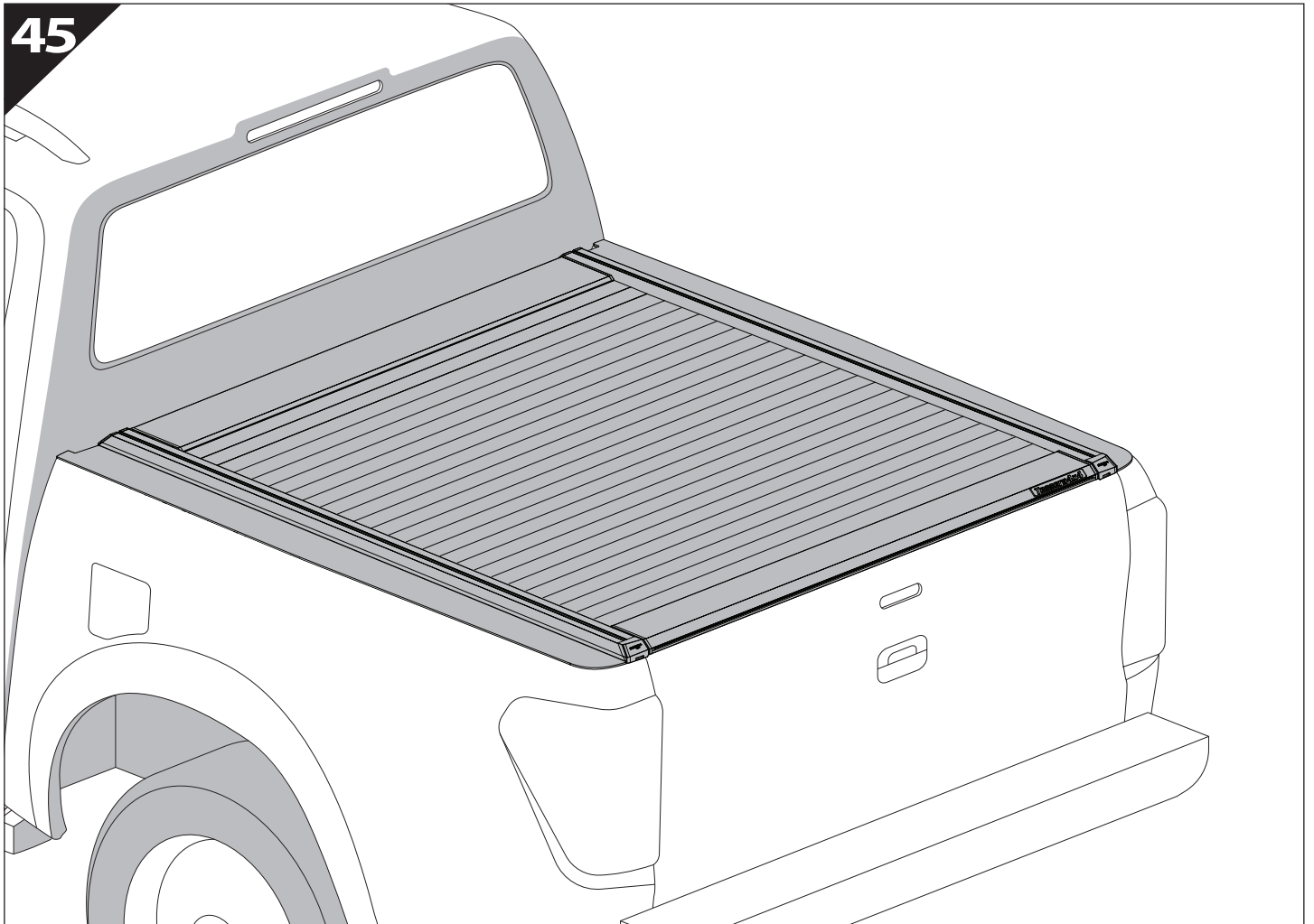




44



45









**GR:** Οδηγίες Εγκατάστασης  
**GB:** Installation manual  
**SF:** Asennusohje  
**F:** Notice de montage  
**PL:** Instrukcja montażu  
**NL:** Installatie-instructies  
**TR:** Montaj Talimatı  
**S:** Monteringsanvisning  
**E:** Instrucciones de montaje

**H:** Szerelési utasítás  
**P:** Instruções de instalação  
**RUS:** Инструкция по установке  
**N:** Monteringsveiledning  
**D:** Einbauanleitung  
**CZ:** Návod k instalaci  
**I:** Istruzioni de montaggio  
**DK:** Monteringsvejledning  
**RO:** Instructiuni de instalare

Customer Service:

+30 (210) 5541161, +30 (210) 5541154 (08:00 - 16:00 EET)

Support department:

[info@gianso.gr](mailto:info@gianso.gr)

Website:

[www.tessera4x4.com](http://www.tessera4x4.com)

Address:

19.5 km of National road Athens-Korinthos (Elefsina) Greece, P.C: 19200