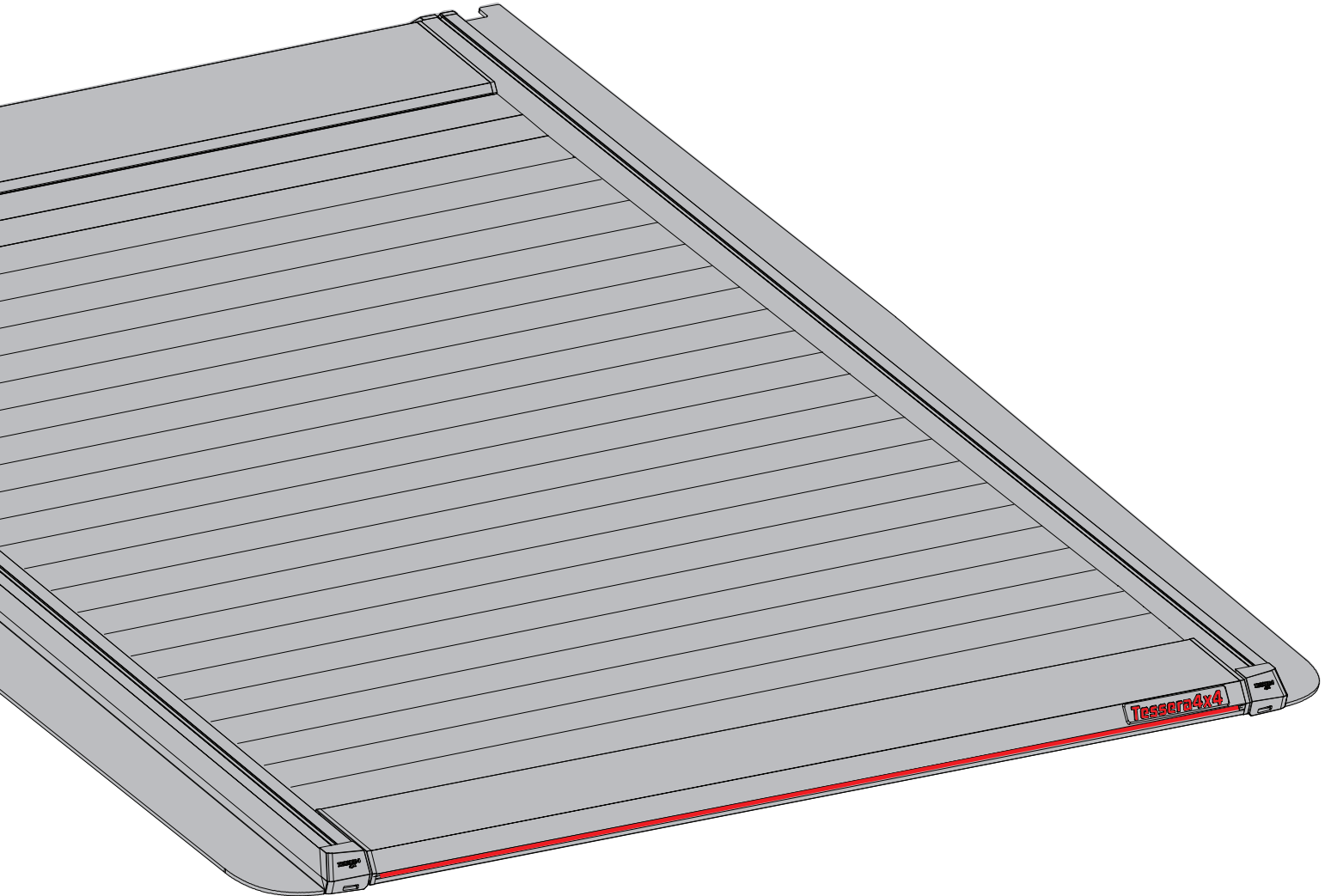


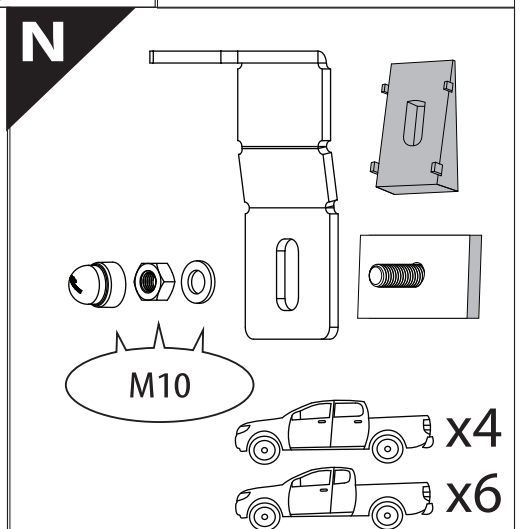
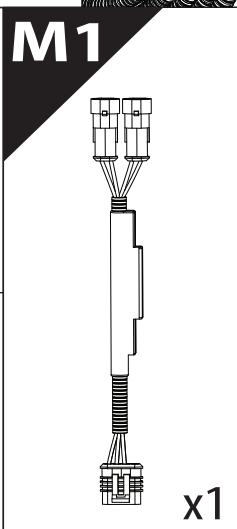
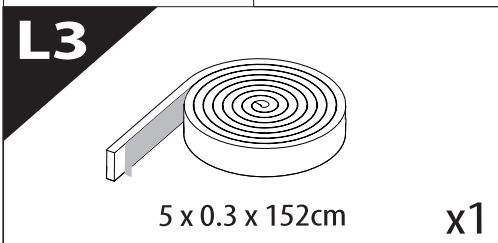
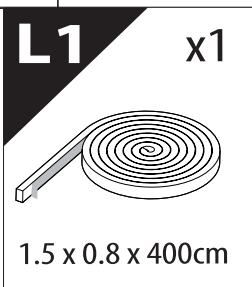
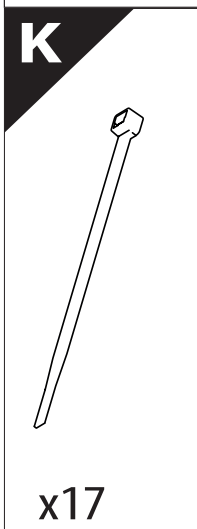
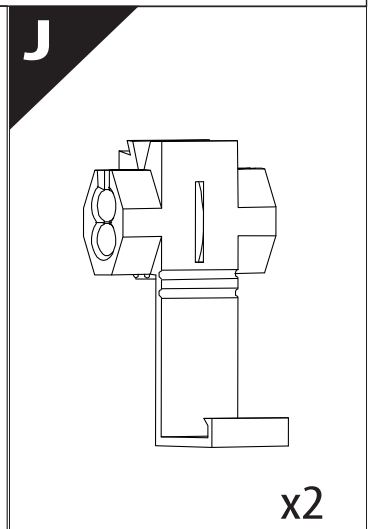
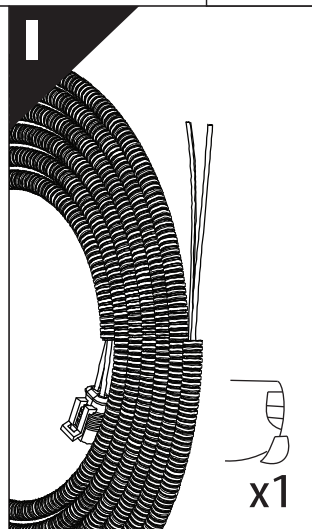
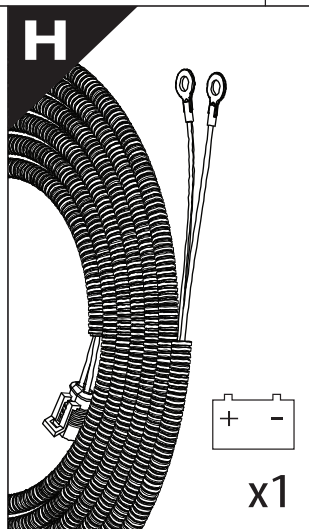
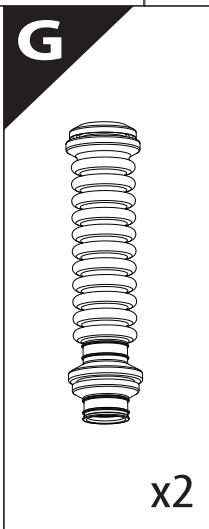
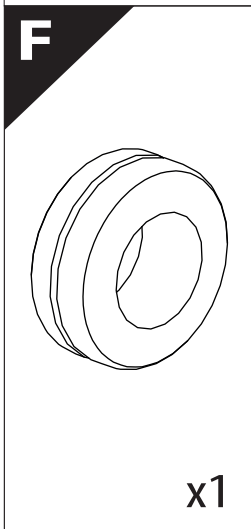
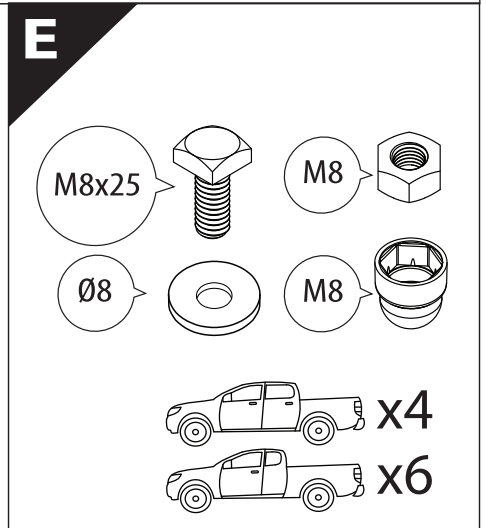
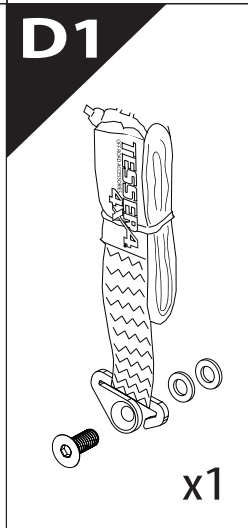
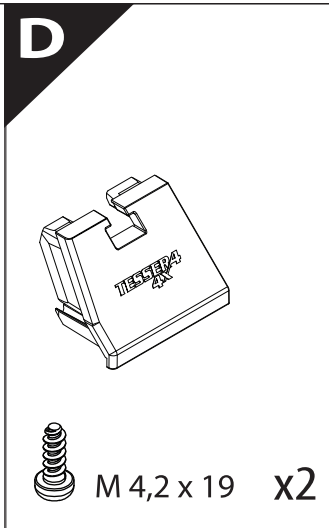
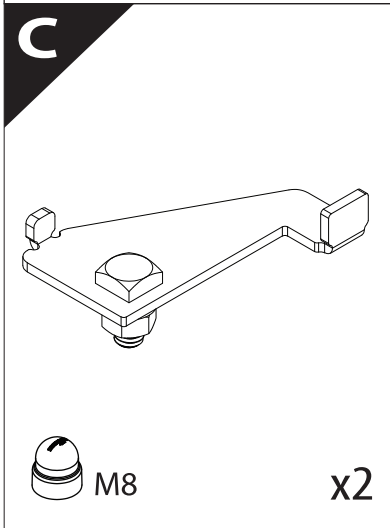
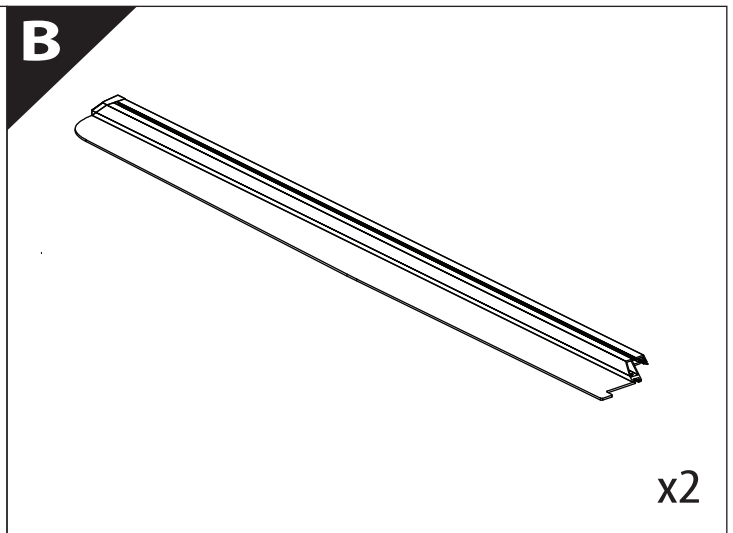
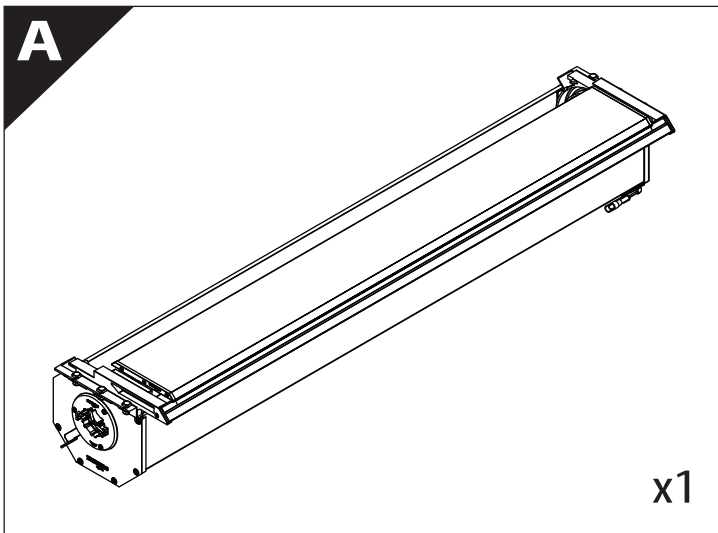
Tessera Roll+

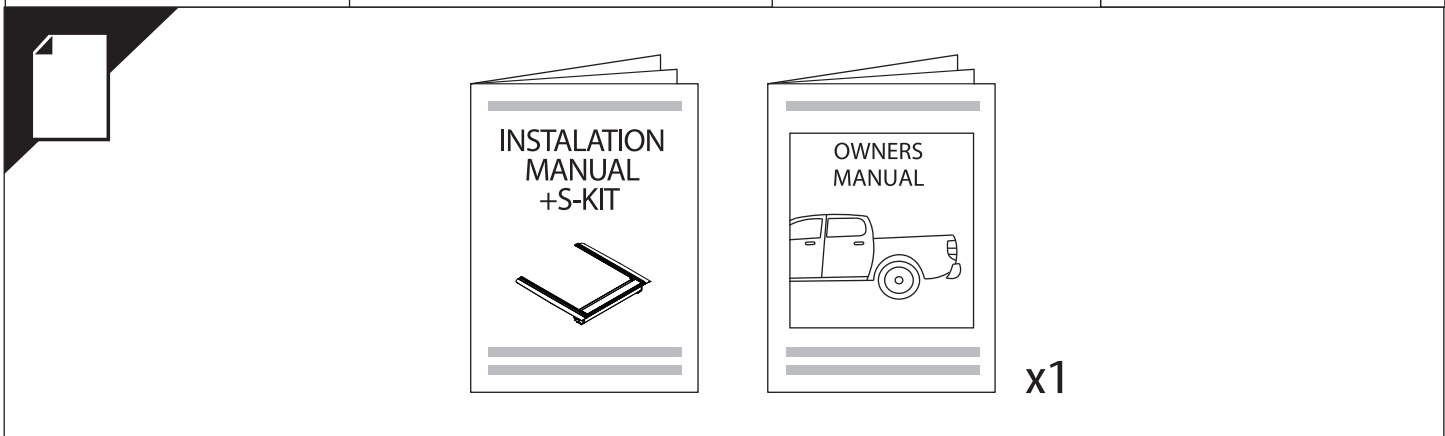
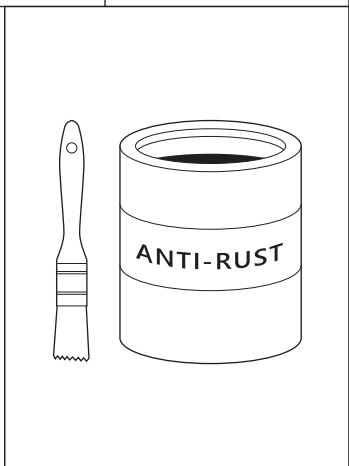
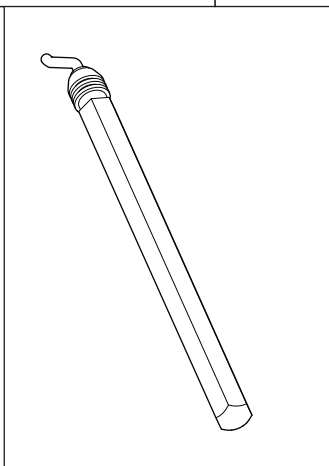
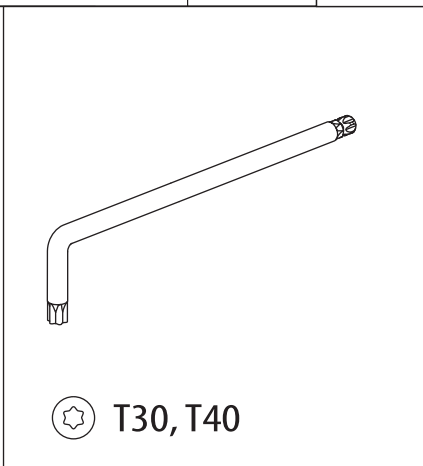
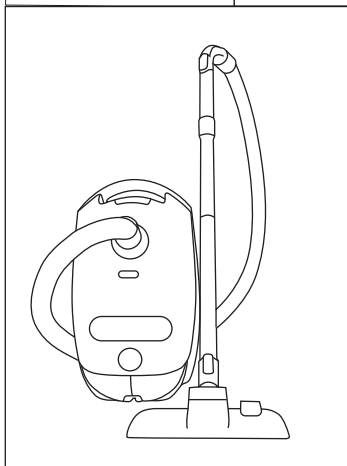
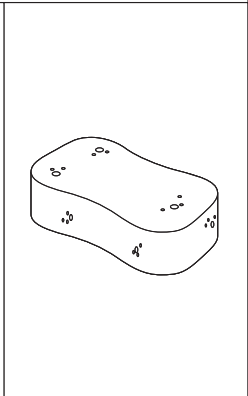
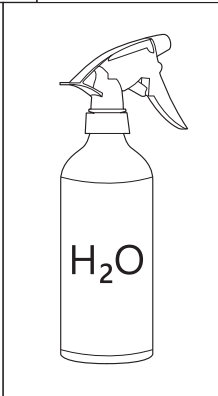
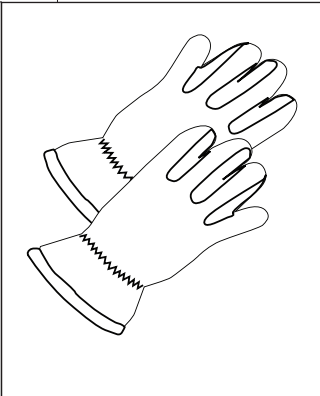
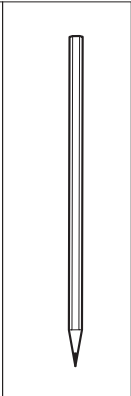
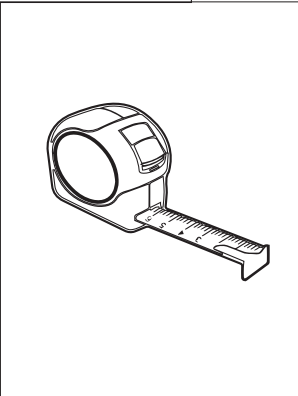
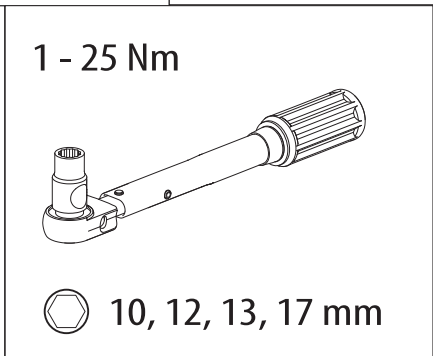
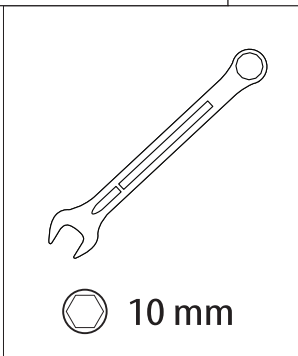
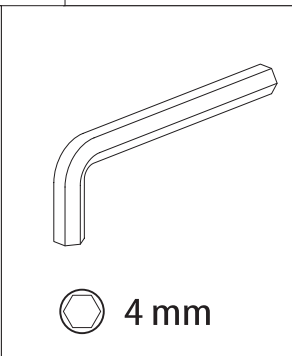
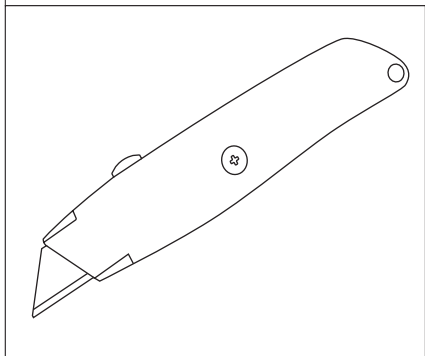
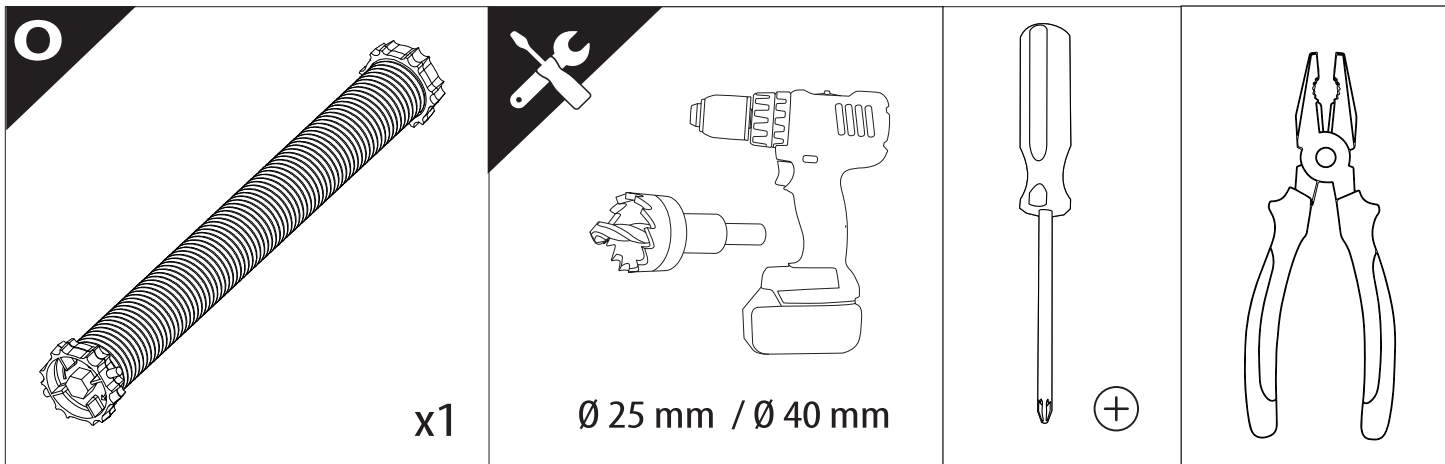
Basic Version + ⚙️ S-KIT

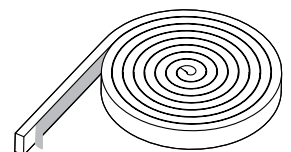
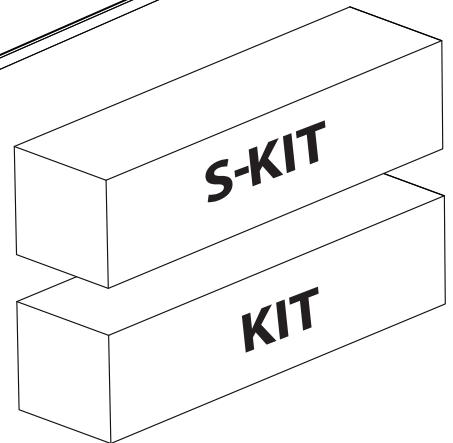
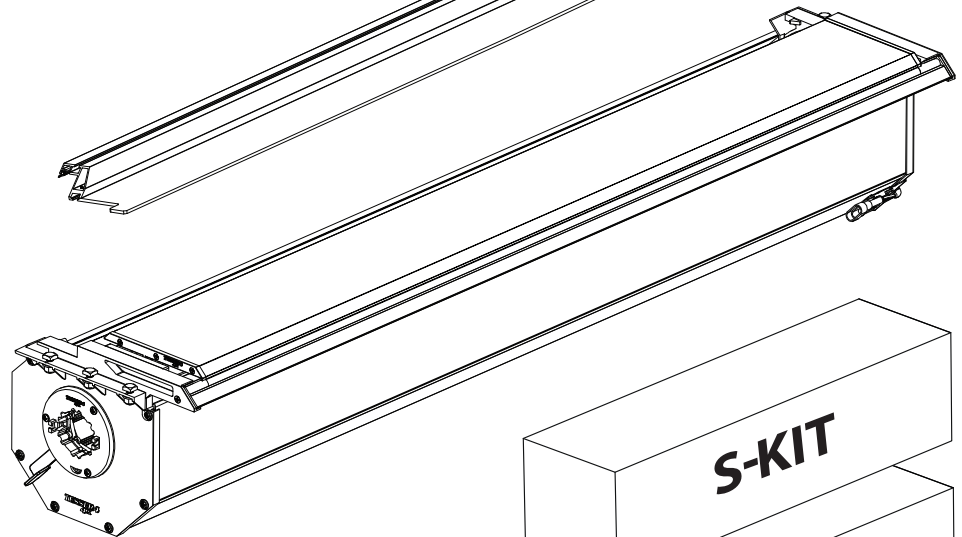
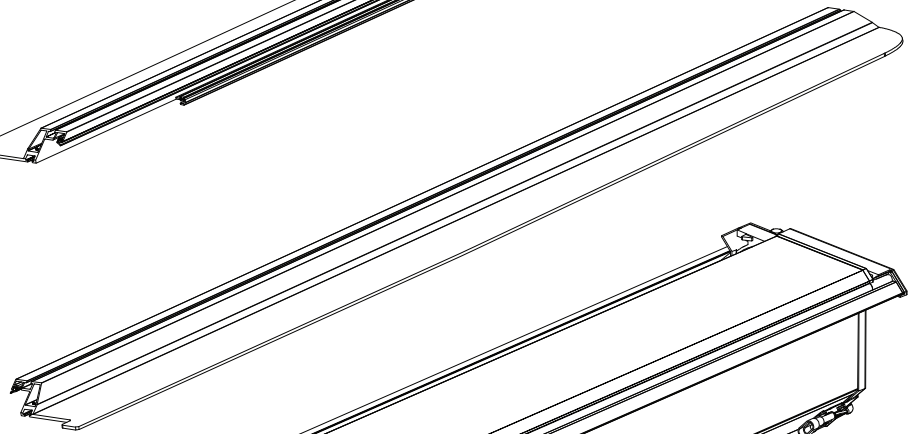
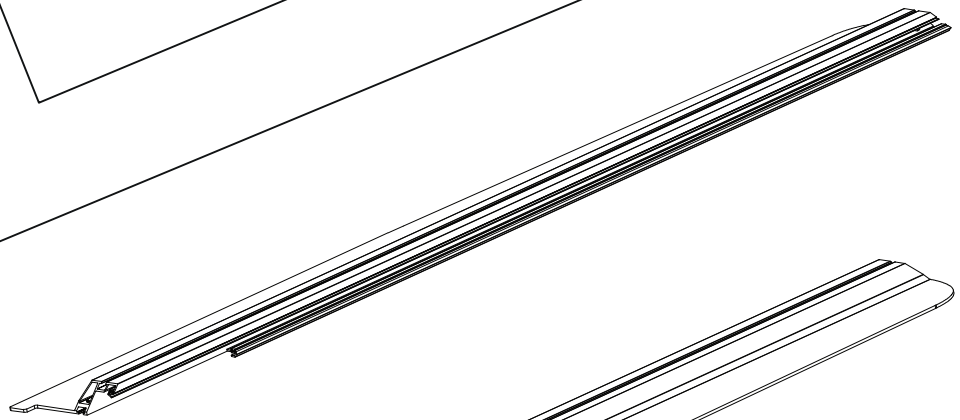
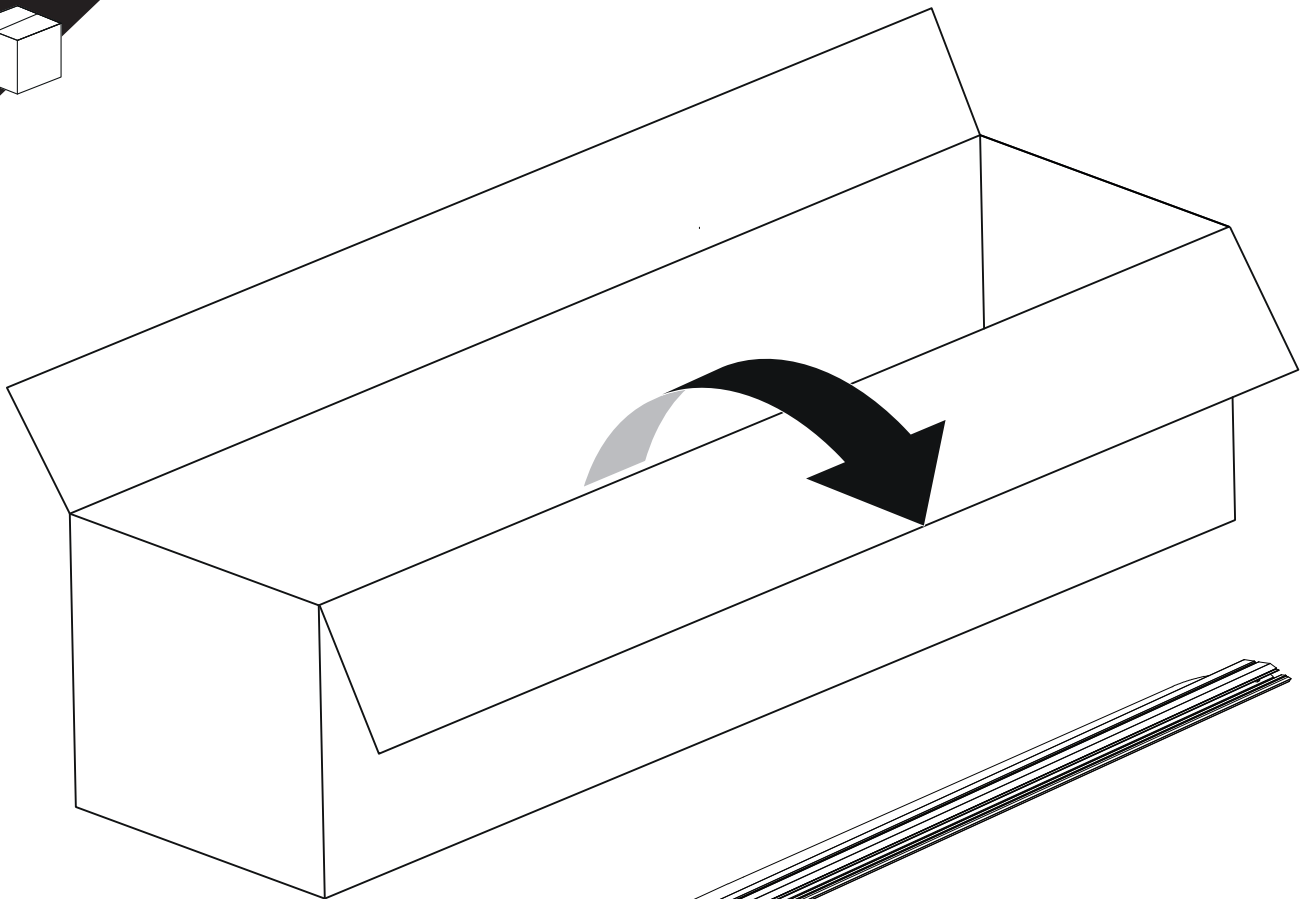


Installation Manual

| PART NUMBER(S) | Model Year |
|------------------------|------------------------------|
| TESS 140 ROLL+S-KIT | Nissan D40 (with c-channels) |
| TESS 1402 ROLL+S-KIT | |
| TESS 1403 ROLL+S-KIT | |
| Cab(s) | Installation Time / Weight |
| Double Cab & Space Cab | 40-60 minutes / 53-57 kg |





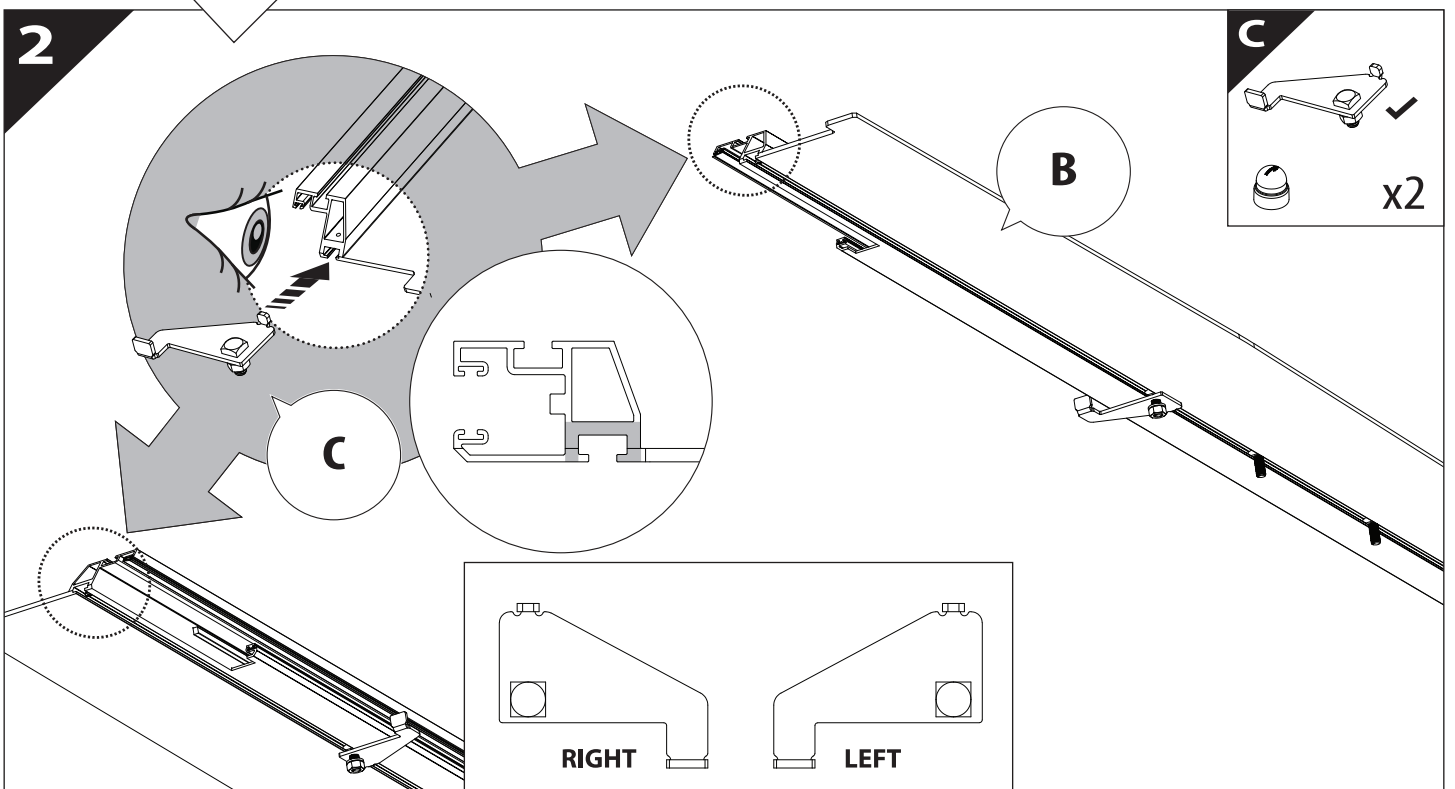
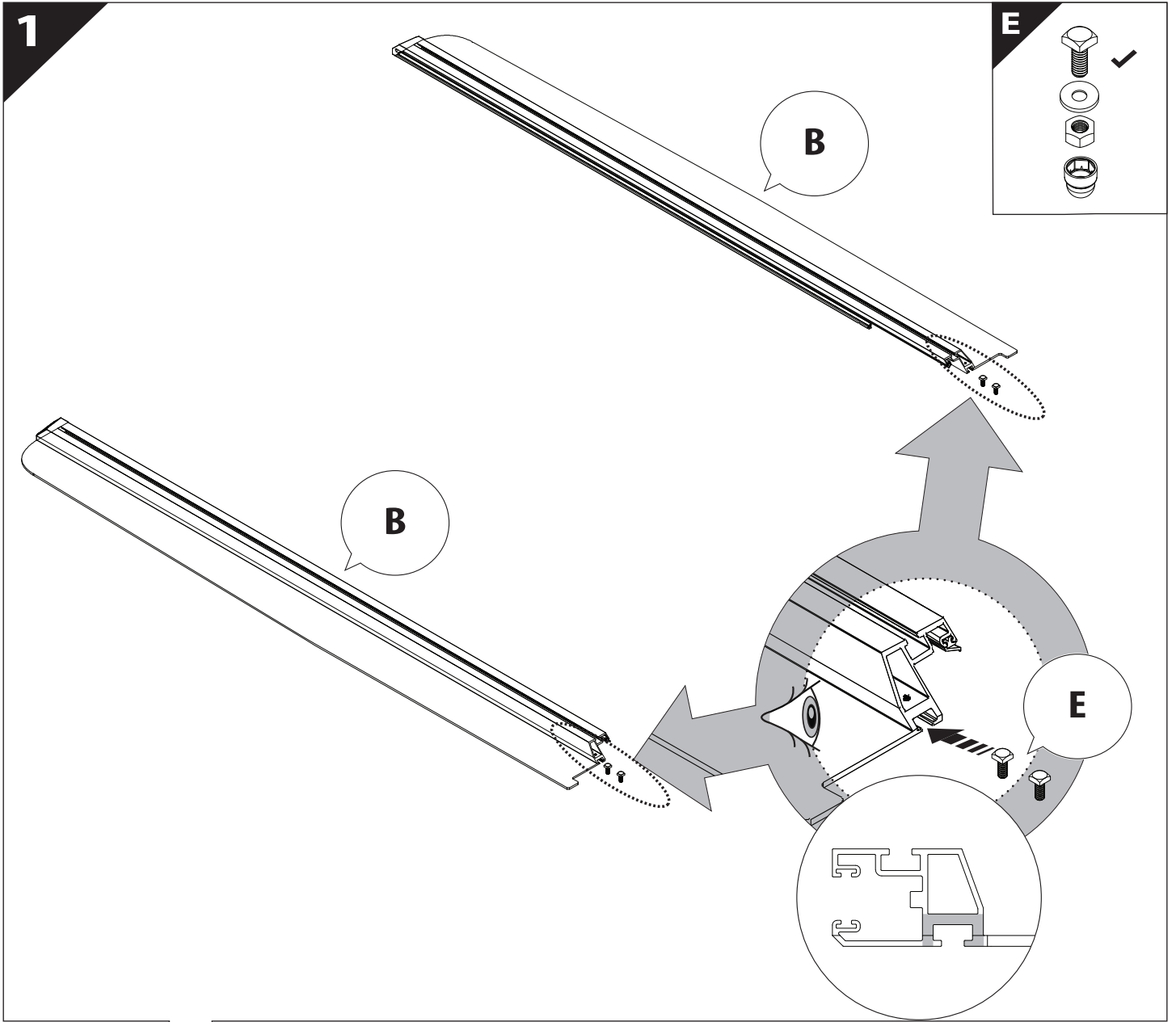


B

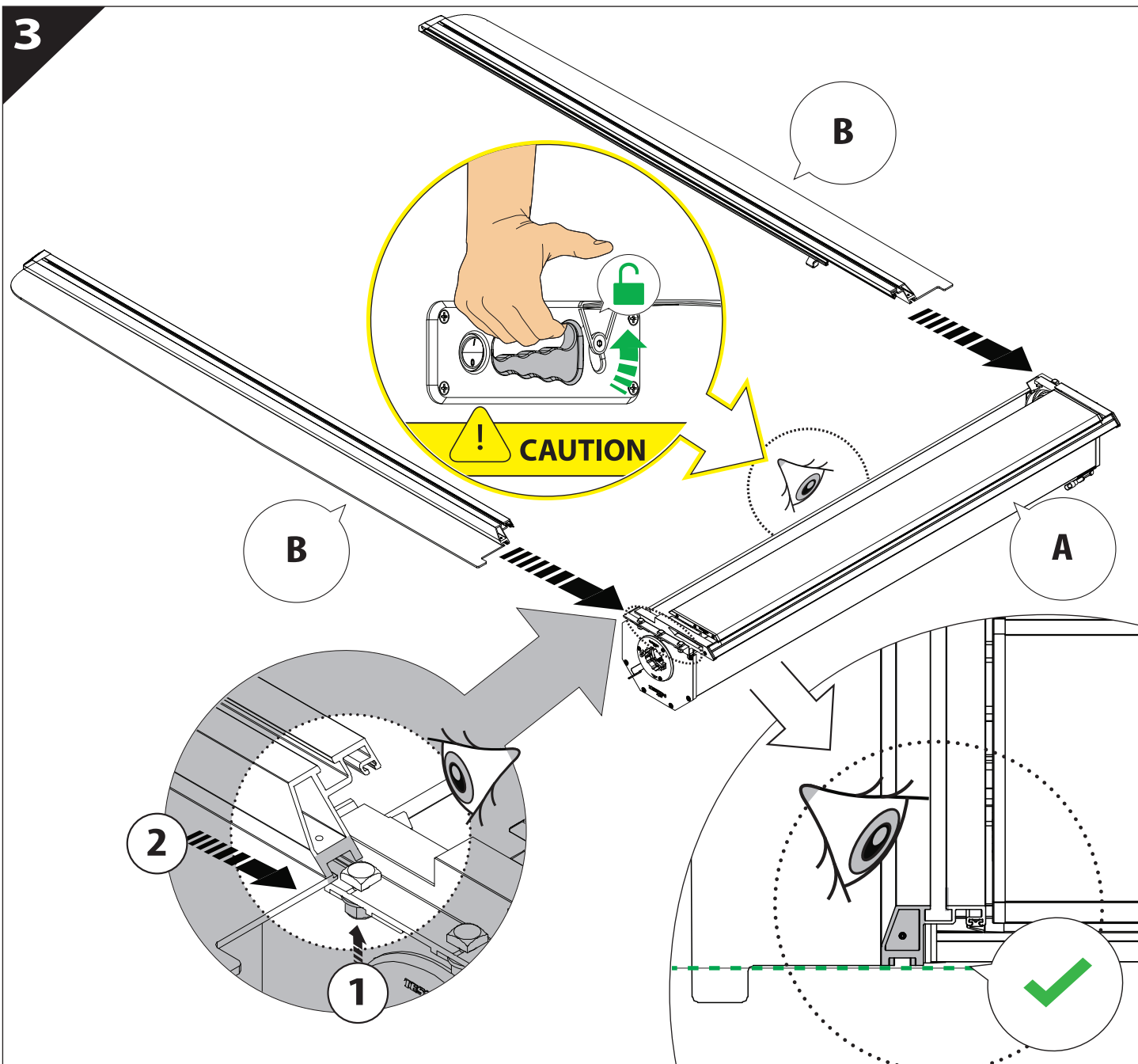
A

KITS

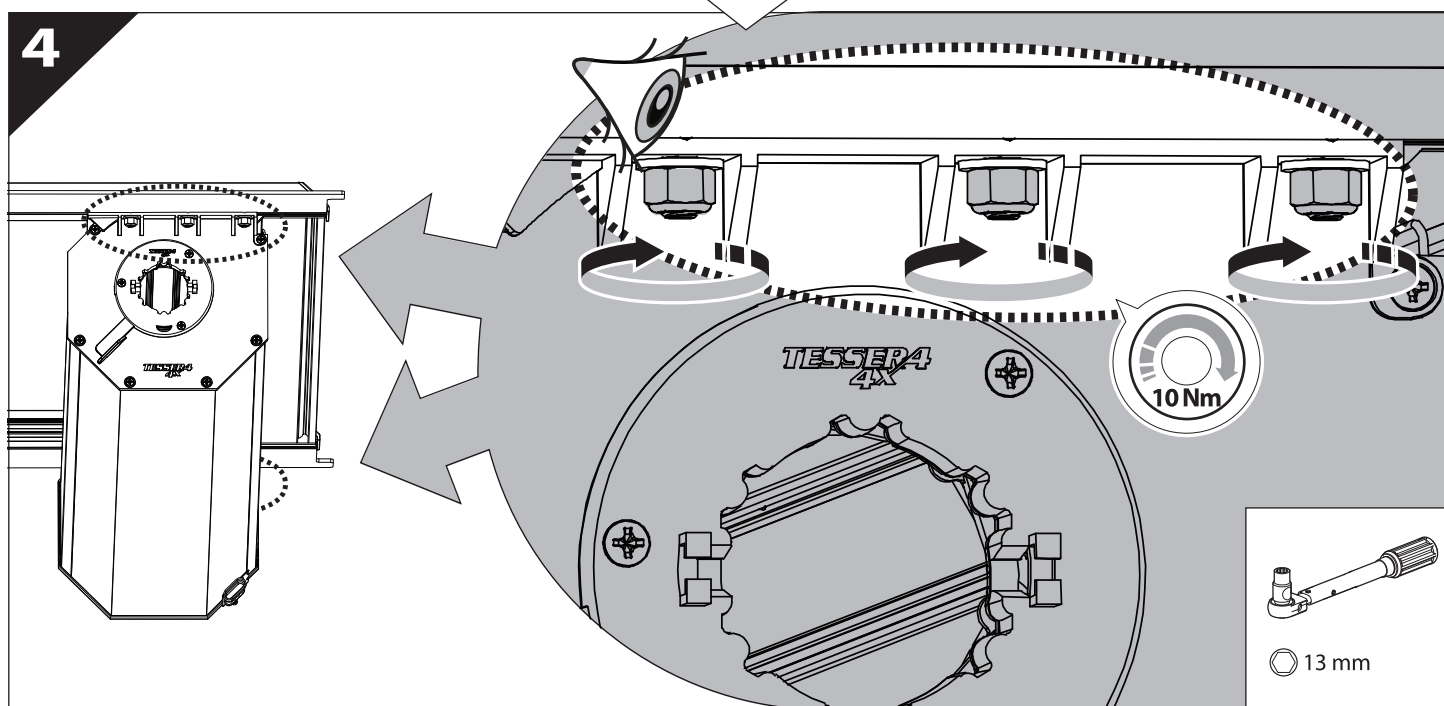
L

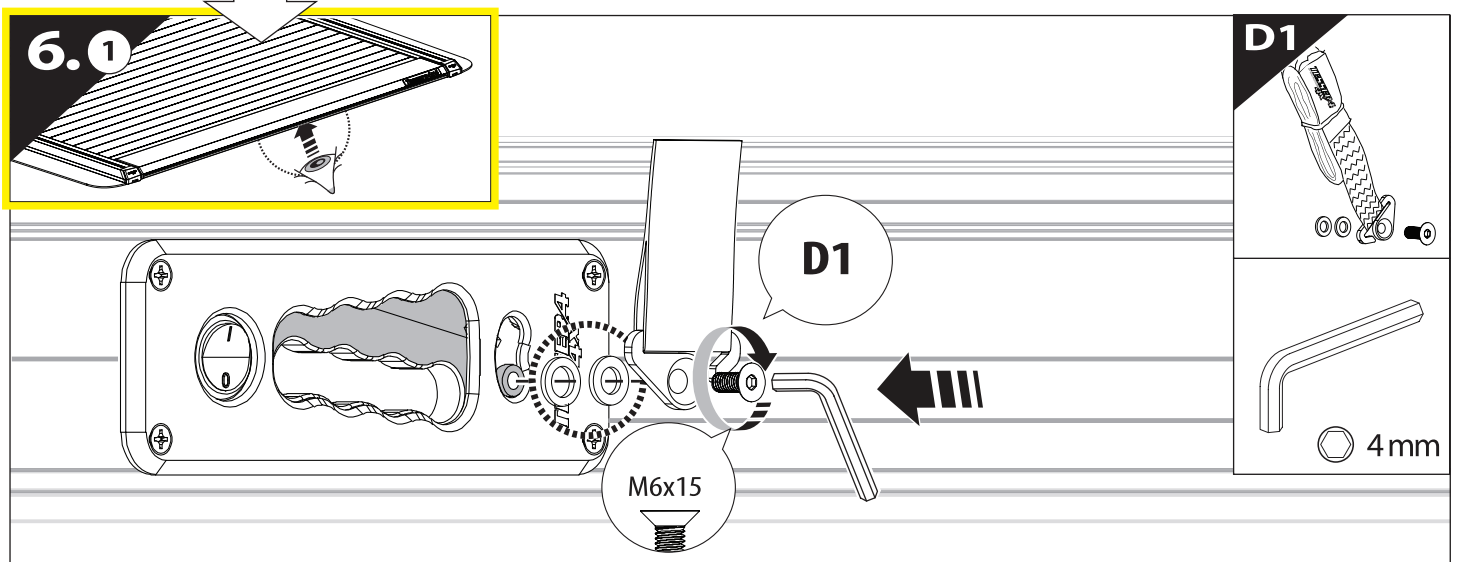
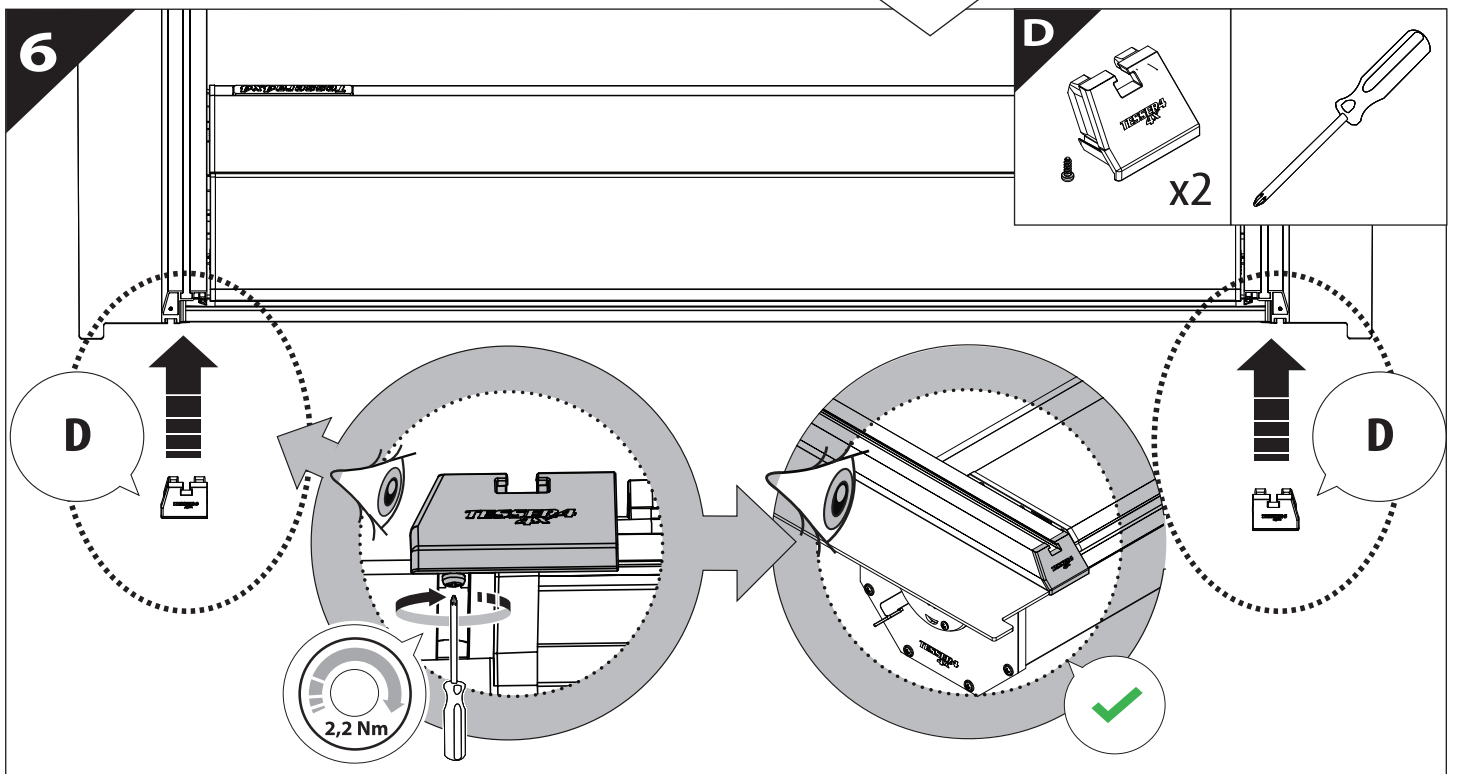
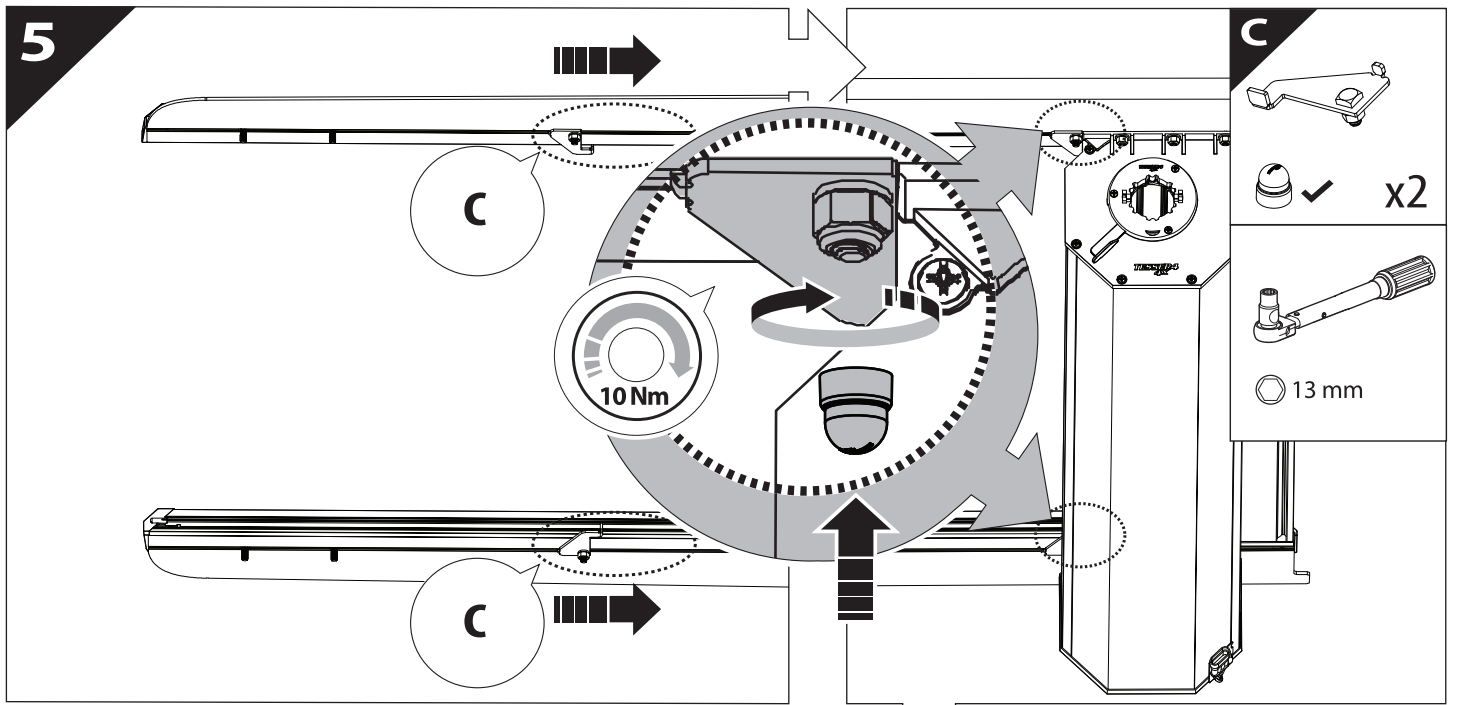


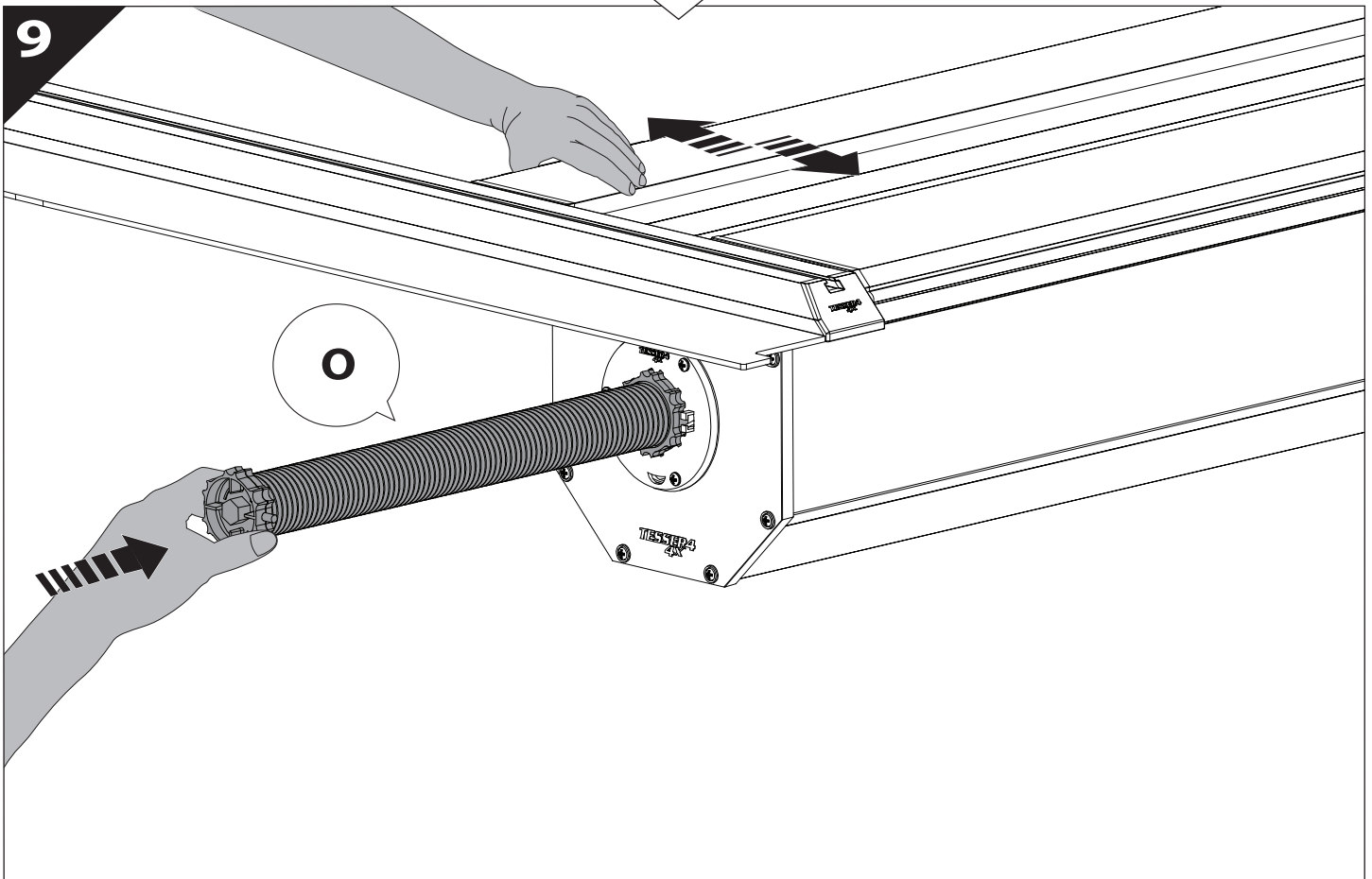
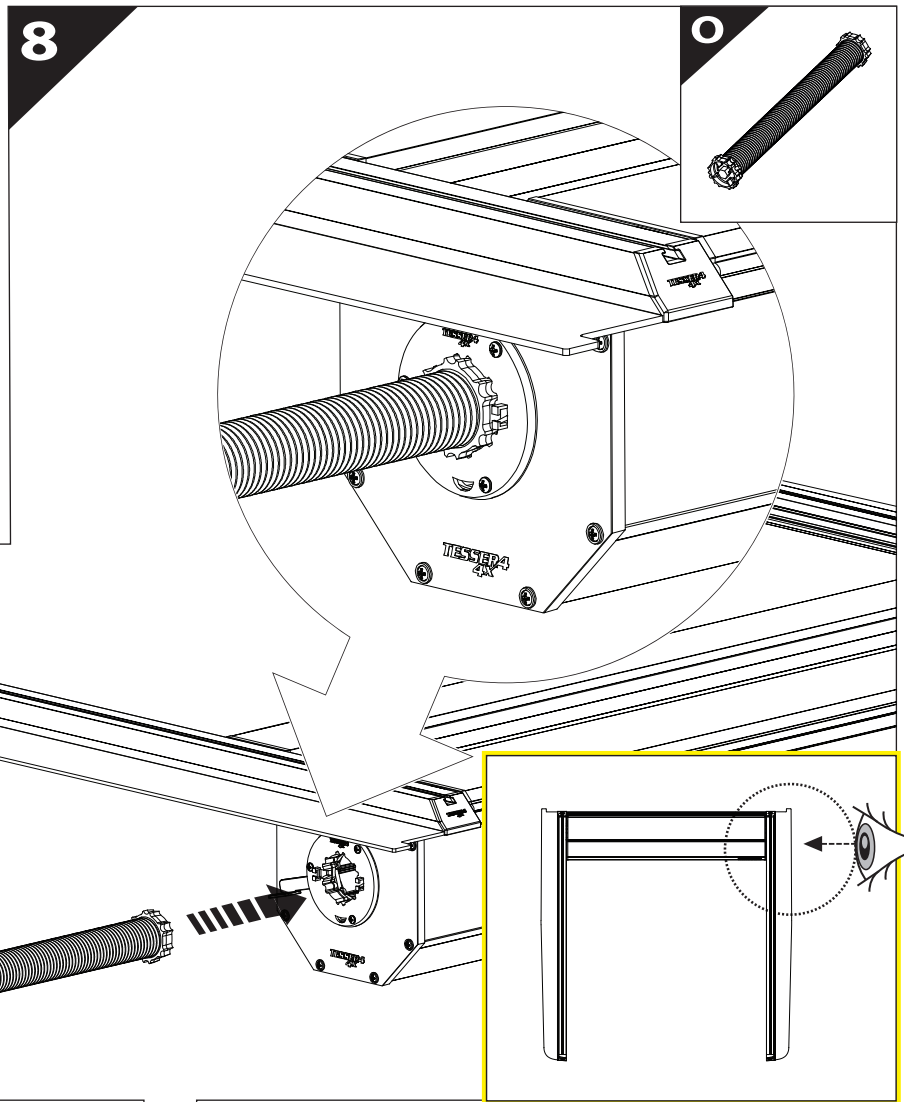
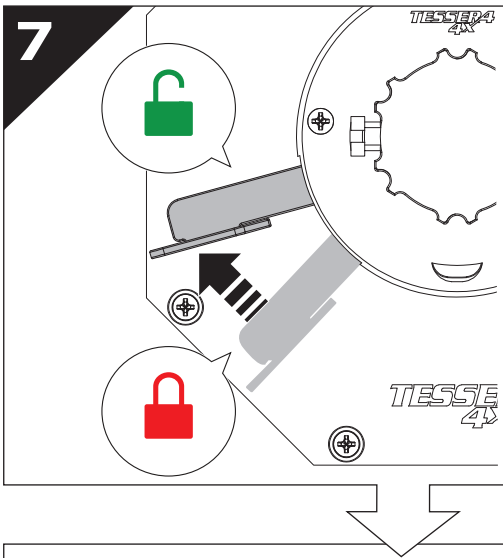
3



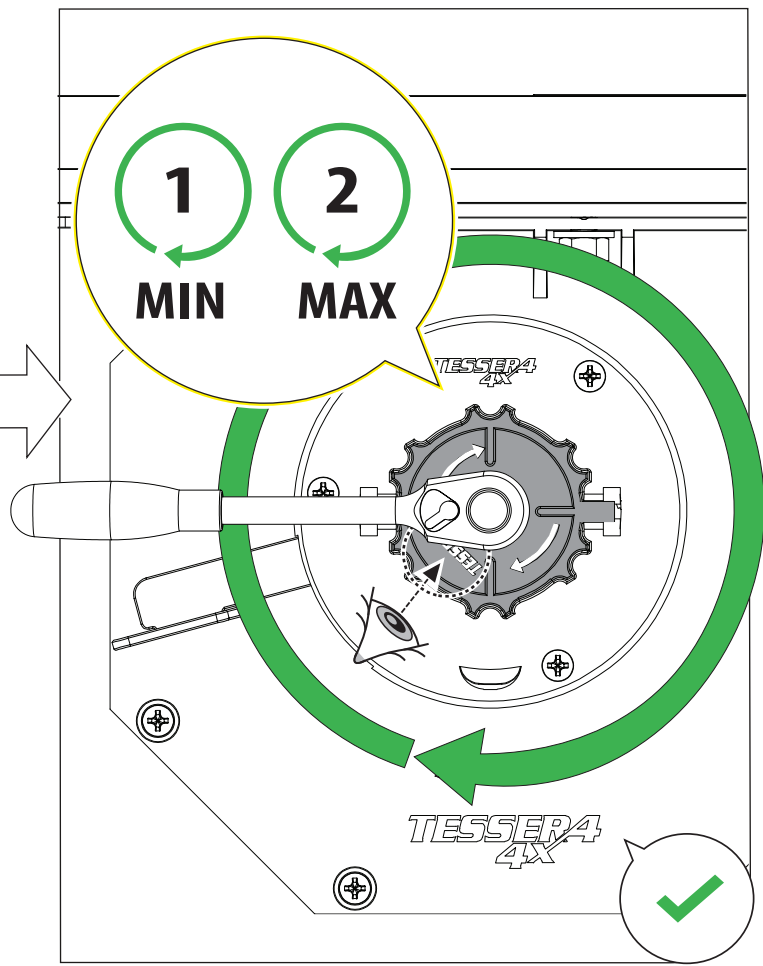
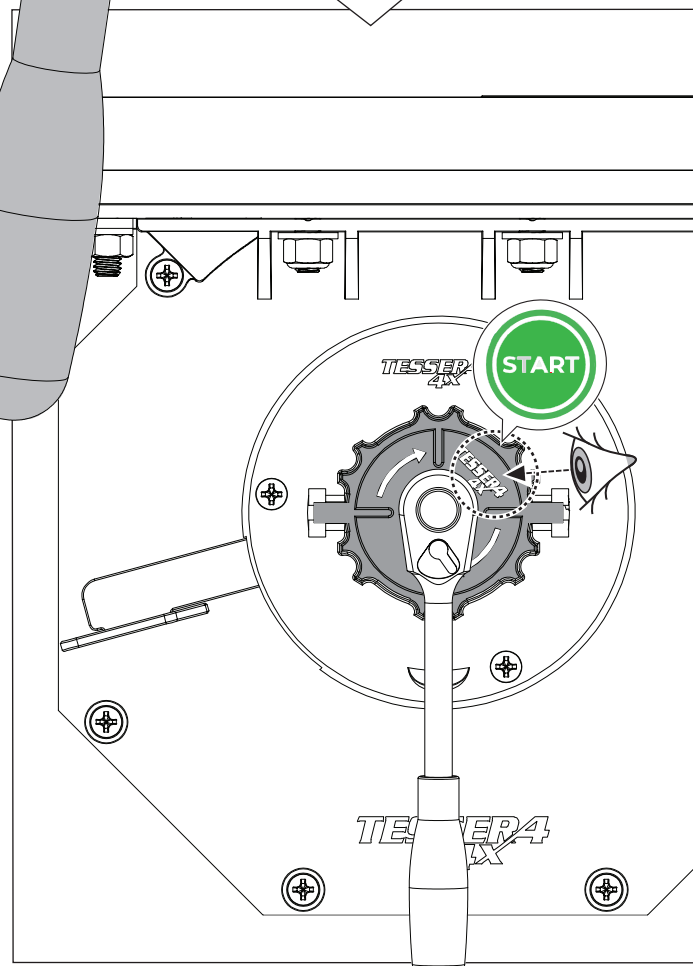
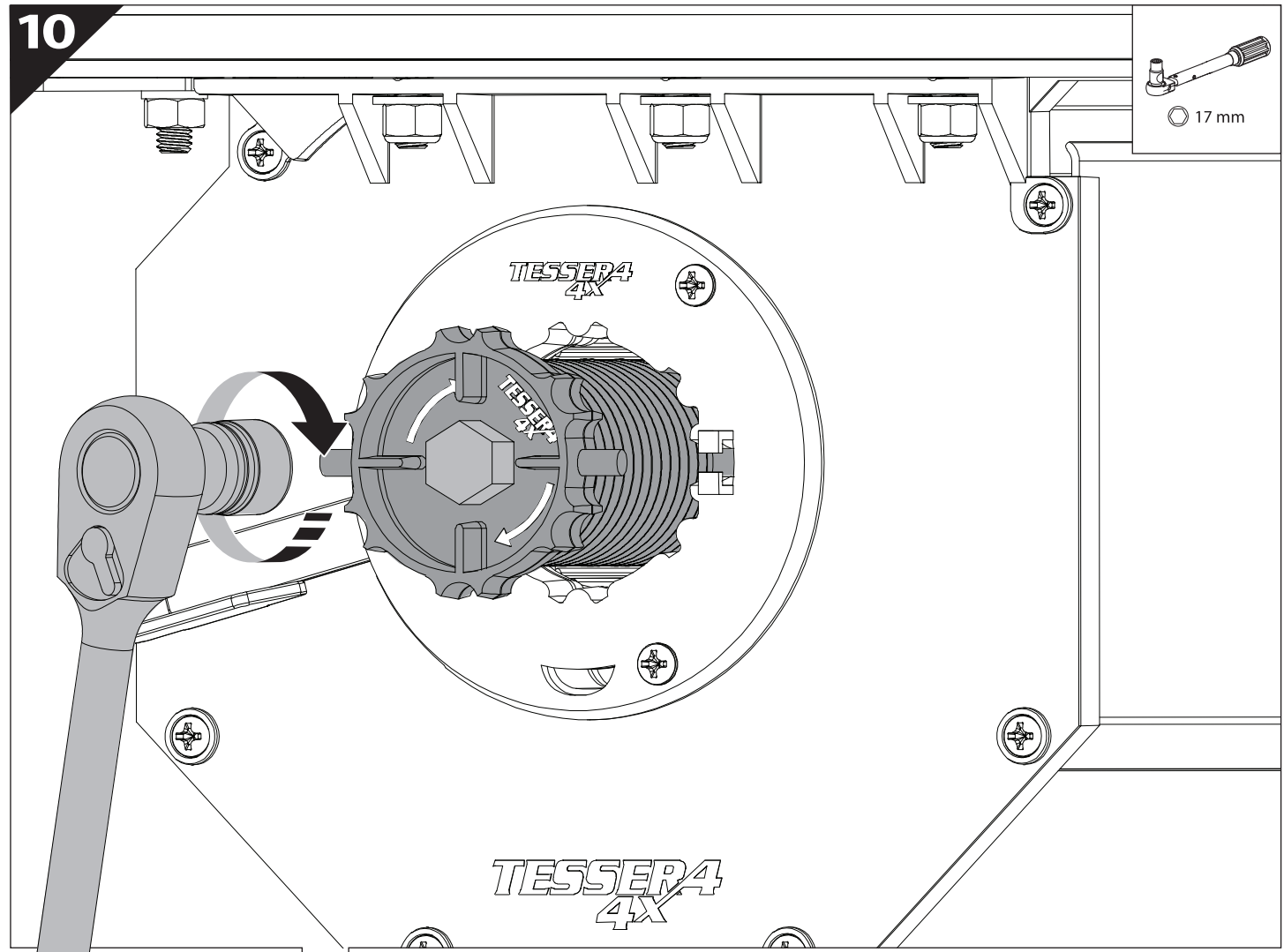
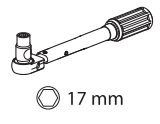
4



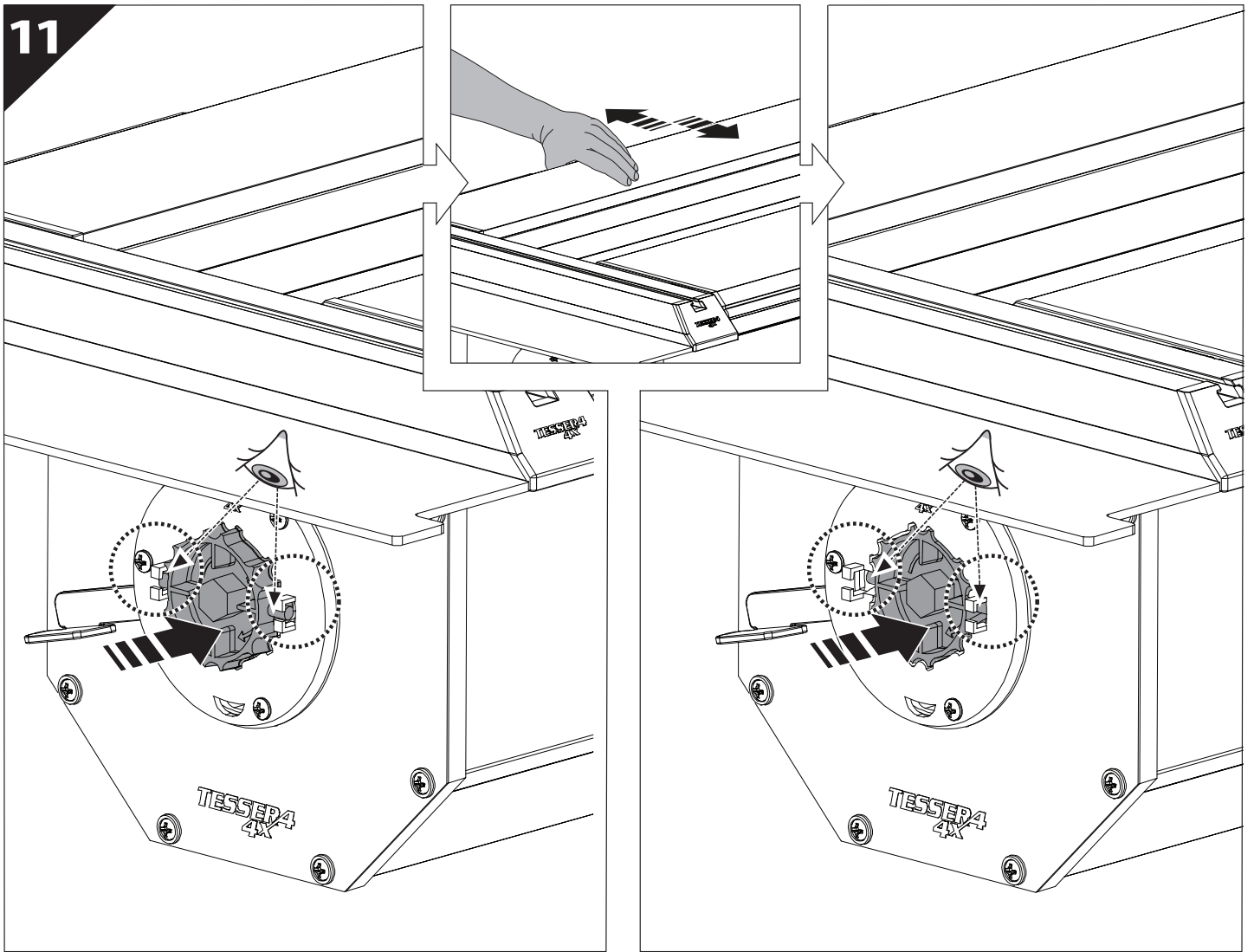




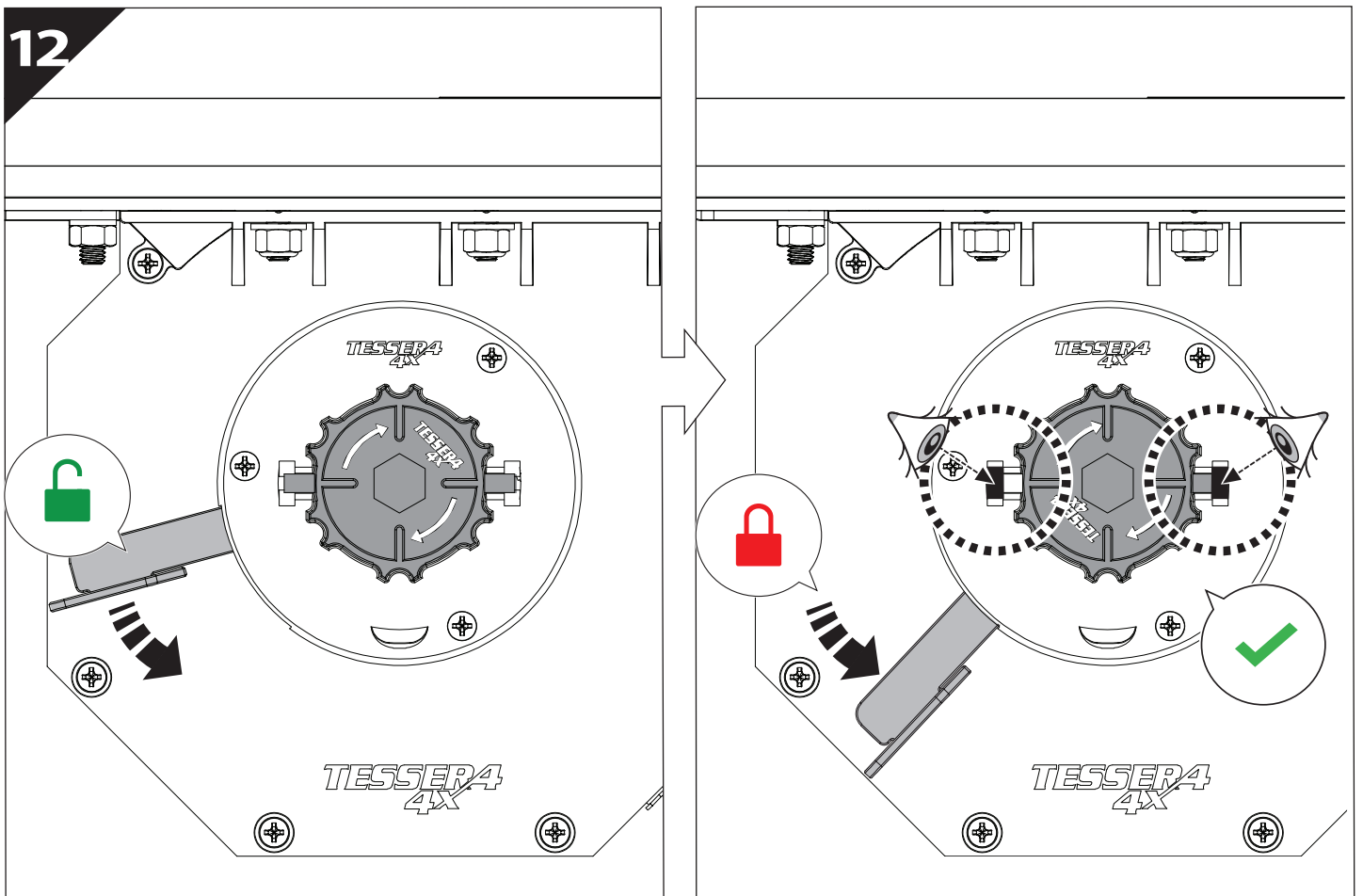
10



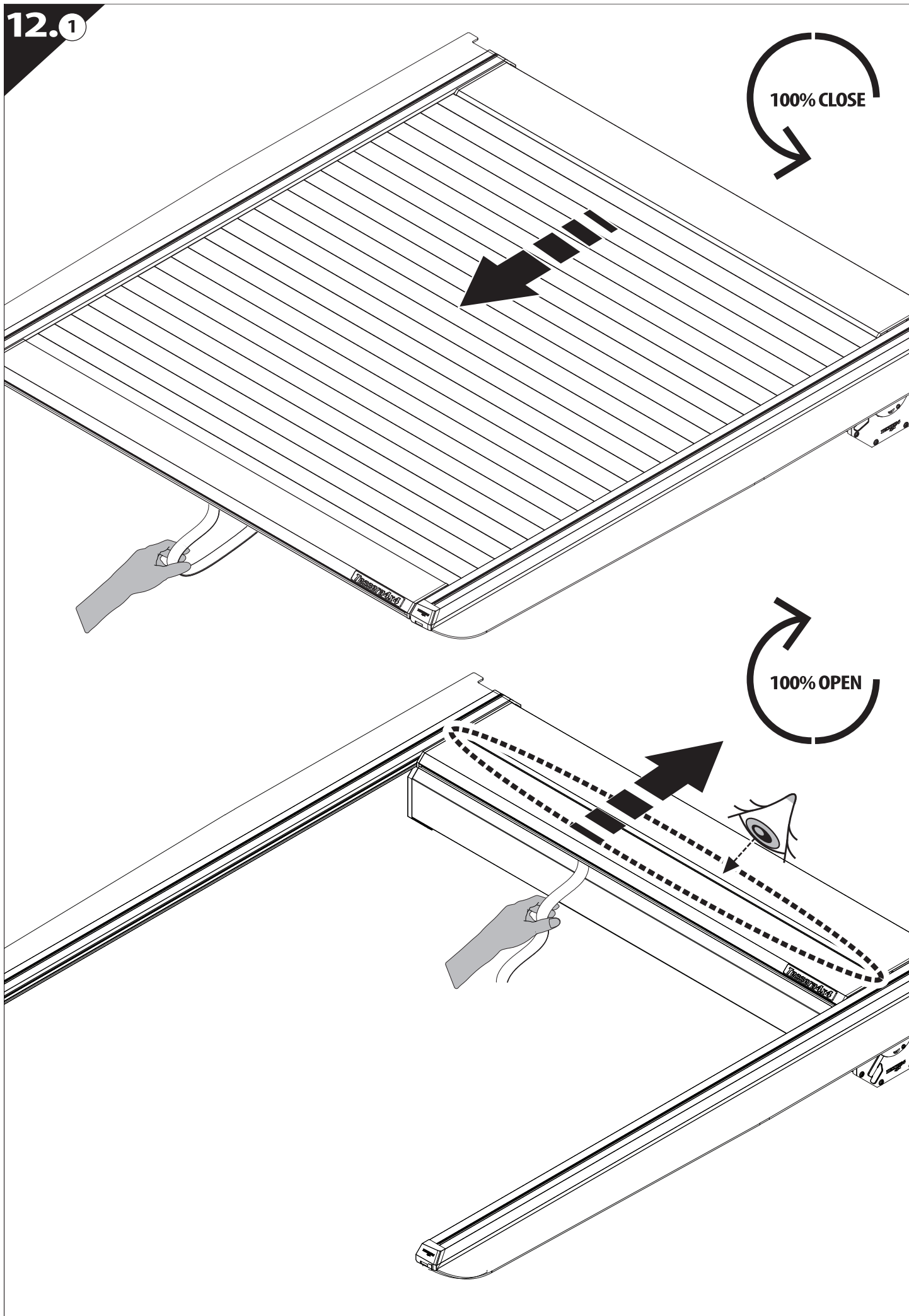
11



12



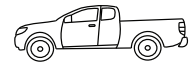
12.0



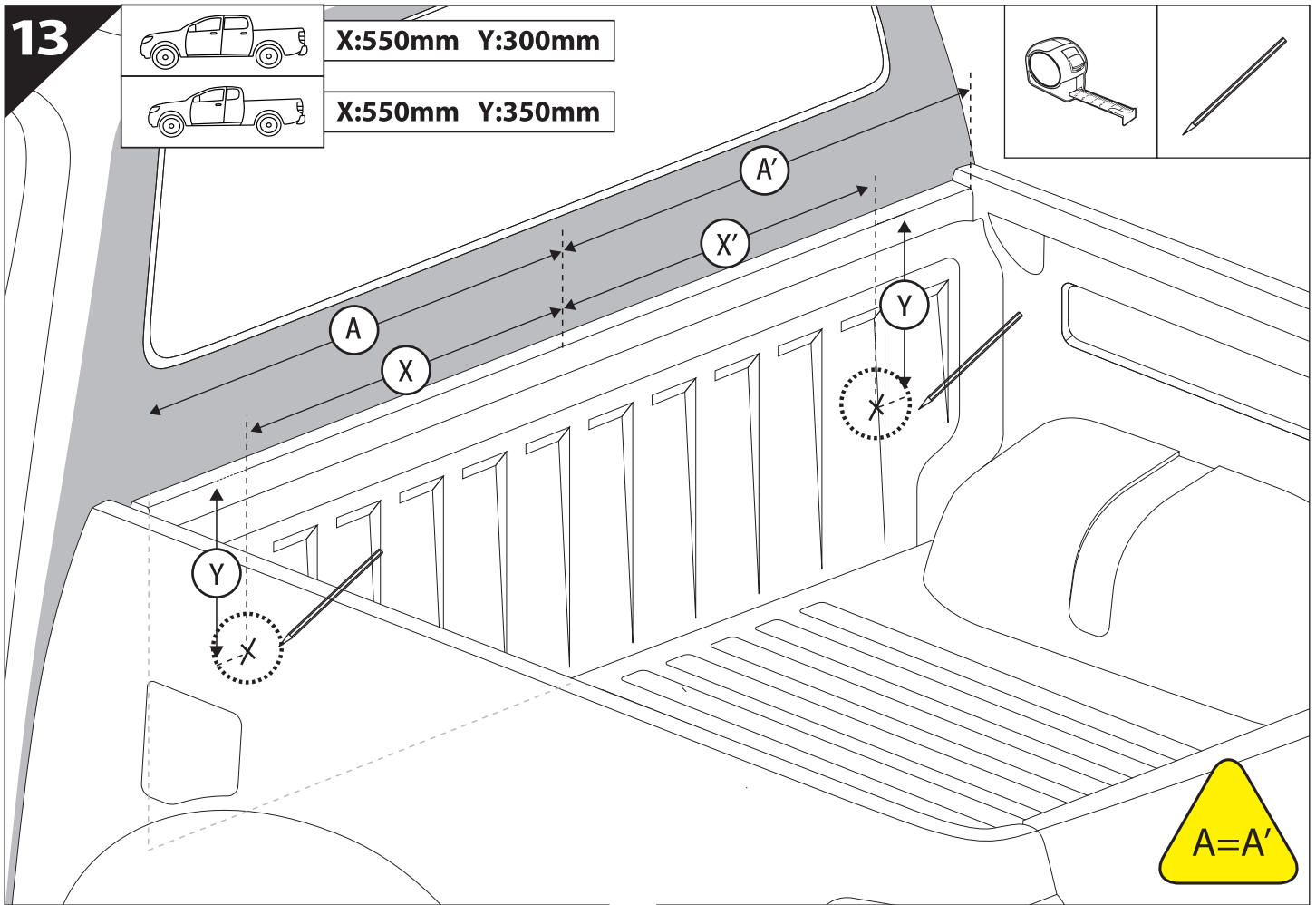
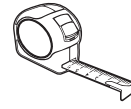
13



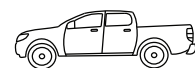
X:550mm Y:300mm



X:550mm Y:350mm



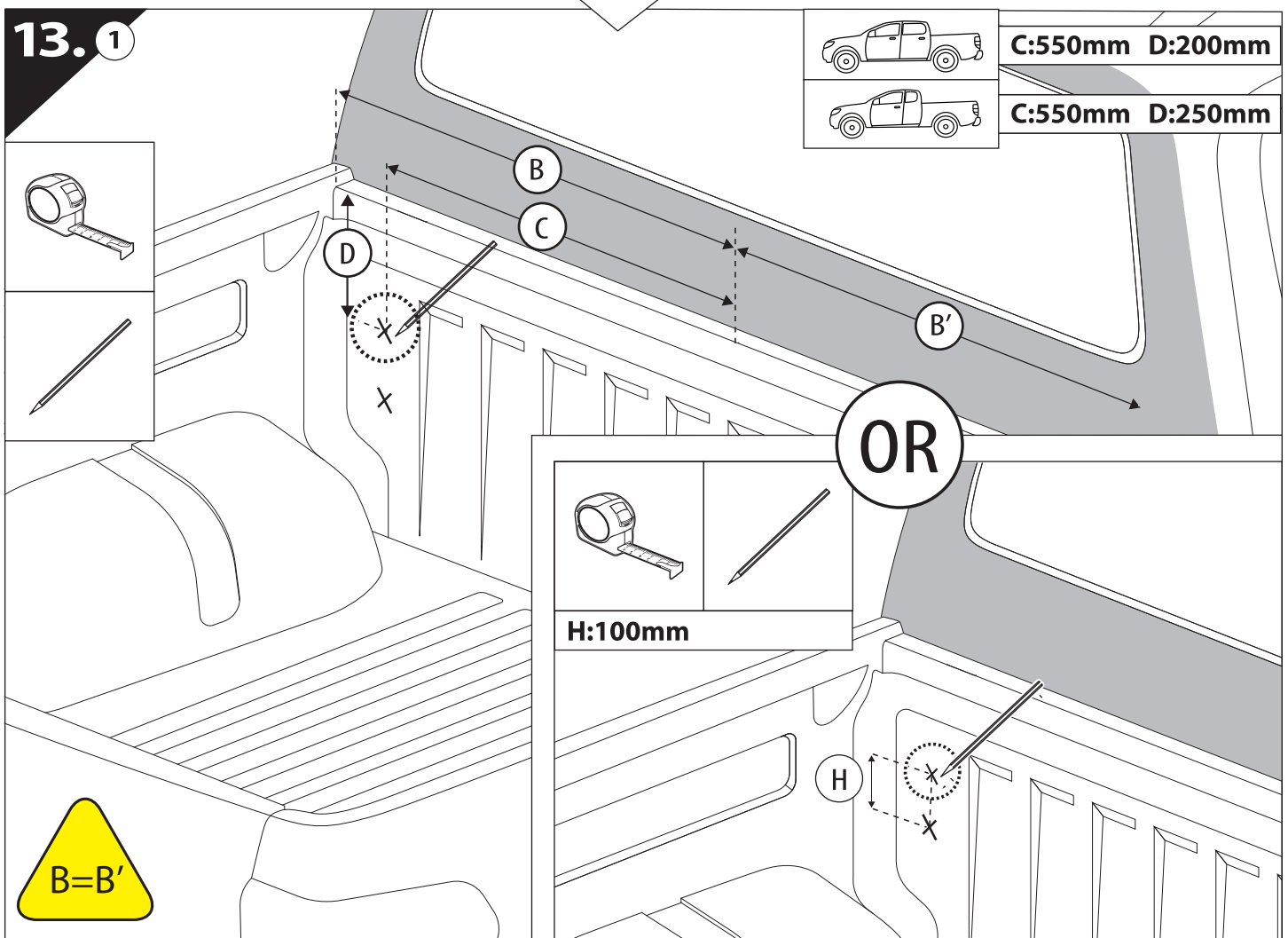
13.1

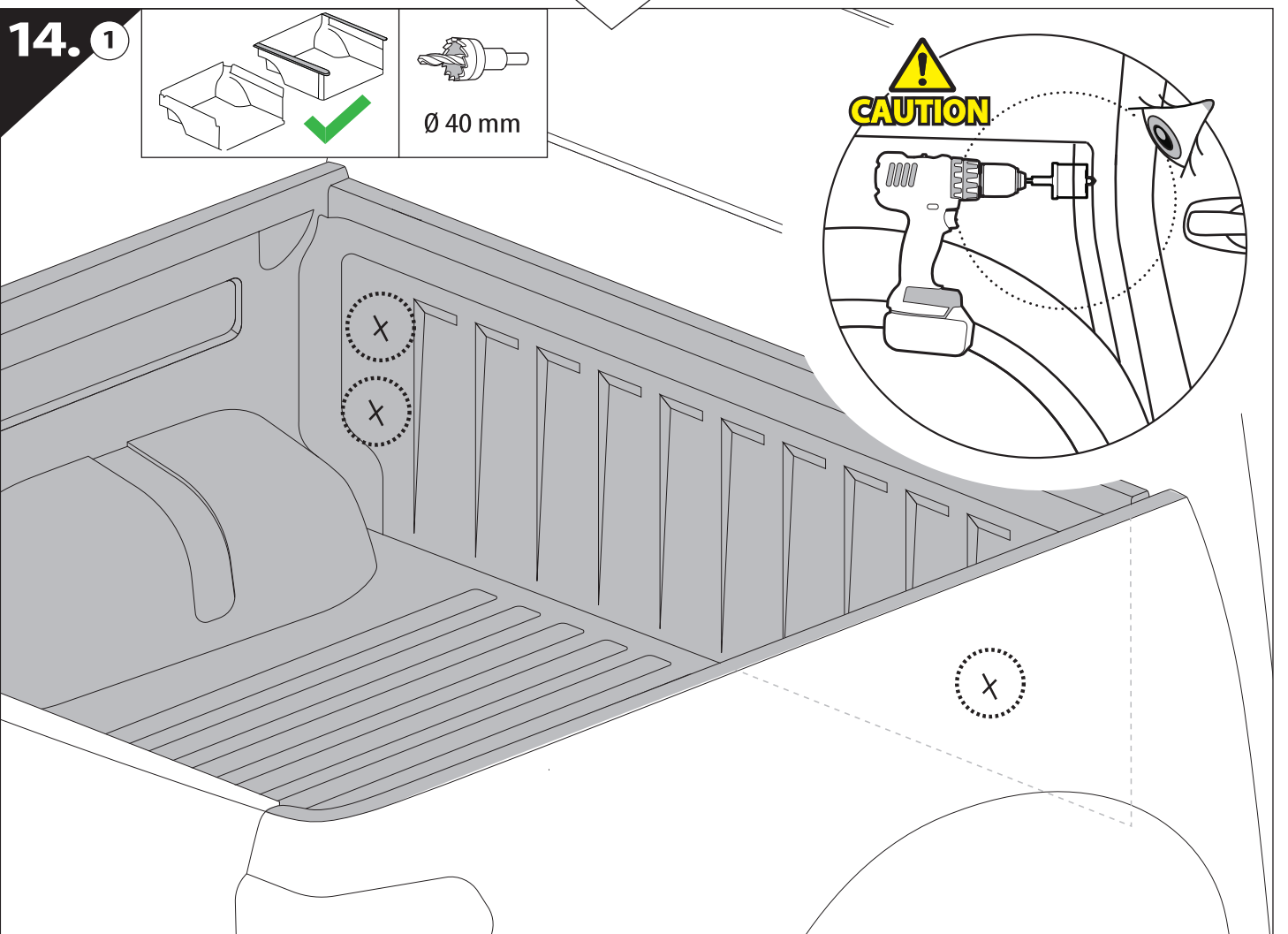
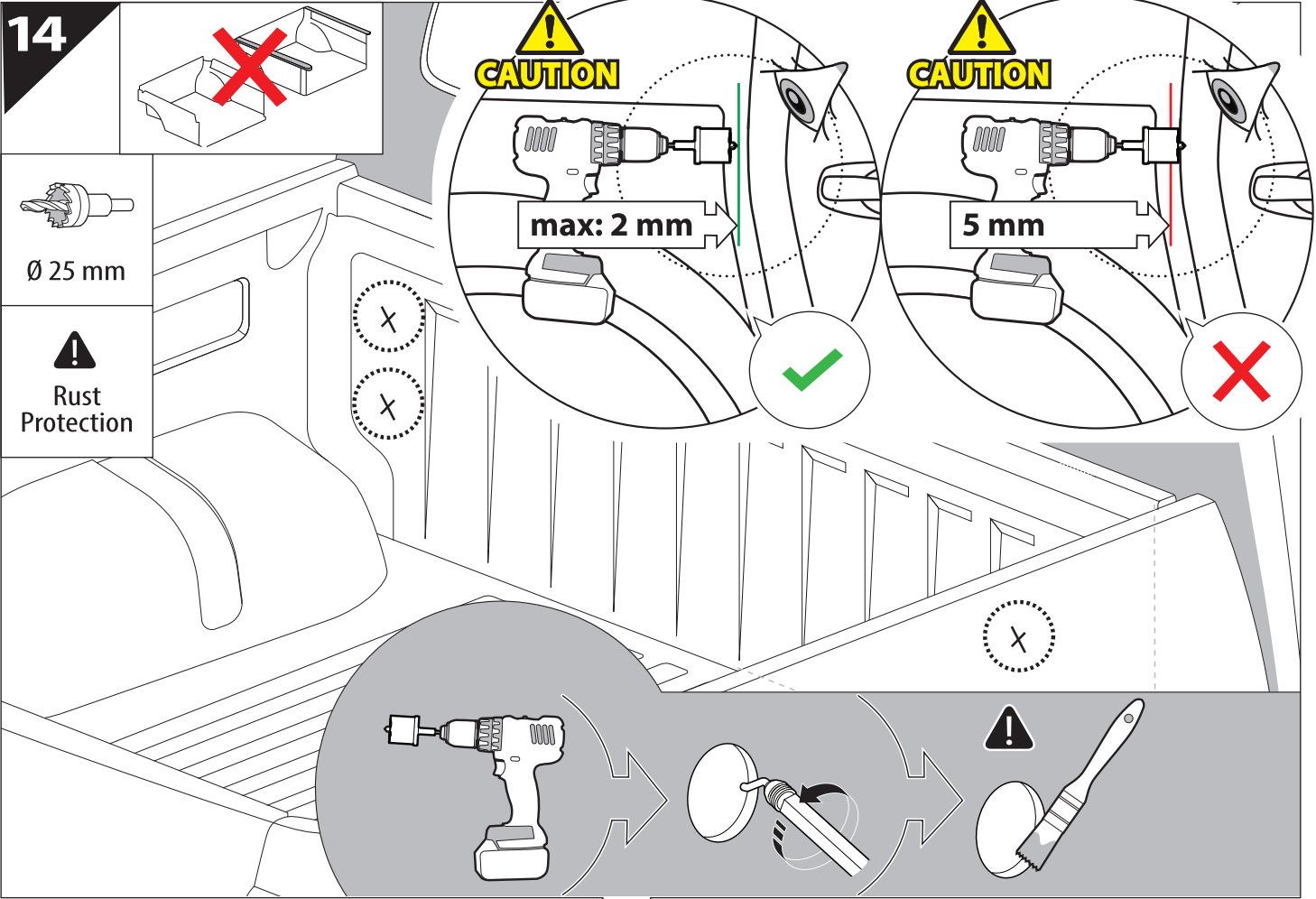


C:550mm D:200mm

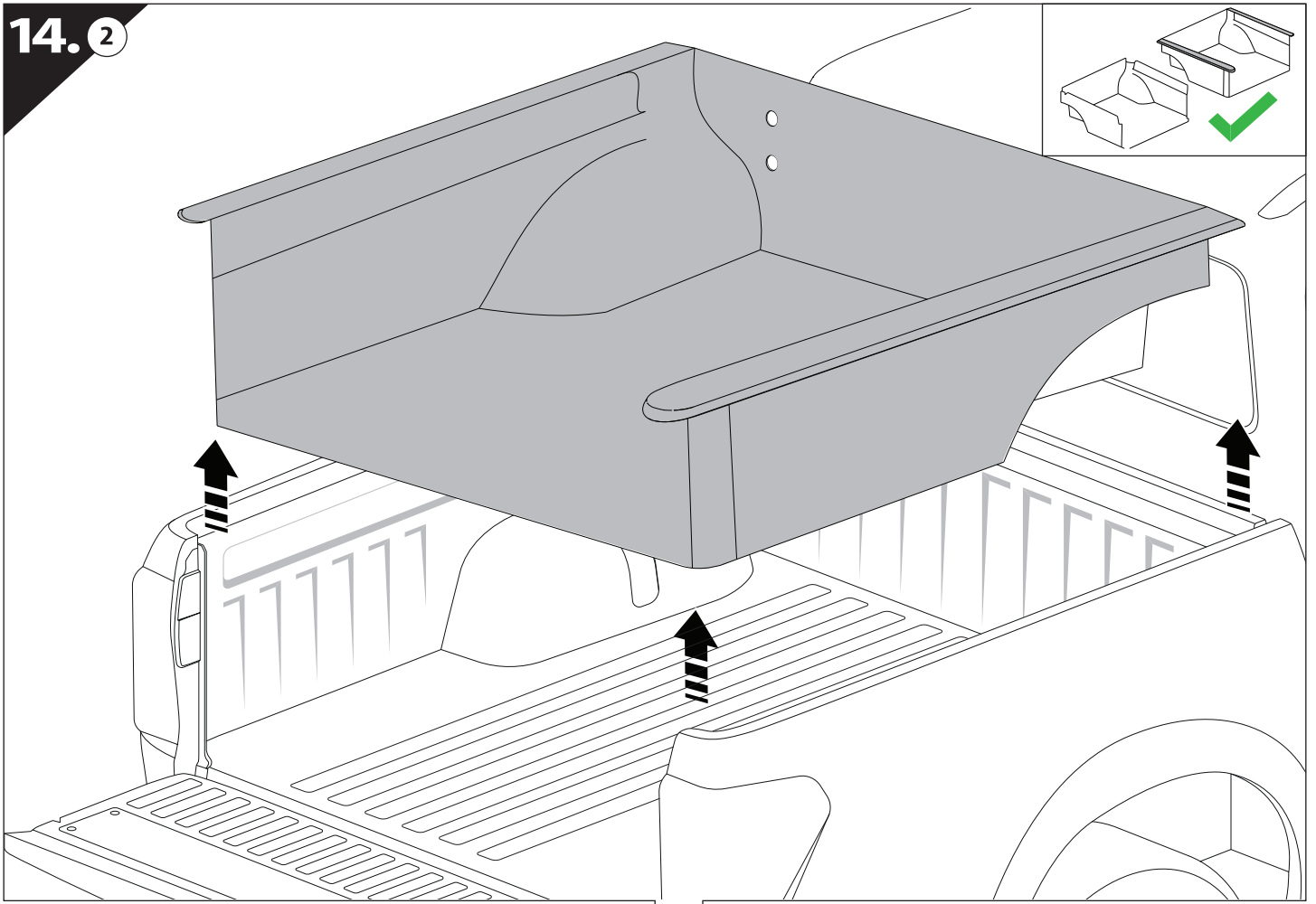


C:550mm D:250mm

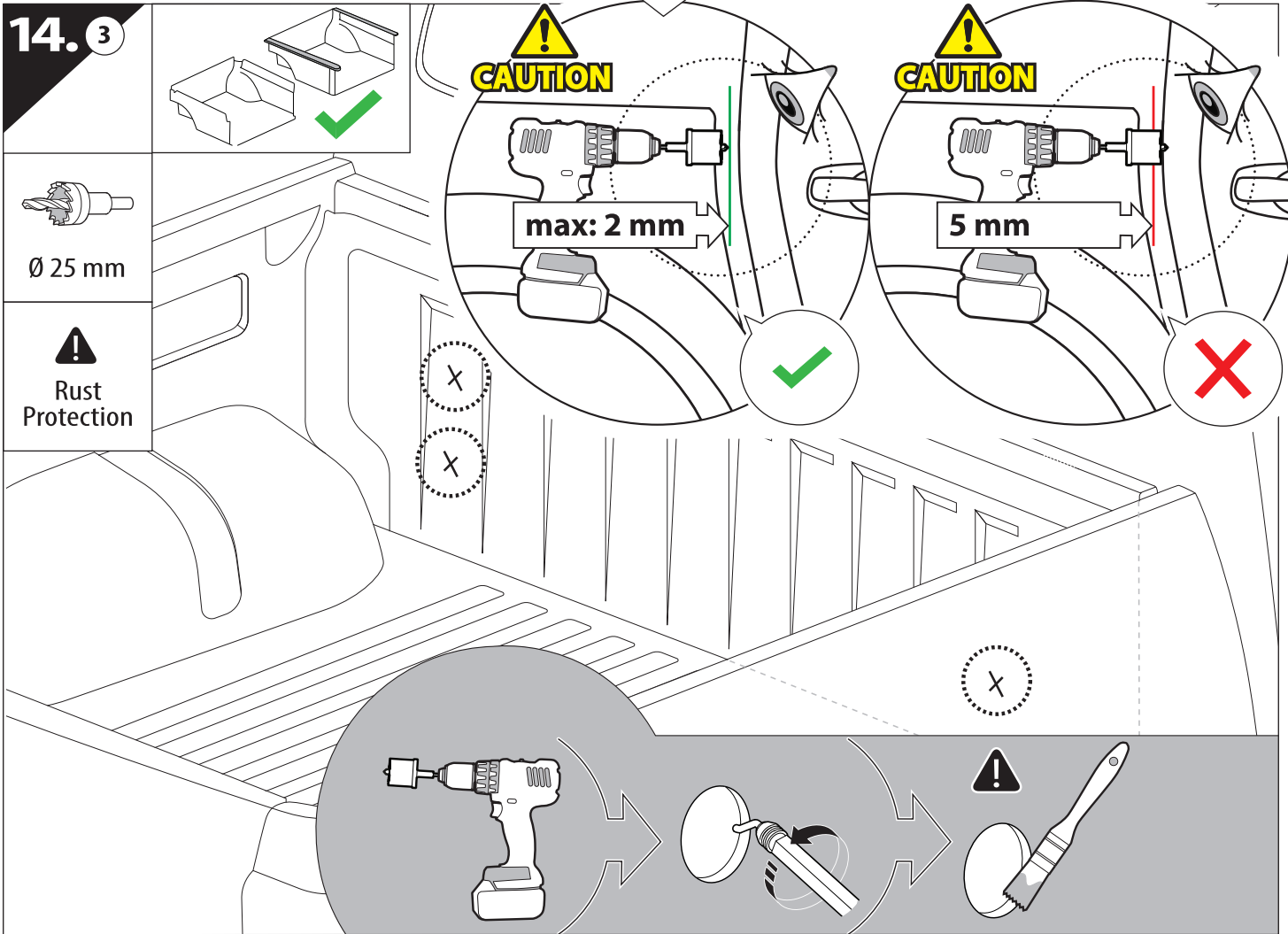




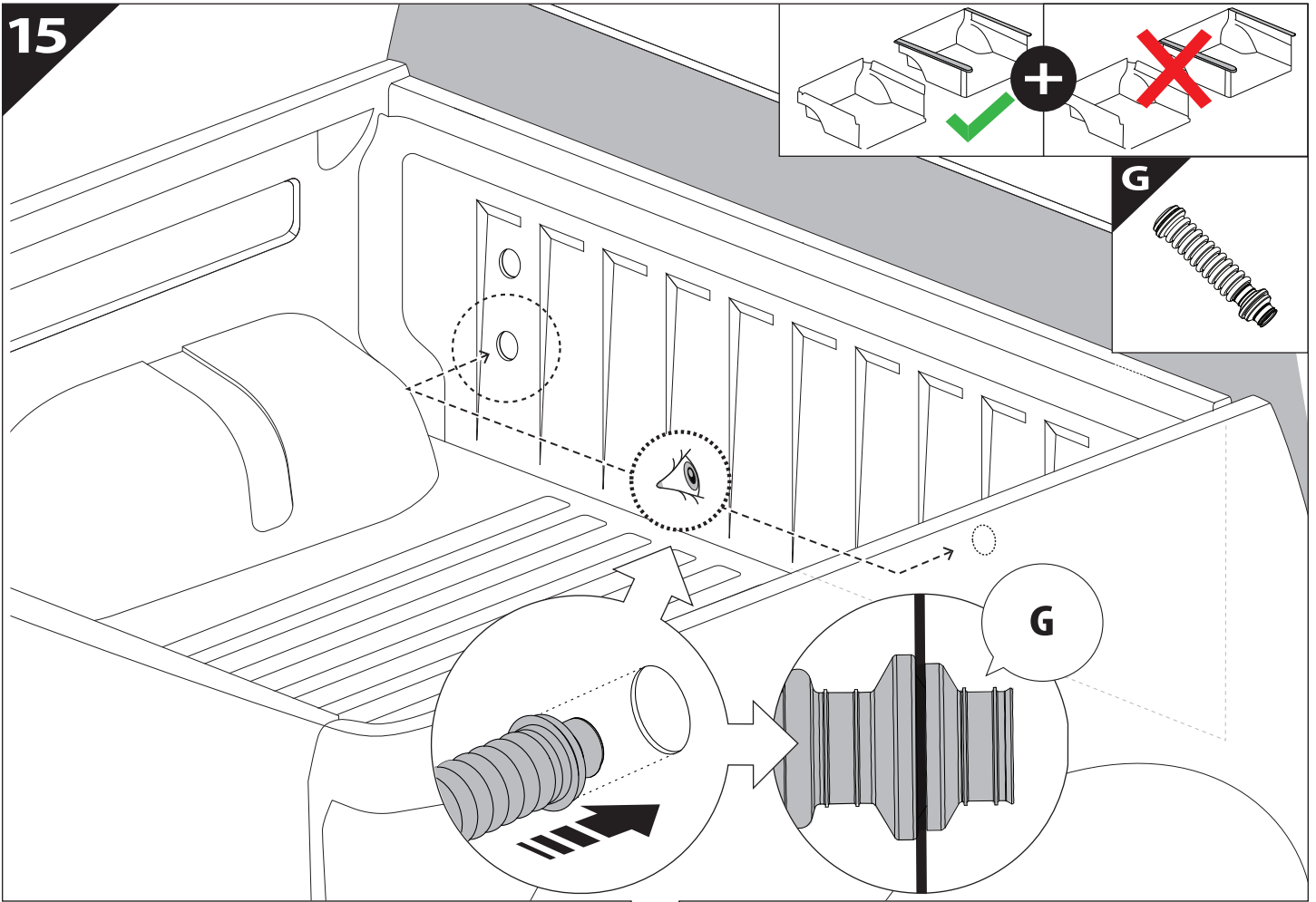
14.2



14.3

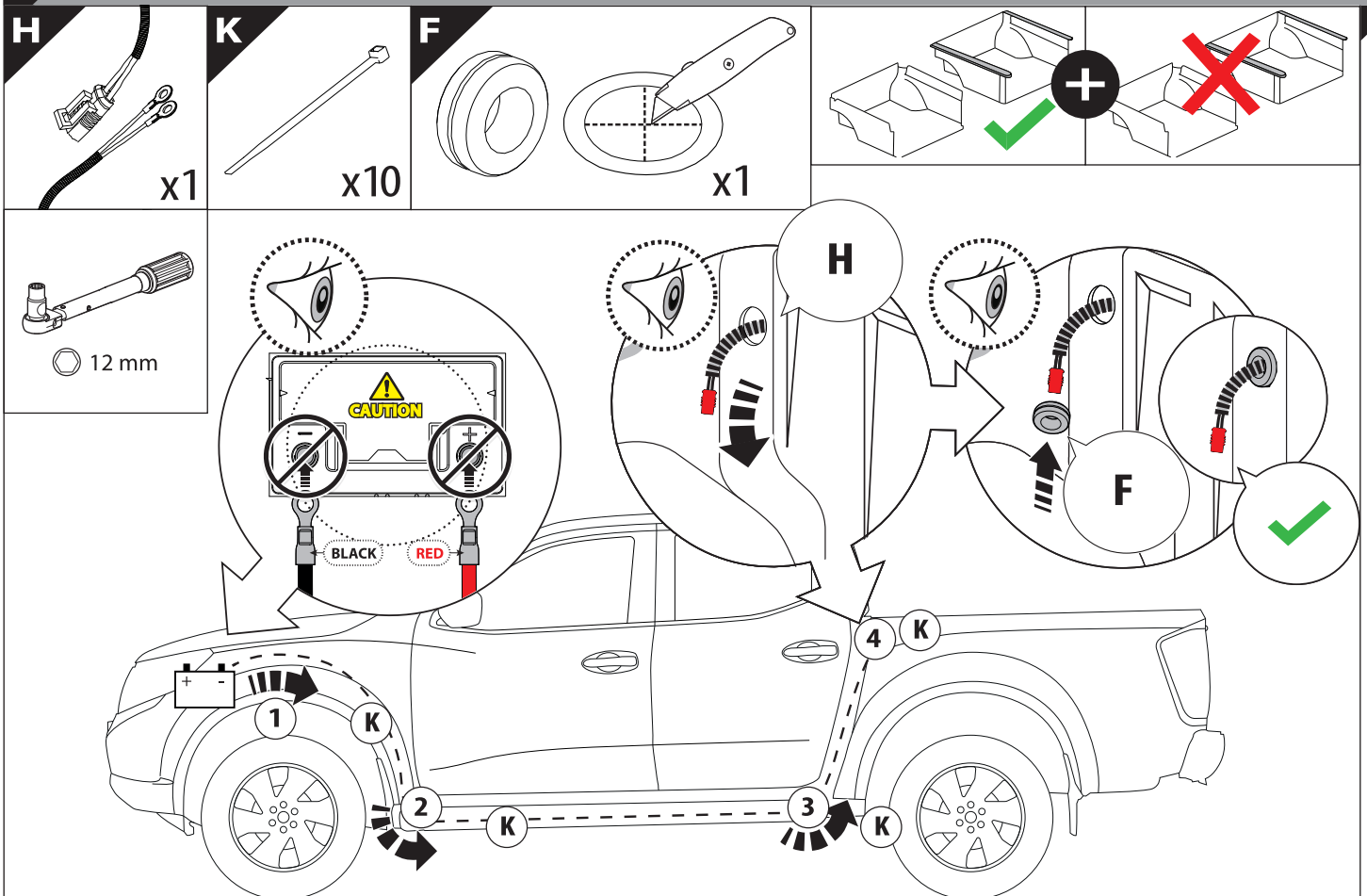


15

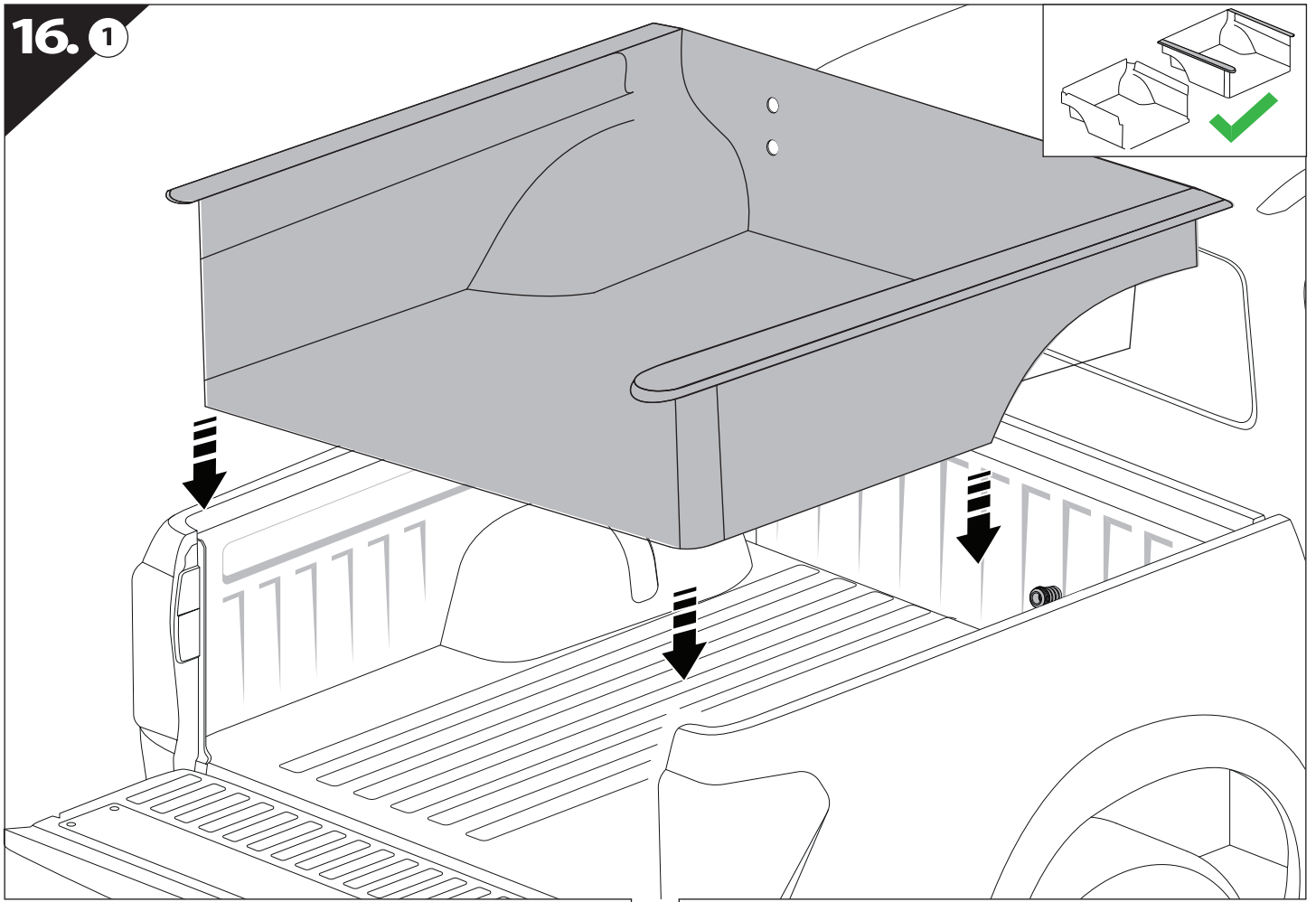


16

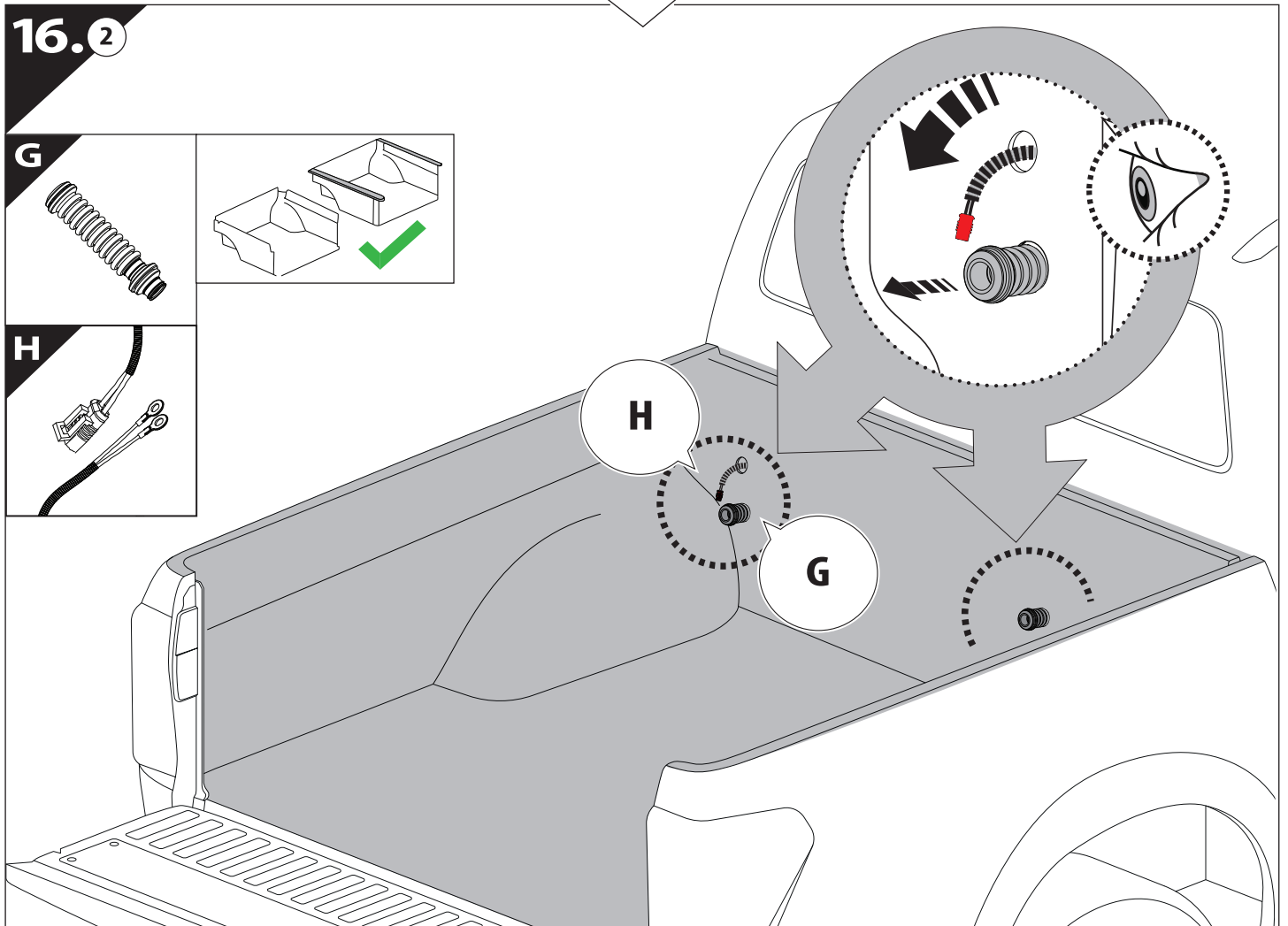
Only to be installed by authorized personnel

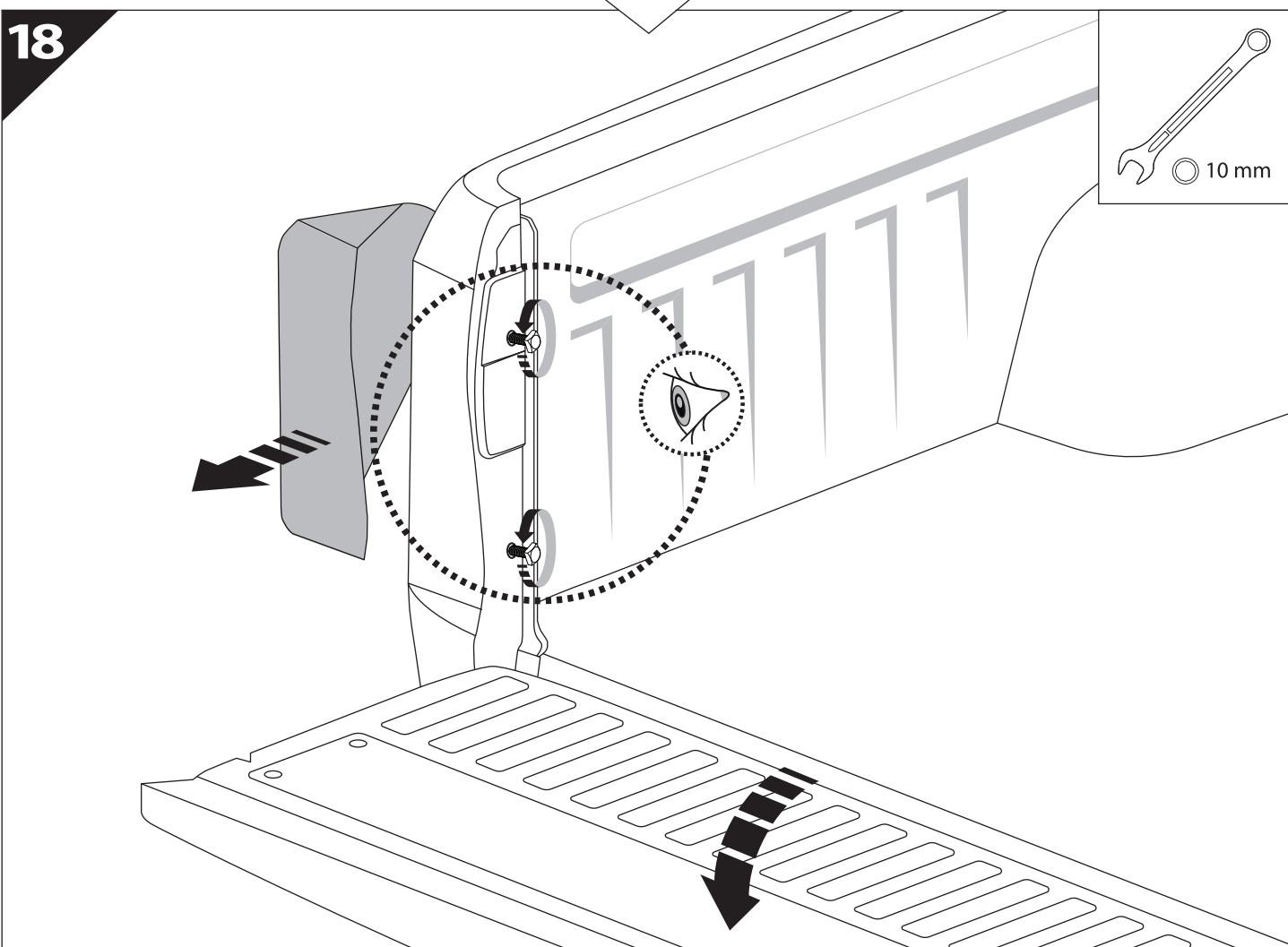
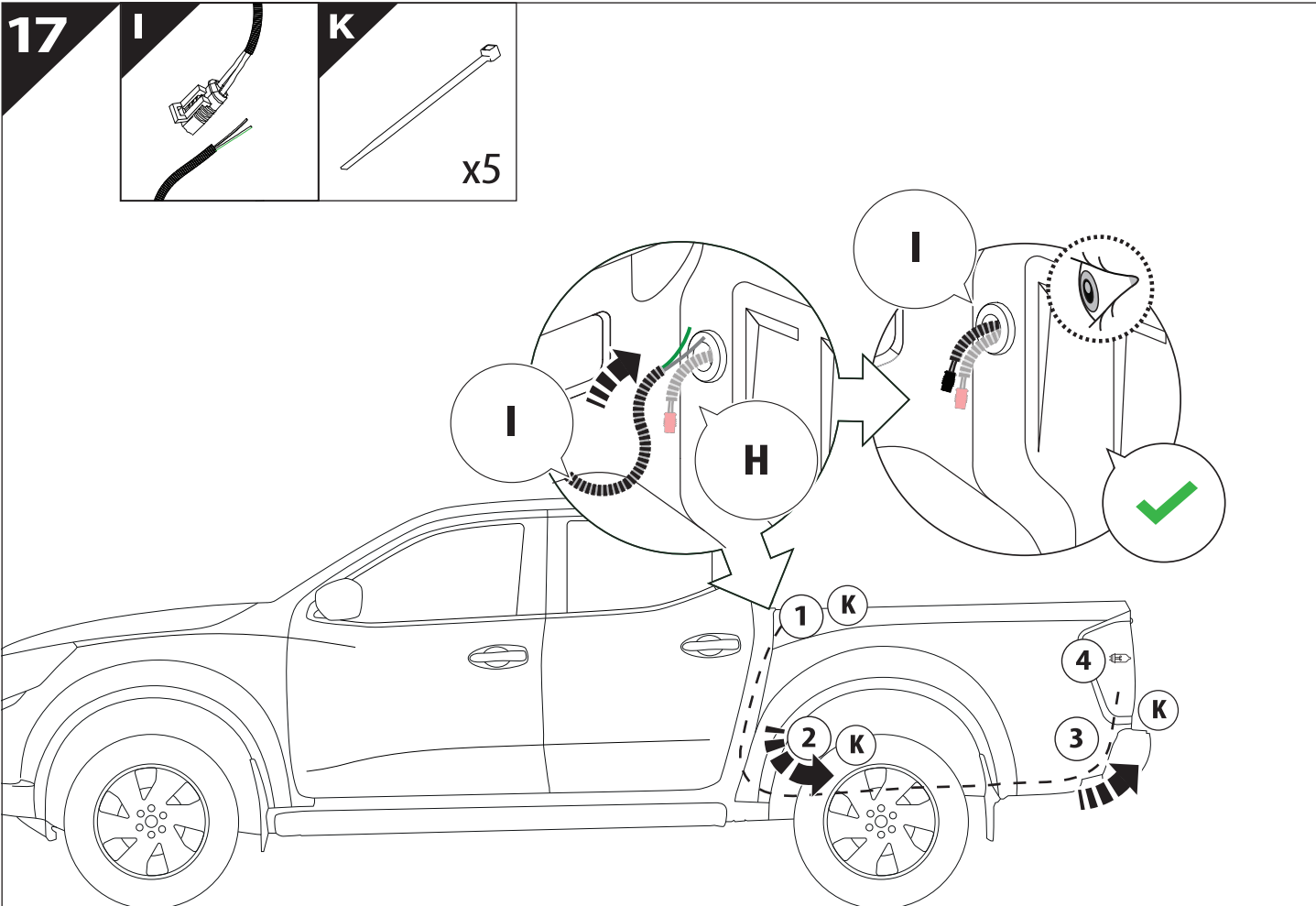


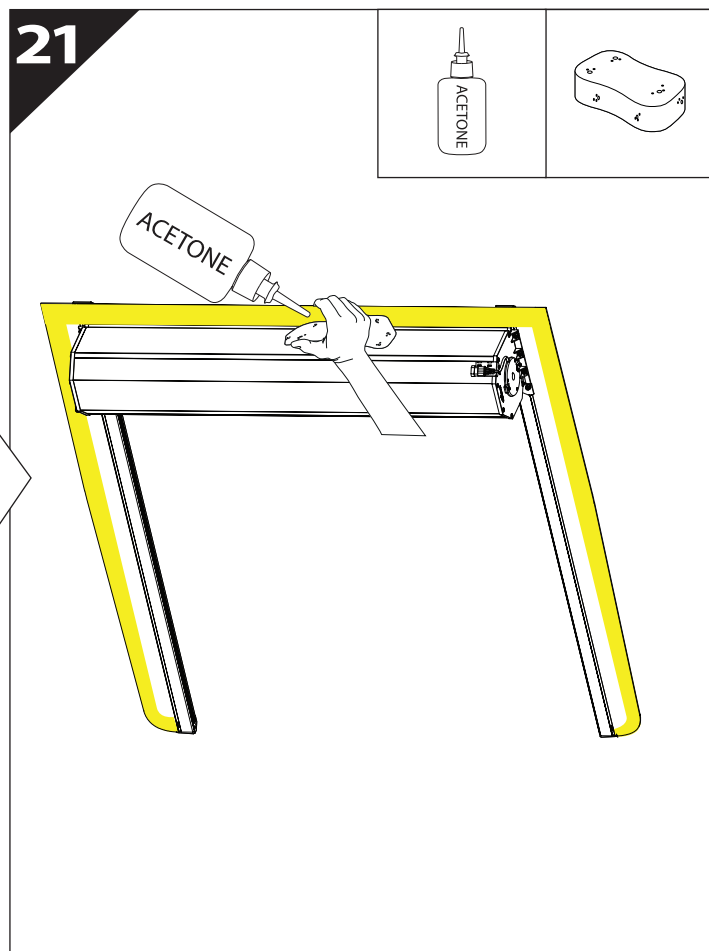
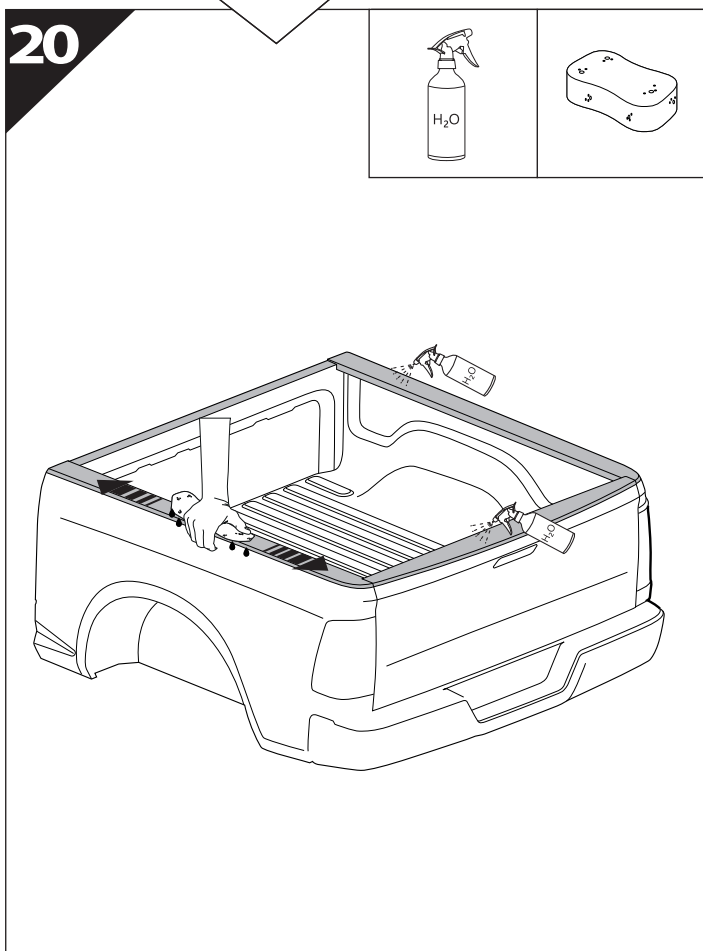
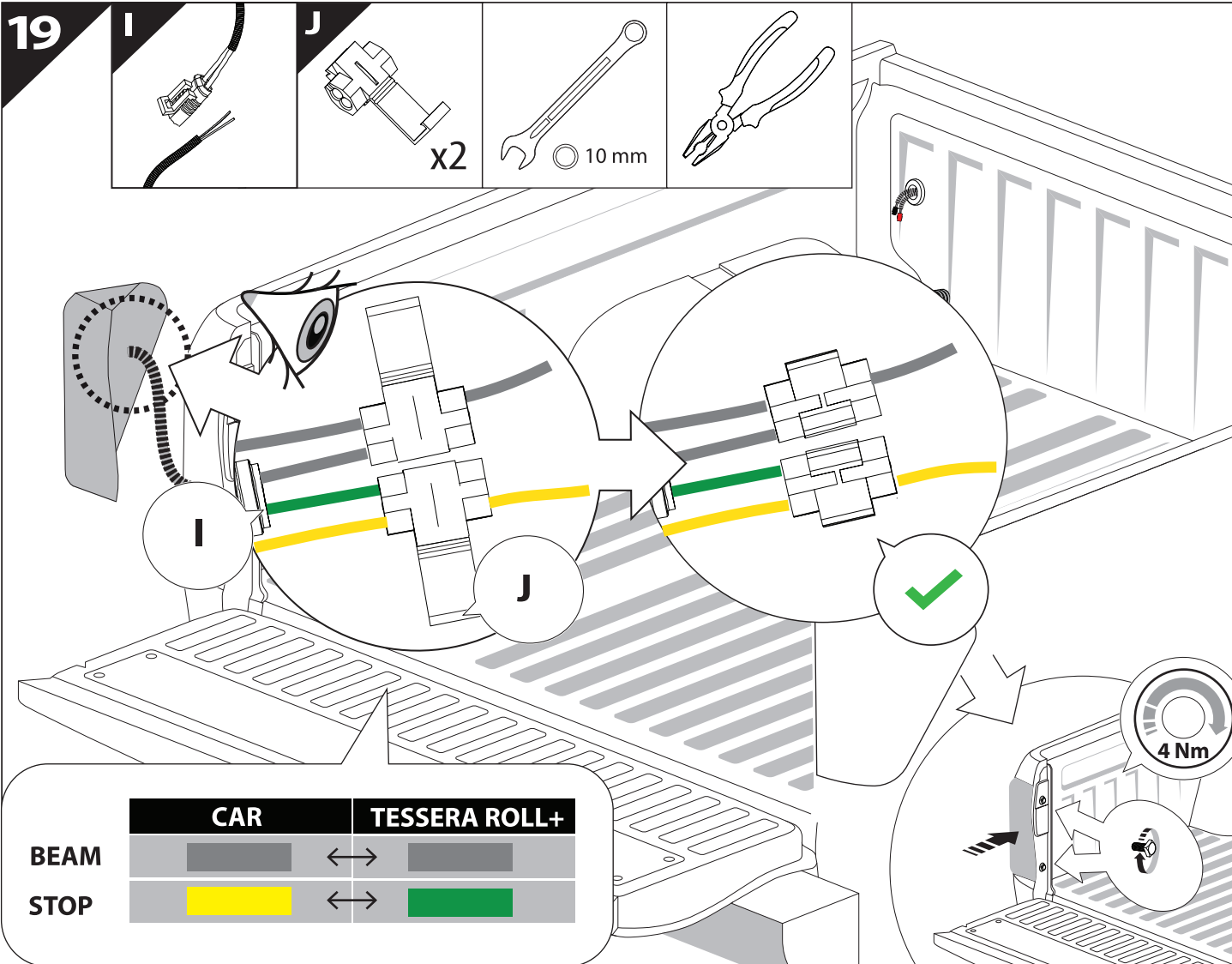
16.1

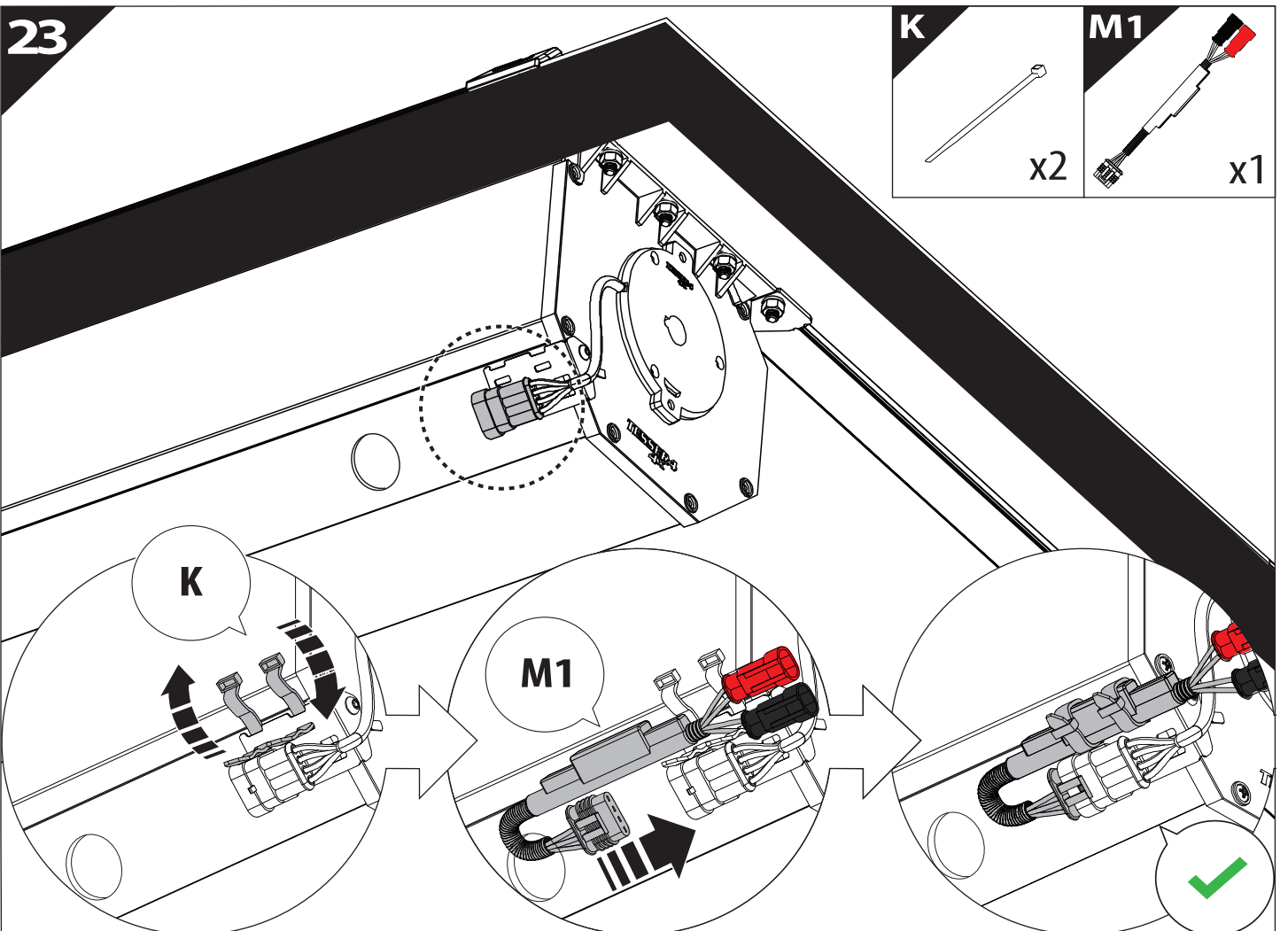
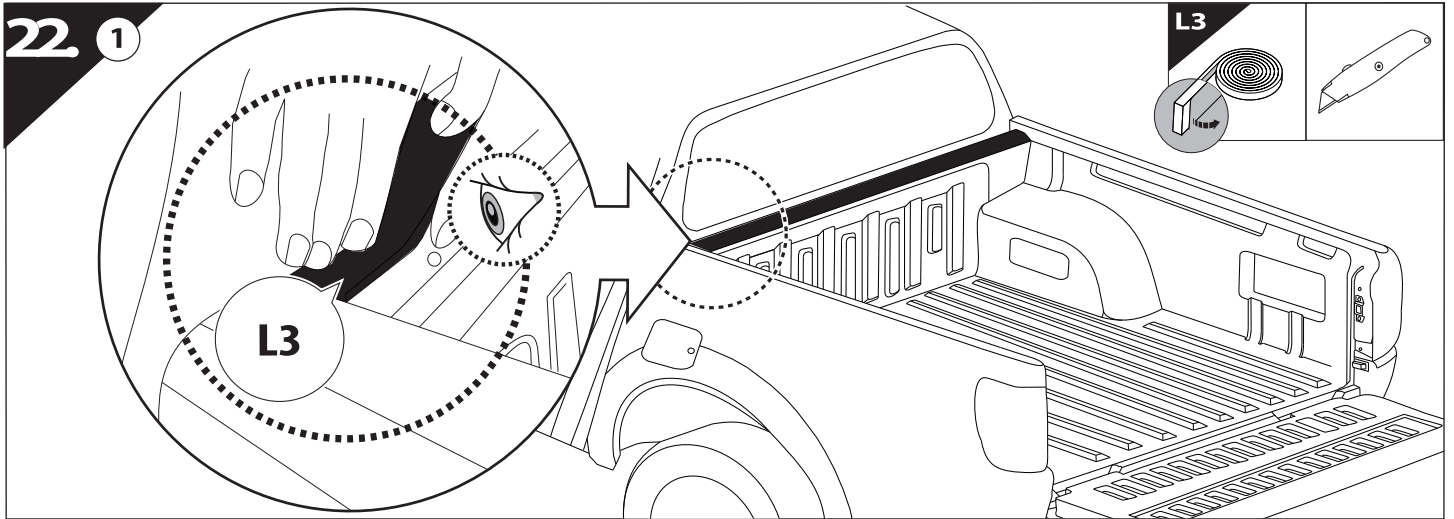
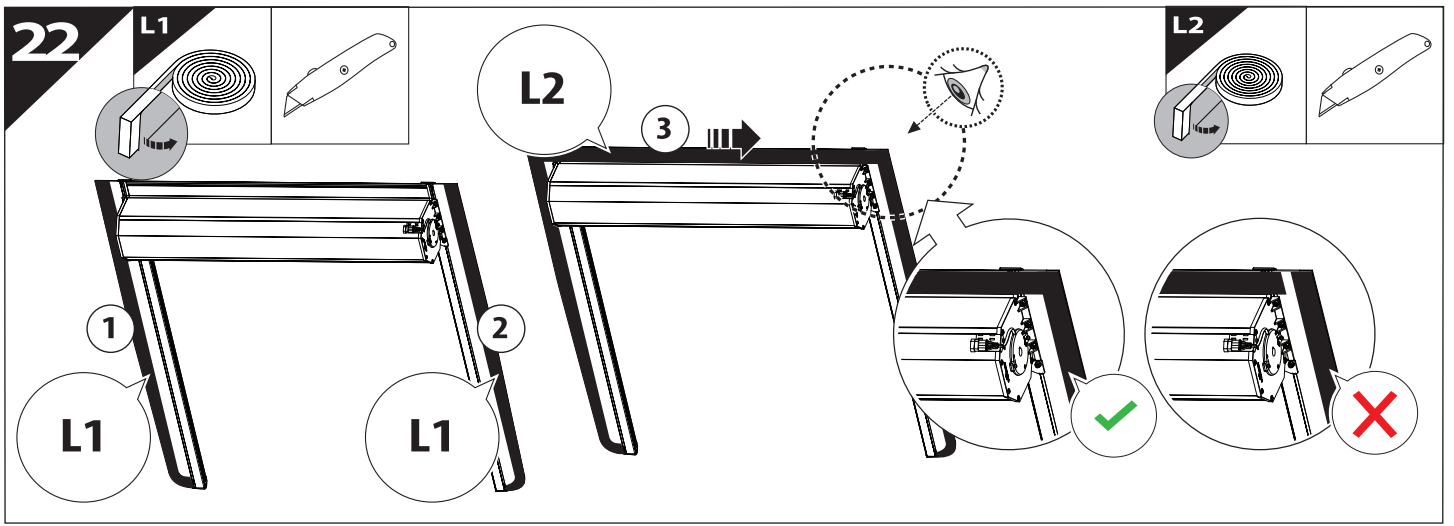


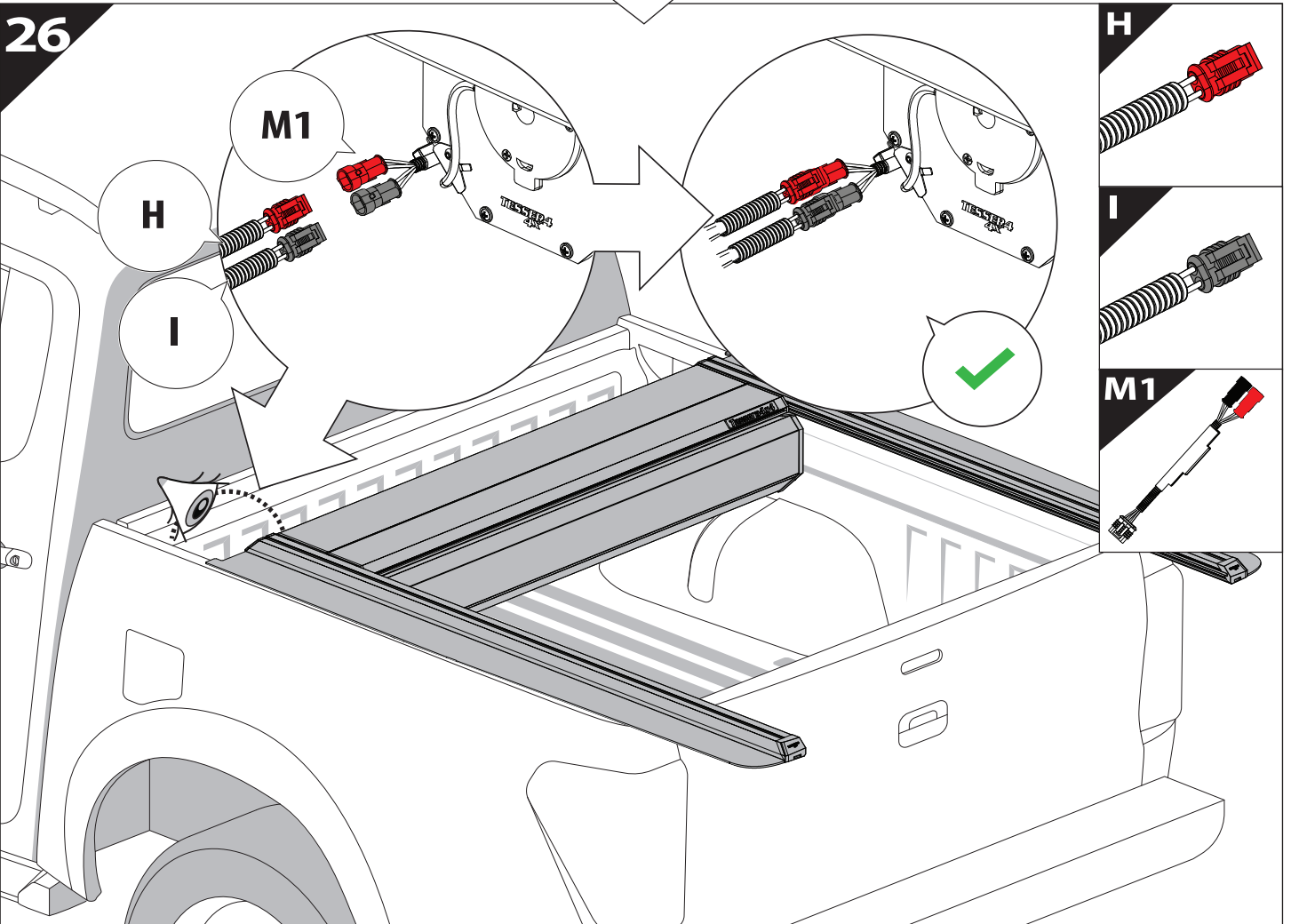
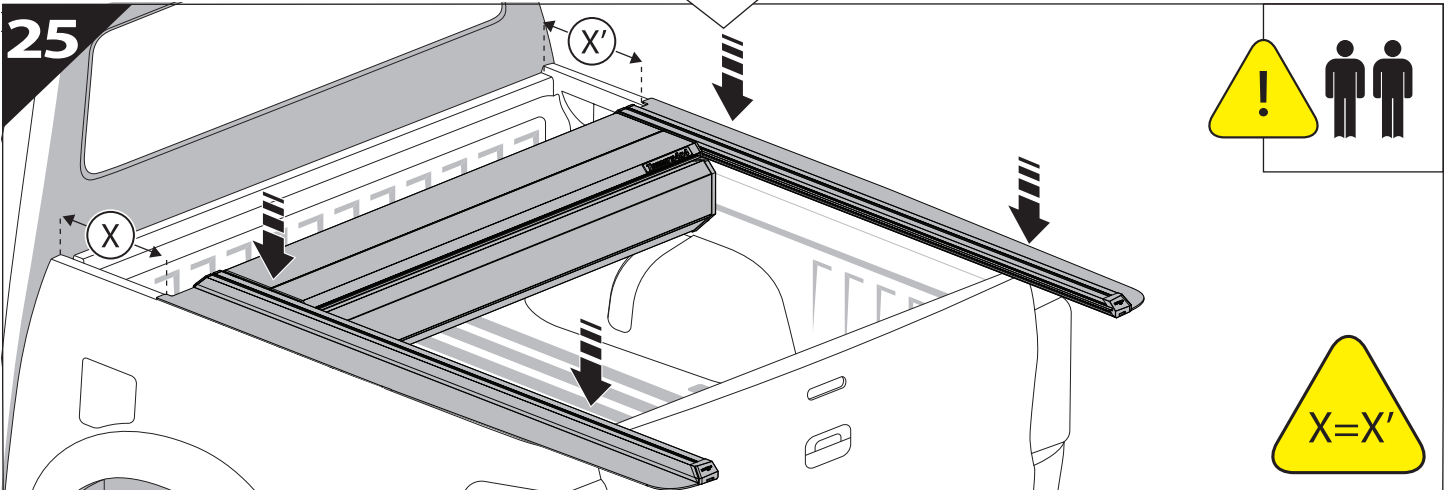
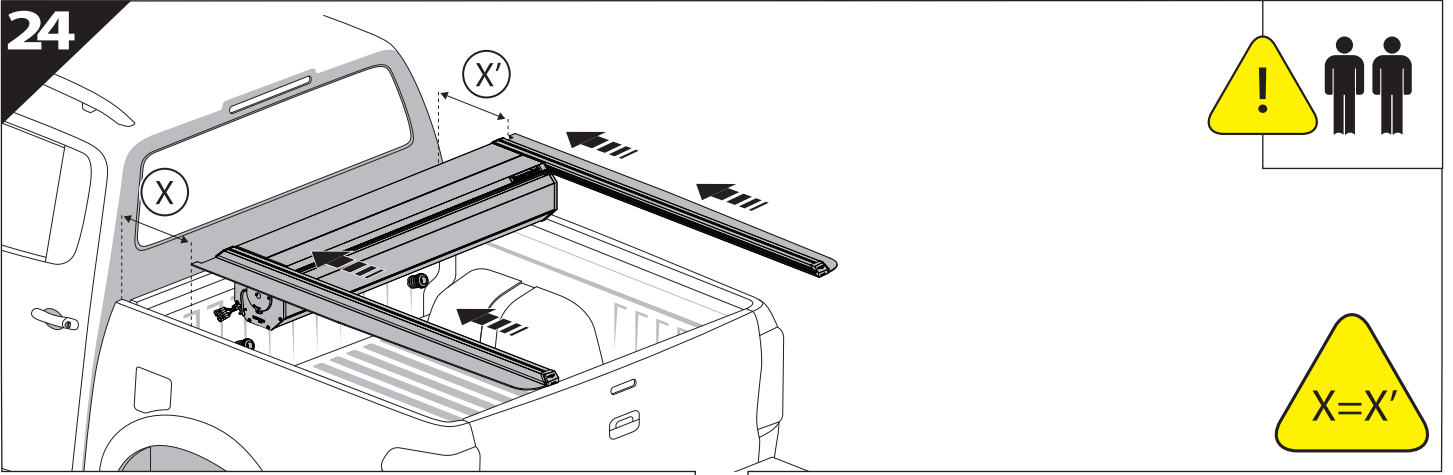
16.2





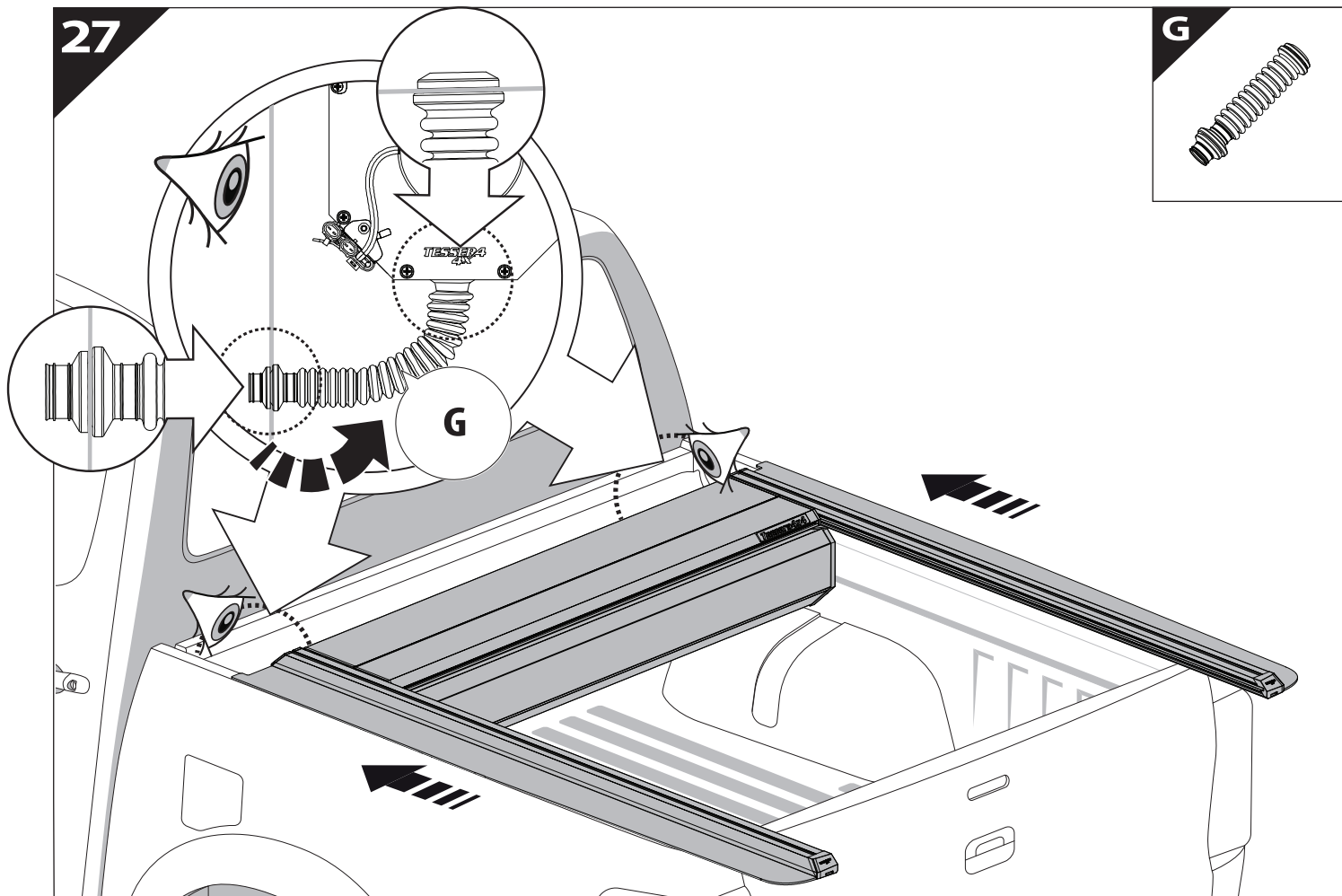






27

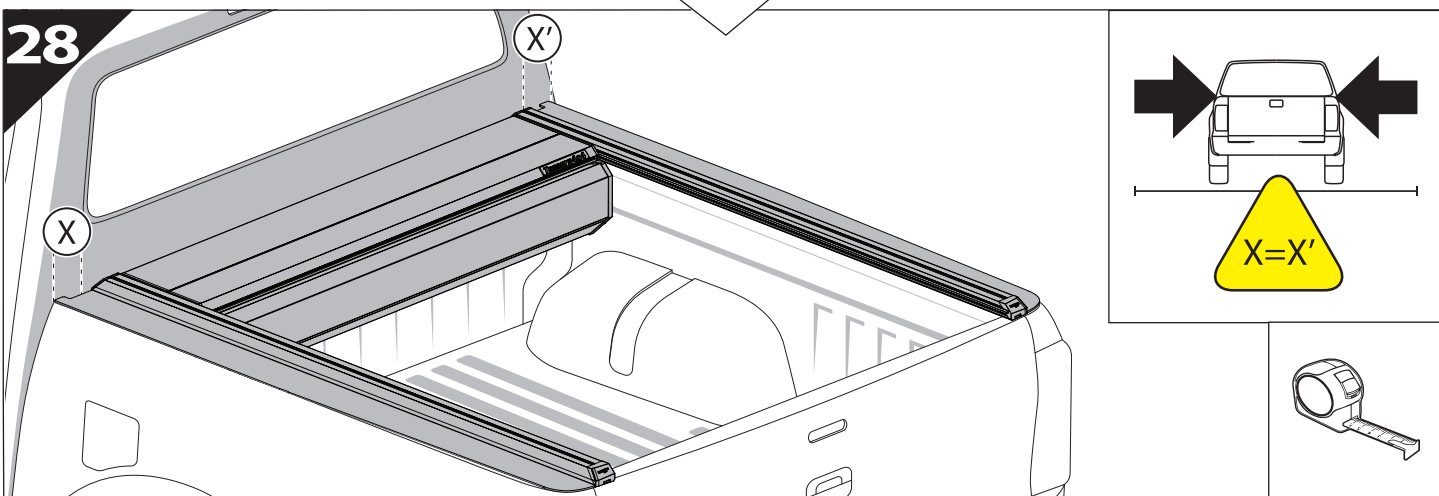
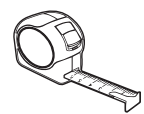
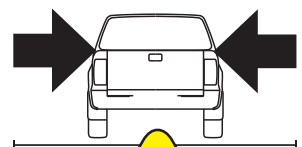
G



28

X'

X



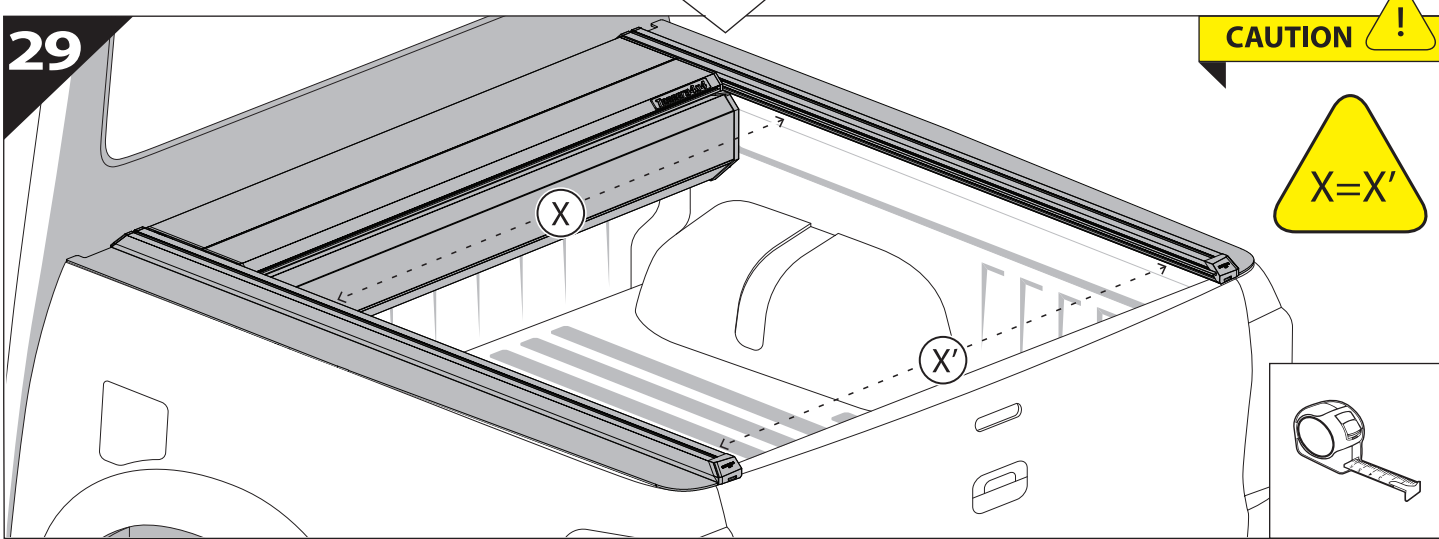
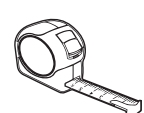
29

CAUTION !



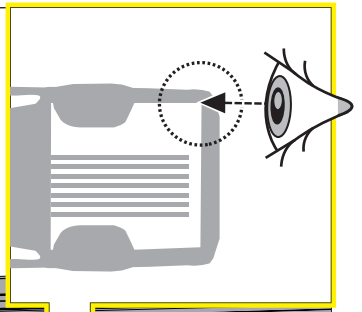
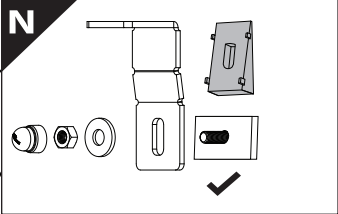
X'

X

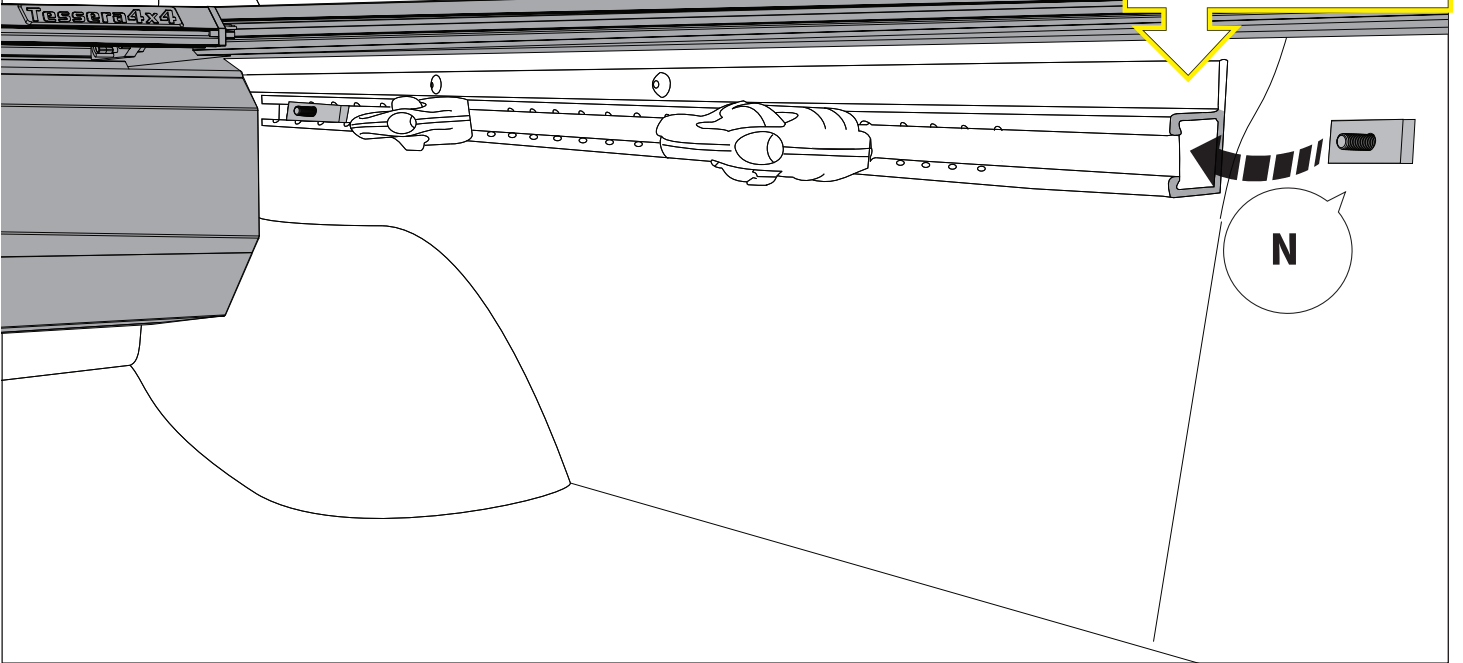


30

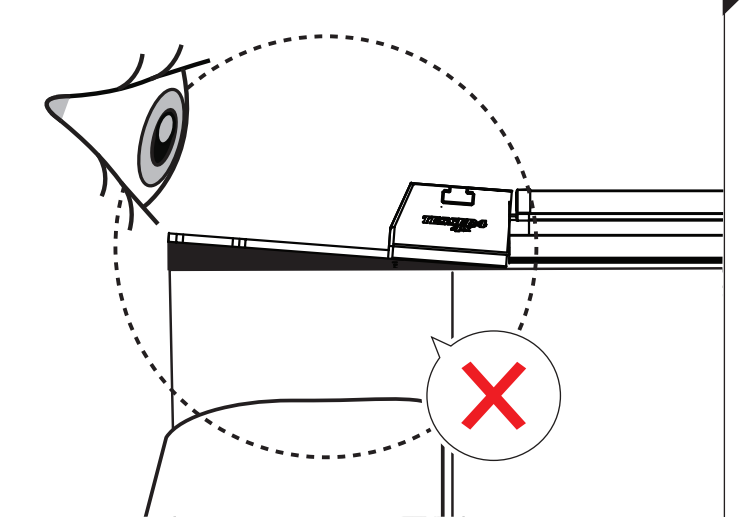
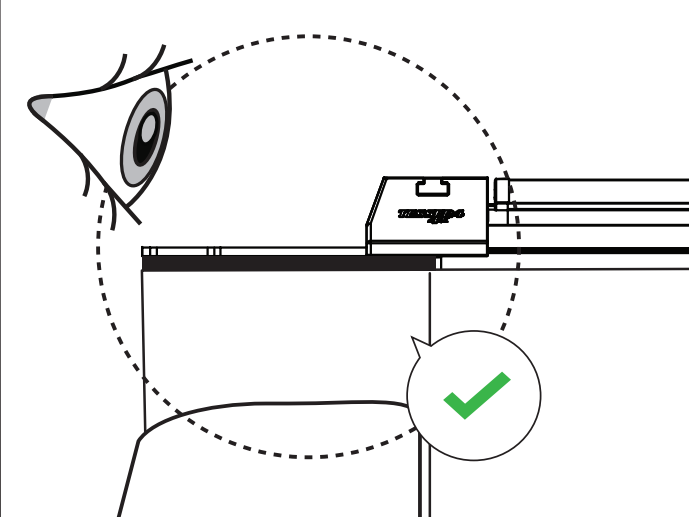
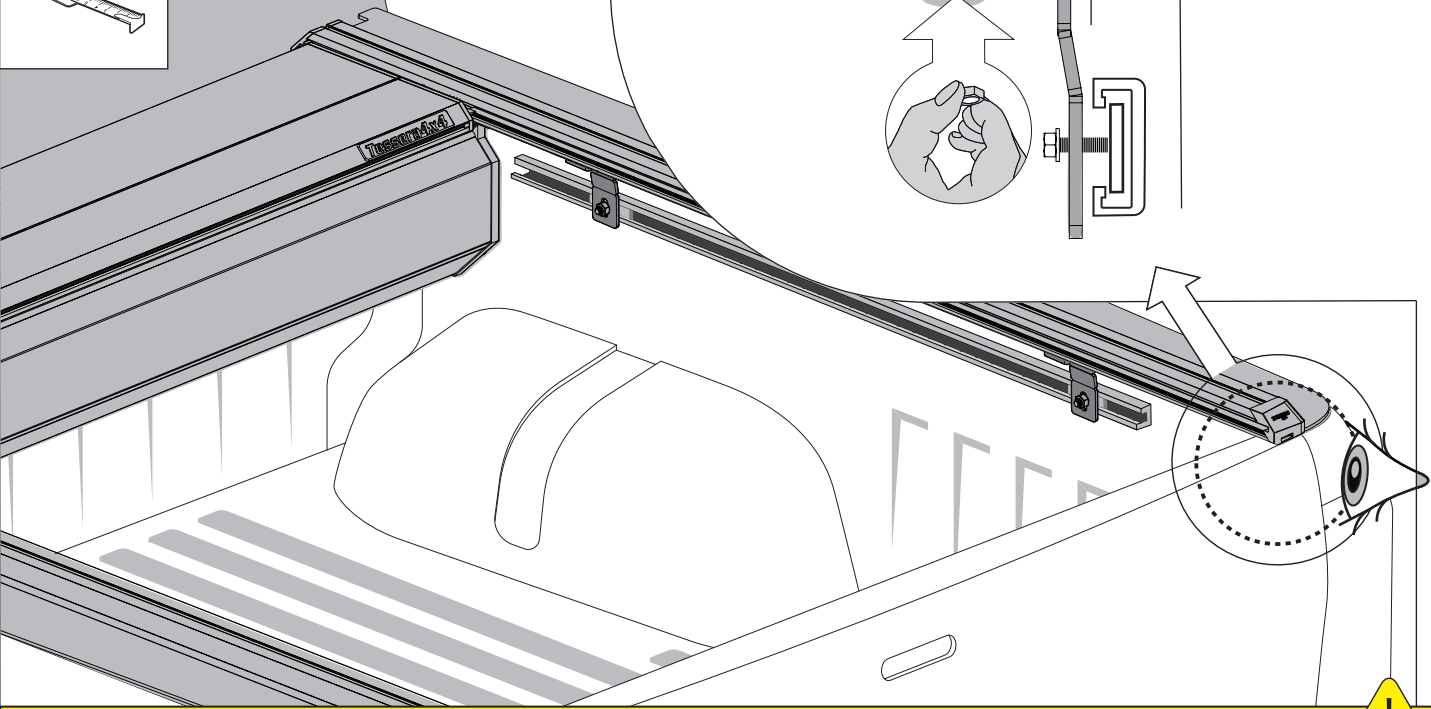
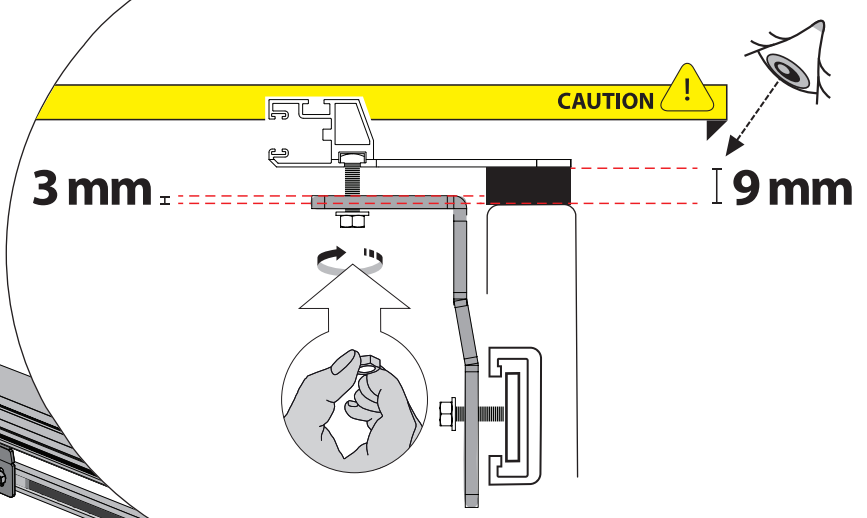
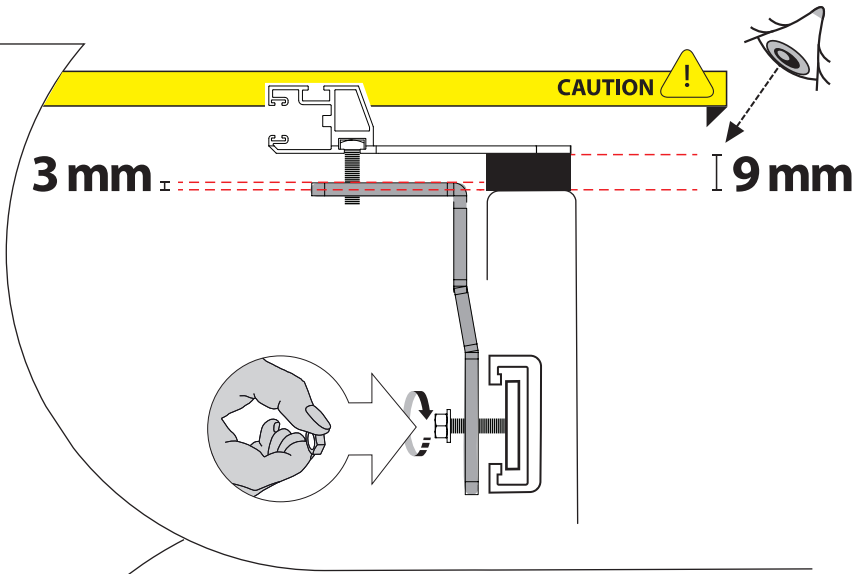
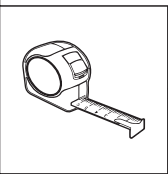
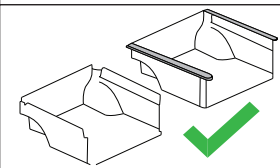
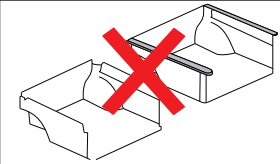
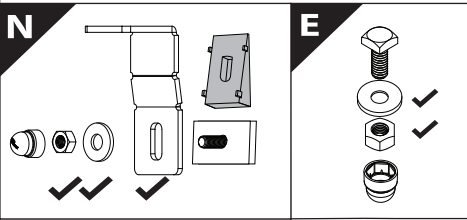
N

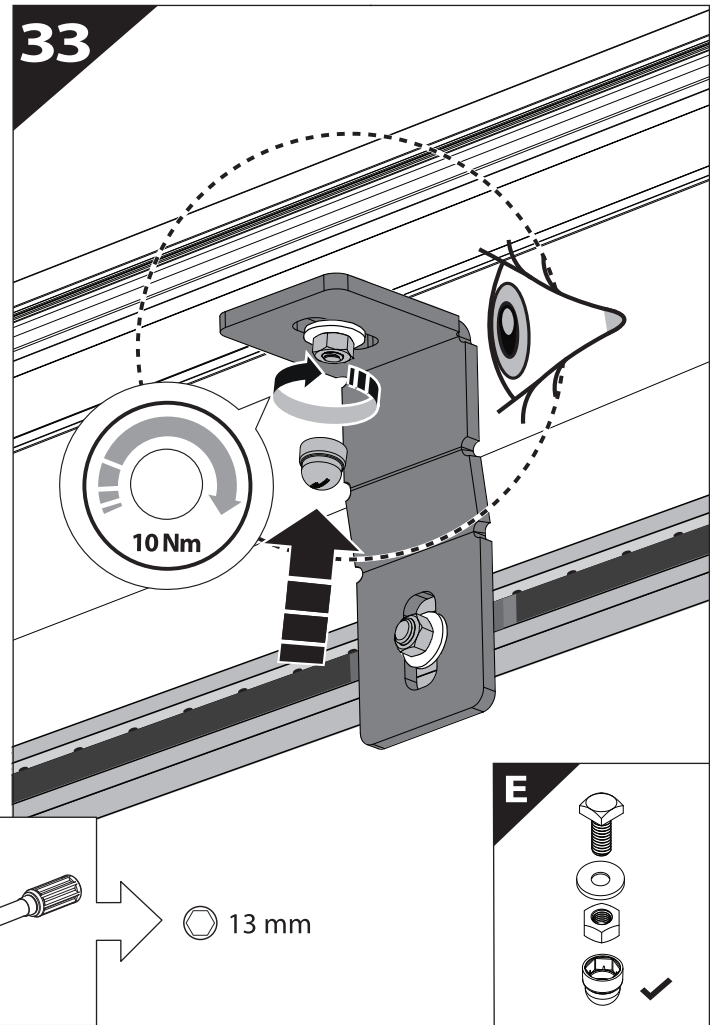
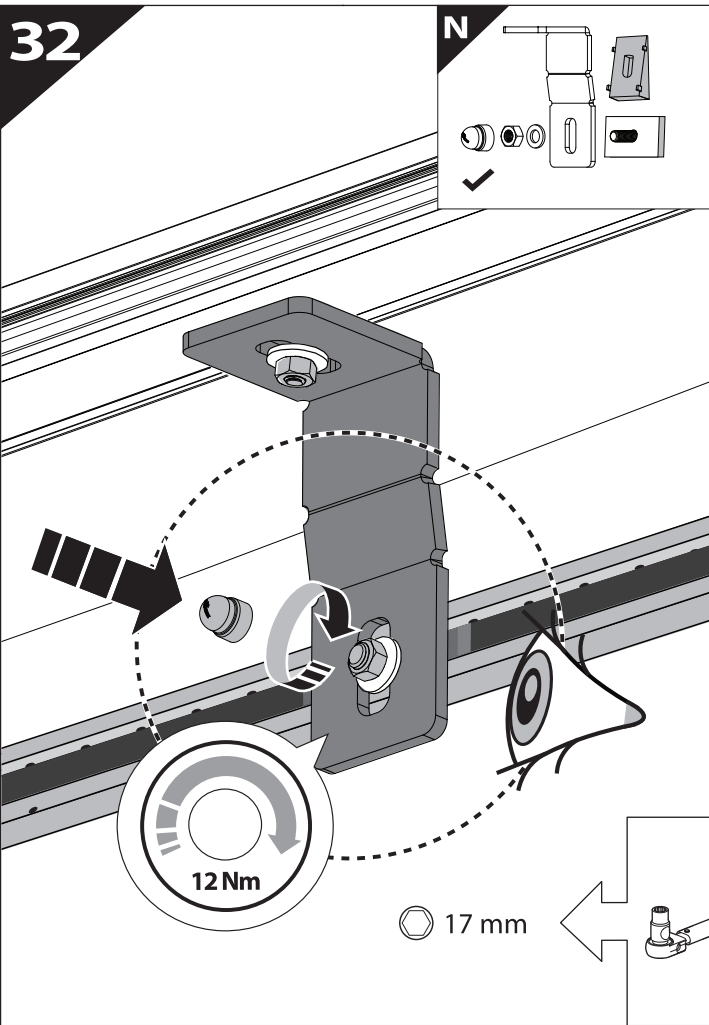


Tessera4x4

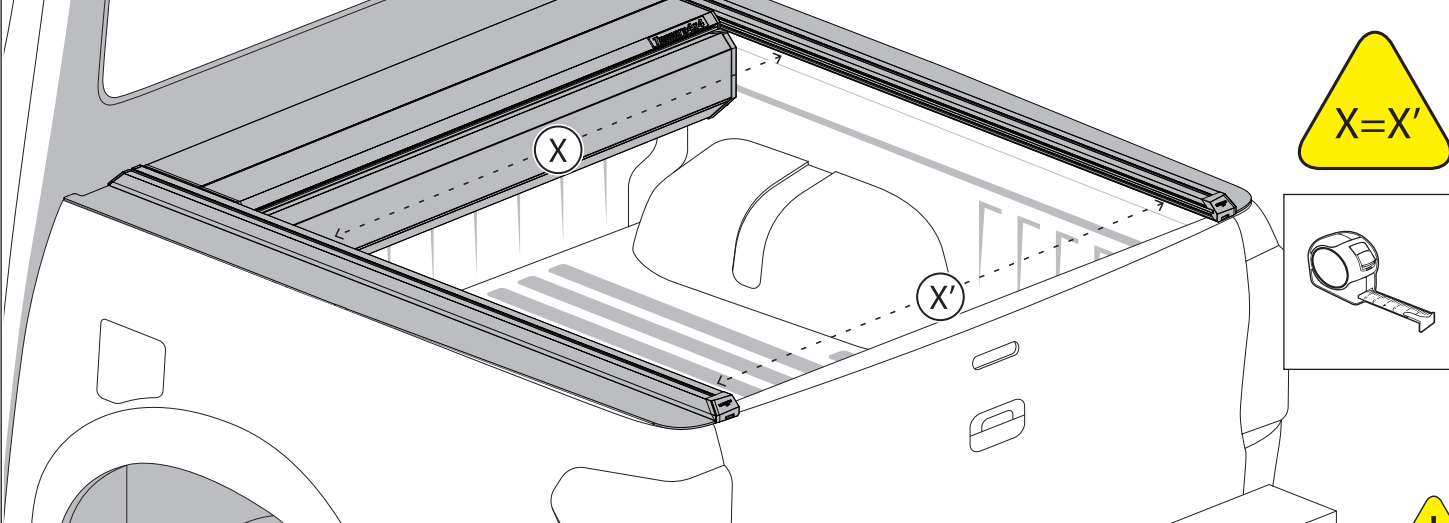


31

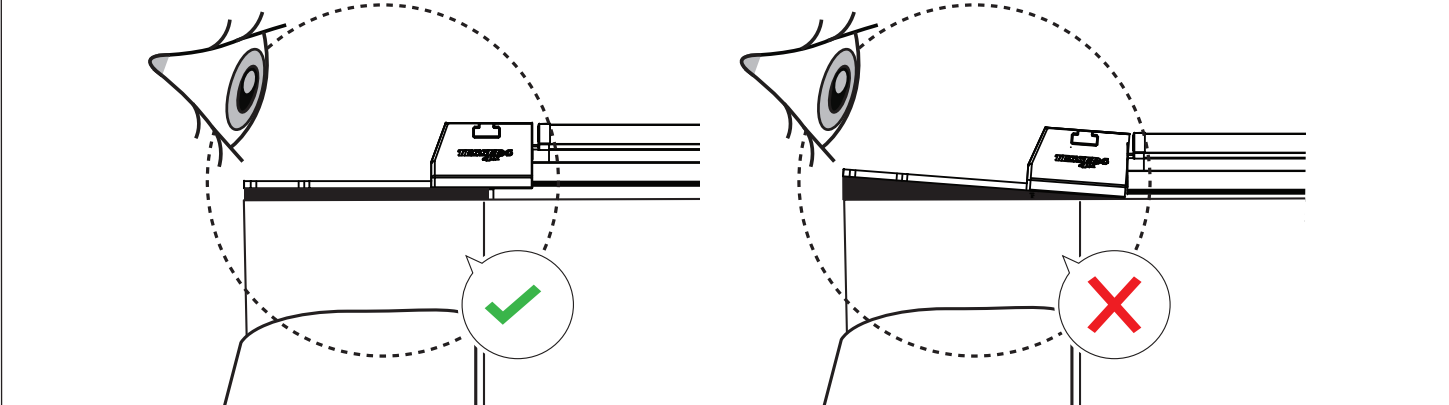




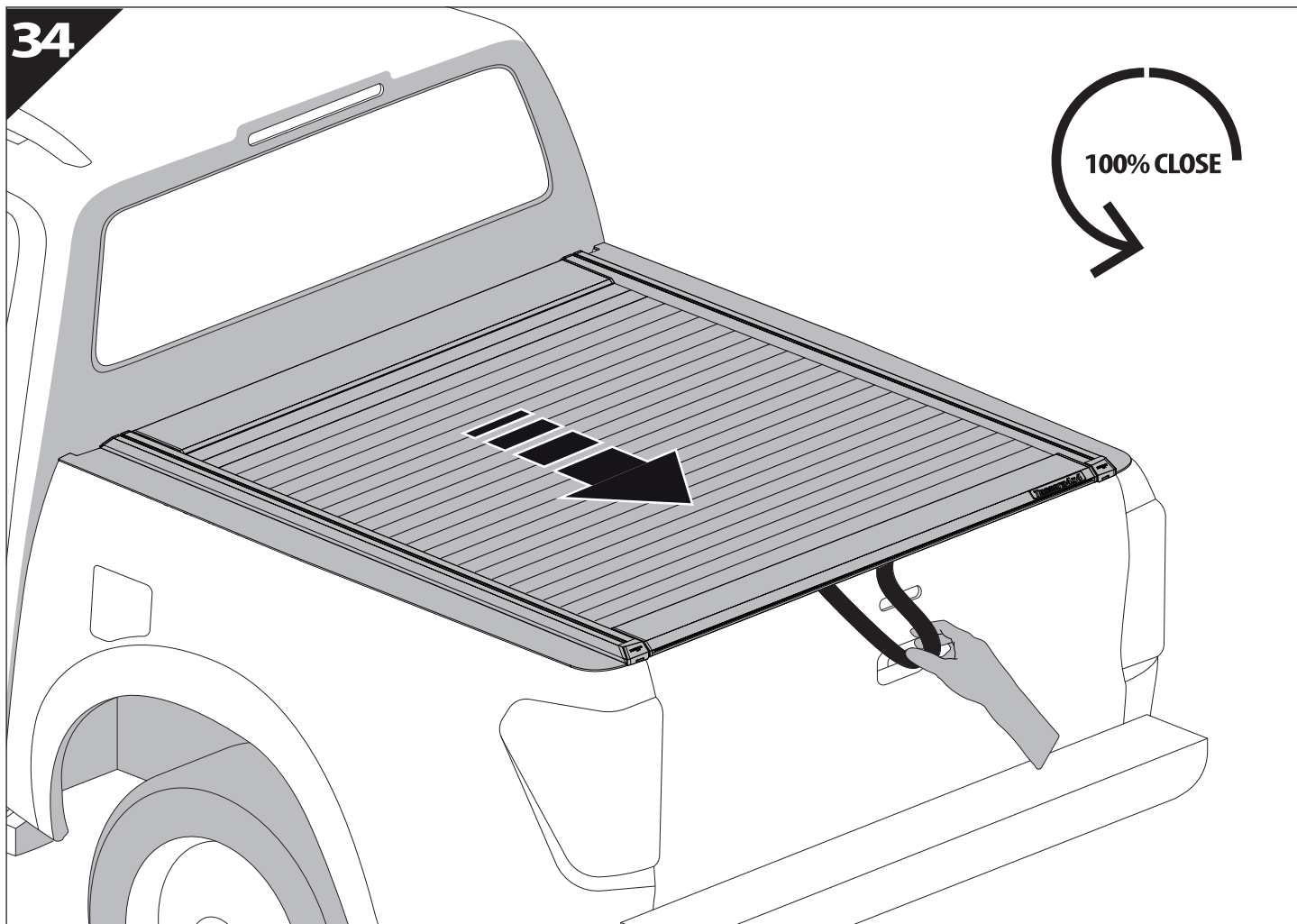
CAUTION !



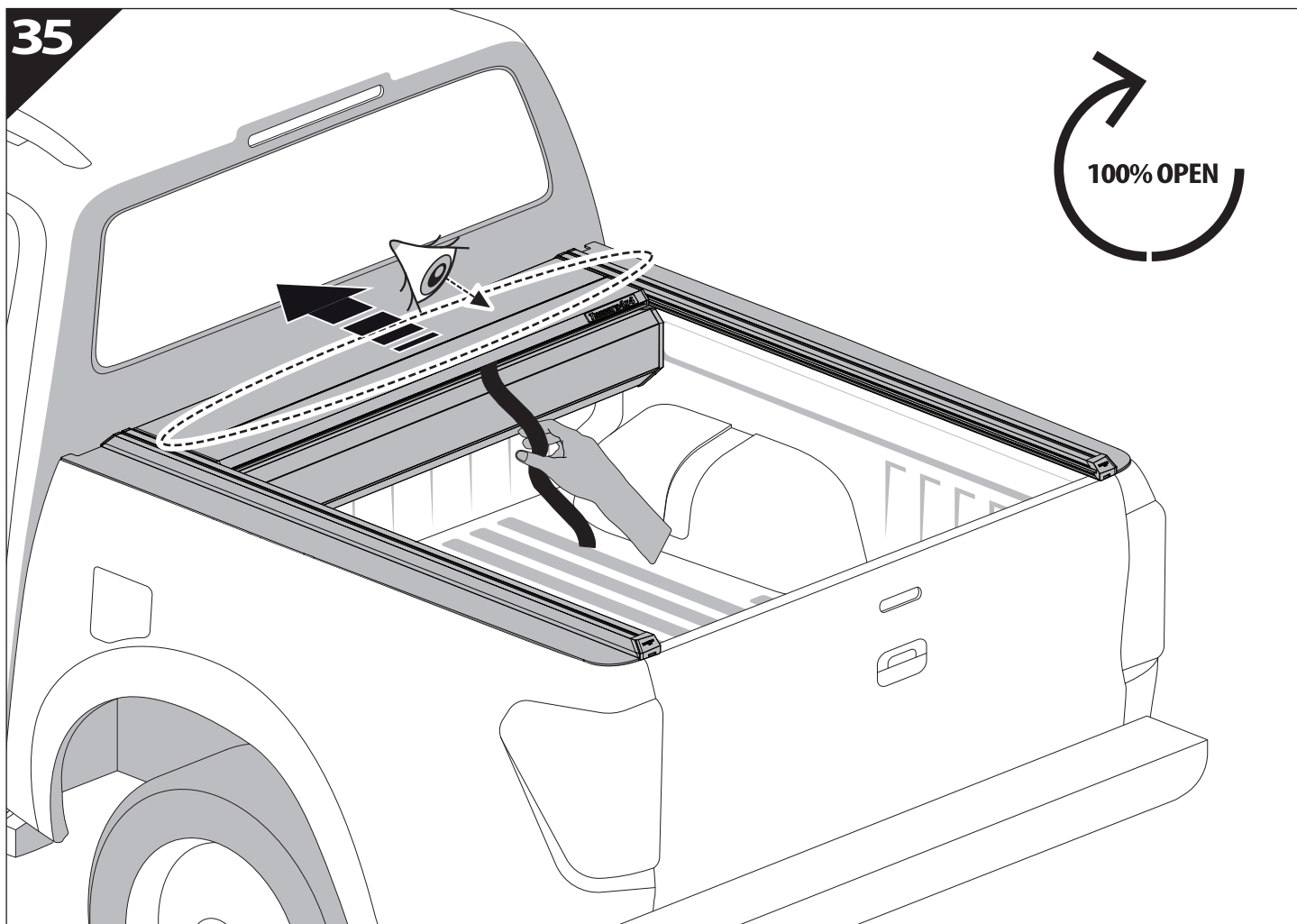
CAUTION !



34



35





GR: Οδηγίες Εγκατάστασης
GB: Installation manual
SF: Asennusohje
F: Notice de montage
PL: Instrukcja montażu
NL: Installatie-instructies
TR: Montaj Talimatı
S: Monteringsanvisning
E: Instrucciones de montaje

H: Szerelési utasítás
P: Instruções de instalação
RUS: Инструкция по установке
N: Monteringsveiledning
D: Einbauanleitung
CZ: Návod k instalaci
I: Istruzioni de montaggio
DK: Monteringsvejledning
RO: Instructiuni de instalare

Customer Service:

+30 (210) 5541161, +30 (210) 5541154 (08:00 - 16:00 EET)

Support department:

info@gianso.gr

Website:

www.tessera4x4.com

Address:

19.5 km of National road Athens-Korinthos (Elefsina) Greece, P.C: 19200