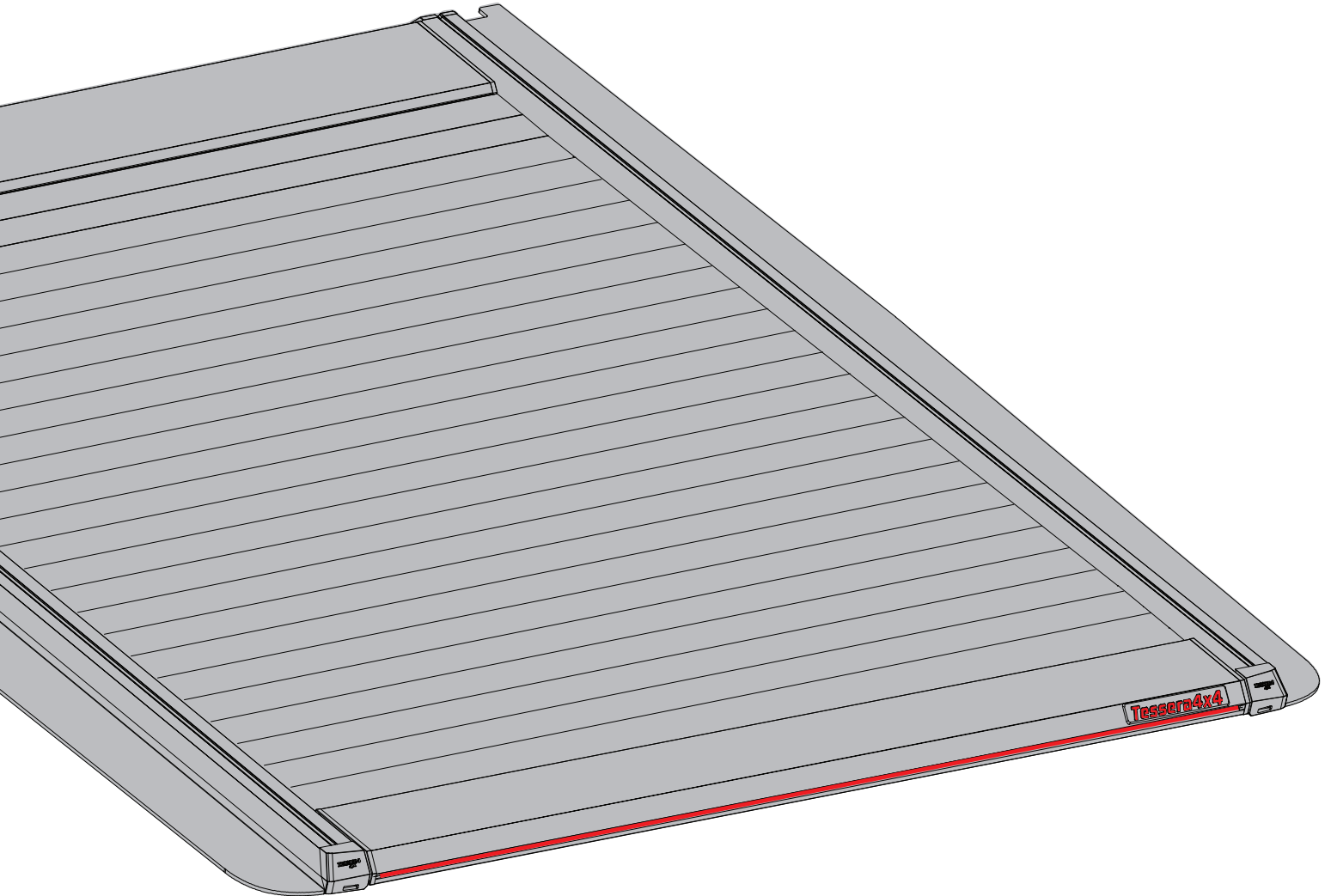


# Tessera Roll+

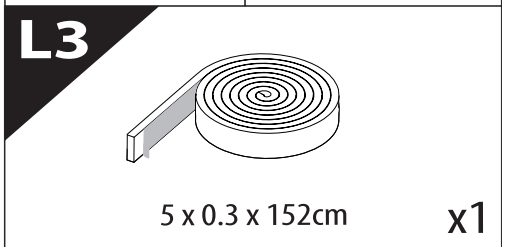
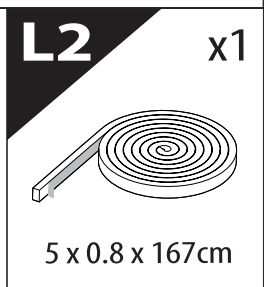
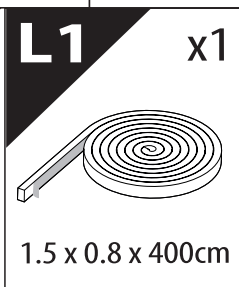
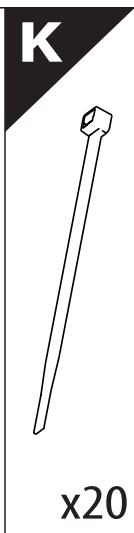
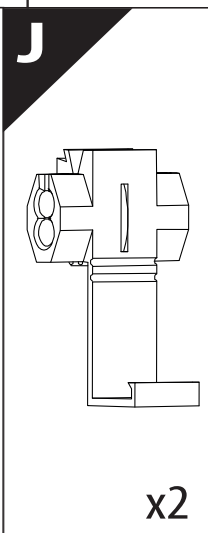
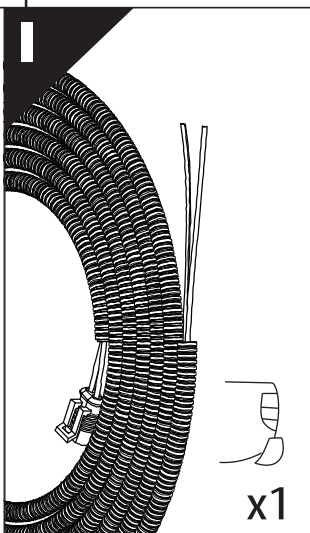
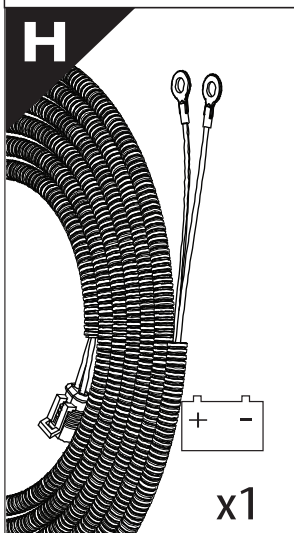
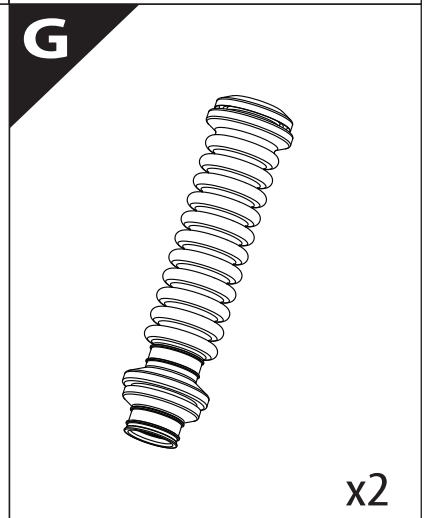
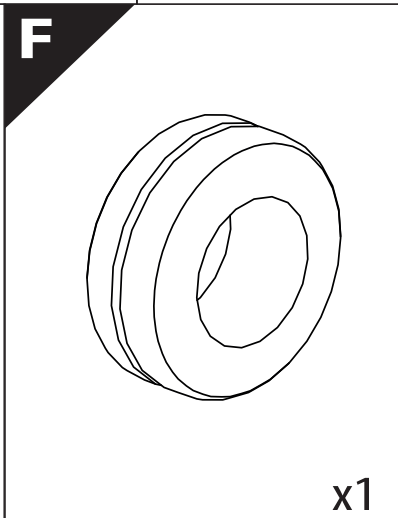
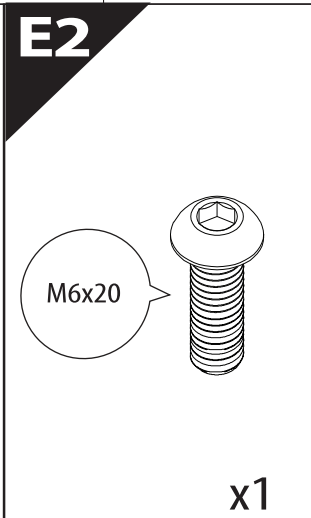
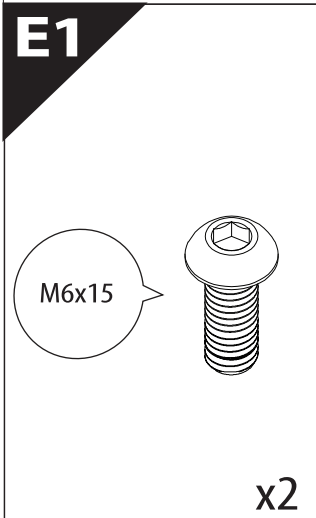
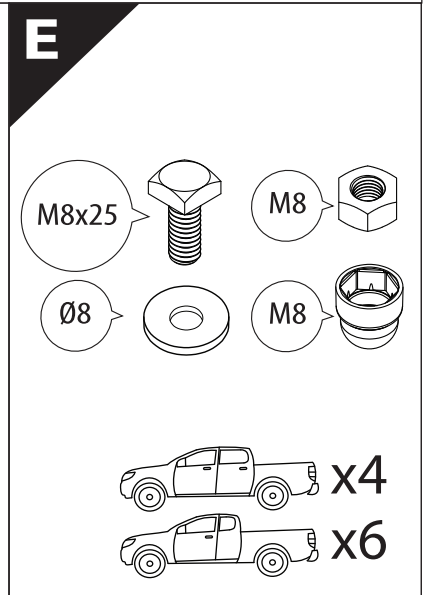
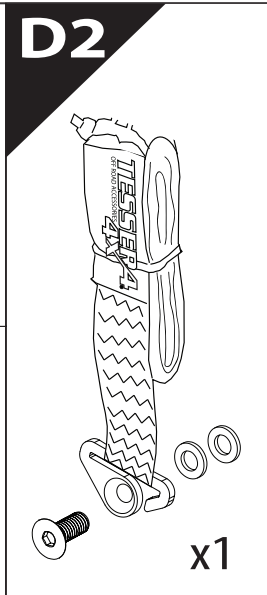
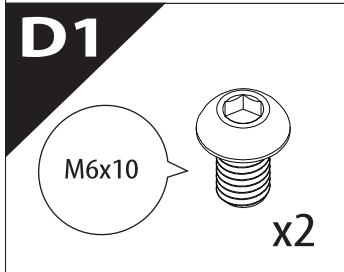
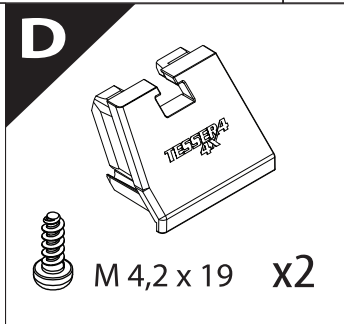
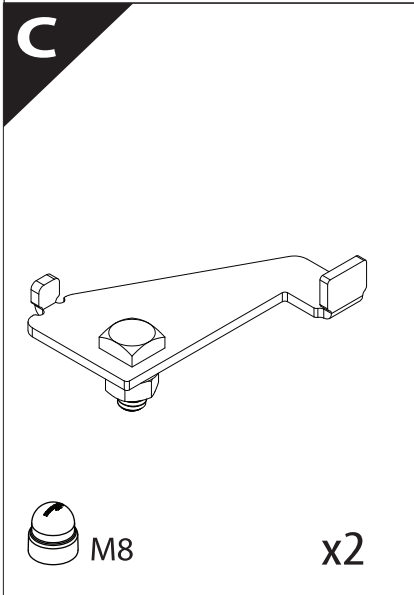
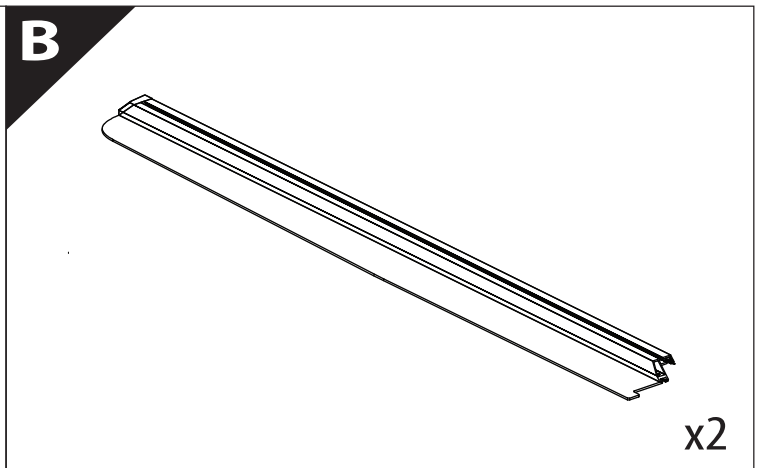
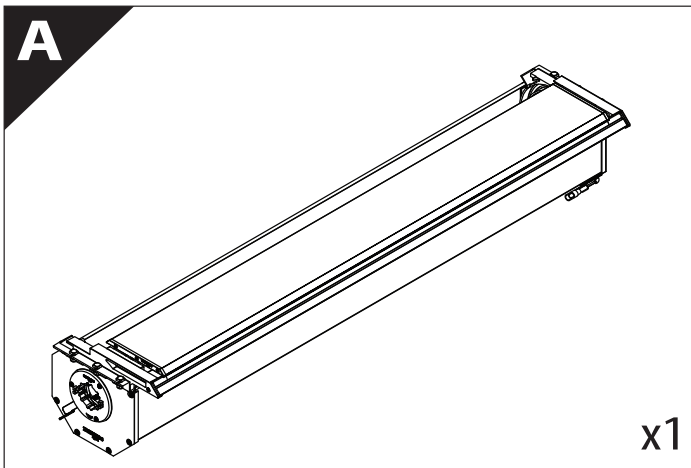
Basic Version + ⚡ E-KIT

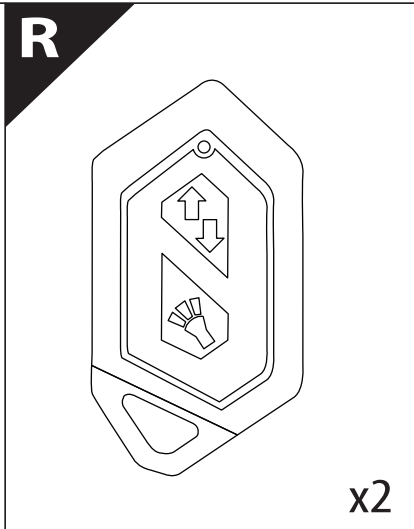
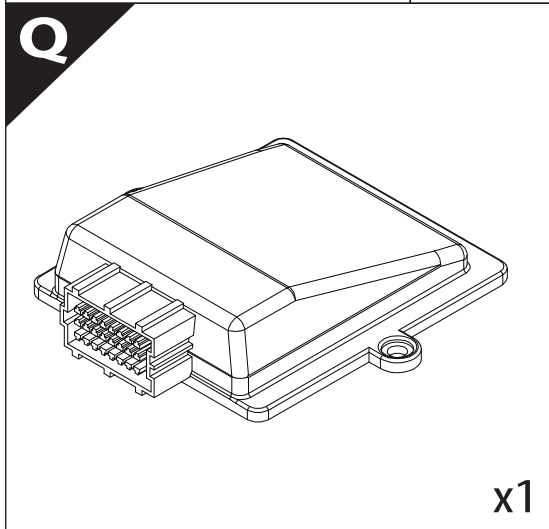
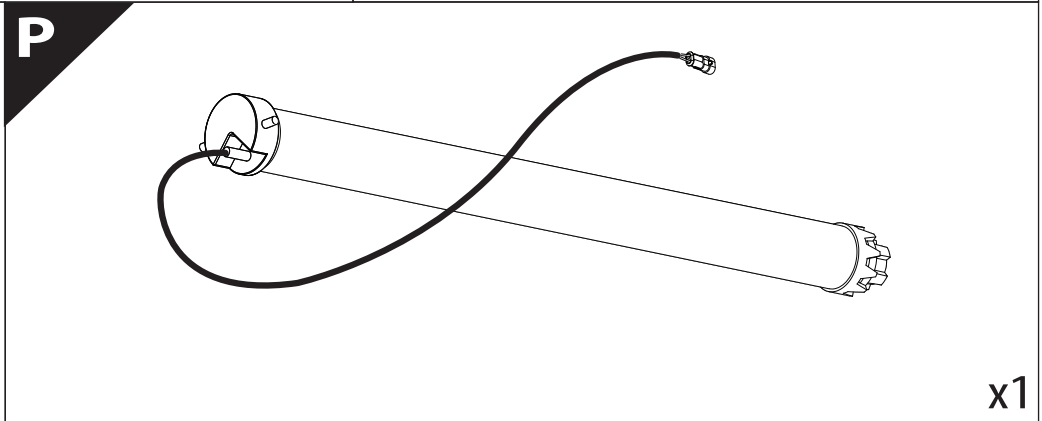
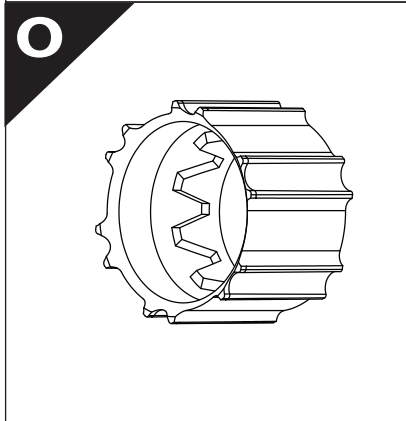
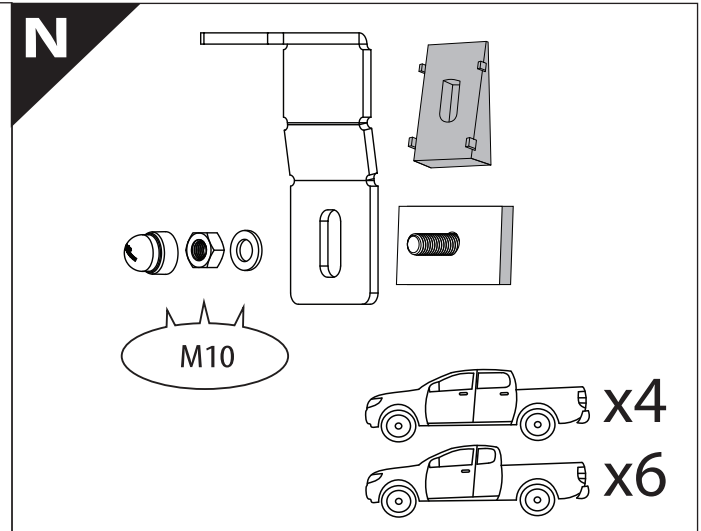
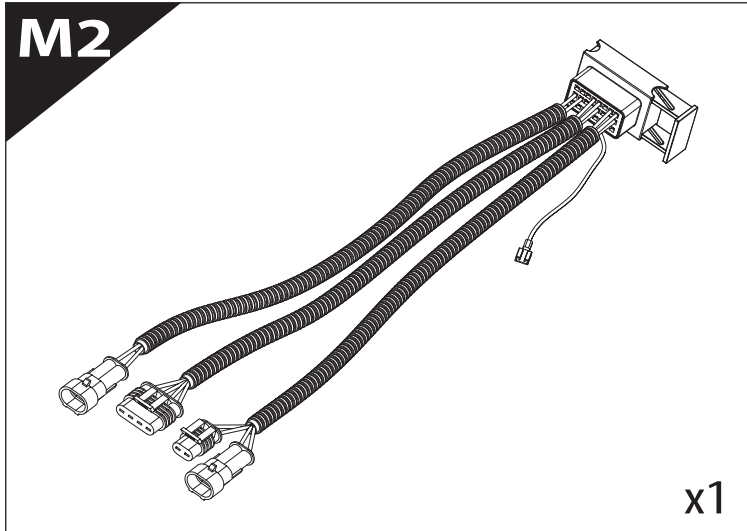


## Installation Manual

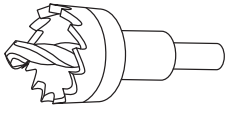
PART NUMBER(S)	Model Year
TESS 140 ROLL+E-KIT	Nissan D40 (with c-channels)
TESS 1402 ROLL+E-KIT	
TESS 1403 ROLL+E-KIT	
Cab(s)	Installation Time / Weight
Double Cab & Space Cab	40-60 minutes / 53-57 kg



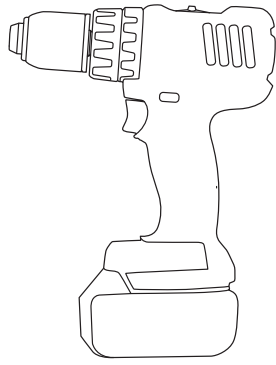




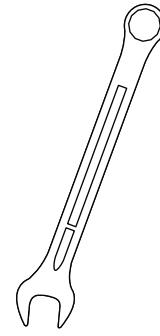




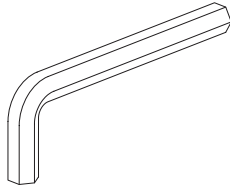
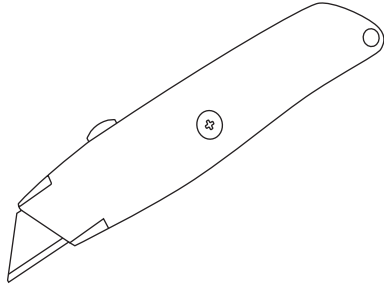
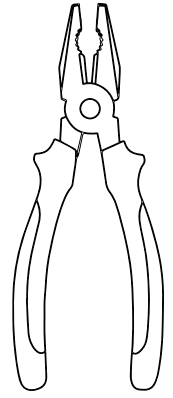
Ø 25 mm / Ø 40 mm



+

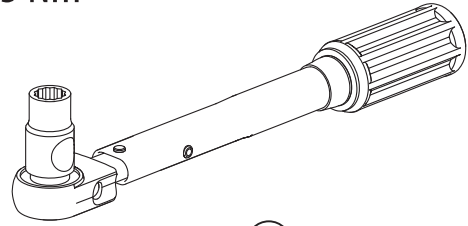


10 mm

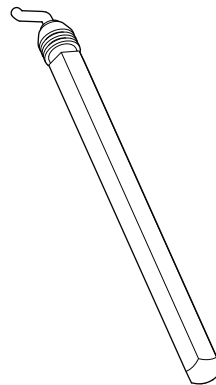
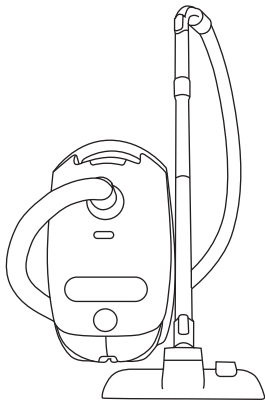
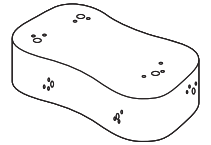
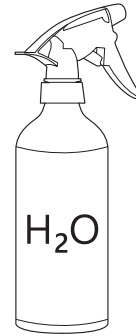
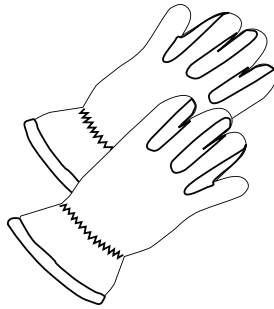
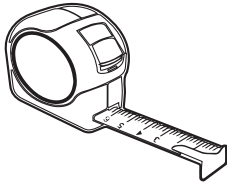


4 mm

1 - 25 Nm



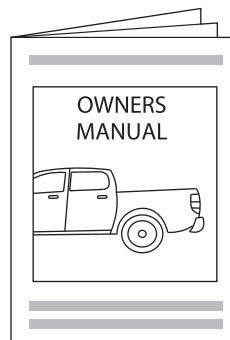
10, 12, 13, 17 mm



ANTI-RUST

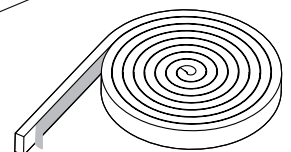
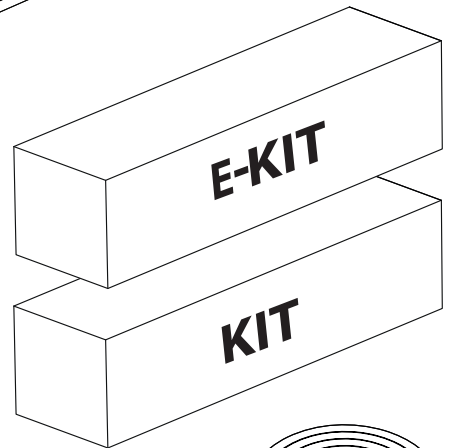
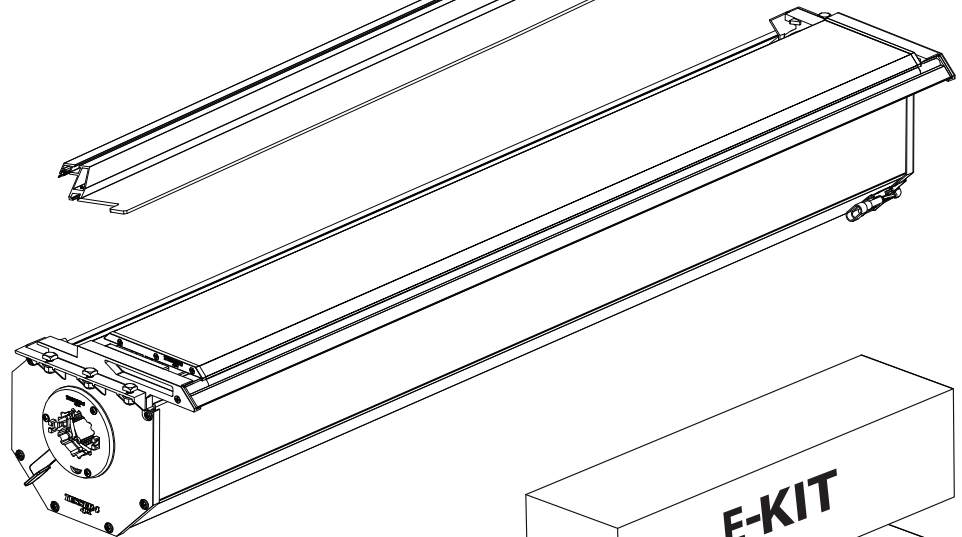
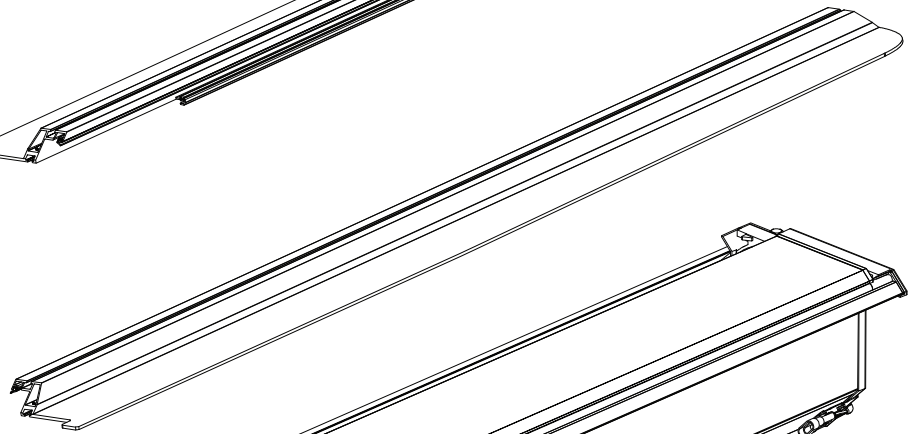
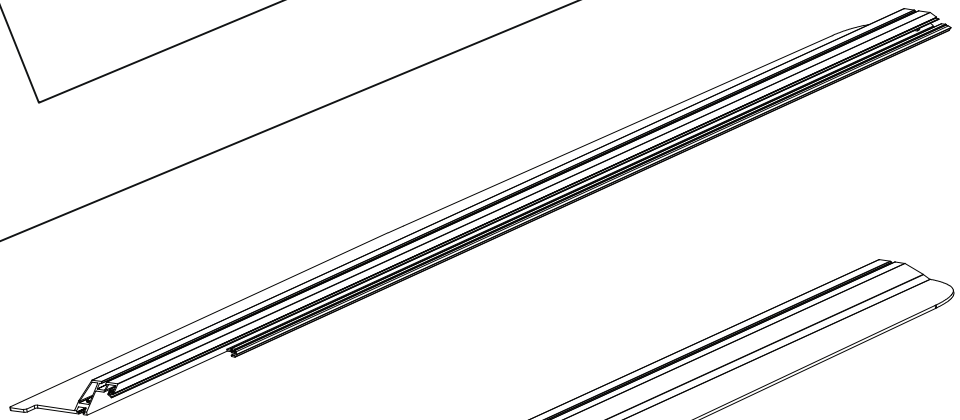
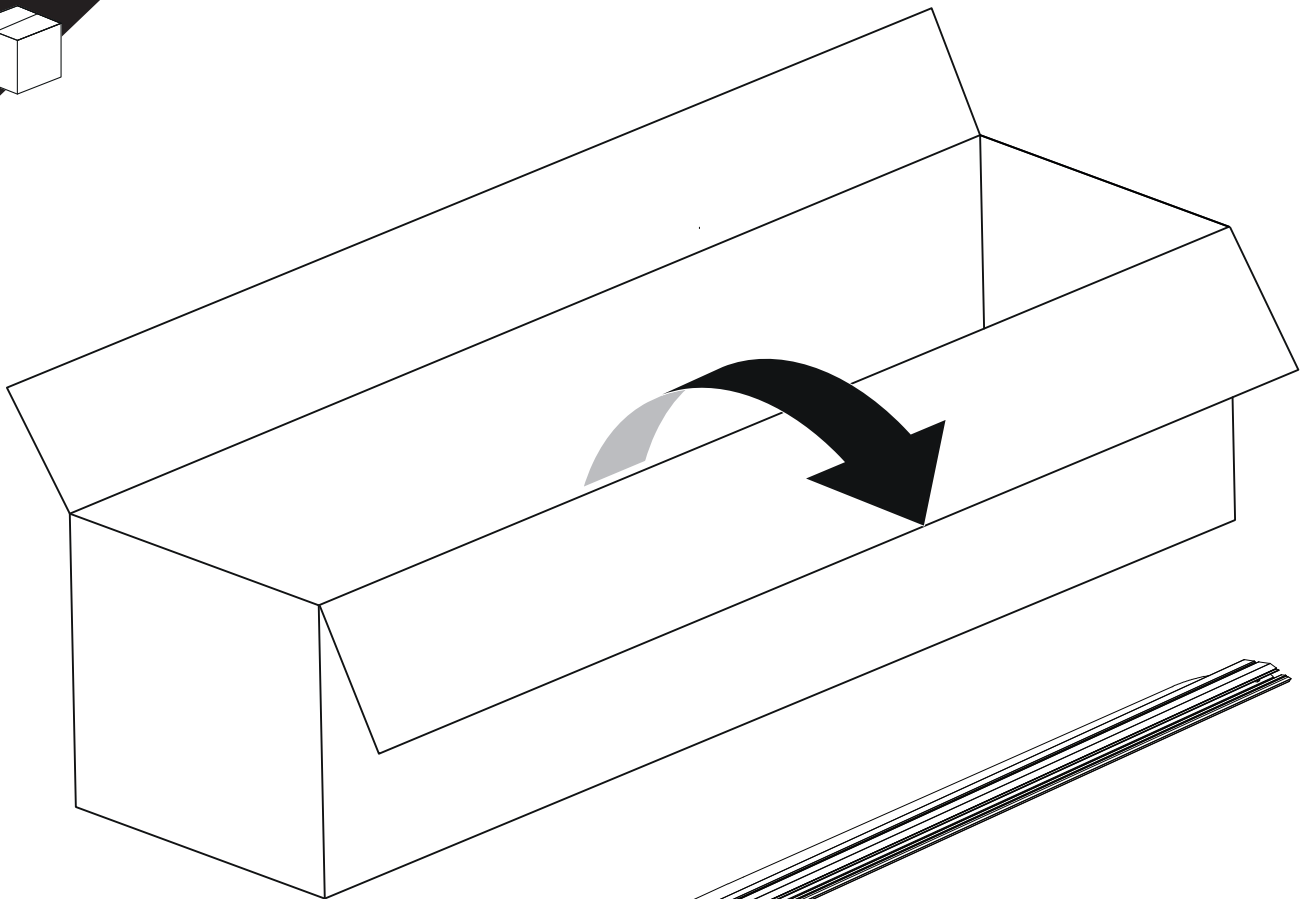


INSTALLATION  
MANUAL  
+E-KIT



OWNERS  
MANUAL

x1

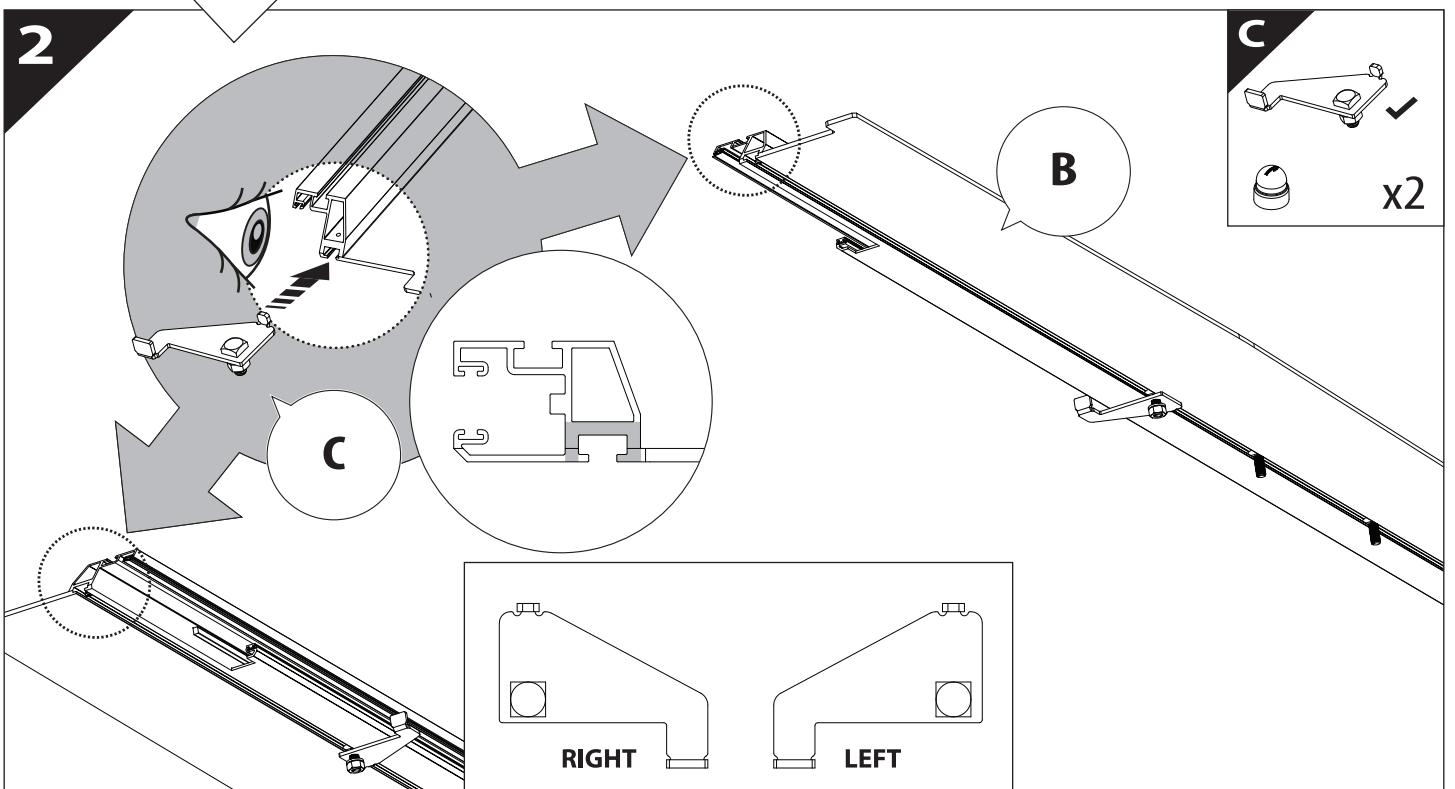
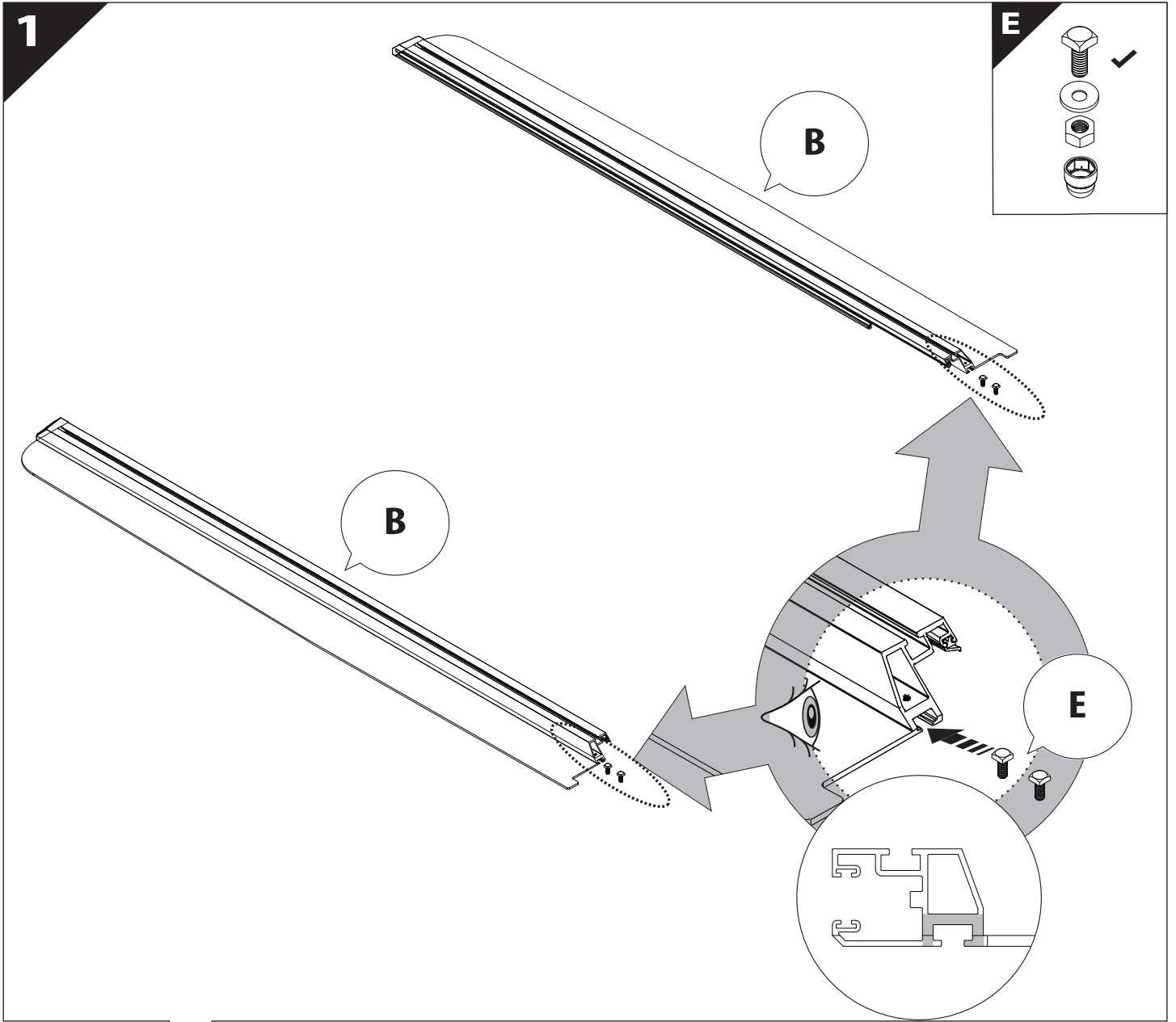


**B**

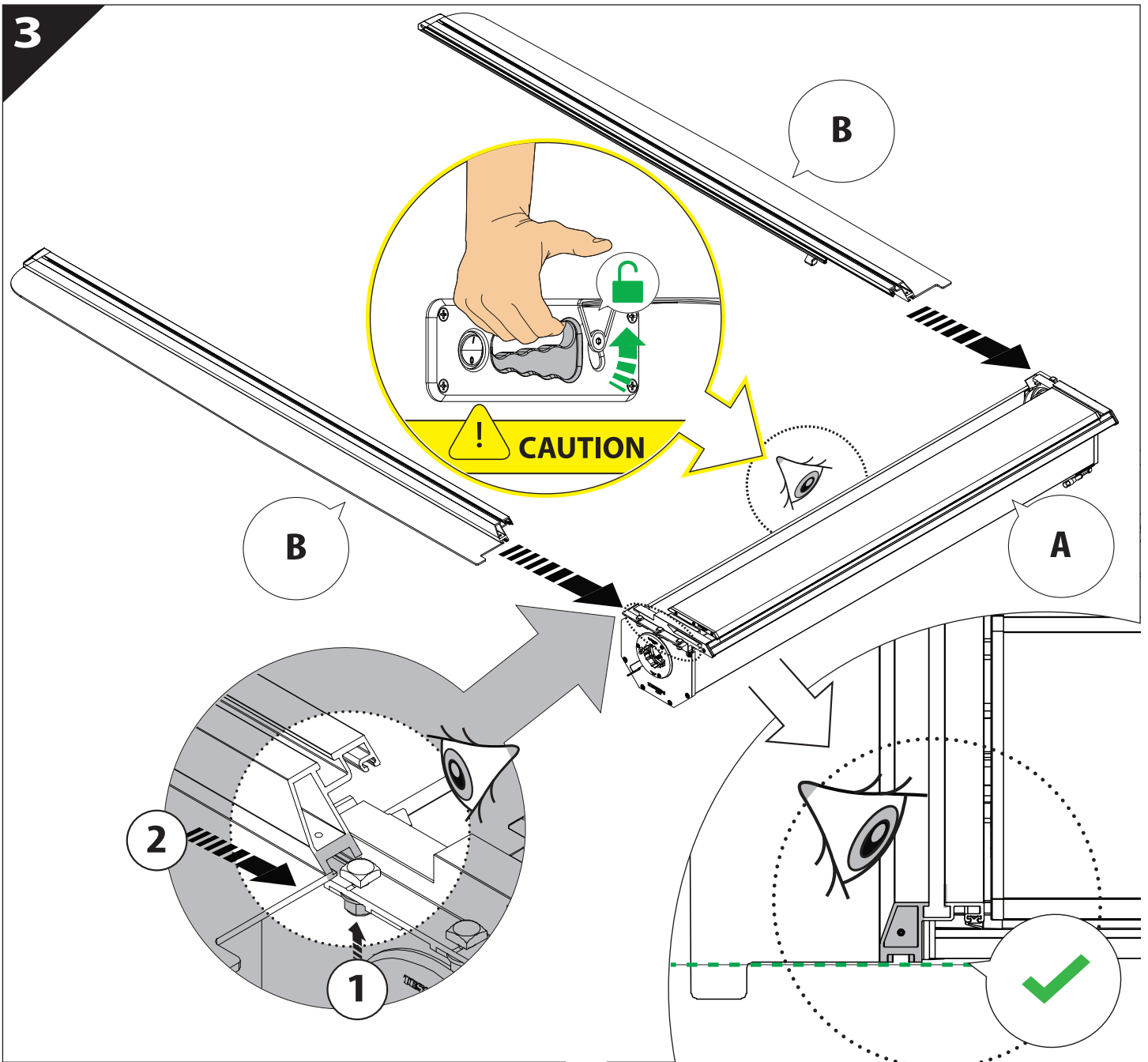
**A**

**KITS**

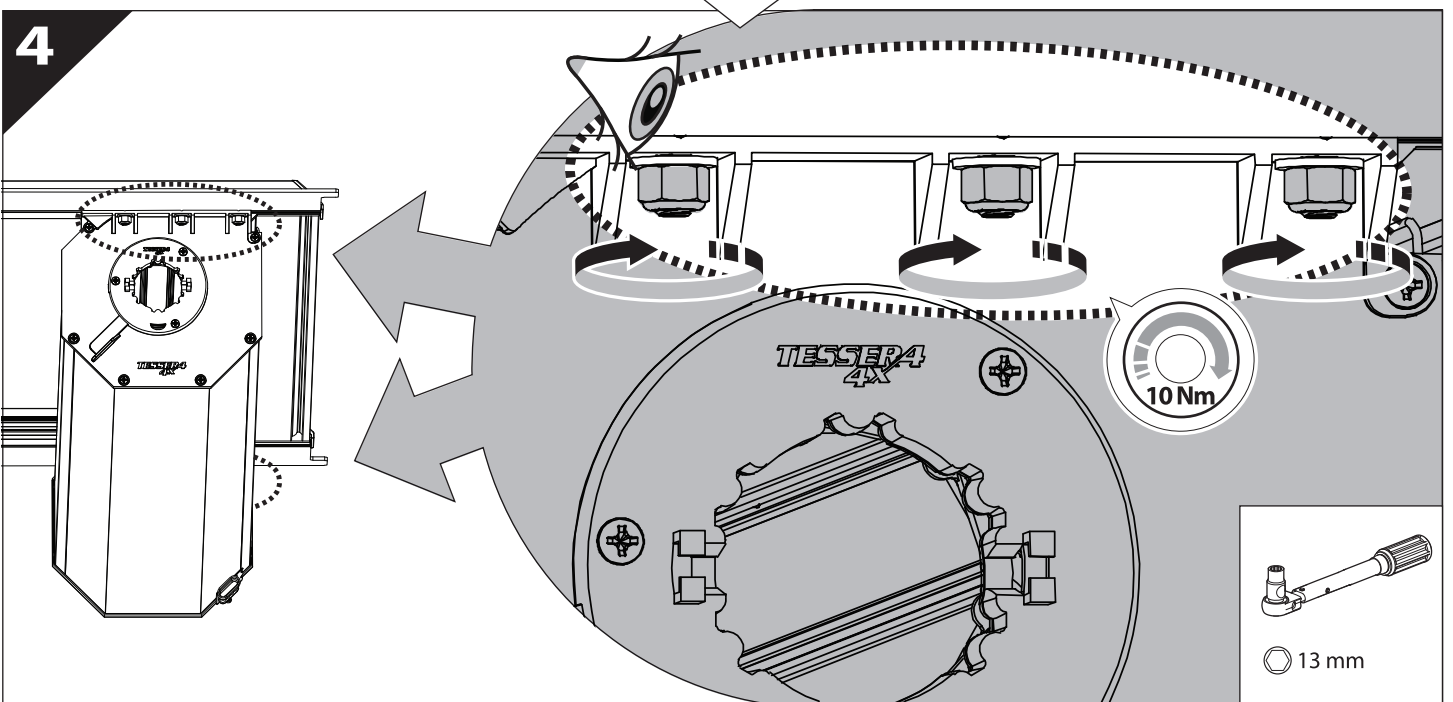
**L**

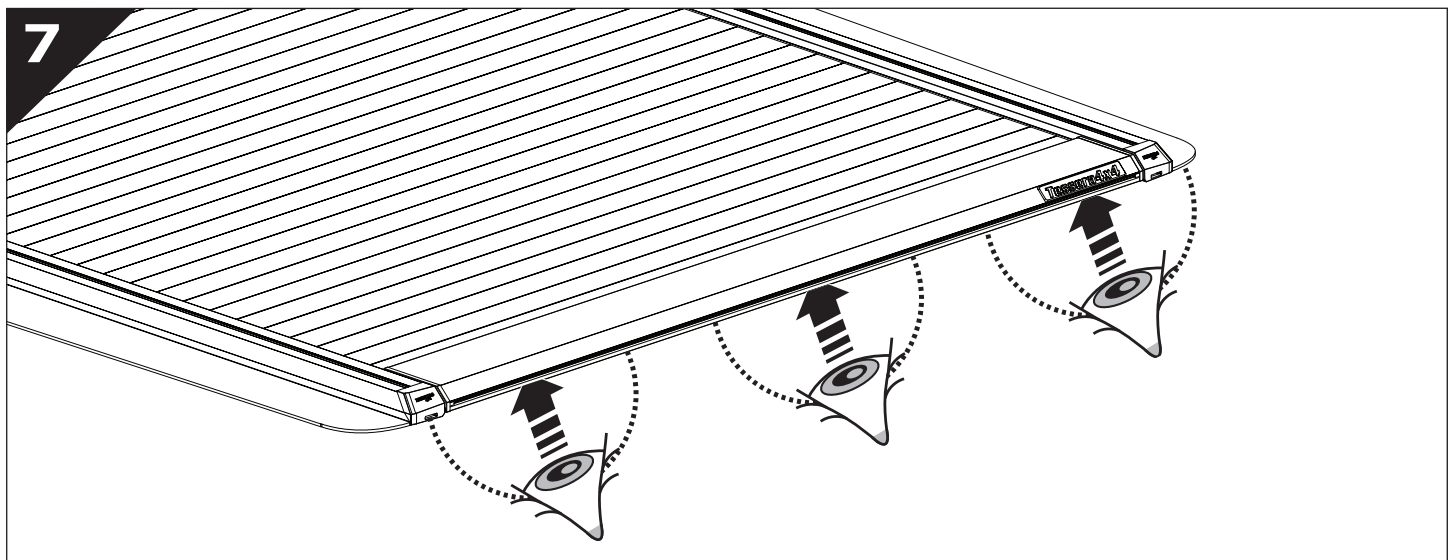
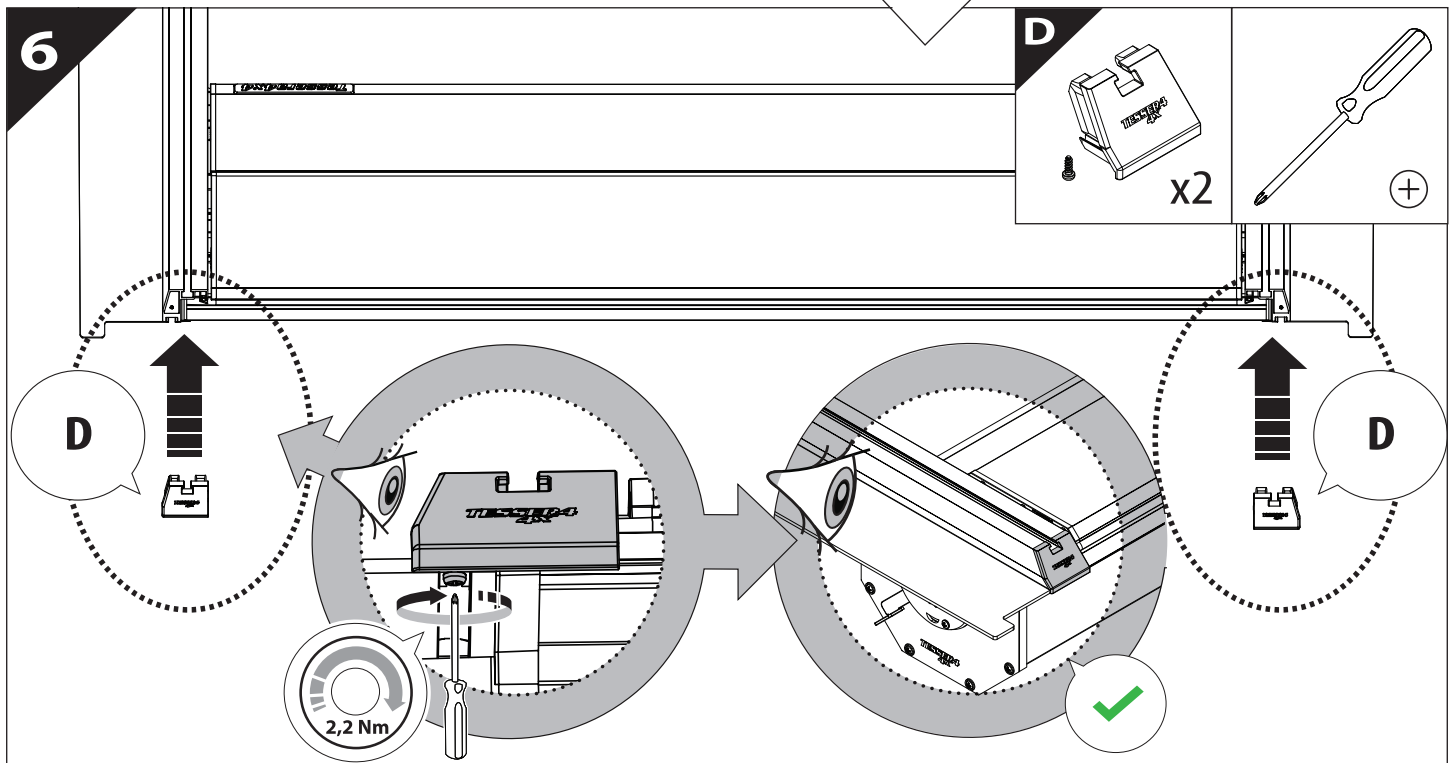
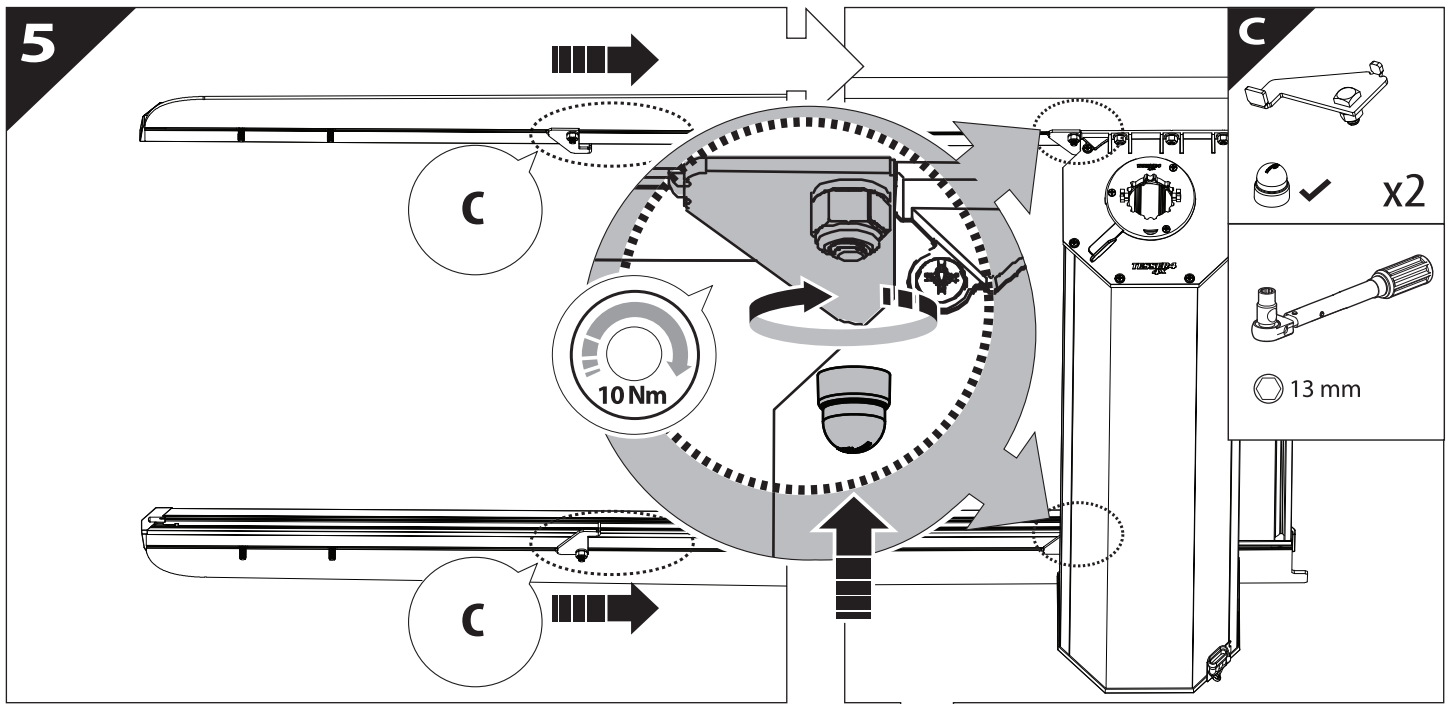


3



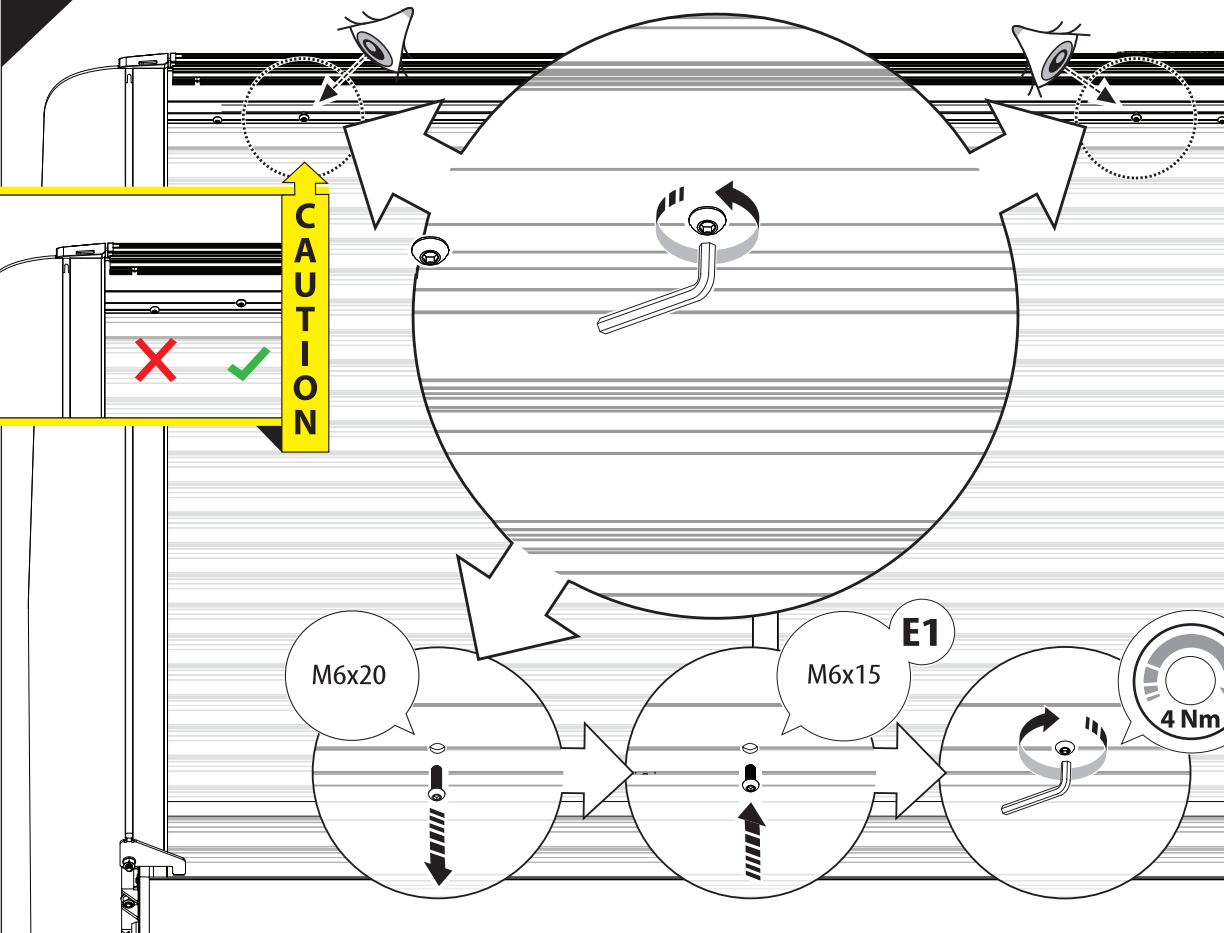
4





8

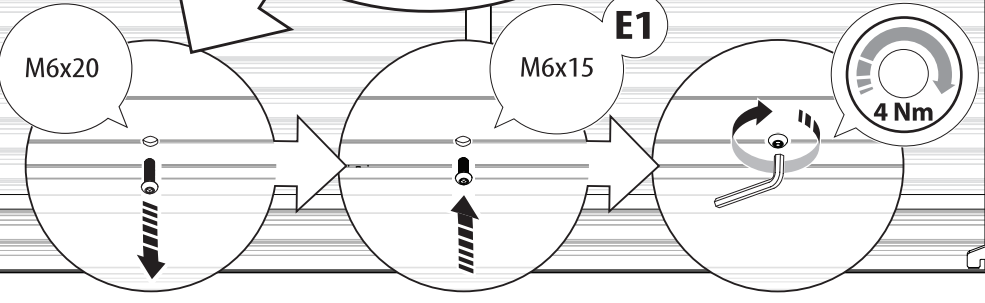
**CAUTION**



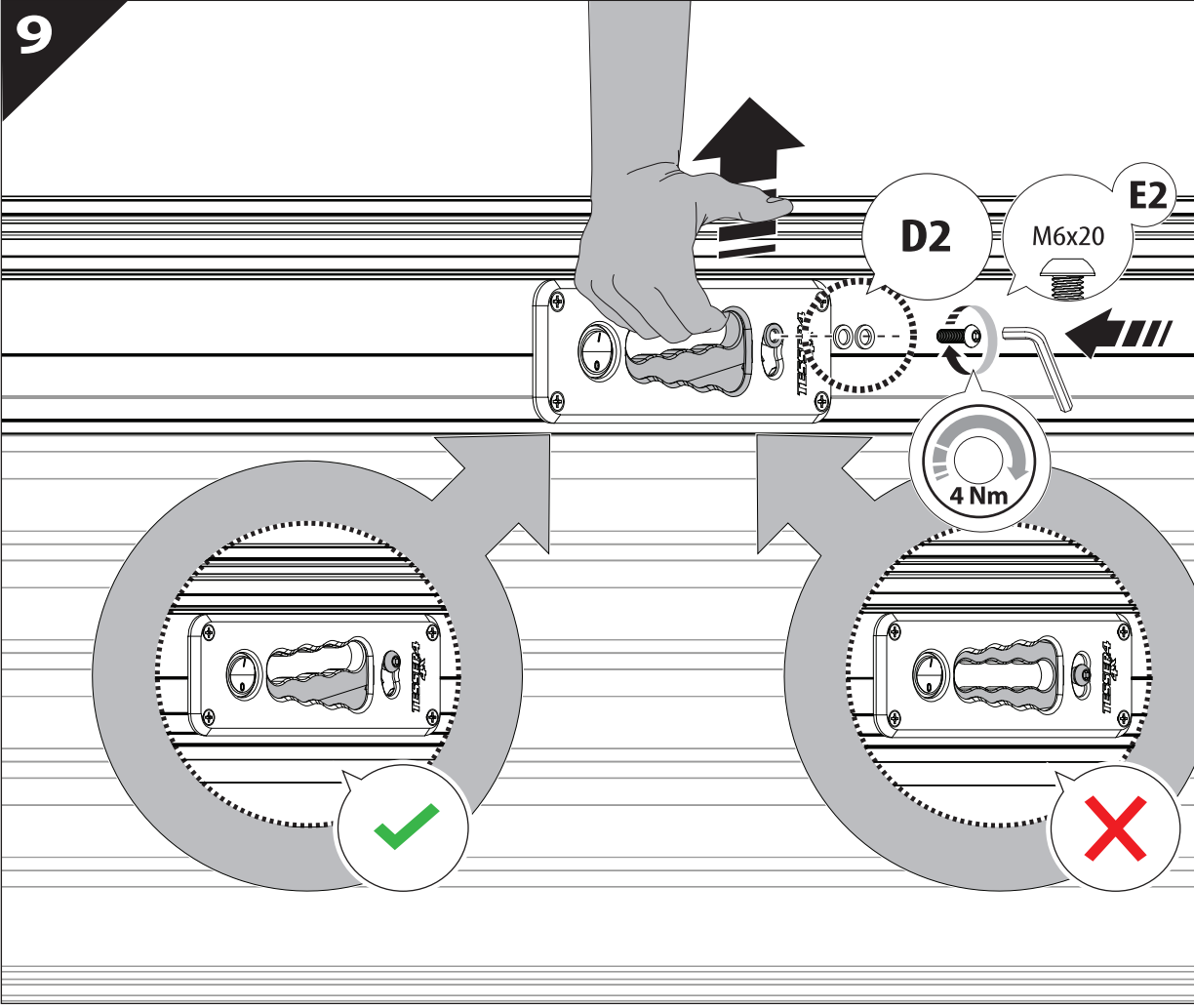
4 mm

**E1**

x2



9



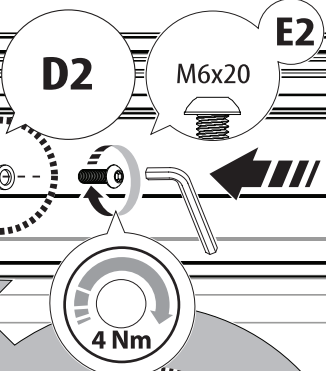
**E2**

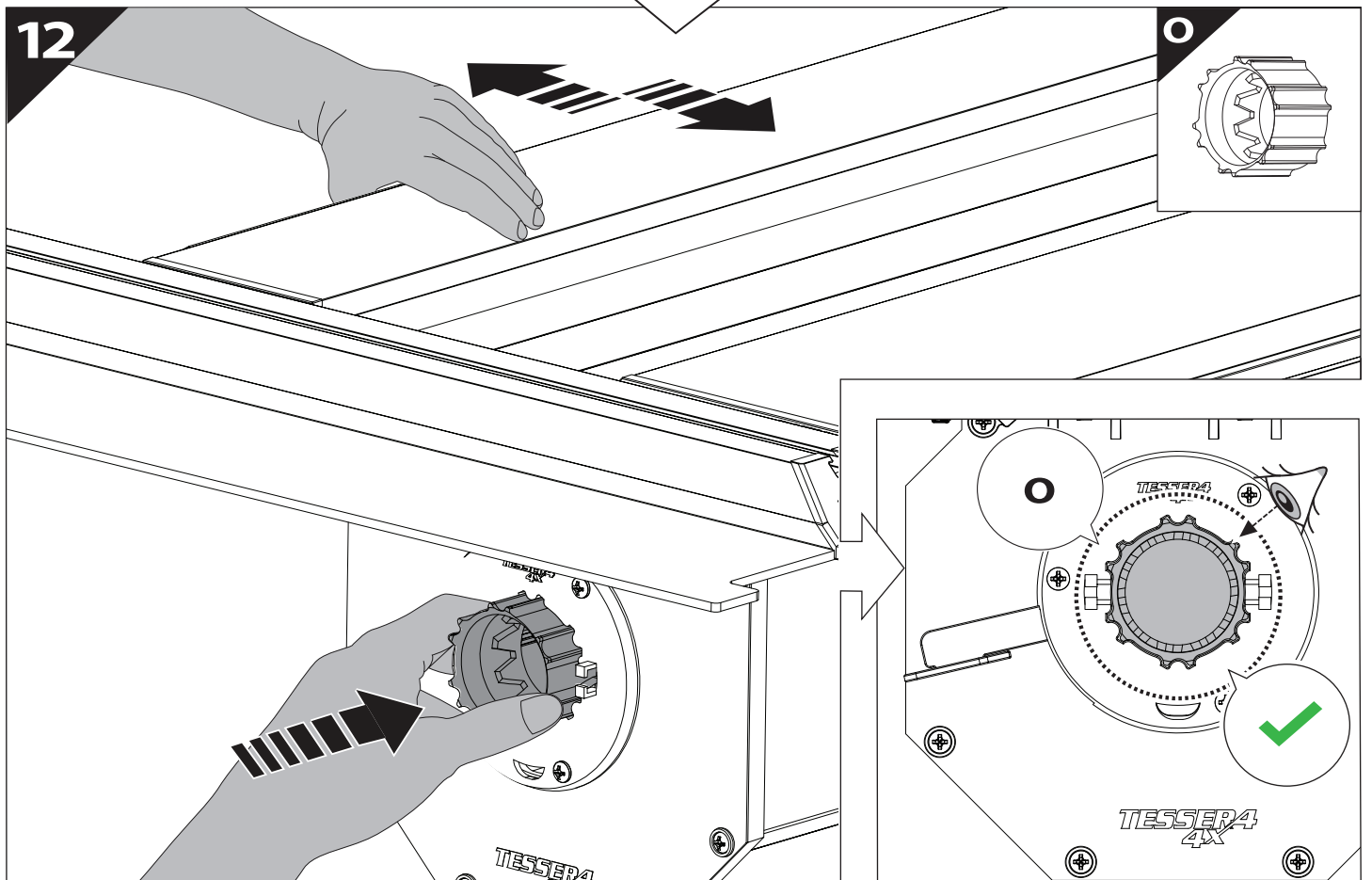
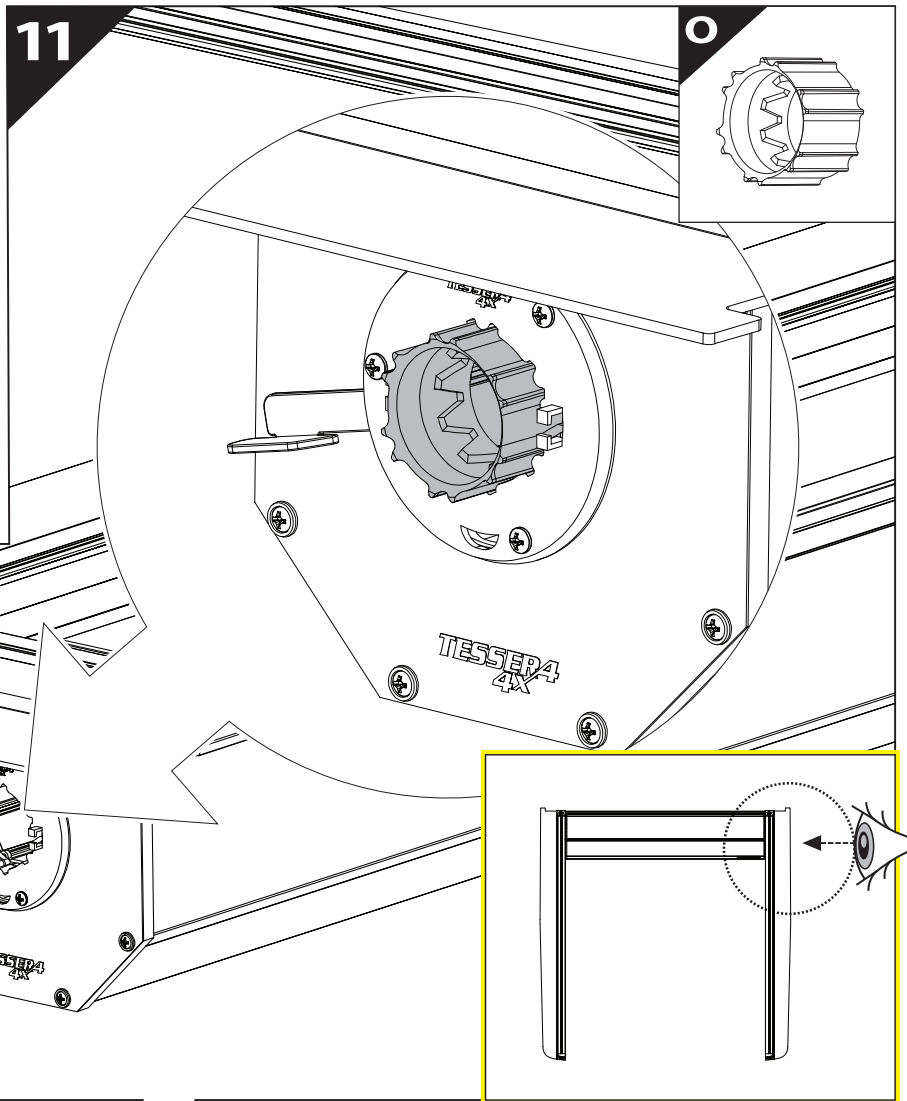
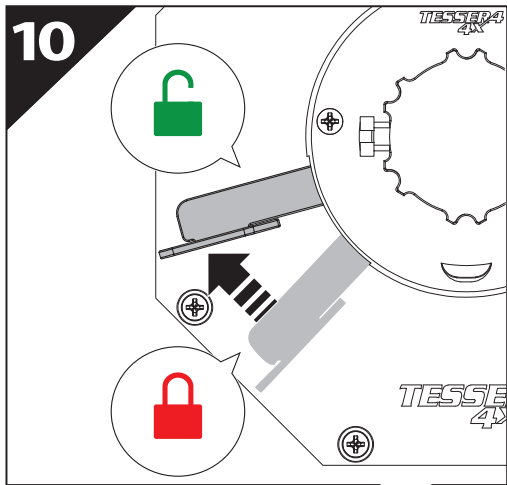
x1

**D2**

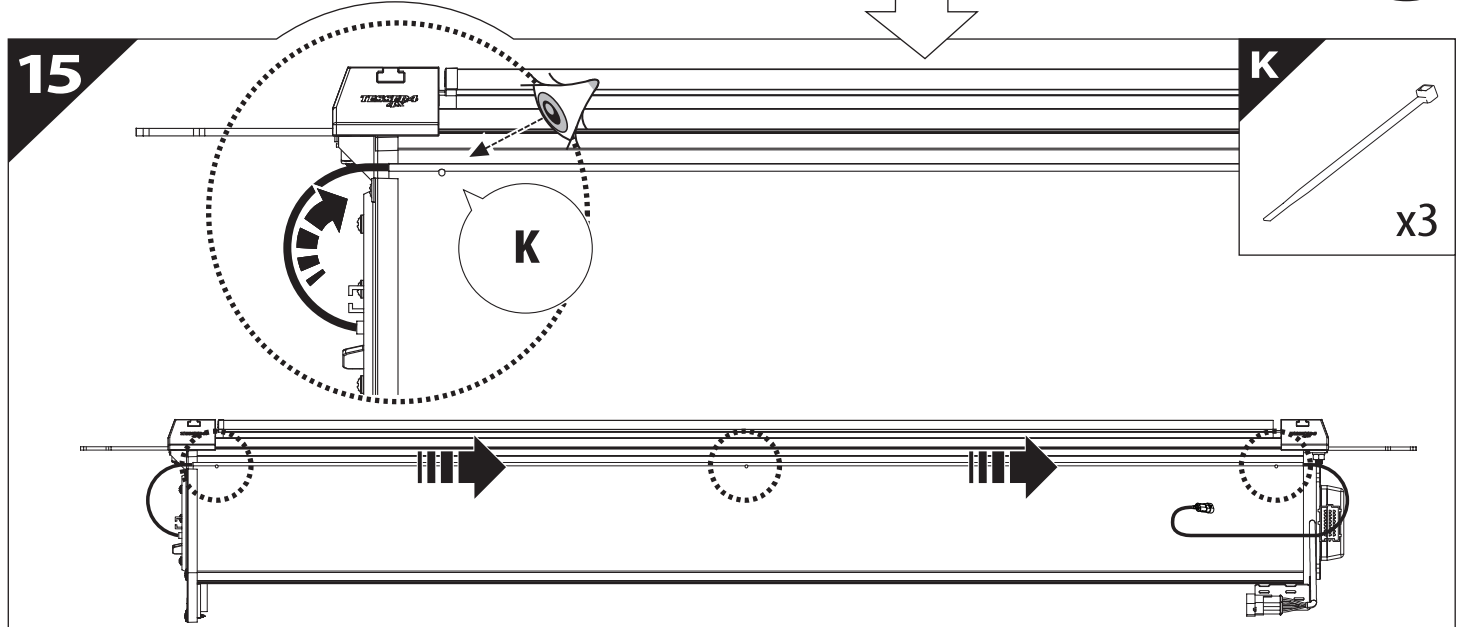
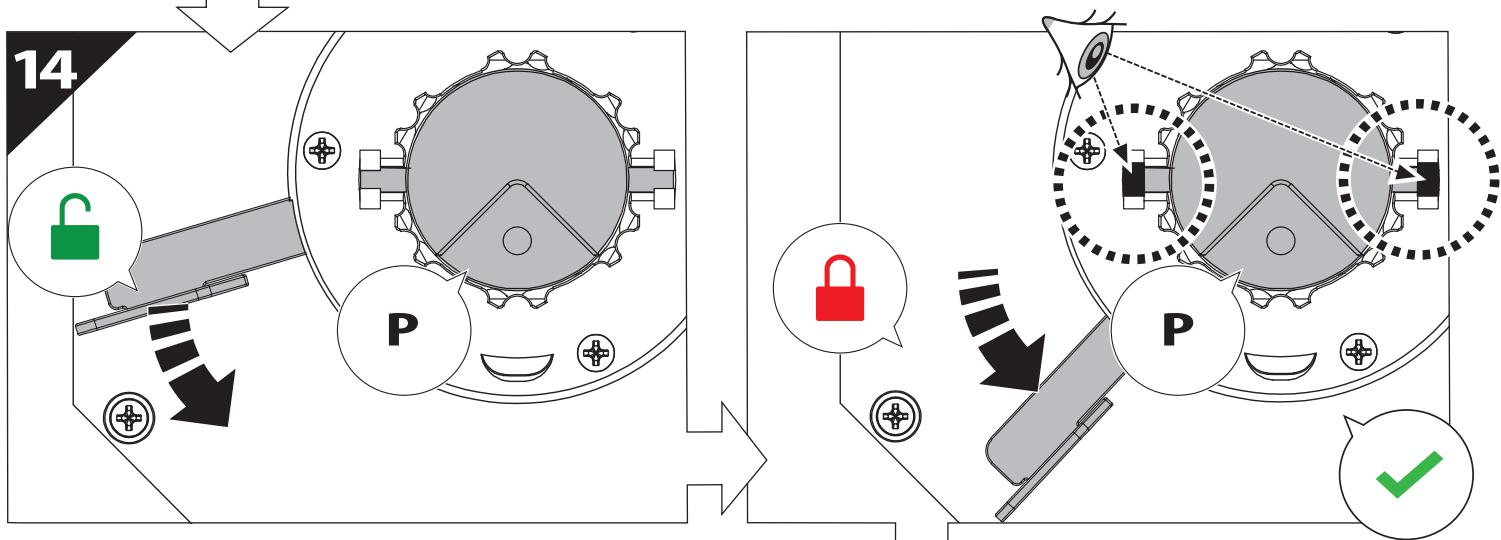
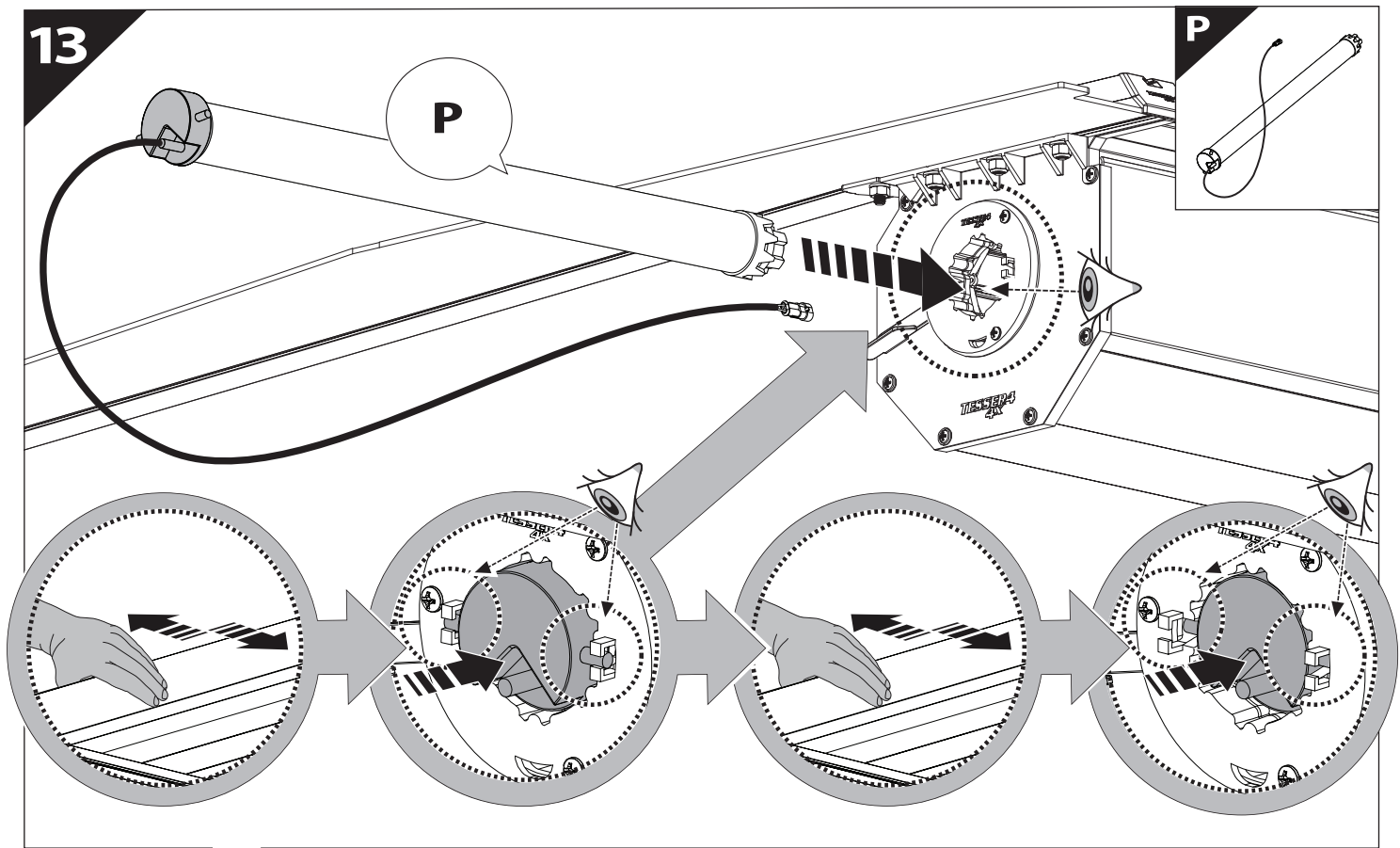
x1

4 mm

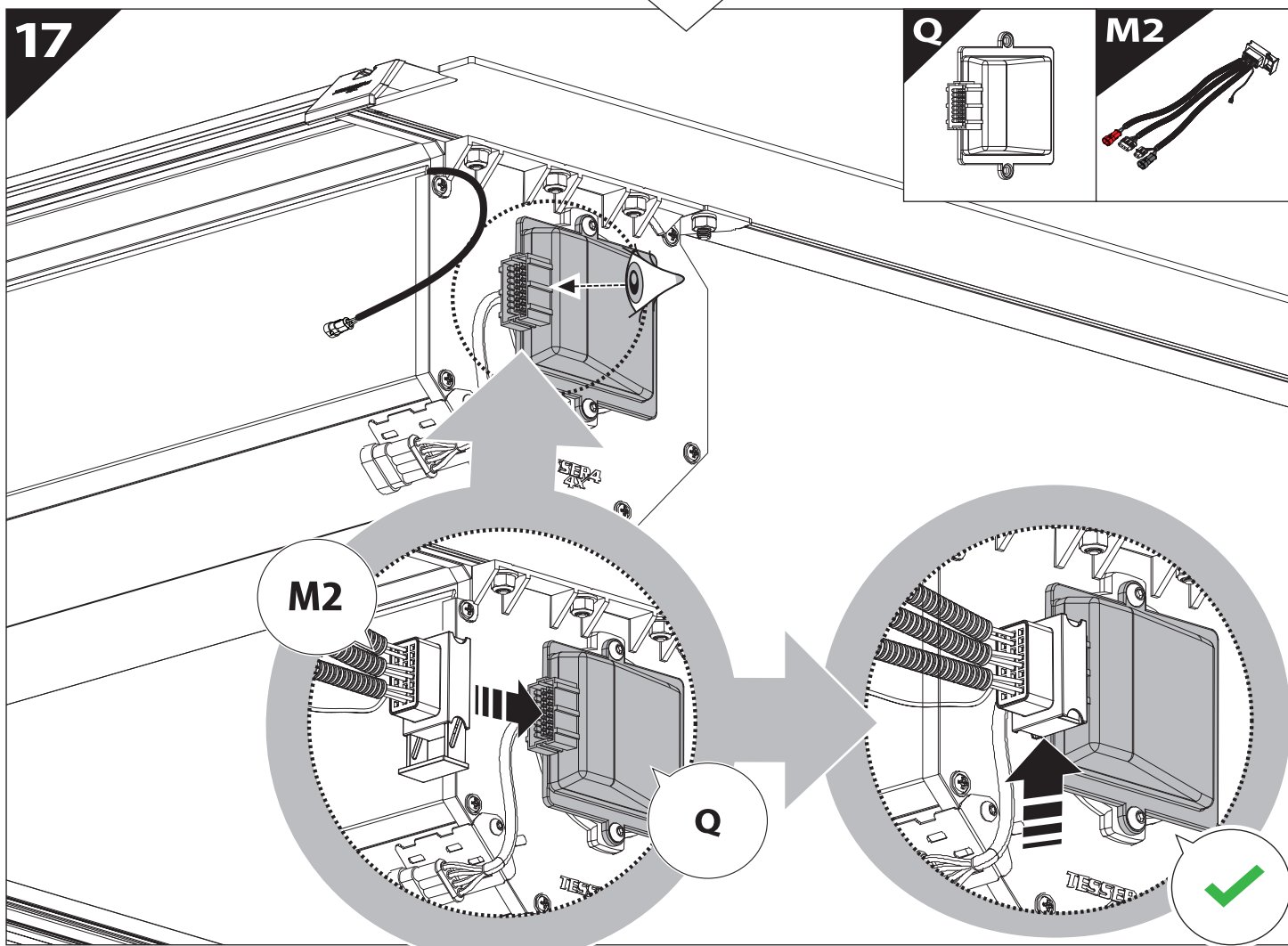
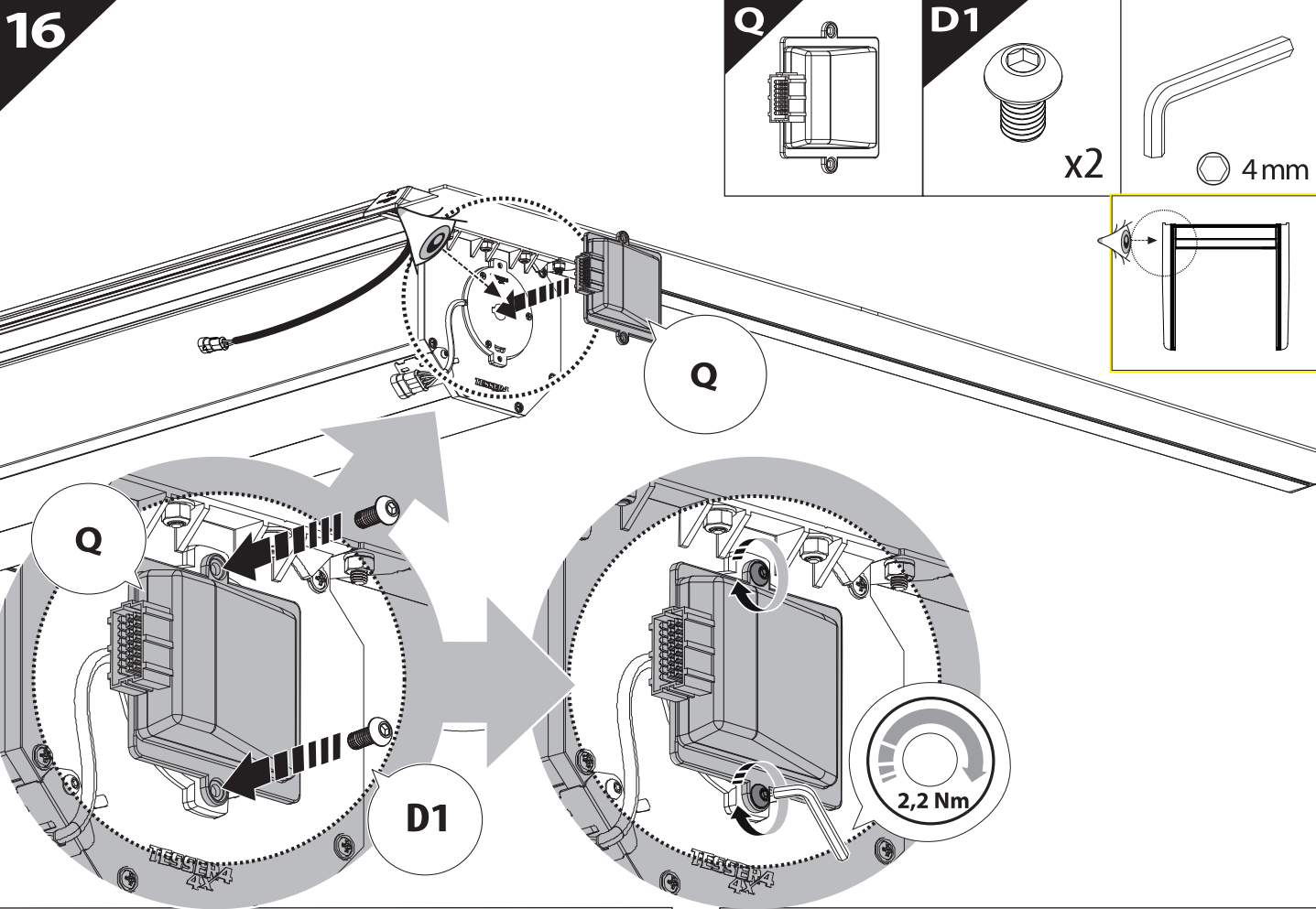


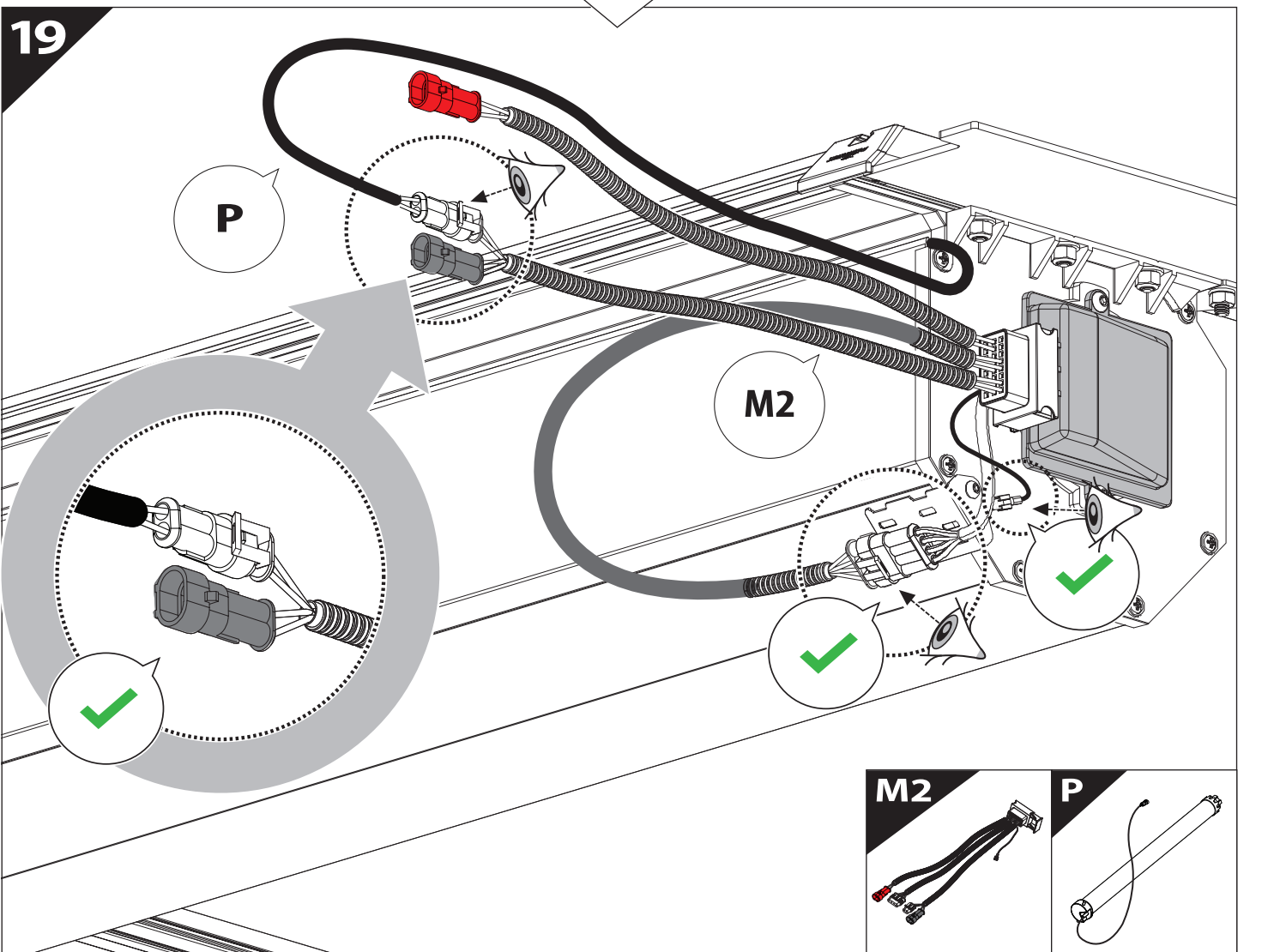
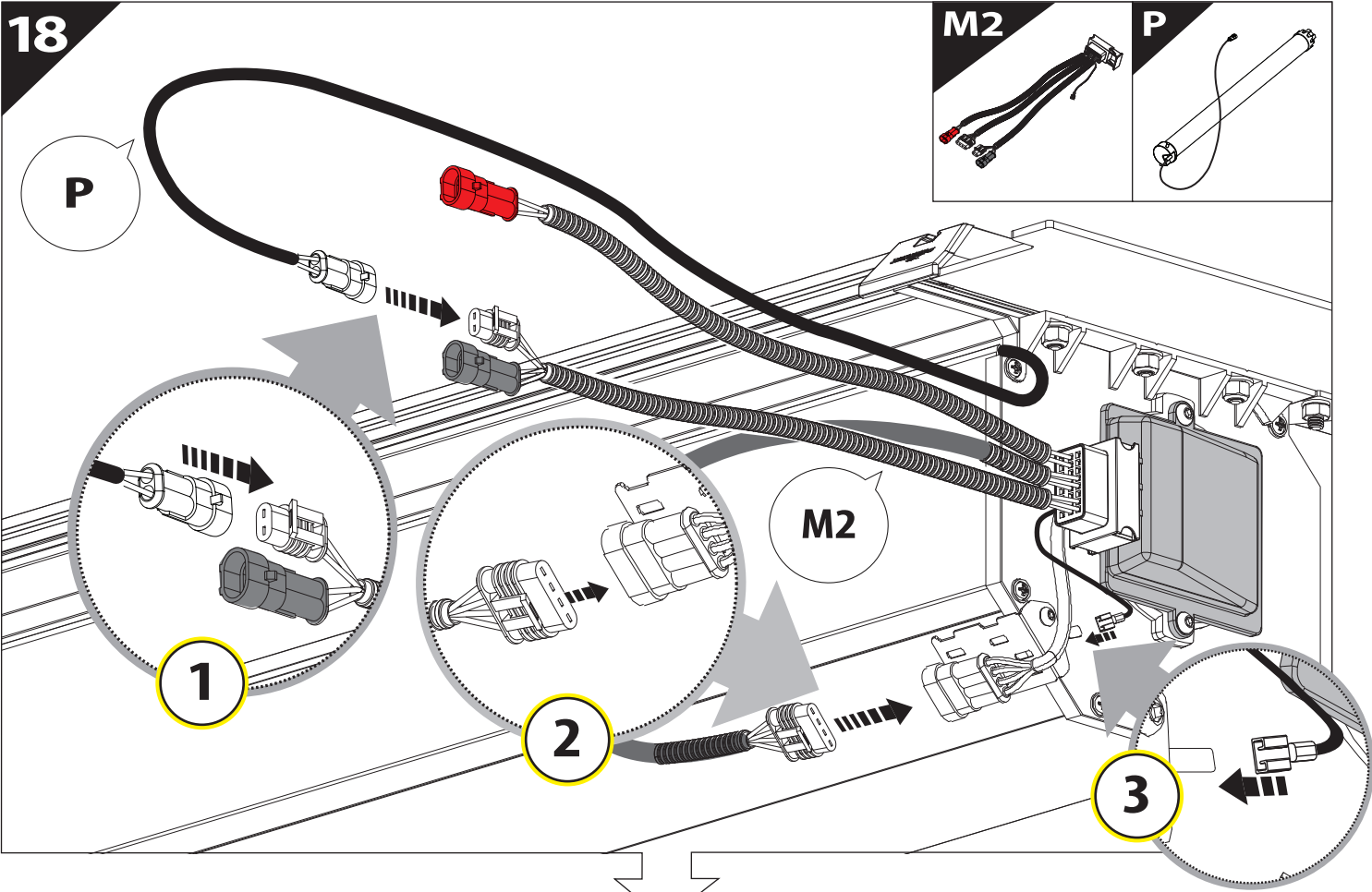






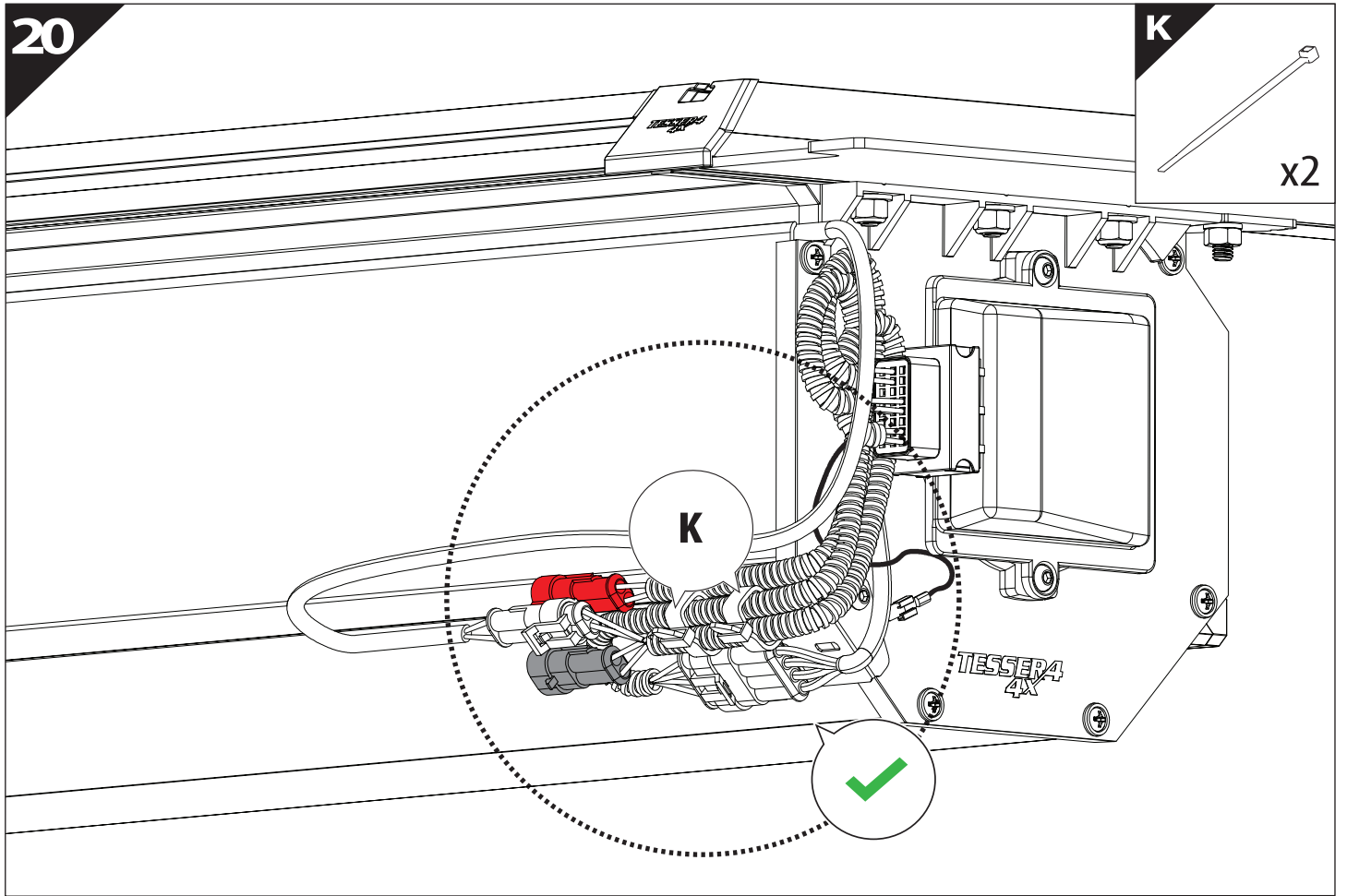




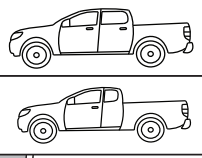


20

K

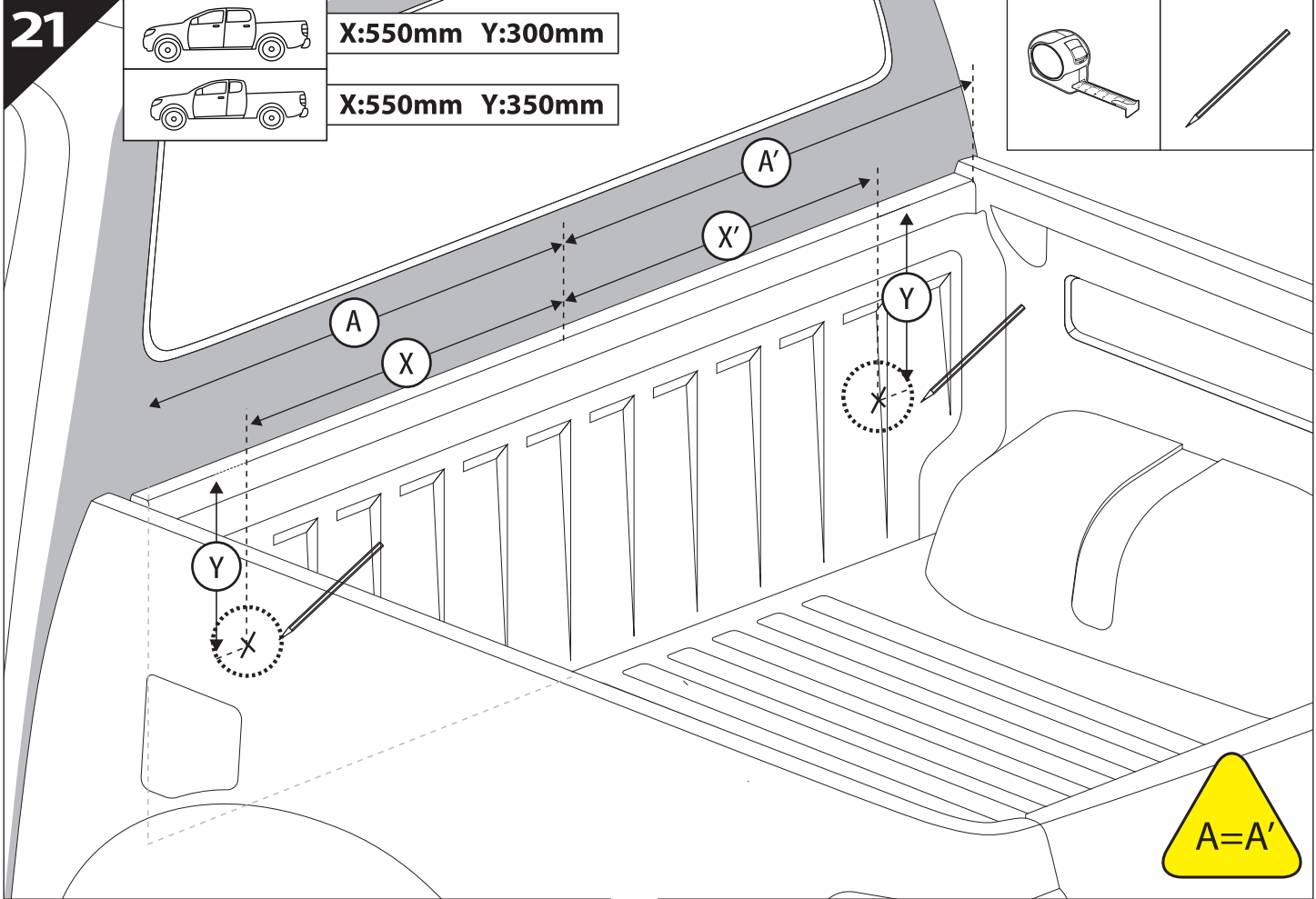
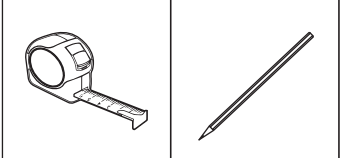


21

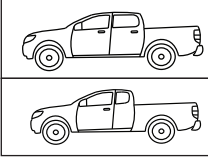


X:550mm Y:300mm

X:550mm Y:350mm

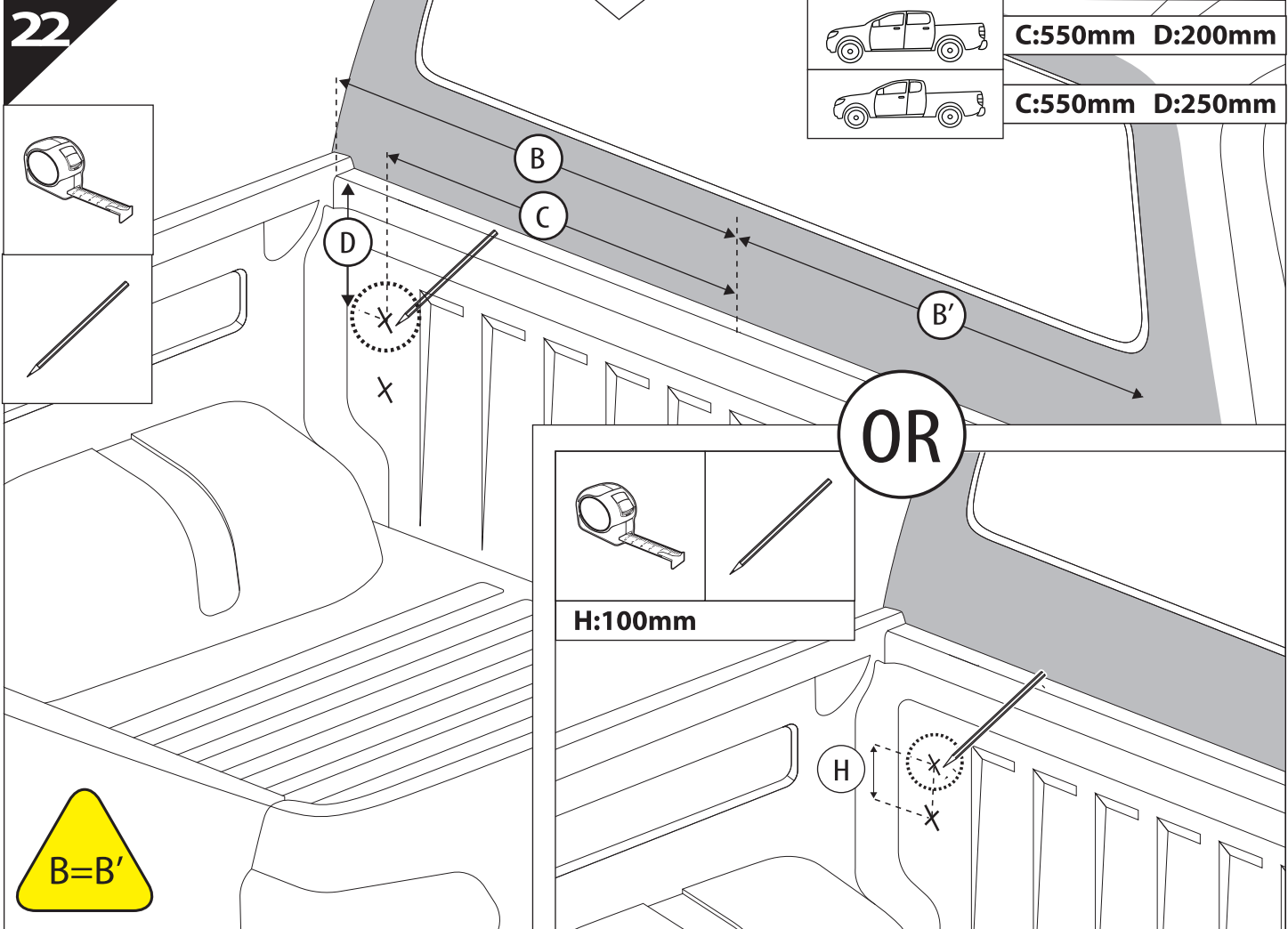


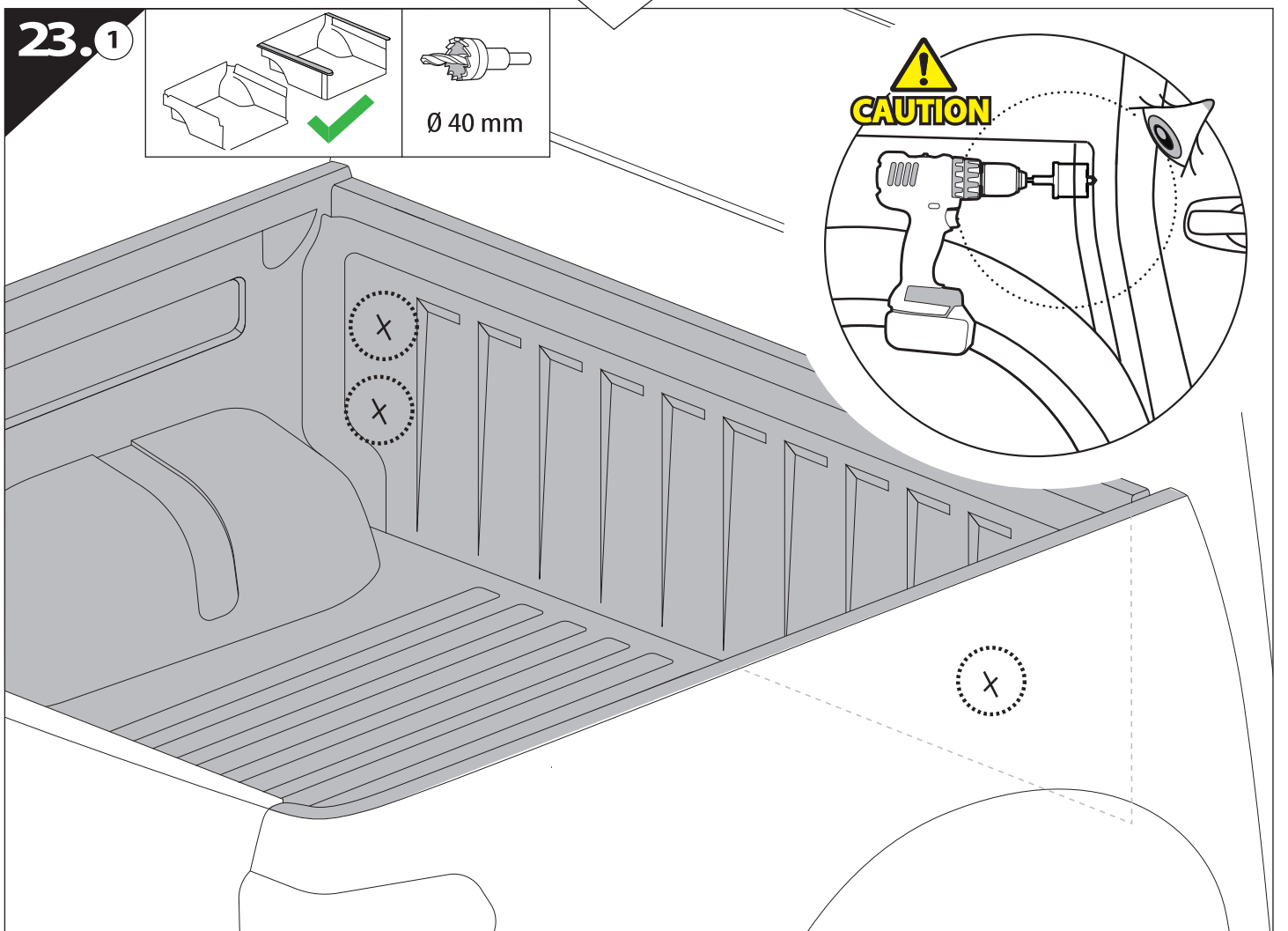
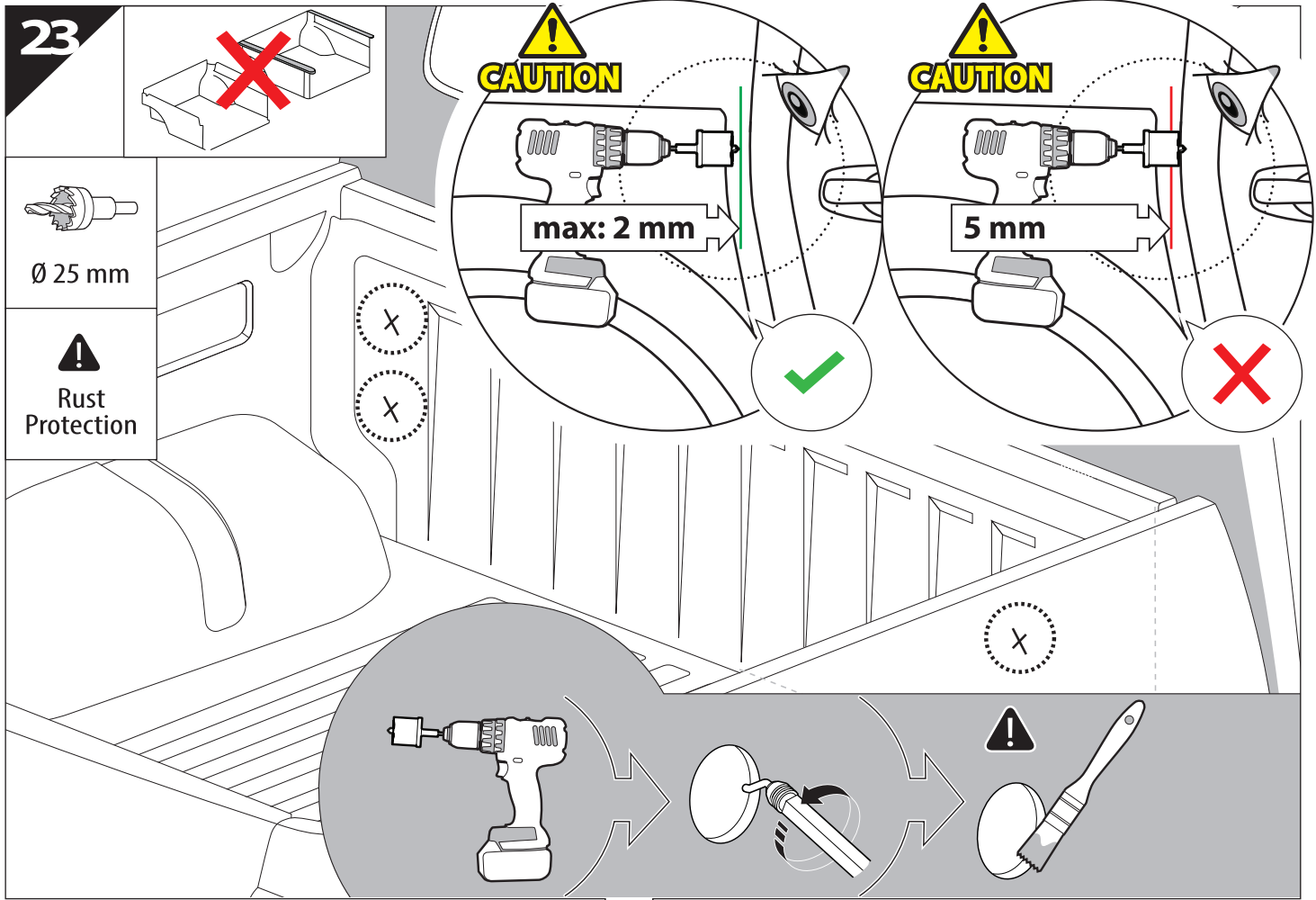
22



C:550mm D:200mm

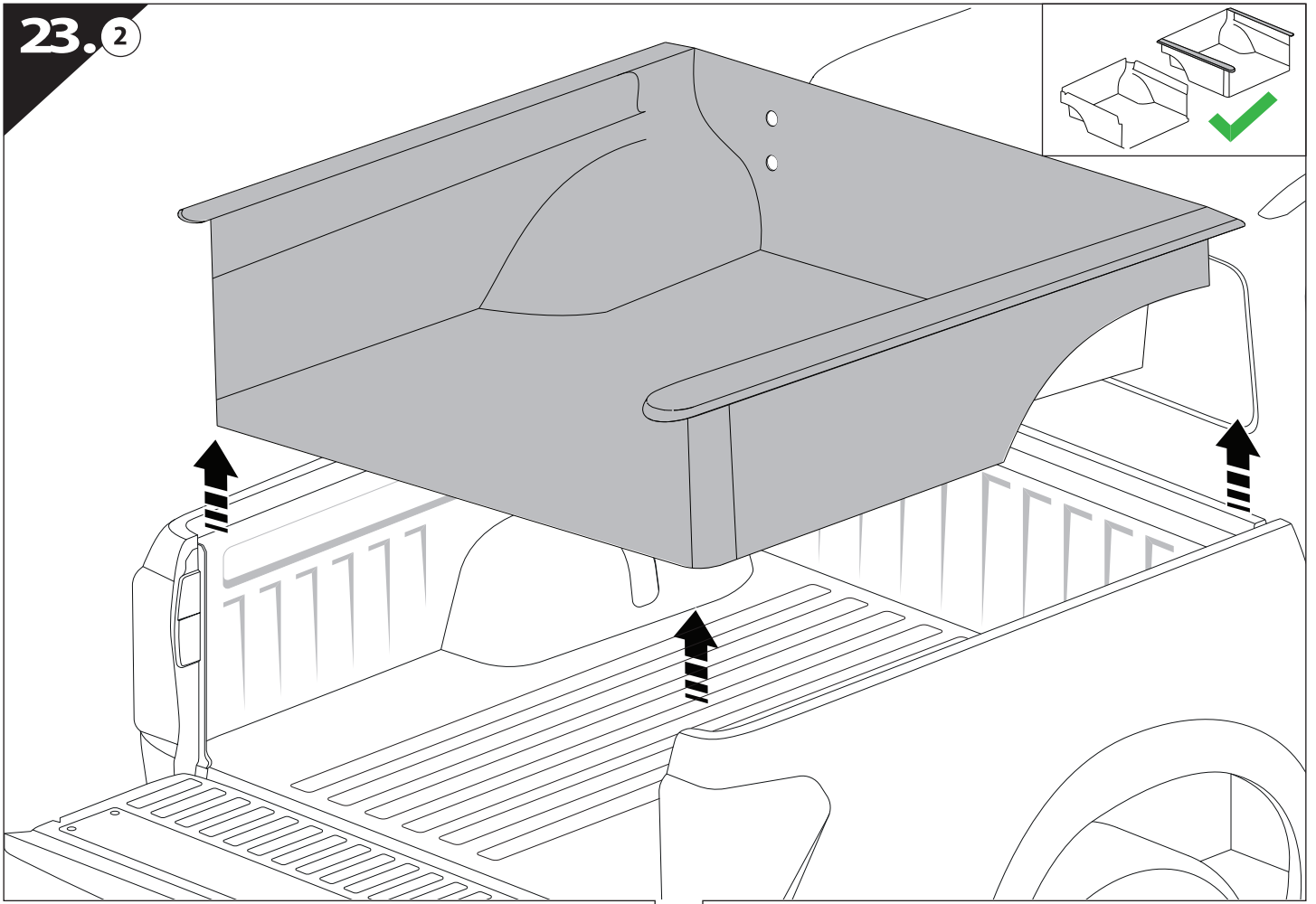
C:550mm D:250mm



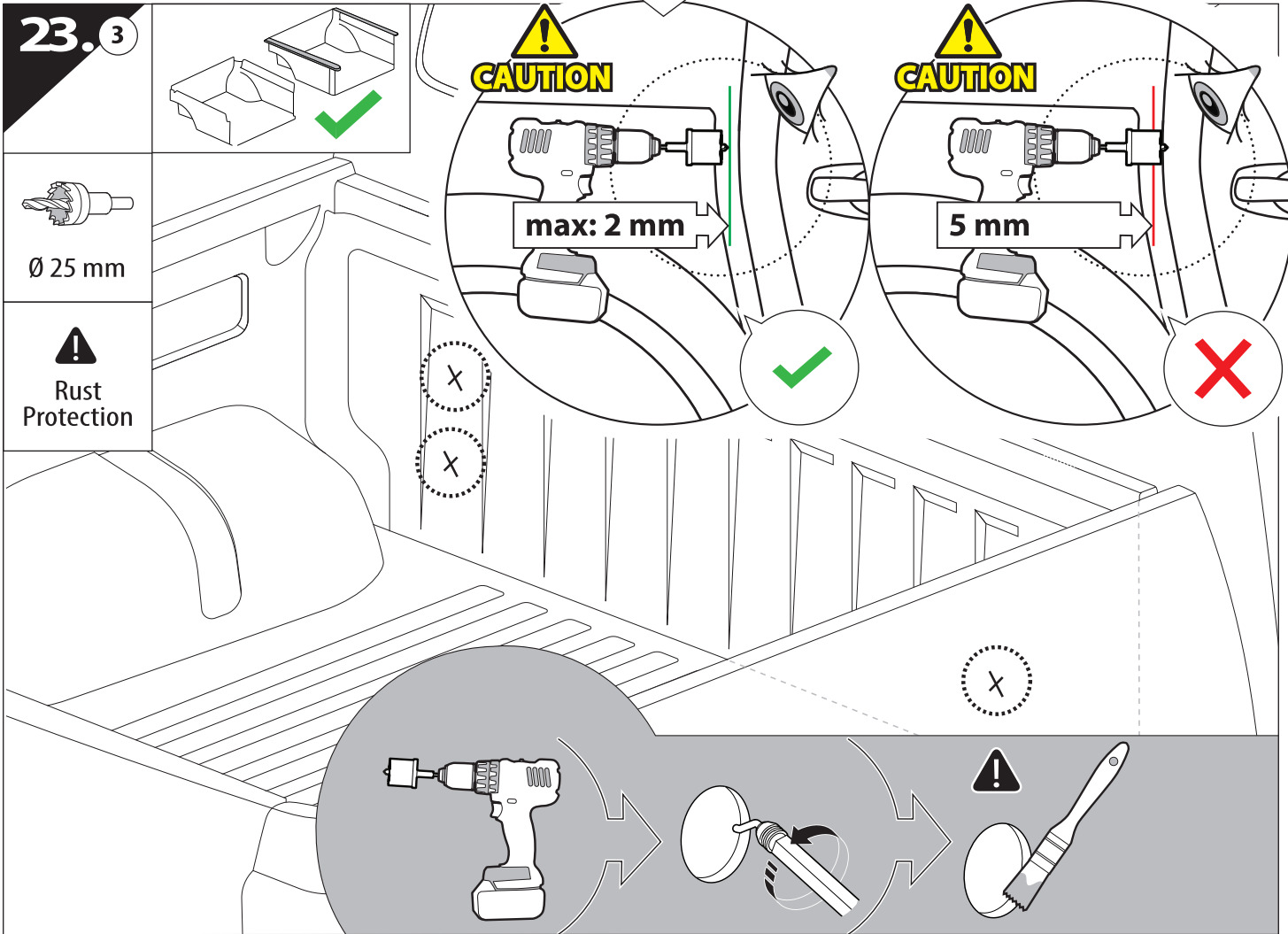


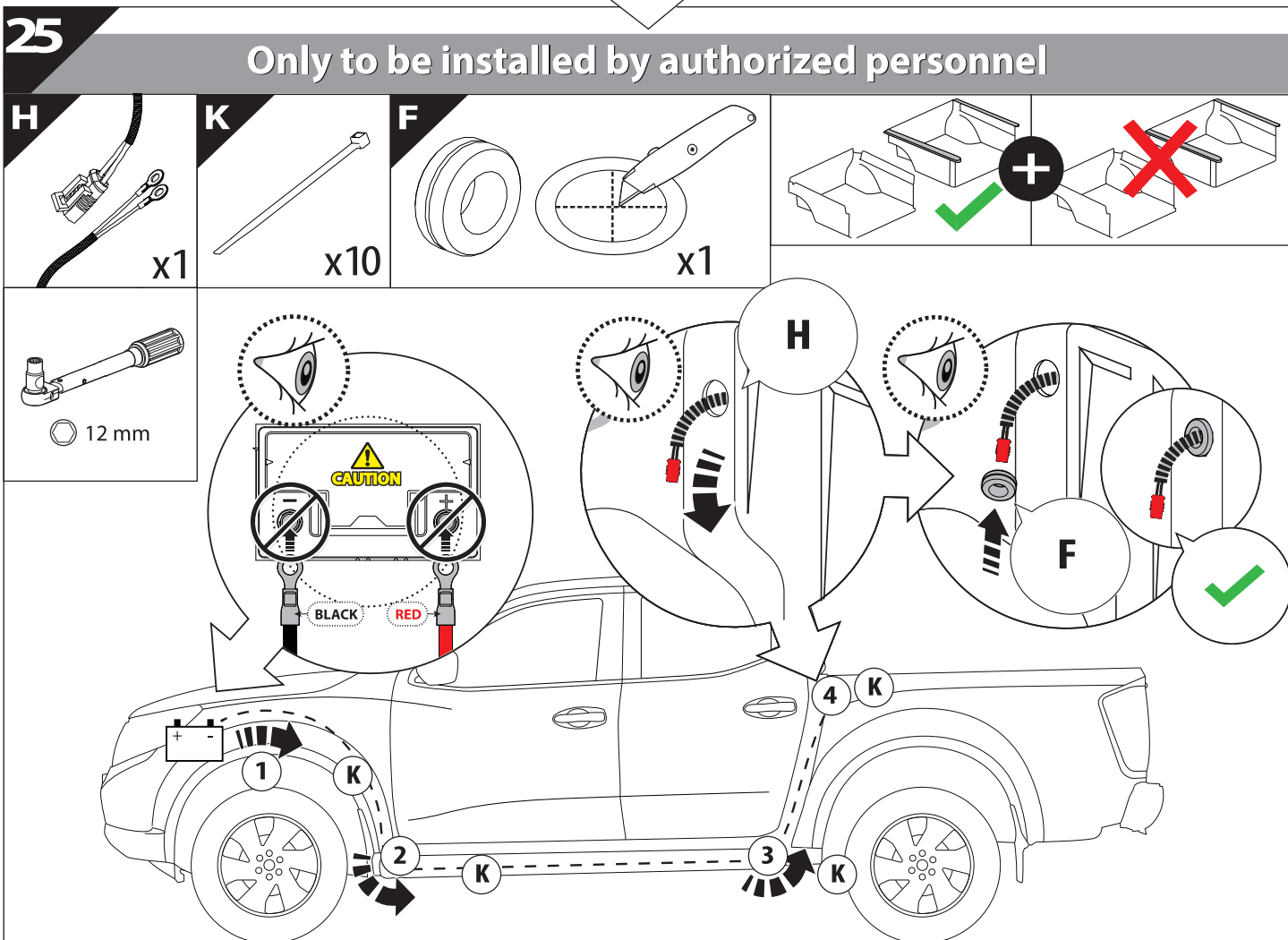
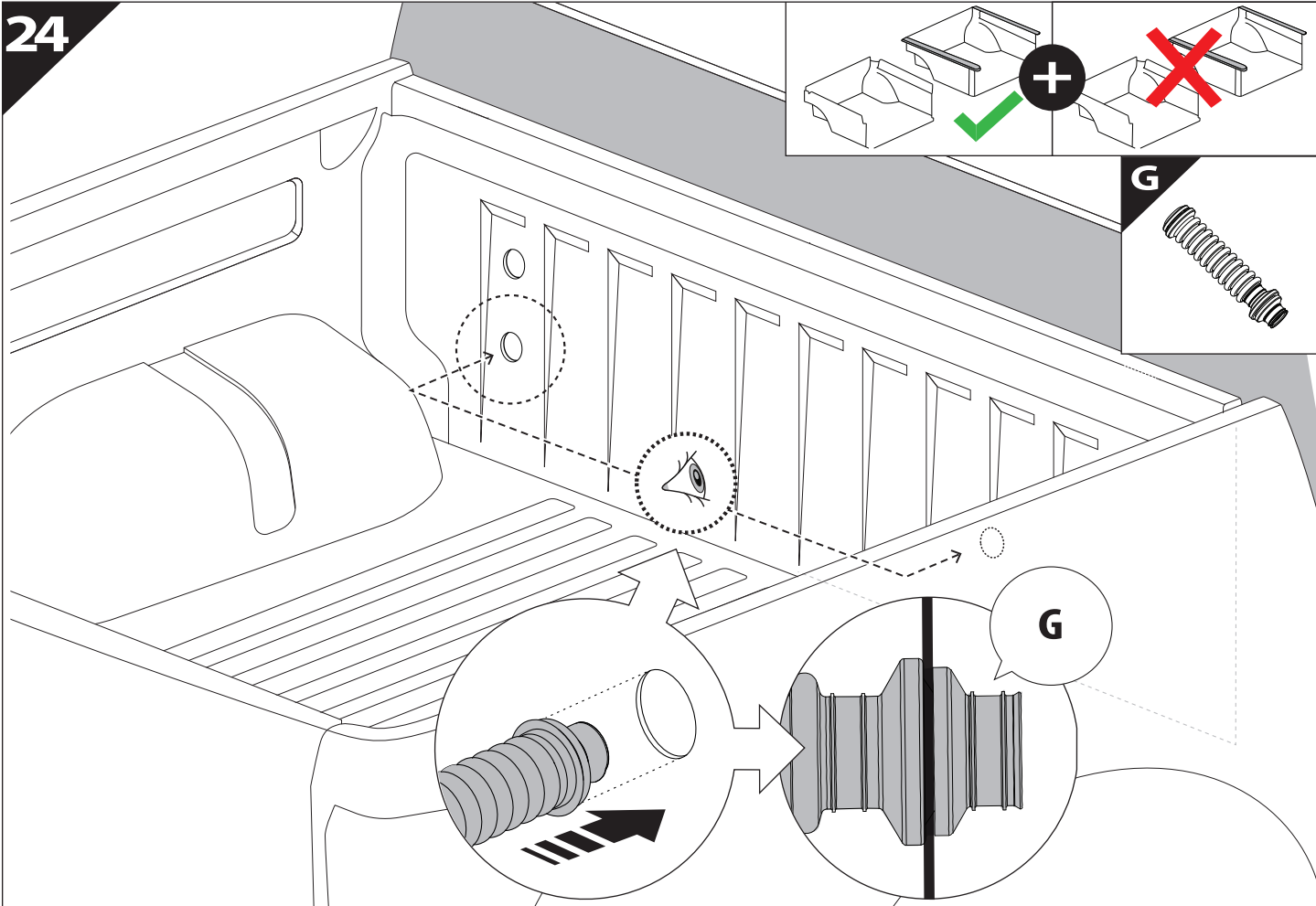


23.2

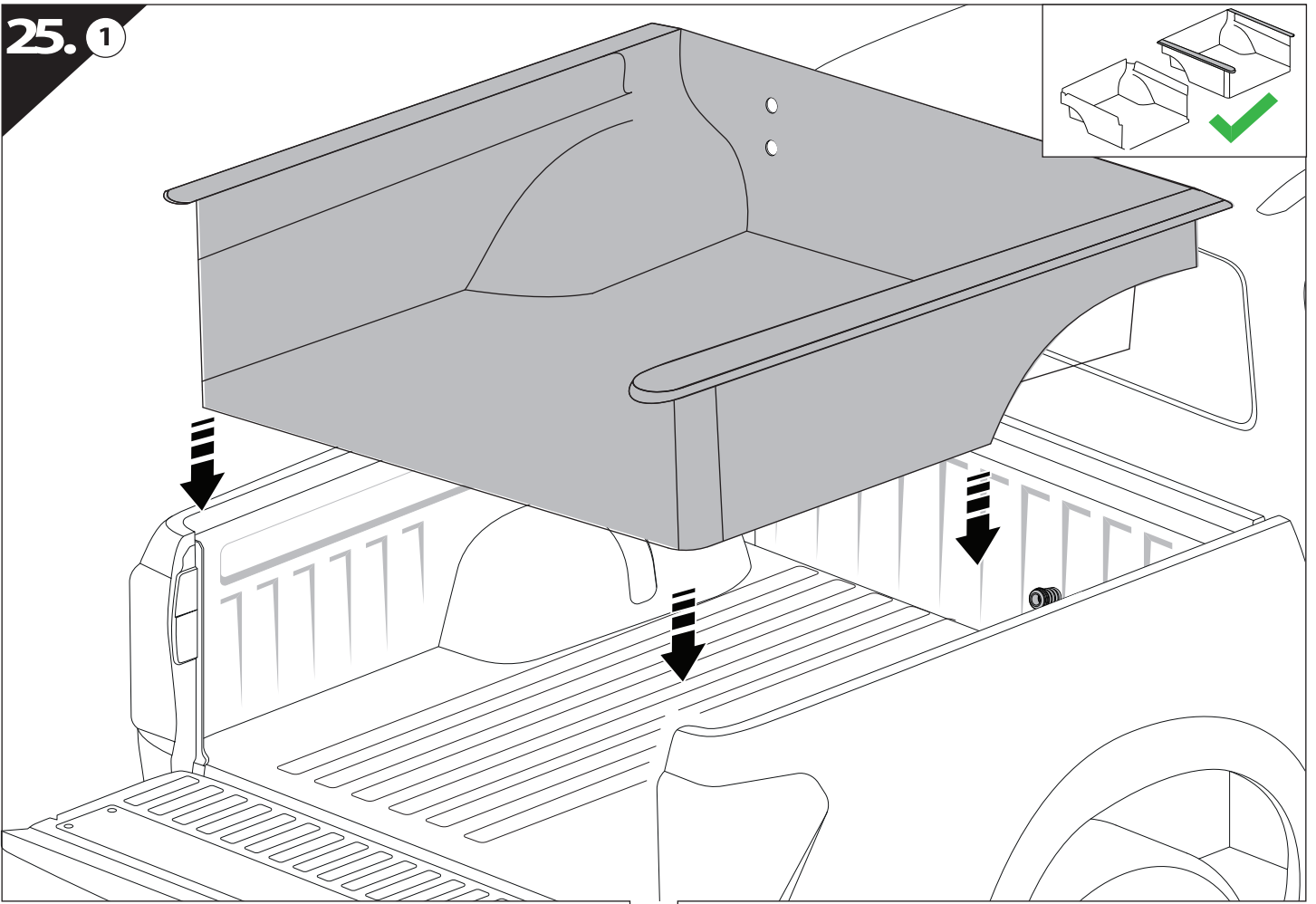


23.3

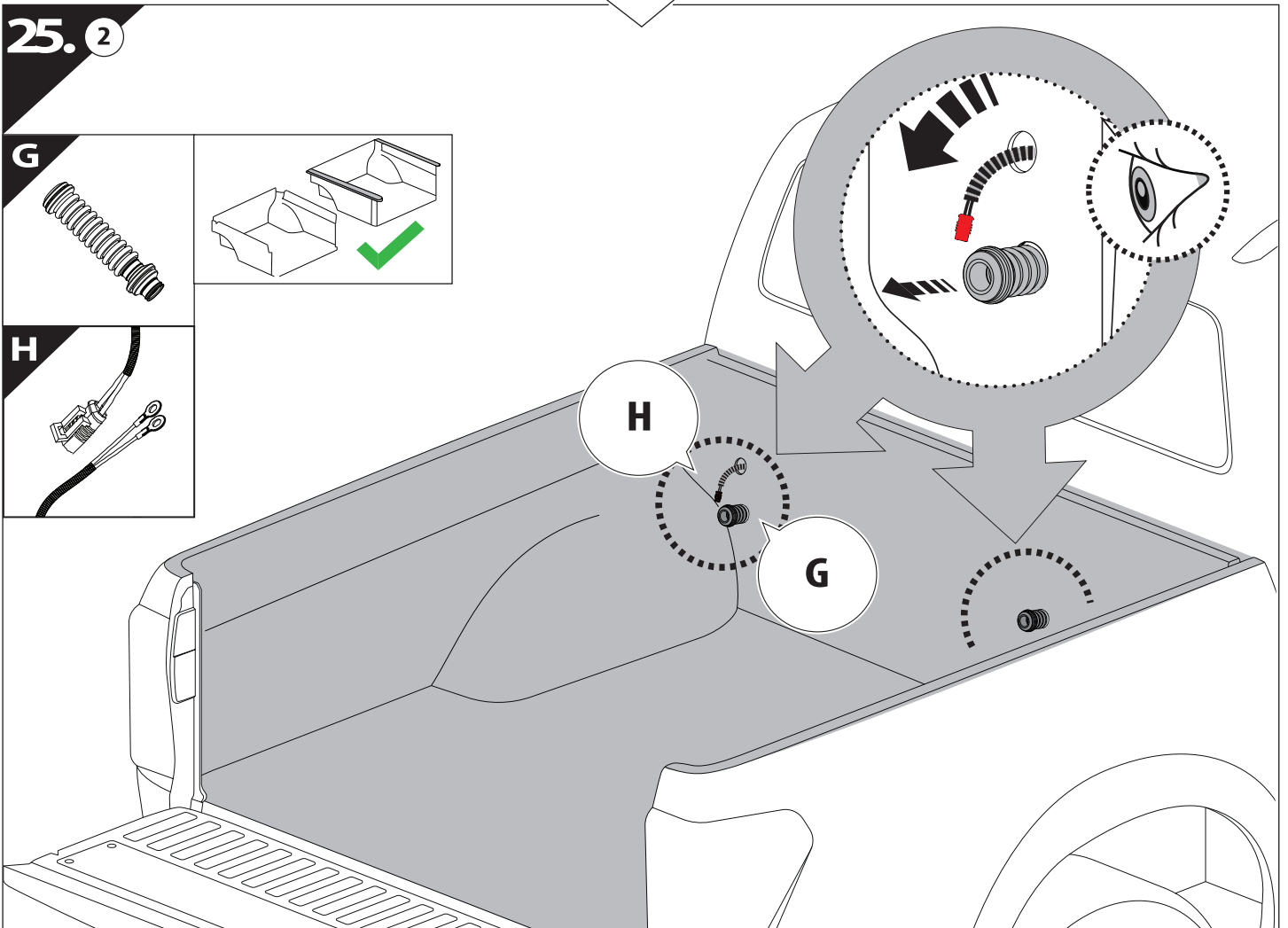




25. ①



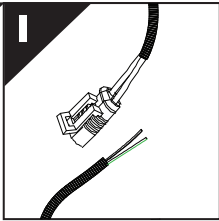
25. ②



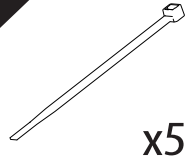


26

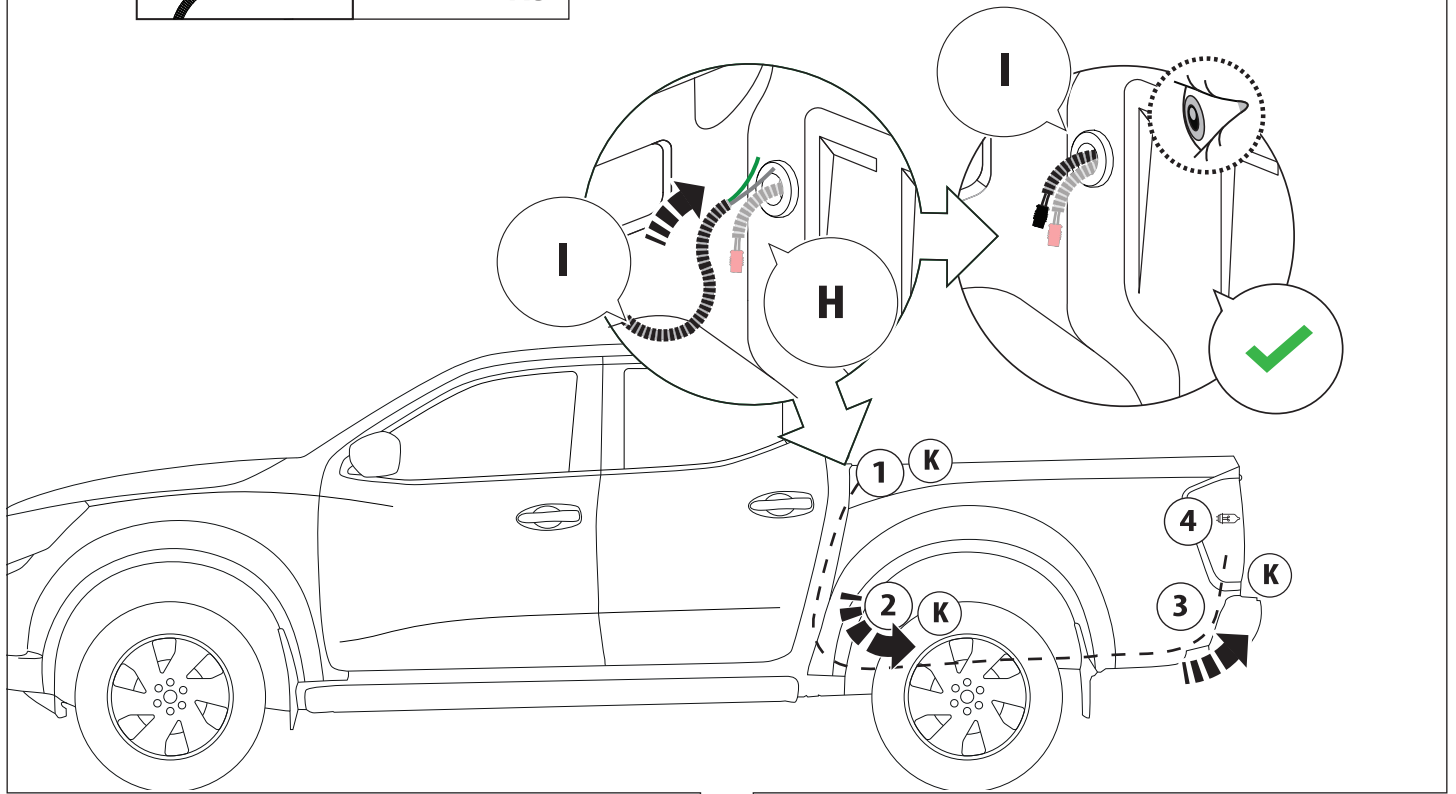
I



K



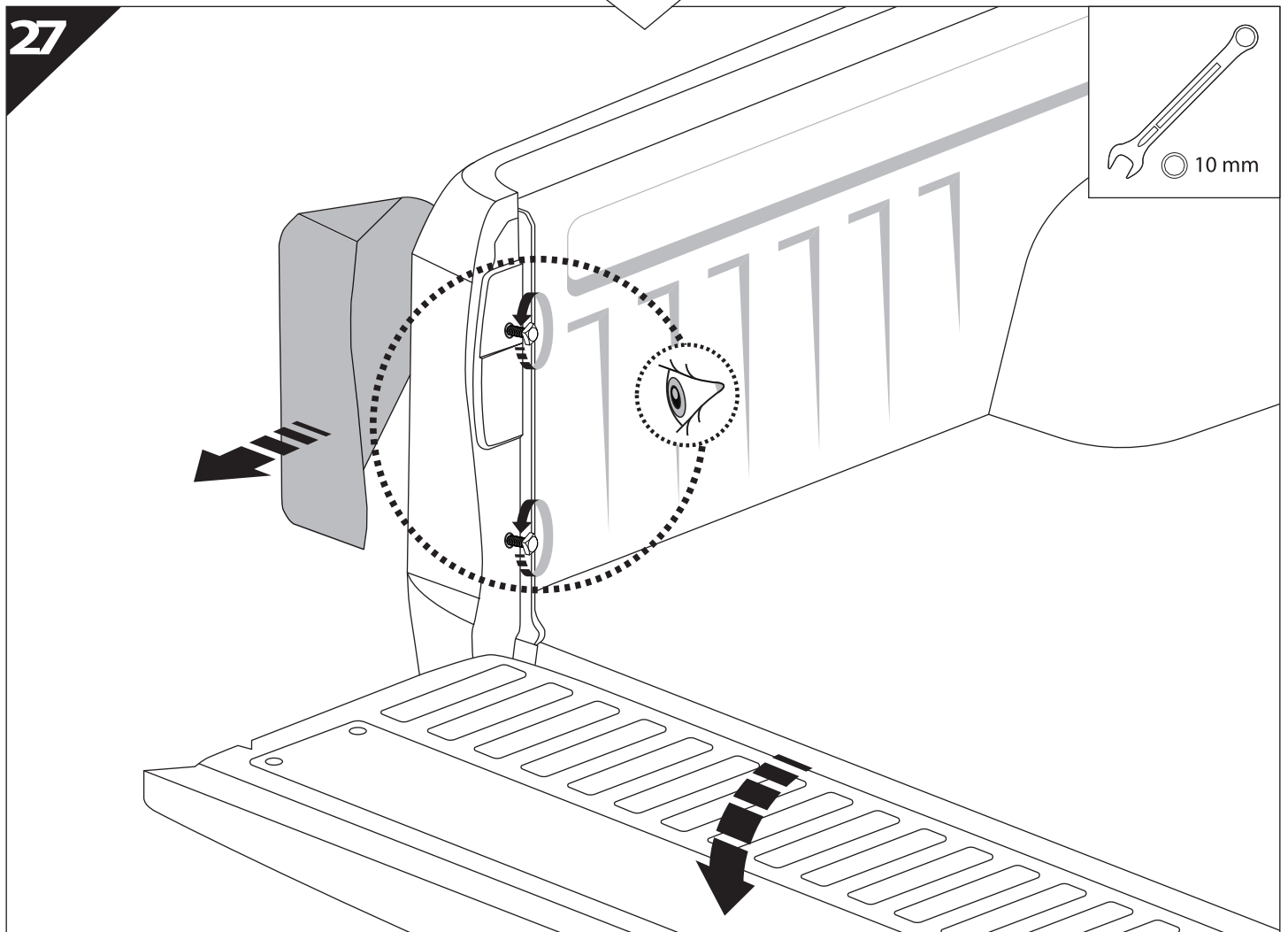
x5

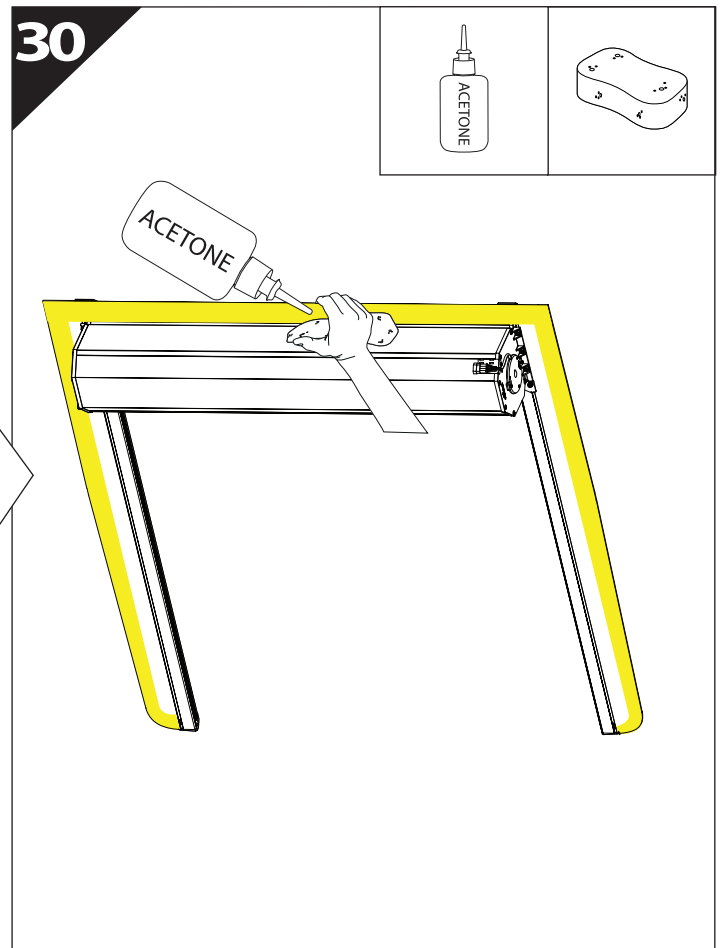
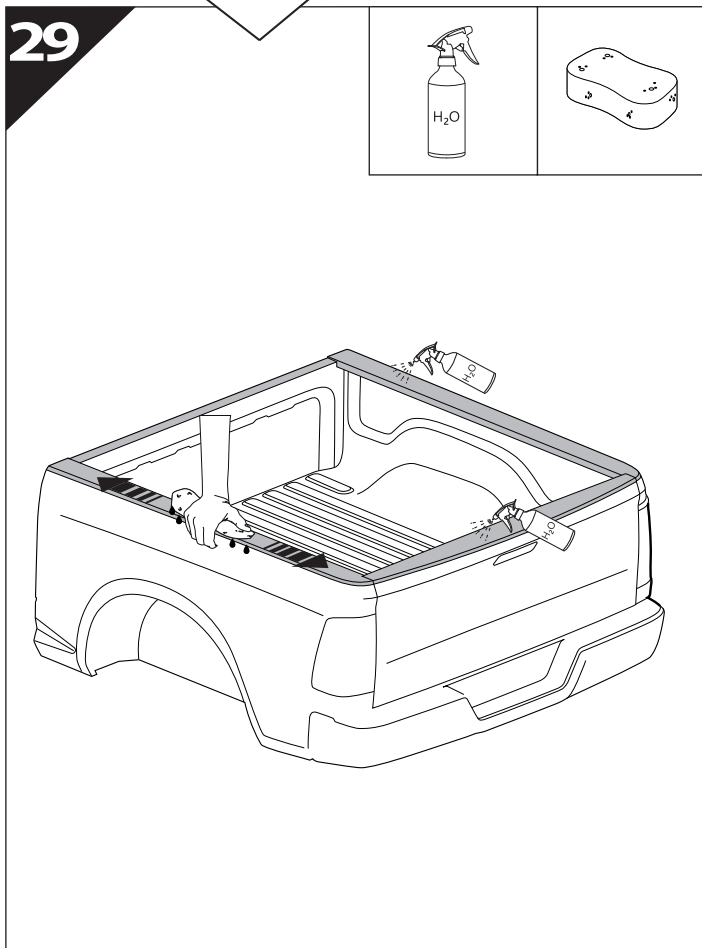
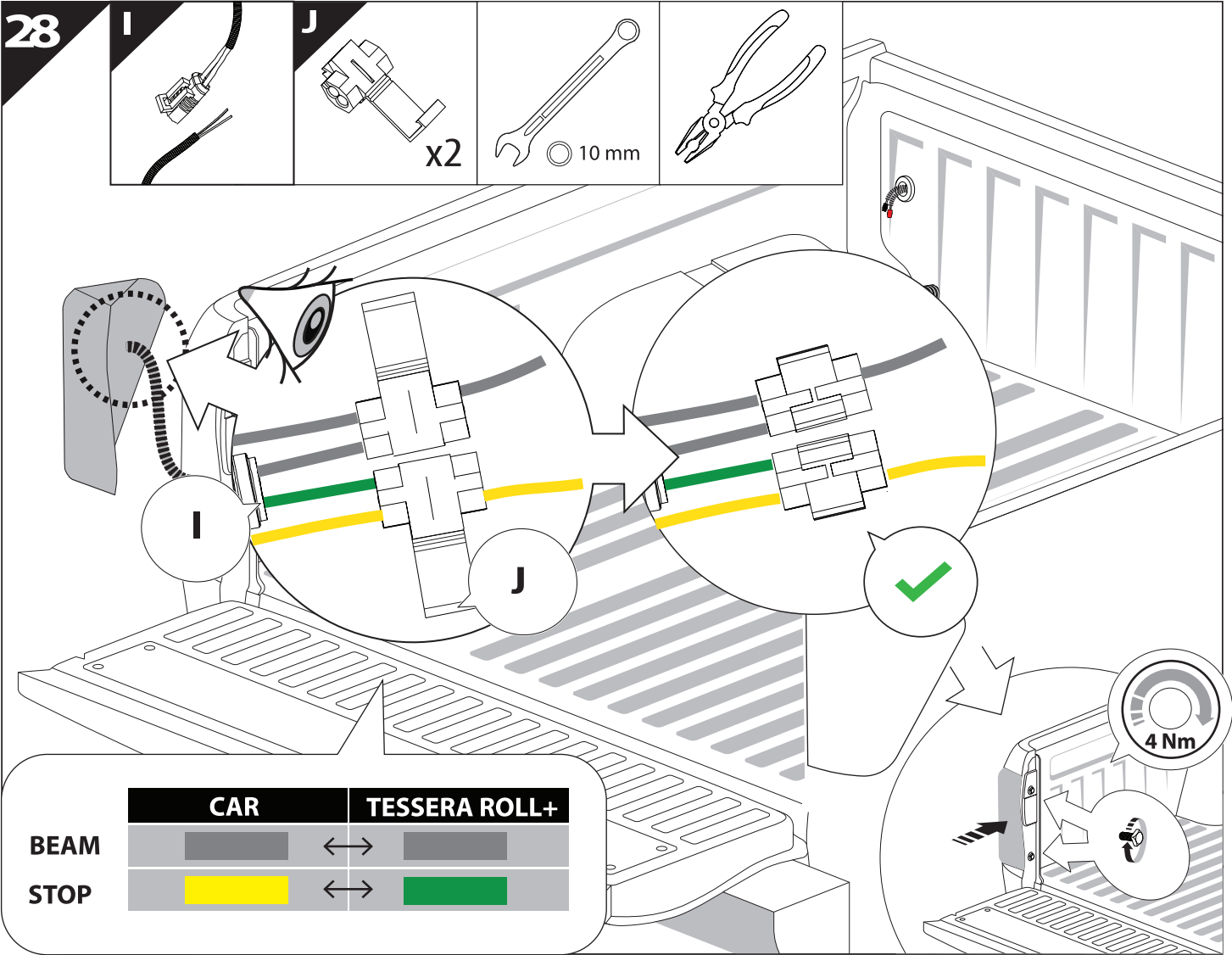


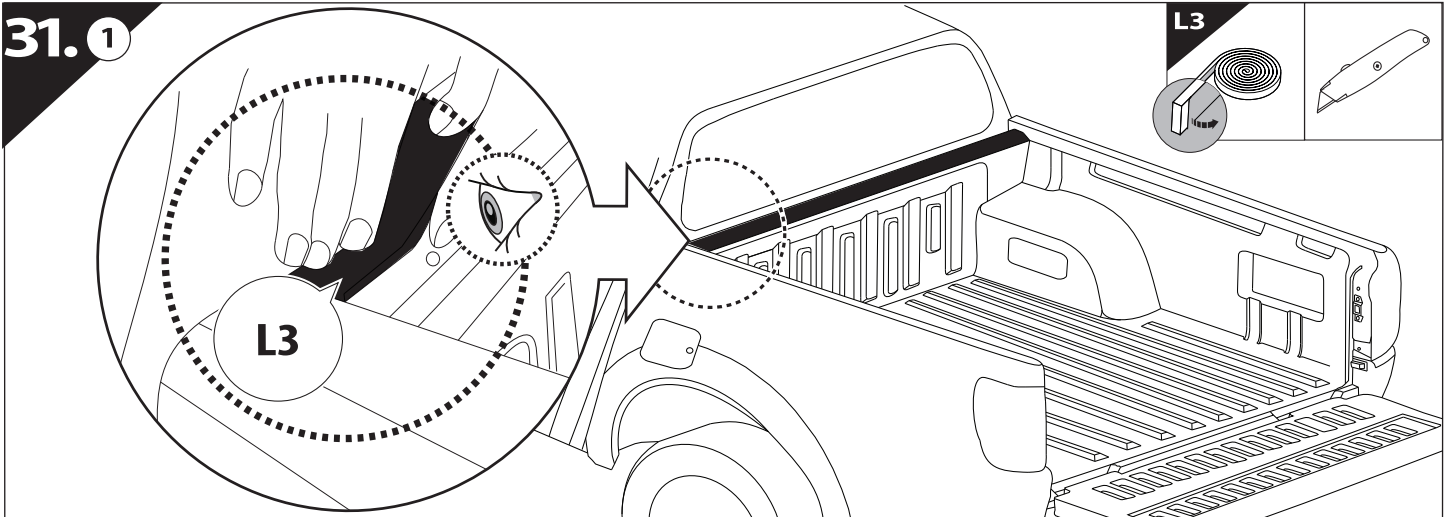
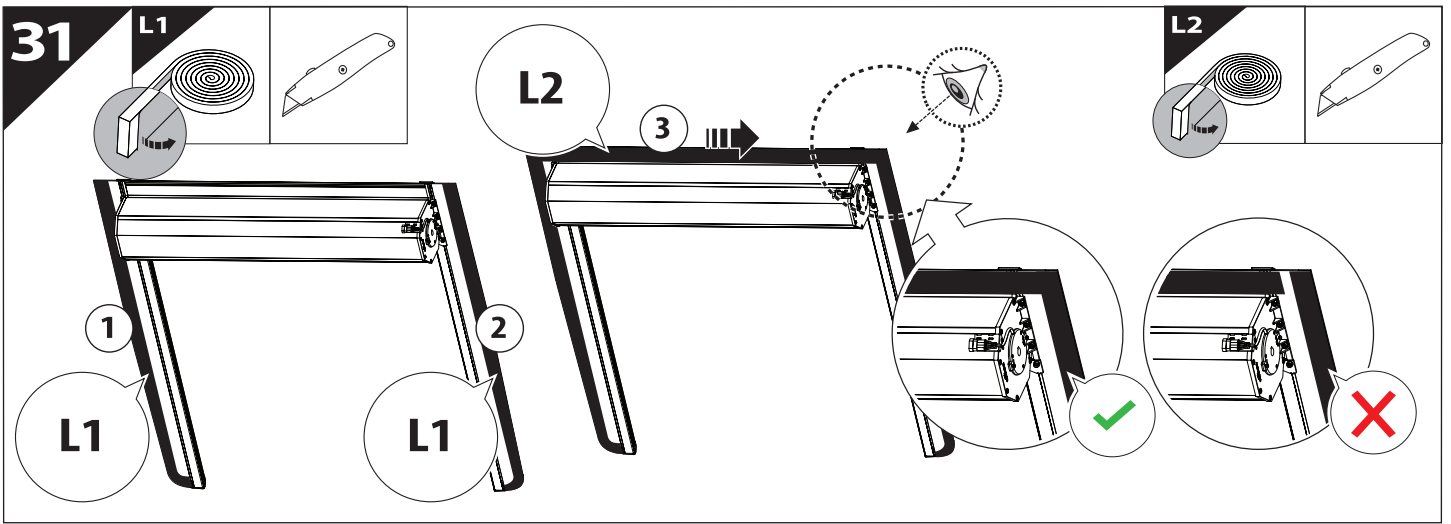
27

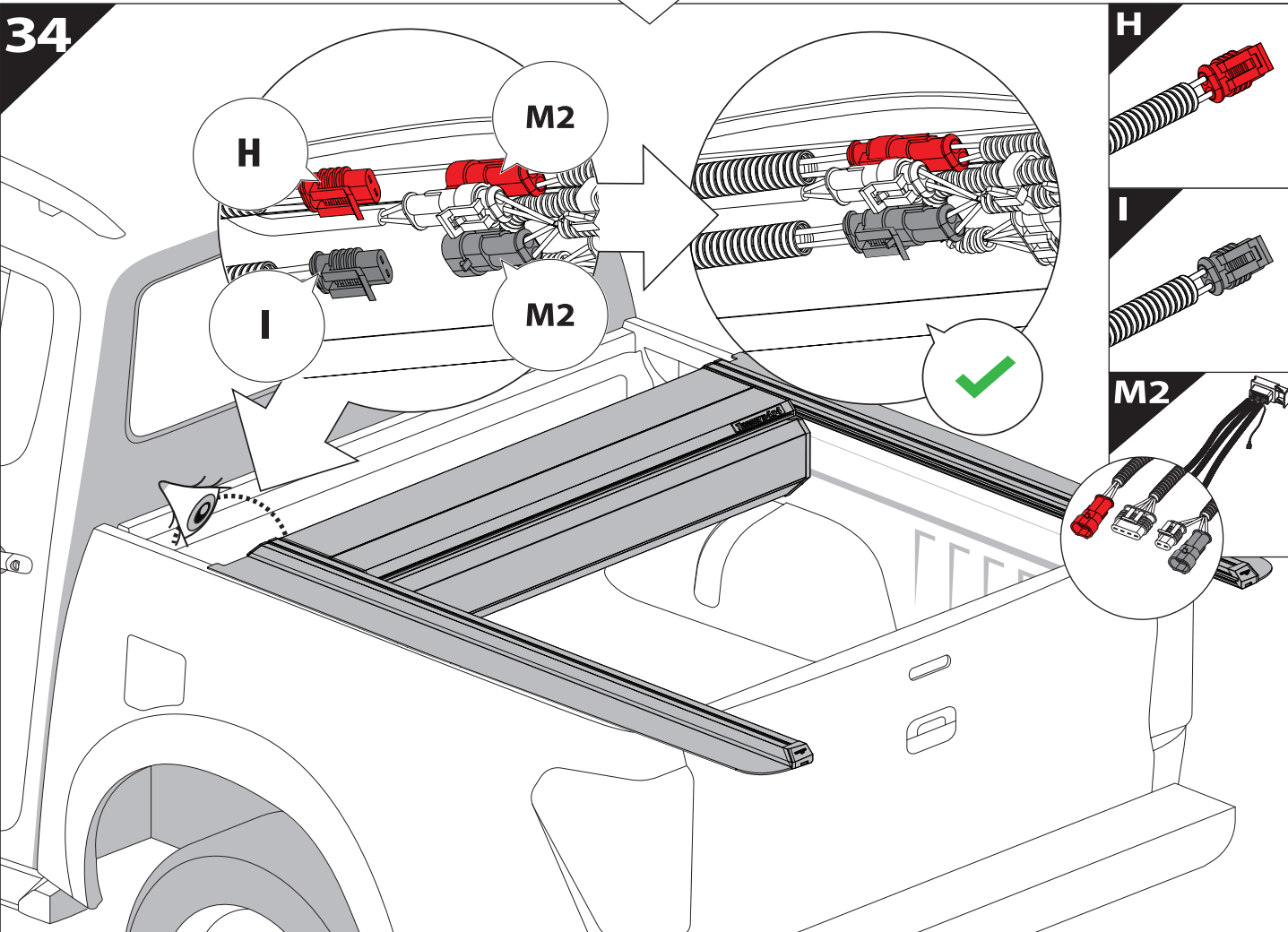
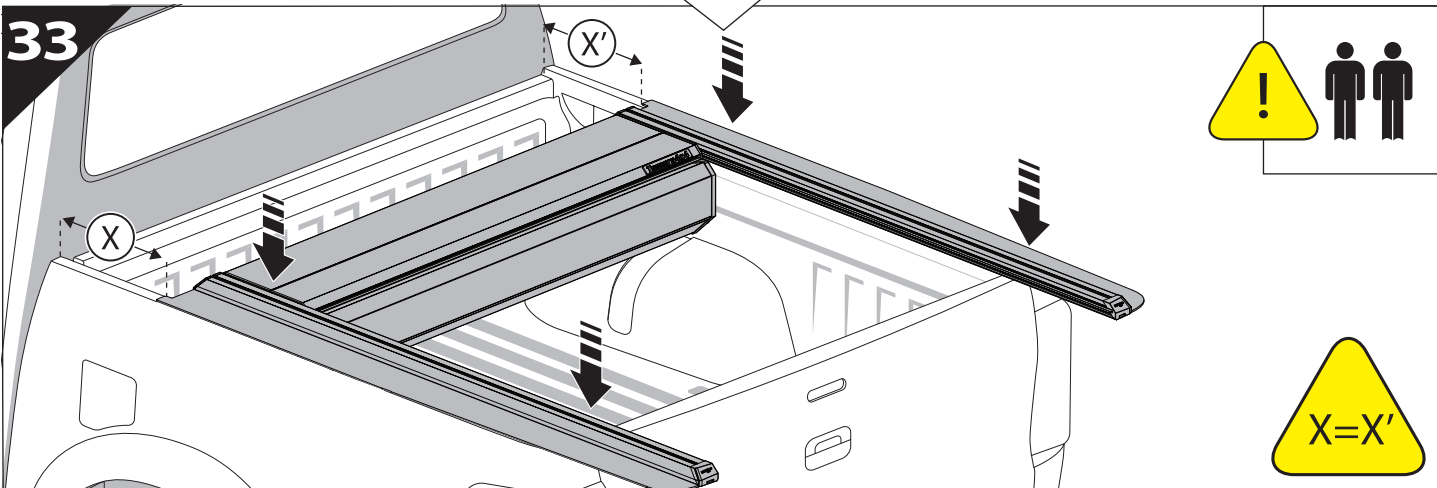
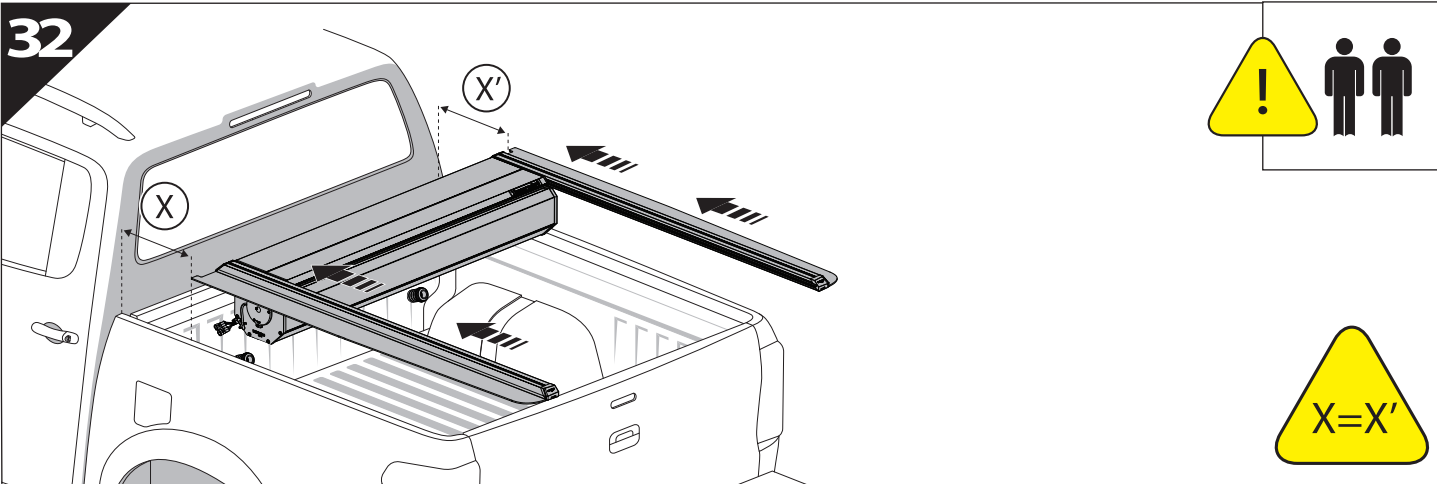


10 mm



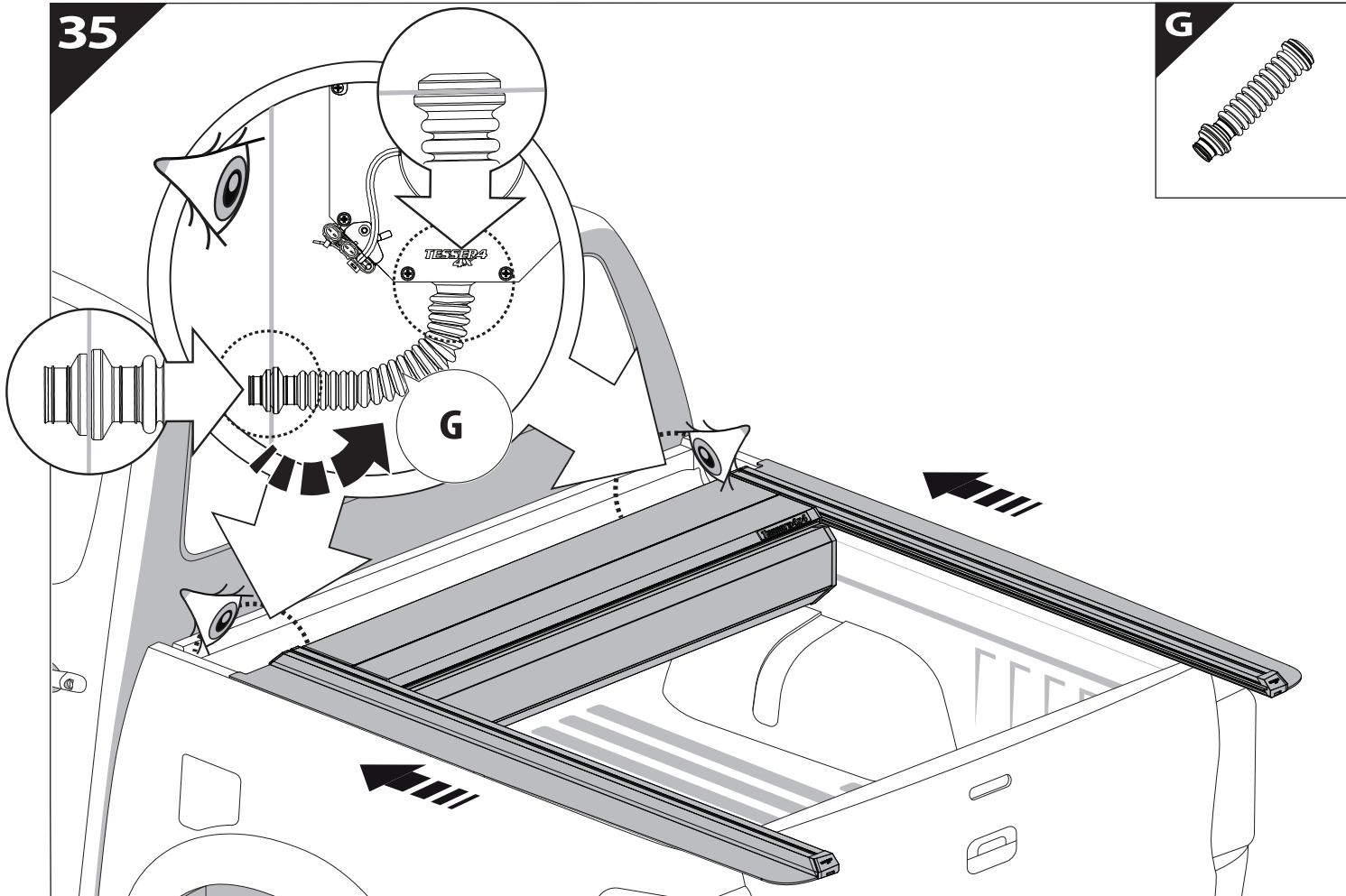






35

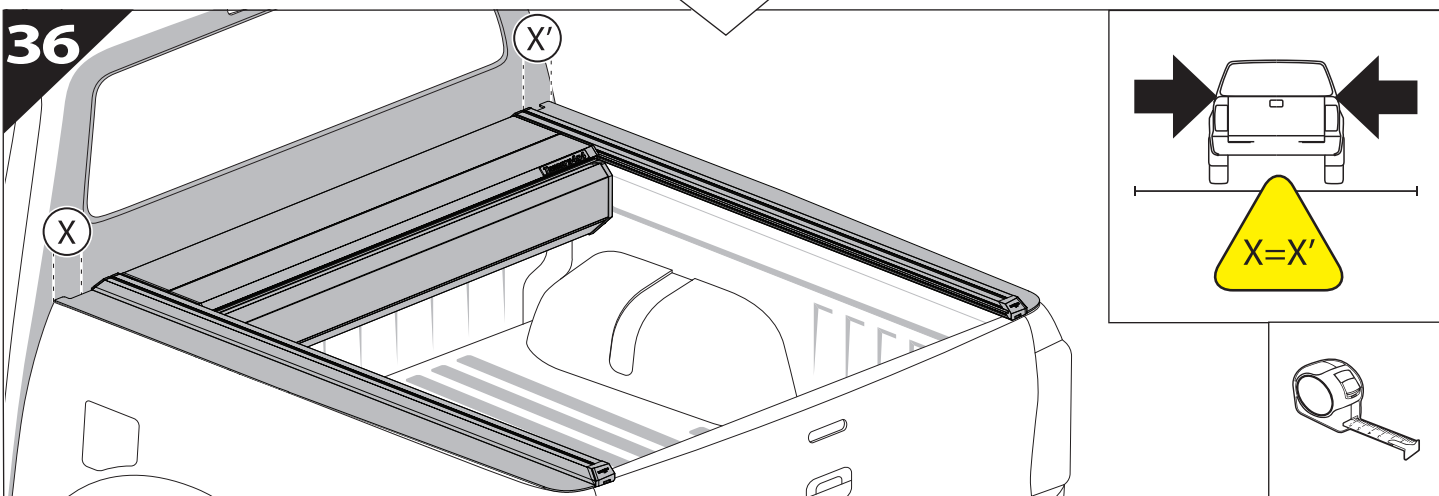
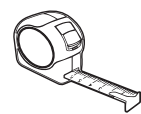
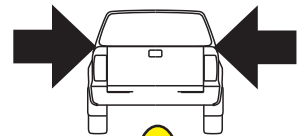
G



36

X'

X

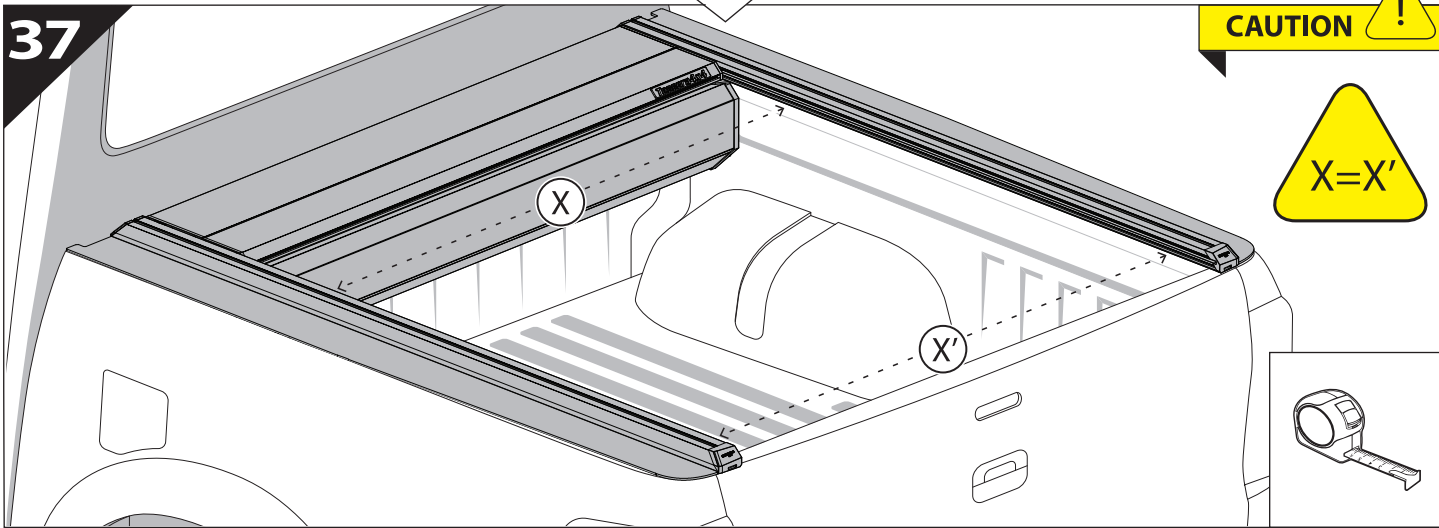
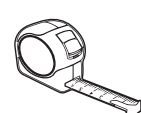


37

CAUTION !

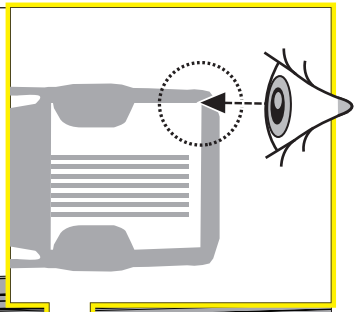
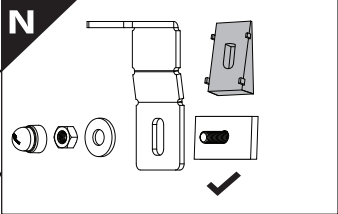
X

X'

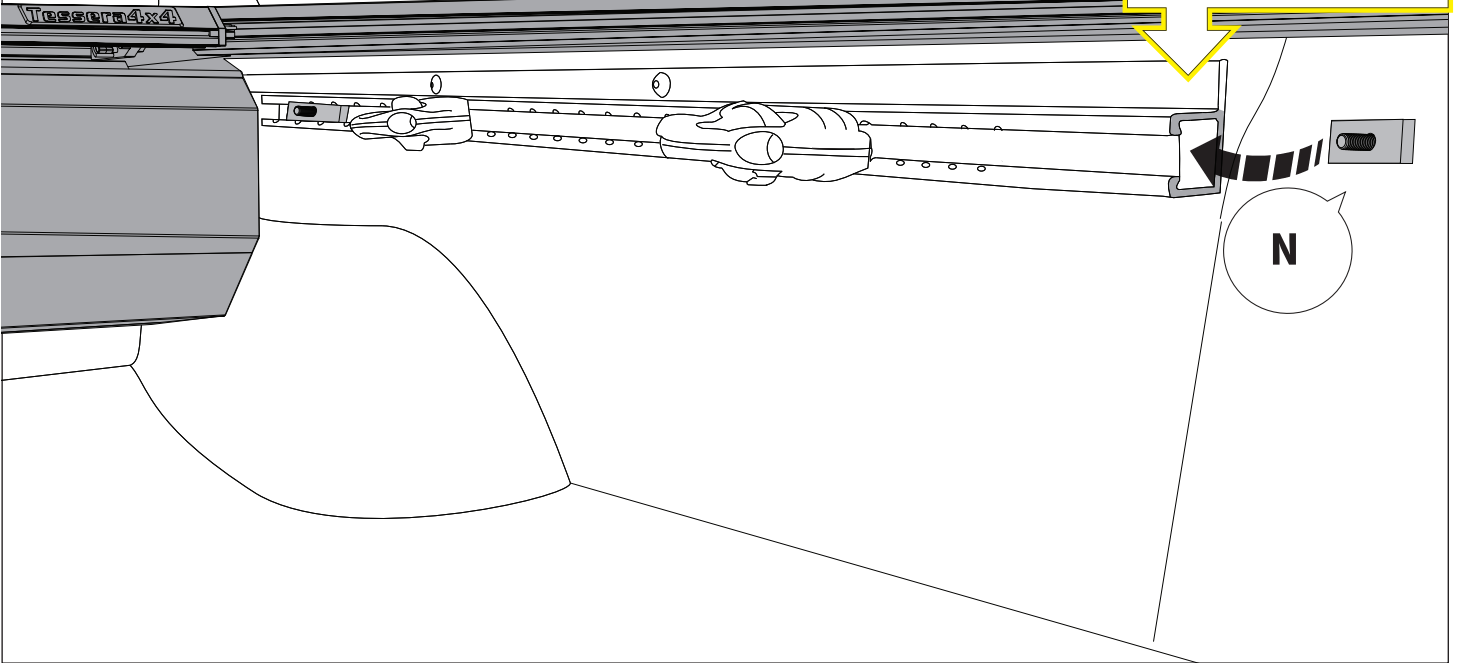


38

N

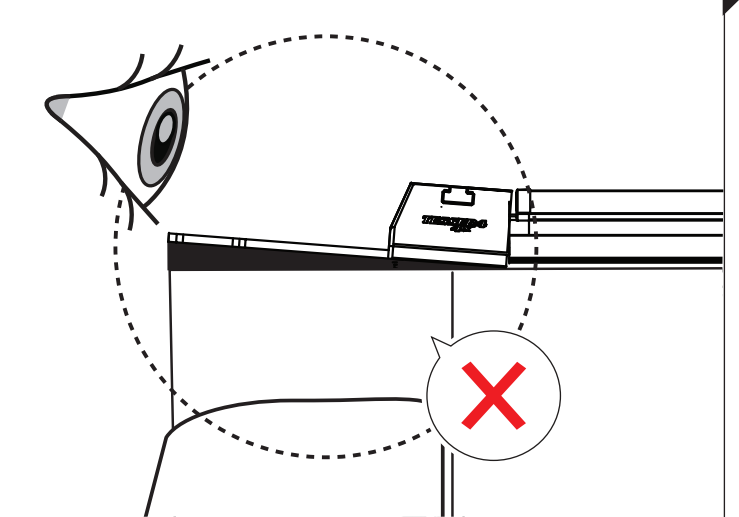
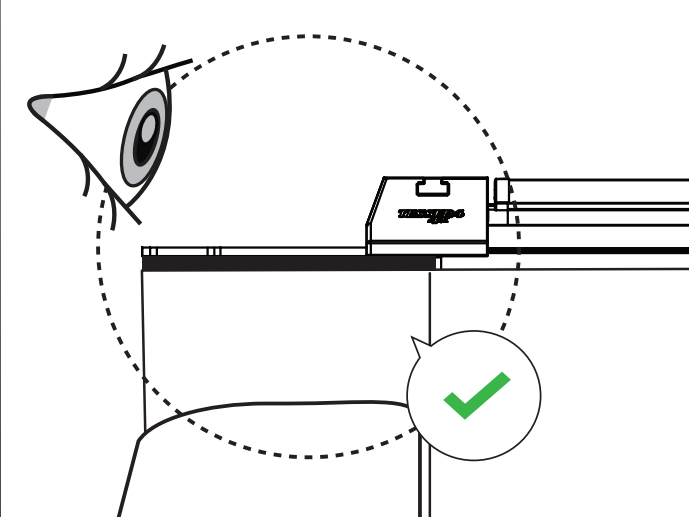
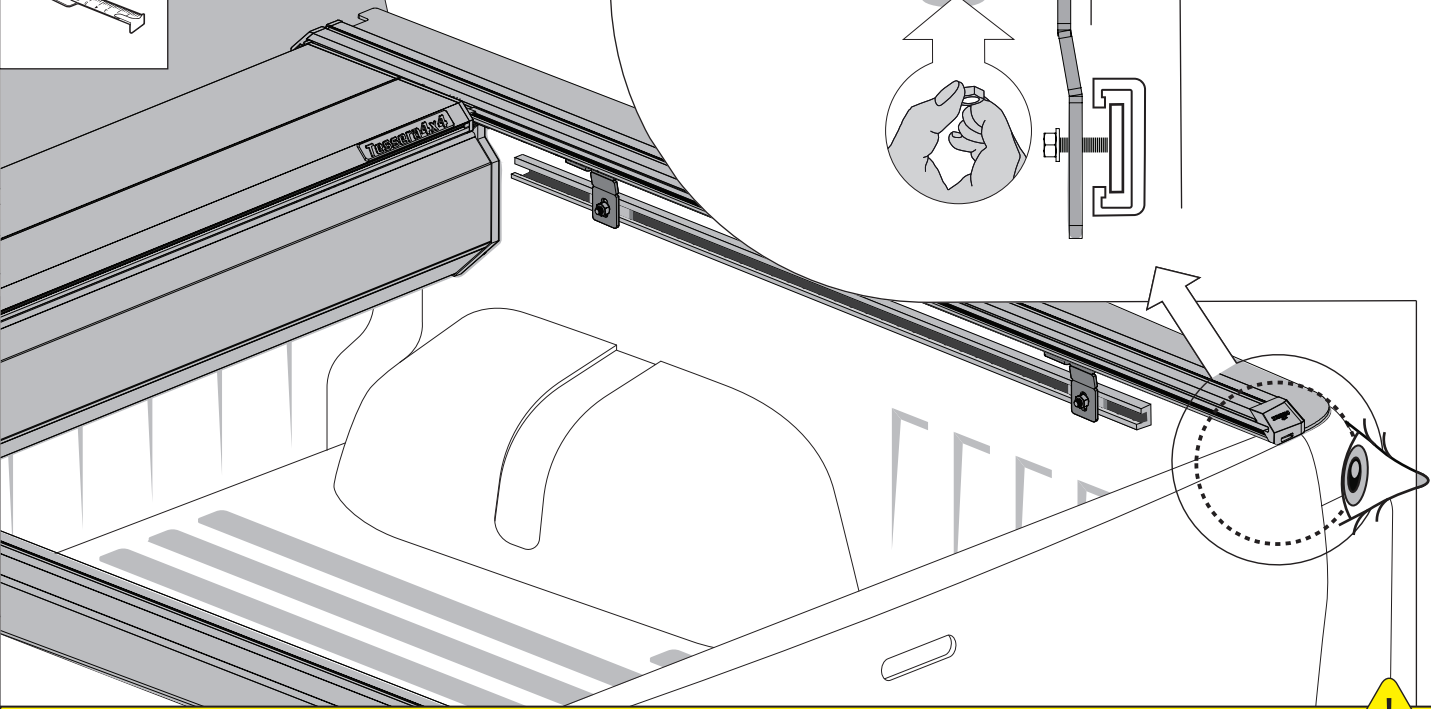
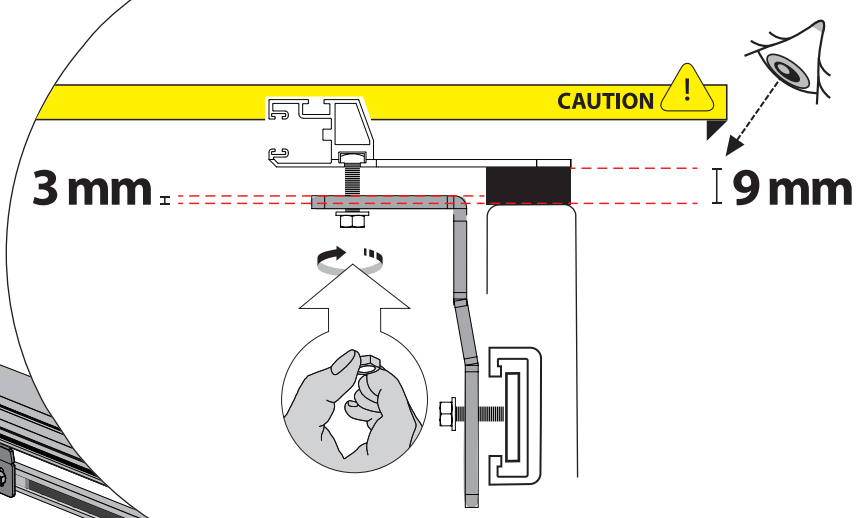
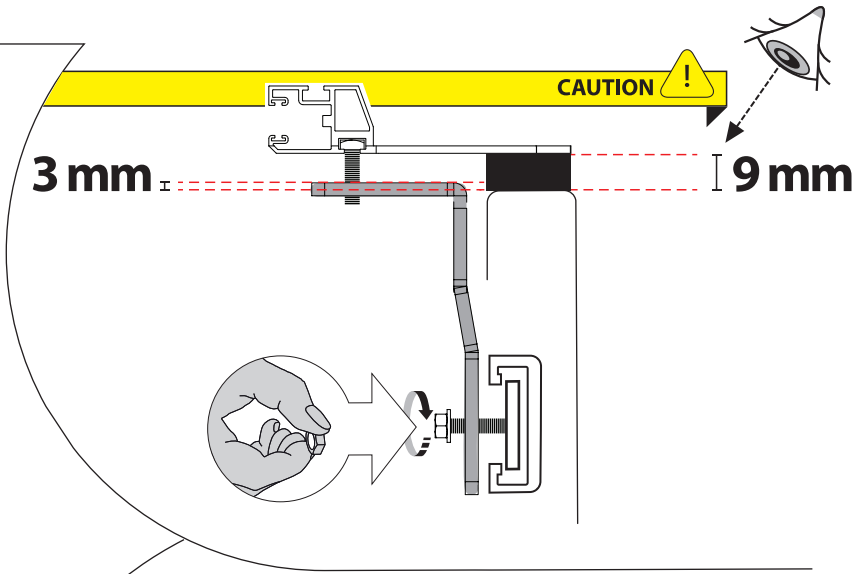
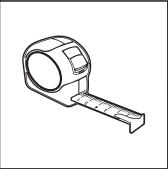
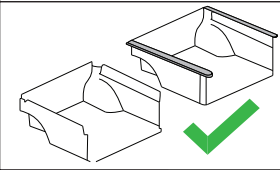
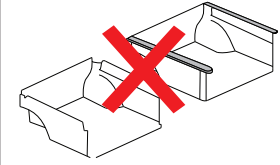
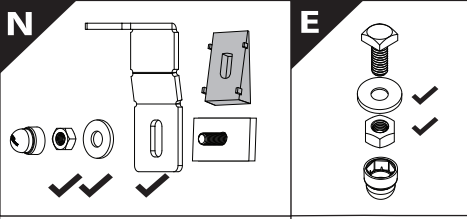


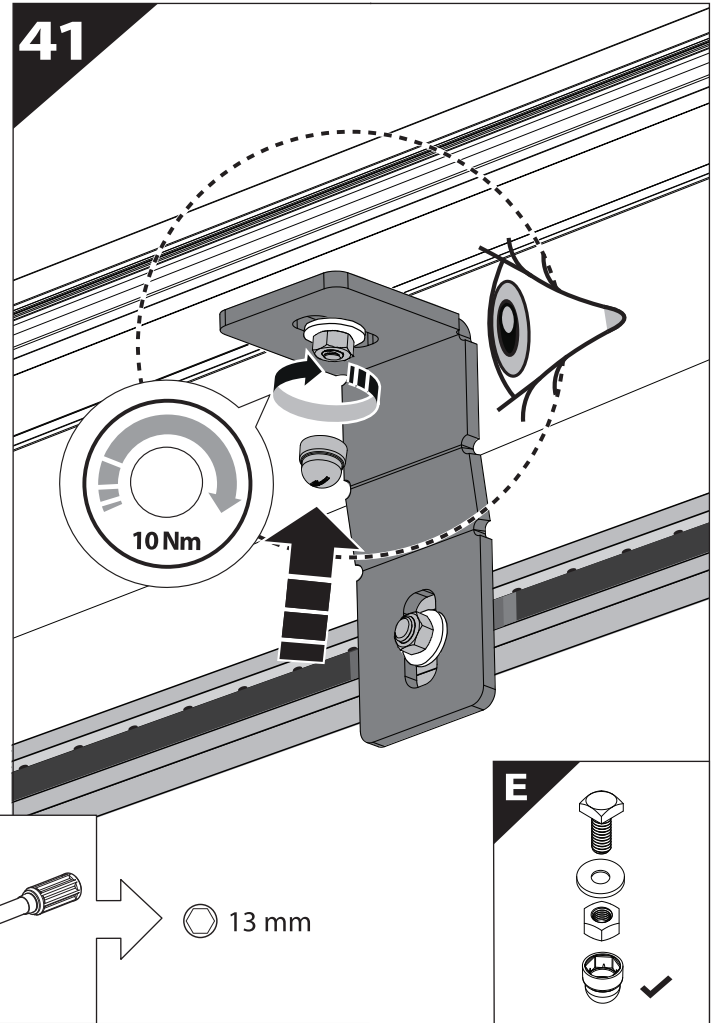
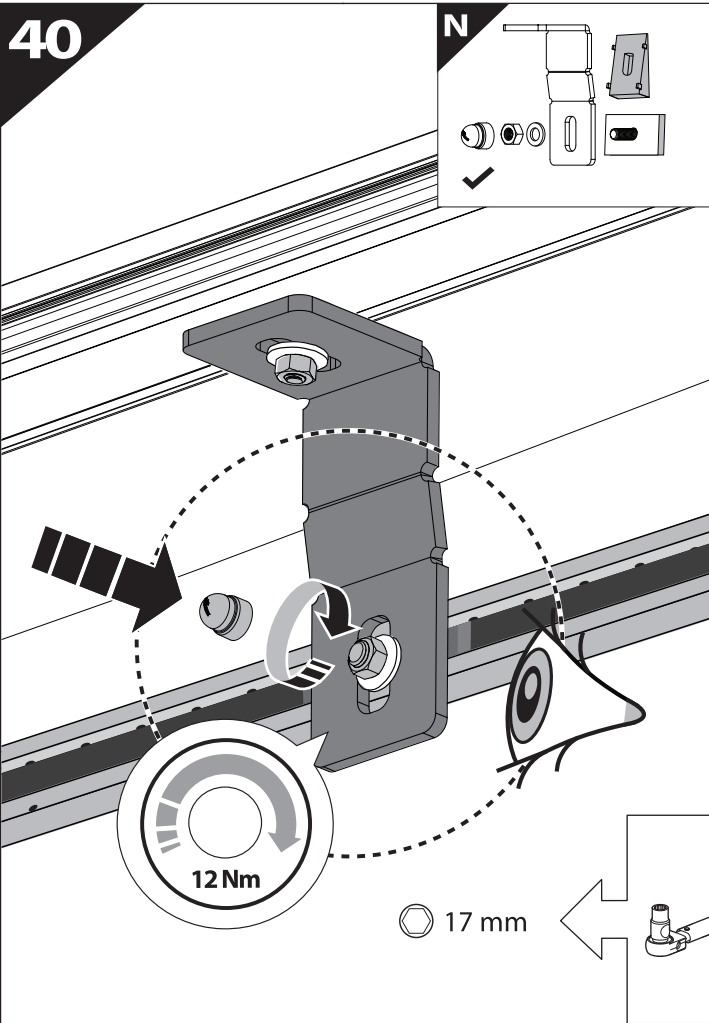
Tessera4x4



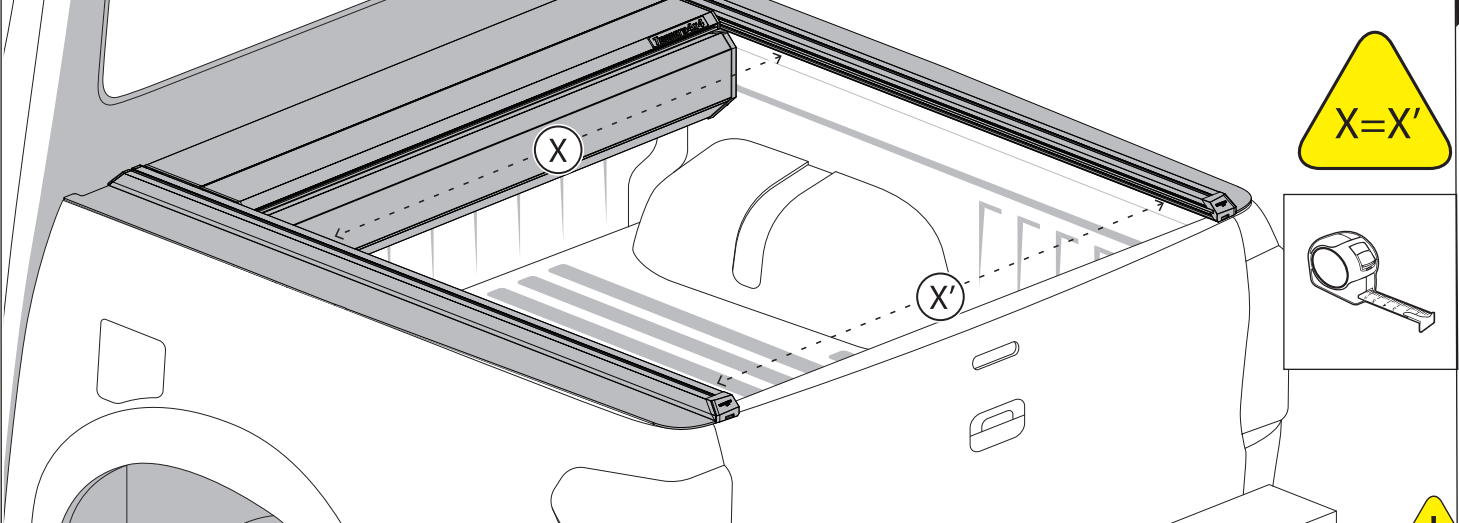


39

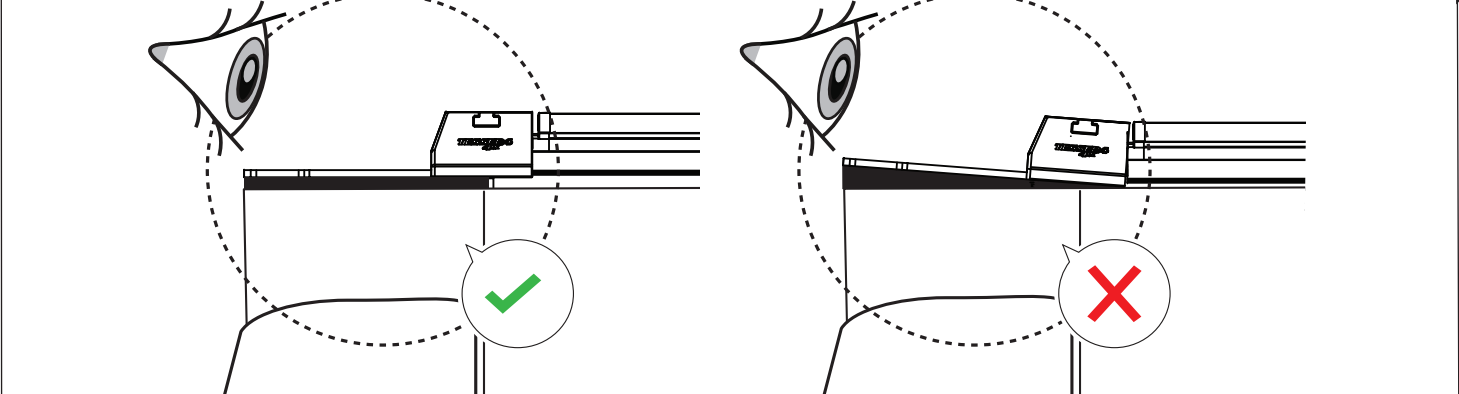




**CAUTION !**

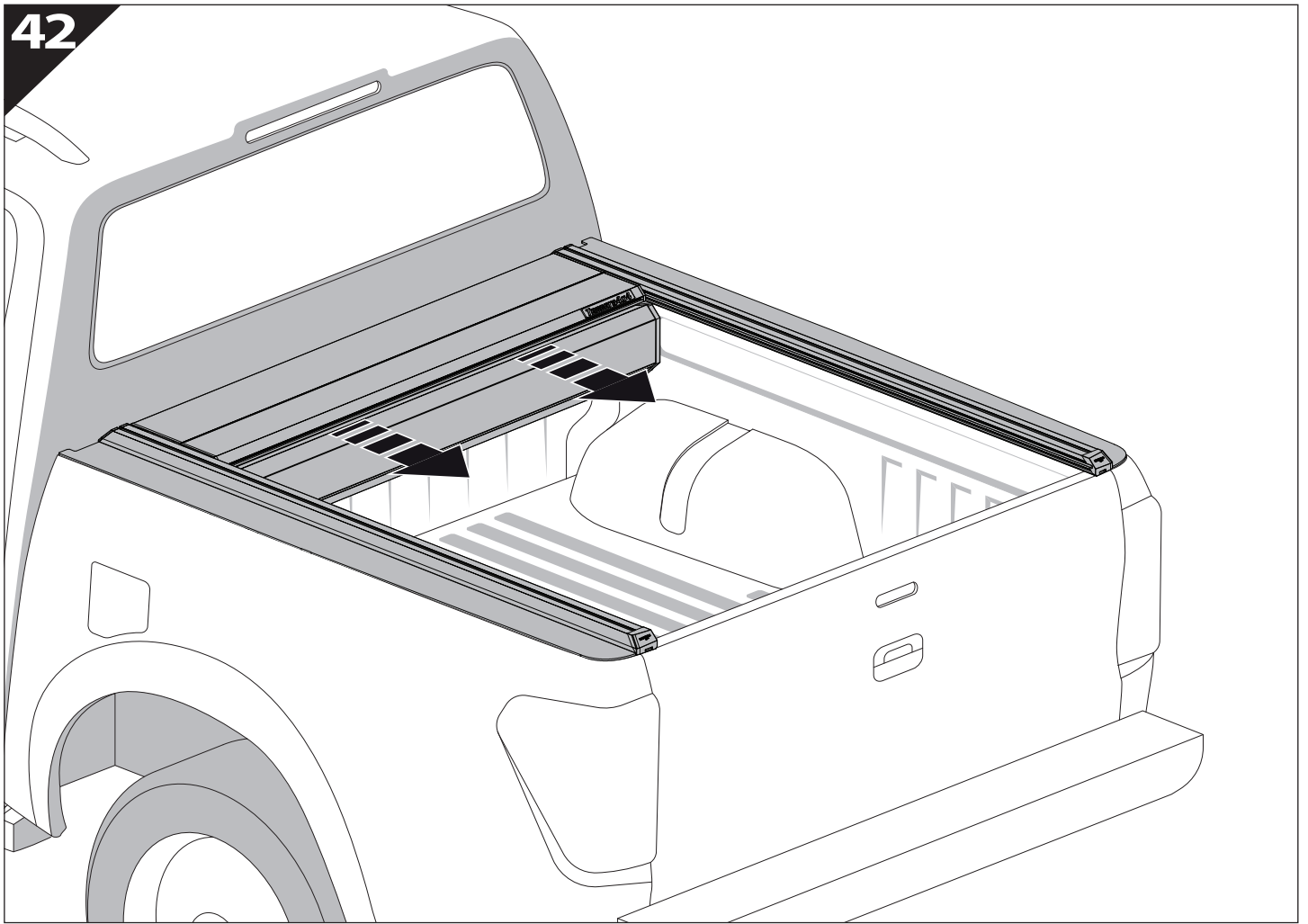


**CAUTION !**

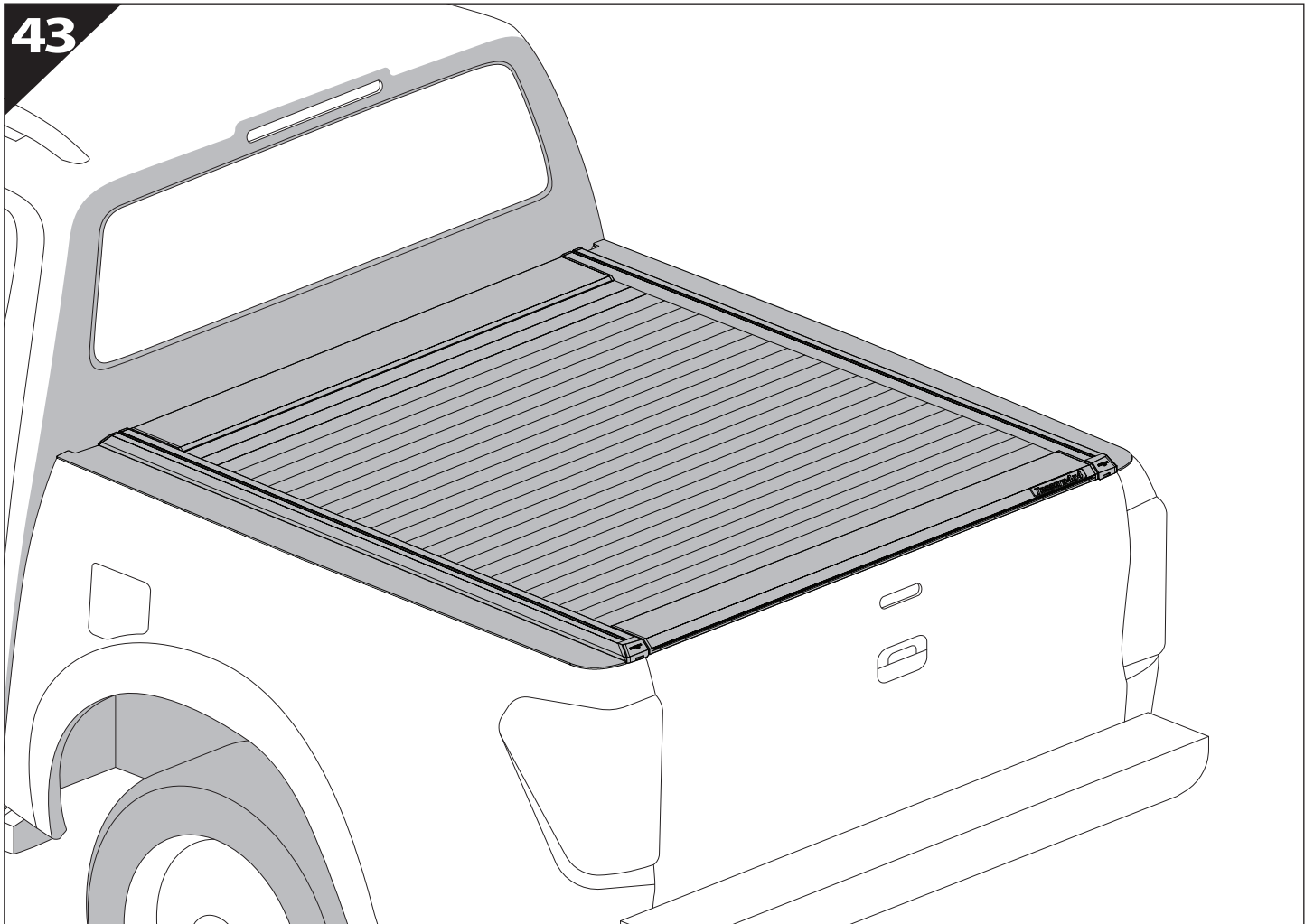




42



43









**GR:** Οδηγίες Εγκατάστασης  
**GB:** Installation manual  
**SF:** Asennusohje  
**F:** Notice de montage  
**PL:** Instrukcja montażu  
**NL:** Installatie-instructies  
**TR:** Montaj Talimatı  
**S:** Monteringsanvisning  
**E:** Instrucciones de montaje

**H:** Szerelési utasítás  
**P:** Instruções de instalação  
**RUS:** Инструкция по установке  
**N:** Monteringsveiledning  
**D:** Einbauanleitung  
**CZ:** Návod k instalaci  
**I:** Istruzioni de montaggio  
**DK:** Monteringsvejledning  
**RO:** Instructiuni de instalare

Customer Service:

+30 (210) 5541161, +30 (210) 5541154 (08:00 - 16:00 EET)

Support department:

[info@gianso.gr](mailto:info@gianso.gr)

Website:

[www.tessera4x4.com](http://www.tessera4x4.com)

Address:

19.5 km of National road Athens-Korinthos (Elefsina) Greece, P.C: 19200