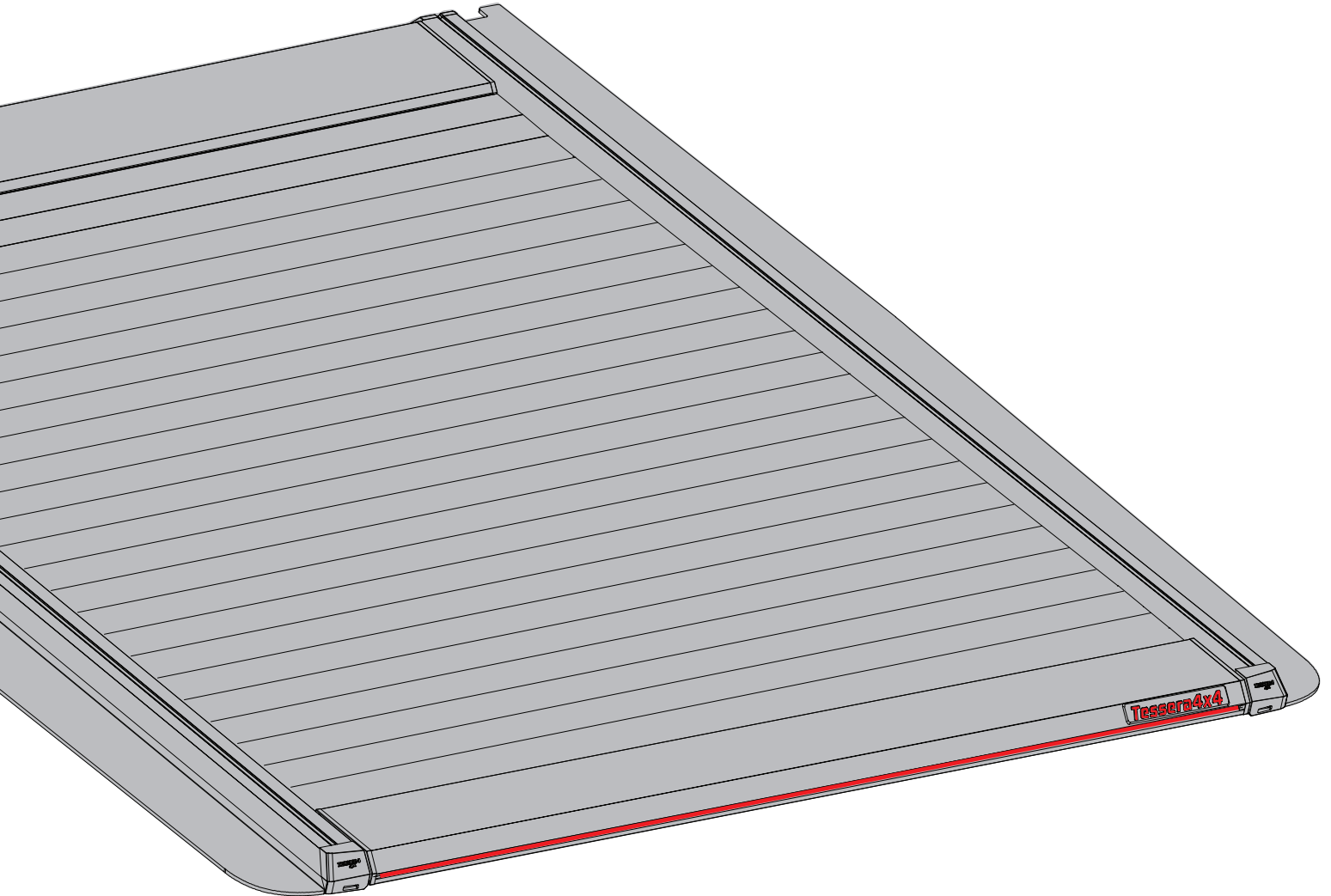


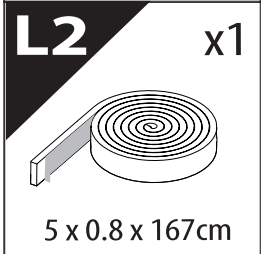
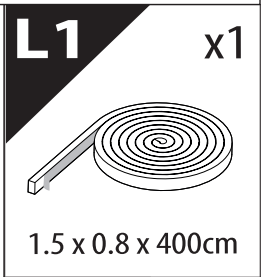
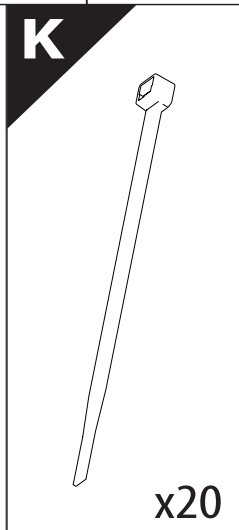
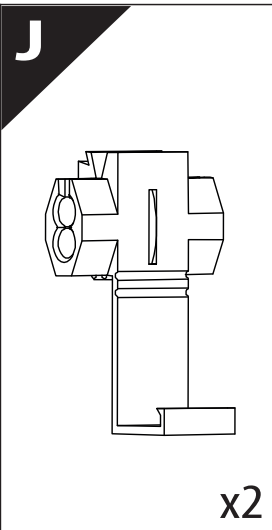
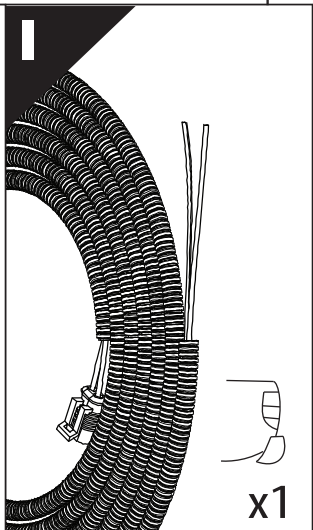
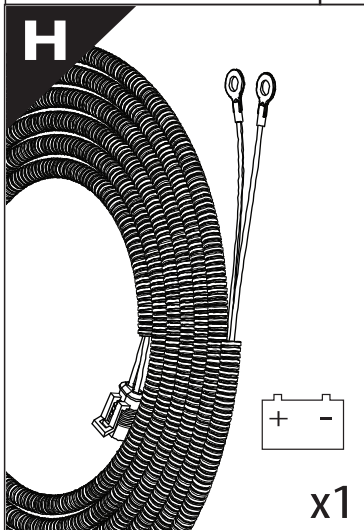
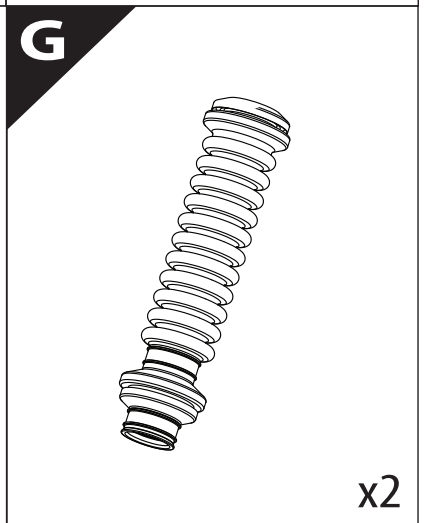
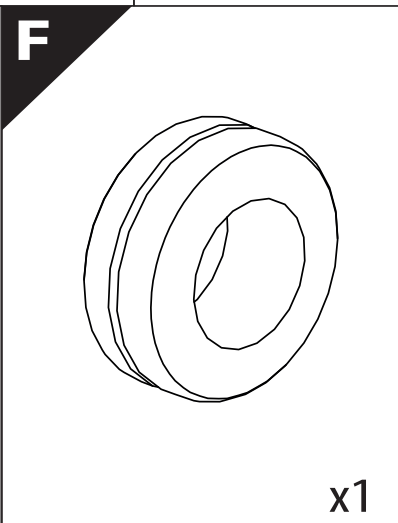
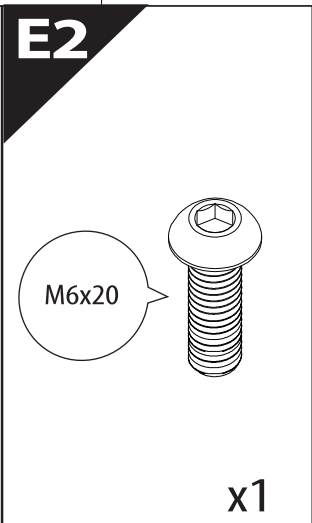
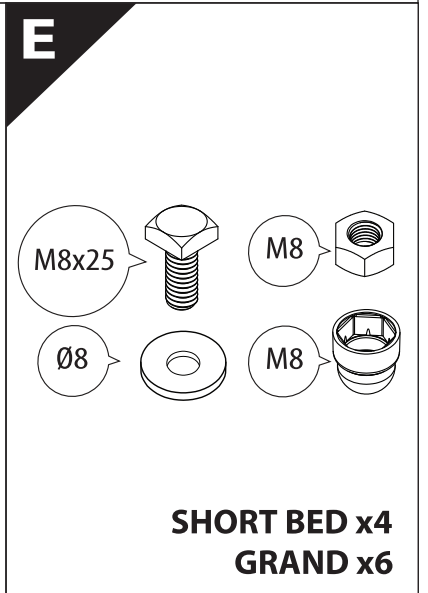
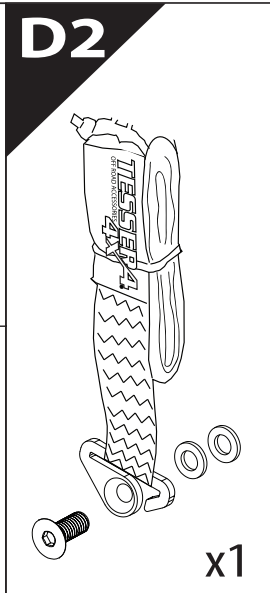
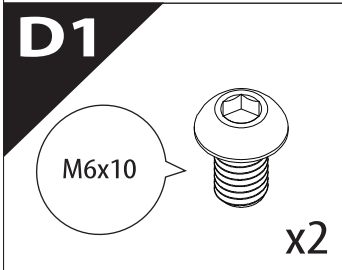
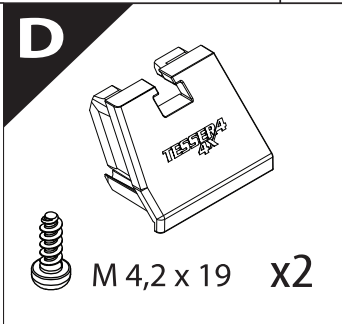
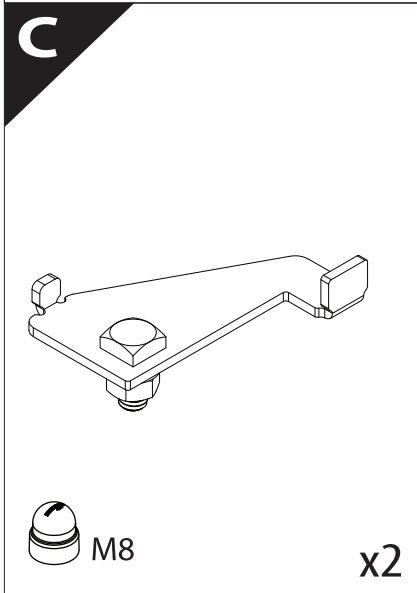
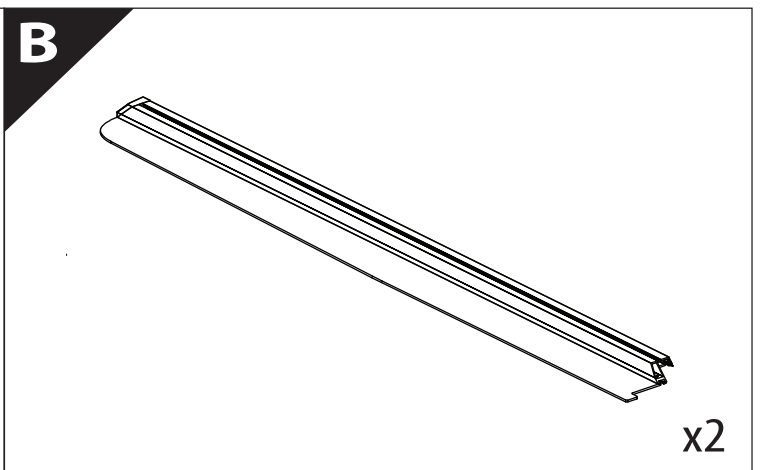
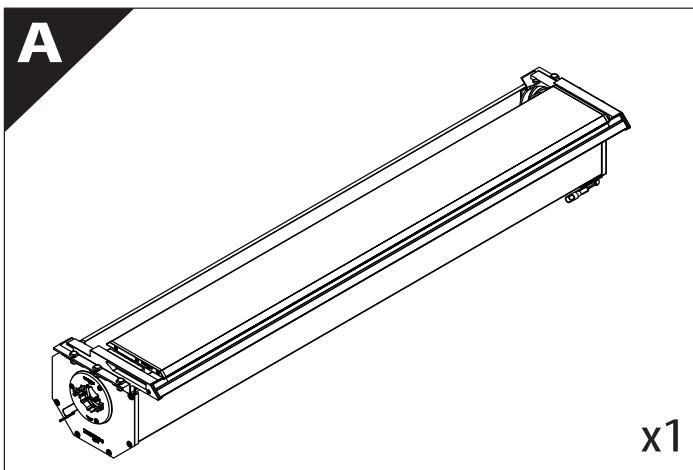
Tessera Roll+

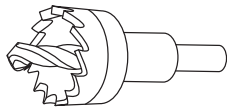
Basic Version + ⚡ E-KIT



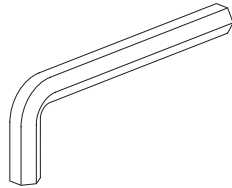
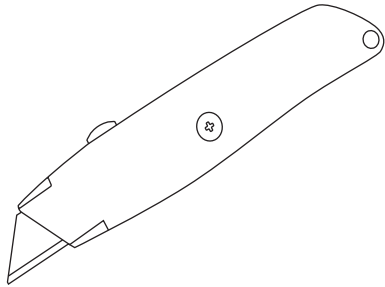
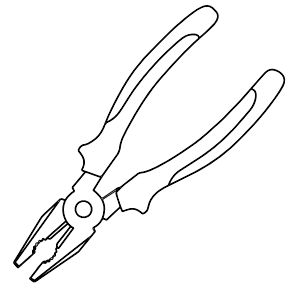
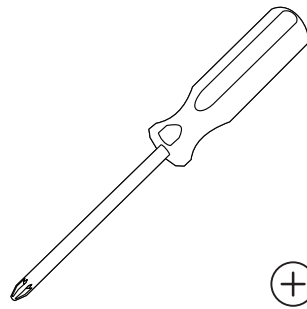
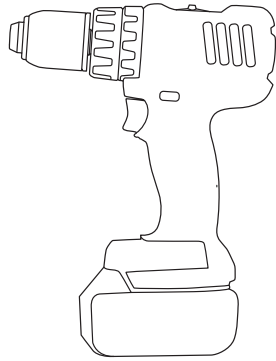
Installation Manual

PART NUMBER(S)	Model Year
TESS 14082 ROLL+E-KIT	SsangYong Musso-Rexton Sports 2018+ SHORT BED
TESS 14083 ROLL+E-KIT	SsangYong Musso-Rexton Sports 2018+ GRAND
Cab(s)	Installation Time / Weight
Double Cab	40-60 minutes / 53-57 kg



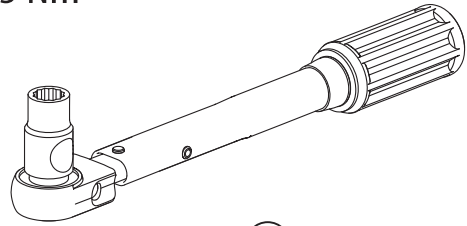


Ø 25 mm / 40 mm



4 mm

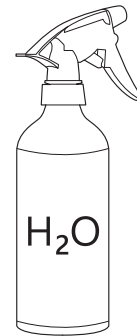
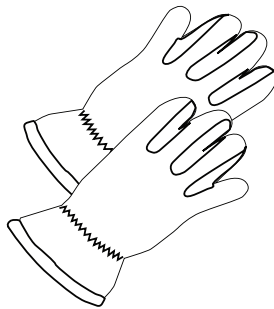
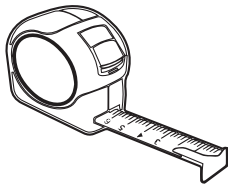
1 - 25 Nm



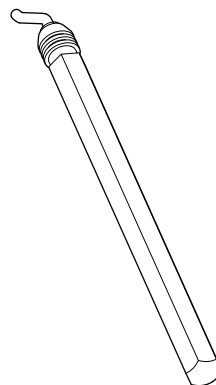
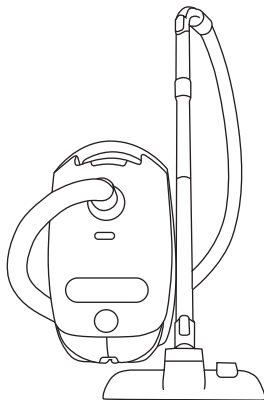
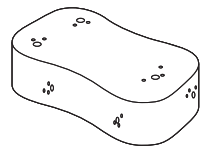
10, 12, 13, 17 mm



ACETONE



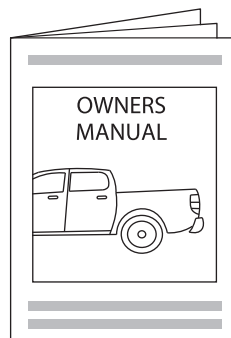
H₂O



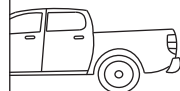
ANTI-RUST



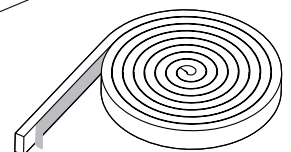
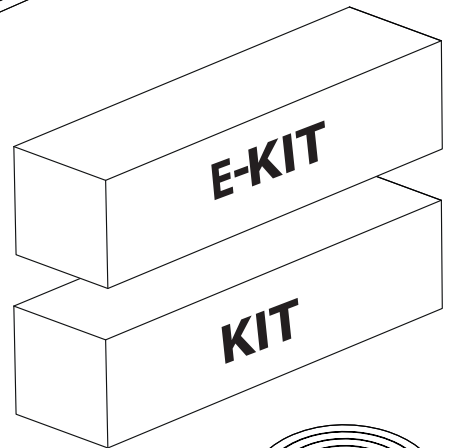
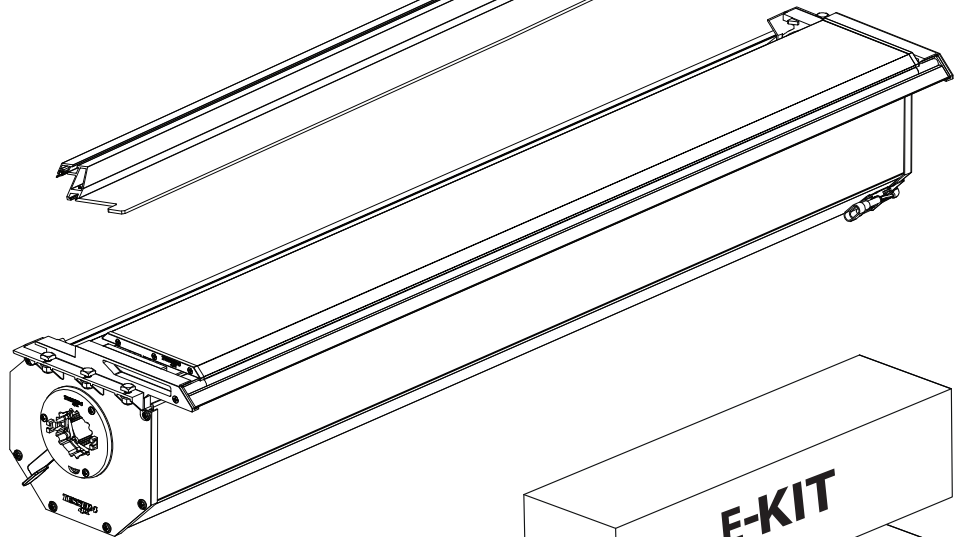
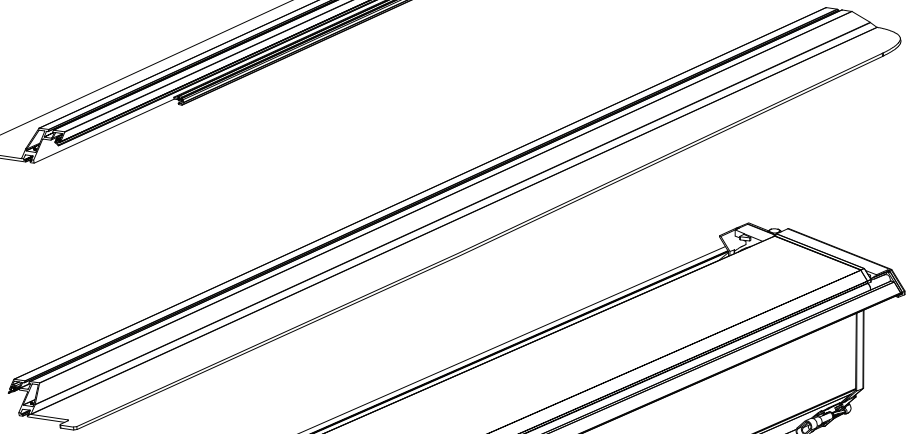
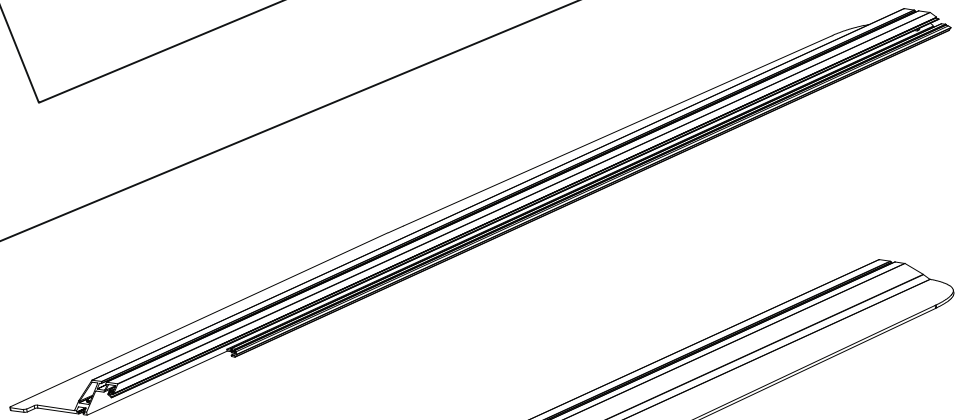
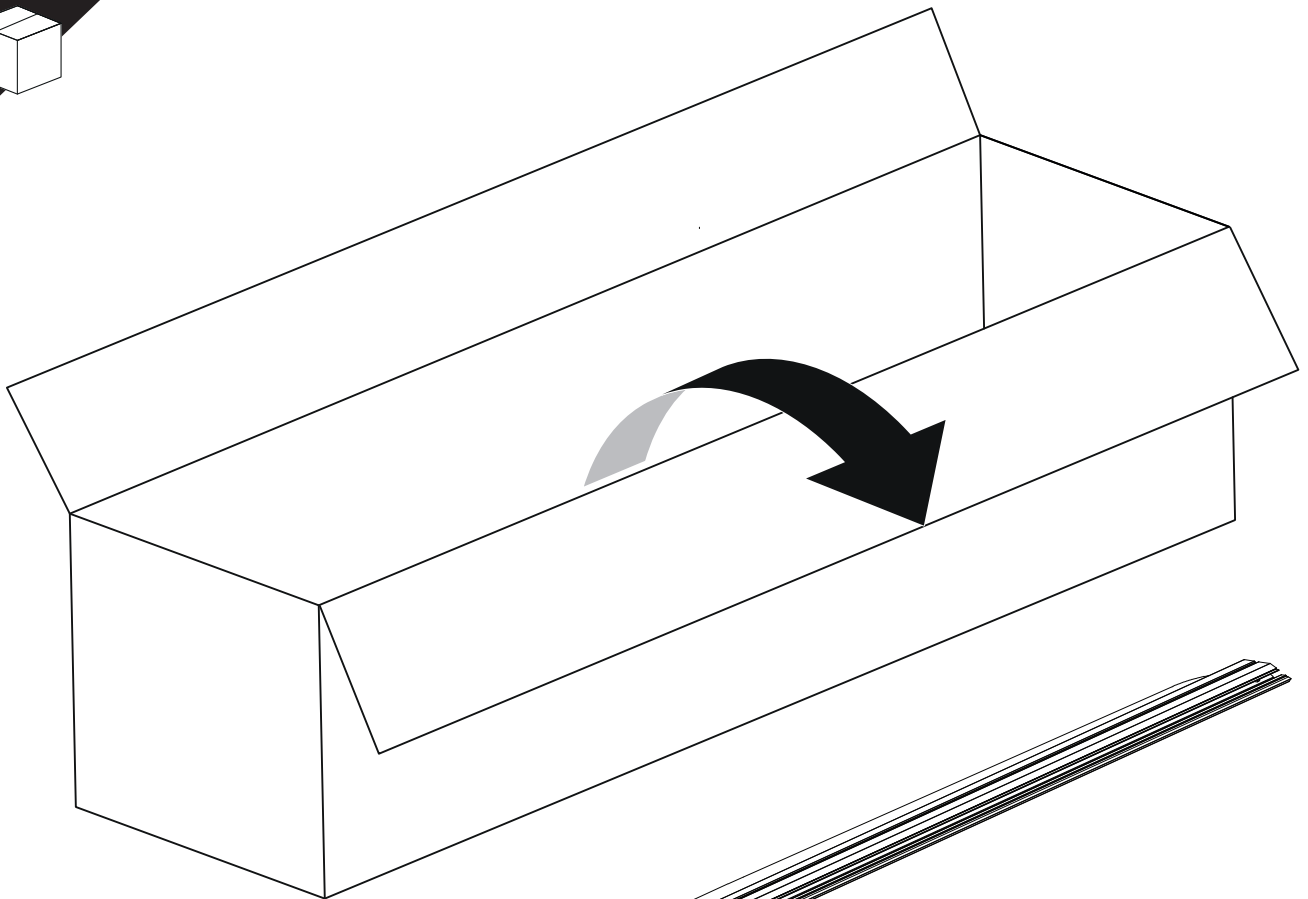
INSTALATION
MANUAL
+E-KIT



OWNERS
MANUAL



x1

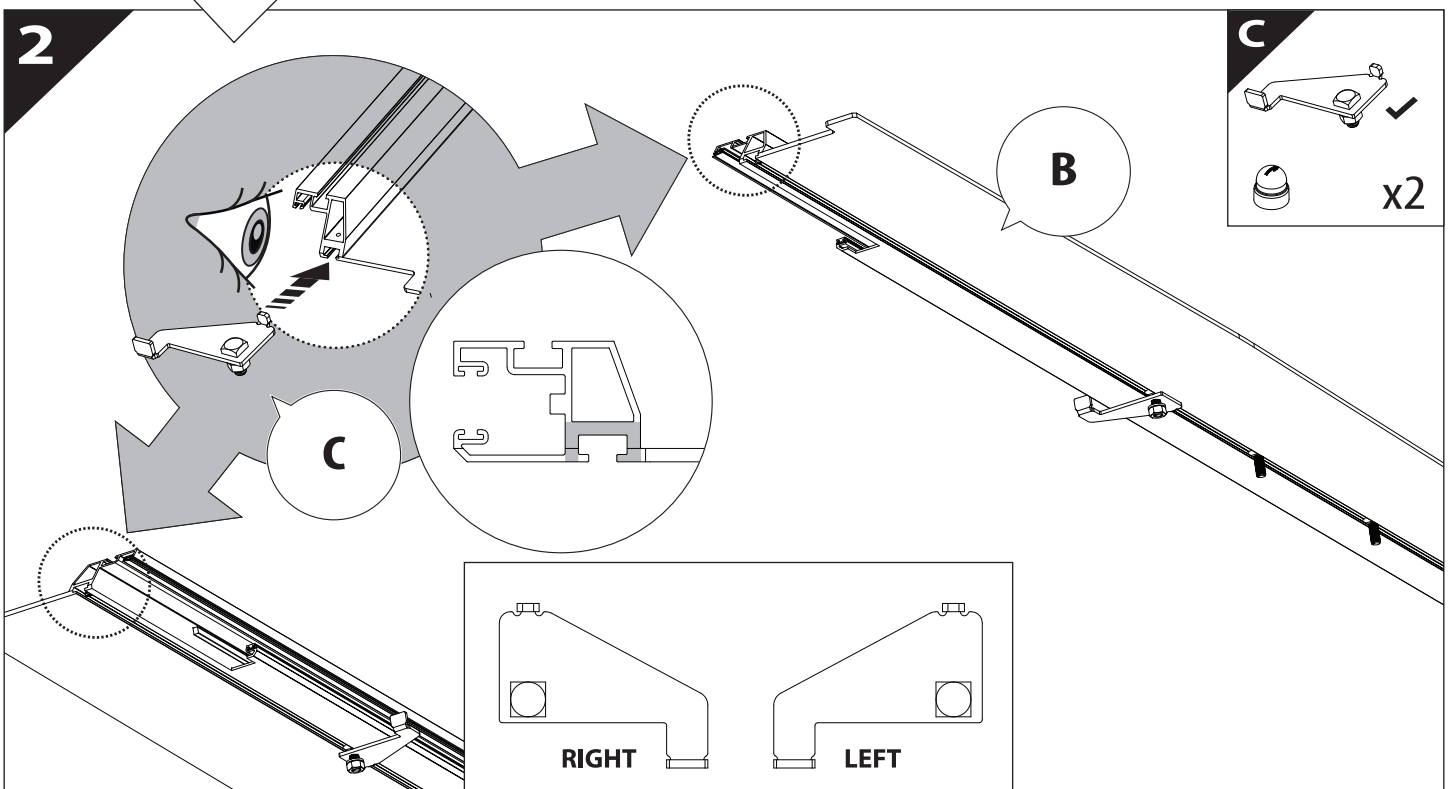
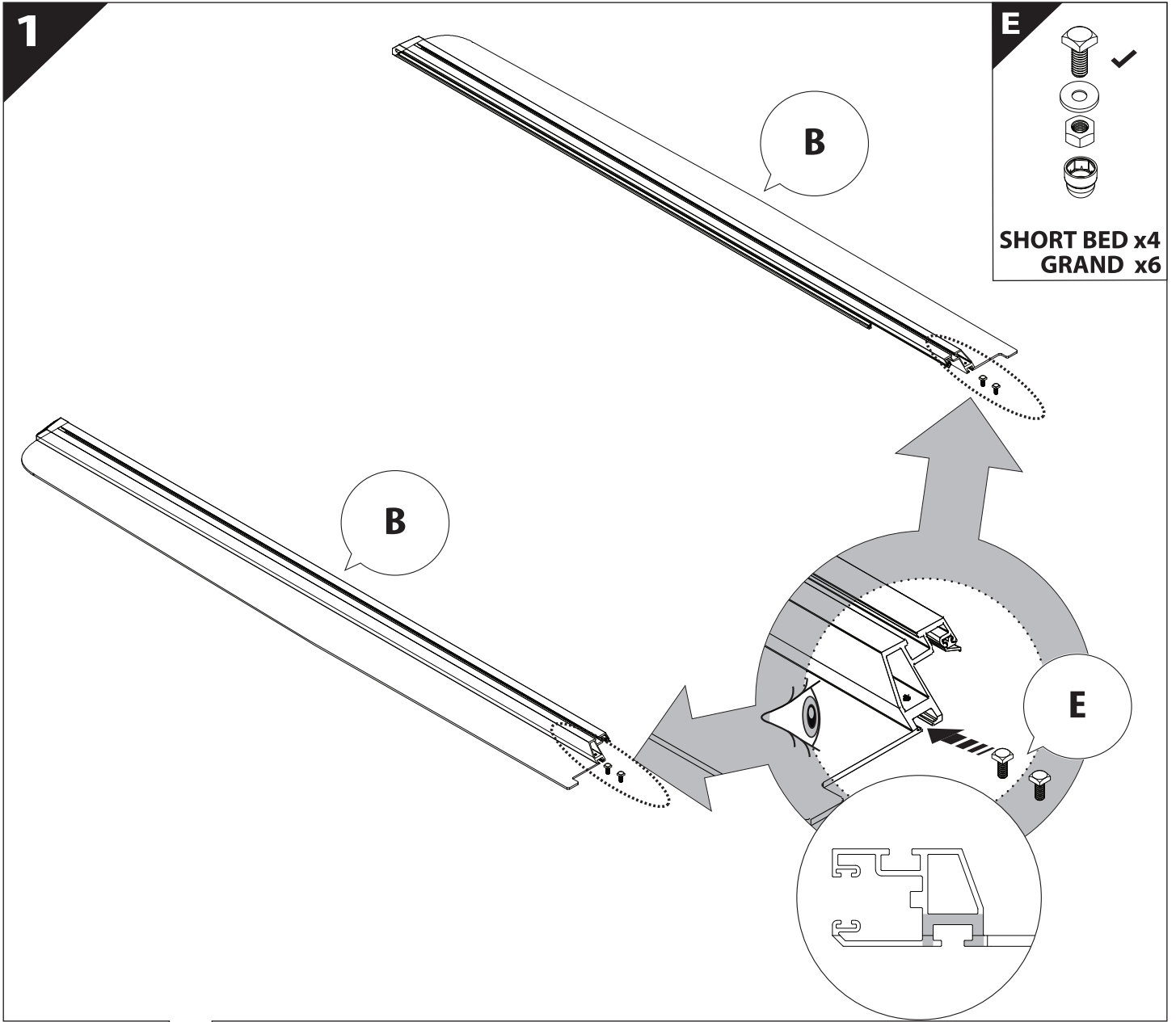


B

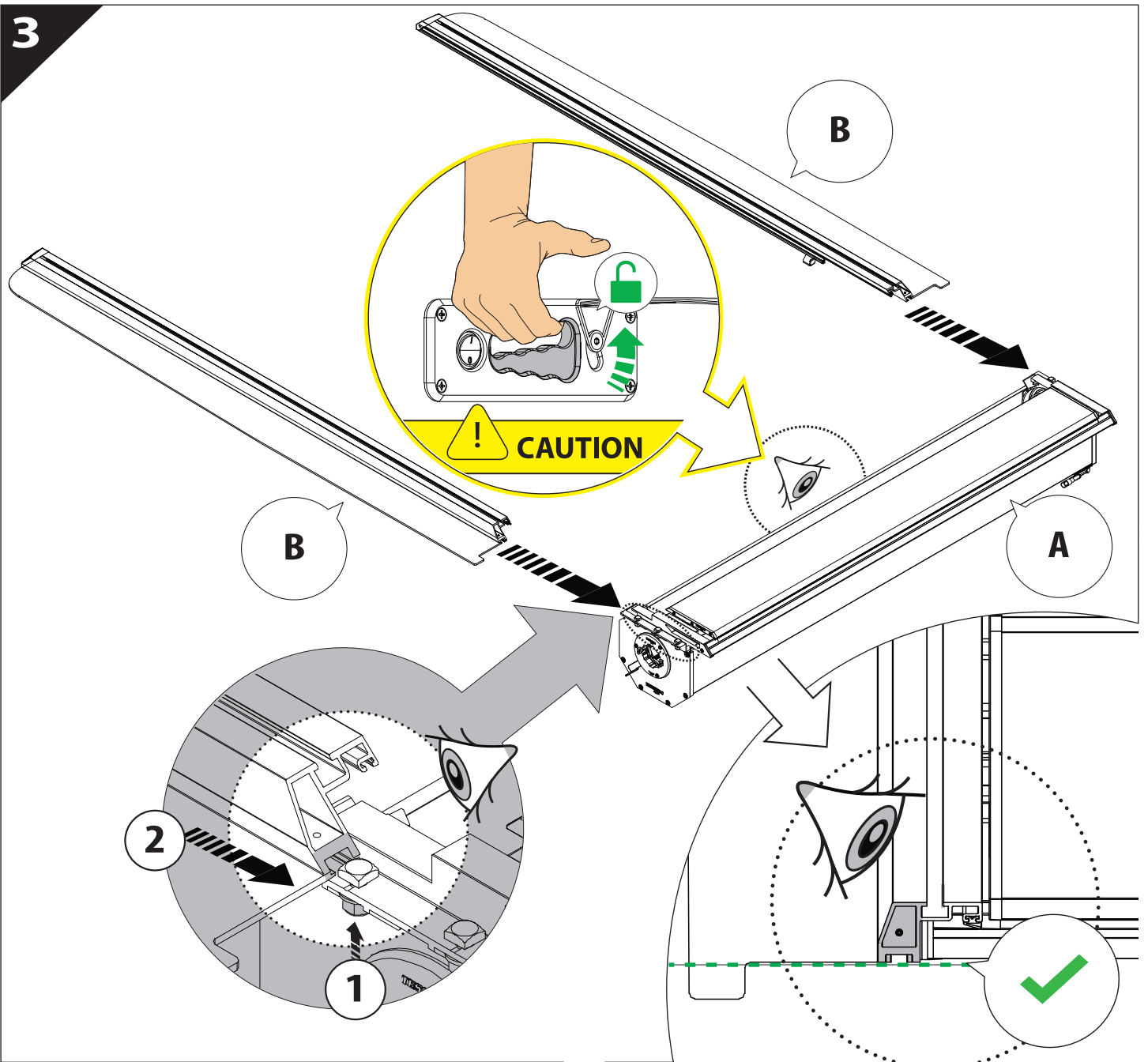
A

KITS

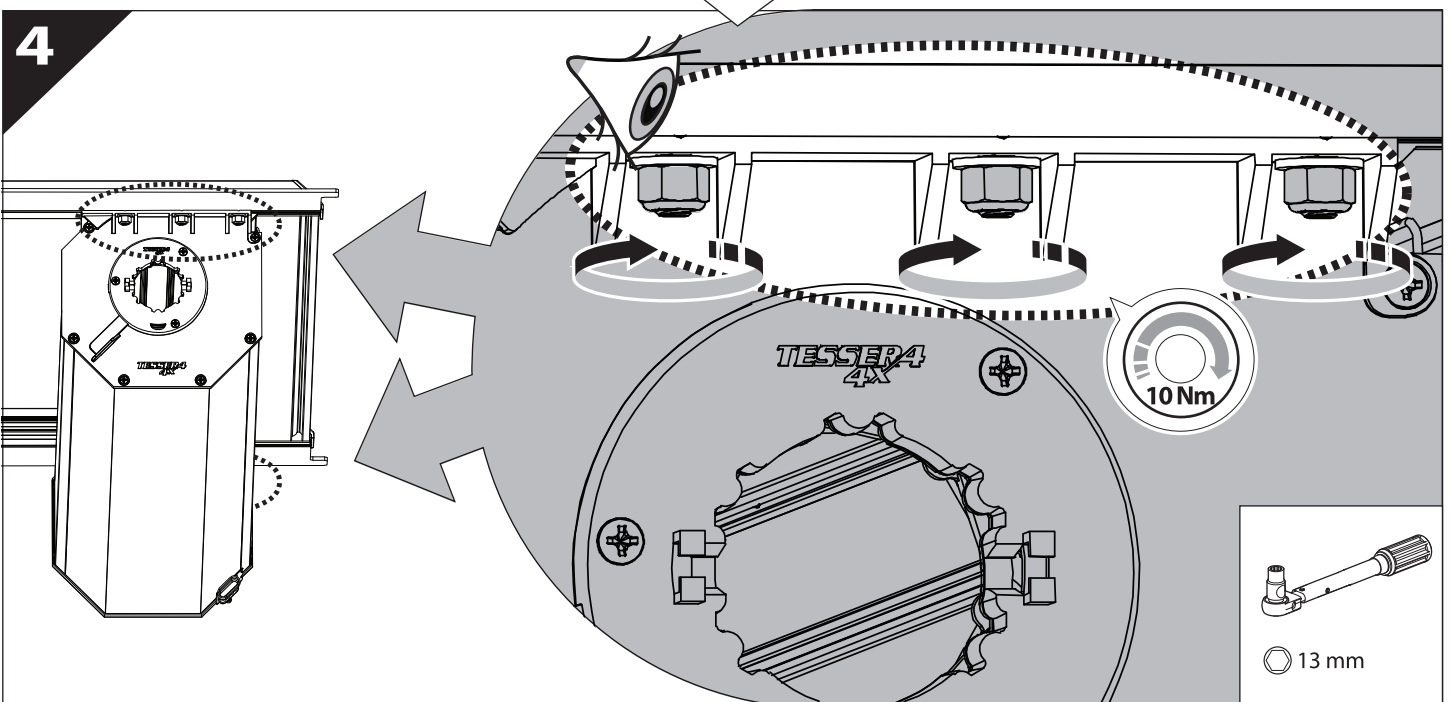
L

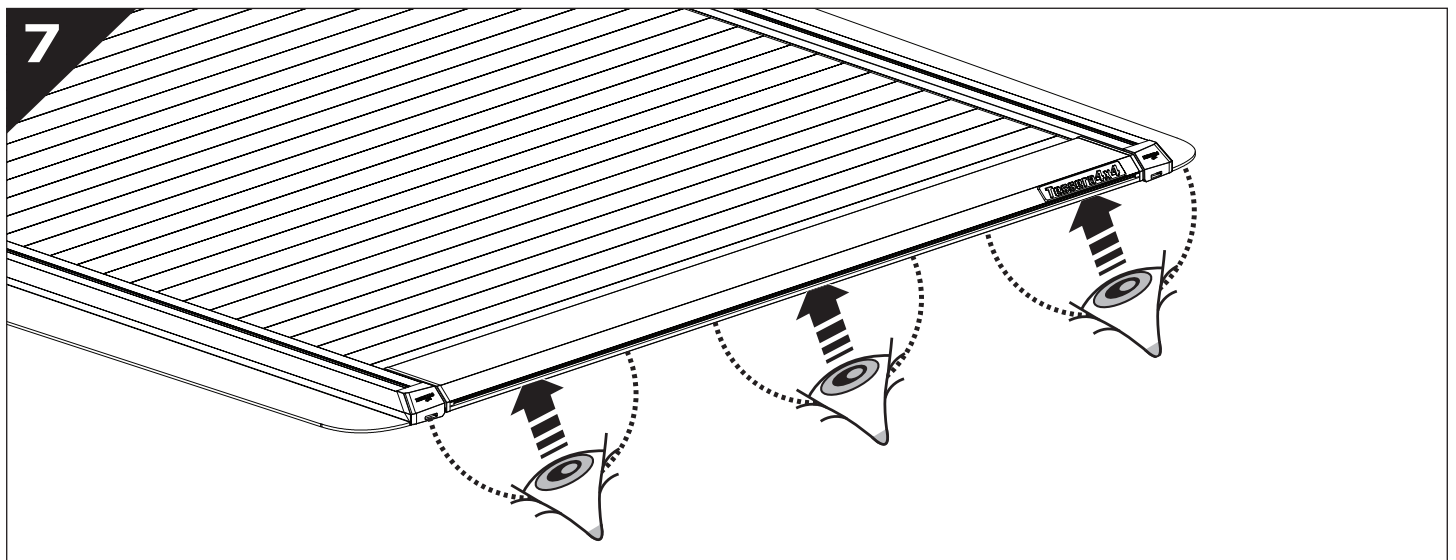
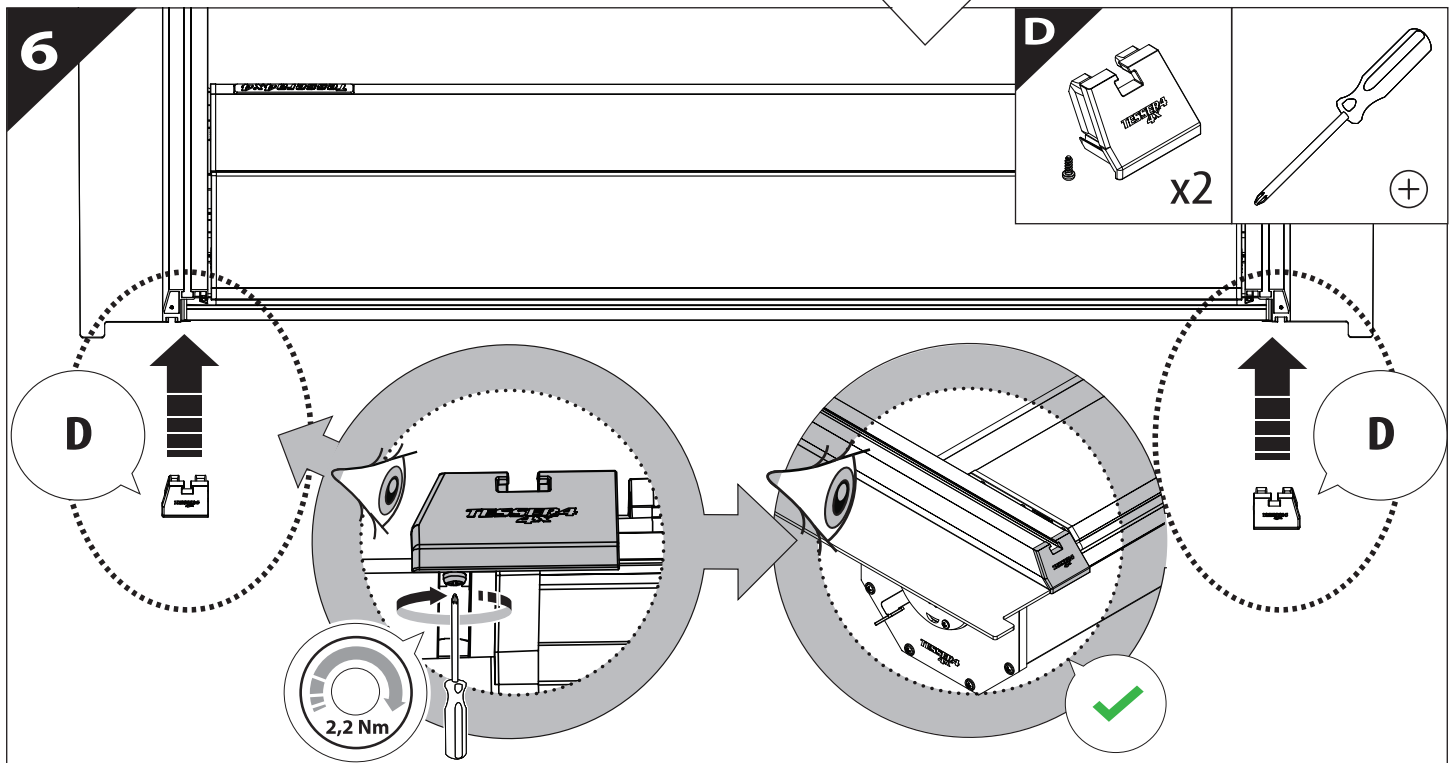
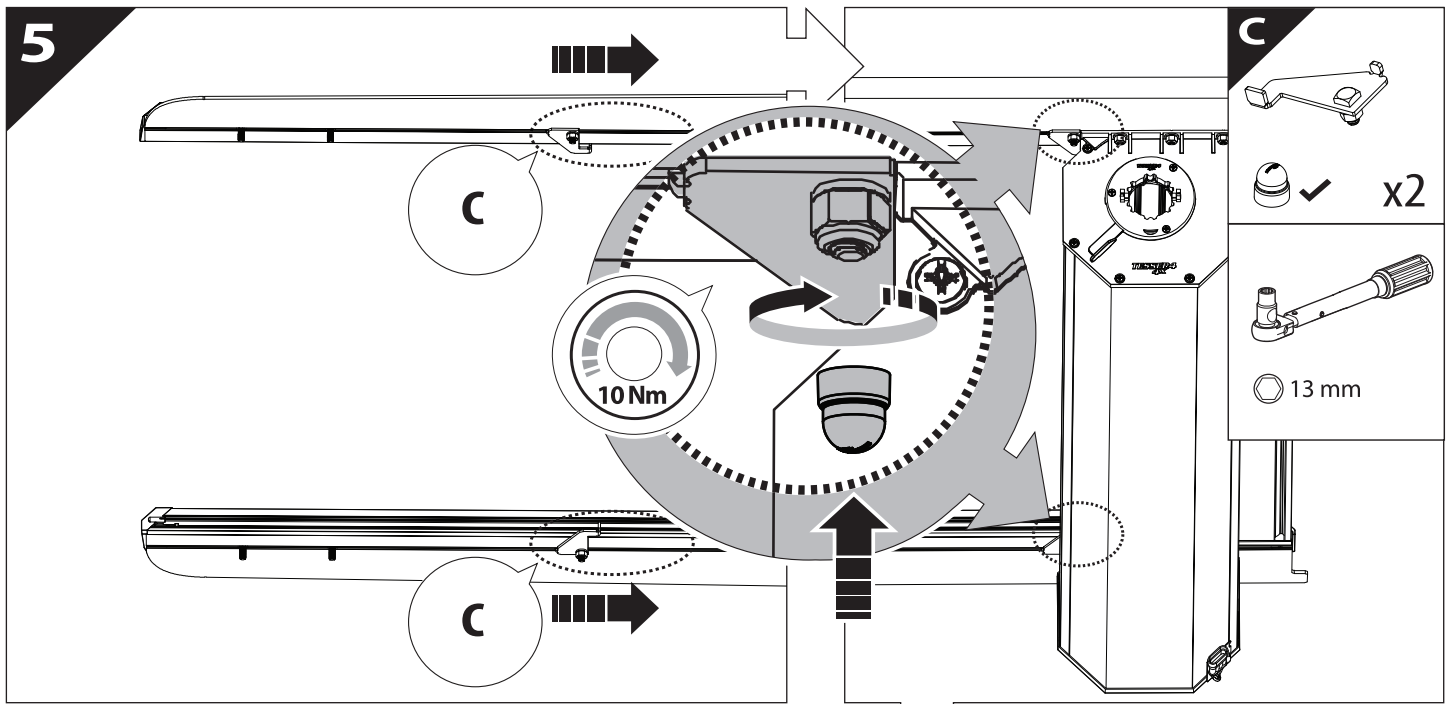


3

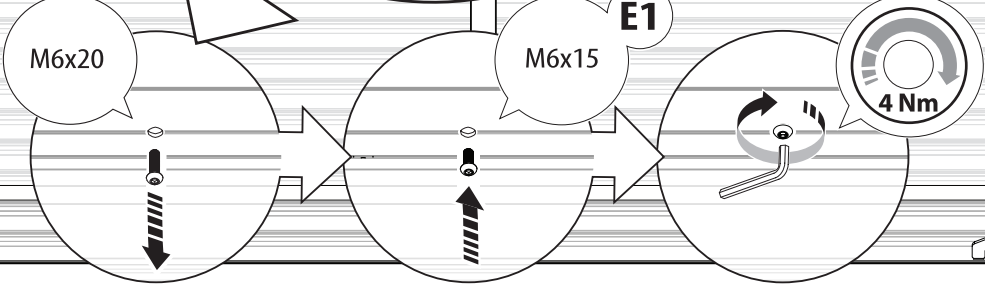
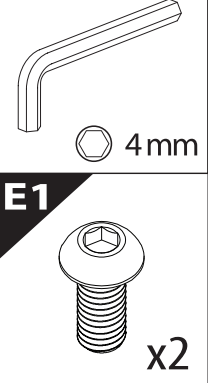
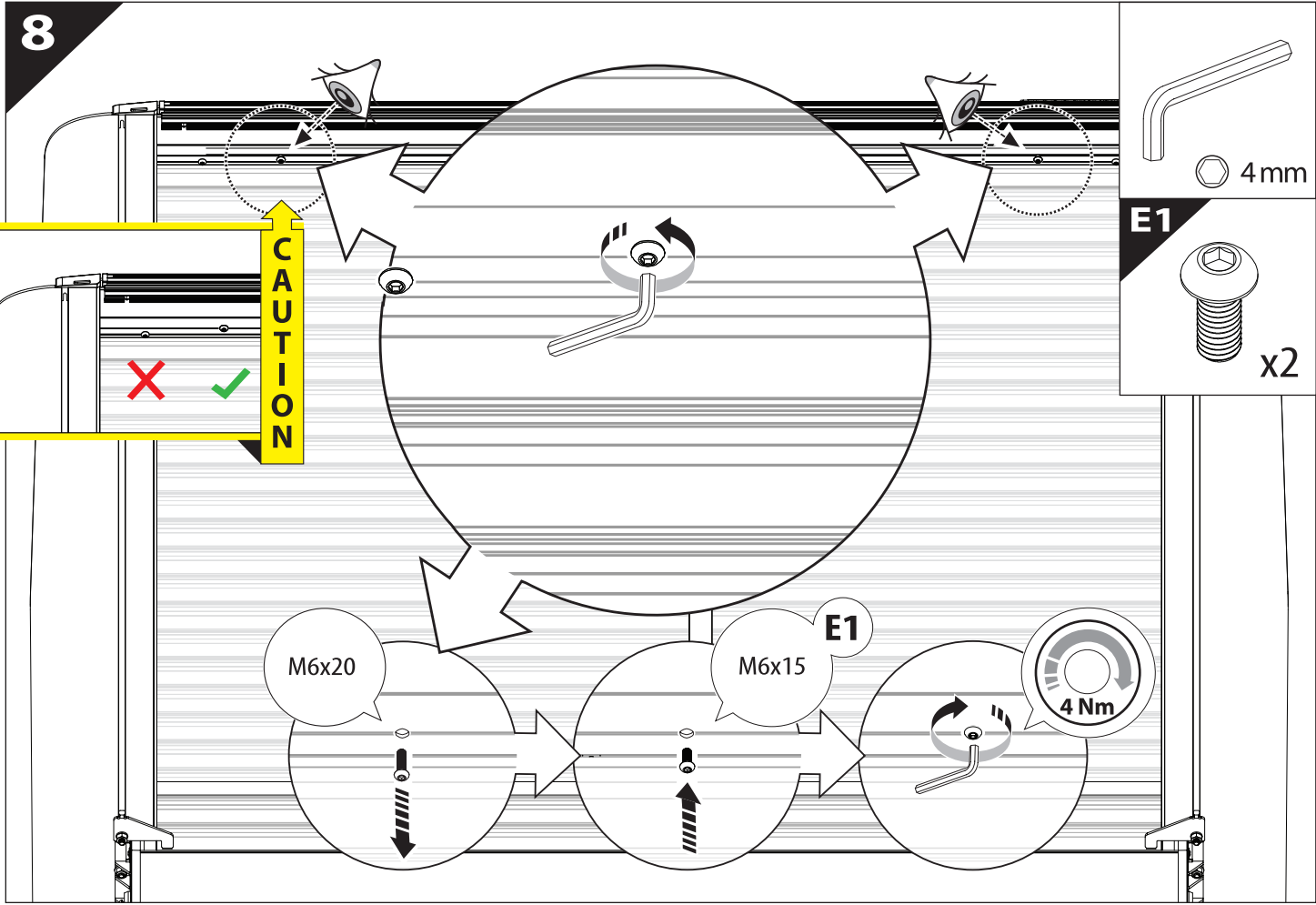
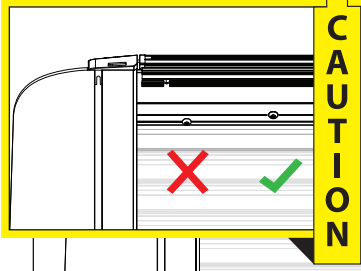


4

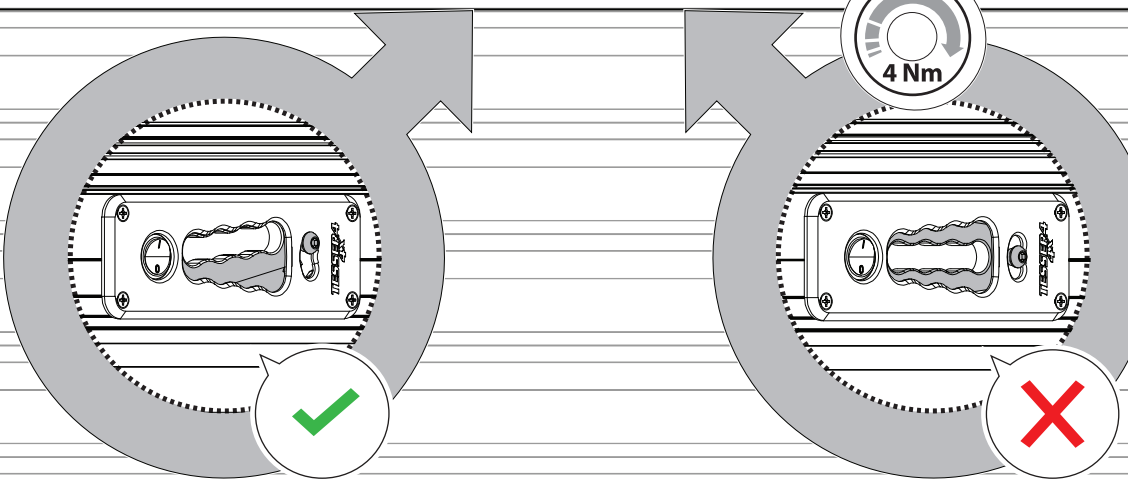
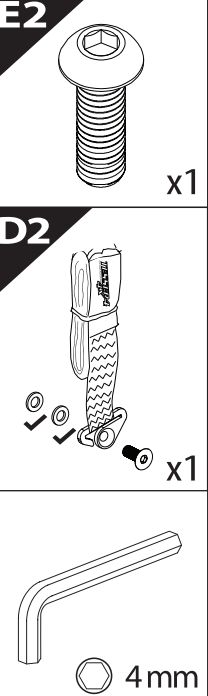
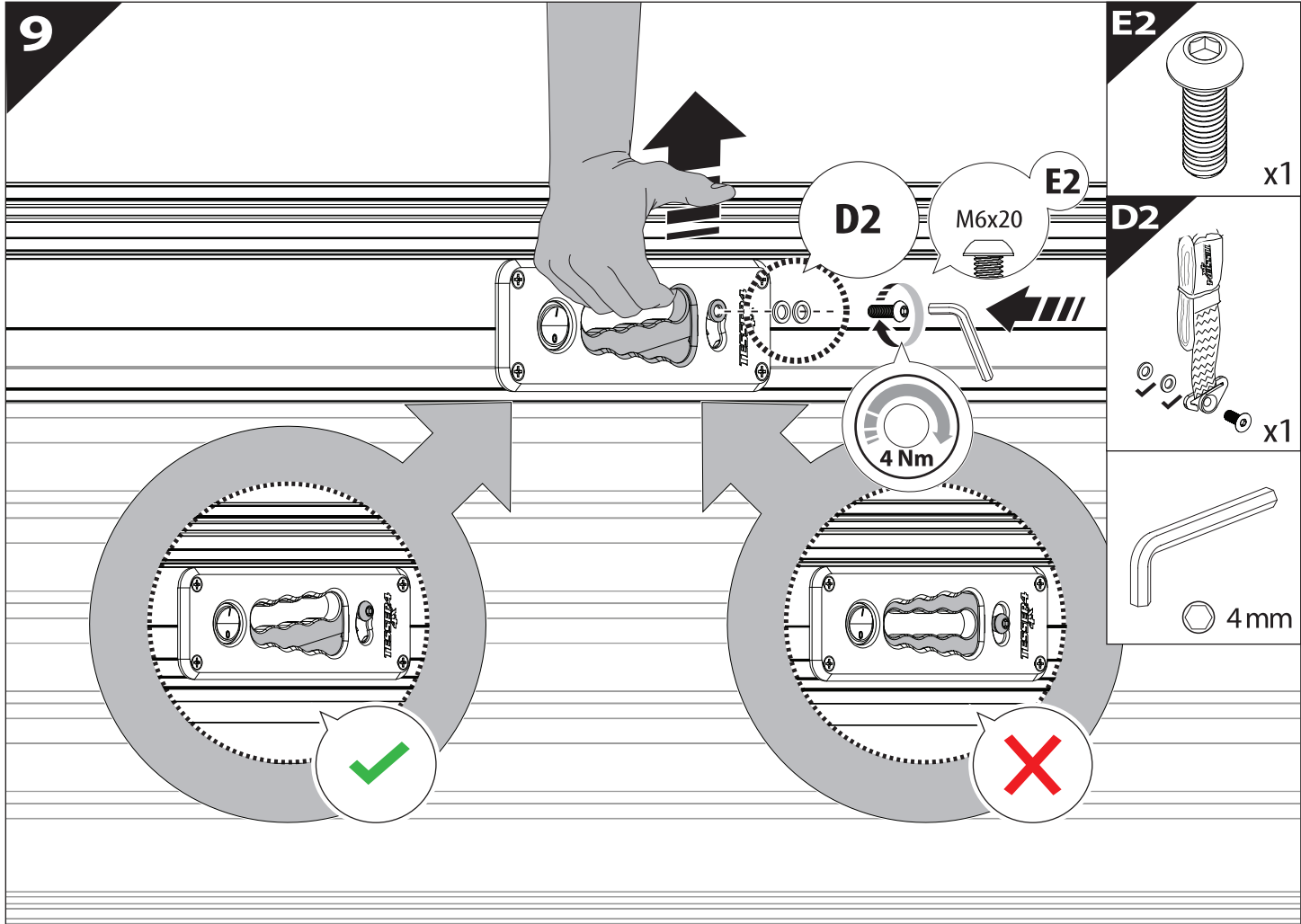


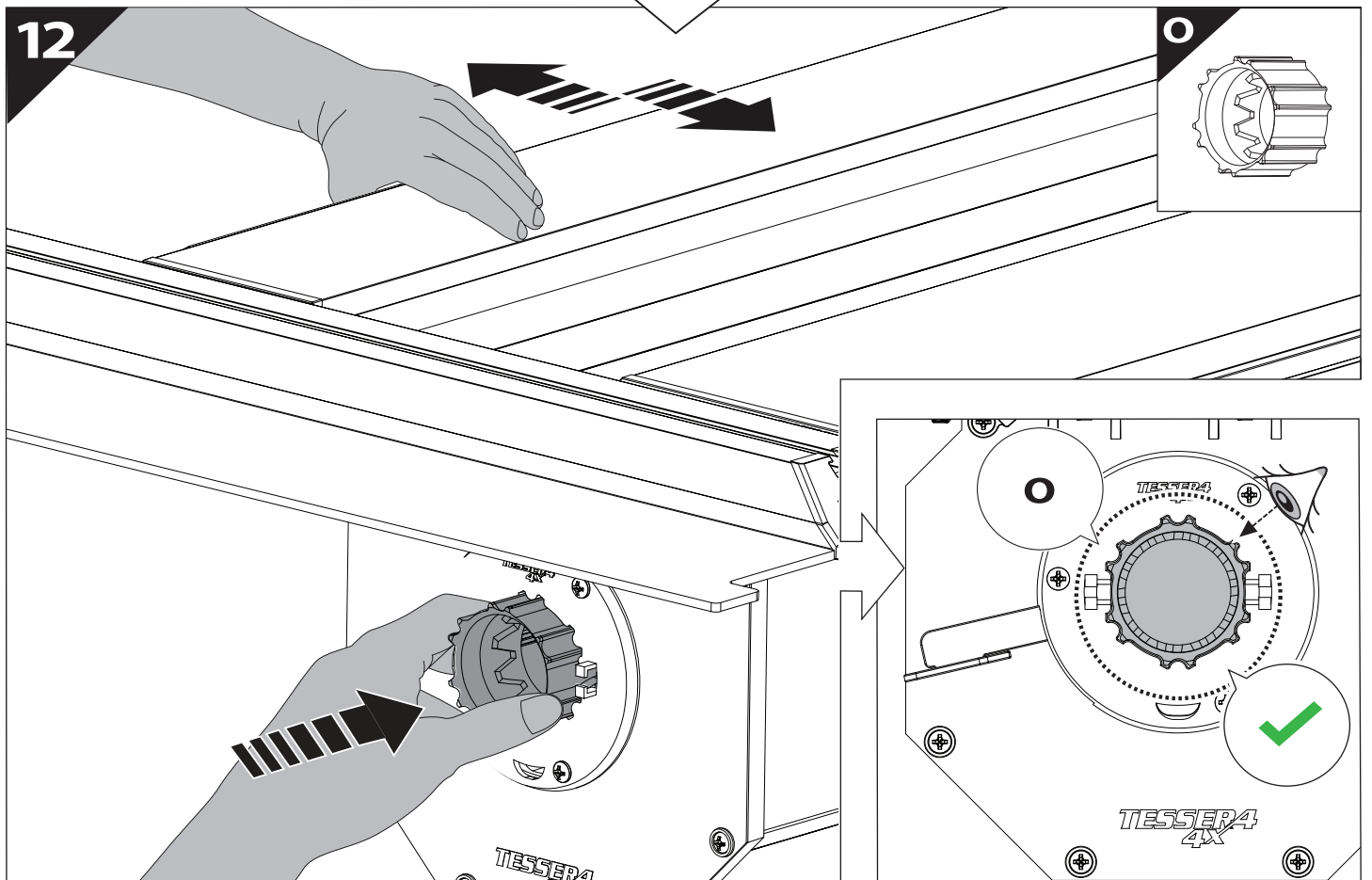
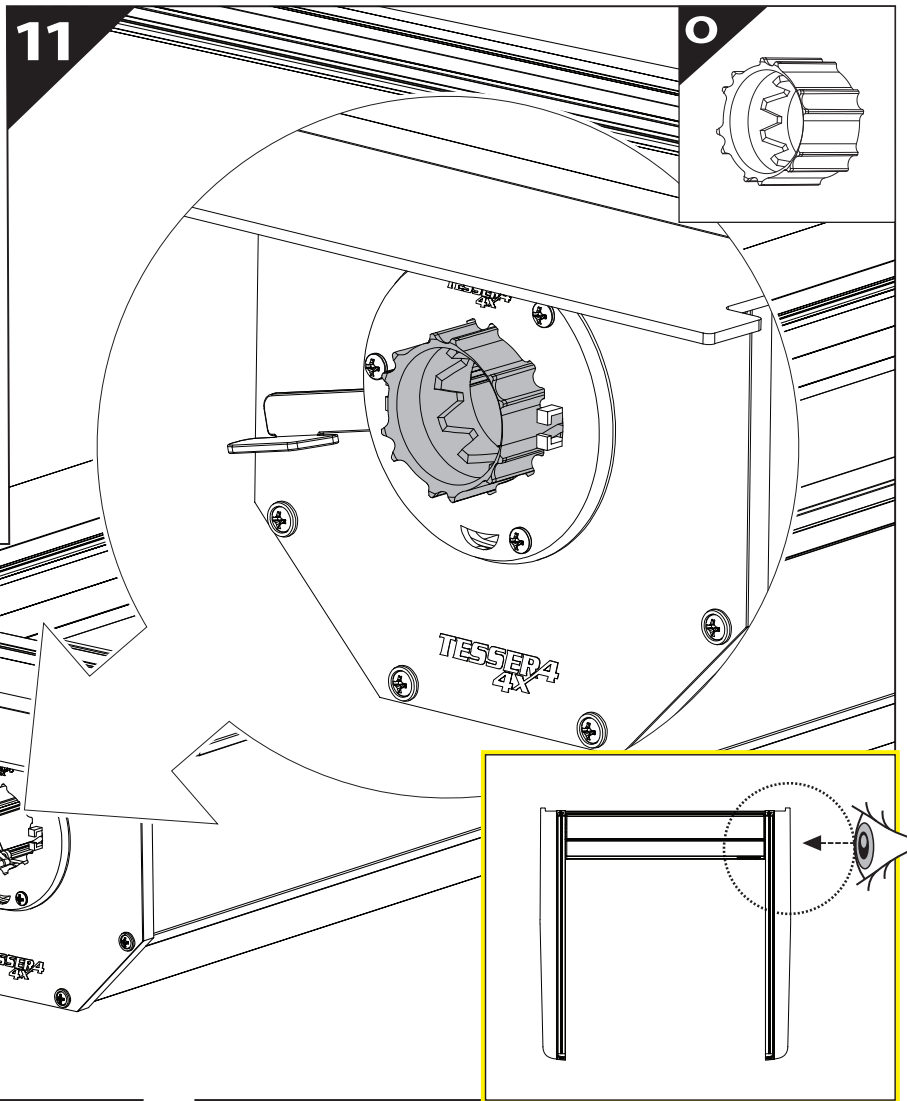
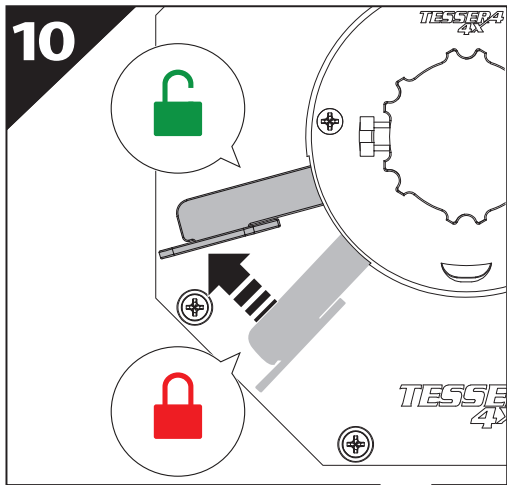


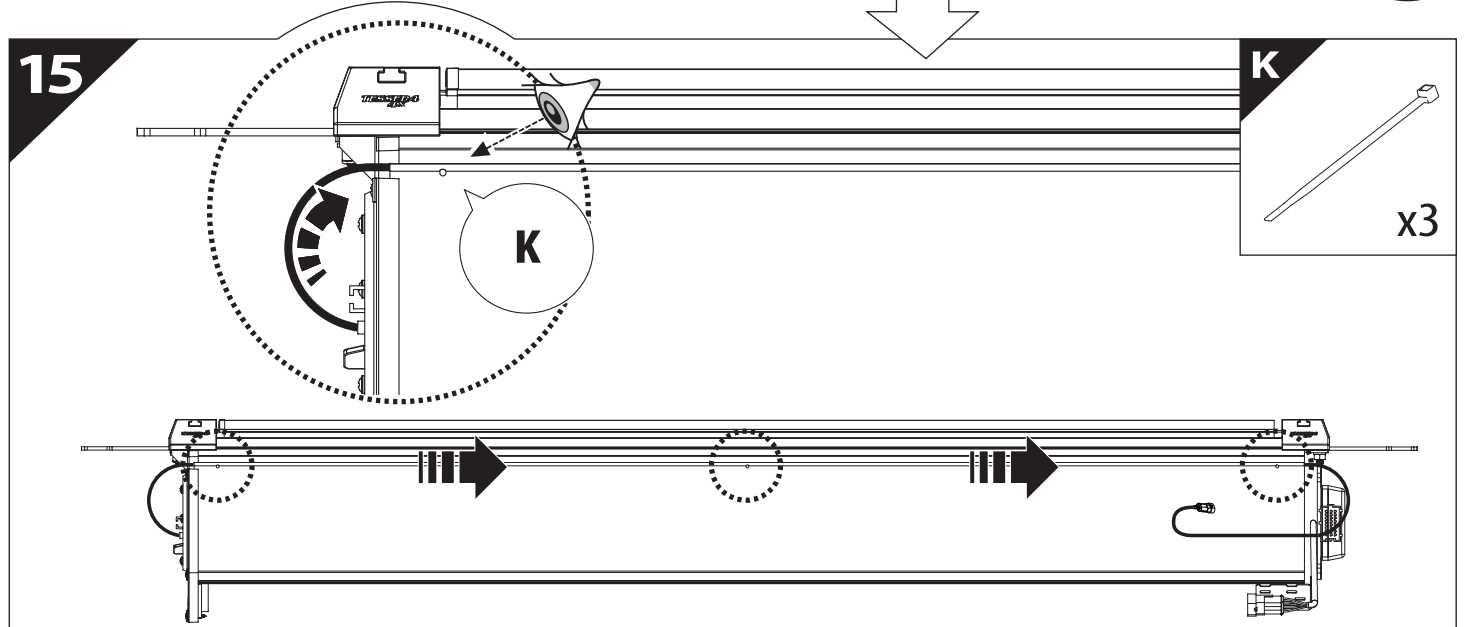
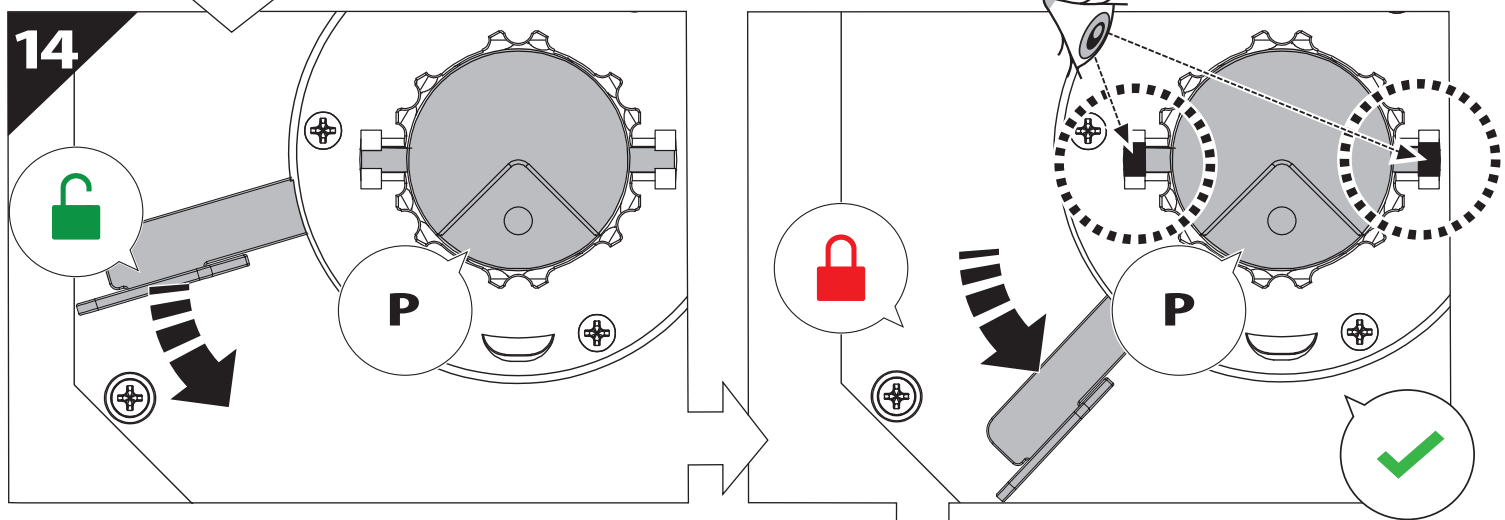
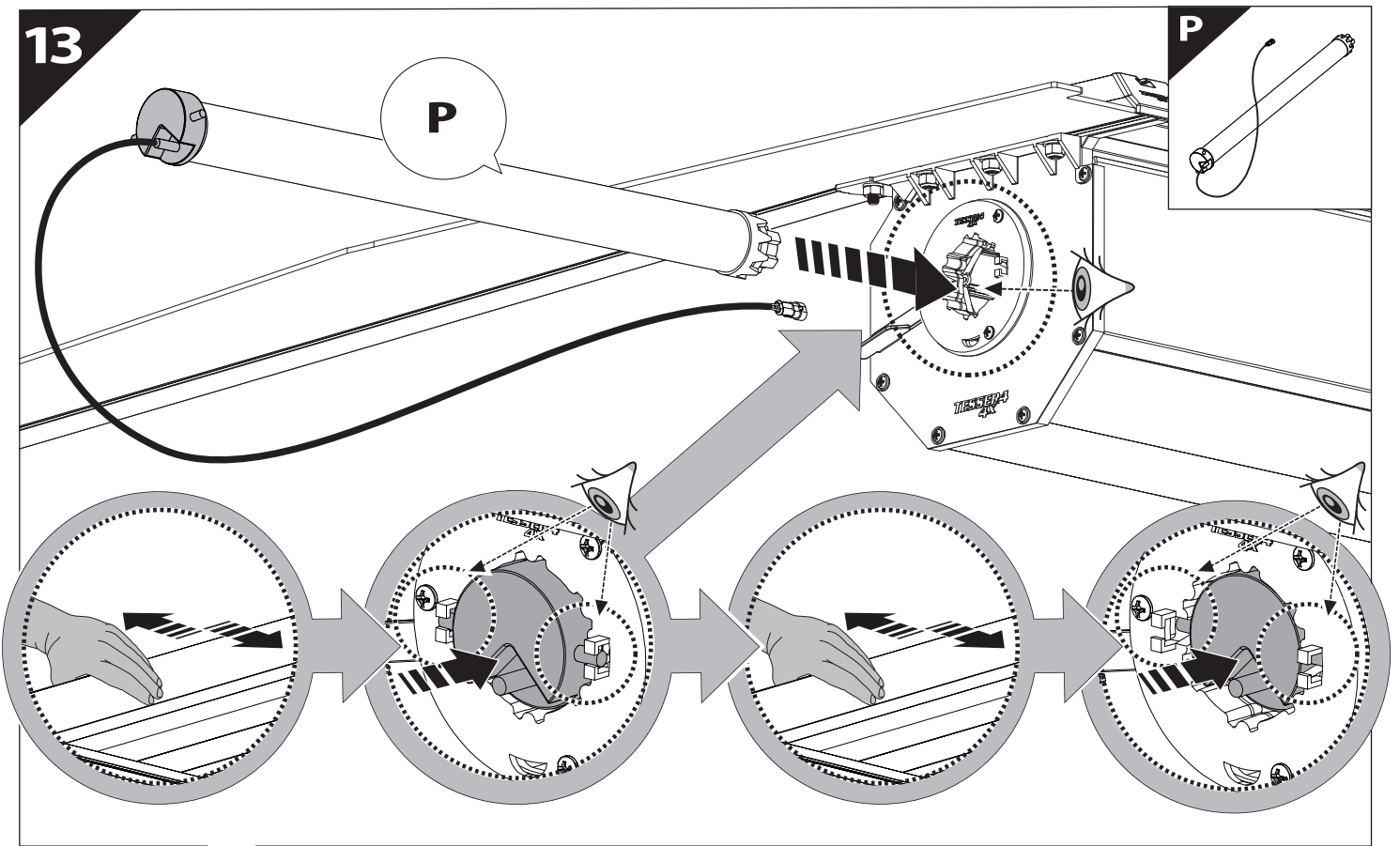
8



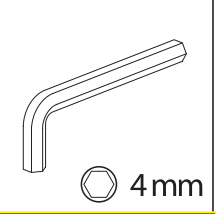
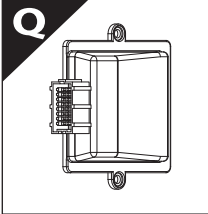
9





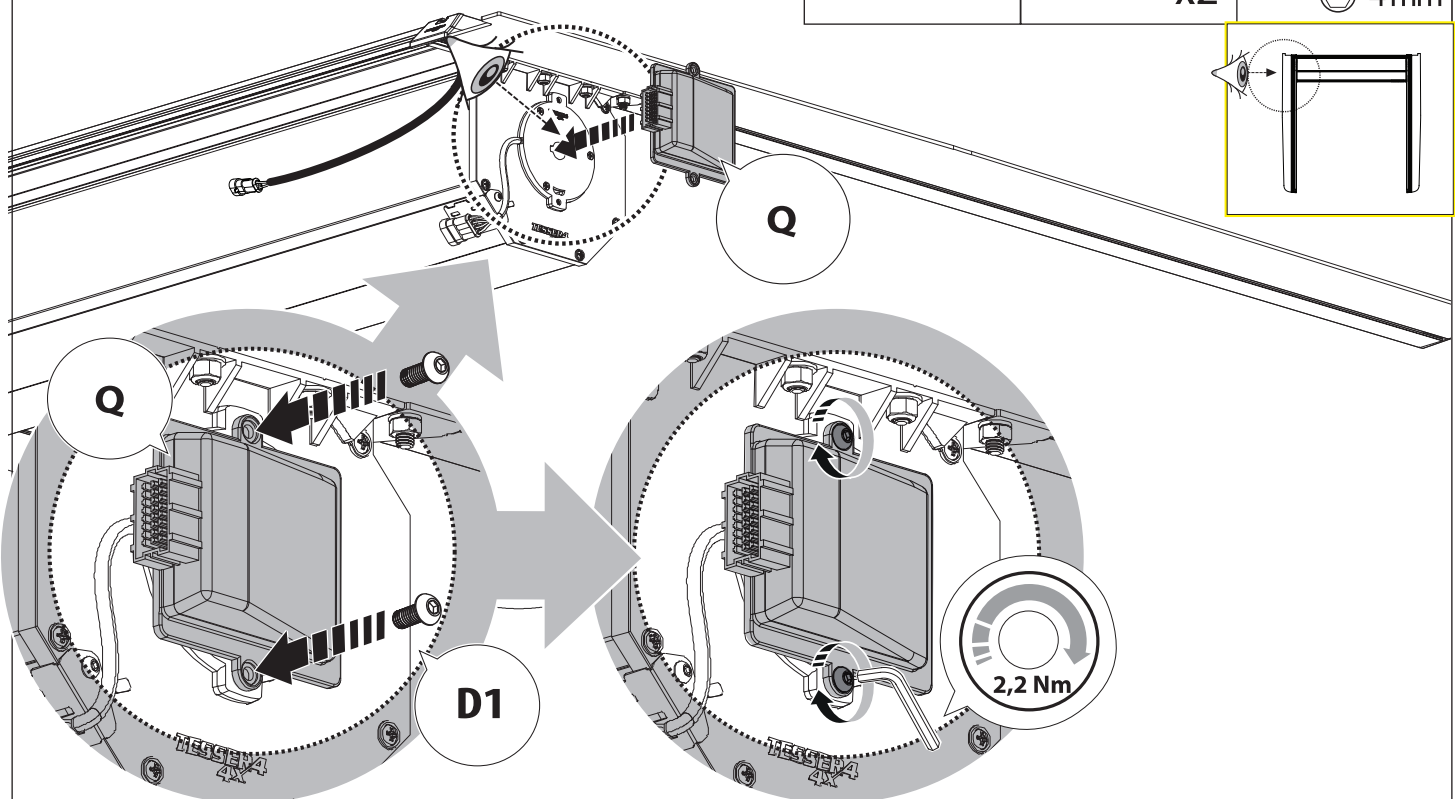
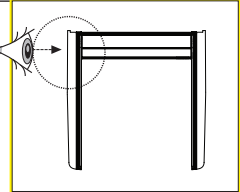


16

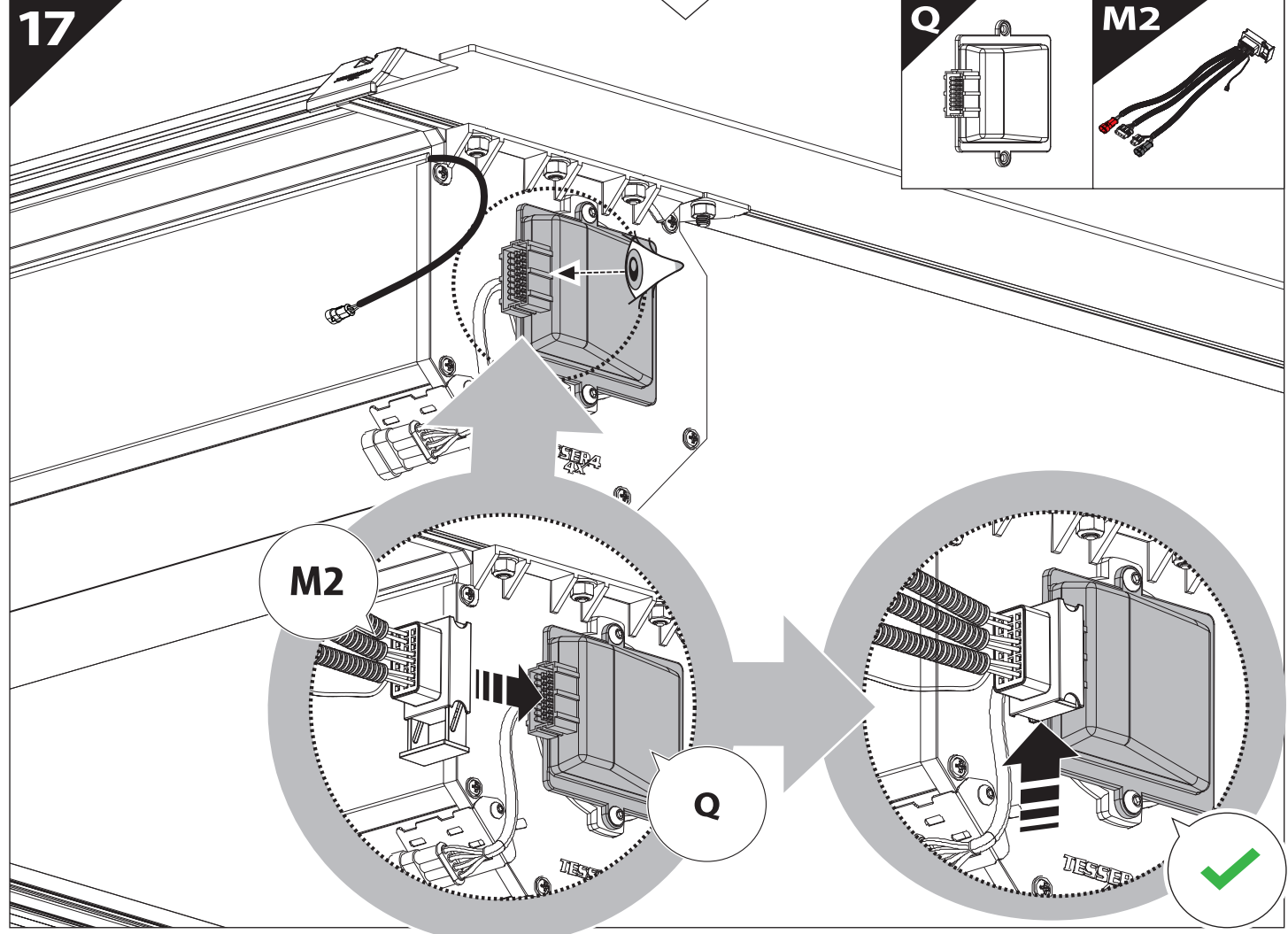
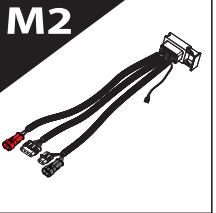
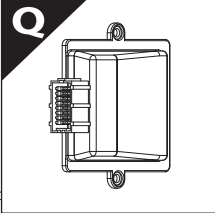


x2

4mm

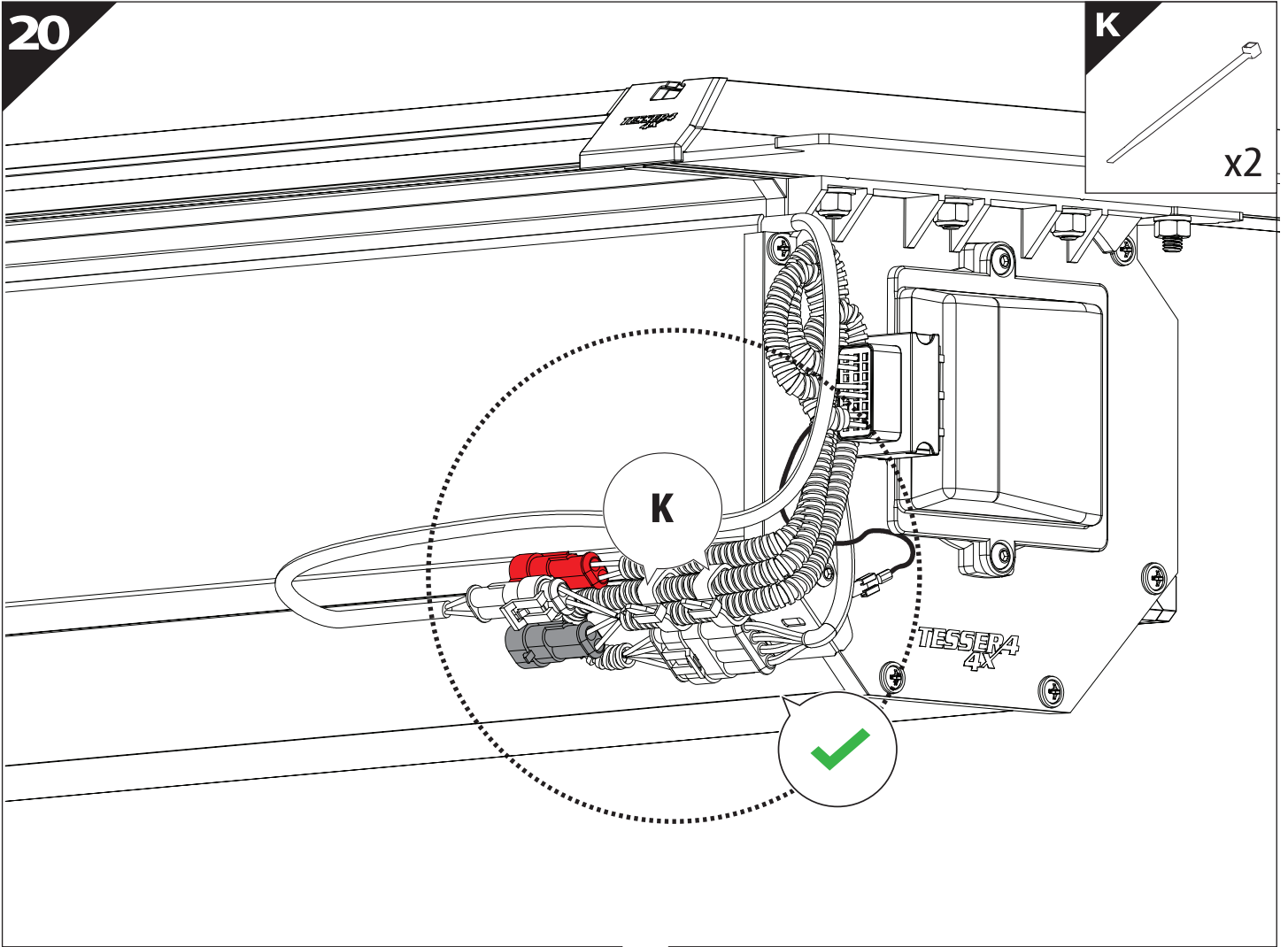


17

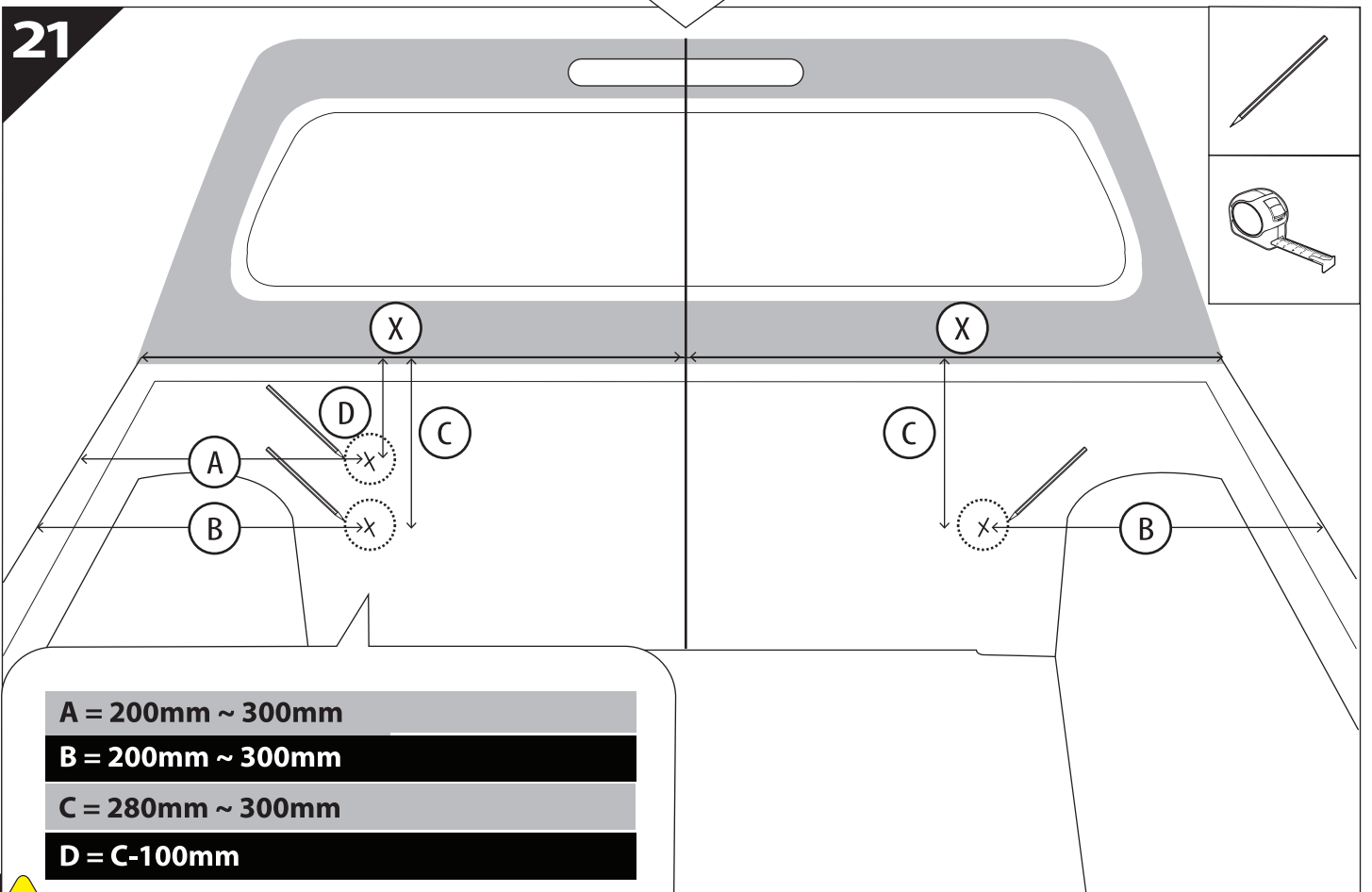


20

K



21



A = 200mm ~ 300mm

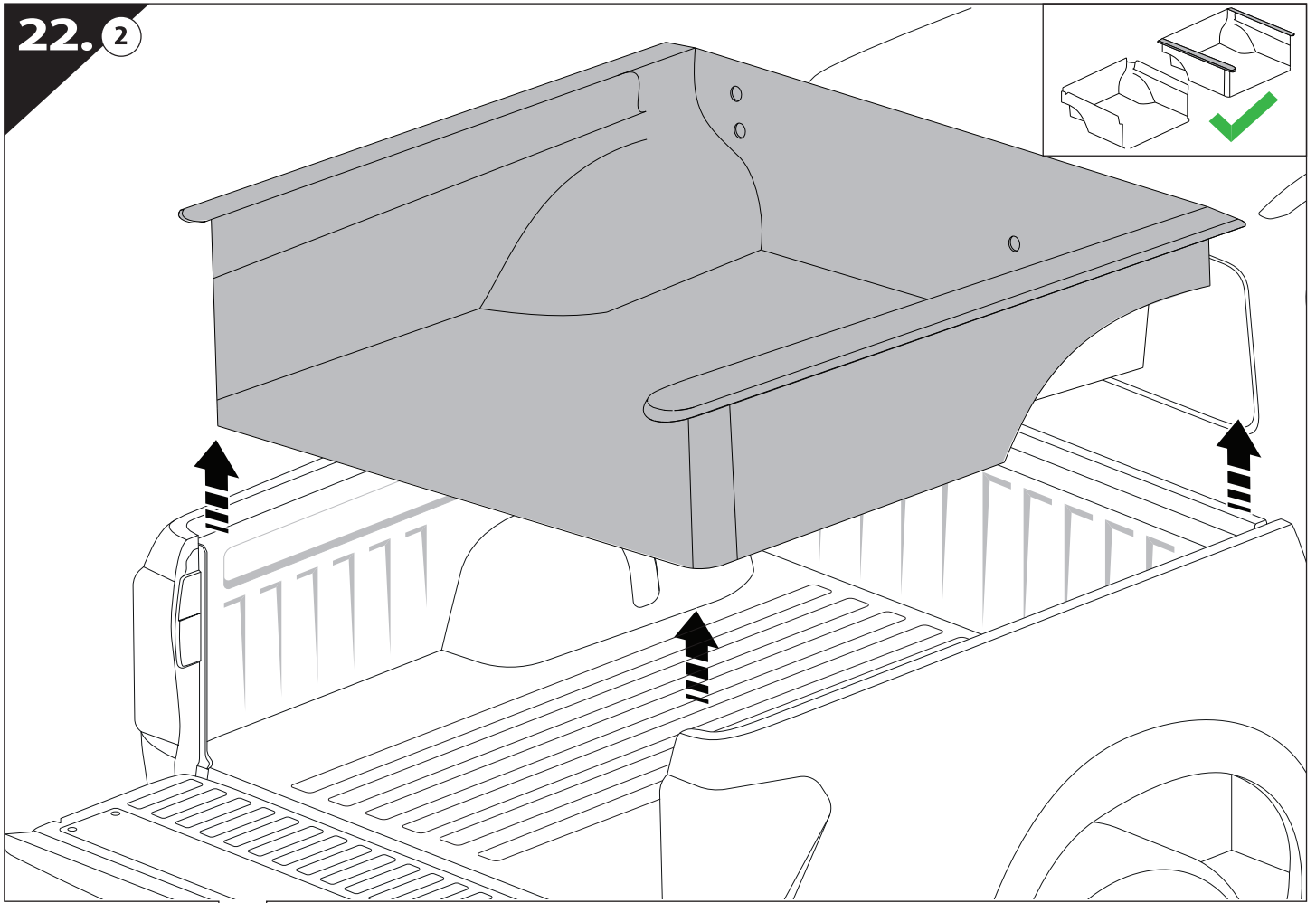
B = 200mm ~ 300mm

C = 280mm ~ 300mm

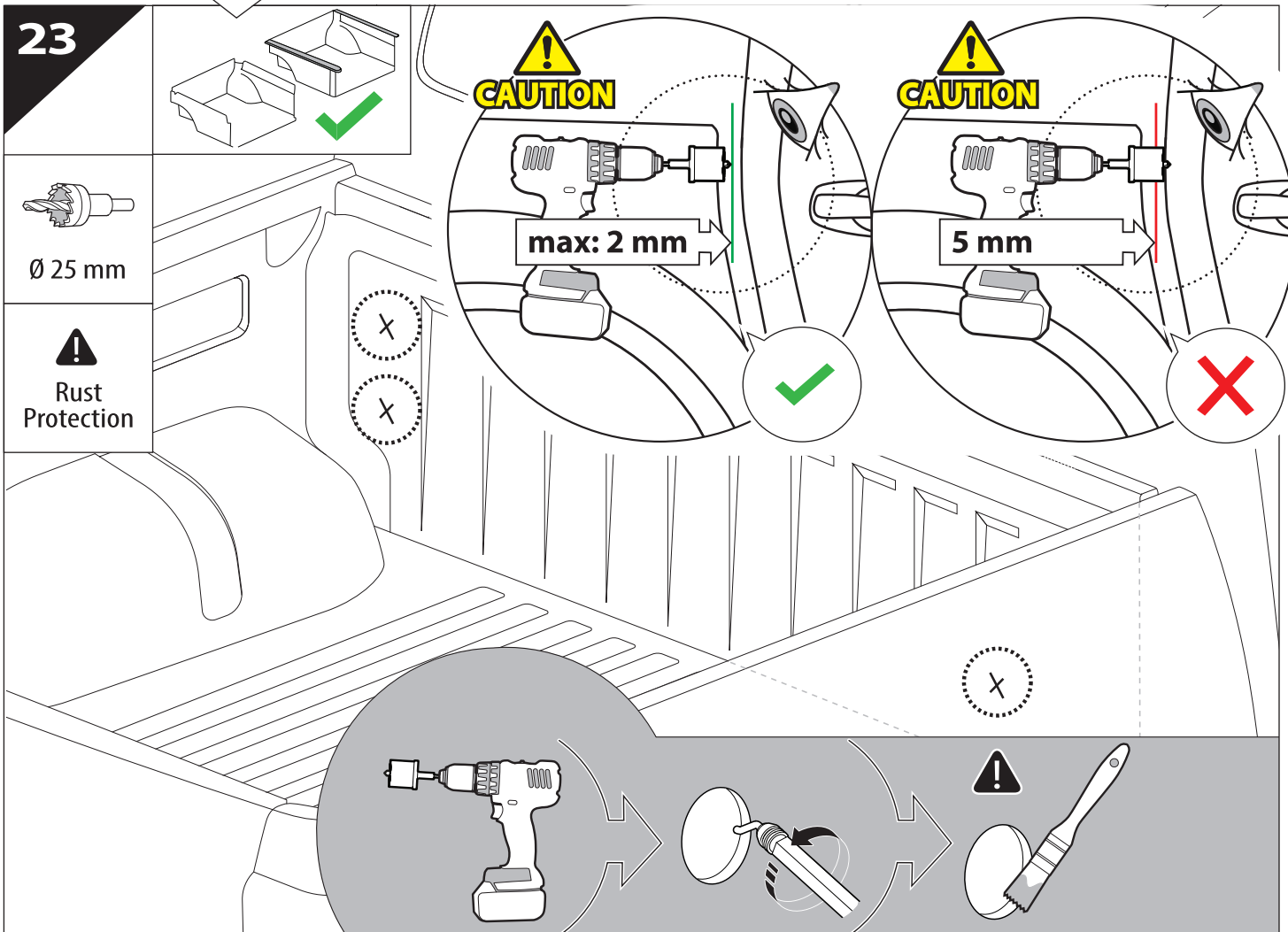
D = C-100mm

! TRY TO FIND FREE & STRAIGHT SPOTS IN THESE DIMENSIONS ACCORDINGLY

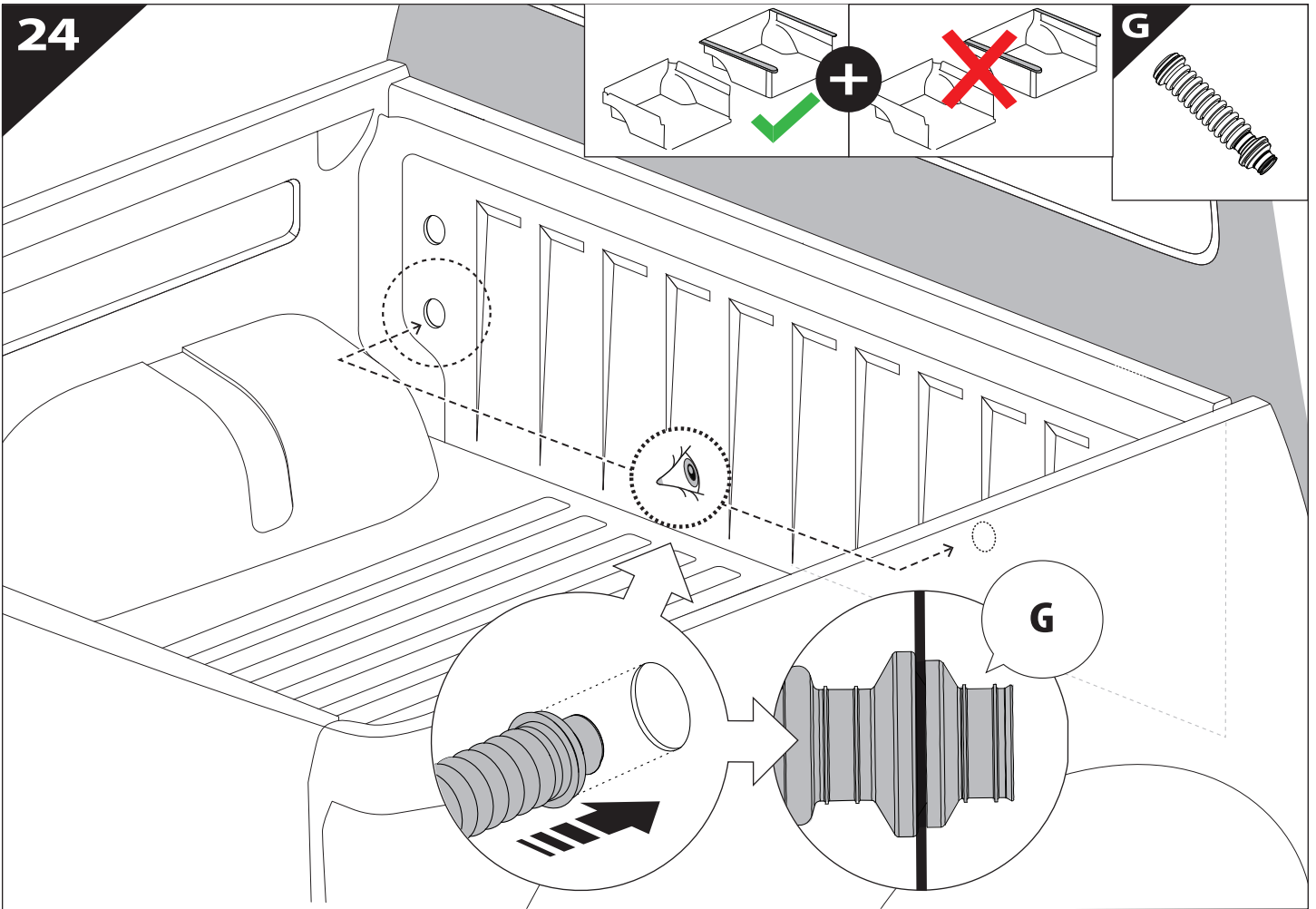
22. ②



23

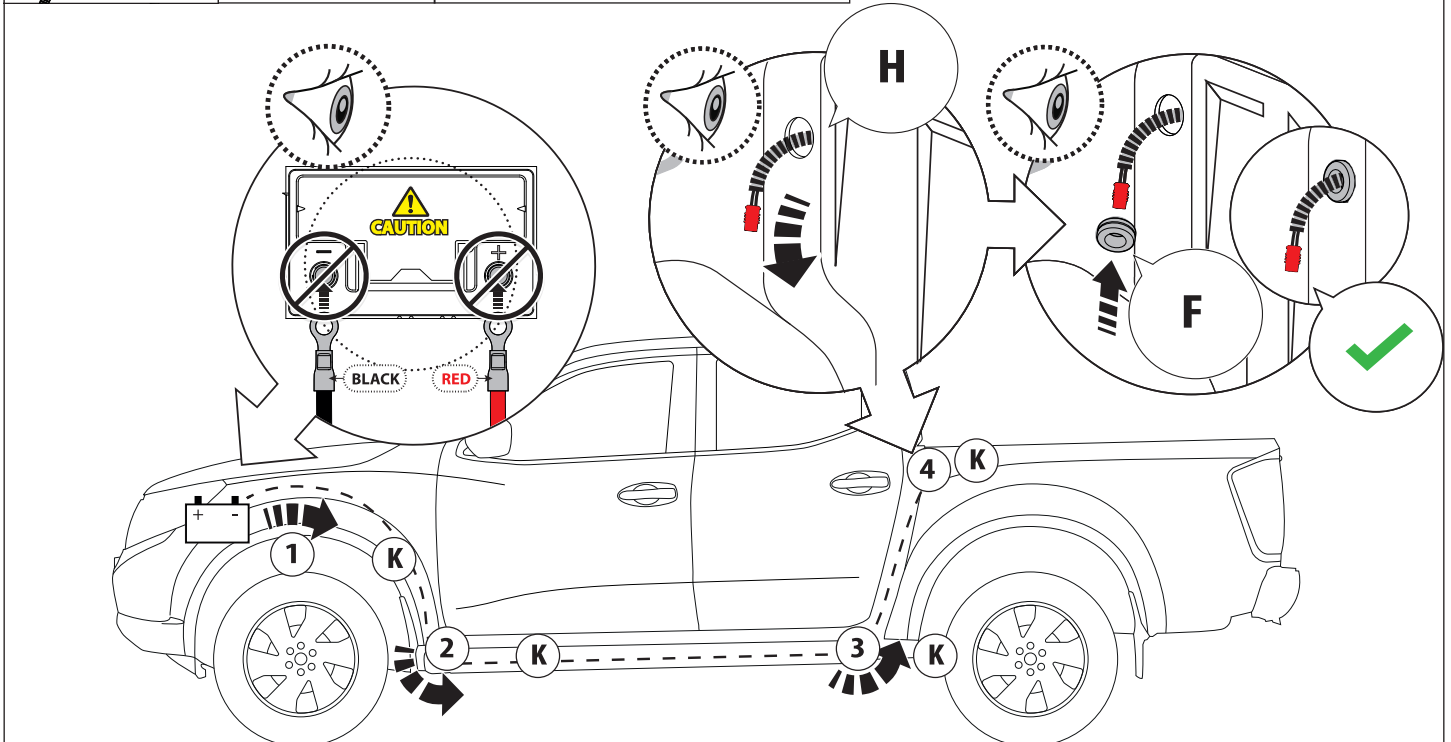
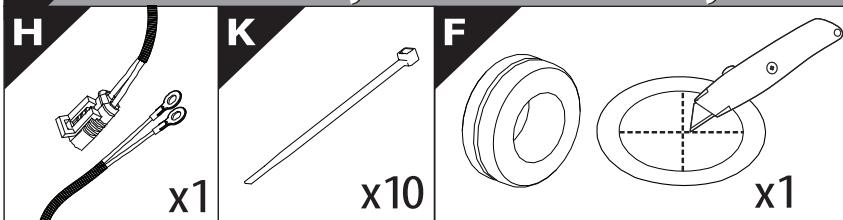


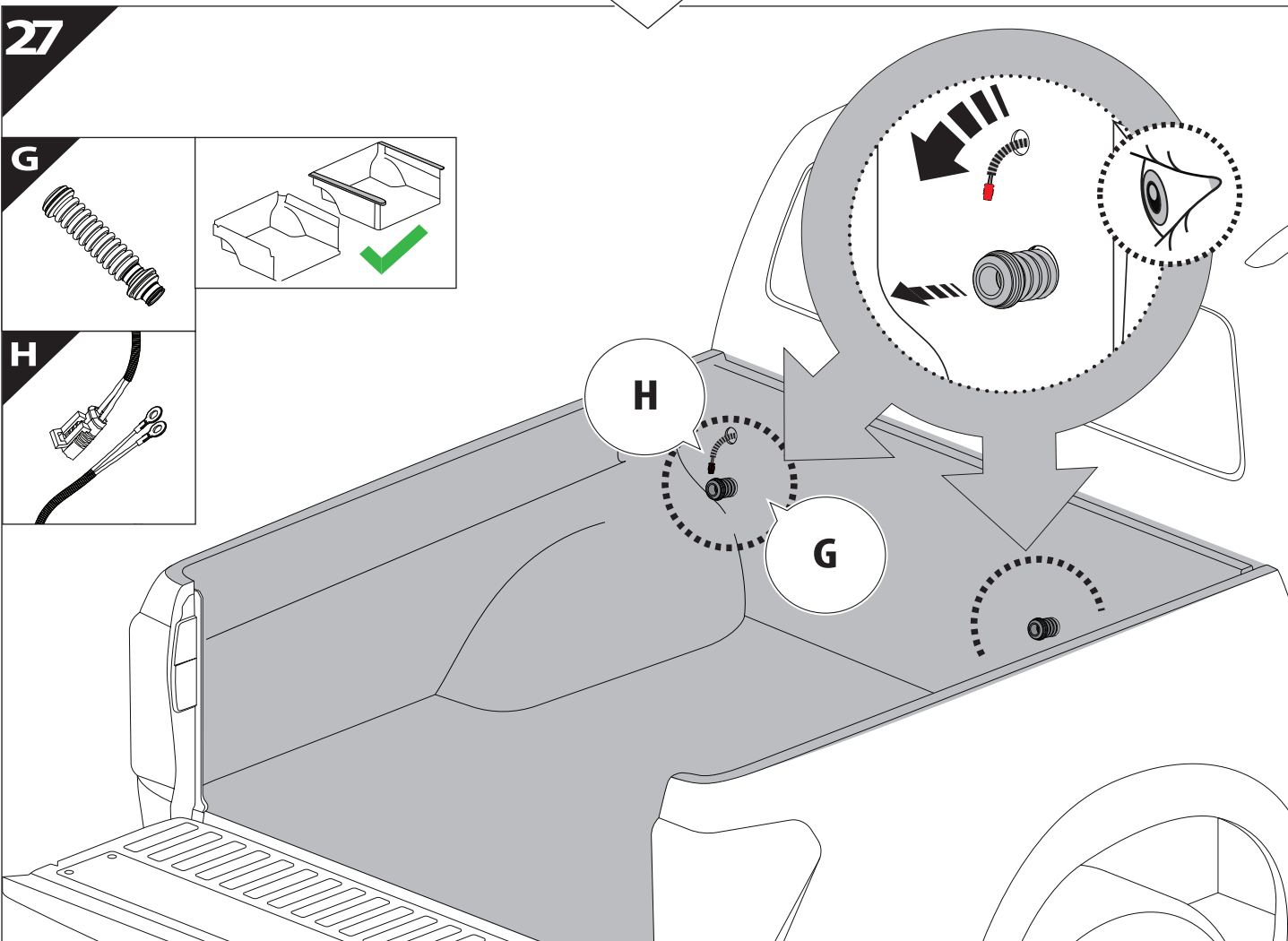
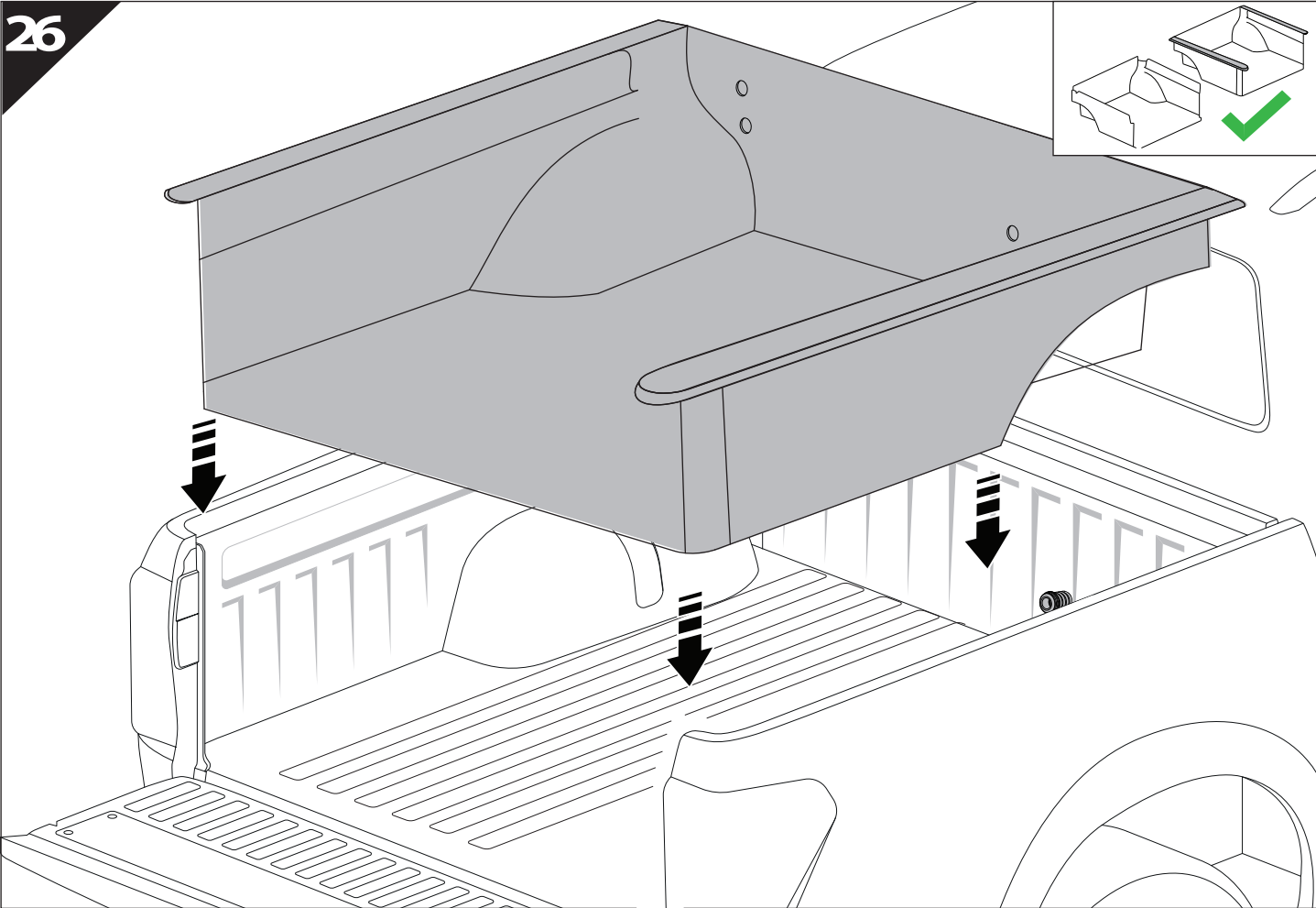
24



25

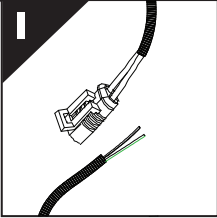
Only to be installed by authorized personnel



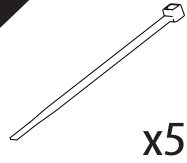


28

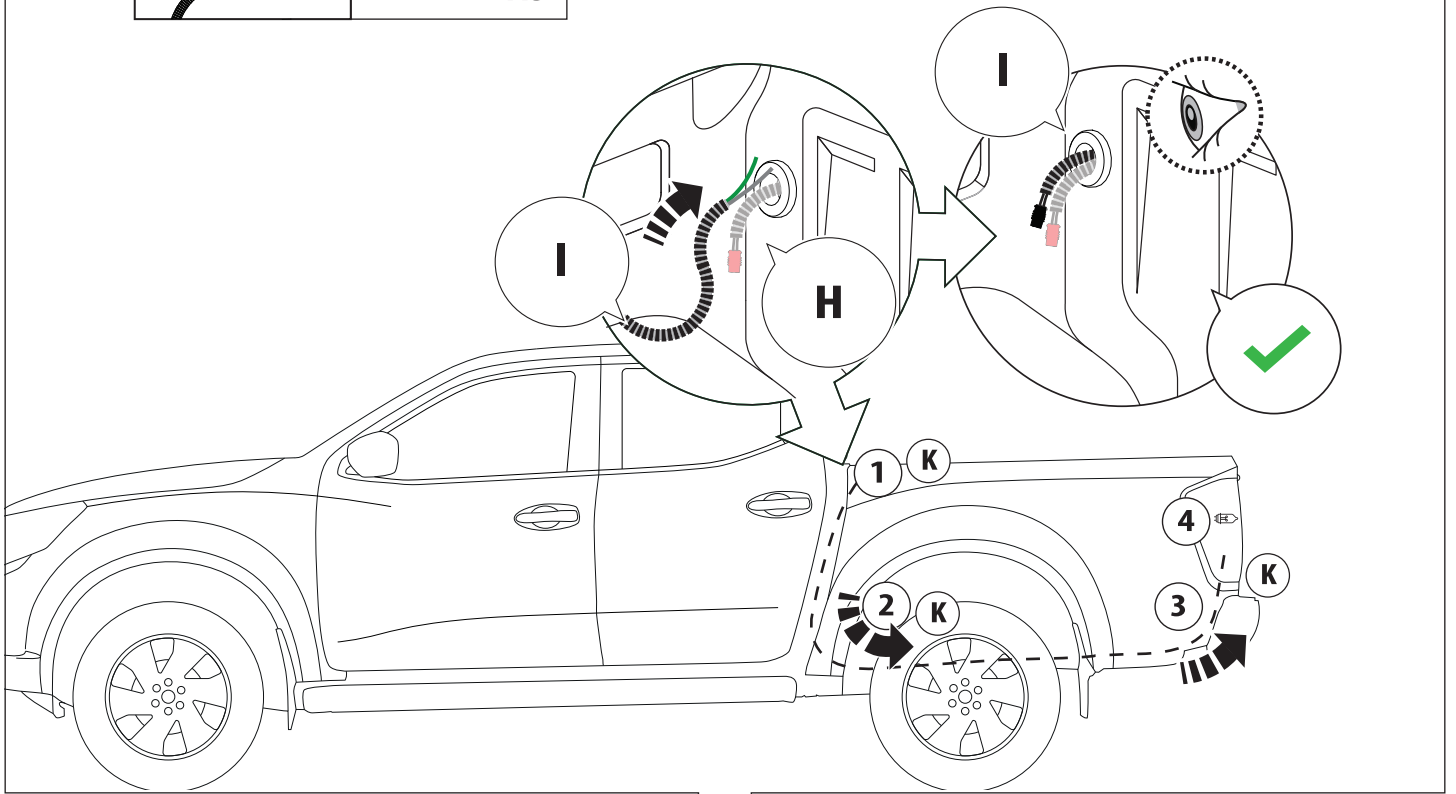
I



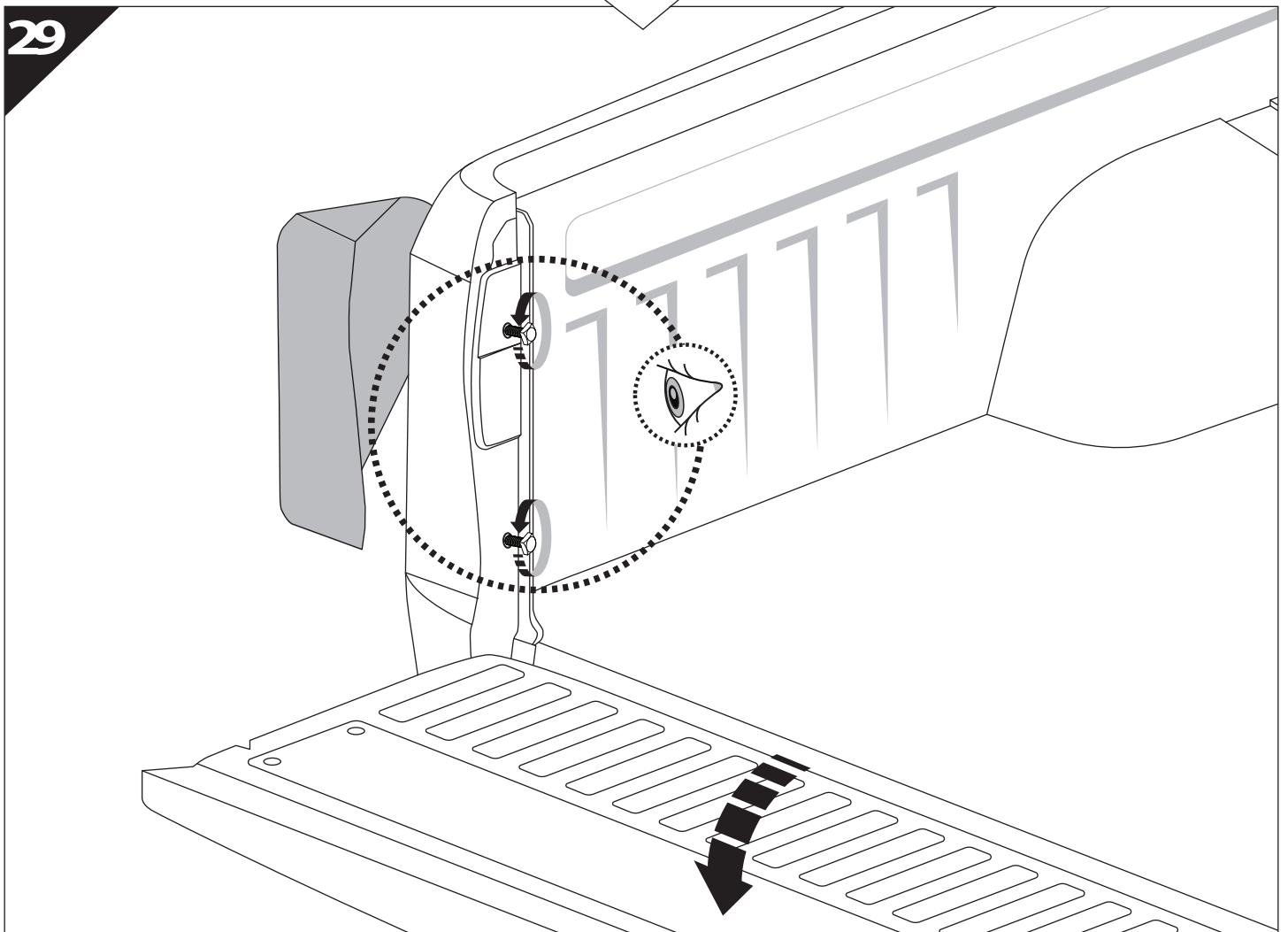
K

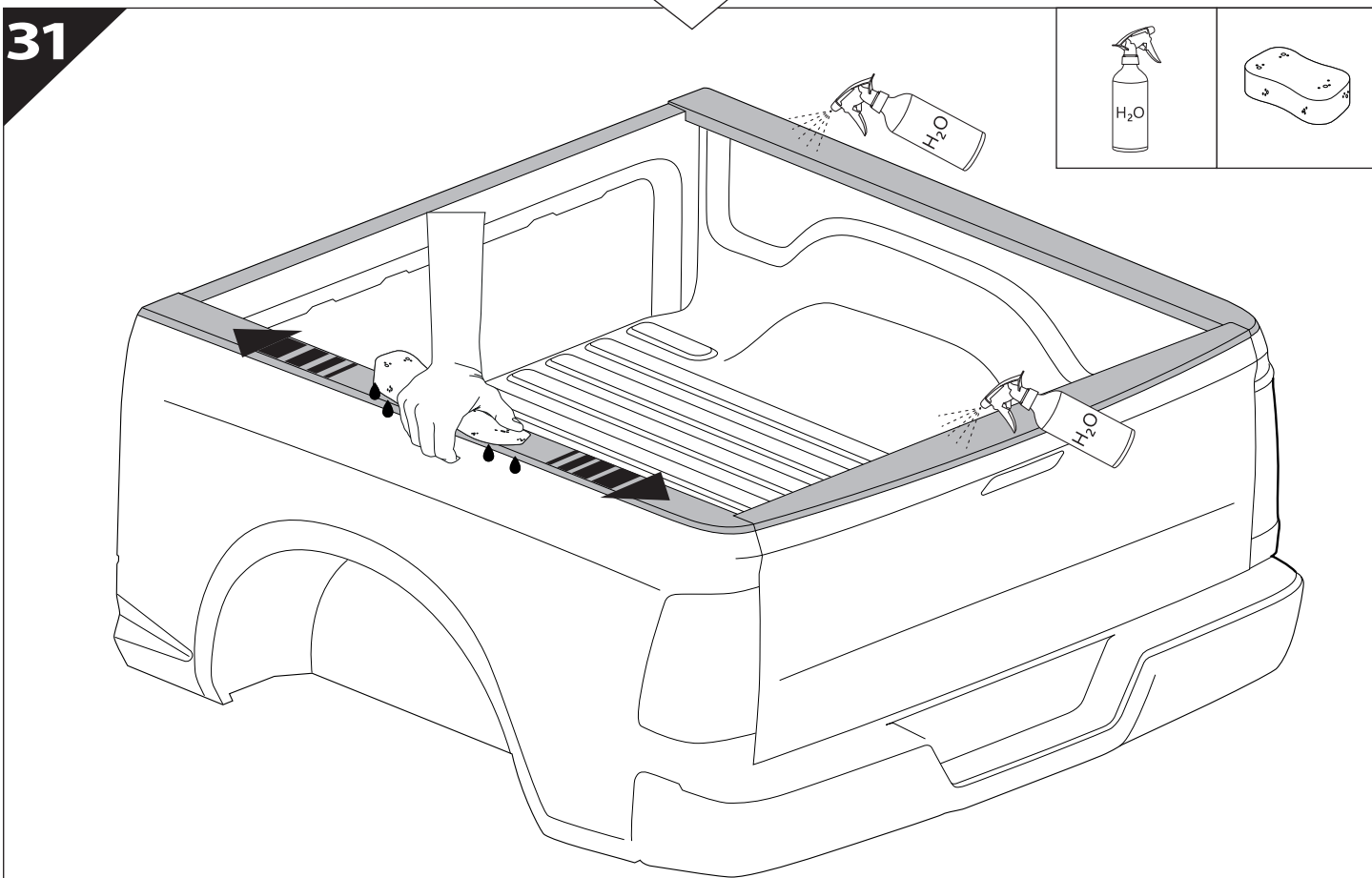
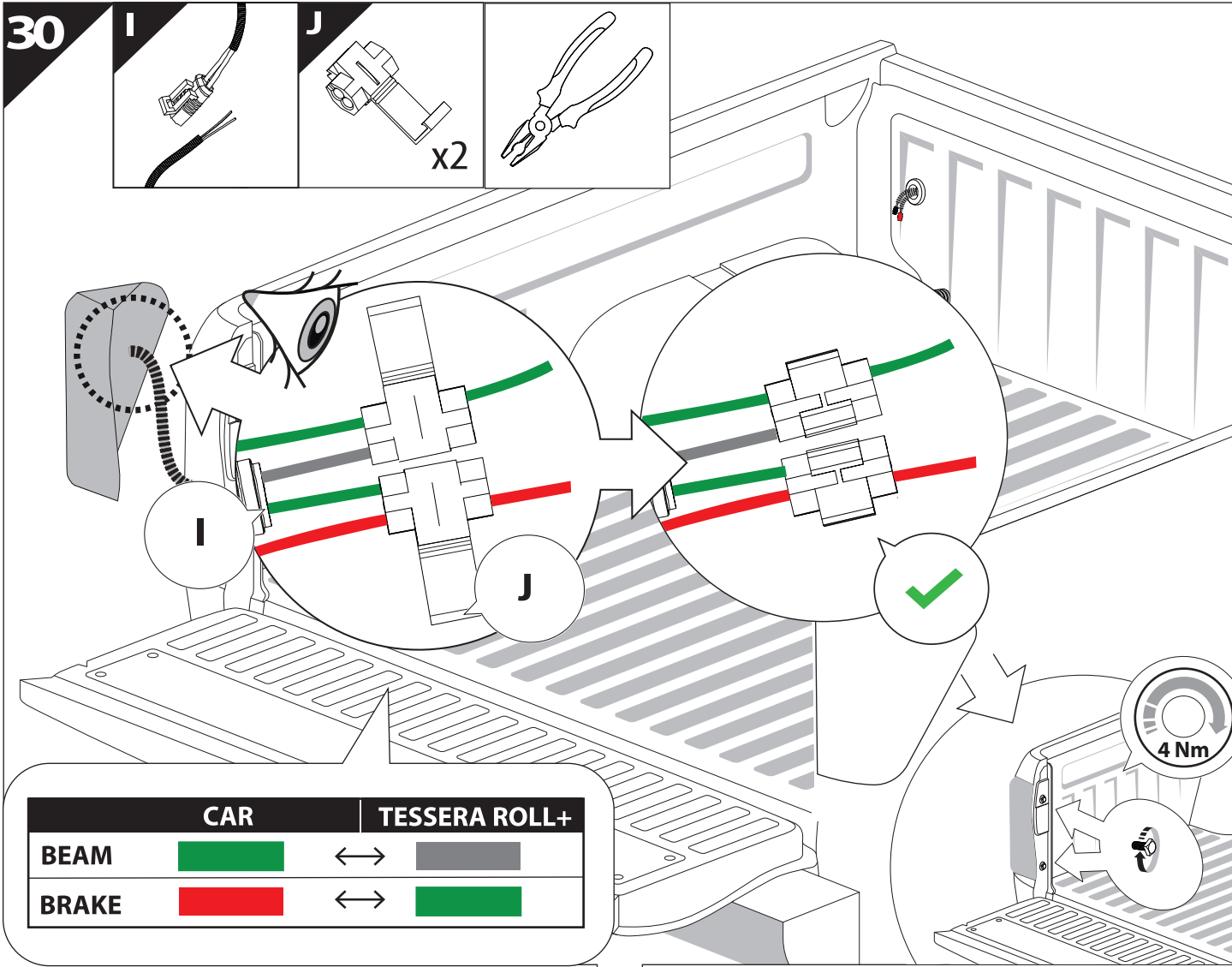


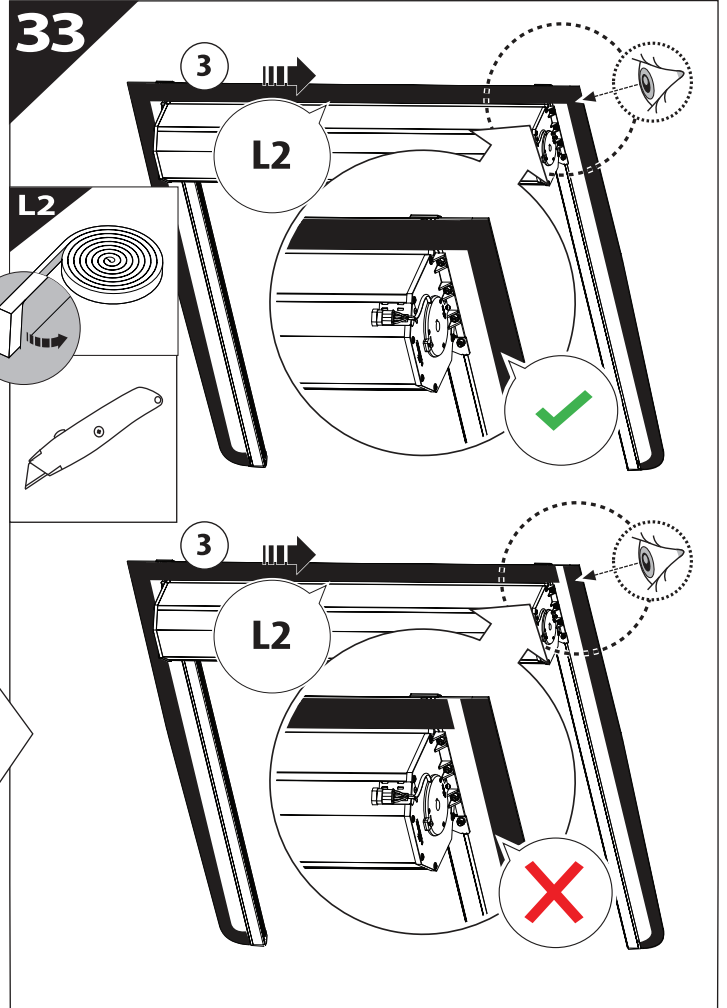
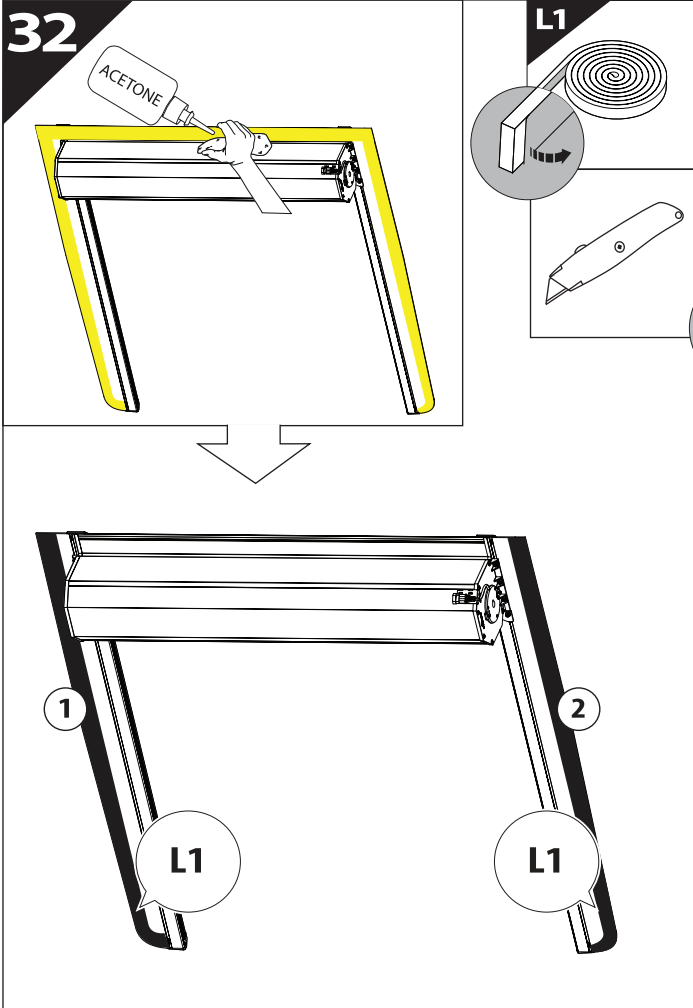
x5

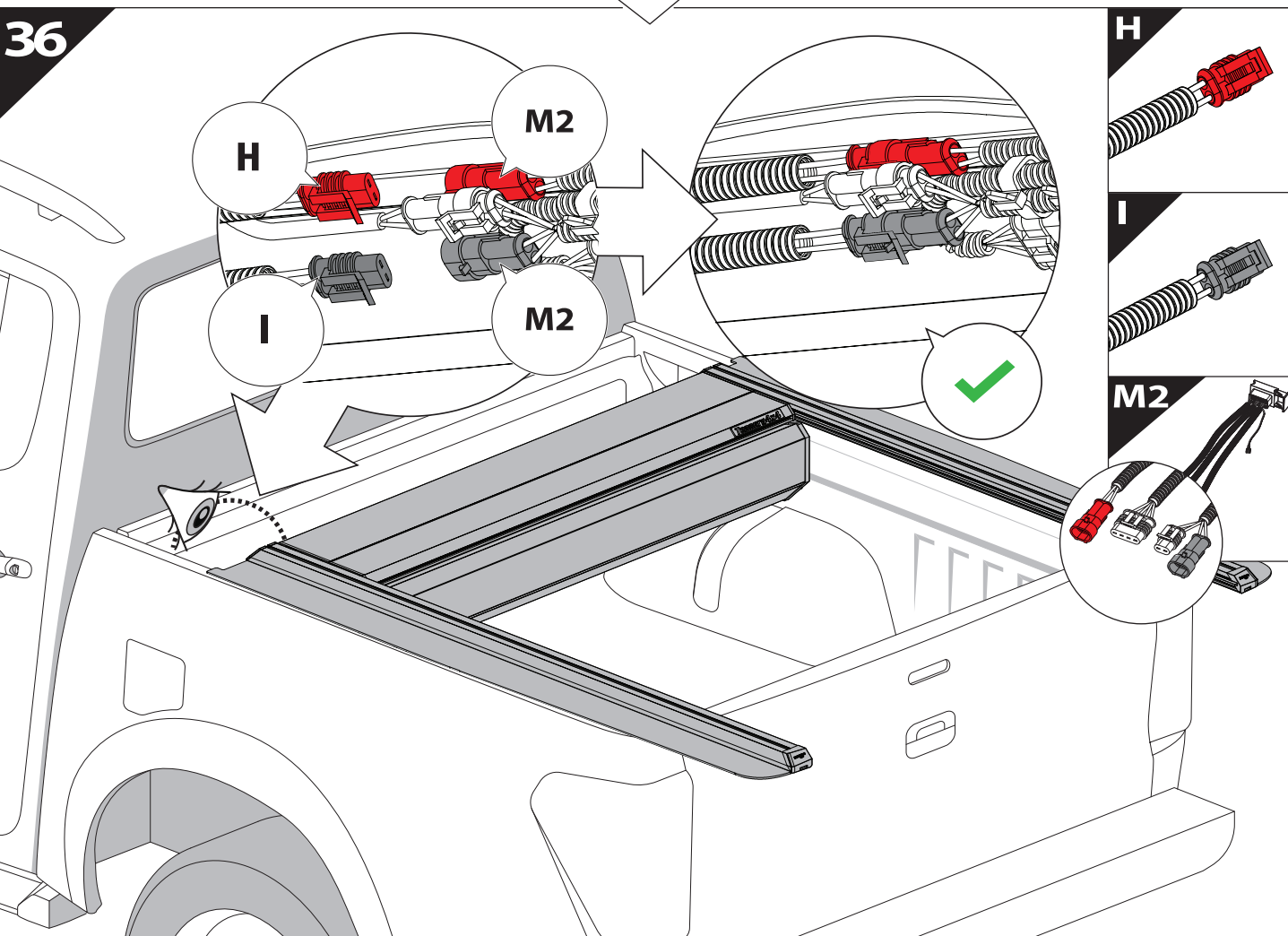
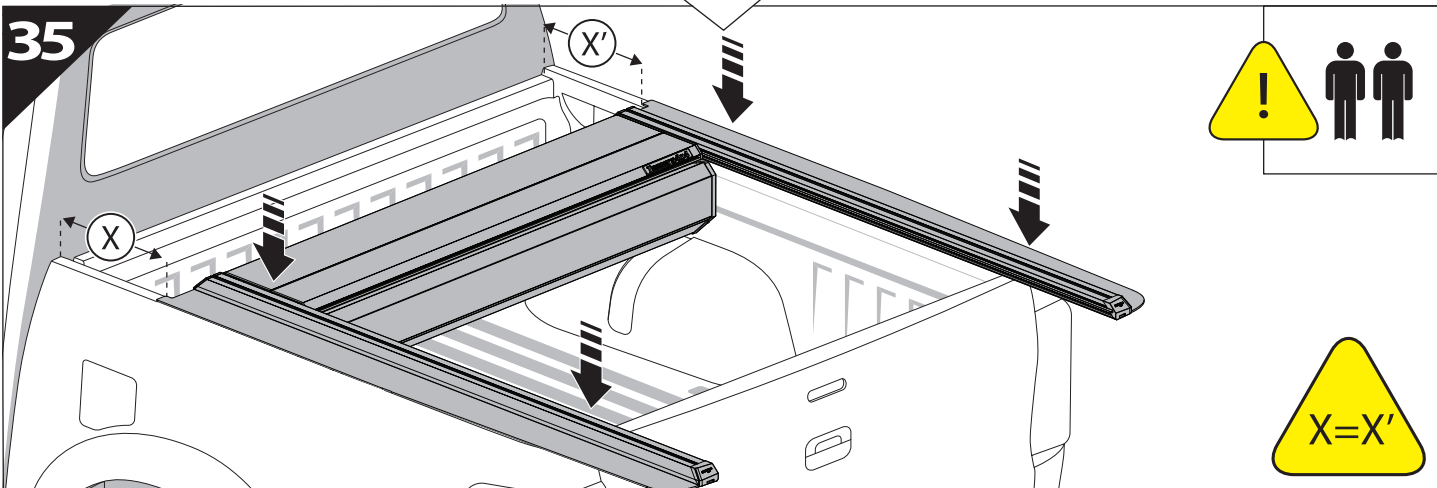
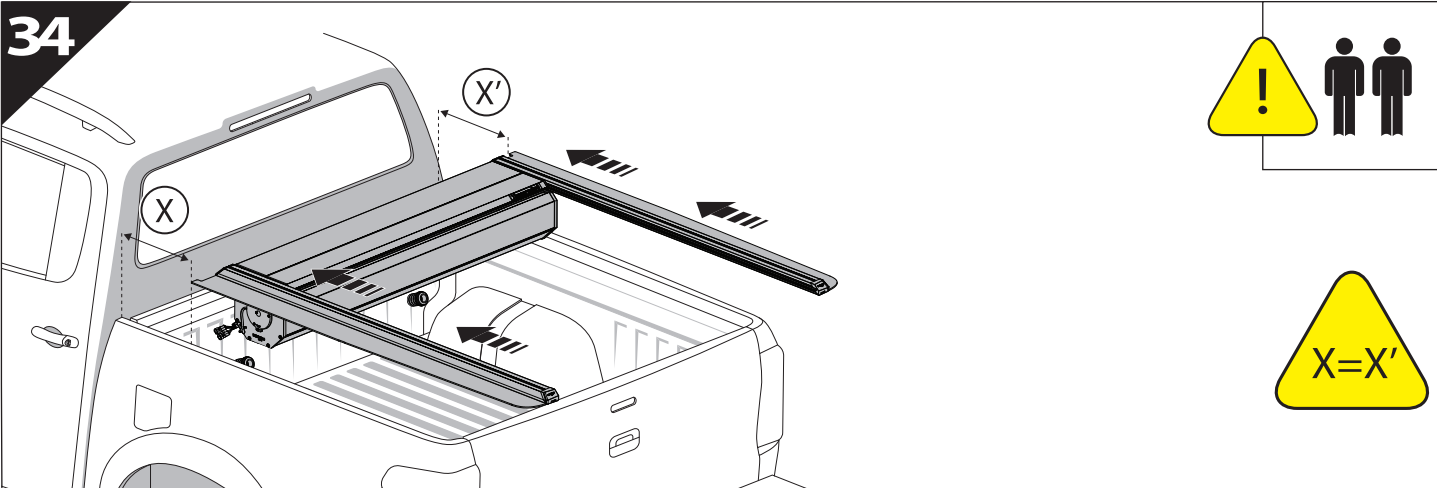


29



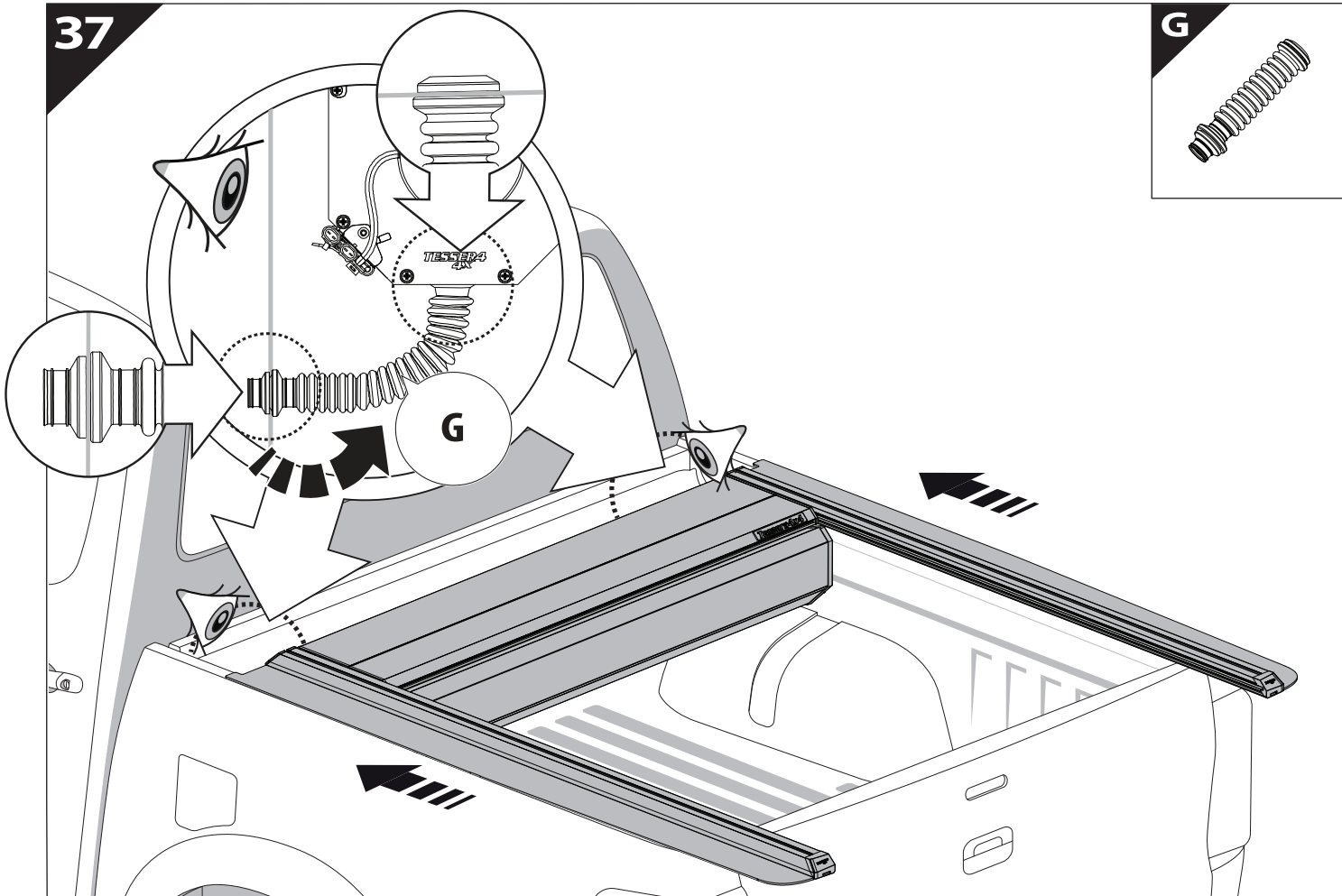




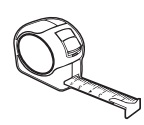
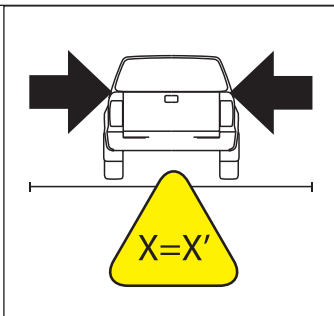
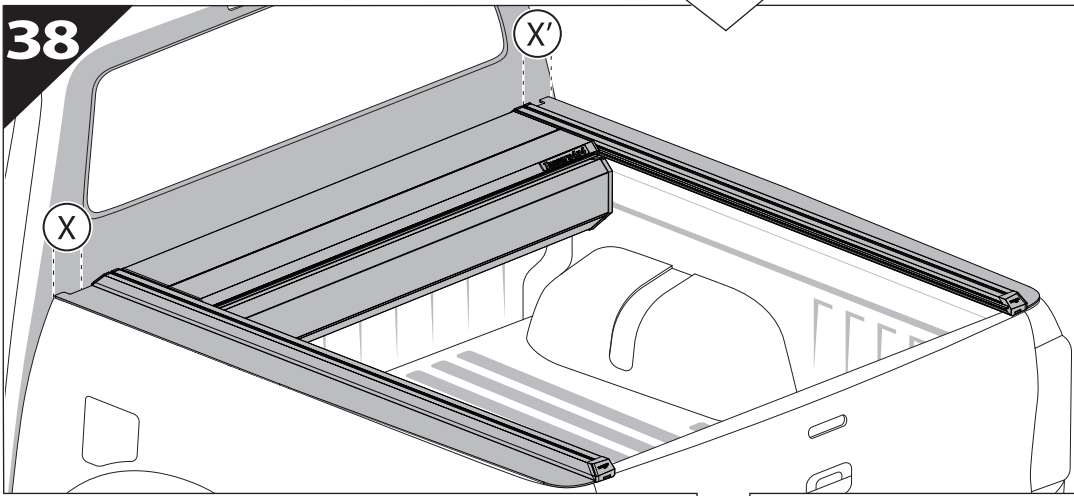


37

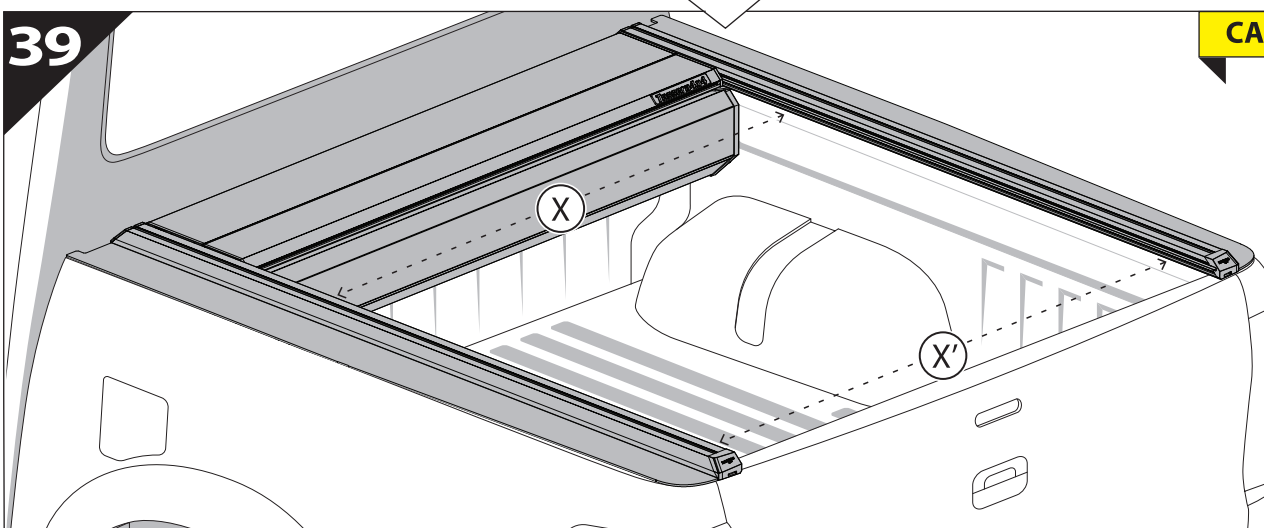
G



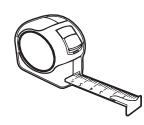
38



39

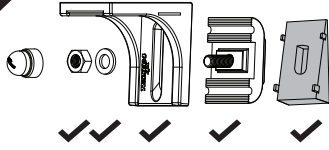


CAUTION !

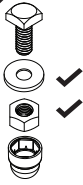


40

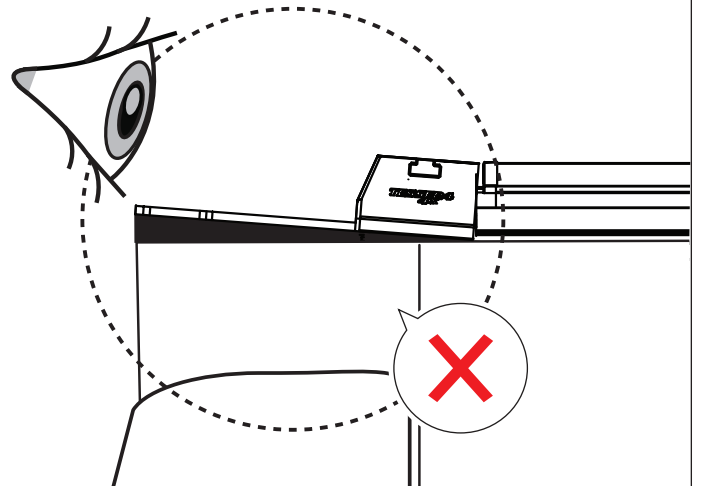
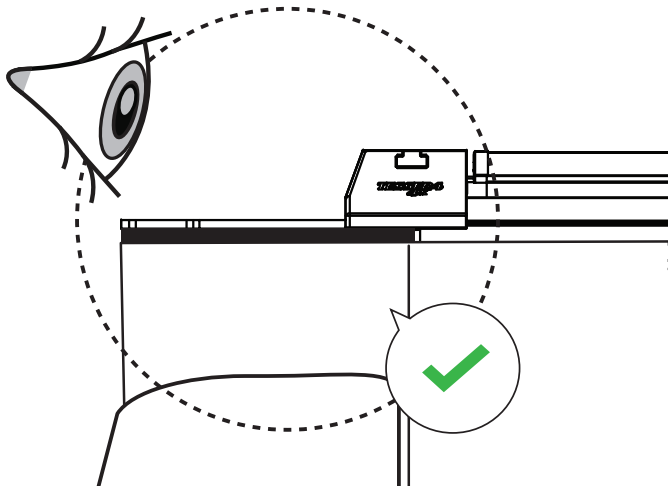
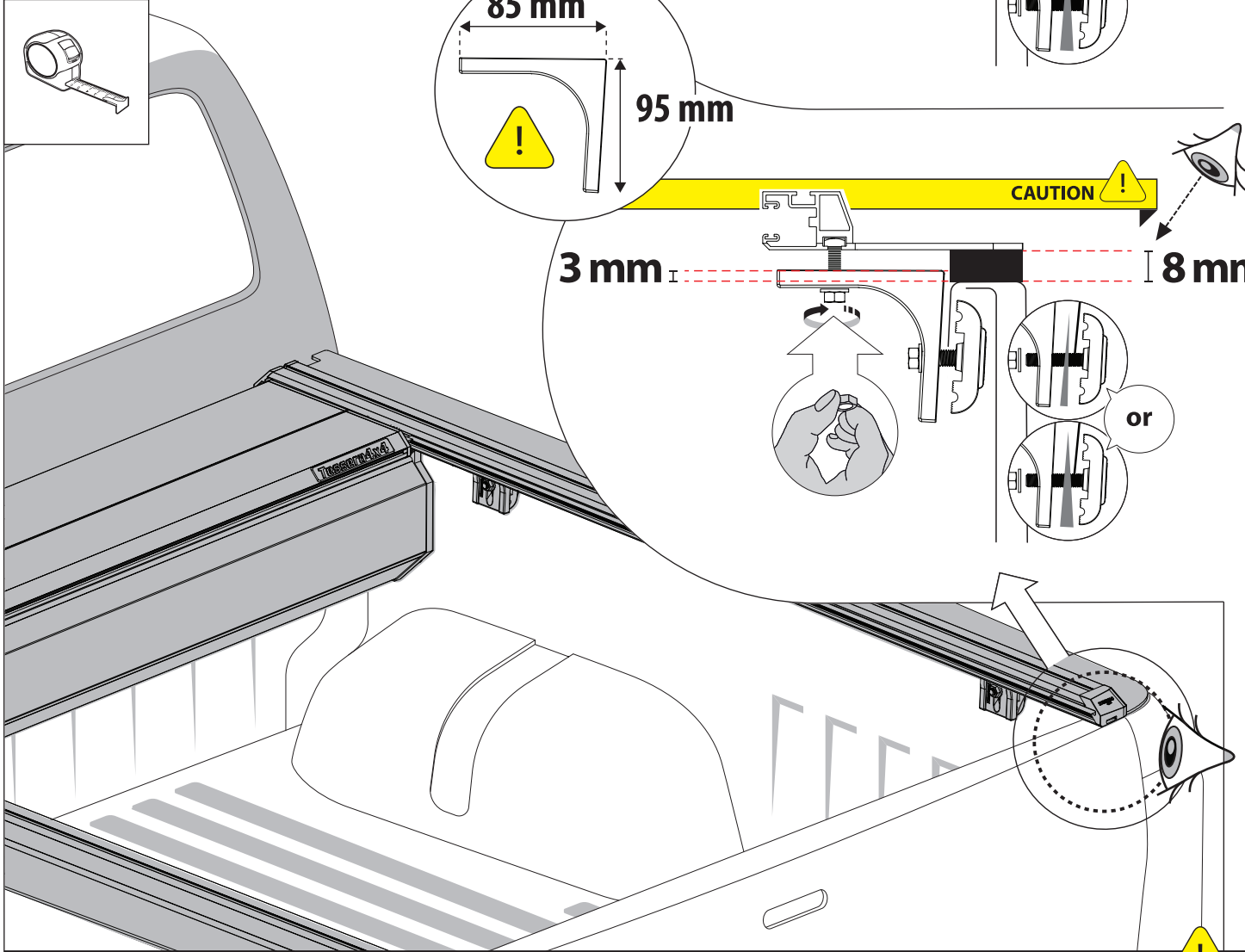
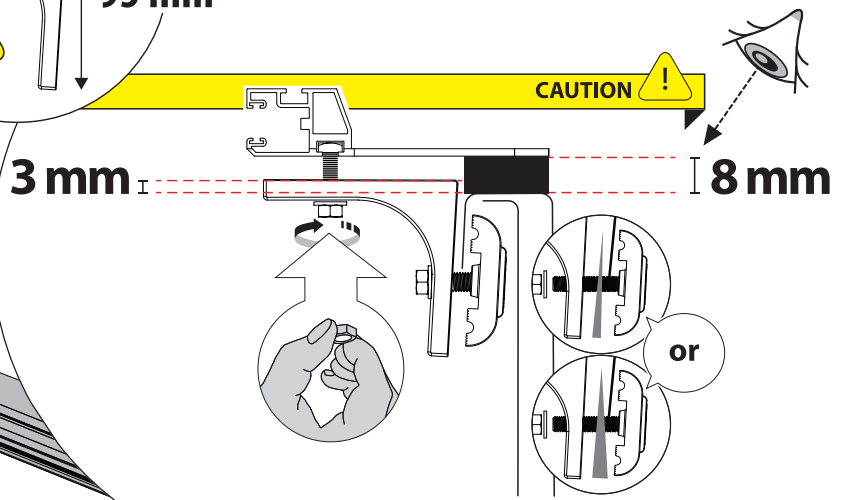
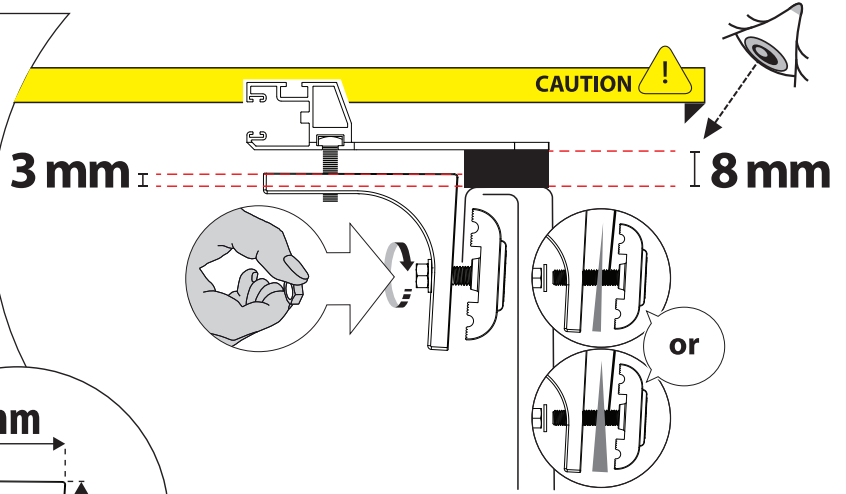
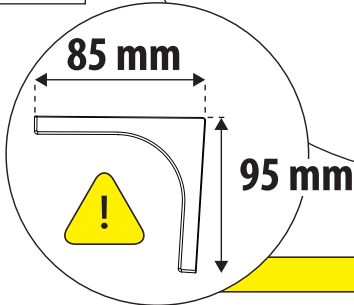
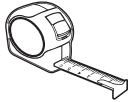
N

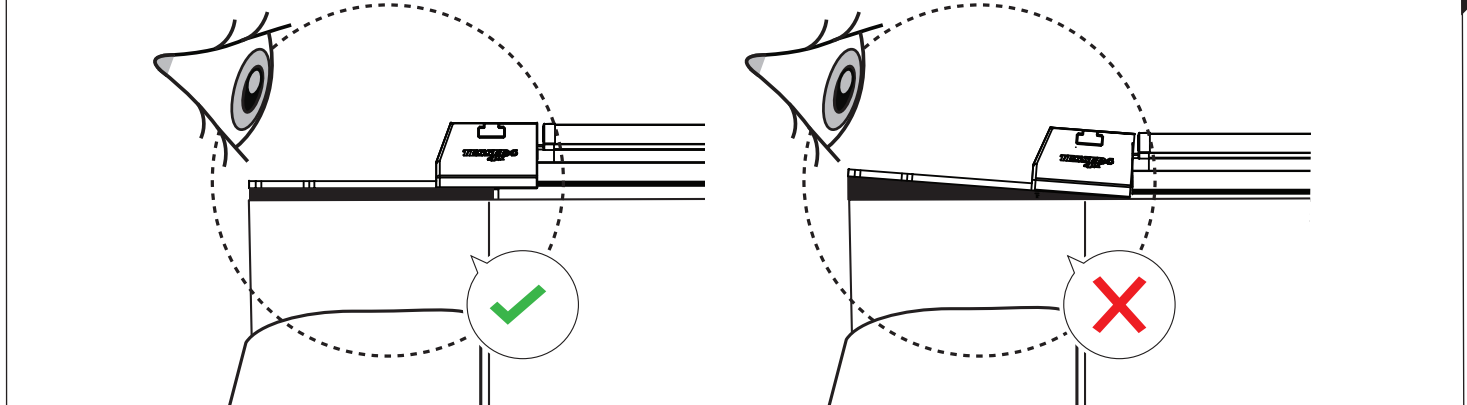
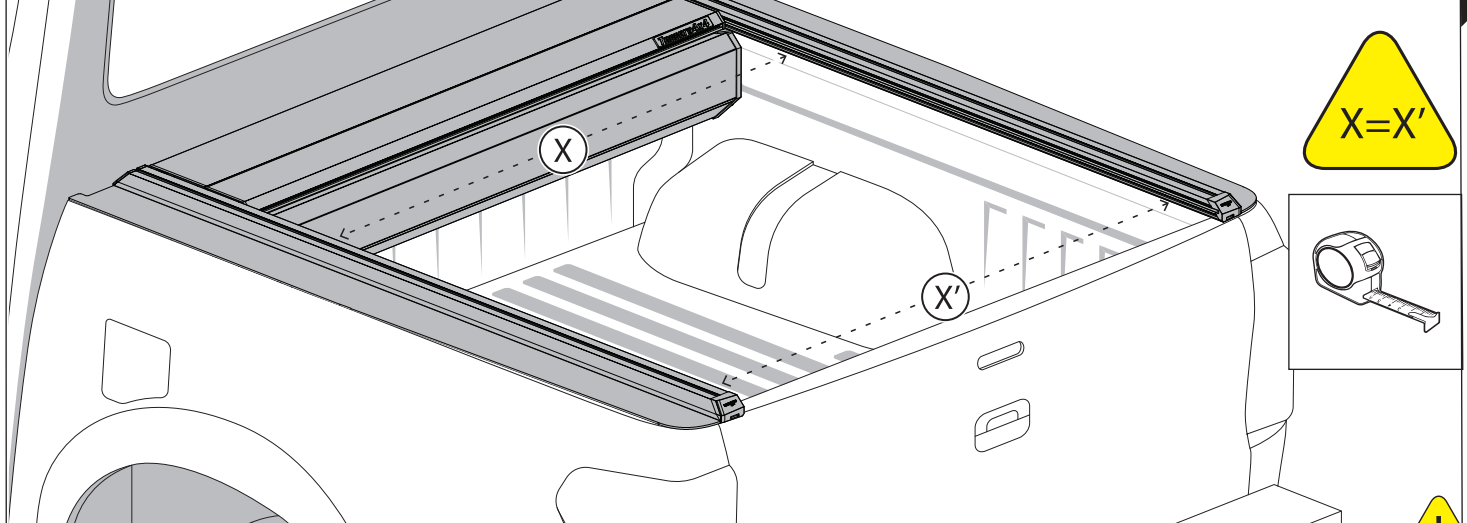
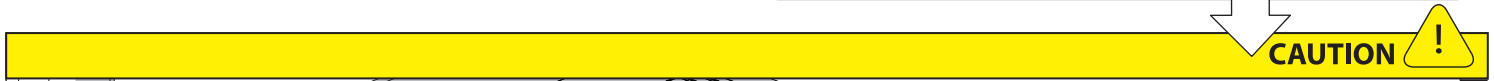
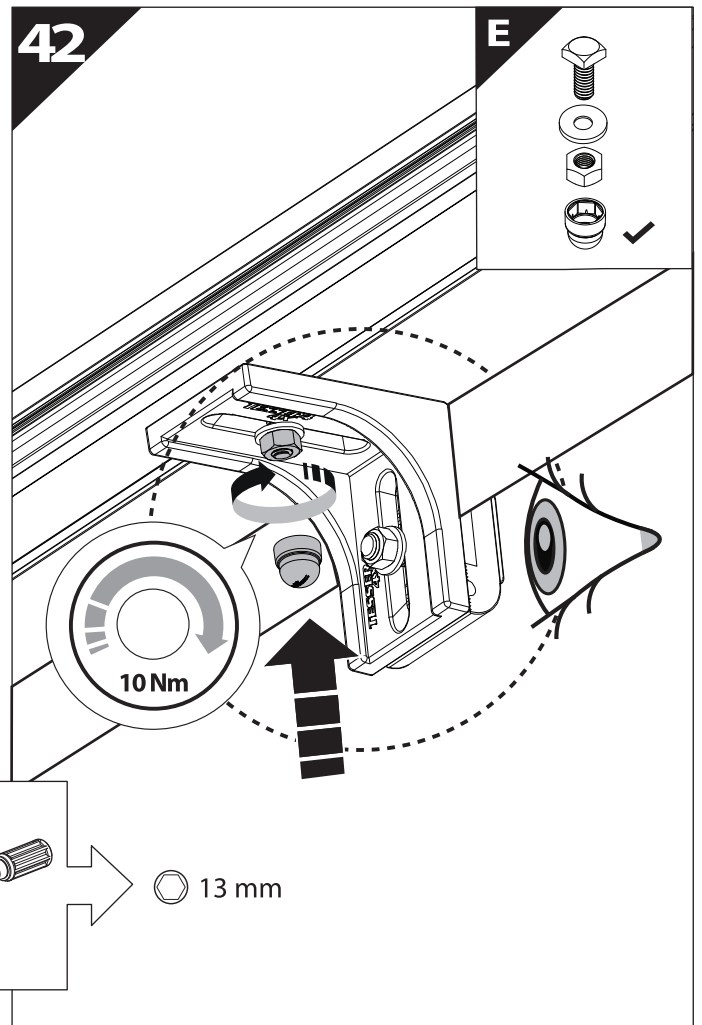
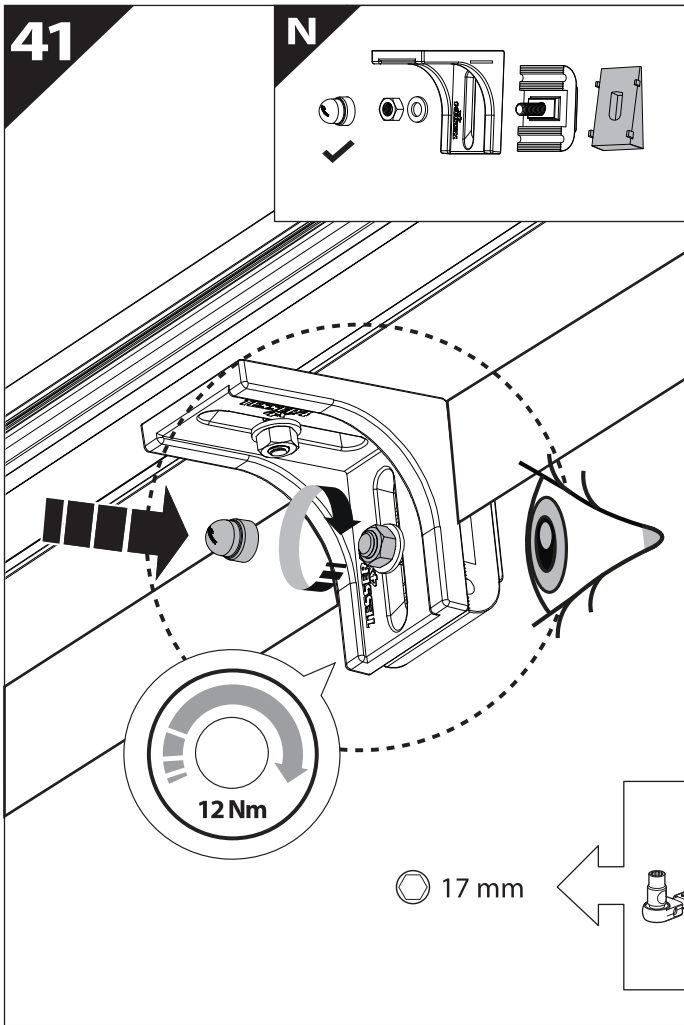


E

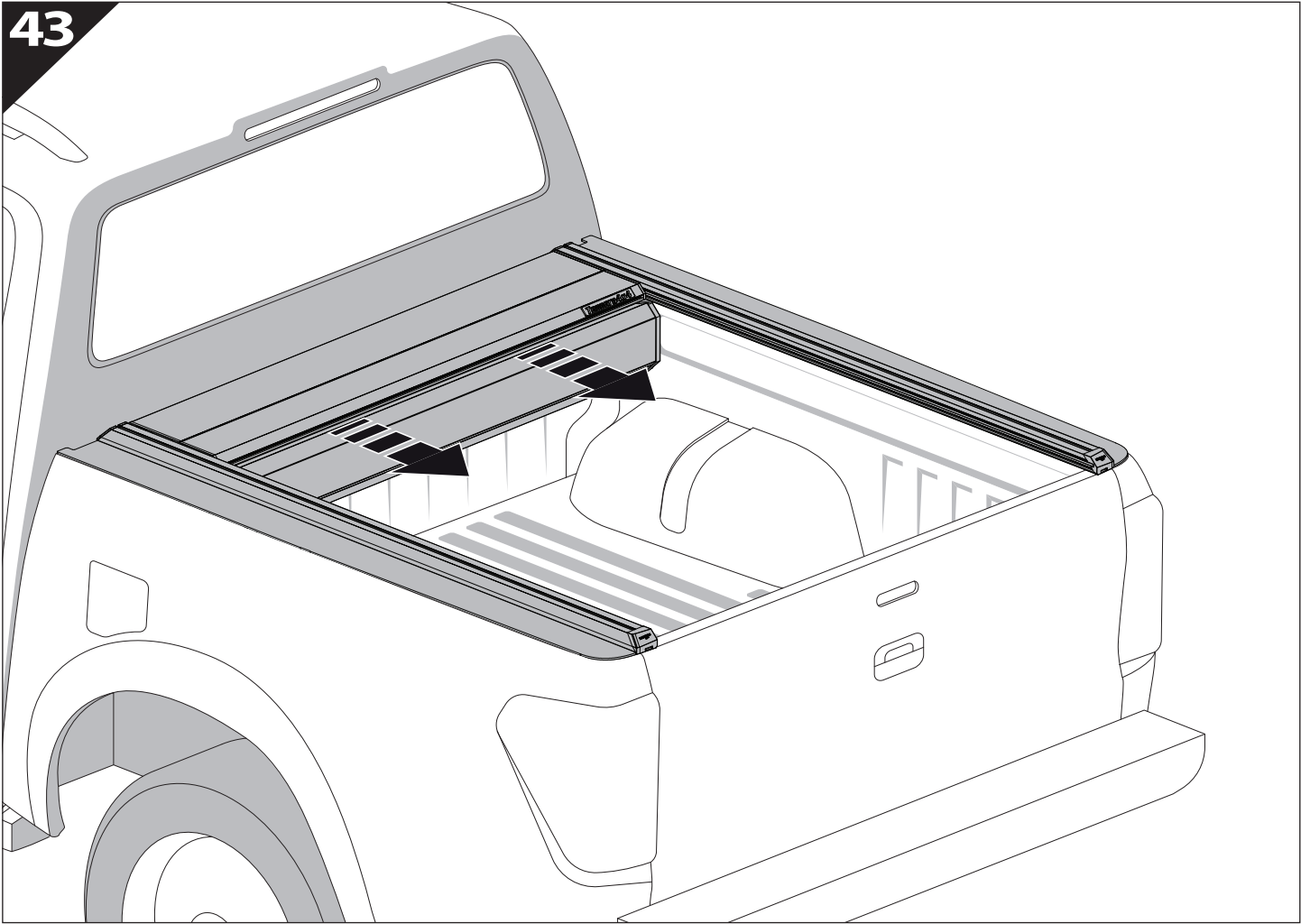


SHORT BED x4 / GRAND x6

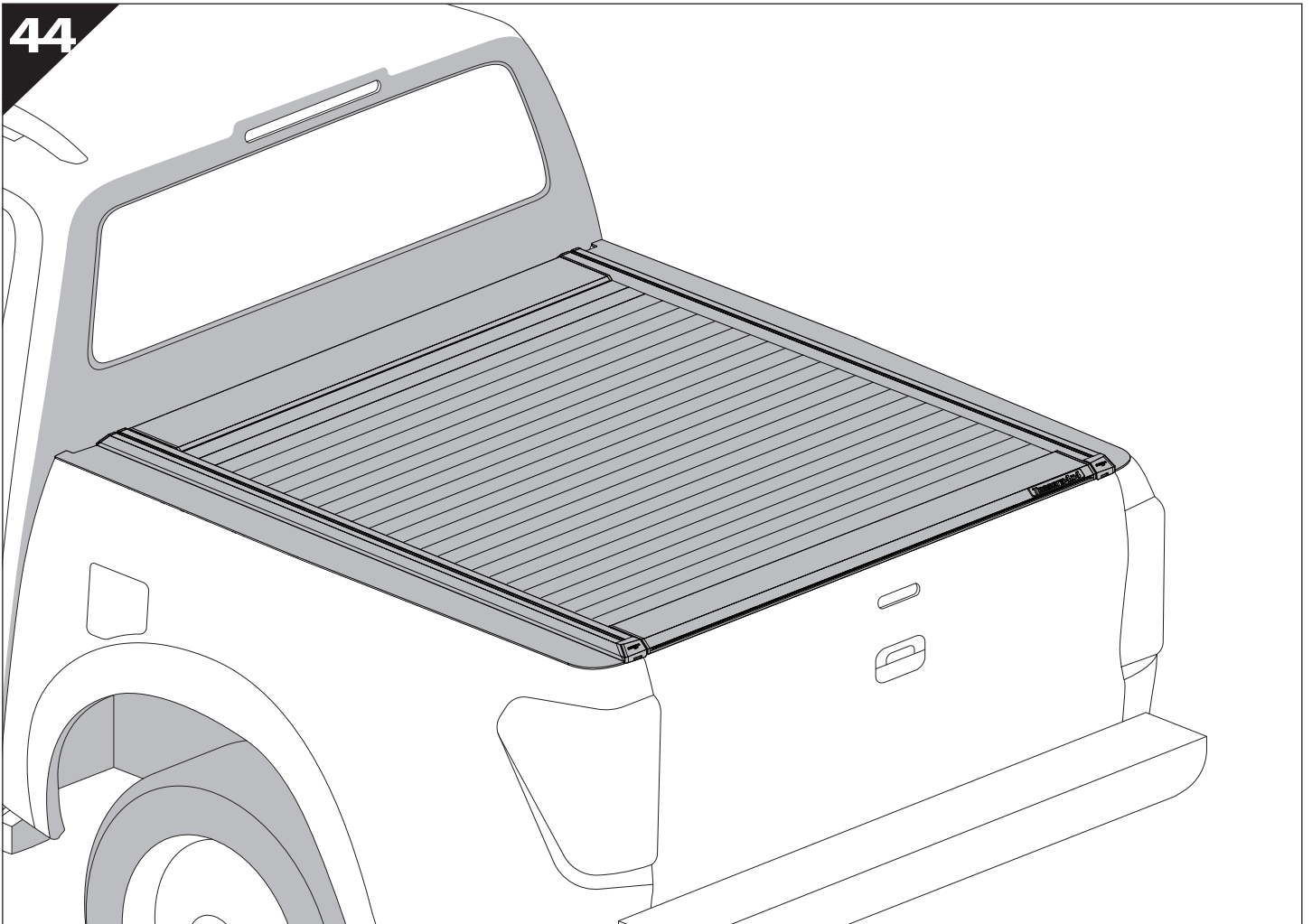




43



44





GR: Οδηγίες Εγκατάστασης
GB: Installation manual
SF: Asennusohje
F: Notice de montage
PL: Instrukcja montażu
NL: Installatie-instructies
TR: Montaj Talimatı
S: Monteringsanvisning
E: Instrucciones de montaje

H: Szerelési utasítás
P: Instruções de instalação
RUS: Инструкция по установке
N: Monteringsveiledning
D: Einbauanleitung
CZ: Návod k instalaci
I: Istruzioni de montaggio
DK: Monteringsvejledning
RO: Instructiuni de instalare

Customer Service:

+30 (210) 5541161, +30 (210) 5541154 (08:00 - 16:00 EET)

Support department:

info@gianso.gr

Website:

www.tessera4x4.com

Address:

19.5 km of National road Athens-Korinthos (Elefsina) Greece, P.C: 19200