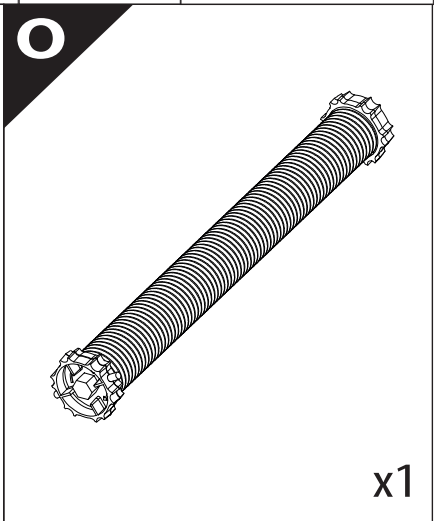
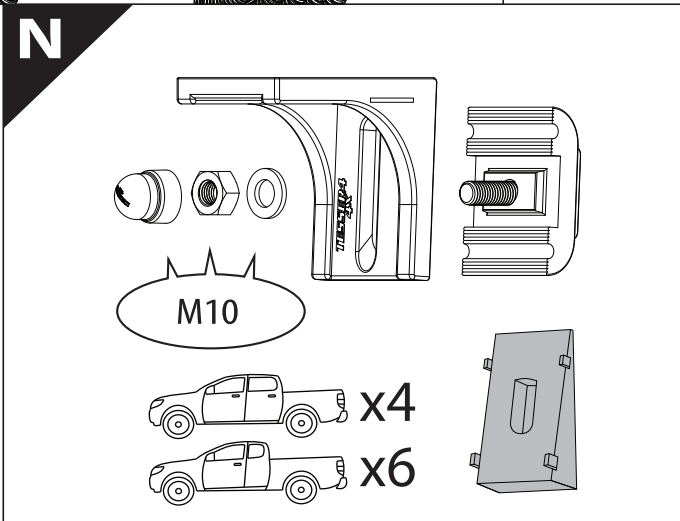
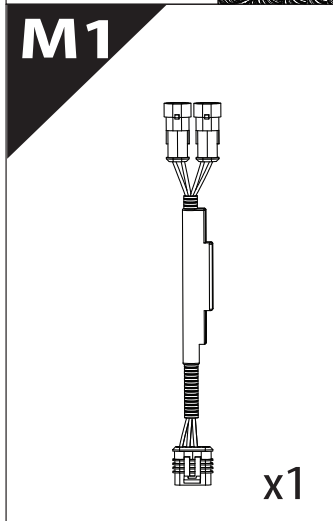
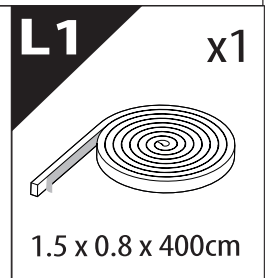
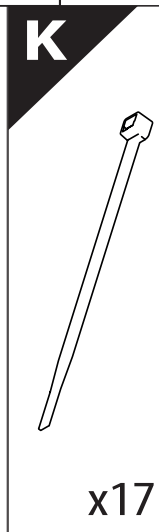
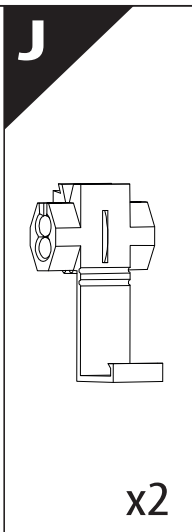
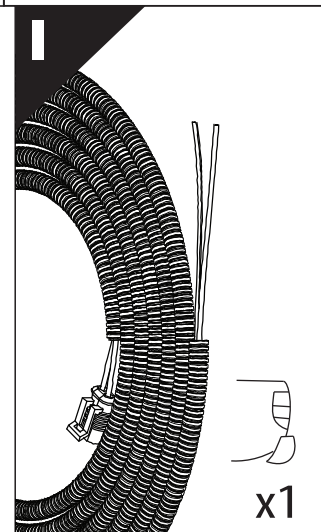
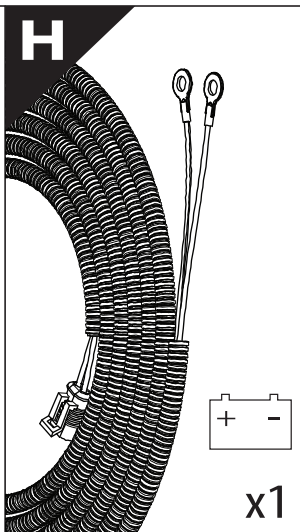
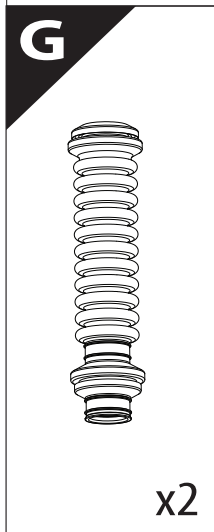
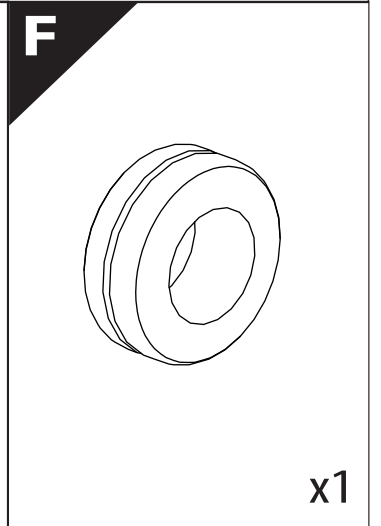
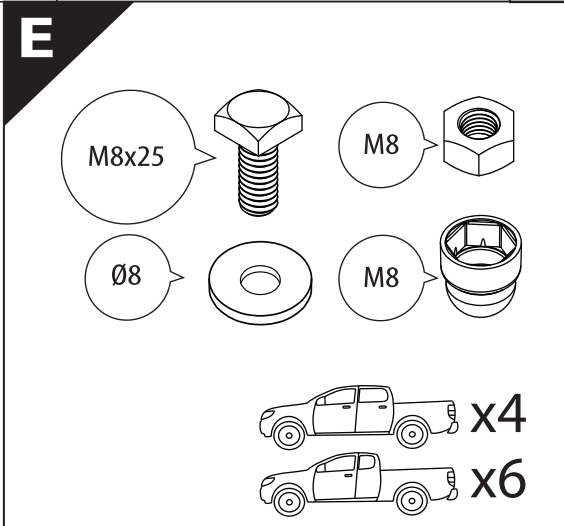
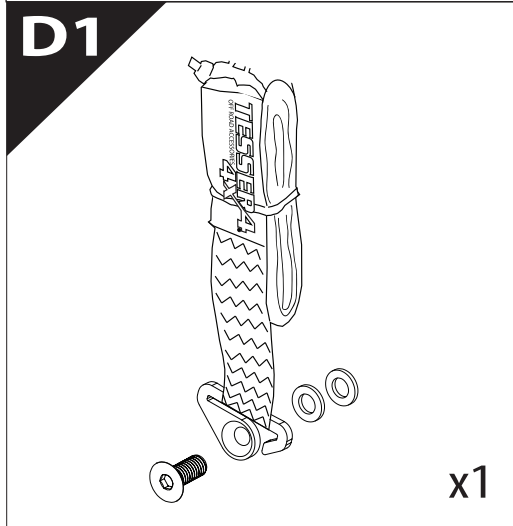
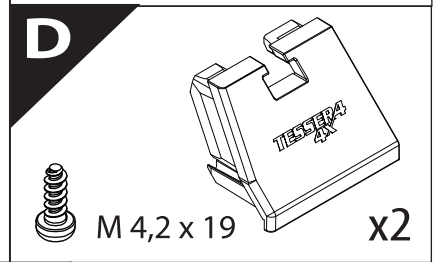
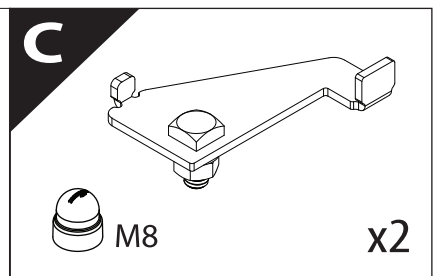
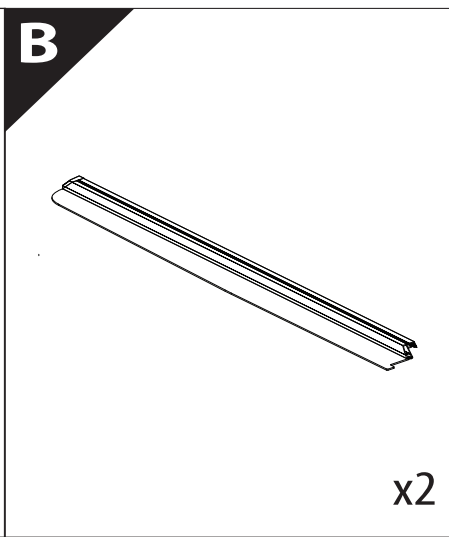
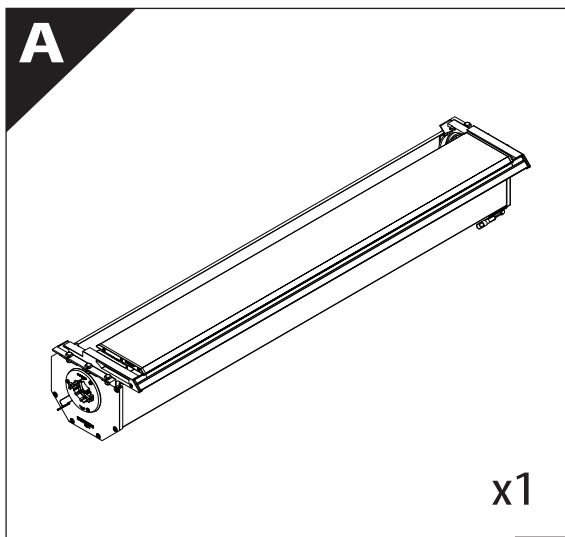
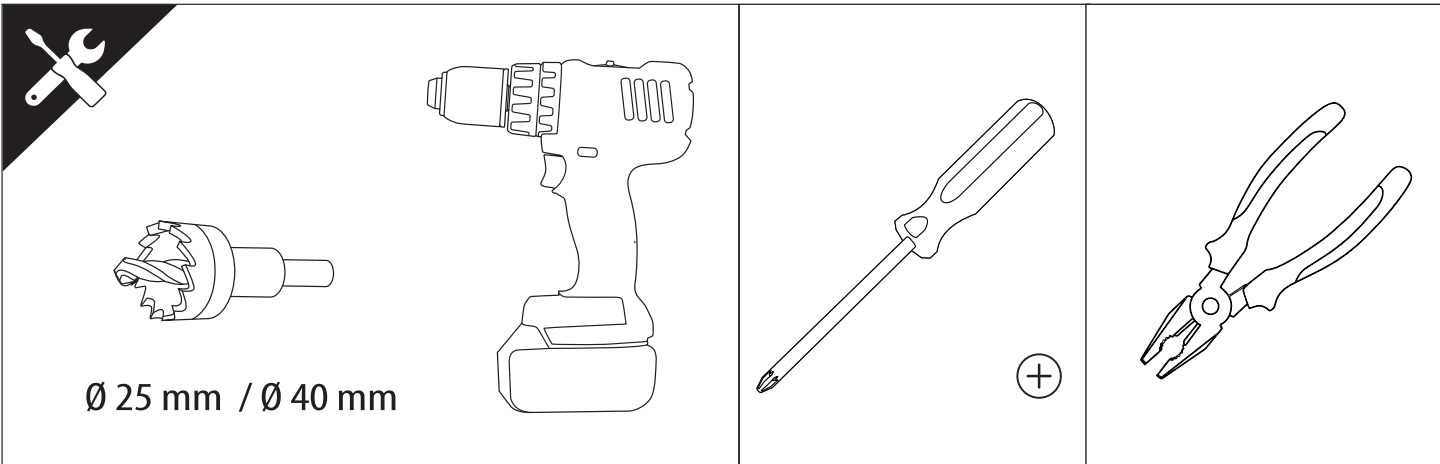


Installation Manual

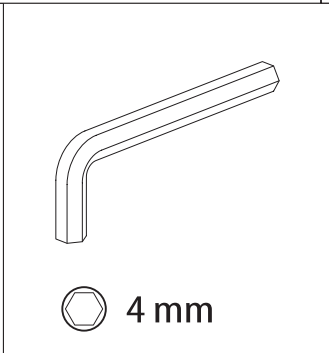
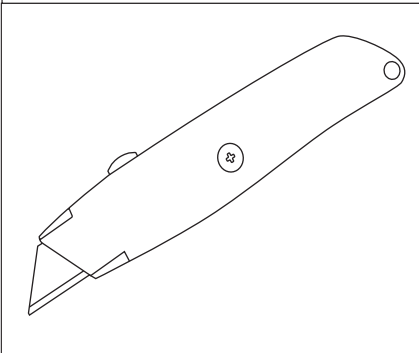
PART NUMBER(S)	Model Year
TESS-140 ROLL+S-KIT	Toyota Hilux Vigo 2005-2016
TESS-1403 ROLL+S-KIT	
Cab(s)	Installation Time / Weight
Double Cab & Space cab	40-60 minutes / 53-57 kg



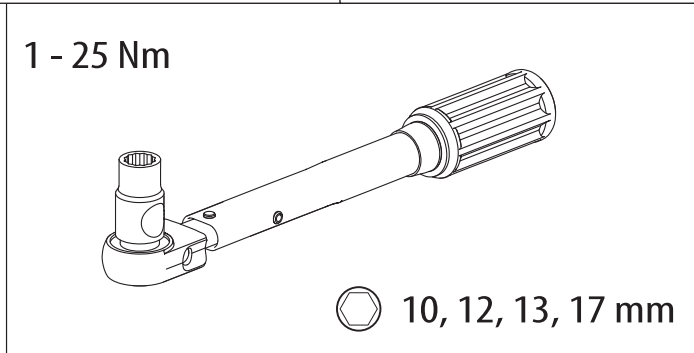


Ø 25 mm / Ø 40 mm

+

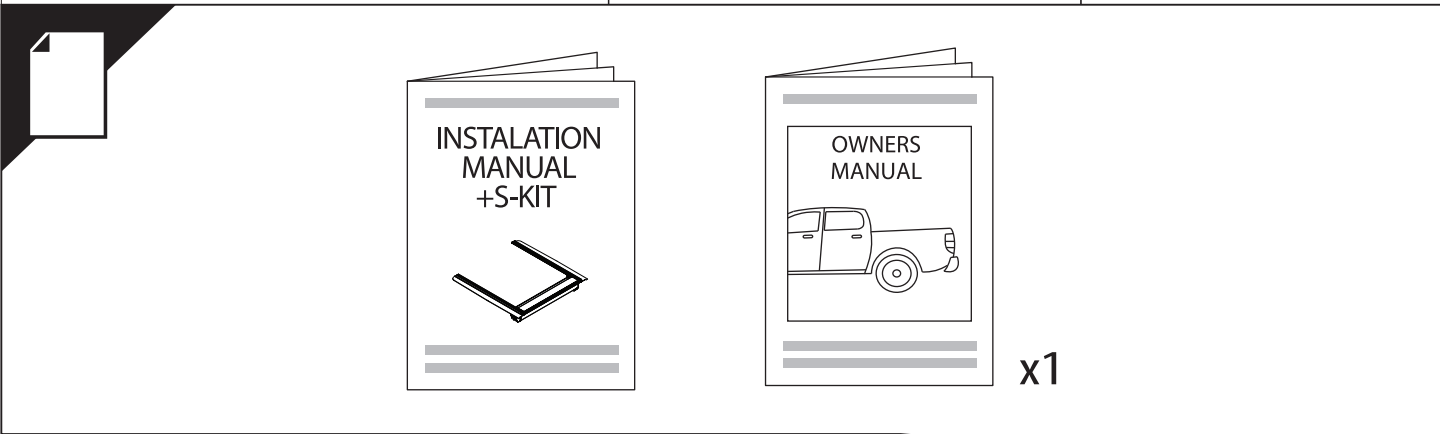
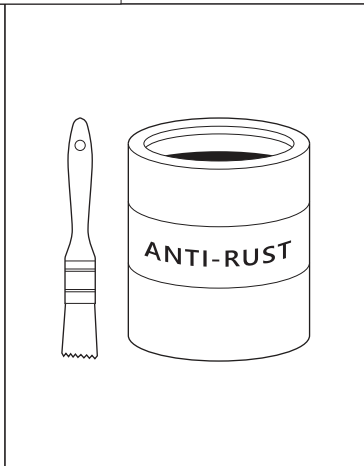
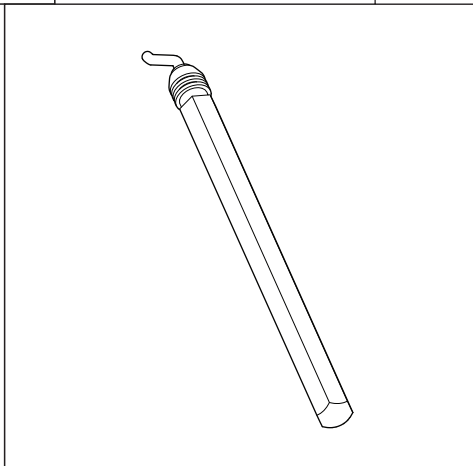
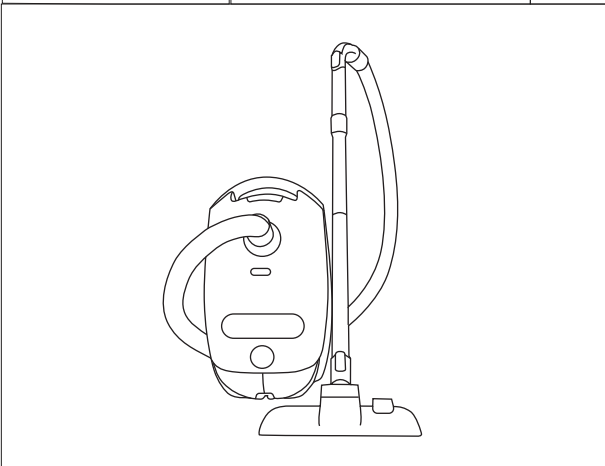
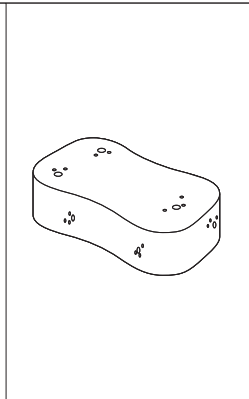
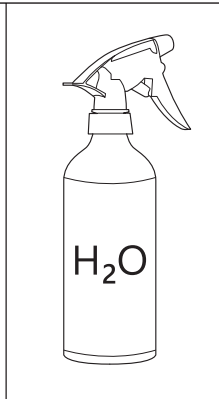
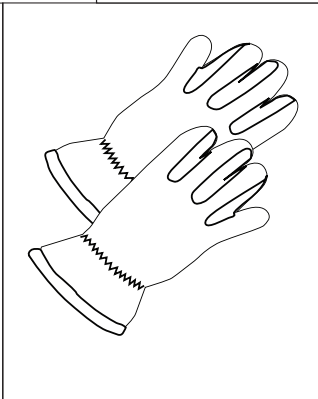
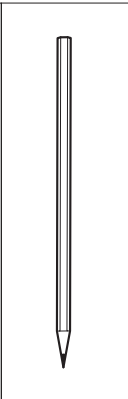
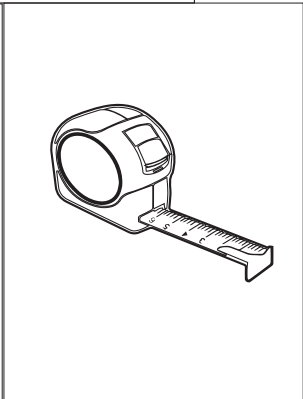
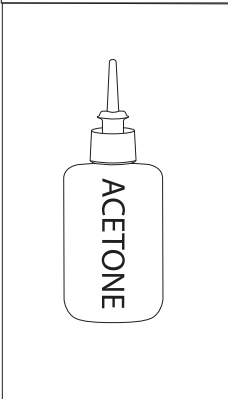


4 mm



1 - 25 Nm

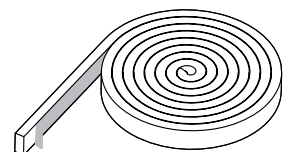
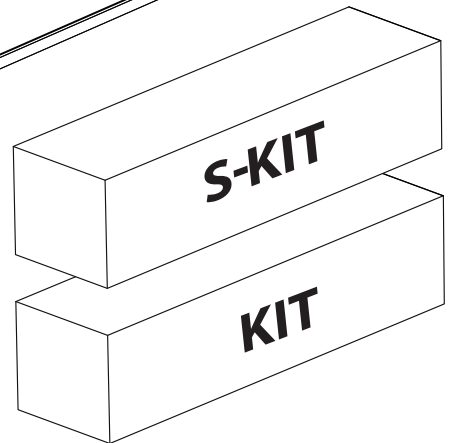
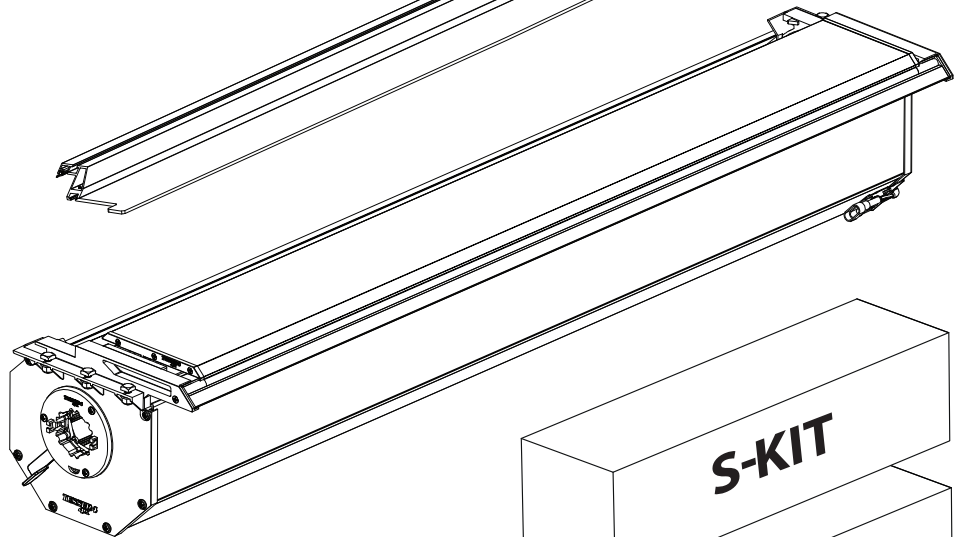
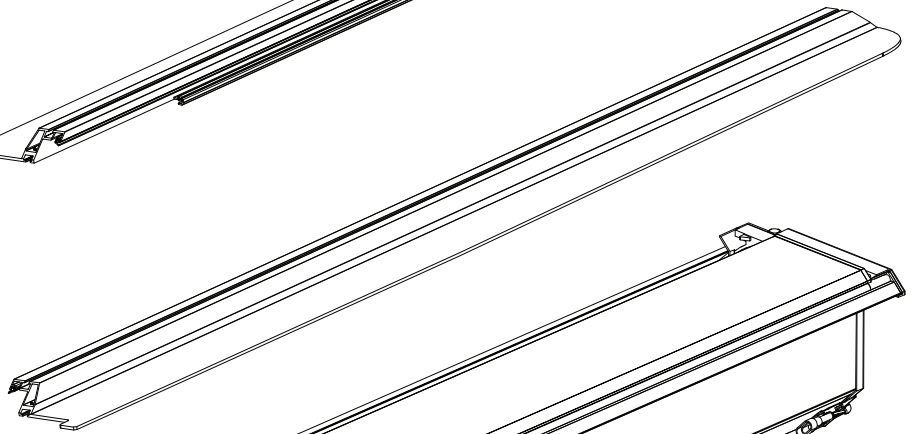
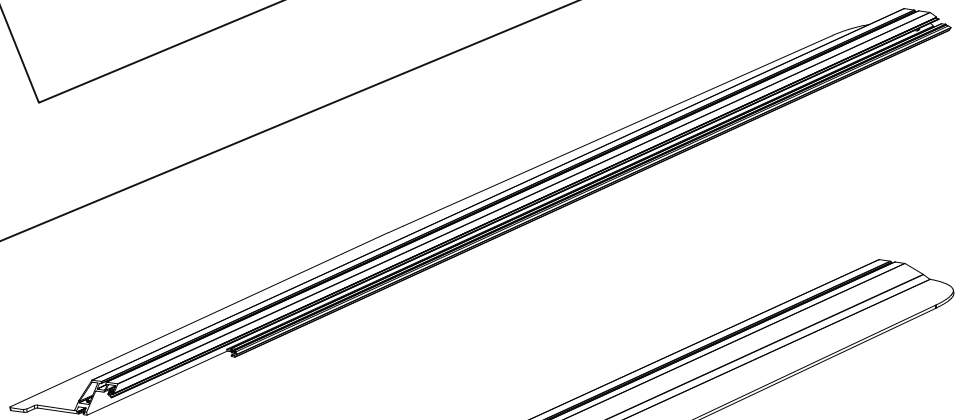
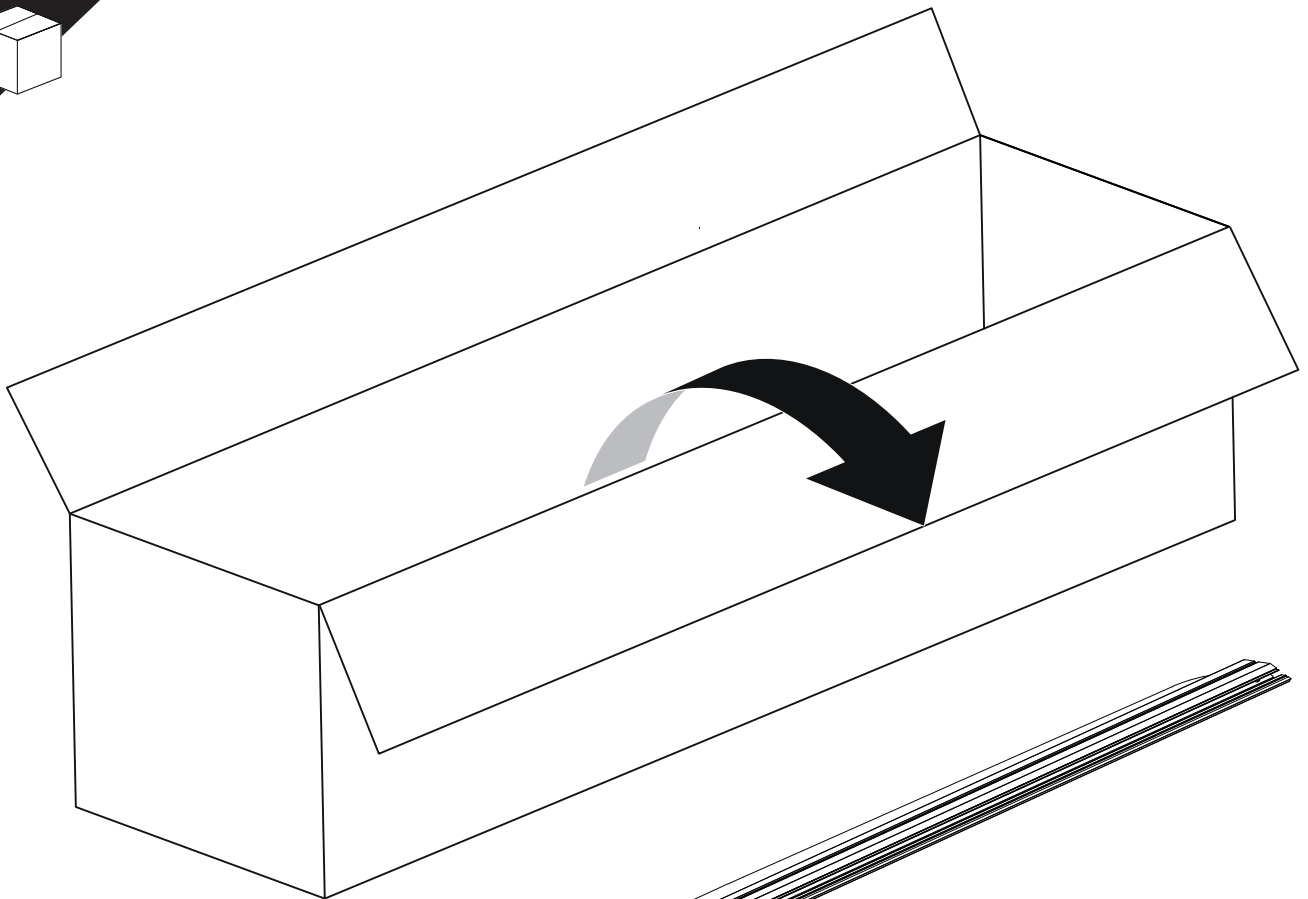
10, 12, 13, 17 mm



INSTALLATION
MANUAL
+S-KIT

OWNERS
MANUAL

x1

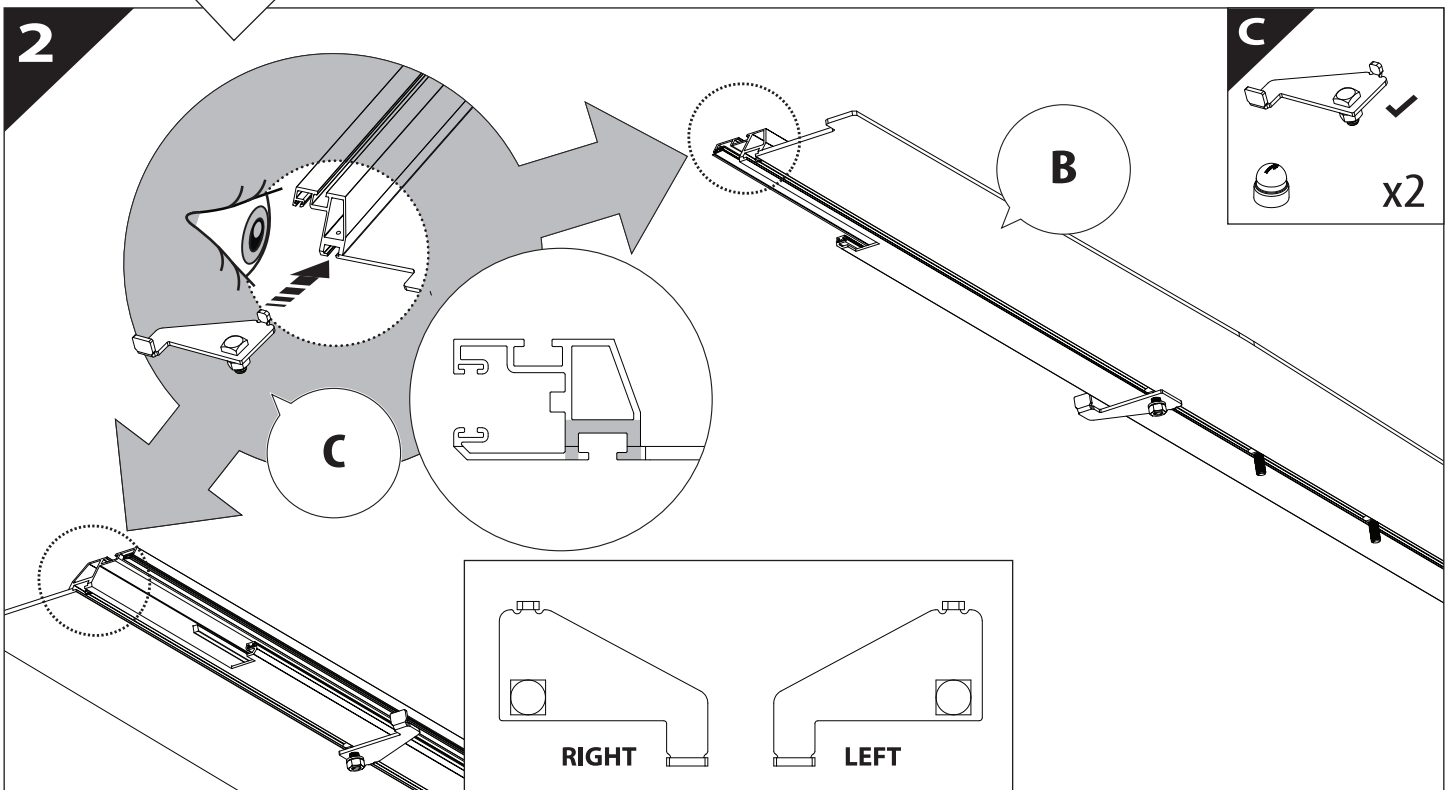
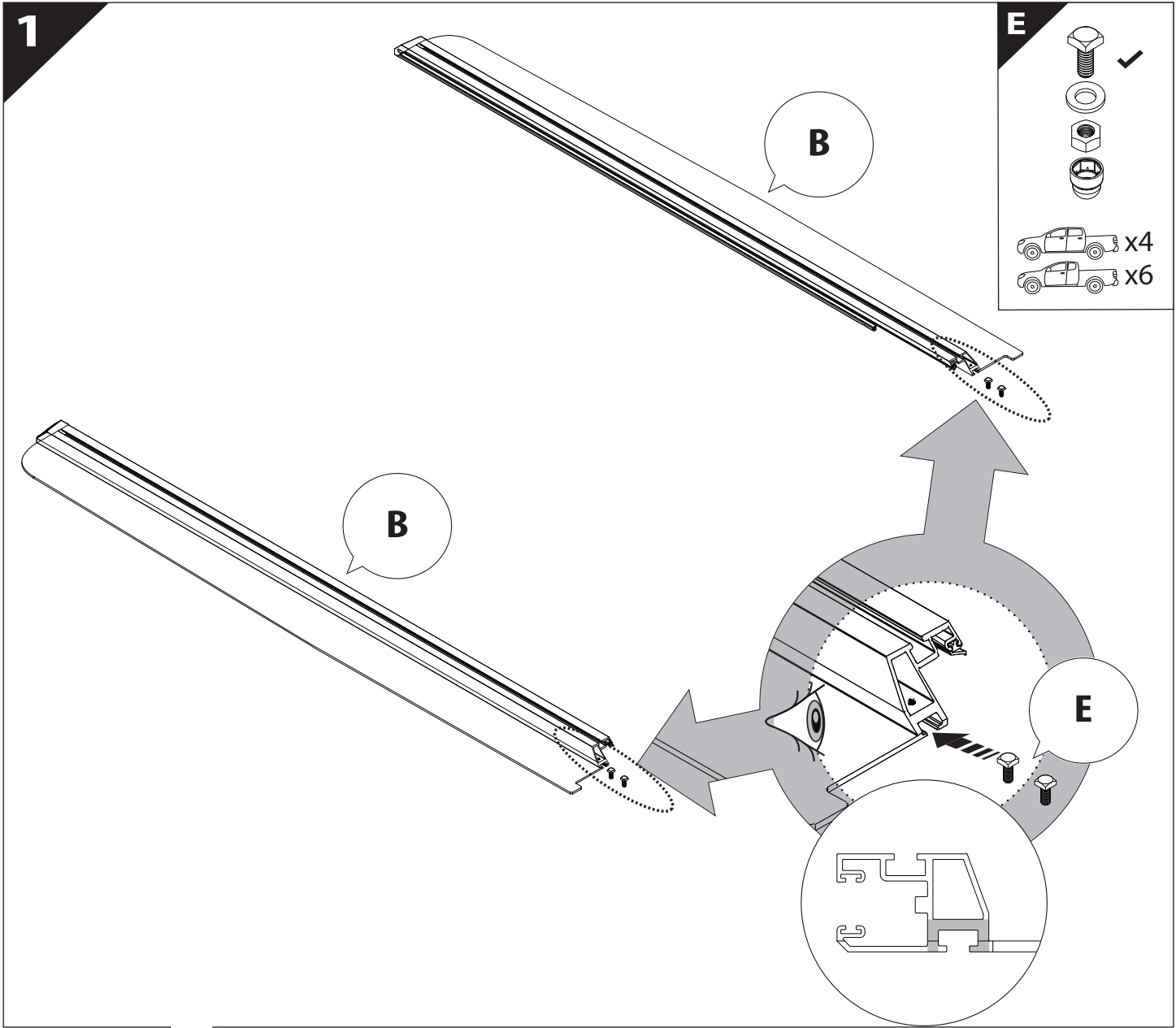


B

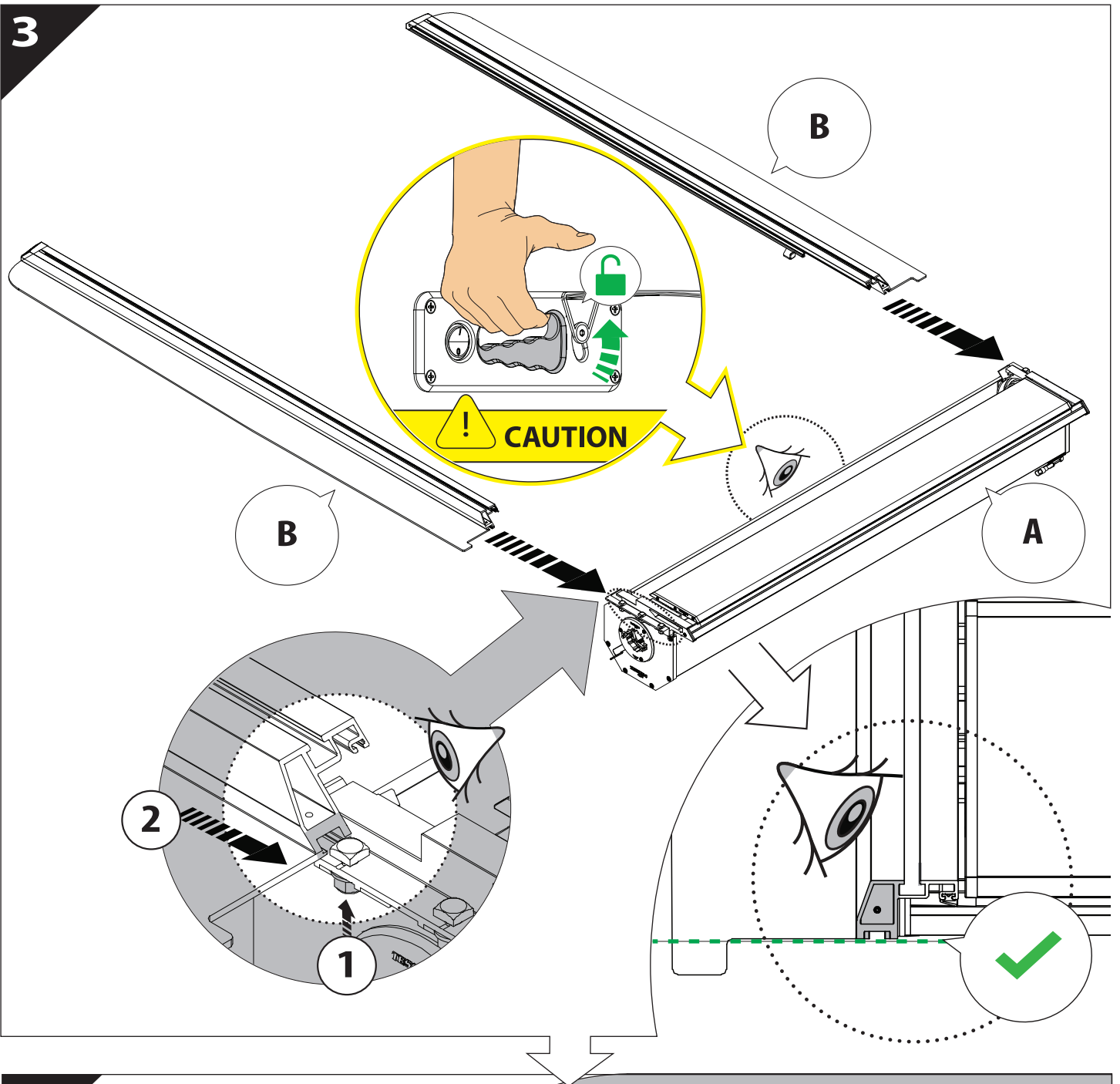
A

KITS

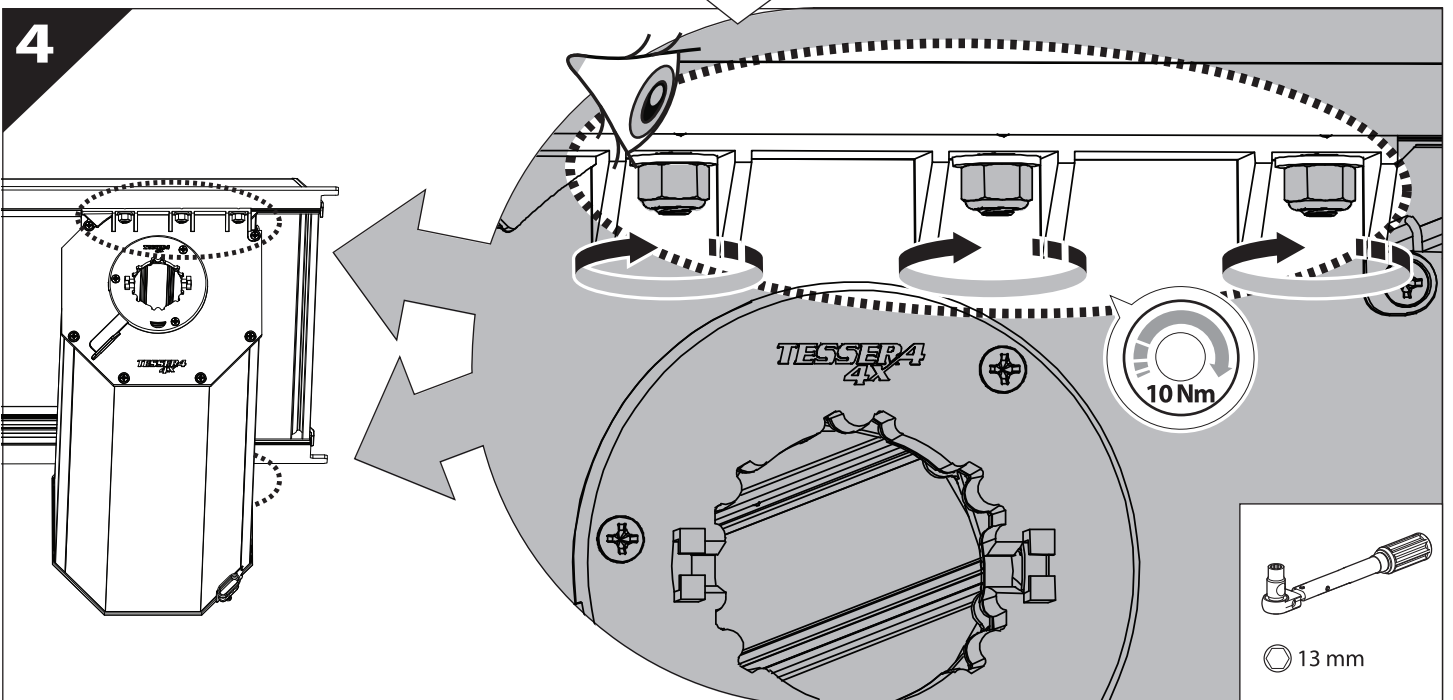
L

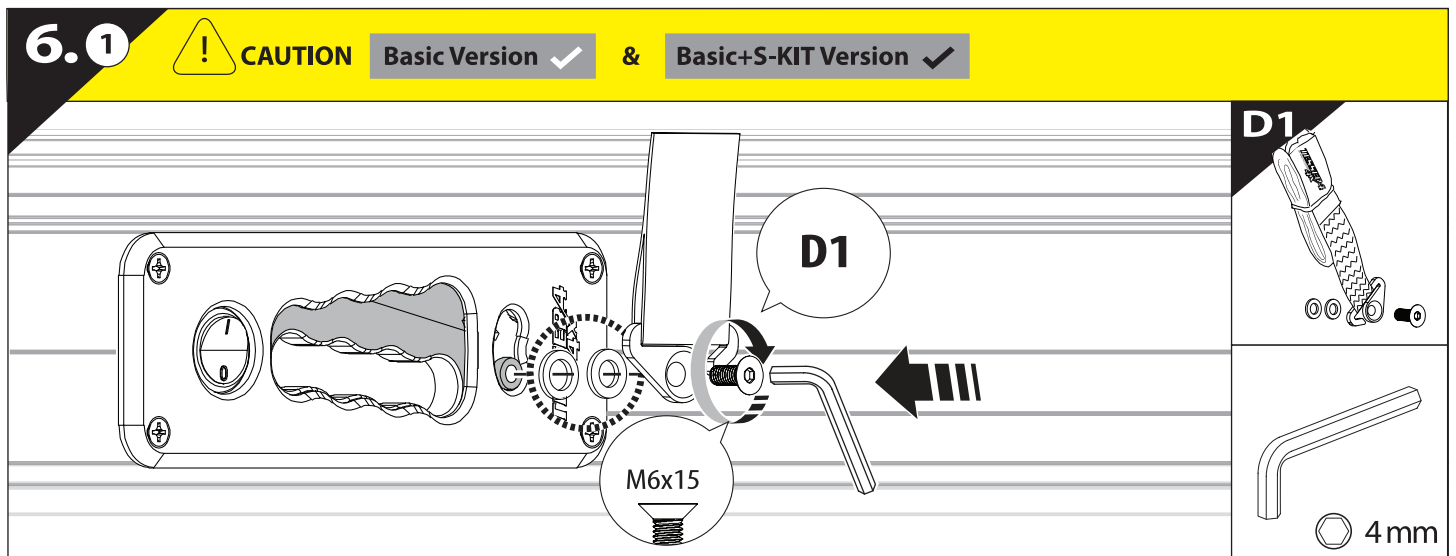
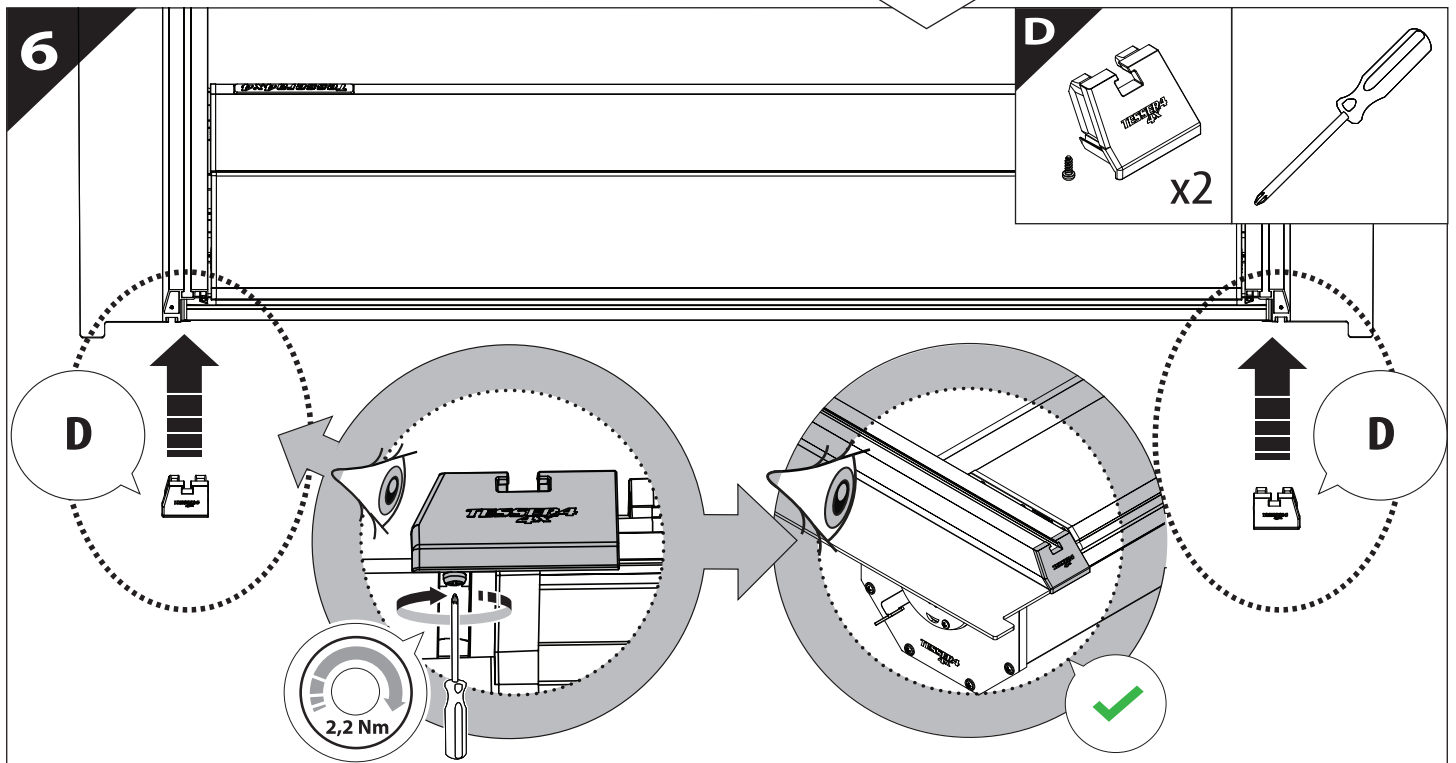
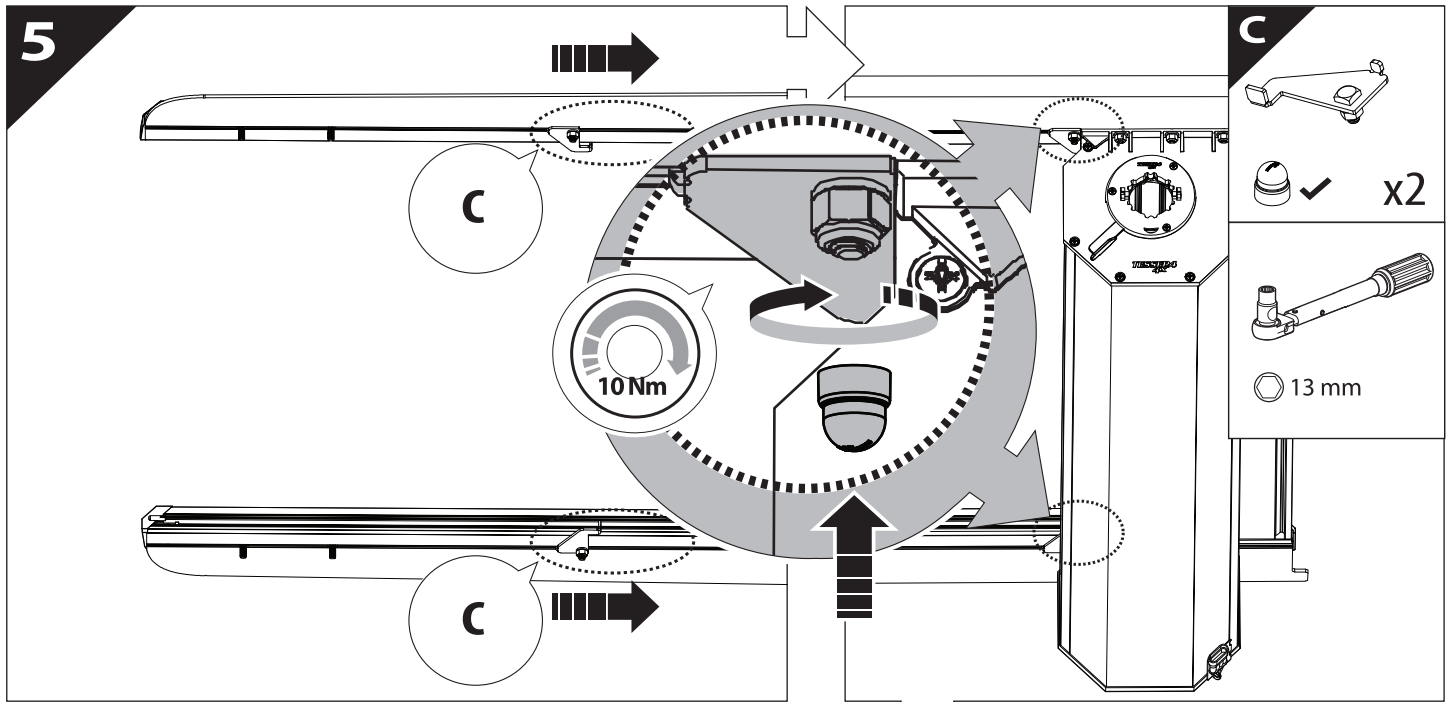


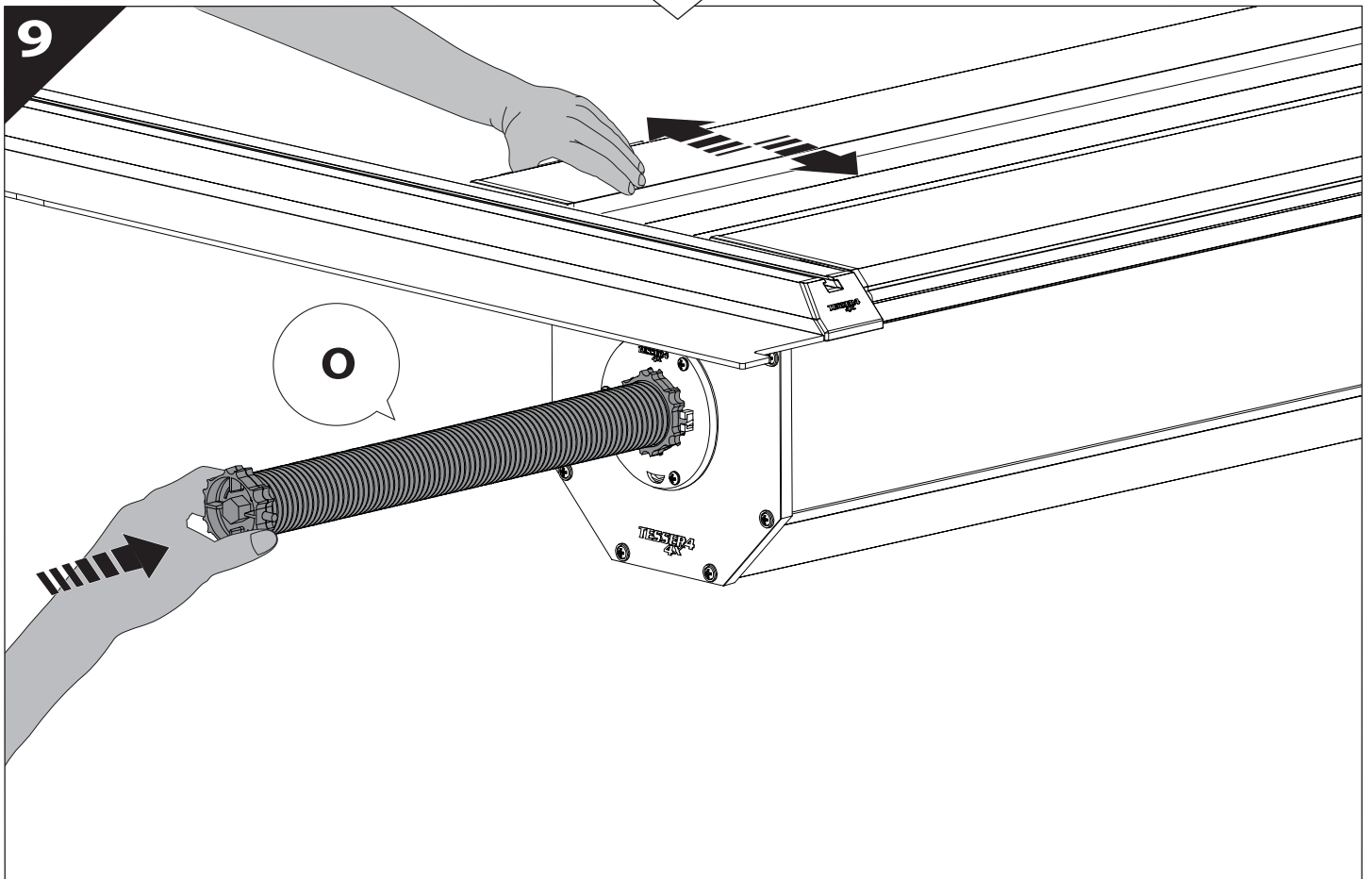
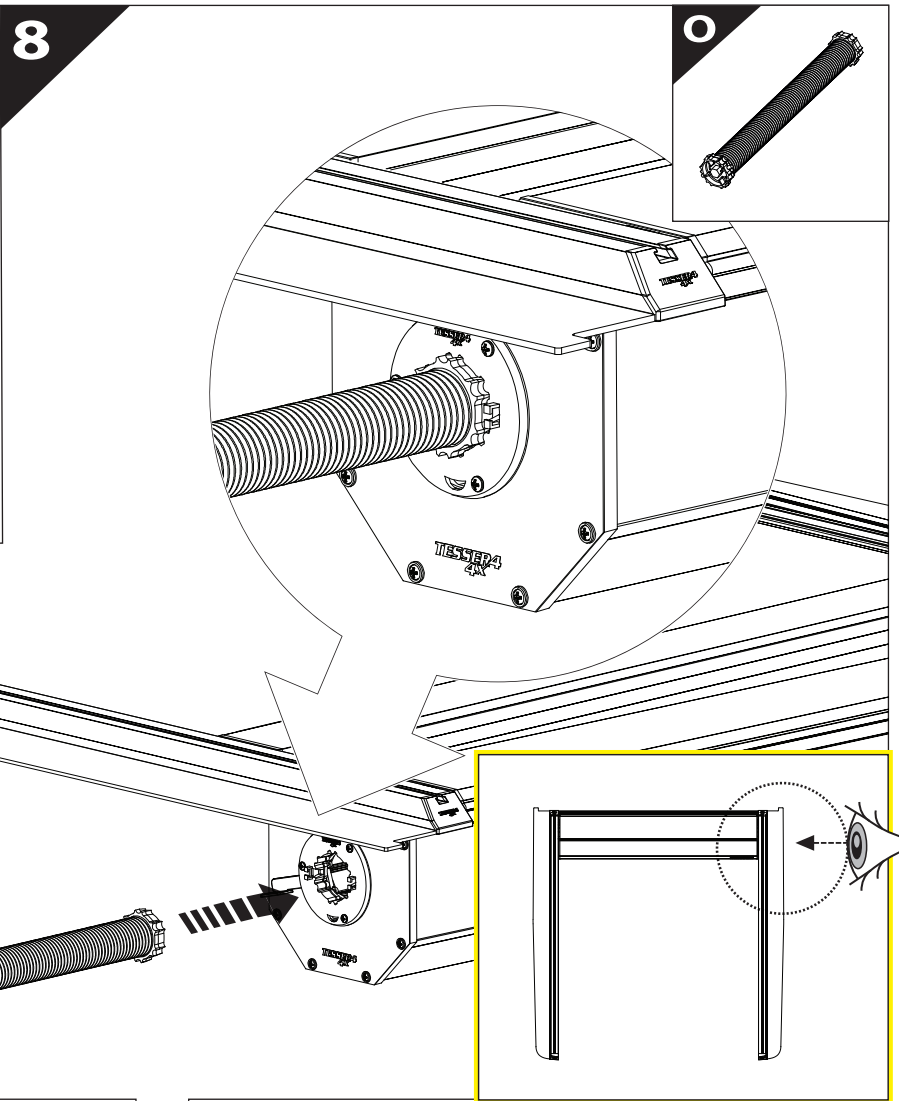
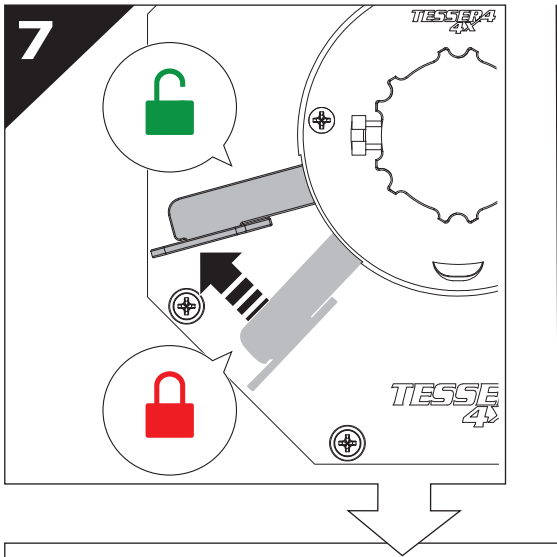
3

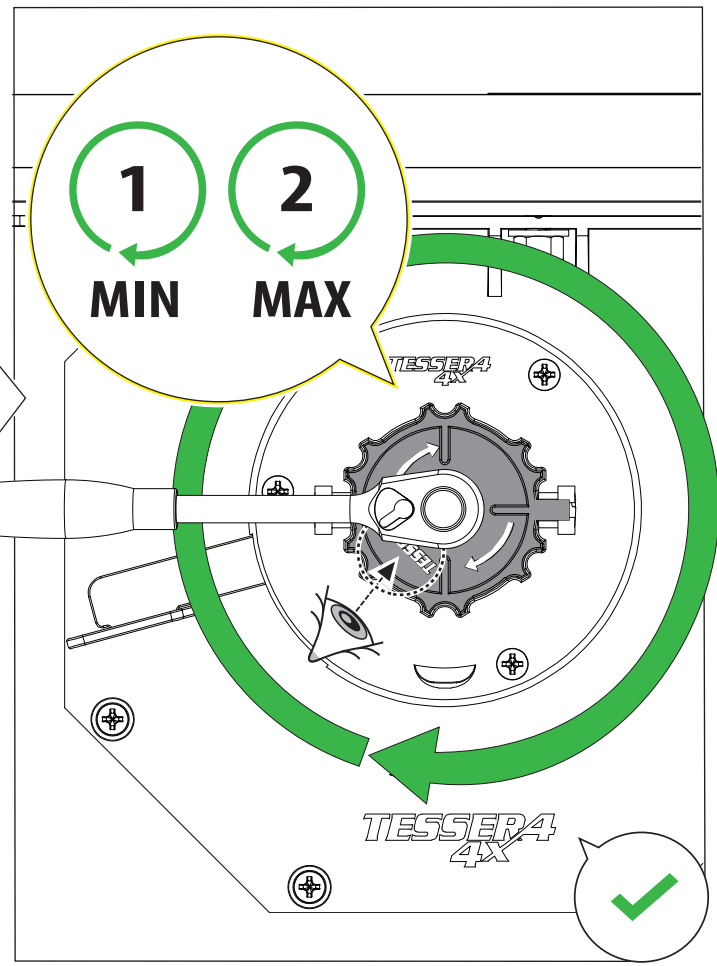
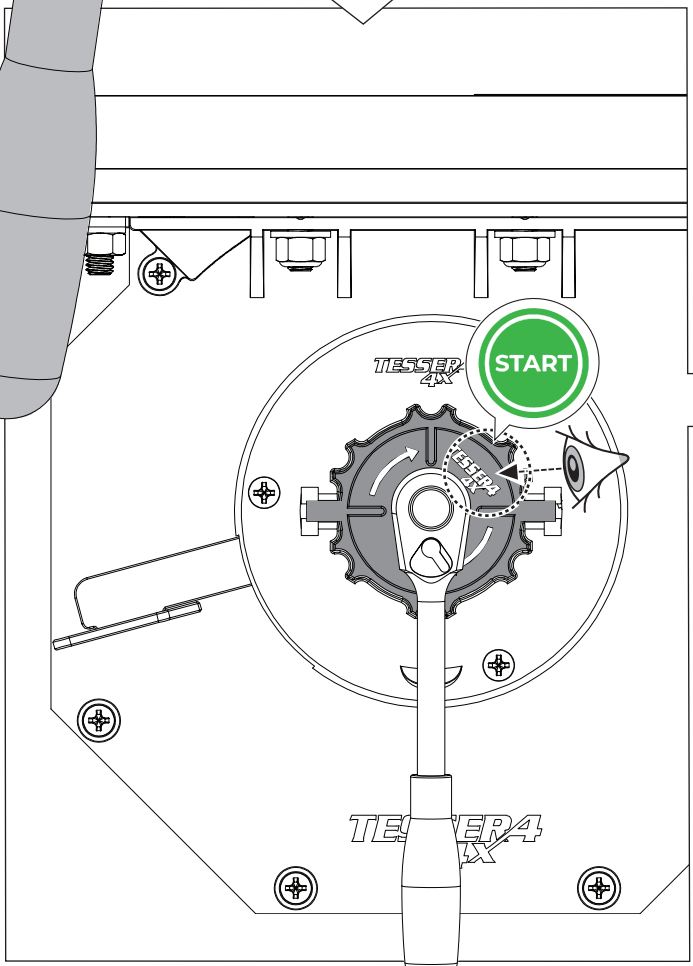
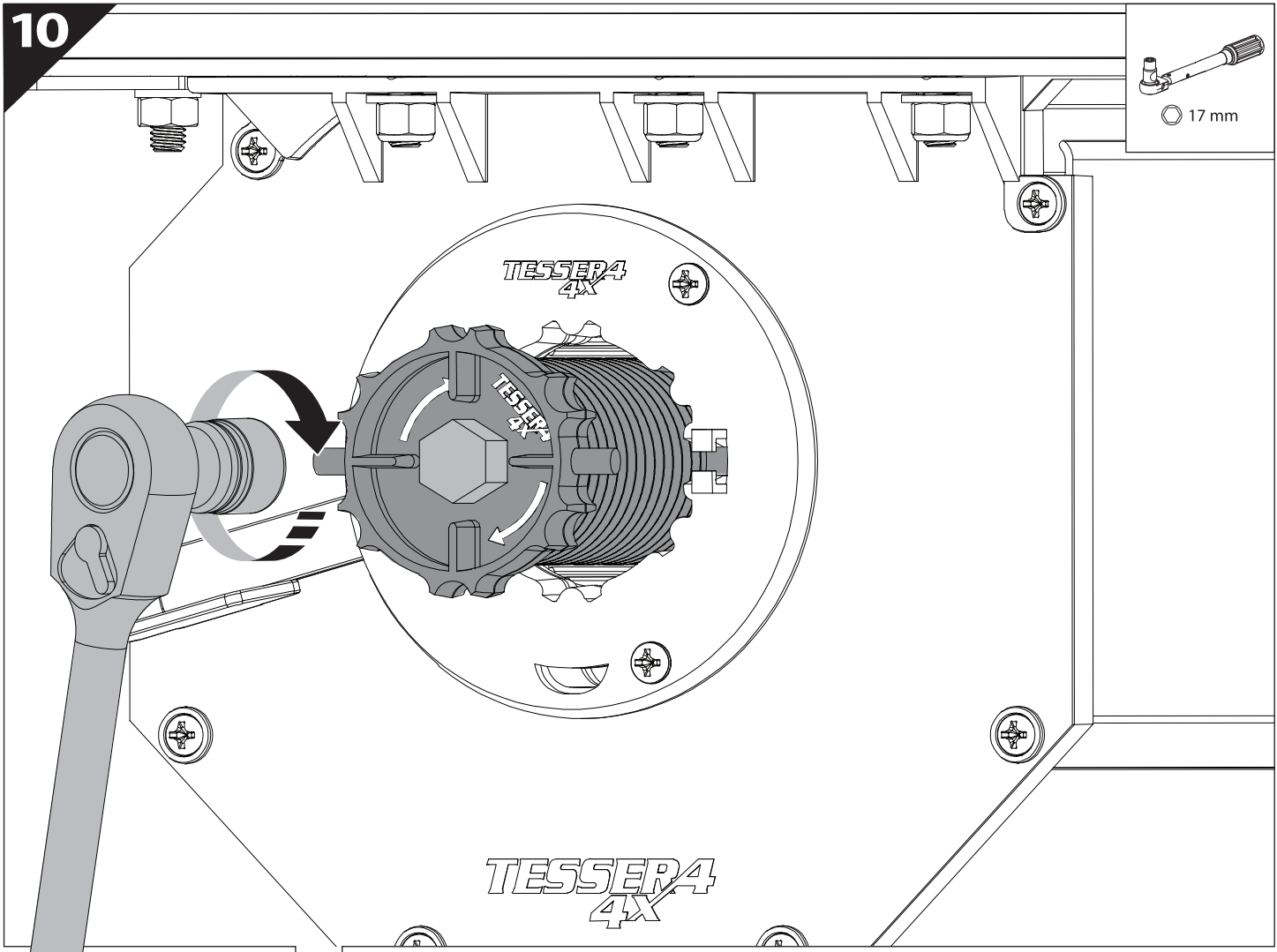
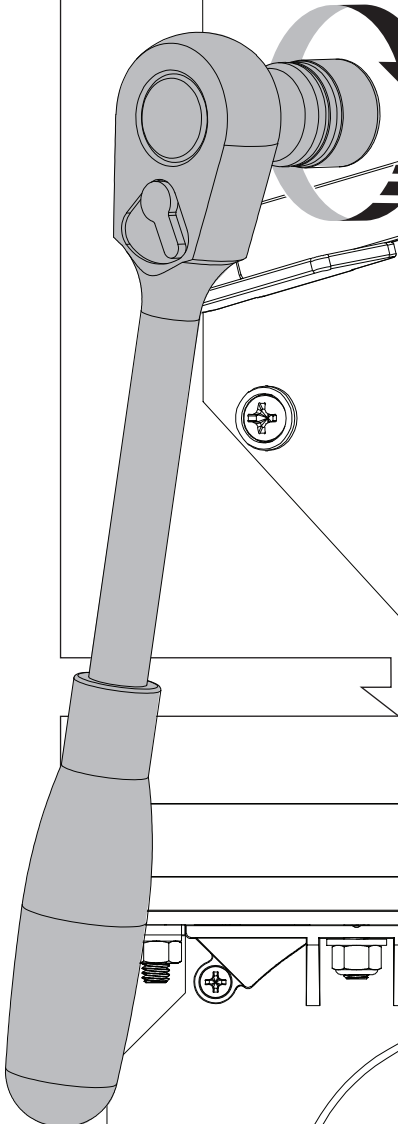
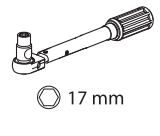


4

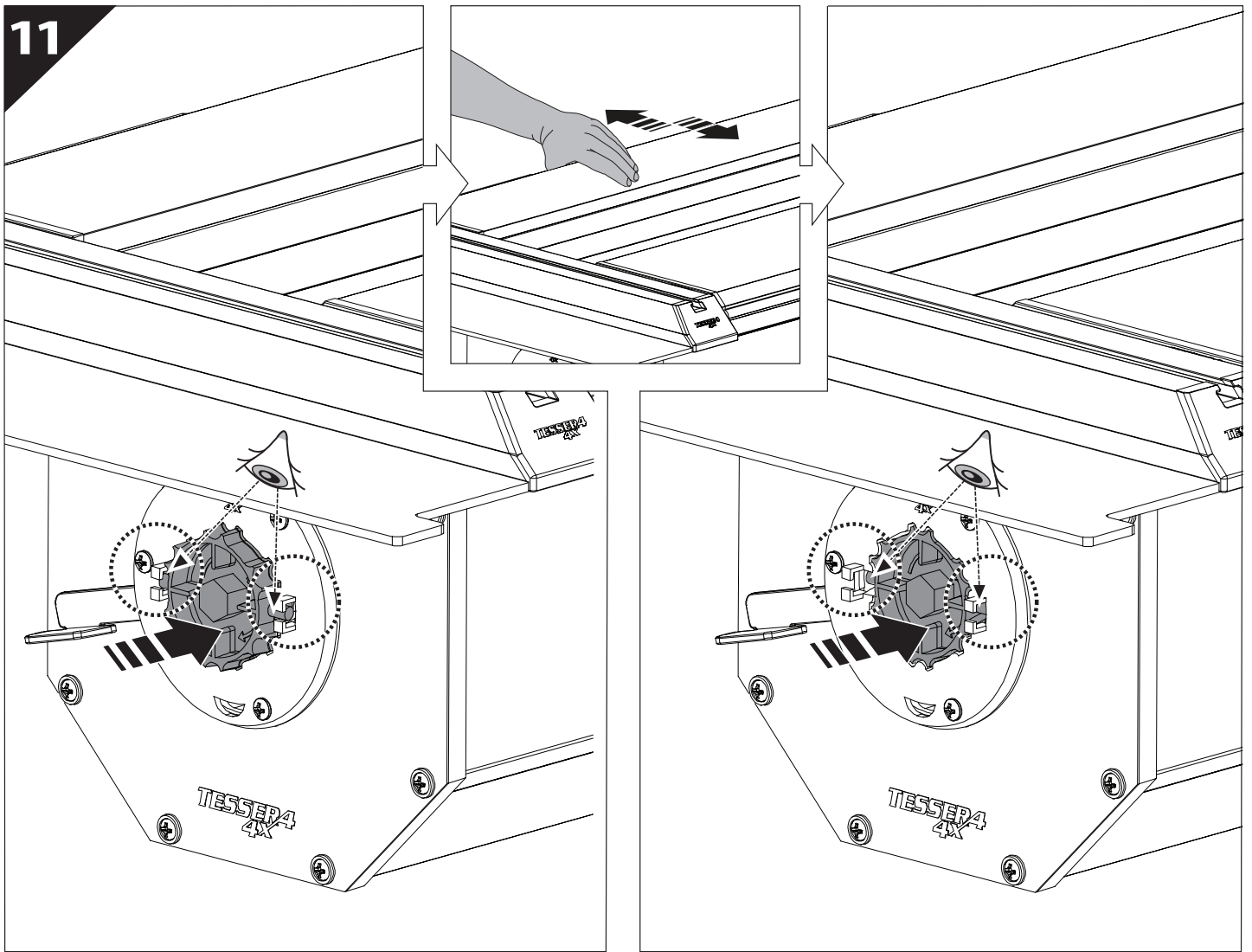




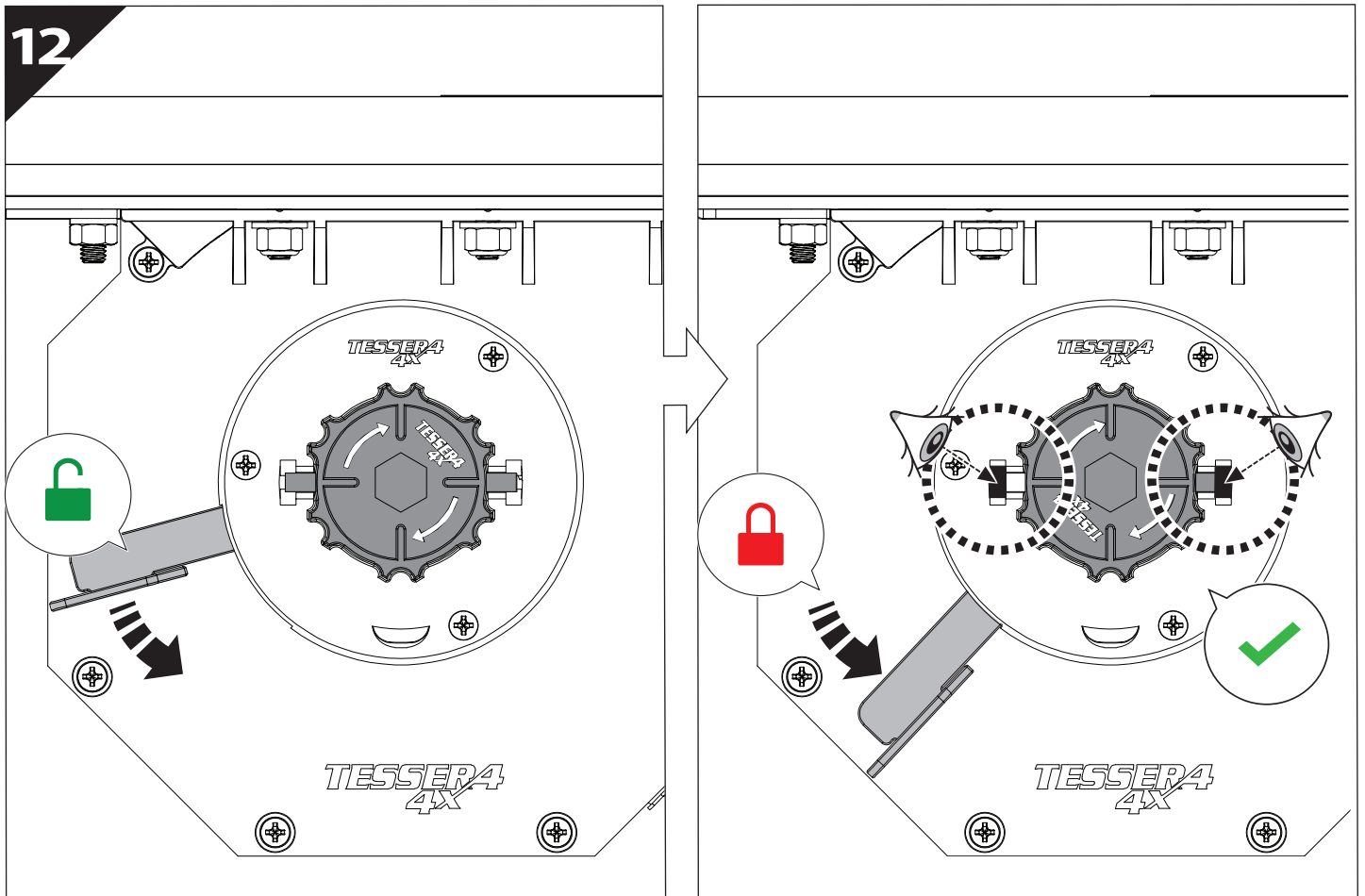




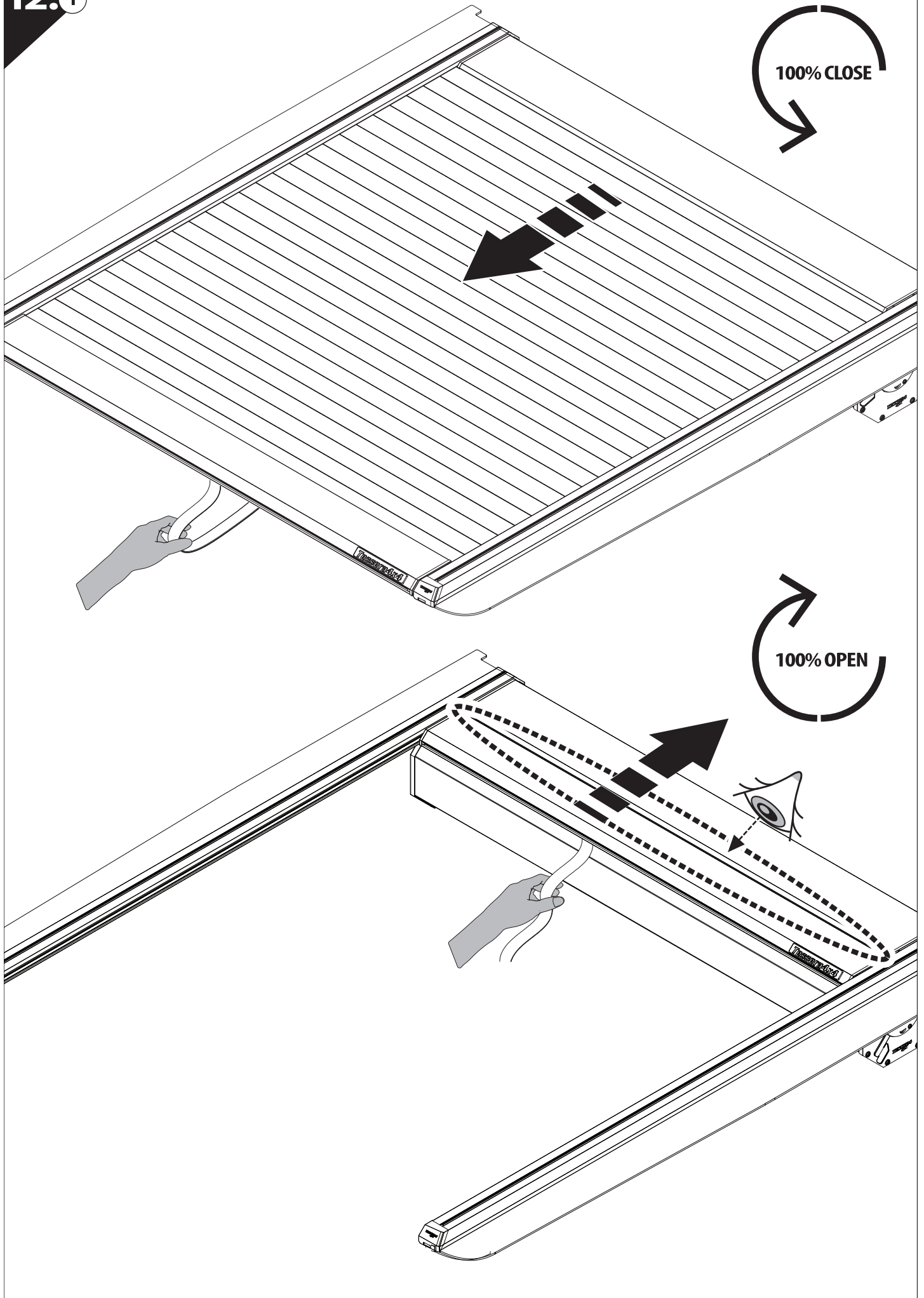
11



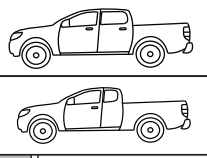
12



12.0

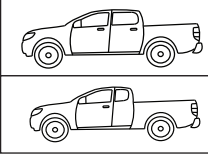
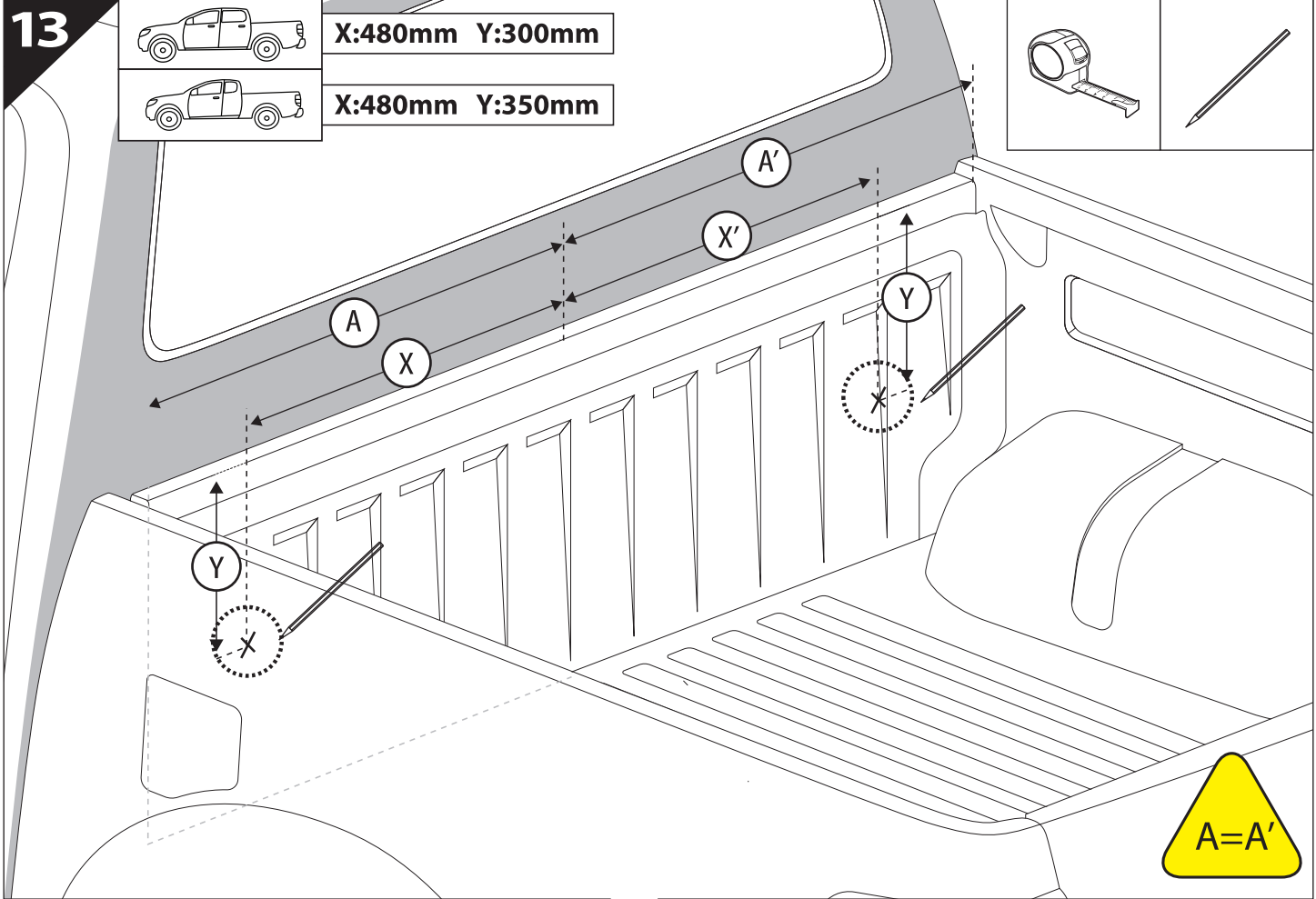
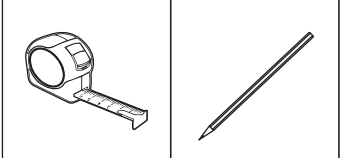


13



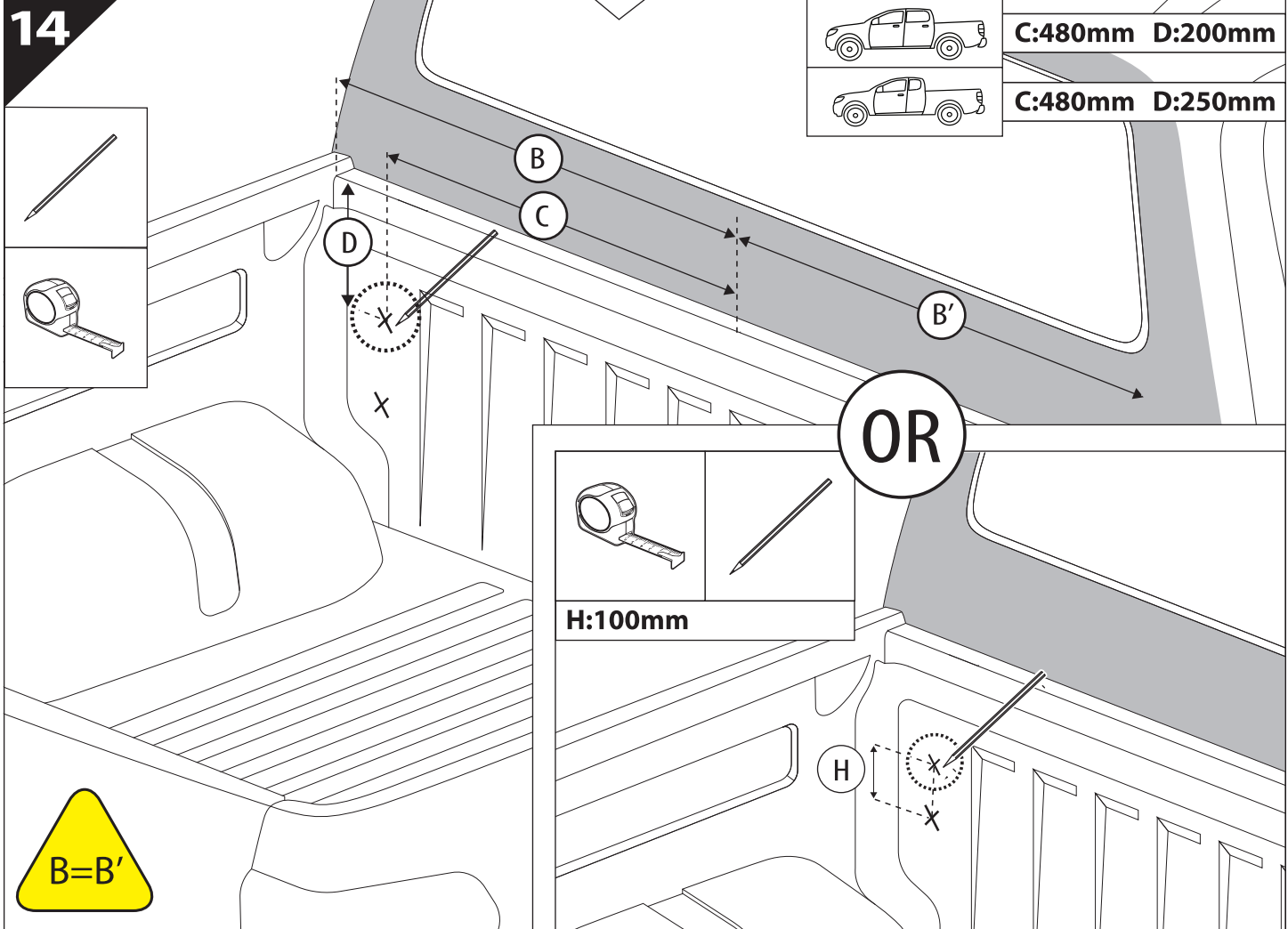
X:480mm Y:300mm

X:480mm Y:350mm

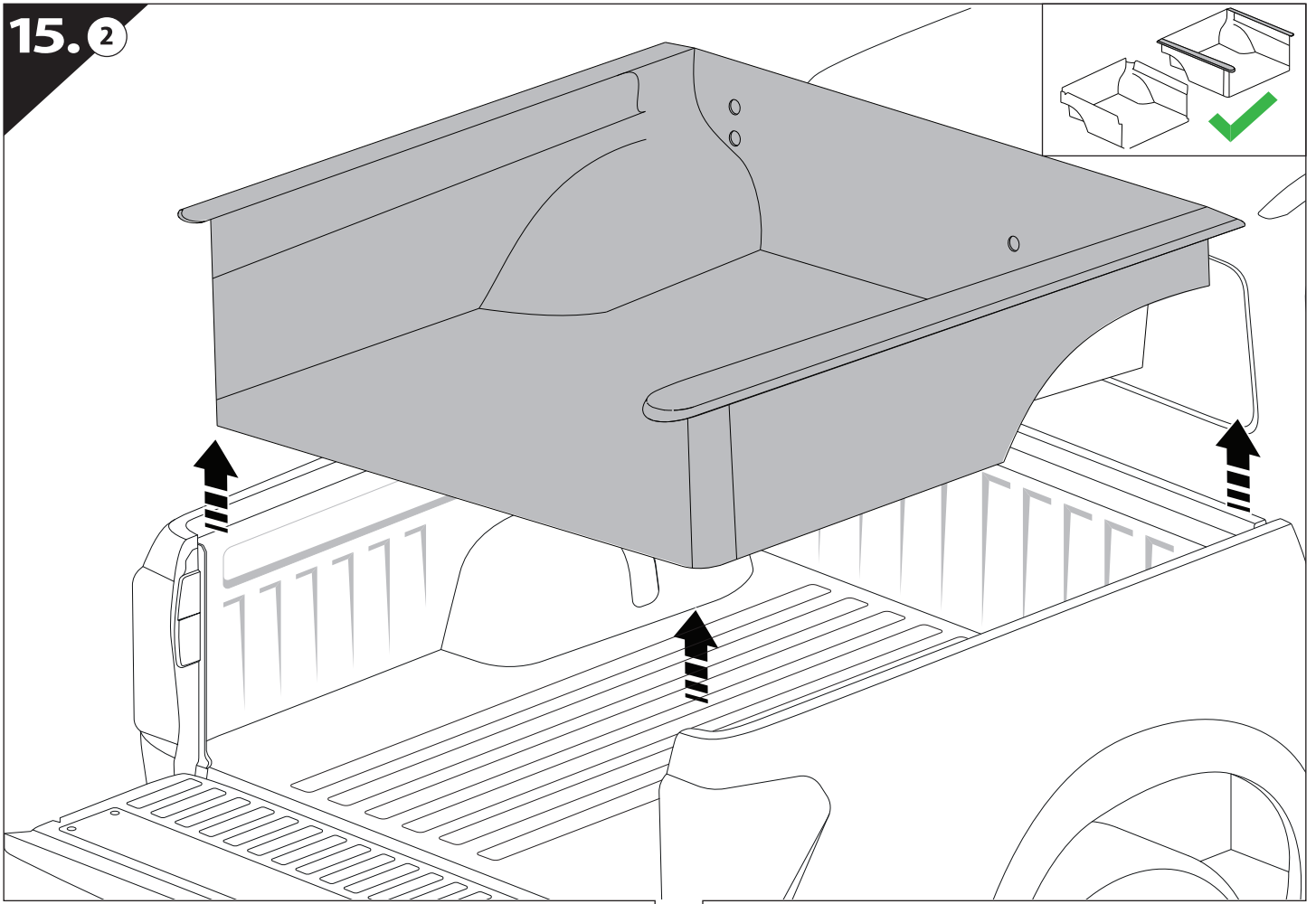


C:480mm D:200mm

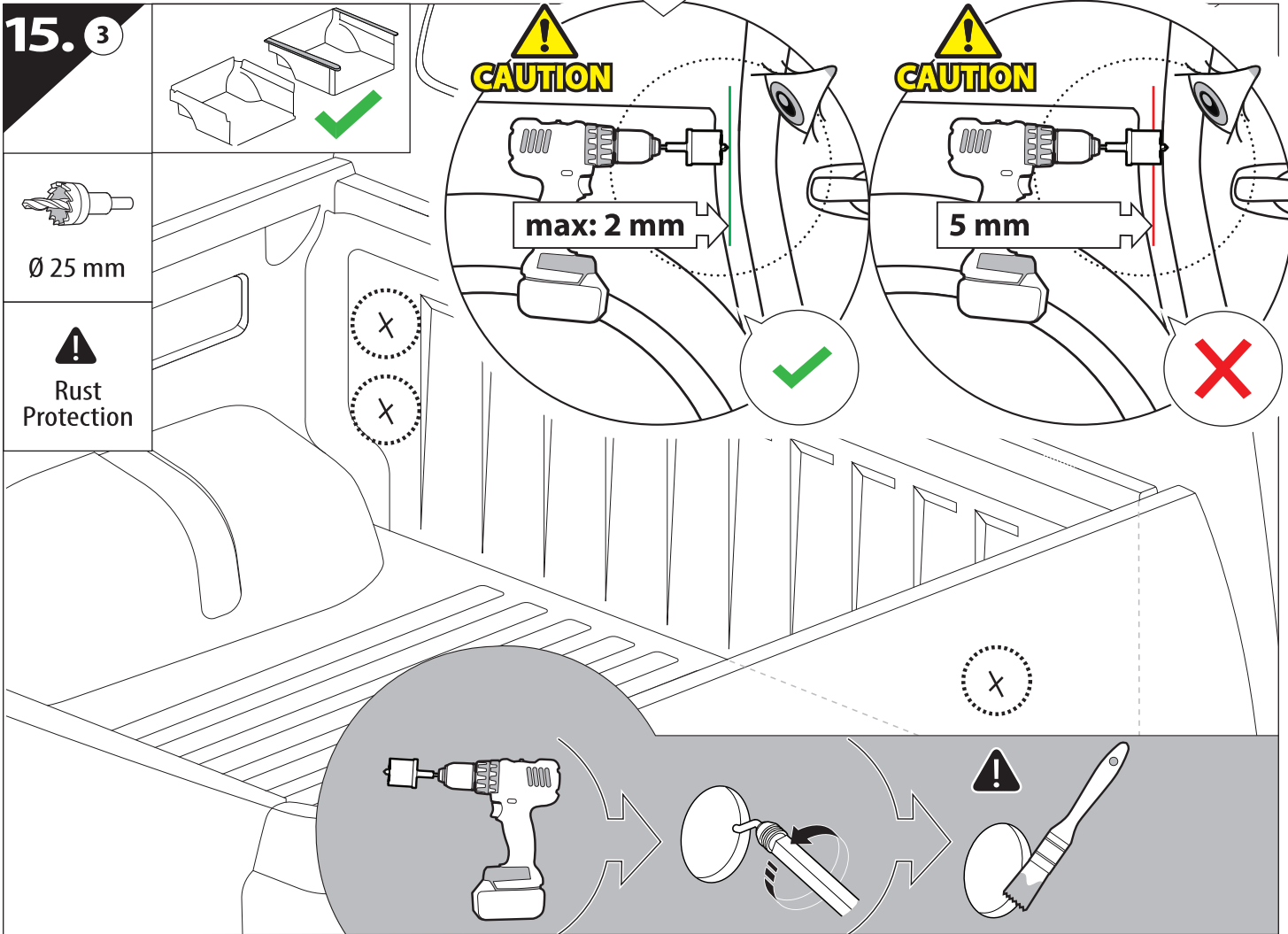
C:480mm D:250mm



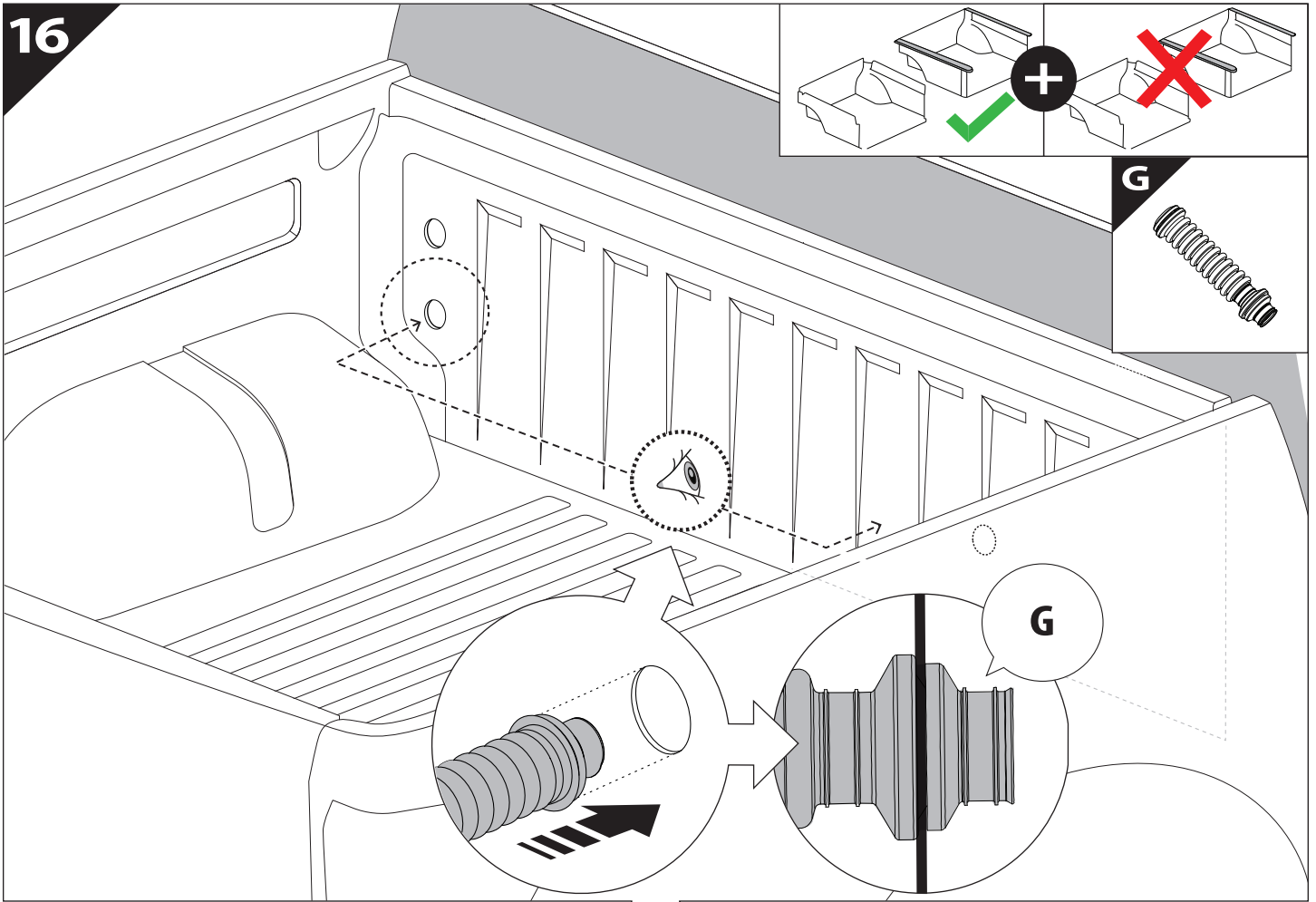
15.2



15.3

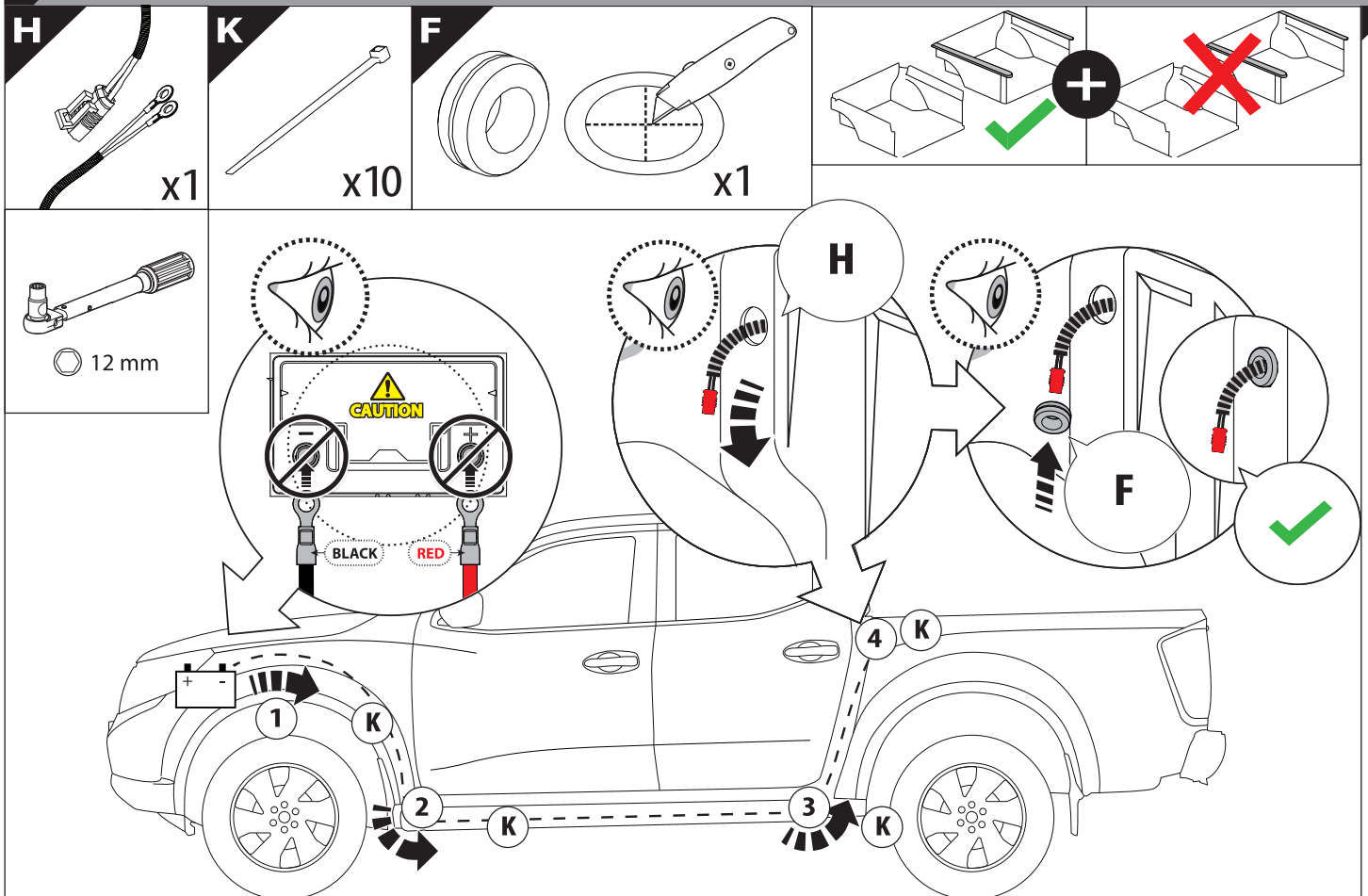


16

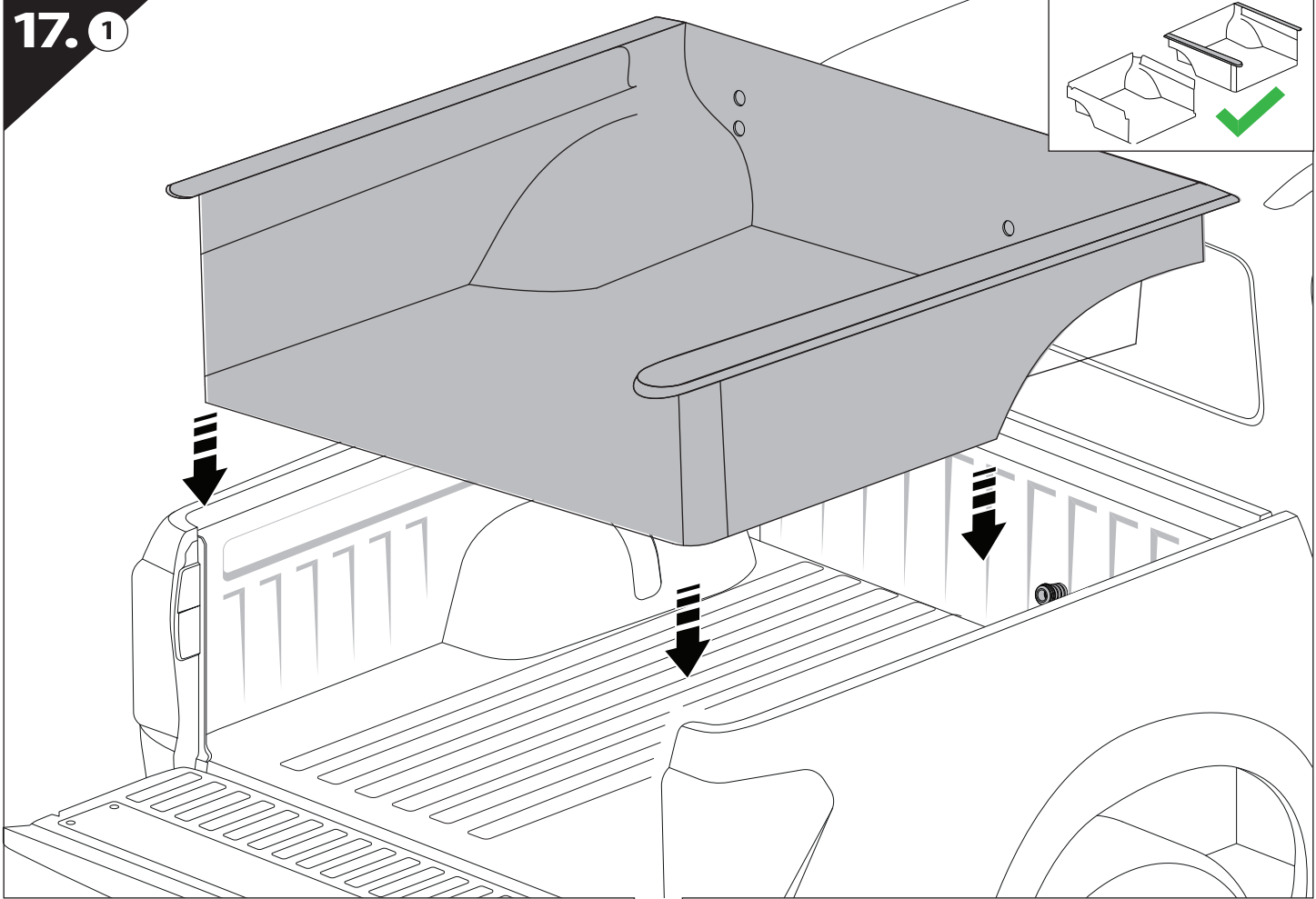


17

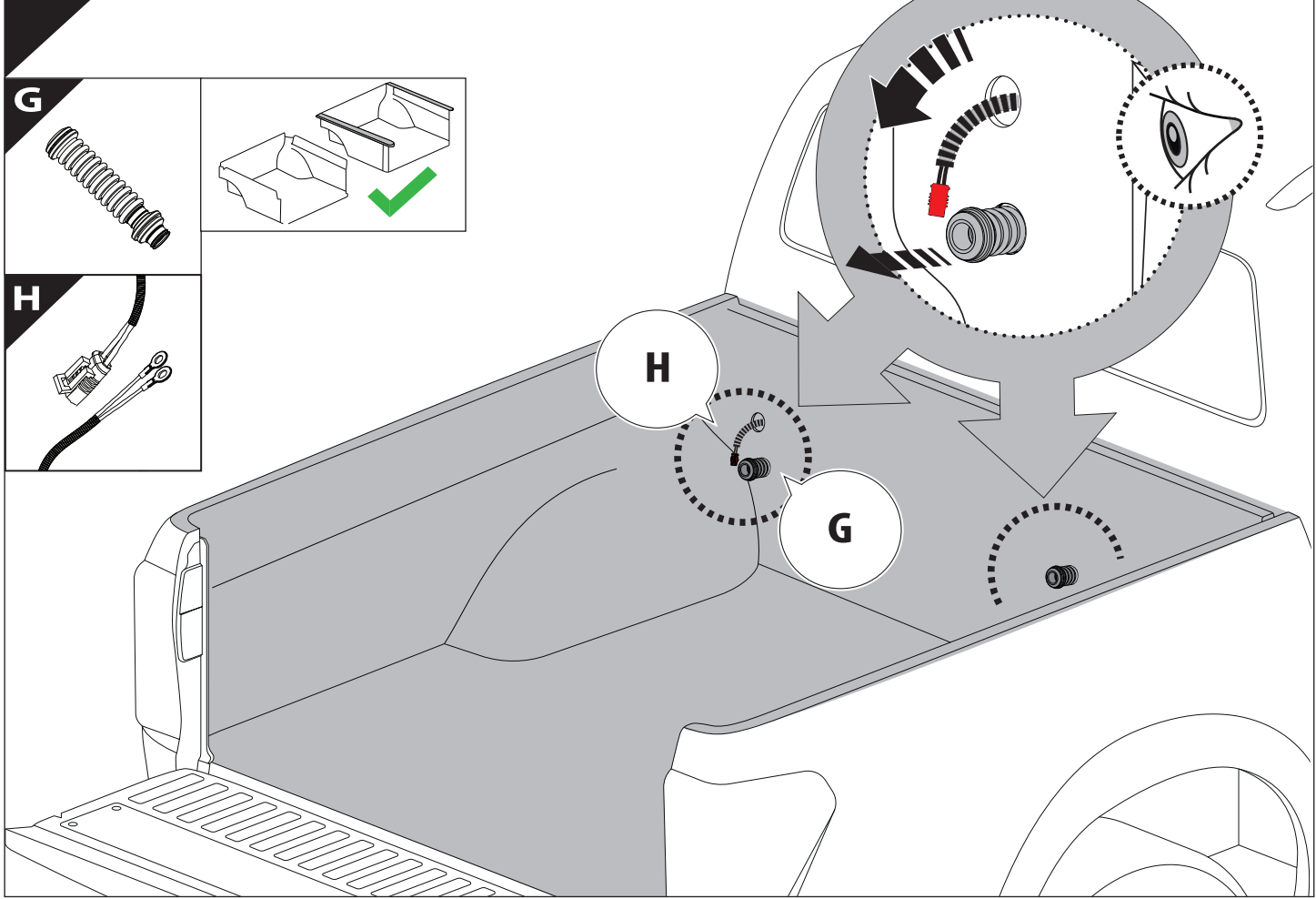
Only to be installed by authorized personnel

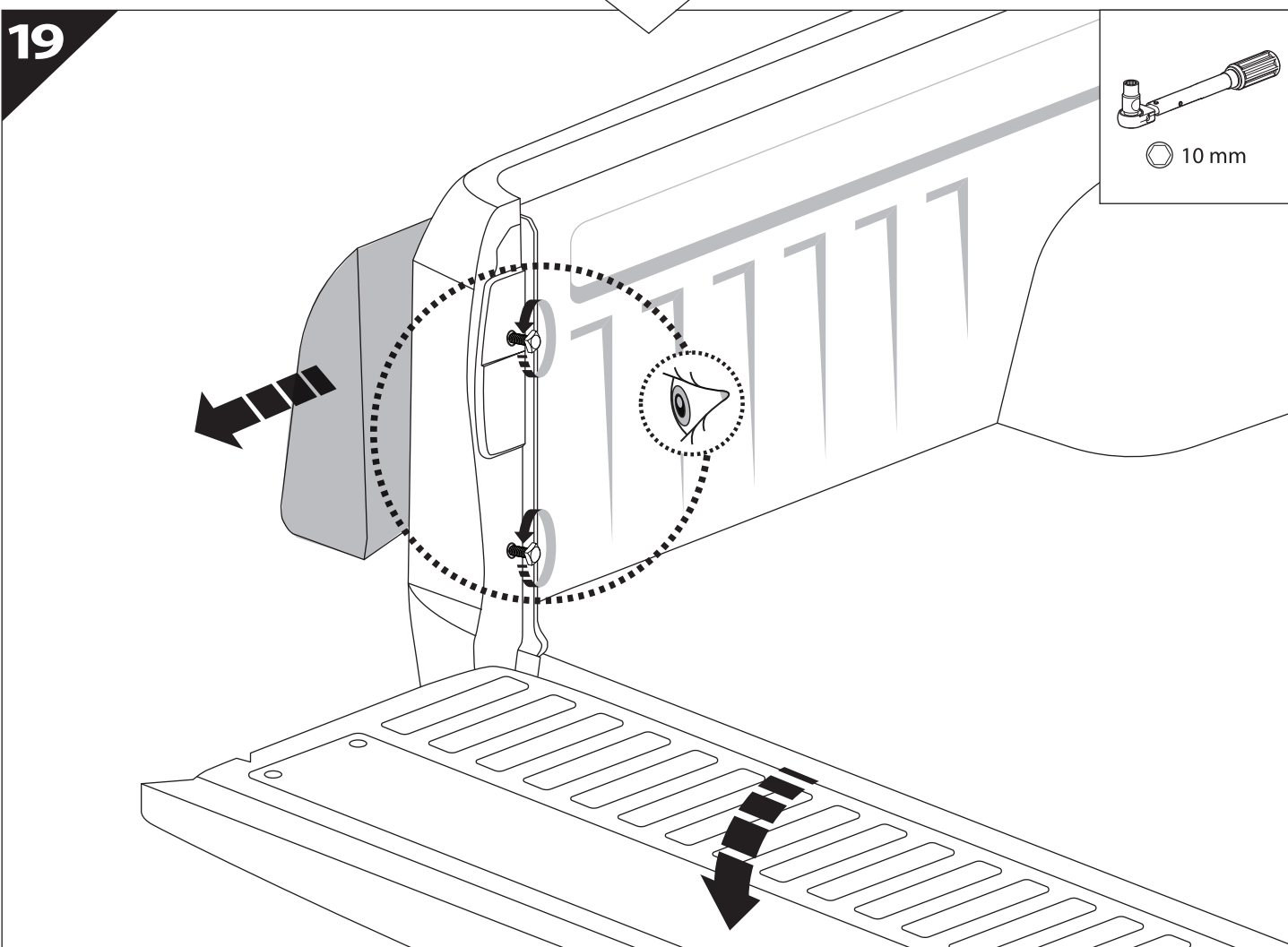
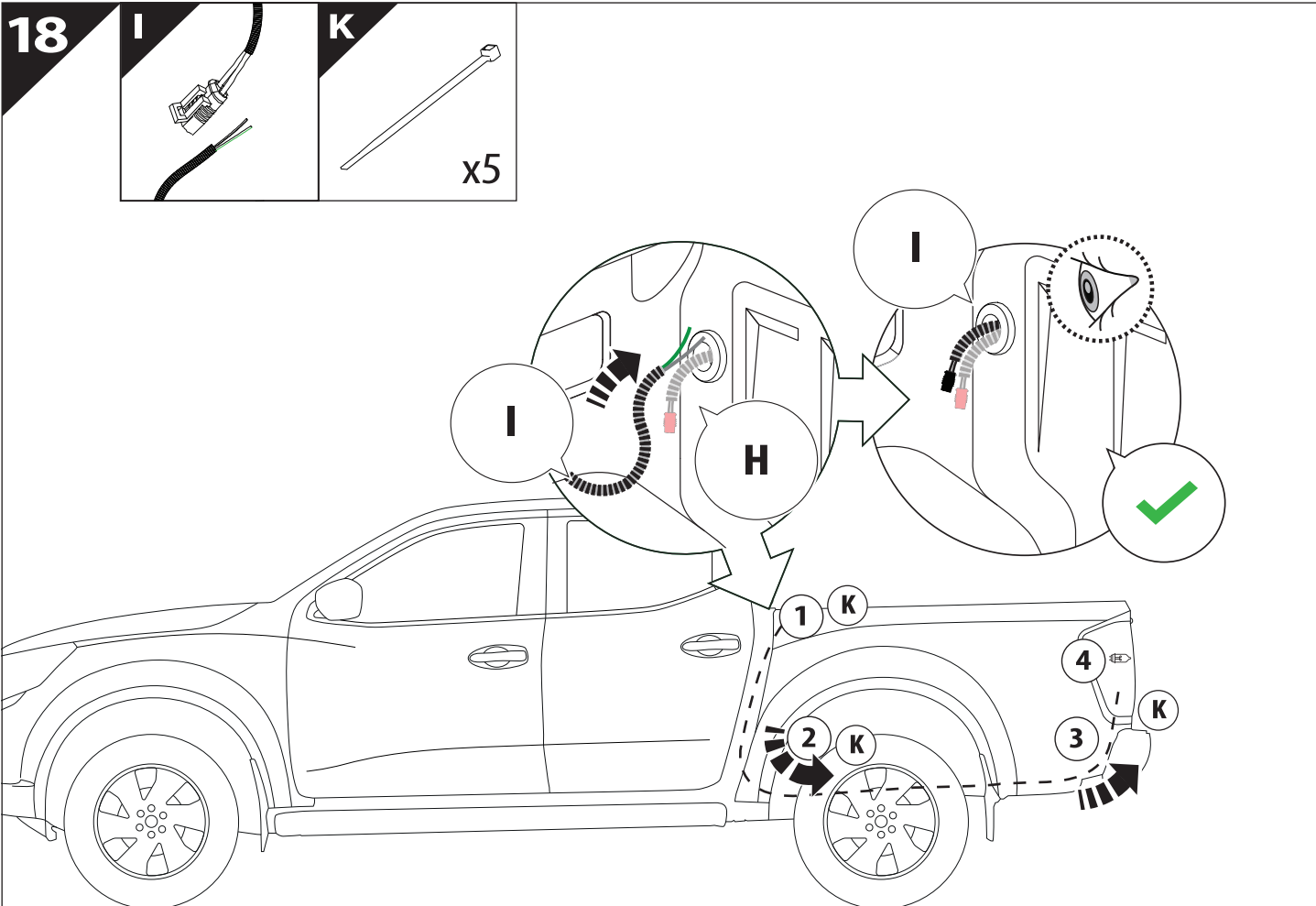


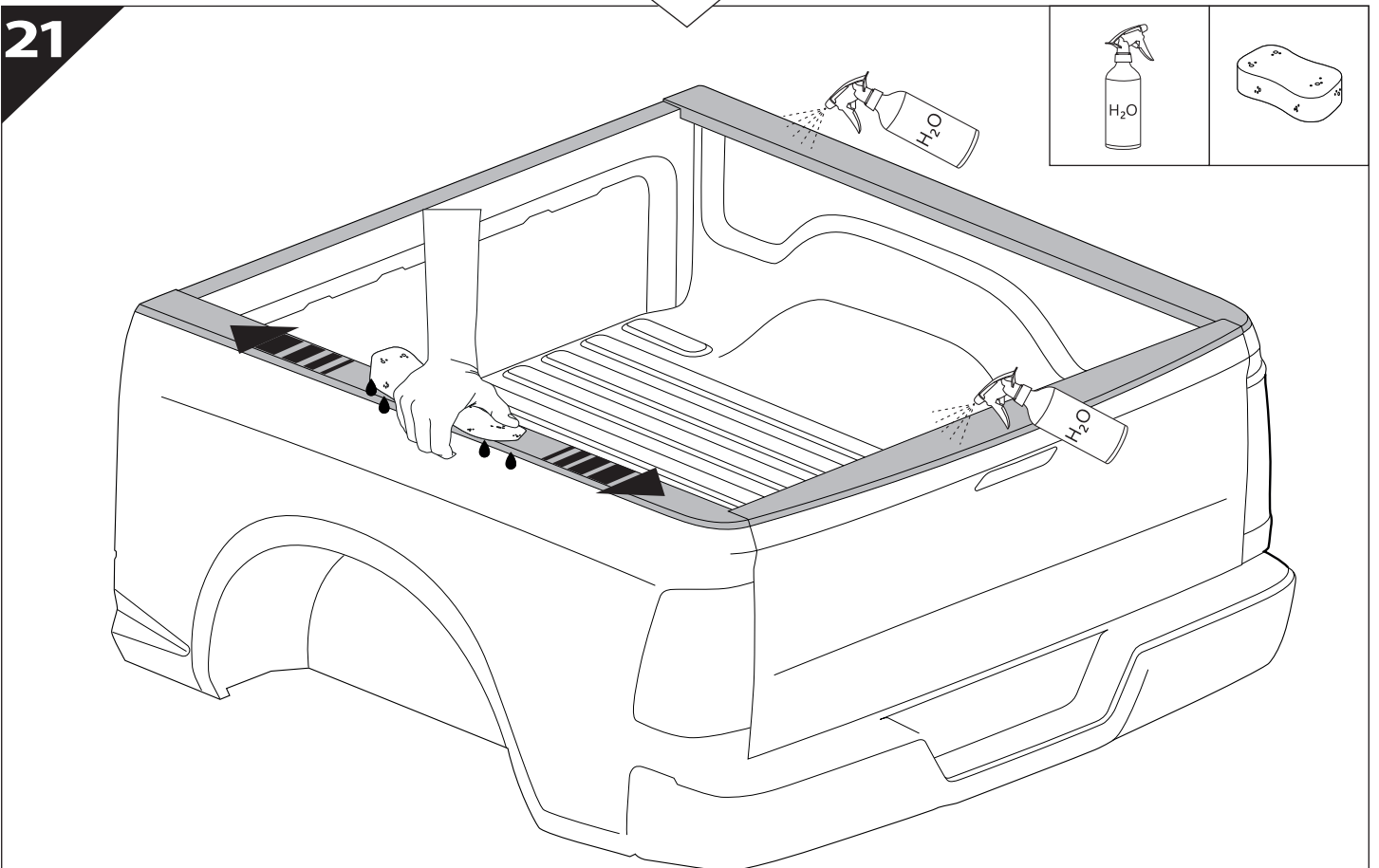
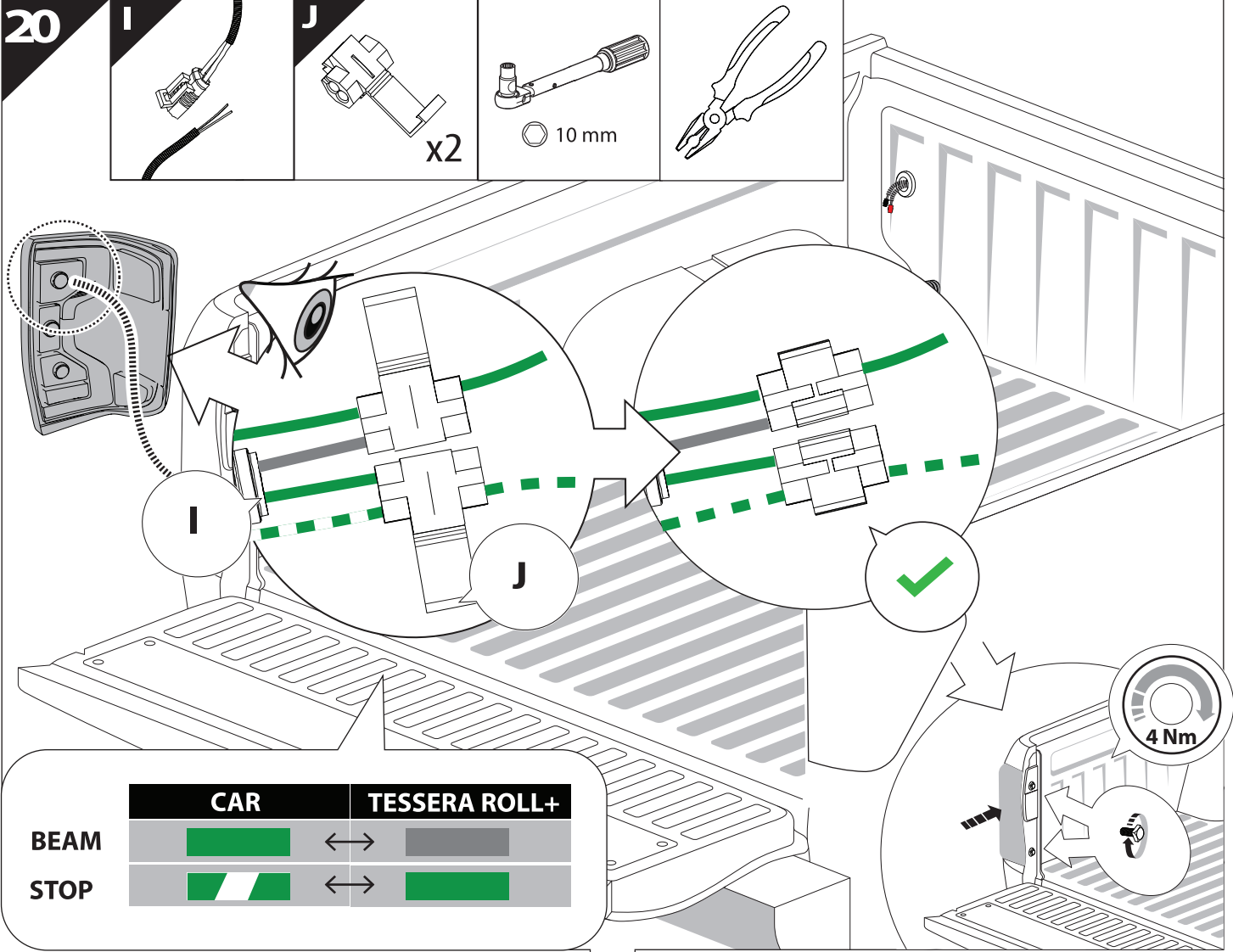
17.1

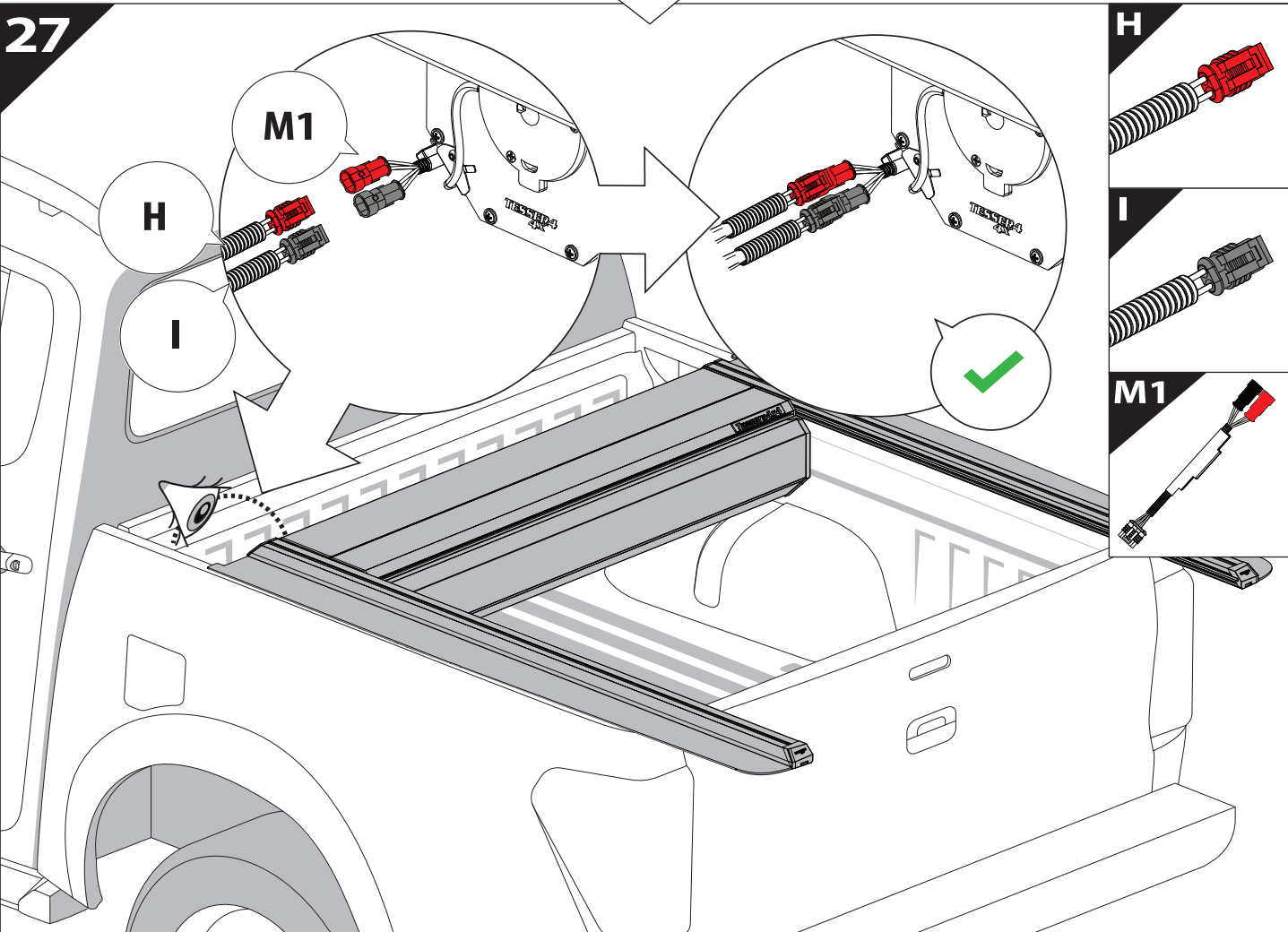
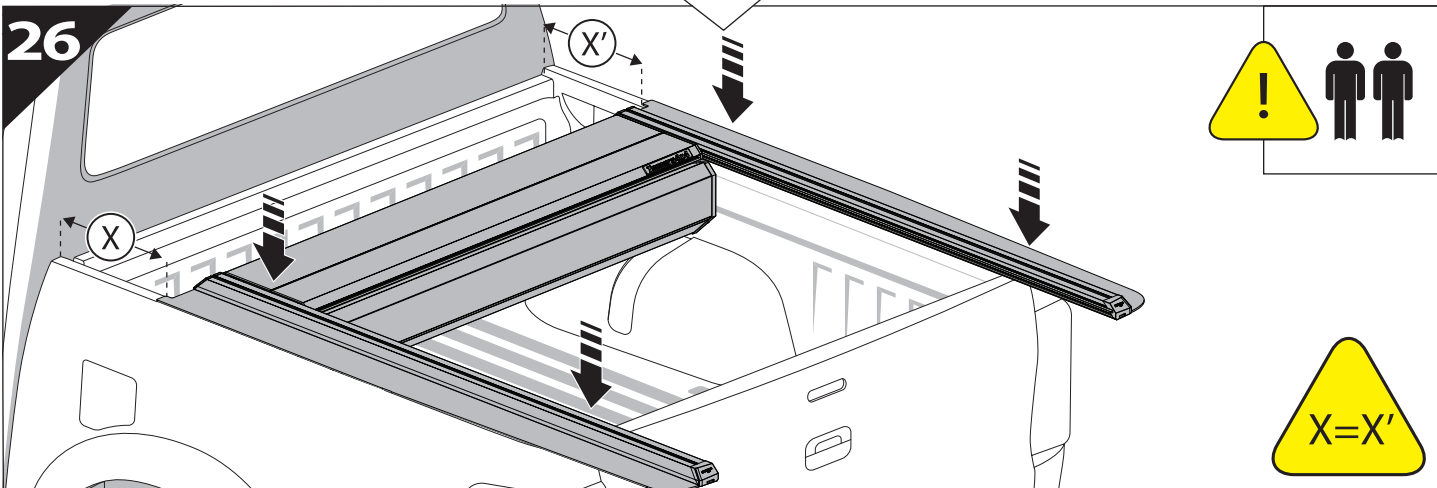
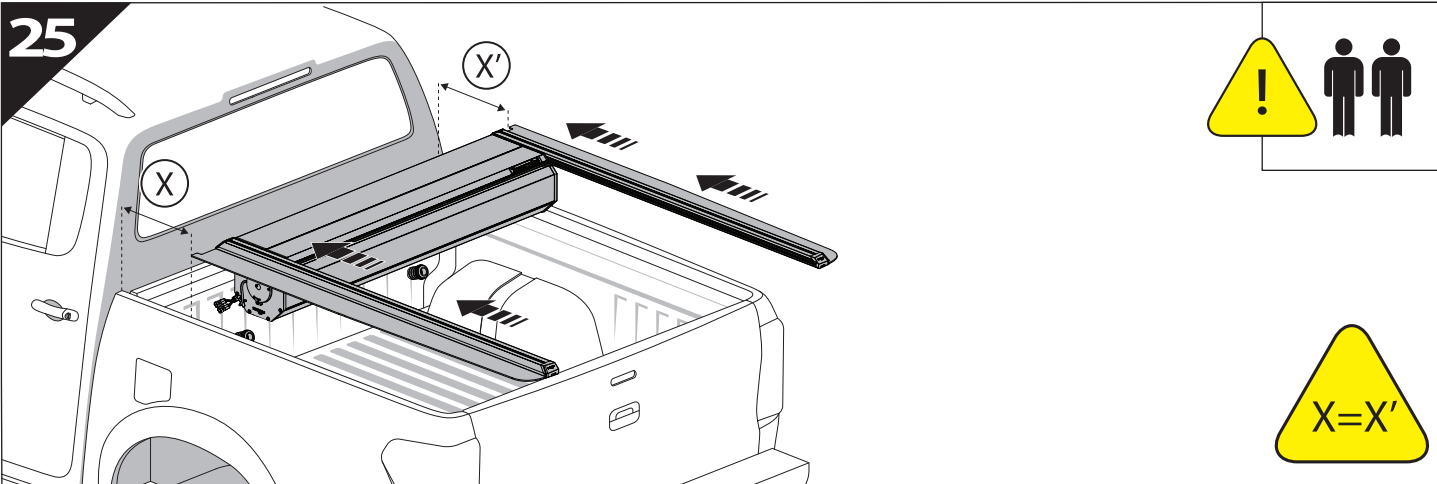


17.2



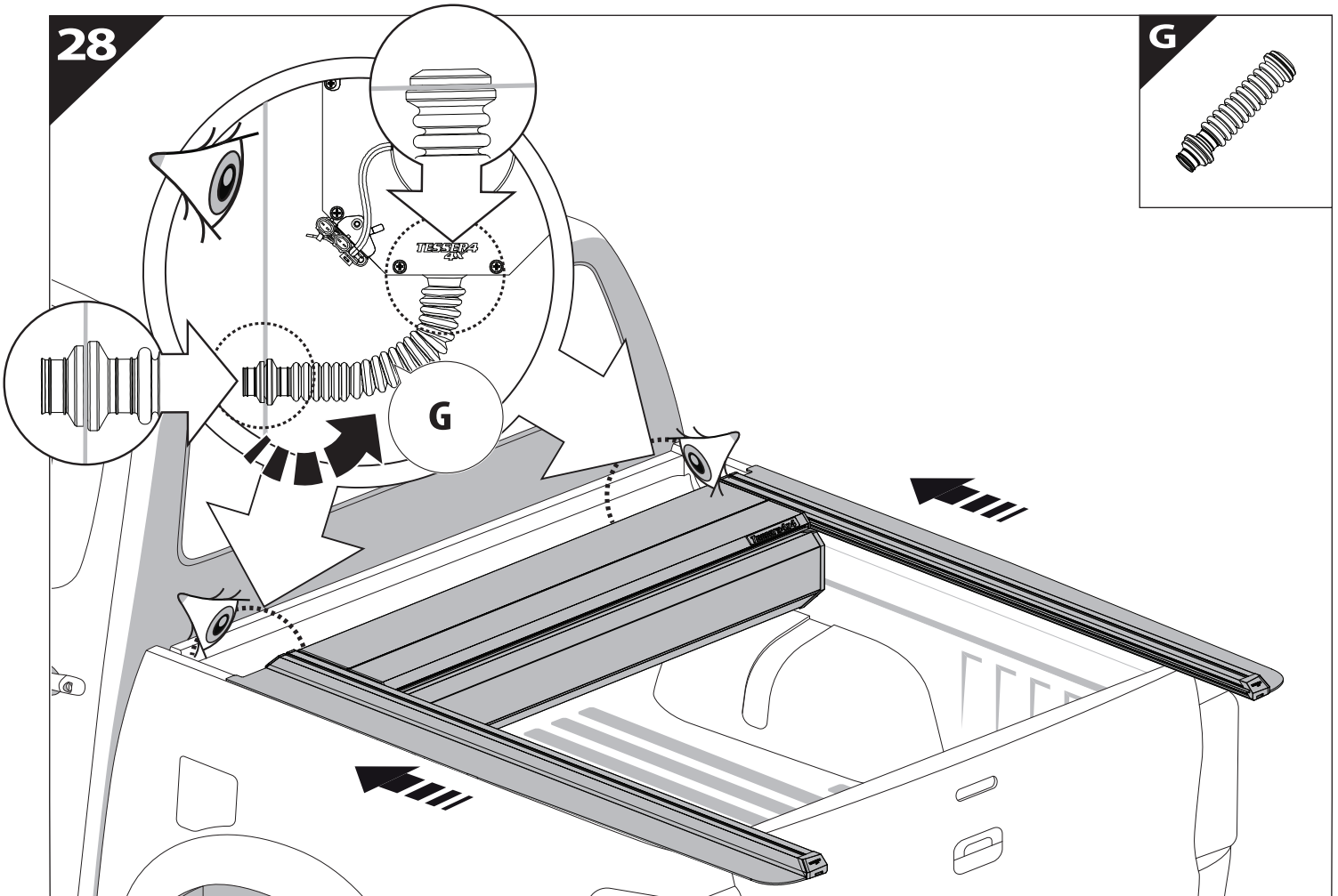




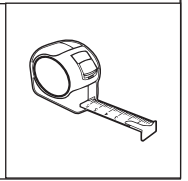
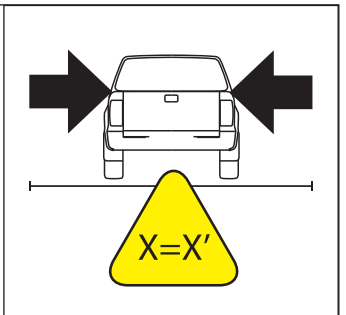
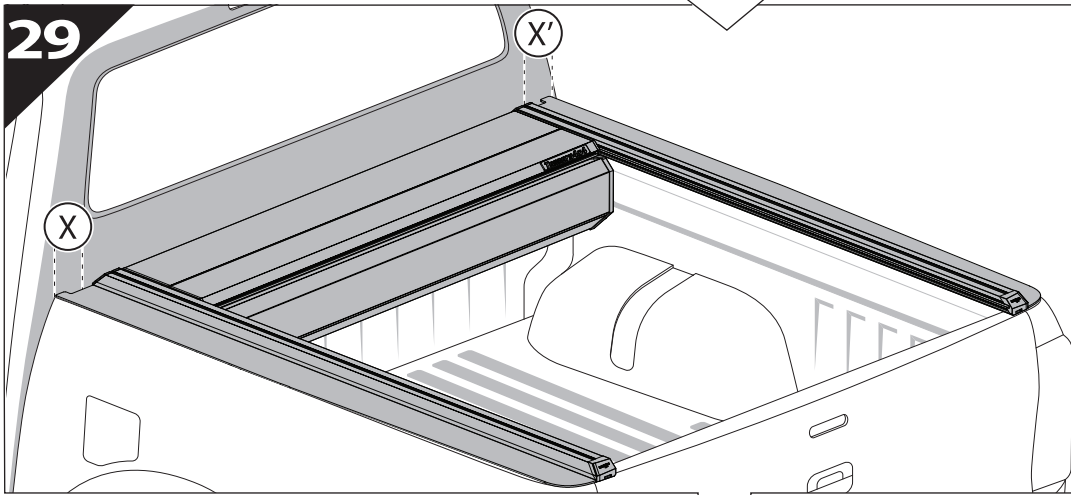


28

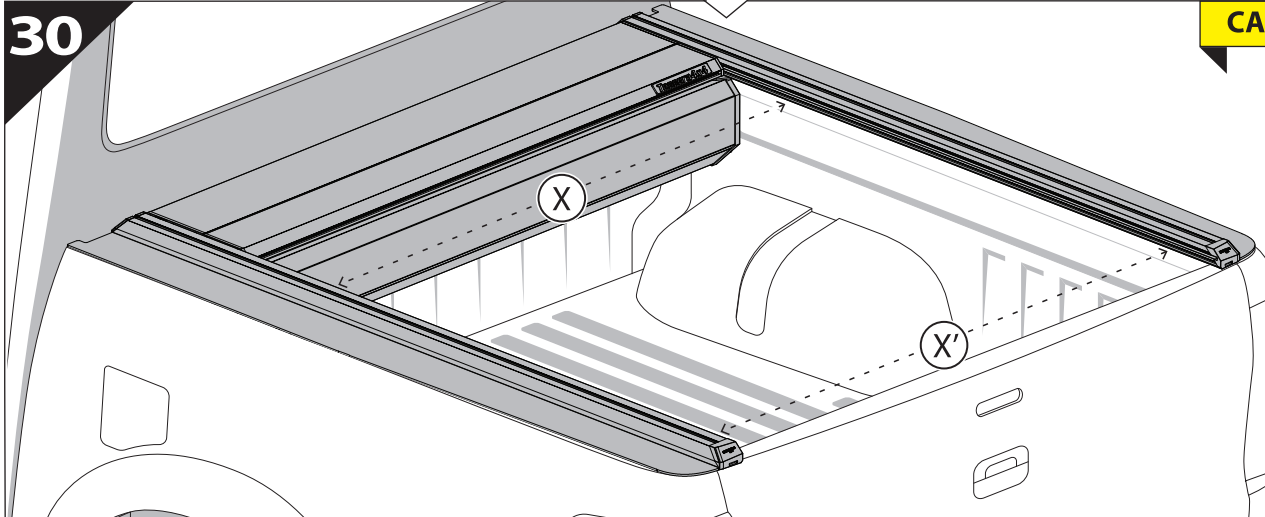
G



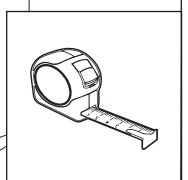
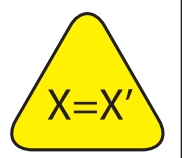
29



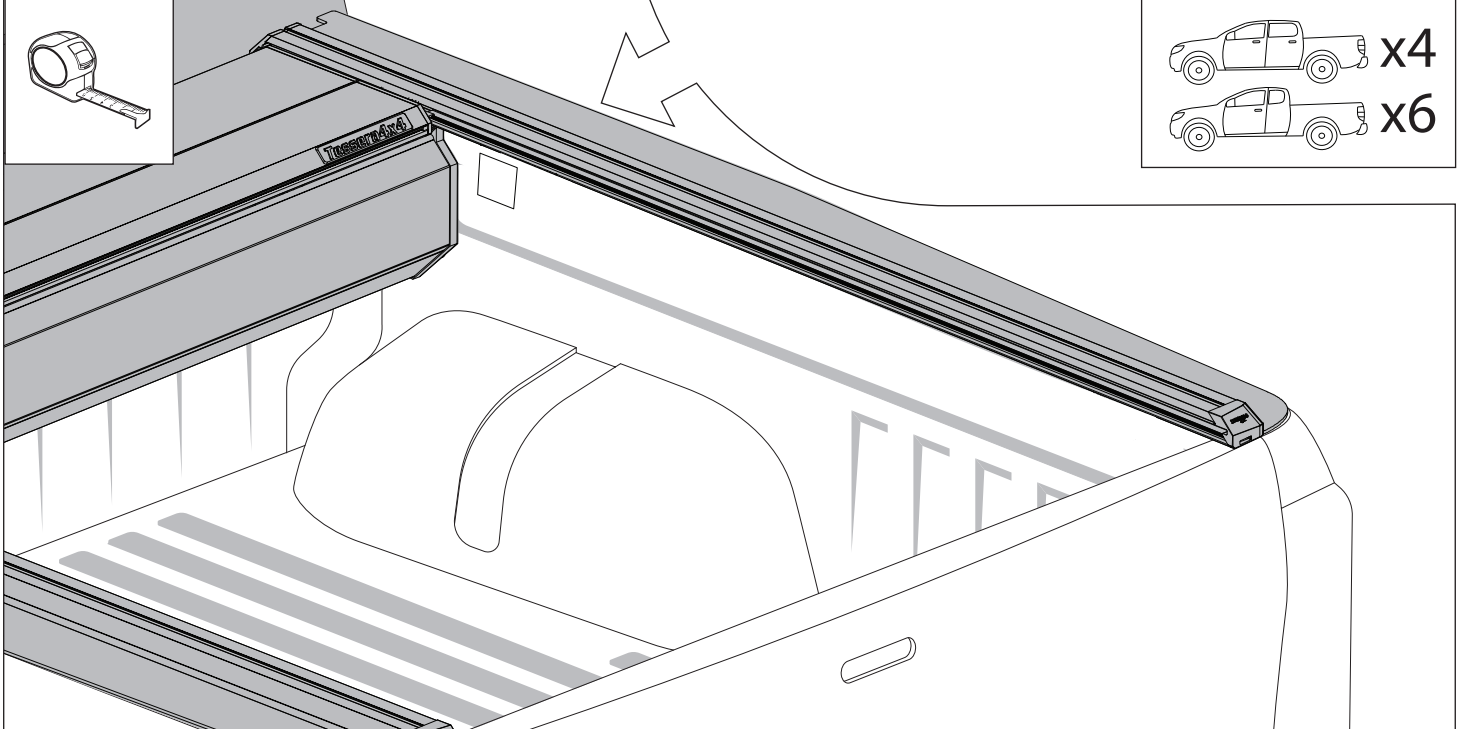
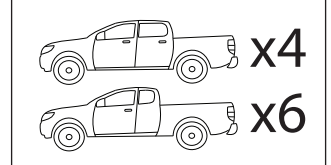
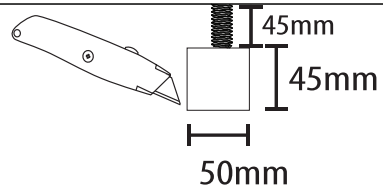
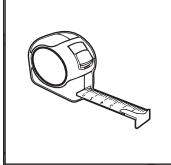
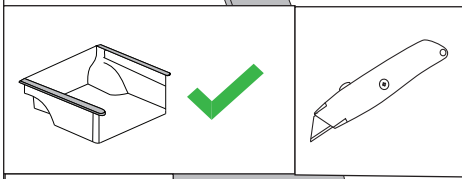
30

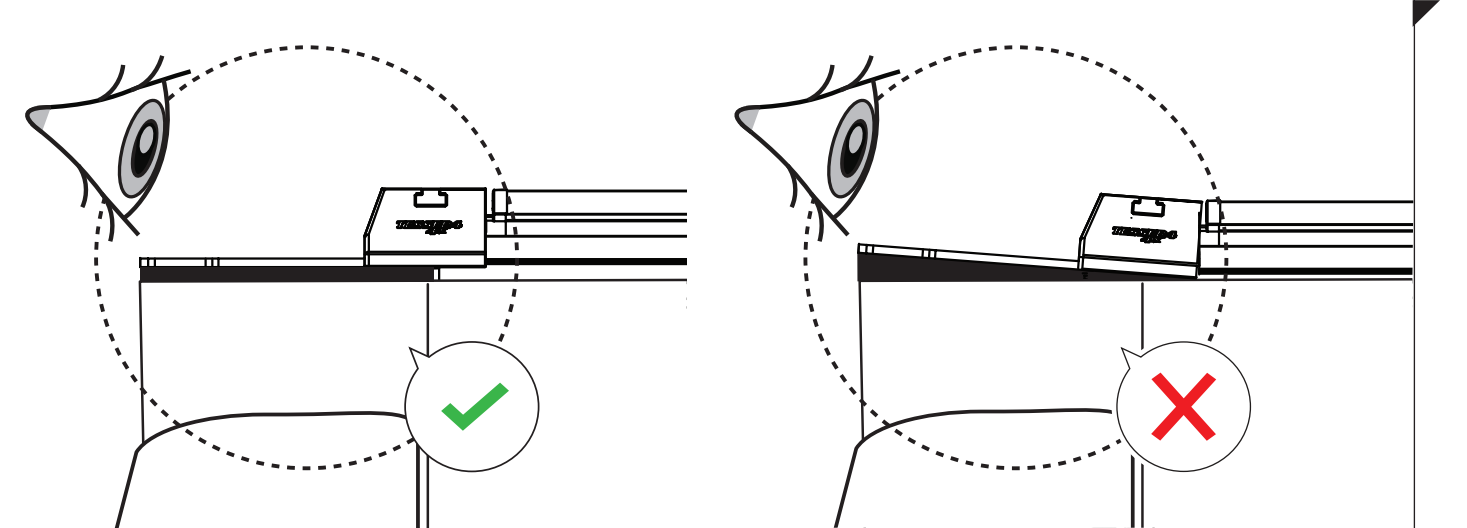
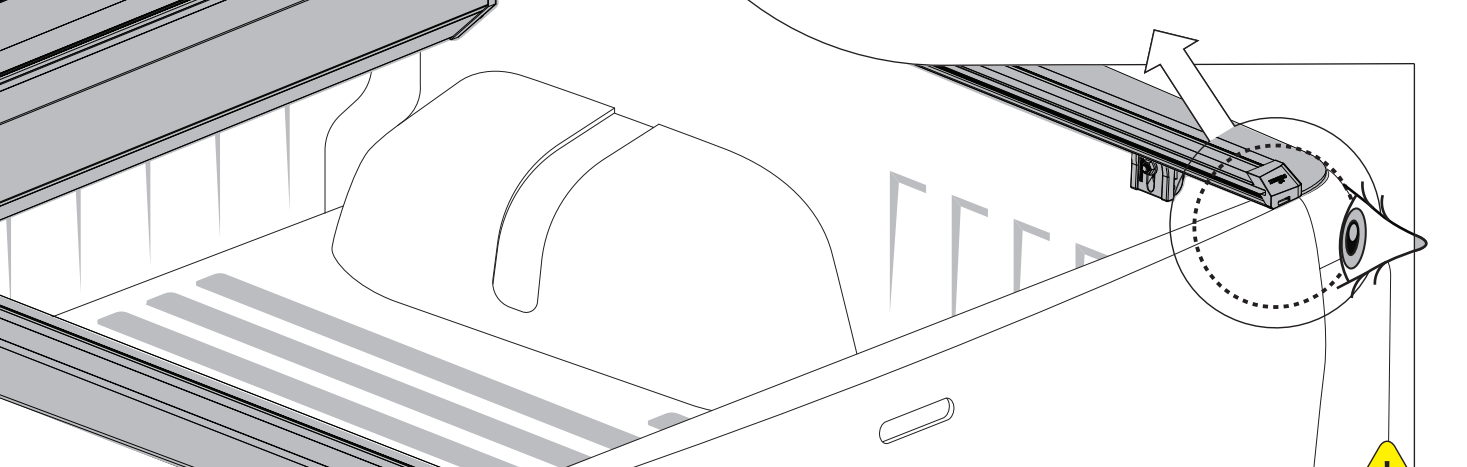
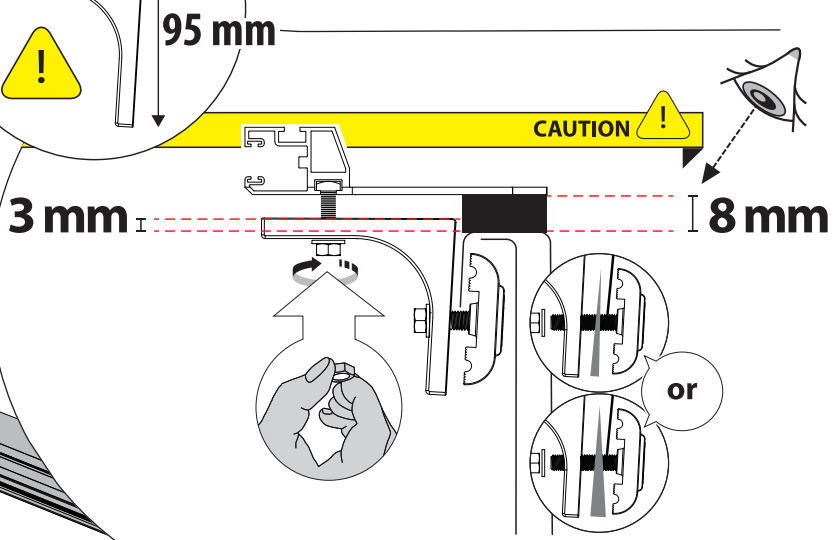
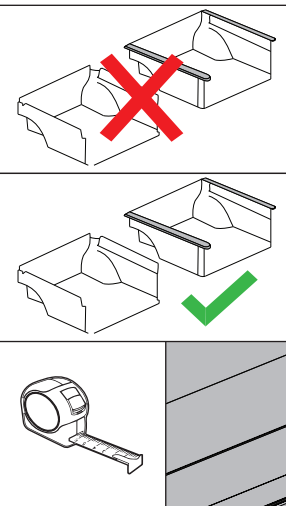
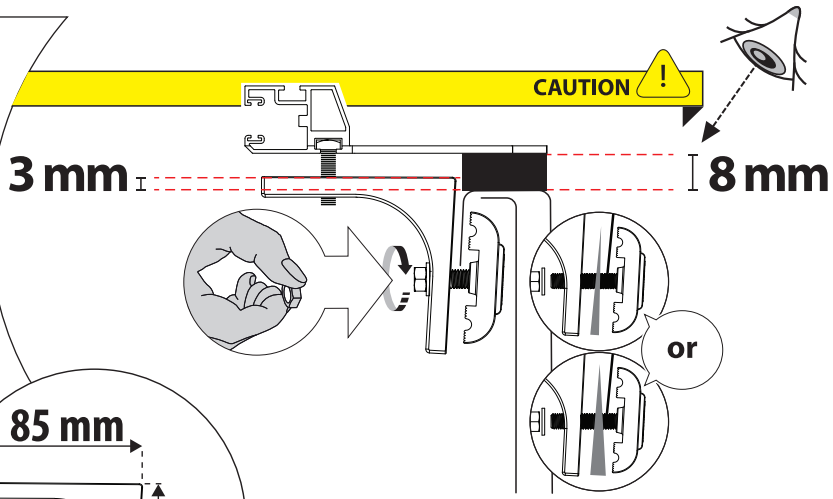
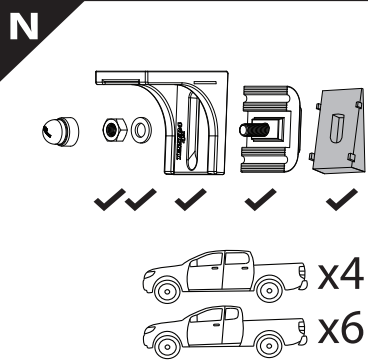


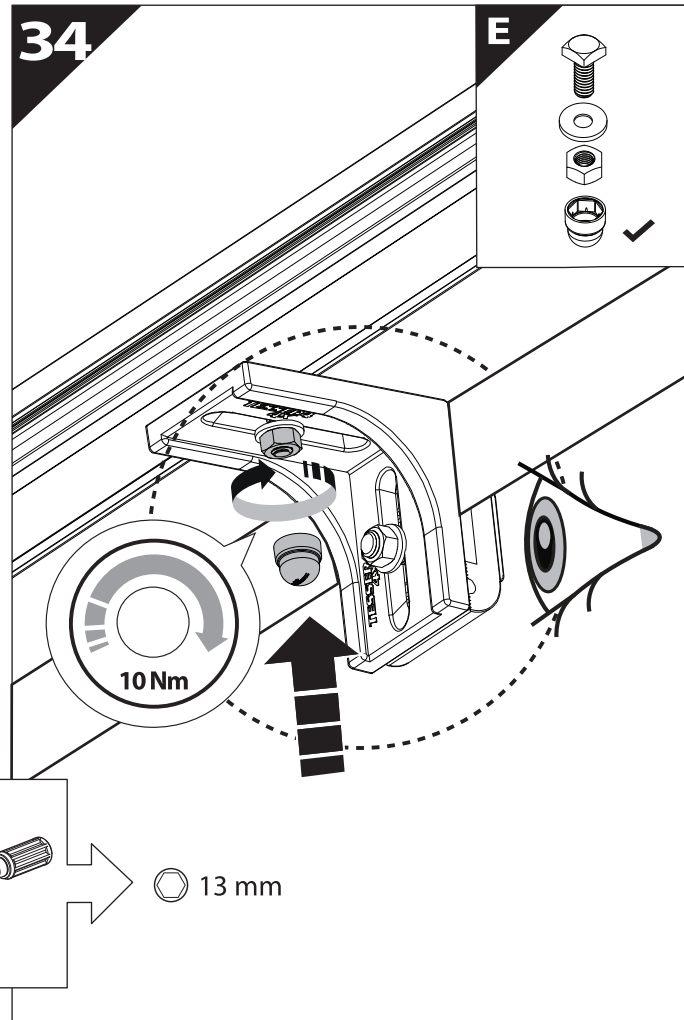
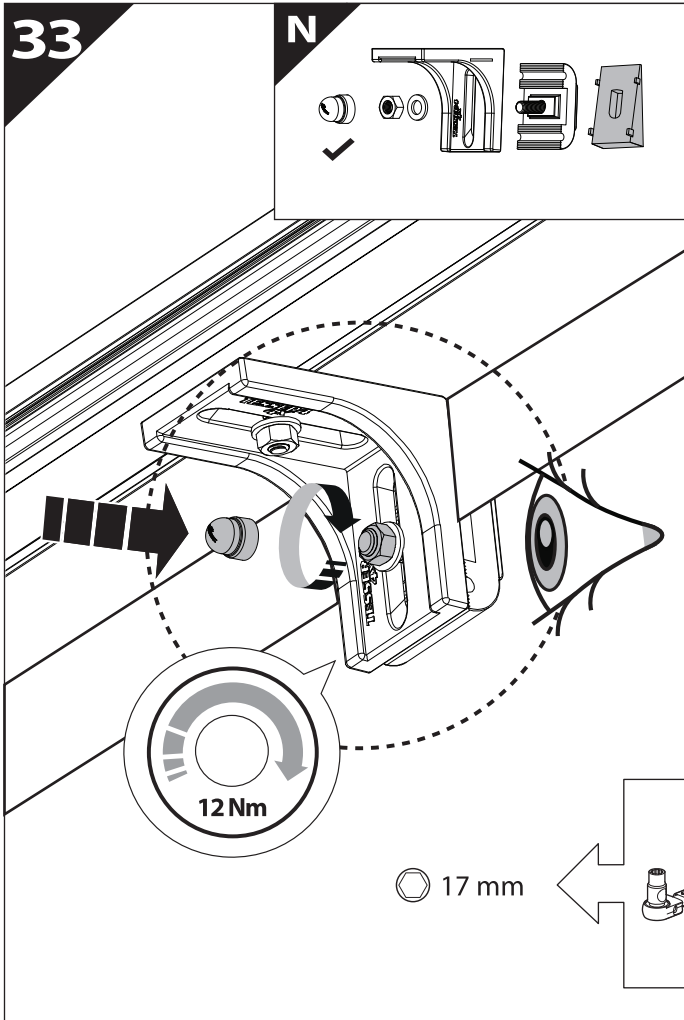
CAUTION !



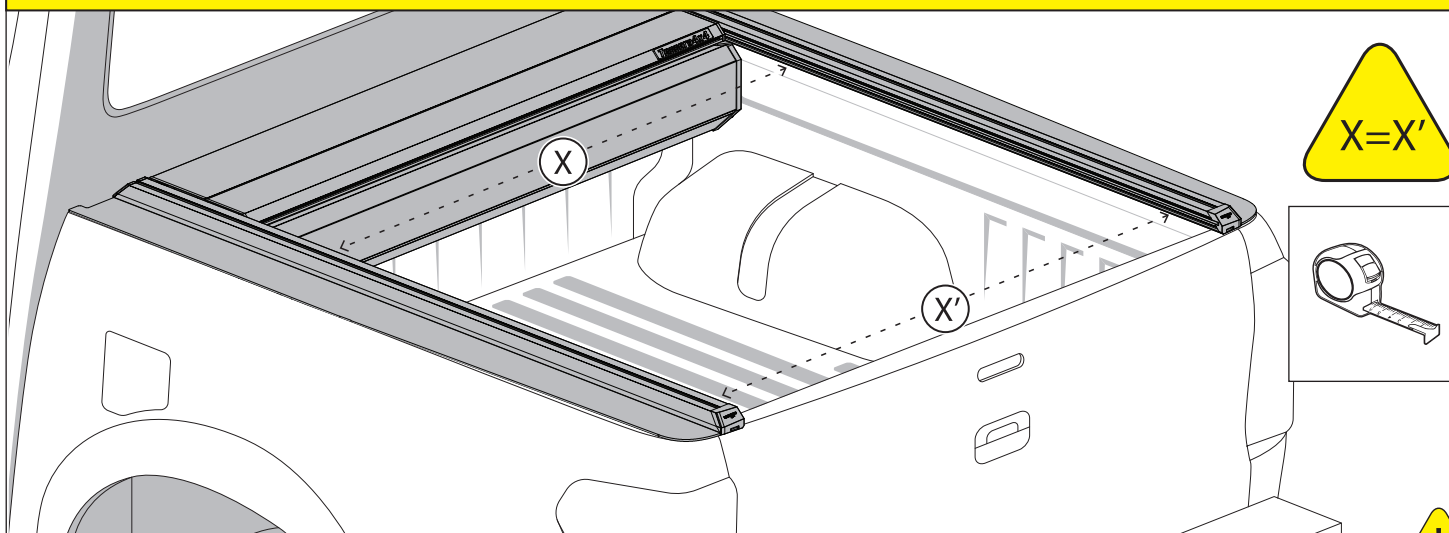
31



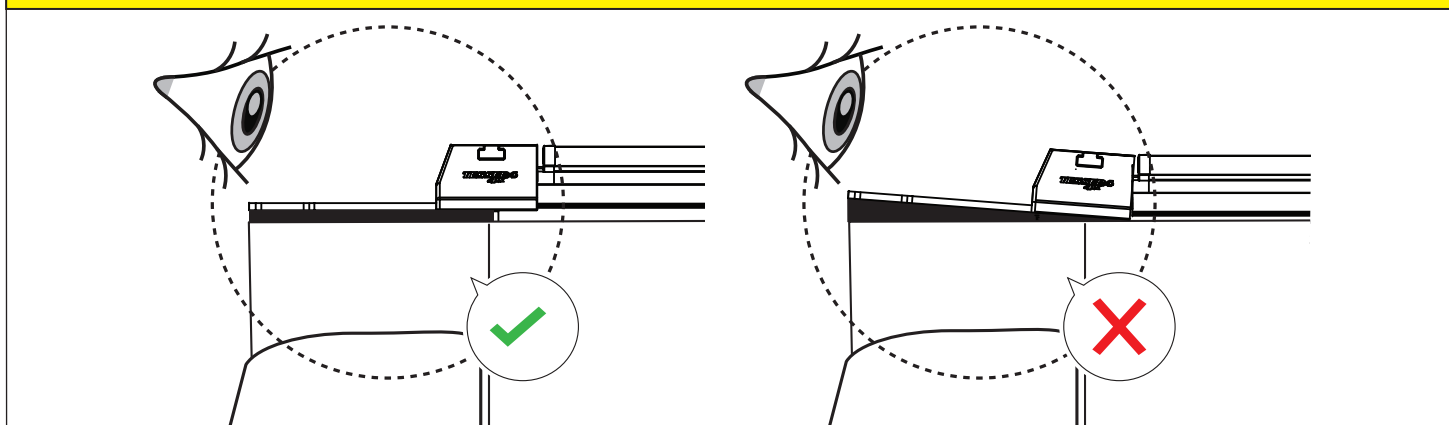


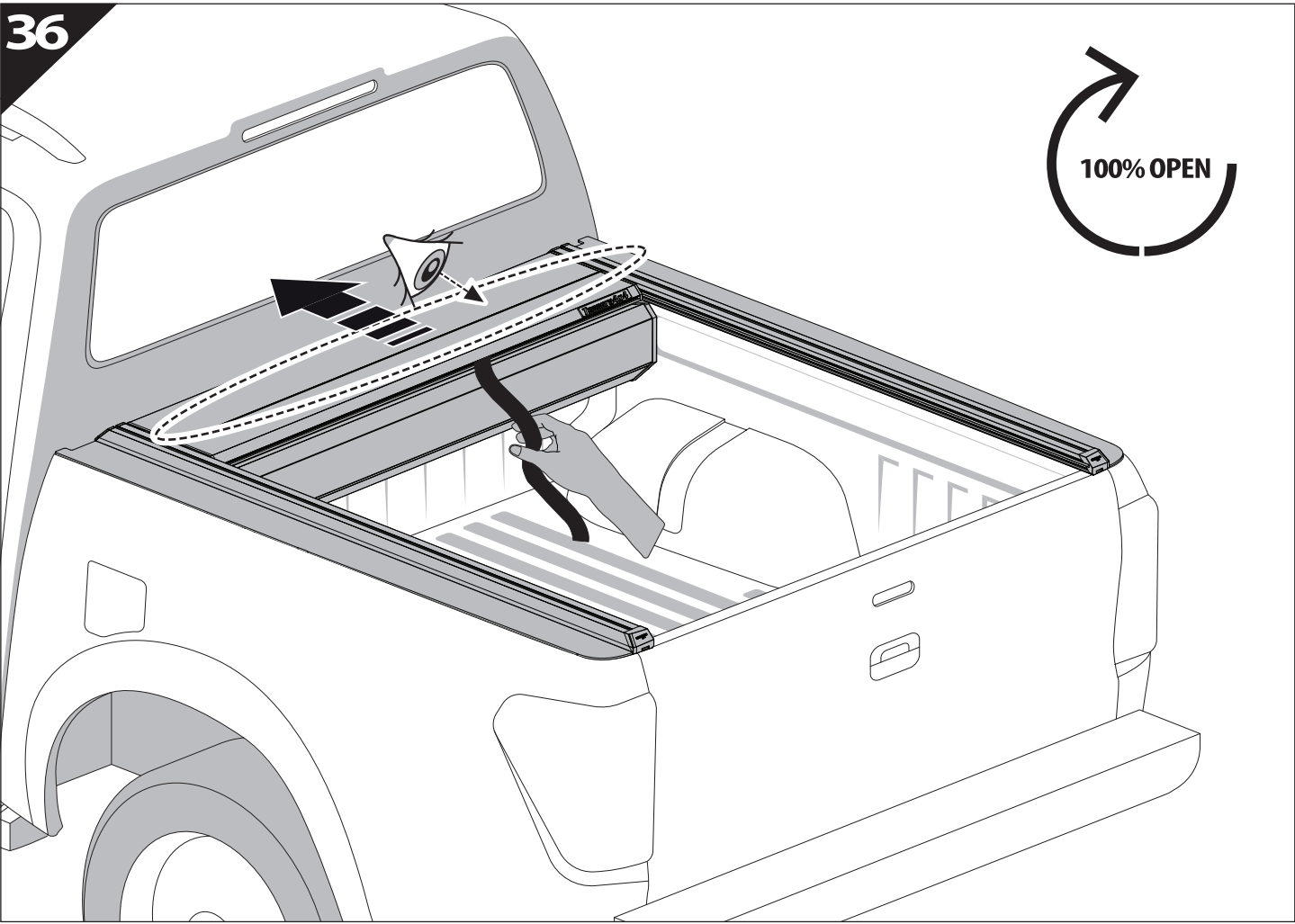
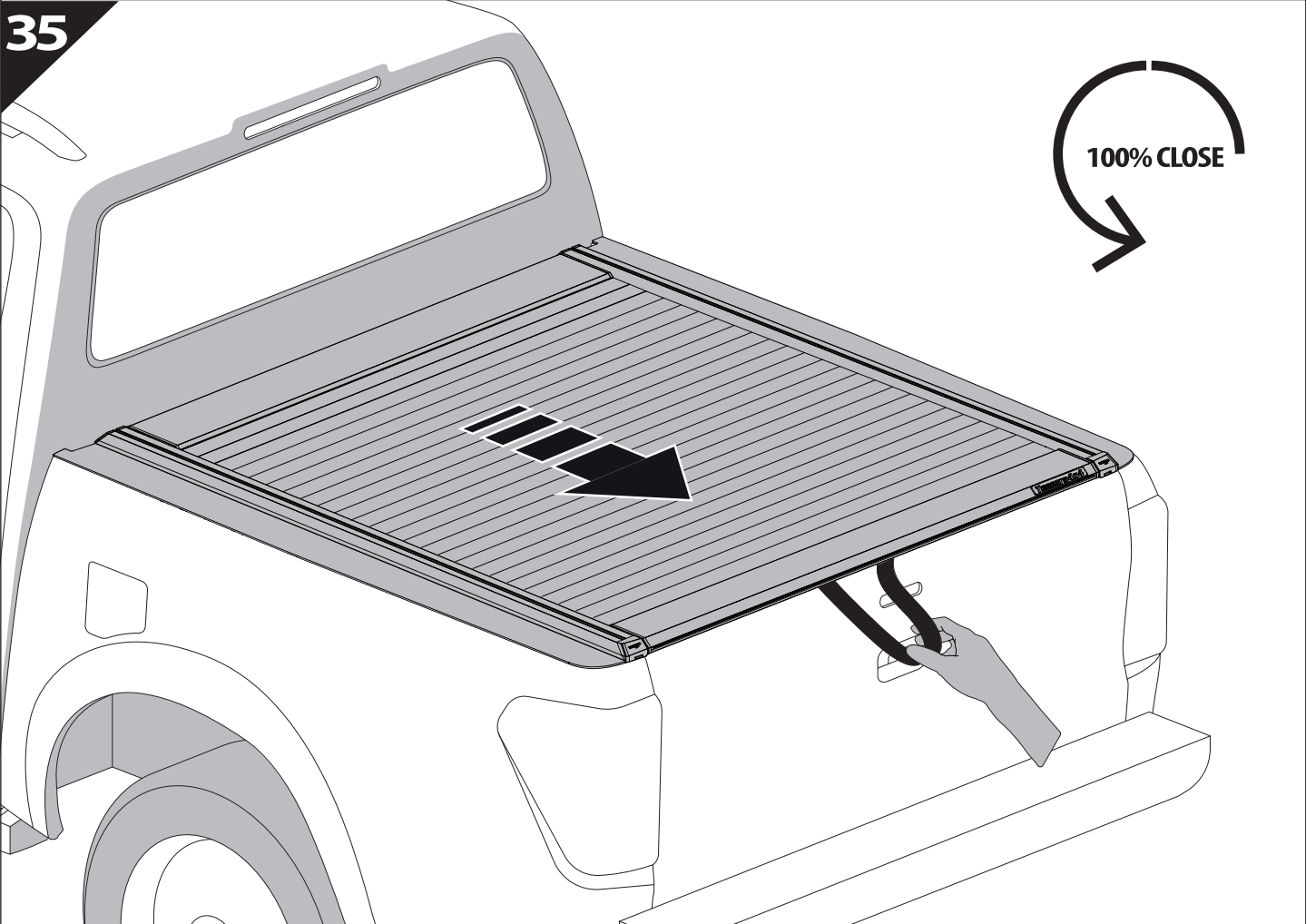


CAUTION !



CAUTION !







GR: Οδηγίες Εγκατάστασης
GB: Installation manual
SF: Asennusohje
F: Notice de montage
PL: Instrukcja montażu
NL: Installatie-instructies
TR: Montaj Talimatı
S: Monteringsanvisning
E: Instrucciones de montaje

H: Szerelési utasítás
P: Instruções de instalação
RUS: Инструкция по установке
N: Monteringsveiledning
D: Einbauanleitung
CZ: Návod k instalaci
I: Istruzioni de montaggio
DK: Monteringsvejledning
RO: Instructiuni de instalare

Customer Service:

+30 (210) 5541161, +30 (210) 5541154 (08:00 - 16:00 EET)

Support department:

info@gianso.gr

Website:

www.tessera4x4.com

Address:

19.5 km of National road Athens-Korinthos (Elefsina) Greece, P.C: 19200