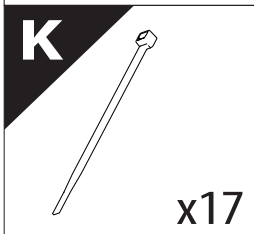
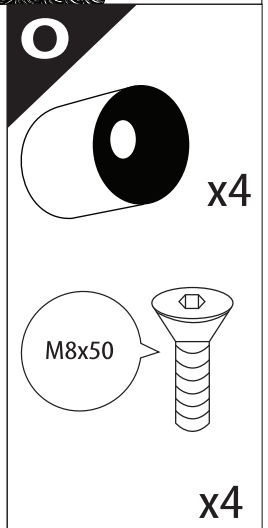
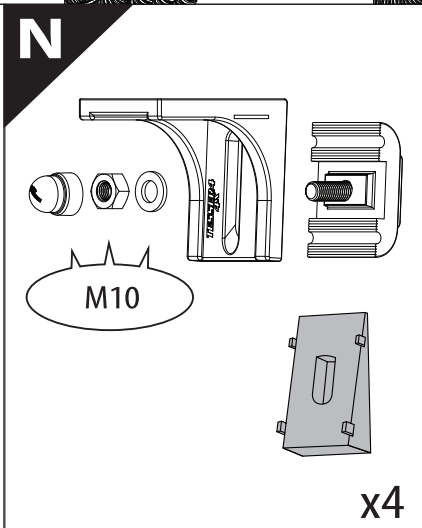
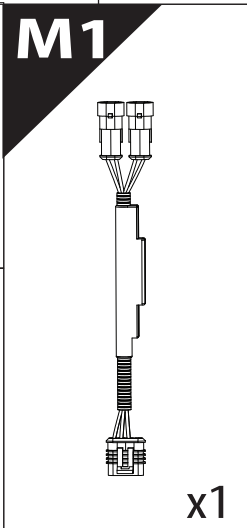
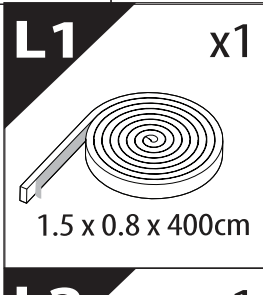
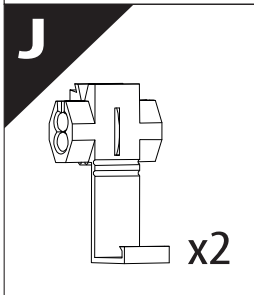
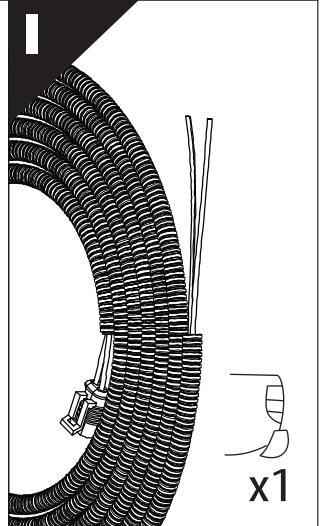
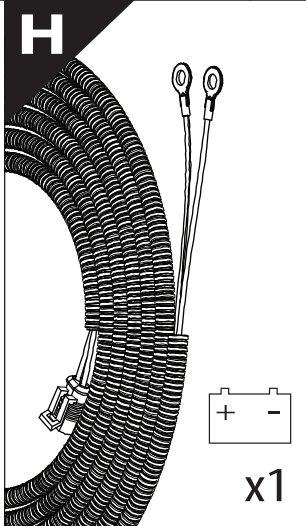
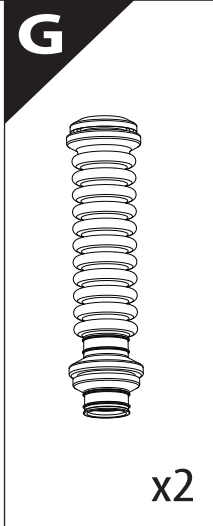
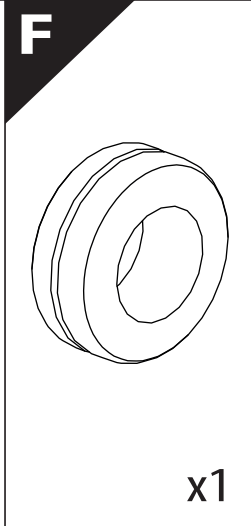
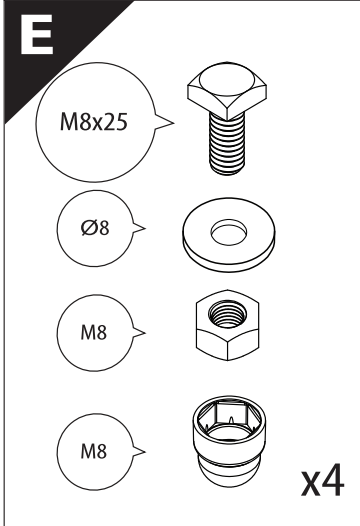
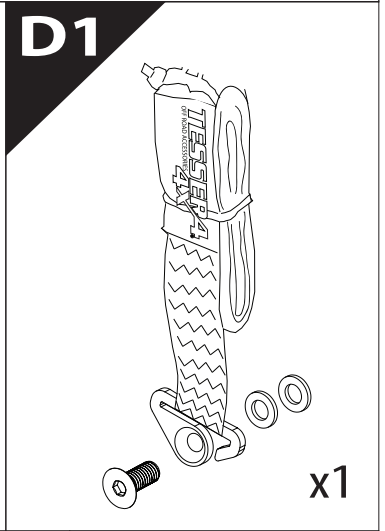
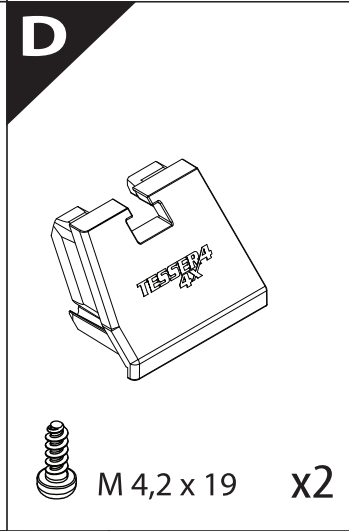
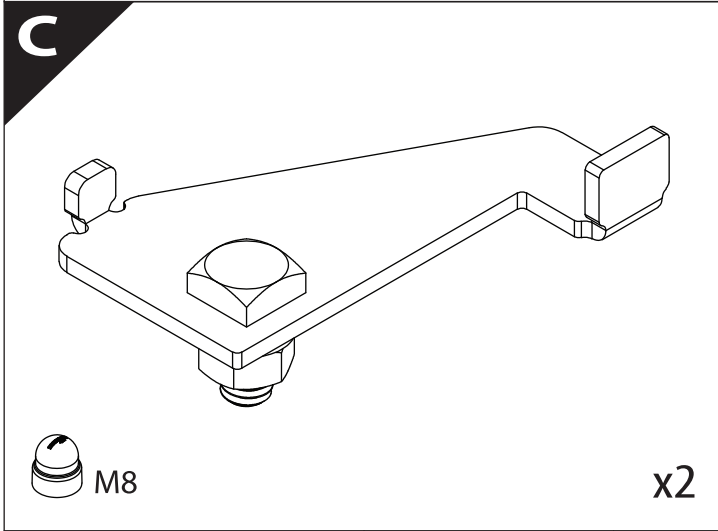
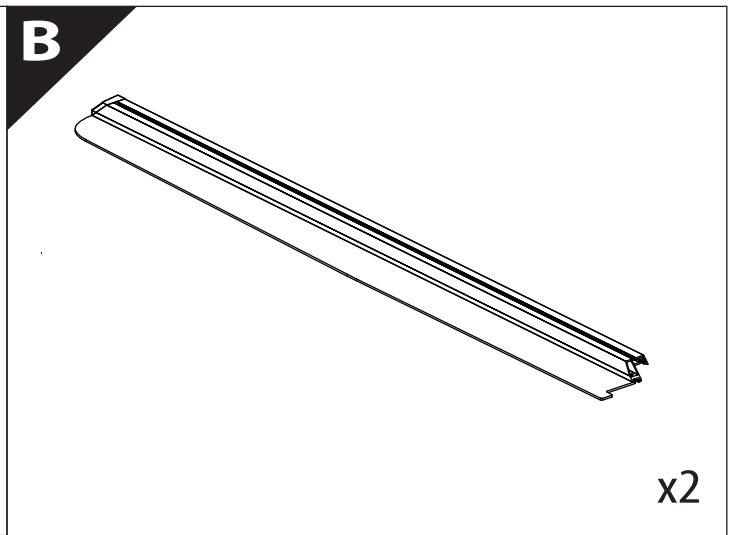
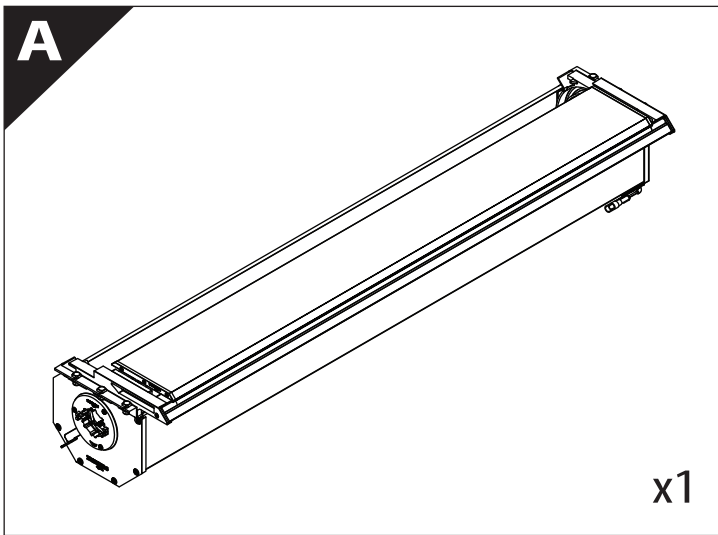
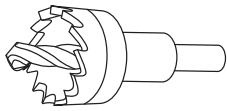


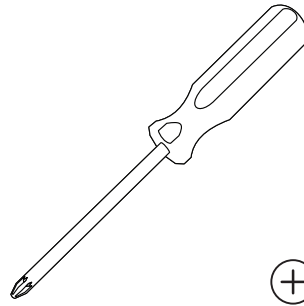
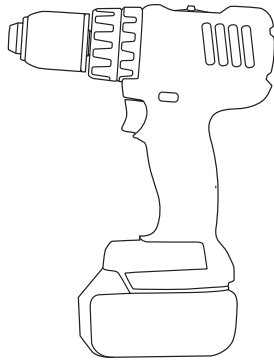
## Installation Manual

<b>PART NUMBER(S)</b>	<b>Model Year</b>
<b>TESS 1401 ROLL+ ADAPT 006</b>	<b>VW Amarok WITH OEM ROLL BAR 2010-2021</b>
<b>Cab(s)</b>	<b>Installation Time / Weight</b>
<b>Double Cab</b>	<b>40-60 minutes / 53-57 kg</b>

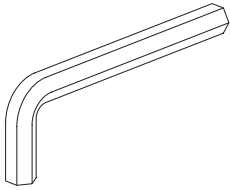
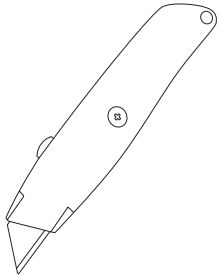
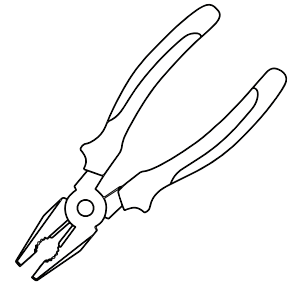




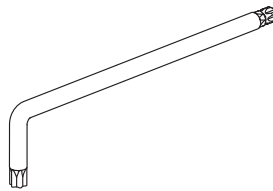
Ø 25 mm / Ø 40 mm



+

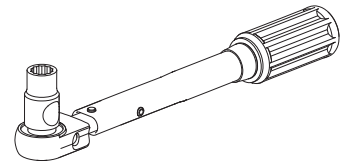


4, 5, 6 mm



T 30

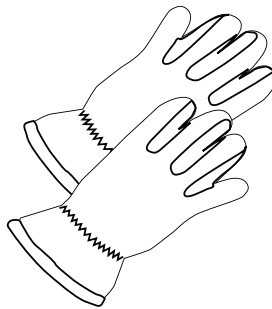
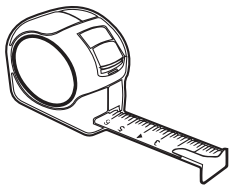
1 - 25 Nm



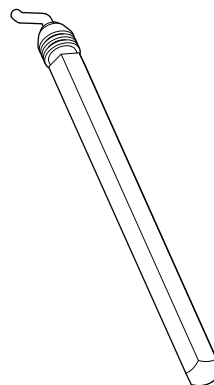
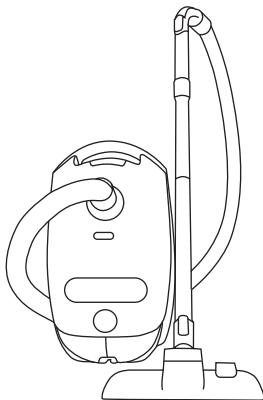
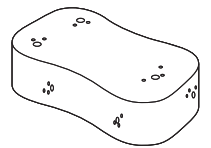
10, 12, 13, 17 mm



ACETONE



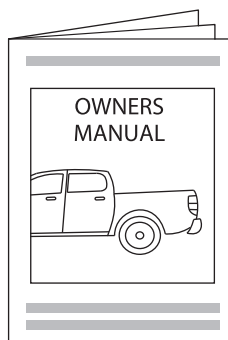
H<sub>2</sub>O



ANTI-RUST

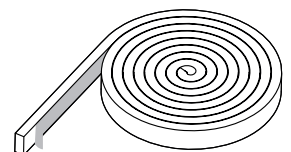
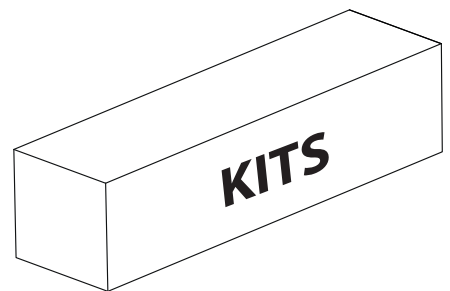
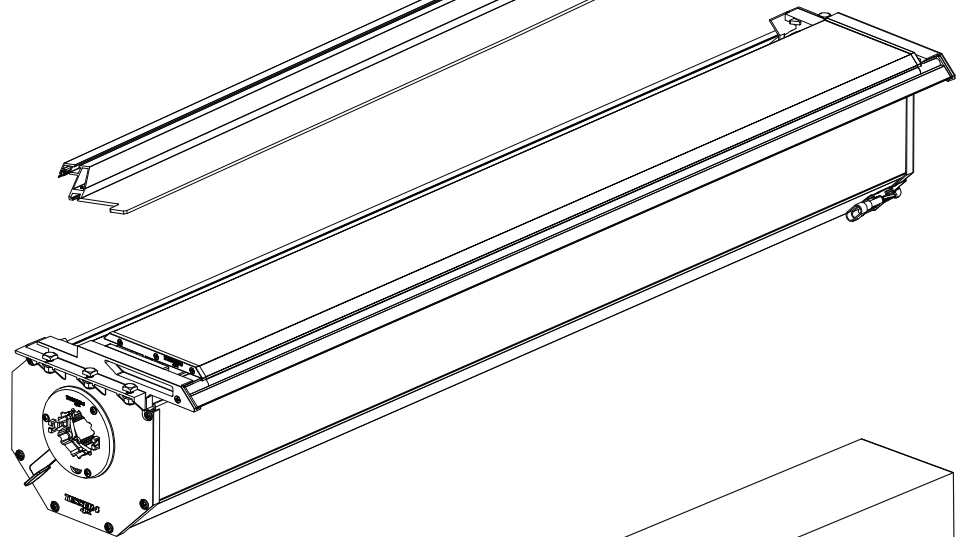
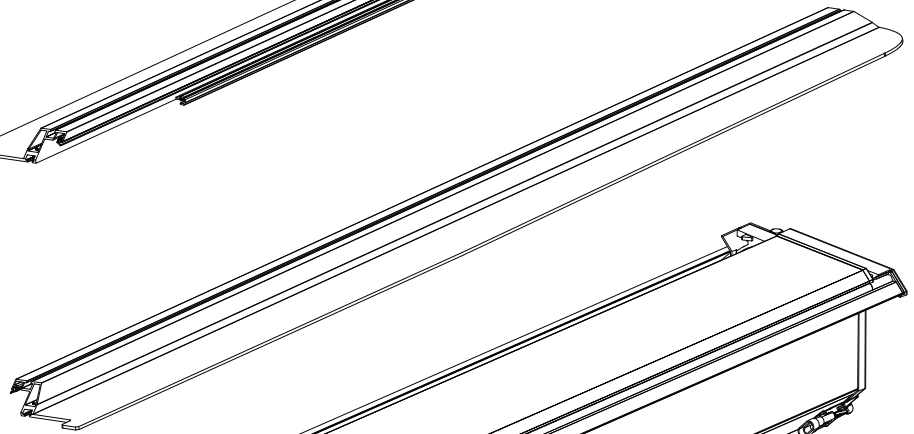
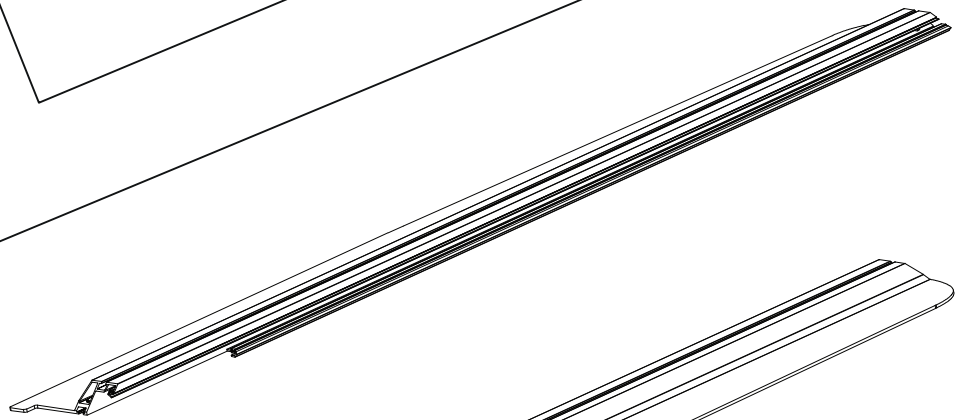
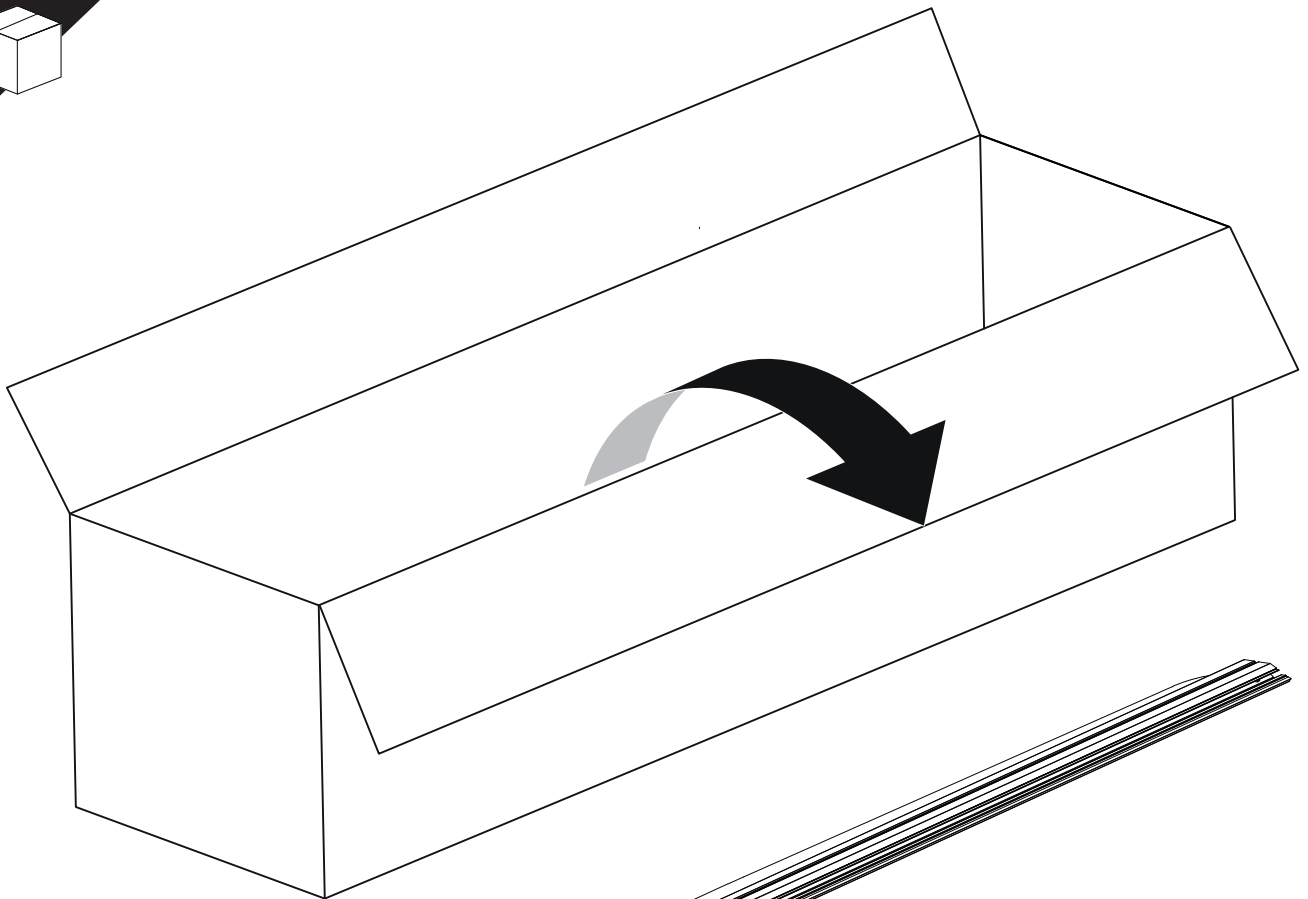


INSTALLATION  
MANUAL



OWNERS  
MANUAL

x1

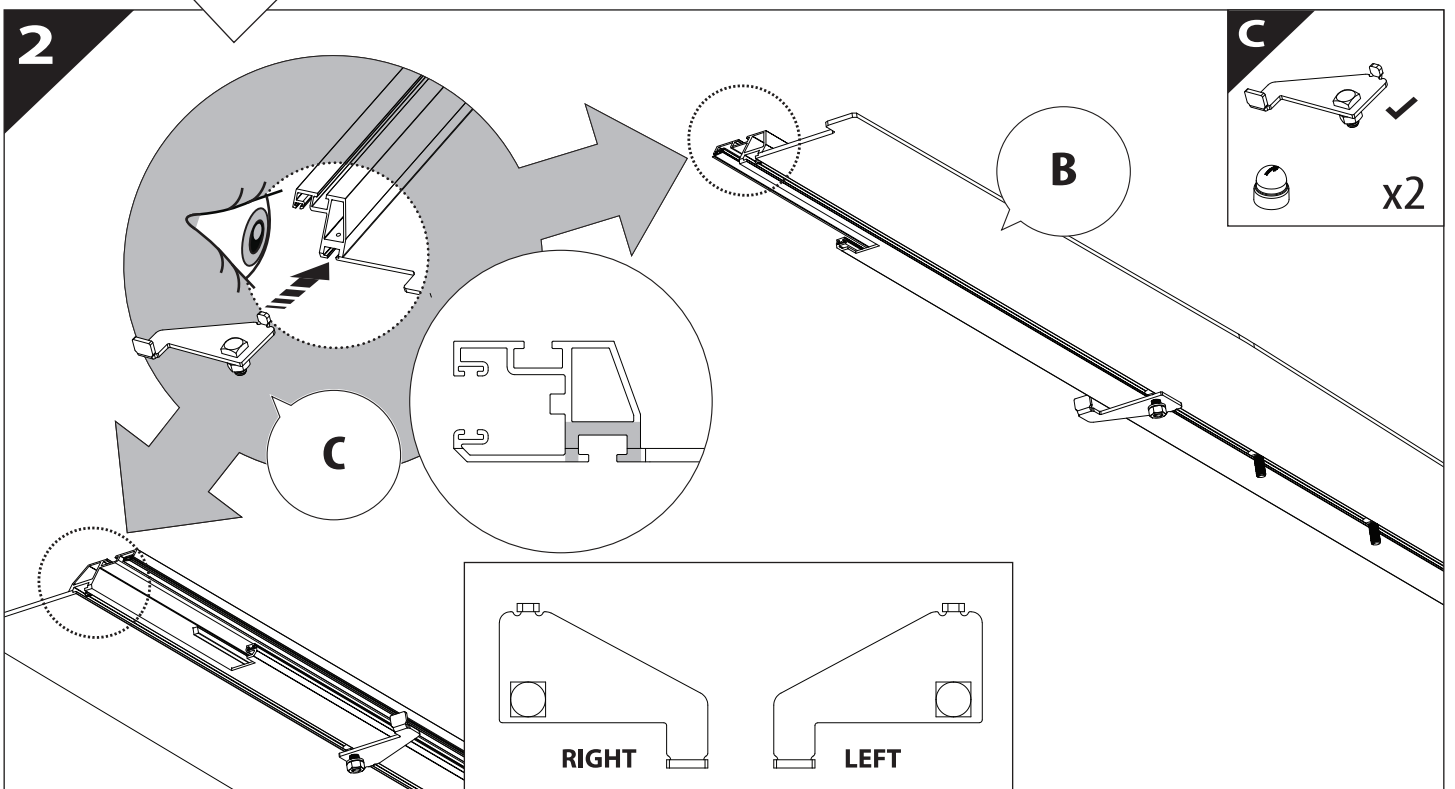
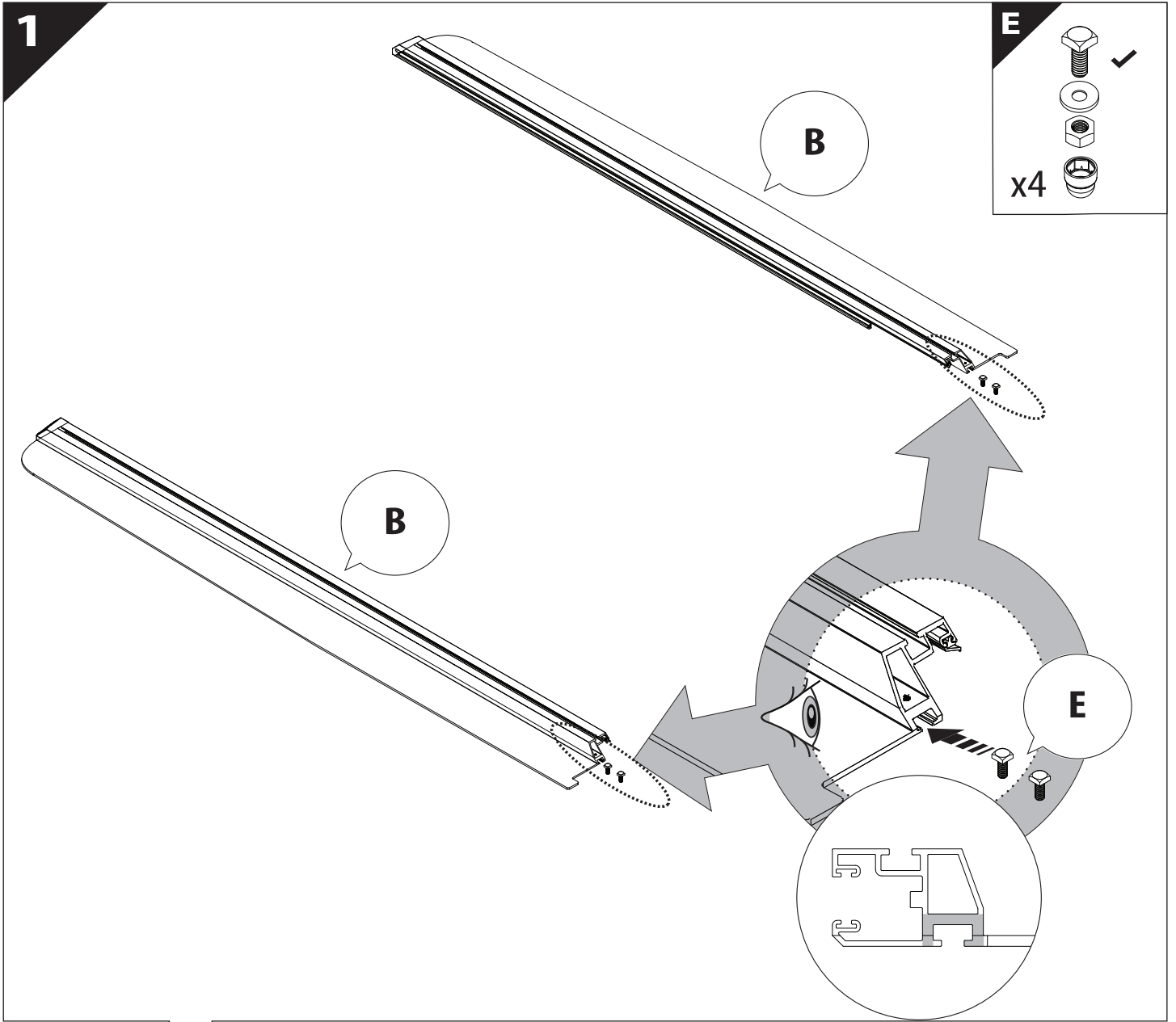


**B**

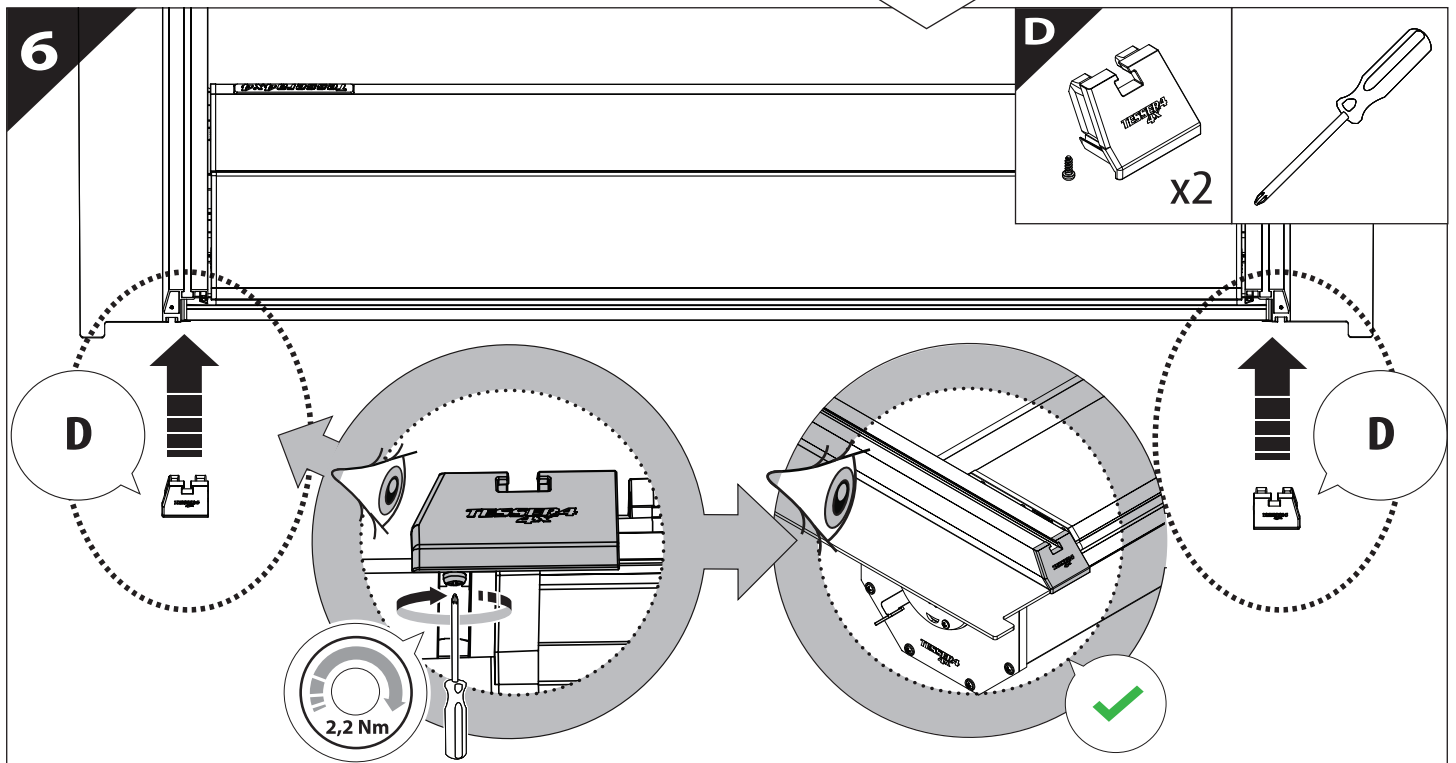
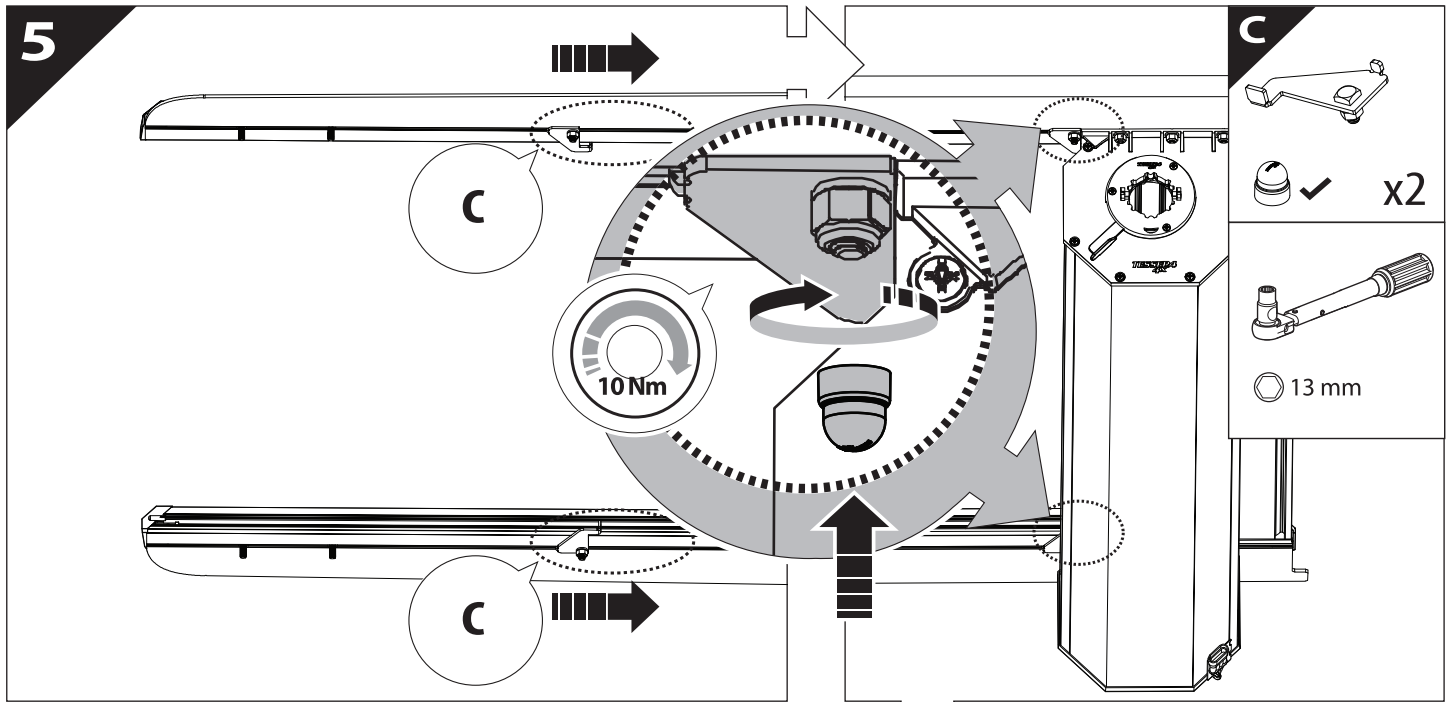
**A**

**KITS**

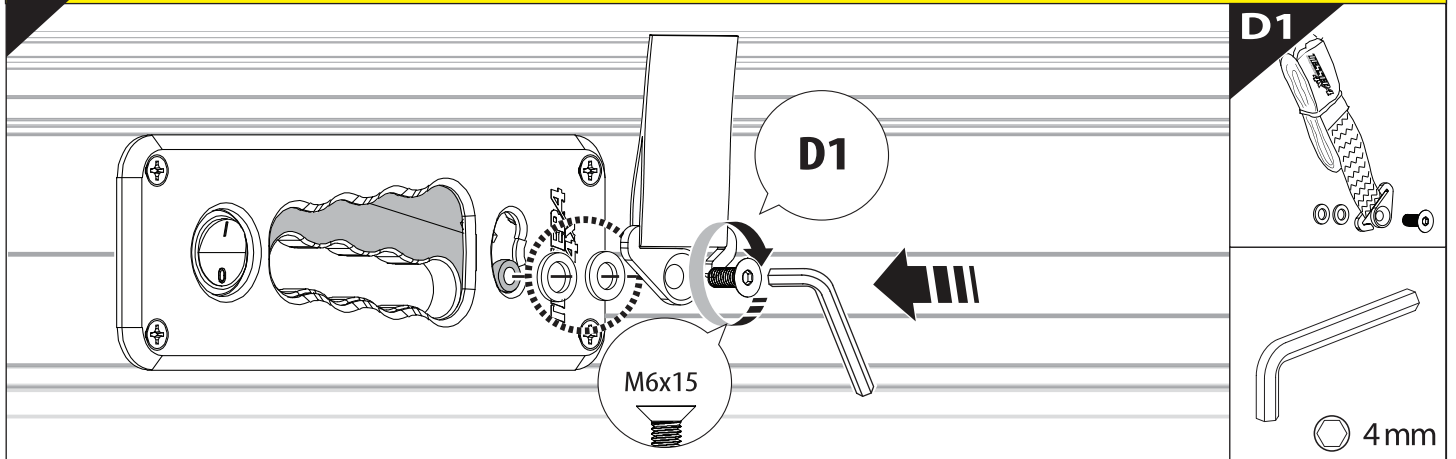
**L**

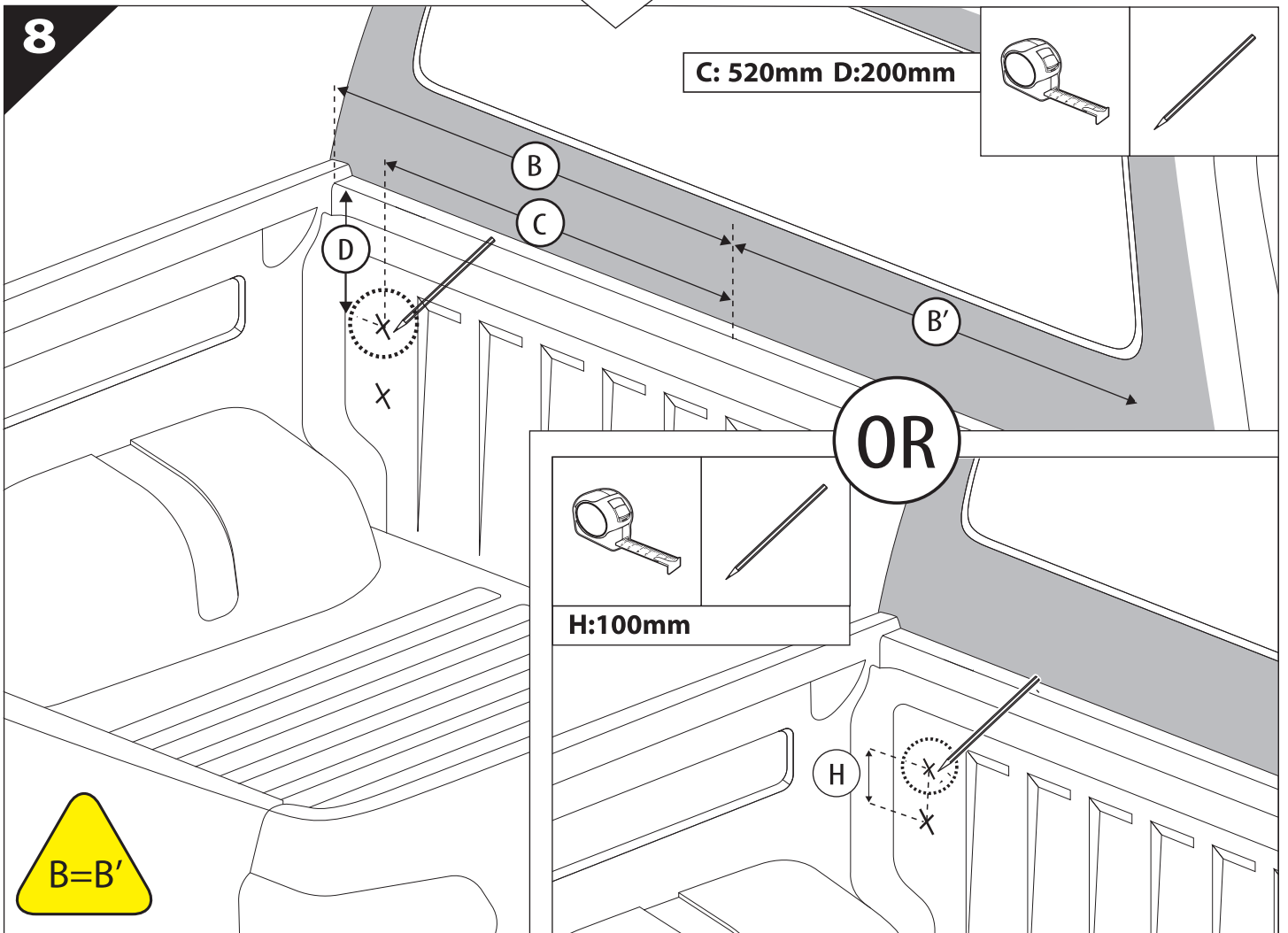
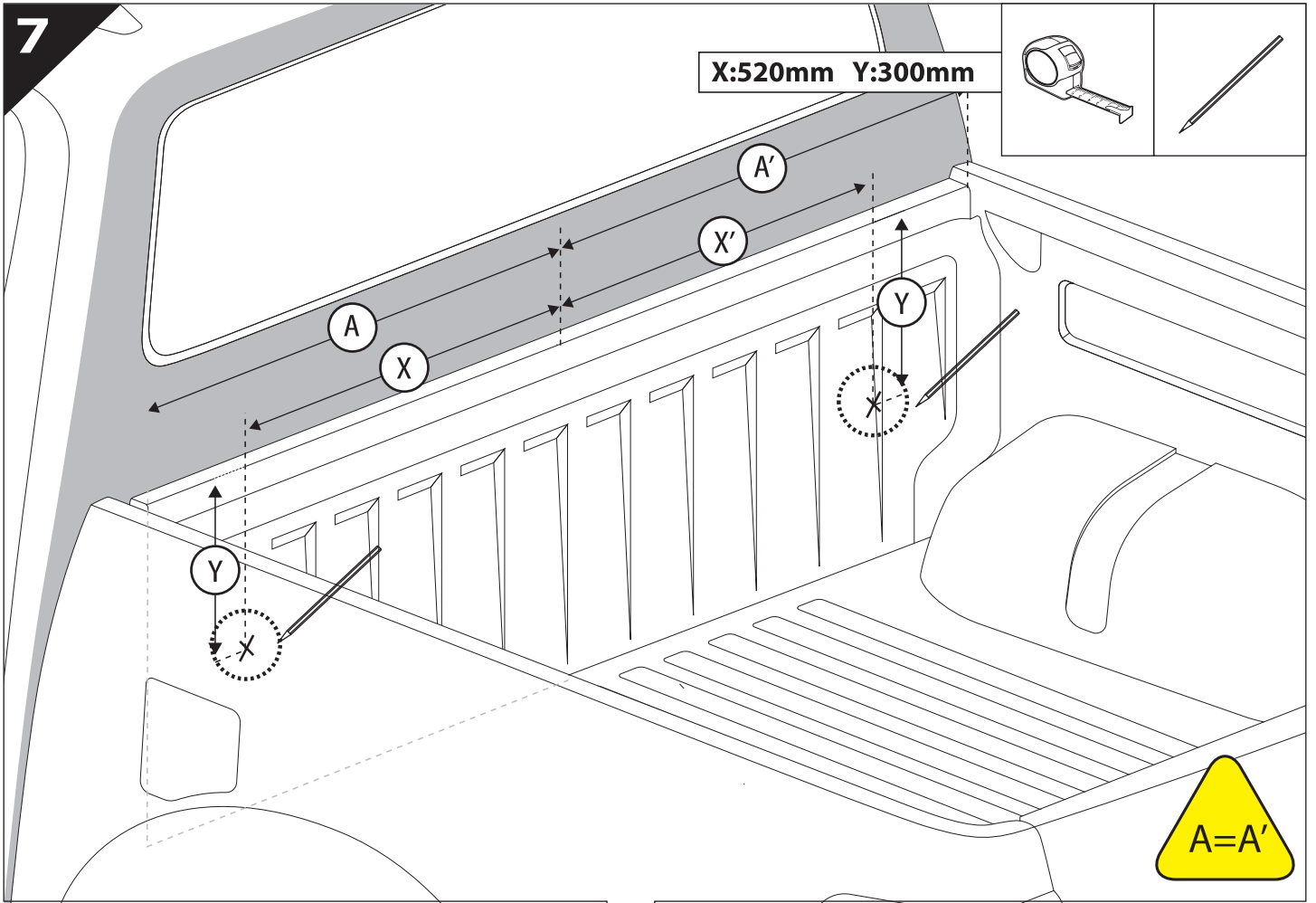




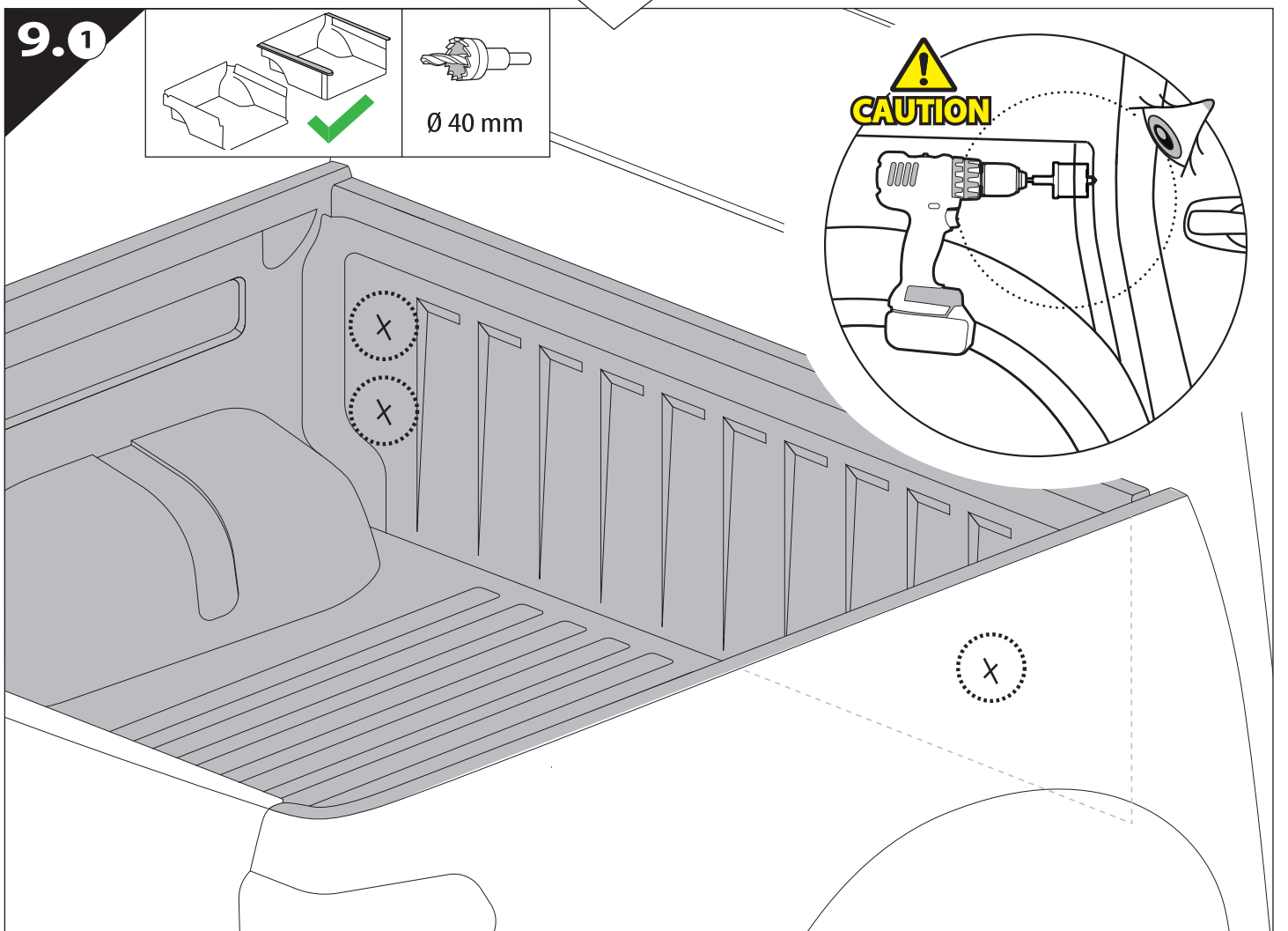
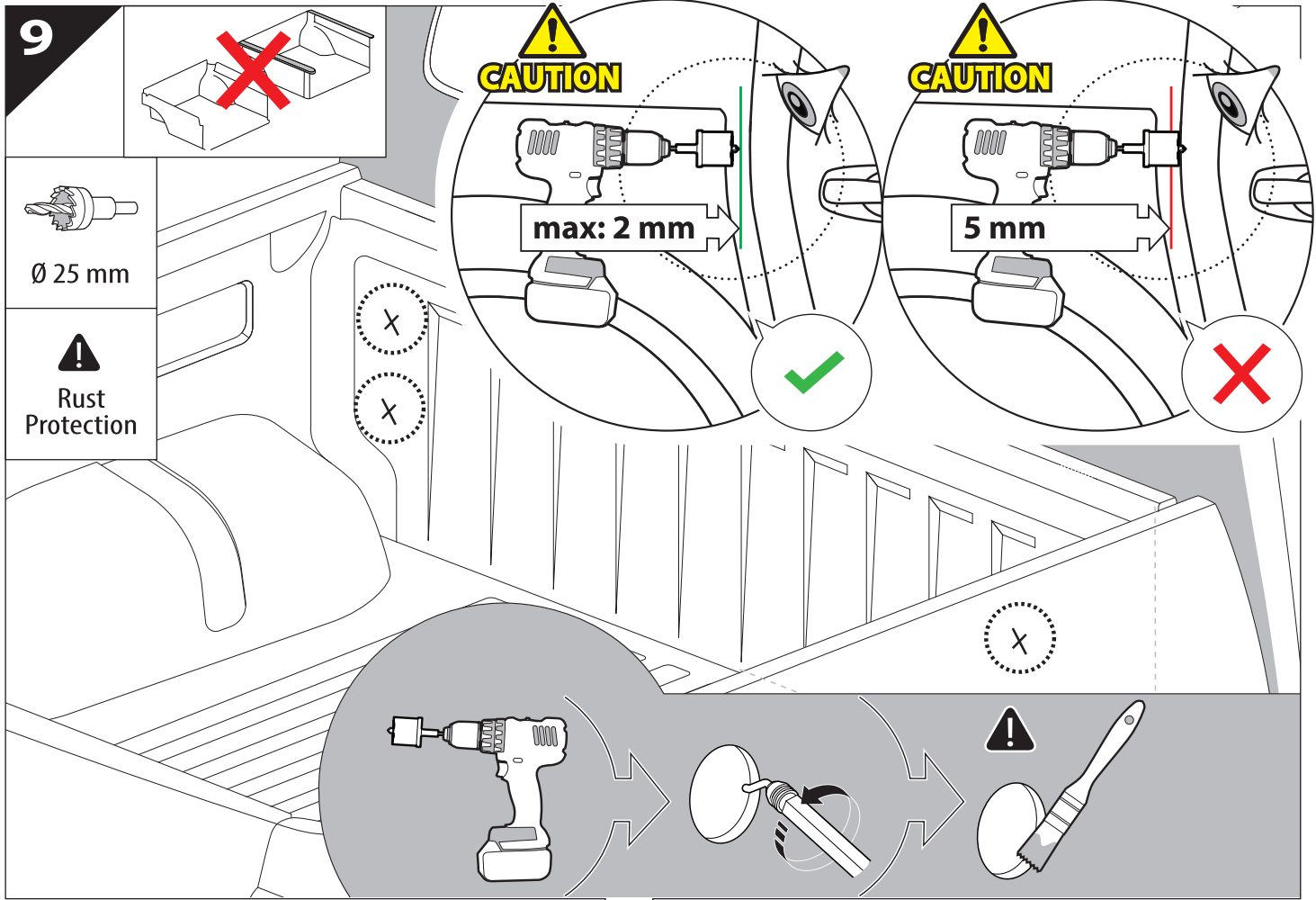


**6.1** **CAUTION** Basic Version ✓ & Basic+S-KIT Version ✓

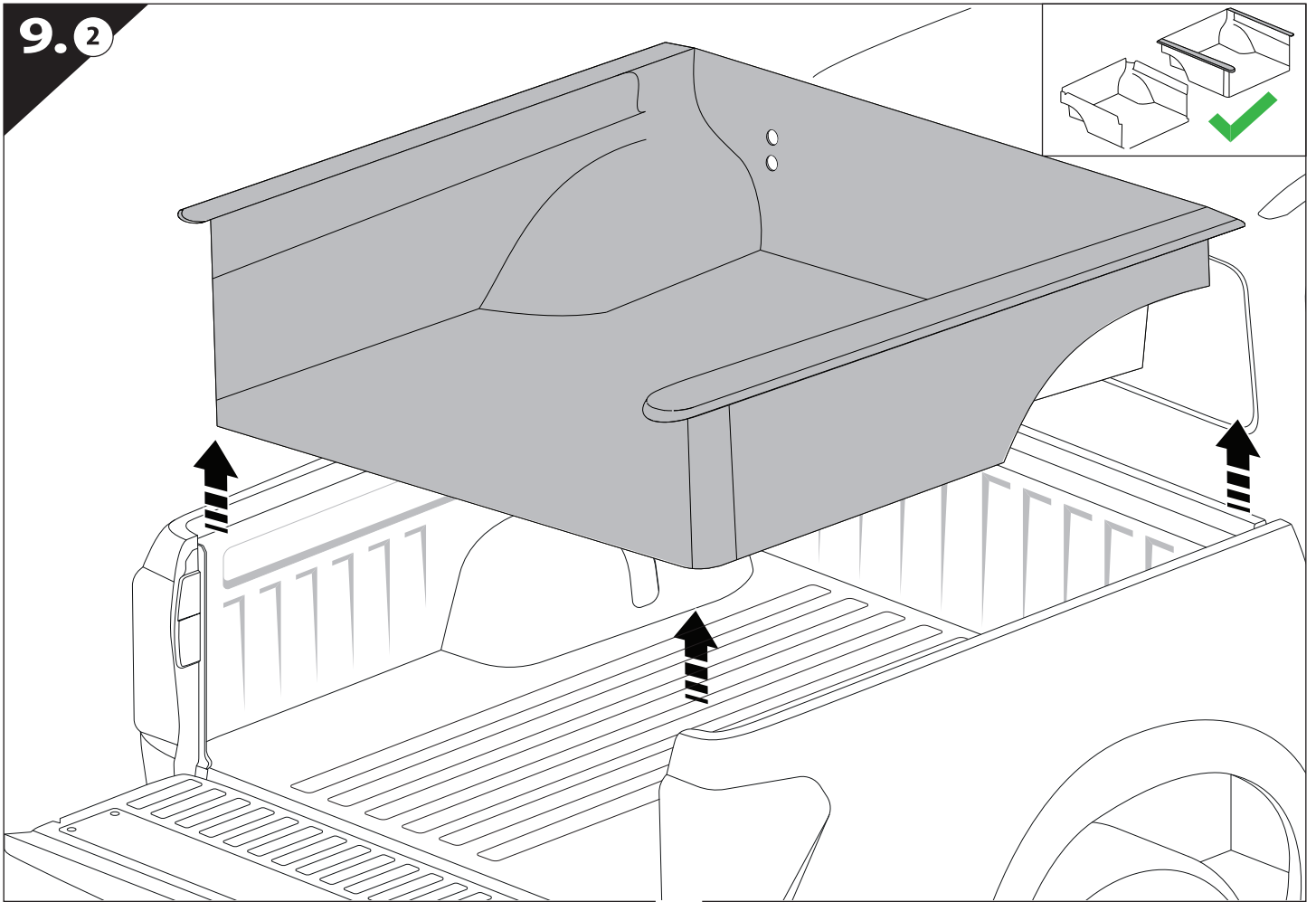




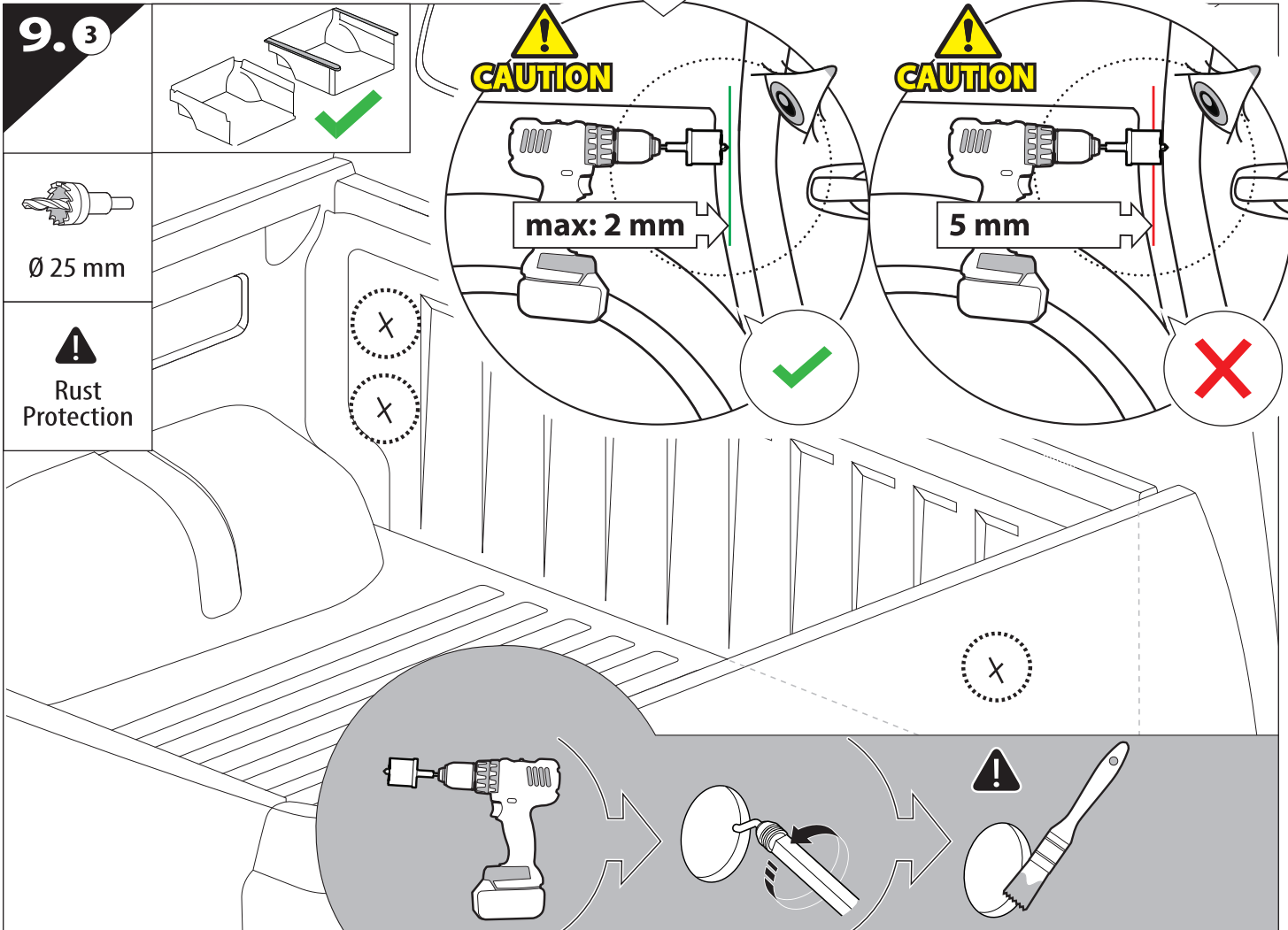


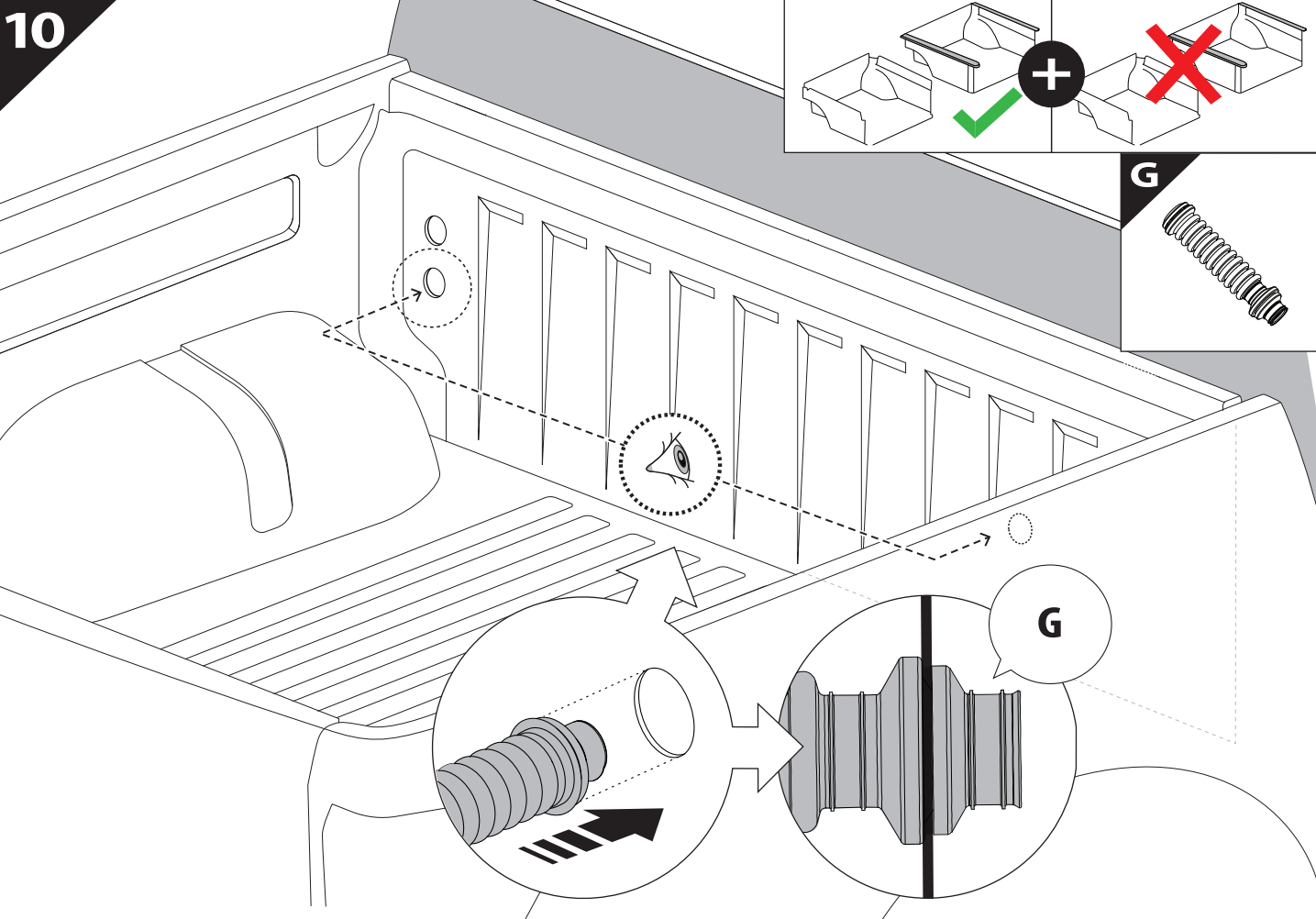


9.2

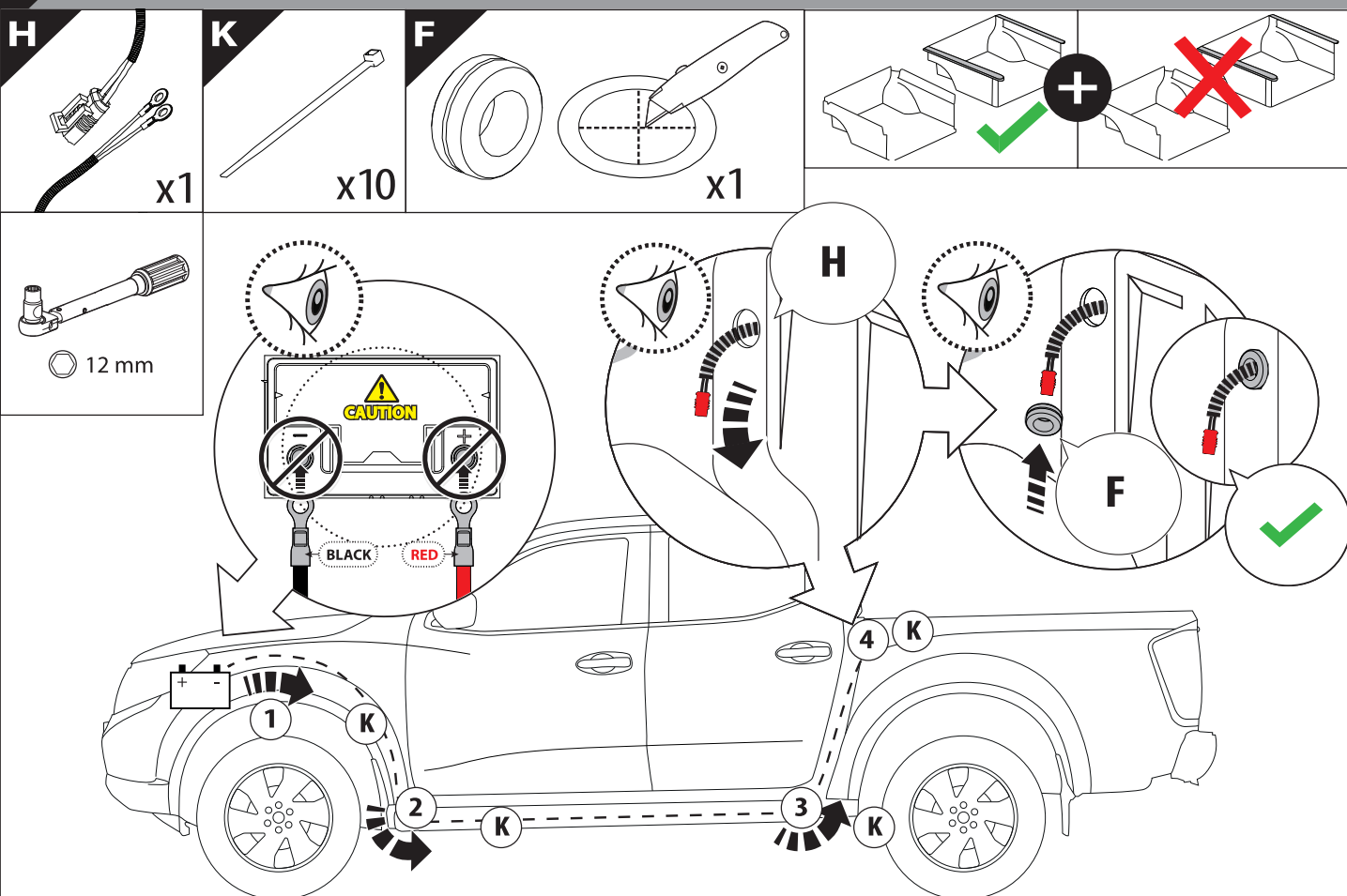


9.3

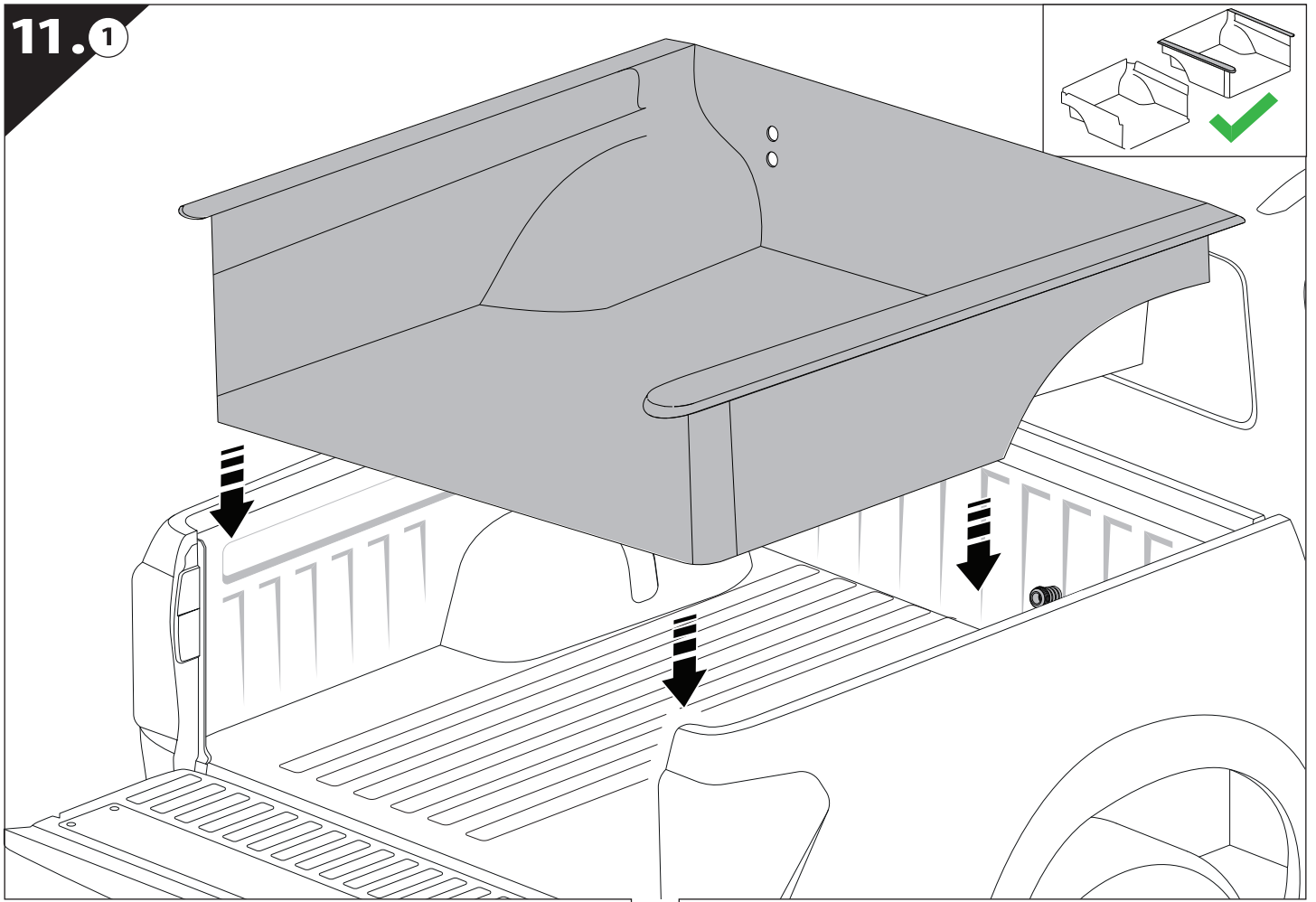




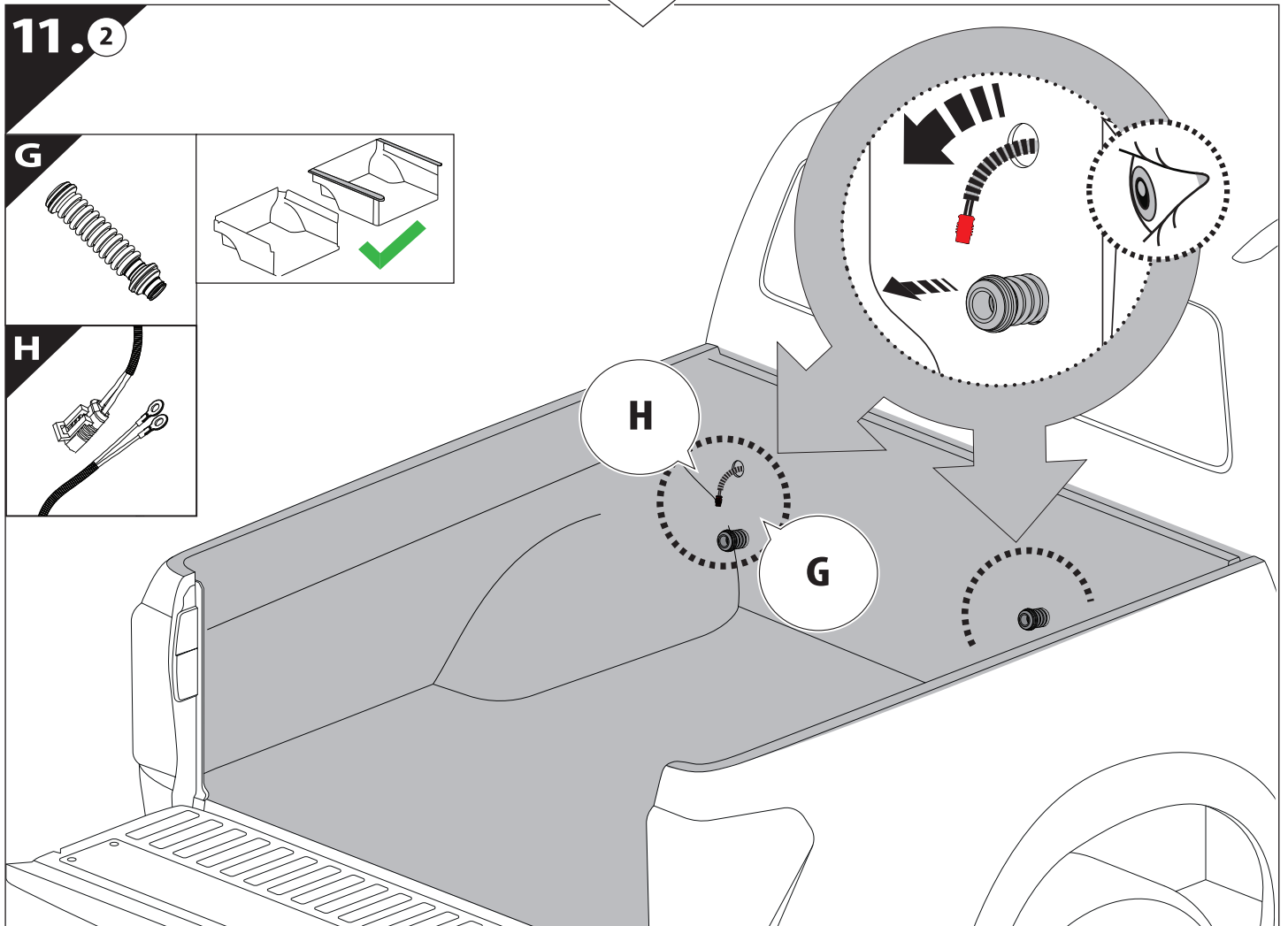
**11** Only to be installed by authorized personnel

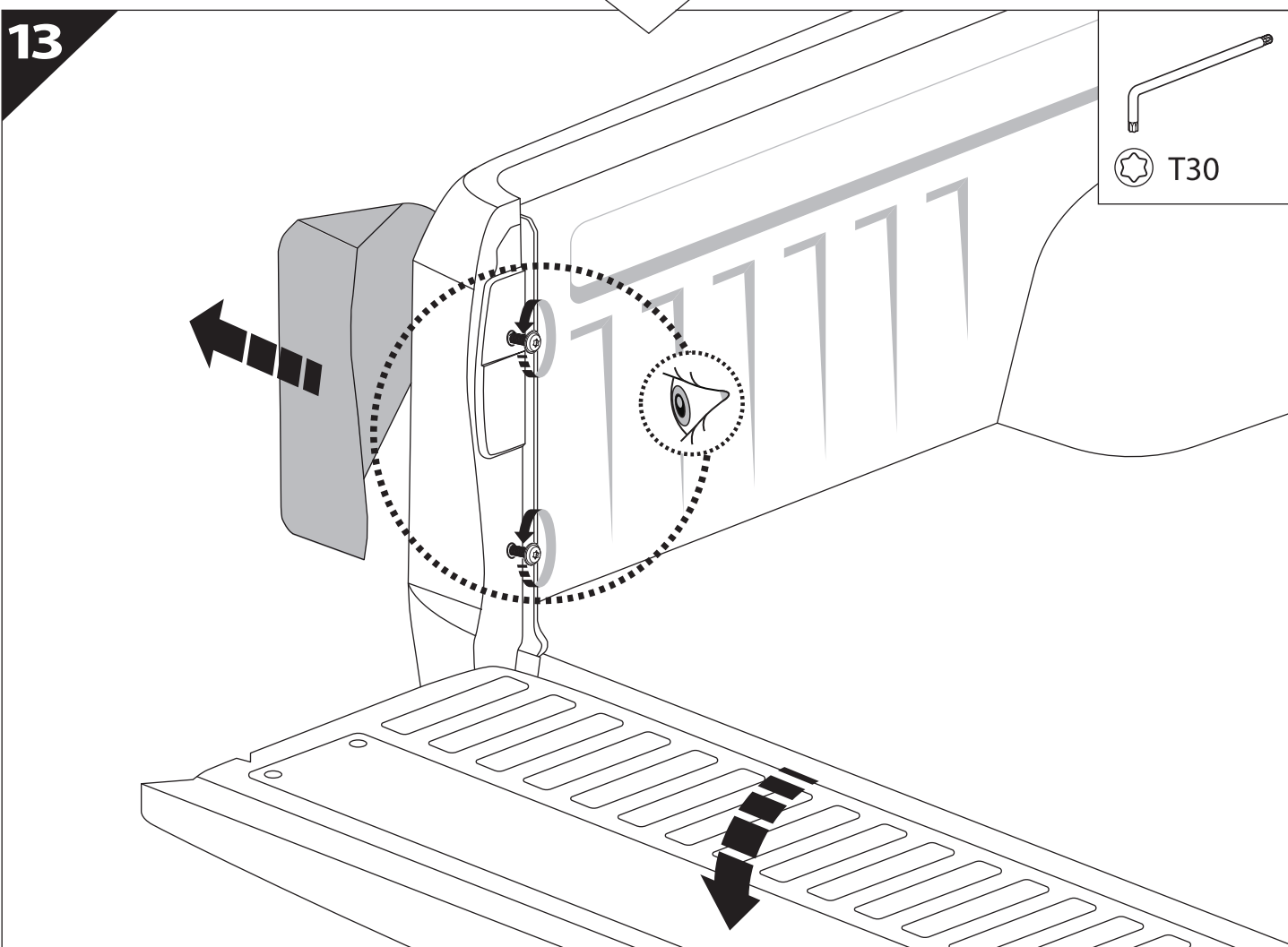
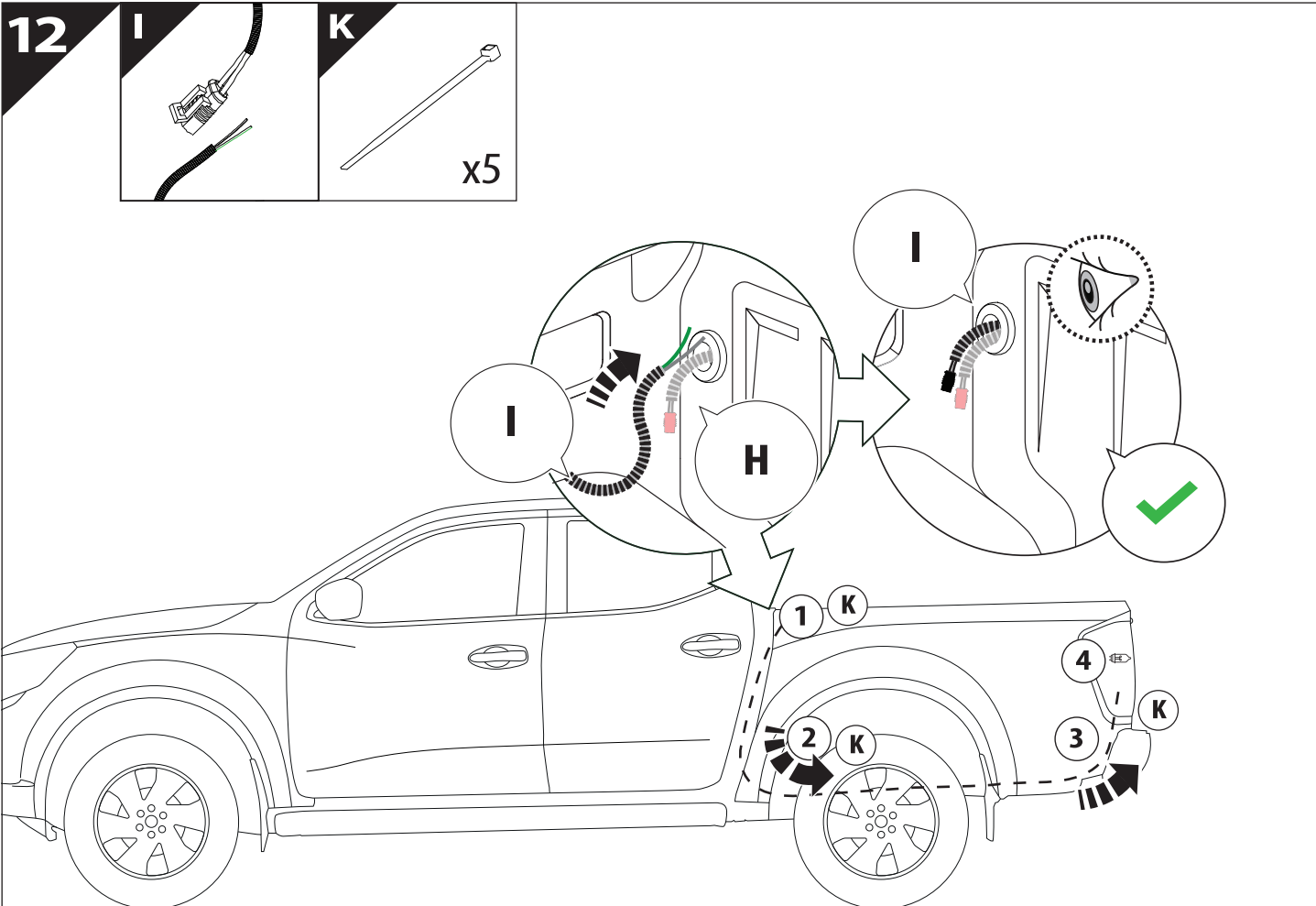


11.1

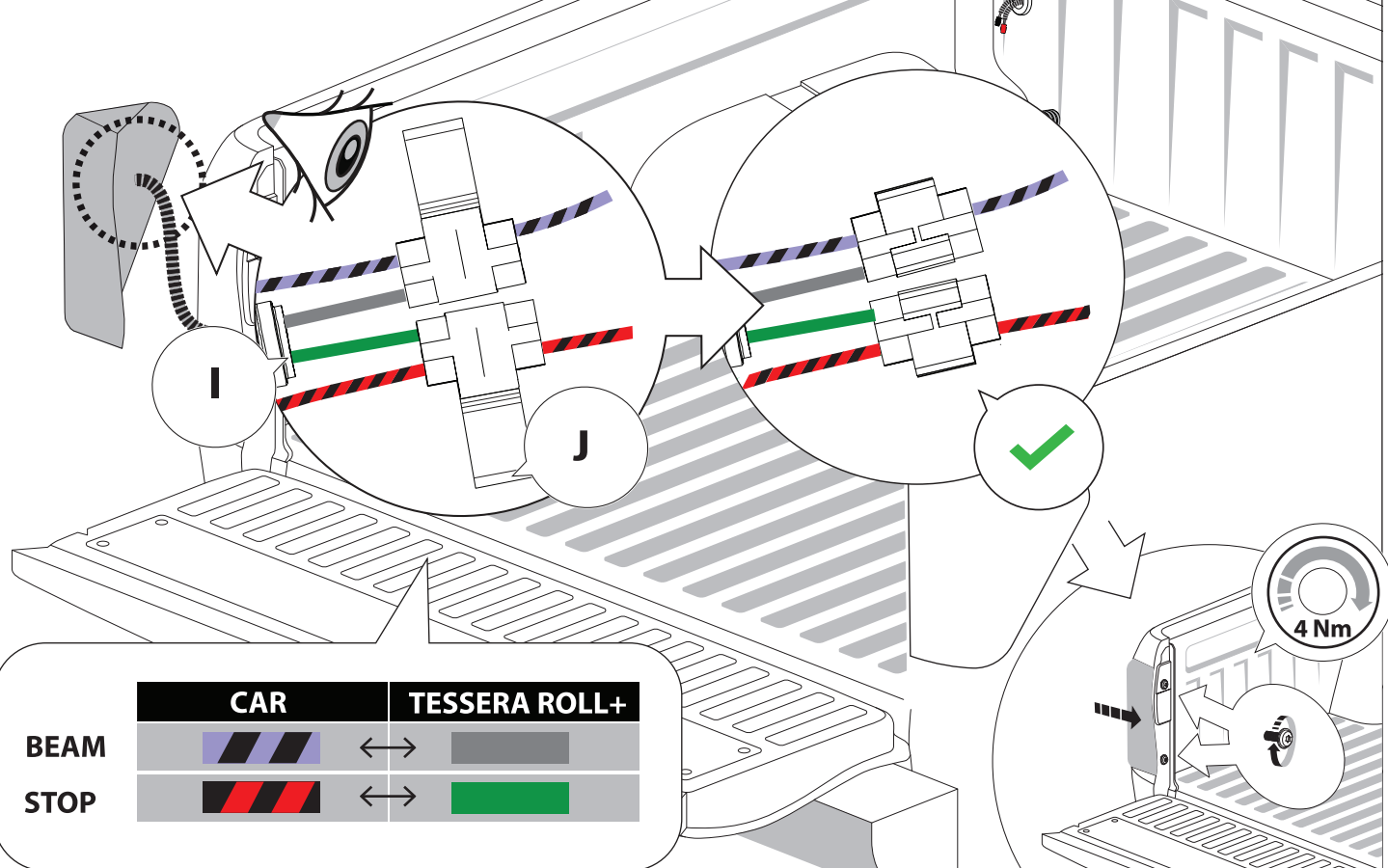
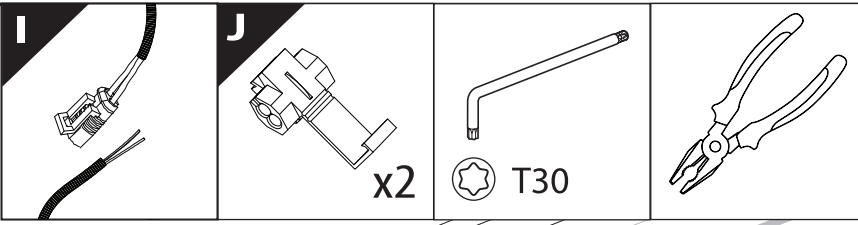


11.2

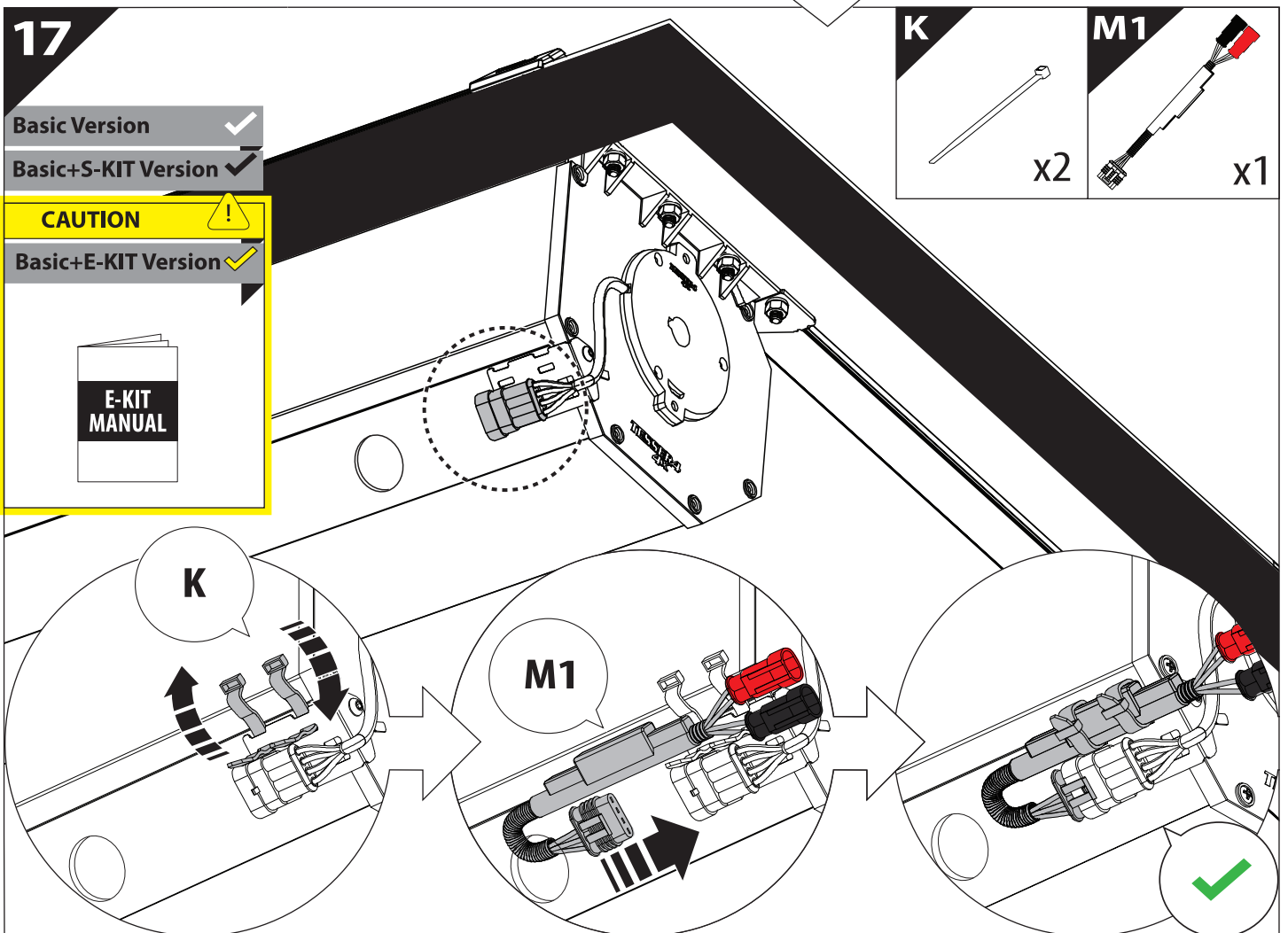
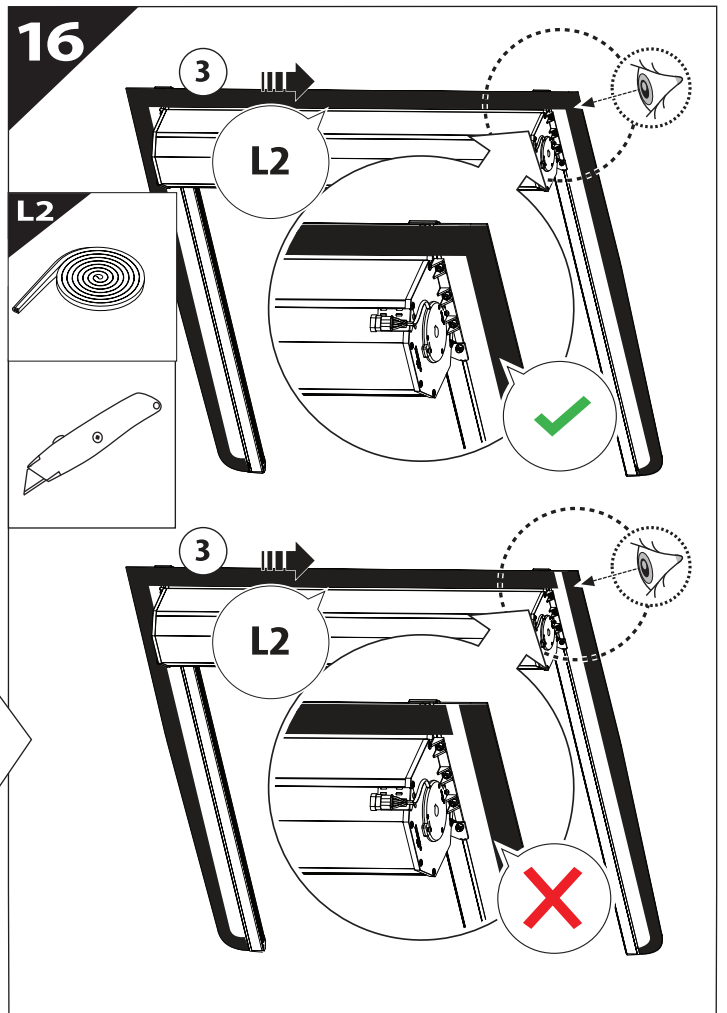
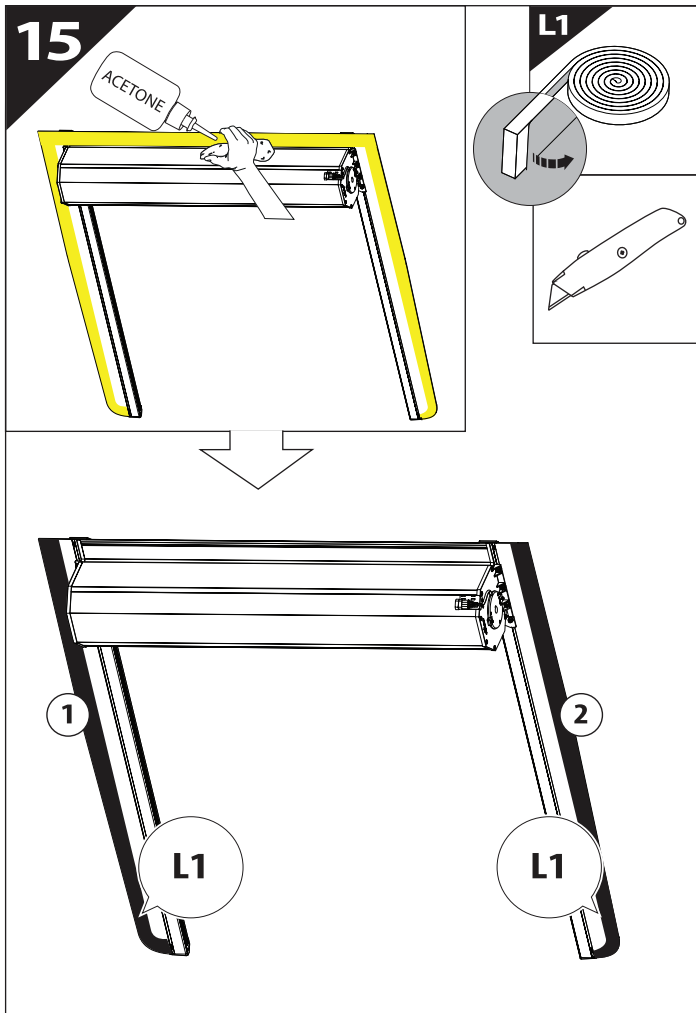




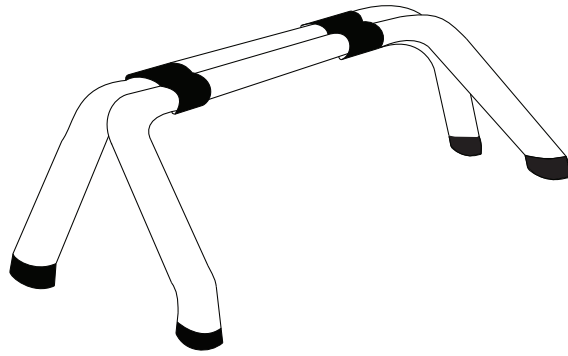
14



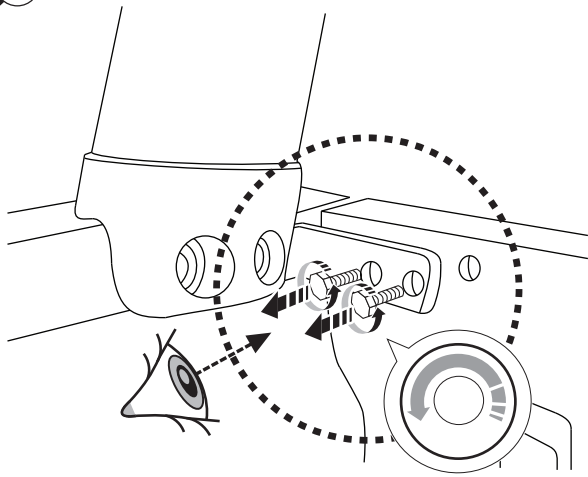
	CAR		TESSERA ROLL+
BEAM		↔	
STOP		↔	



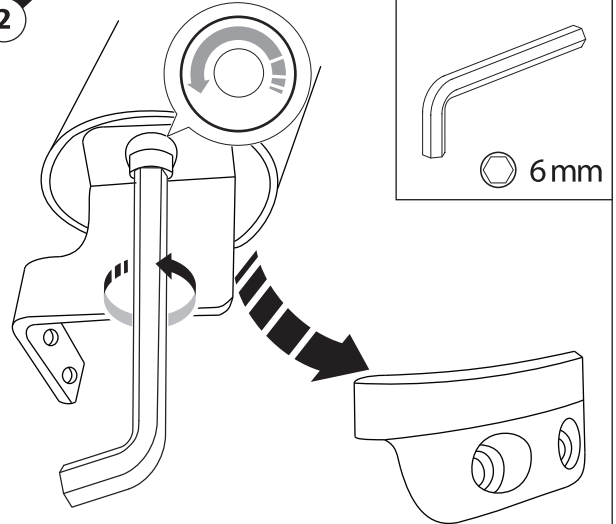
18



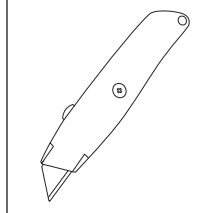
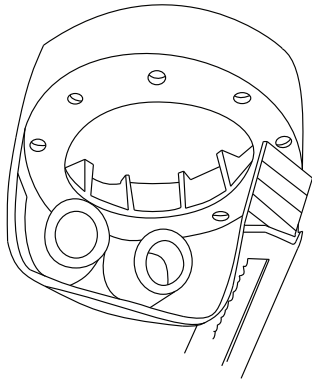
18.1



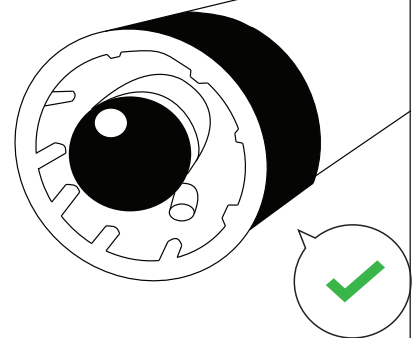
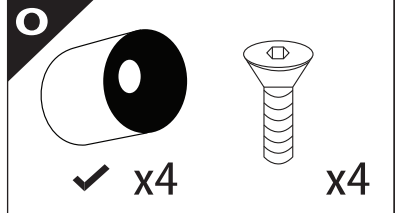
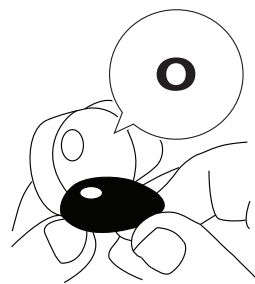
18.2



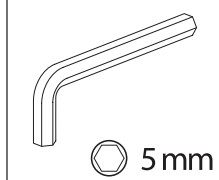
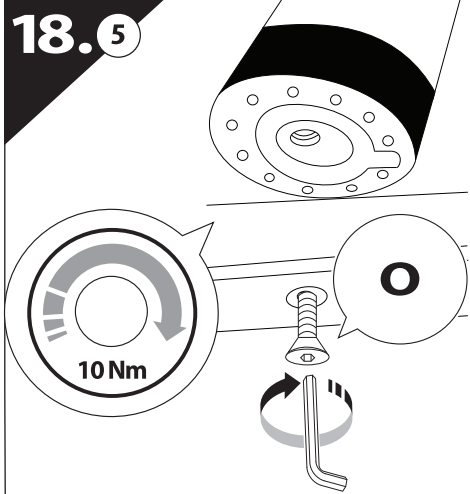
18.3



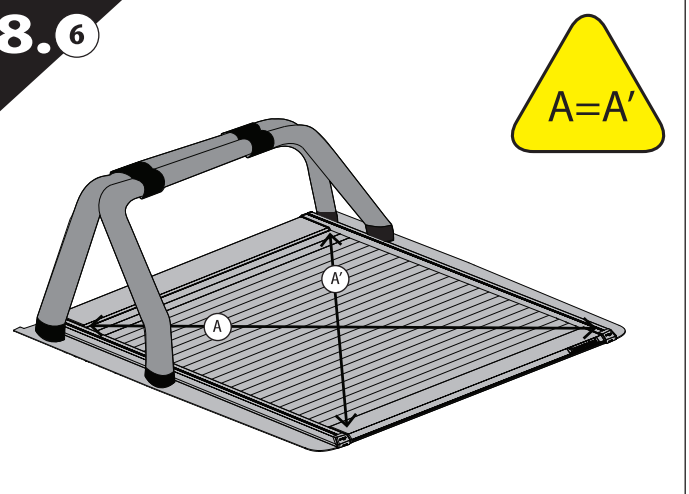
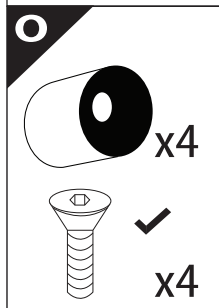
18.4



18.5

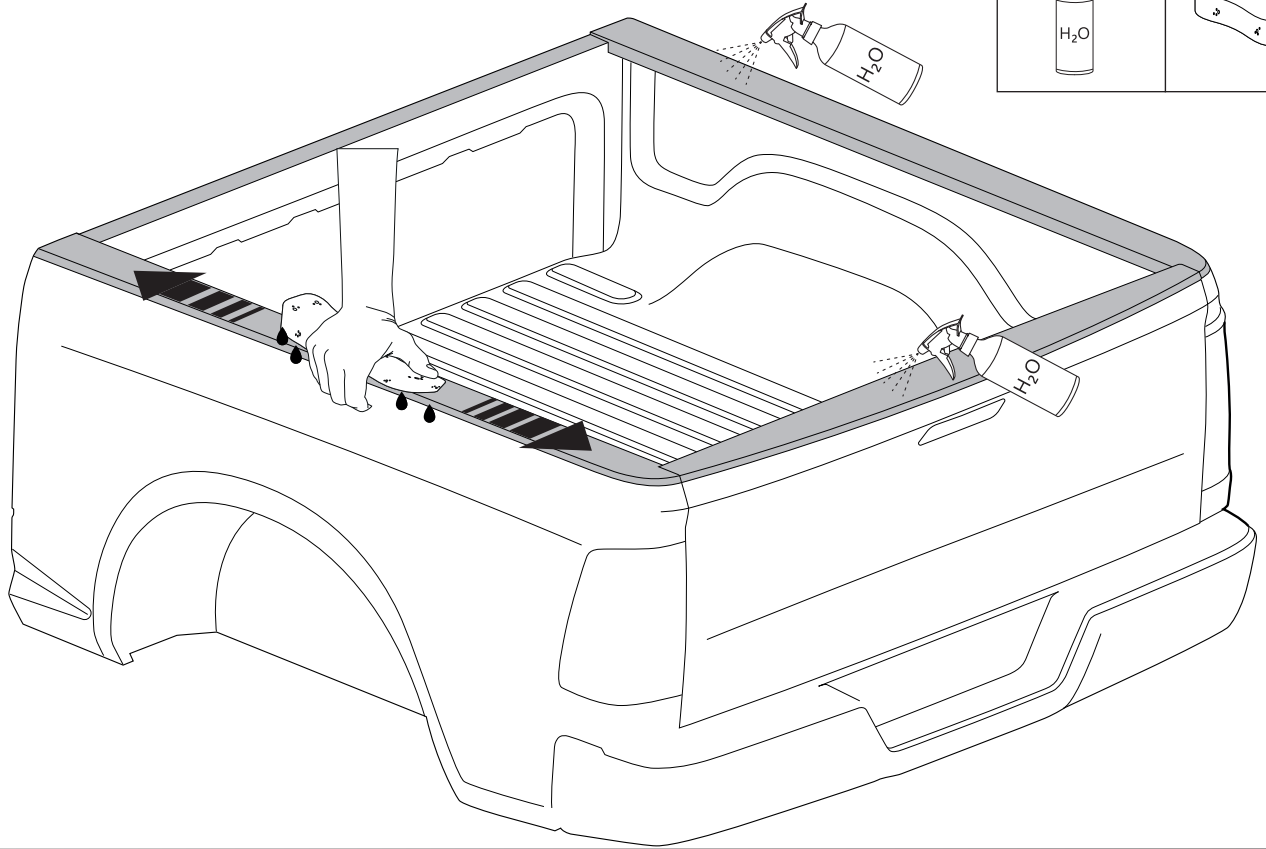
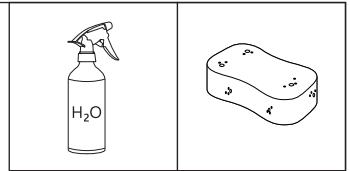


18.6

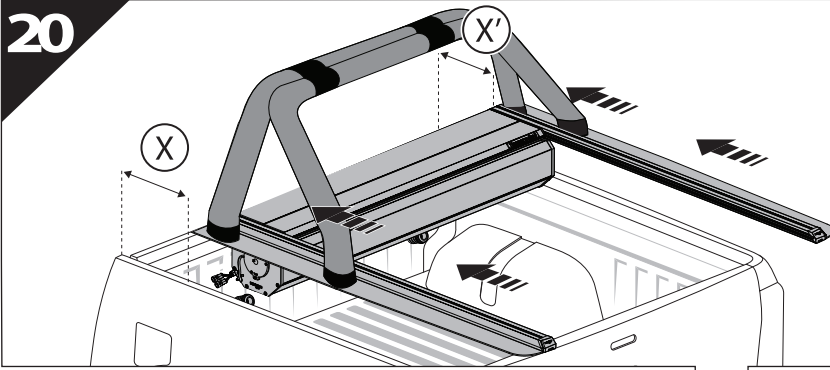




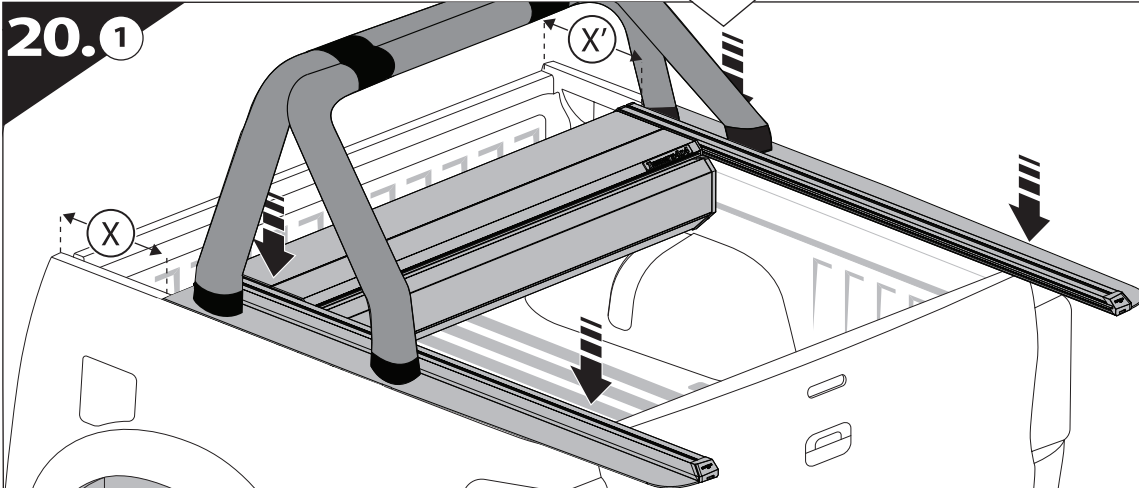
19



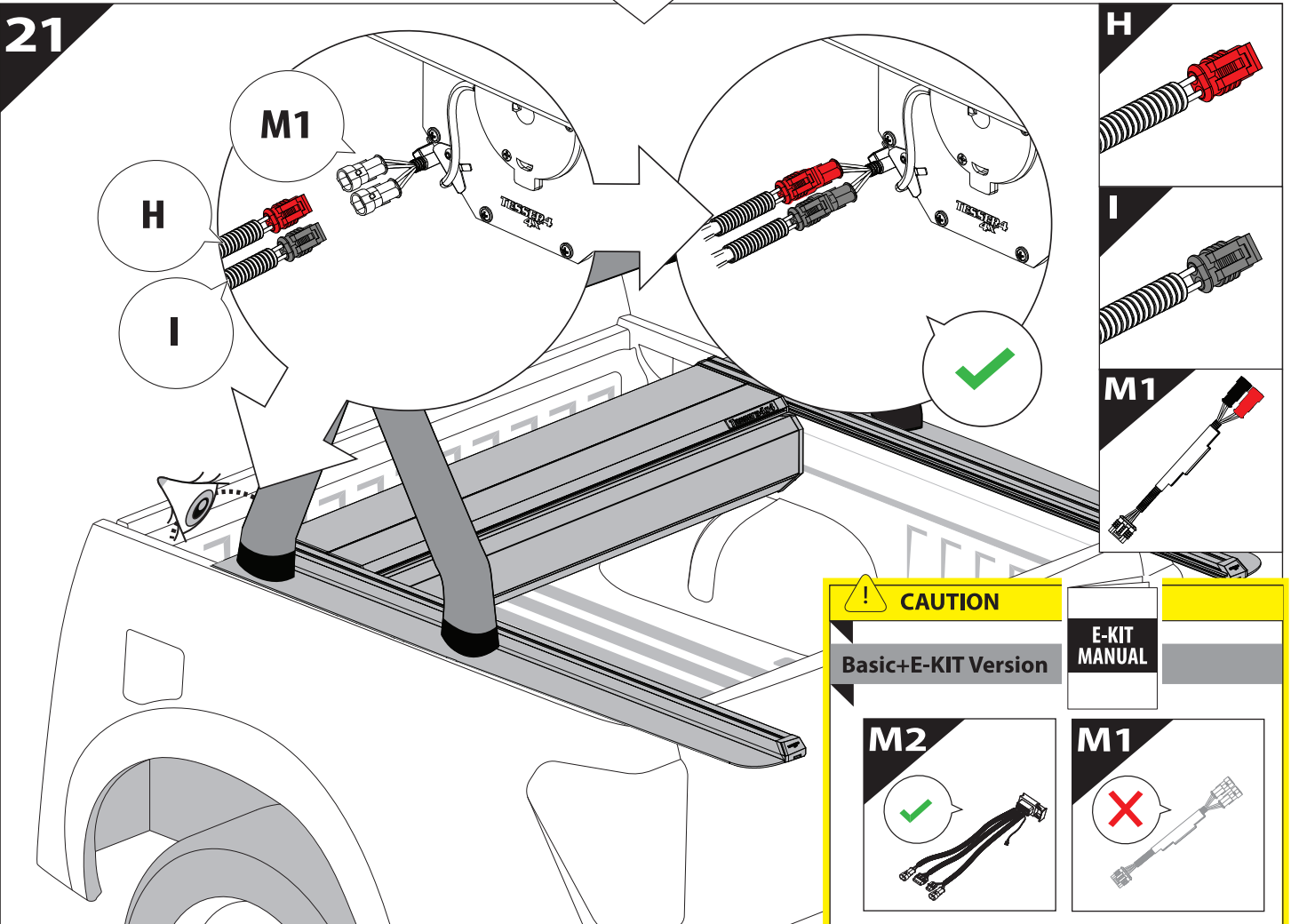
20



20.1



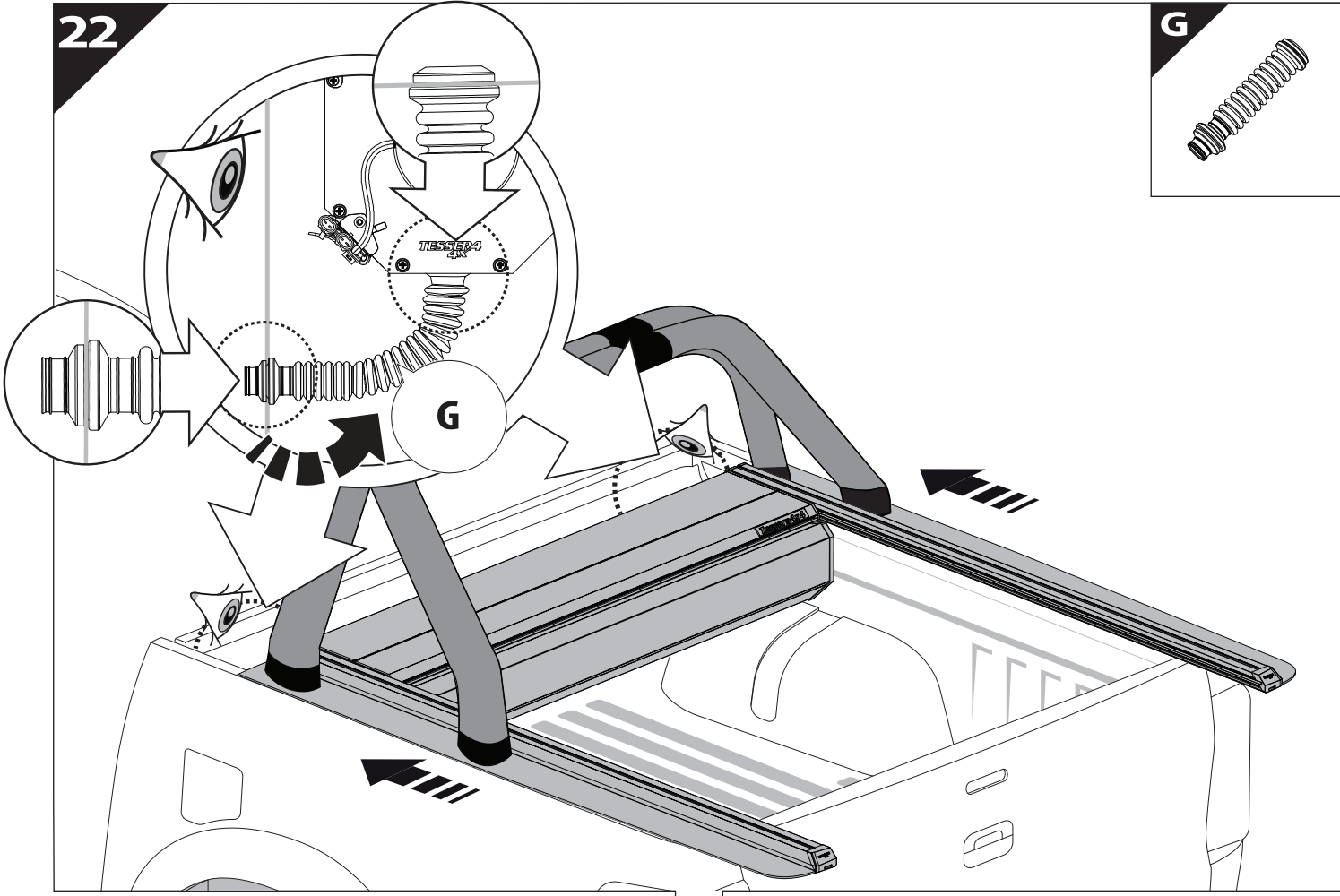
21



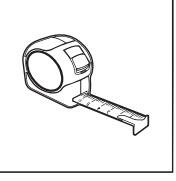
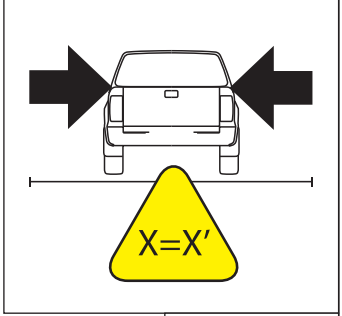
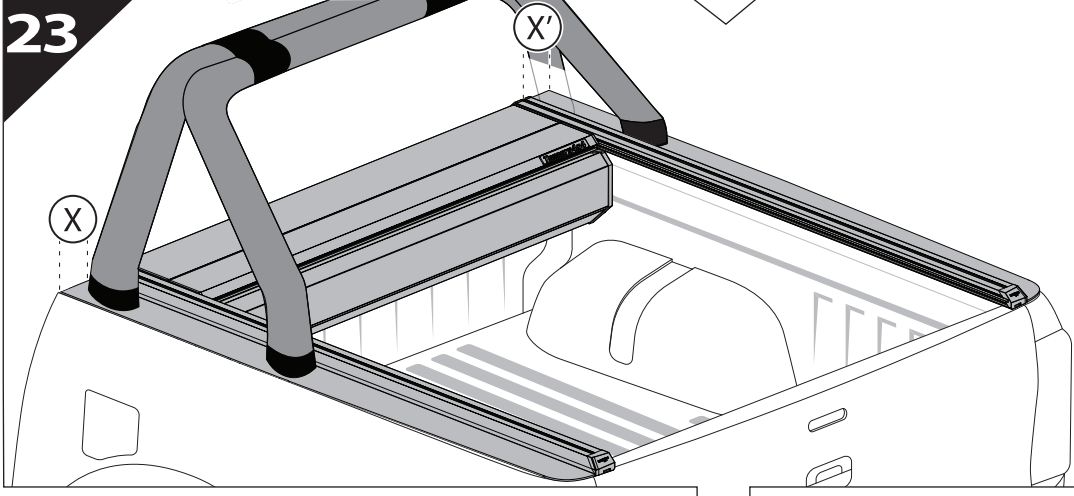
<b>CAUTION</b>	
Basic+E-KIT Version	
E-KIT MANUAL	
M2 ✓ 	M1 ✗ 

22

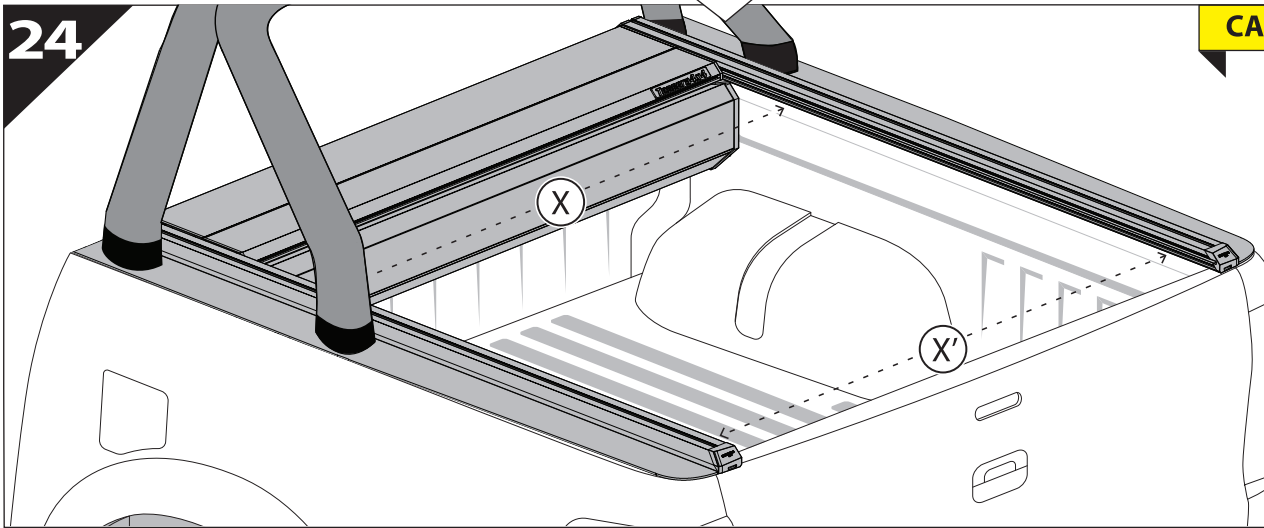
G



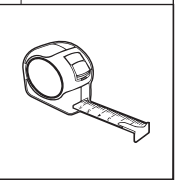
23



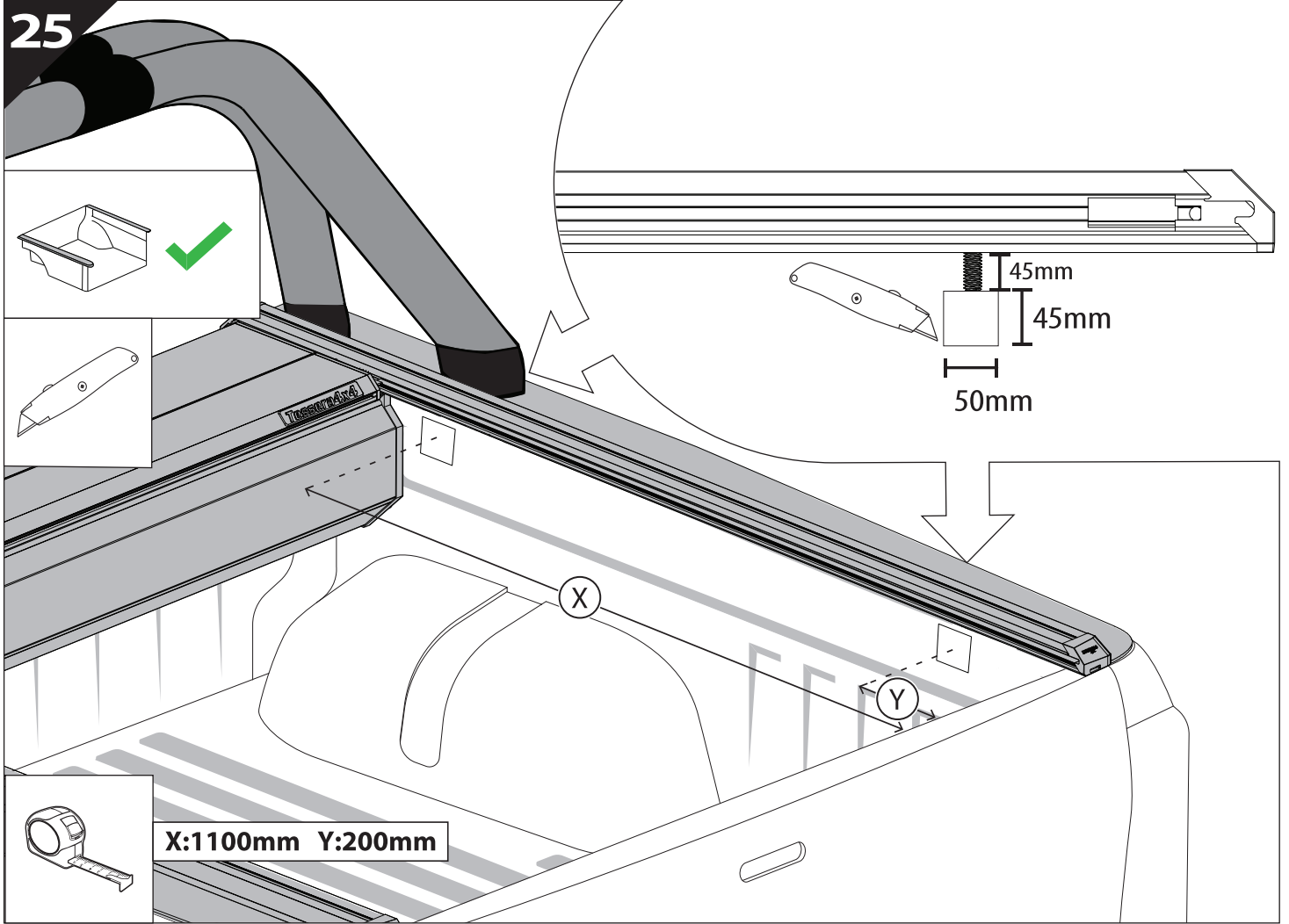
24



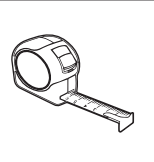
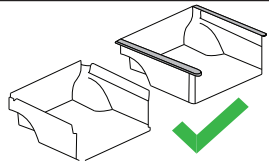
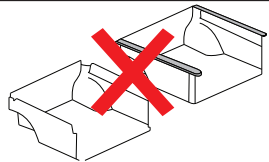
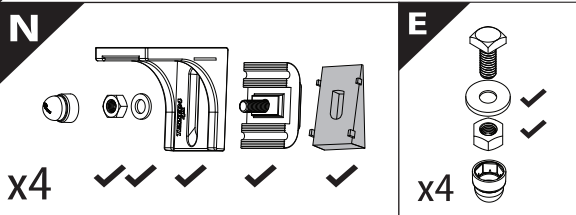
CAUTION !



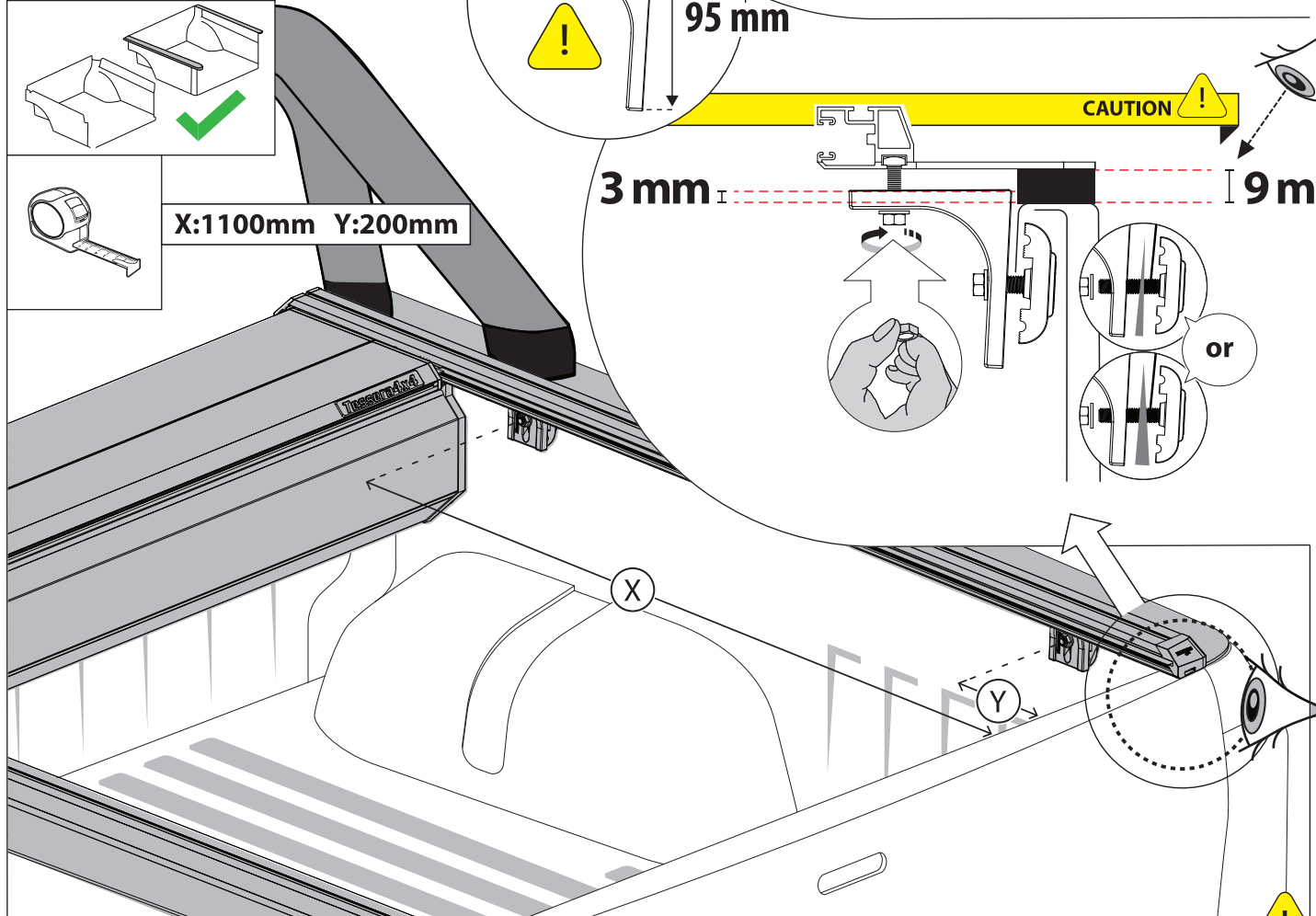
25



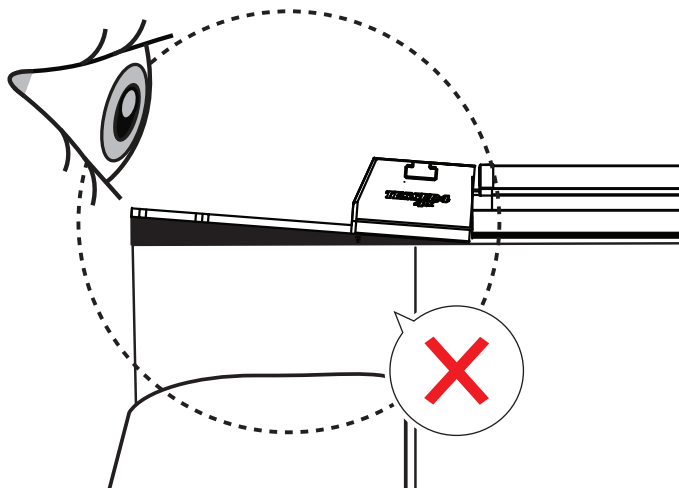
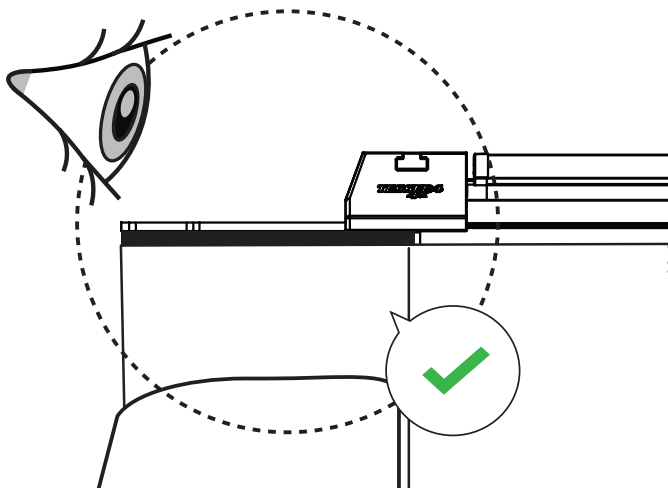
26

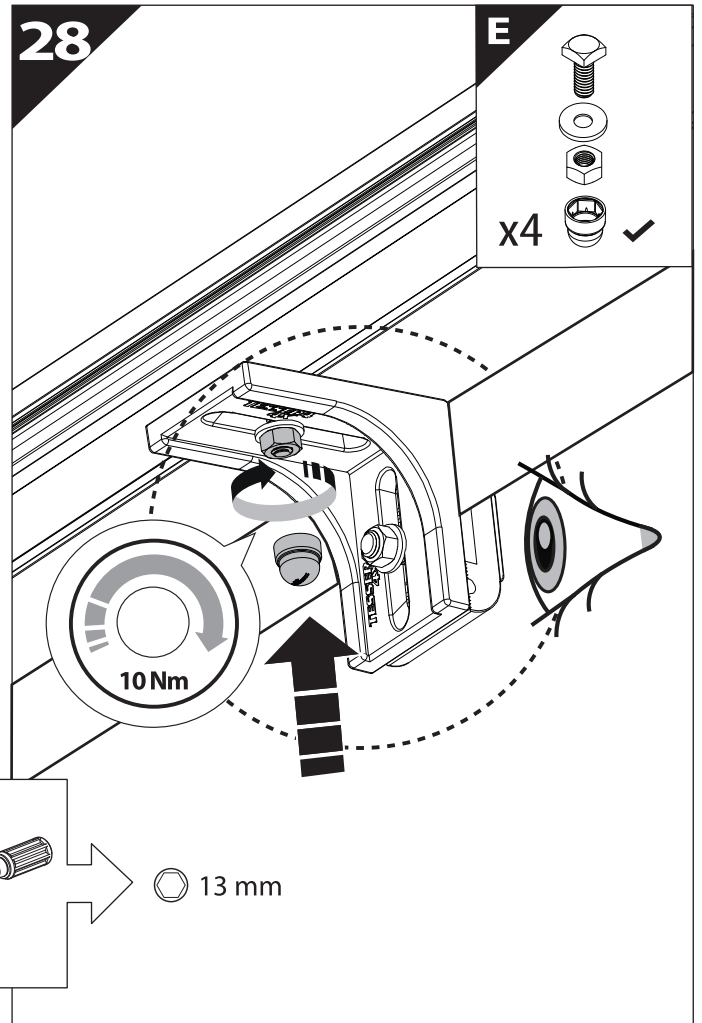
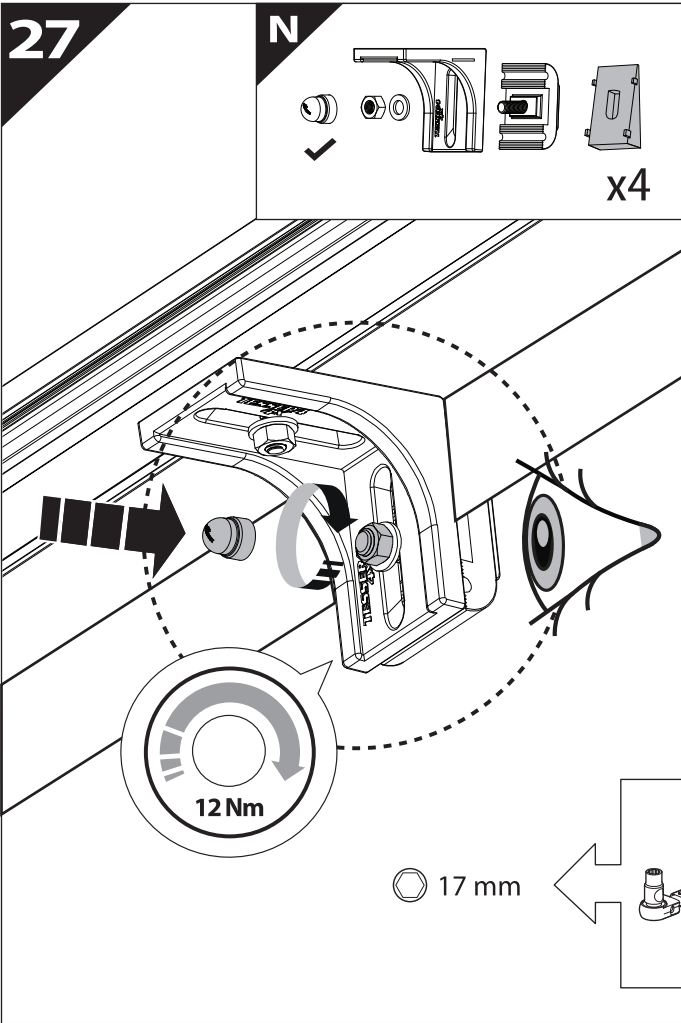


X:1100mm Y:200mm

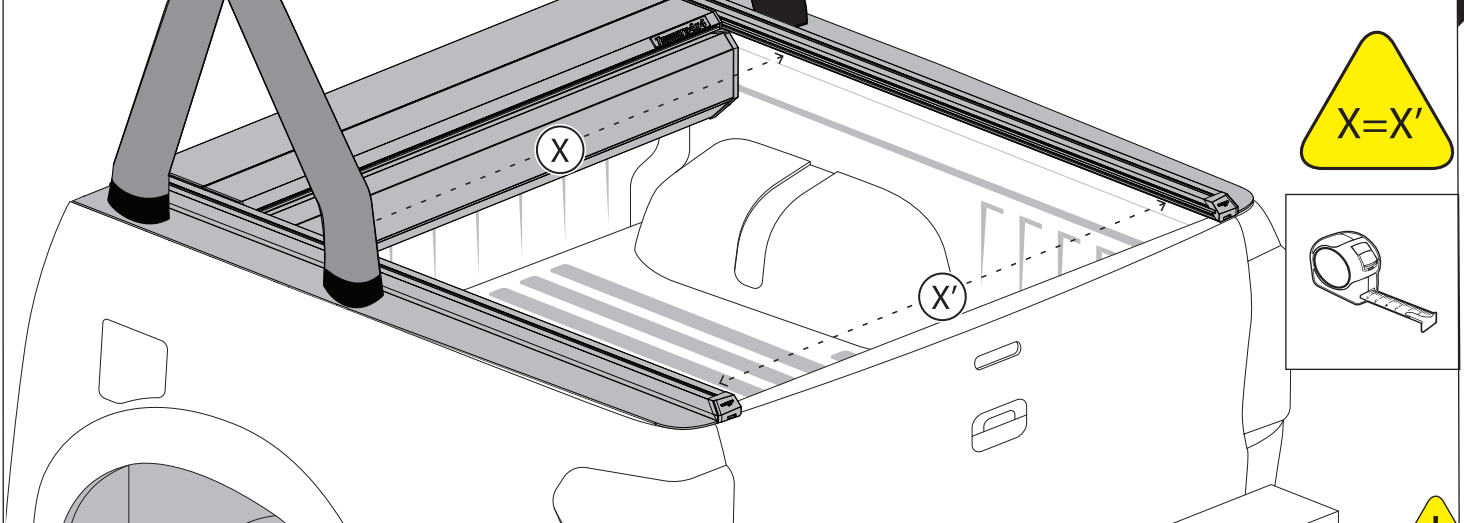


CAUTION !

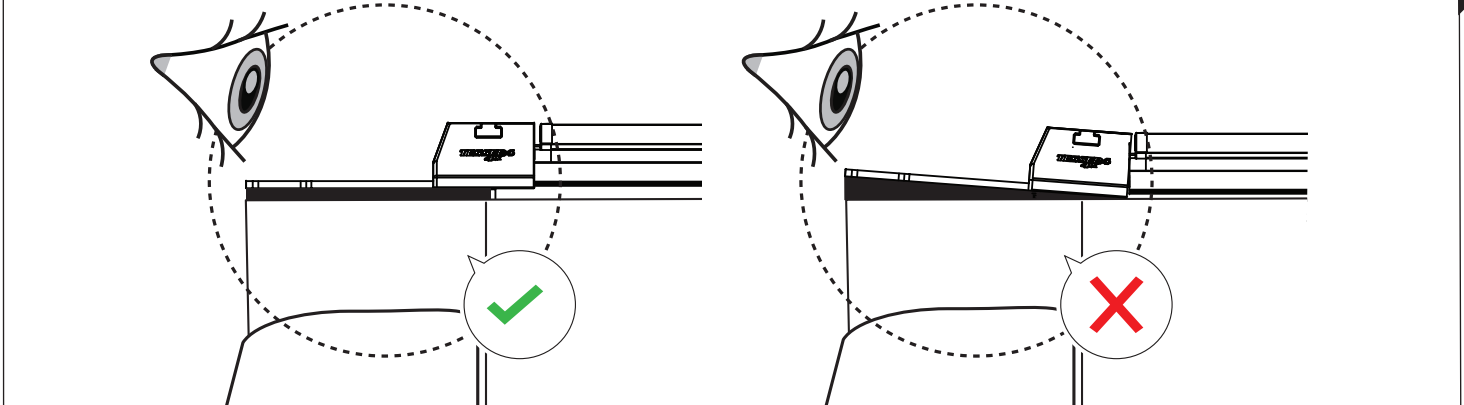




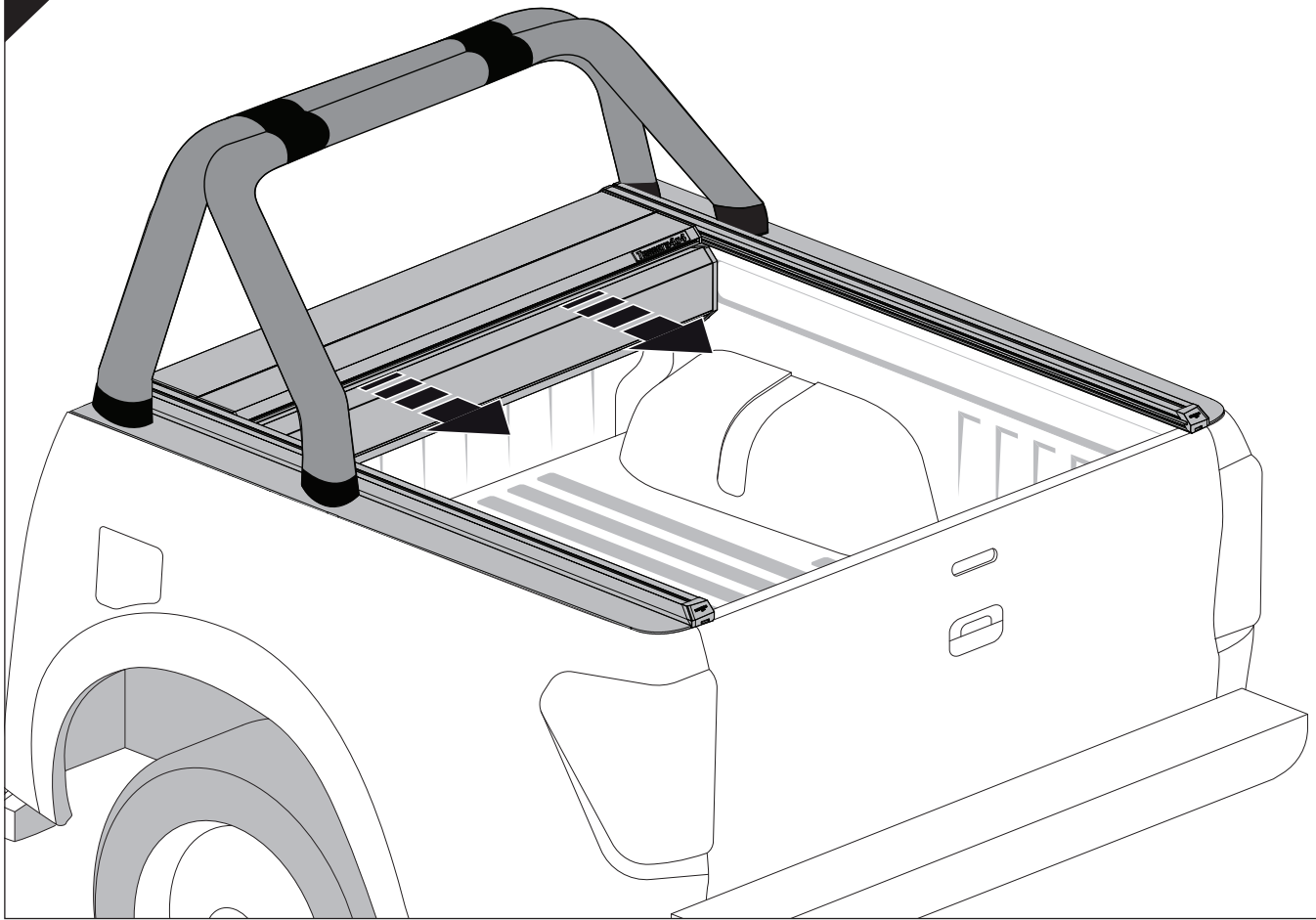
**CAUTION !**



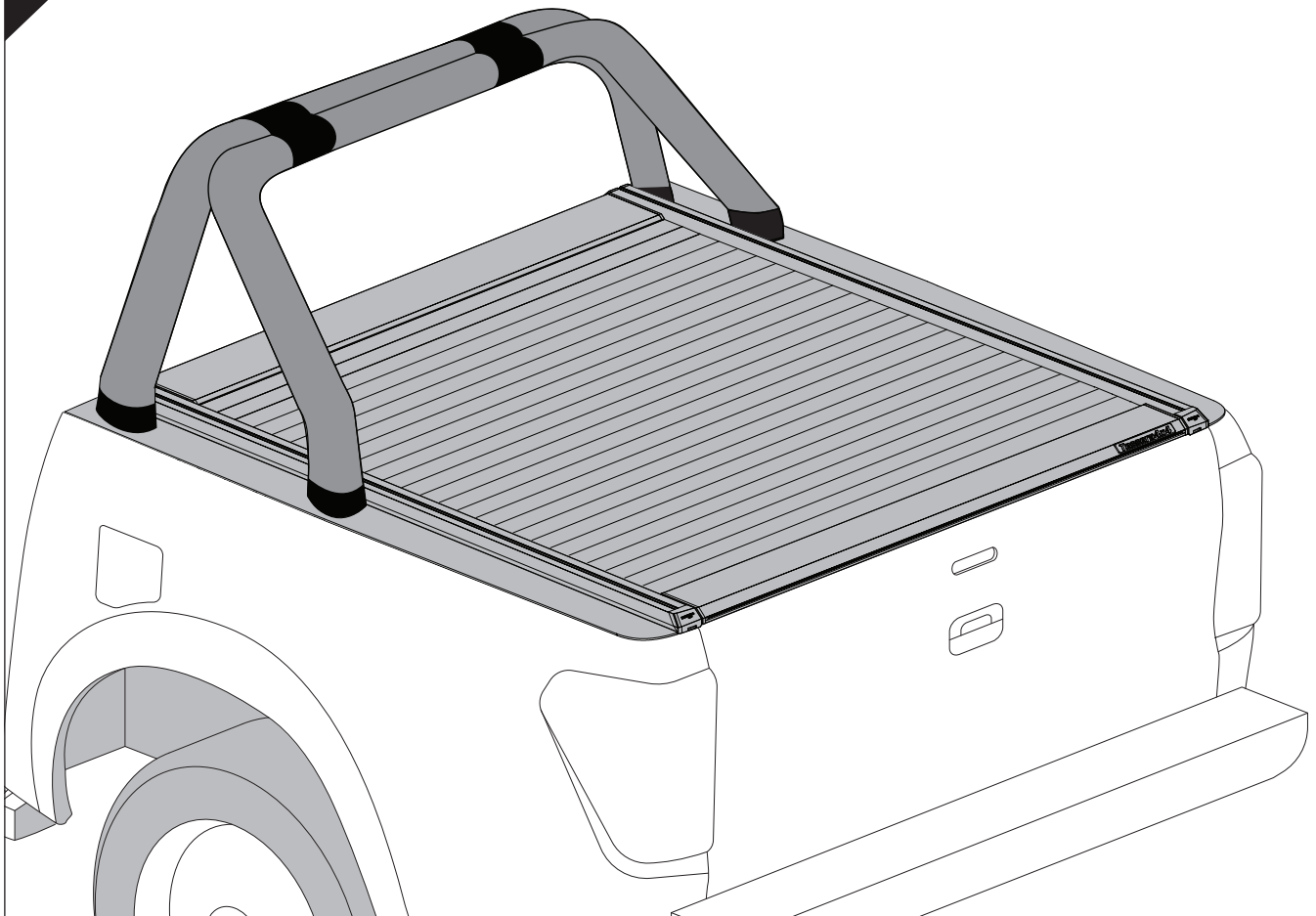
**CAUTION !**



29



30





**GR:** Οδηγίες Εγκατάστασης  
**GB:** Installation manual  
**SF:** Asennusohje  
**F:** Notice de montage  
**PL:** Instrukcja montażu  
**NL:** Installatie-instructies  
**TR:** Montaj Talimatı  
**S:** Monteringsanvisning  
**E:** Instrucciones de montaje

**H:** Szerelési utasítás  
**P:** Instruções de instalação  
**RUS:** Инструкция по установке  
**N:** Monteringsveiledning  
**D:** Einbauanleitung  
**CZ:** Návod k instalaci  
**I:** Istruzioni de montaggio  
**DK:** Monteringsvejledning  
**RO:** Instructiuni de instalare

Customer Service:

+30 (210) 5541161, +30 (210) 5541154 (08:00 - 16:00 EET)

Support department:

[info@gianso.gr](mailto:info@gianso.gr)

Website:

[www.tessera4x4.com](http://www.tessera4x4.com)

Address:

19.5 km of National road Athens-Korinthos (Elefsina) Greece, P.C: 19200