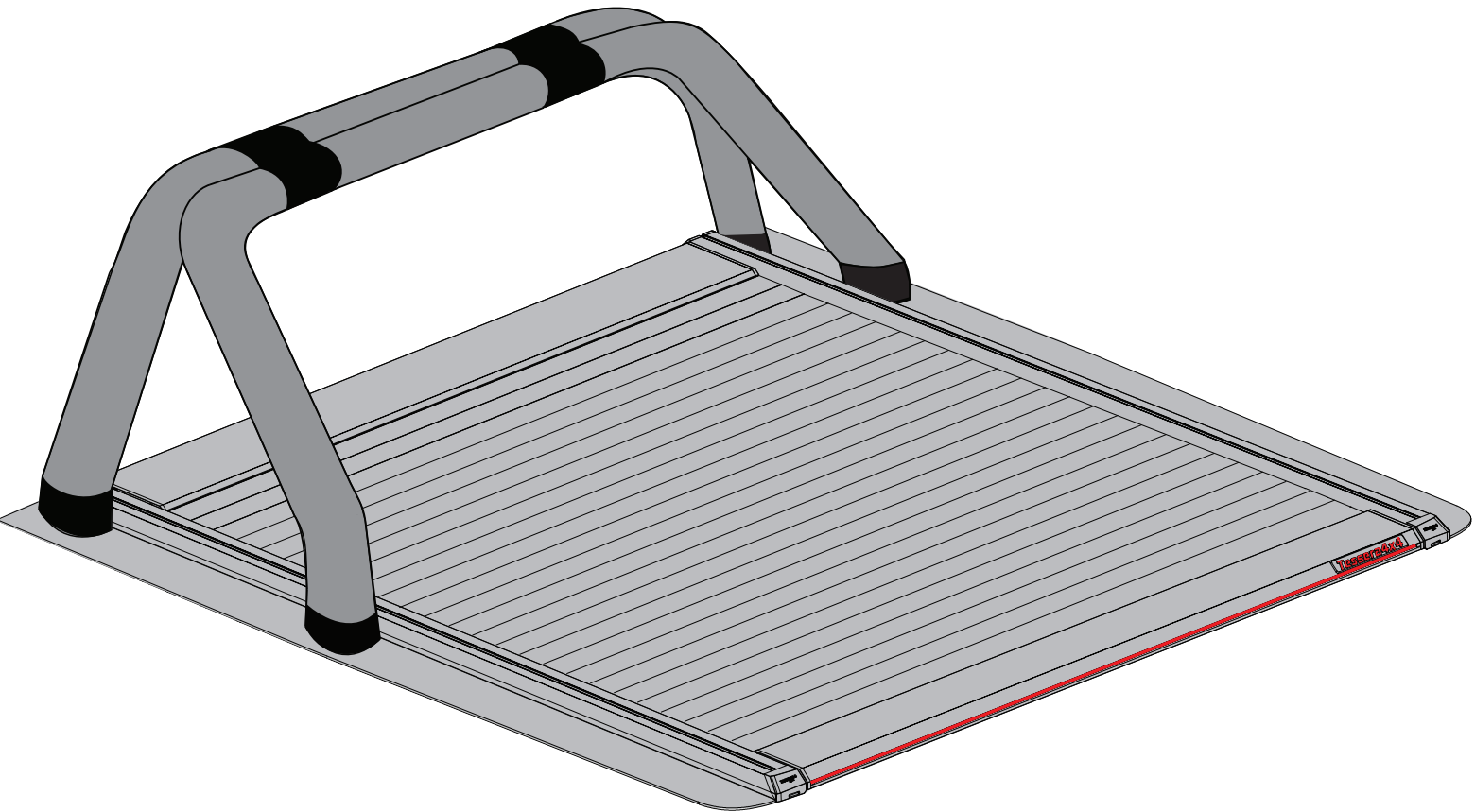


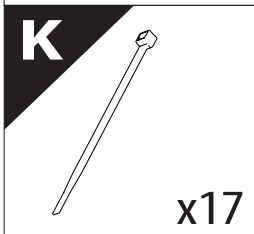
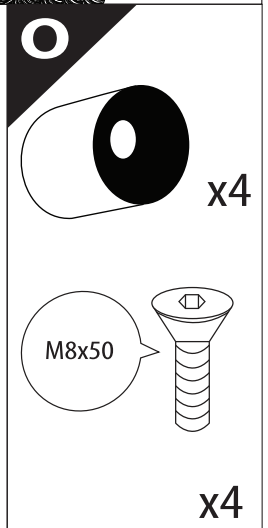
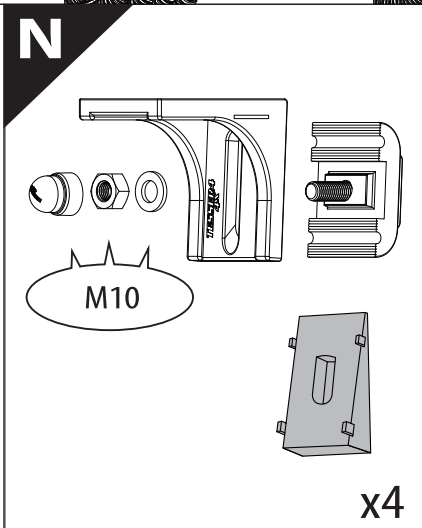
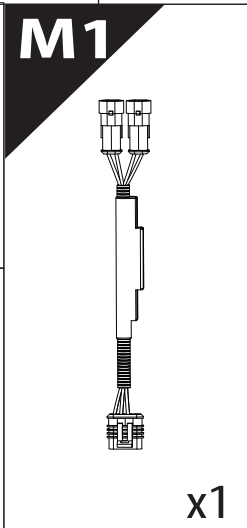
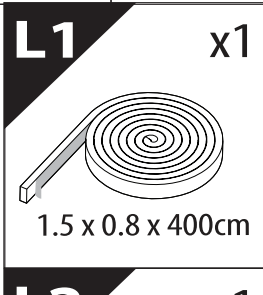
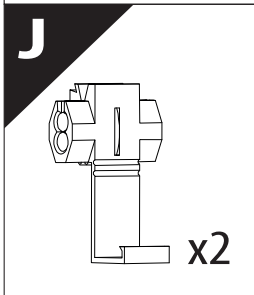
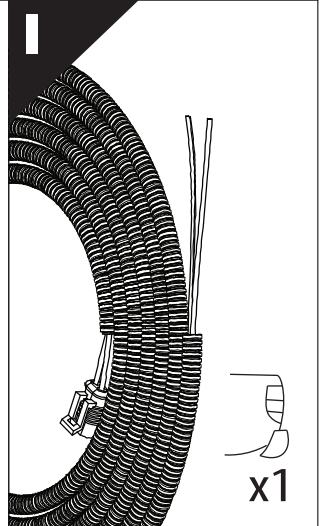
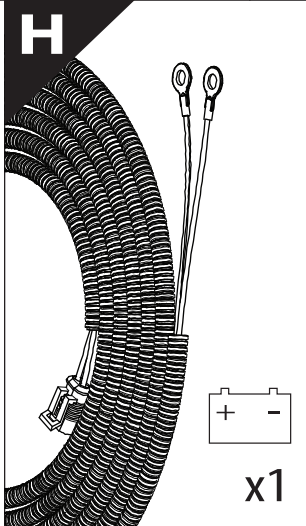
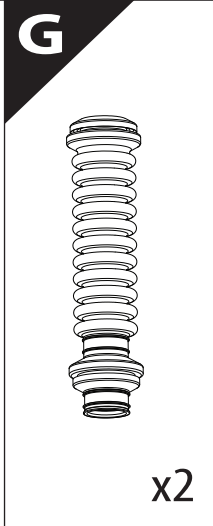
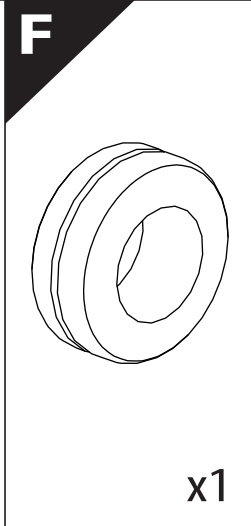
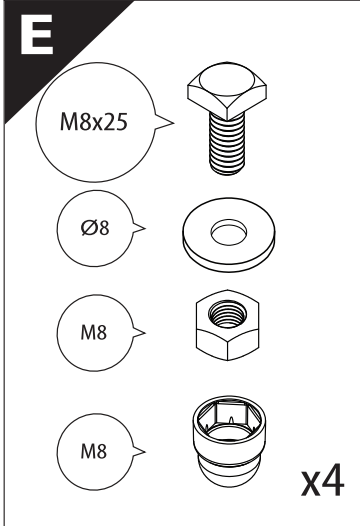
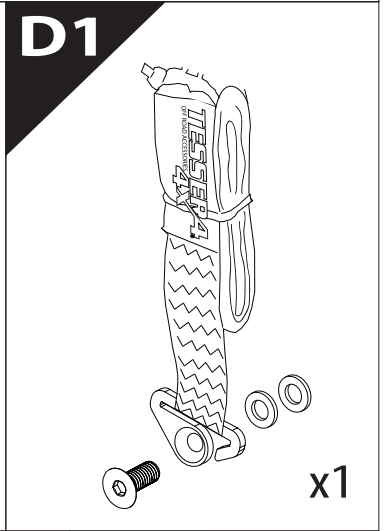
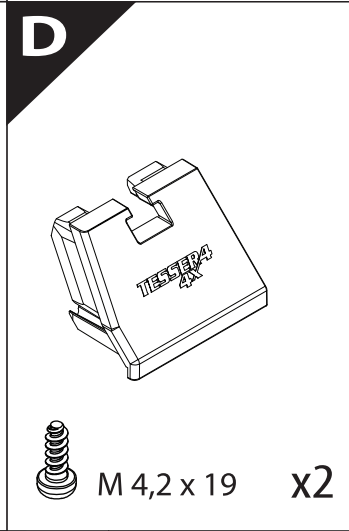
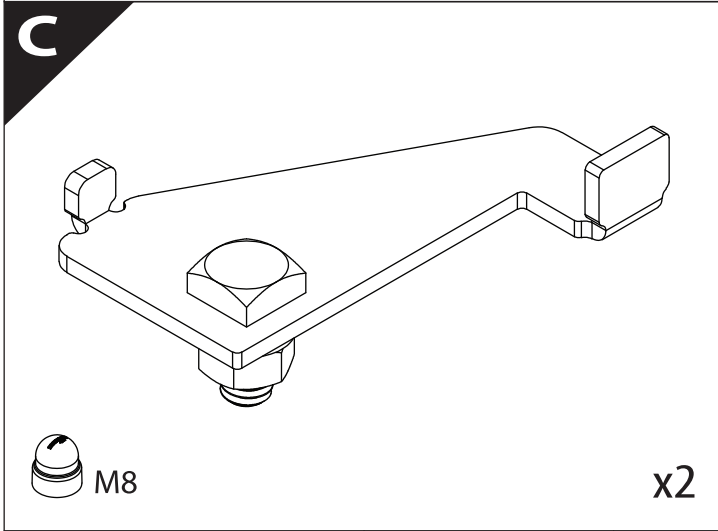
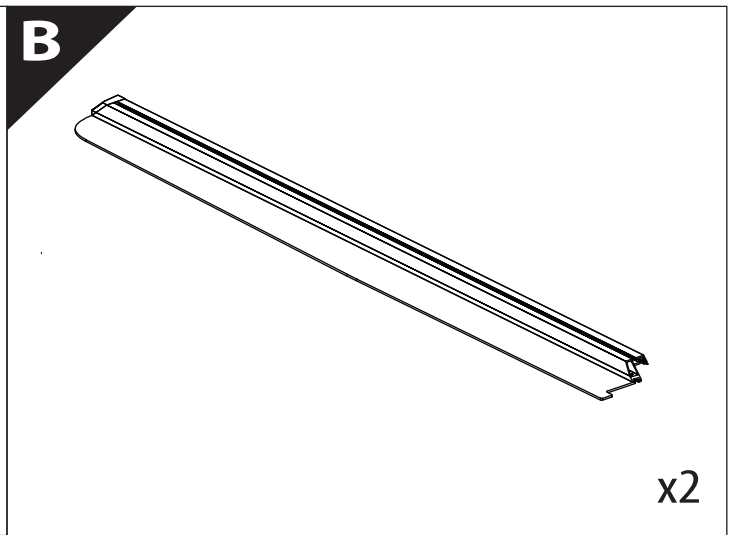
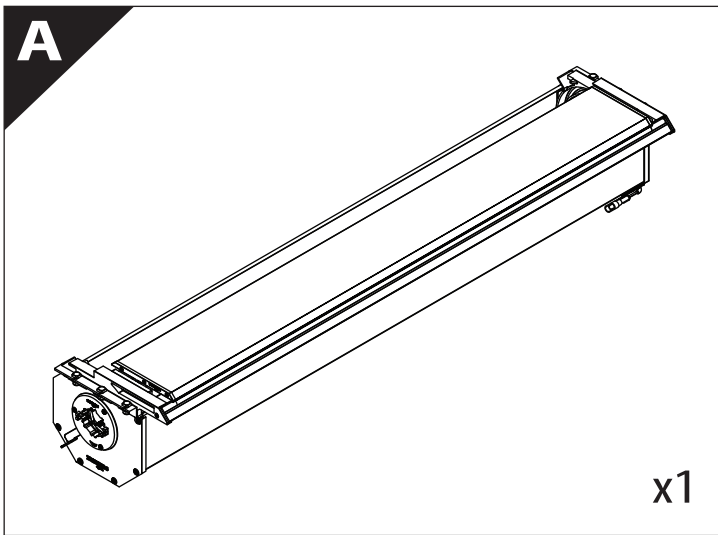
# Tessera Roll+

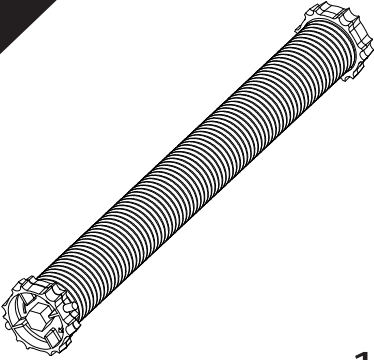

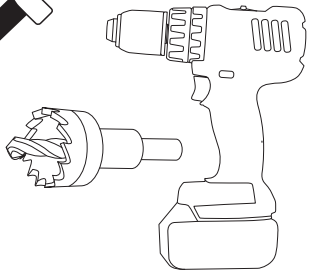

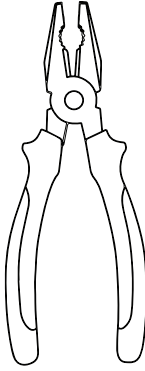
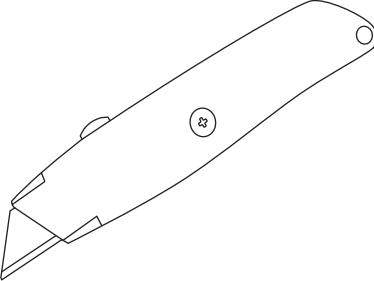
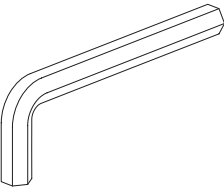
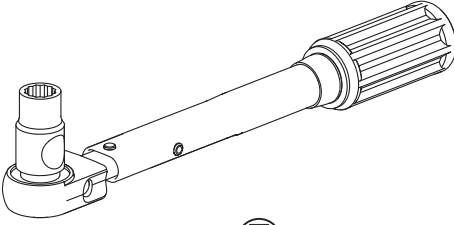

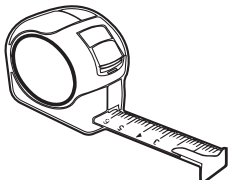

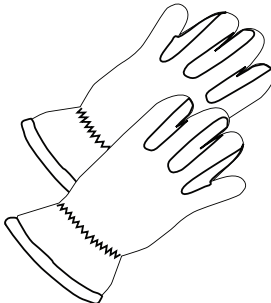

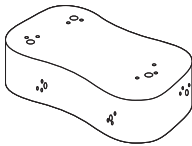
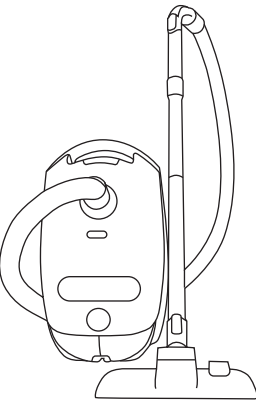
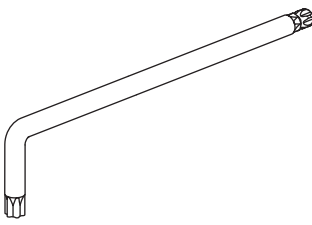
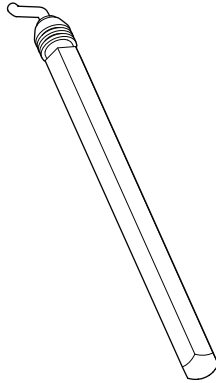
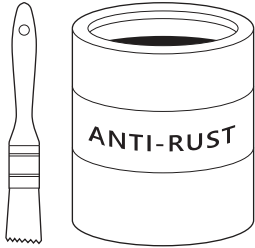


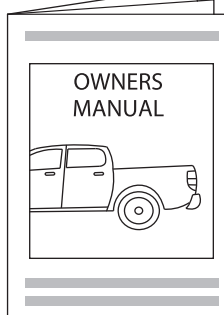
## Basic Version + ⚙️ S-KIT

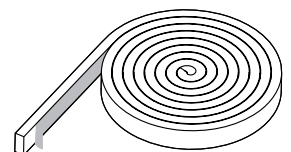
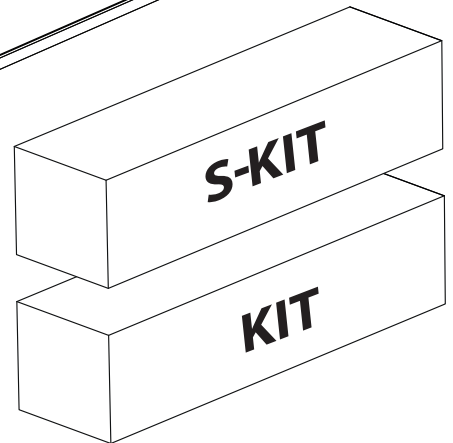
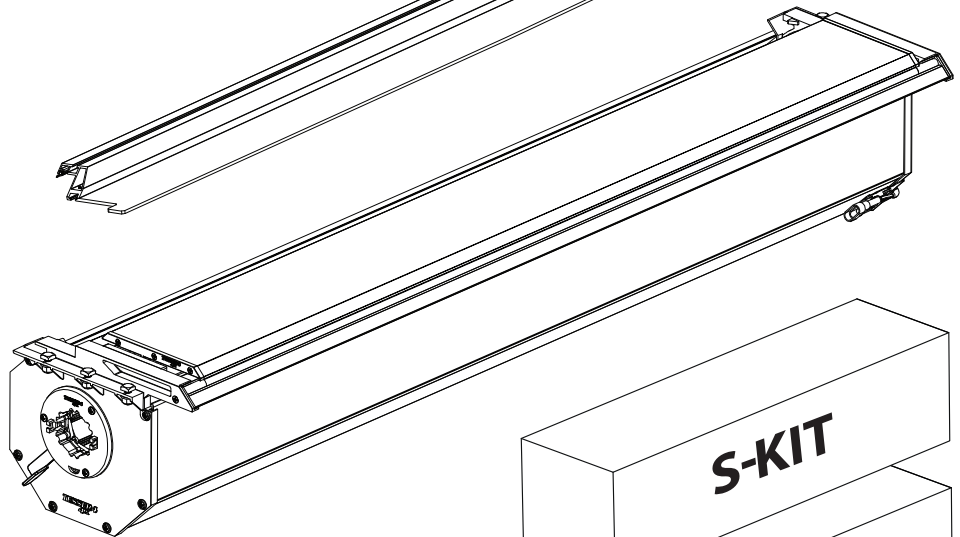
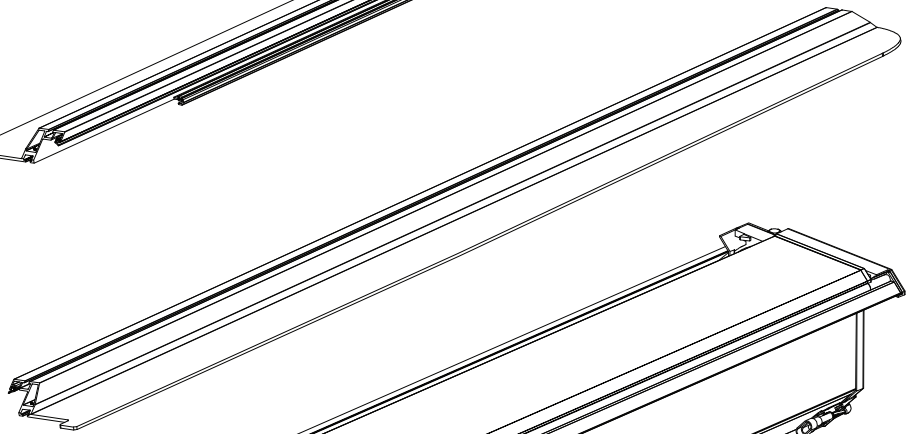
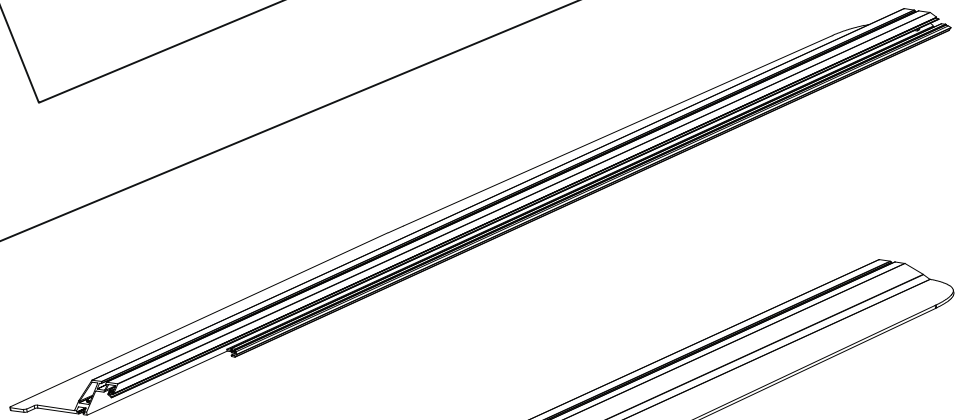
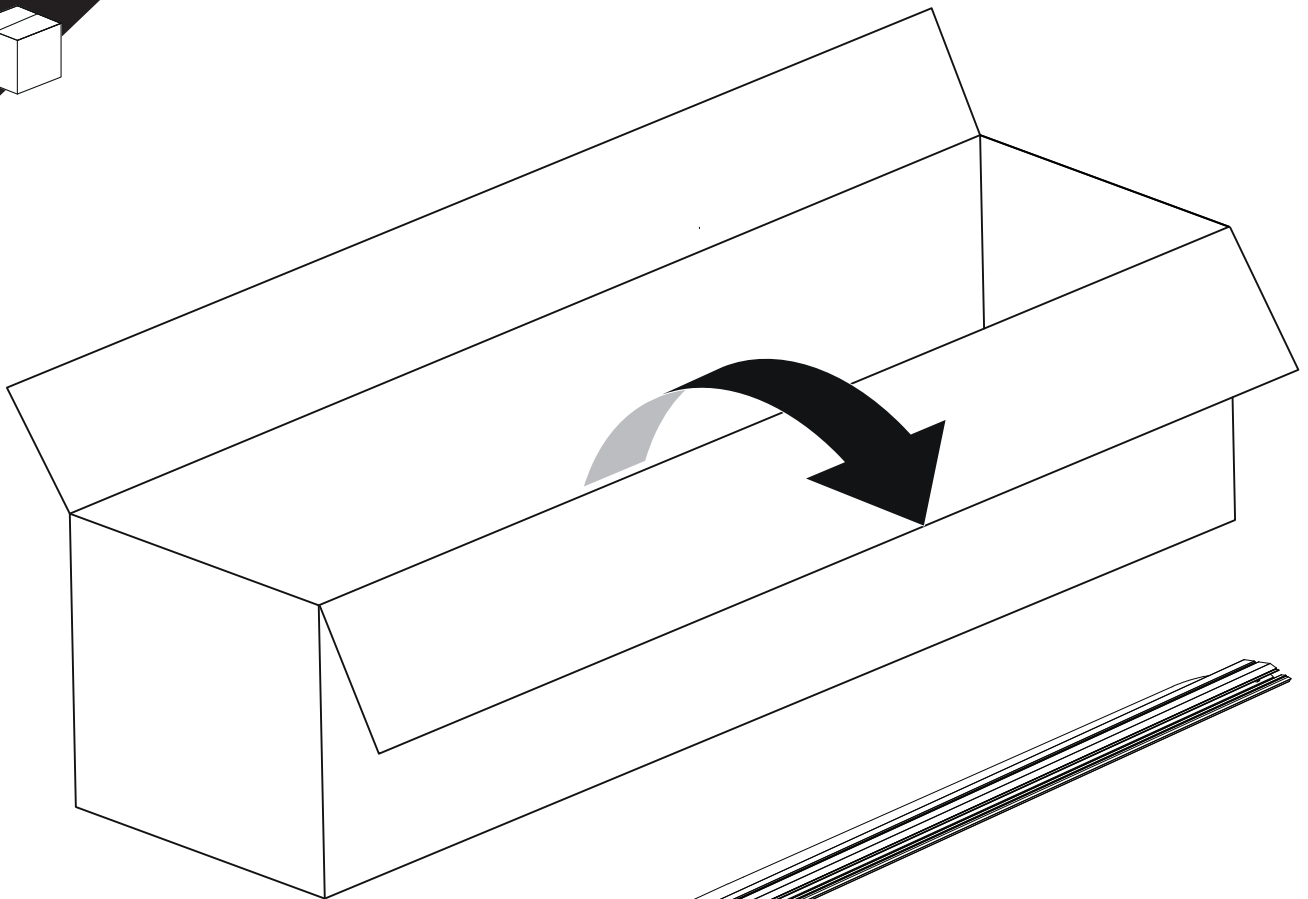


## Installation Manual

<b>PART NUMBER(S)</b>	<b>Model Year</b>
<b>TESS 1401 ROLL +ADAPT 006 +S-KIT</b>	<b>VW Amarok WITH OEM ROLL BAR 2010-2021</b>
<b>Cab(s)</b>	<b>Installation Time / Weight</b>
<b>Double Cab</b>	<b>40-60 minutes / 53-57 kg</b>



<p><b>P</b></p>  <p>x1</p>	  <p>Ø 25 mm / Ø 40 mm</p>	 <p>+</p>			
	 <p>4 mm</p>	<p>1 - 25 Nm</p>  <p>12, 13, 17 mm</p>			
 <p>ACETONE</p>				 <p>H<sub>2</sub>O</p>	
			 <p>ANTI-RUST</p>		
	 <p>INSTALATION MANUAL +S-KIT</p>	 <p>OWNERS MANUAL</p>	<p>x1</p>		

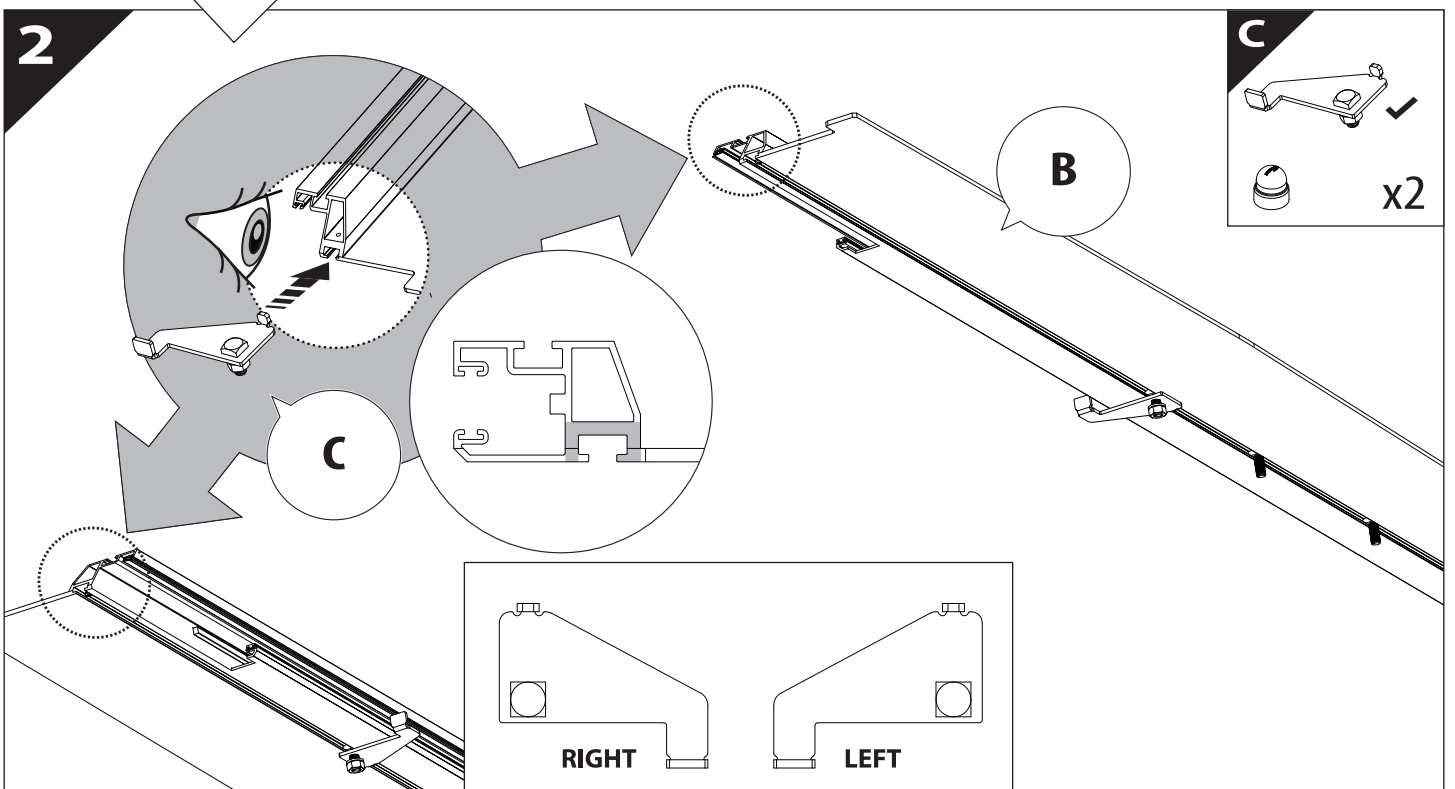
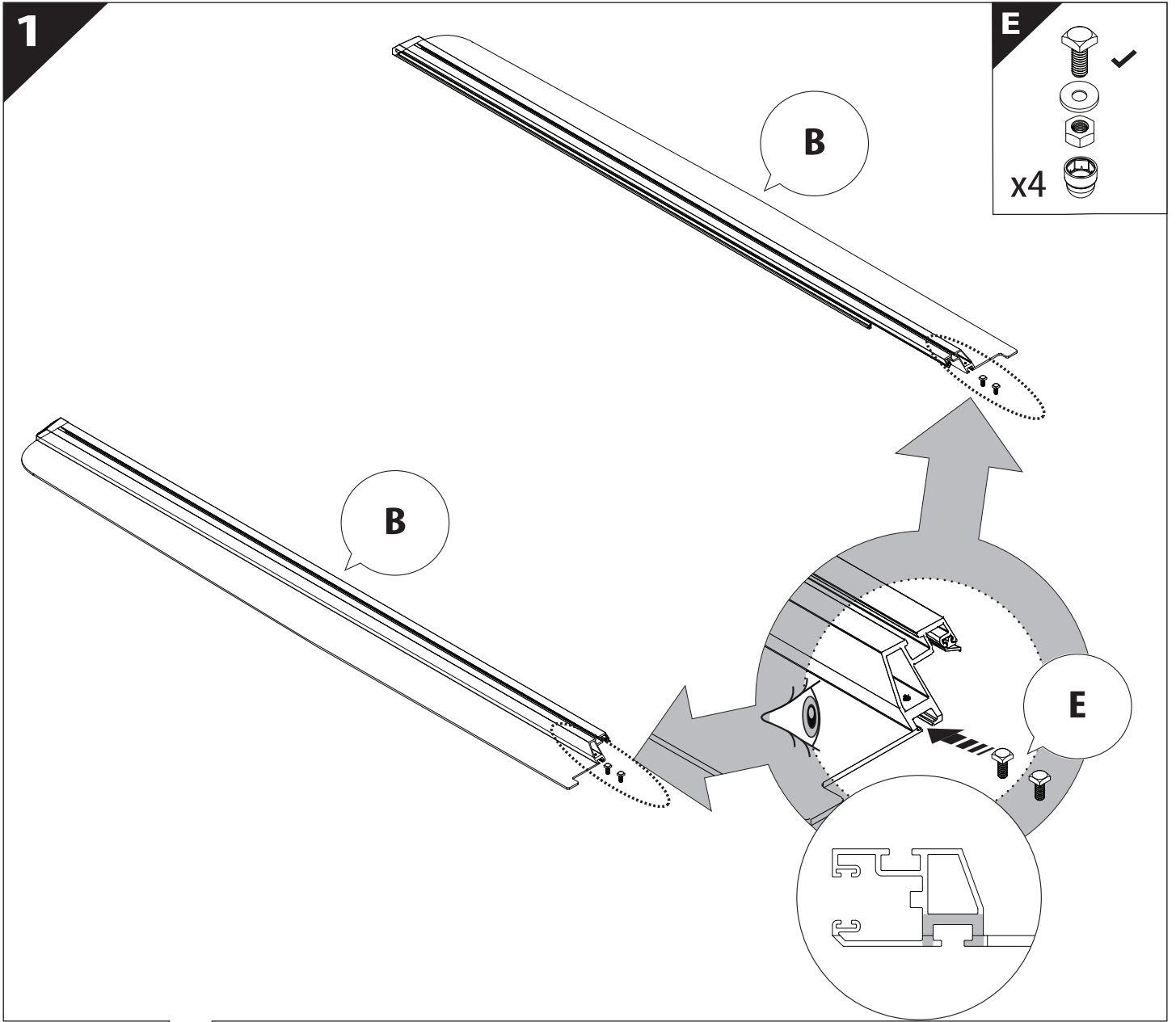


**B**

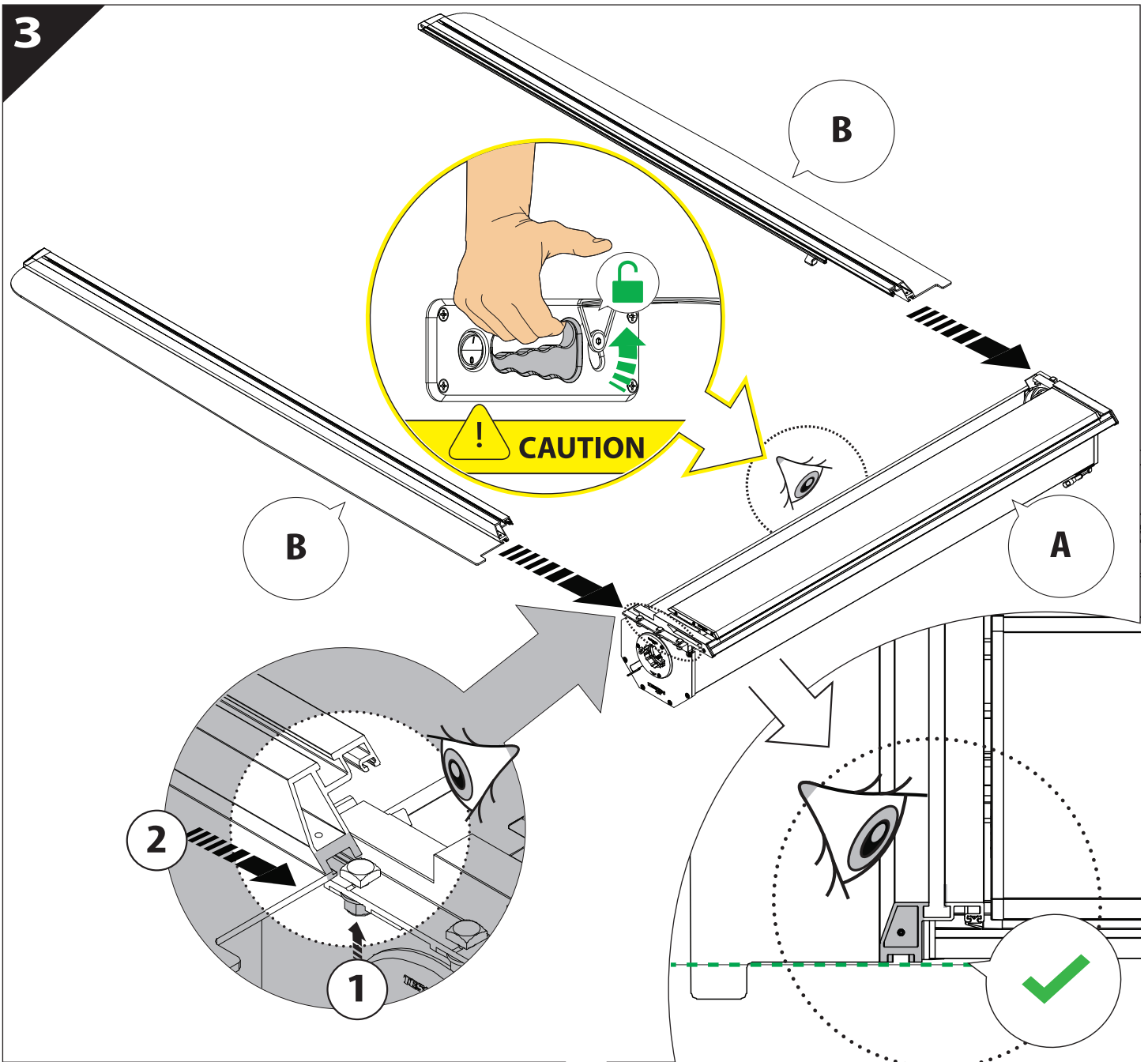
**A**

**KITS**

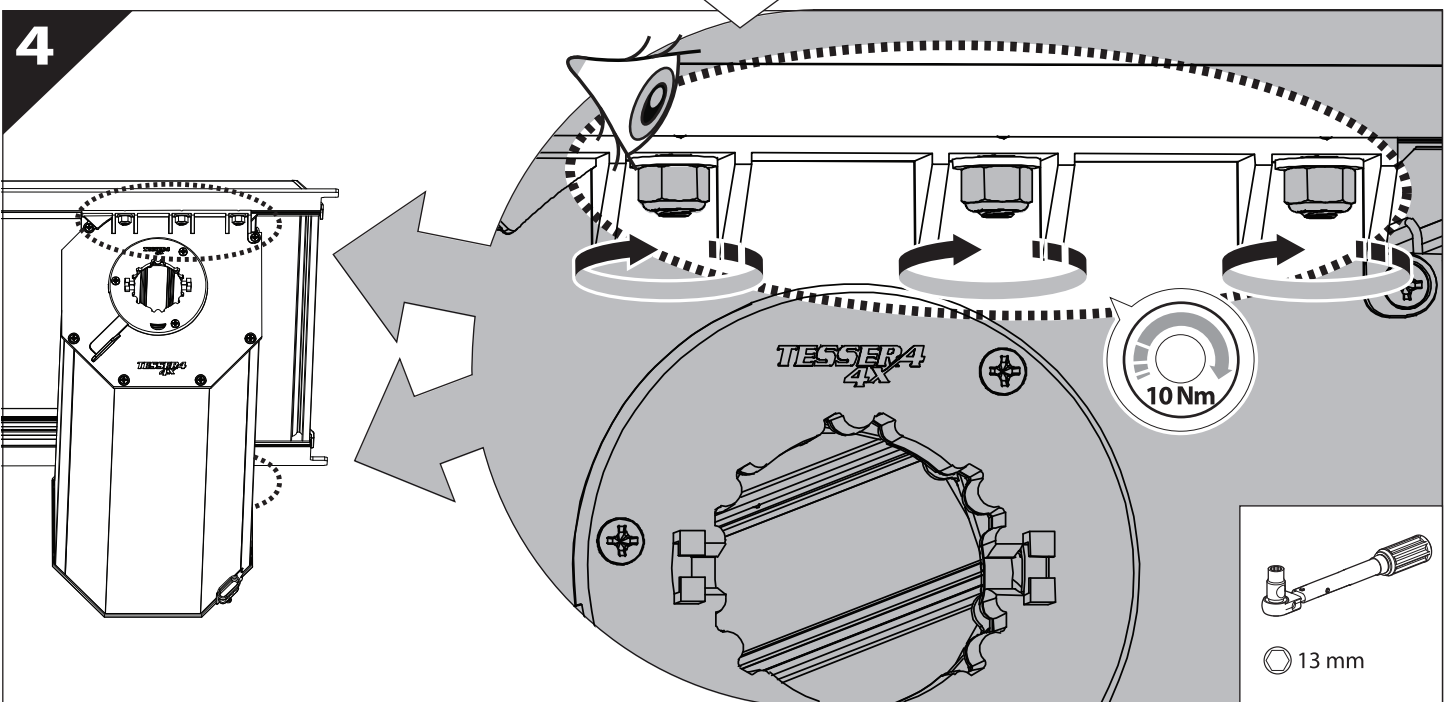
**L**

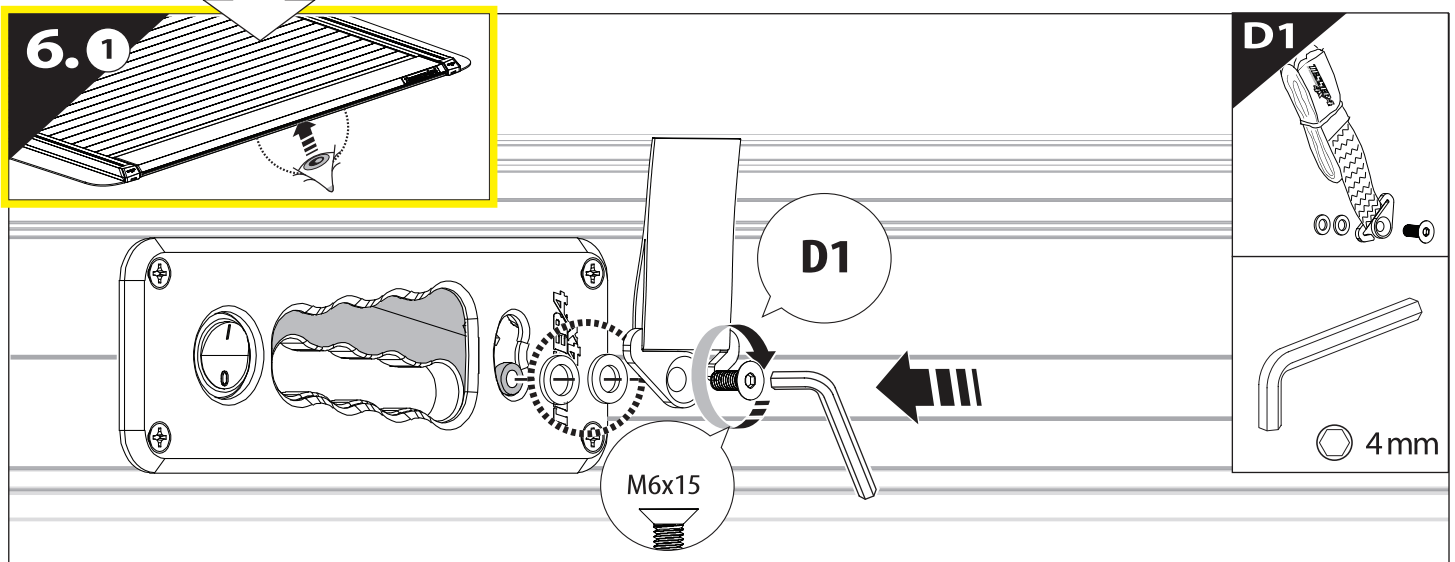
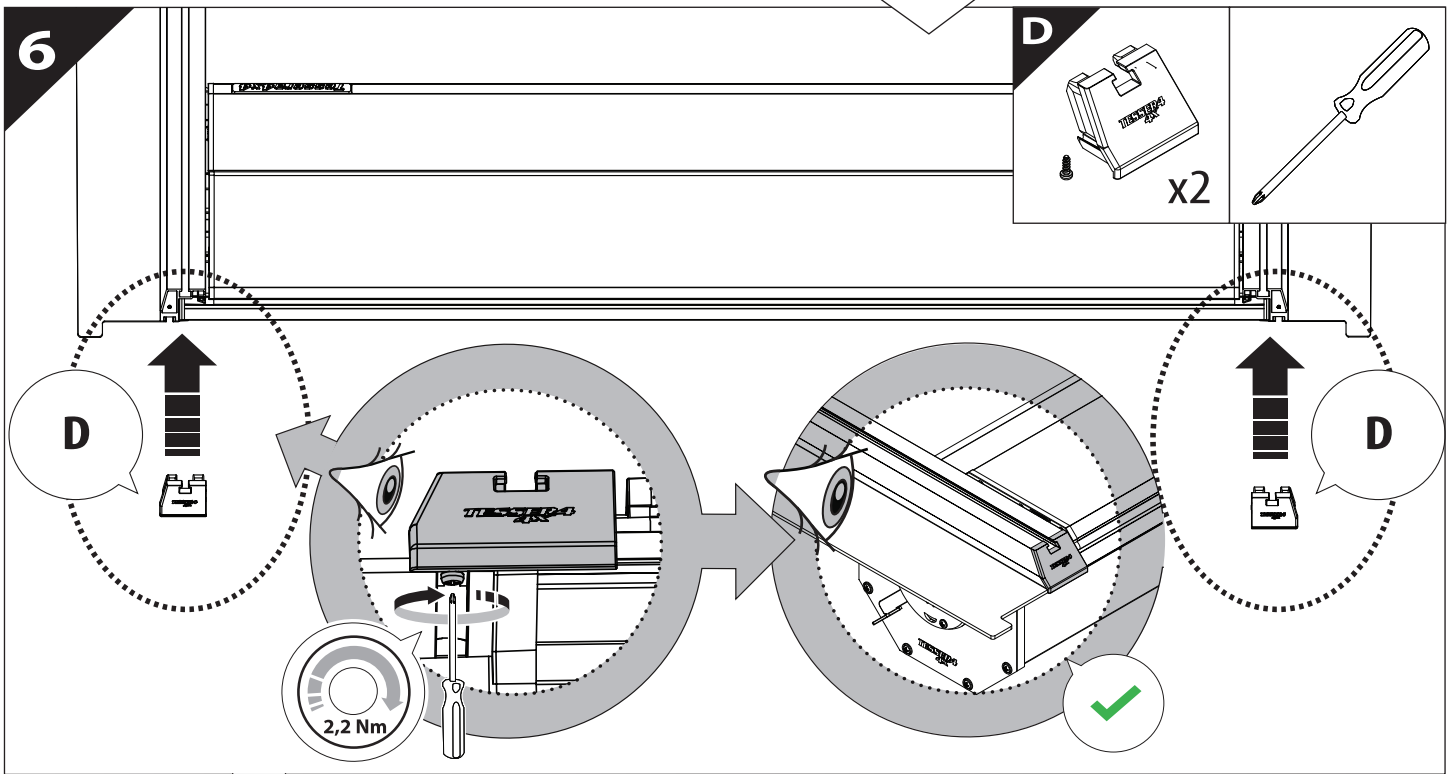
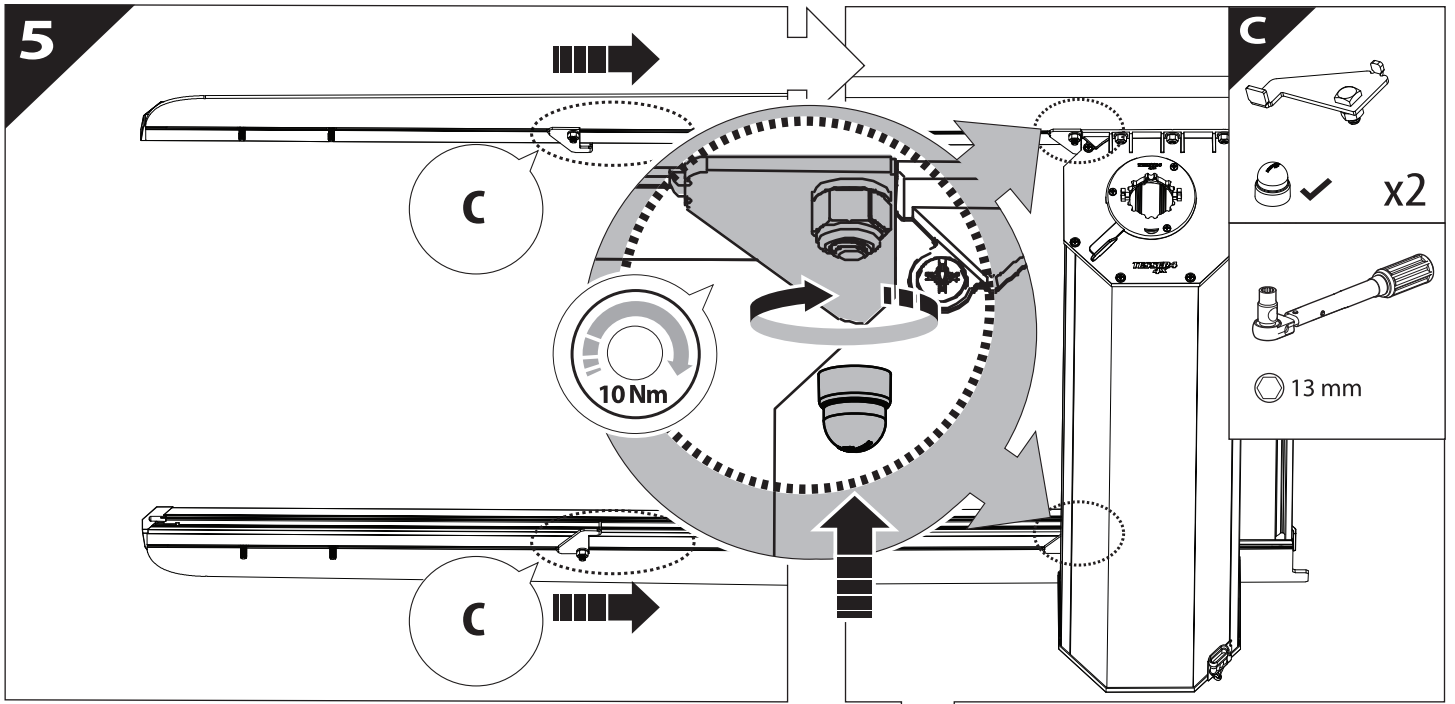


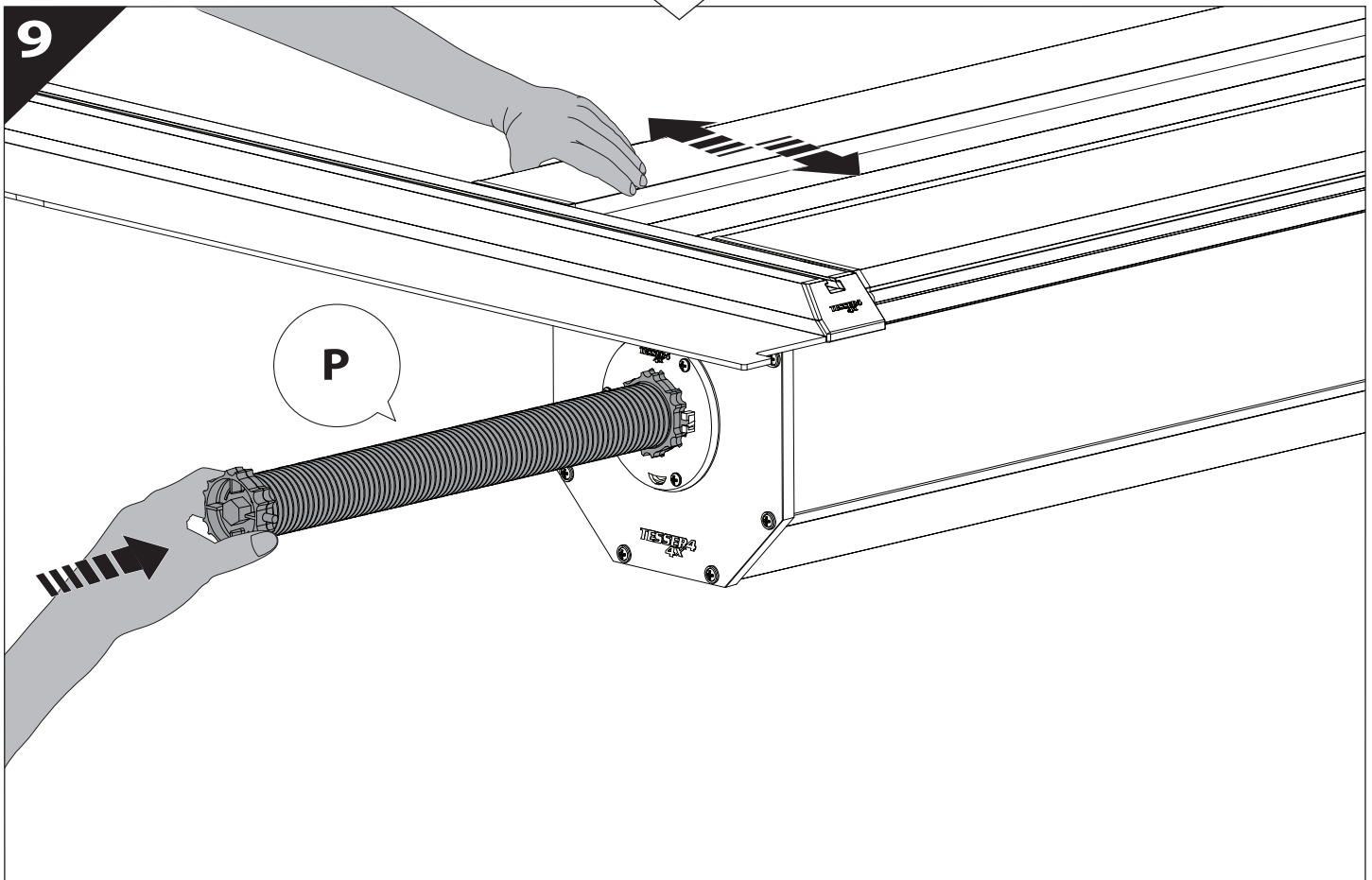
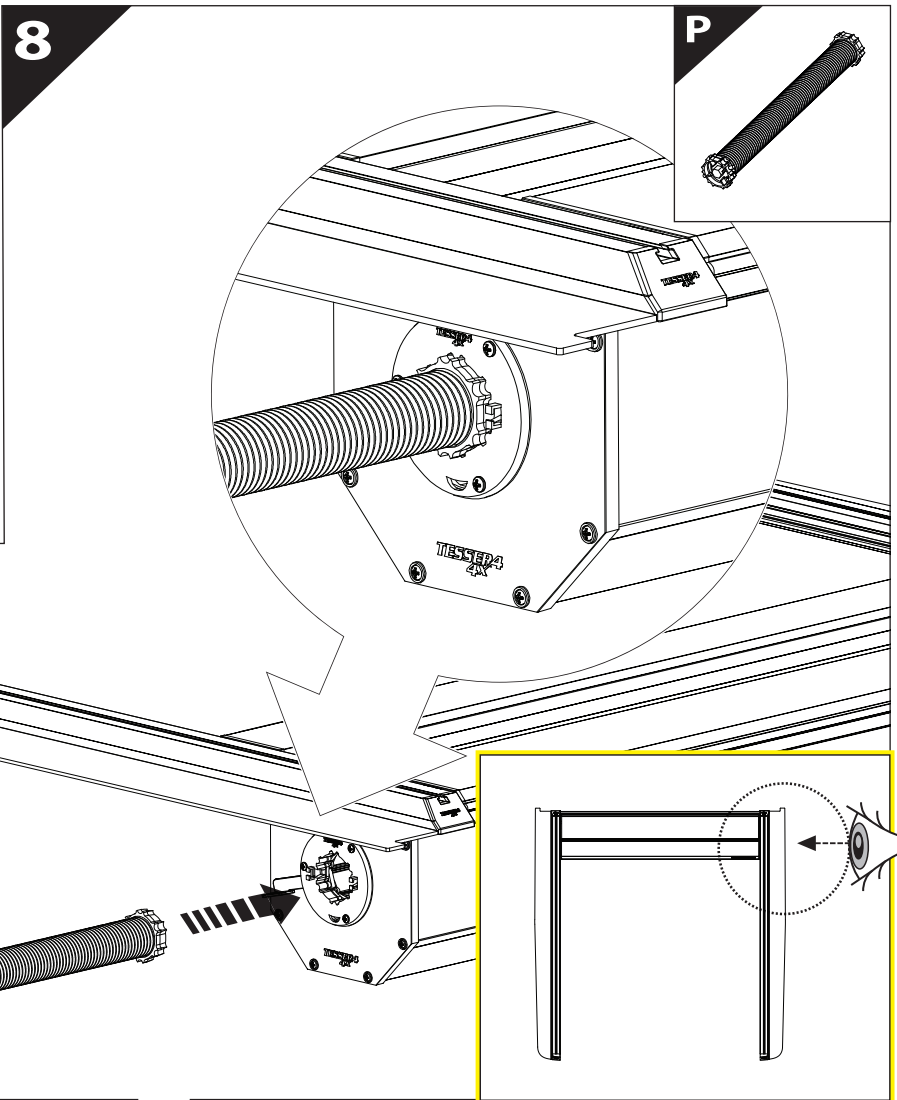
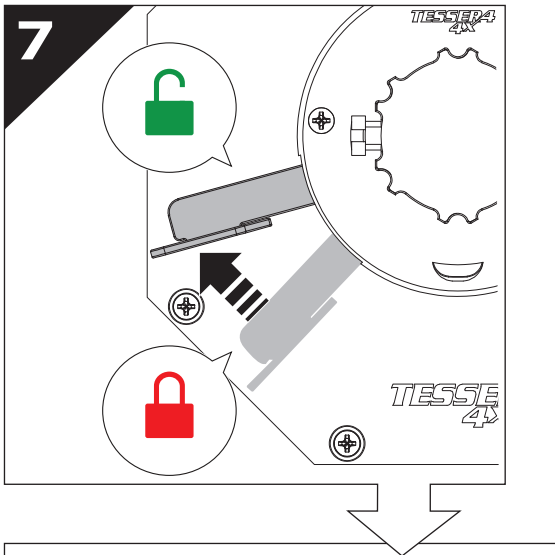
3



4

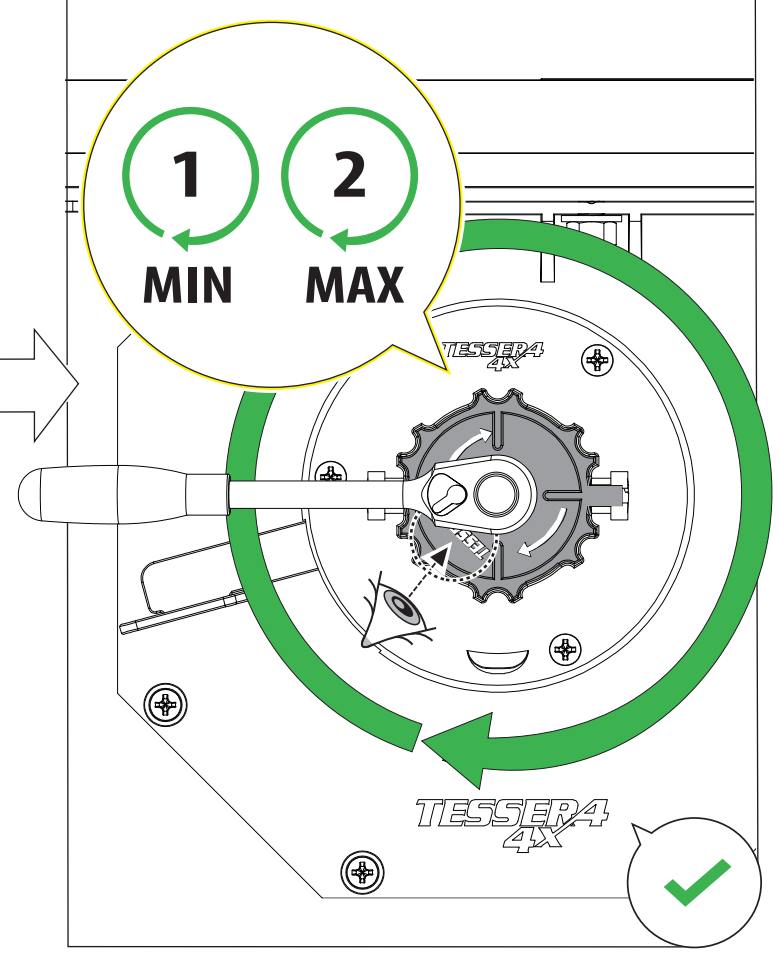
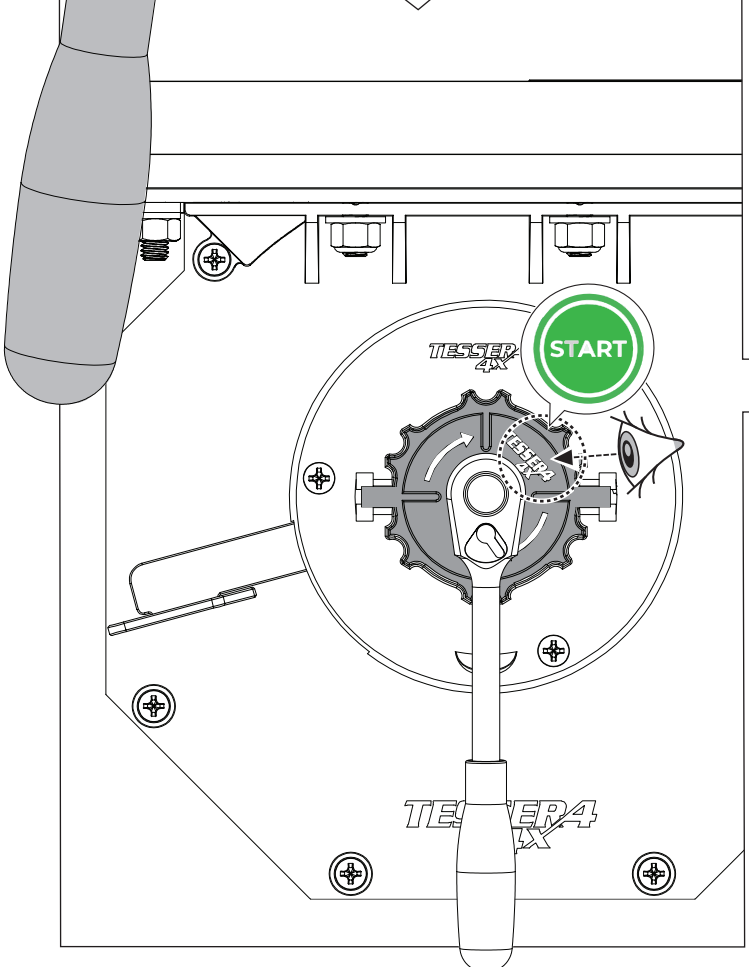
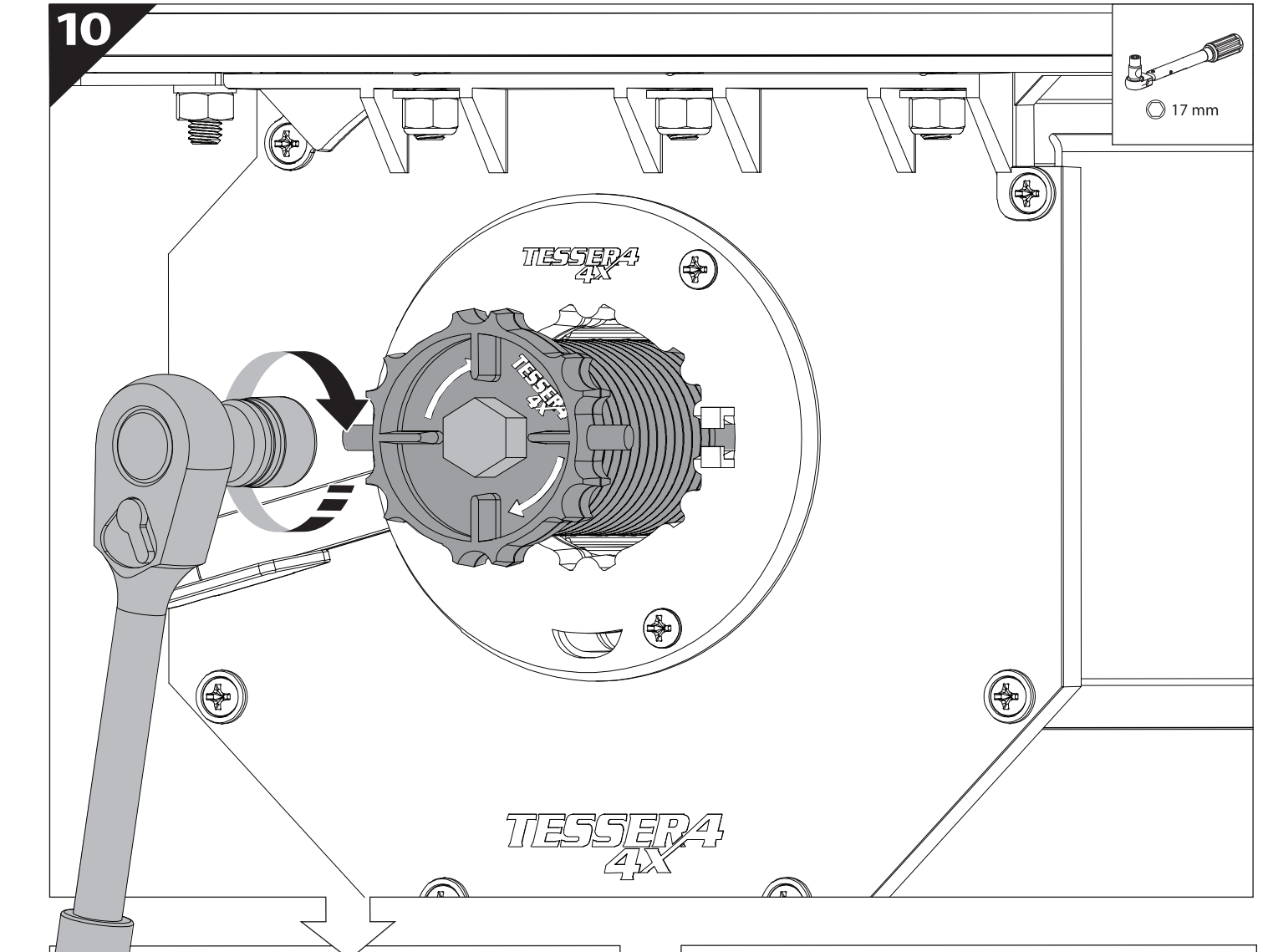
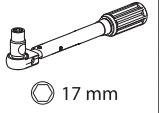




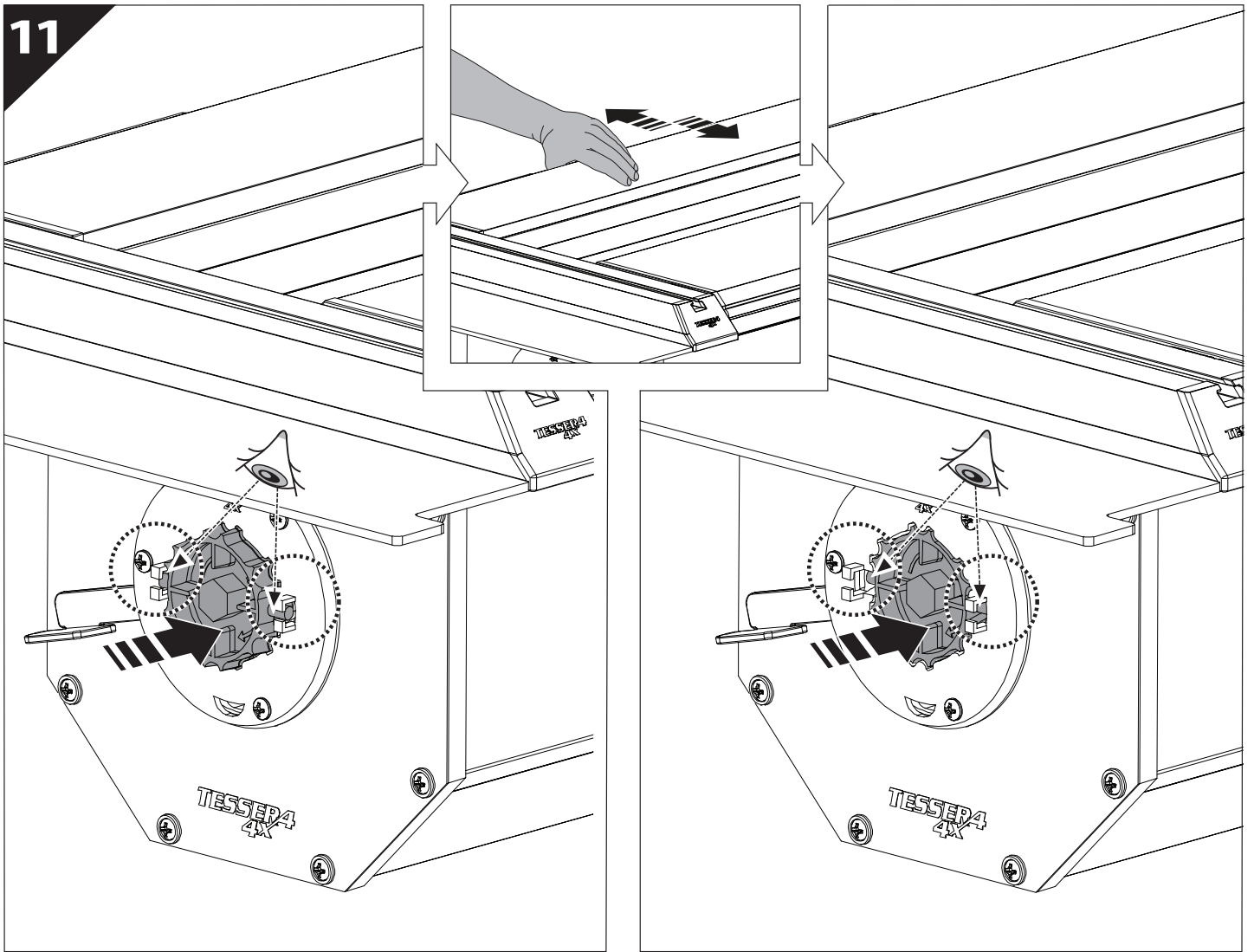




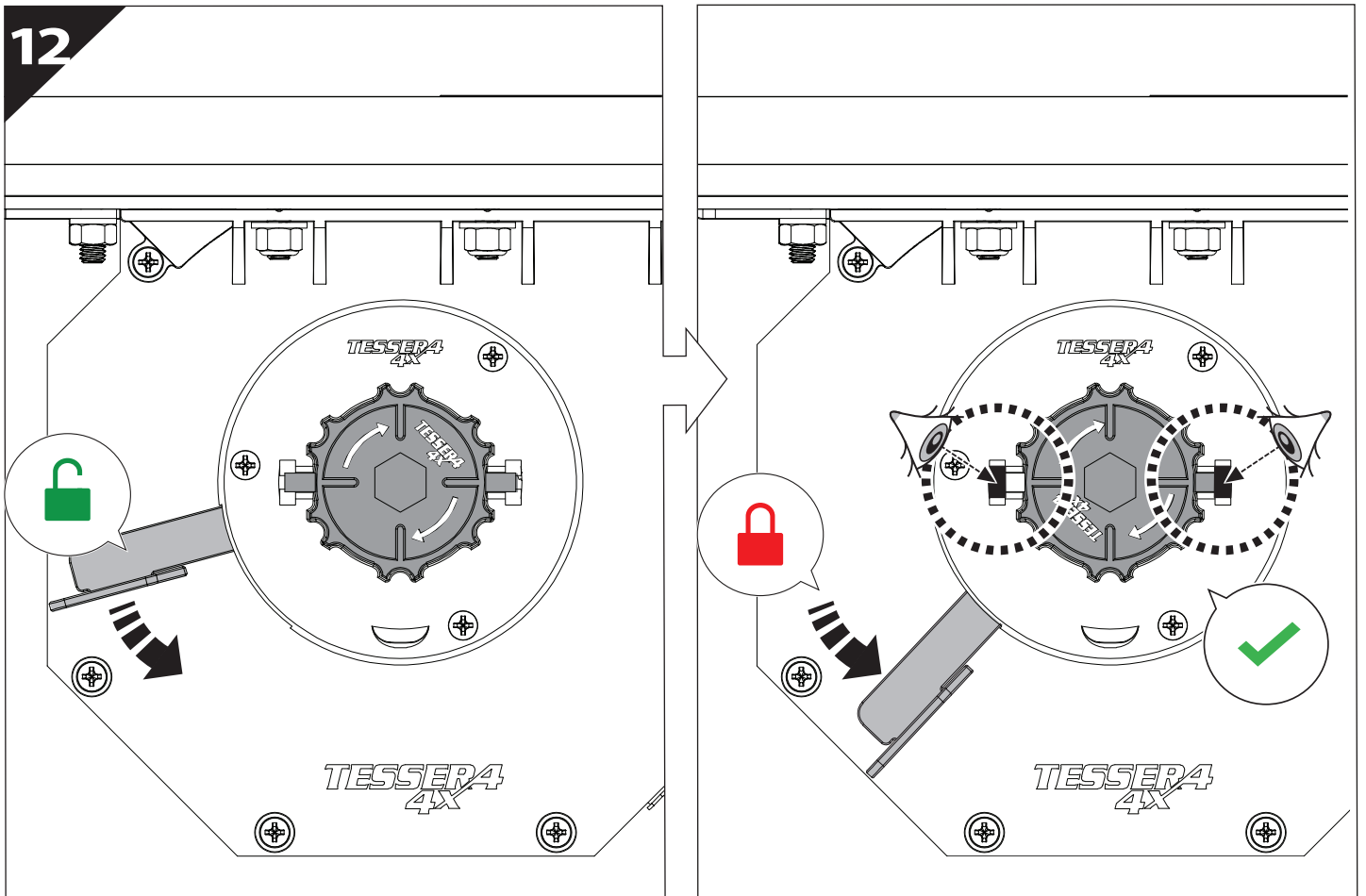
10



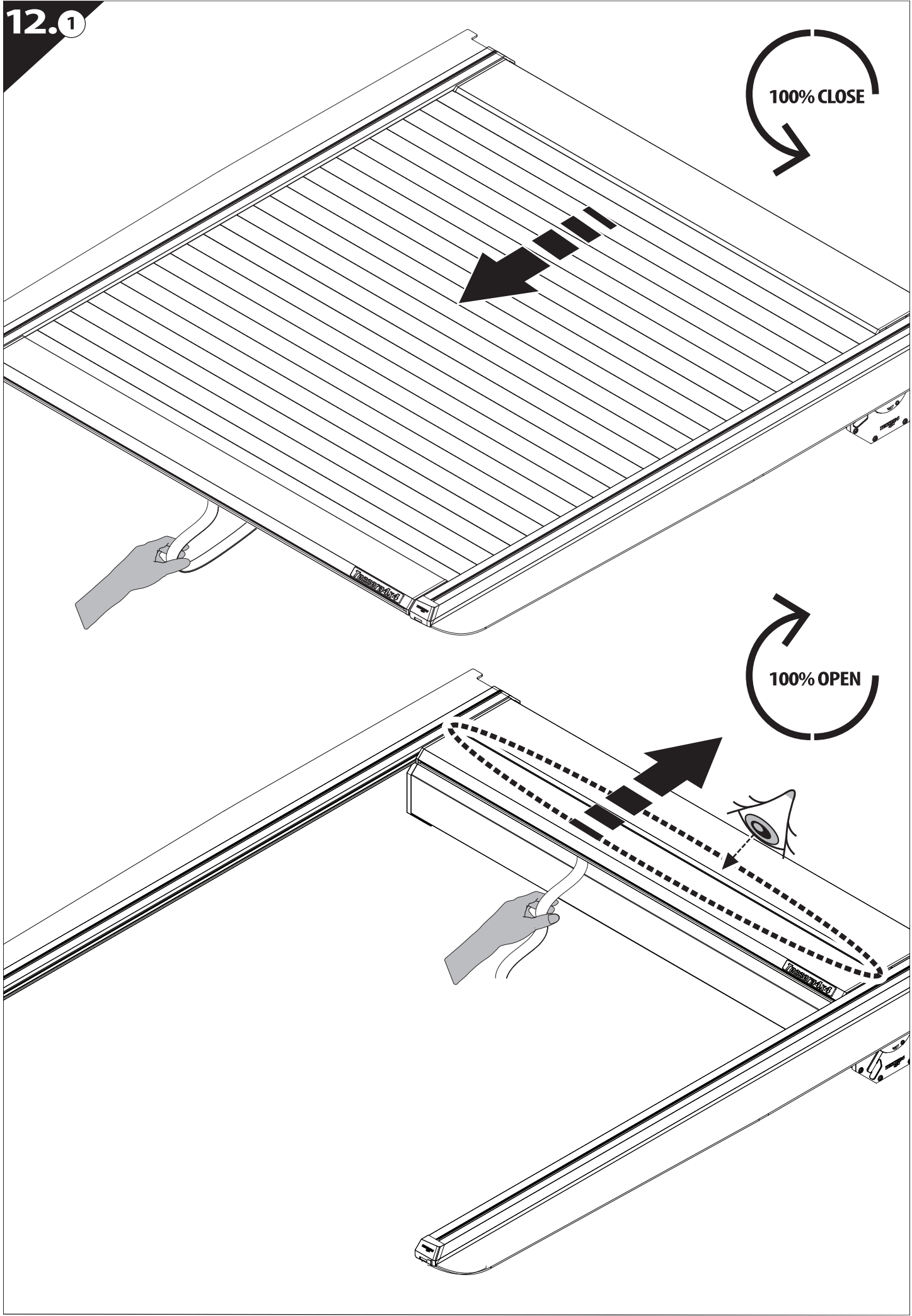
11



12

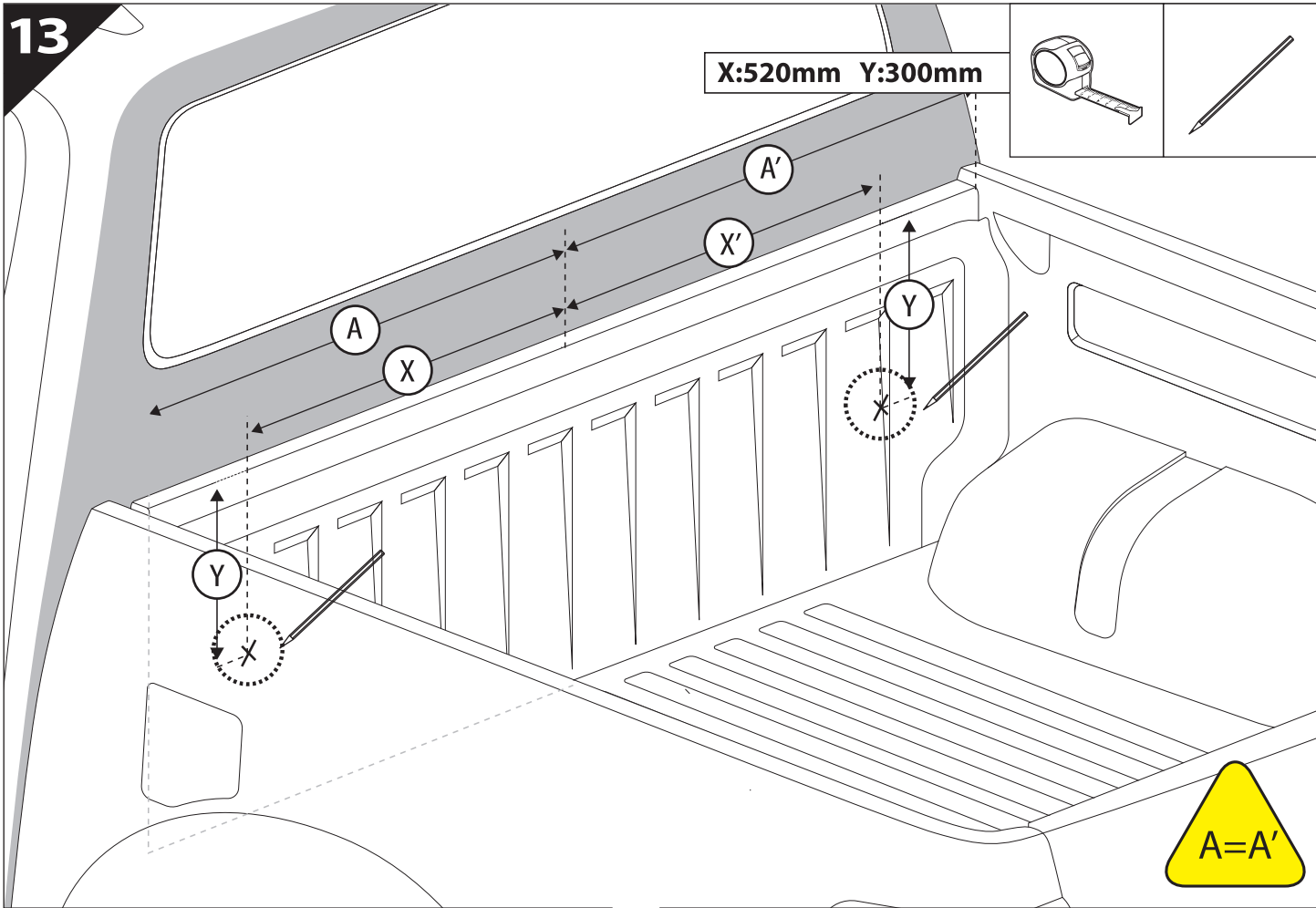
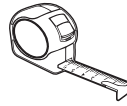


12.0

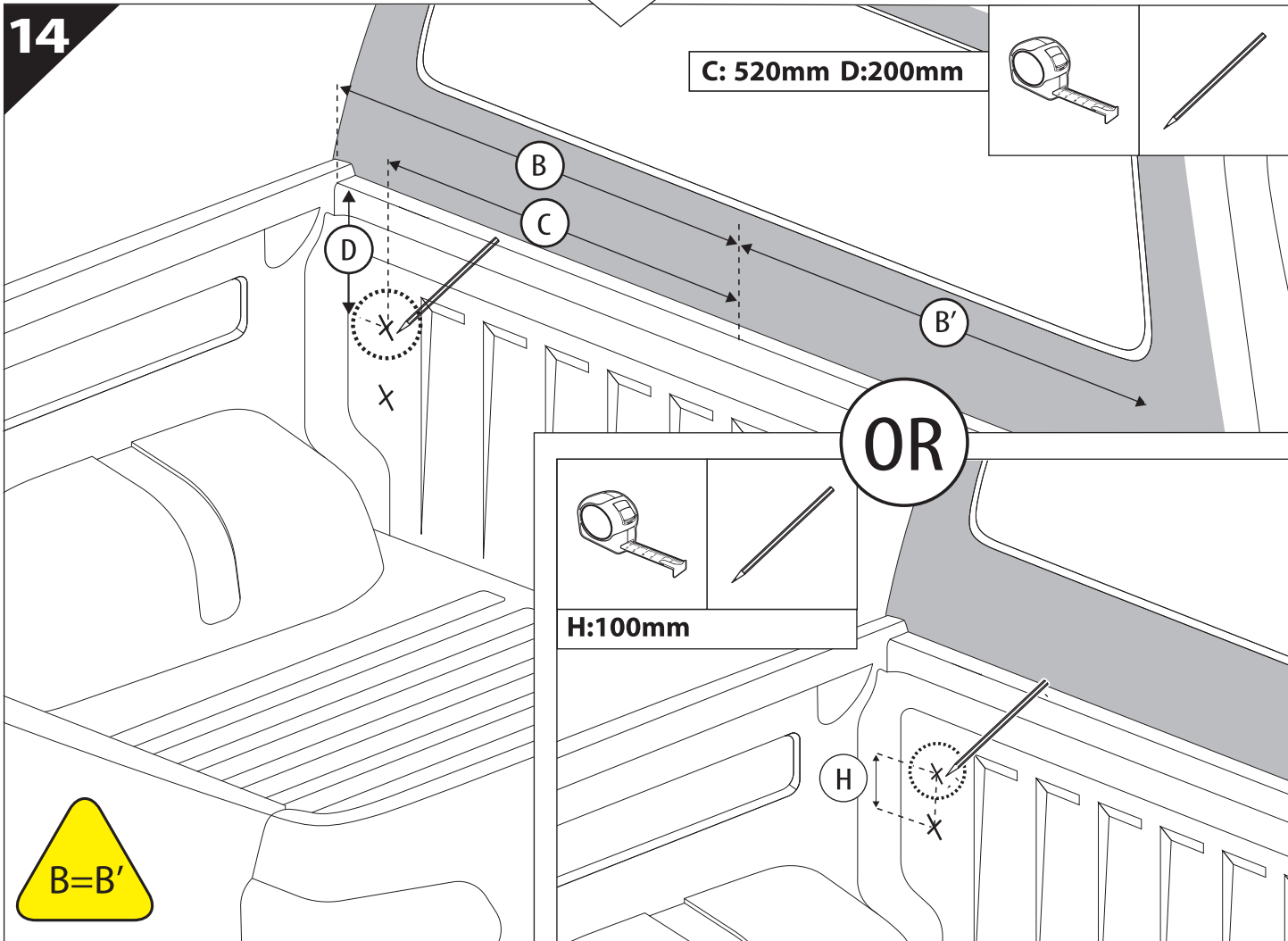
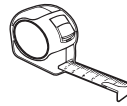


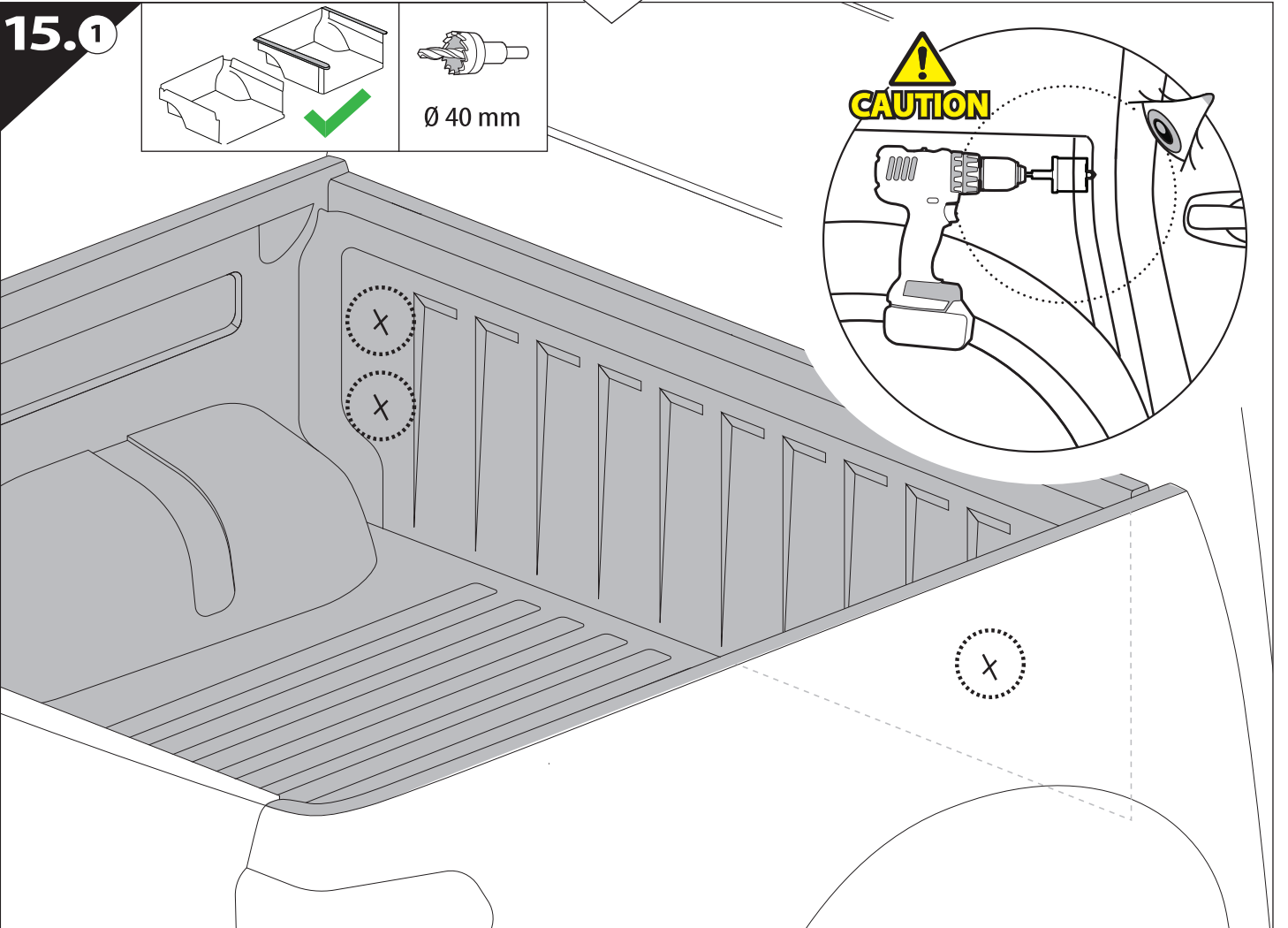
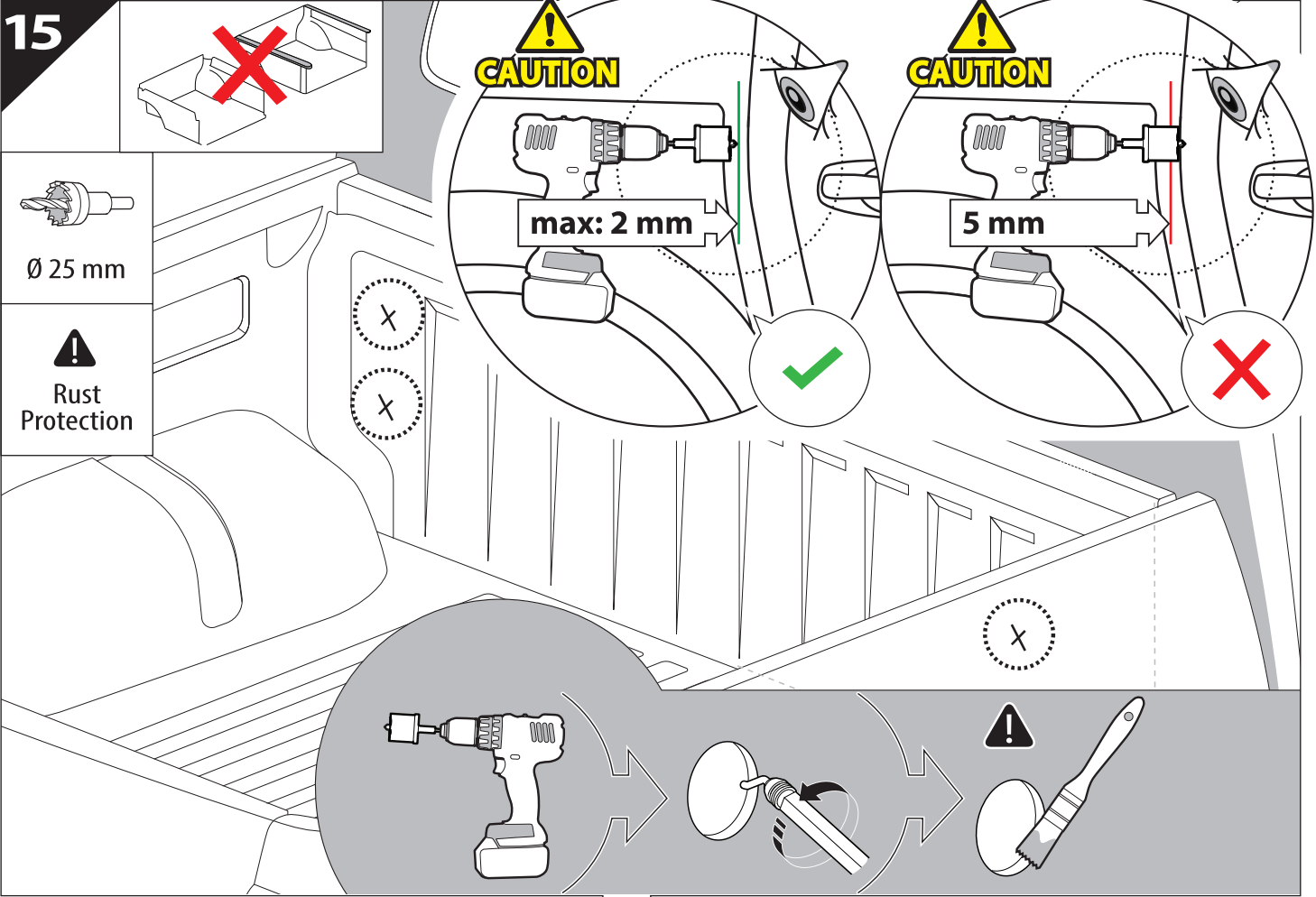
13

X:520mm Y:300mm

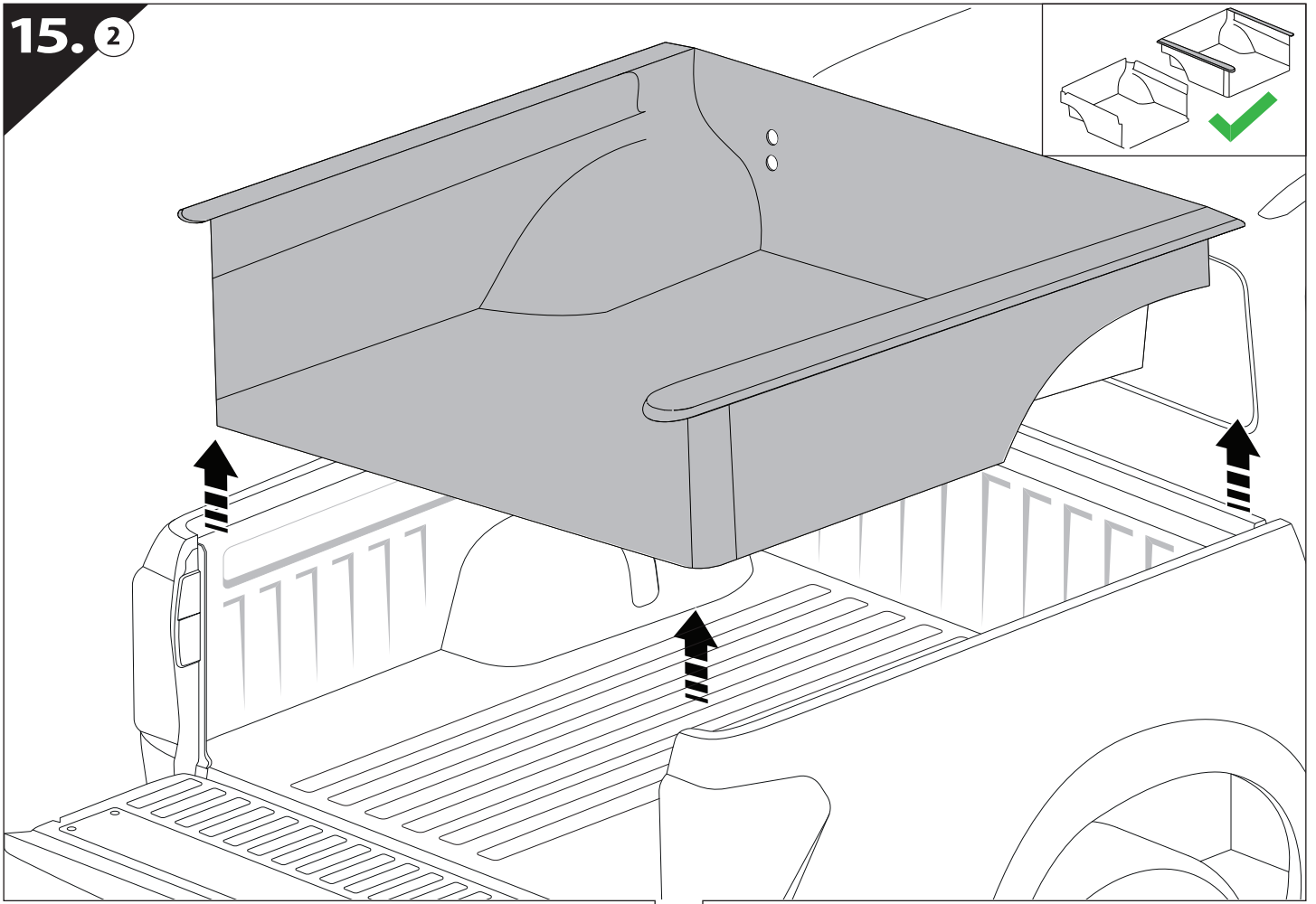


C: 520mm D:200mm

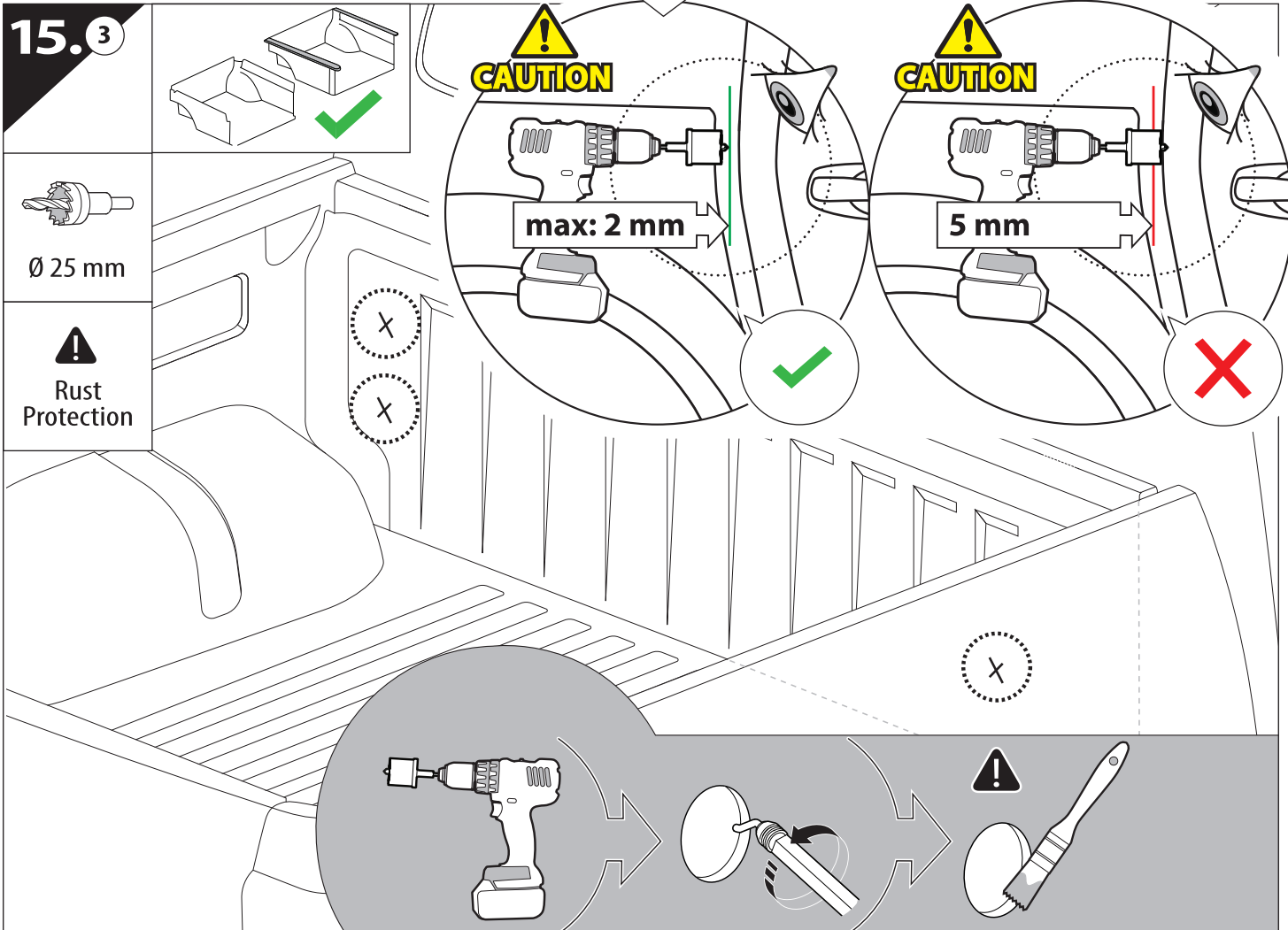




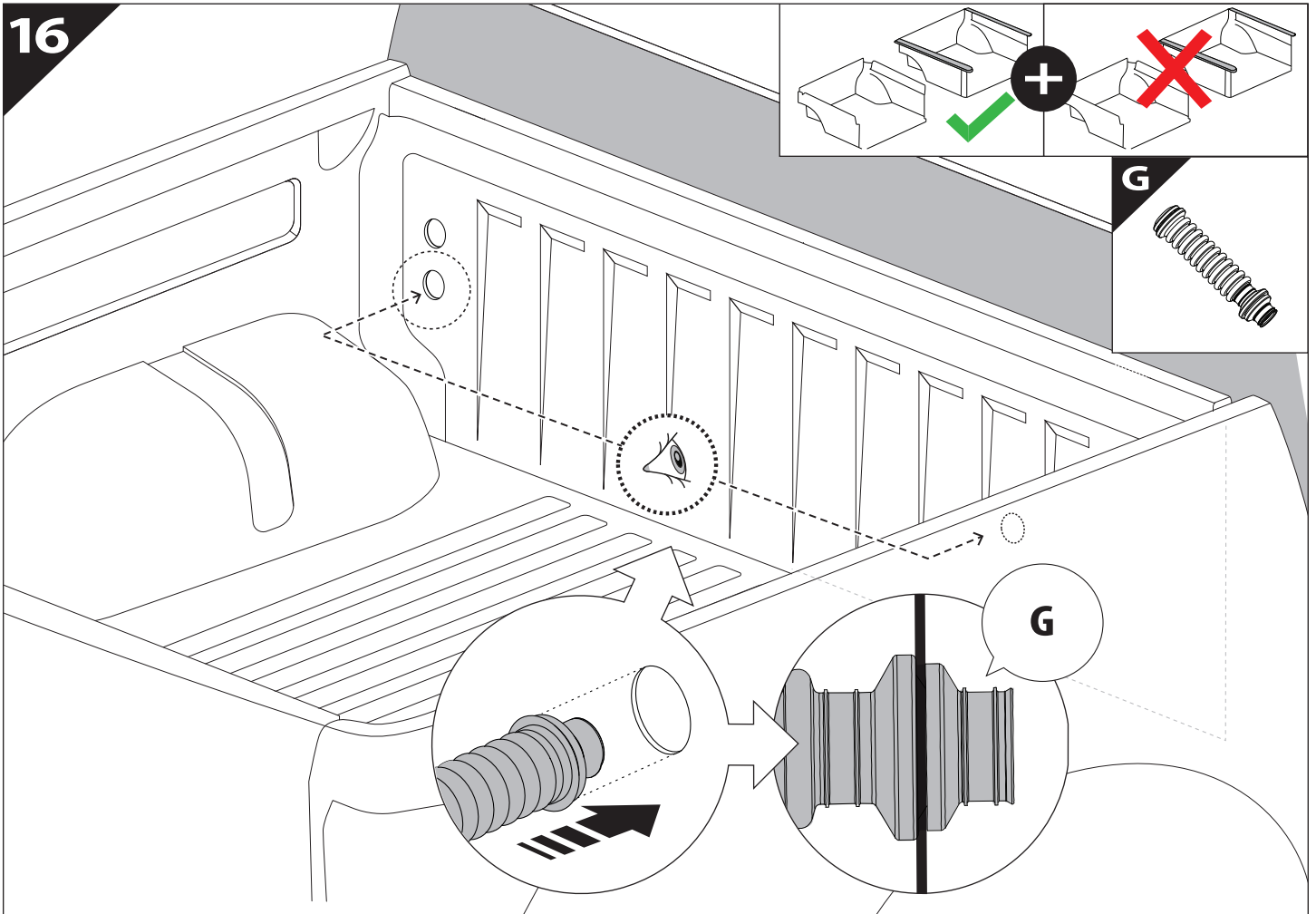
15.2



15.3

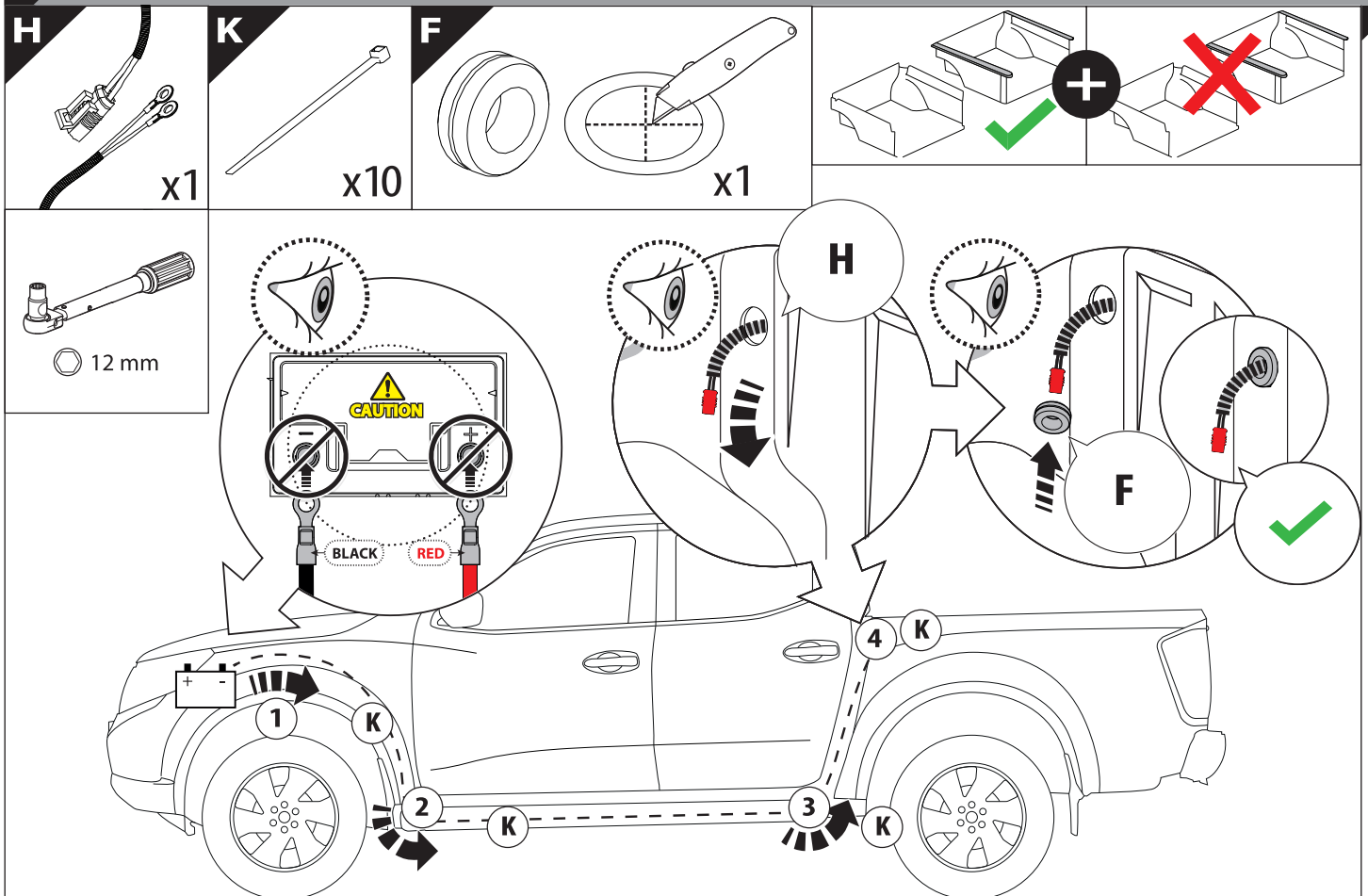


16

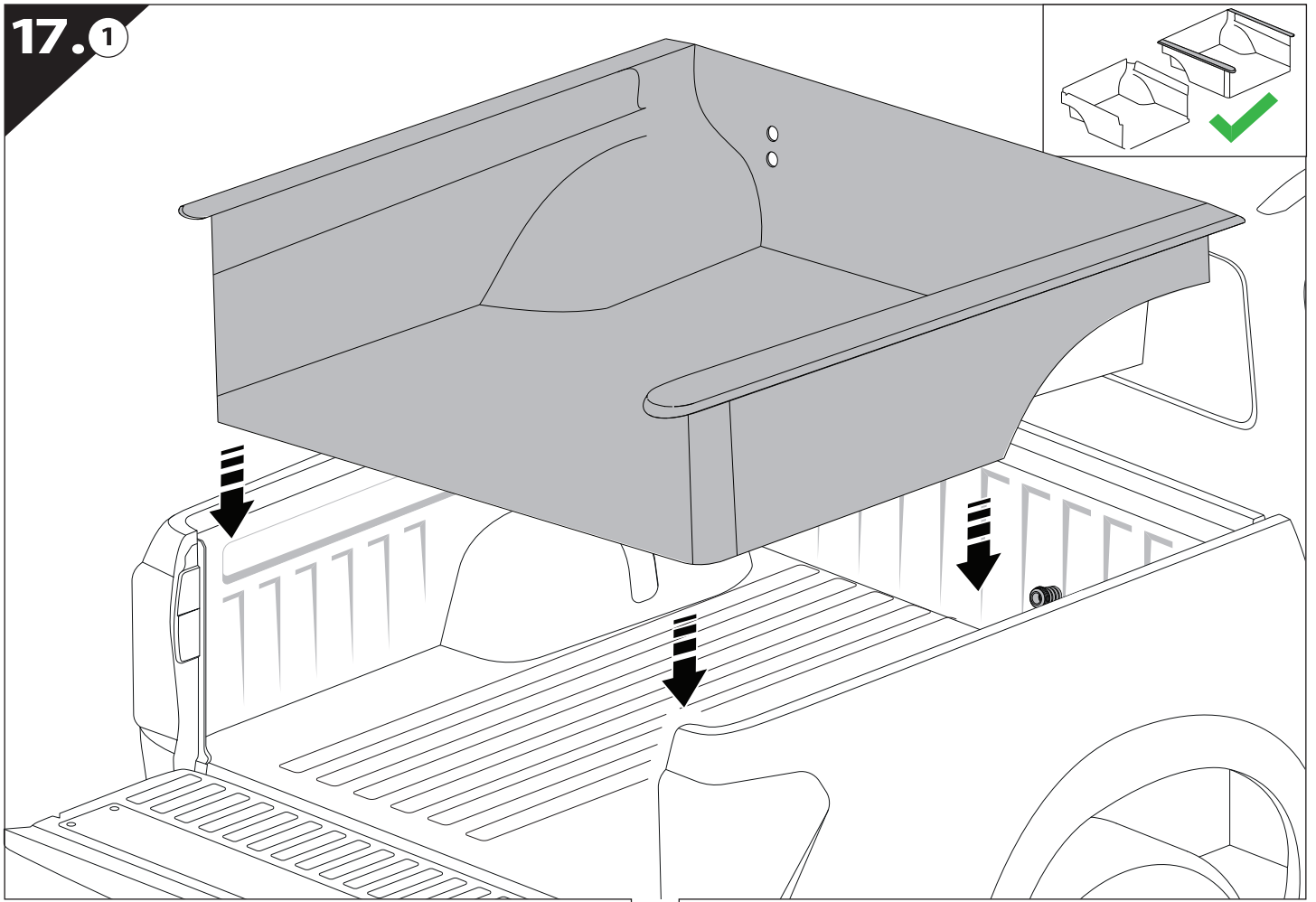


17

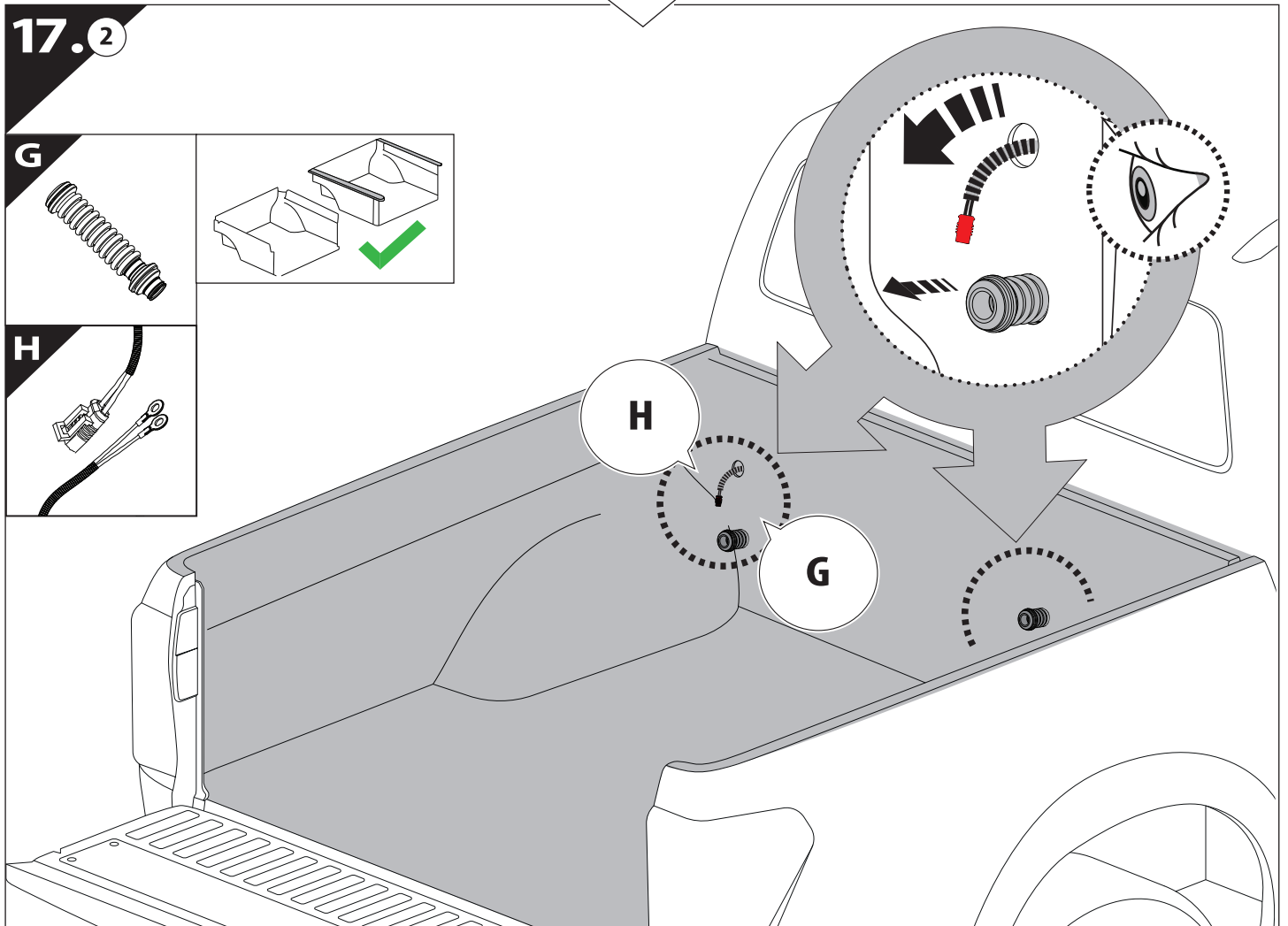
Only to be installed by authorized personnel



17.1



17.2

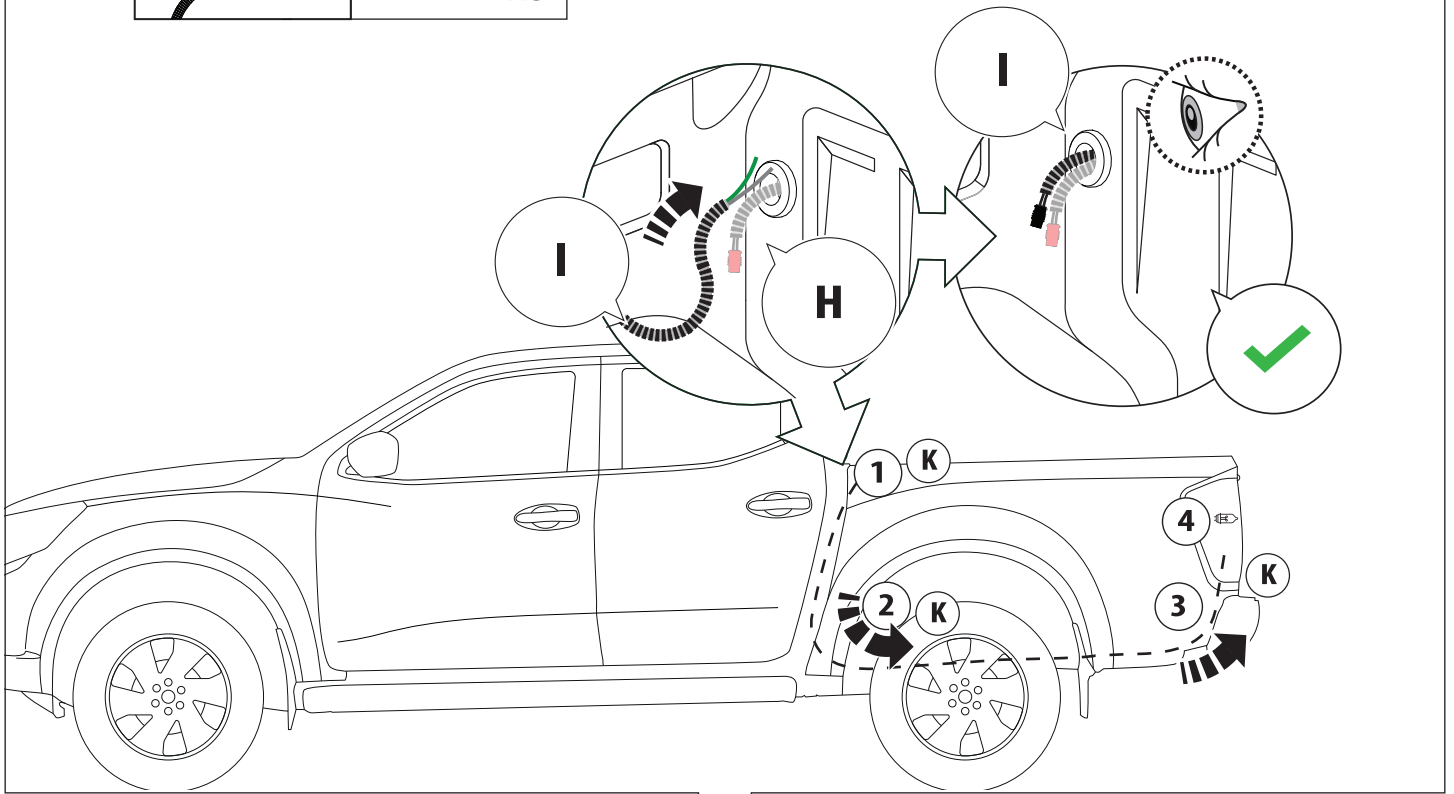
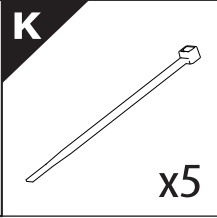
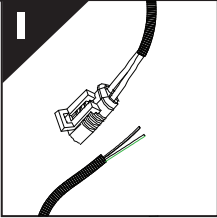




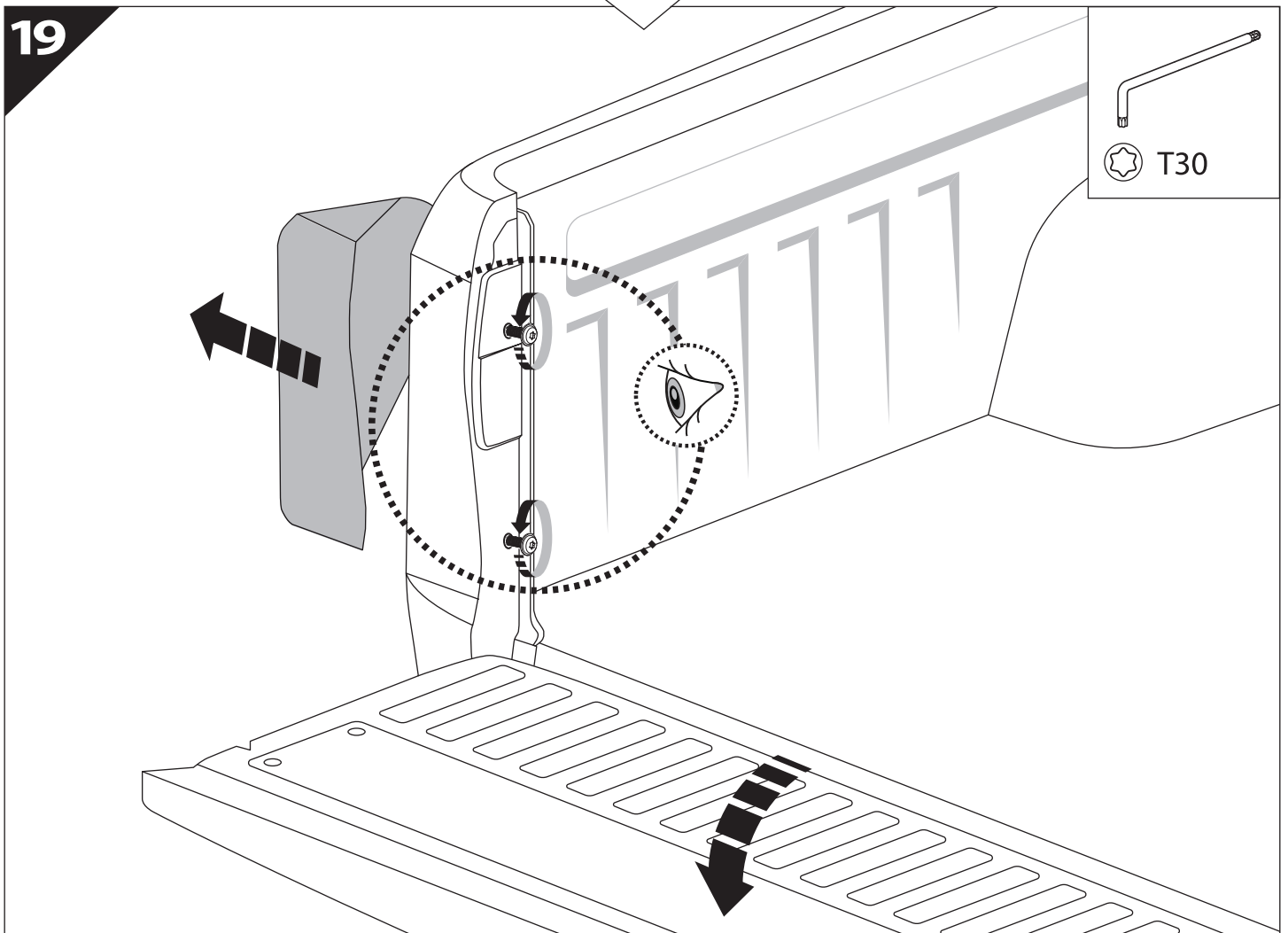
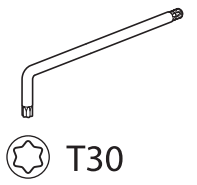
18

I

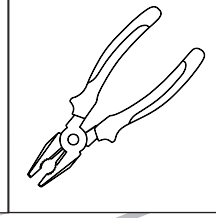
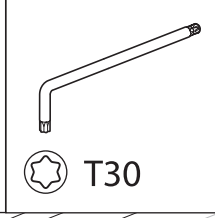
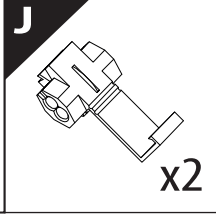
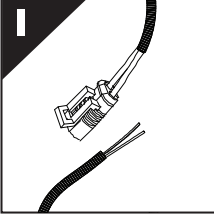
K



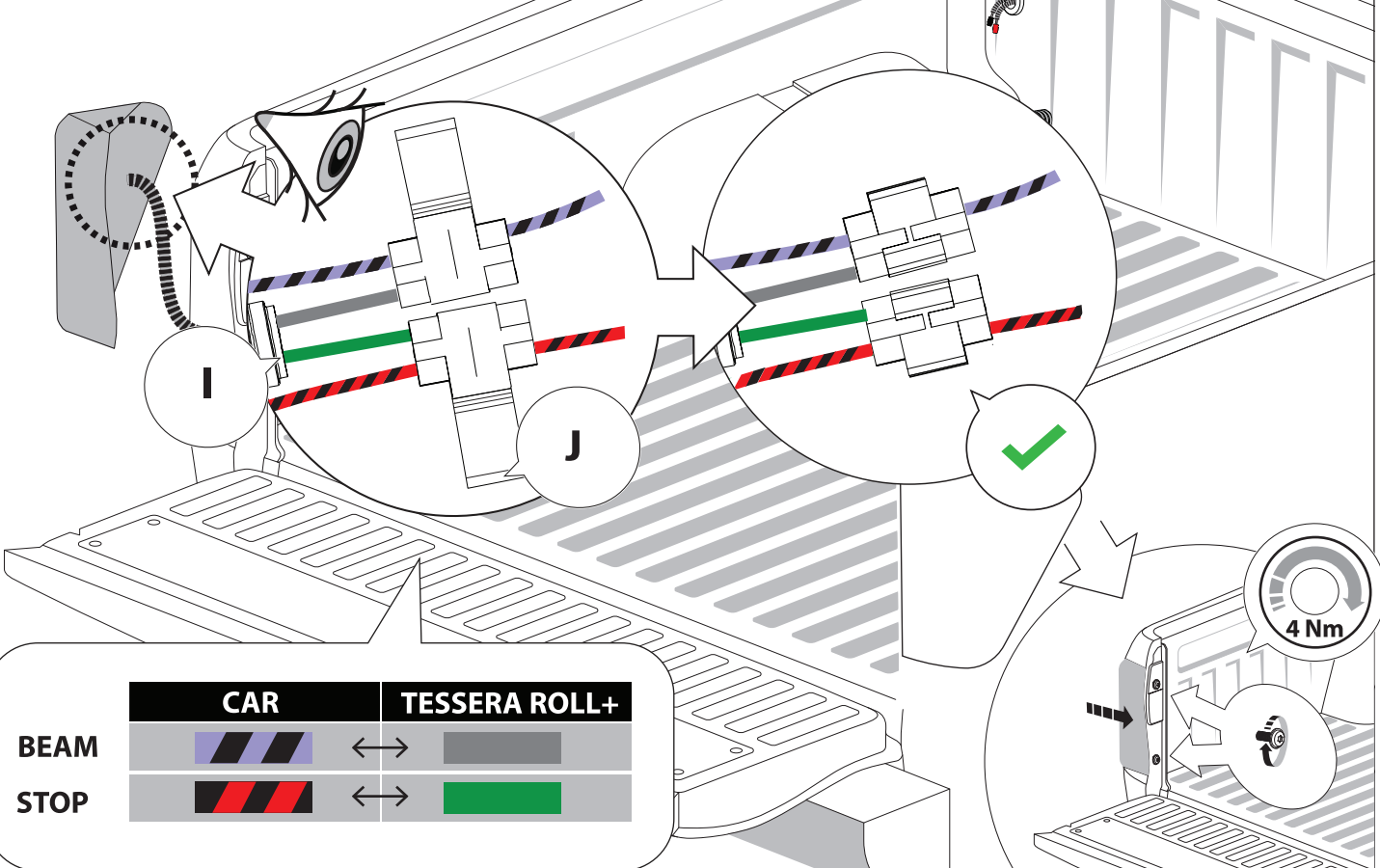
19



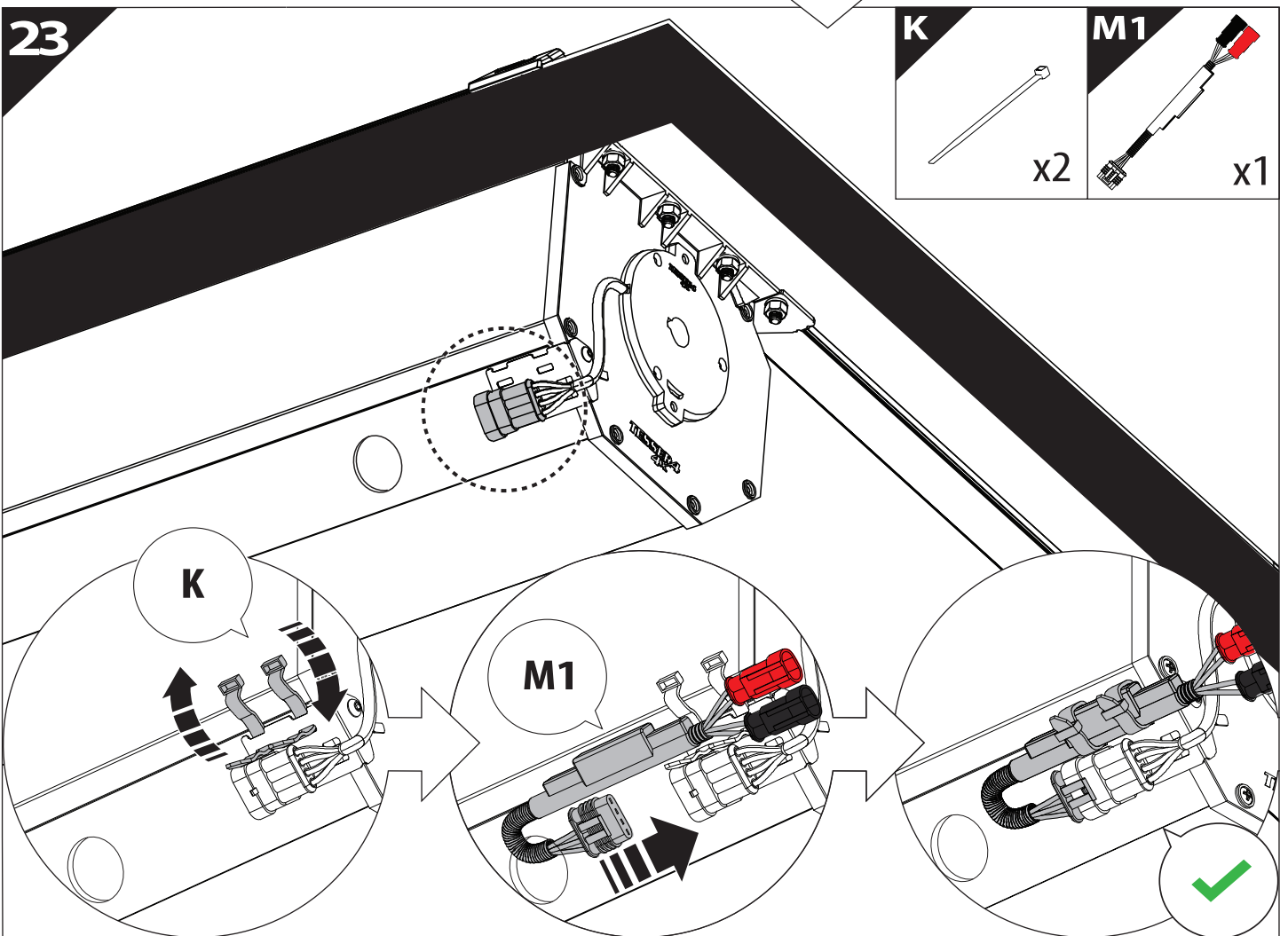
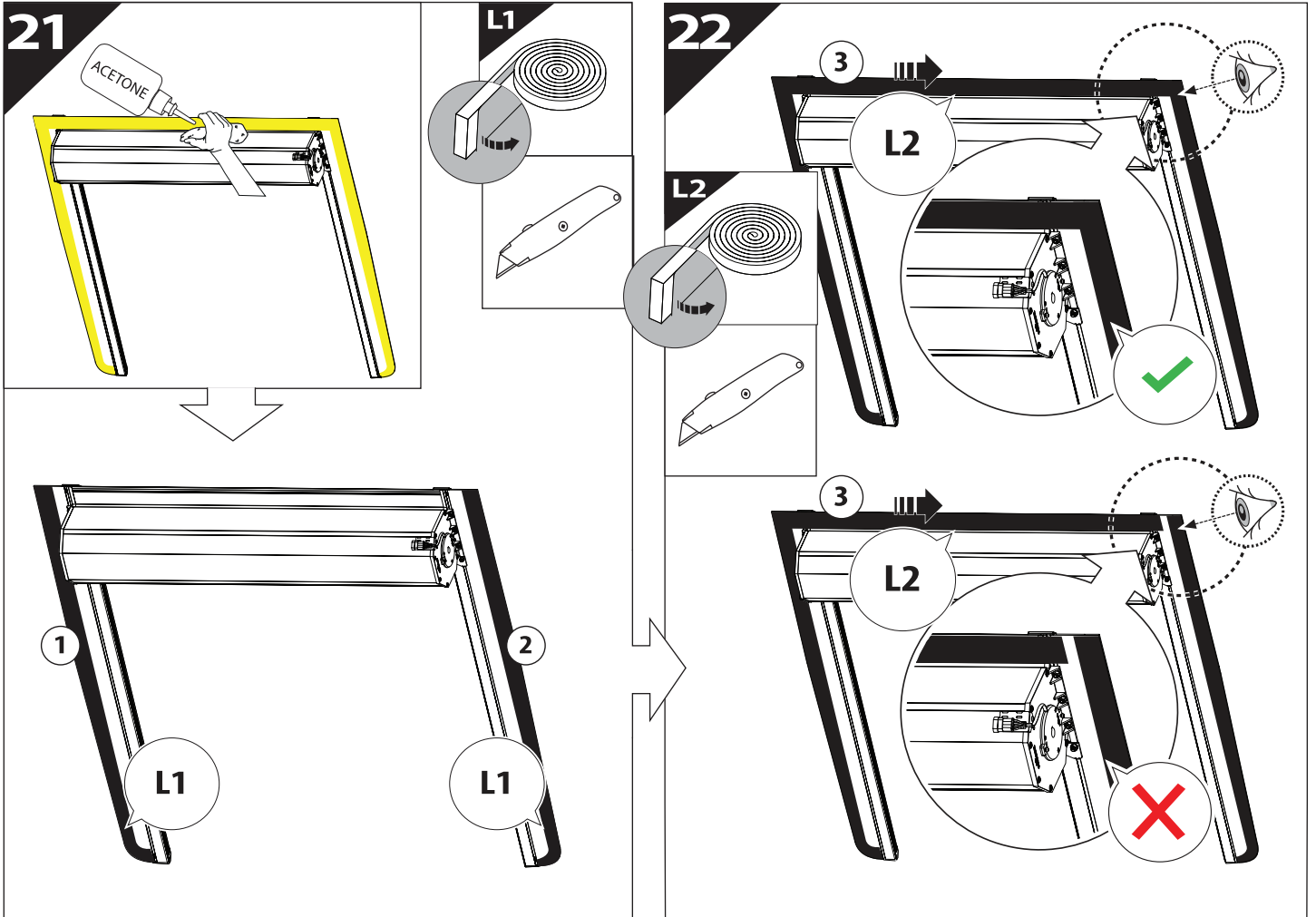
20



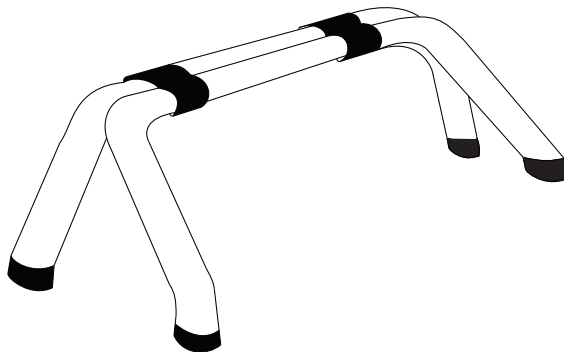
x2 T30



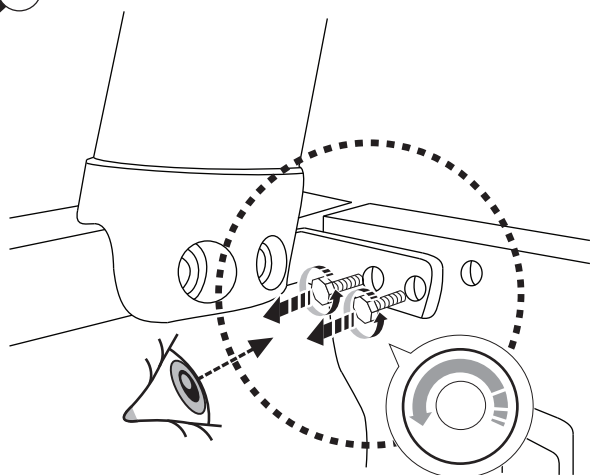
	CAR		TESSERA ROLL+
BEAM		↔	
STOP		↔	



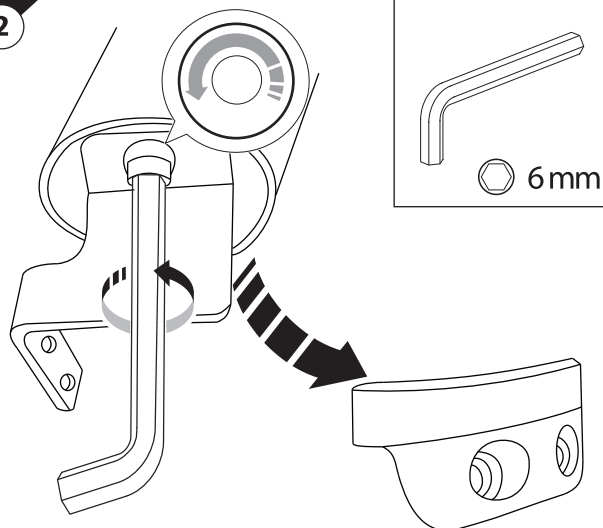
24



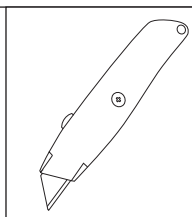
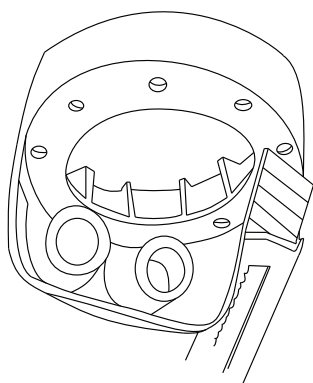
24.1



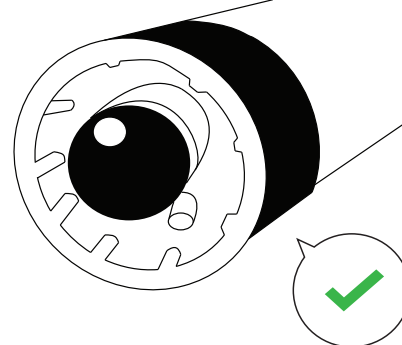
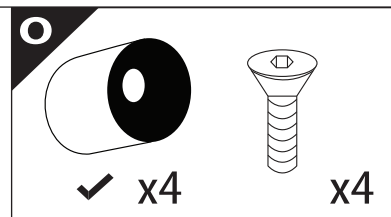
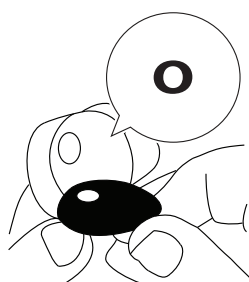
24.2



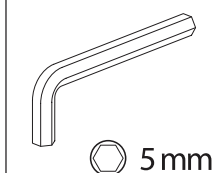
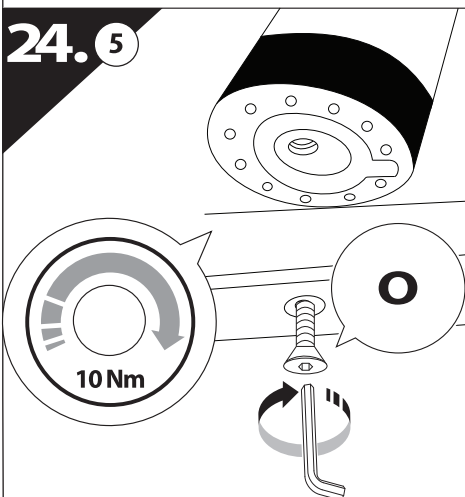
24.3



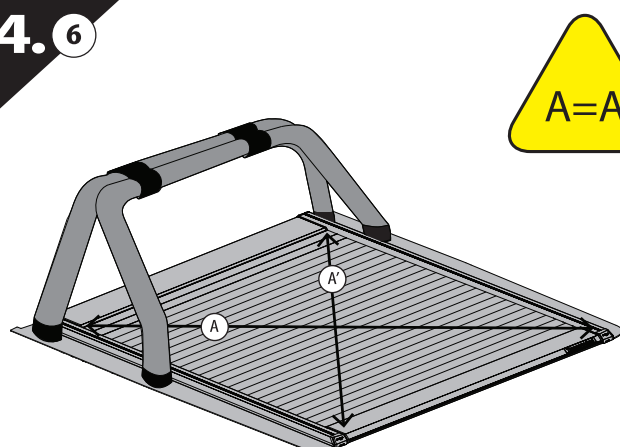
24.4

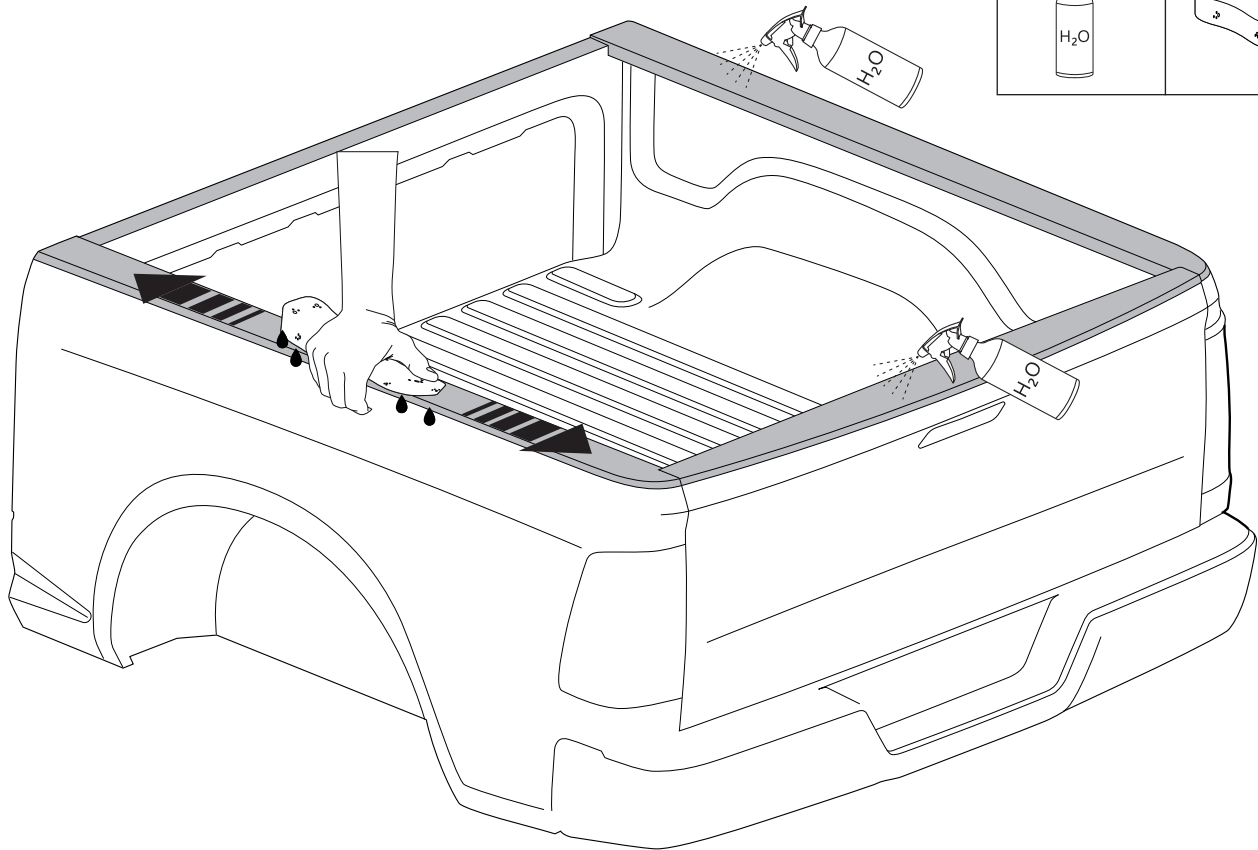
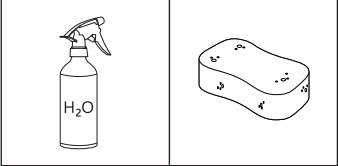


24.5

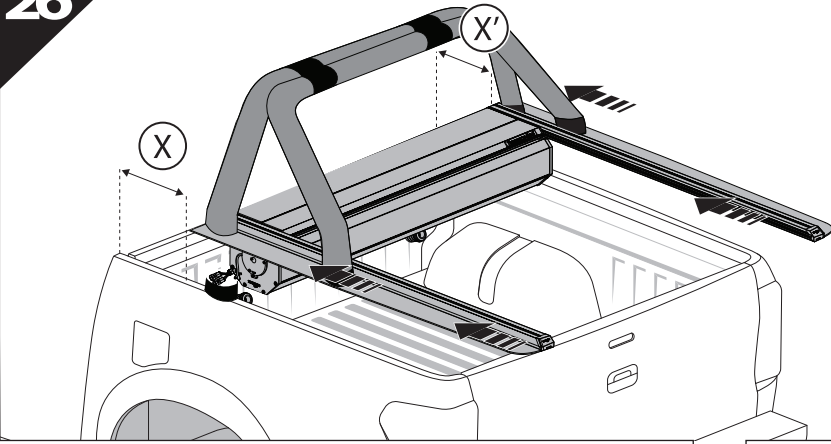


24.6

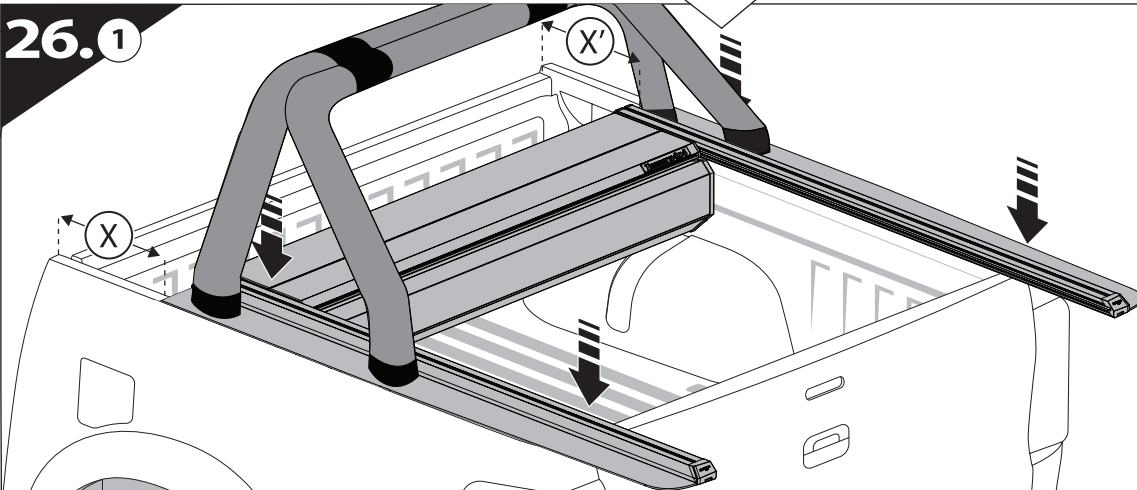




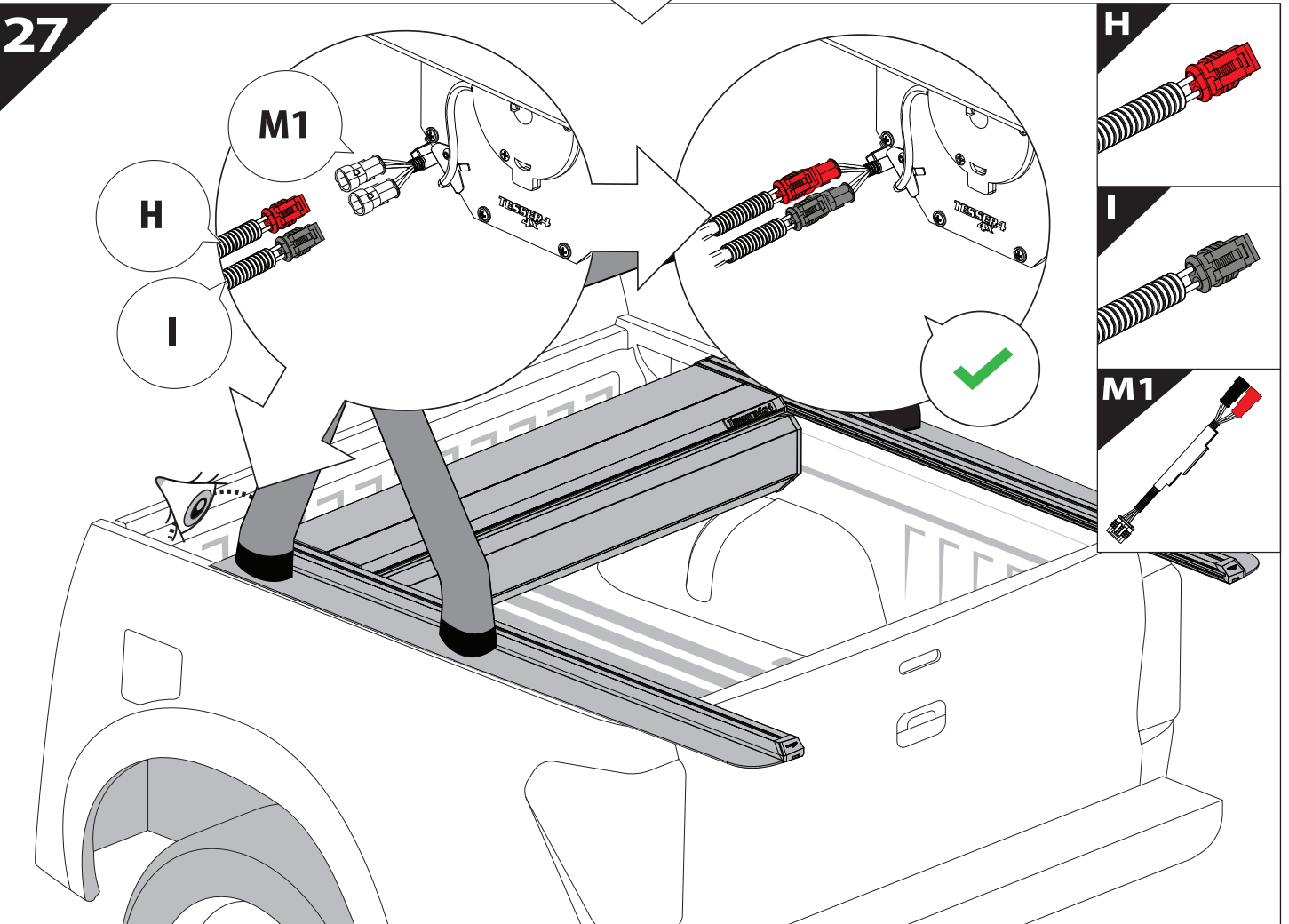
26



26.1

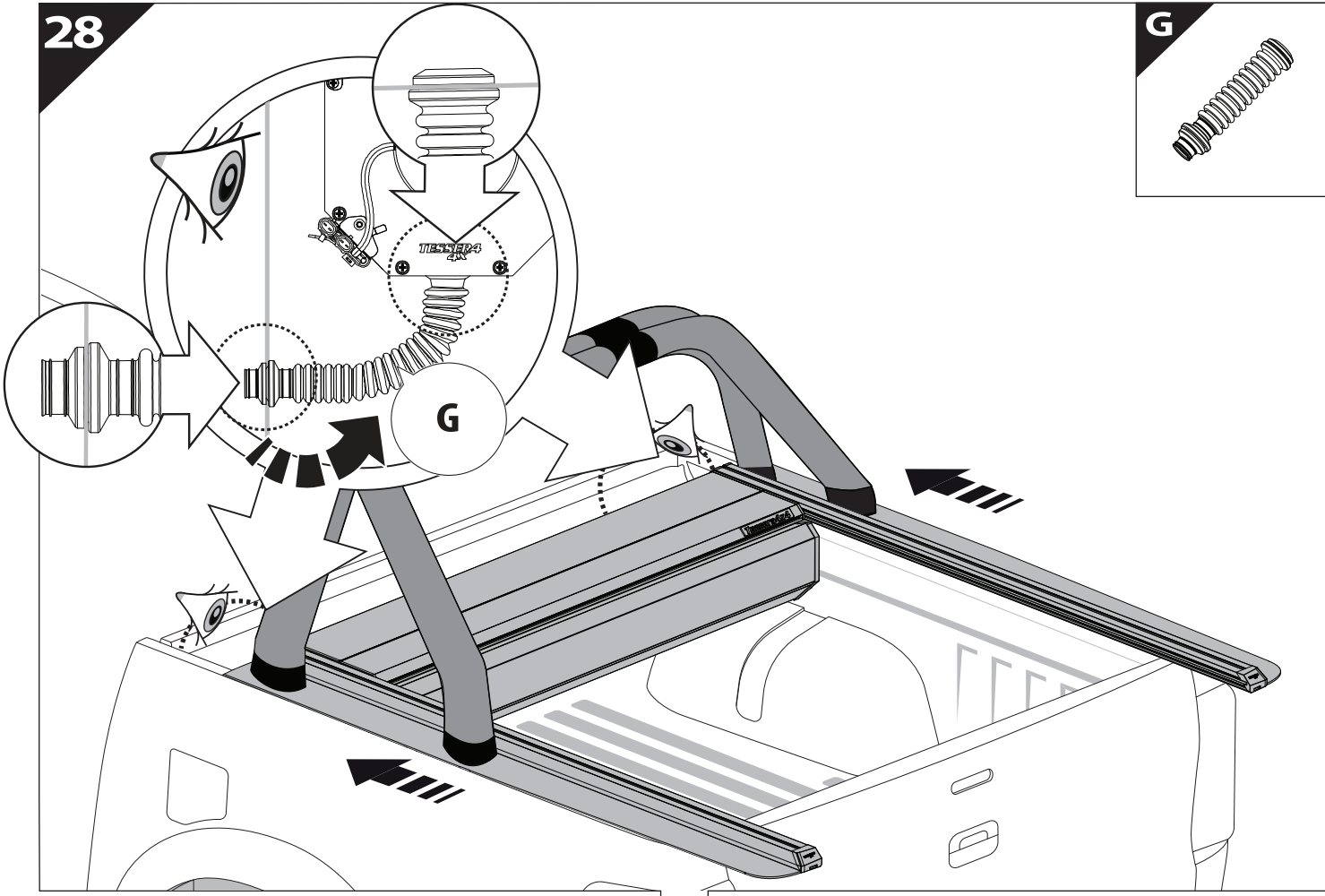


27

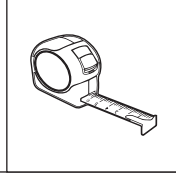
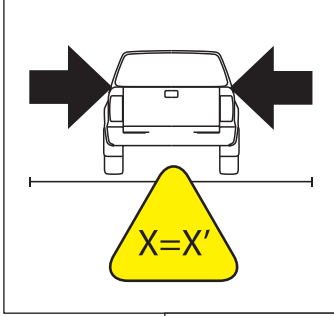
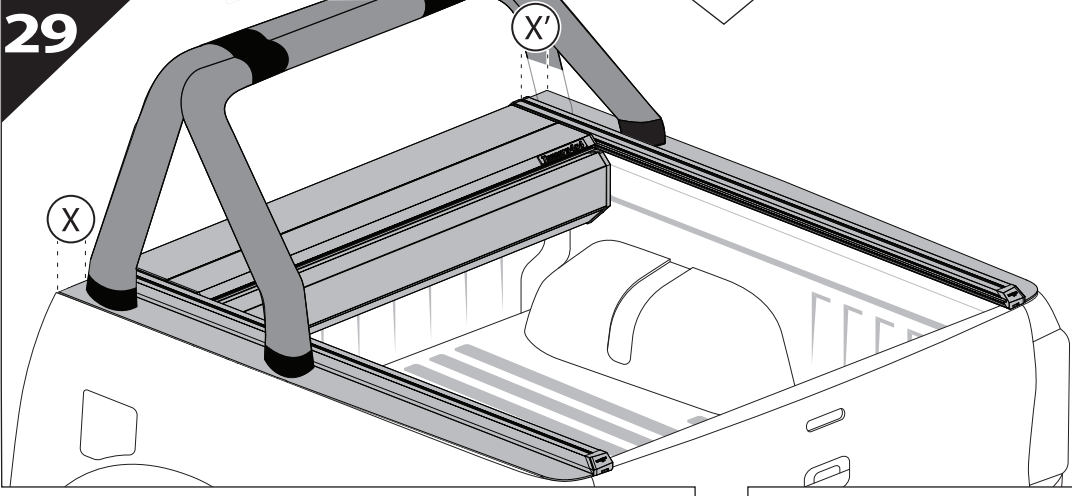


28

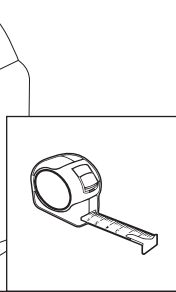
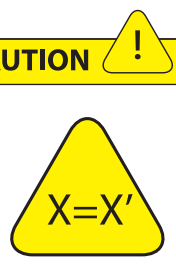
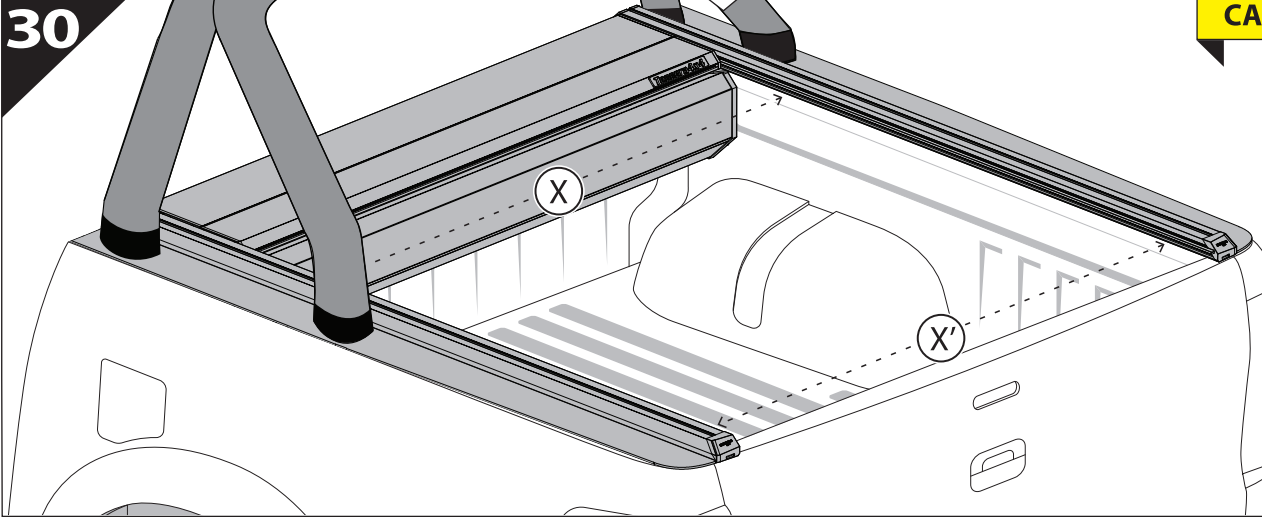
G



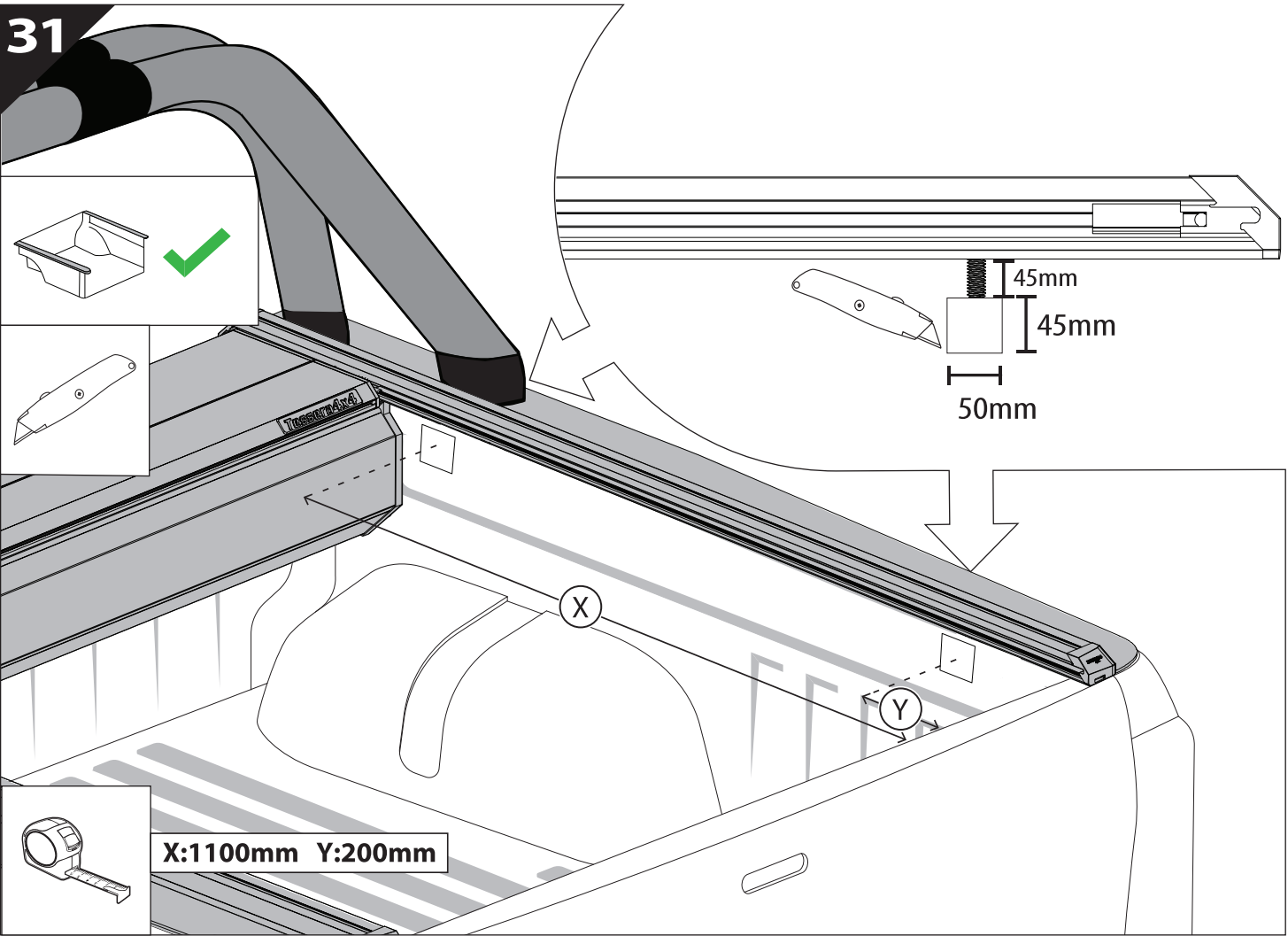
29



30

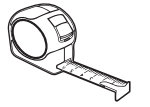
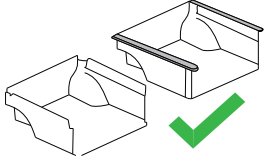
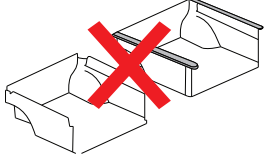
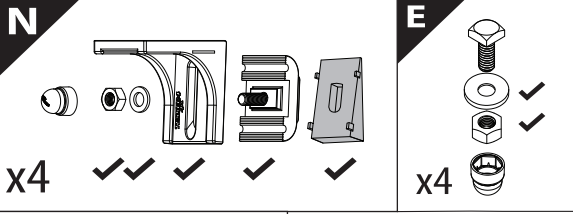


31

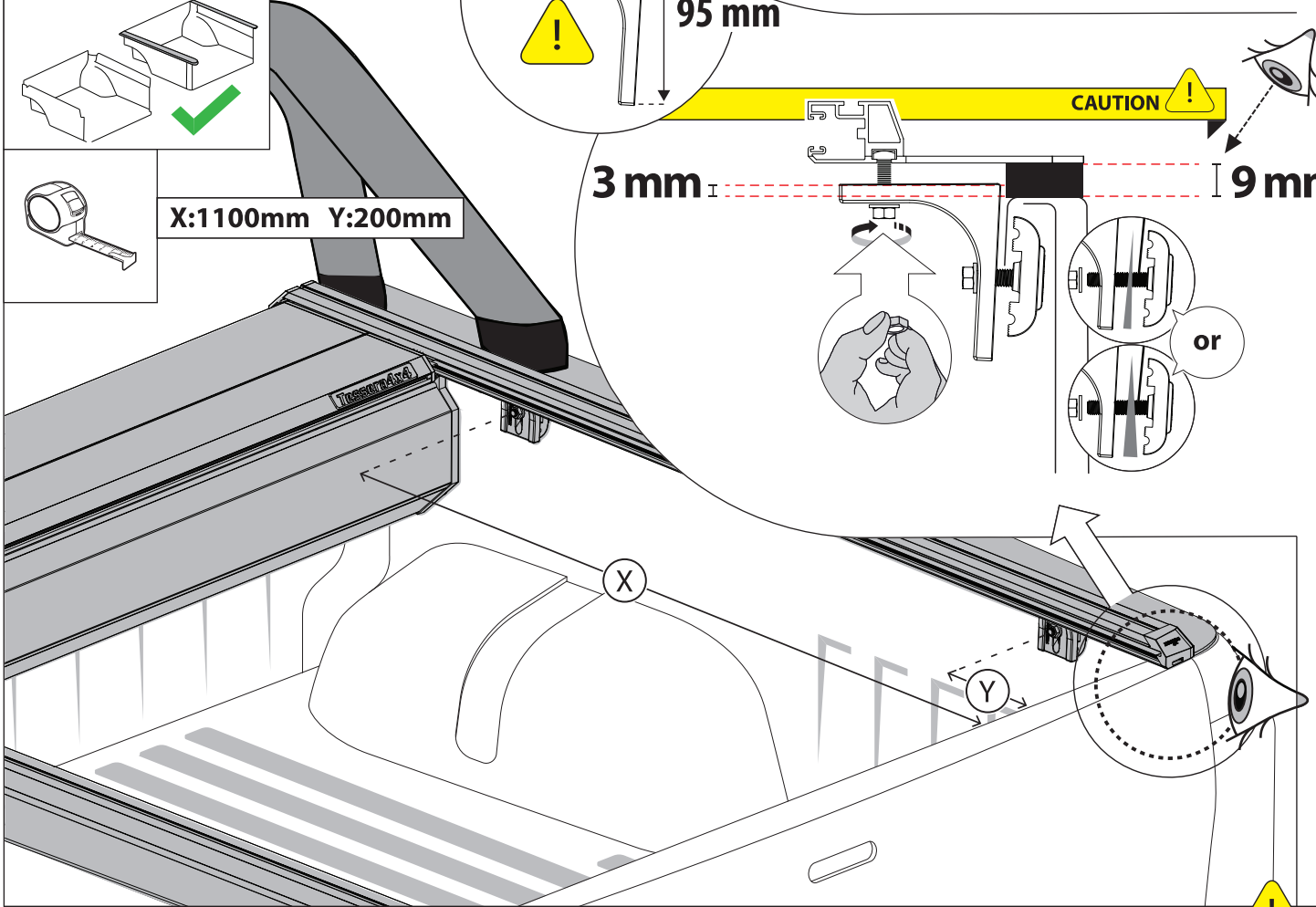




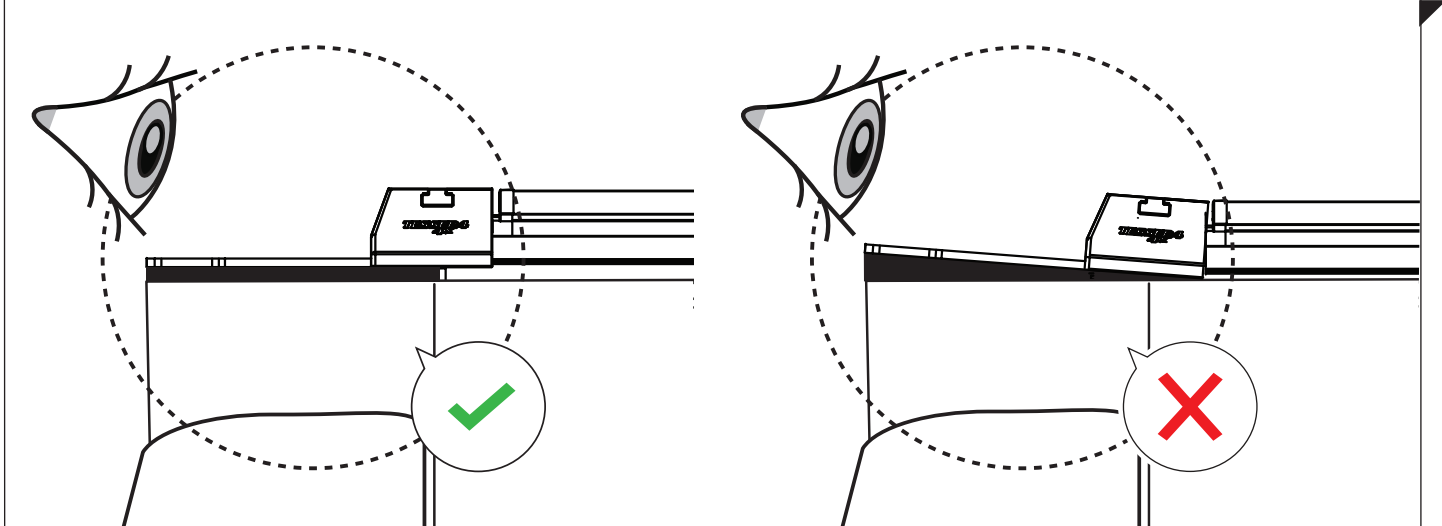
32

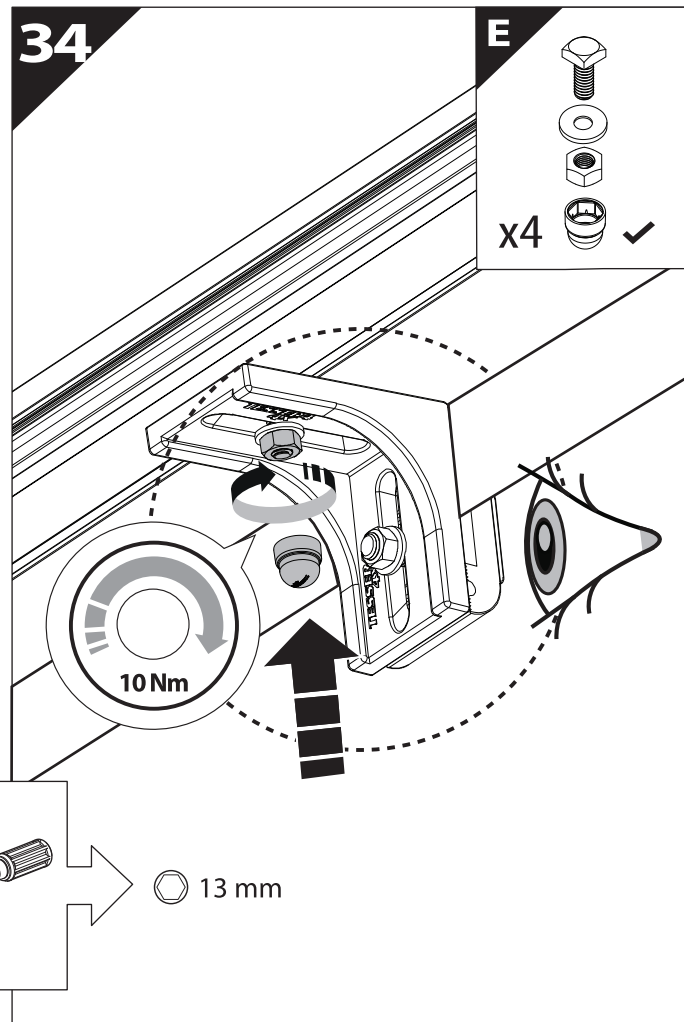
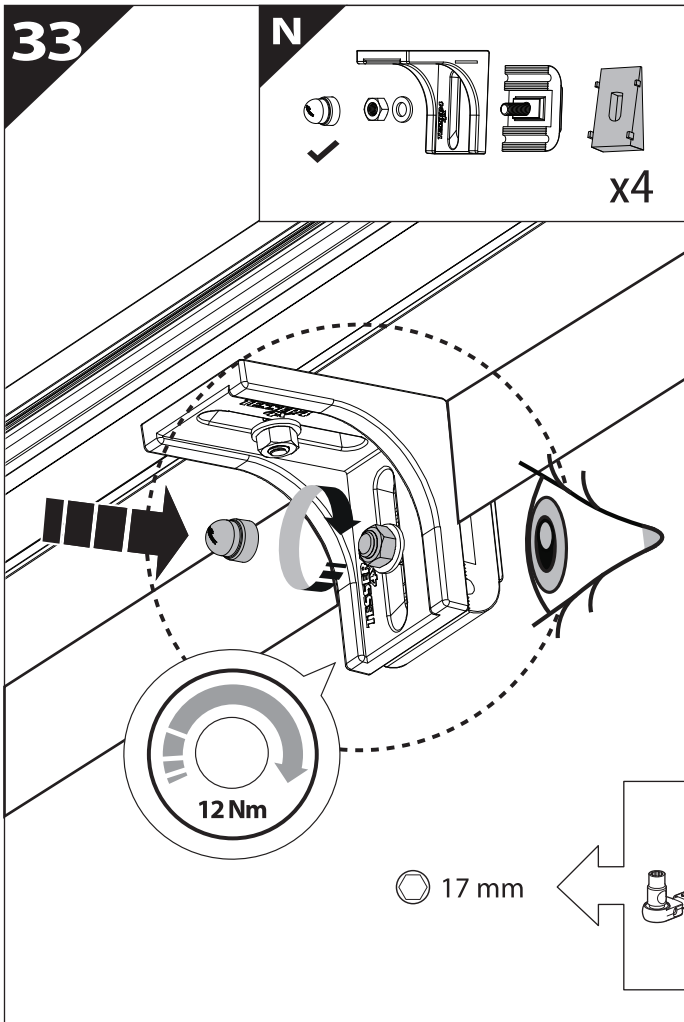


X:1100mm Y:200mm

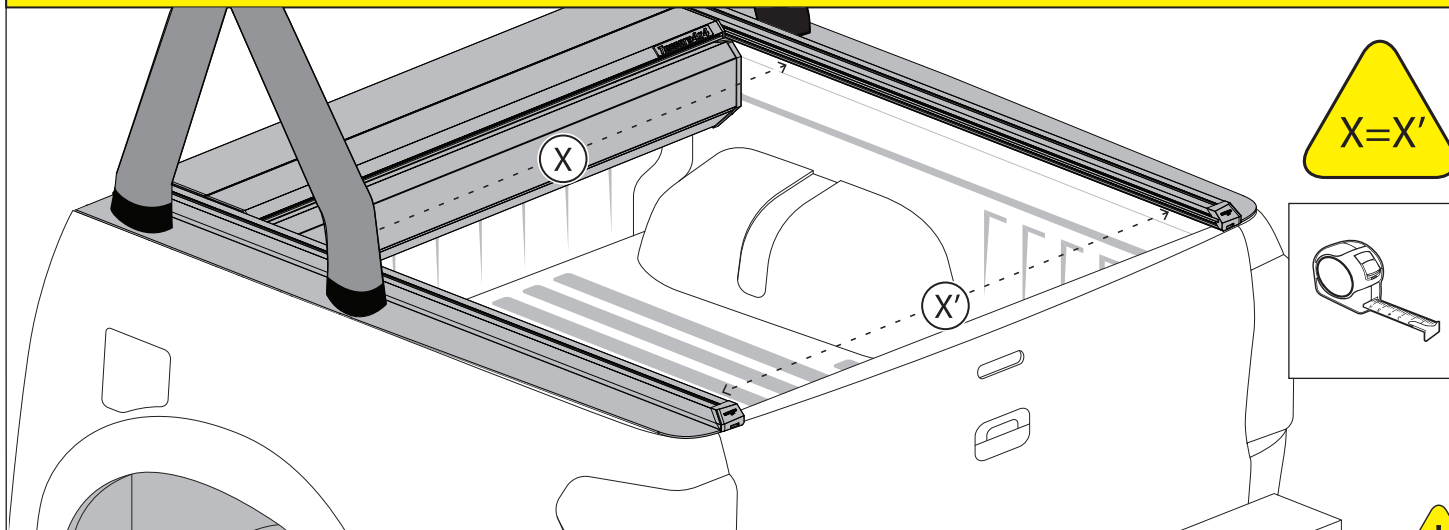


CAUTION !

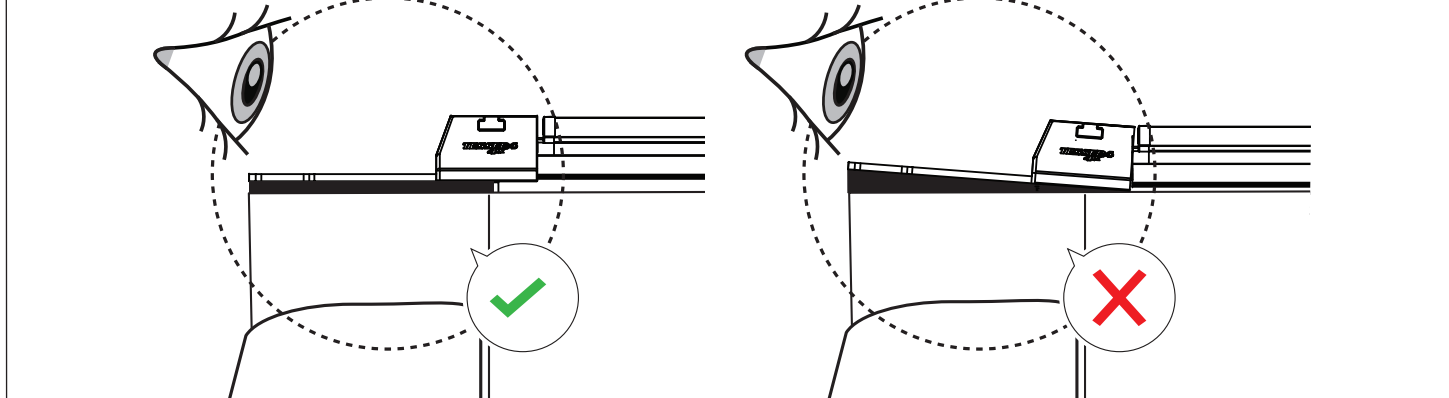




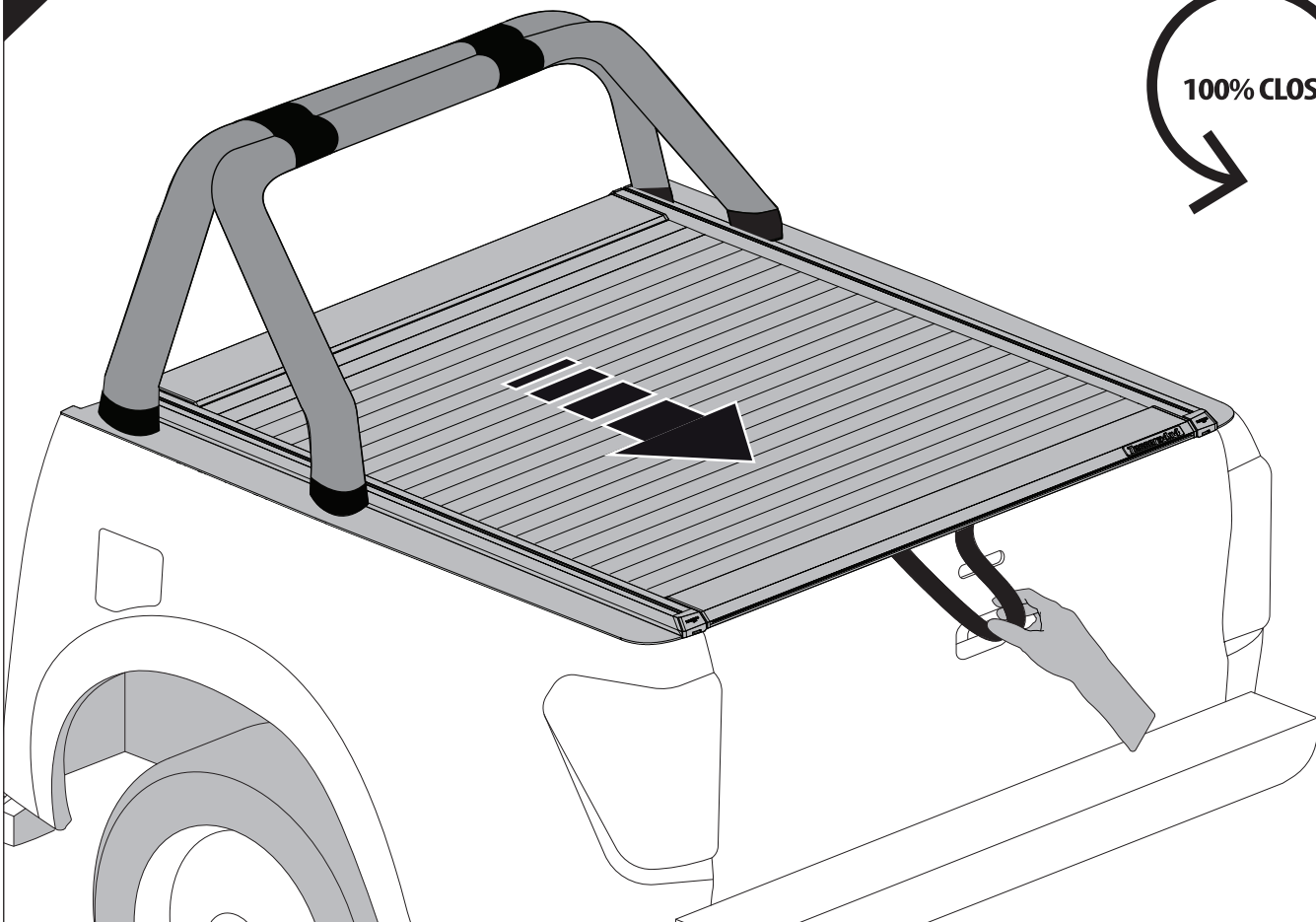
**CAUTION !**



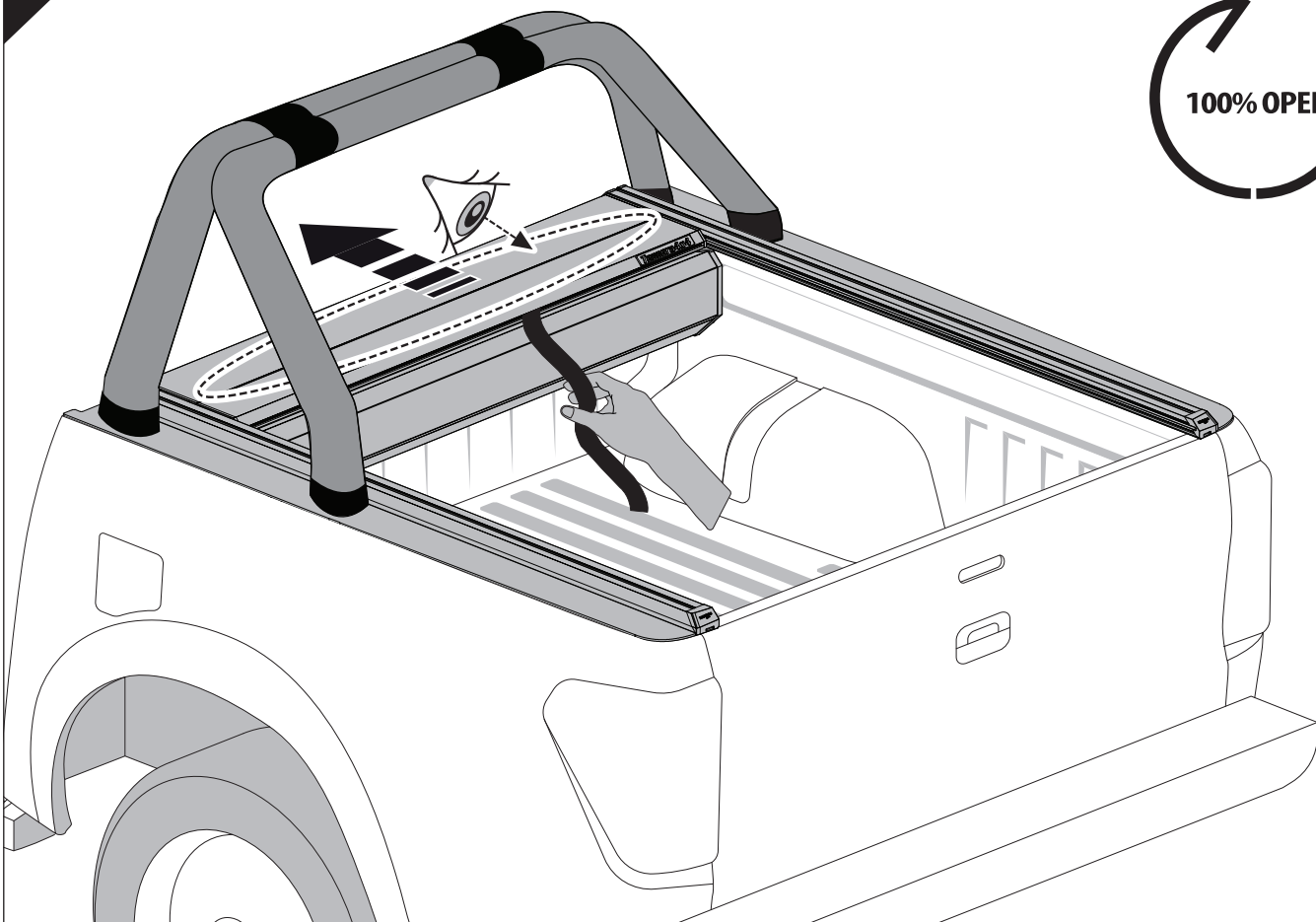
**CAUTION !**



35



36





**GR:** Οδηγίες Εγκατάστασης  
**GB:** Installation manual  
**SF:** Asennusohje  
**F:** Notice de montage  
**PL:** Instrukcja montażu  
**NL:** Installatie-instructies  
**TR:** Montaj Talimatı  
**S:** Monteringsanvisning  
**E:** Instrucciones de montaje

**H:** Szerelési utasítás  
**P:** Instruções de instalação  
**RUS:** Инструкция по установке  
**N:** Monteringsveiledning  
**D:** Einbauanleitung  
**CZ:** Návod k instalaci  
**I:** Istruzioni de montaggio  
**DK:** Monteringsvejledning  
**RO:** Instructiuni de instalare

Customer Service:

+30 (210) 5541161, +30 (210) 5541154 (08:00 - 16:00 EET)

Support department:

[info@gianso.gr](mailto:info@gianso.gr)

Website:

[www.tessera4x4.com](http://www.tessera4x4.com)

Address:

19.5 km of National road Athens-Korinthos (Elefsina) Greece, P.C: 19200