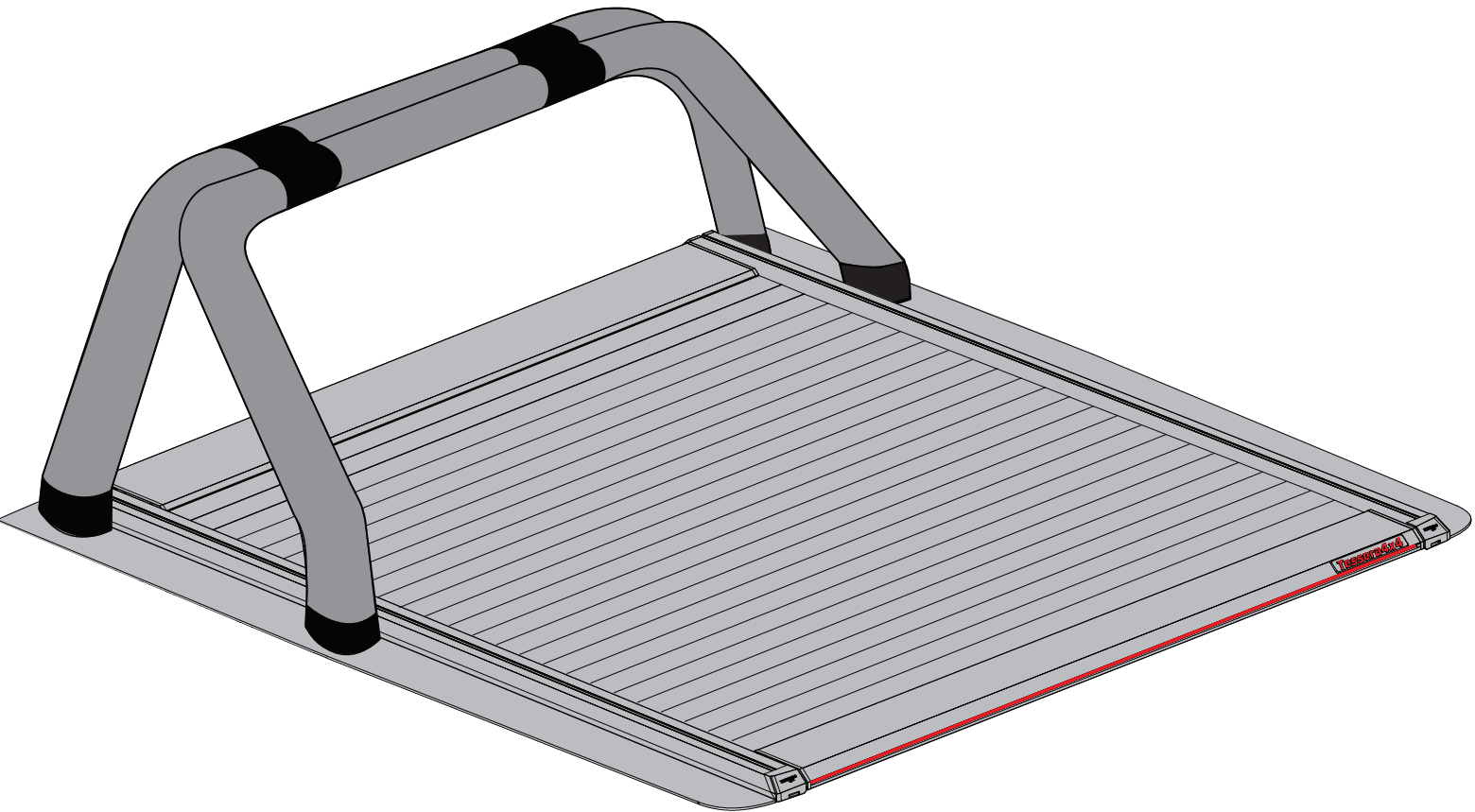


# Tessera Roll+

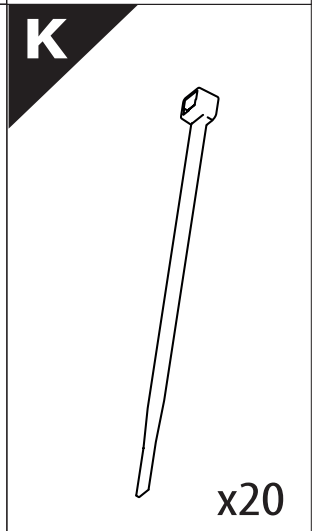
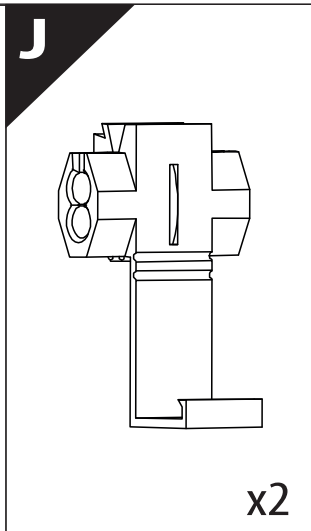
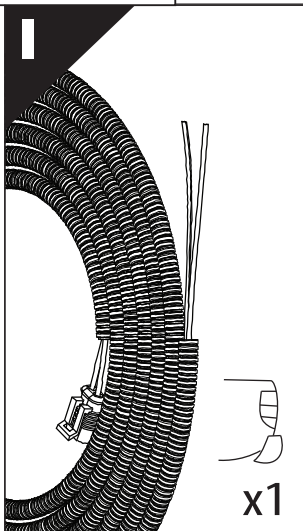
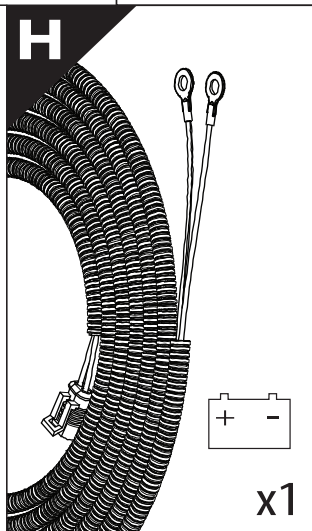
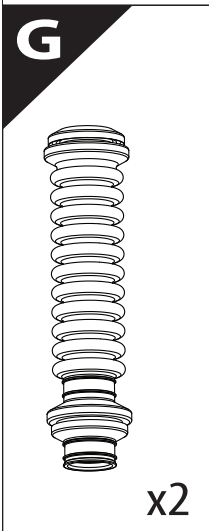
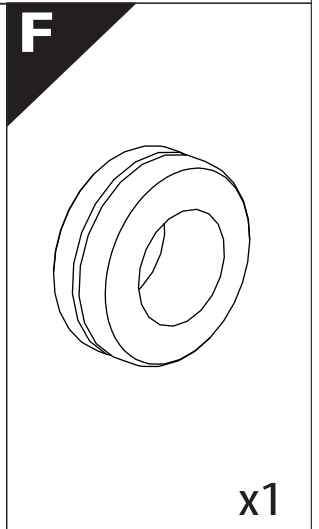
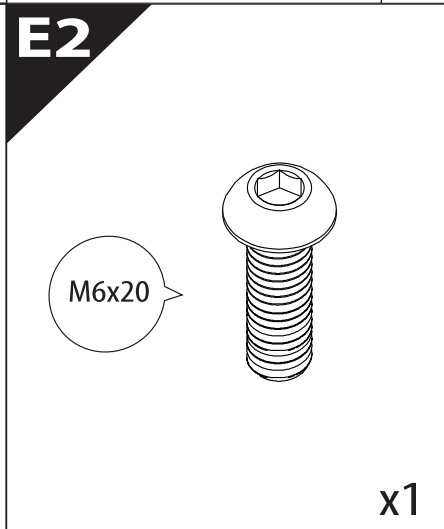
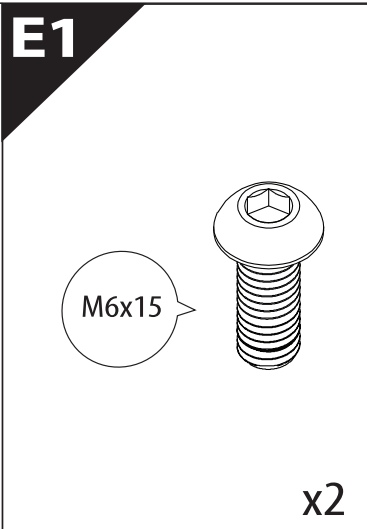
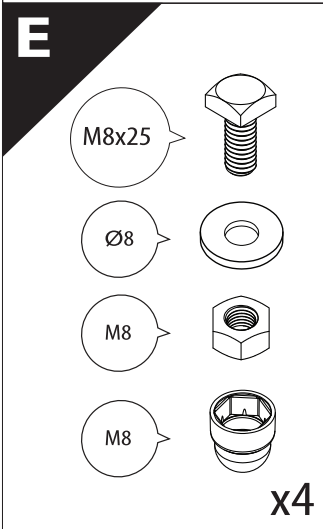
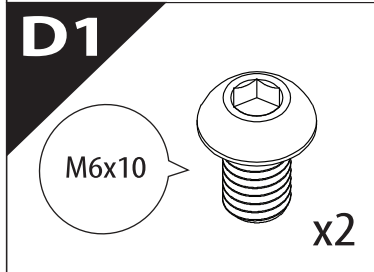
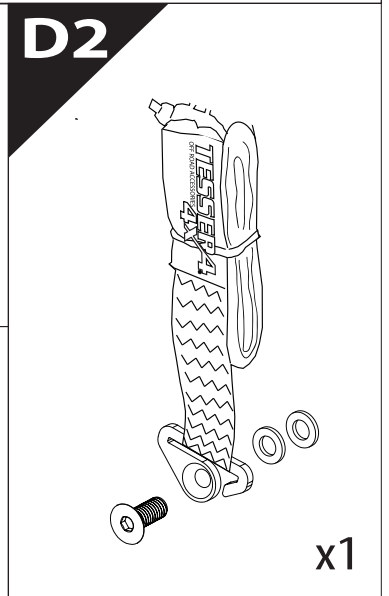
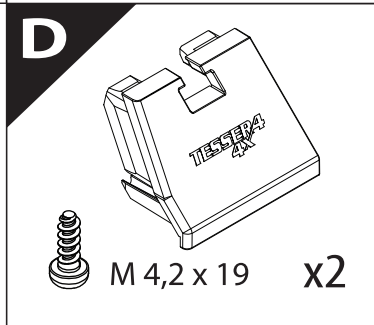
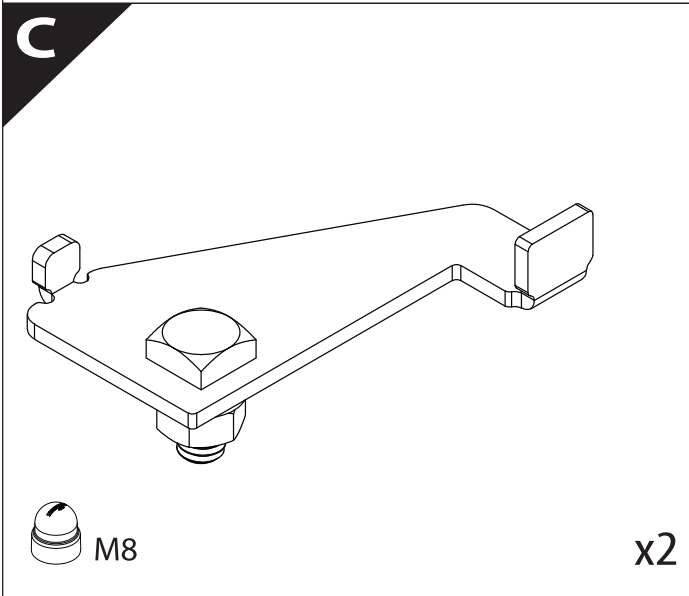
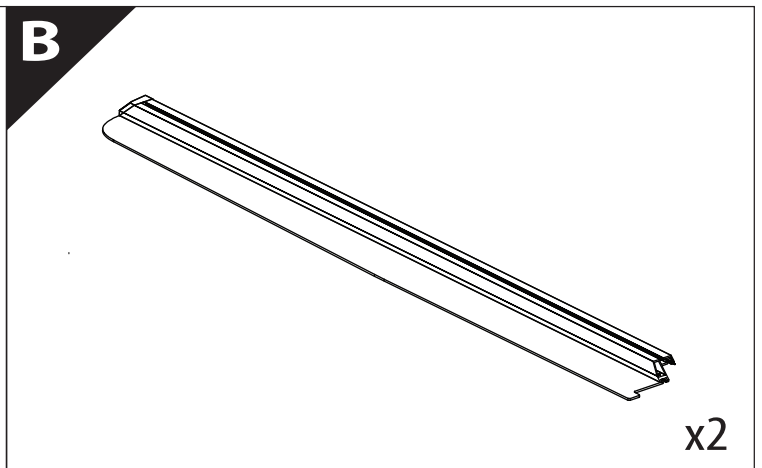
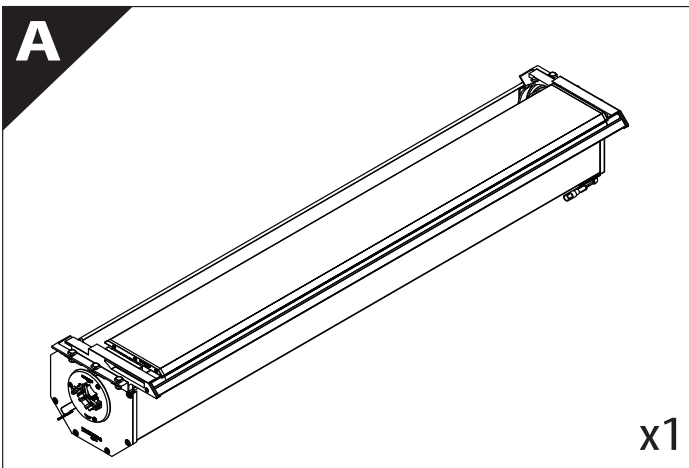
Basic Version + ⚡ E-KIT

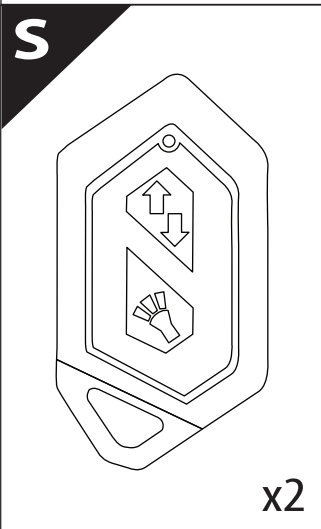
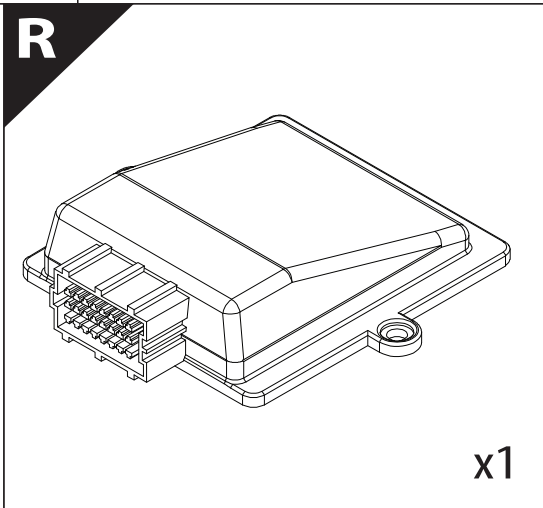
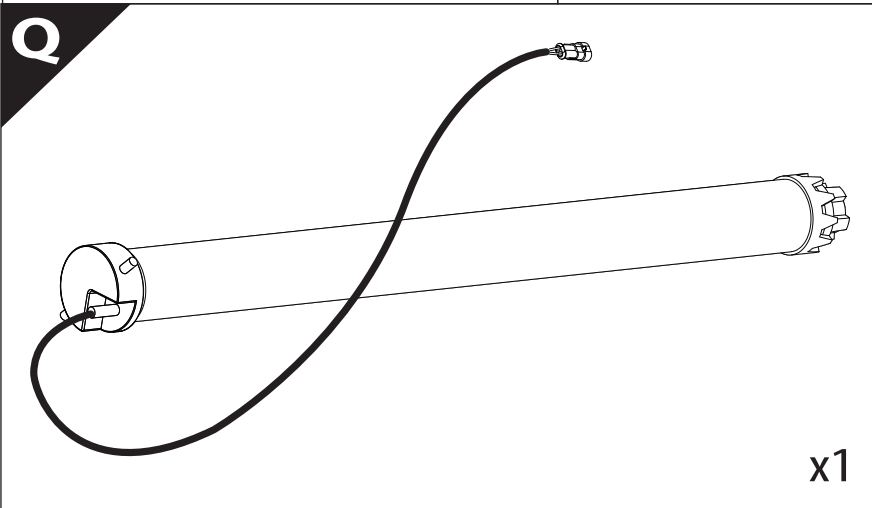
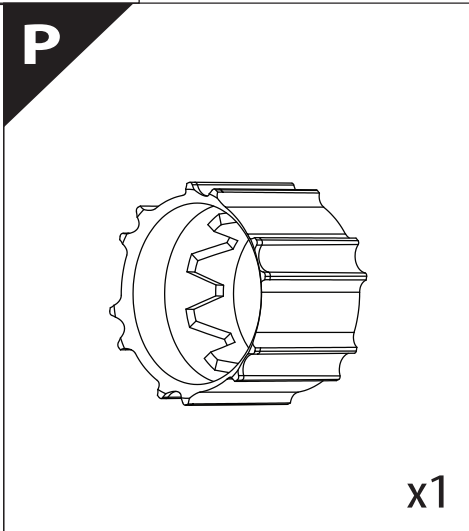
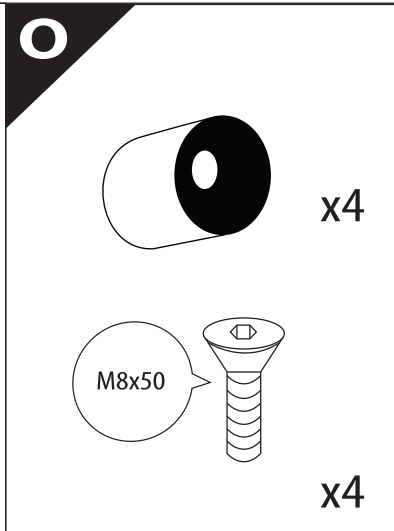
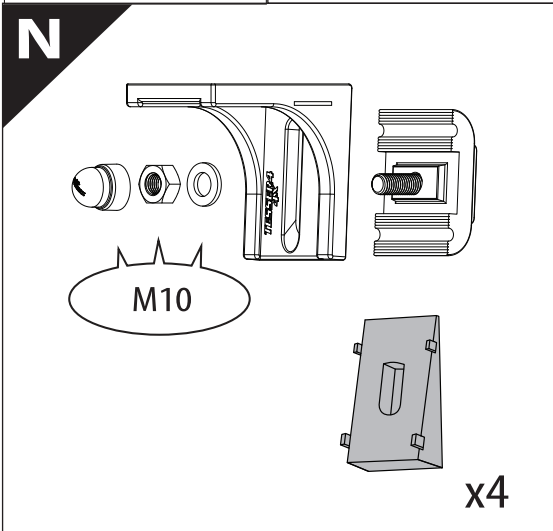
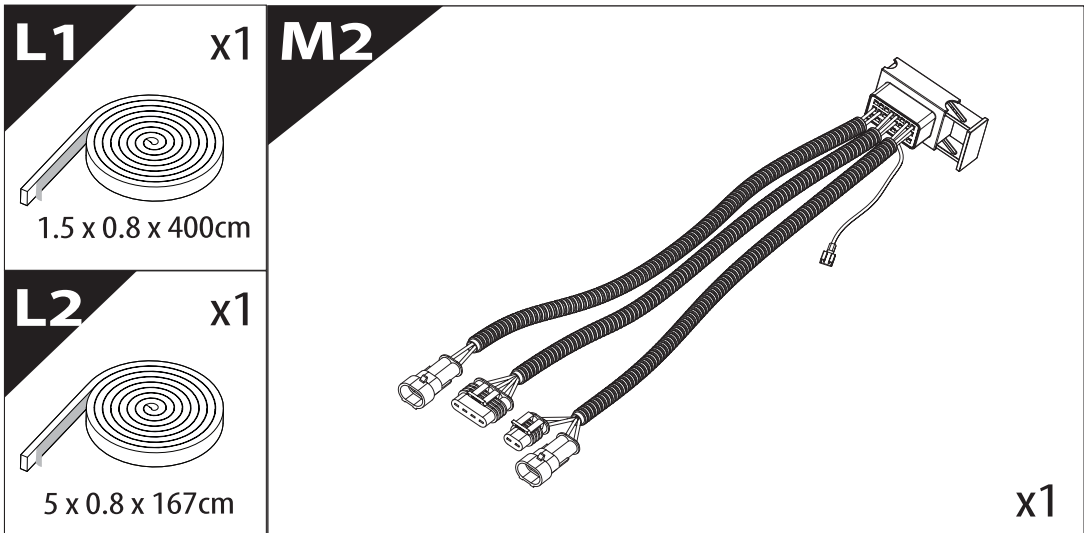


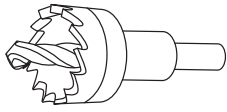
## Installation Manual

PART NUMBER(S)	Model Year
TESS 1401 ROLL+ ADAPT 006 +E-KIT	VW Amarok WITH OEM ROLL BAR 2010-2021
Cab(s)	Installation Time / Weight
Double Cab	40-60 minutes / 53-57 kg

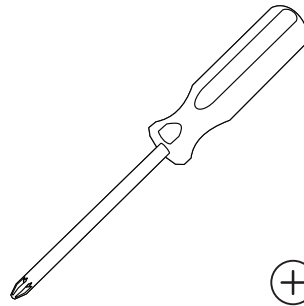
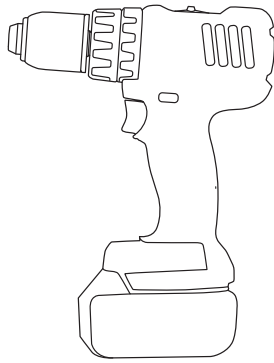




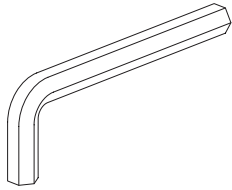
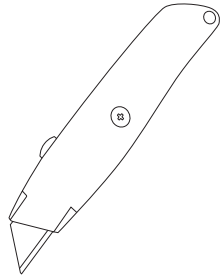
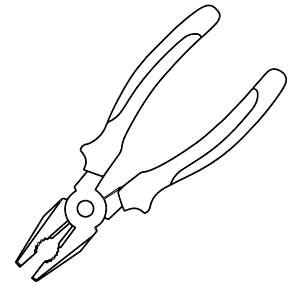




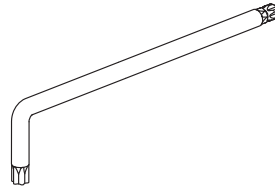
Ø 25 mm / Ø 40 mm



+

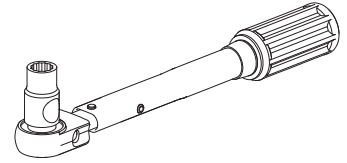


4, 5, 6 mm



T 30

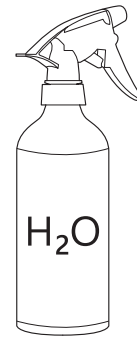
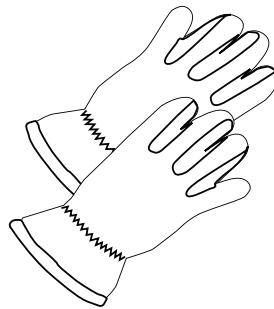
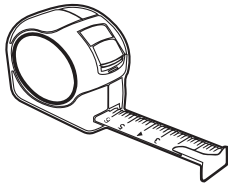
1 - 25 Nm



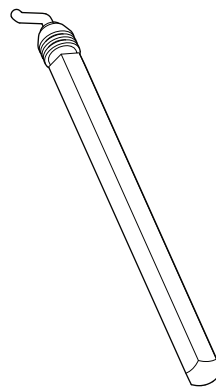
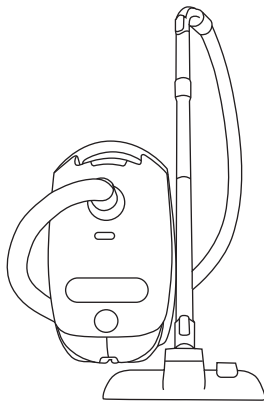
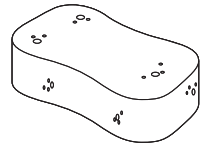
10, 12, 13, 17 mm



ACETONE



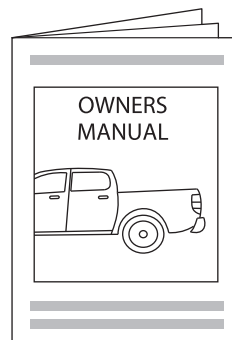
H<sub>2</sub>O



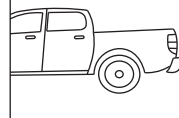
ANTI-RUST



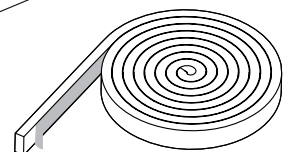
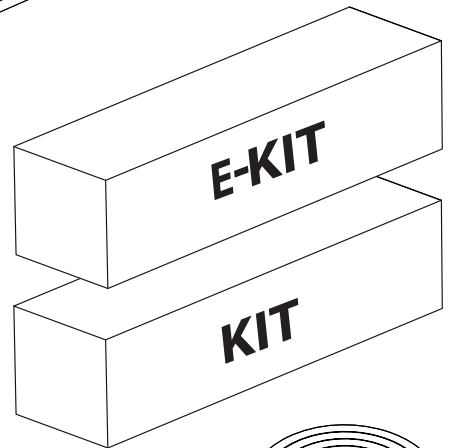
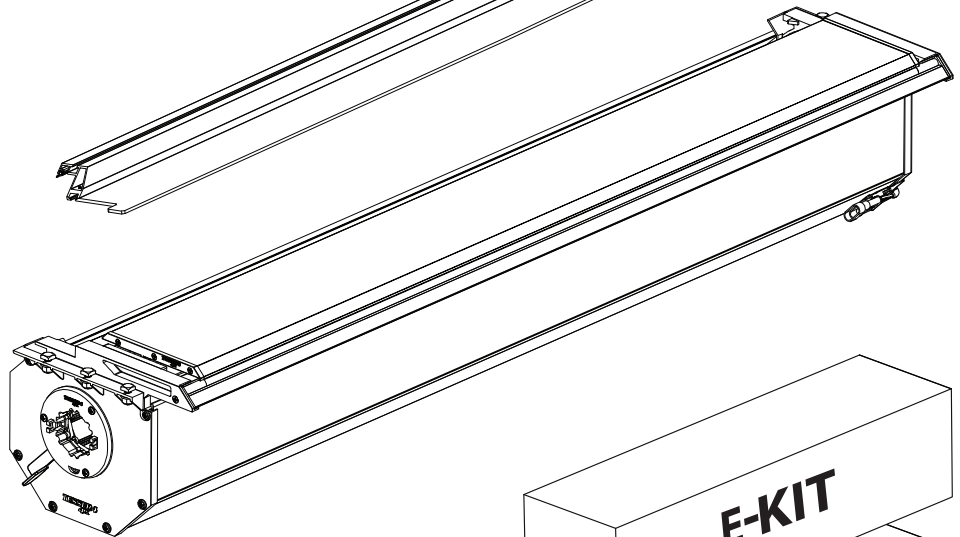
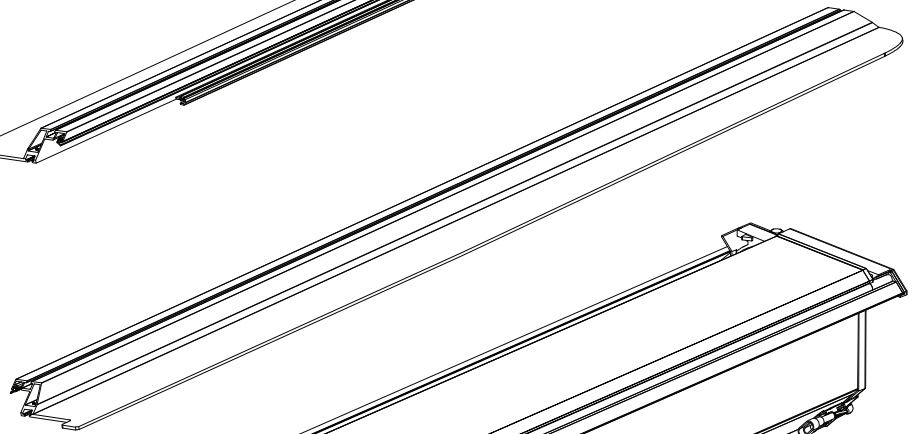
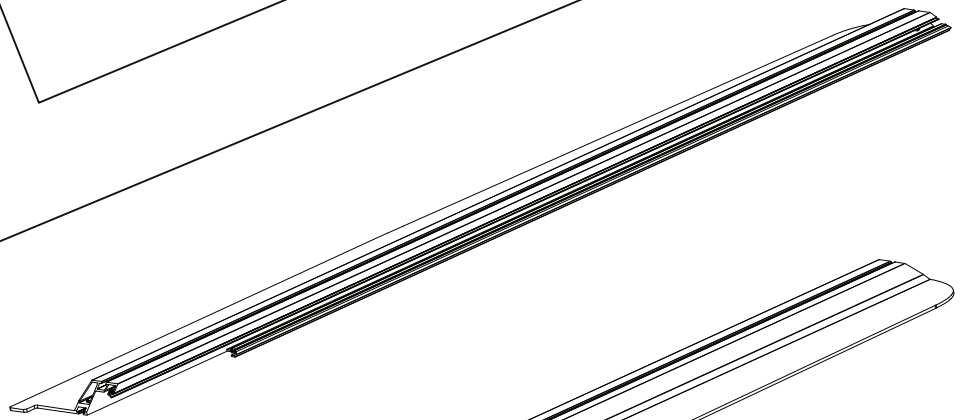
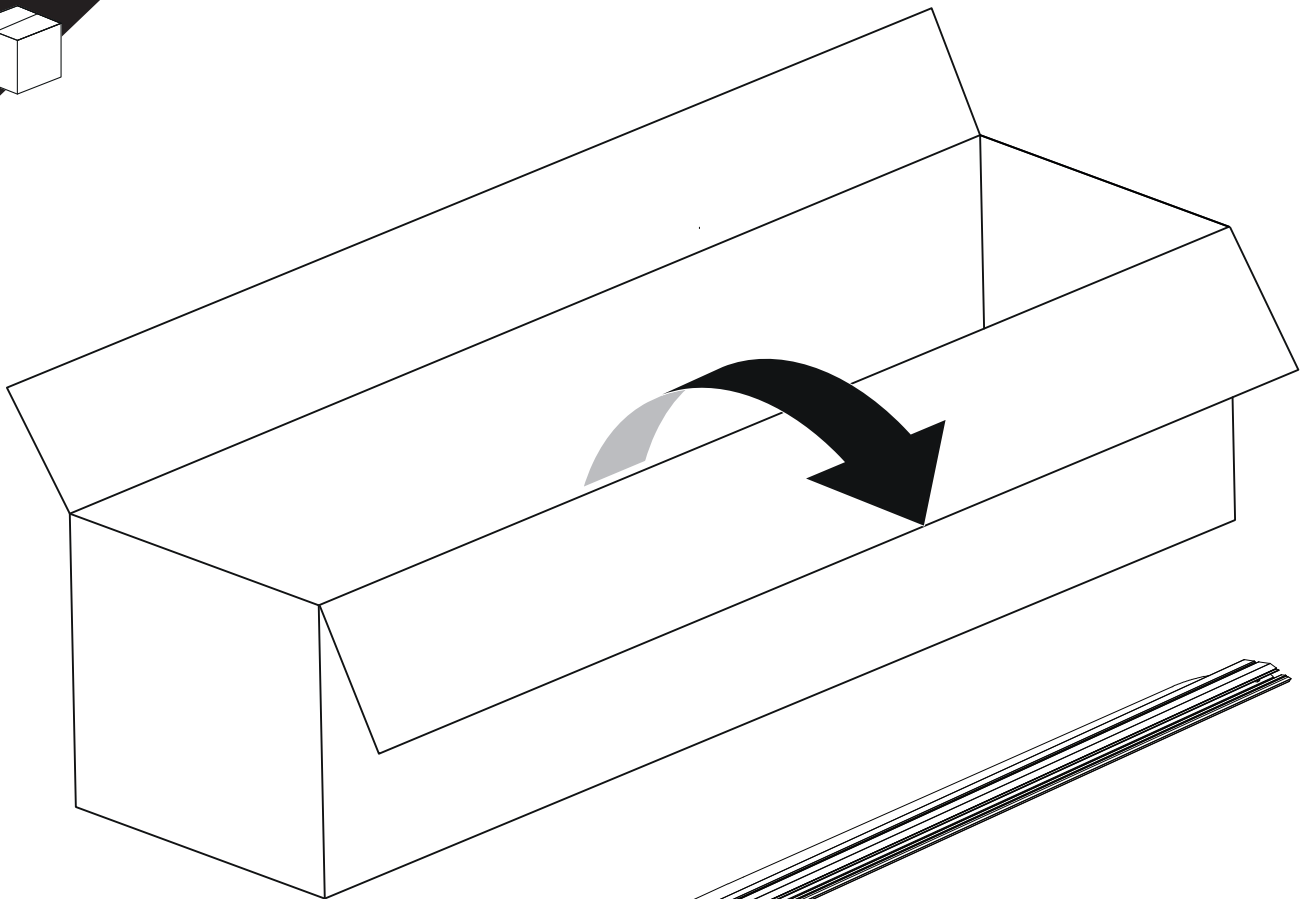
INSTALATION  
MANUAL  
+E-KIT



OWNERS  
MANUAL



x1

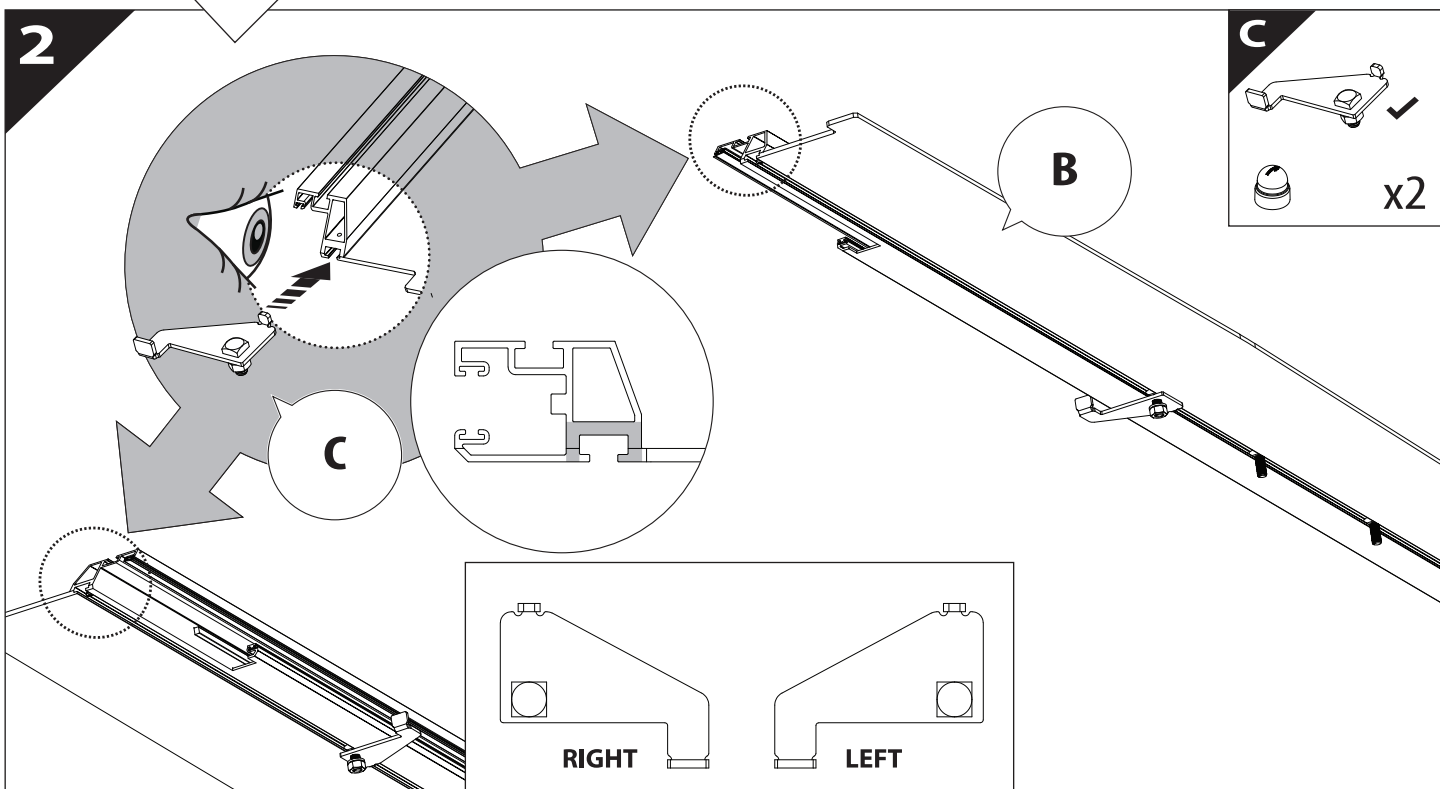
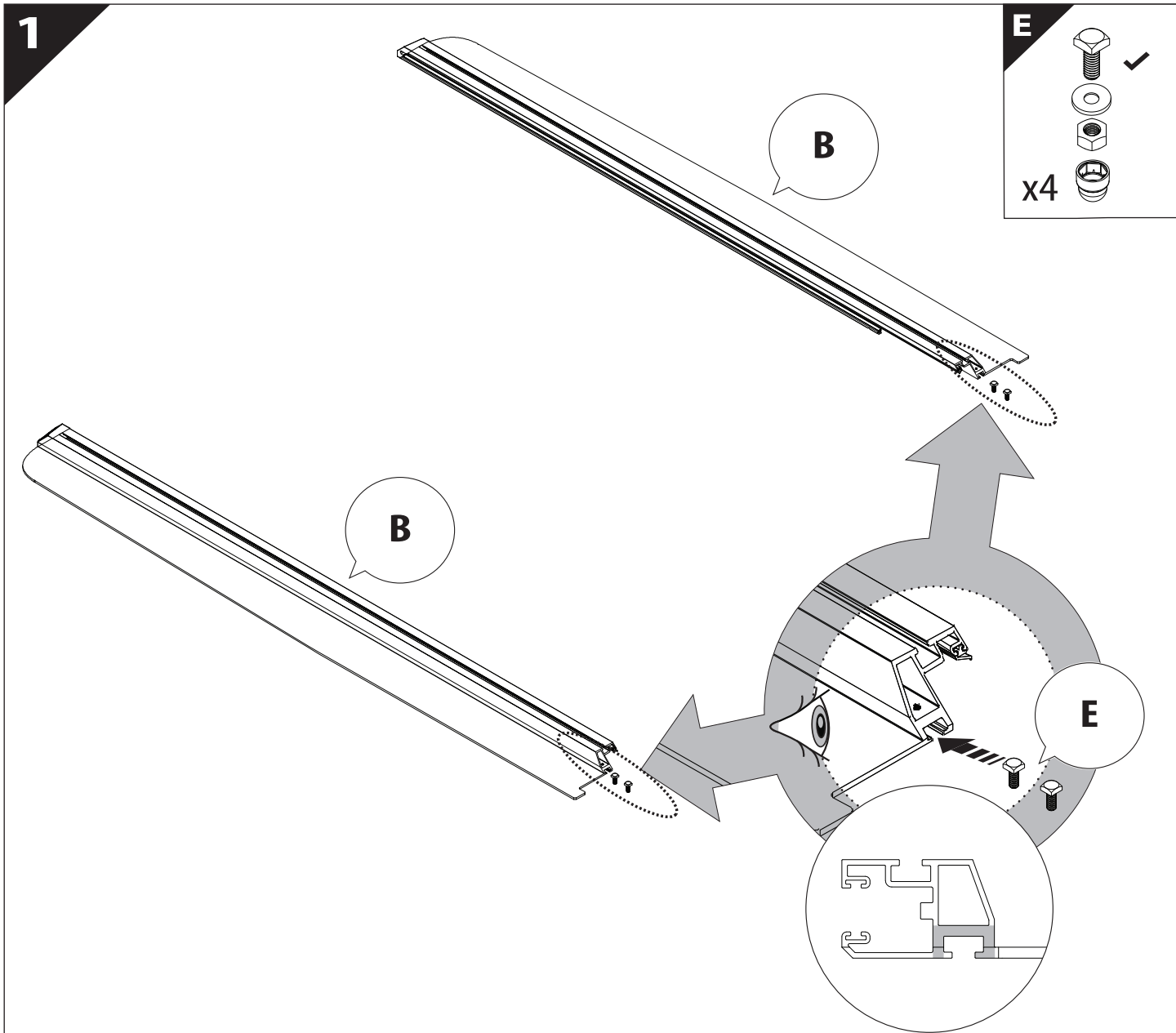


**B**

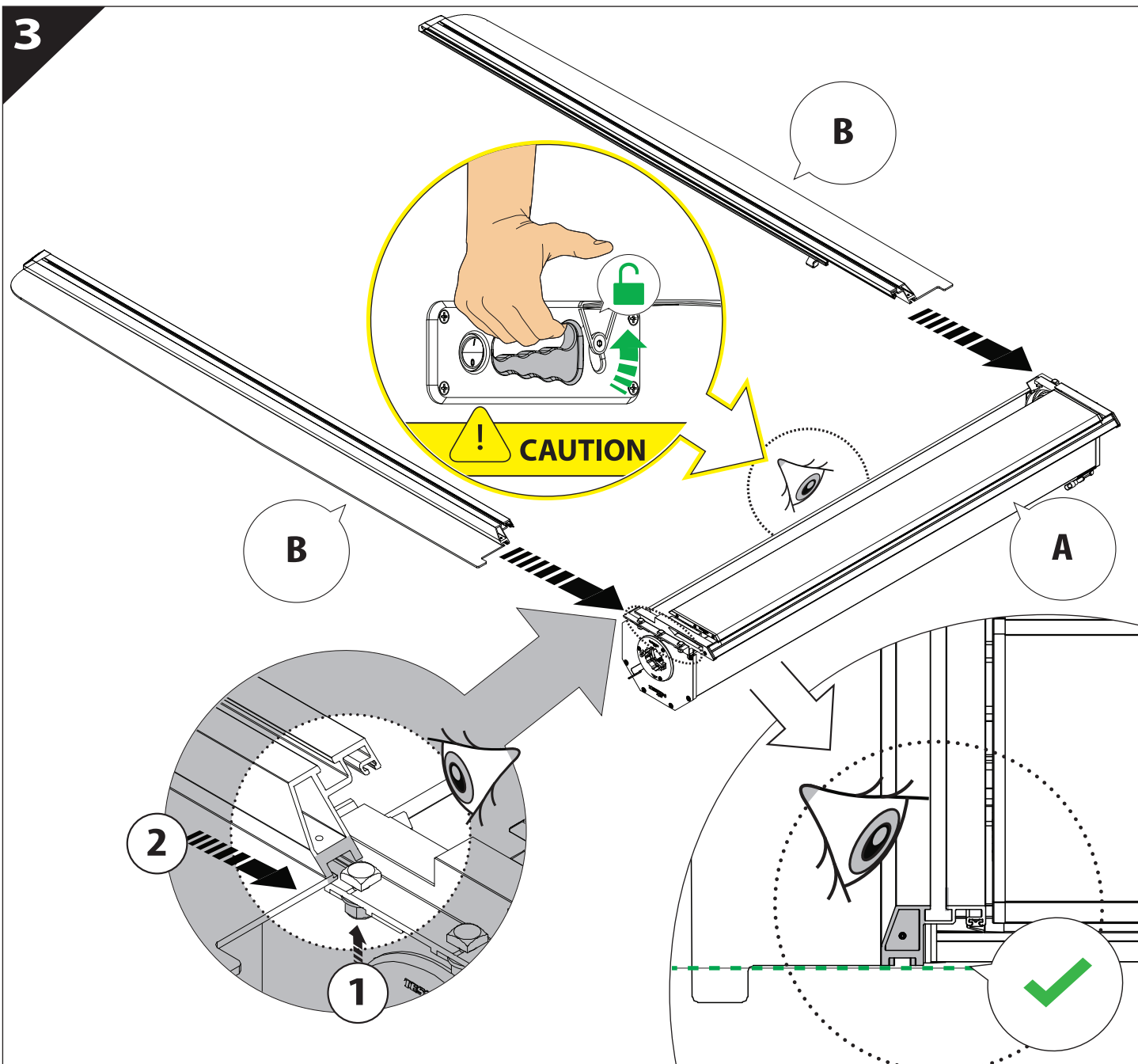
**A**

**KITS**

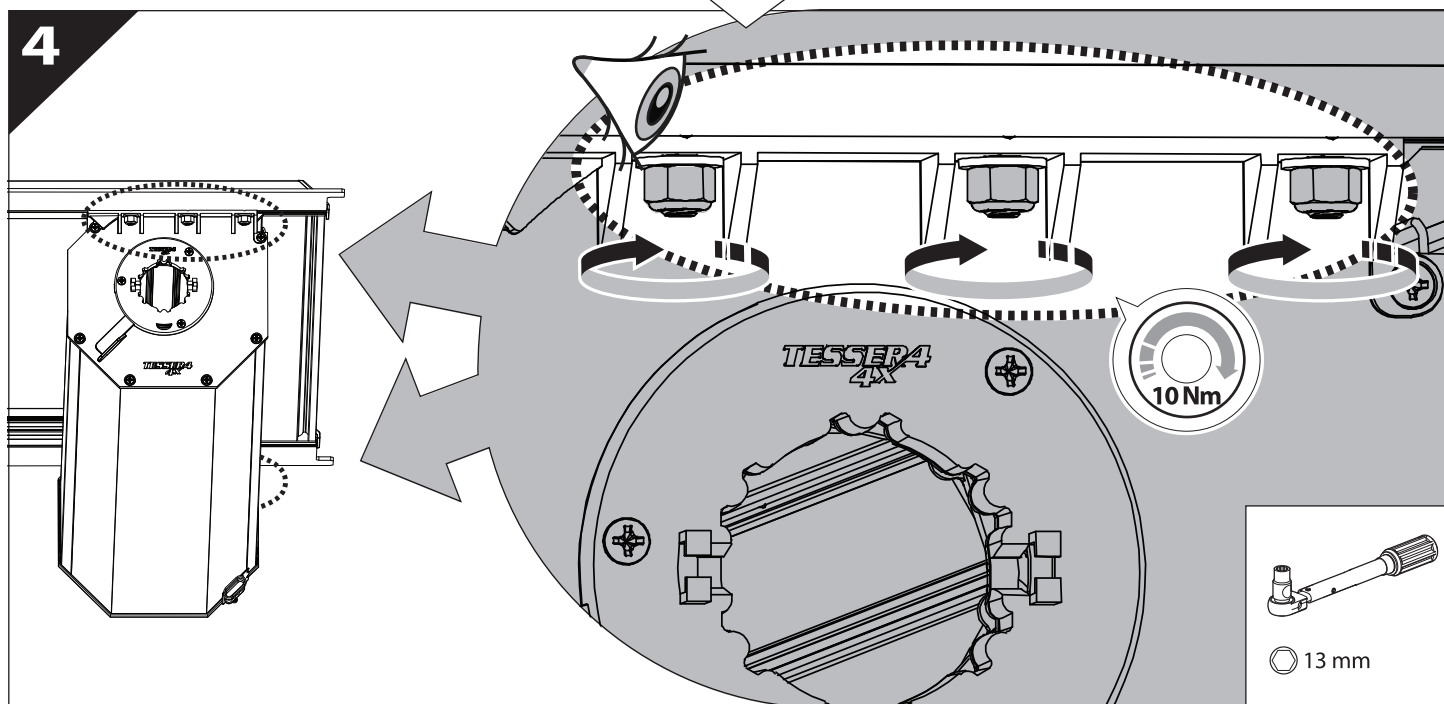
**L**



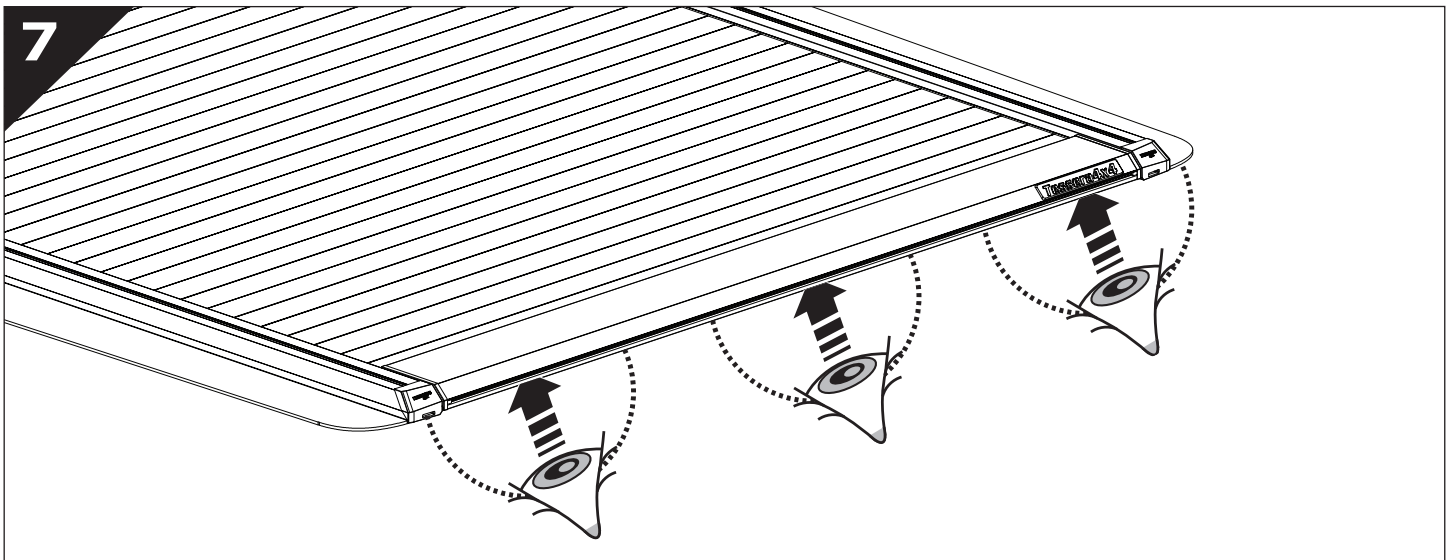
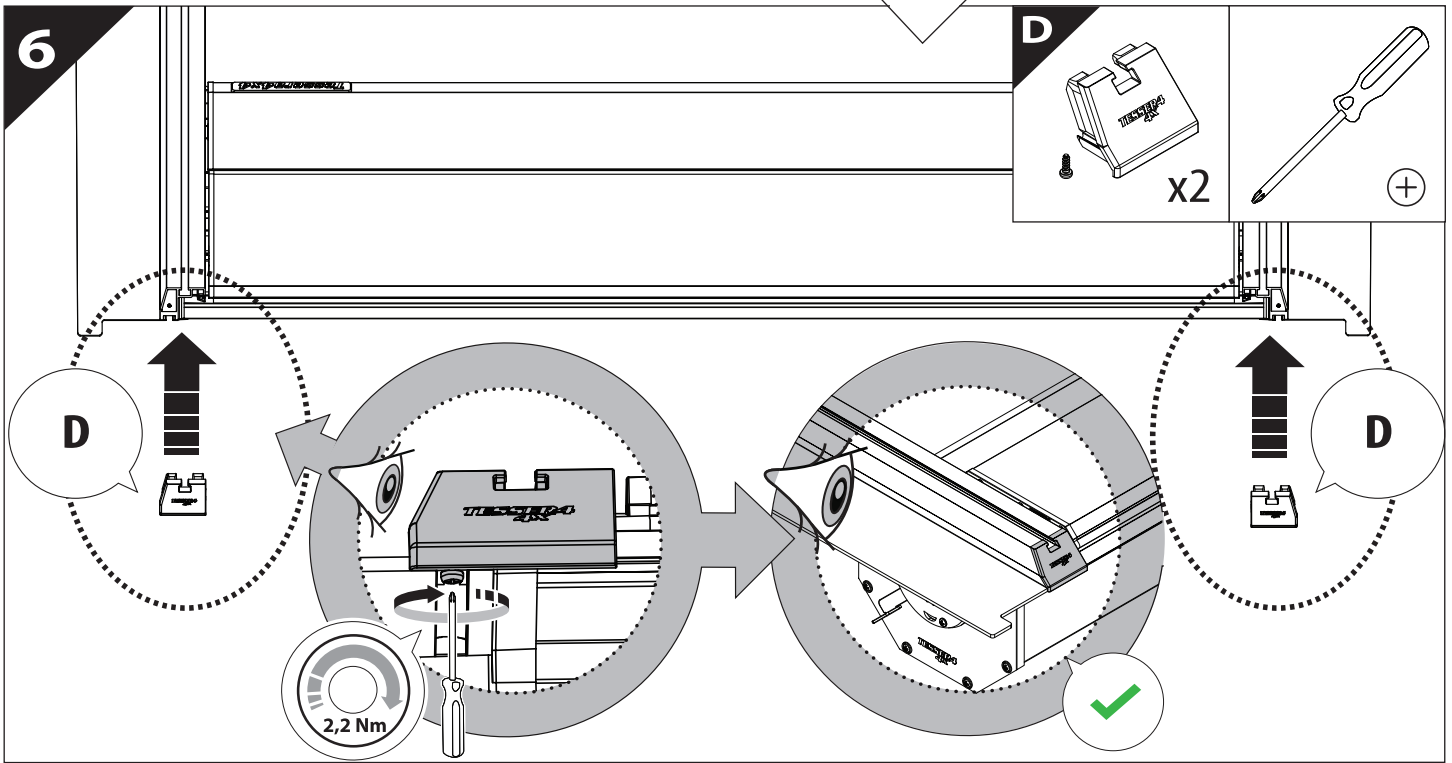
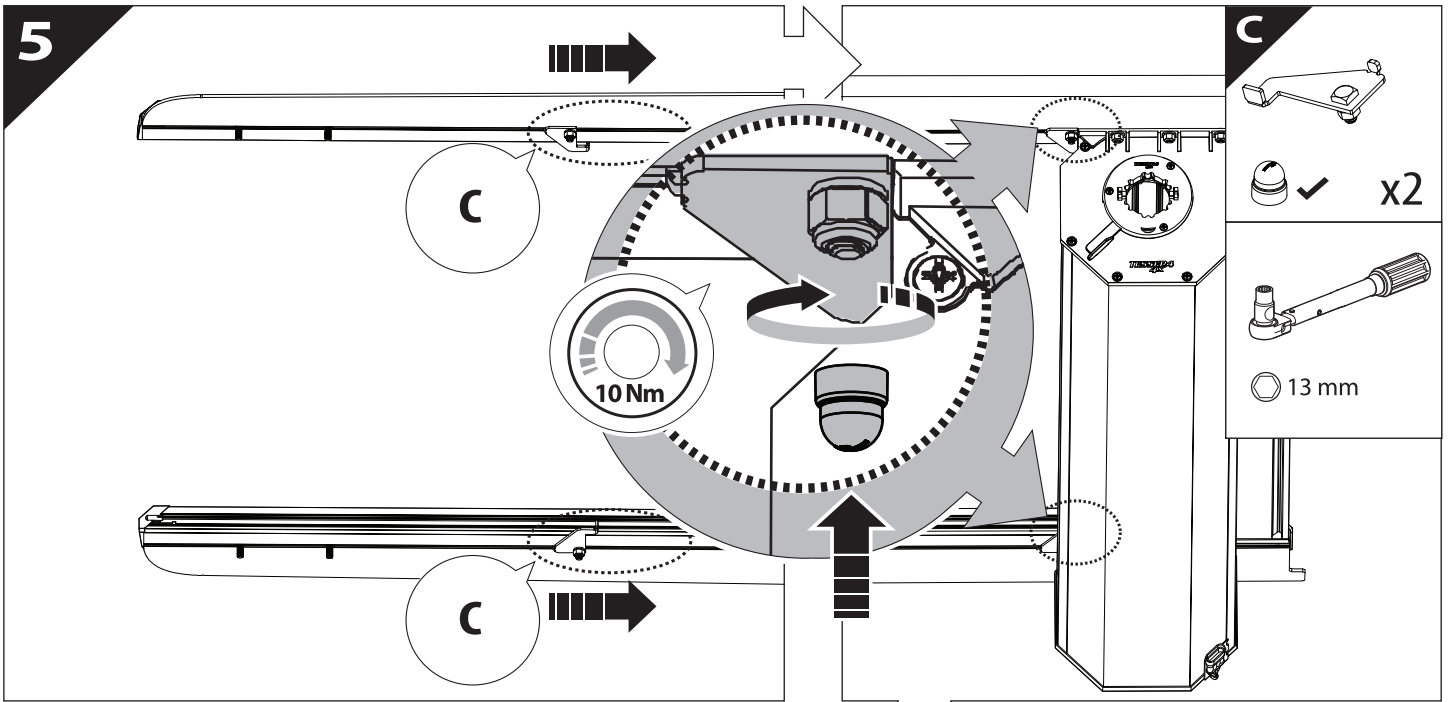
3



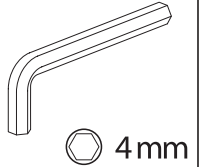
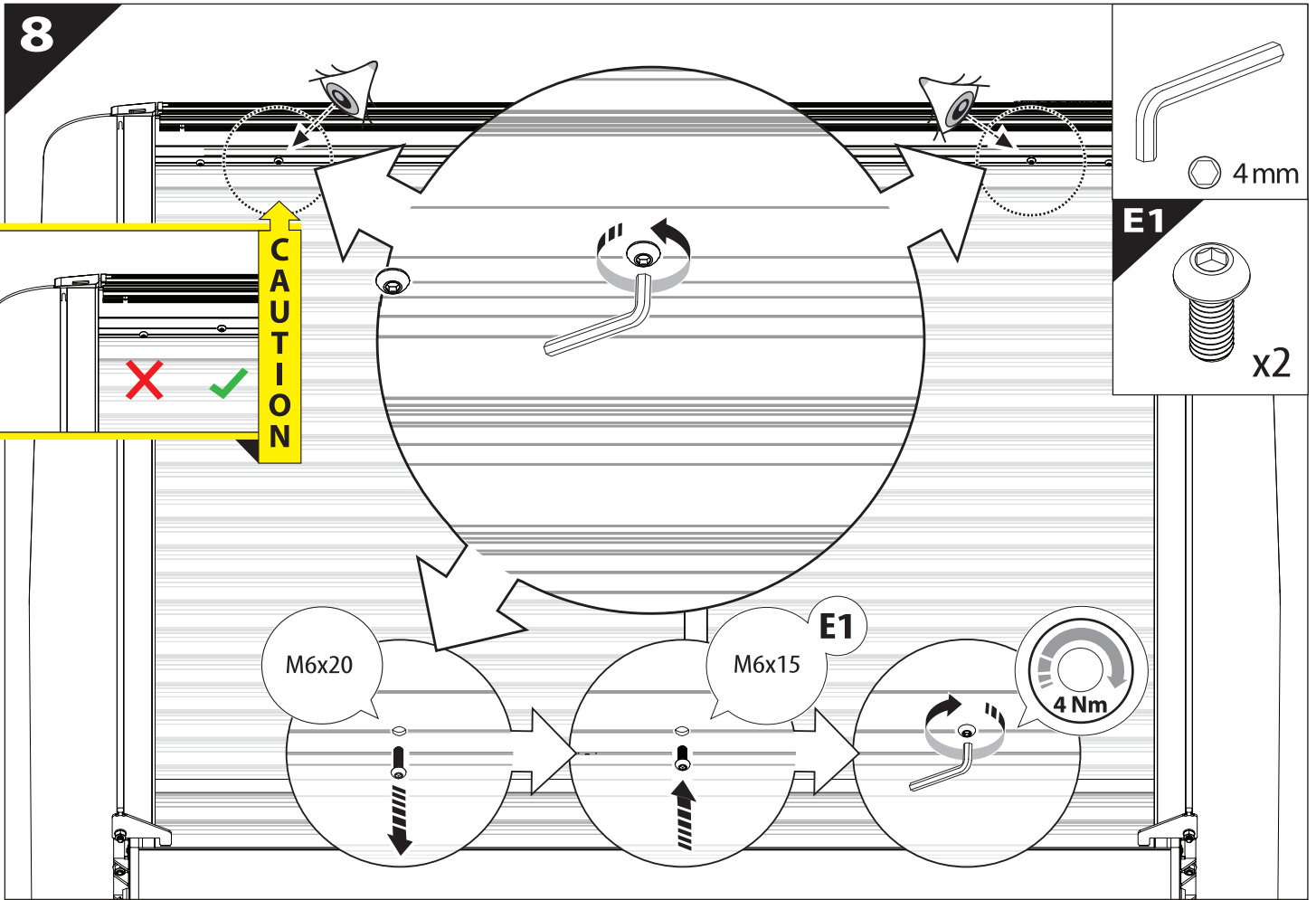
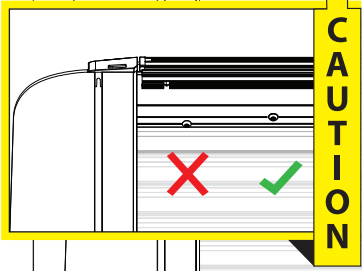
4



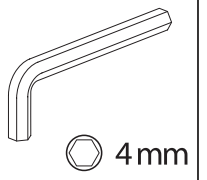
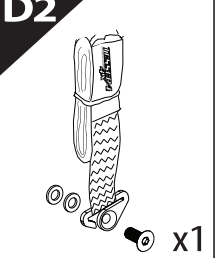
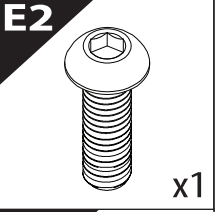
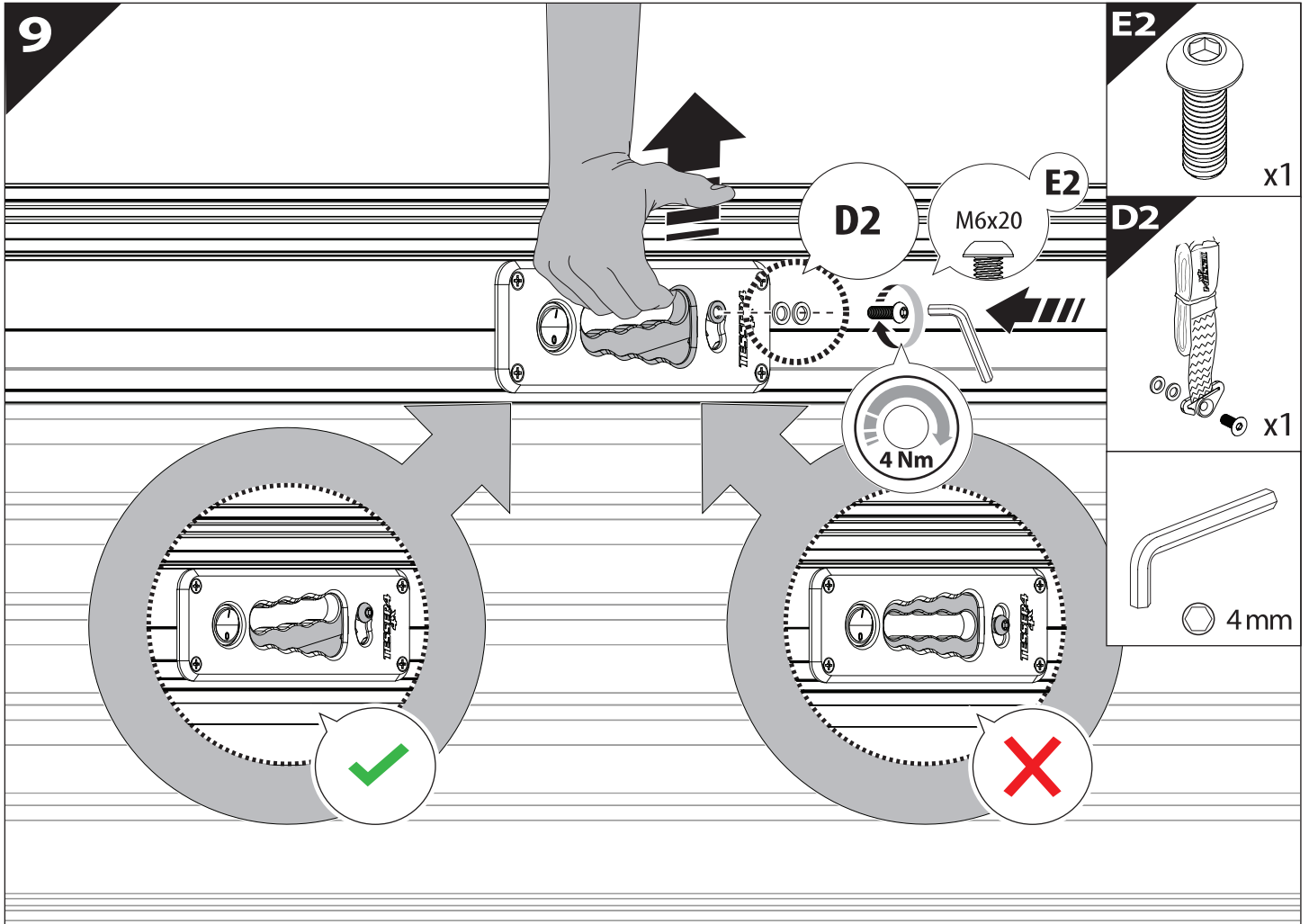


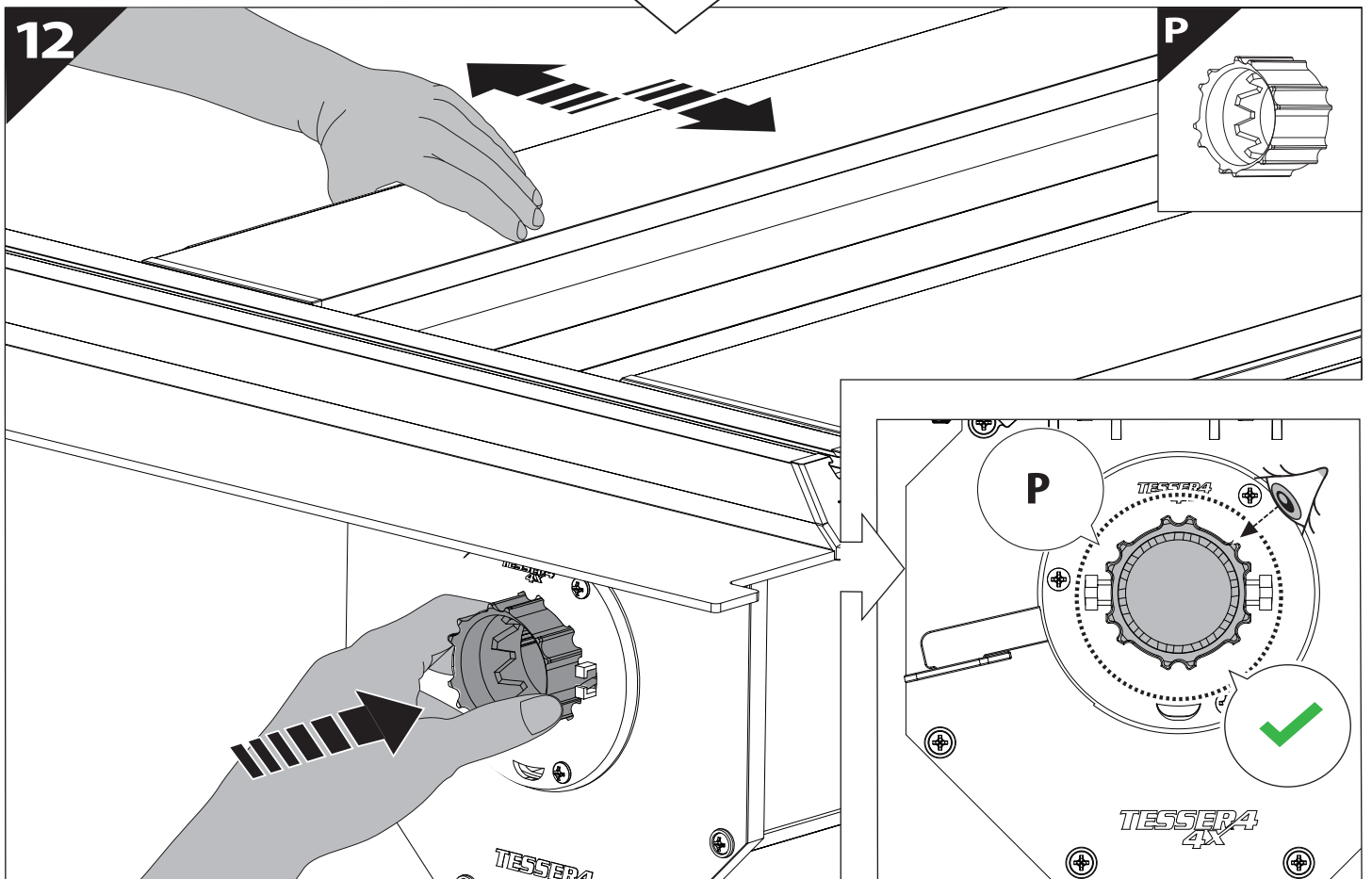
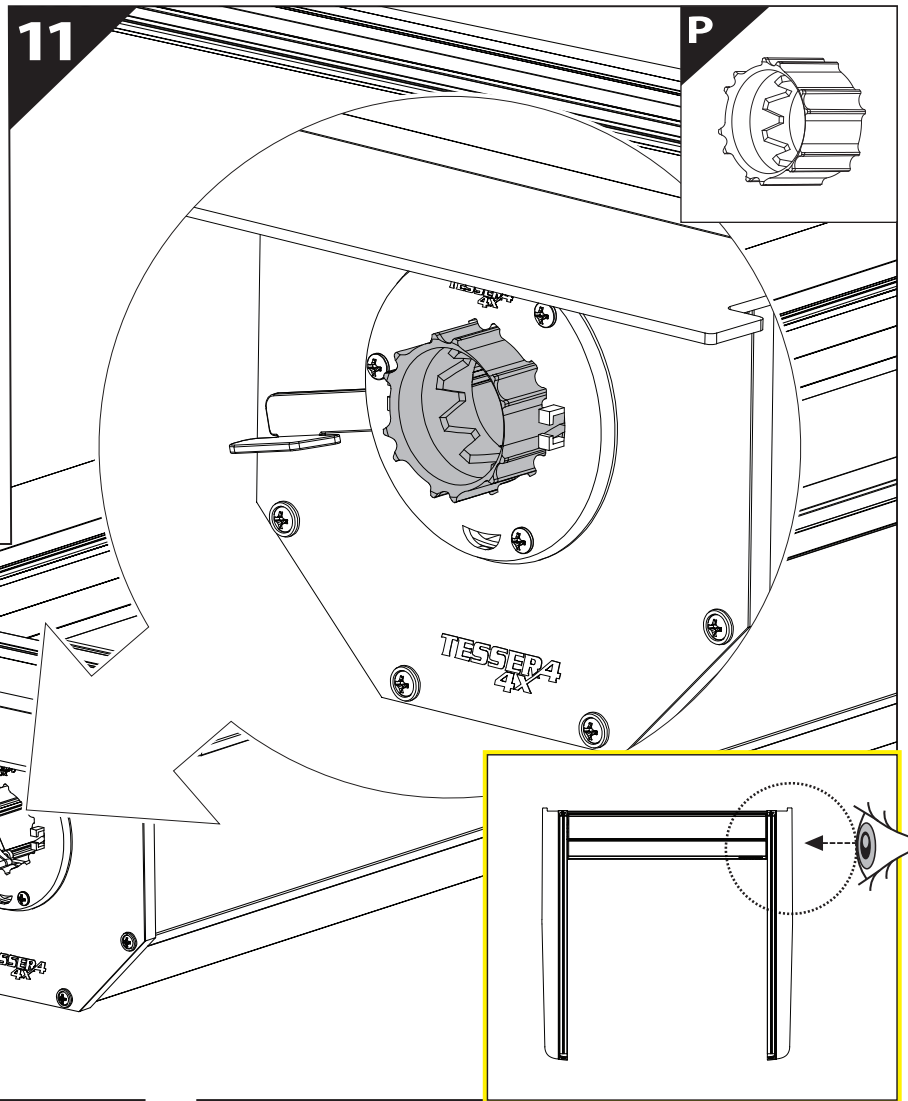
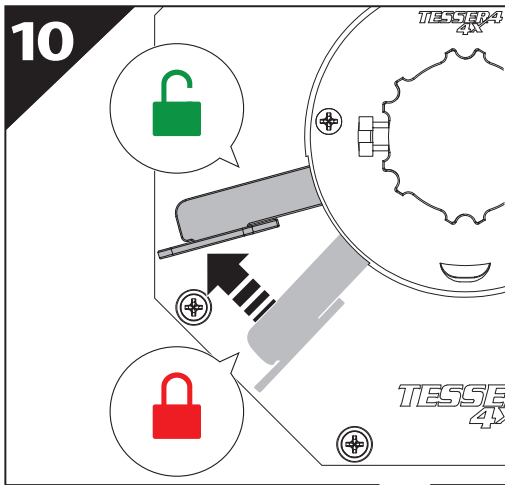


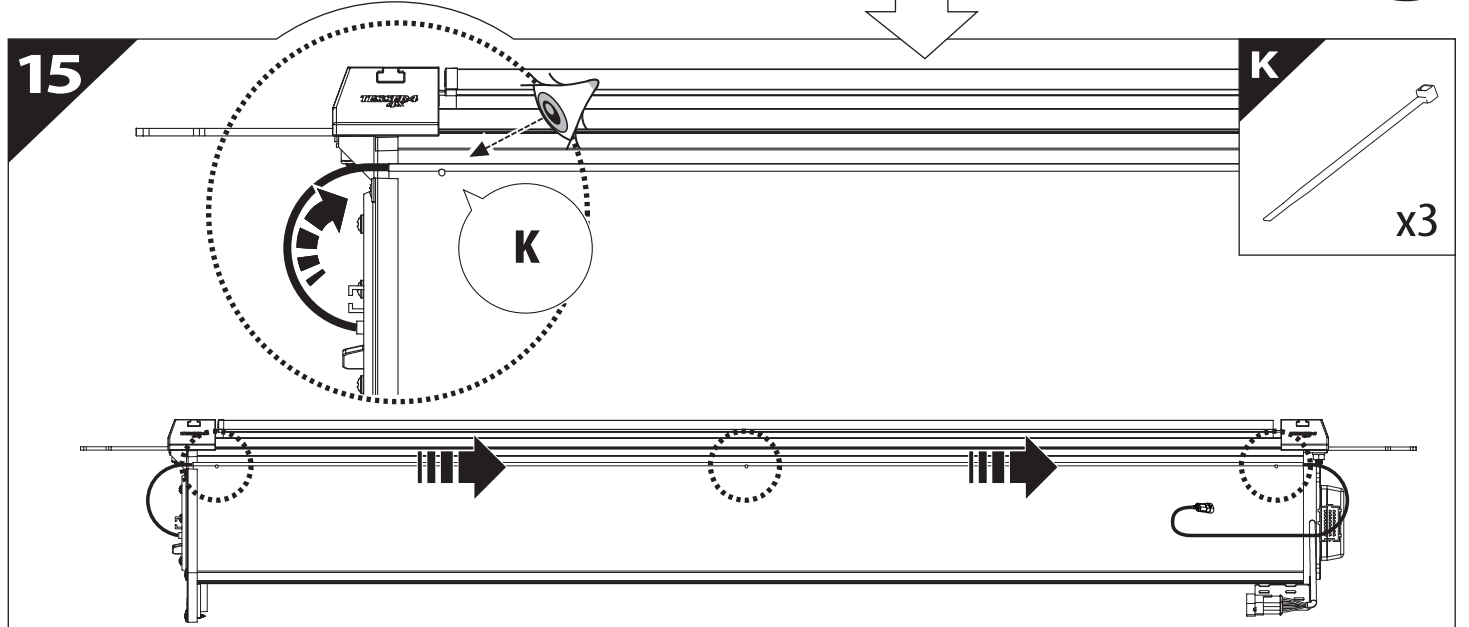
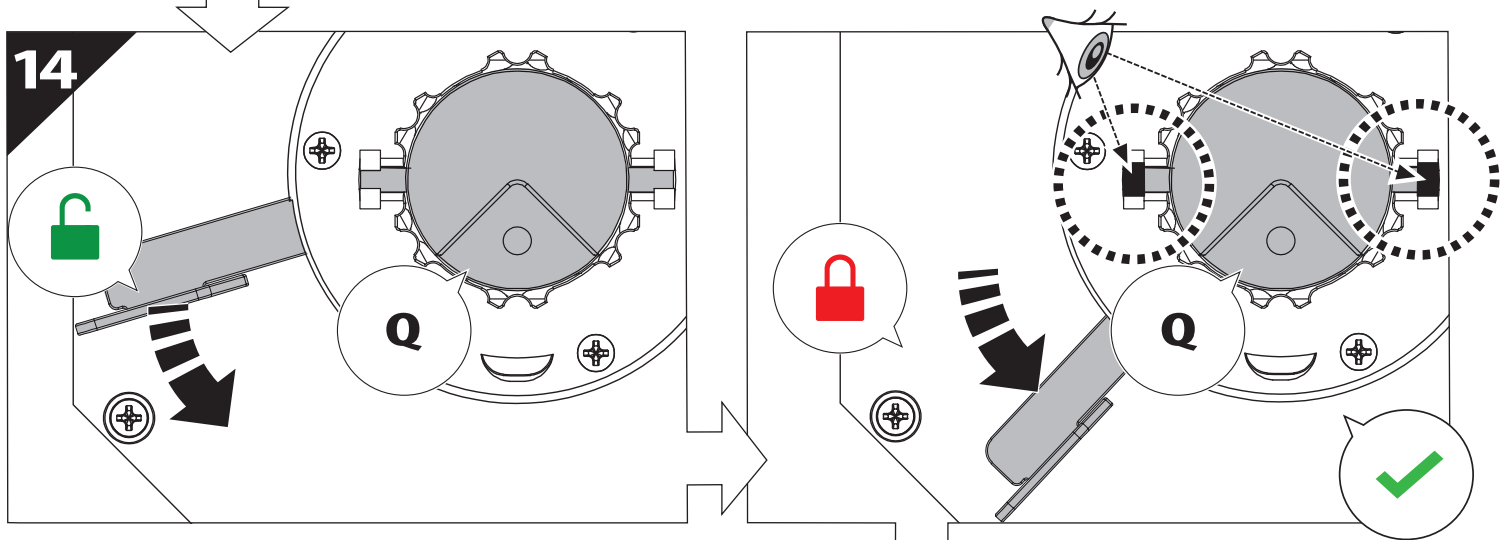
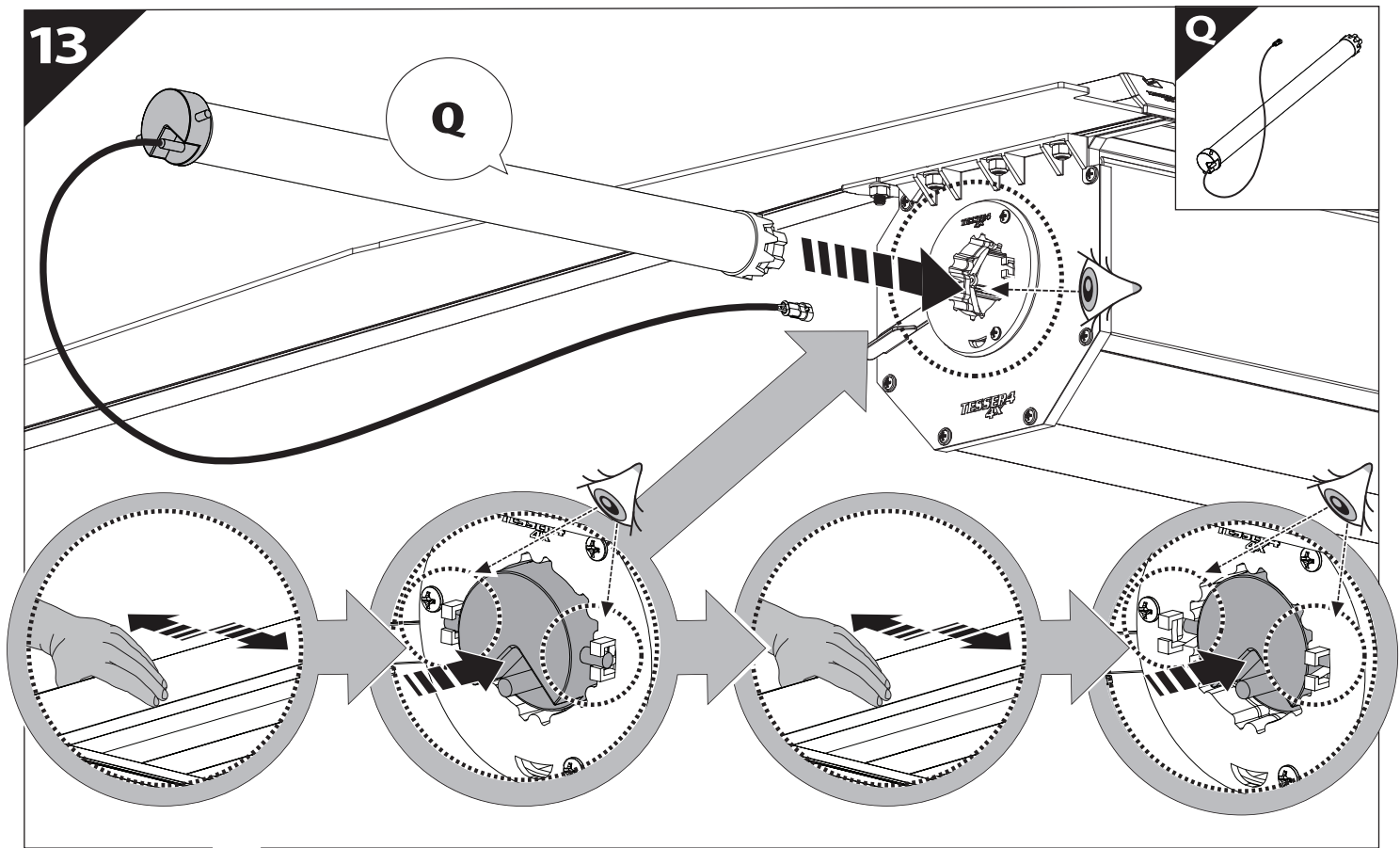
8



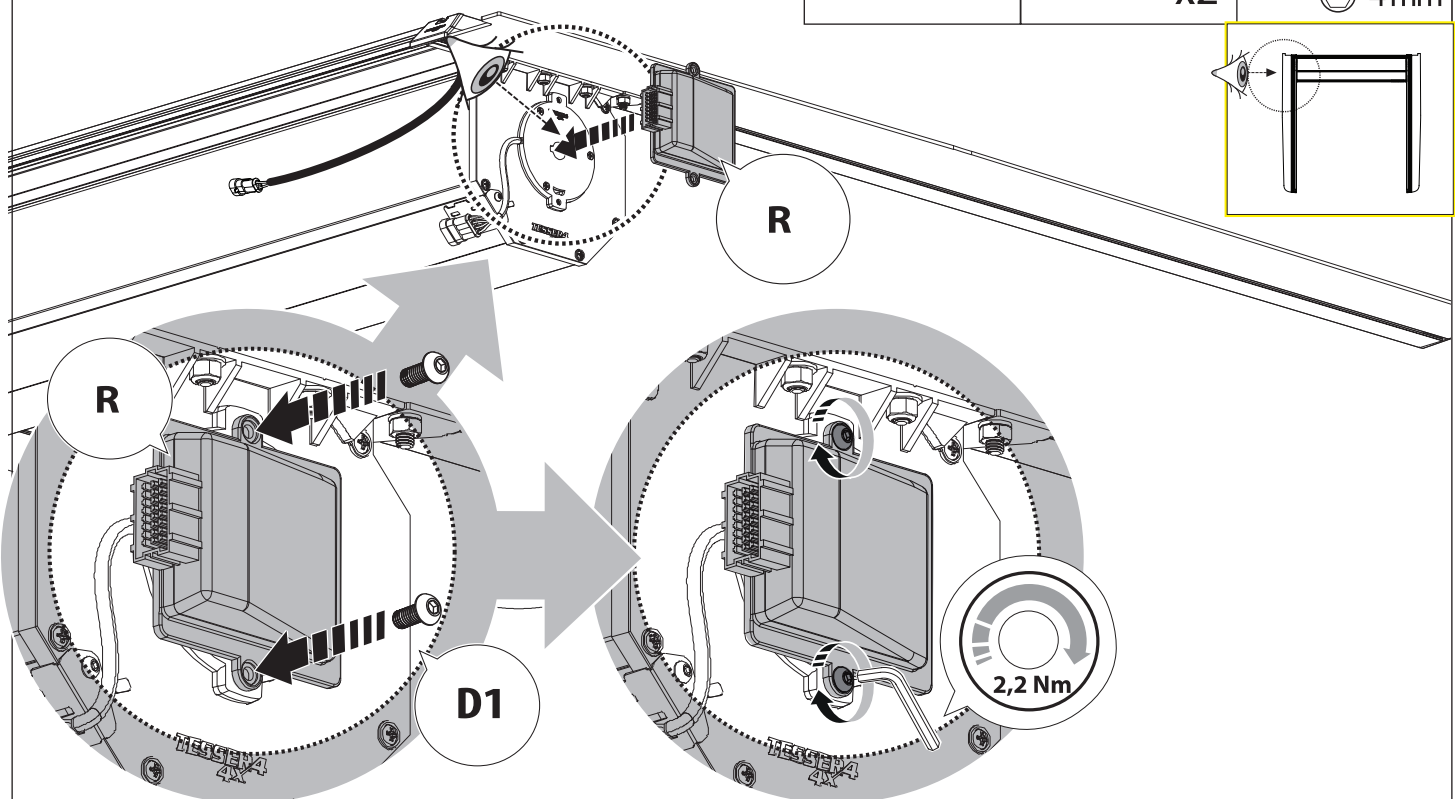
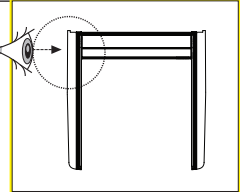
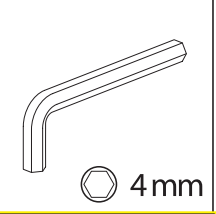
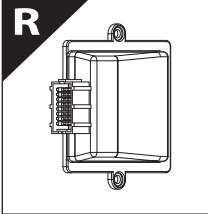
9



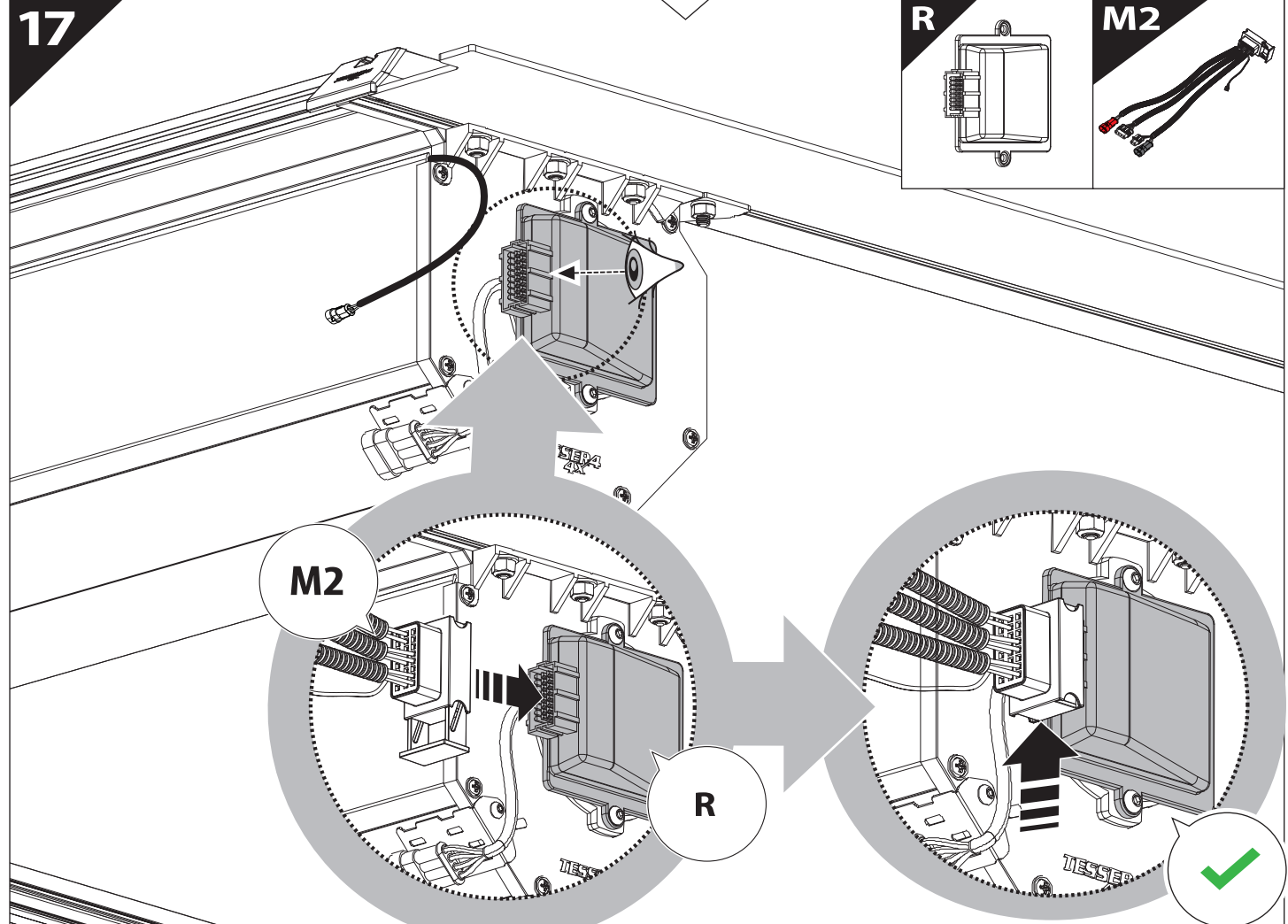
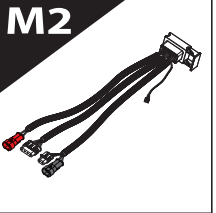
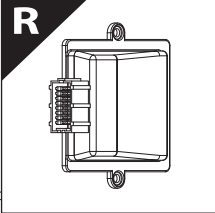


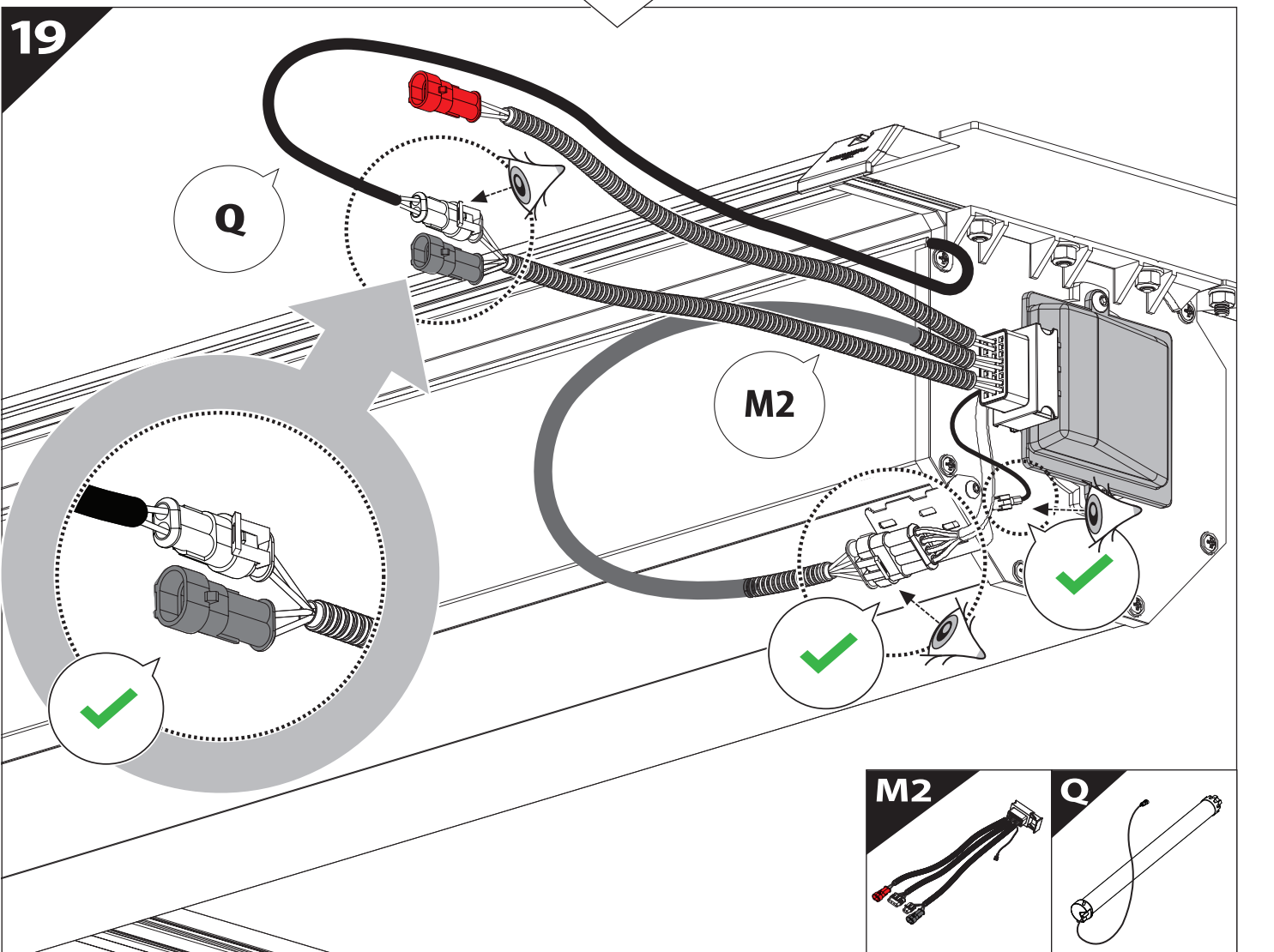
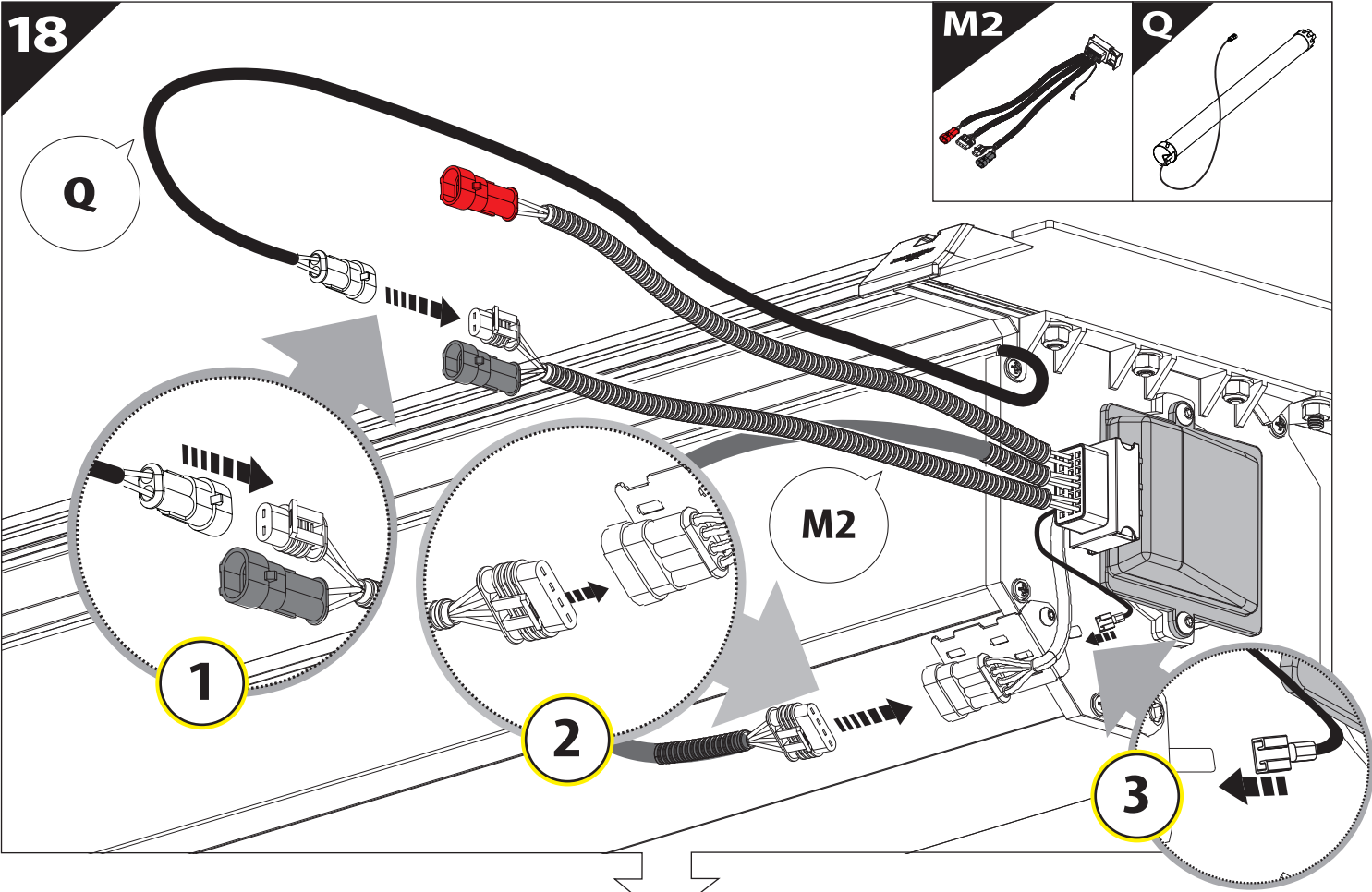


16



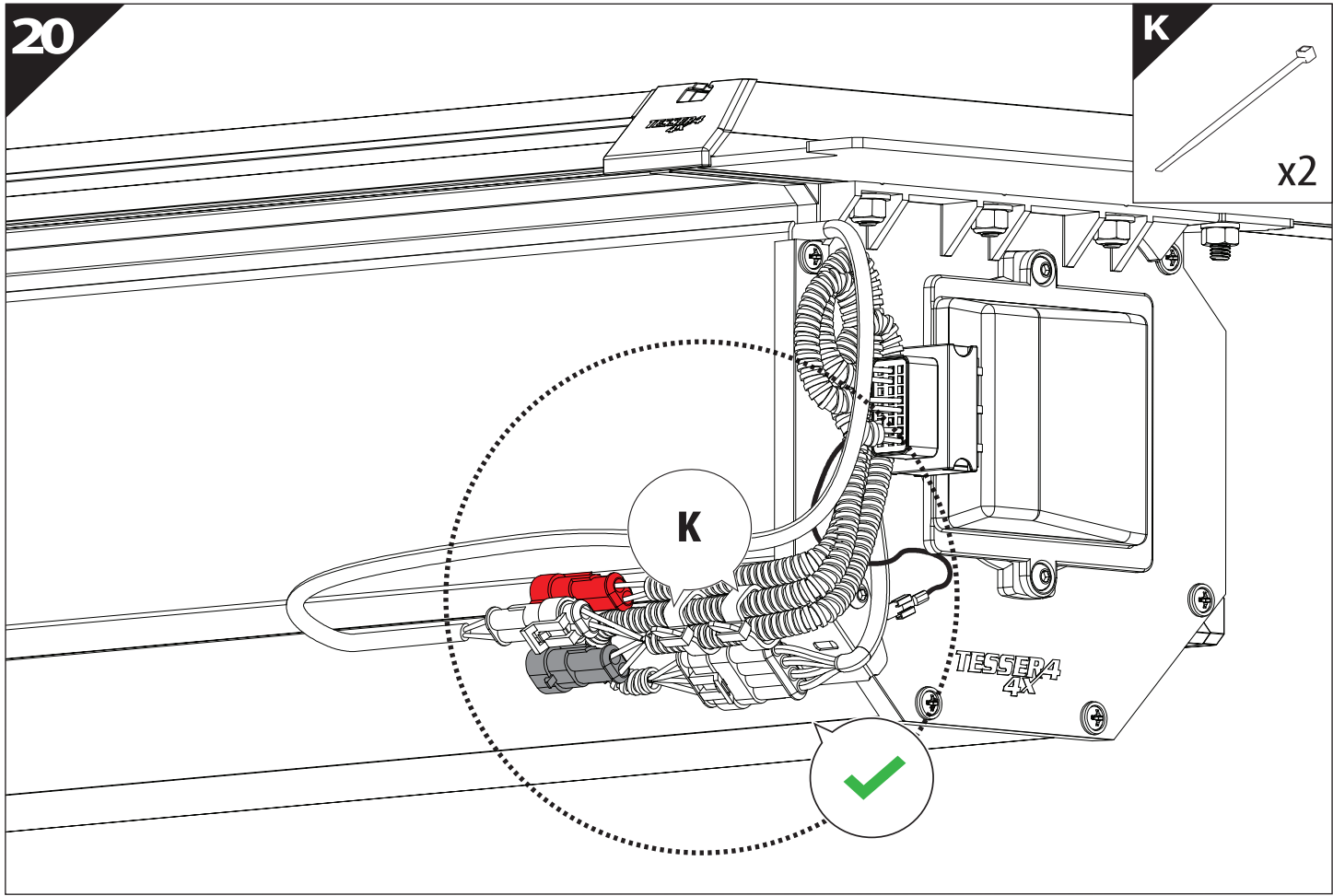
17





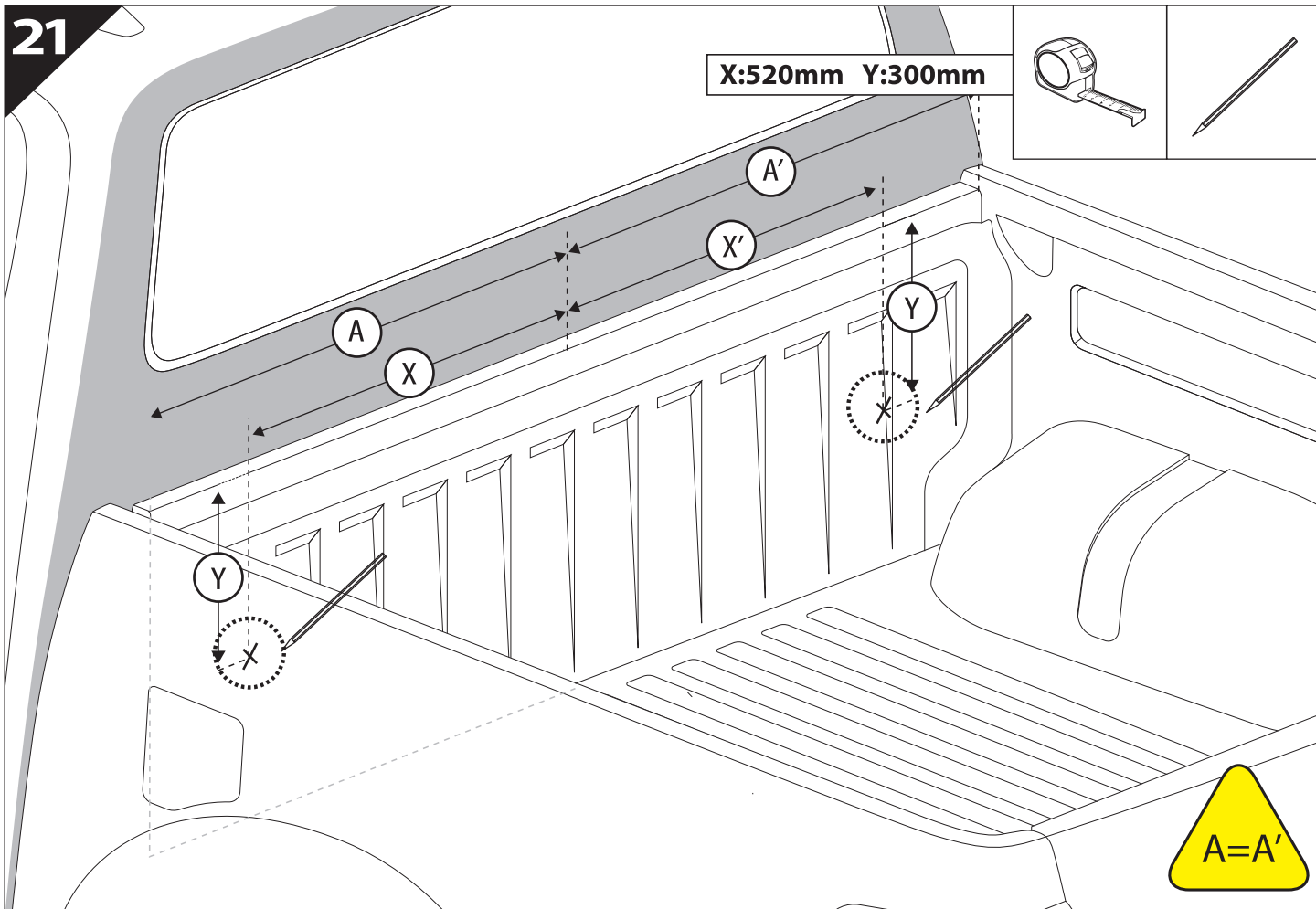
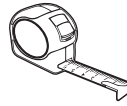
20

K



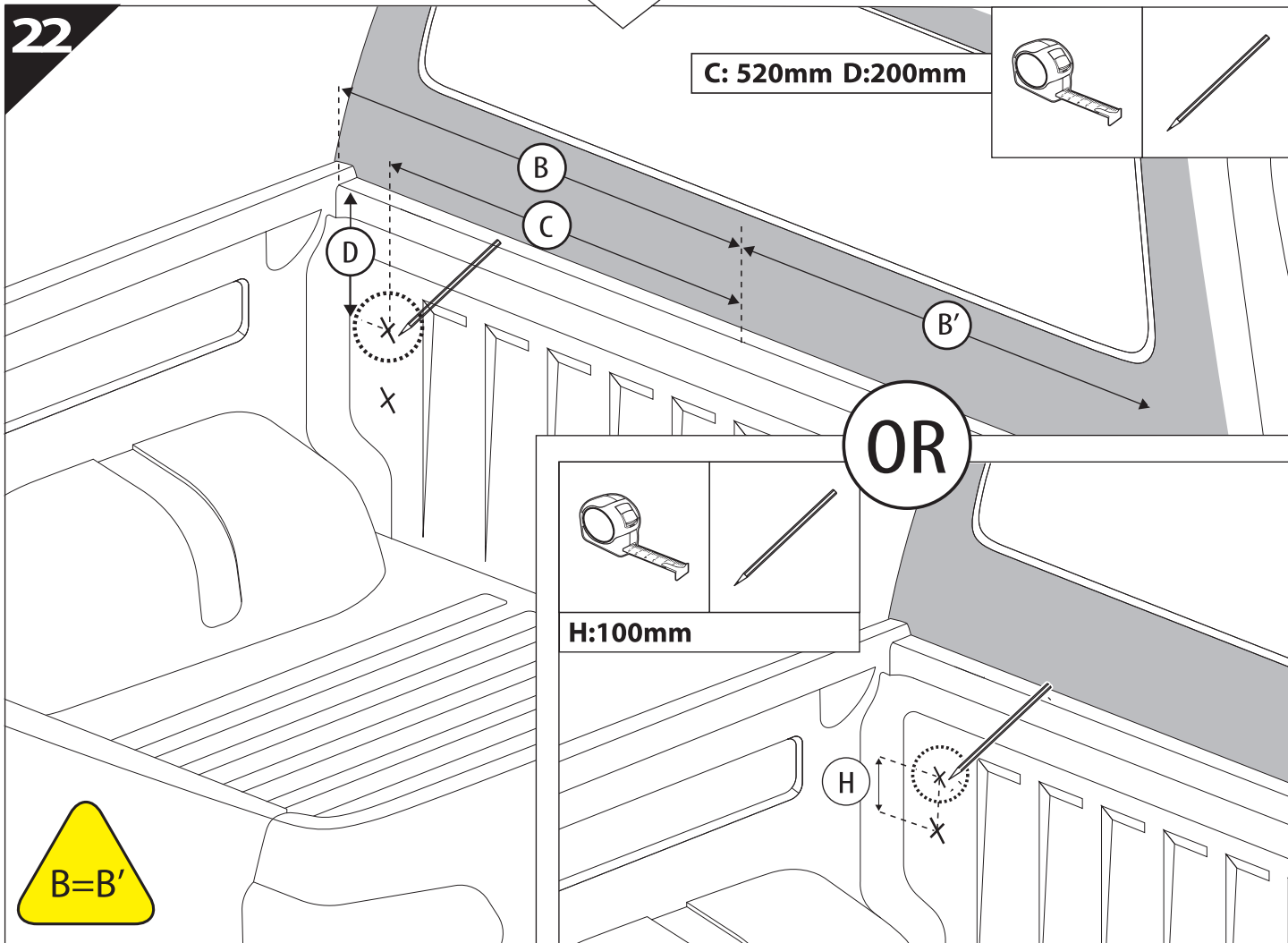
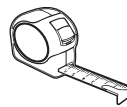
21

X:520mm Y:300mm

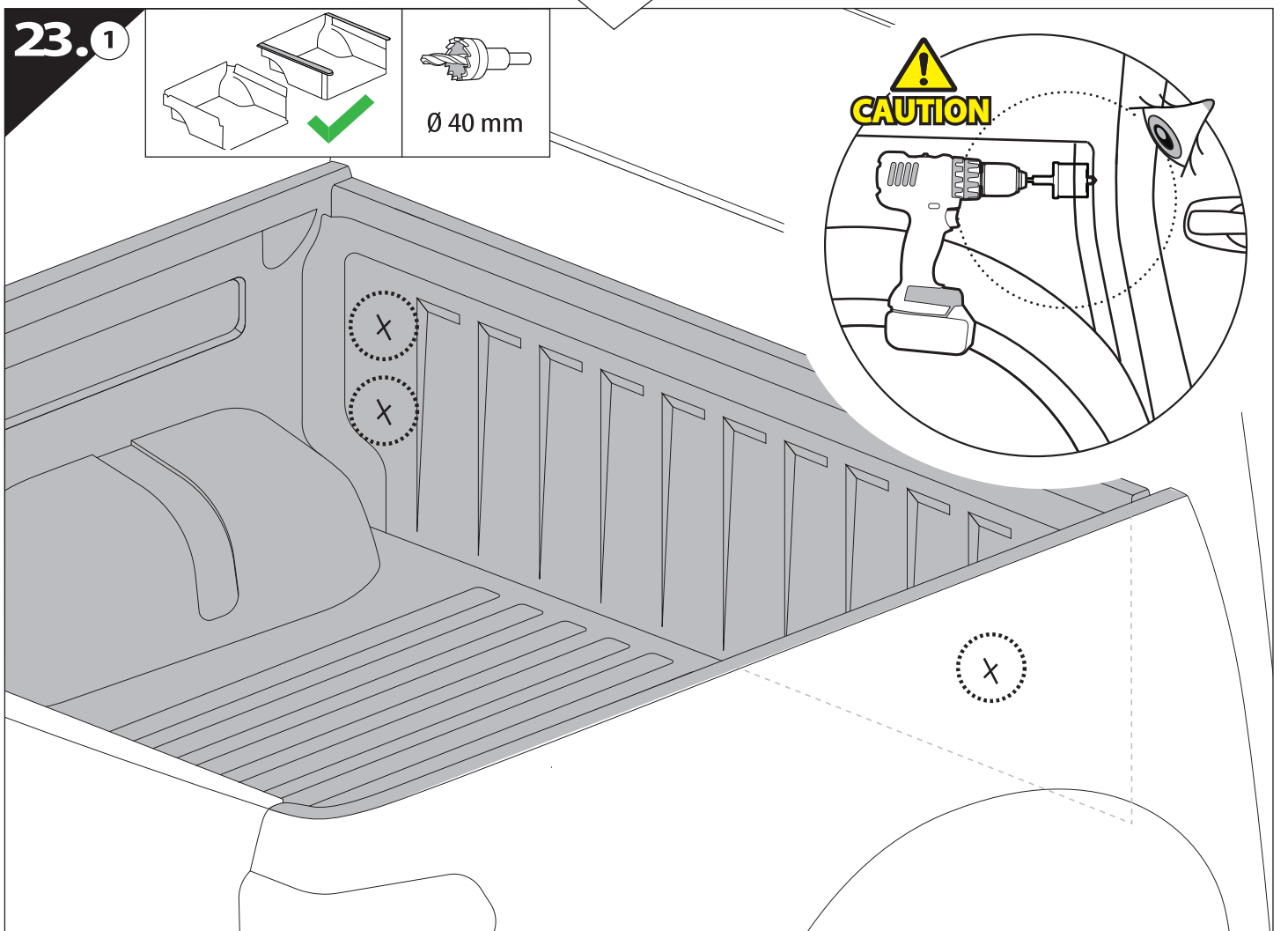
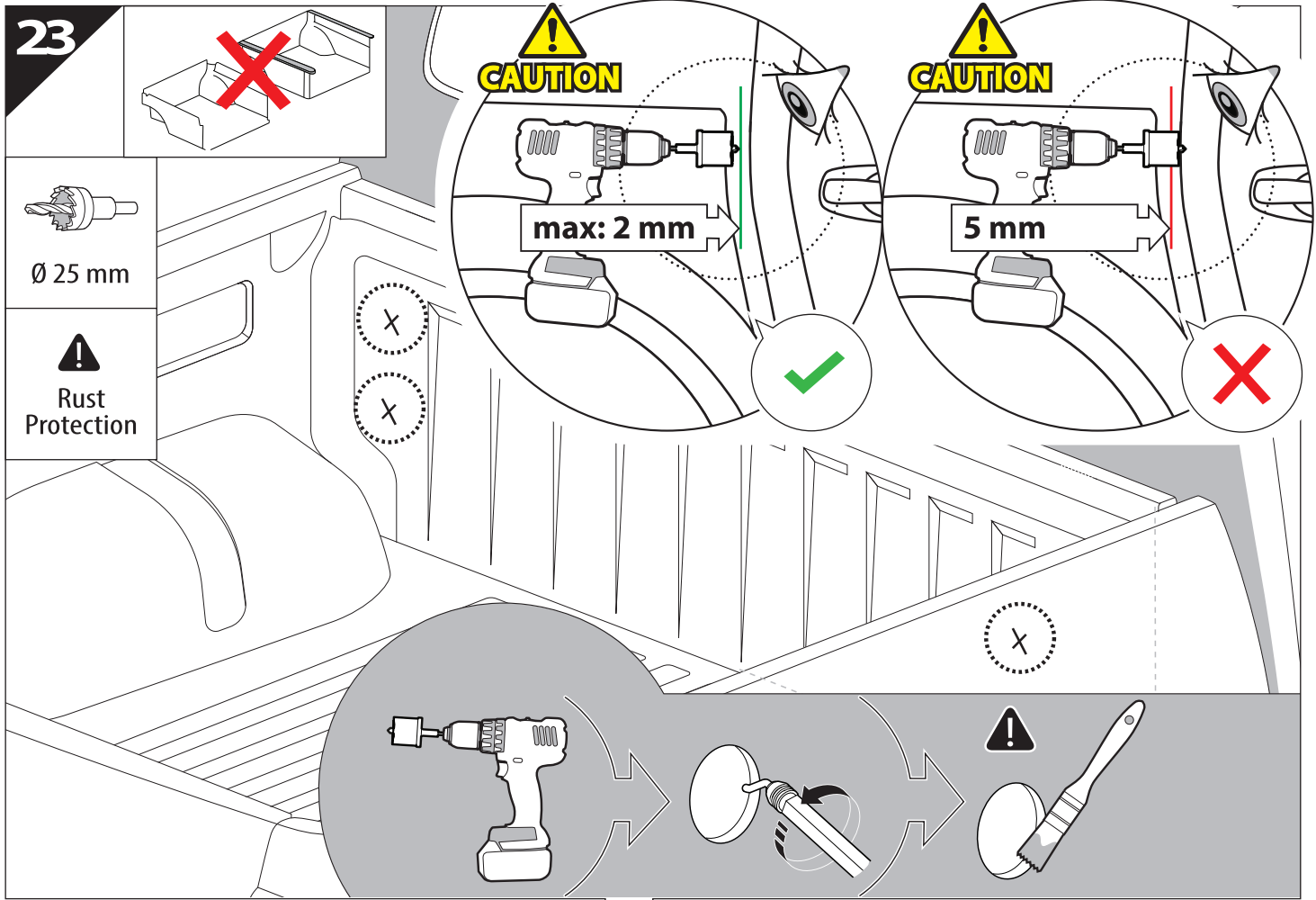


22

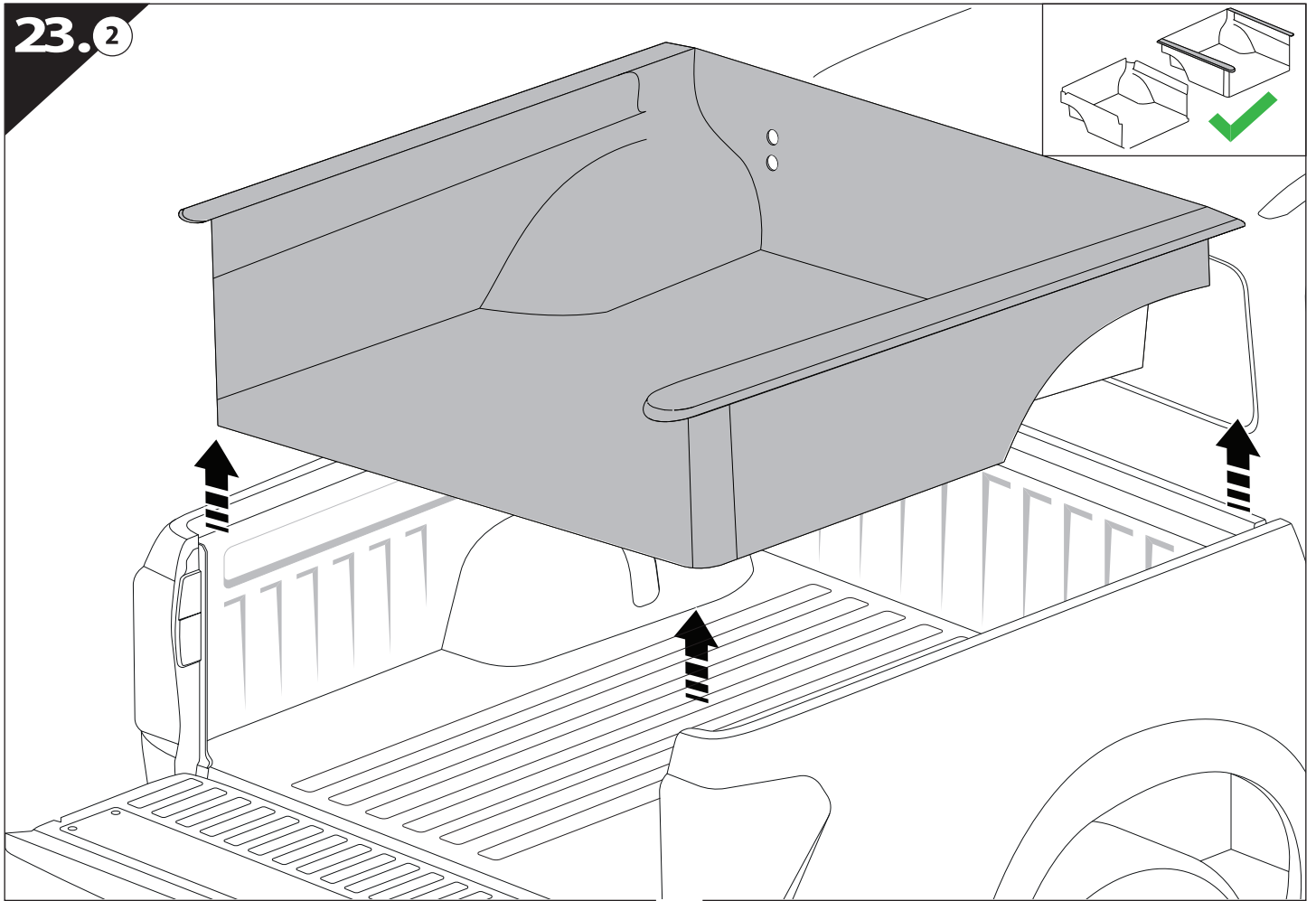
C: 520mm D:200mm



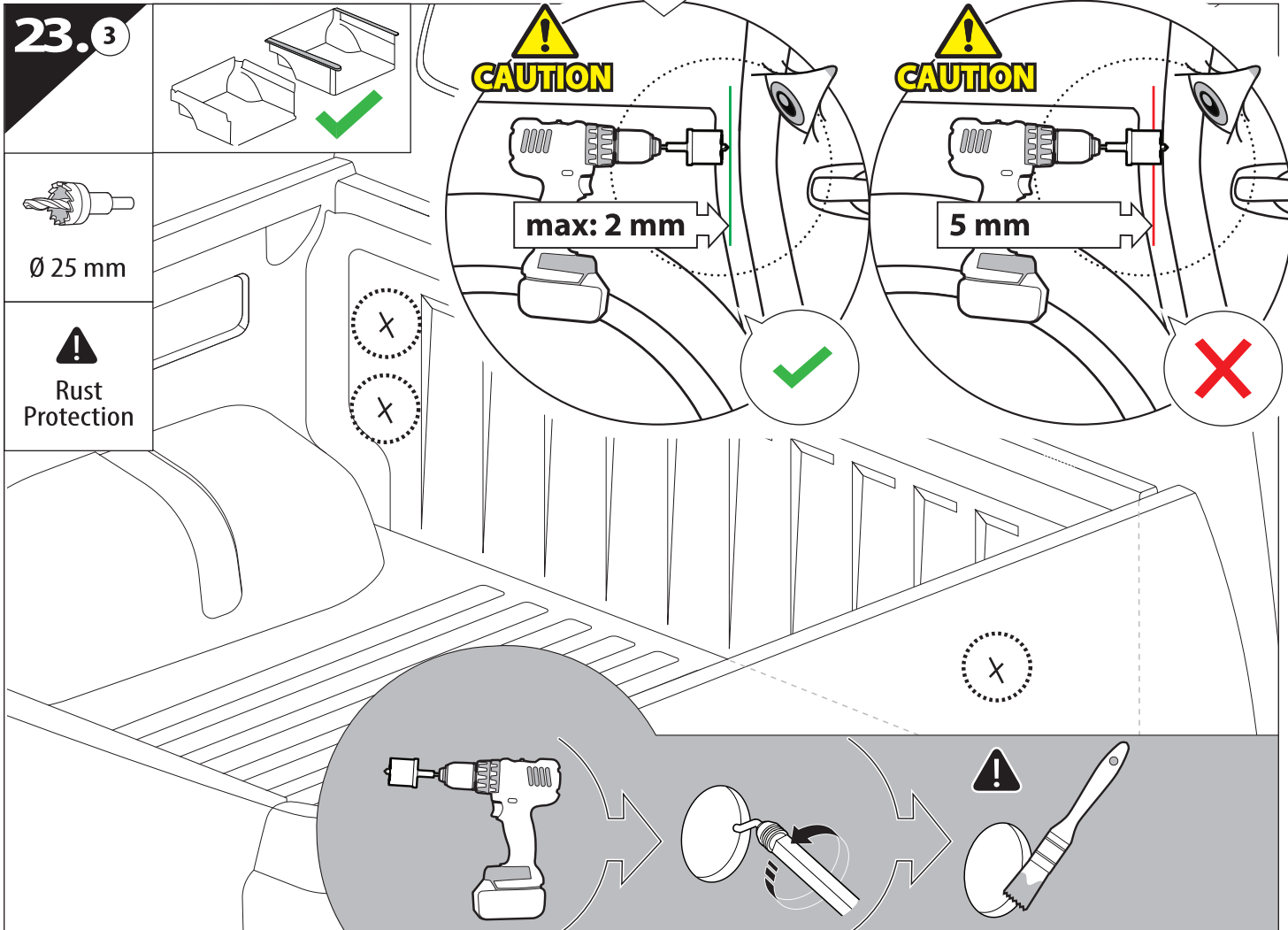


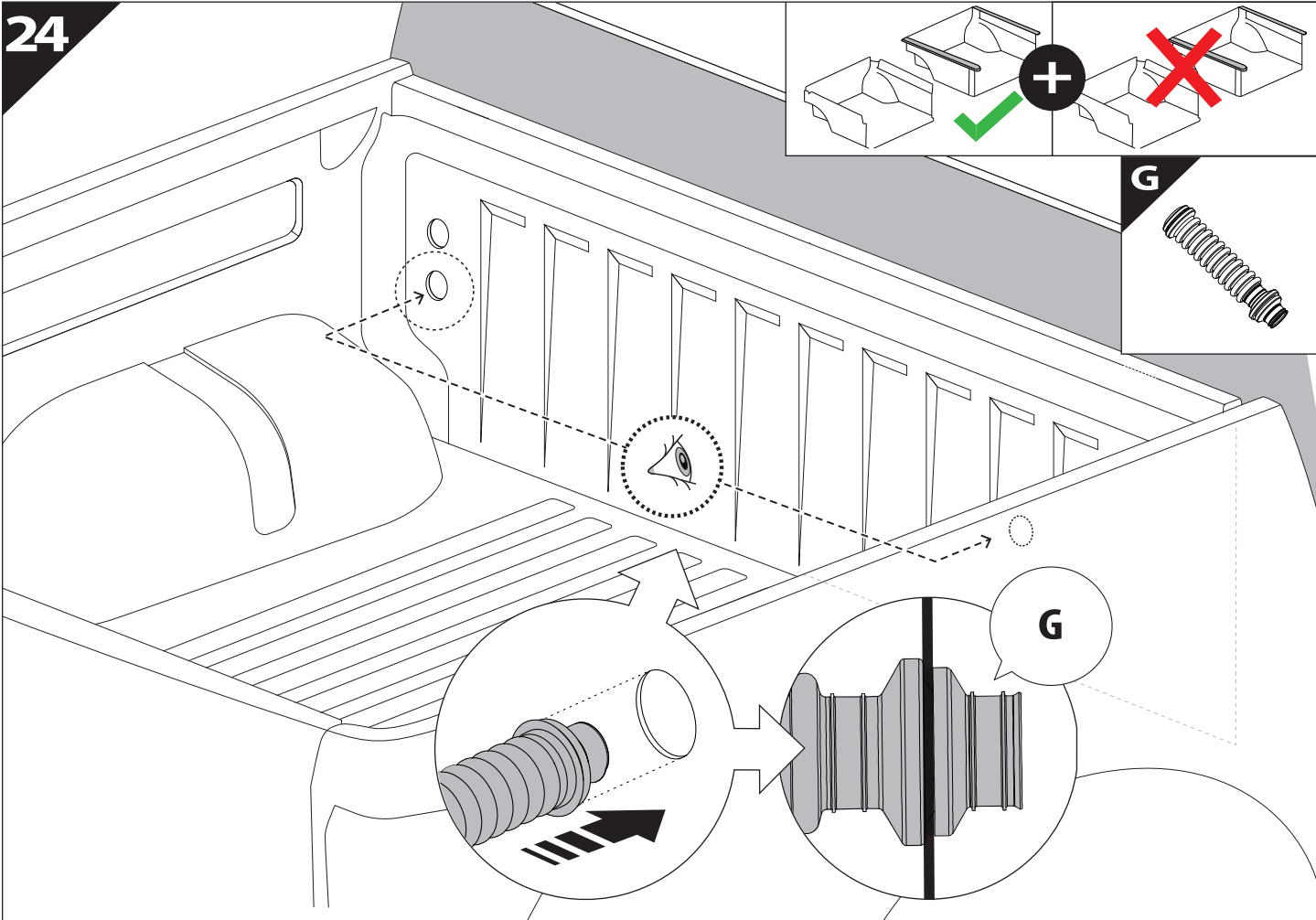


23.2

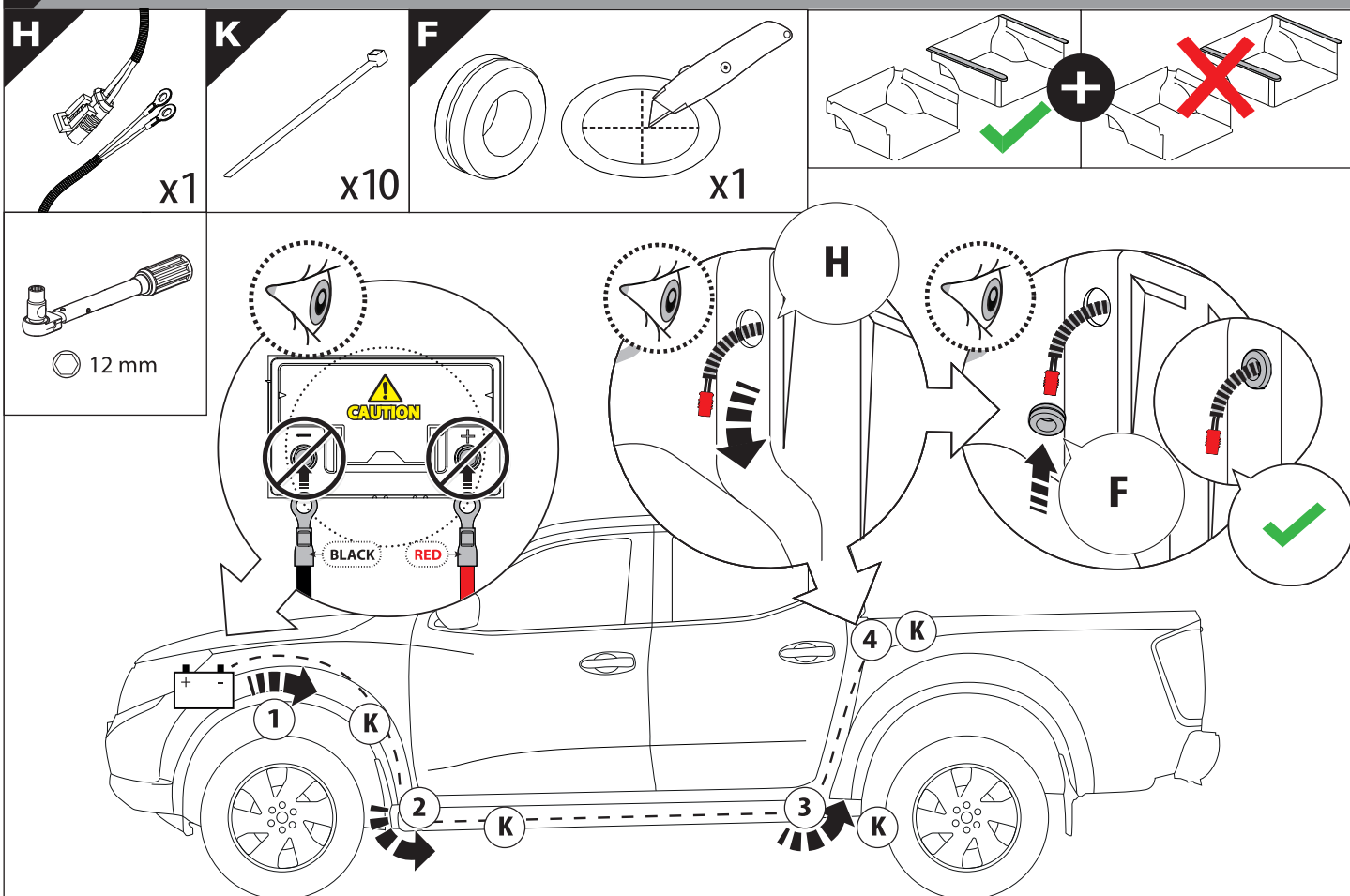


23.3

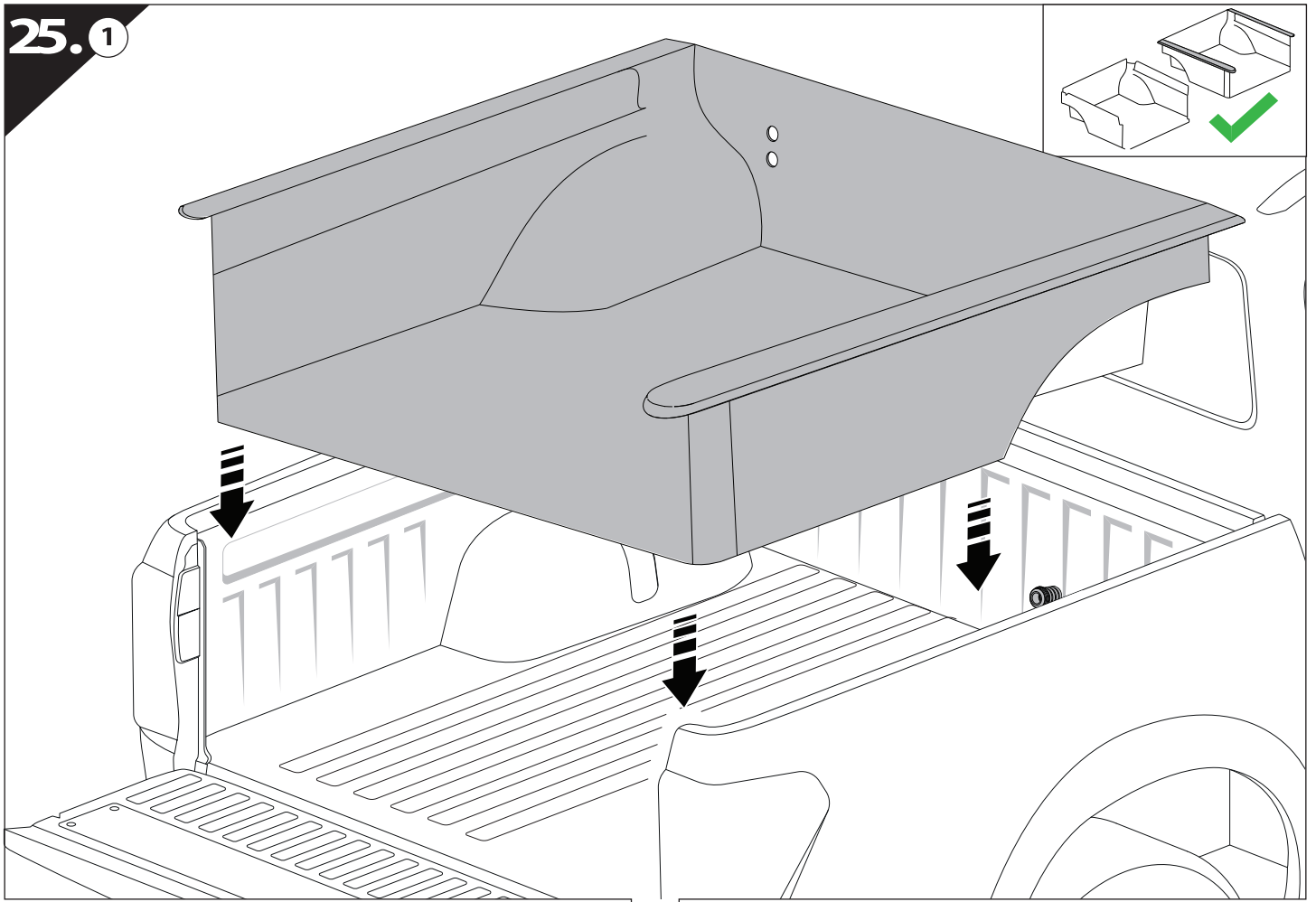




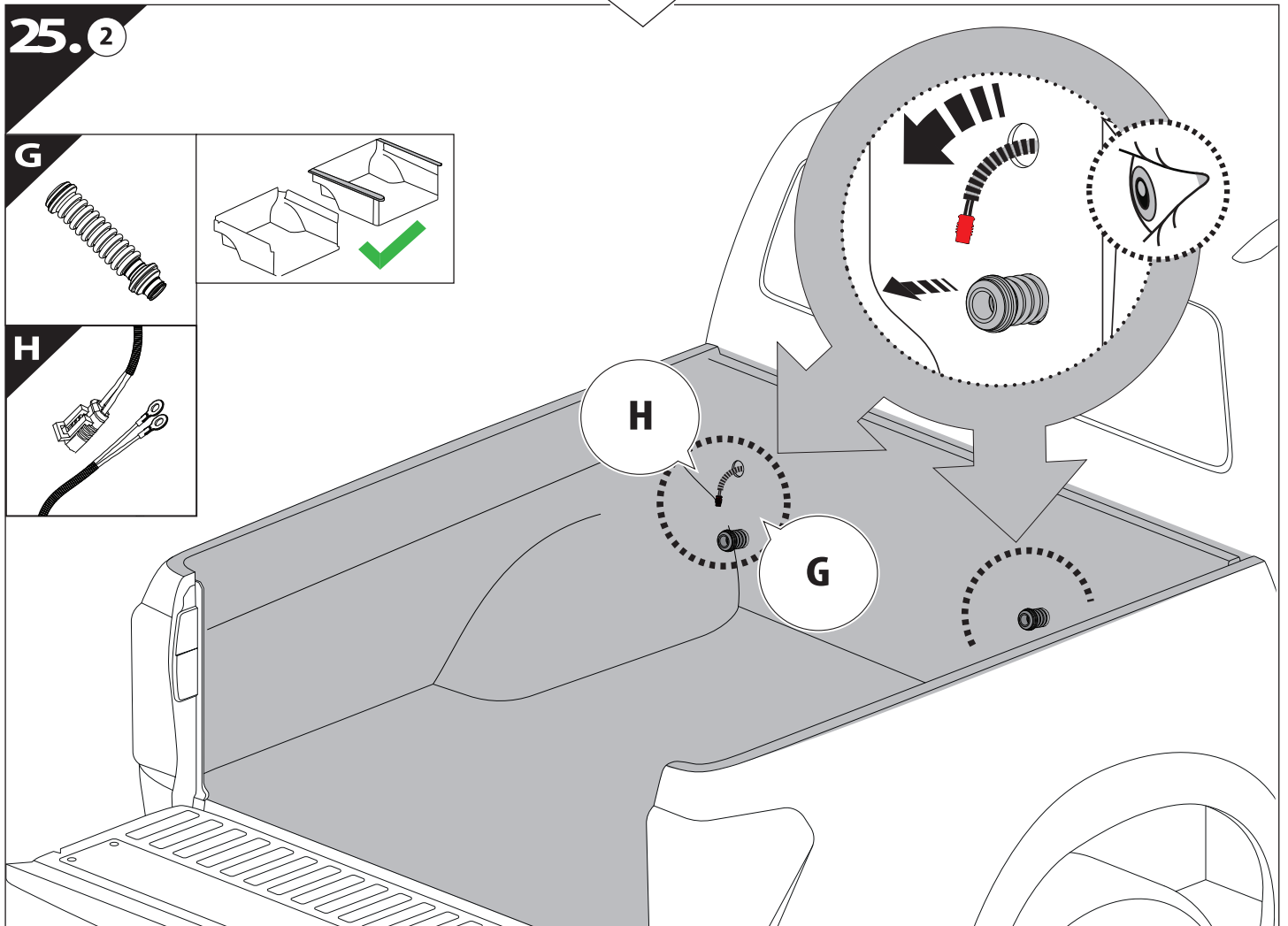
**25** Only to be installed by authorized personnel



25.1

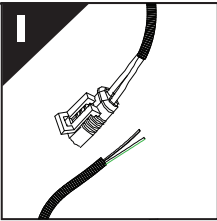


25.2

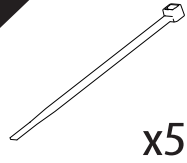


26

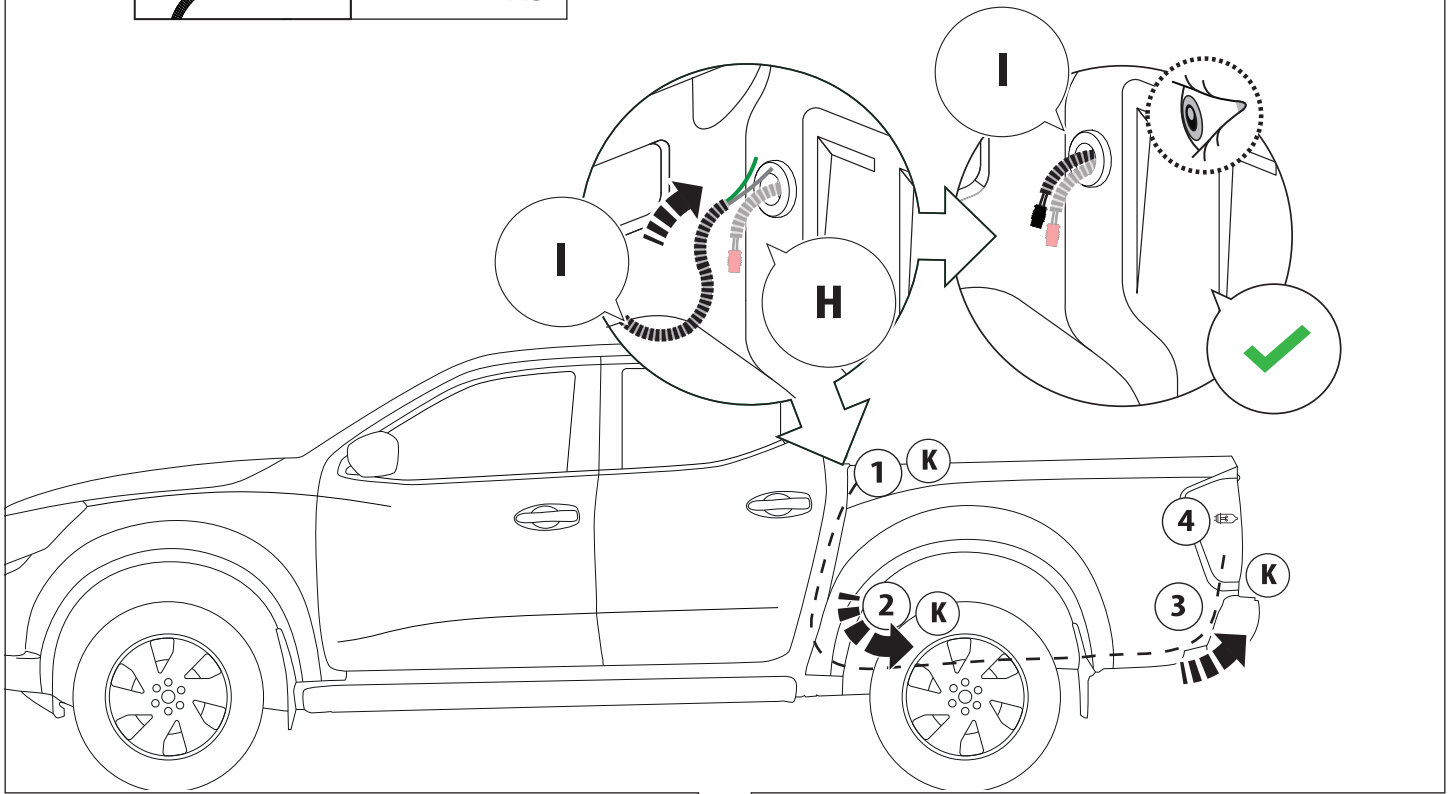
I



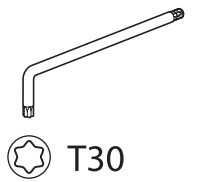
K



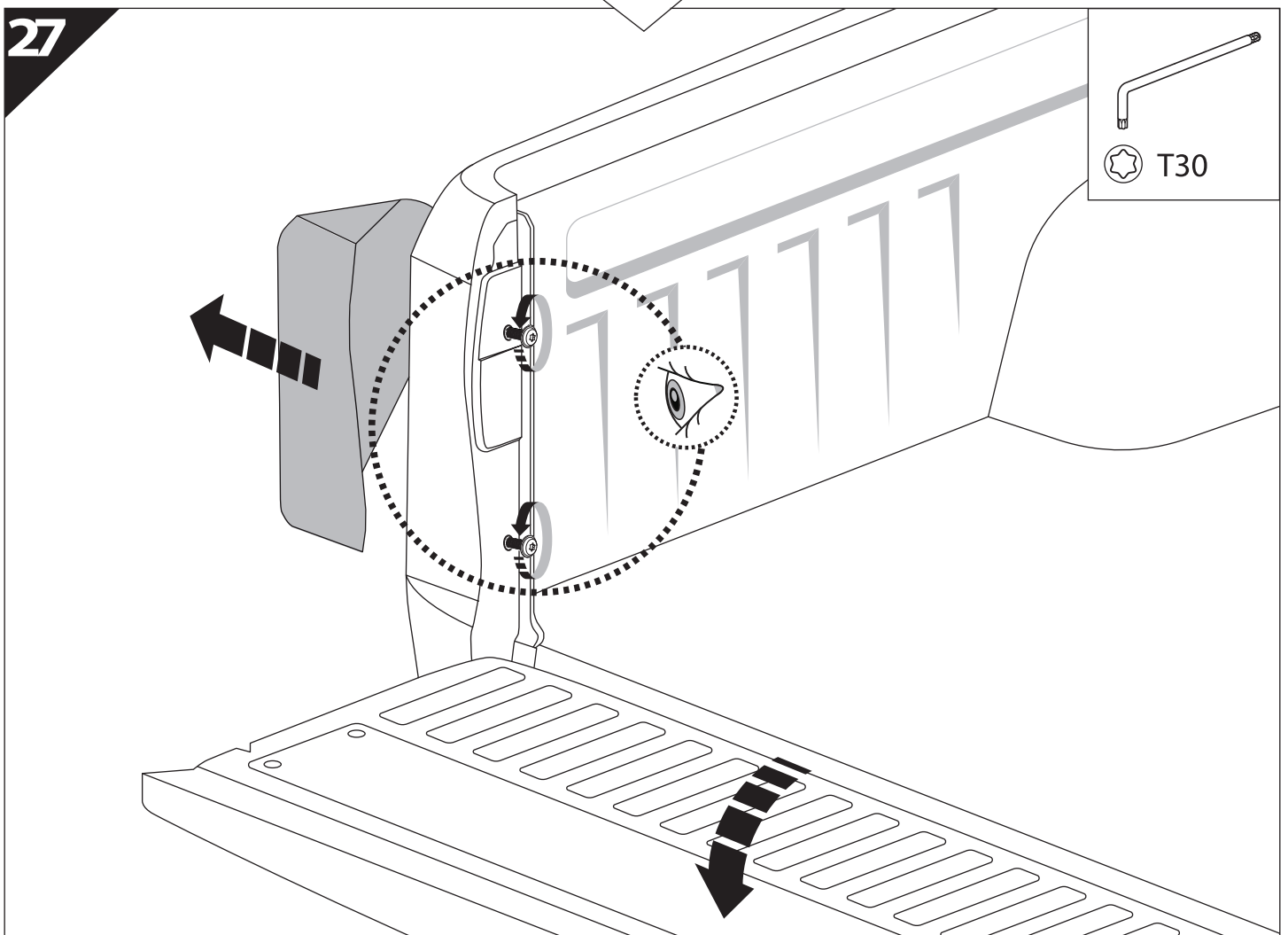
x5

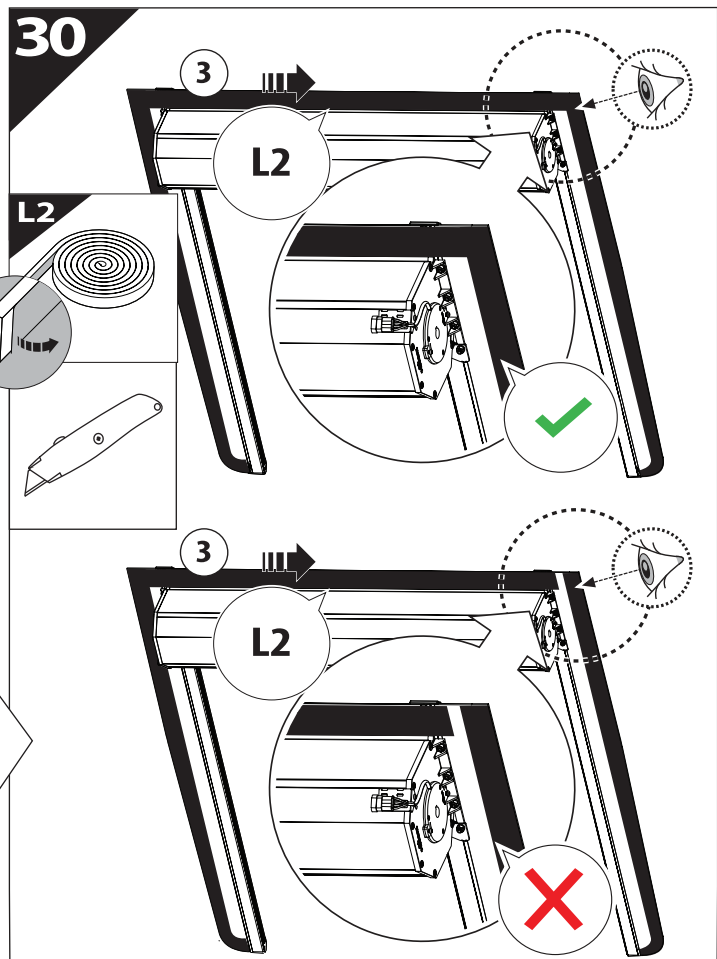
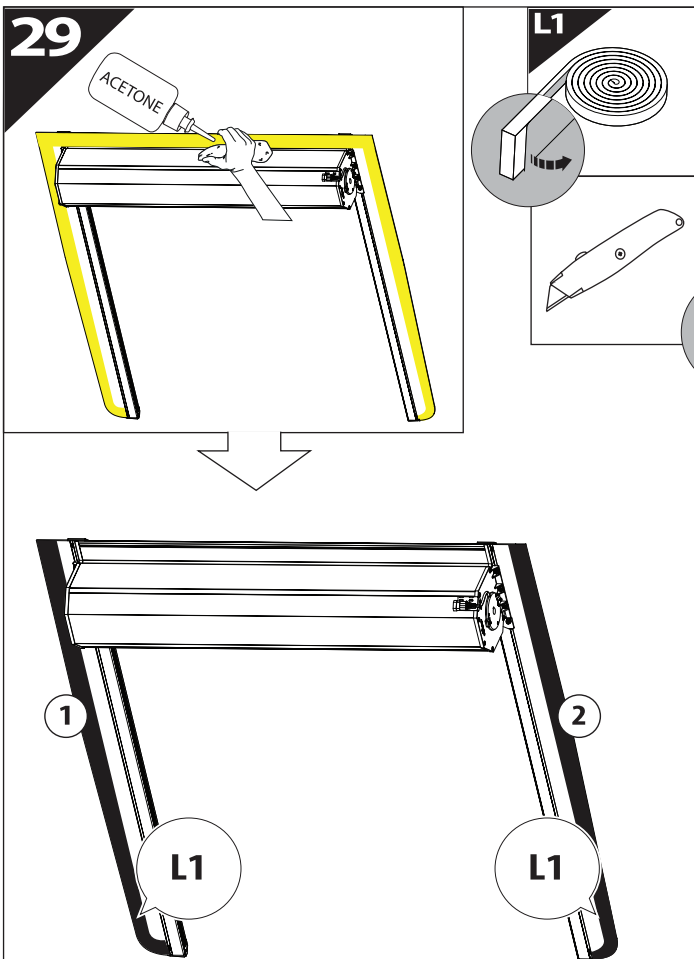
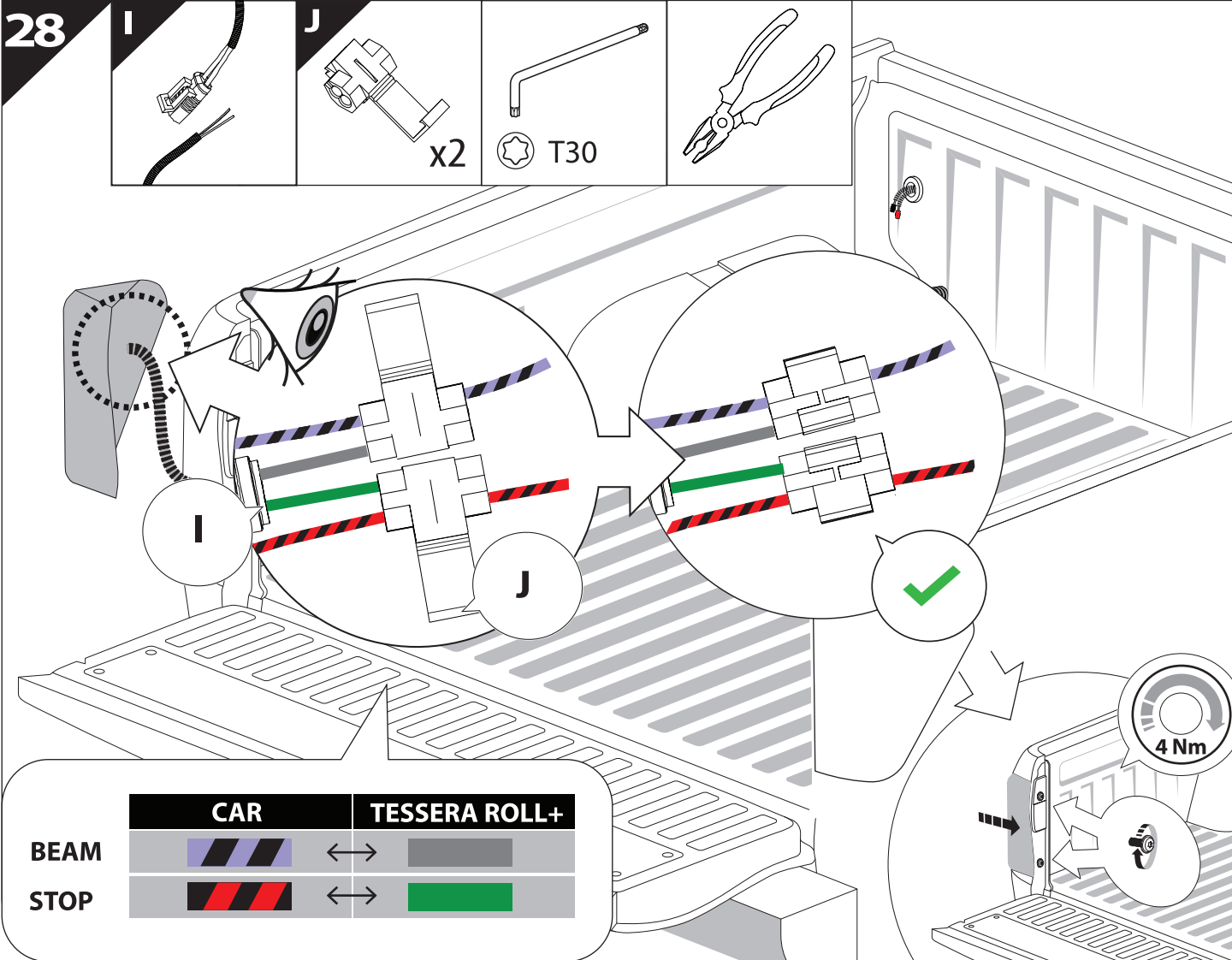


27

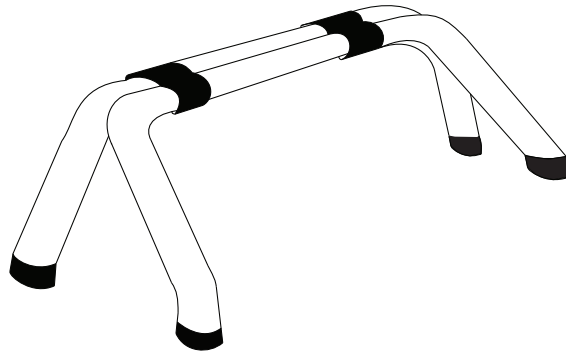


T30

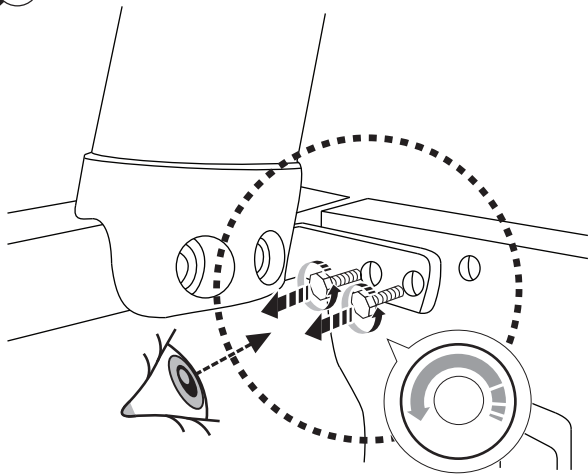




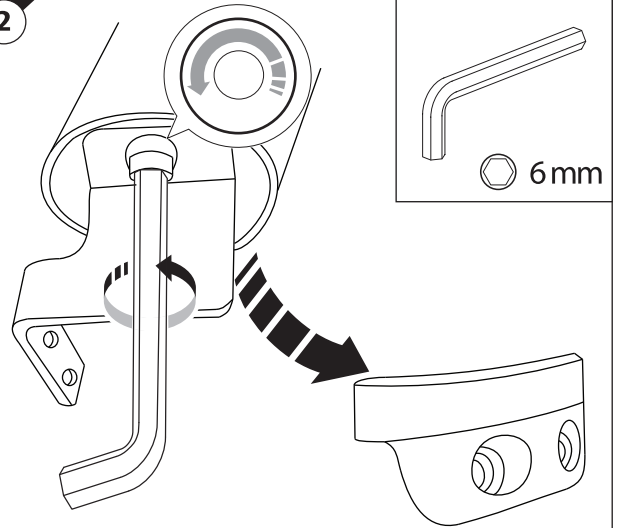
31



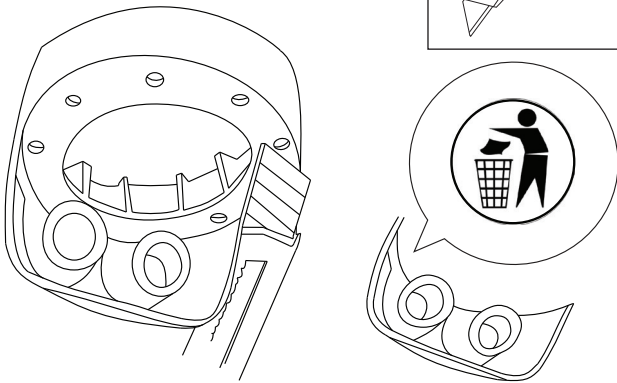
31. 1



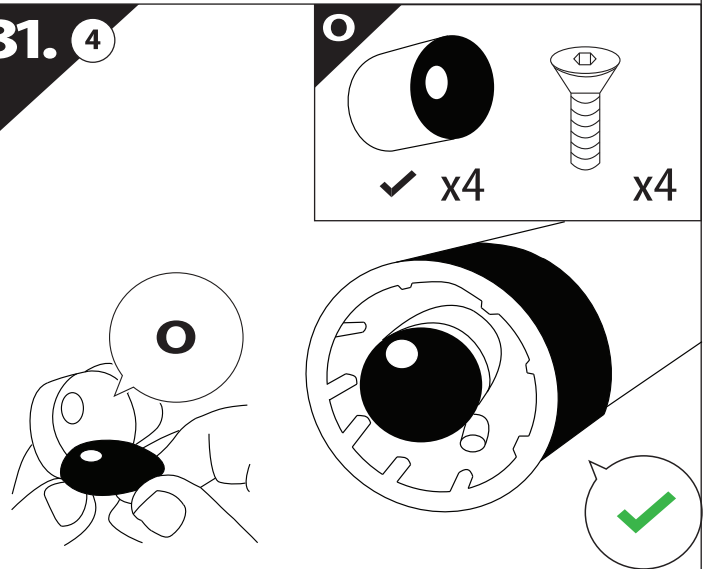
31. 2



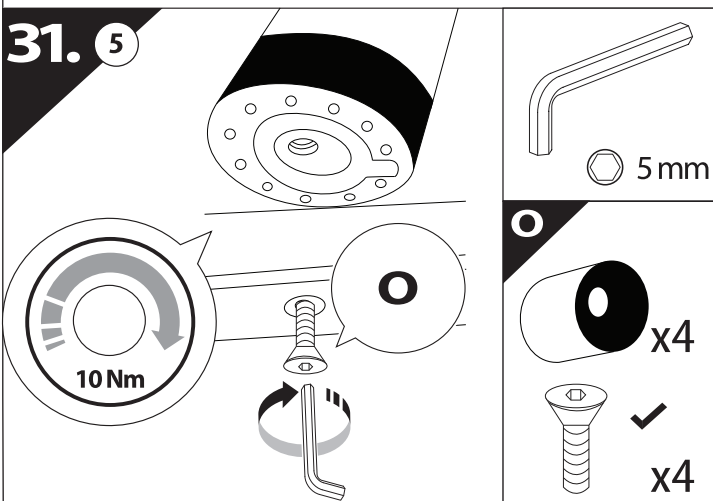
31. 3



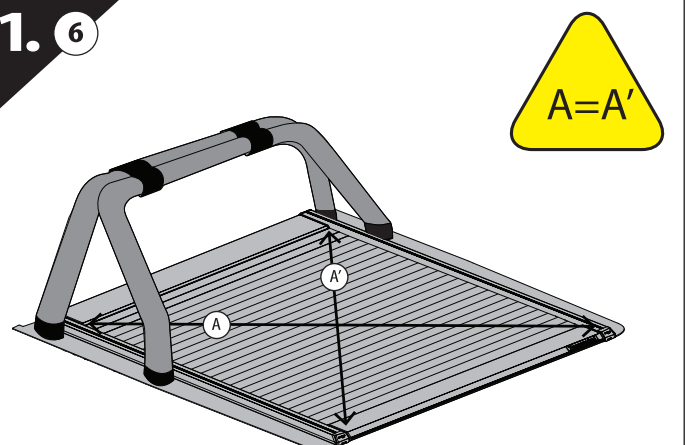
31. 4

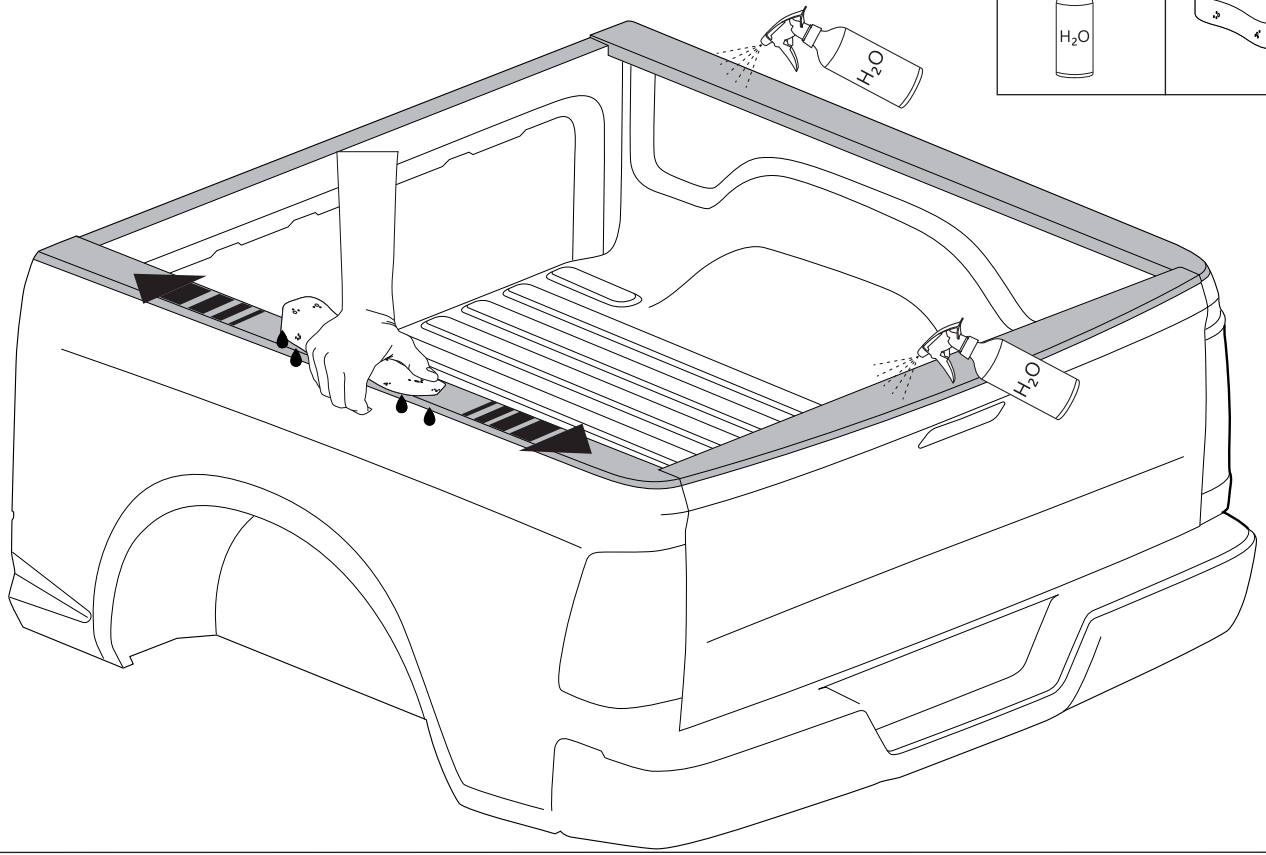
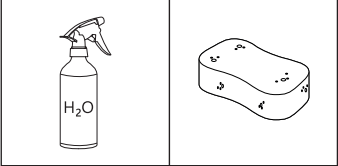


31. 5



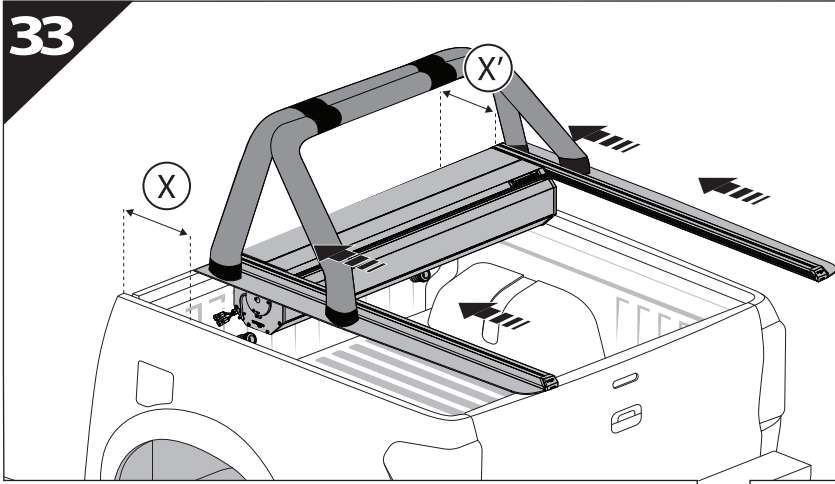
31. 6



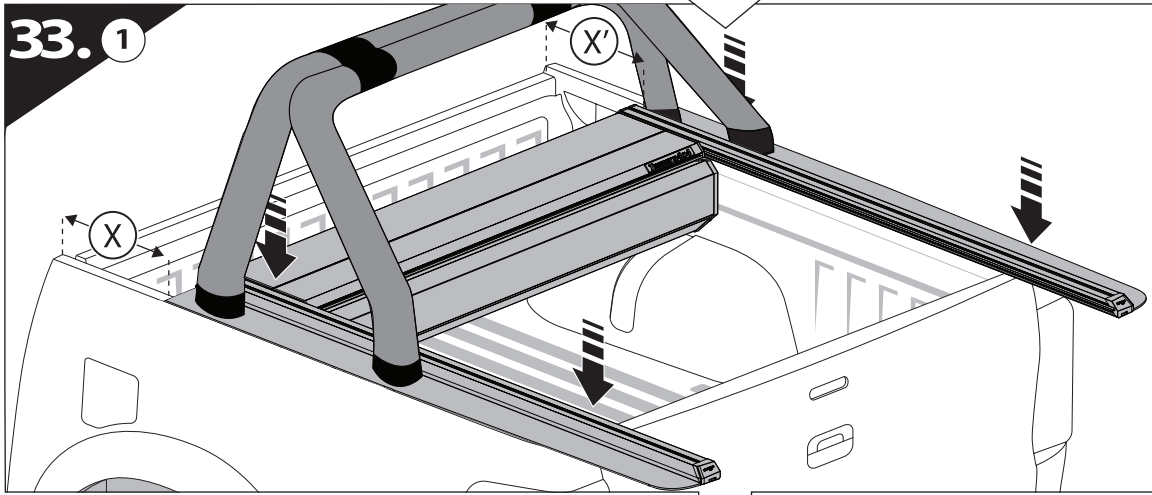




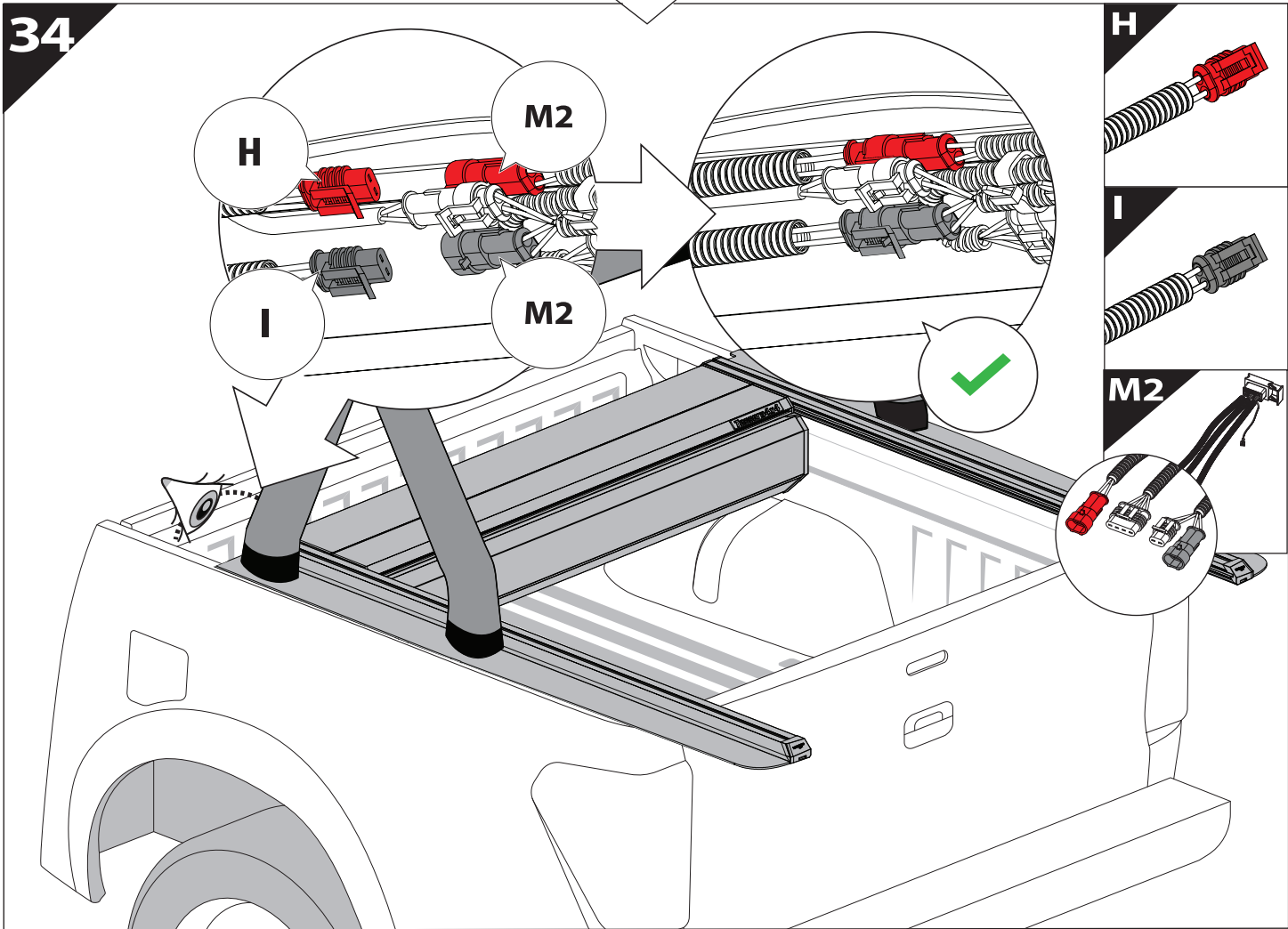
33



33. 1

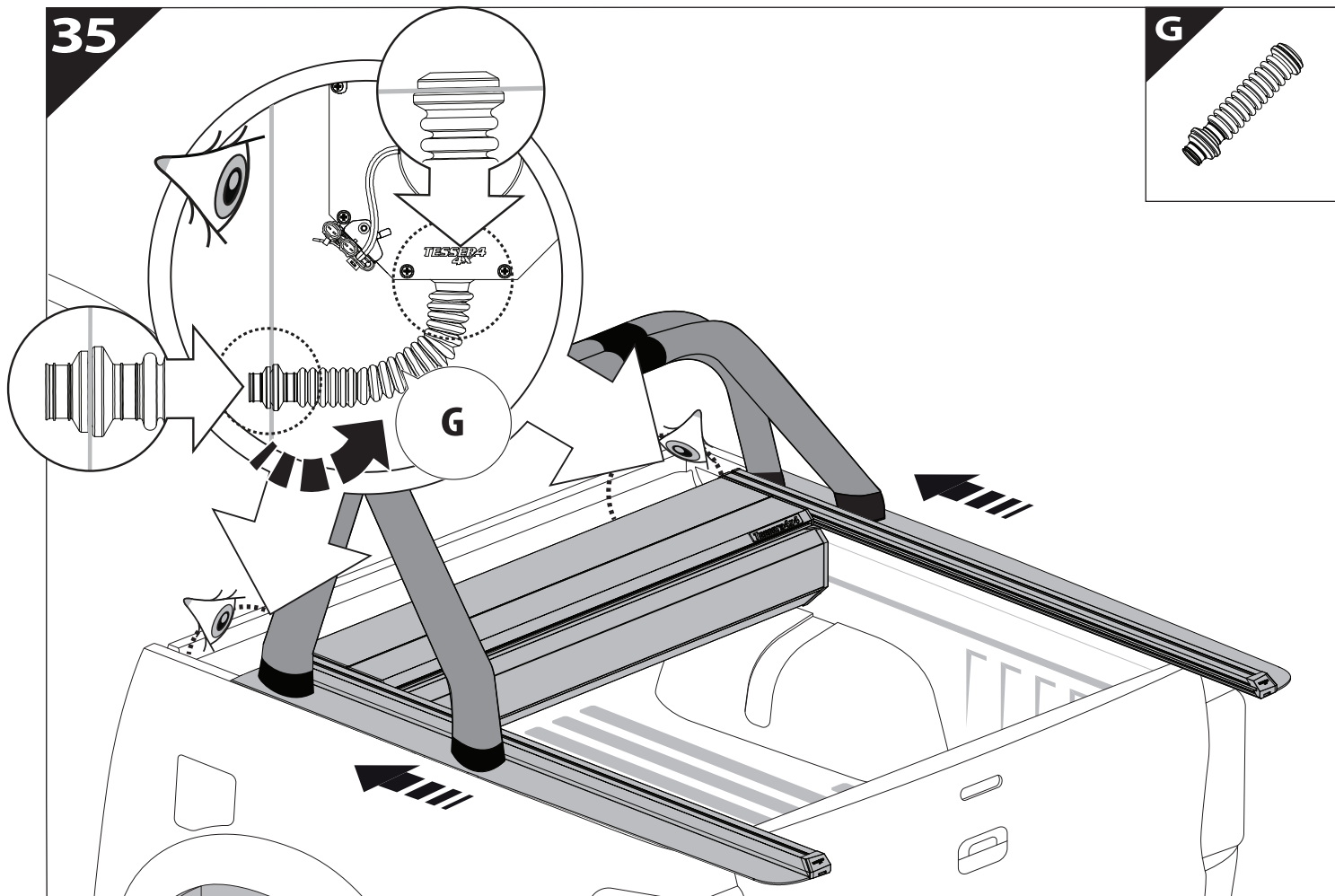


34

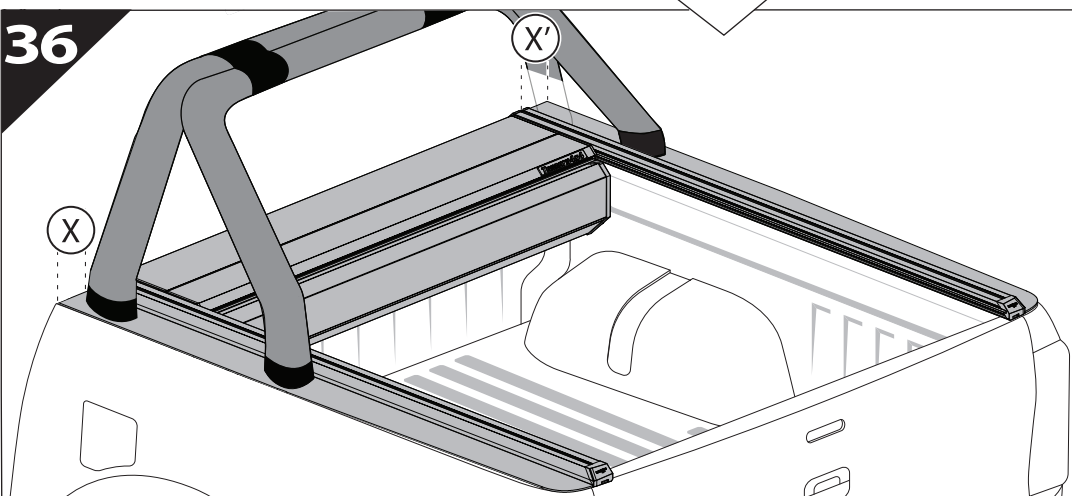
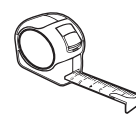
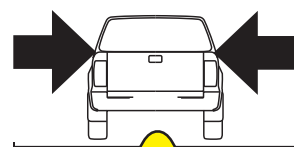


35

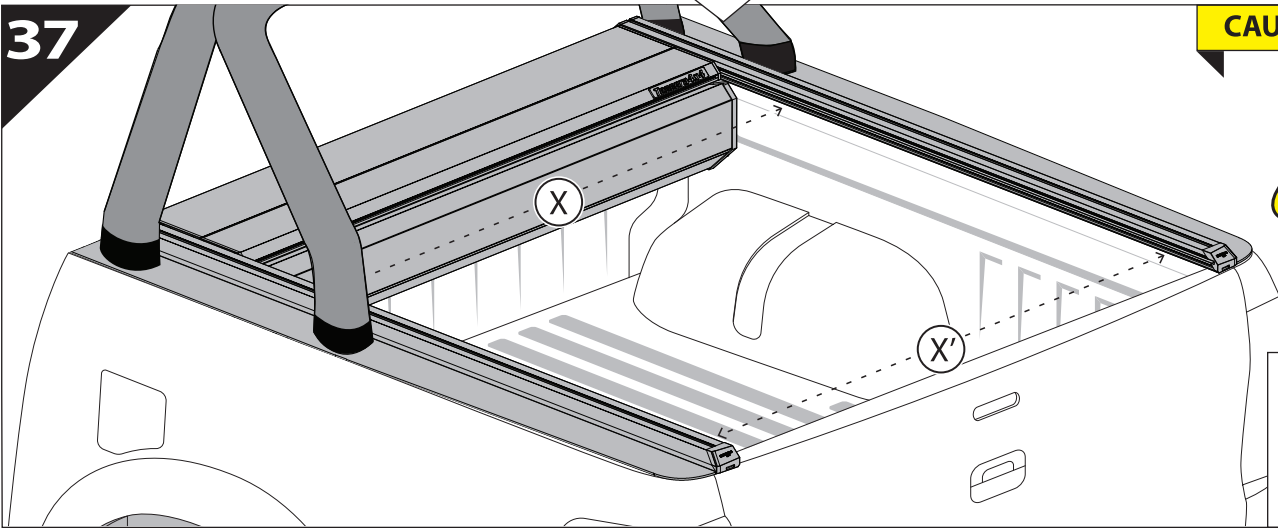
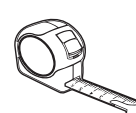
G



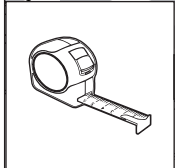
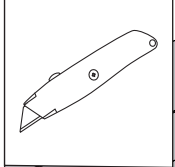
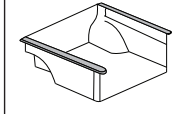
36



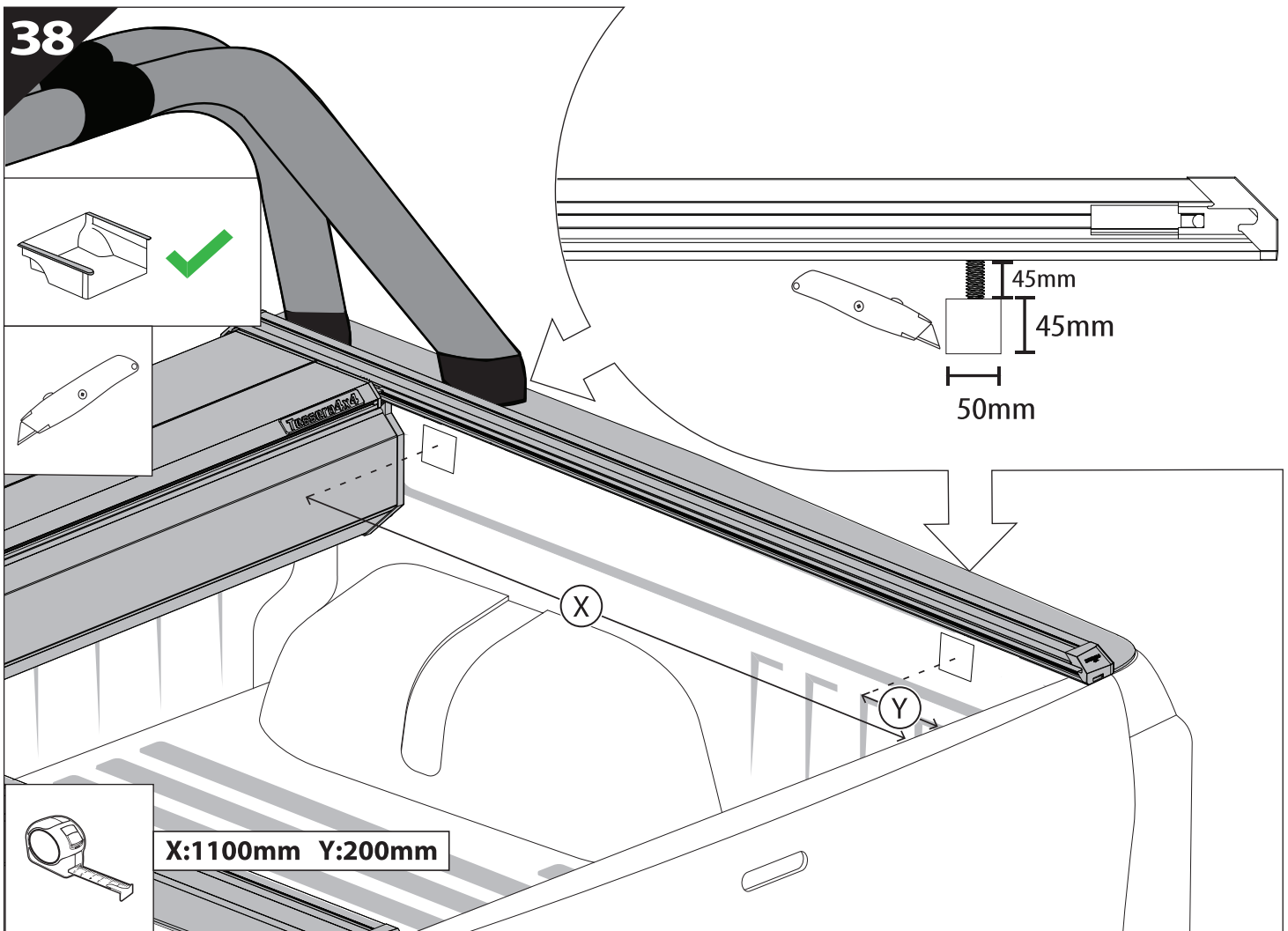
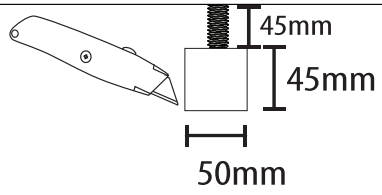
37



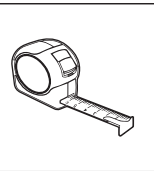
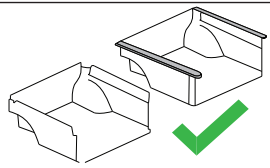
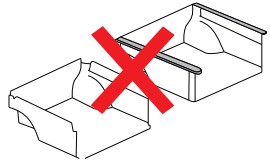
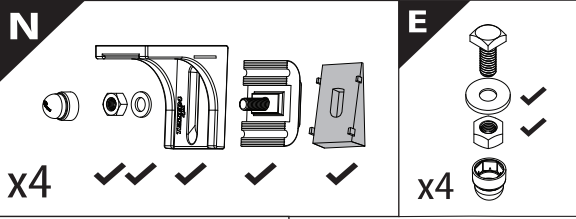
38



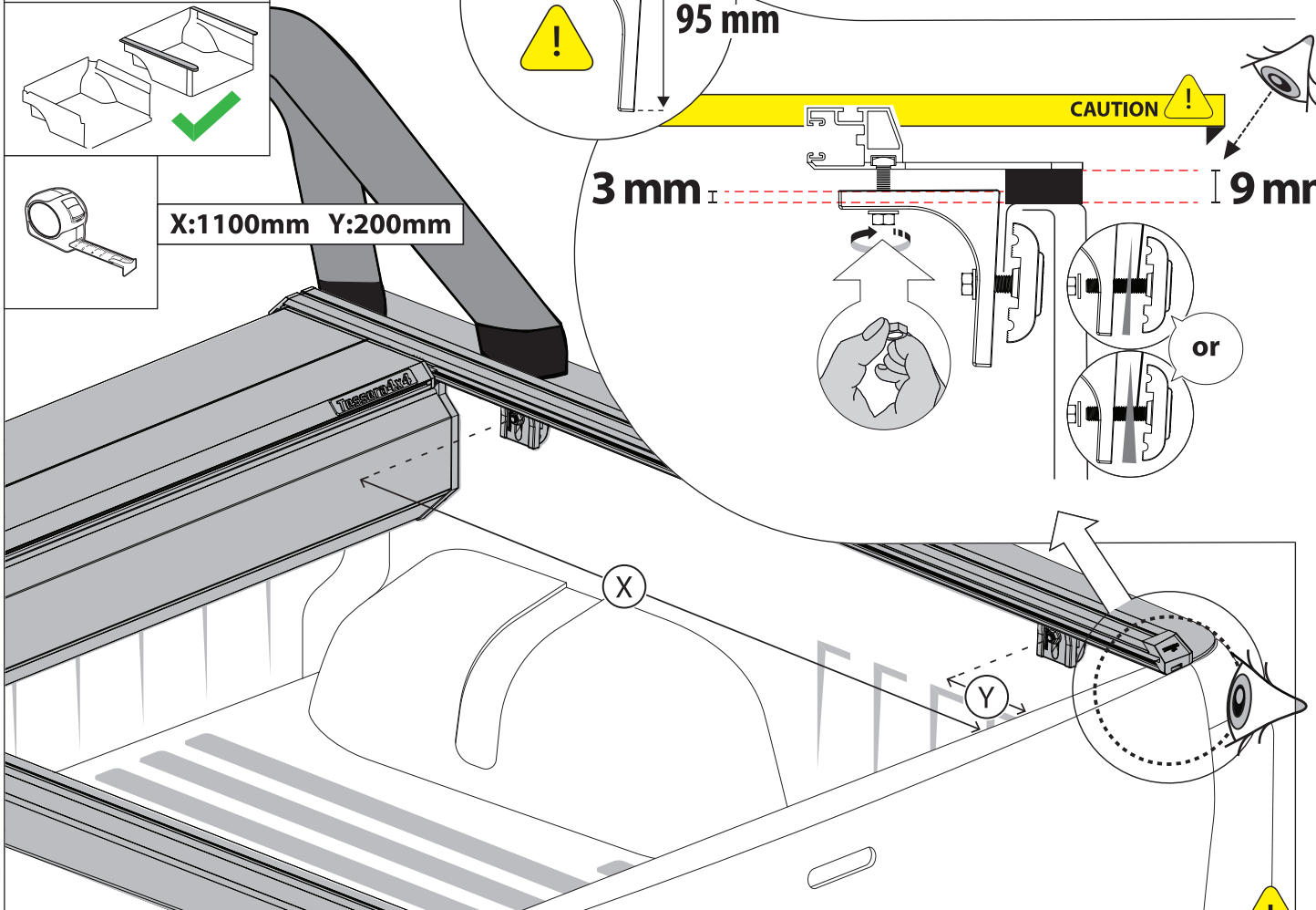
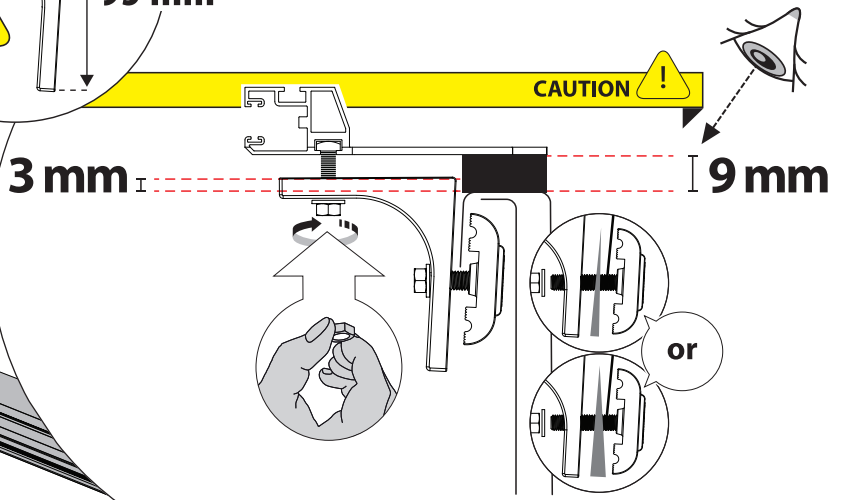
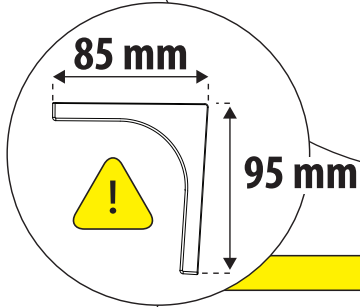
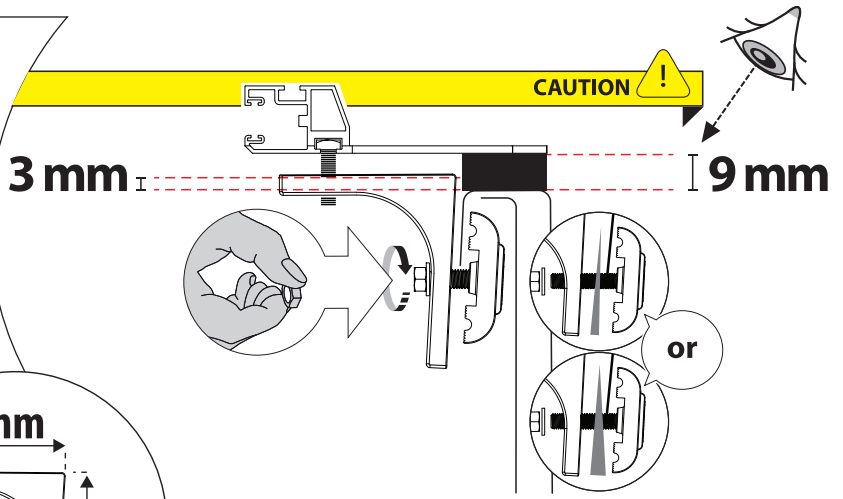
X:1100mm Y:200mm



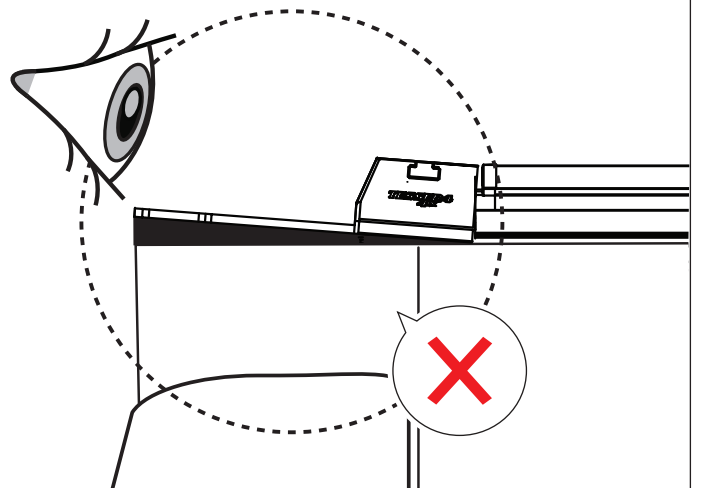
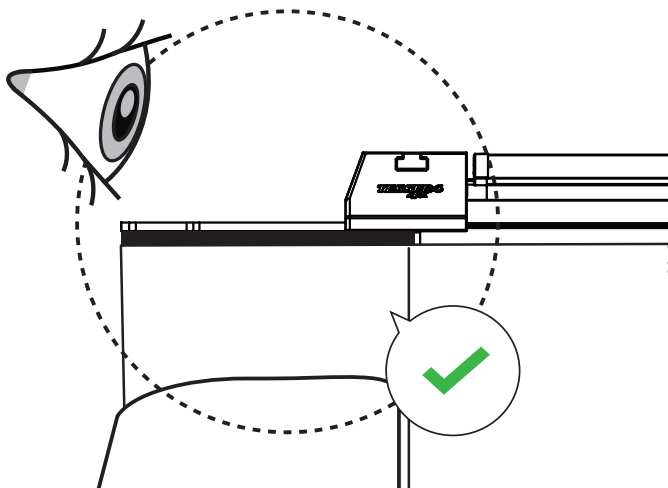
39

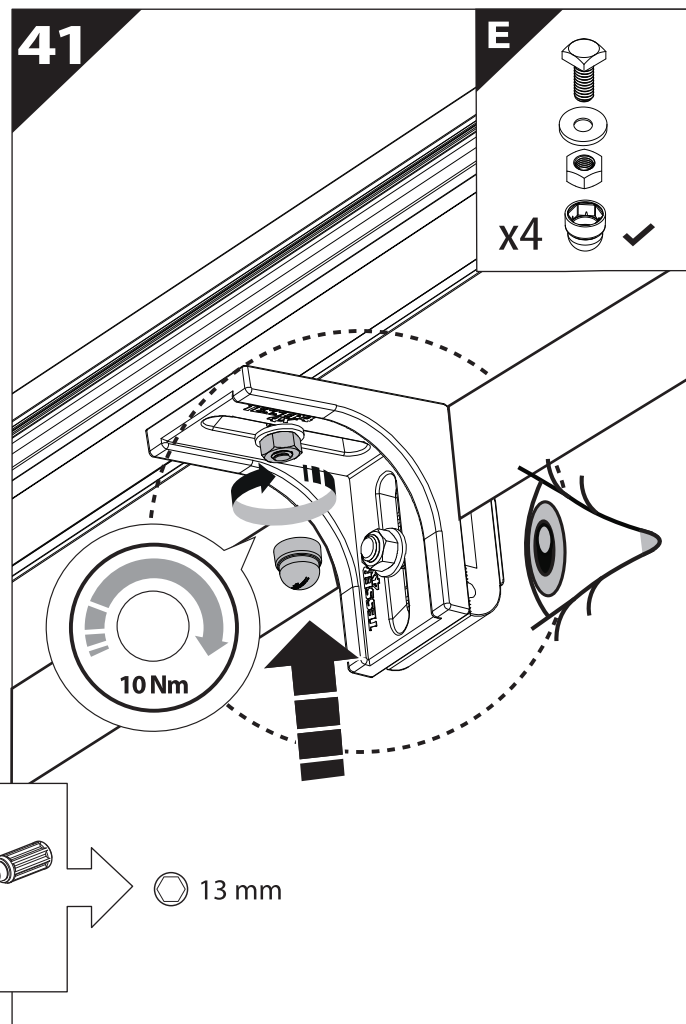
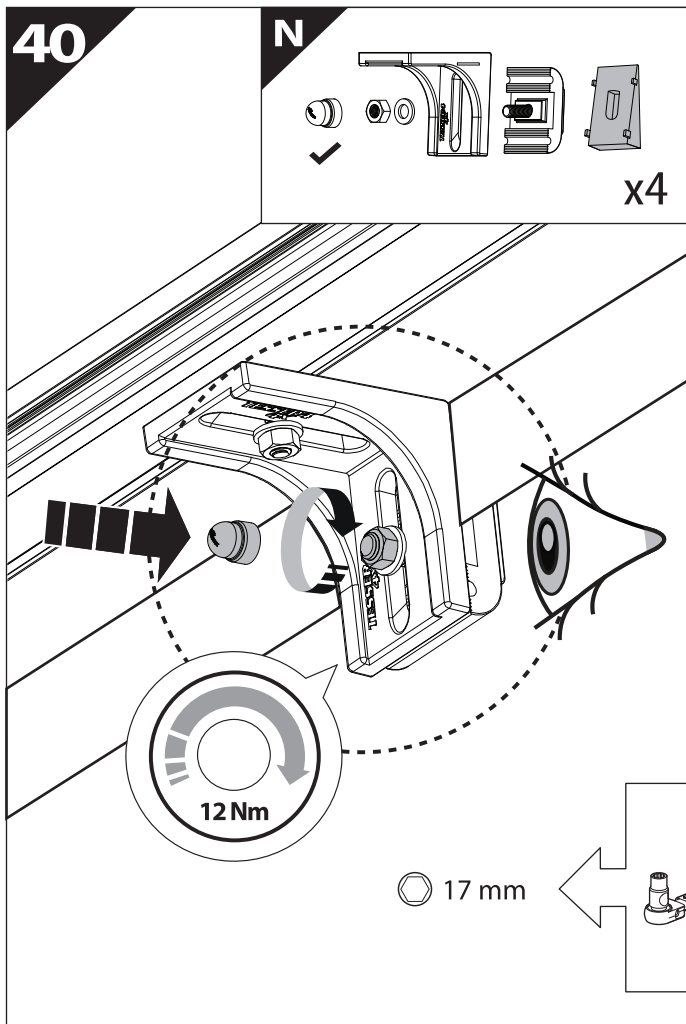


X:1100mm Y:200mm

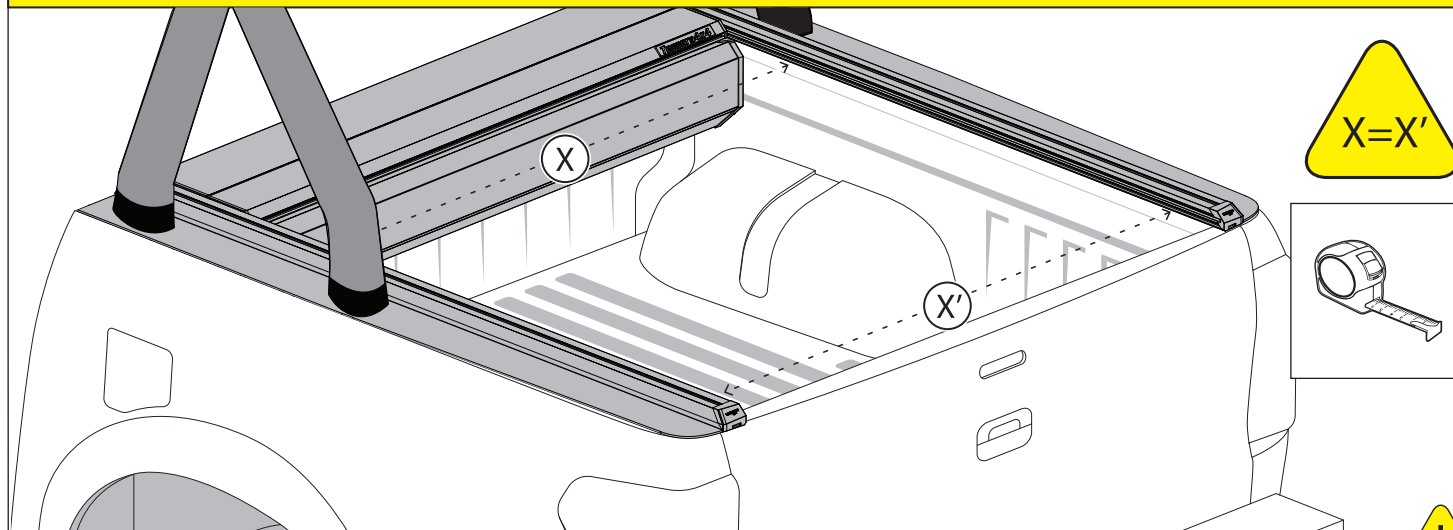


**CAUTION !**

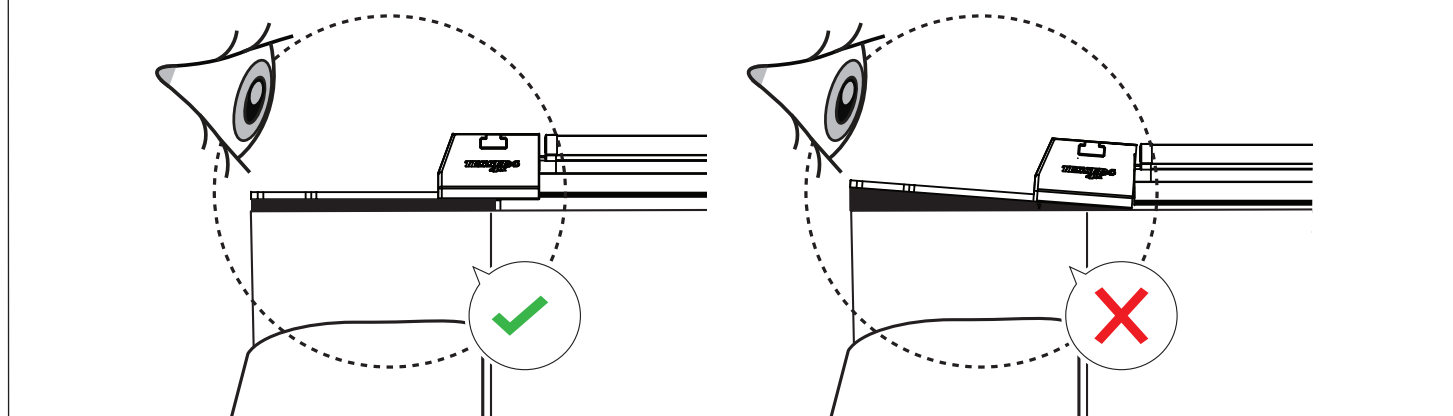




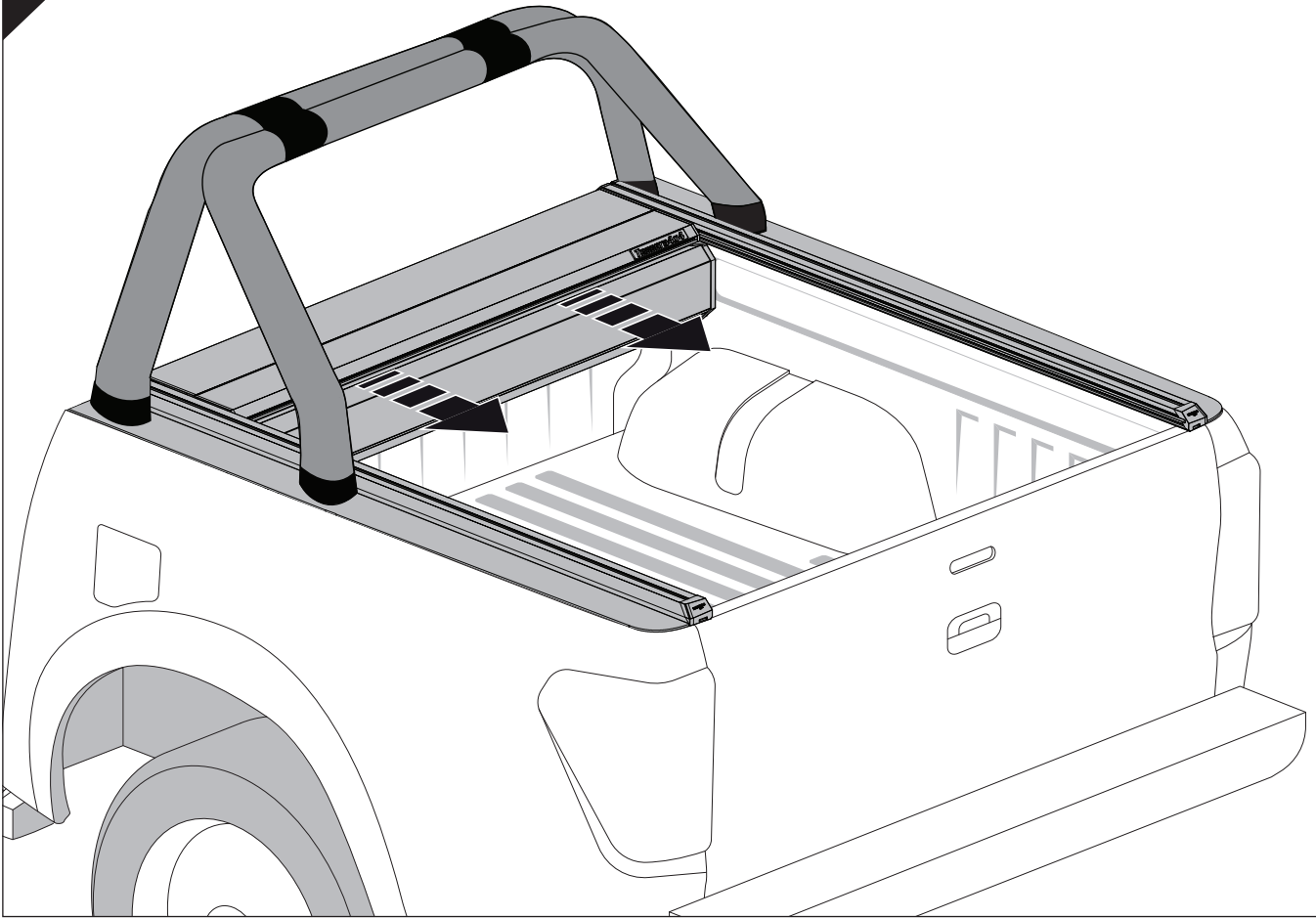
**CAUTION !**



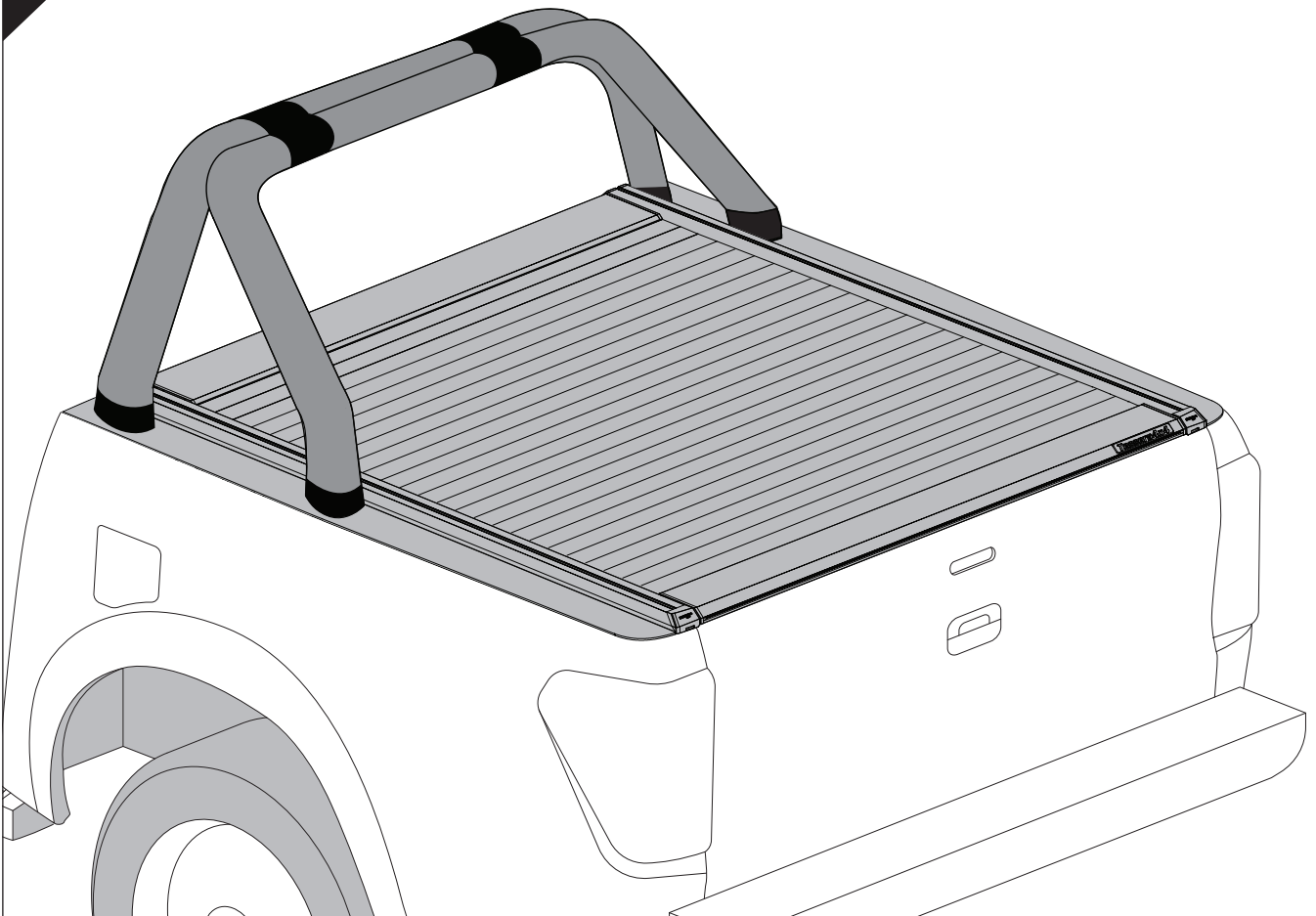
**CAUTION !**



42



43







**GR:** Οδηγίες Εγκατάστασης  
**GB:** Installation manual  
**SF:** Asennusohje  
**F:** Notice de montage  
**PL:** Instrukcja montażu  
**NL:** Installatie-instructies  
**TR:** Montaj Talimatı  
**S:** Monteringsanvisning  
**E:** Instrucciones de montaje

**H:** Szerelési utasítás  
**P:** Instruções de instalação  
**RUS:** Инструкция по установке  
**N:** Monteringsveiledning  
**D:** Einbauanleitung  
**CZ:** Návod k instalaci  
**I:** Istruzioni de montaggio  
**DK:** Monteringsvejledning  
**RO:** Instructiuni de instalare

Customer Service:

+30 (210) 5541161, +30 (210) 5541154 (08:00 - 16:00 EET)

Support department:

[info@gianso.gr](mailto:info@gianso.gr)

Website:

[www.tessera4x4.com](http://www.tessera4x4.com)

Address:

19.5 km of National road Athens-Korinthos (Elefsina) Greece, P.C: 19200