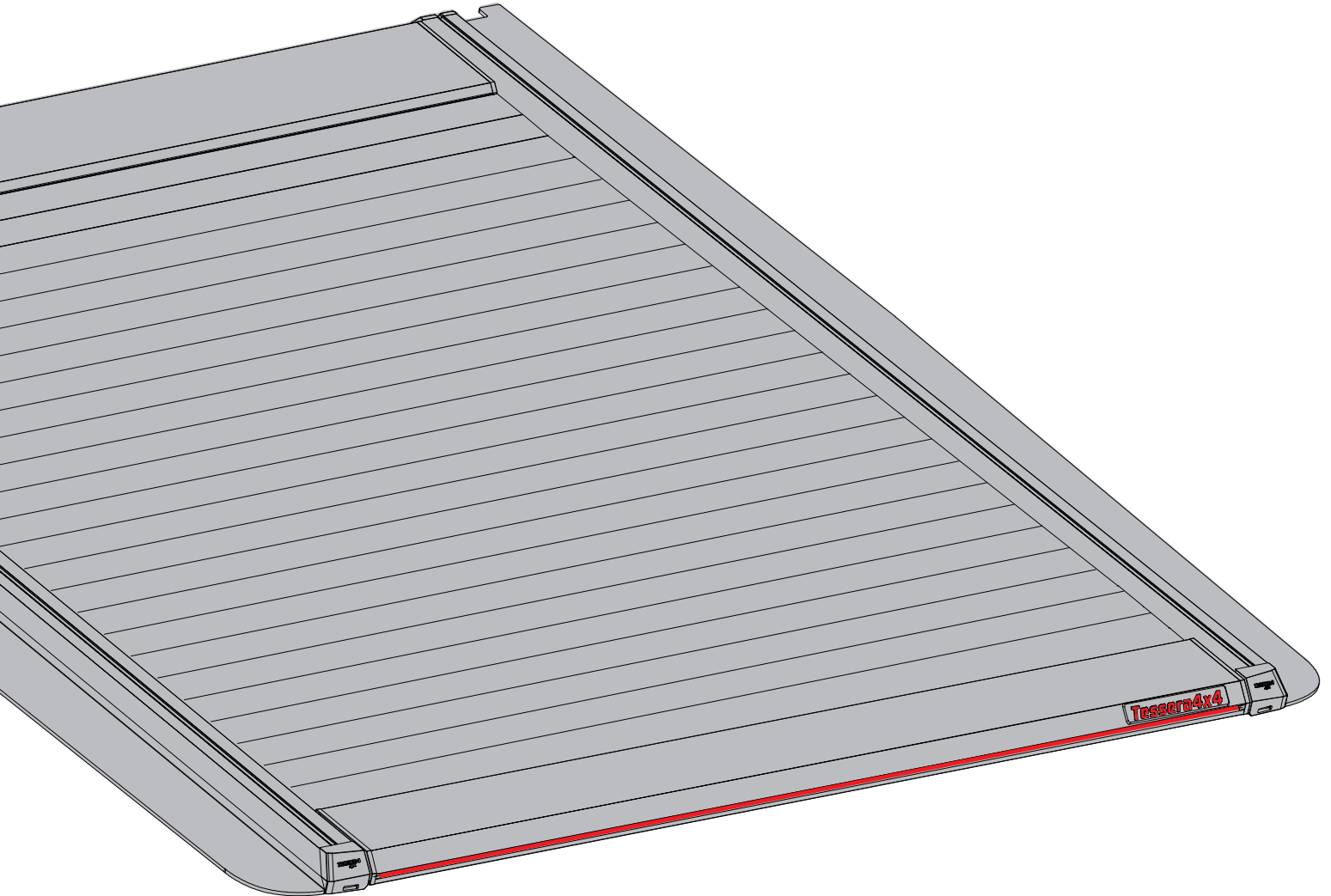


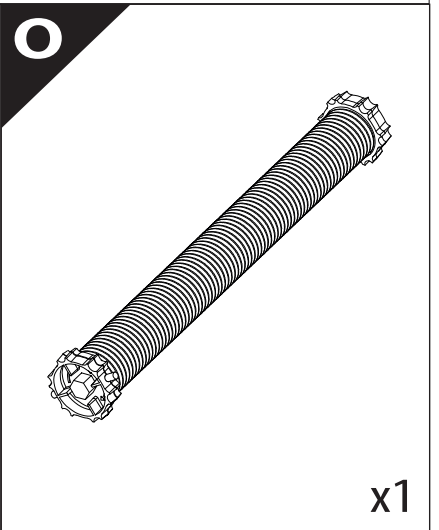
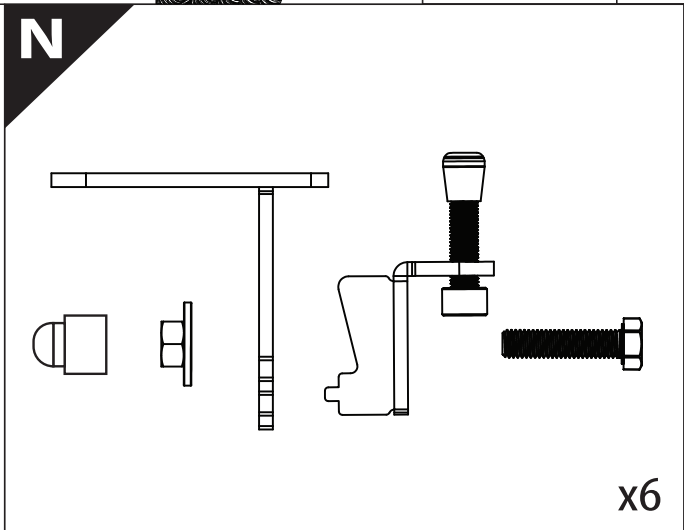
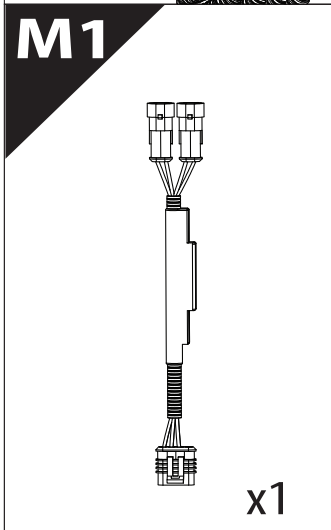
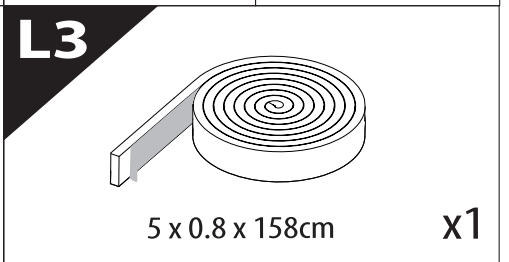
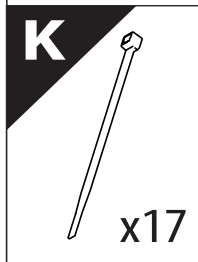
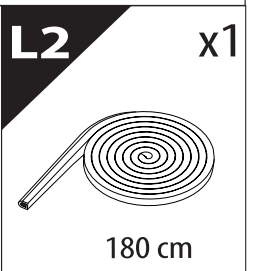
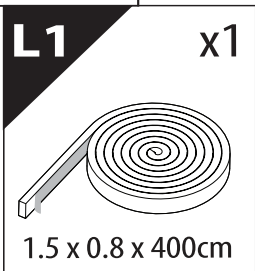
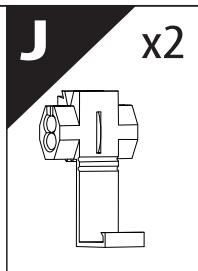
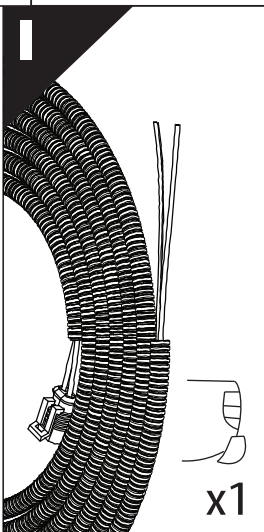
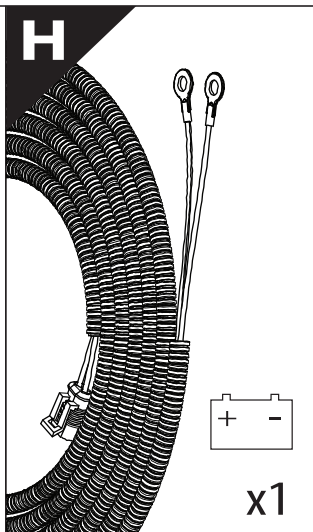
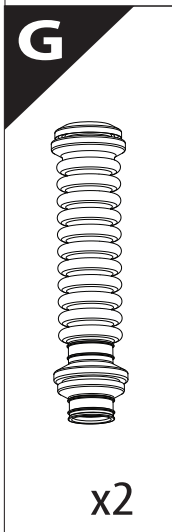
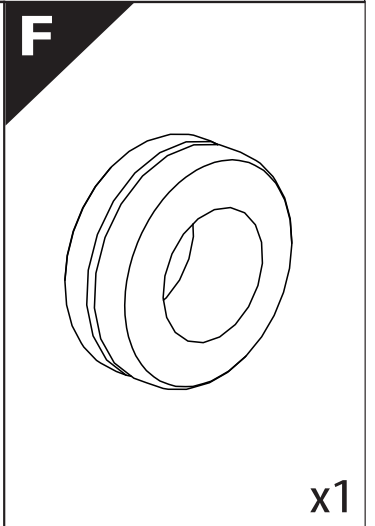
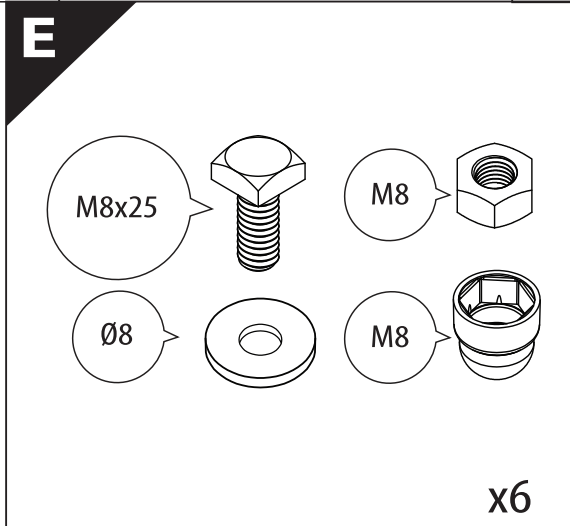
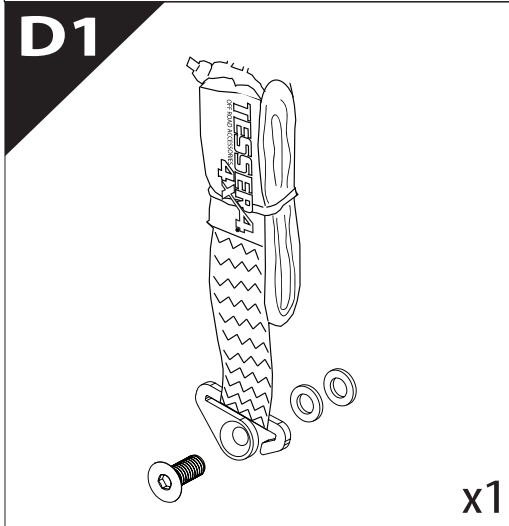
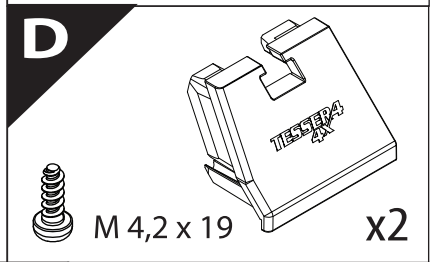
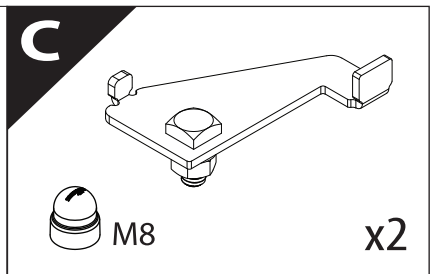
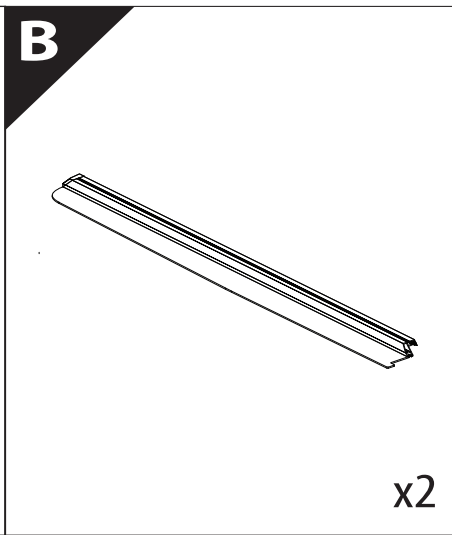
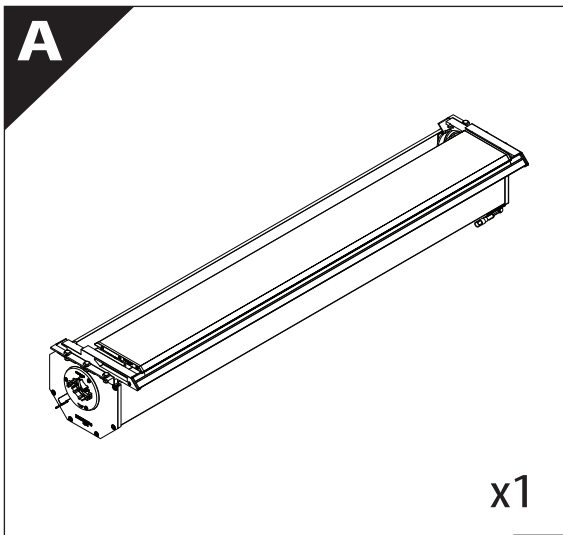
Tessera Roll+

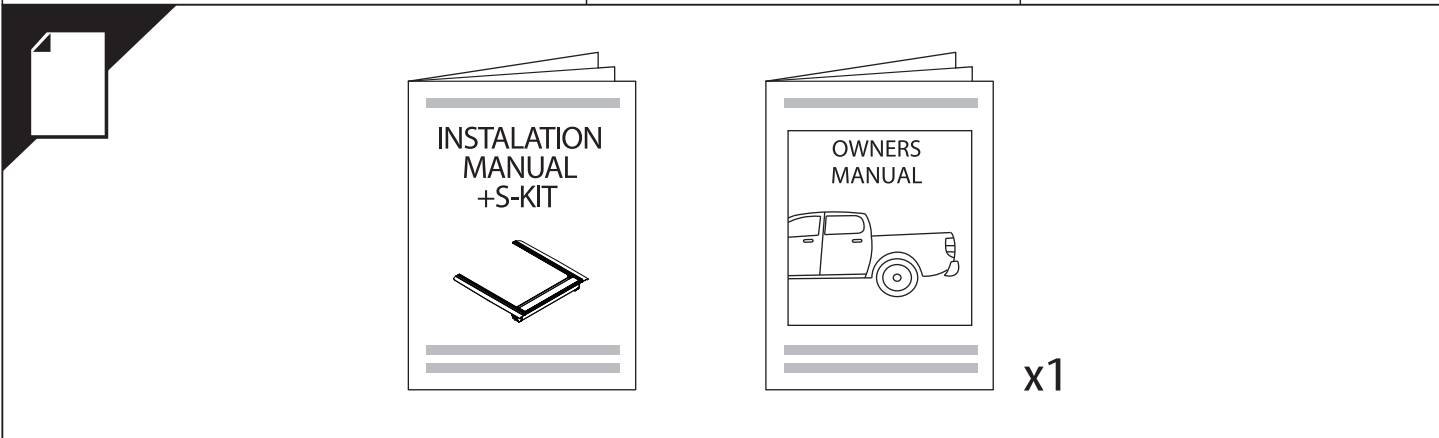
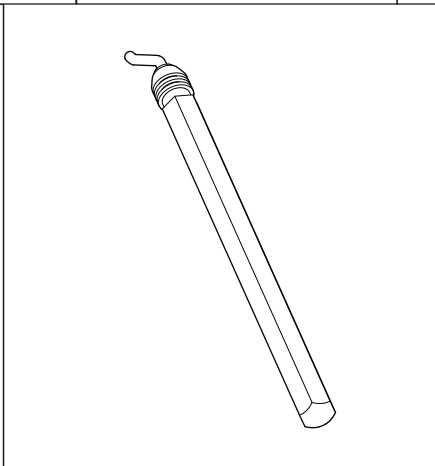
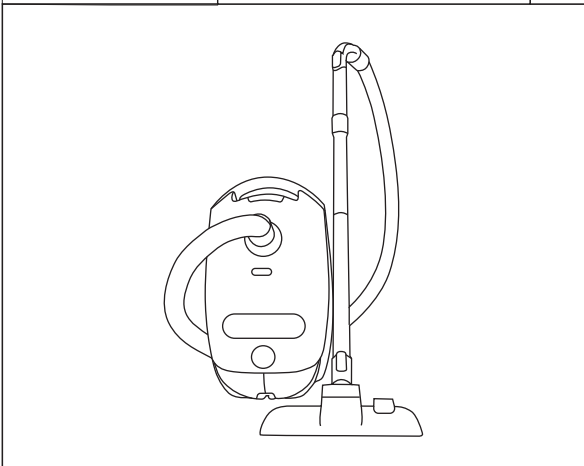
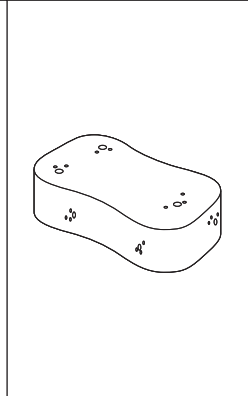
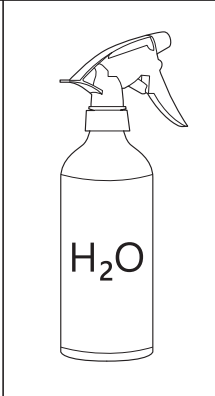
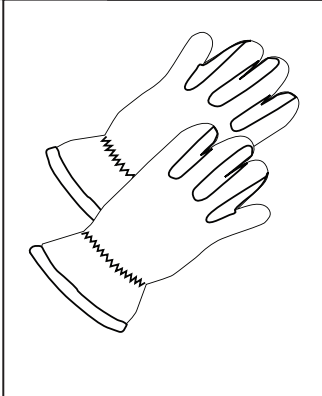
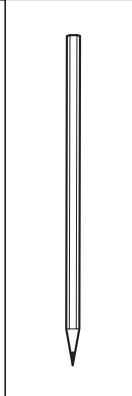
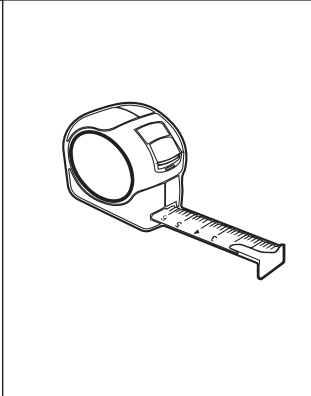
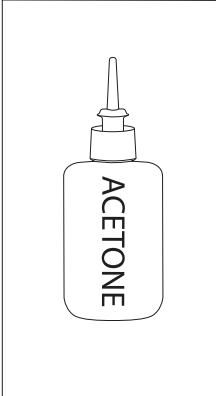
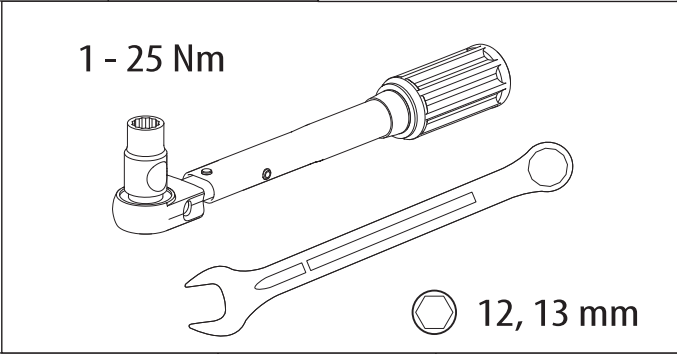
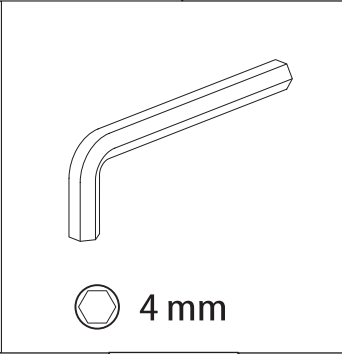
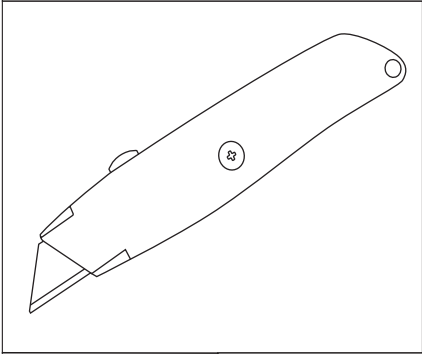
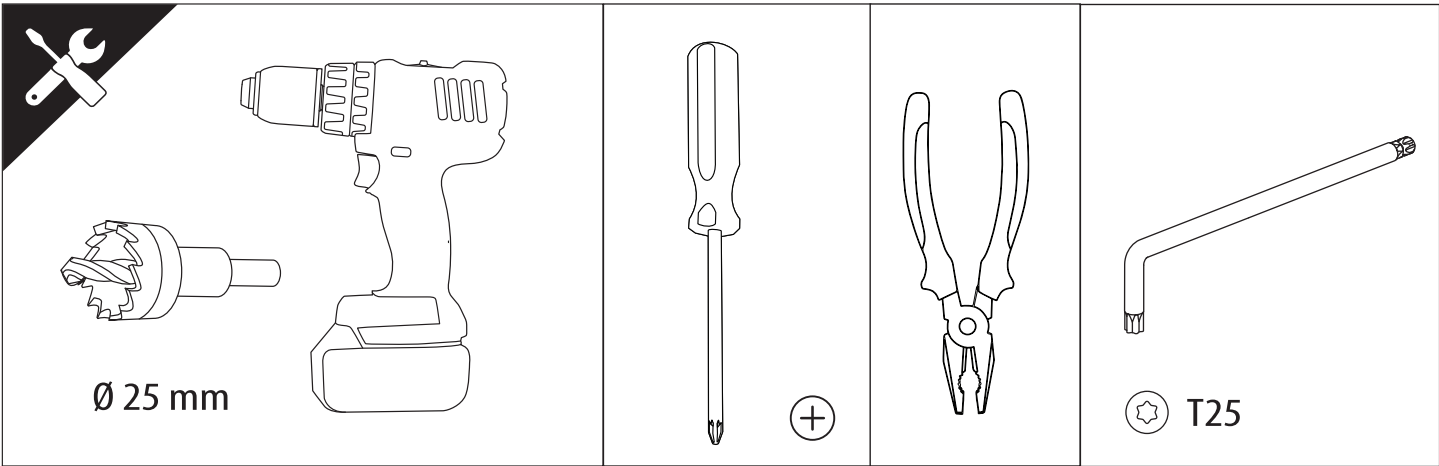
Basic Version + ⚙️ S-KIT

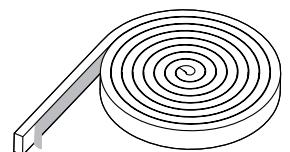
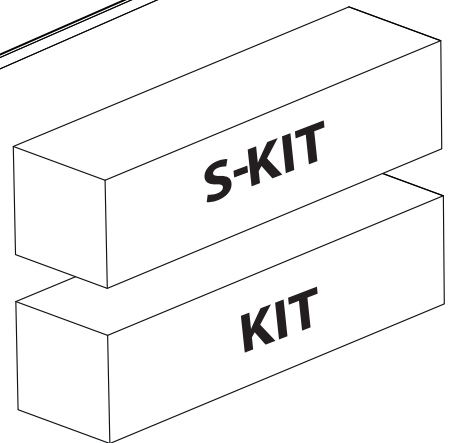
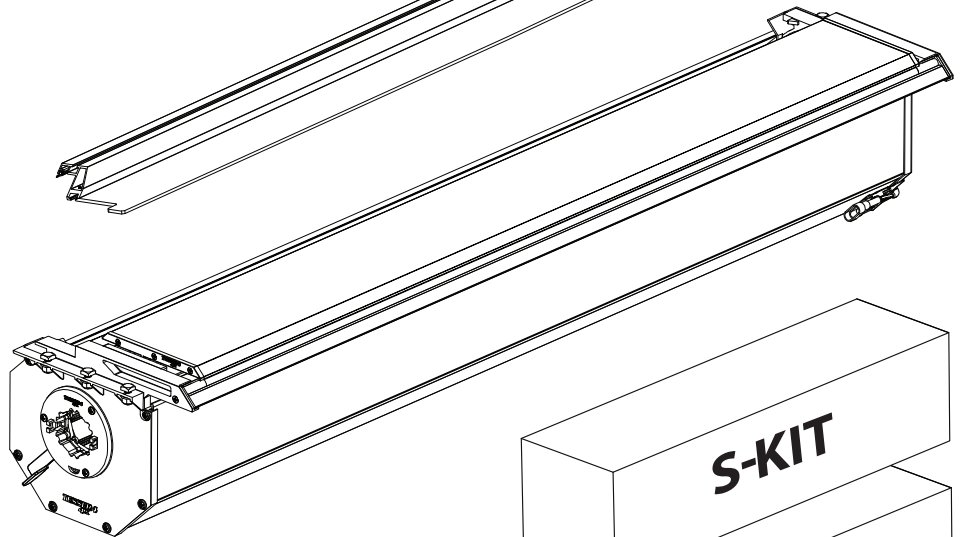
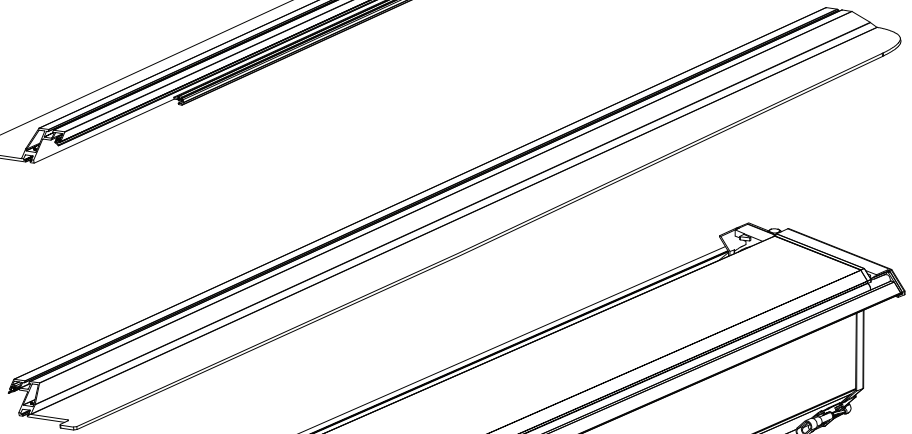
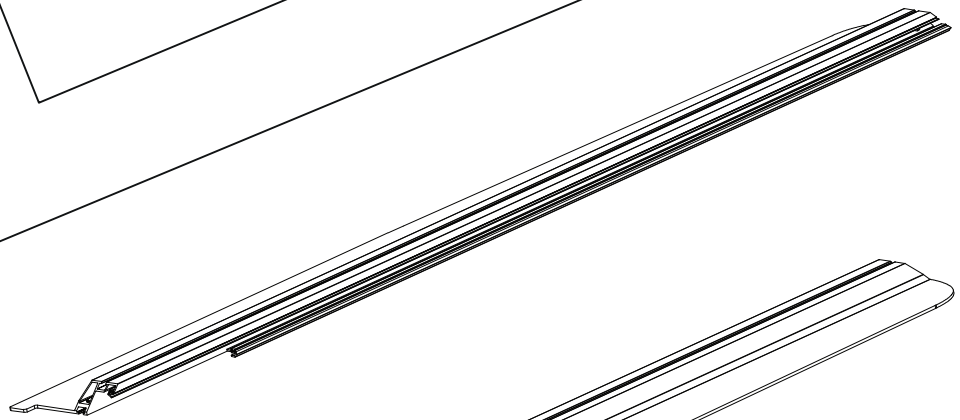
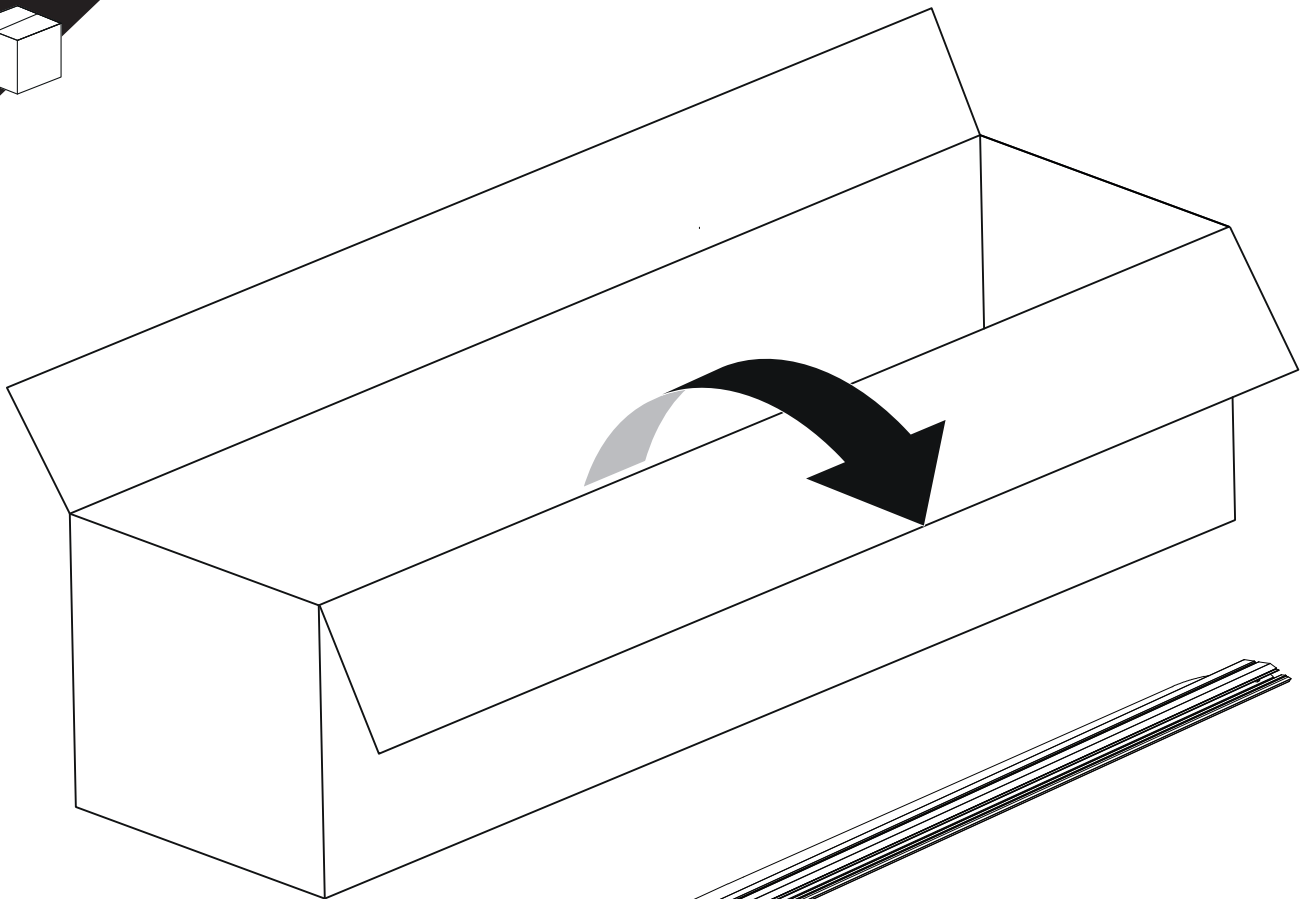


Installation Manual

PART NUMBER(S)	Model Year
TESS 1424 ROLL+S-KIT	Dodge Ram 1500 2022+
TESS 14241 ROLL+ S-KIT	
Cab(s)	Installation Time / Weight
Double Cab (Short Bed & Long Bed)	40-60 minutes / 53-57 kg





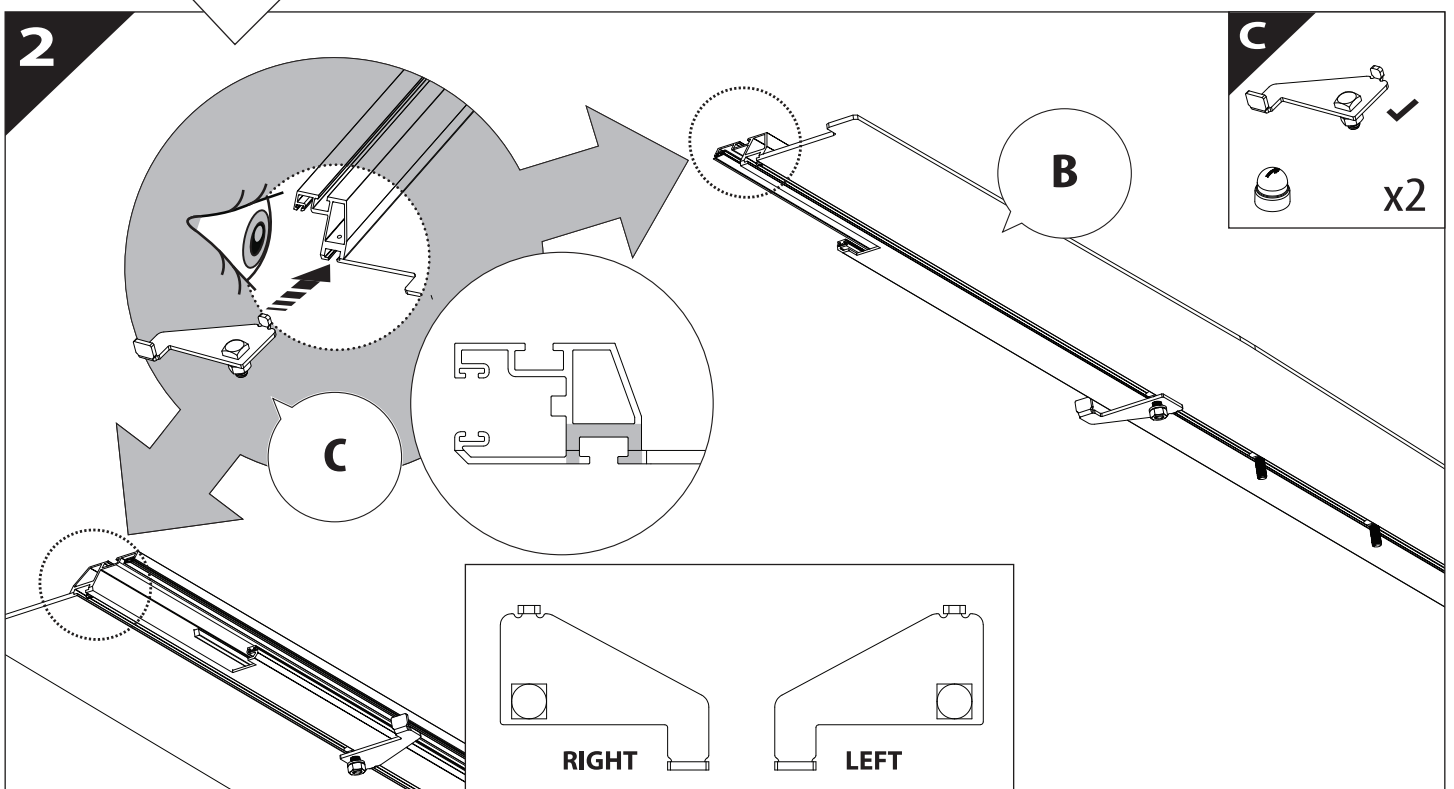
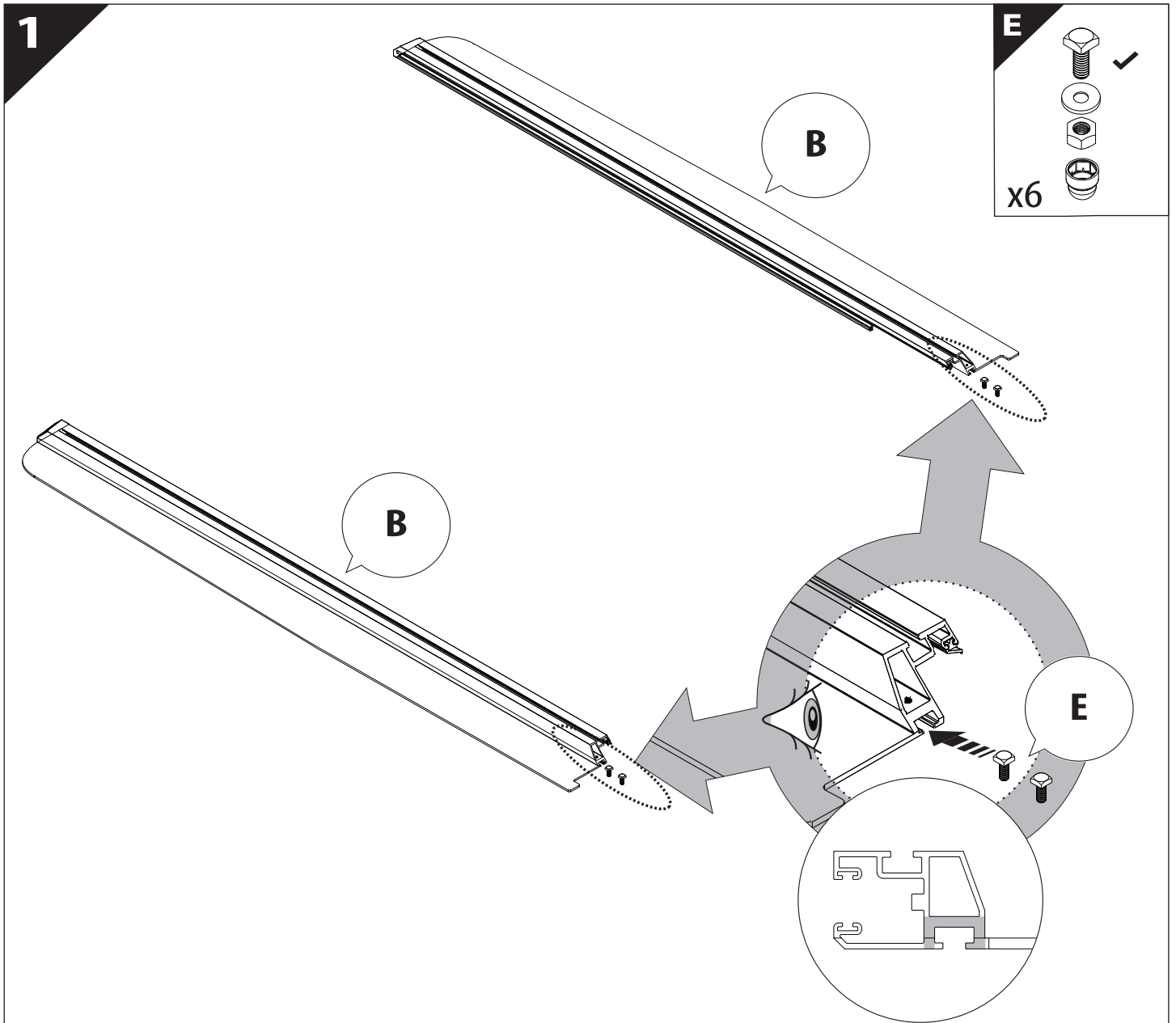


B

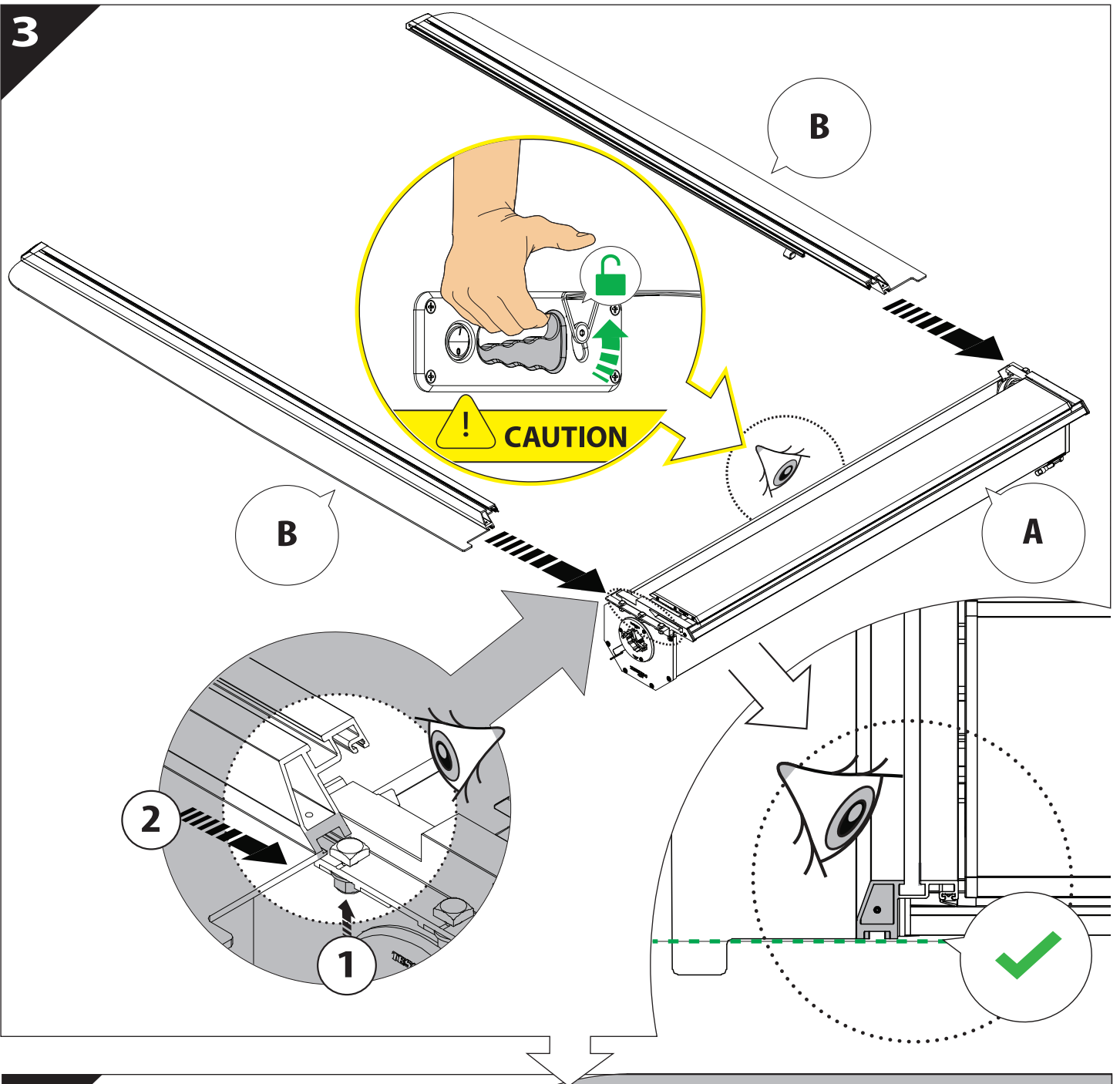
A

KITS

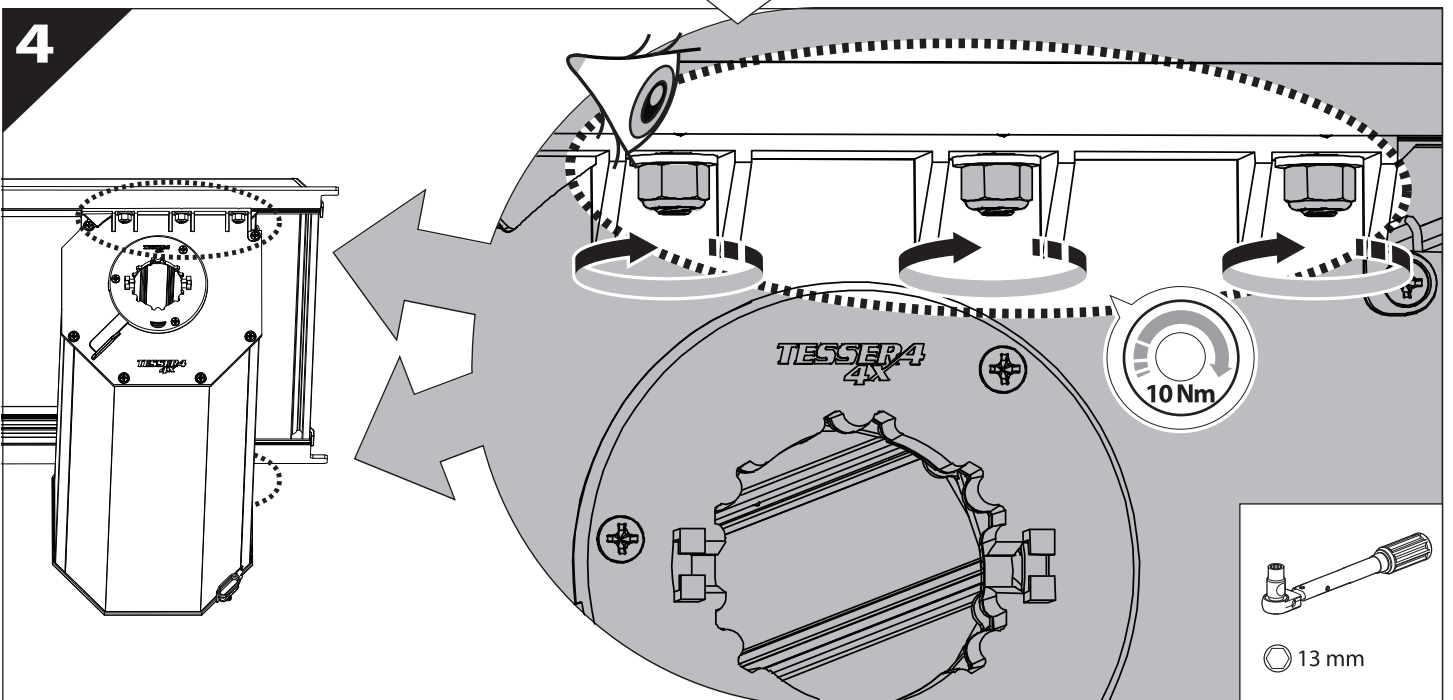
L

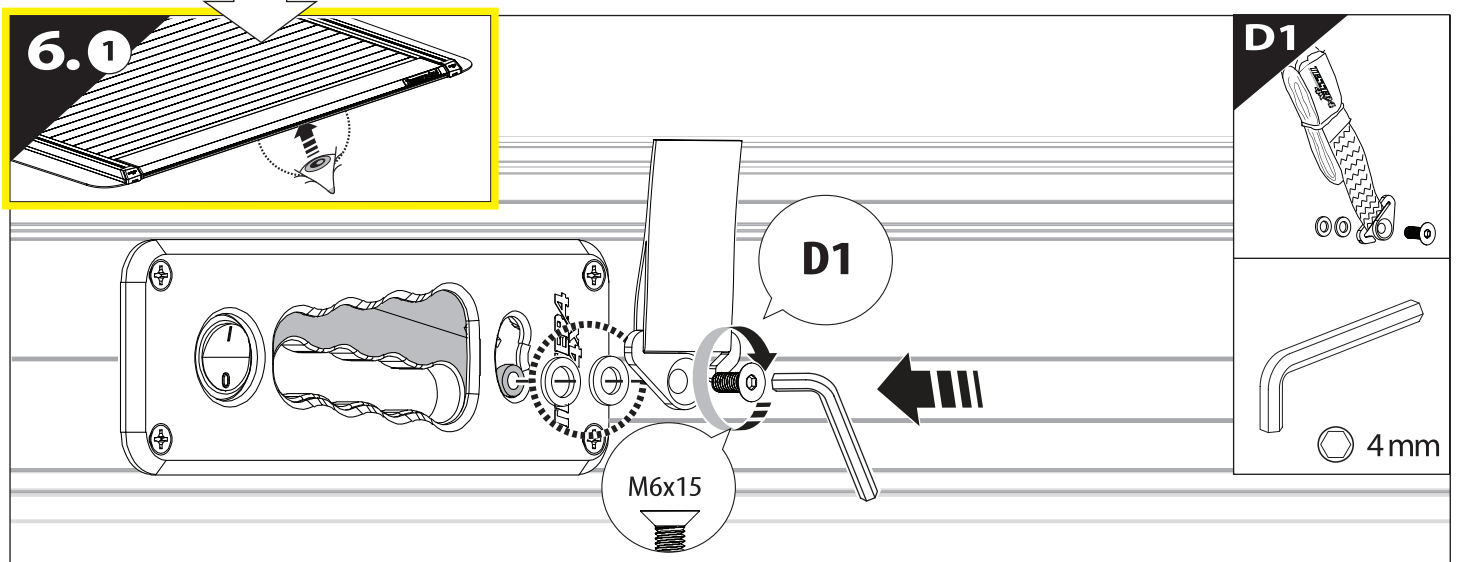
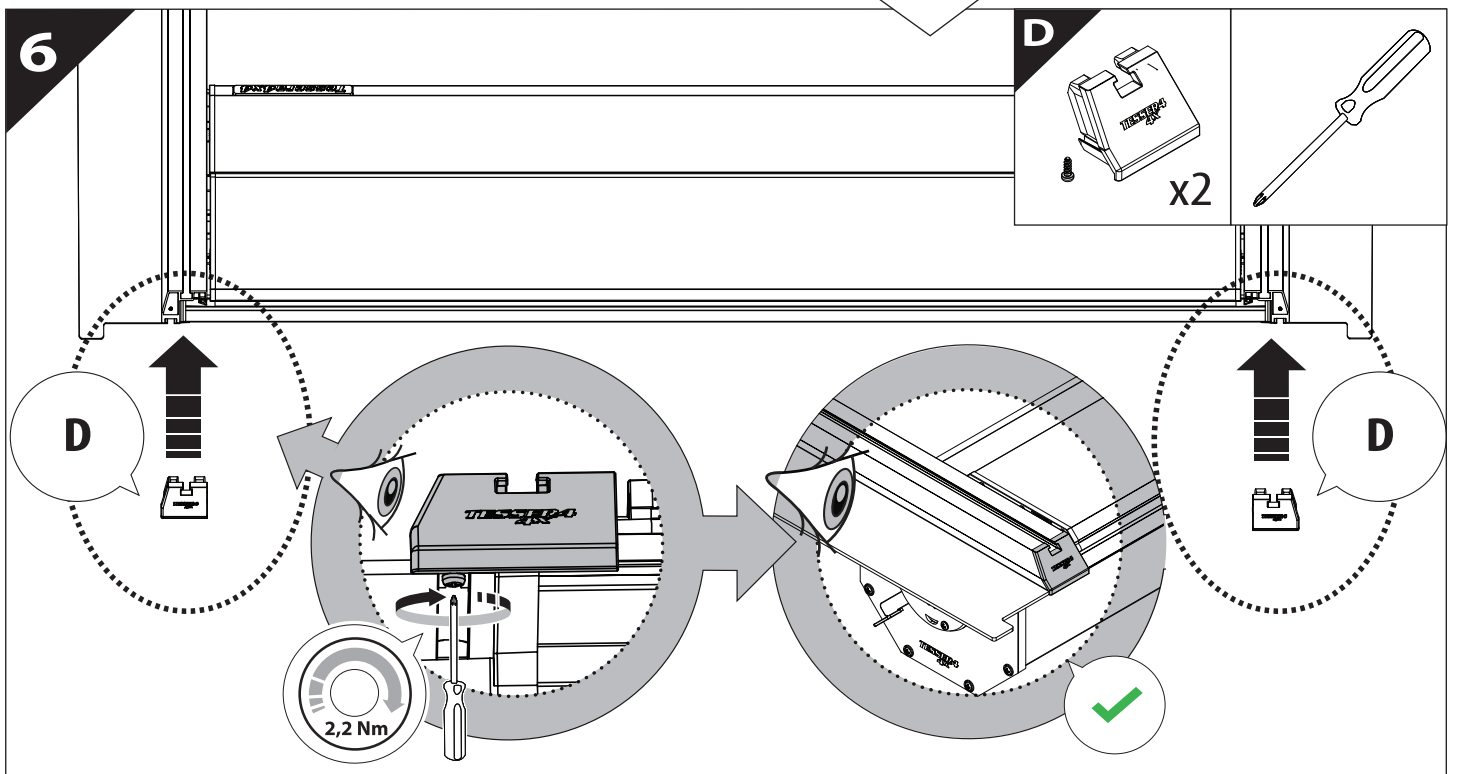
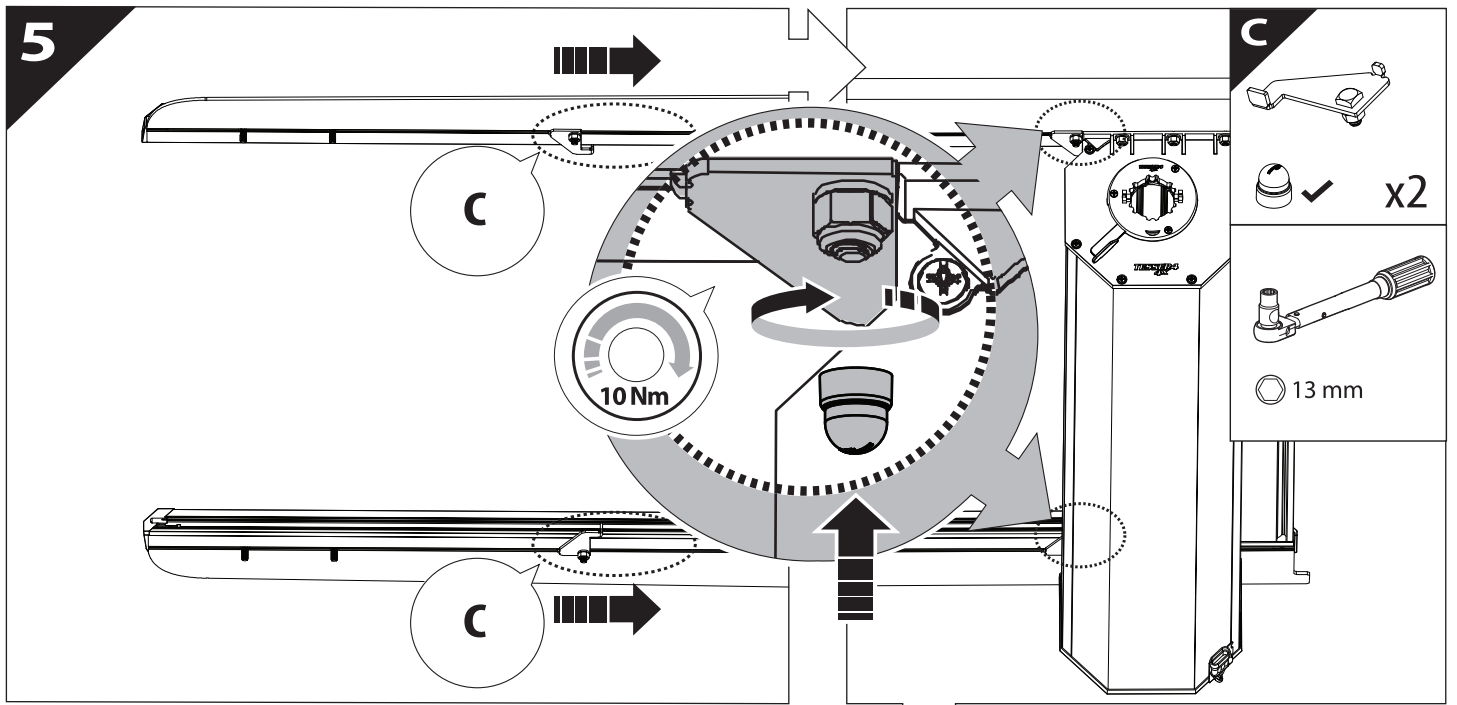


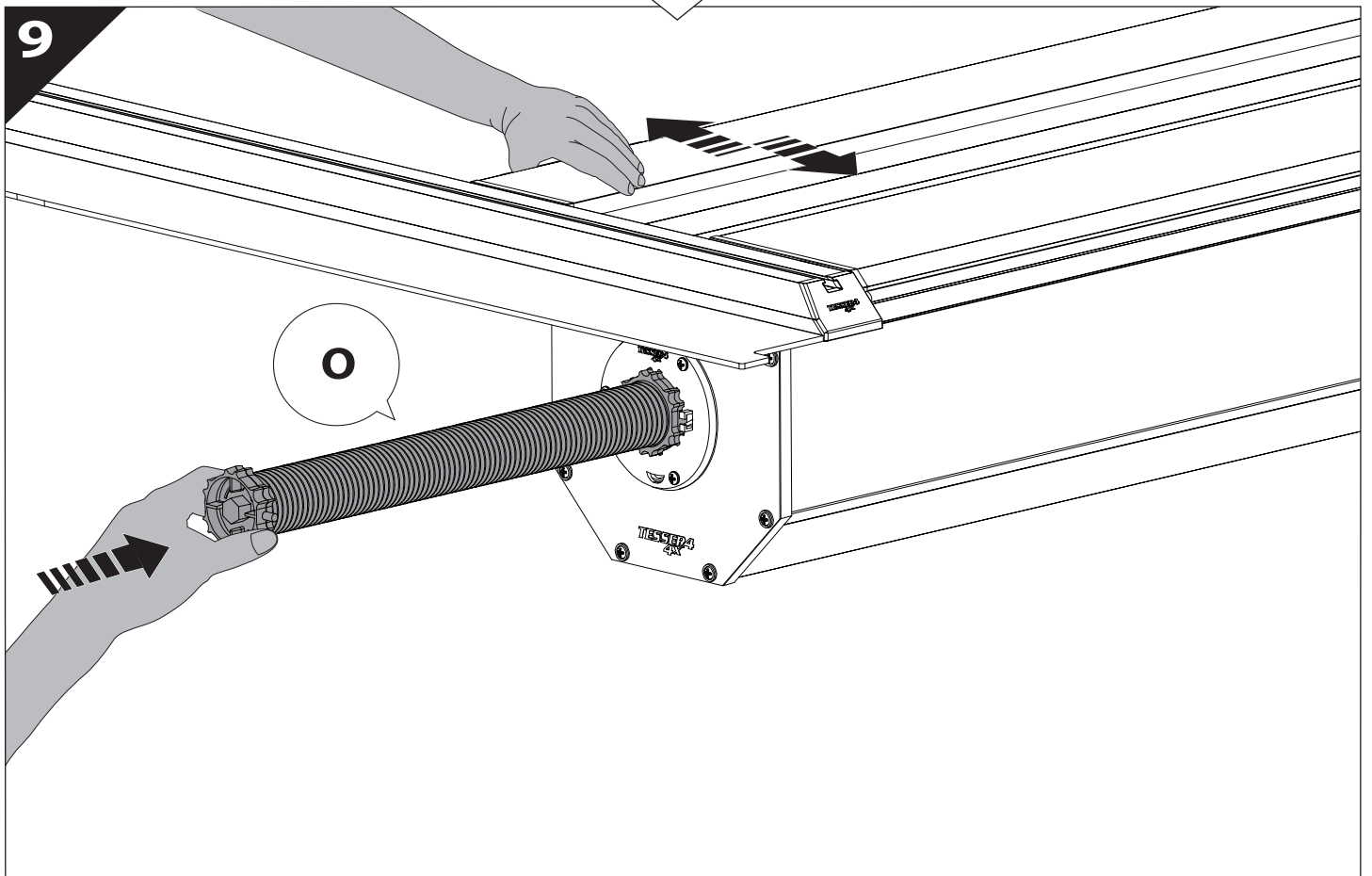
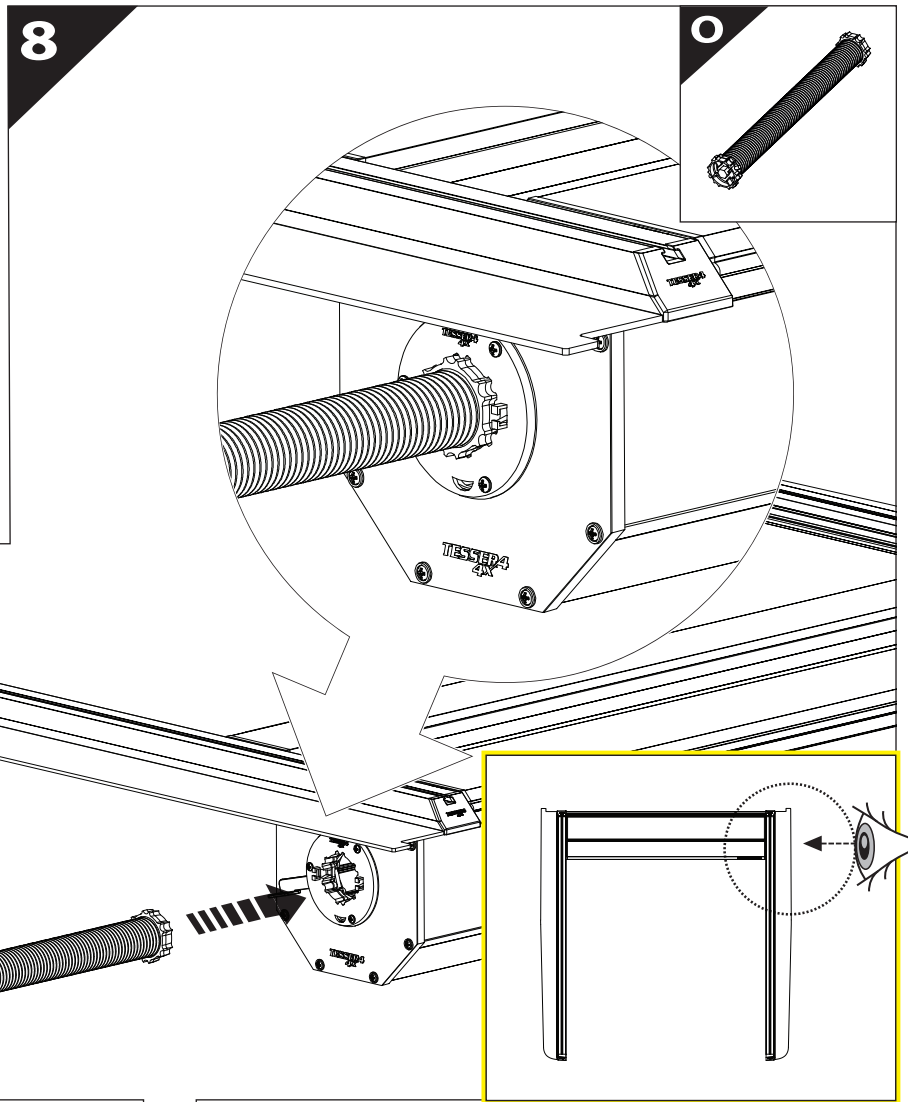
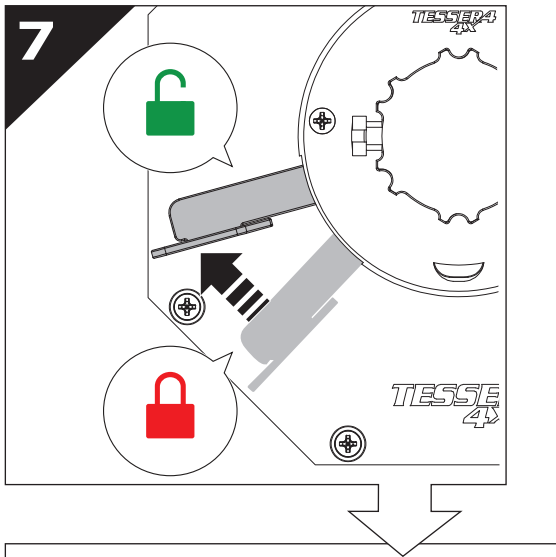
3

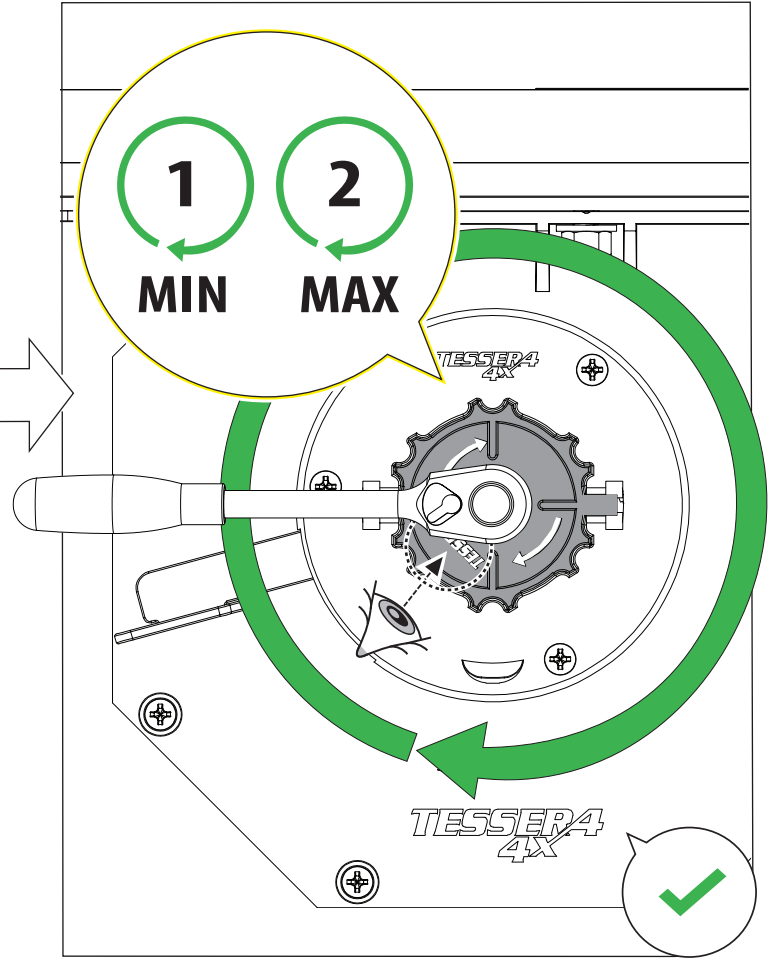
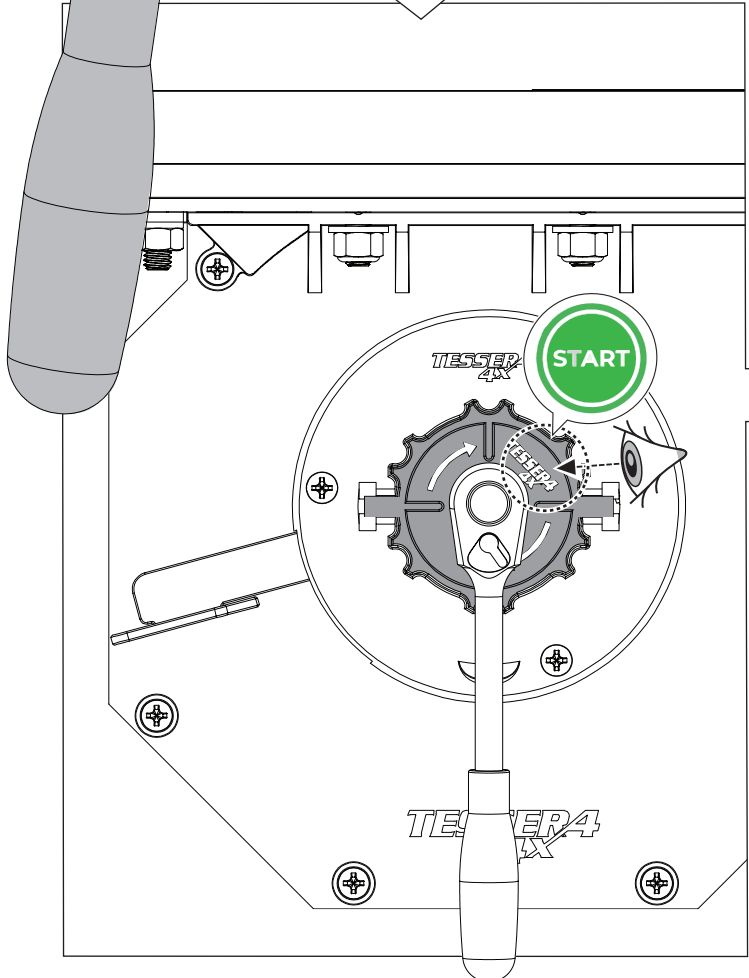
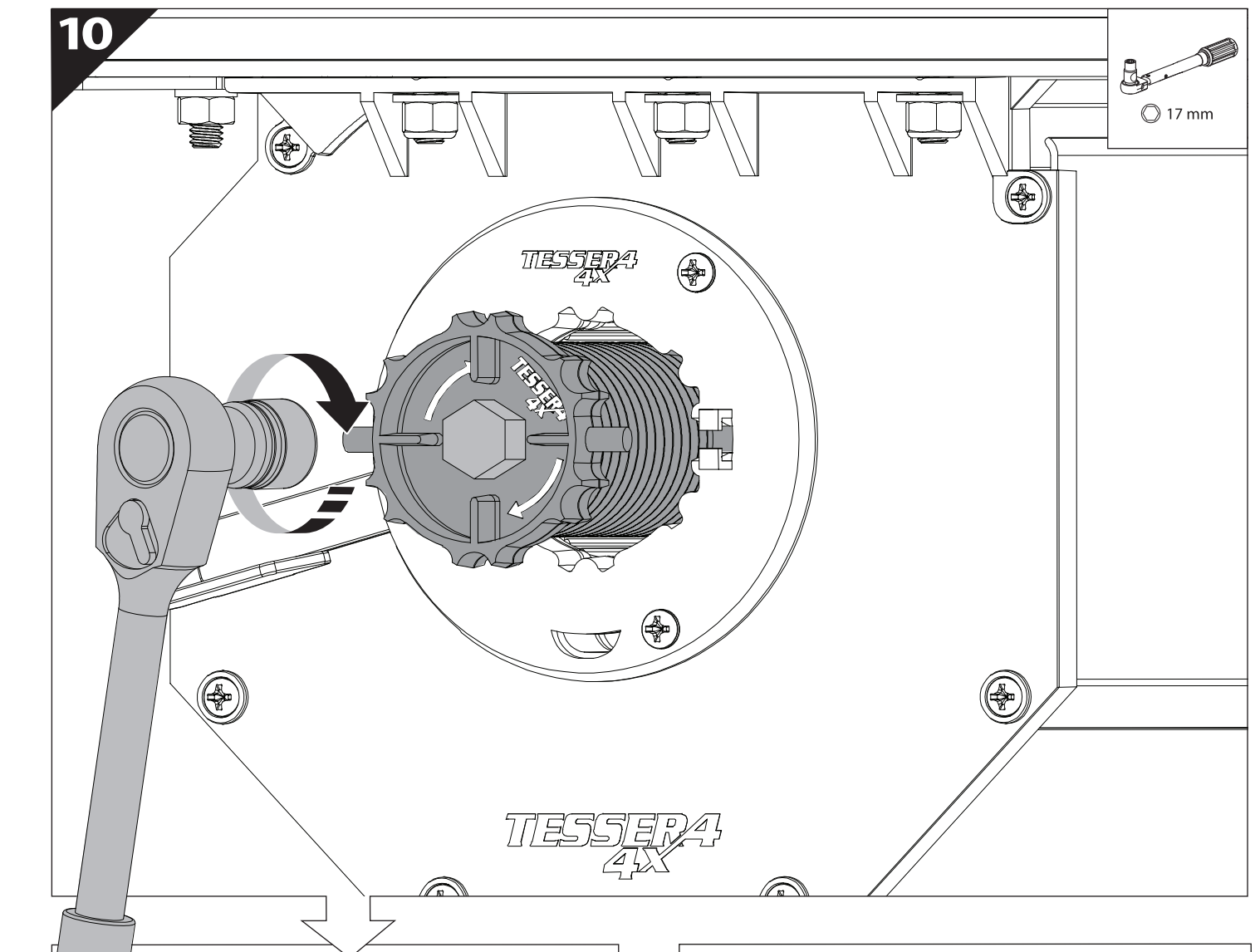
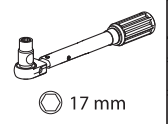


4

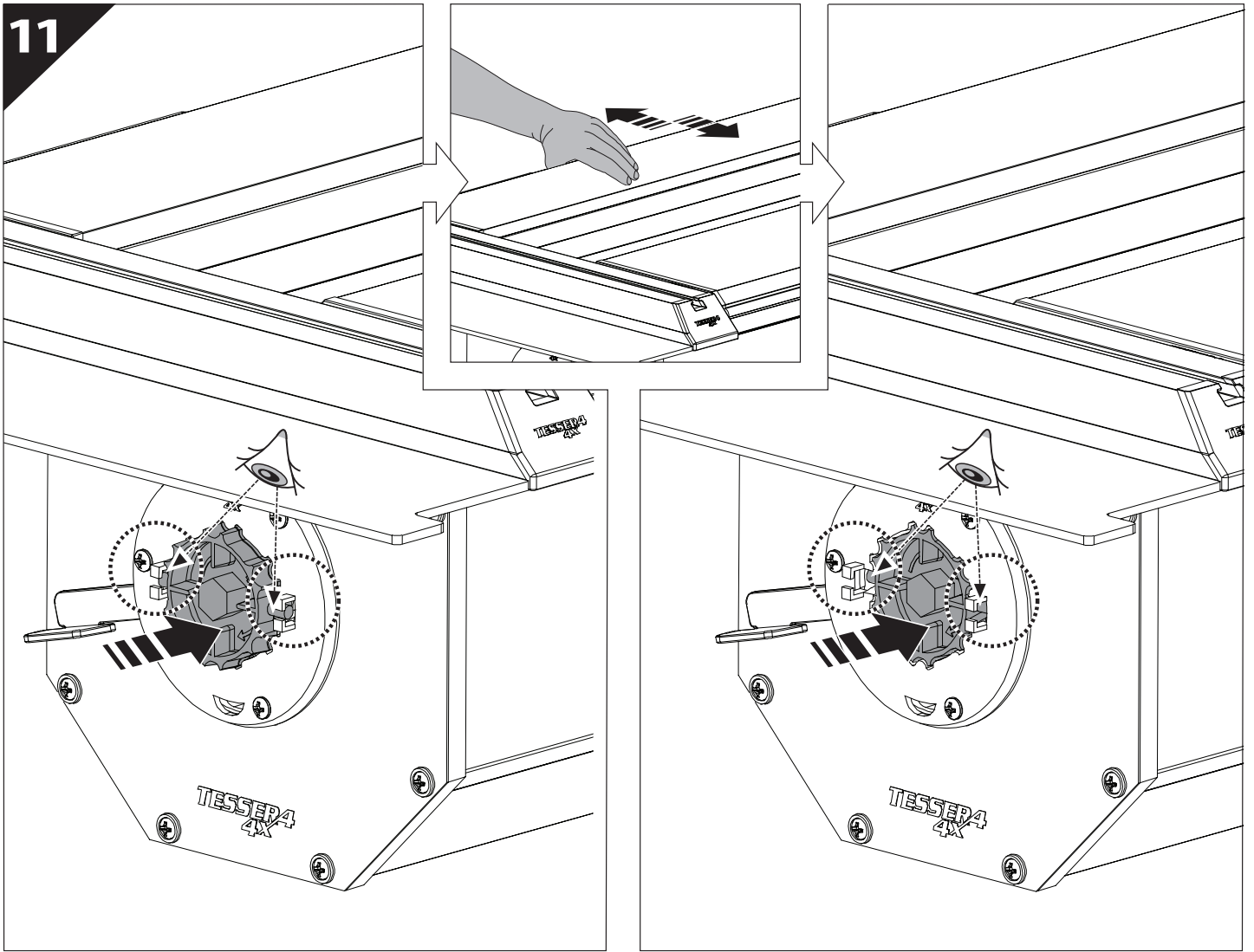




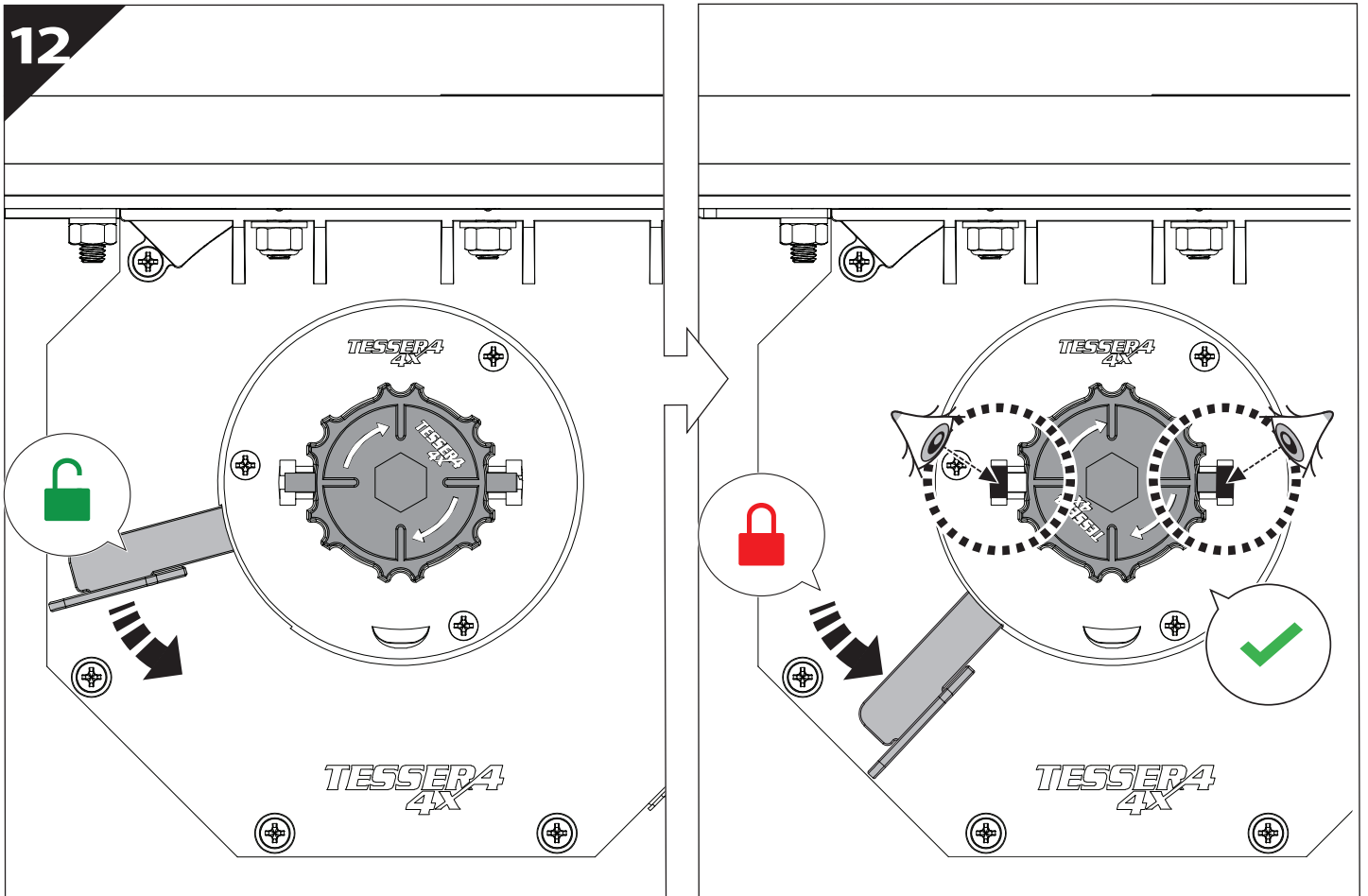




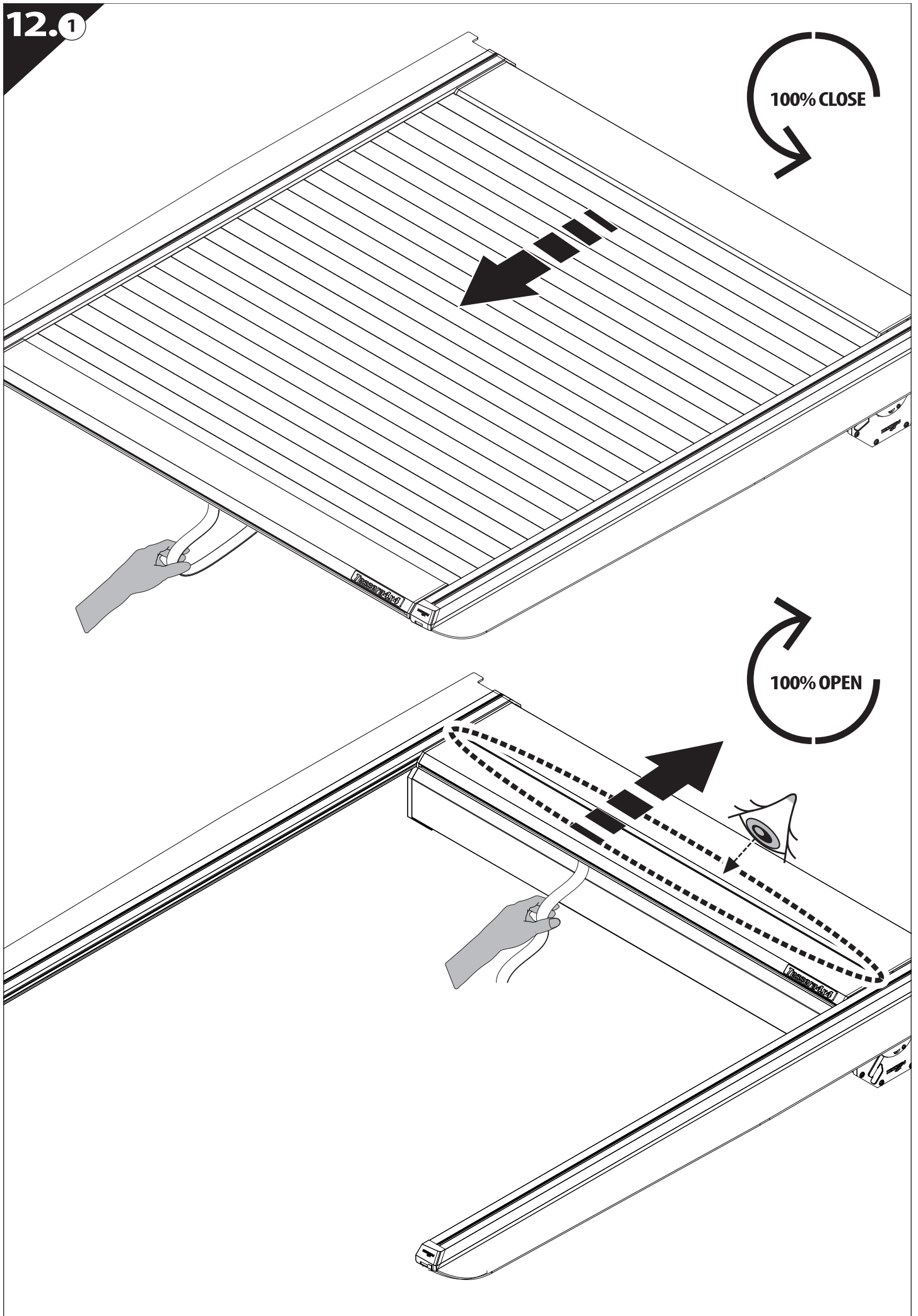
11



12

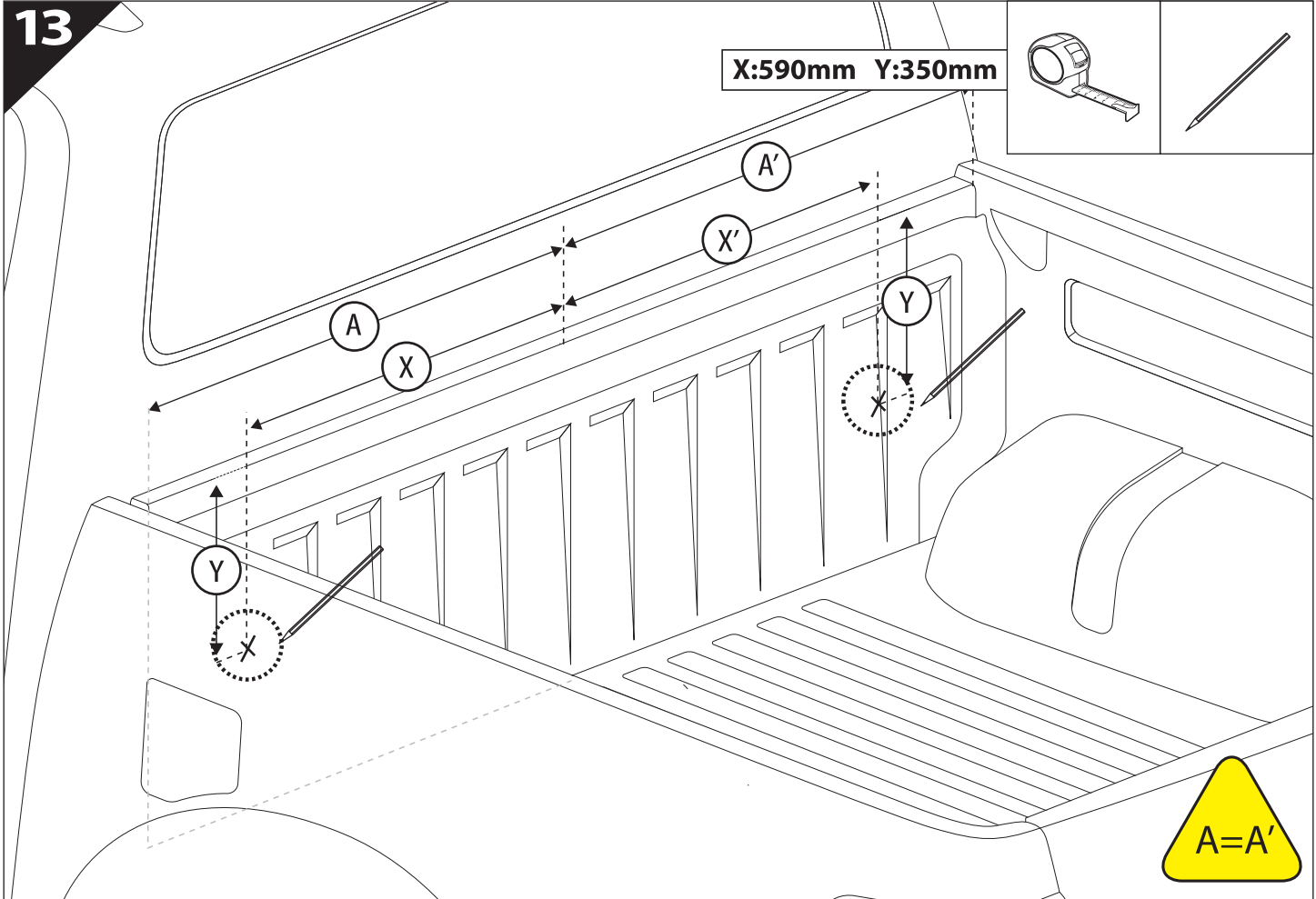
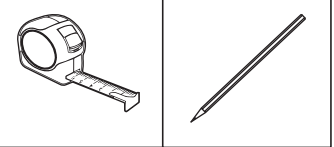


12.0



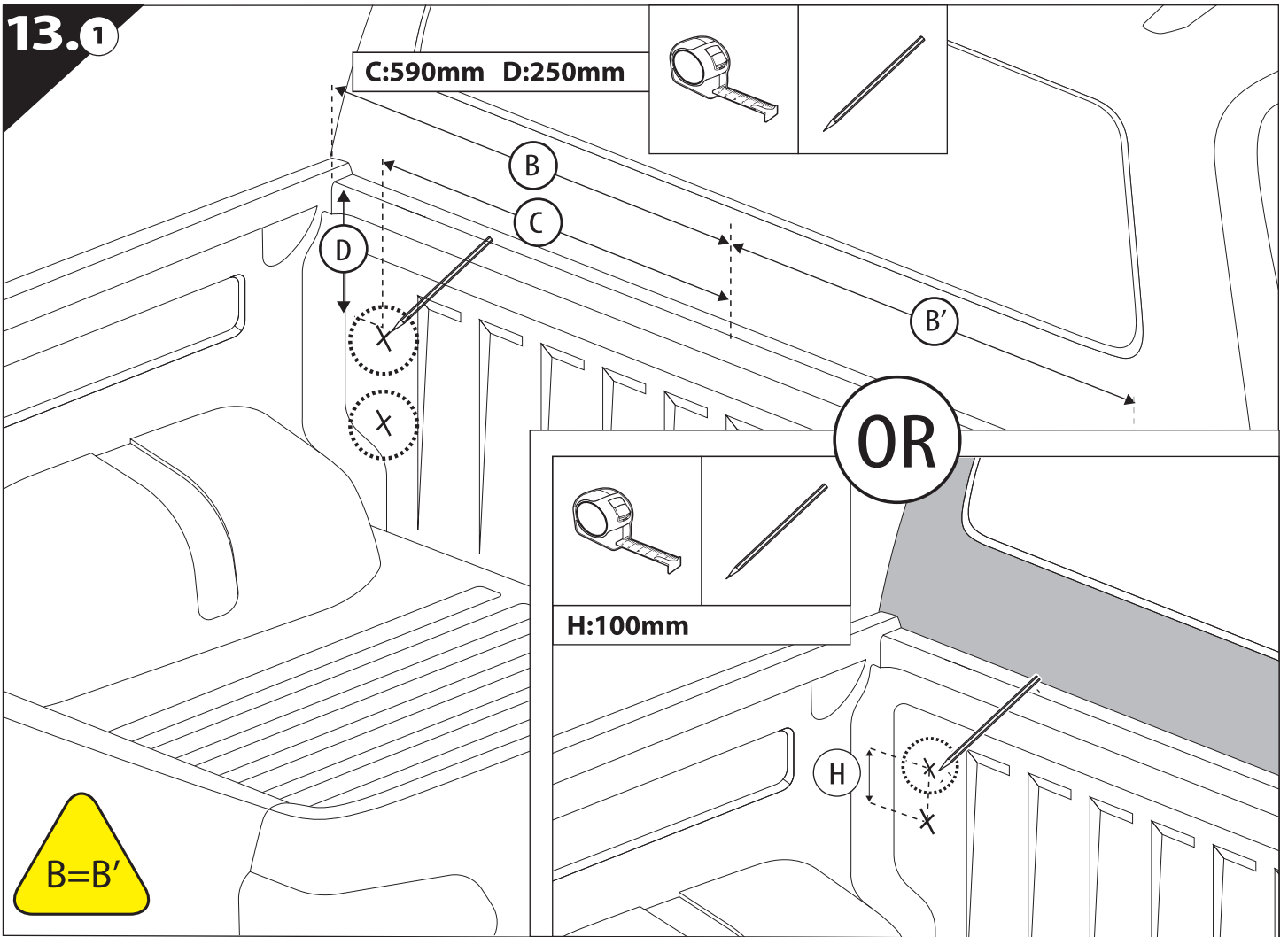
13

X:590mm Y:350mm

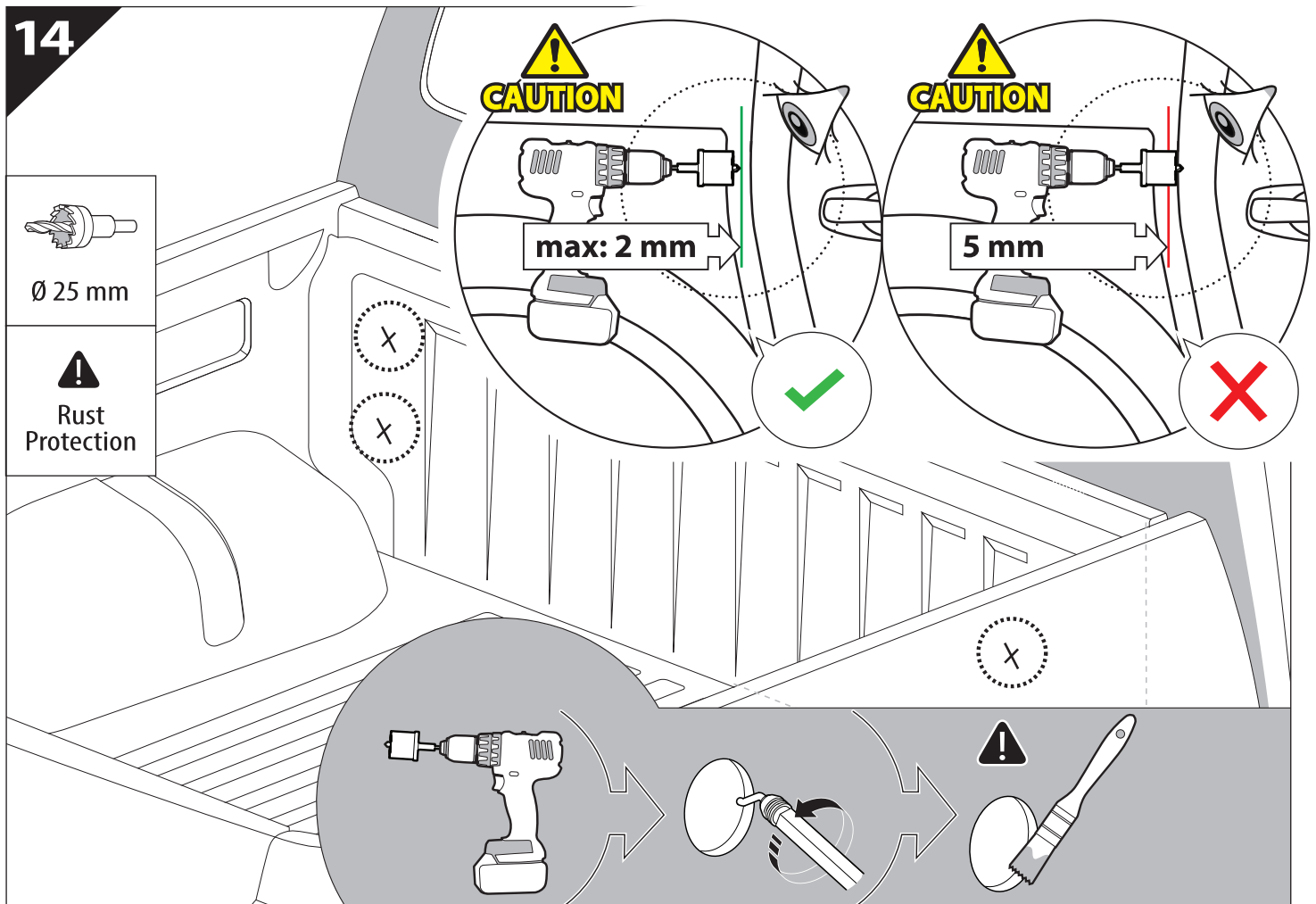


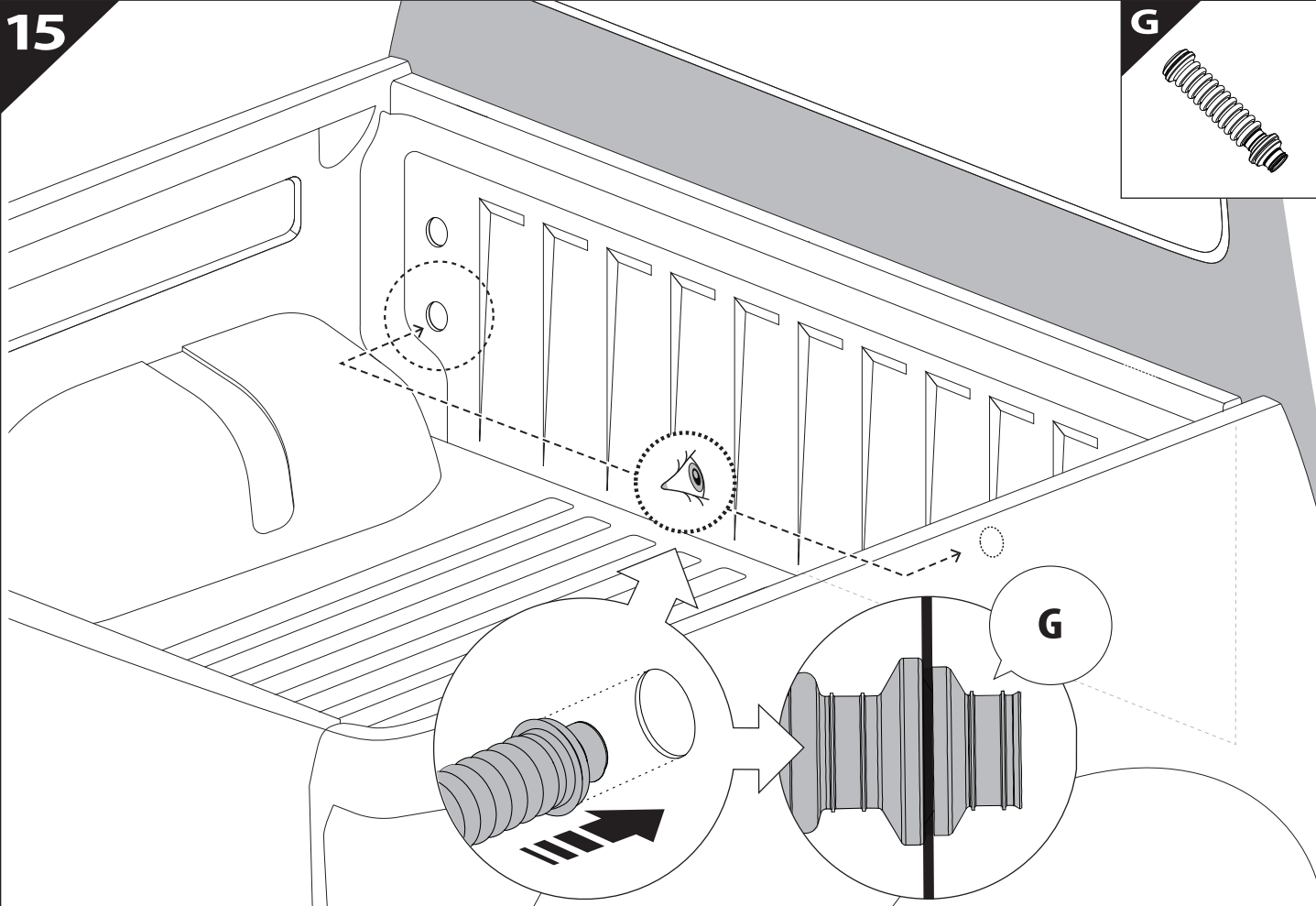
A=A'

13.0

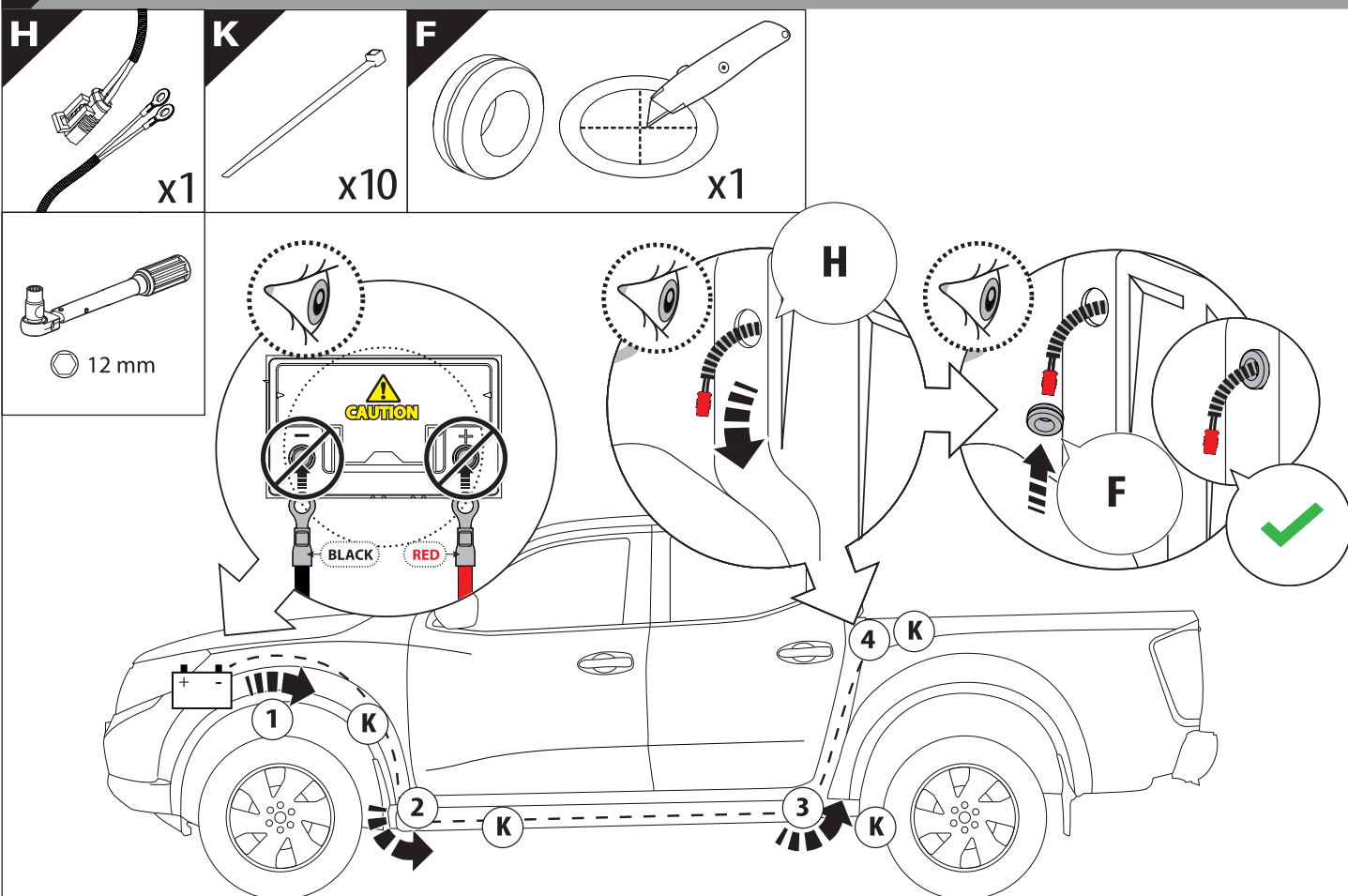


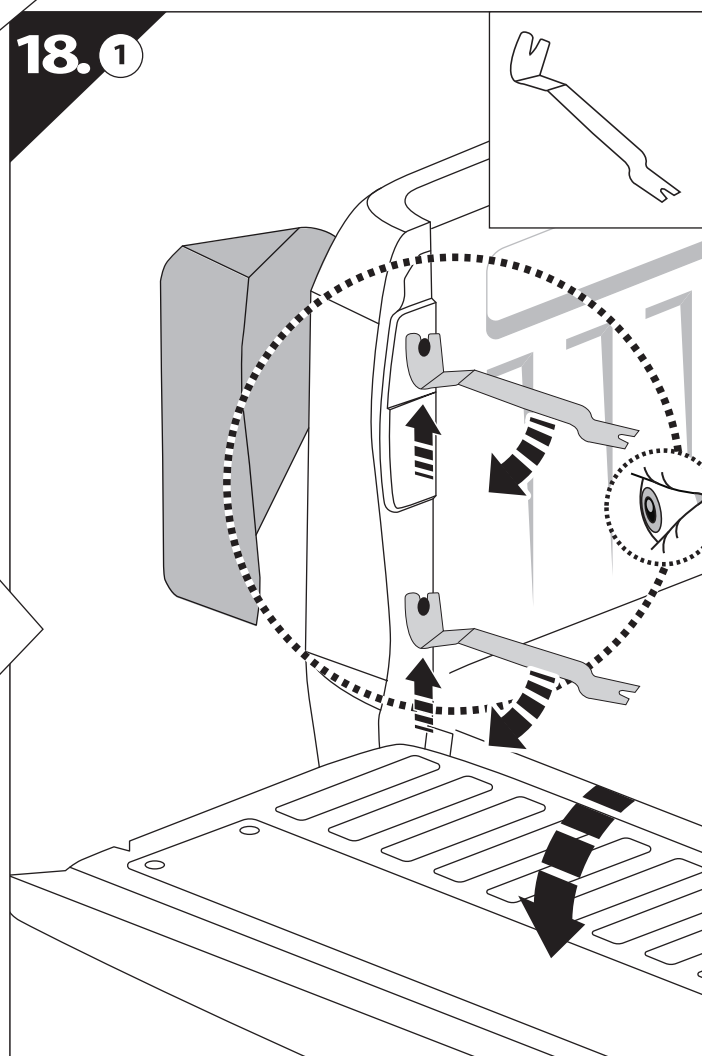
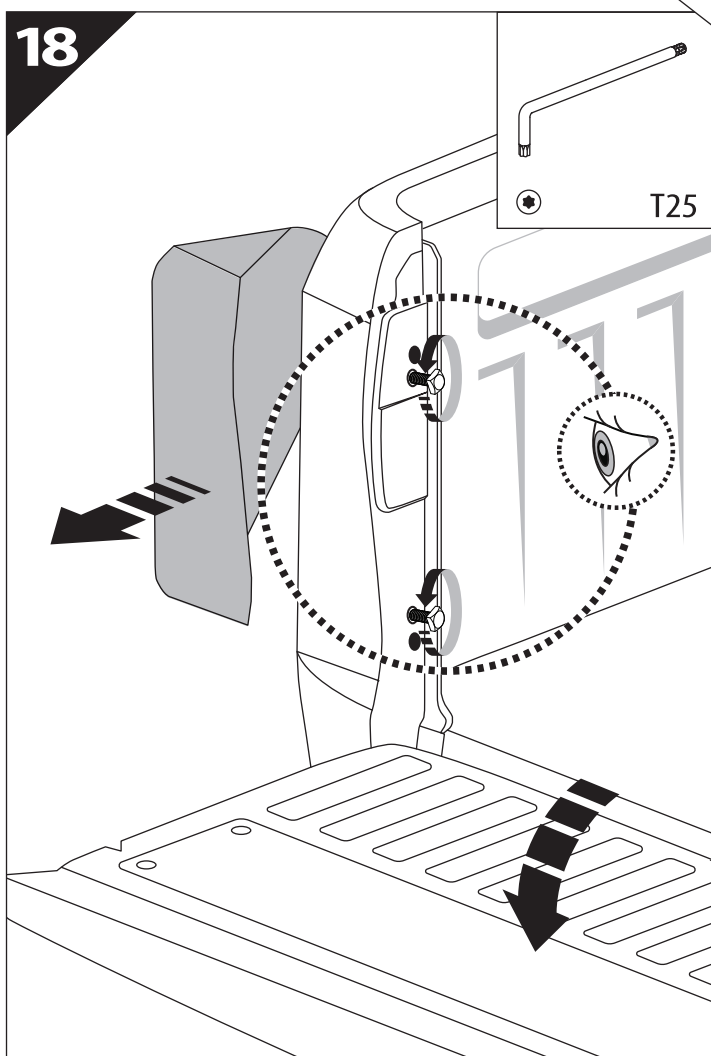
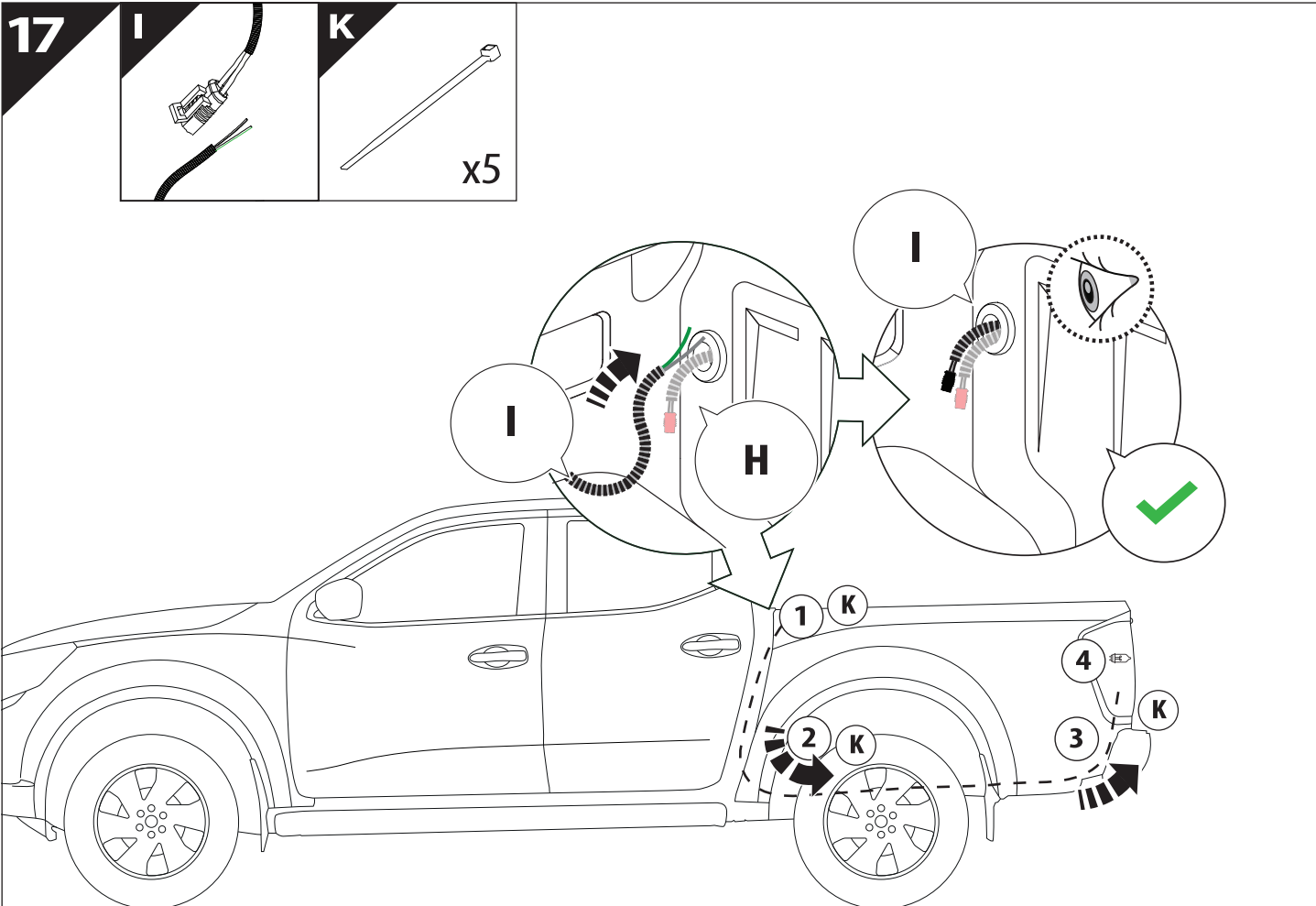
14



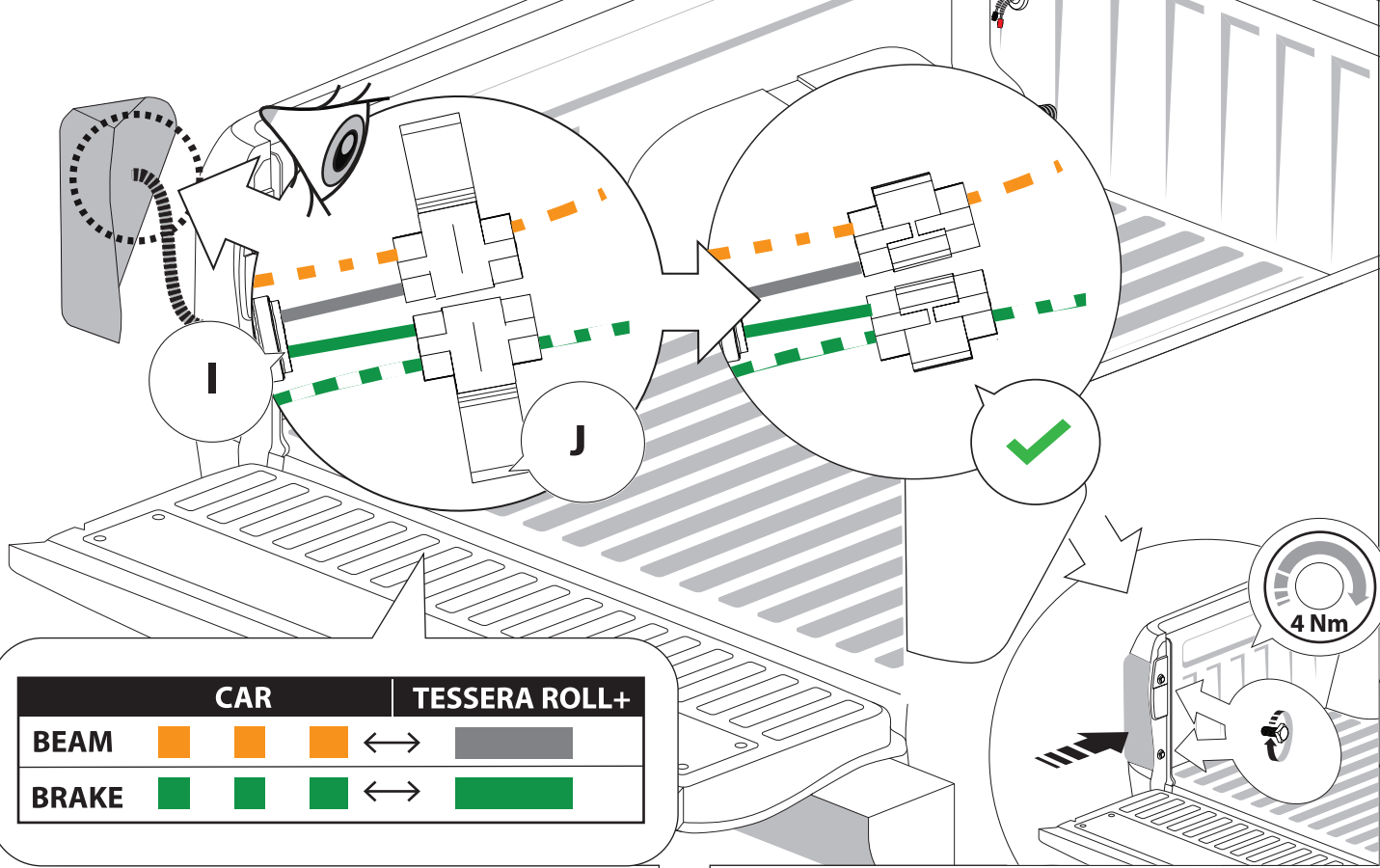
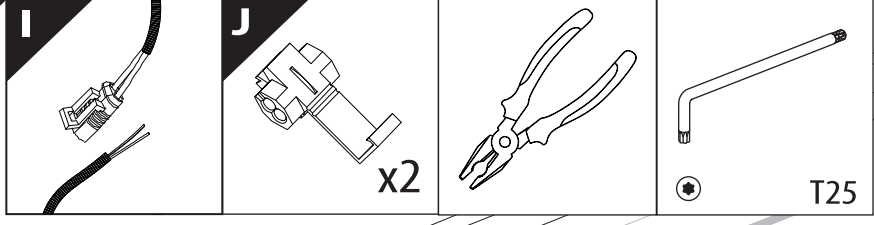


16 Only to be installed by authorized personnel

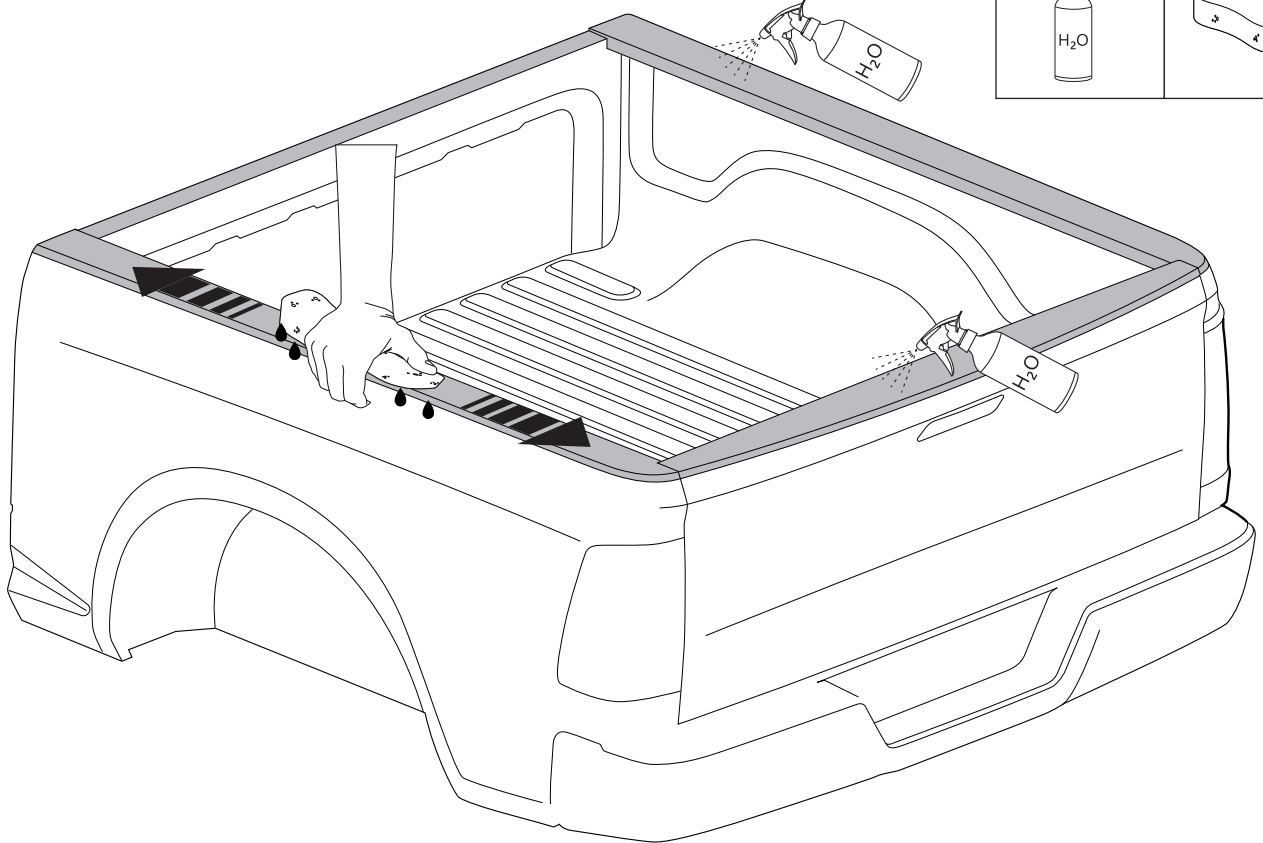
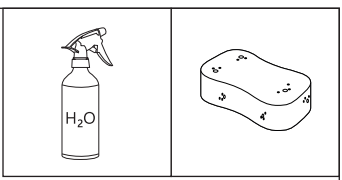


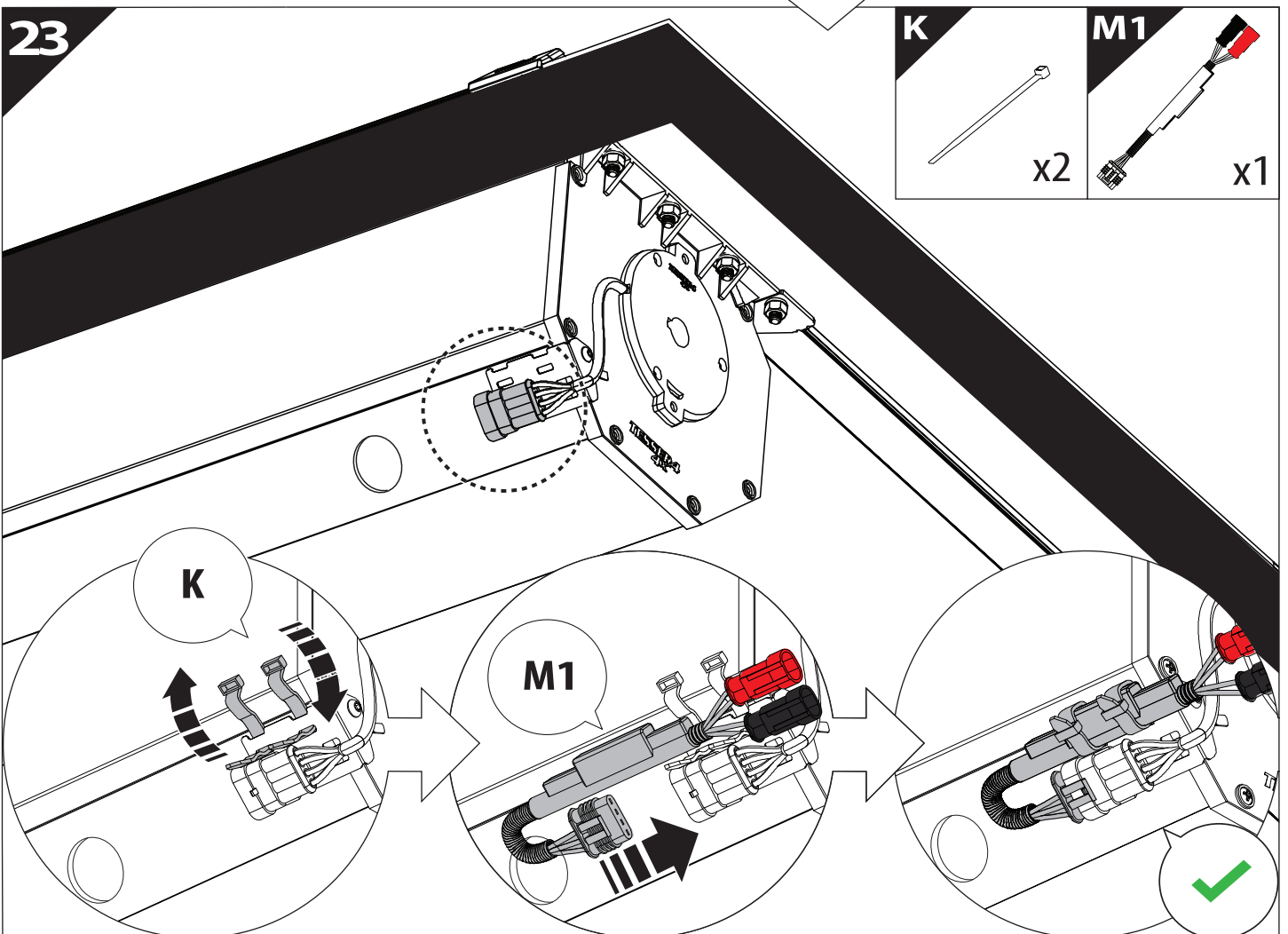
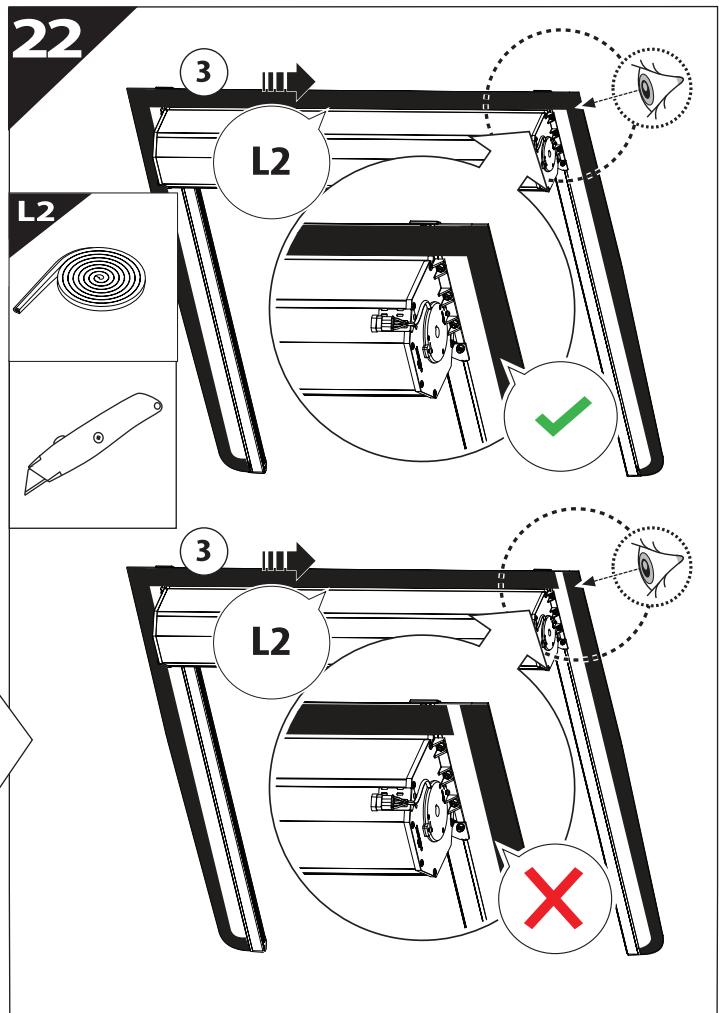
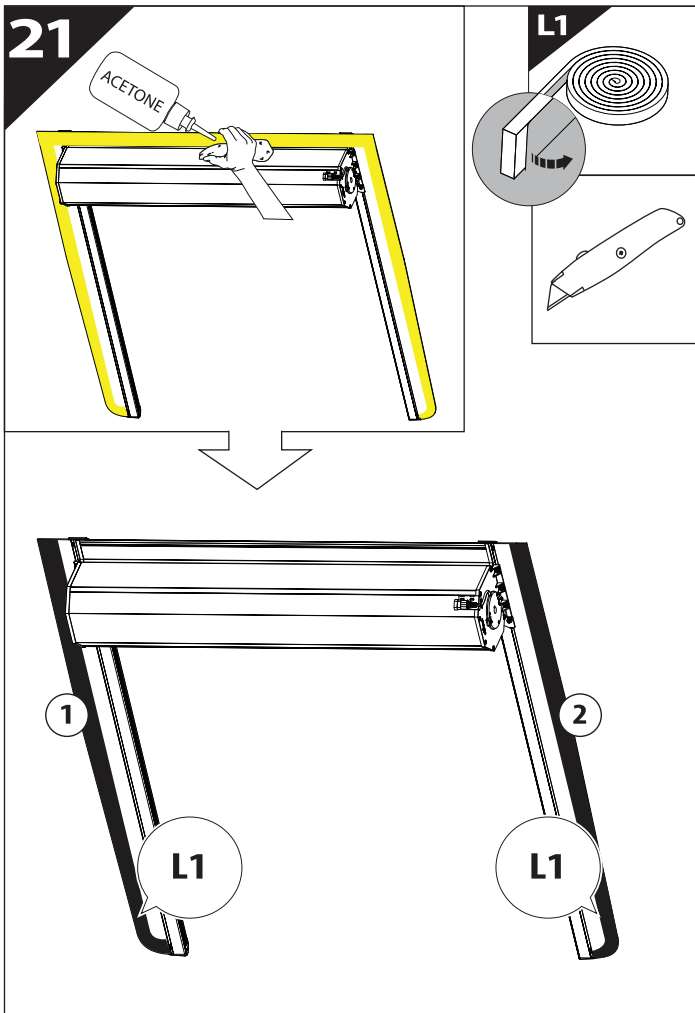


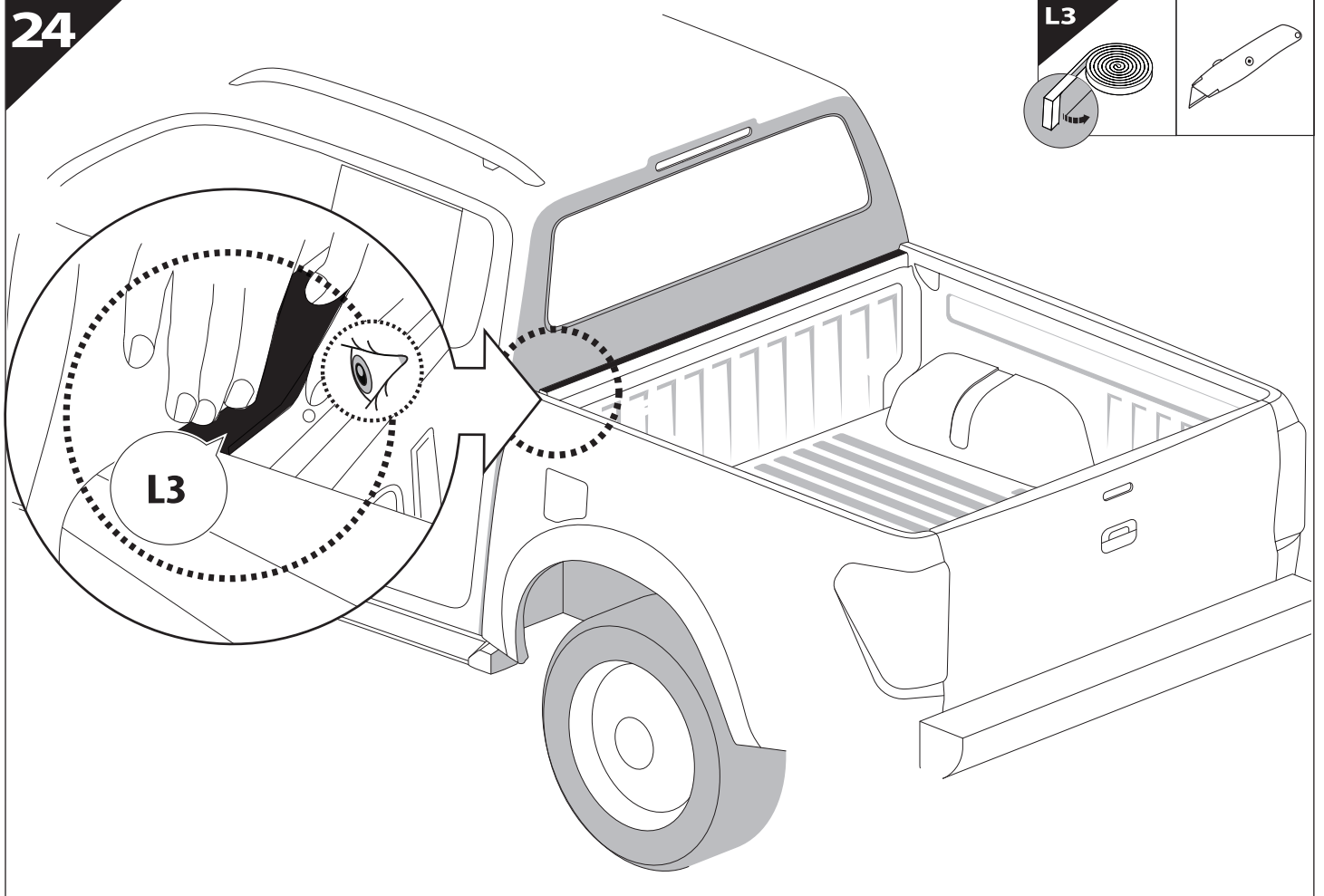
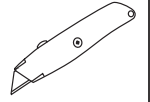
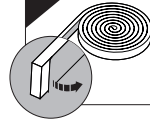
19

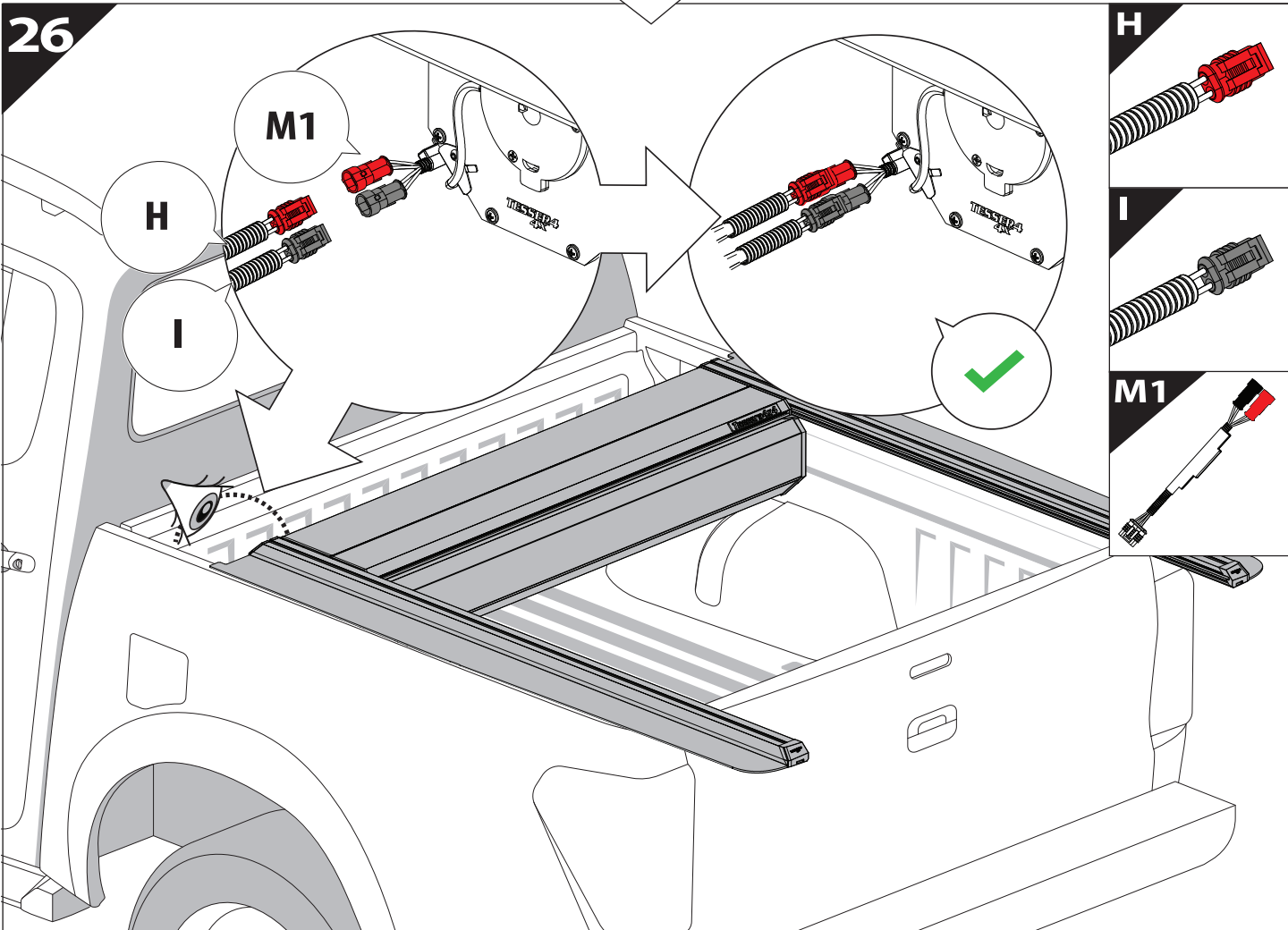
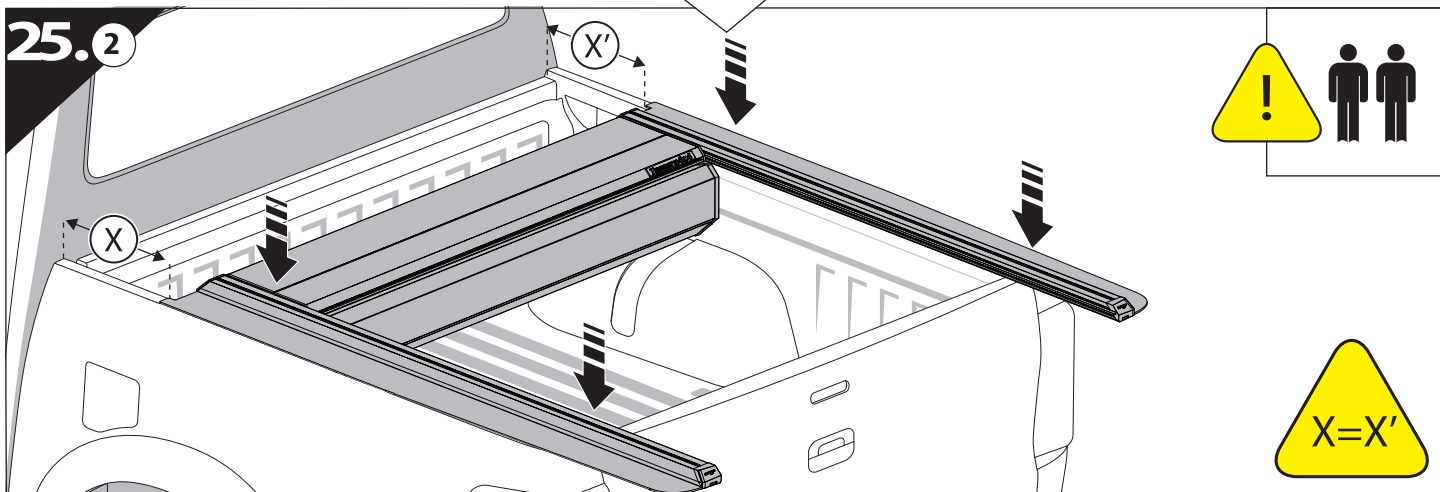
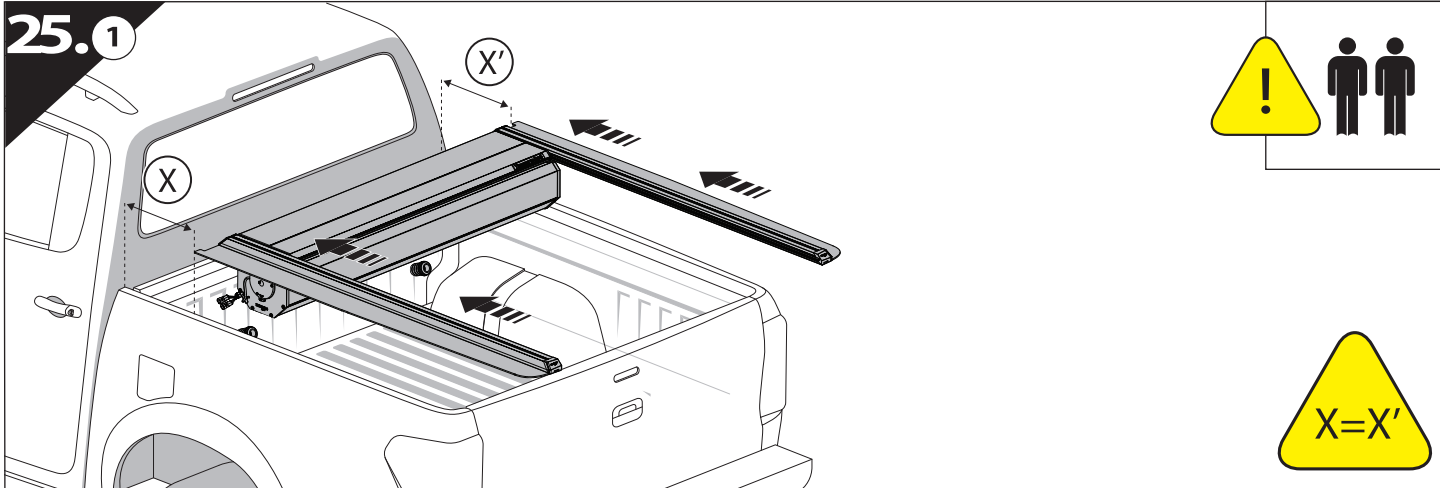


20



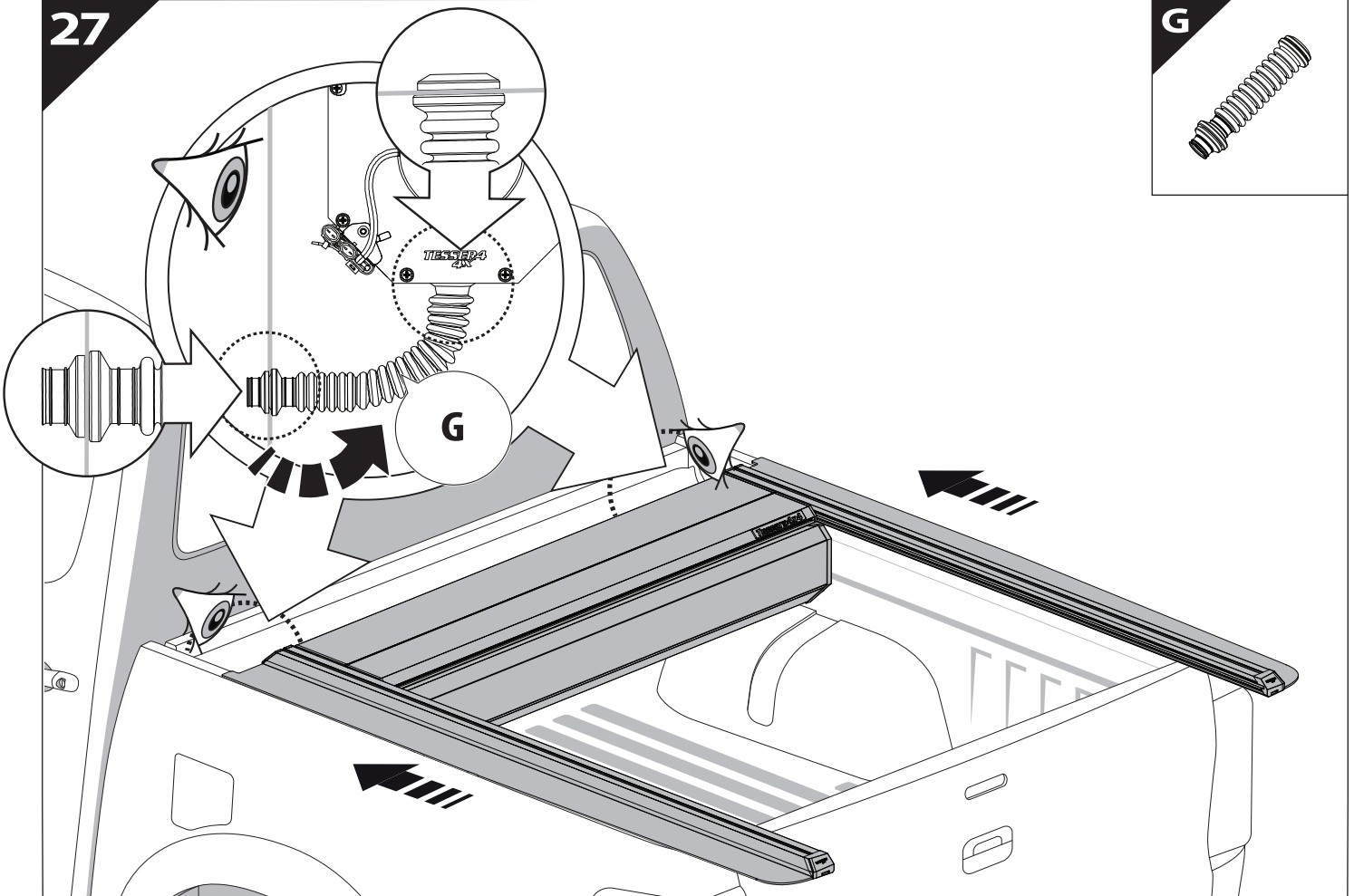




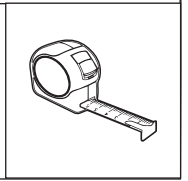
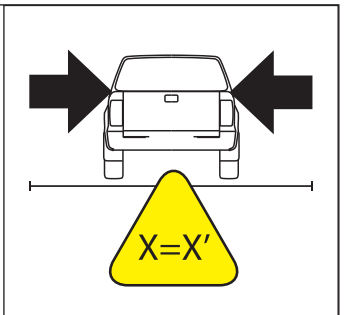
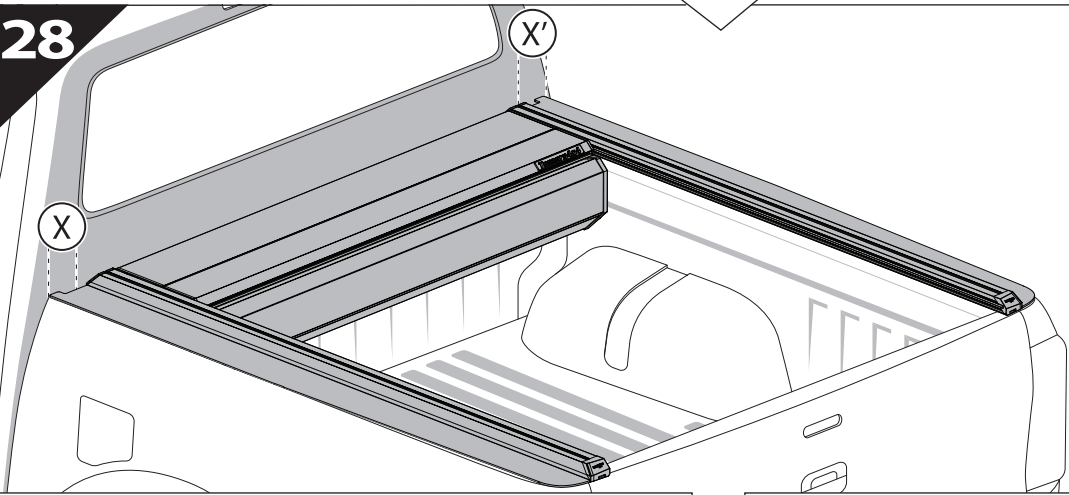


27

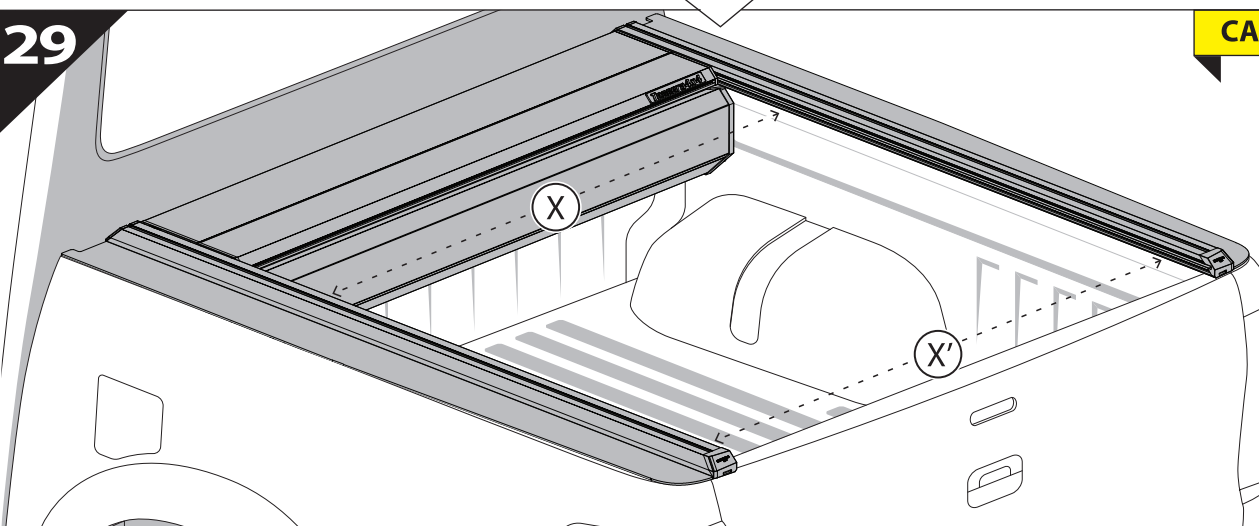
G



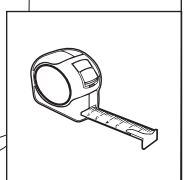
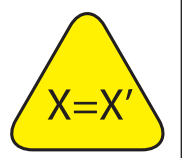
28

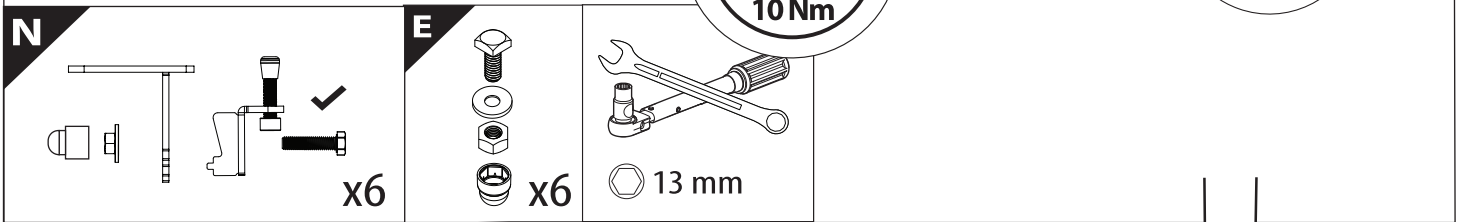
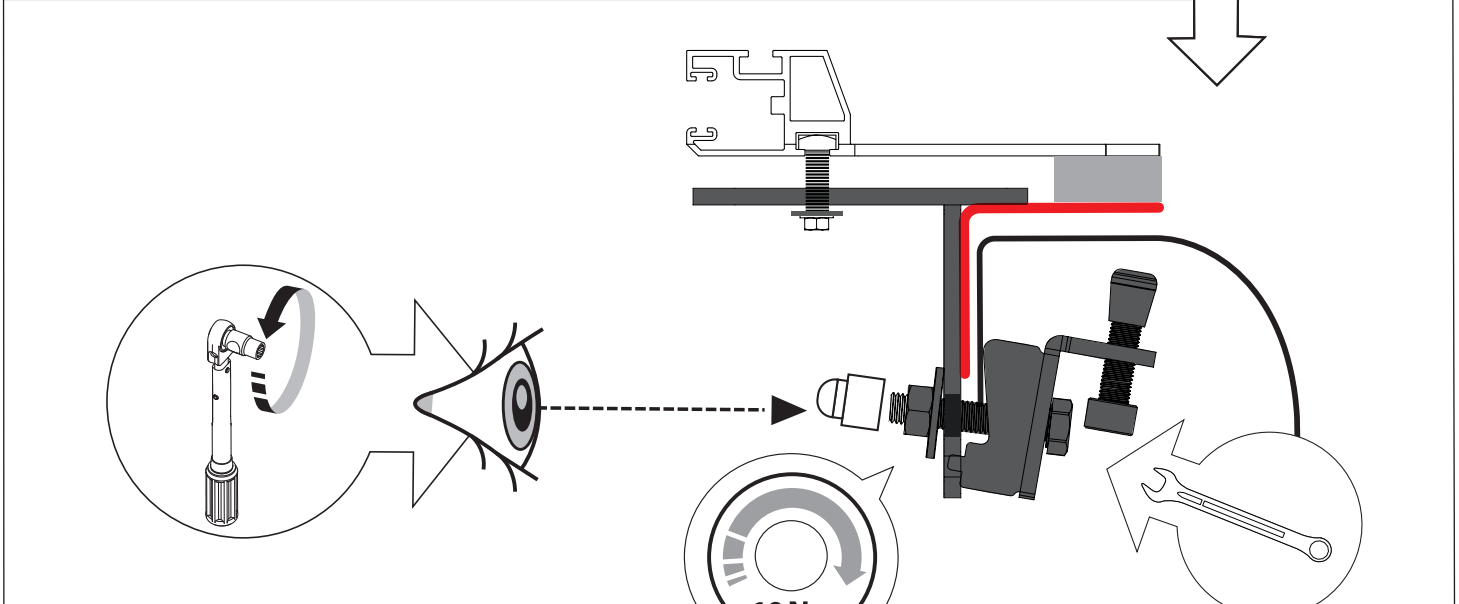
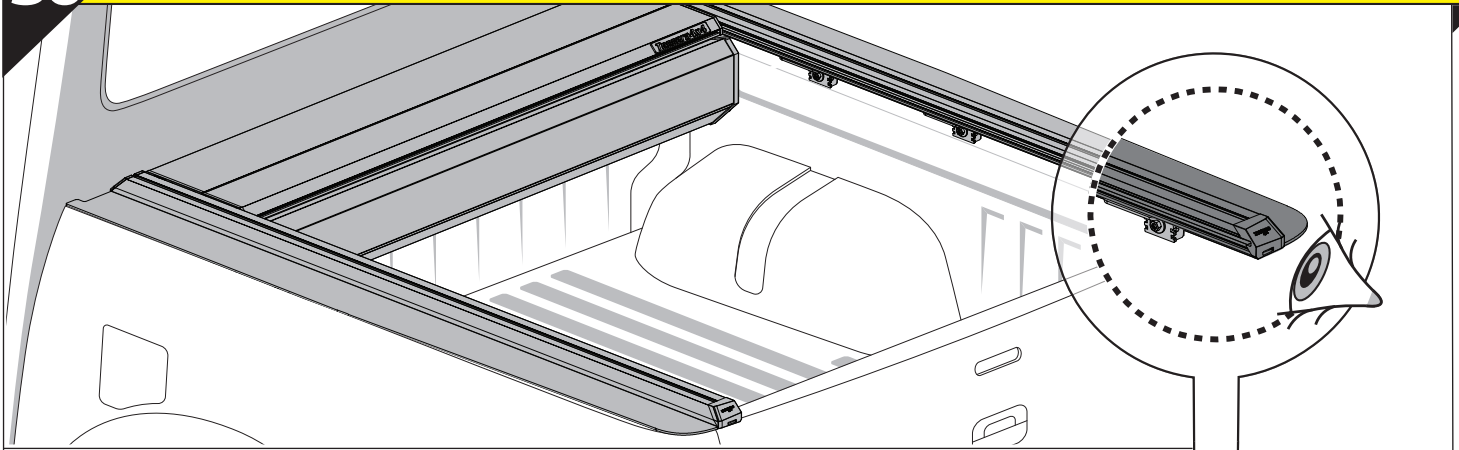


29

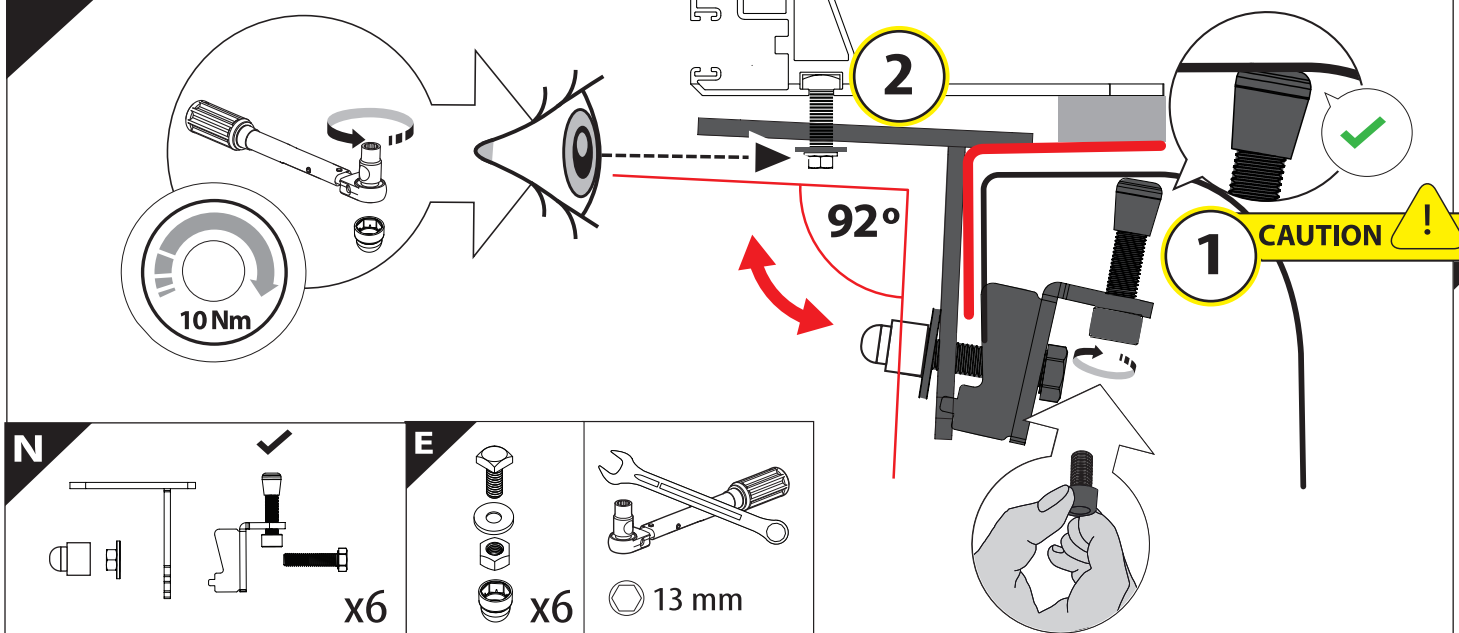


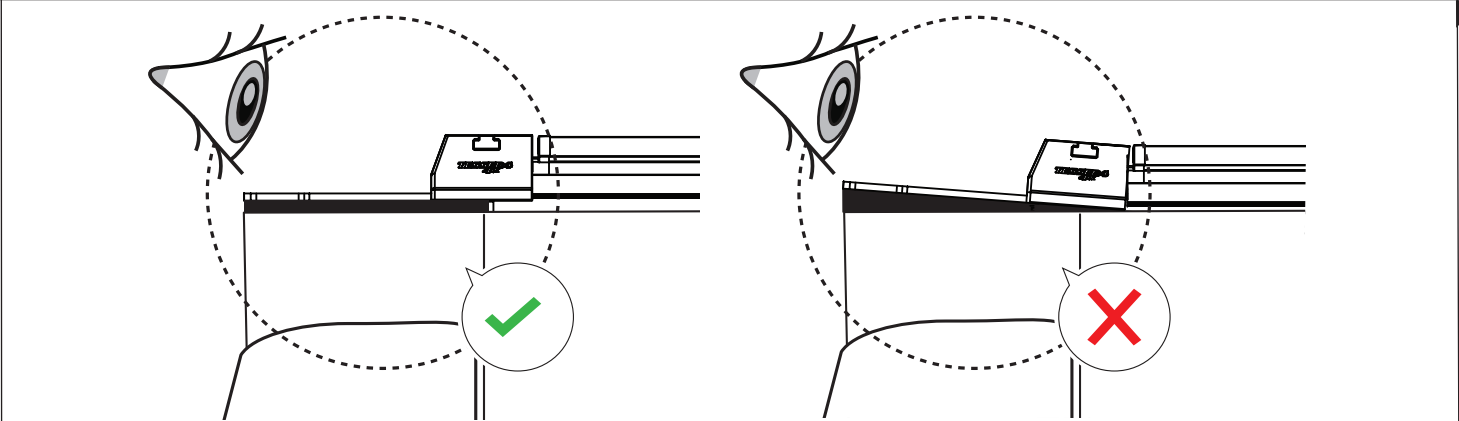
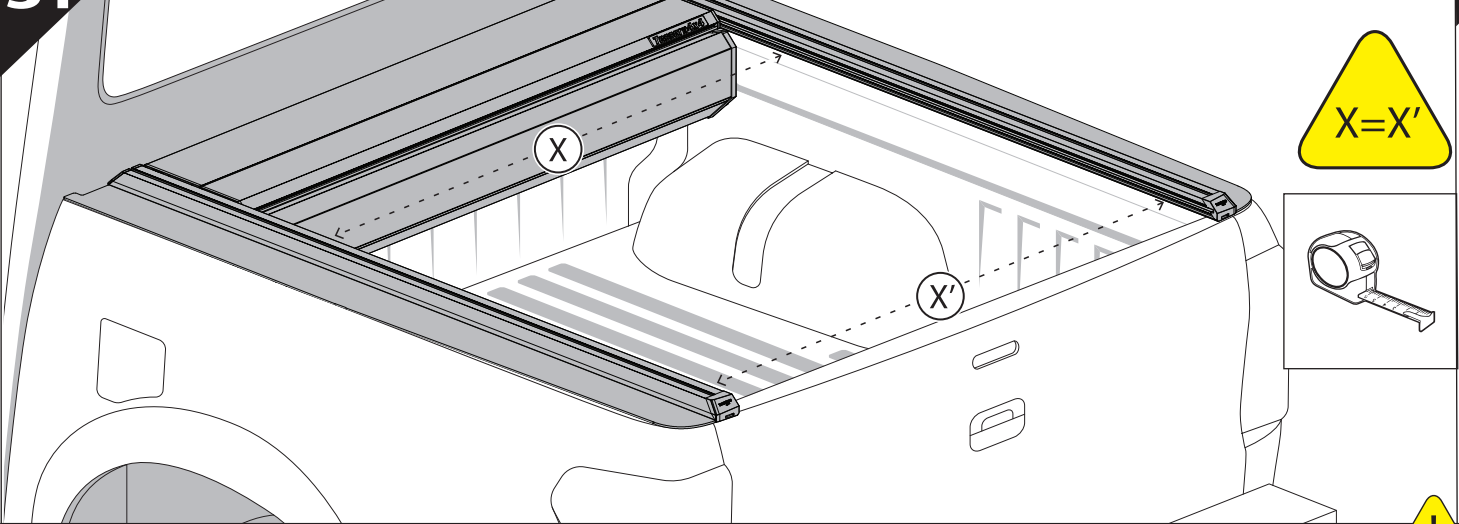
CAUTION !

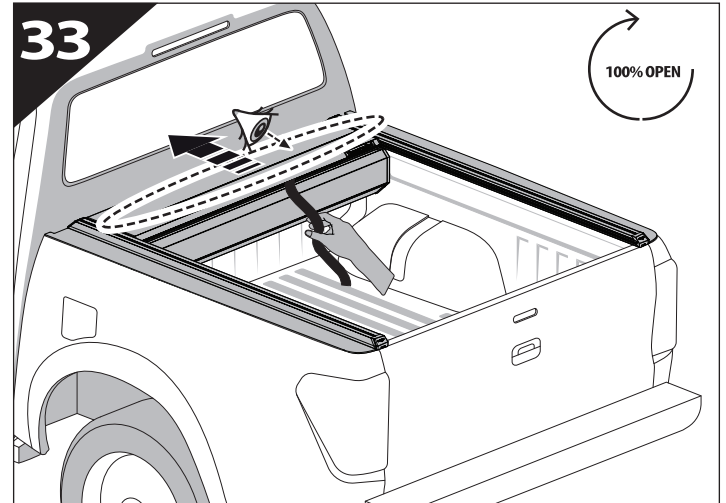
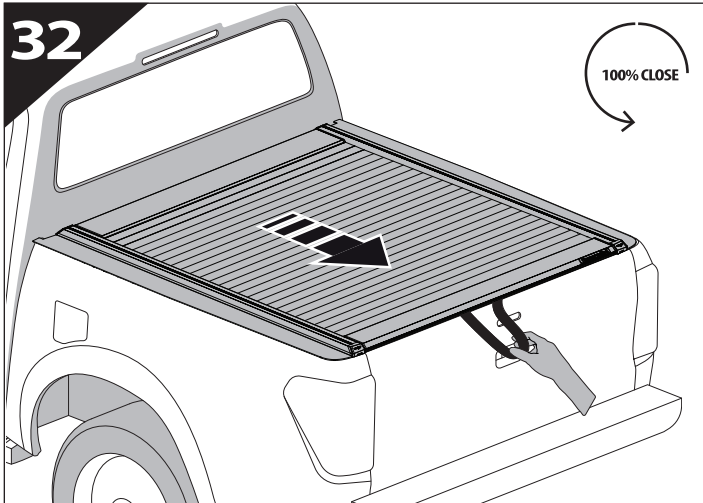




30.1







GR: Οδηγίες Εγκατάστασης
GB: Installation manual
SF: Asennusohje
F: Notice de montage
PL: Instrukcja montażu
NL: Installatie-instructies
TR: Montaj Talimatı
S: Monteringsanvisning
E: Instrucciones de montaje

H: Szerelési utasítás
P: Instruções de instalação
RUS: Инструкция по установке
N: Monteringsveiledning
D: Einbauanleitung
CZ: Návod k instalaci
I: Istruzioni de montaggio
DK: Monteringsvejledning
RO: Instructiuni de instalare

Customer Service:

+30 (210) 5541161, +30 (210) 5541154 (08:00 - 16:00 EET)

Support department:

info@gianso.gr

Website:

www.tessera4x4.com

Address:

19.5 km of National road Athens-Korinthos (Elefsina) Greece, P.C: 19240