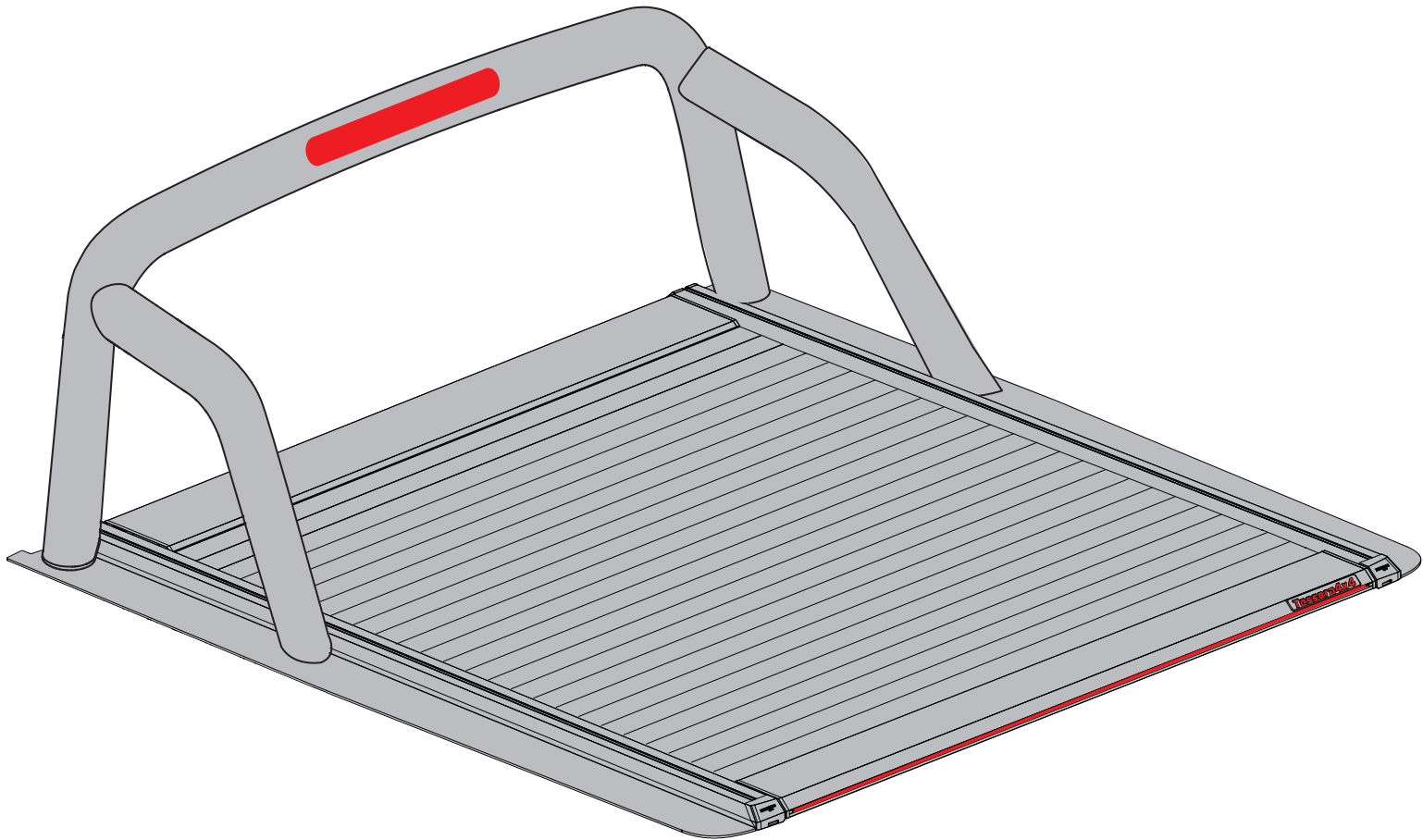


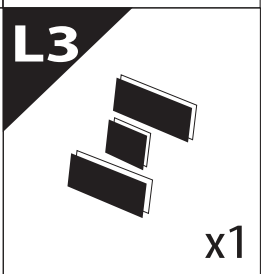
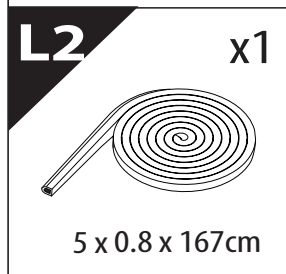
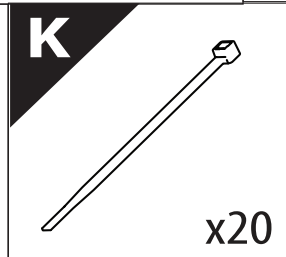
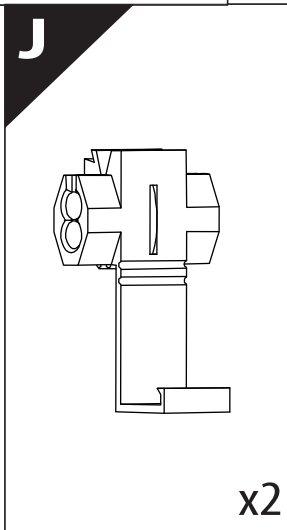
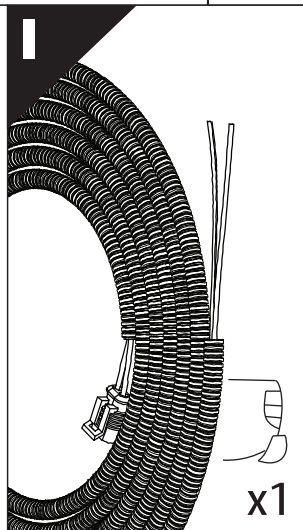
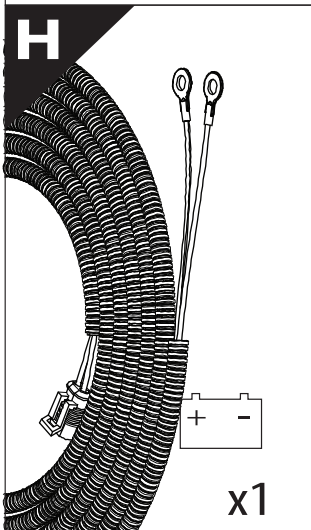
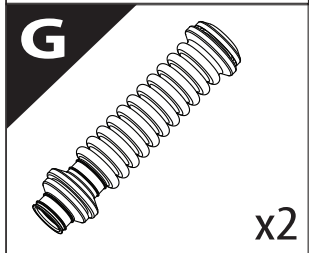
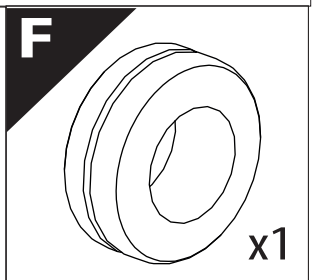
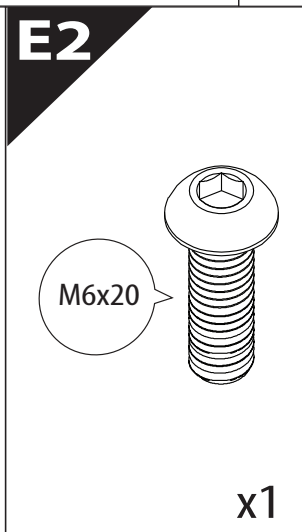
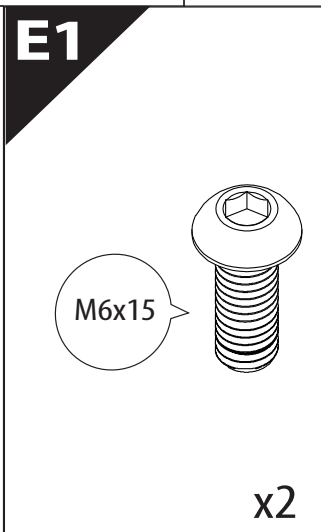
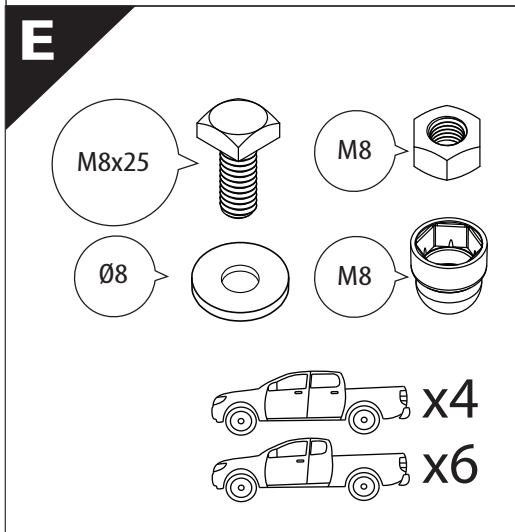
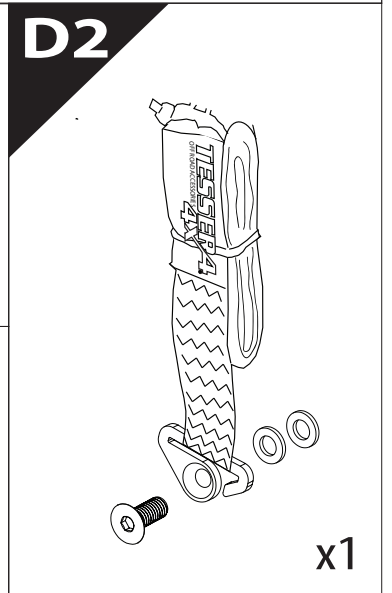
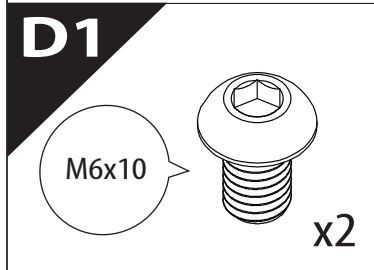
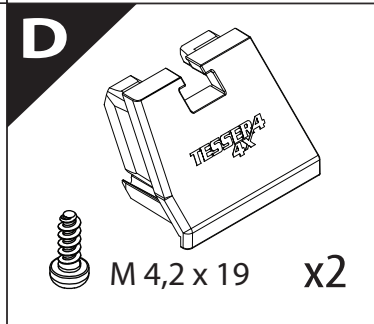
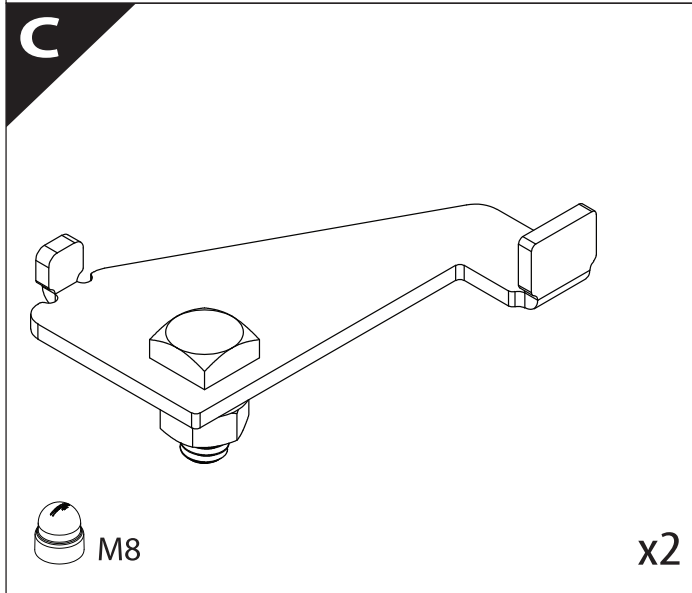
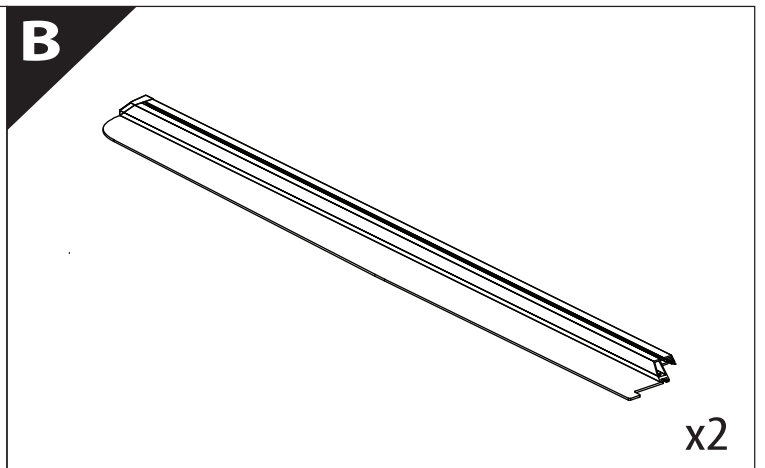
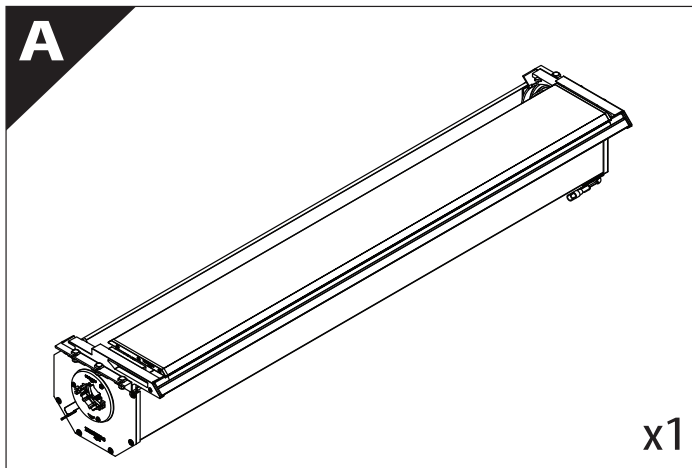
Tessera Roll+

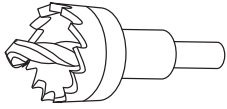
Basic Version + ⚡ E-KIT



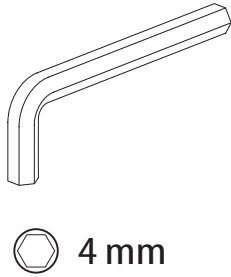
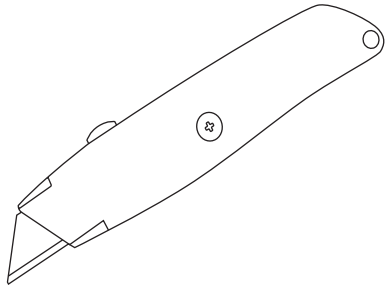
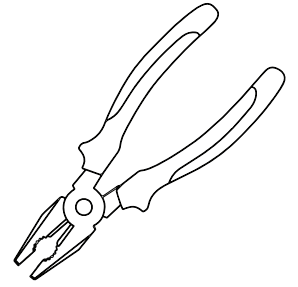
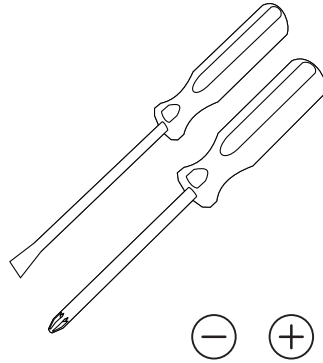
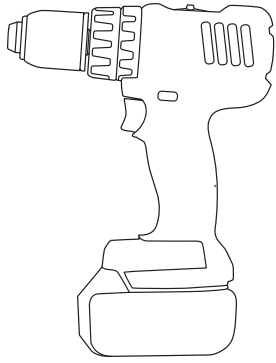
Installation Manual

PART NUMBER(S)	Model Year
TESS 1406 ROLL + ADAPT 008 + E-KIT	FORD RANGER 2012+ / 2016+ / 2020+ WITH OEM ROLL BAR
TESS 1407 ROLL + ADAPT 008+ E-KIT	
Cab(s)	Installation Time / Weight
Double Cab & Space cab	40-60 minutes / 53-57 kg

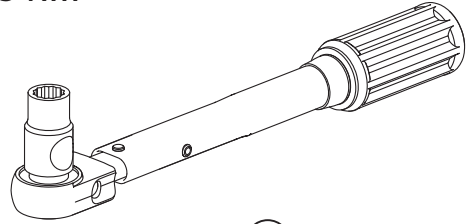




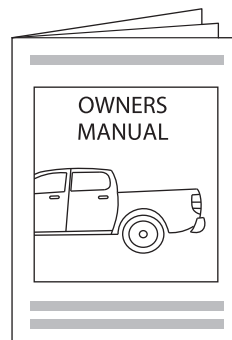
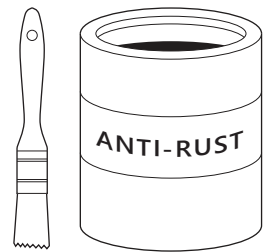
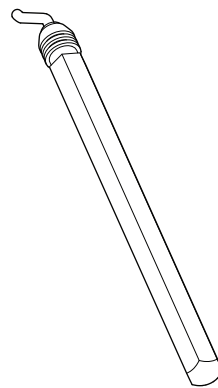
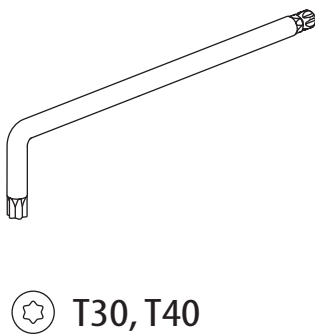
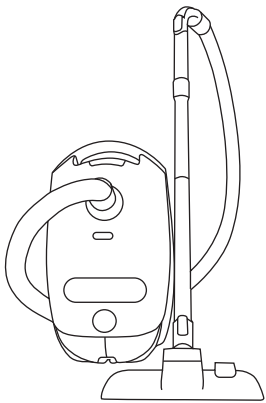
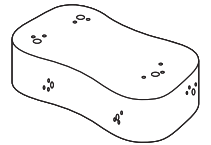
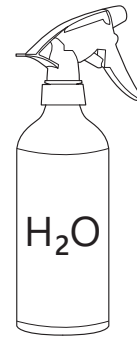
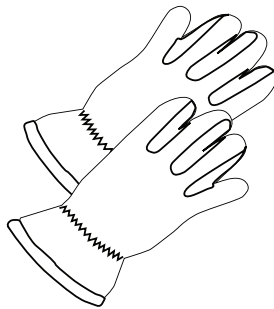
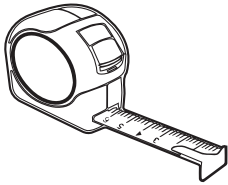
Ø 25 mm / Ø 40 mm



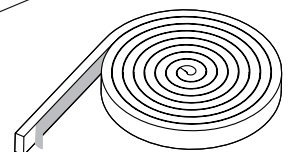
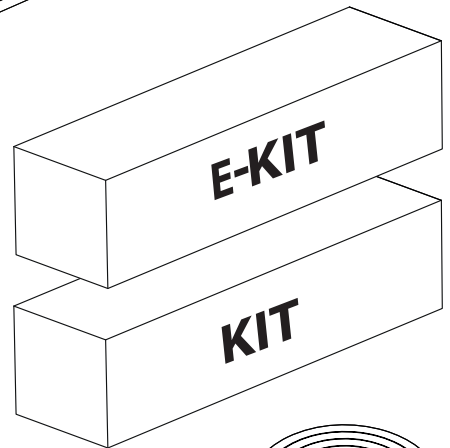
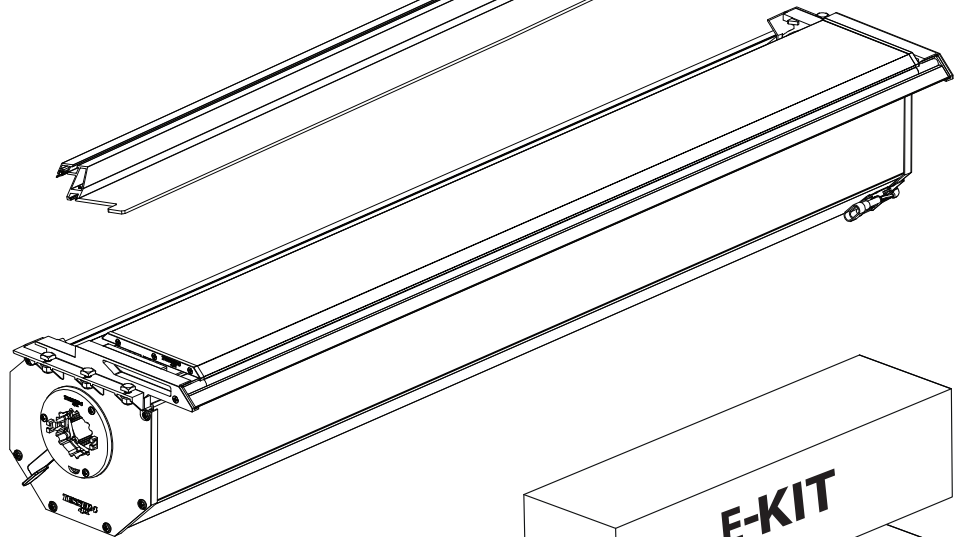
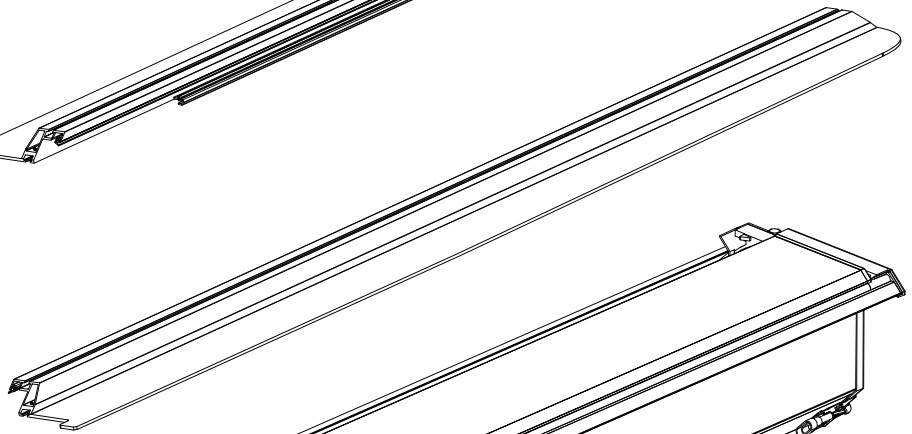
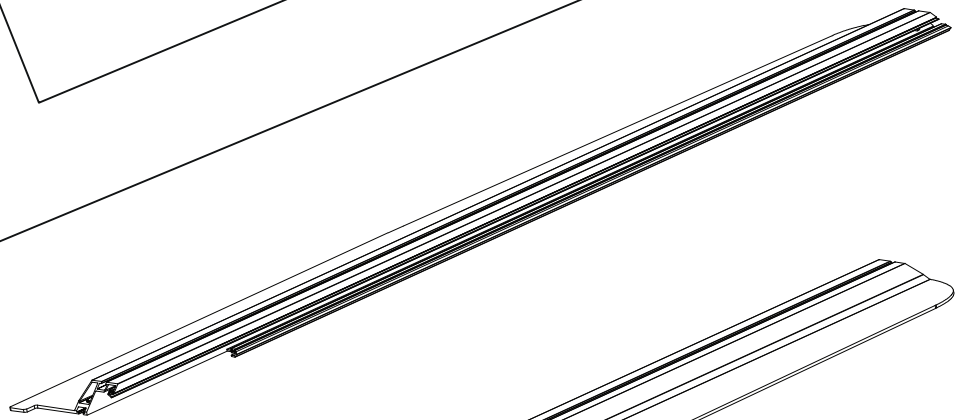
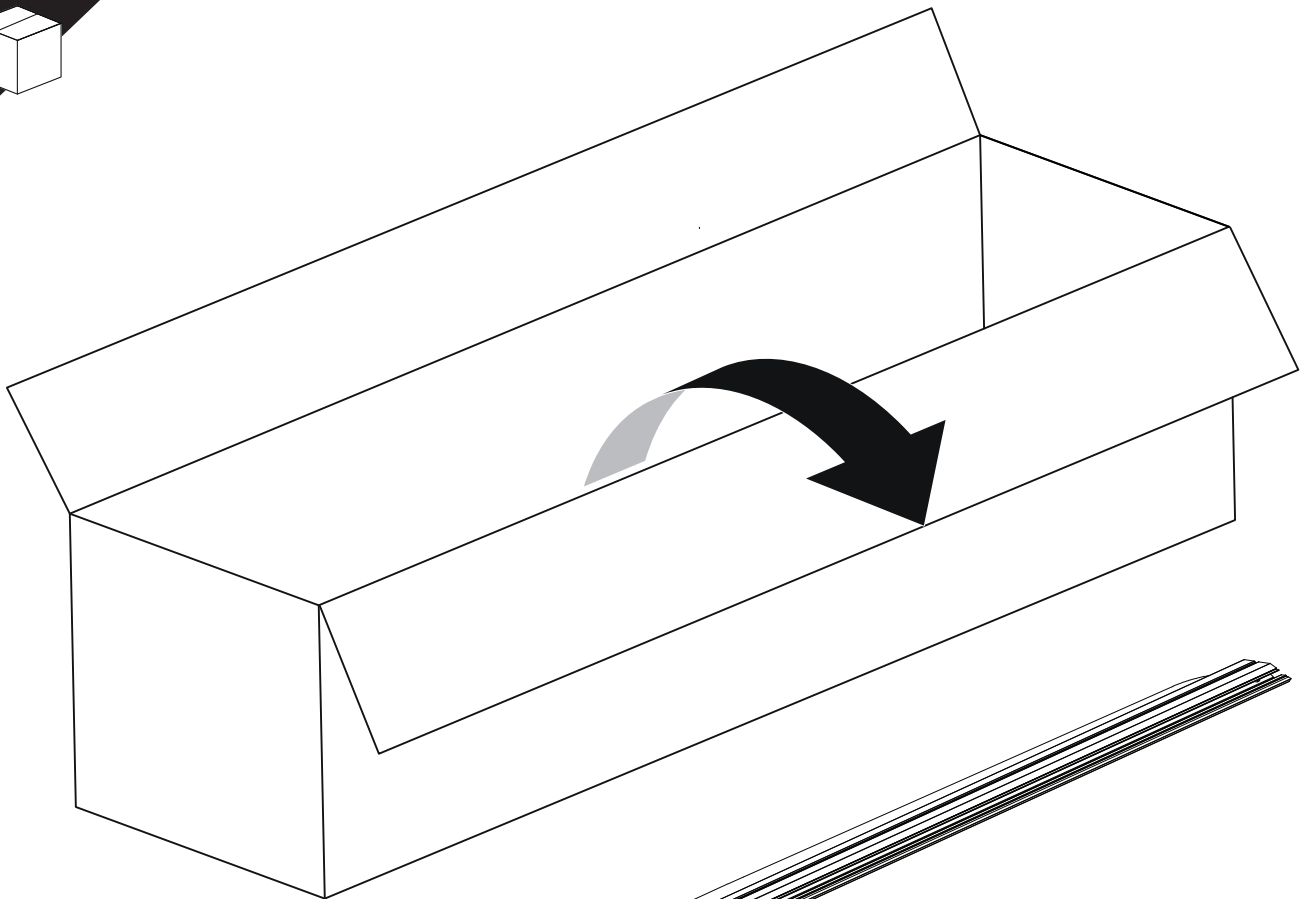
1 - 25 Nm



10, 12, 13, 17 mm



x1

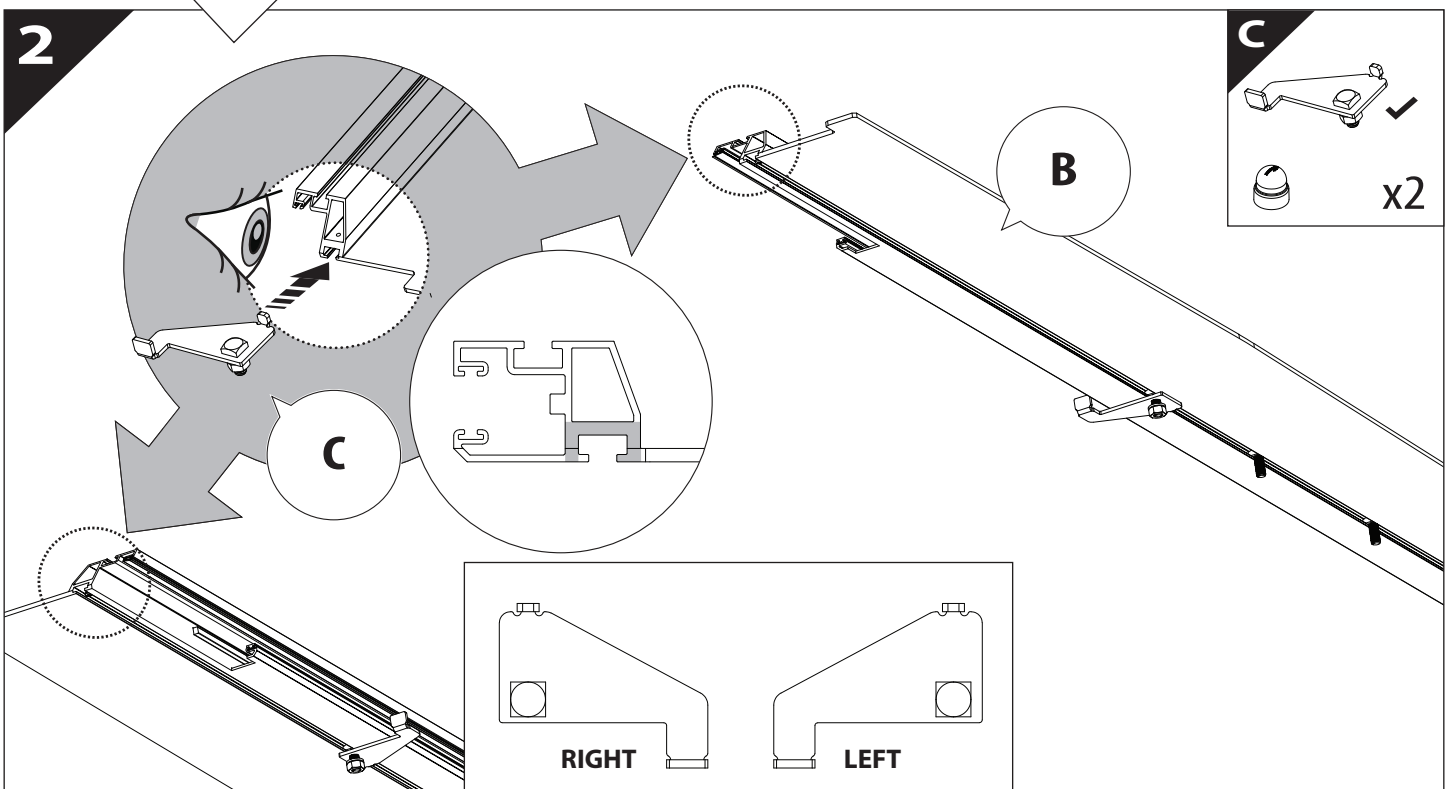
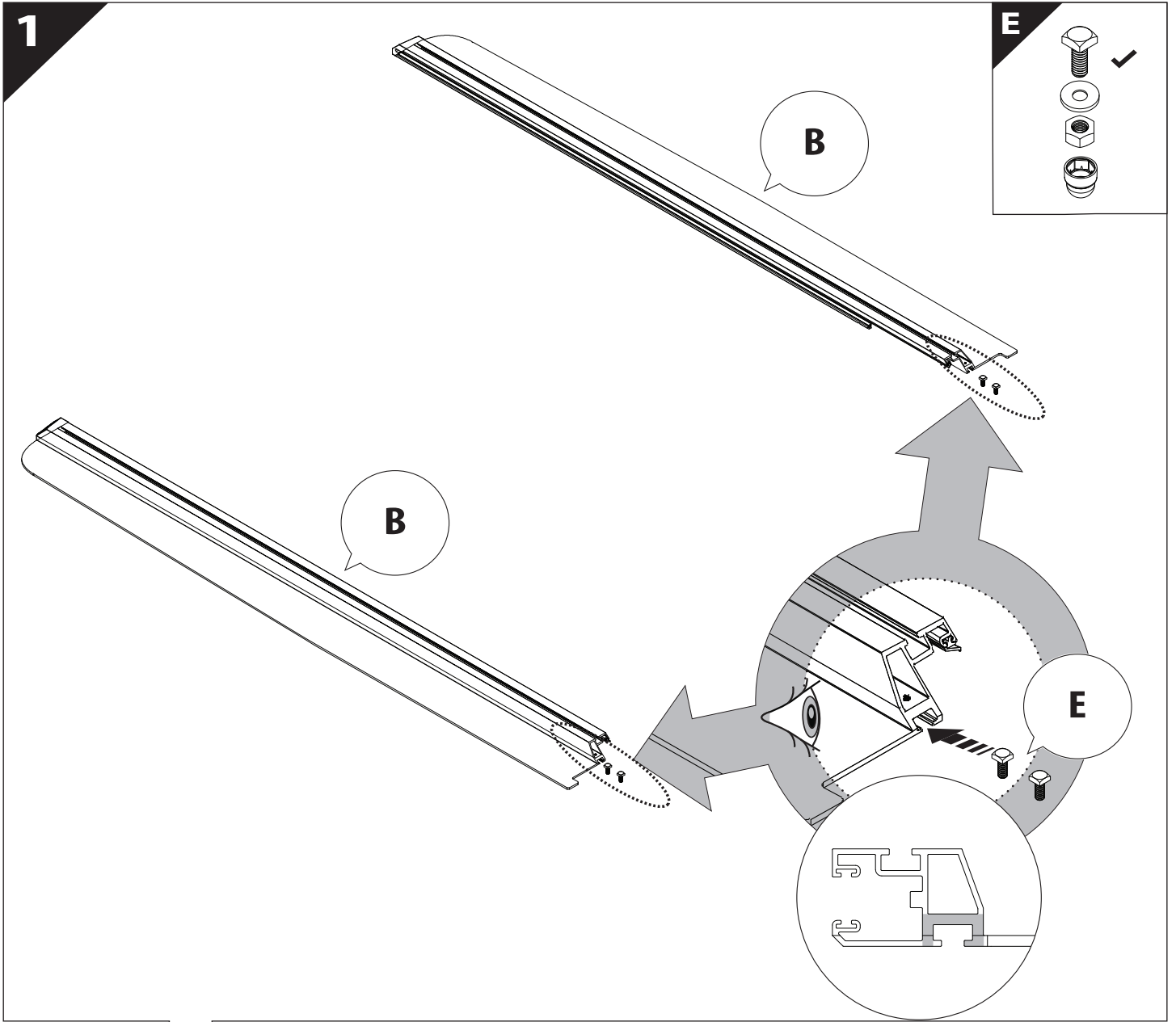


B

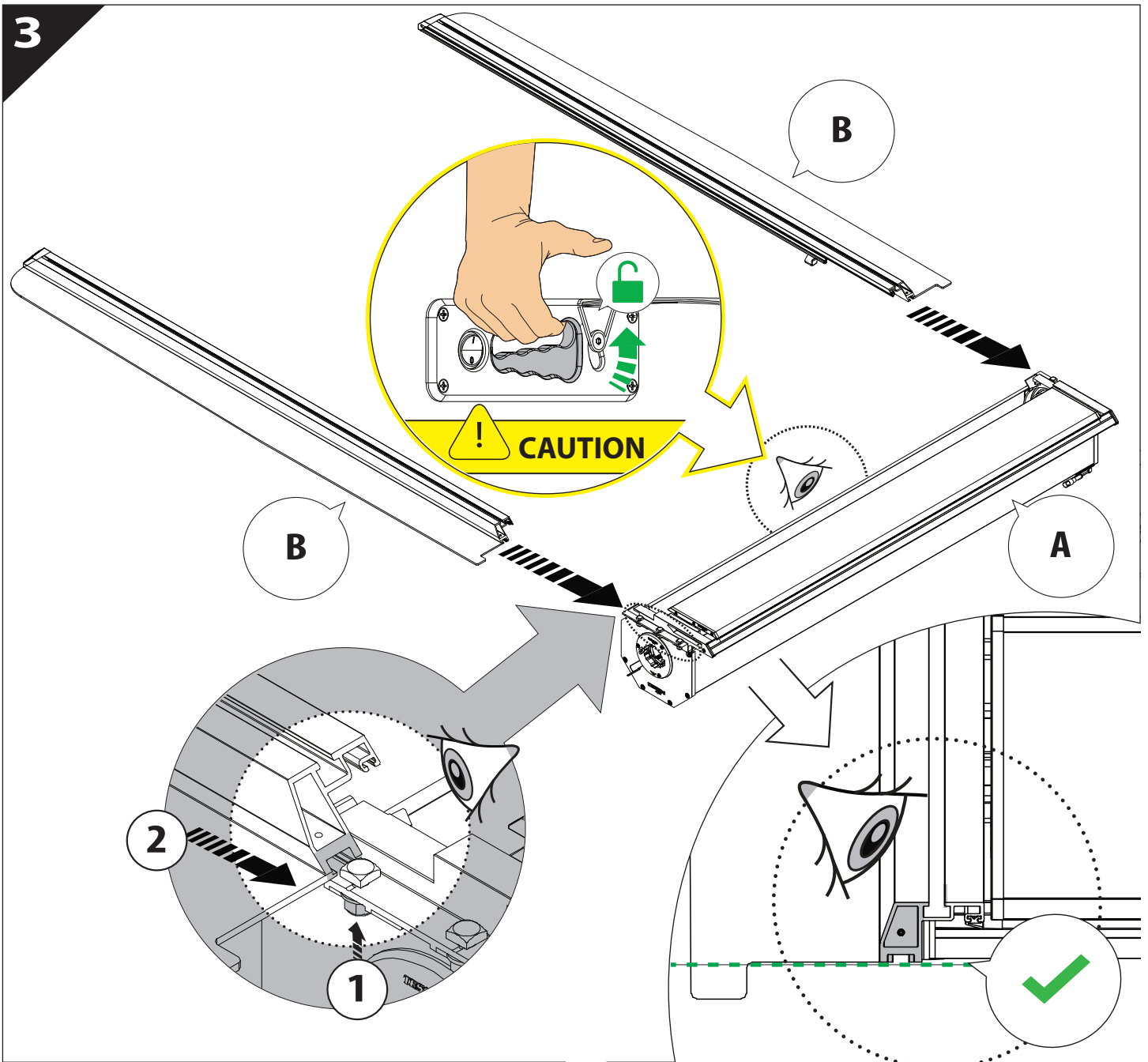
A

KITS

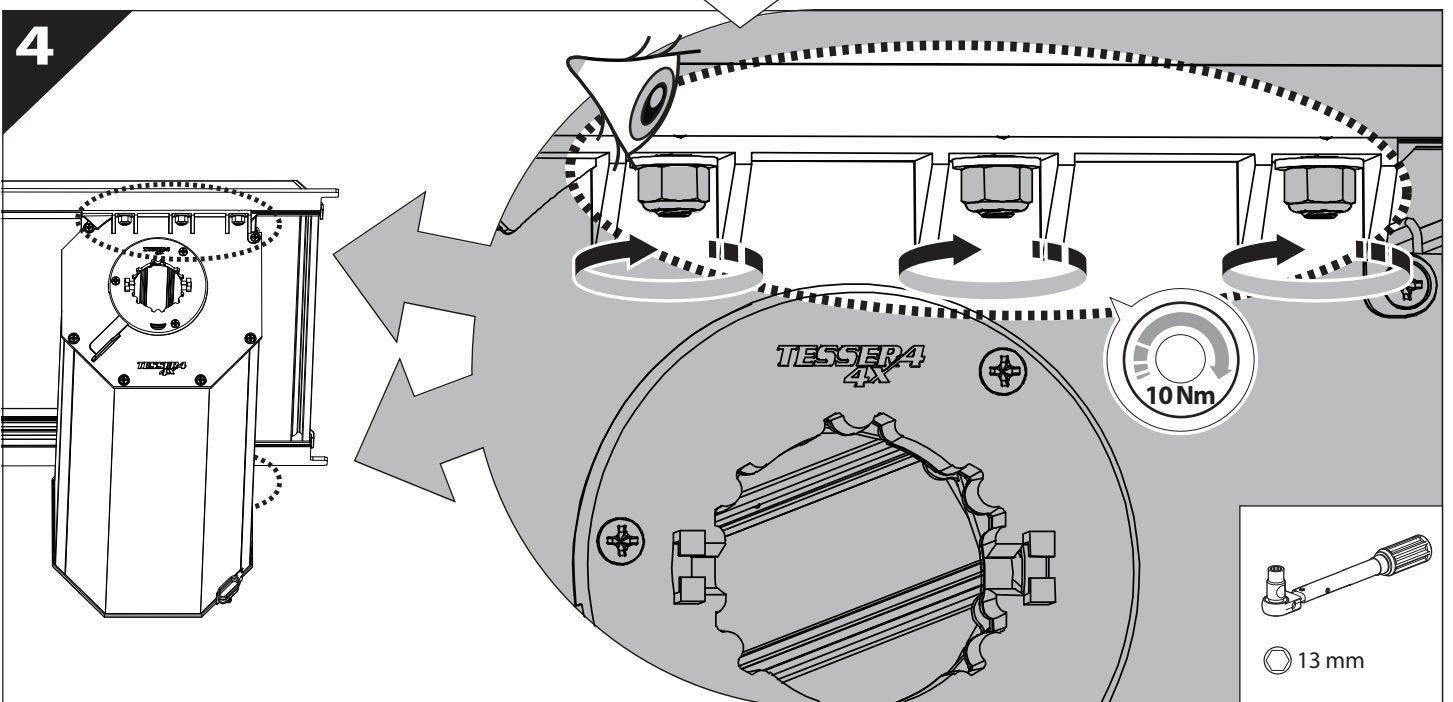
L

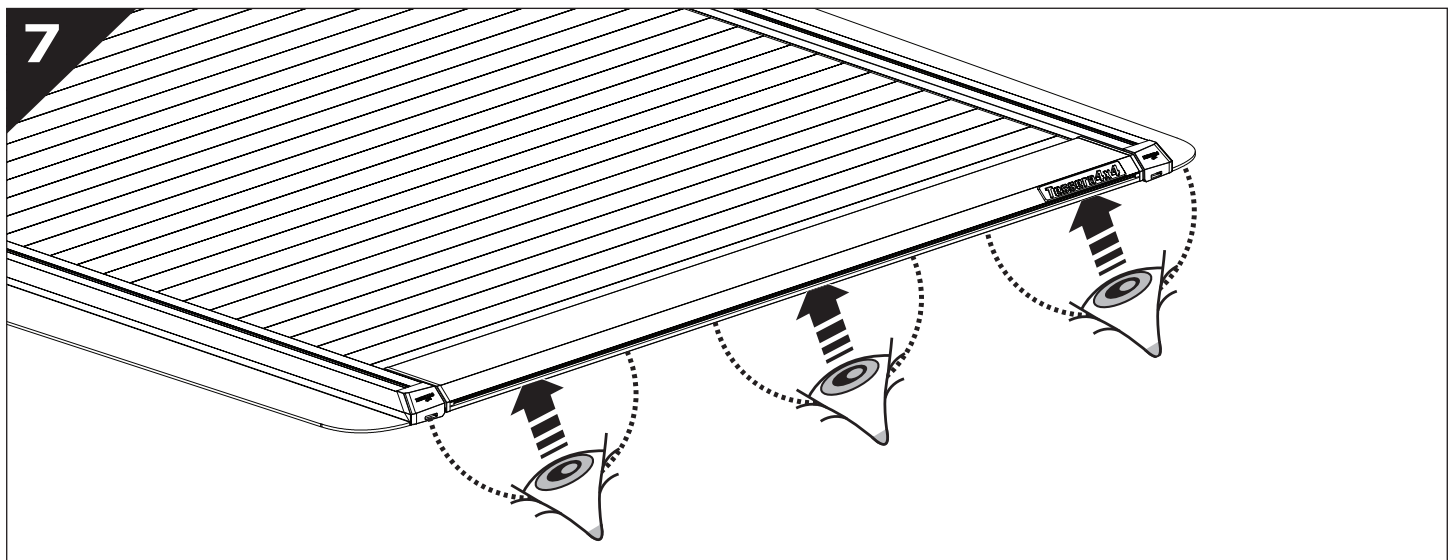
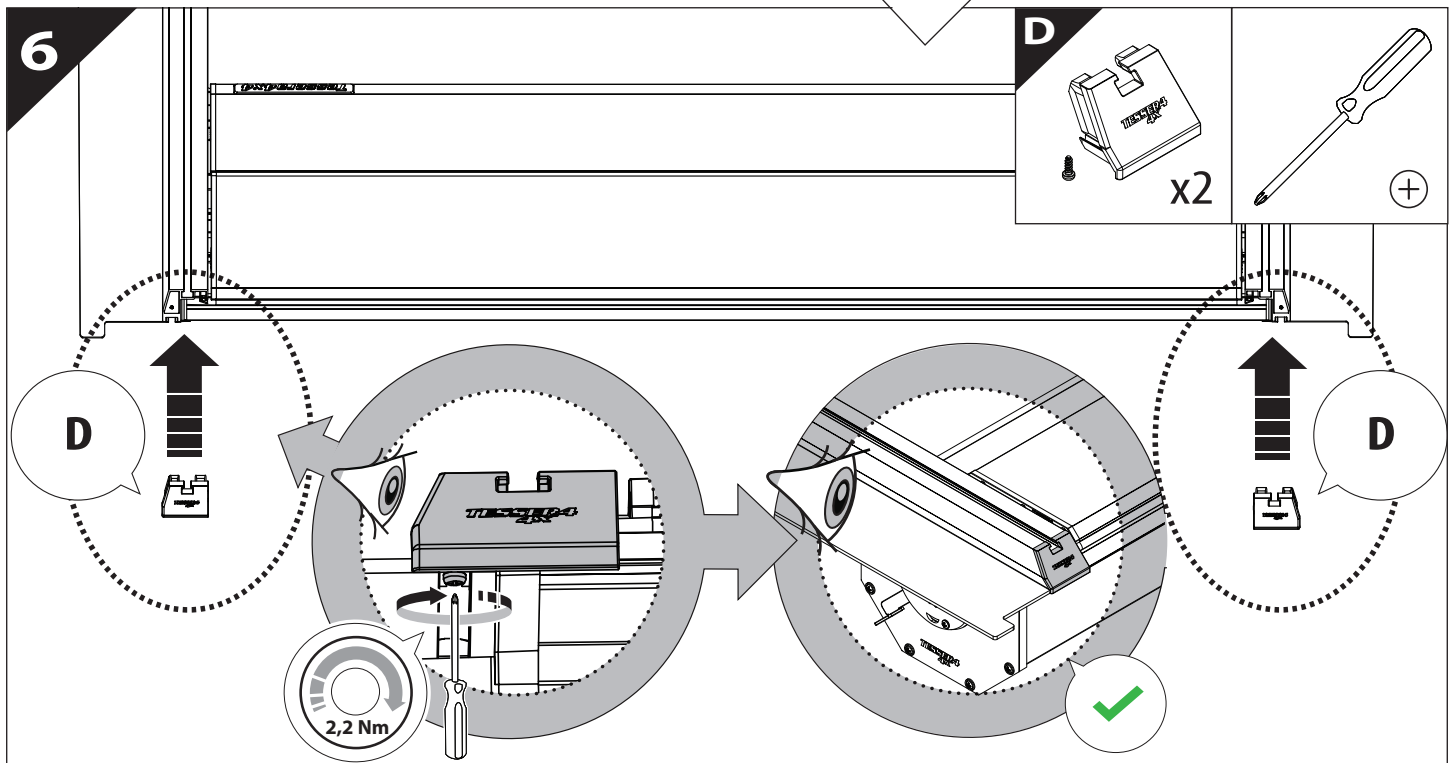
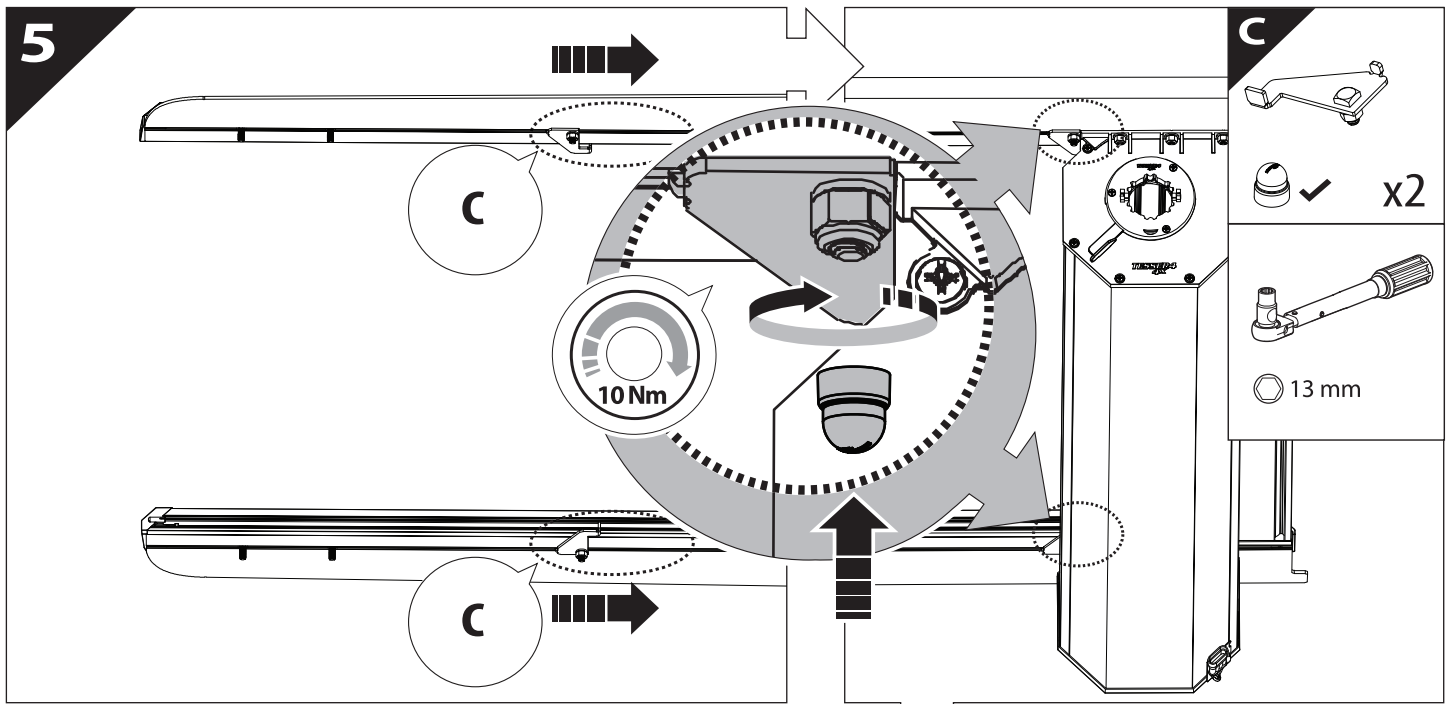


3



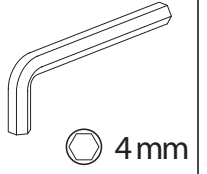
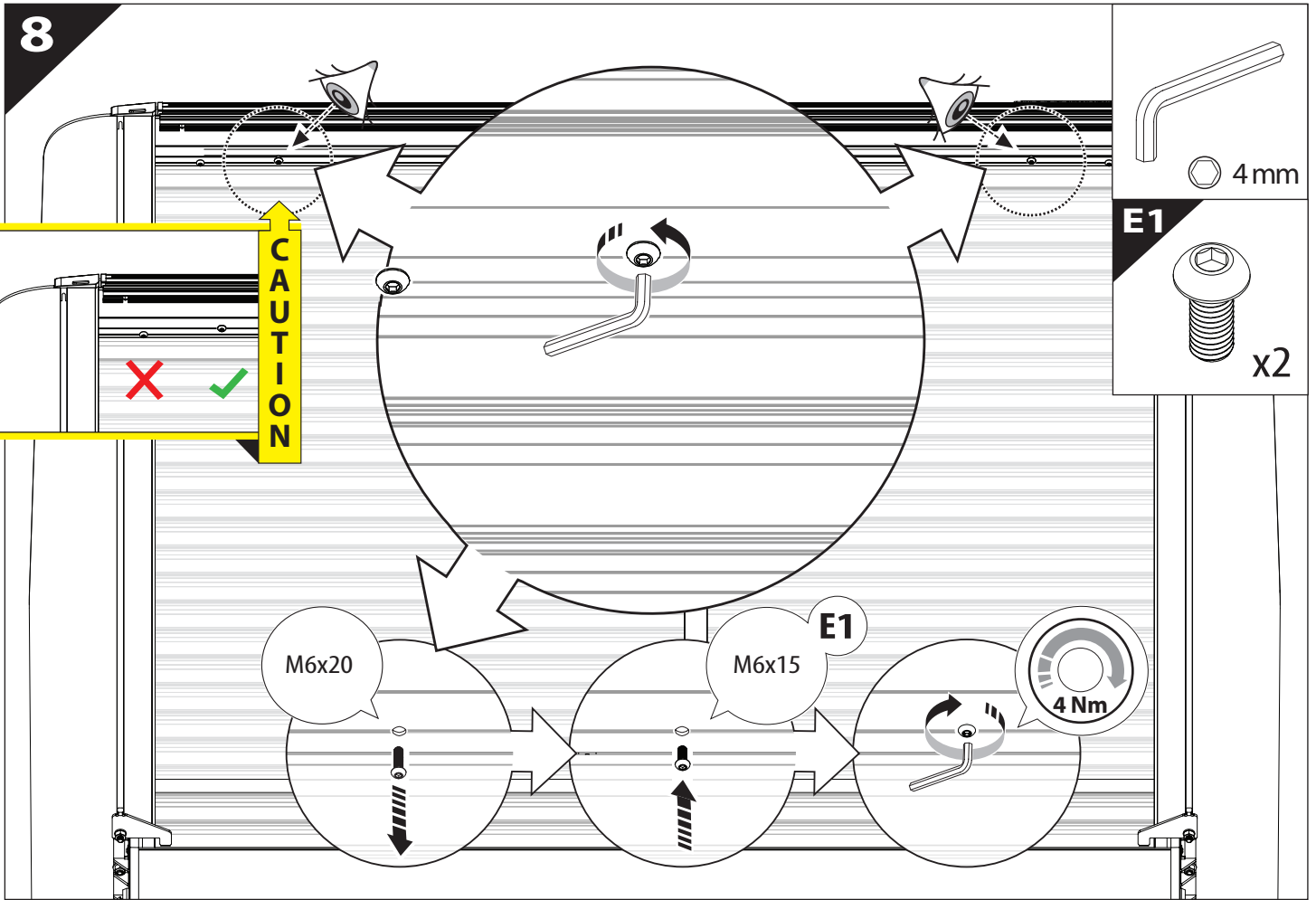
4





8

CAUTION



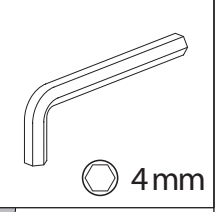
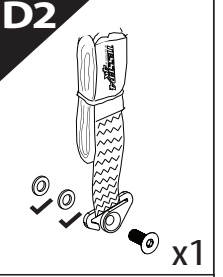
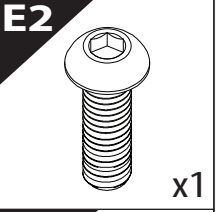
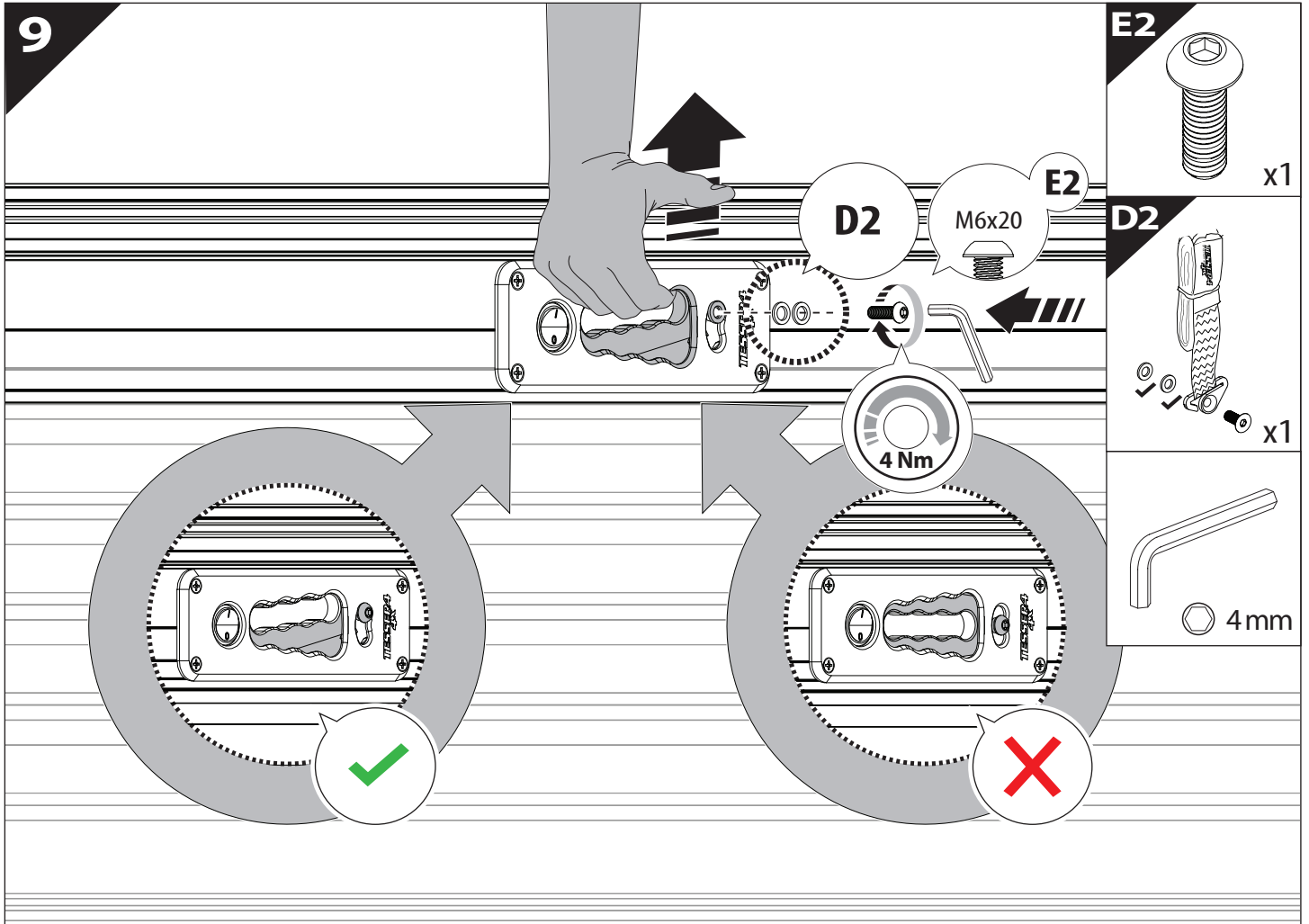
M6x20

M6x15

E1

4 Nm

9



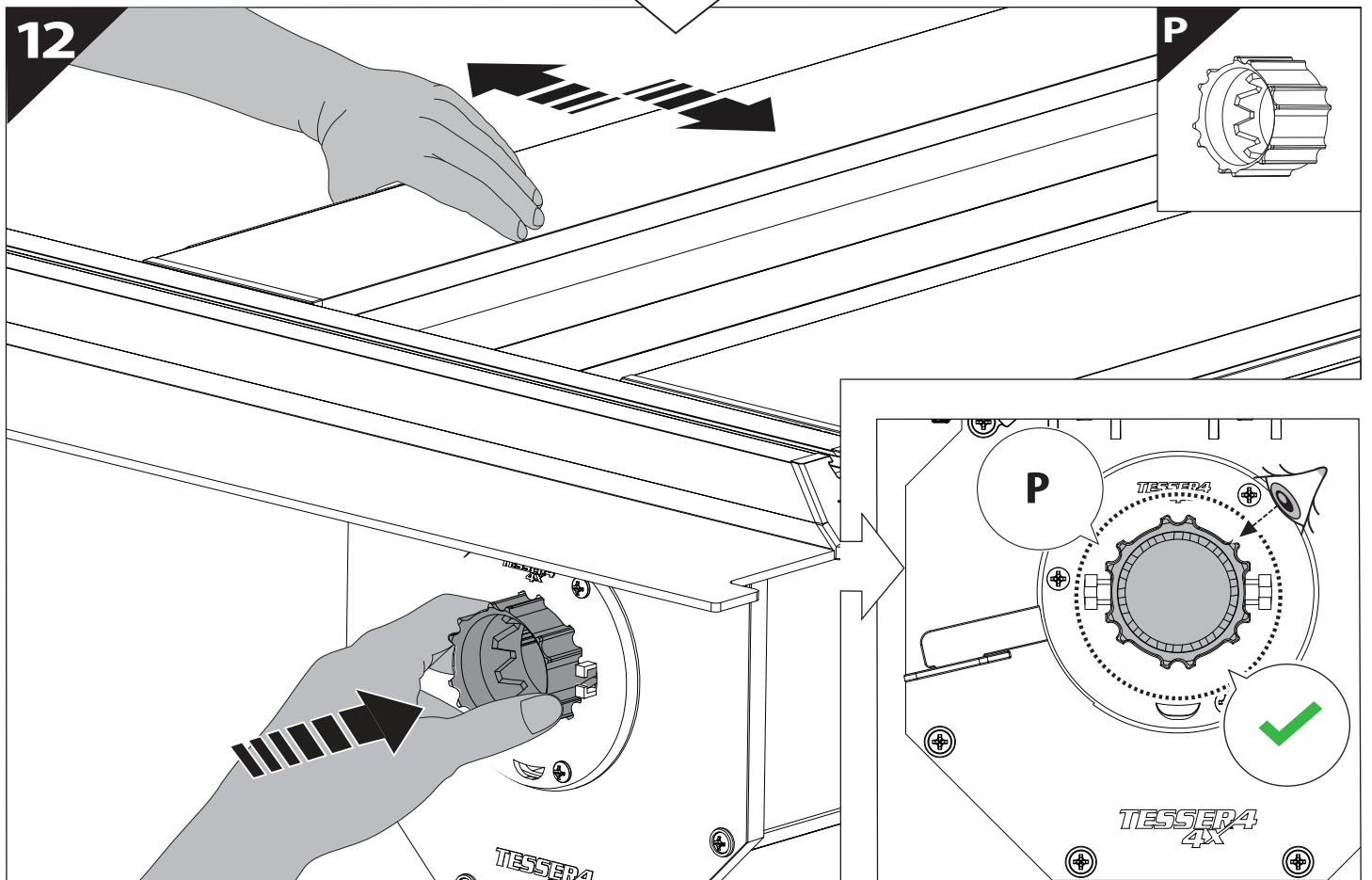
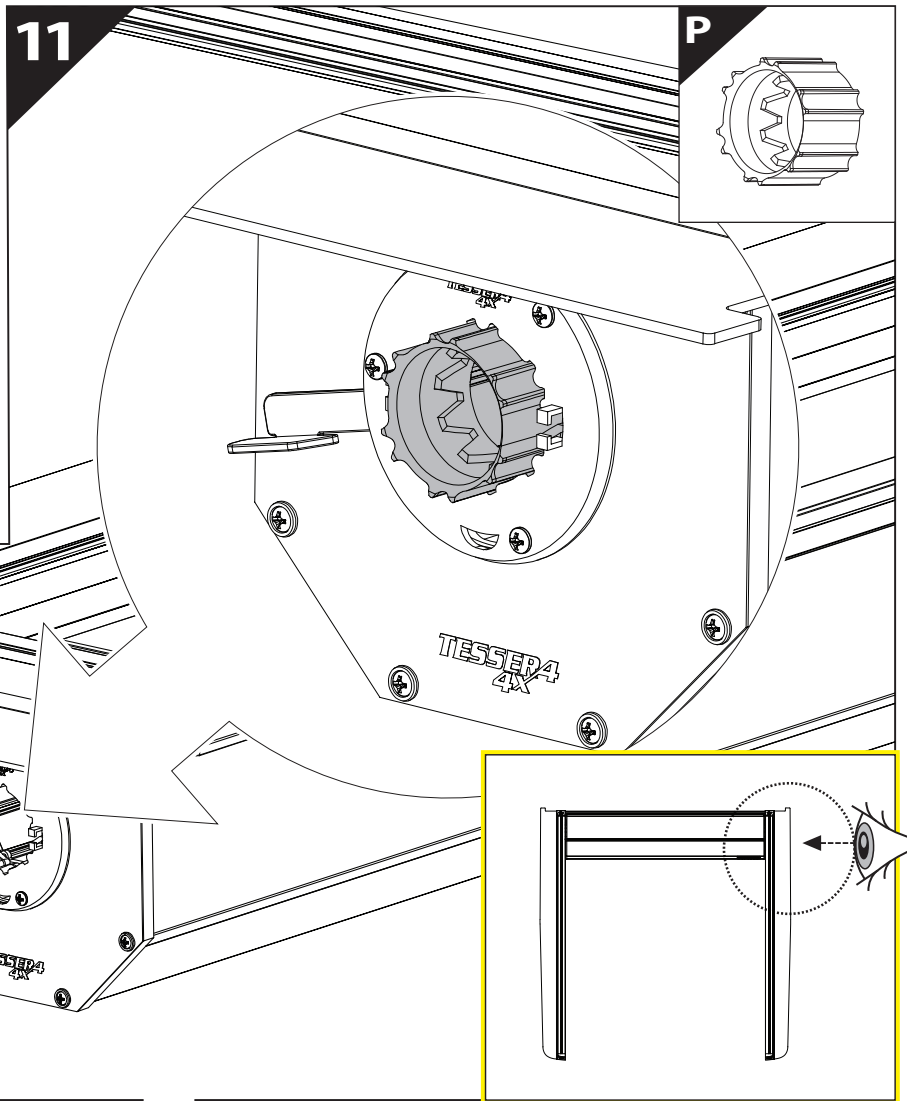
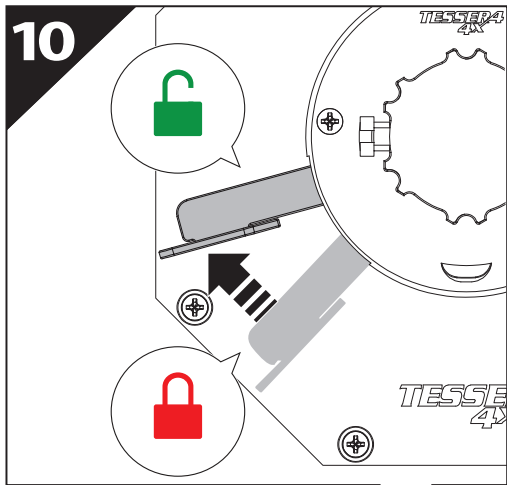
D2

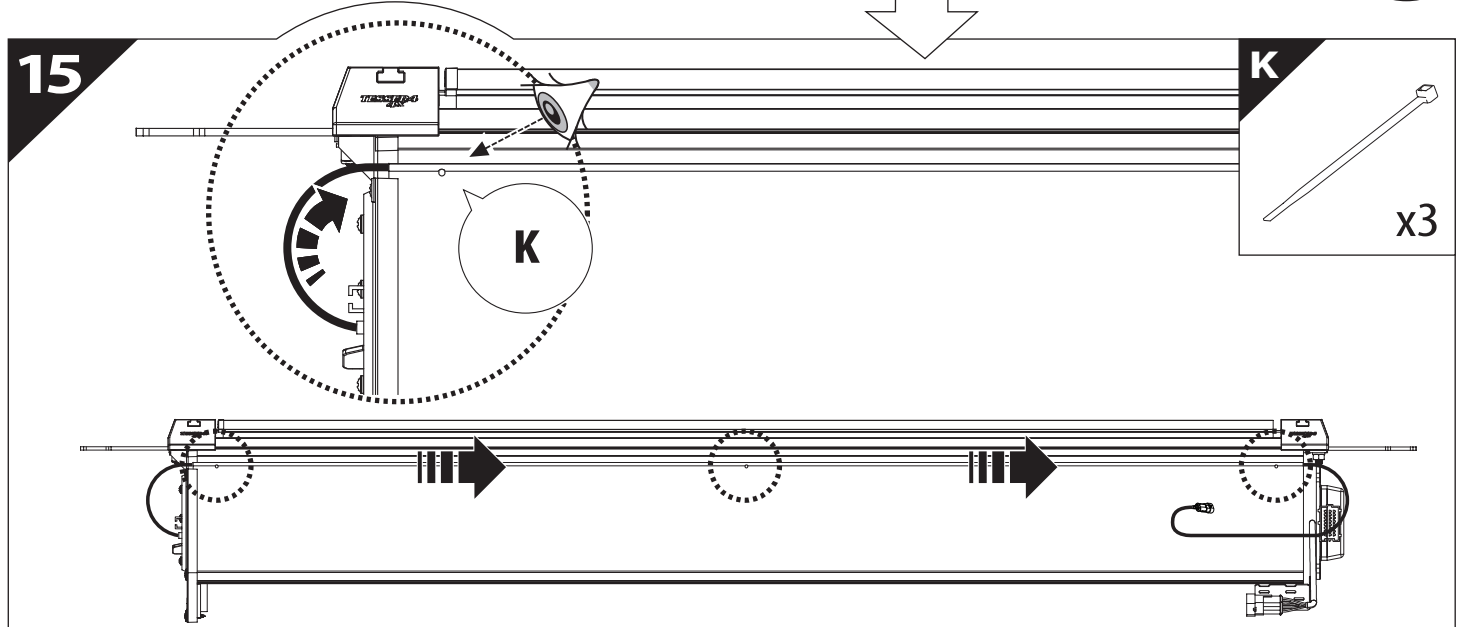
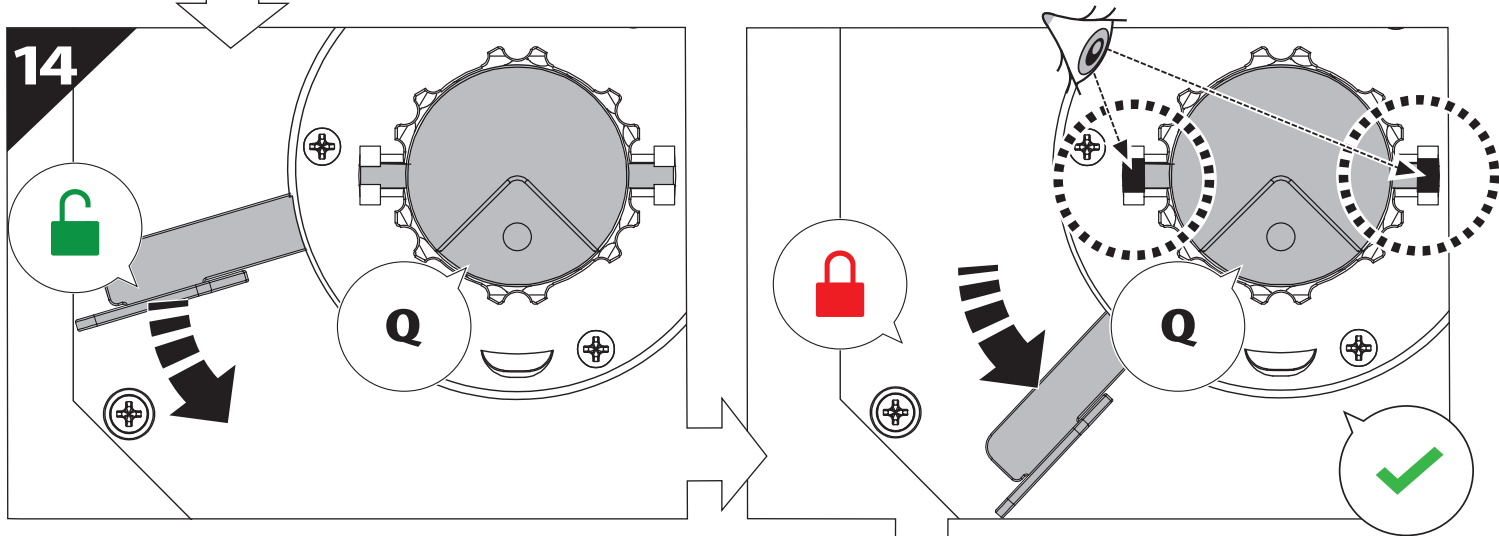
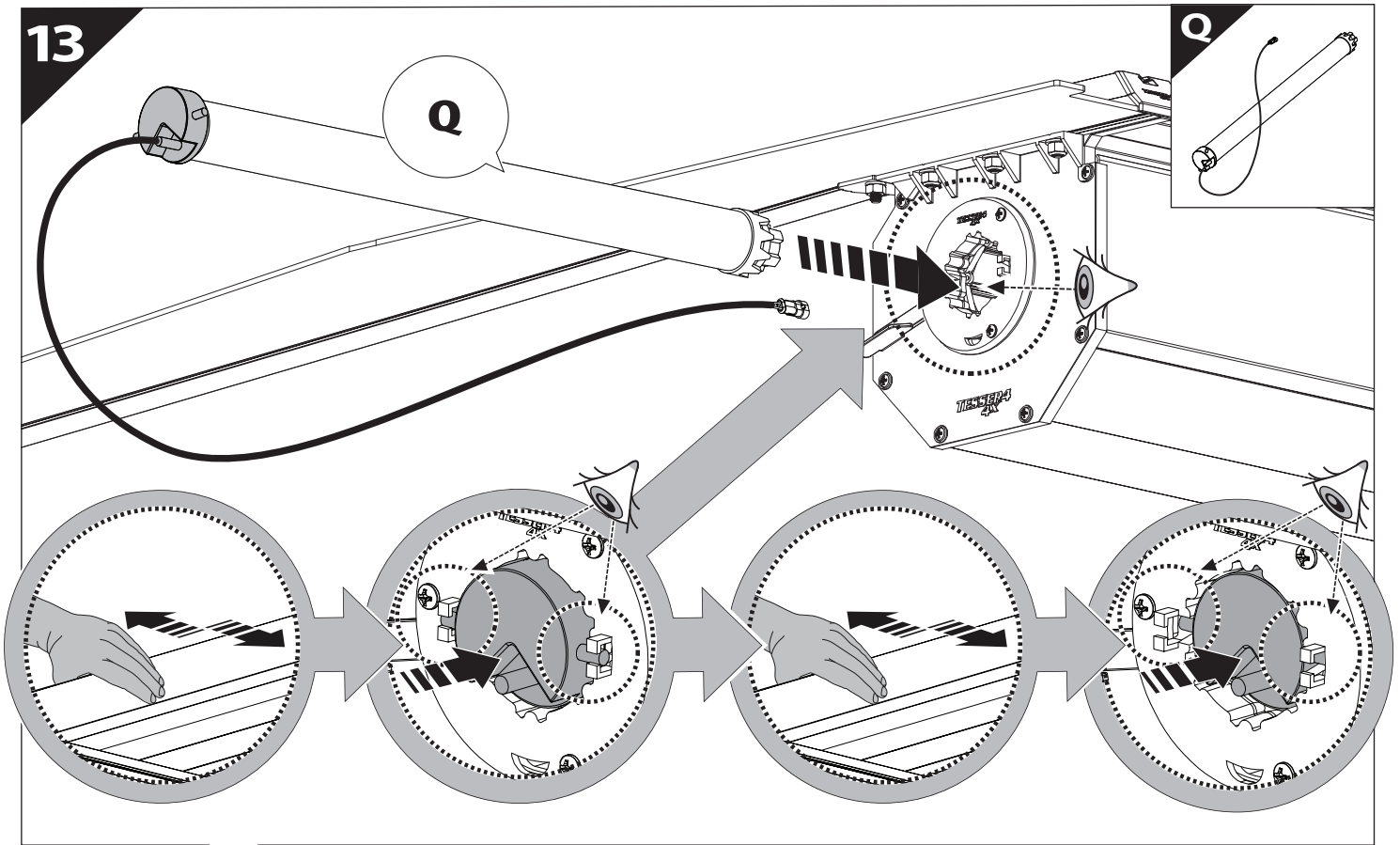
M6x20

E2

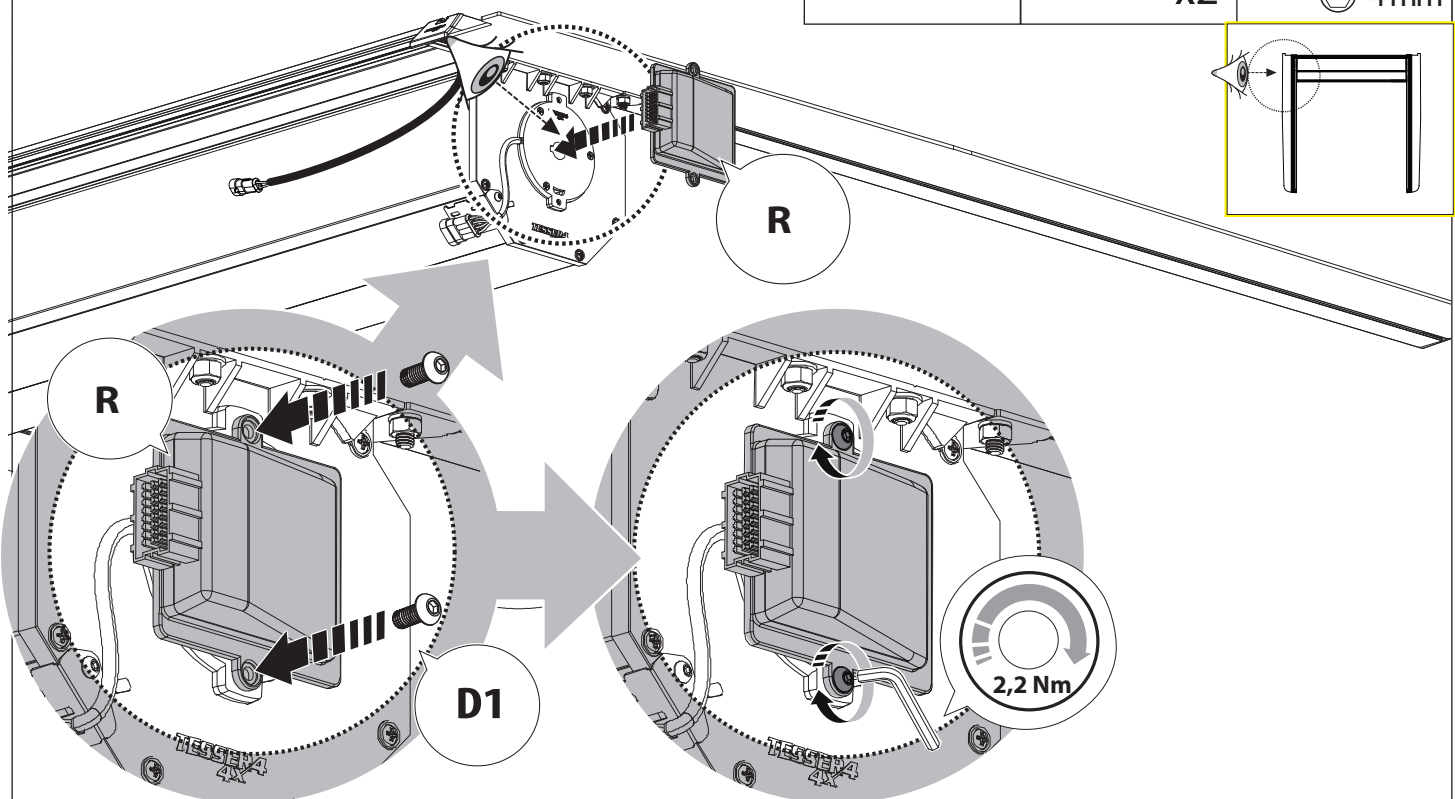
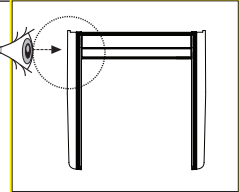
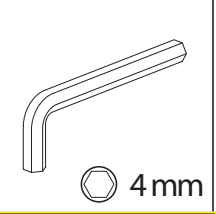
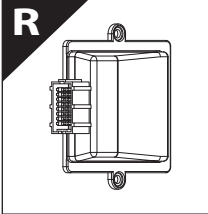
4 Nm



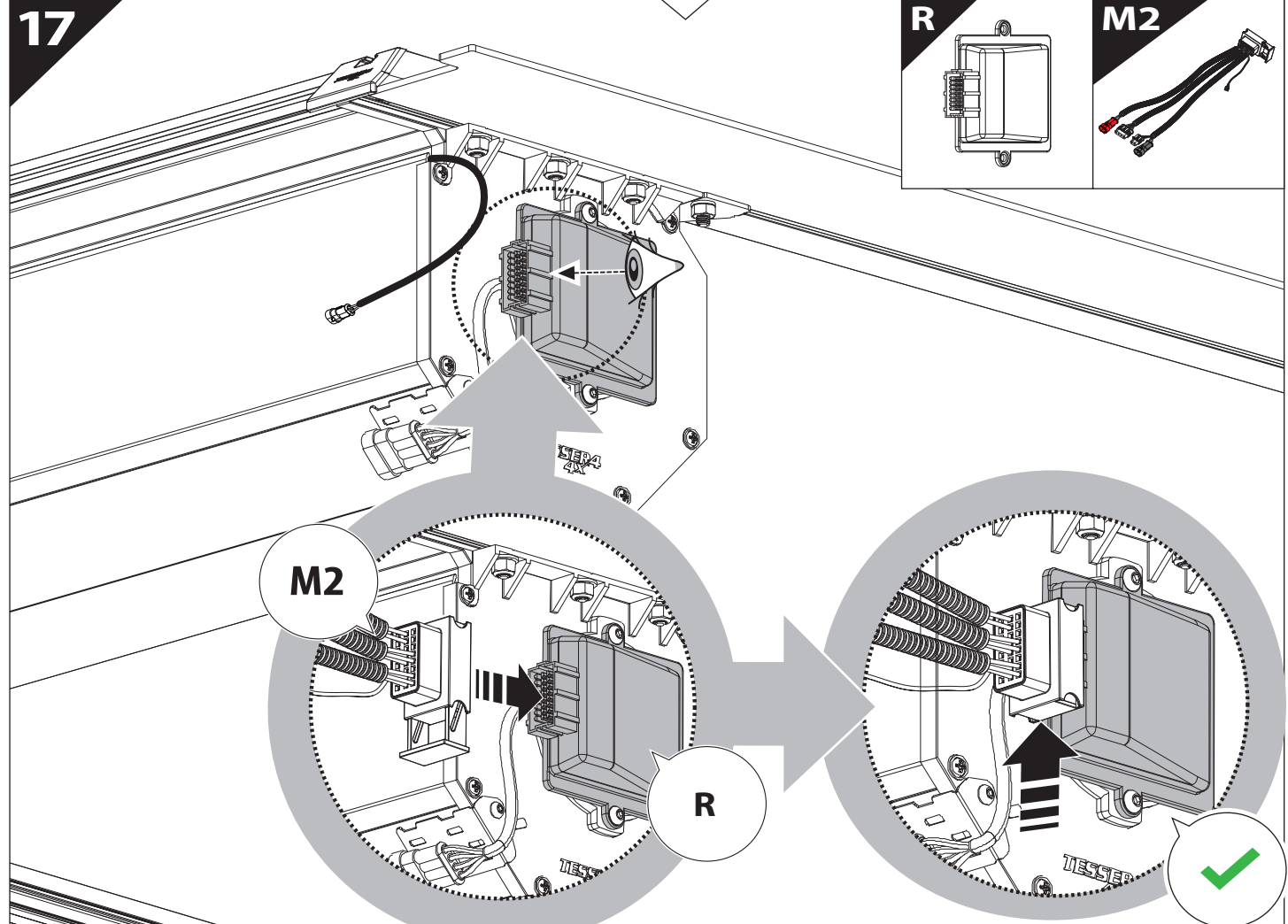
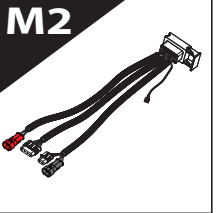
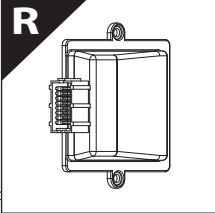




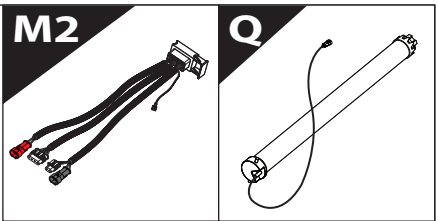
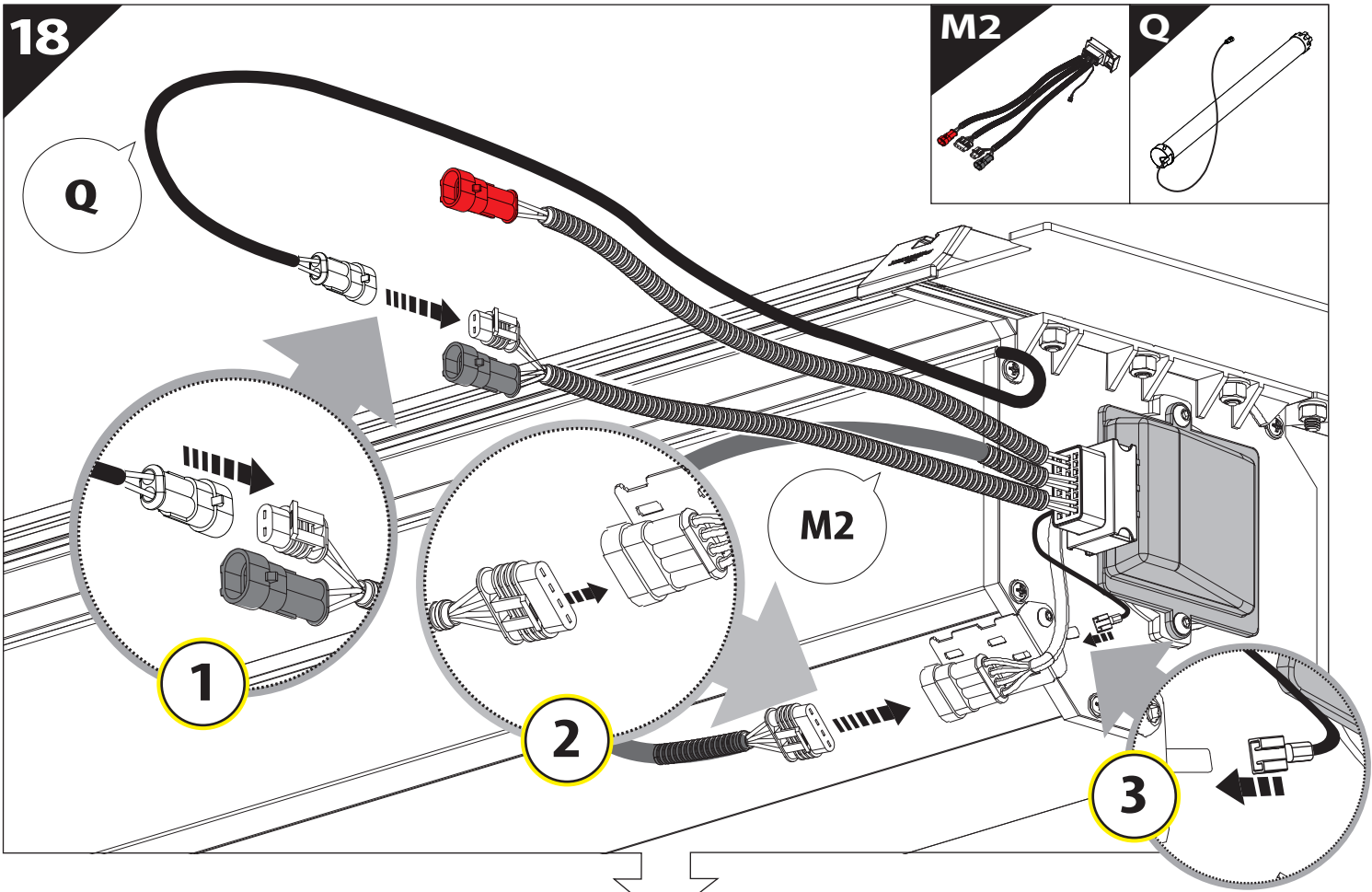
16



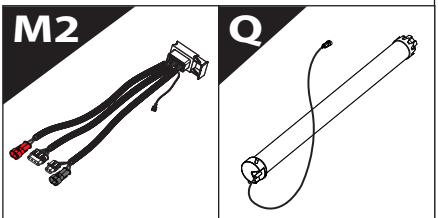
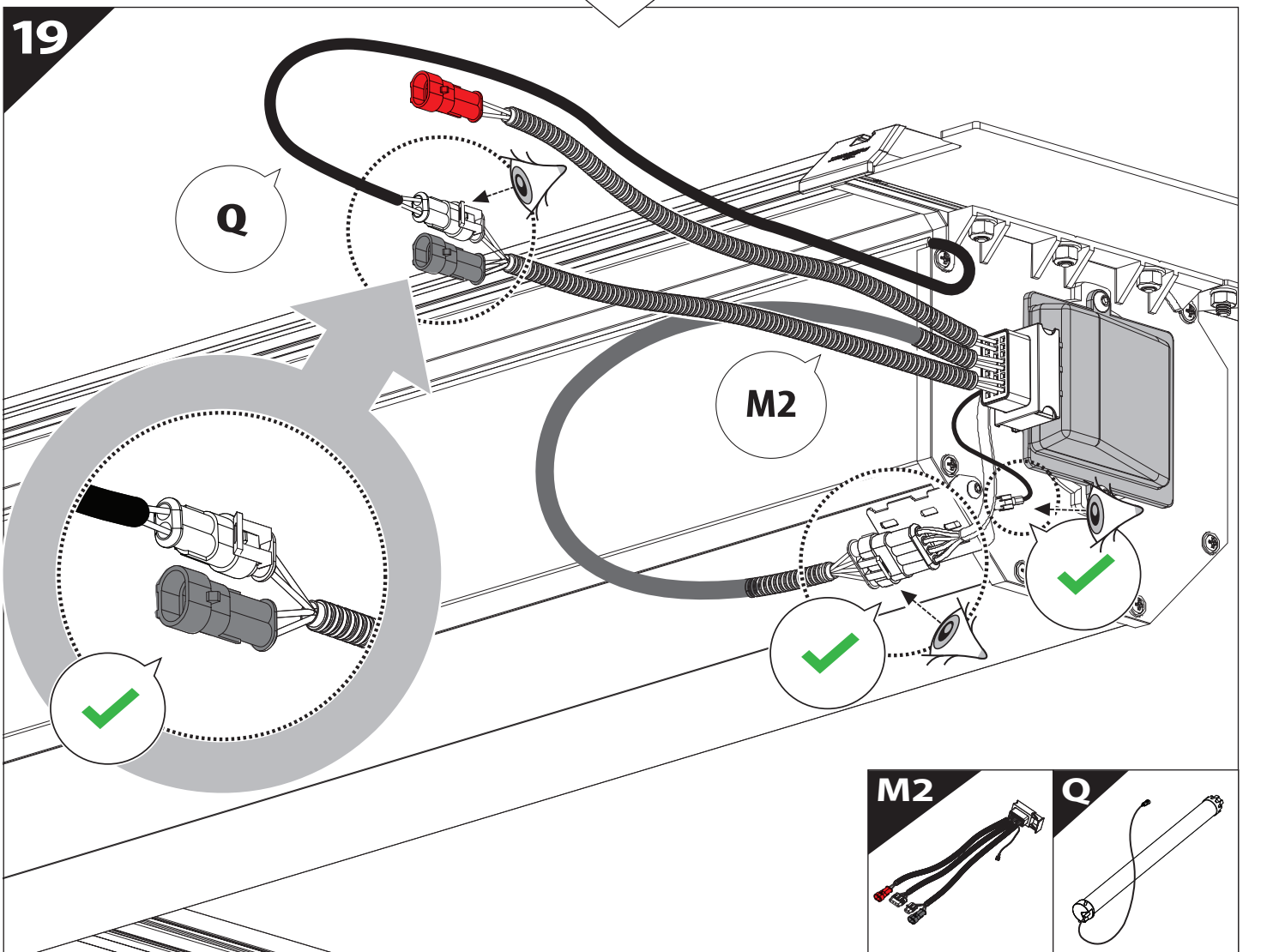
17

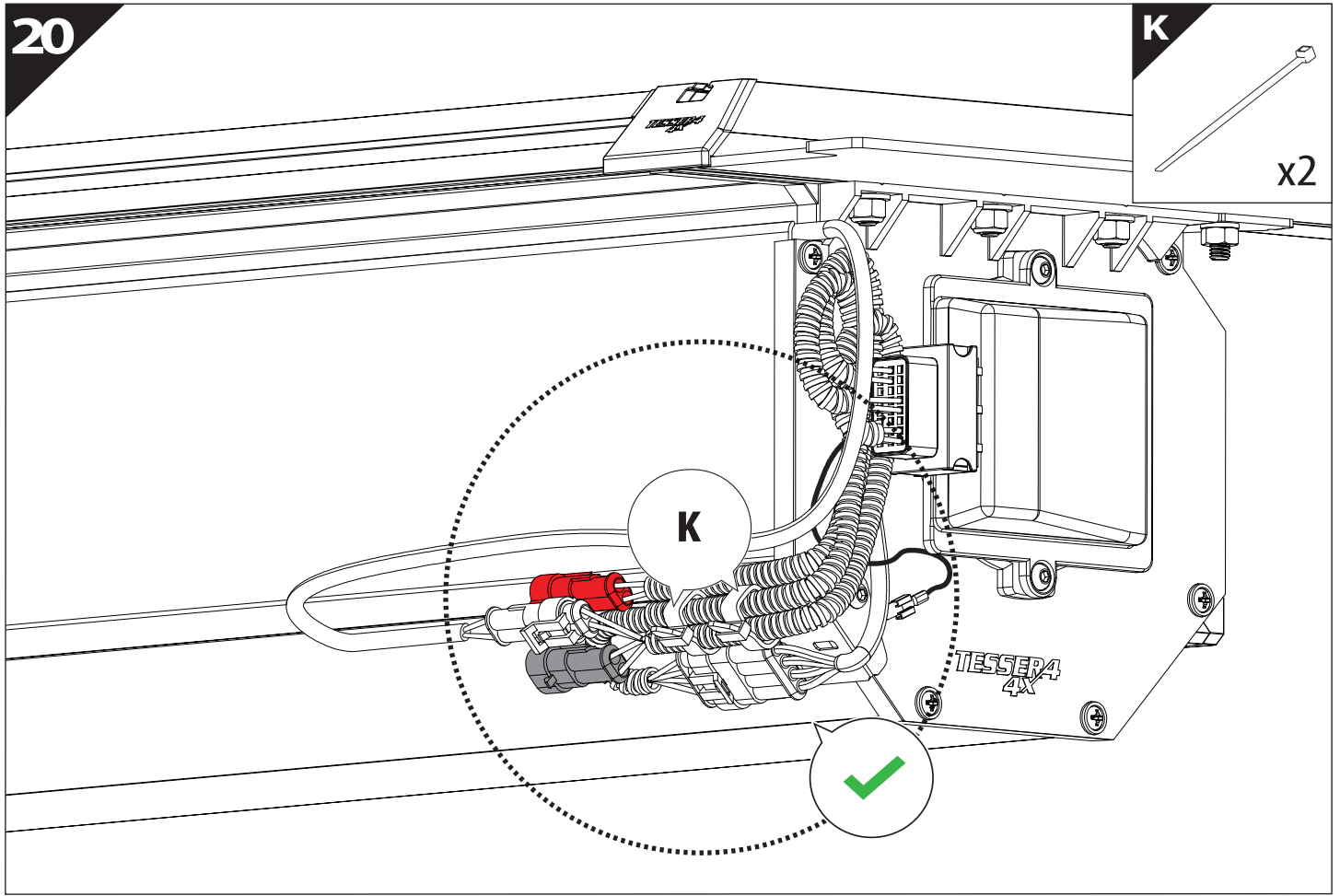


18

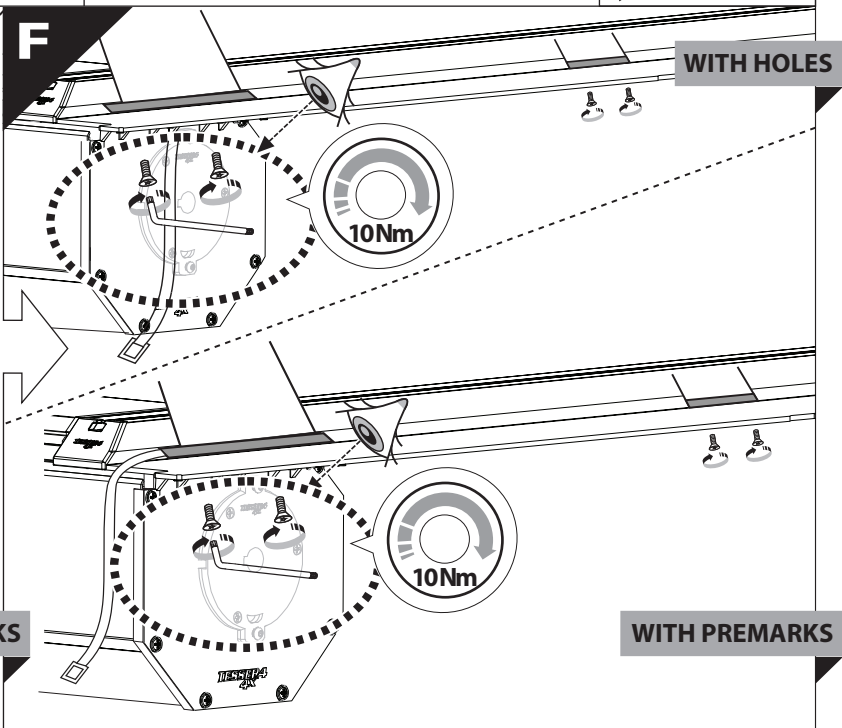
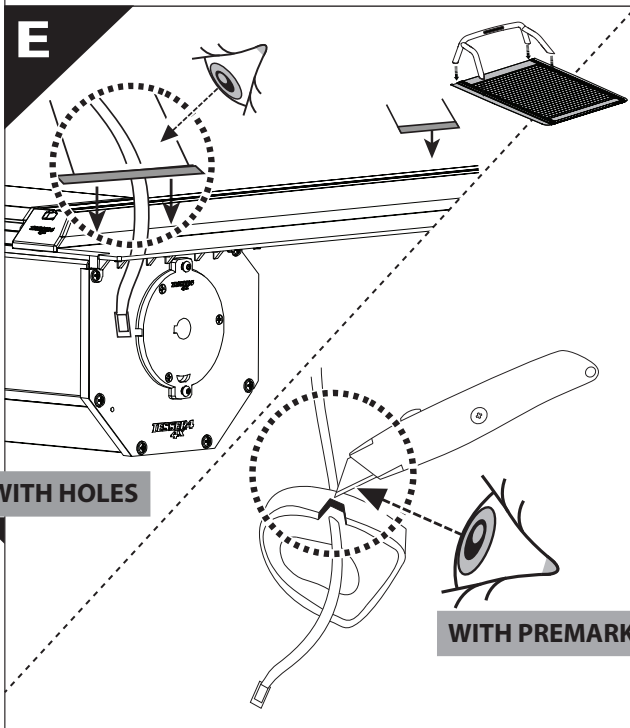
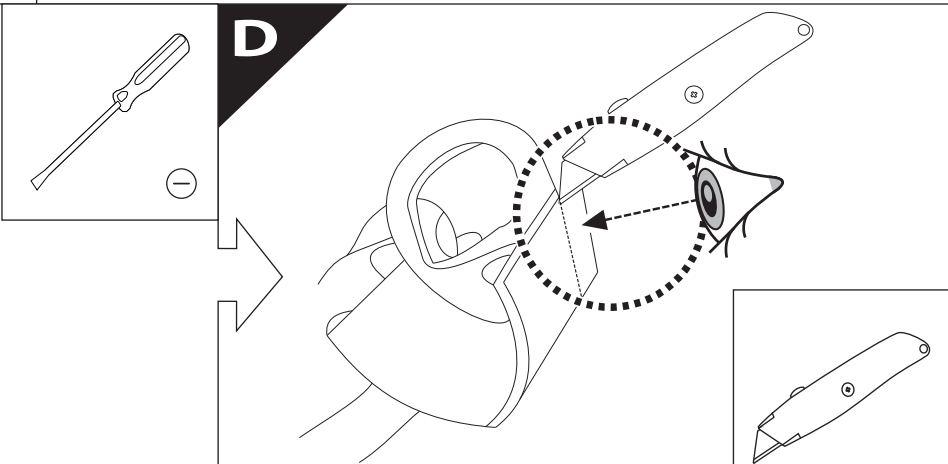
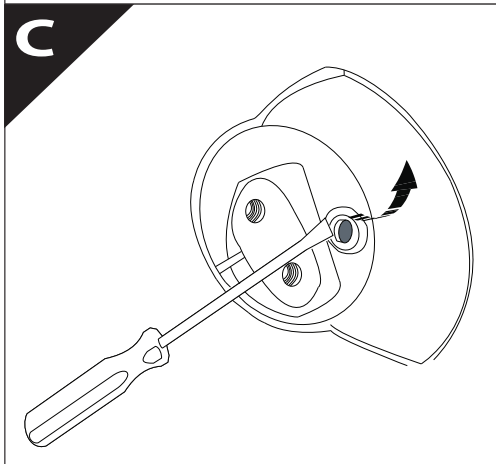
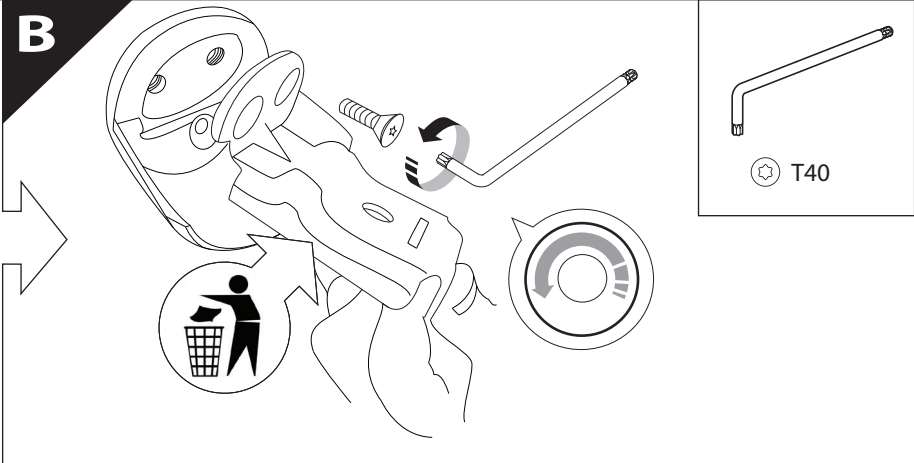
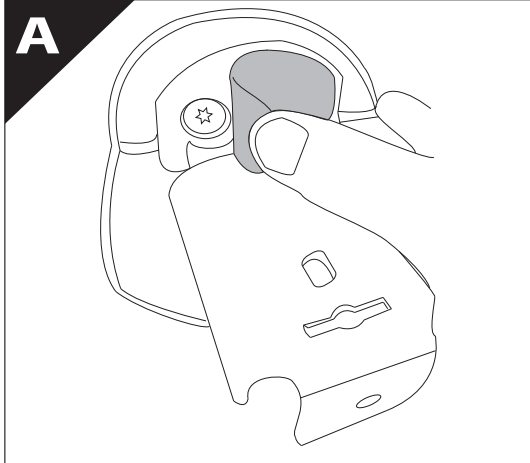
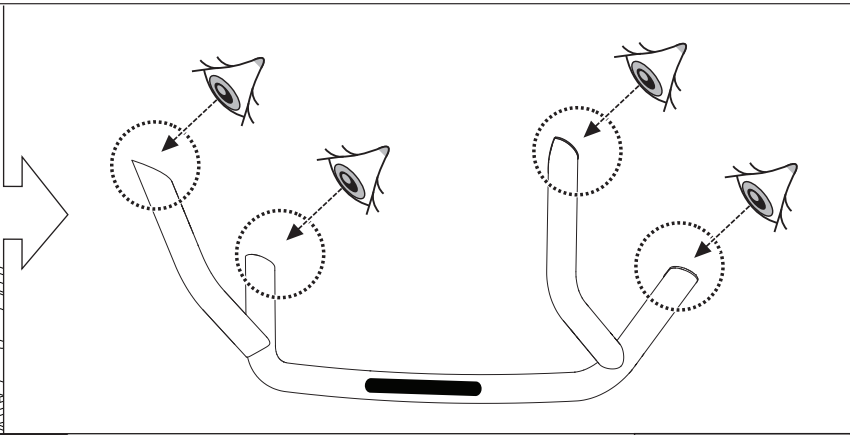
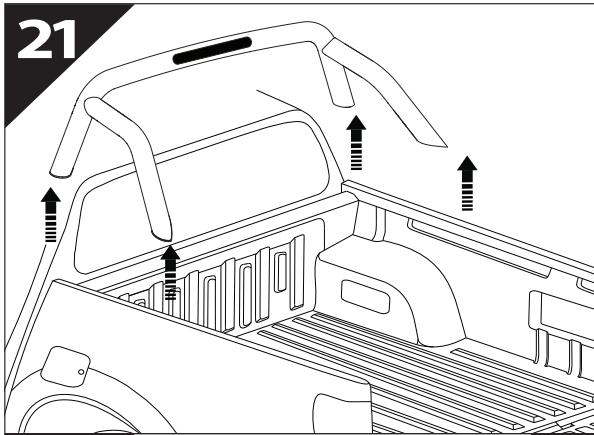


19





21



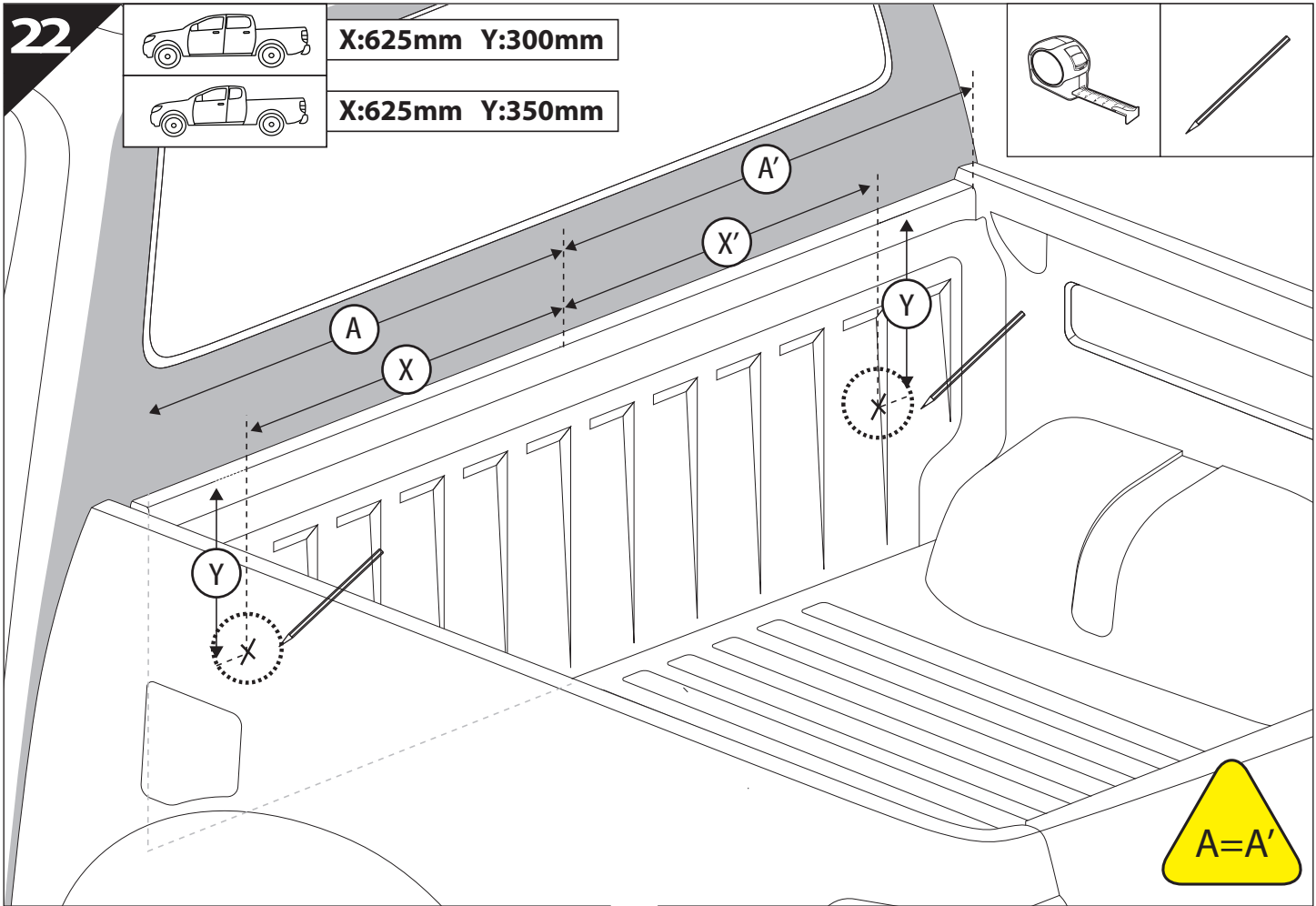
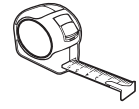
22



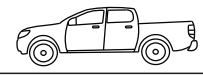
X:625mm Y:300mm



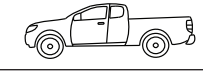
X:625mm Y:350mm



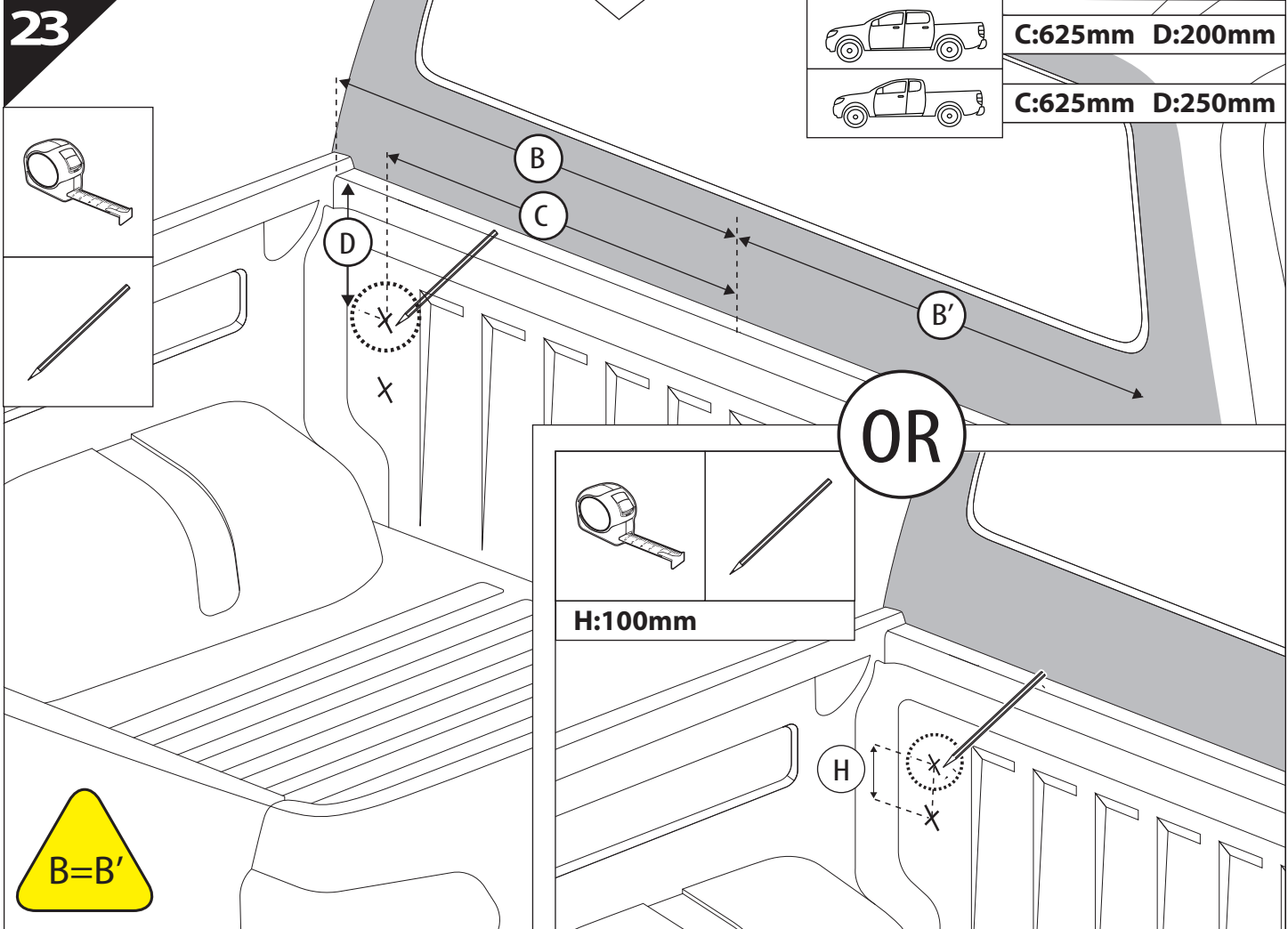
23



C:625mm D:200mm



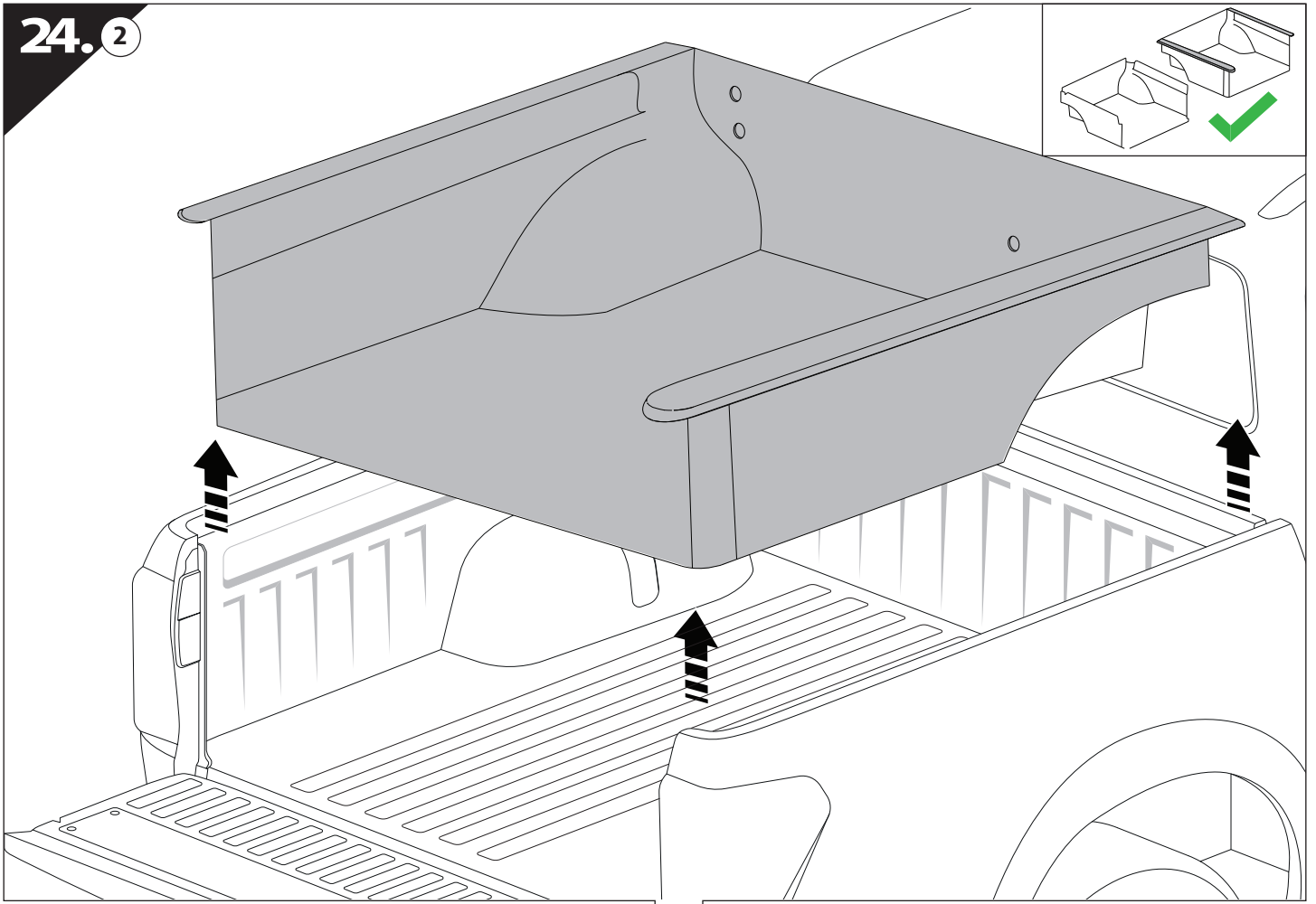
C:625mm D:250mm



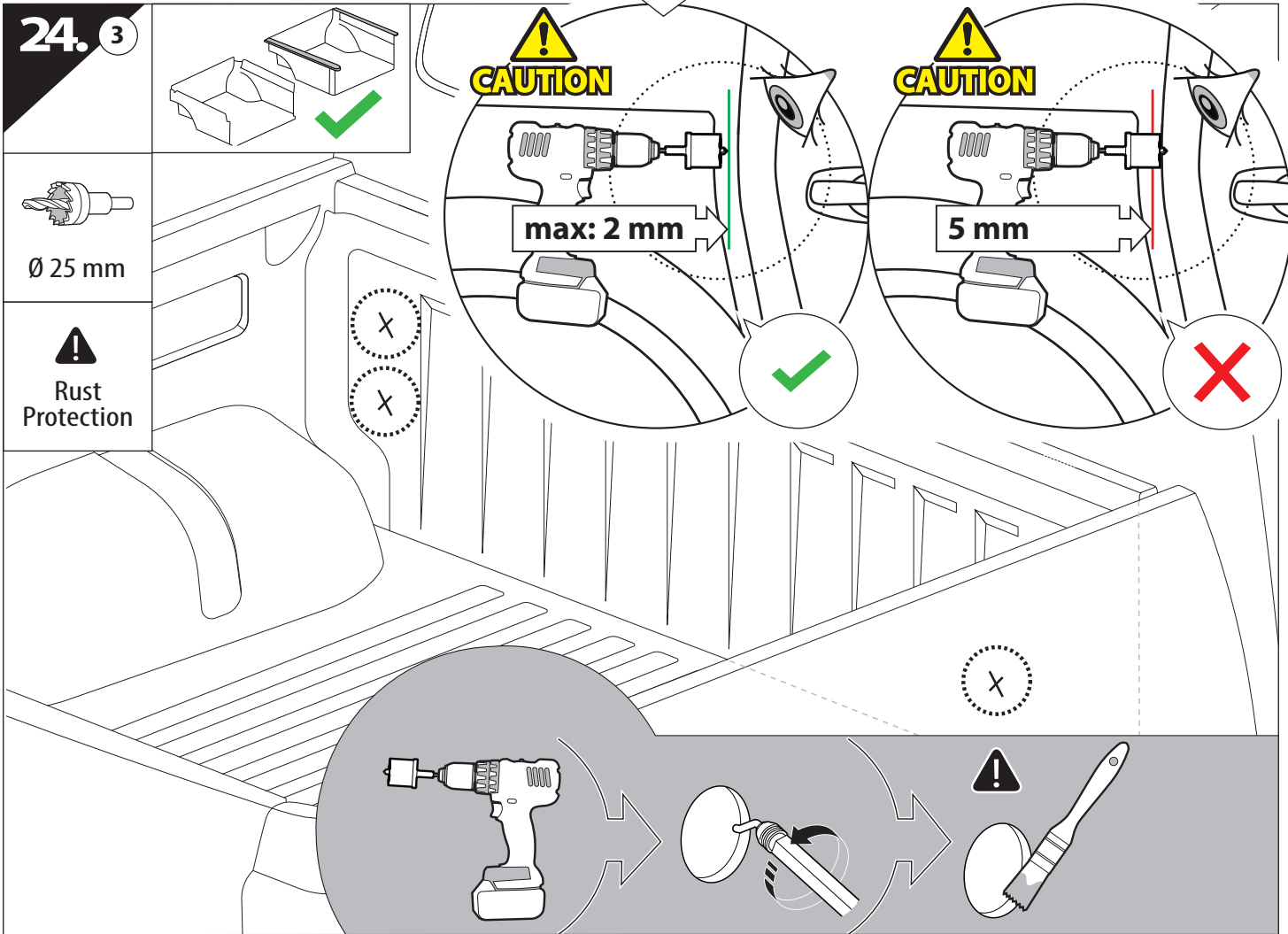
H:100mm

OR

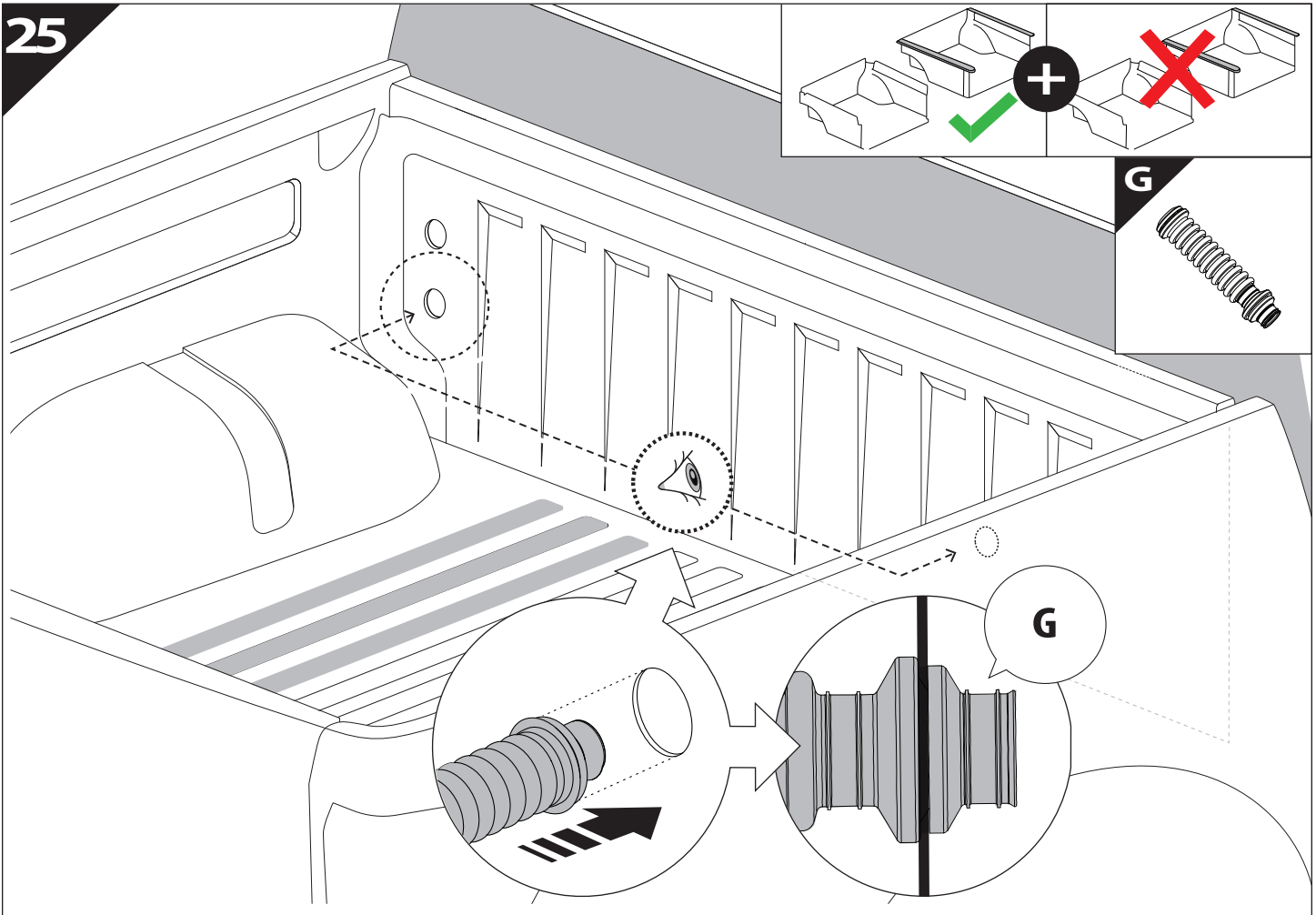
24. 2



24. 3

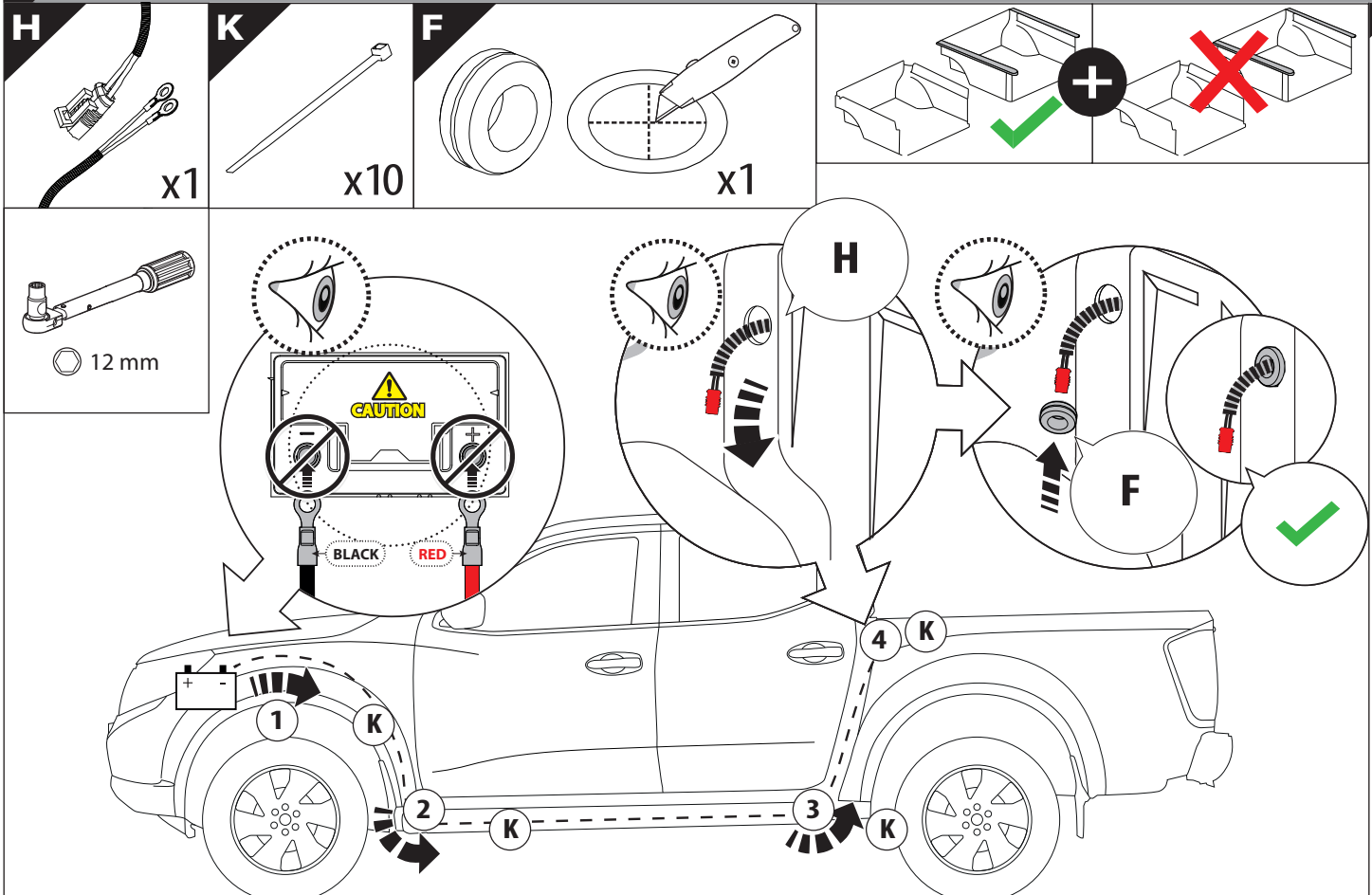


25

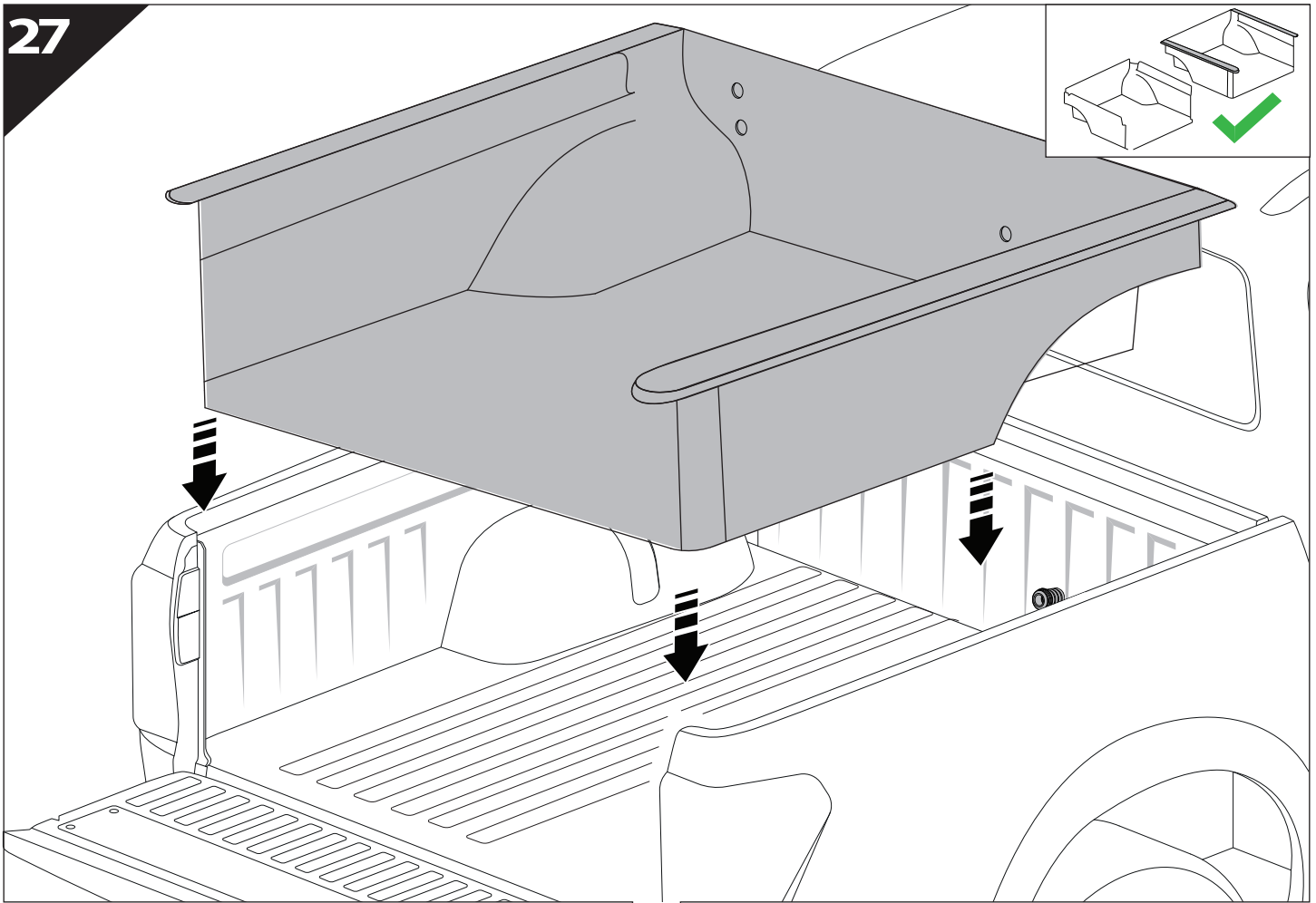


26

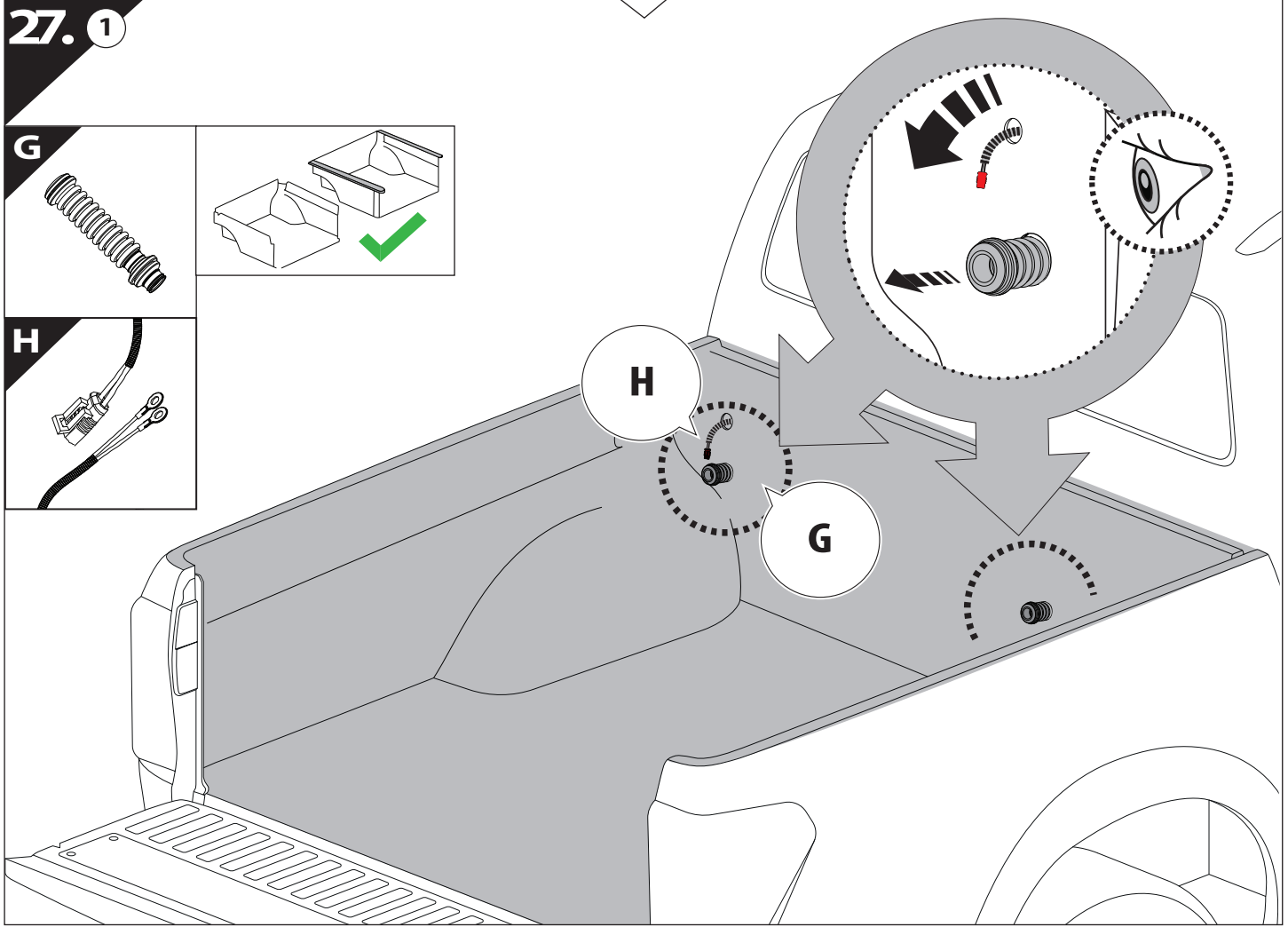
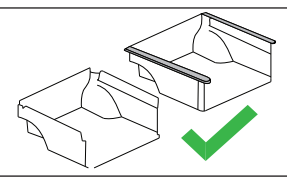
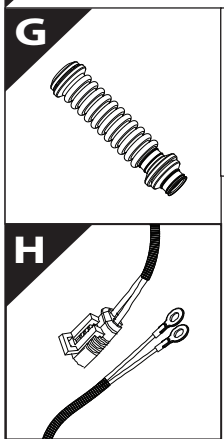
Only to be installed by authorized personnel



27

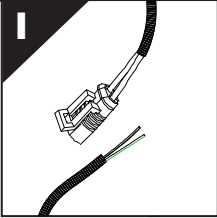


27. ①

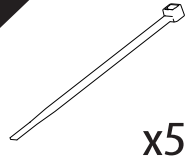


28

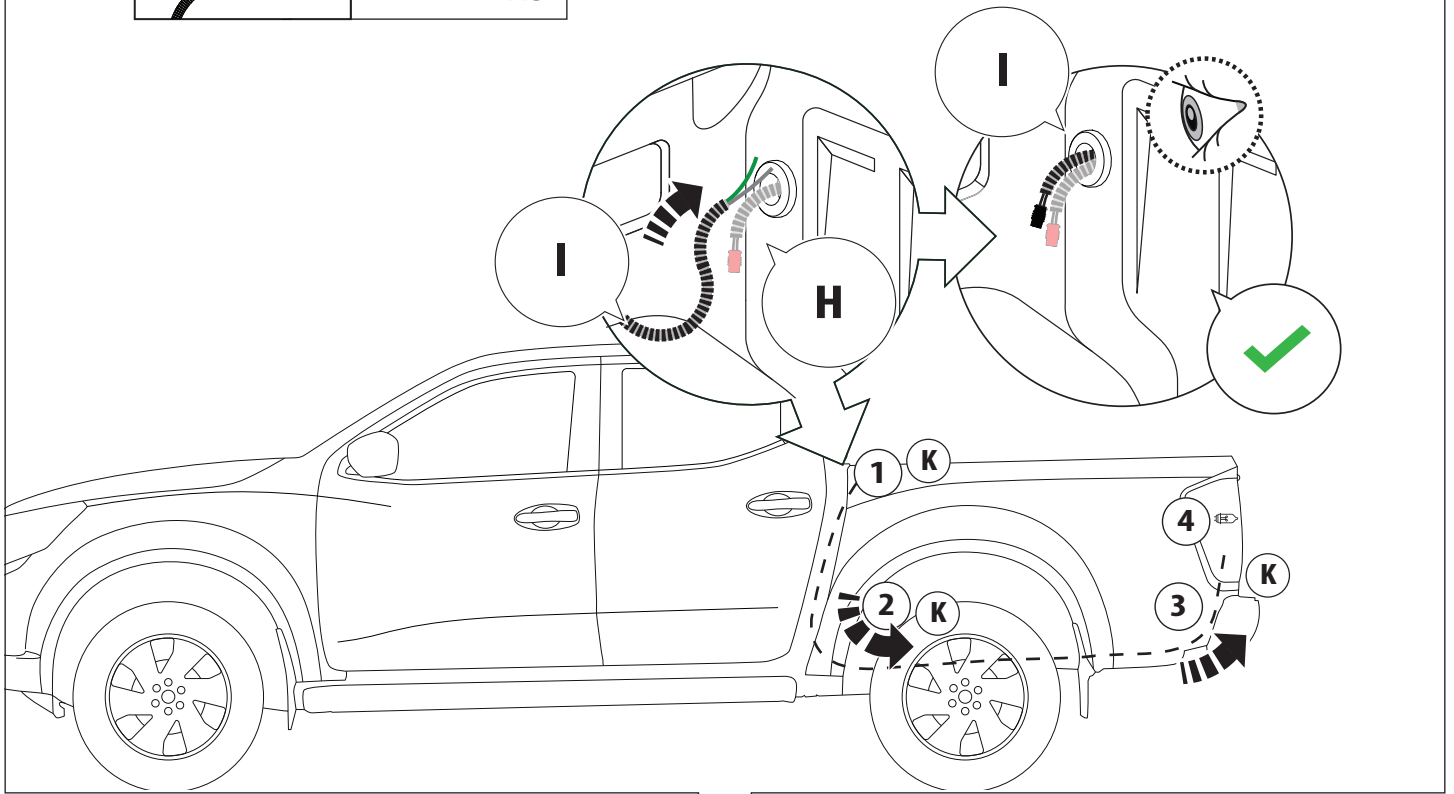
I



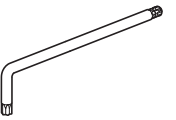
K



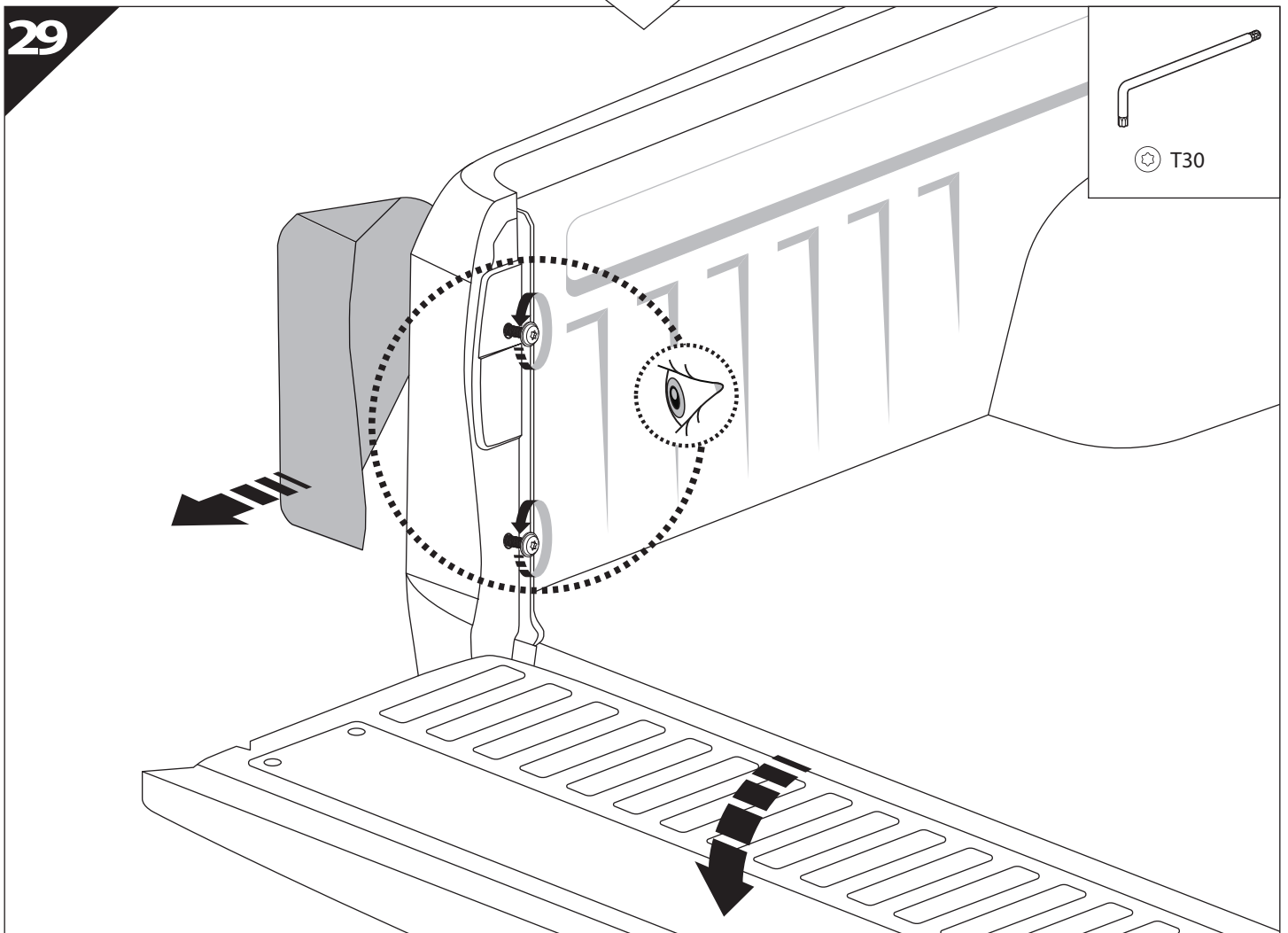
x5

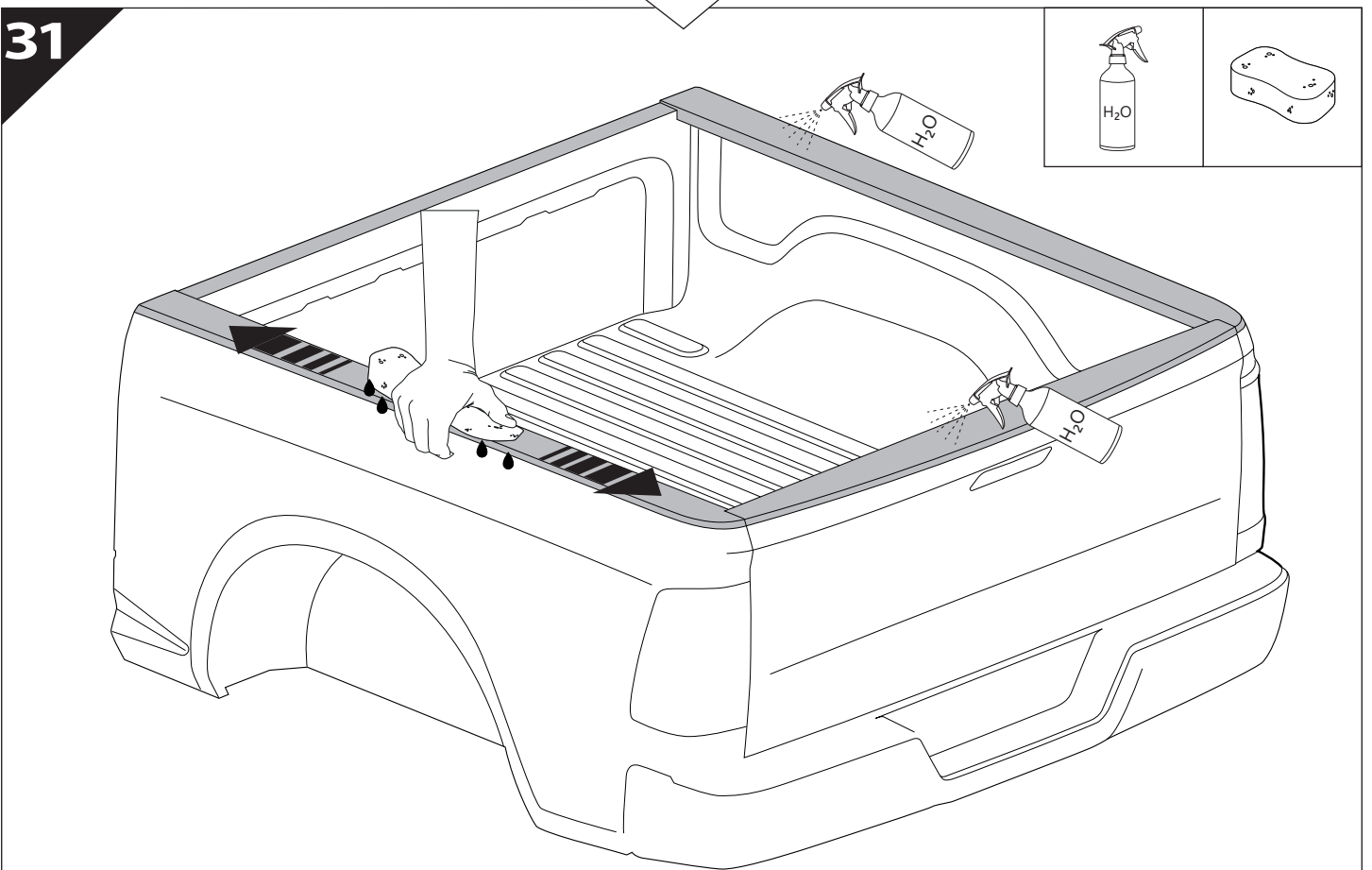
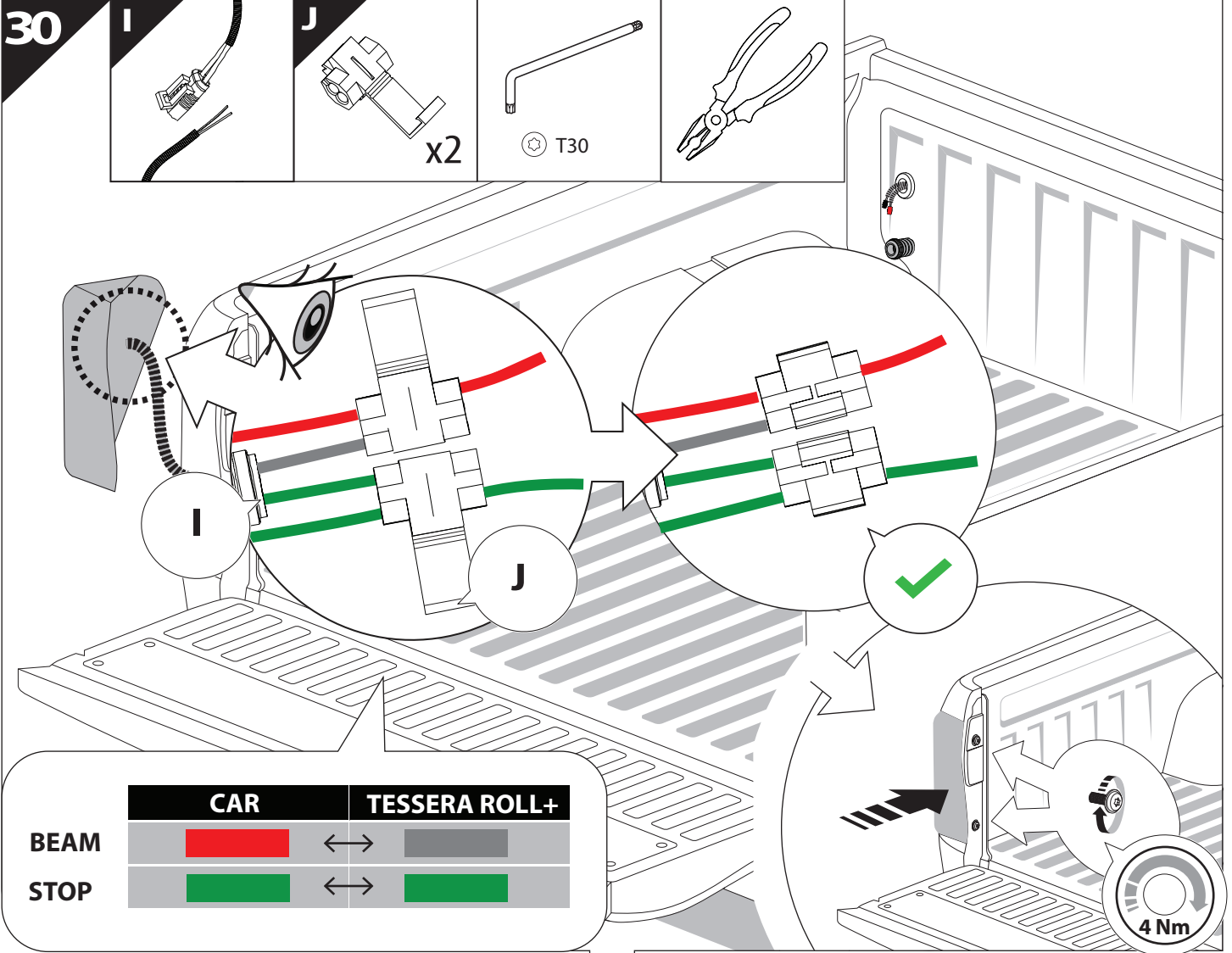


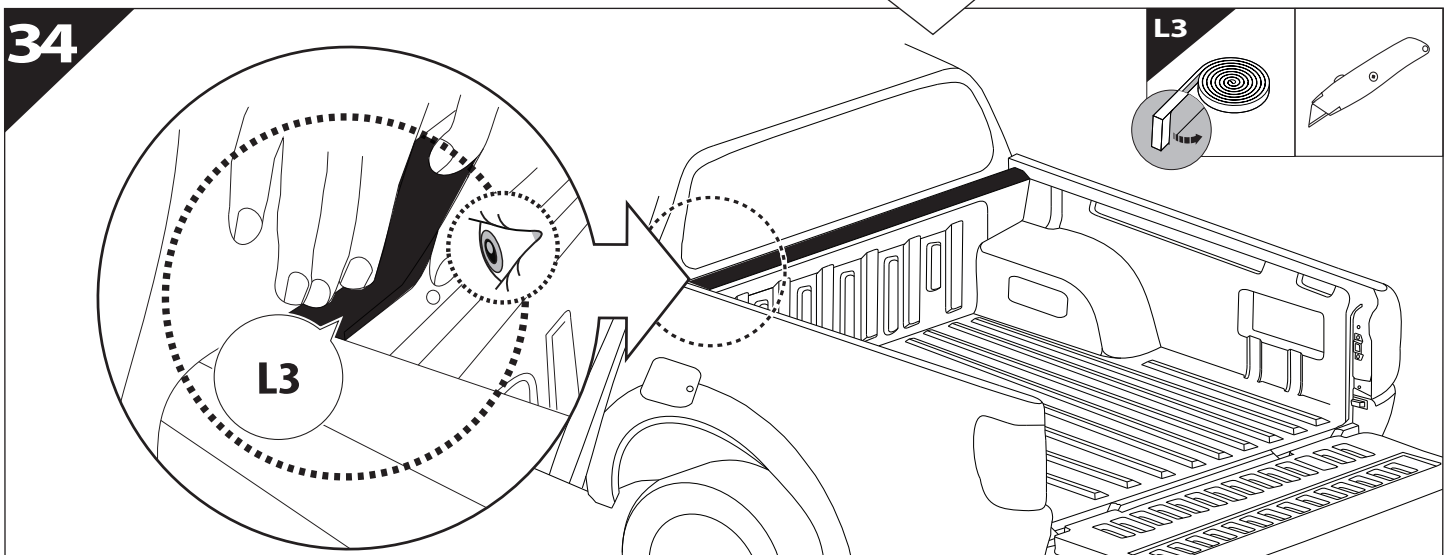
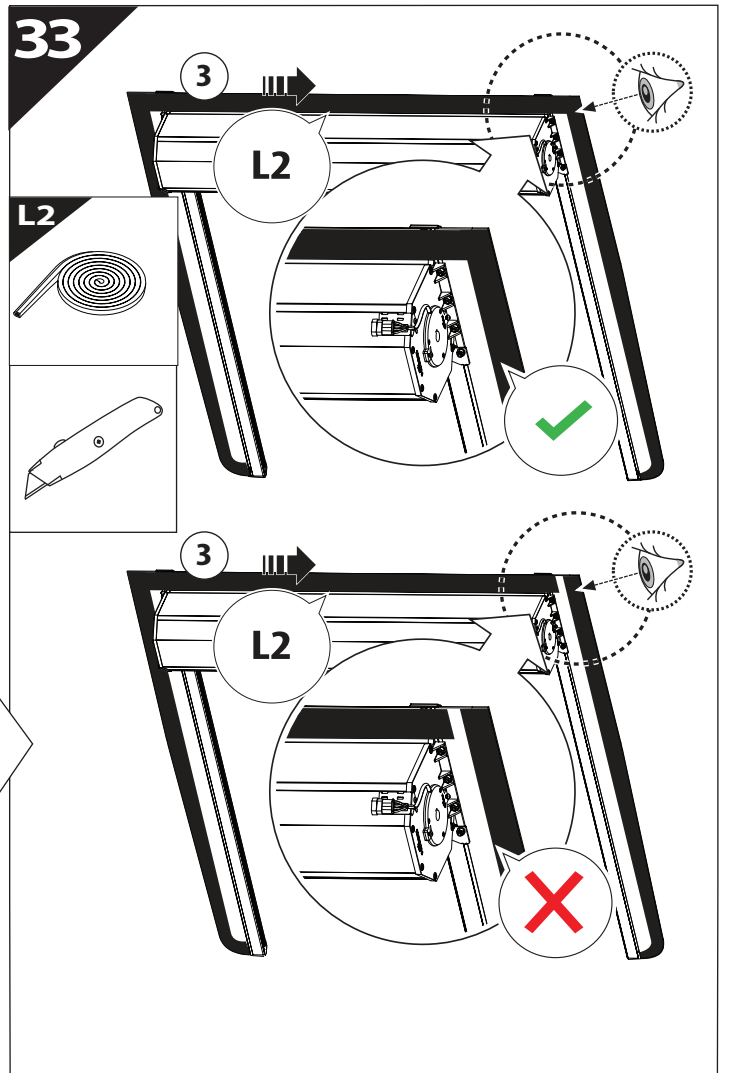
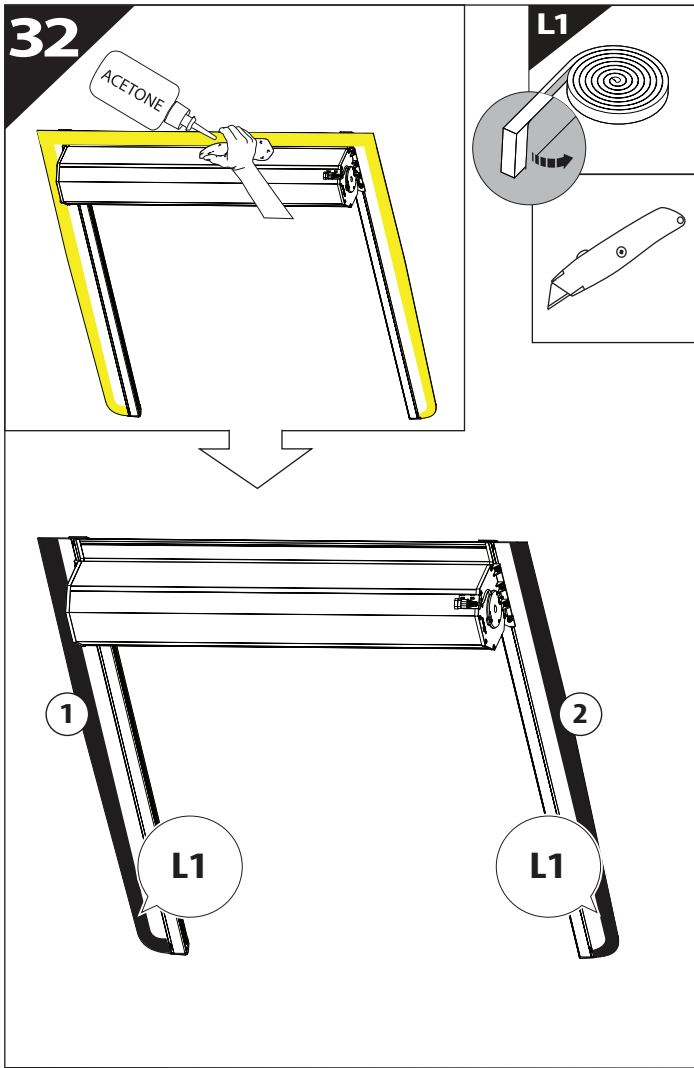
29



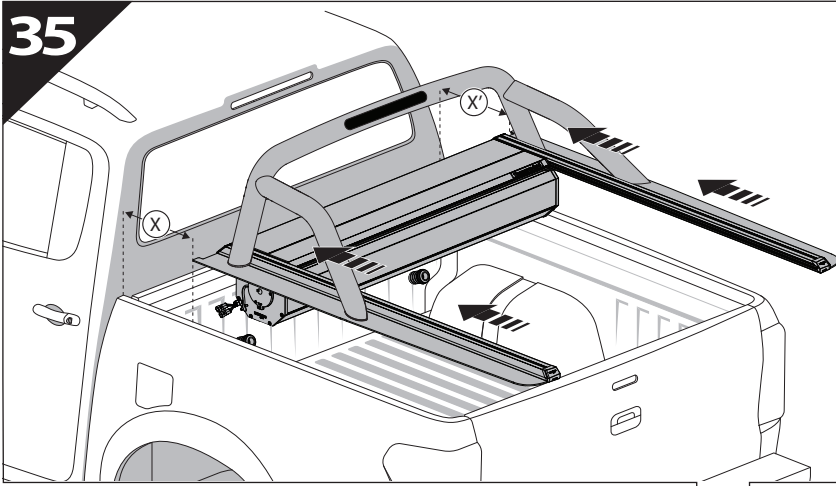
T30



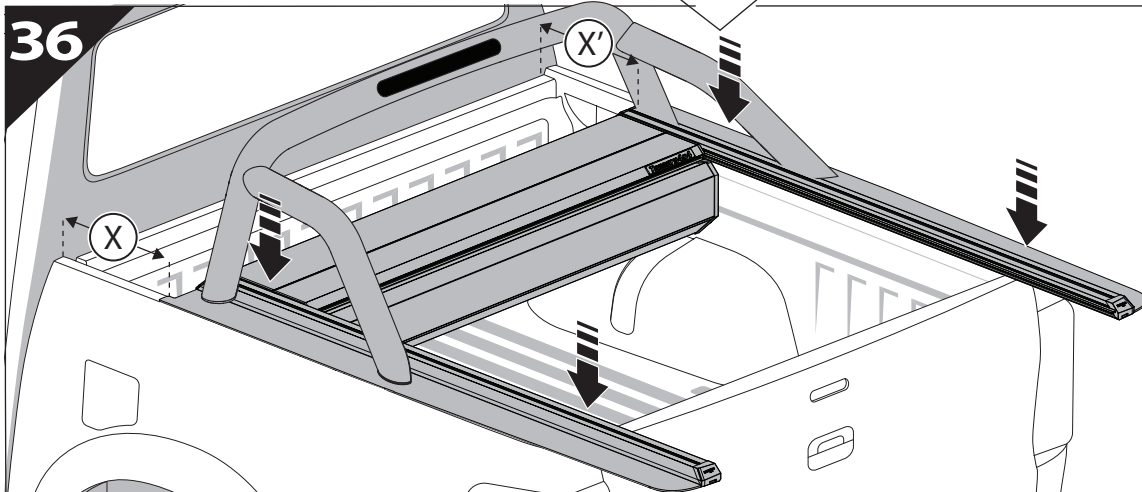




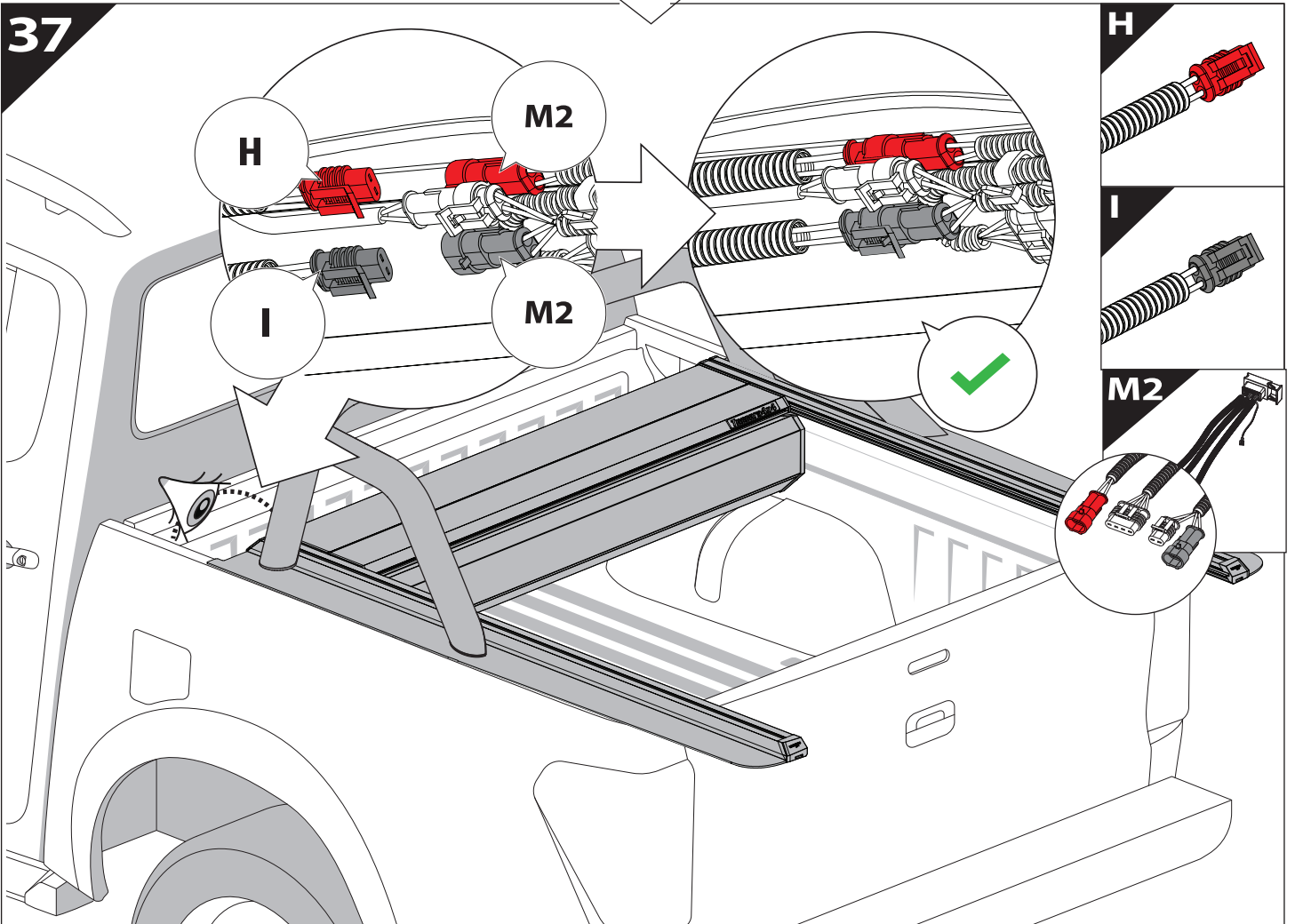
35



36

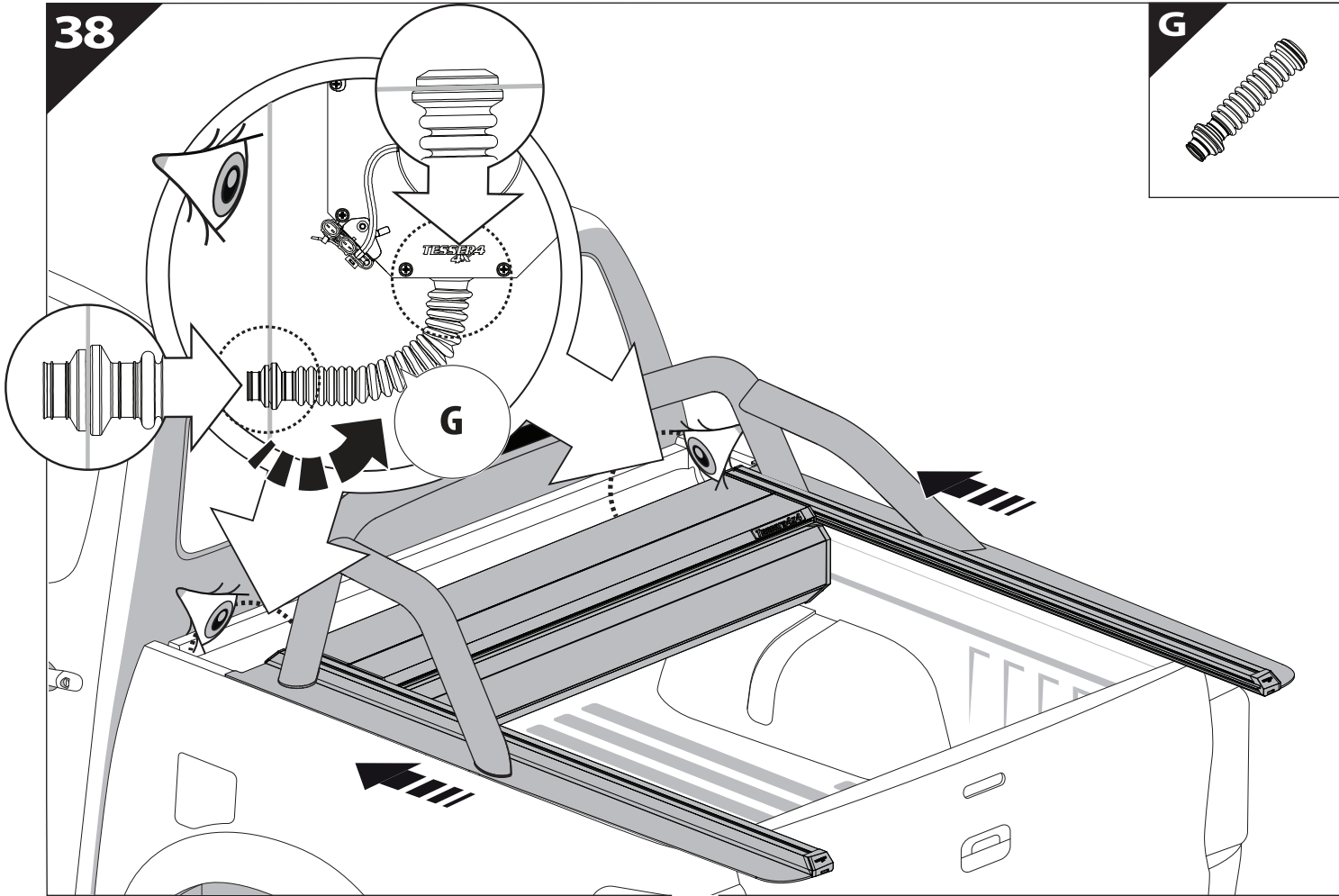


37

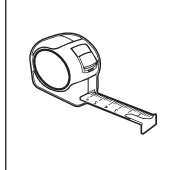
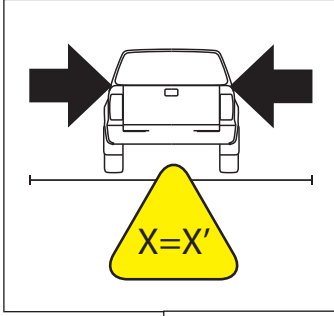
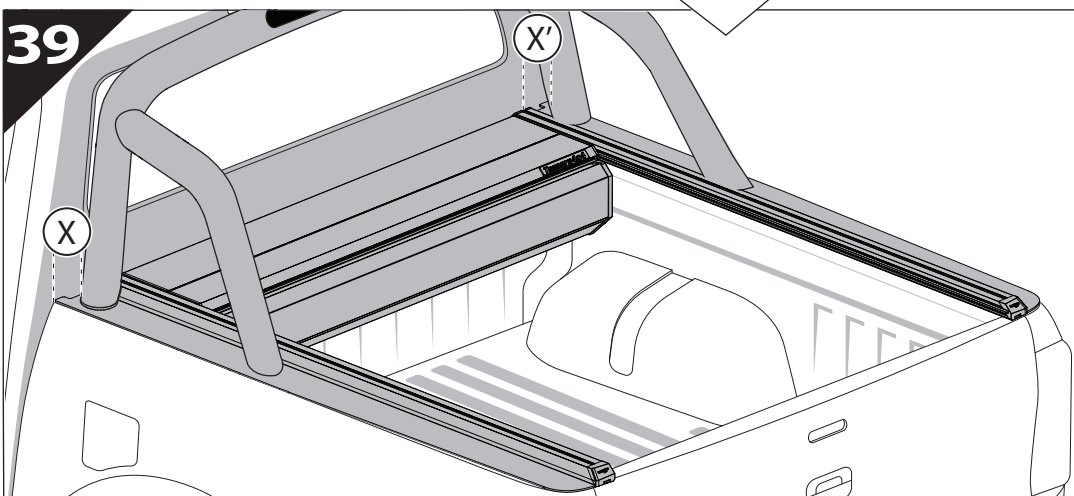


38

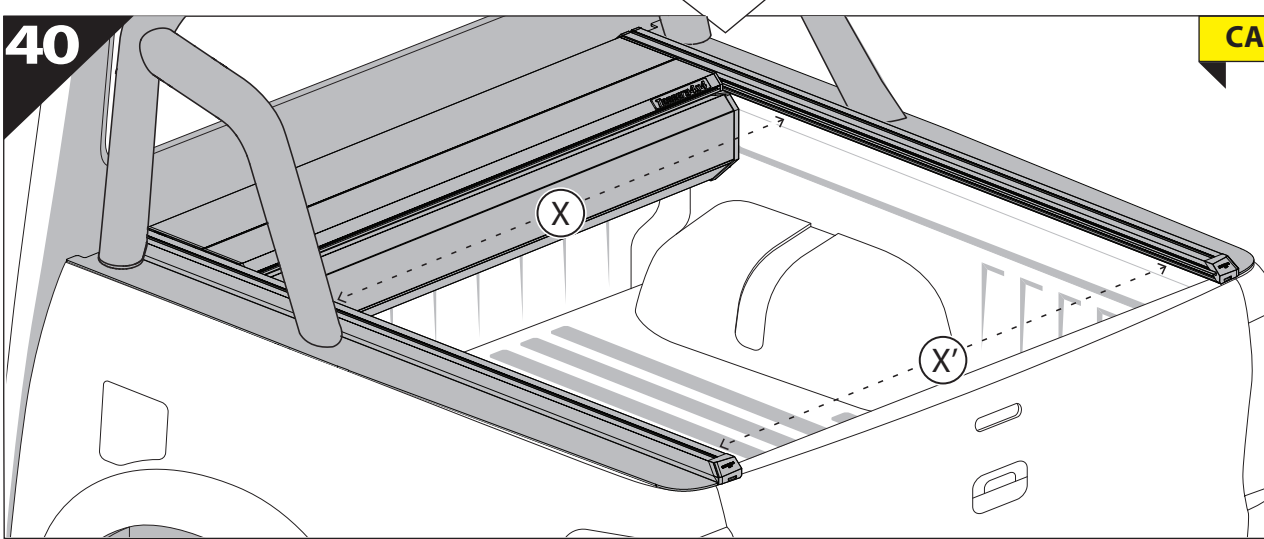
G



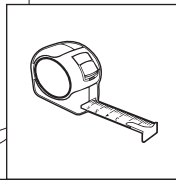
39



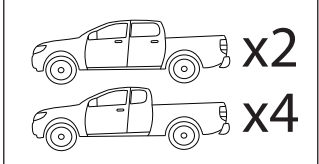
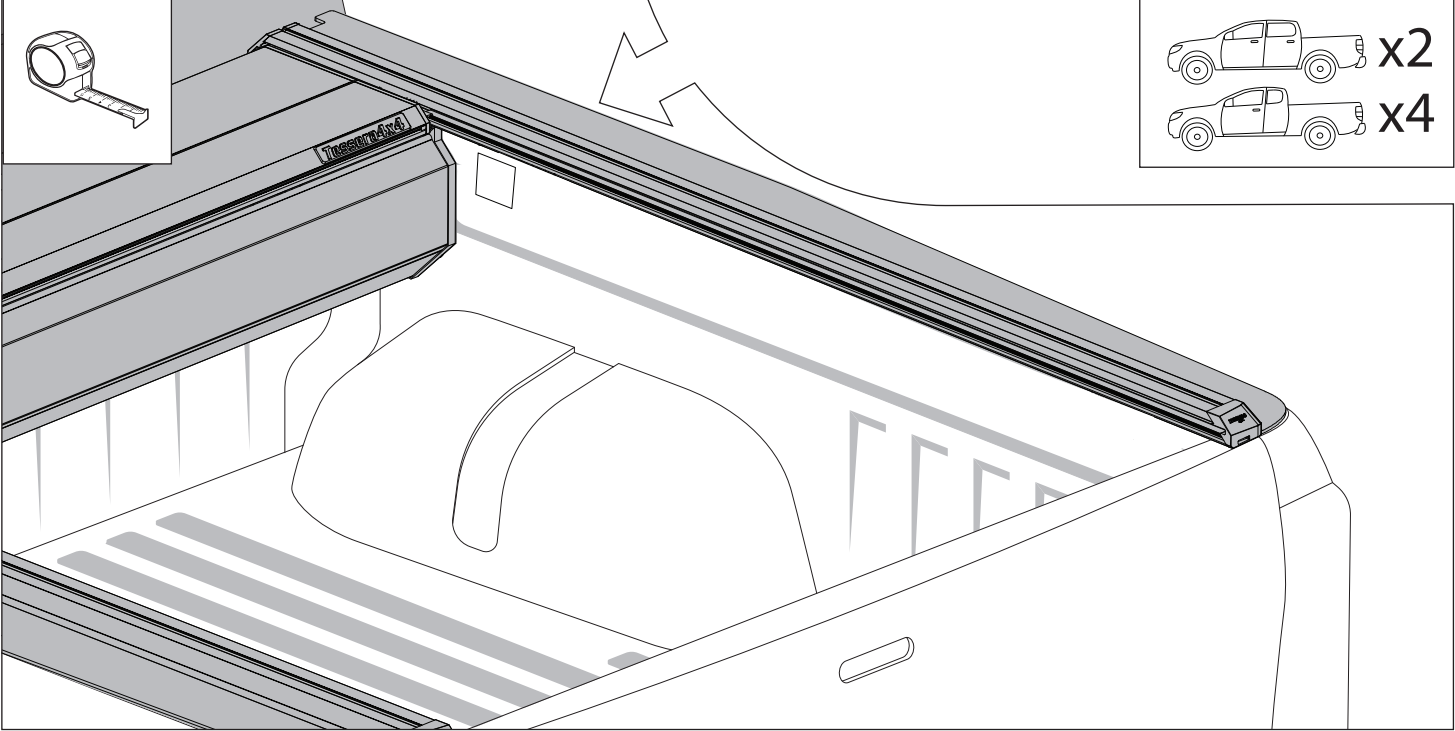
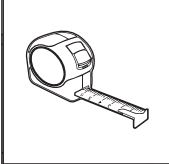
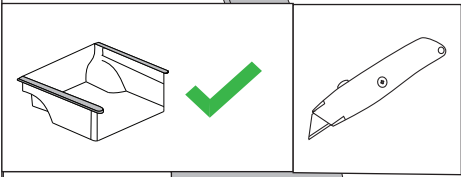
40



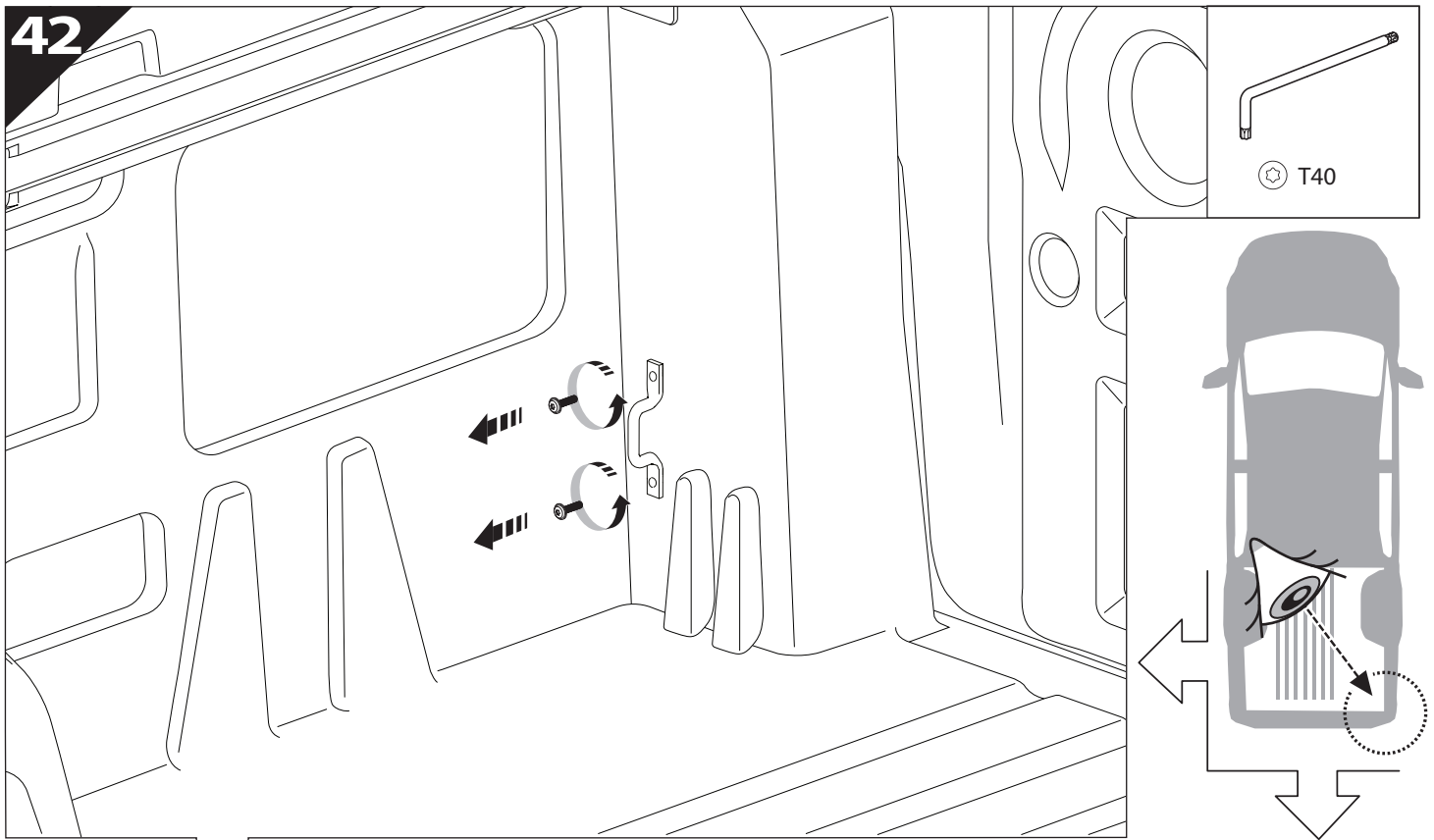
CAUTION !



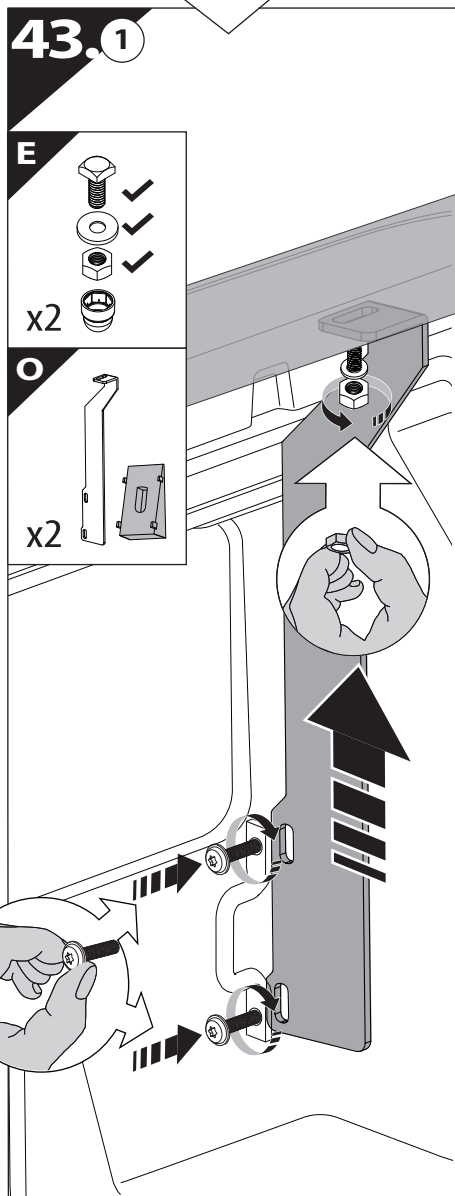
41



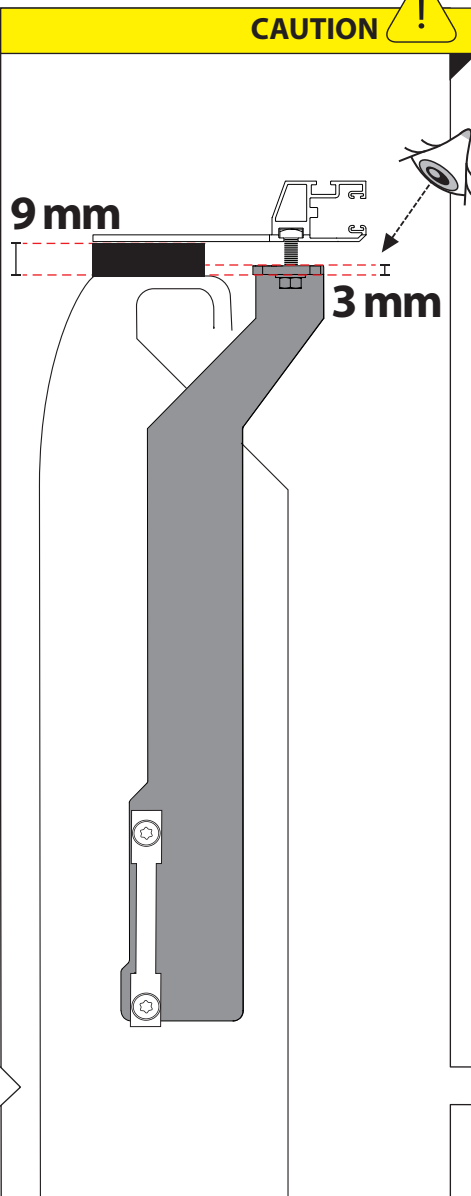
42



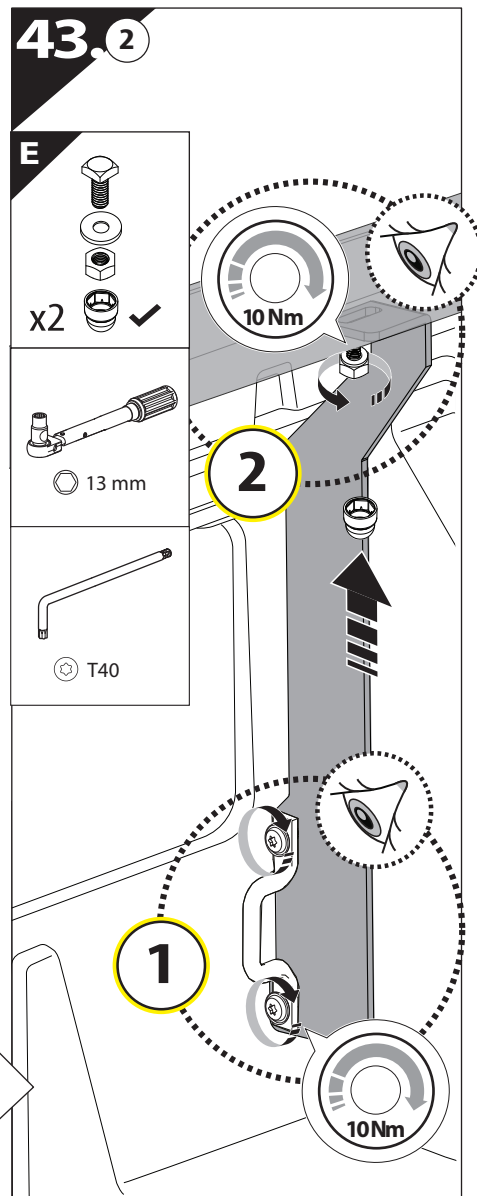
43.1



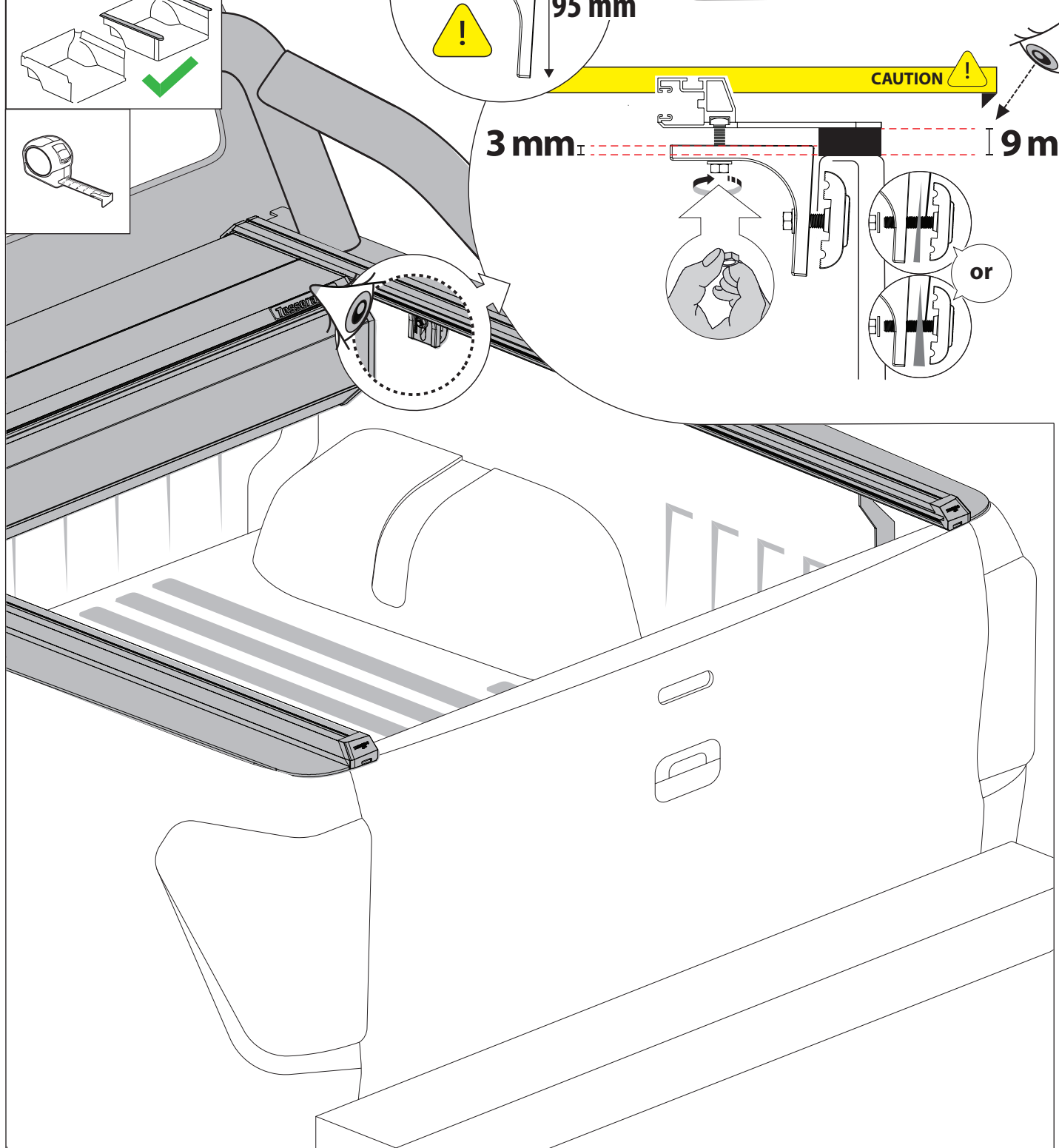
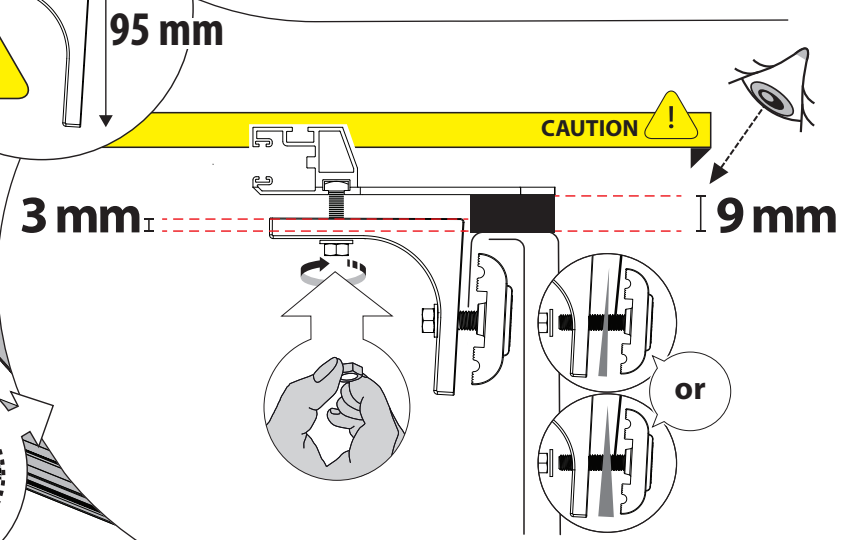
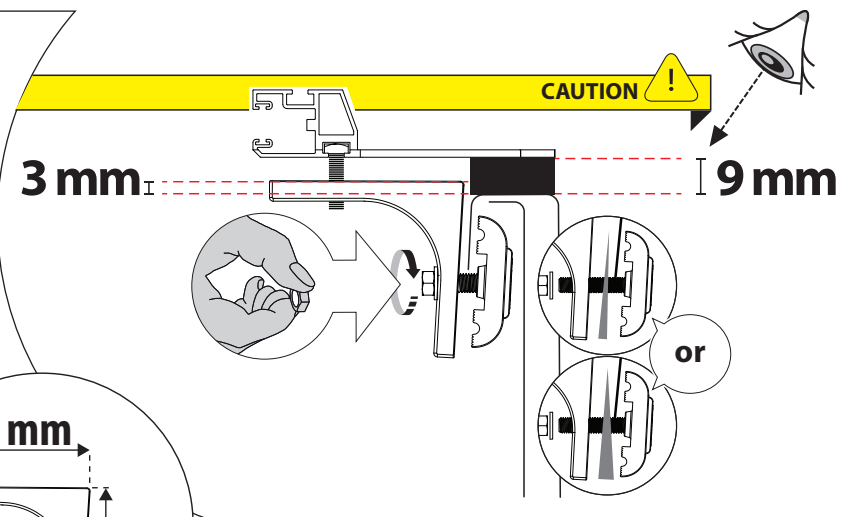
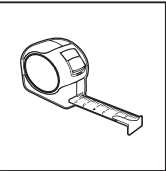
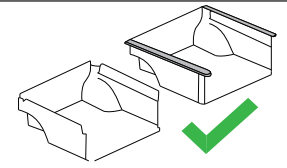
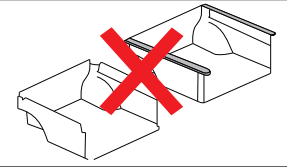
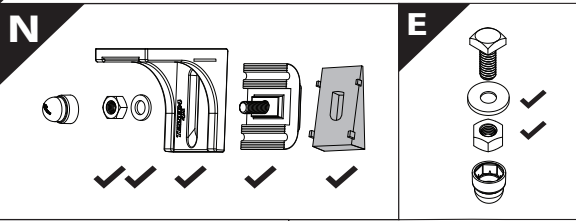
CAUTION !

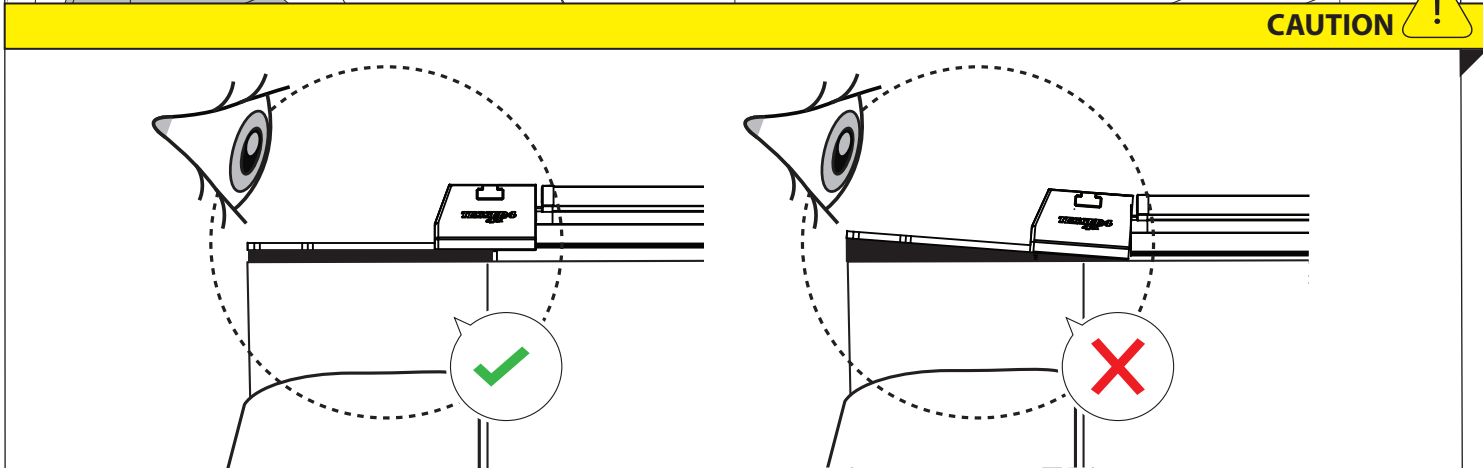
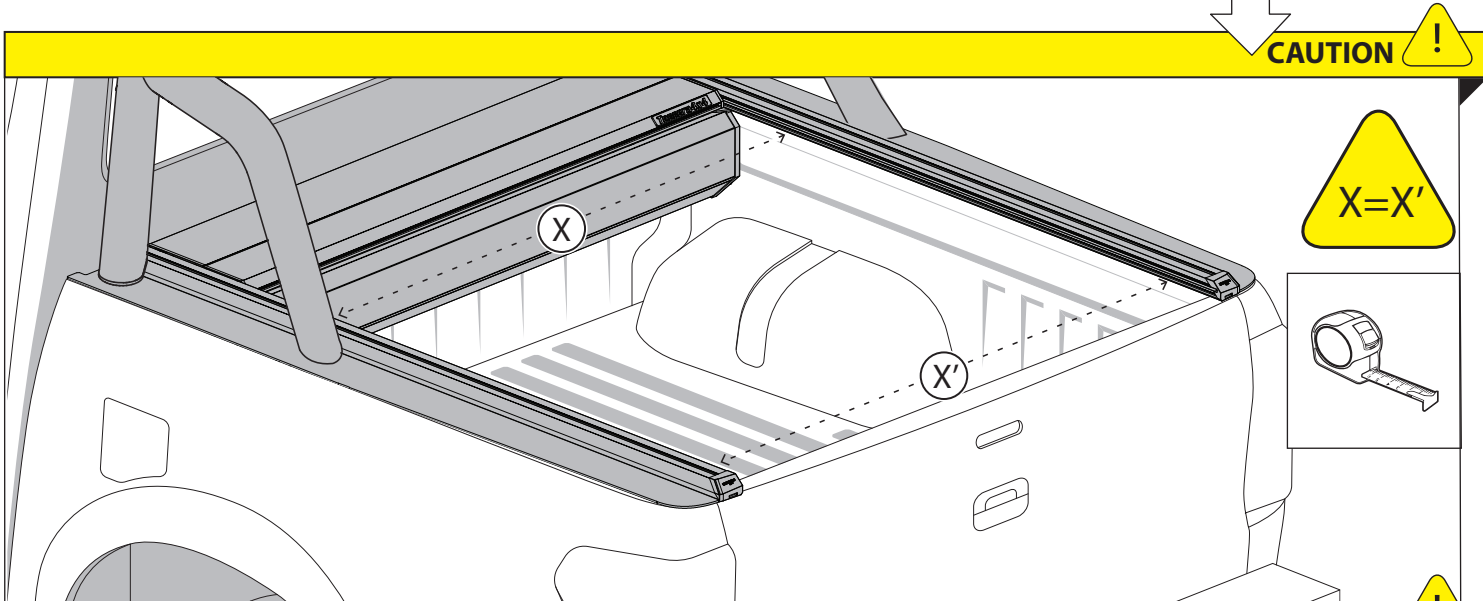
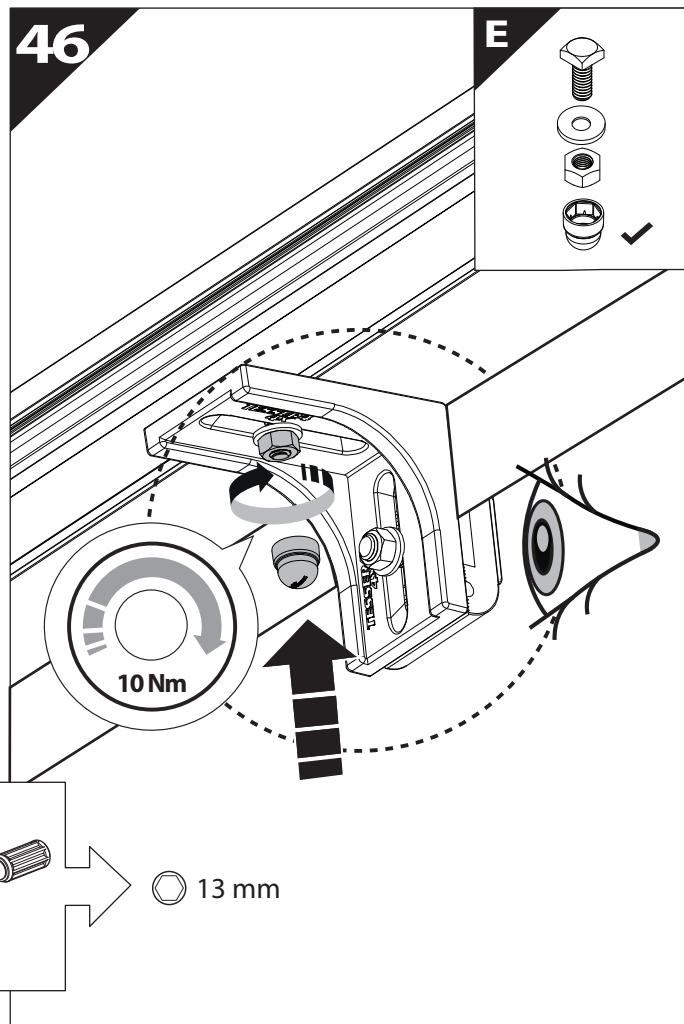
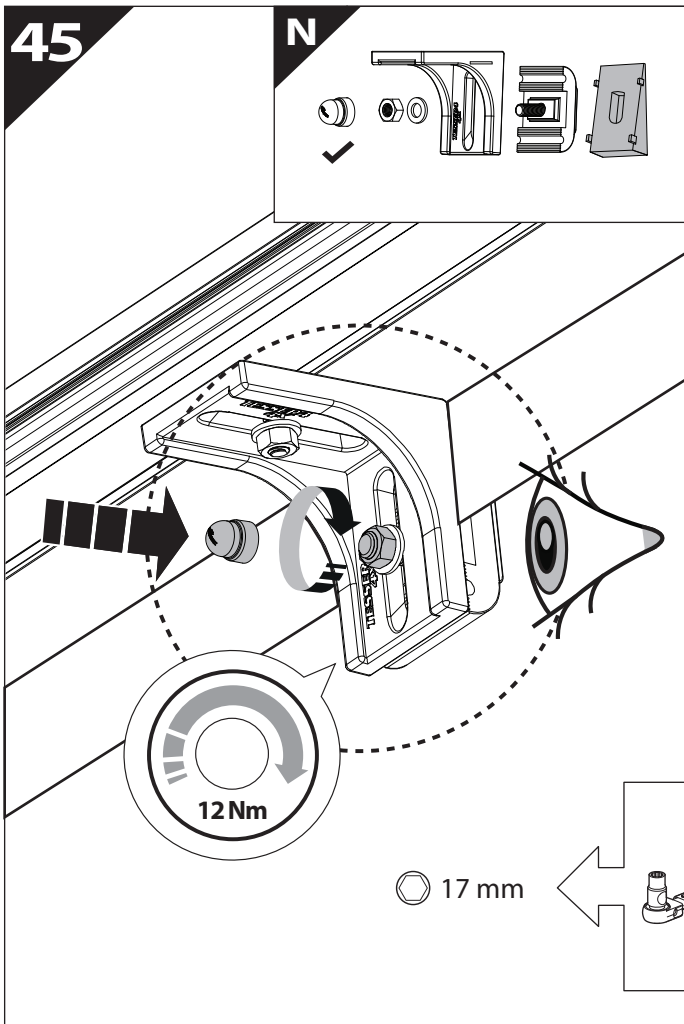


43.2

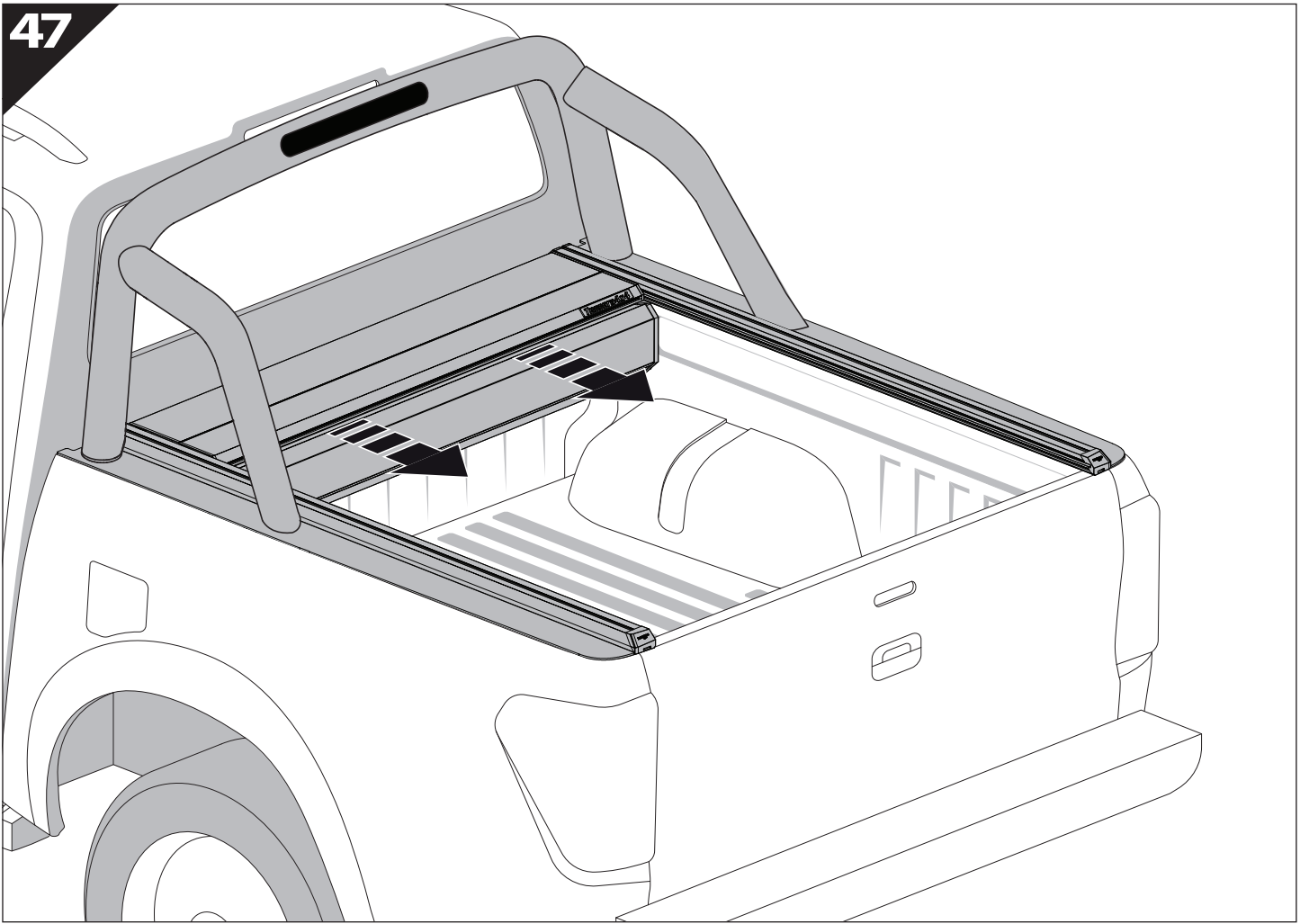


44

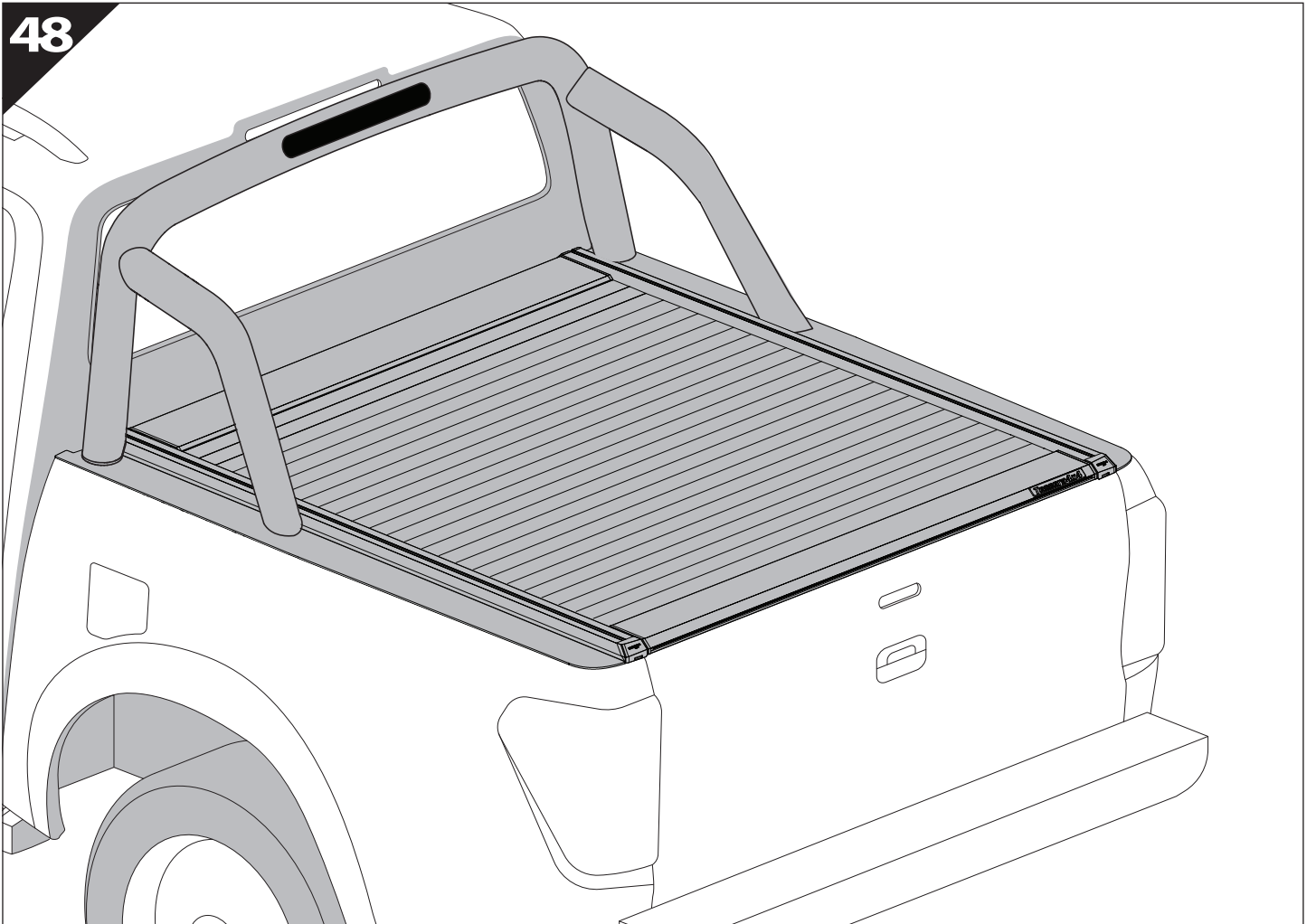




47



48





GR: Οδηγίες Εγκατάστασης
GB: Installation manual
SF: Asennusohje
F: Notice de montage
PL: Instrukcja montażu
NL: Installatie-instructies
TR: Montaj Talimatı
S: Monteringsanvisning
E: Instrucciones de montaje

H: Szerelési utasítás
P: Instruções de instalação
RUS: Инструкция по установке
N: Monteringsveiledning
D: Einbauanleitung
CZ: Návod k instalaci
I: Istruzioni de montaggio
DK: Monteringsvejledning
RO: Instructiuni de instalare

Customer Service:

+30 (210) 5541161, +30 (210) 5541154 (08:00 - 16:00 EET)

Support department:

info@gianso.gr

Website:

www.tessera4x4.com

Address:

19.5 km of National road Athens-Korinthos (Elefsina) Greece, P.C: 19200