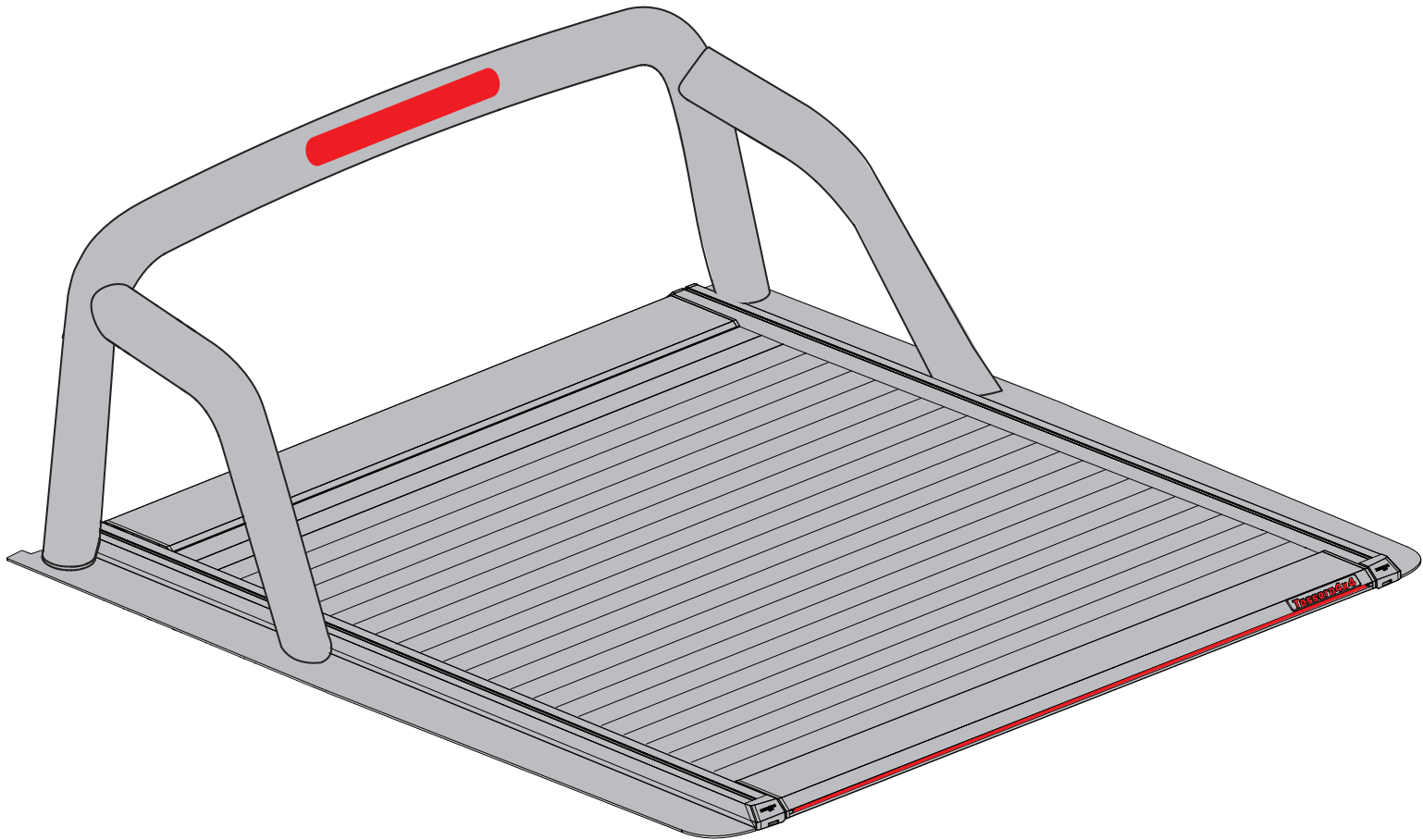


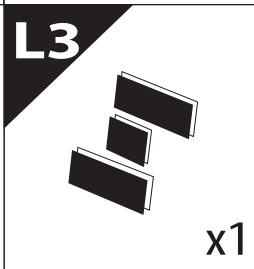
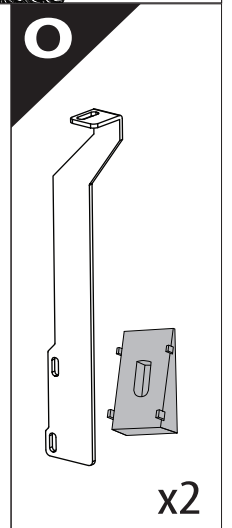
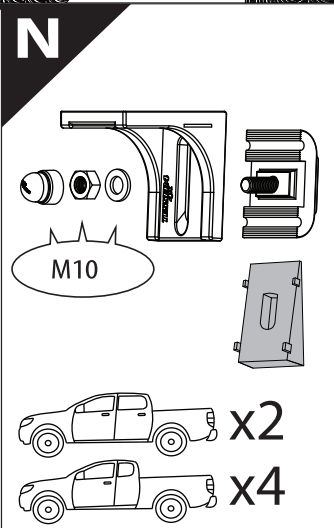
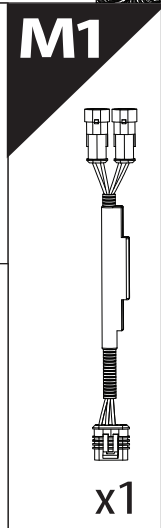
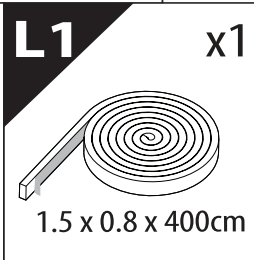
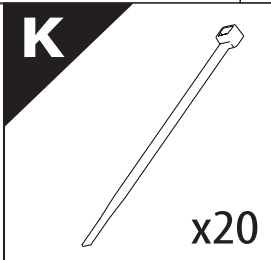
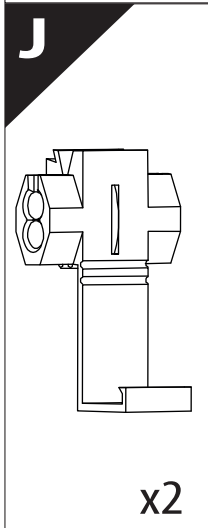
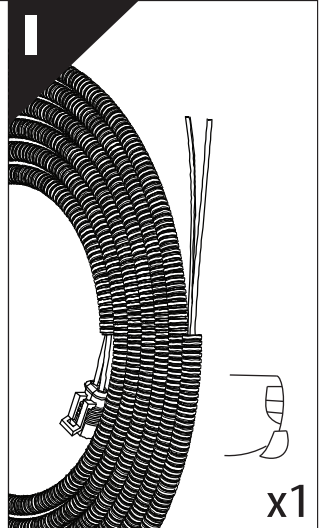
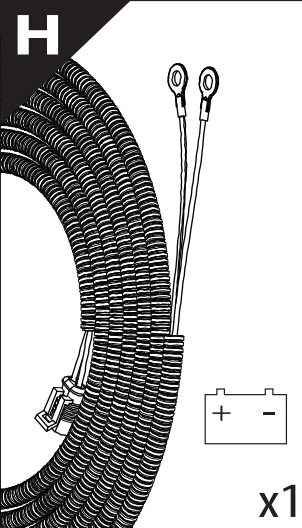
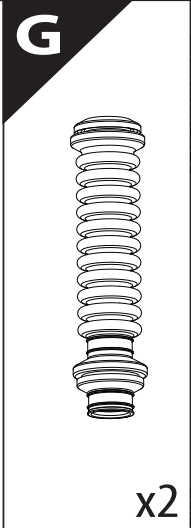
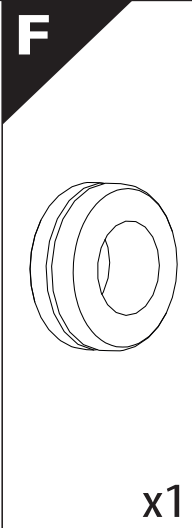
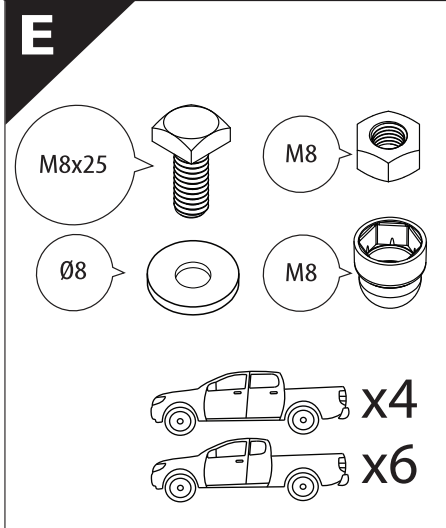
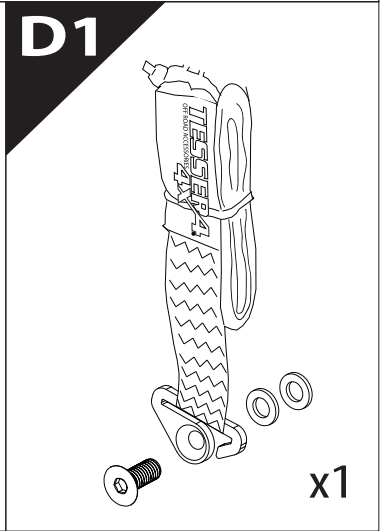
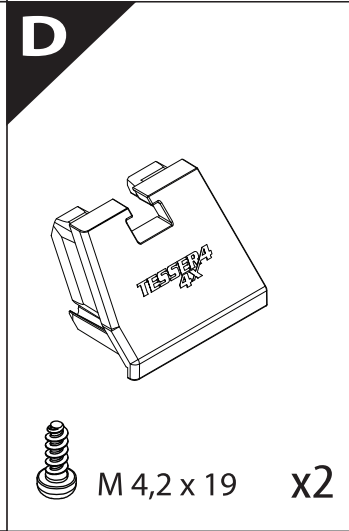
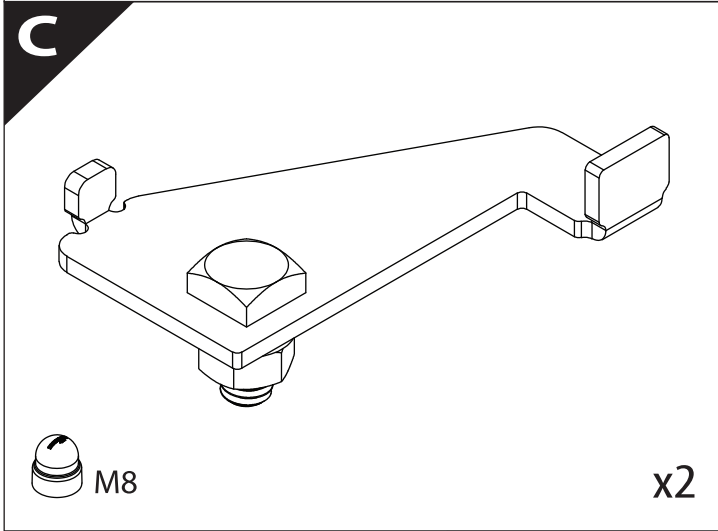
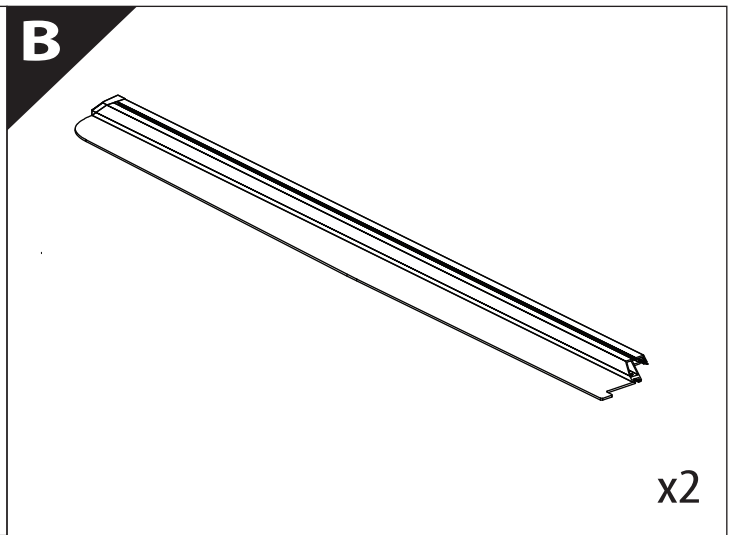
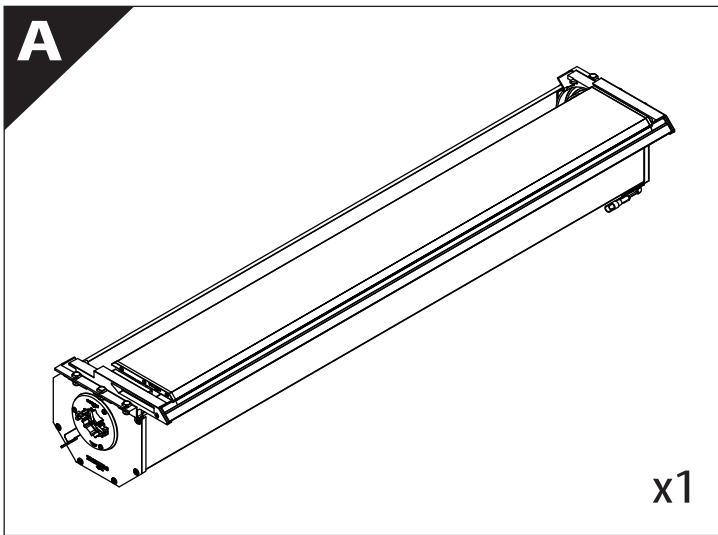
Tessera Roll+

Basic Version + ⚙️ S-KIT

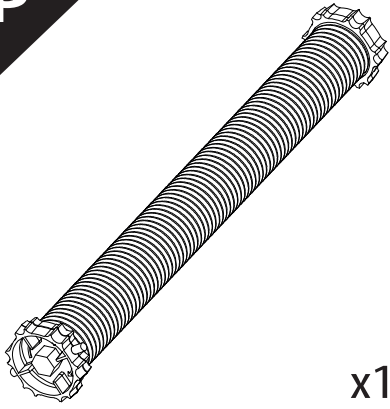


Installation Manual

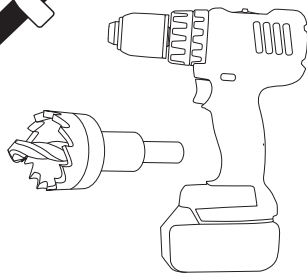
PART NUMBER(S)	Model Year
TESS 1406 ROLL + ADAPT 008 + S-KIT	FORD RANGER 2012+ / 2016+ / 2020+ WITH OEM ROLL BAR
TESS 1407 ROLL + ADAPT 008+ S-KIT	
Cab(s)	Installation Time / Weight
Double Cab & Space cab	40-60 minutes / 53-57 kg



P



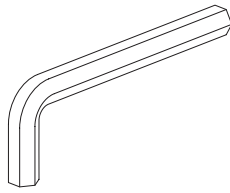
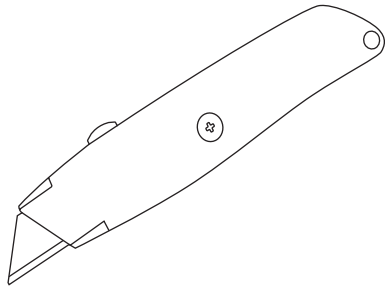
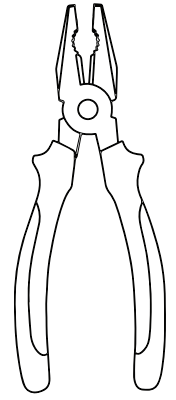
x1



Ø 25 mm / Ø 40 mm

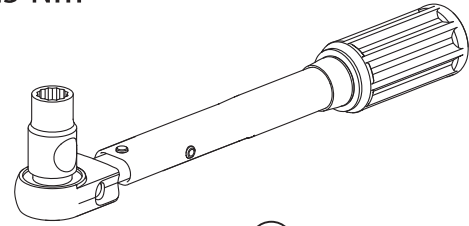


+

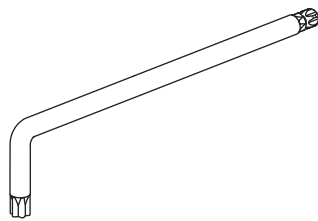
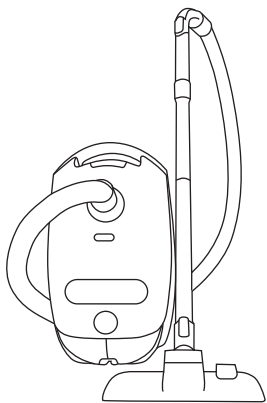
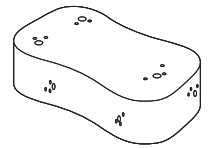
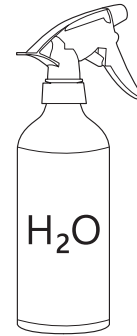
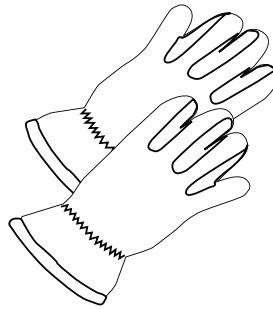
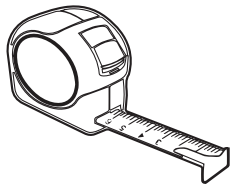


4 mm

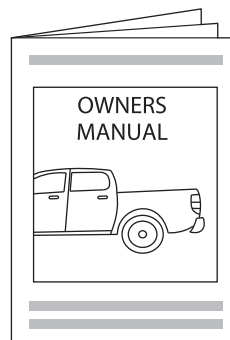
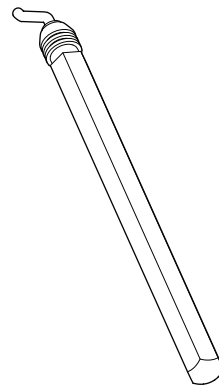
1 - 25 Nm



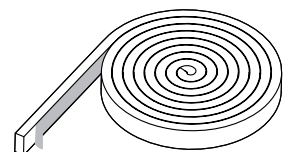
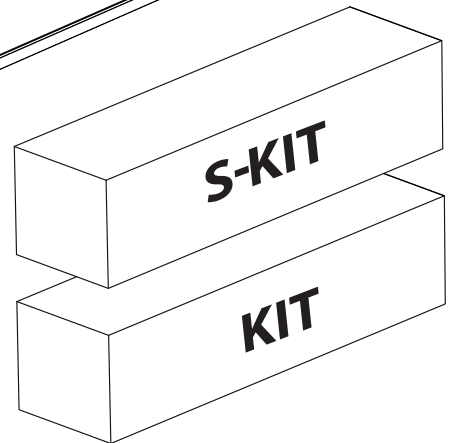
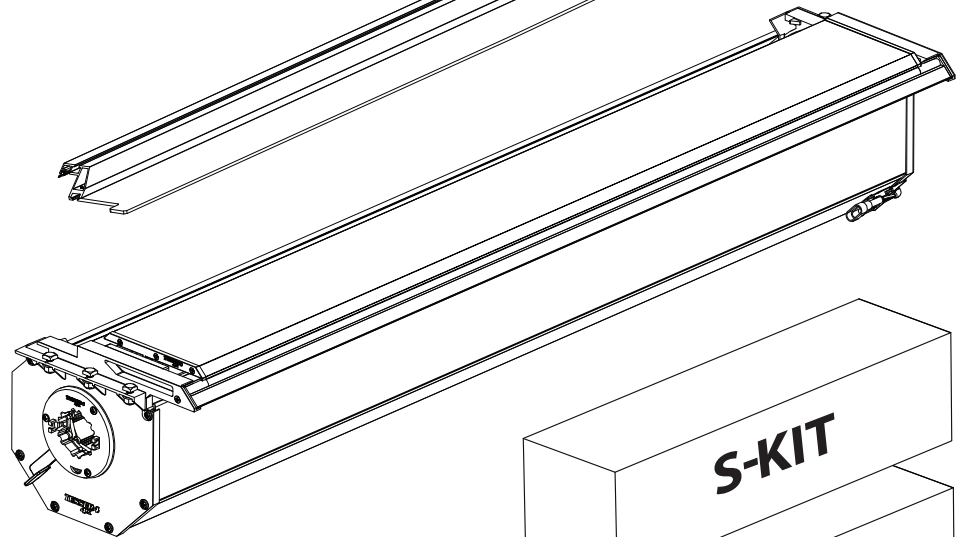
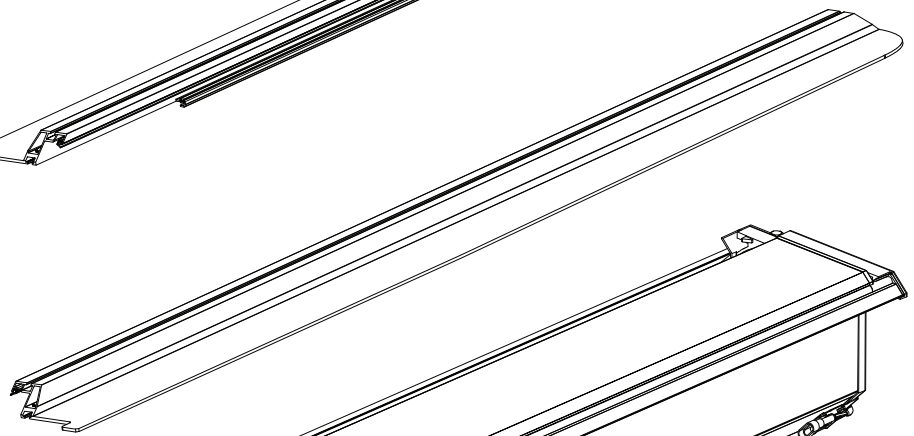
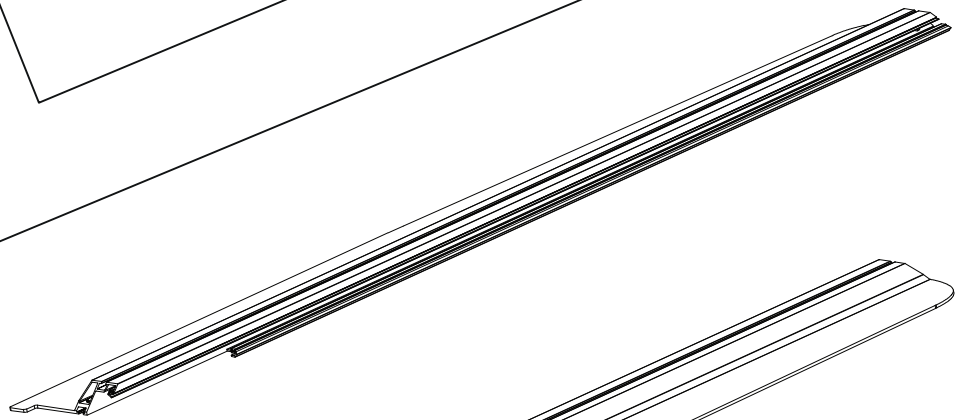
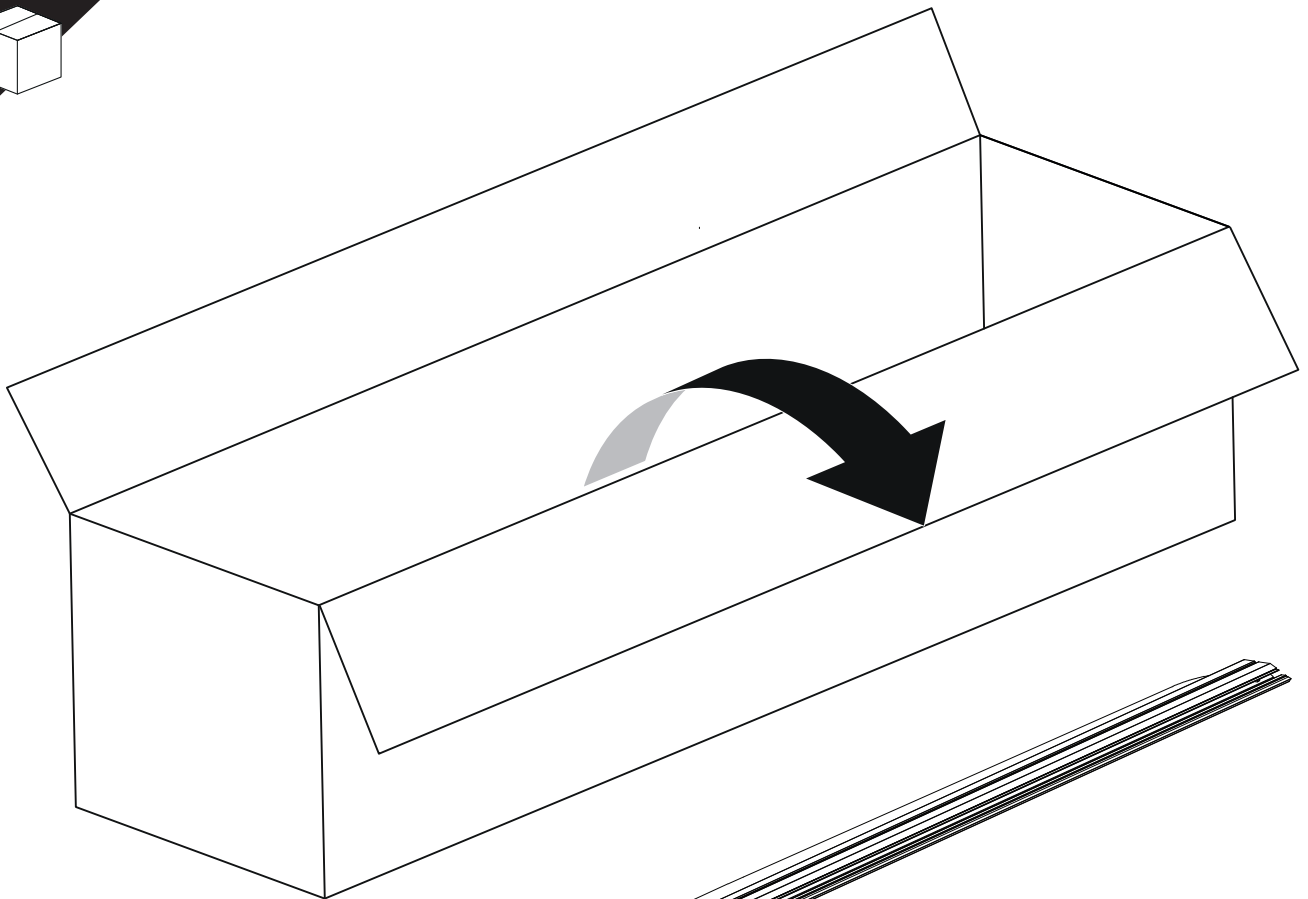
10, 12, 13, 17 mm



T30, T40



x1

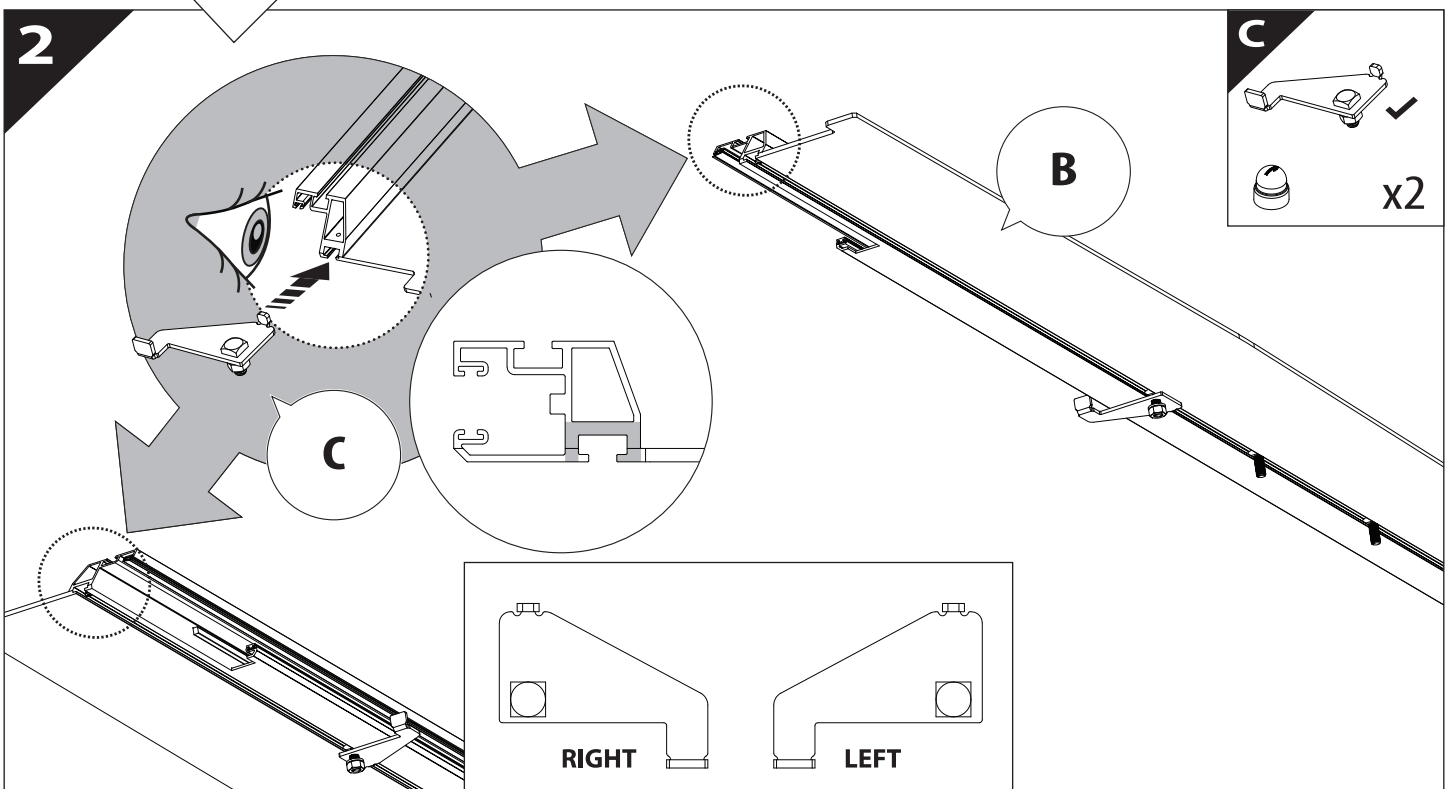
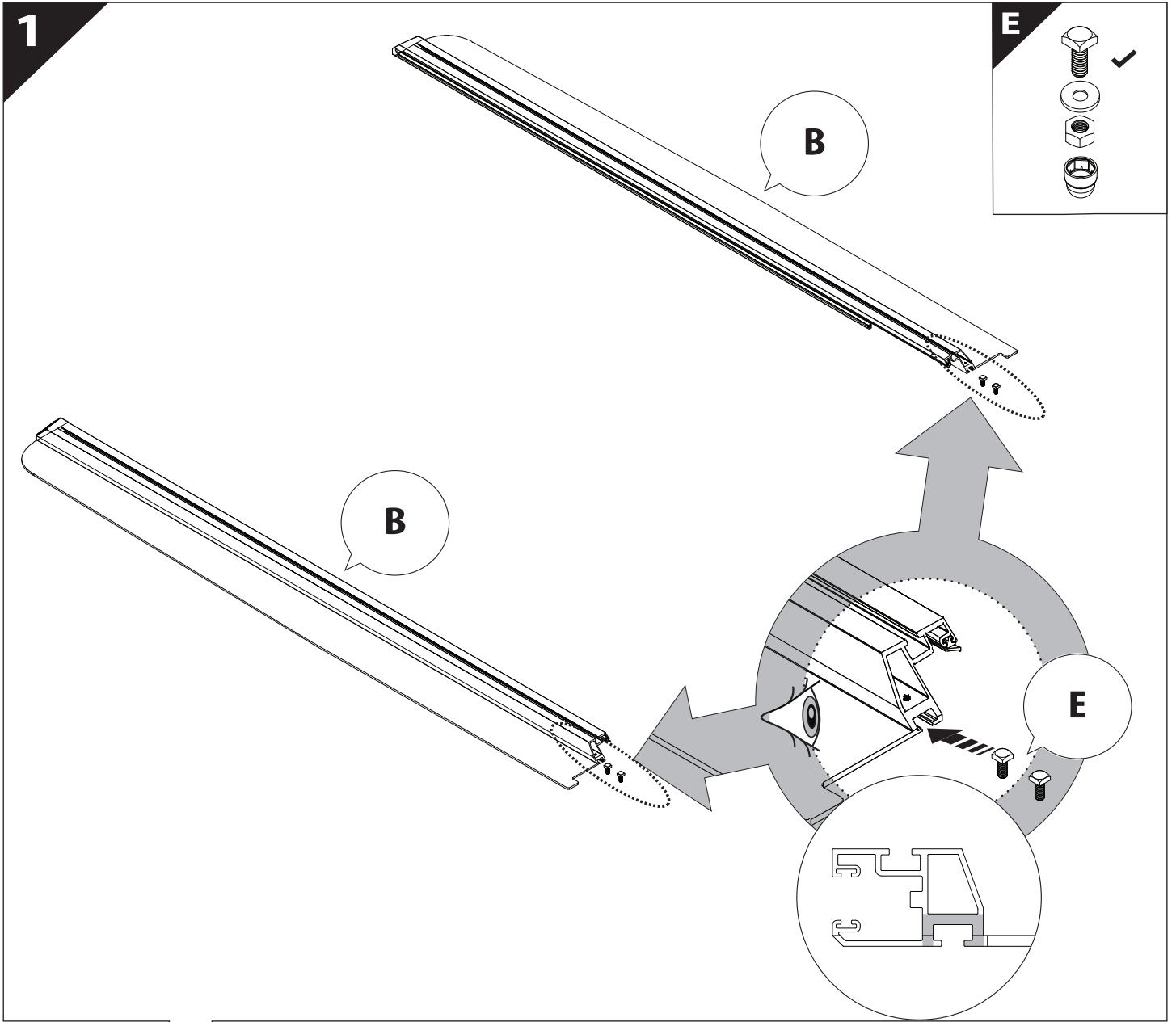


B

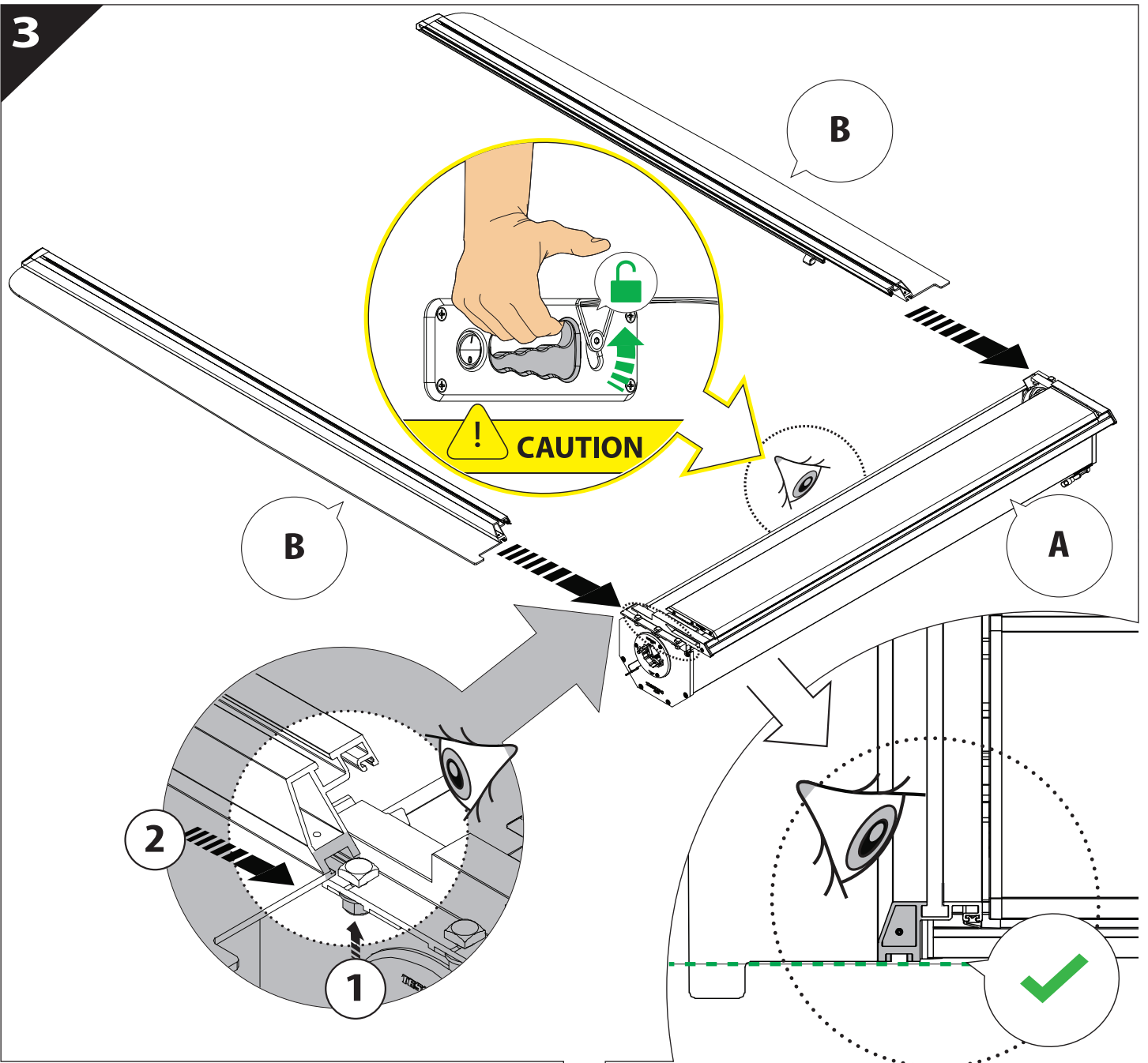
A

KITS

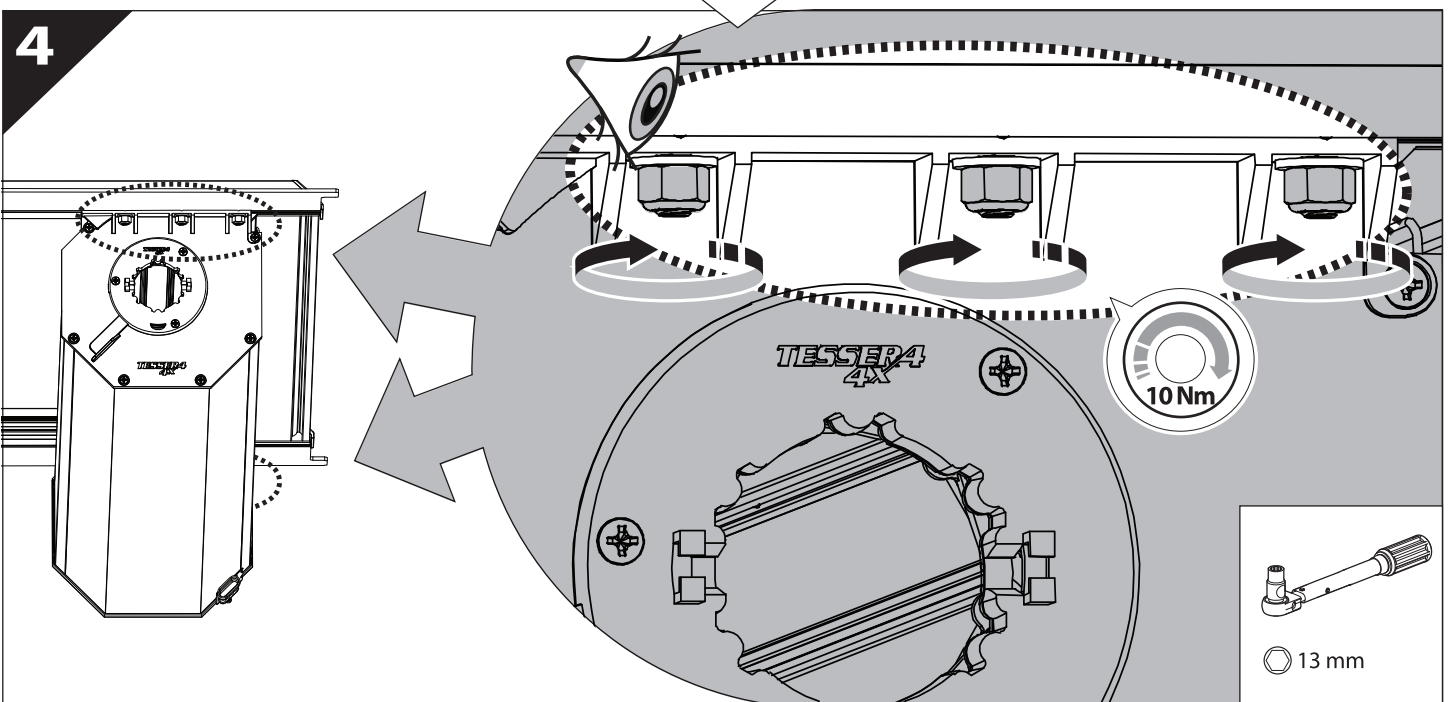
L

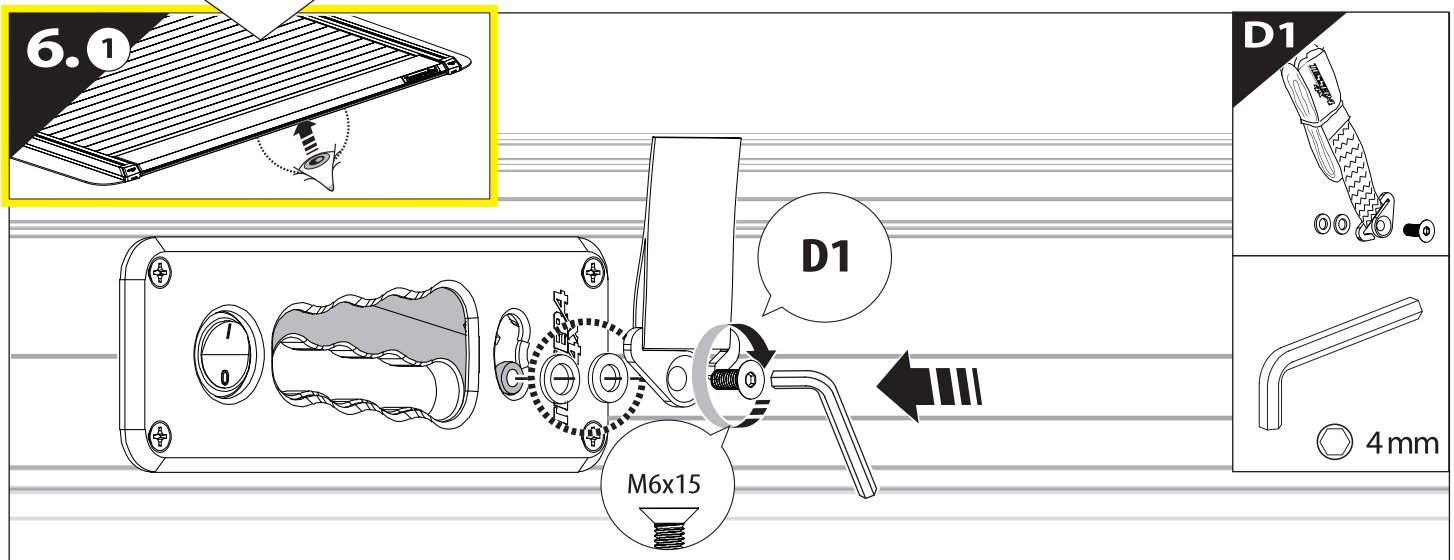
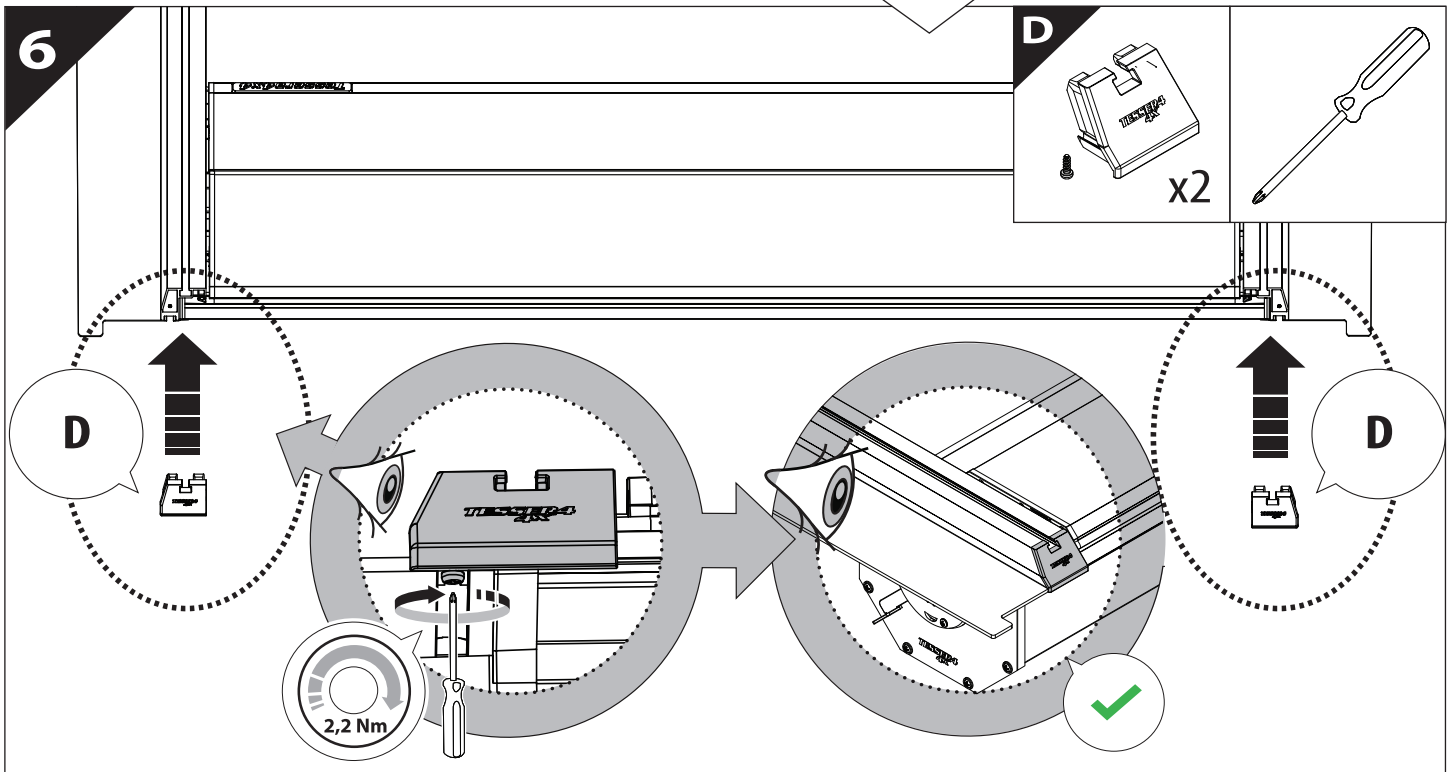
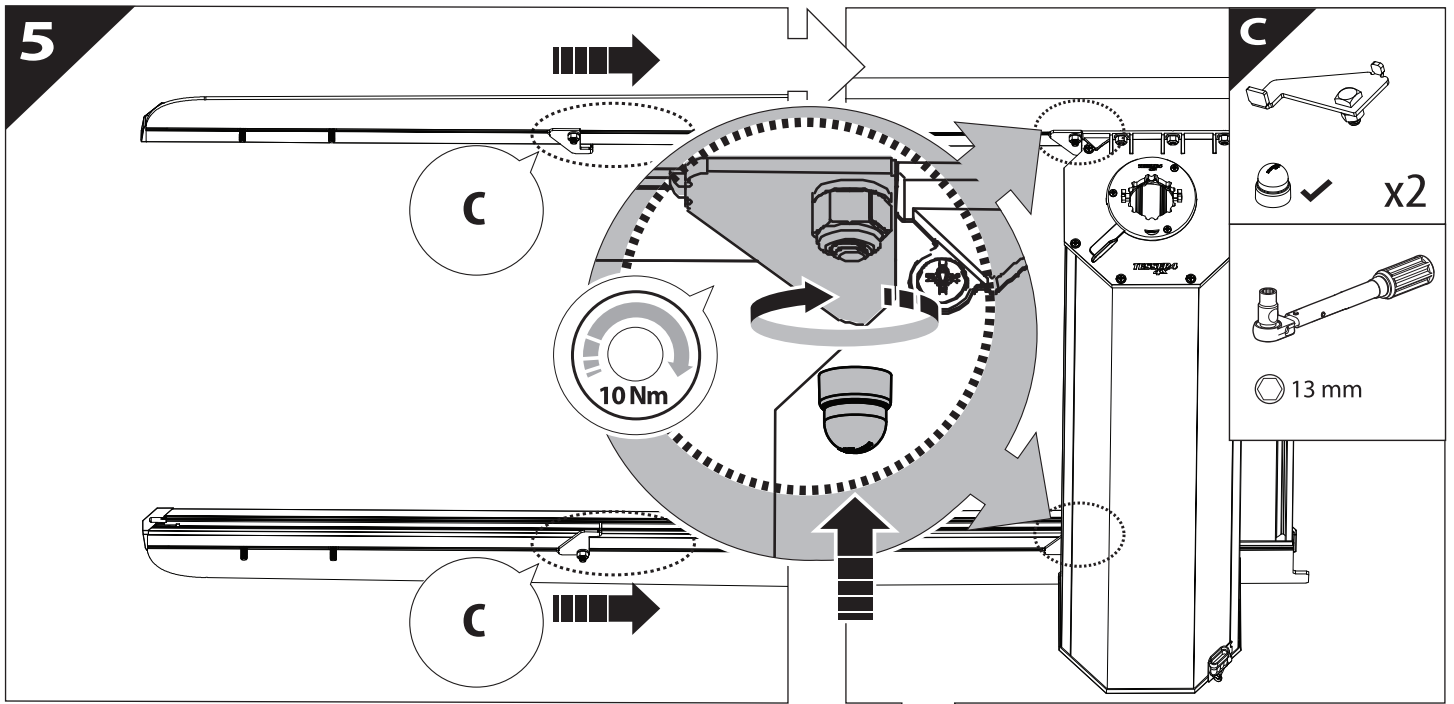


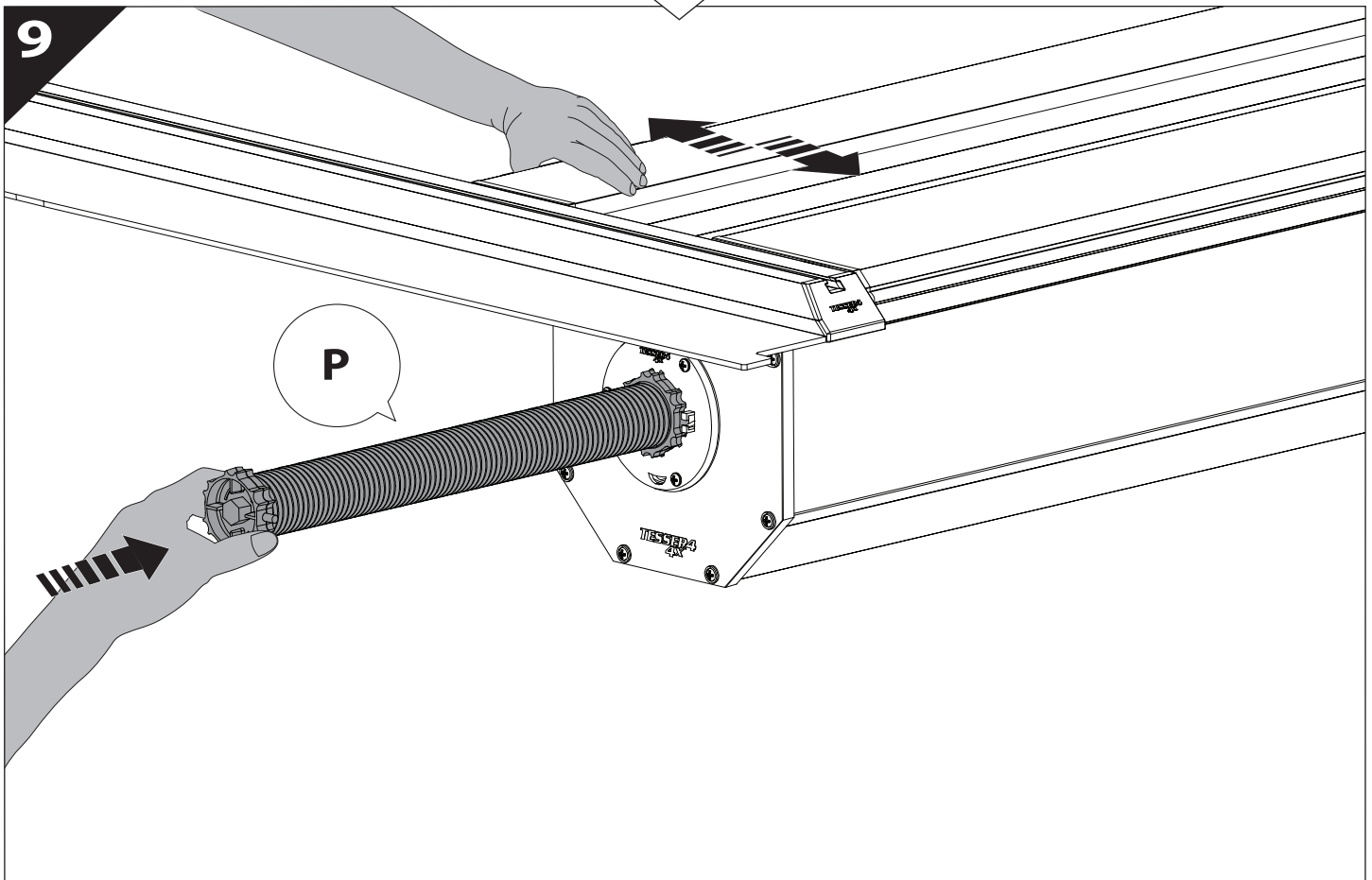
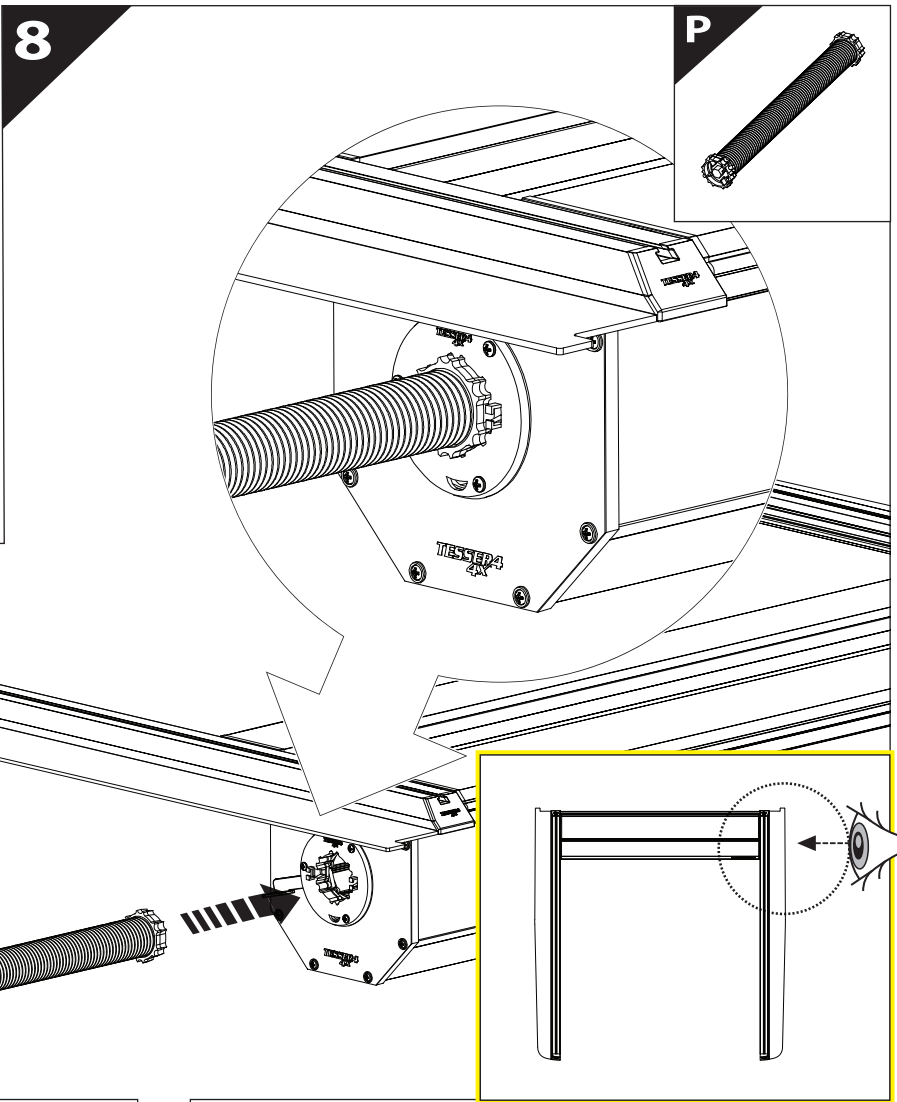
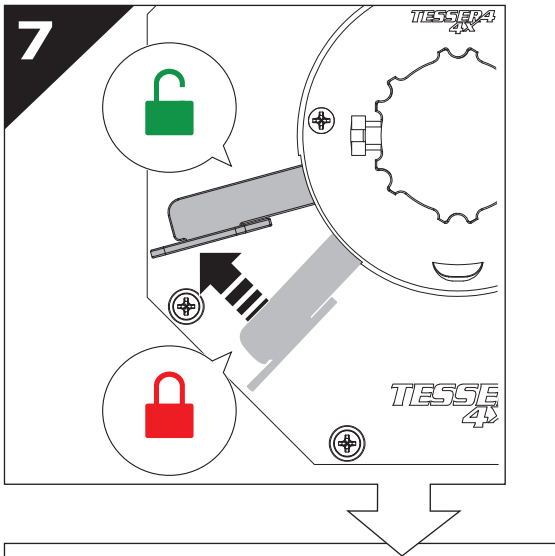
3



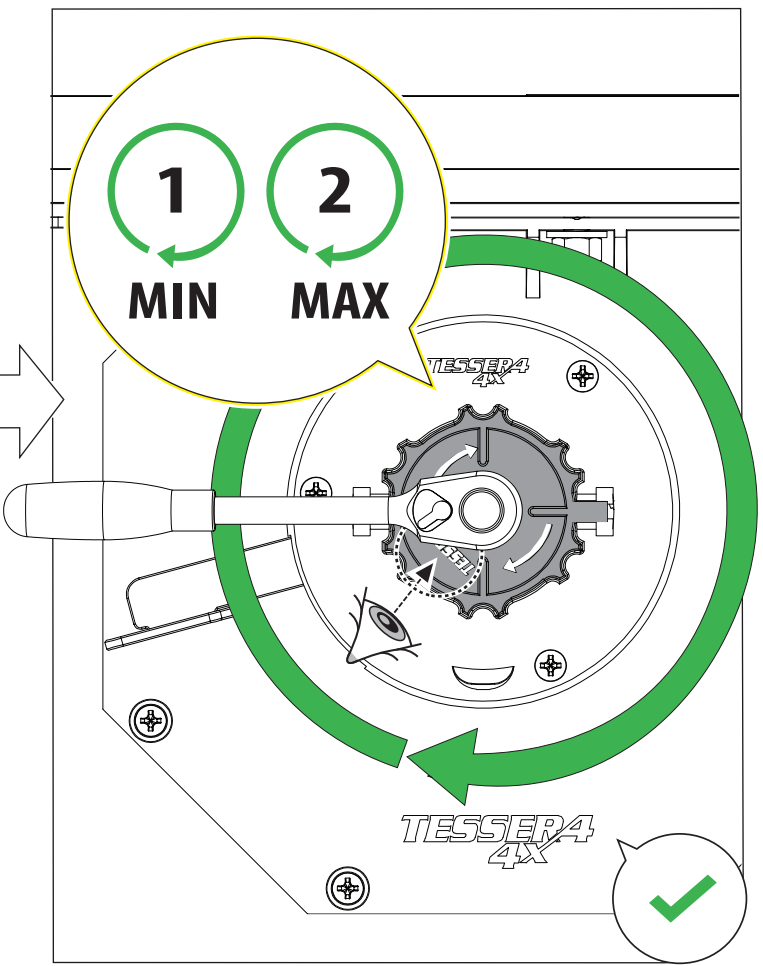
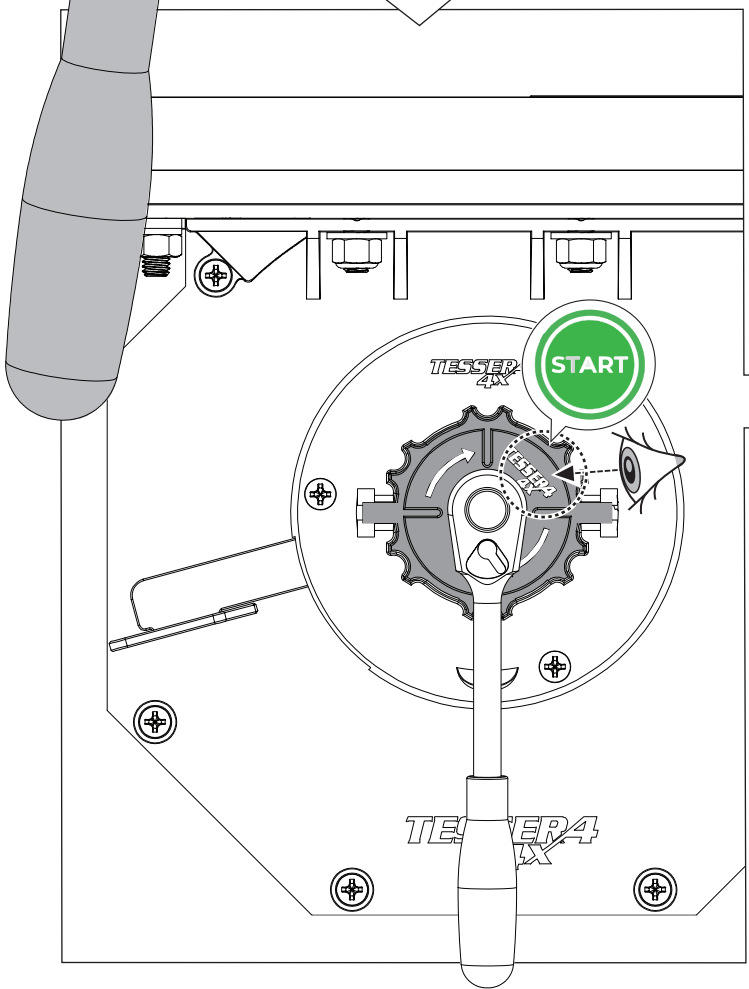
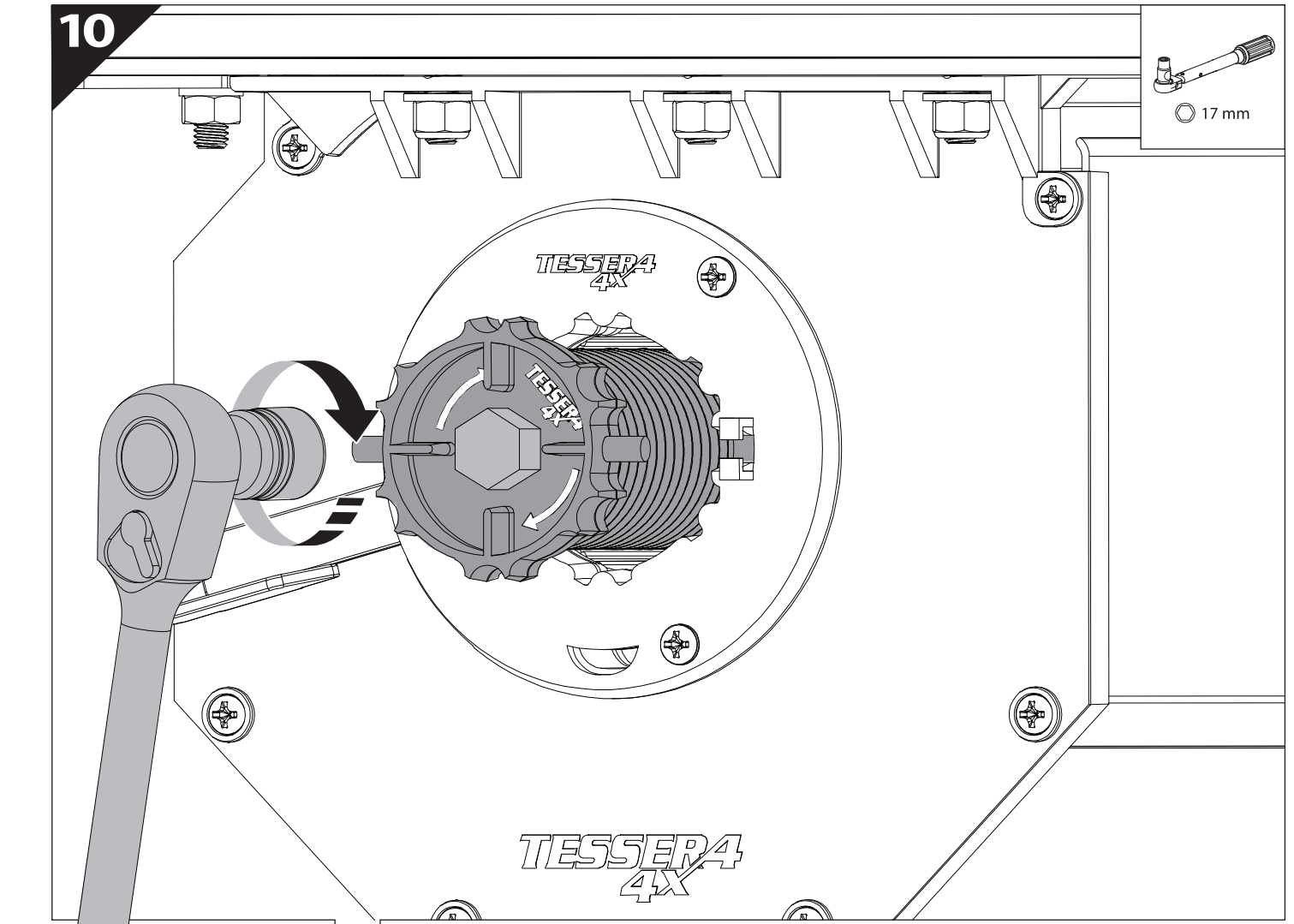
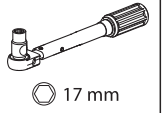
4

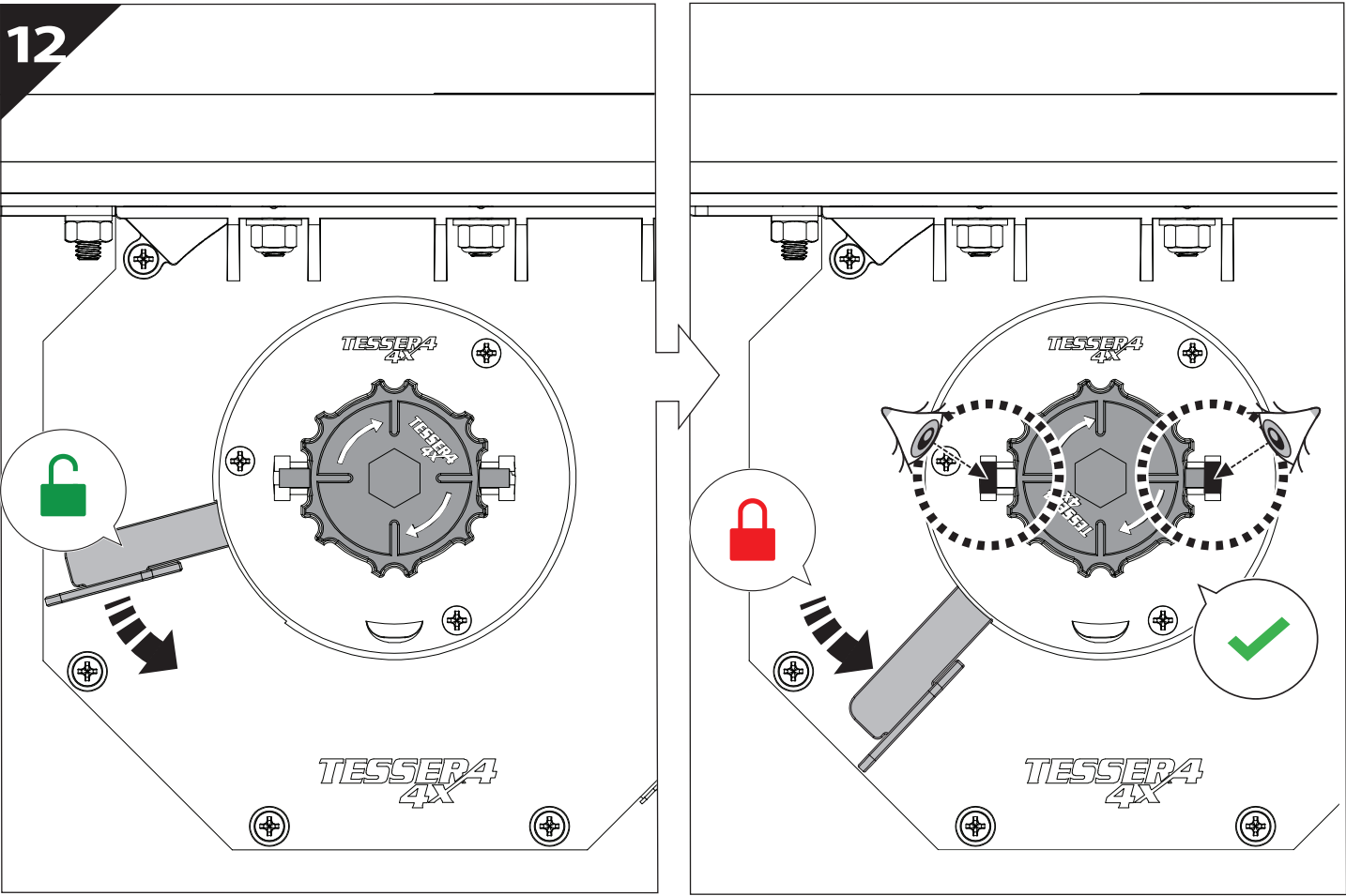
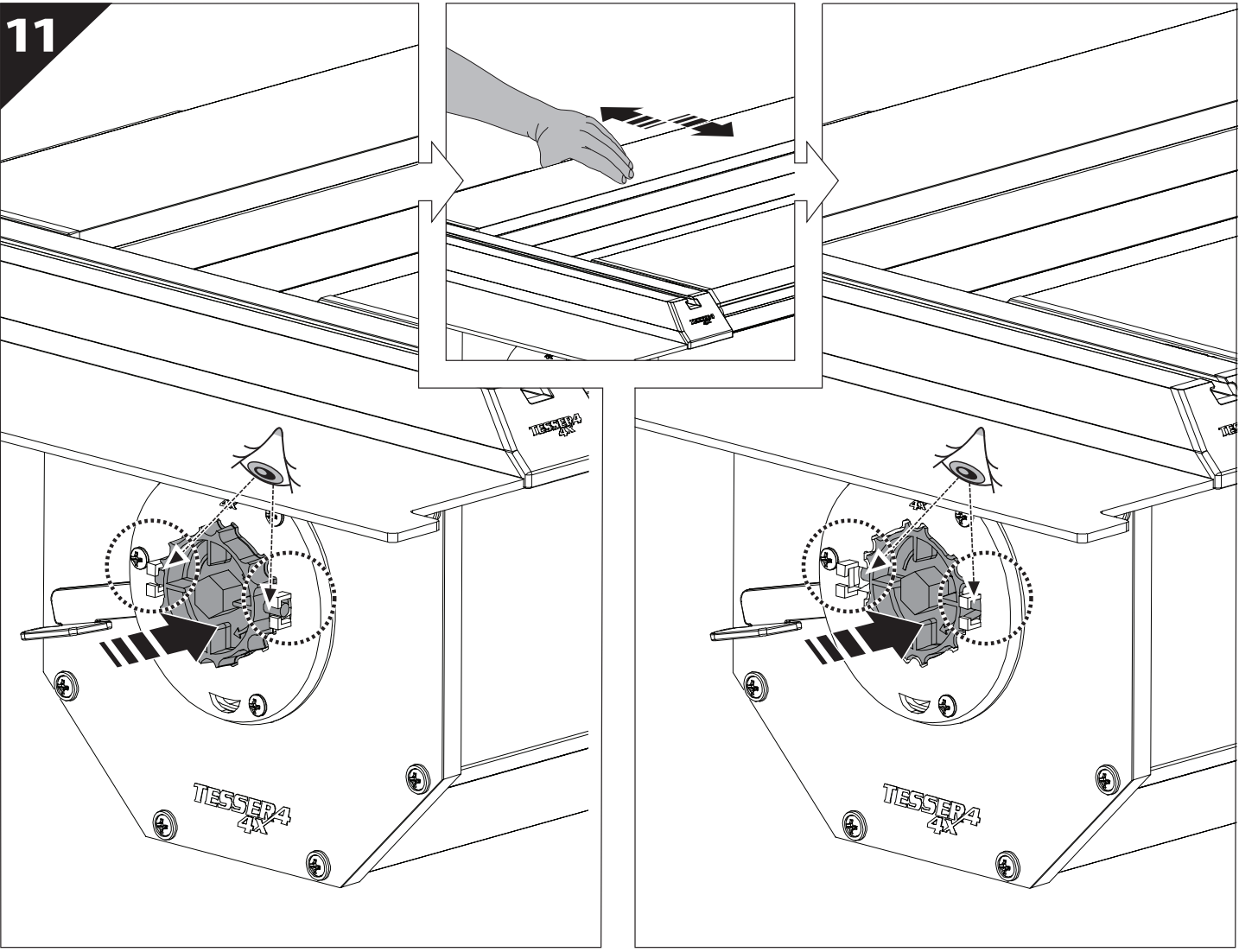




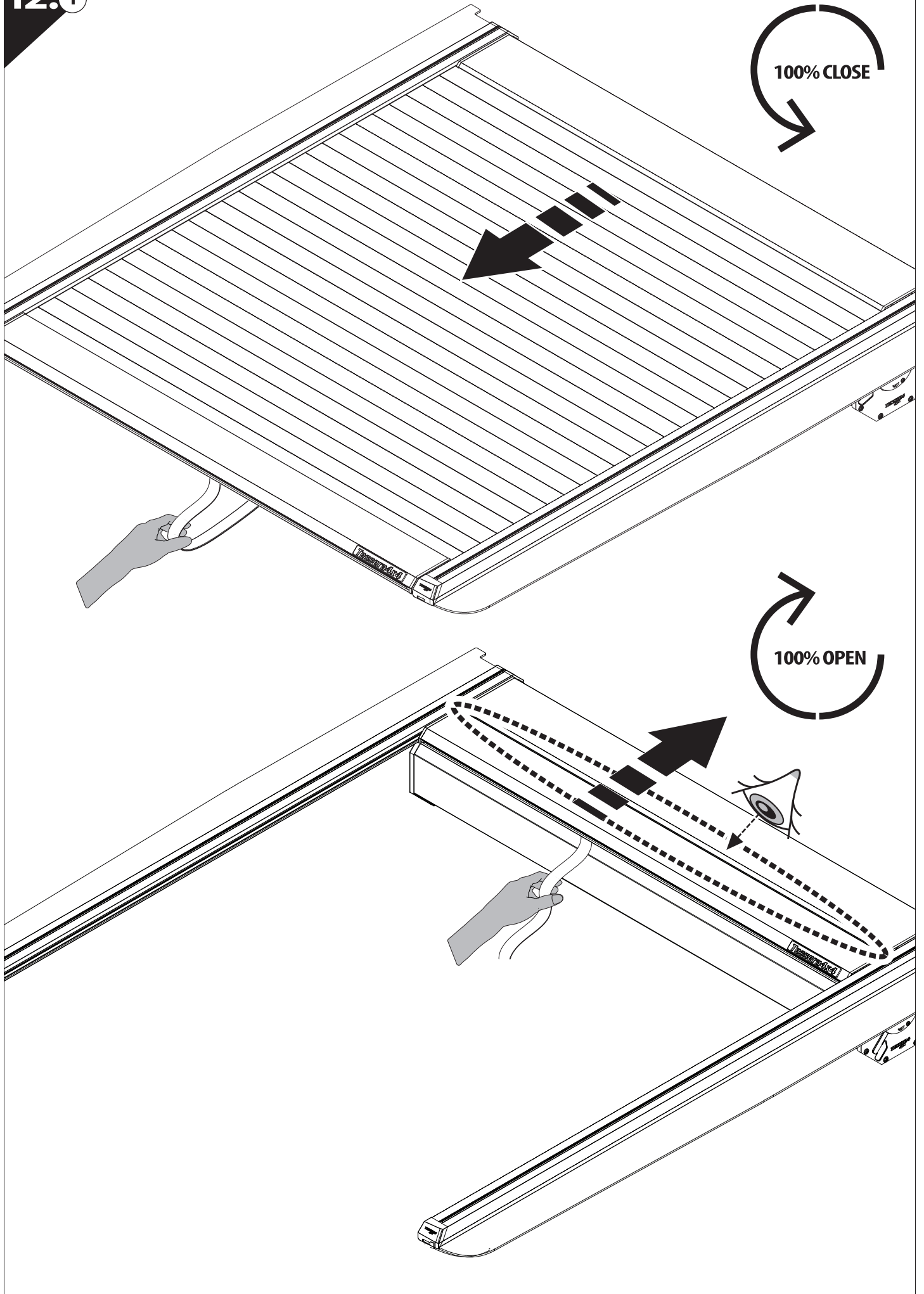


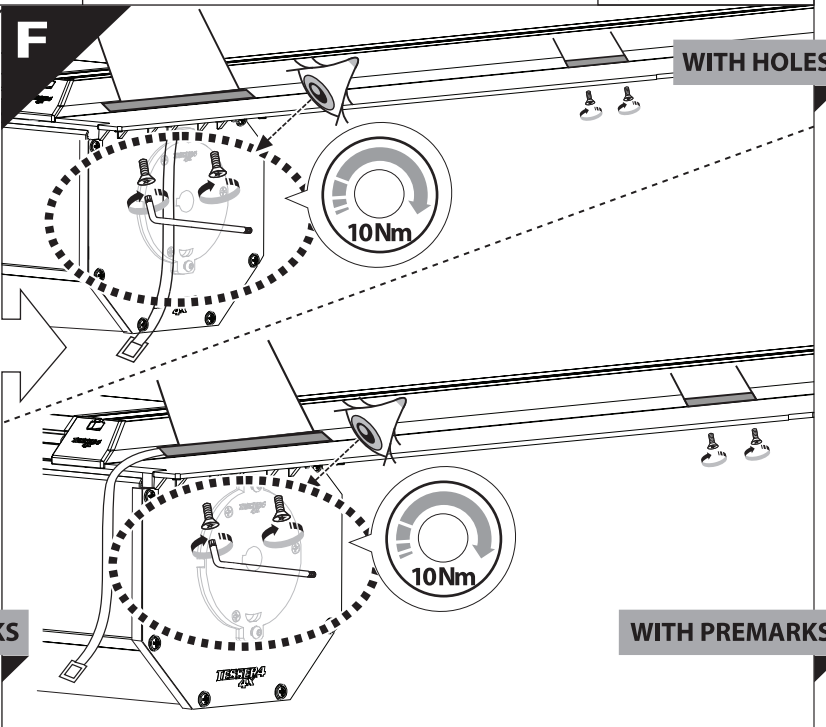
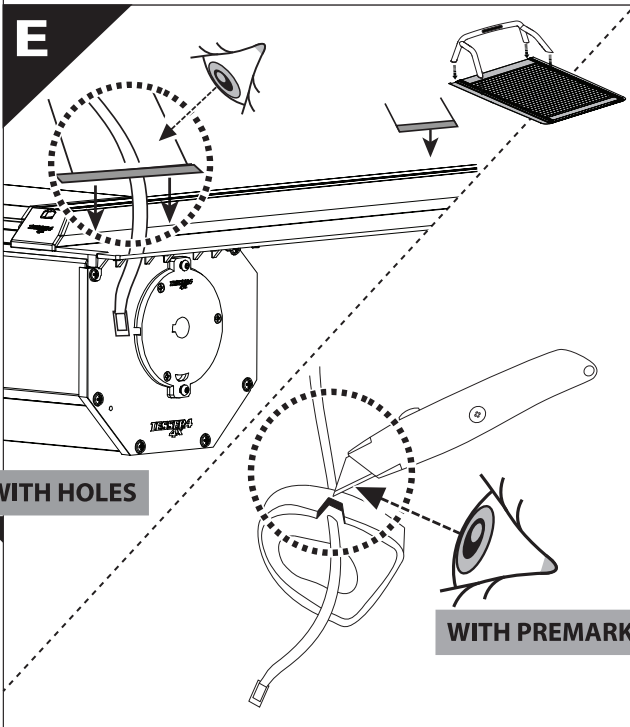
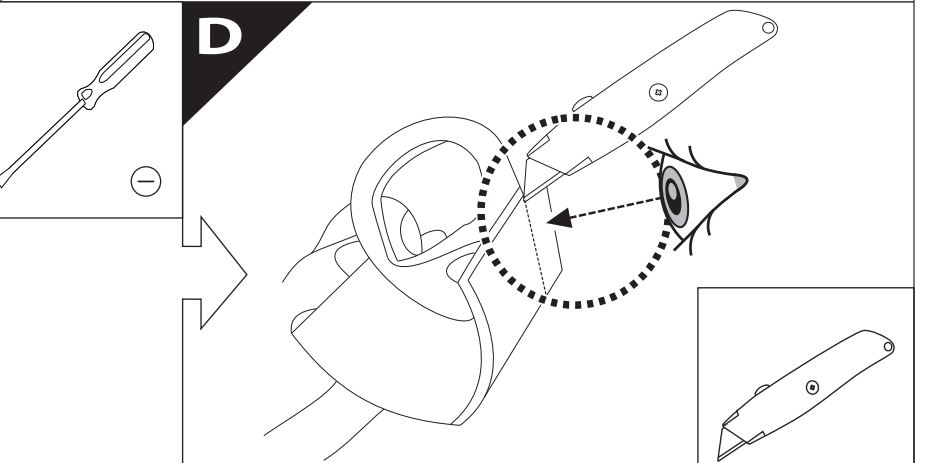
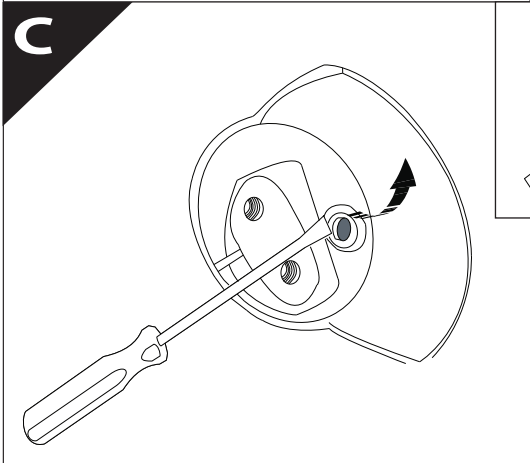
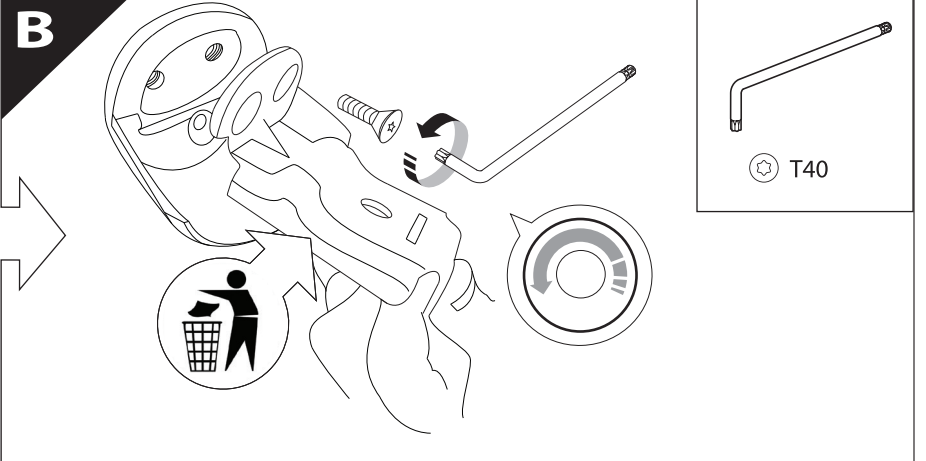
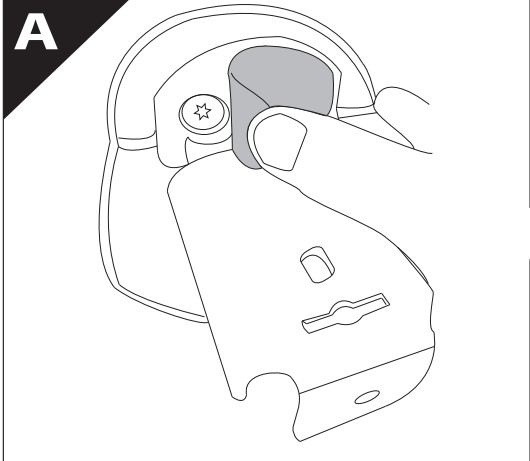
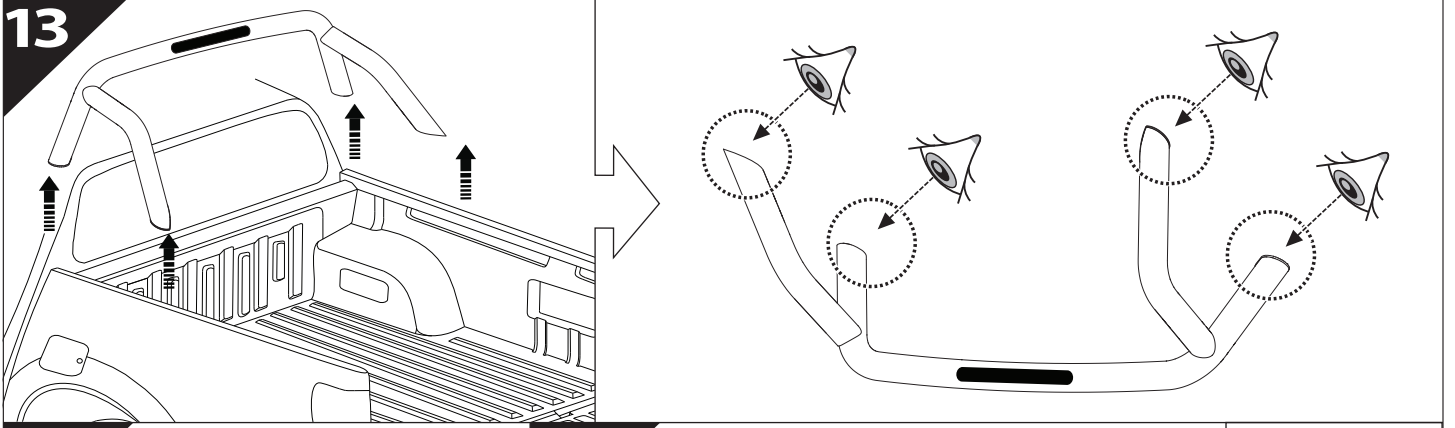
10

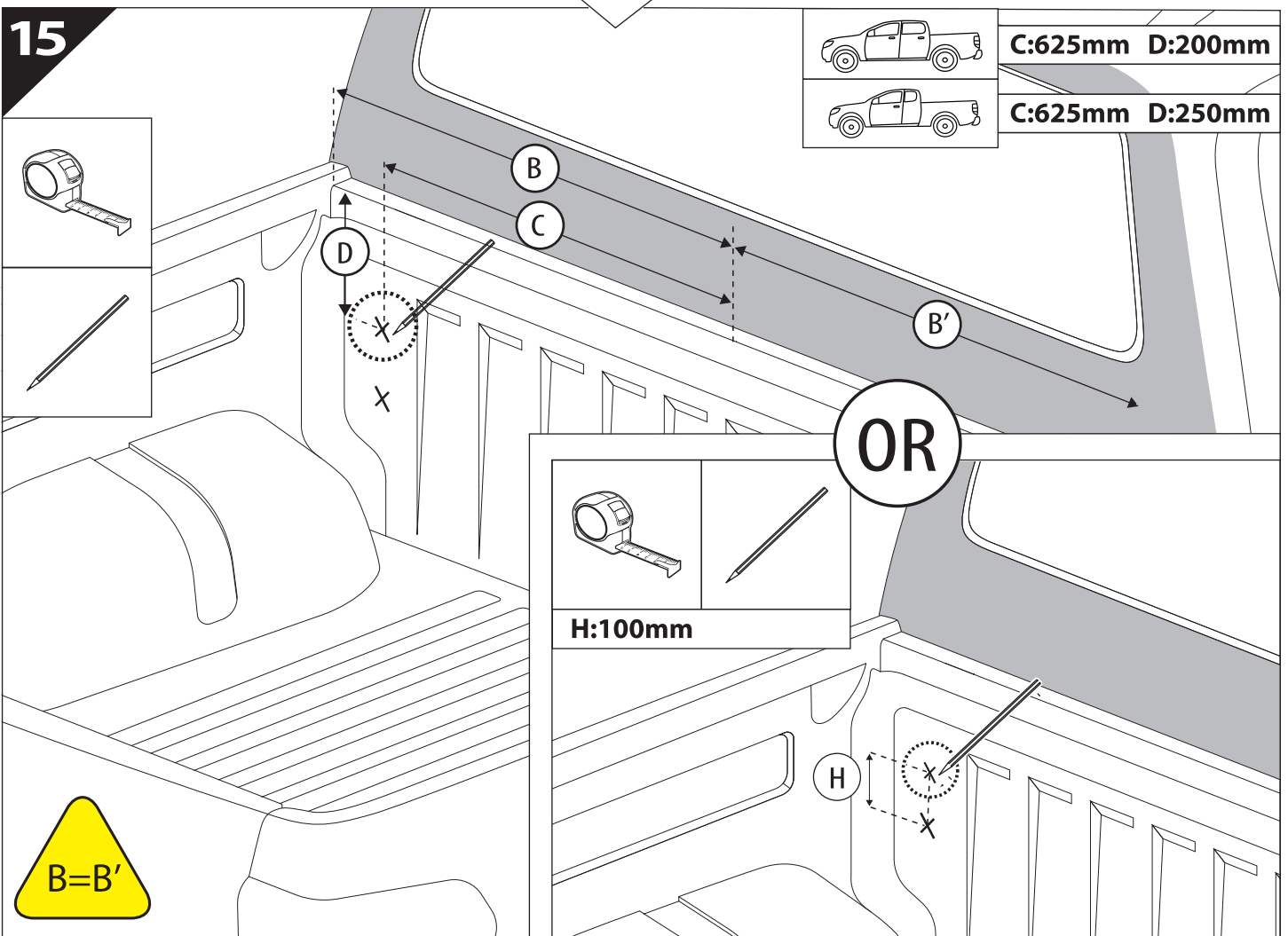
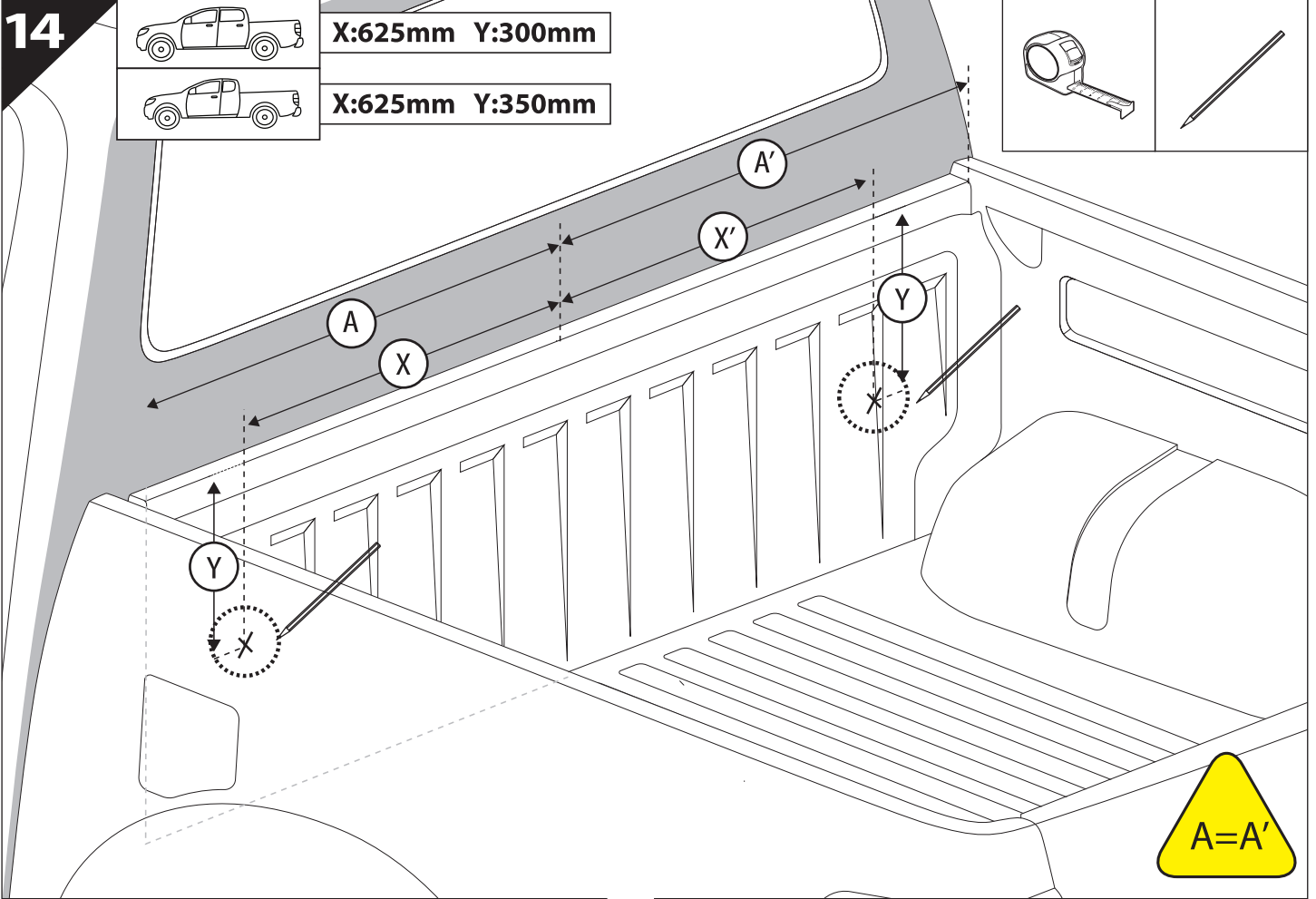


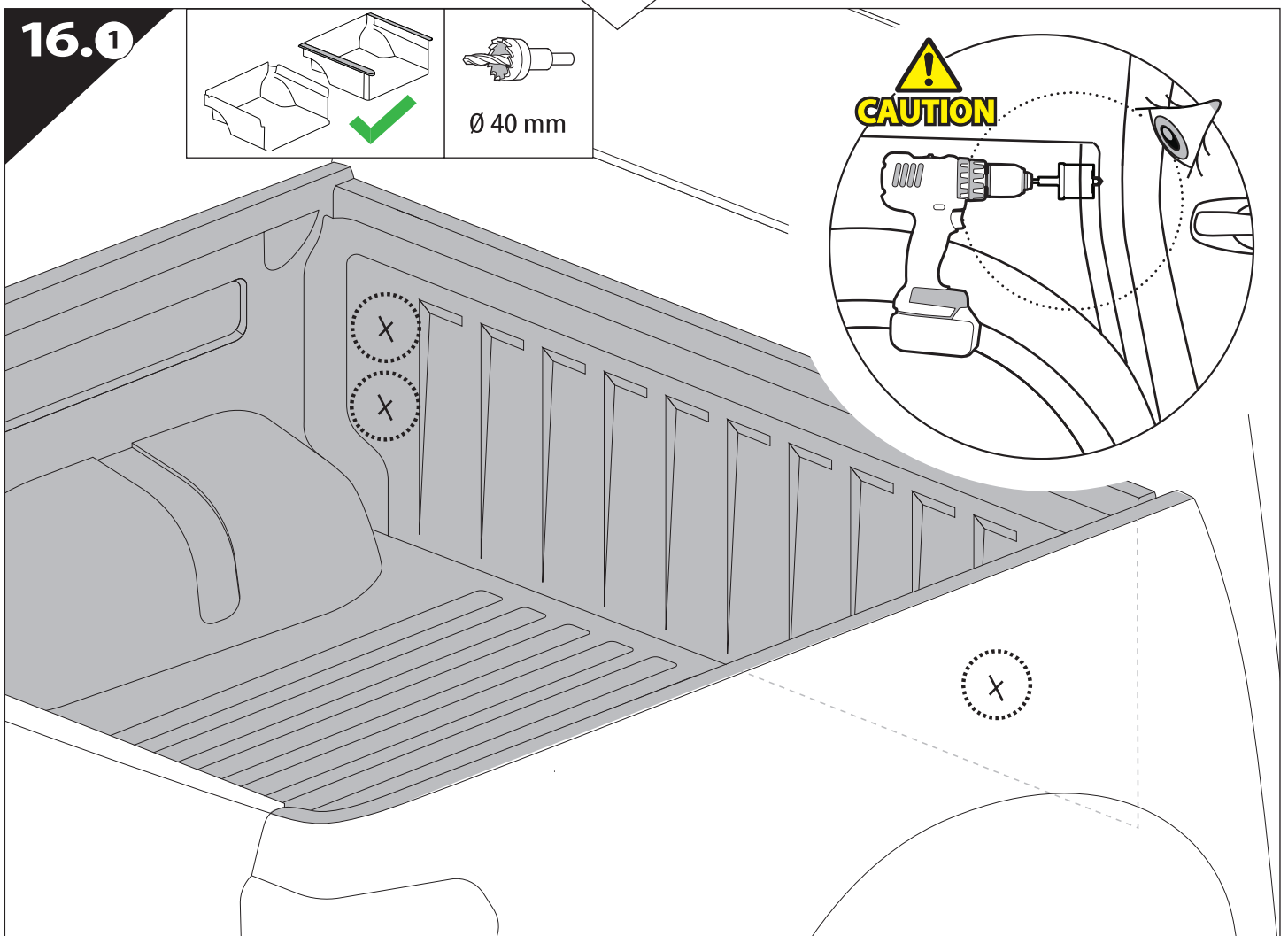
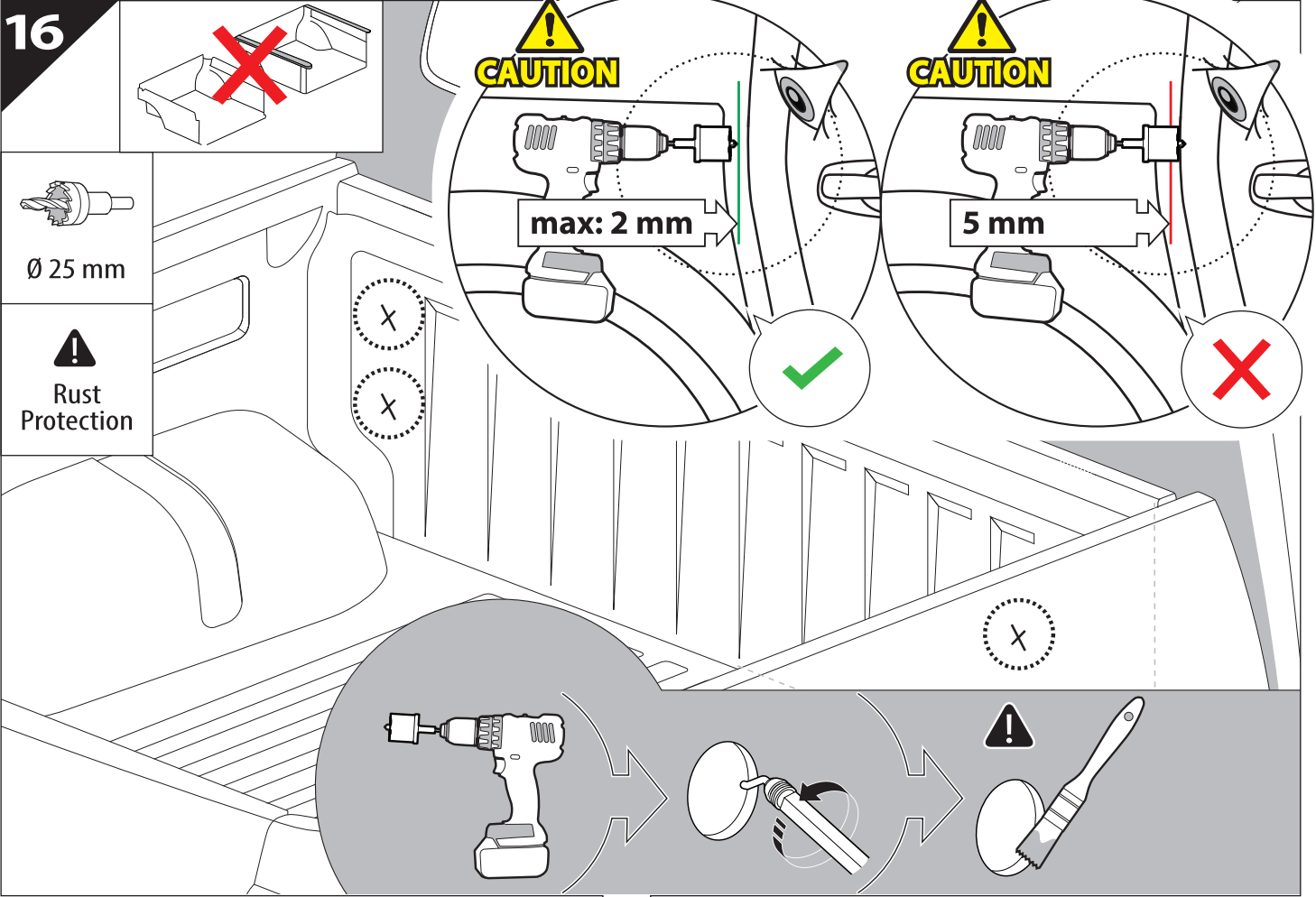


12.0

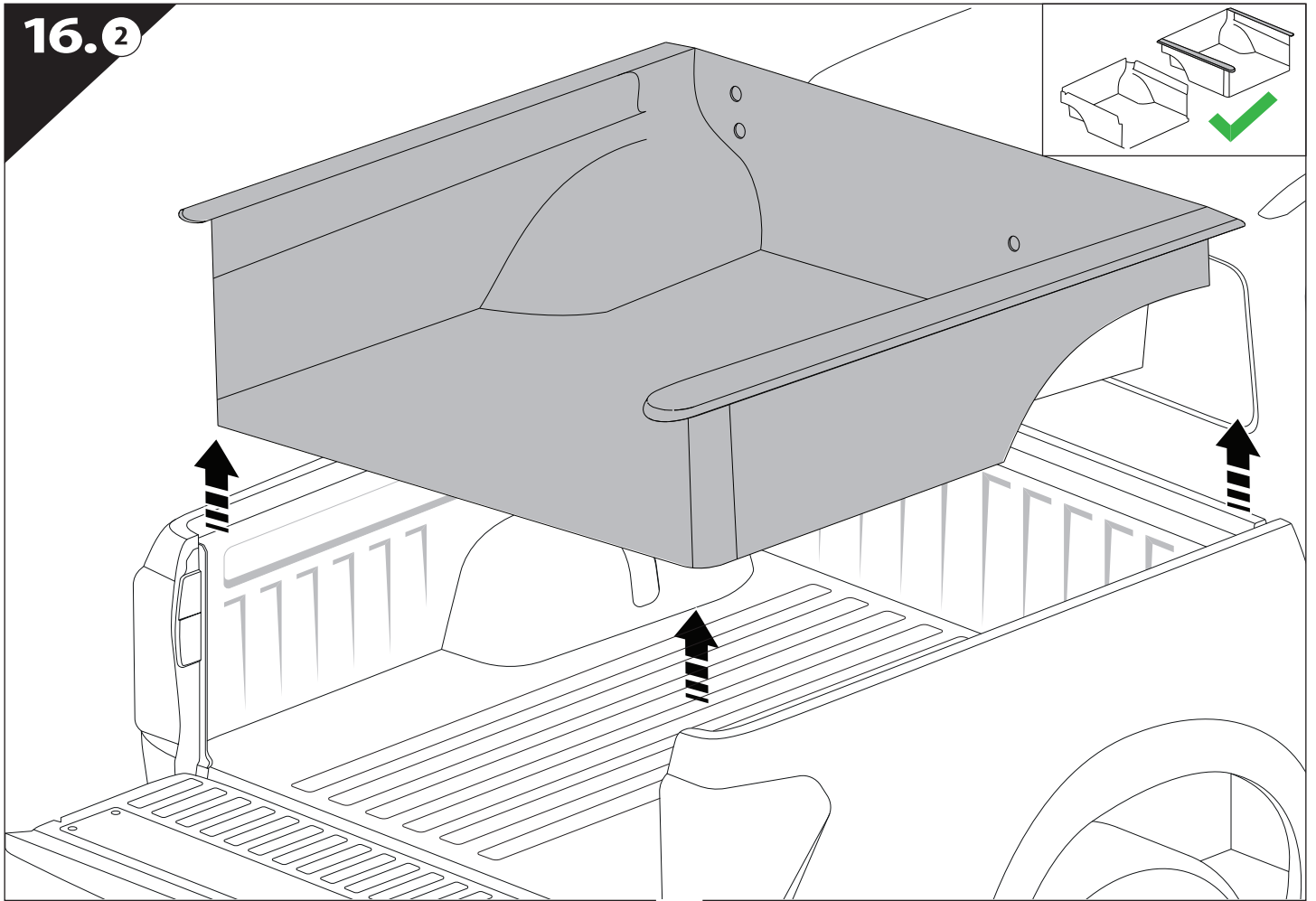




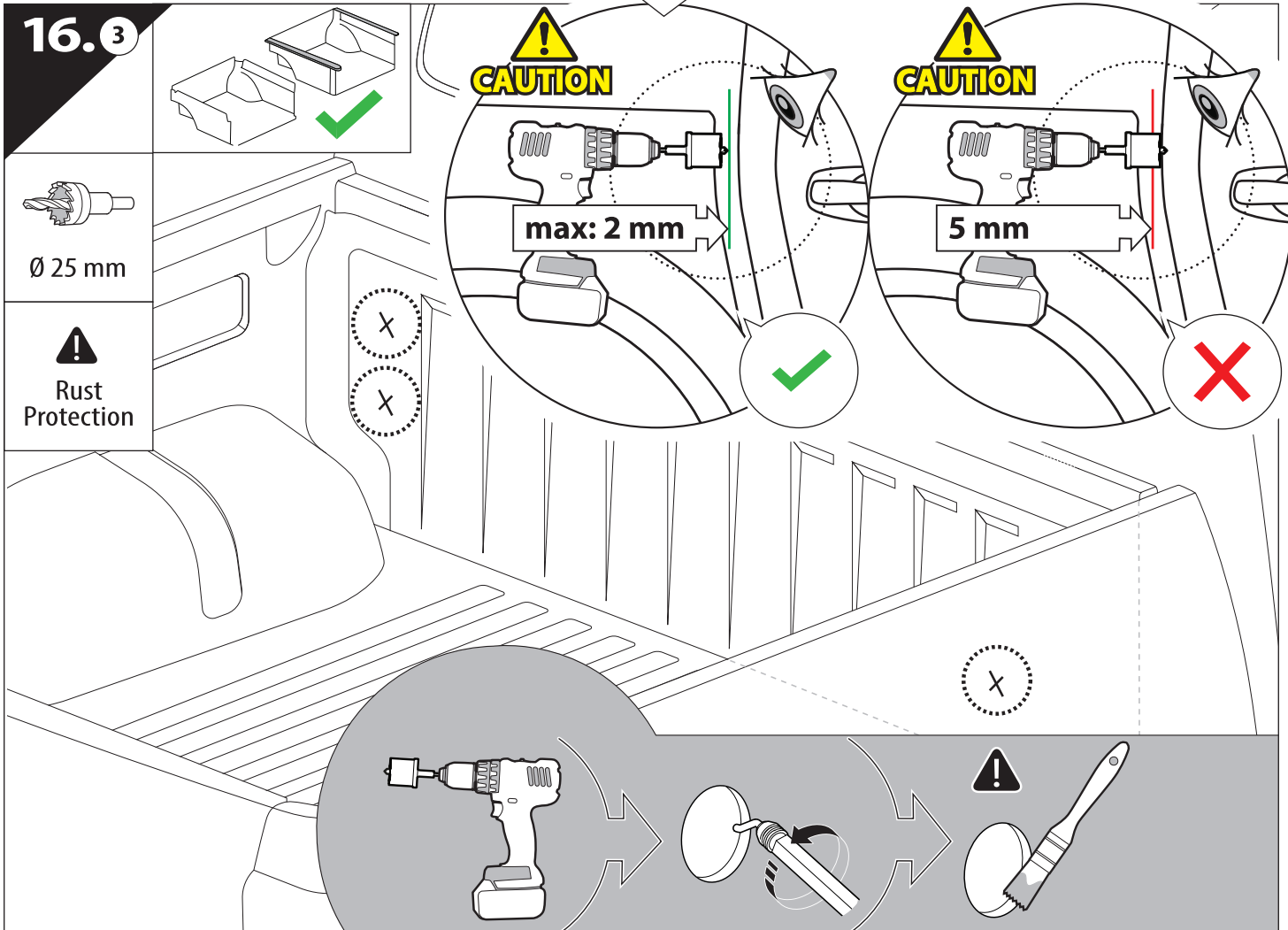




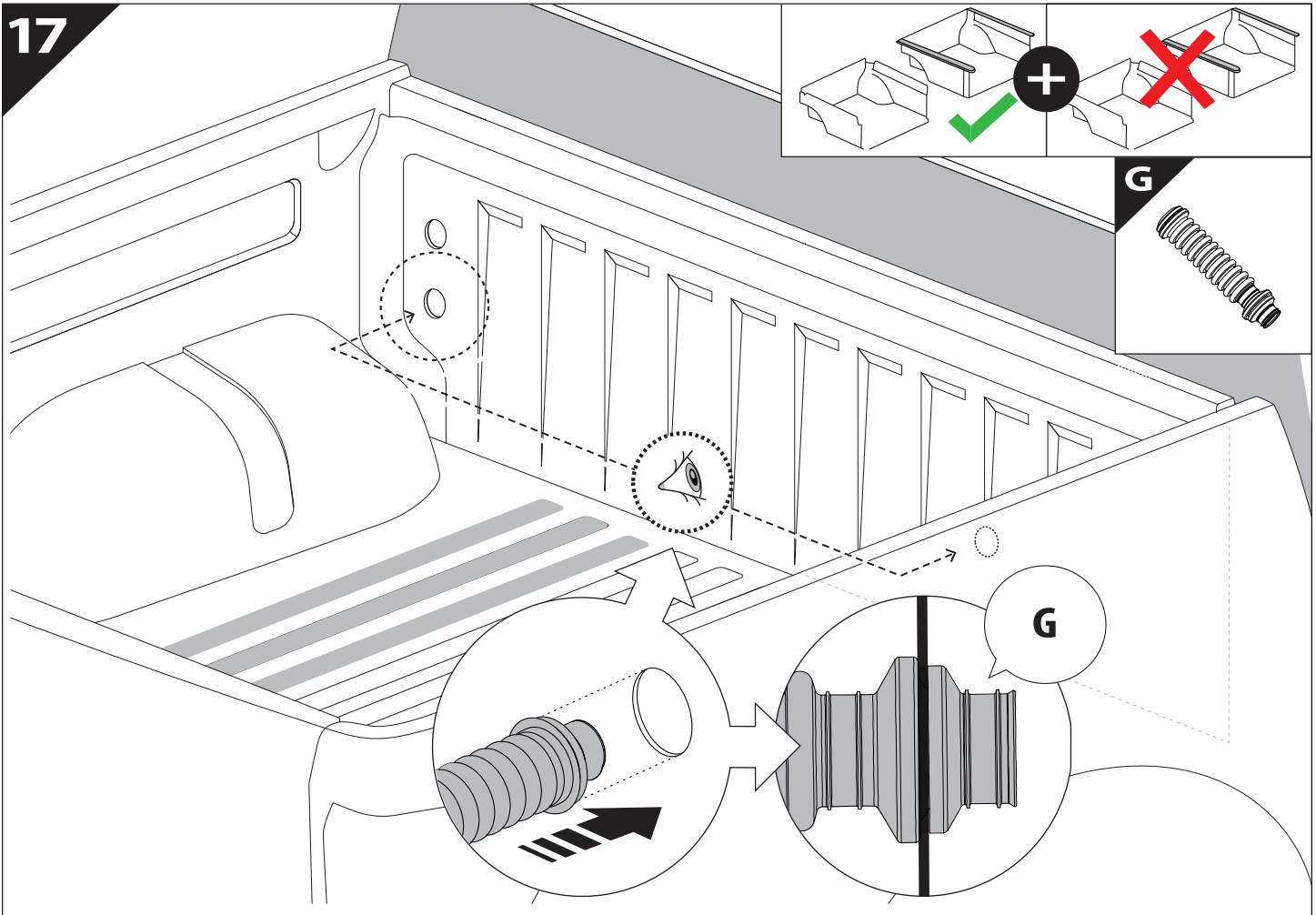
16.2



16.3

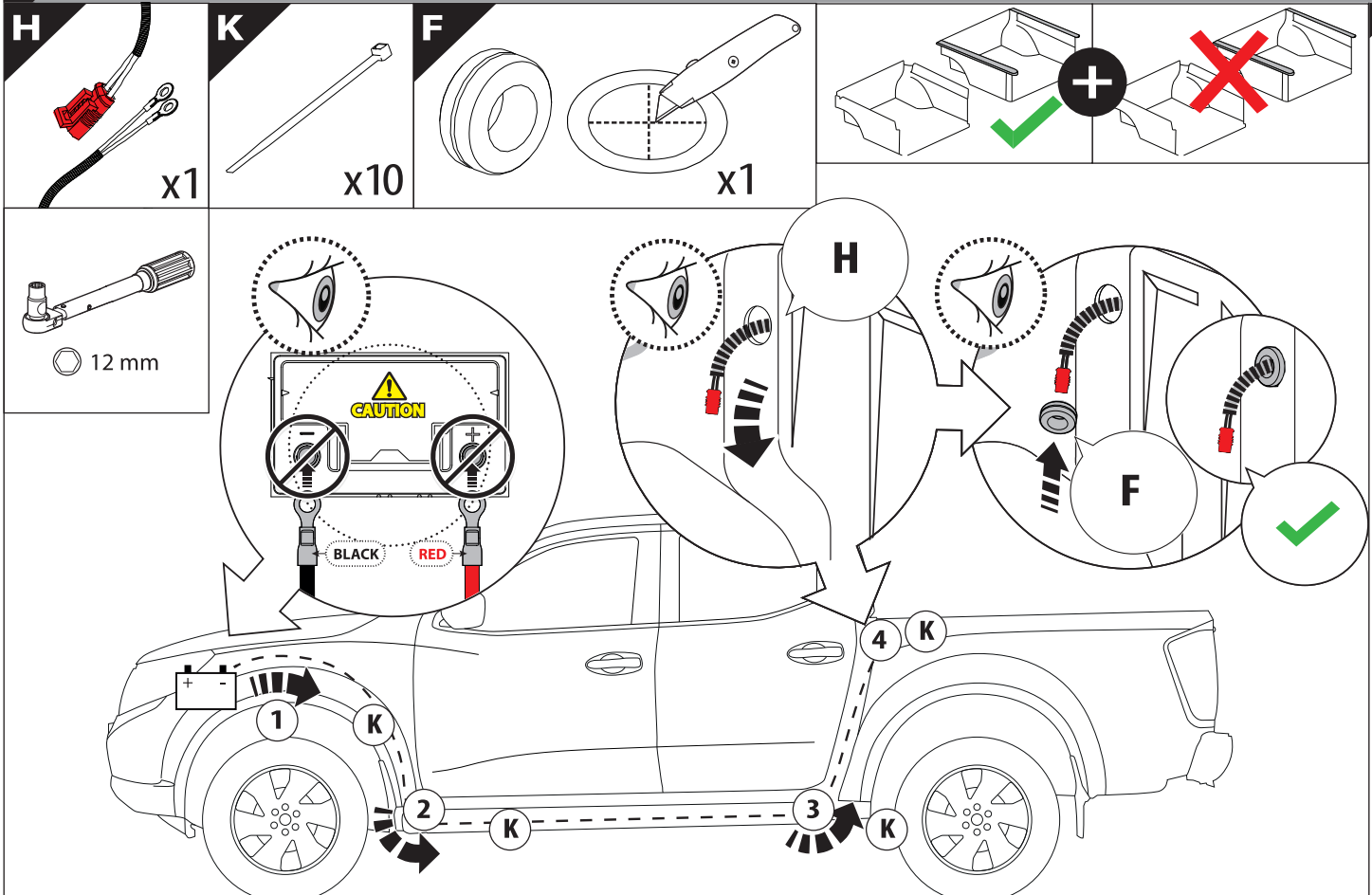


17

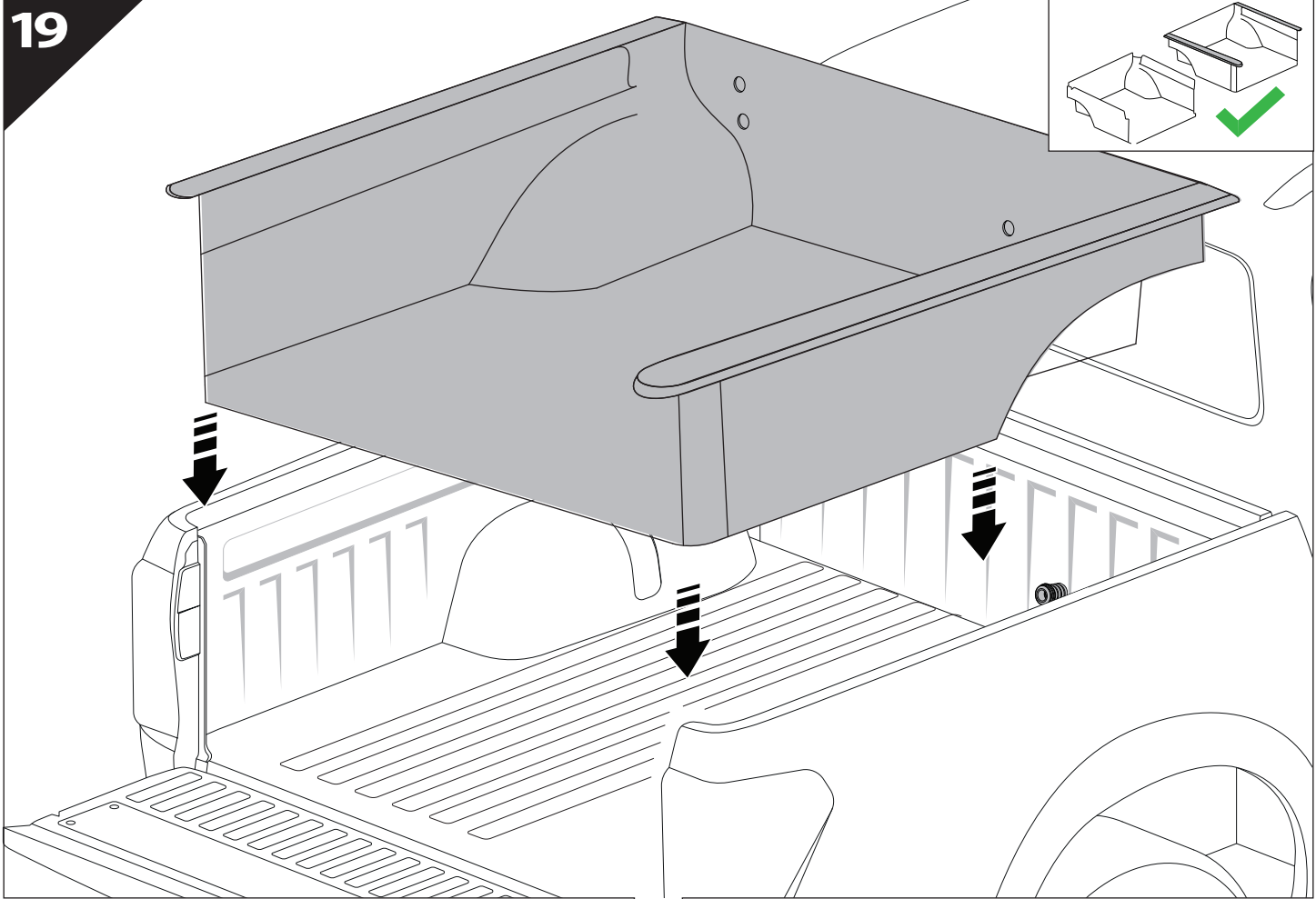


18

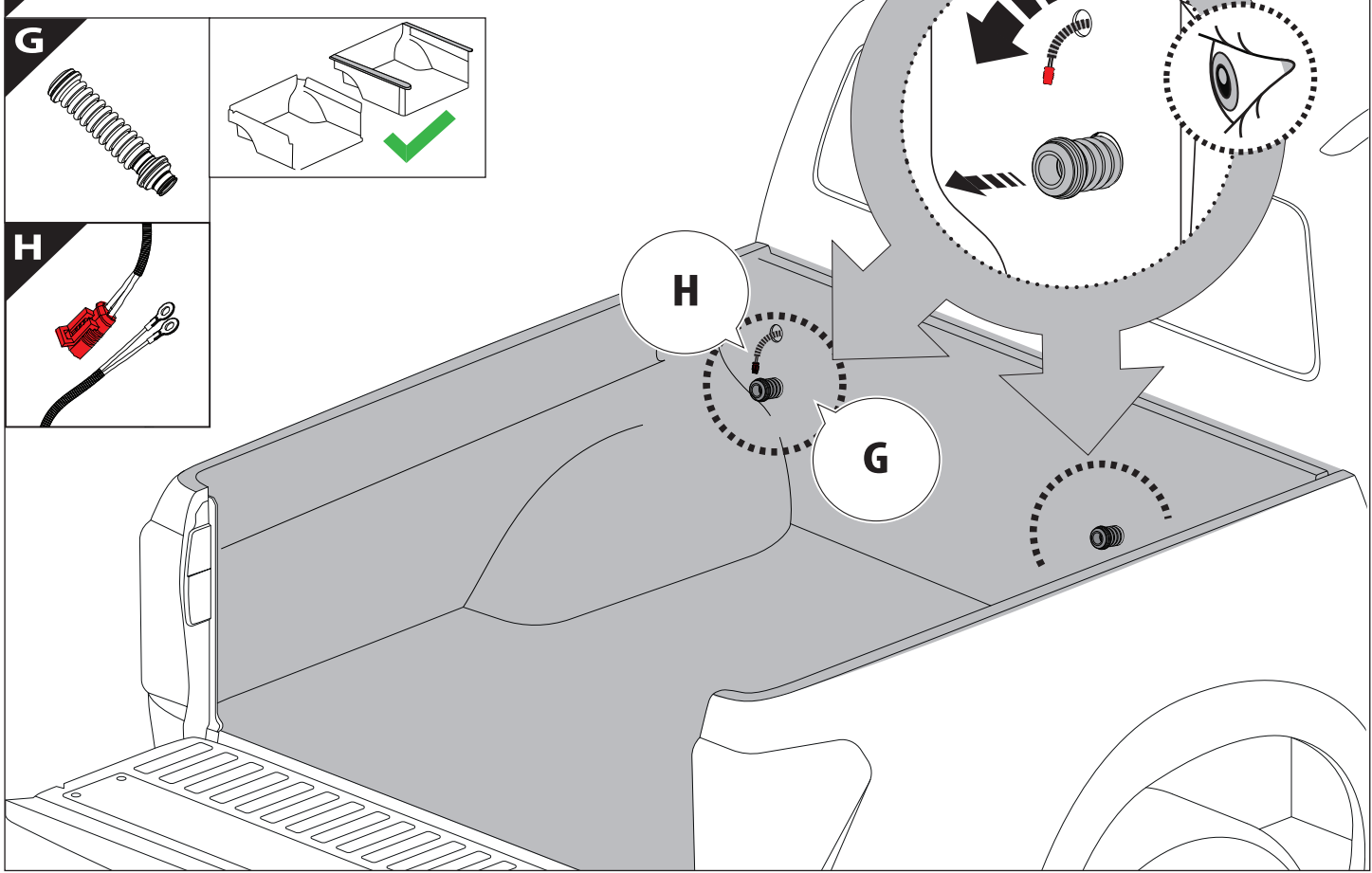
Only to be installed by authorized personnel

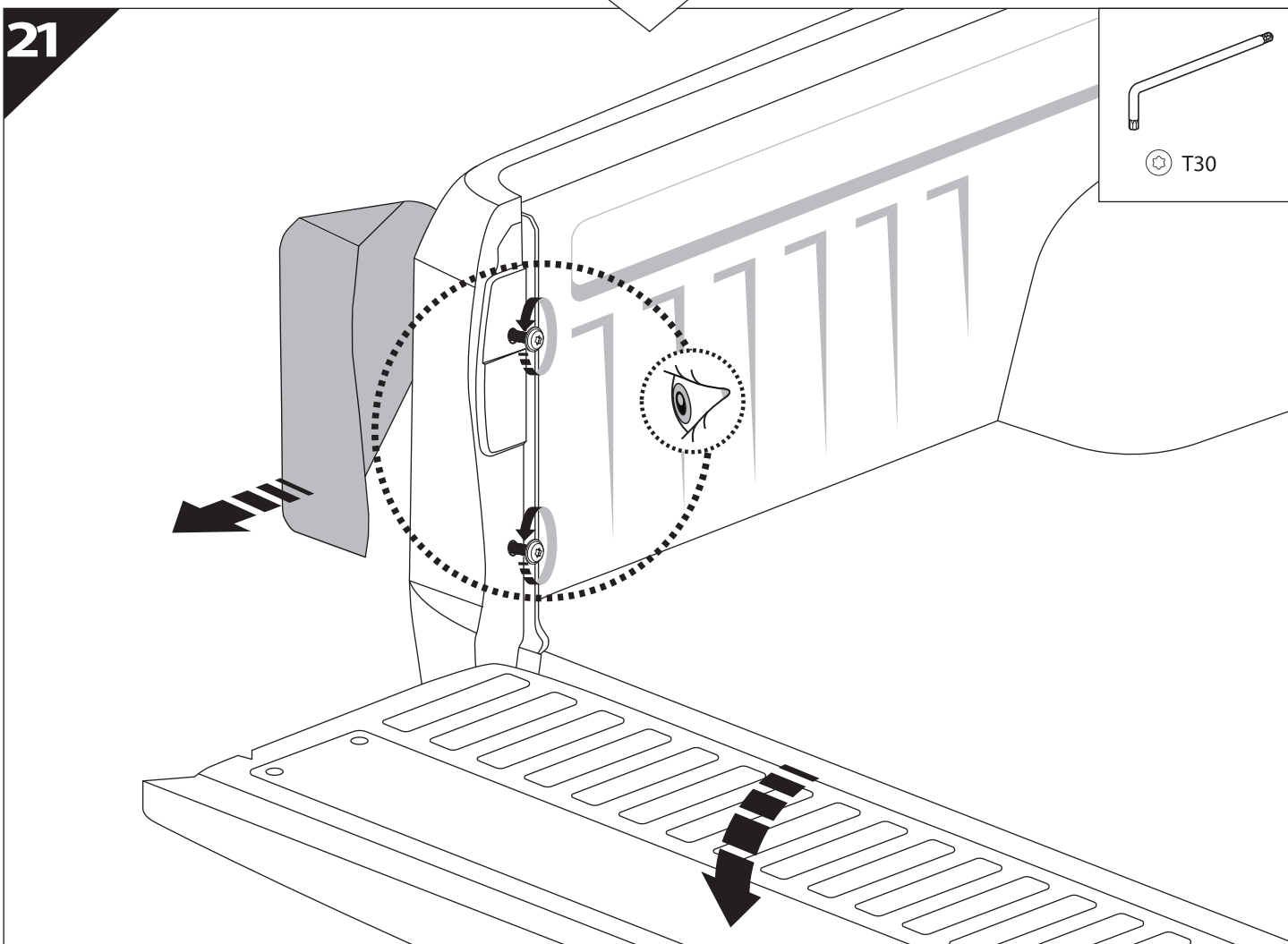
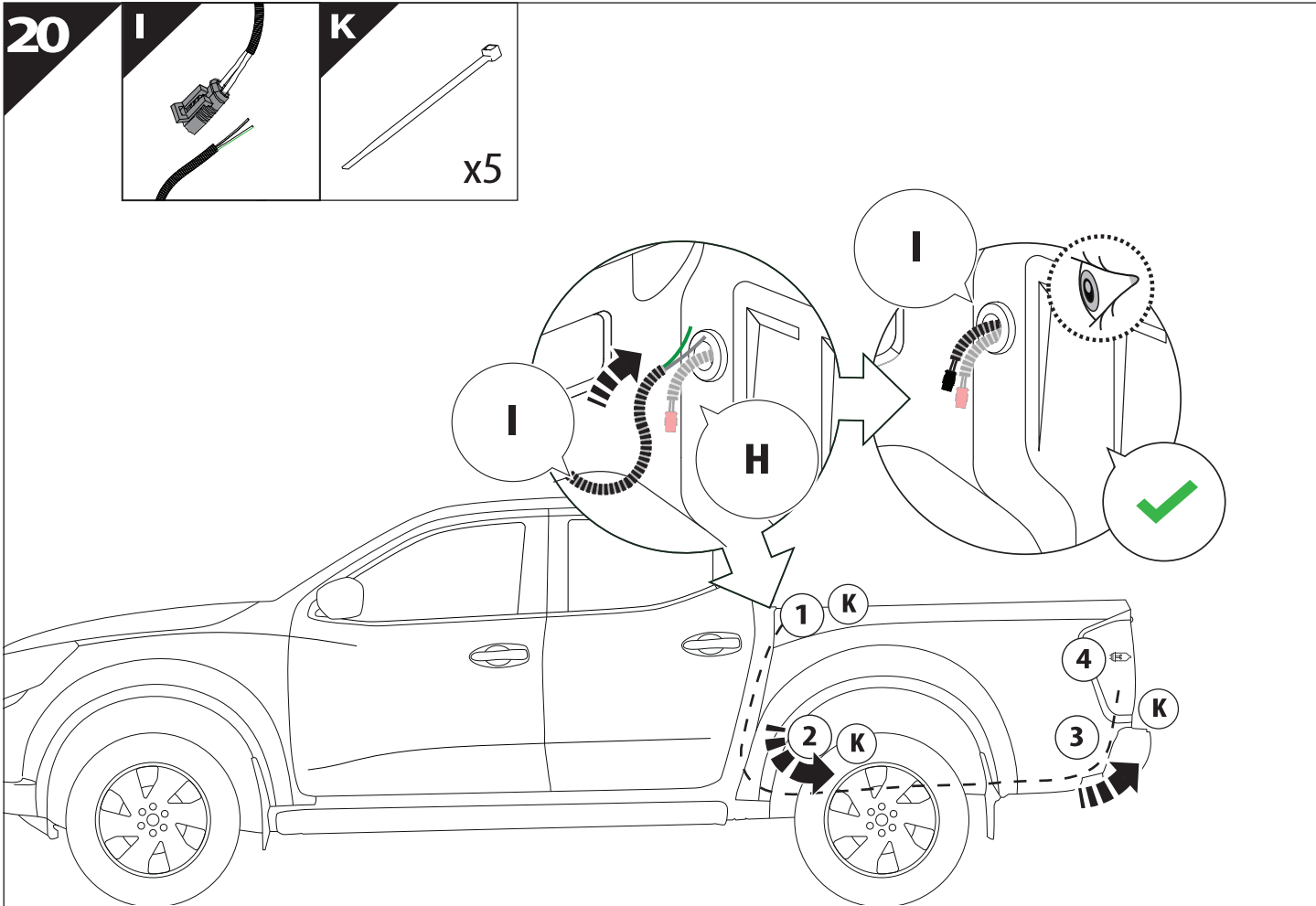


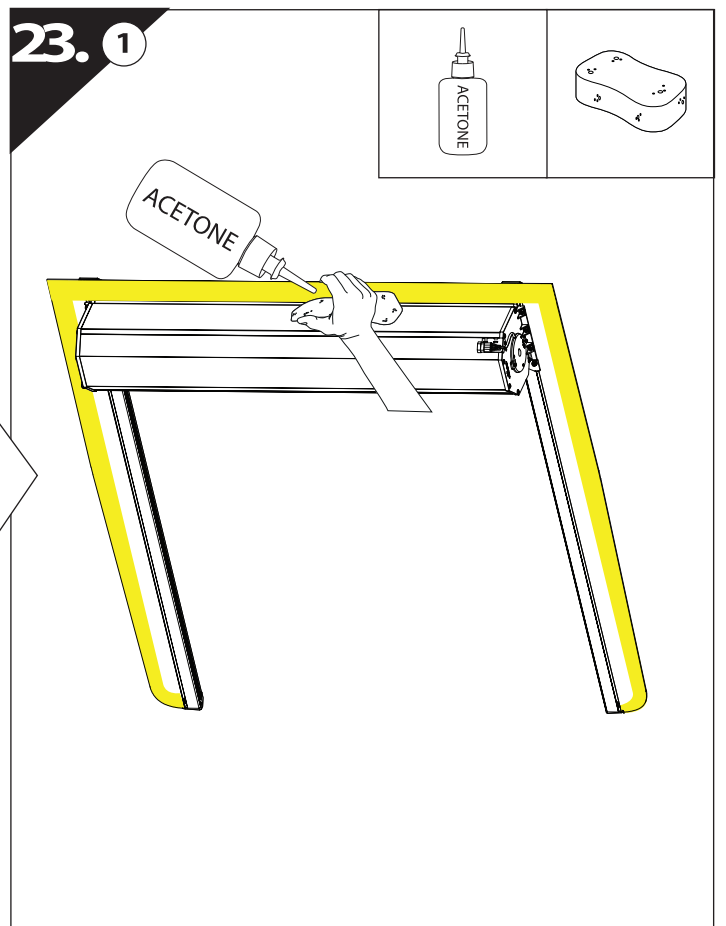
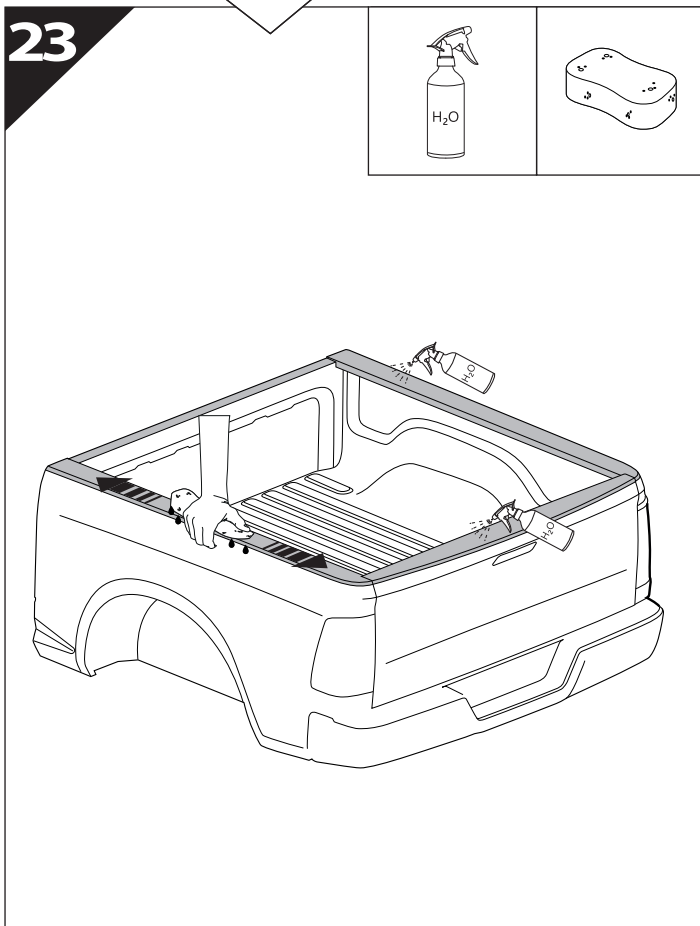
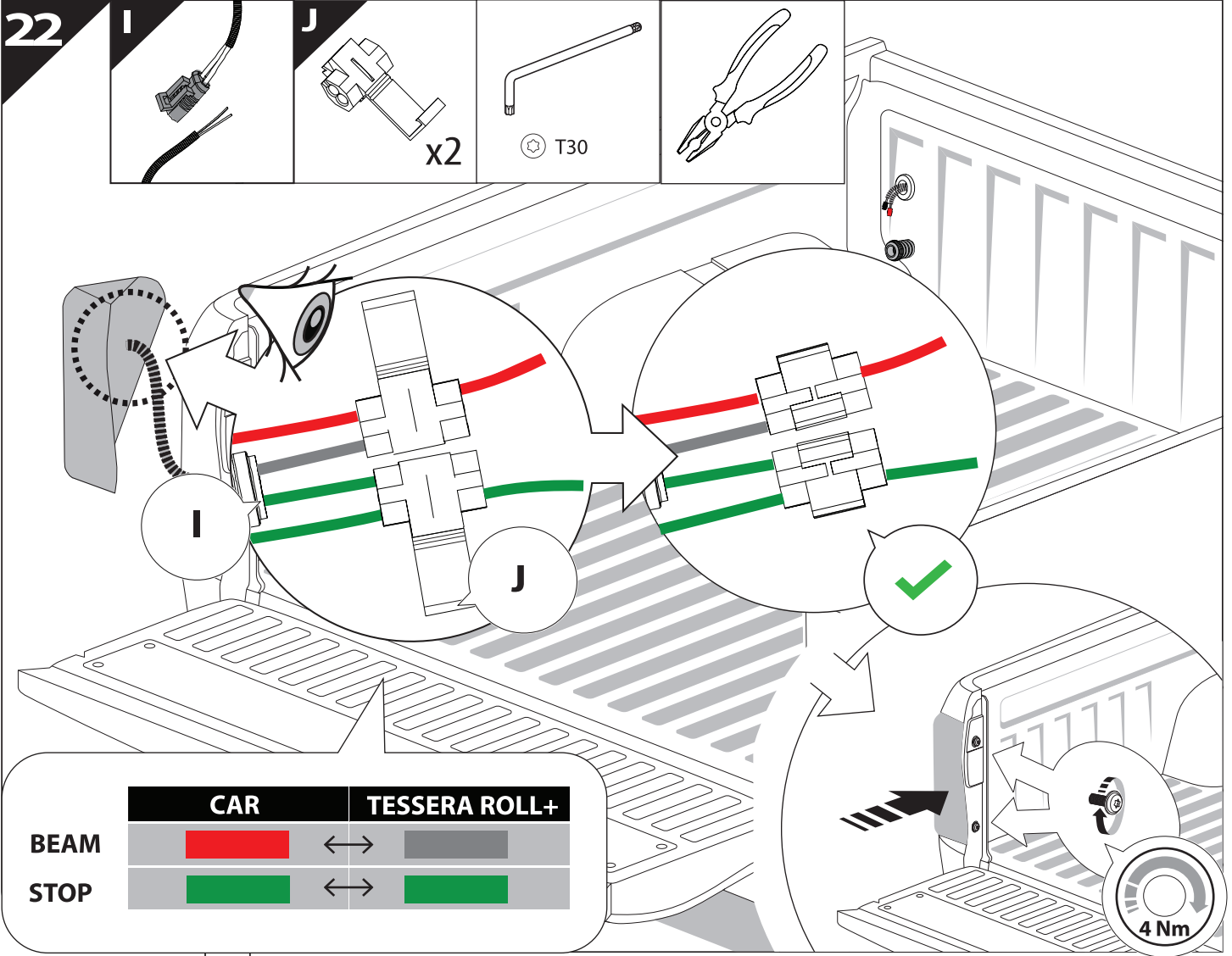
19

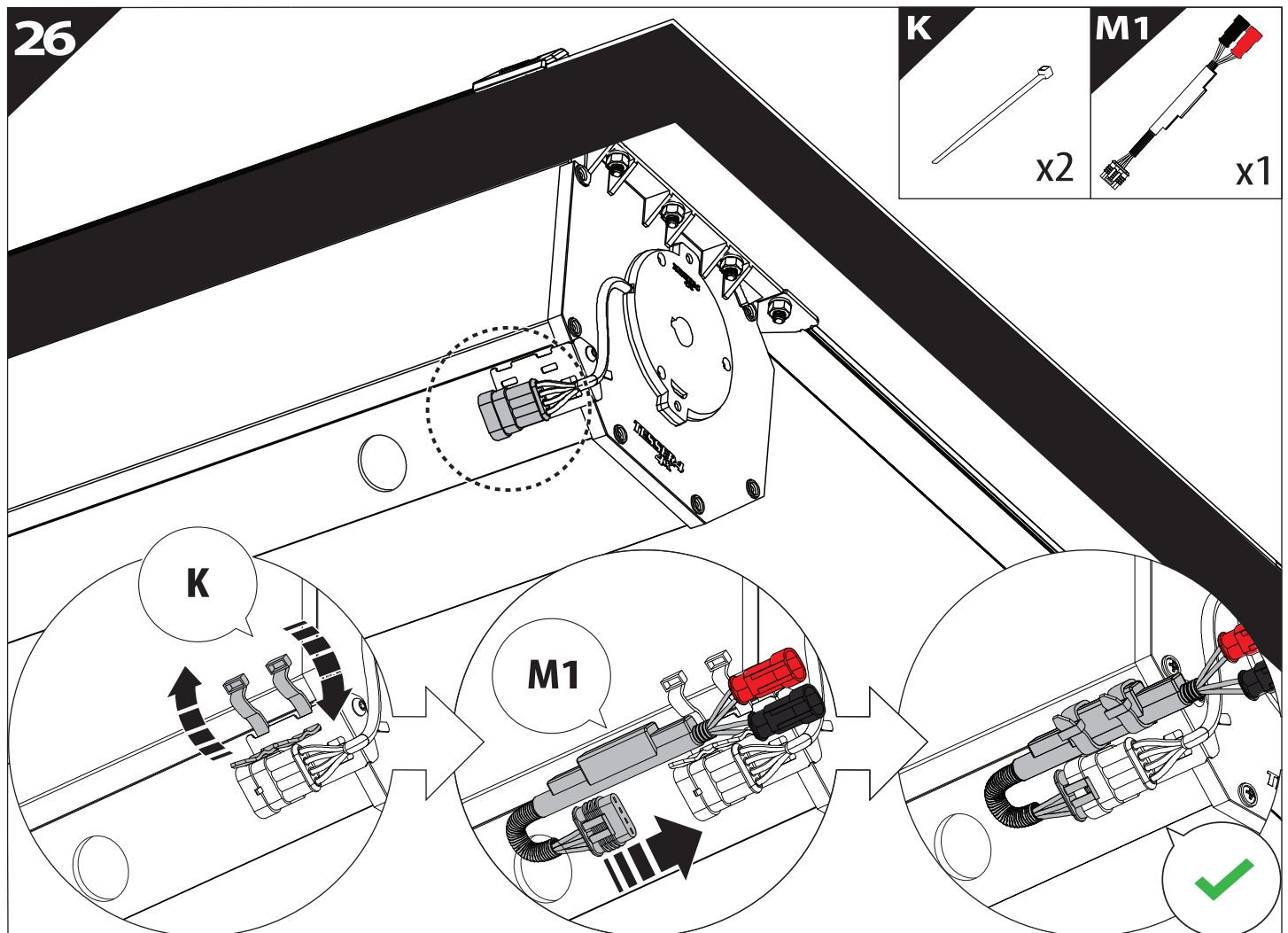
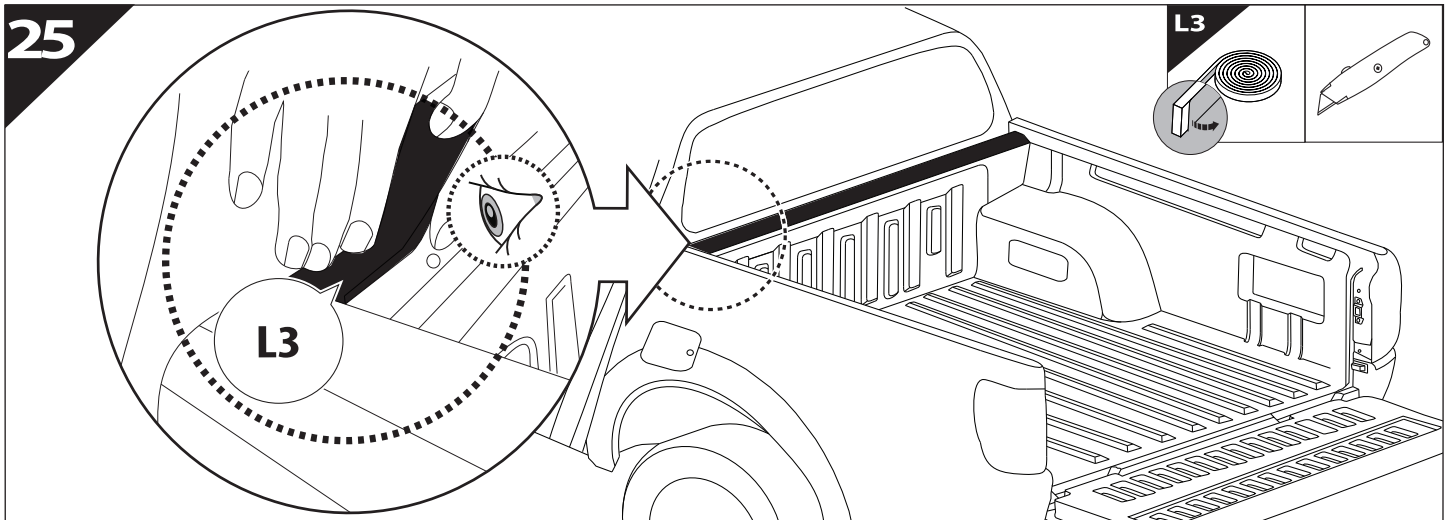
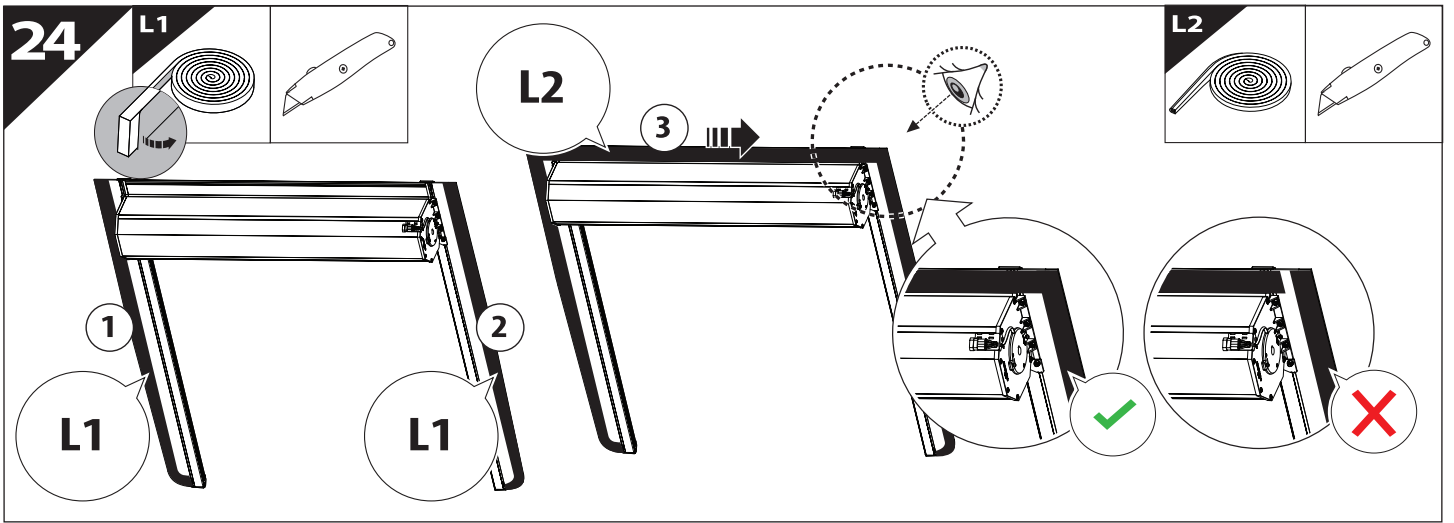


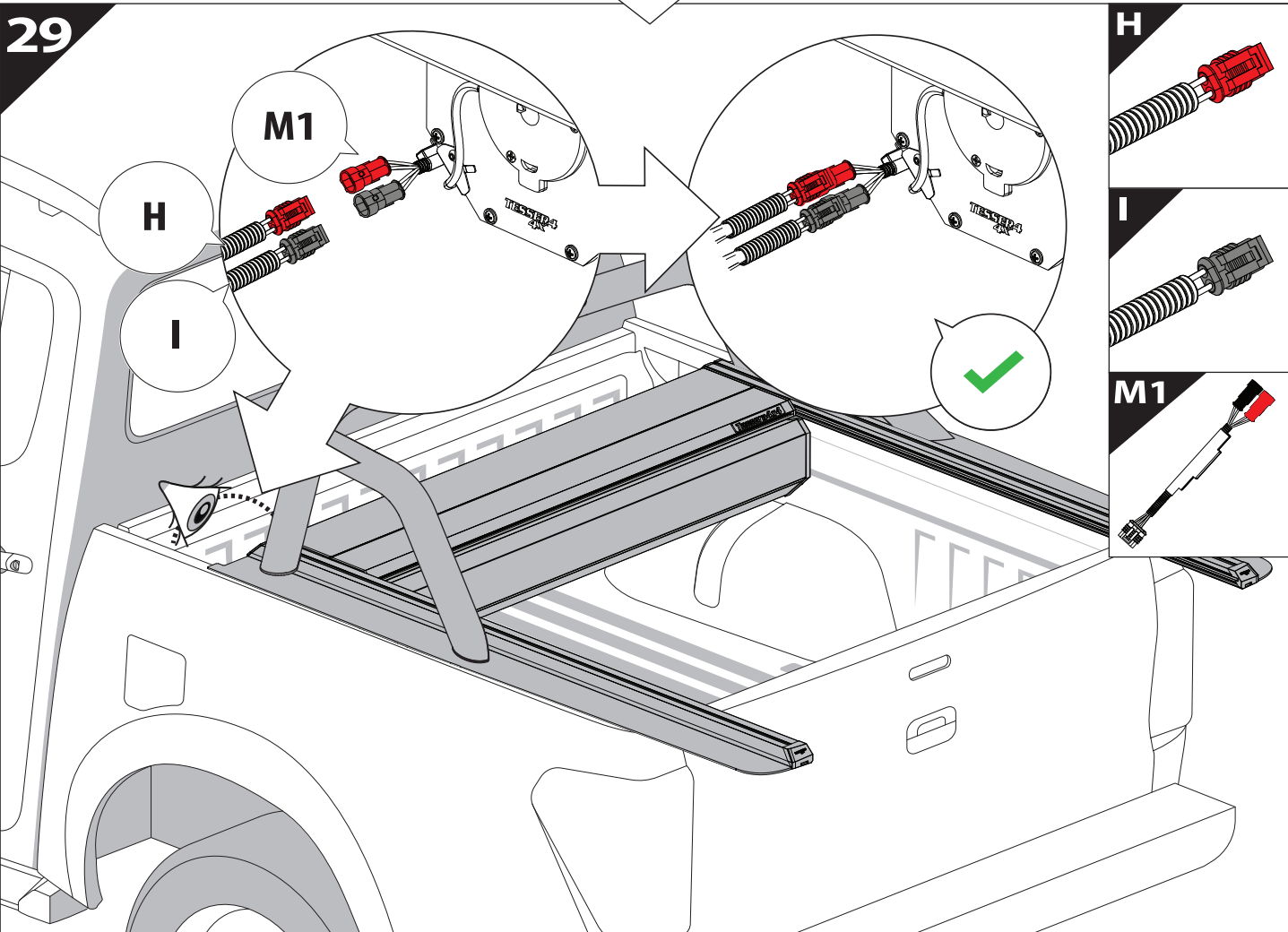
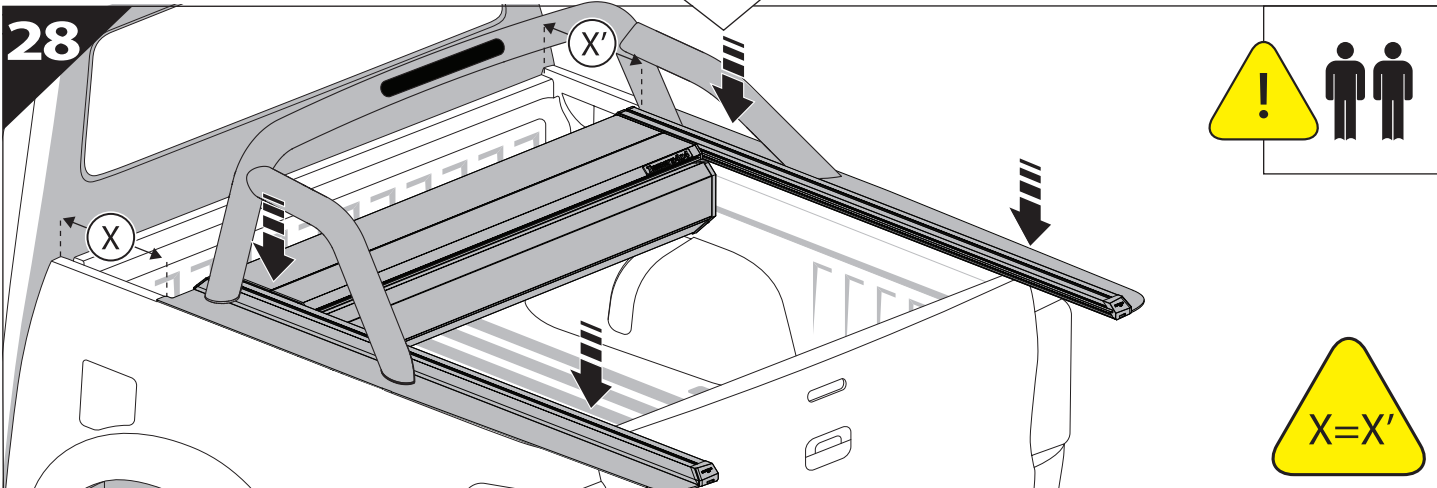
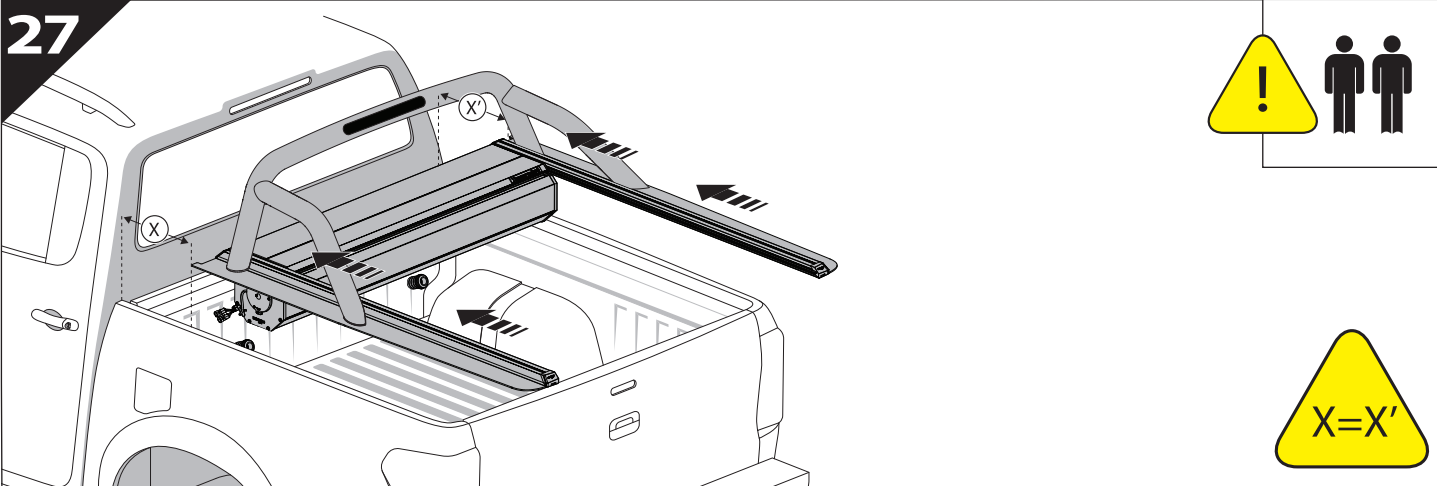
19.1





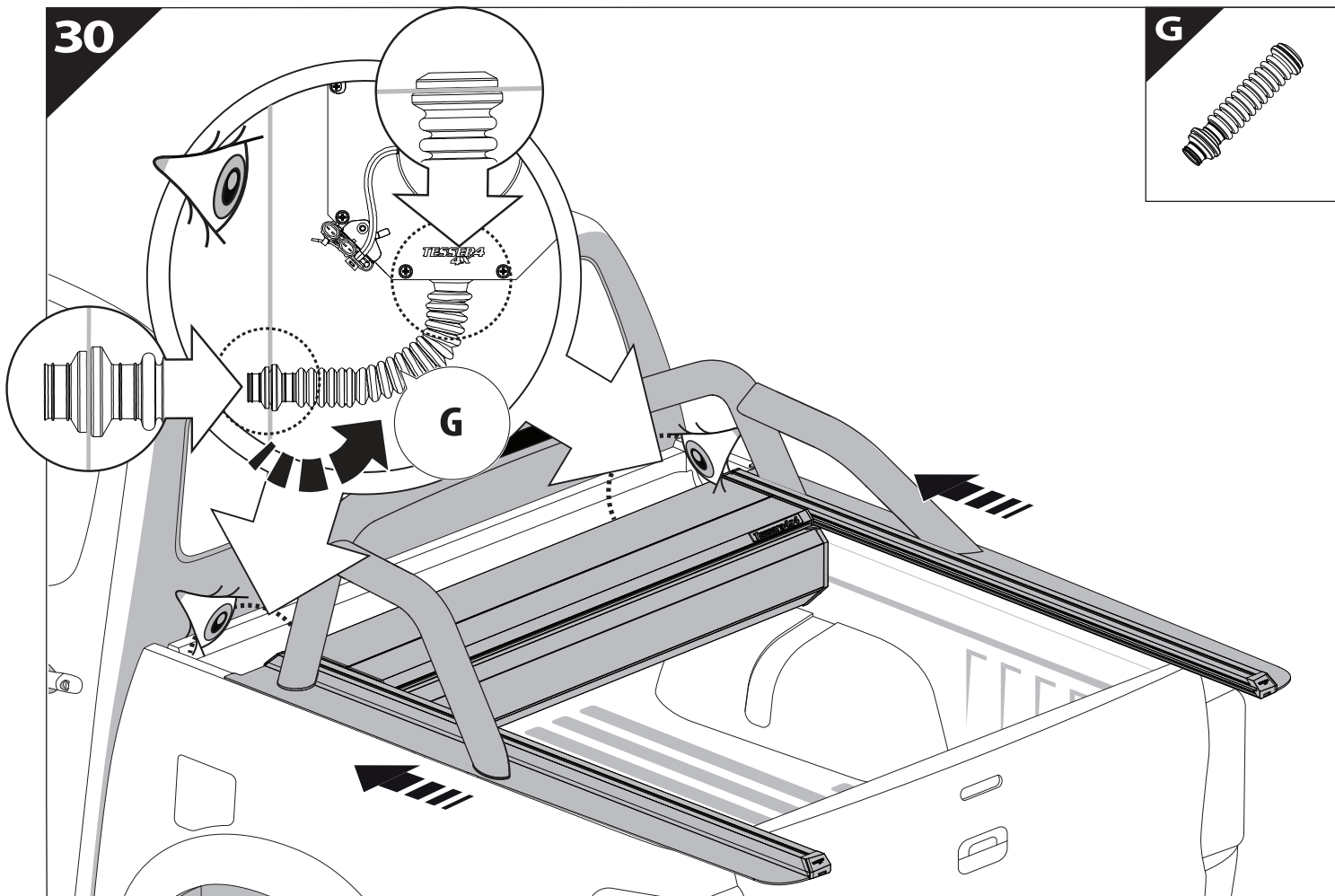




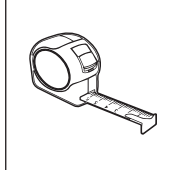
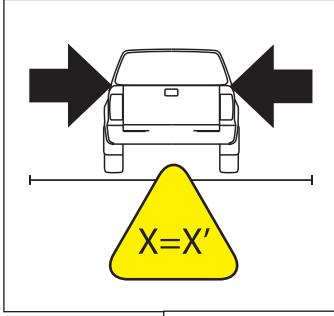
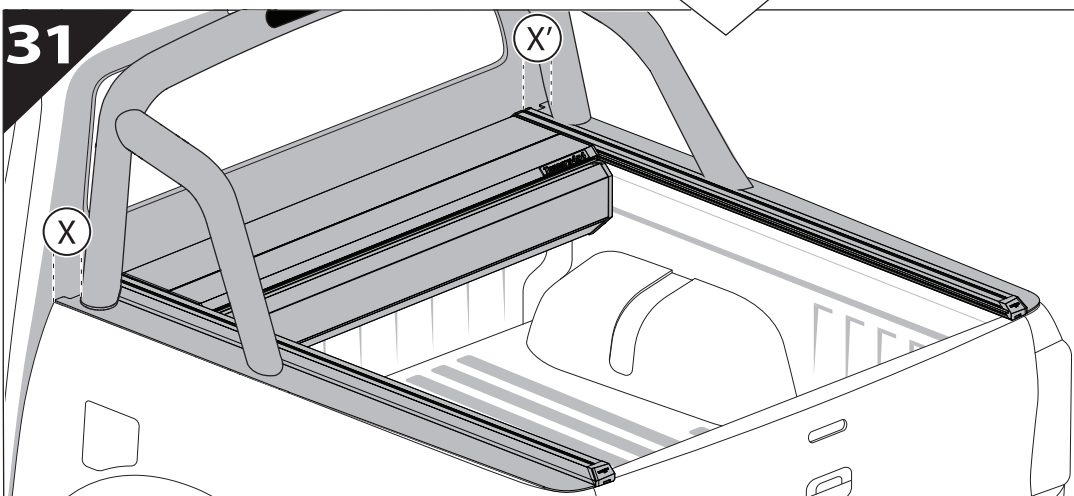


30

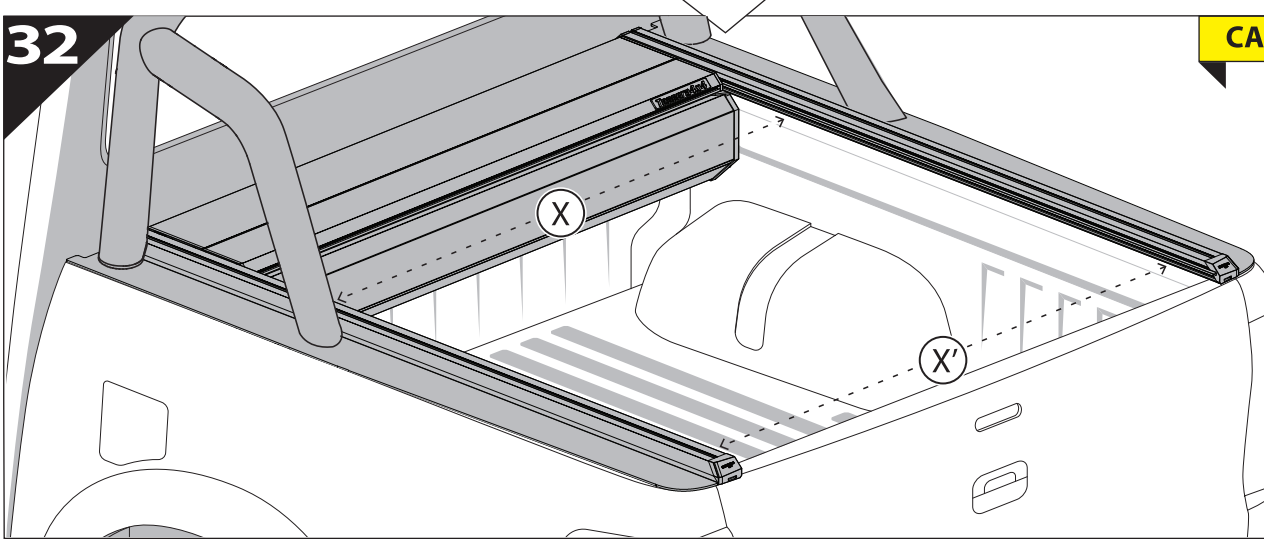
G



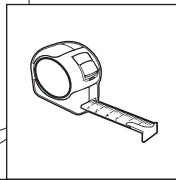
31



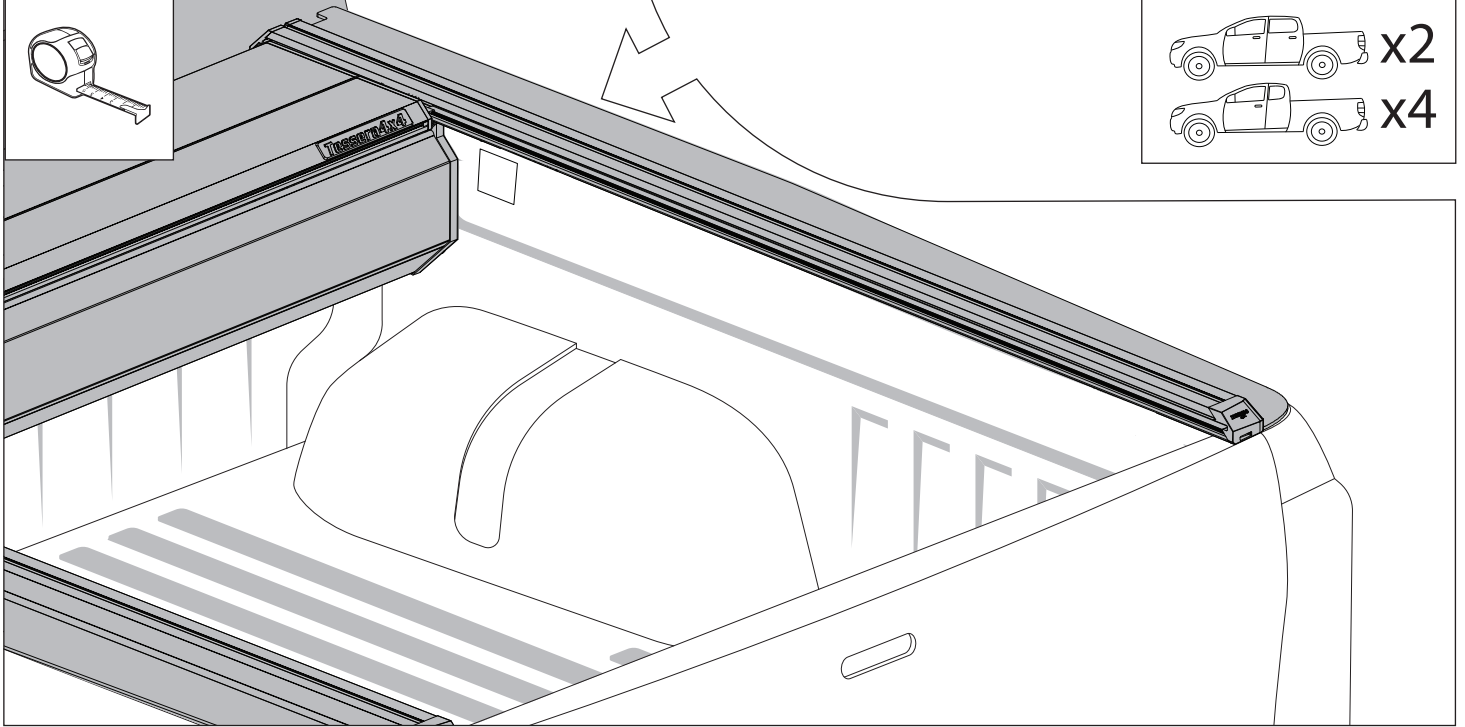
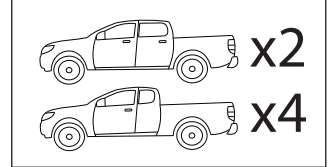
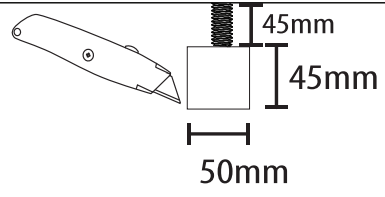
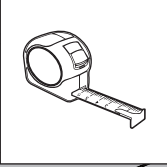
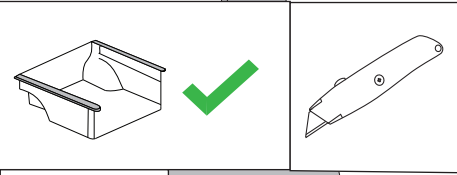
32



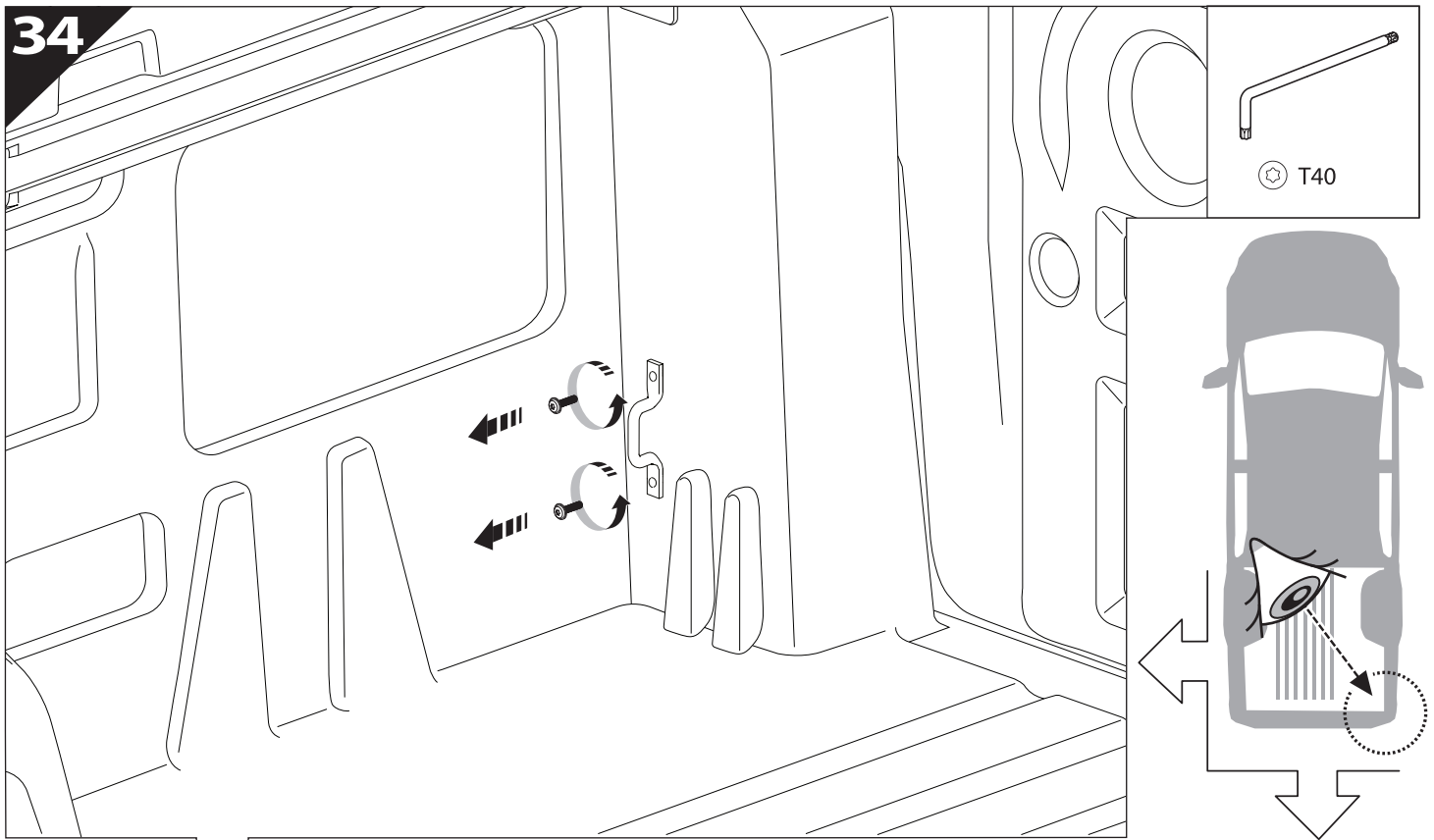
CAUTION !



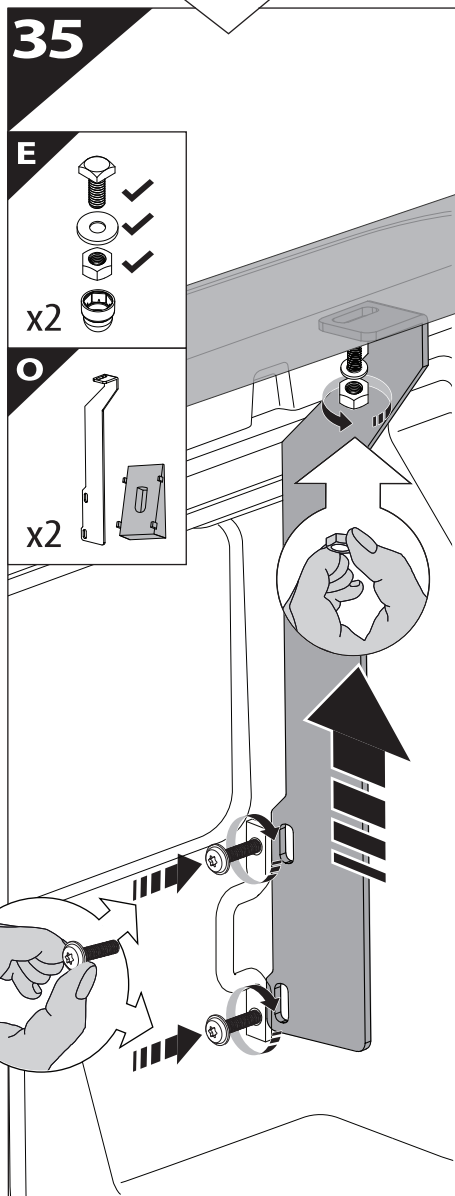
33



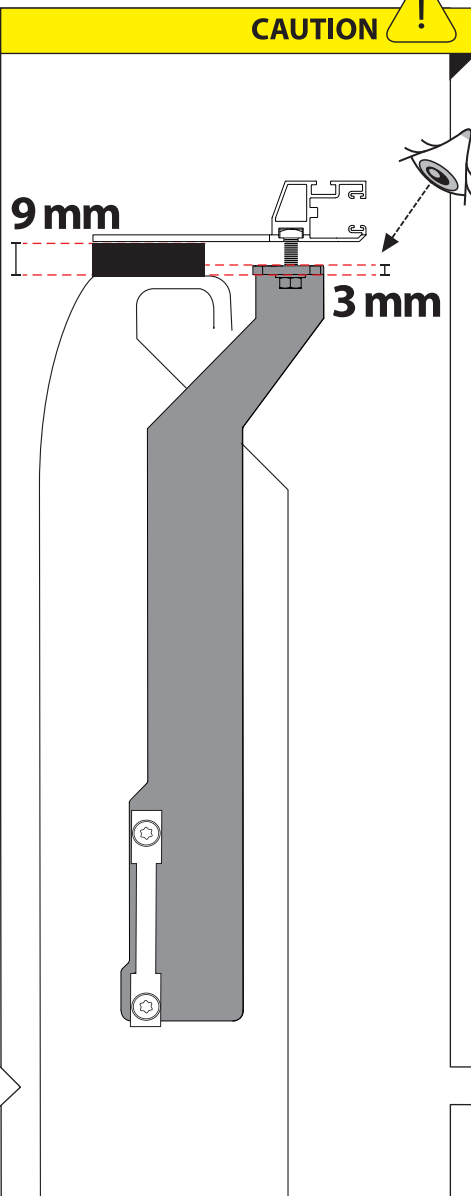
34



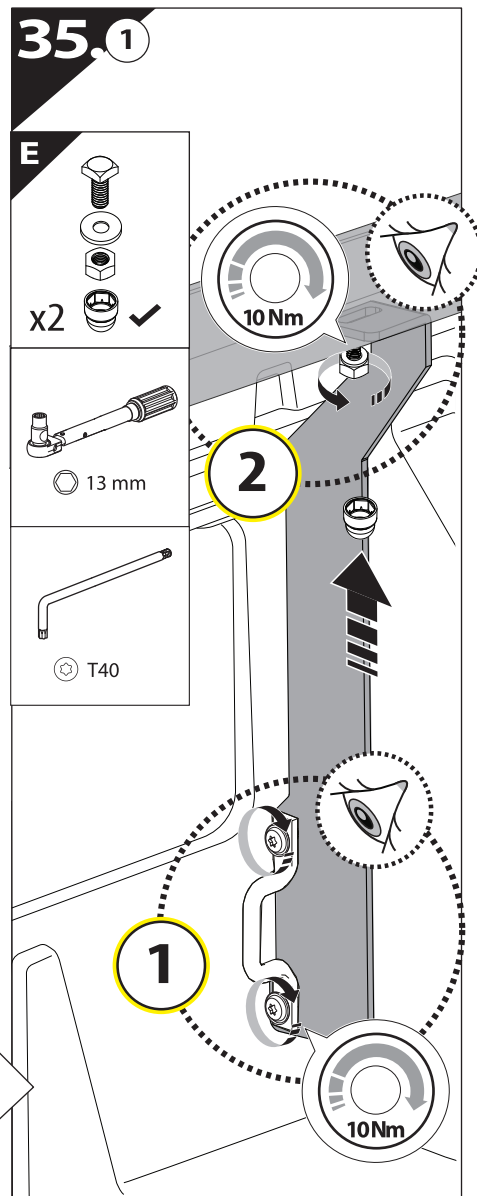
35



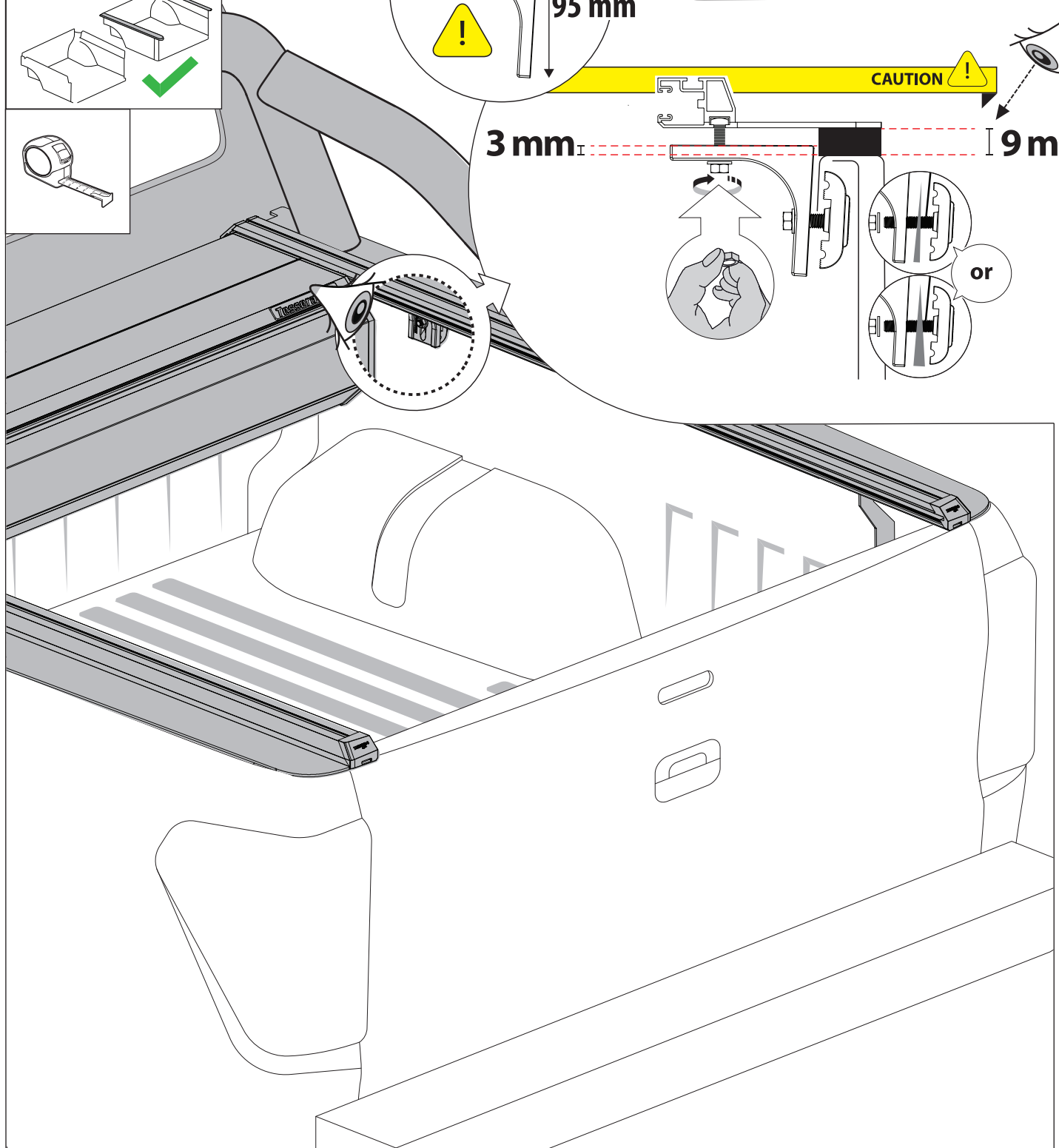
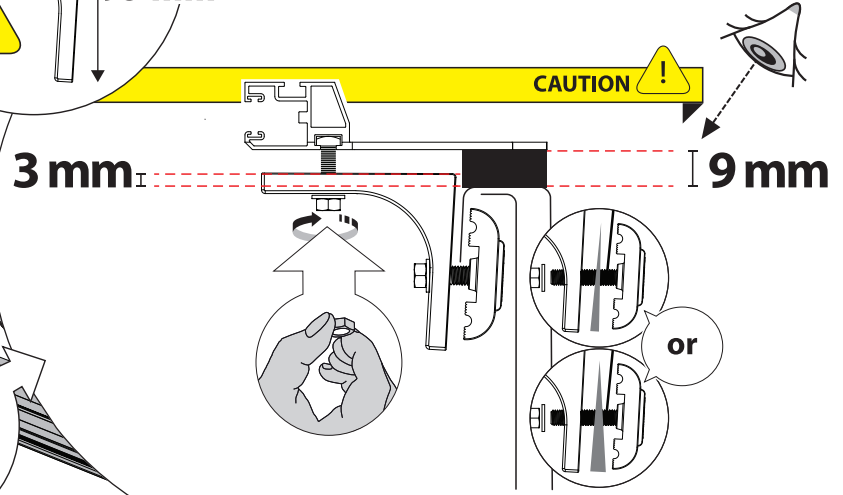
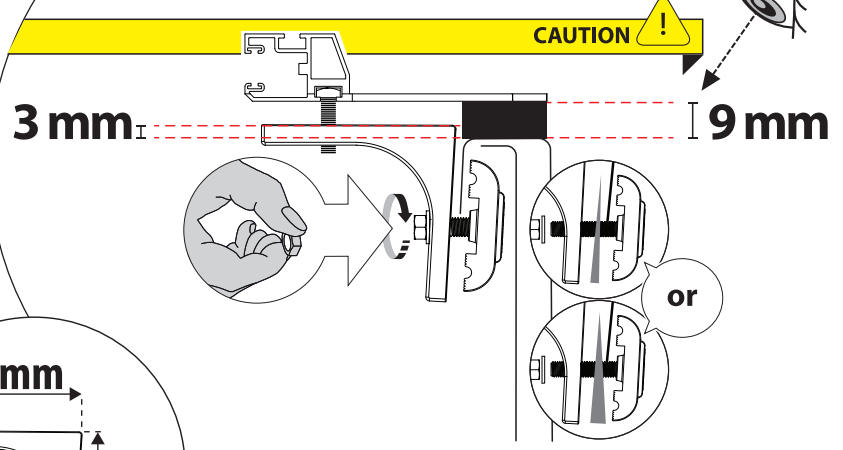
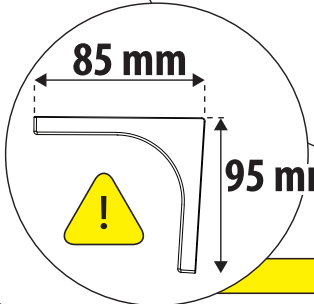
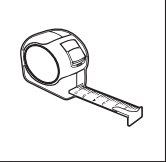
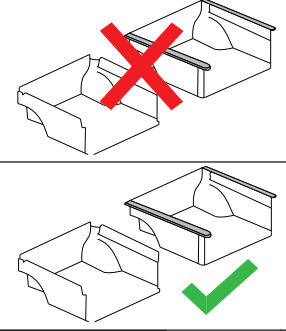
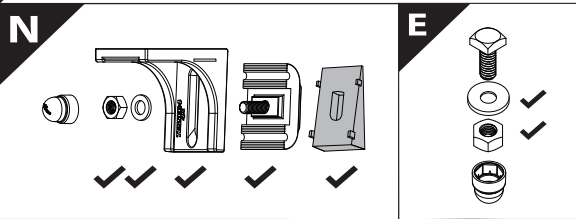
CAUTION !

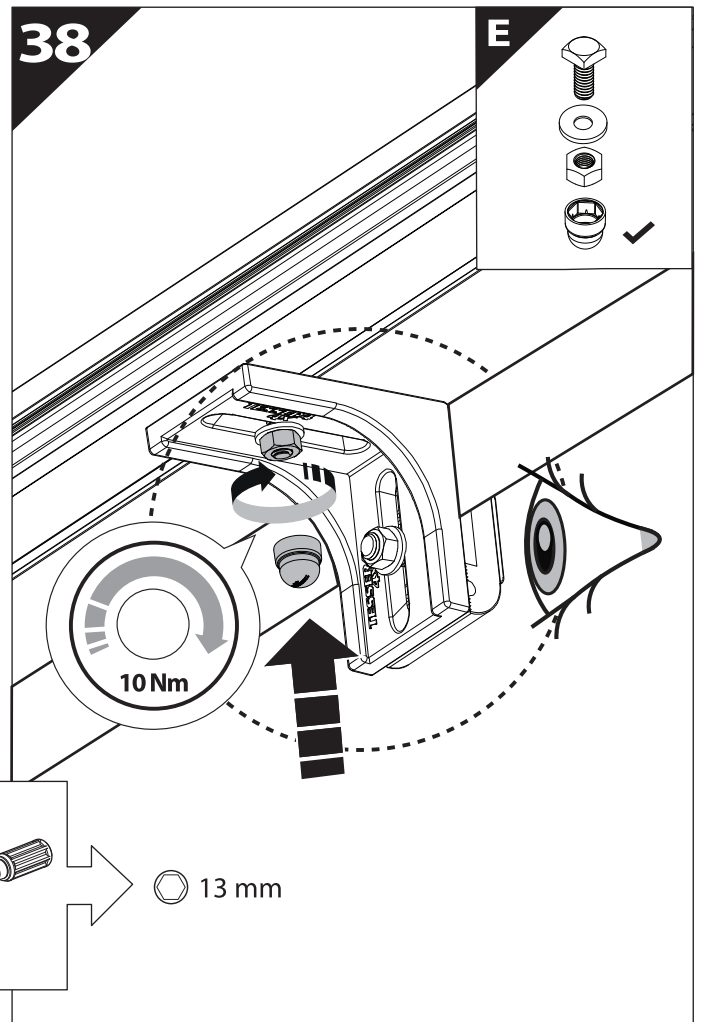
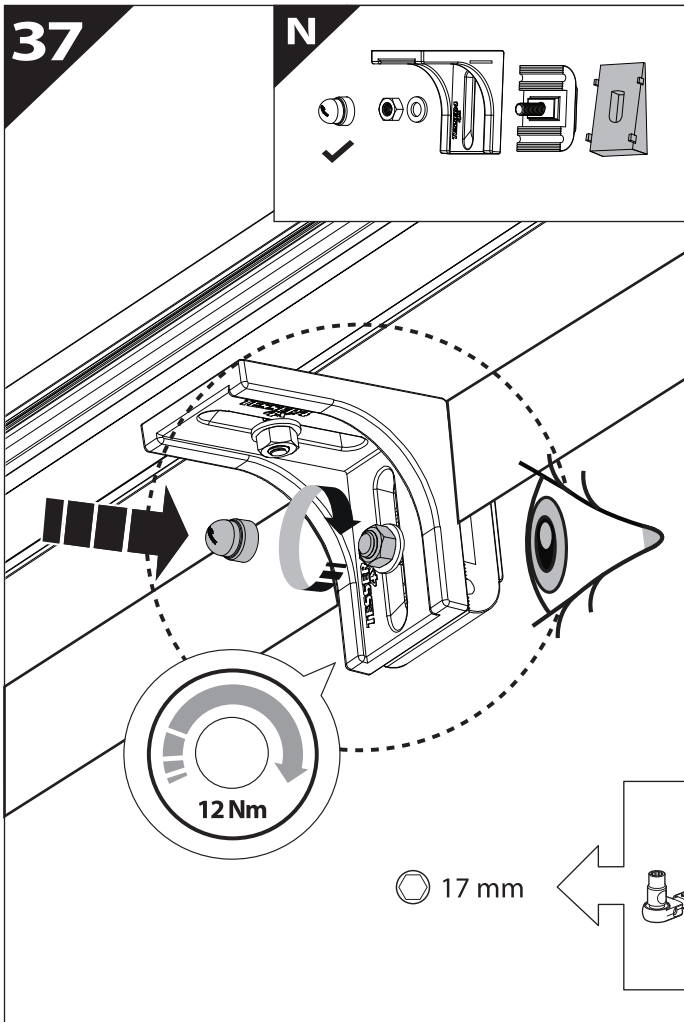


35.1

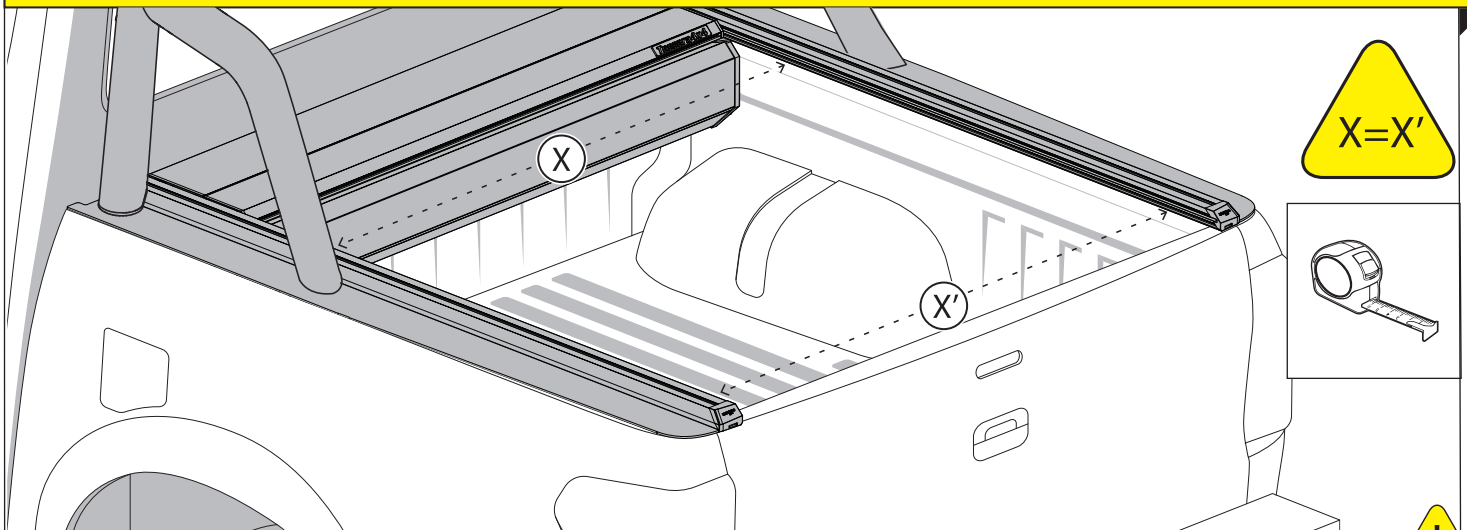


36

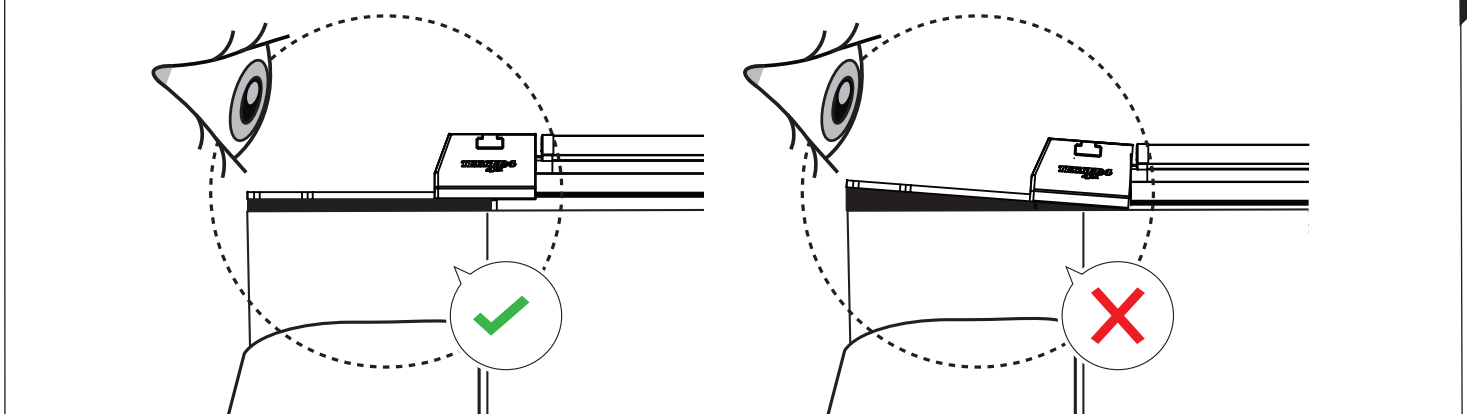




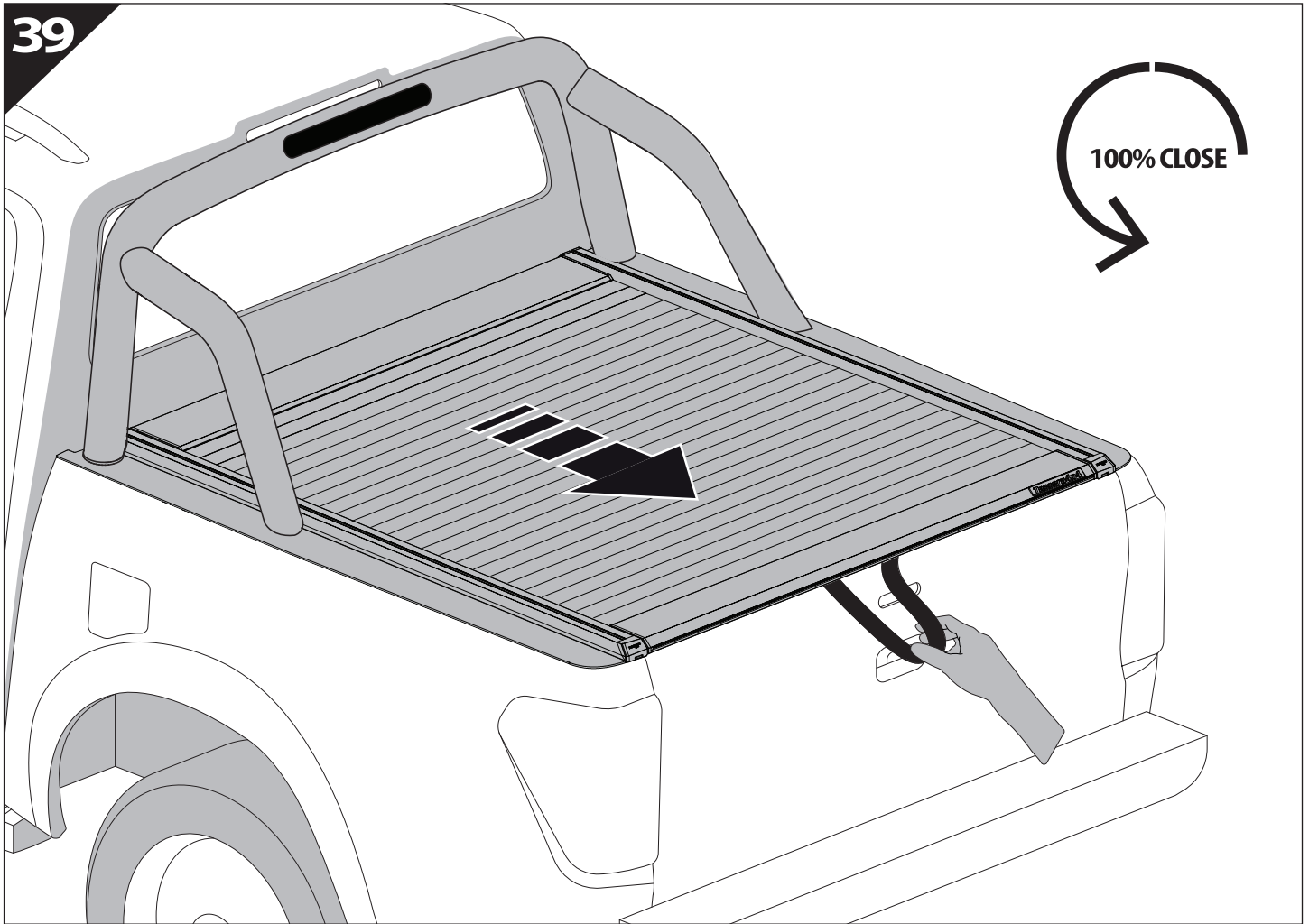
CAUTION !



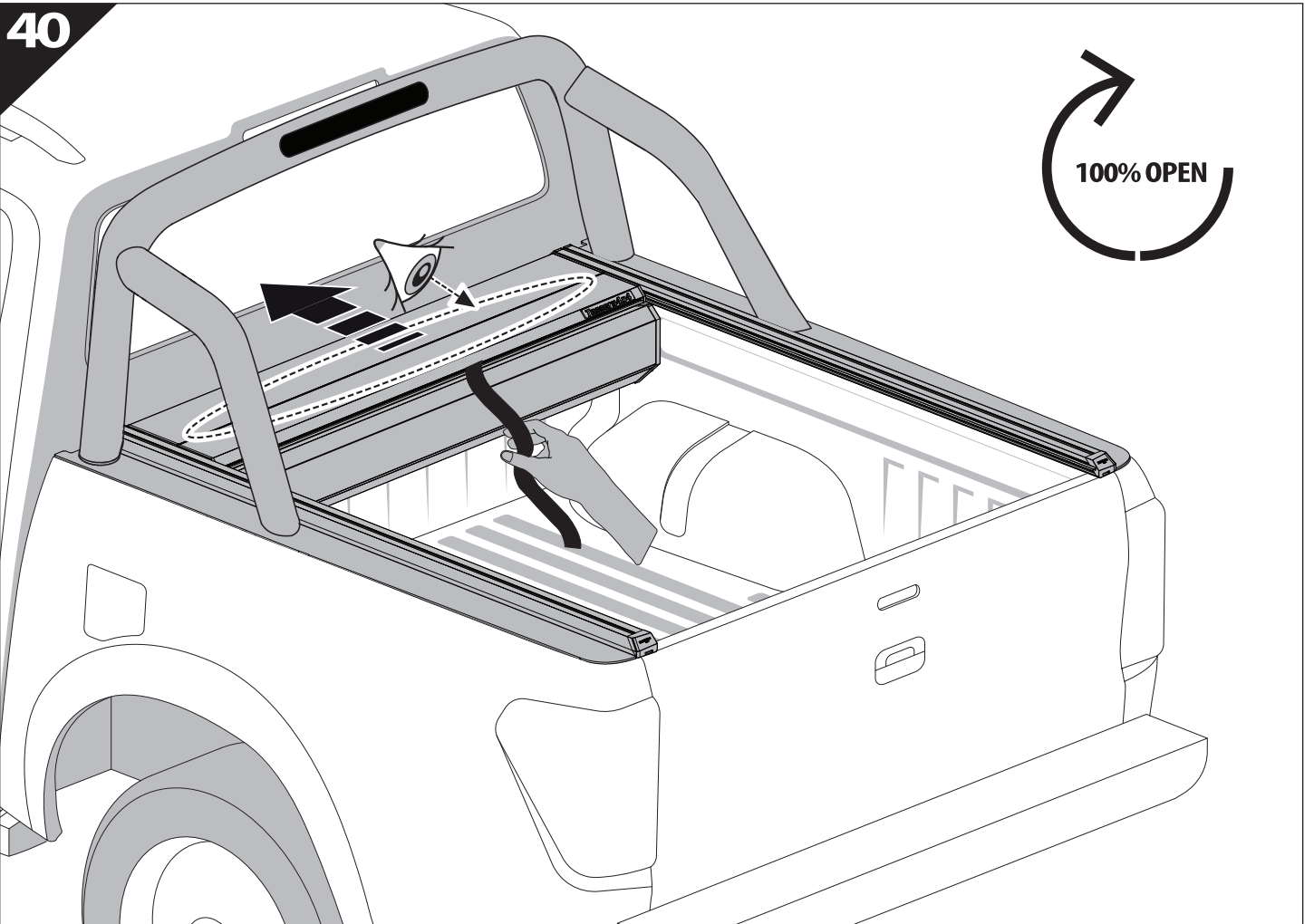
CAUTION !



39



40





GR: Οδηγίες Εγκατάστασης
GB: Installation manual
SF: Asennusohje
F: Notice de montage
PL: Instrukcja montażu
NL: Installatie-instructies
TR: Montaj Talimatı
S: Monteringsanvisning
E: Instrucciones de montaje

H: Szerelési utasítás
P: Instruções de instalação
RUS: Инструкция по установке
N: Monteringsveiledning
D: Einbauanleitung
CZ: Návod k instalaci
I: Istruzioni de montaggio
DK: Monteringsvejledning
RO: Instructiuni de instalare

Customer Service:

+30 (210) 5541161, +30 (210) 5541154 (08:00 - 16:00 EET)

Support department:

info@gianso.gr

Website:

www.tessera4x4.com

Address:

19.5 km of National road Athens-Korinthos (Elefsina) Greece, P.C: 19200