

# Tessera Roll+

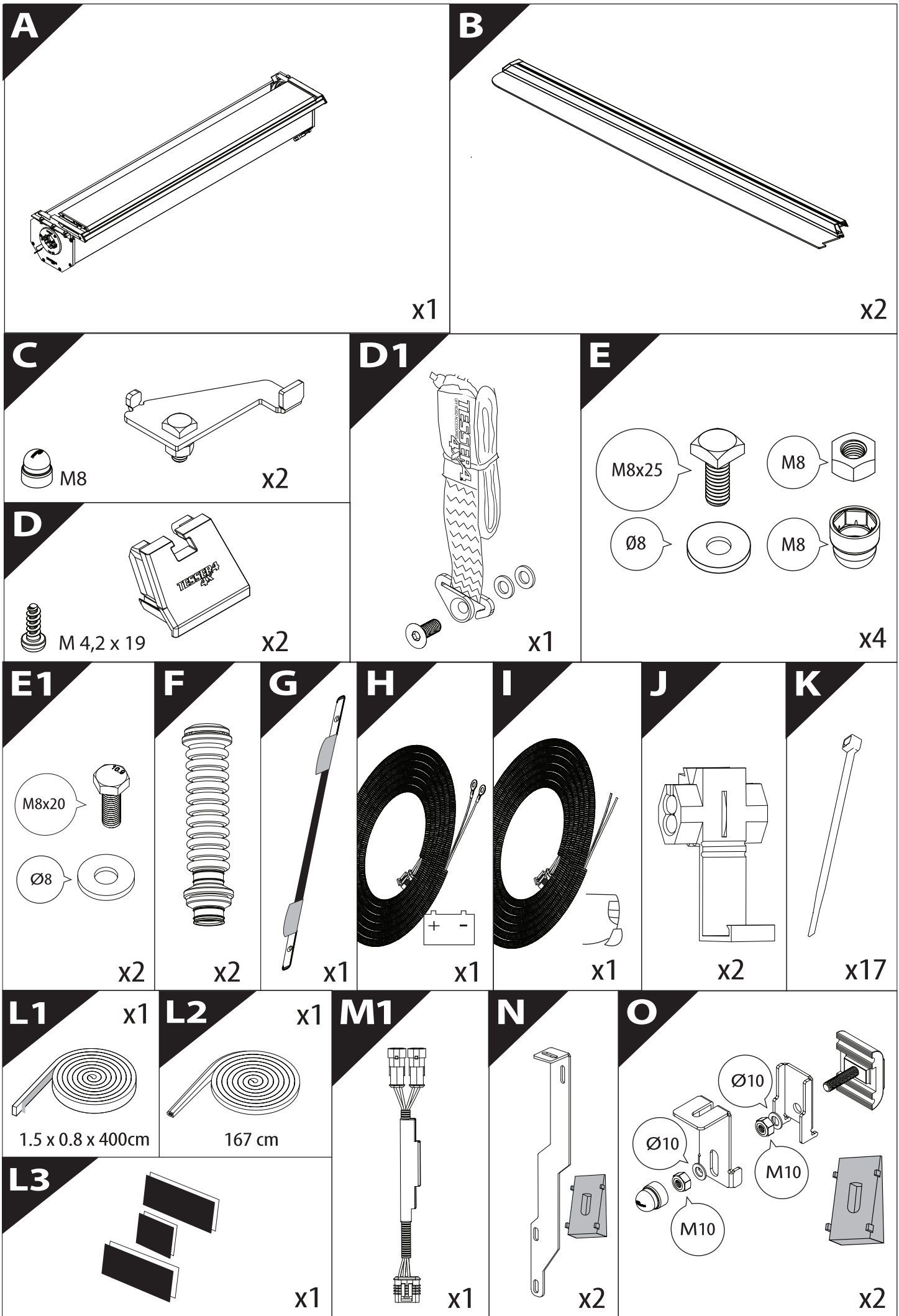
## Basic Version + ⚙️ S-KIT



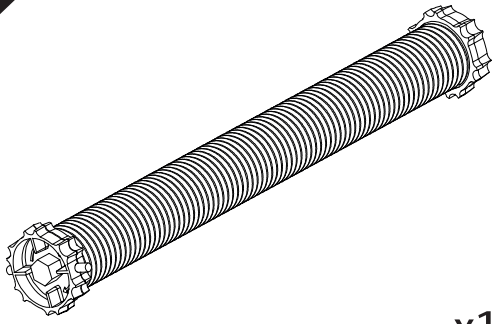
## Installation Manual

PART NUMBER(S)	Model Year
TESS 14061 ROLL+S-KIT	FORD RANGER <b>RAPTOR</b> 2023+ (P 703)
Cab(s)	Installation Time / Weight
Double Cab	40-60 minutes / 53-57 kg

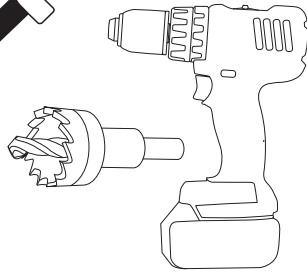




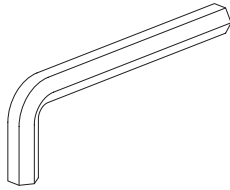
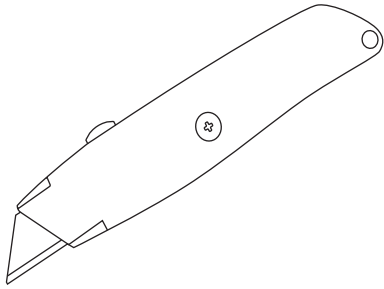
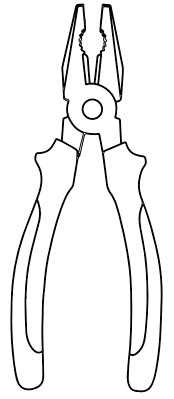
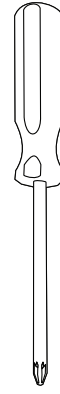
P



x1

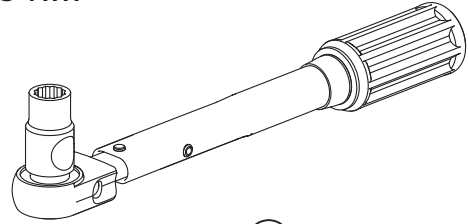


Ø 25 mm

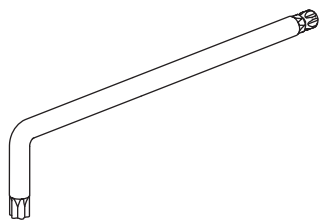
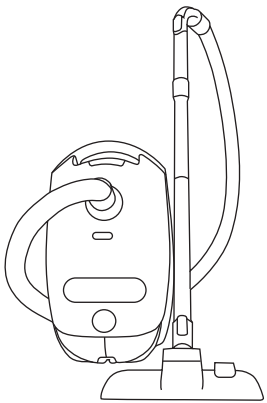
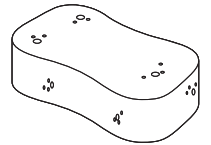
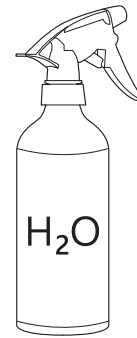
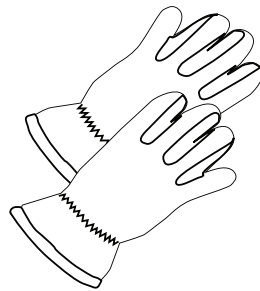
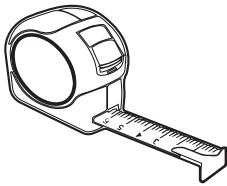


4 mm

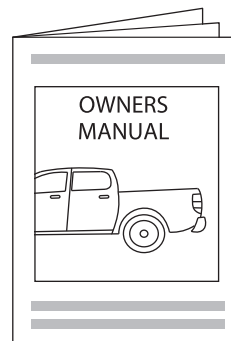
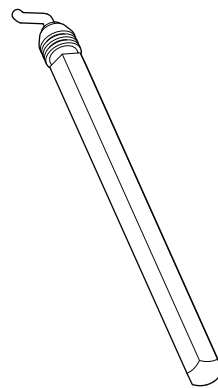
1 - 25 Nm



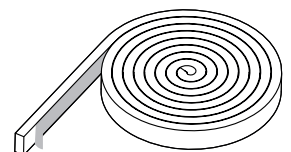
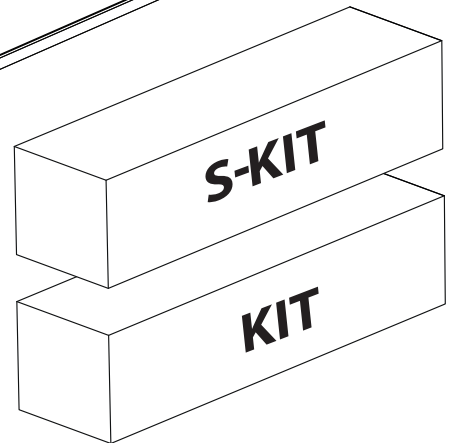
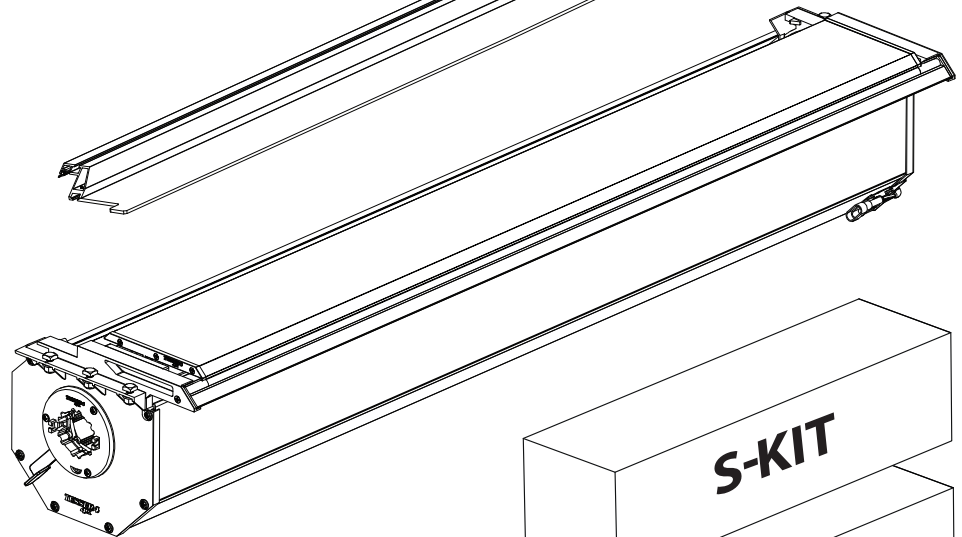
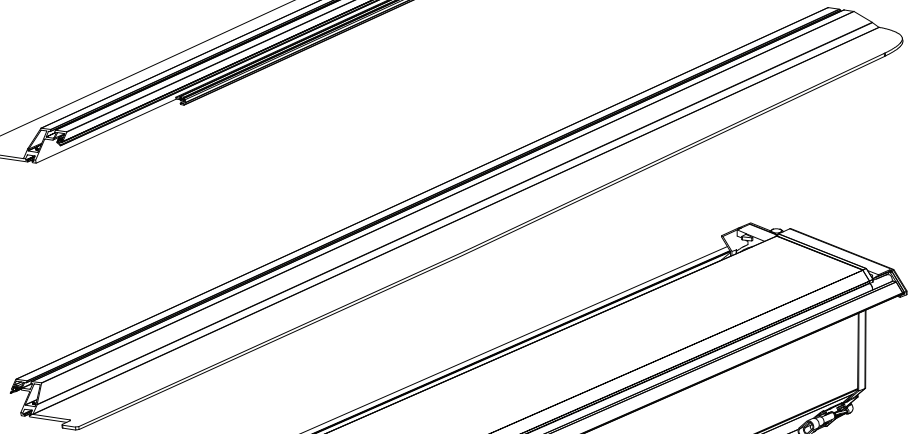
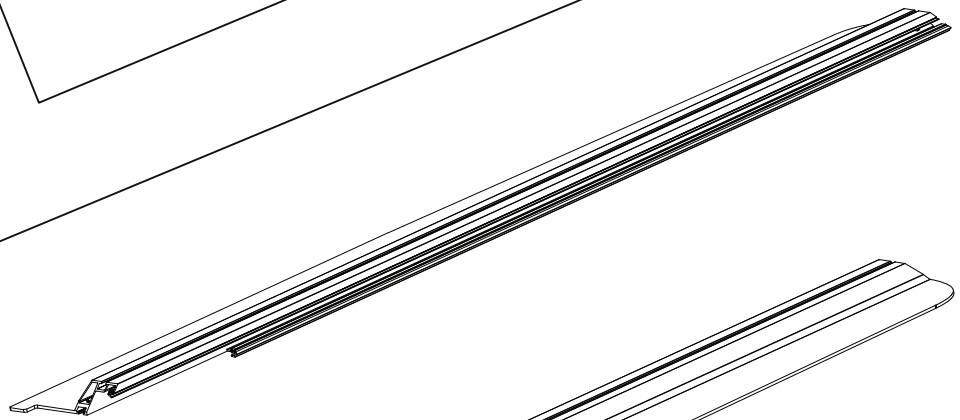
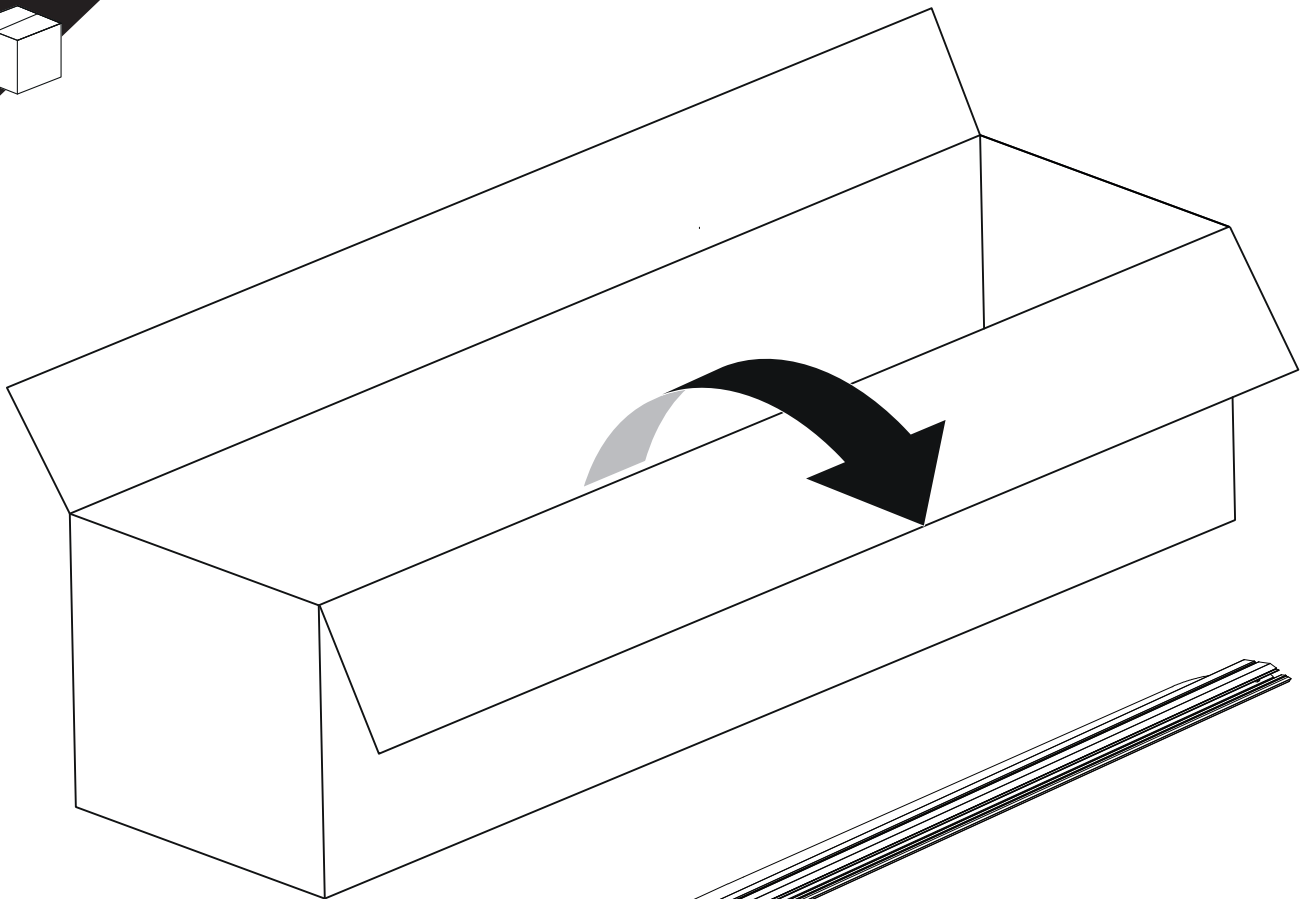
10, 12, 13, 17 mm



T30, T40



x1

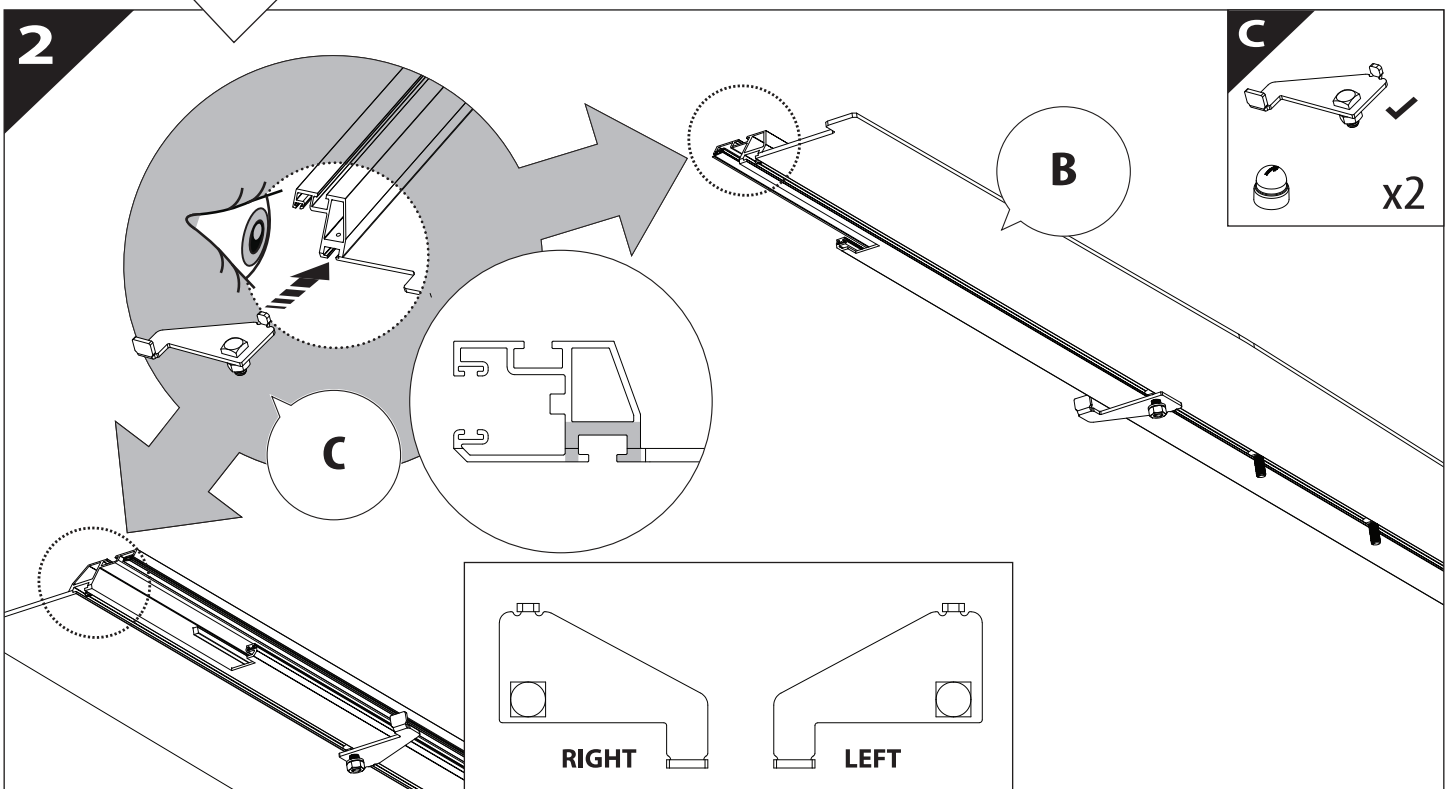
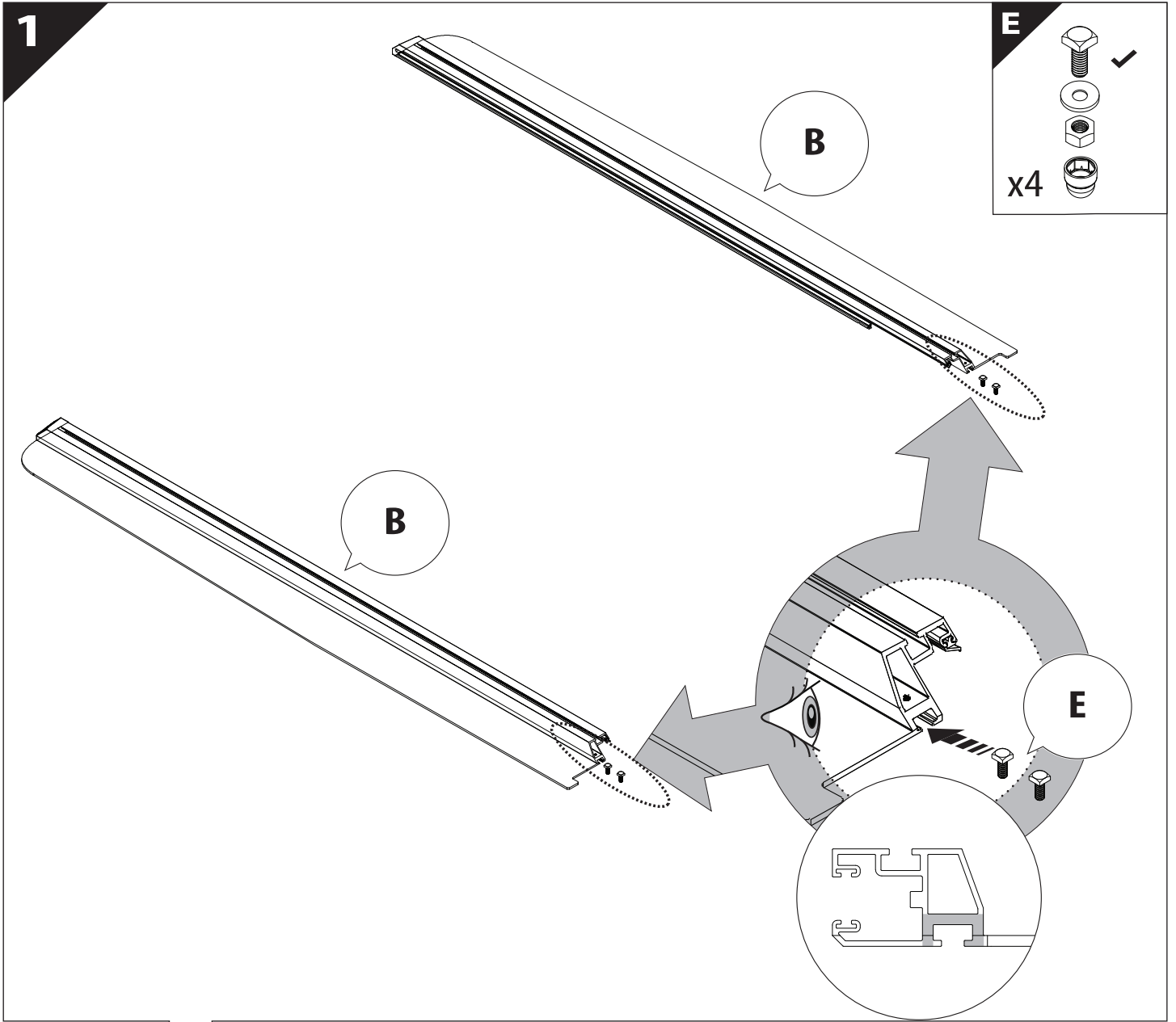


**B**

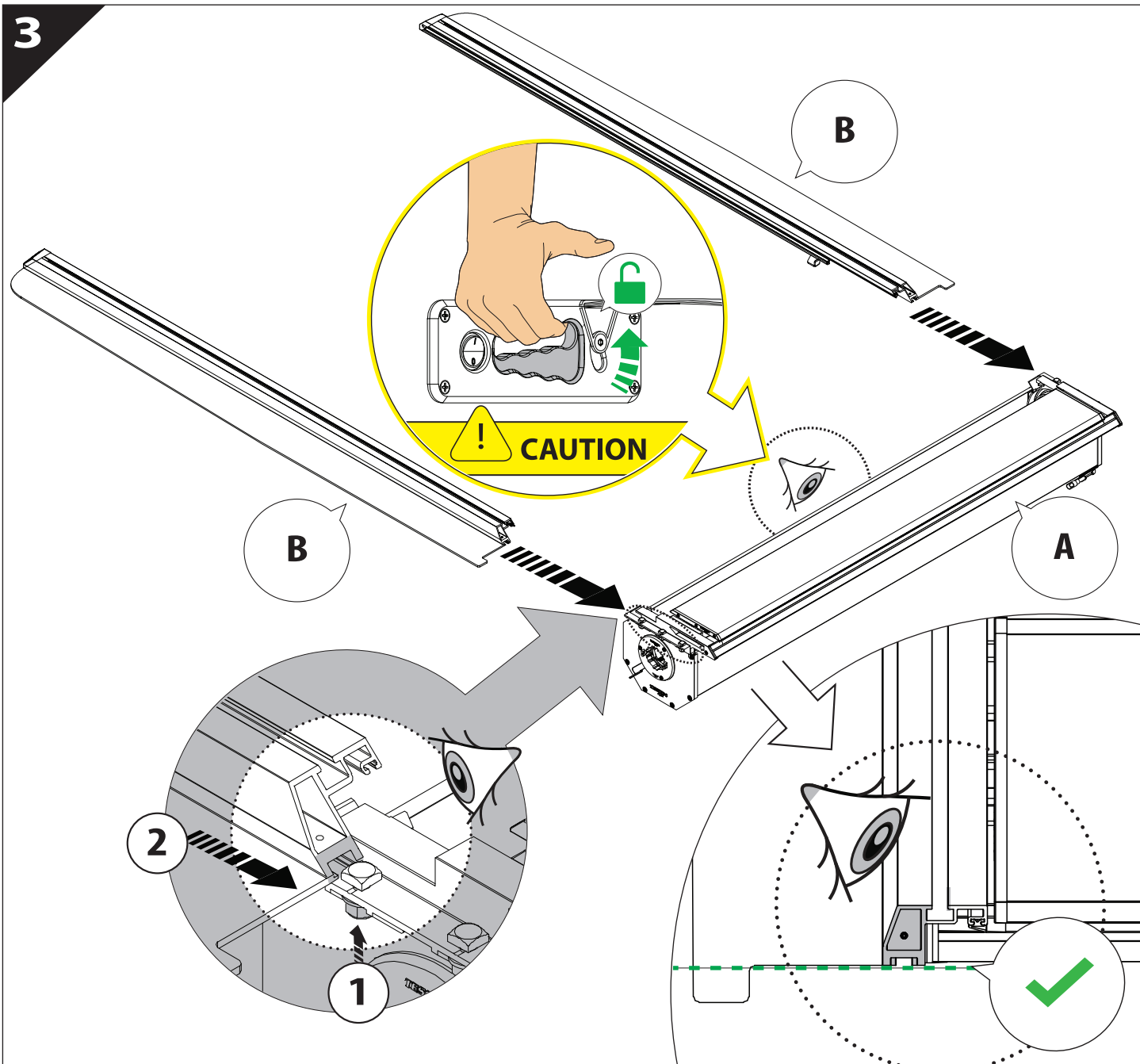
**A**

**KITS**

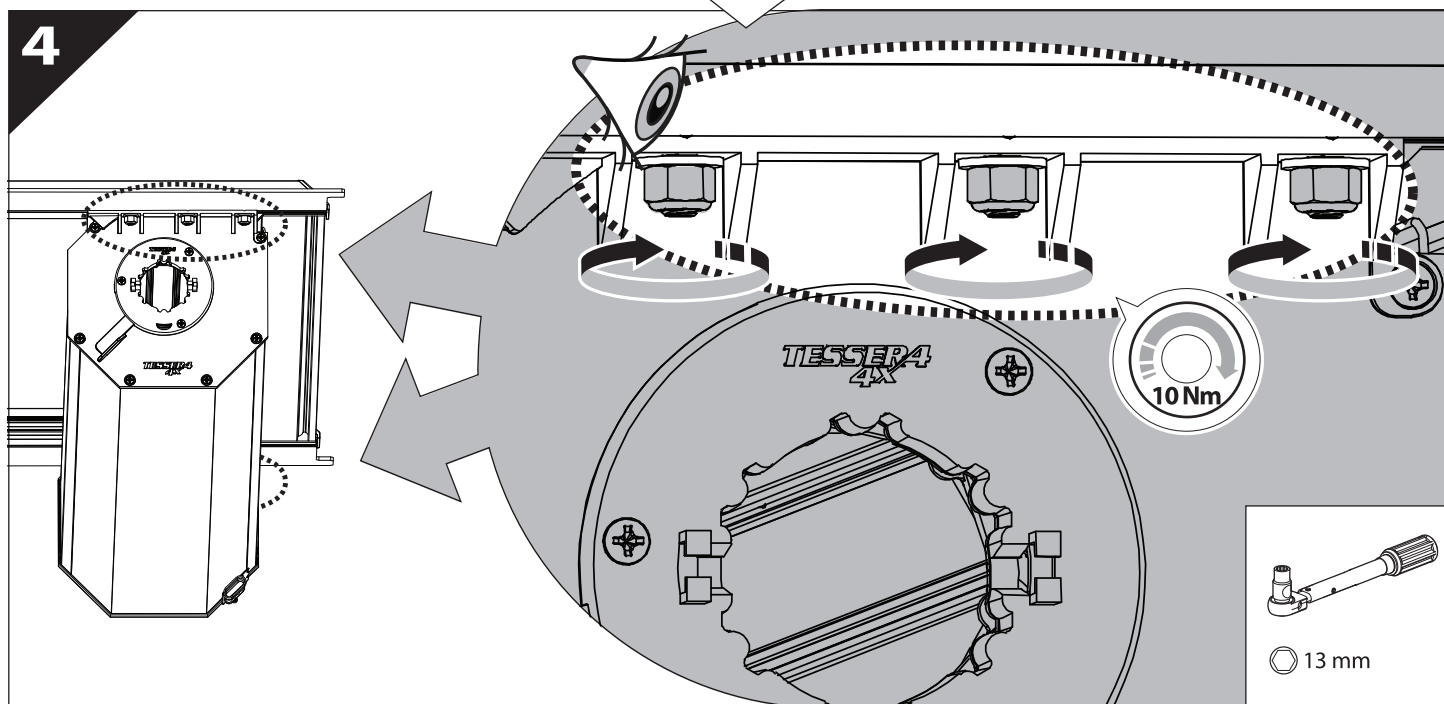
**L**

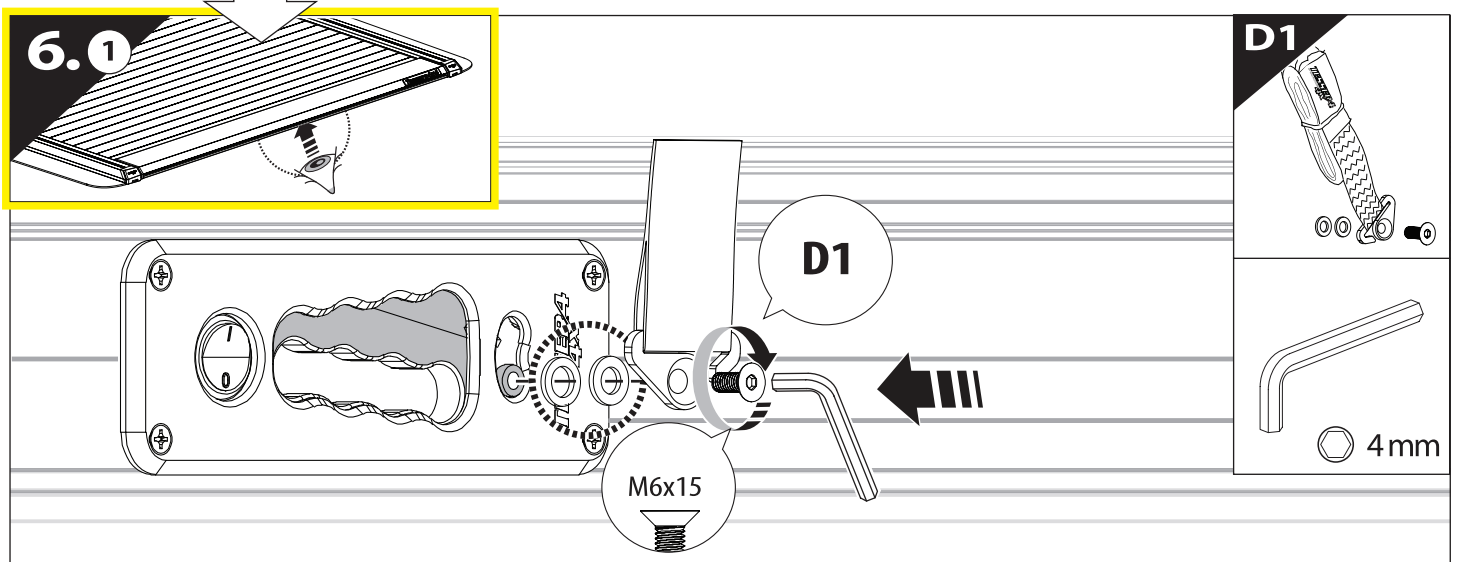
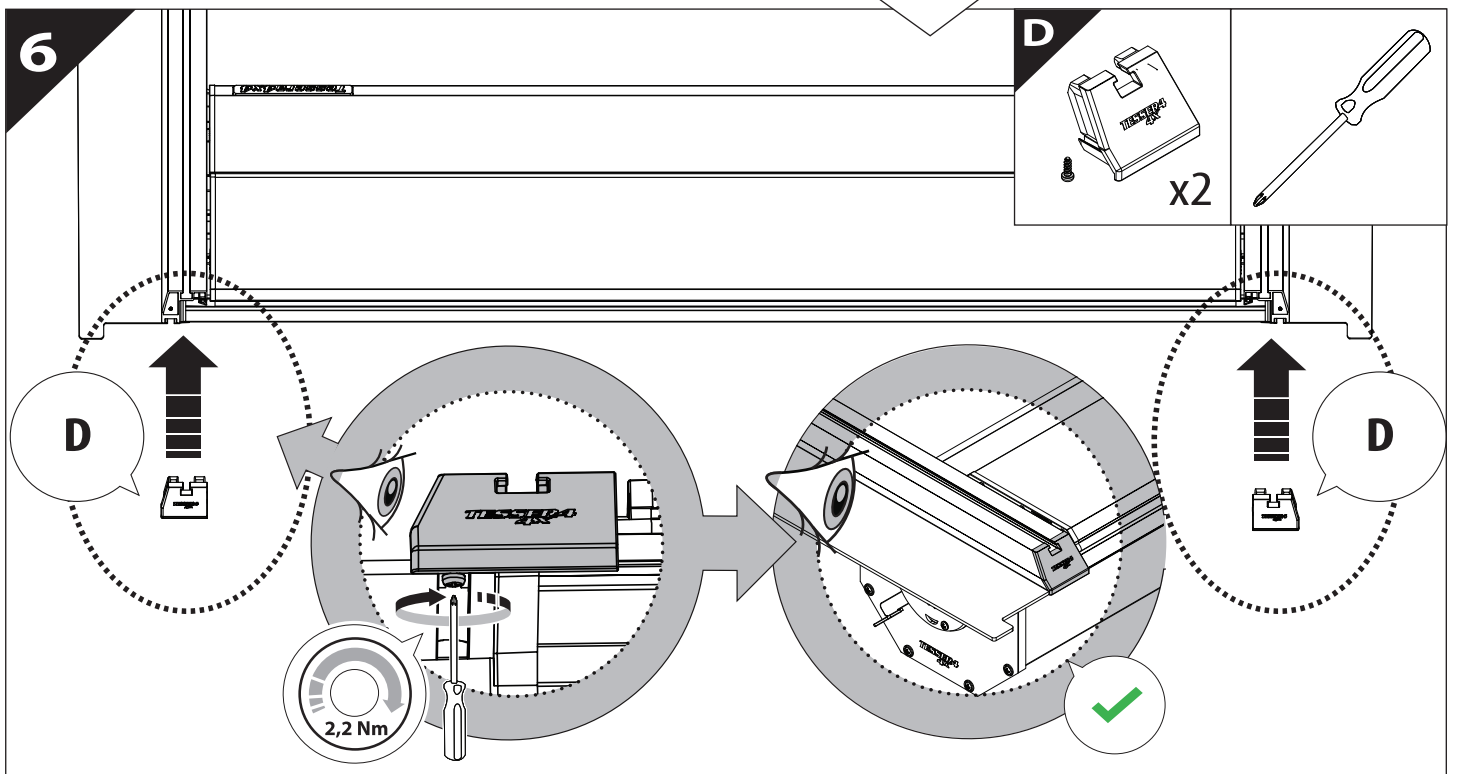
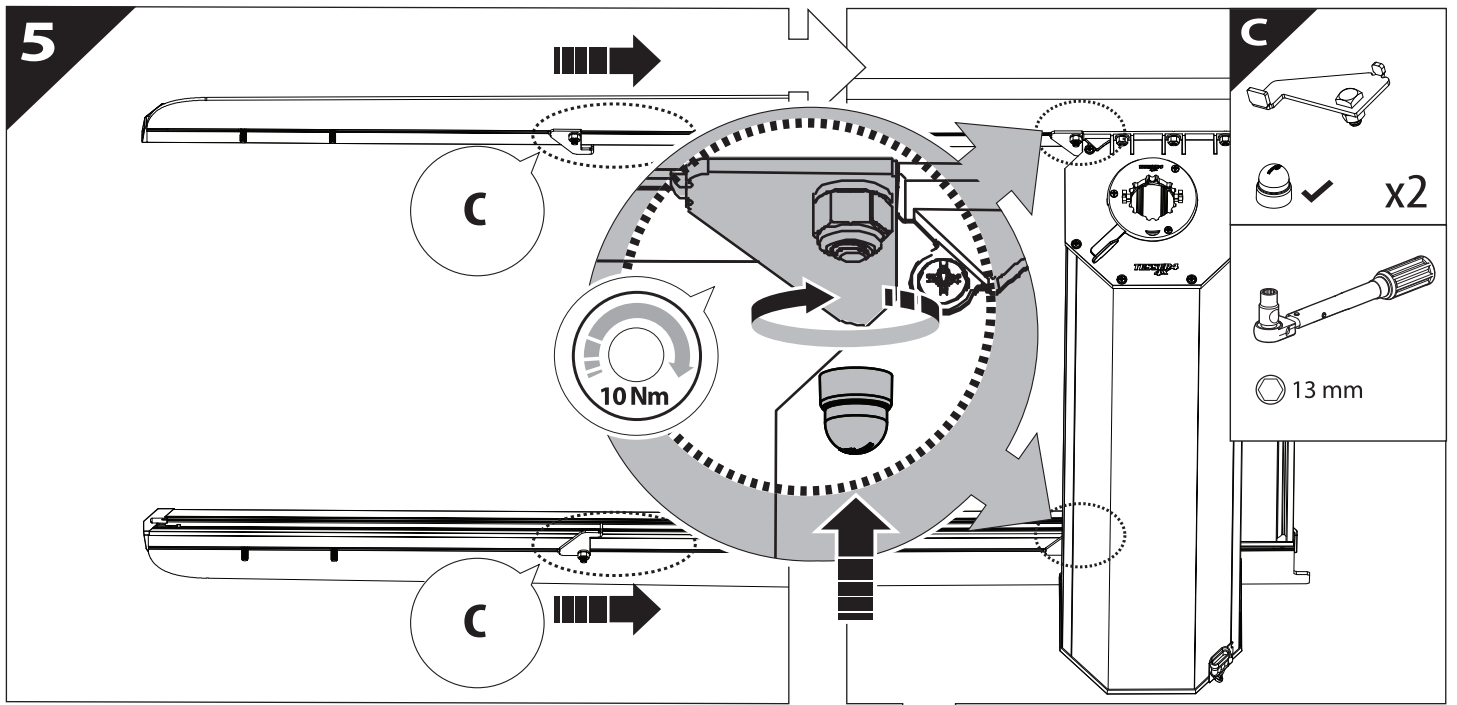


3

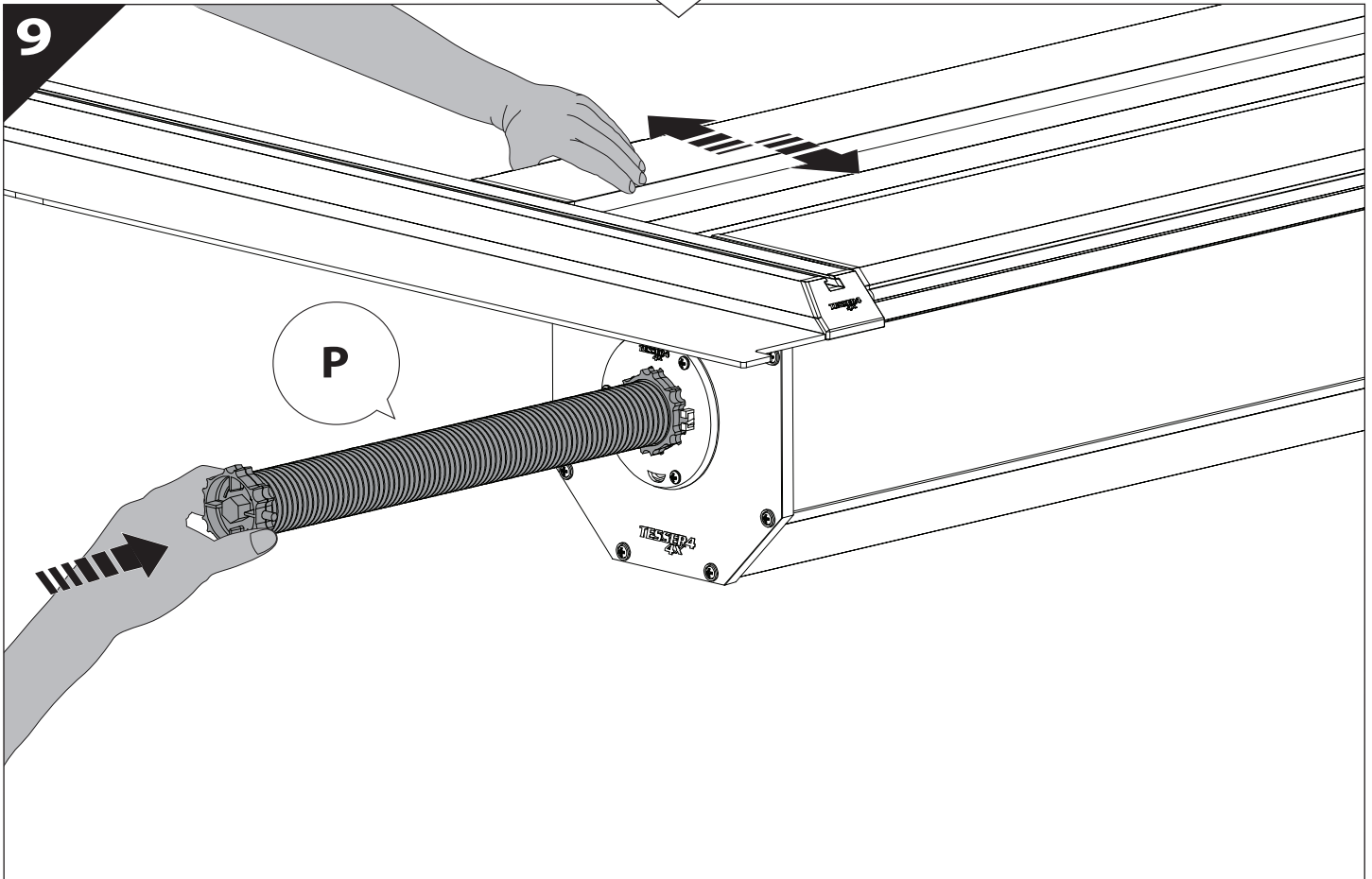
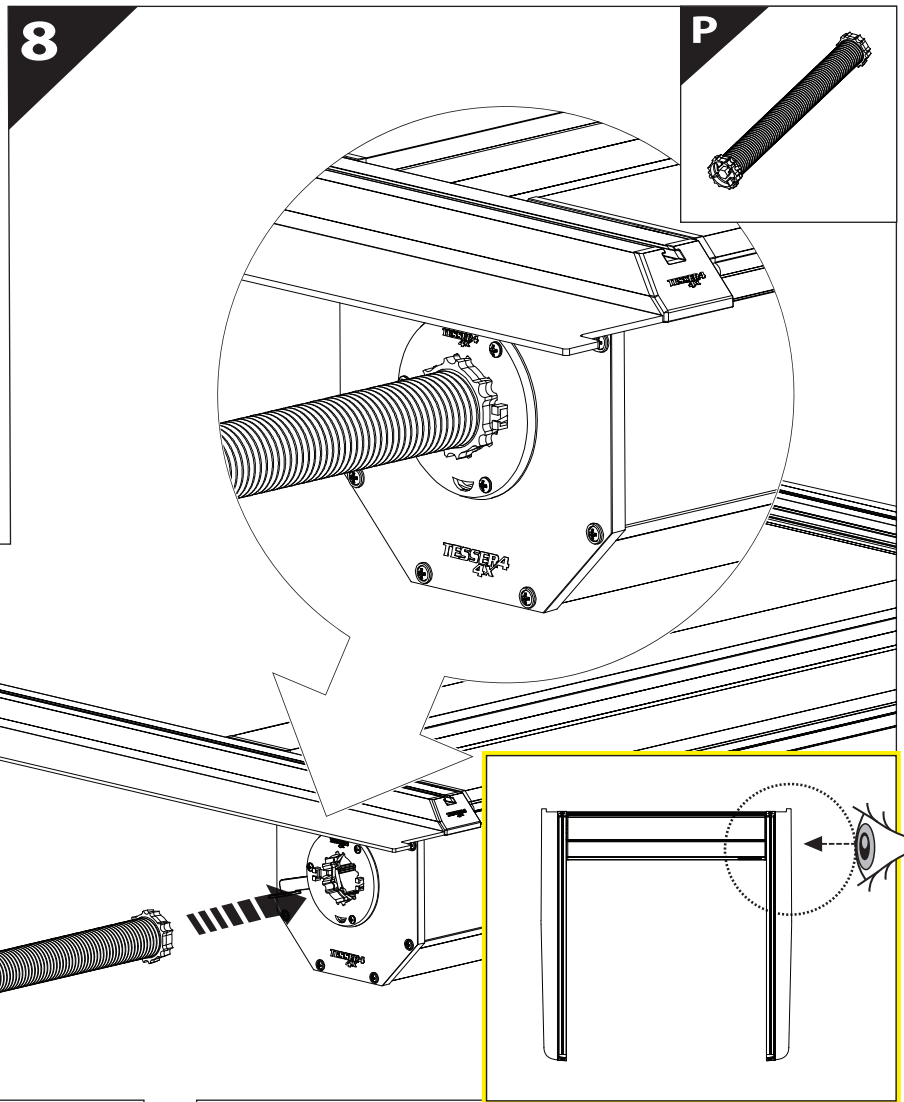
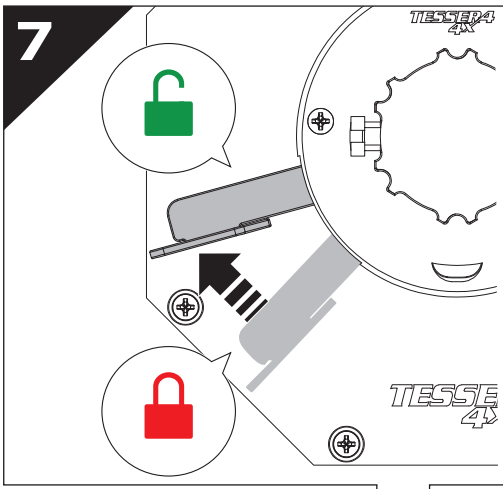


4

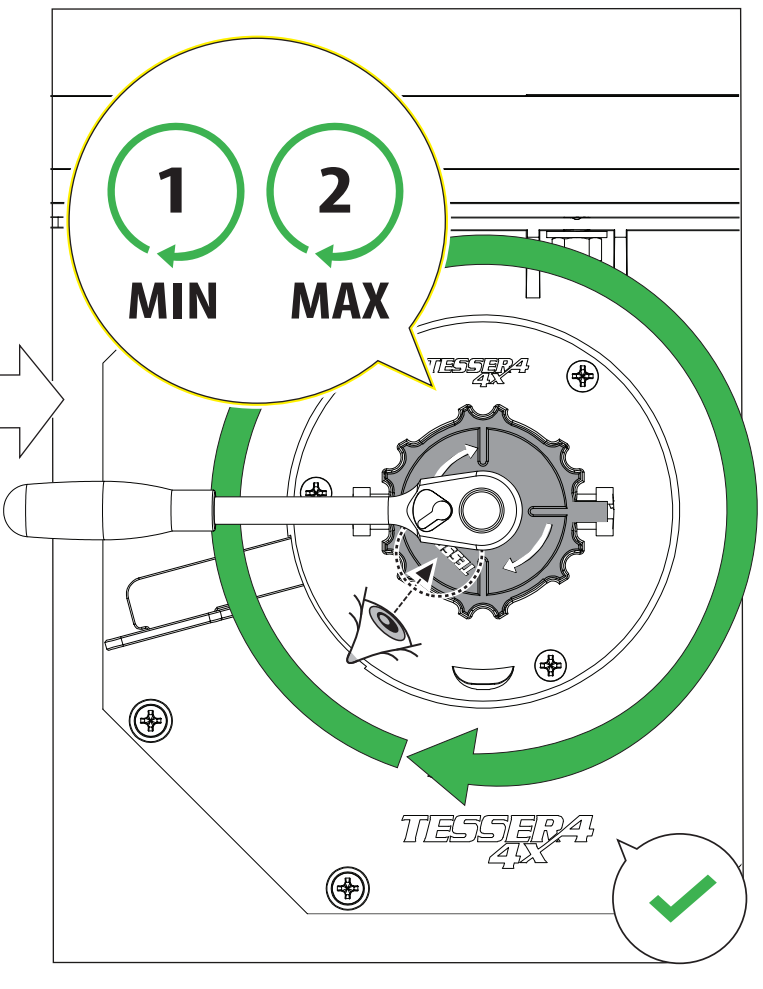
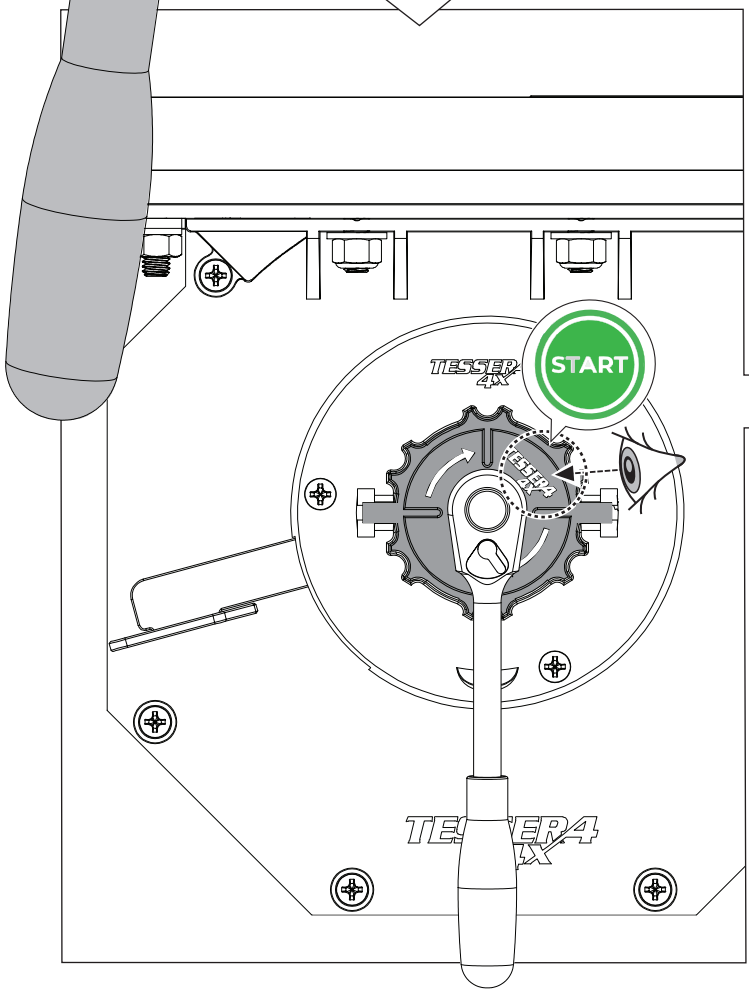
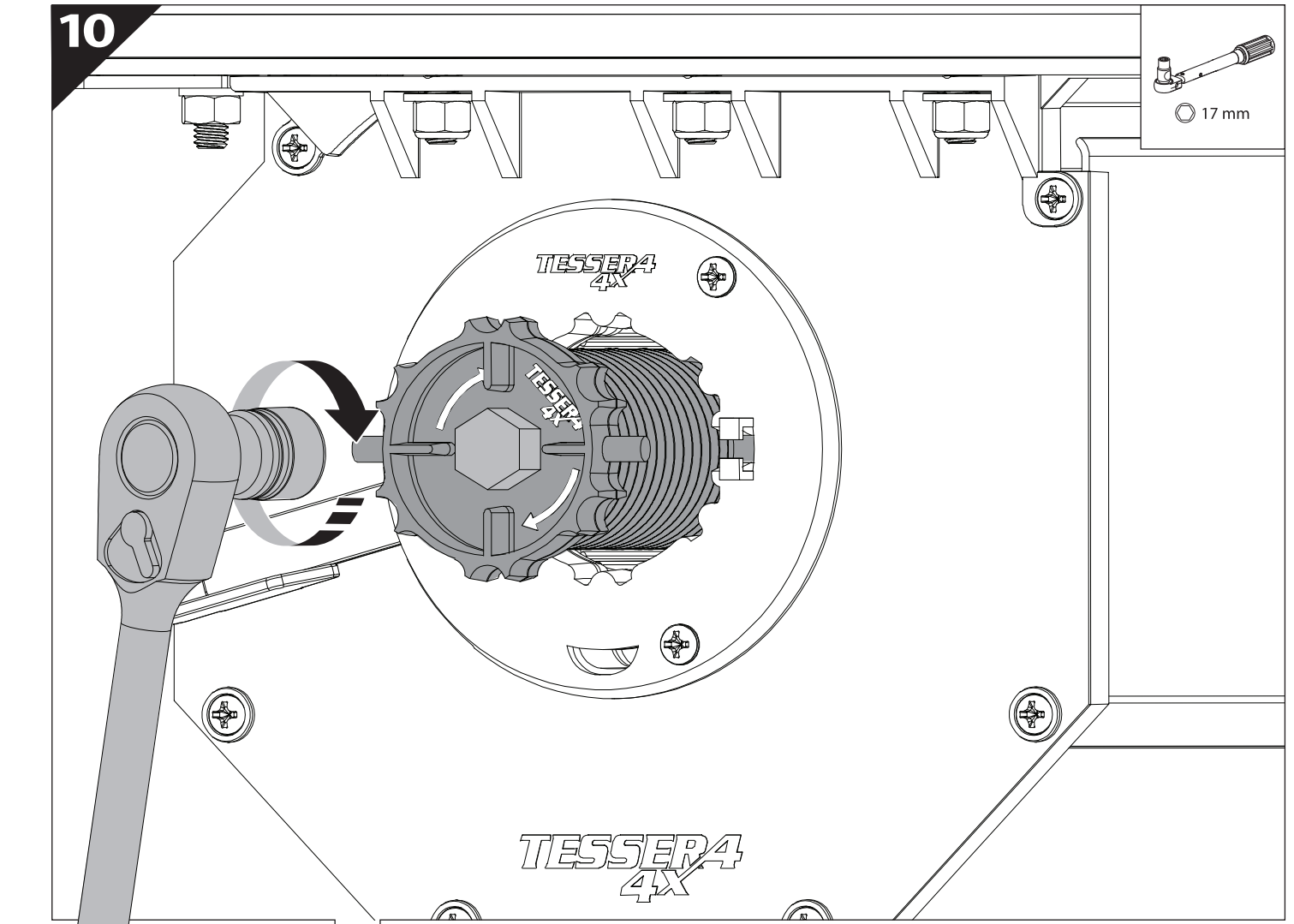
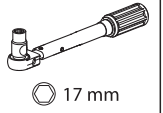




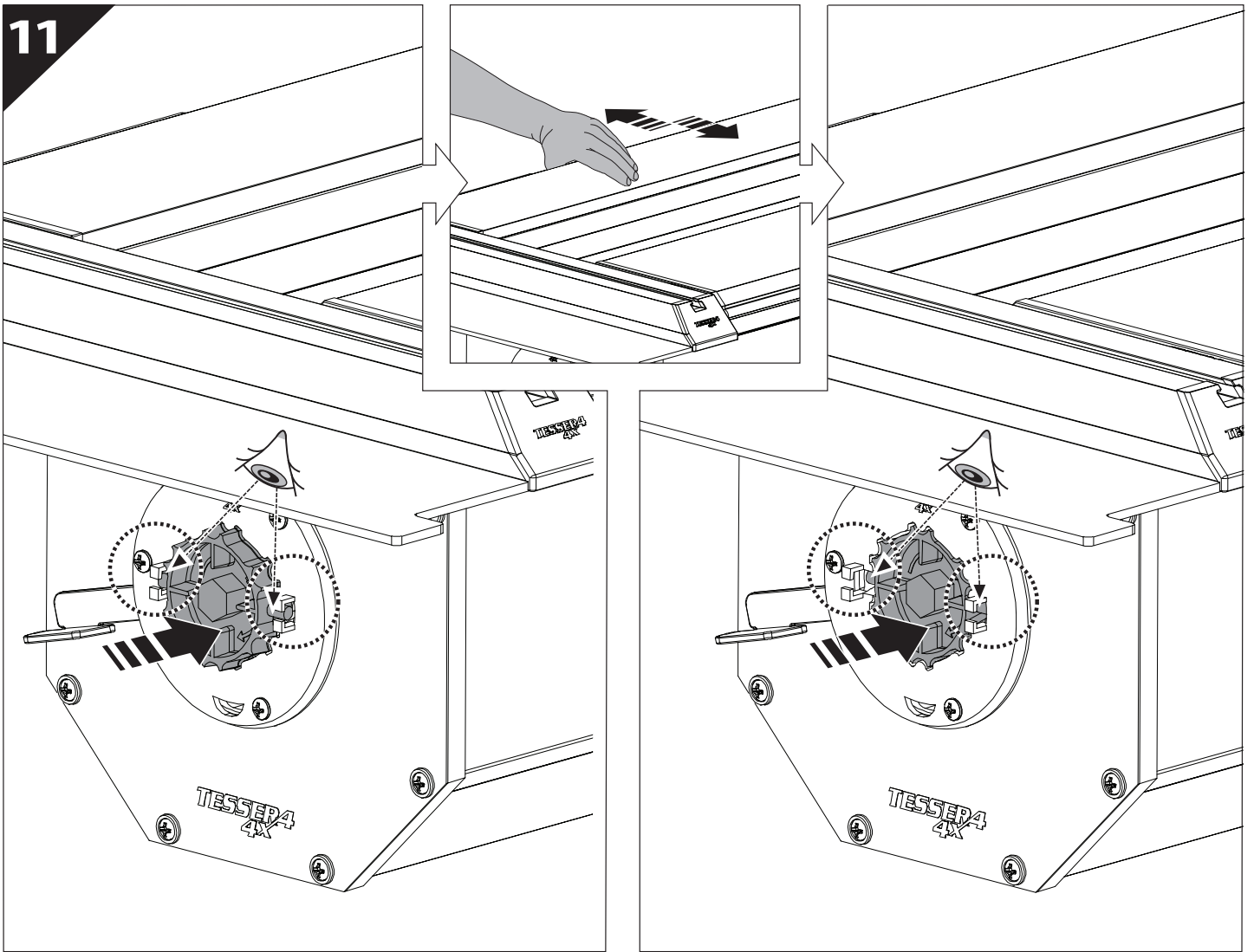




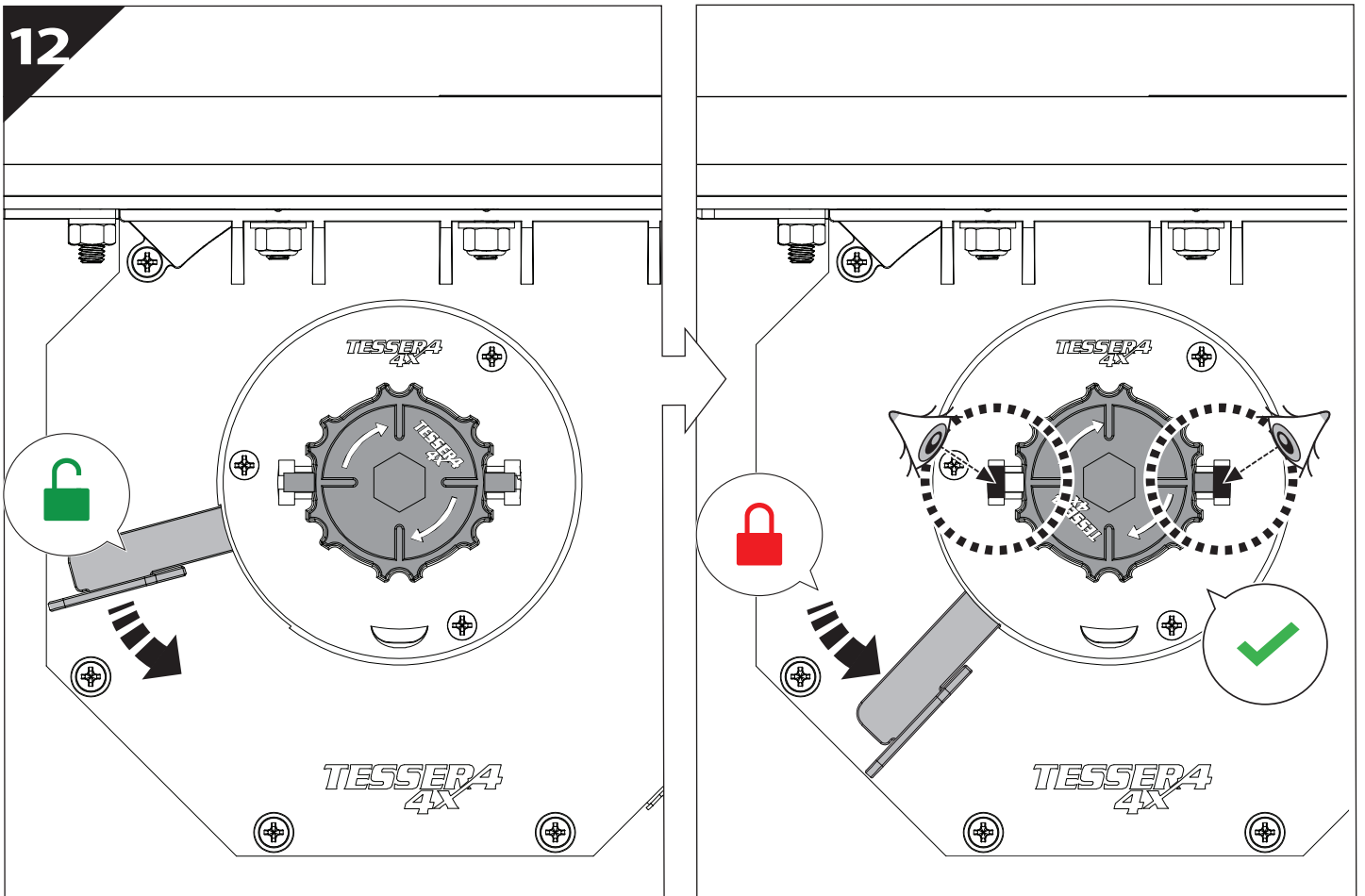
10



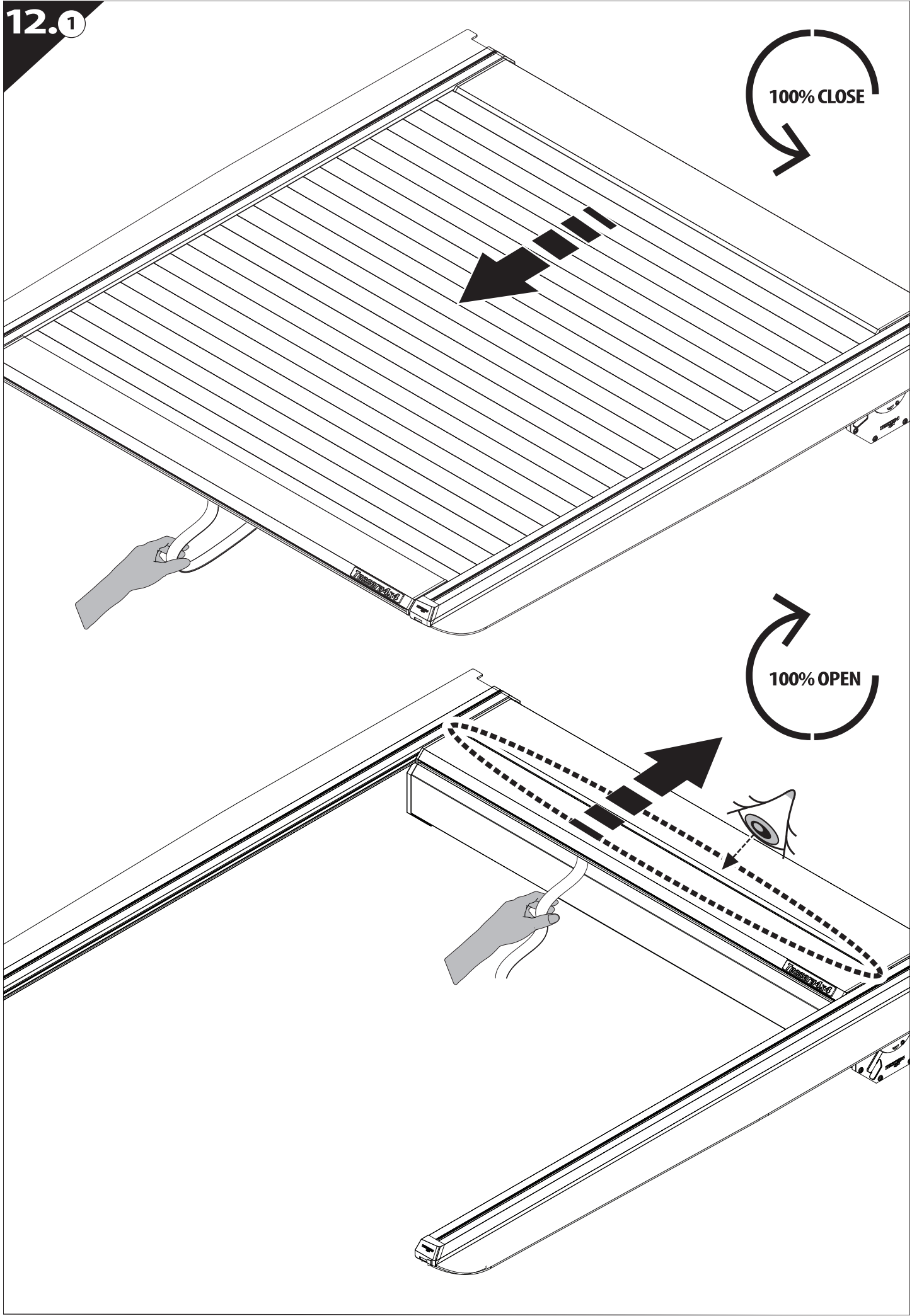
11

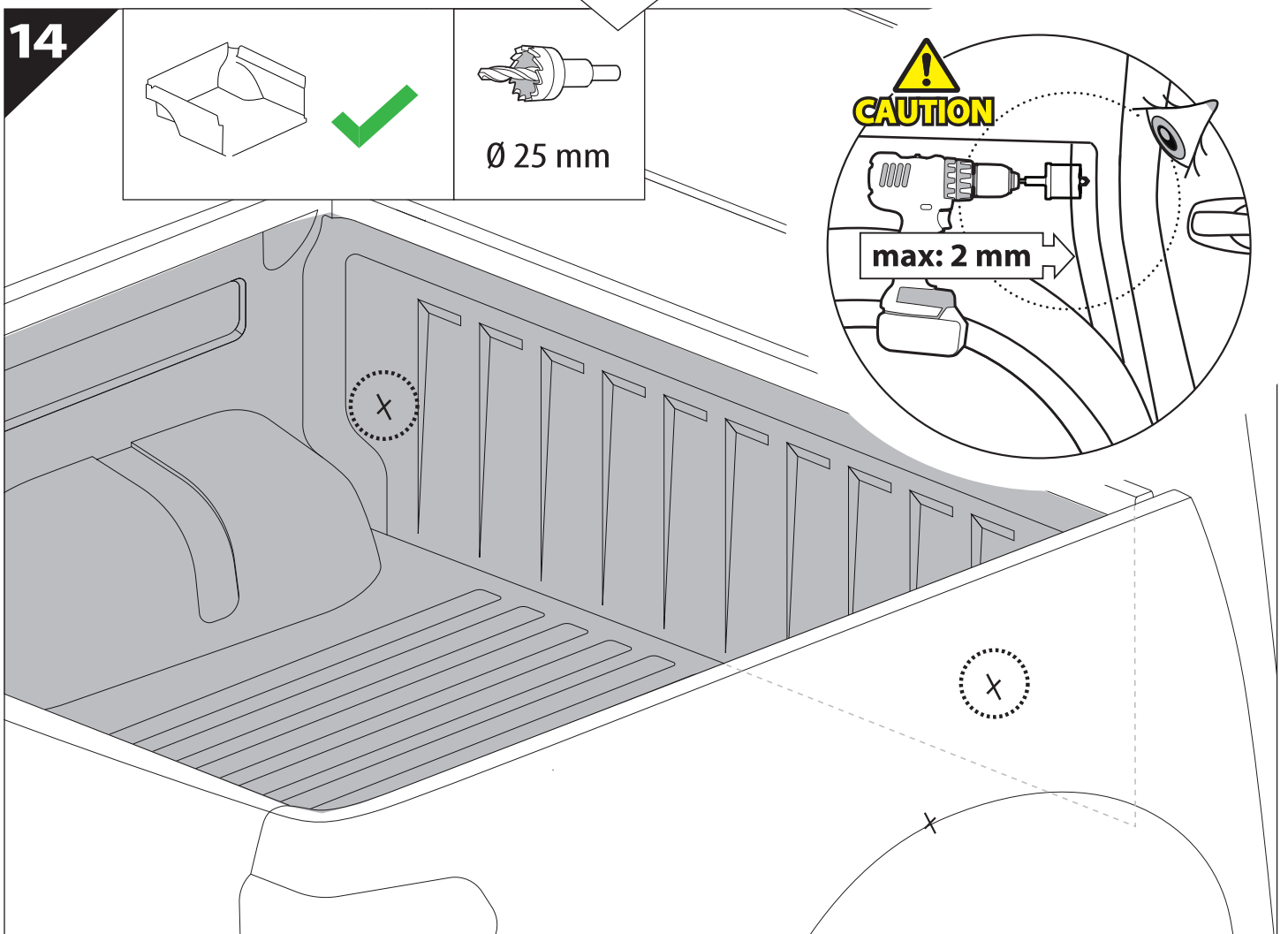
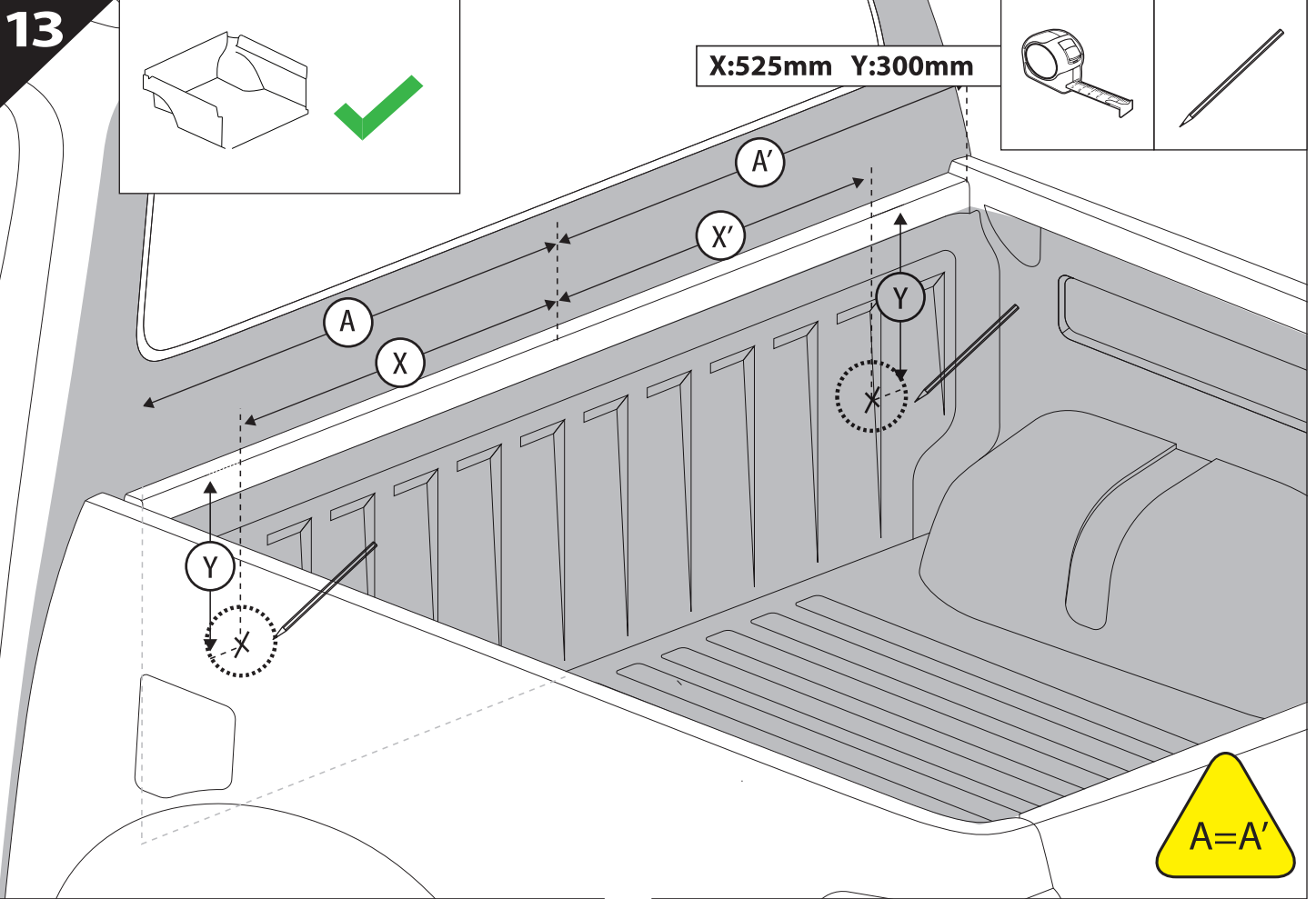


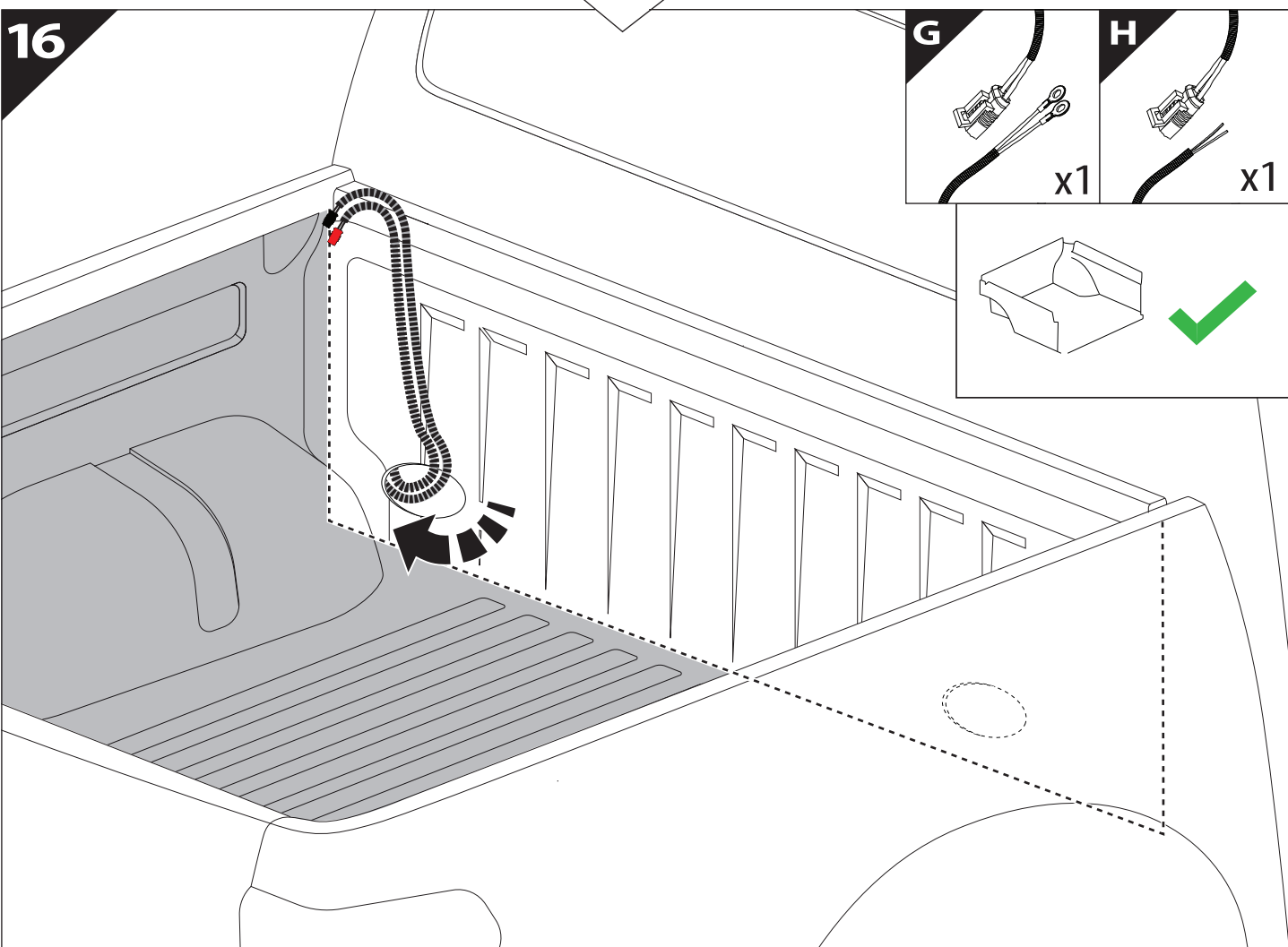
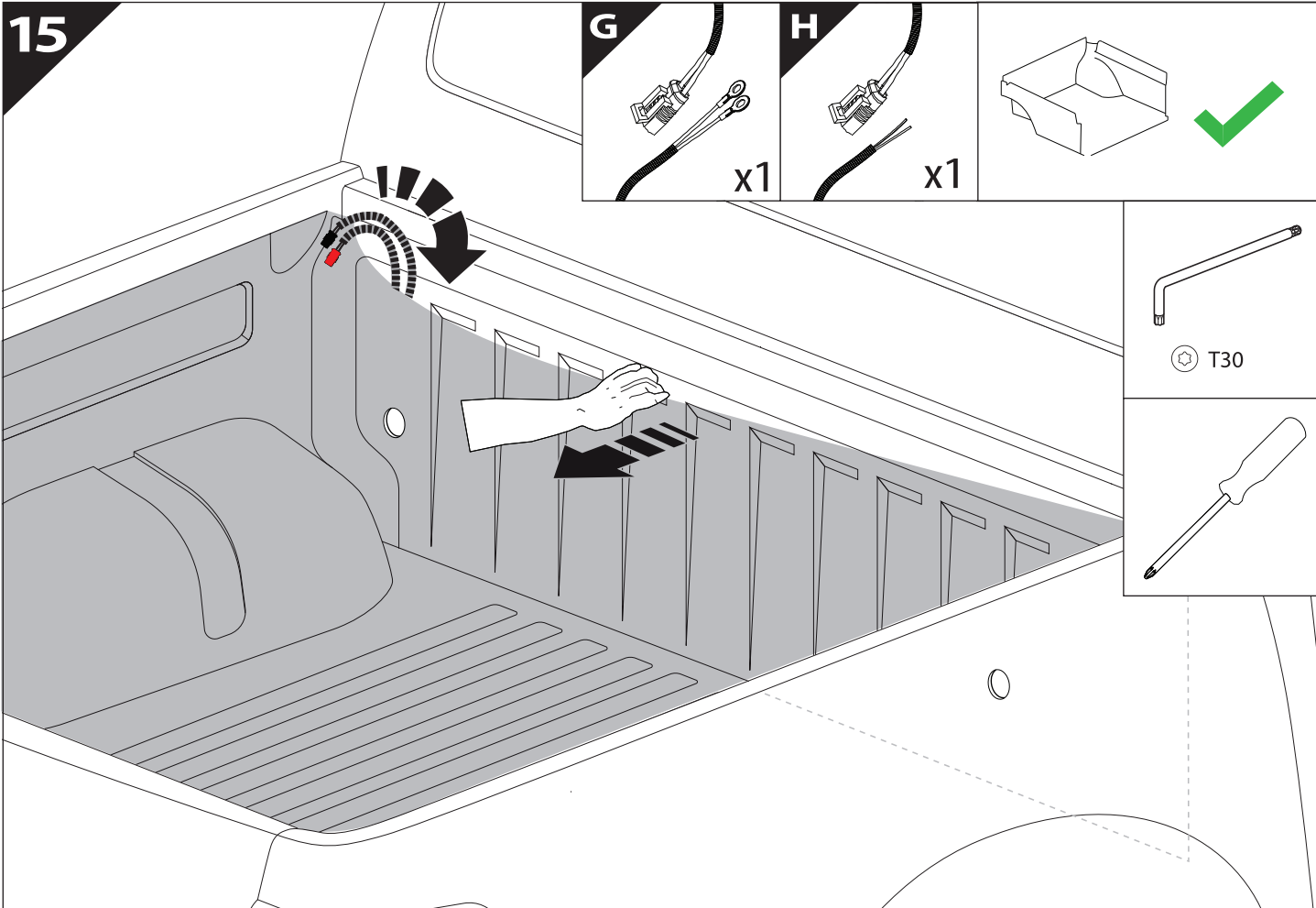
12

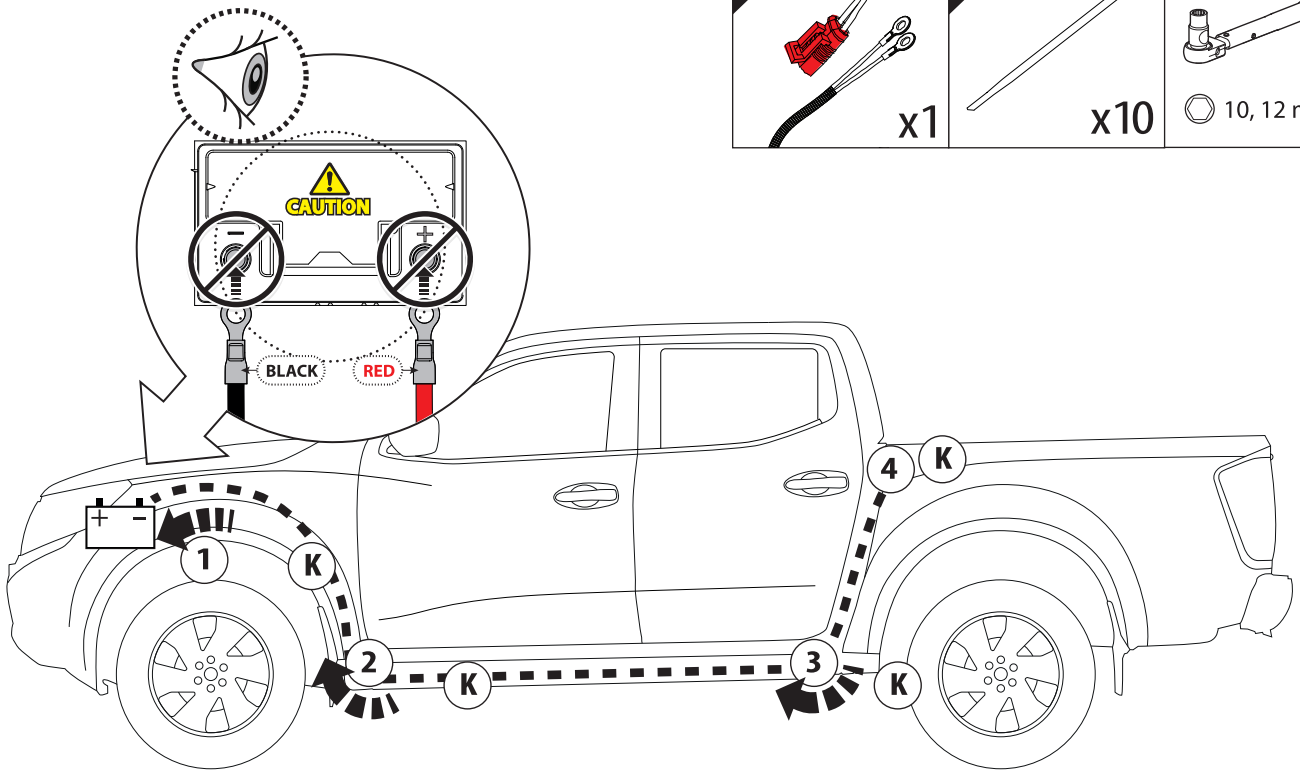
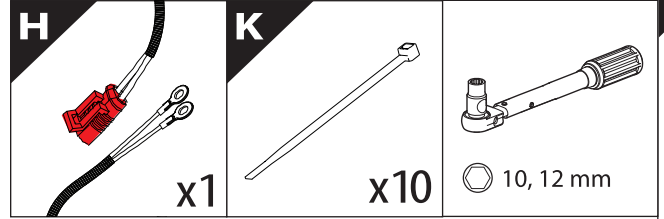


12.0

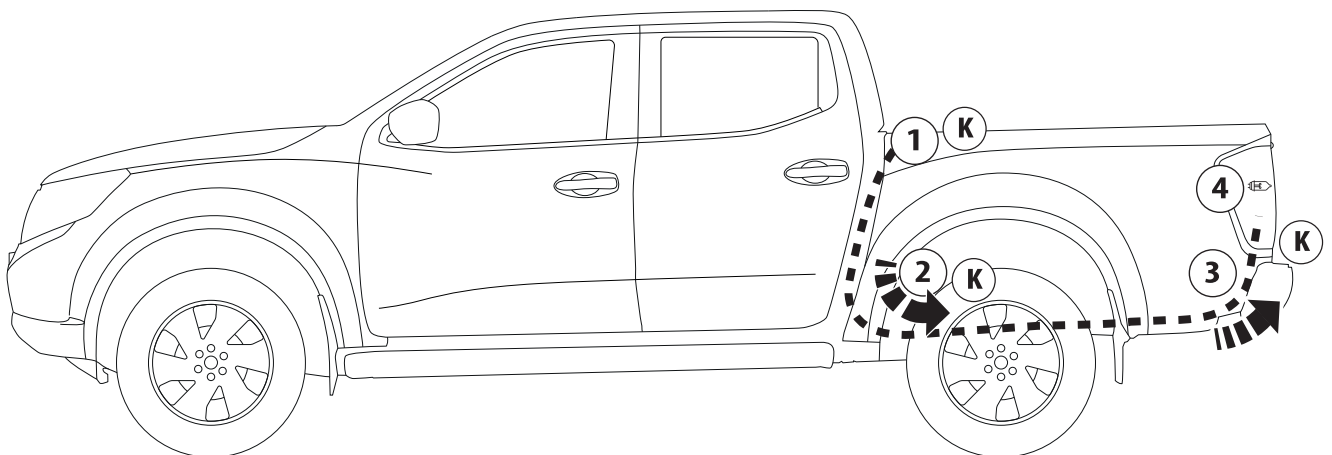
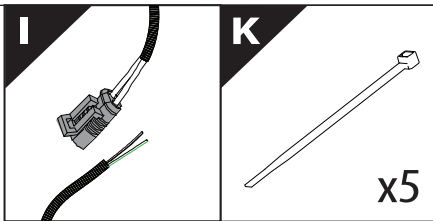




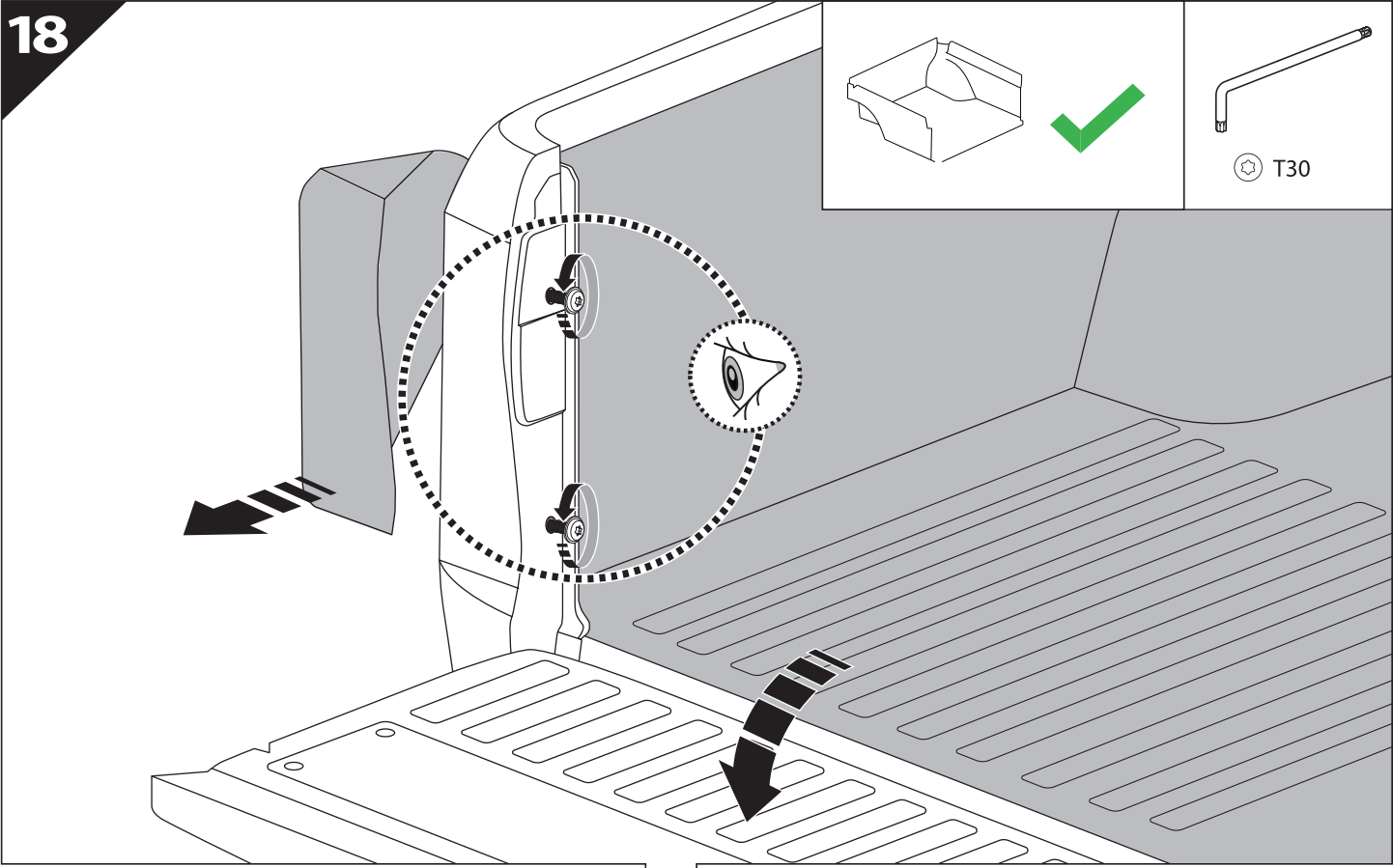




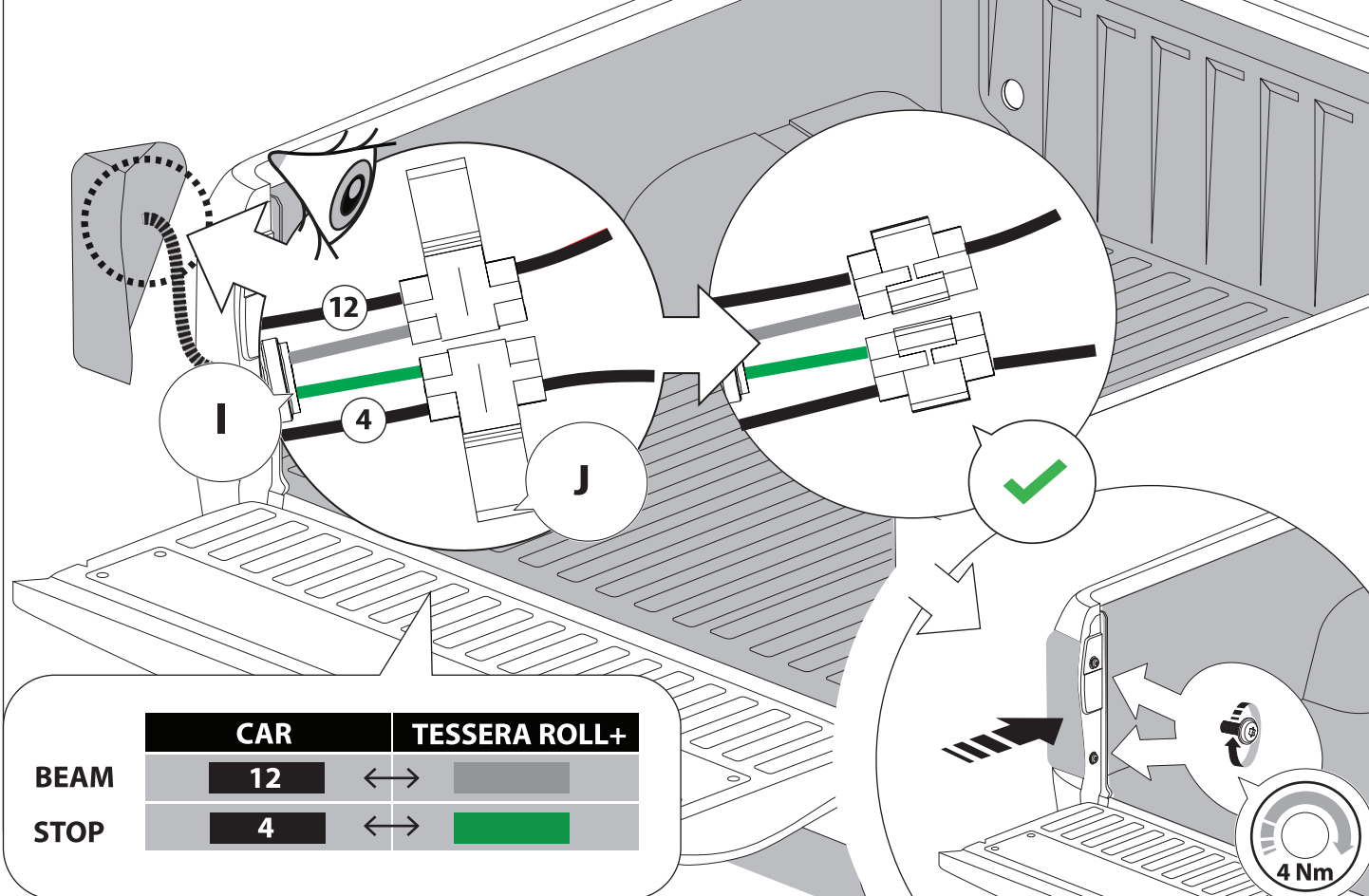
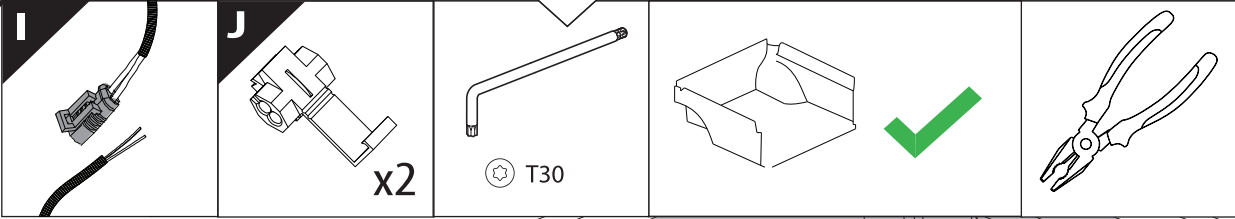
17.1



18

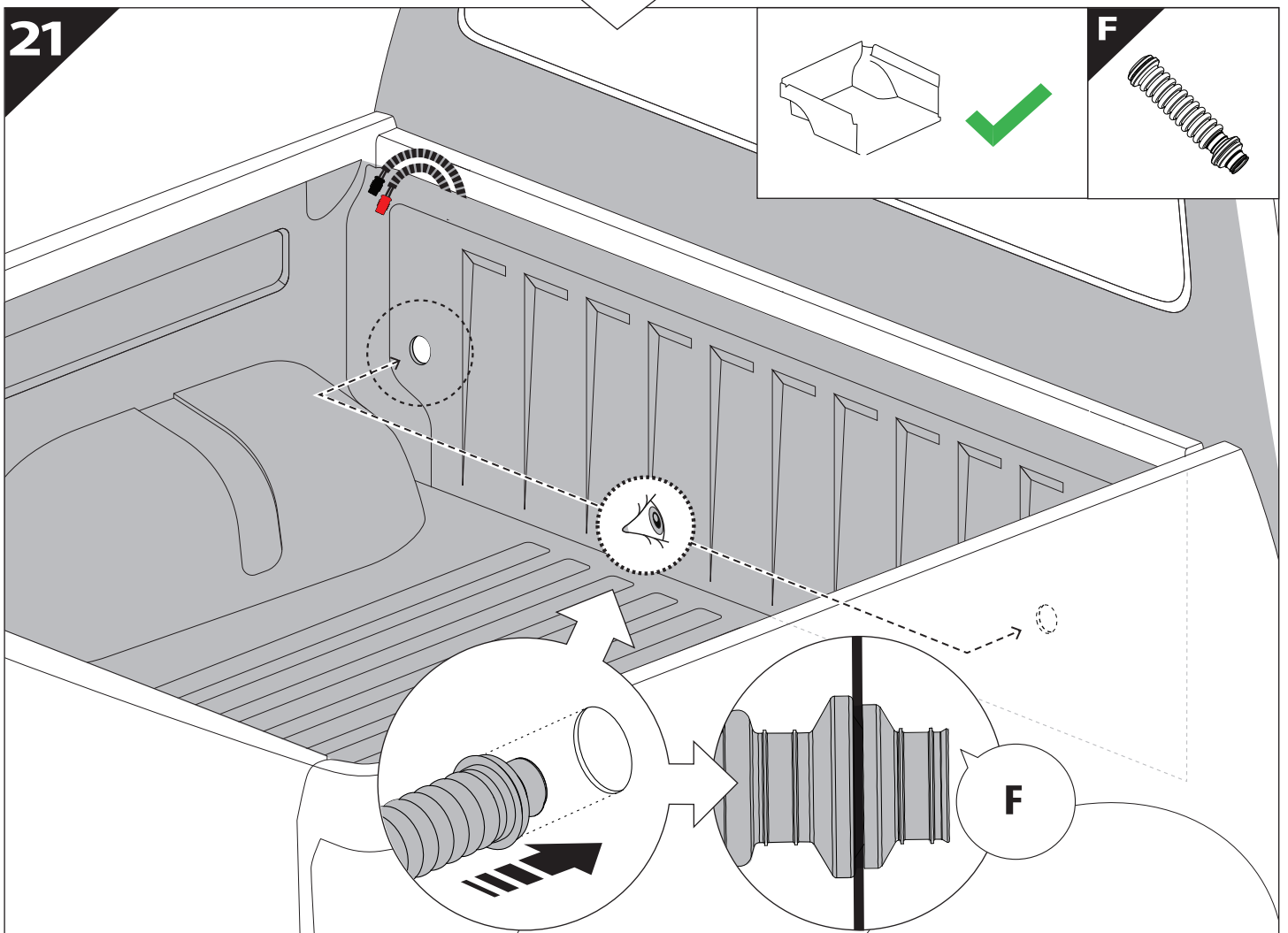
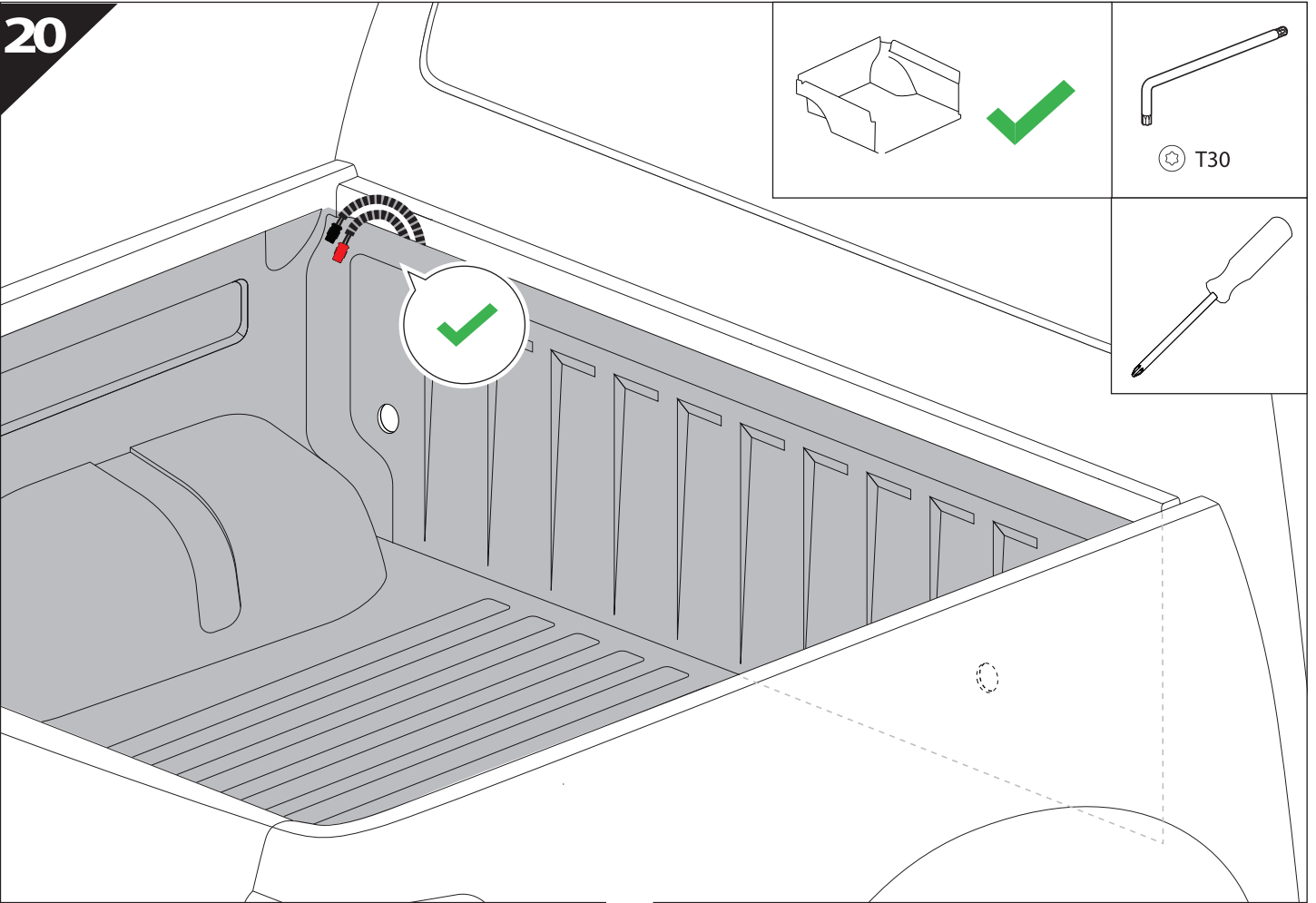


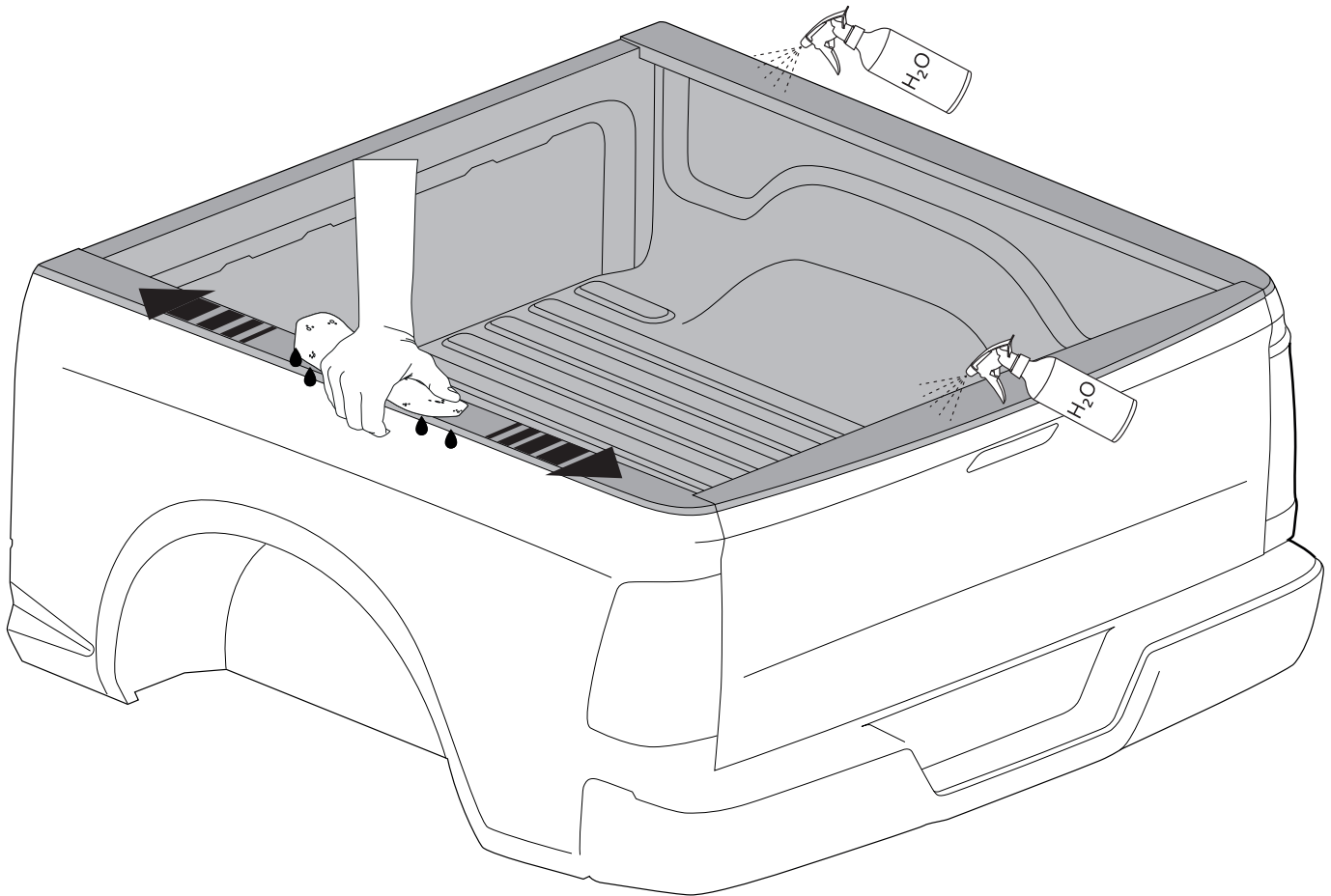
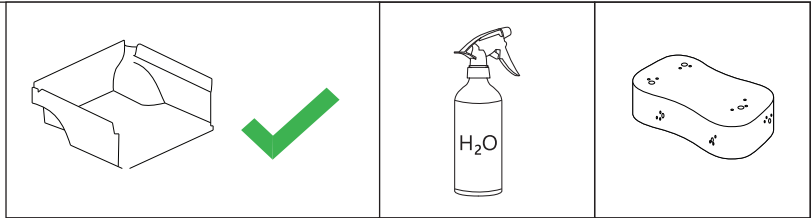
19

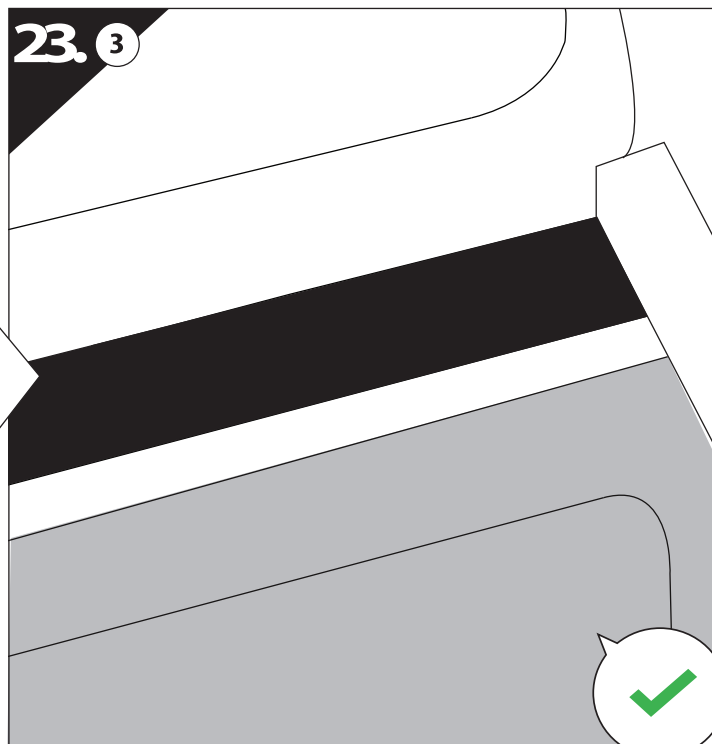
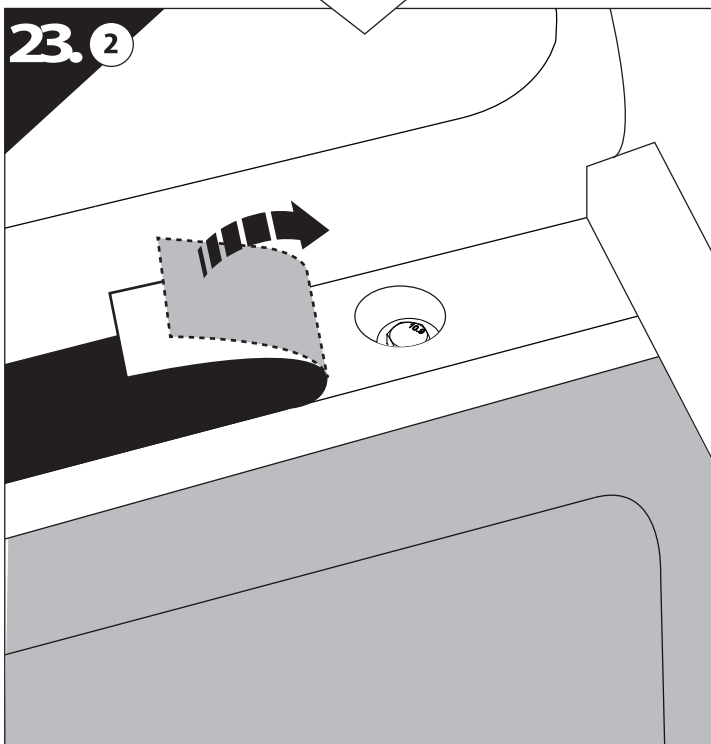
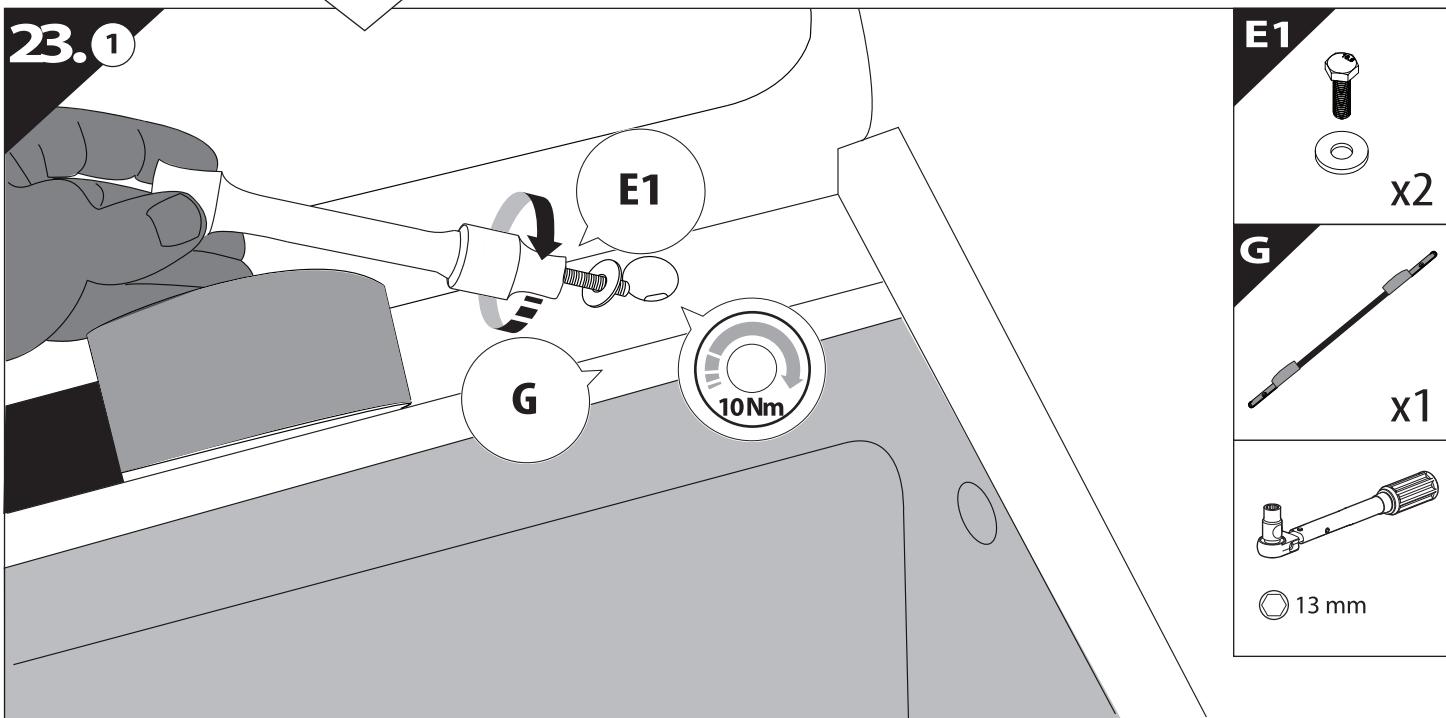
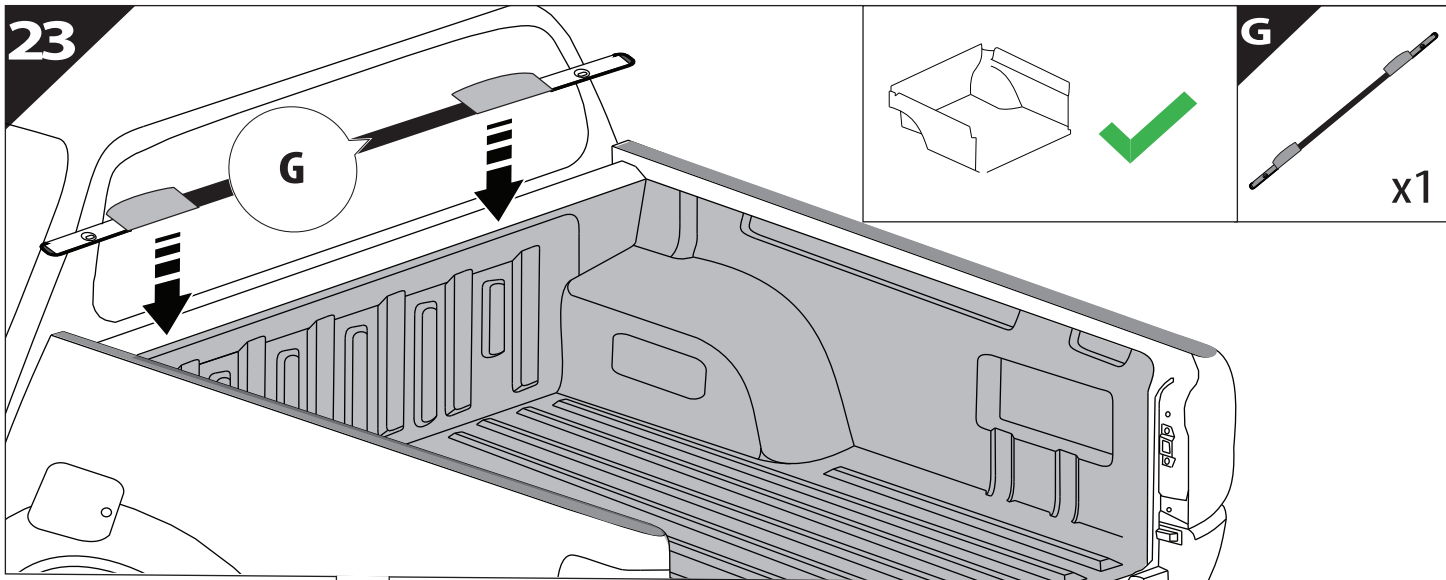


	CAR		TESSERA ROLL+
BEAM	12	↔	
STOP	4	↔	



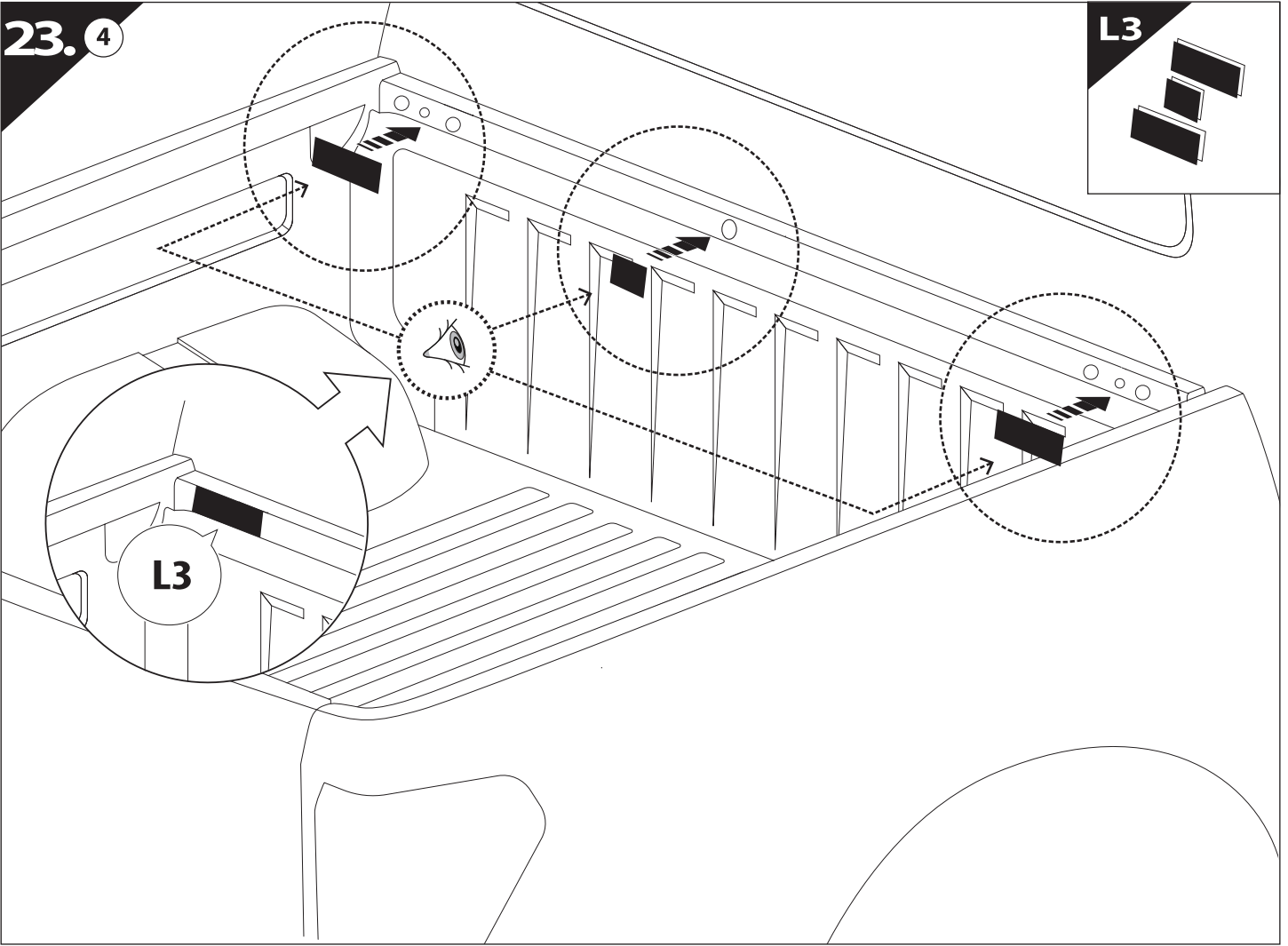


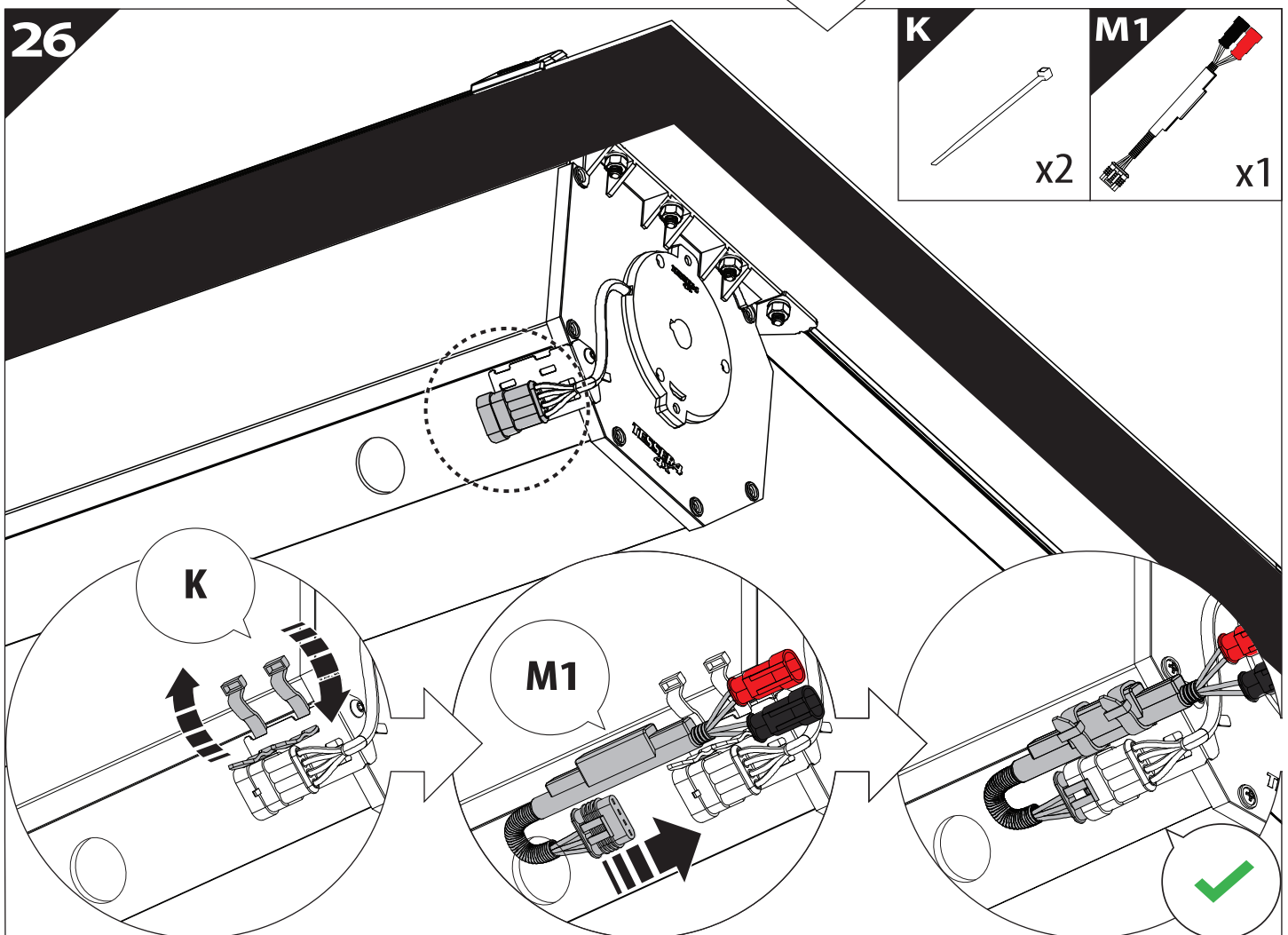
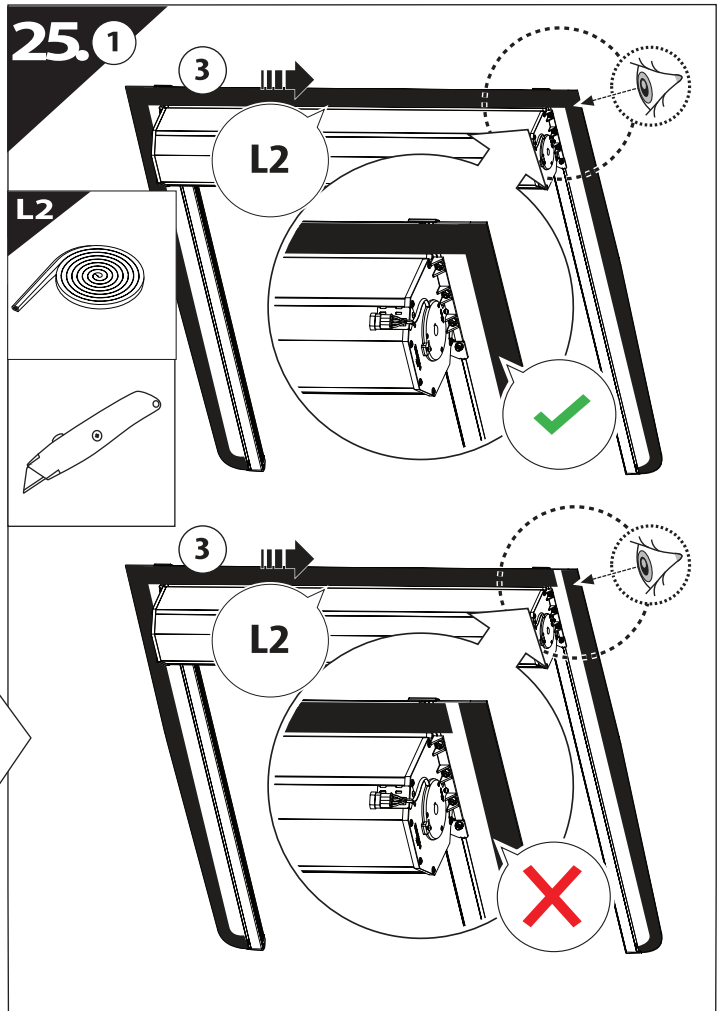
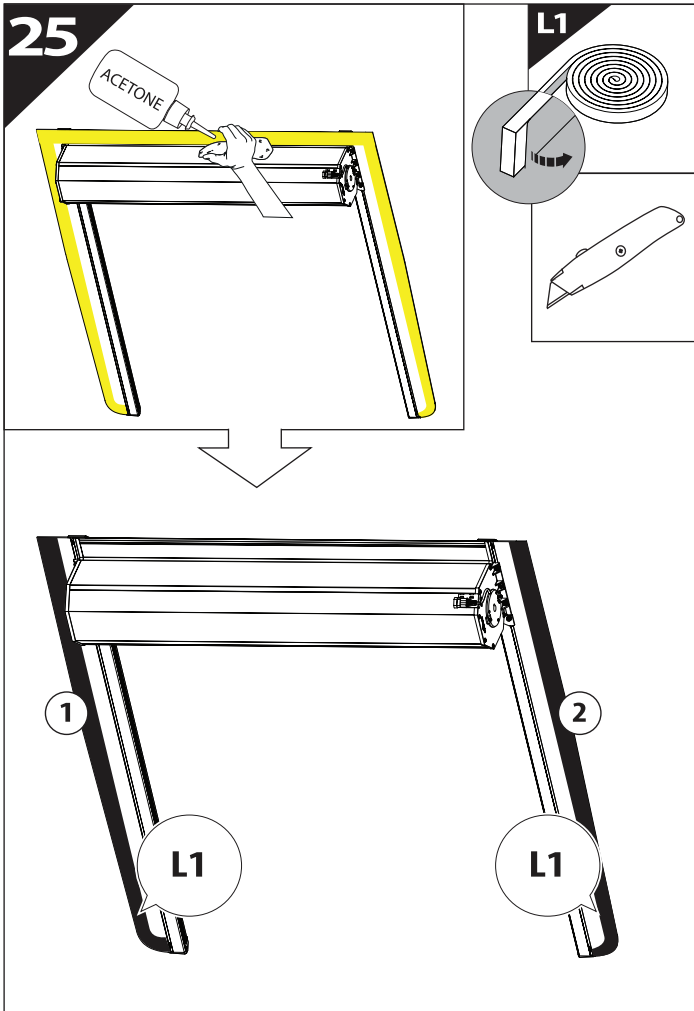


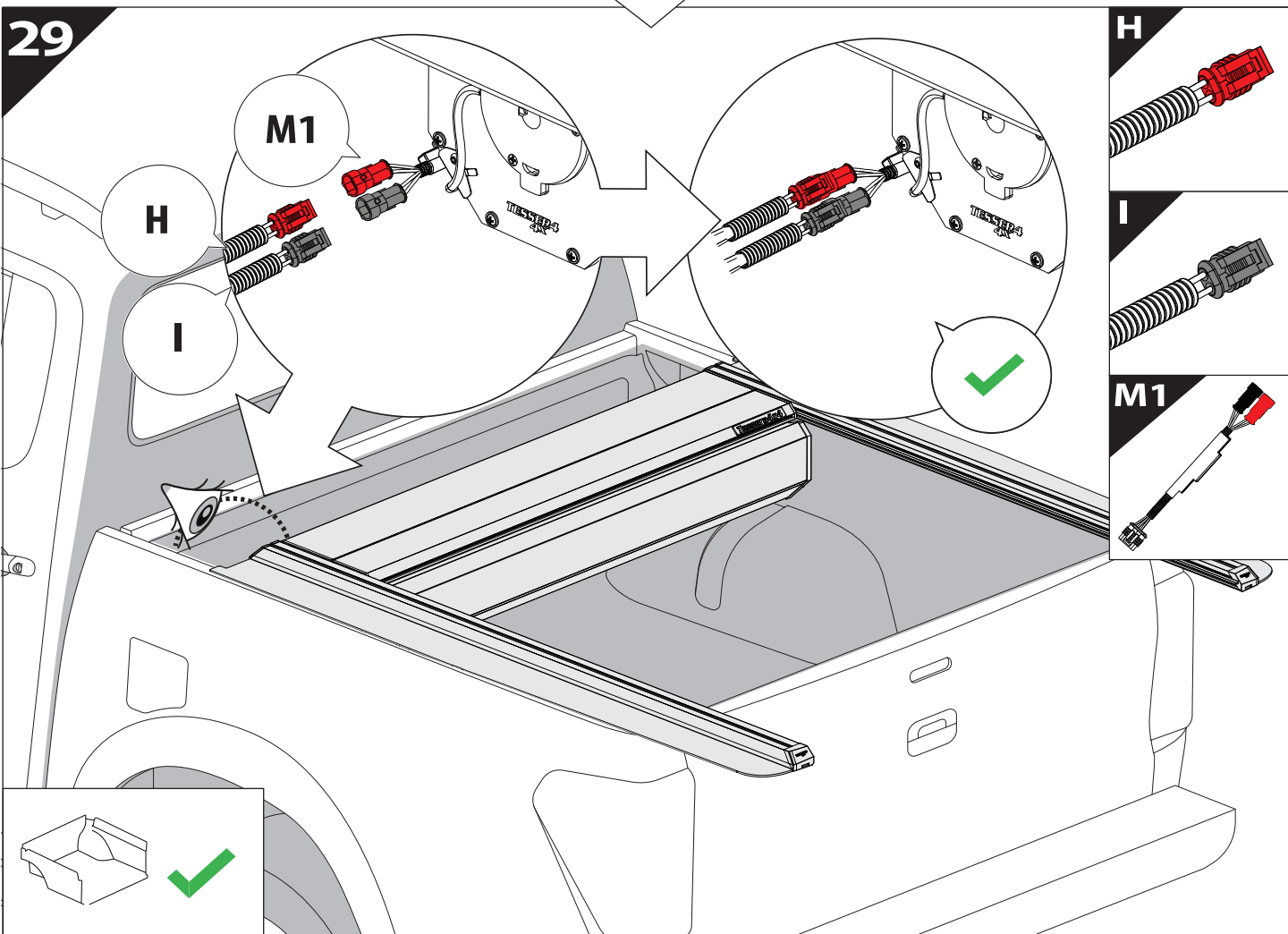
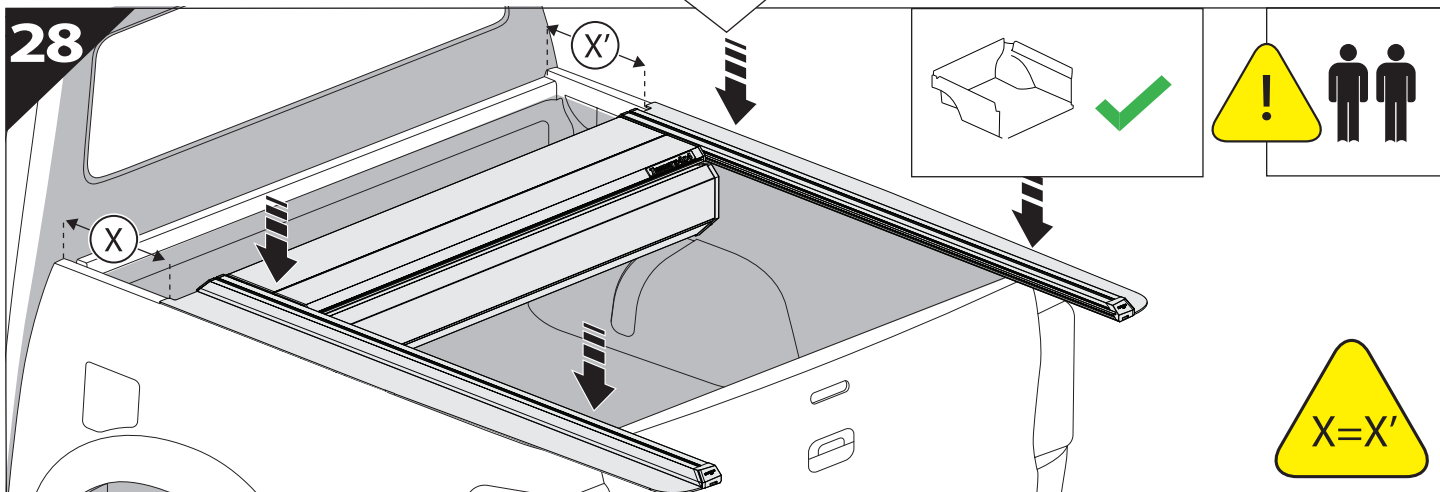
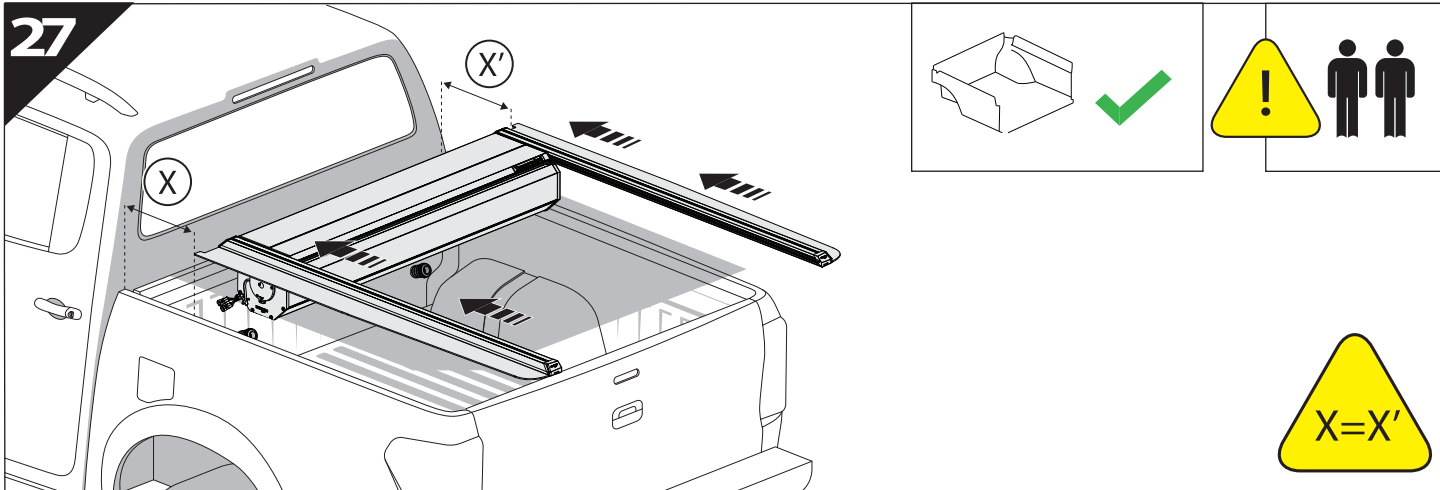


23. 4

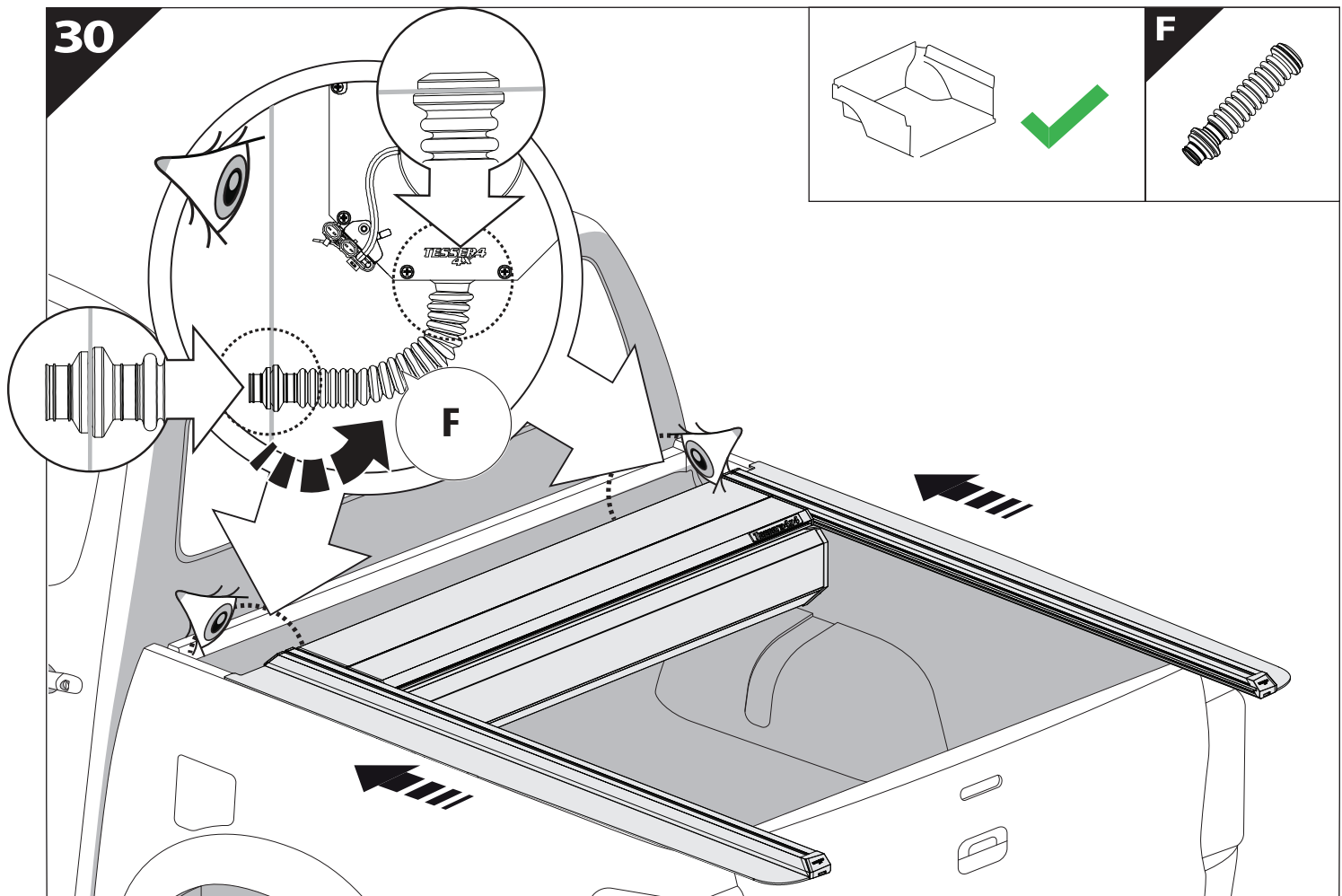
L3



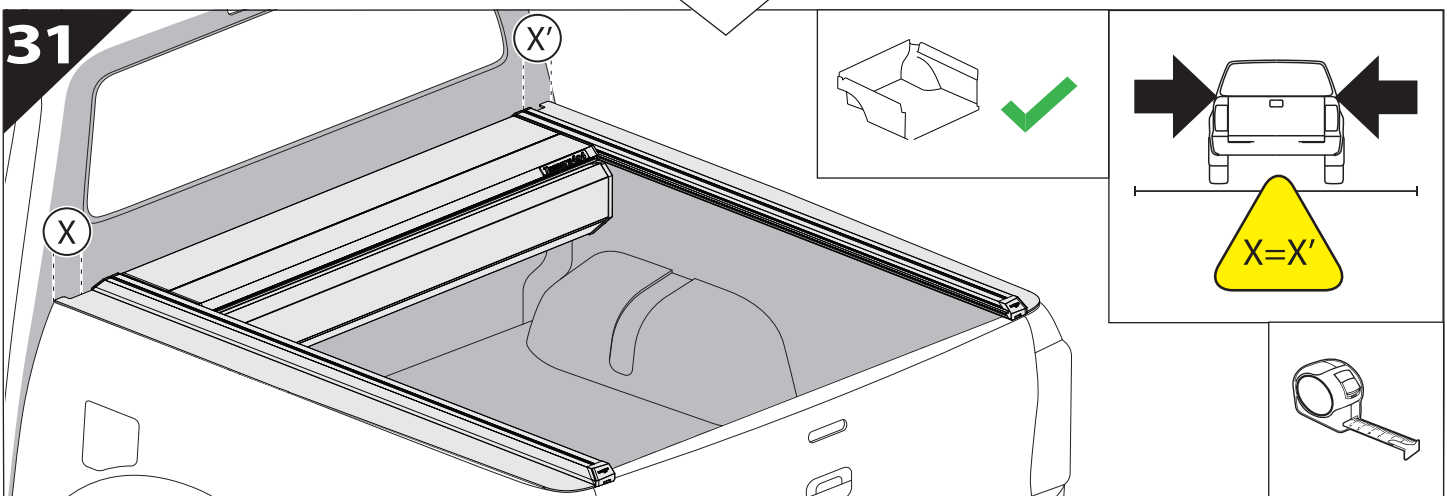




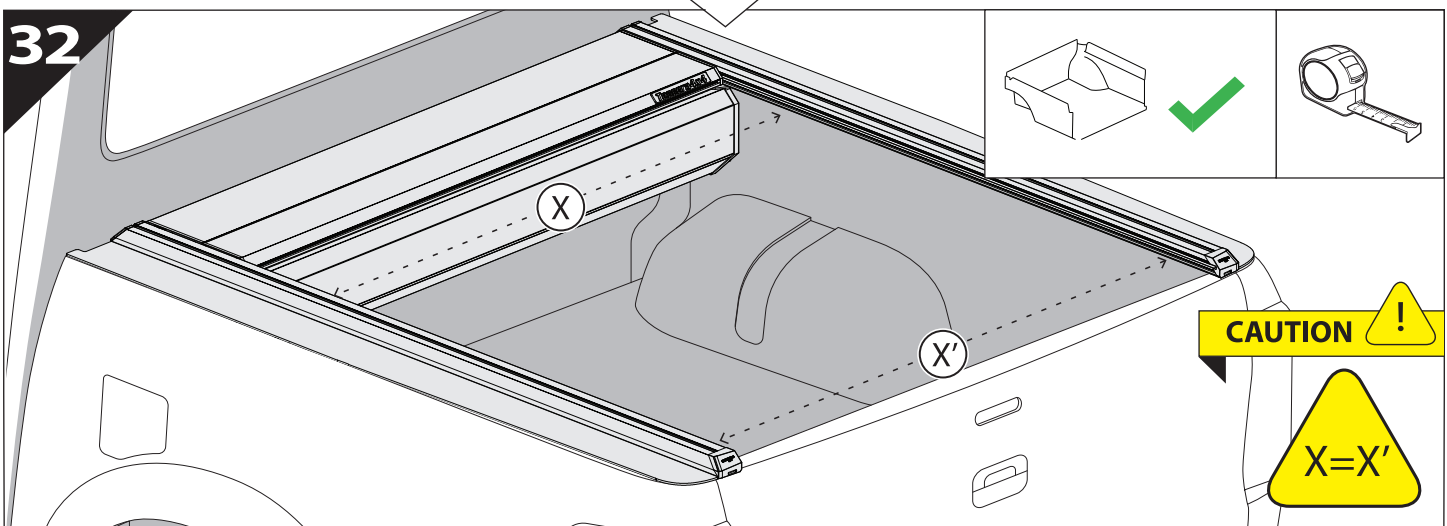
30



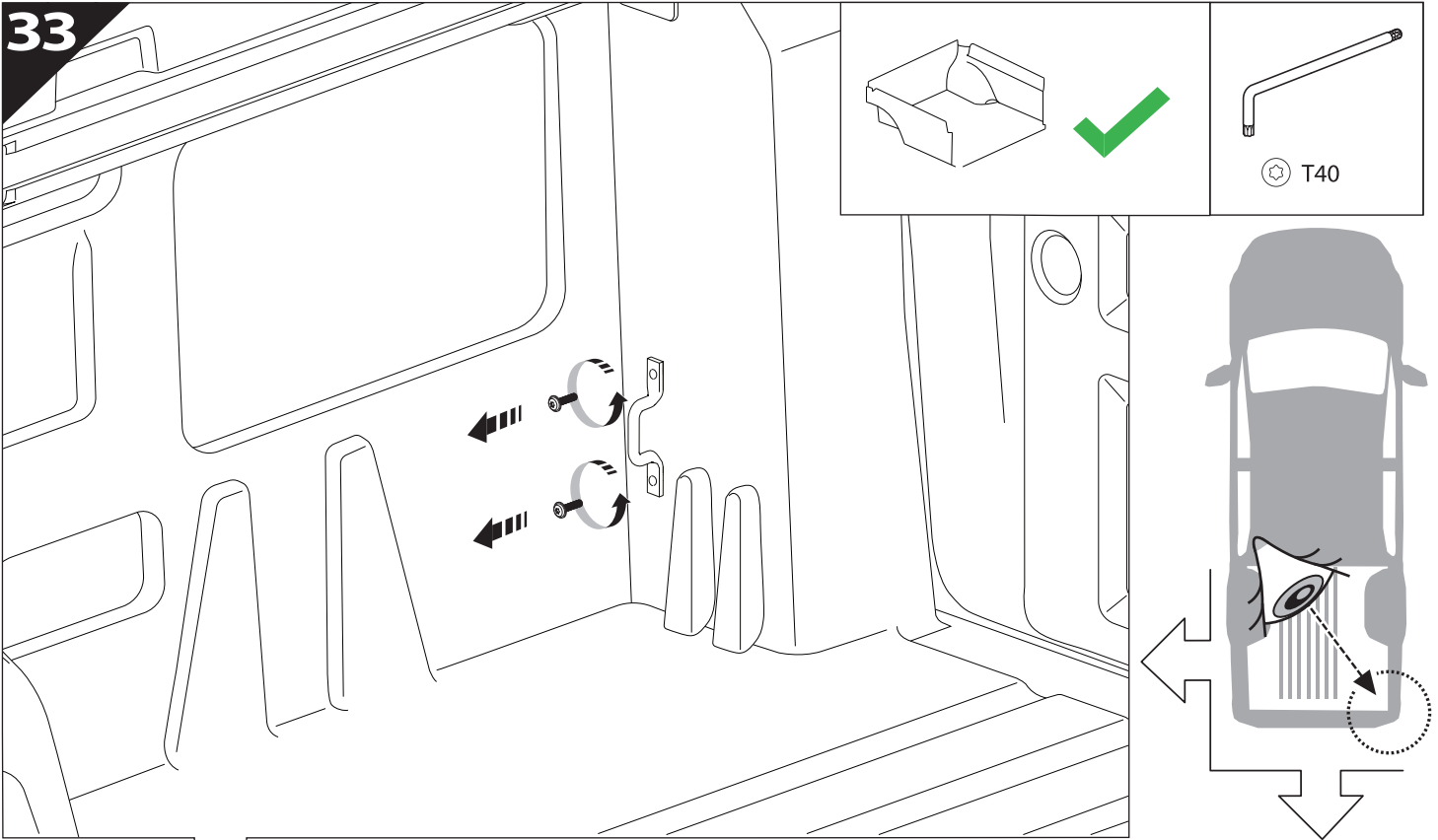
31



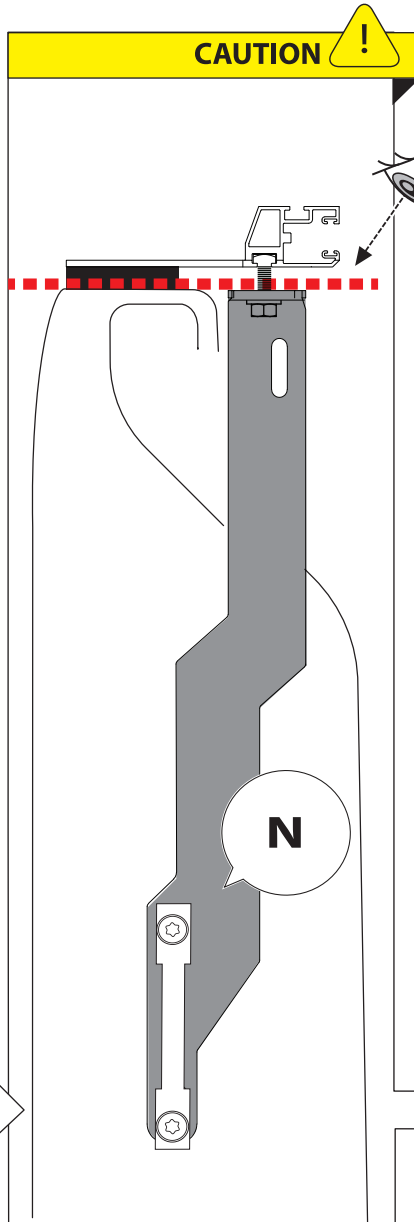
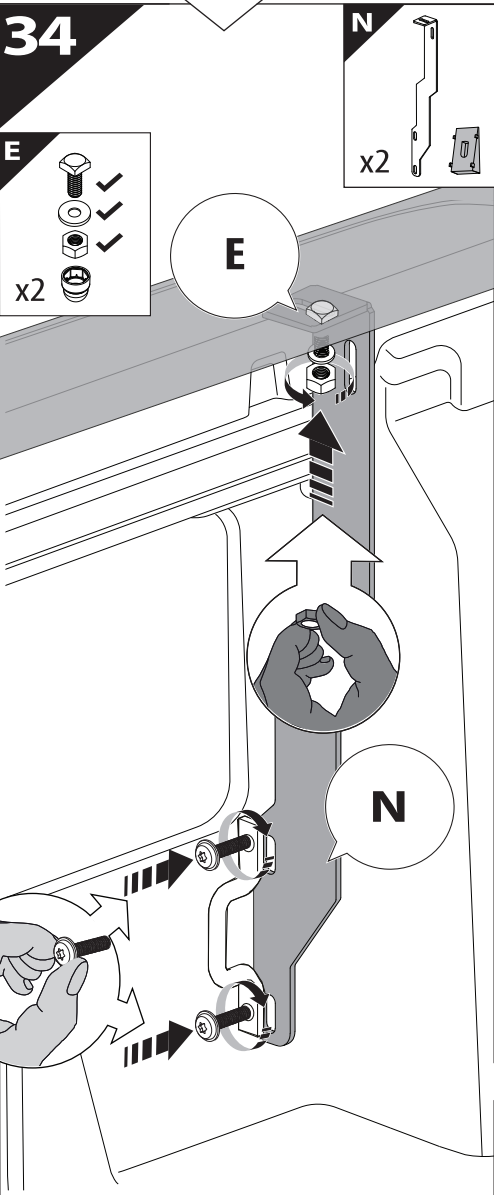
32



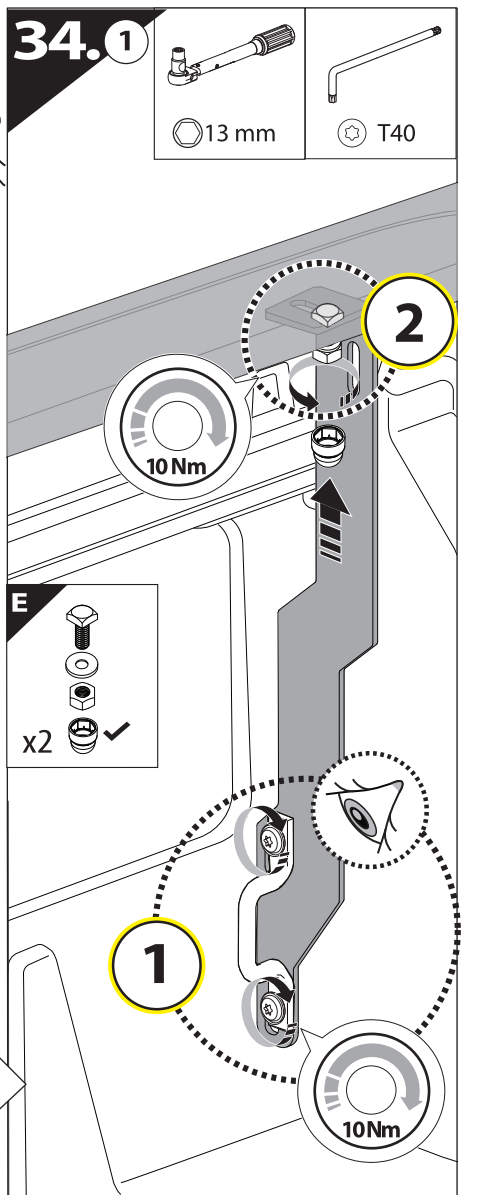
33



34



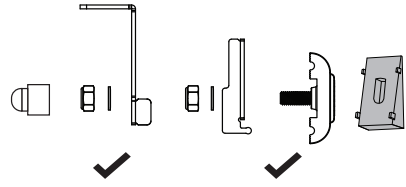
34.1



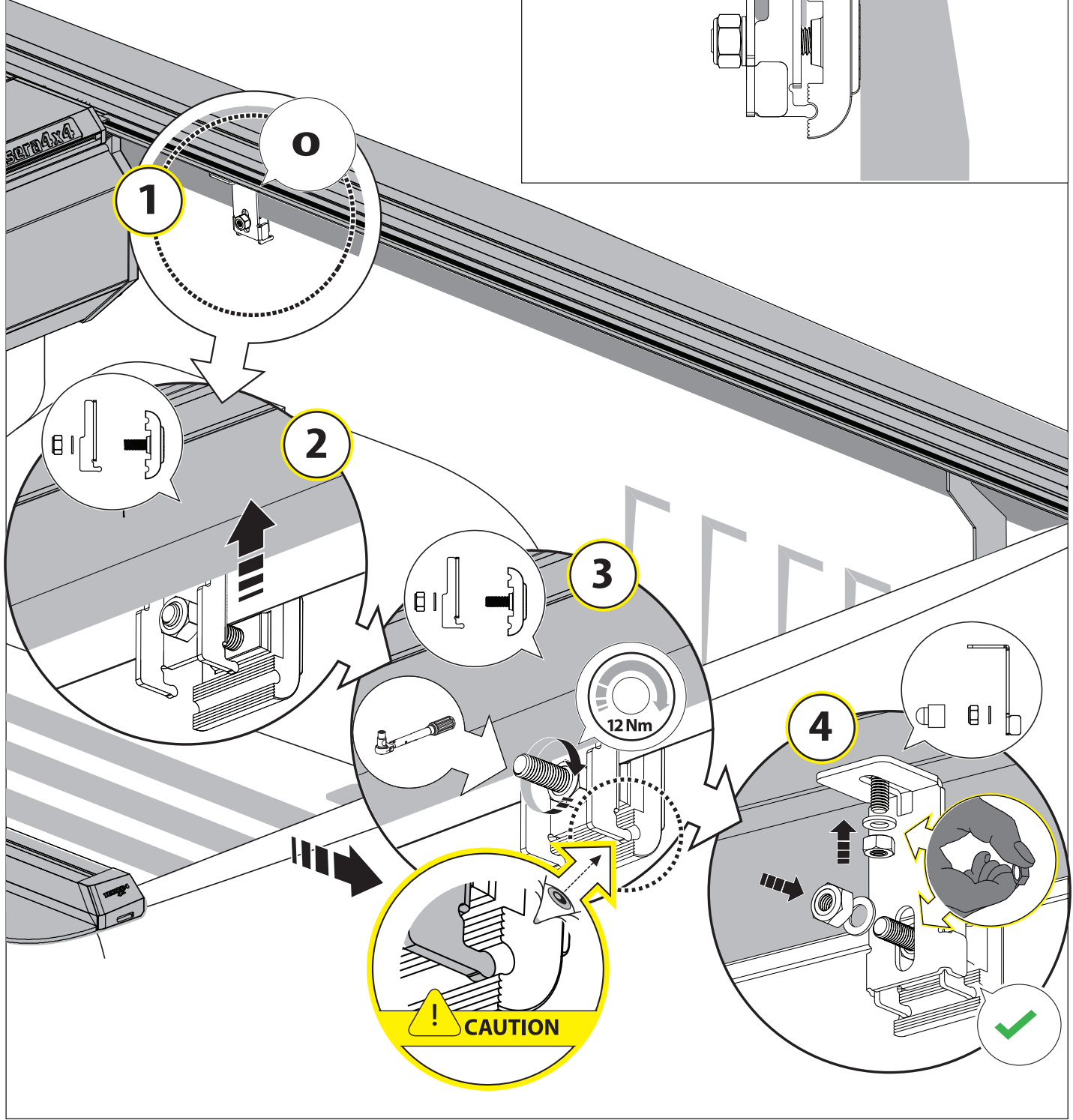
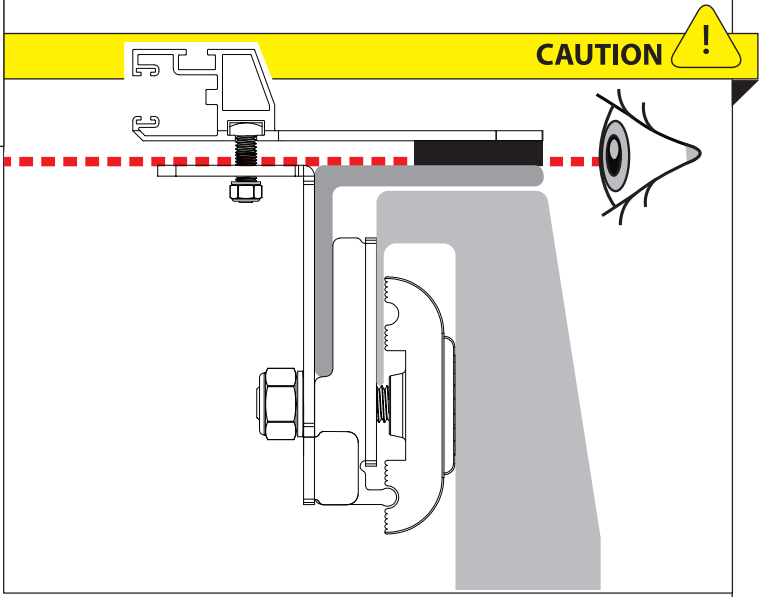
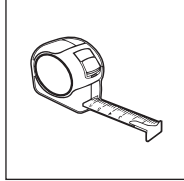
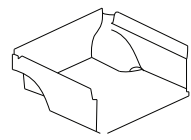
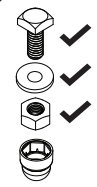


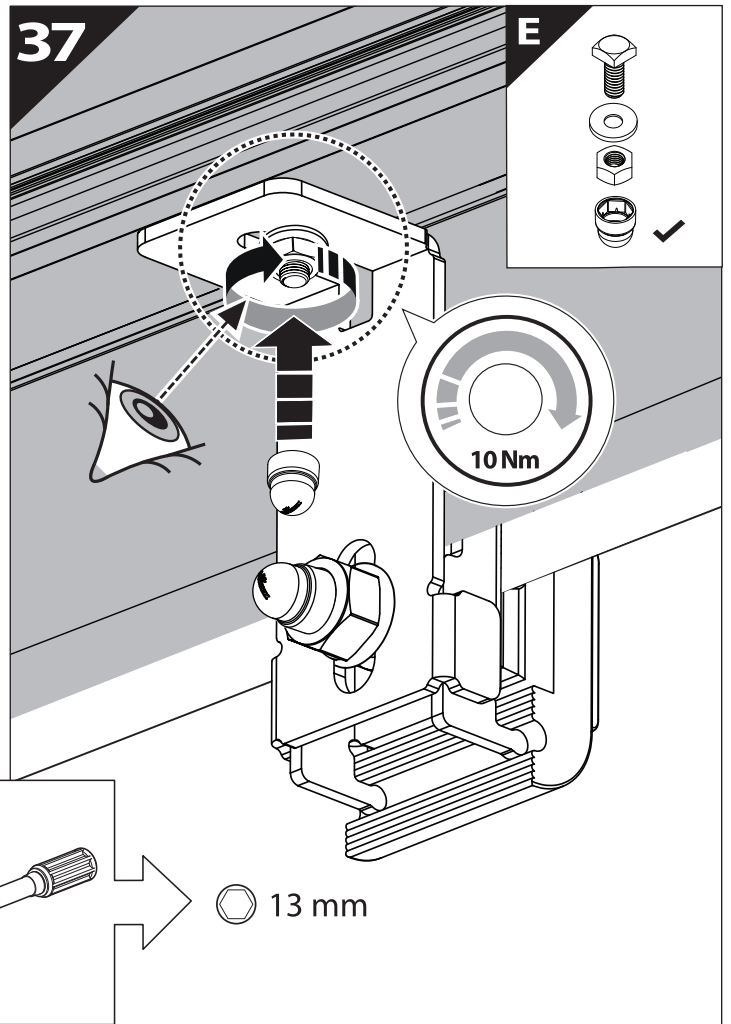
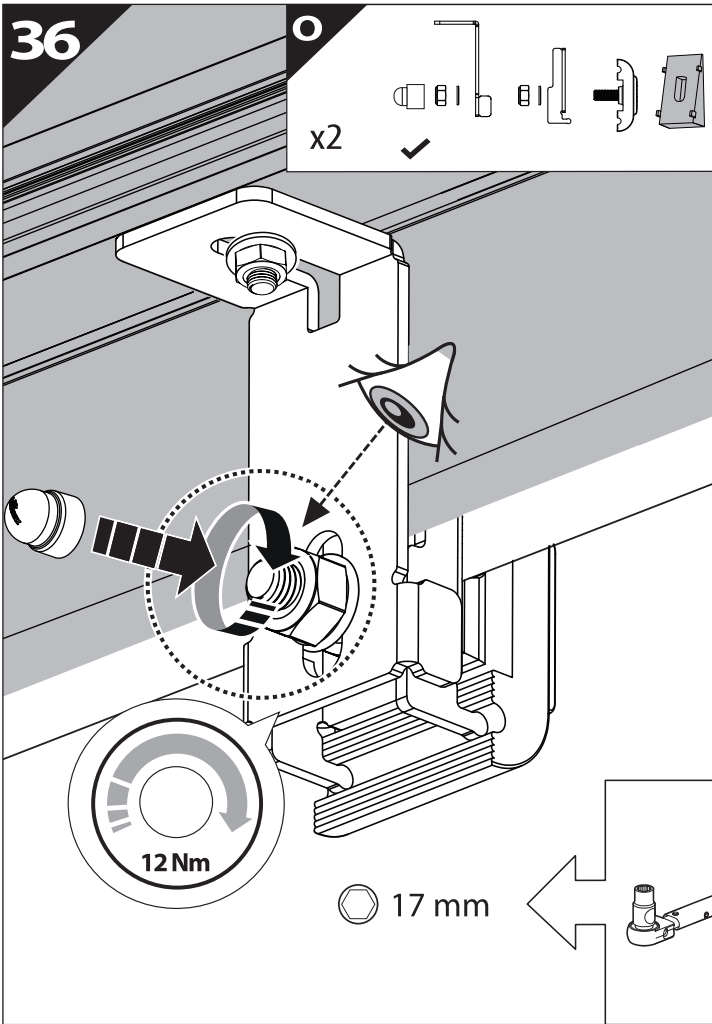
O

x2

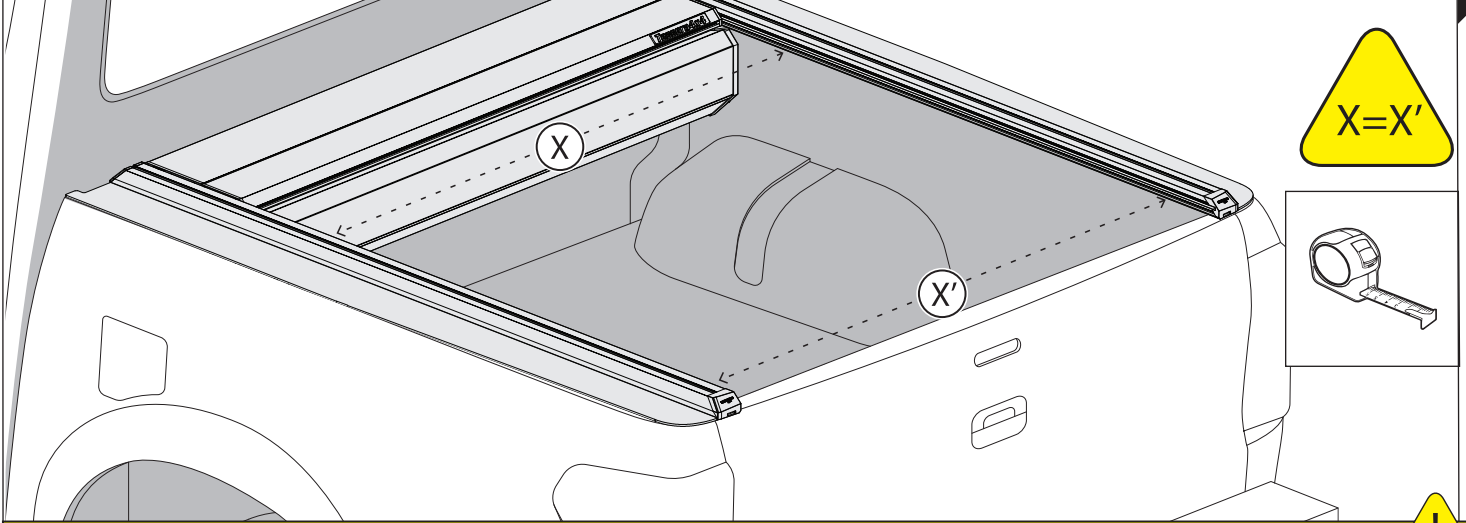


E

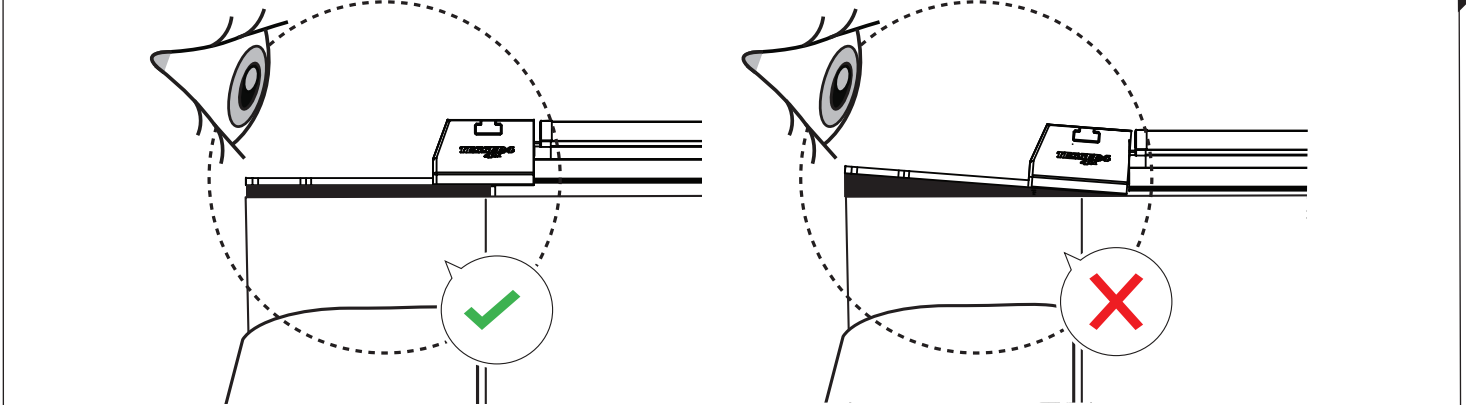




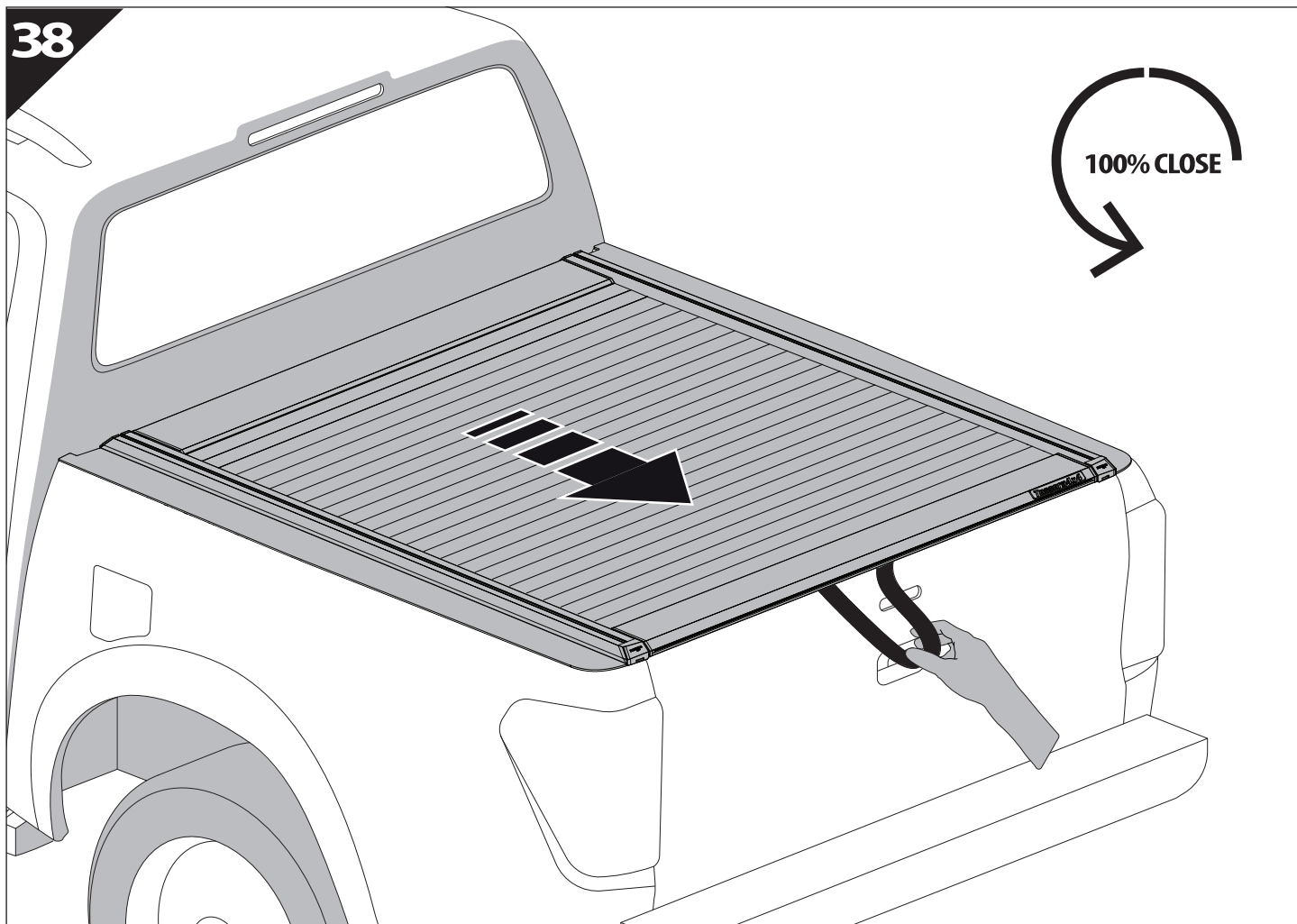
**CAUTION !**



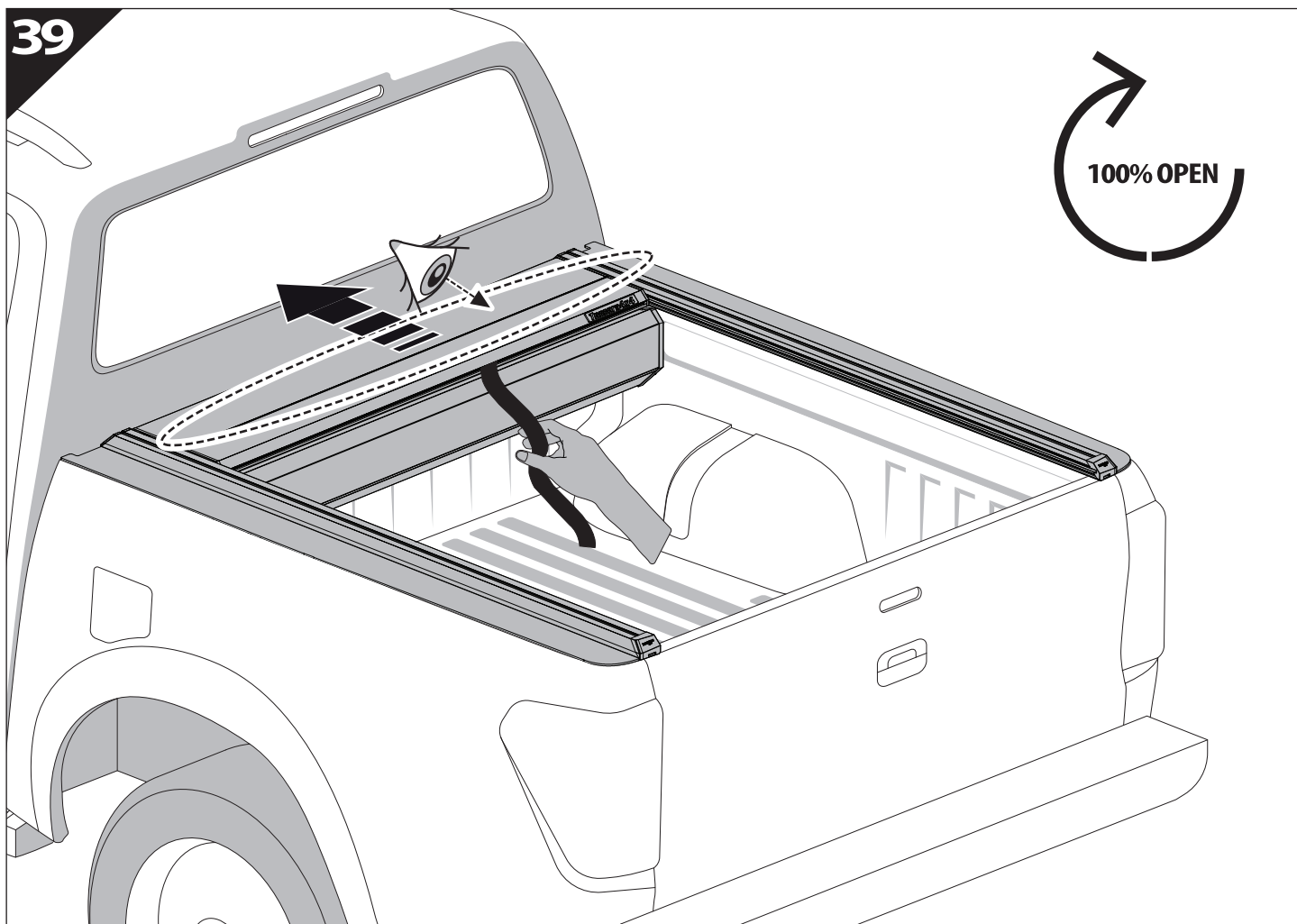
**CAUTION !**



38



39





**GR:** Οδηγίες Εγκατάστασης  
**GB:** Installation manual  
**SF:** Asennusohje  
**F:** Notice de montage  
**PL:** Instrukcja montażu  
**NL:** Installatie-instructies  
**TR:** Montaj Talimatı  
**S:** Monteringsanvisning  
**E:** Instrucciones de montaje

**H:** Szerelési utasítás  
**P:** Instruções de instalação  
**RUS:** Инструкция по установке  
**N:** Monteringsveiledning  
**D:** Einbauanleitung  
**CZ:** Návod k instalaci  
**I:** Istruzioni de montaggio  
**DK:** Monteringsvejledning  
**RO:** Instructiuni de instalare

Customer Service:

+30 (210) 5541161, +30 (210) 5541154 (08:00 - 16:00 EET)

Support department:

[info@gianso.gr](mailto:info@gianso.gr)

Website:

[www.tessera4x4.com](http://www.tessera4x4.com)

Address:

19.5 km of National road Athens-Korinthos (Elefsina) Greece, P.C: 19200