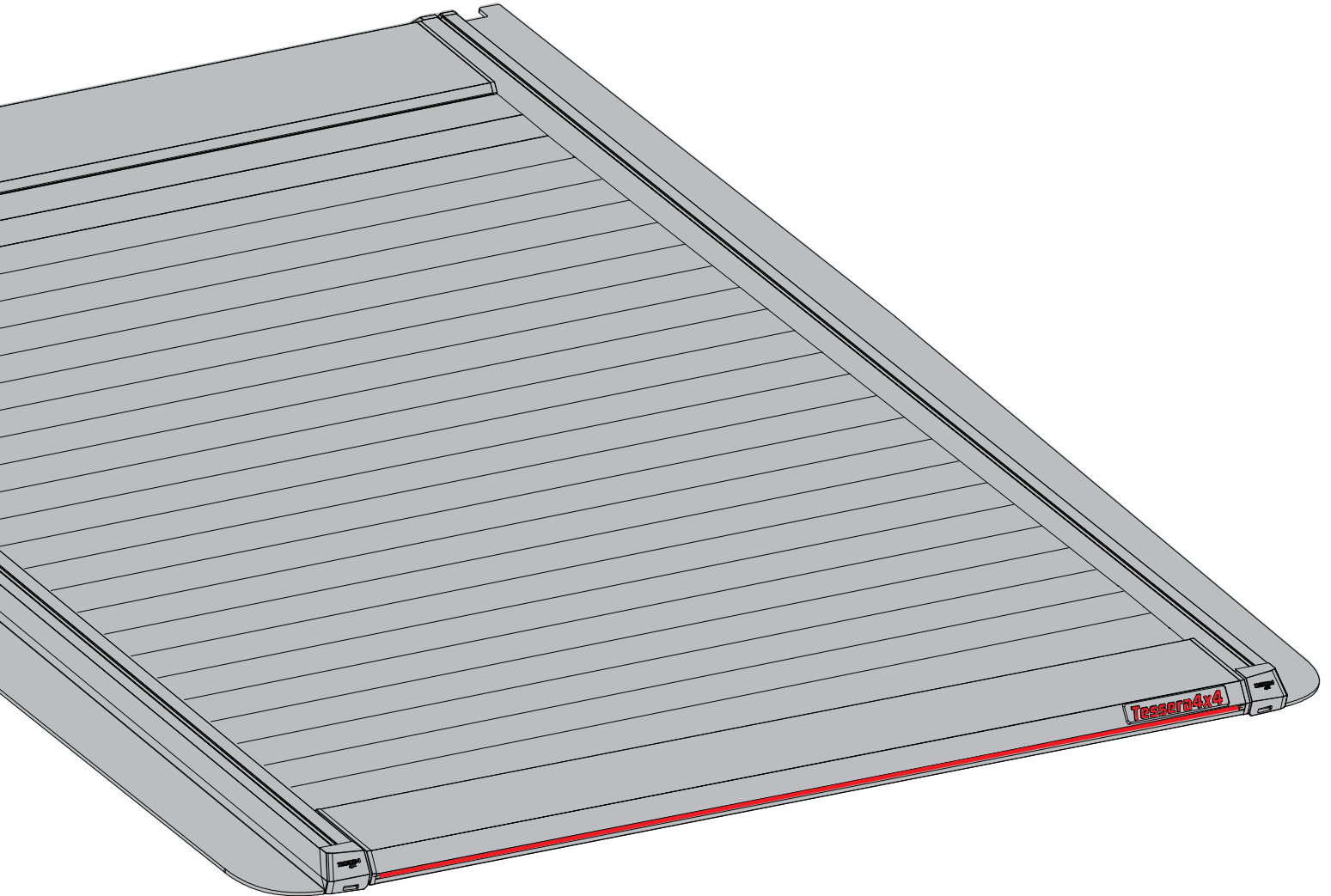


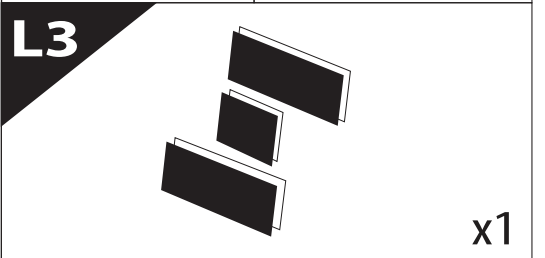
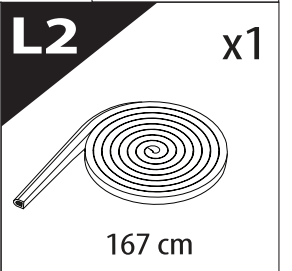
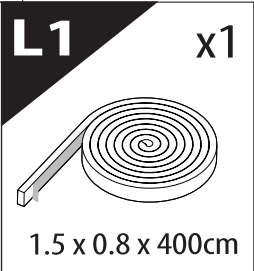
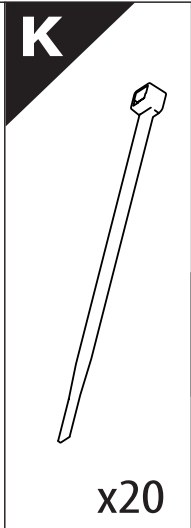
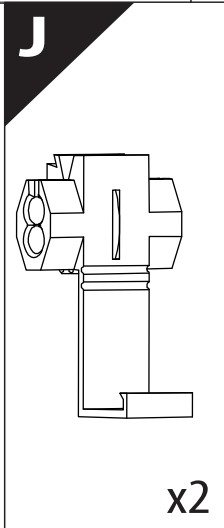
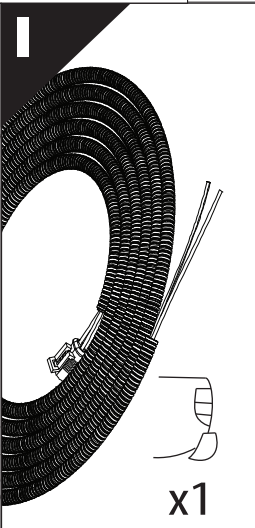
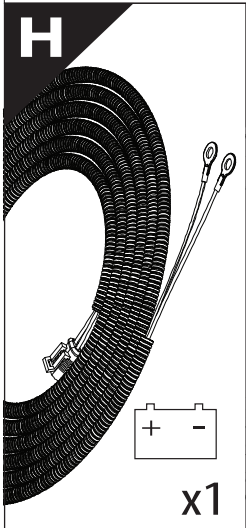
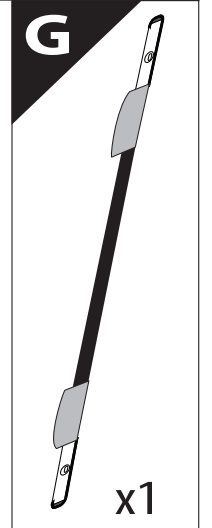
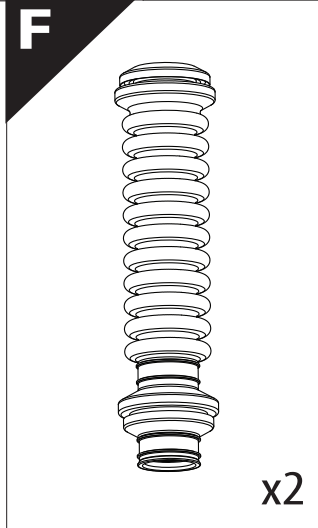
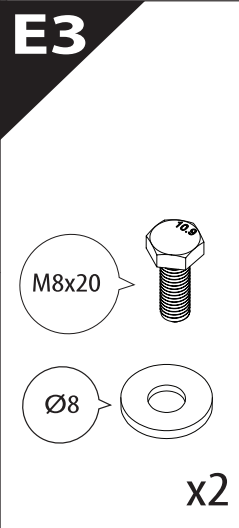
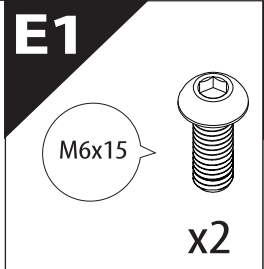
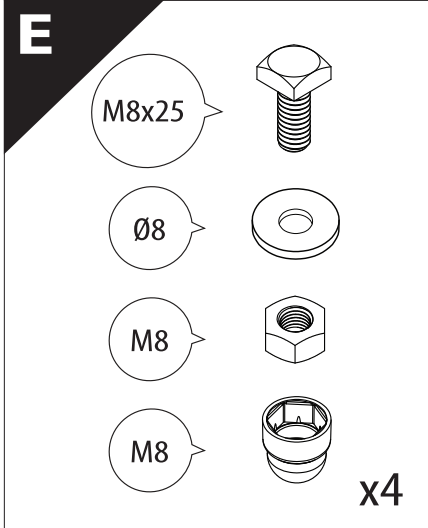
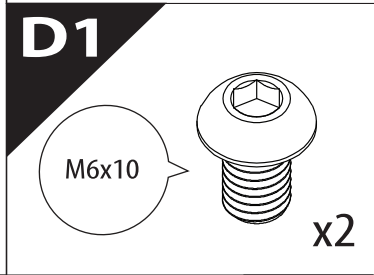
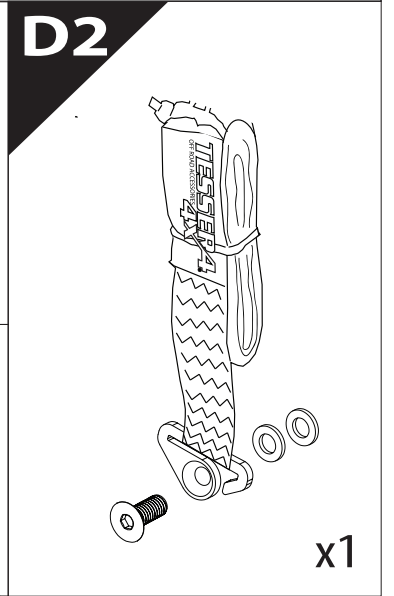
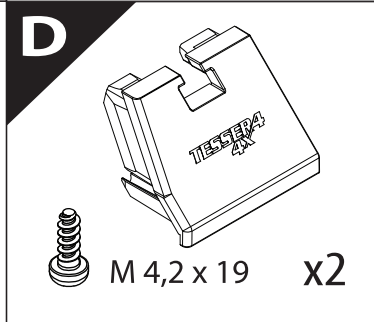
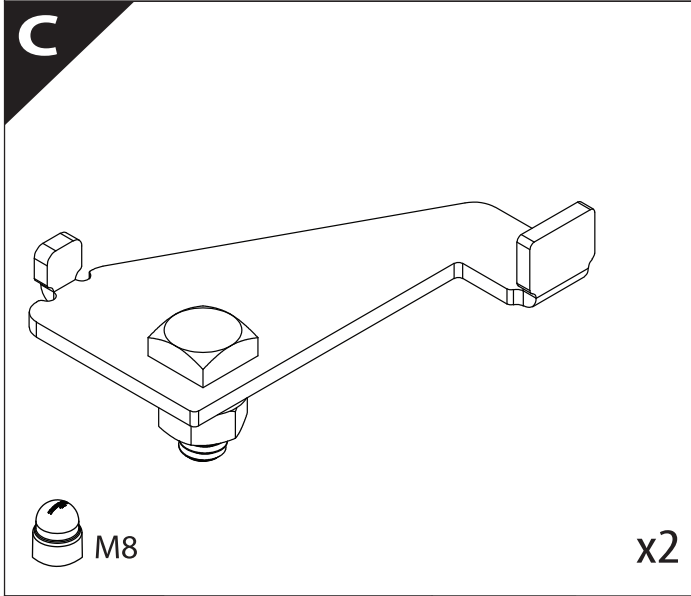
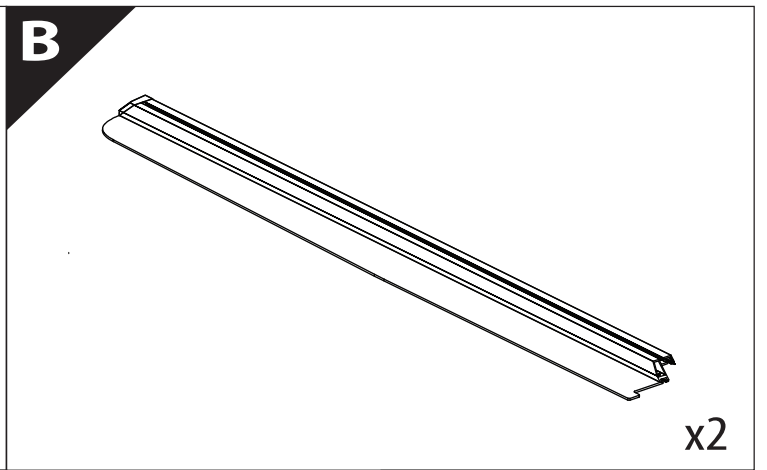
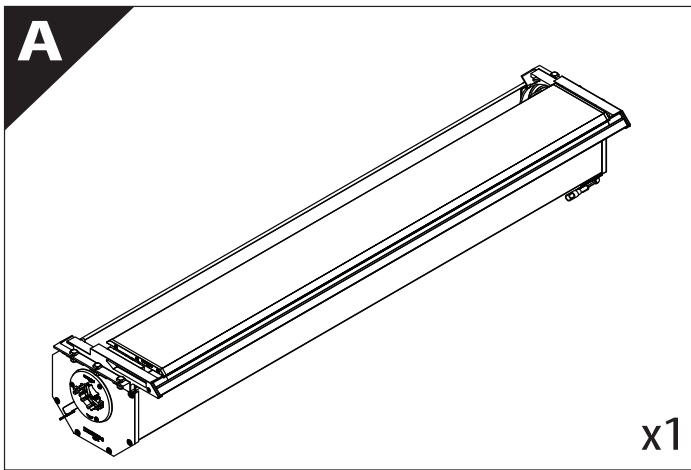
Tessera Roll+

Basic Version + ⚡ E-KIT

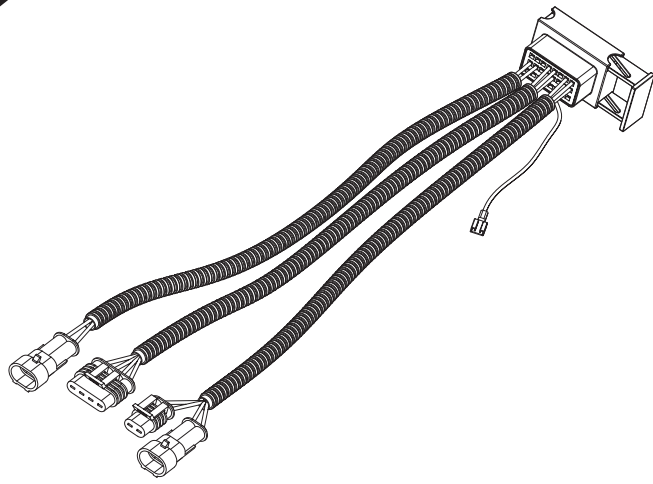


Installation Manual

PART NUMBER(S)	Model Year
TESS 14061 ROLL+E-KIT	FORD RANGER RAPTOR 2023+ (P 703)
Cab(s)	Installation Time / Weight
Double Cab	40-60 minutes / 53-57 kg

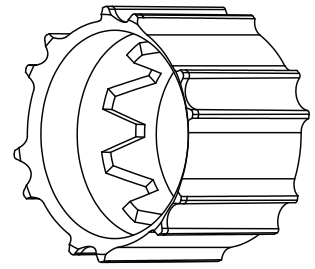


M2



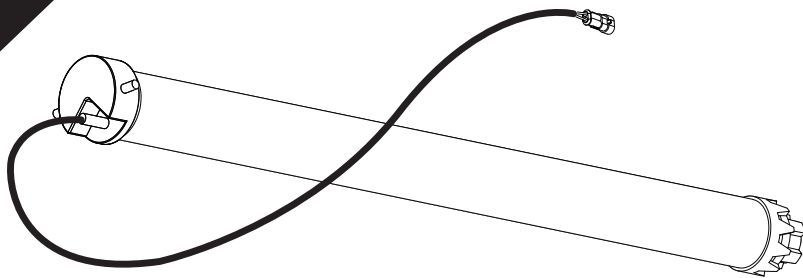
x1

N



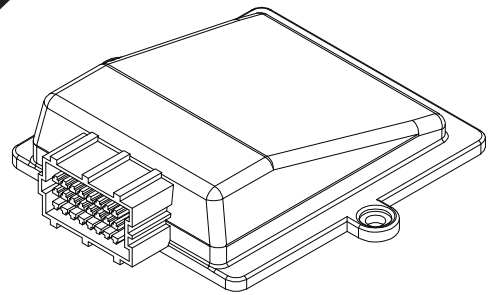
x1

O



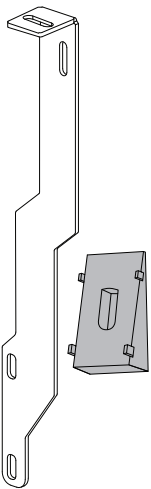
x1

P



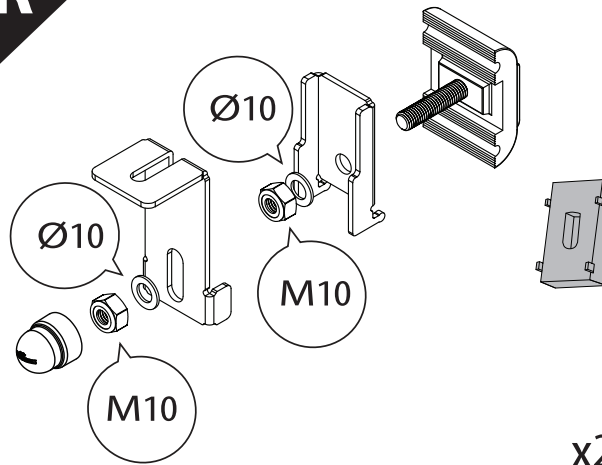
x1

Q



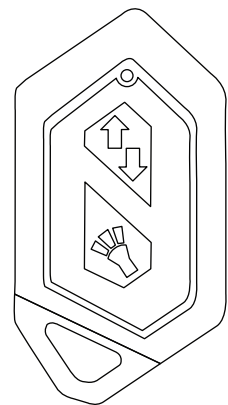
x2

R



x2

S

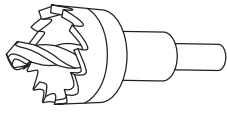


x2

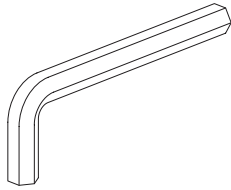
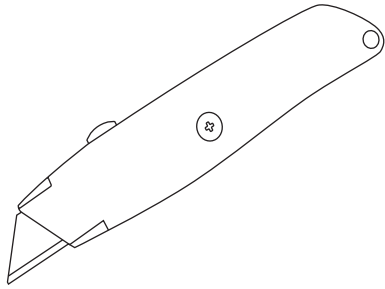
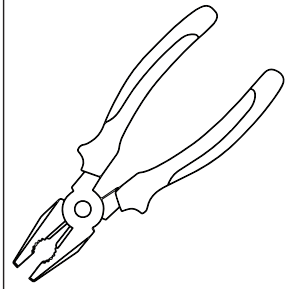
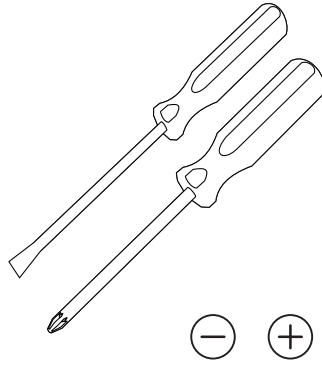
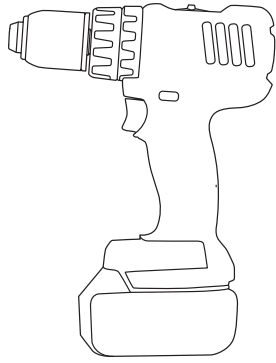
T



x2

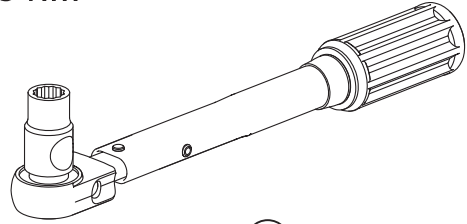


Ø 25 mm



4 mm

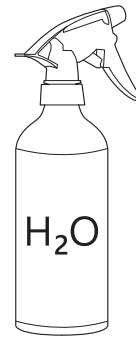
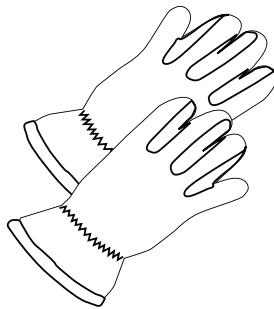
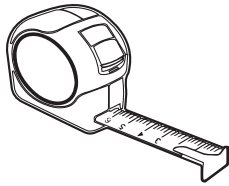
1 - 25 Nm



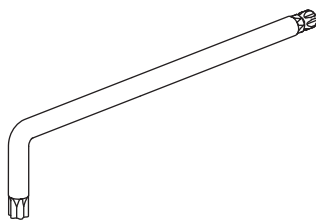
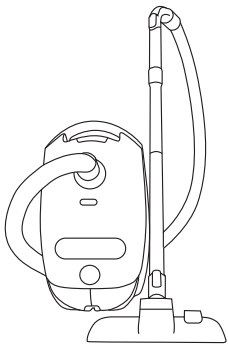
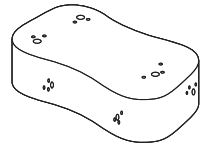
10, 12, 13, 17 mm



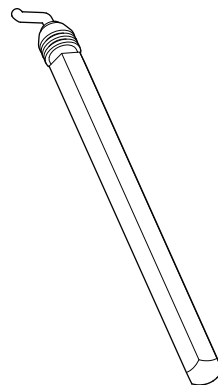
ACETONE



H₂O



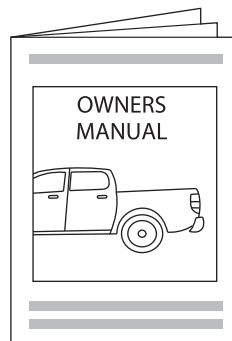
T30, T40



ANTI-RUST

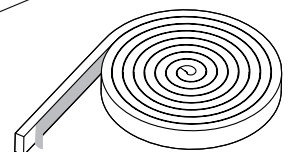
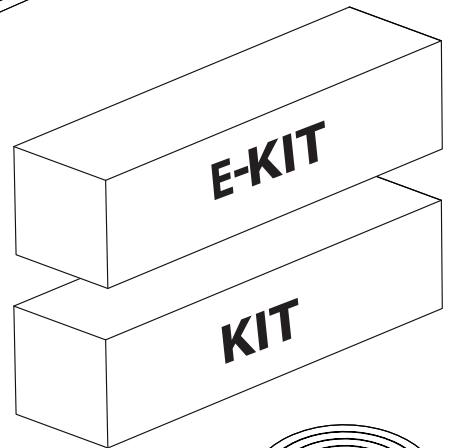
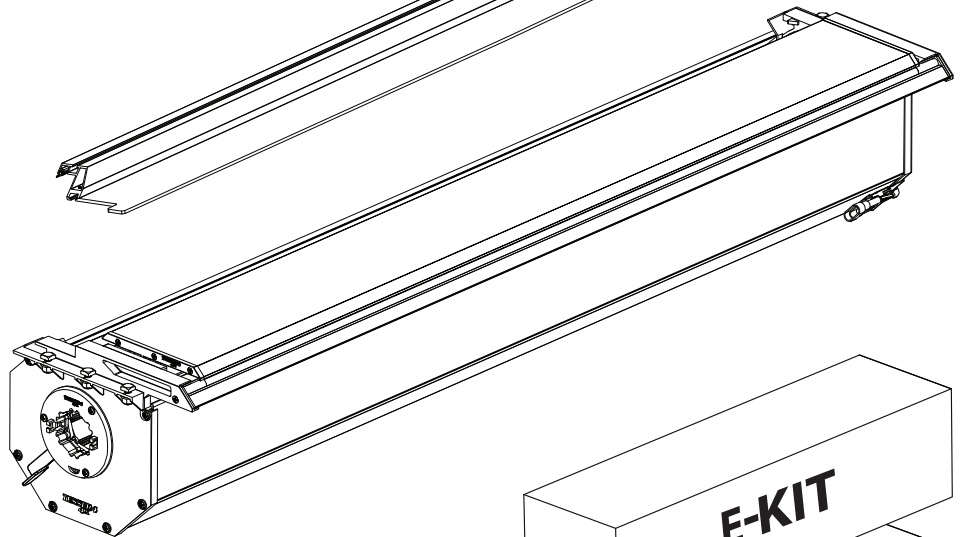
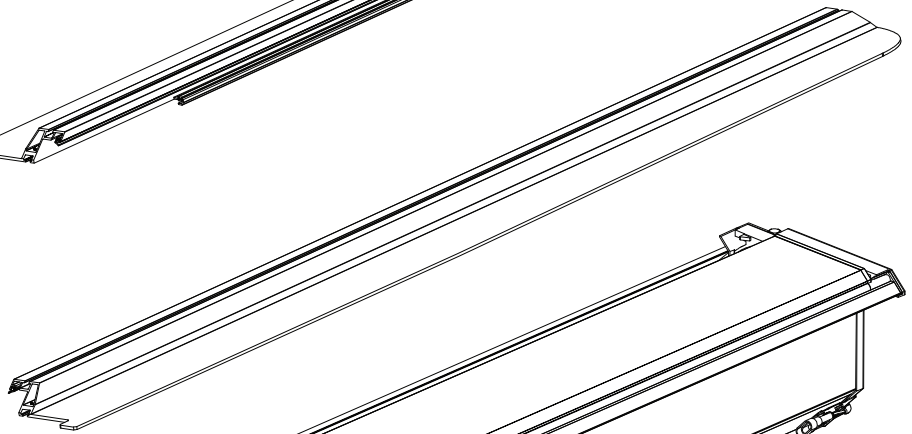
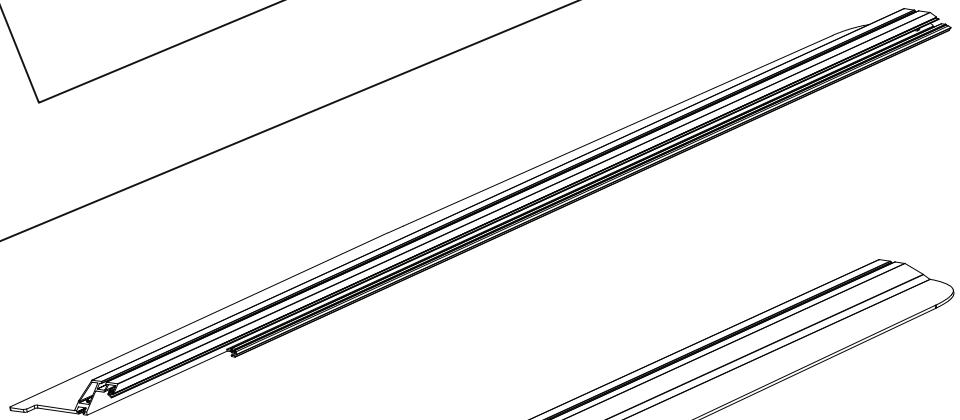
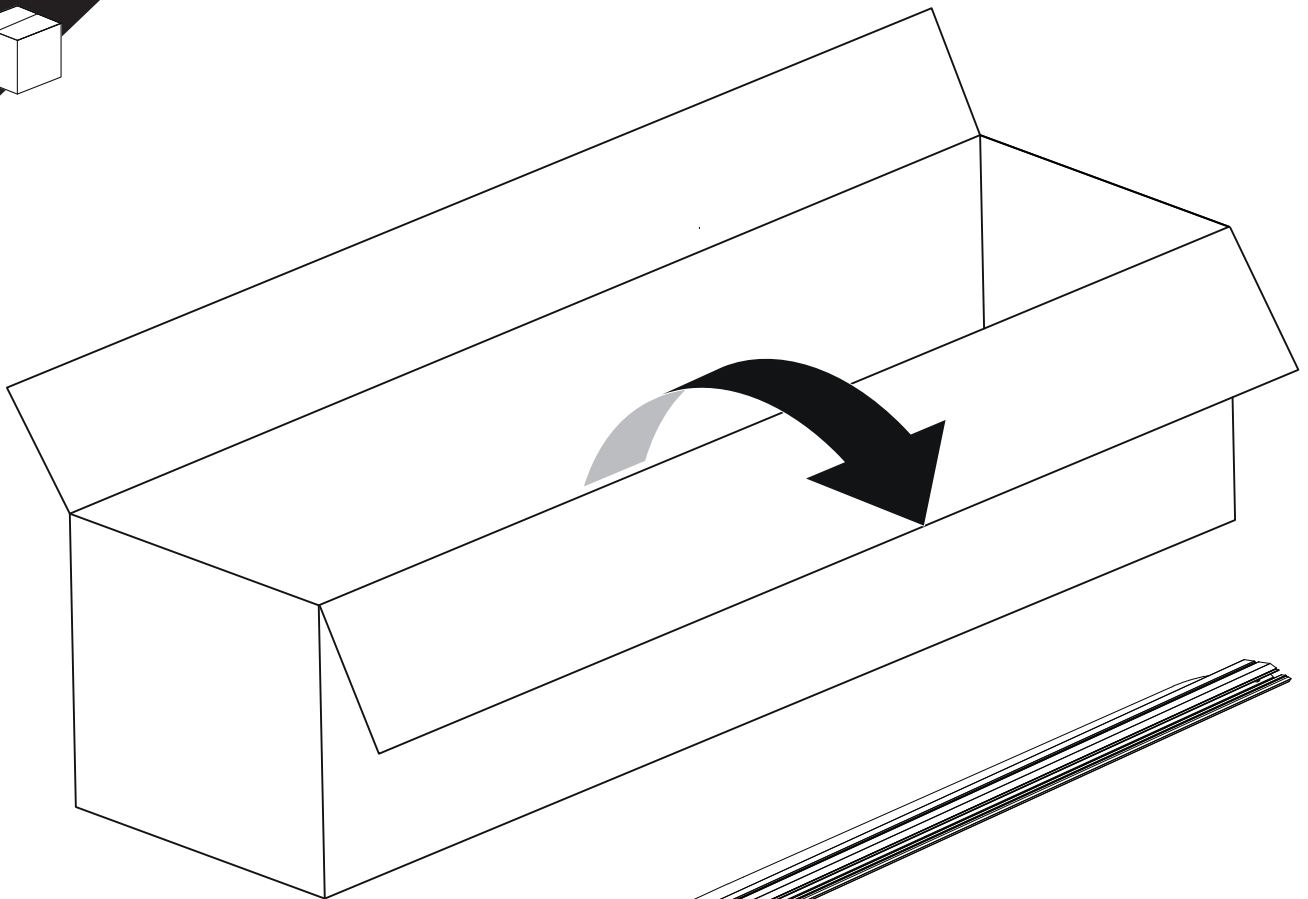


INSTALATION
MANUAL
+E-KIT



OWNERS
MANUAL

x1

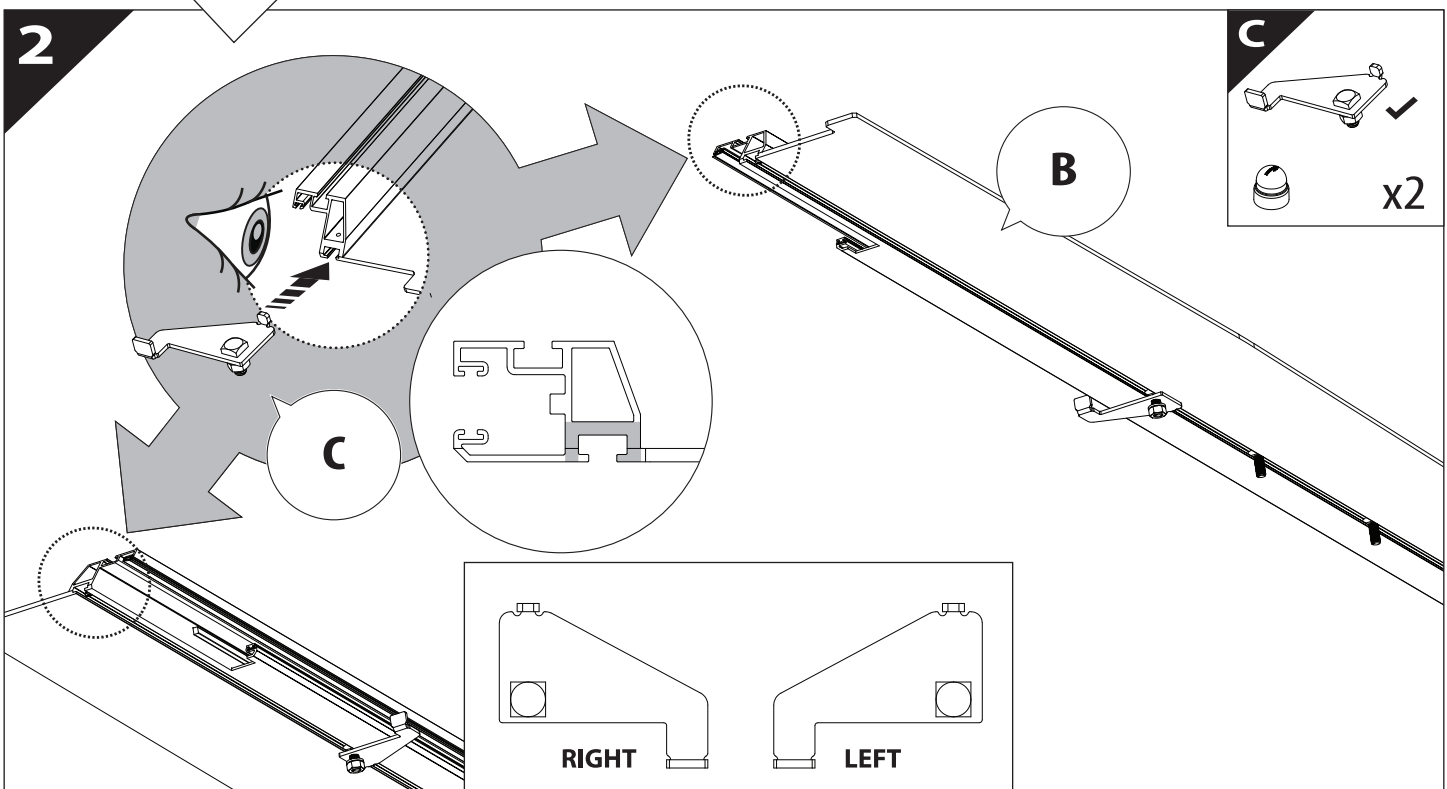
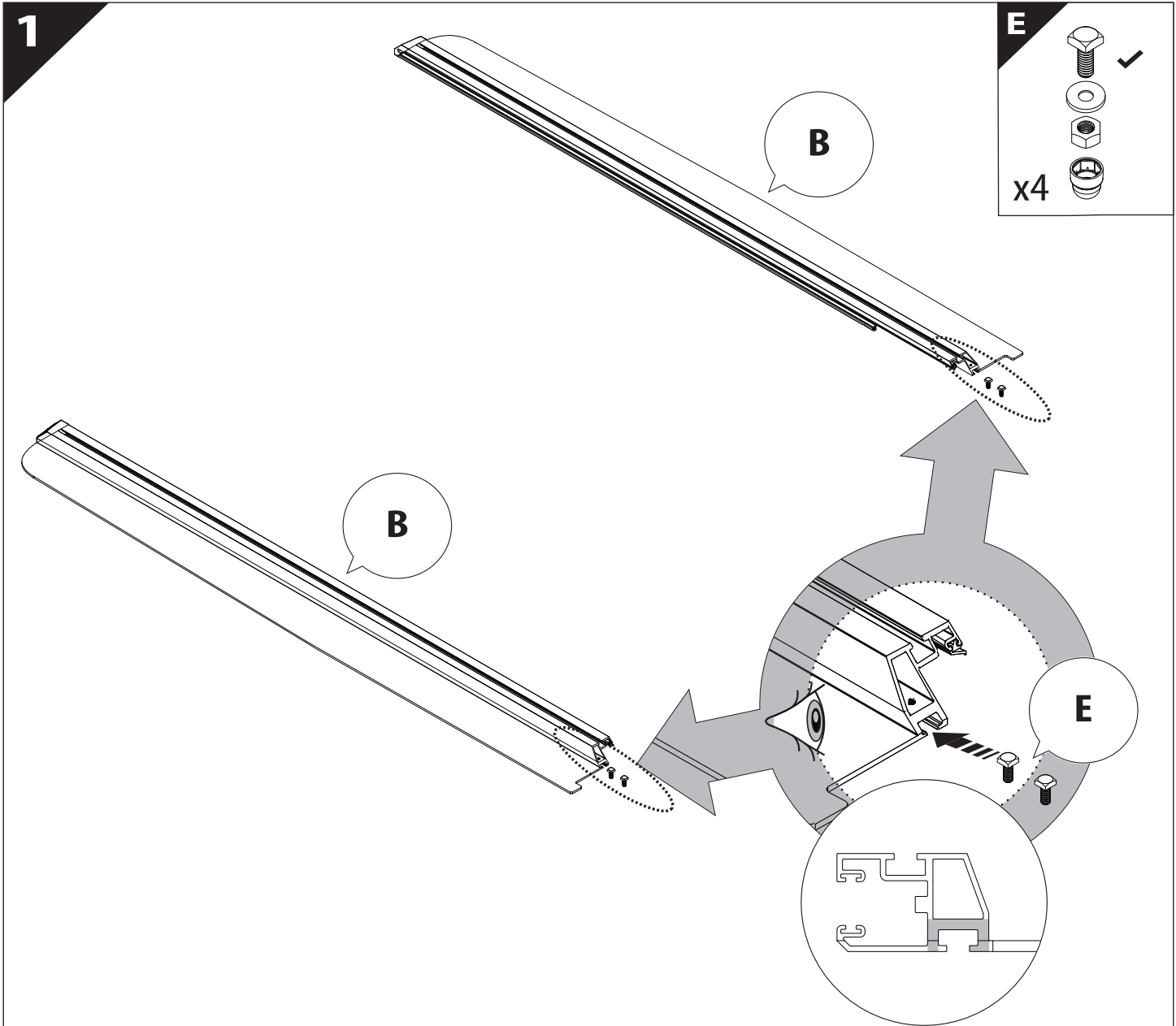


B

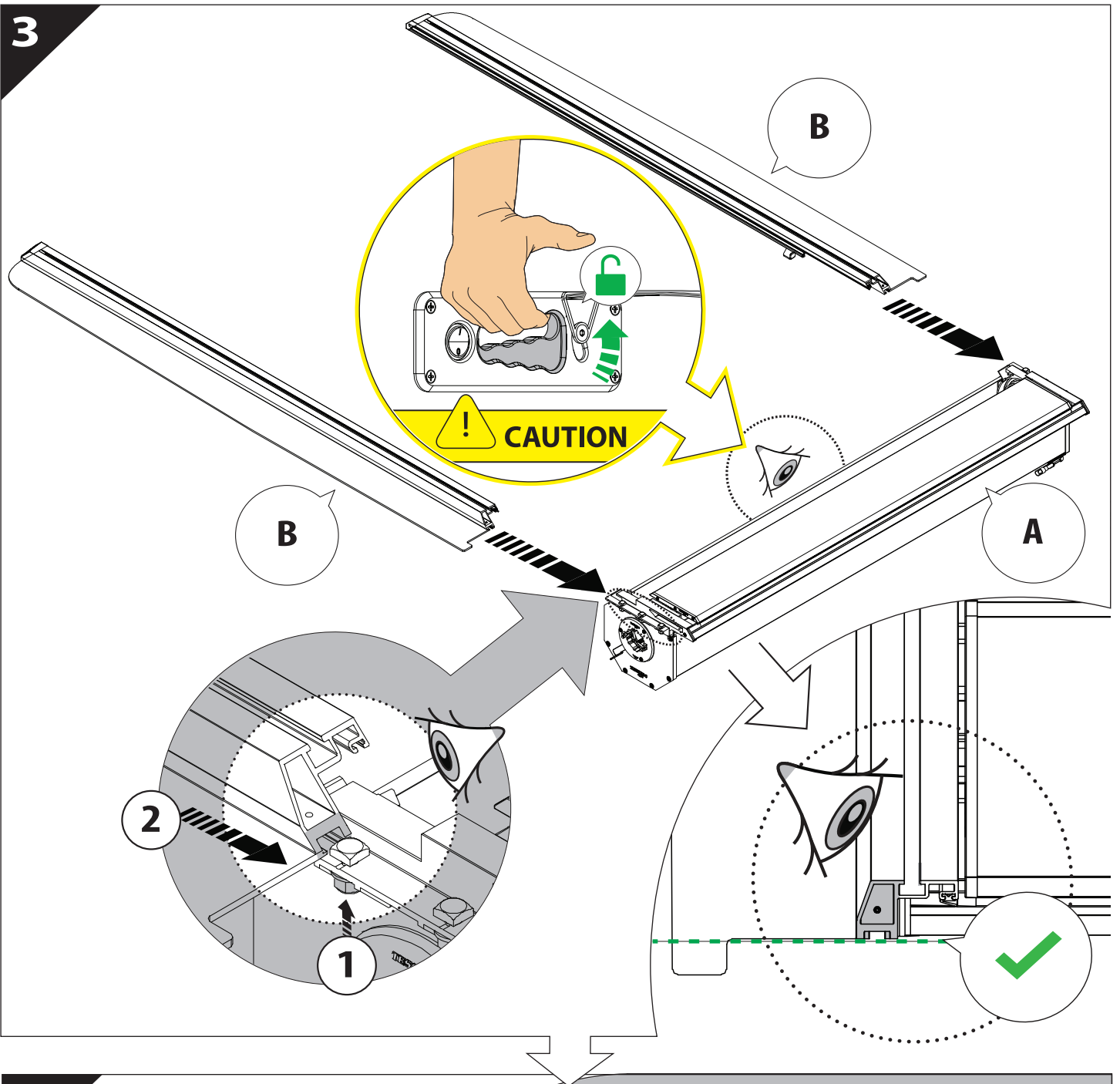
A

KITS

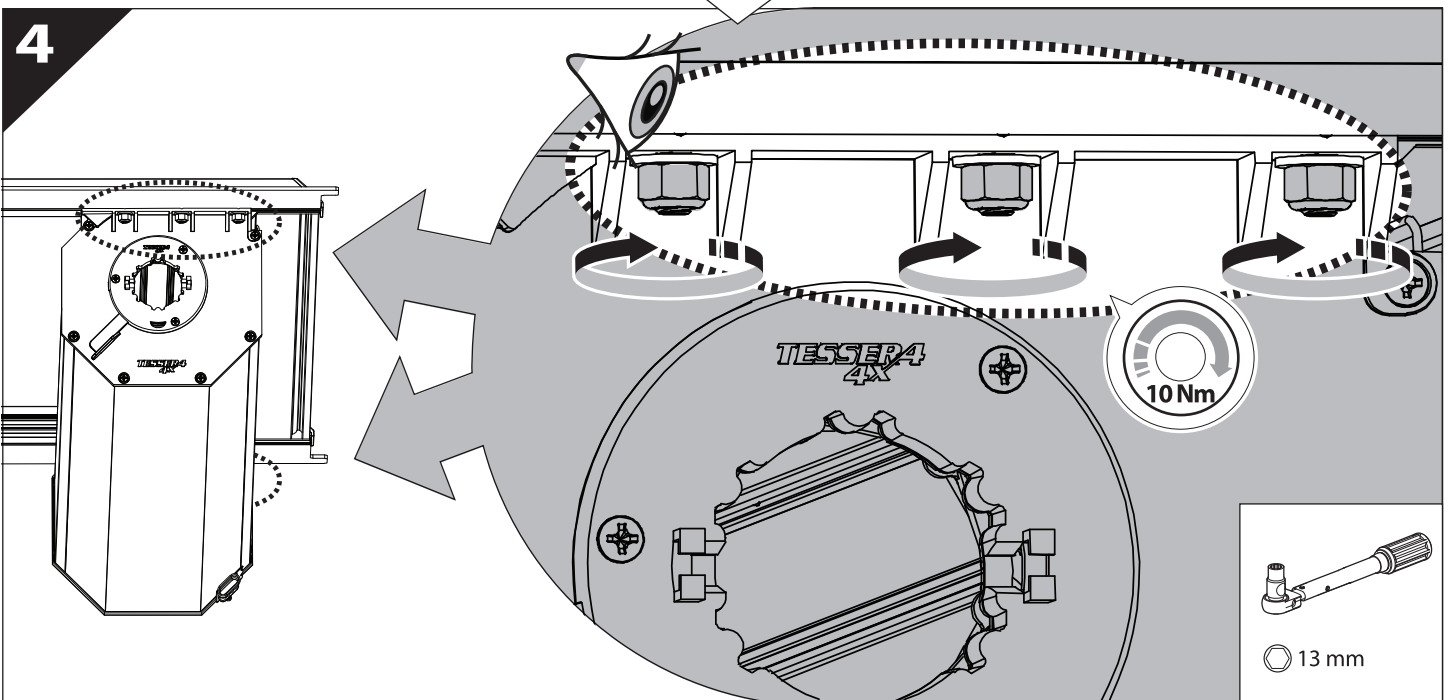
L

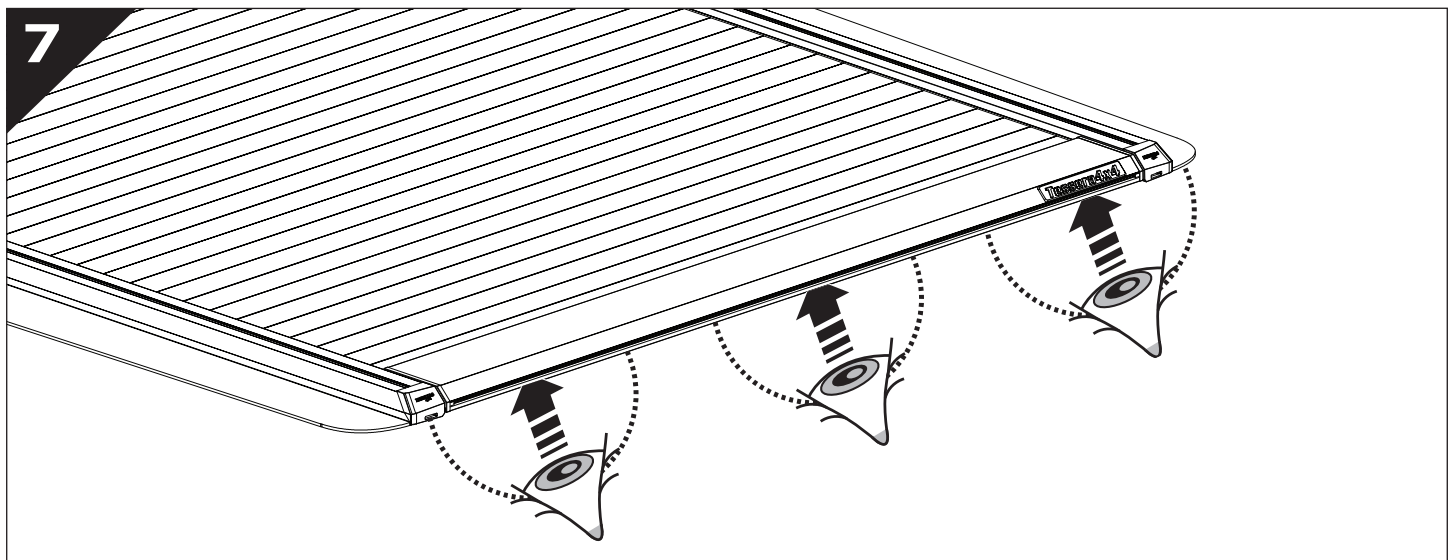
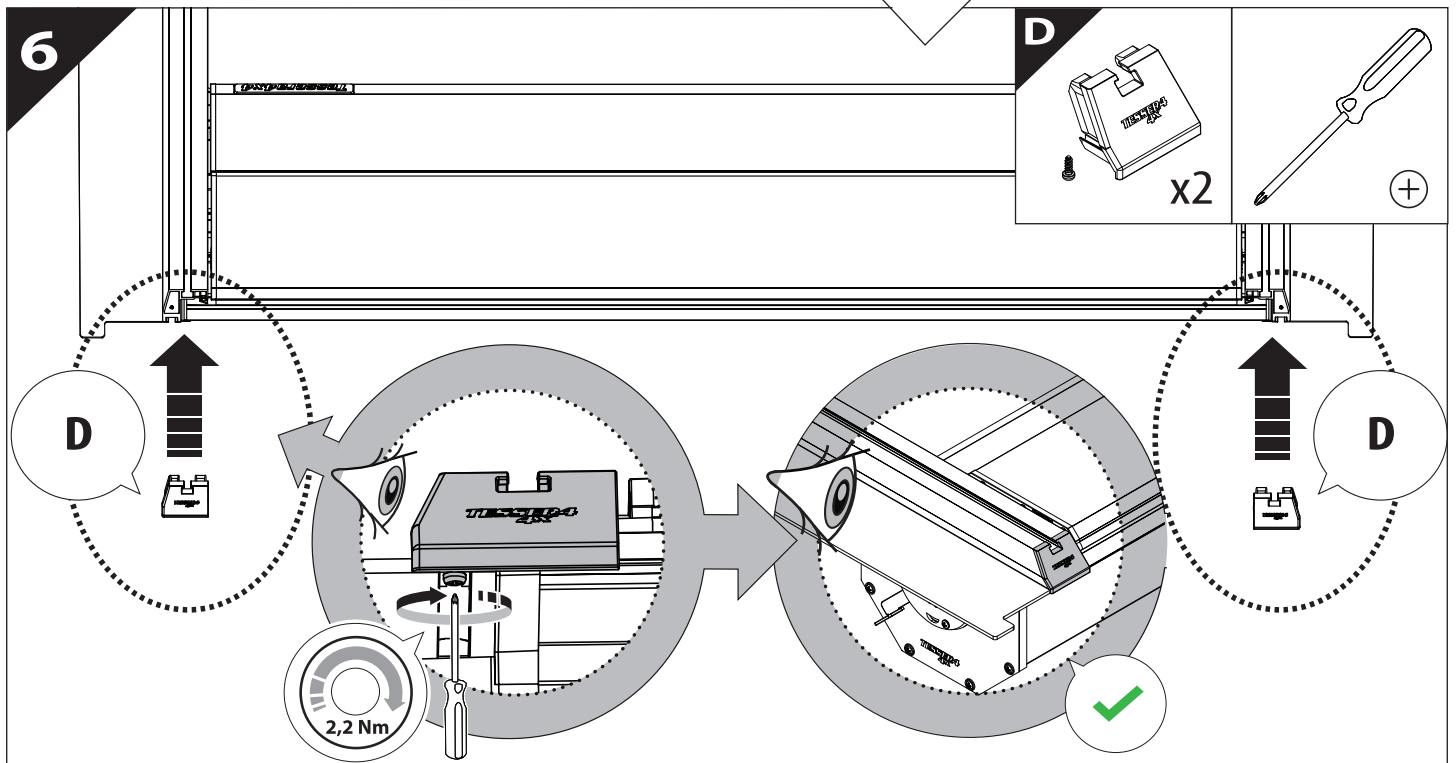
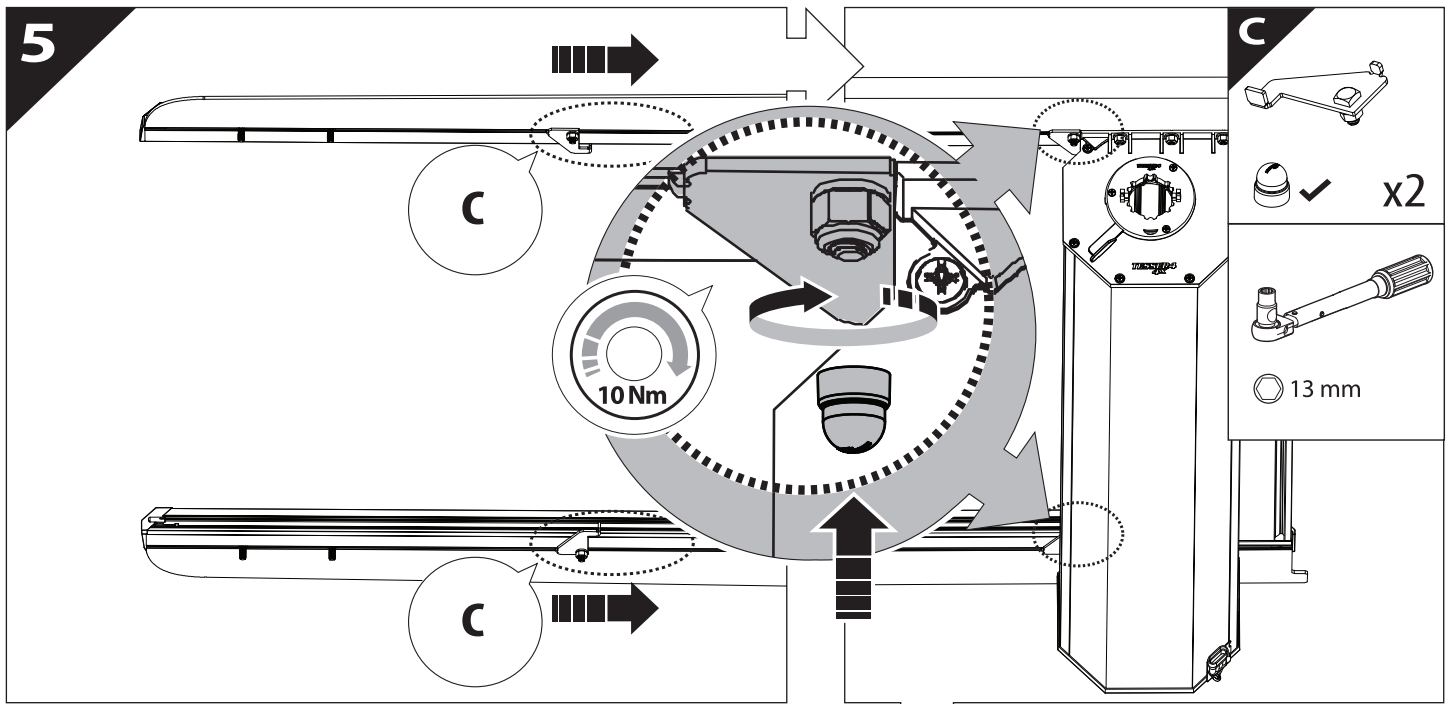


3

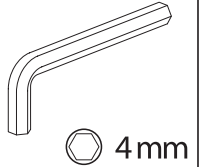
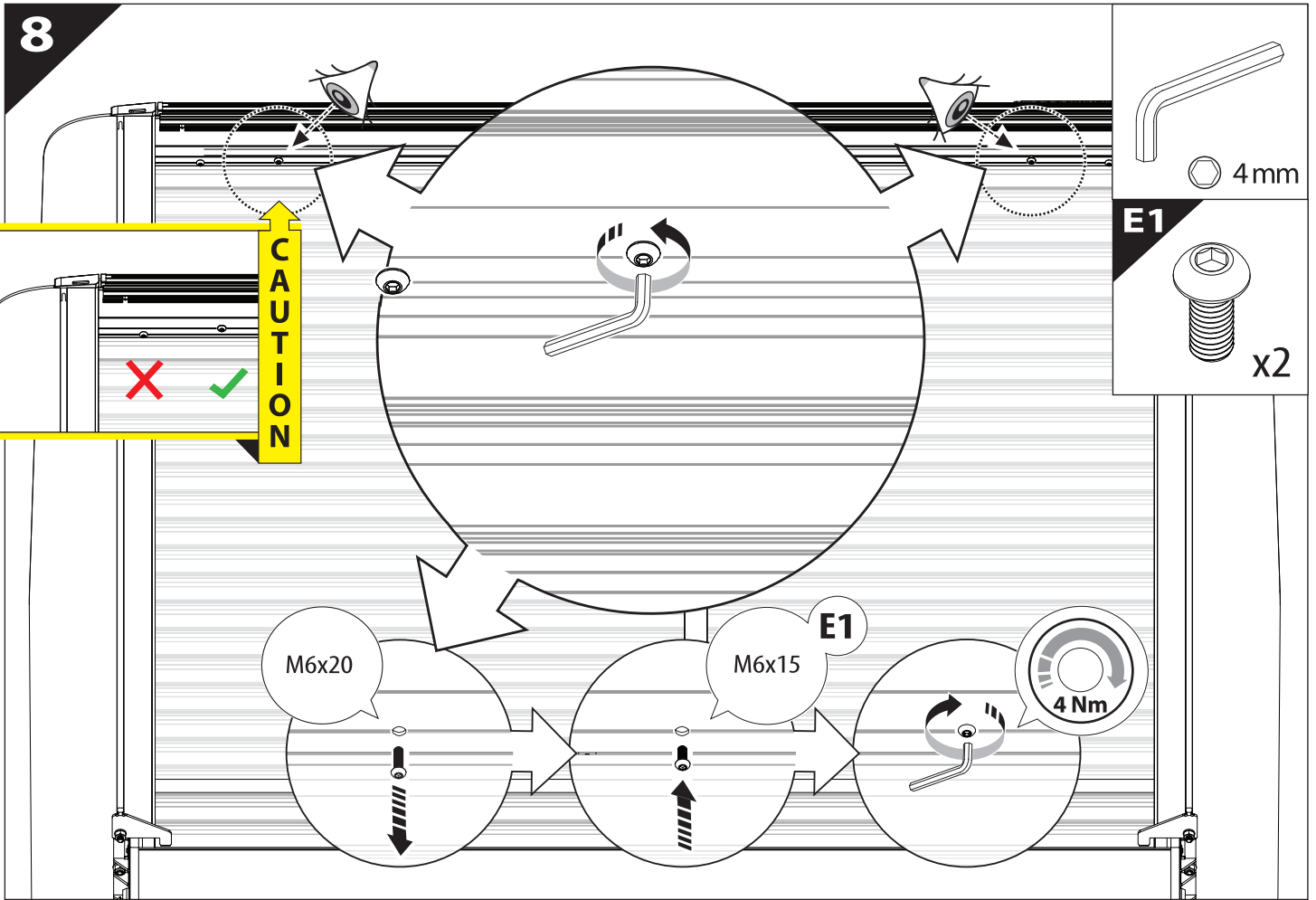
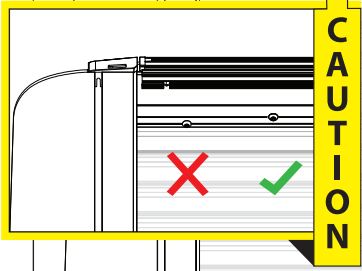


4





8



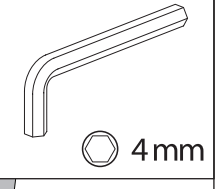
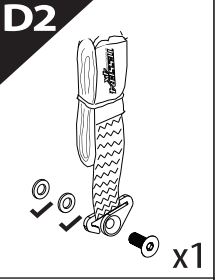
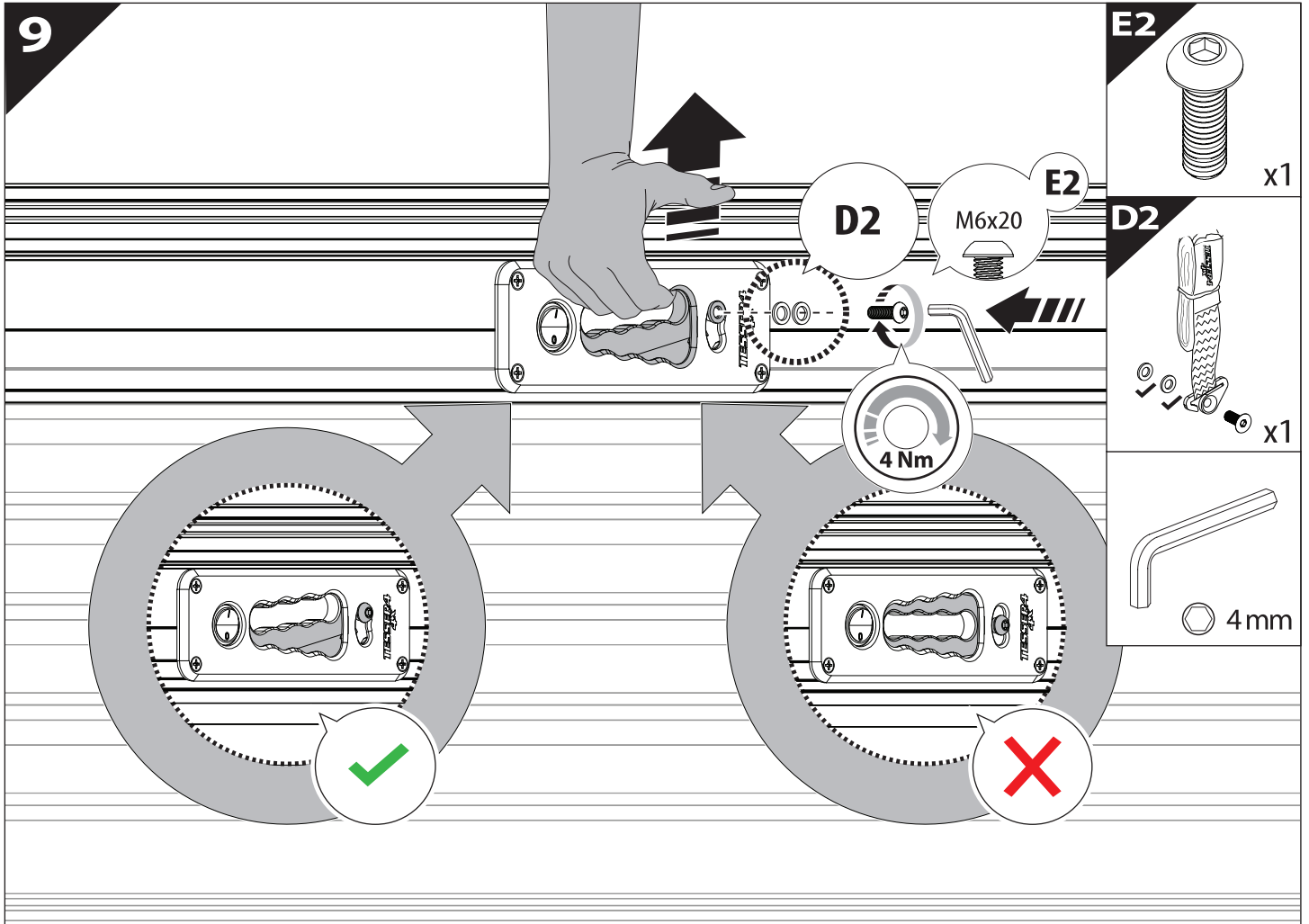
M6x20

M6x15

E1

4 Nm

9



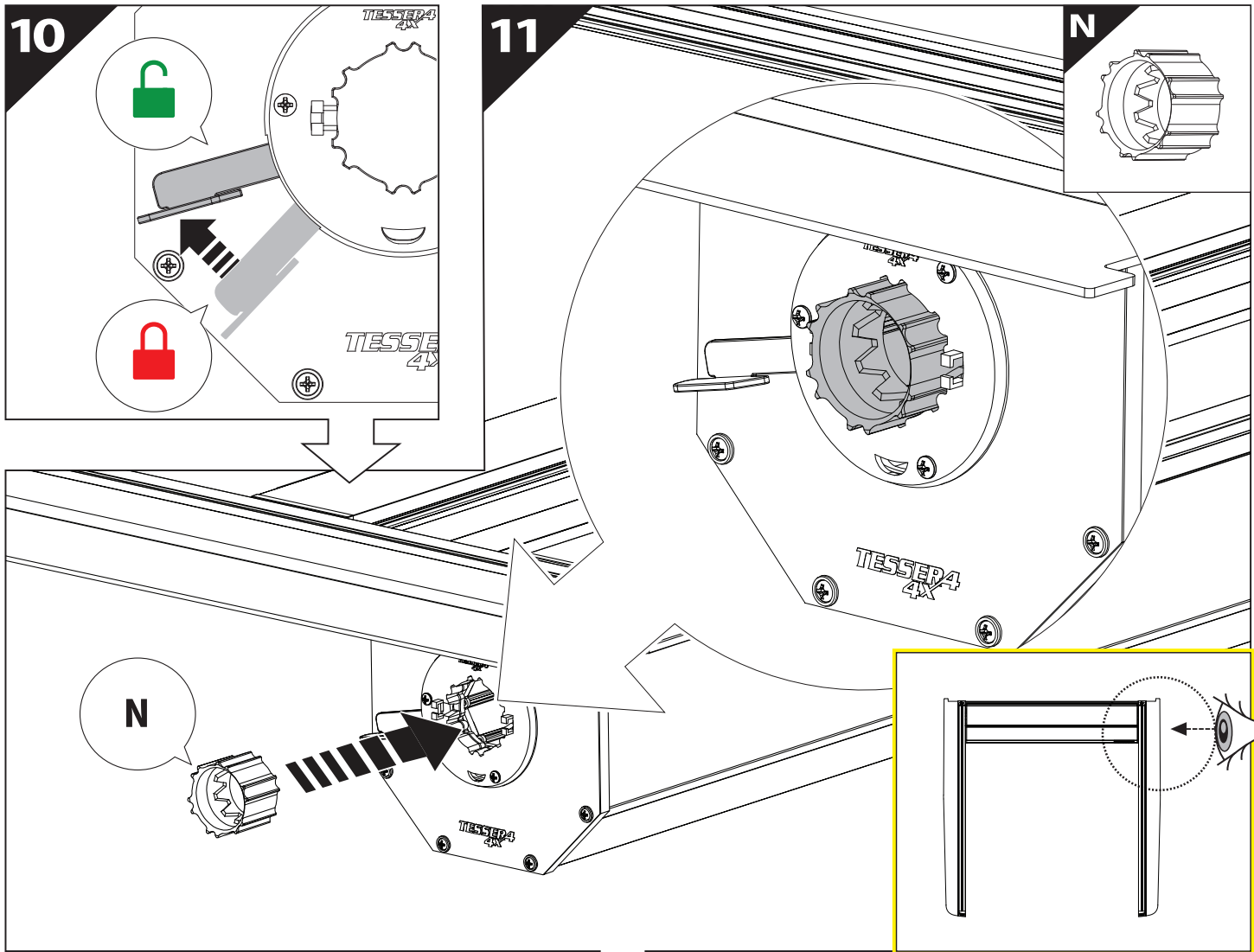
D2

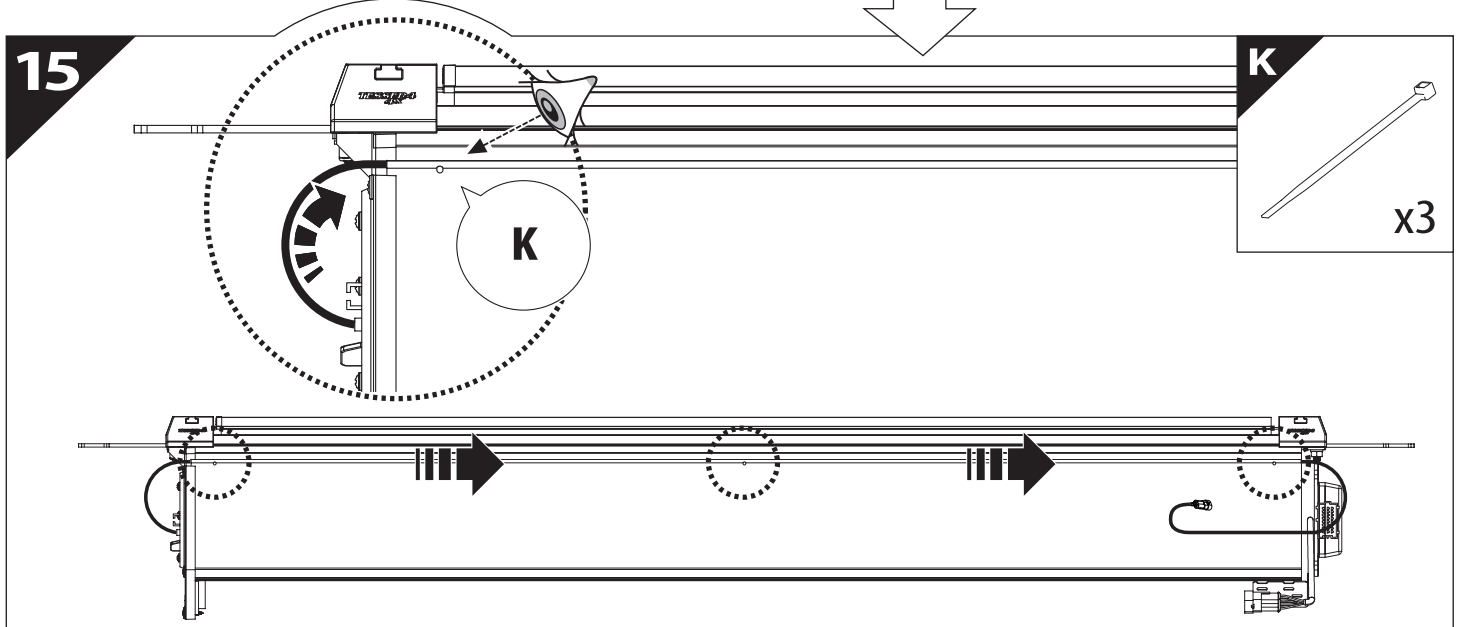
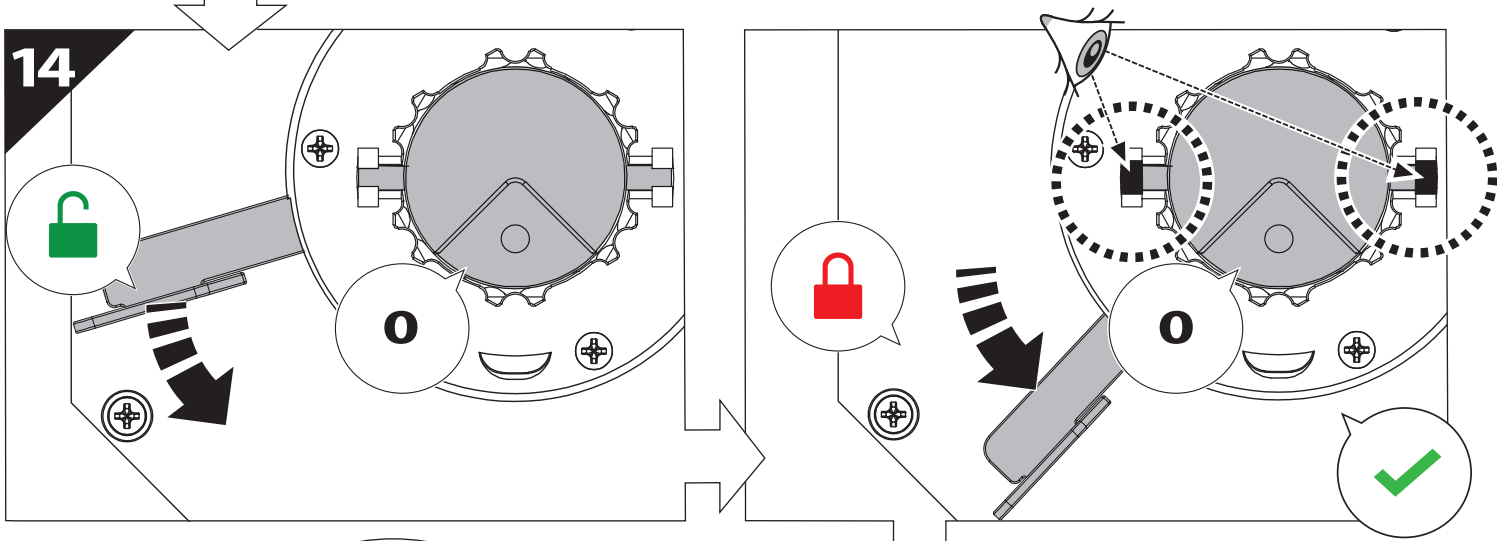
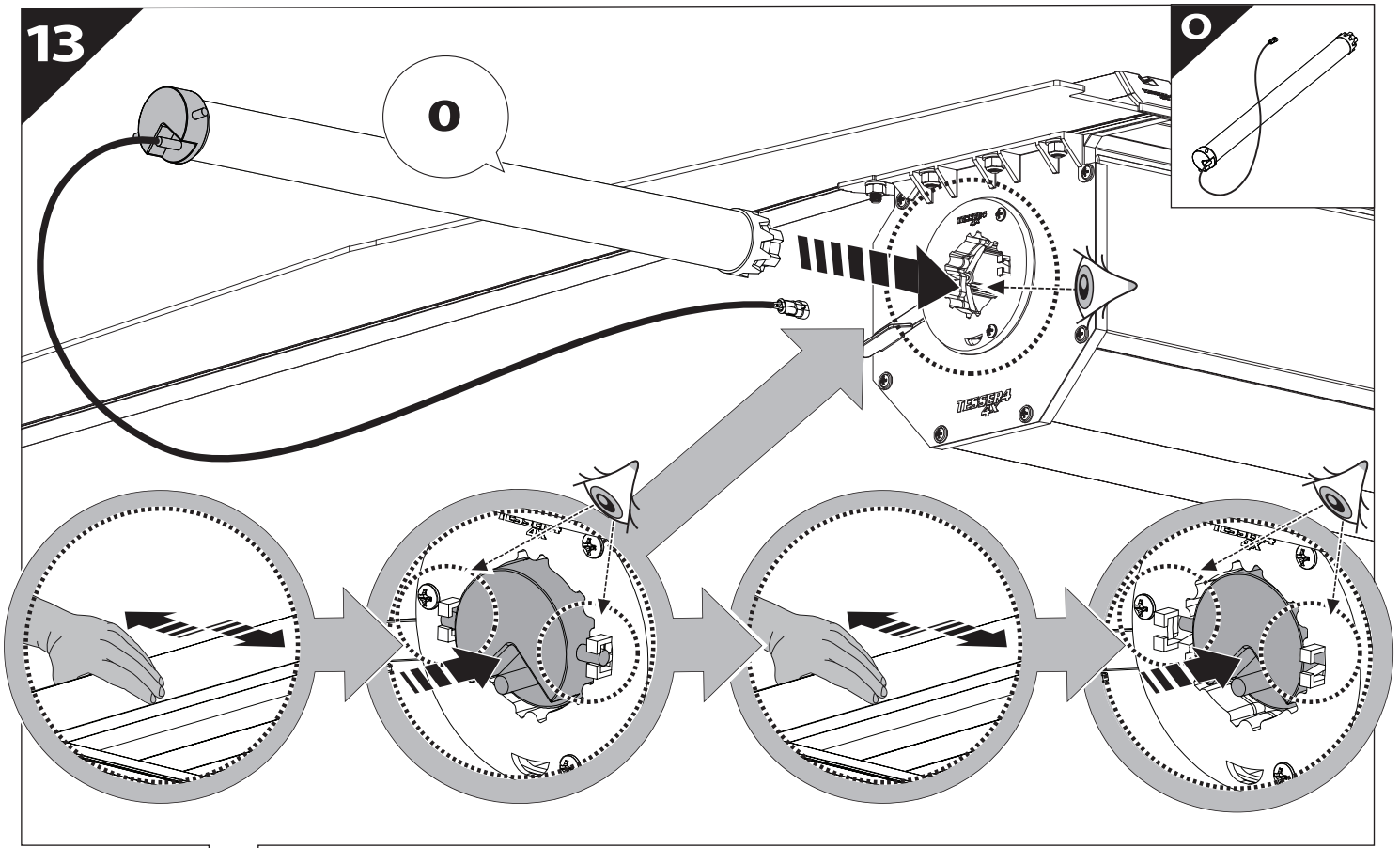
M6x20

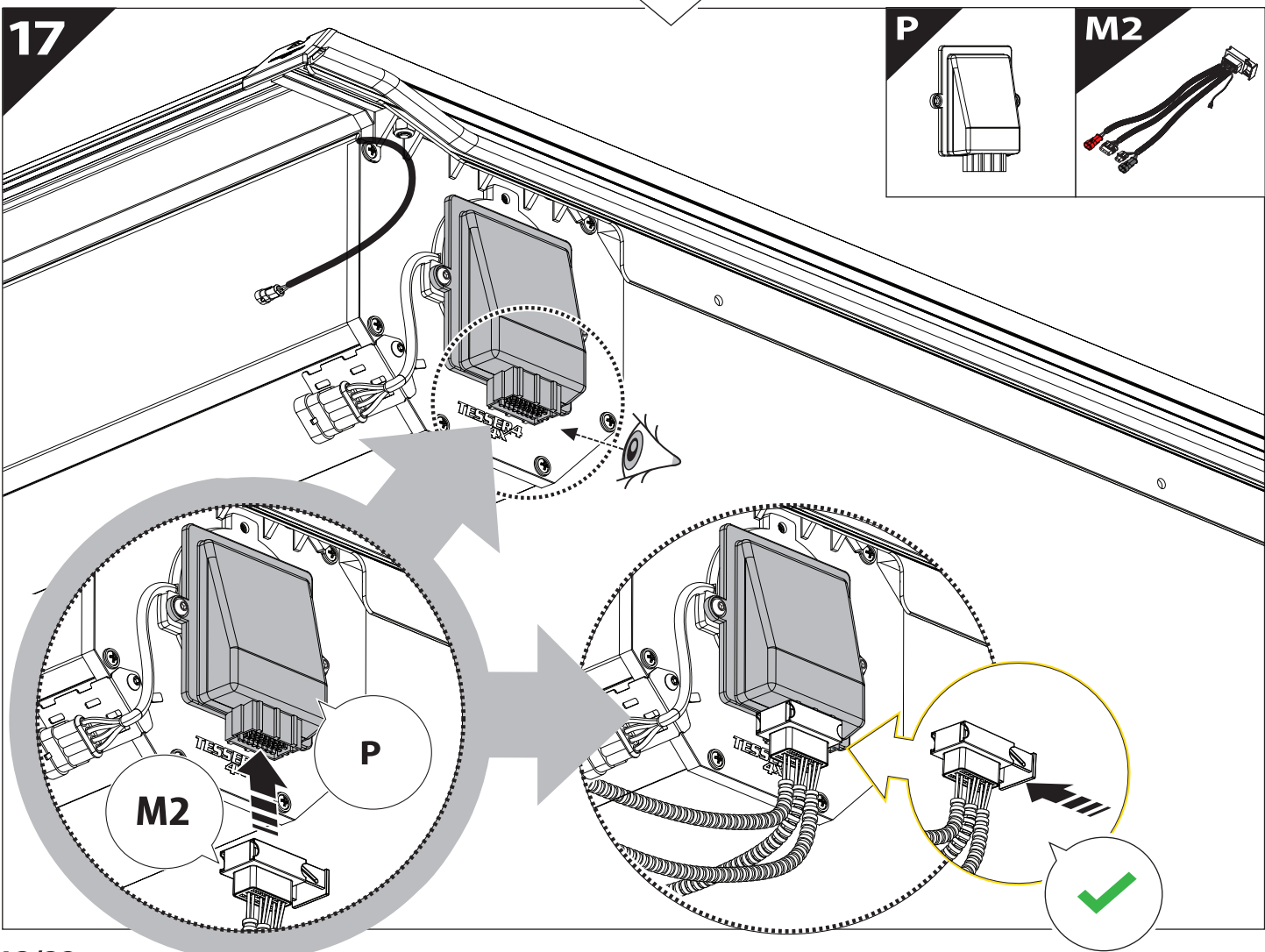
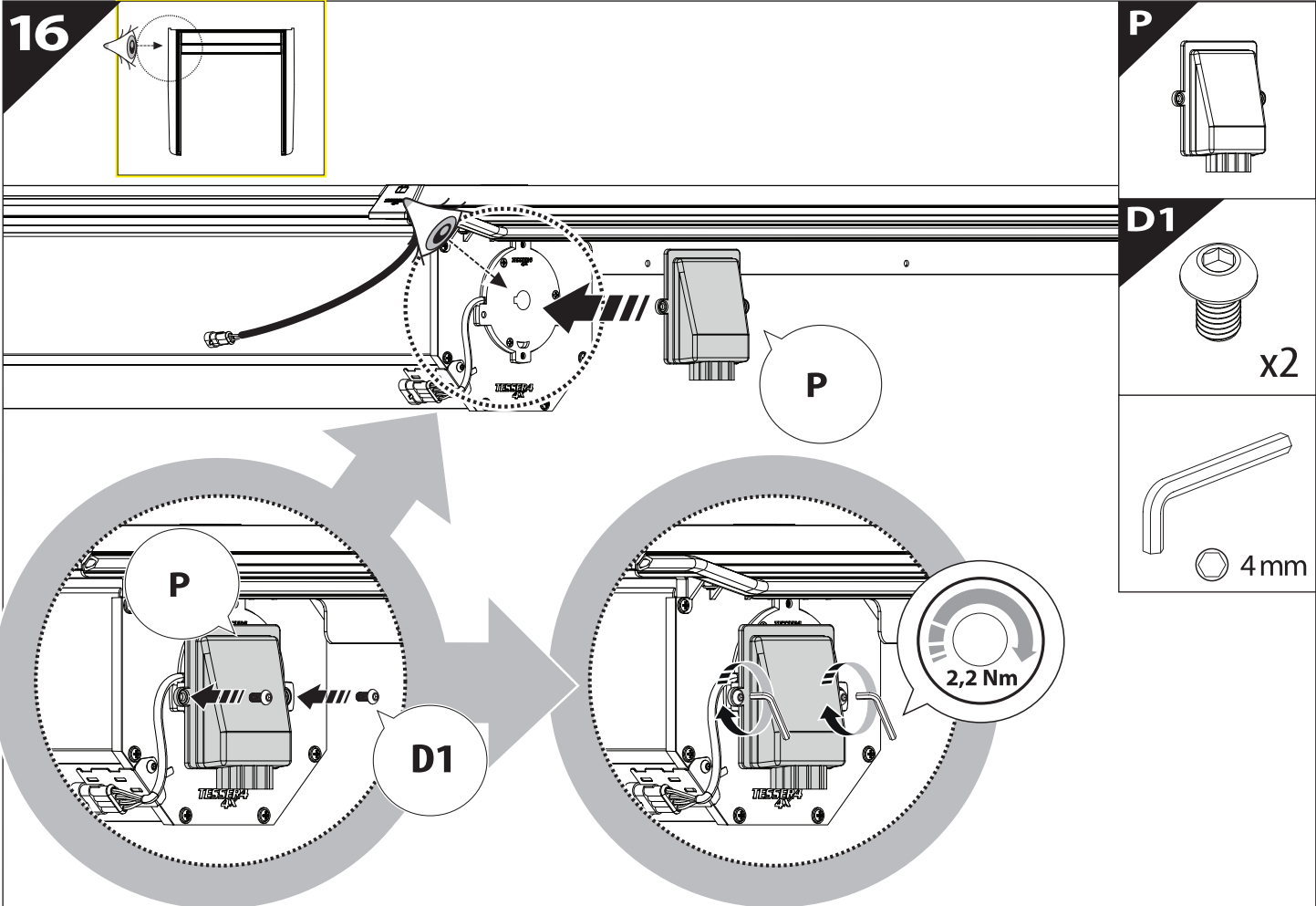
E2

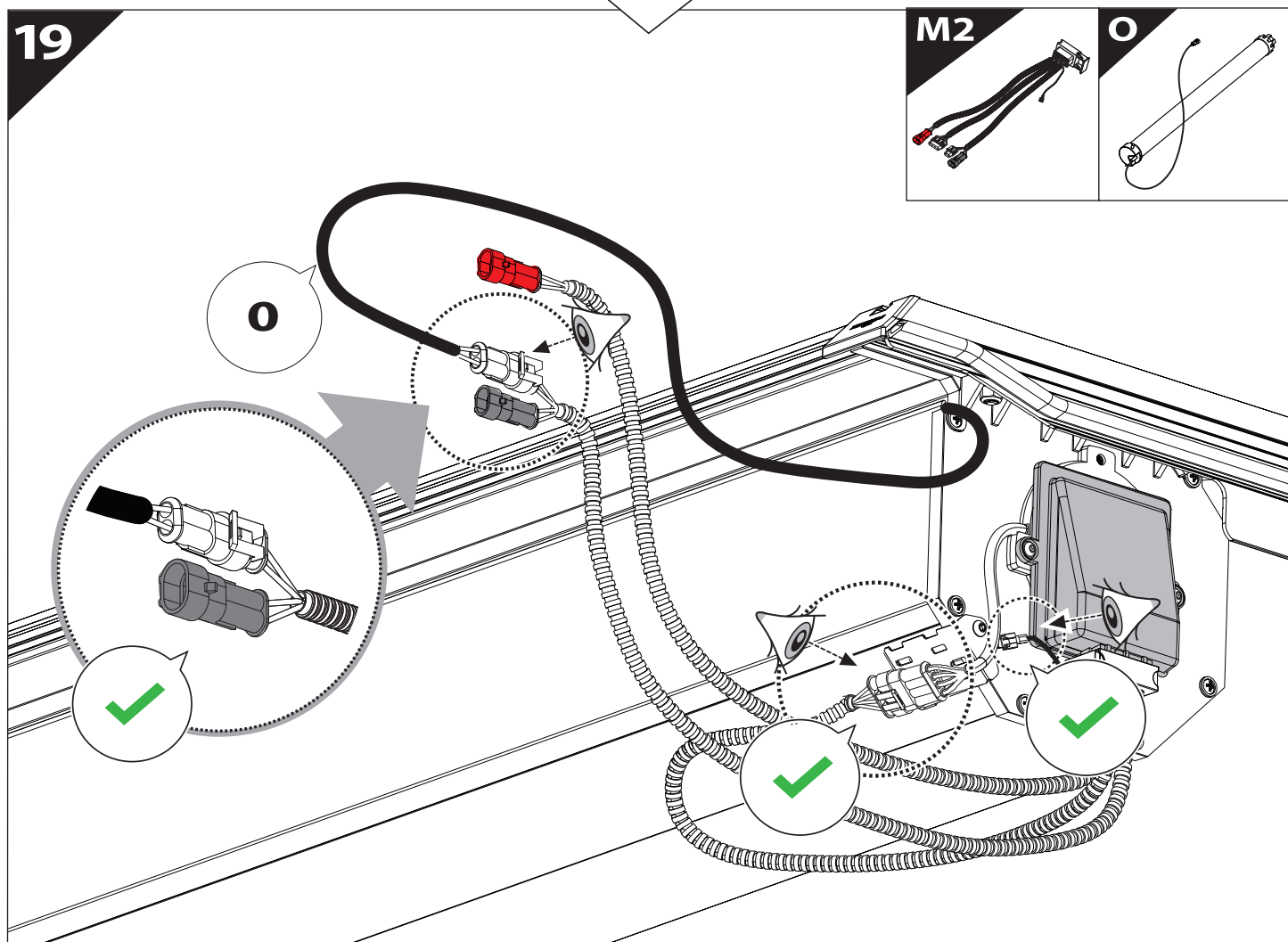
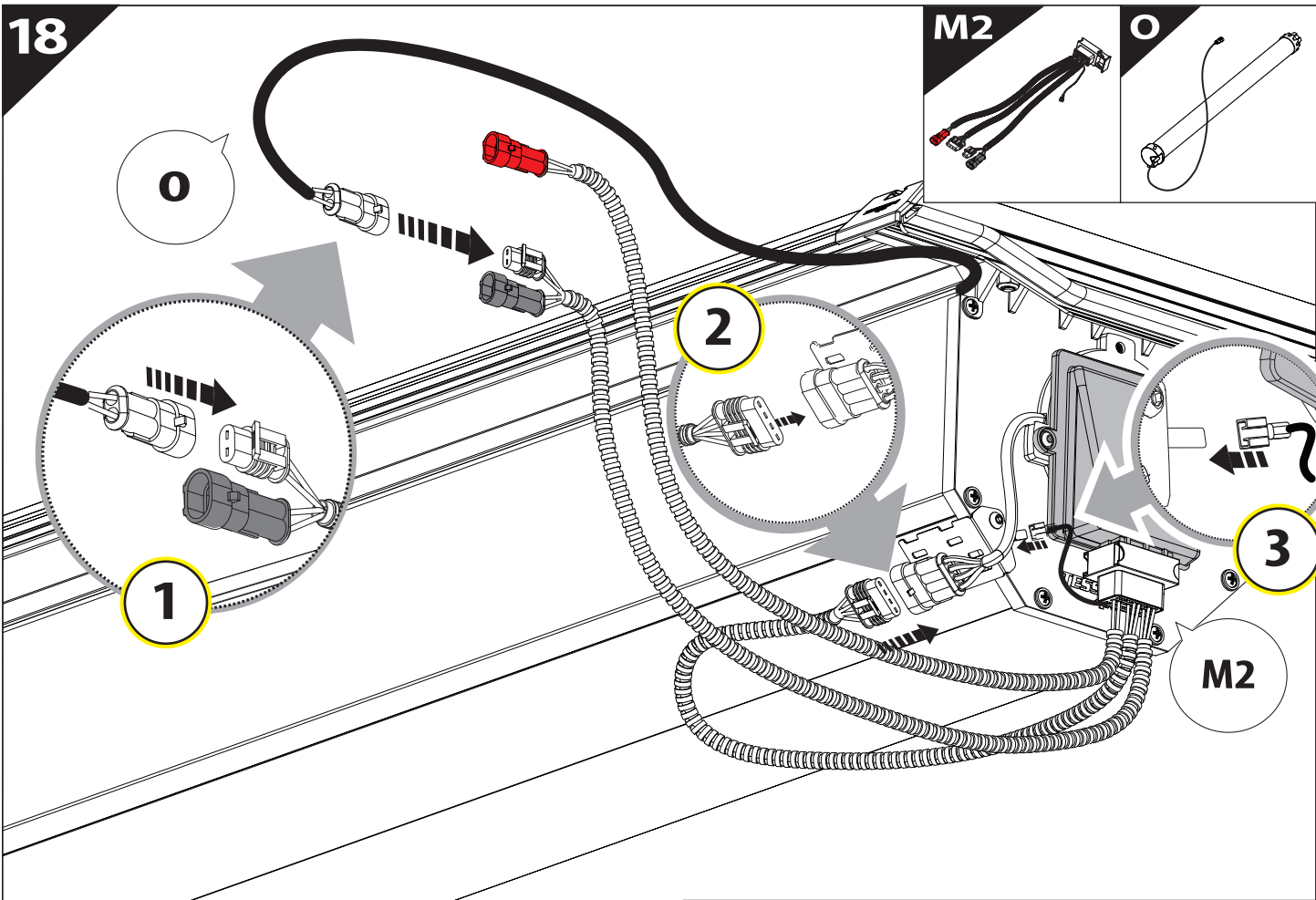
4 Nm

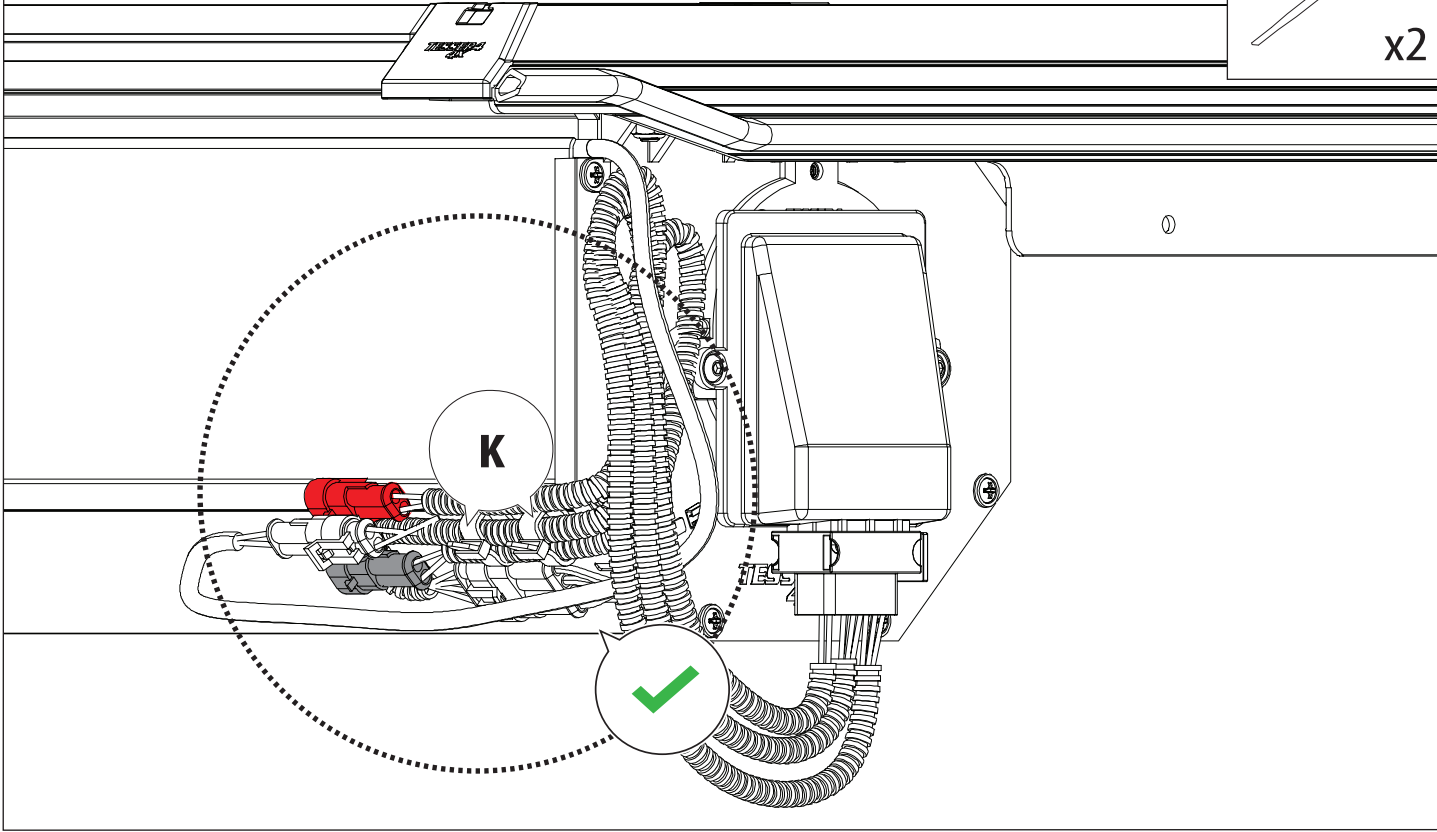
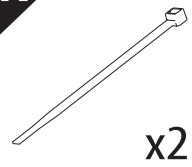




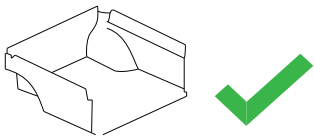




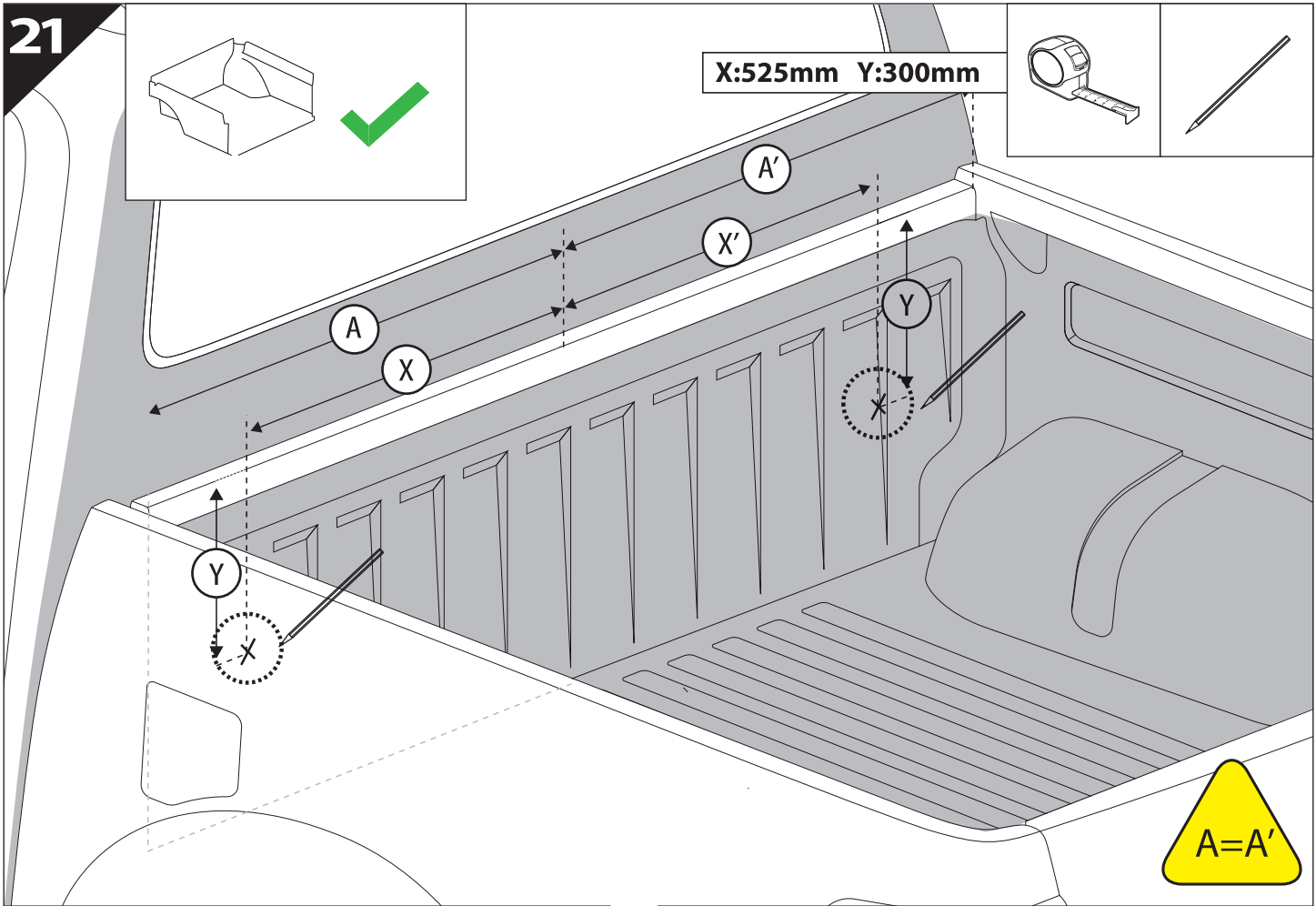
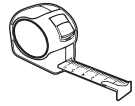




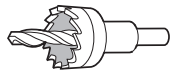
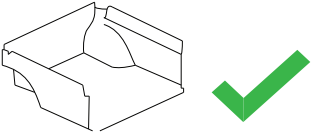
21



X:525mm Y:300mm



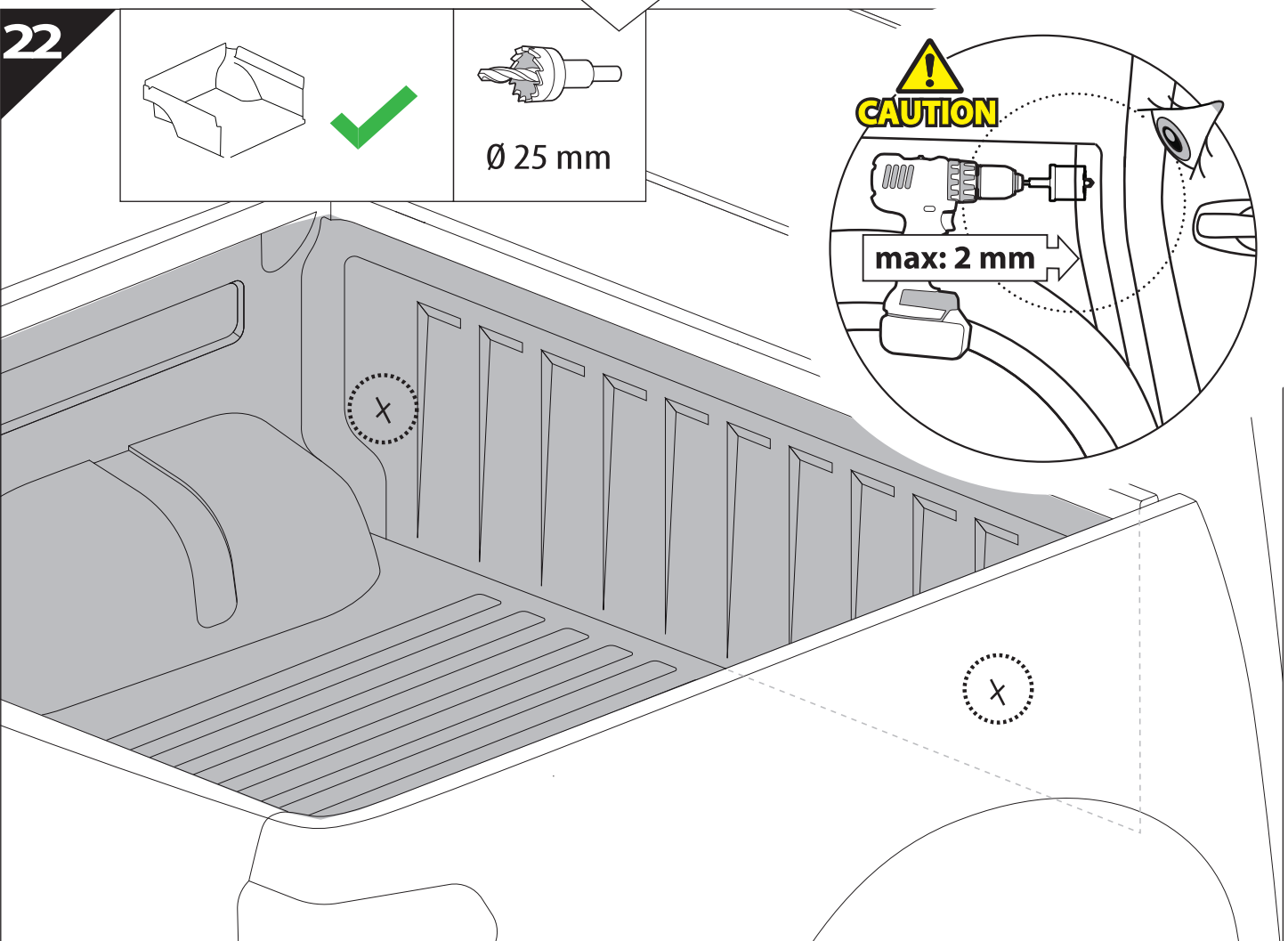
22

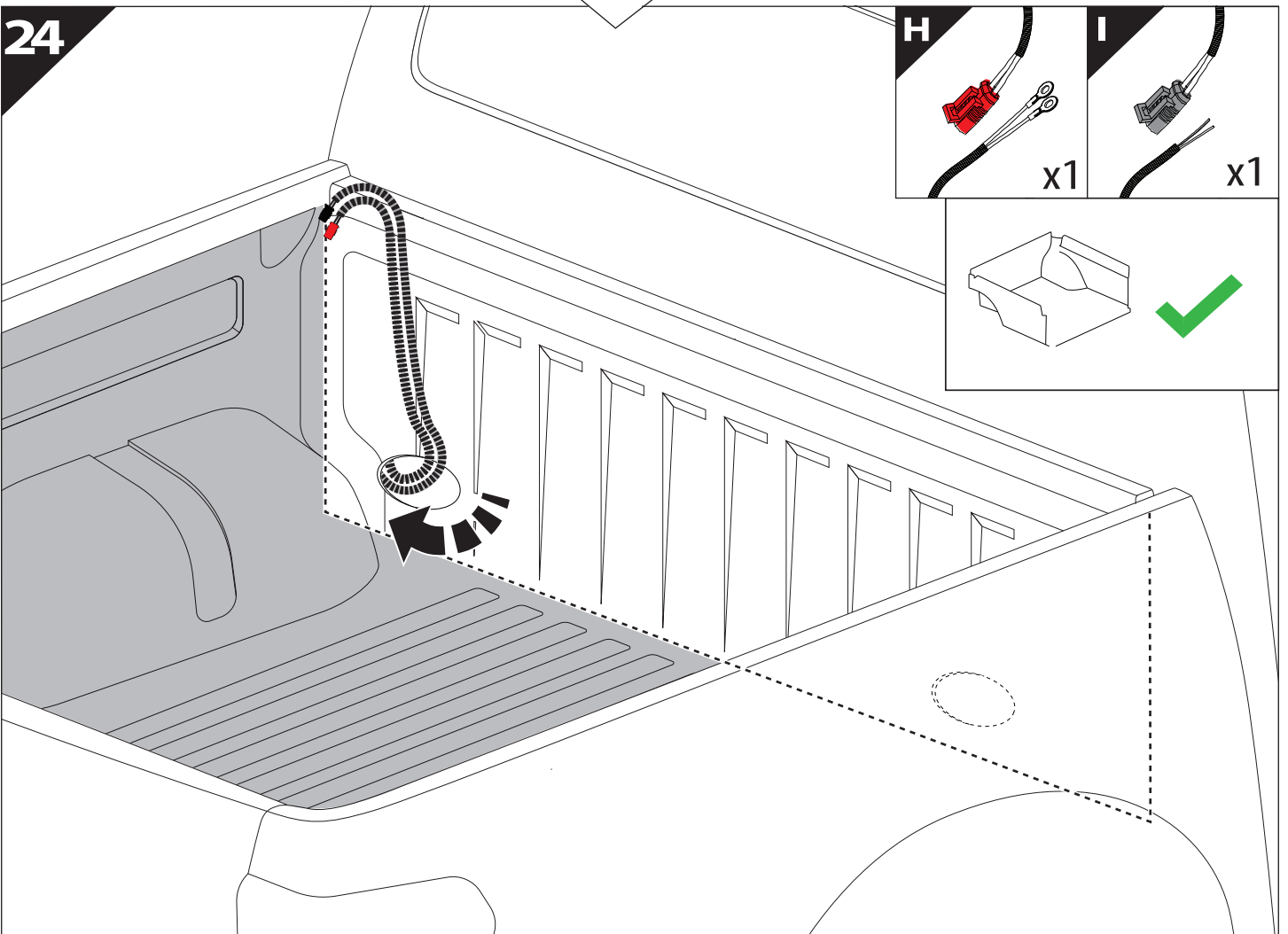
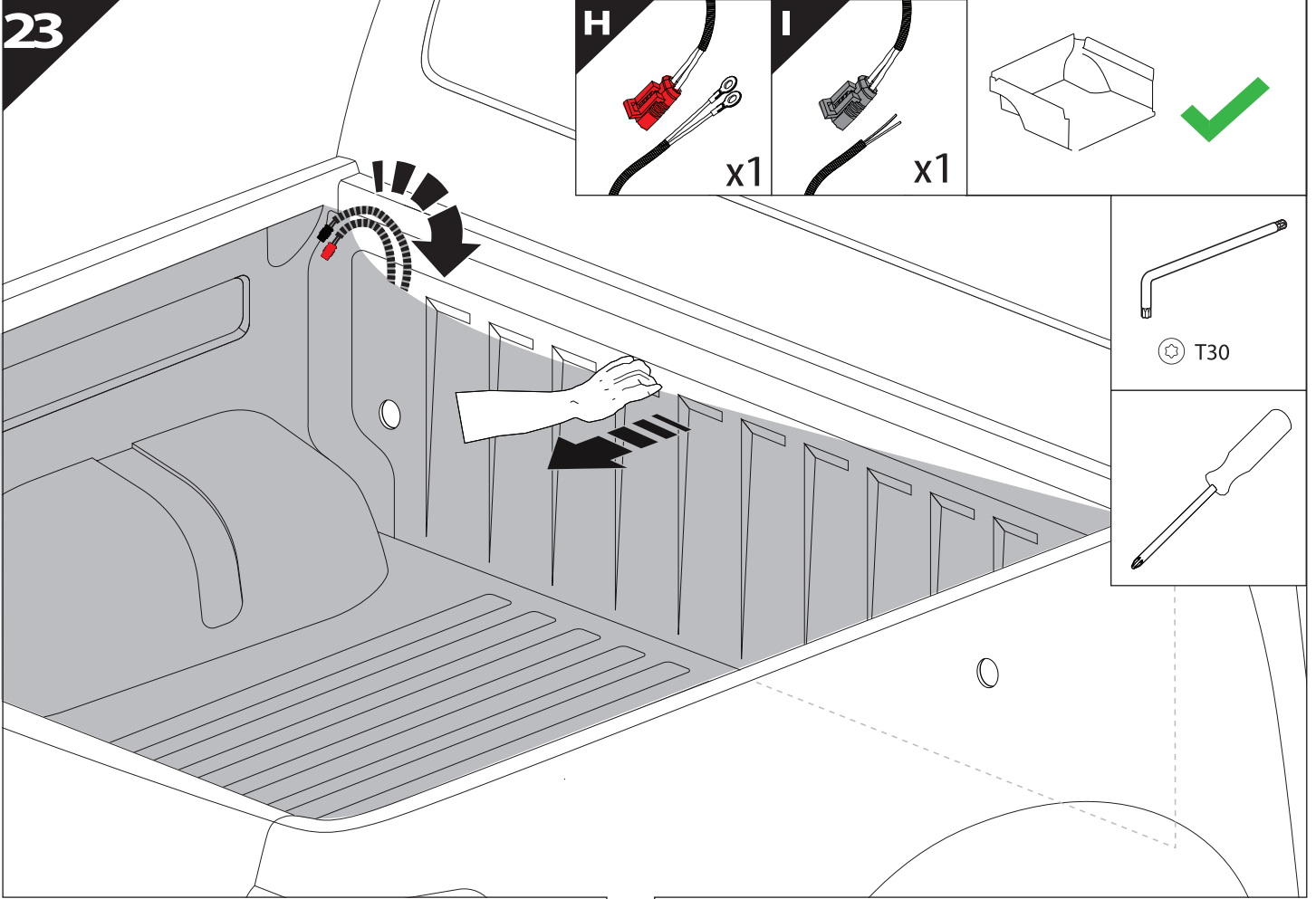


Ø 25 mm

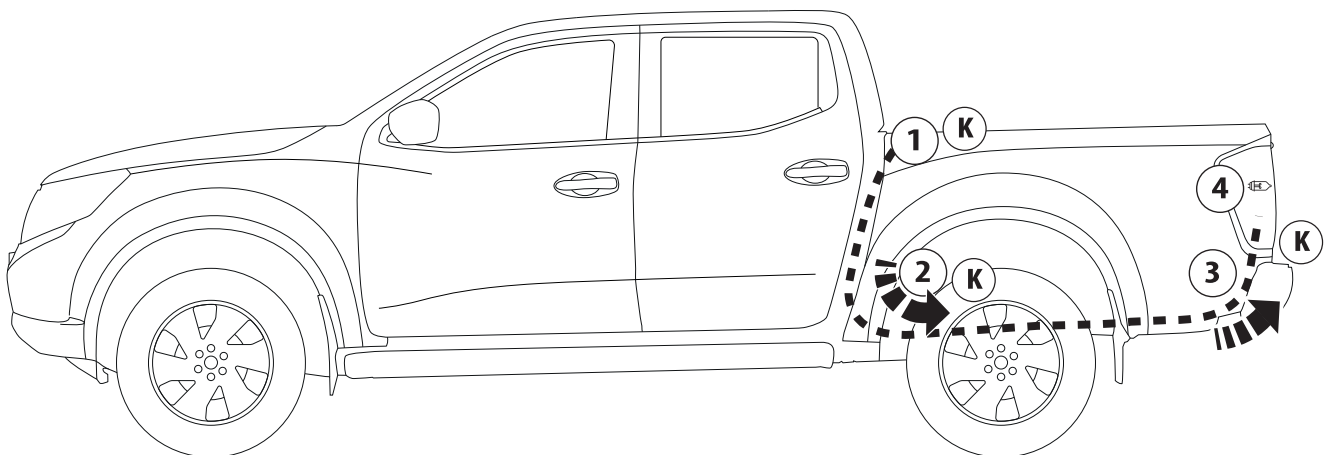
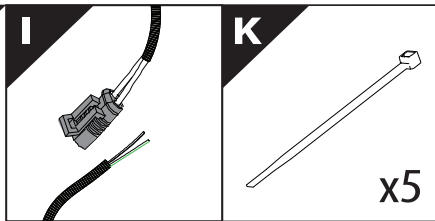
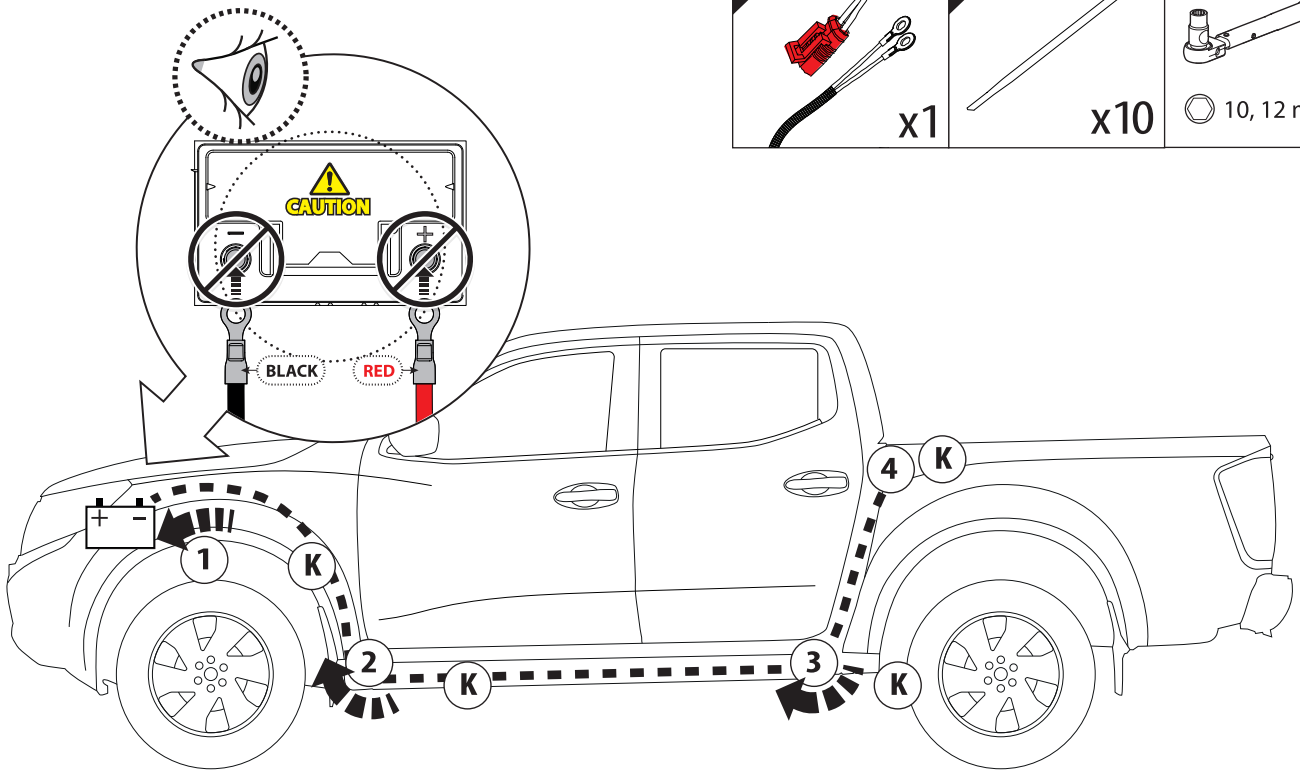
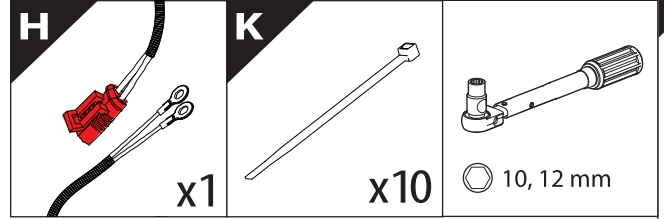
CAUTION

max: 2 mm

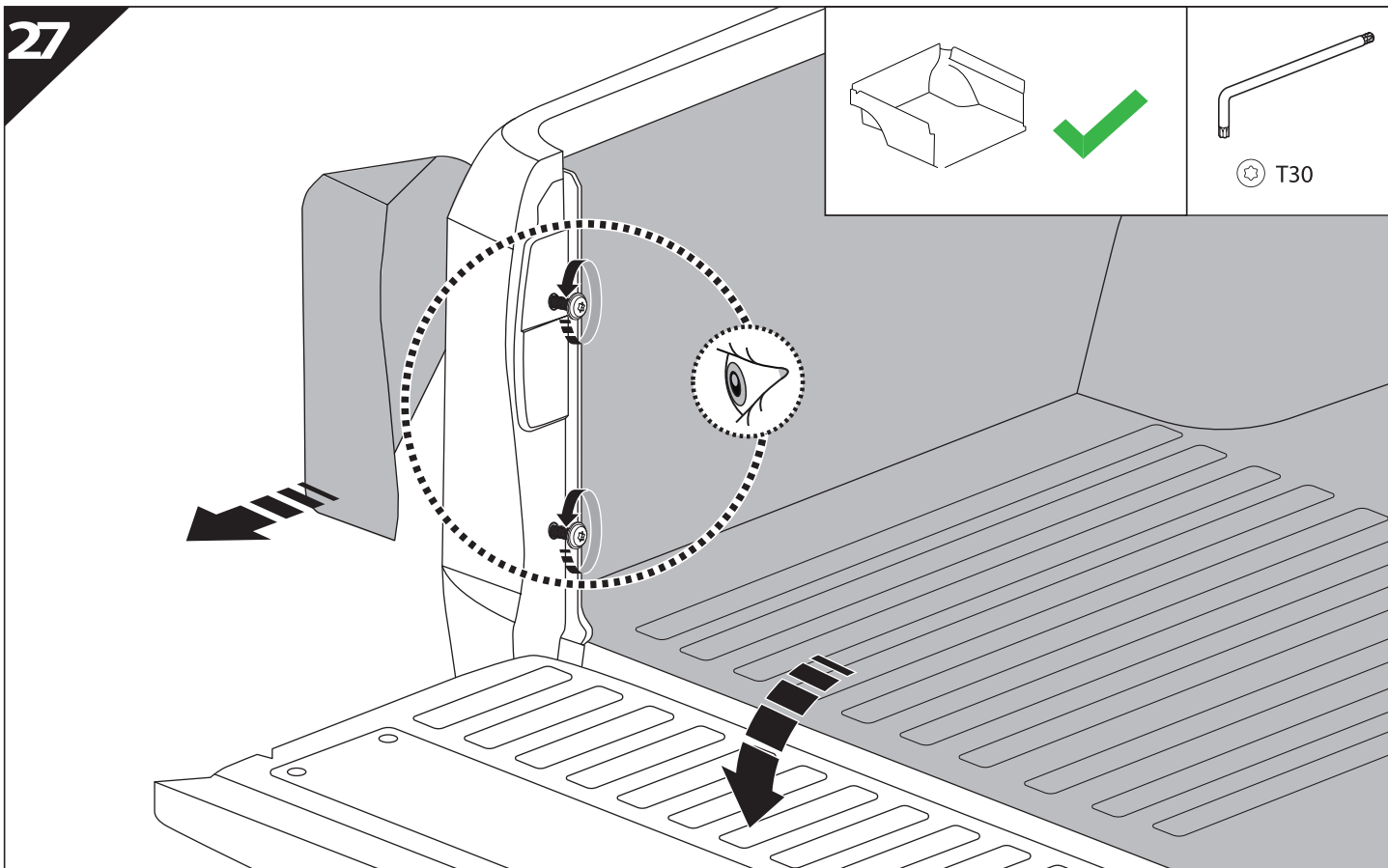




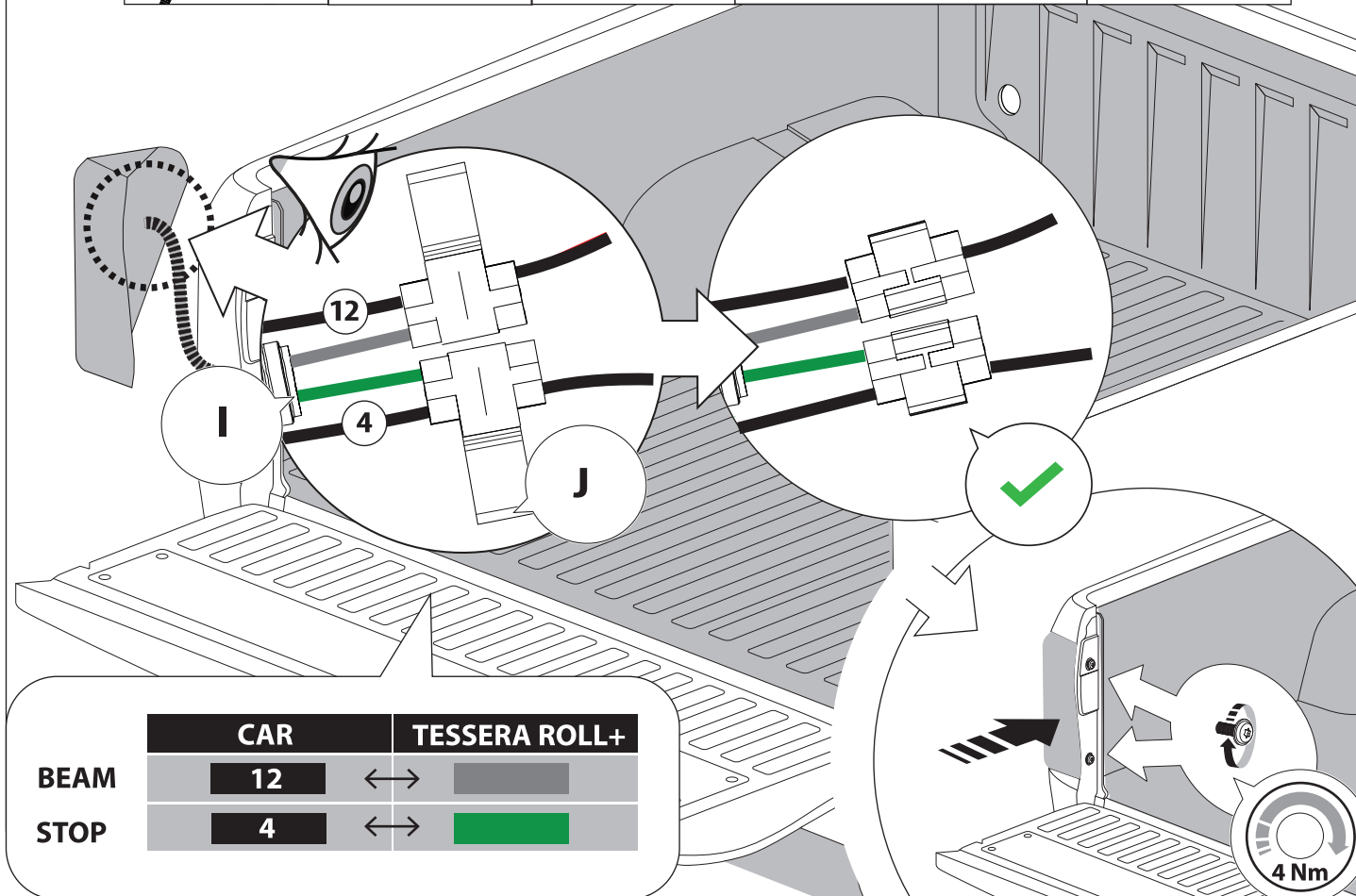
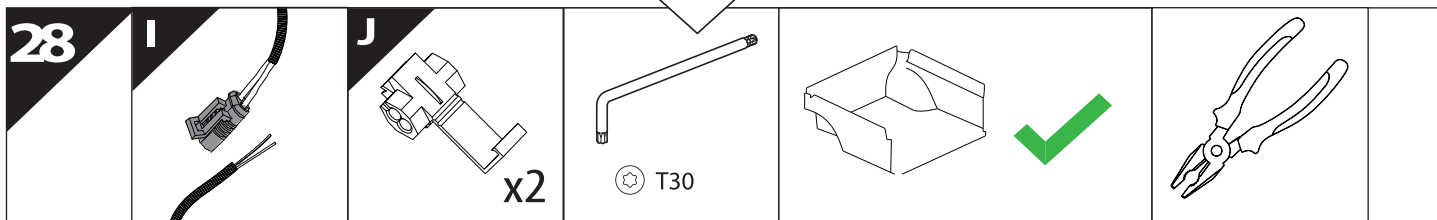
Only to be installed by authorized personnel



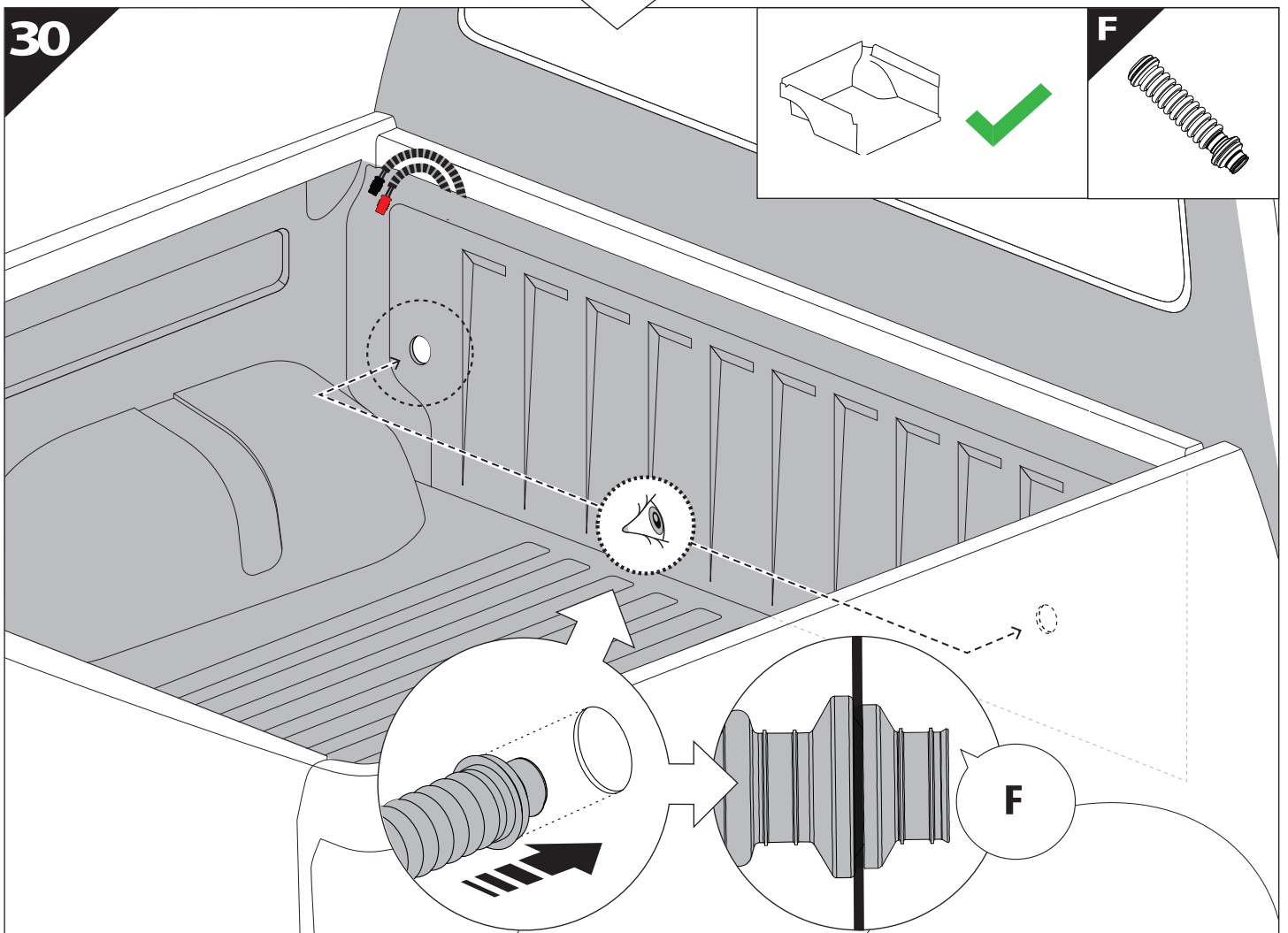
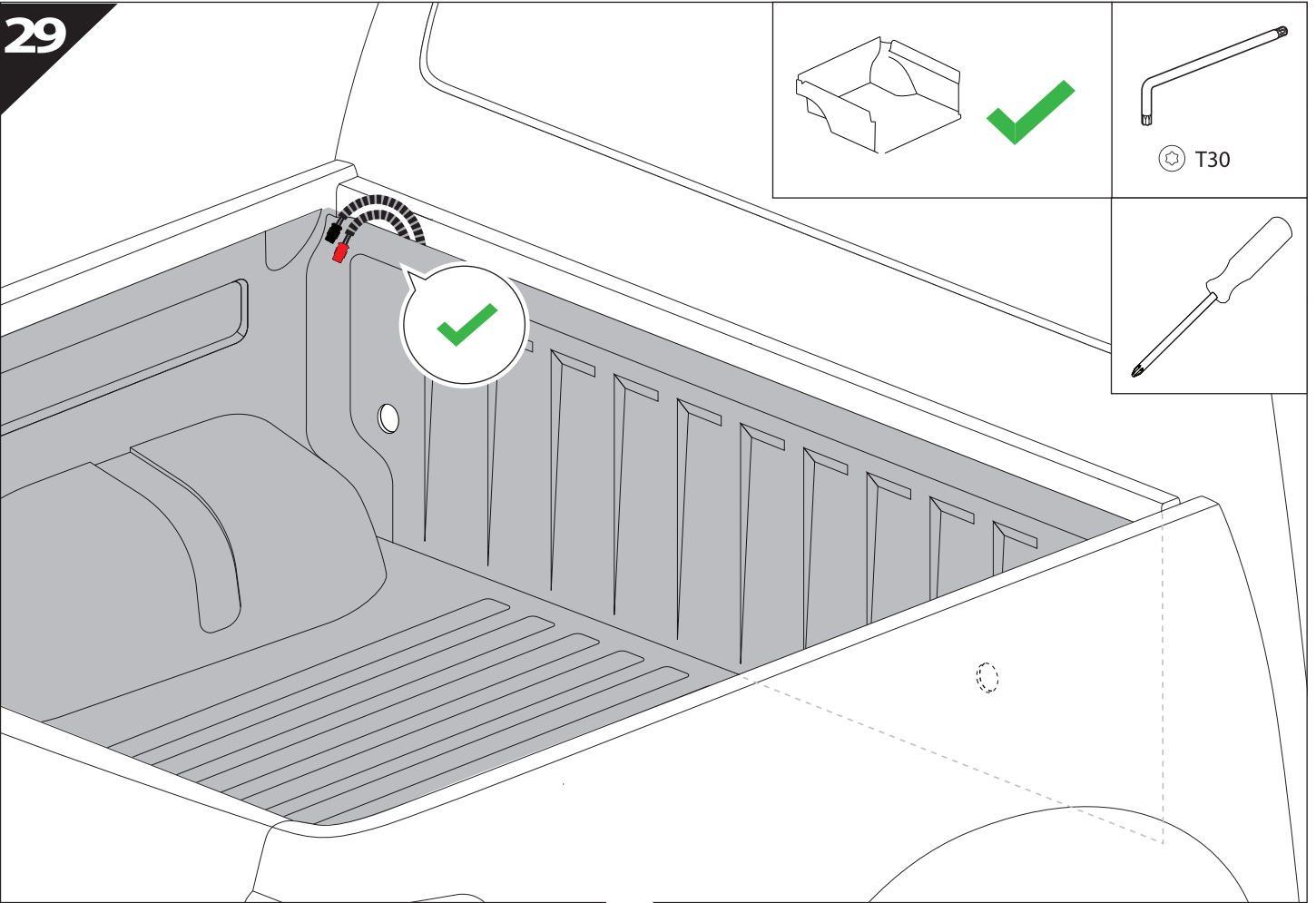
27

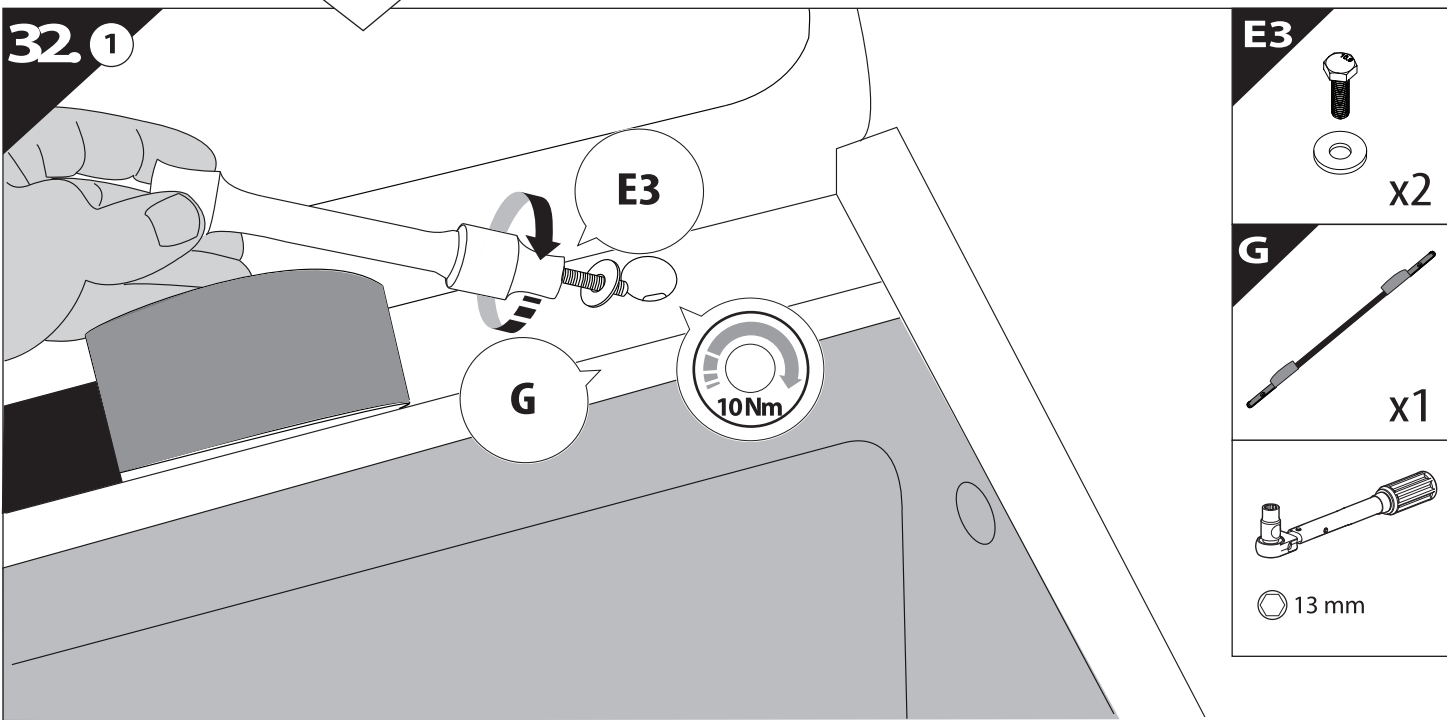
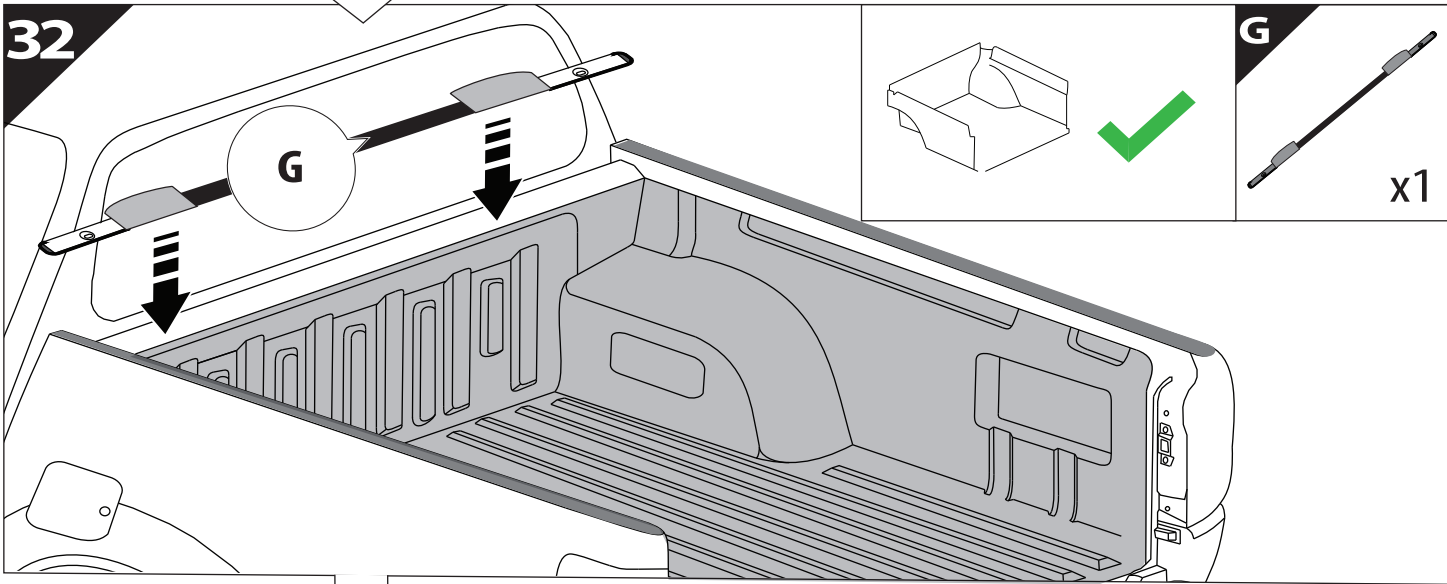
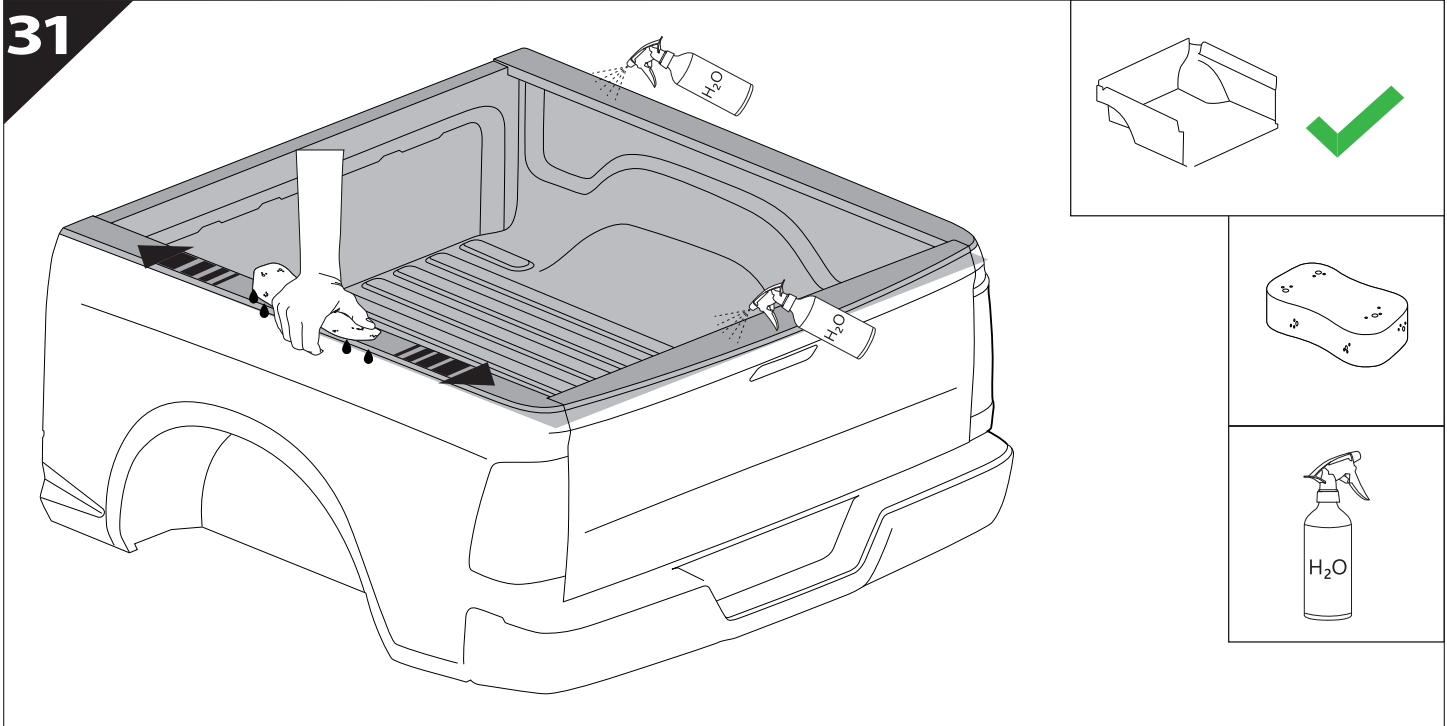


28

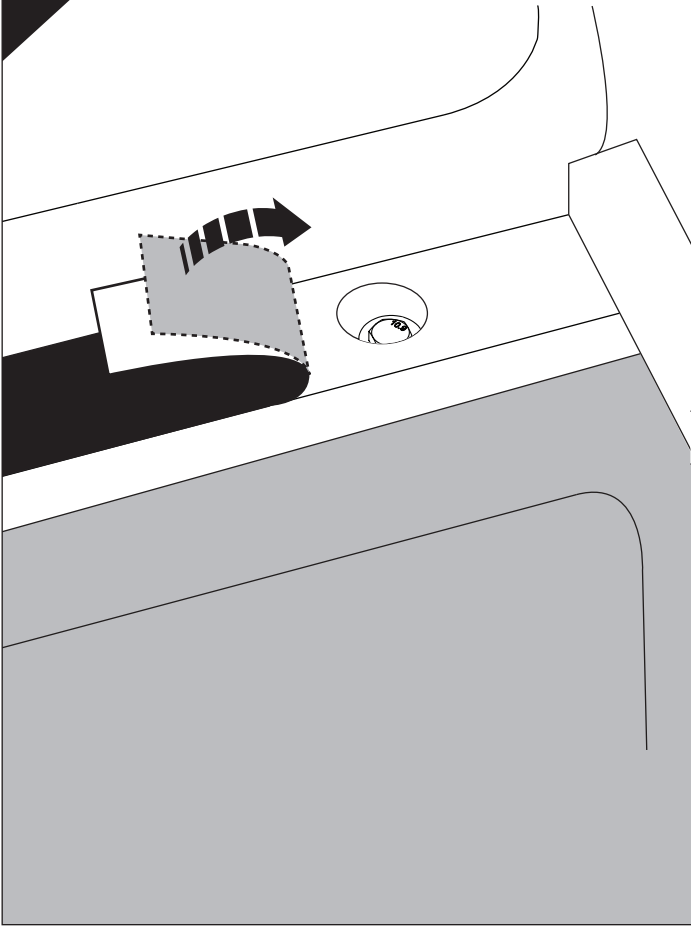


	CAR		TESSERA ROLL+
BEAM	12	↔	
STOP	4	↔	

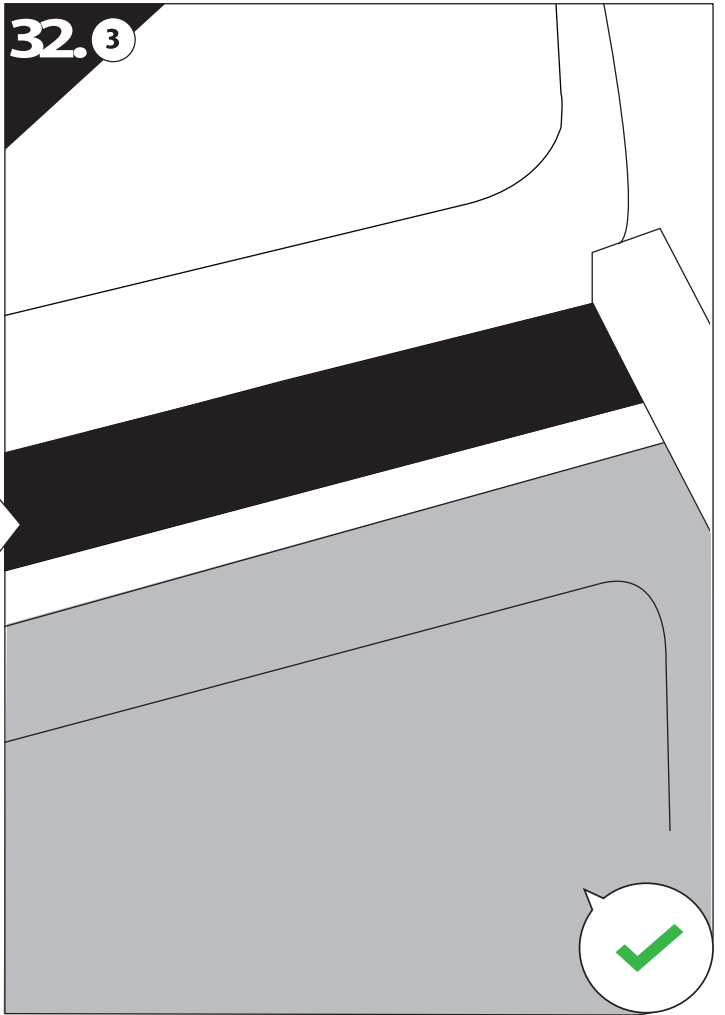


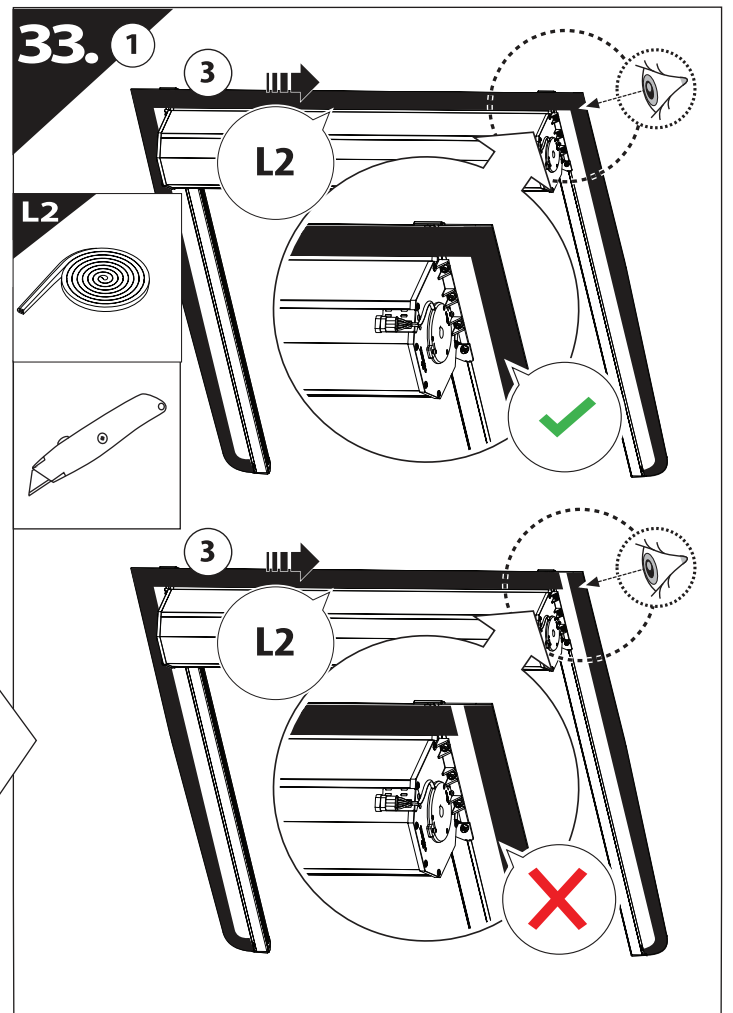
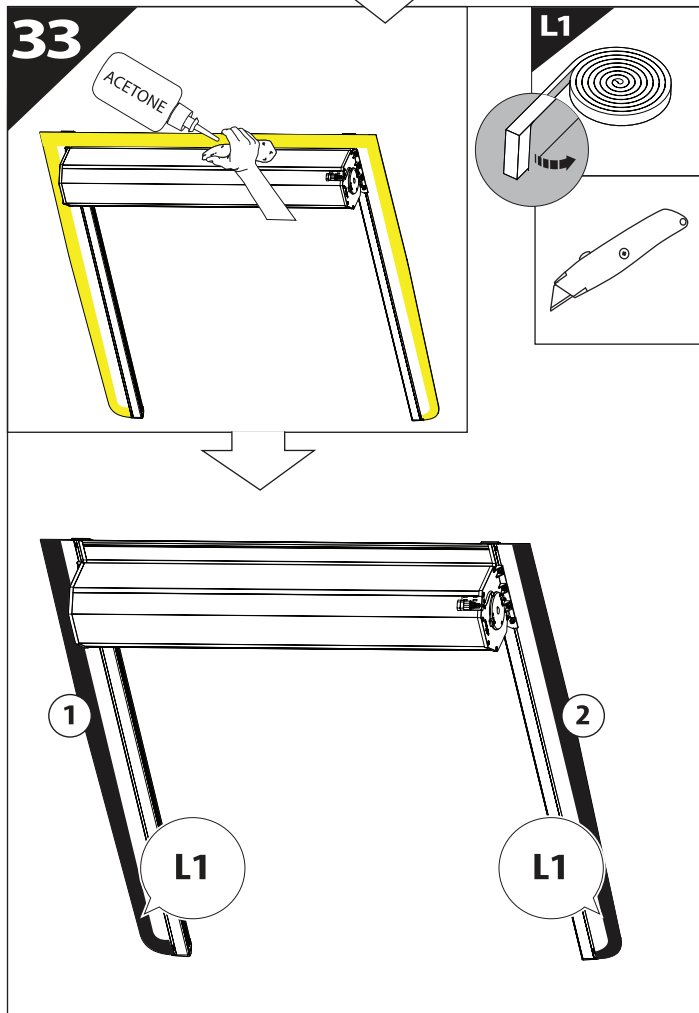
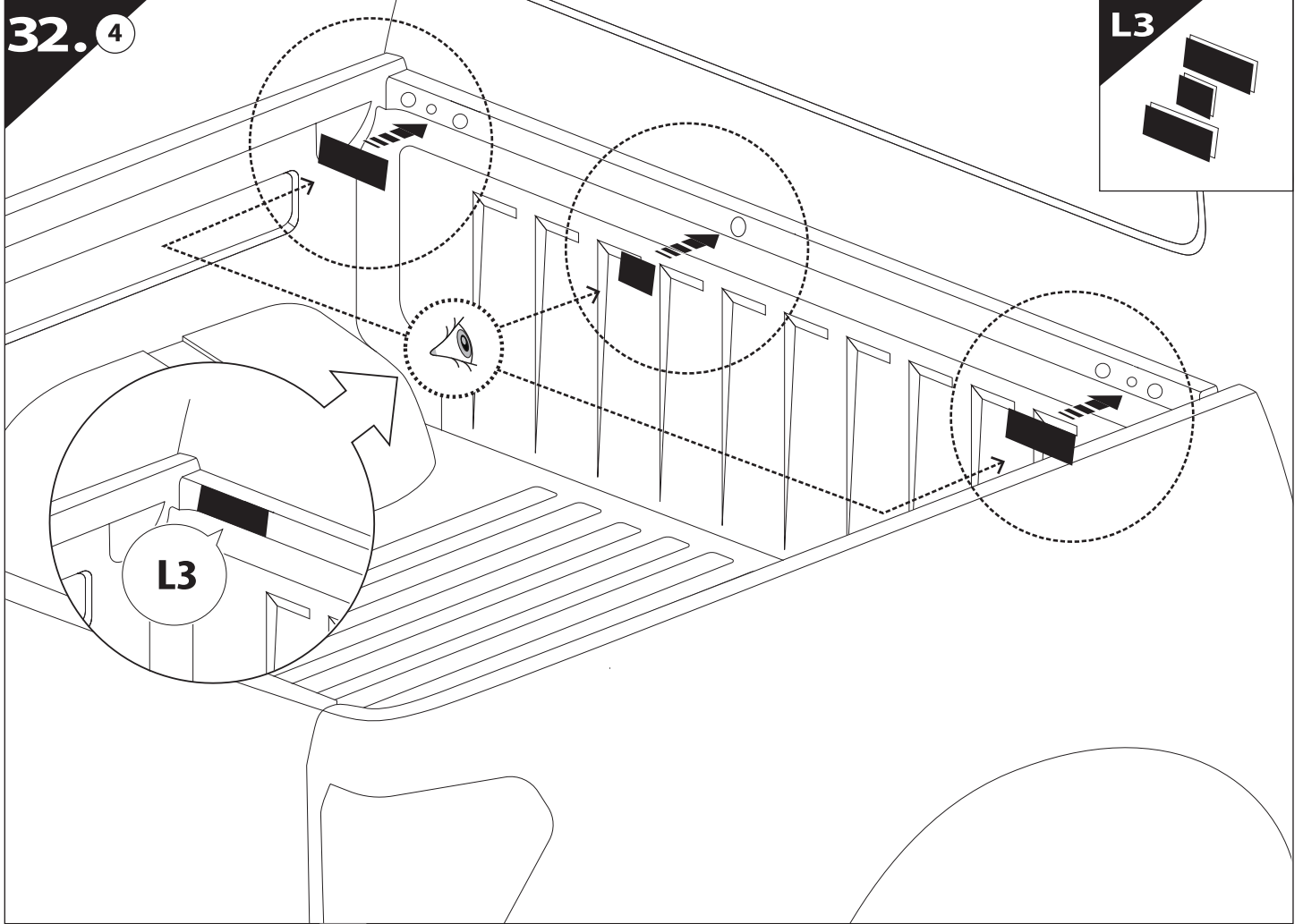


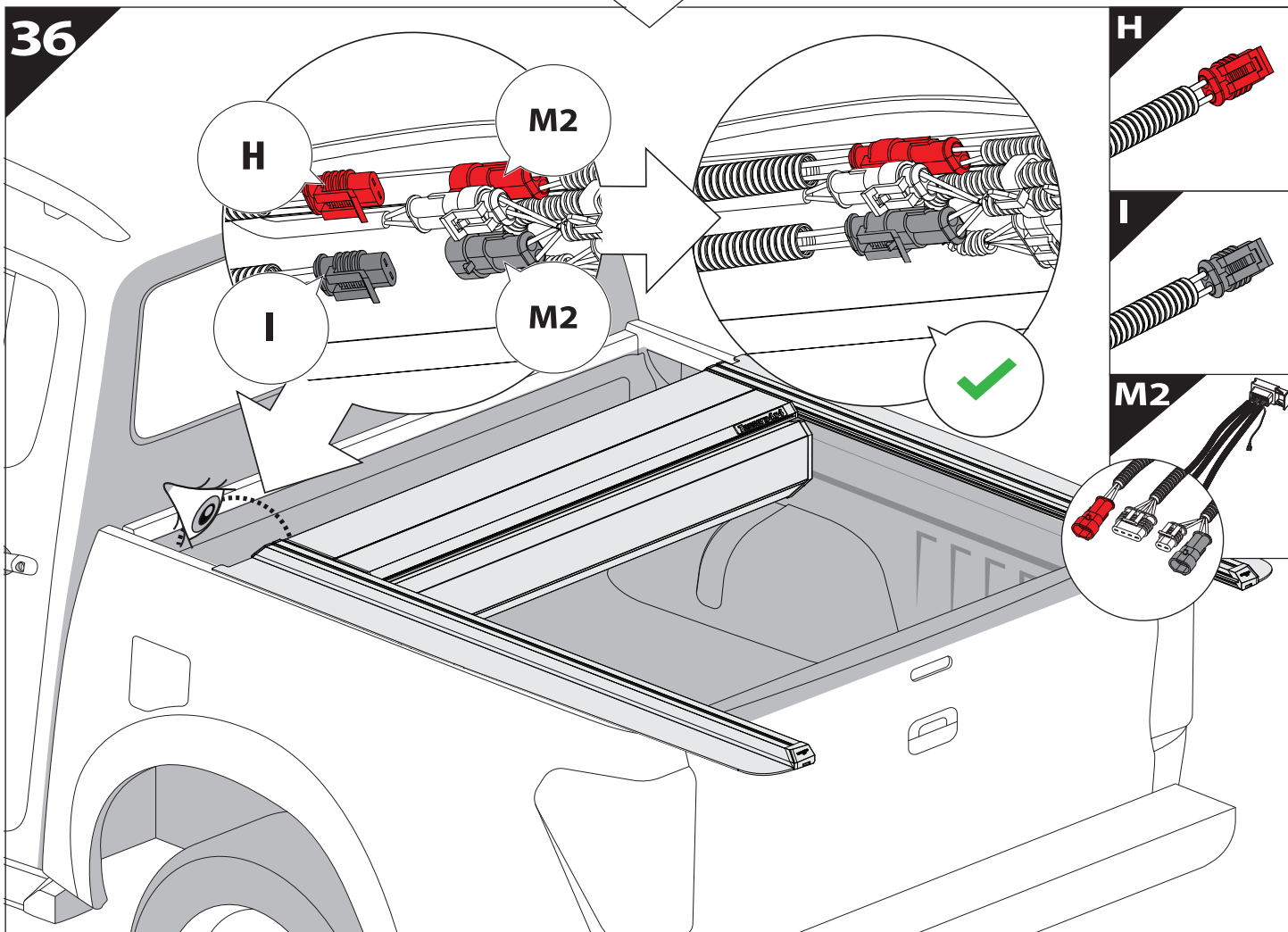
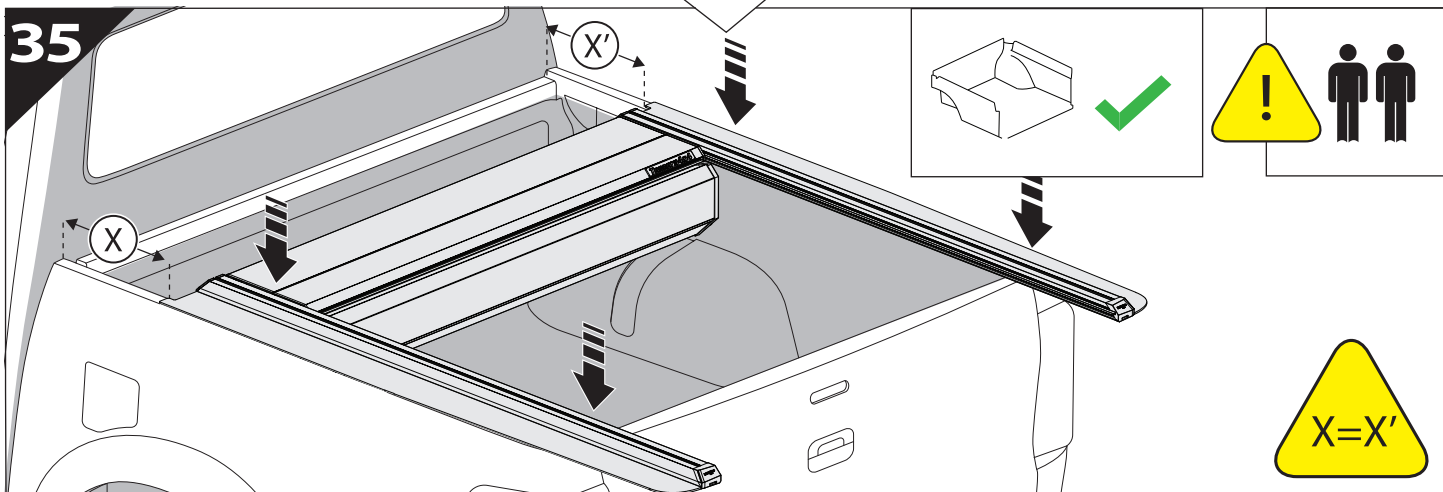
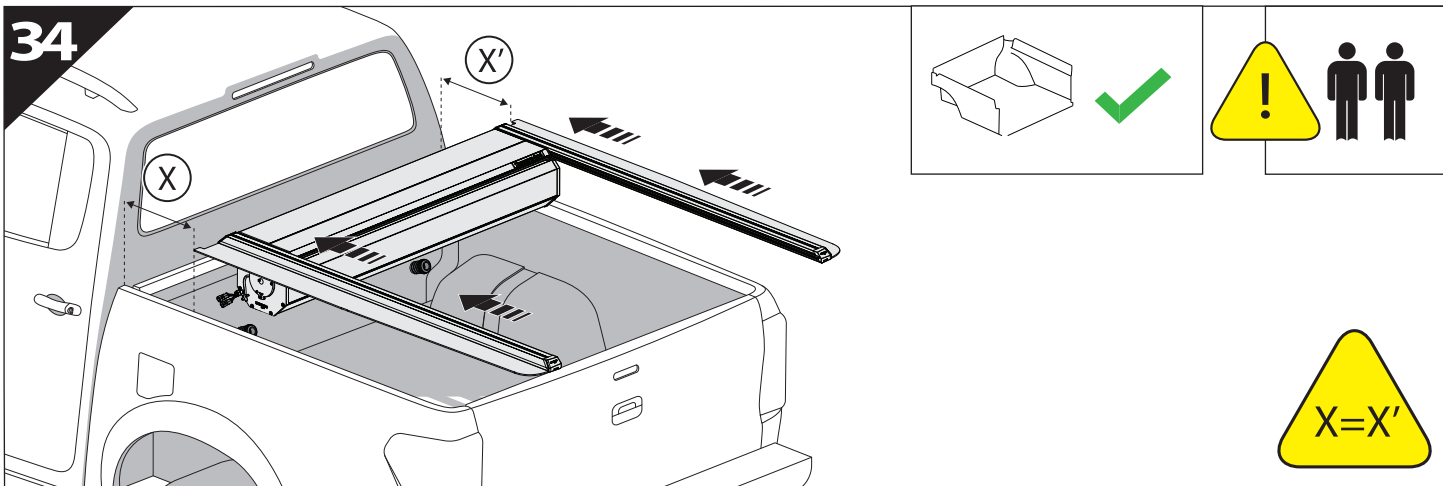
32.2



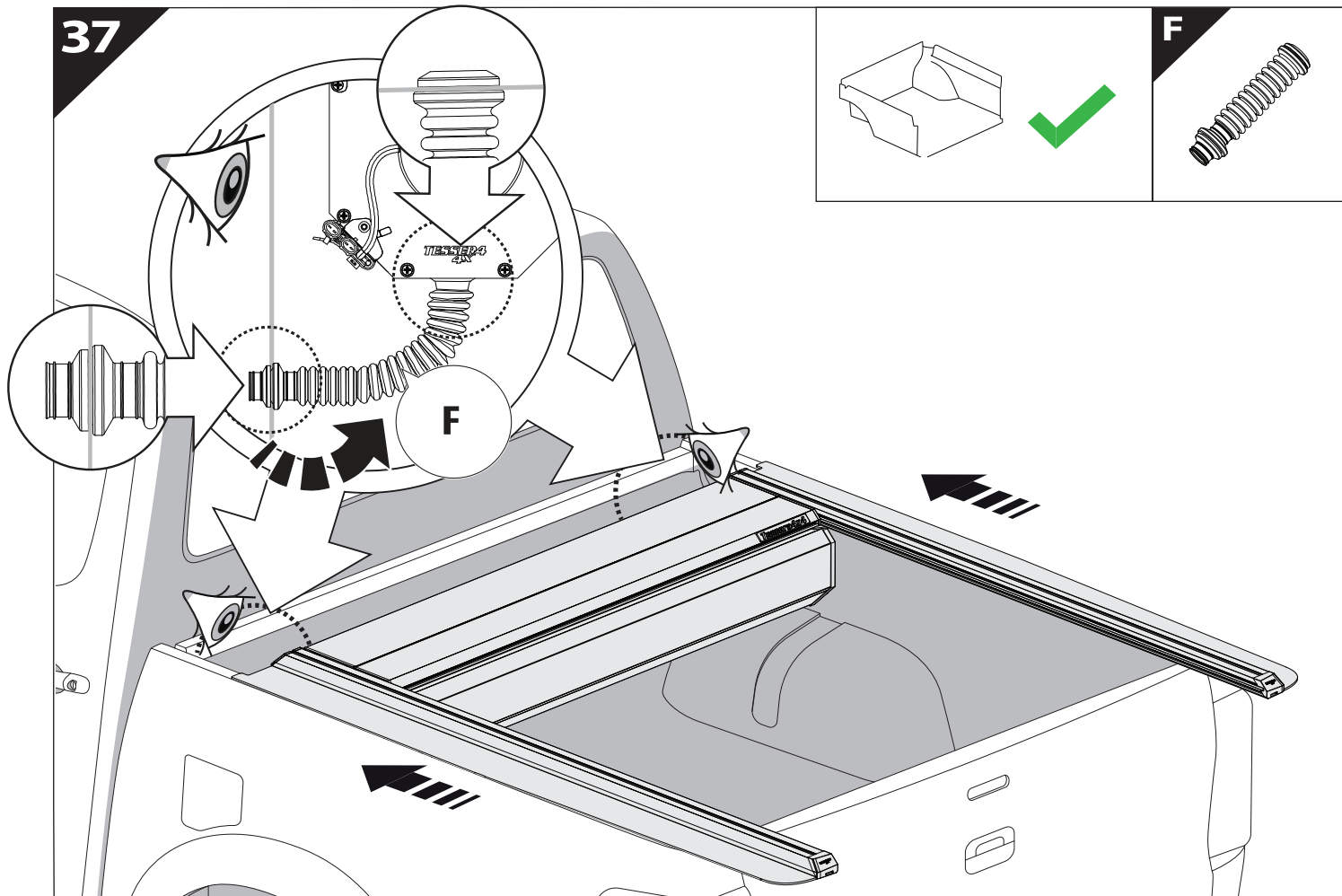
32.3



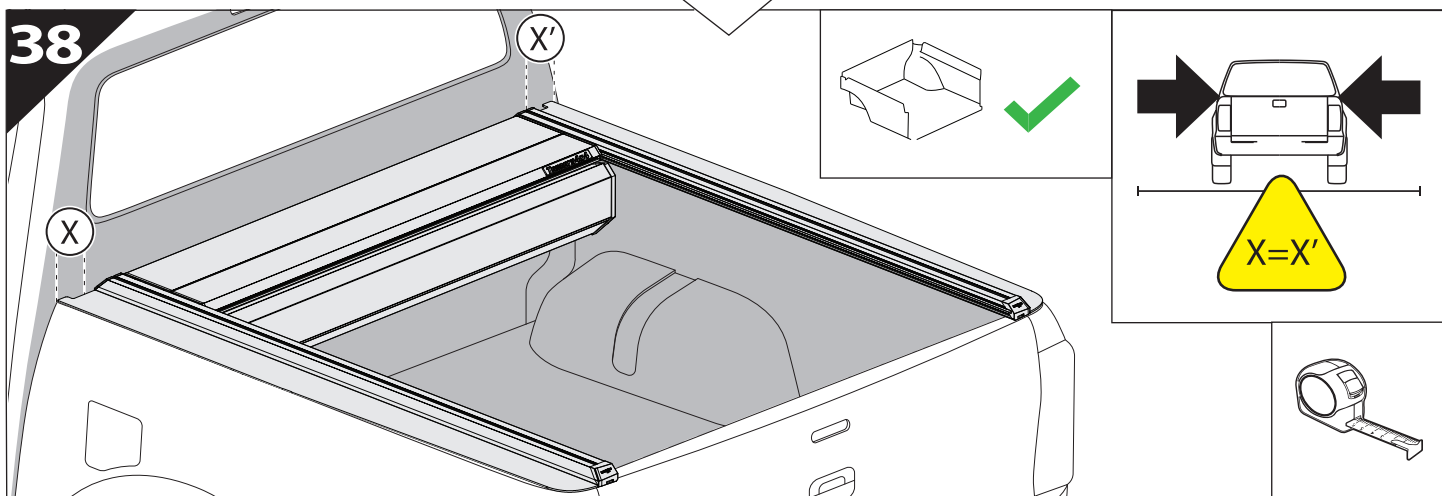




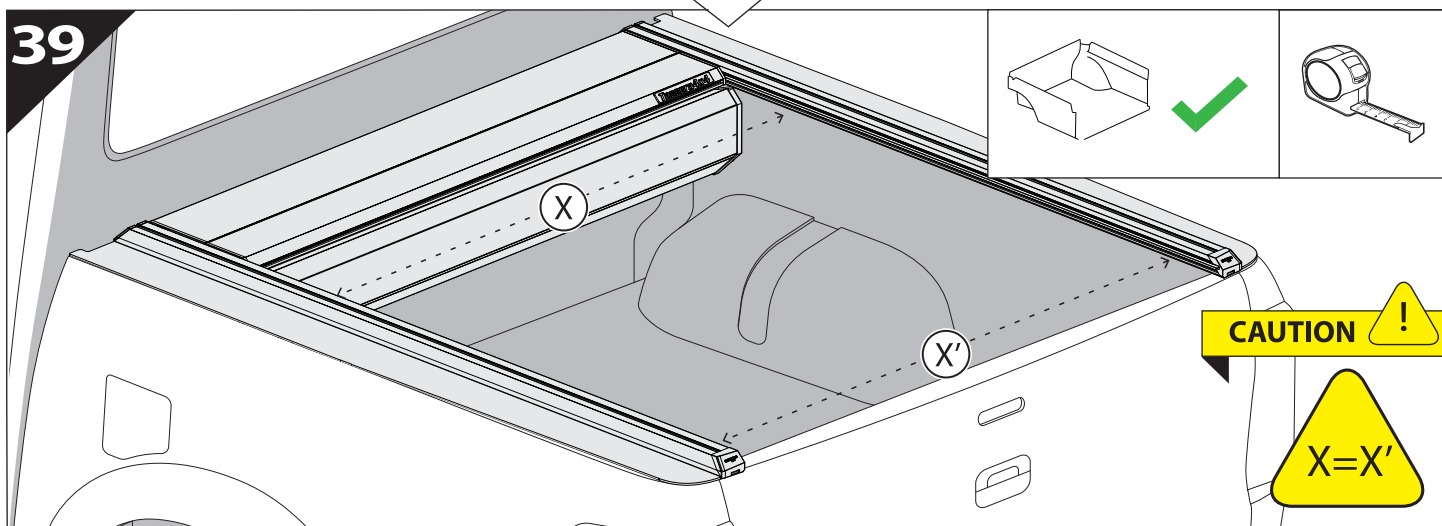
37



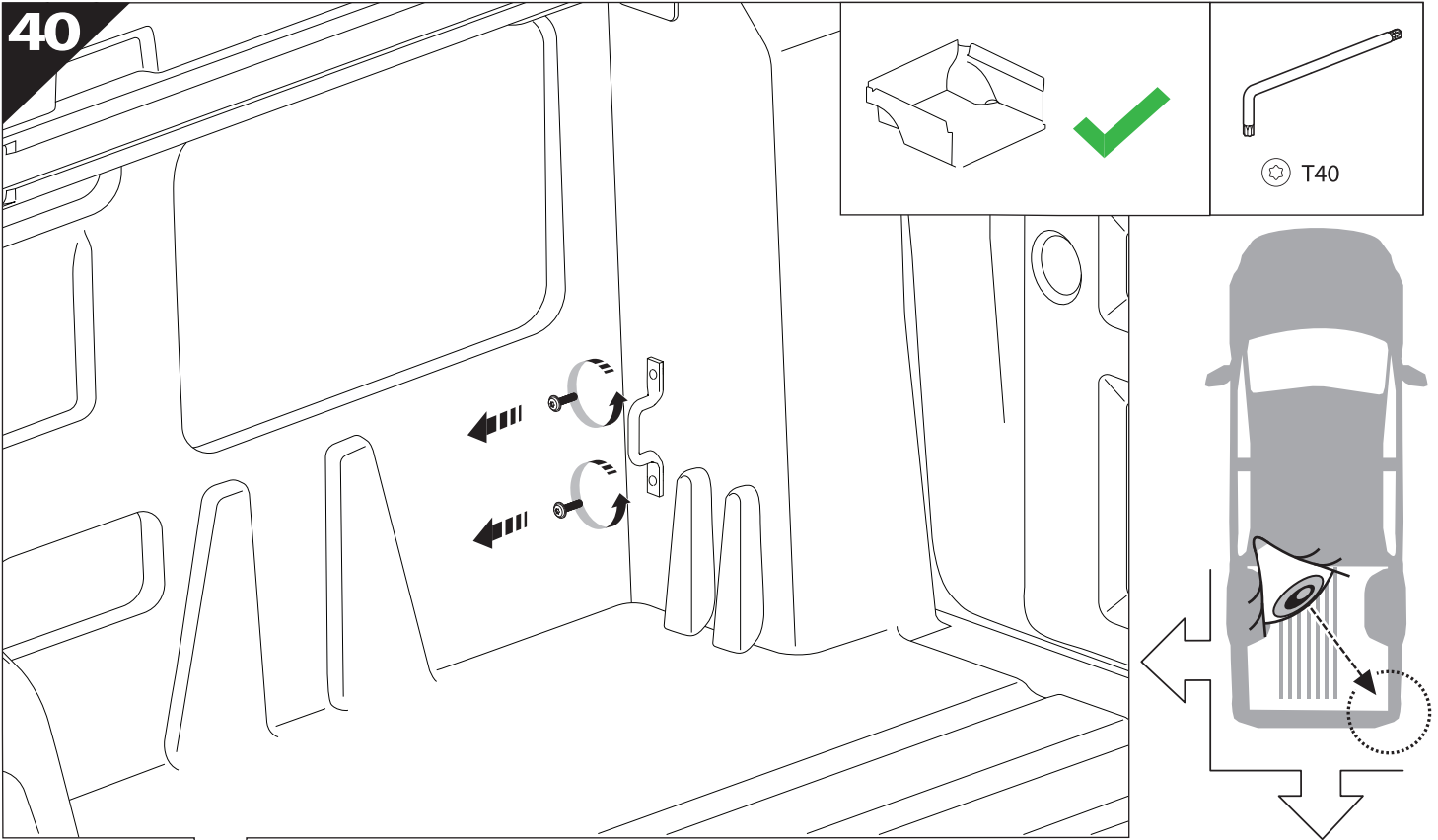
38



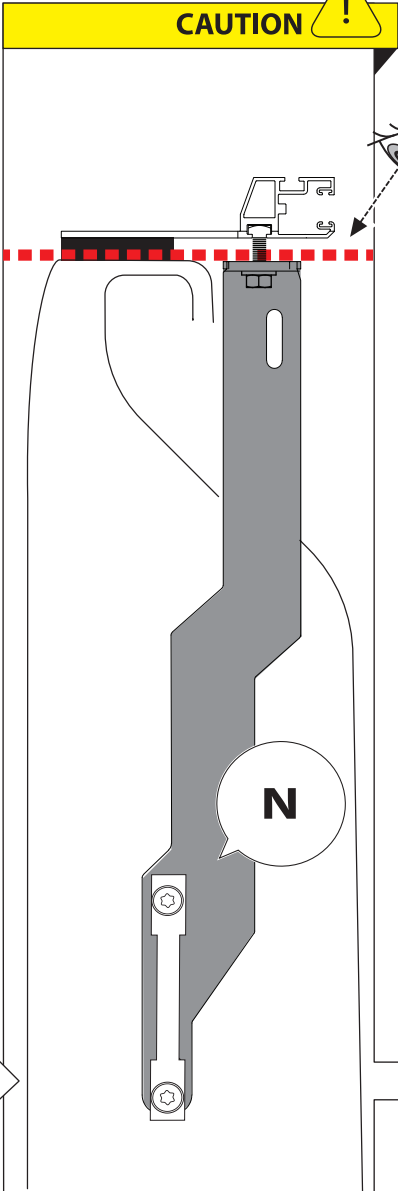
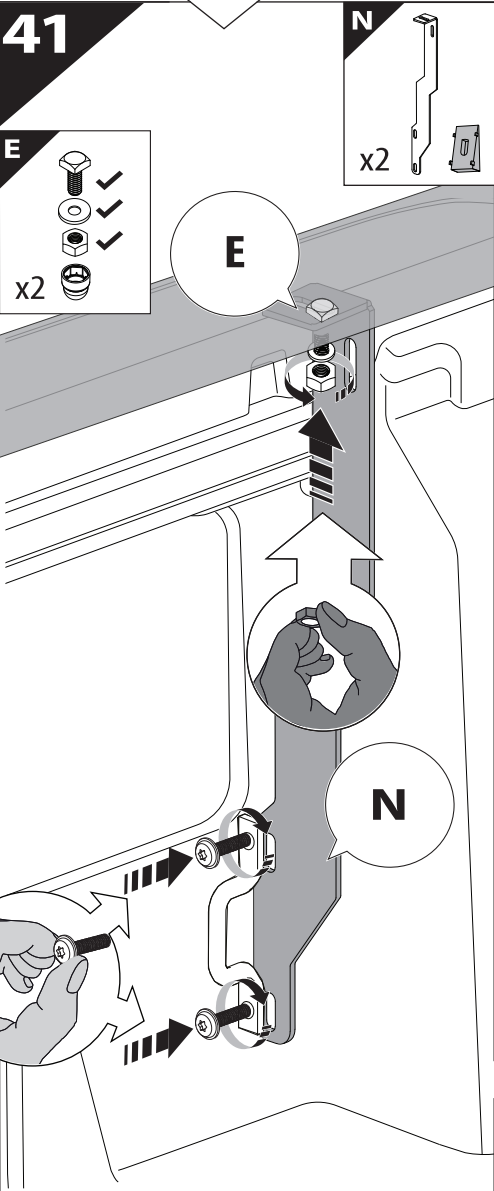
39



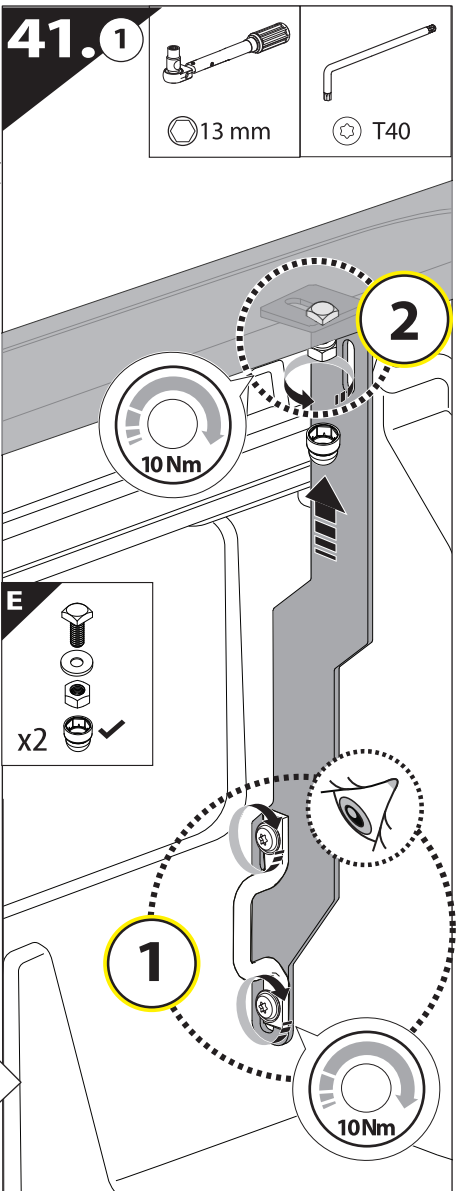
40

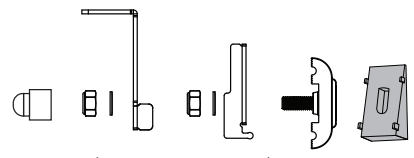
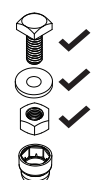
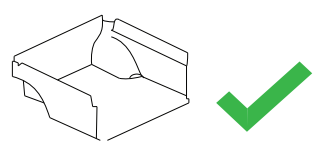


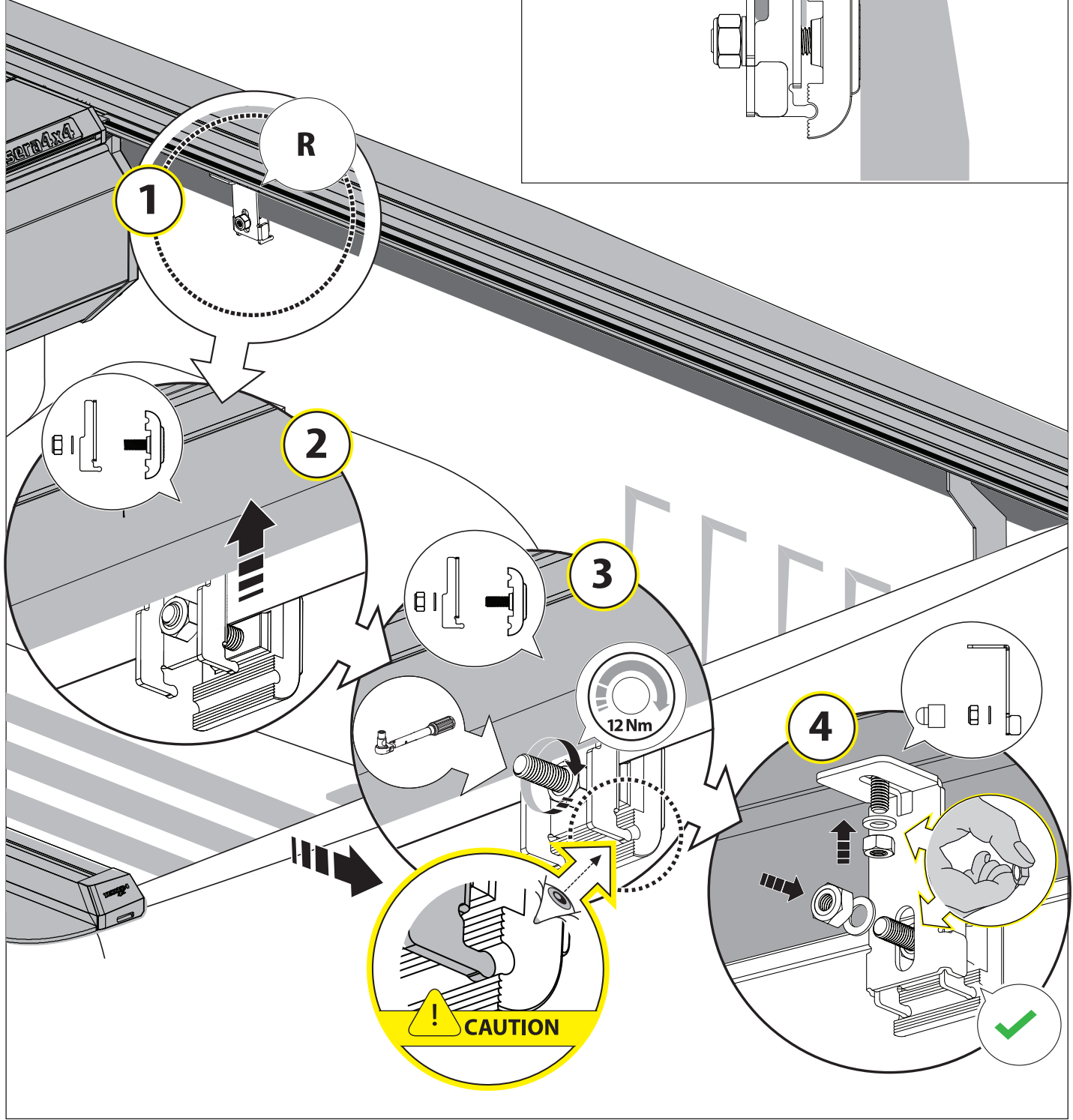
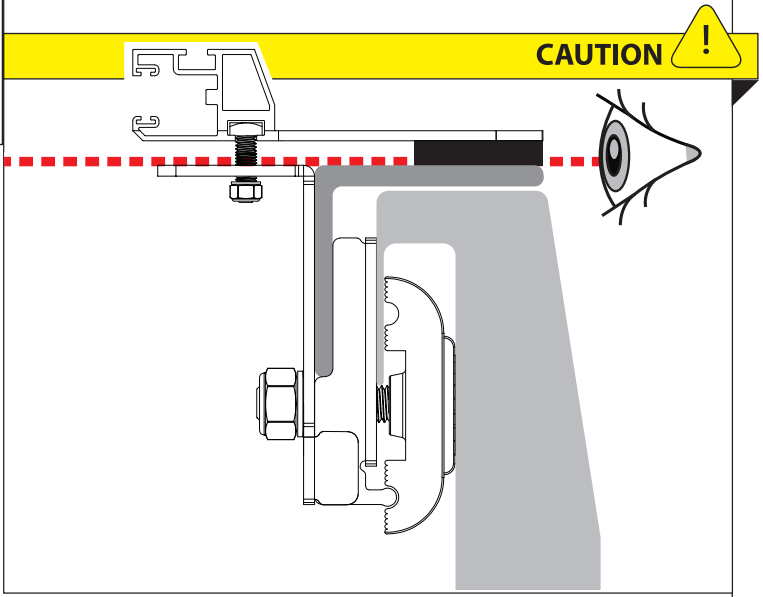
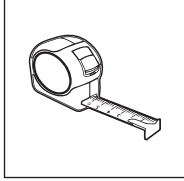
41

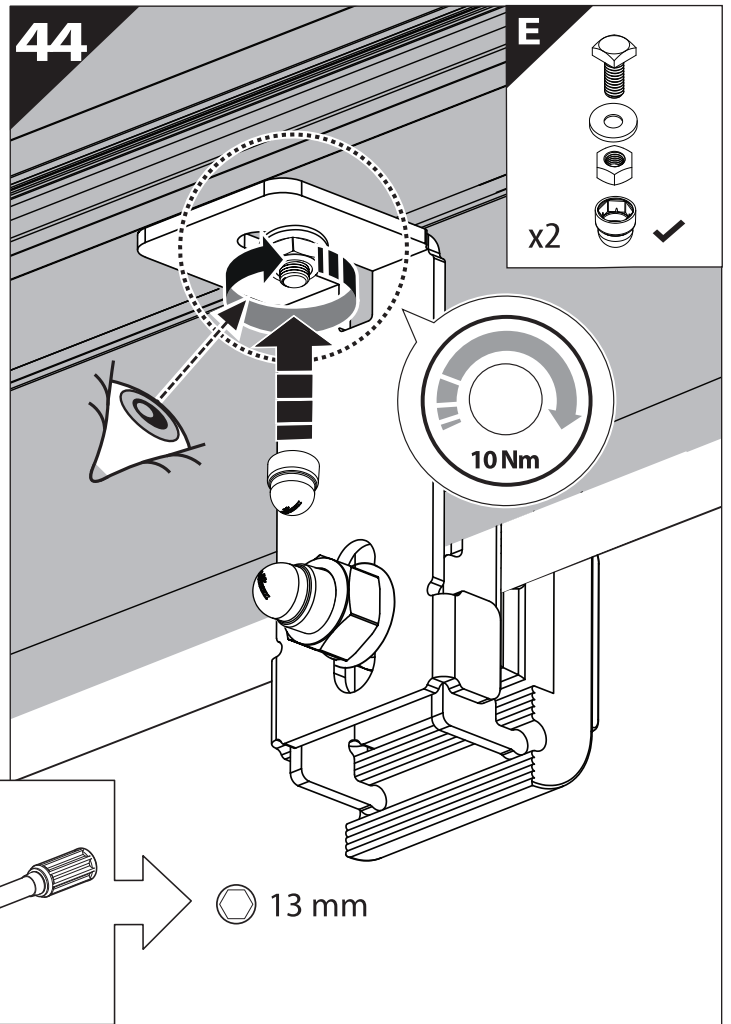
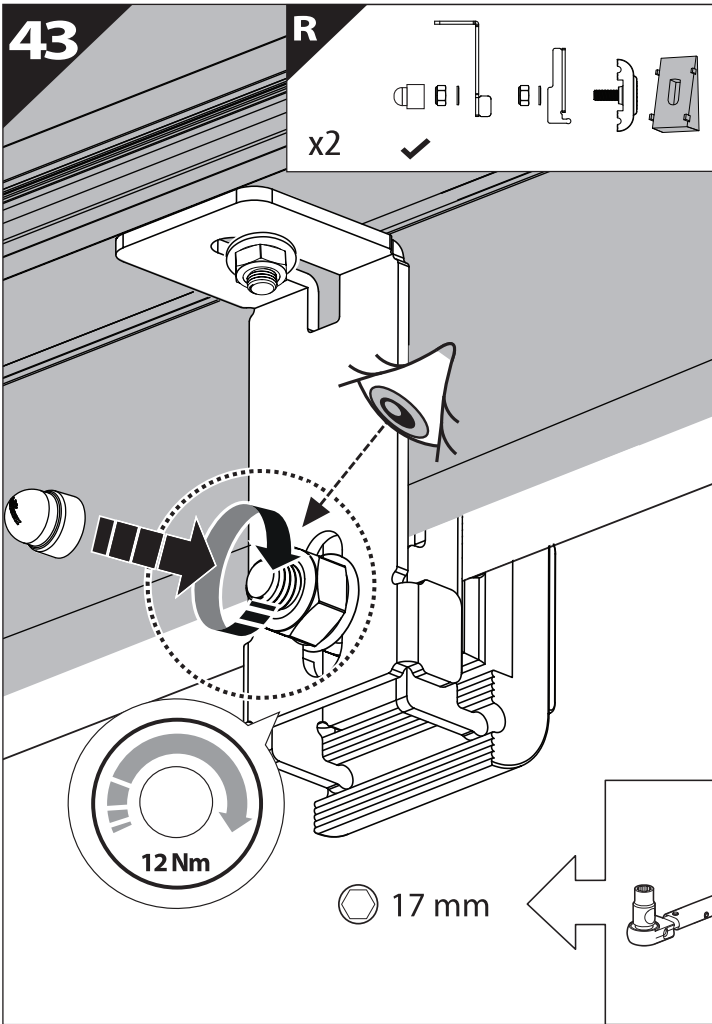


41.1

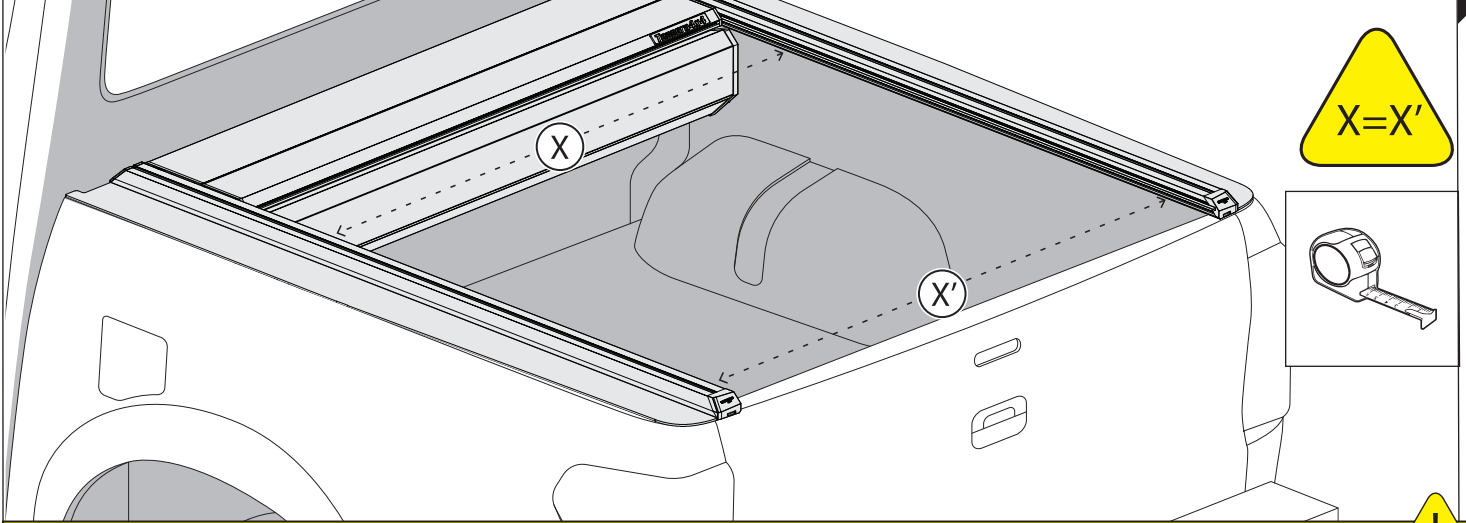


R  x2 ✓ ✓	E  x2 ✓ ✓ ✓ ✓	
--	--	---

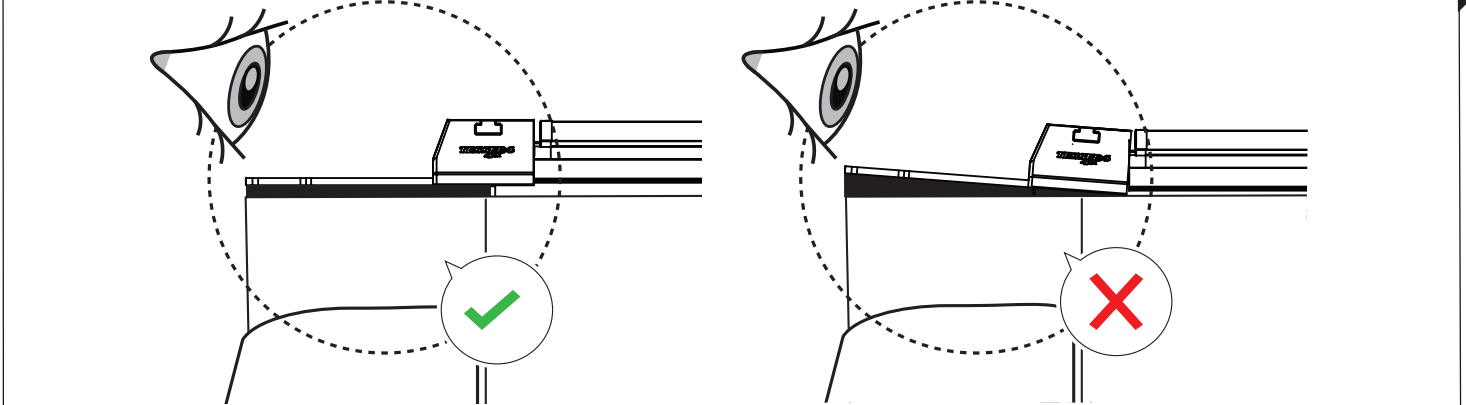


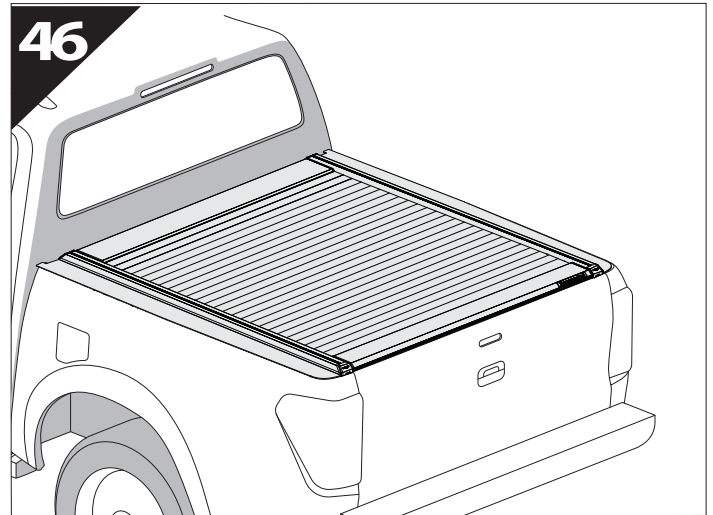
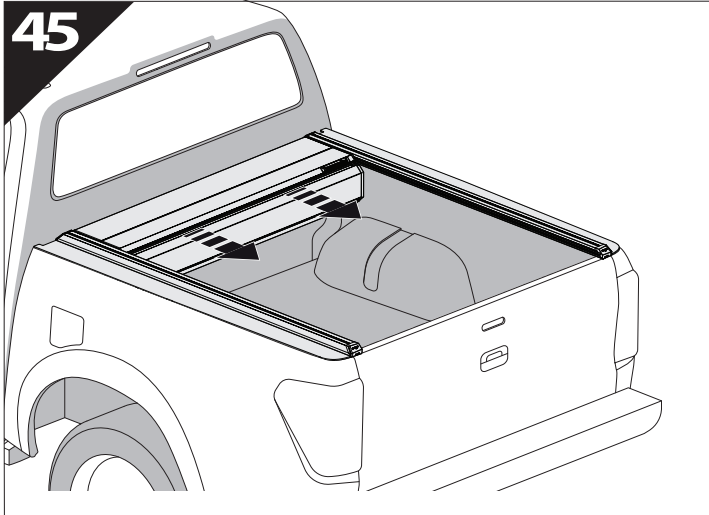


CAUTION !



CAUTION !





GR: Οδηγίες Εγκατάστασης
GB: Installation manual
SF: Asennusohje
F: Notice de montage
PL: Instrukcja montażu
NL: Installatie-instructies
TR: Montaj Talimatı
S: Monteringsanvisning
E: Instrucciones de montaje

H: Szerelési utasítás
P: Instruções de instalação
RUS: Инструкция по установке
N: Monteringsveiledning
D: Einbauanleitung
CZ: Návod k instalaci
I: Istruzioni de montaggio
DK: Monteringsvejledning
RO: Instructiuni de instalare

Customer Service:

+30 (210) 5541161, +30 (210) 5541154 (08:00 - 16:00 EET)

Support department:

info@gianso.gr

Website:

www.tessera4x4.com

Address:

19.5 km of National road Athens-Korinthos (Elefsina) Greece, P.C: 19200