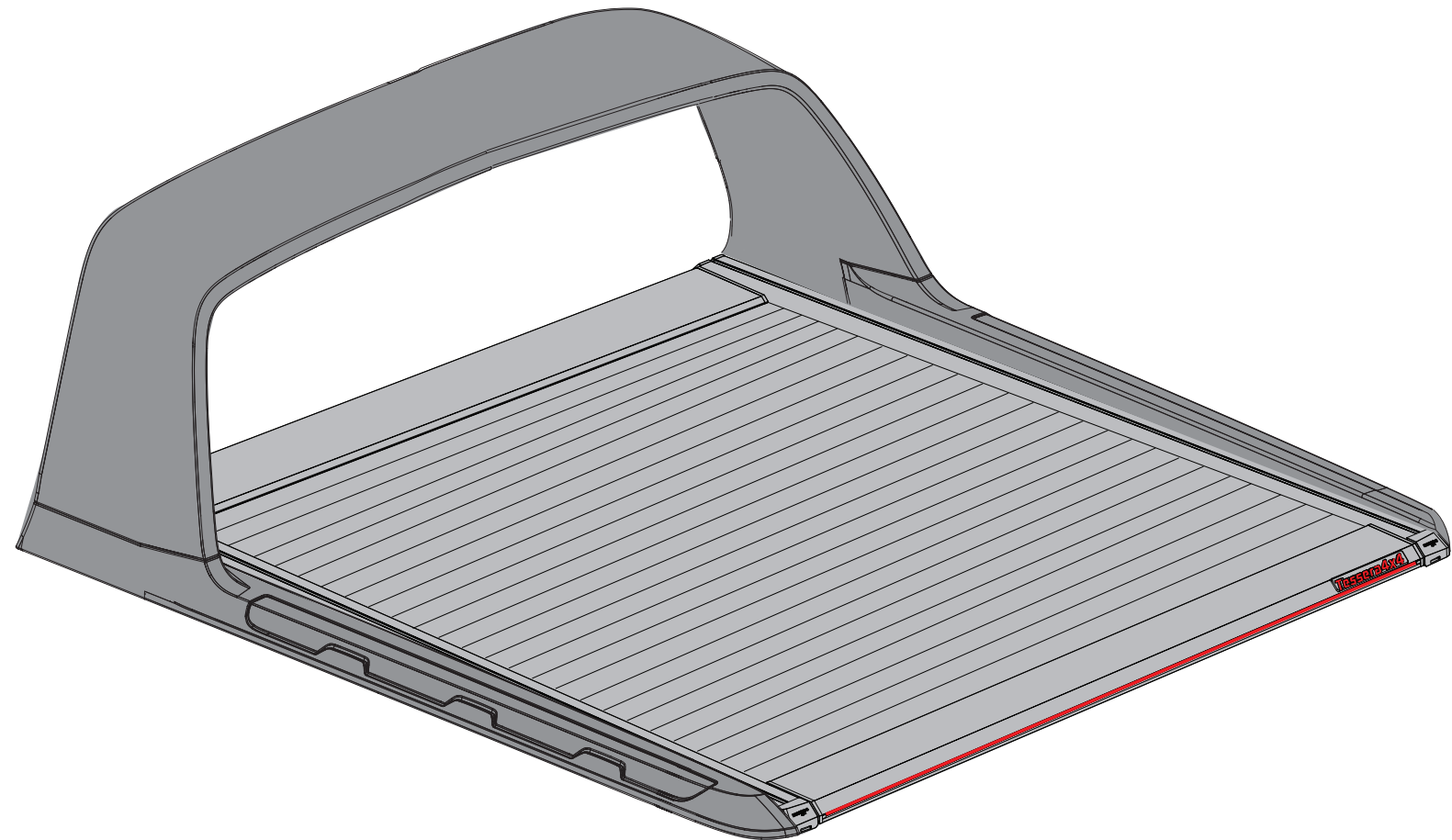


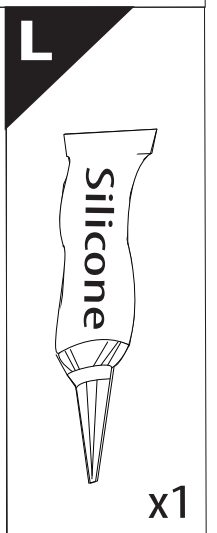
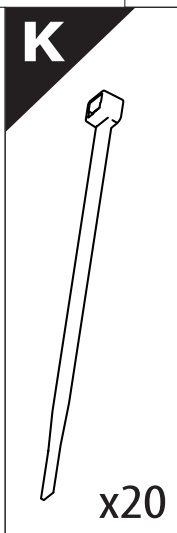
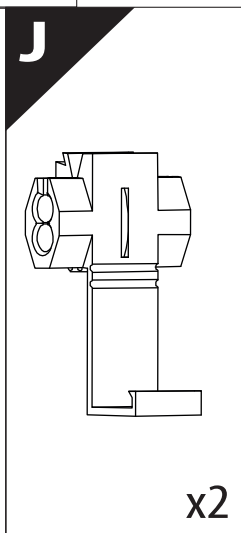
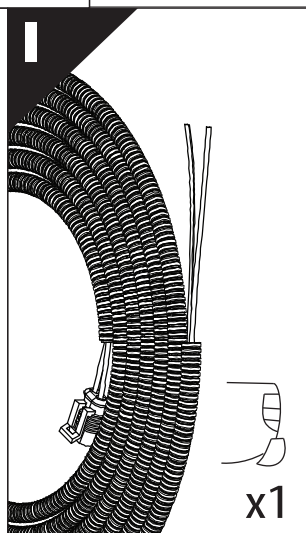
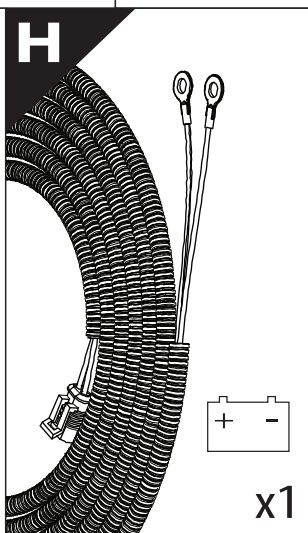
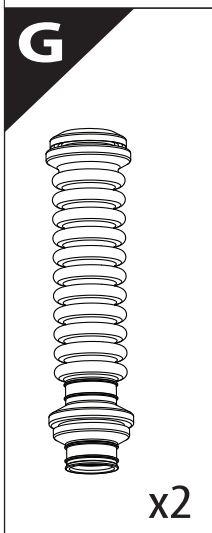
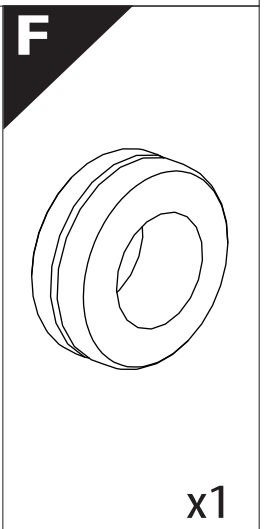
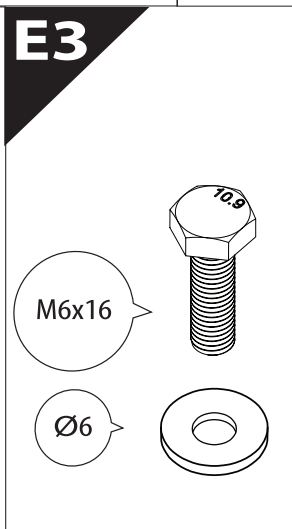
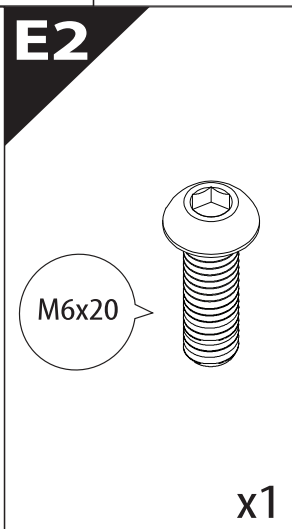
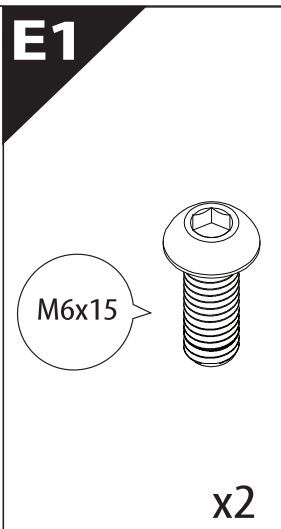
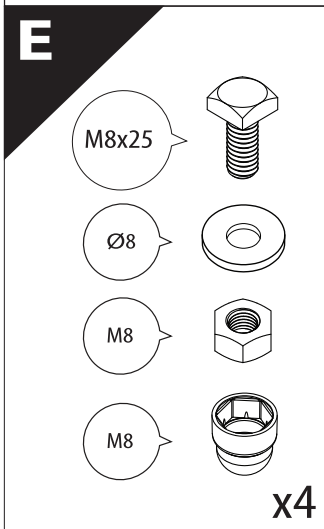
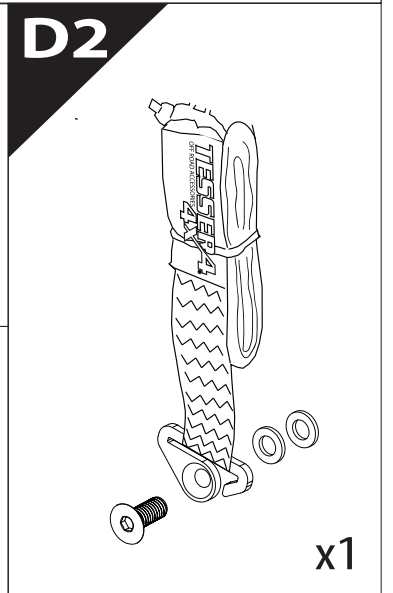
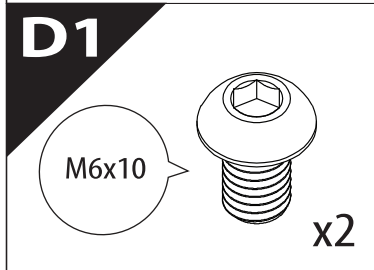
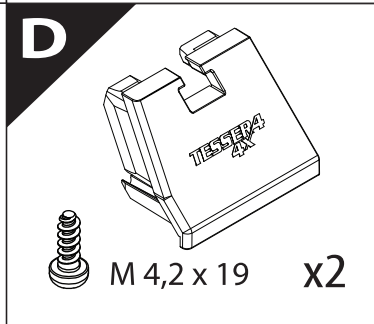
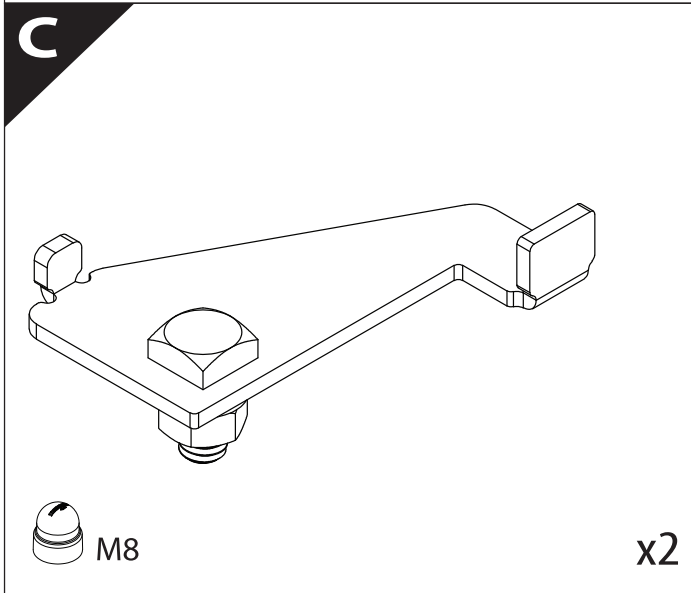
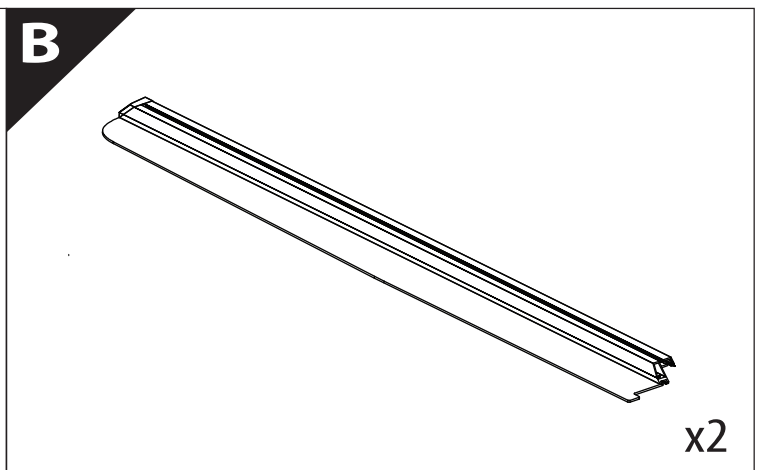
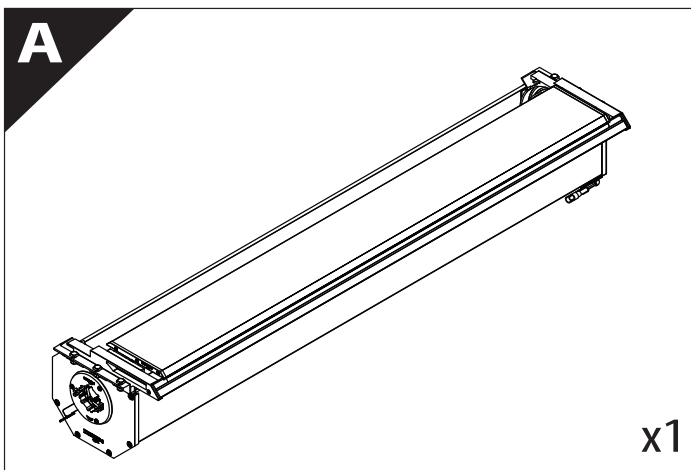
Tessera Roll+

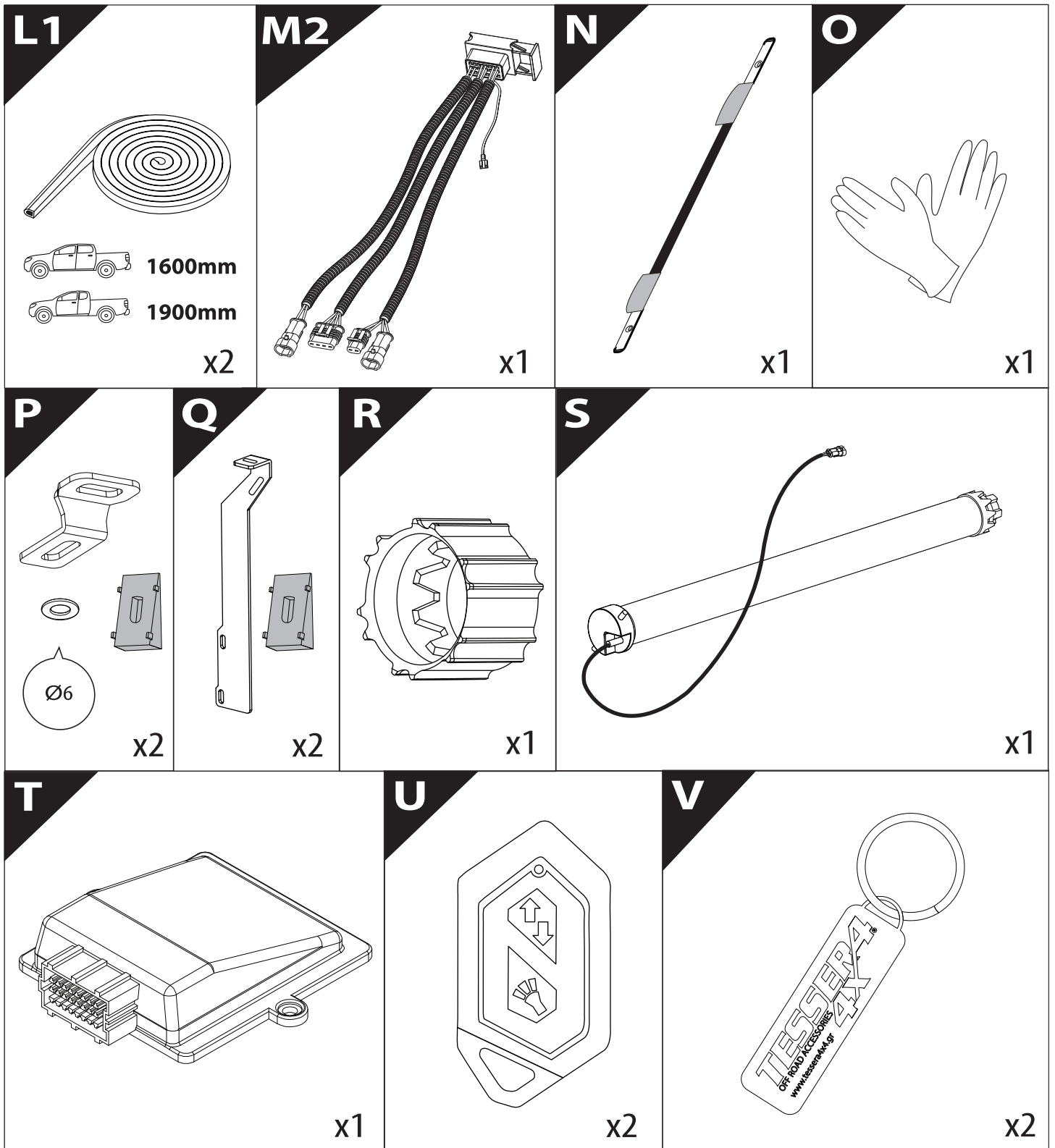
Basic Version + ⚡ E-KIT

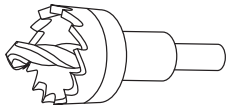


Installation Manual

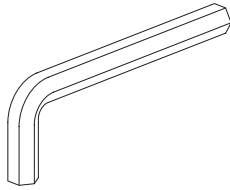
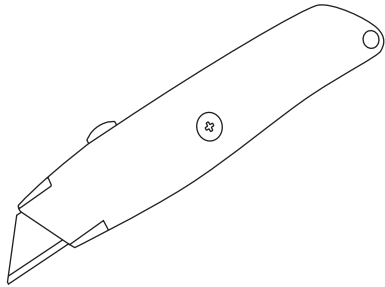
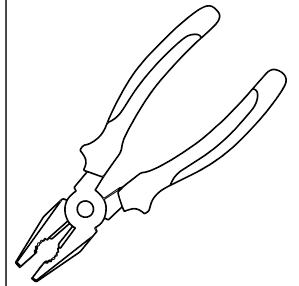
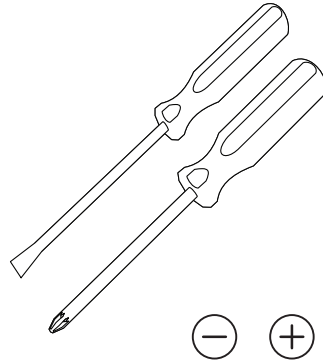
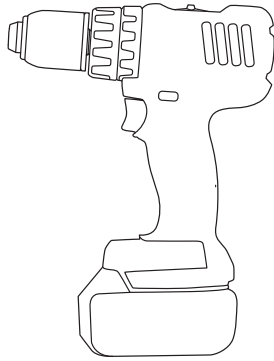
PART NUMBER(S)	Model Year
TESS 1408 ROLL+E-KIT	FORD RANGER WildTrak 2012+ / 2016+ / 2020+
TESS 1409 ROLL+E-KIT	
Cab(s)	Installation Time / Weight
Double Cab & Space Cab	40-60 minutes / 53-57 kg





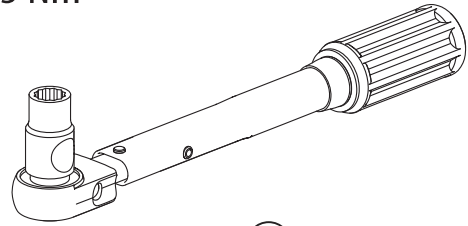


Ø 25 mm / Ø 40 mm



4 mm

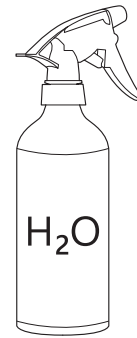
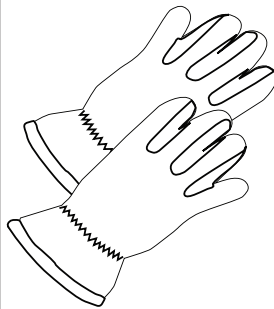
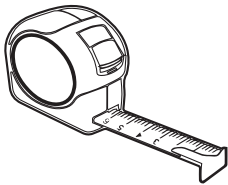
1 - 25 Nm



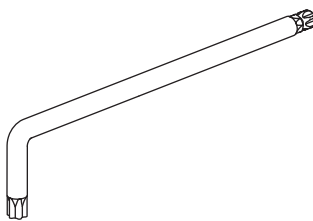
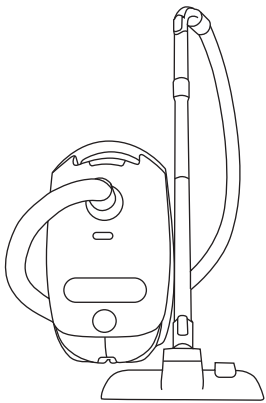
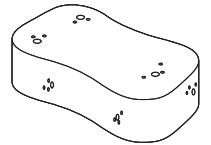
10, 12, 13, 17 mm



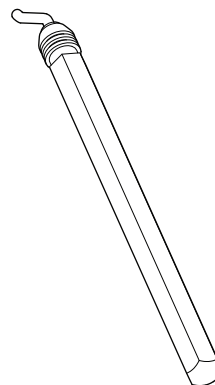
ACETONE



H₂O



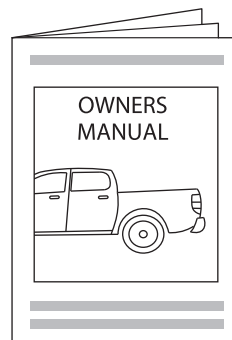
T30, T40



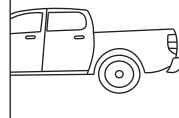
ANTI-RUST



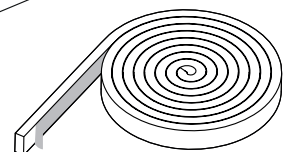
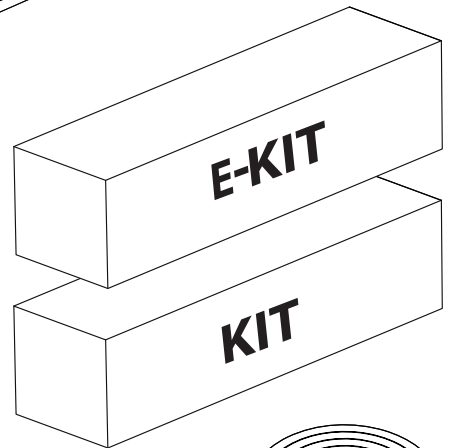
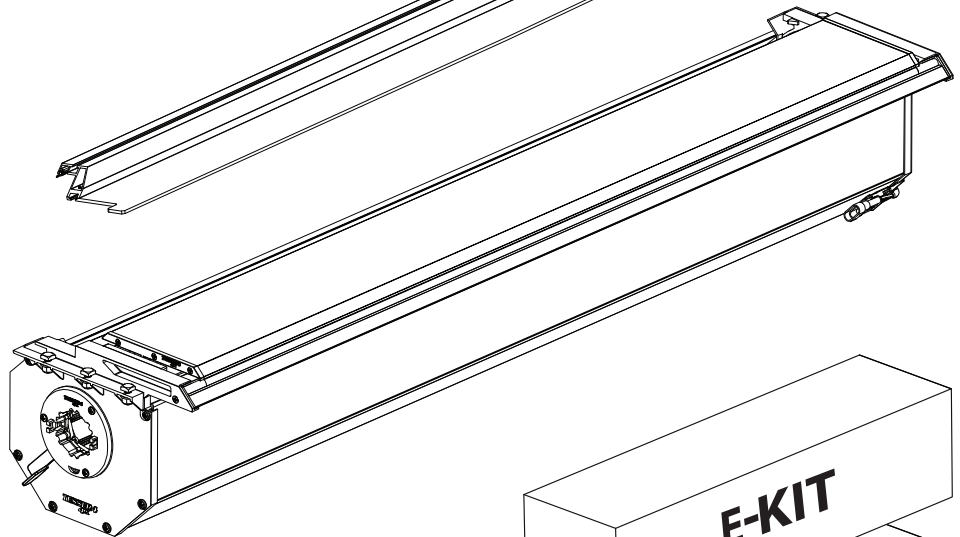
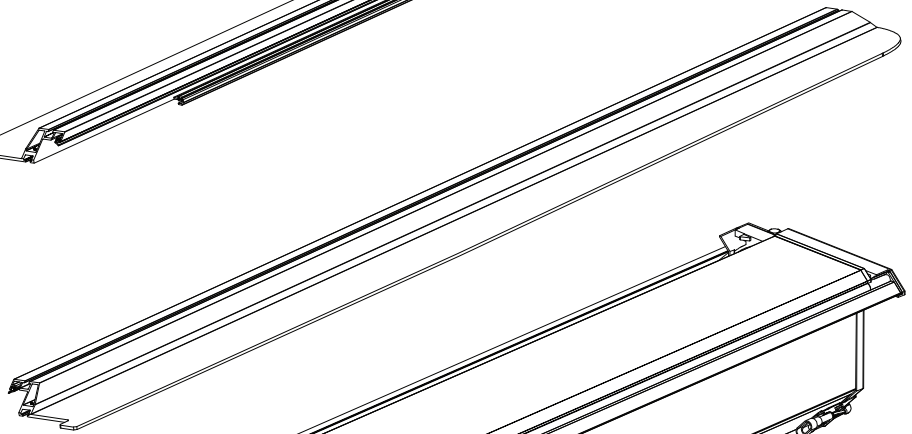
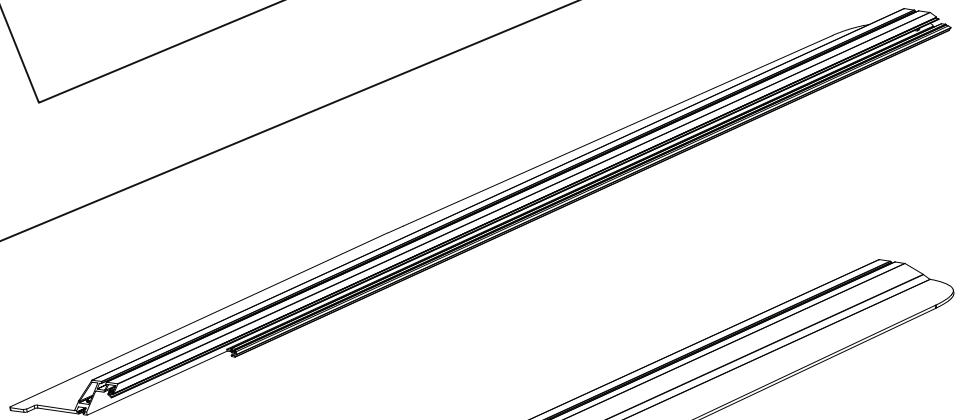
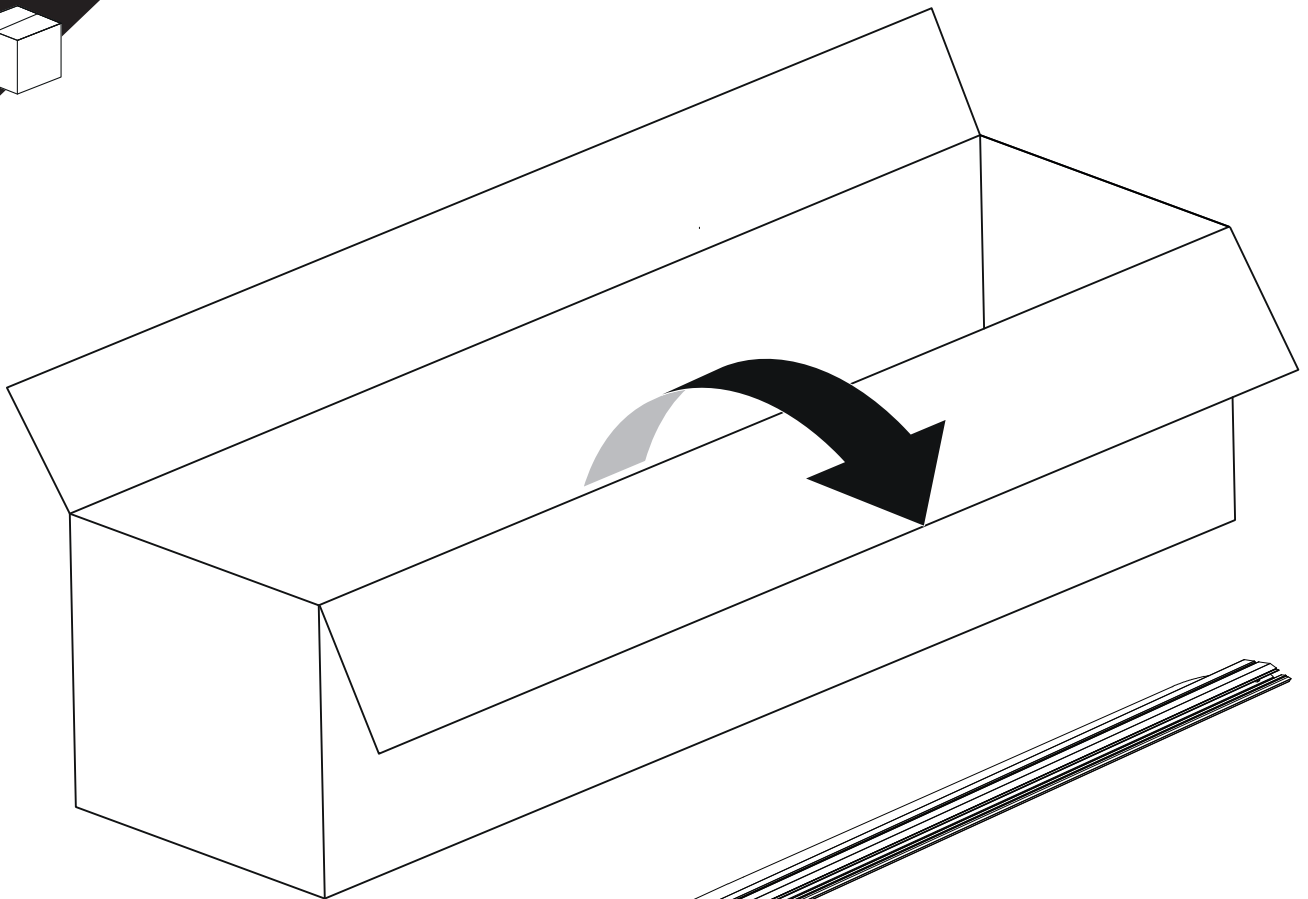
INSTALATION
MANUAL
+E-KIT



OWNERS
MANUAL



x1

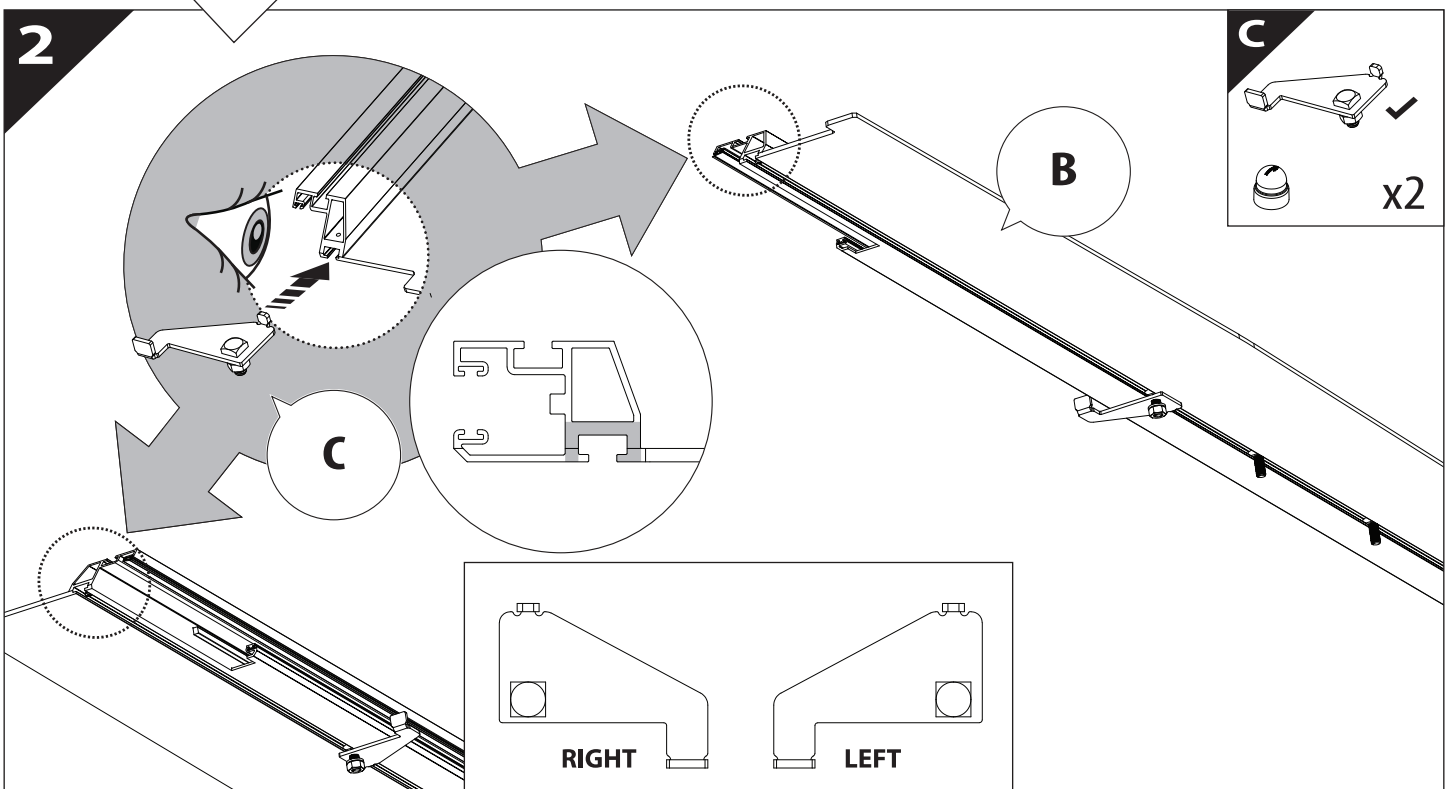
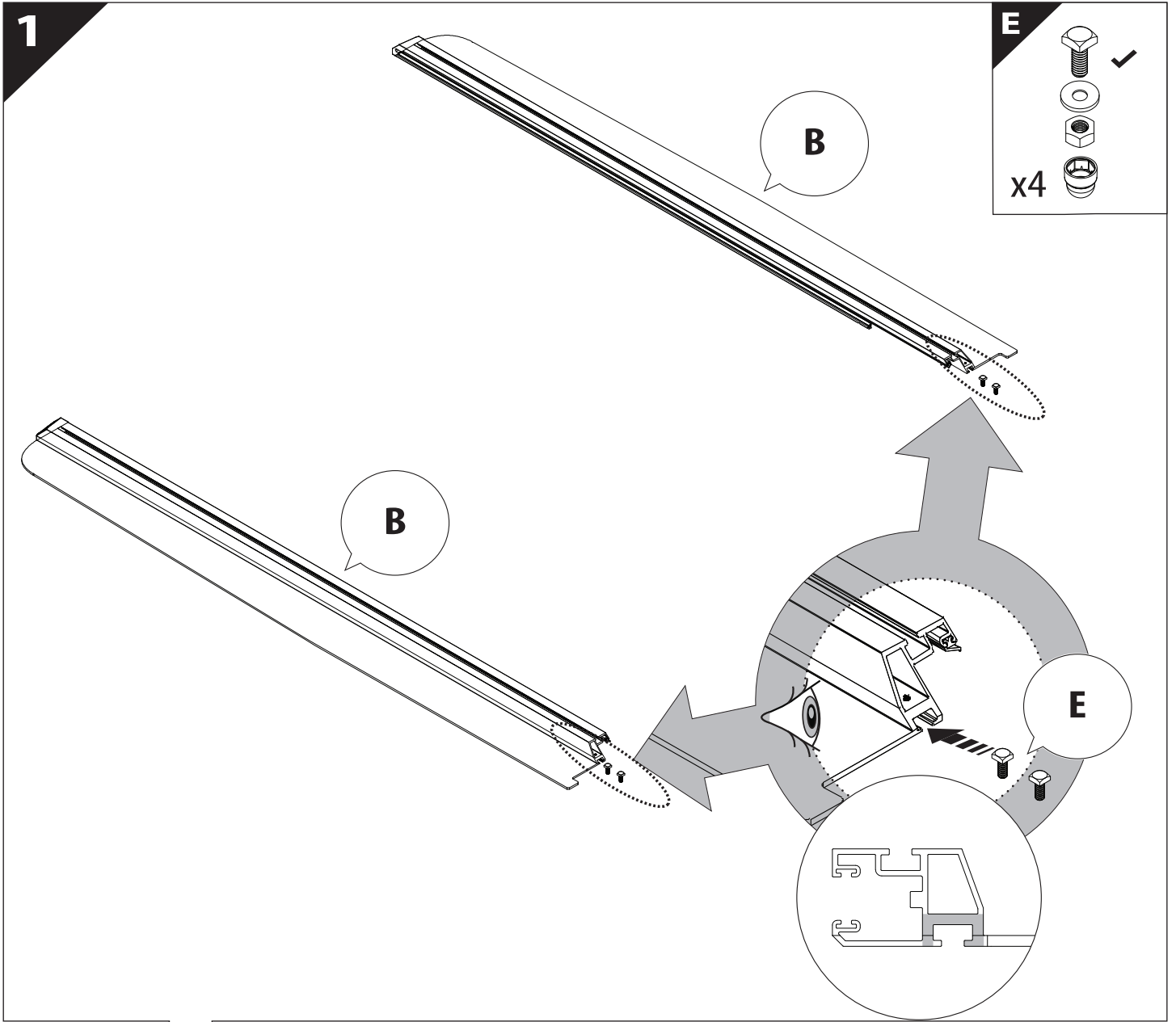


B

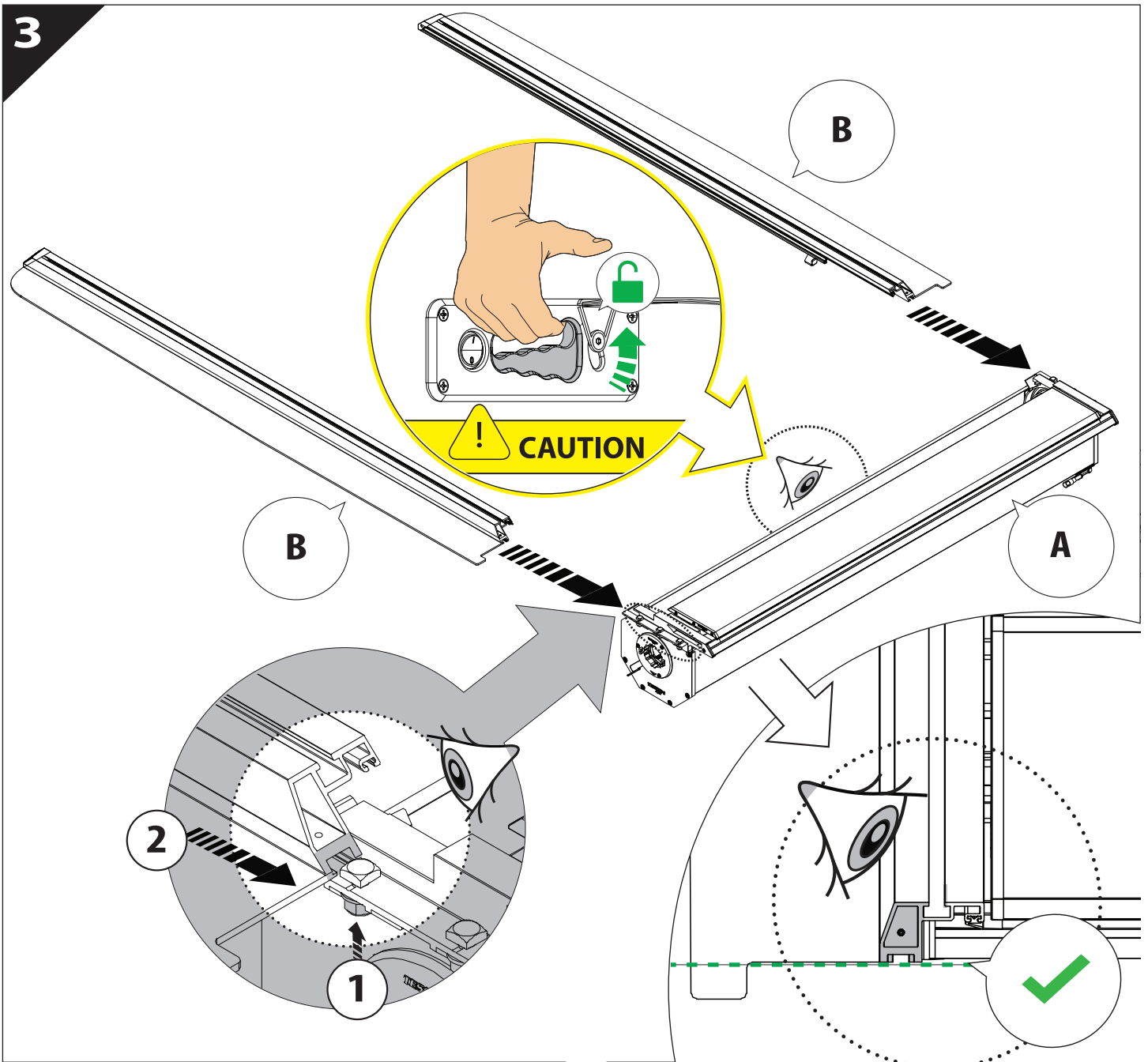
A

KITS

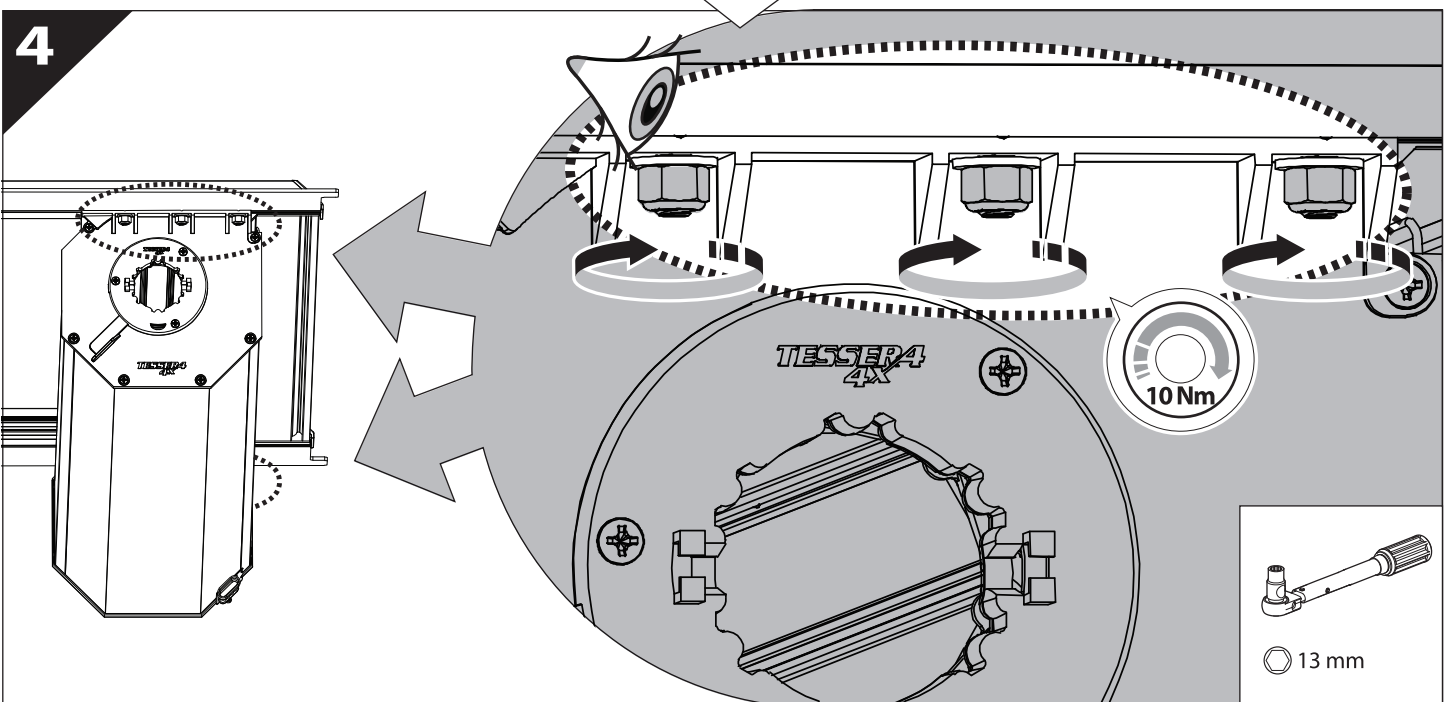
L

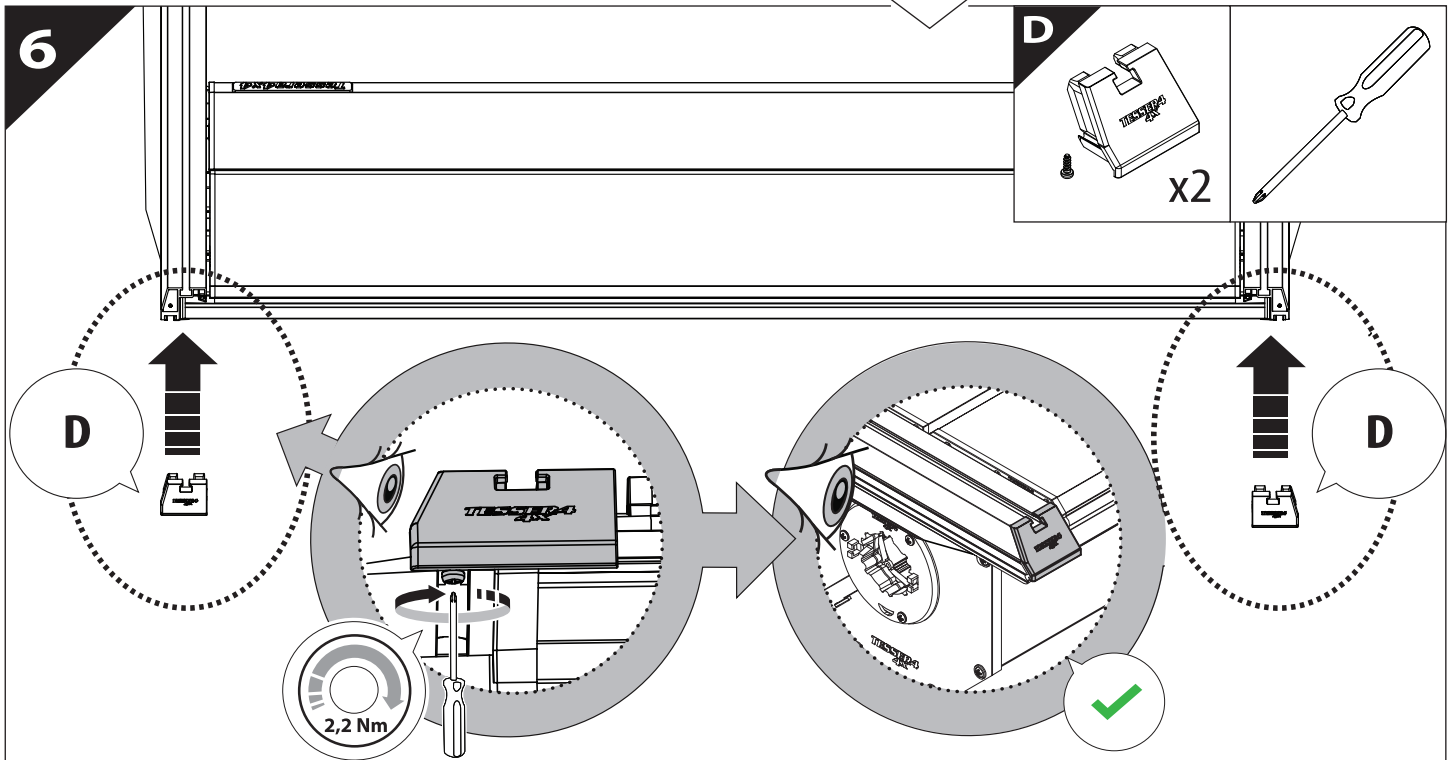
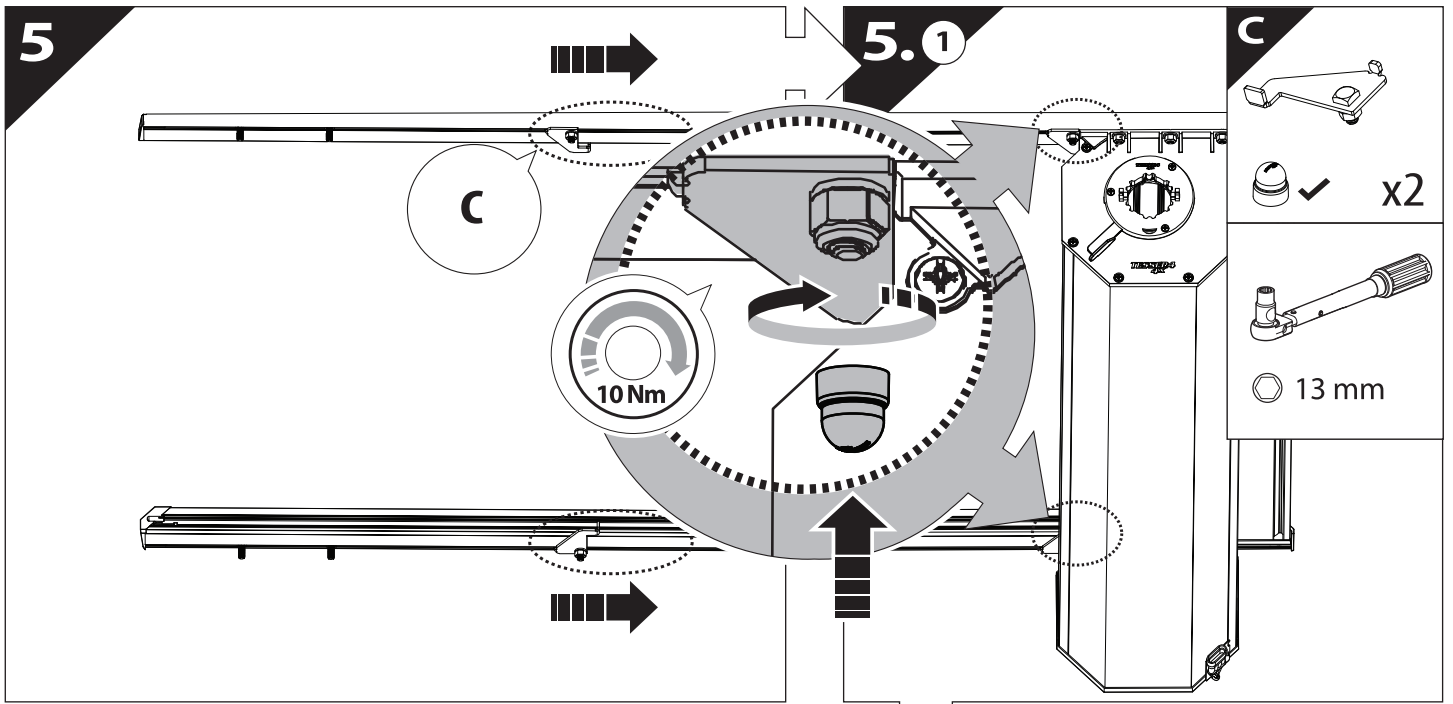


3

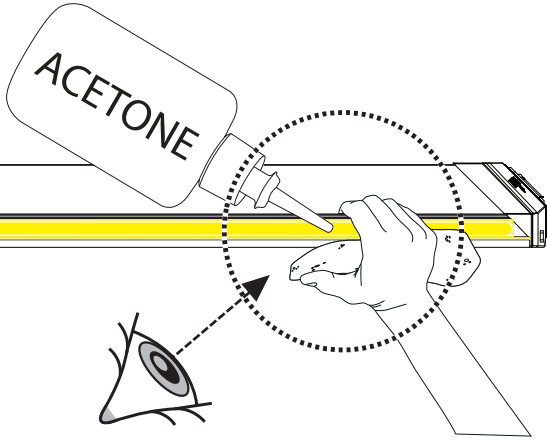


4



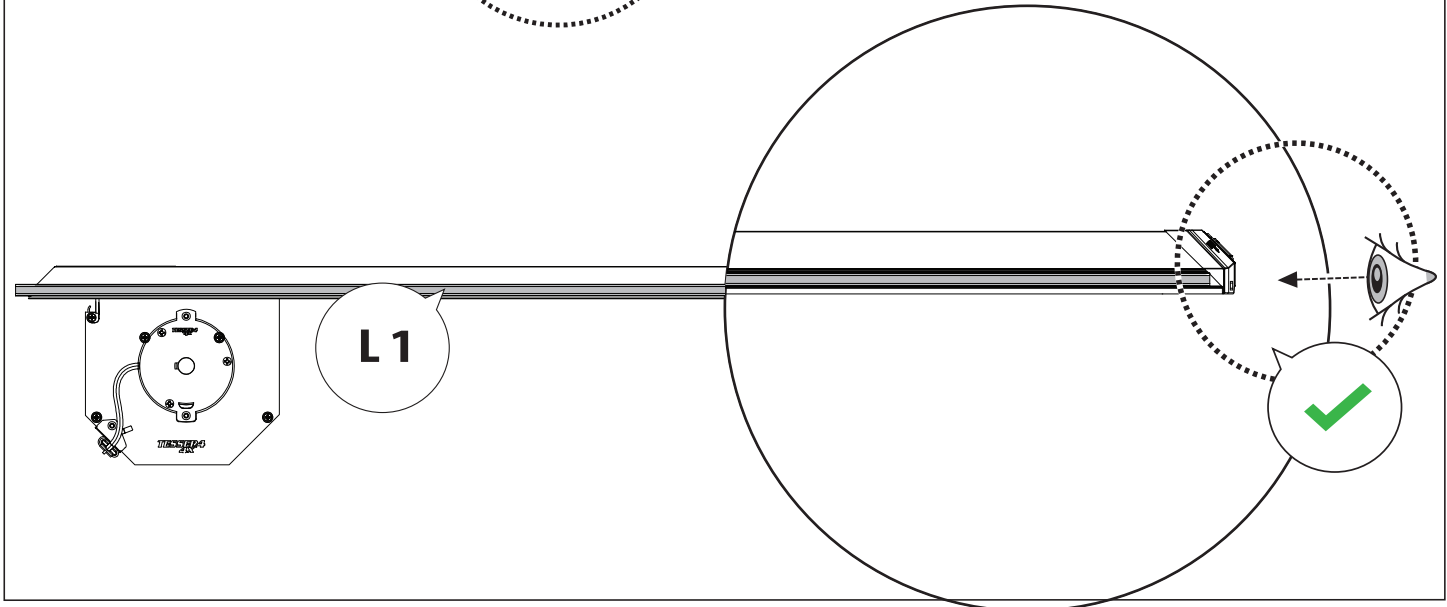
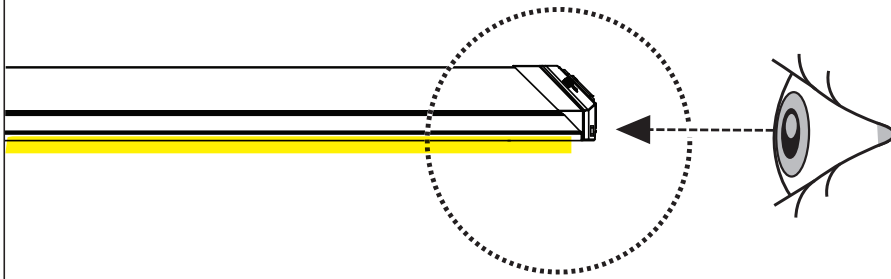
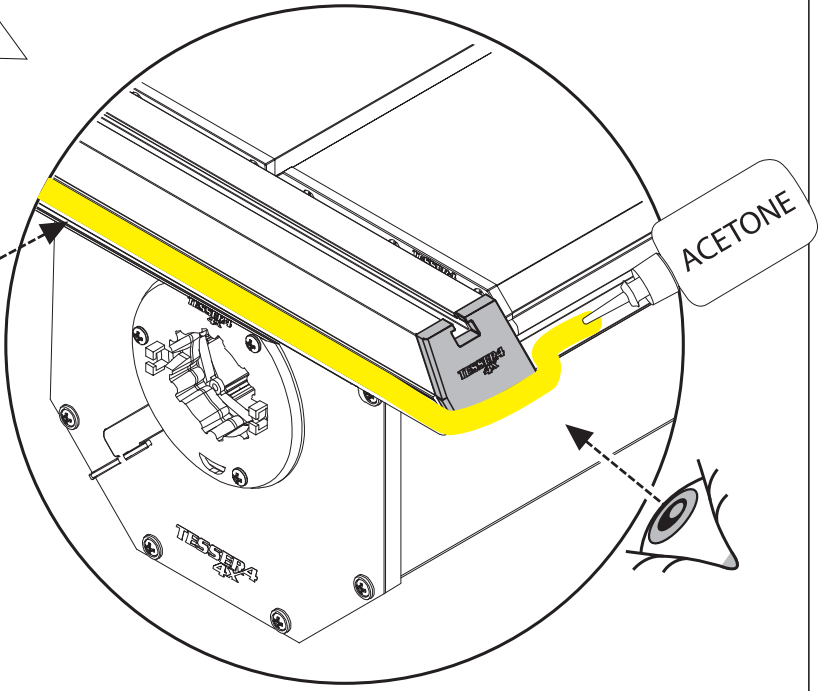


7



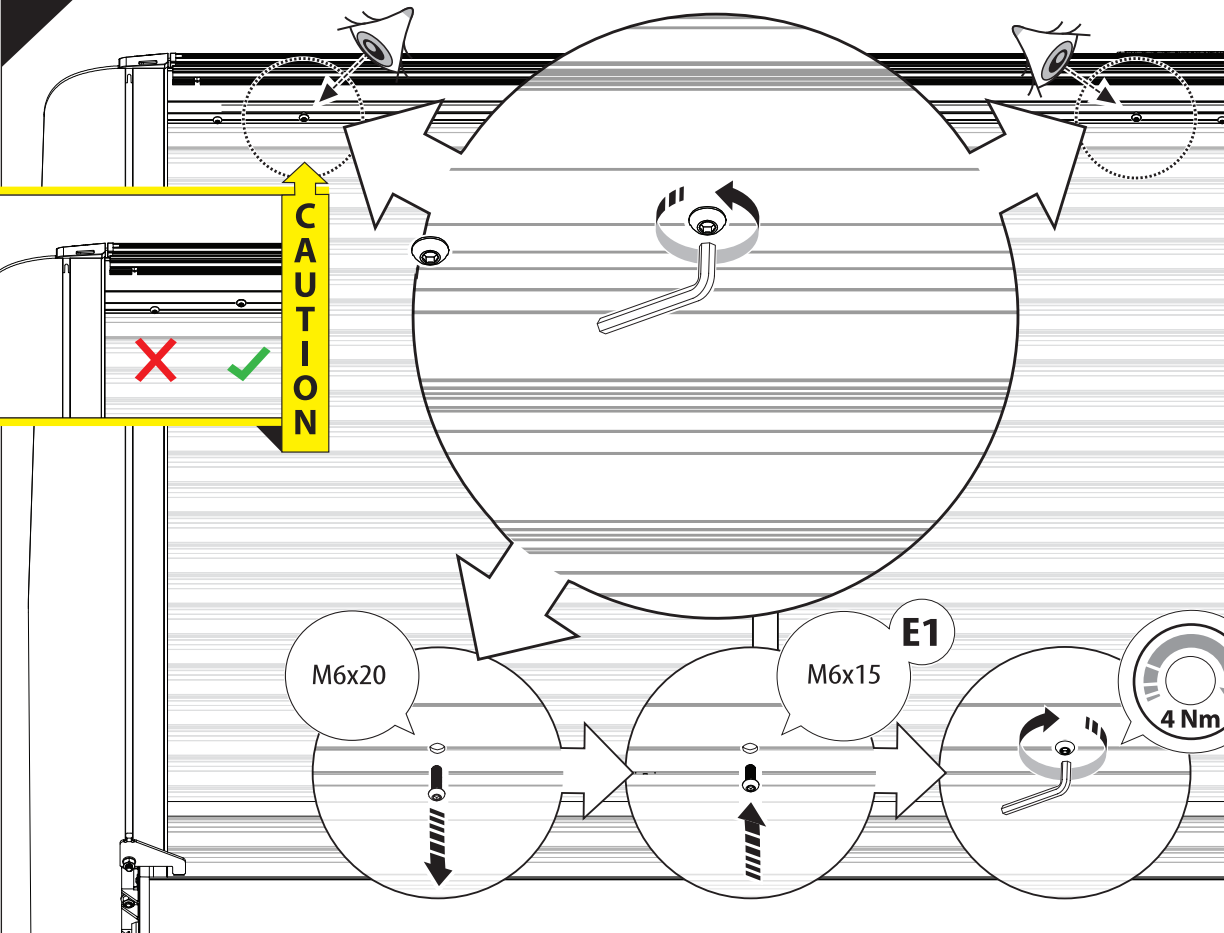
L1

x2



8

CAUTION



4 mm

E1

x2

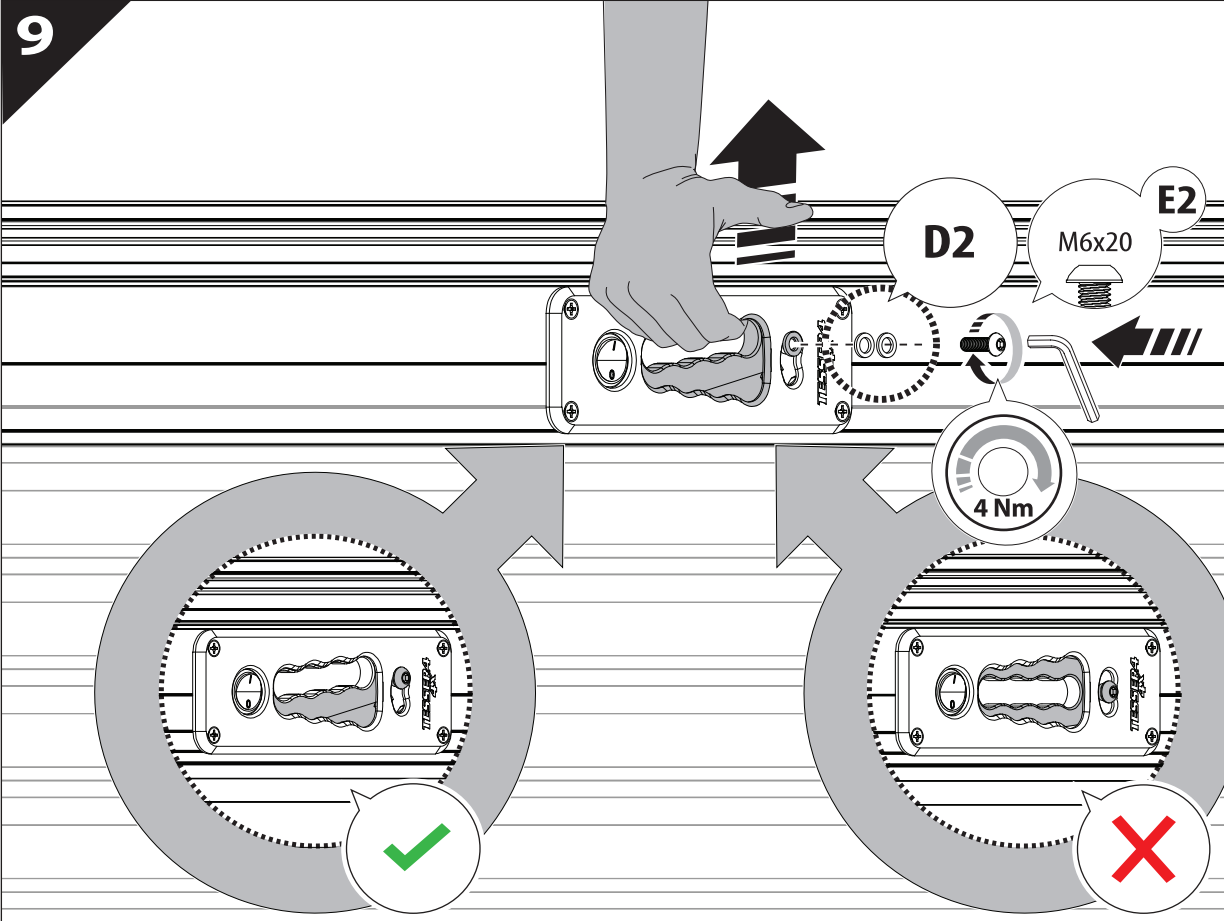
M6x20

M6x15

E1

4 Nm

9



E2

x1

D2

x1

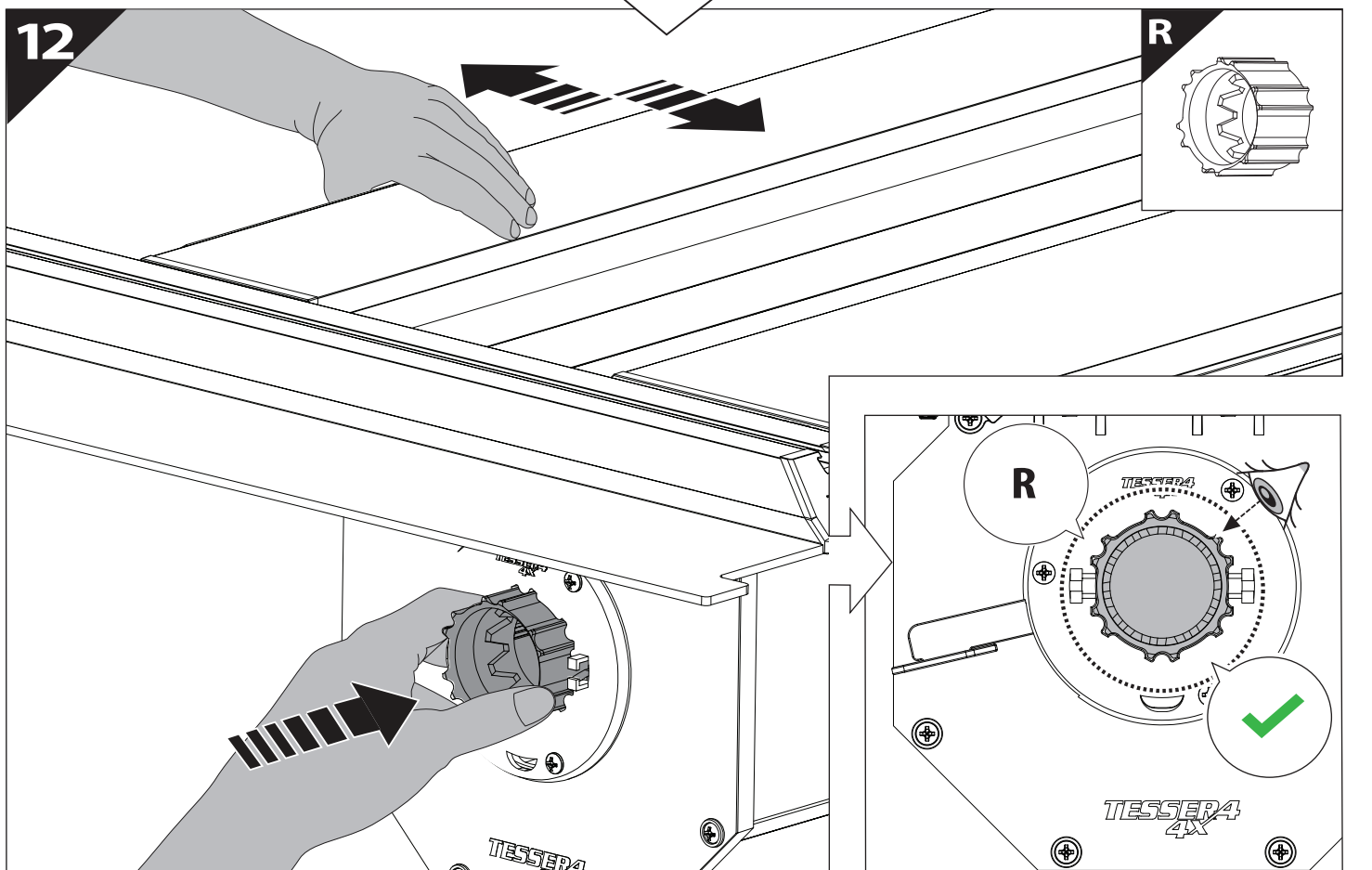
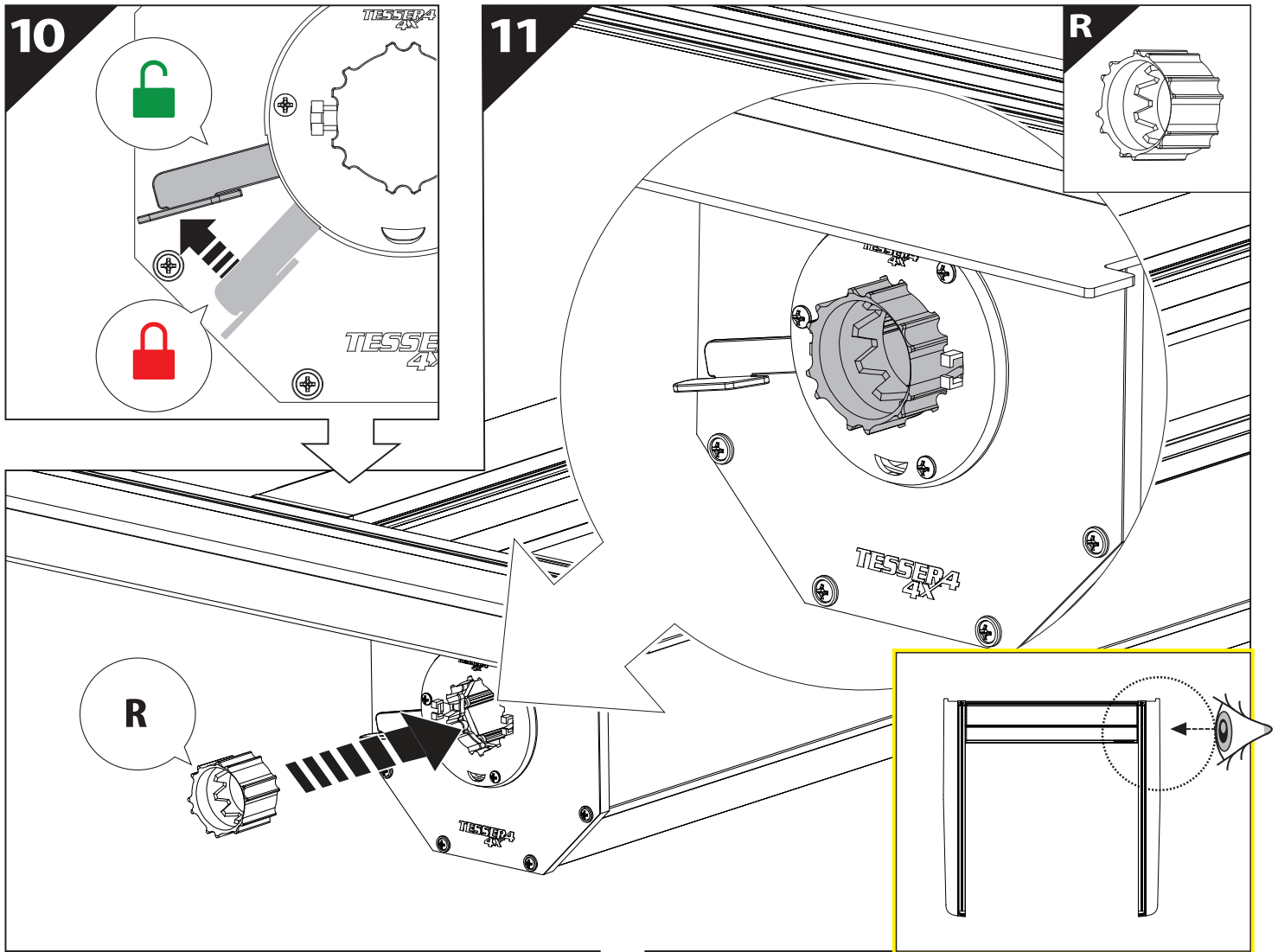
4 mm

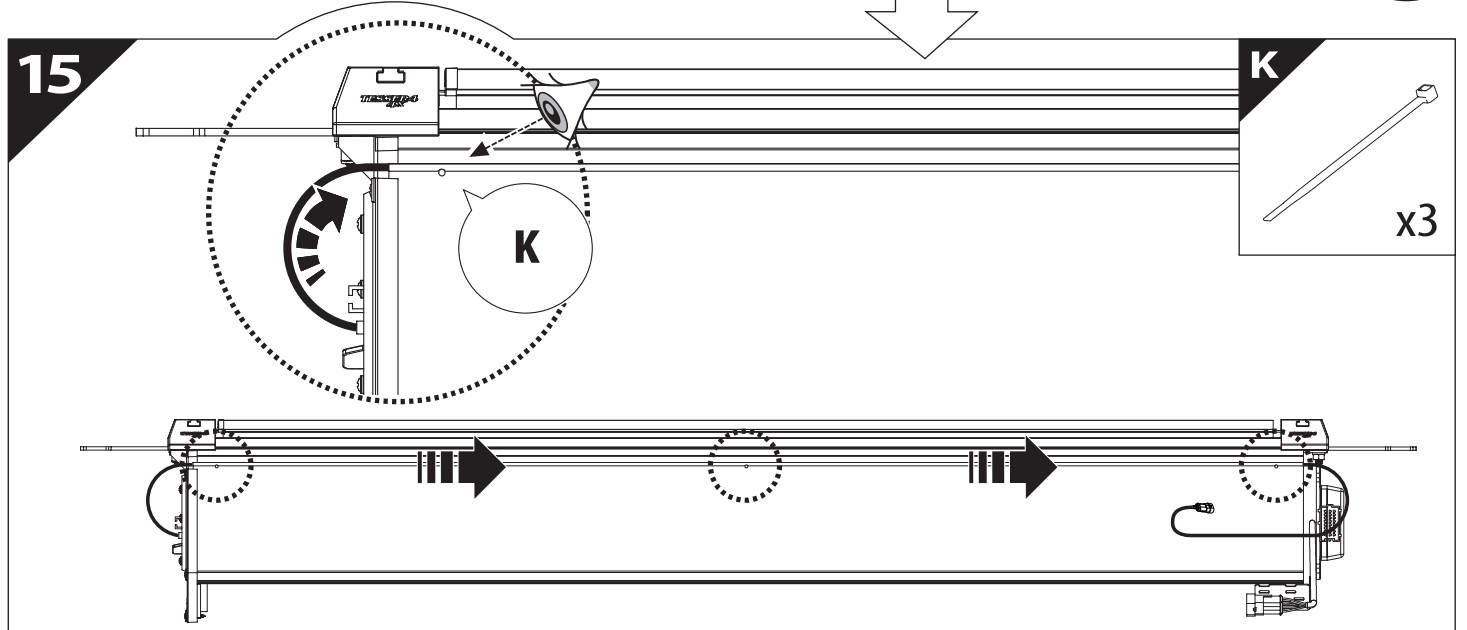
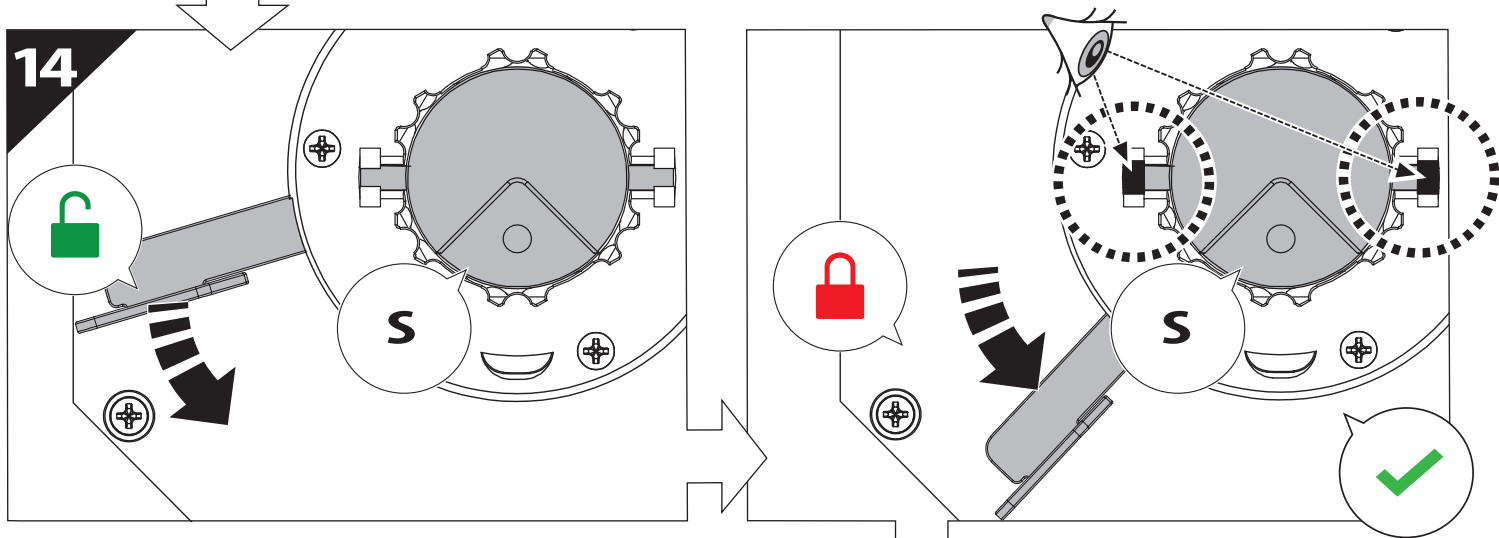
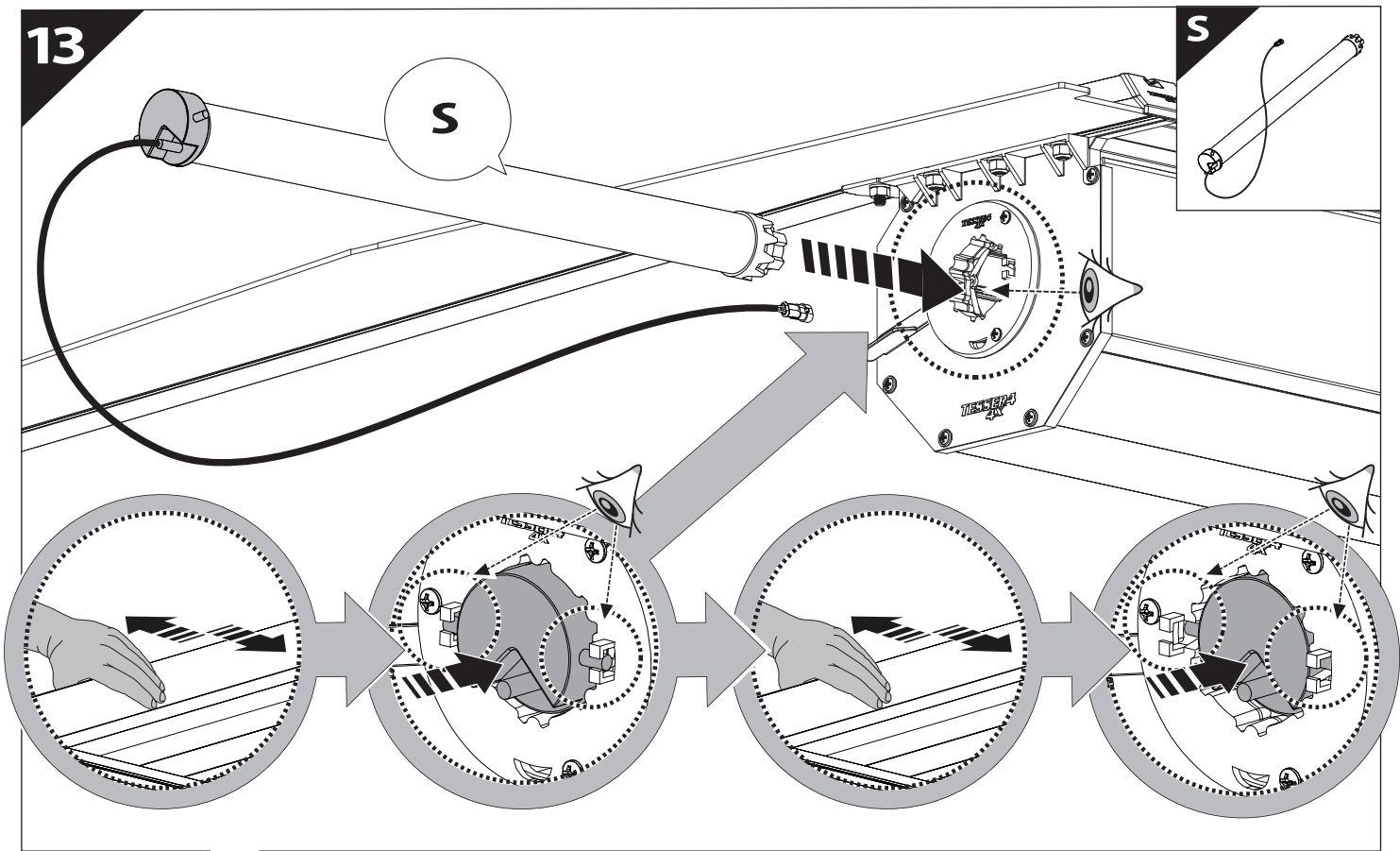
D2

M6x20

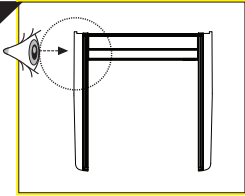
E2

4 Nm

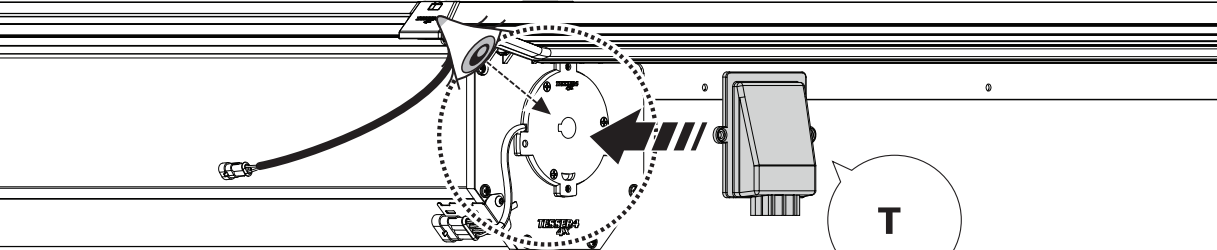
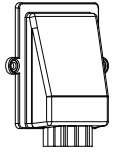




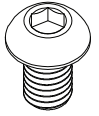
16



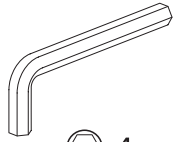
T



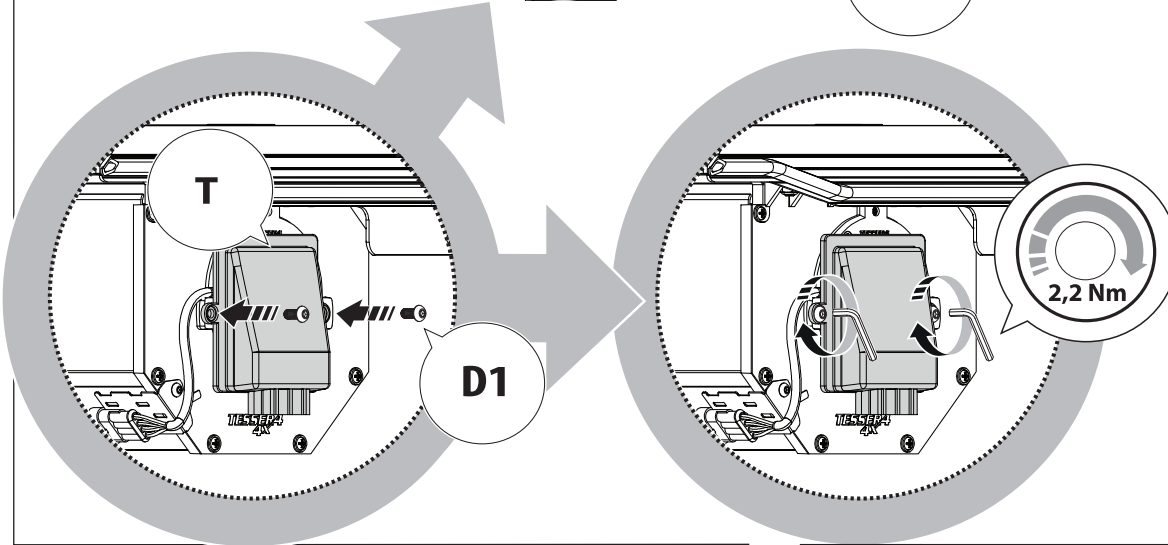
D1



x2

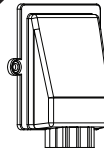


4mm

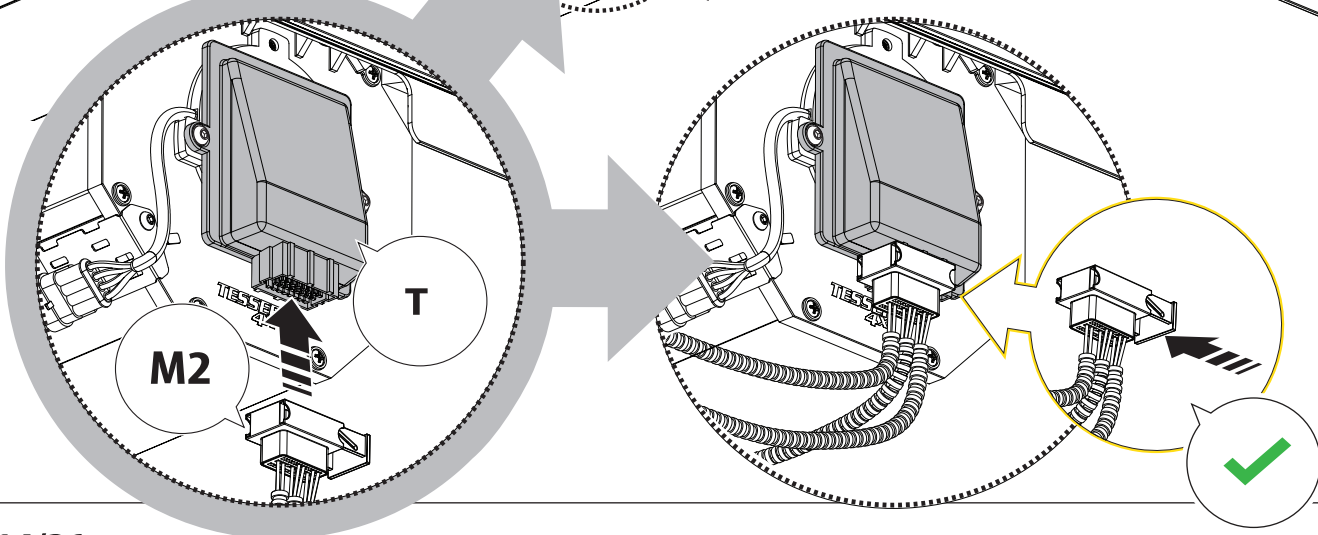
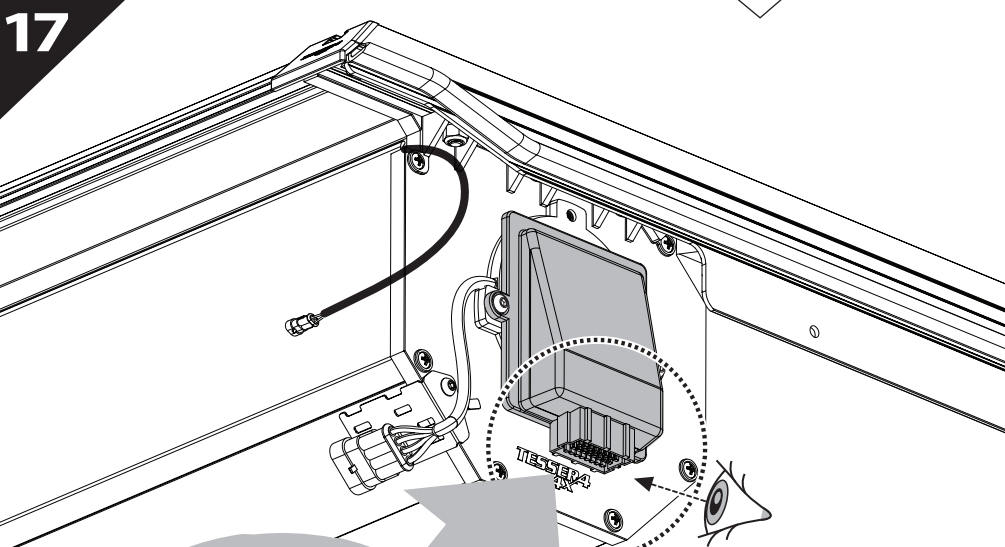


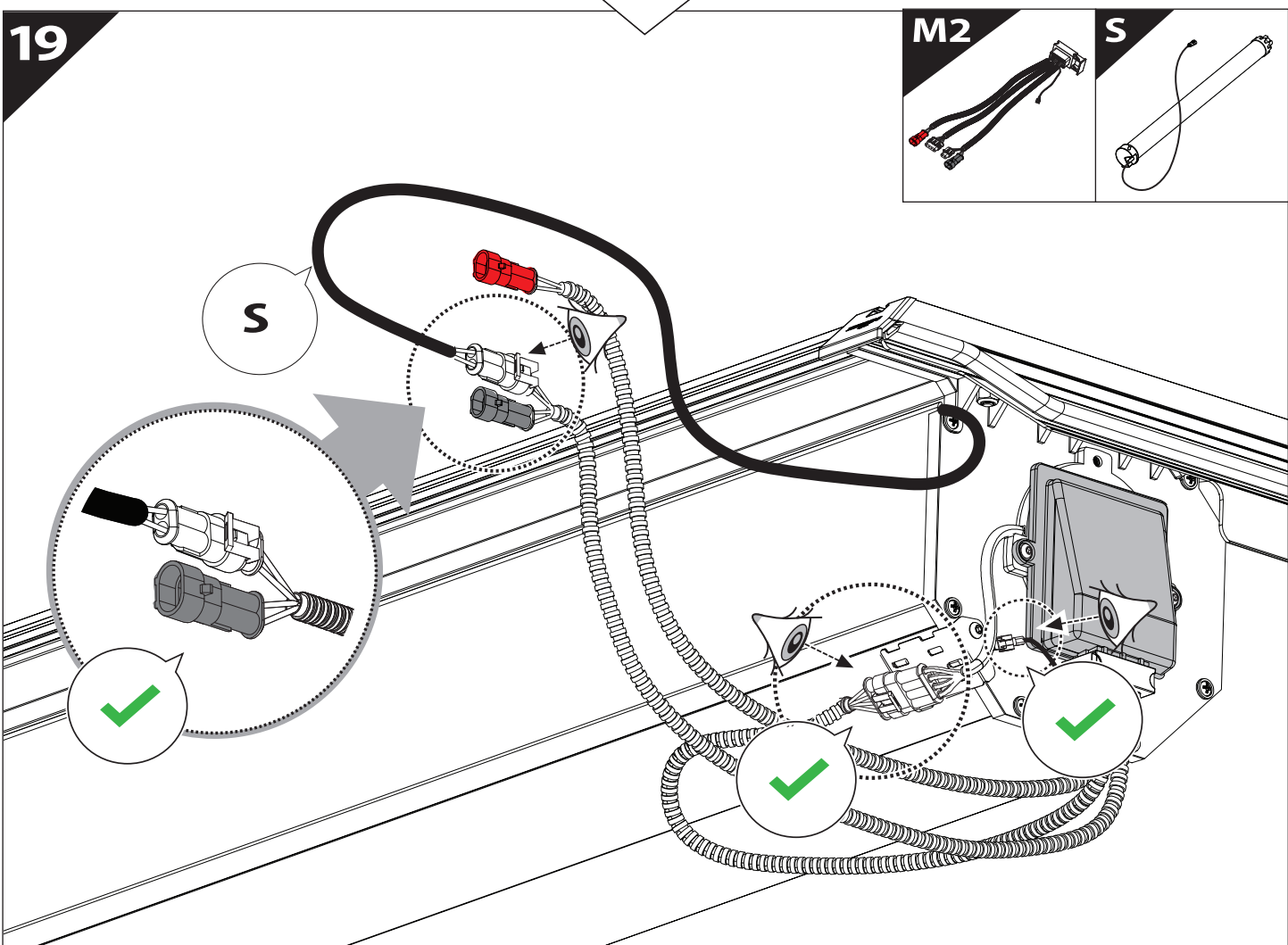
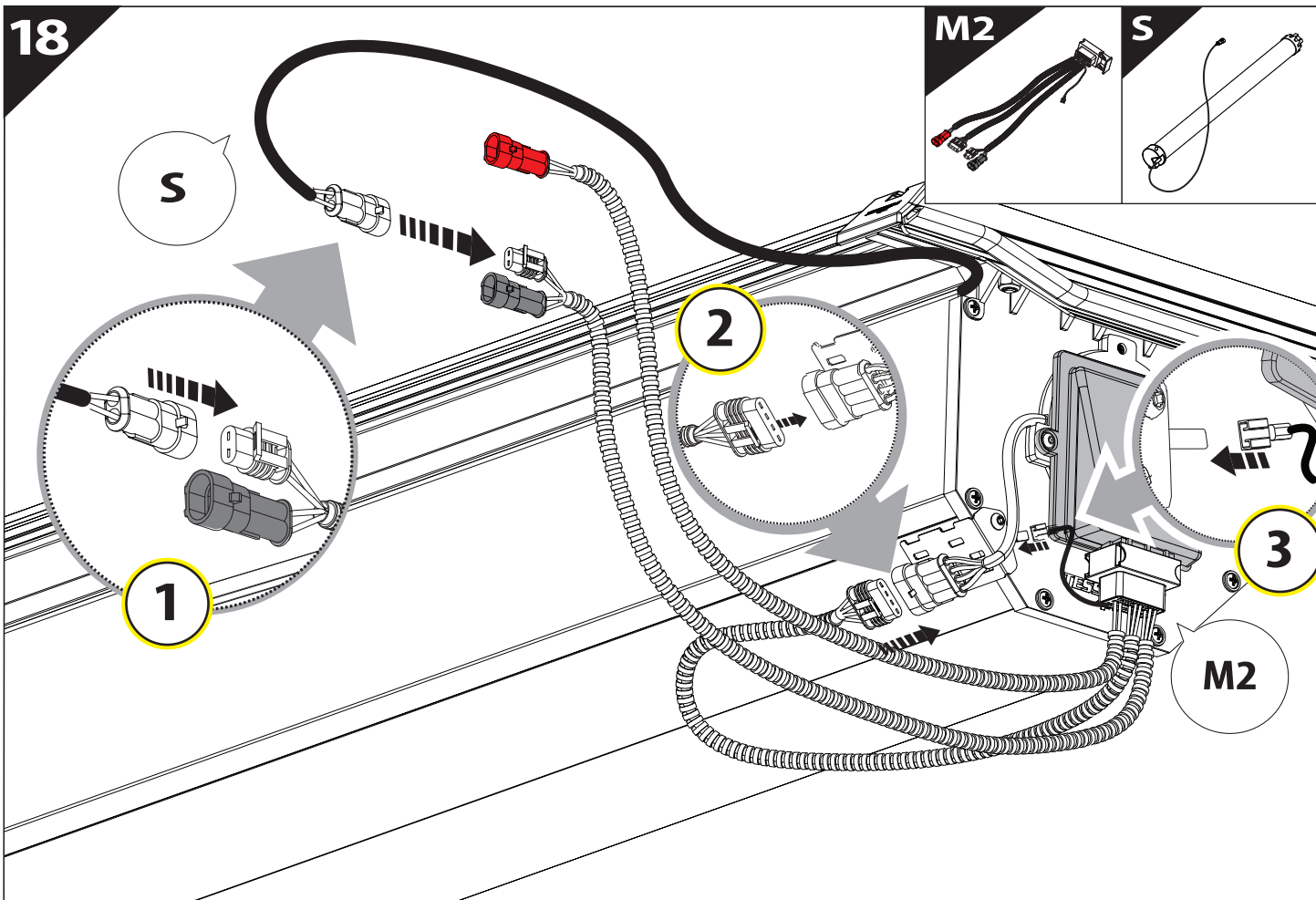
17

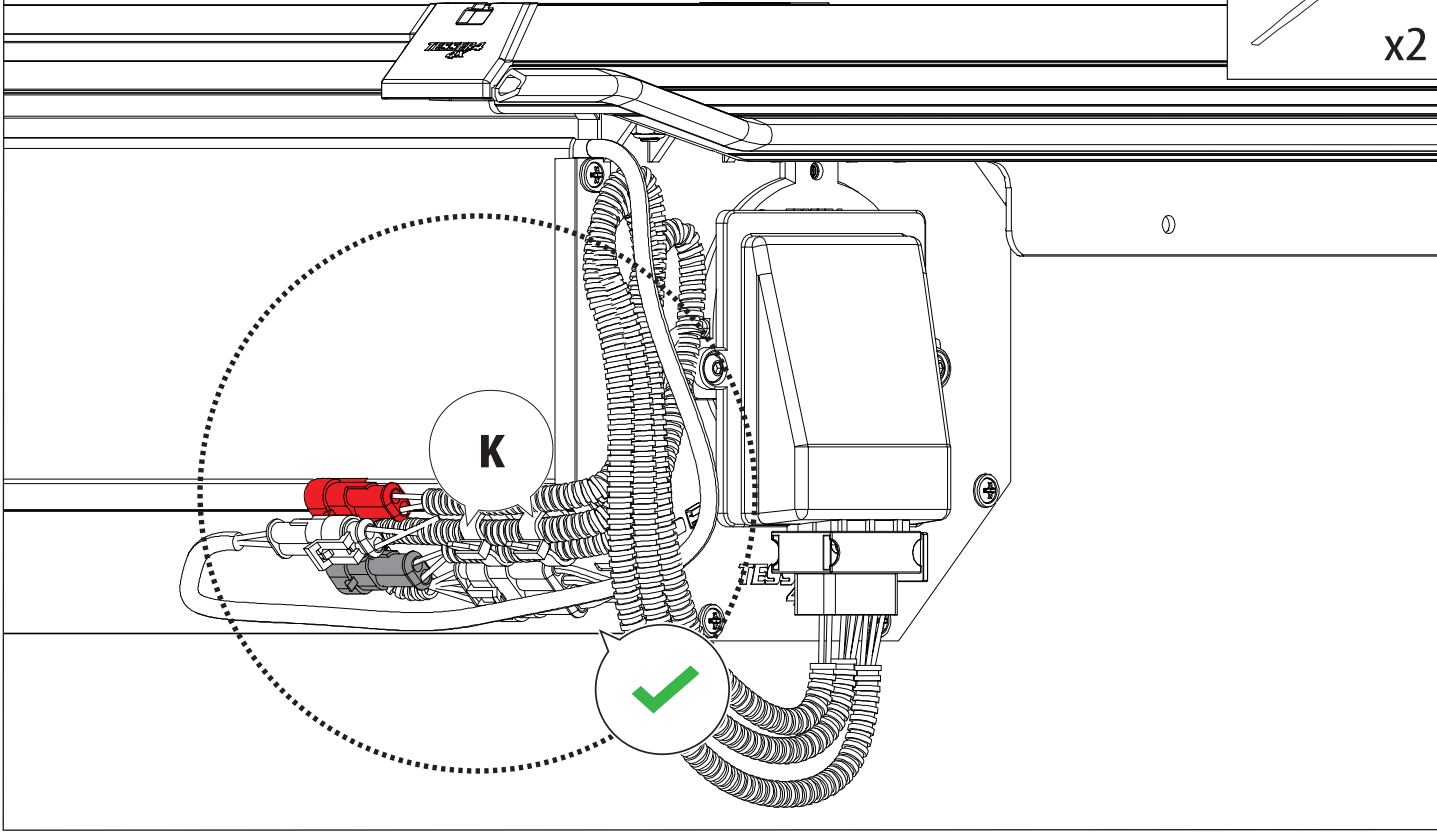
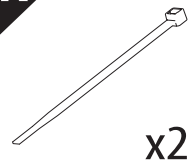
T



M2



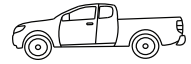




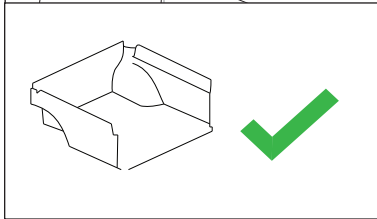
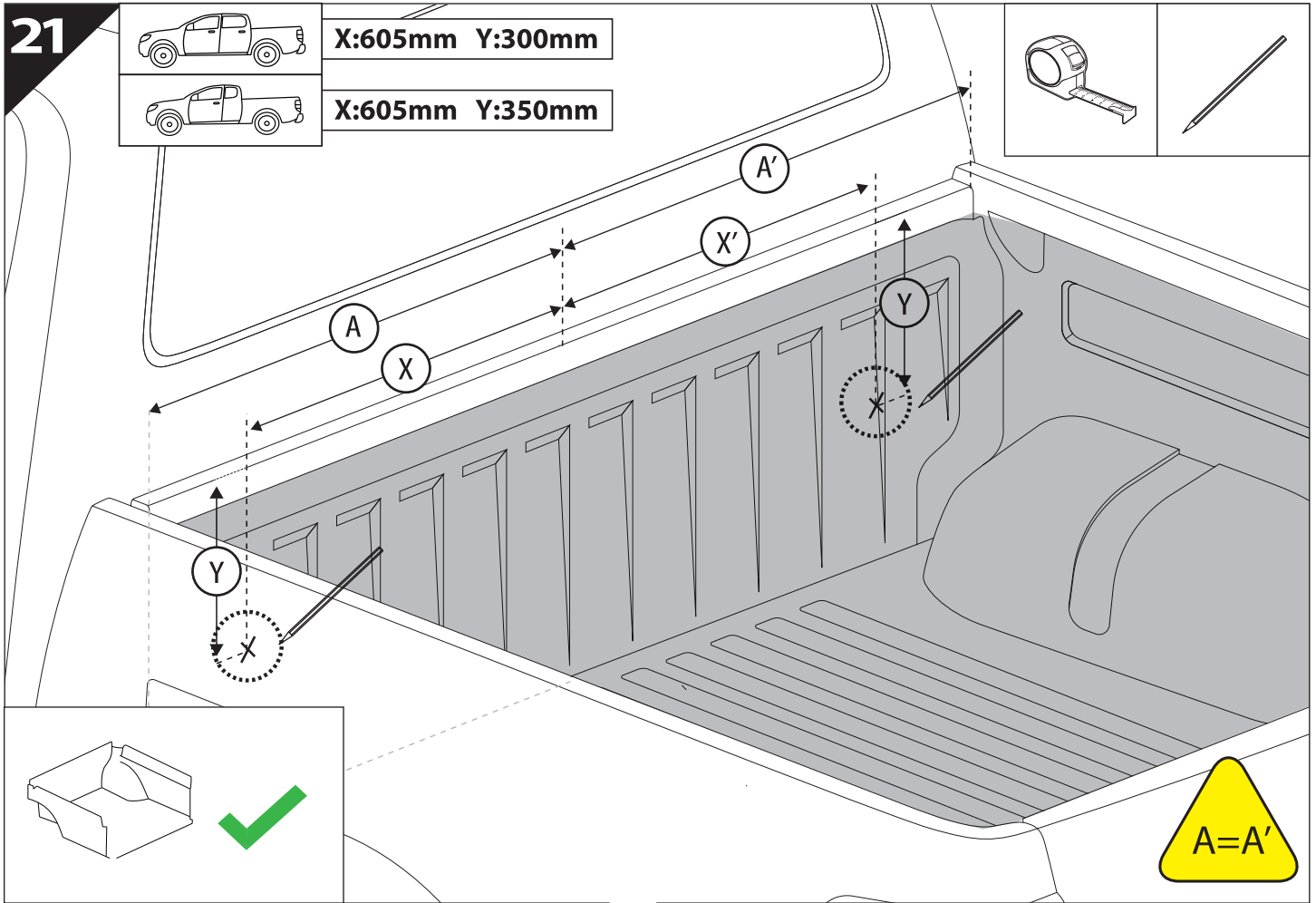
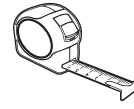
21



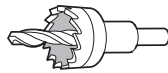
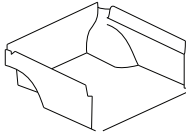
X:605mm Y:300mm



X:605mm Y:350mm



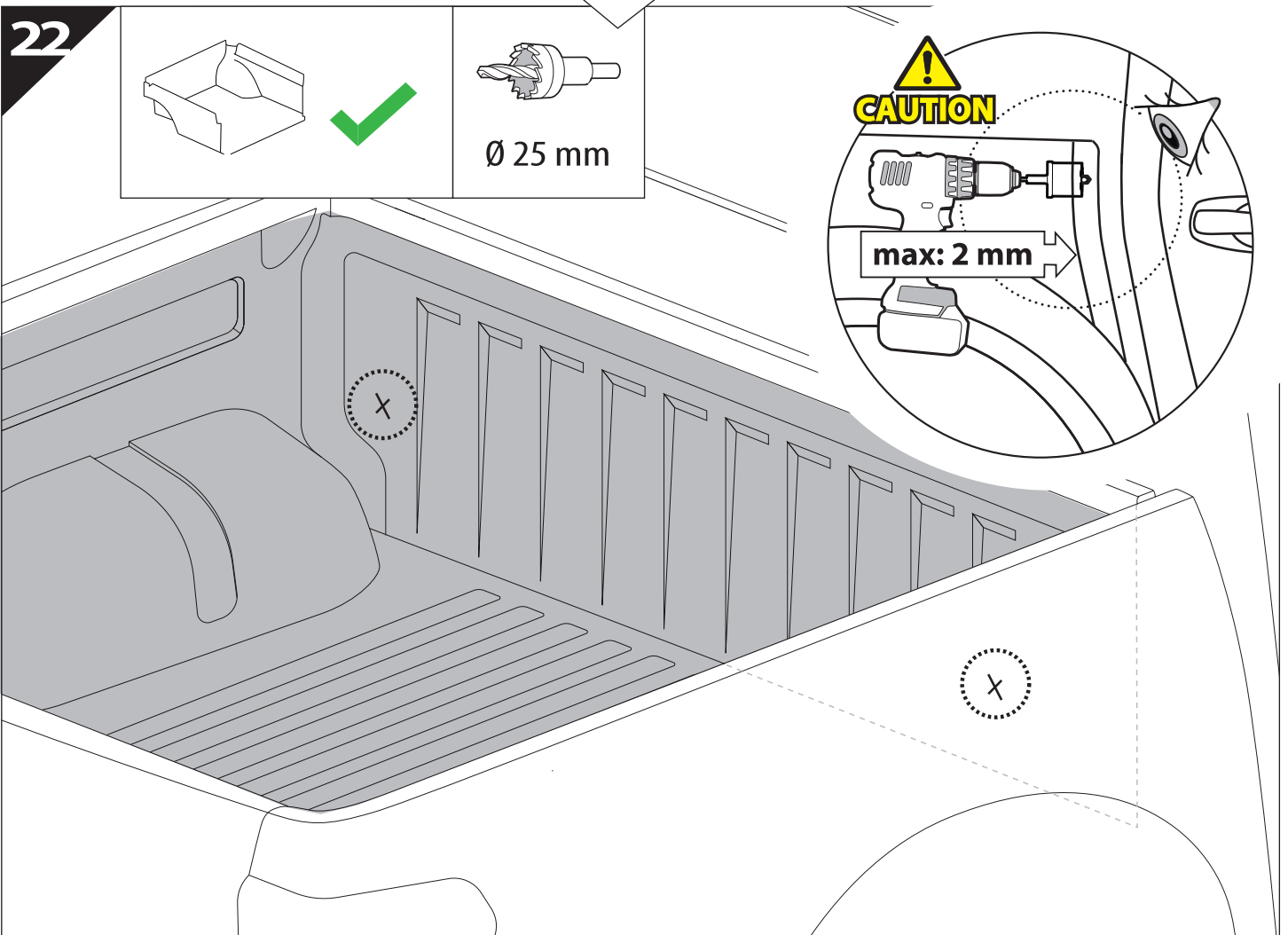
22

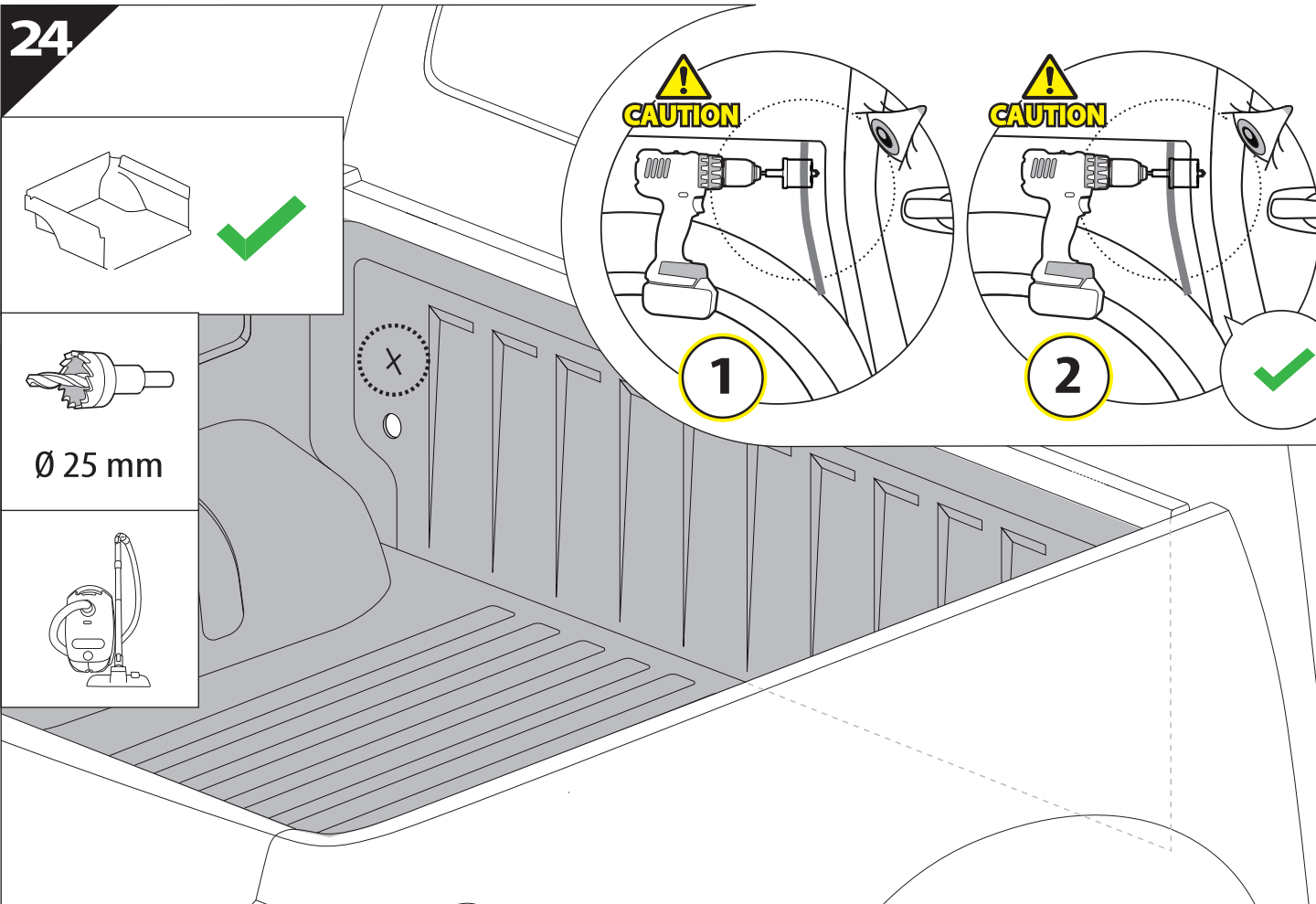
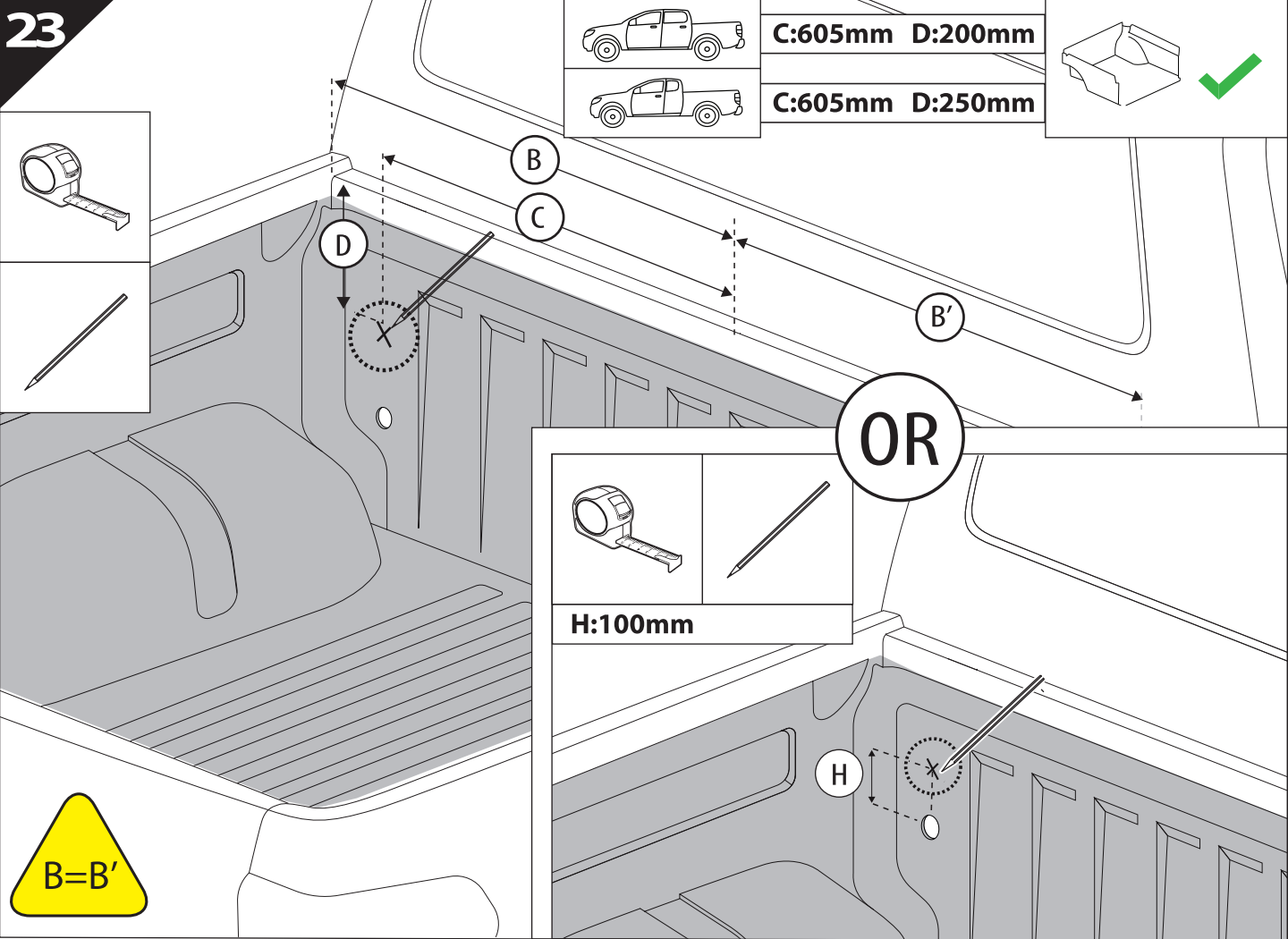


Ø 25 mm

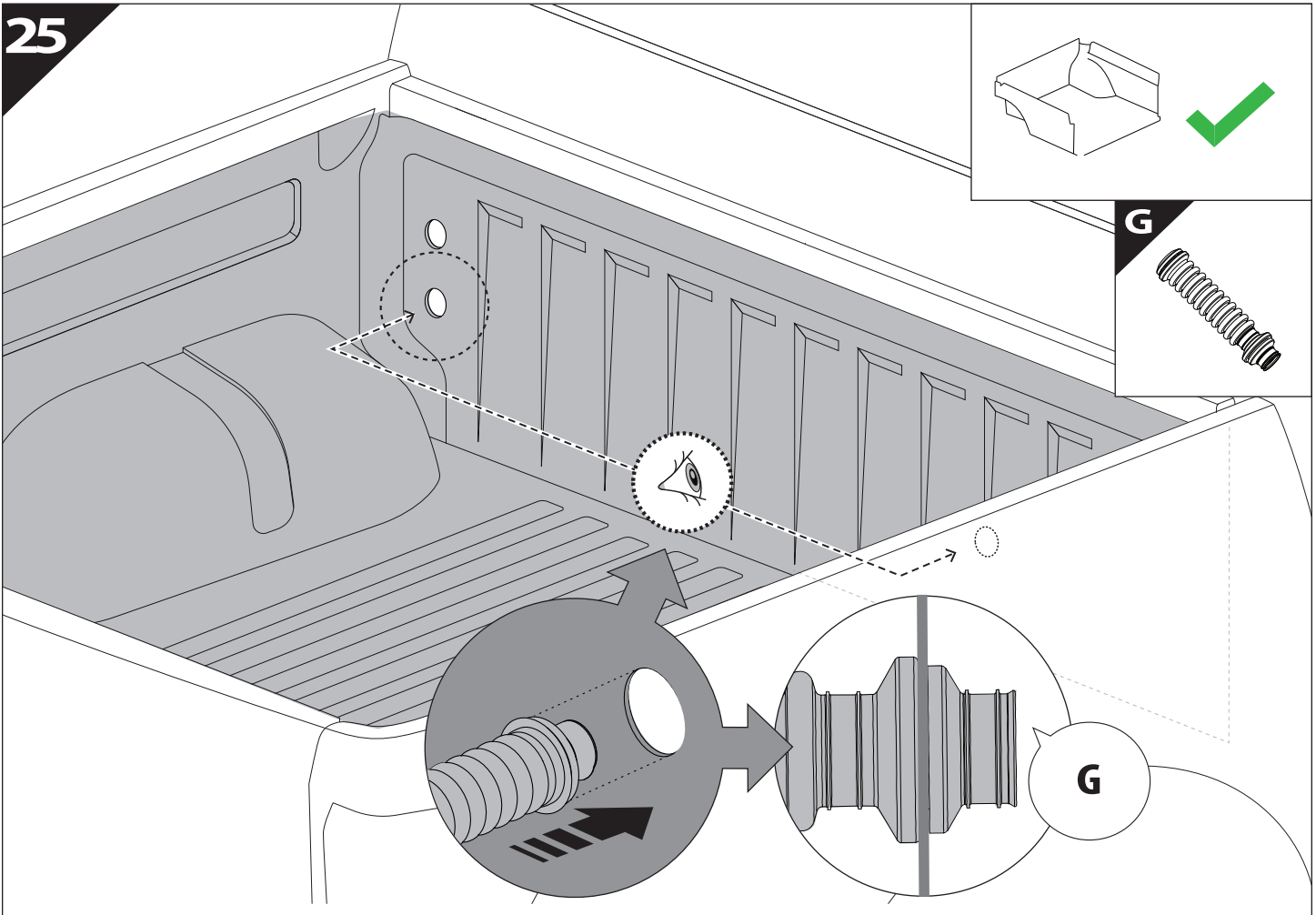
CAUTION

max: 2 mm



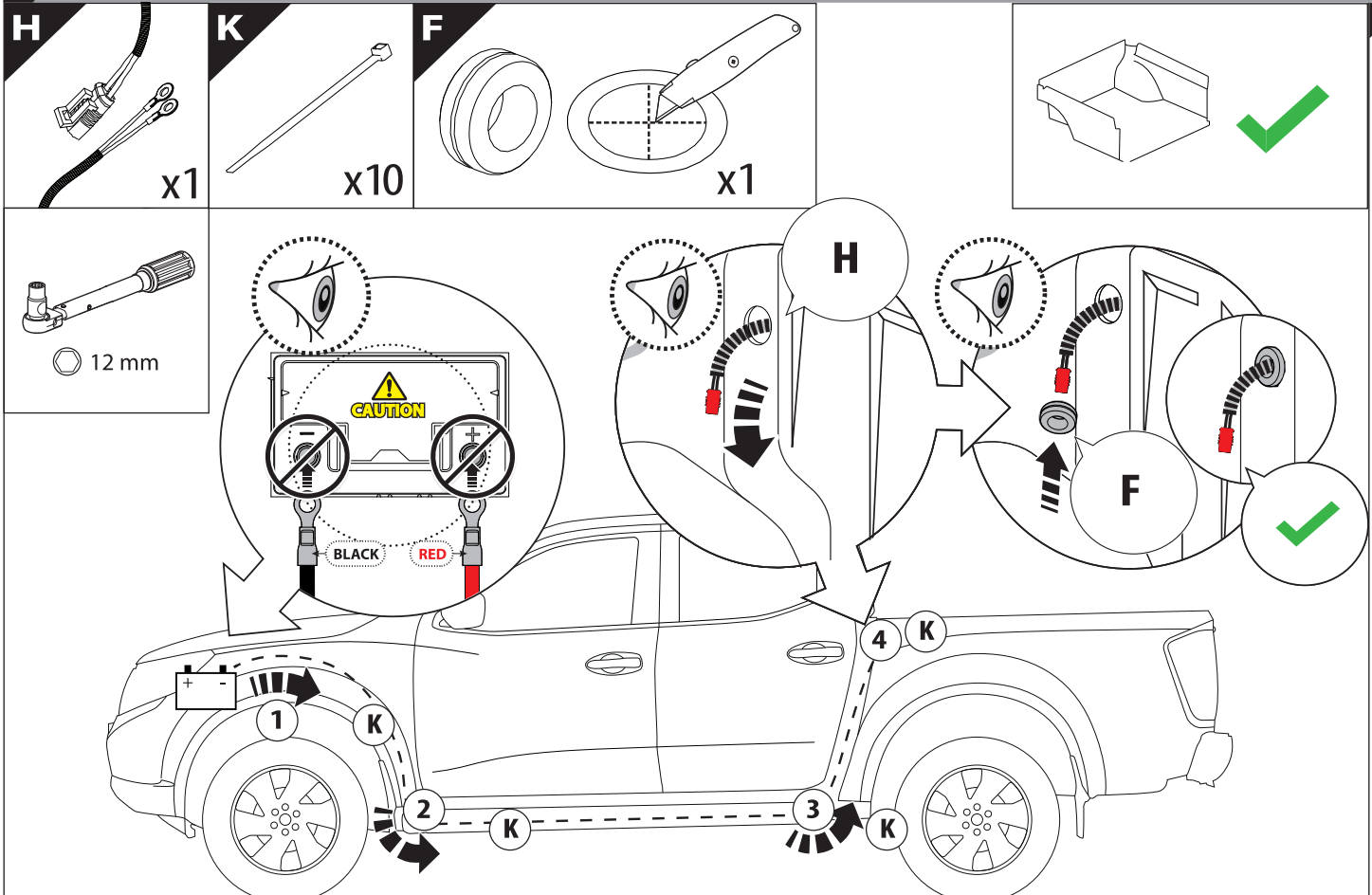


25



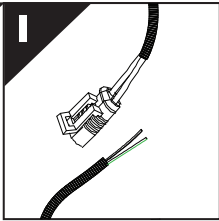
26

Only to be installed by authorized personnel

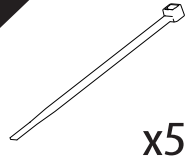


27

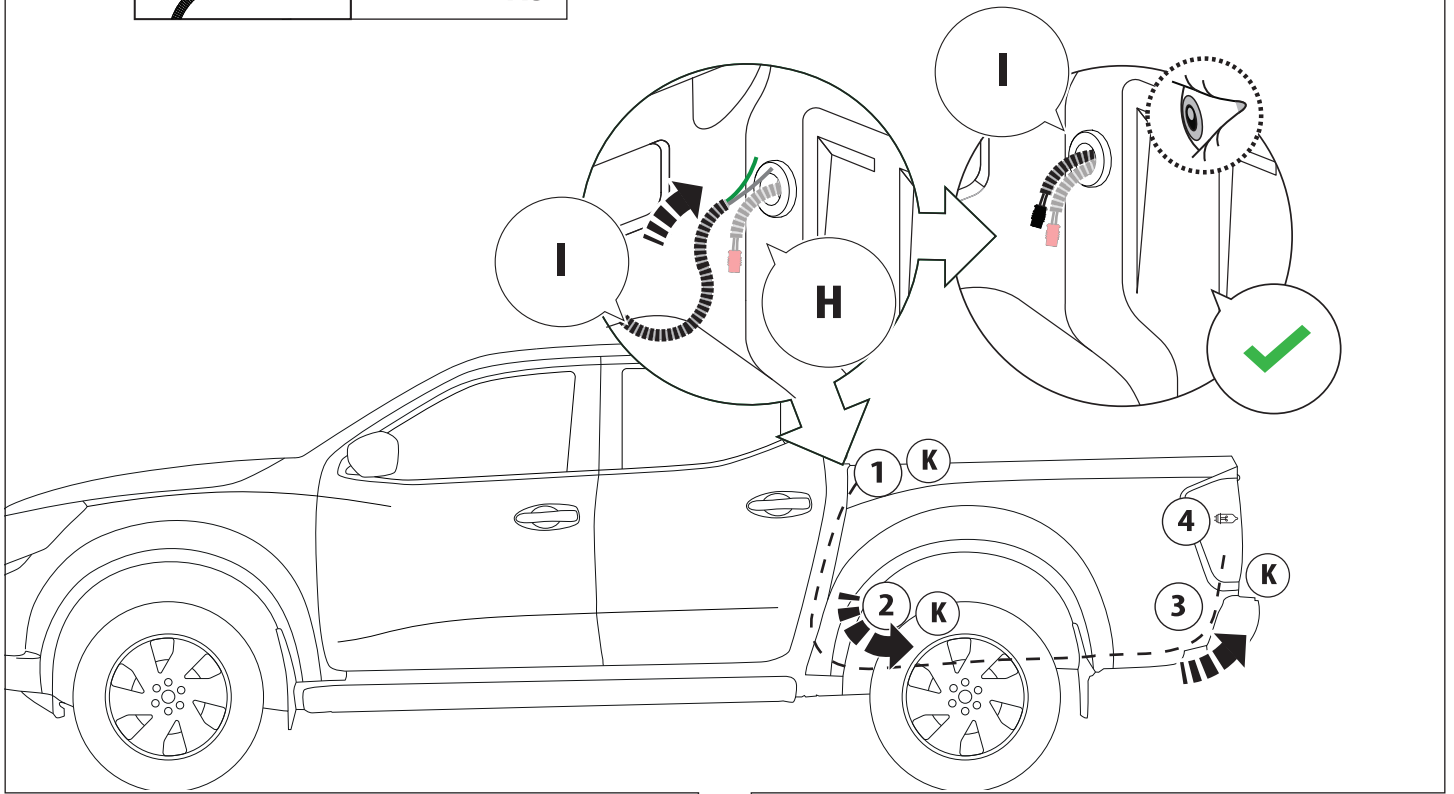
I



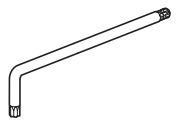
K



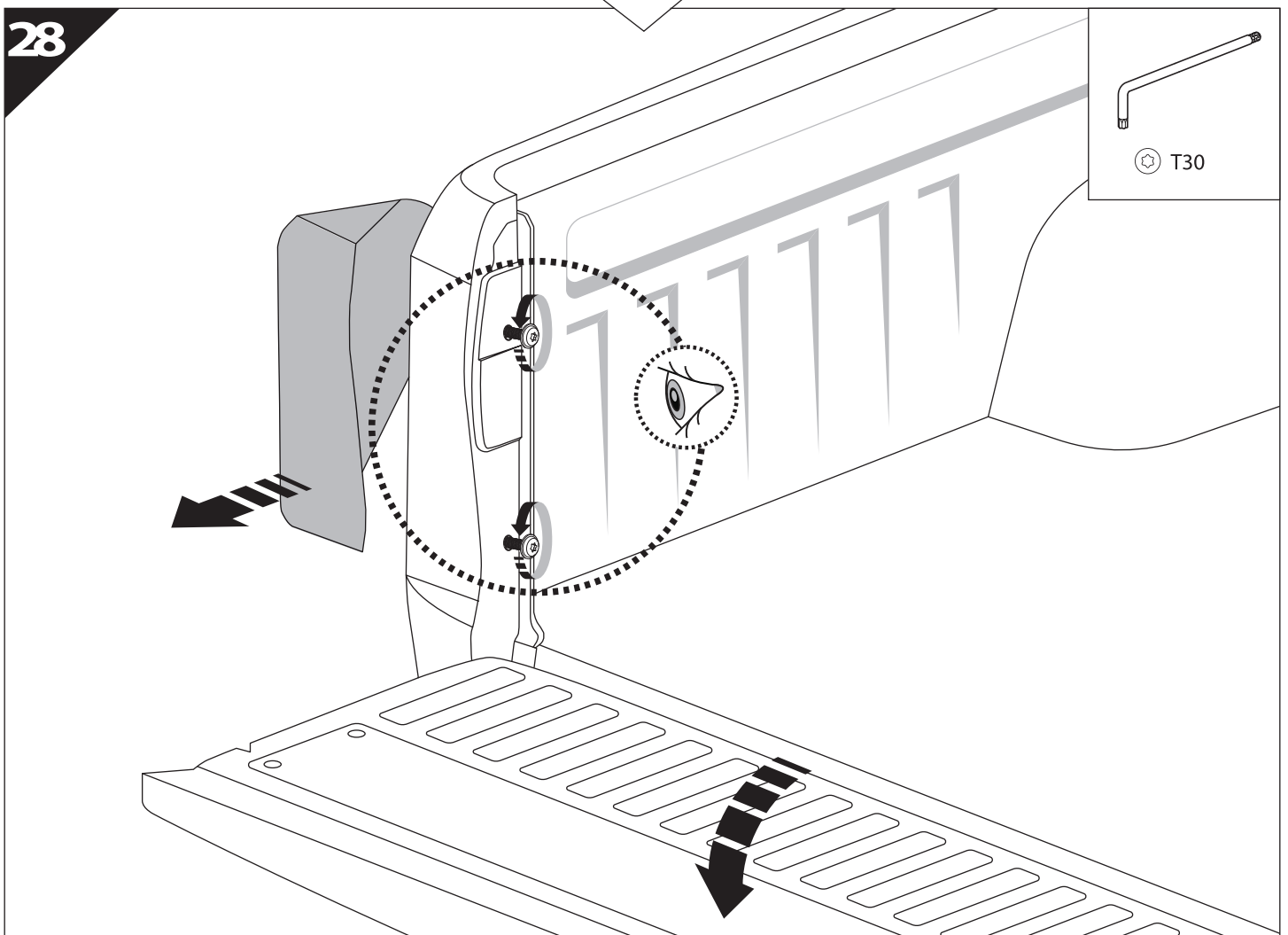
x5



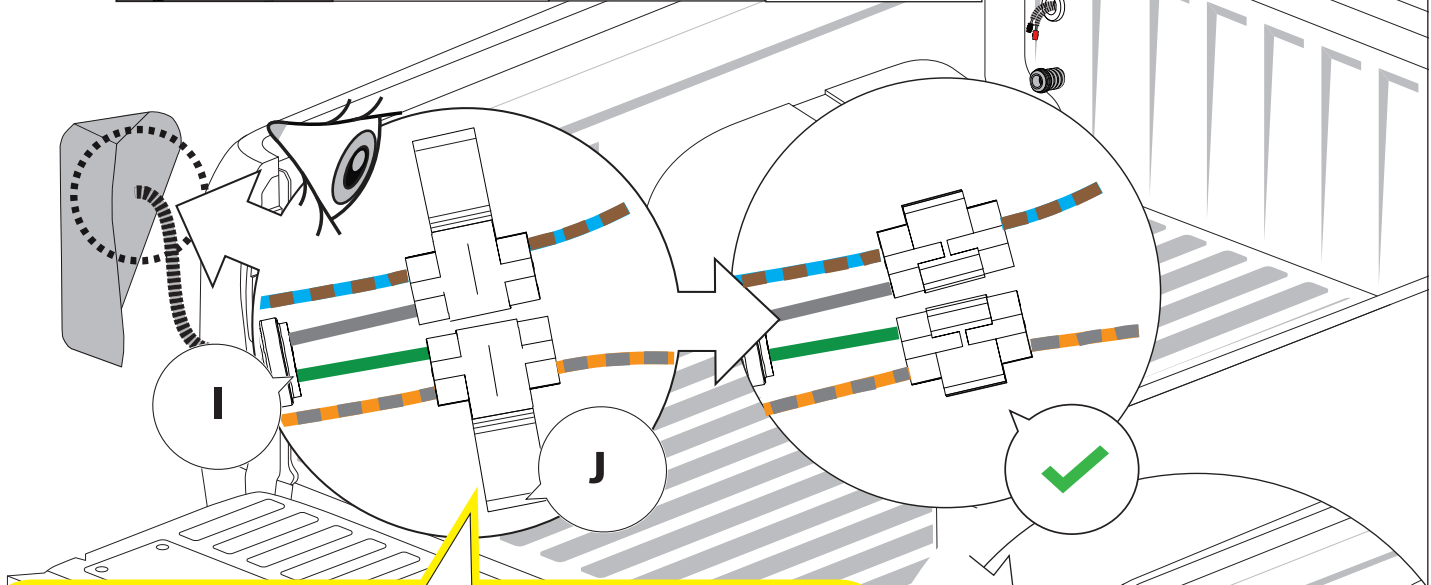
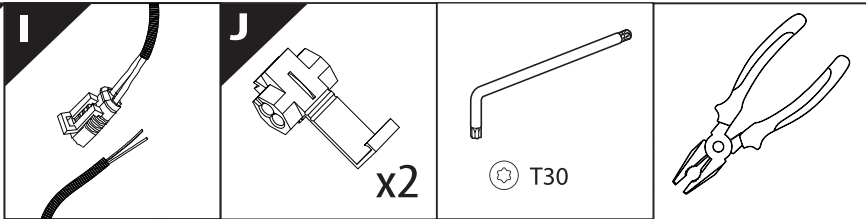
28



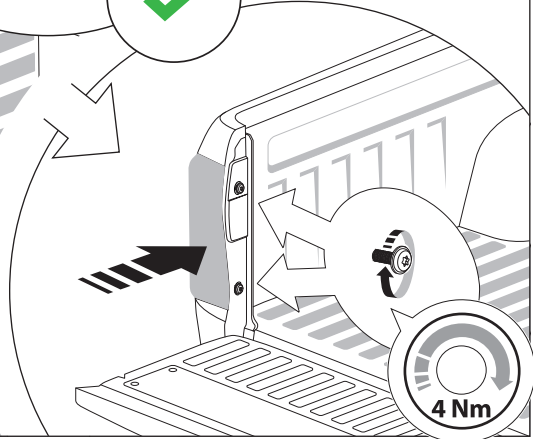
T30



29

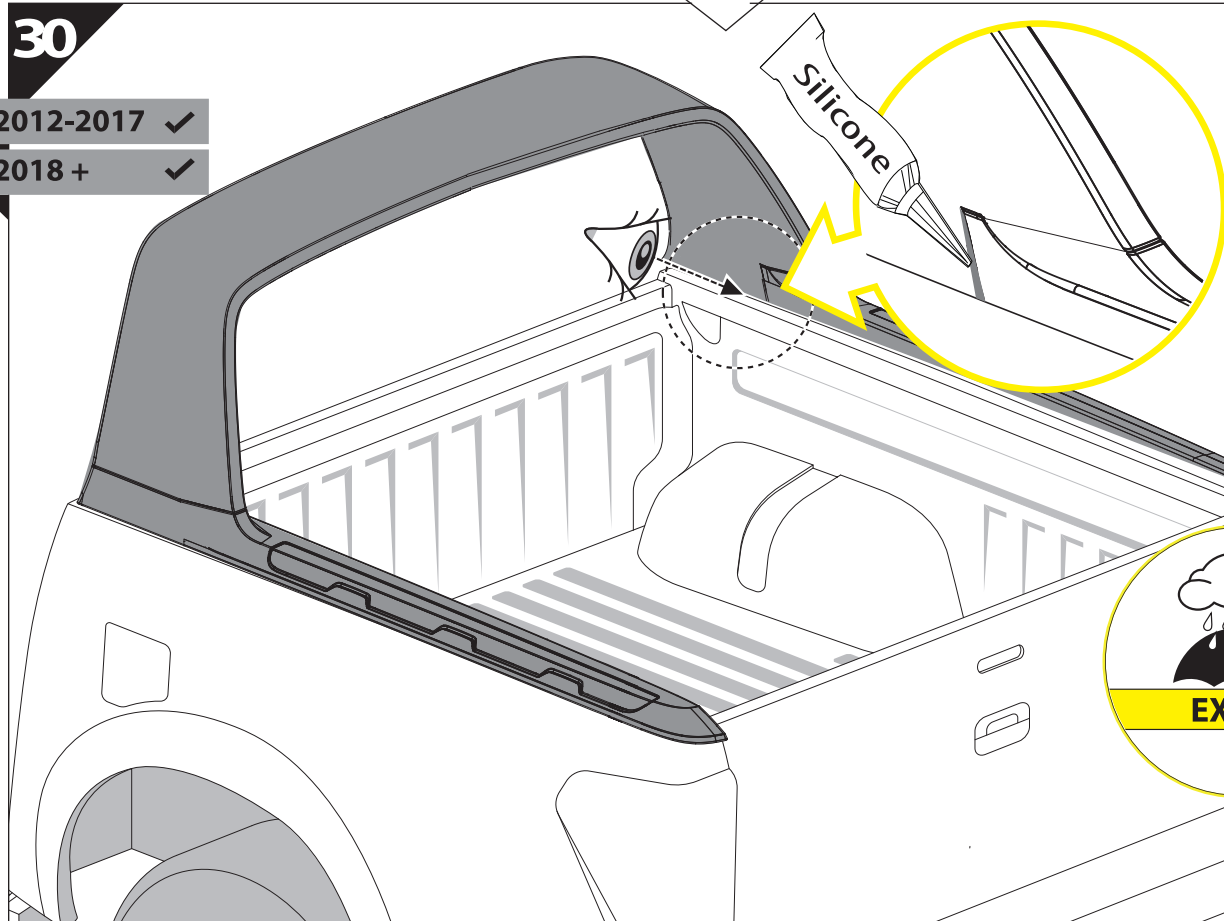
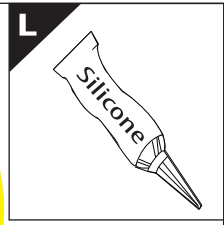


MODEL YEAR	LIGHTS	CAR	TESSERA ROLL+
2016+	BEAM		←→
2016+	STOP		←→
MODEL YEAR	LIGHTS	CAR	TESSERA ROLL+
2020+	BEAM		←→
2020+	STOP		←→



30

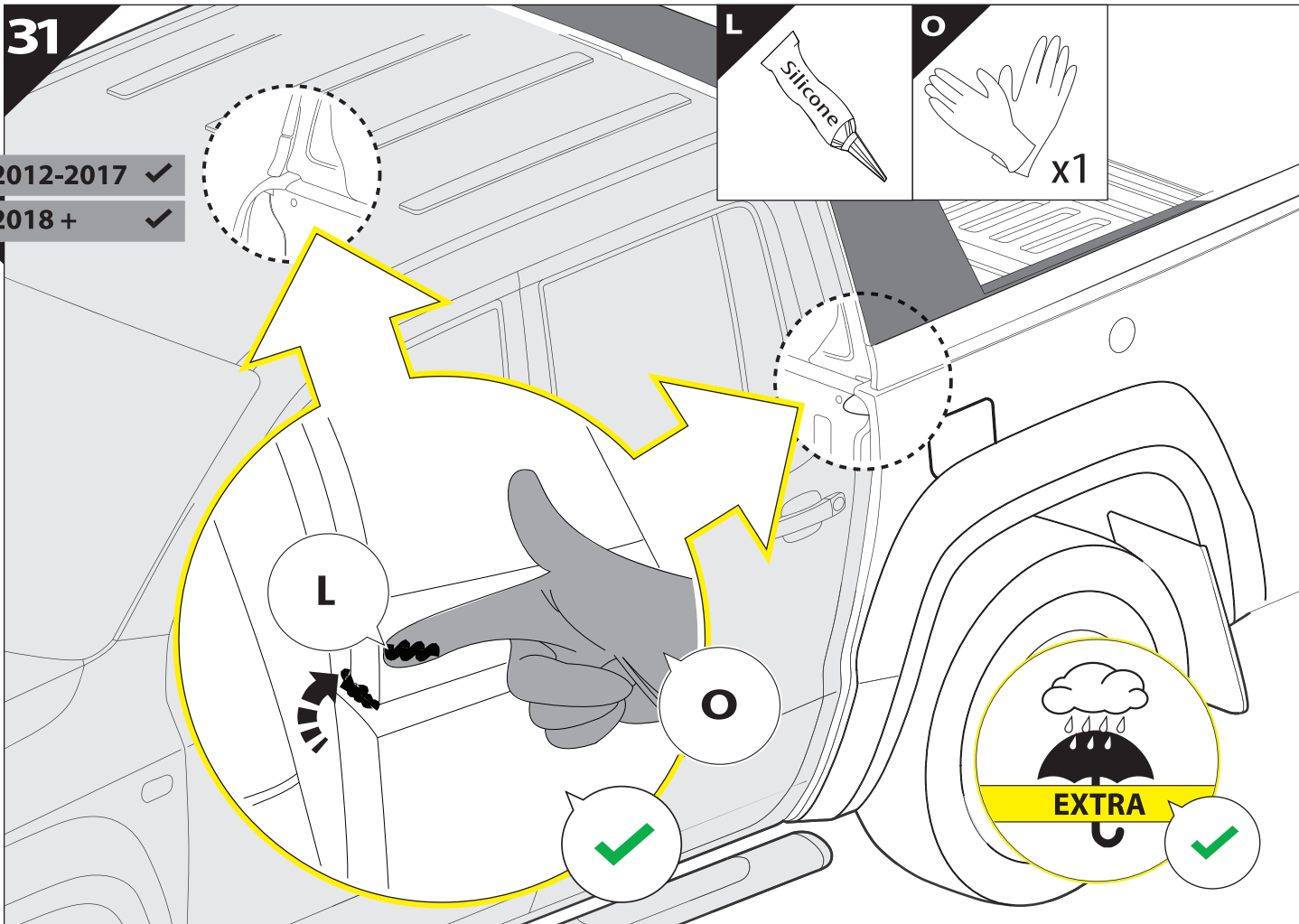
- 2012-2017 ✓
- 2018+ ✓



31

2012-2017 ✓

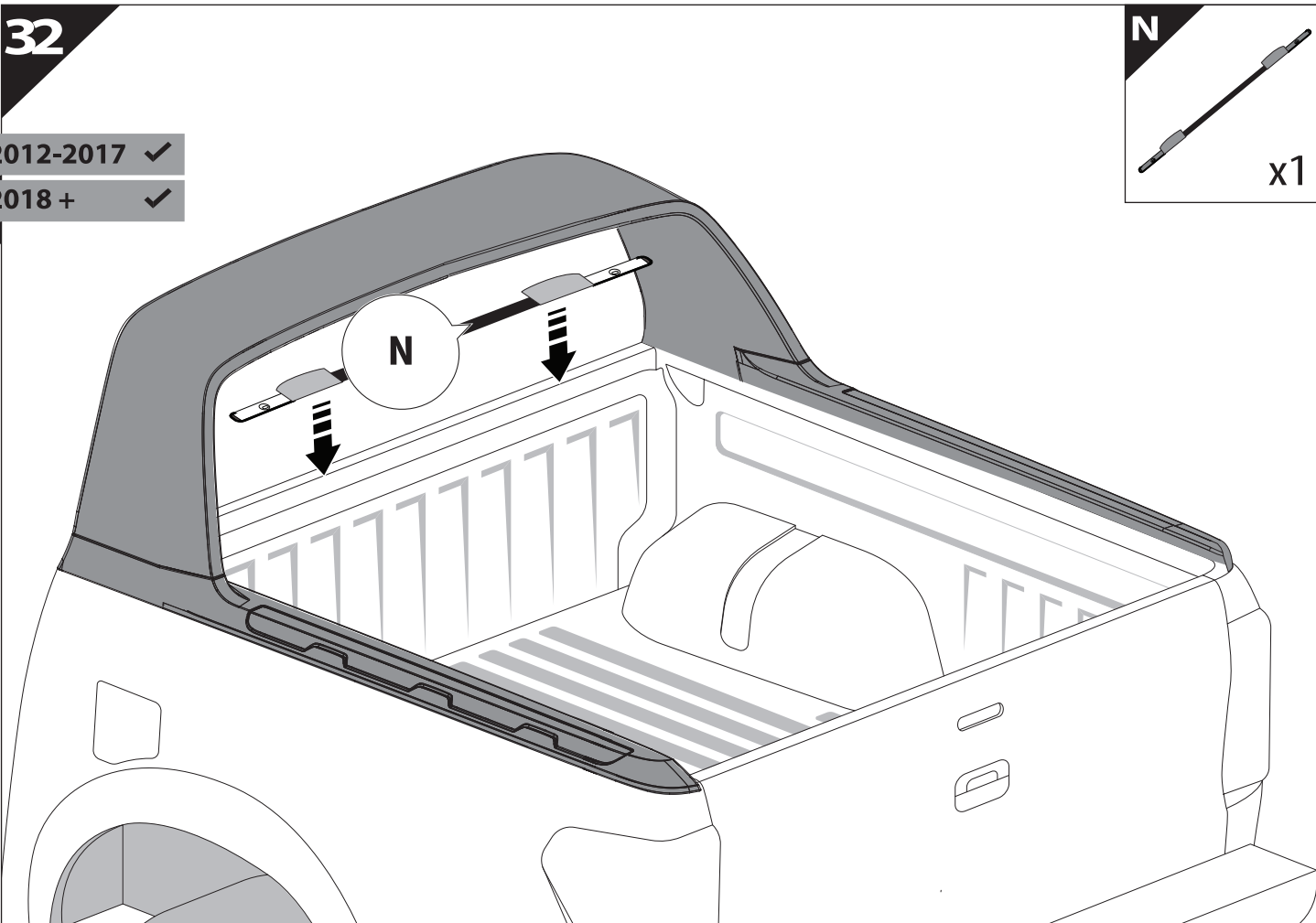
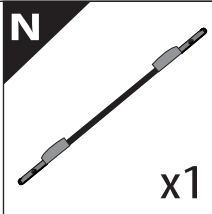
2018+ ✓

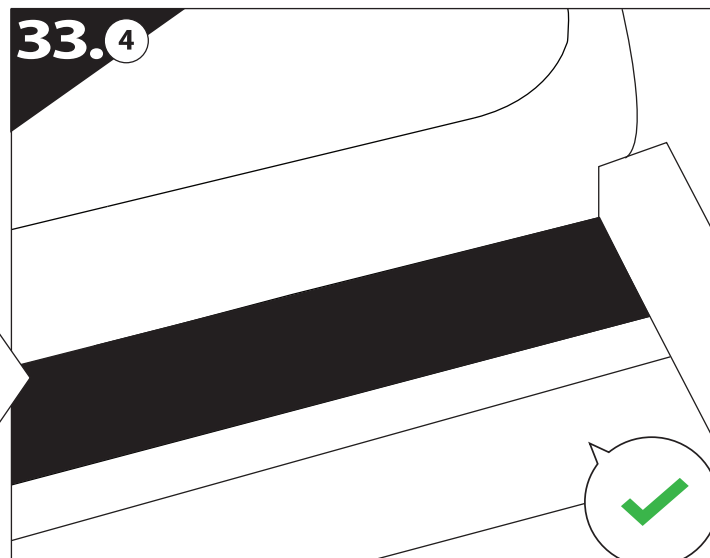
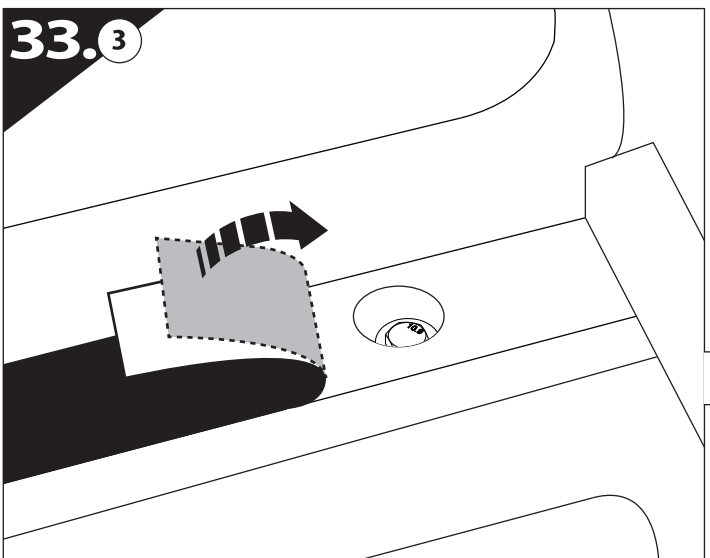
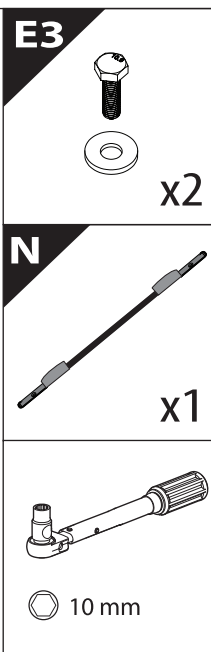
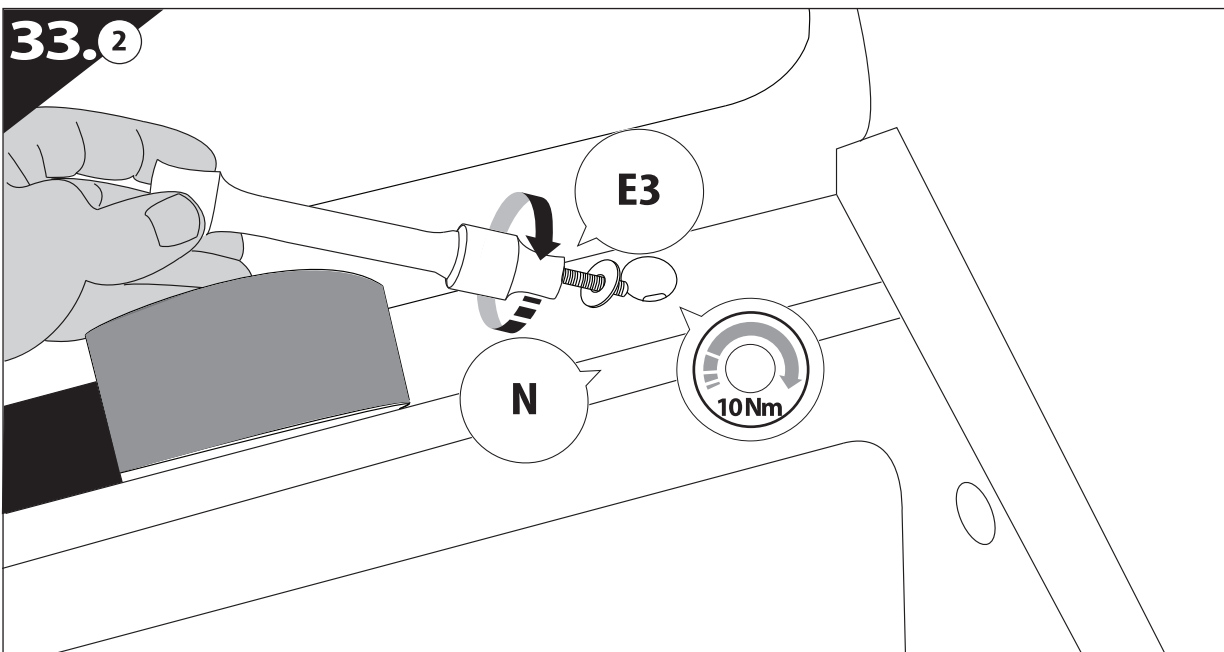
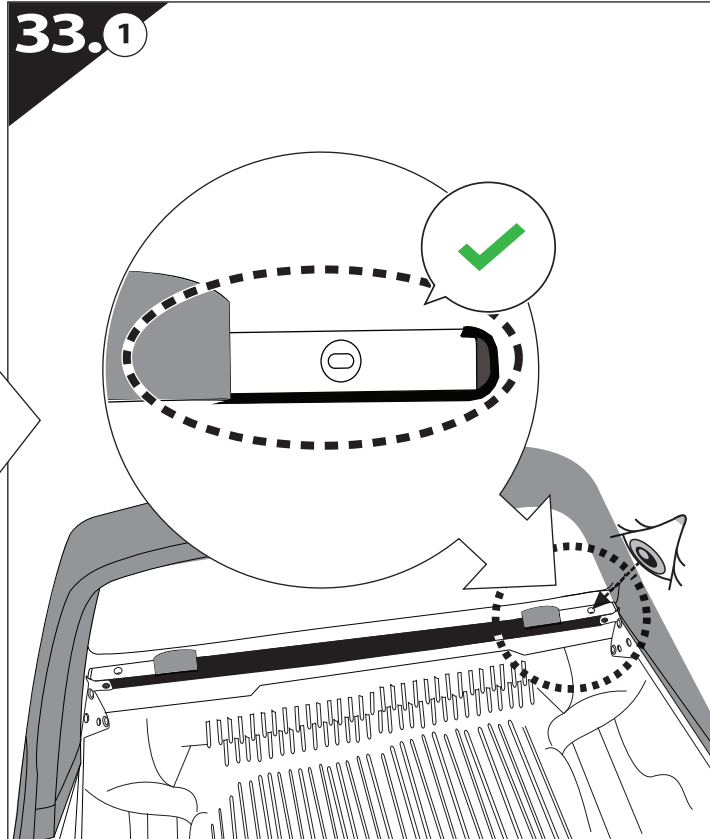
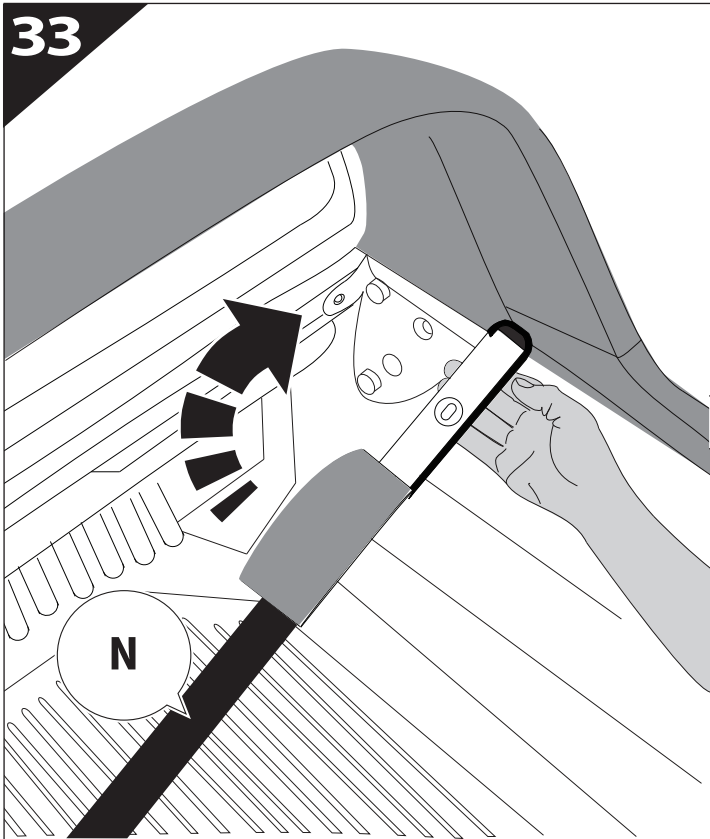


32

2012-2017 ✓

2018+ ✓

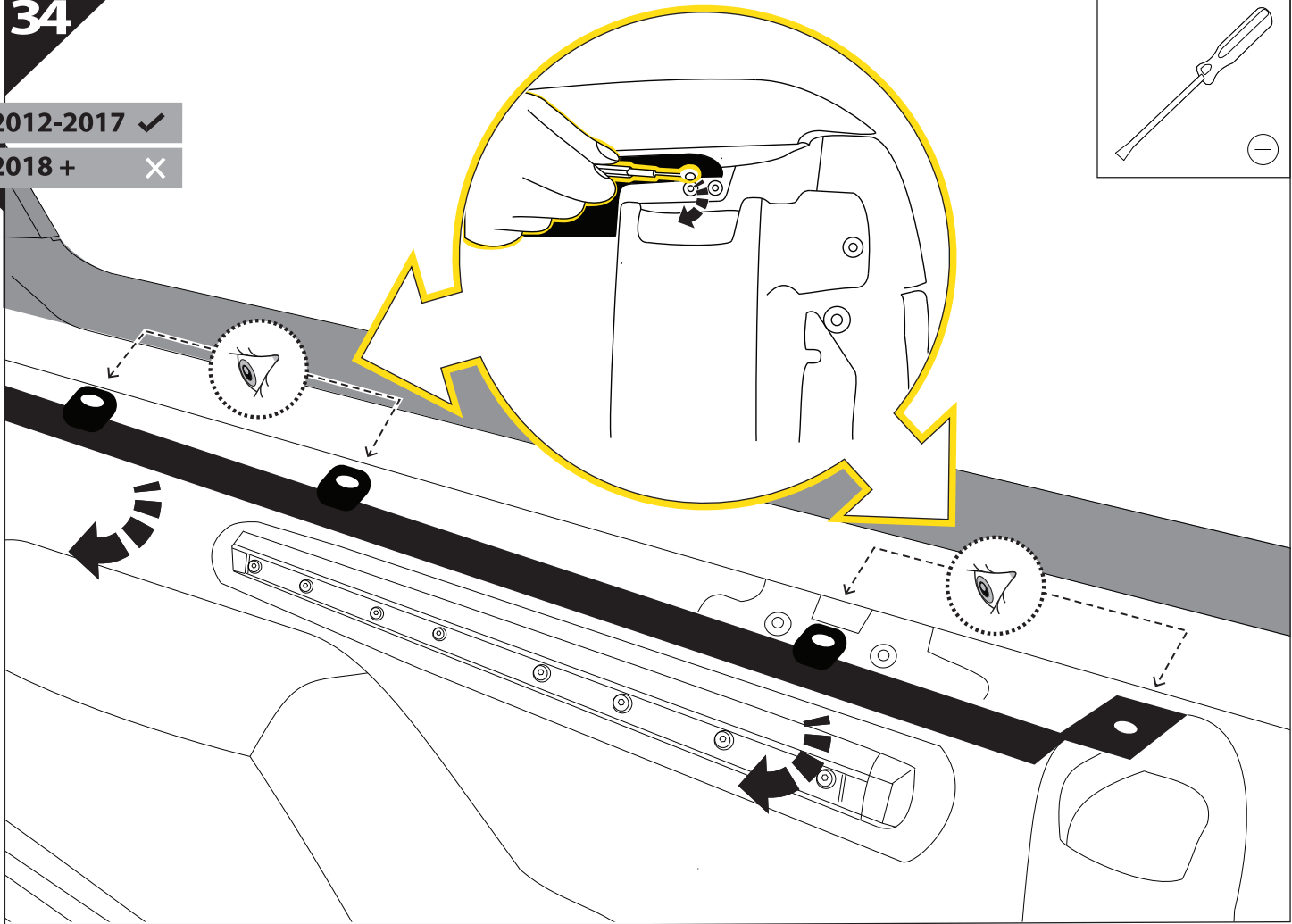
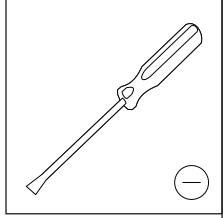




34

2012-2017 ✓

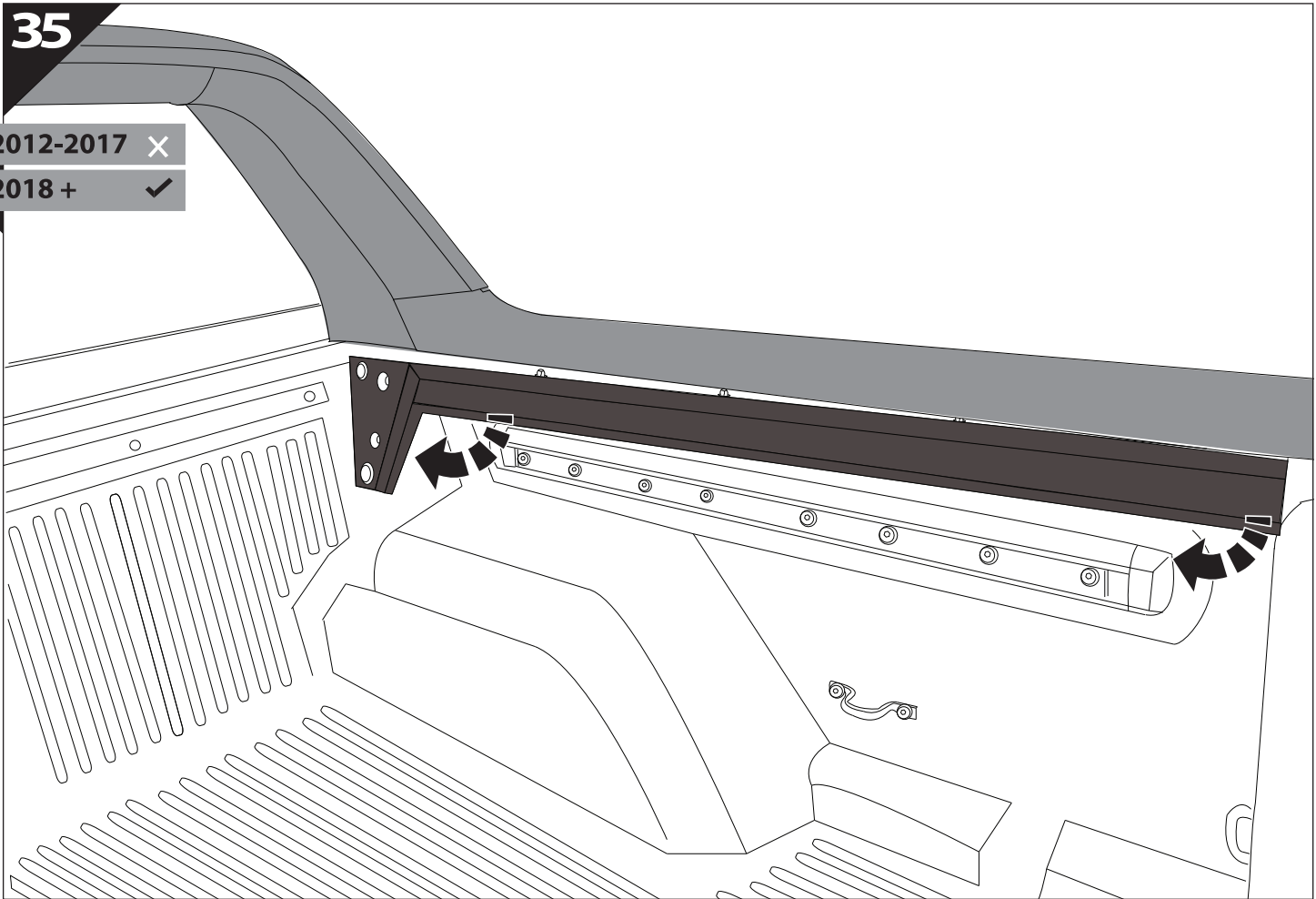
2018+ ✗



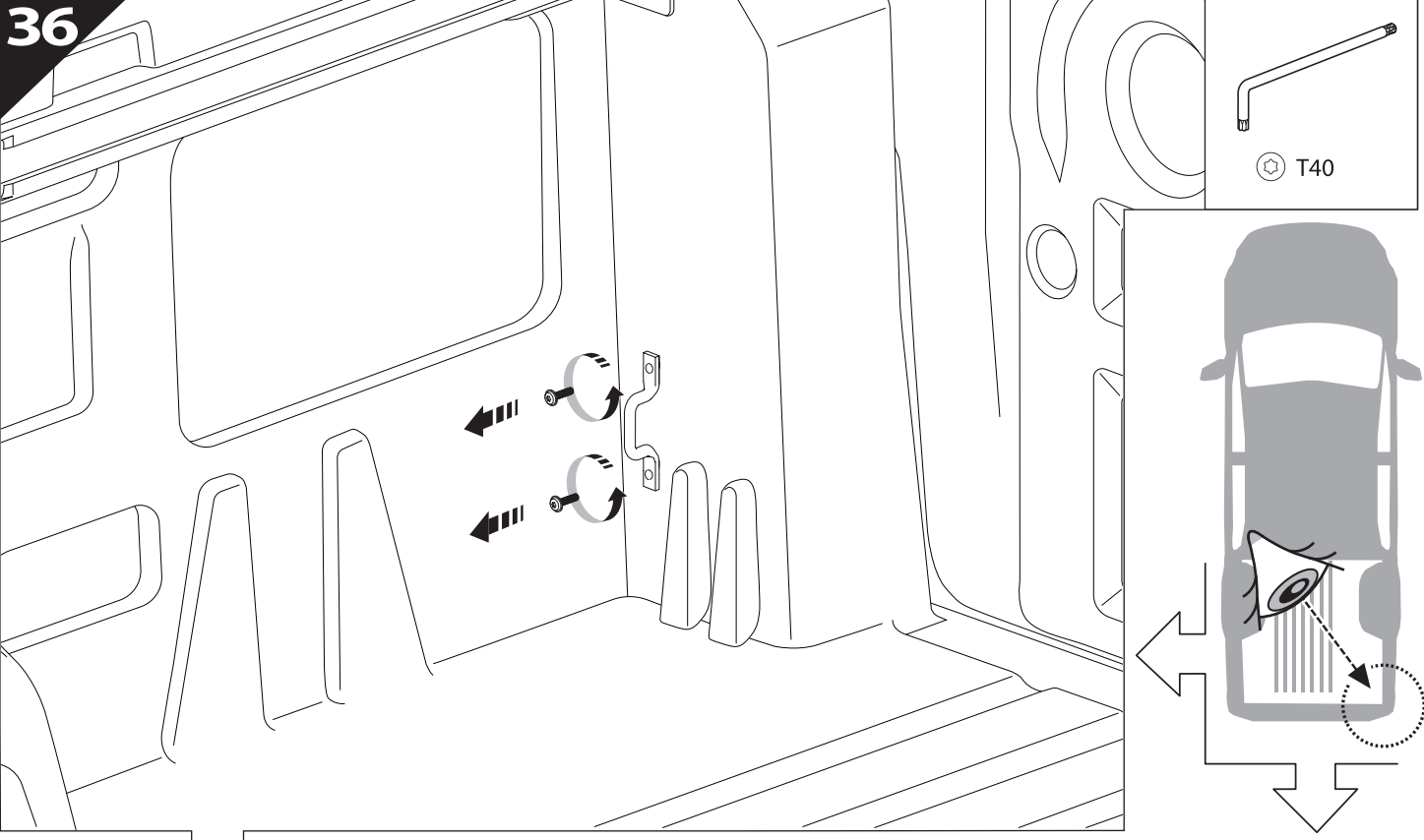
35

2012-2017 ✗

2018+ ✓

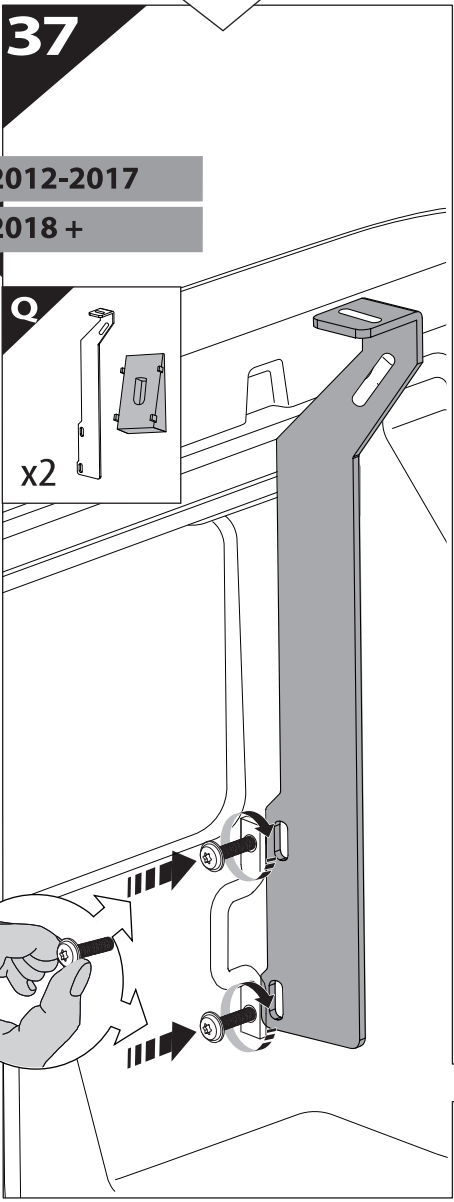
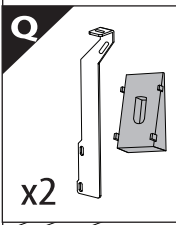


36



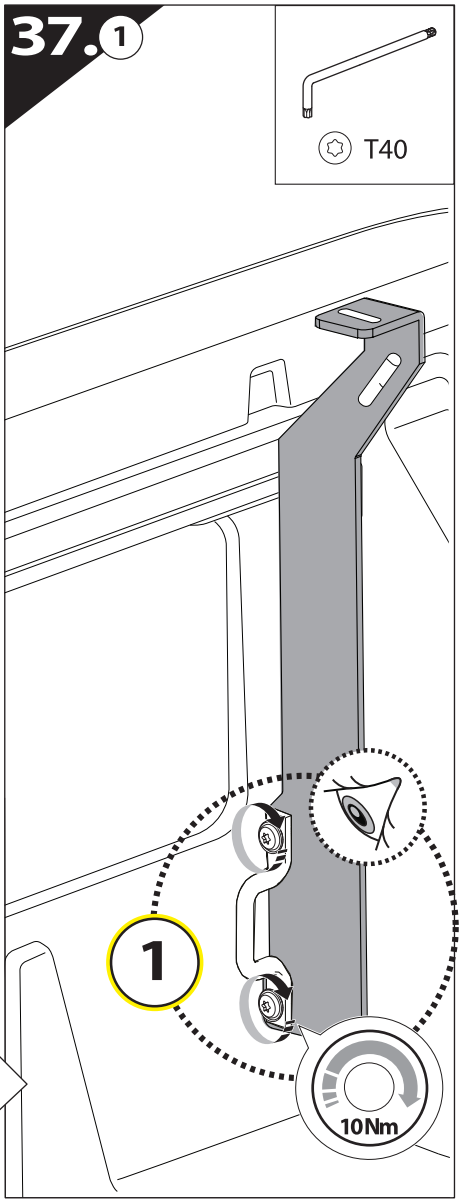
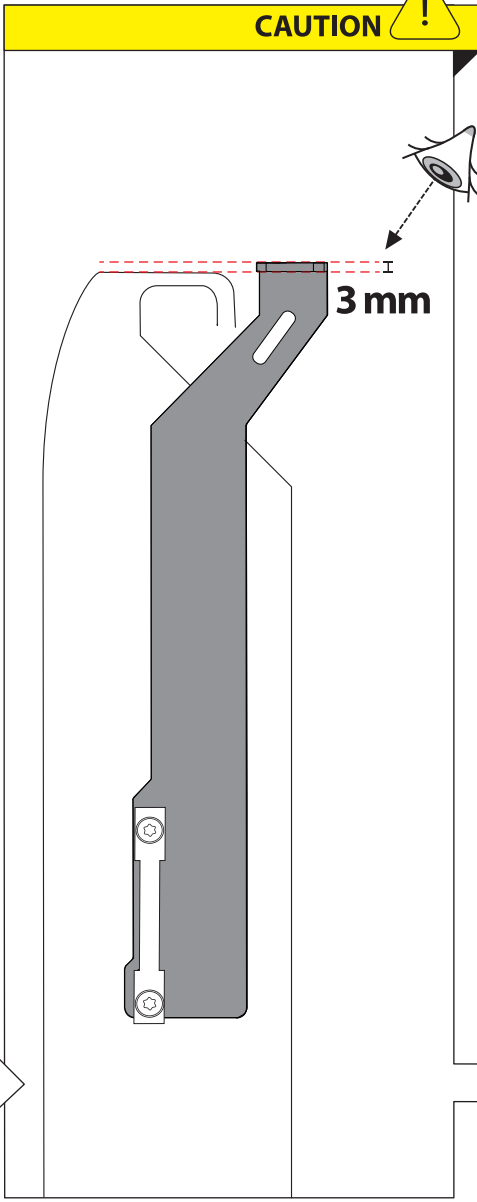
37

2012-2017
2018 +



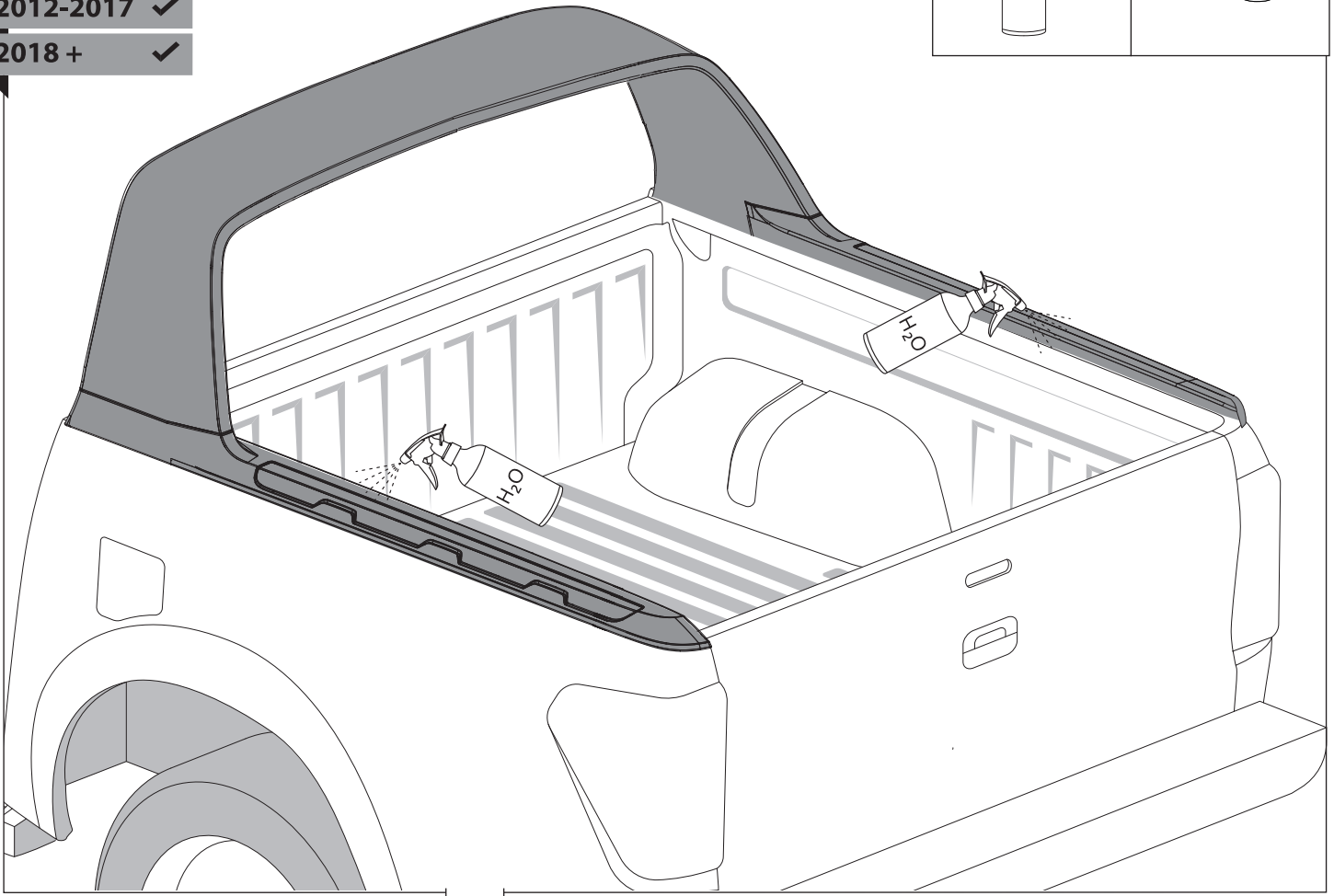
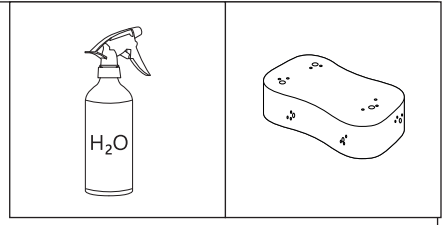
CAUTION !

37.1

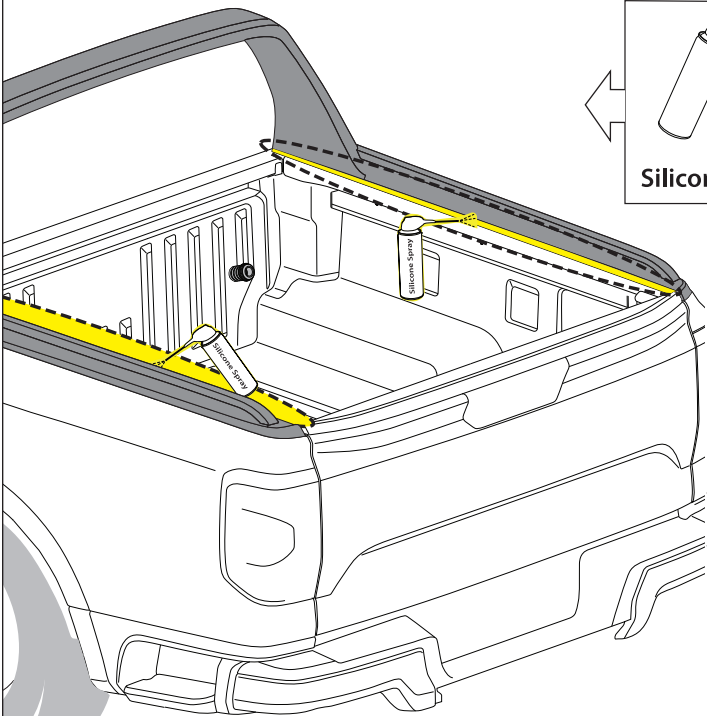


38

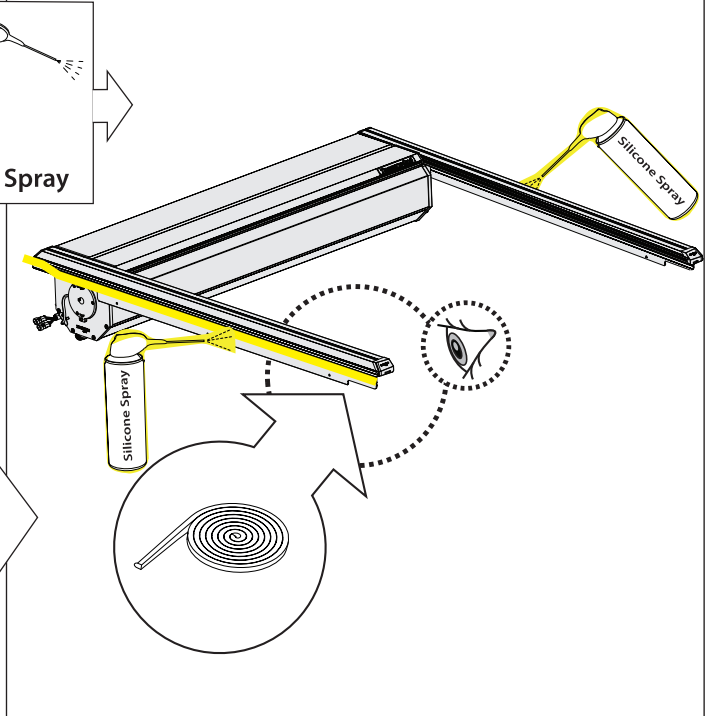
2012-2017 ✓
2018+ ✓

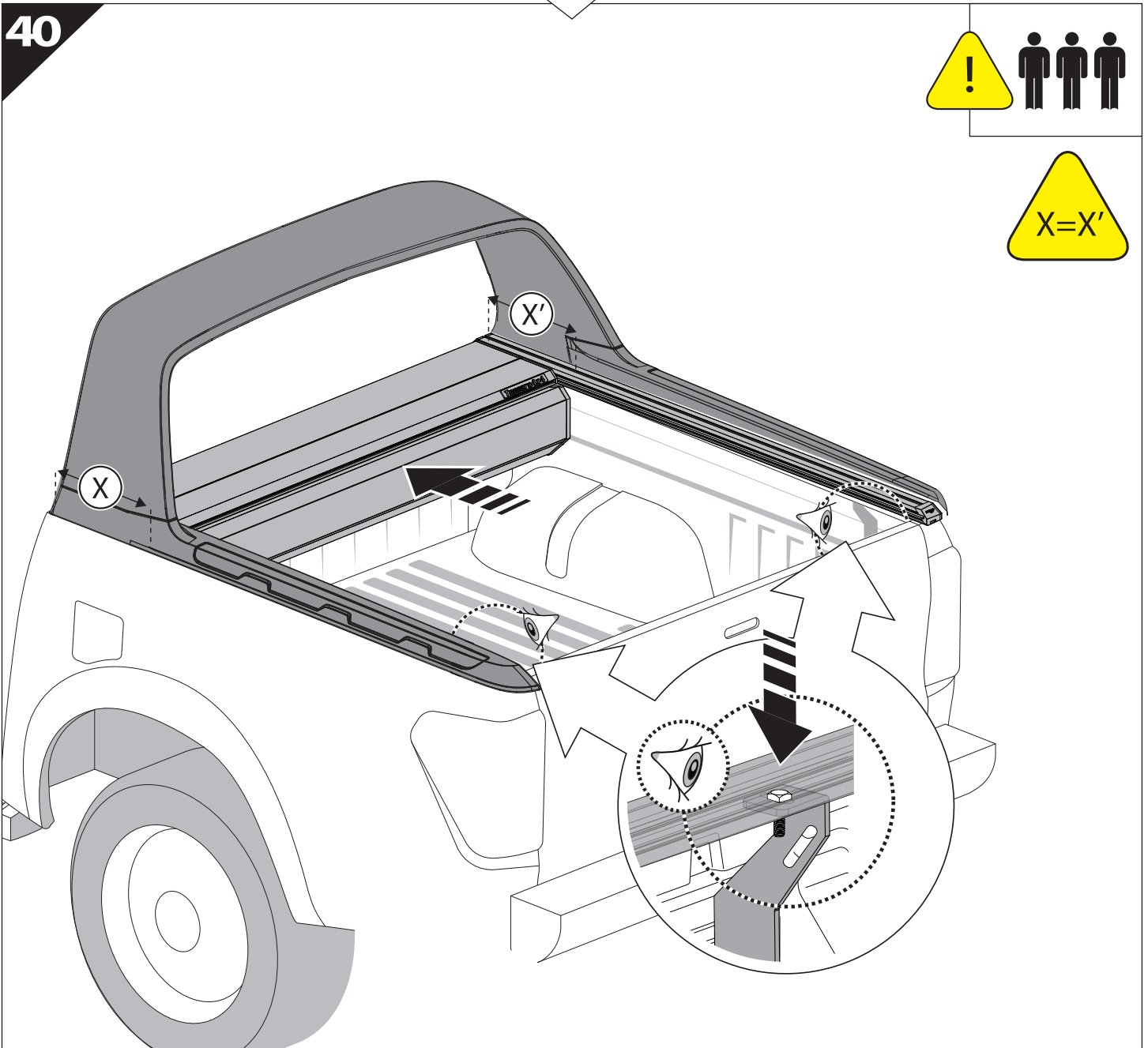
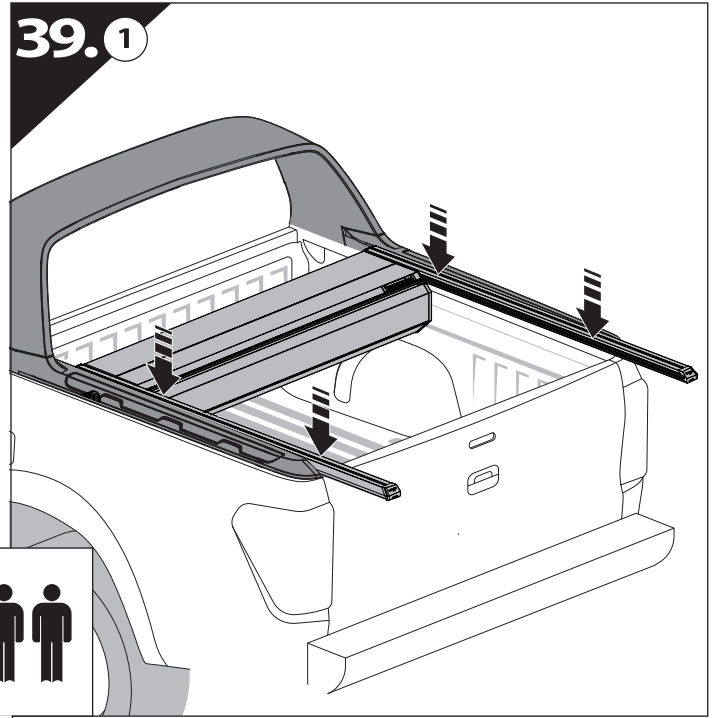
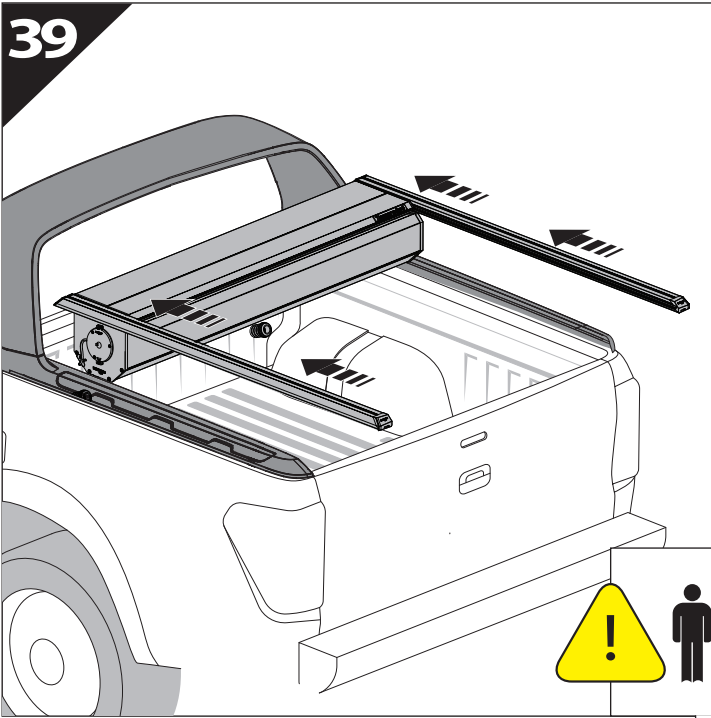


39.1

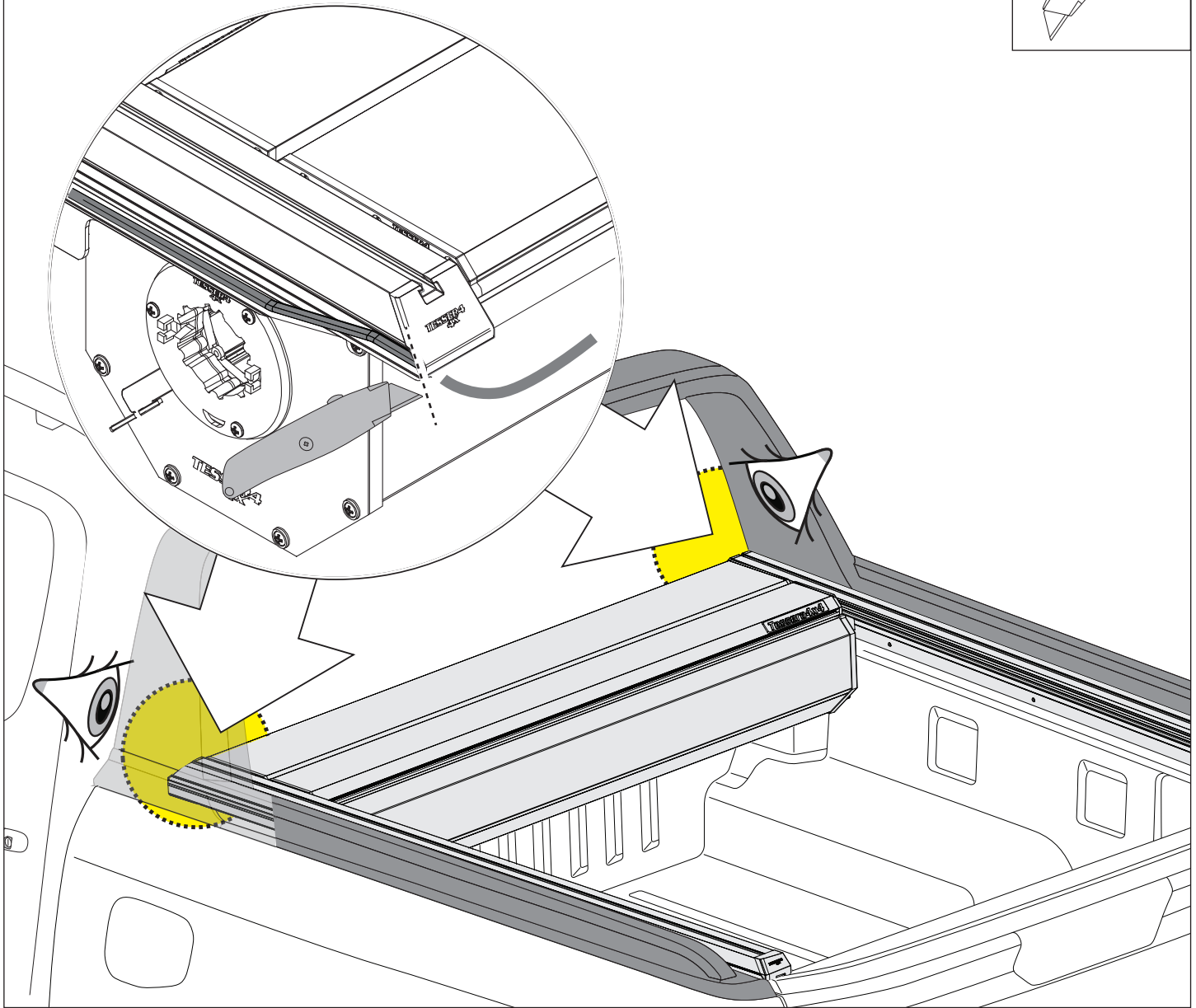
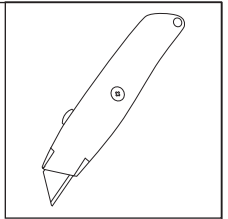


39.2

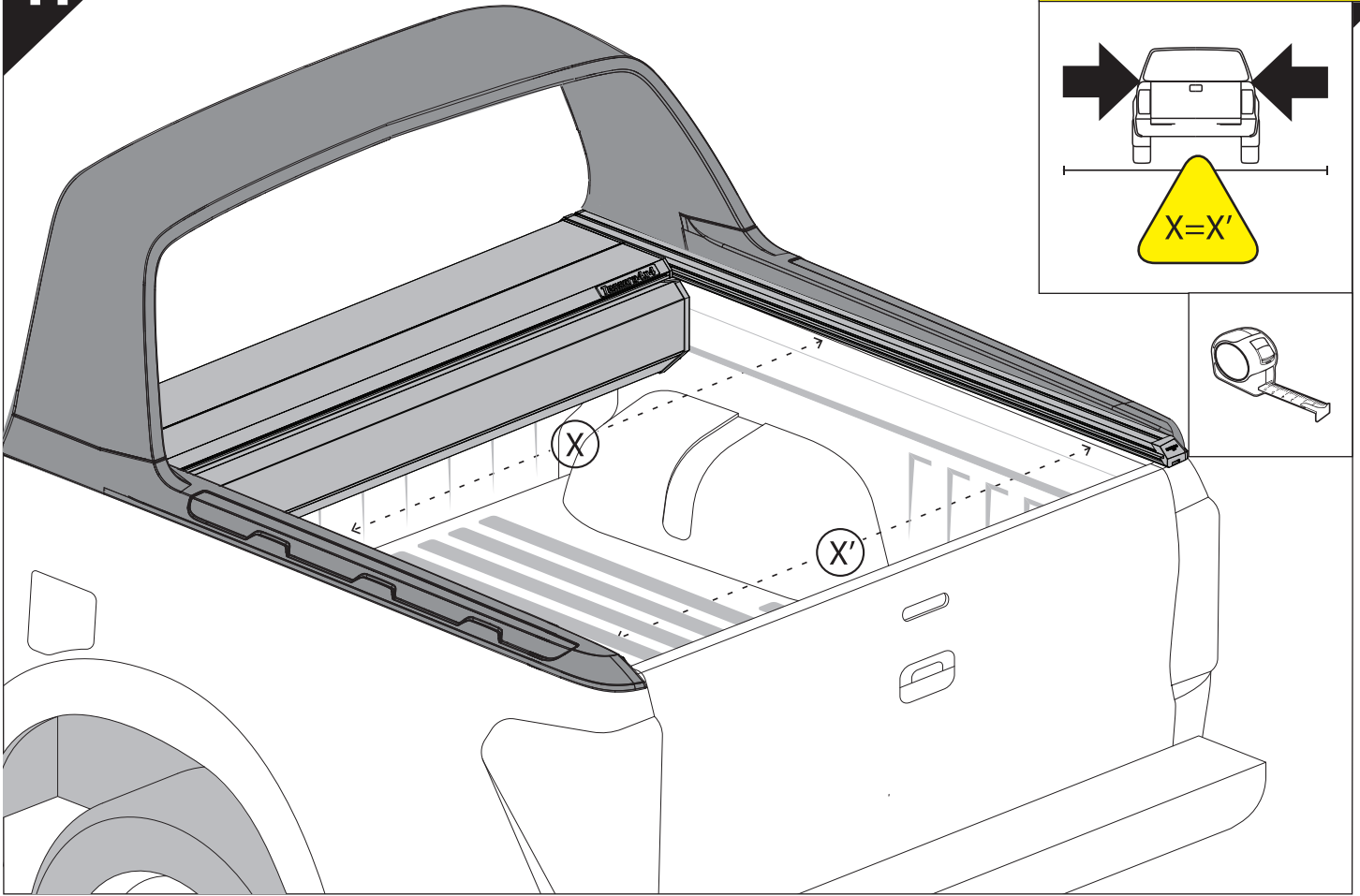




40.1

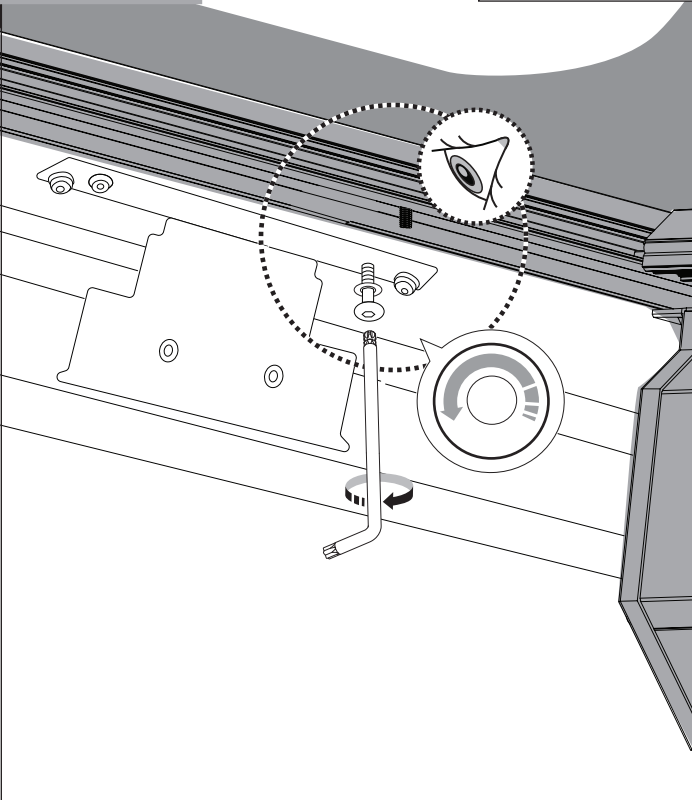
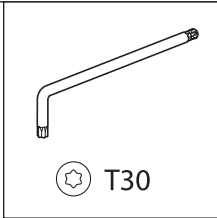


41



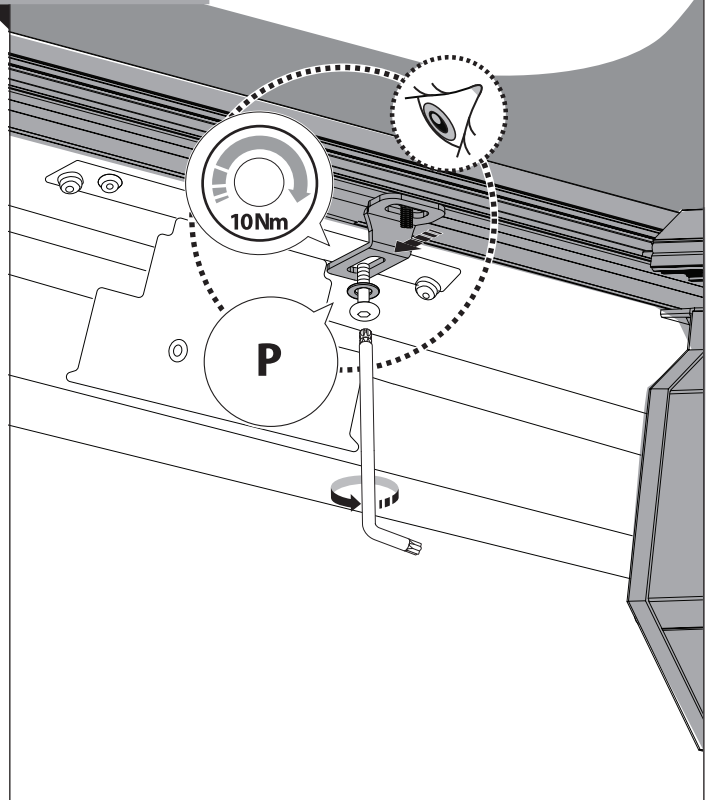
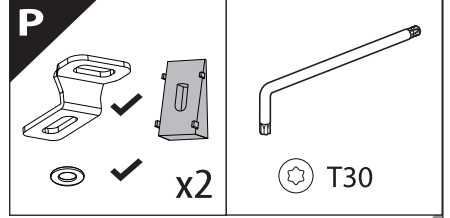
42

- 2012-2017 ✓
- 2018+ ✓



43

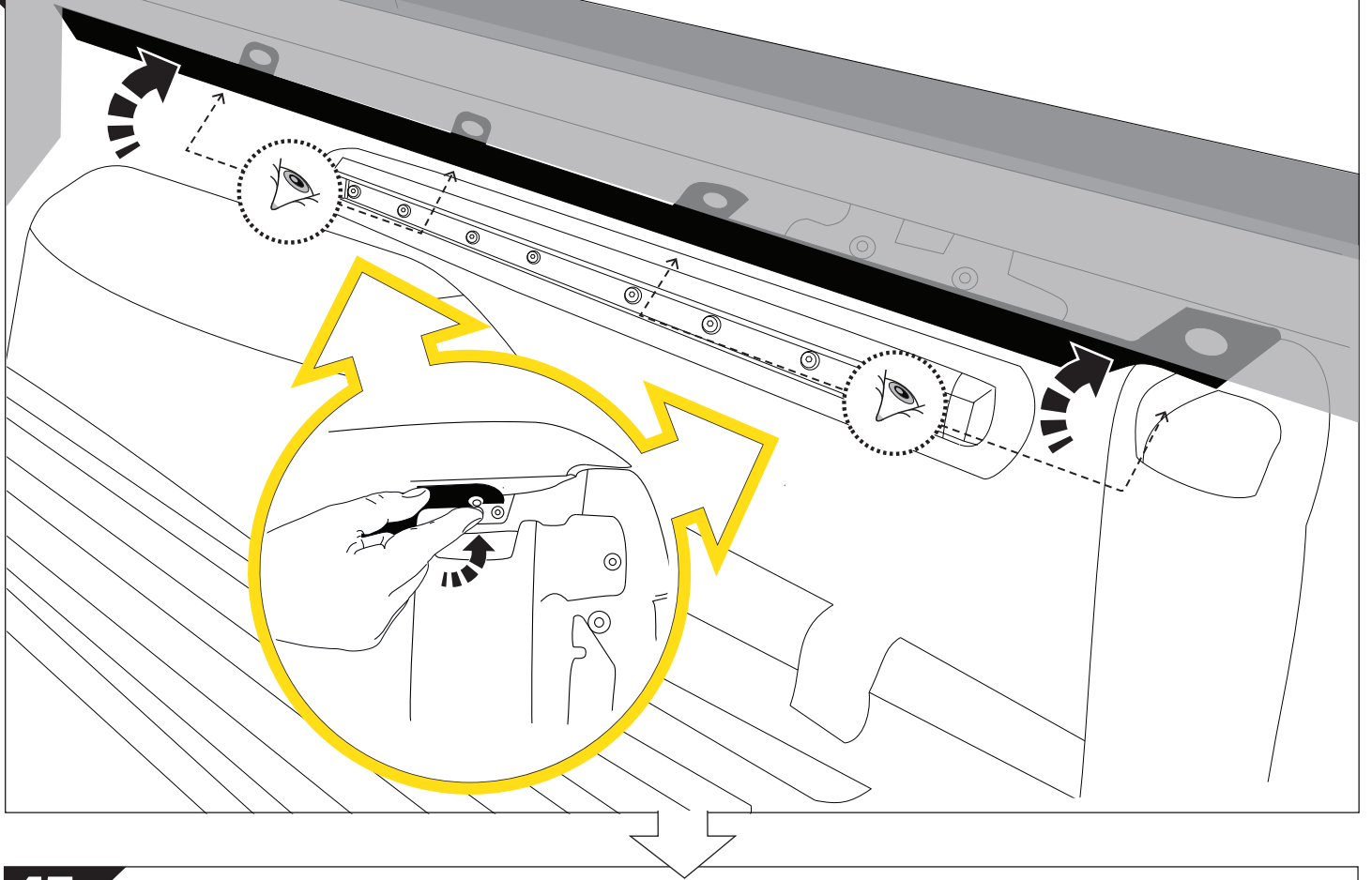
- 2012-2017 ✓
- 2018+ ✓



44

2012-2017 ✓

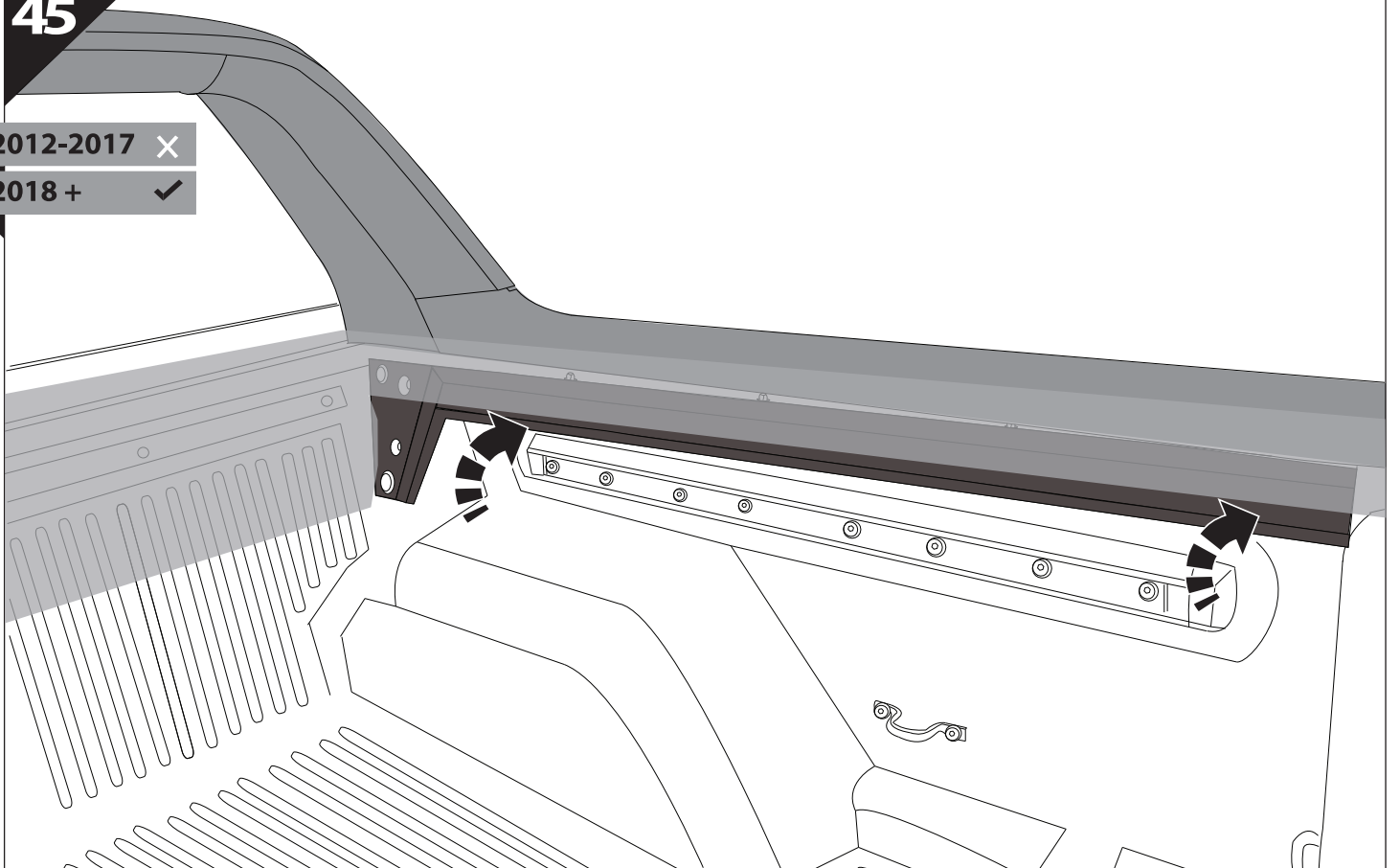
2018+ ✗



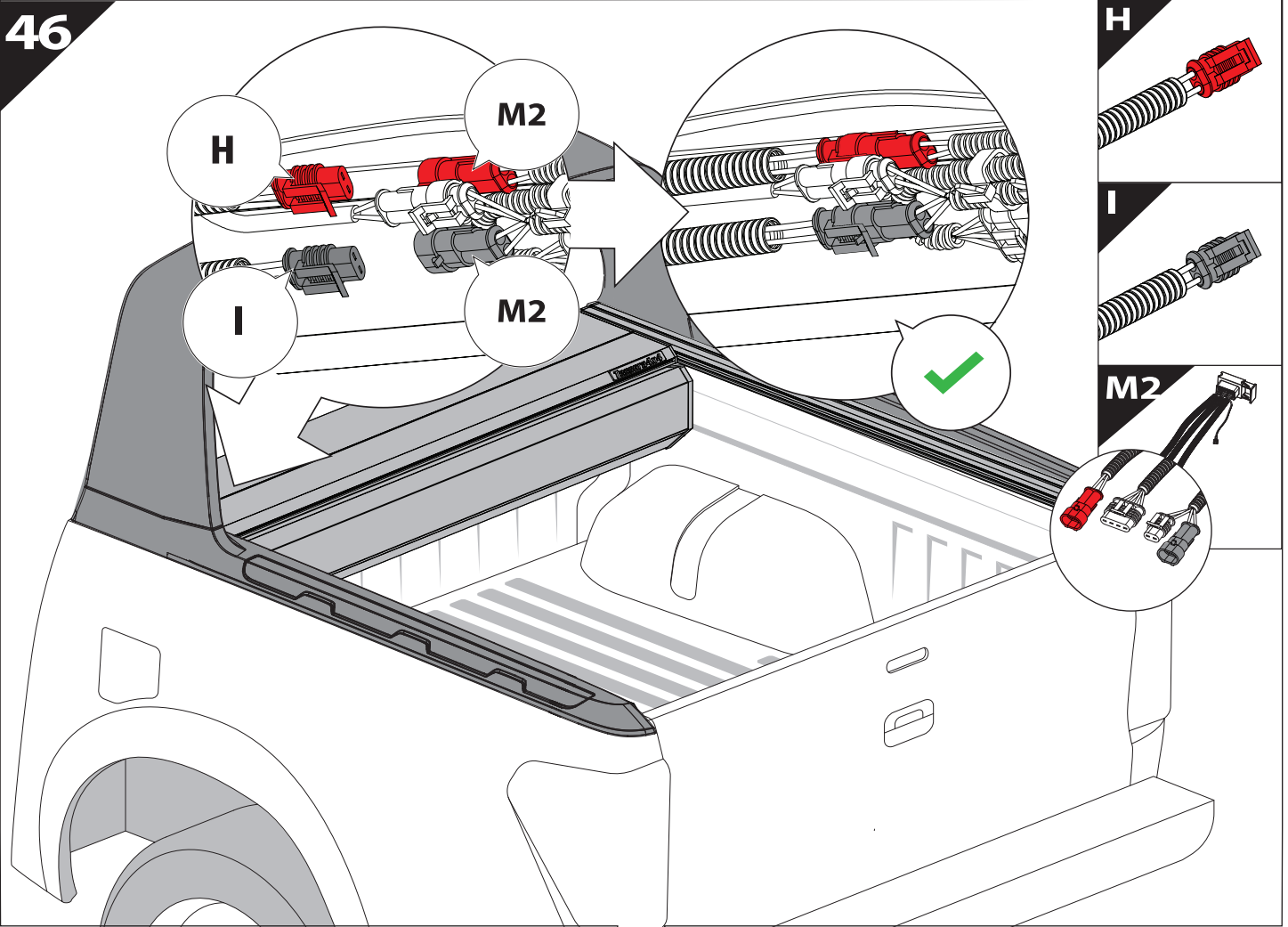
45

2012-2017 ✗

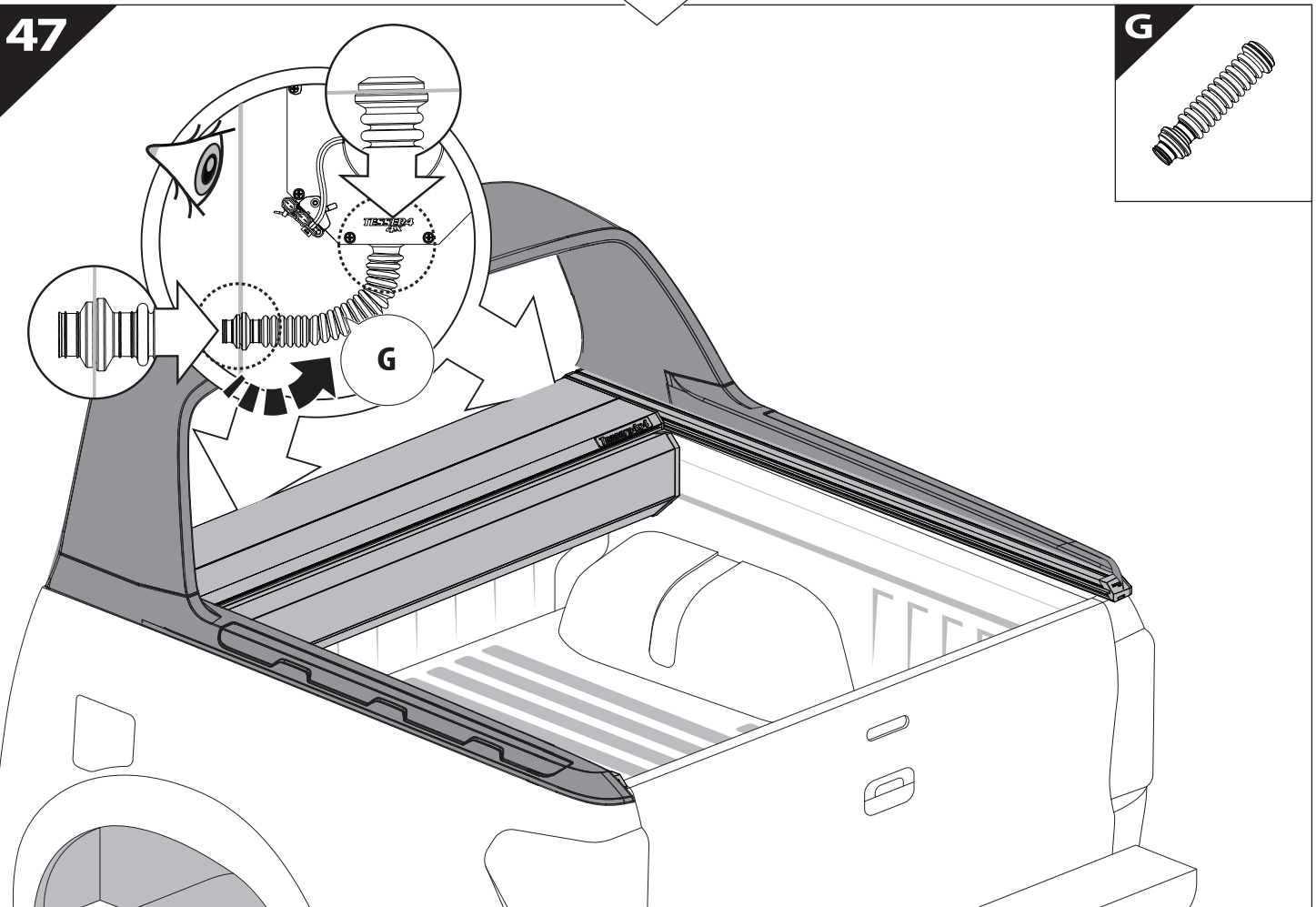
2018+ ✓



46



47

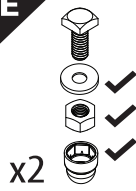


48

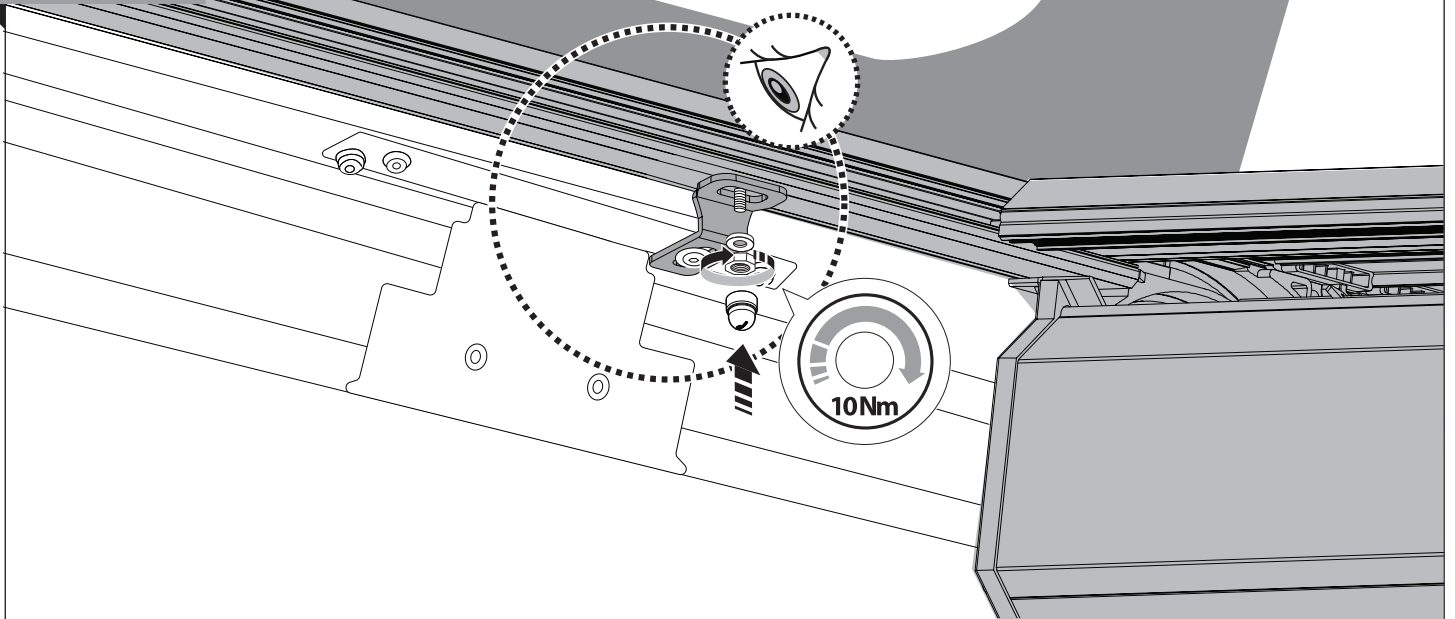
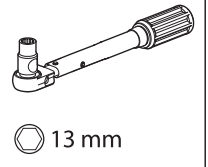
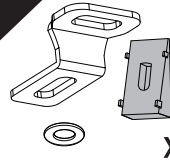
2012-2017 ✓

2018+ ✓

E



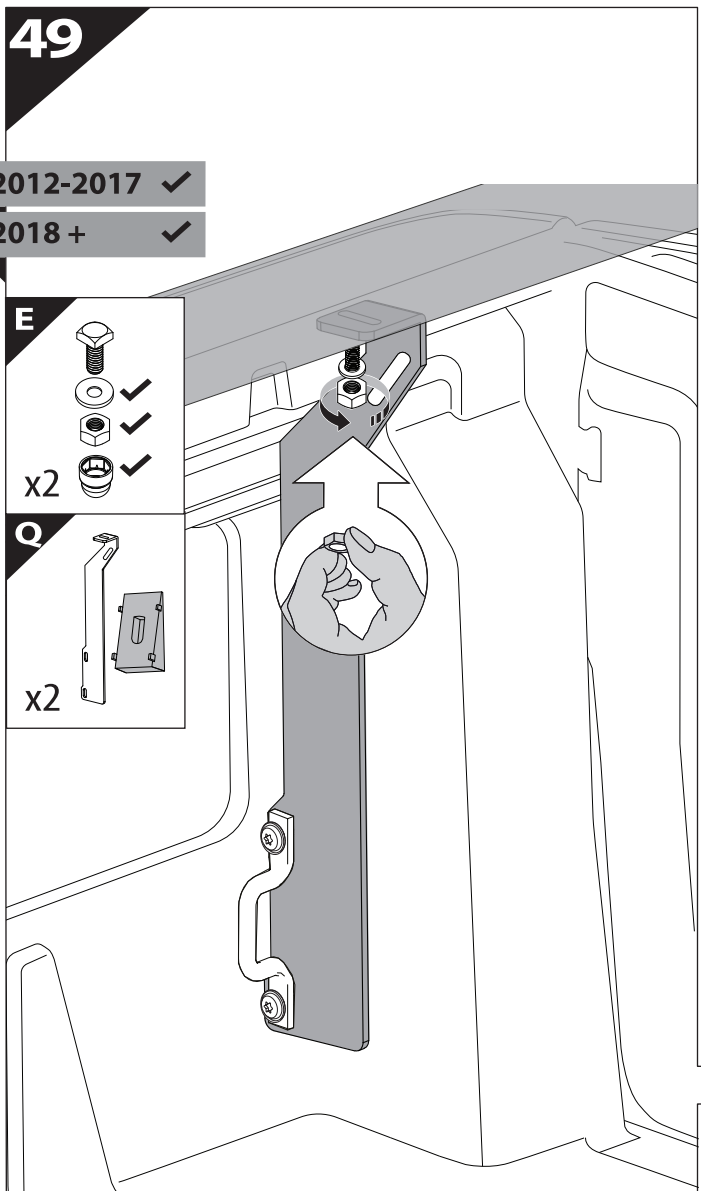
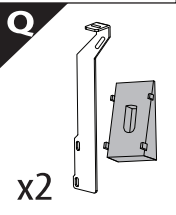
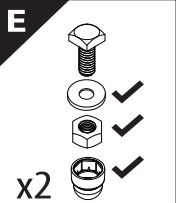
P



49

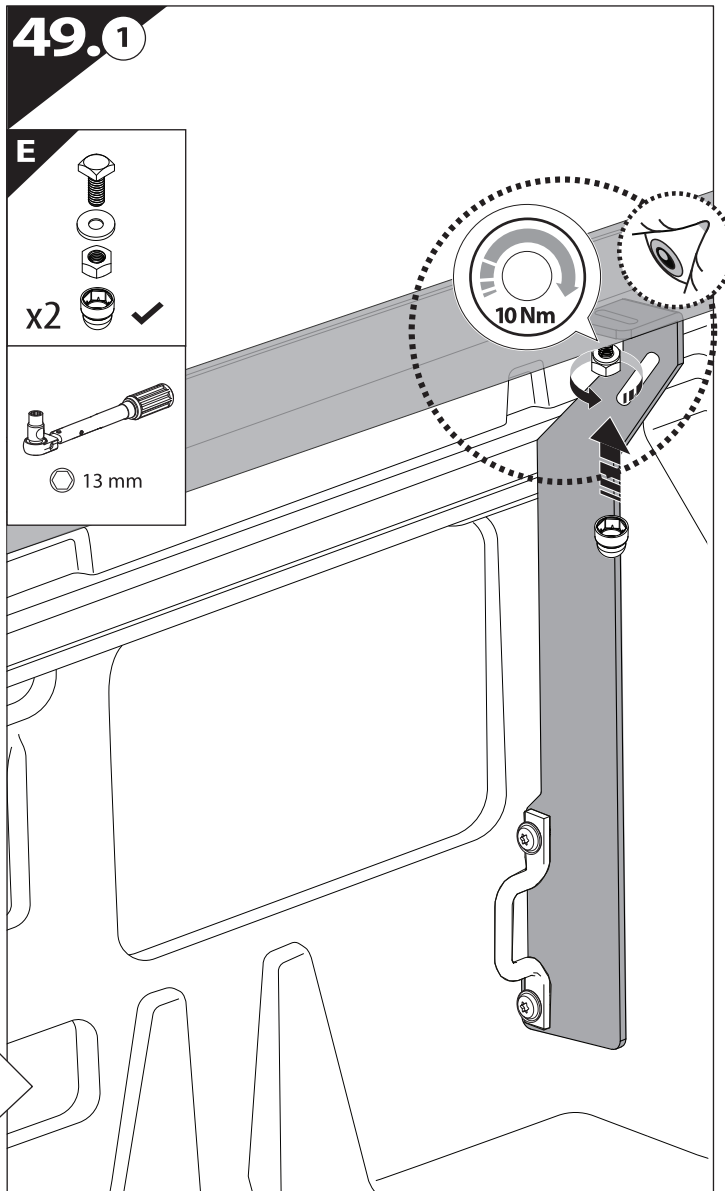
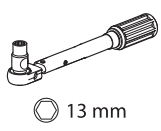
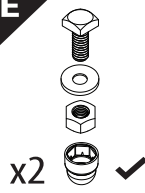
2012-2017 ✓

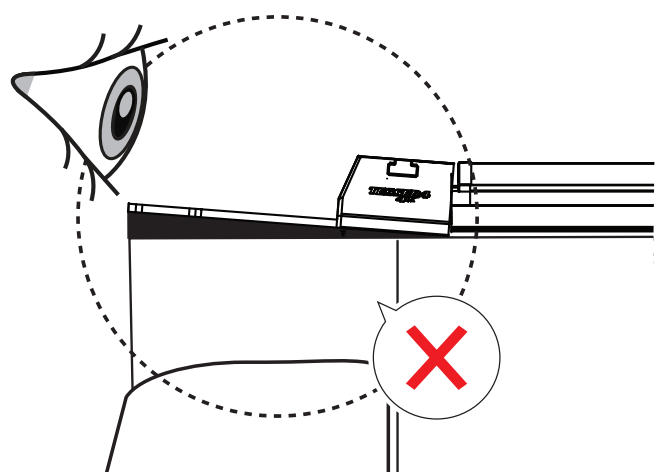
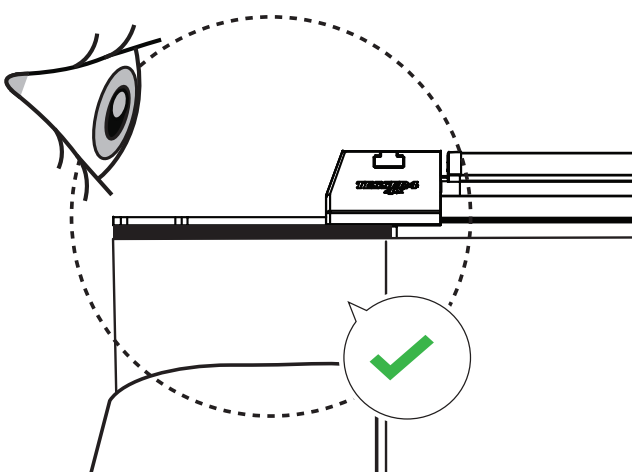
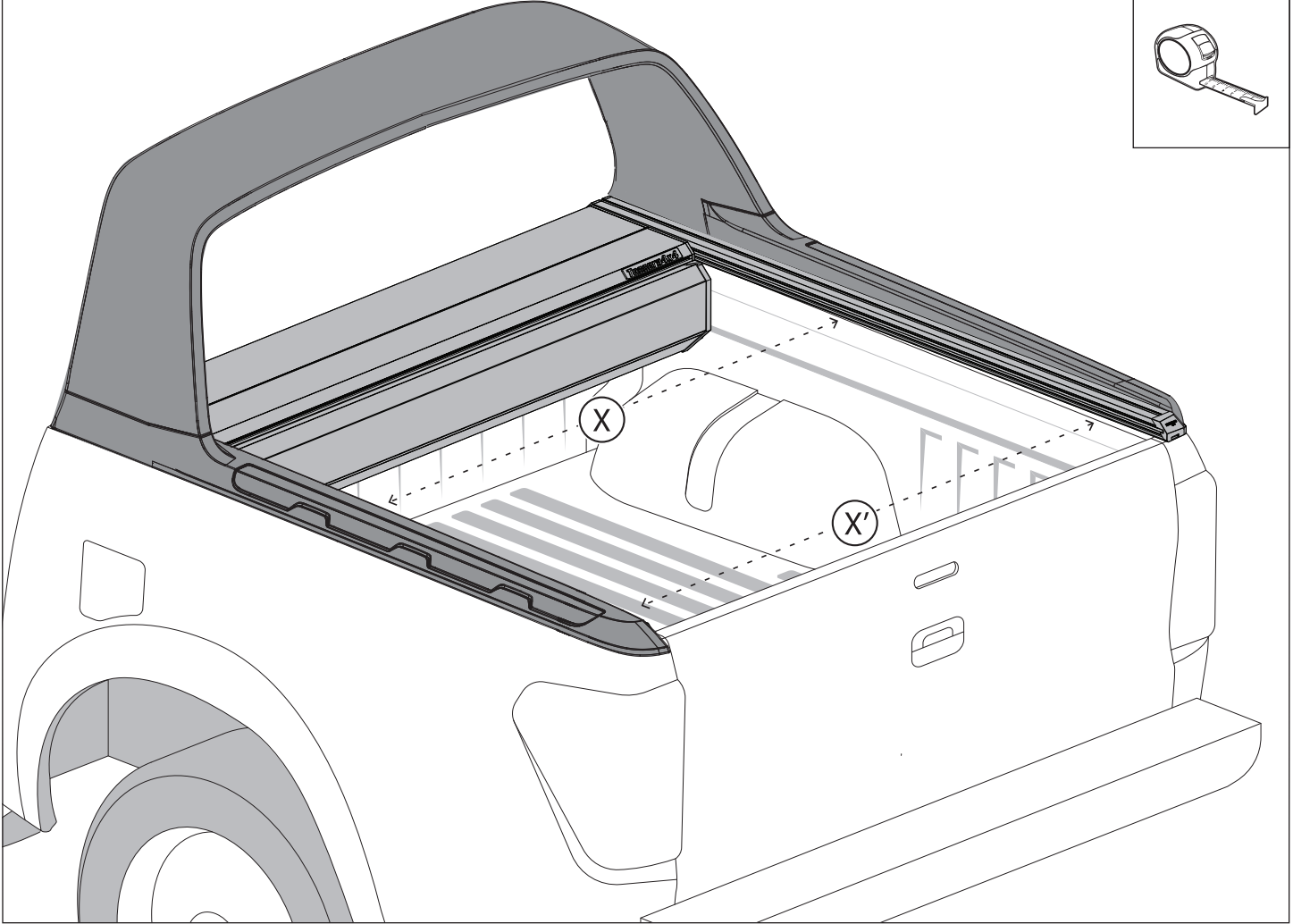
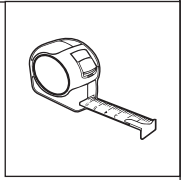
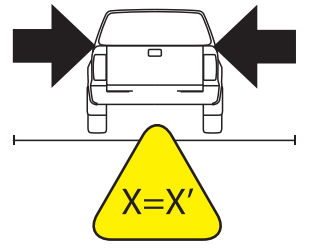
2018+ ✓

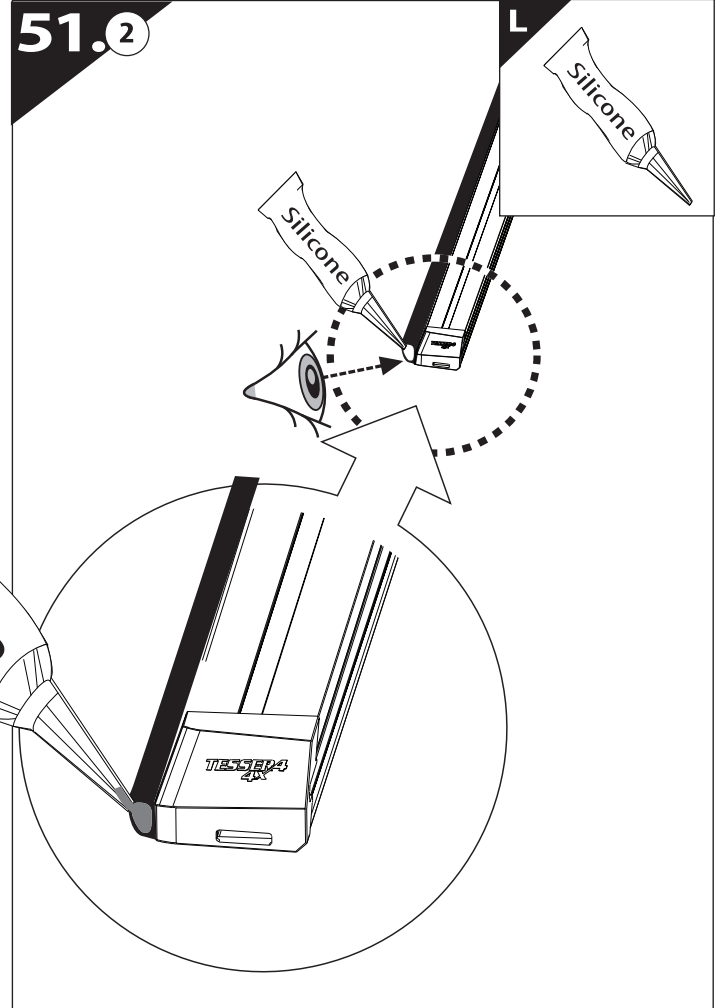
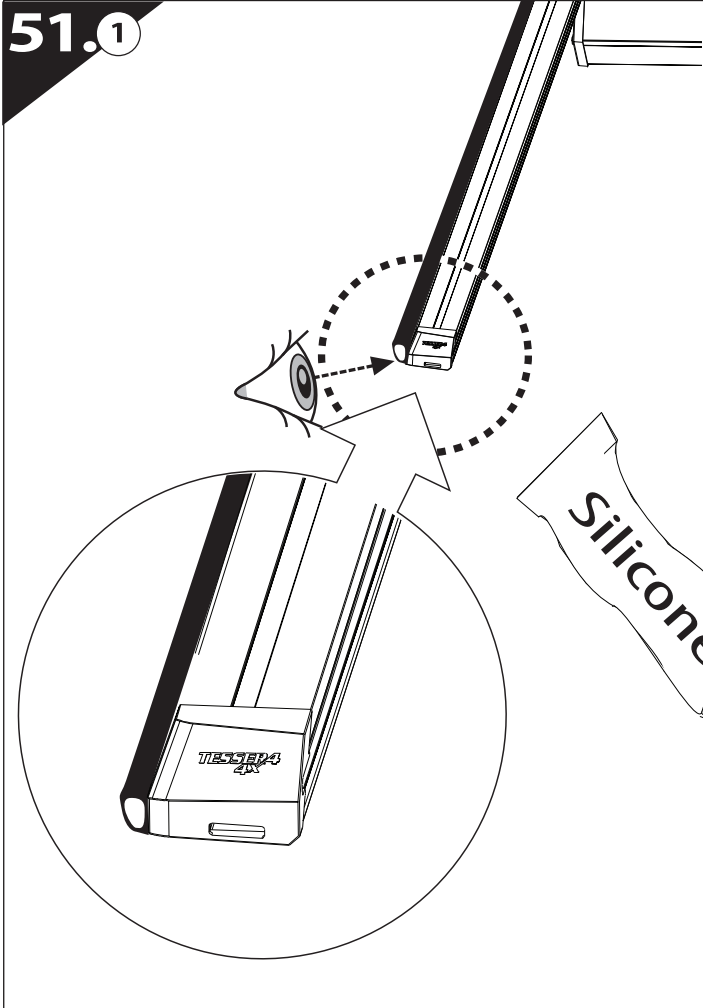


49.1

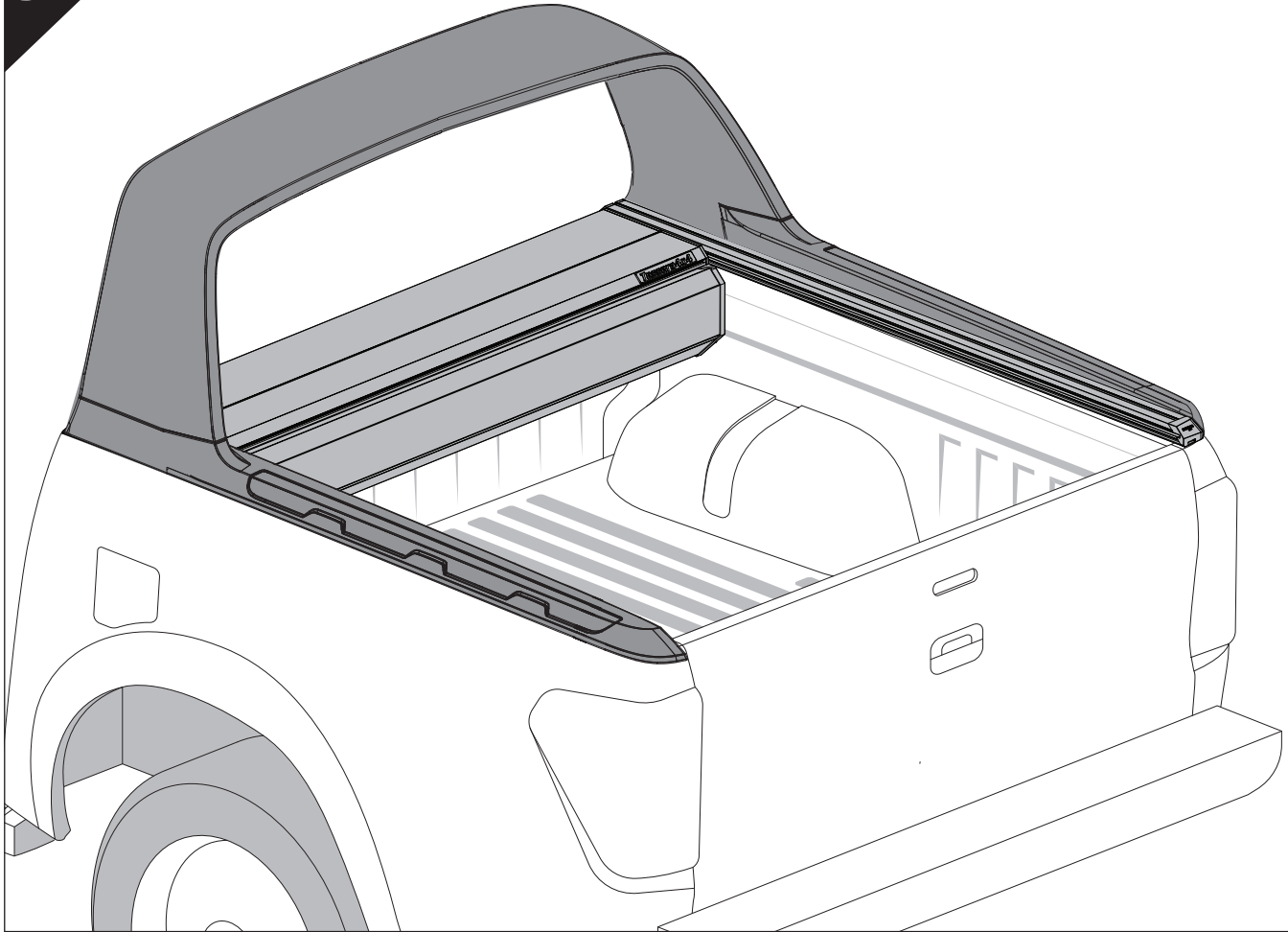
E



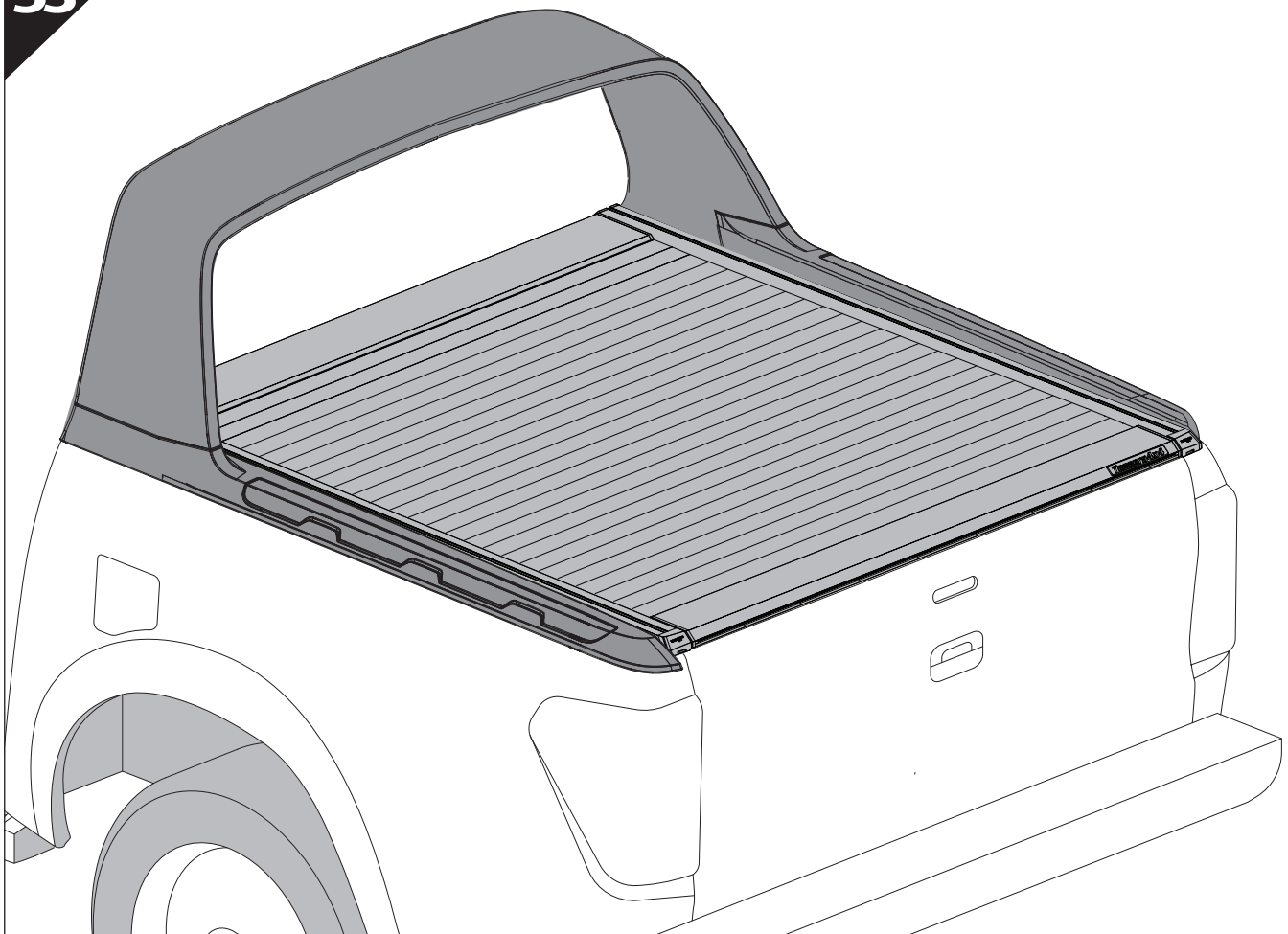




52



53





GR: Οδηγίες Εγκατάστασης
GB: Installation manual
SF: Asennusohje
F: Notice de montage
PL: Instrukcja montażu
NL: Installatie-instructies
TR: Montaj Talimatı
S: Monteringsanvisning
E: Instrucciones de montaje

H: Szerelési utasítás
P: Instruções de instalação
RUS: Инструкция по установке
N: Monteringsveiledning
D: Einbauanleitung
CZ: Návod k instalaci
I: Istruzioni de montaggio
DK: Monteringsvejledning
RO: Instructiuni de instalare

Customer Service:

+30 (210) 5541161, +30 (210) 5541154 (08:00 - 16:00 EET)

Support department:

info@gianso.gr

Website:

www.tessera4x4.com

Address:

19.5 km of National road Athens-Korinthos (Elefsina) Greece, P.C: 19200