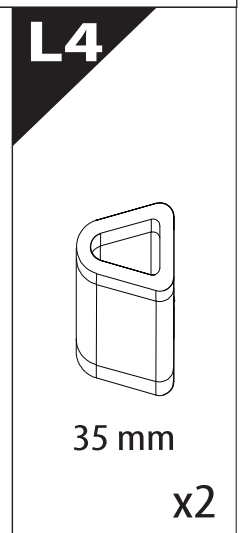
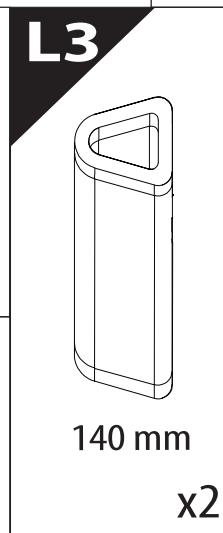
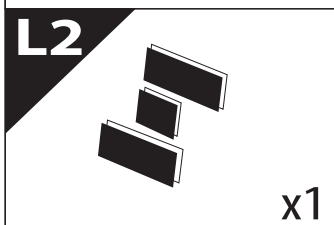
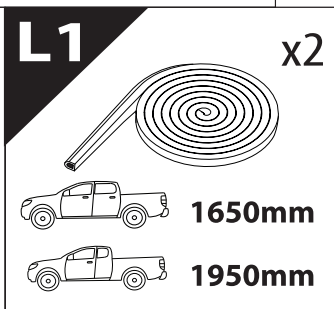
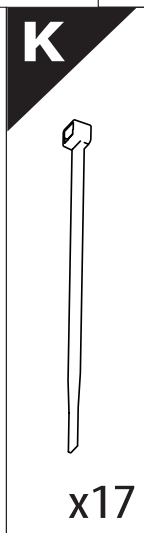
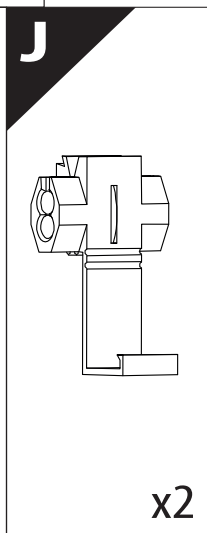
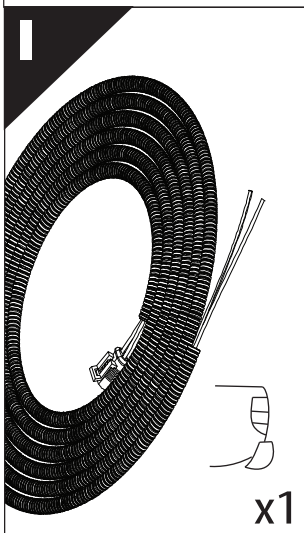
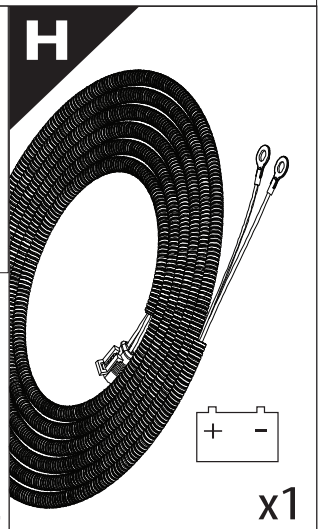
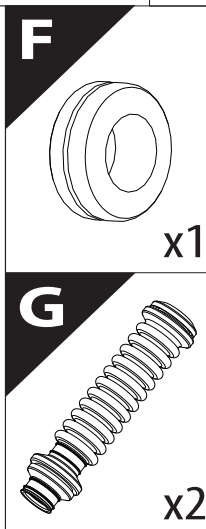
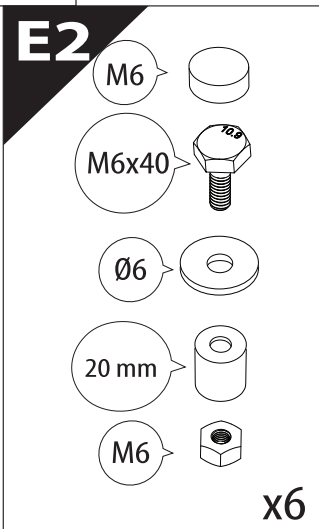
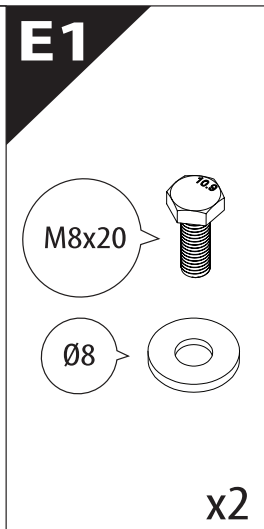
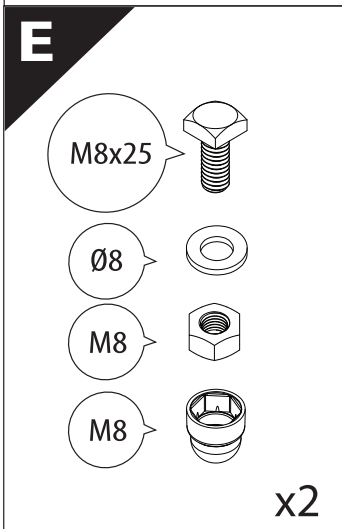
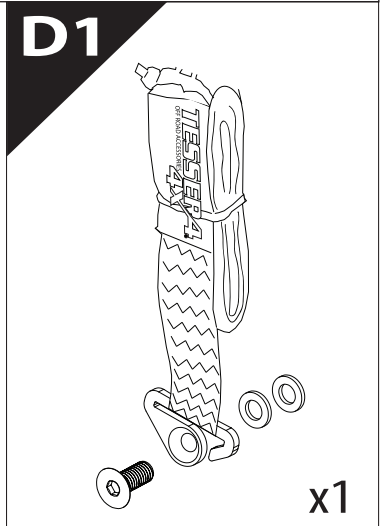
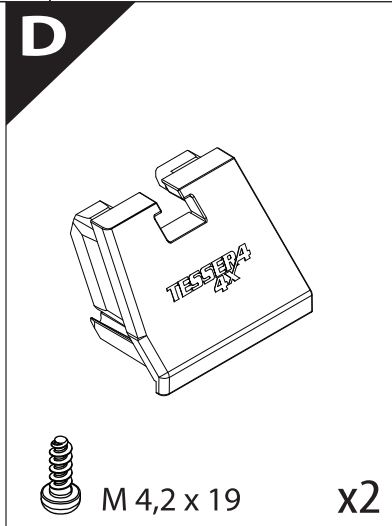
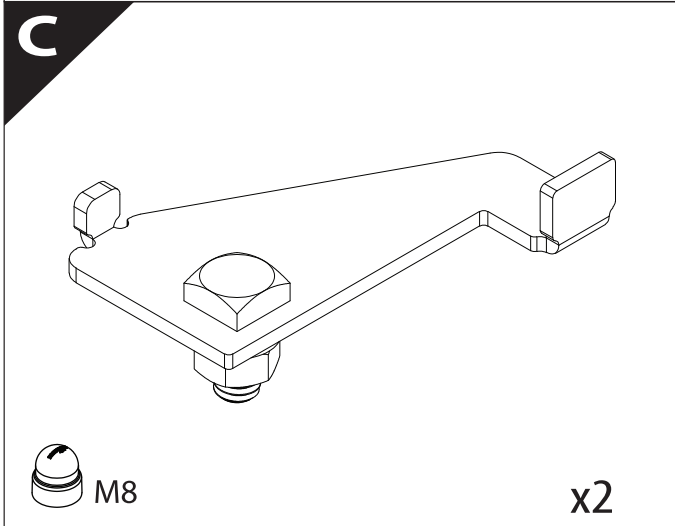
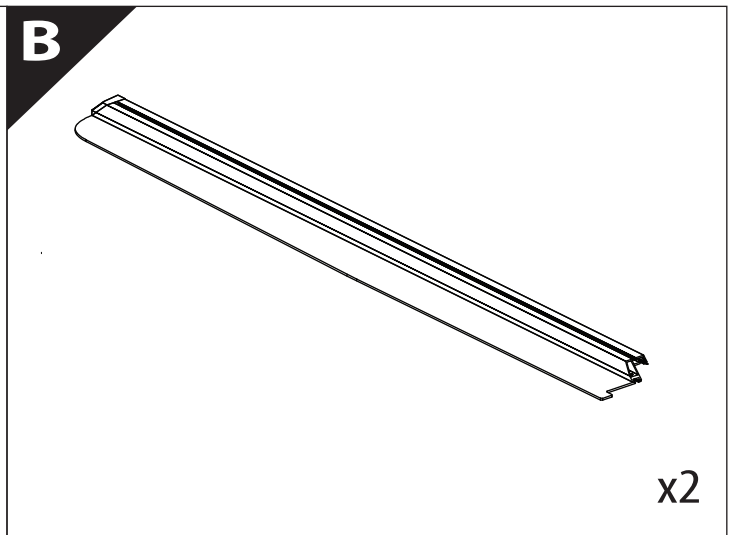
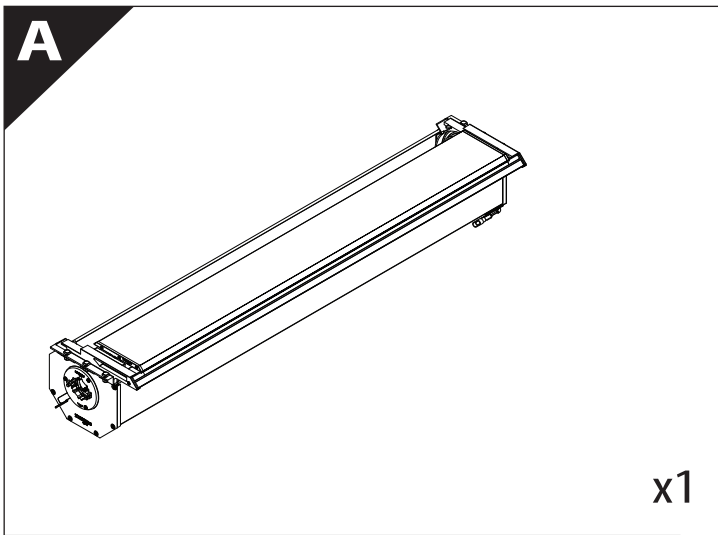
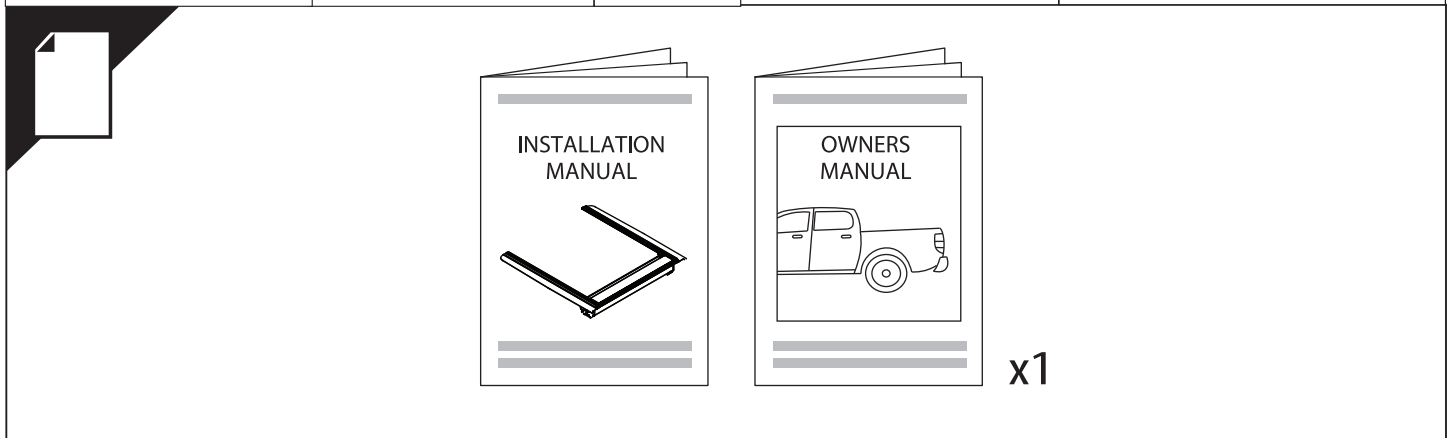
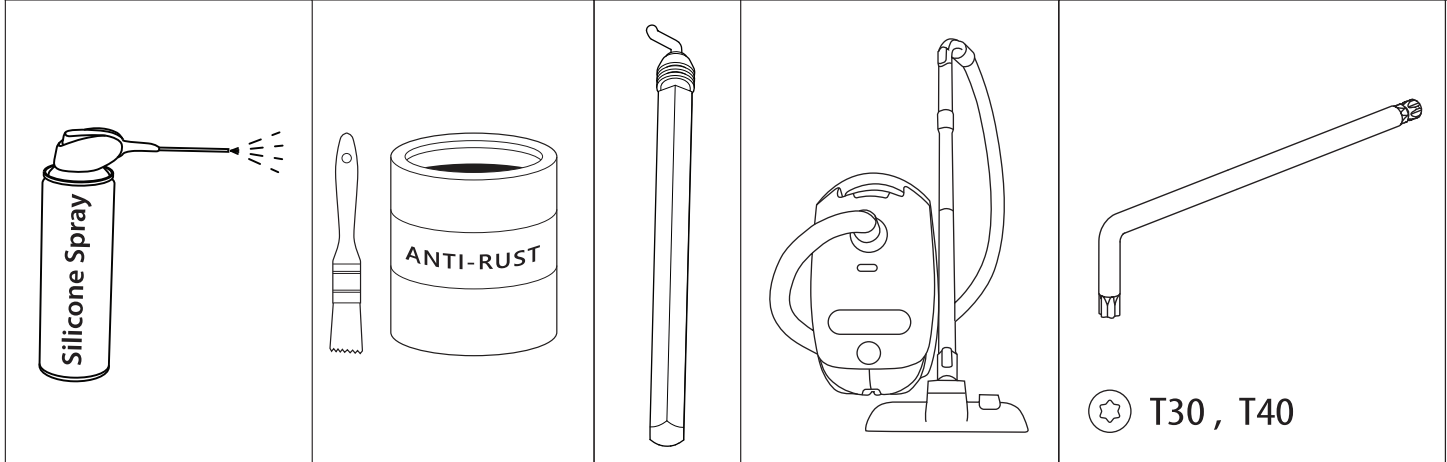
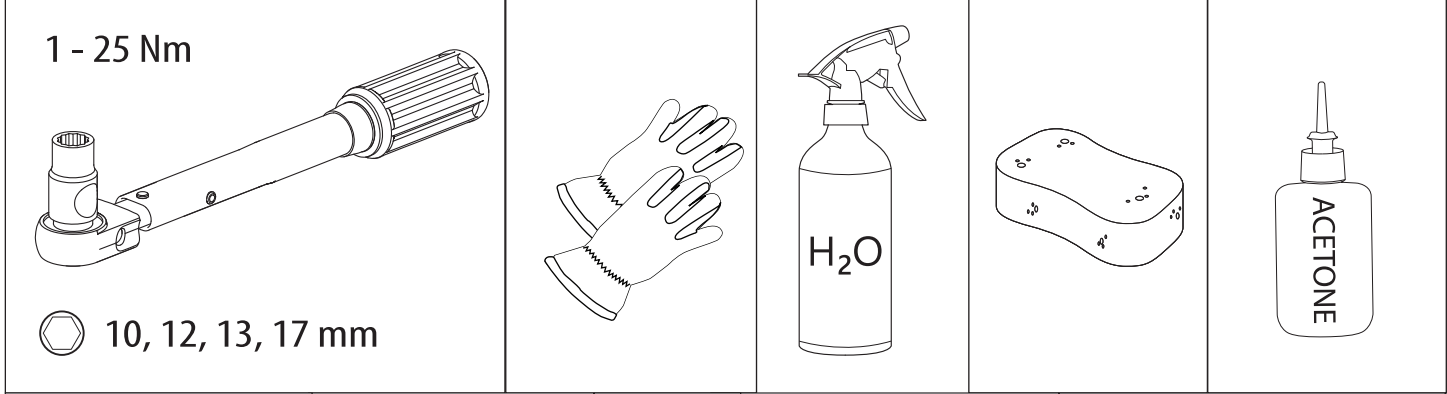
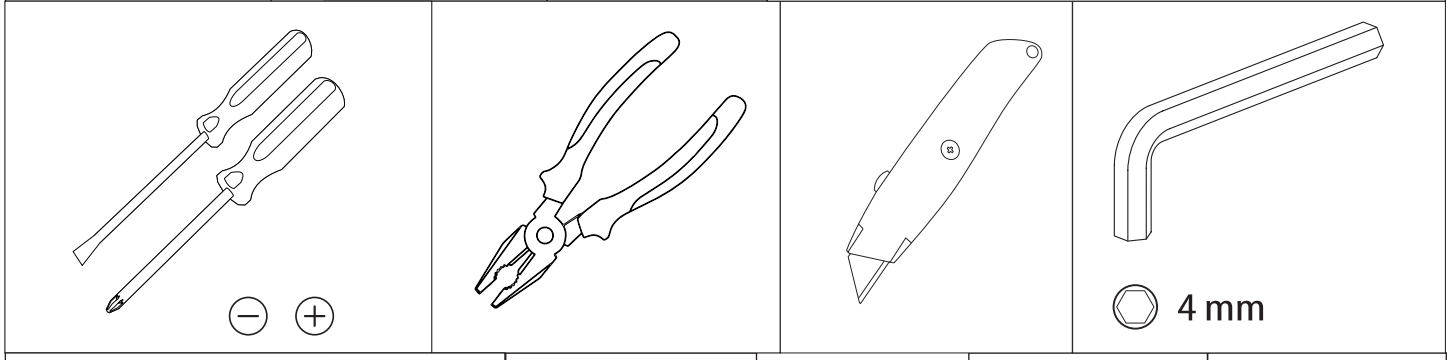
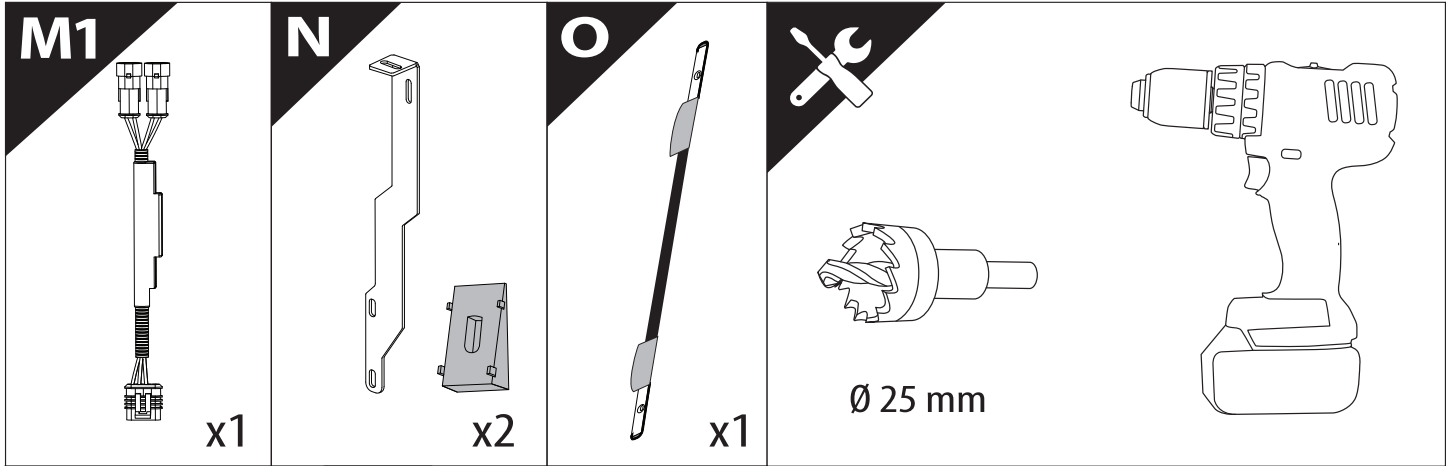
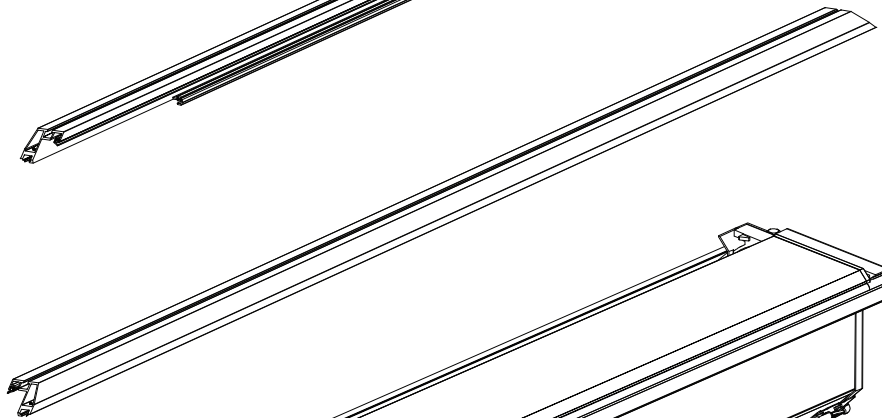
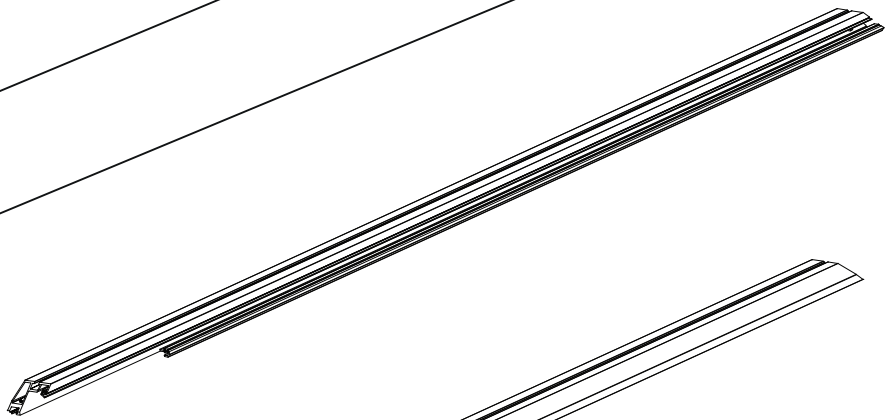
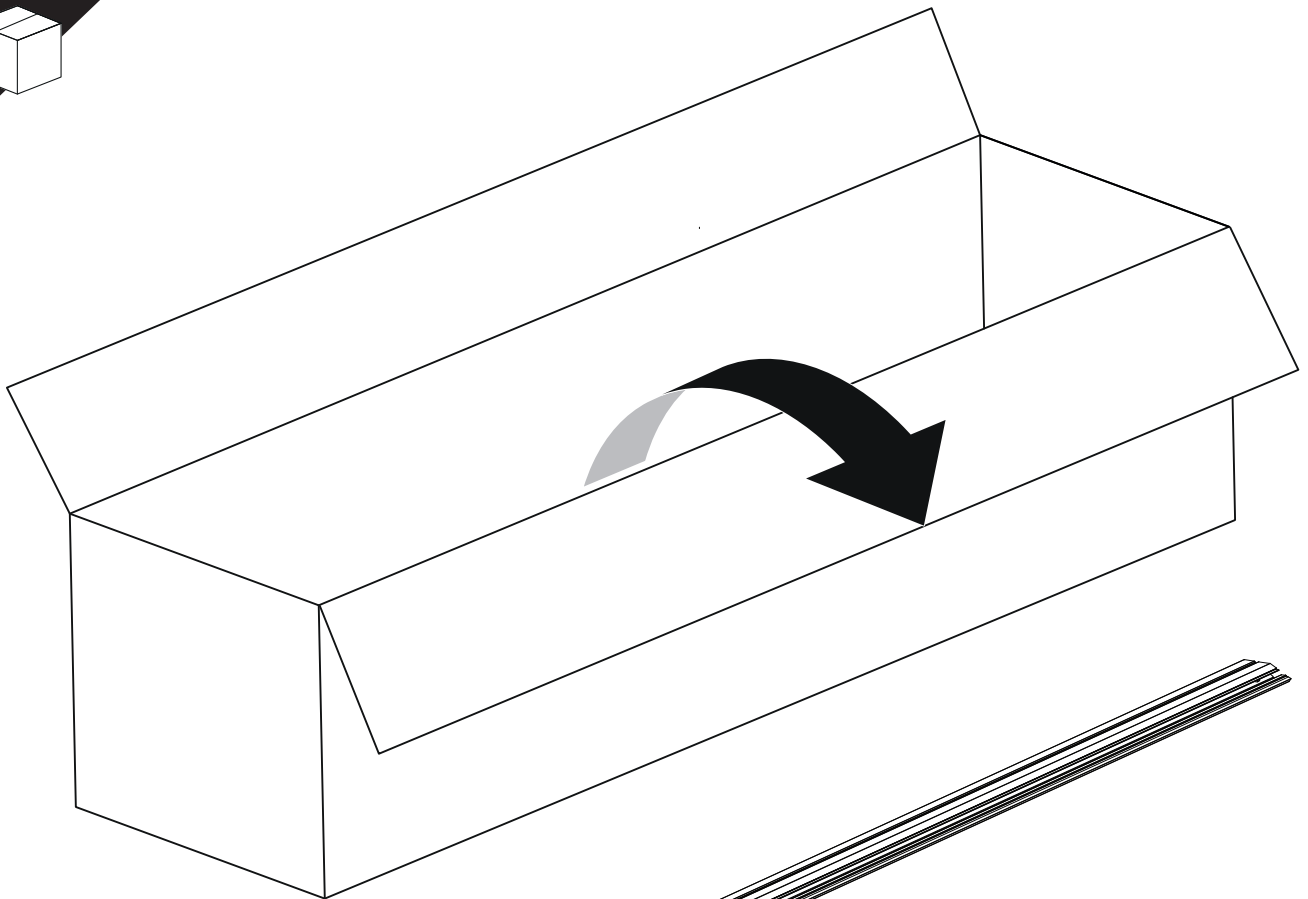


Installation Manual

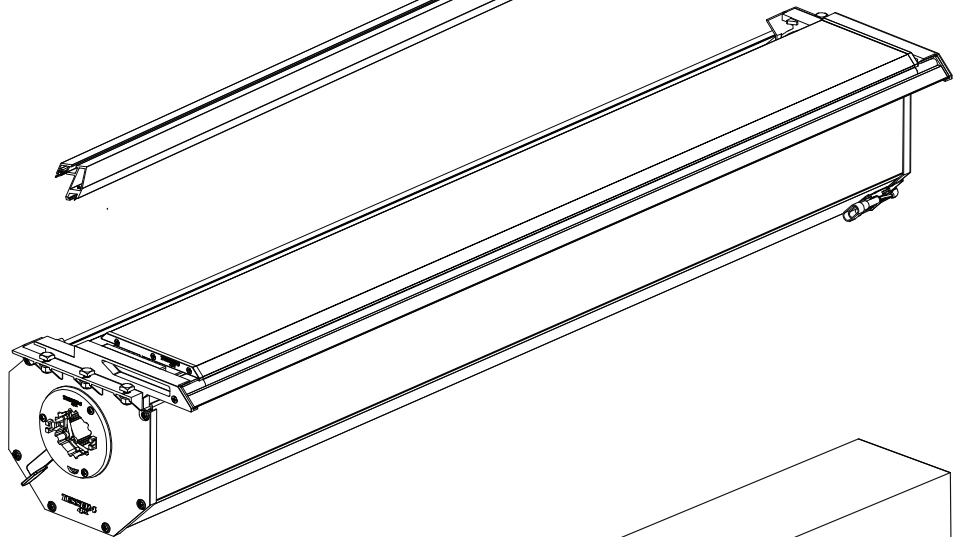
PART NUMBER(S)	Model Year
TESS 14080 ROLL	FORD RANGER WILDTRAK 2023+ OEM ROLL BAR
TESS 14090 ROLL	
Cab(s)	Installation Time / Weight
Double Cab & Space cab	40-60 minutes / 53-57 kg





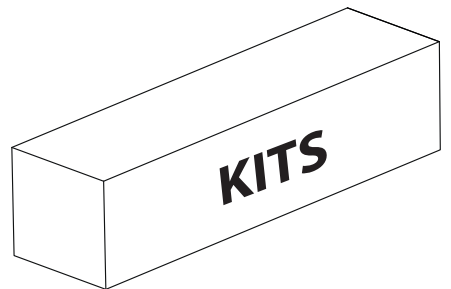


B

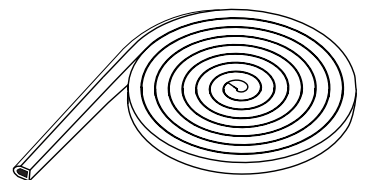


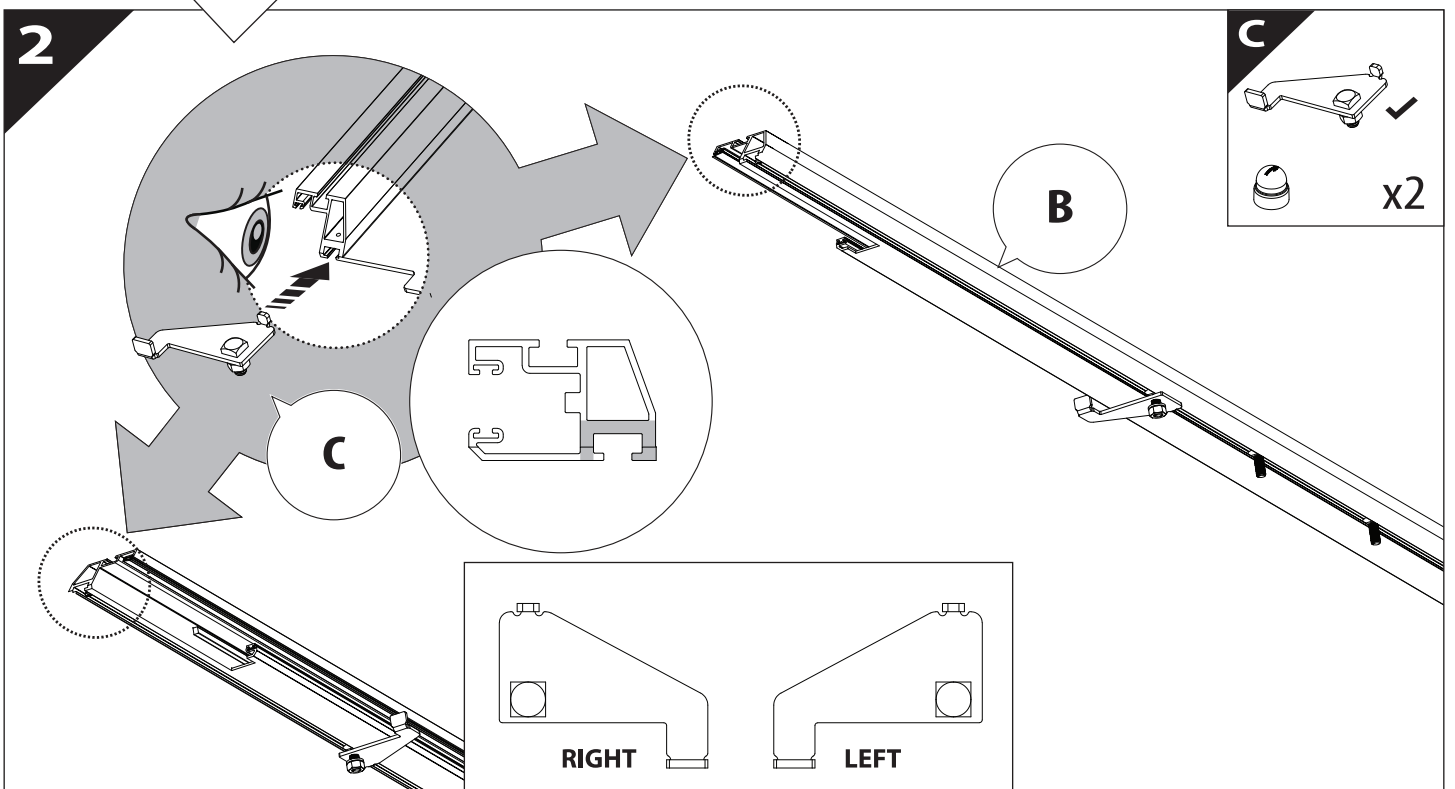
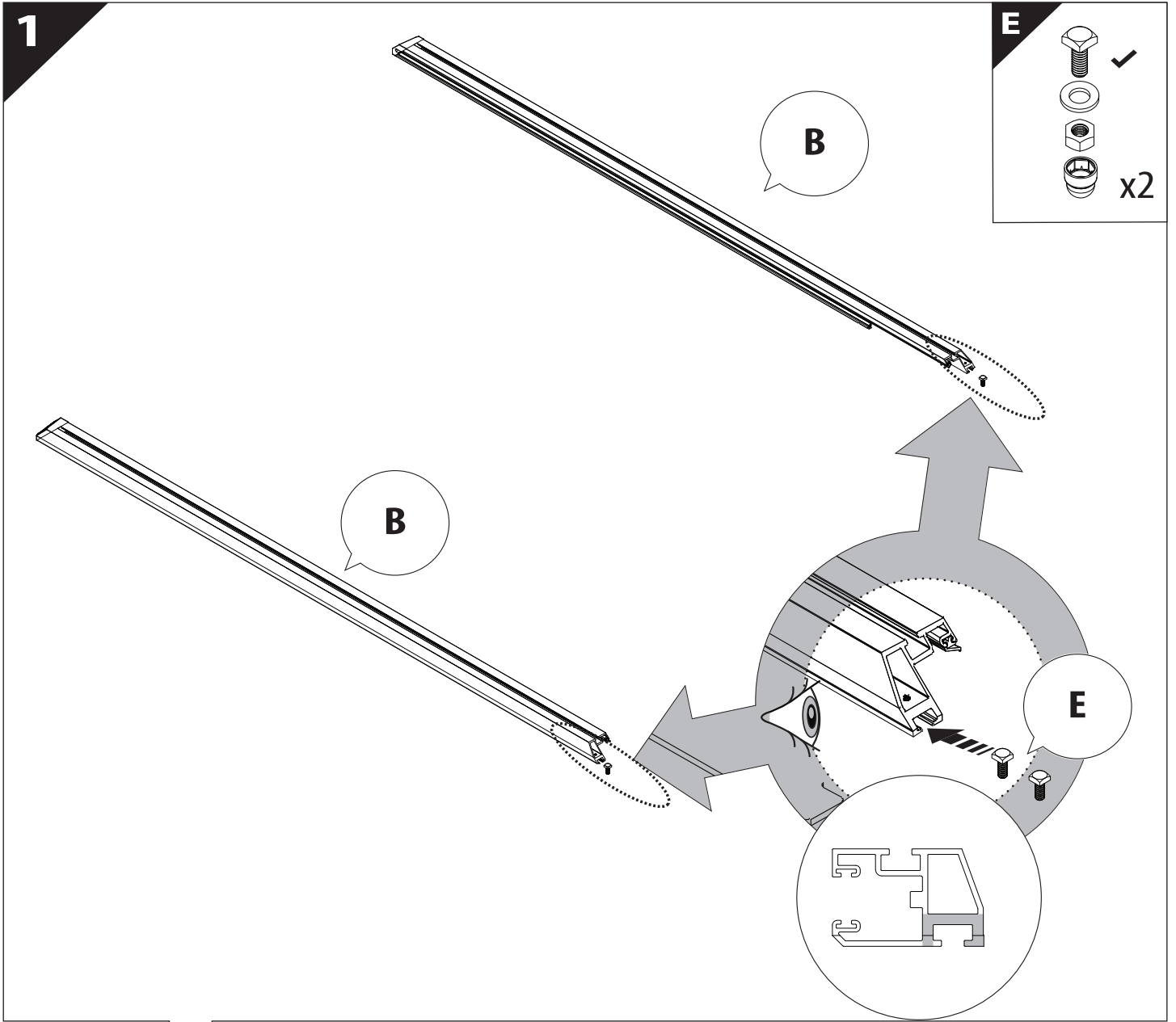
A

KITS

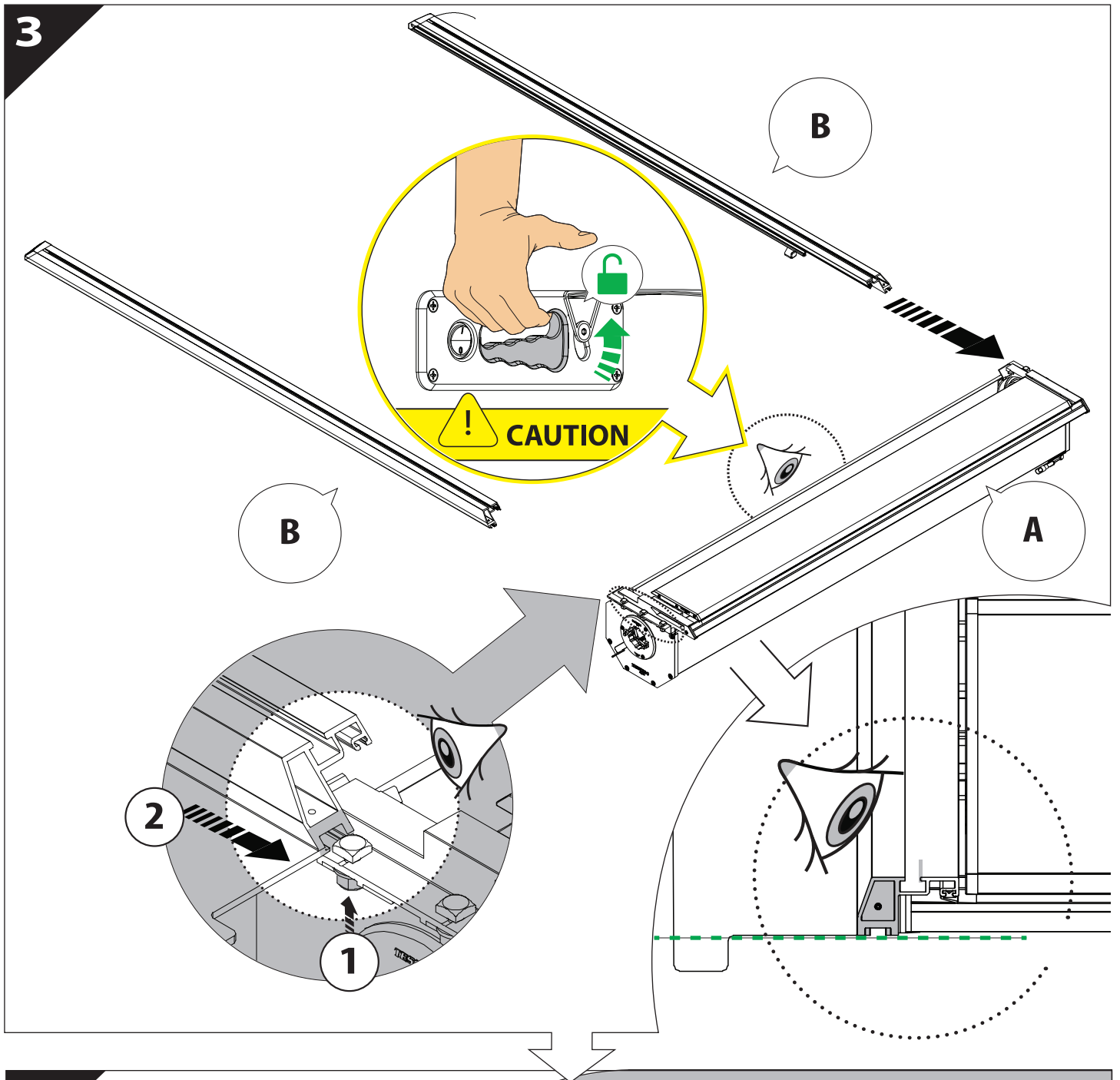


L

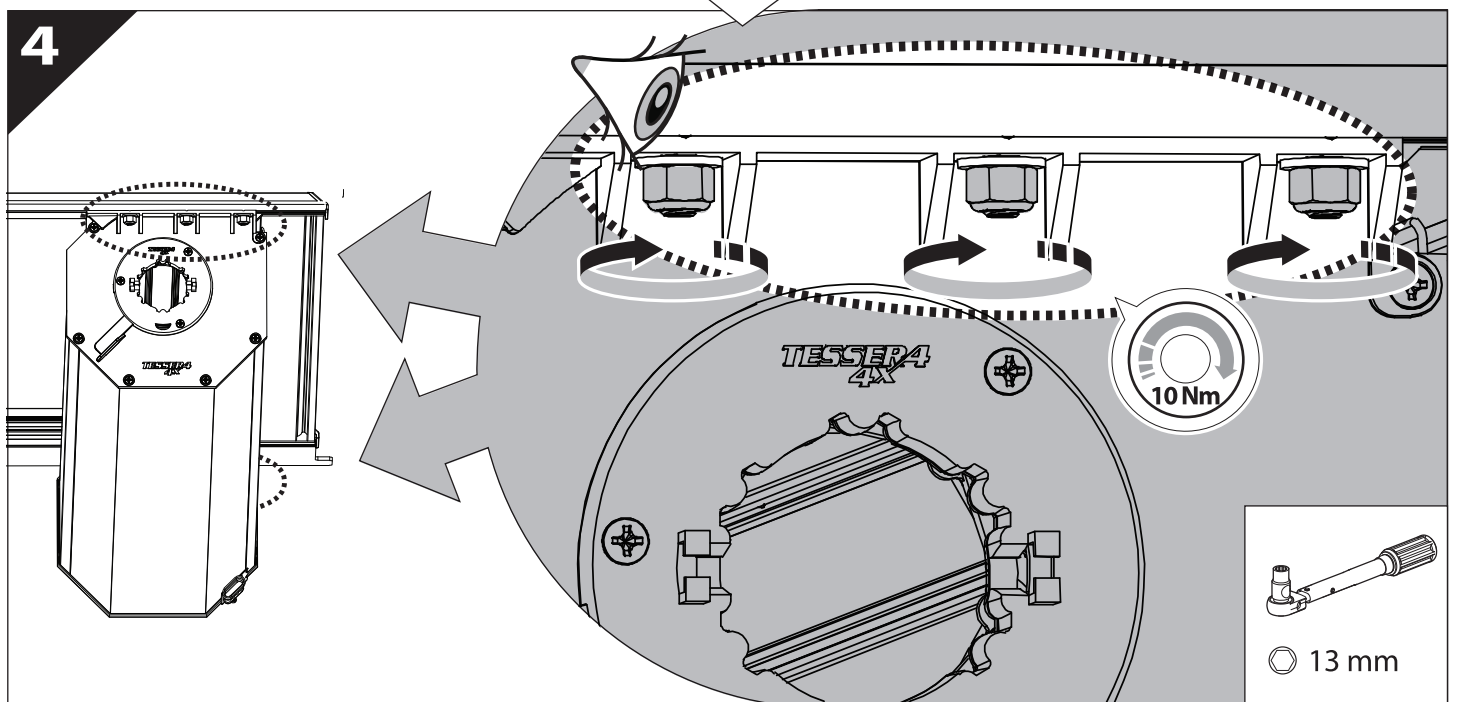


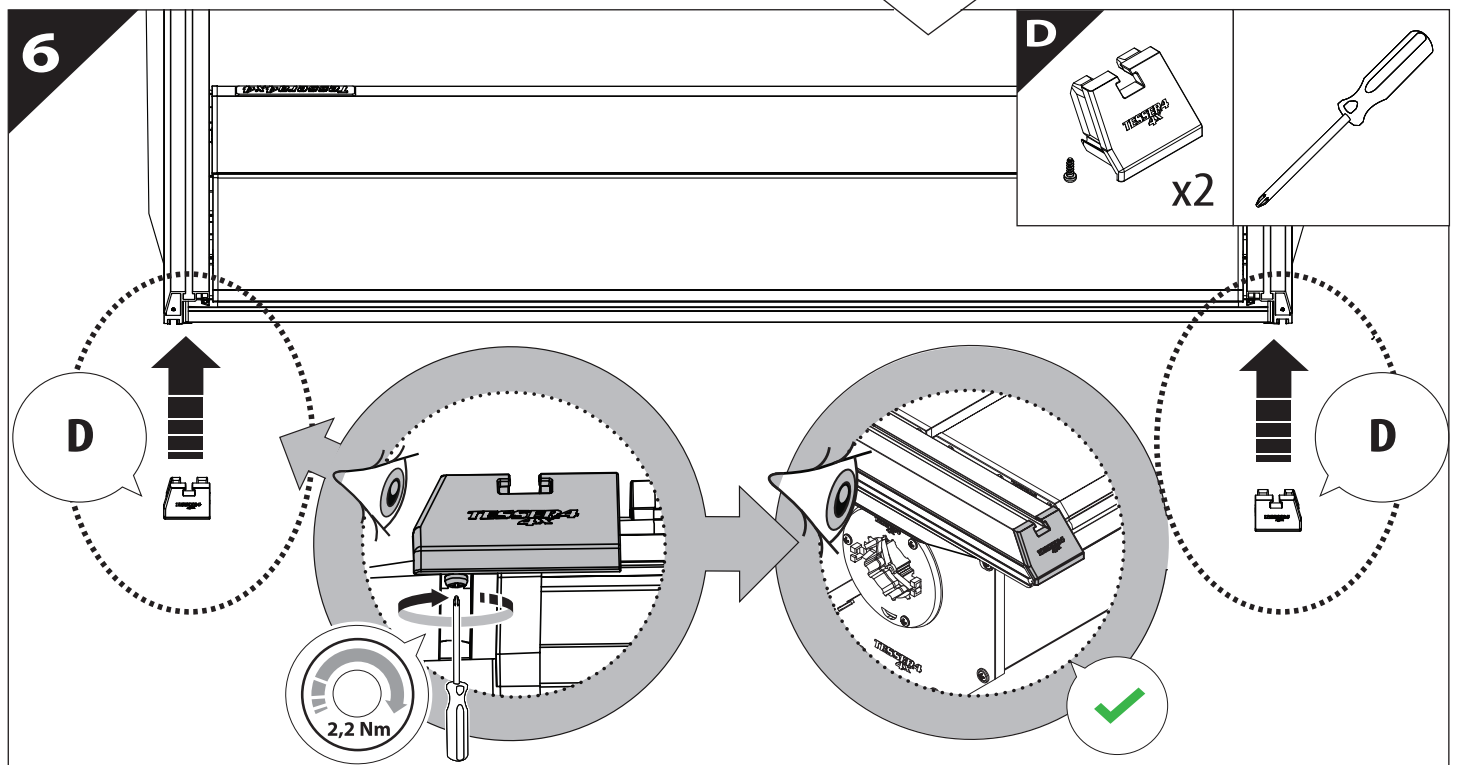
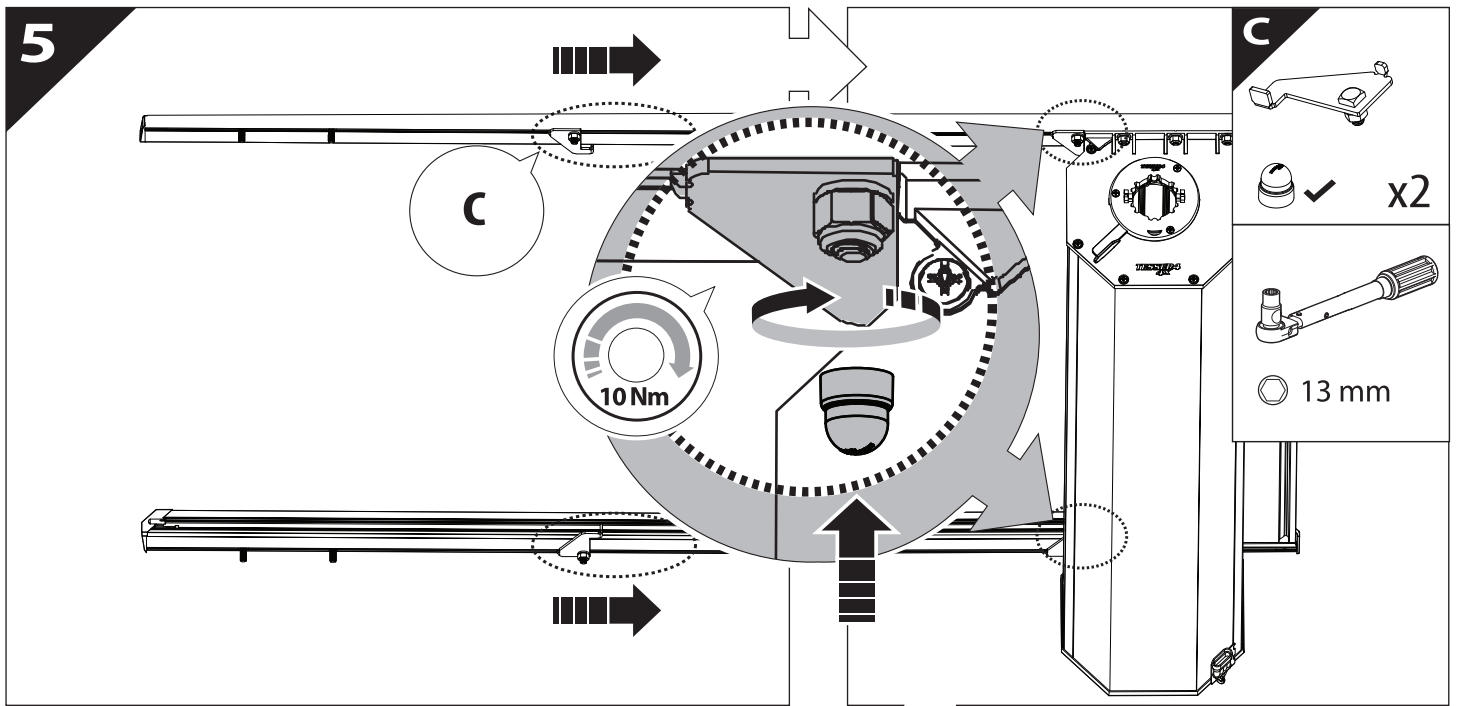


3

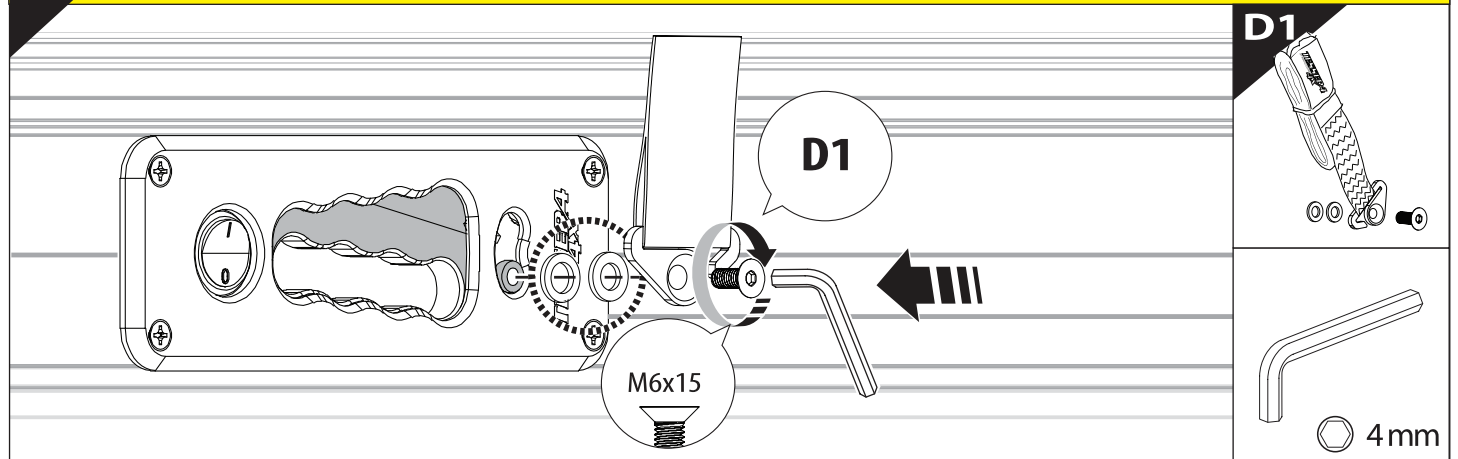


4

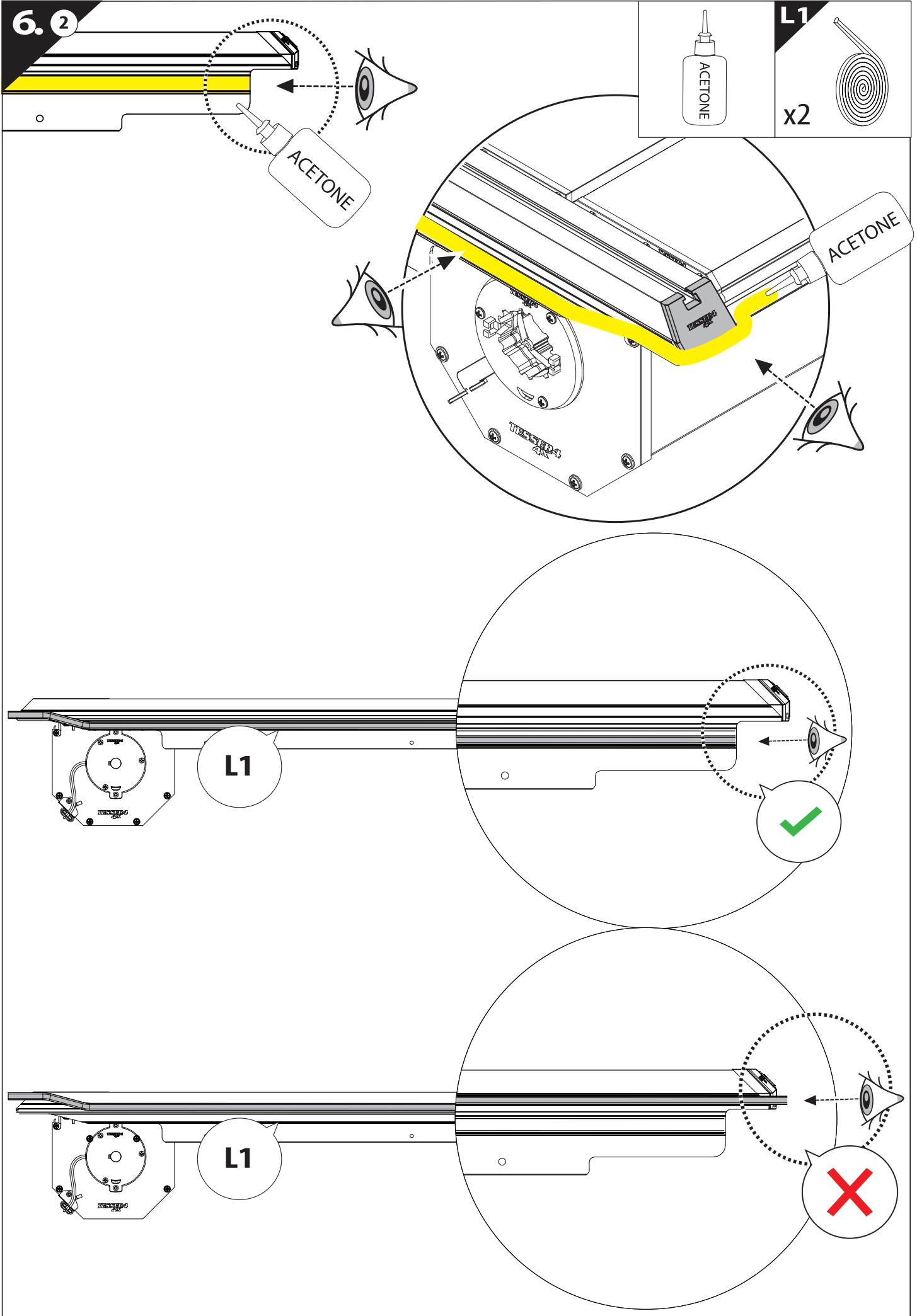




6.1 **CAUTION** Basic Version ✓ & Basic+S-KIT Version ✓



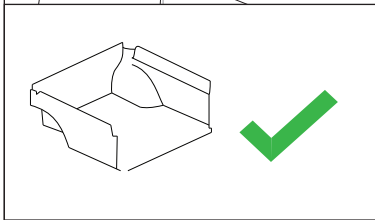
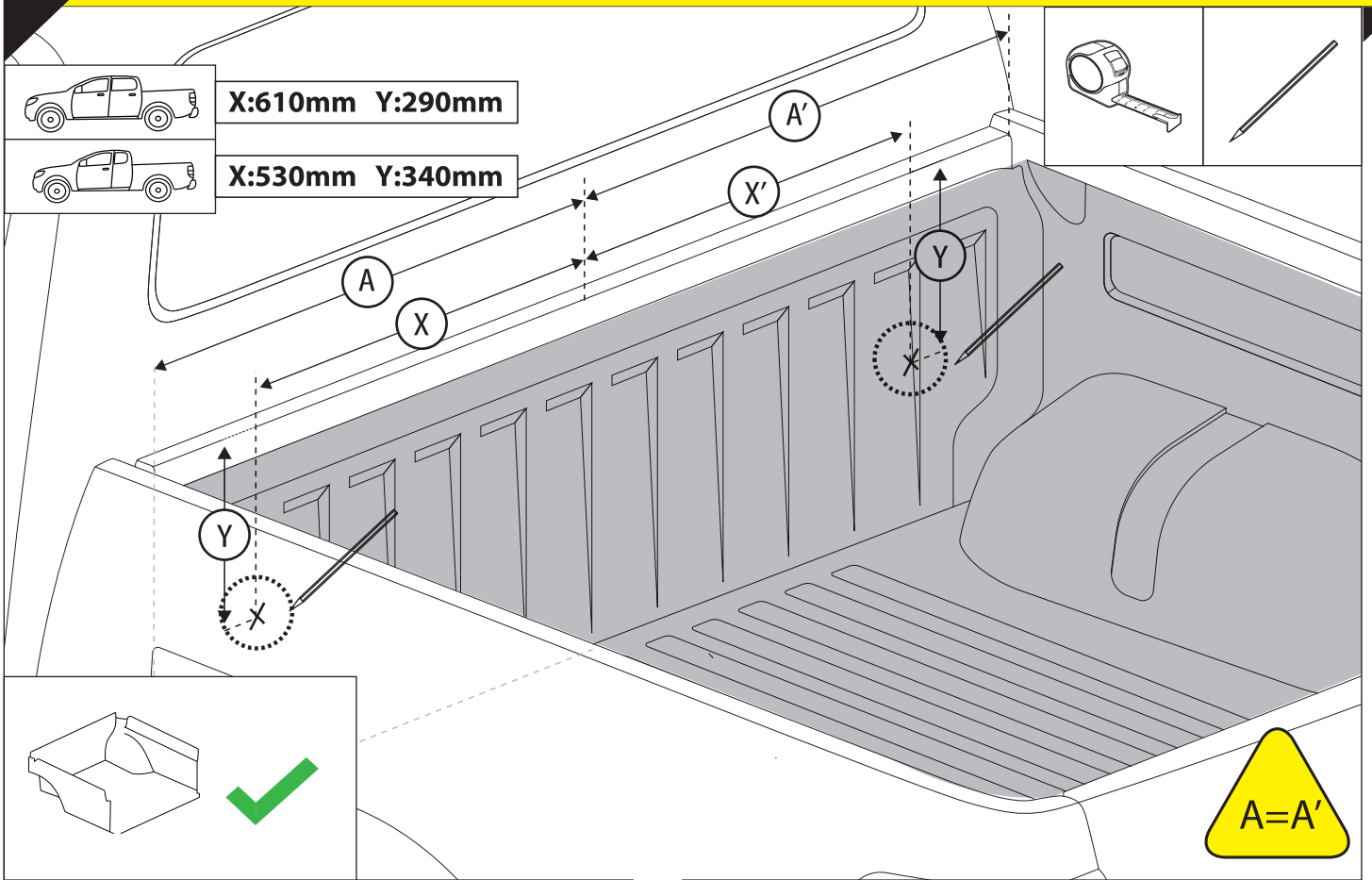
6.2



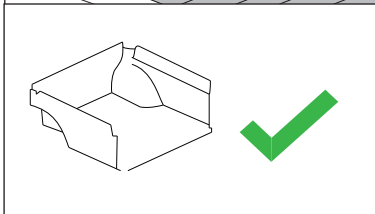
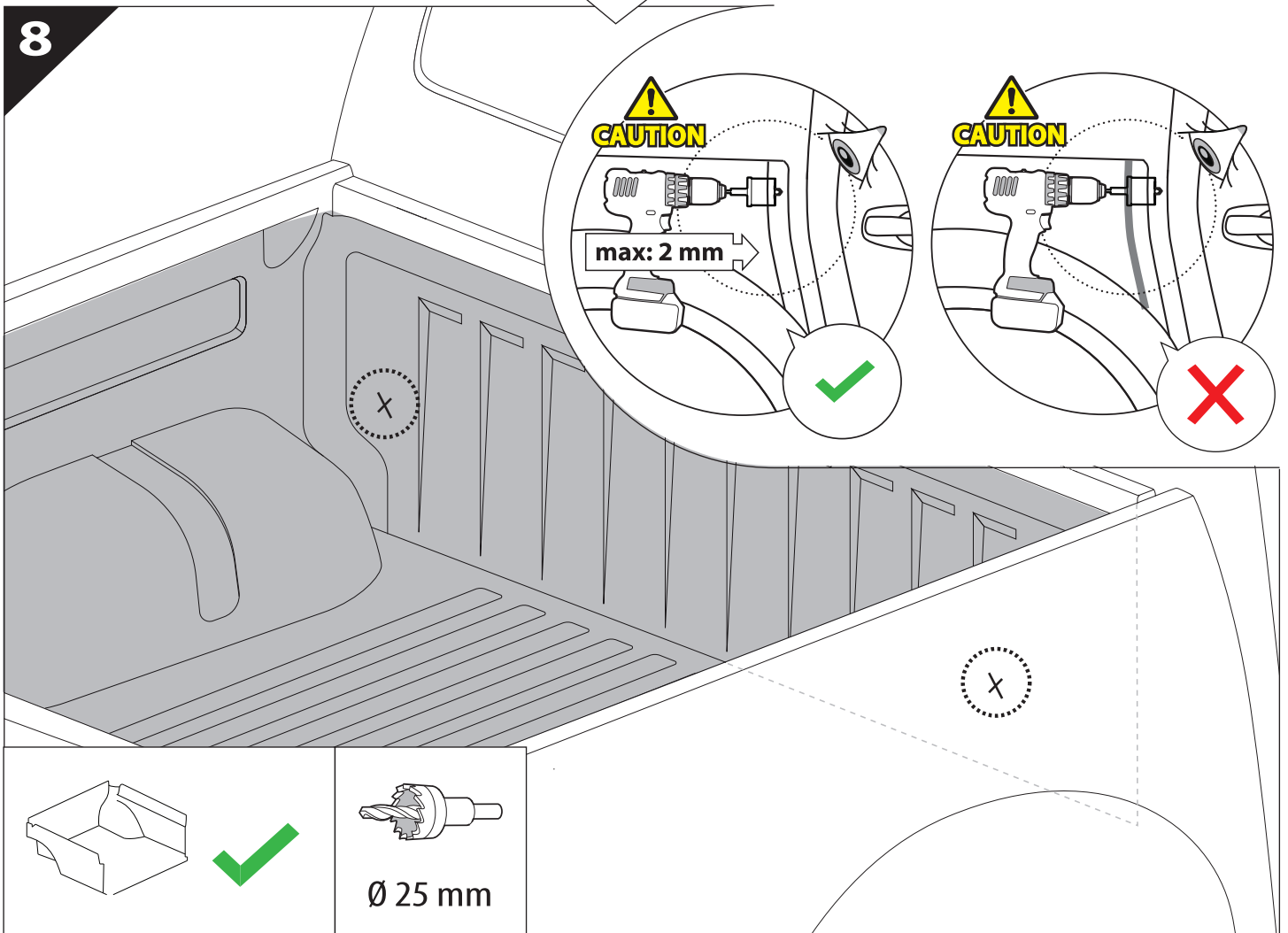
7

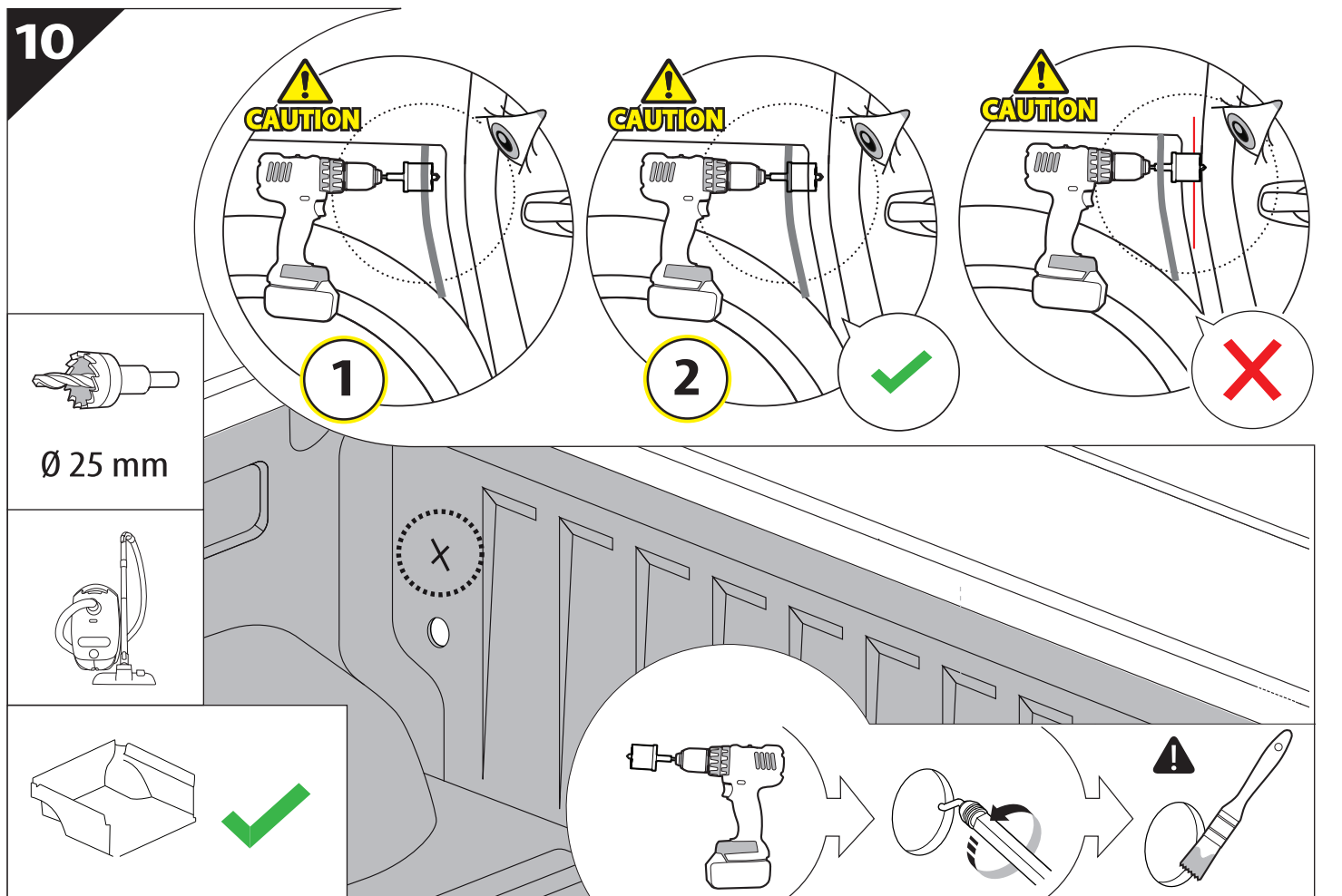
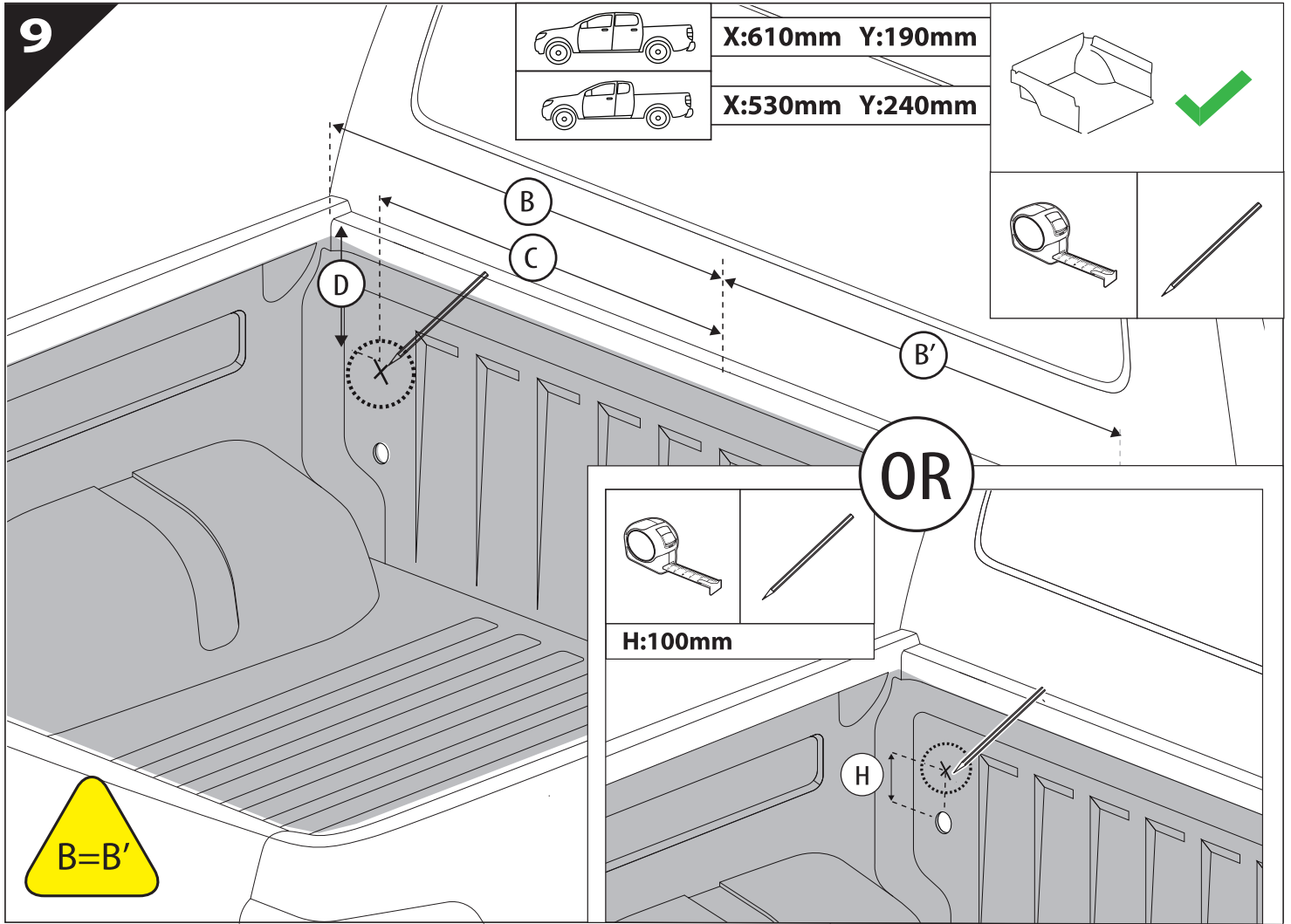


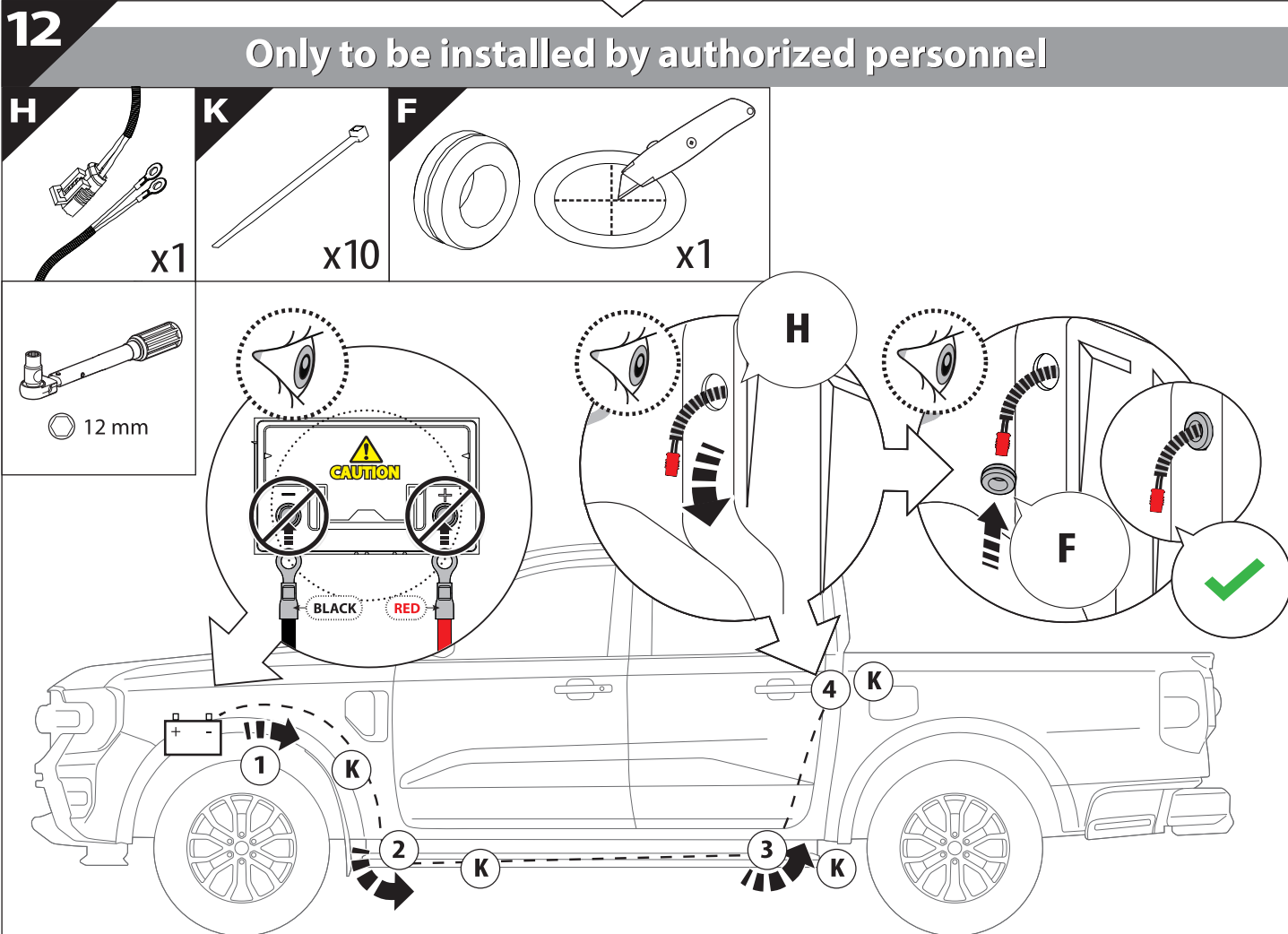
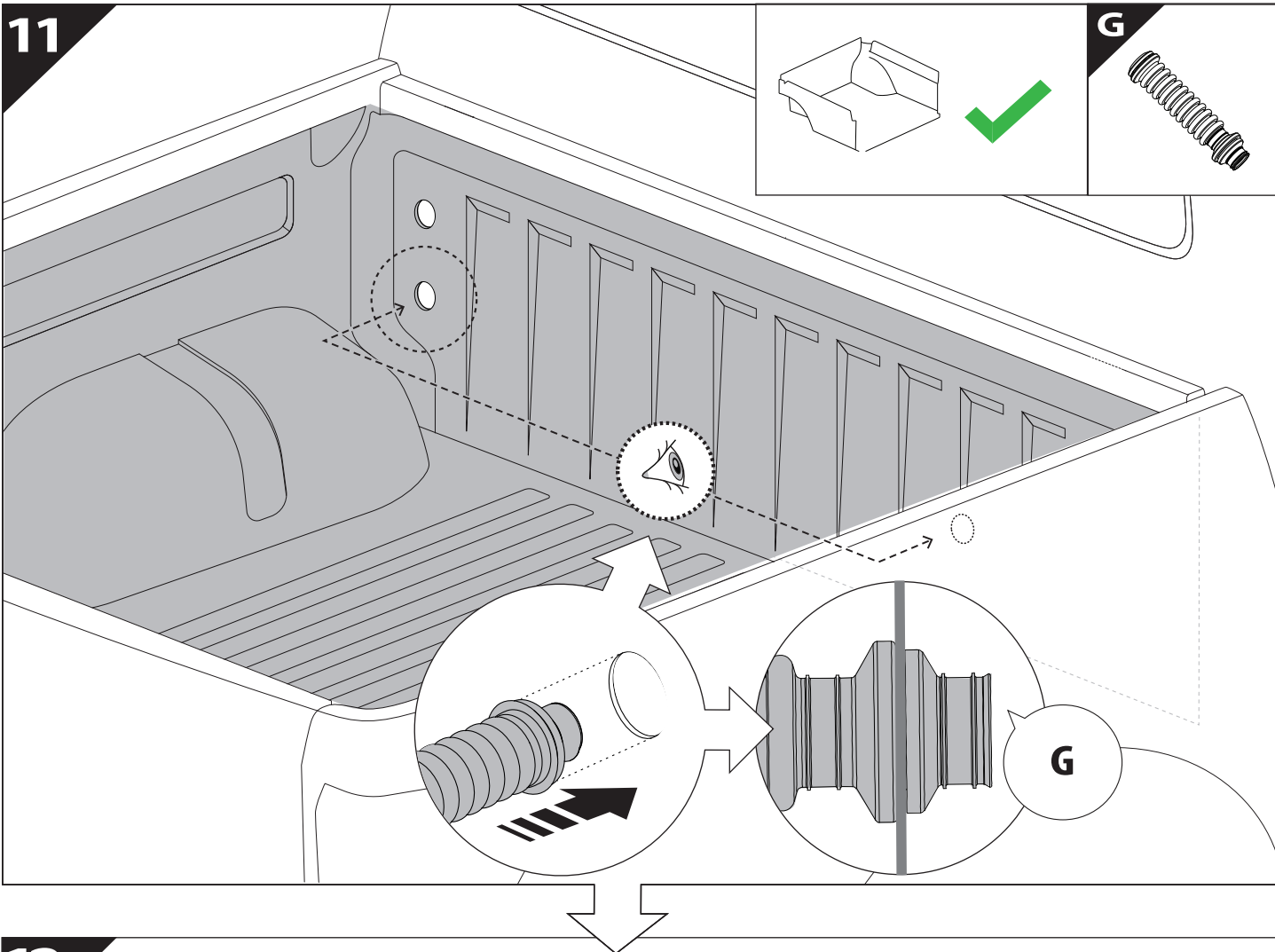
CAUTION: LIMITED, WILDTRAK, WILDTRAK X, PLATINUM



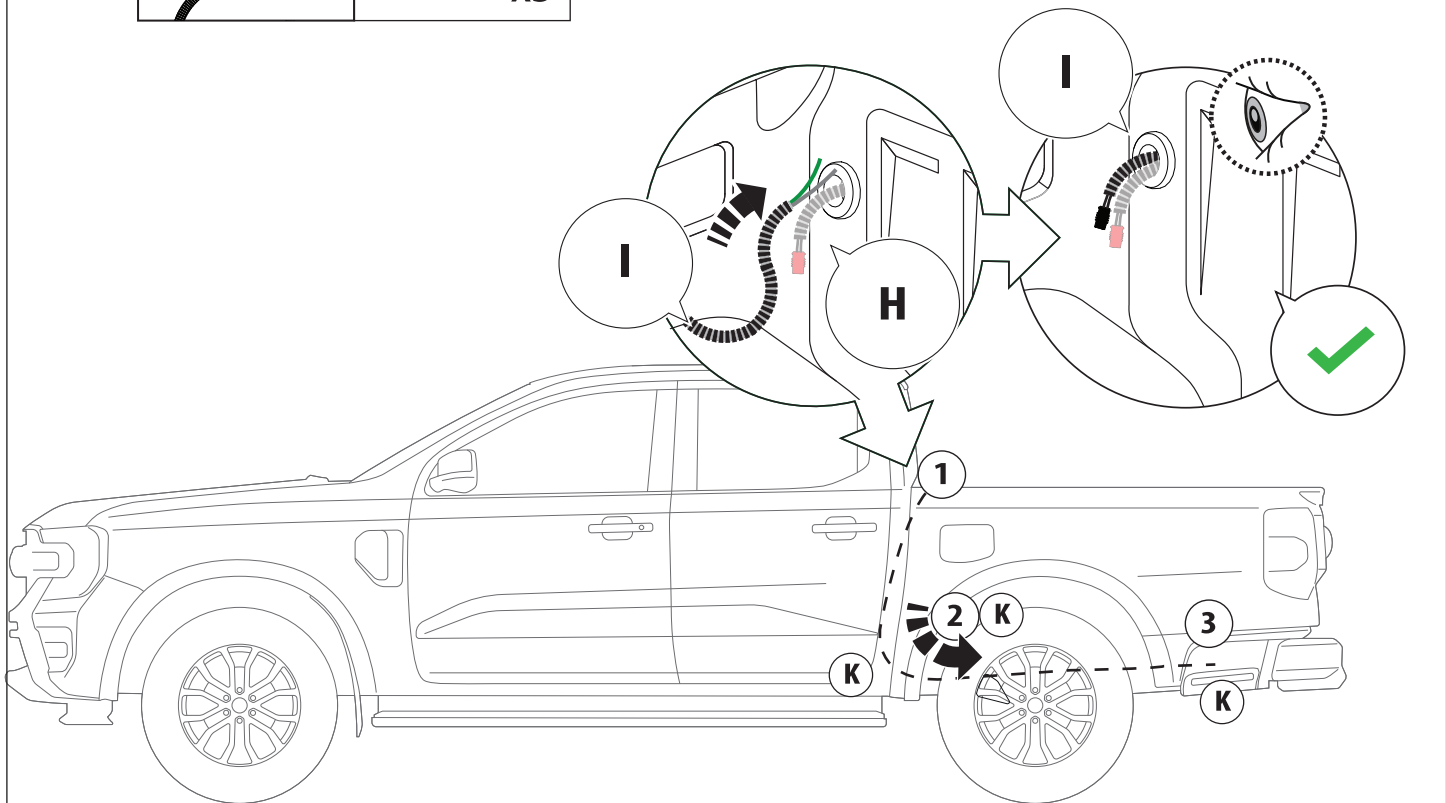
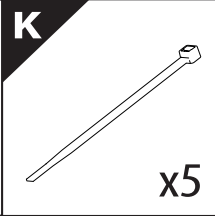
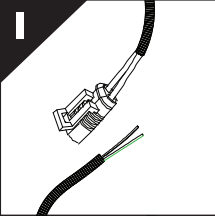
8







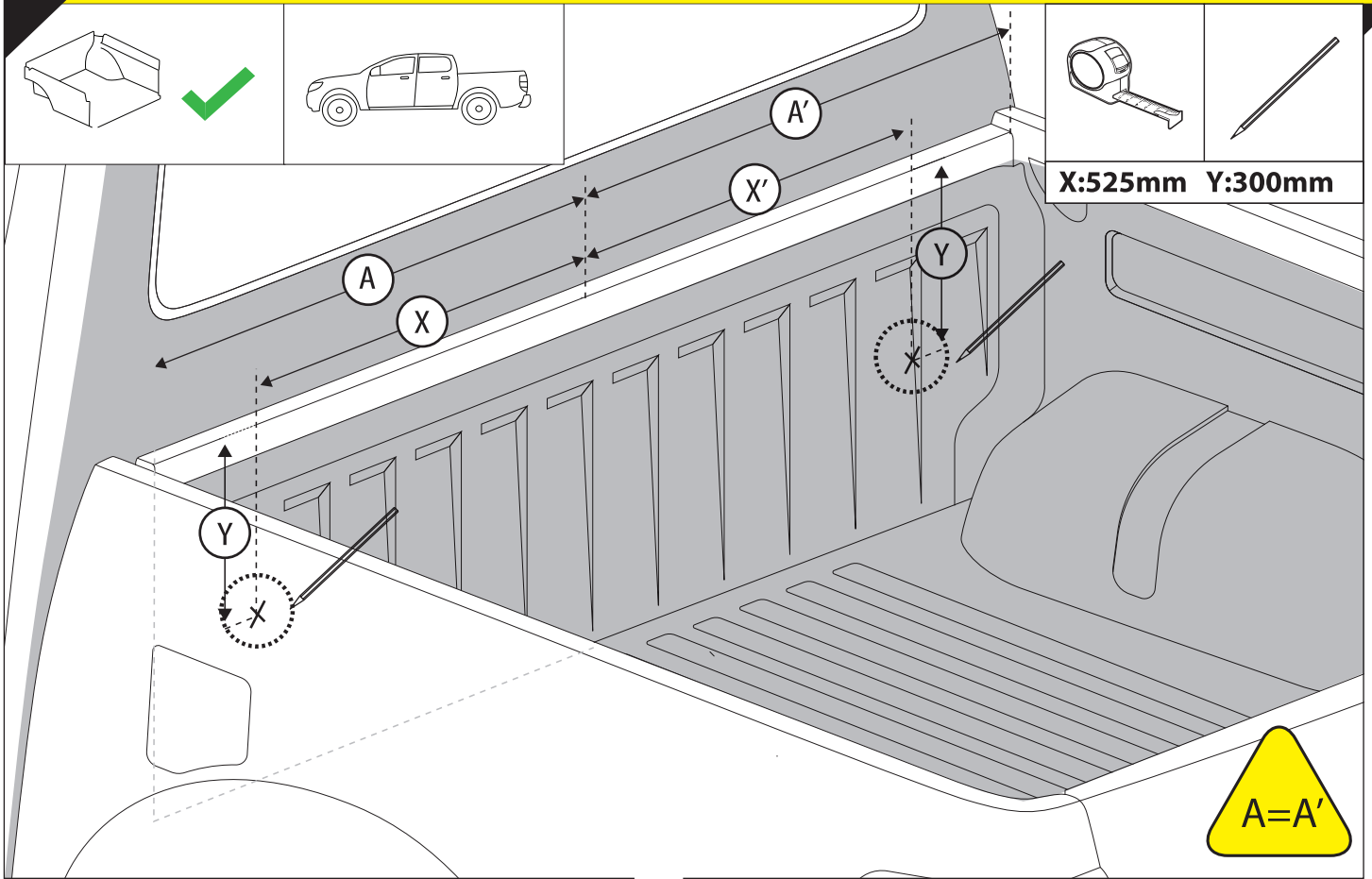
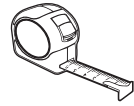
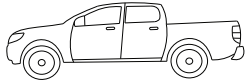
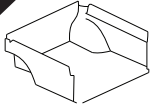
13



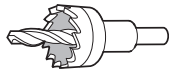
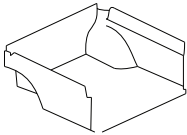
14



CAUTION: RAPTOR



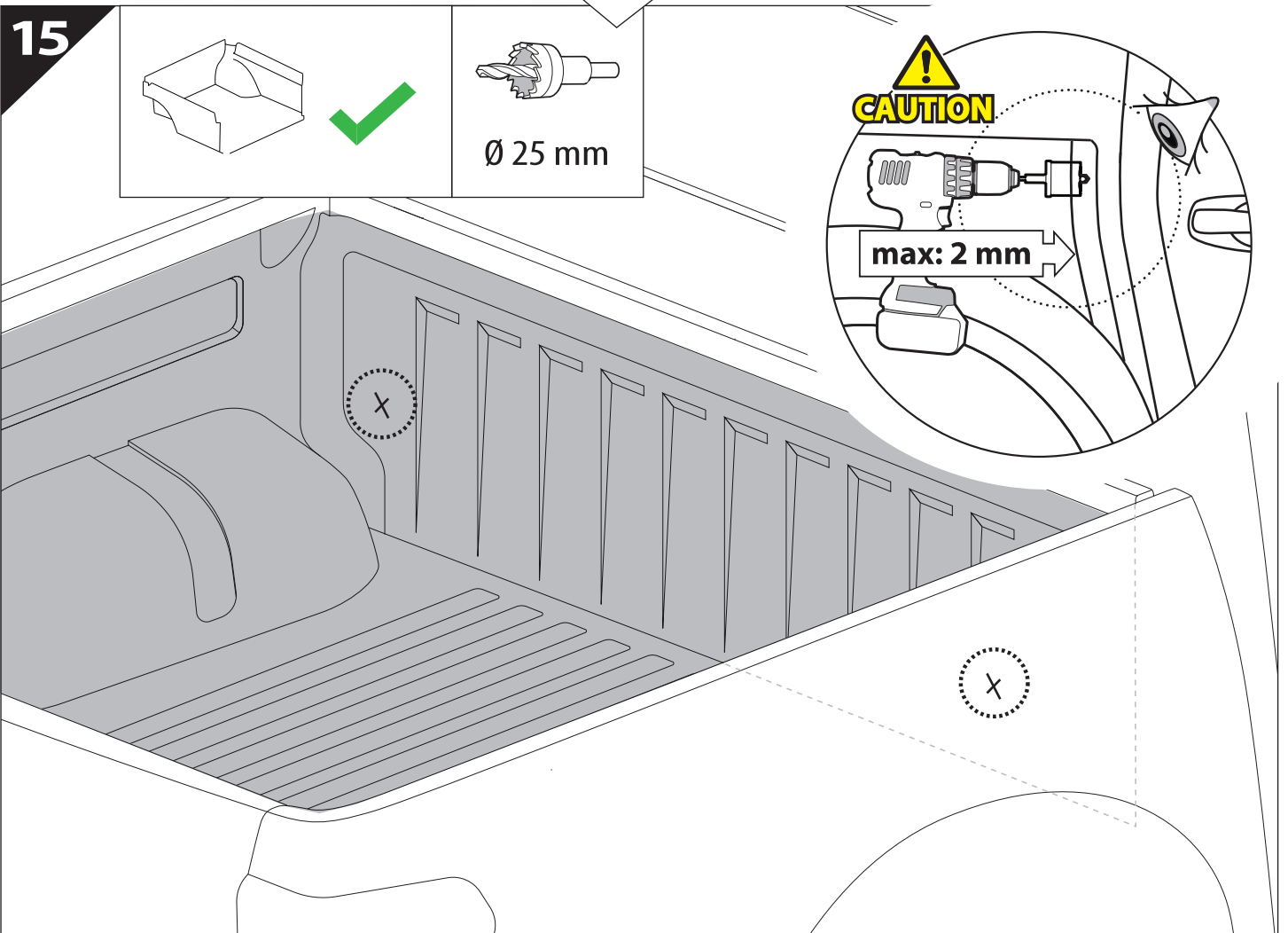
15



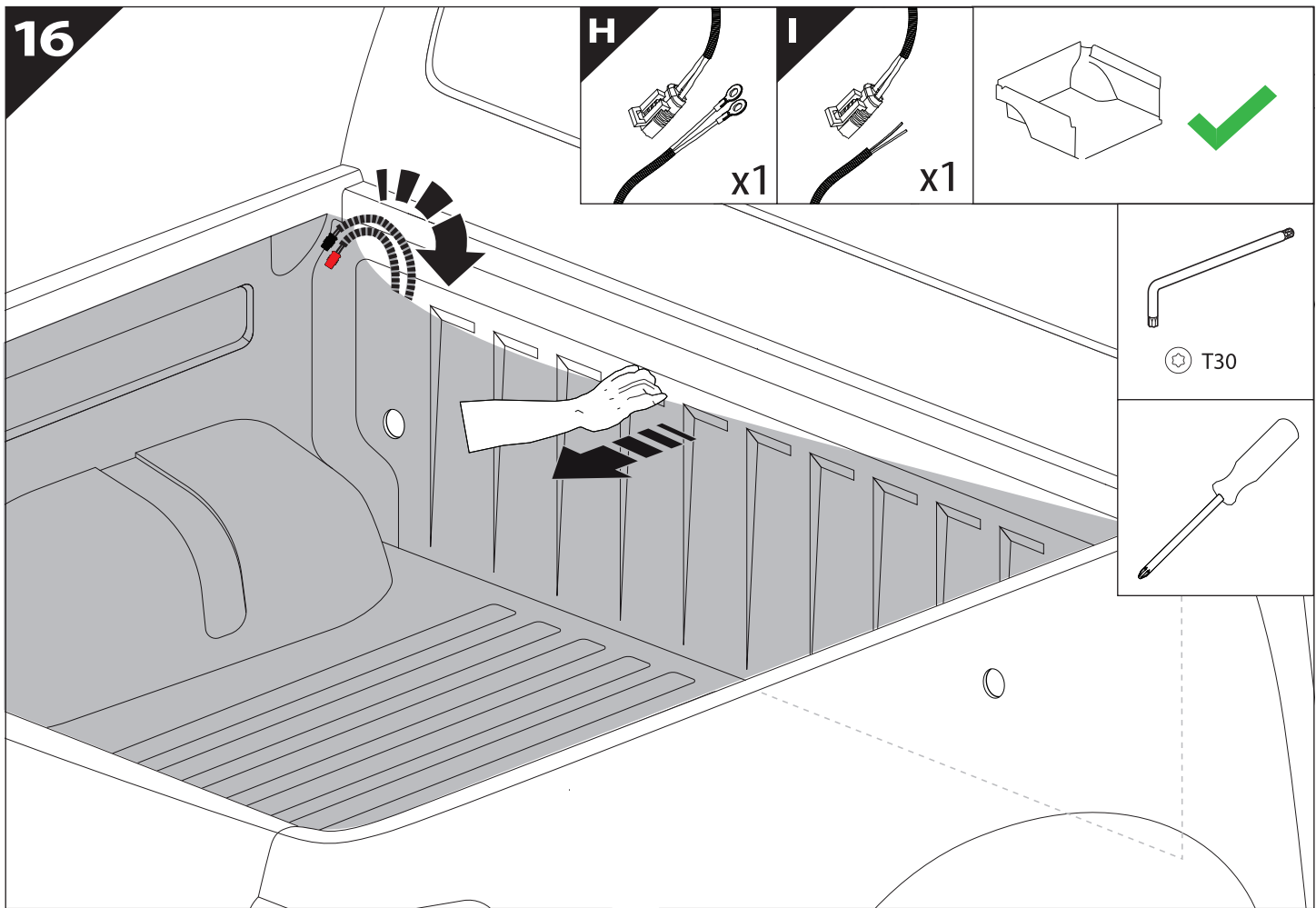
Ø 25 mm

CAUTION

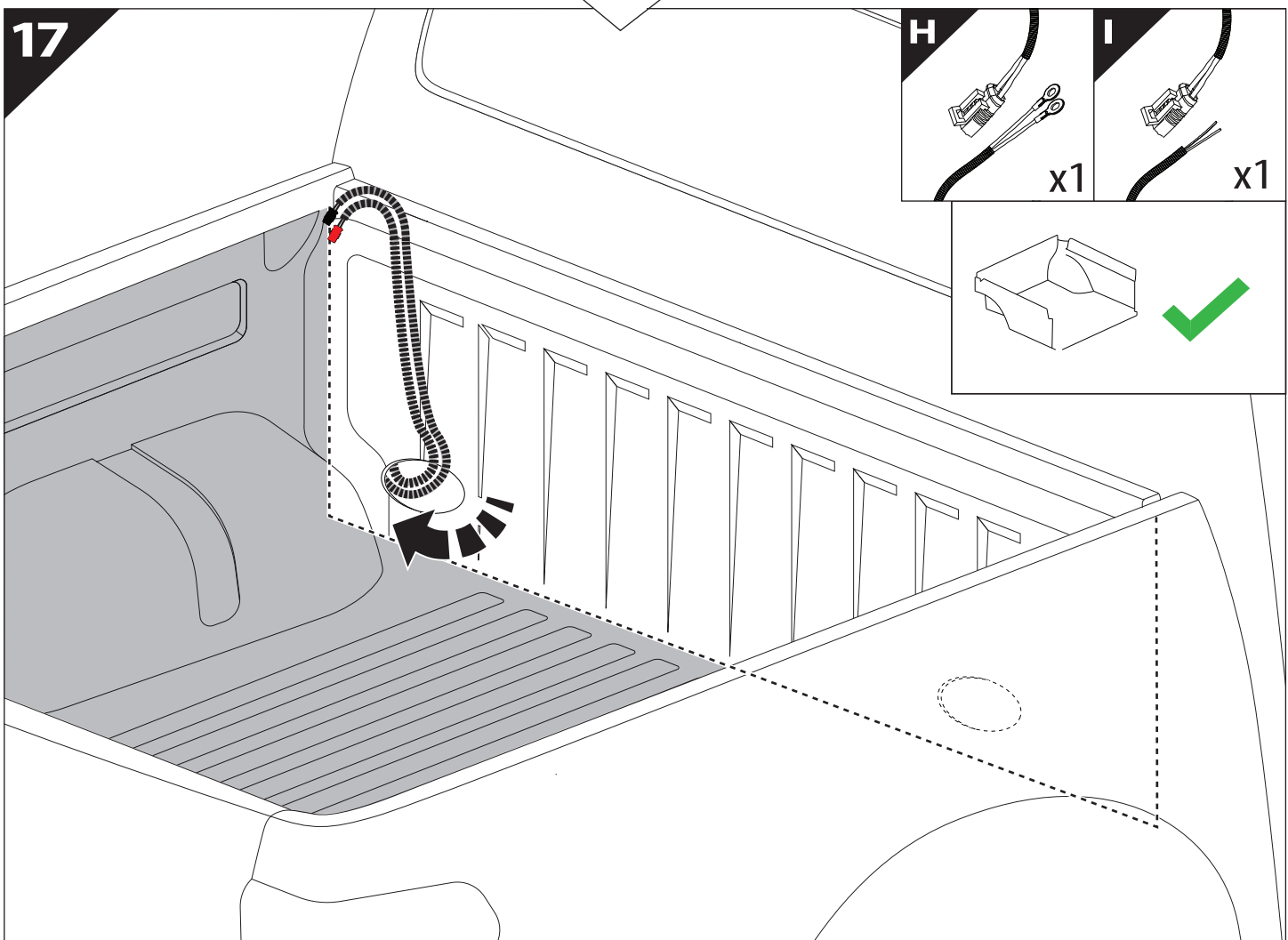
max: 2 mm

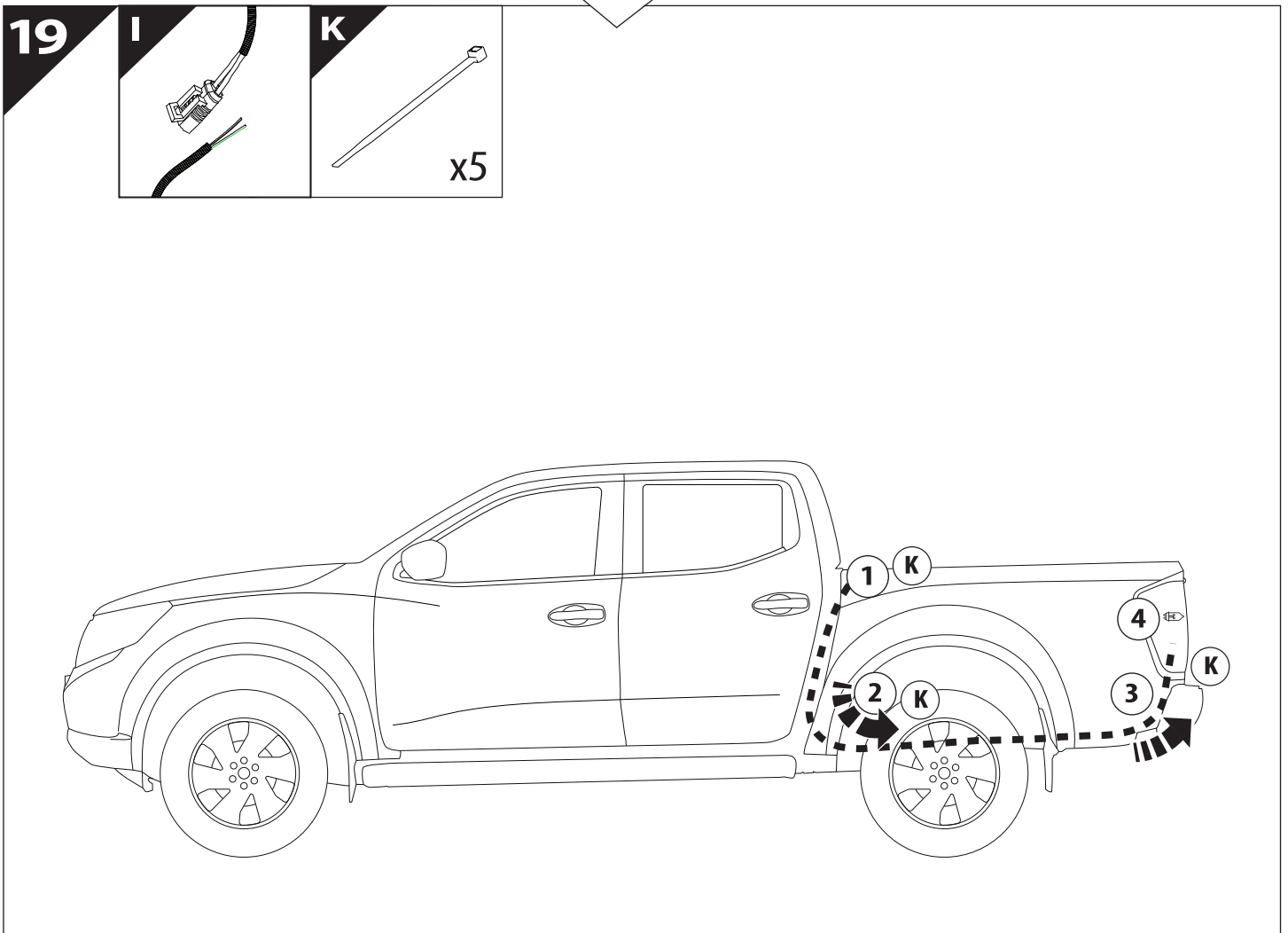
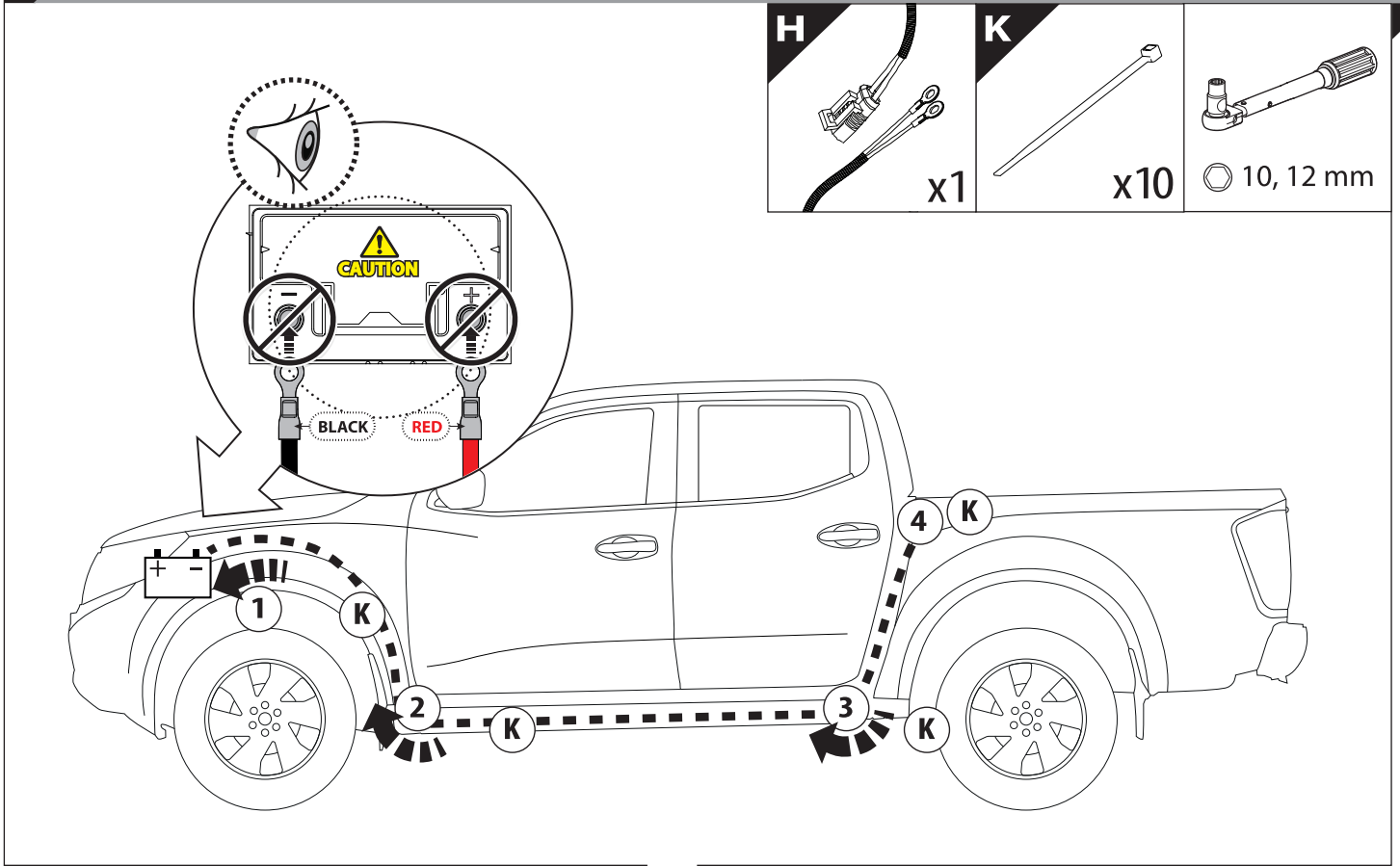


16

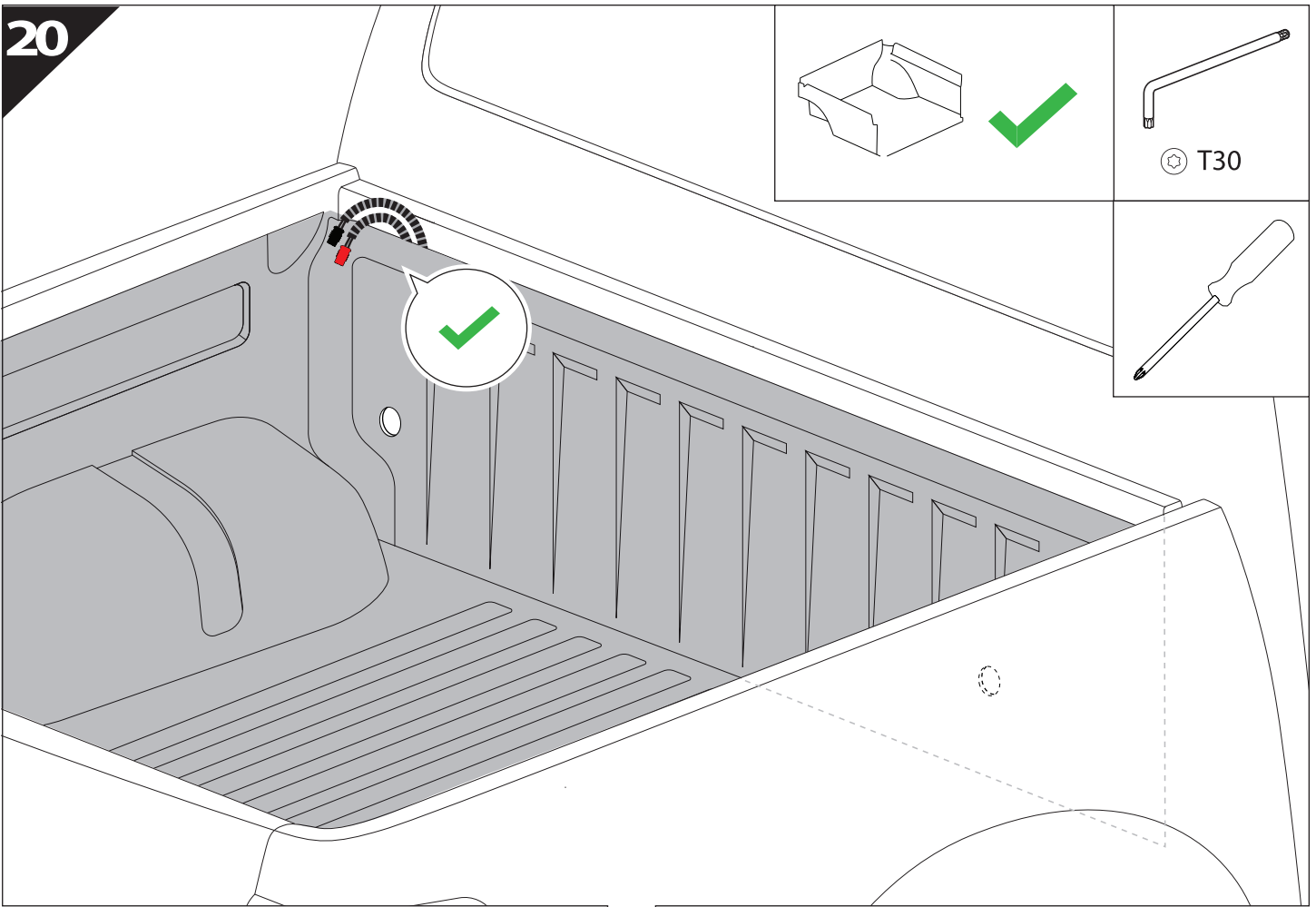


17

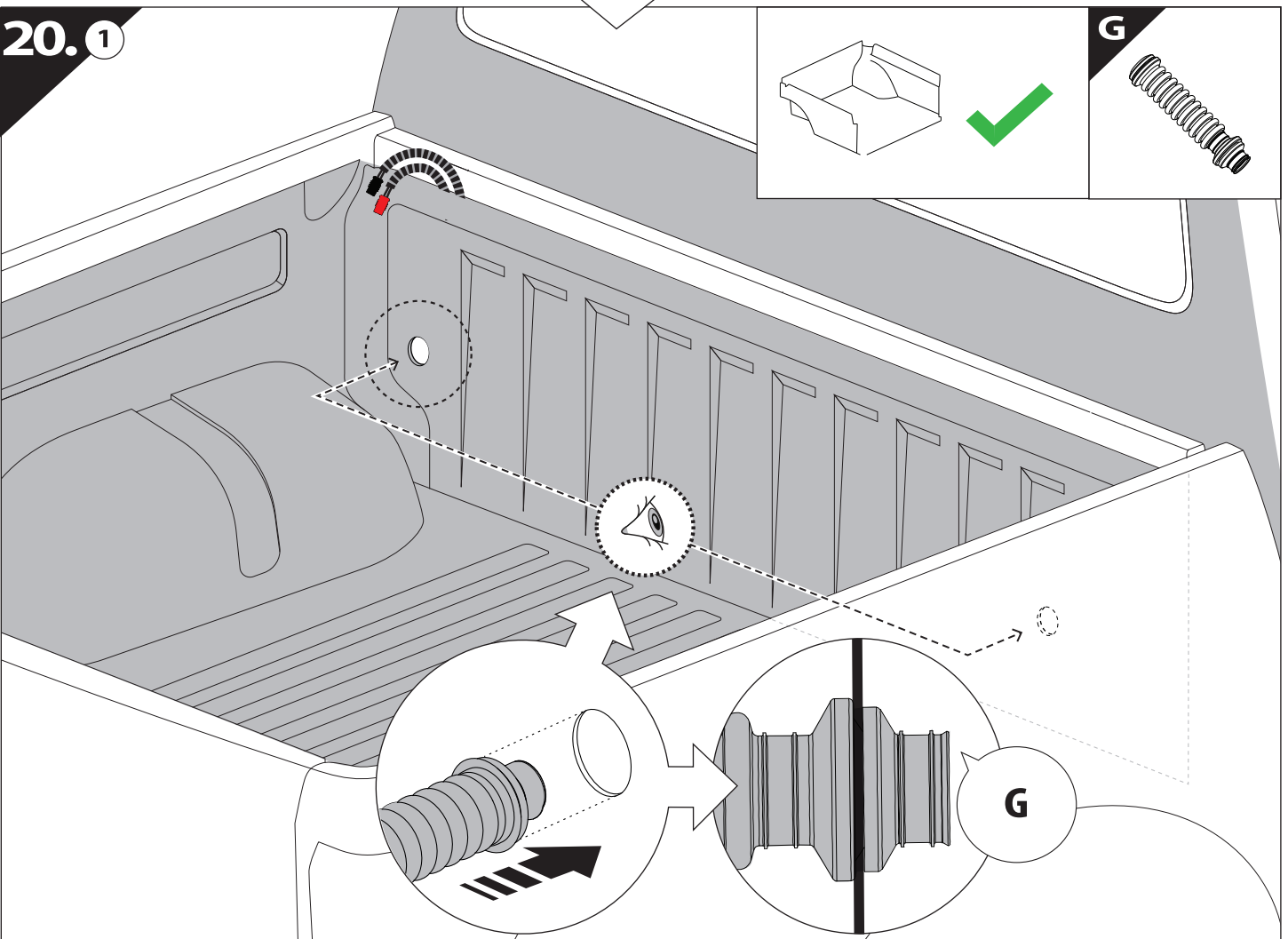




20

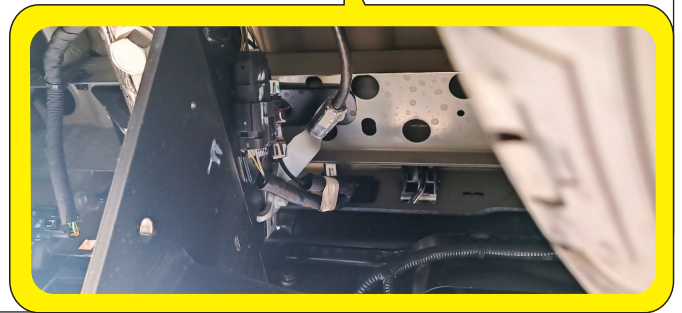
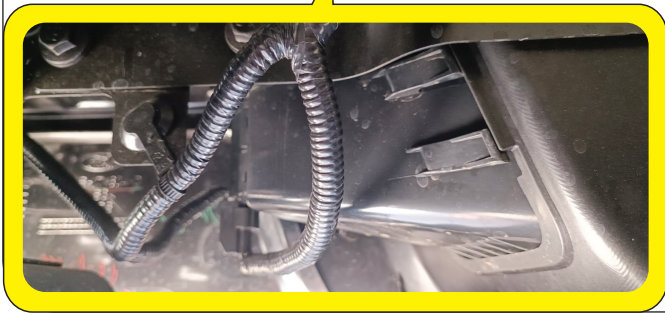
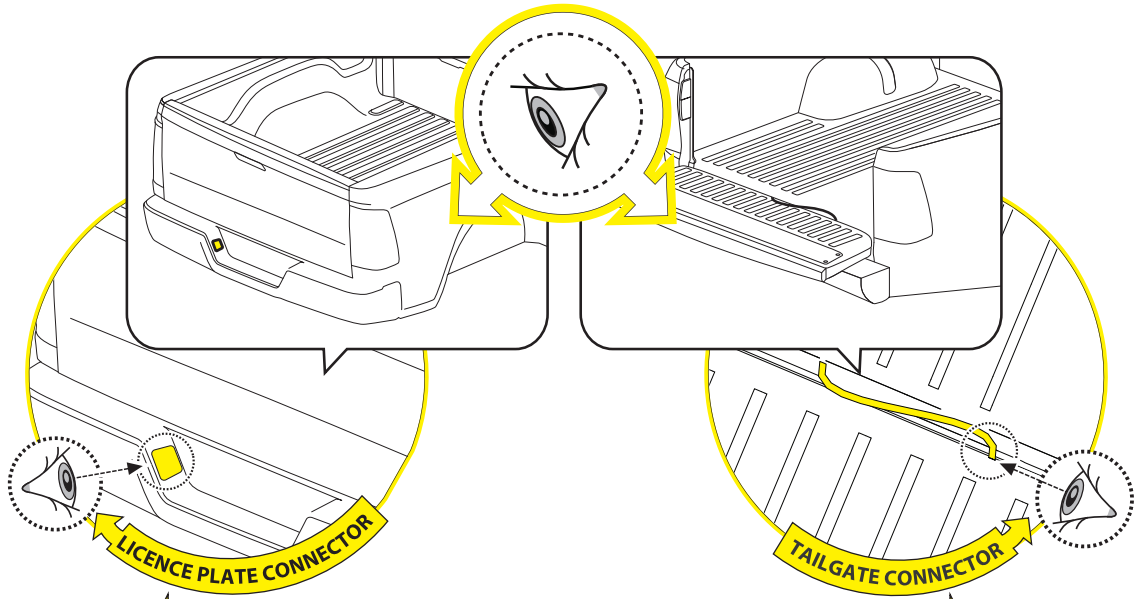


20.1

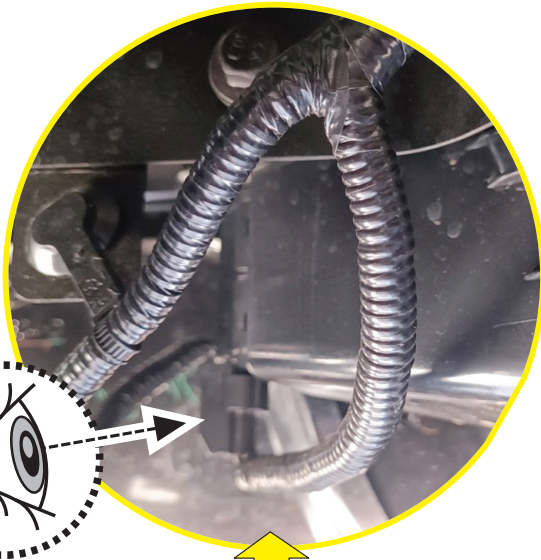




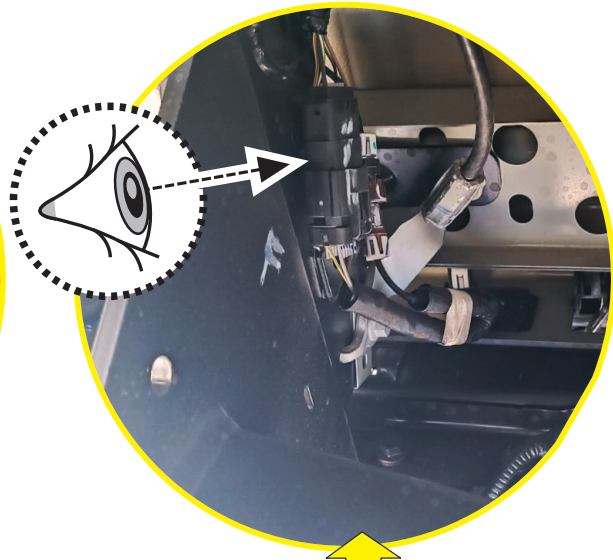
CAUTION: LIMITED, WILDTRAK, WILDTRAK X, PLATINUM



21. ①



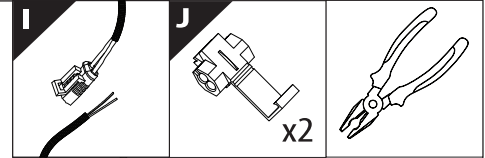
LICENCE PLATE CONNECTOR



TAILGATE CONNECTOR

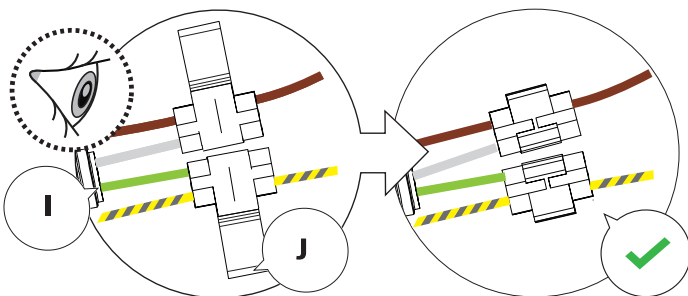
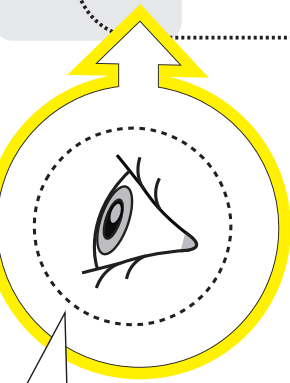
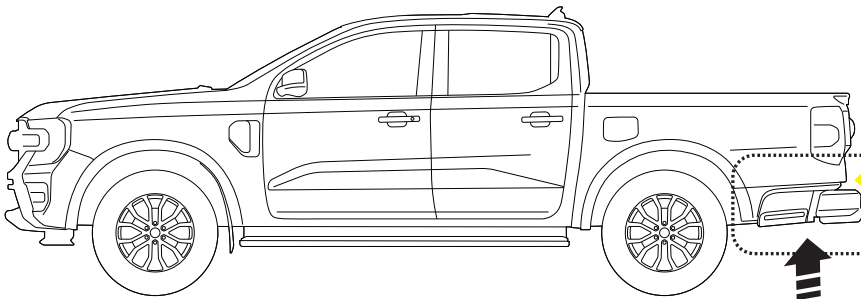
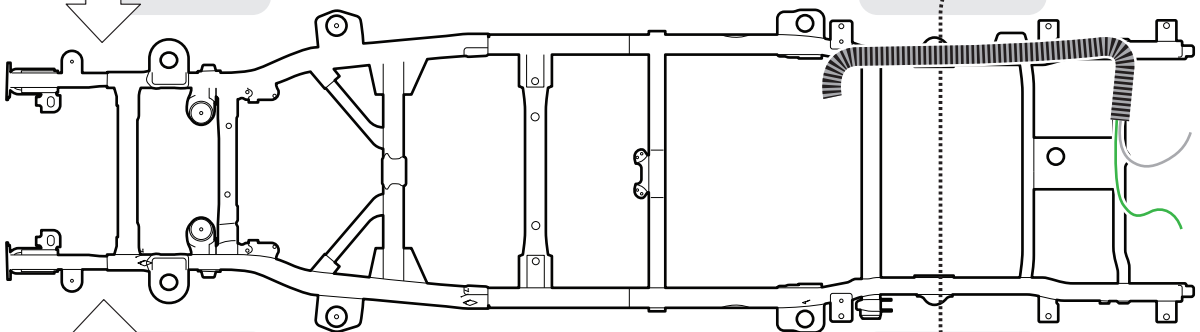
21. ②

BOTTOM VIEW

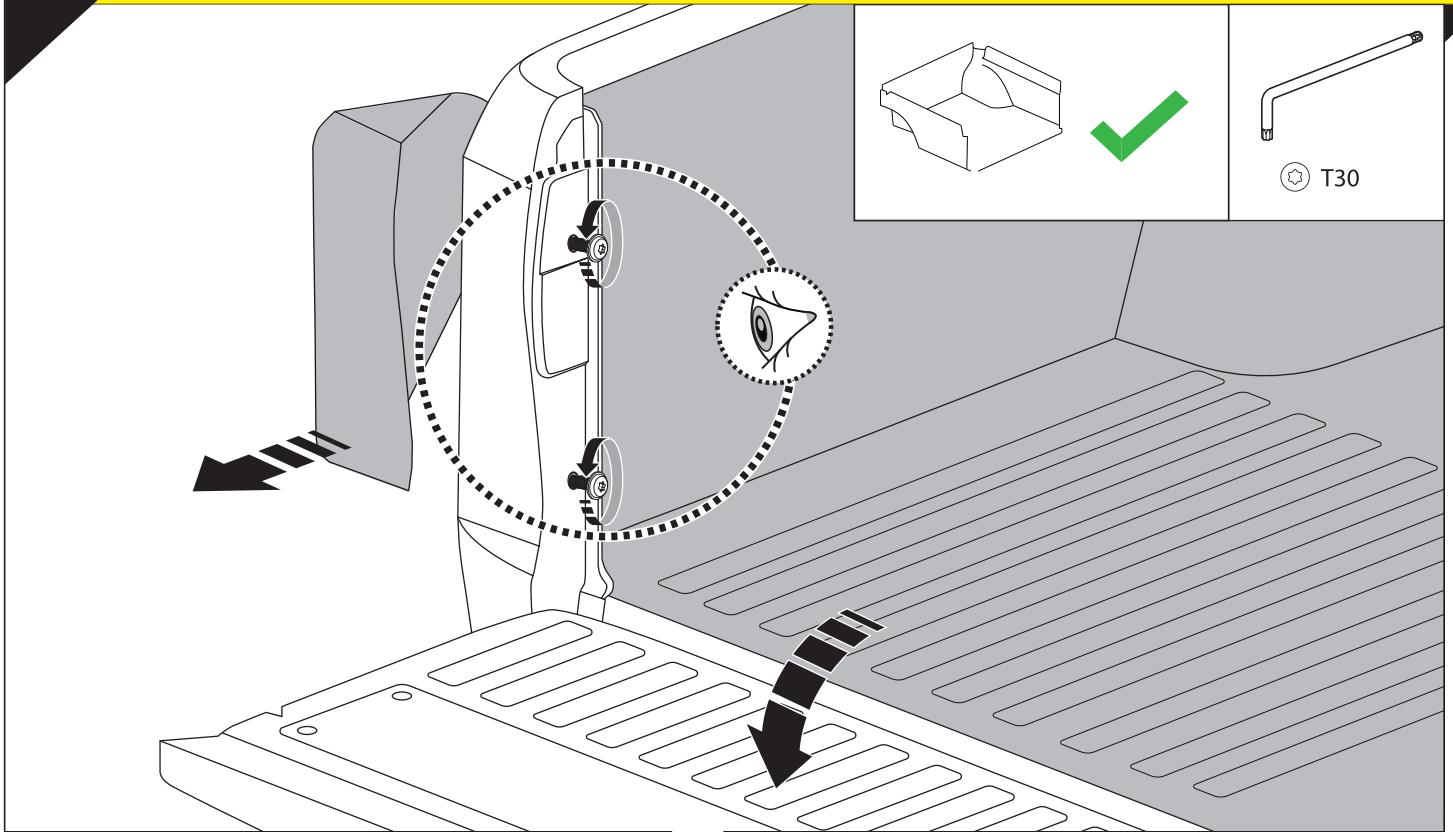


DRIVER'S LEFT SIDE

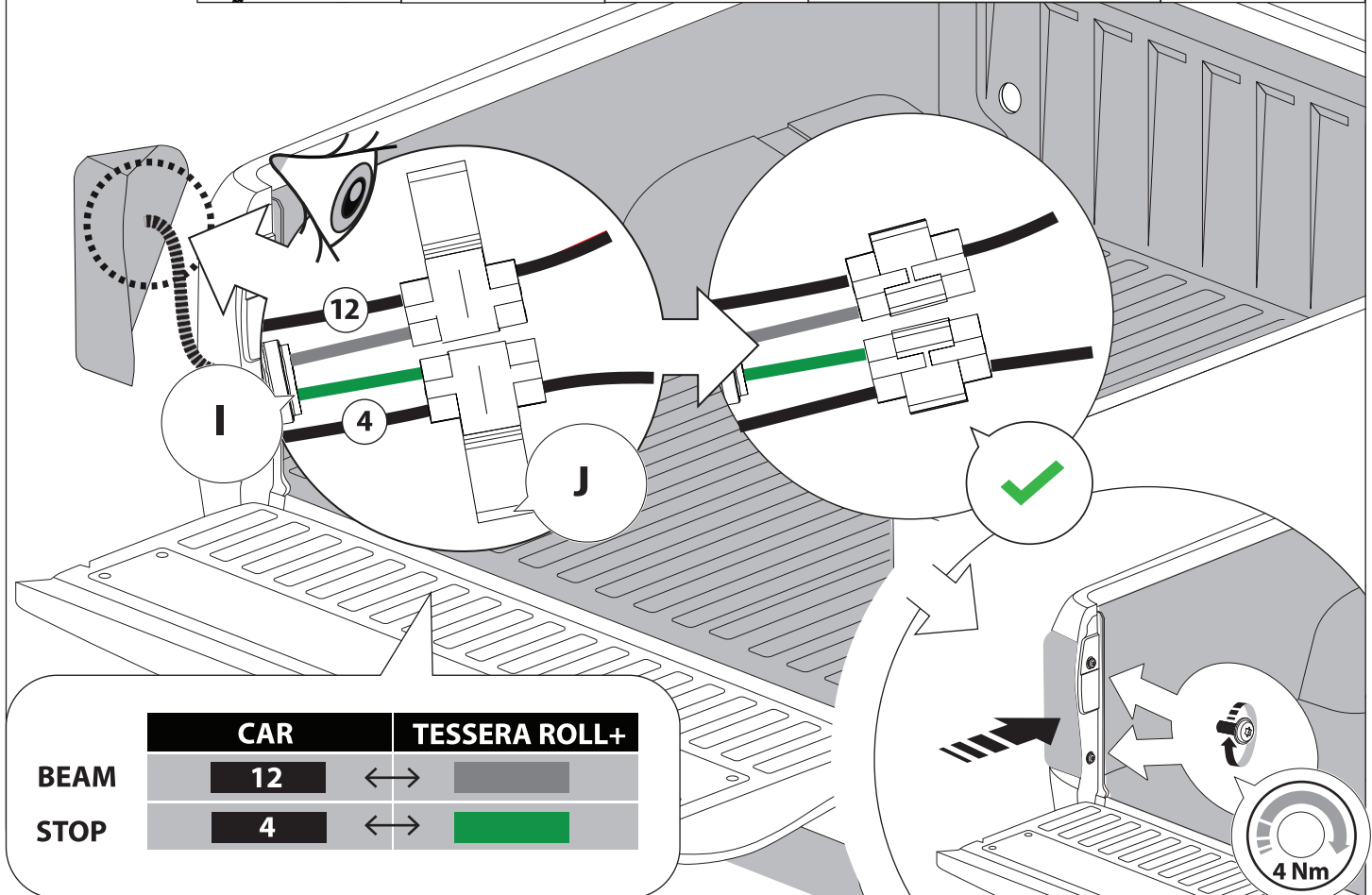
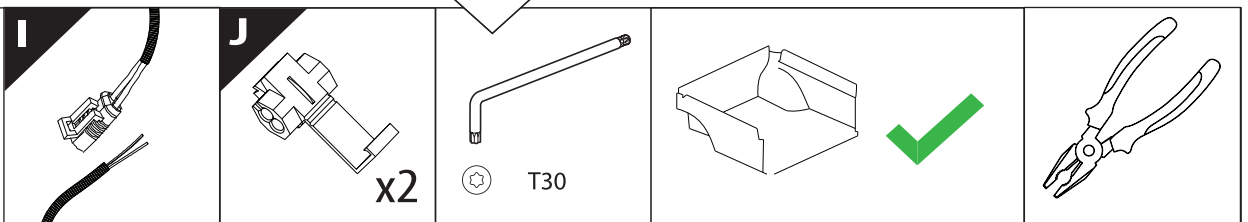
PASSENGER'S RIGHT SIDE



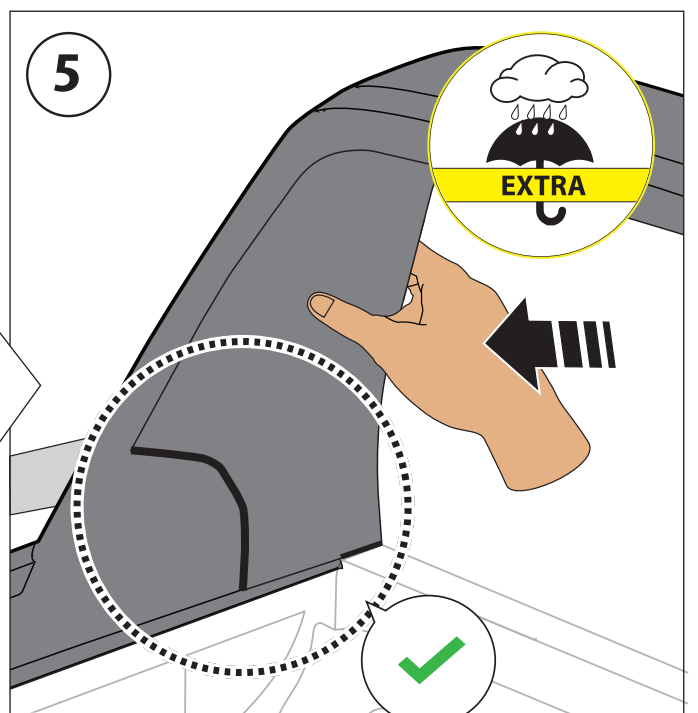
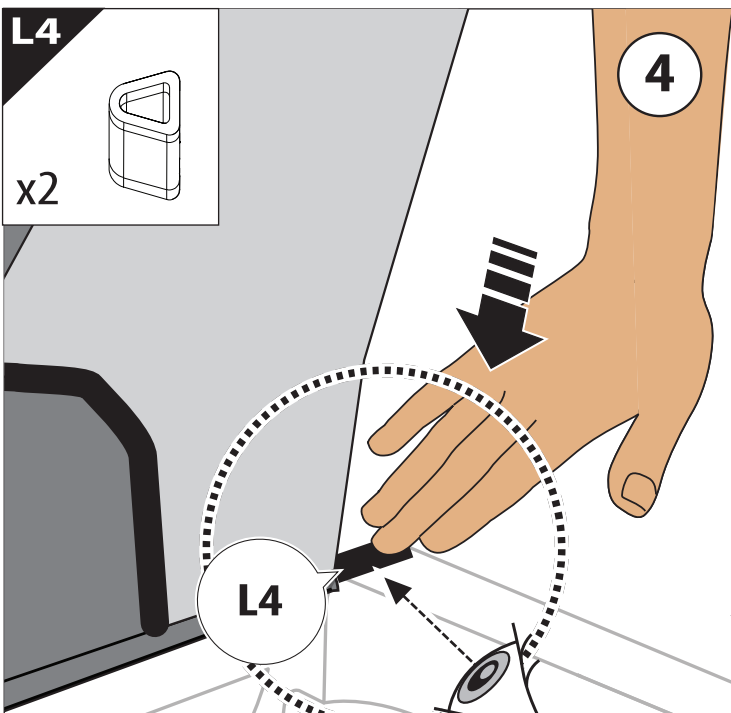
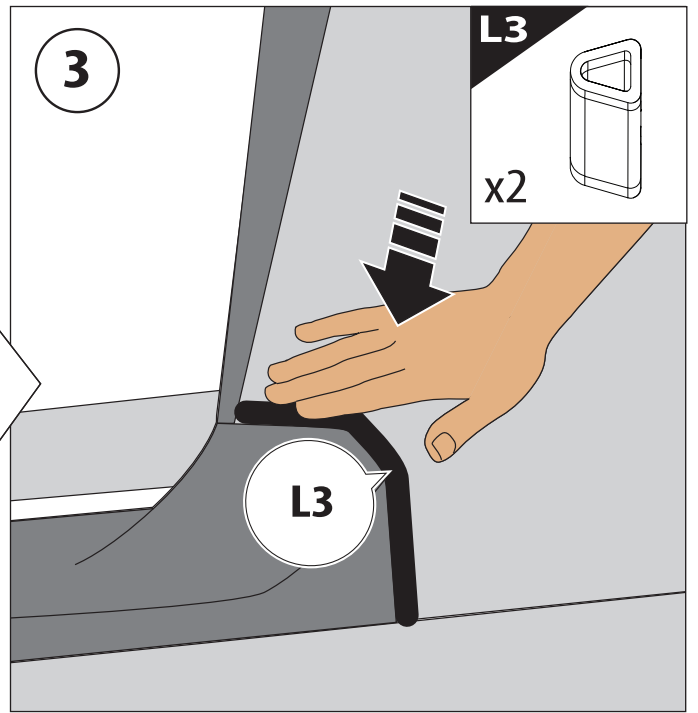
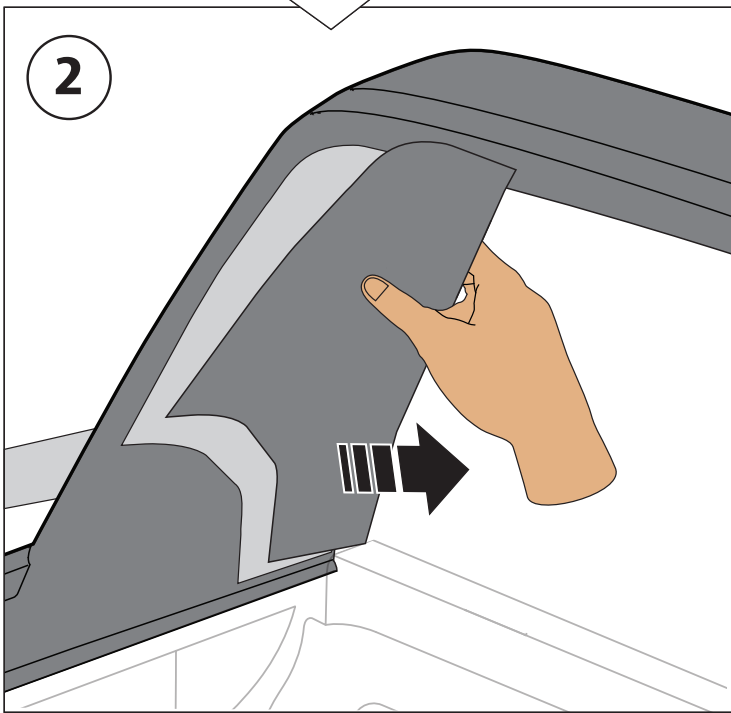
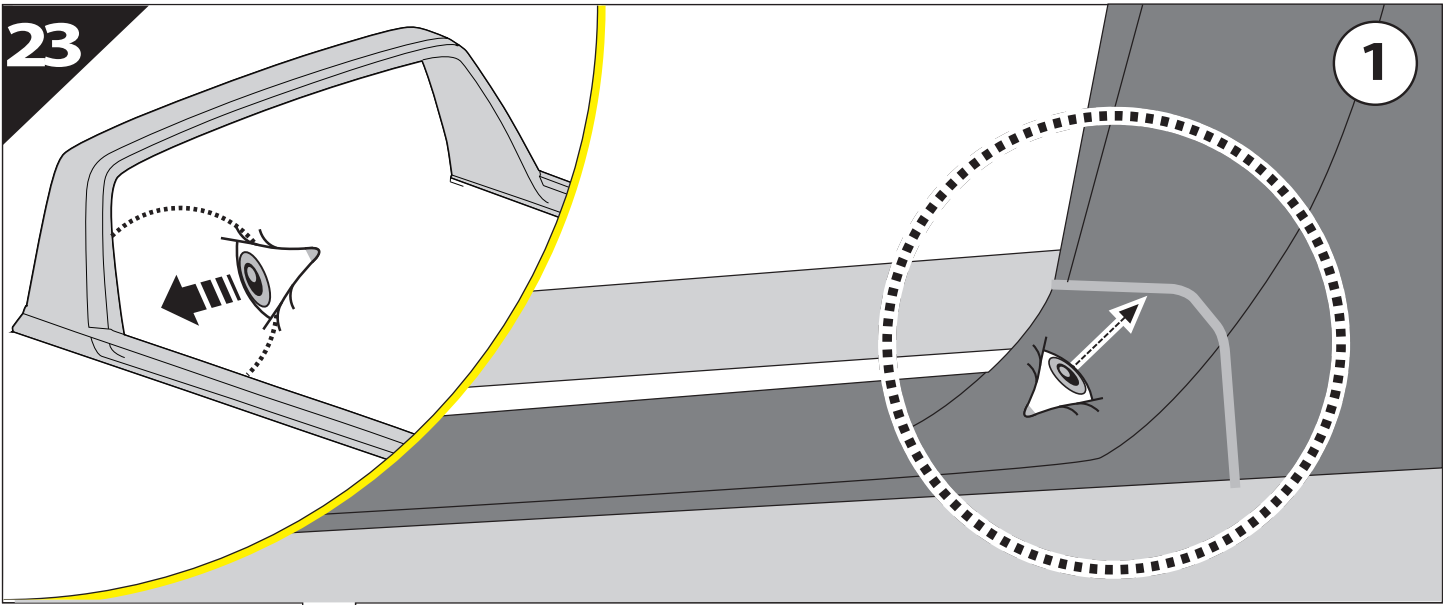
	CAR		TESSERA ROLL+
BEAM		↔	
LICENCE PLATE 2 PIN LIGHT CONNECTOR			
STOP		↔	
TAILGATE CONNECTOR			



22.1



	CAR		TESSERA ROLL+
BEAM	12	↔	
STOP	4	↔	



24

Basic Version ✓

Basic+S-KIT Version ✓

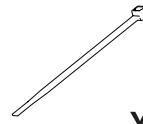
CAUTION ⚠

Basic+E-KIT Version ✓

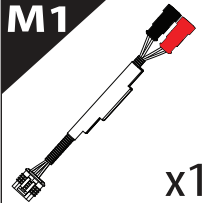


K

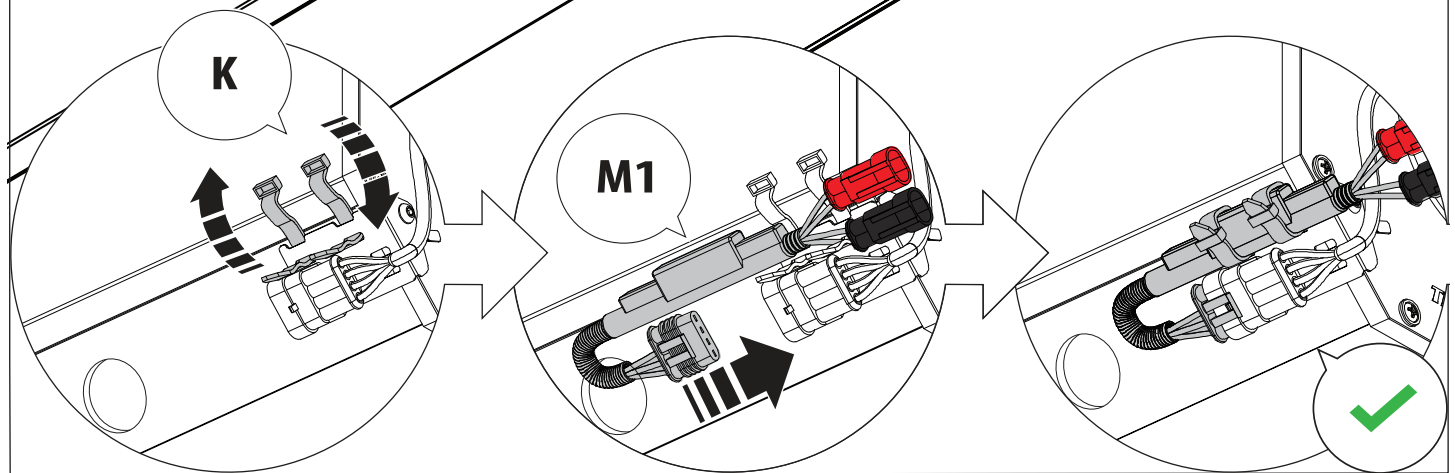
M1

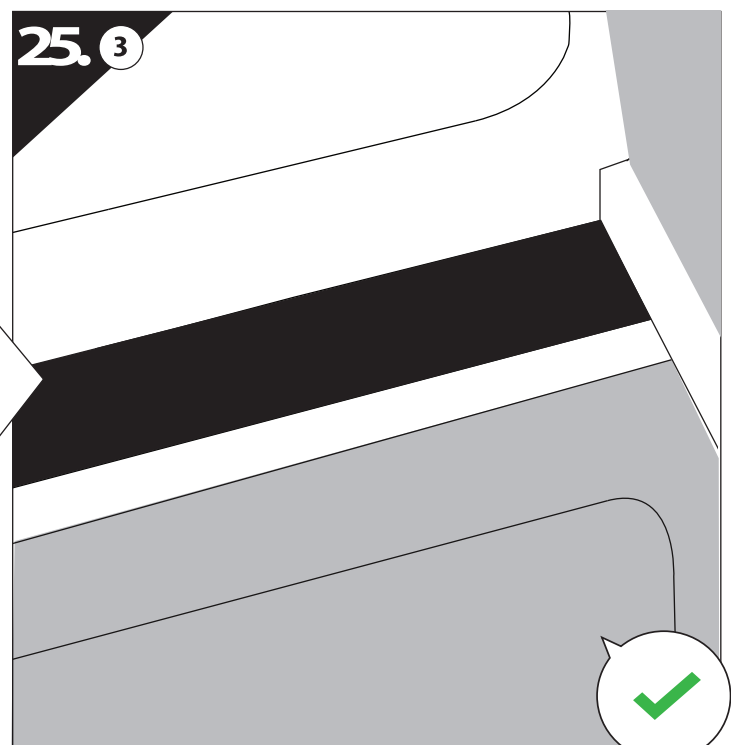
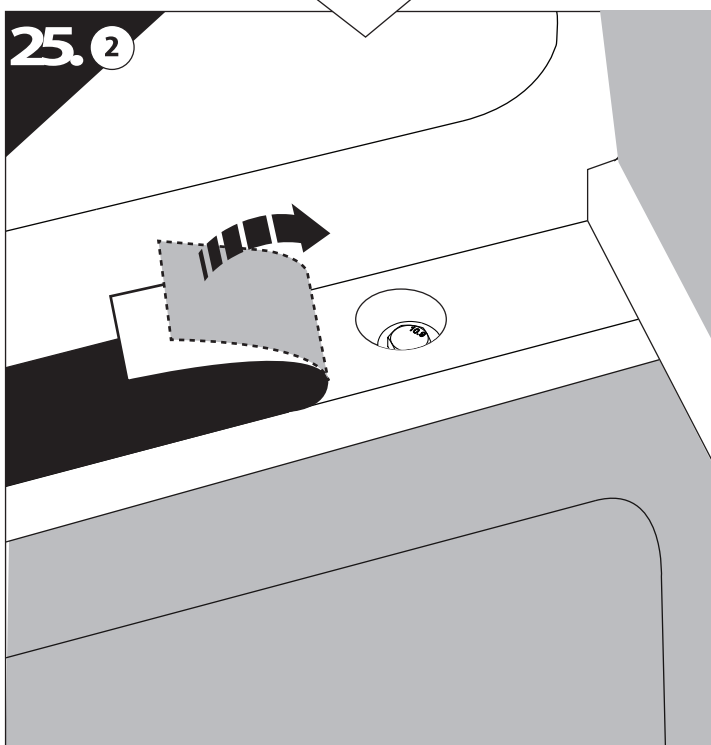
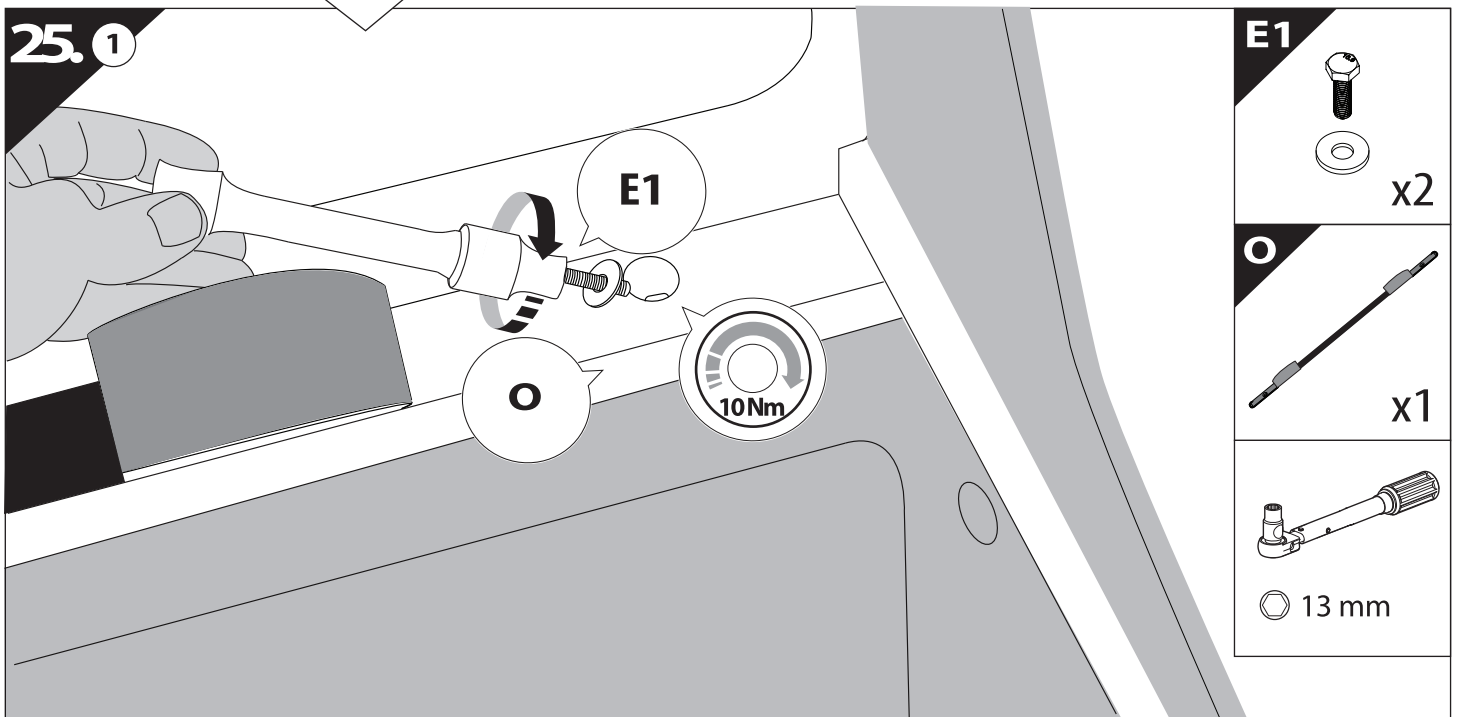
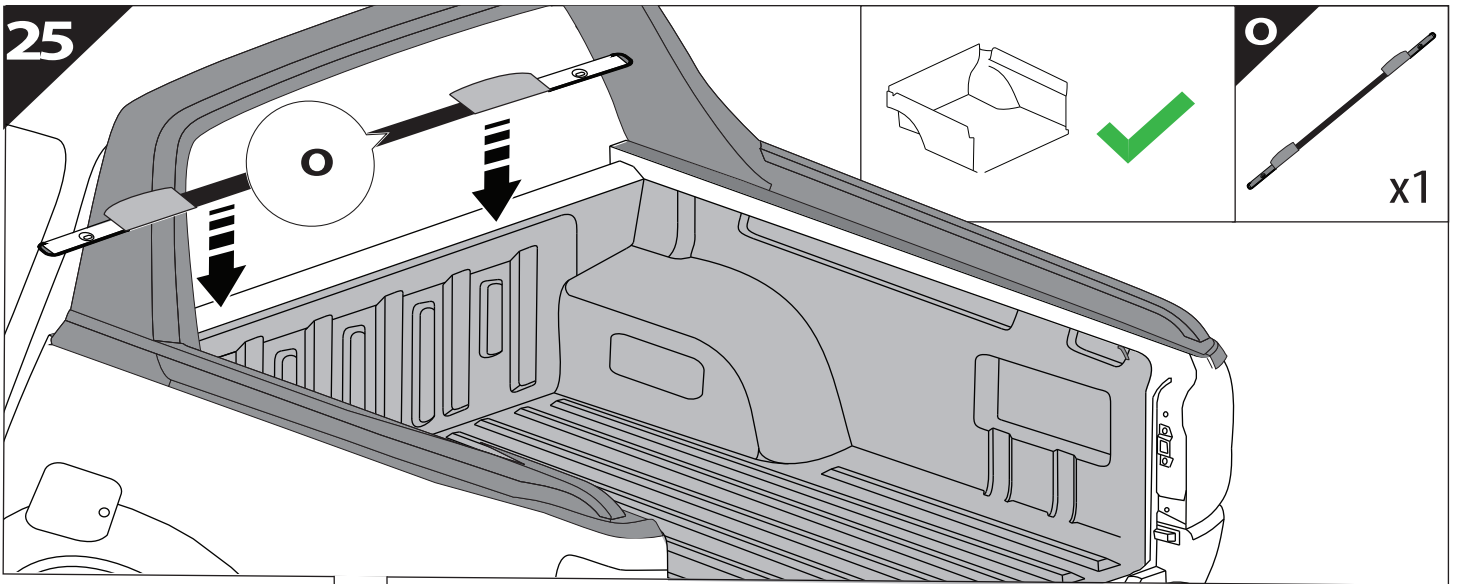


x2



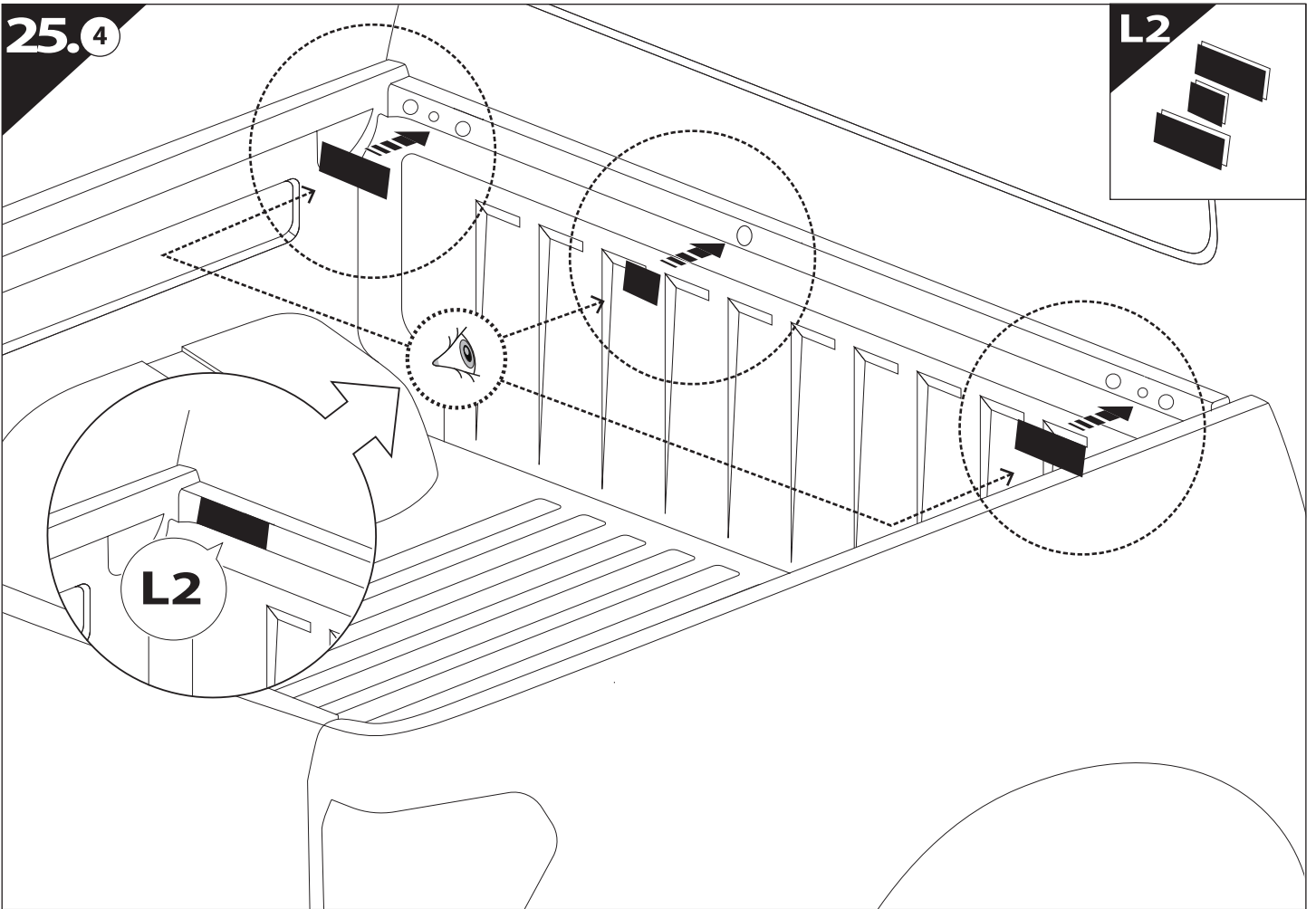
x1



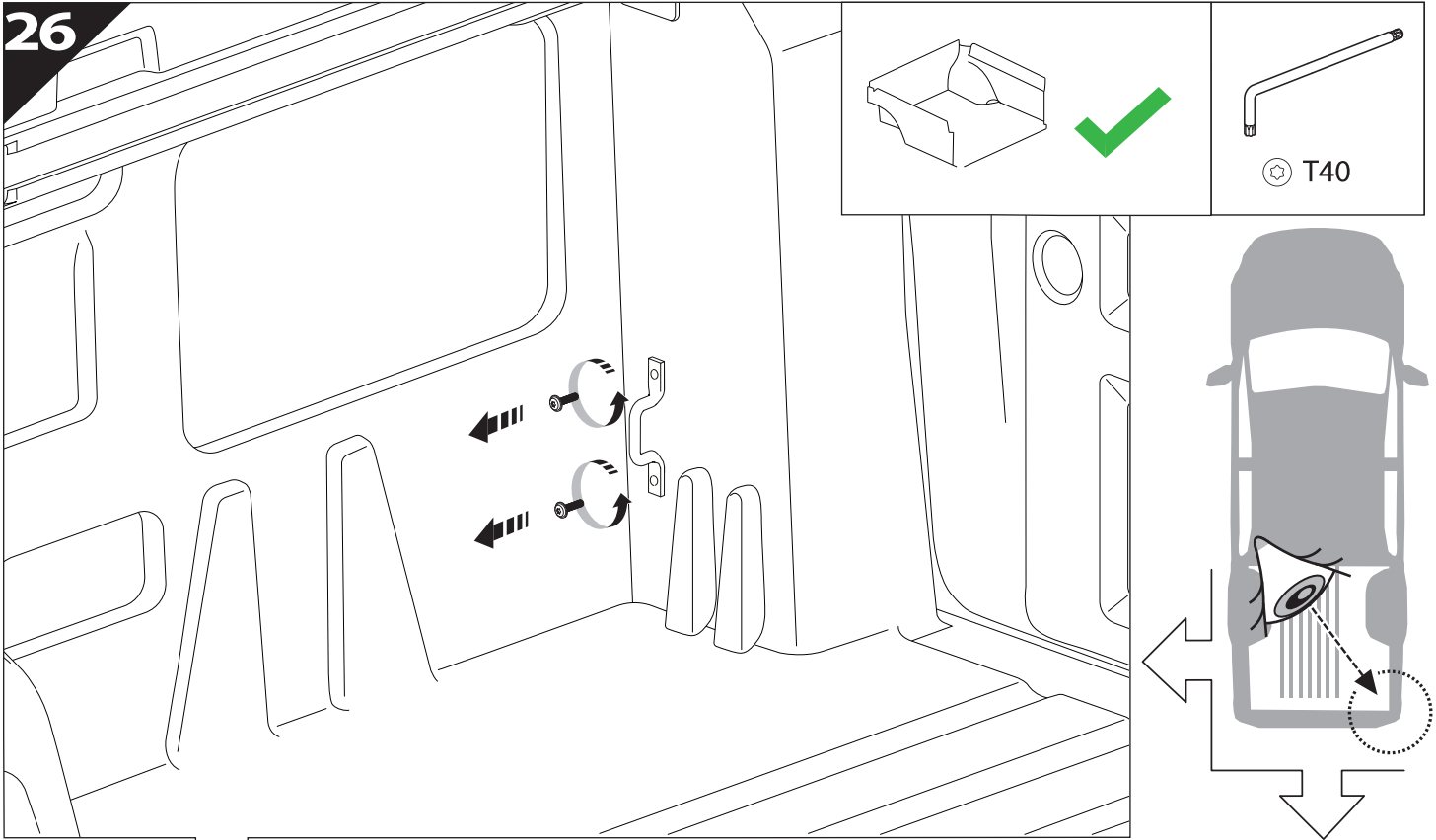


25.4

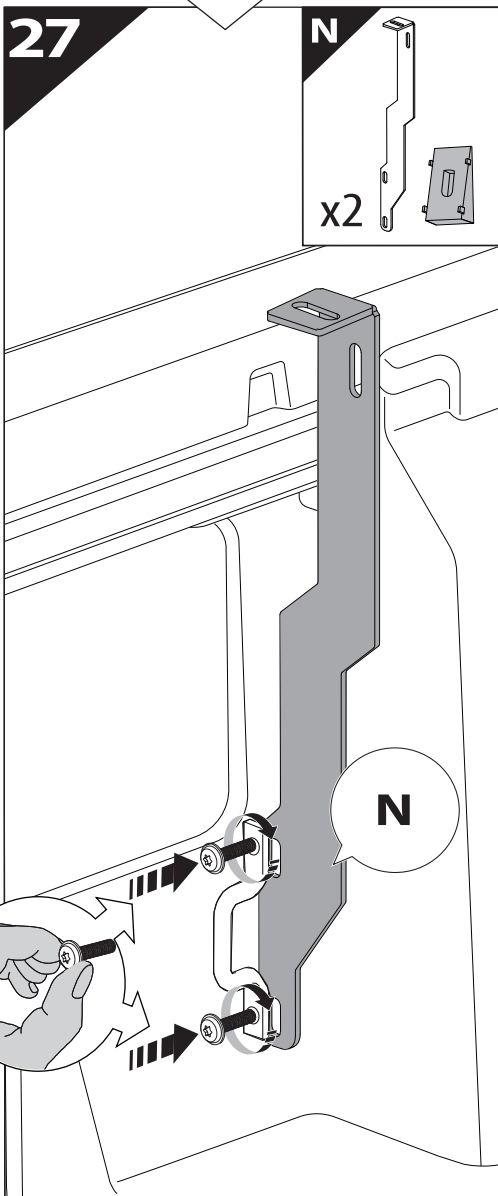
L2



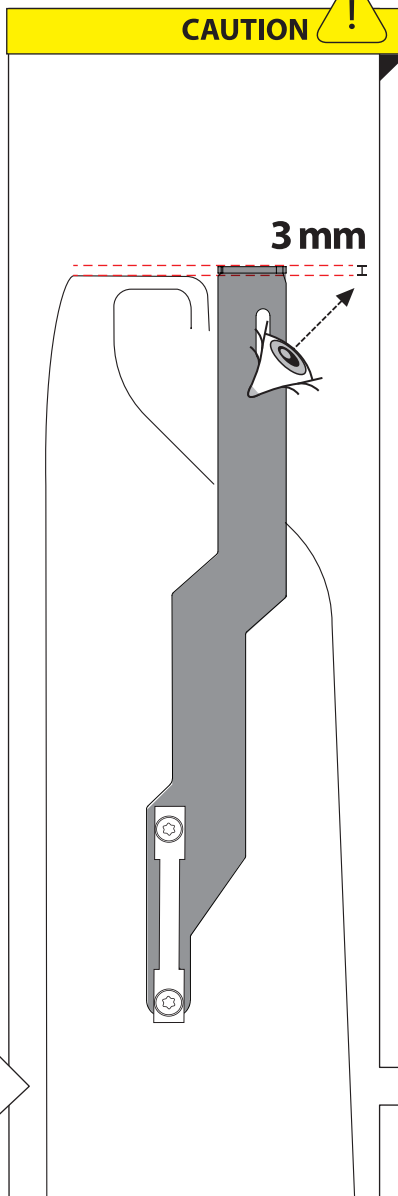
26



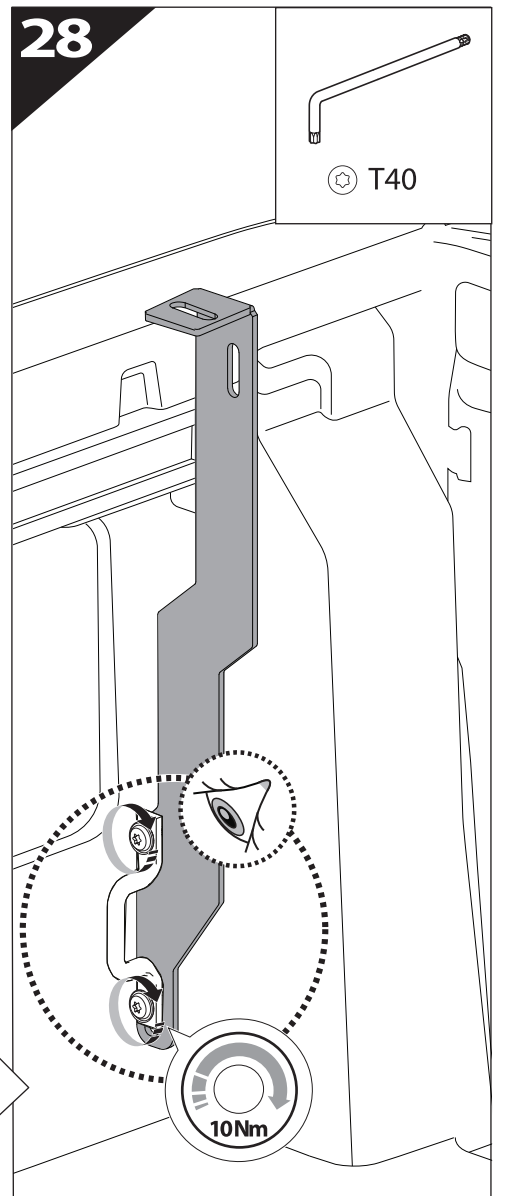
27



CAUTION



28



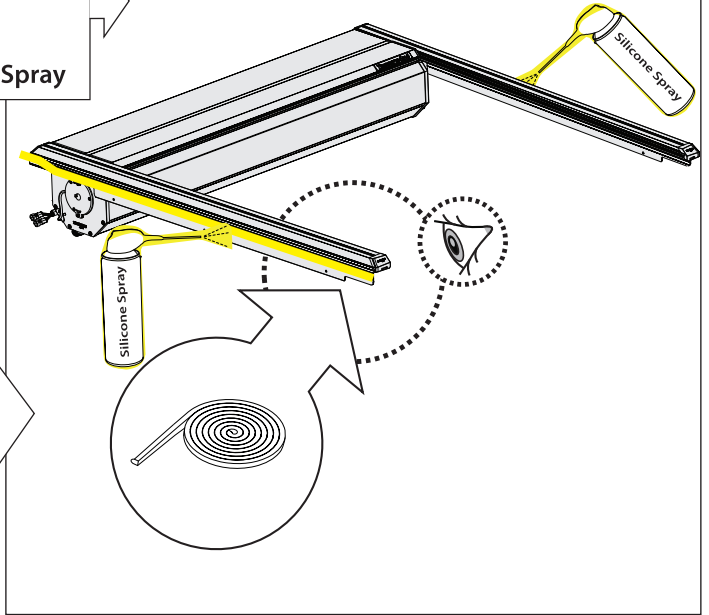
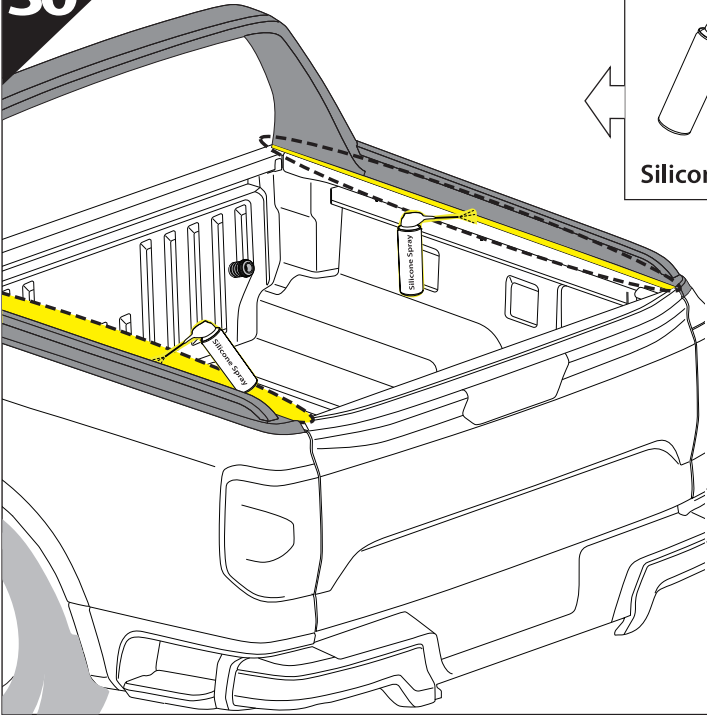
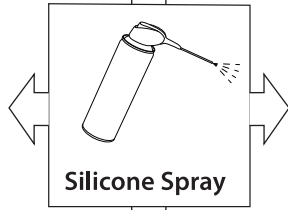
29.1

Basic+S-KIT Version

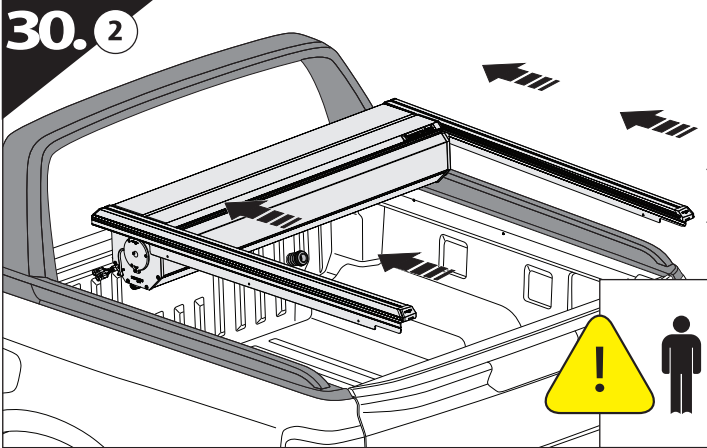
S-KIT
MANUAL

30.1

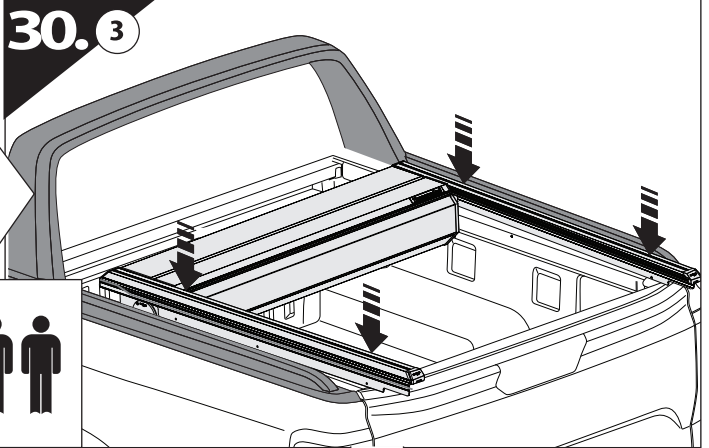
30



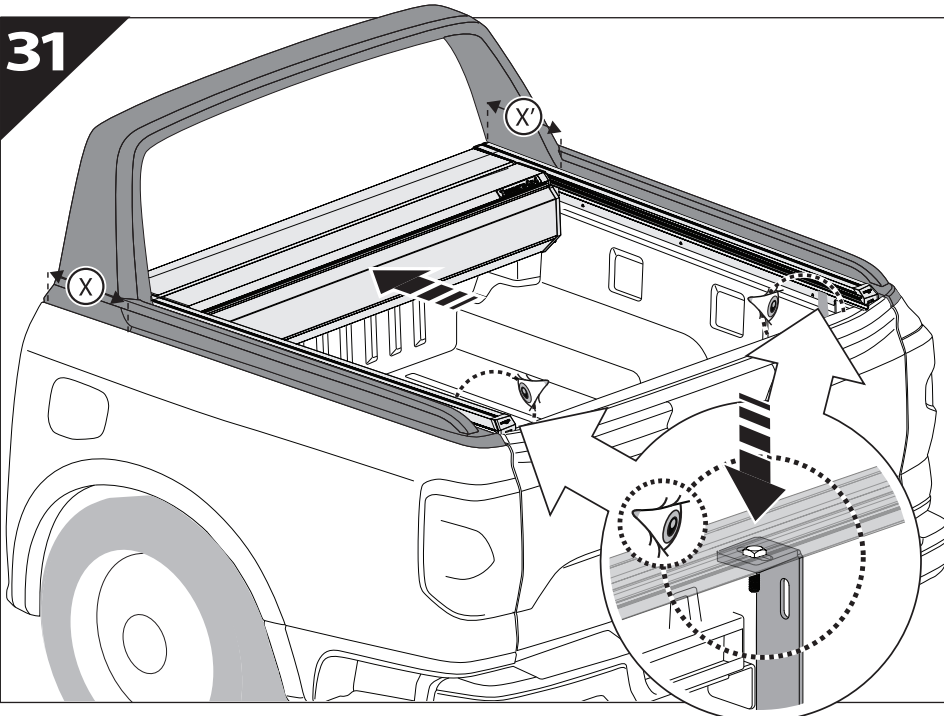
30.2

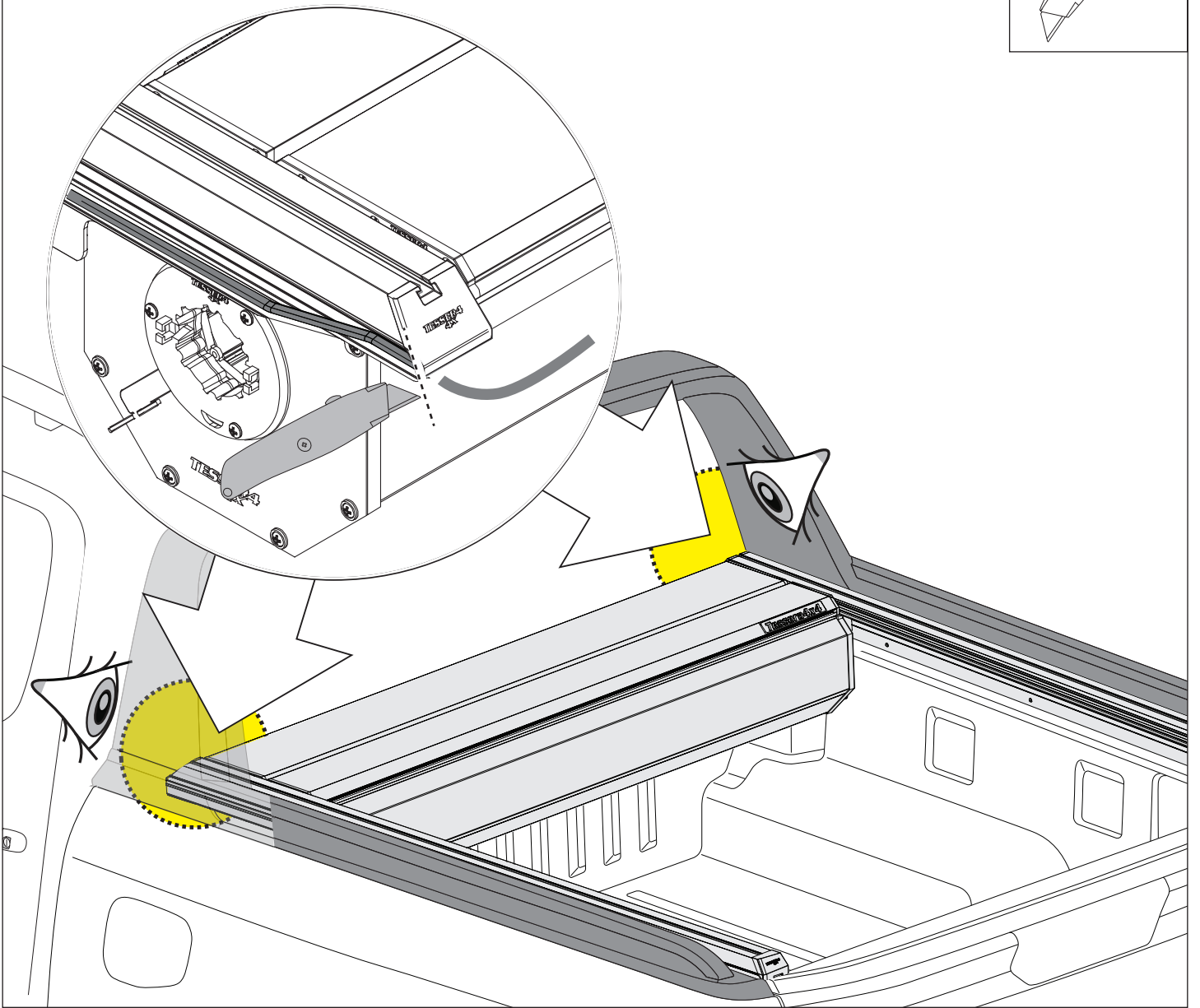
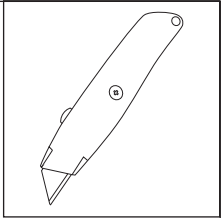


30.3

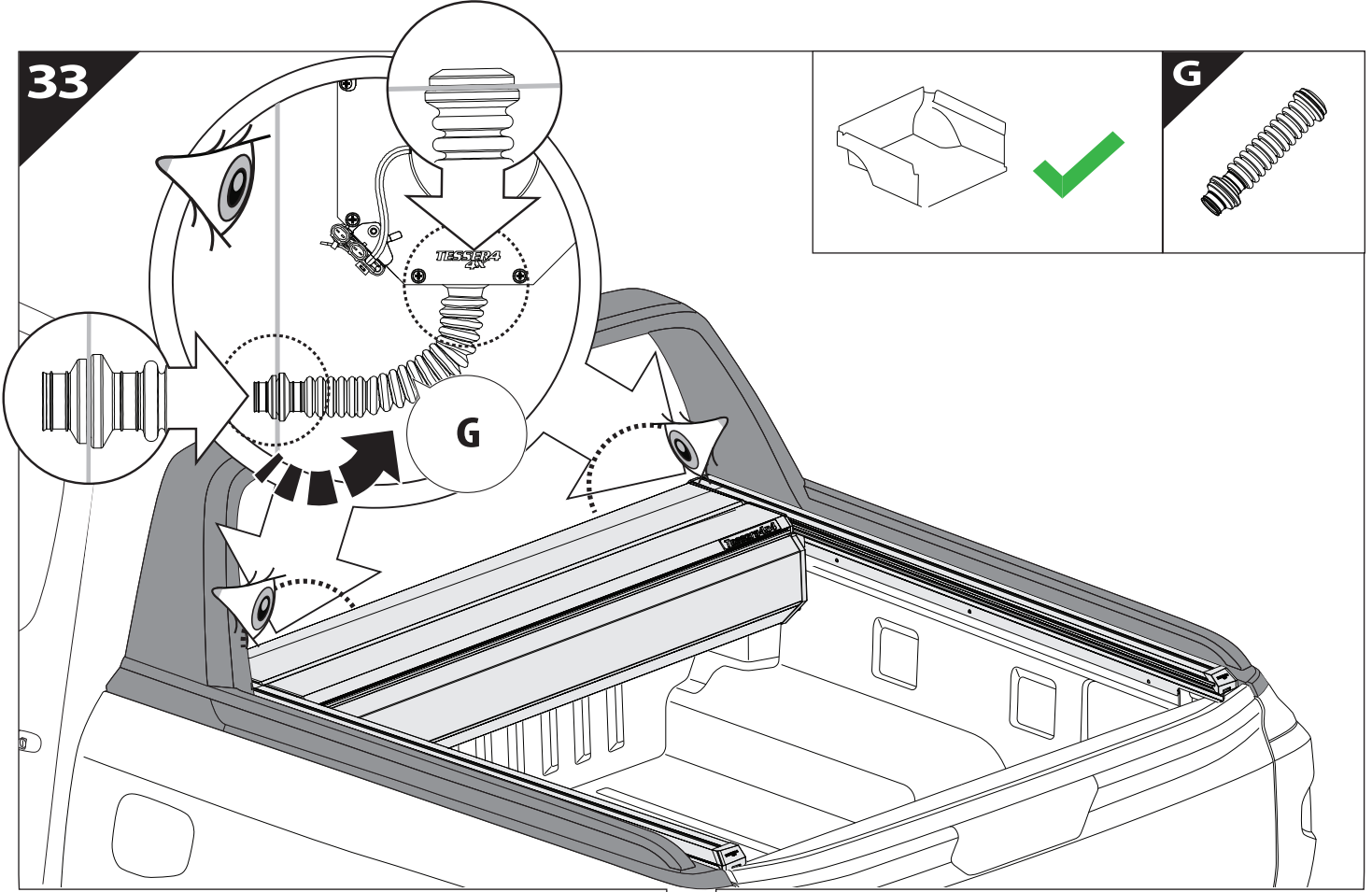


31

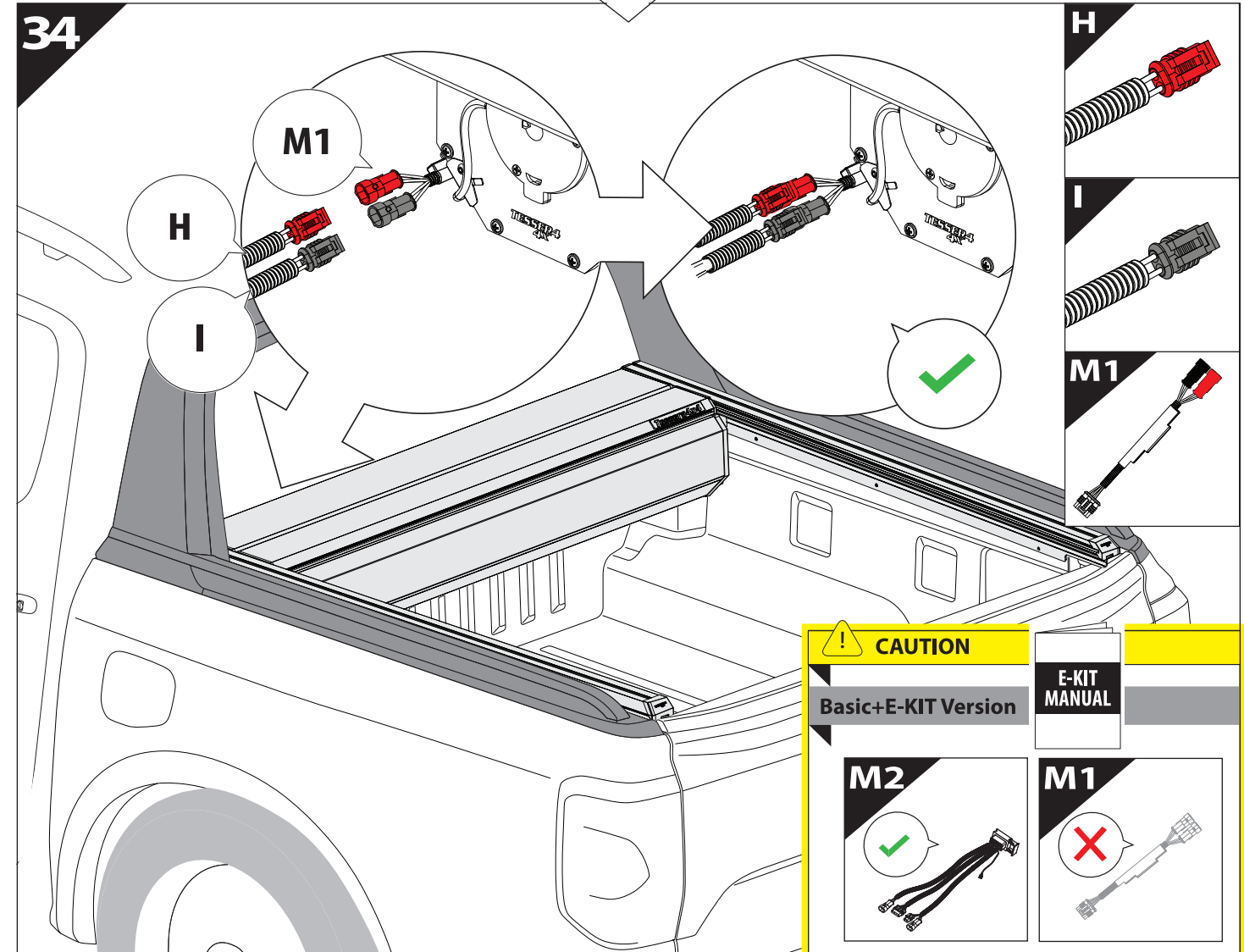




33

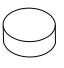

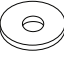
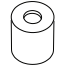


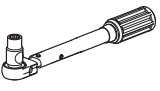



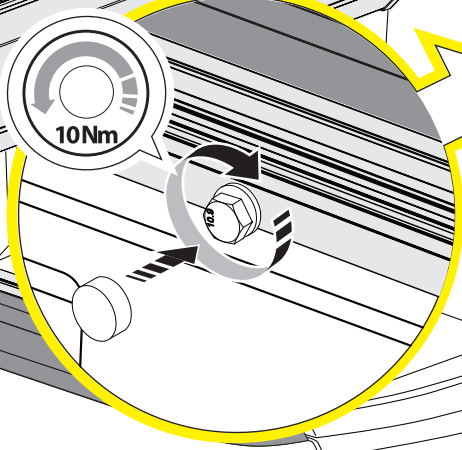
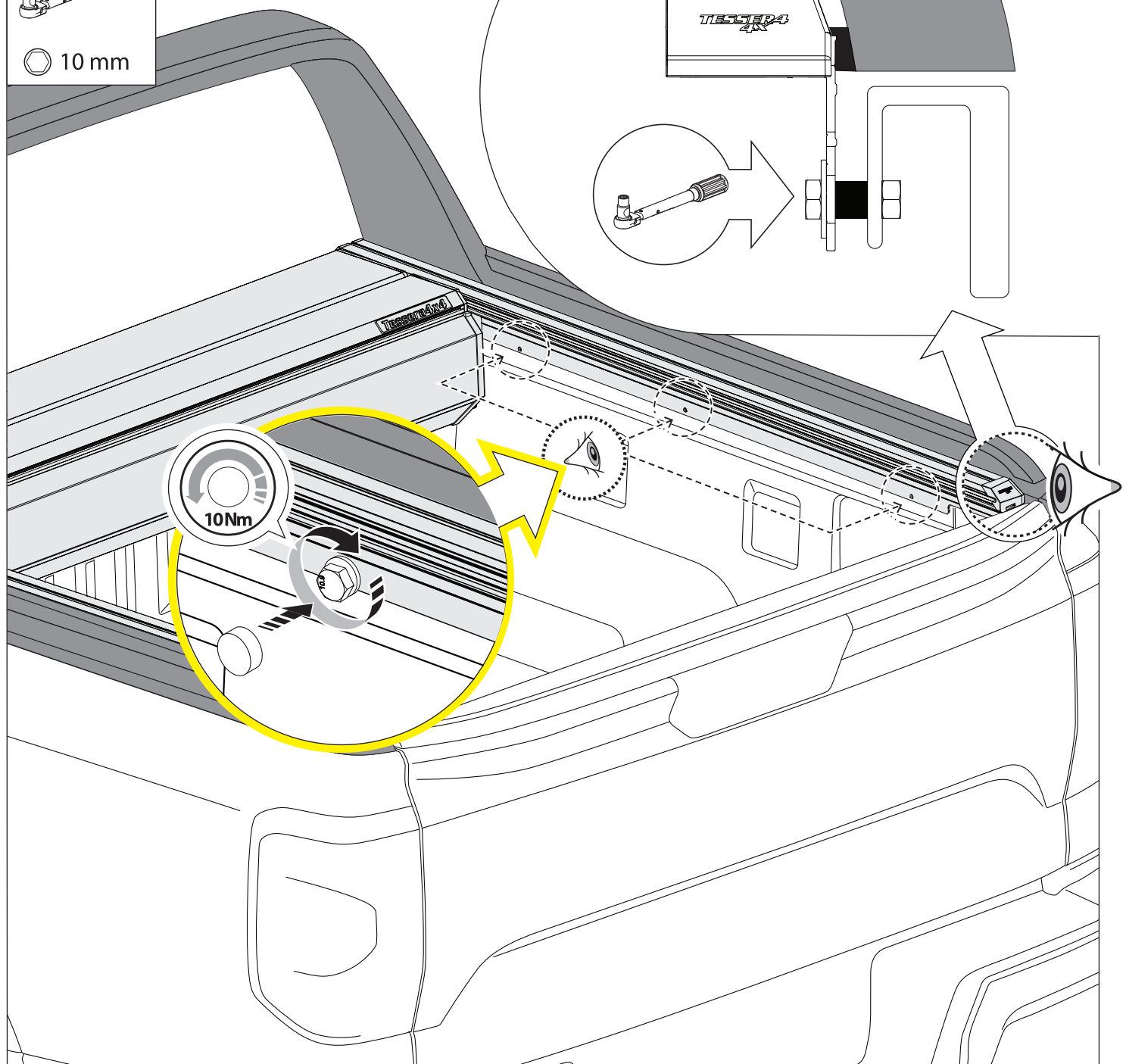
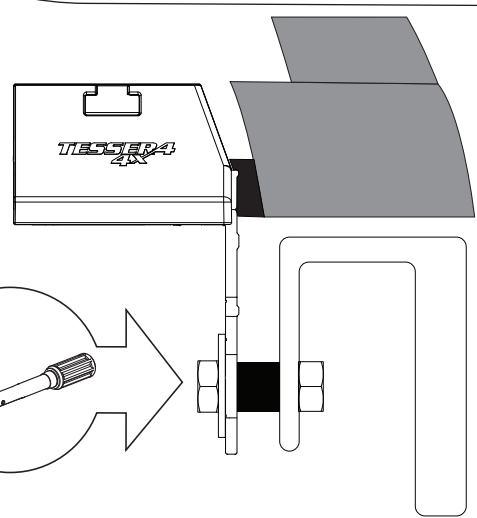
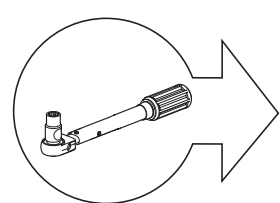
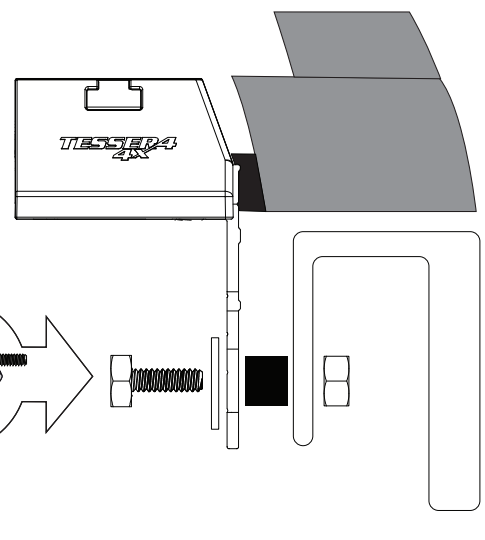
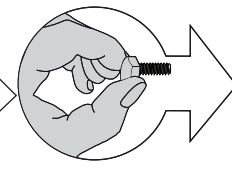
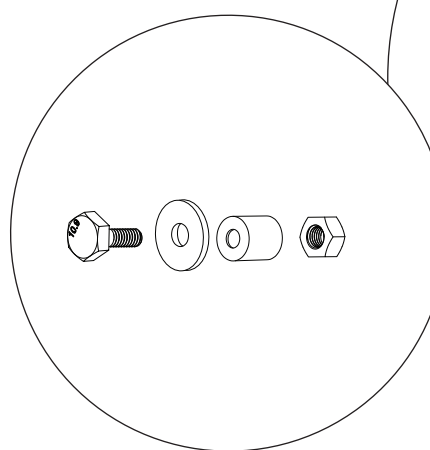
34



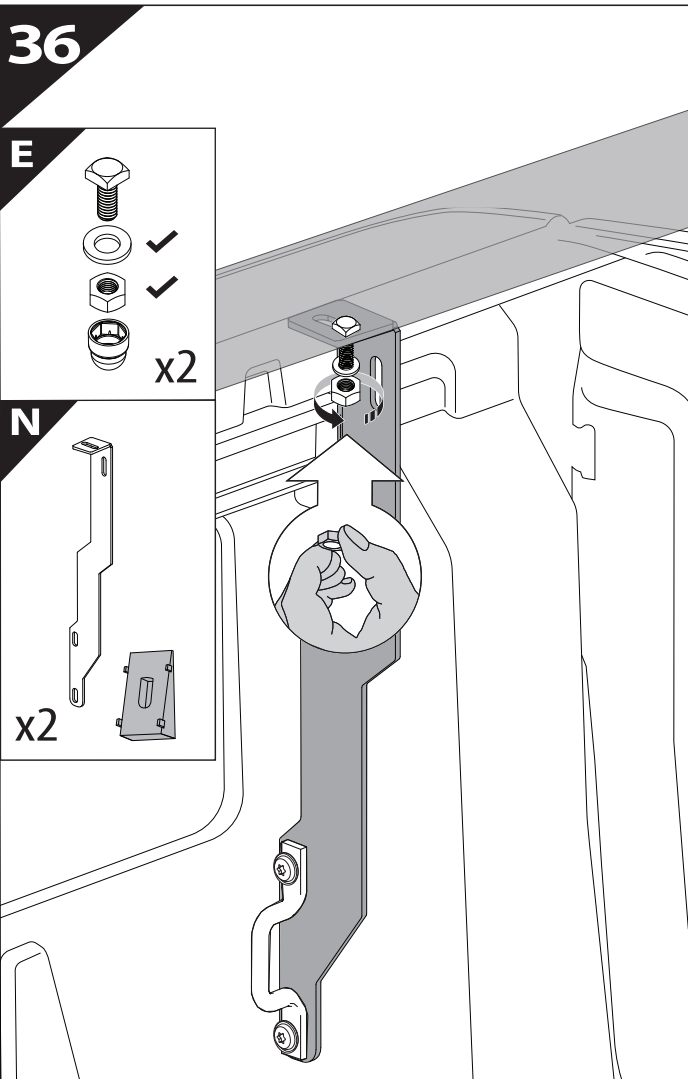
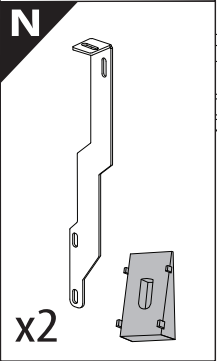
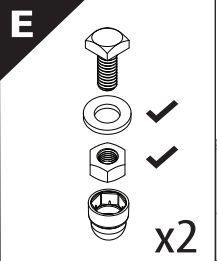
! CAUTION	
Basic+E-KIT Version	E-KIT MANUAL
M2 ✓ 	M1 ✗

35

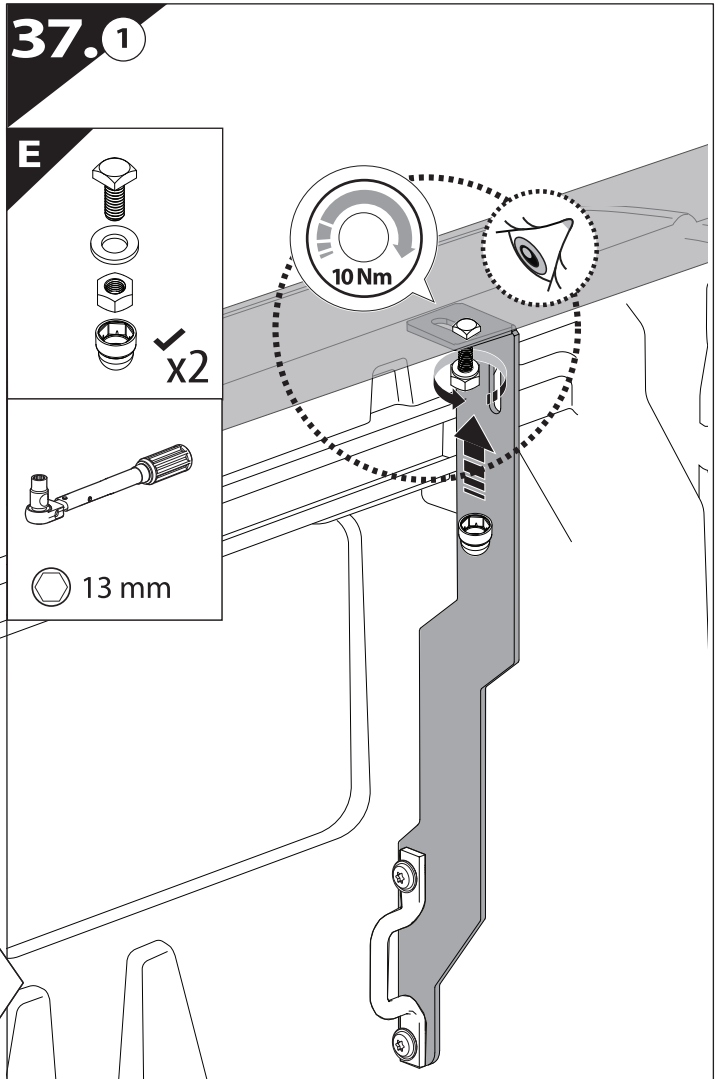
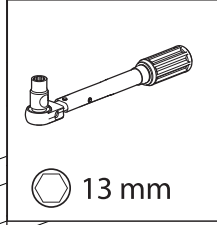
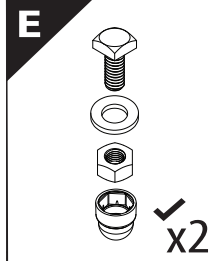
- E2
-  ✓
 -  ✓
 -  ✓
 -  ✓
 -  ✓
 -  ✓
- x6
- 
 -  10 mm



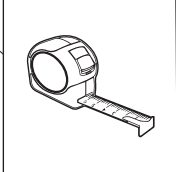
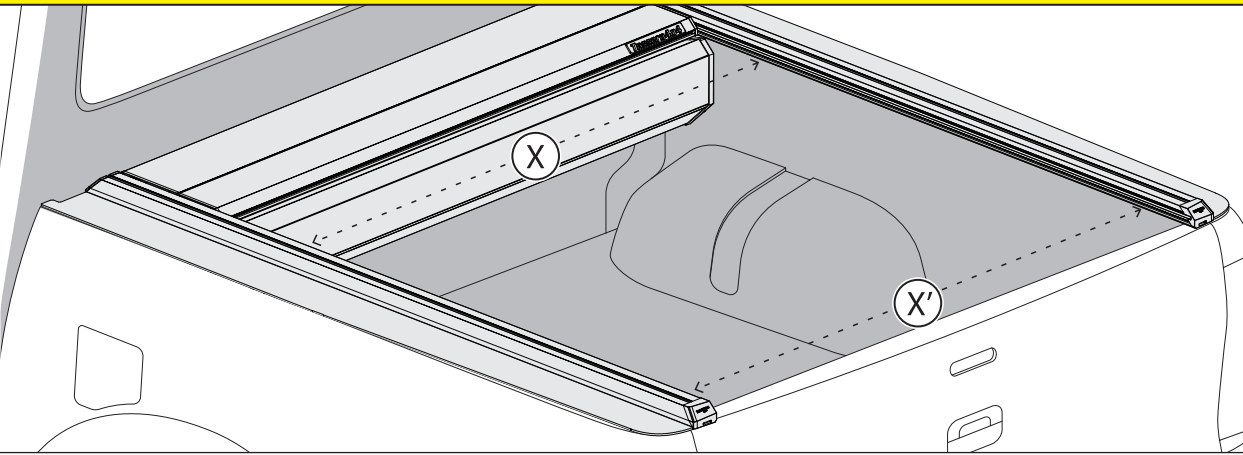
36



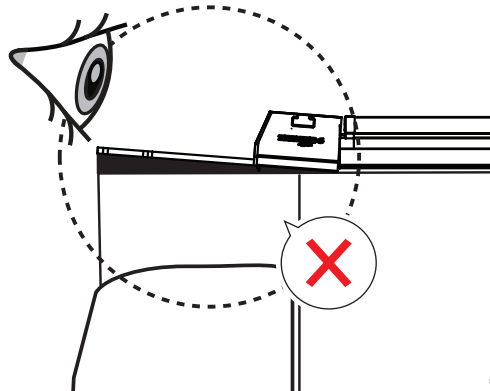
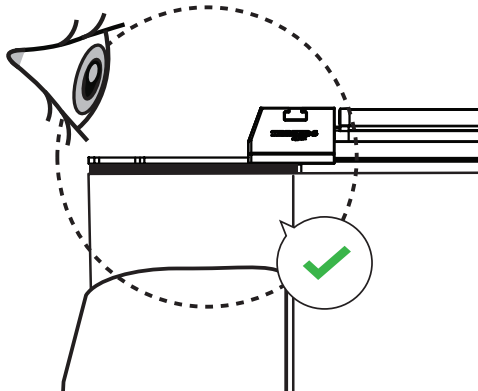
37.0



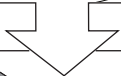
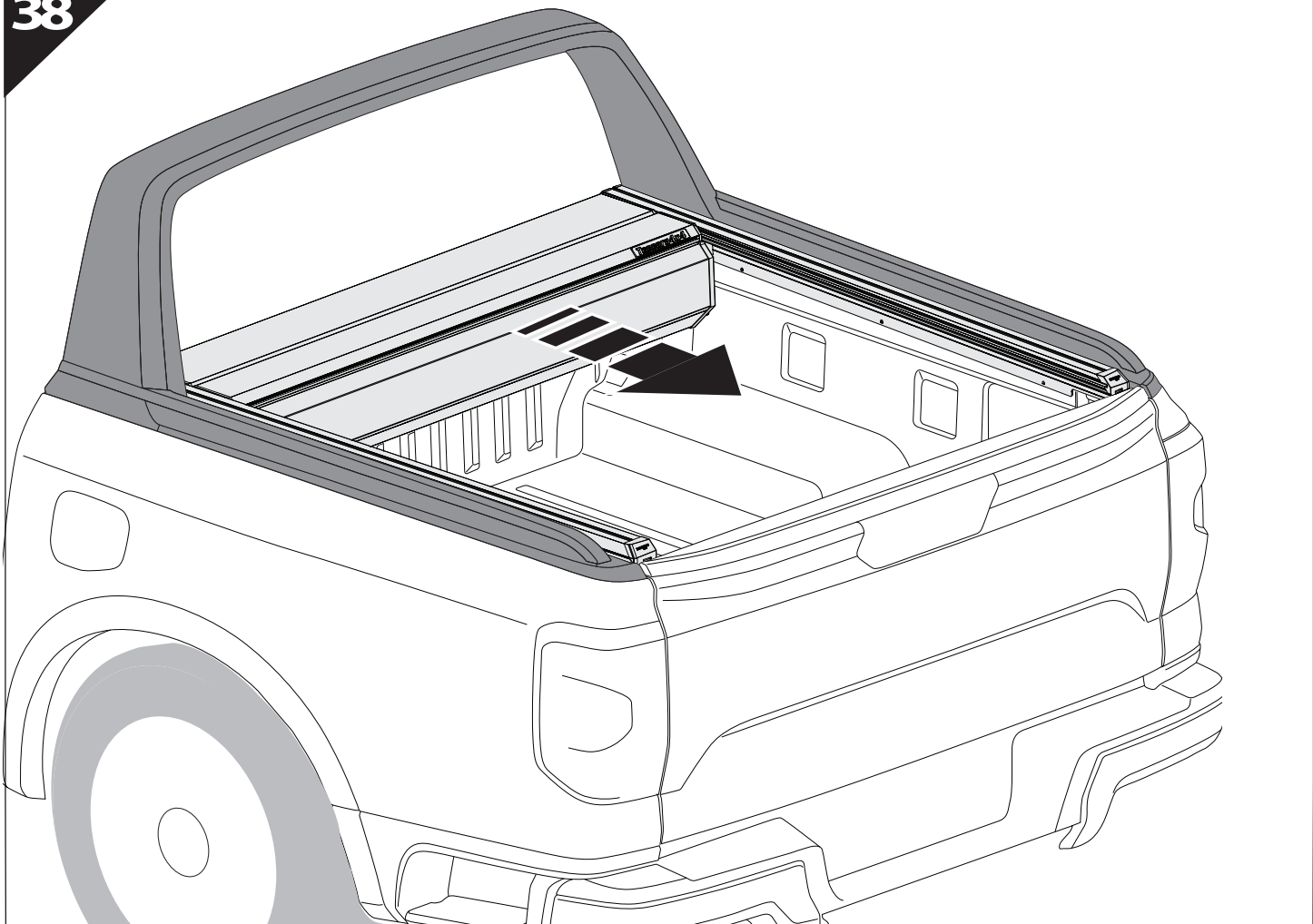
CAUTION !



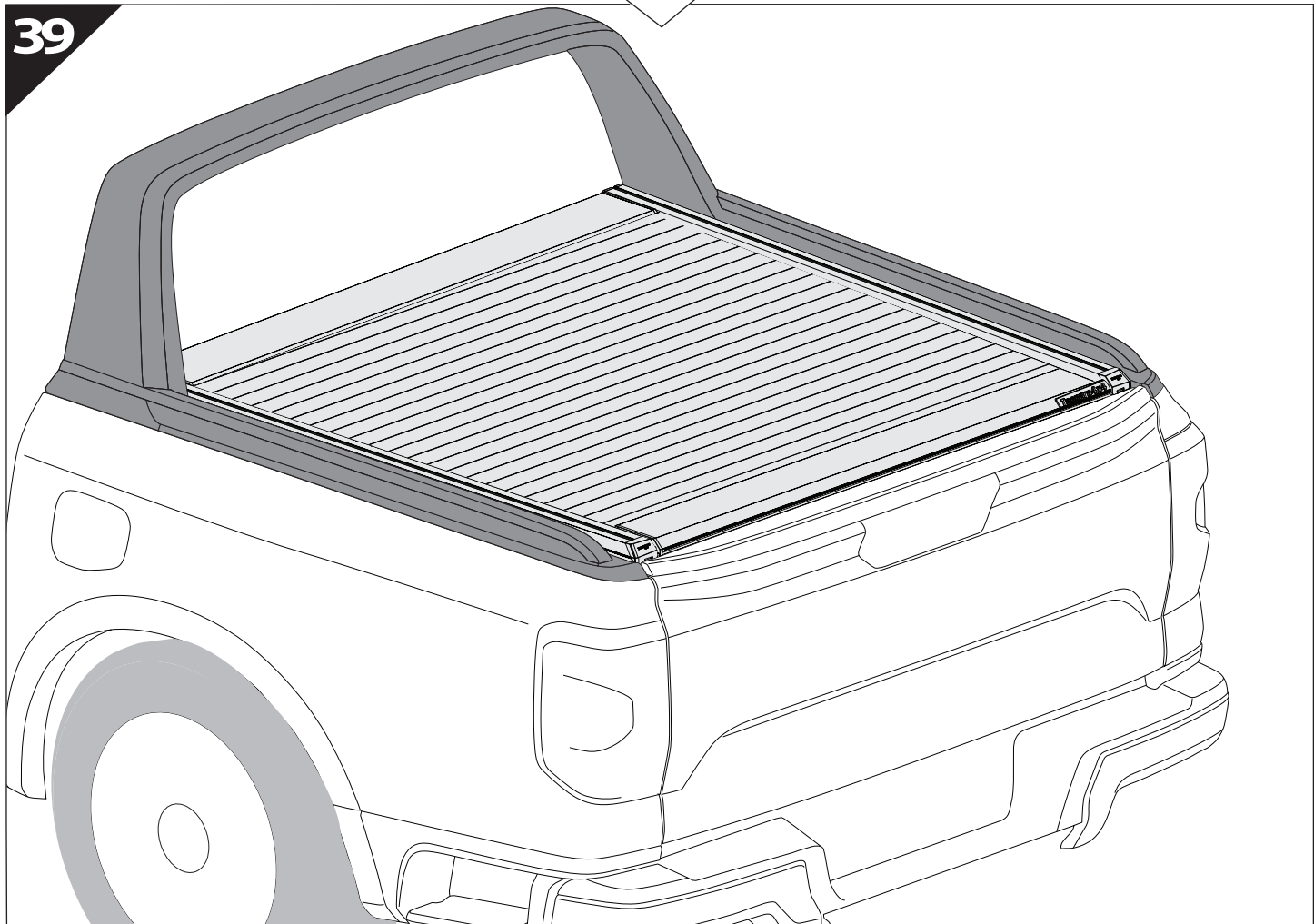
CAUTION !



38



39



GR: Οδηγίες Εγκατάστασης
GB: Installation manual
SF: Asennusohje
F: Notice de montage
PL: Instrukcja montażu
NL: Installatie-instructies
TR: Montaj Talimatı
S: Monteringsanvisning
E: Instrucciones de montaje

H: Szerelési utasítás
P: Instruções de instalação
RUS: Инструкция по установке
N: Monteringsveiledning
D: Einbauanleitung
CZ: Návod k instalaci
I: Istruzioni de montaggio
DK: Monteringsvejledning
RO: Instructiuni de instalare

Customer Service:

+30 (210) 5541161, +30 (210) 5541154 (08:00 - 16:00 EET)

Support department:

info@gianso.gr

Website:

www.tessera4x4.com

Address:

19.5 km of National road Athens-Korinthos (Elefsina) Greece, P.C: 19200