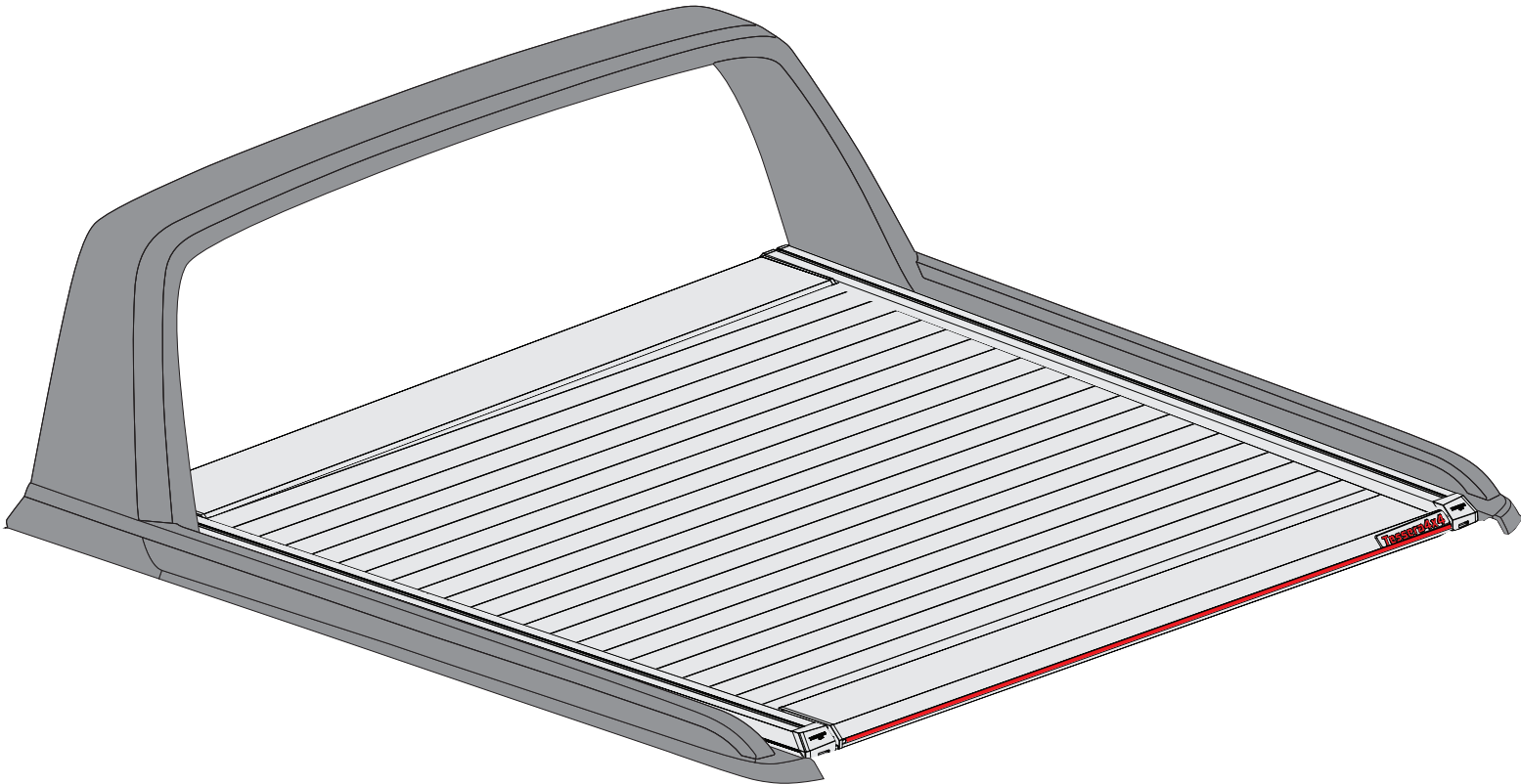


# Tessera Roll+

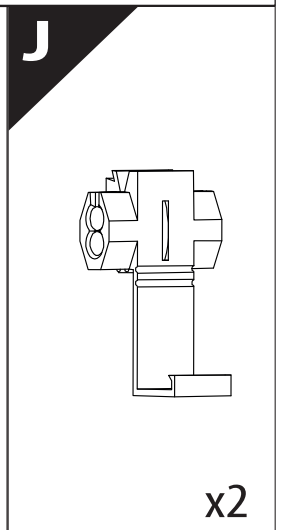
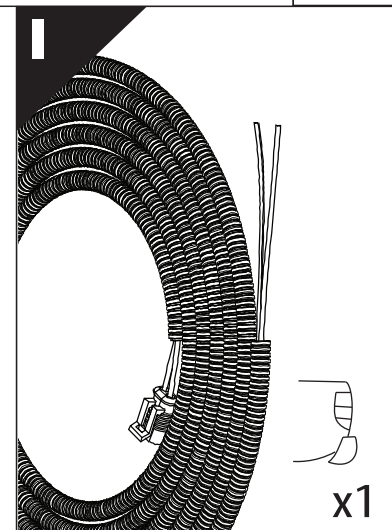
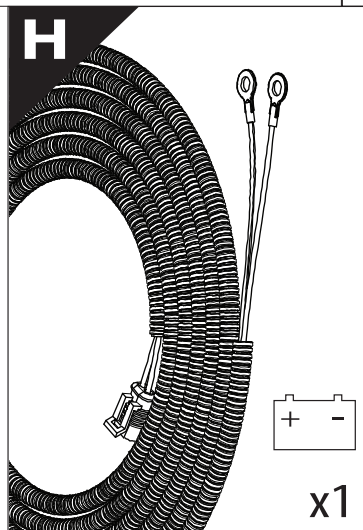
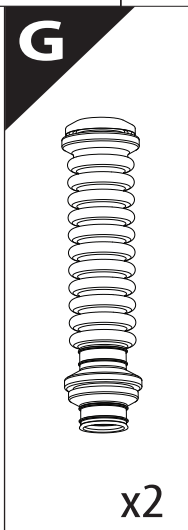
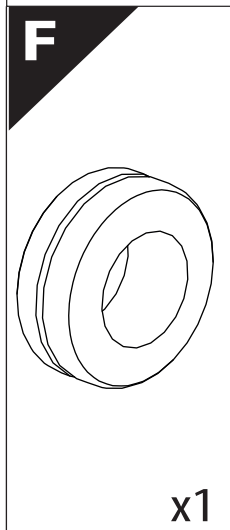
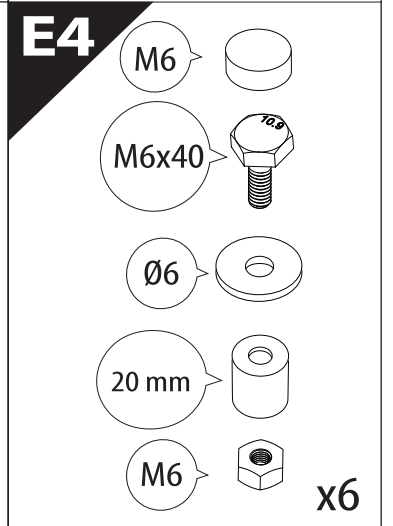
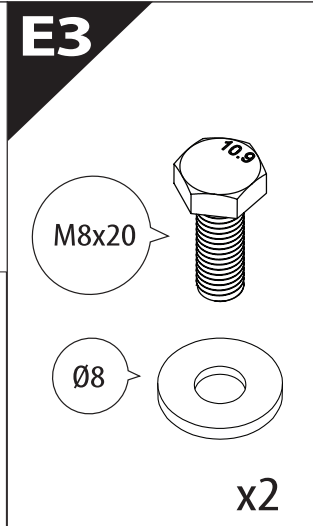
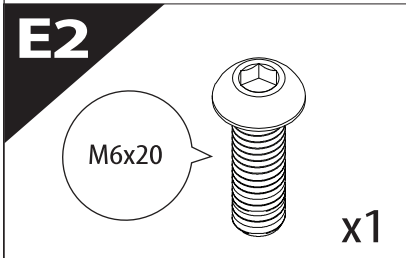
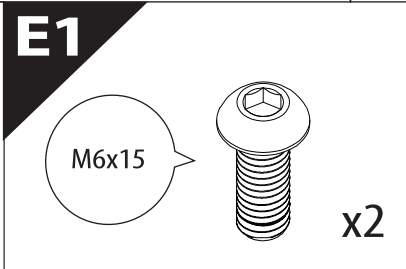
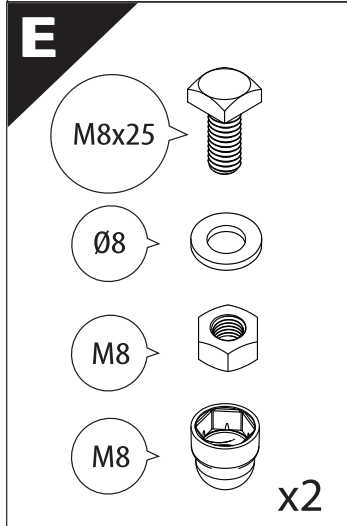
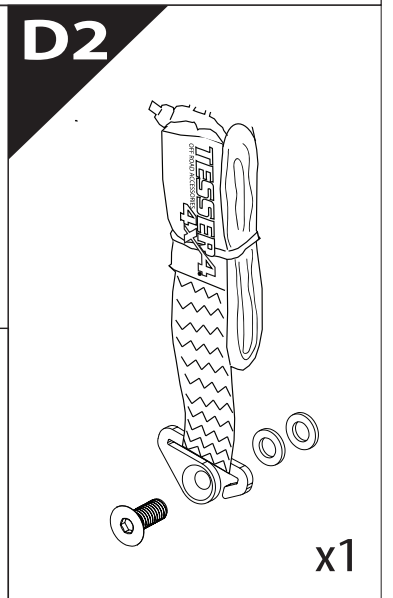
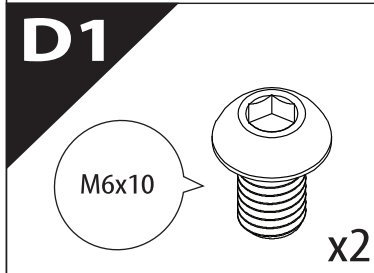
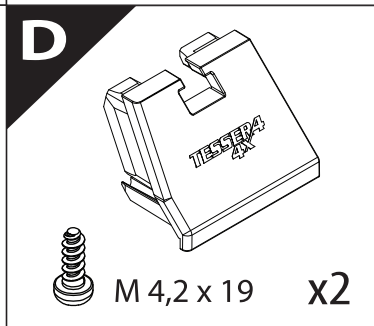
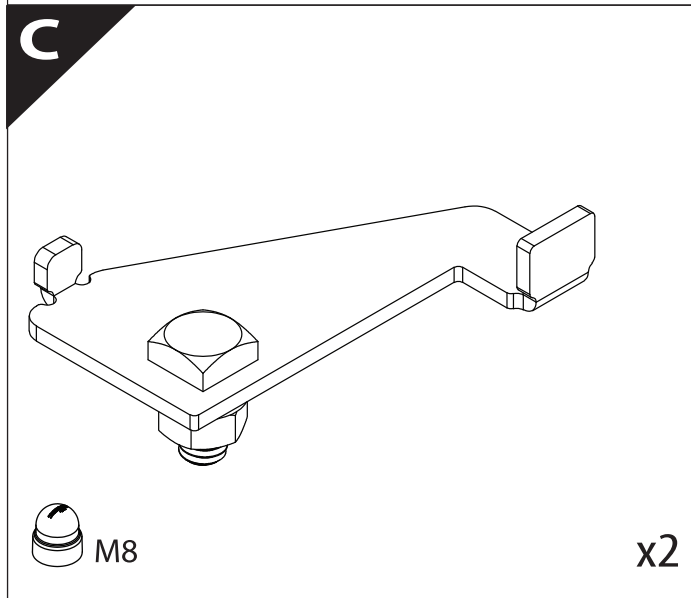
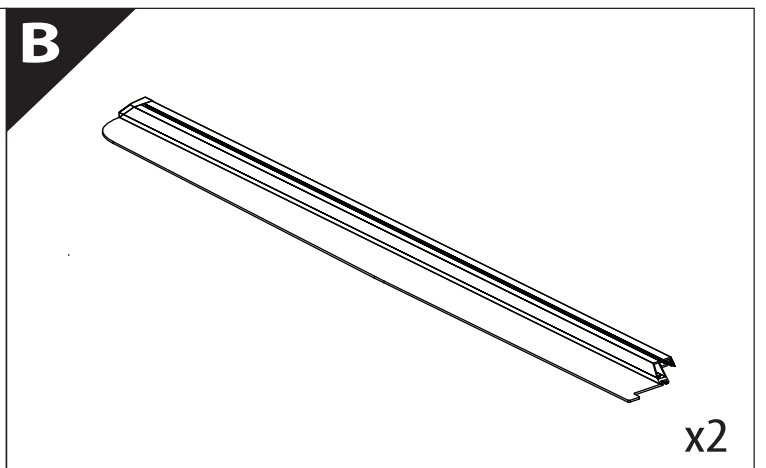
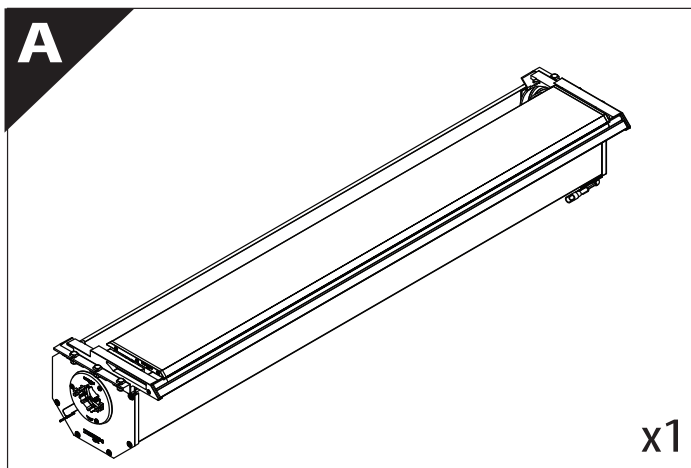
## Basic Version + ⚡ E-KIT

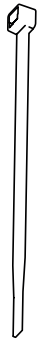
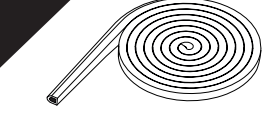
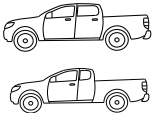
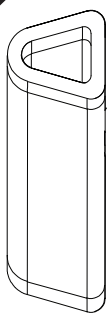
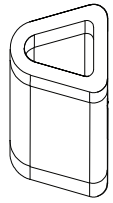



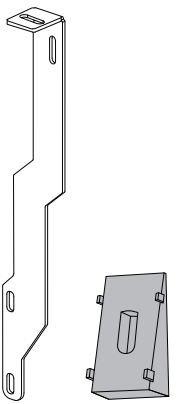
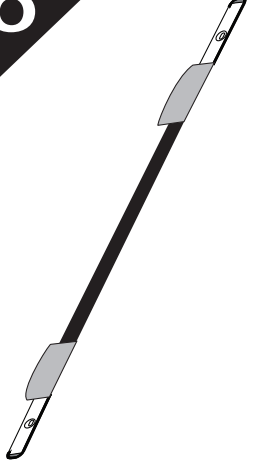
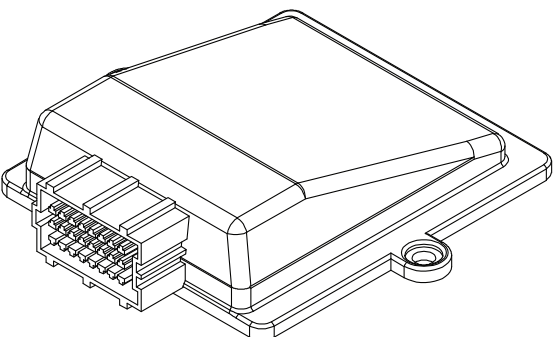
## Installation Manual

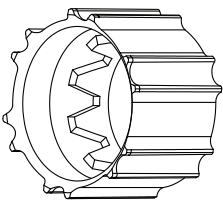
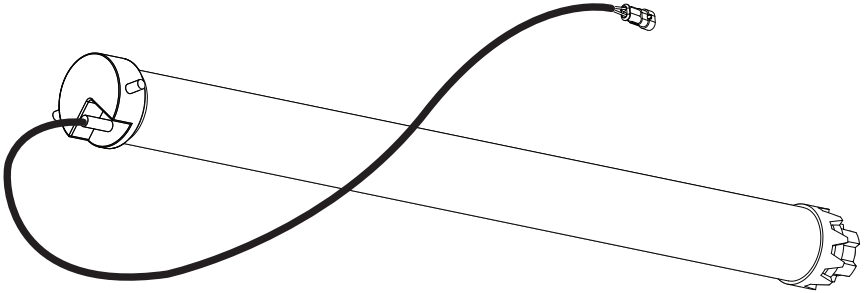
| PART NUMBER(S)         | Model Year                                     |
|------------------------|--|
| TESS 14080 ROLL+E-KIT  | FORD RANGER <b>WILDTRAK</b> 2023+ OEM ROLL BAR |
| TESS 14090 ROLL+E-KIT  |  |
| Cab(s)                 | Installation Time / Weight                     |
| Double Cab & Space cab | 40-60 minutes / 53-57 kg                       |

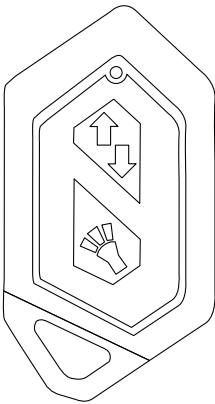





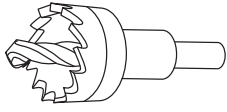
|  |   |  |   |  |
|--|---|--|---|--|
| <p><b>K</b></p>  <p>x20</p> | <p><b>L1</b></p>  <p>x2</p>  <p>1650mm<br/>1950mm</p> | <p><b>L3</b></p>  <p>140 mm</p> <p>x2</p> | <p><b>L4</b></p>  <p>35 mm</p> <p>x2</p> | <p><b>M2</b></p>  <p>x1</p> |
|--|---|--|---|--|

|  |  |   |
|--|--|---|
| <p><b>N</b></p>  <p>x2</p> | <p><b>O</b></p>  <p>x1</p> | <p><b>P</b></p>  <p>x1</p> |
|--|--|---|

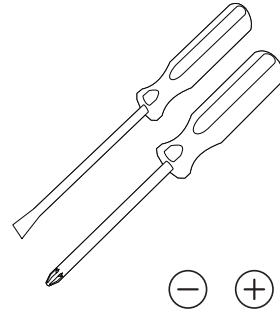
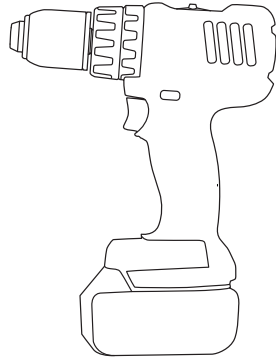
|   |  |
|---|--|
| <p><b>Q</b></p>  <p>x1</p> | <p><b>R</b></p>  <p>x1</p> |
|---|--|

|   |  |
|---|--|
| <p><b>S</b></p>  <p>x2</p> | <p><b>T</b></p>  <p>x2</p> |
|---|--|

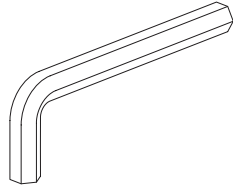
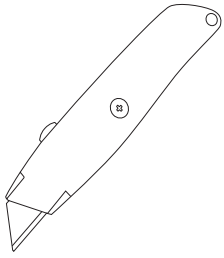
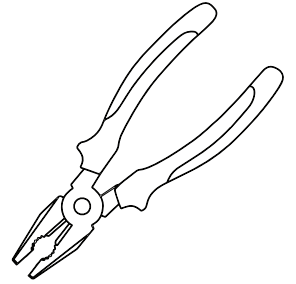




Ø 25 mm

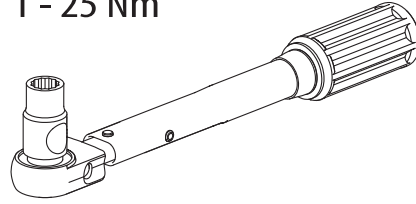


− +



4 mm

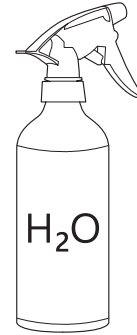
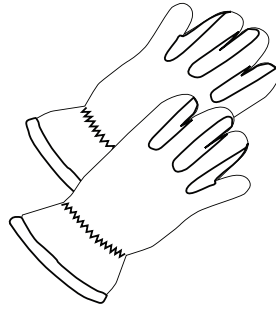
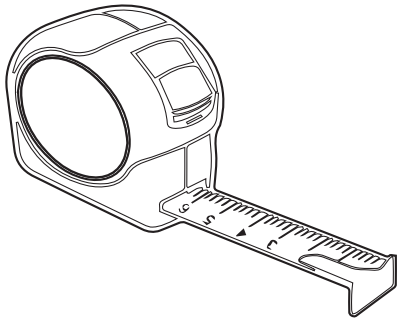
1 - 25 Nm



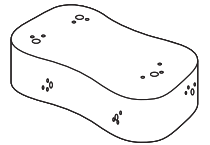
10,12, 13, 17 mm



ACETONE



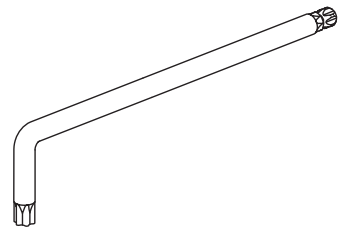
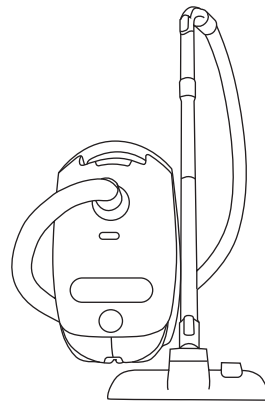
H<sub>2</sub>O



Silicone Spray



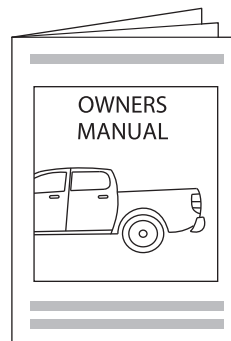
ANTI-RUST



T30, T40



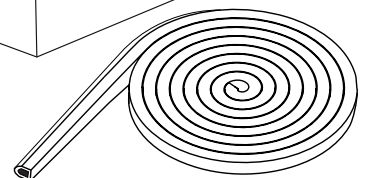
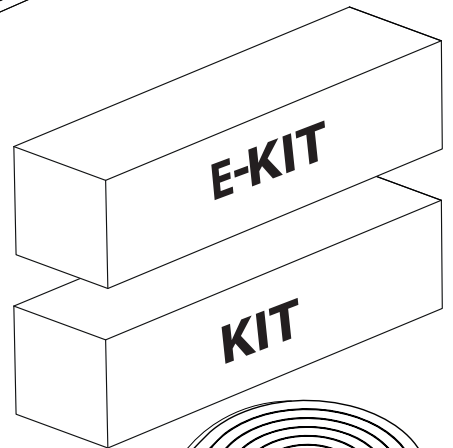
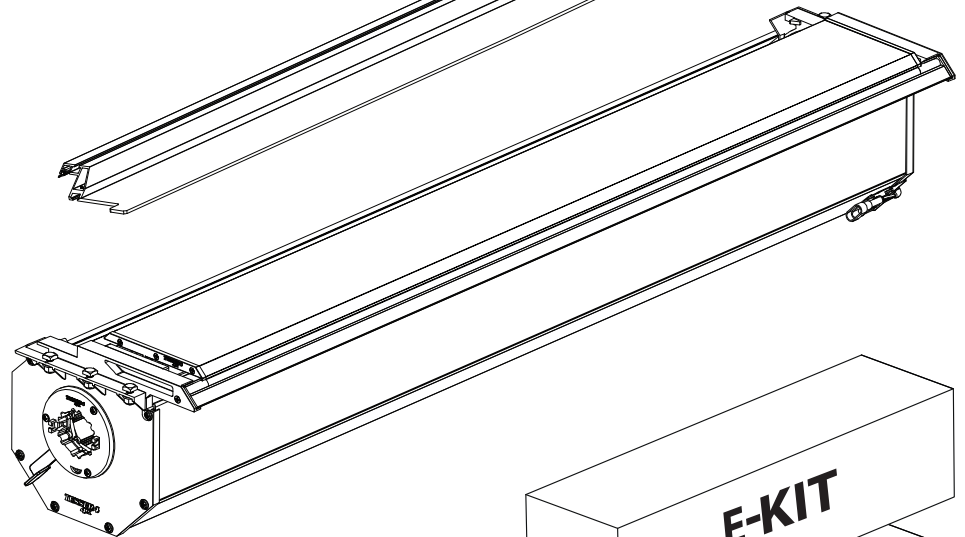
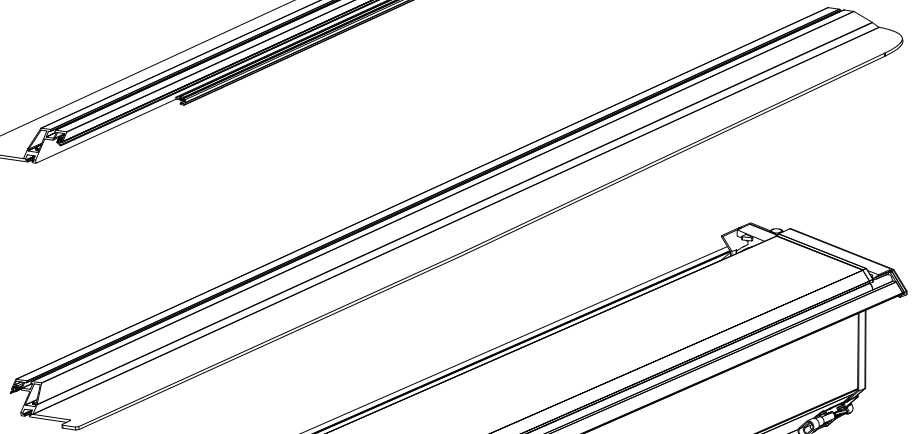
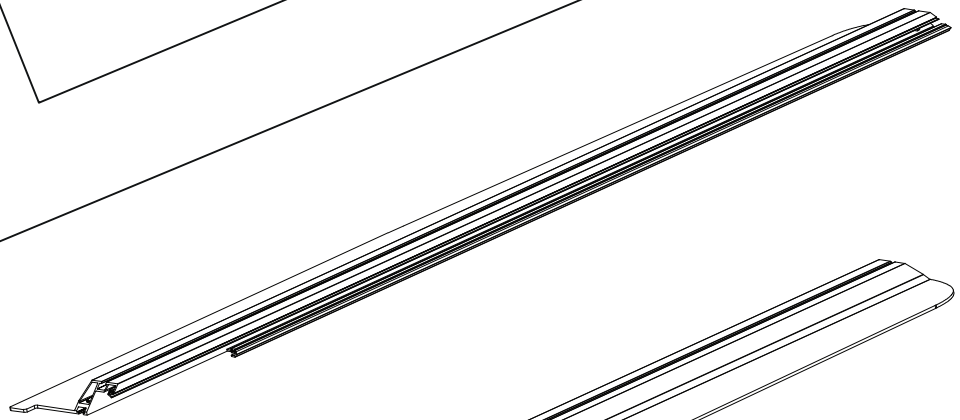
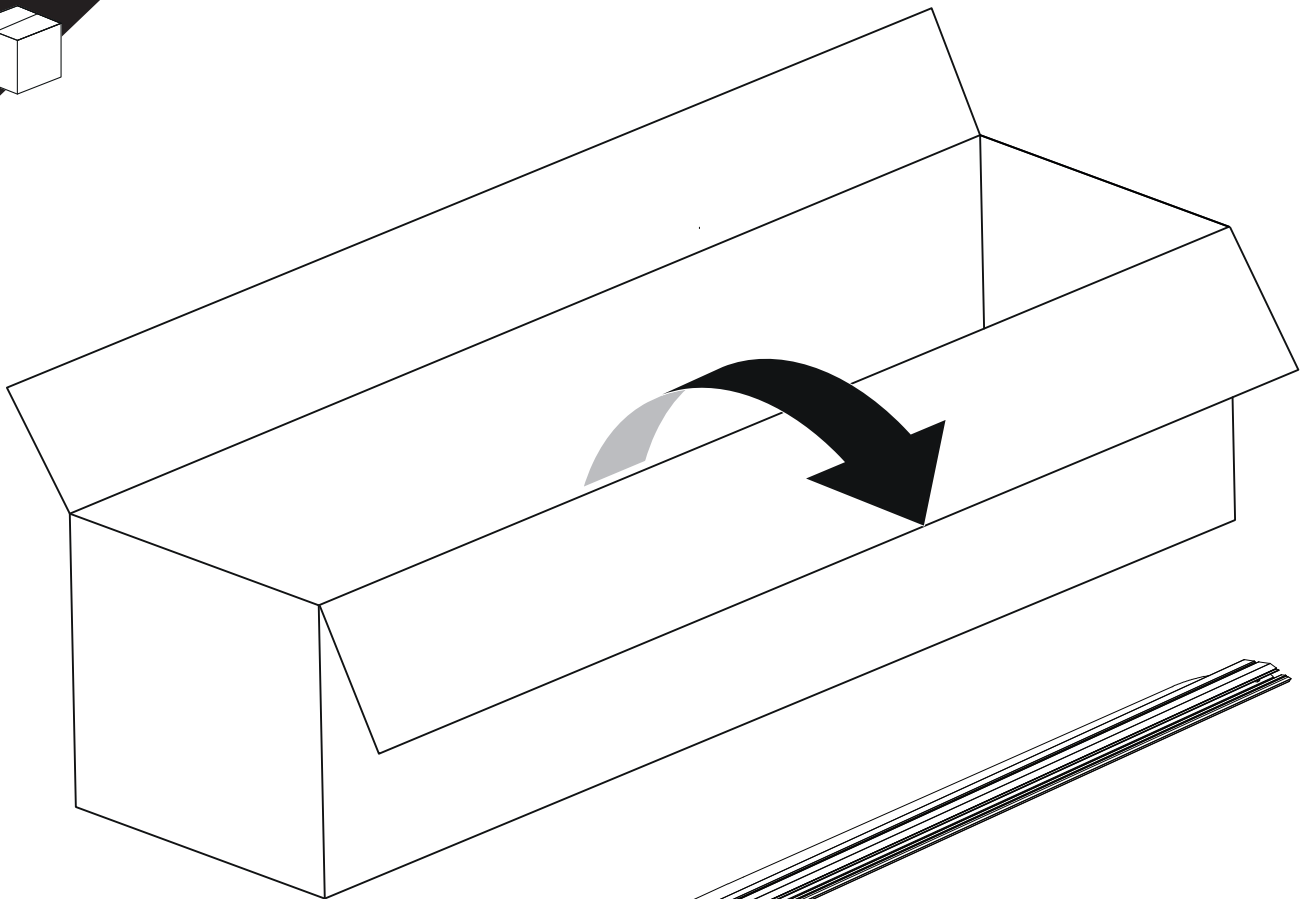
INSTALATION  
MANUAL  
+E-KIT



OWNERS  
MANUAL



x1

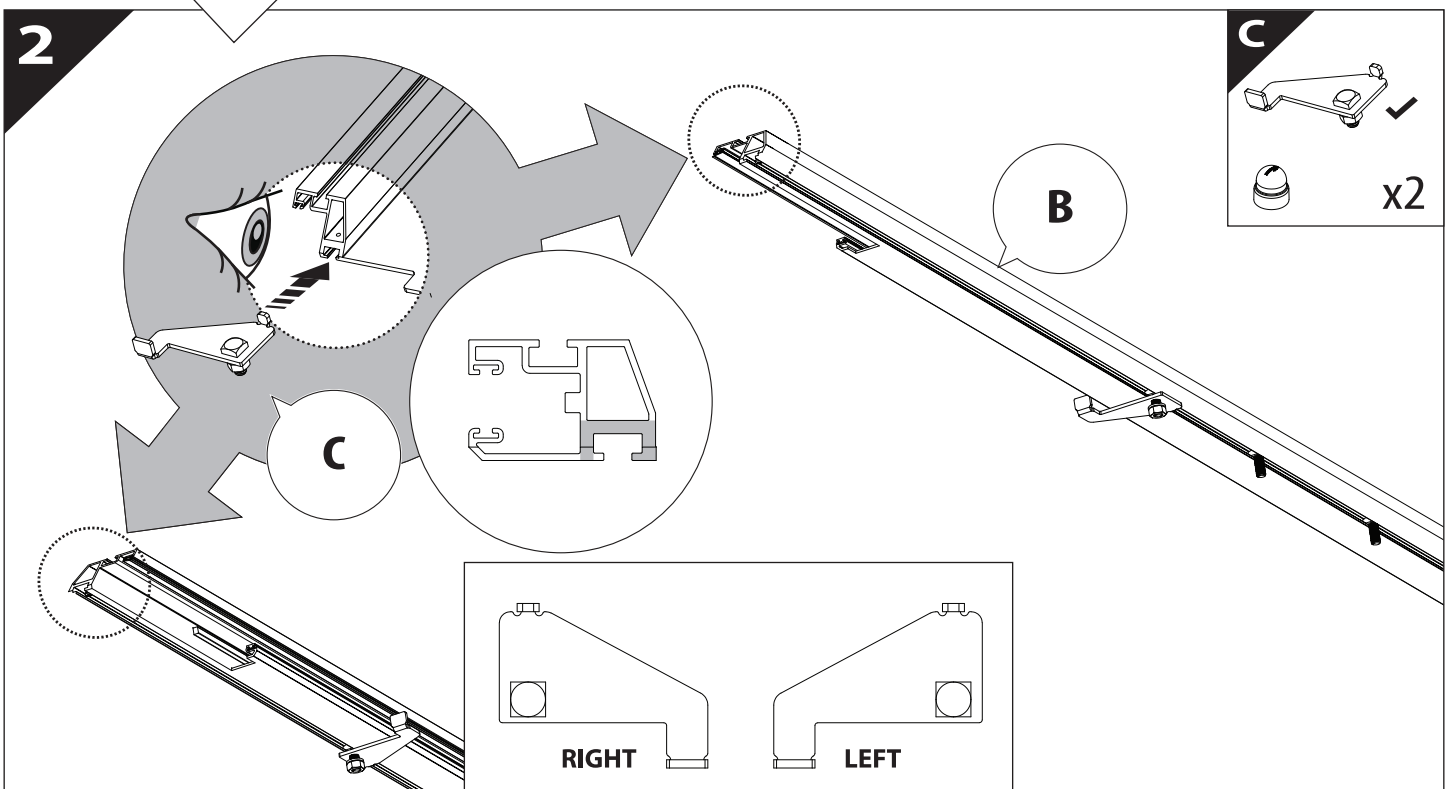
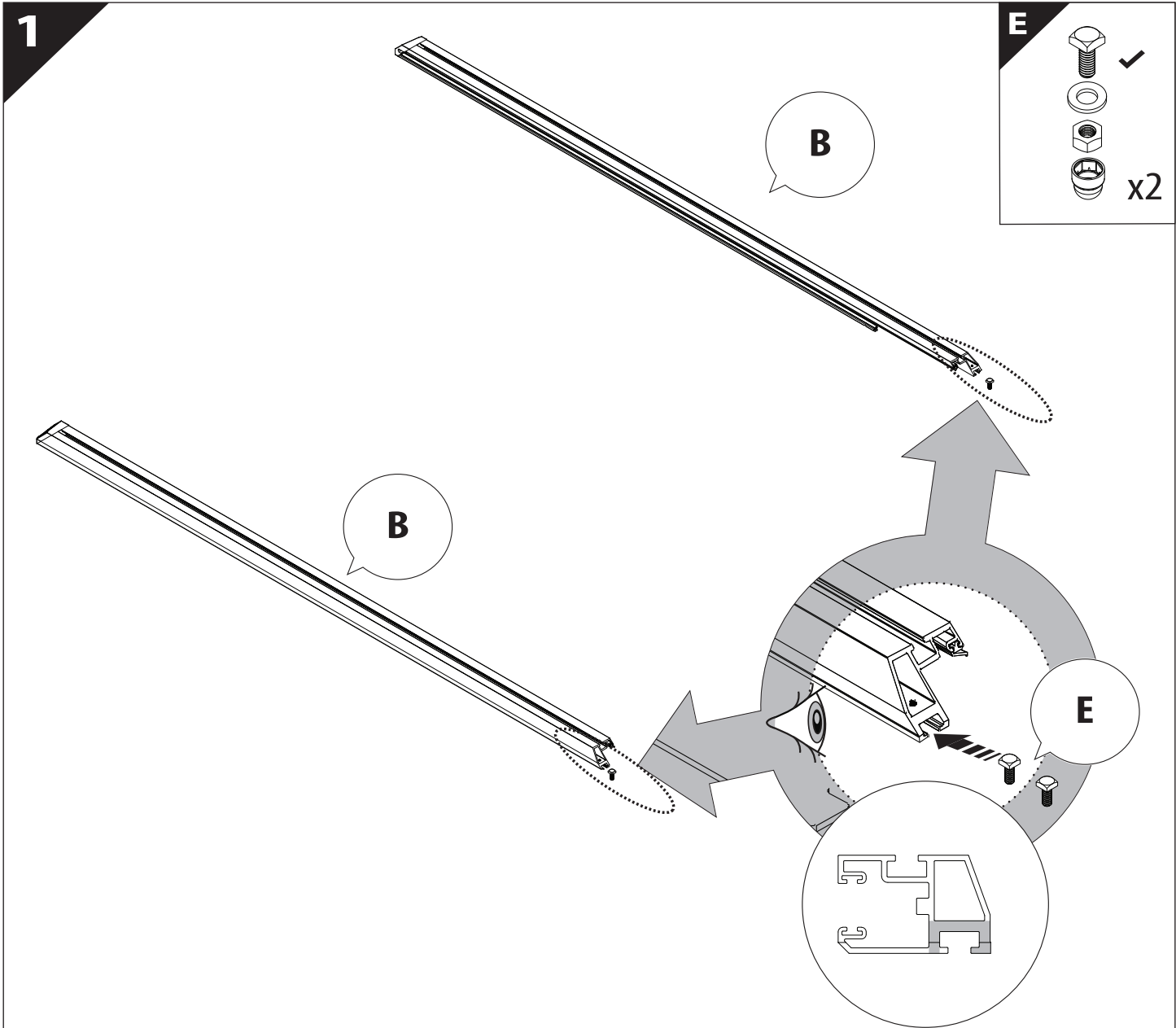


**B**

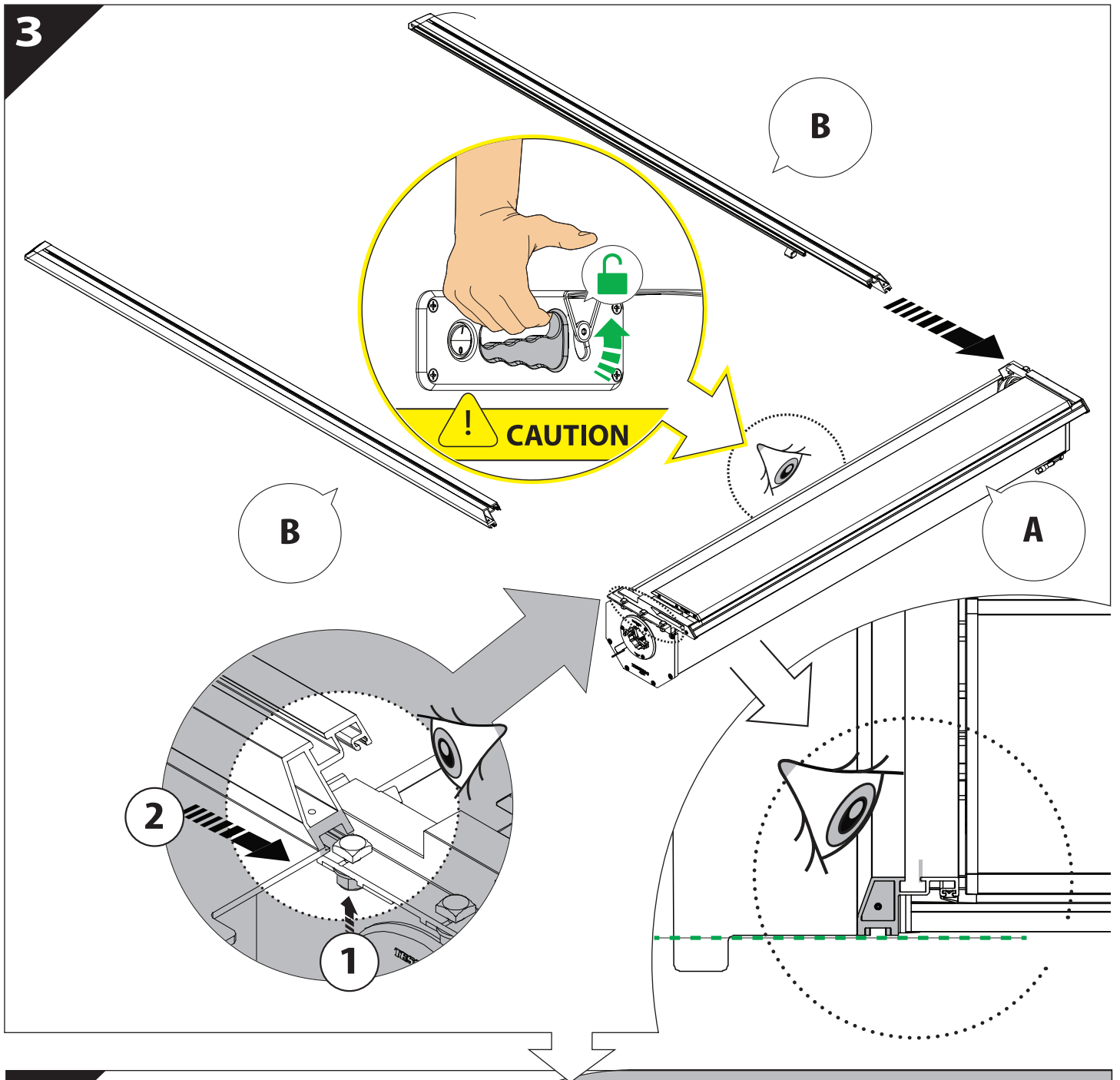
**A**

**KITS**

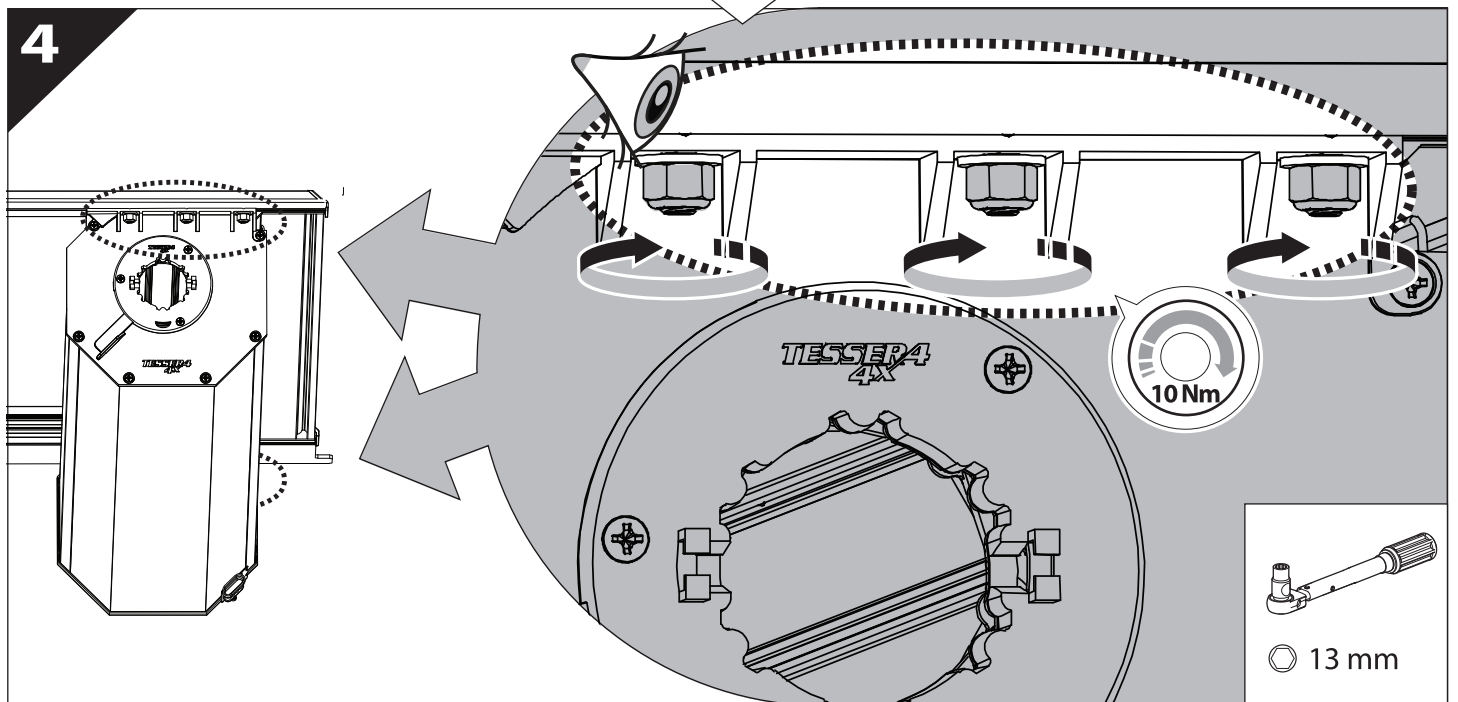
**L**

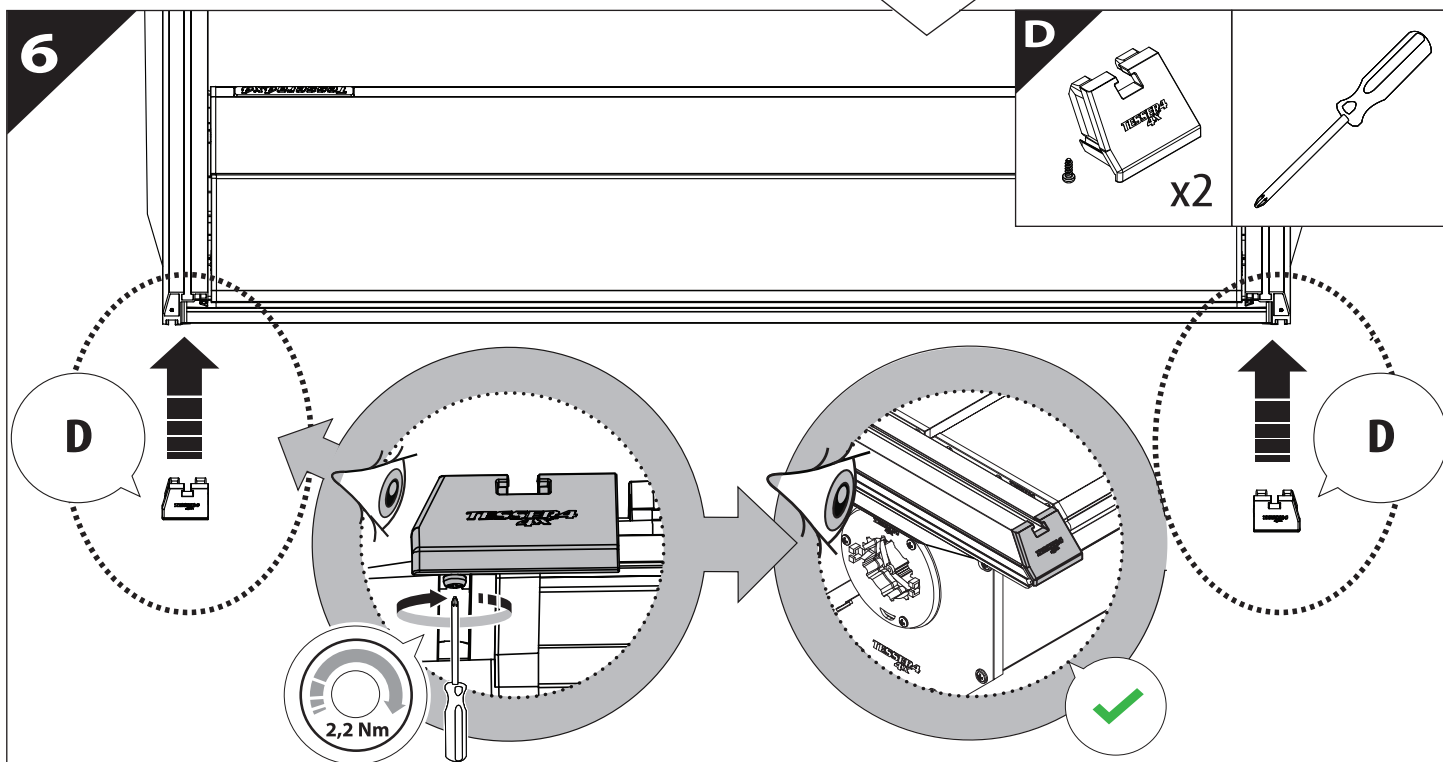
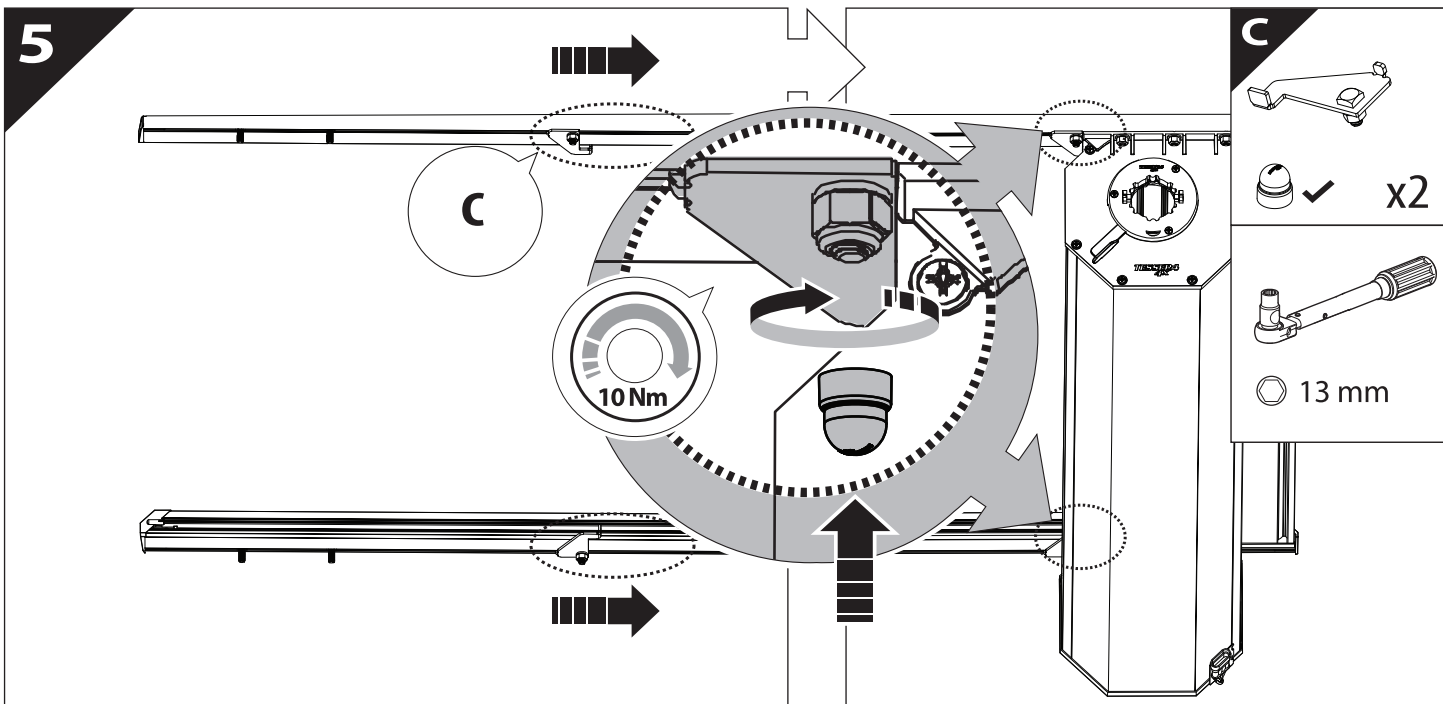


3



4



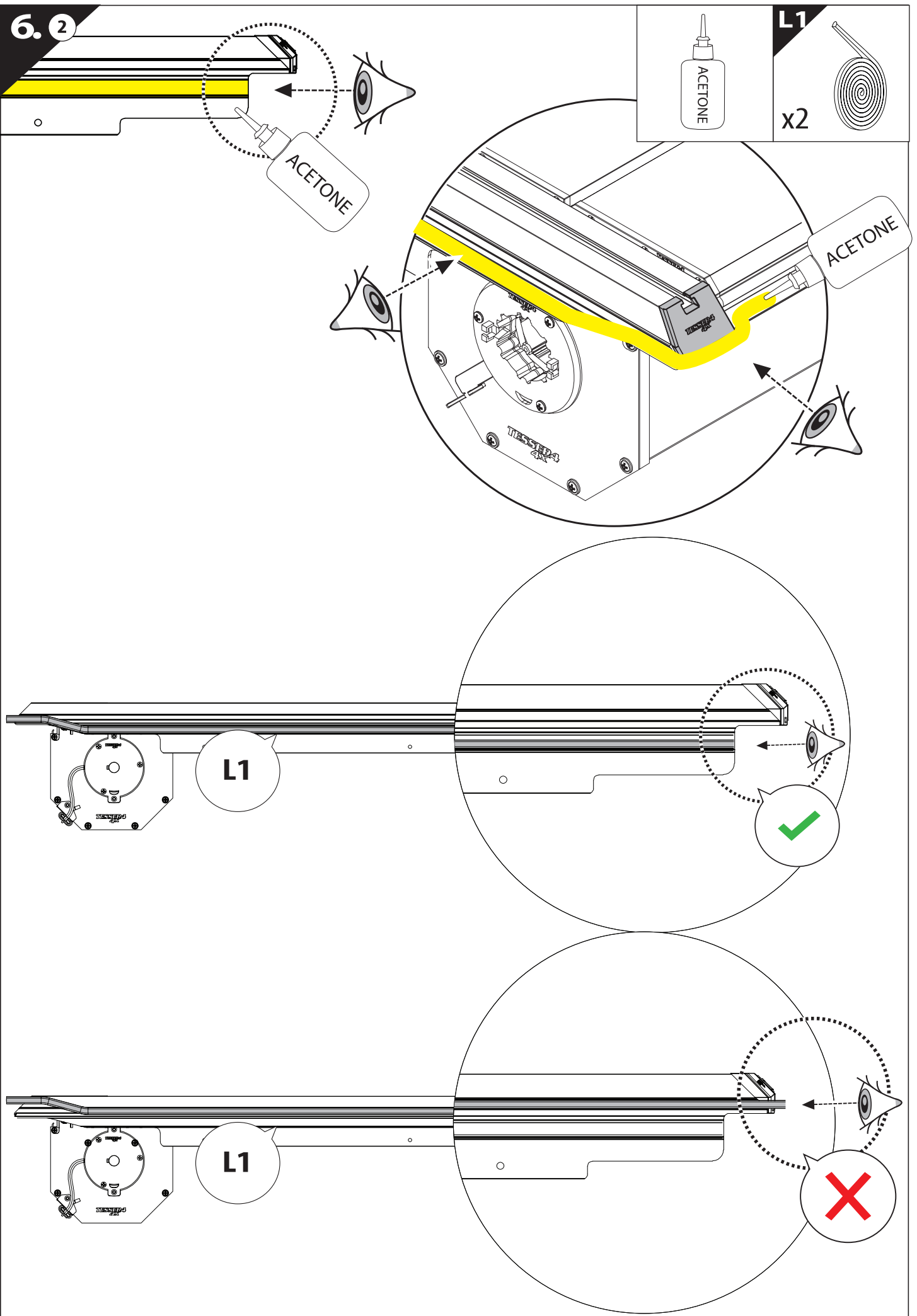


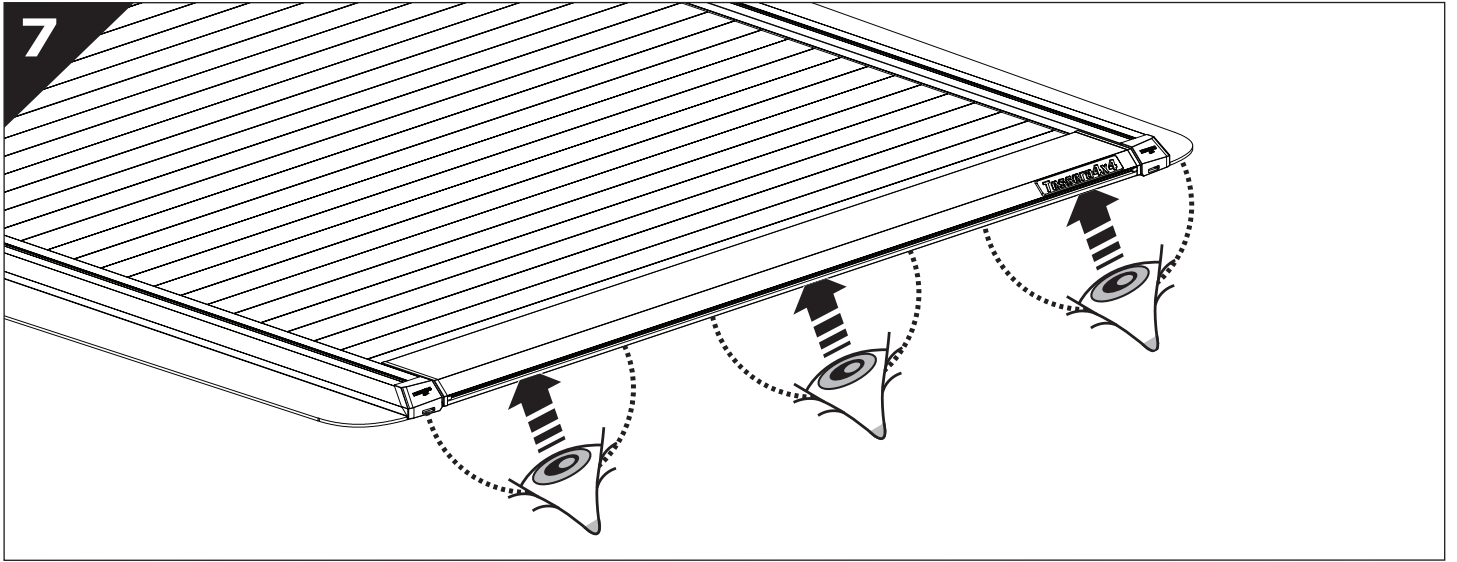
6.2

L1

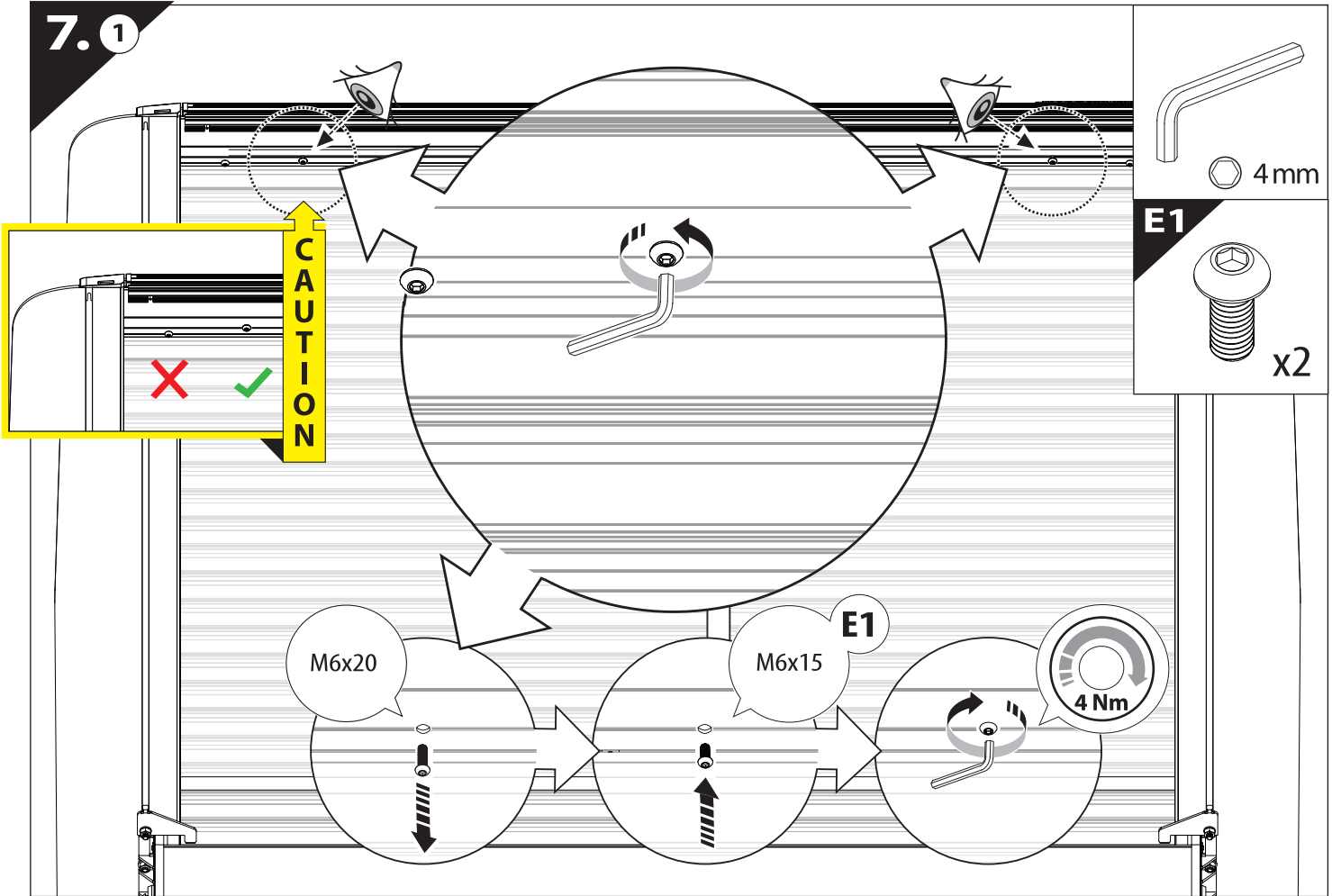


x2

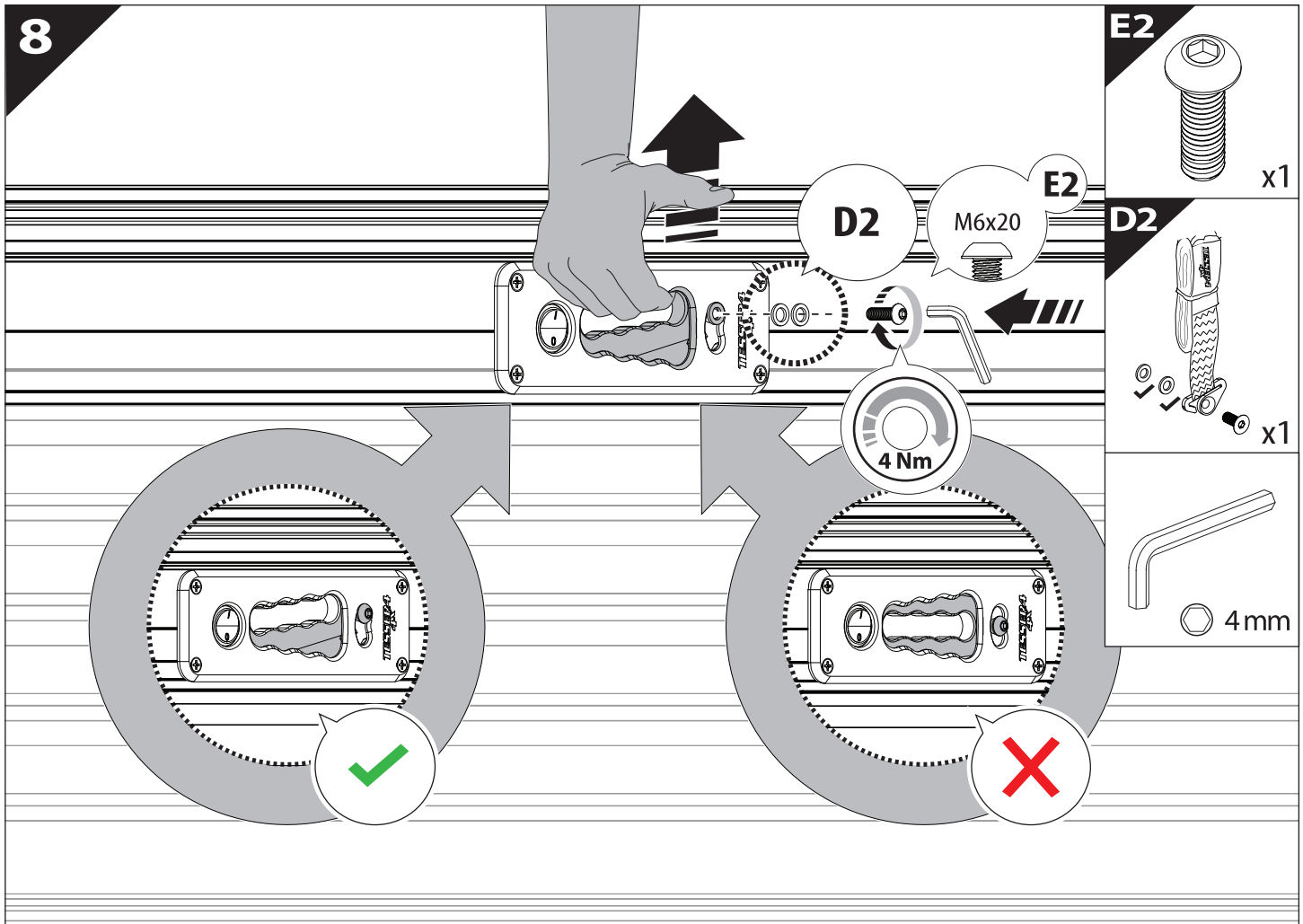




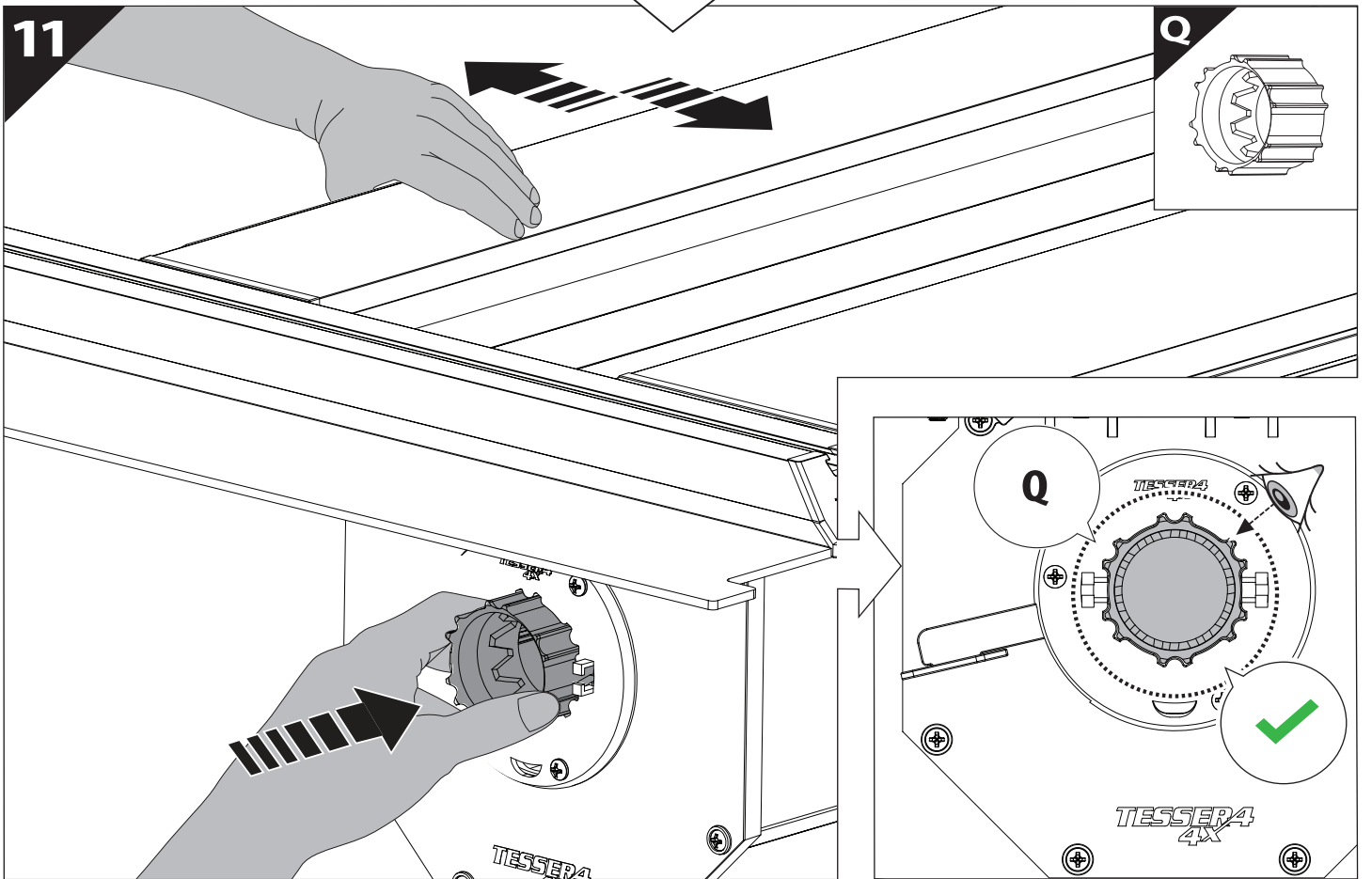
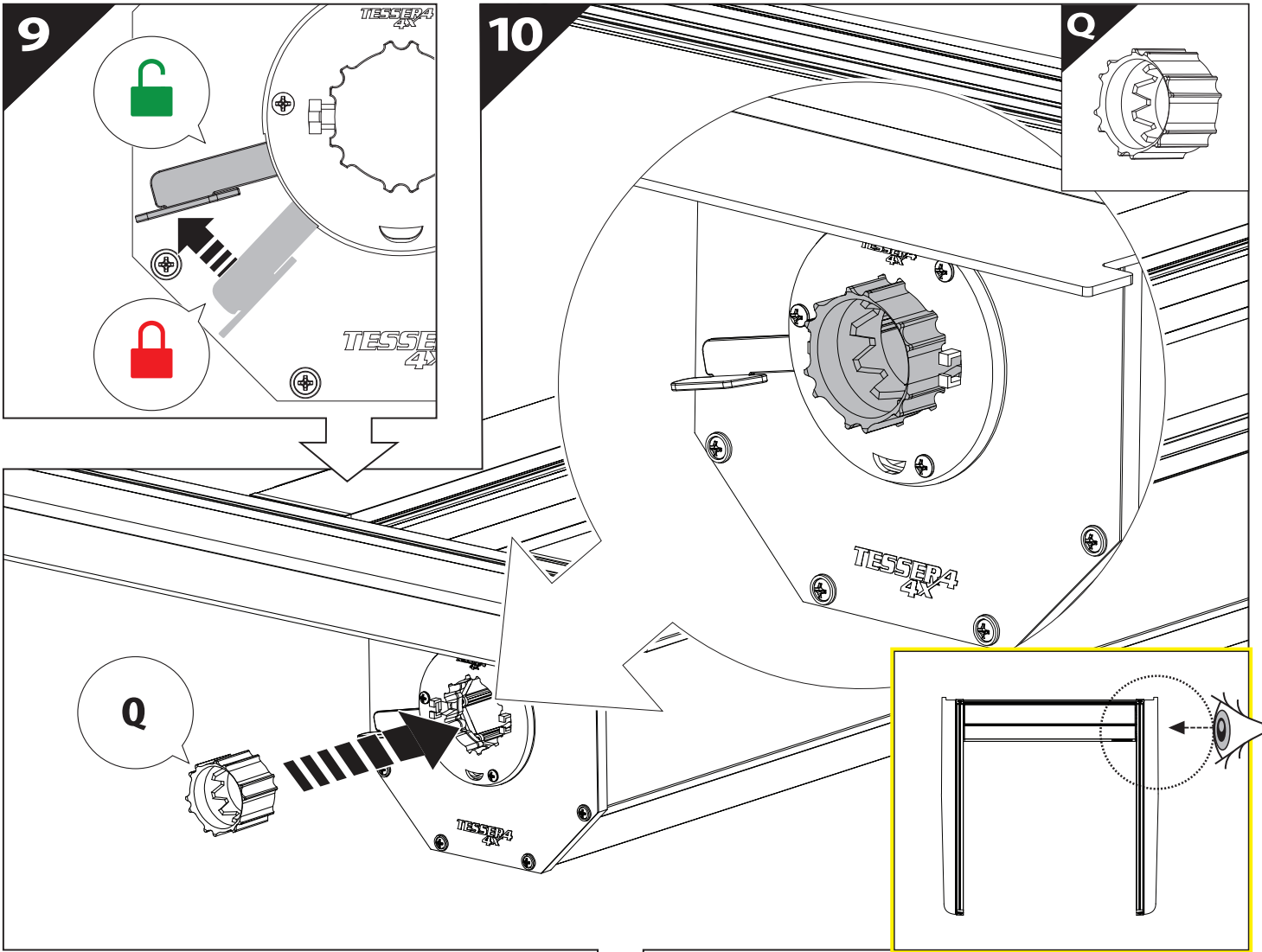
7.1

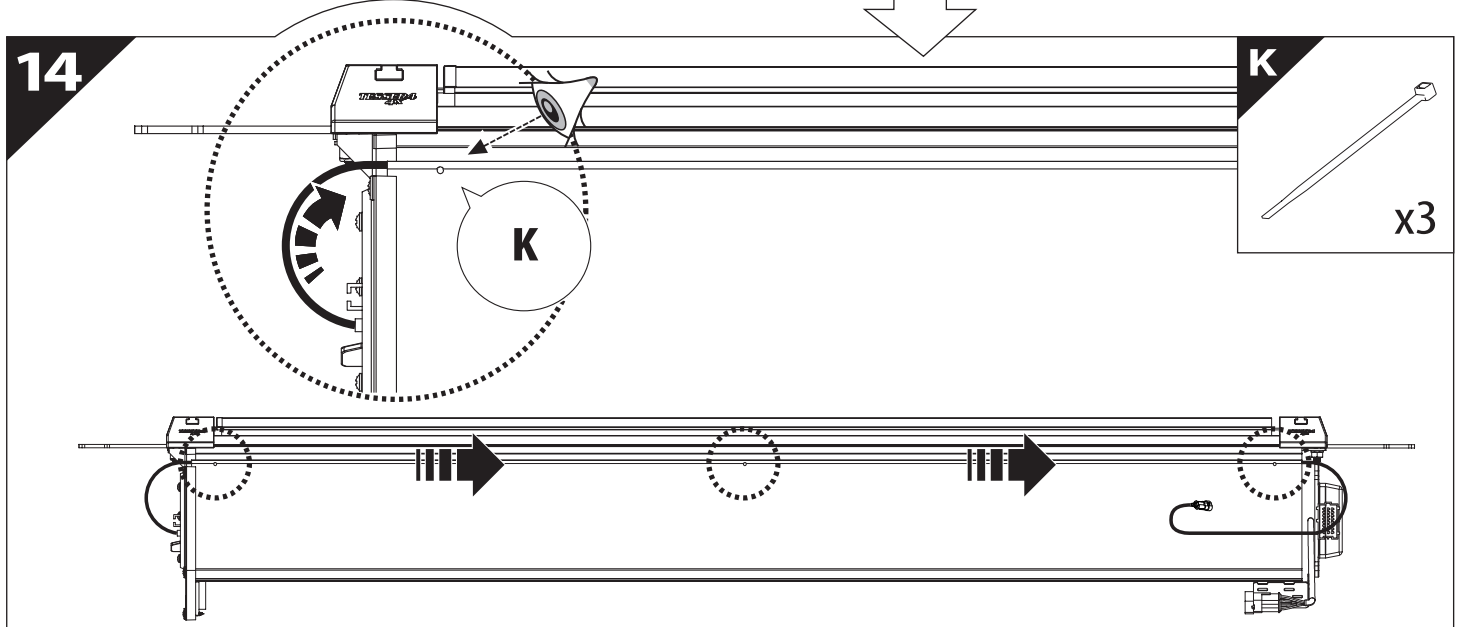
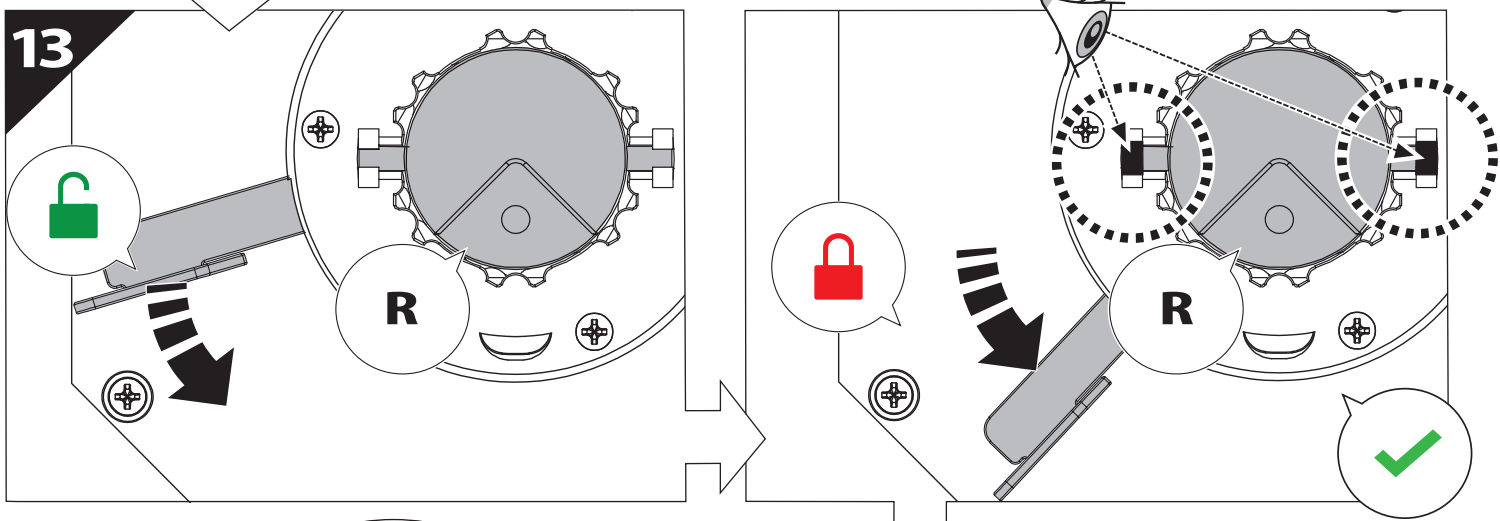
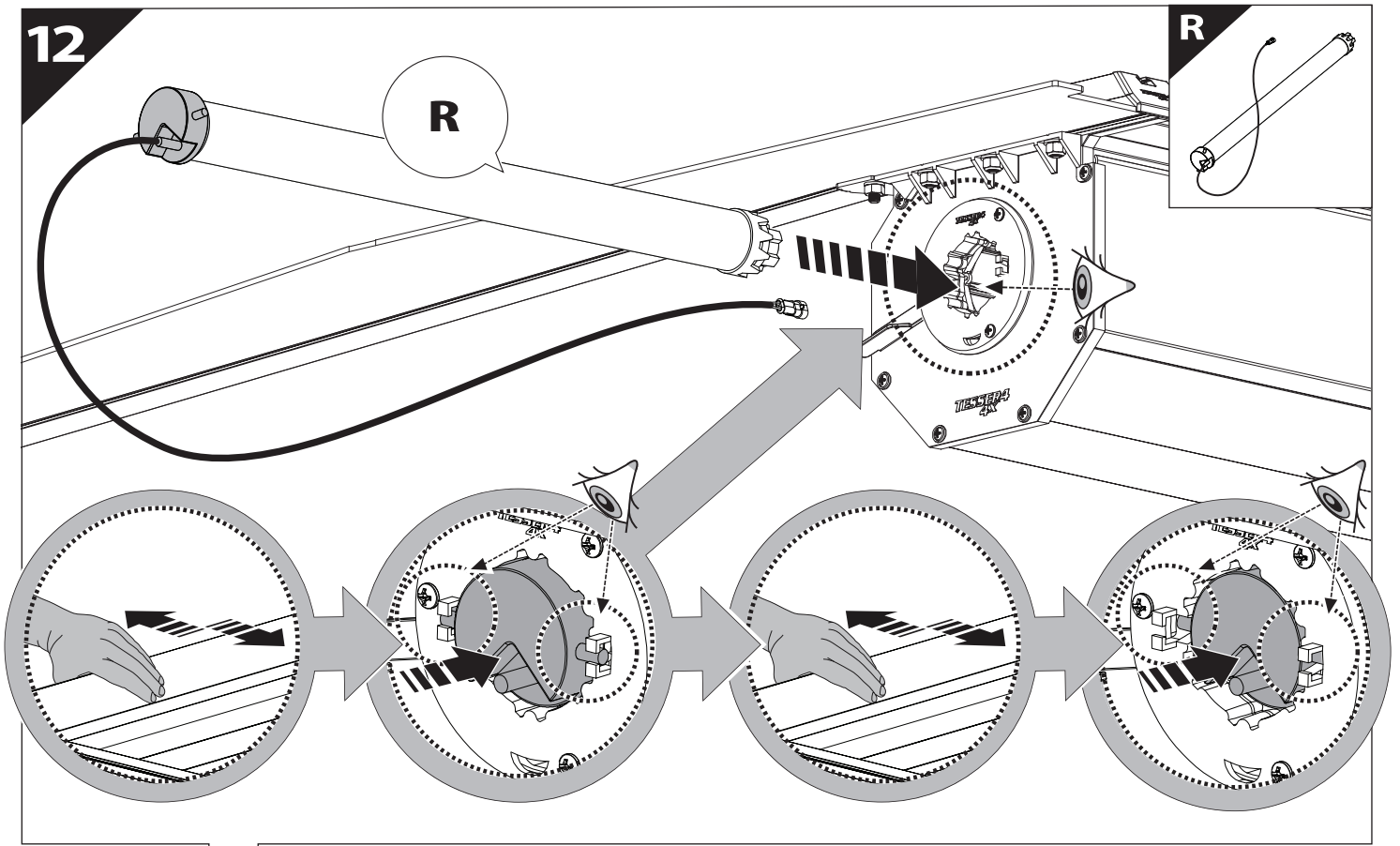


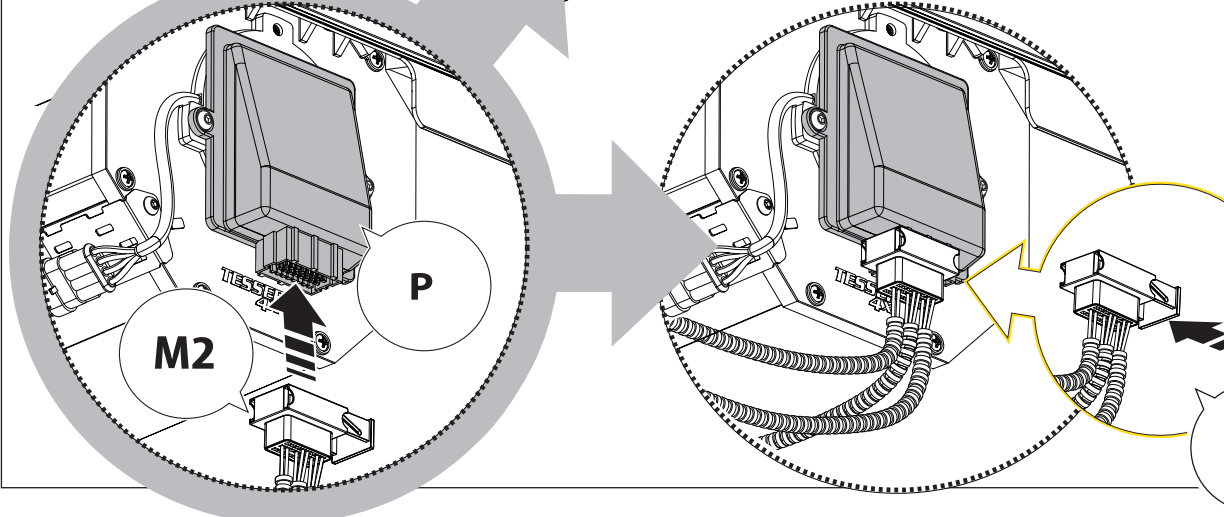
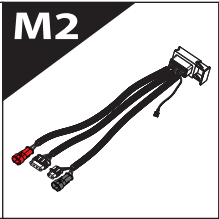
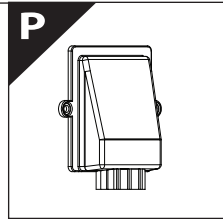
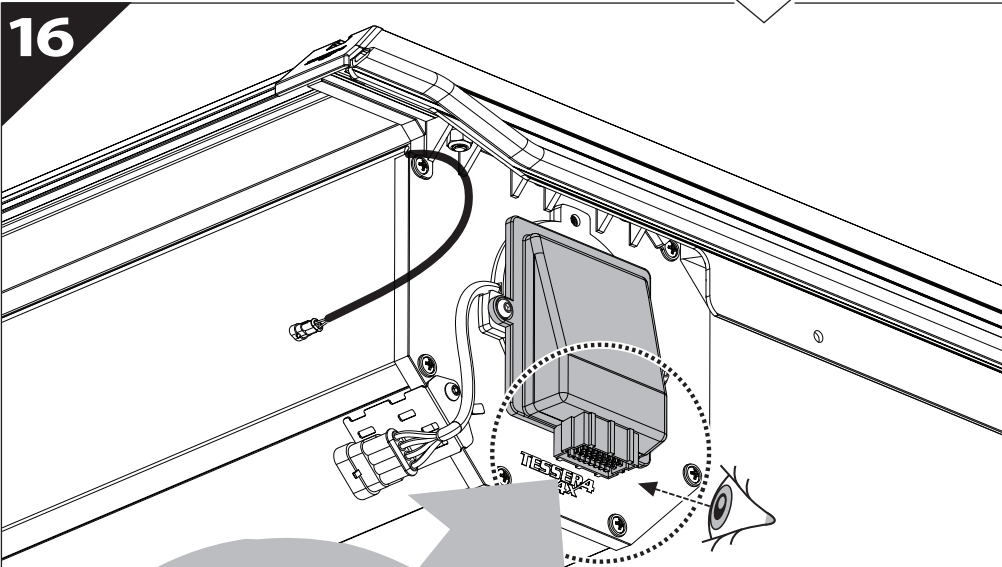
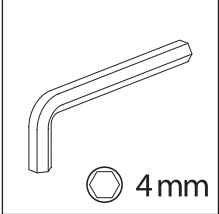
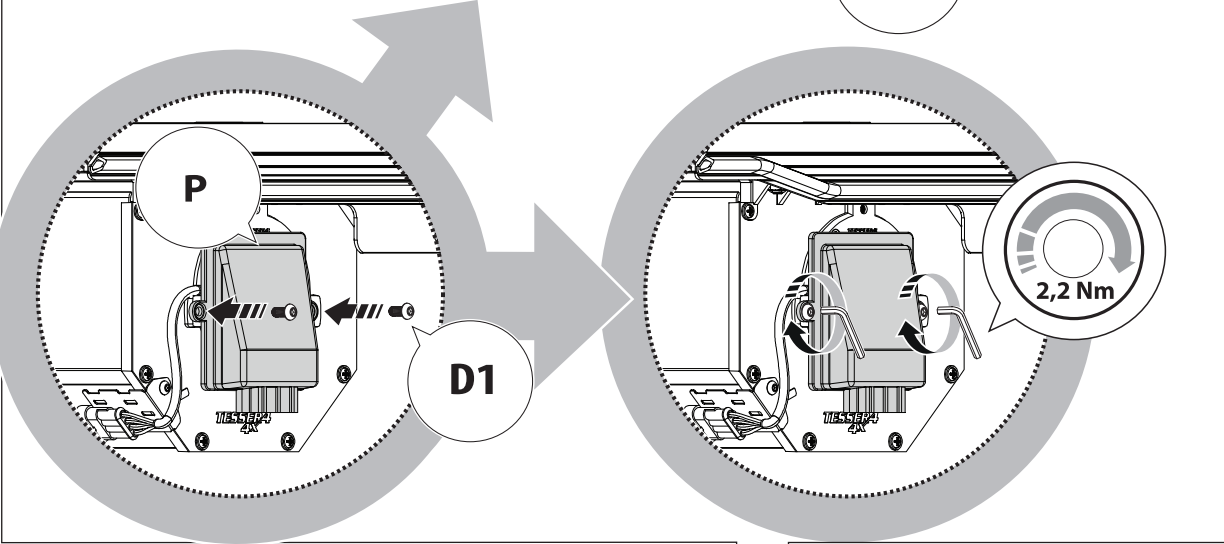
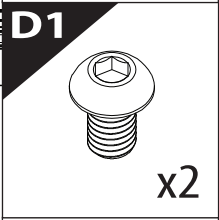
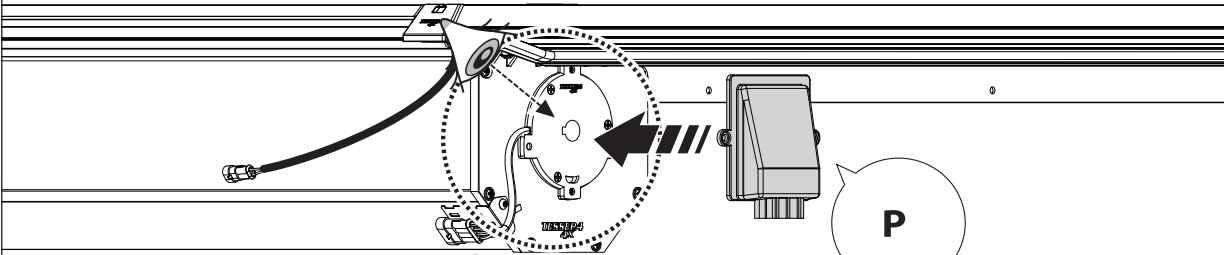
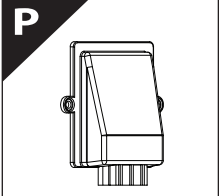
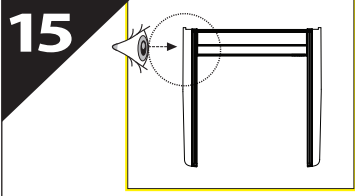
8

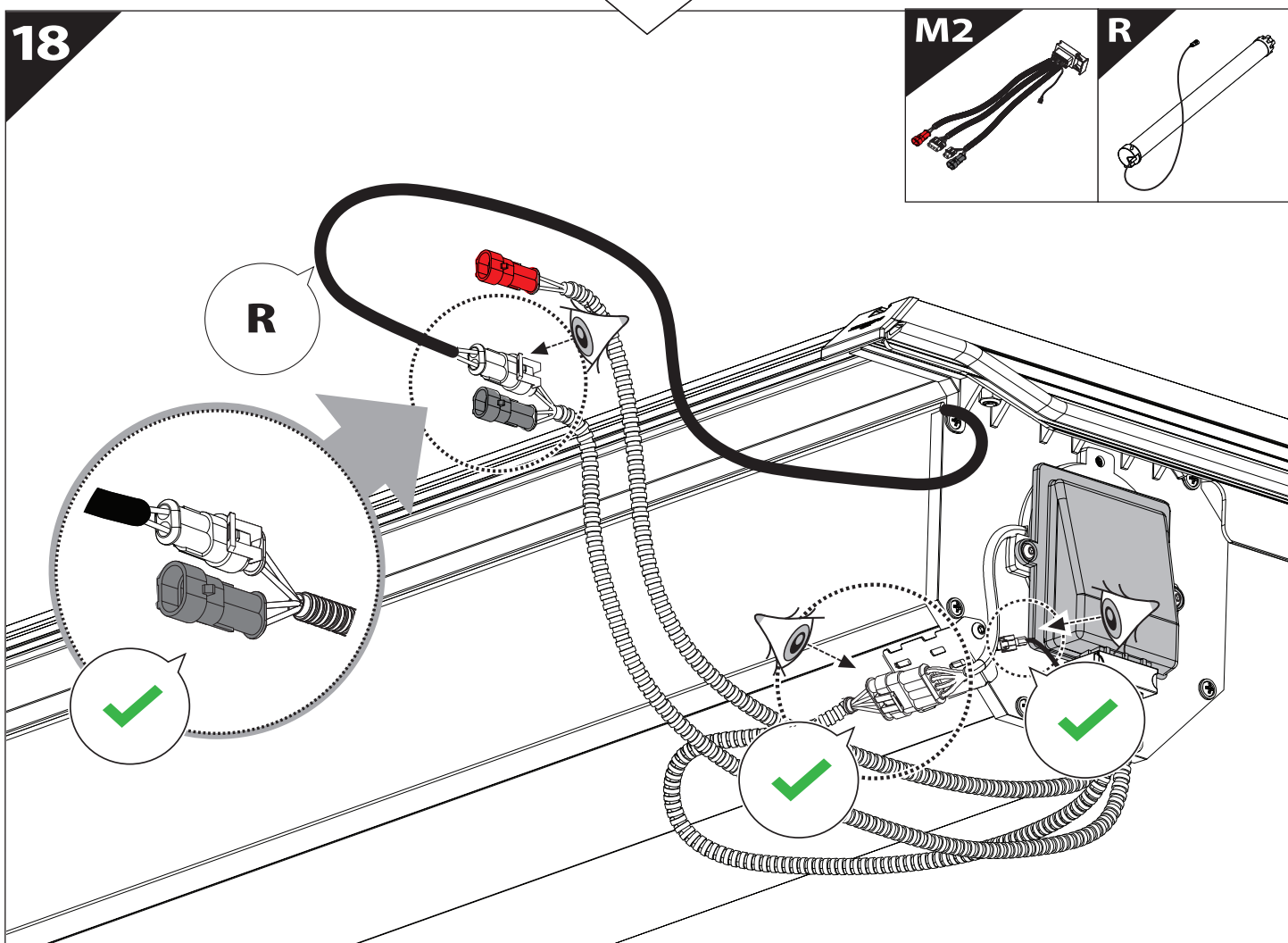
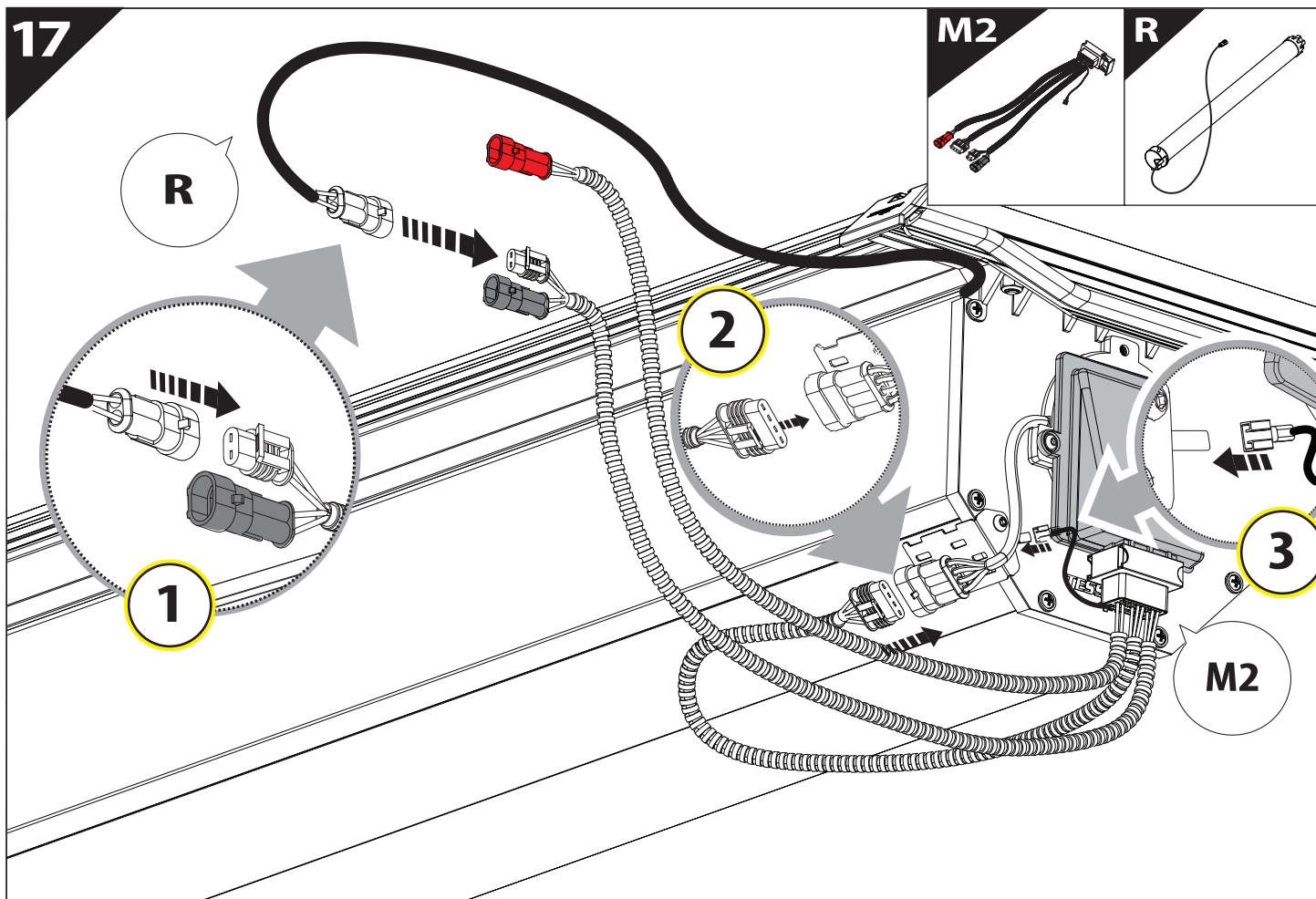






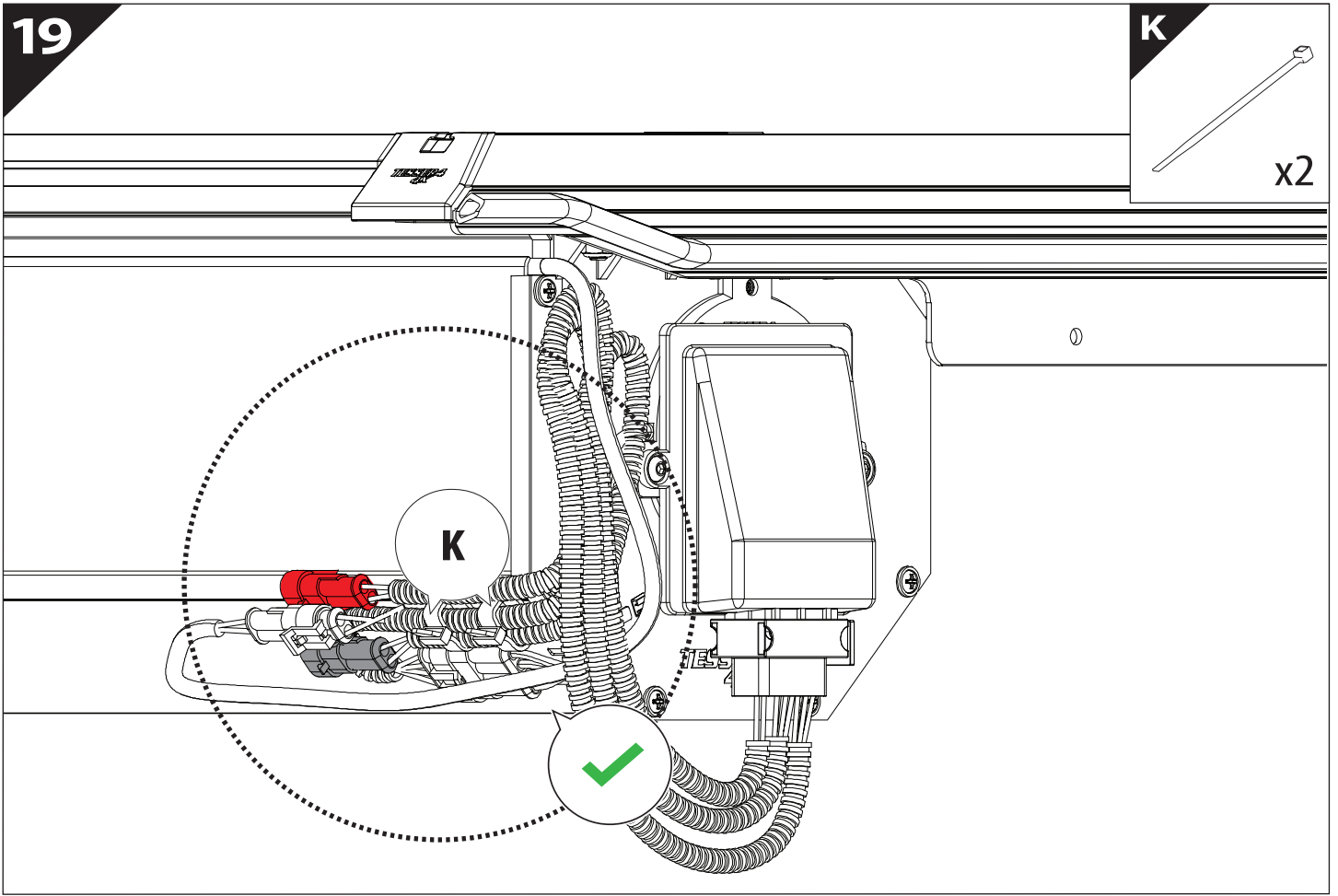
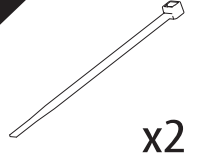




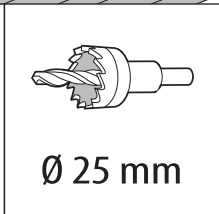
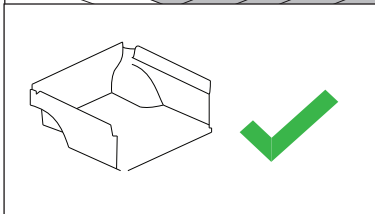
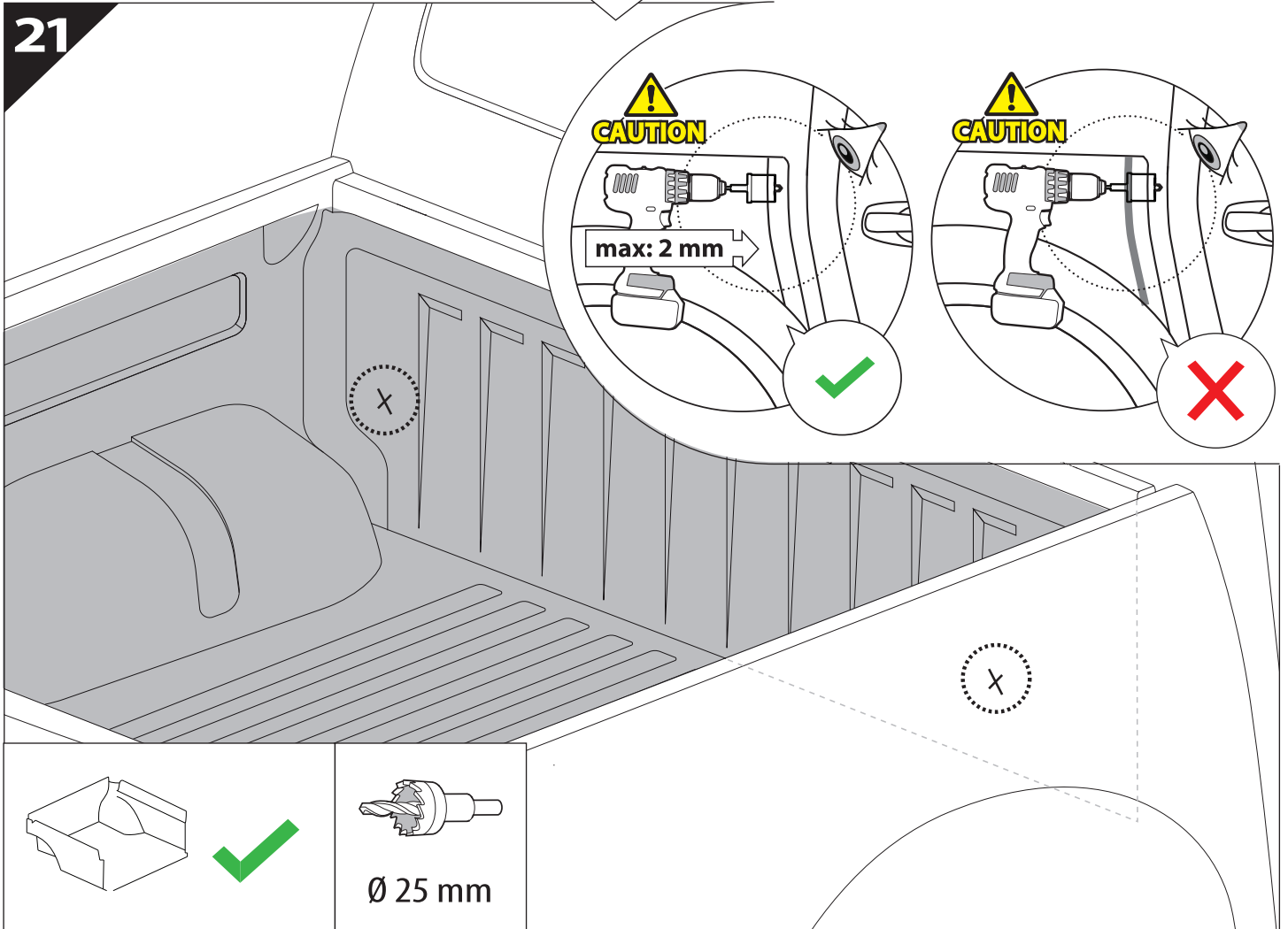
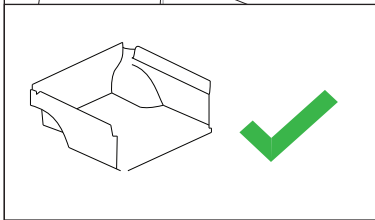
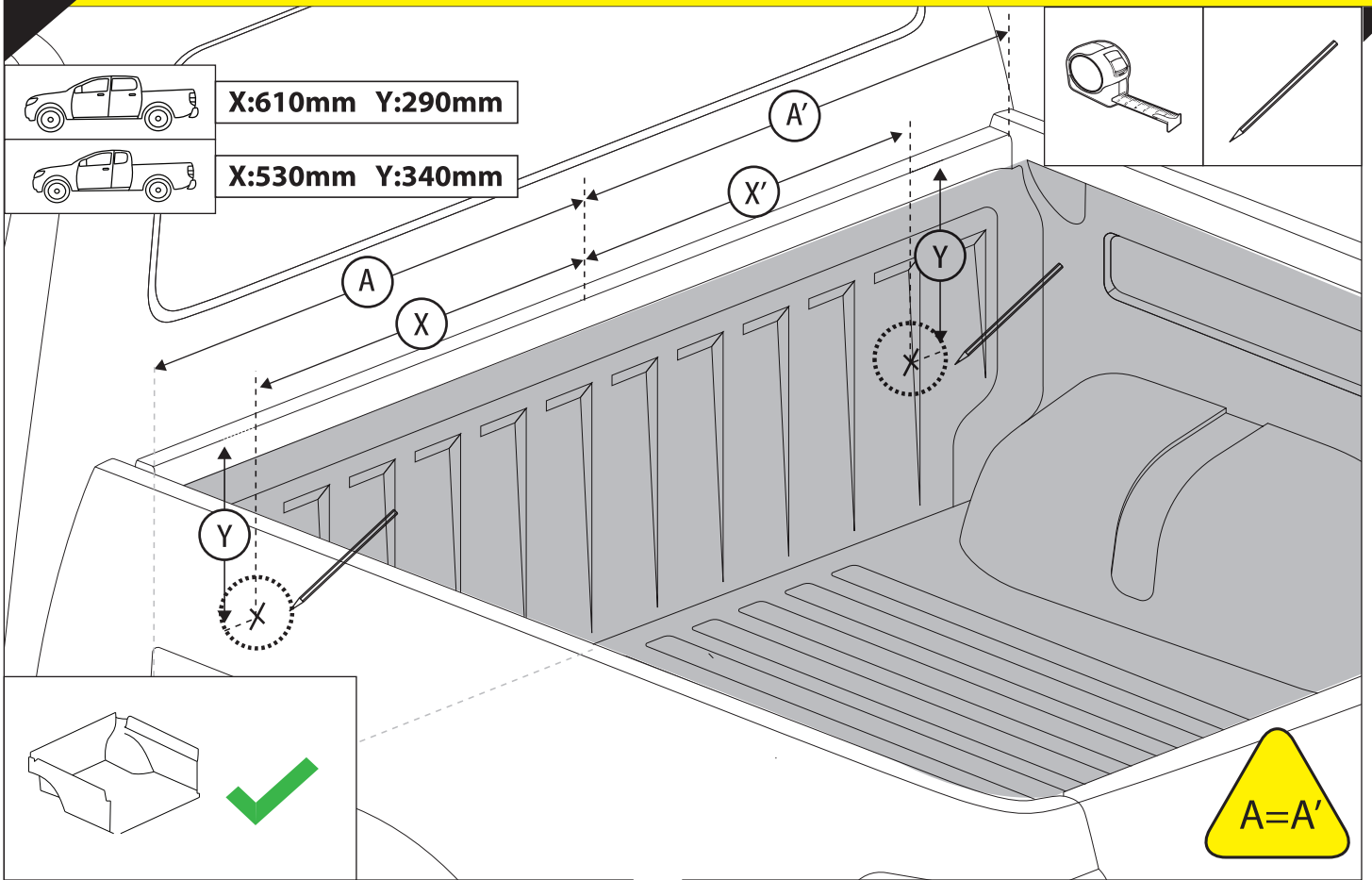


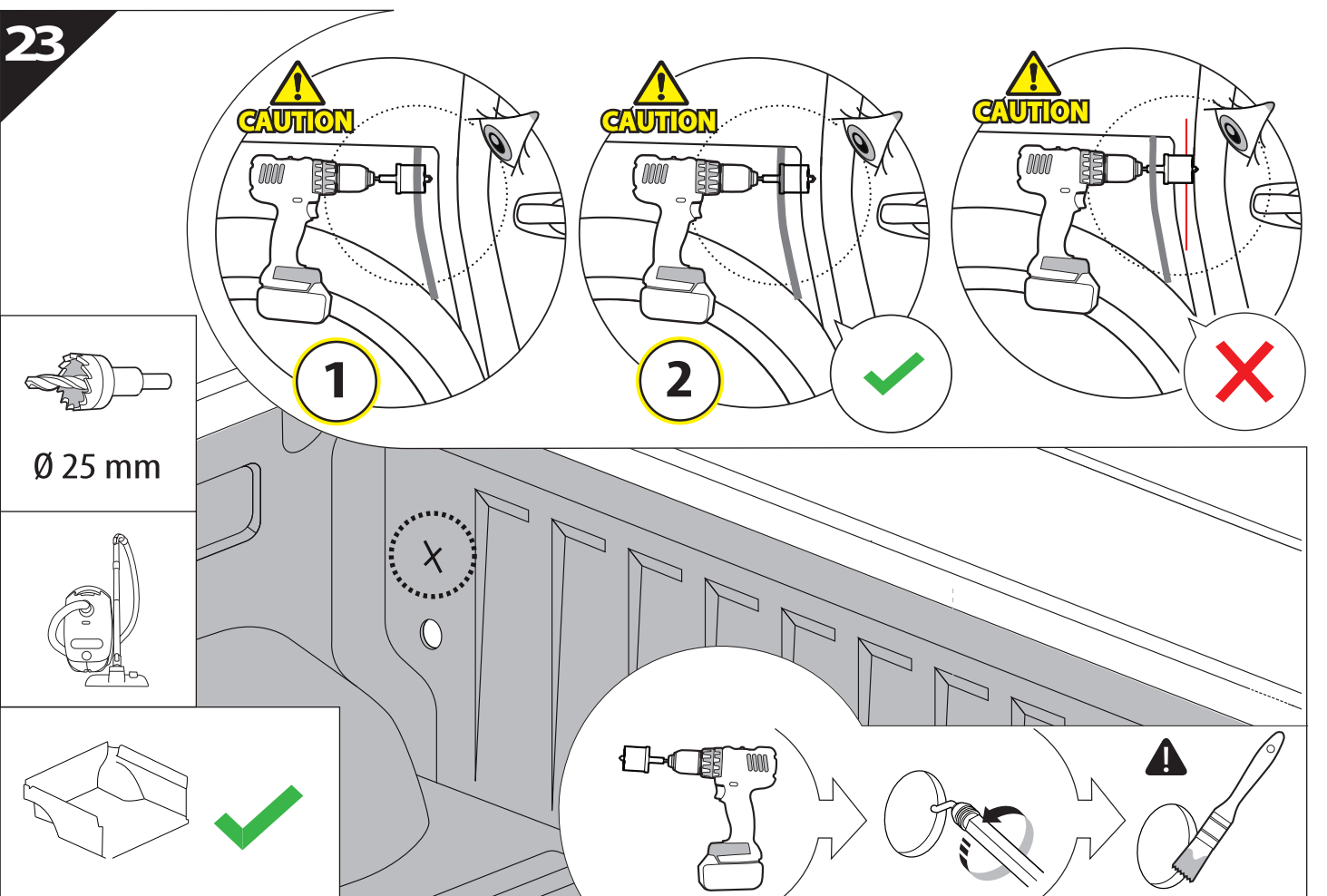
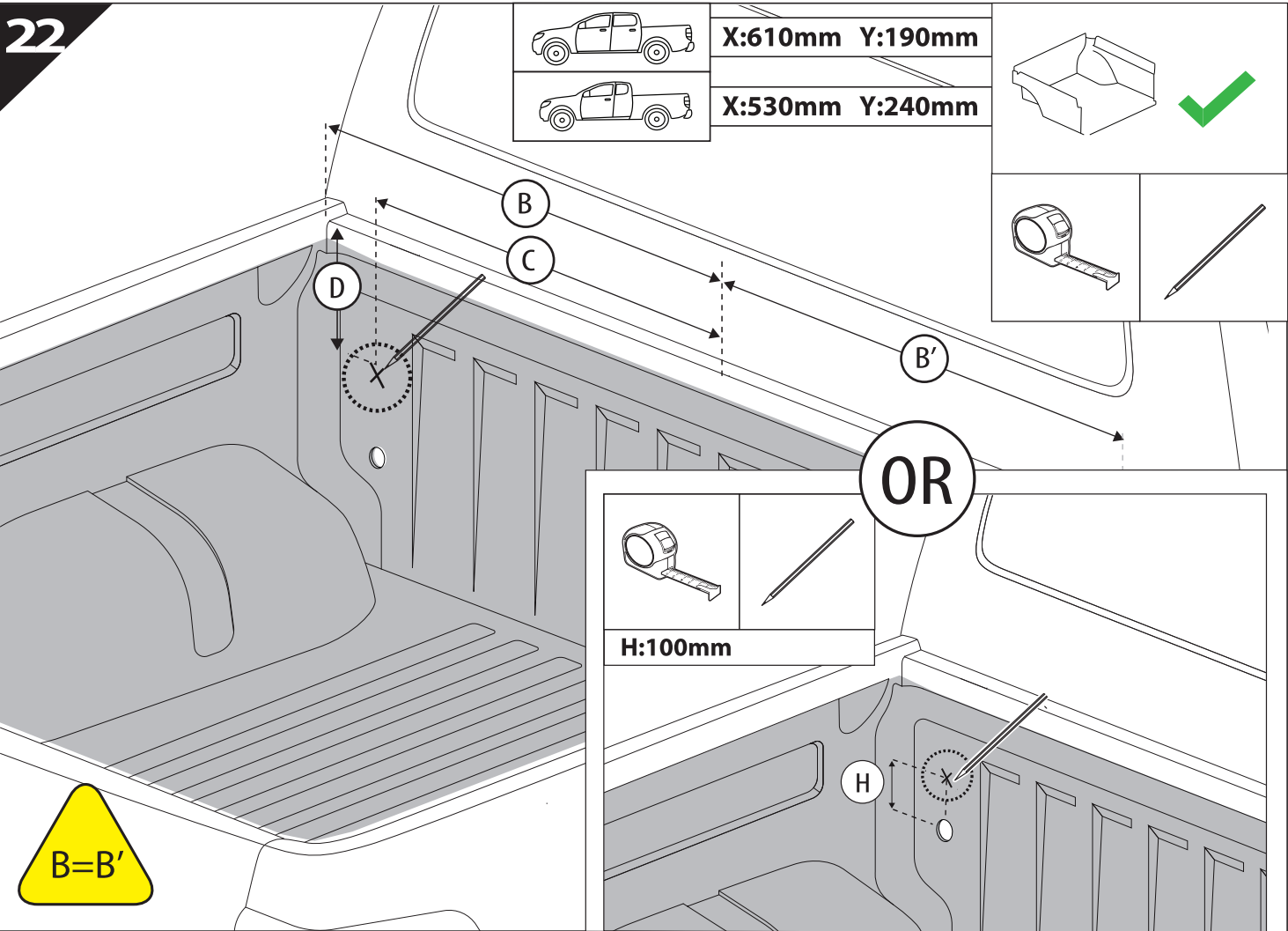
19

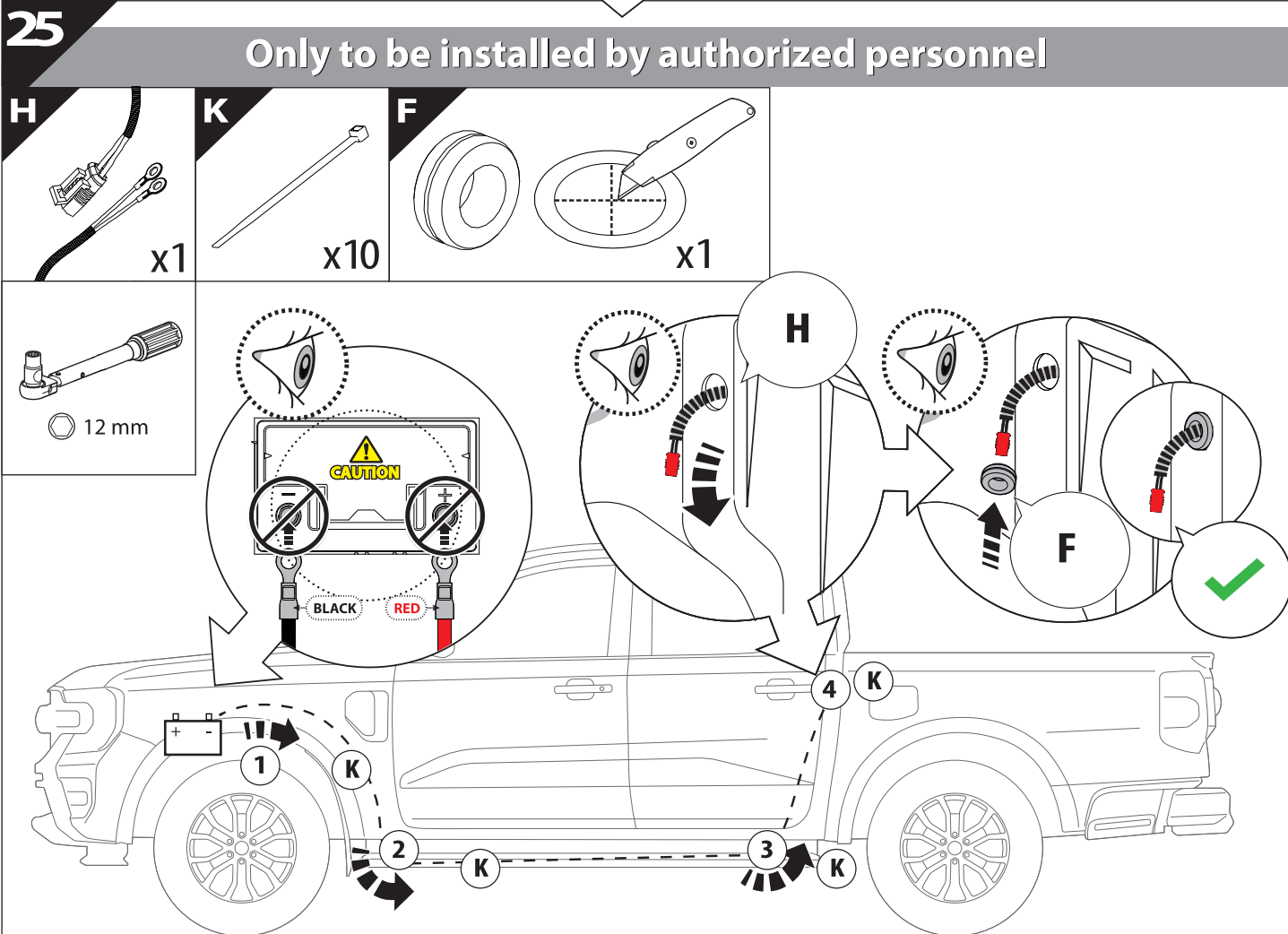
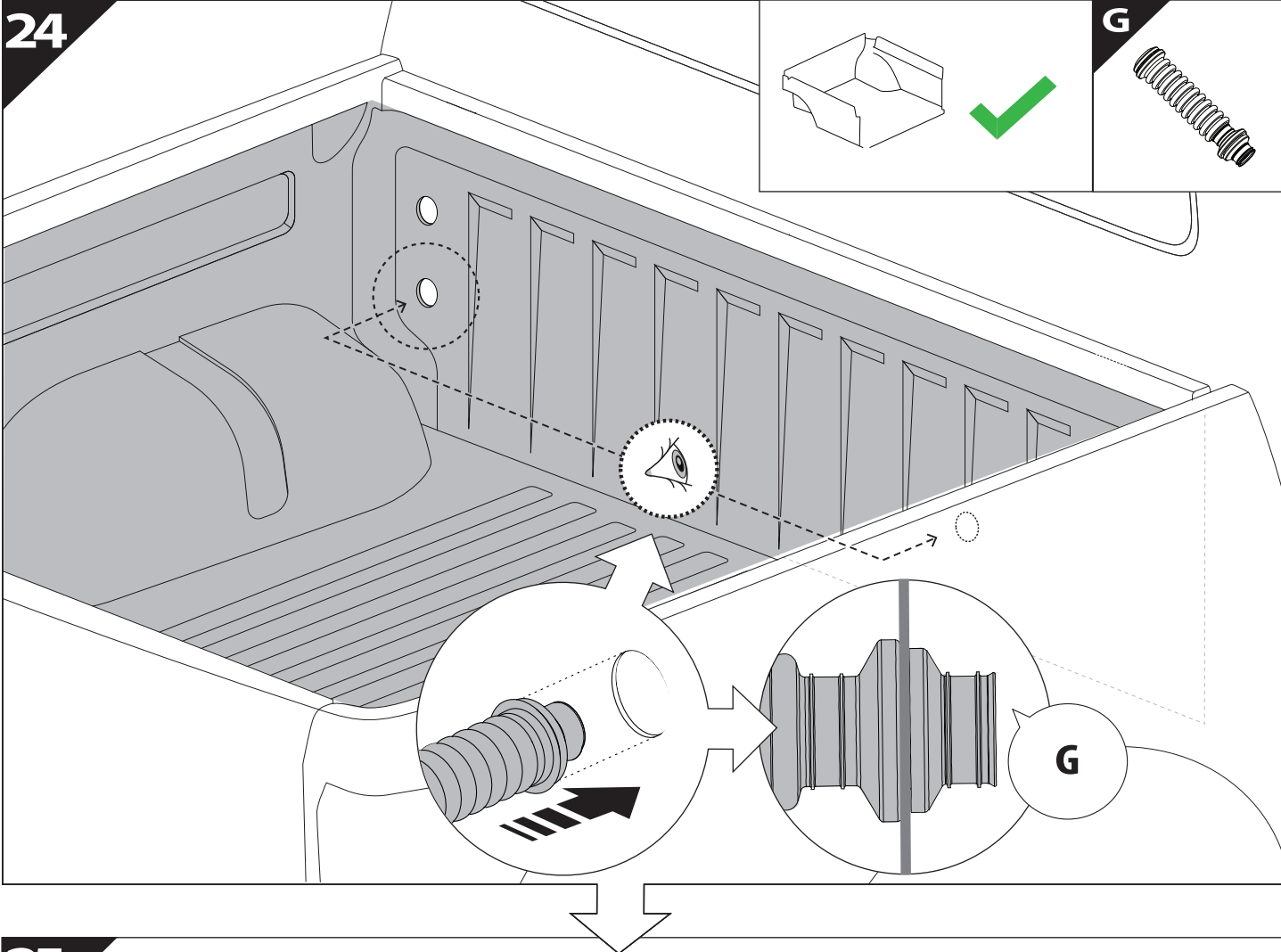
K





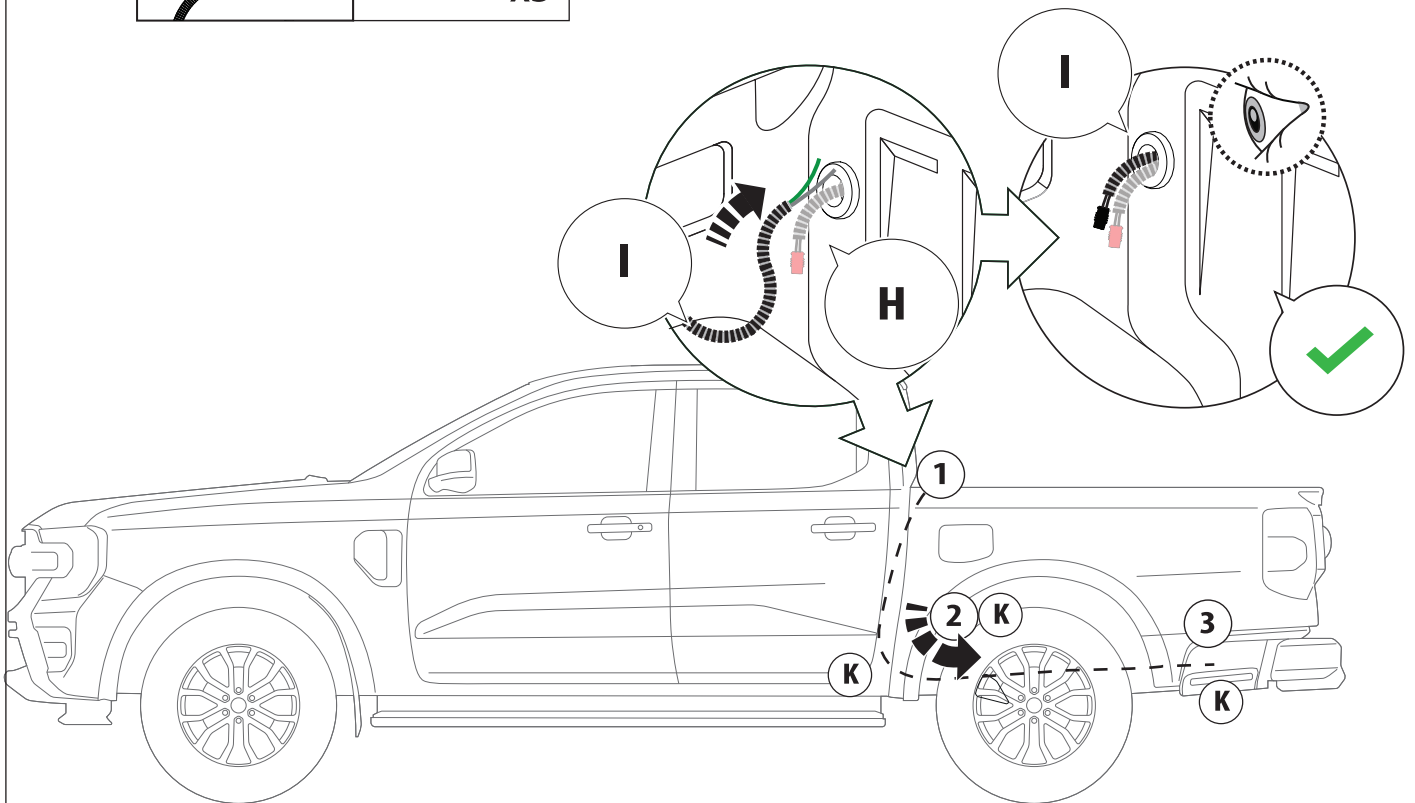
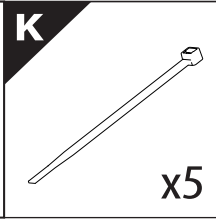
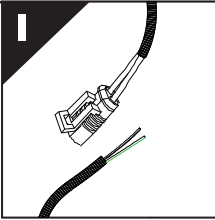








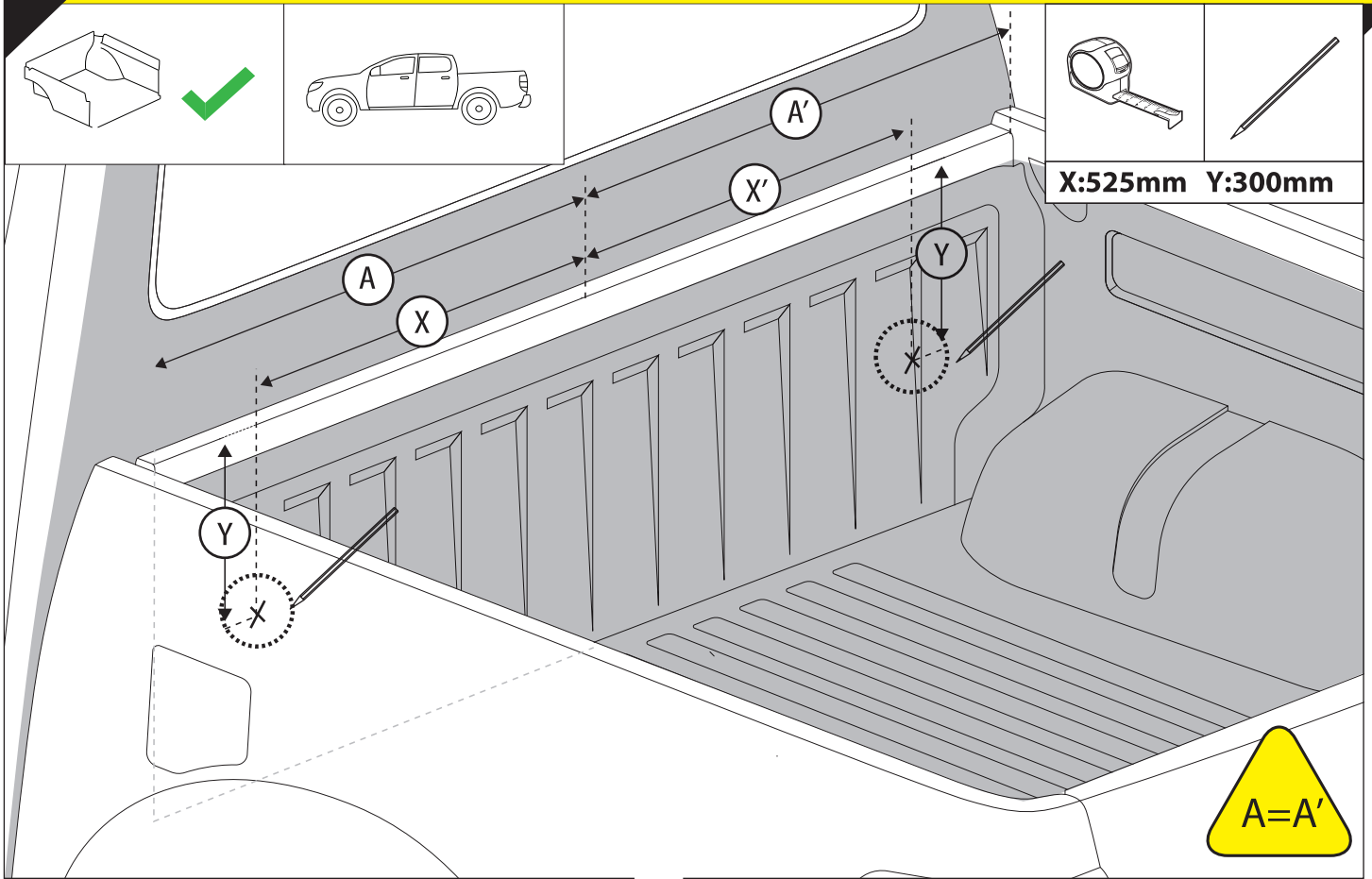
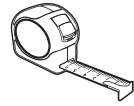
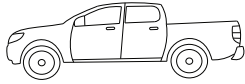
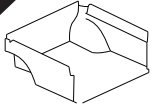
26



27



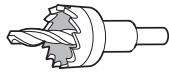
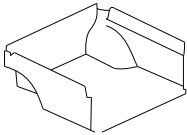
CAUTION: RAPTOR



X:525mm Y:300mm

$A=A'$

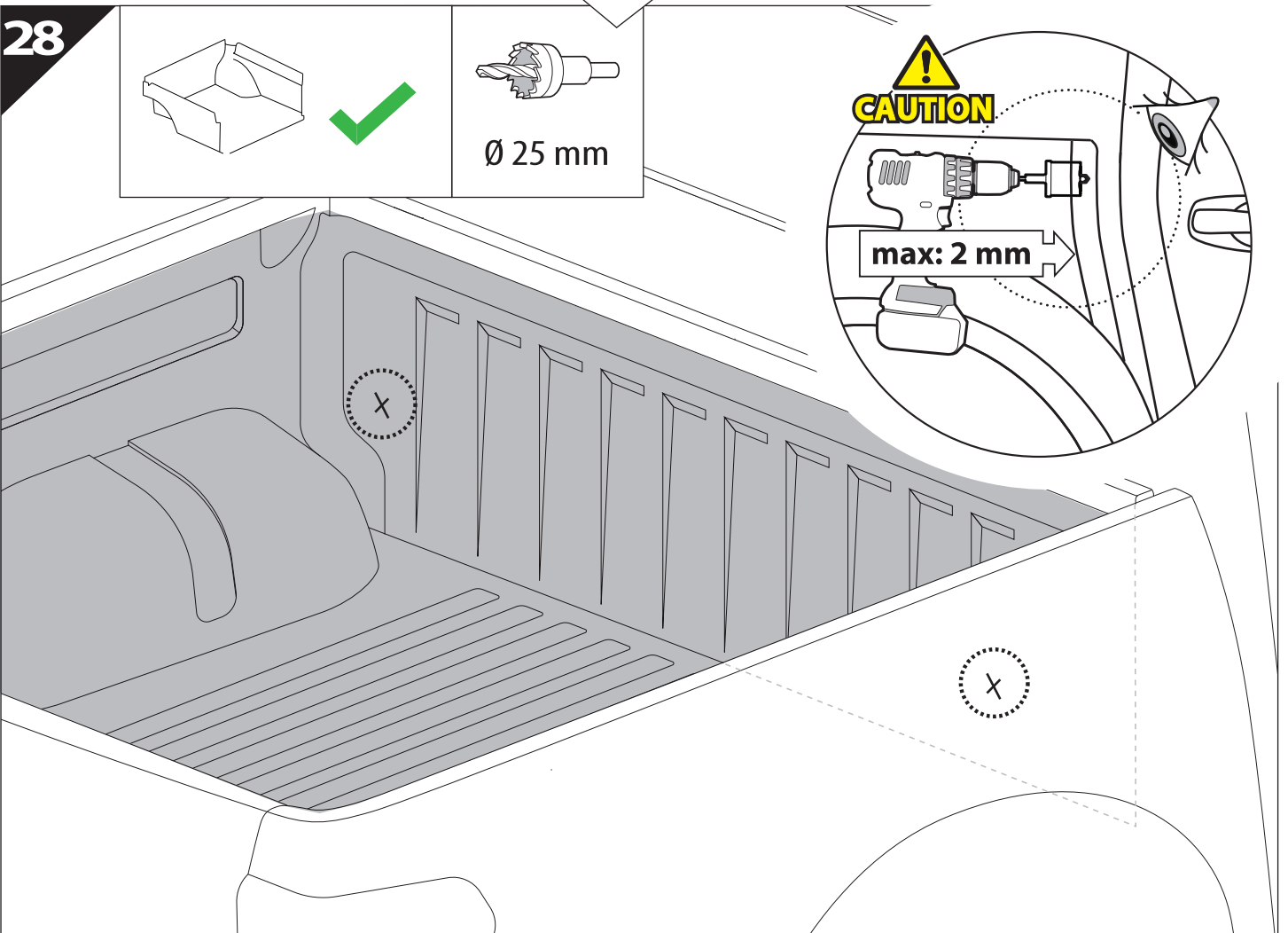
28



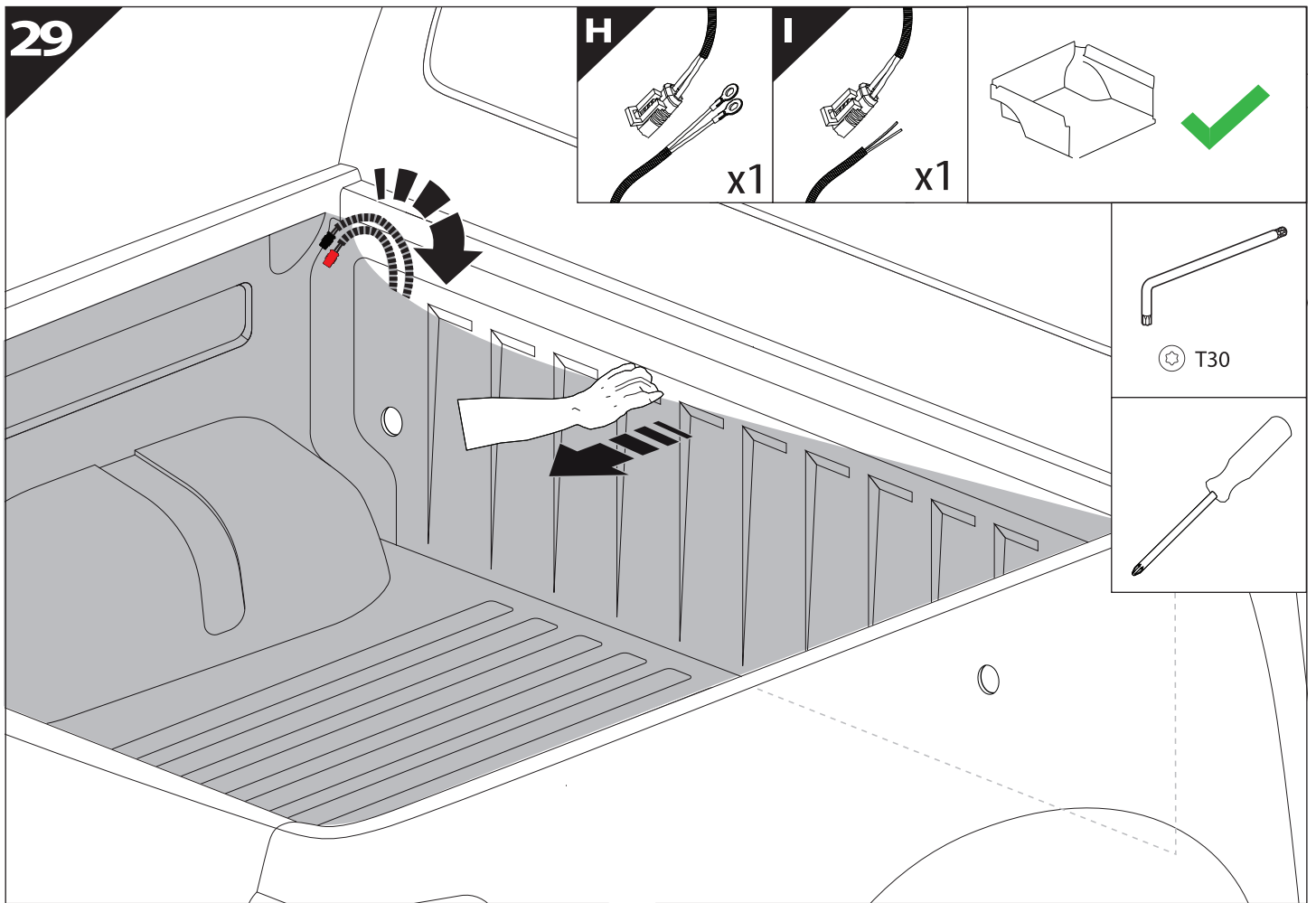
Ø 25 mm

CAUTION

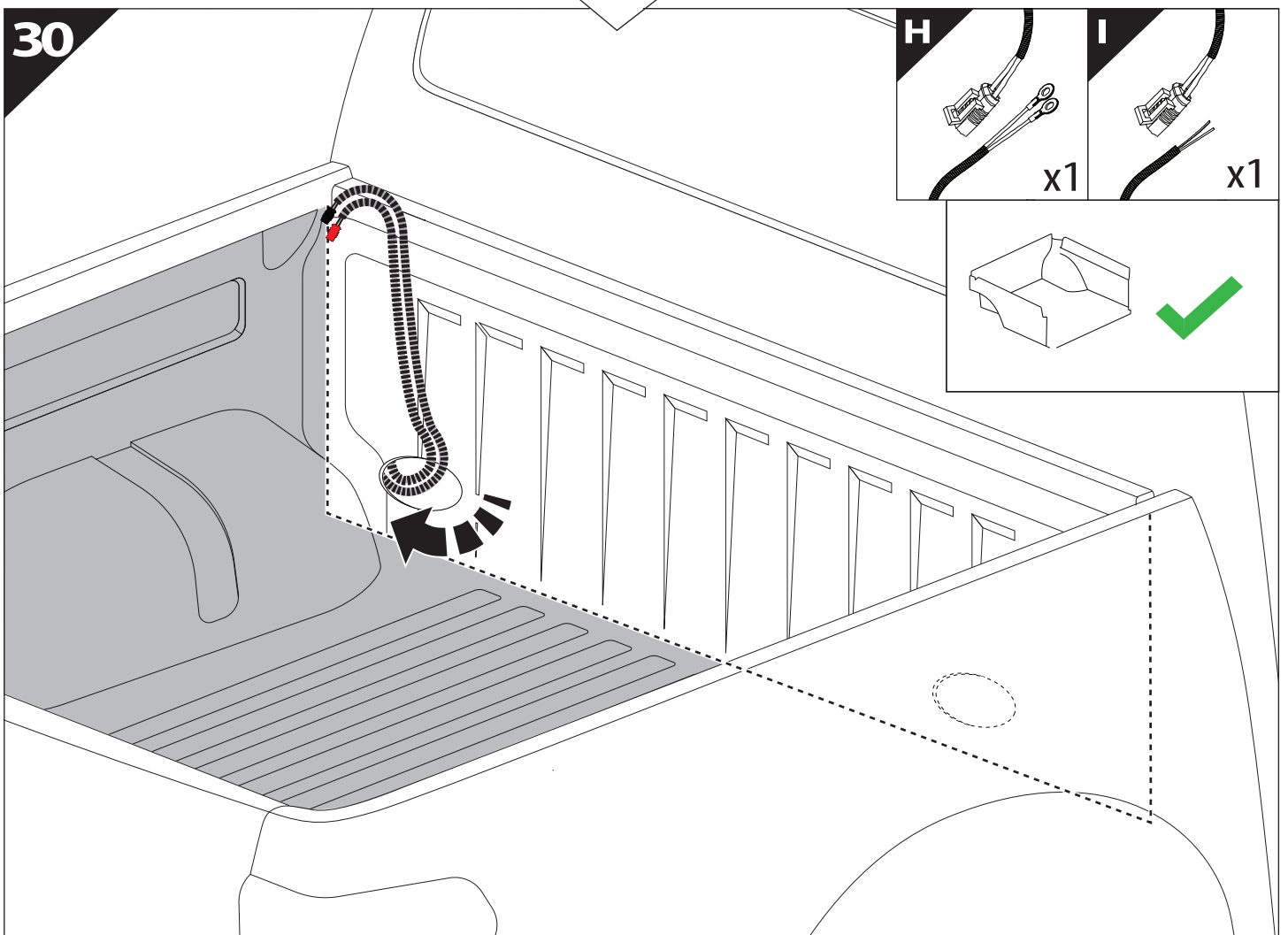
max: 2 mm



29

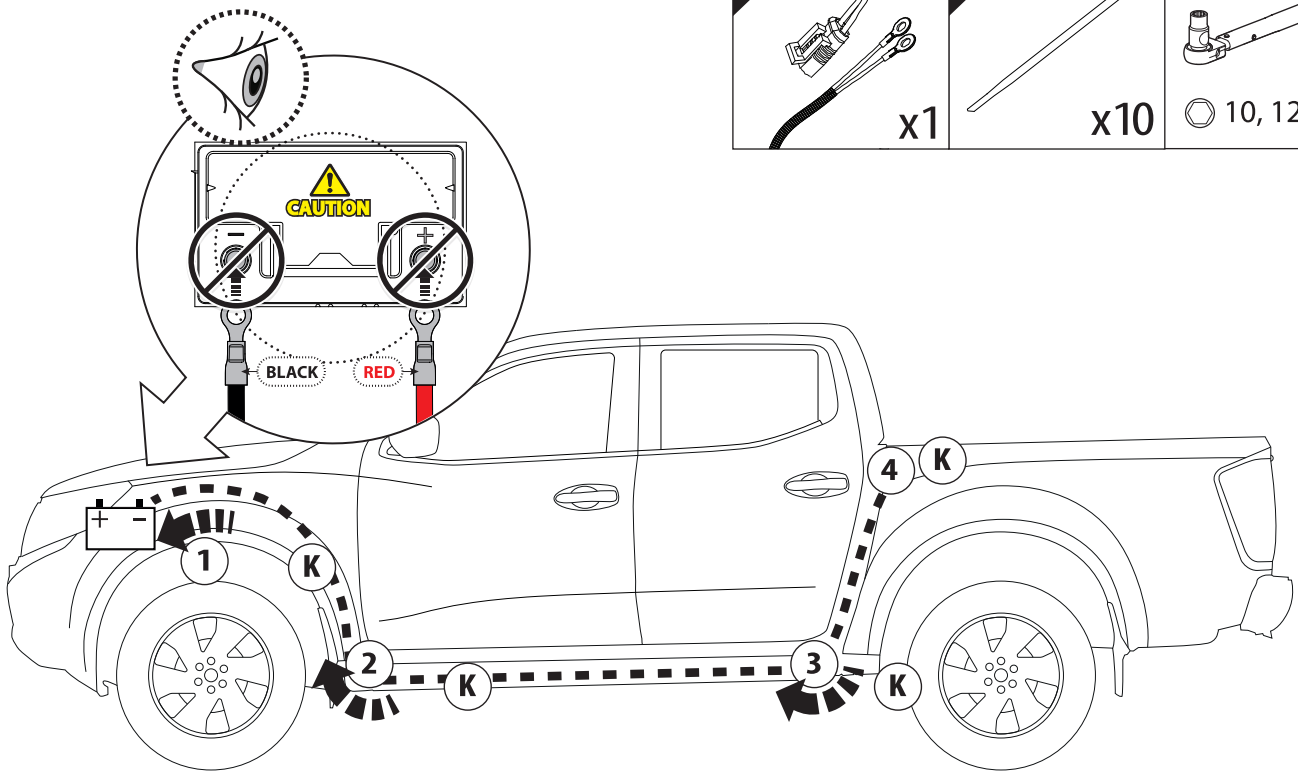
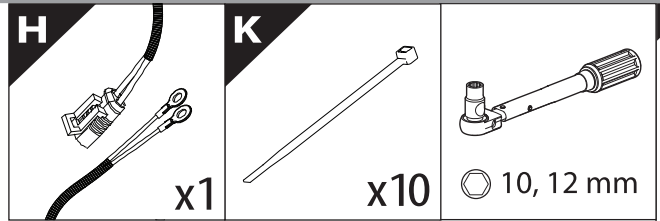


30

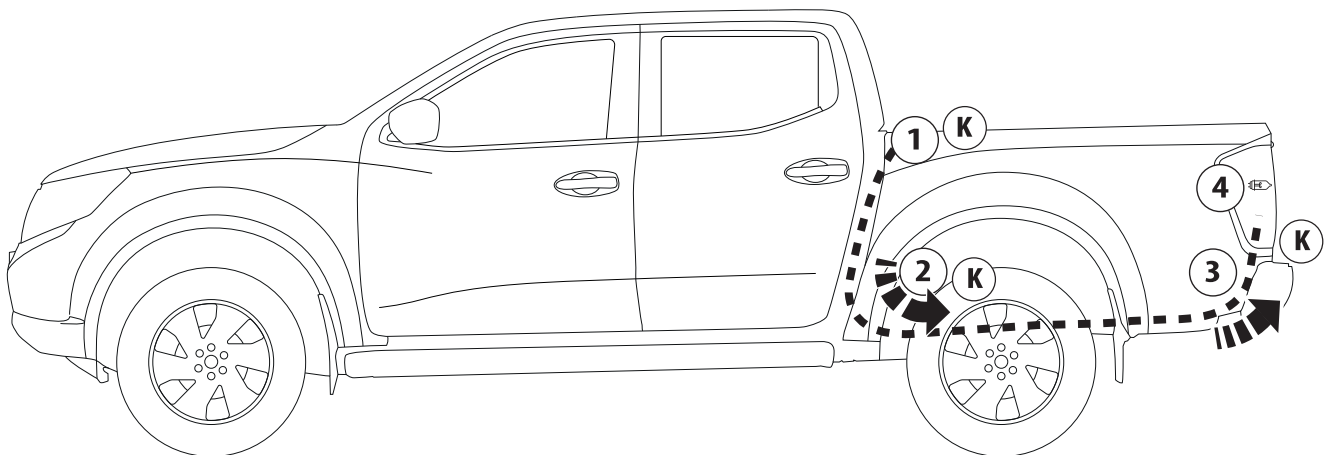
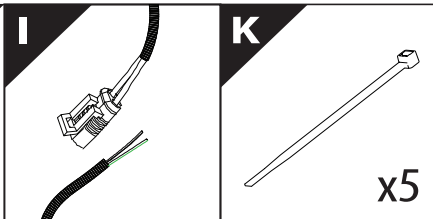


31

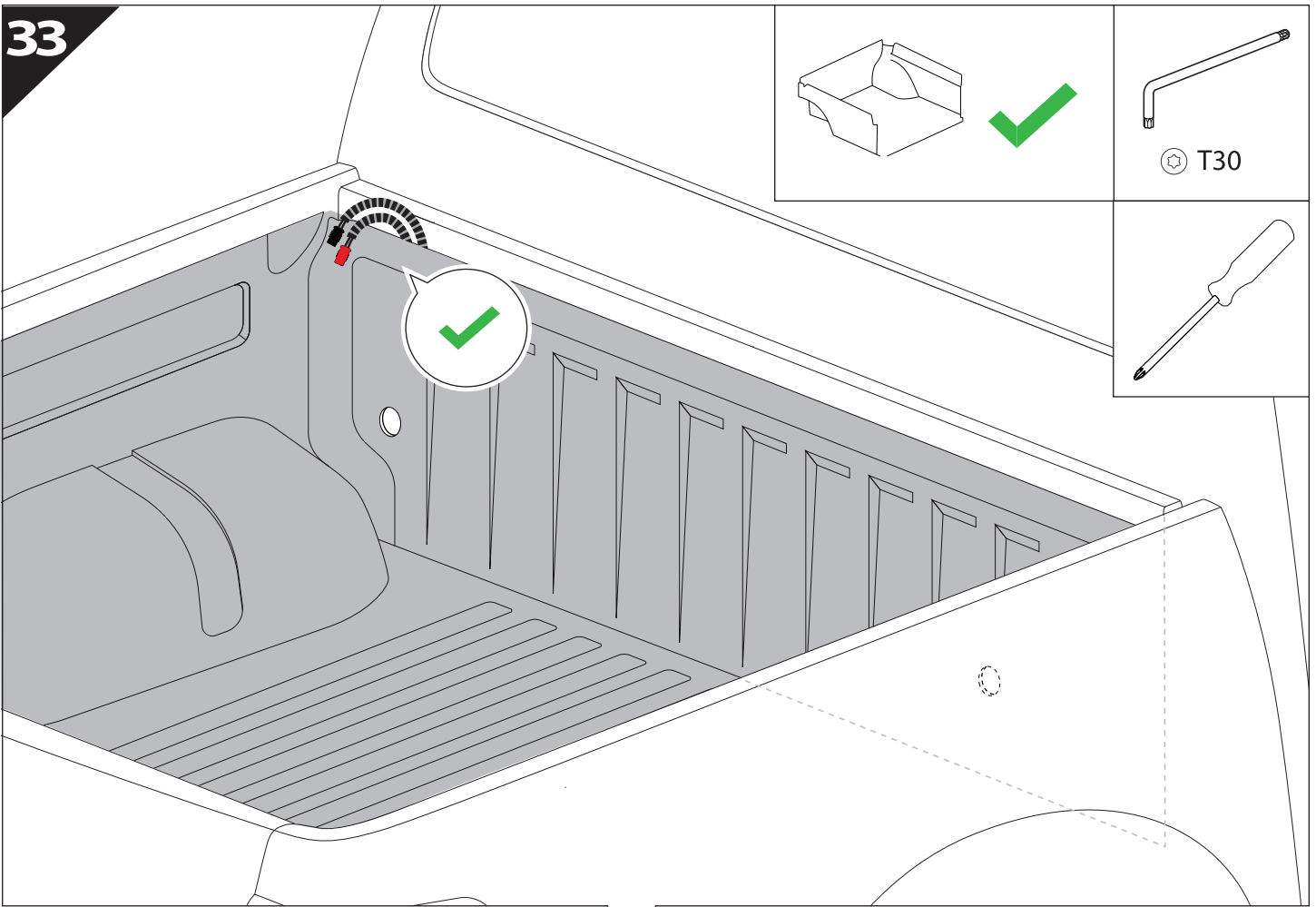
Only to be installed by authorized personnel



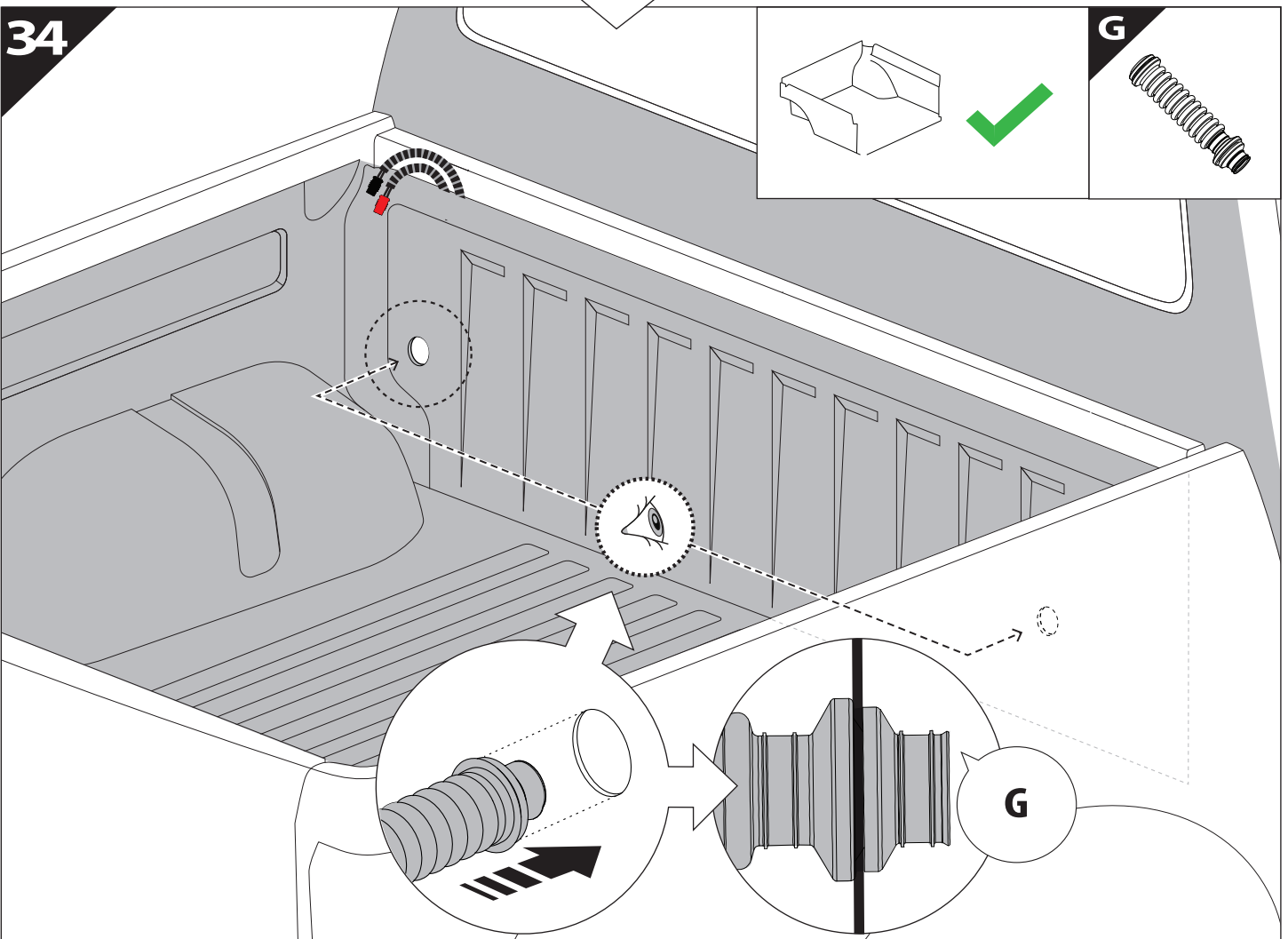
32



33

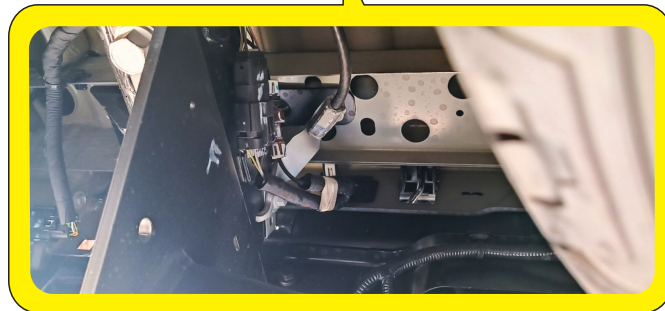
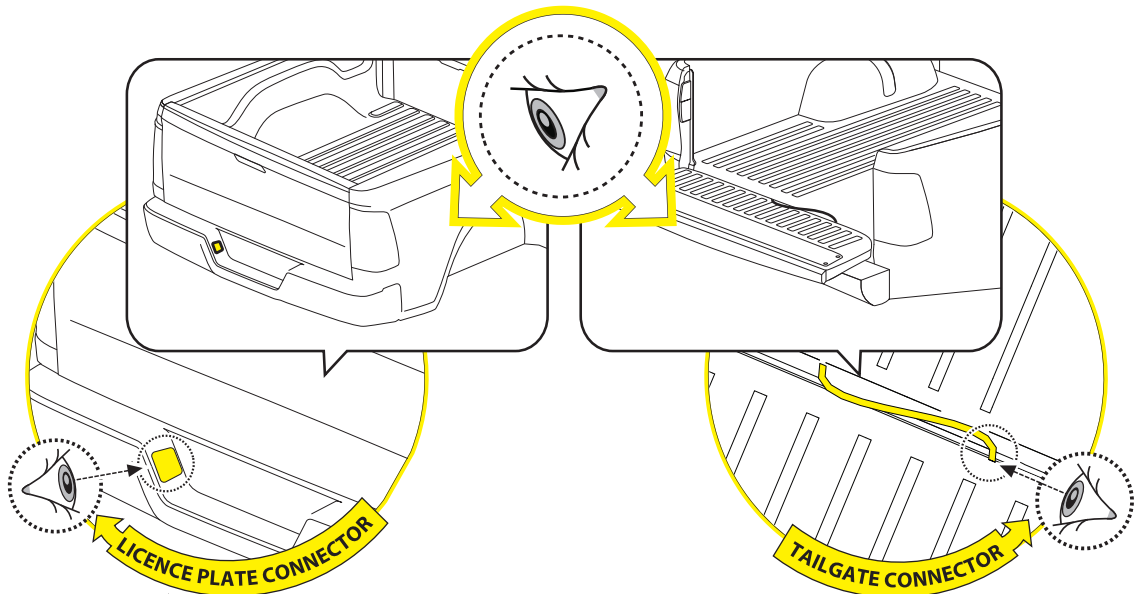


34



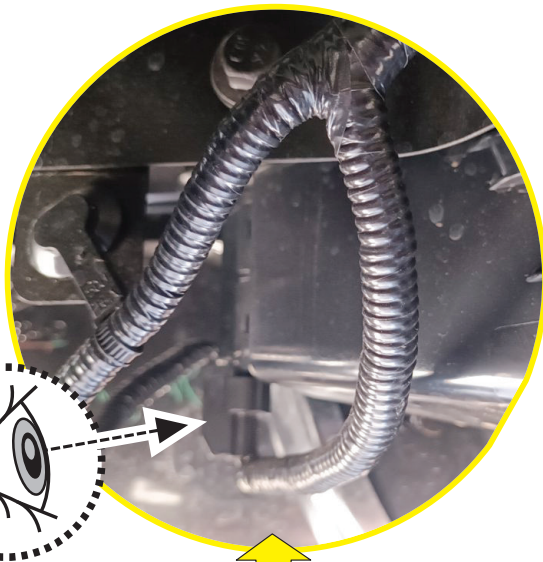


CAUTION: LIMITED, WILDTRAK, WILDTRAK X, PLATINUM

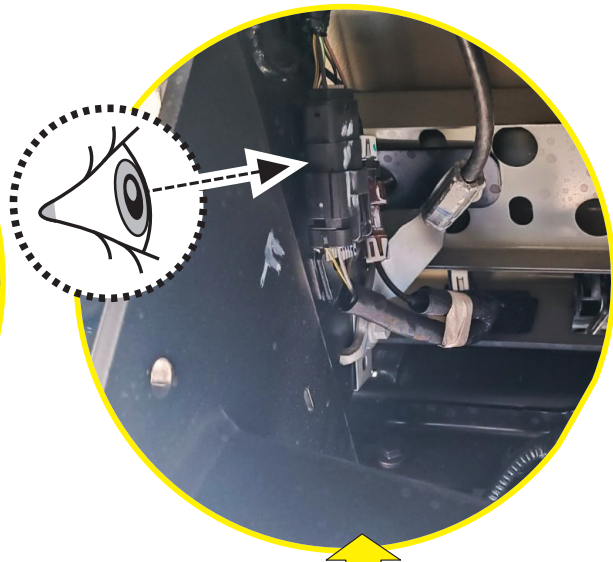




# 36. ①



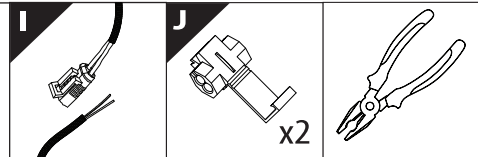
LICENCE PLATE CONNECTOR



TAILGATE CONNECTOR

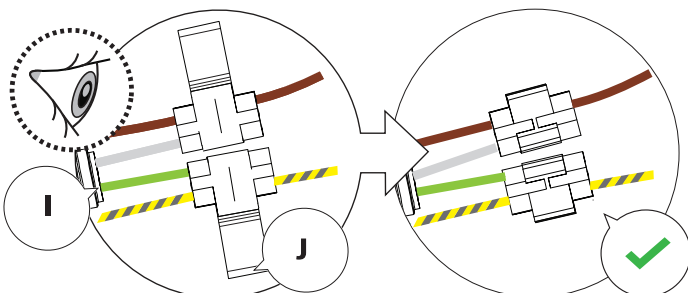
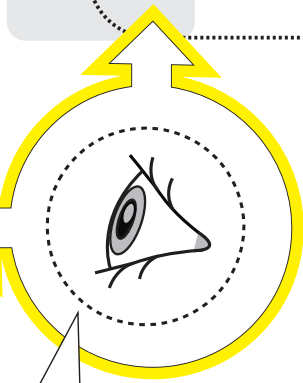
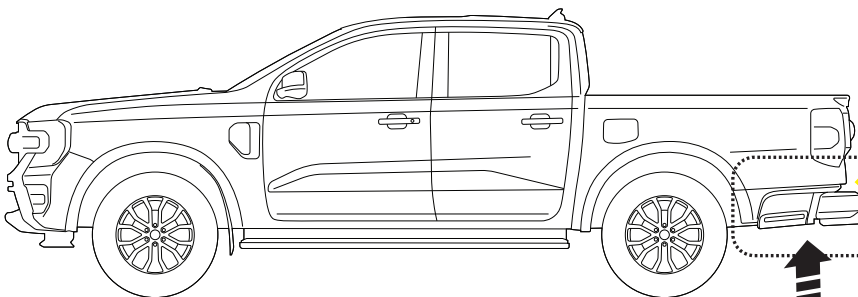
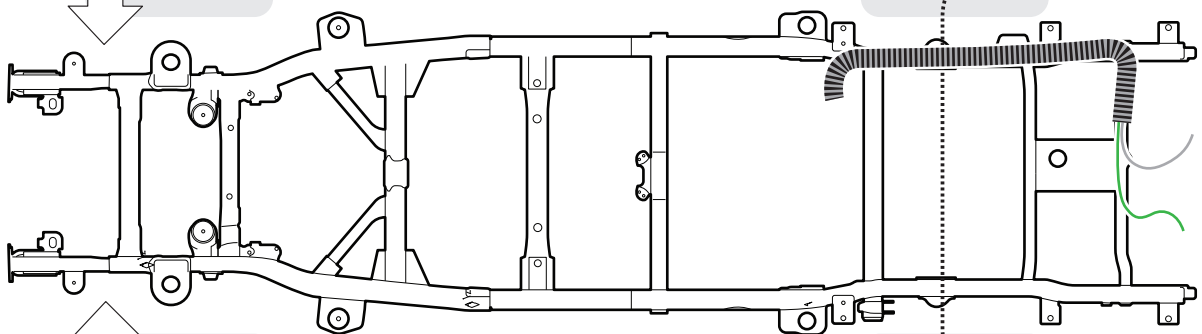
# 36. ②

## BOTTOM VIEW

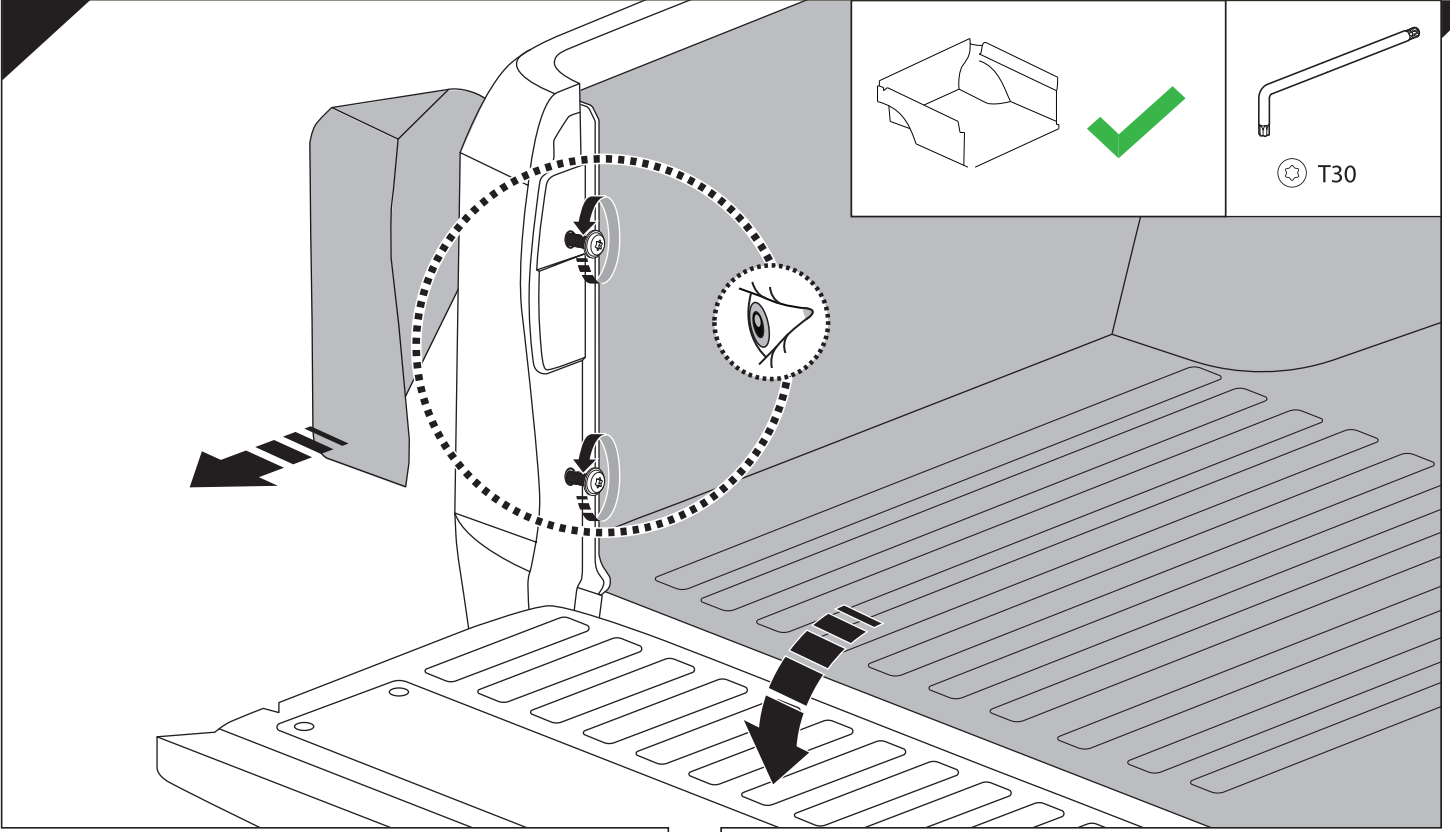


DRIVER'S LEFT SIDE

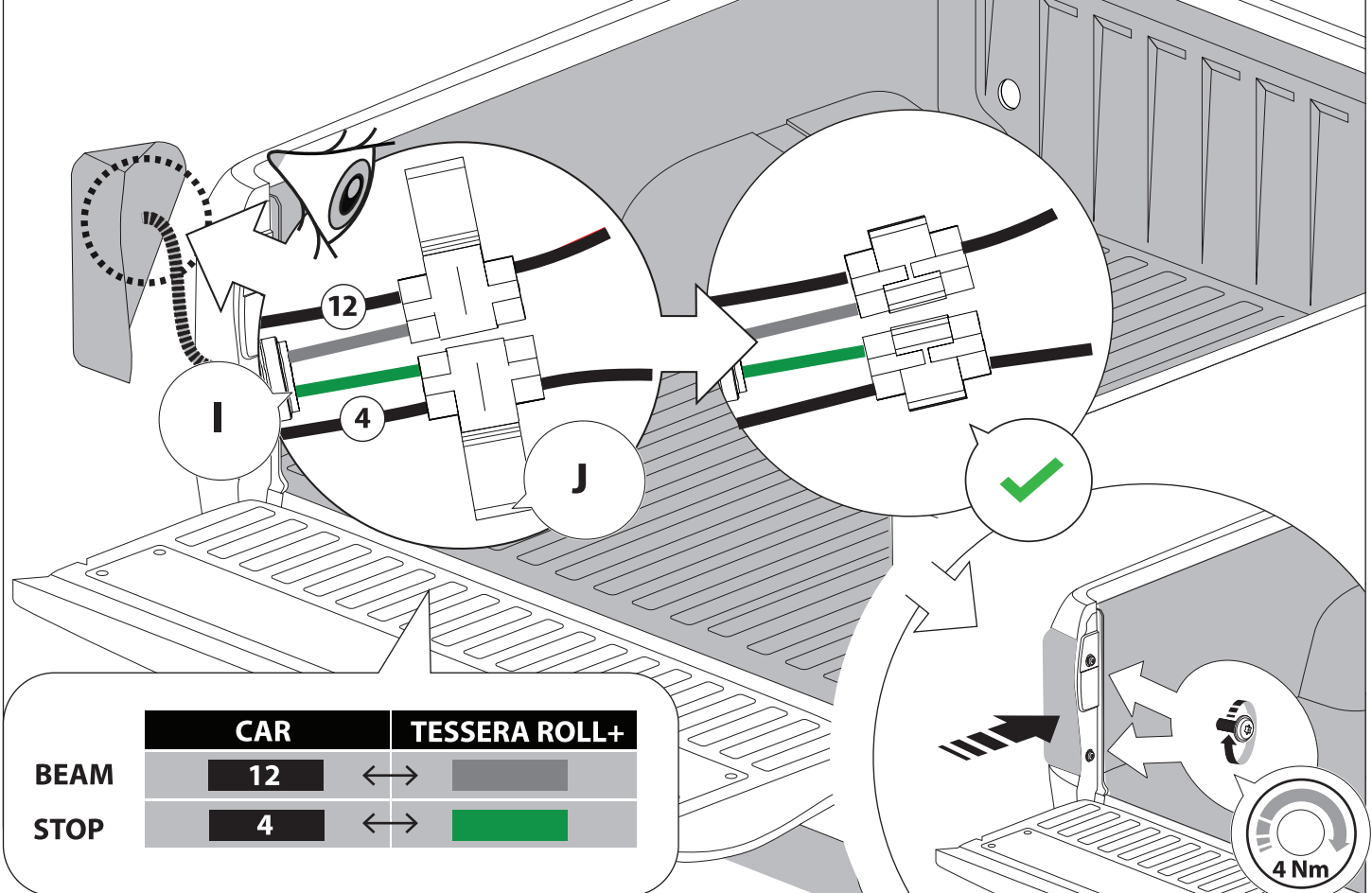
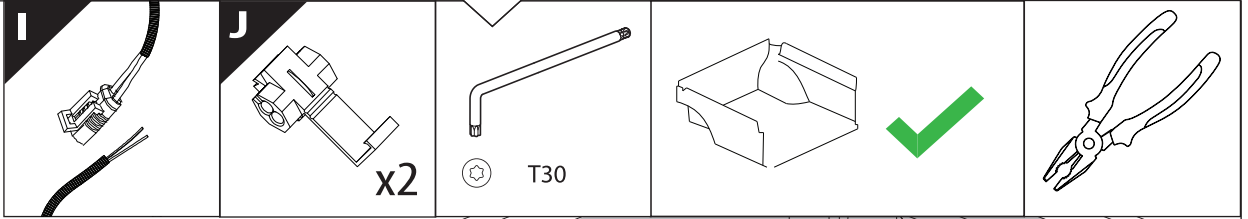
PASSENGER'S RIGHT SIDE



|                                     | CAR |   | TESSERA ROLL+ |
|-------------------------------------|-----|---|---------------|
| BEAM                                |     | ↔ |               |
| LICENCE PLATE 2 PIN LIGHT CONNECTOR |     |   |               |
| STOP                                |     | ↔ |               |
| TAILGATE CONNECTOR                  |     |   |               |

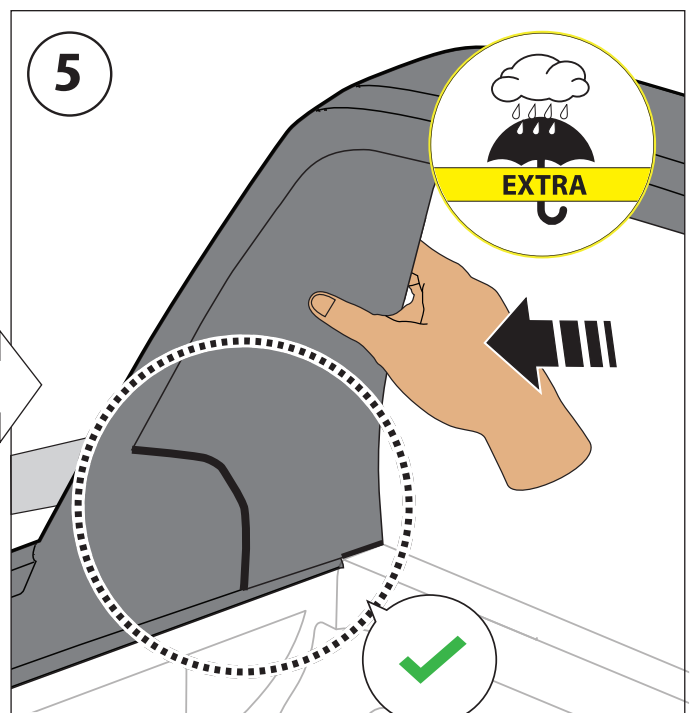
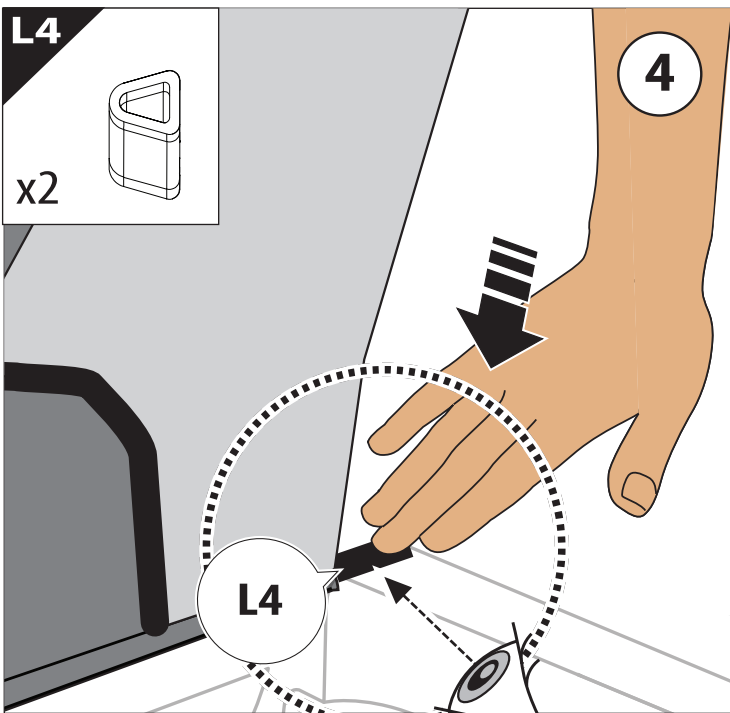
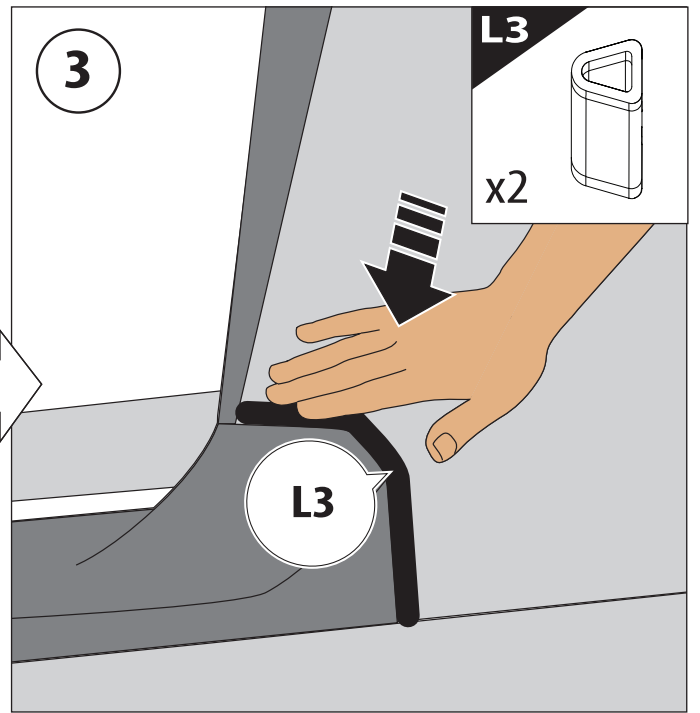
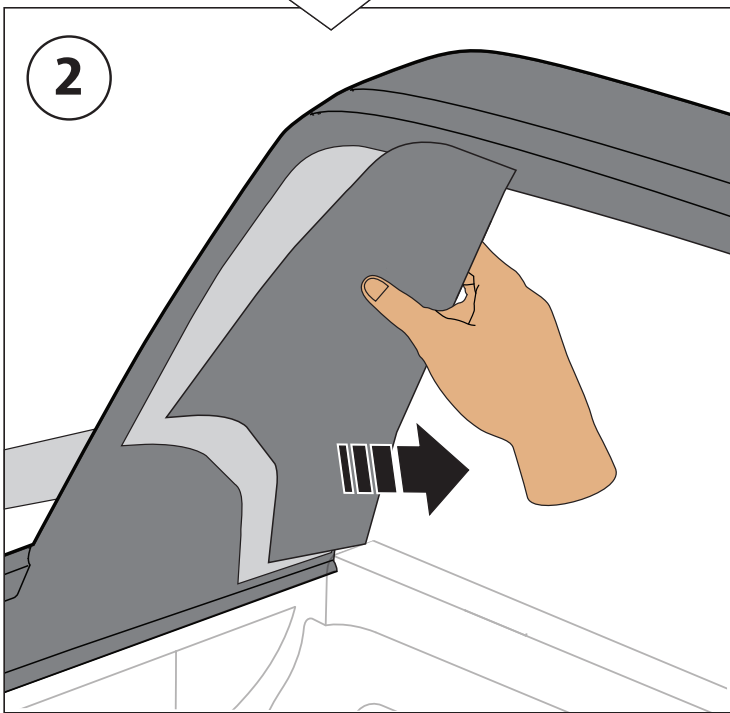
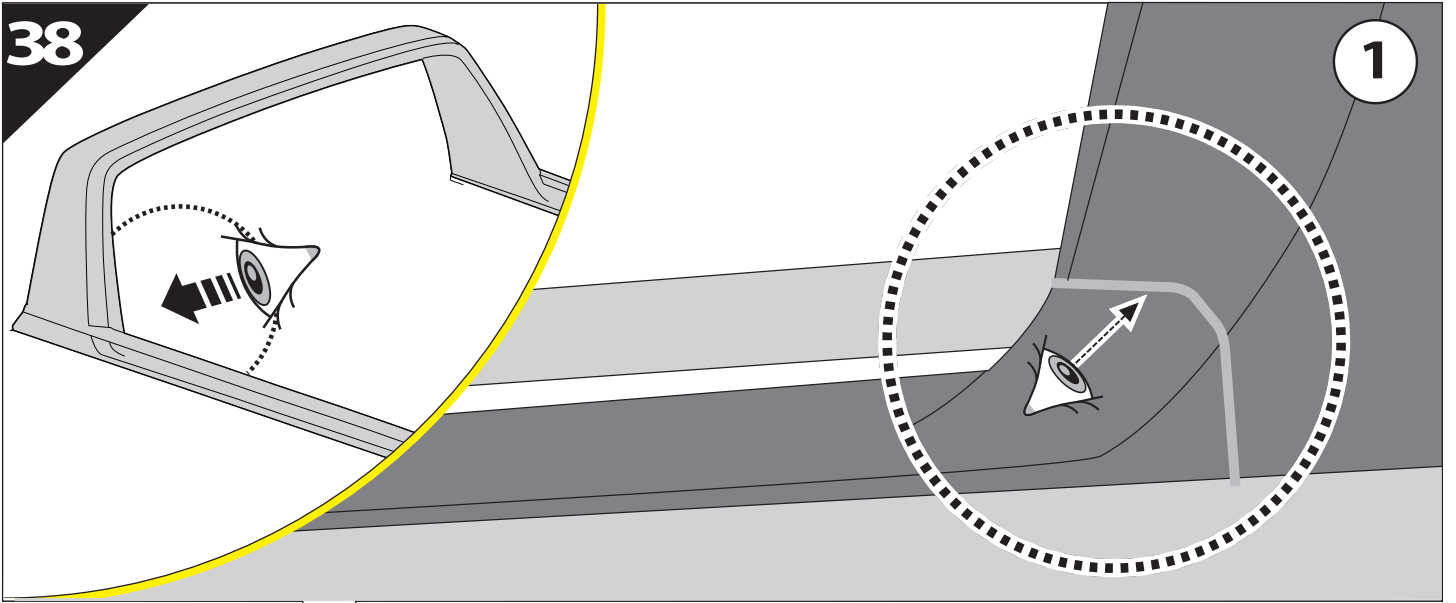


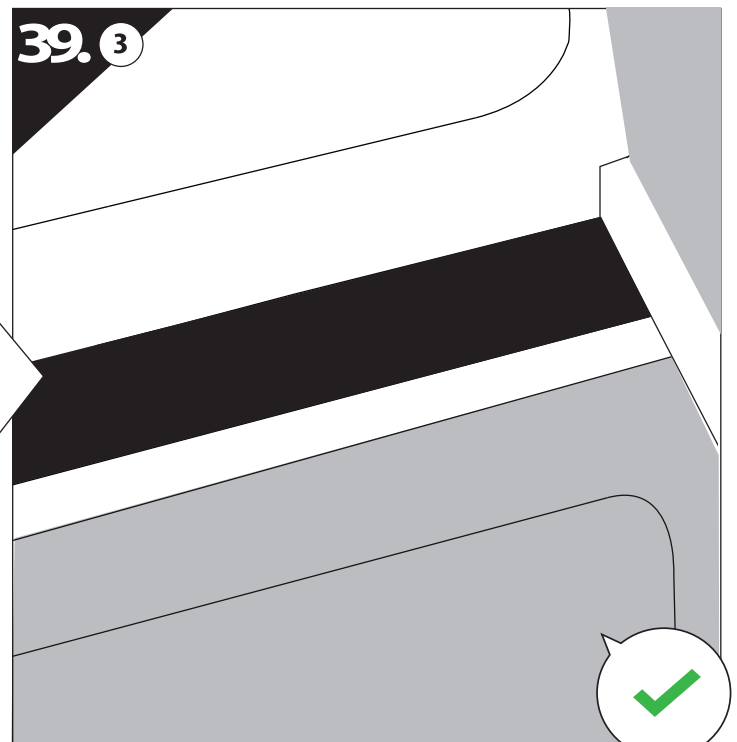
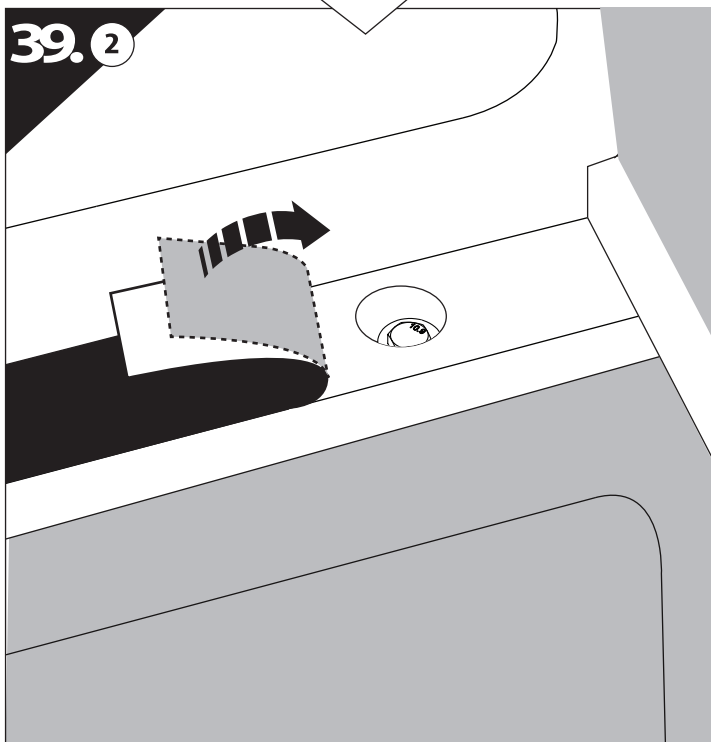
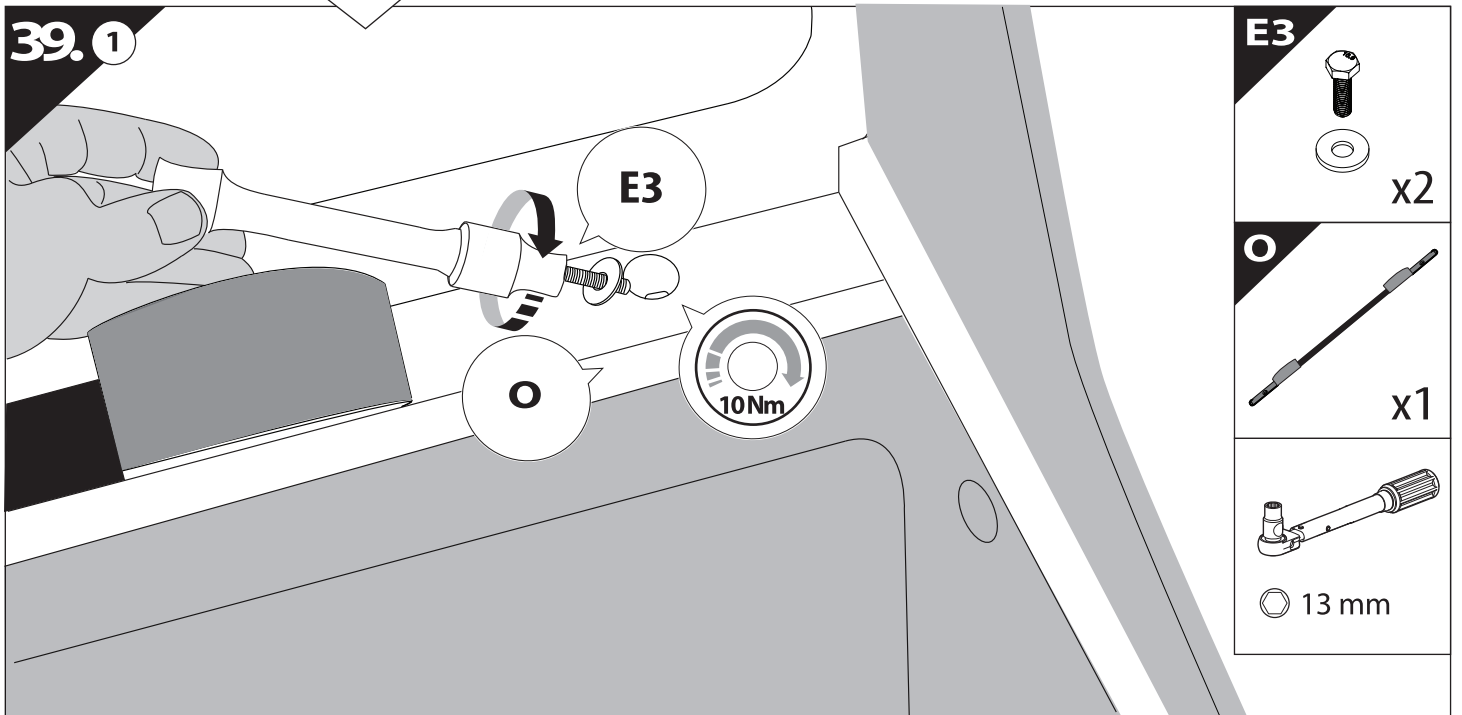
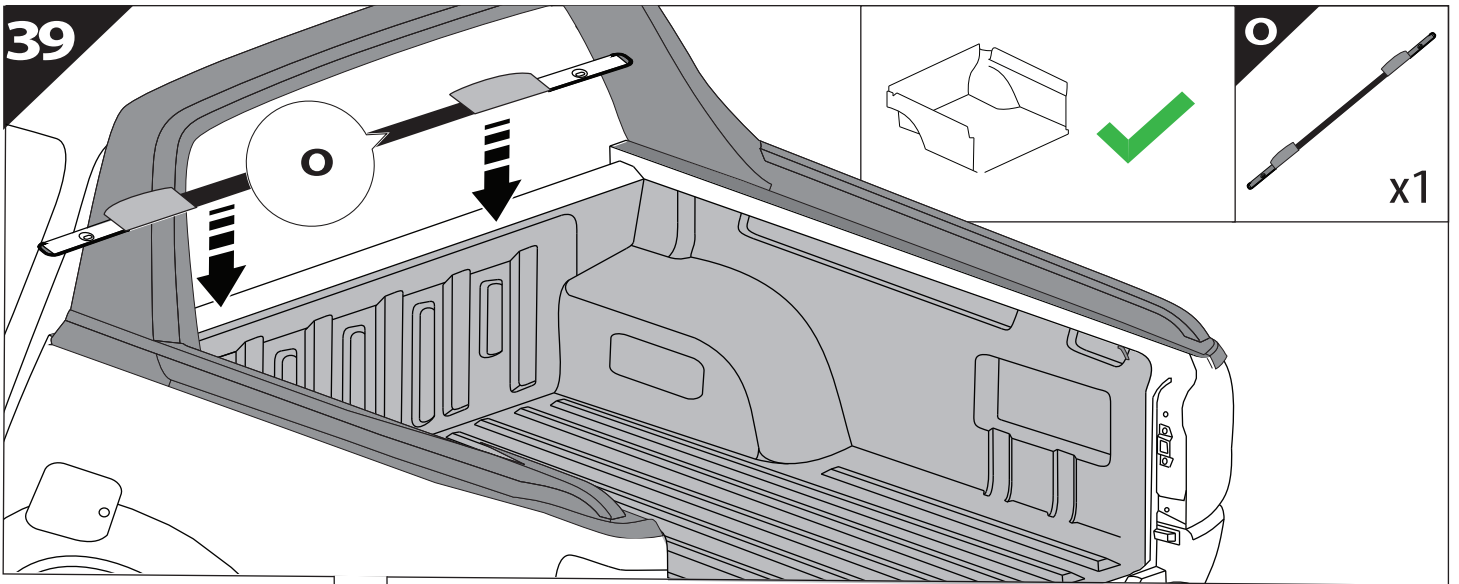
**37.1**



|      | CAR |   | TESSERA ROLL+ |
|------|-----|---|---------------|
| BEAM | 12  | ↔ |               |
| STOP | 4   | ↔ |               |

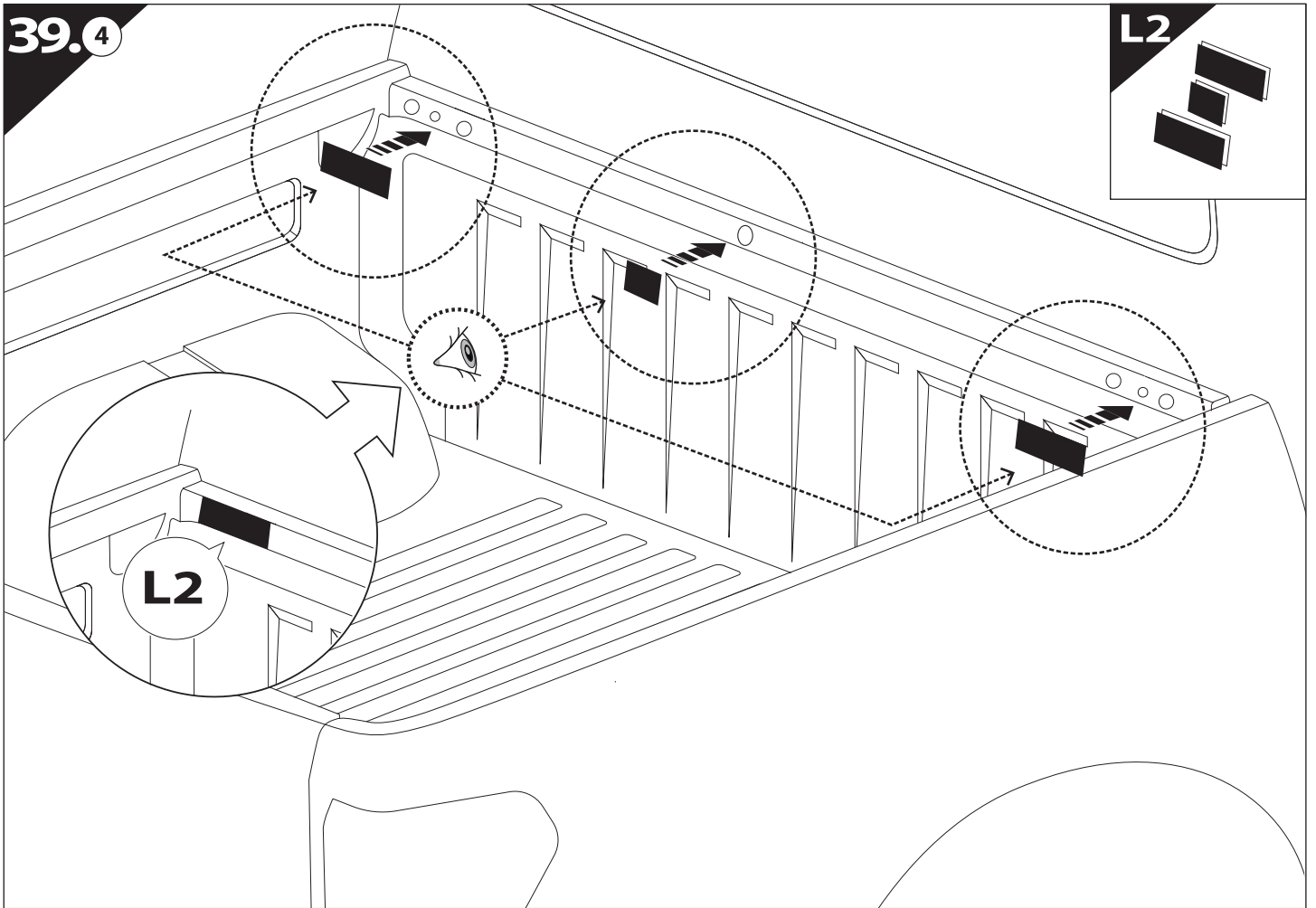


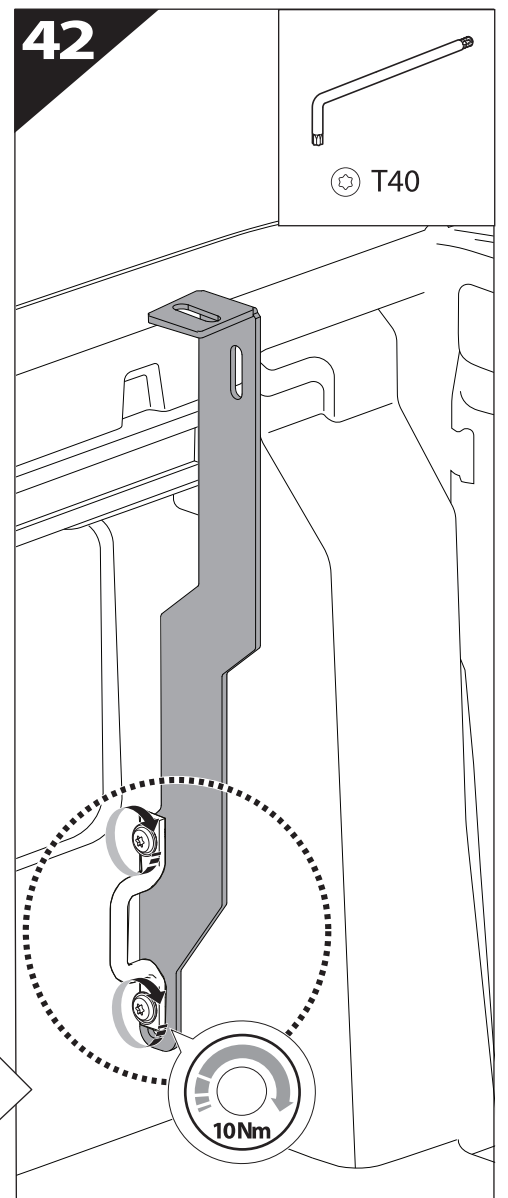
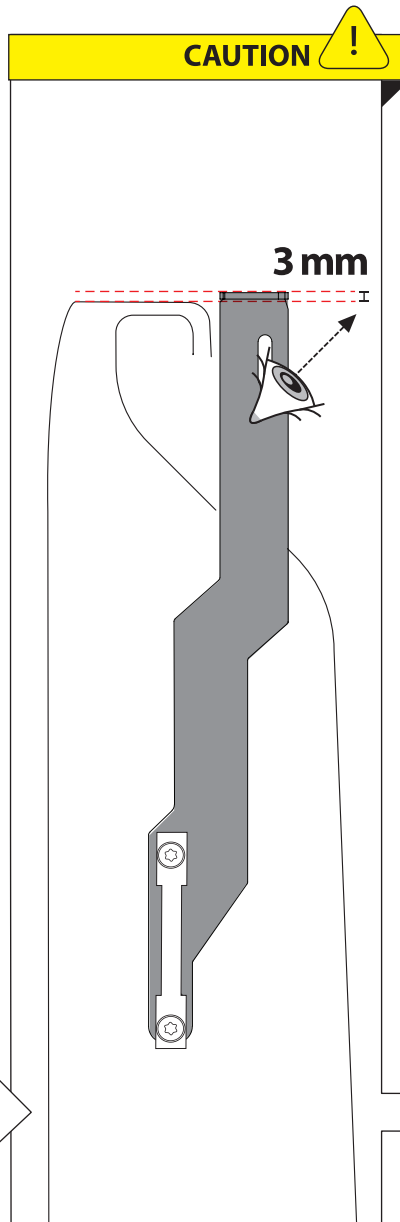
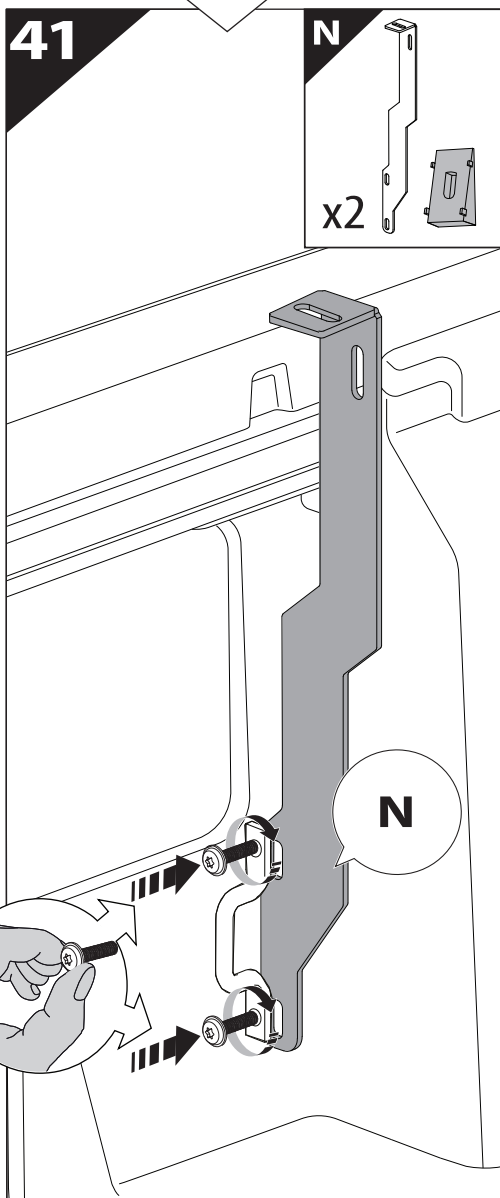
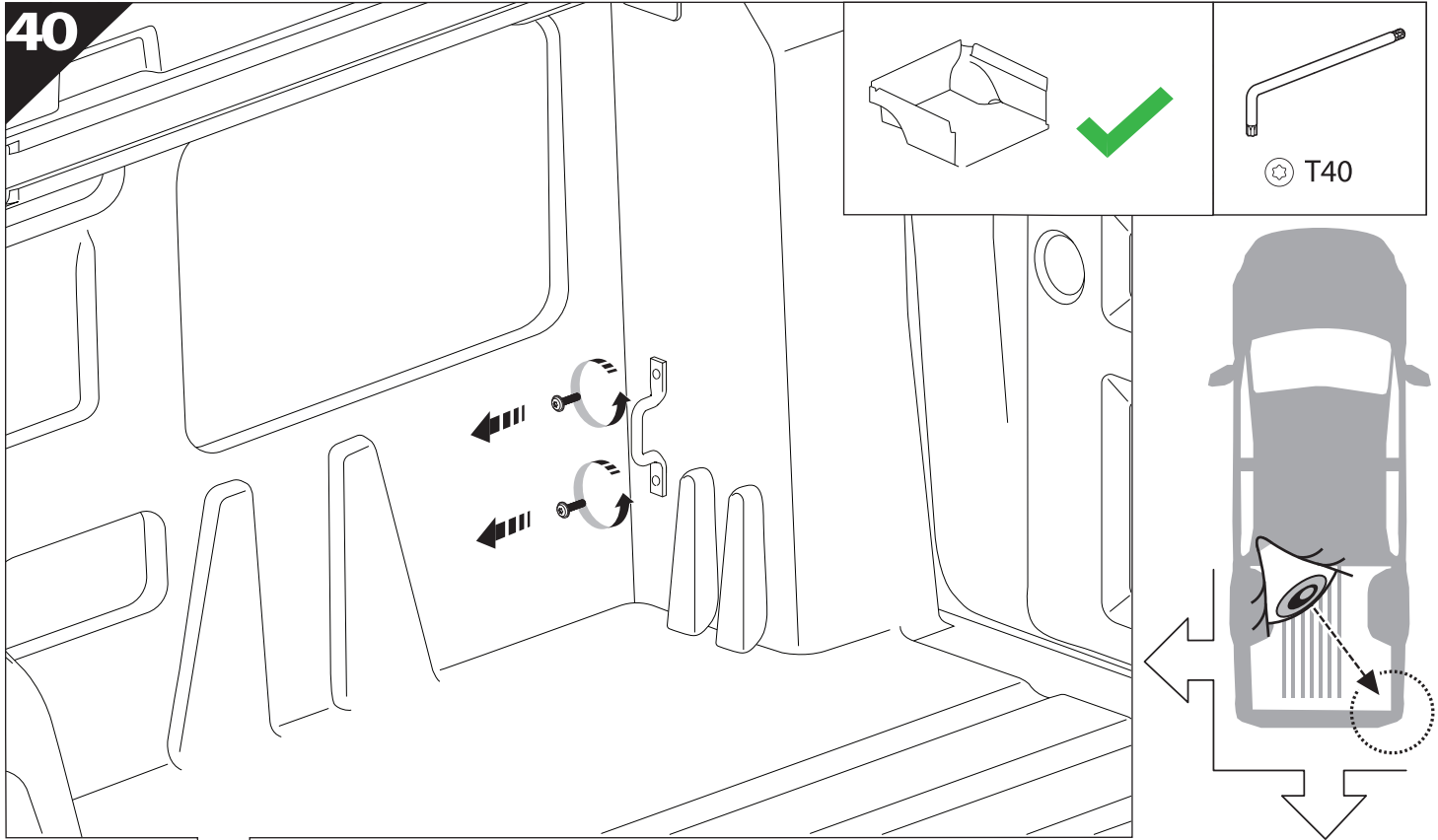




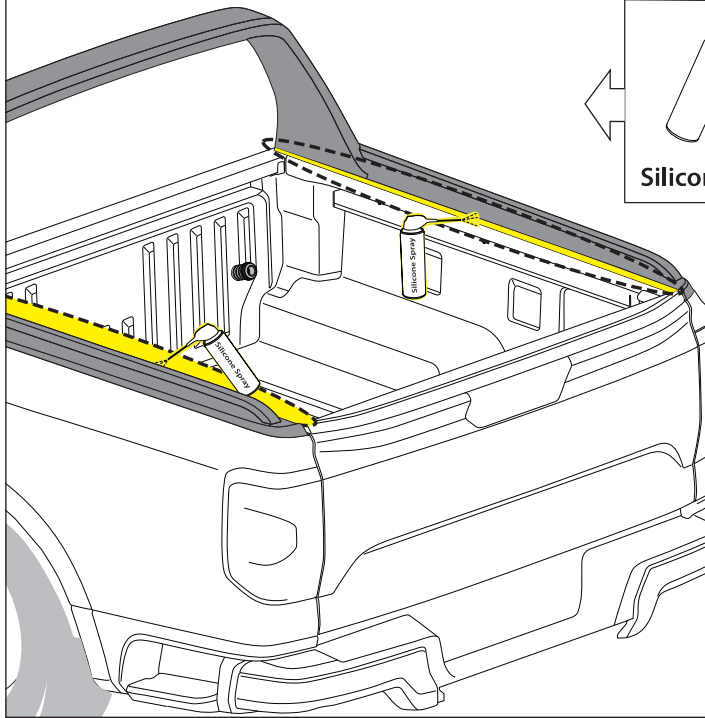
39.4

L2

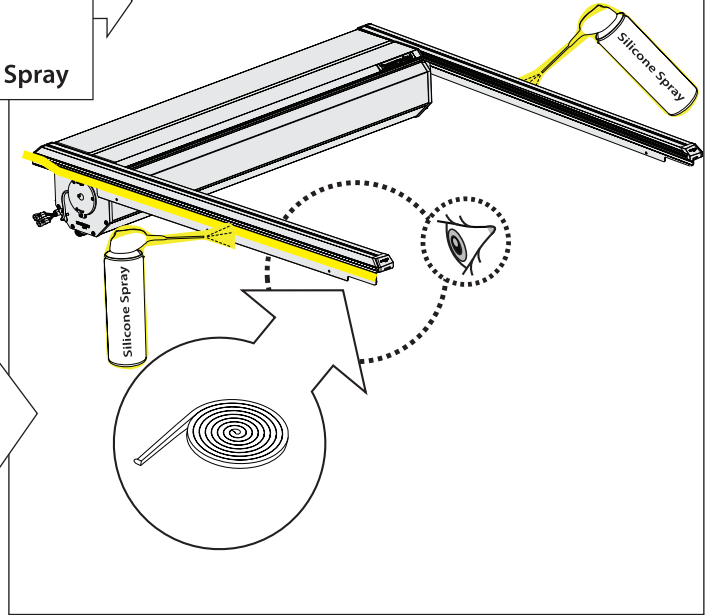
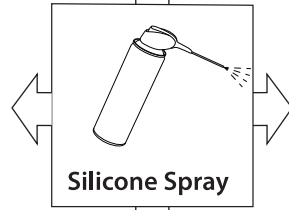




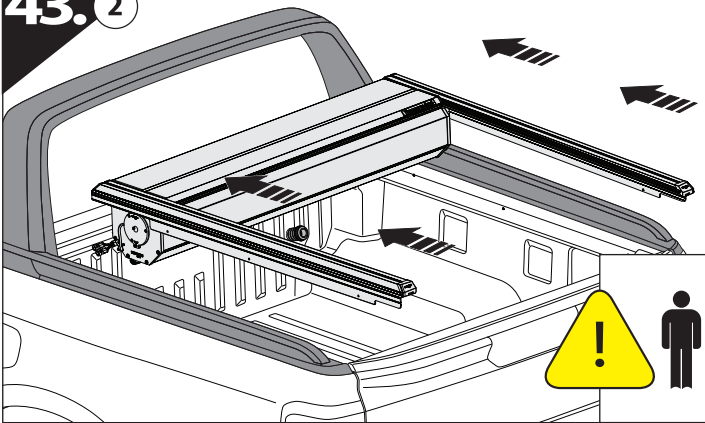
43



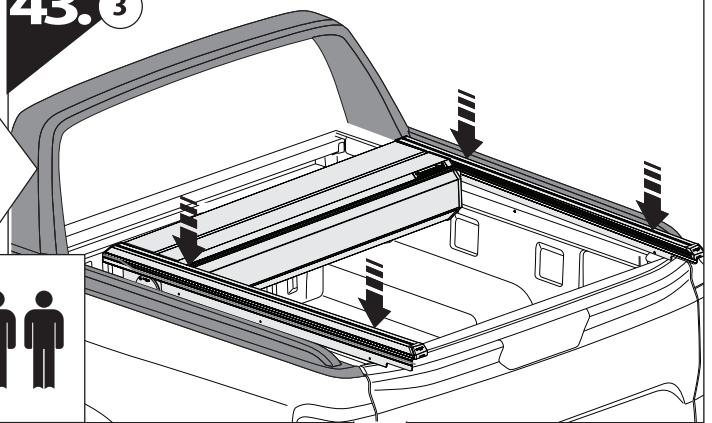
43.1



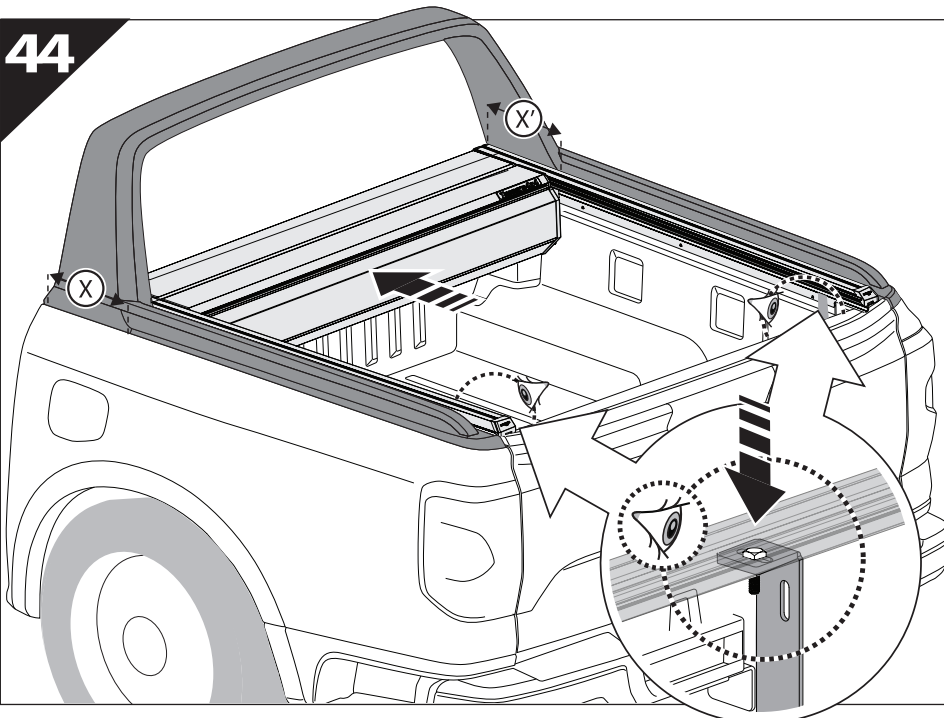
43.2



43.3



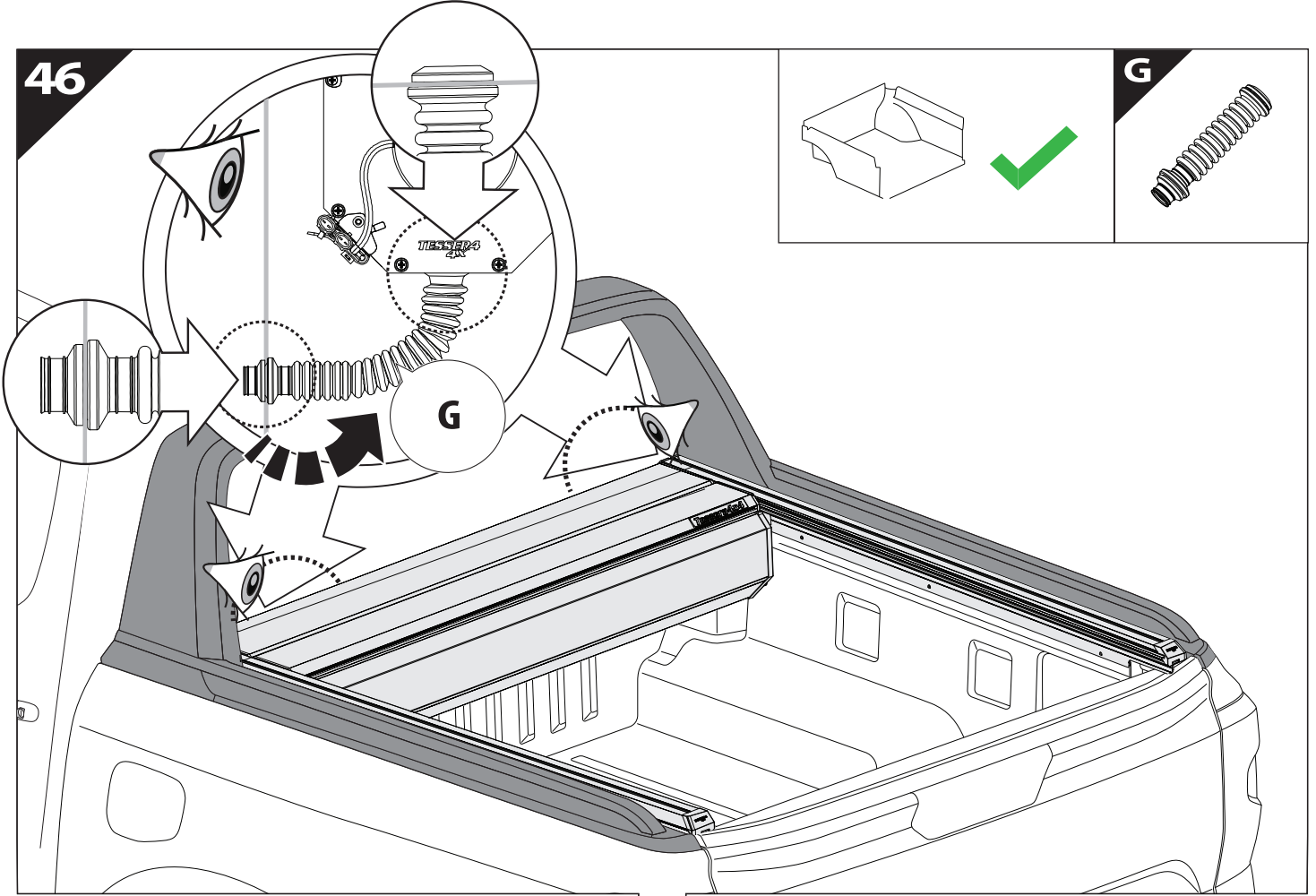
44



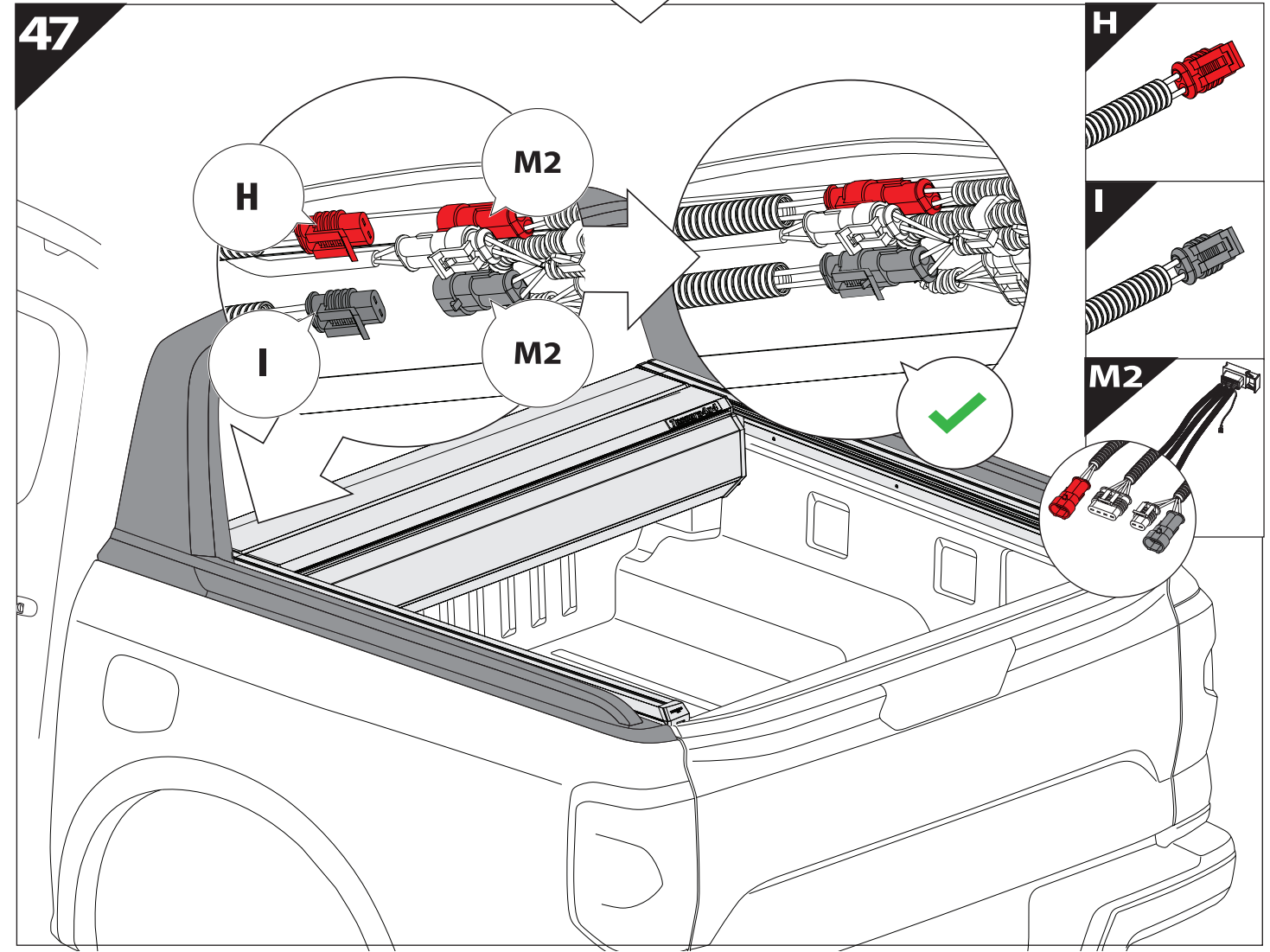




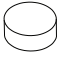
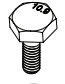

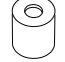

46



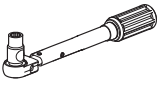
47



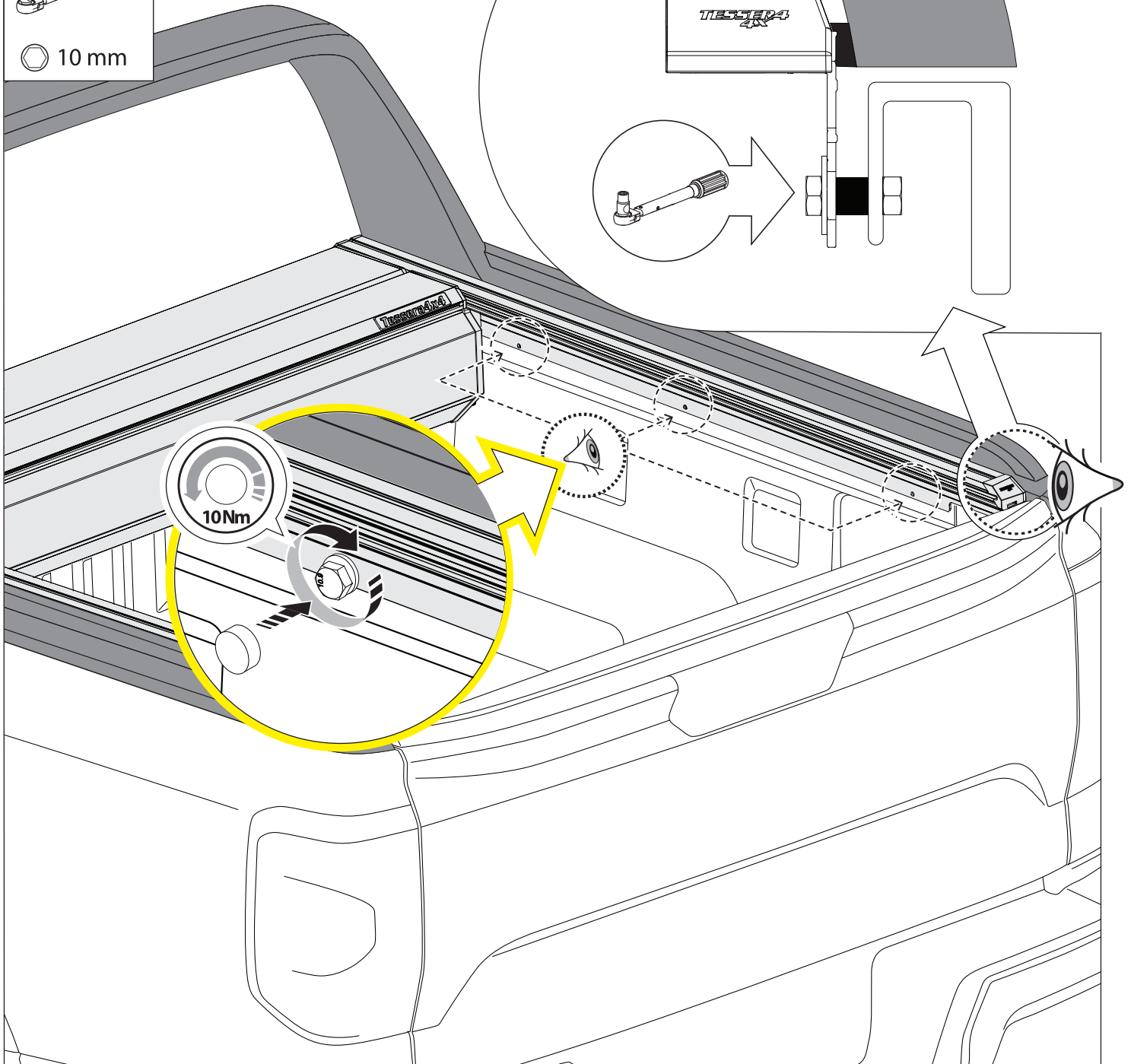
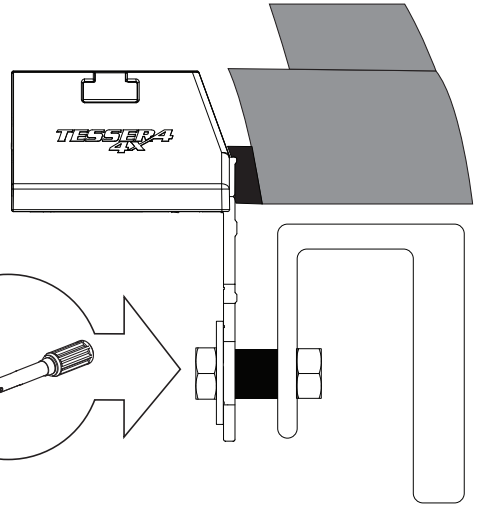
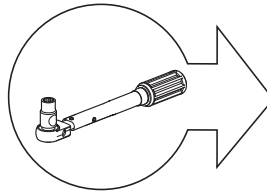
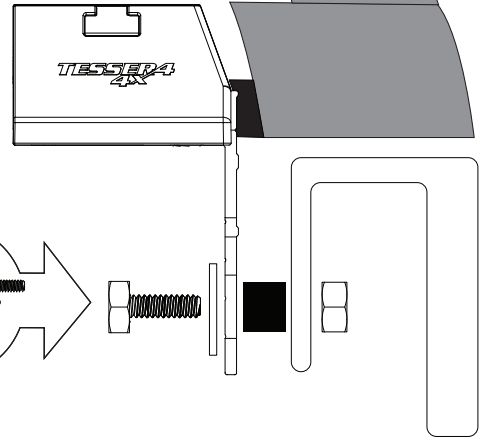
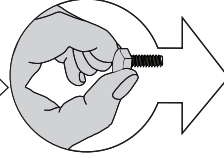
E4

-  ✓
-  ✓
-  ✓
-  ✓
-  ✓

x6

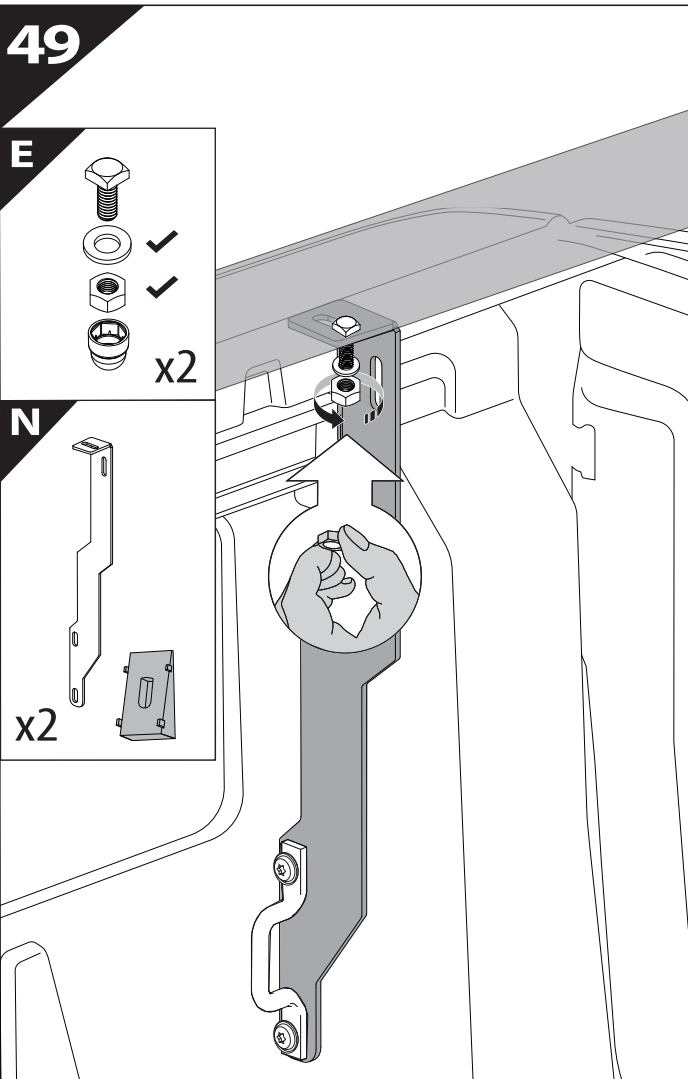
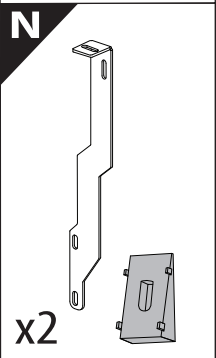
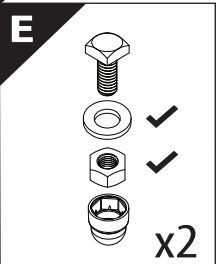


10 mm

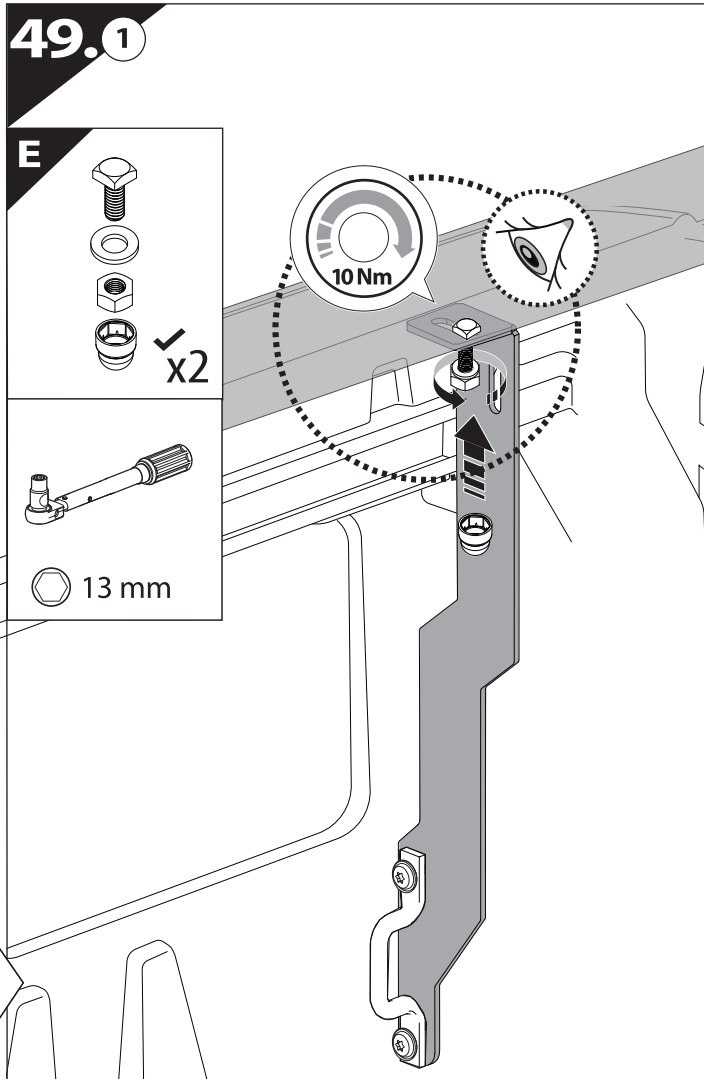
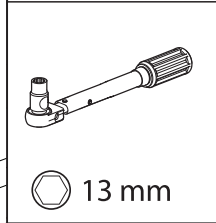
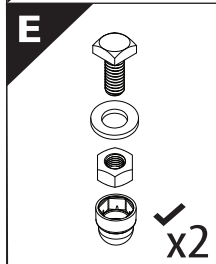




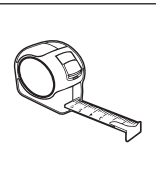
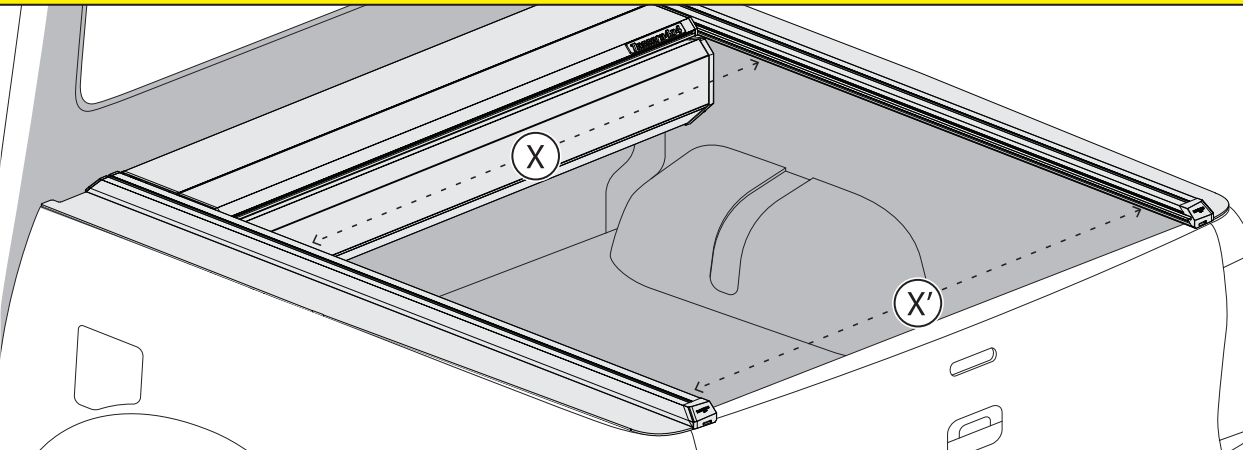
49



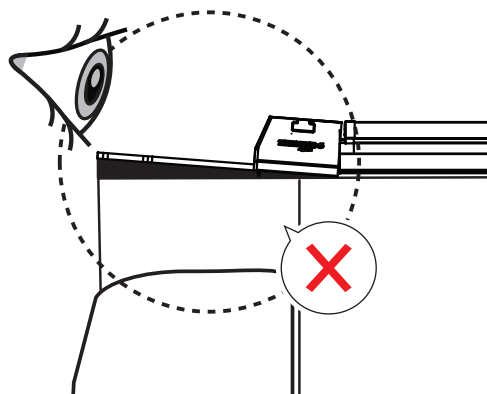
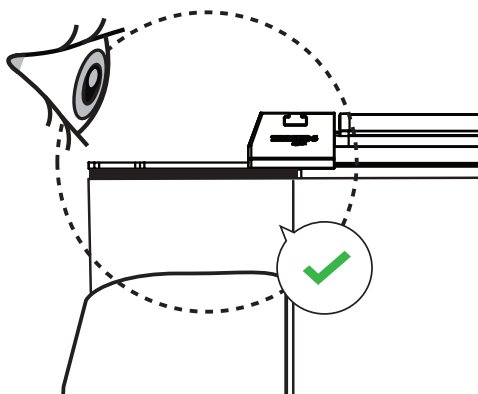
49.1



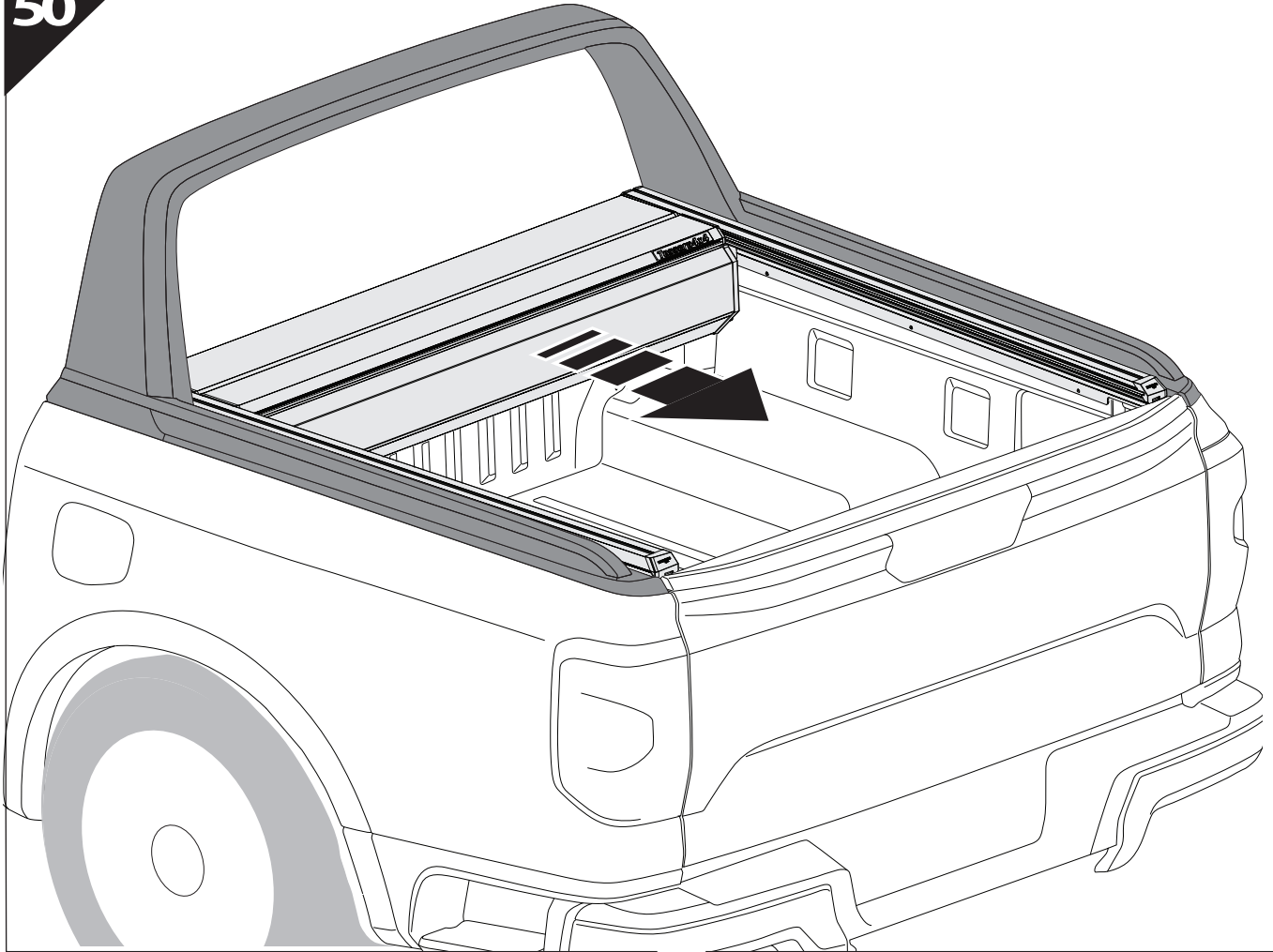
CAUTION !



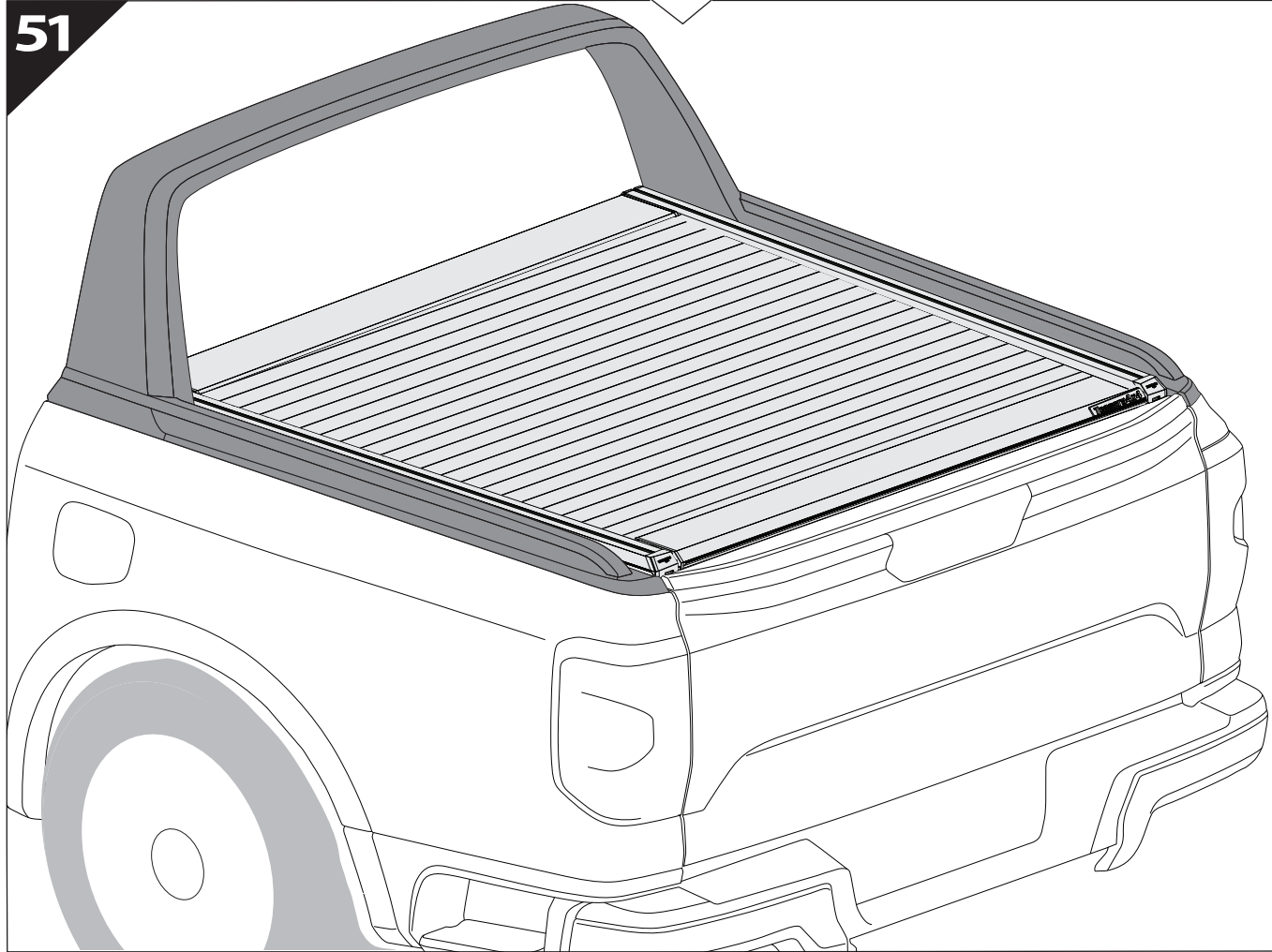
CAUTION !



50



51







**GR:** Οδηγίες Εγκατάστασης  
**GB:** Installation manual  
**SF:** Asennusohje  
**F:** Notice de montage  
**PL:** Instrukcja montażu  
**NL:** Installatie-instructies  
**TR:** Montaj Talimatı  
**S:** Monteringsanvisning  
**E:** Instrucciones de montaje

**H:** Szerelési utasítás  
**P:** Instruções de instalação  
**RUS:** Инструкция по установке  
**N:** Monteringsveiledning  
**D:** Einbauanleitung  
**CZ:** Návod k instalaci  
**I:** Istruzioni de montaggio  
**DK:** Monteringsvejledning  
**RO:** Instructiuni de instalare

Customer Service:

+30 (210) 5541161, +30 (210) 5541154 (08:00 - 16:00 EET)

Support department:

[info@gianso.gr](mailto:info@gianso.gr)

Website:

[www.tessera4x4.com](http://www.tessera4x4.com)

Address:

19.5 km of National road Athens-Korinthos (Elefsina) Greece, P.C: 19200