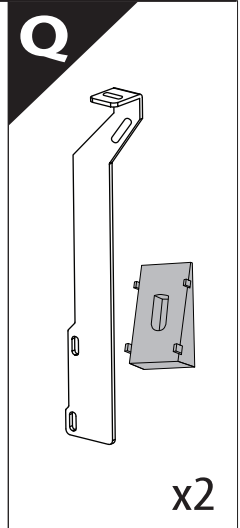
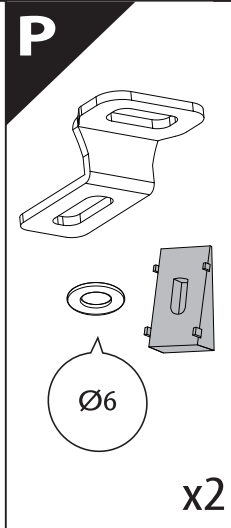
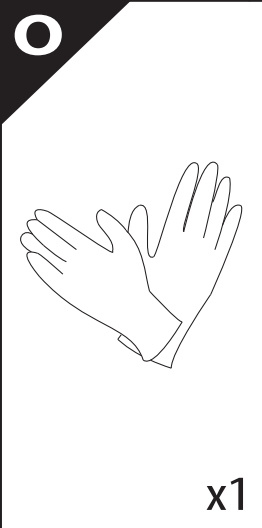
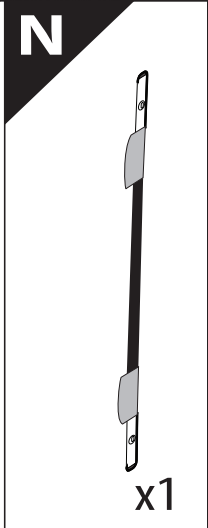
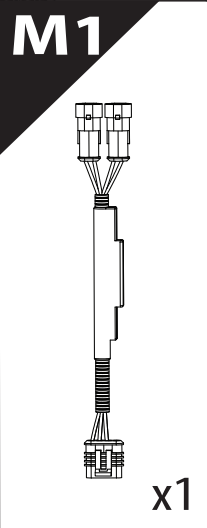
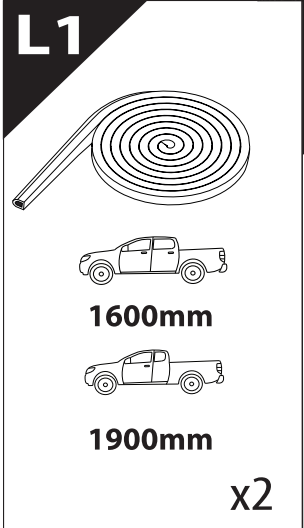
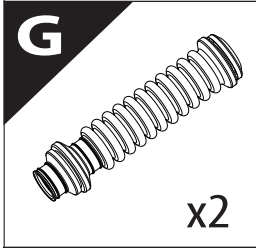
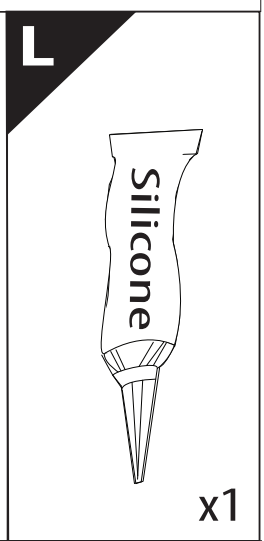
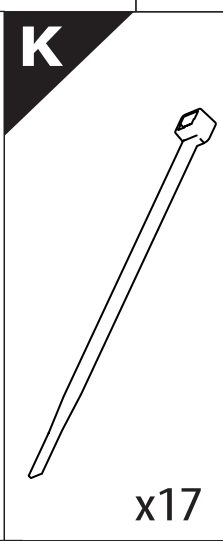
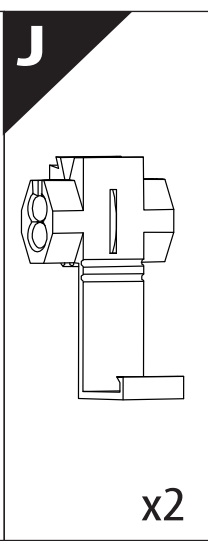
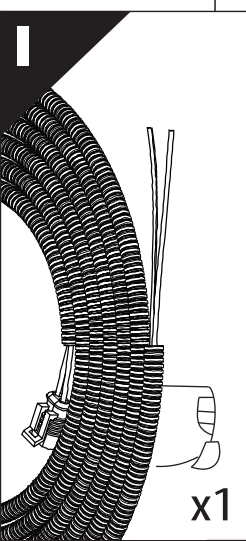
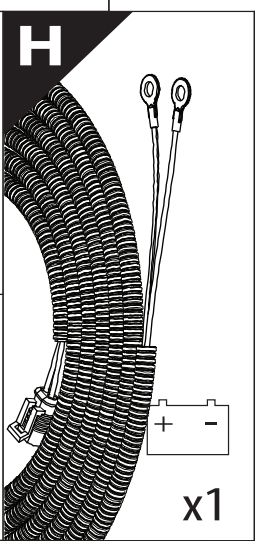
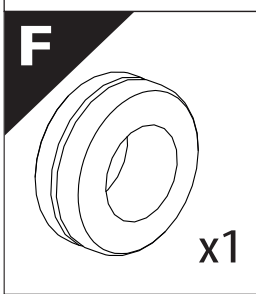
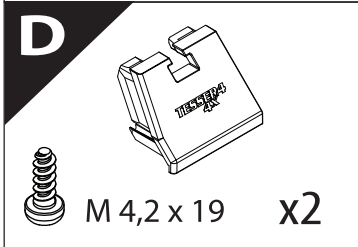
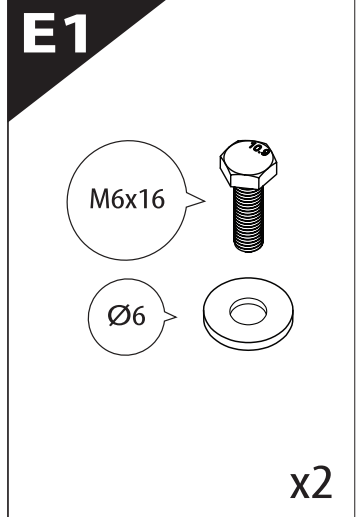
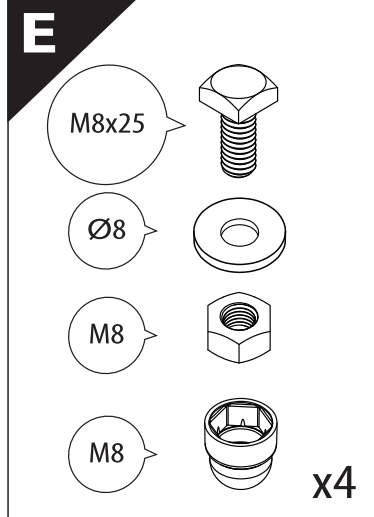
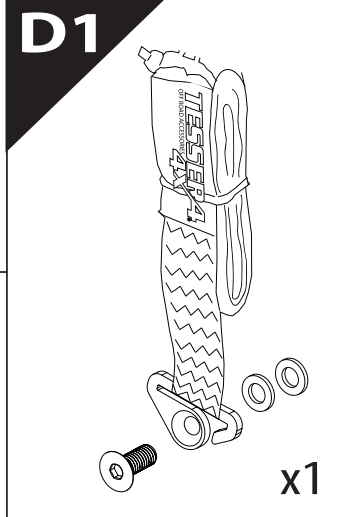
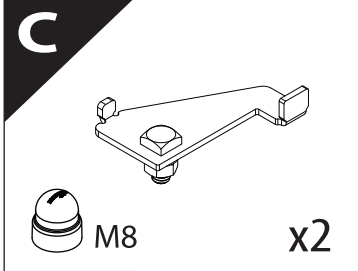
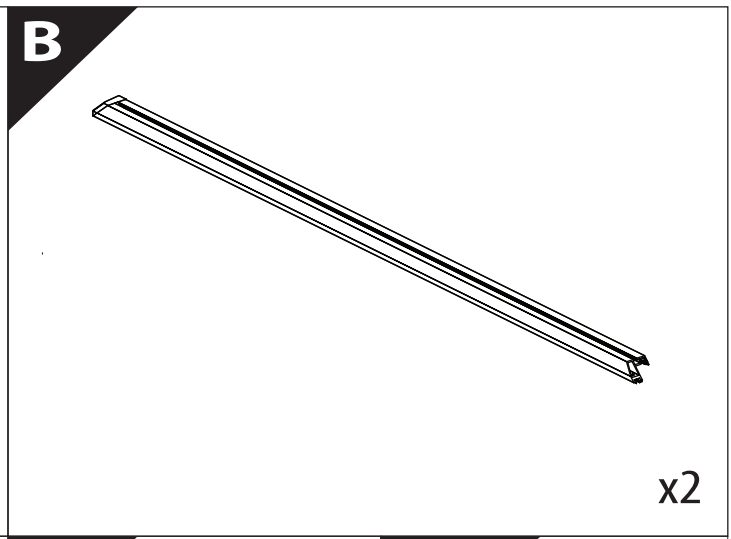
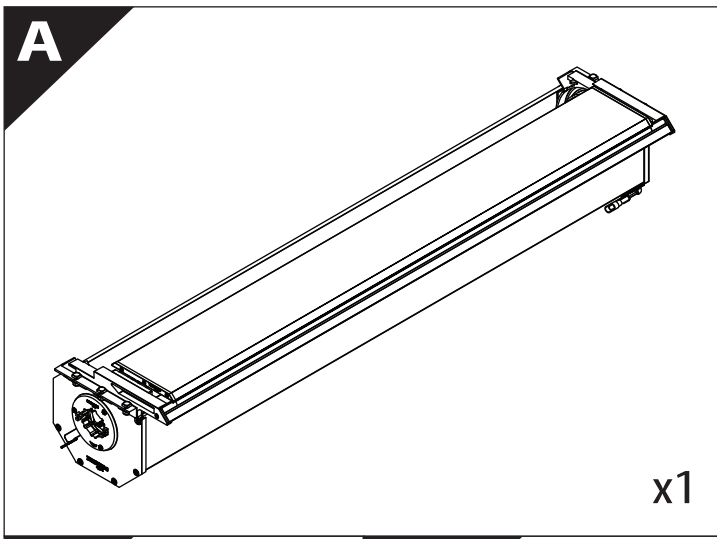
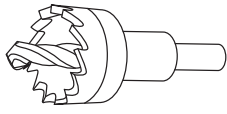


# Installation Manual

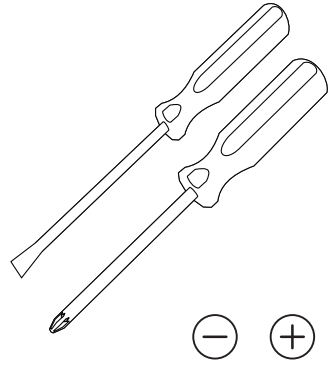
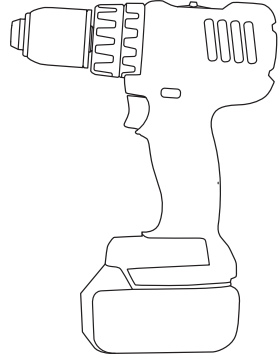
| PART NUMBER(S)         | Model Year                                 |
|------------------------|--------------------------------------------|
| TESS 1408 ROLL         | FORD RANGER WildTrak 2012+ / 2016+ / 2020+ |
| TESS 1409 ROLL         |                                            |
| Cab(s)                 | Installation Time / Weight                 |
| Double Cab & Space Cab | 40-60 minutes / 53-57 kg                   |



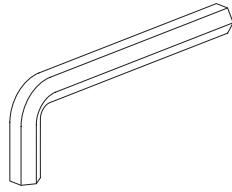
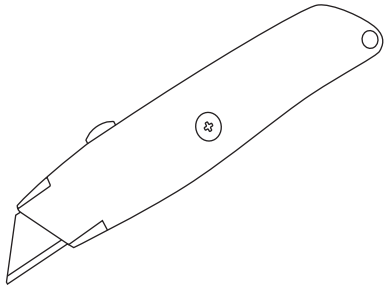
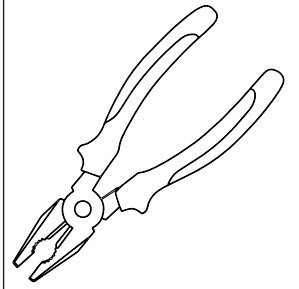




Ø 25 mm / Ø 40 mm

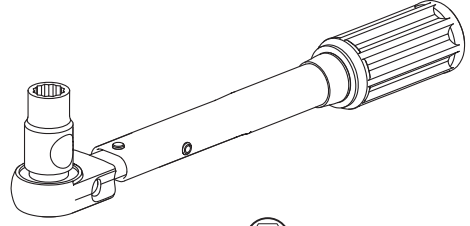


− +



4 mm

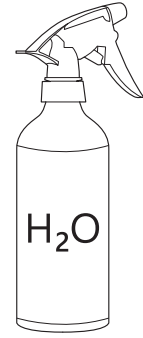
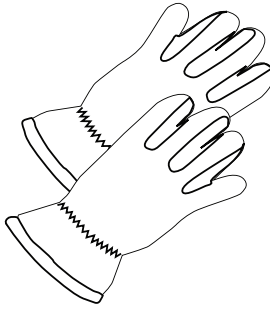
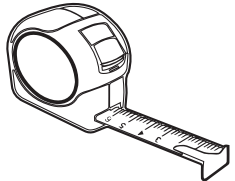
1 - 25 Nm



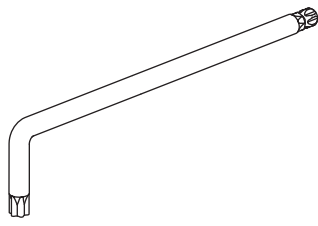
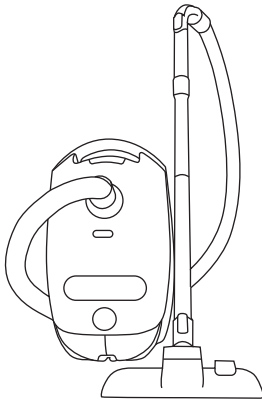
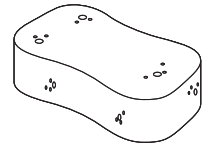
10, 12, 13, 17 mm



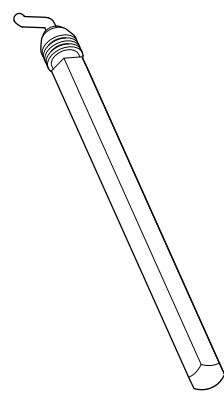
ACETONE



H<sub>2</sub>O



T30, T40

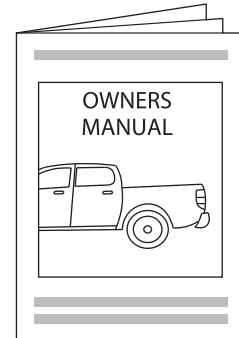


ANTI-RUST



INSTALLATION MANUAL

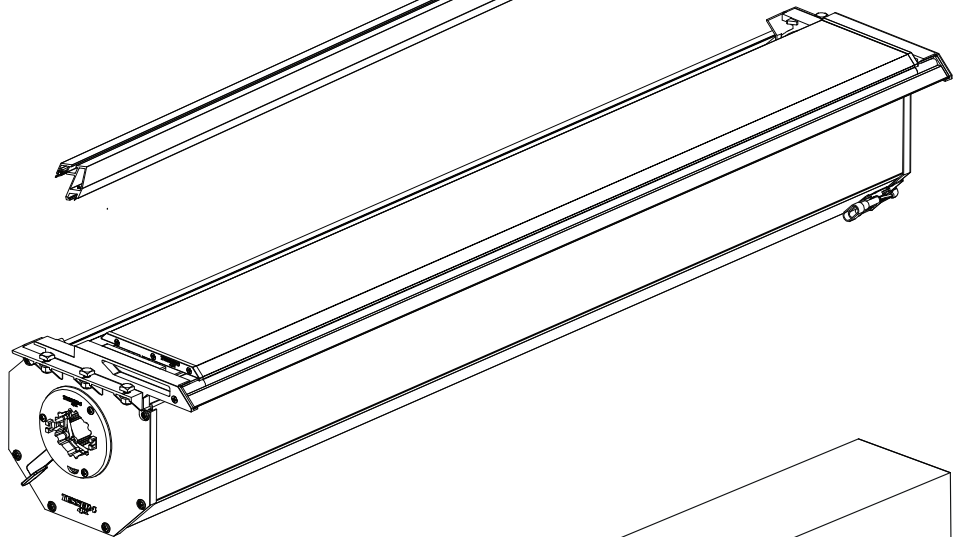
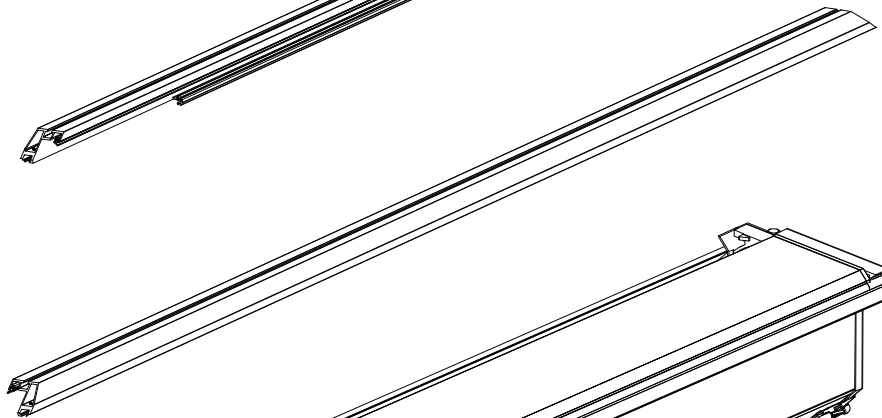
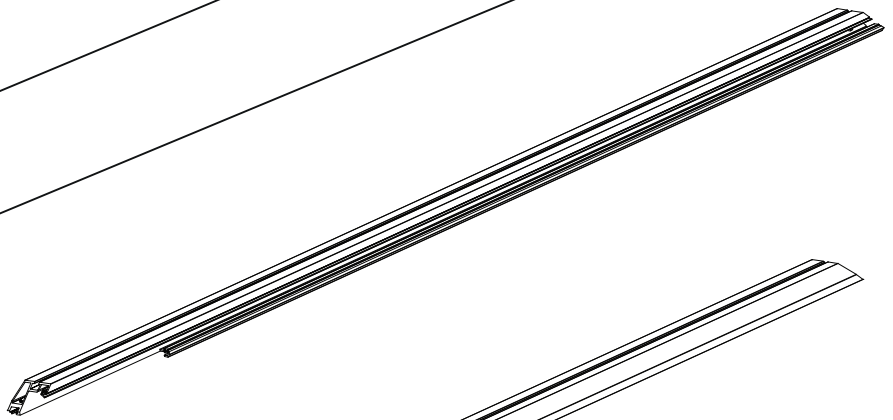
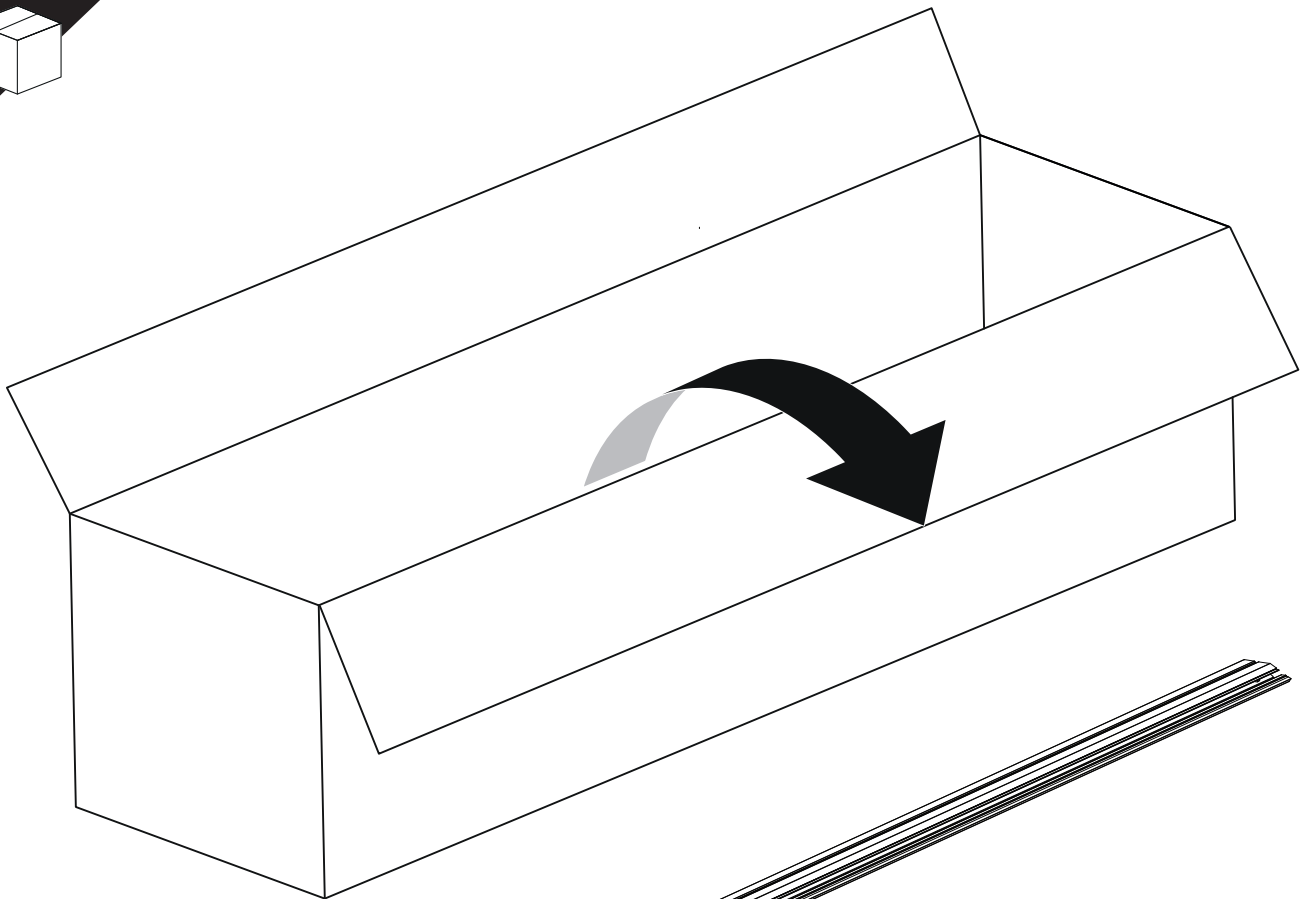
x1



OWNERS MANUAL

x1

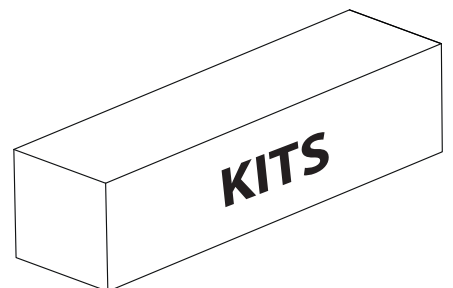


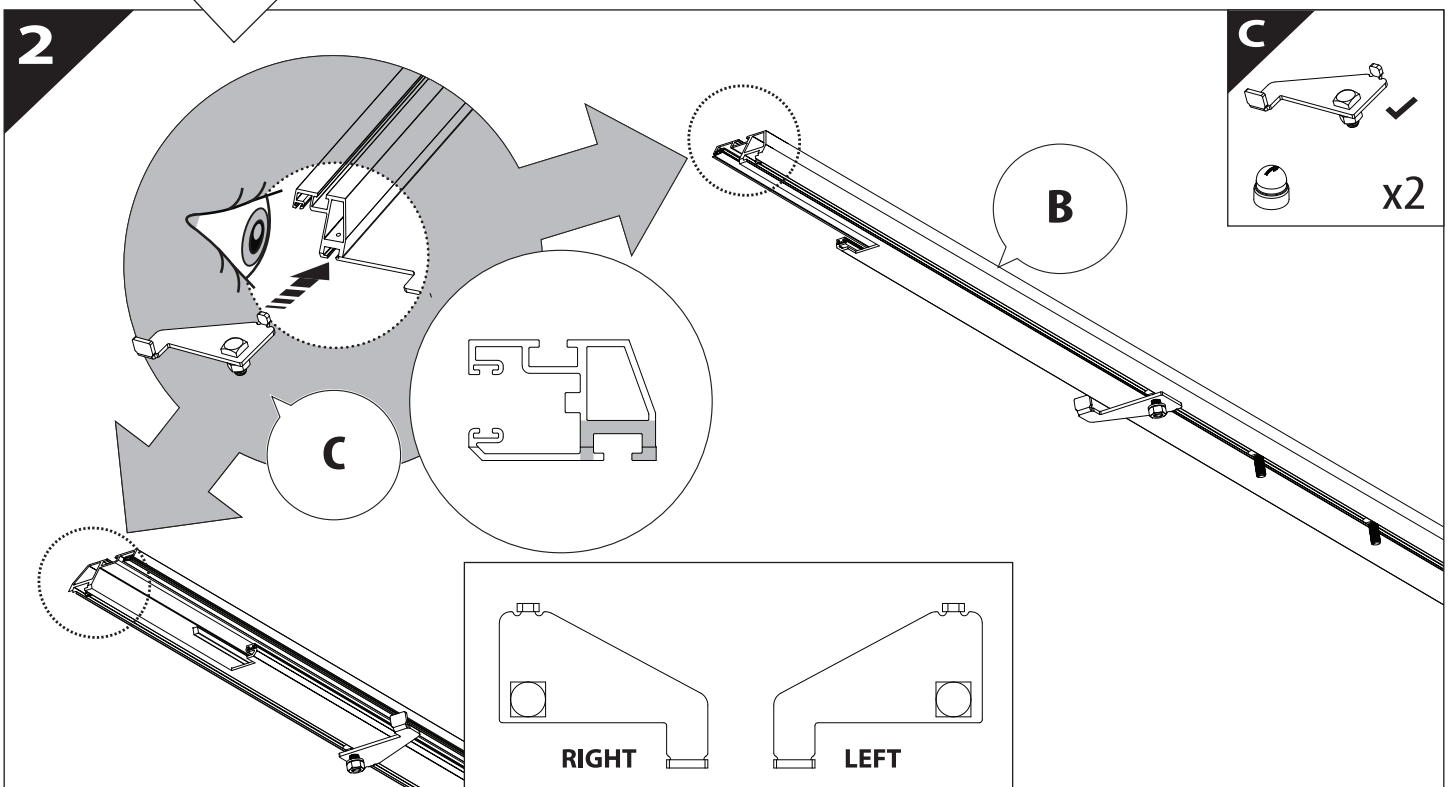
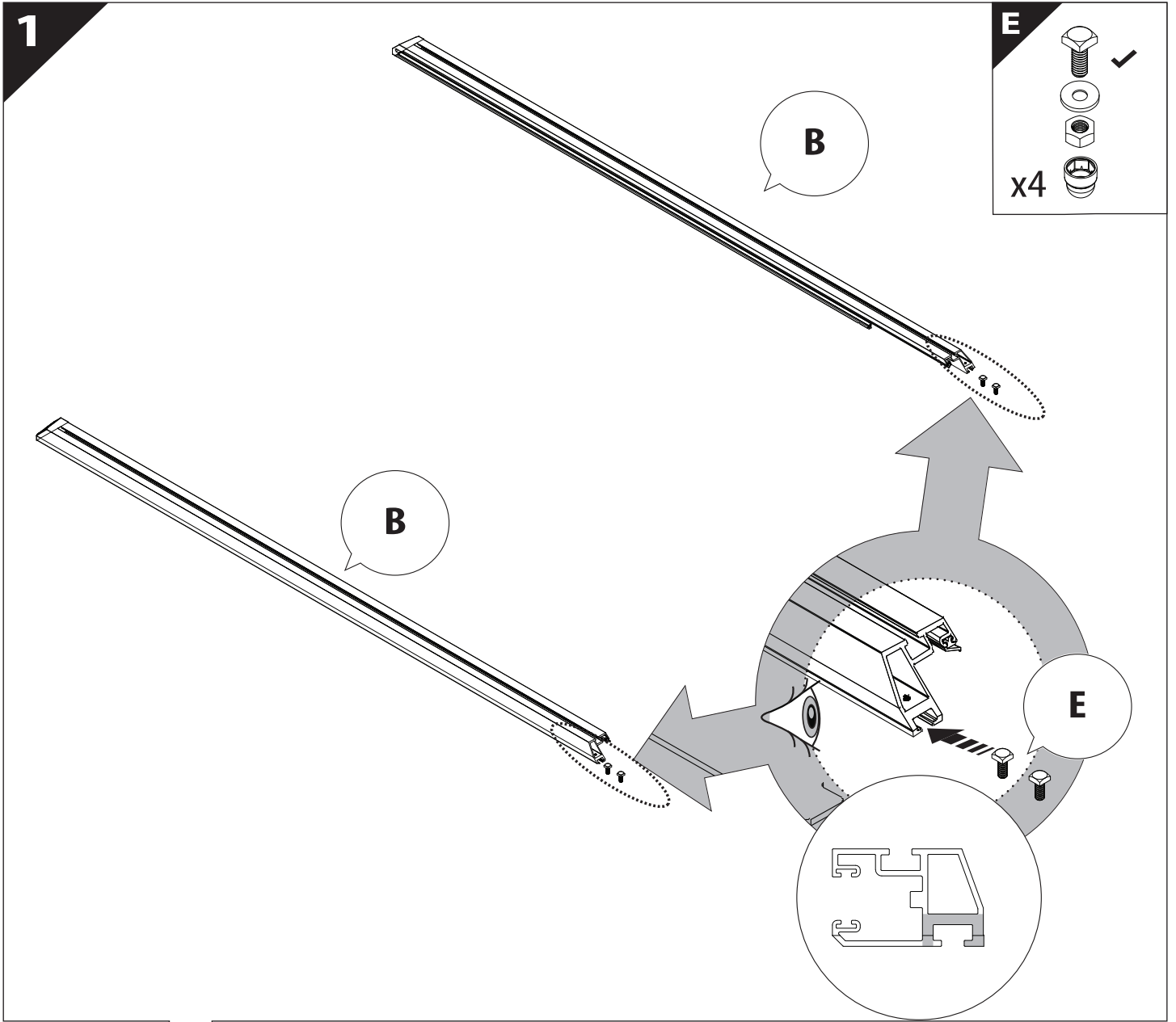


**B**

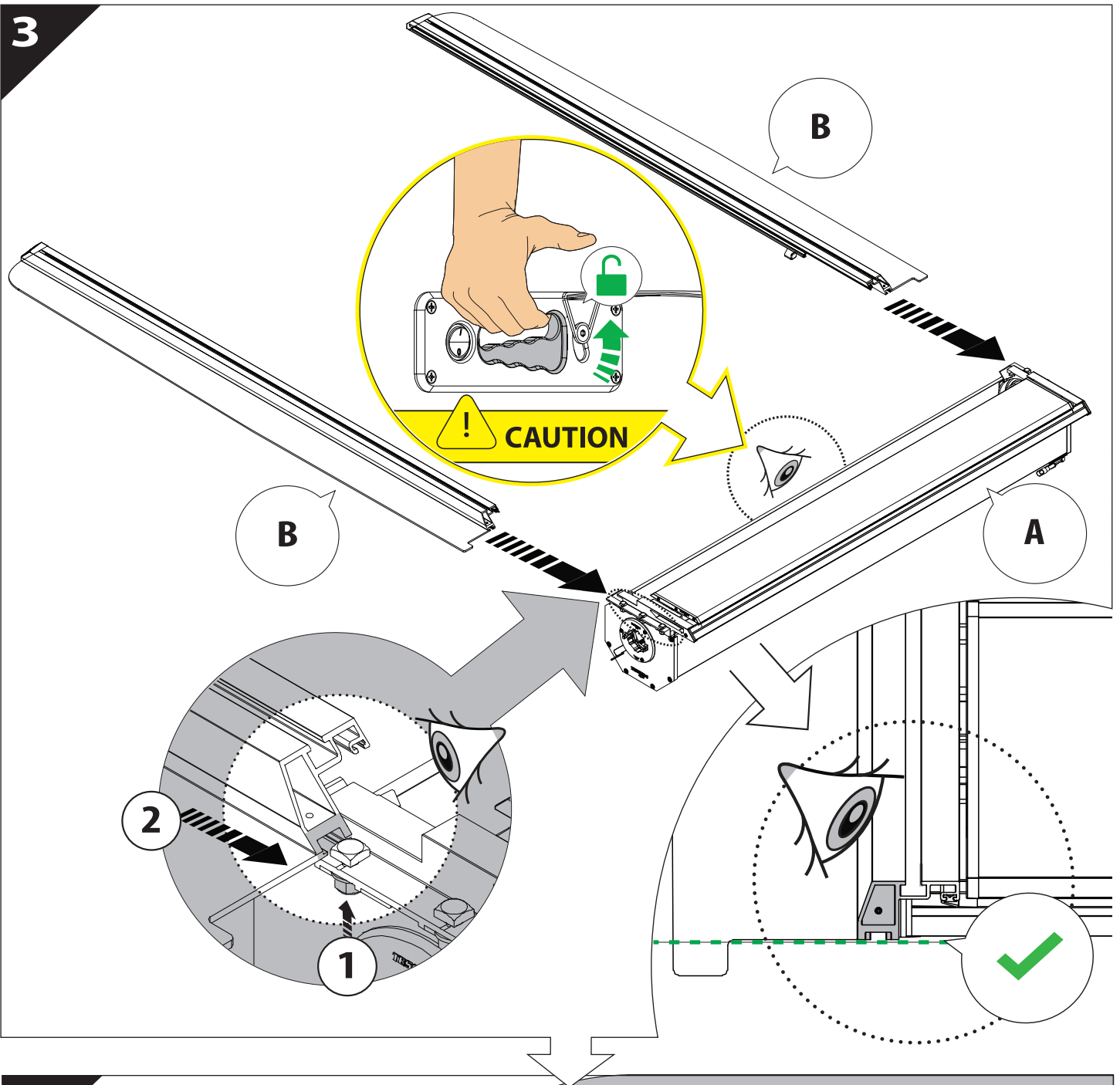
**A**

**KITS**

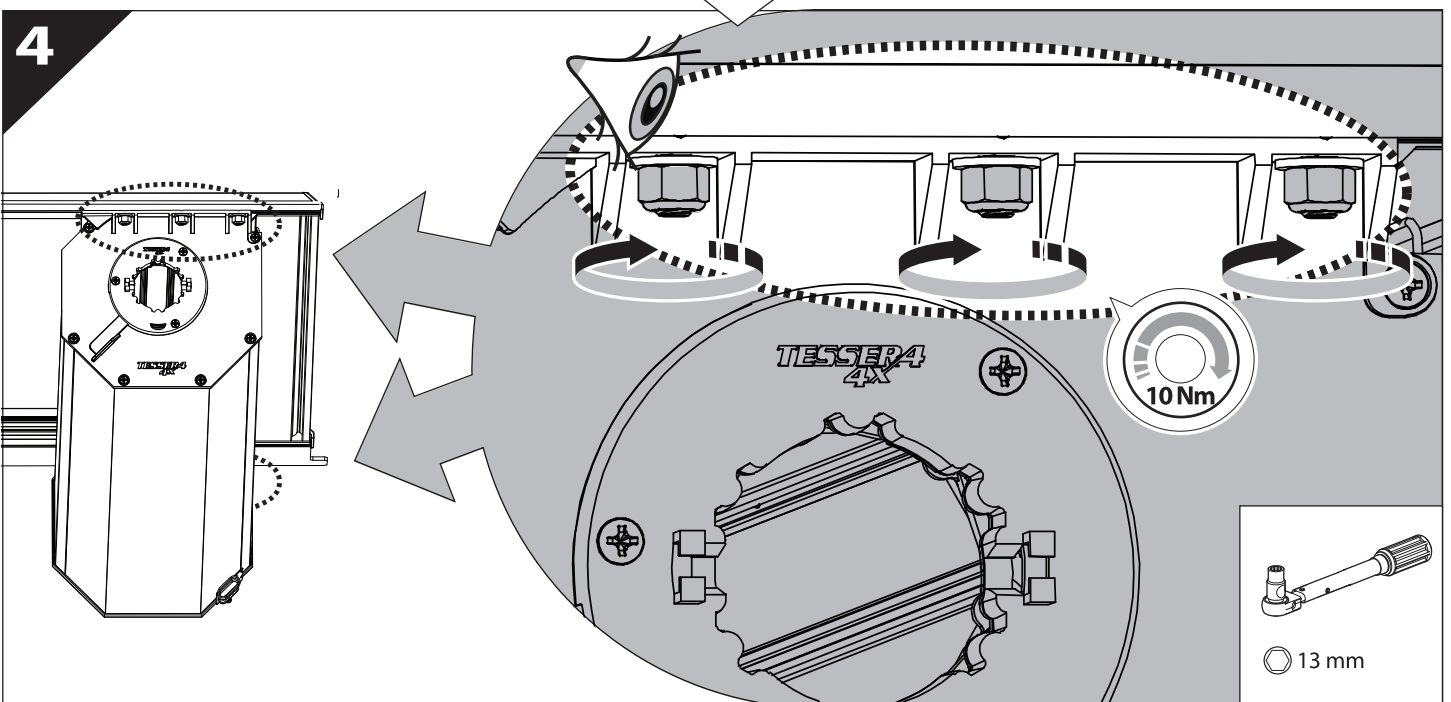


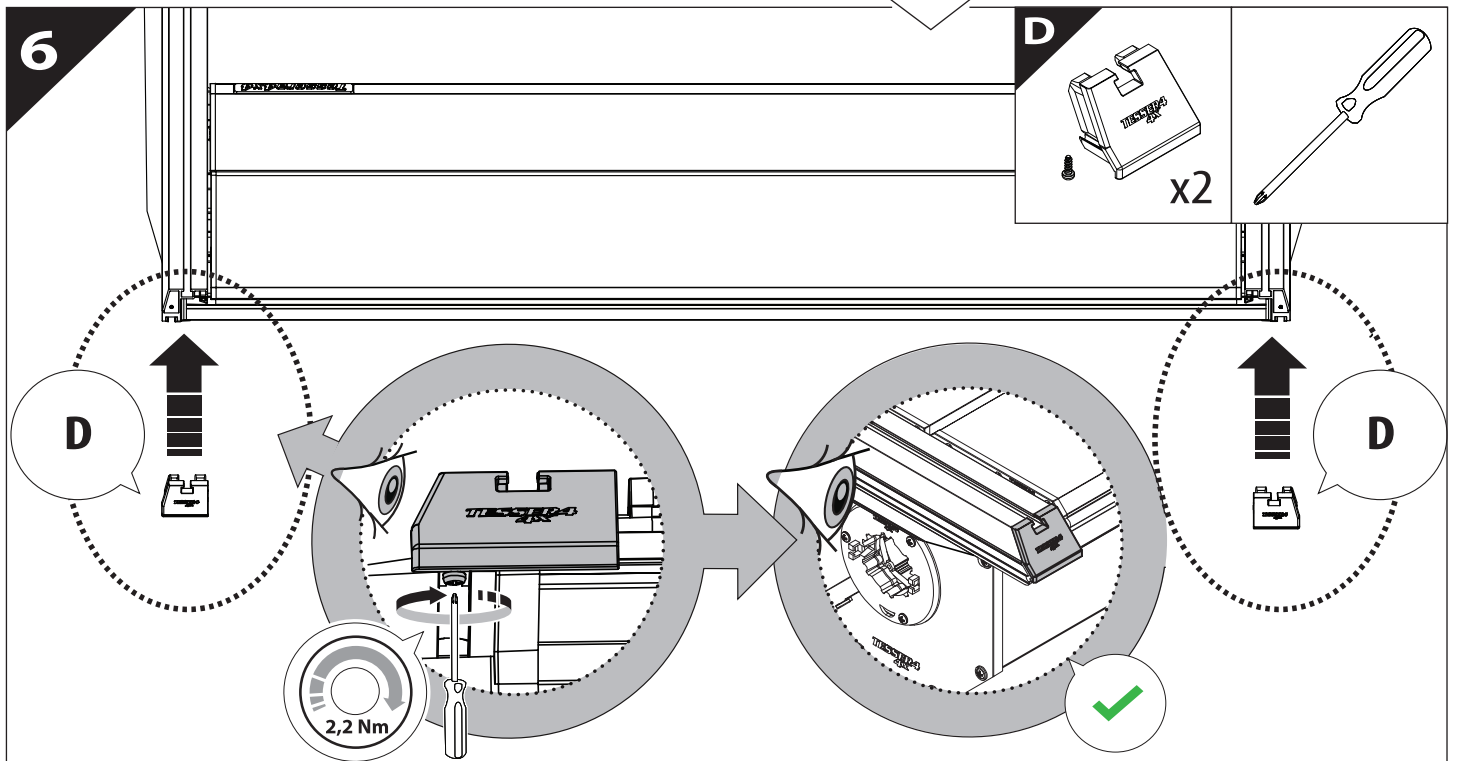
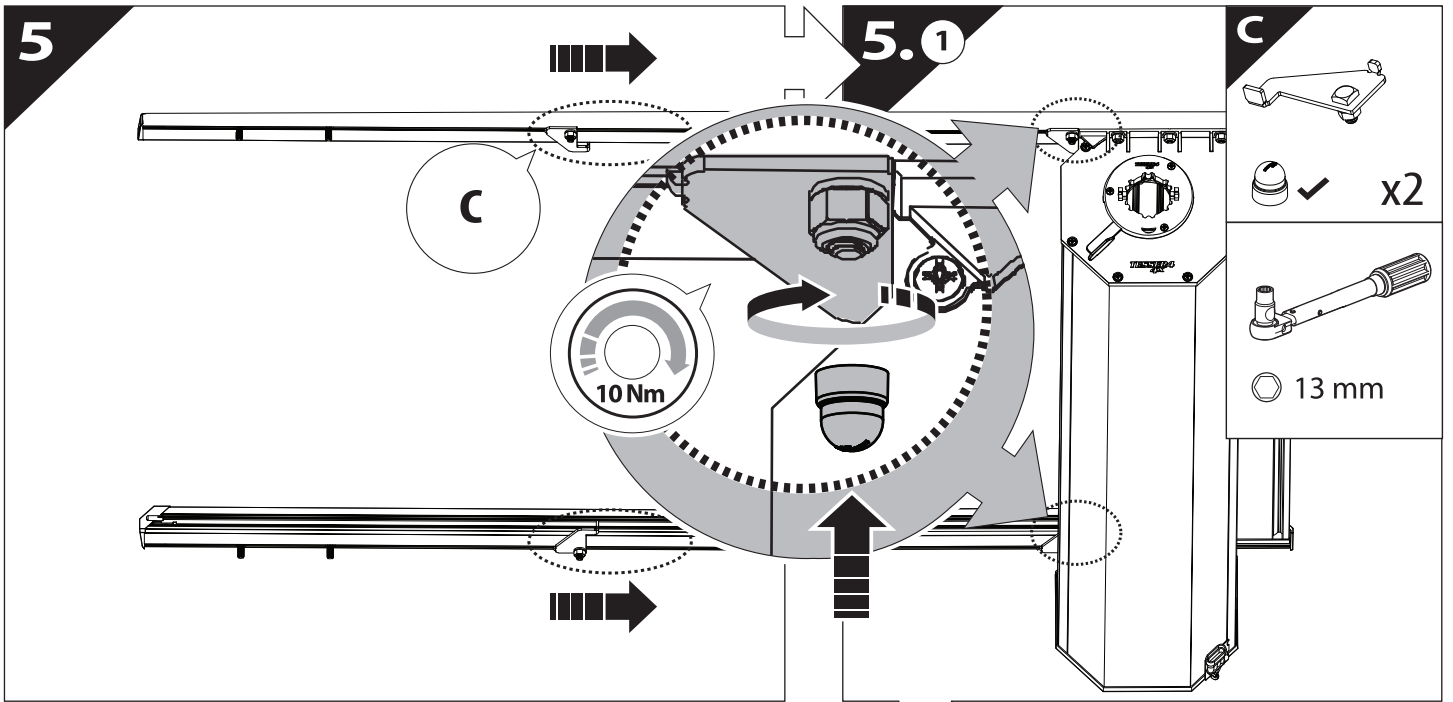


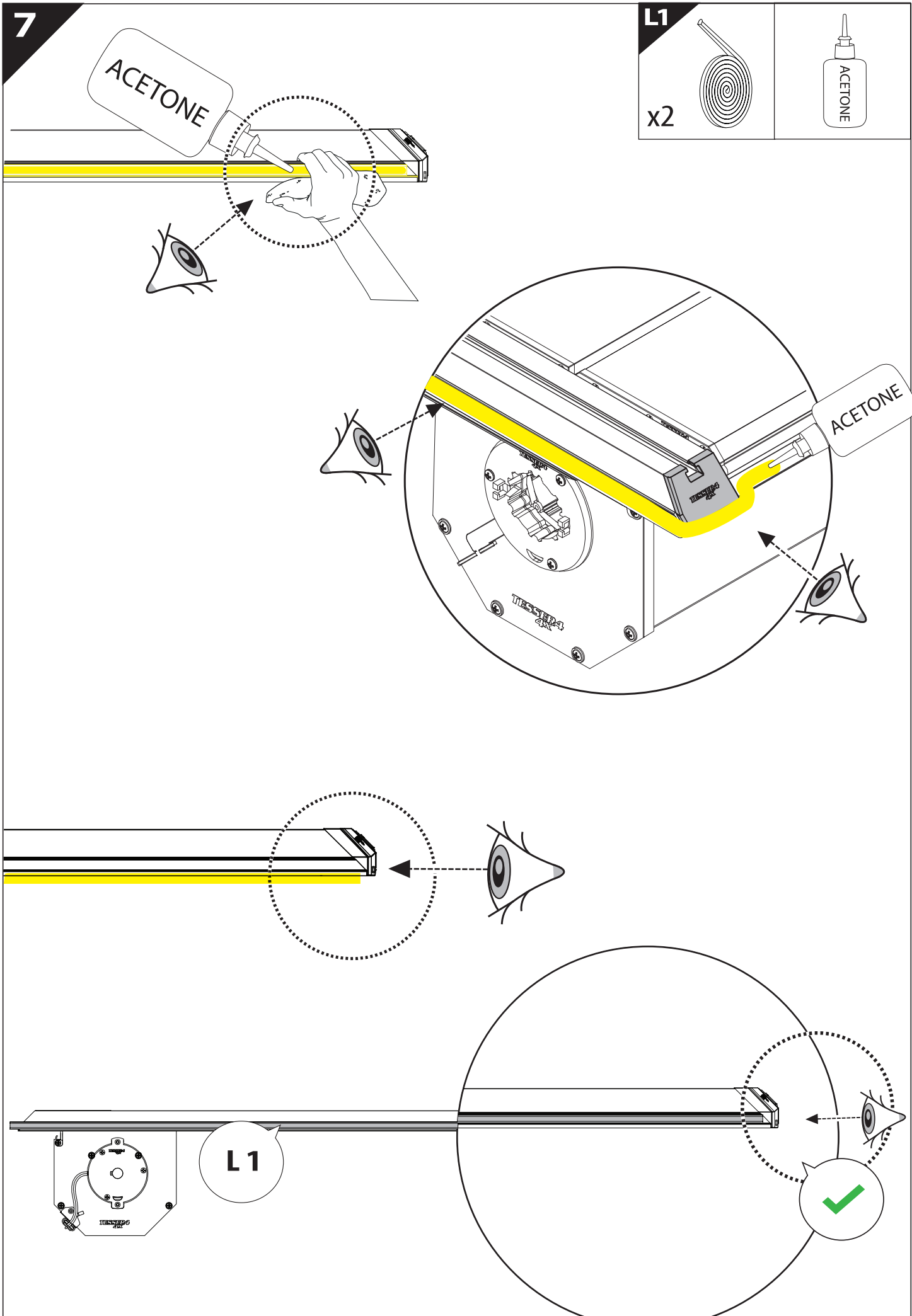
3

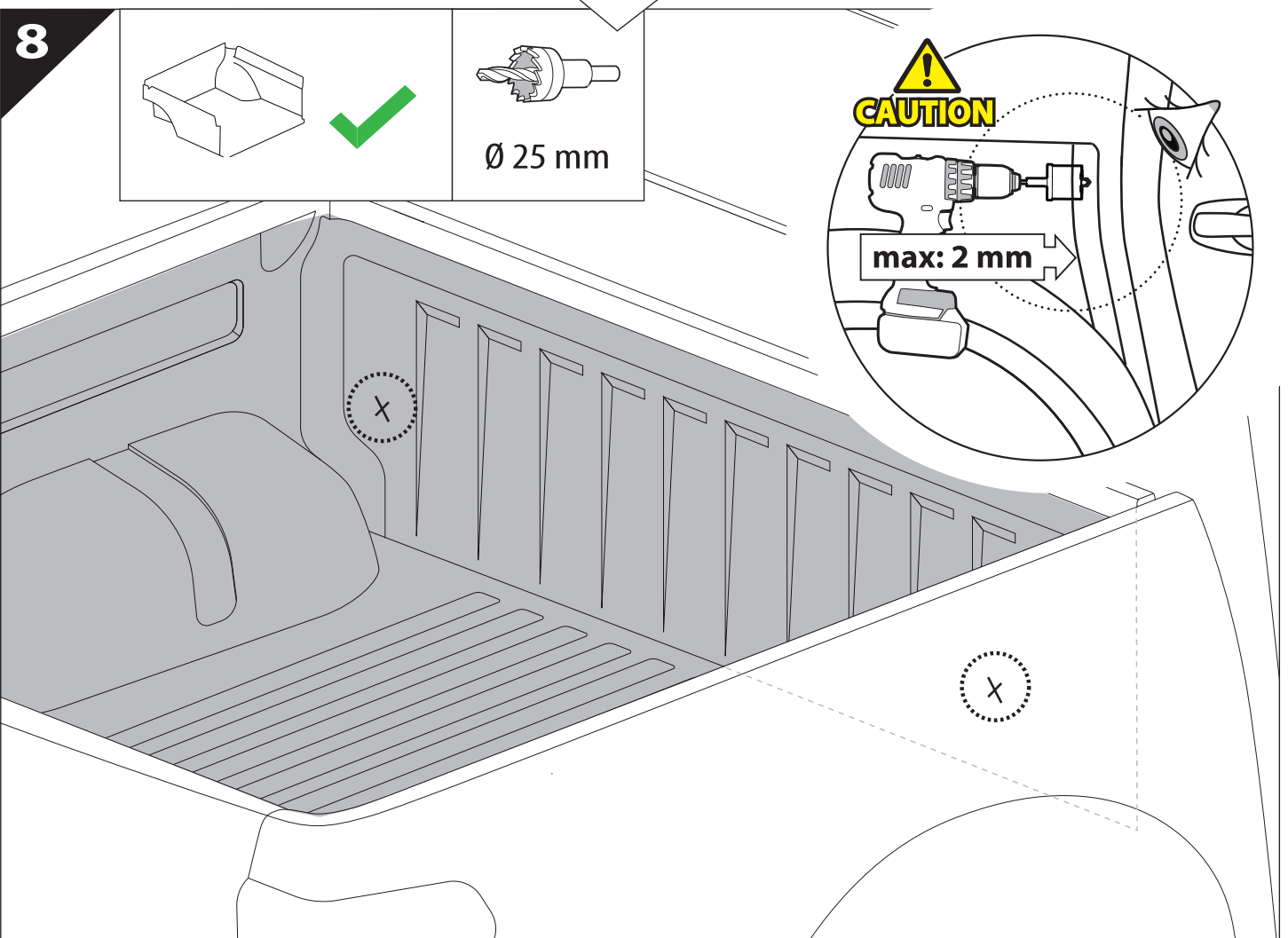
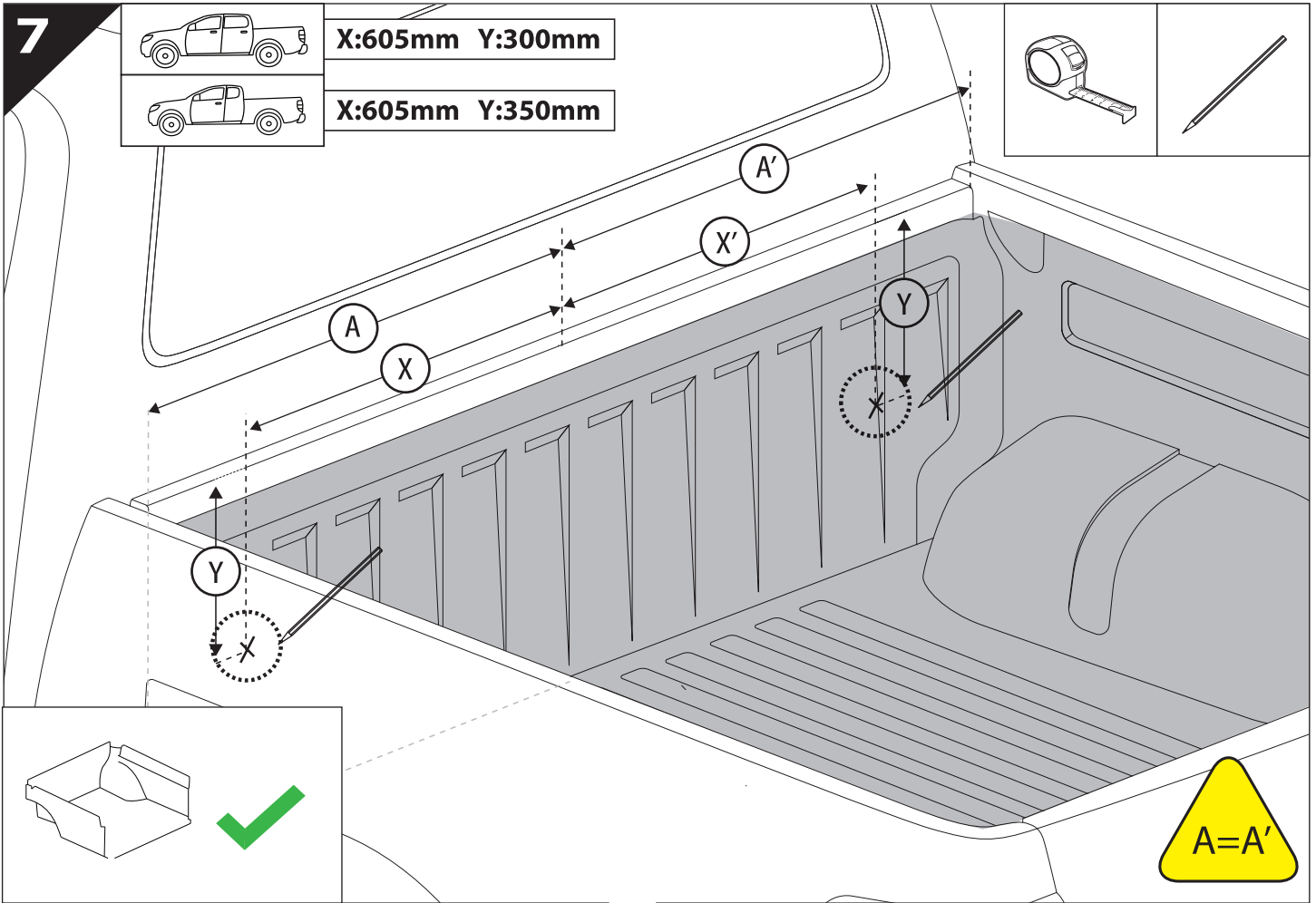


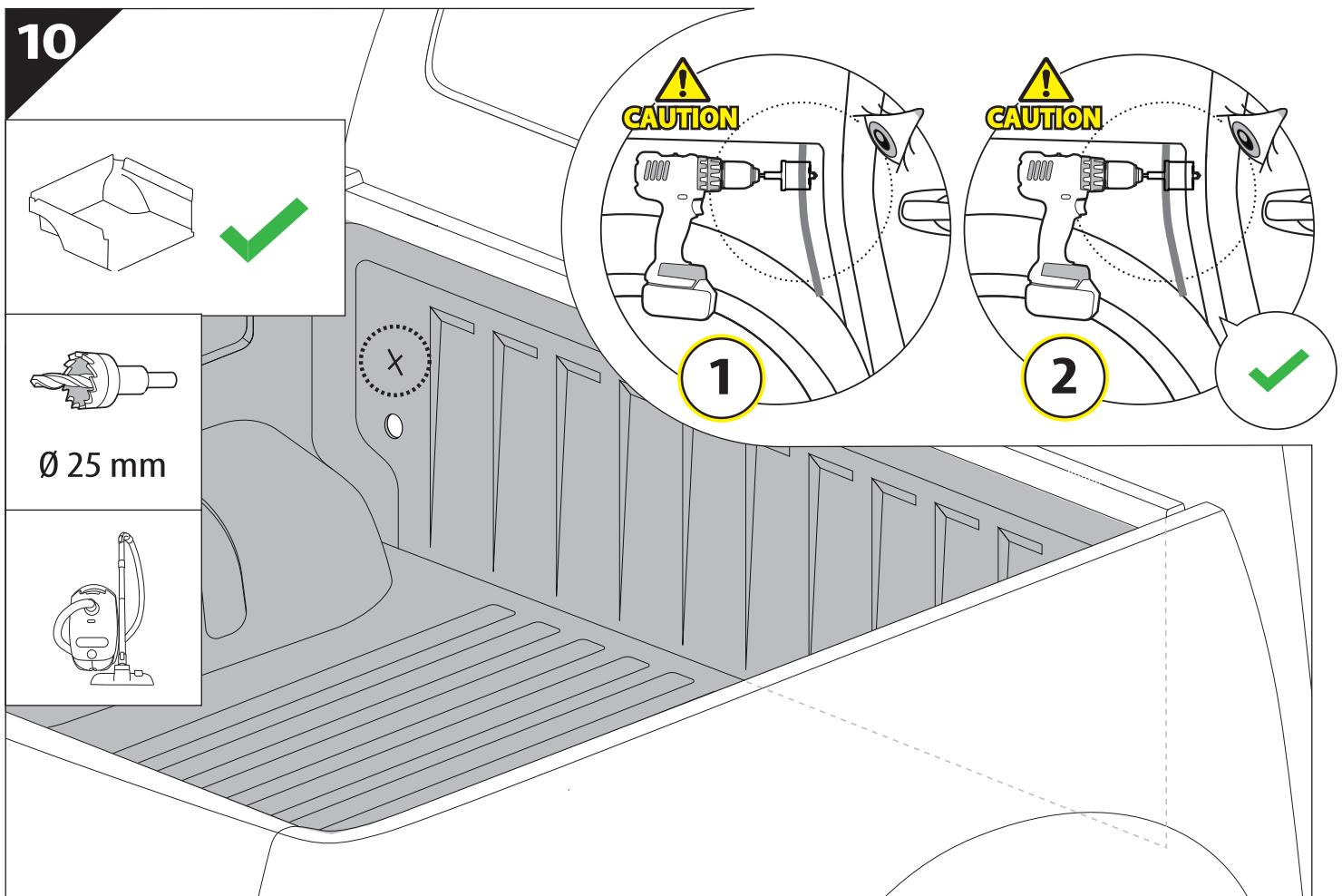
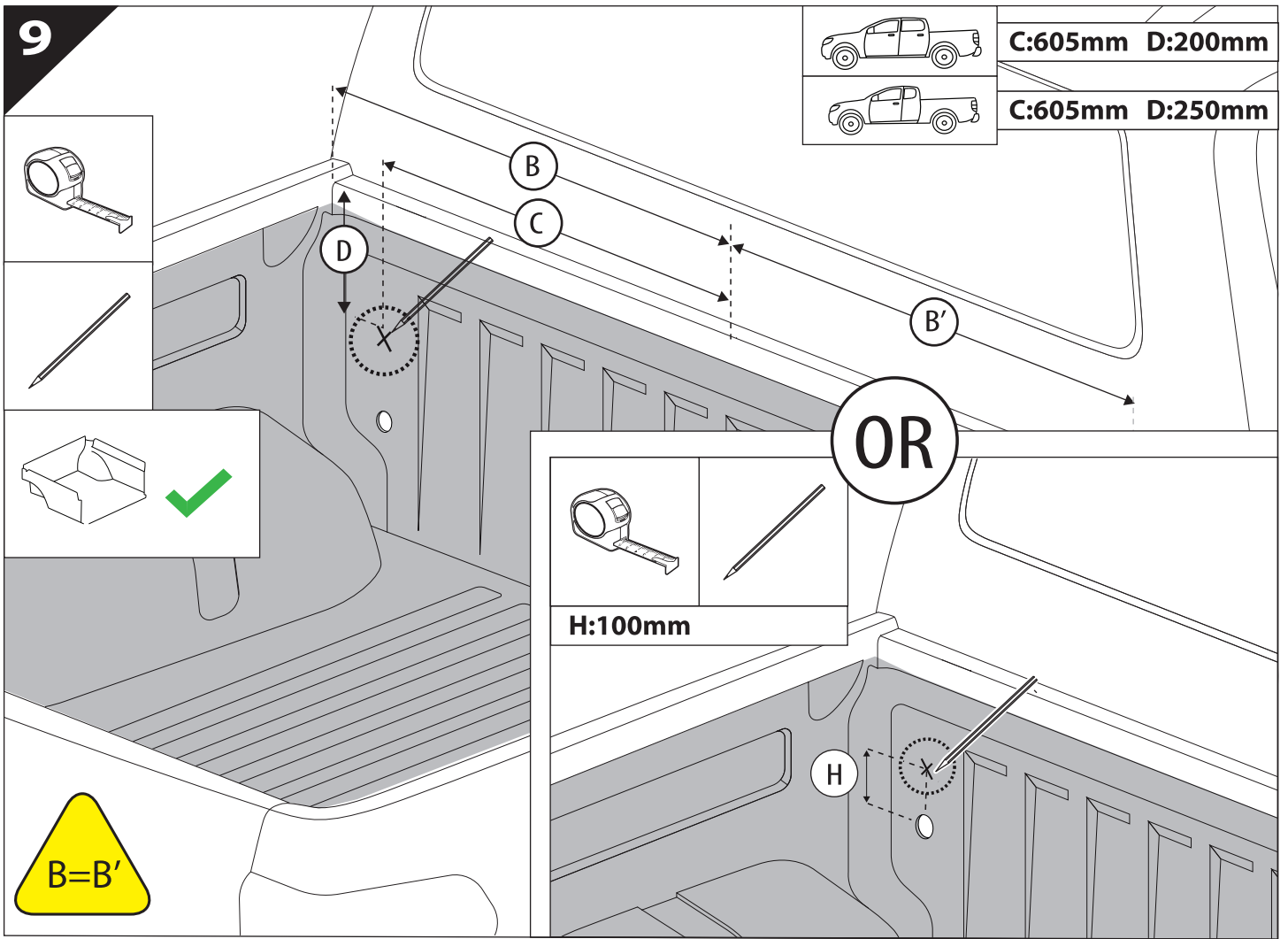
4





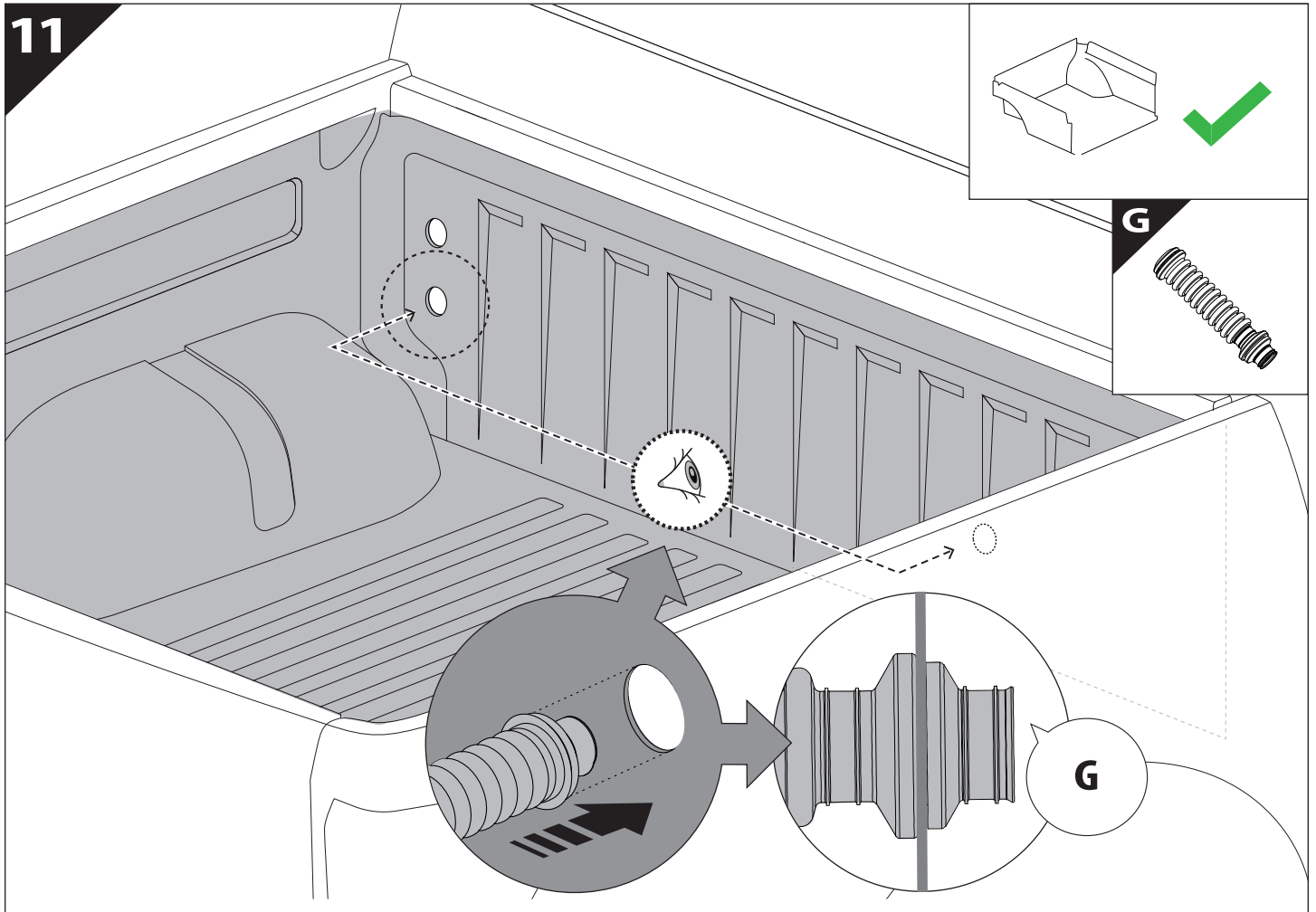






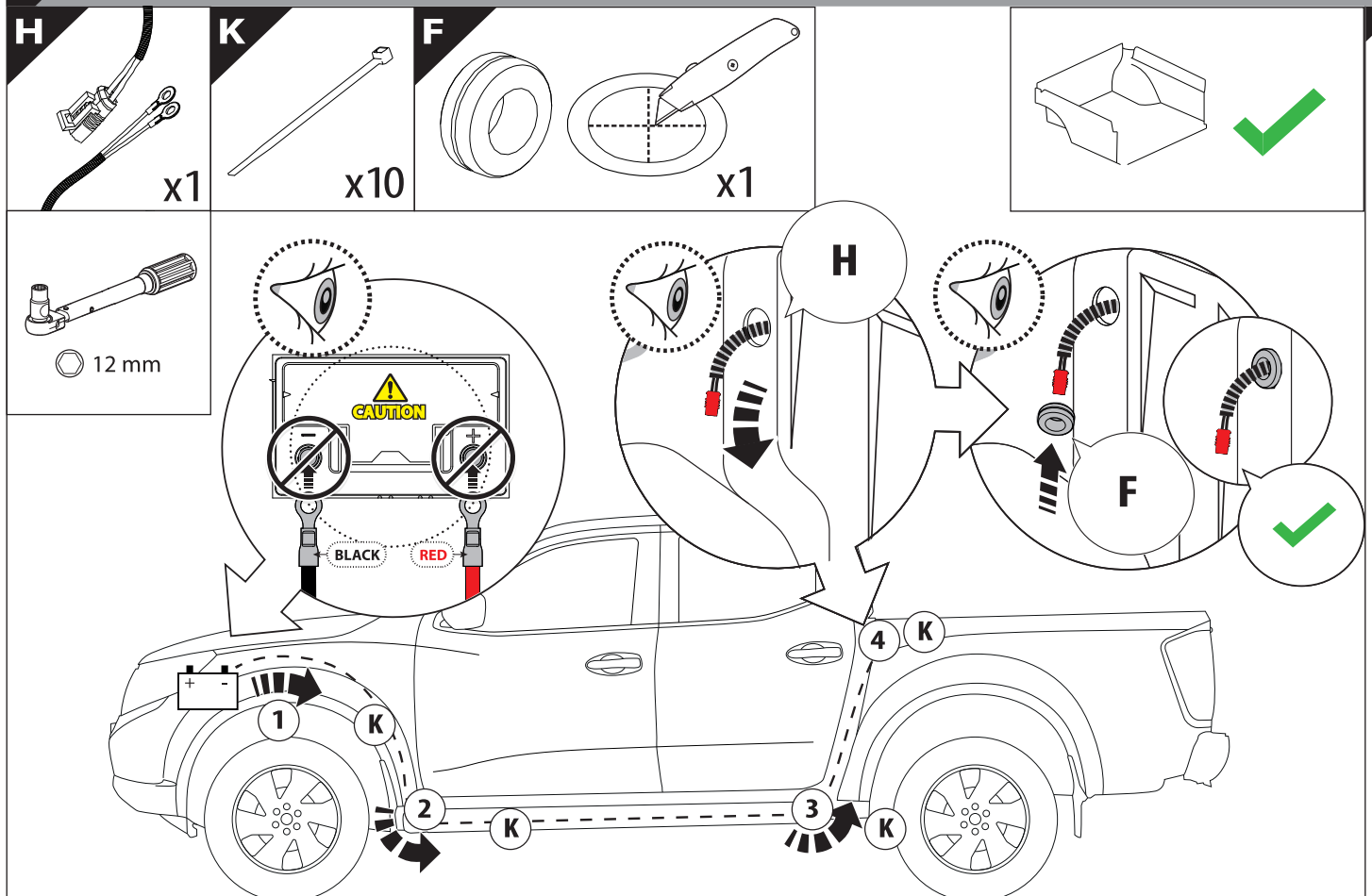


11

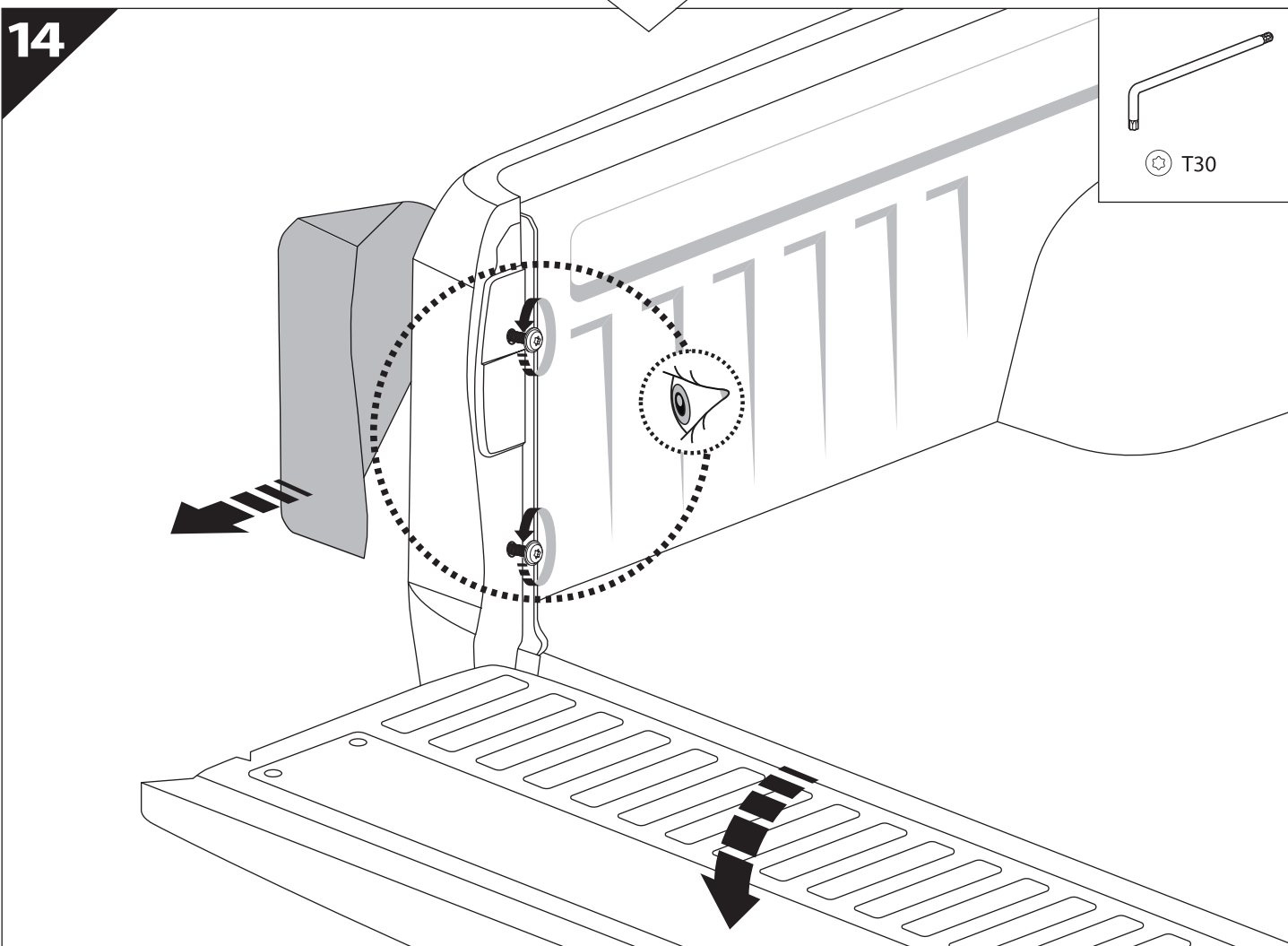
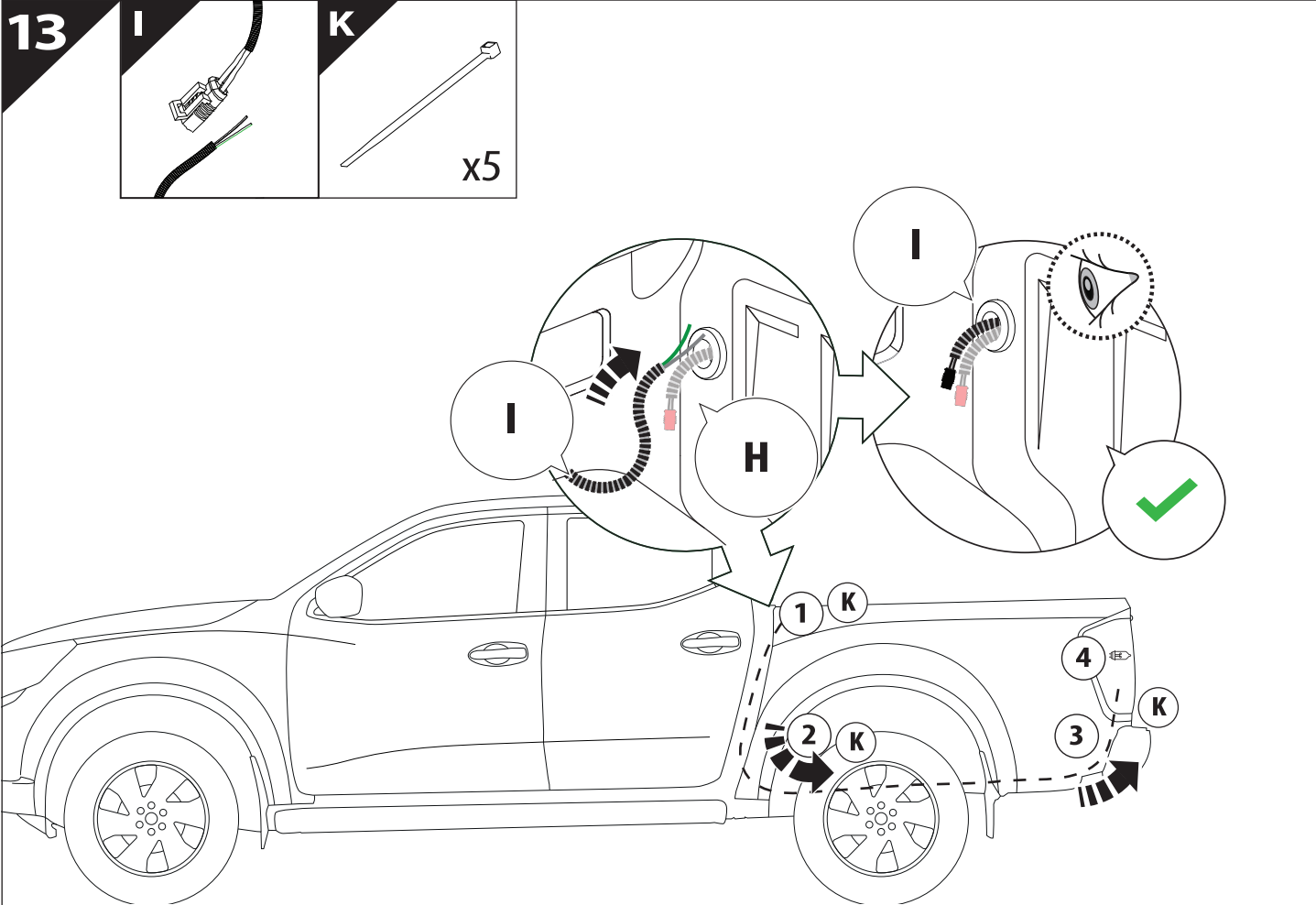


12

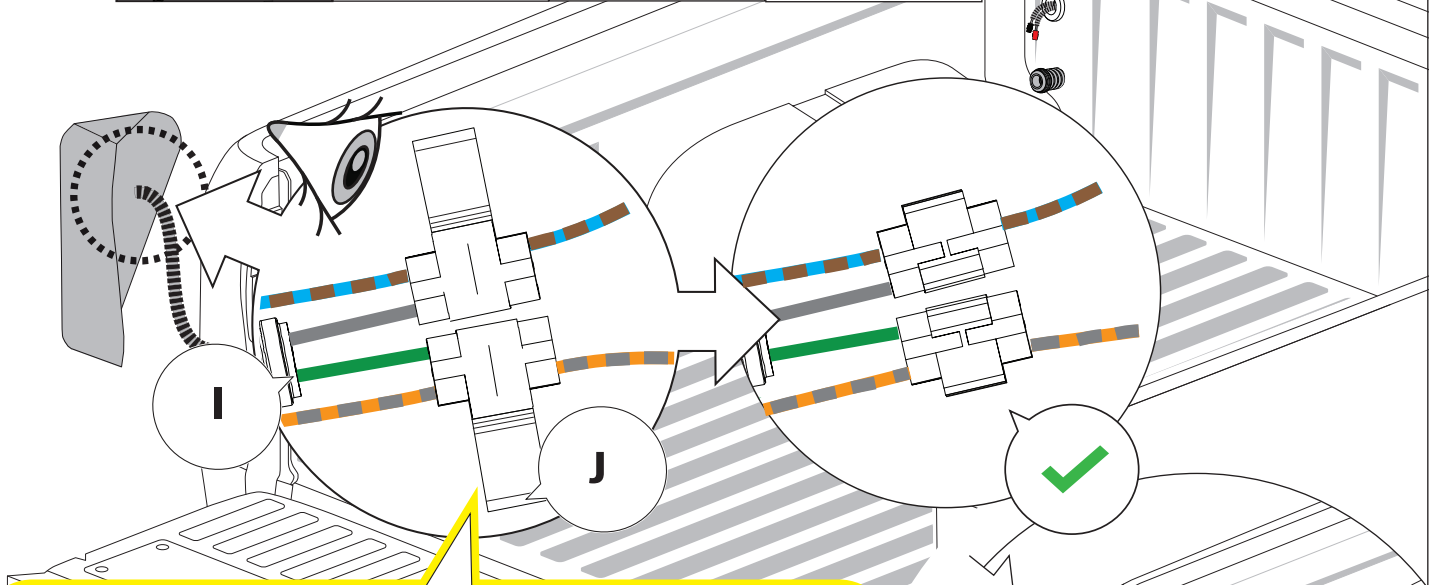
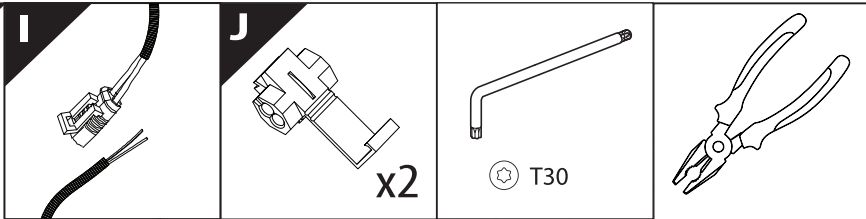
Only to be installed by authorized personnel



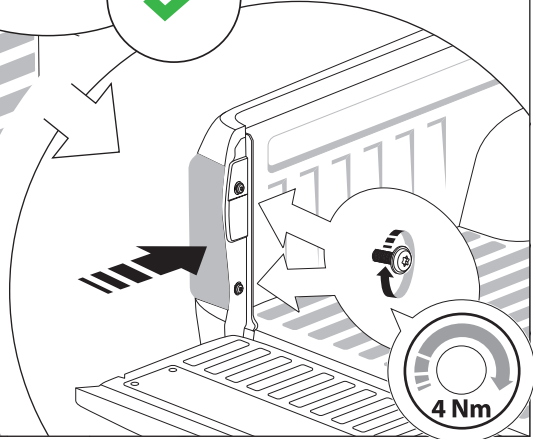




15

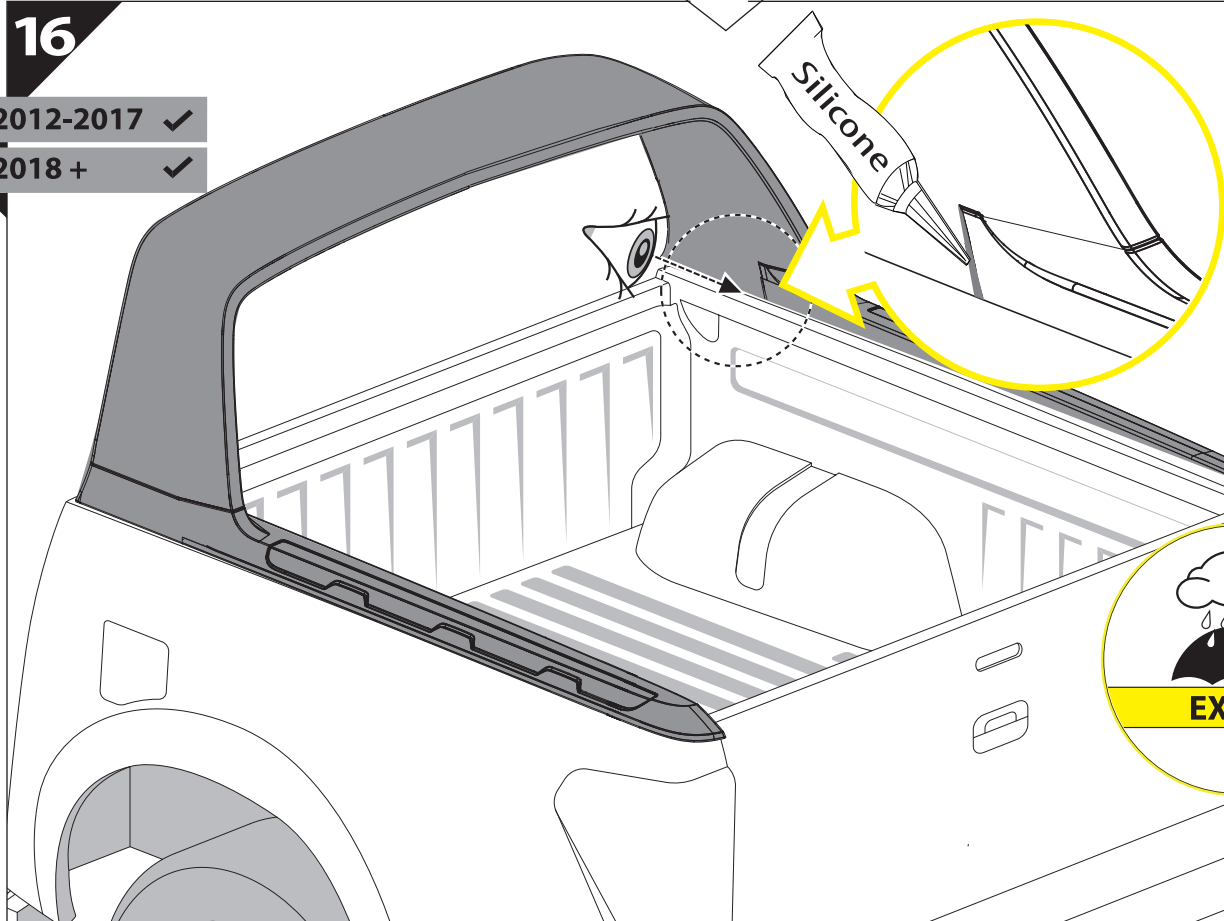


| MODEL YEAR | LIGHTS | CAR | TESSERA ROLL+ |
|------------|--------|-----|---------------|
| 2016+      | BEAM   |     | ←→            |
| 2016+      | STOP   |     | ←→            |
| MODEL YEAR | LIGHTS | CAR | TESSERA ROLL+ |
| 2020+      | BEAM   |     | ←→            |
| 2020+      | STOP   |     | ←→            |



16

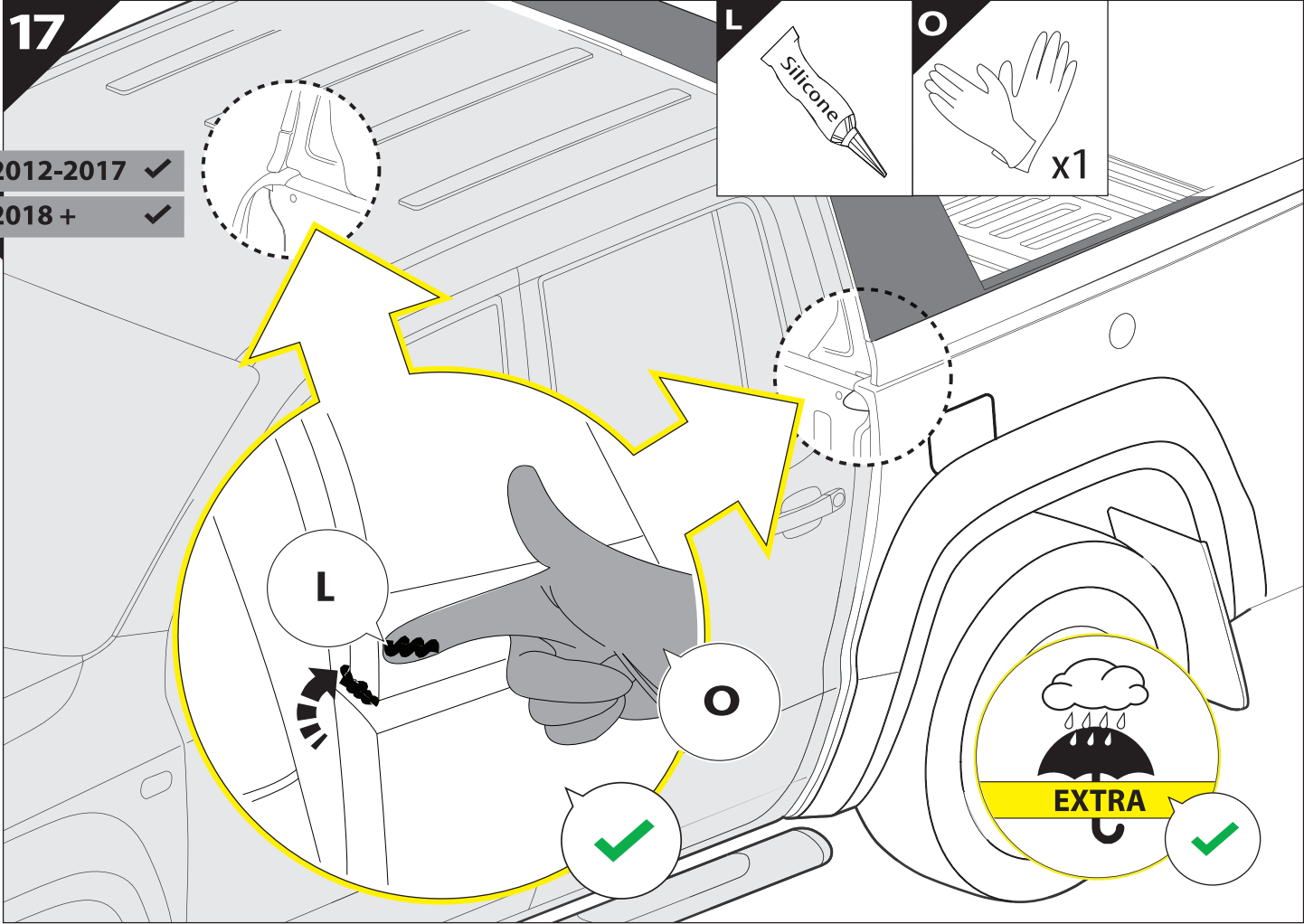
- 2012-2017 ✓
- 2018+ ✓



17

2012-2017 ✓  
2018+ ✓

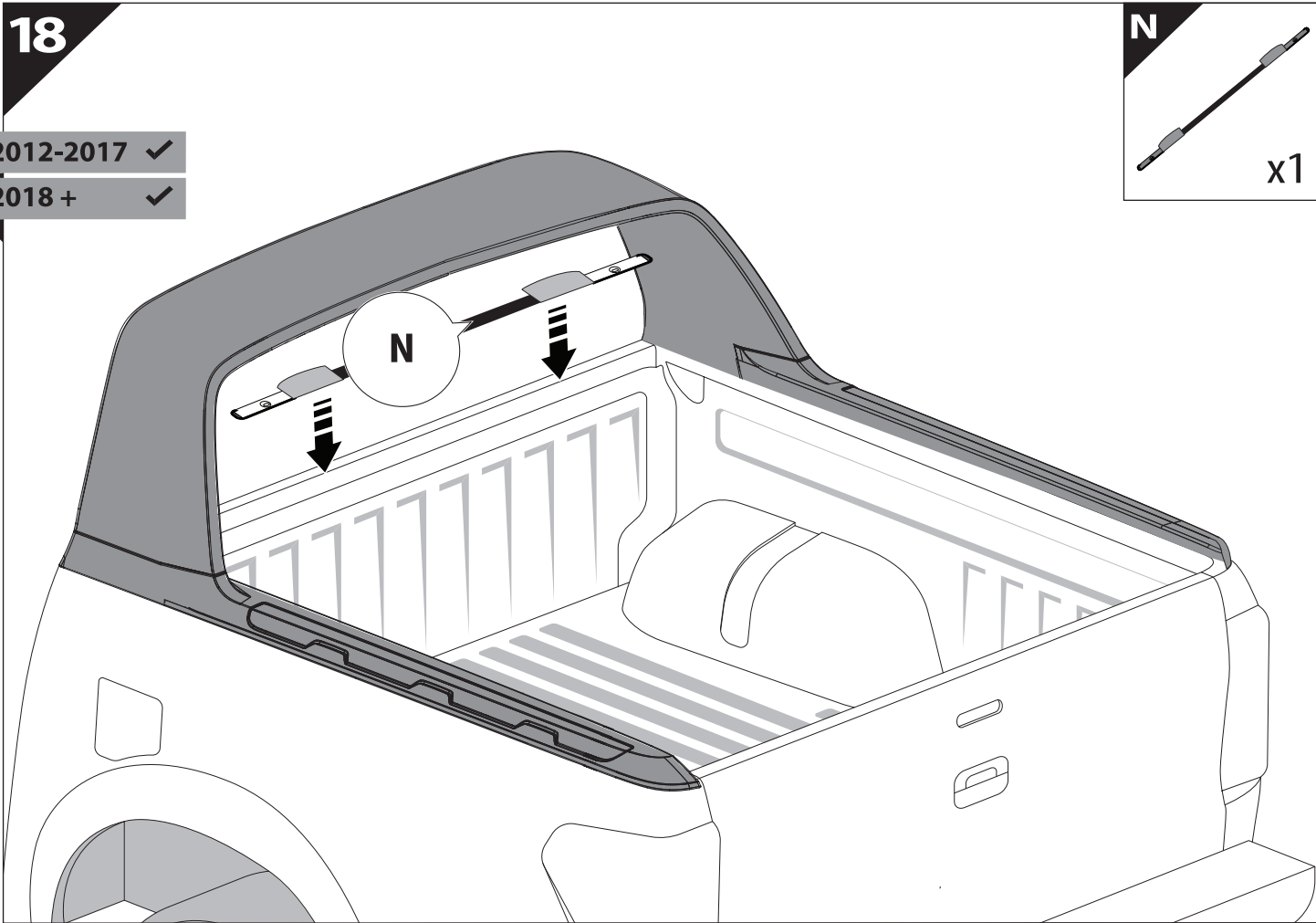
**L** Silicone  
**O** x1

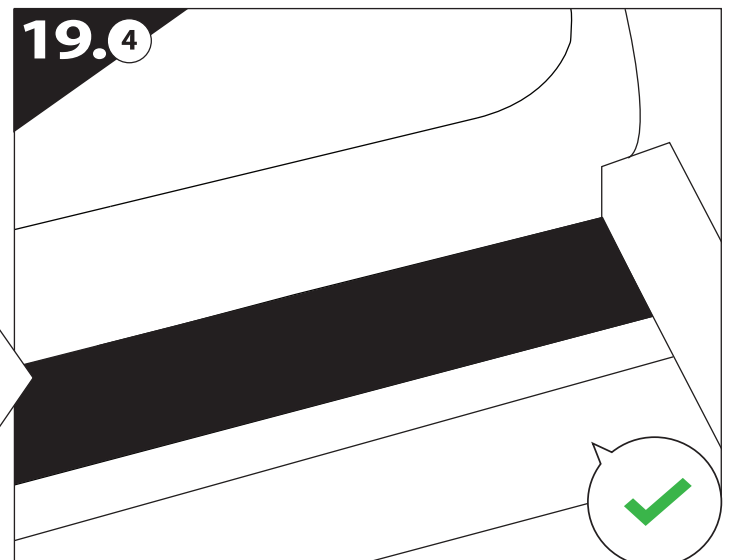
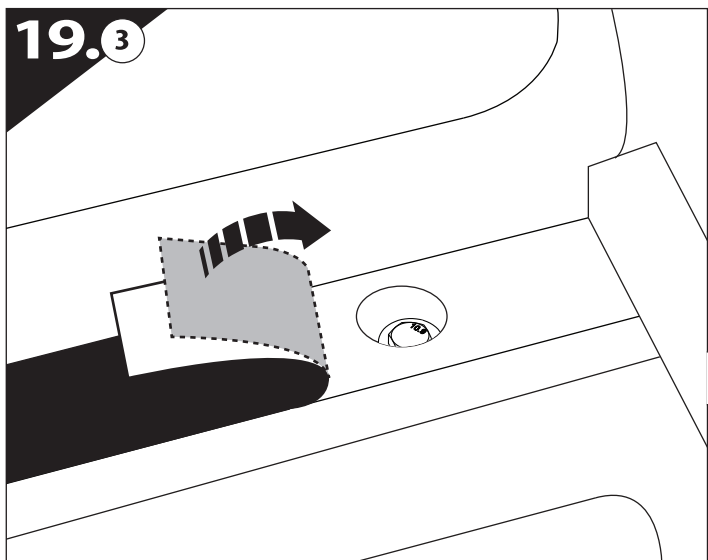
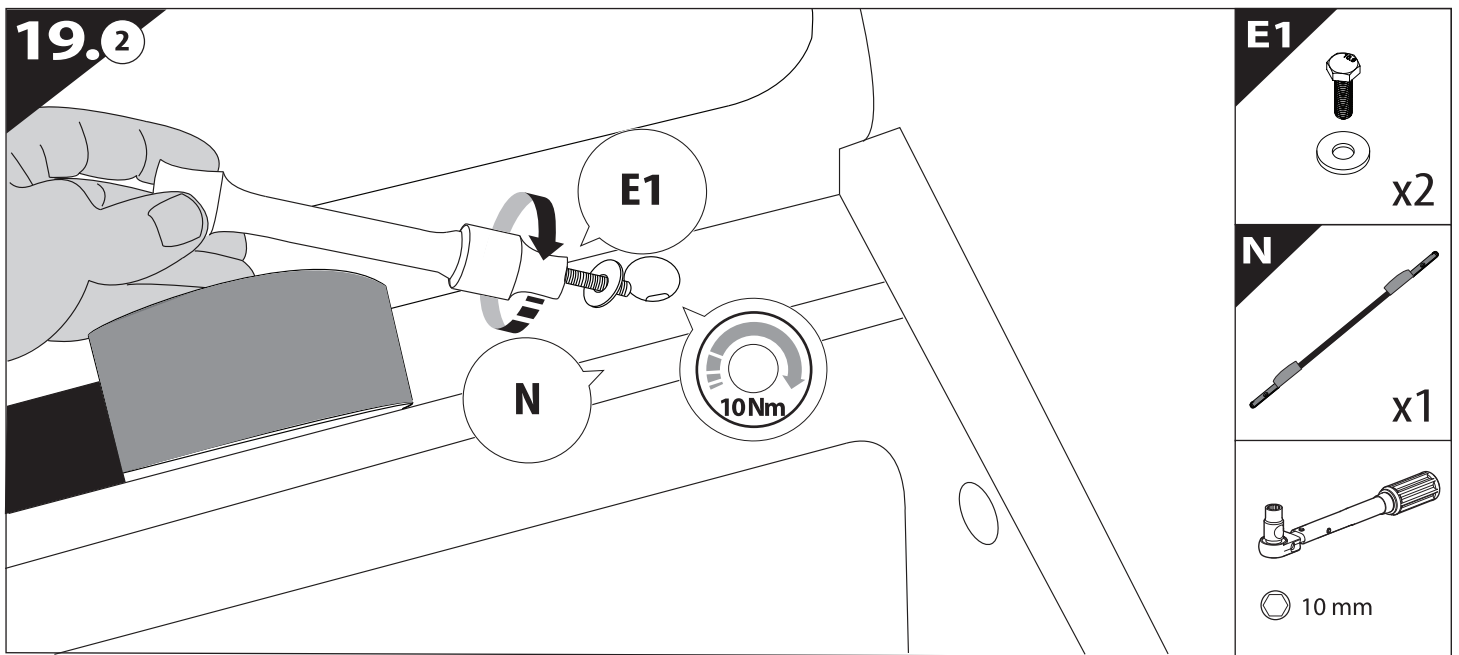
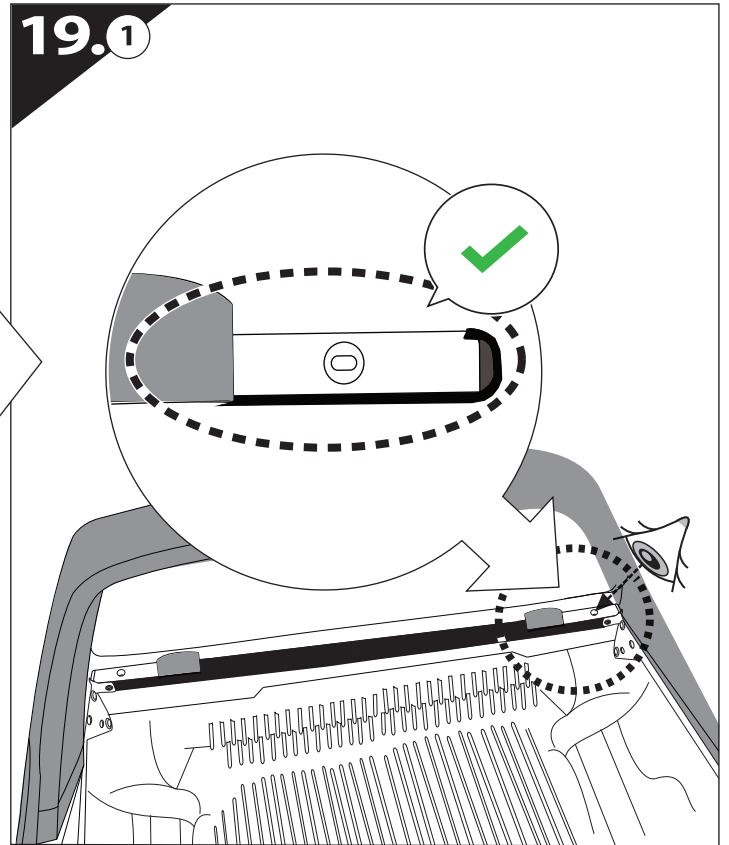
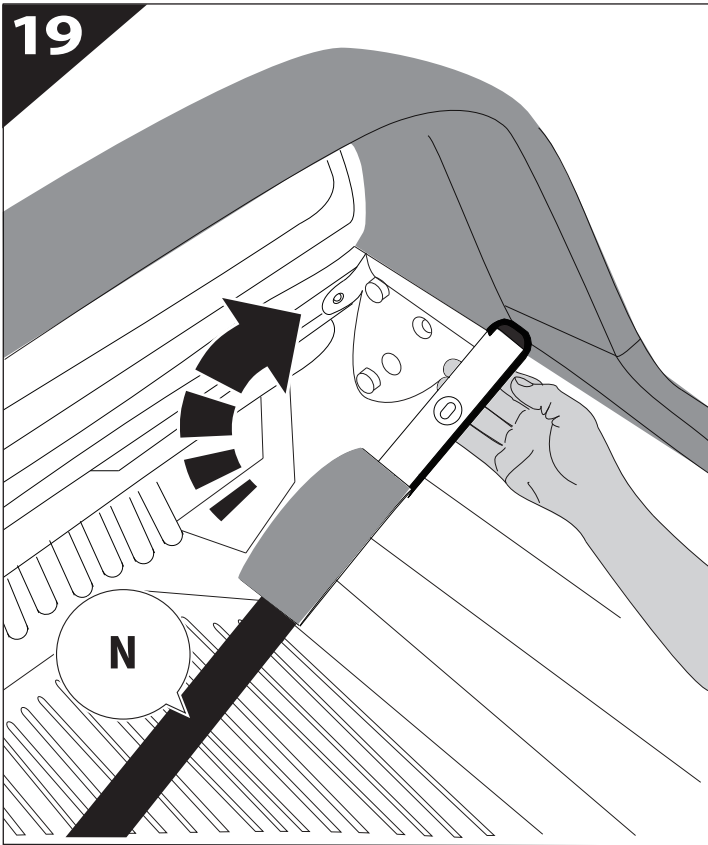


18

2012-2017 ✓  
2018+ ✓

**N** x1

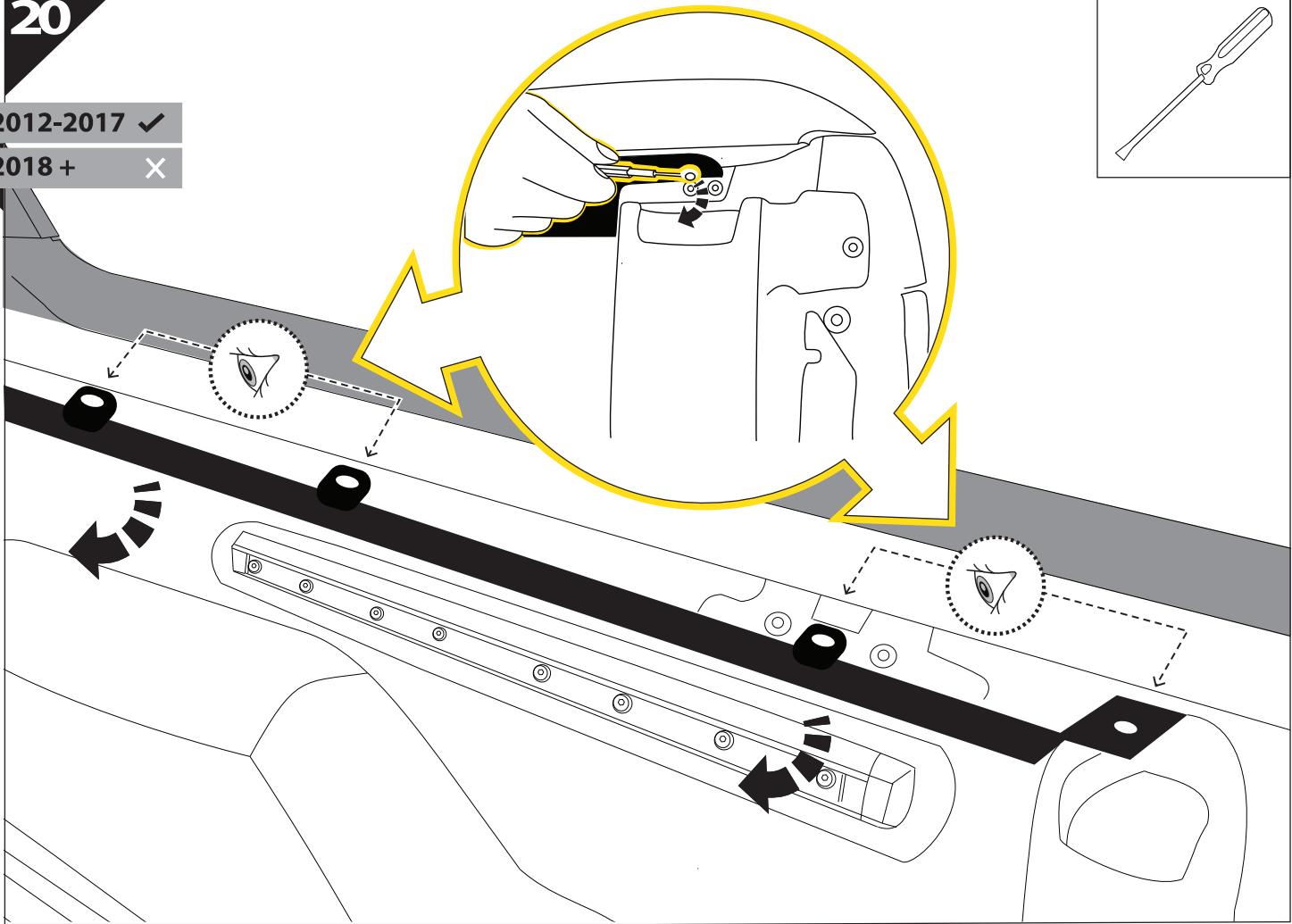
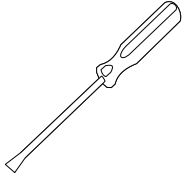




20

2012-2017 ✓

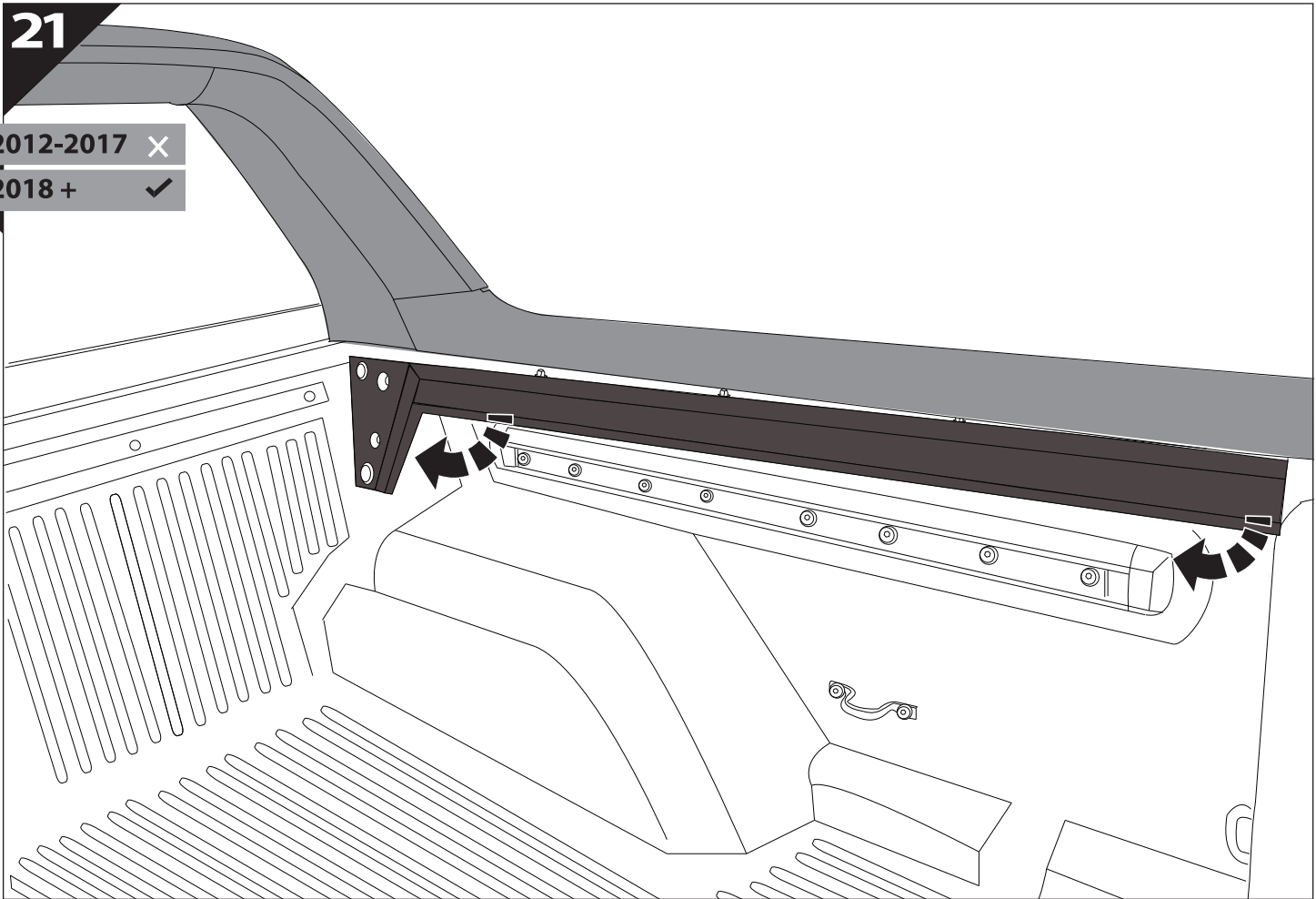
2018+ ✗

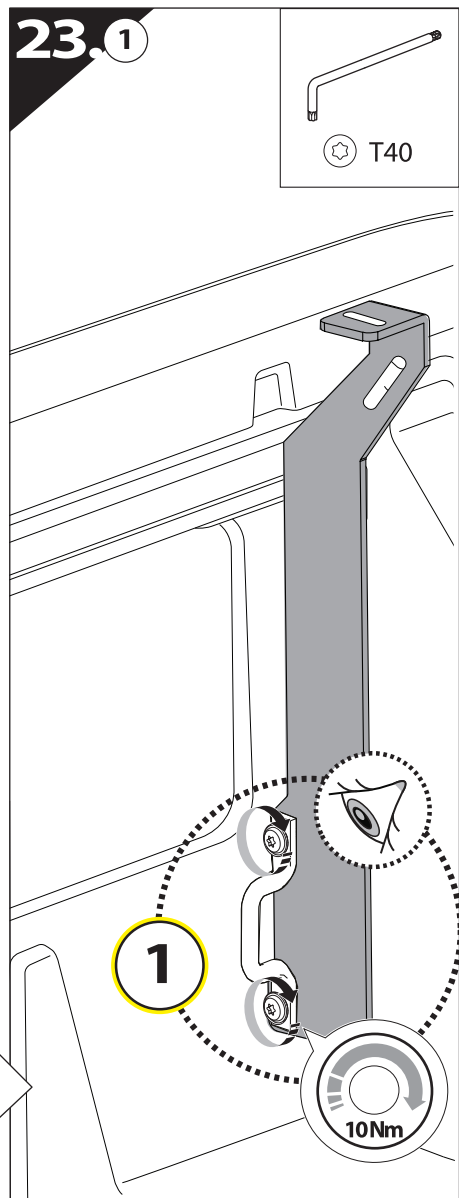
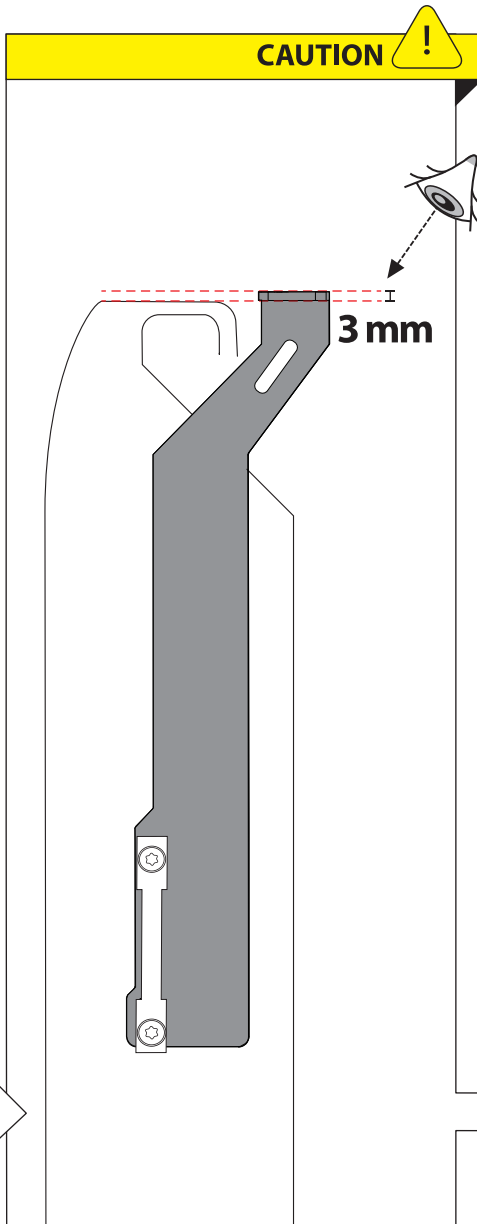
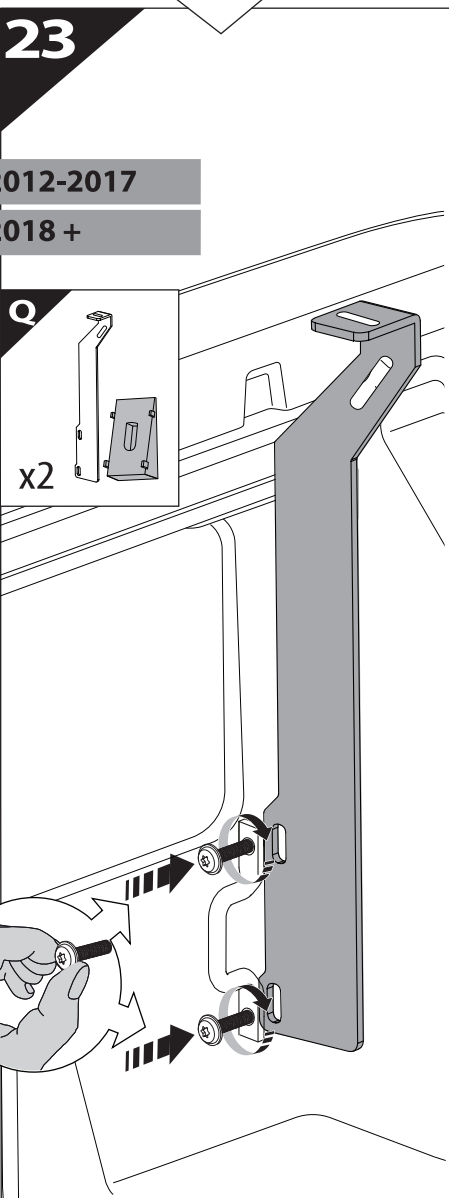
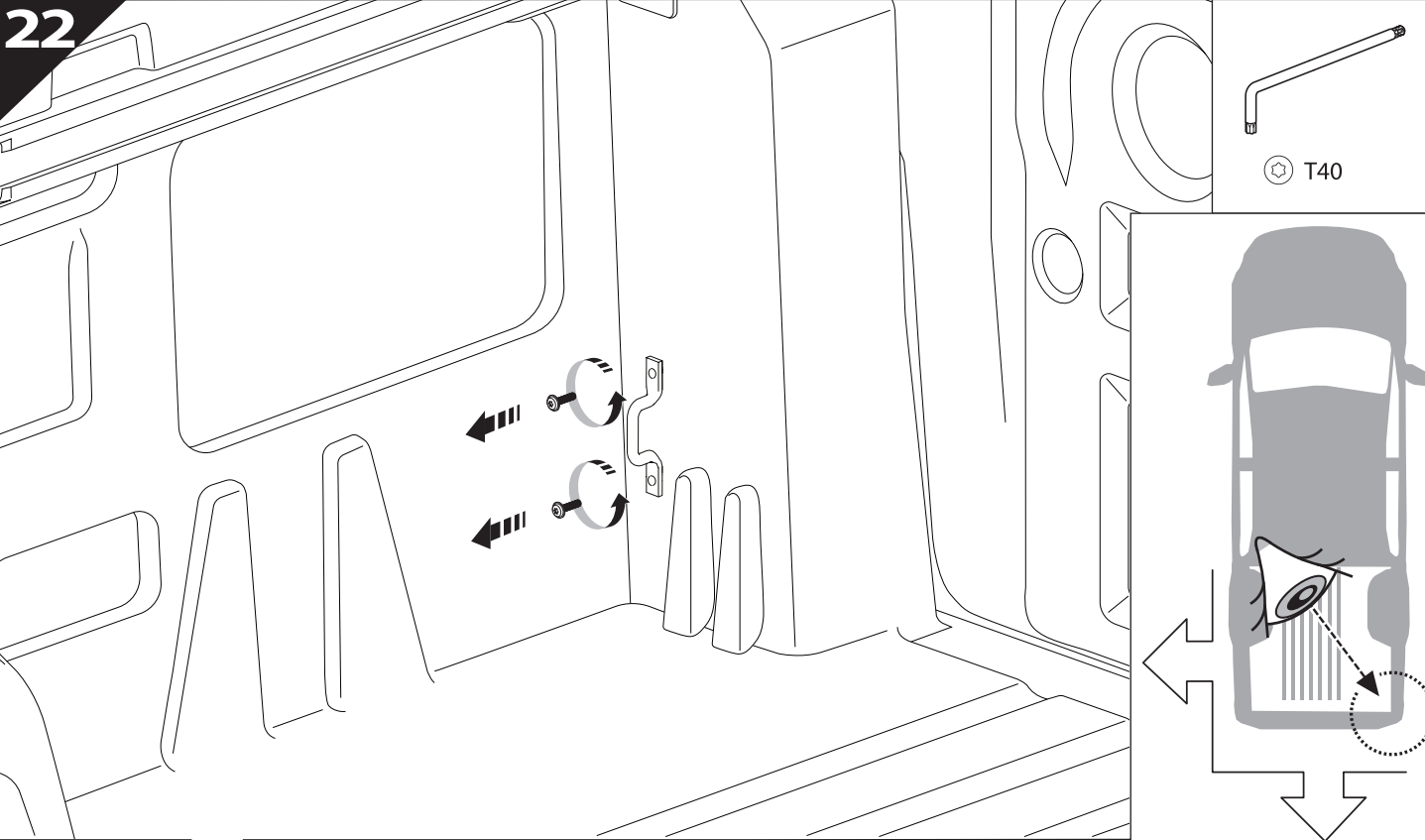


21

2012-2017 ✗

2018+ ✓

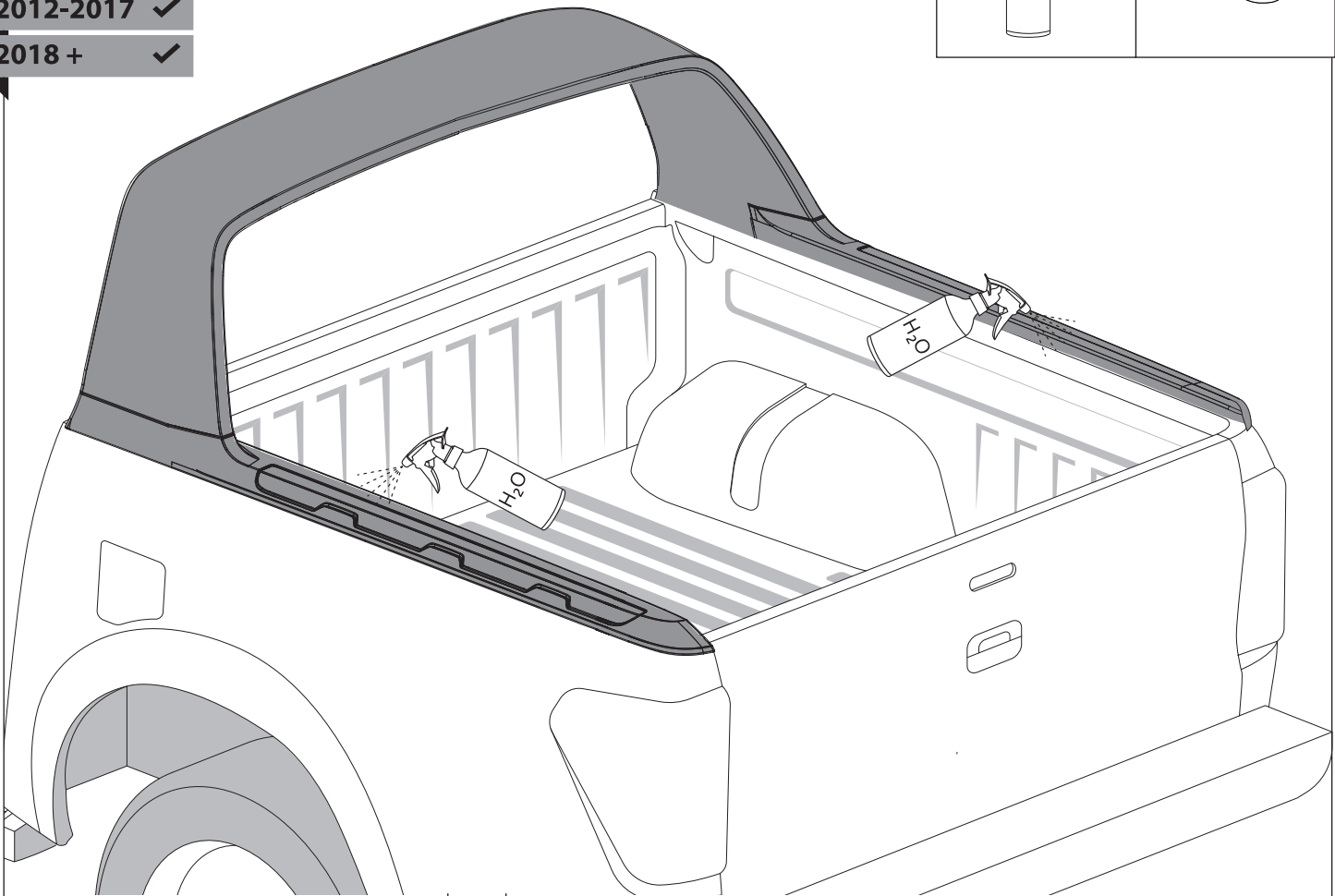
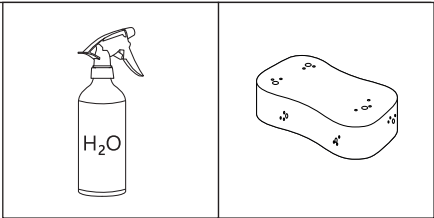




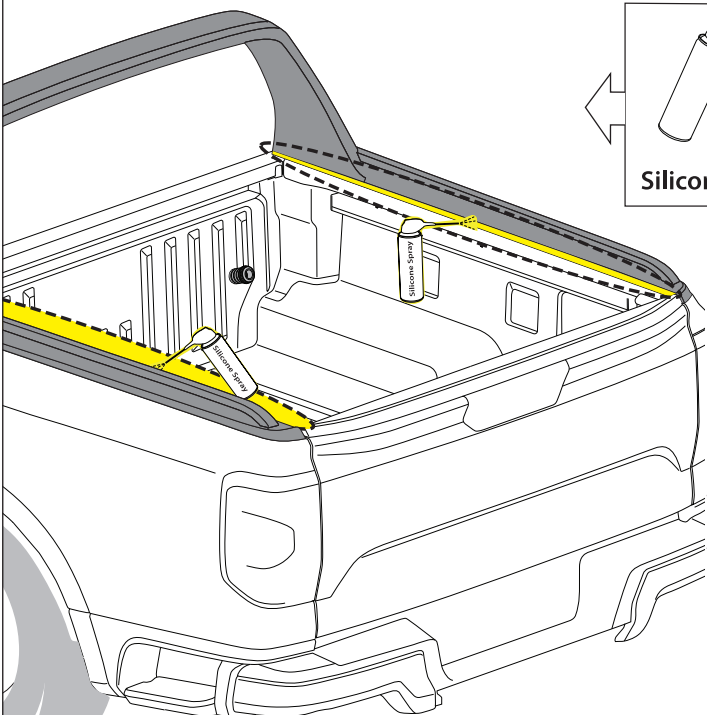


2012-2017 ✓

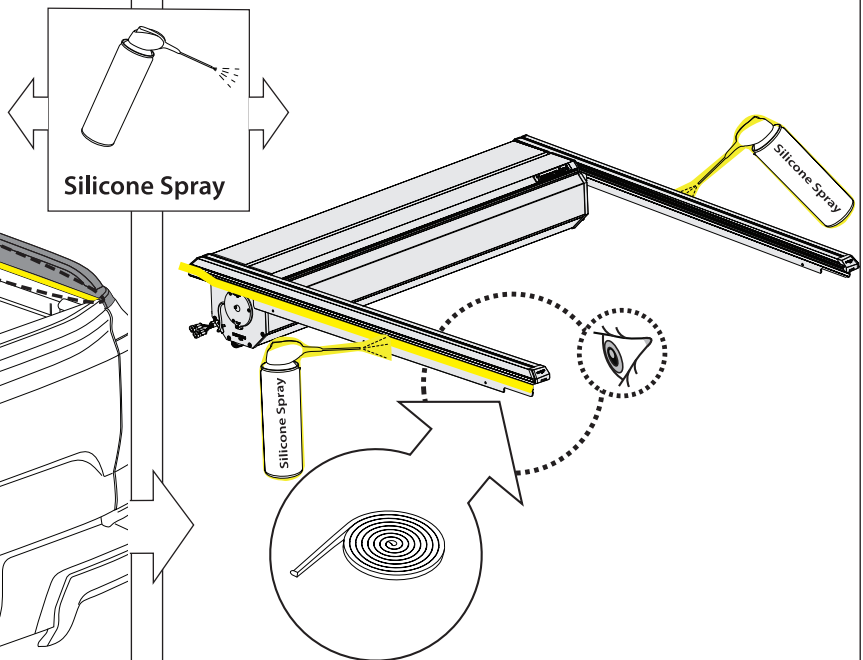
2018+ ✓



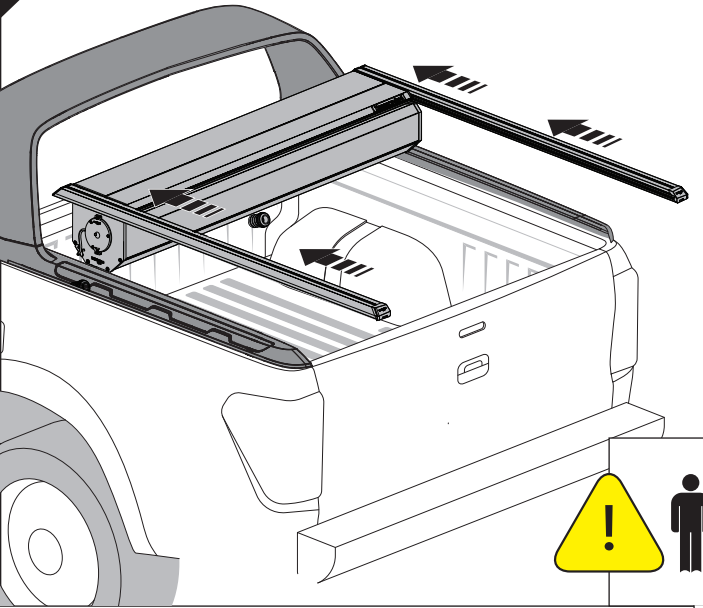
24.1



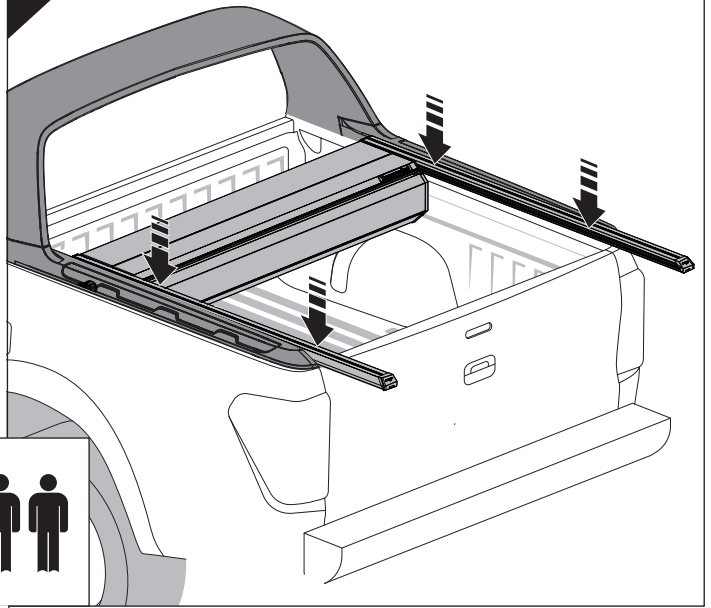
24.2



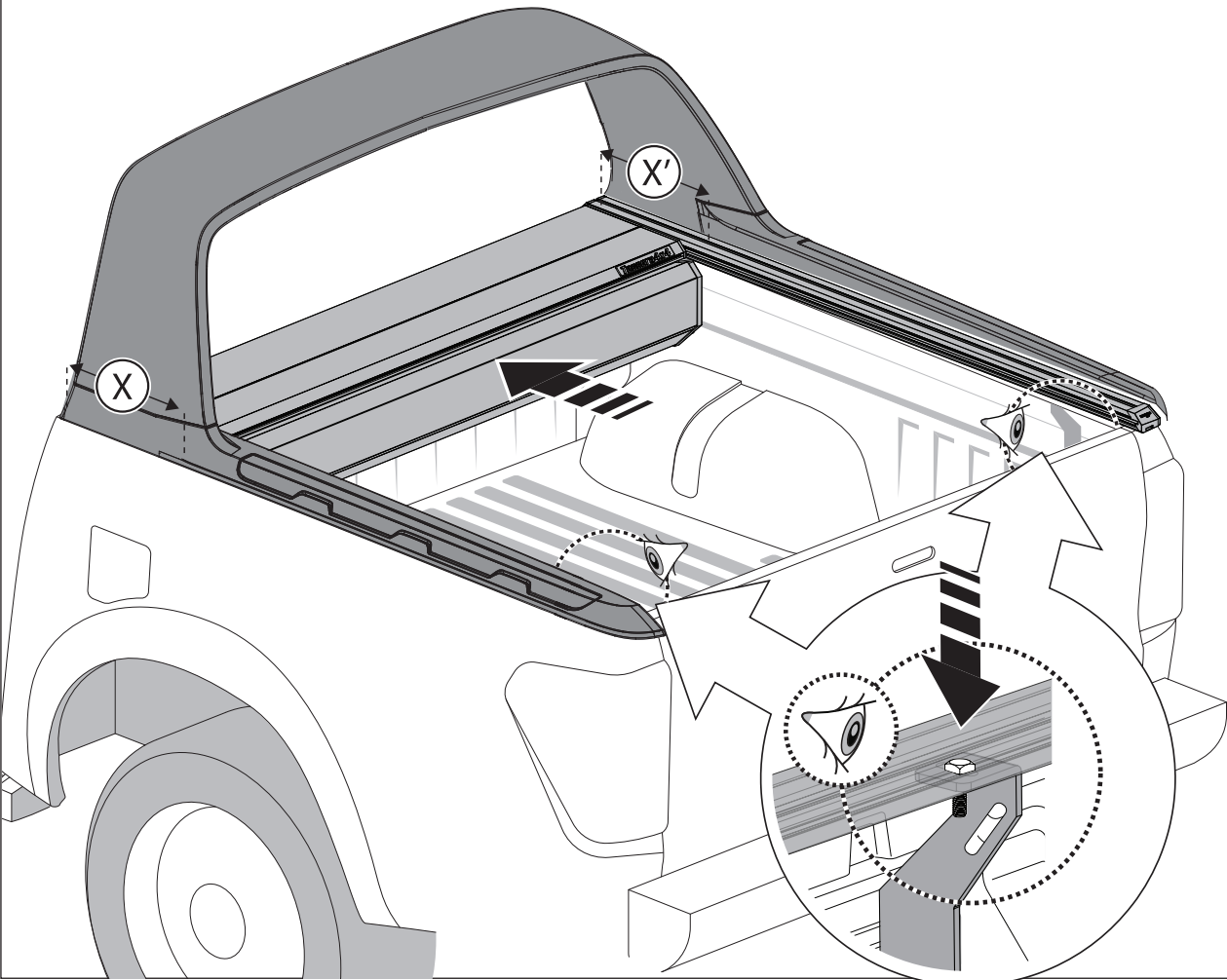
26



26.1

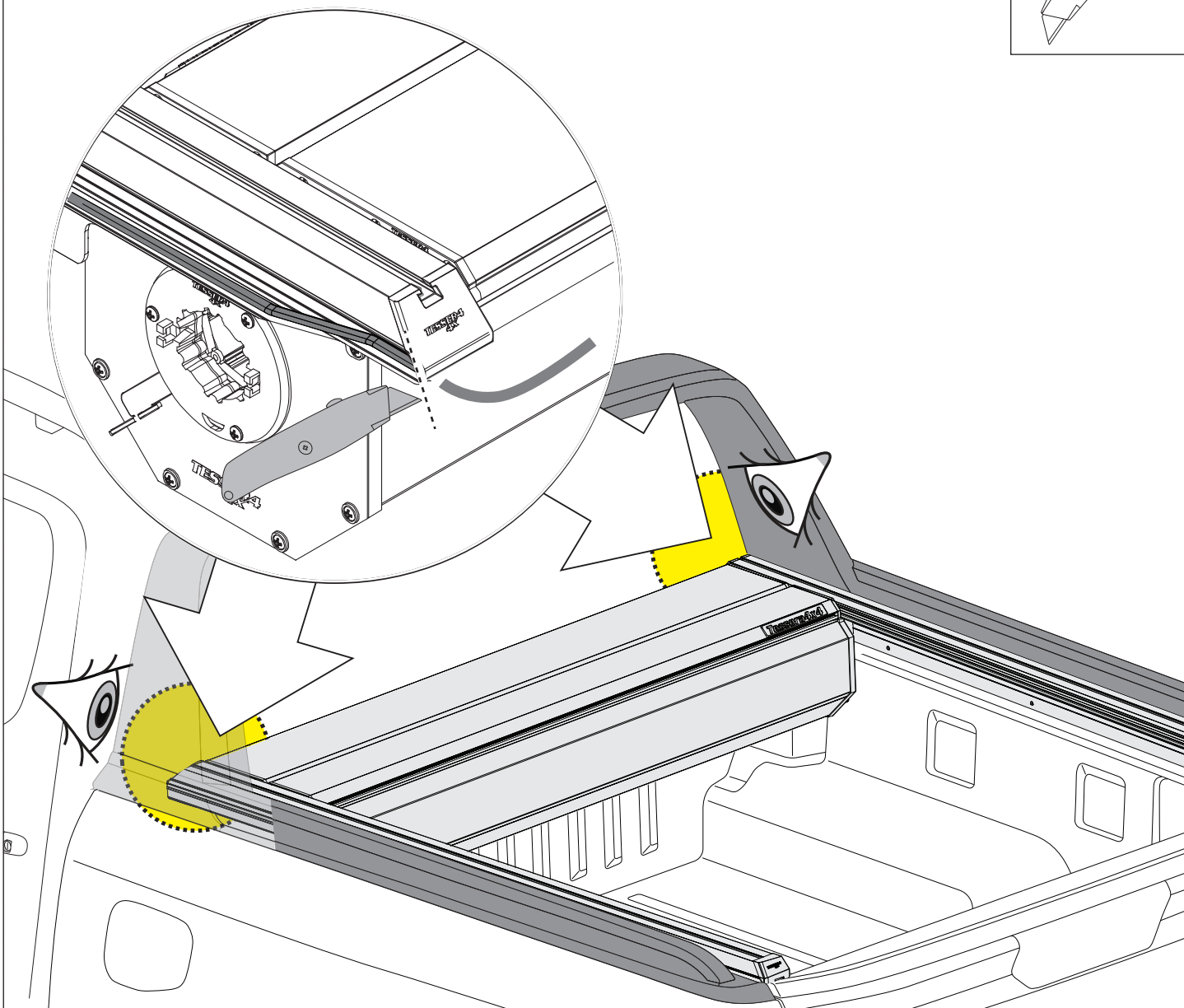
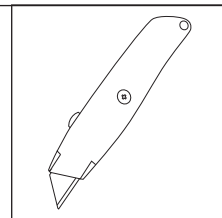


27



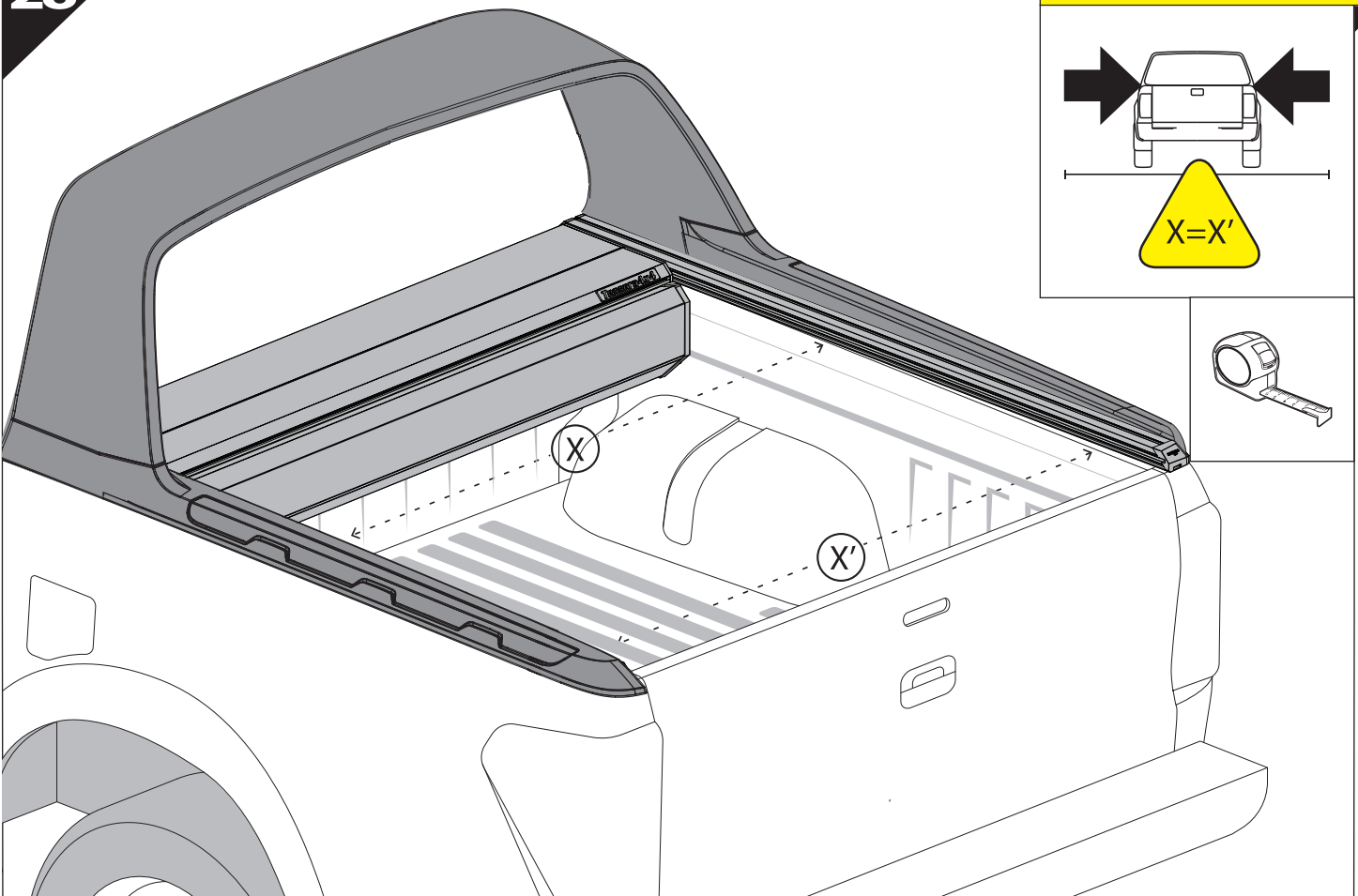
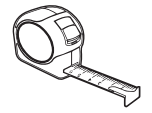
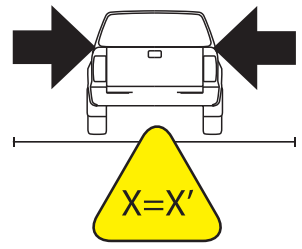


27.1



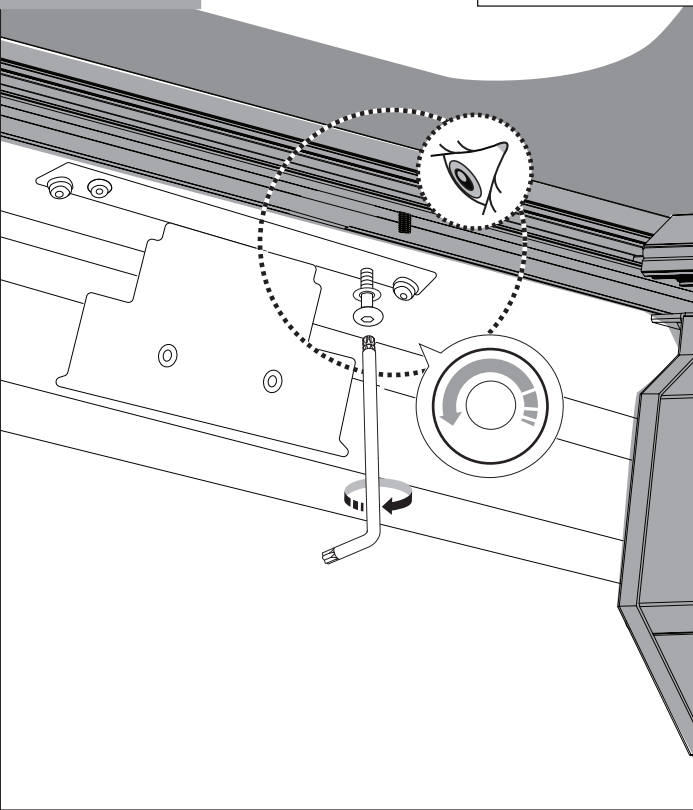
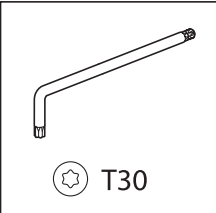
28

CAUTION



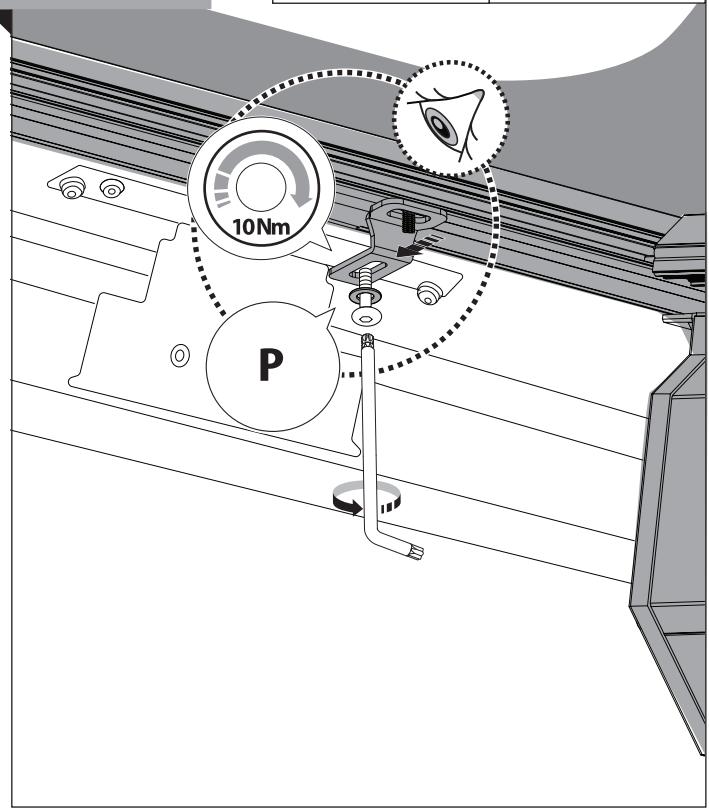
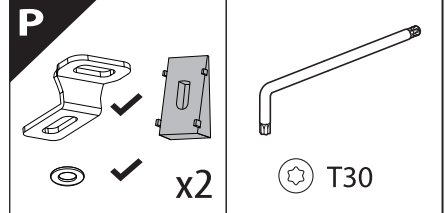
29

- 2012-2017 ✓
- 2018+ ✓



30

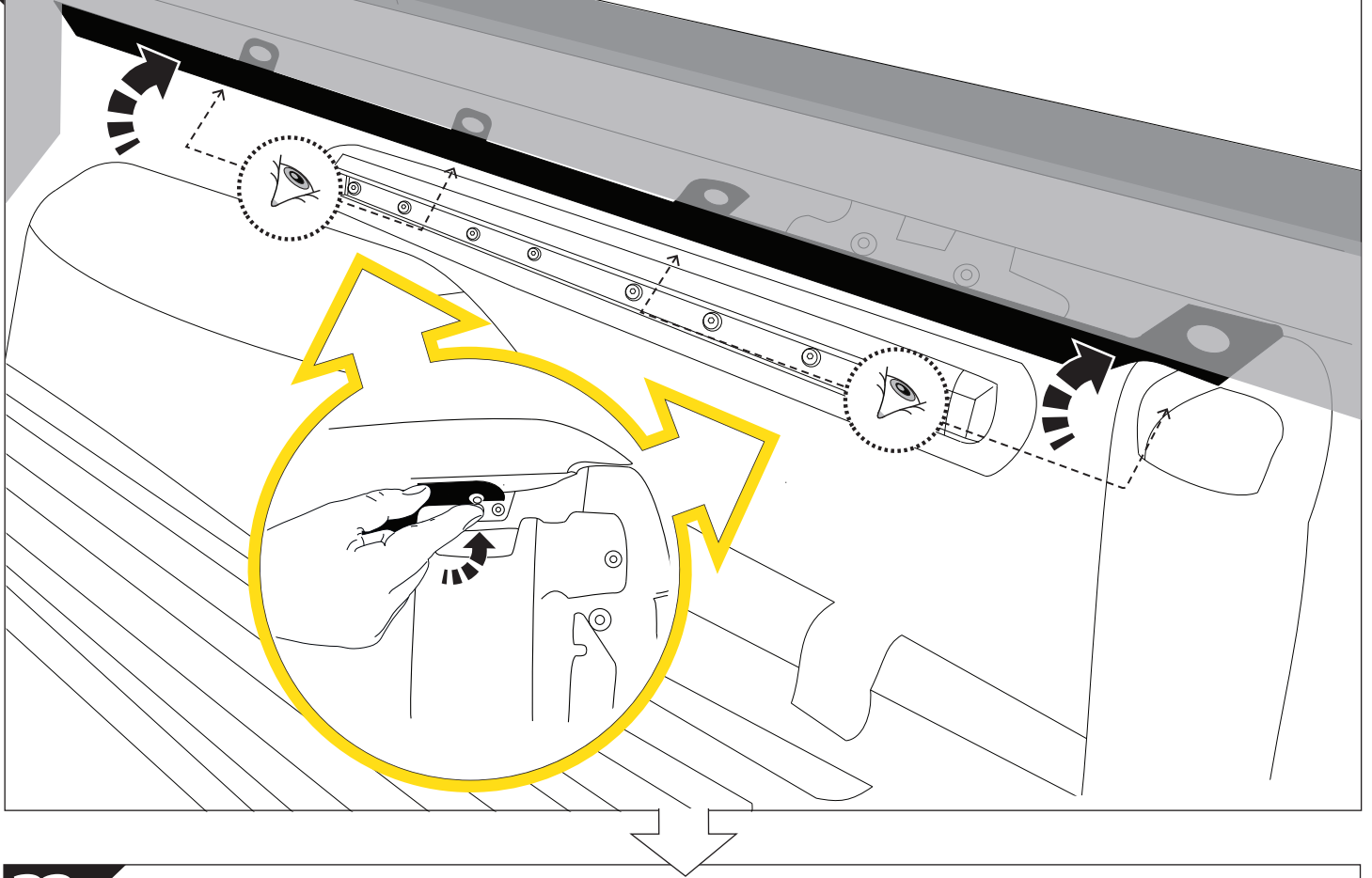
- 2012-2017 ✓
- 2018+ ✓



31

2012-2017 ✓

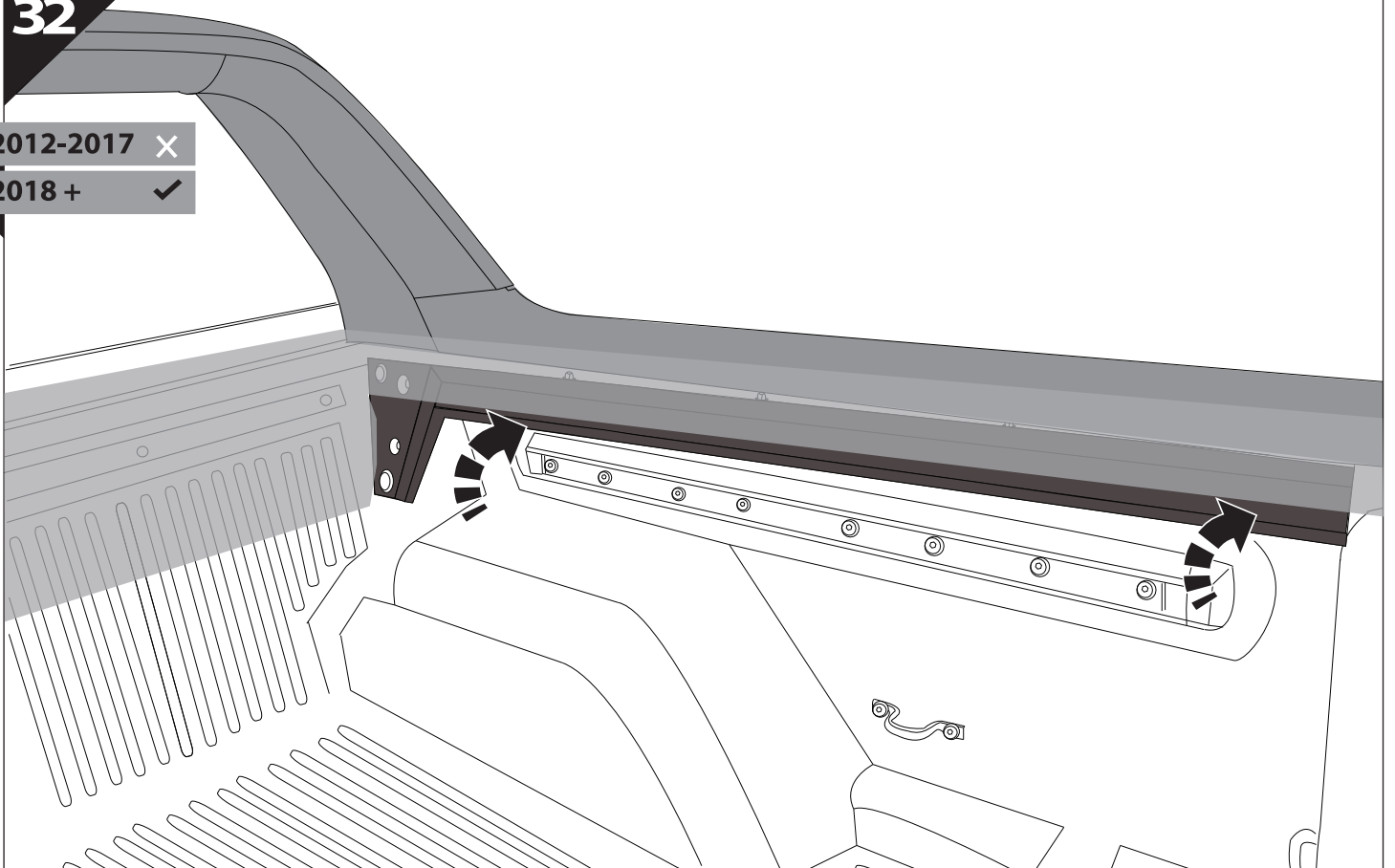
2018+ ✗

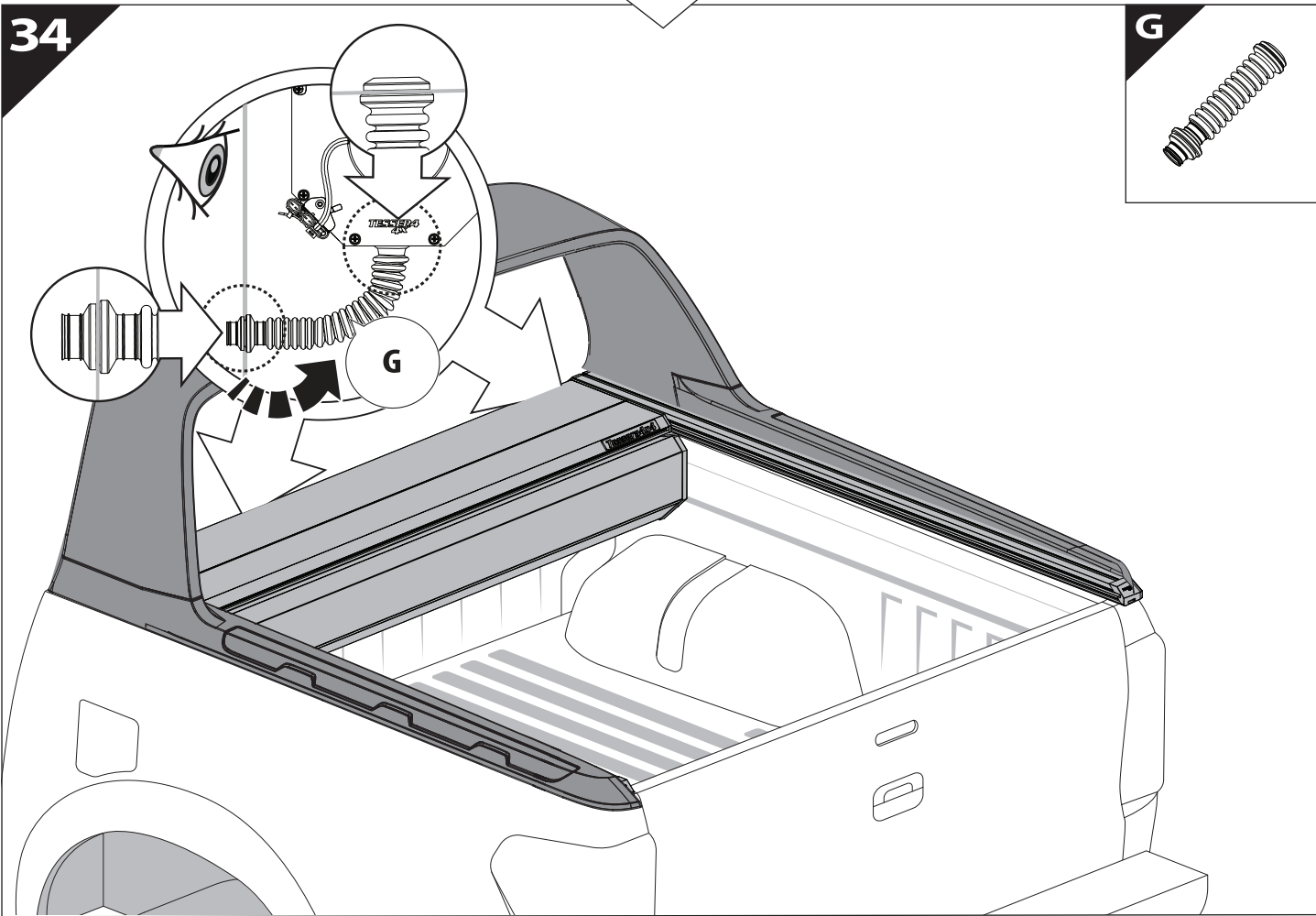
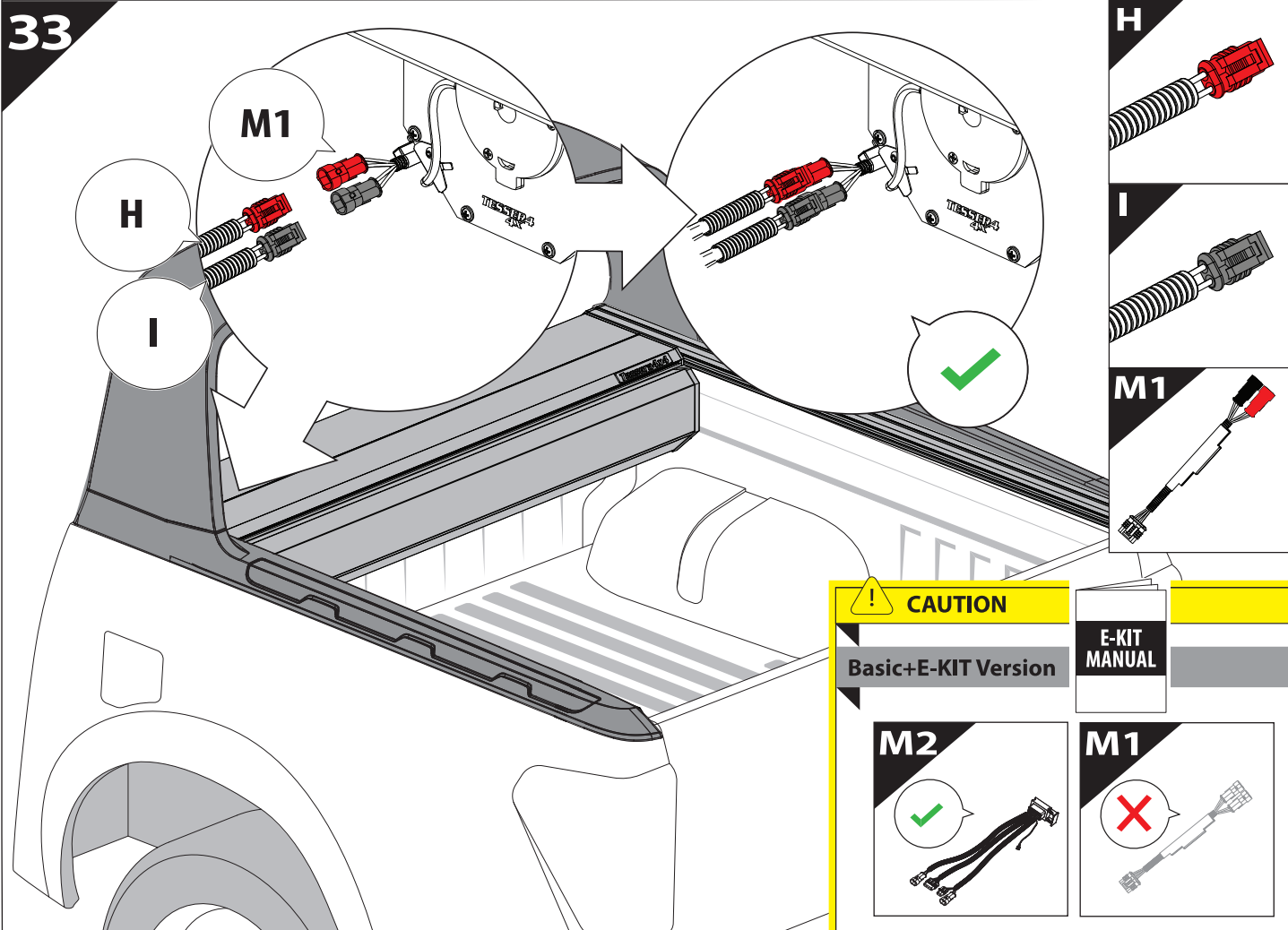


32

2012-2017 ✗

2018+ ✓



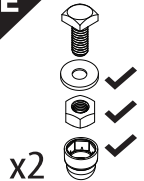


# 35

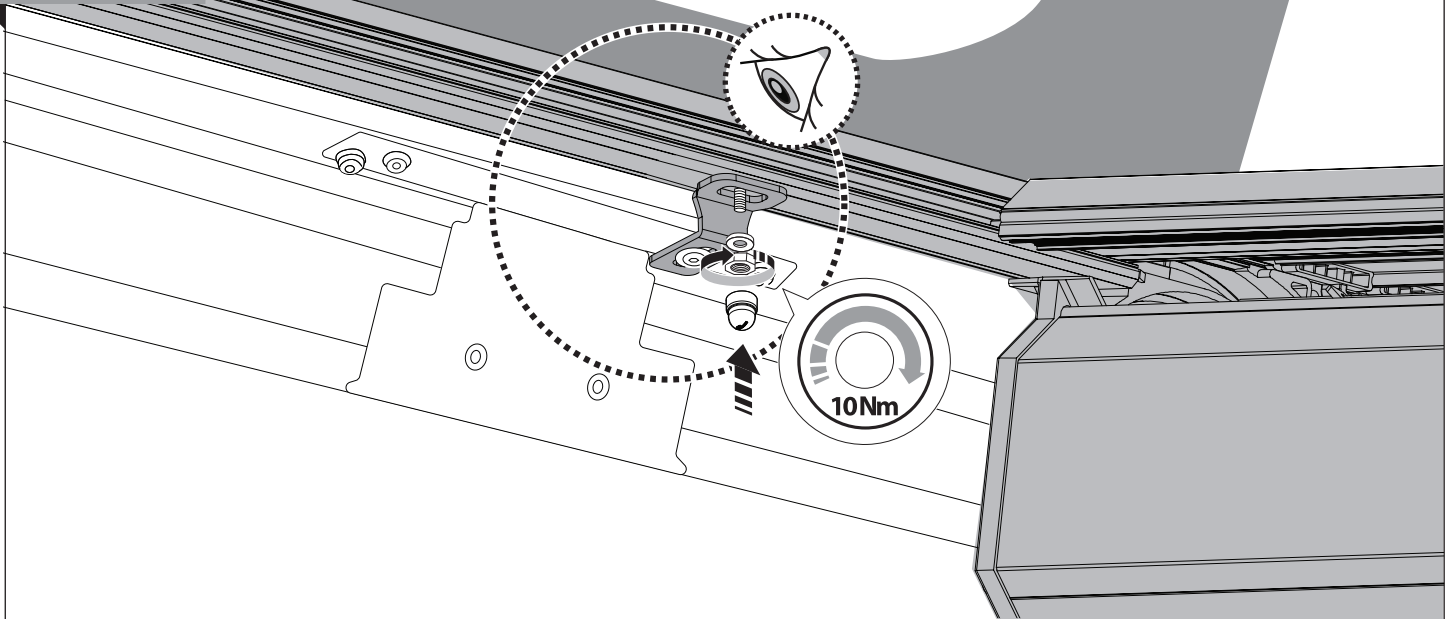
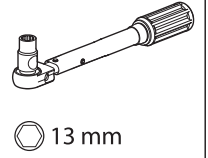
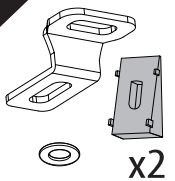
2012-2017 ✓

2018+ ✓

E



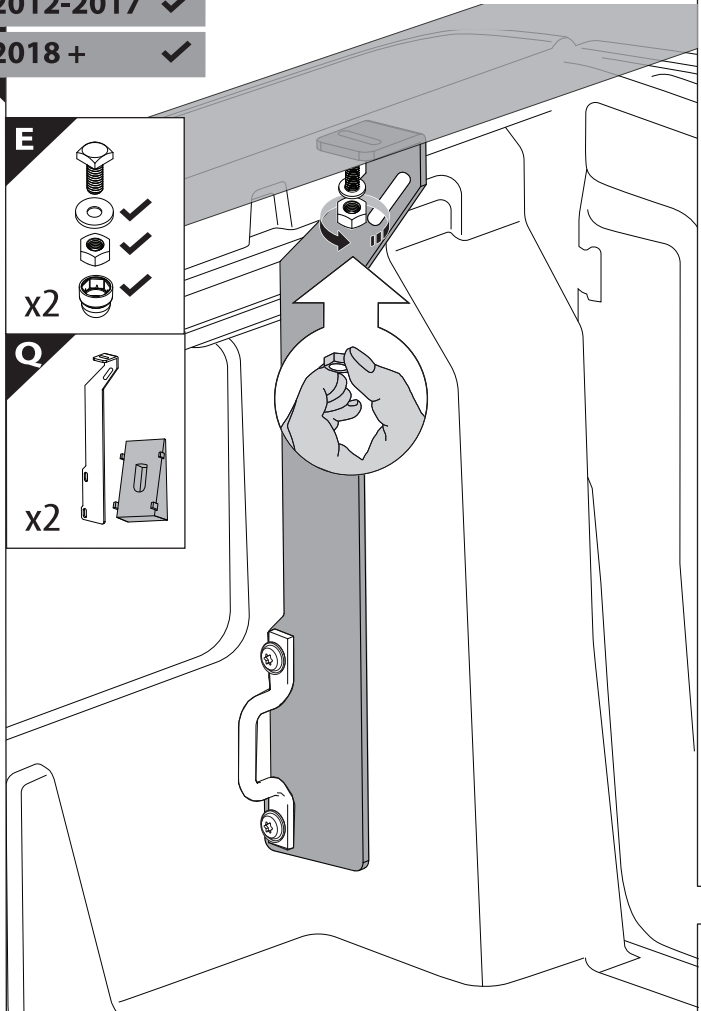
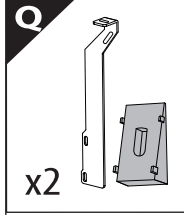
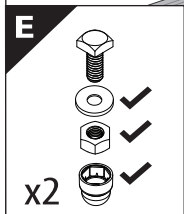
P



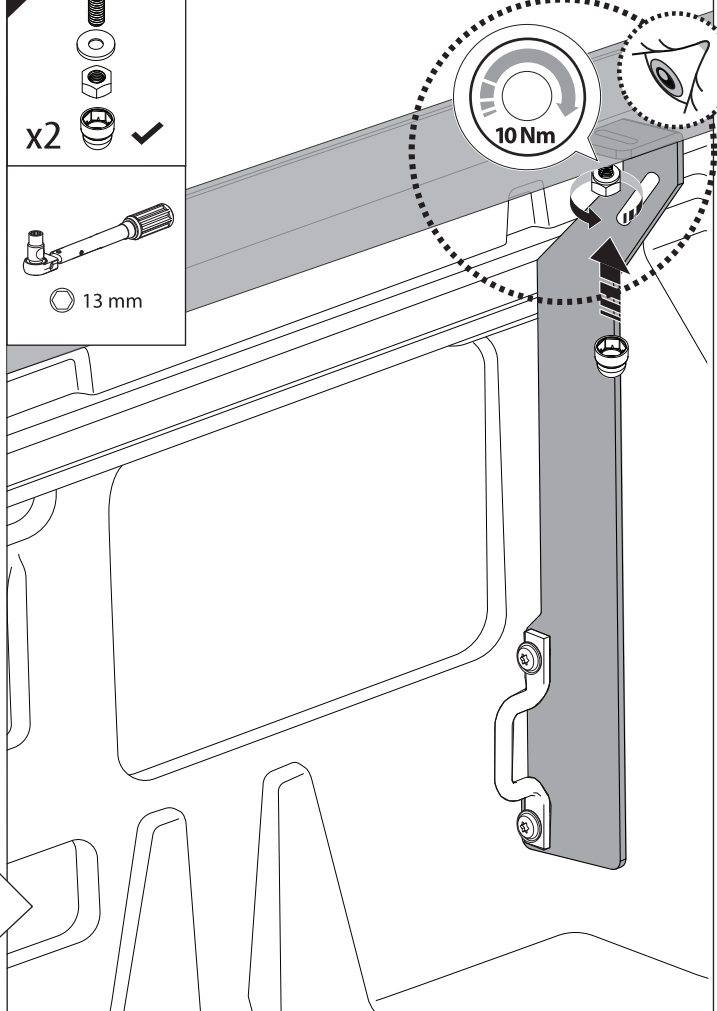
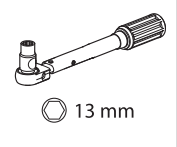
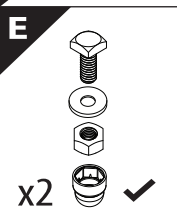
# 36

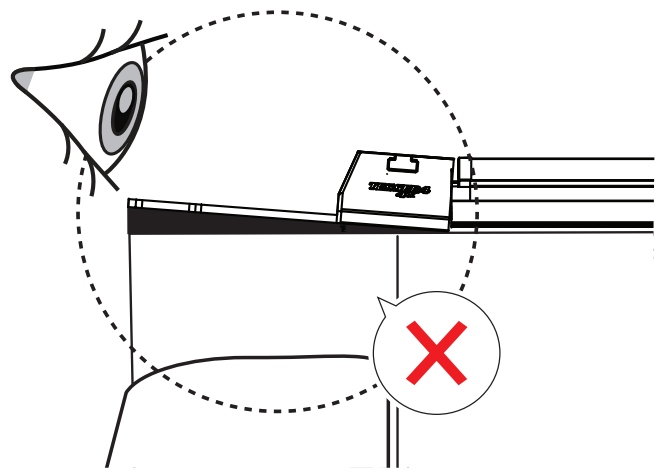
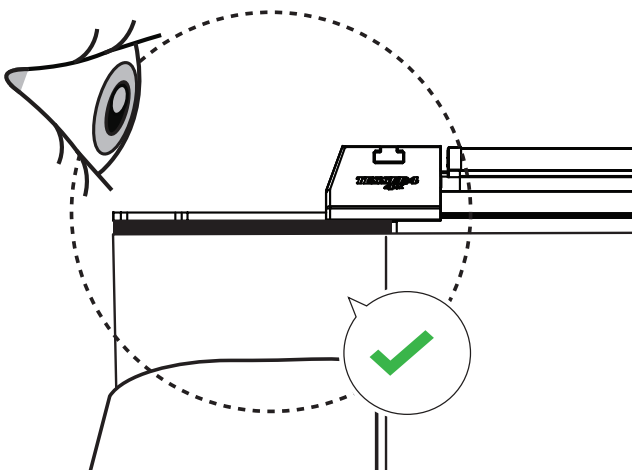
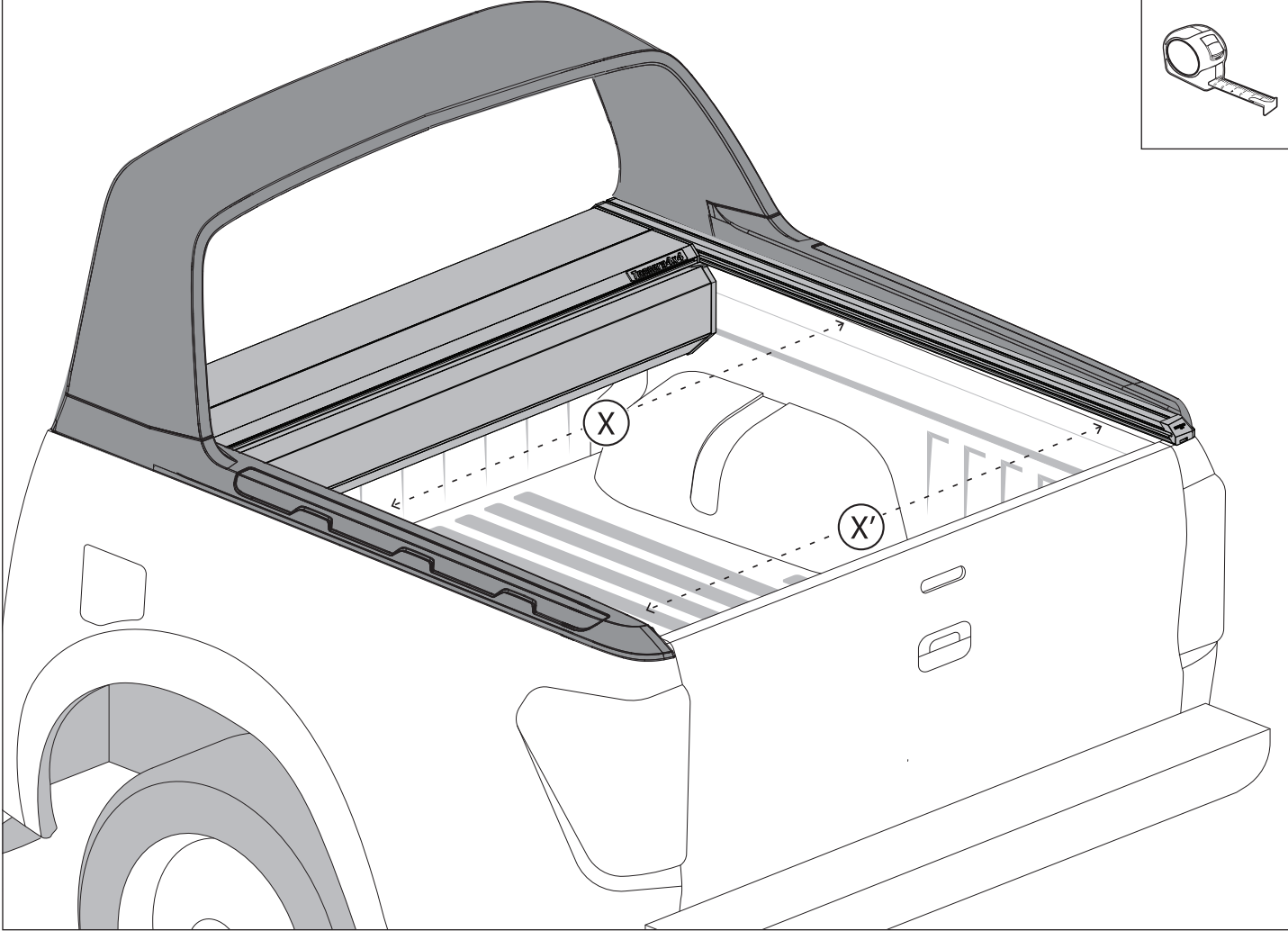
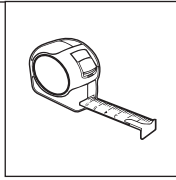
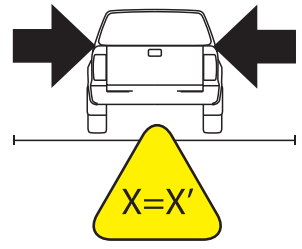
2012-2017 ✓

2018+ ✓



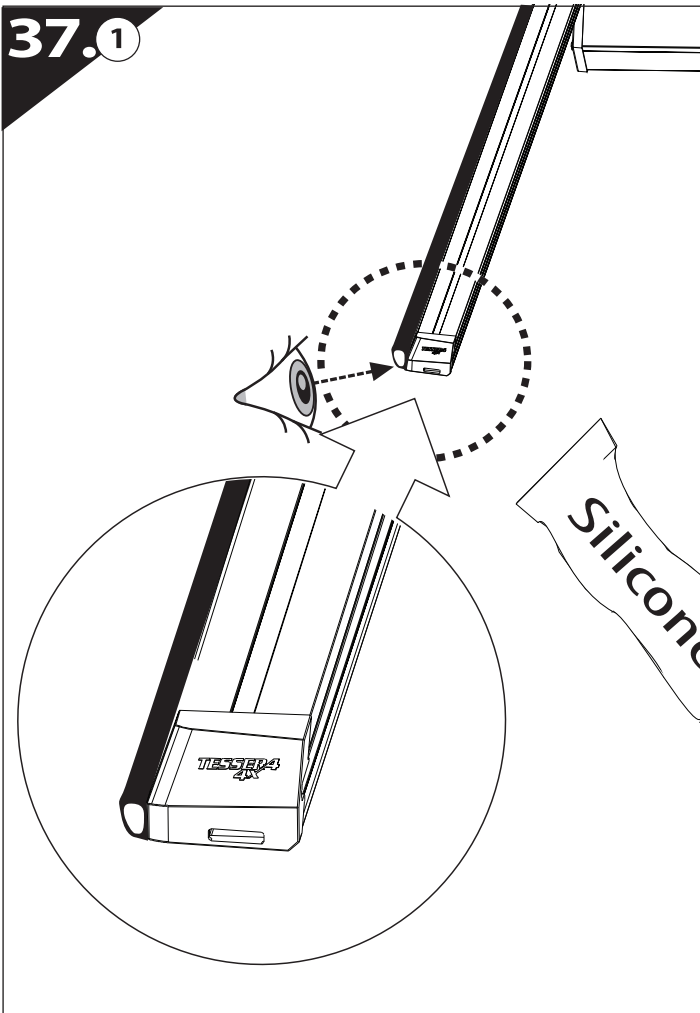
# 36.1



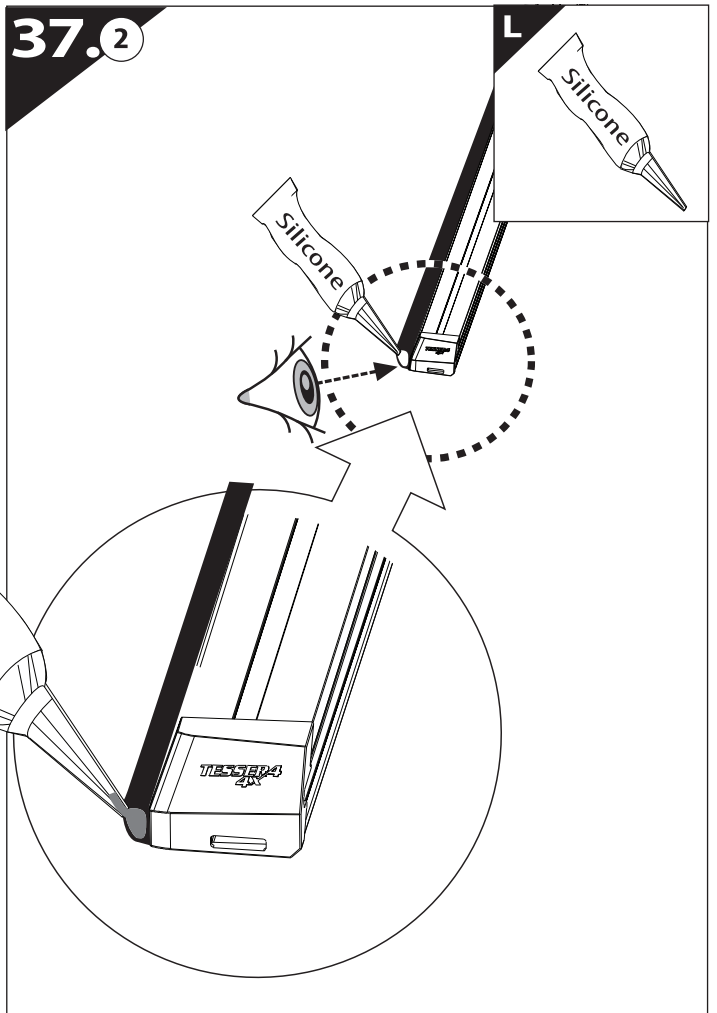


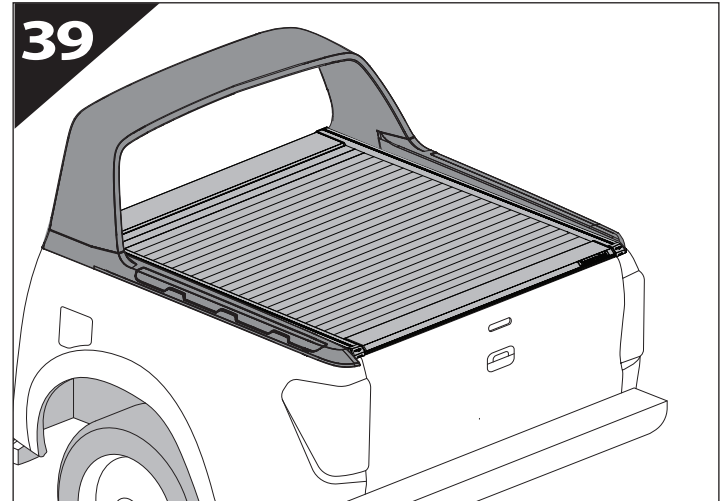
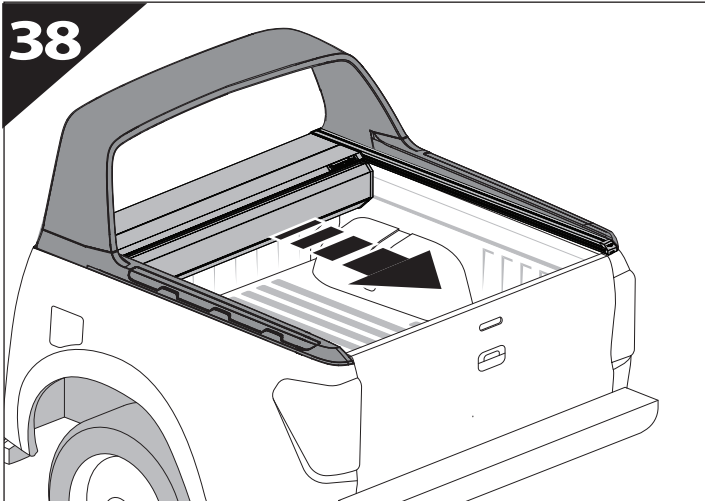


37.1



37.2





**GR:** Οδηγίες Εγκατάστασης  
**GB:** Installation manual  
**SF:** Asennusohje  
**F:** Notice de montage  
**PL:** Instrukcja montażu  
**NL:** Installatie-instructies  
**TR:** Montaj Talimatı  
**S:** Monteringsanvisning  
**E:** Instrucciones de montaje

**H:** Szerelési utasítás  
**P:** Instruções de instalação  
**RUS:** Инструкция по установке  
**N:** Monteringsveiledning  
**D:** Einbauanleitung  
**CZ:** Návod k instalaci  
**I:** Istruzioni de montaggio  
**DK:** Monteringsvejledning  
**RO:** Instructiuni de instalare

Customer Service:

+30 (210) 5541161, +30 (210) 5541154 (08:00 - 16:00 EET)

Support department:

info@gianso.gr

Website:

www.tessera4x4.com

Address:

19.5 km of National road Athens-Korinthos (Elefsina) Greece, P.C: 19200