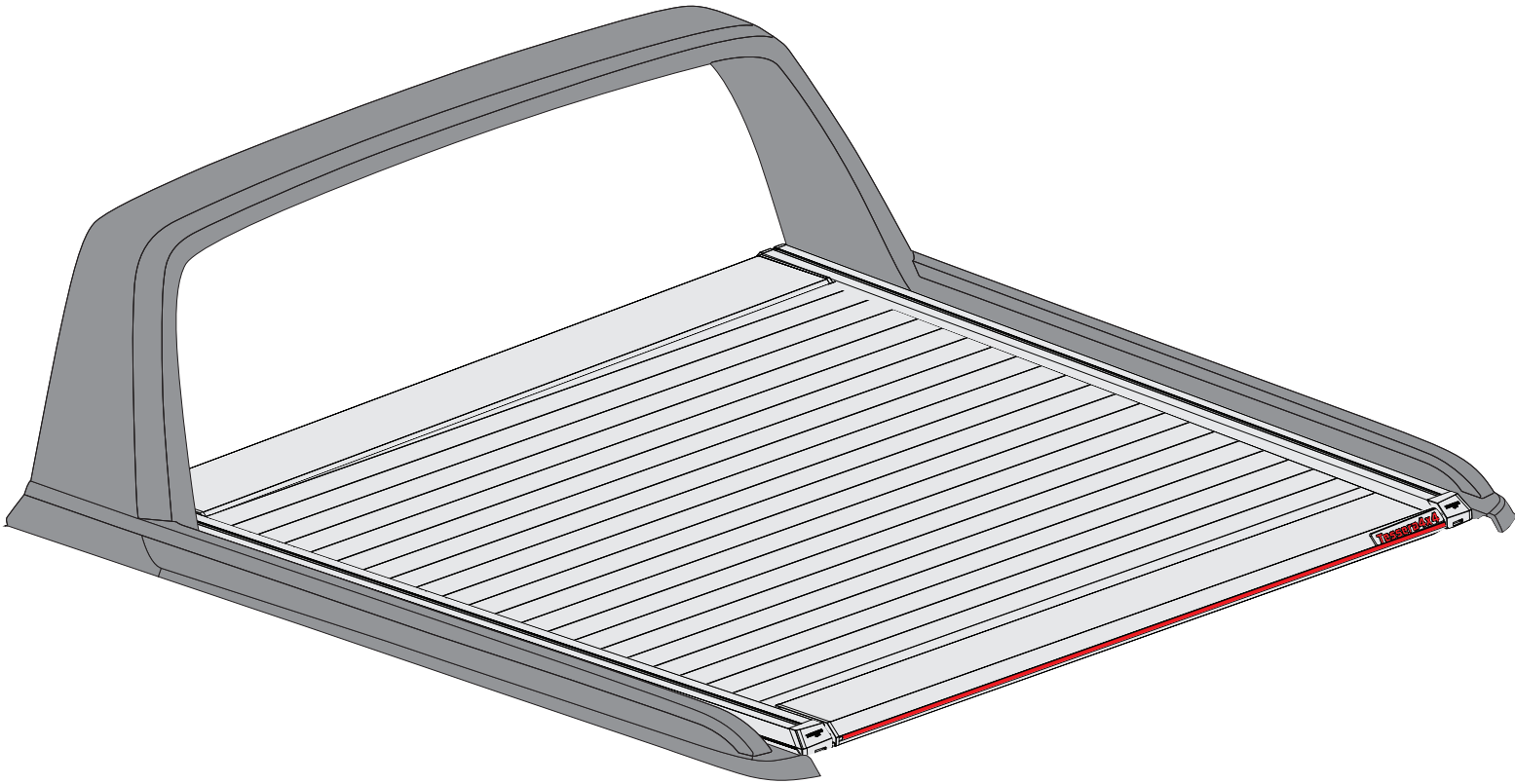


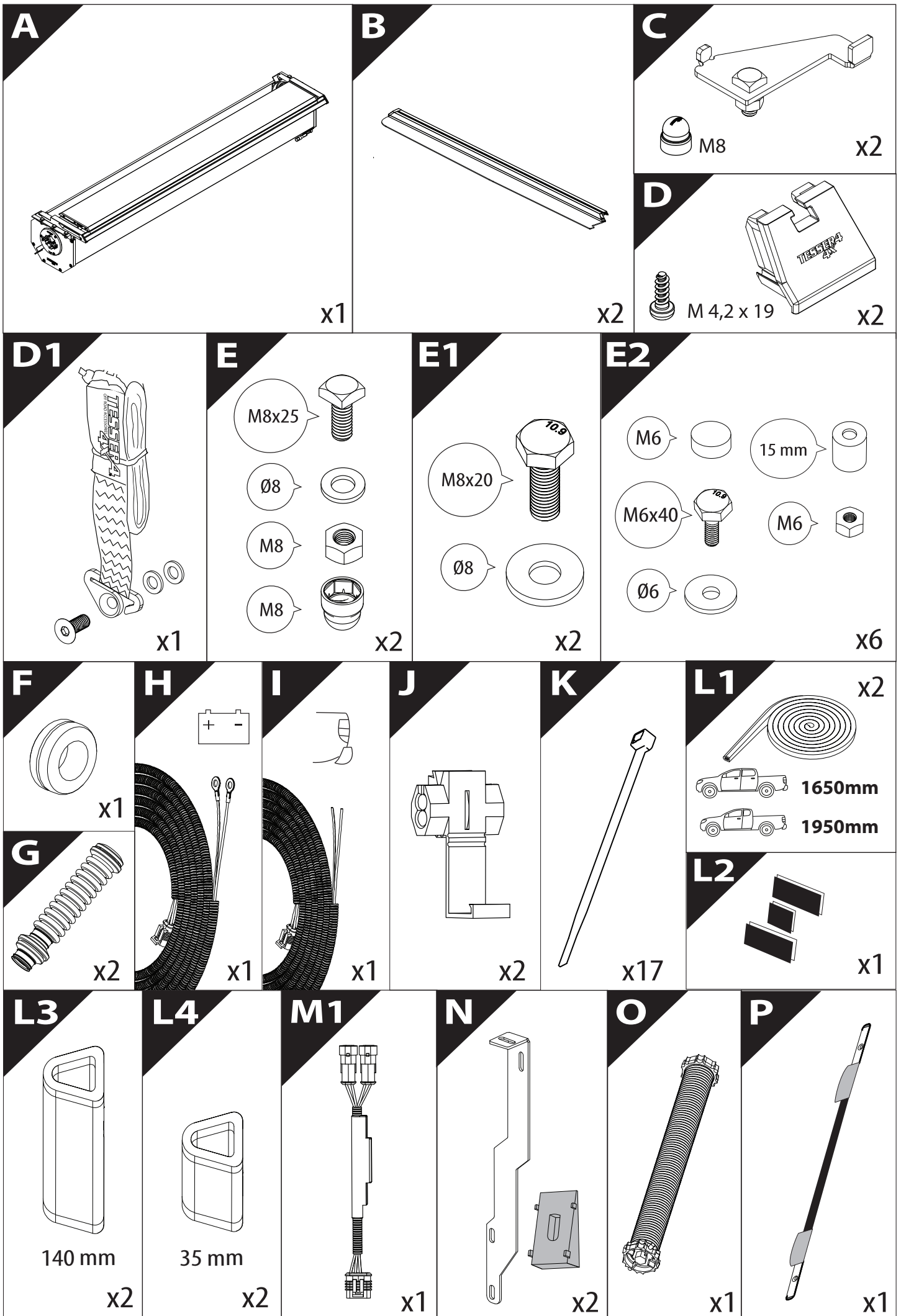
Tessera Roll+

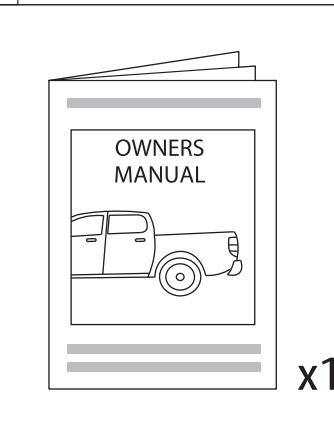
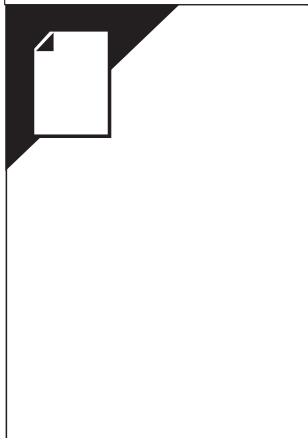
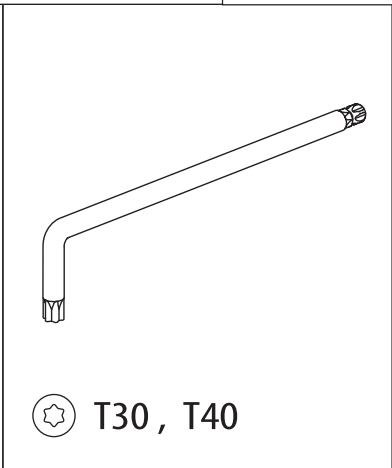
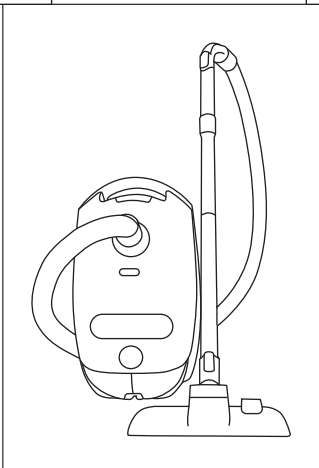
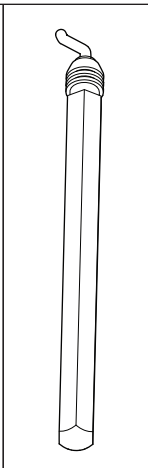
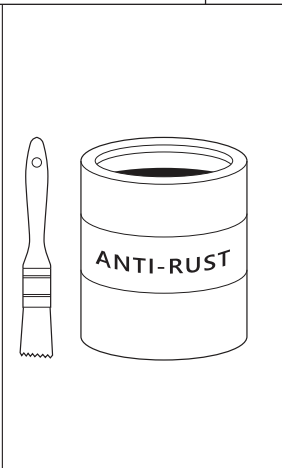
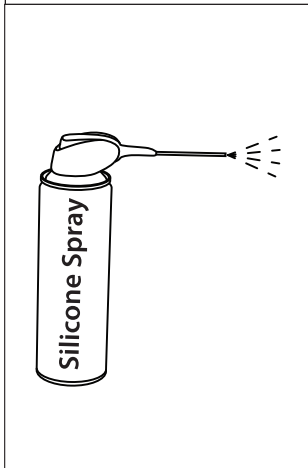
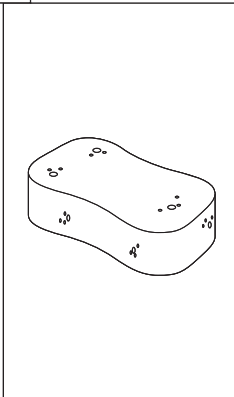
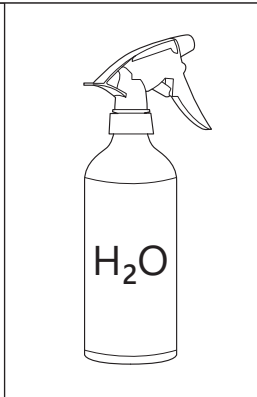
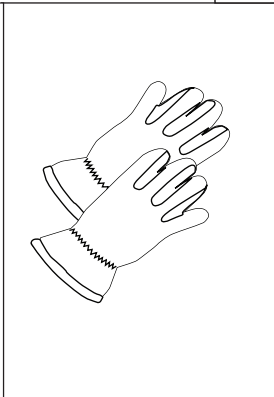
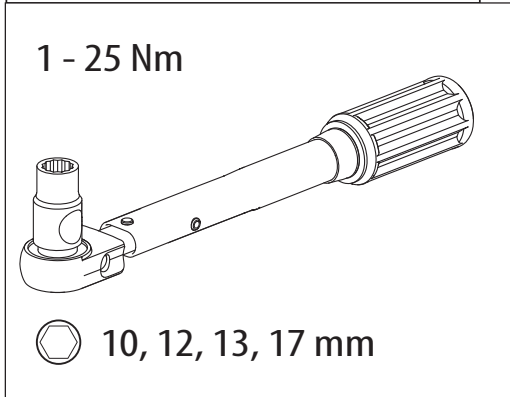
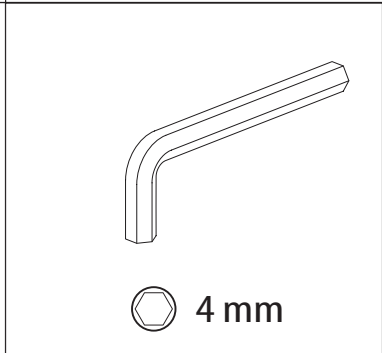
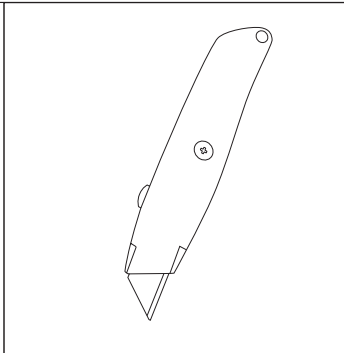
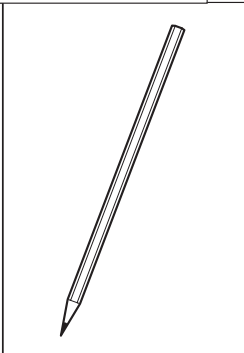
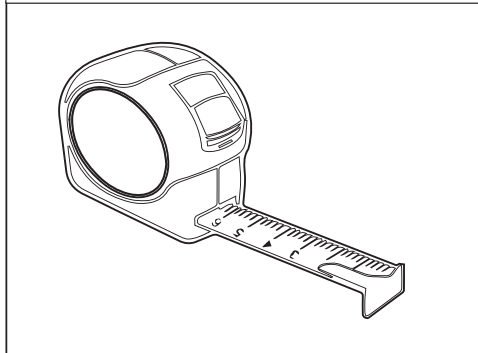
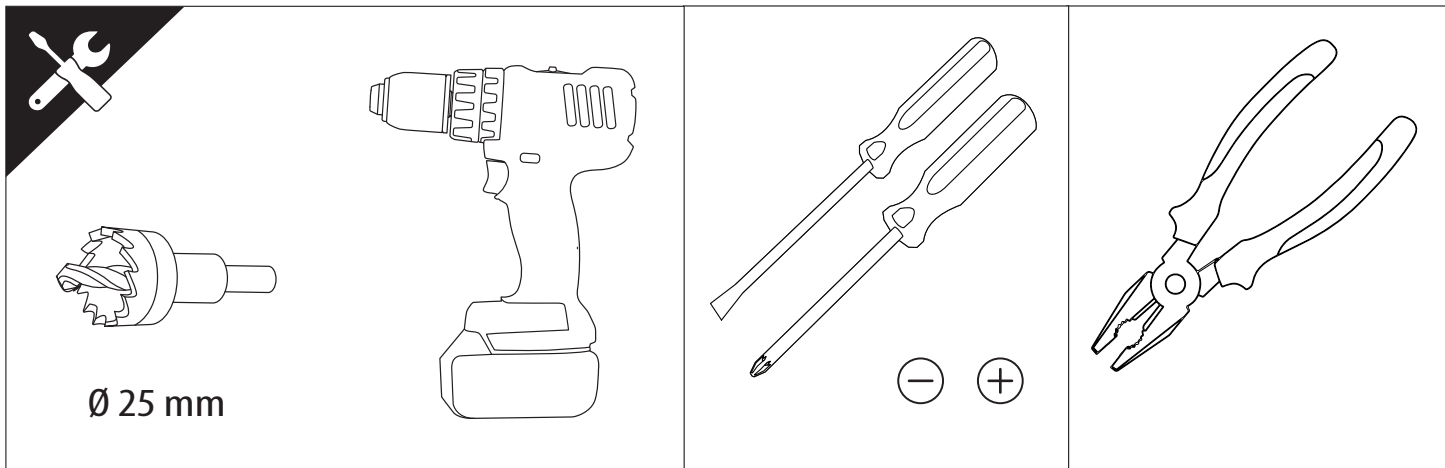
Basic Version + ⚙️ S-KIT



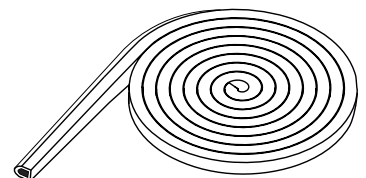
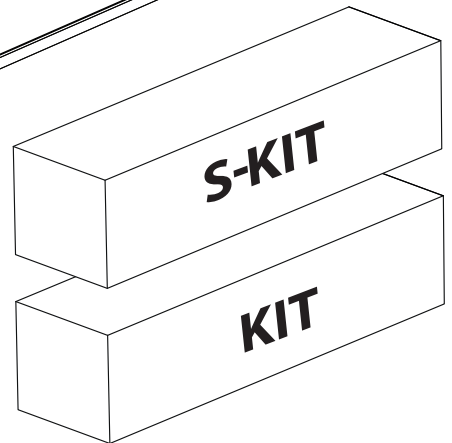
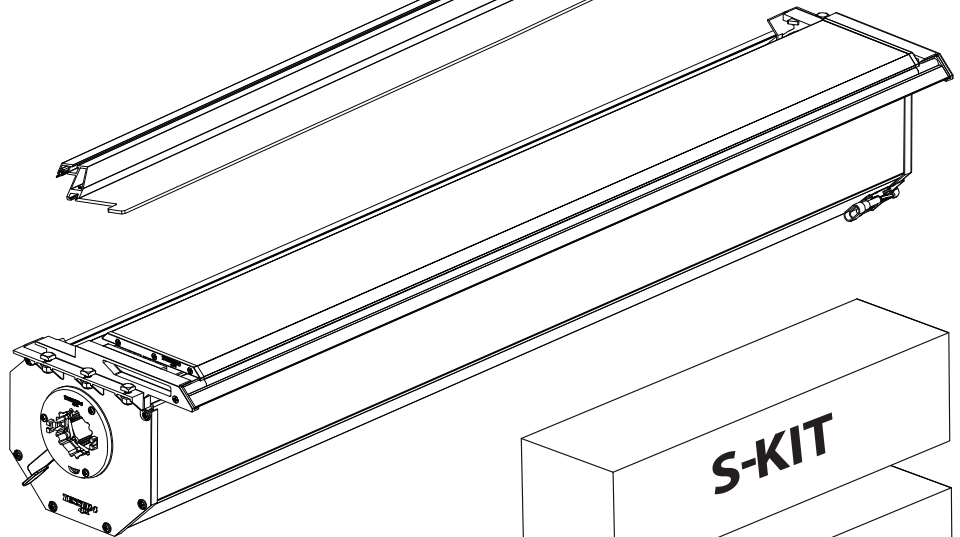
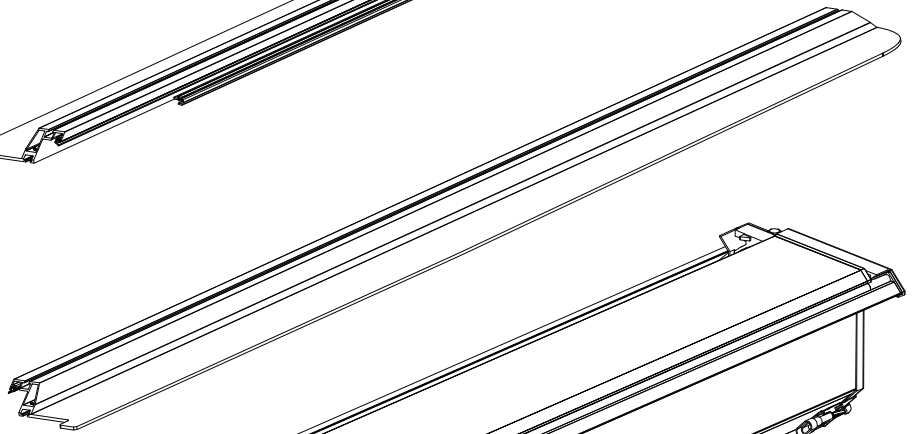
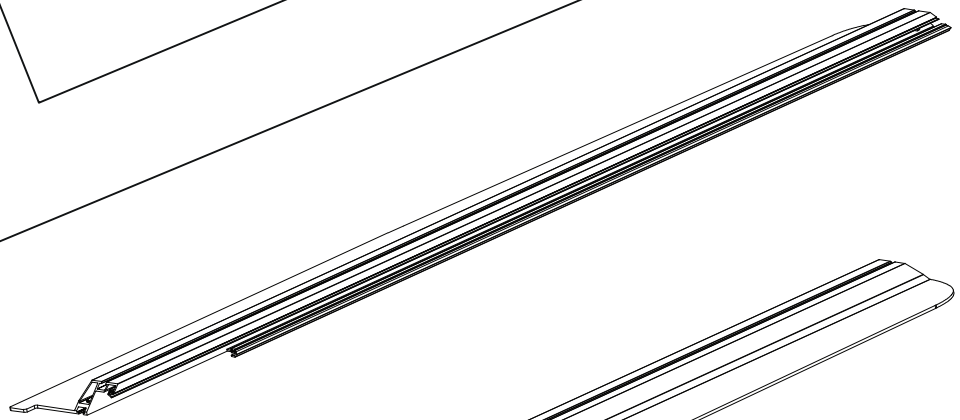
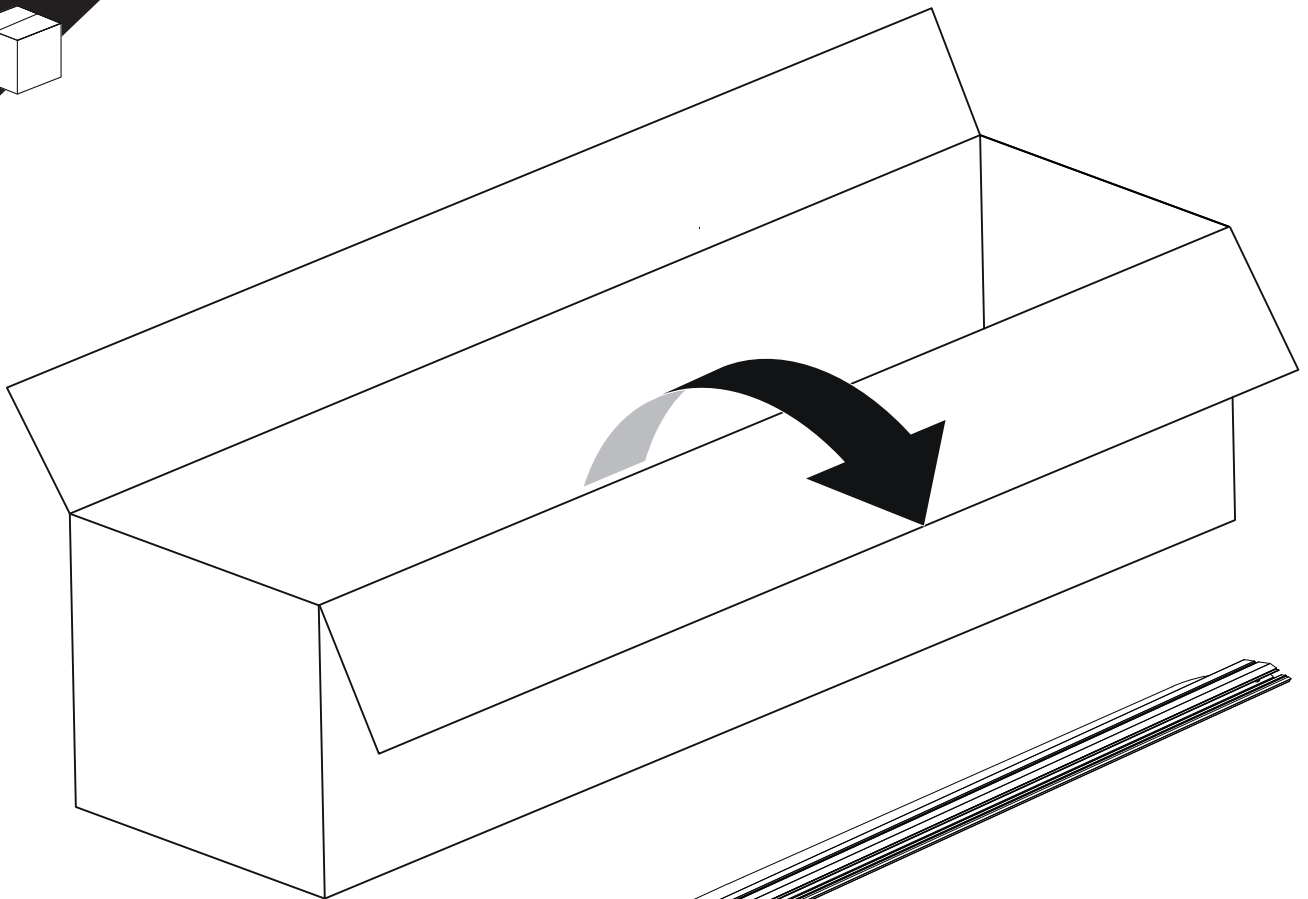
Installation Manual

PART NUMBER(S)	Model Year
TESS 14080 ROLL+S-KIT	FORD RANGER WILDTRAK 2023+ OEM ROLL BAR
TESS 14090 ROLL+S-KIT	
Cab(s)	Installation Time / Weight
Double Cab & Space cab	40-60 minutes / 53-57 kg





x1

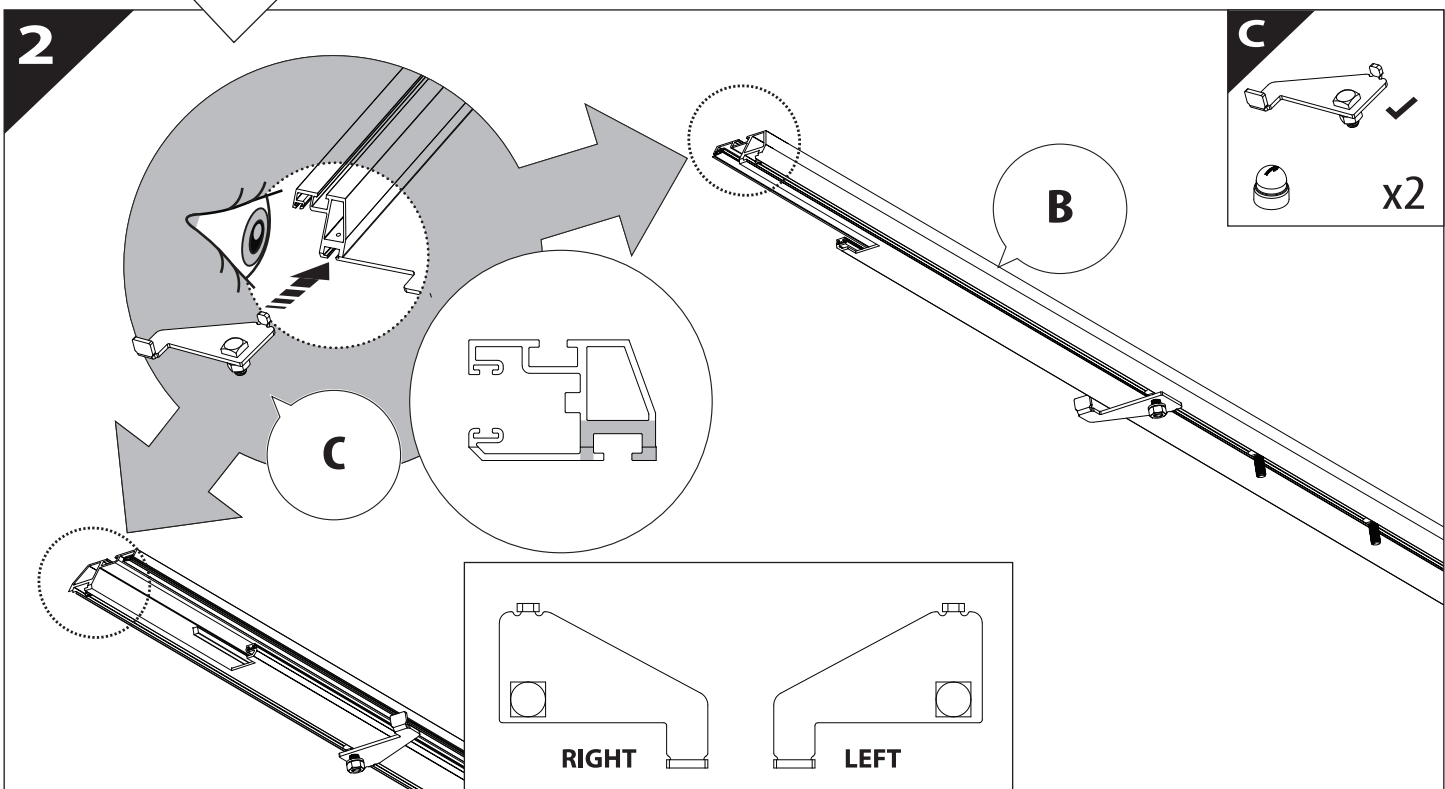
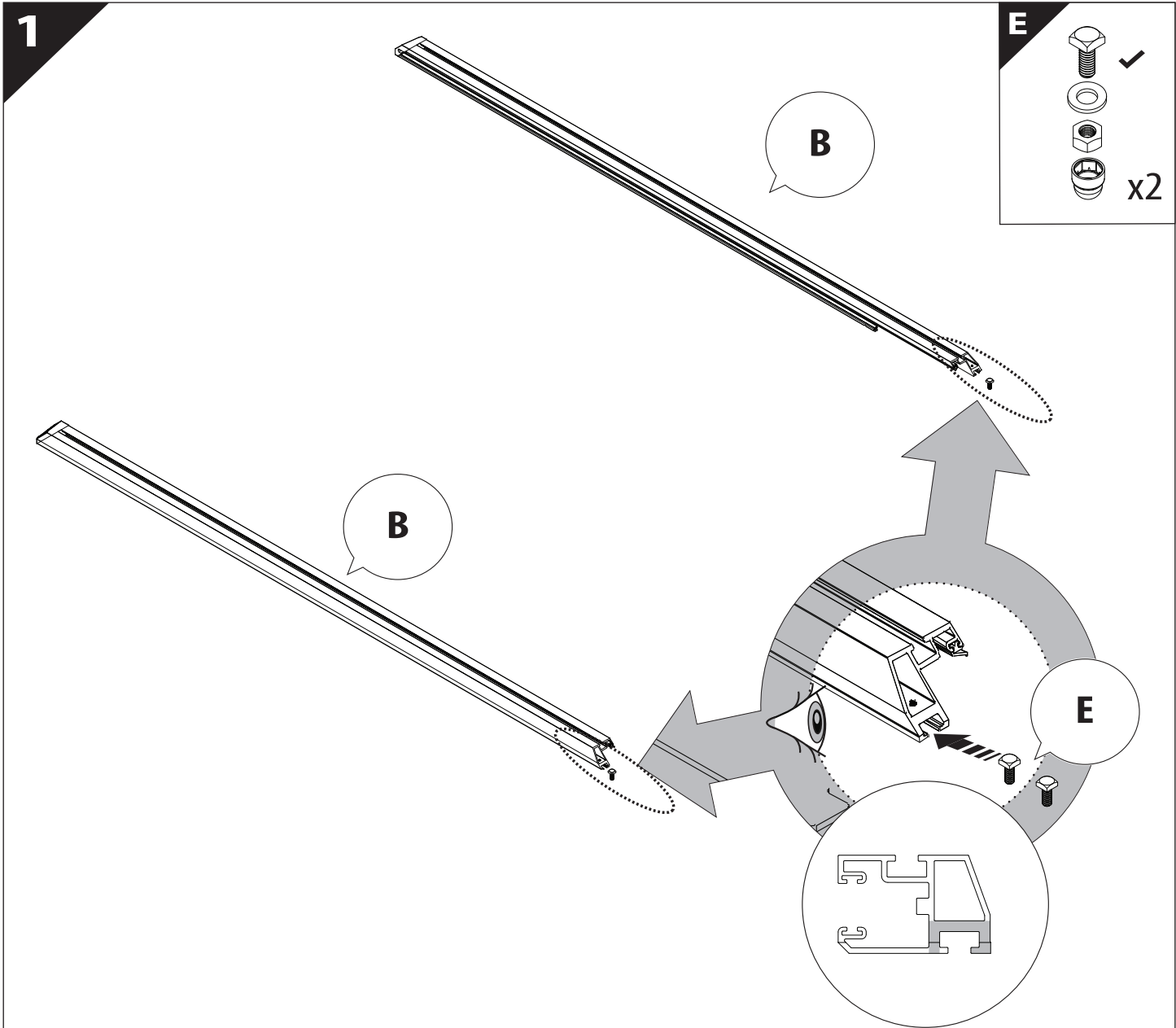


B

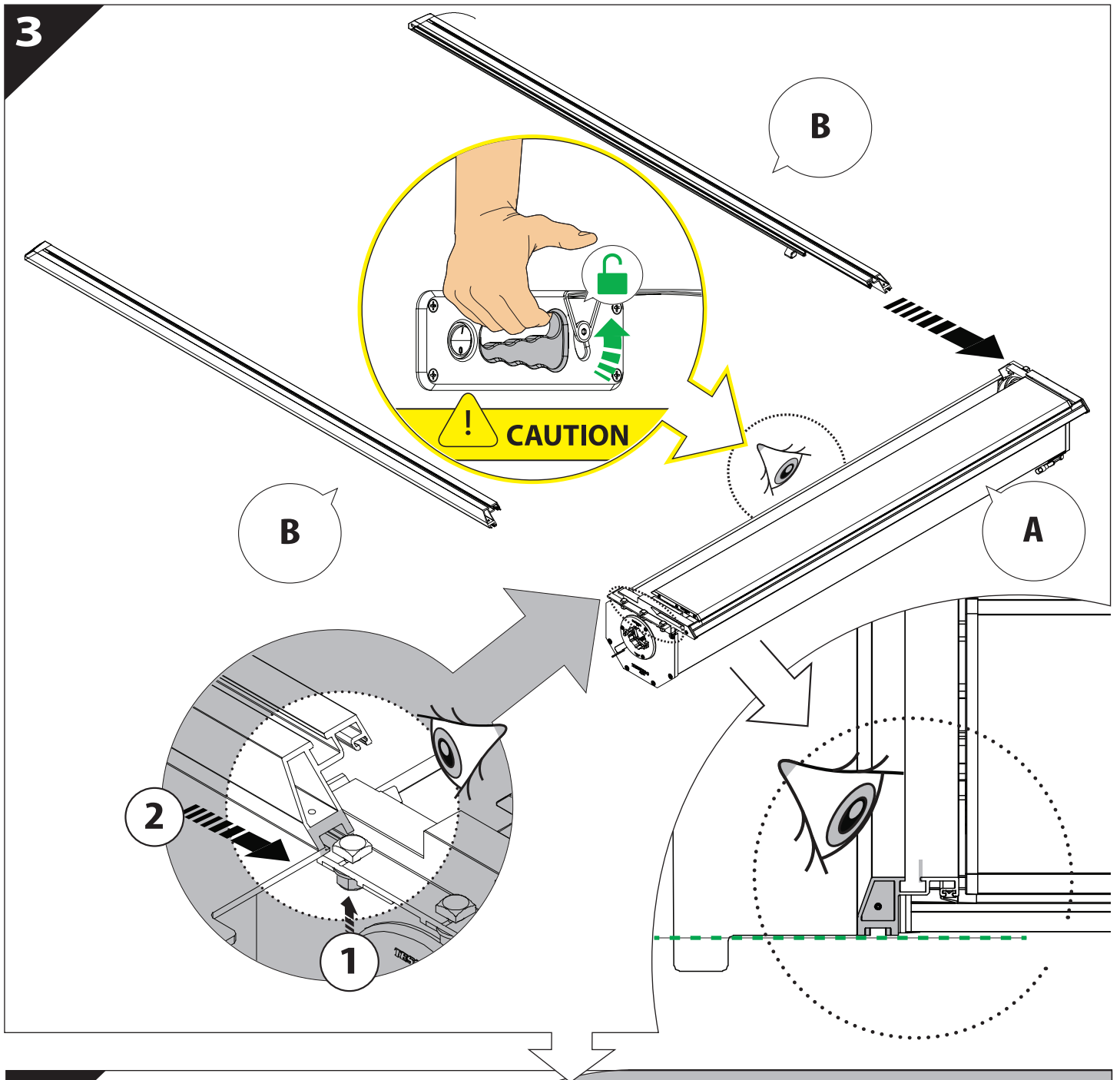
A

KITS

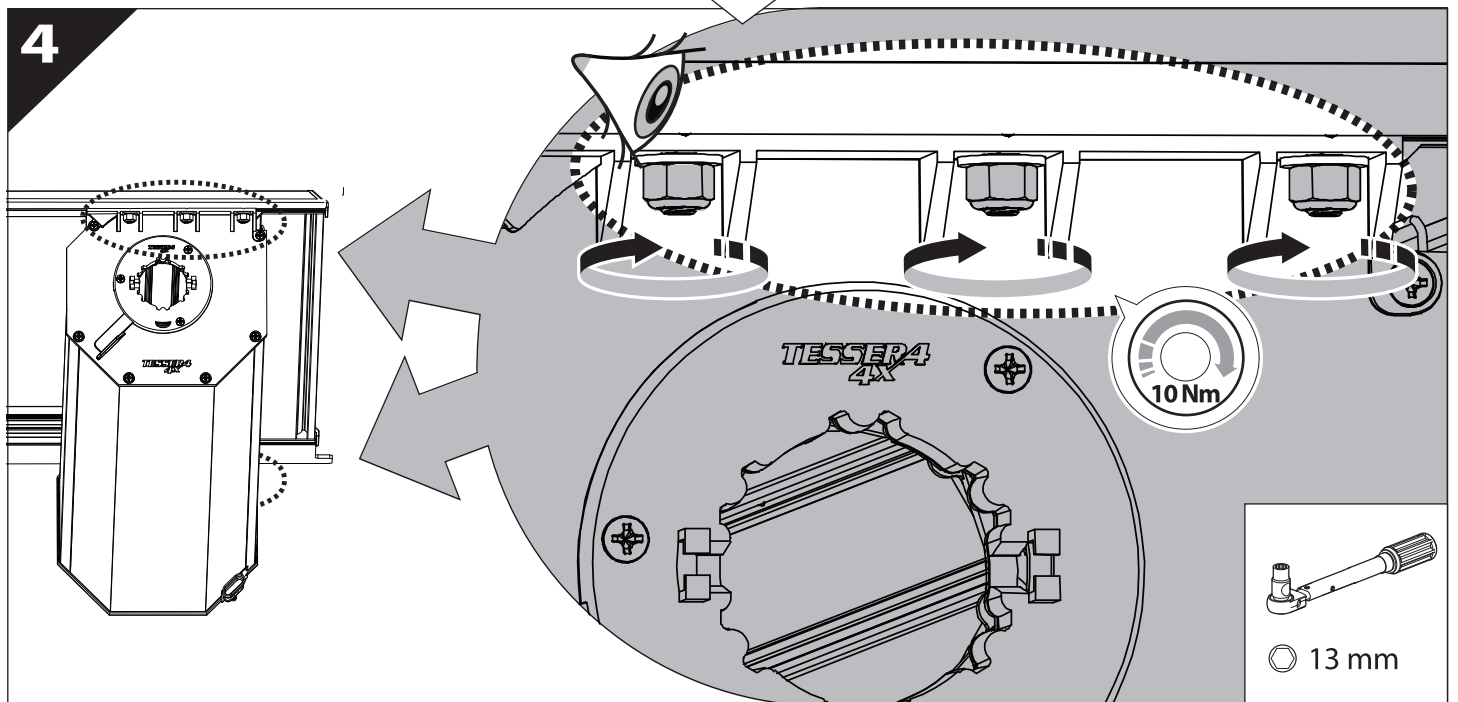
L

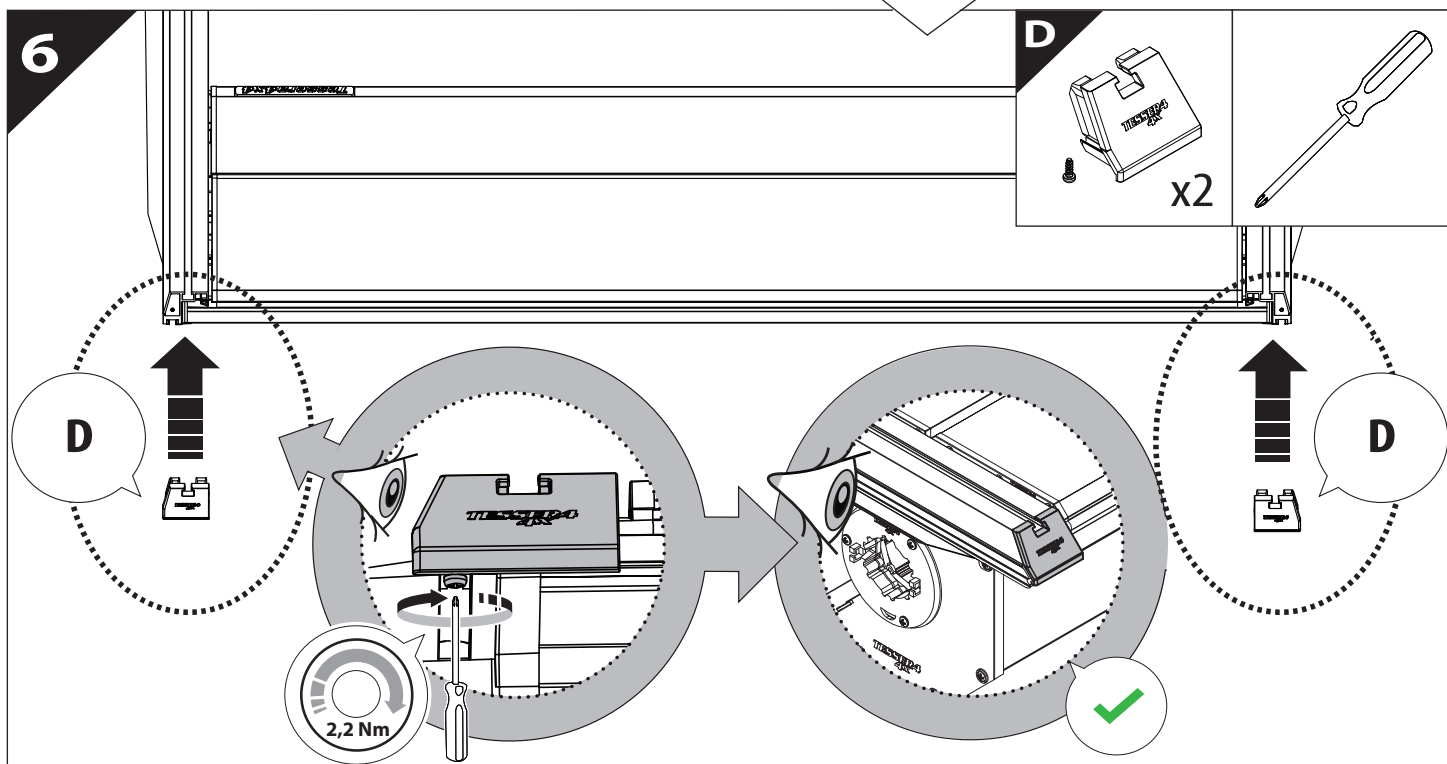
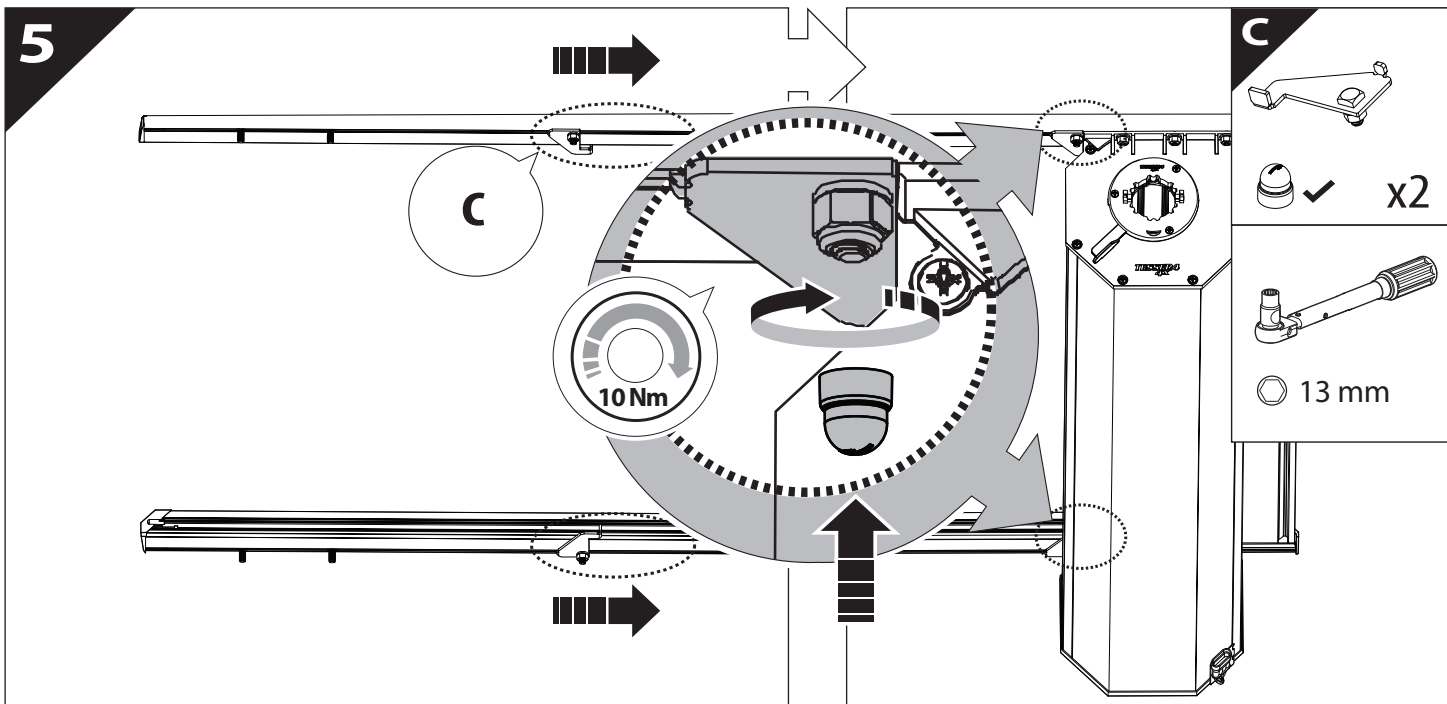


3



4



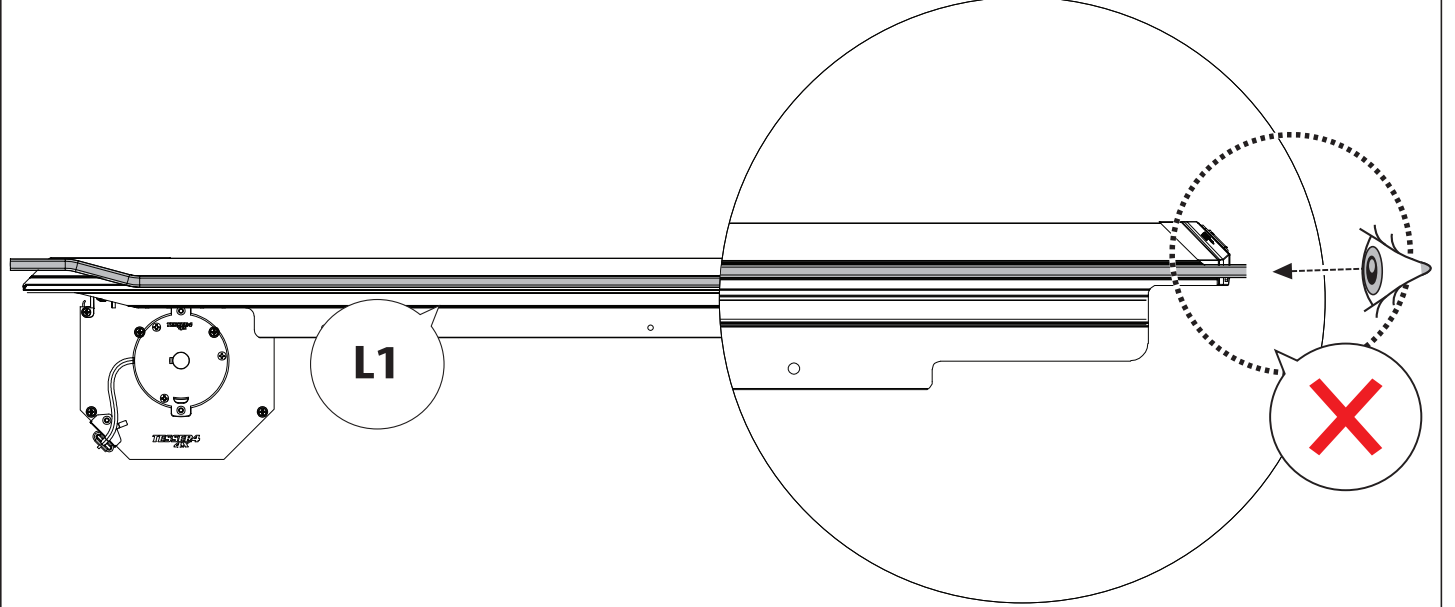
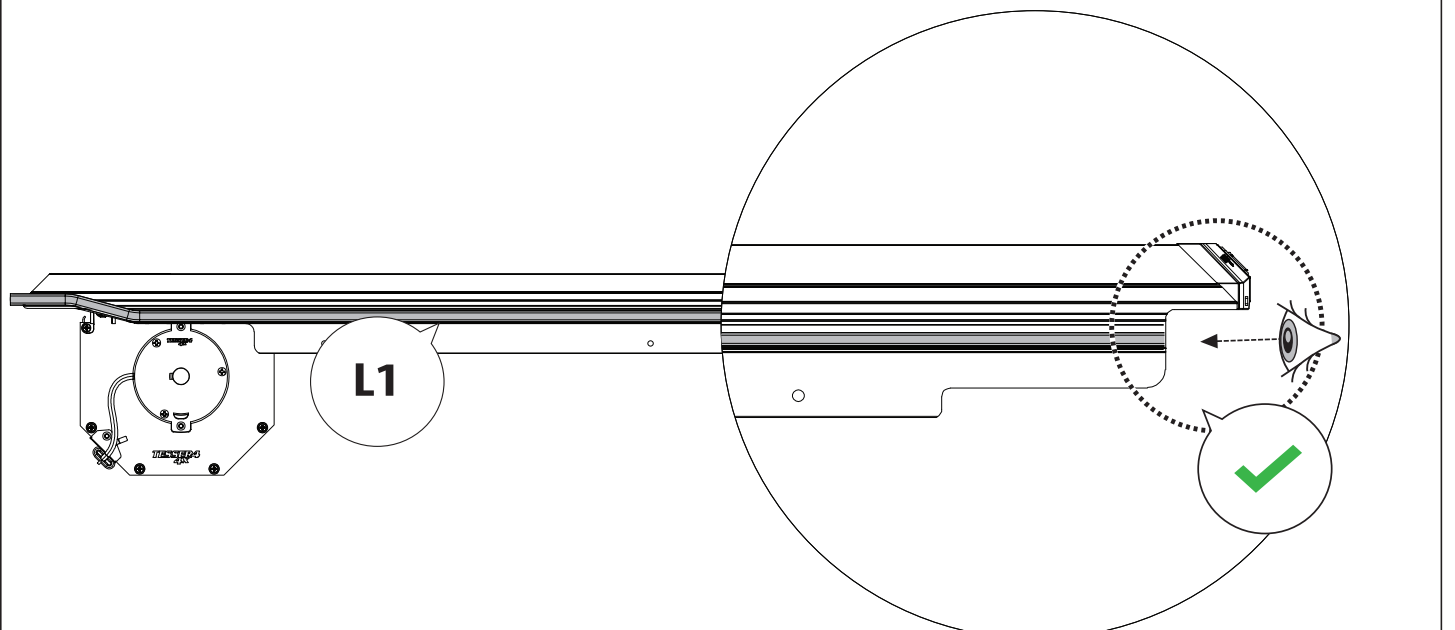
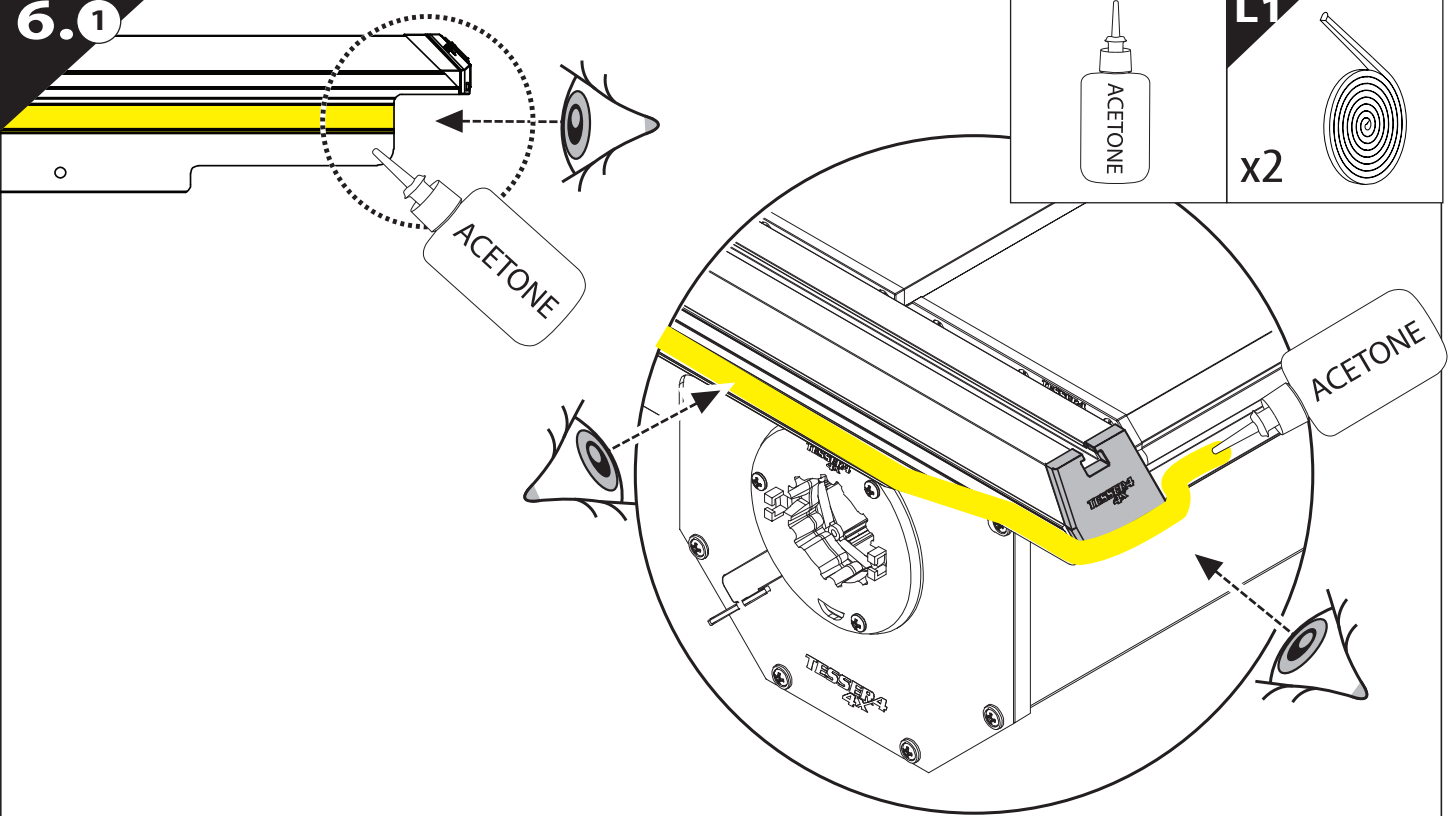


6.1

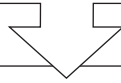
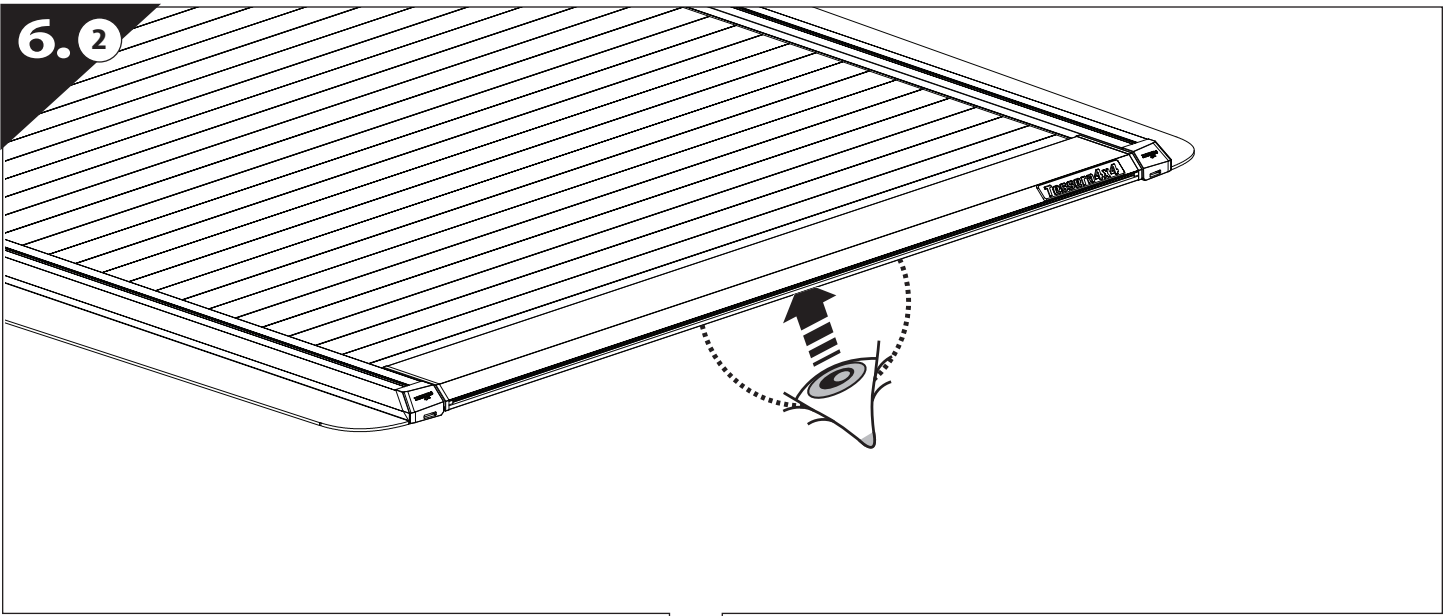
L1



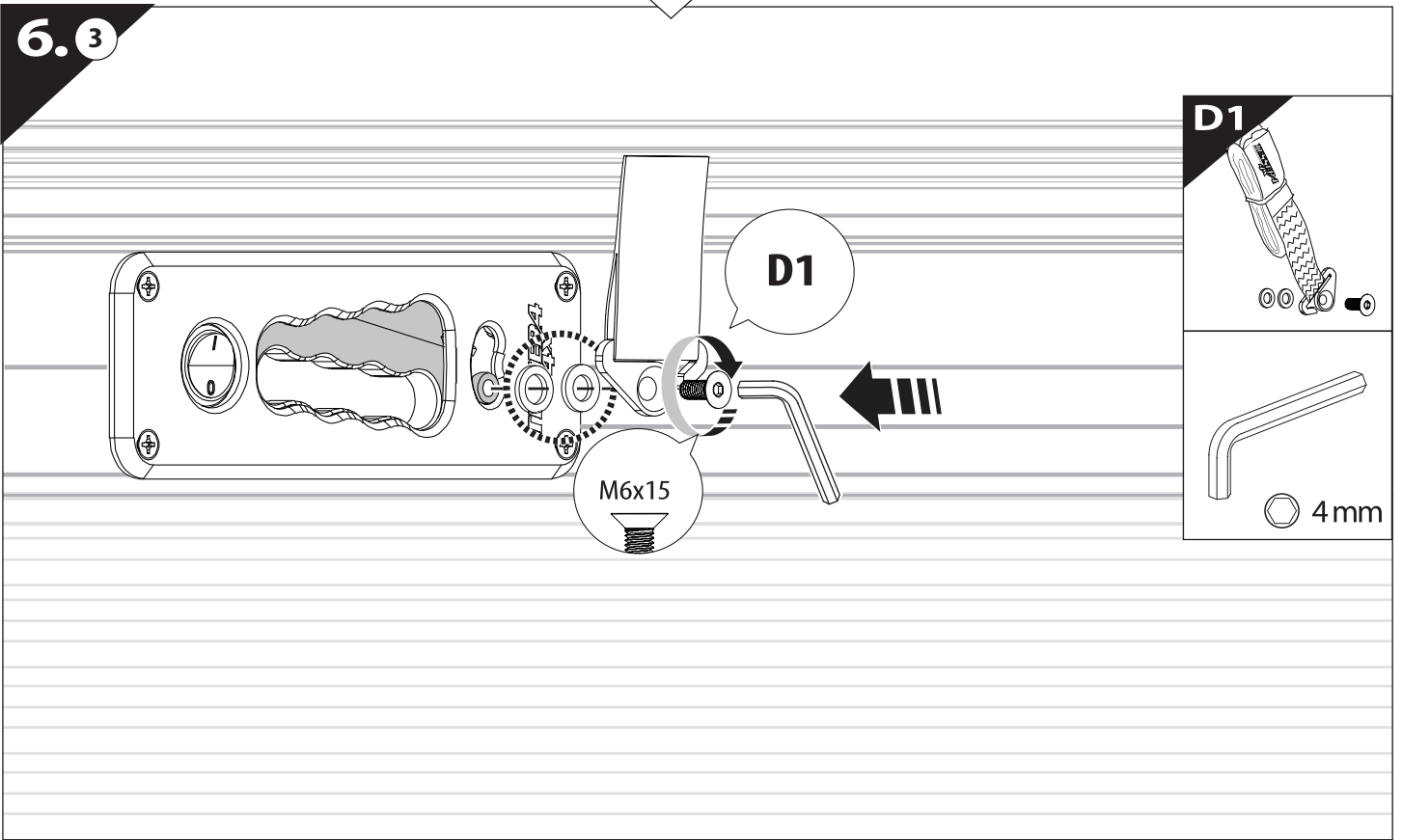
x2

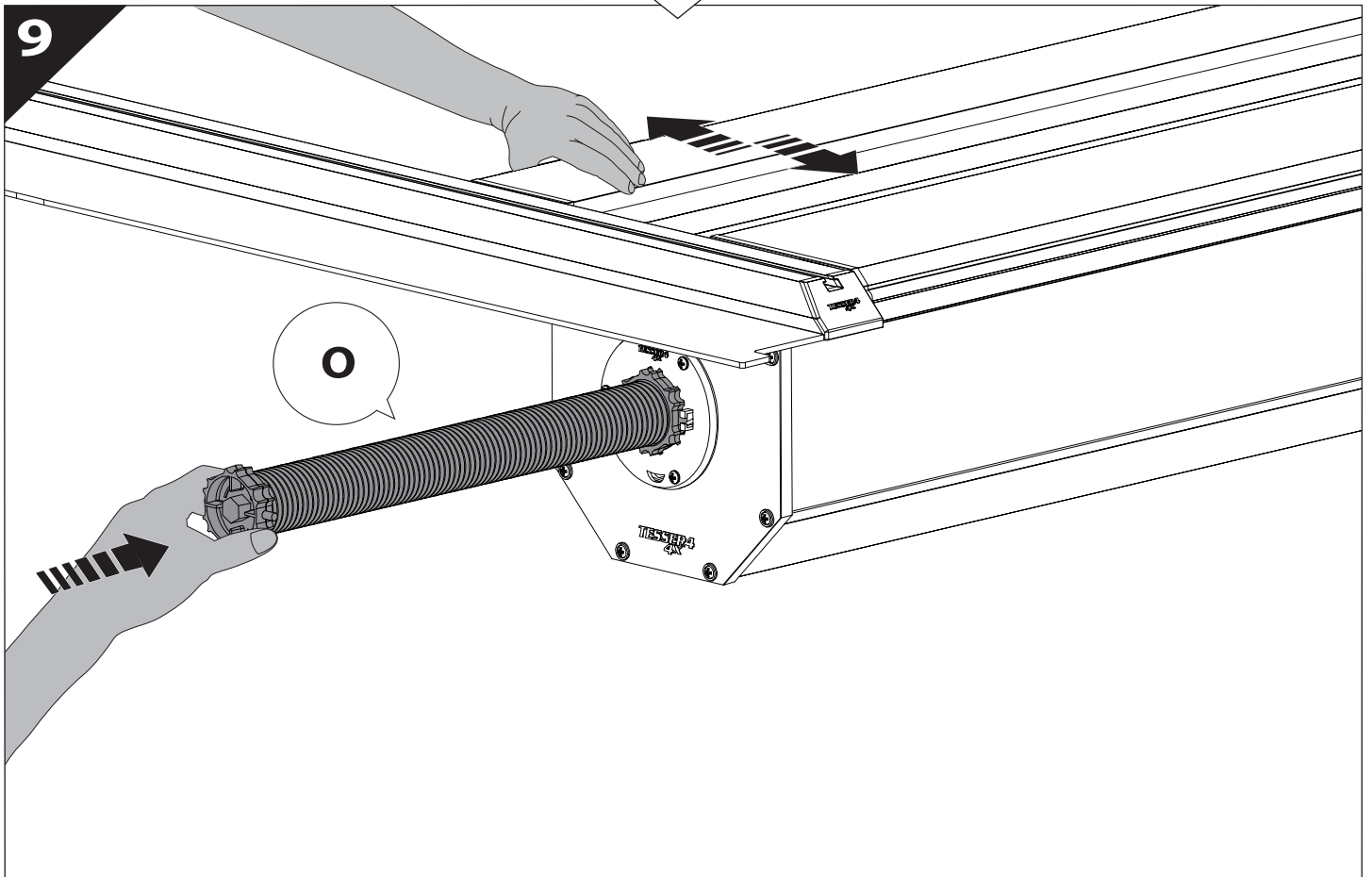
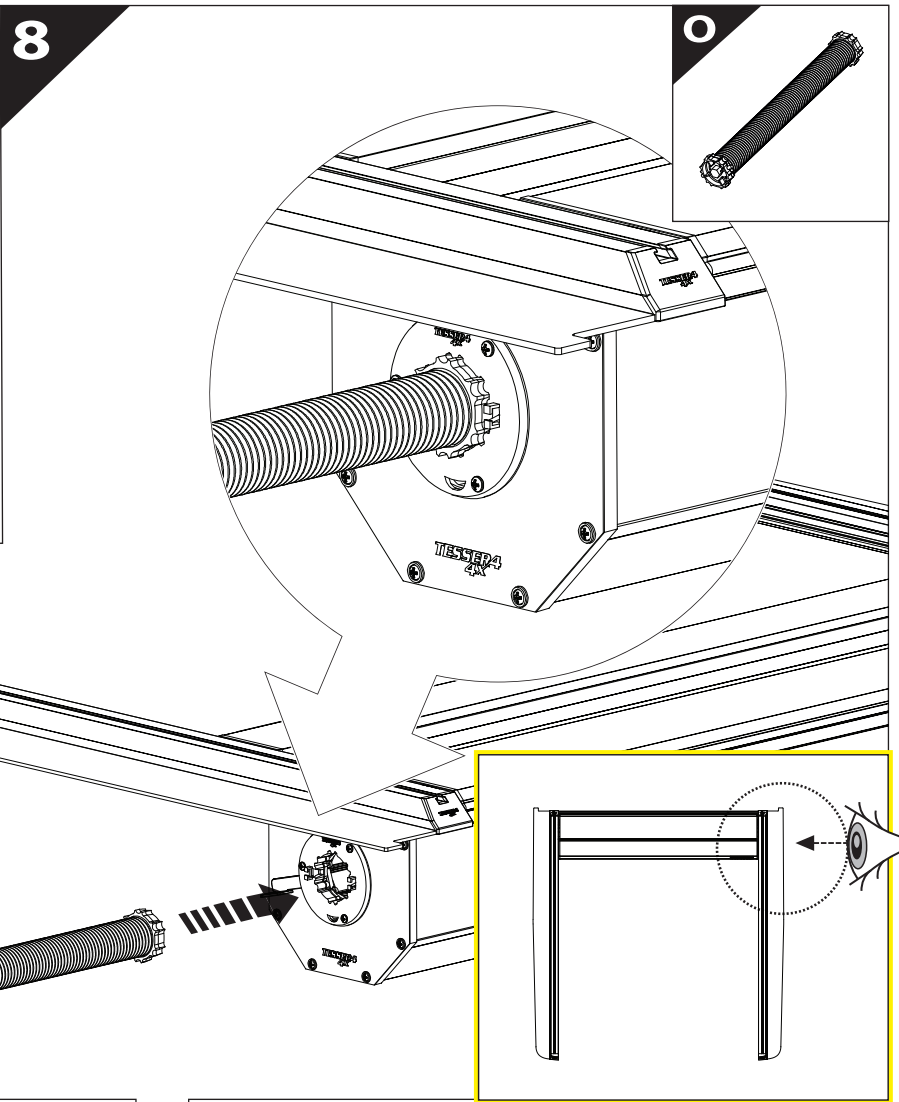
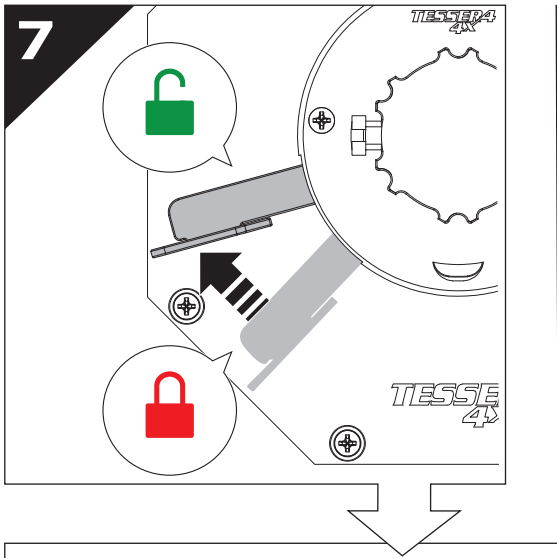


6.2

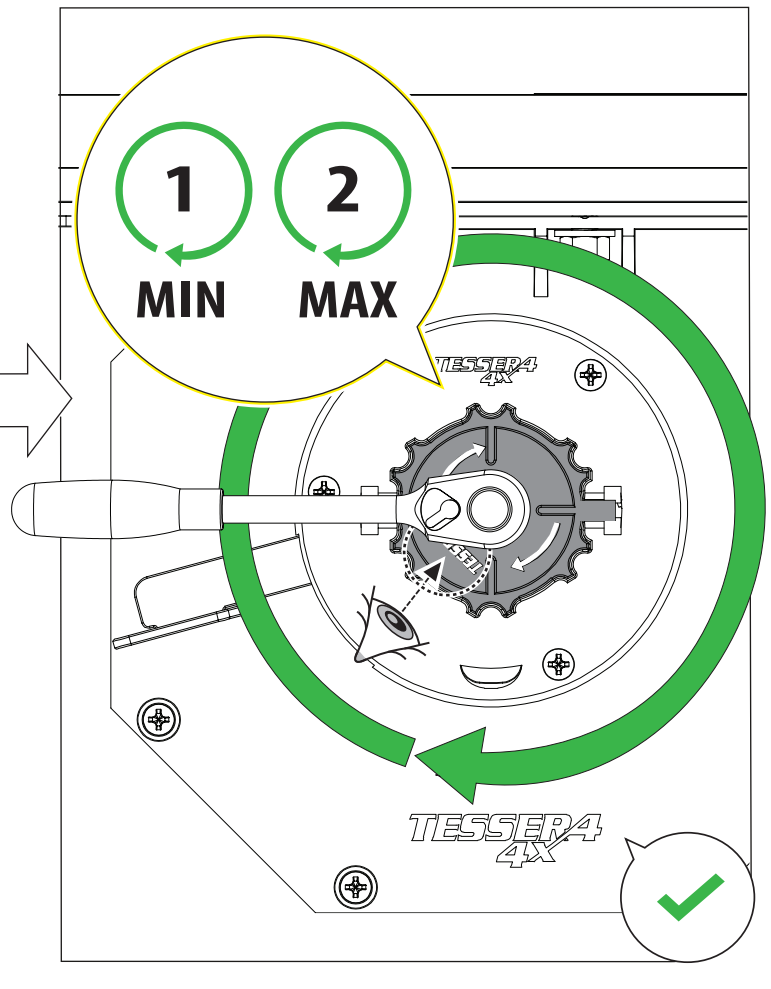
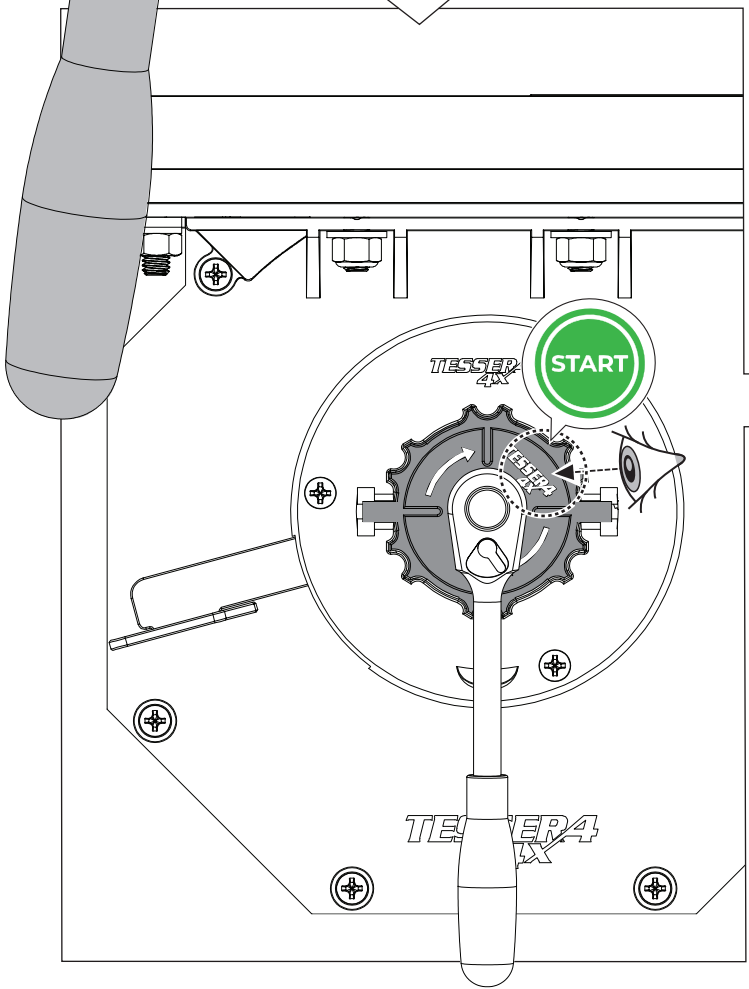
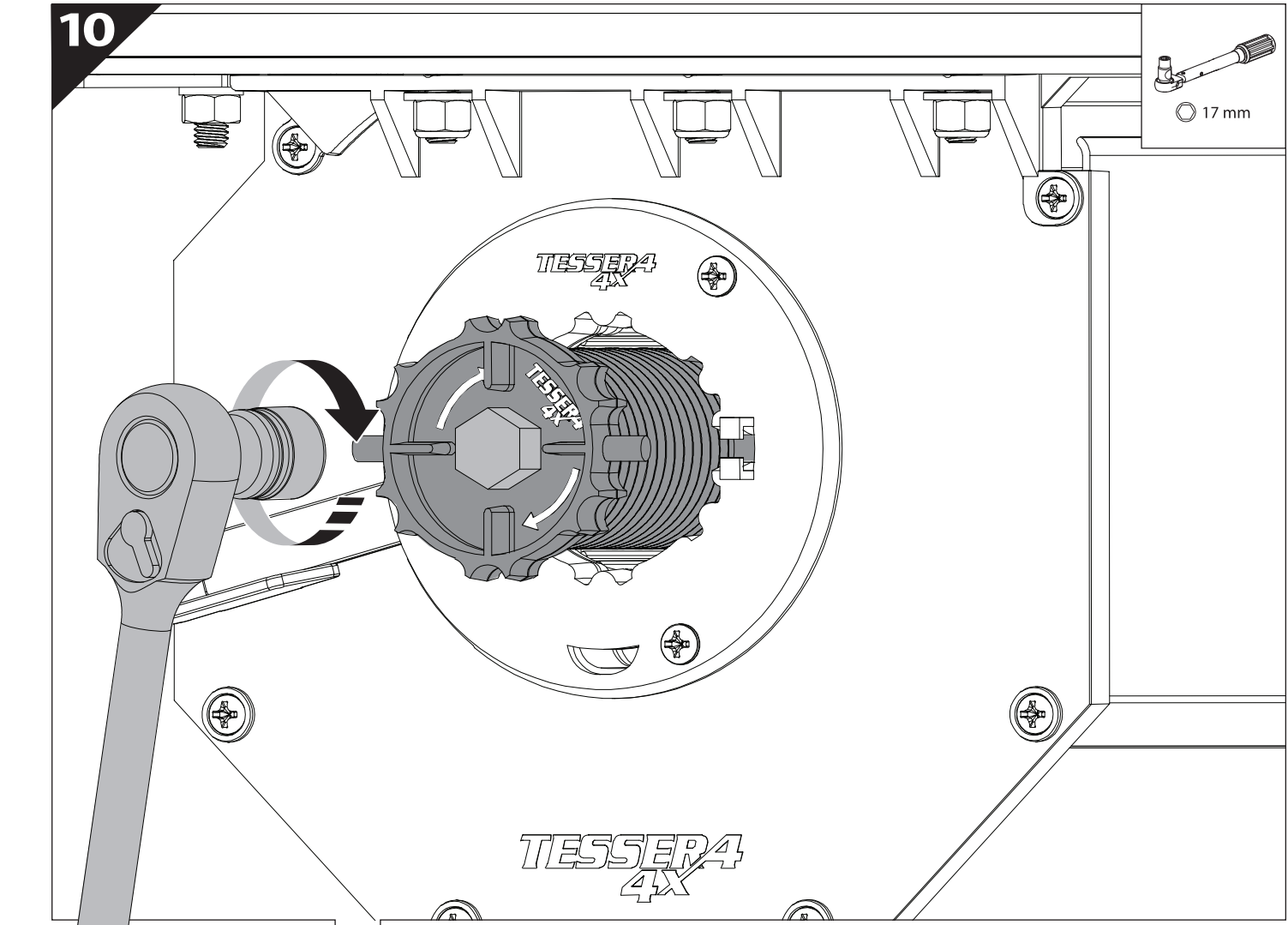
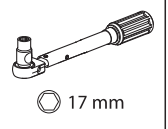


6.3

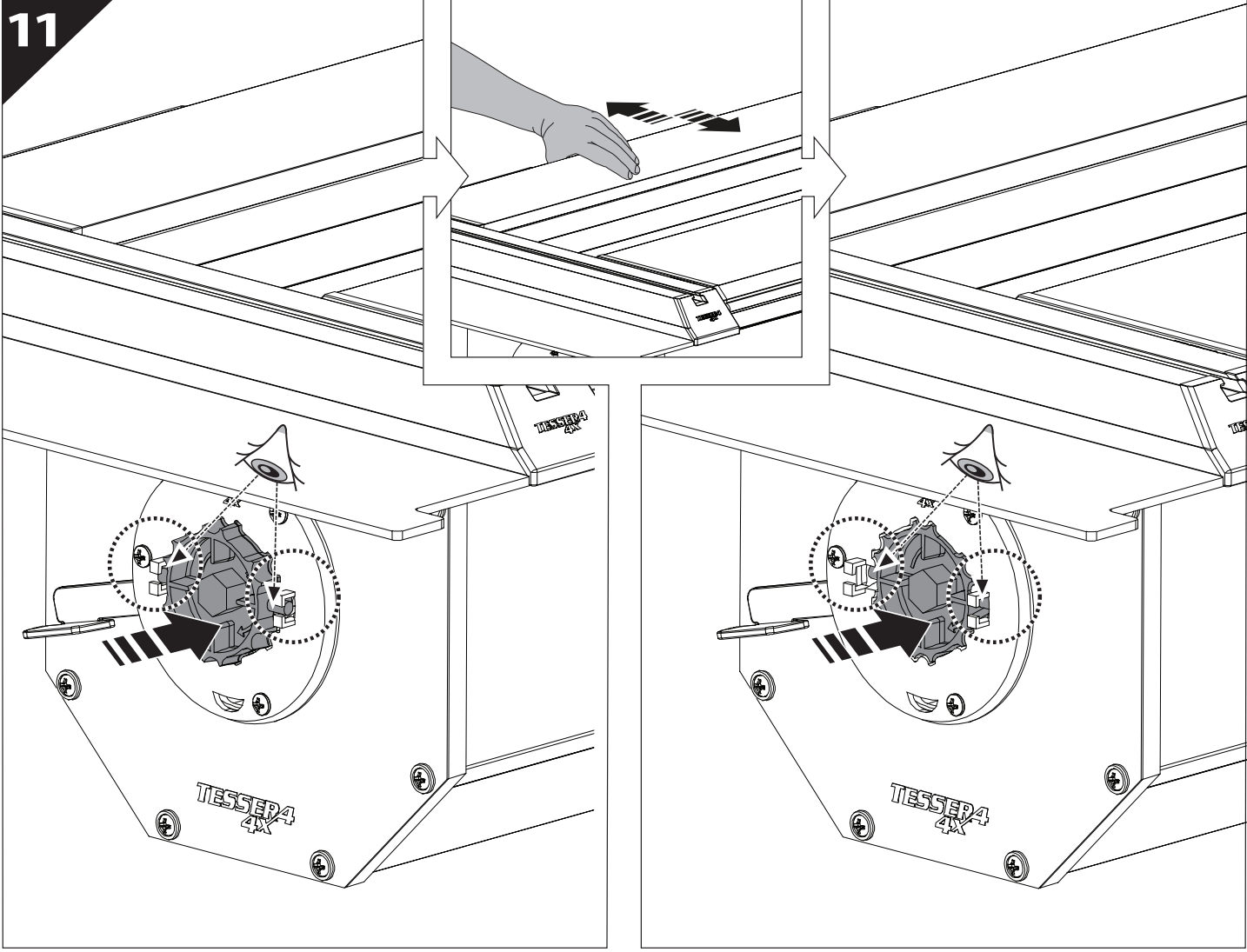




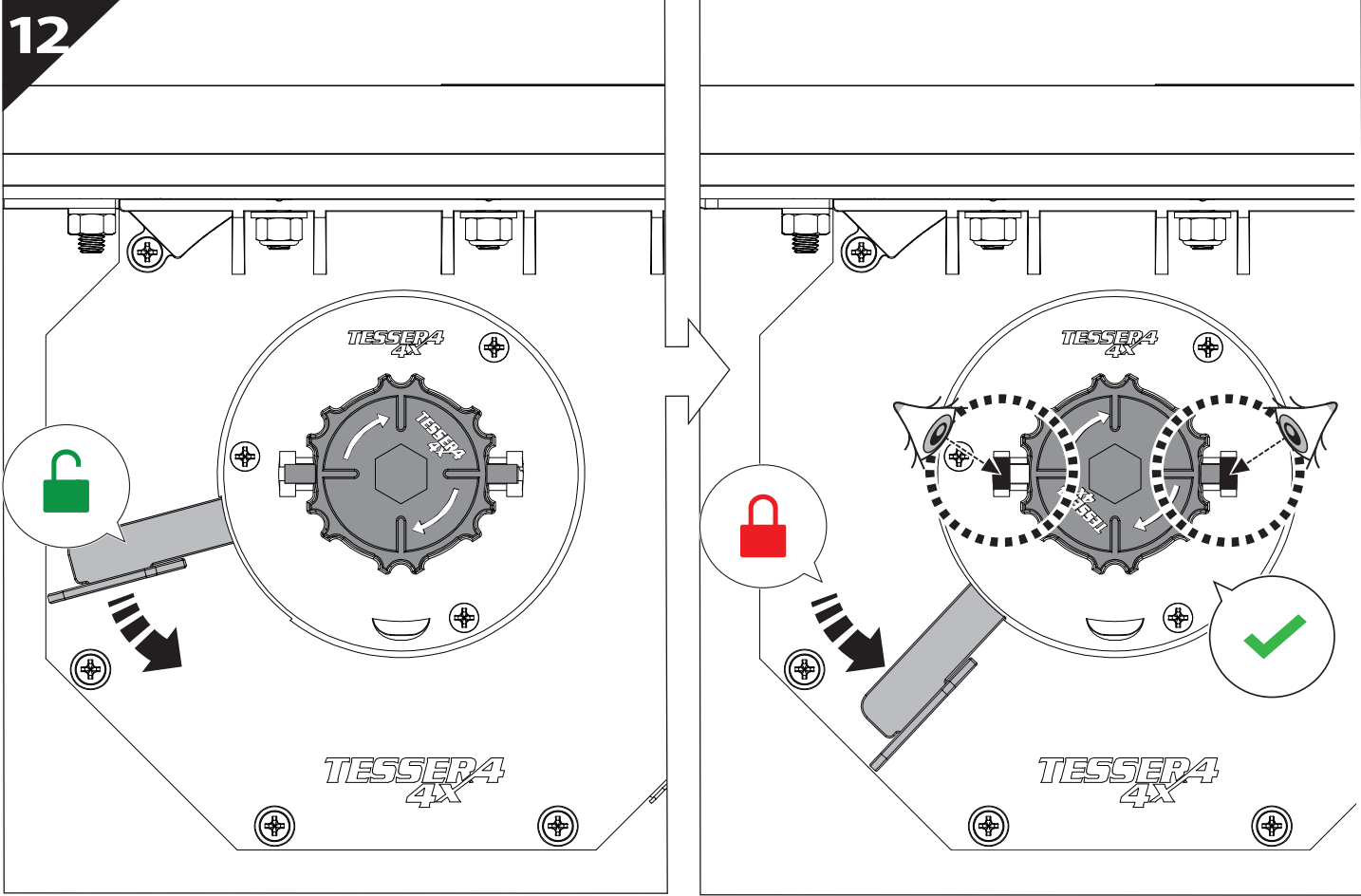
10



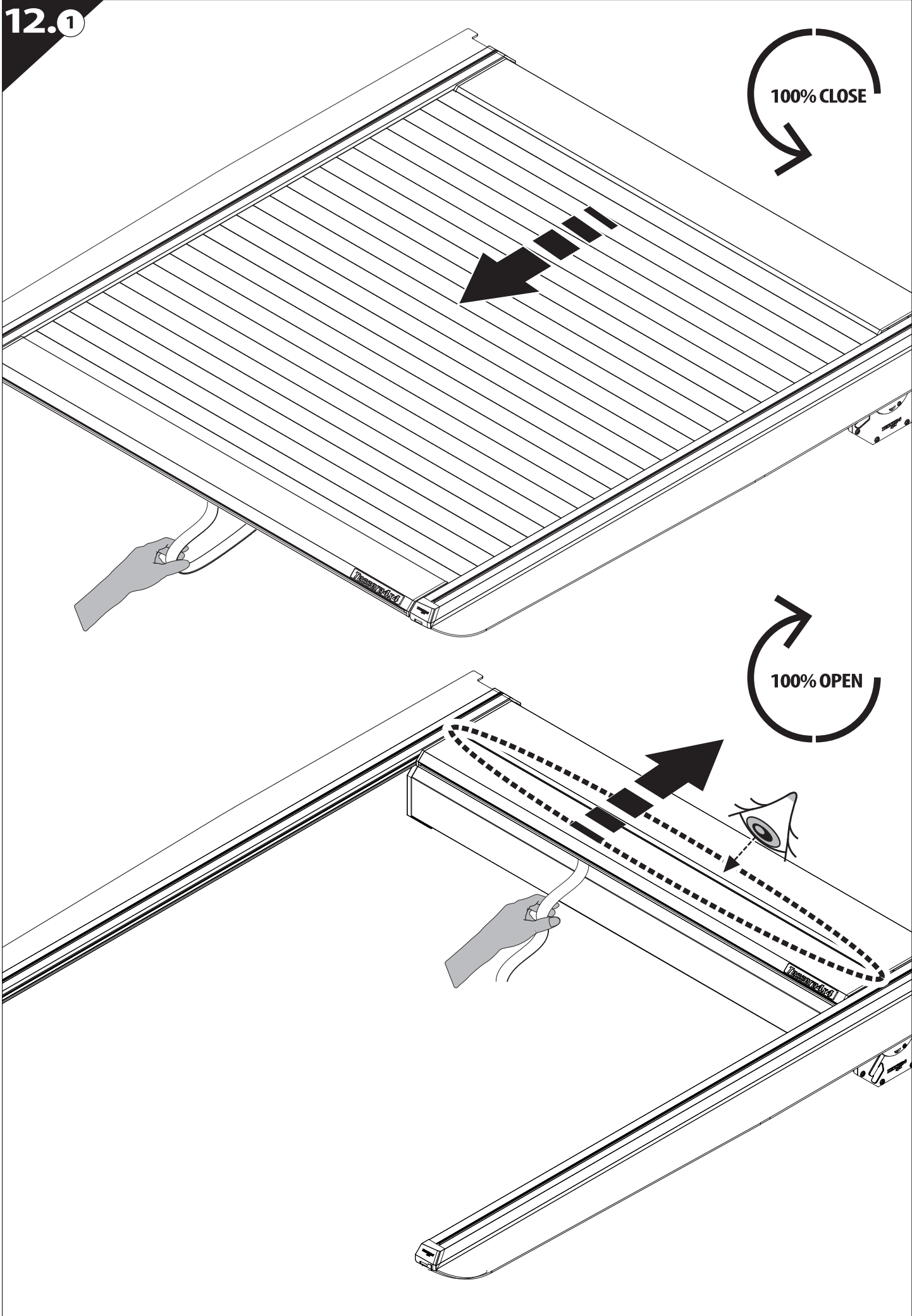
11



12



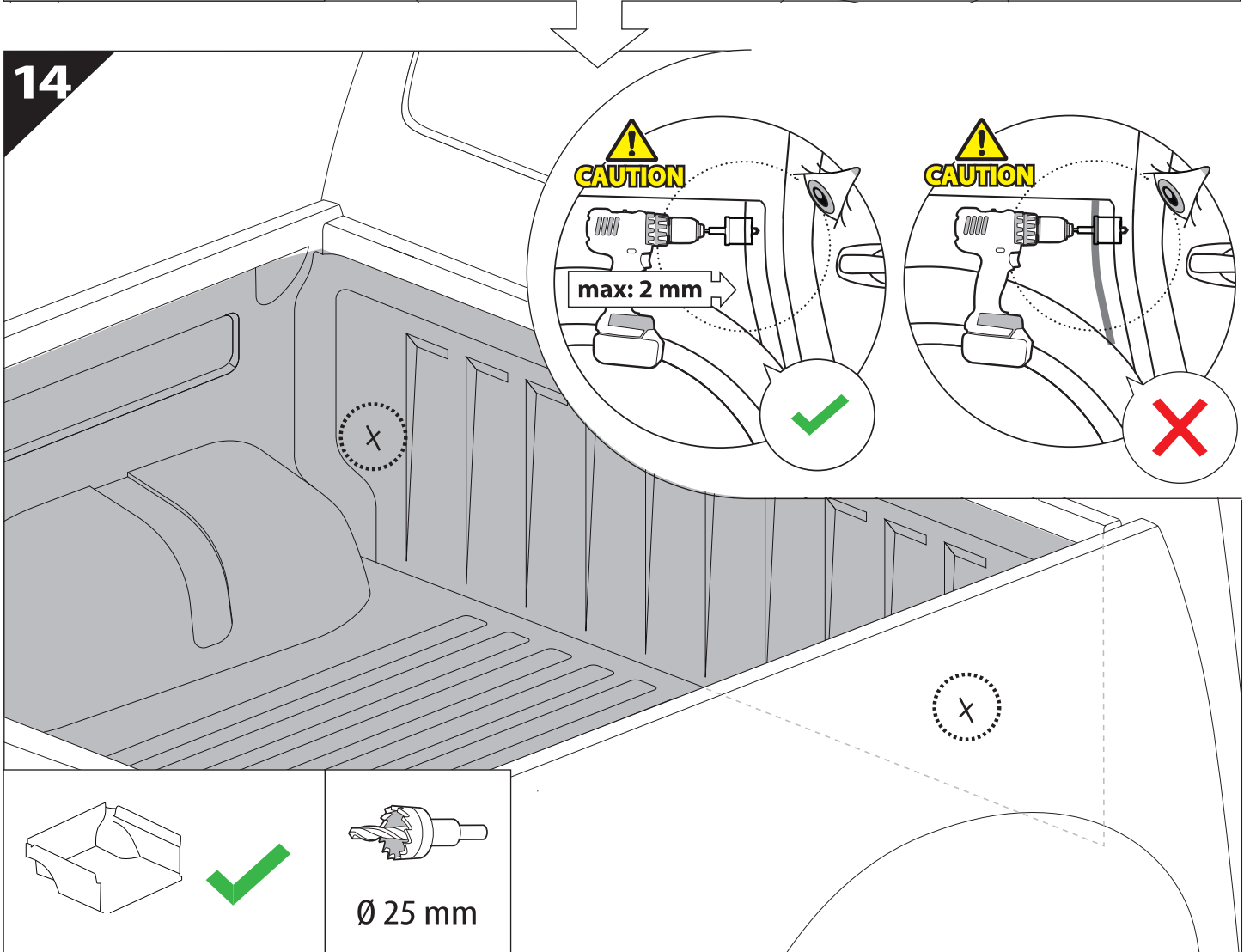
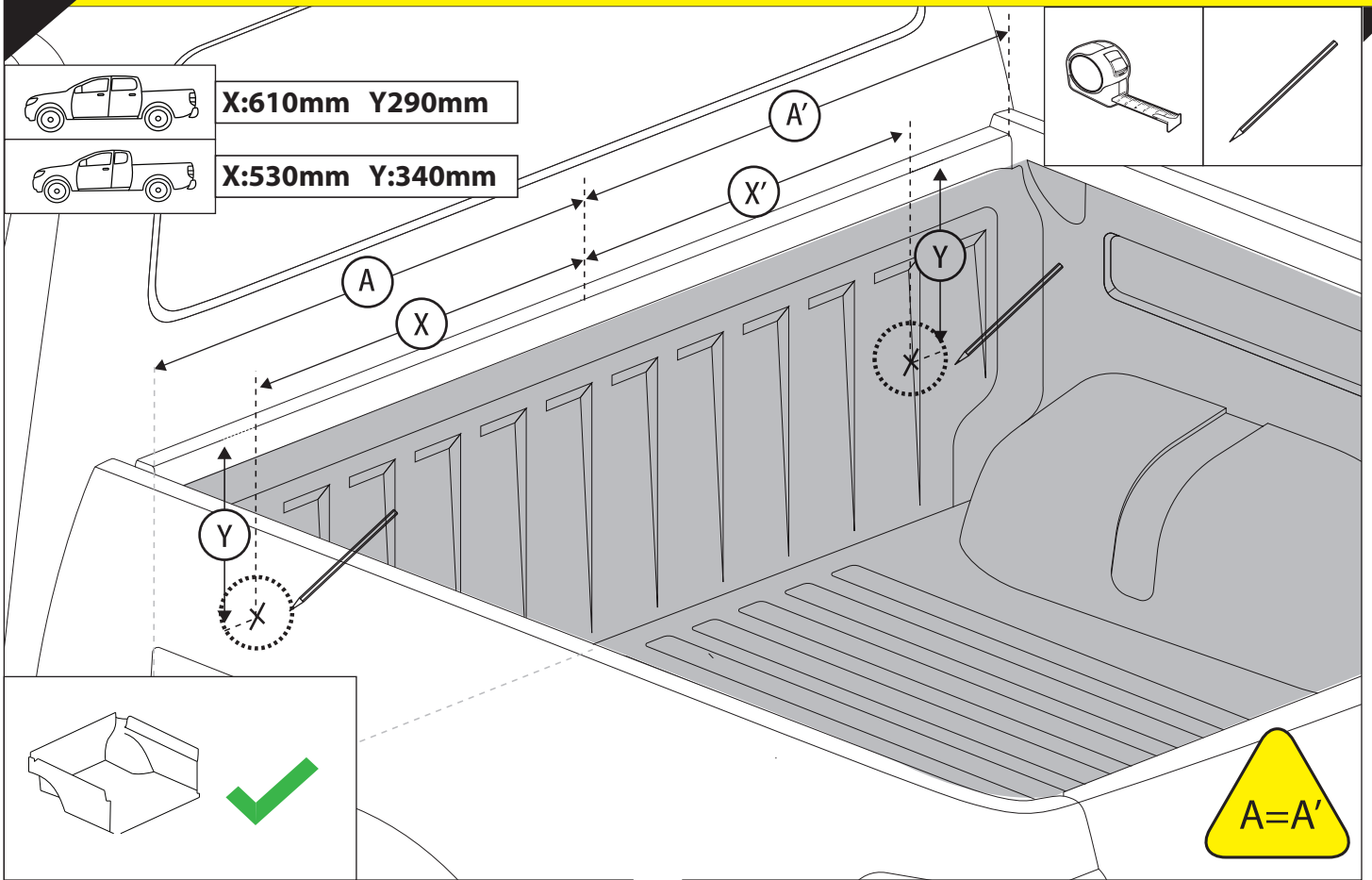
12.1



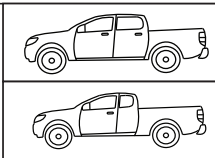
13



CAUTION: LIMITED, WILDTRAK, WILDTRAK X, PLATINUM

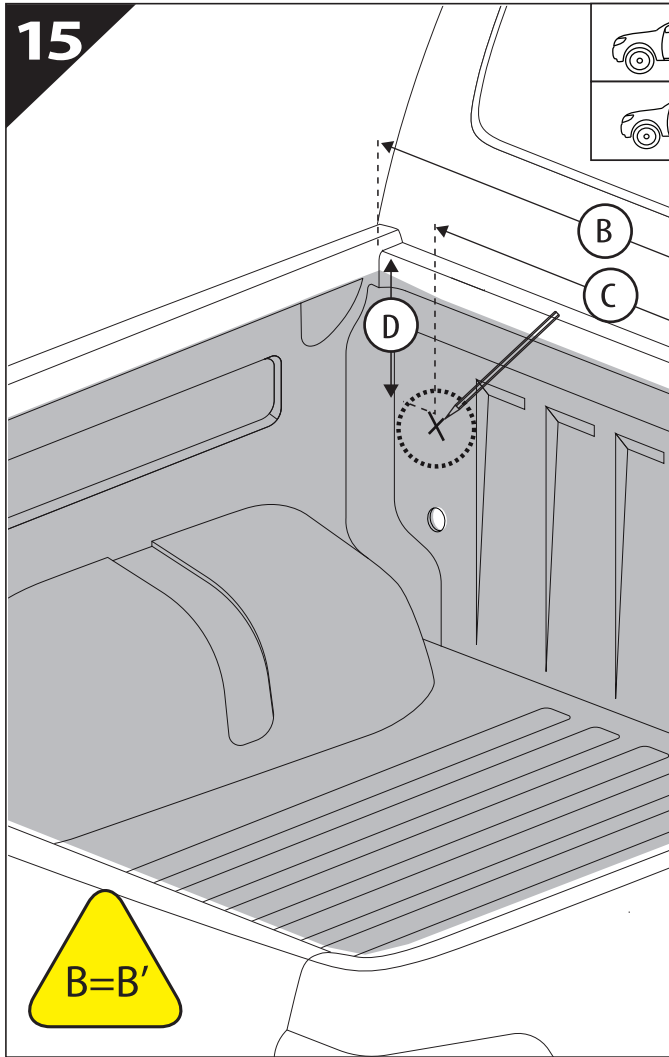
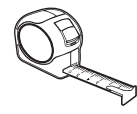
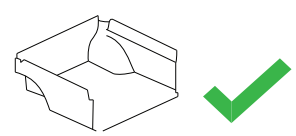


15

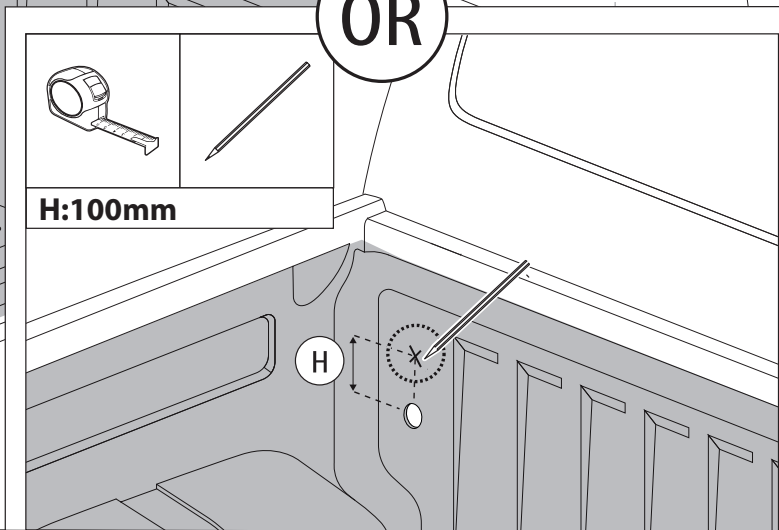


X:610mm Y:190mm

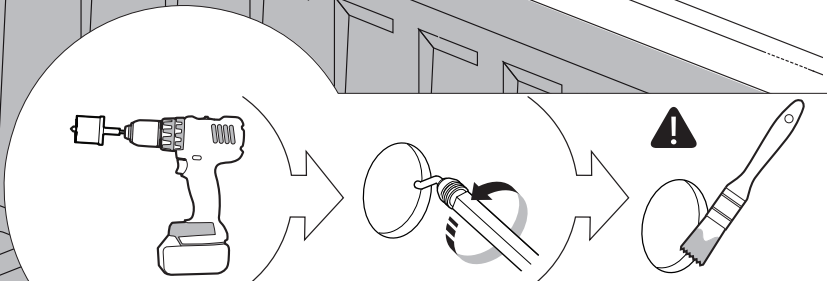
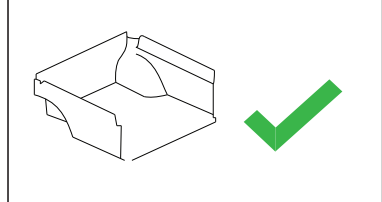
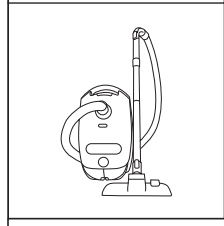
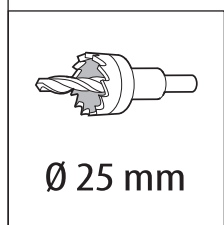
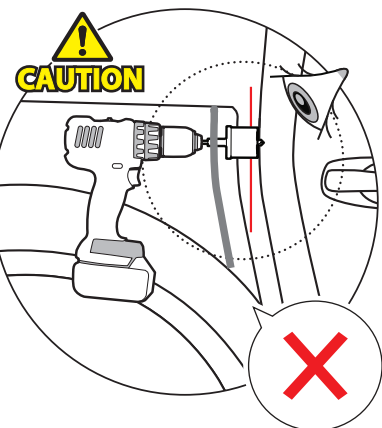
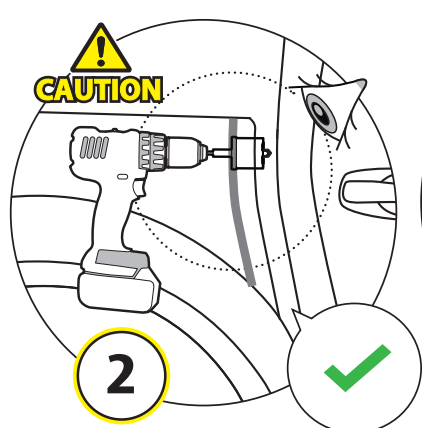
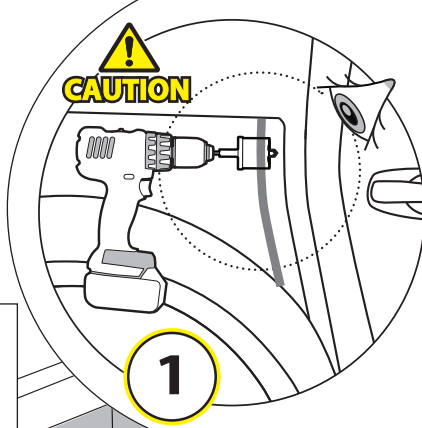
X:530mm Y:240mm



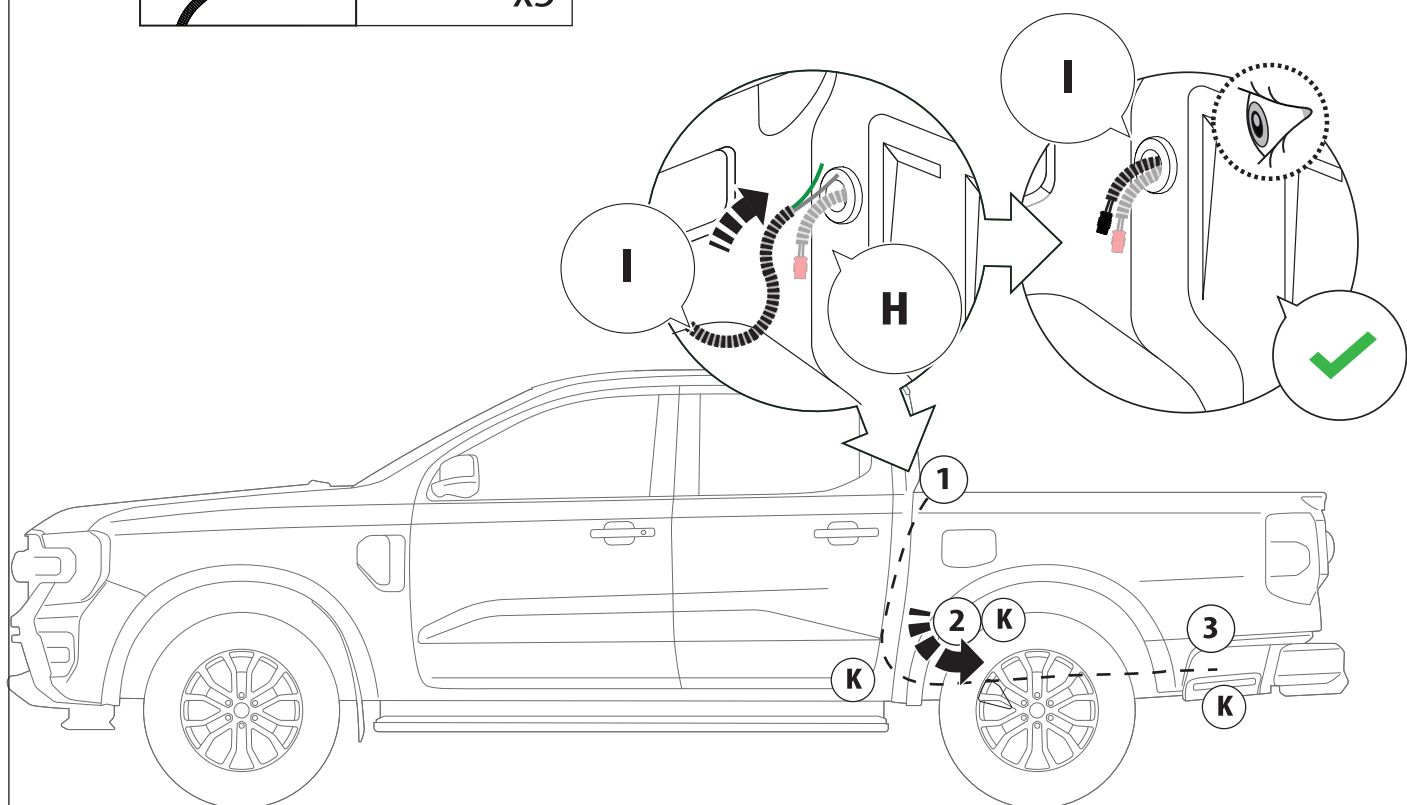
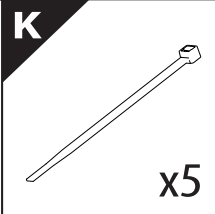
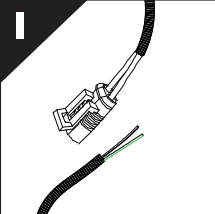
OR



16



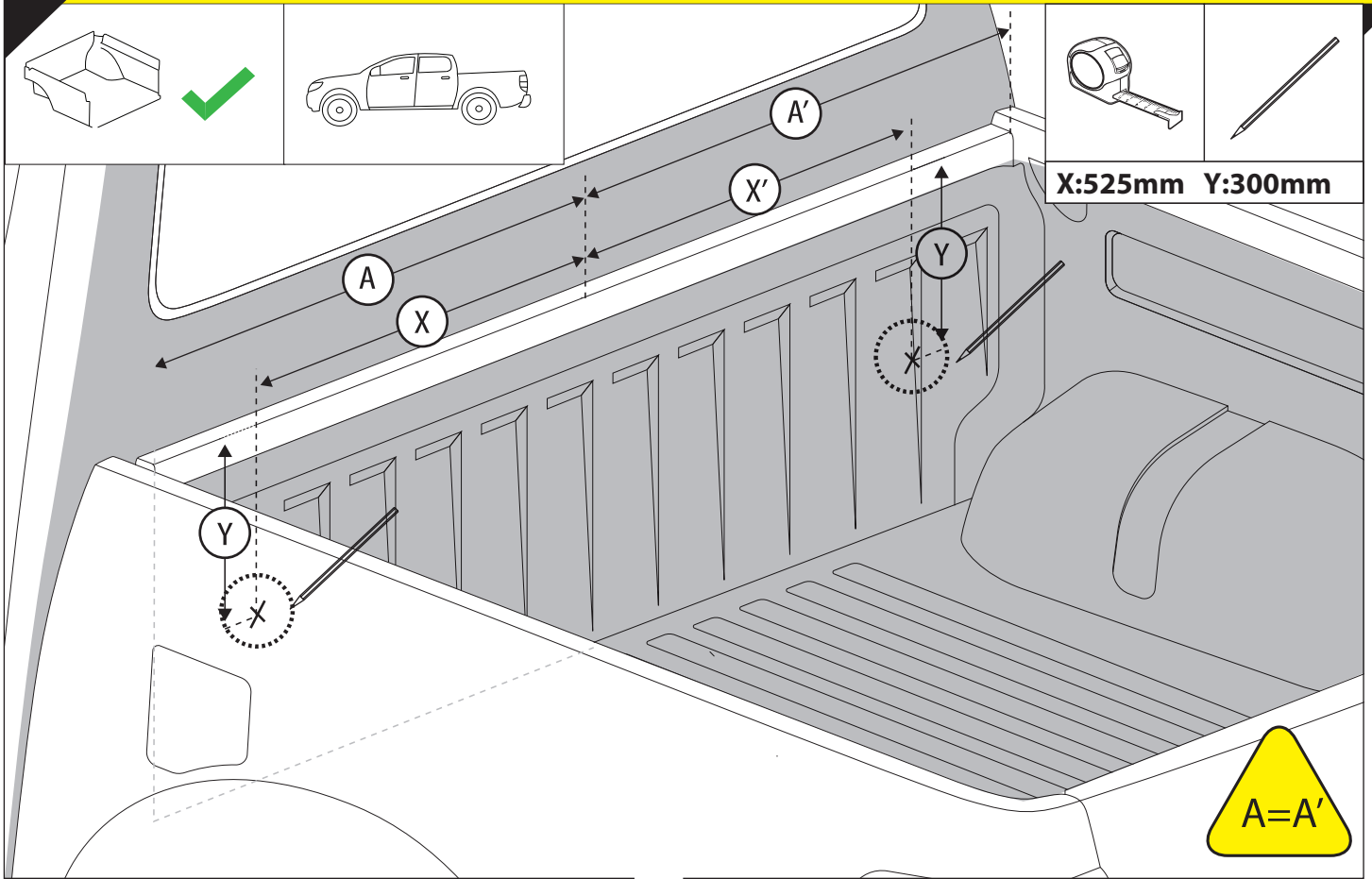
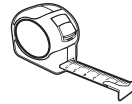
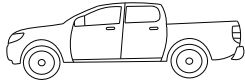
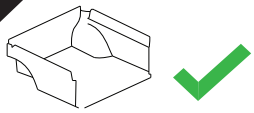
19



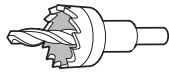
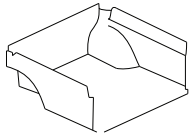
13



CAUTION: RAPTOR



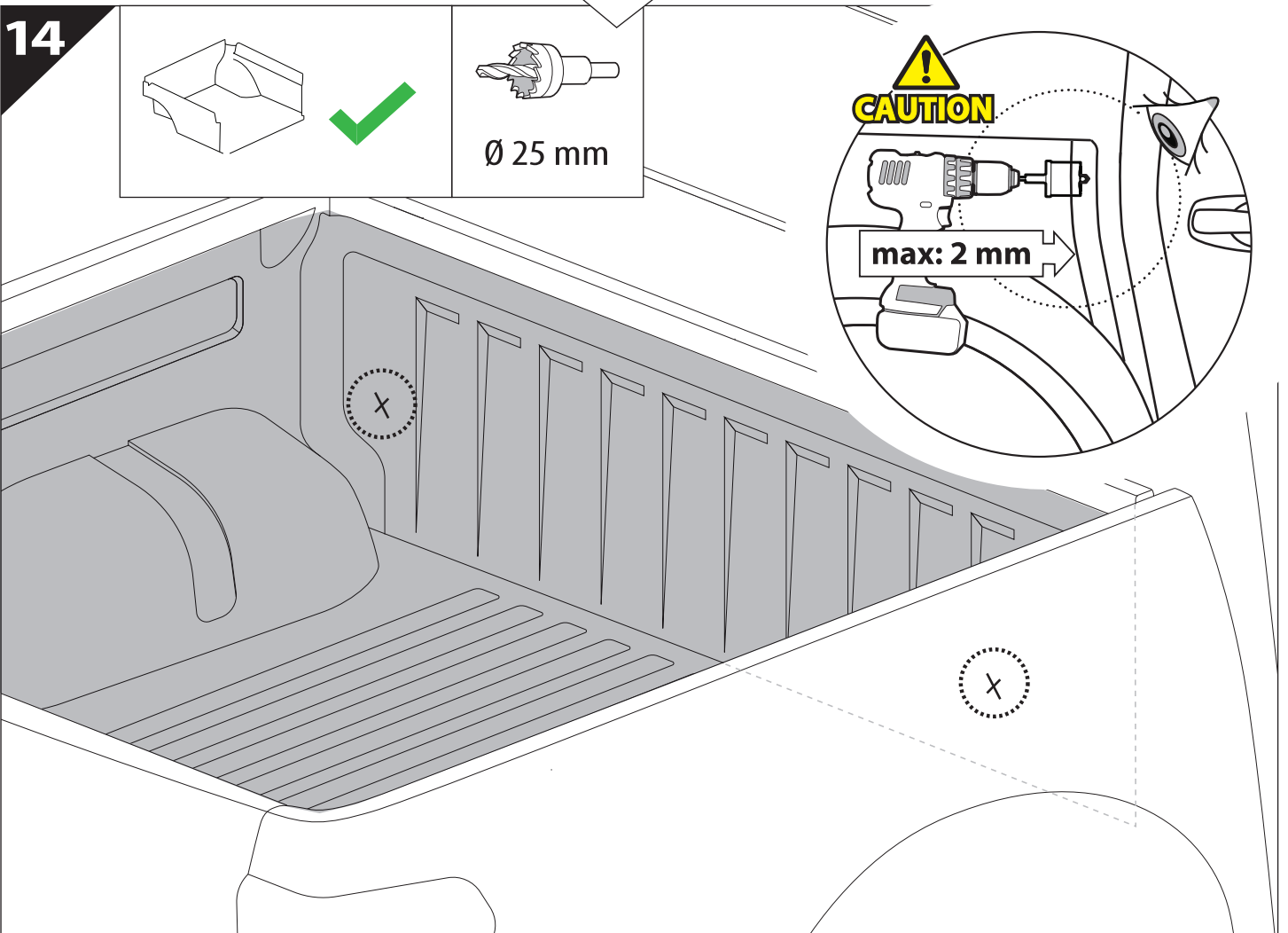
14



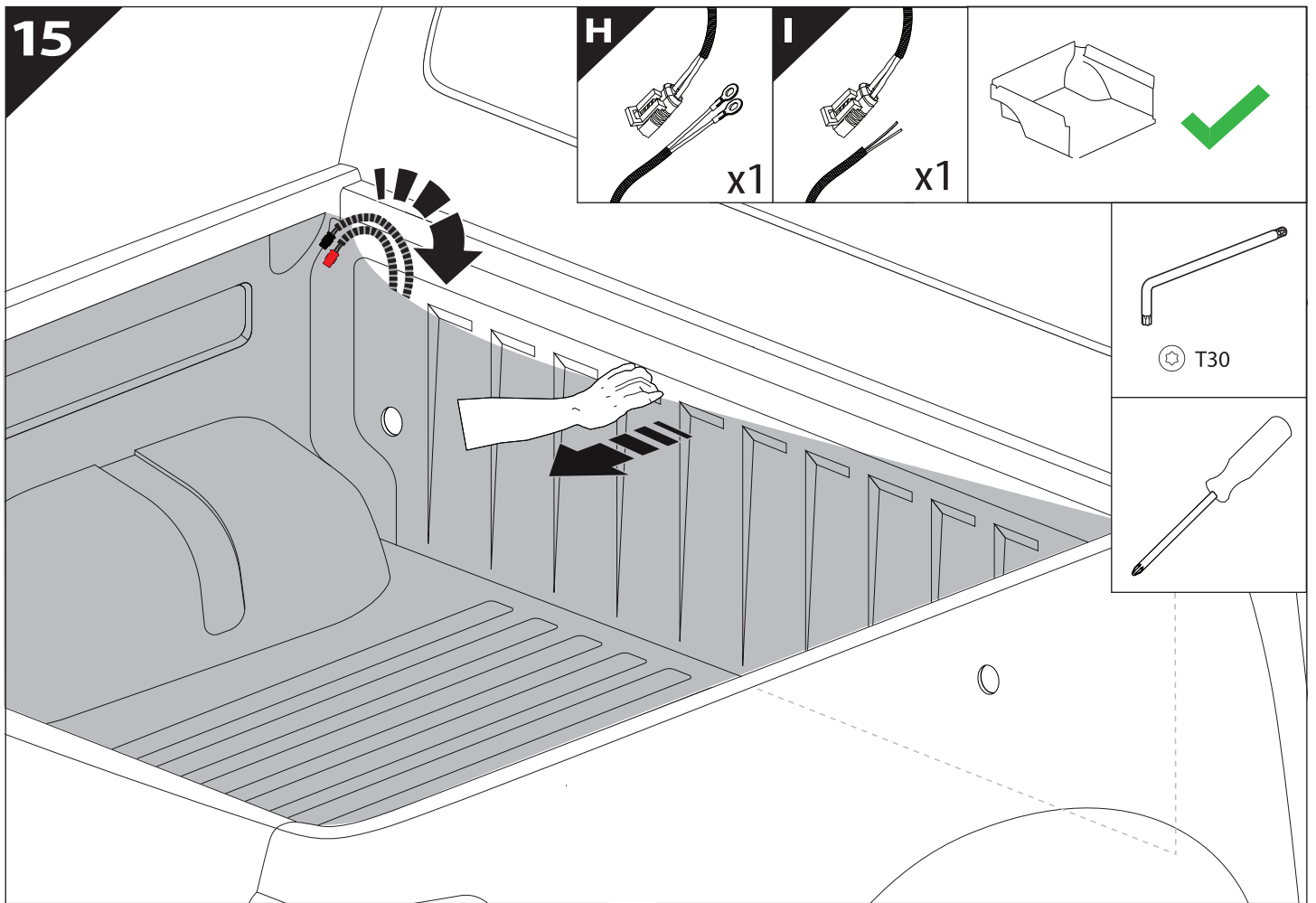
Ø 25 mm

CAUTION

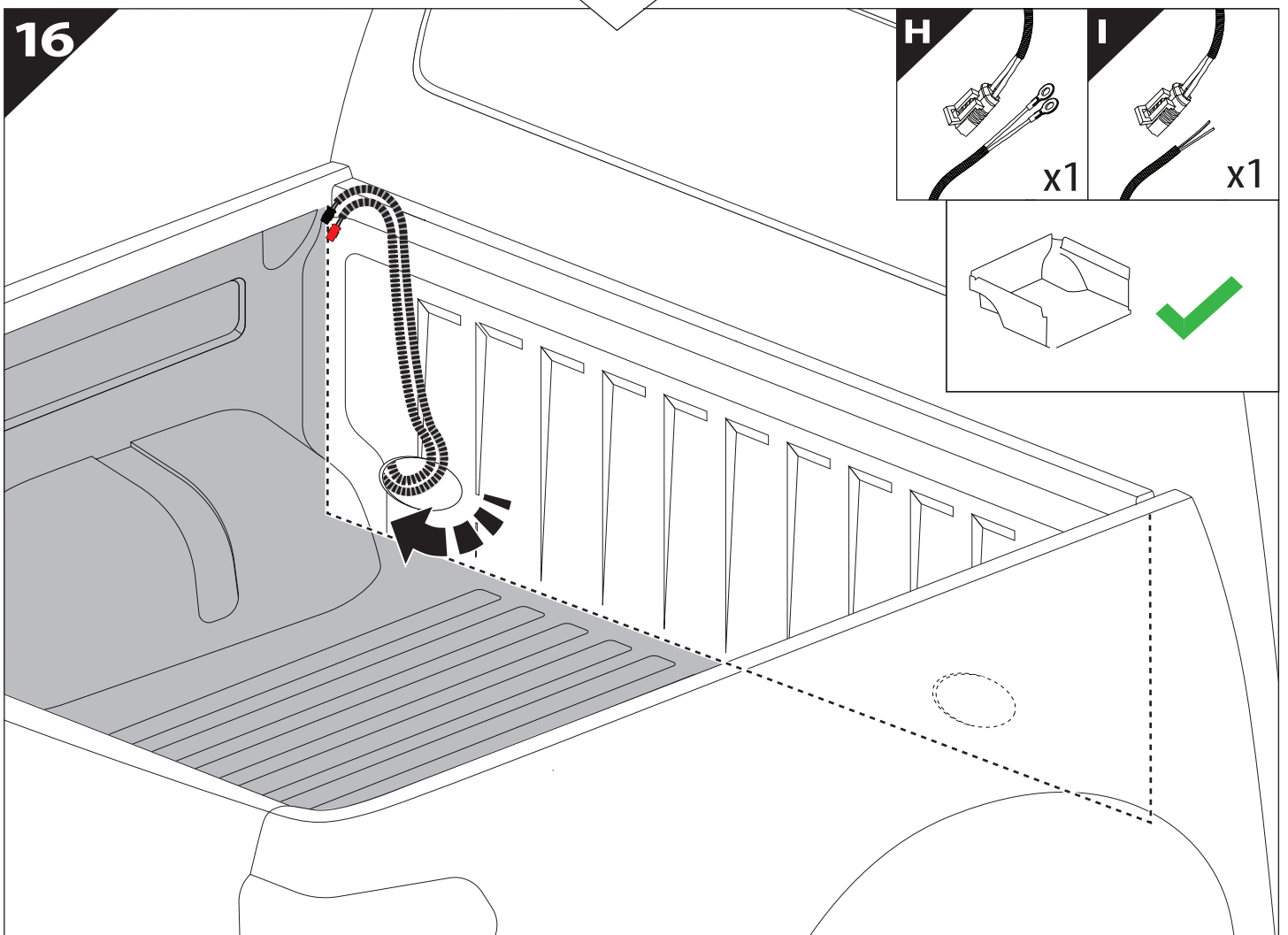
max: 2 mm



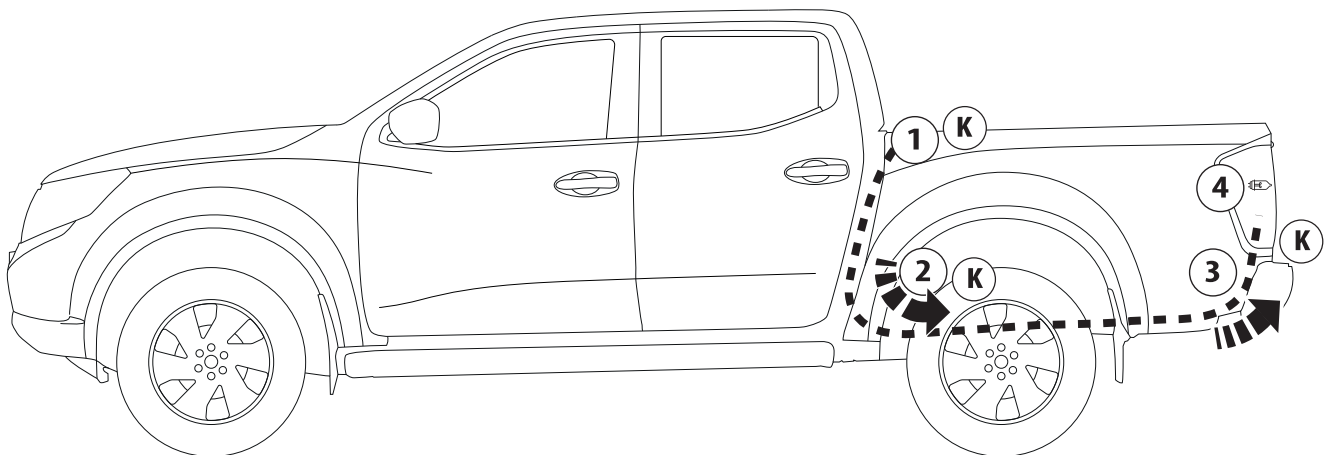
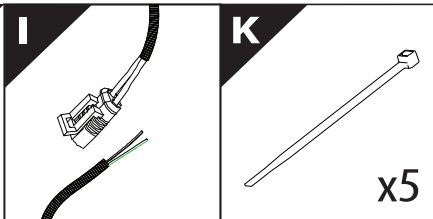
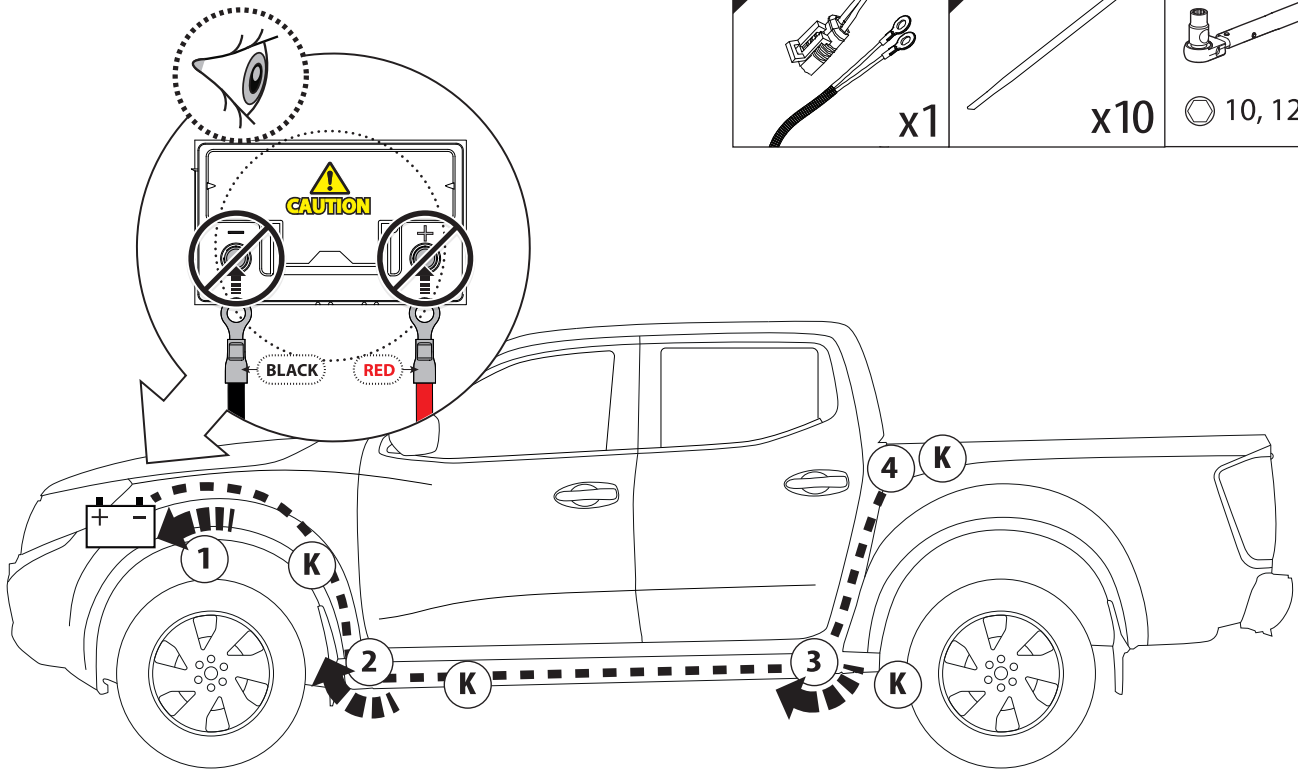
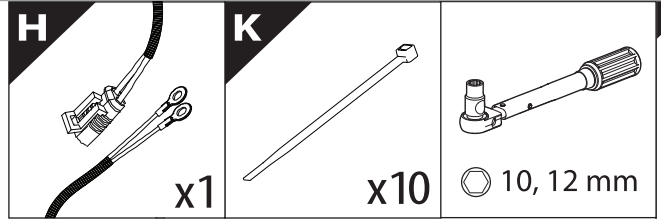
15



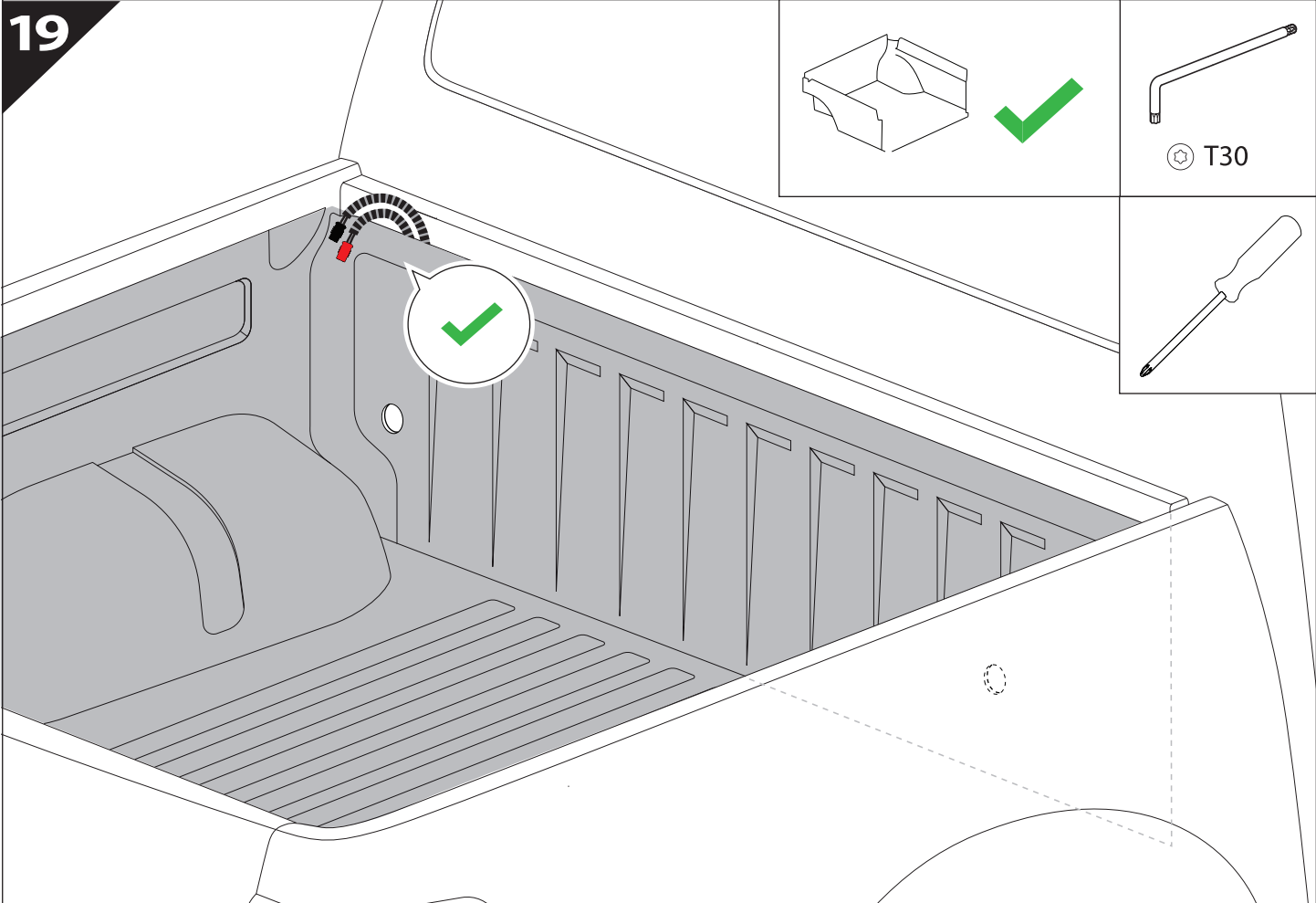
16



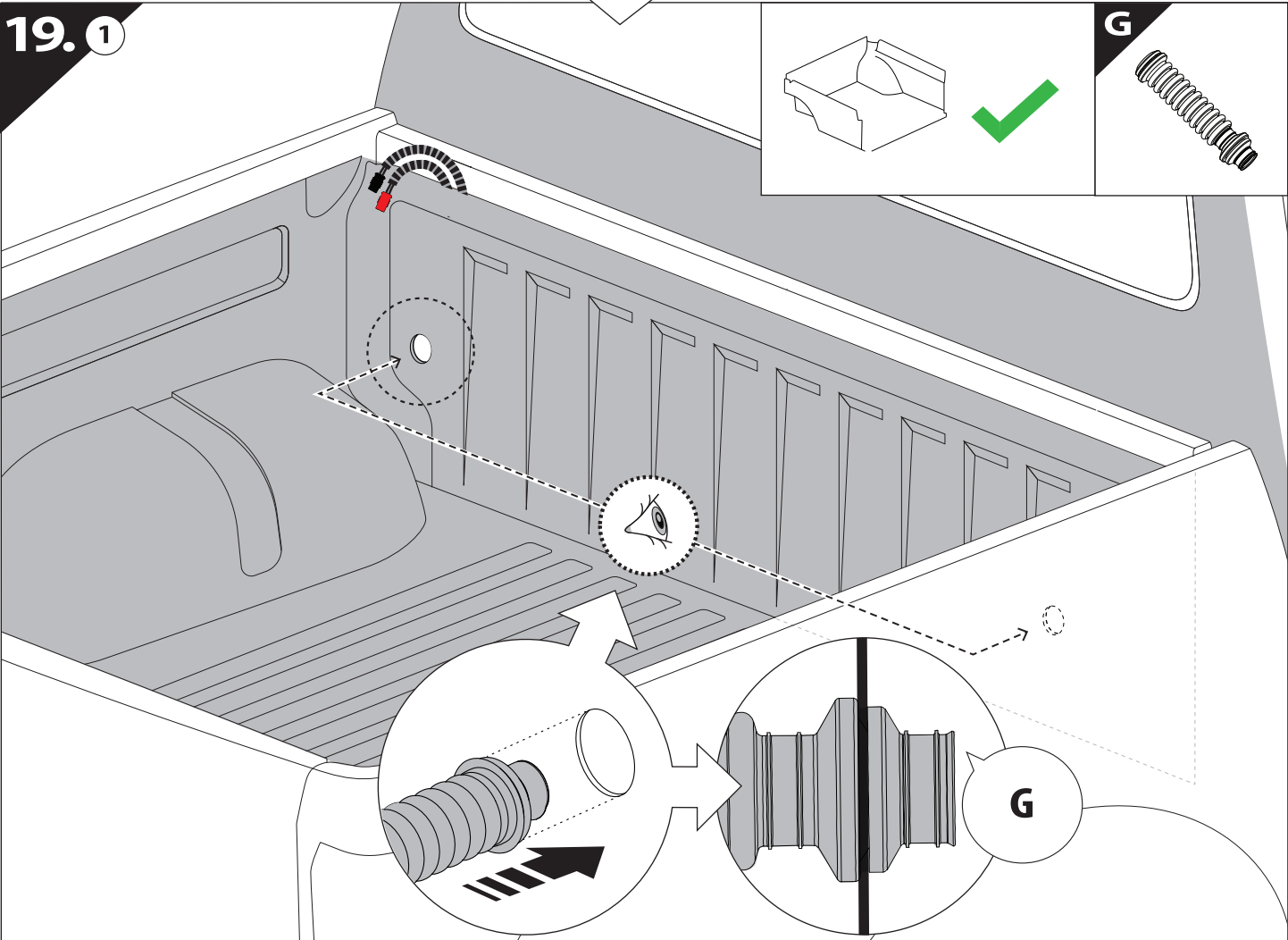
Only to be installed by authorized personnel



19

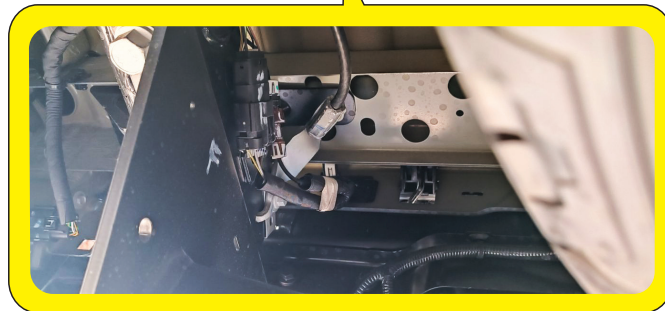
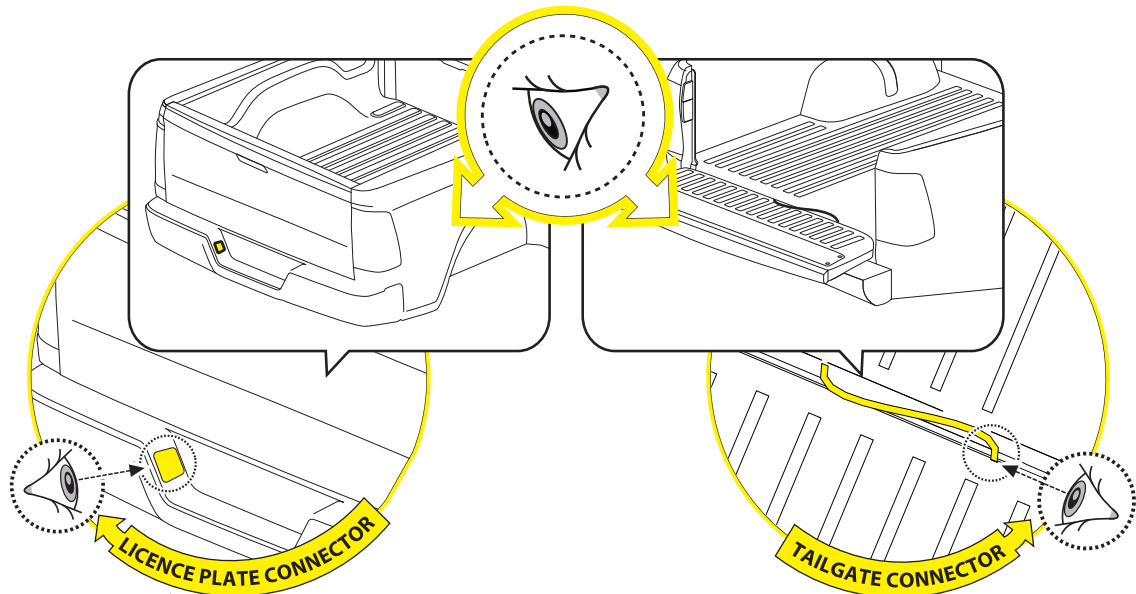


19.1

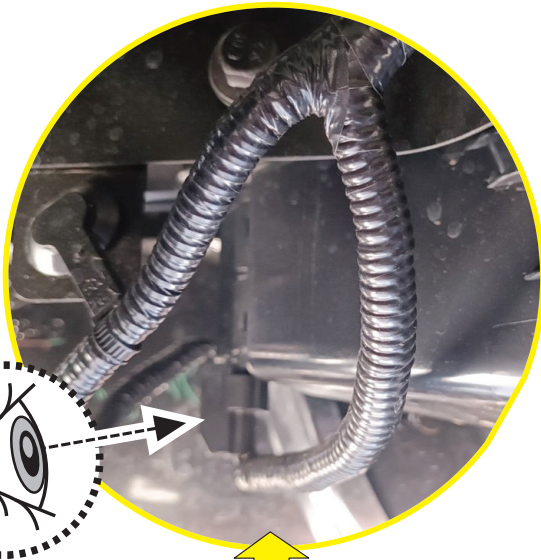




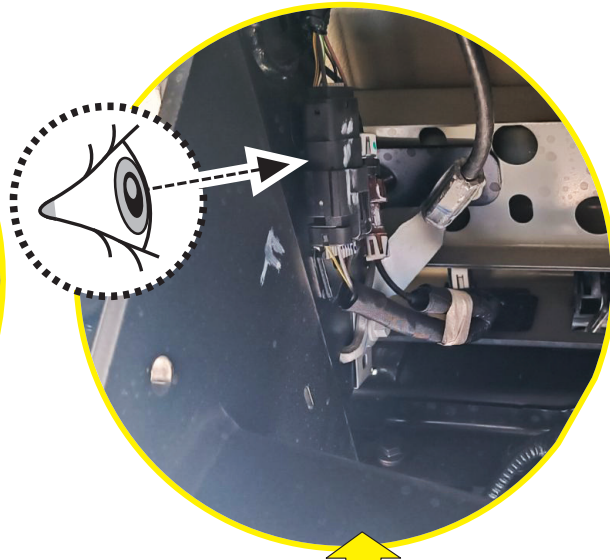
CAUTION: LIMITED, WILDTRAK, WILDTRAK X, PLATINUM



20. ①



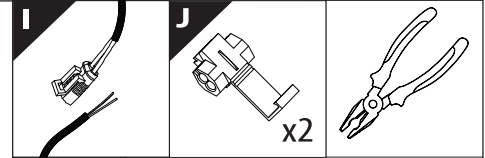
LICENCE PLATE CONNECTOR



TAILGATE CONNECTOR

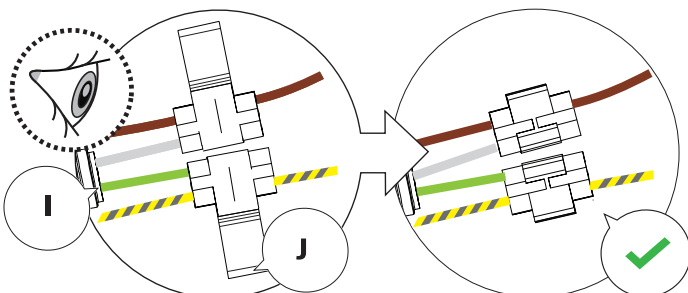
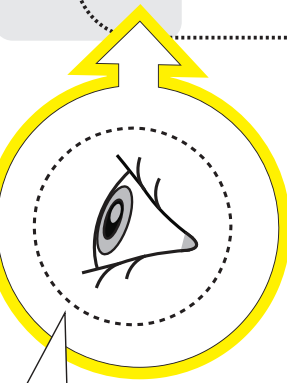
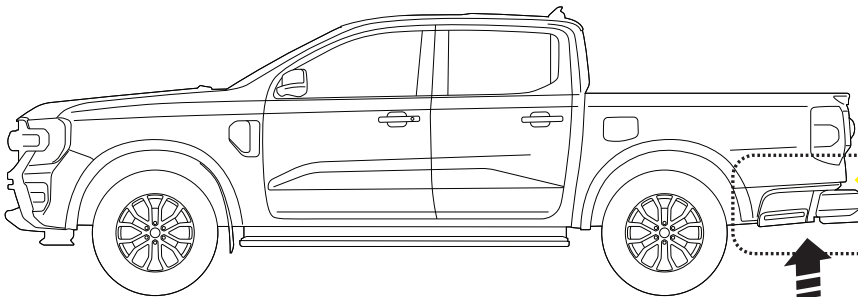
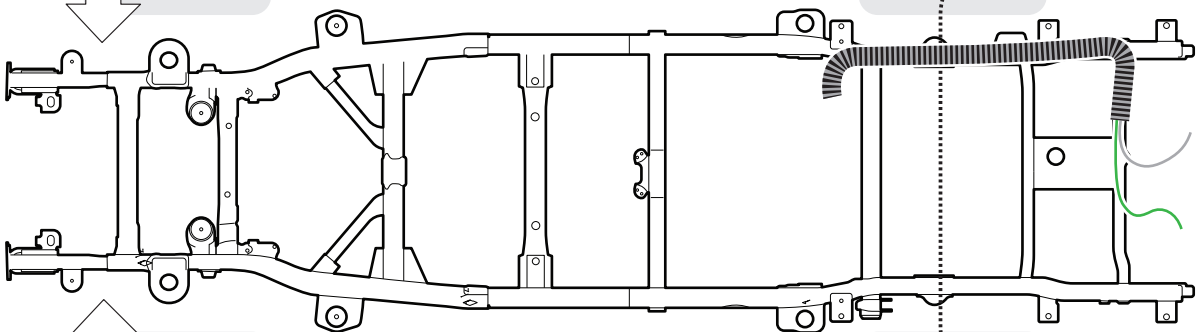
20. ②

BOTTOM VIEW

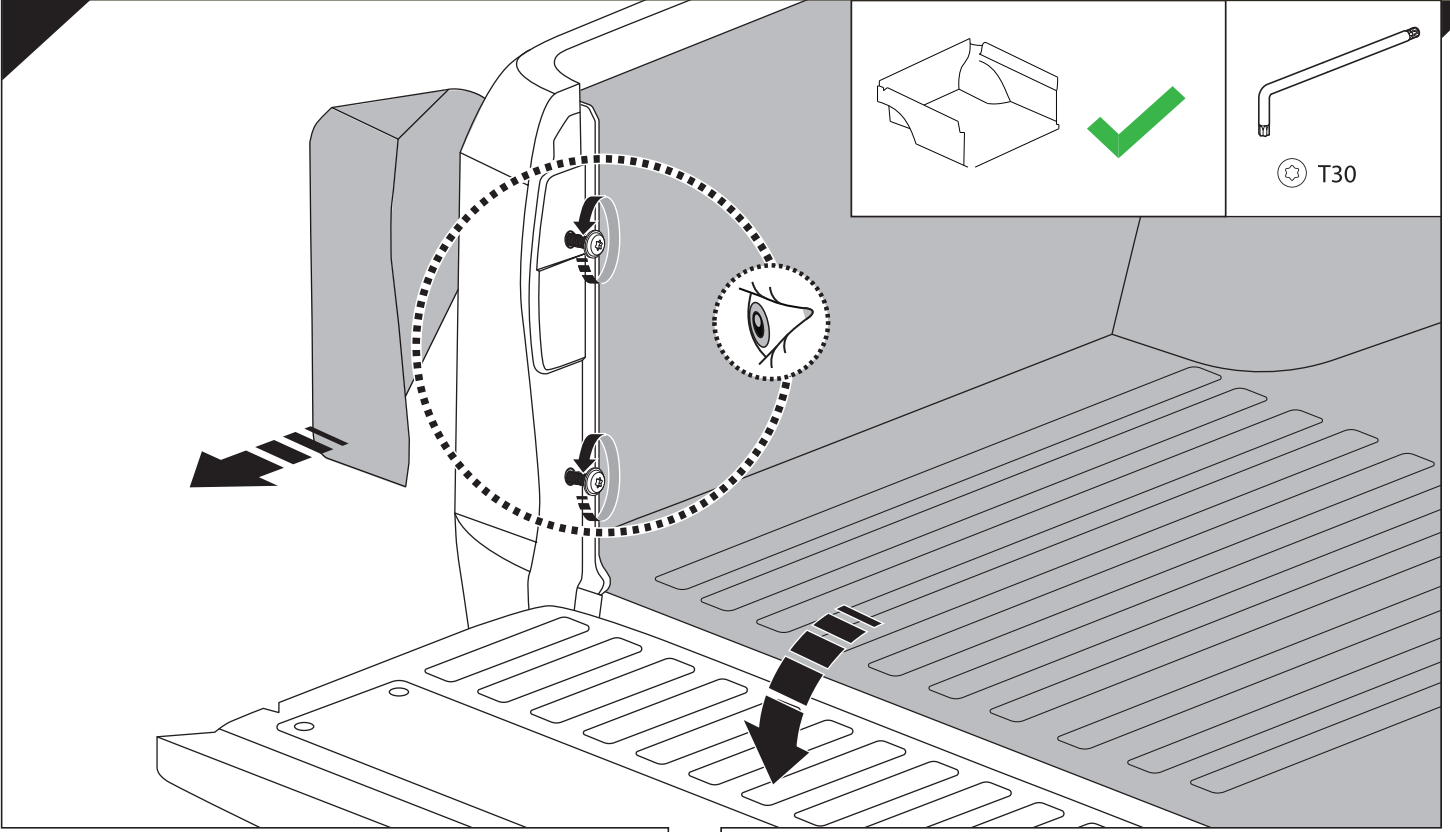


DRIVER'S LEFT SIDE

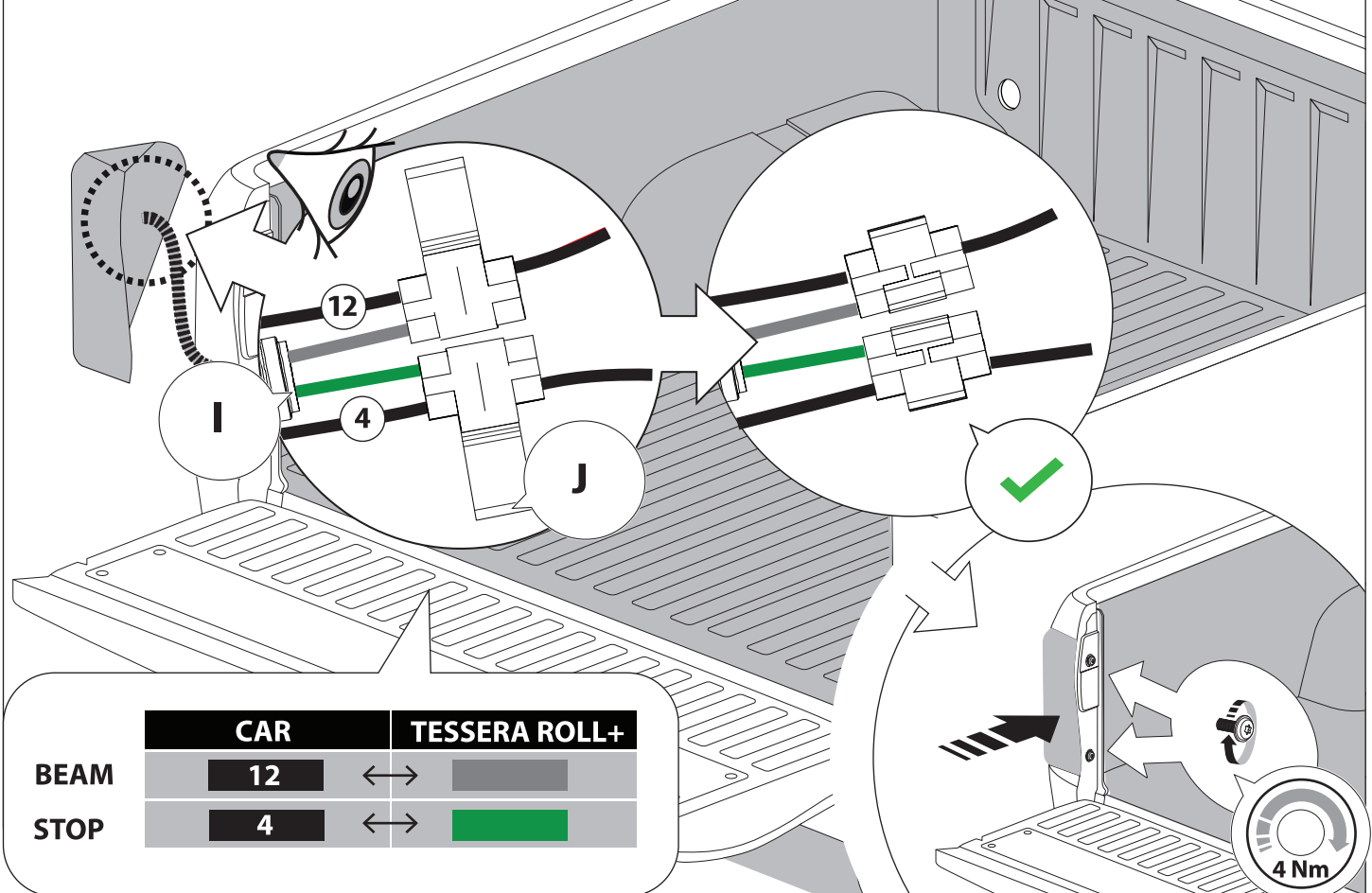
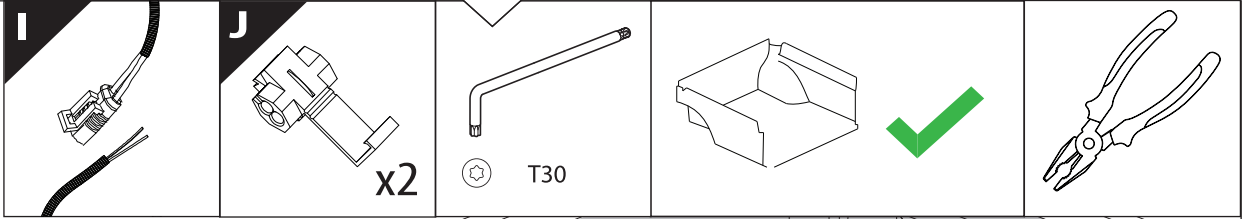
PASSENGER'S RIGHT SIDE



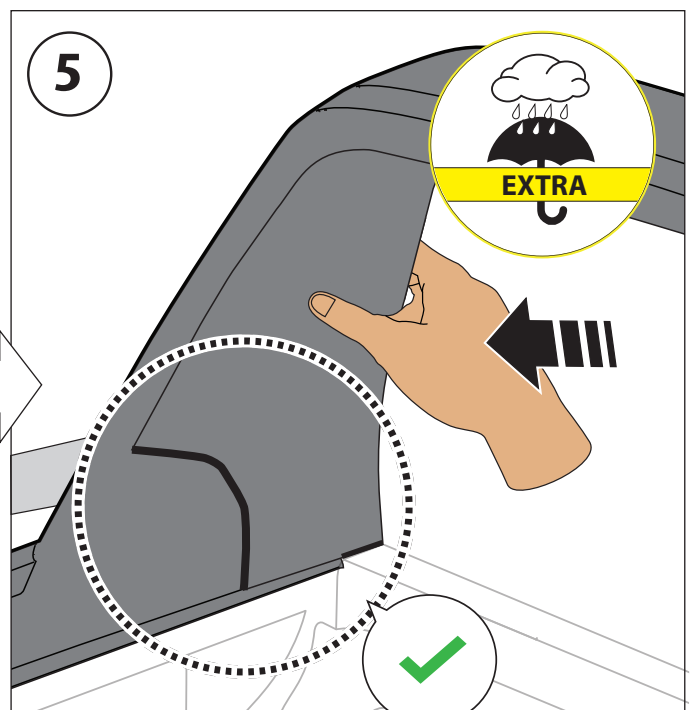
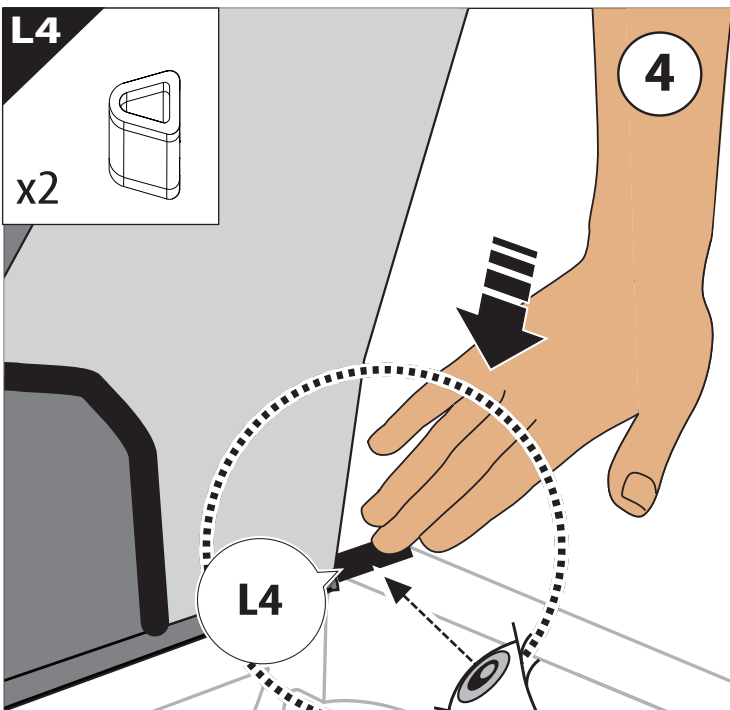
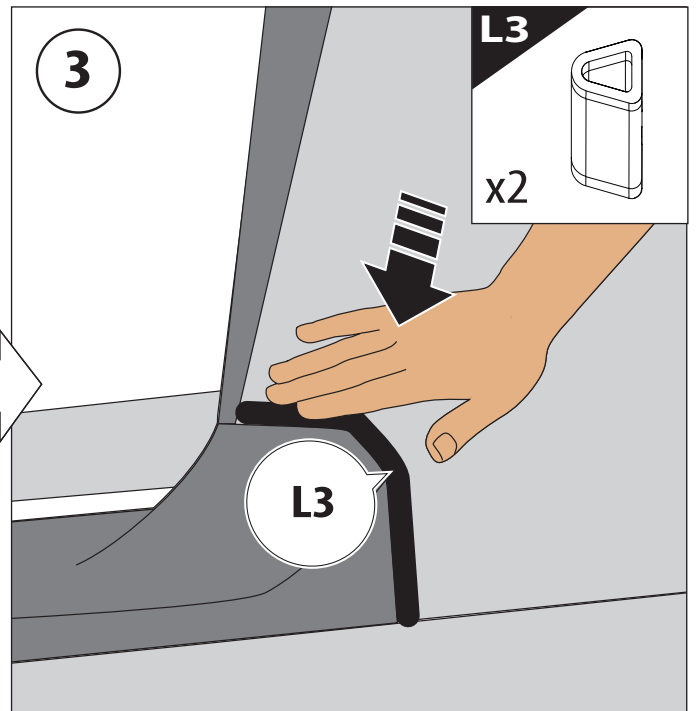
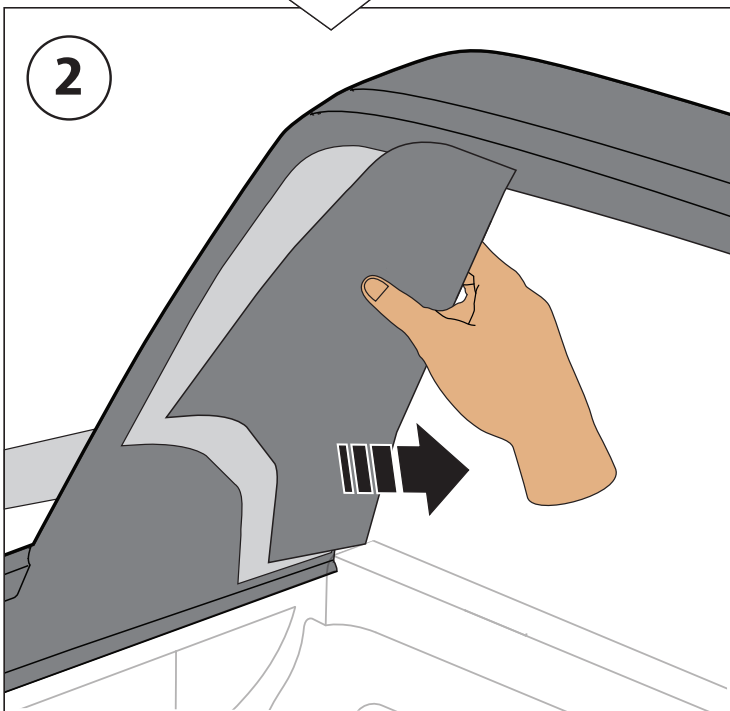
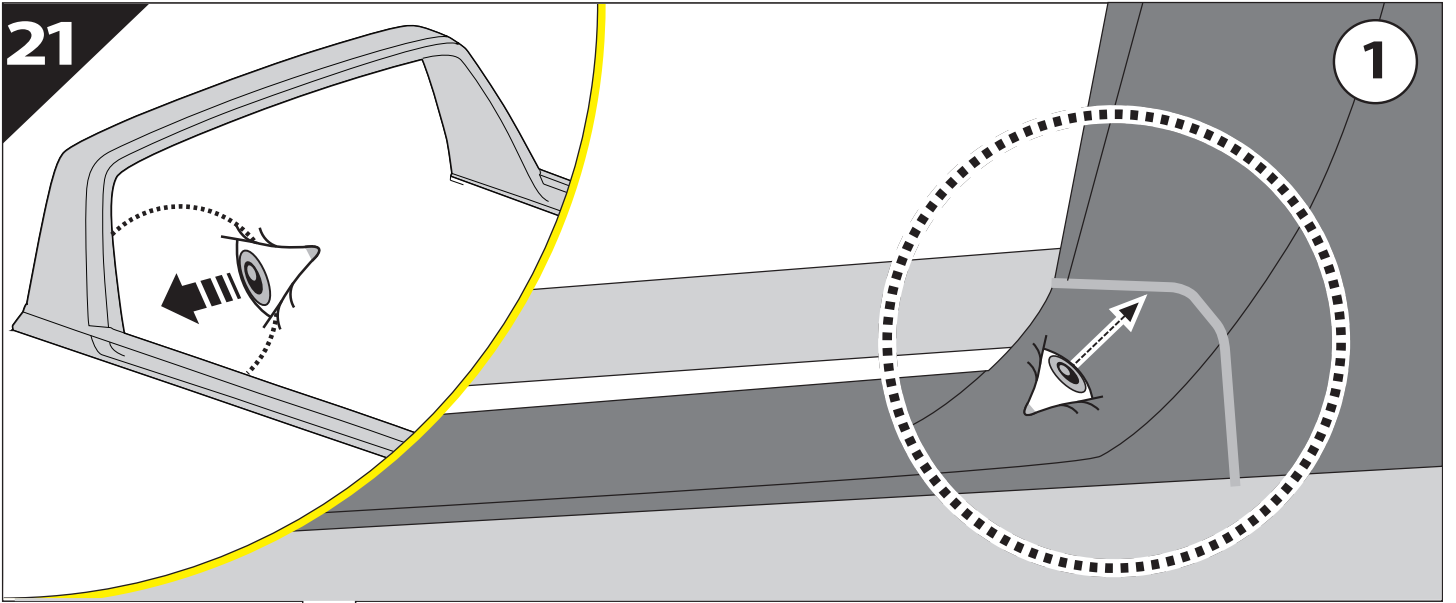
	CAR		TESSERA ROLL+
BEAM		↔	
LICENCE PLATE 2 PIN LIGHT CONNECTOR			
STOP		↔	
TAILGATE CONNECTOR			

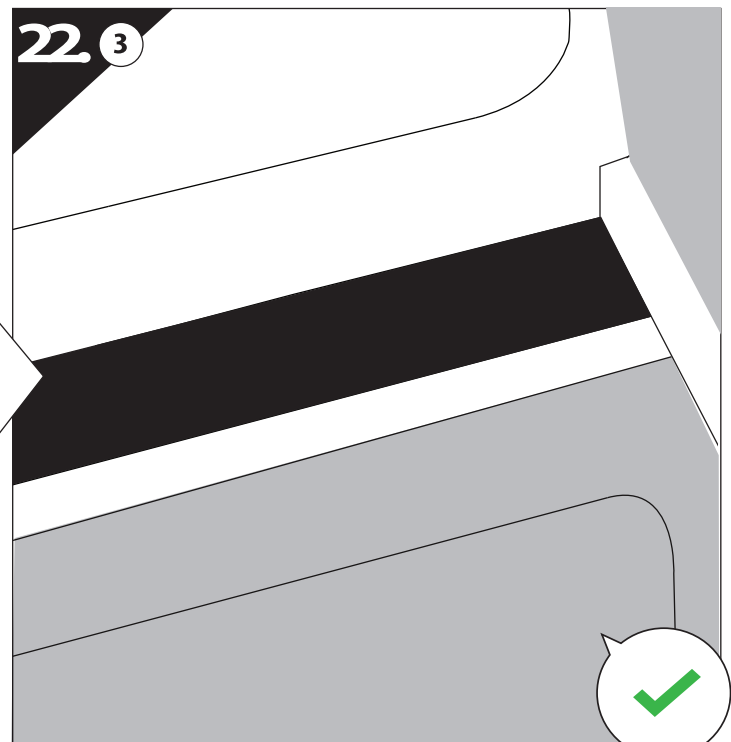
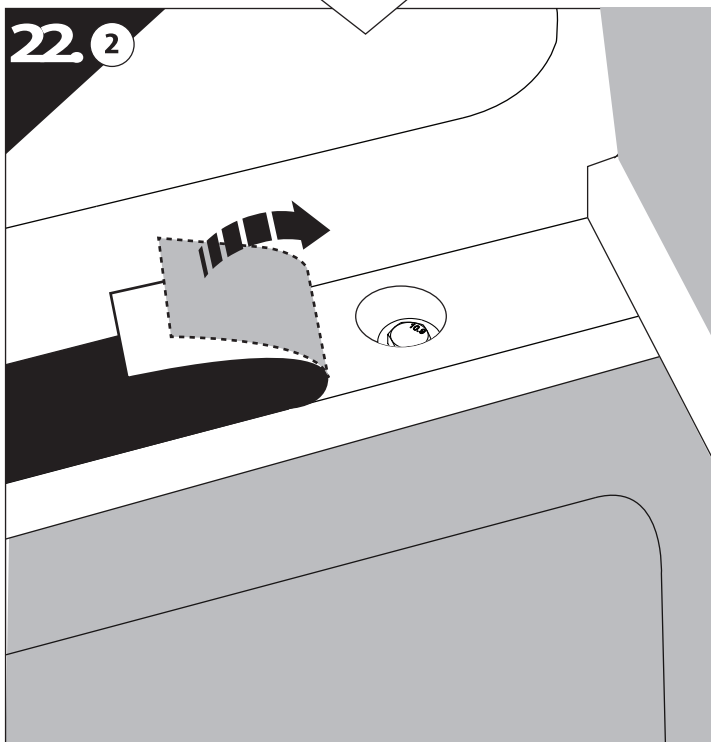
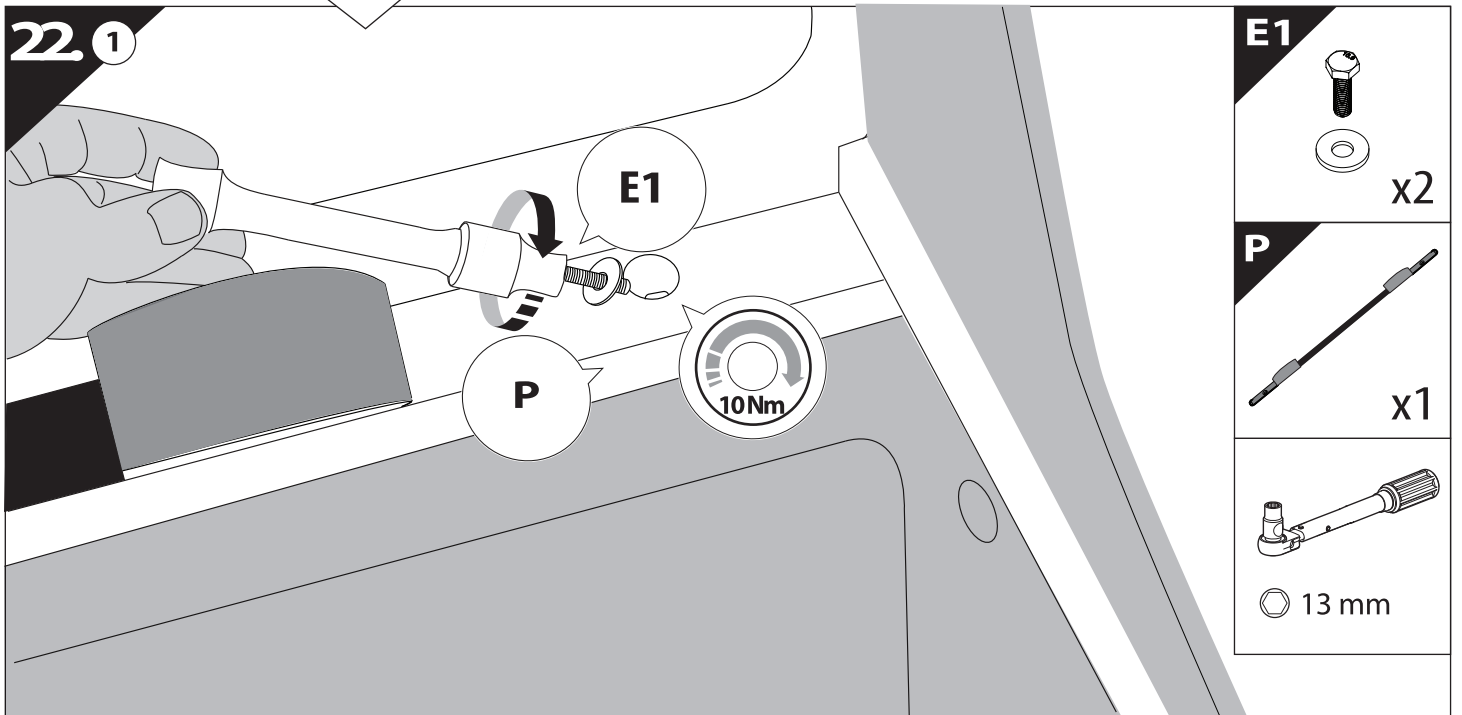
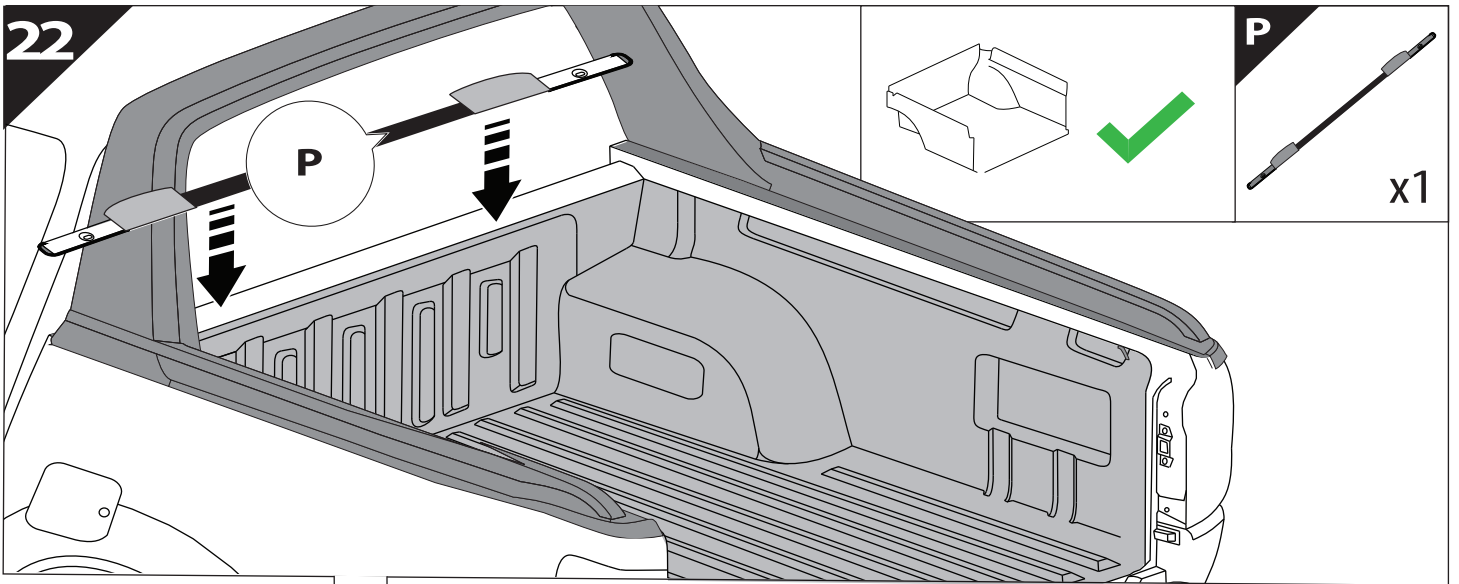


20. 1



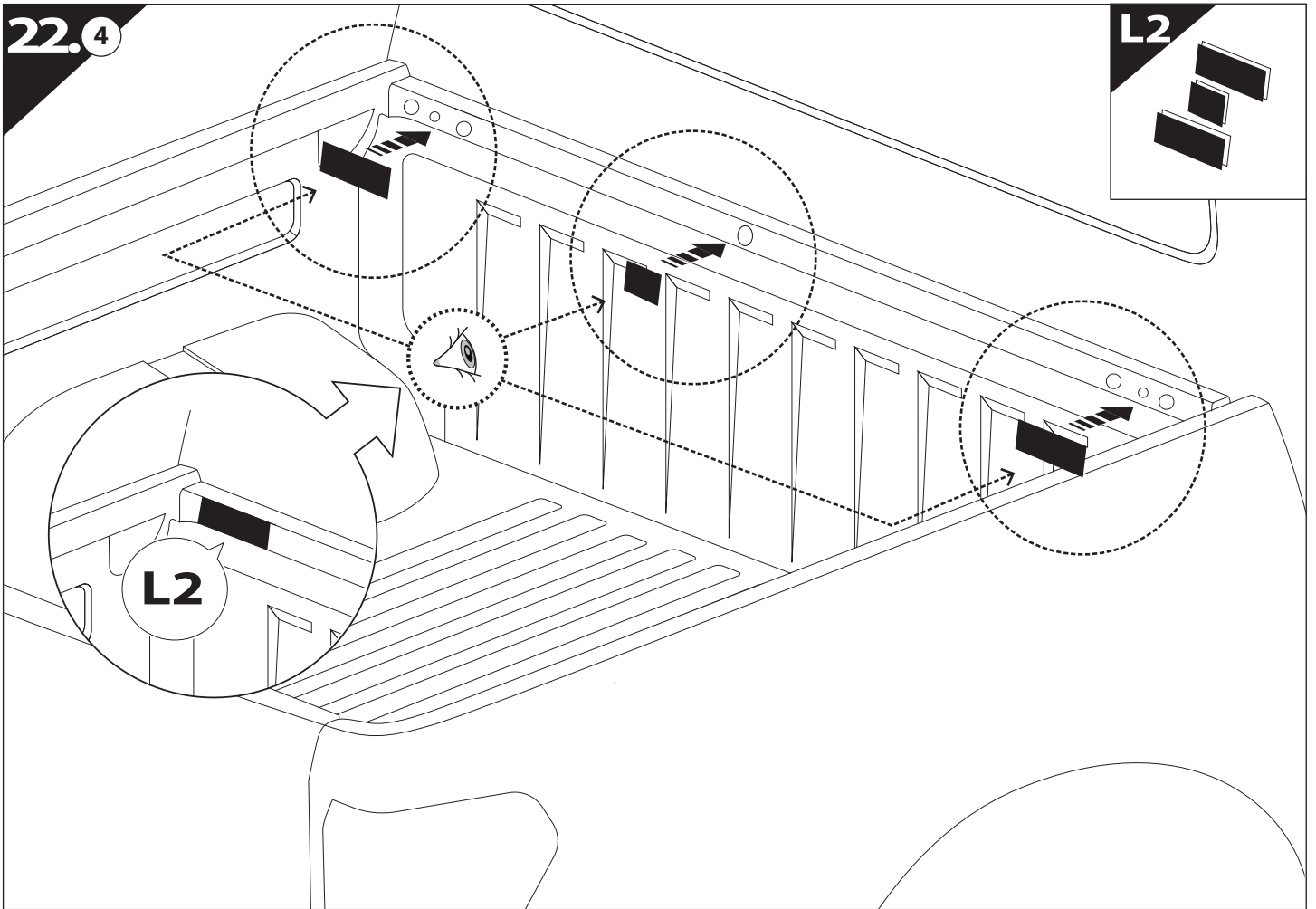
	CAR		TESSERA ROLL+
BEAM	12	↔	
STOP	4	↔	

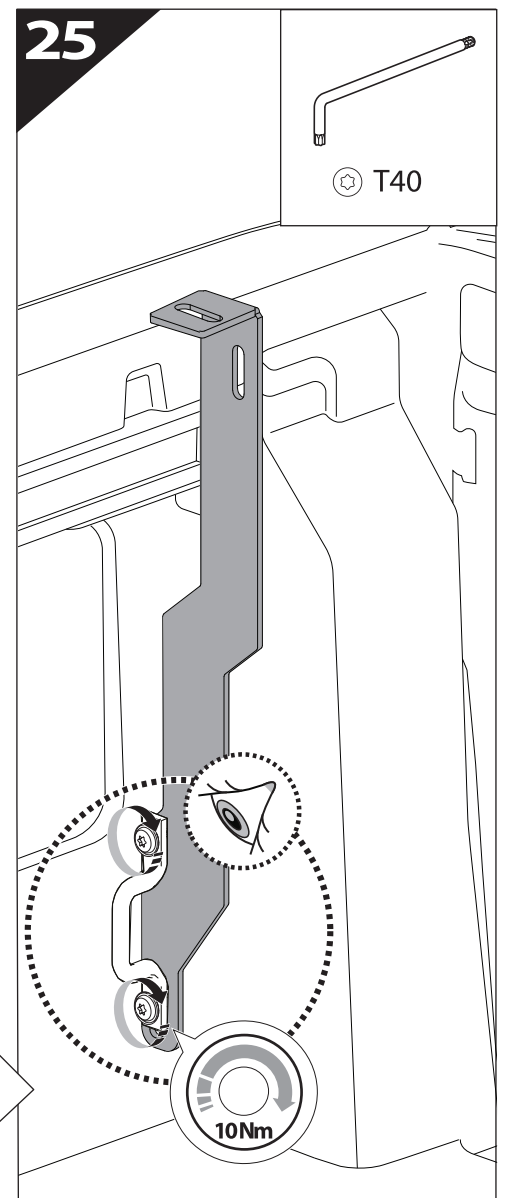
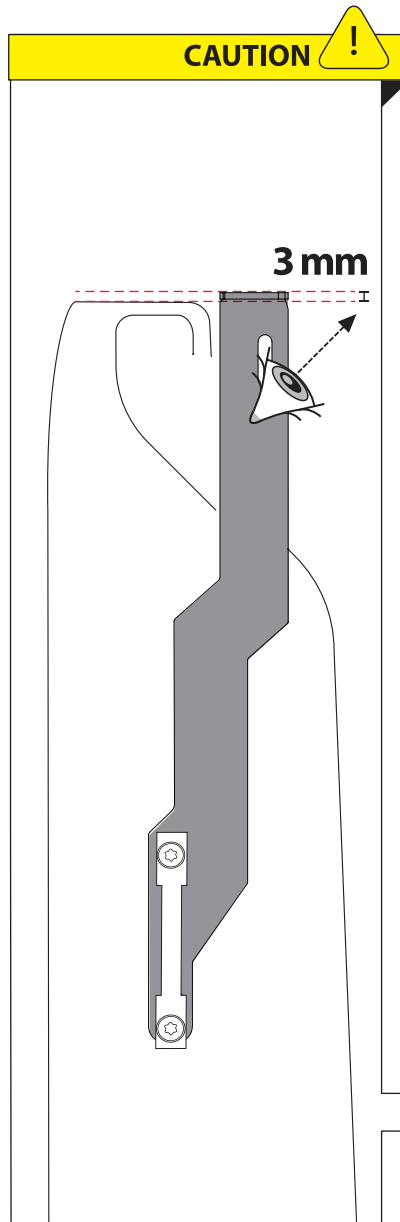
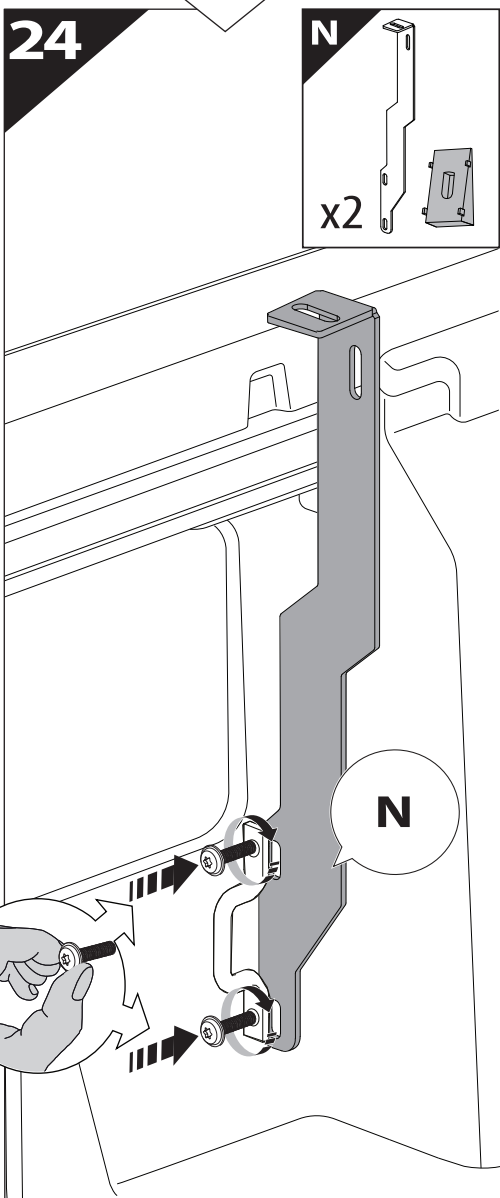
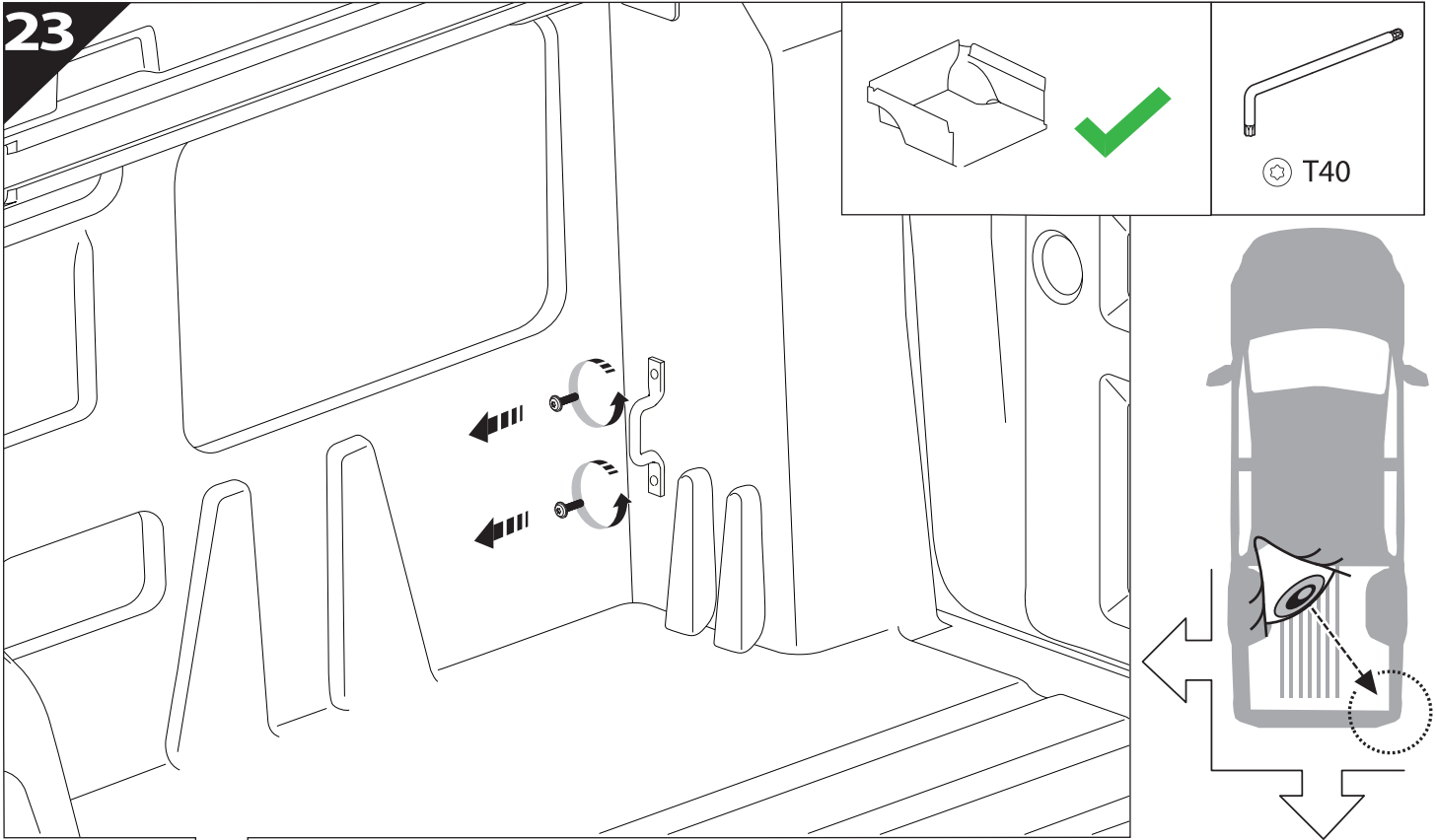




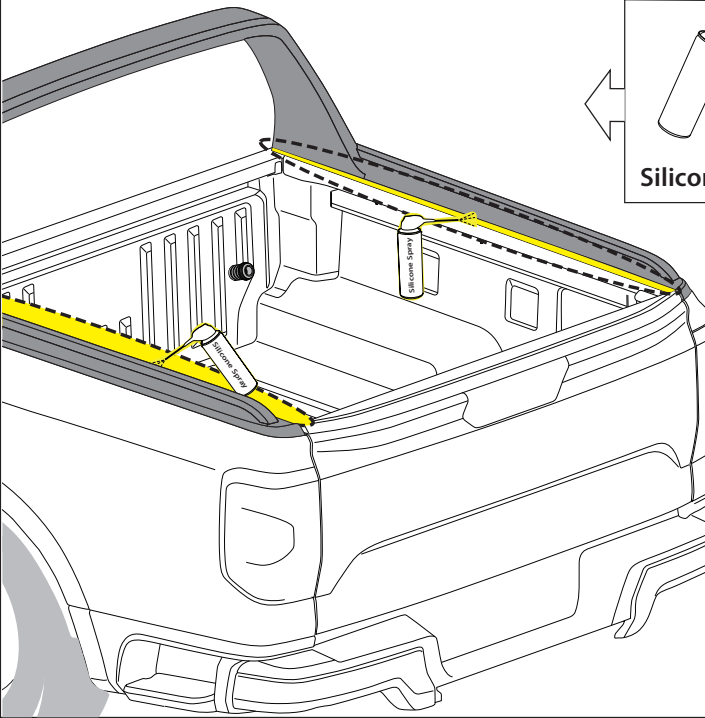
22.4

L2

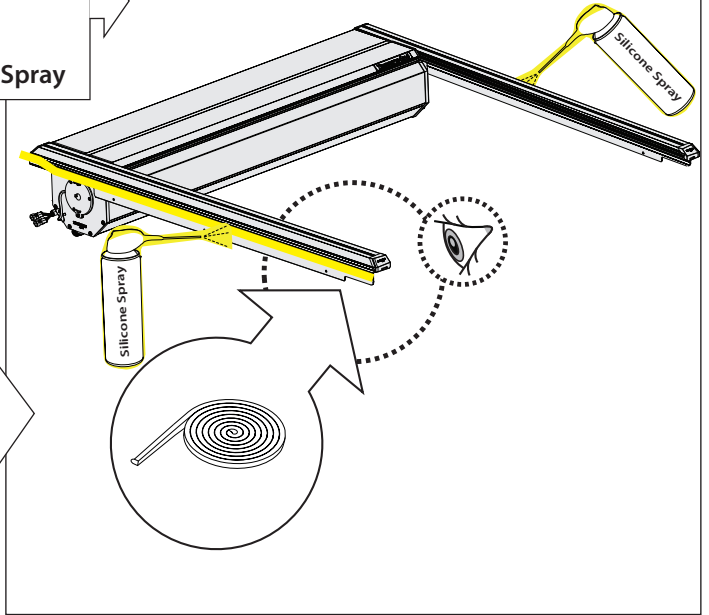
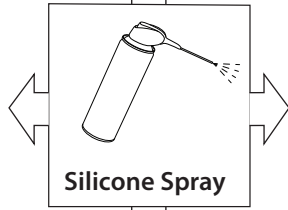




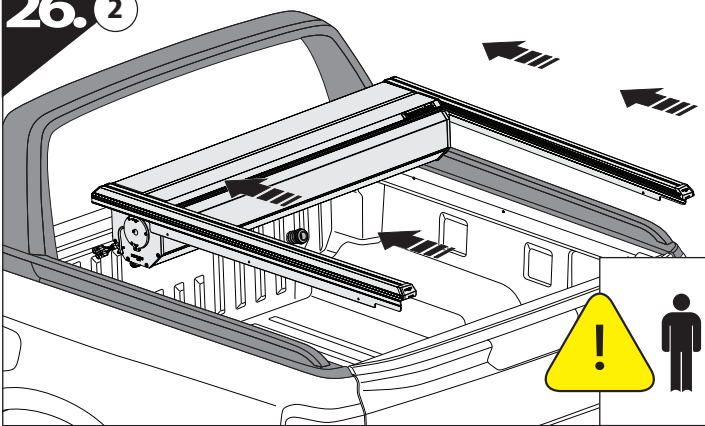
26



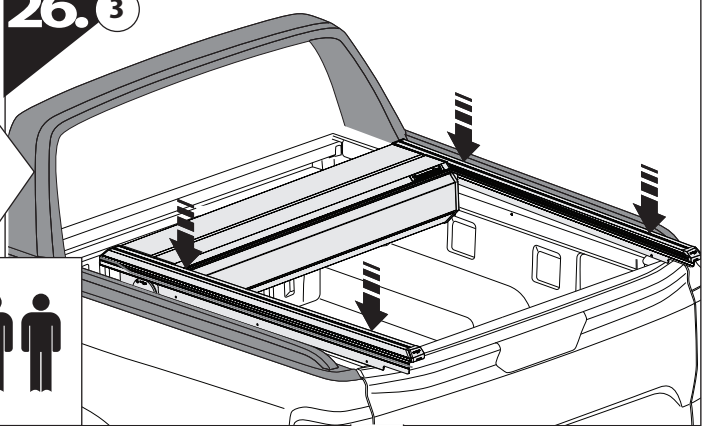
26.1



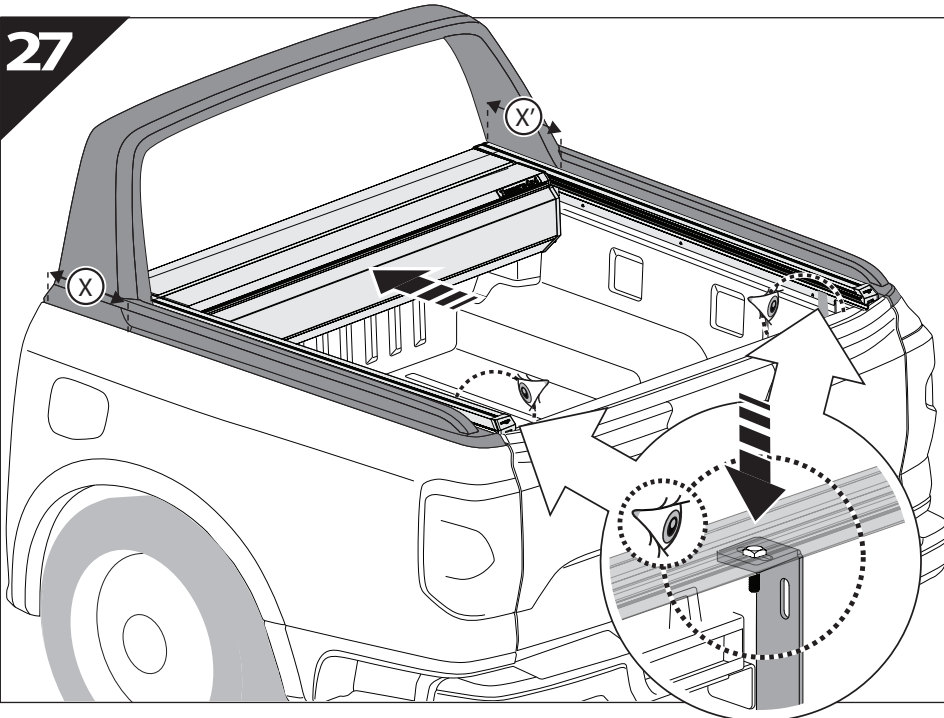
26.2

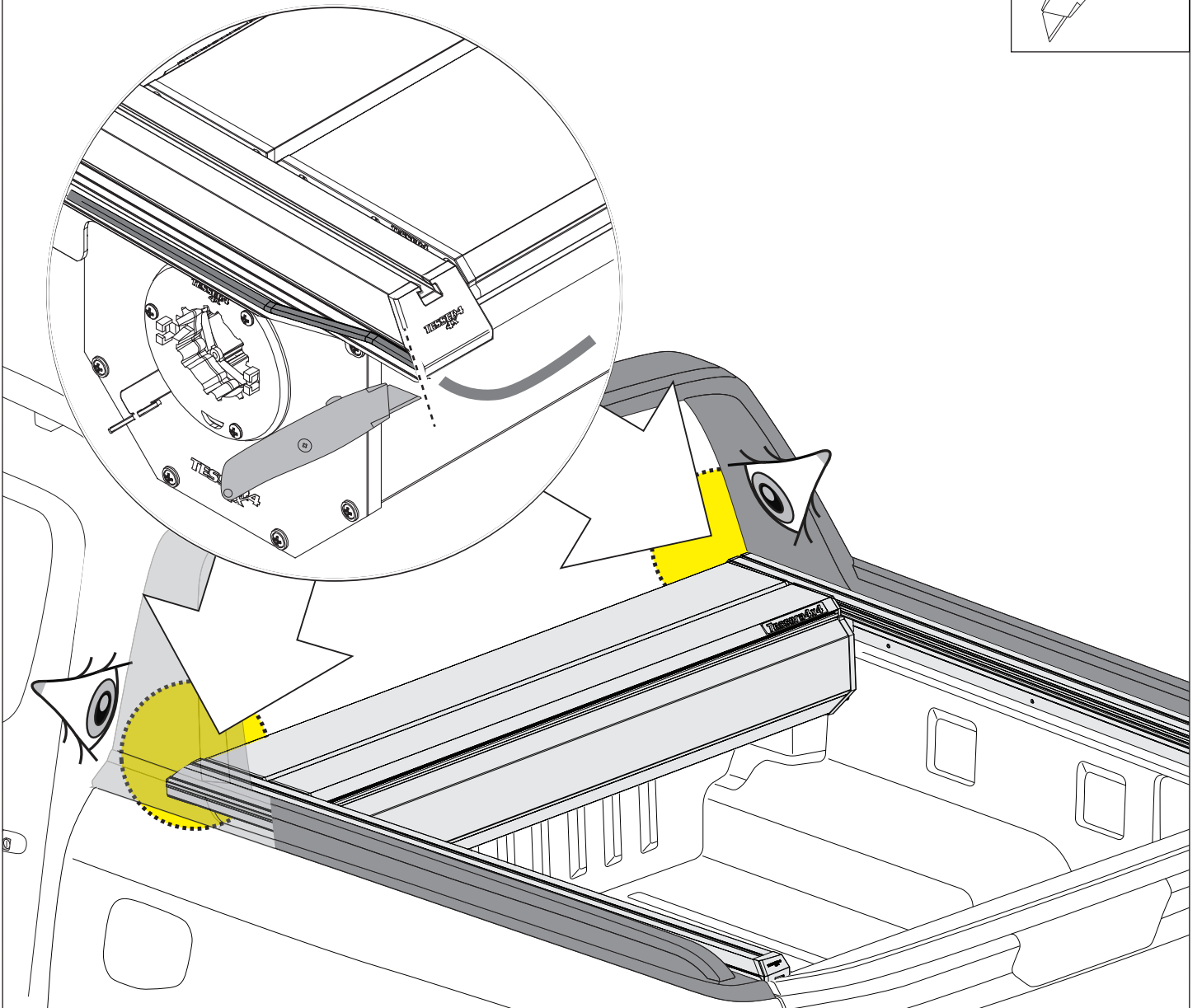
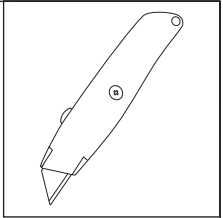


26.3

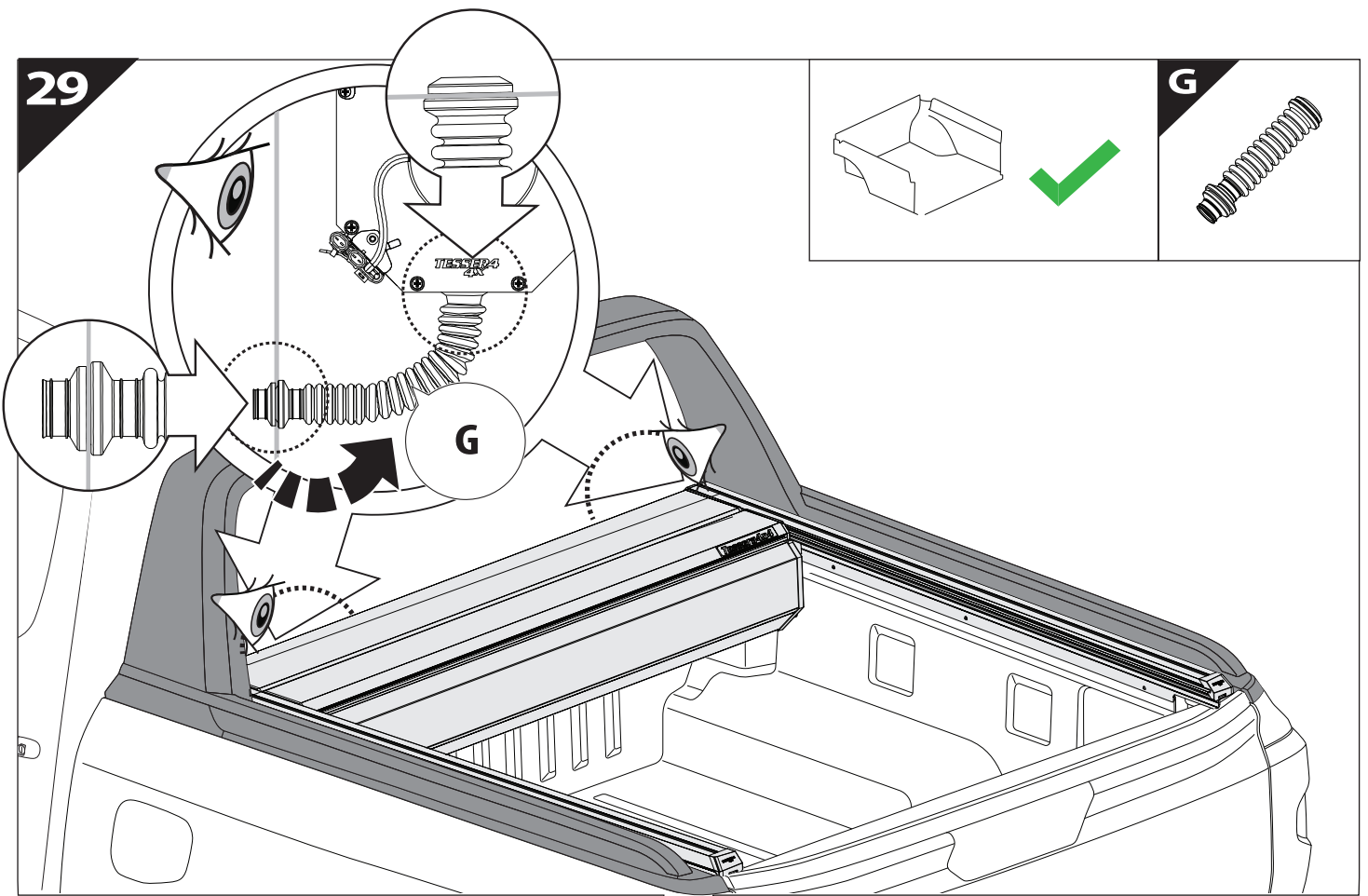


27

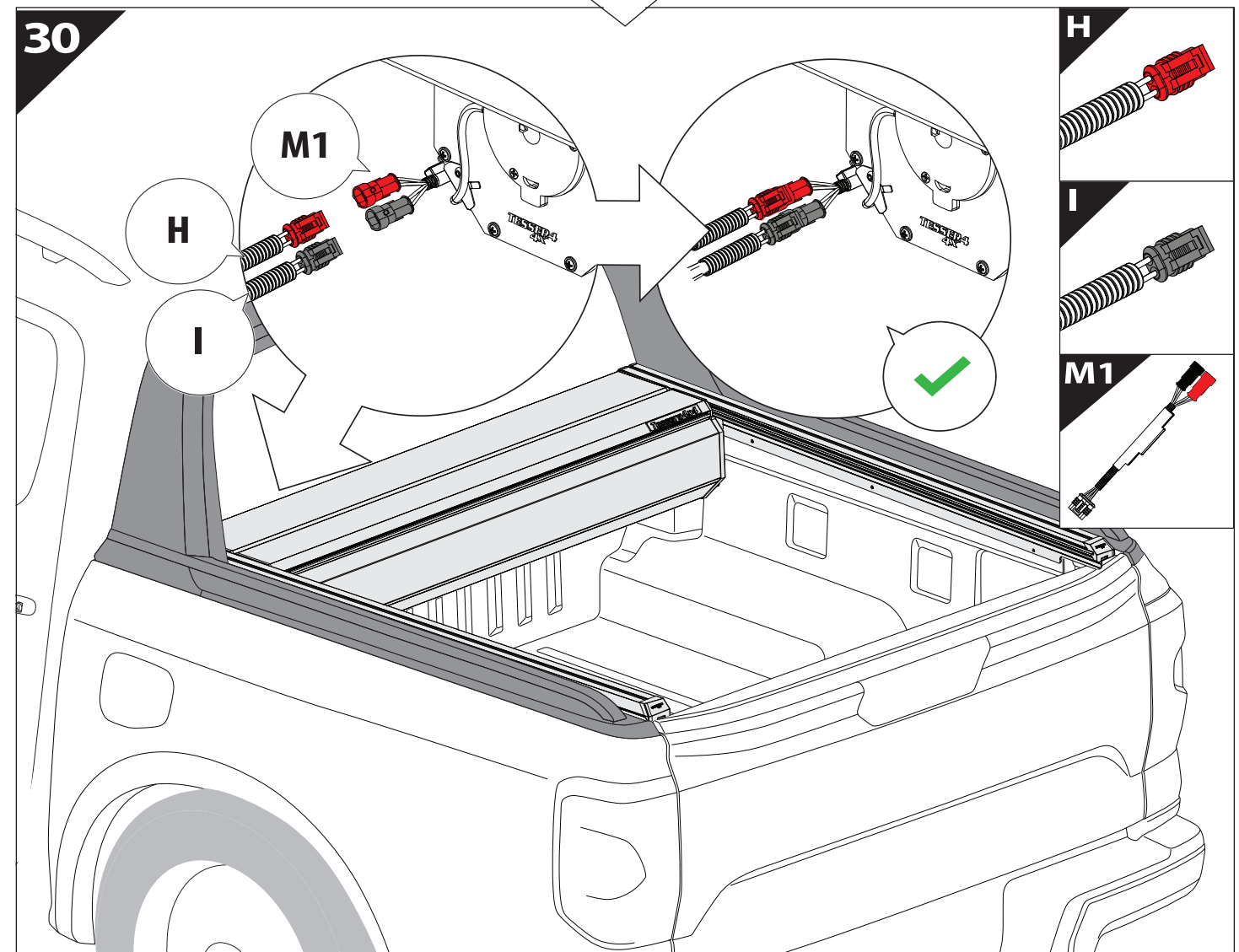




29

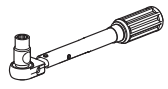
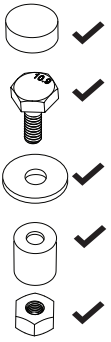


30

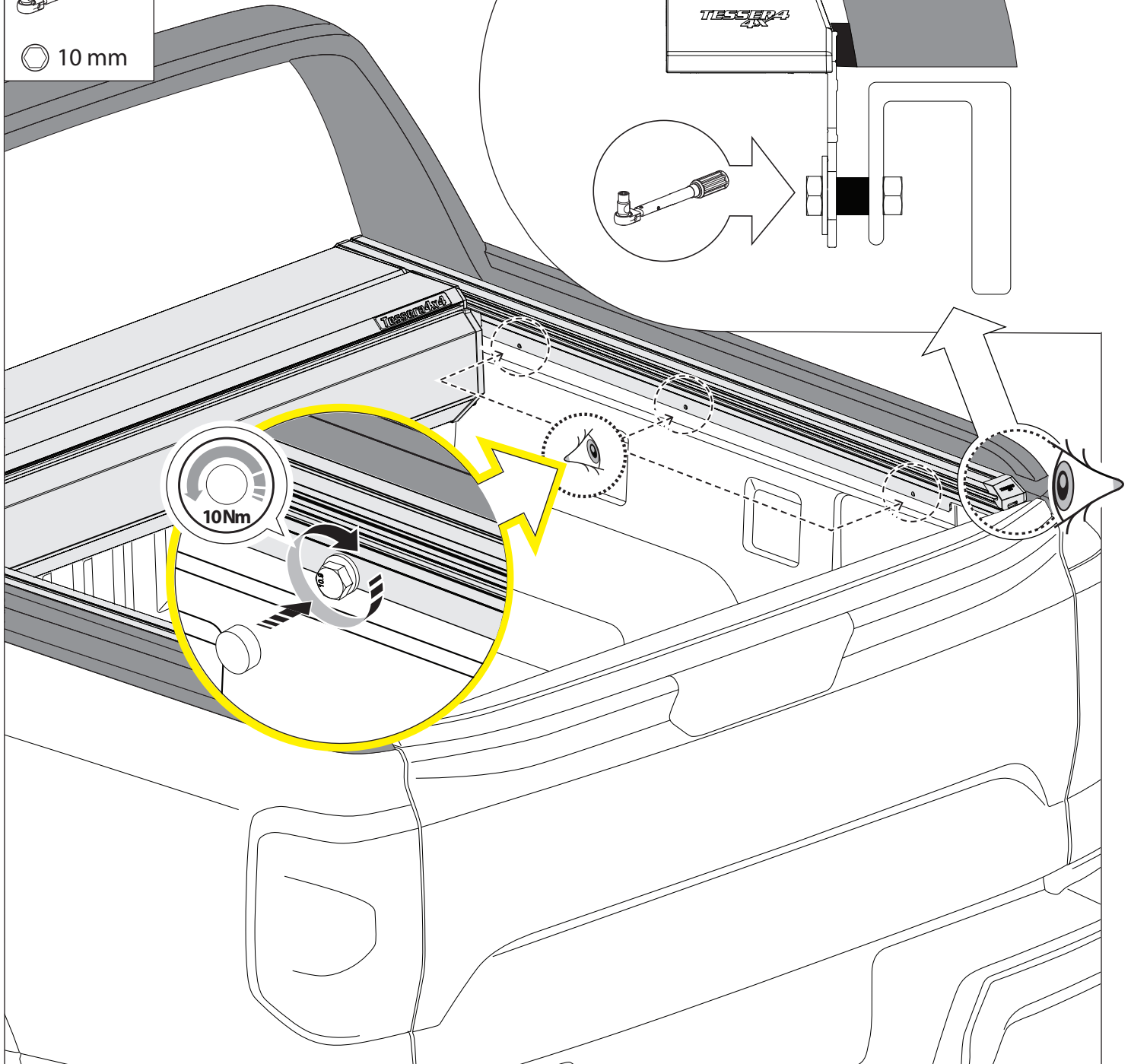
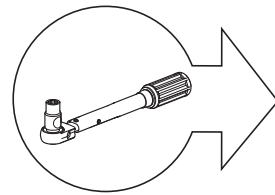
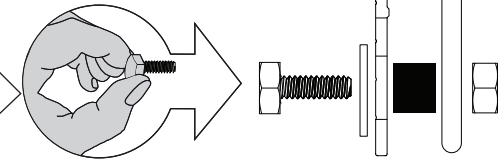
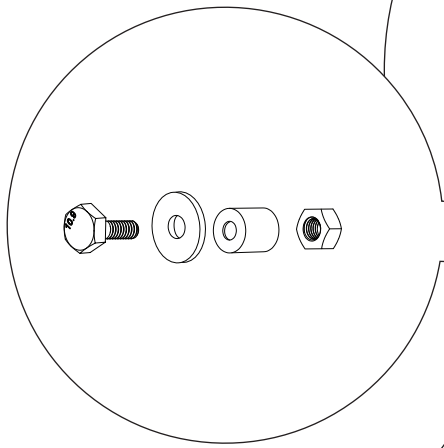


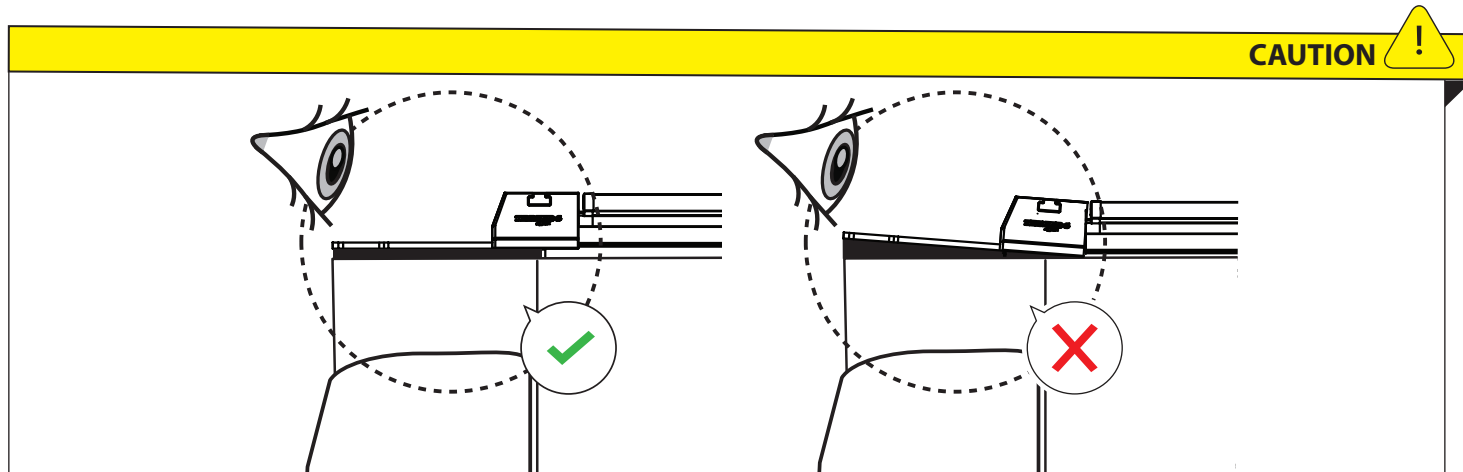
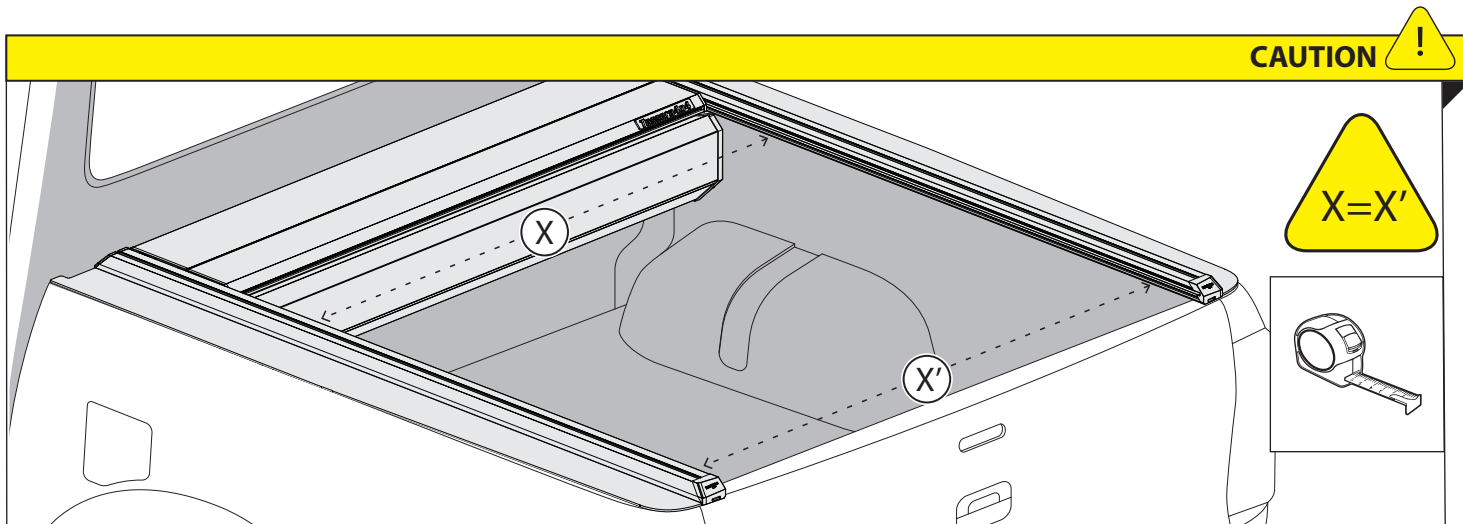
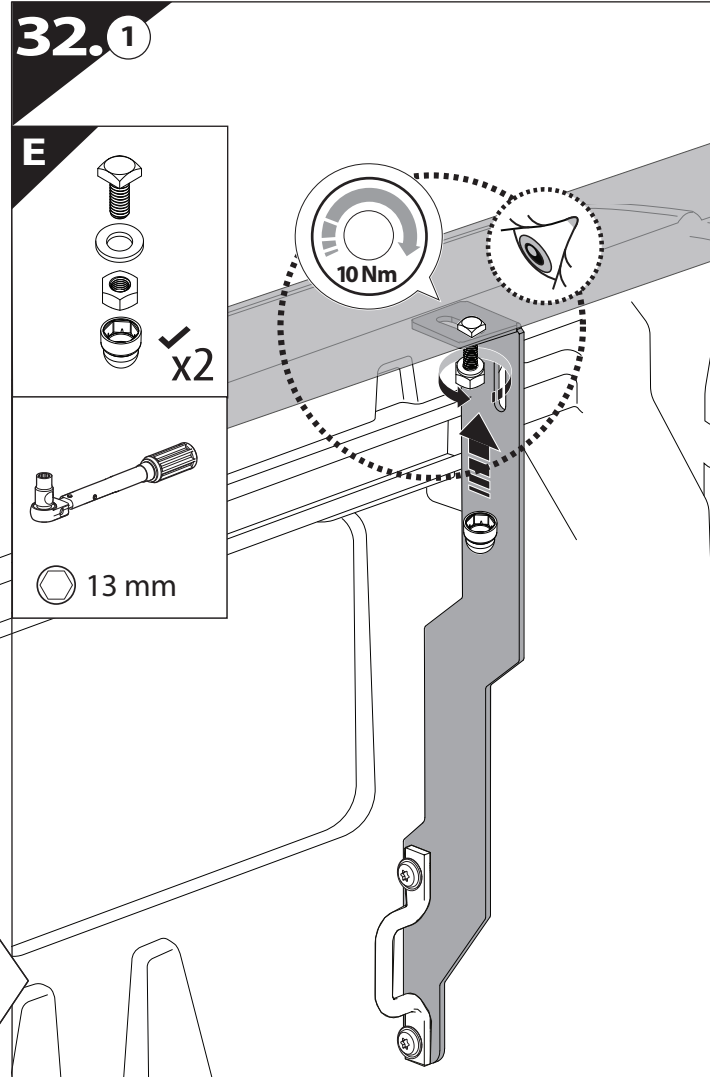
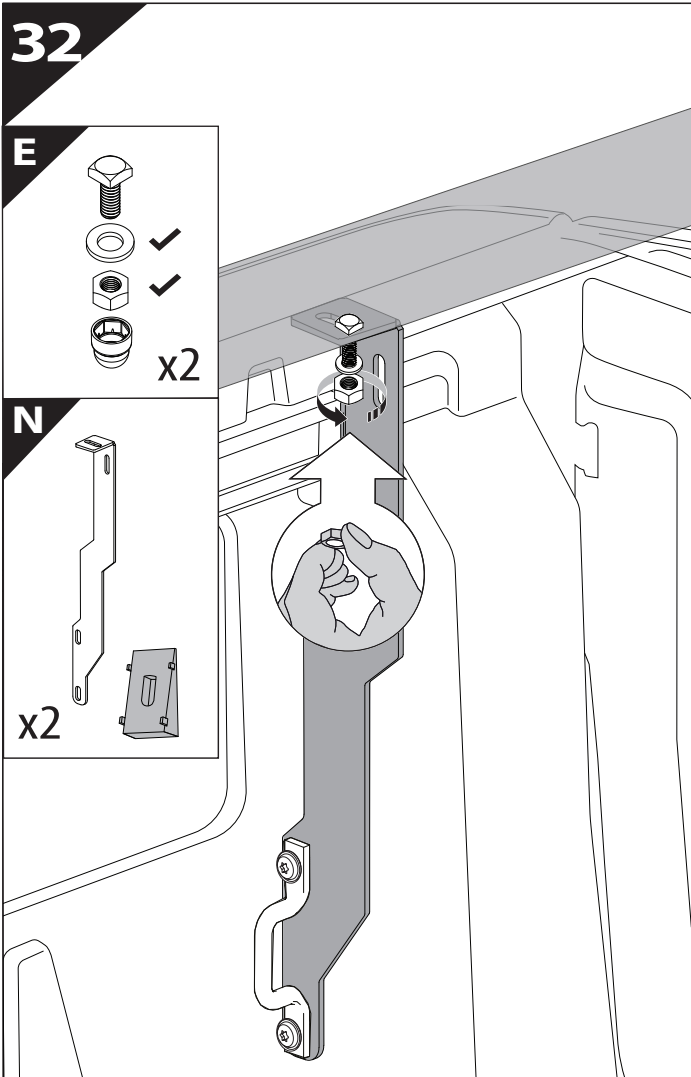
31

E2

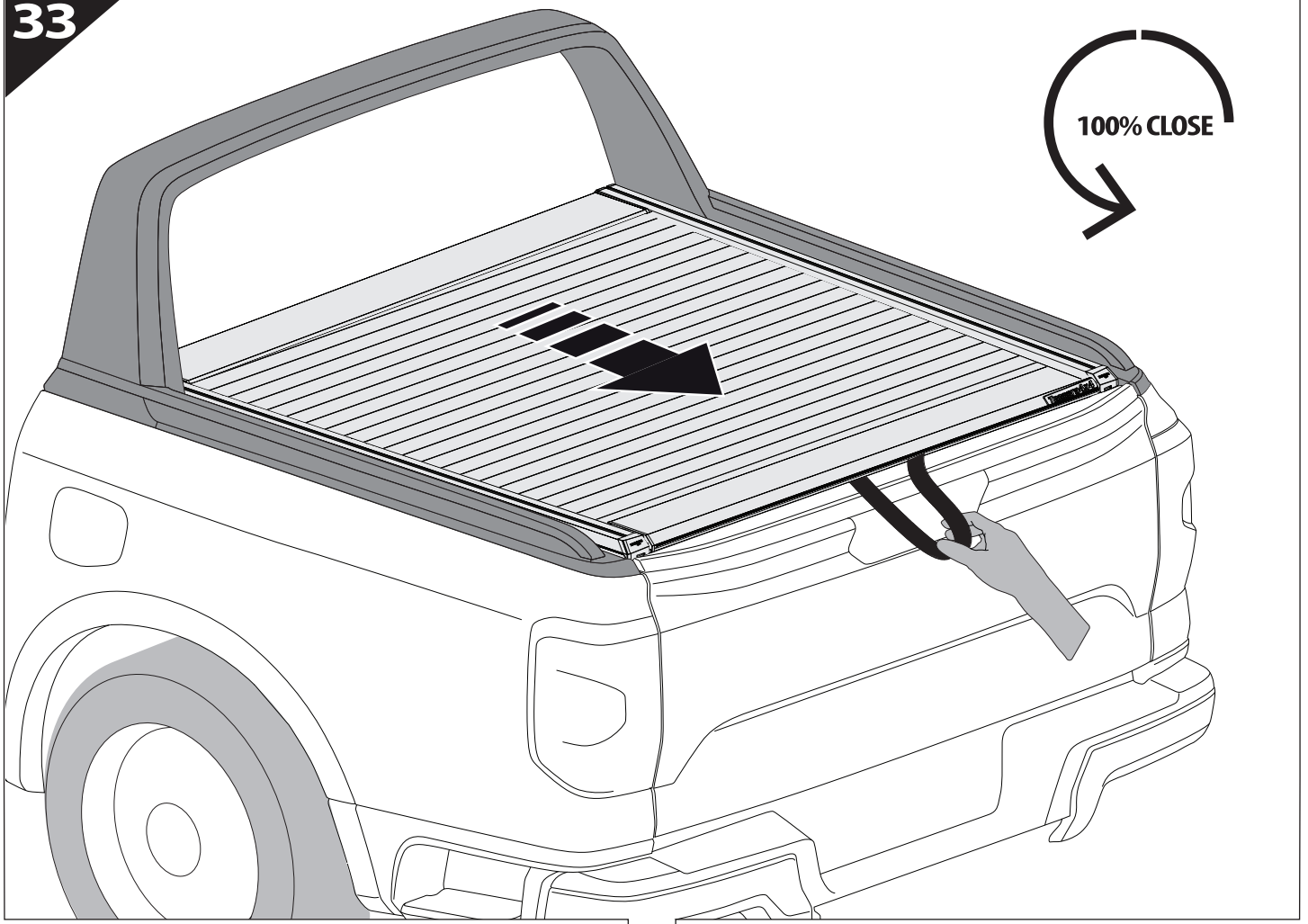


10 mm

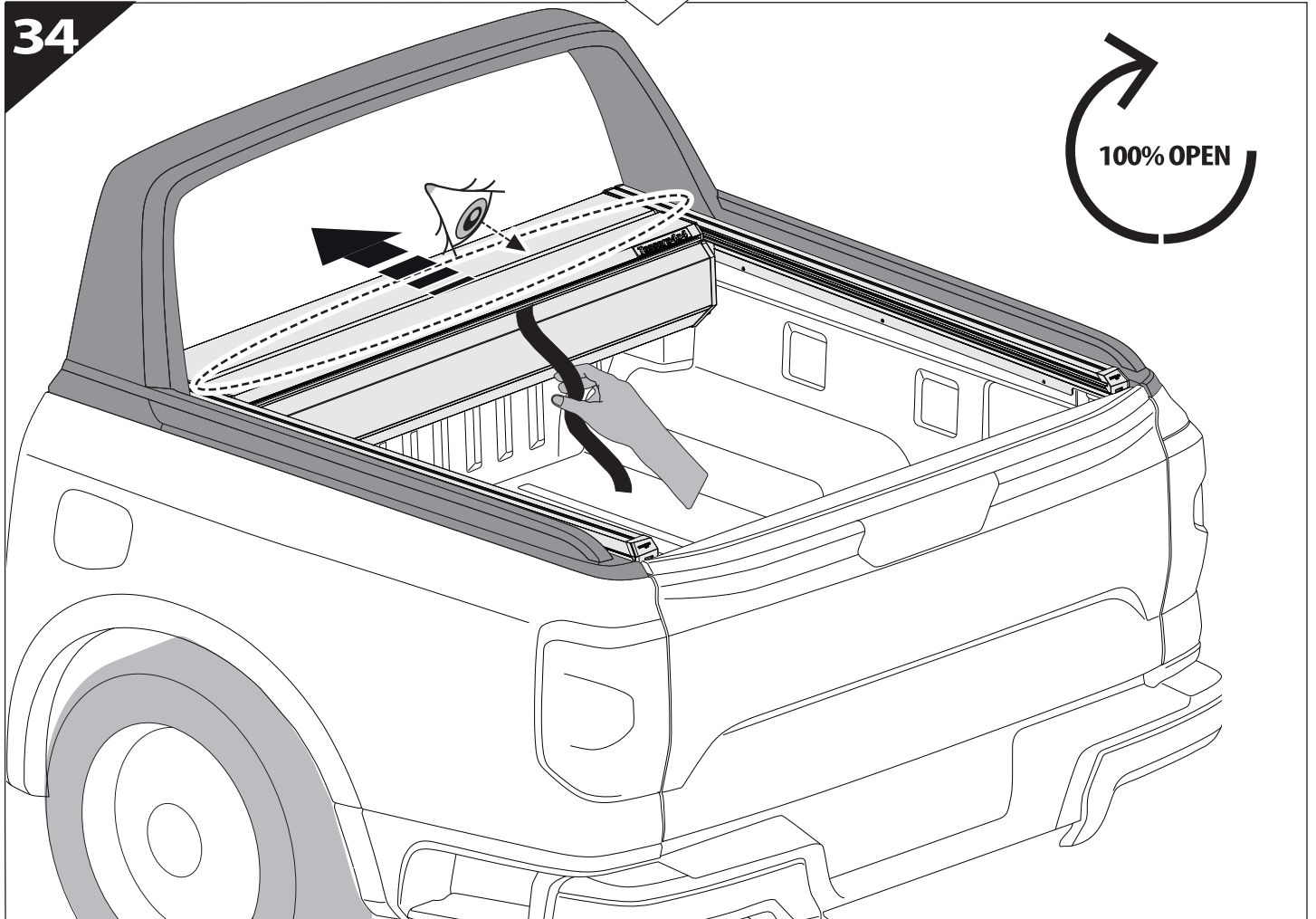




33



34





GR: Οδηγίες Εγκατάστασης
GB: Installation manual
SF: Asennusohje
F: Notice de montage
PL: Instrukcja montażu
NL: Installatie-instructies
TR: Montaj Talimatı
S: Monteringsanvisning
E: Instrucciones de montaje

H: Szerelési utasítás
P: Instruções de instalação
RUS: Инструкция по установке
N: Monteringsveiledning
D: Einbauanleitung
CZ: Návod k instalaci
I: Istruzioni de montaggio
DK: Monteringsvejledning
RO: Instructiuni de instalare

Customer Service:

+30 (210) 5541161, +30 (210) 5541154 (08:00 - 16:00 EET)

Support department:

info@gianso.gr

Website:

www.tessera4x4.com

Address:

19.5 km of National road Athens-Korinthos (Elefsina) Greece, P.C: 19200