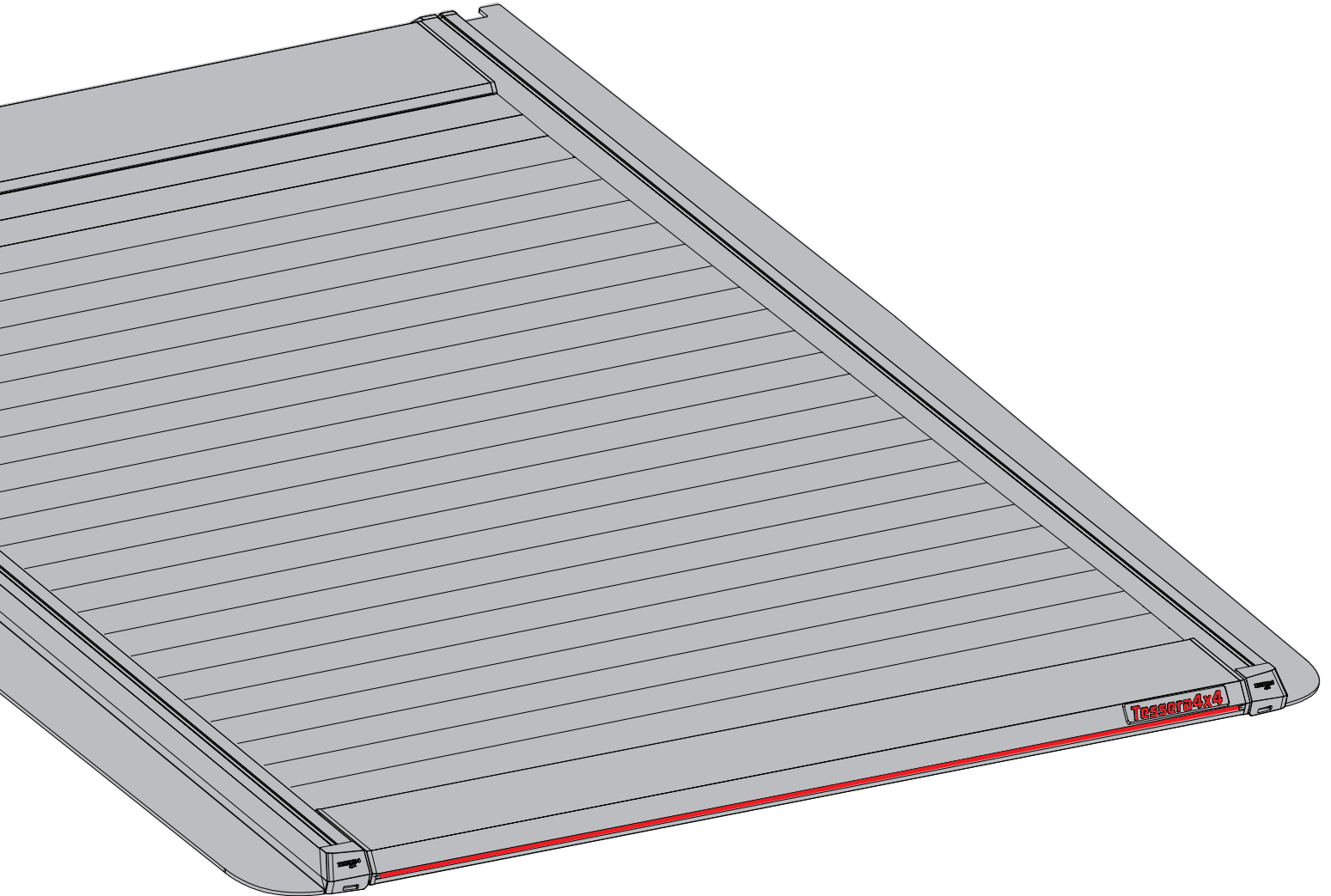


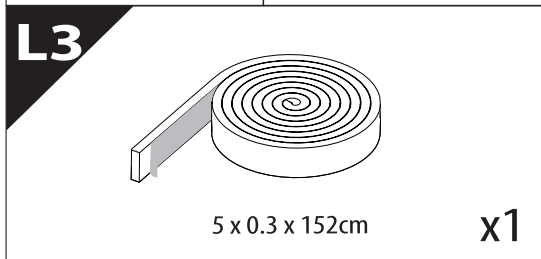
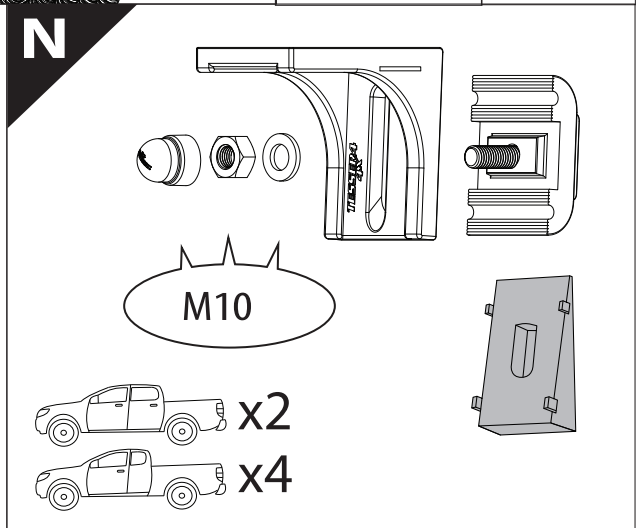
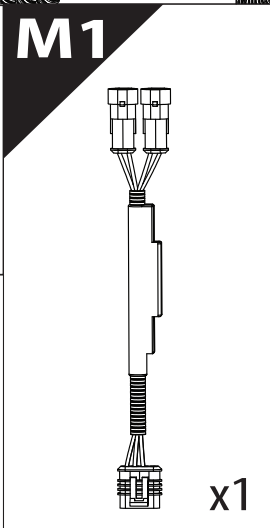
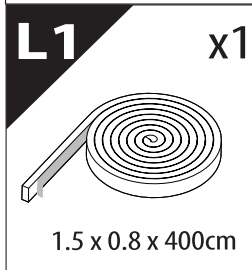
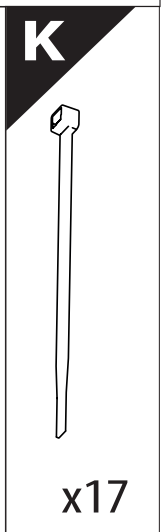
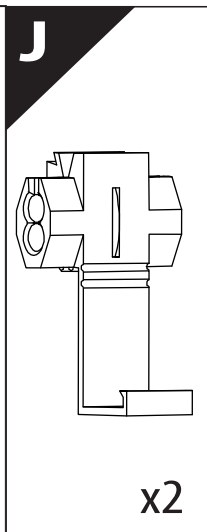
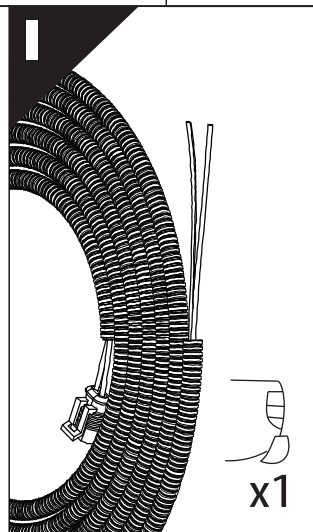
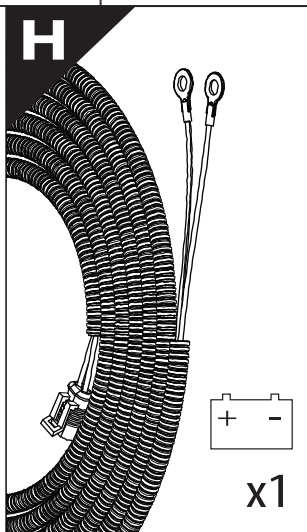
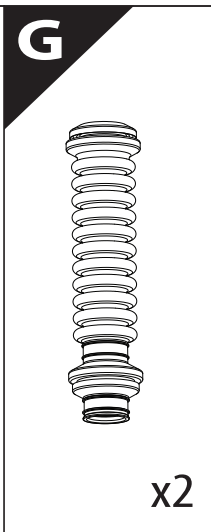
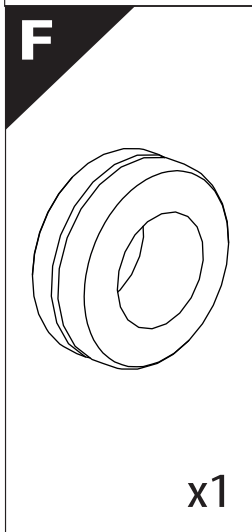
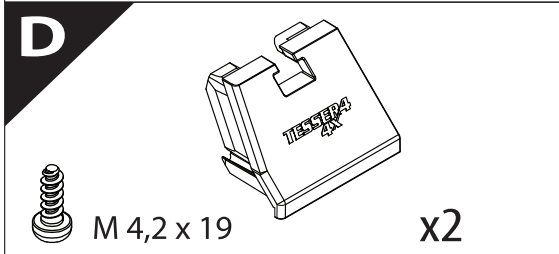
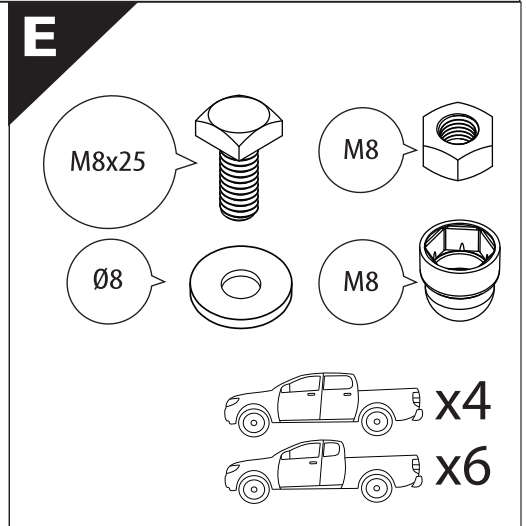
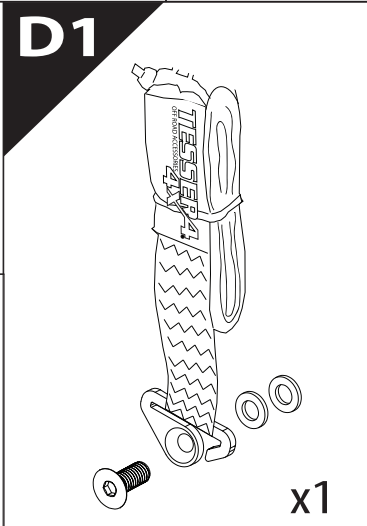
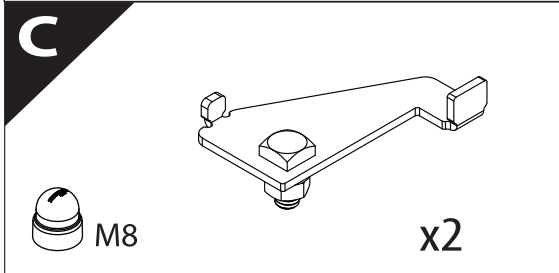
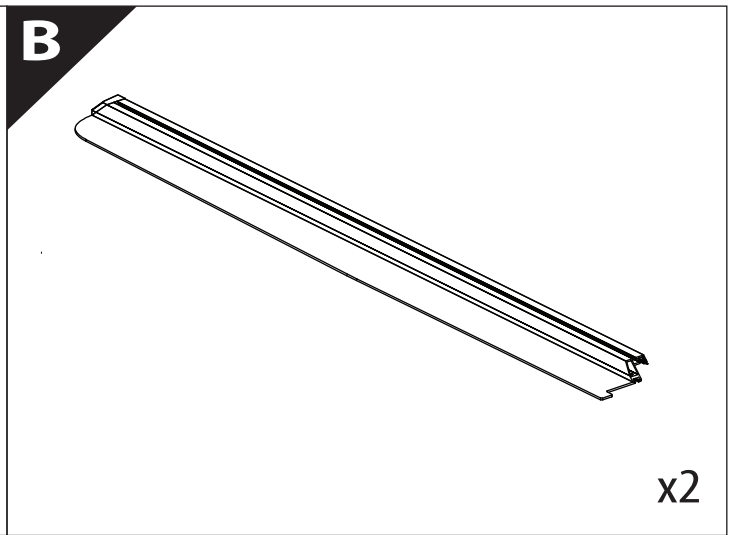
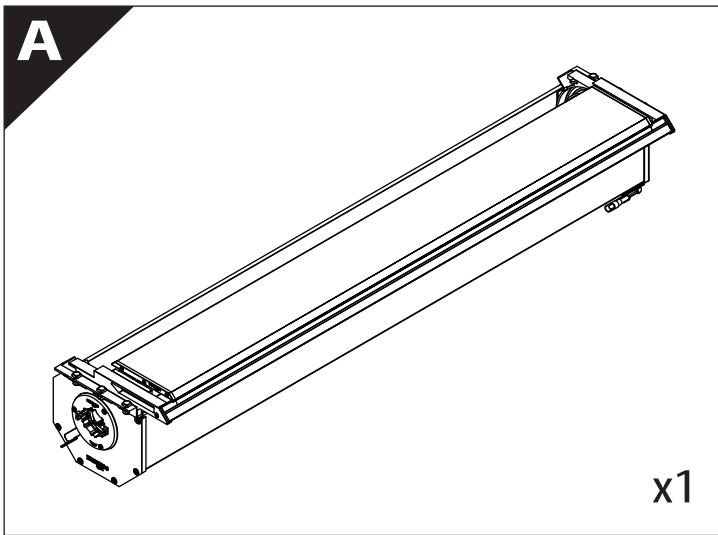
Tessera Roll+

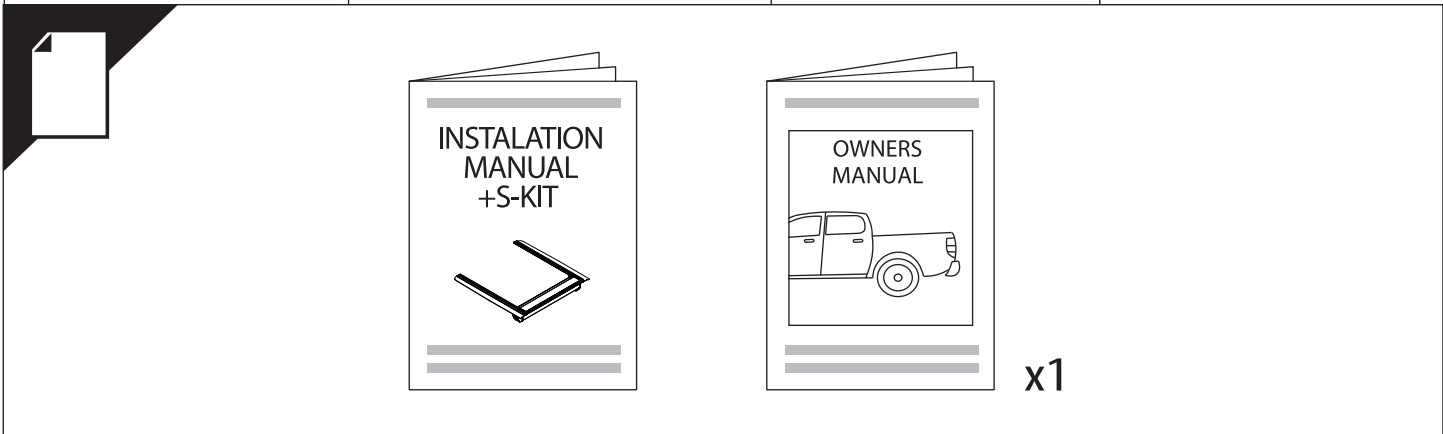
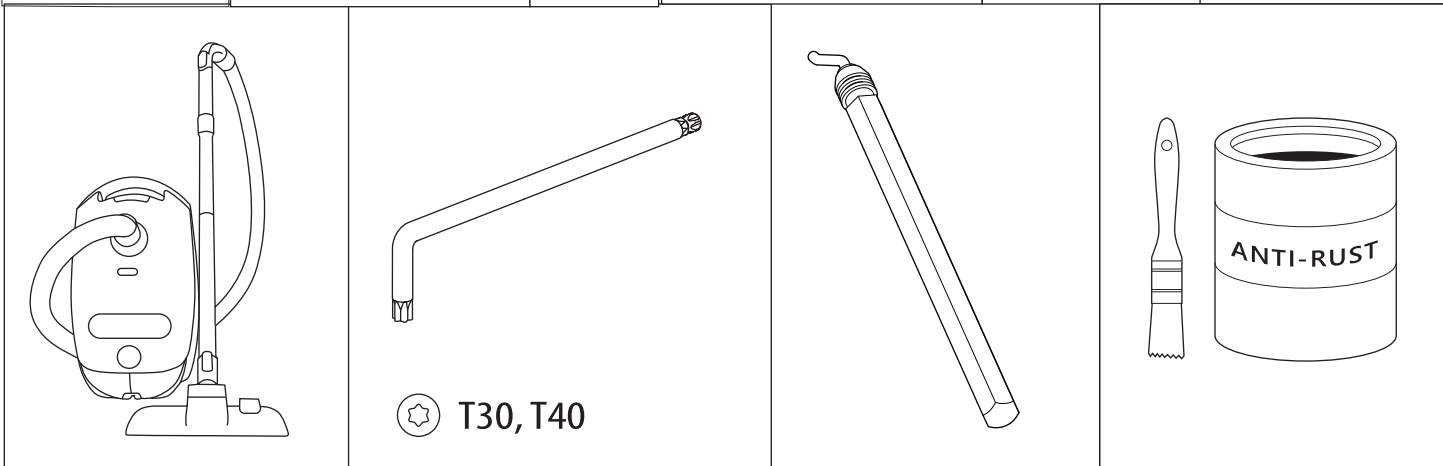
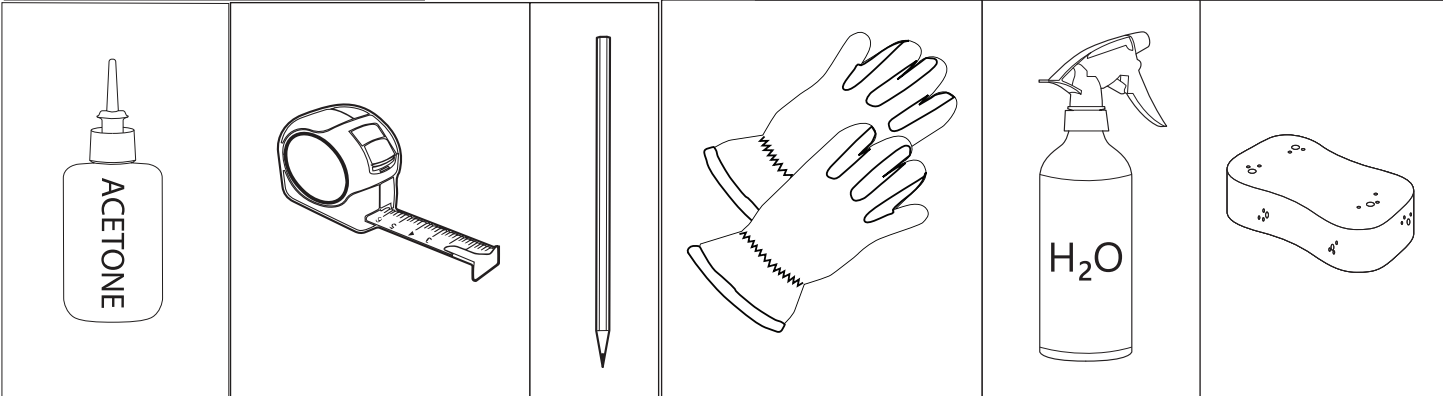
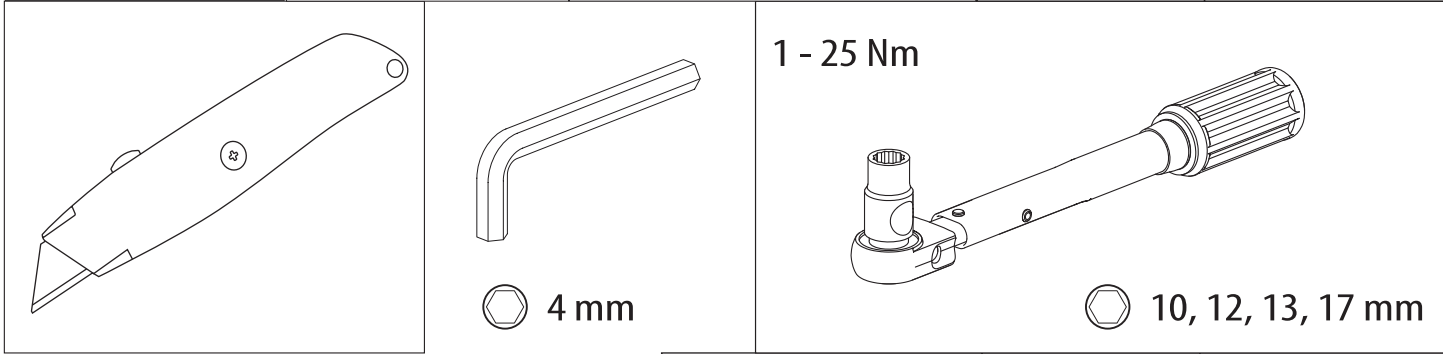
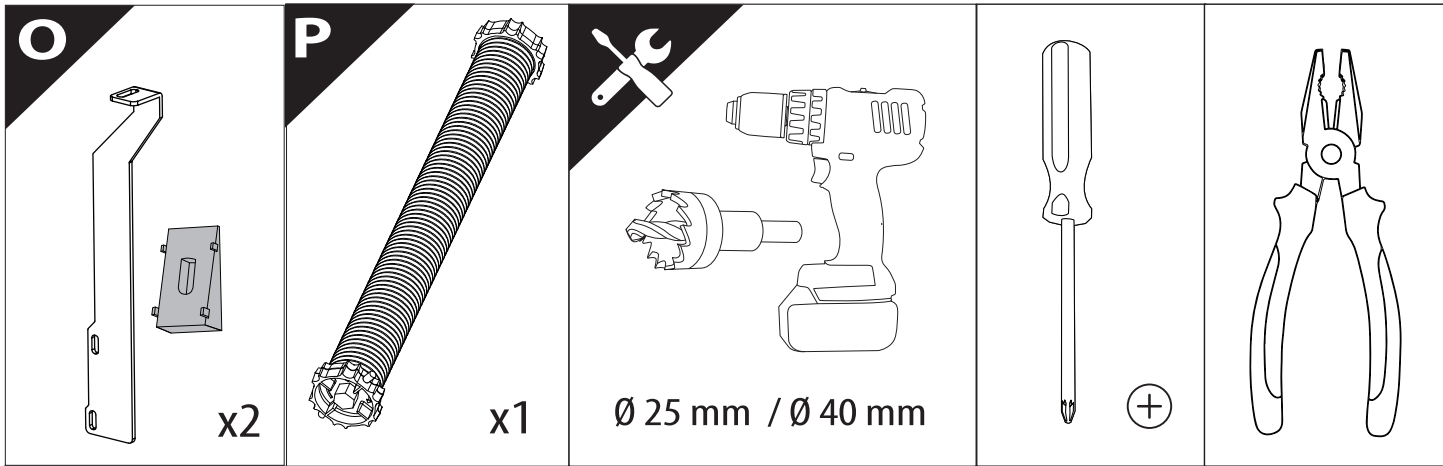
Basic Version + ⚙️ S-KIT

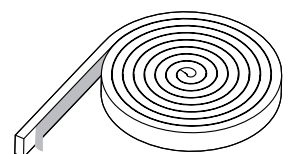
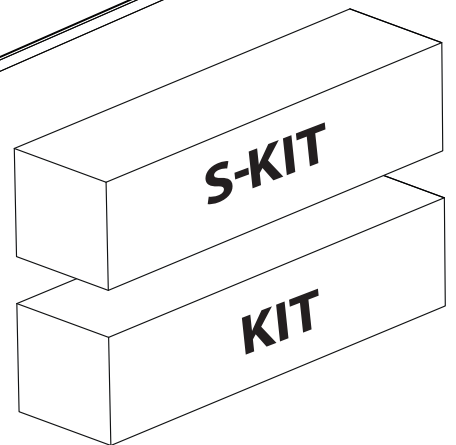
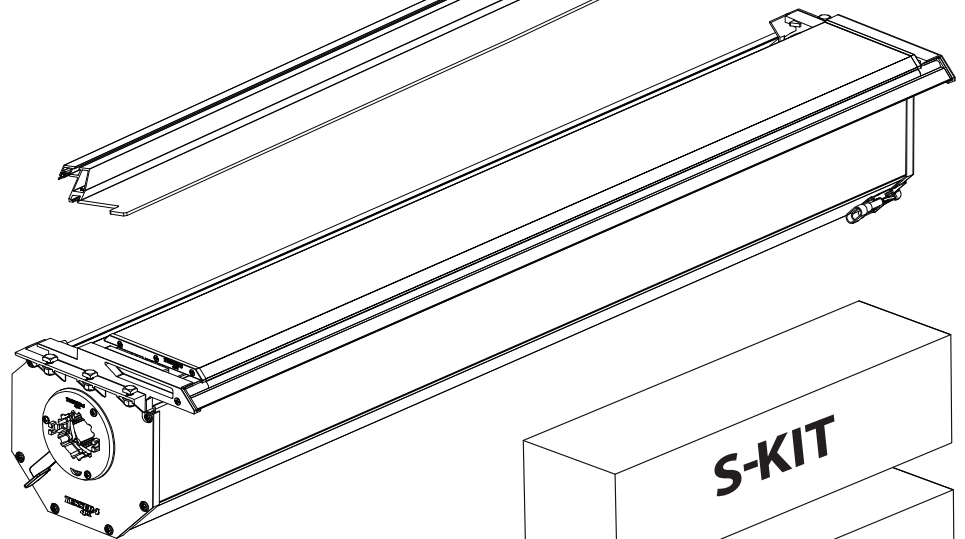
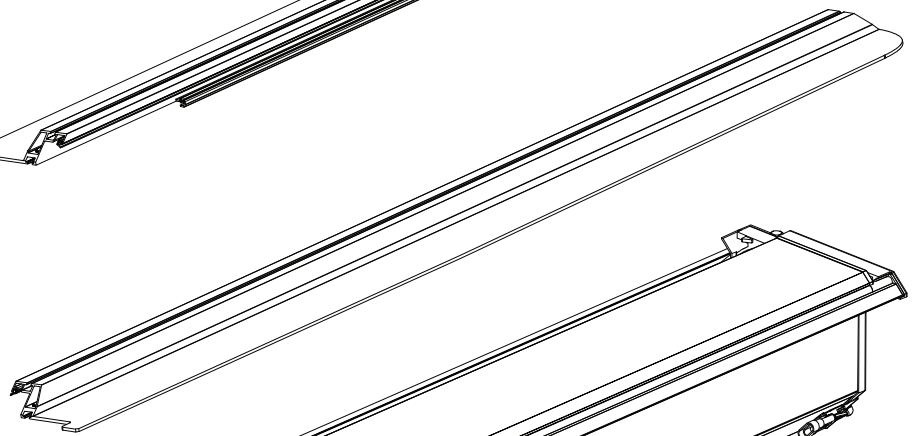
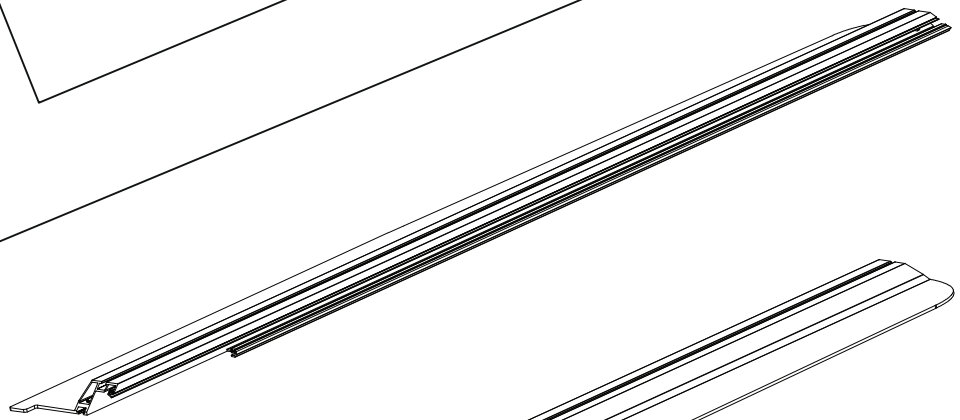
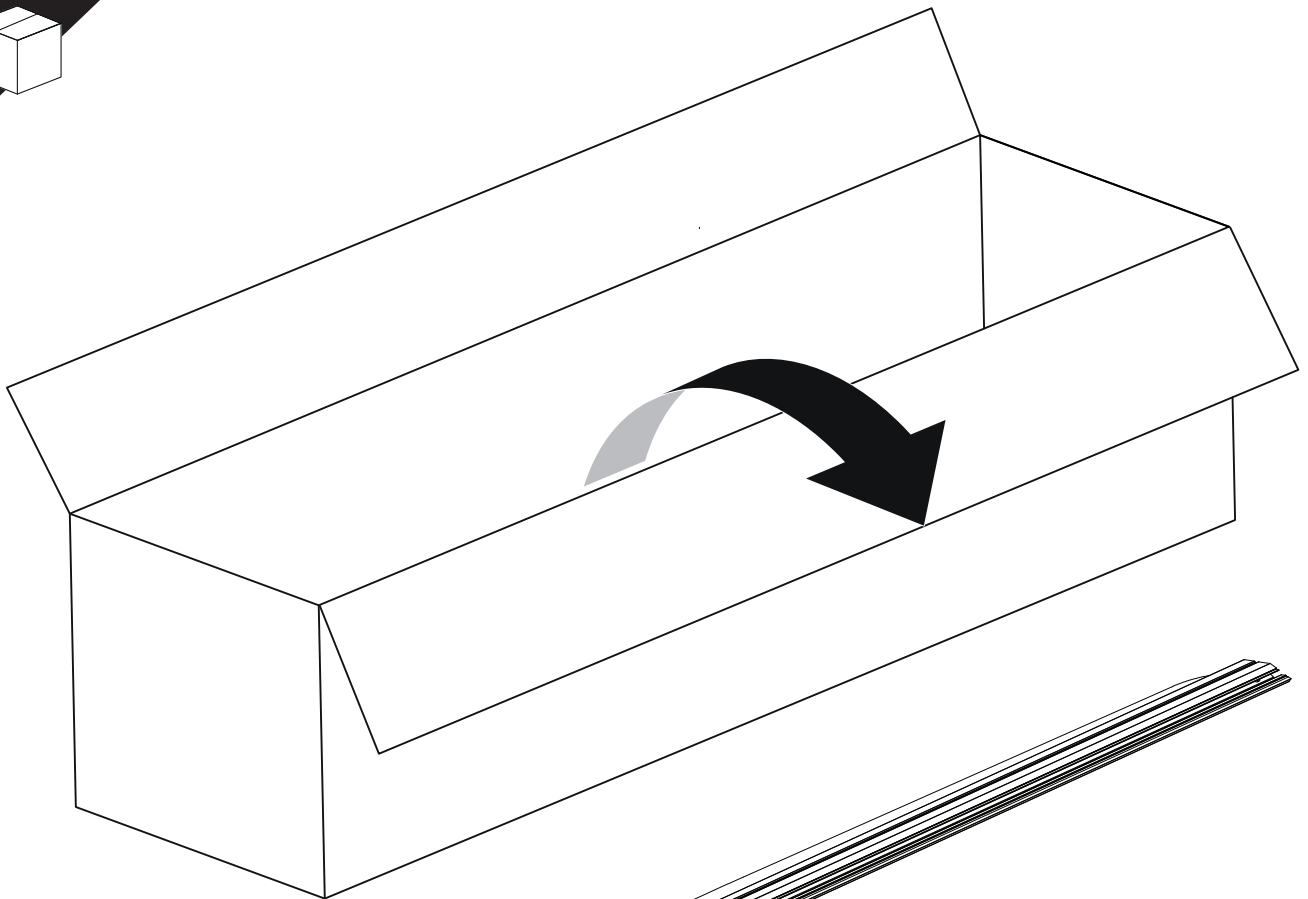


Installation Manual

PART NUMBER(S)	Model Year
TESS 1406 ROLL+S-KIT	FORD RANGER 2012+ / 2016+ / 2020+
TESS 1407 ROLL+S-KIT	
Cab(s)	Installation Time / Weight
Double Cab & Space cab	40-60 minutes / 53-57 kg





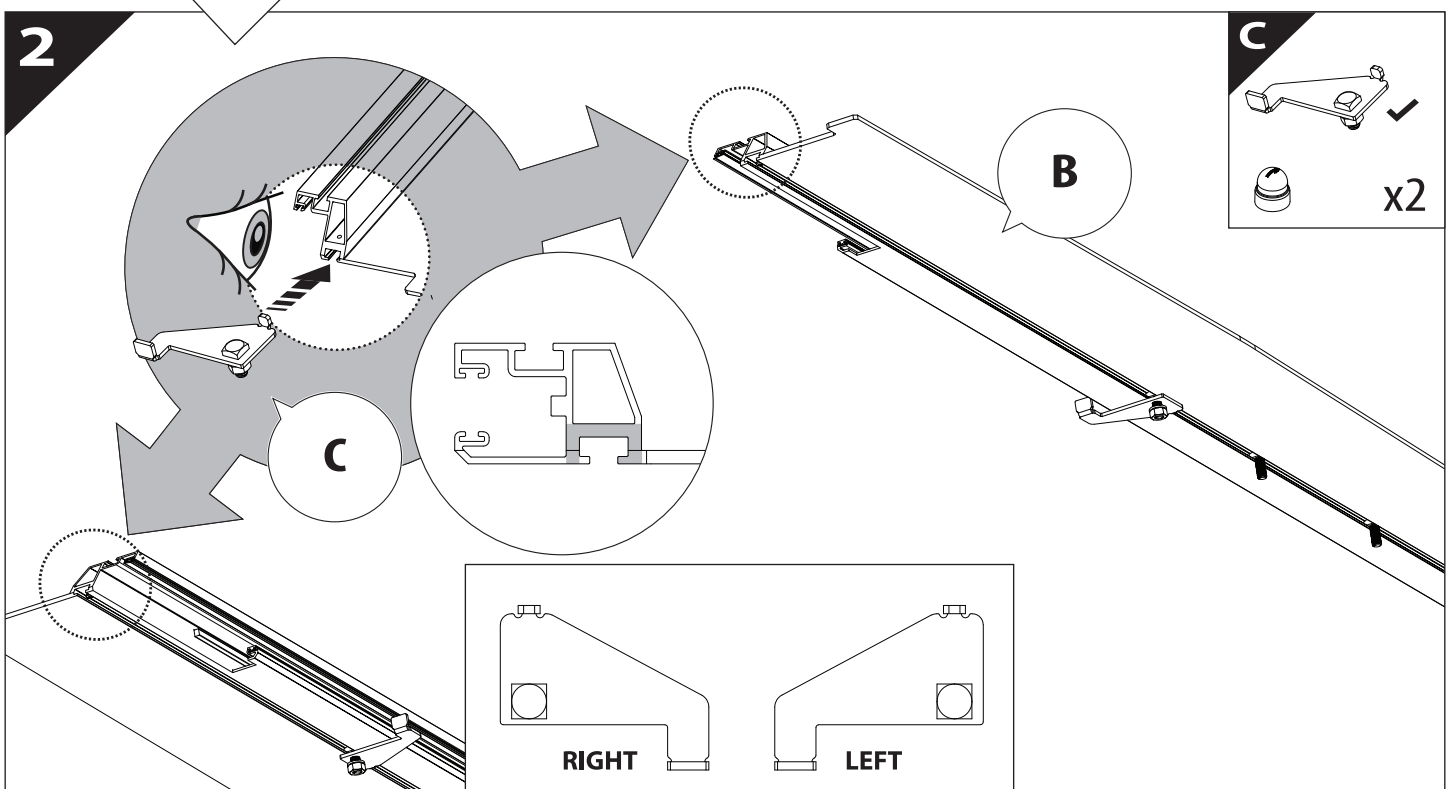
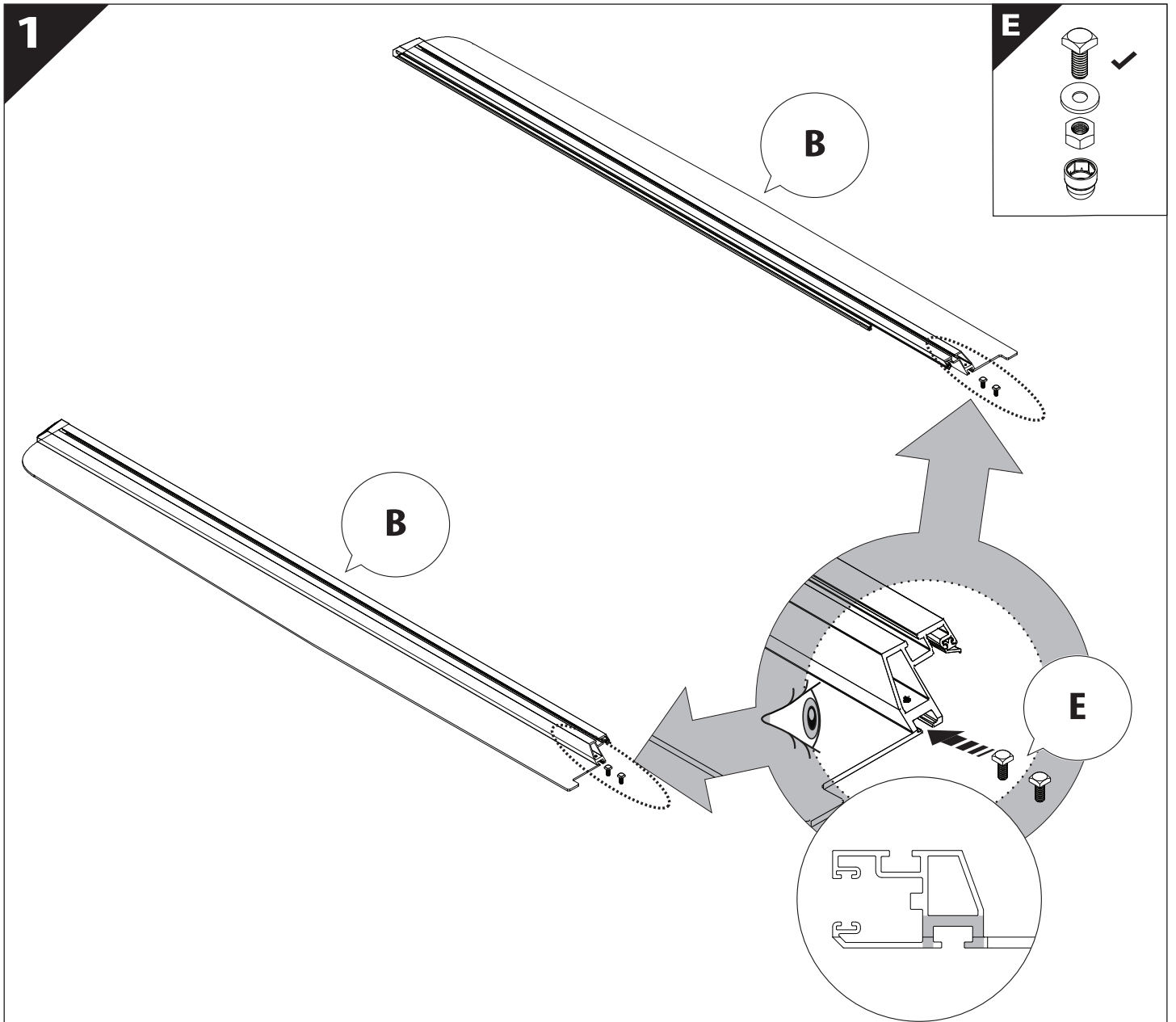


B

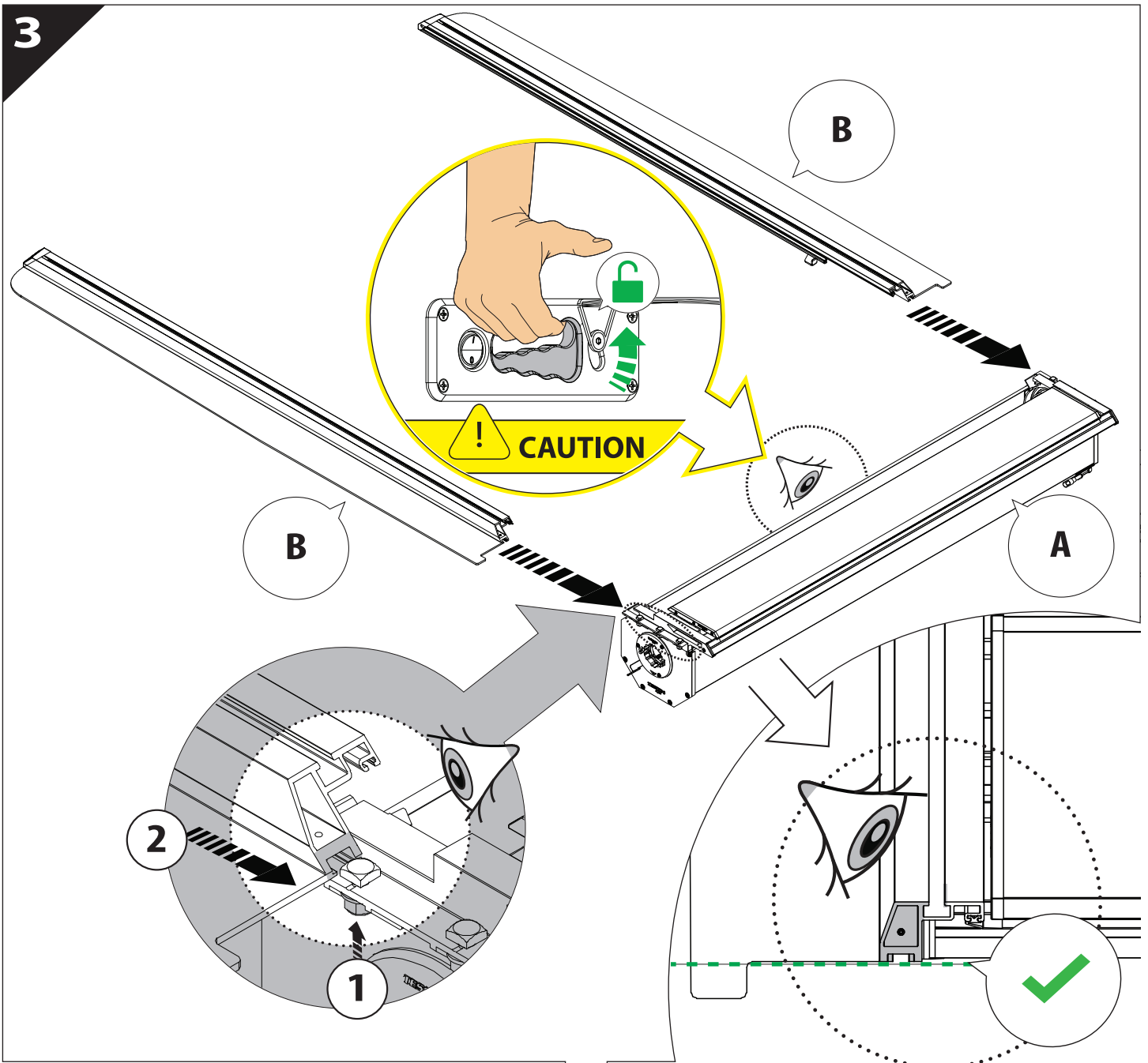
A

KITS

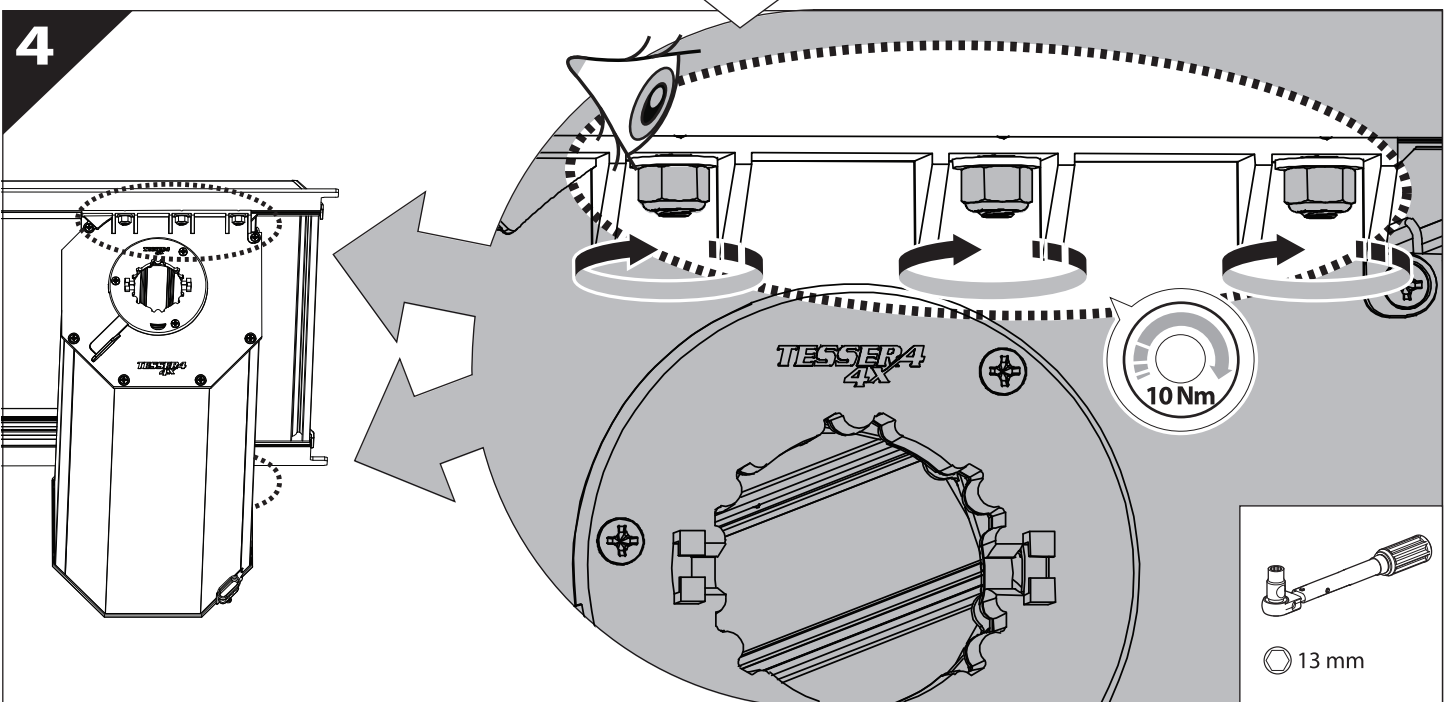
L

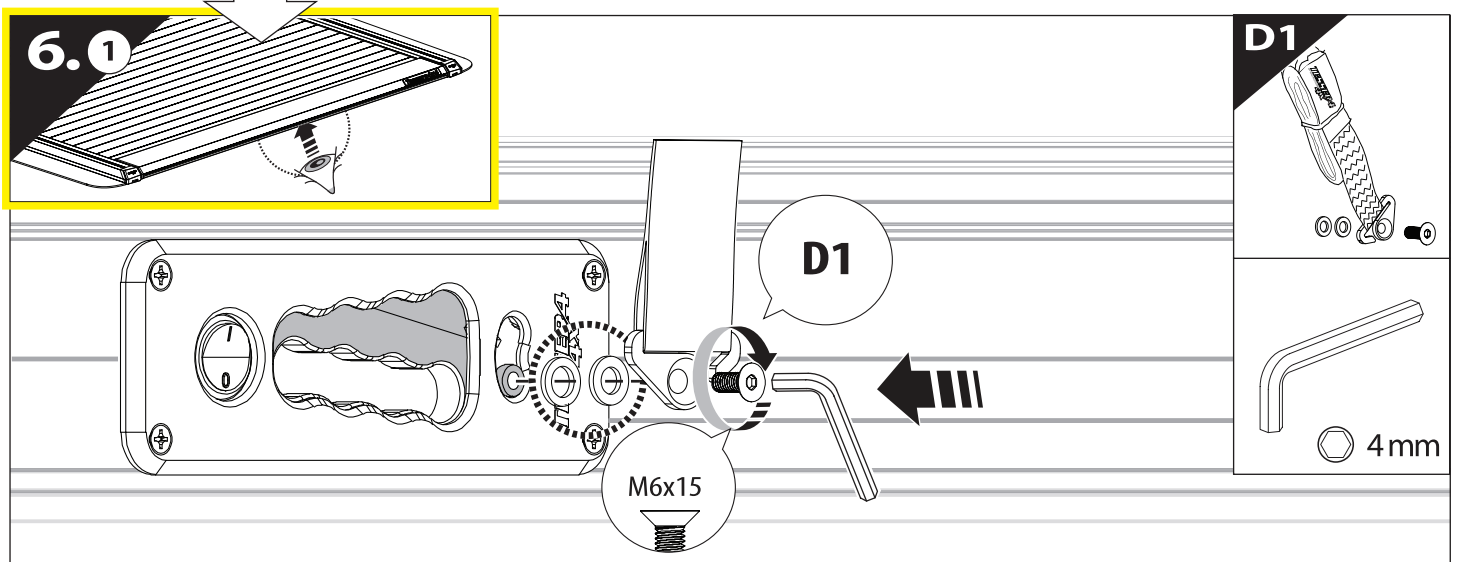
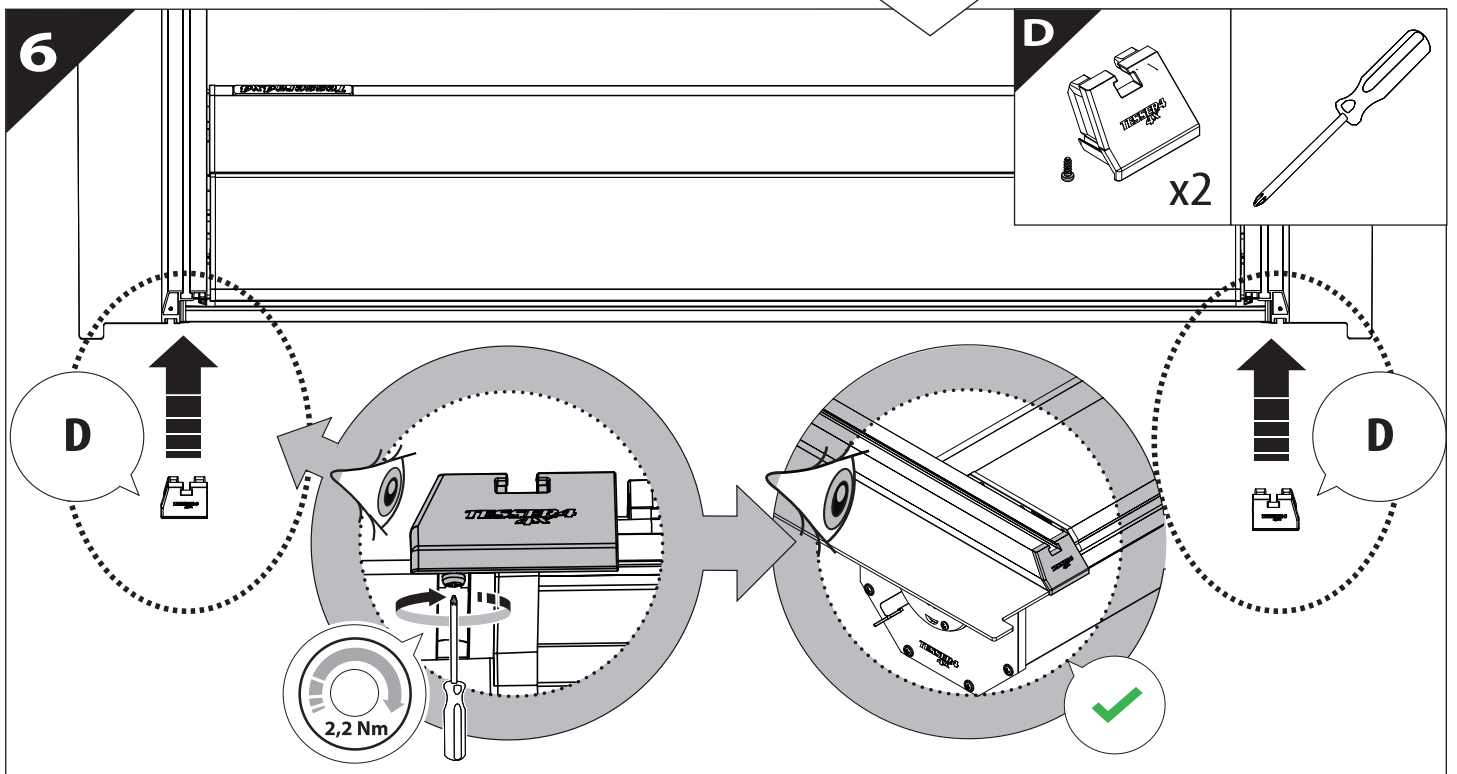
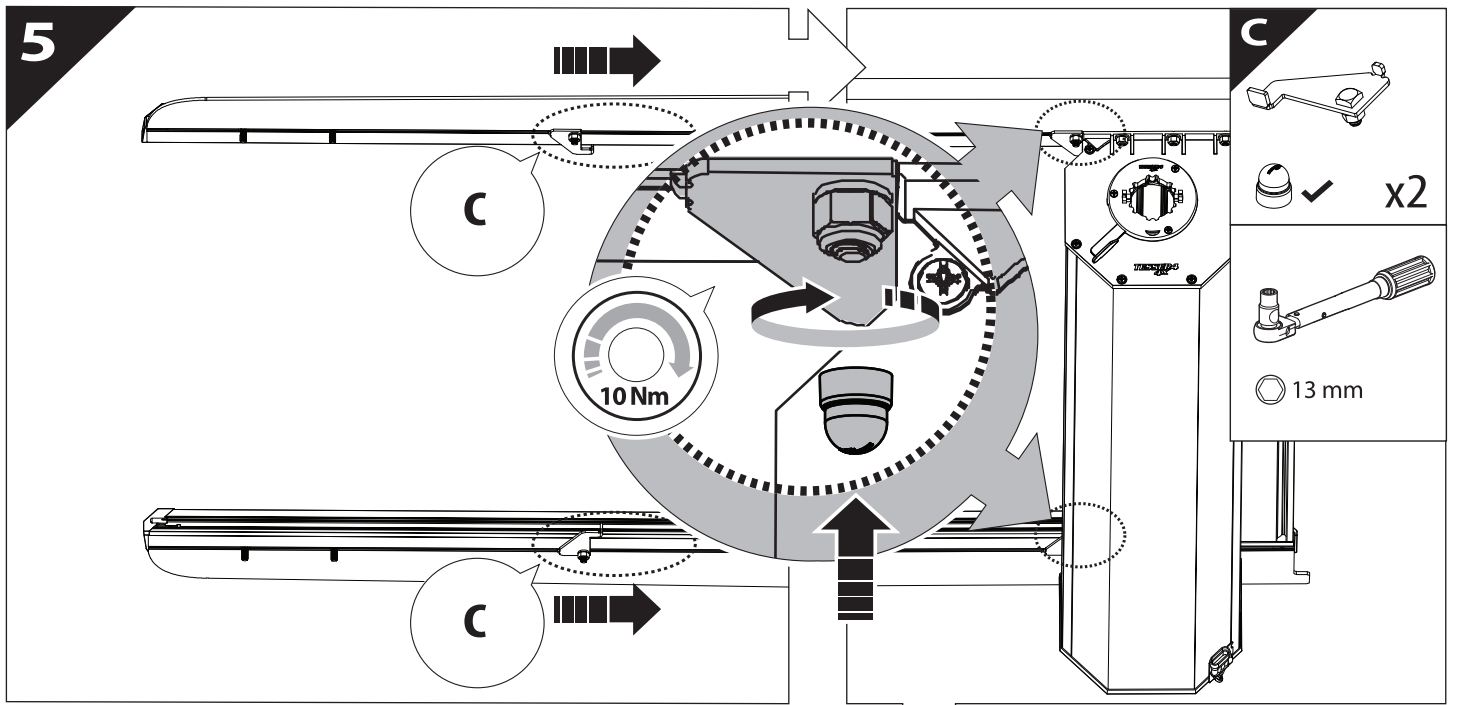


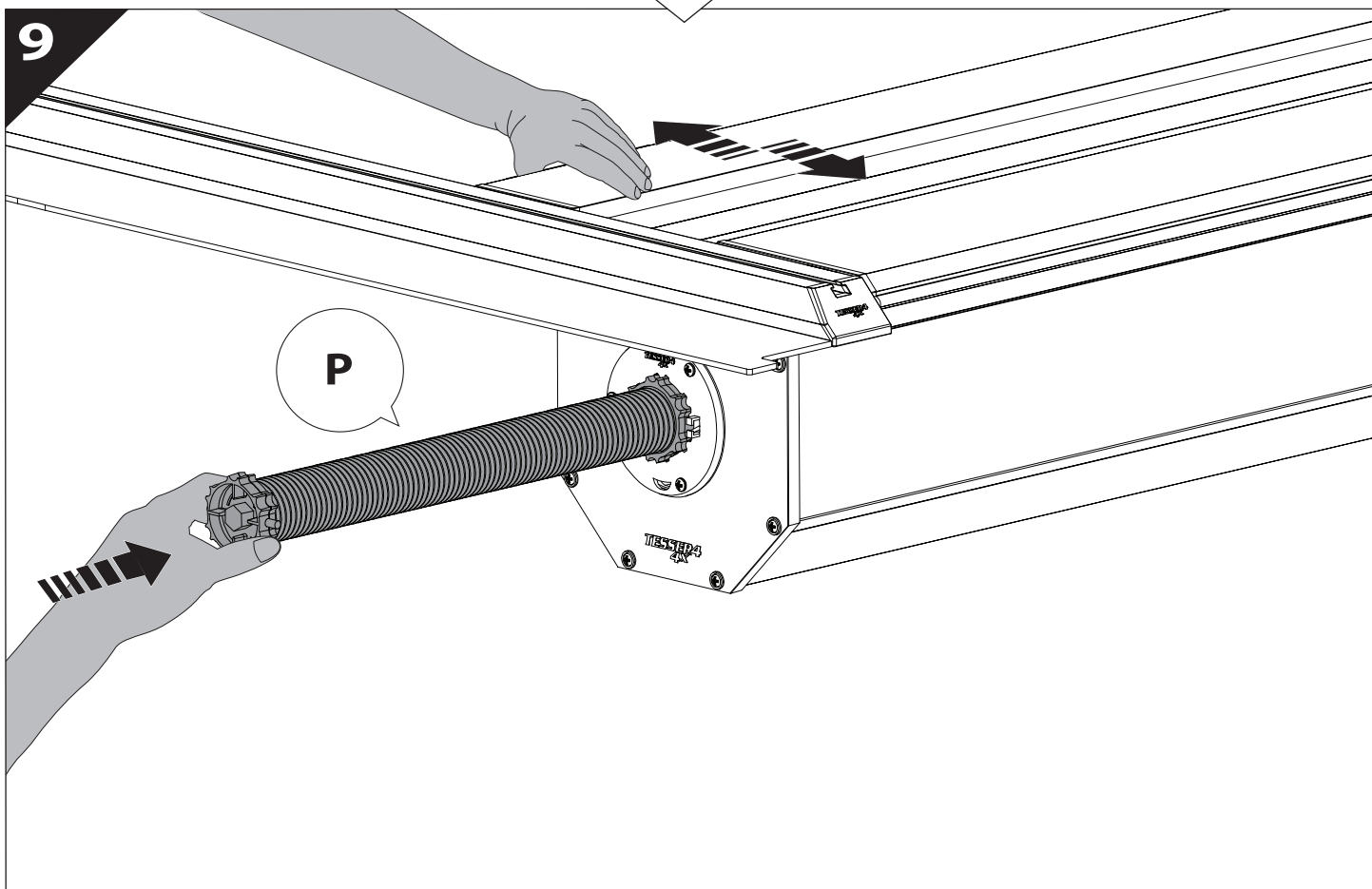
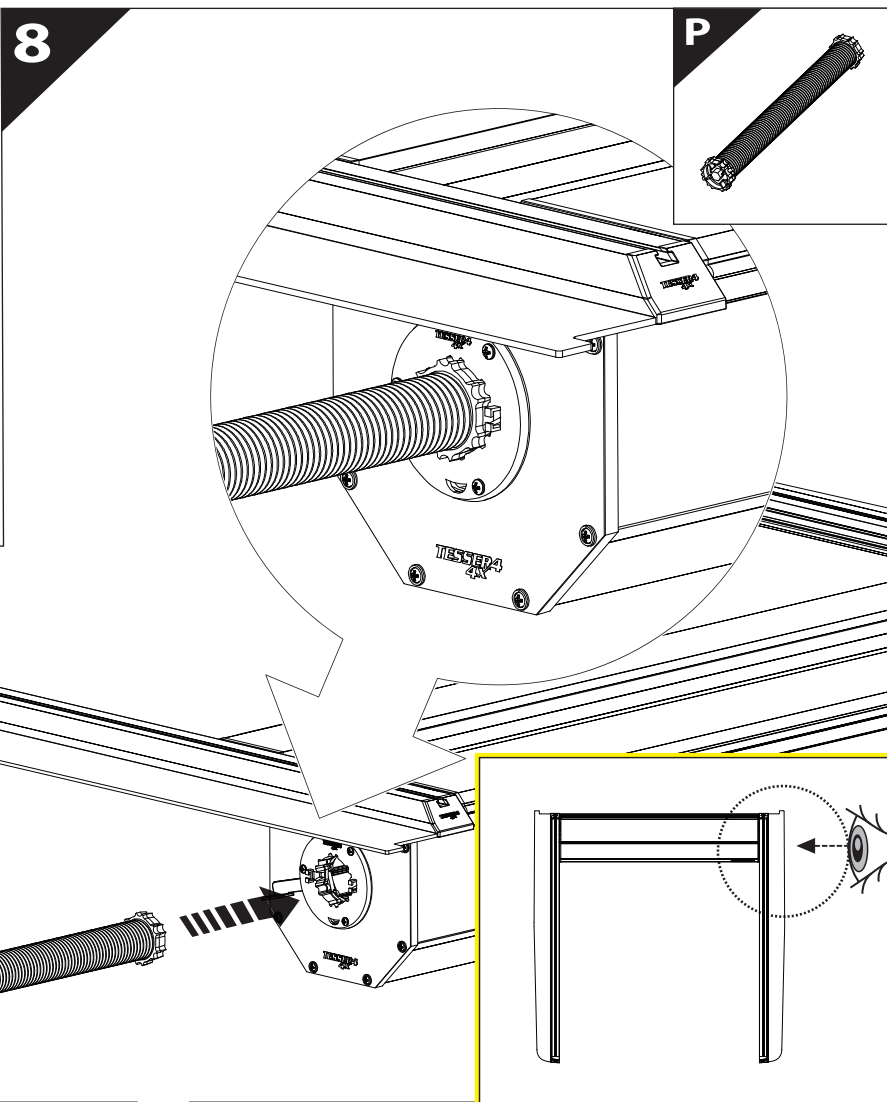
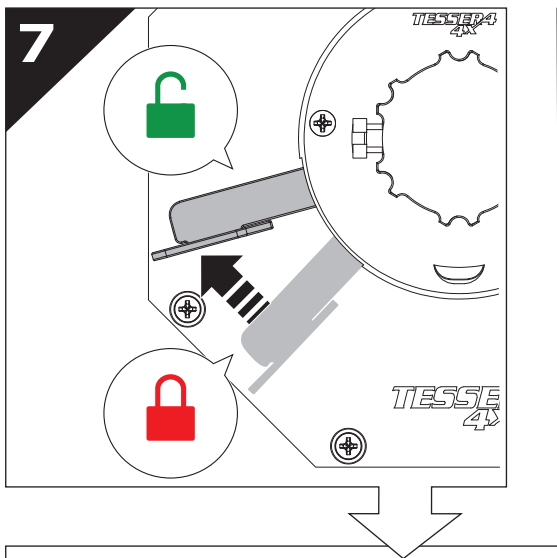
3



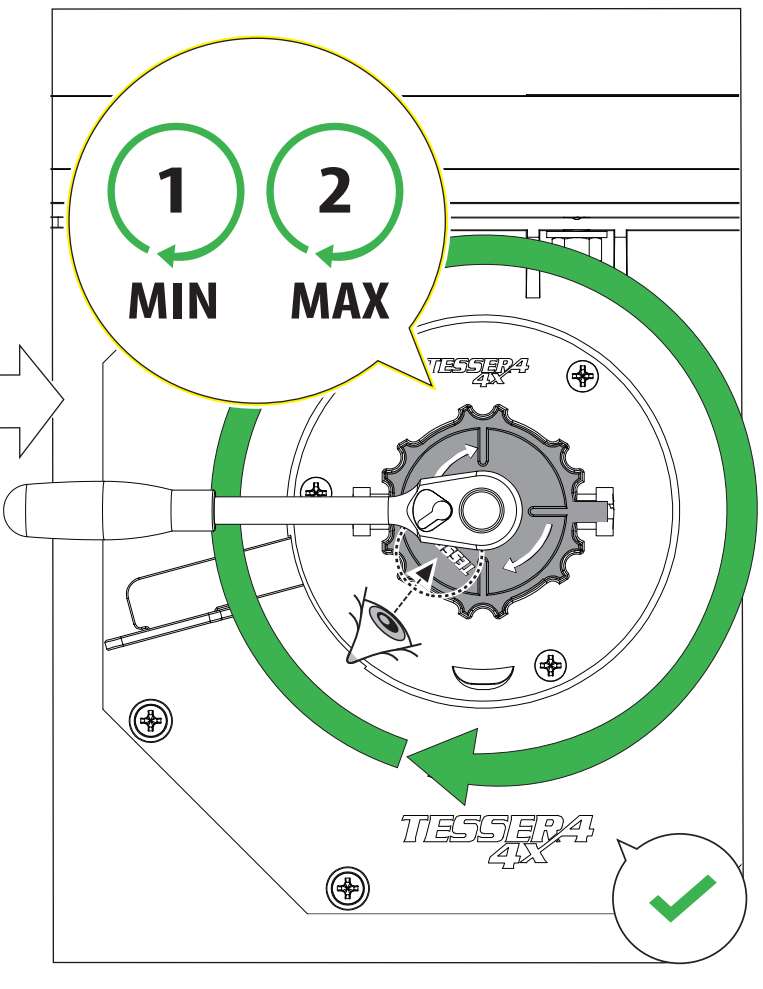
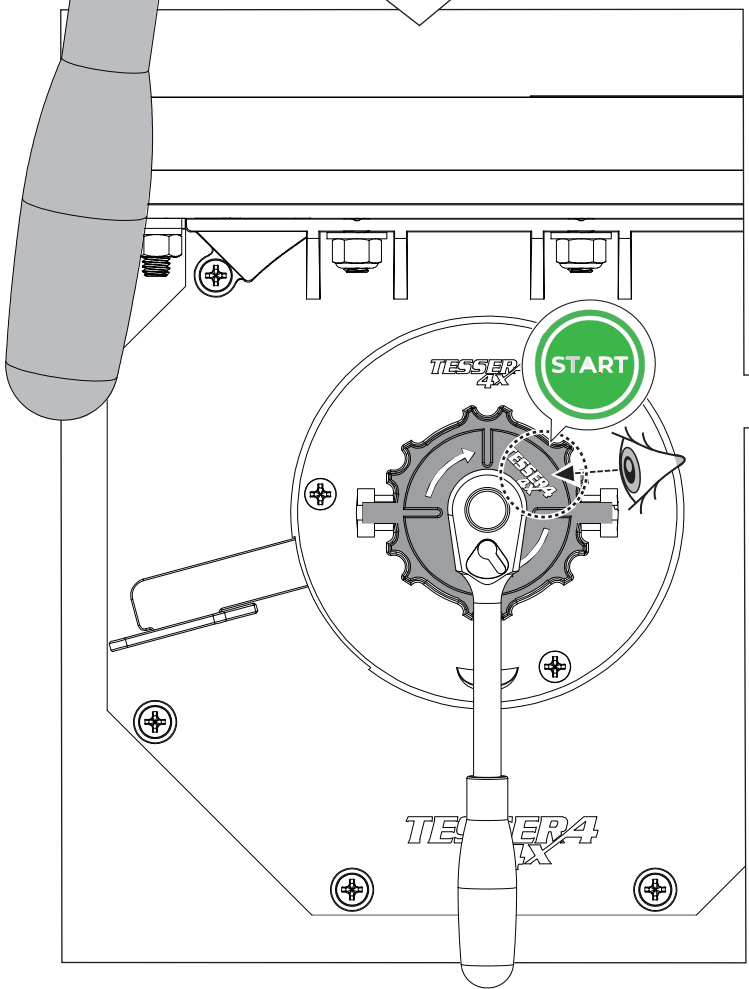
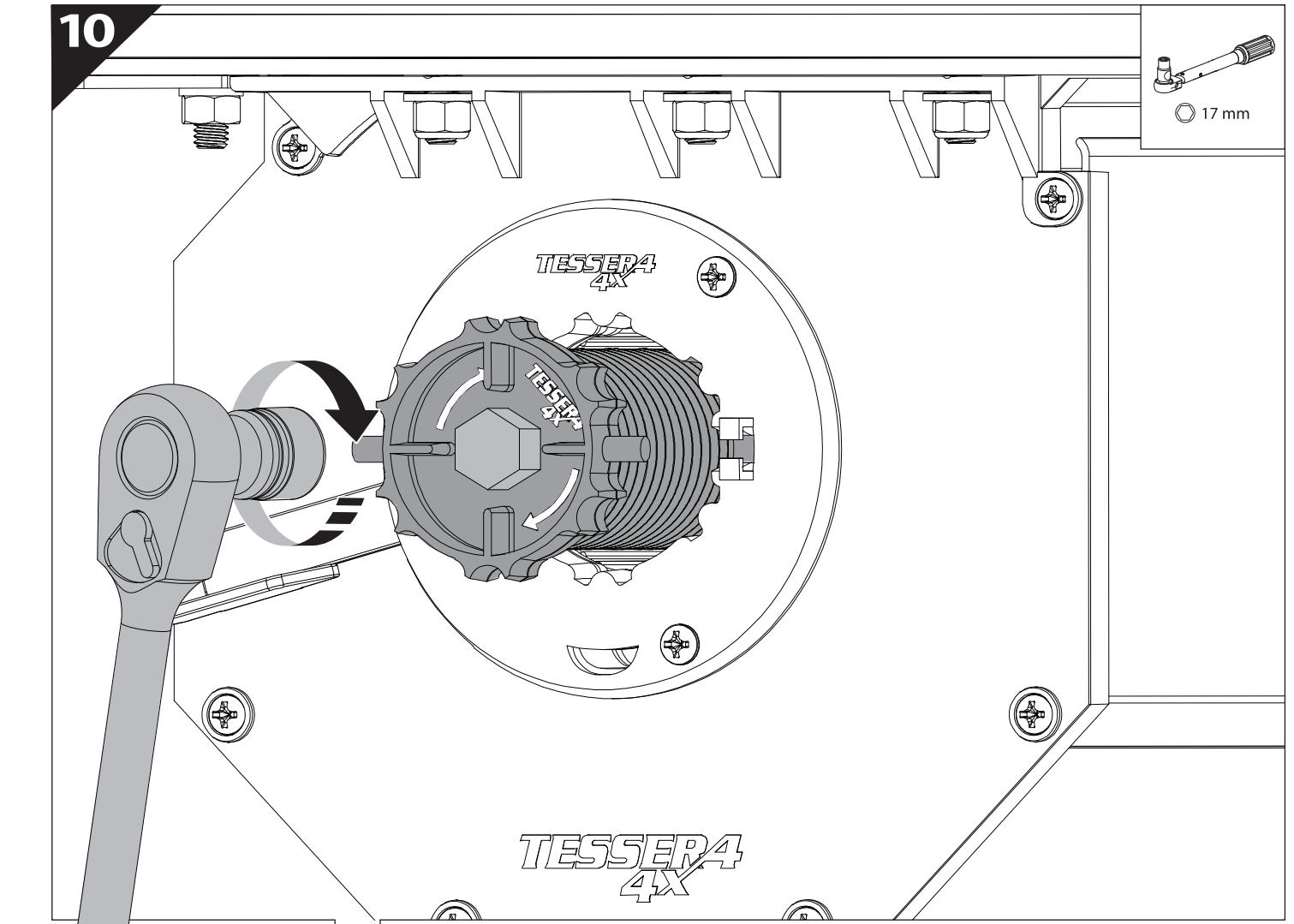
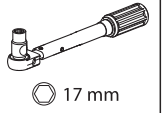
4



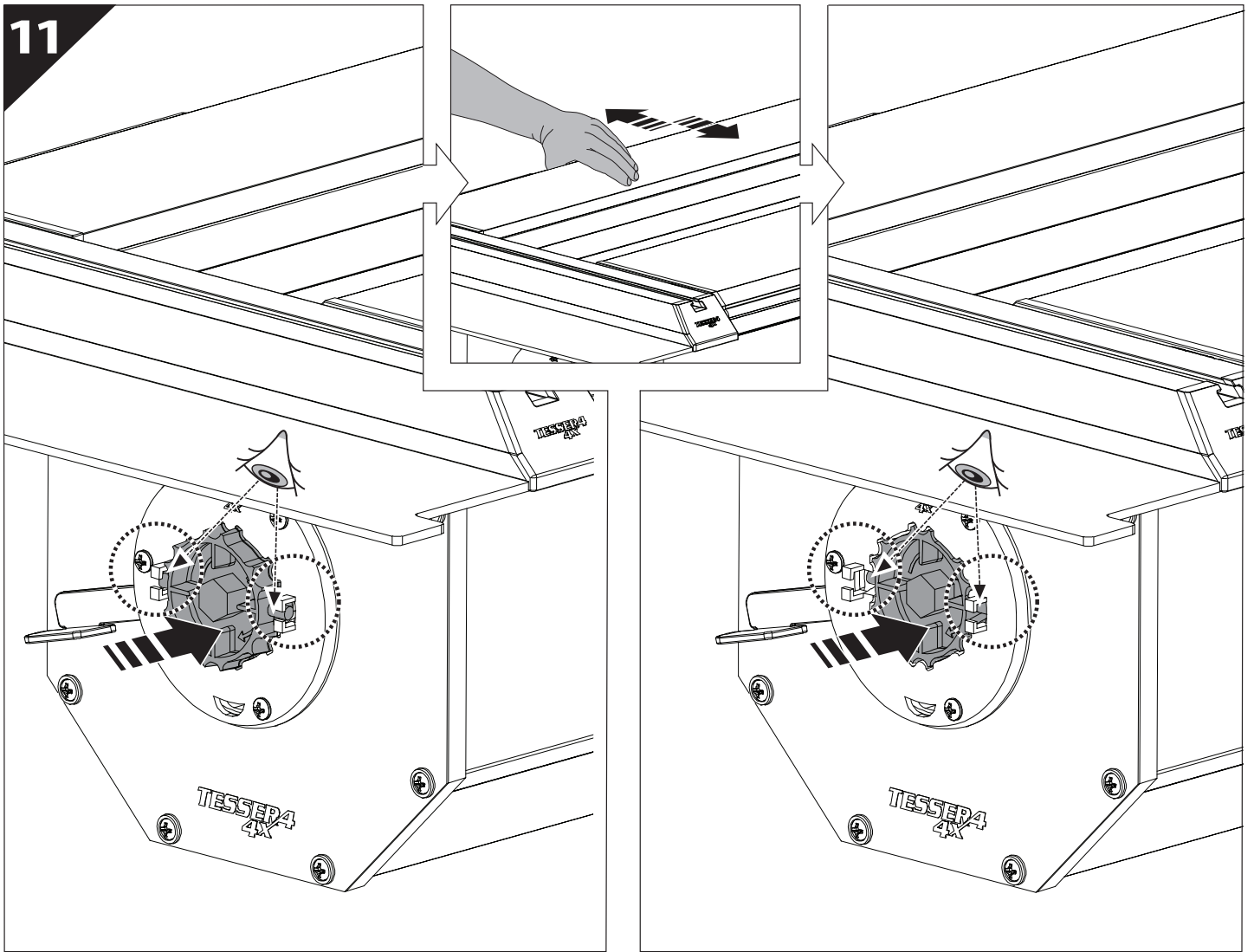




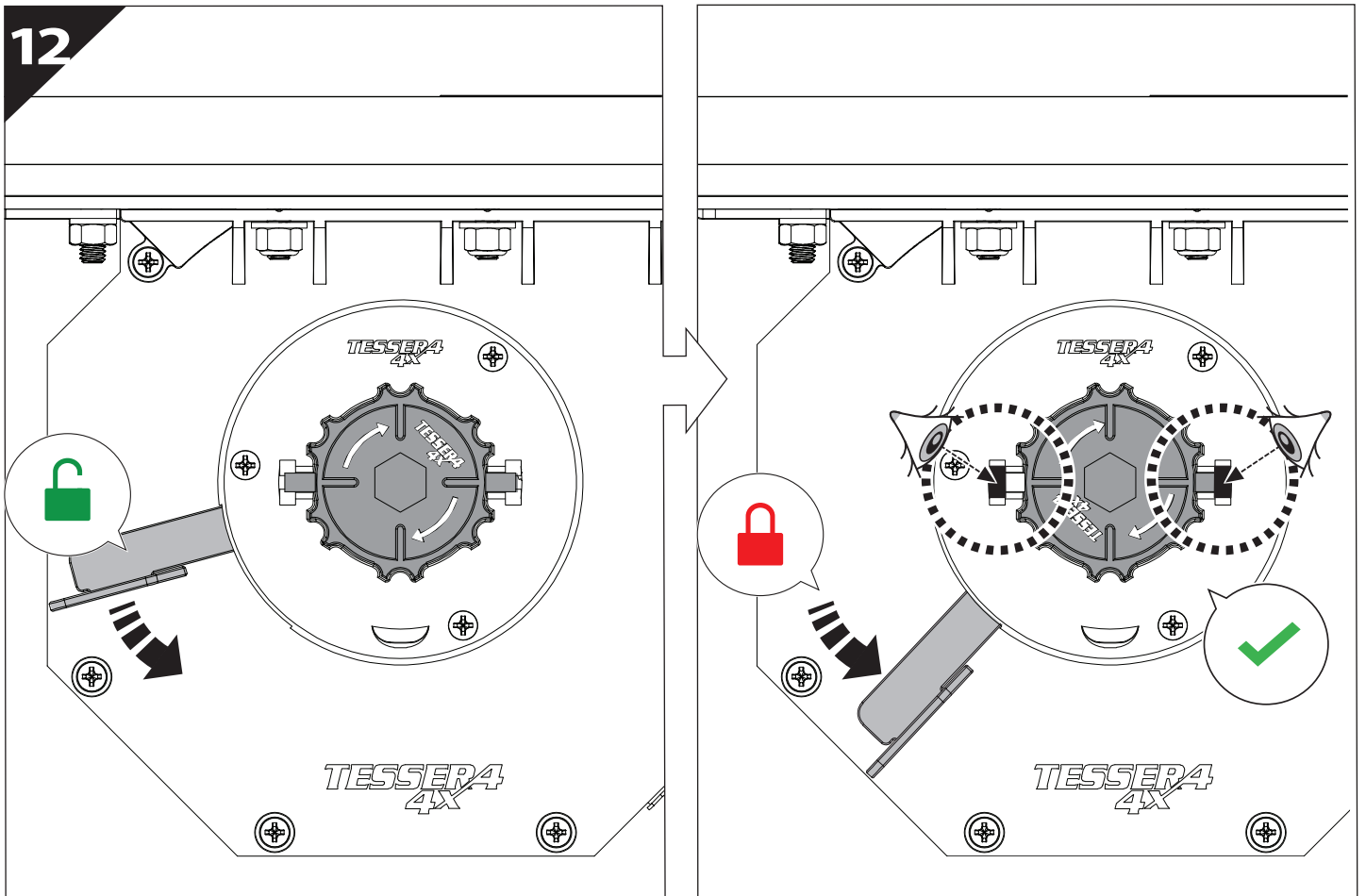
10



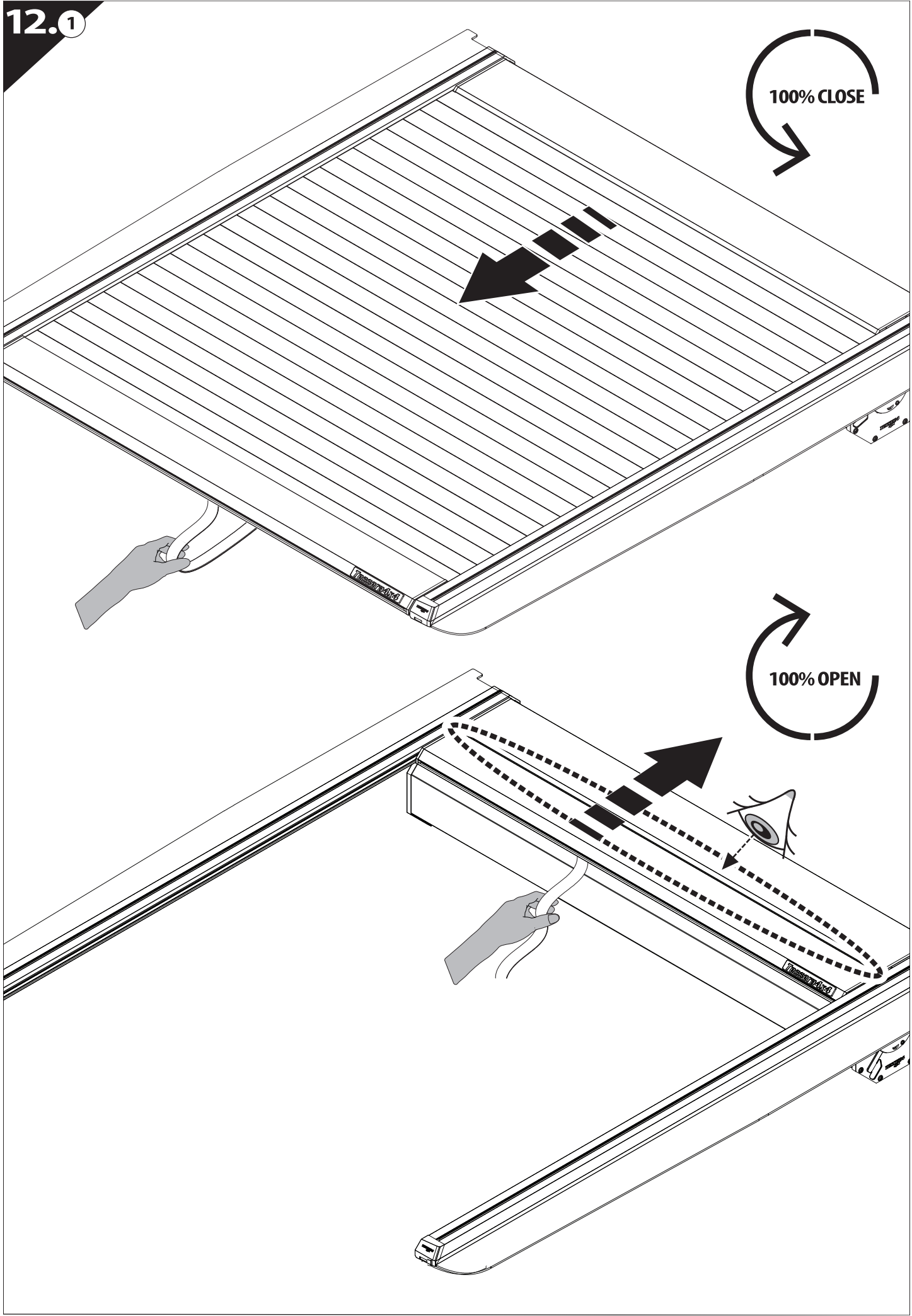
11

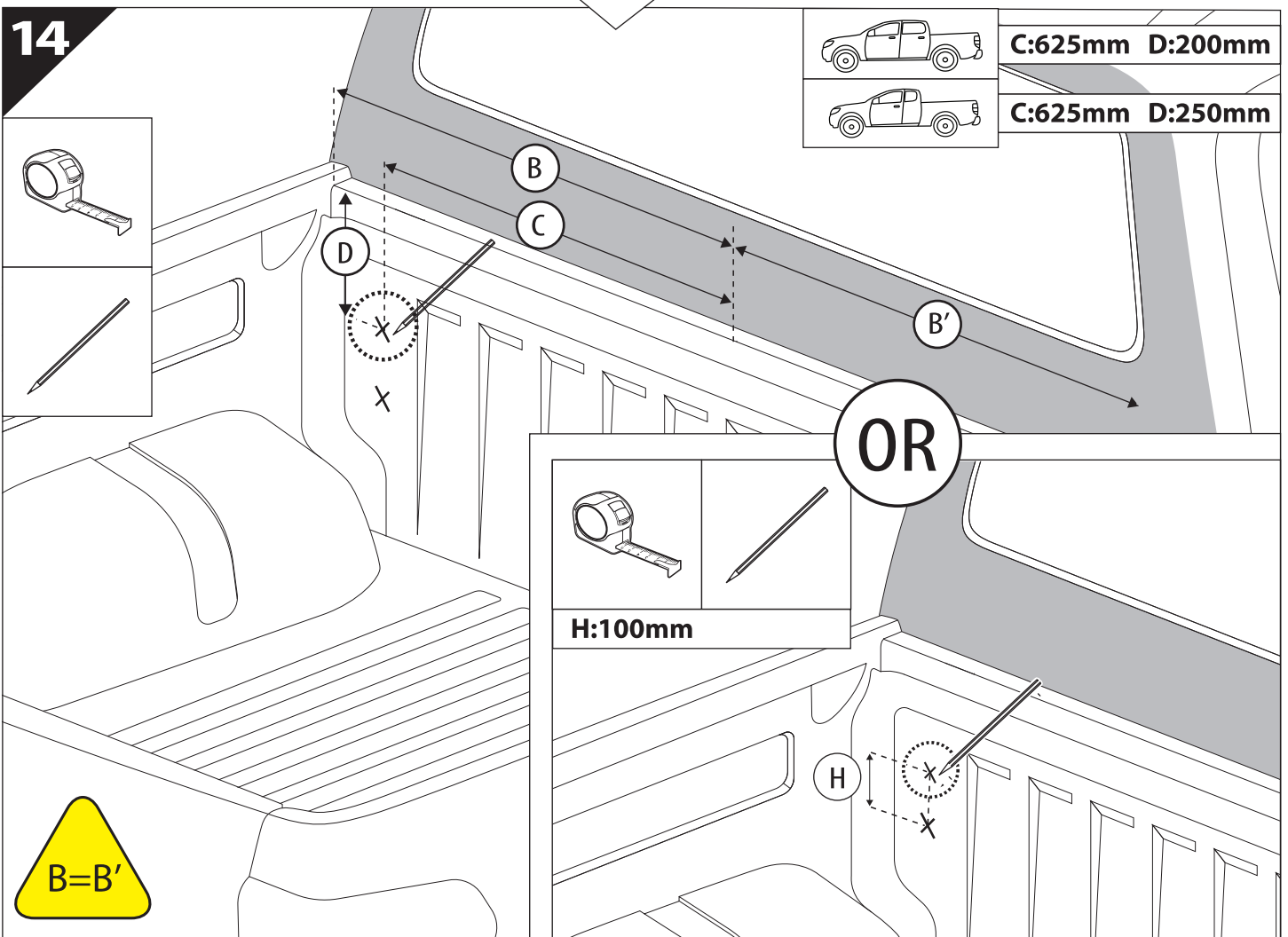
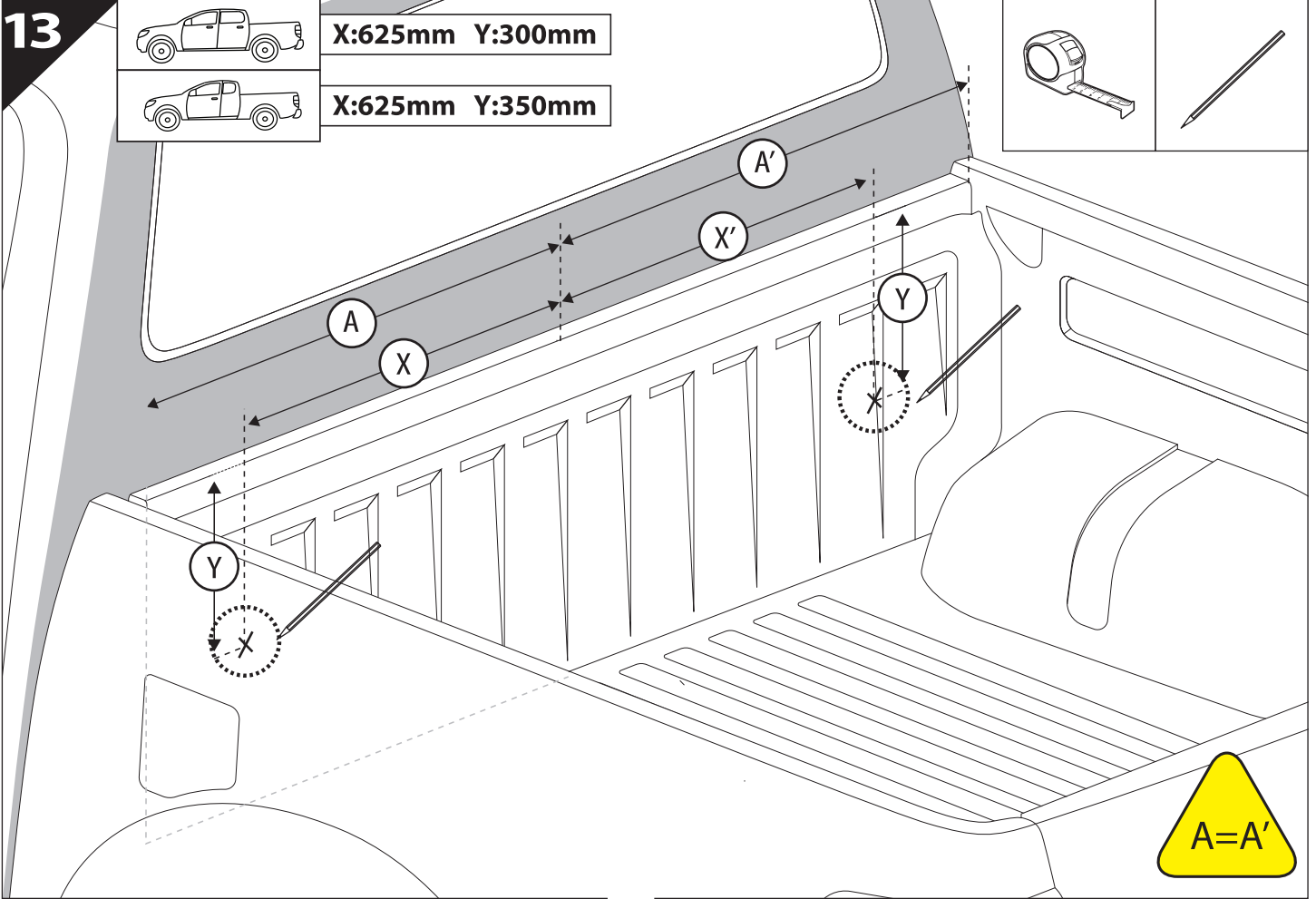


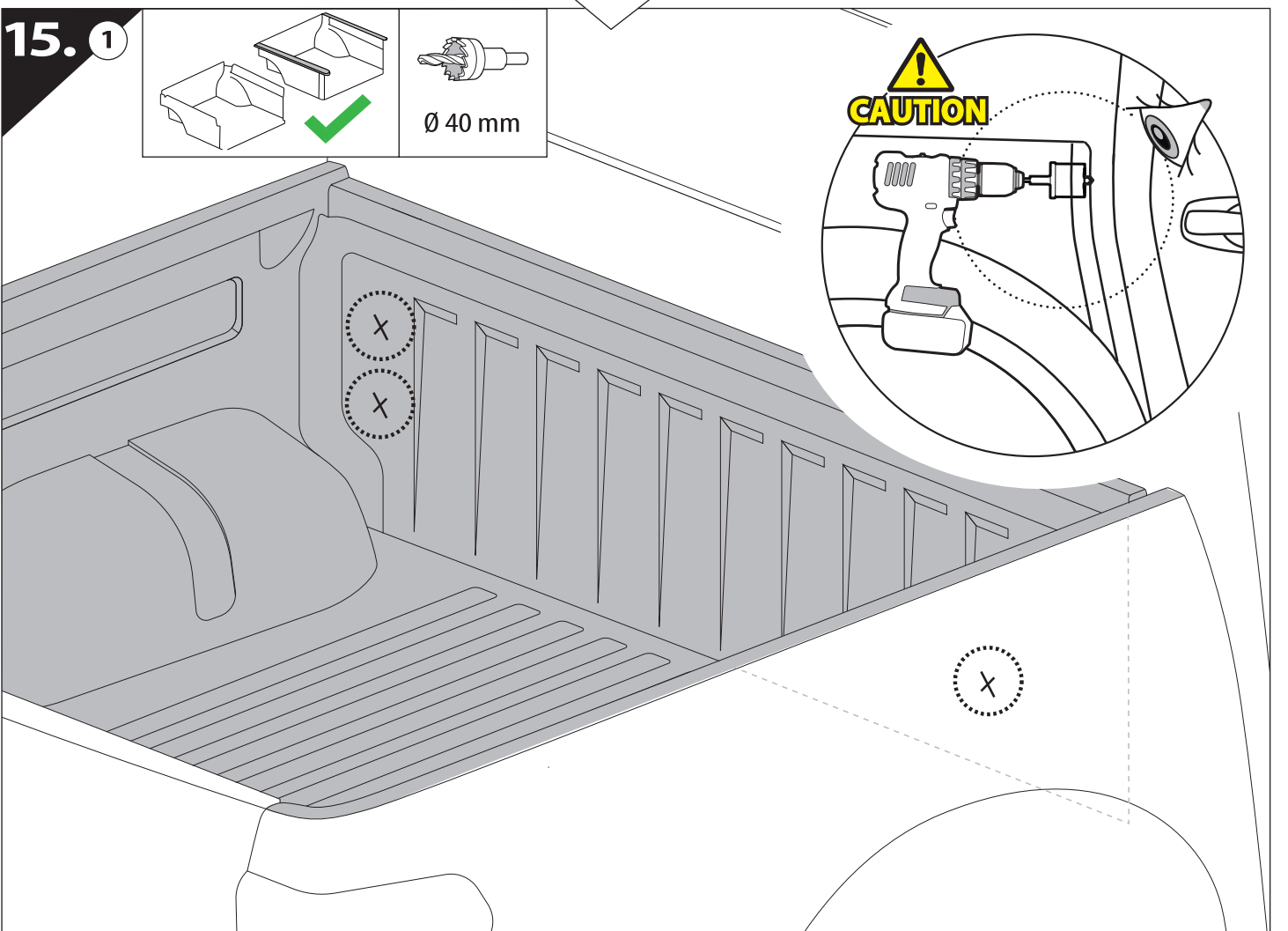
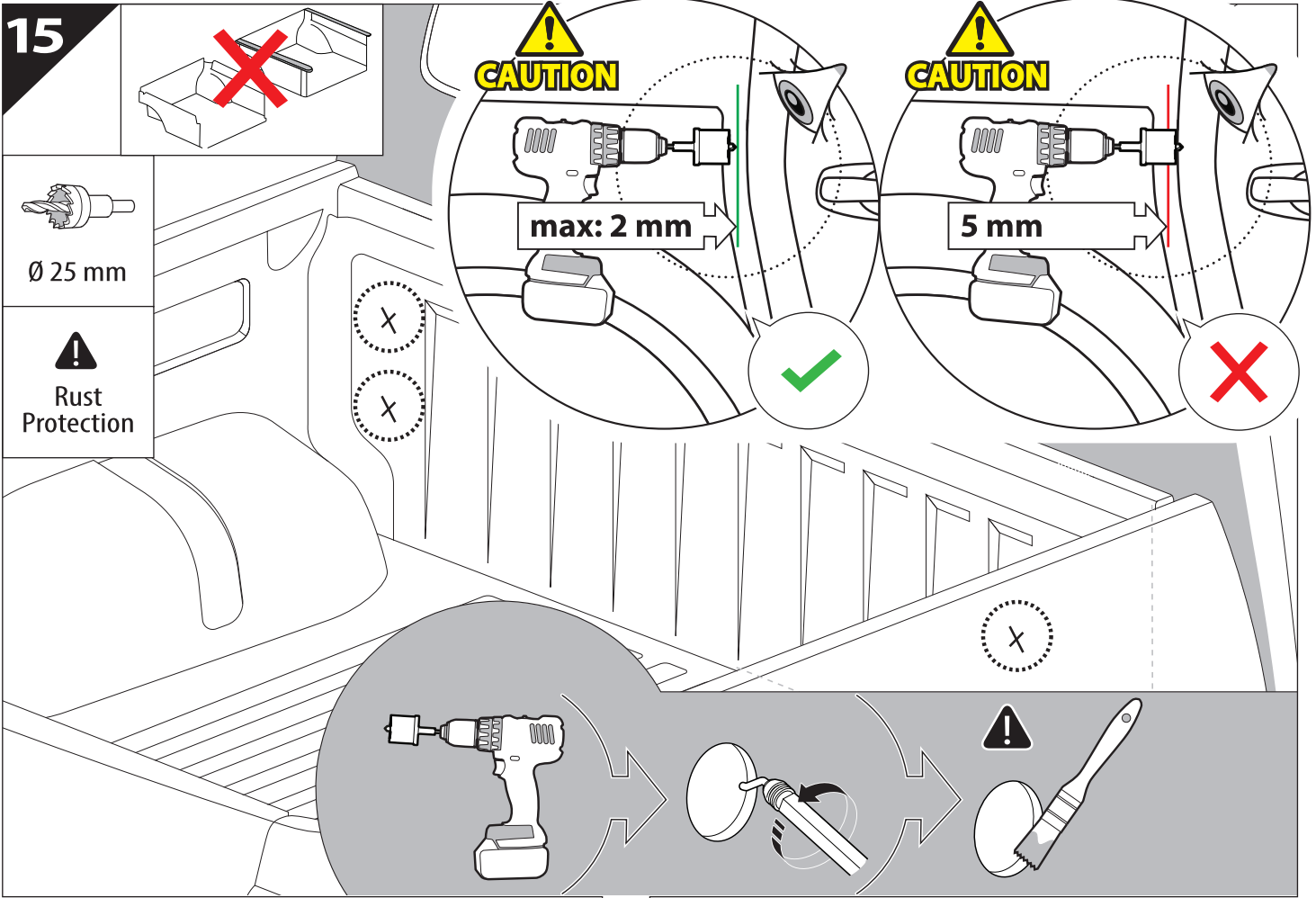
12



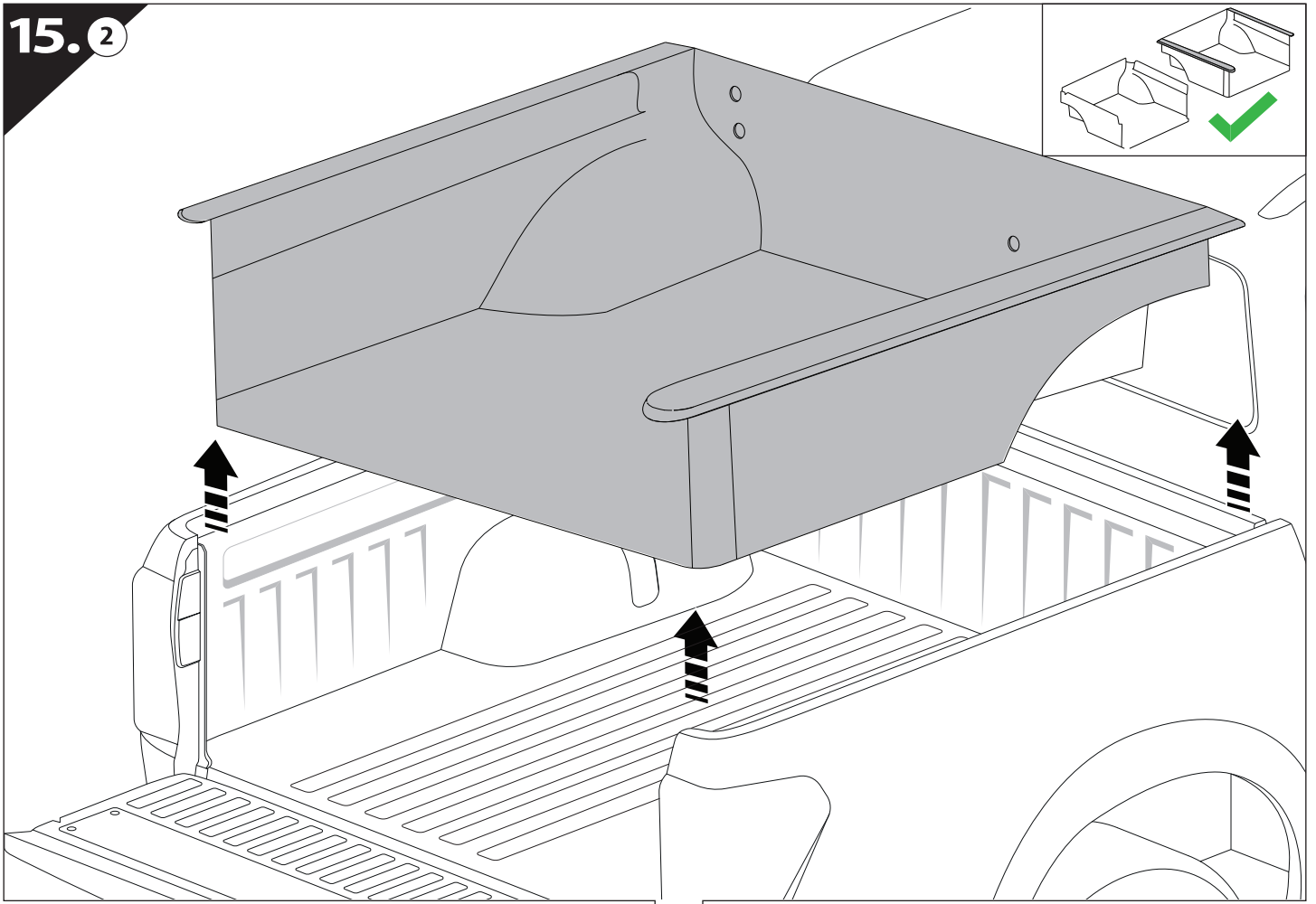
12.0



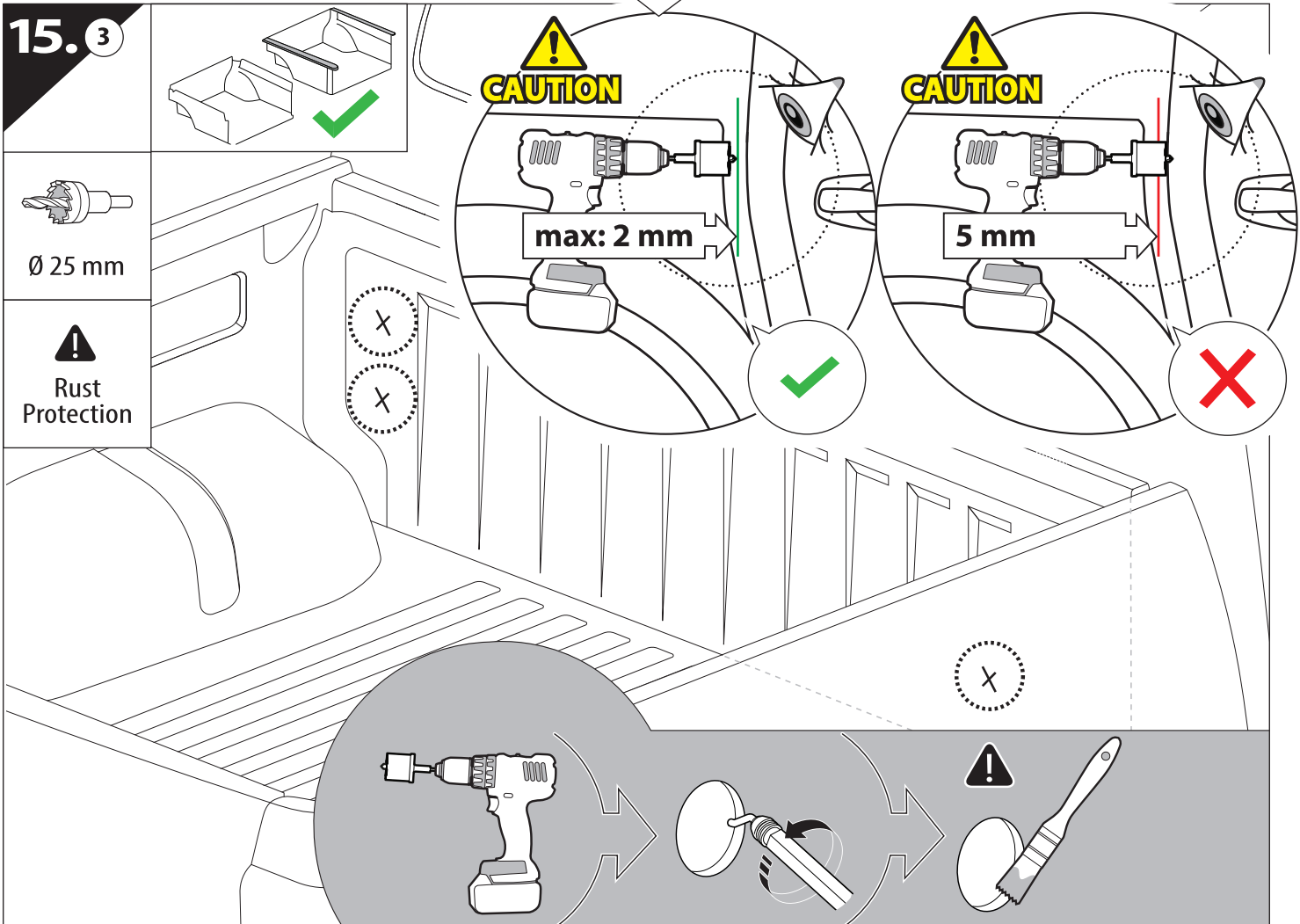




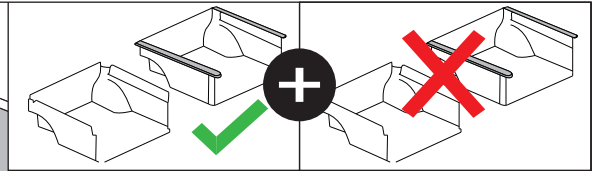
15.2



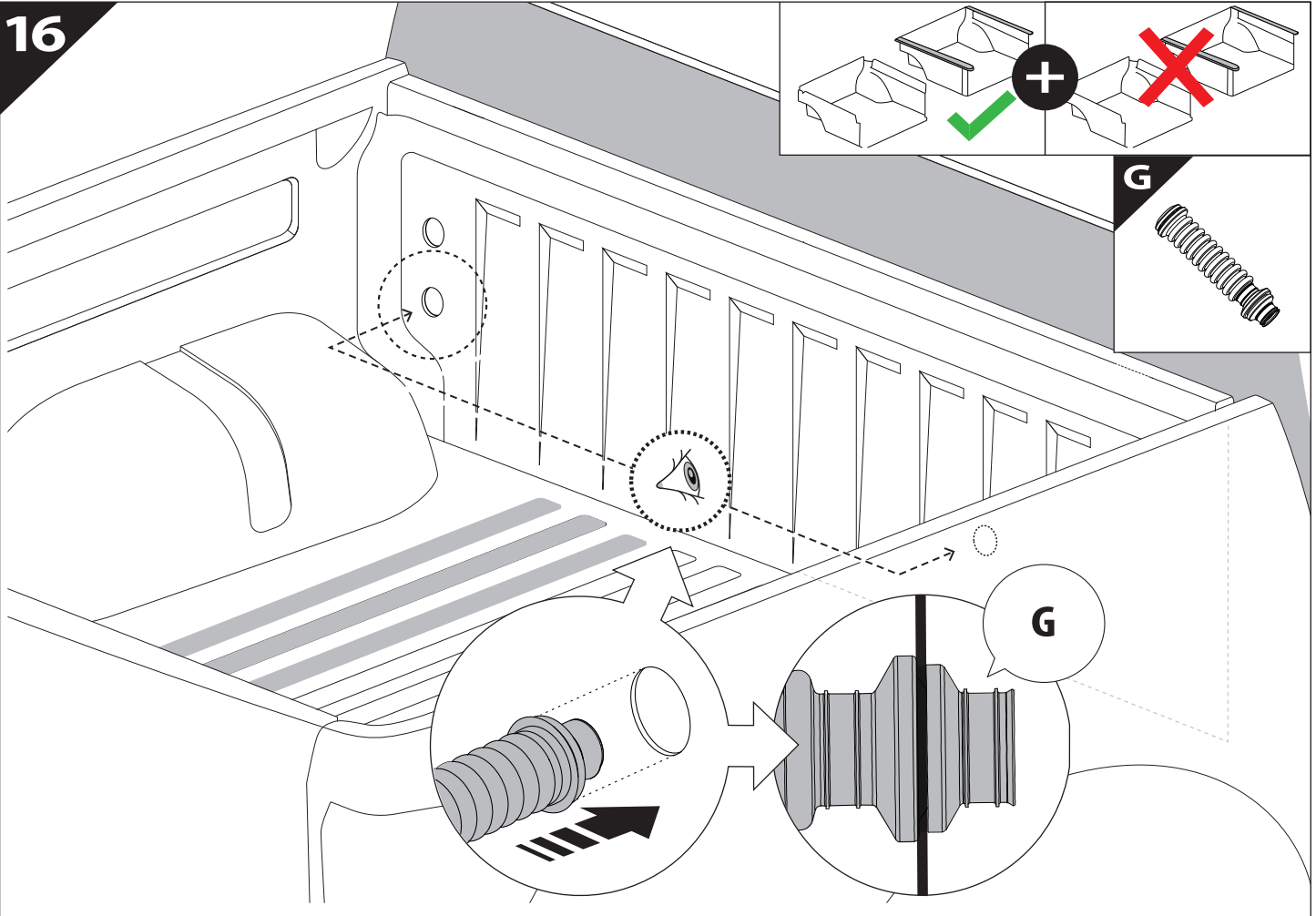
15.3



16

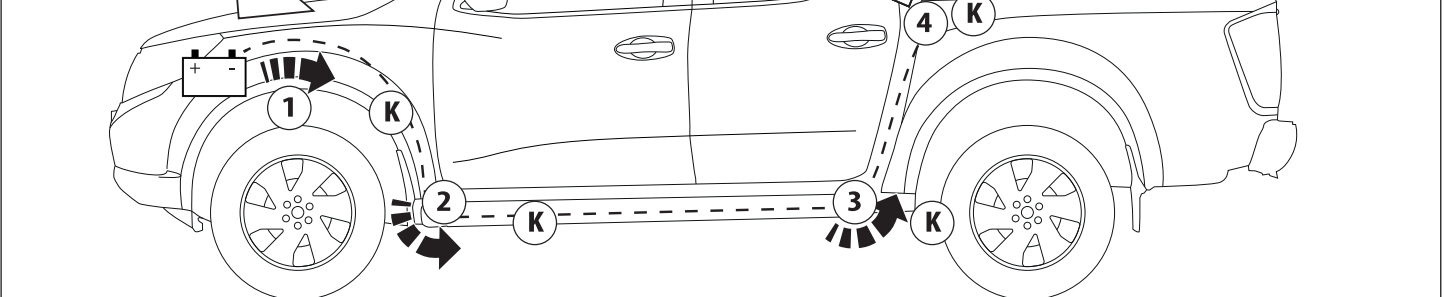
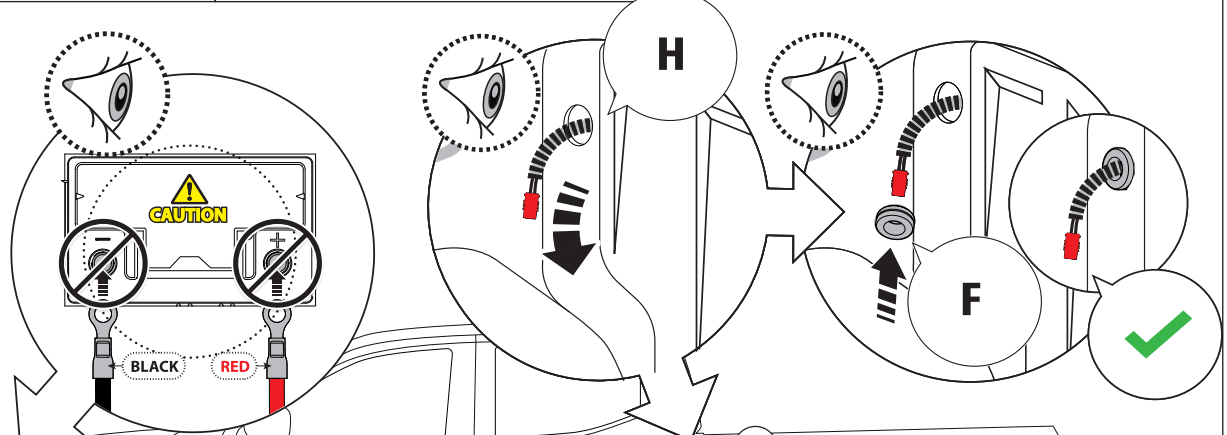
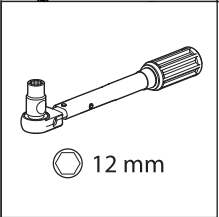
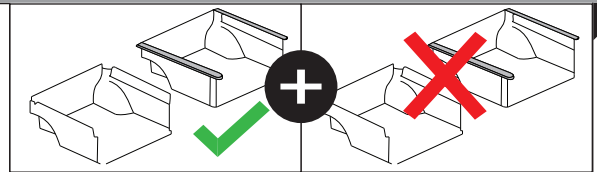
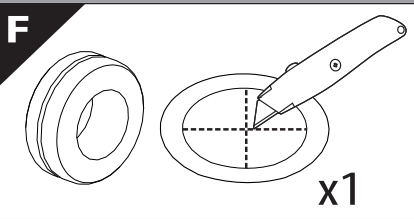
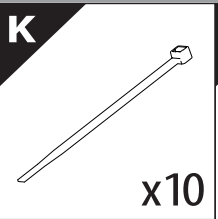
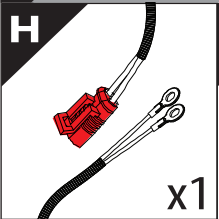


G

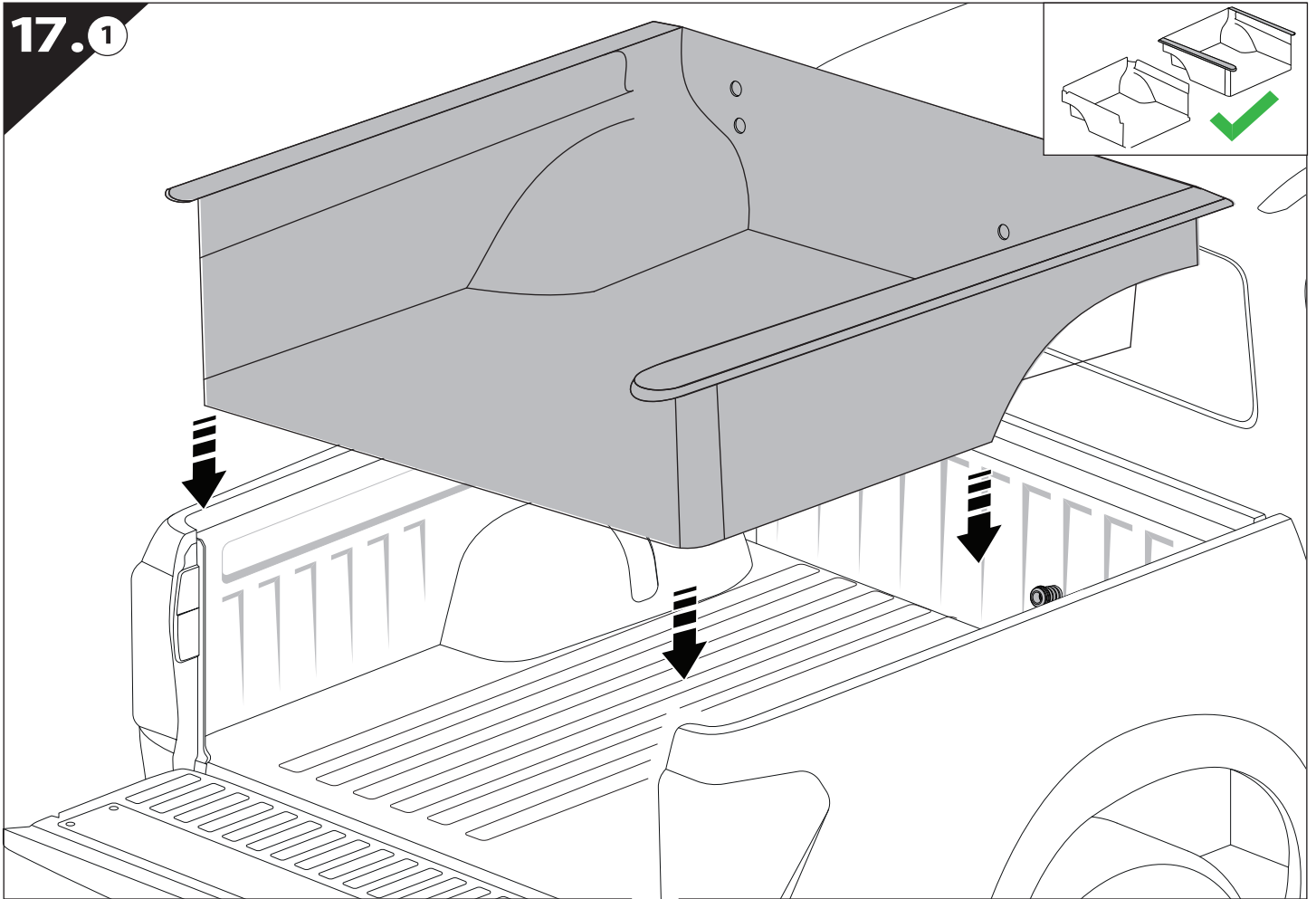


17

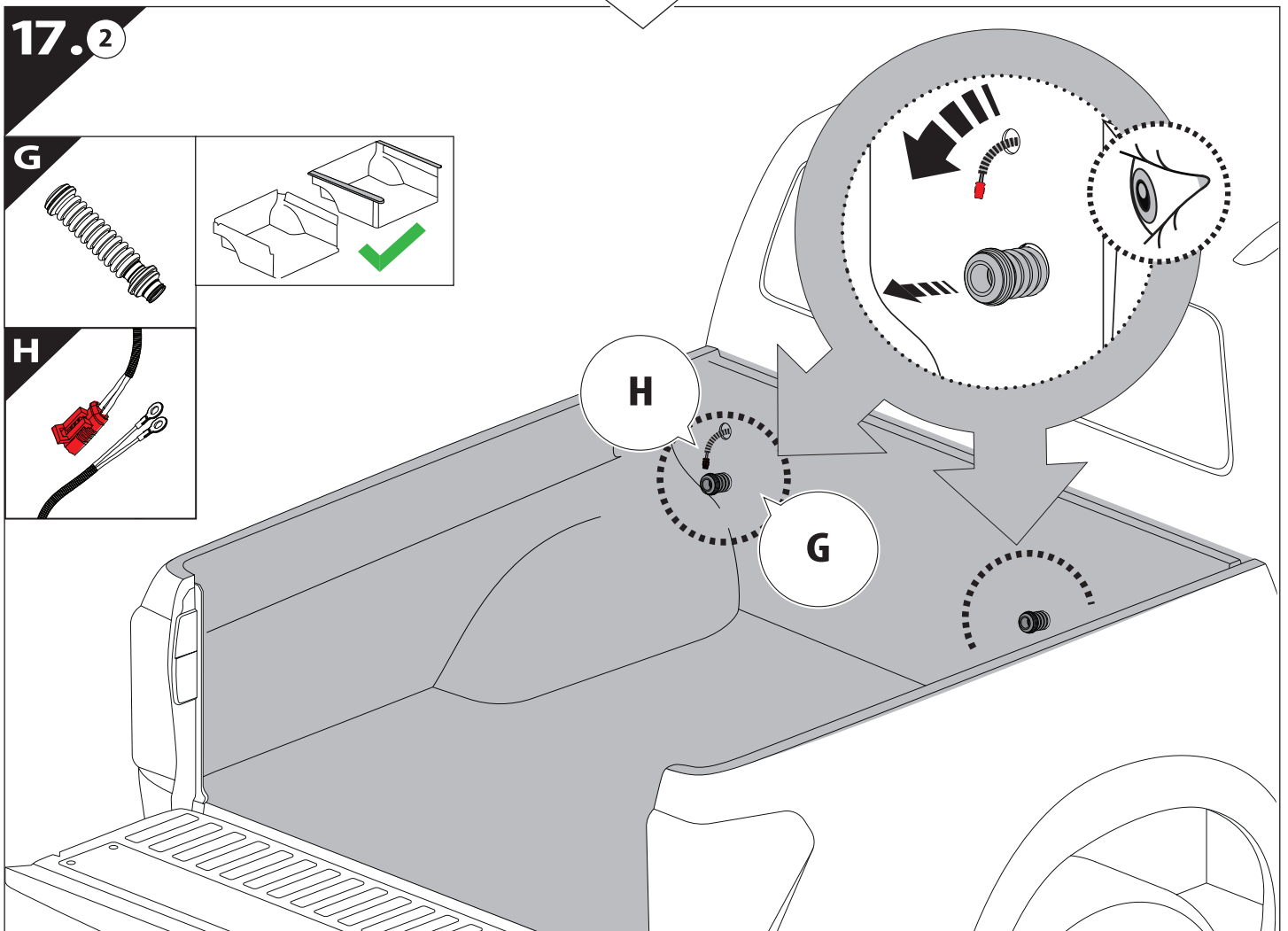
Only to be installed by authorized personnel



17.0



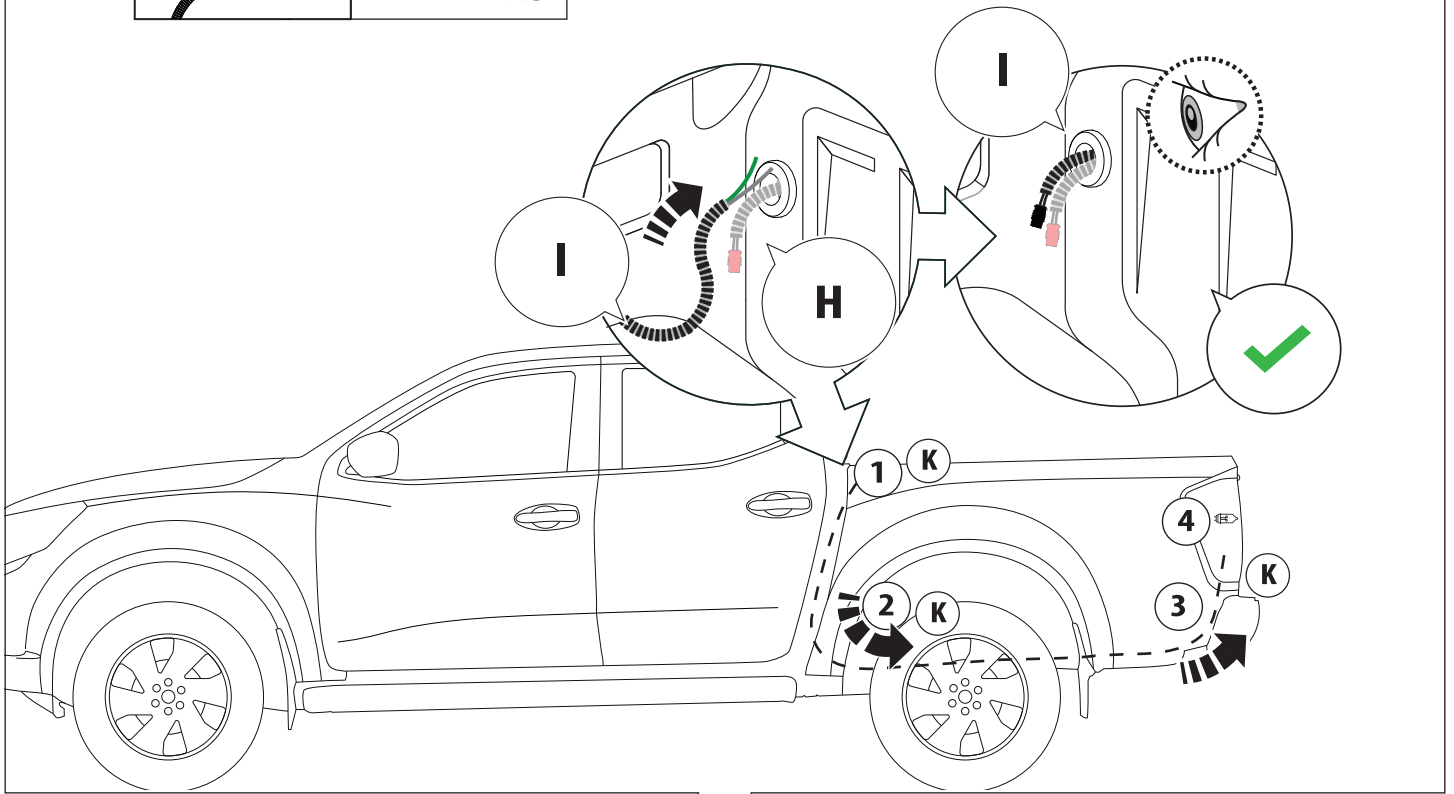
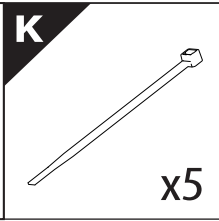
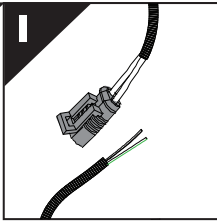
17.2



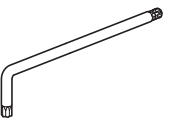
18

I

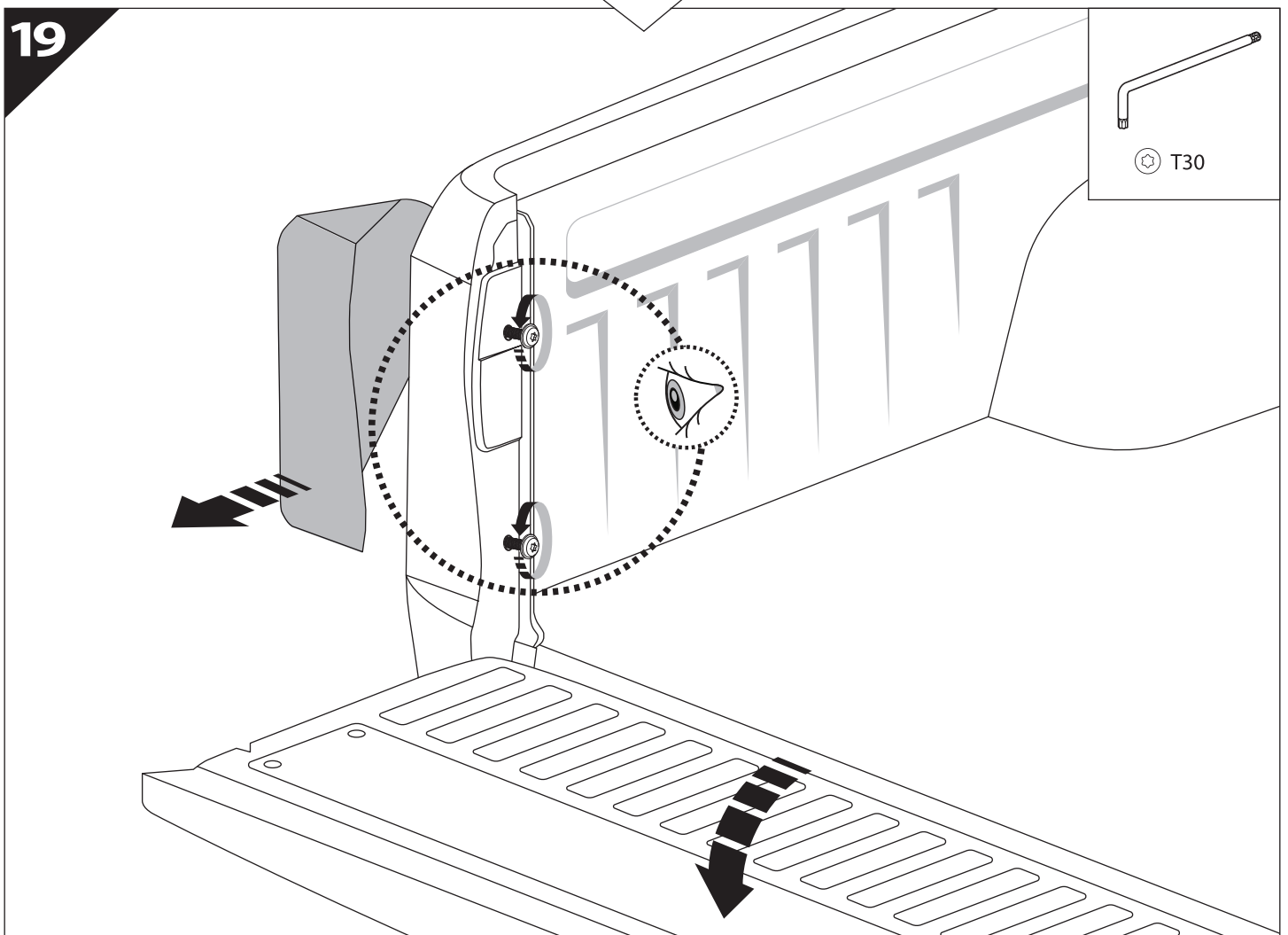
K

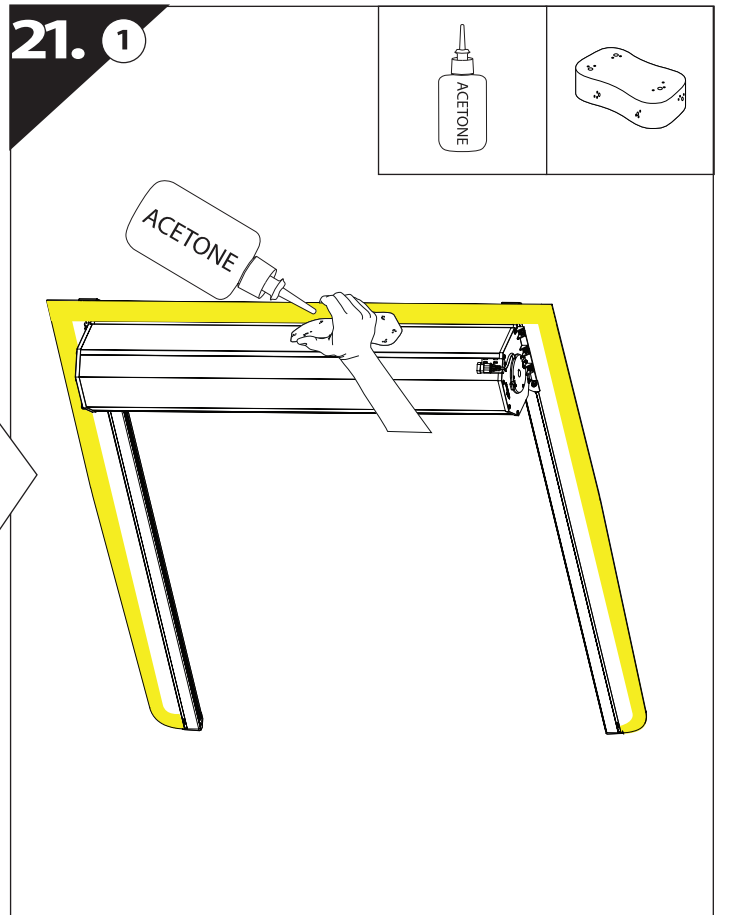
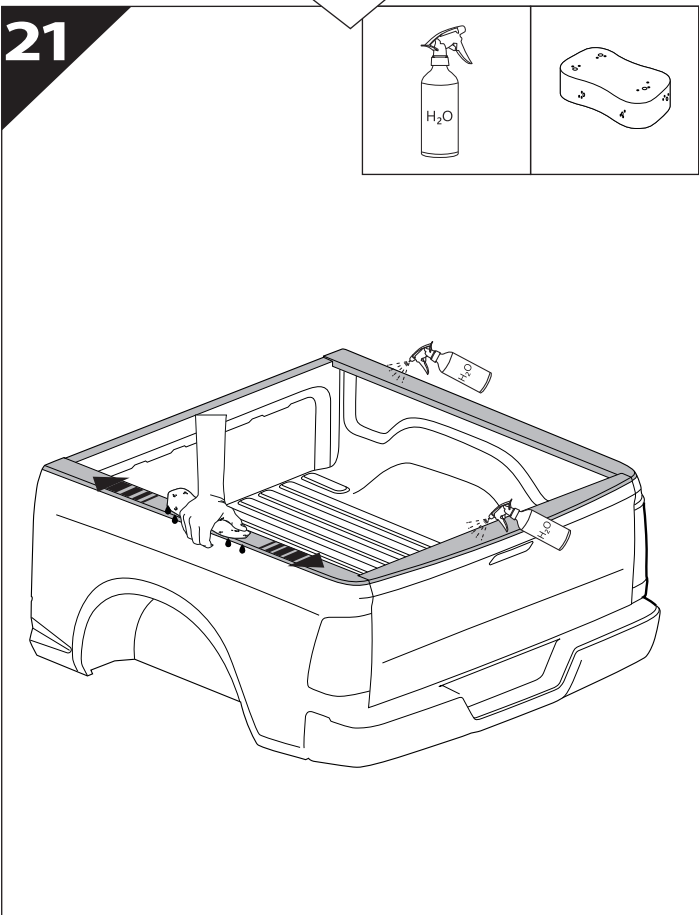
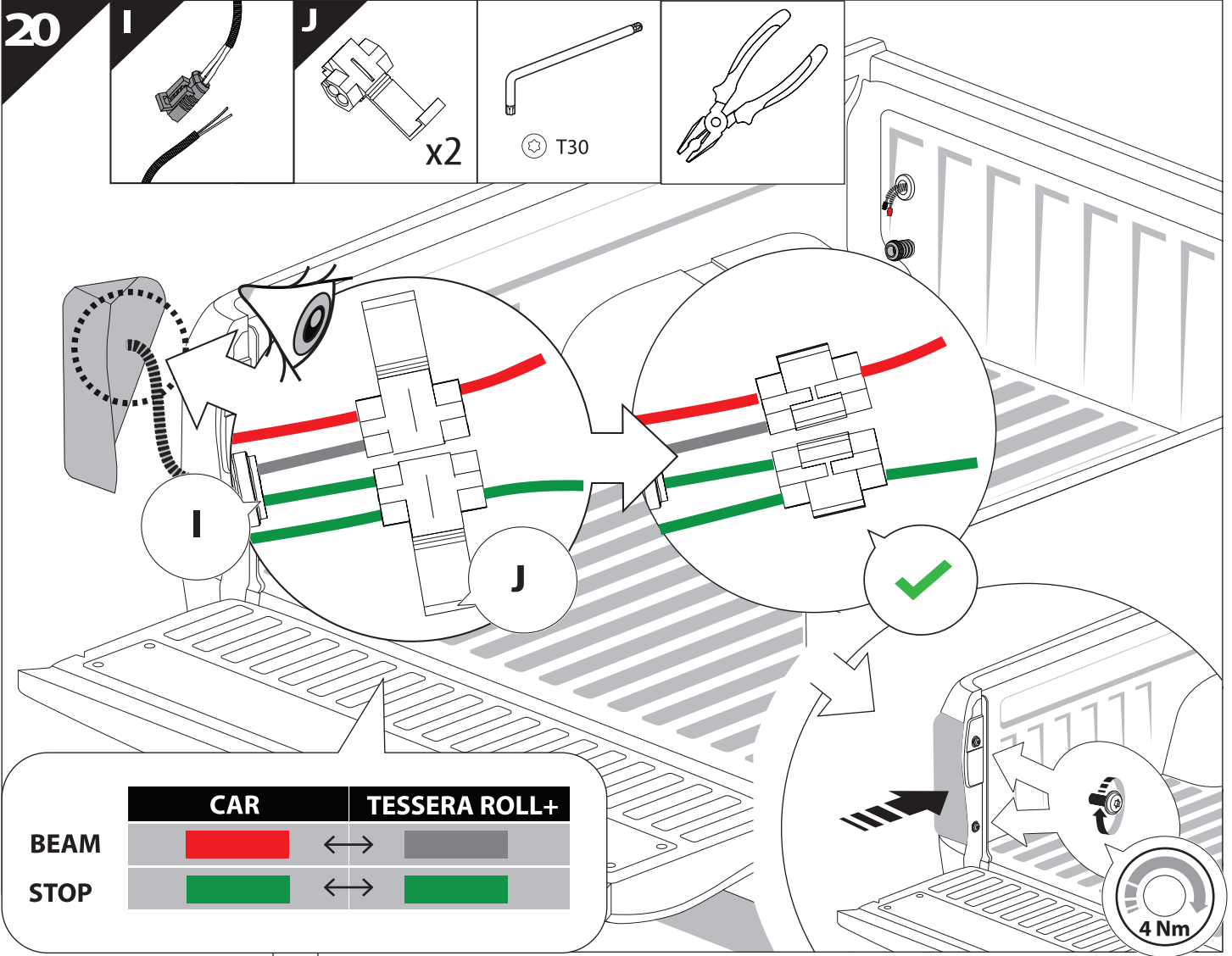


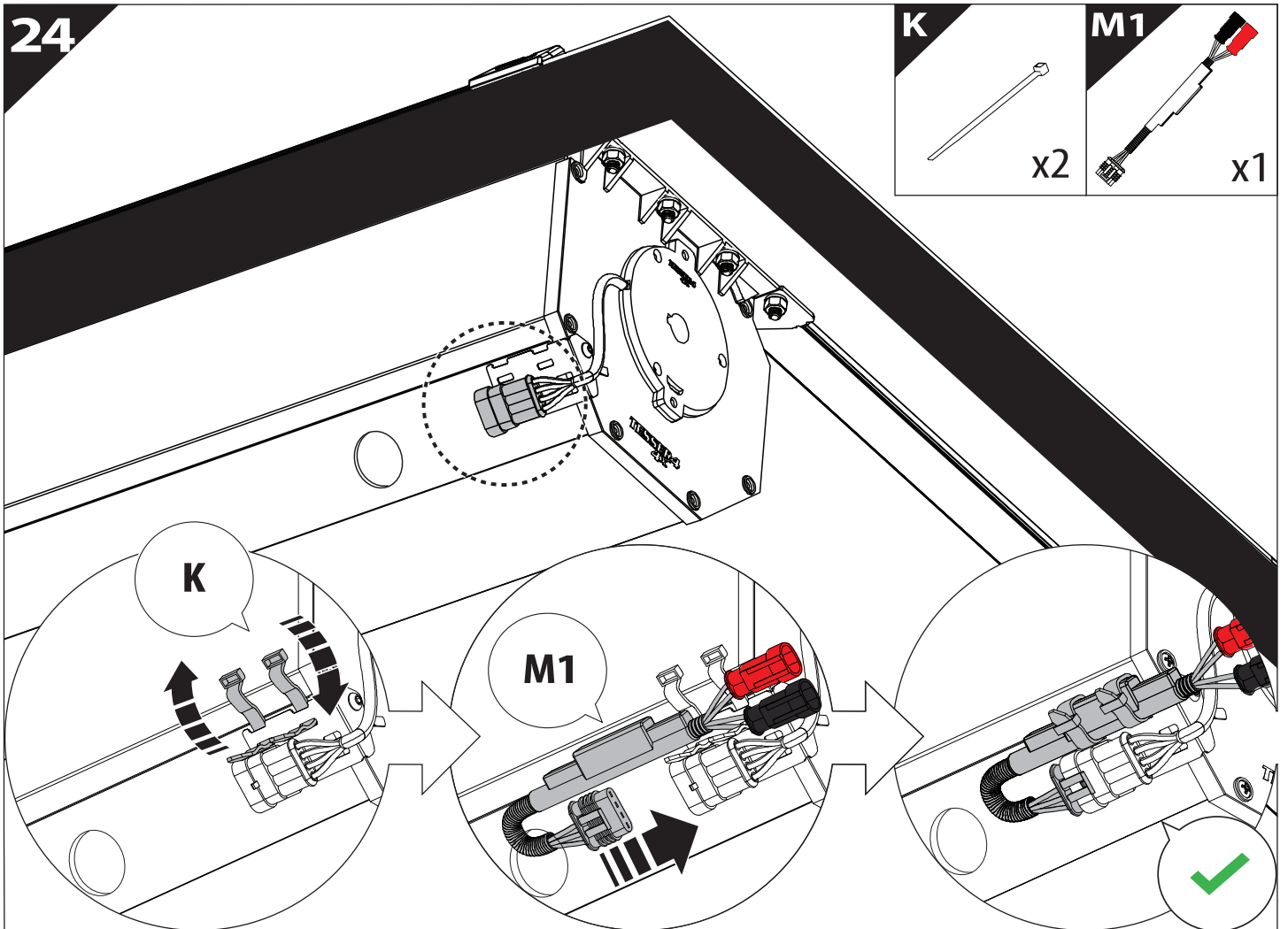
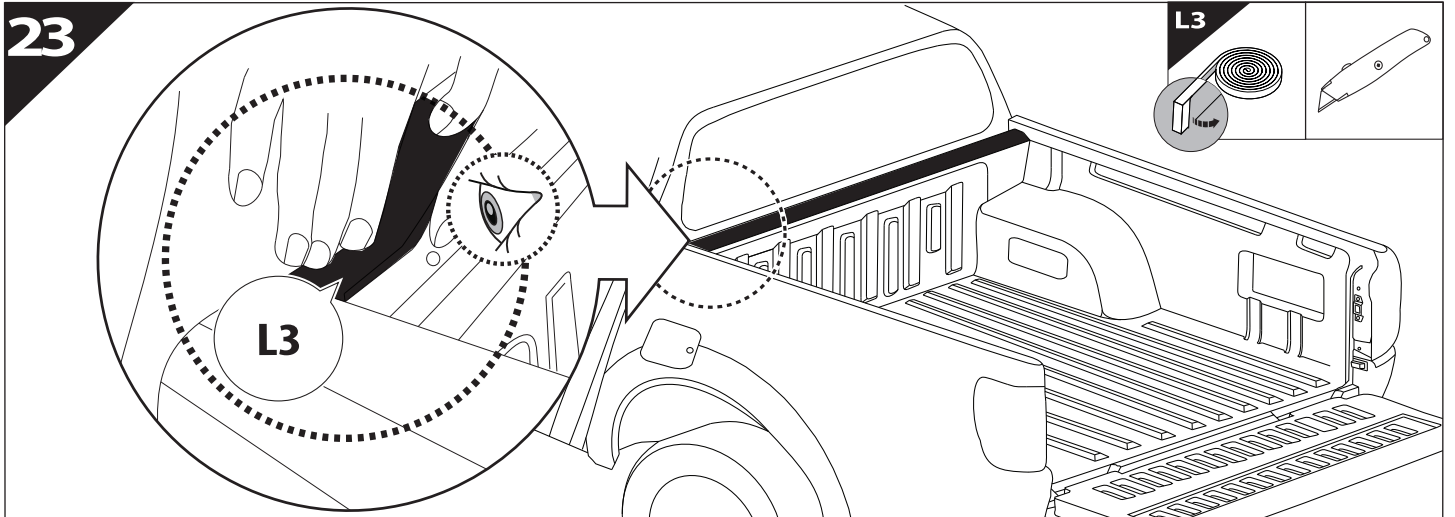
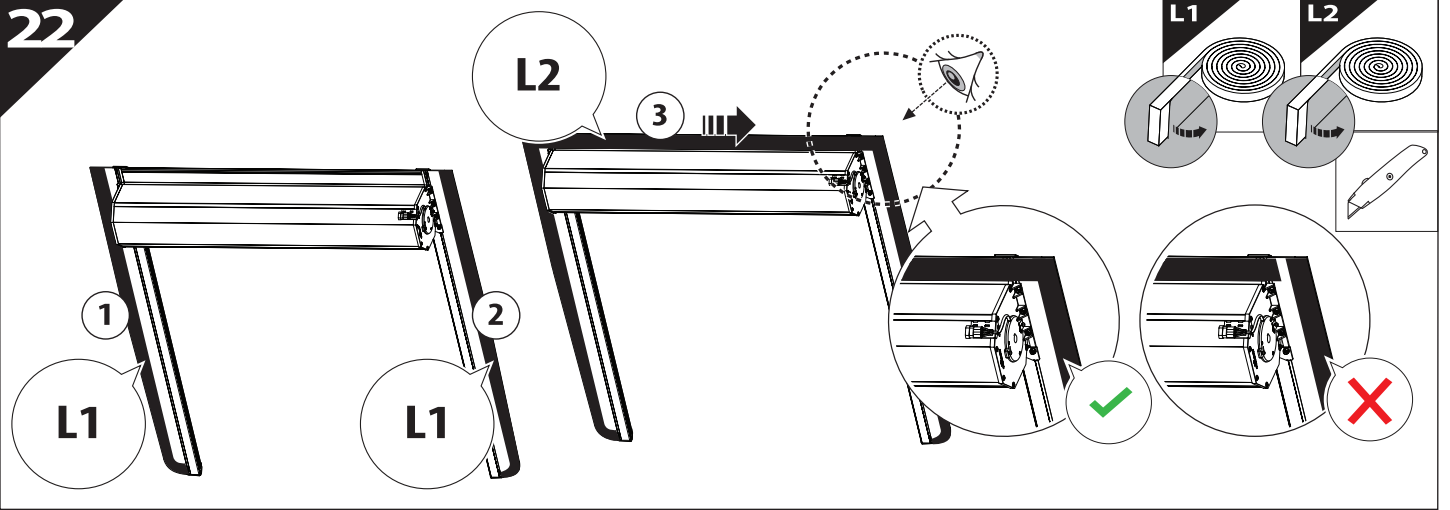
19

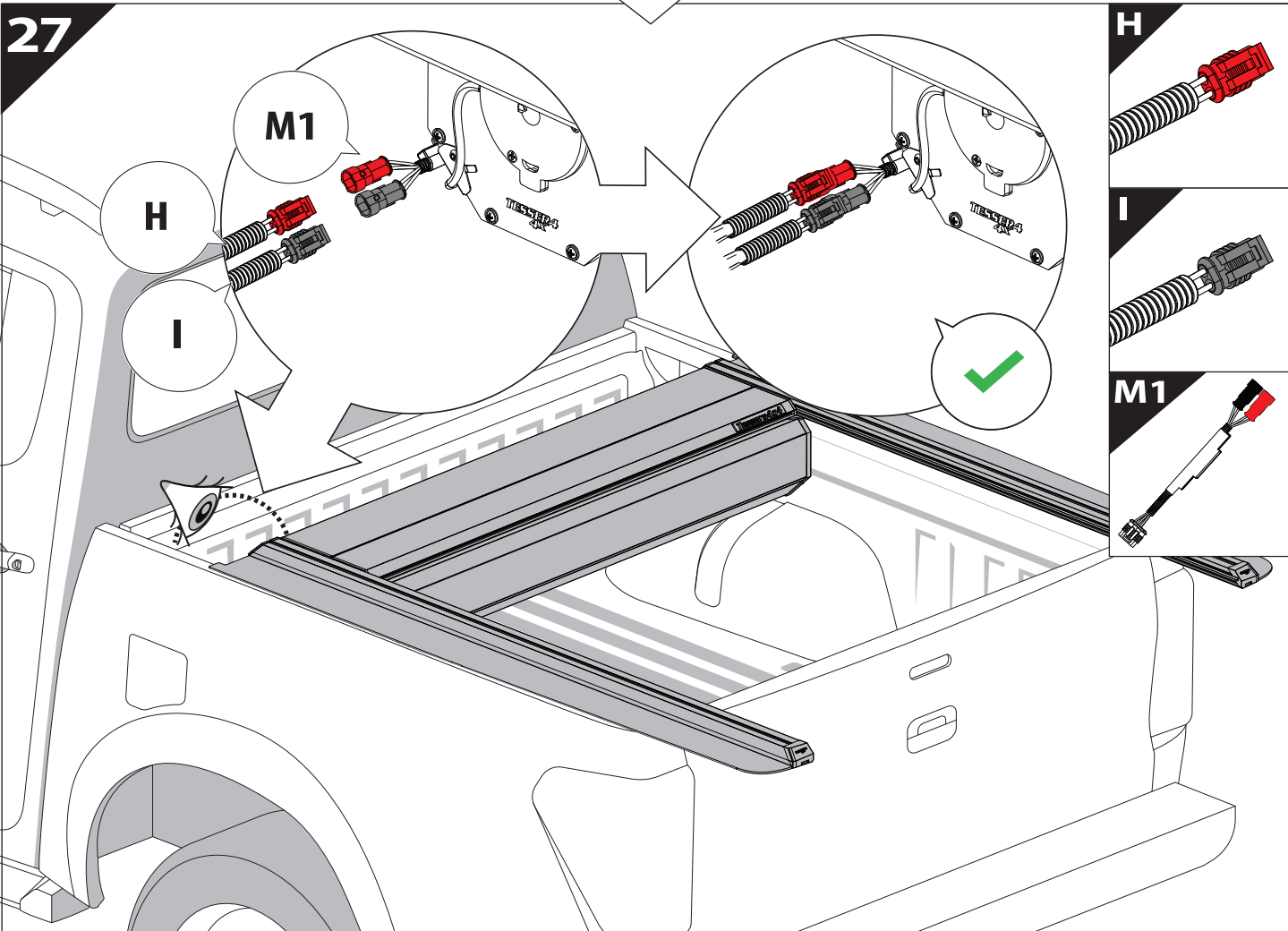
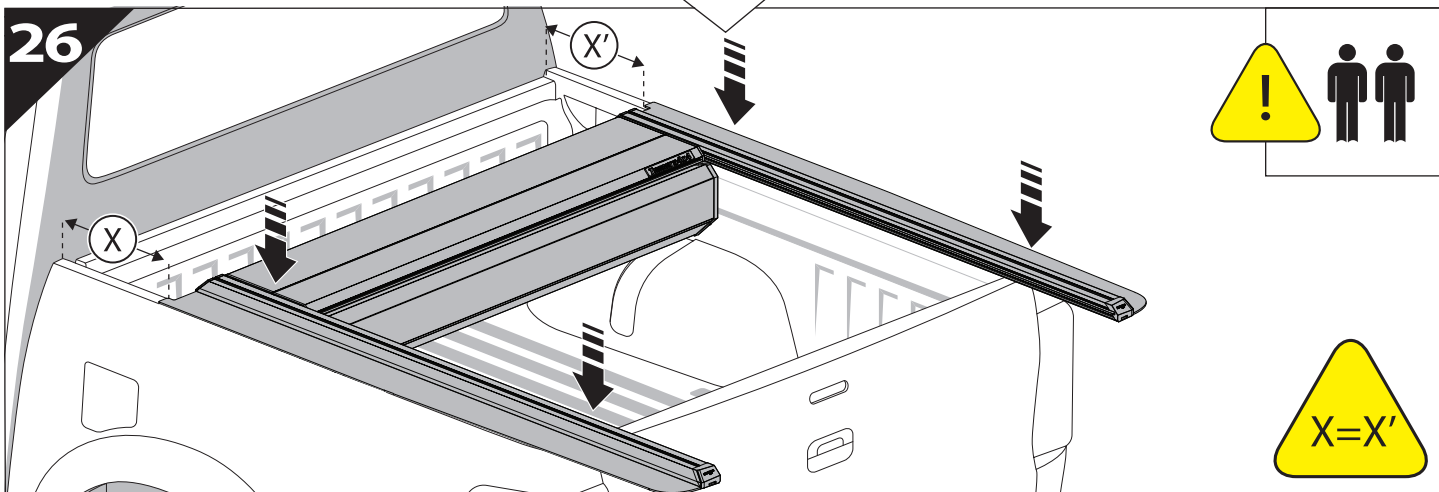
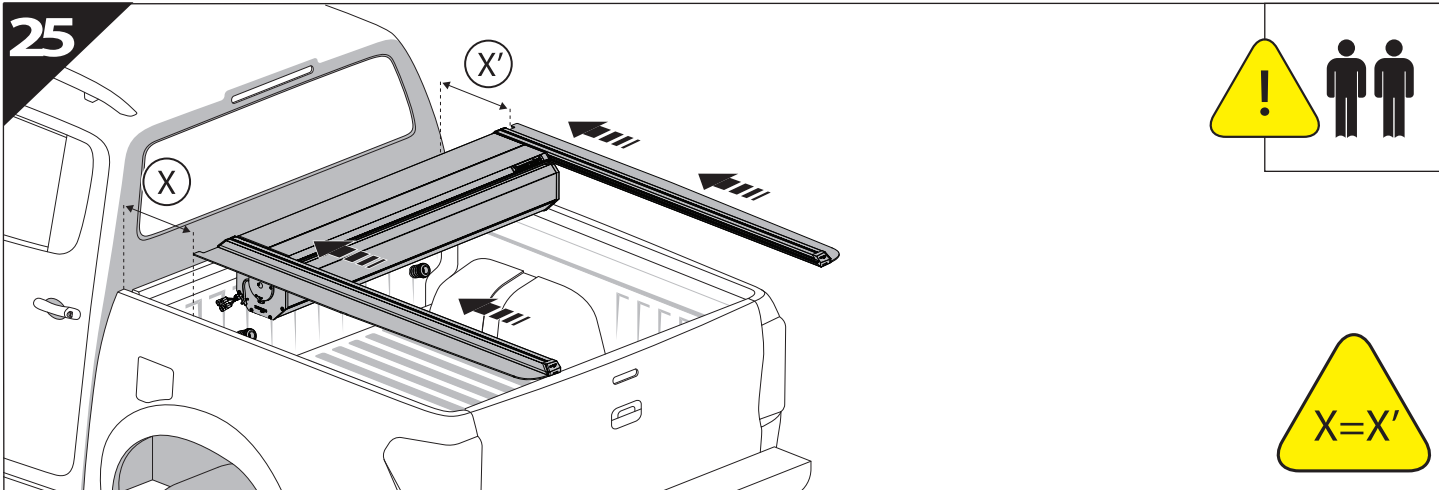


T30



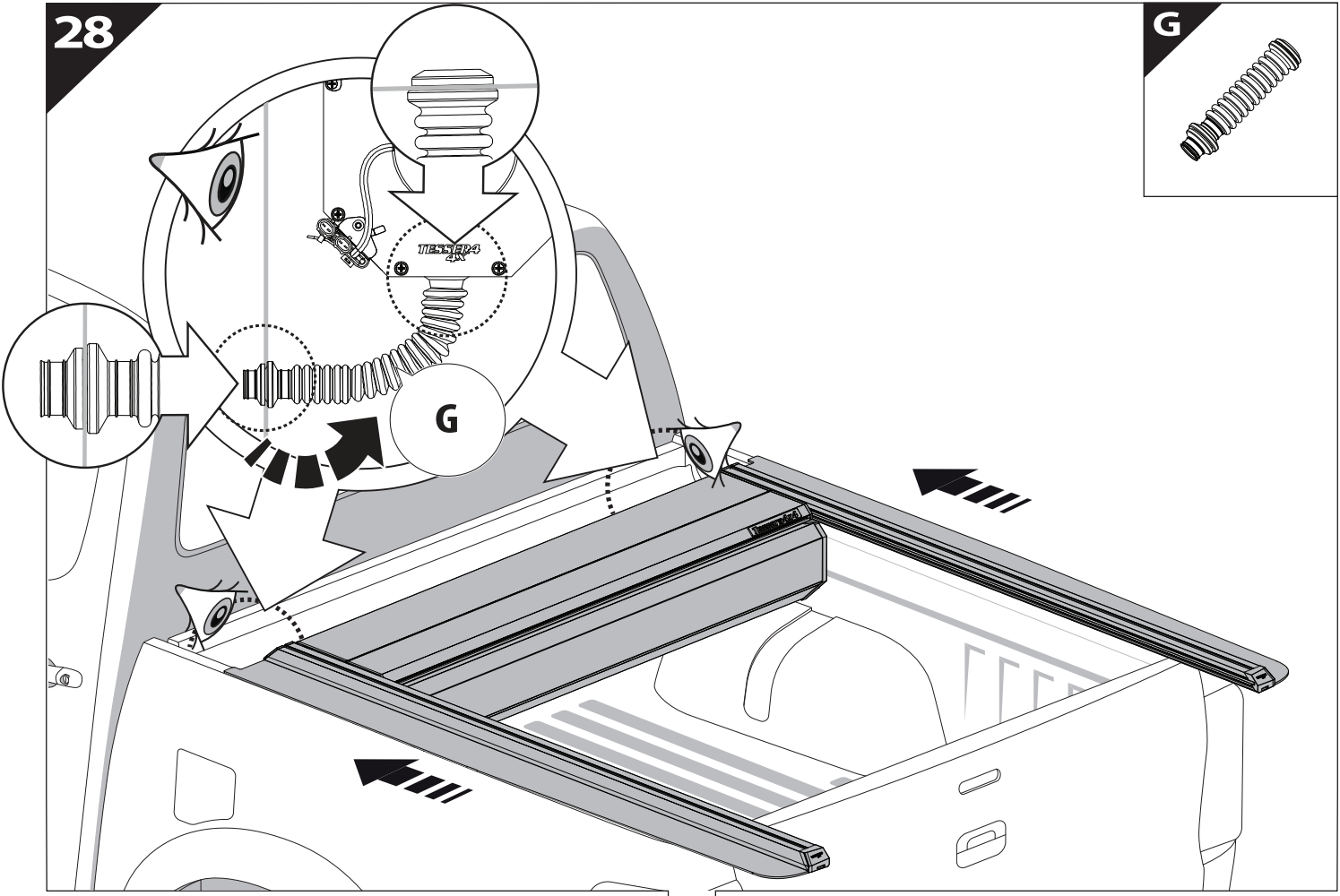




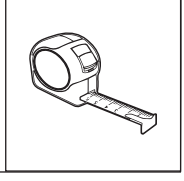
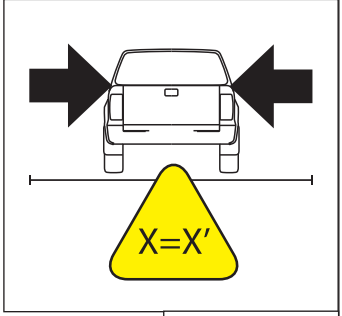
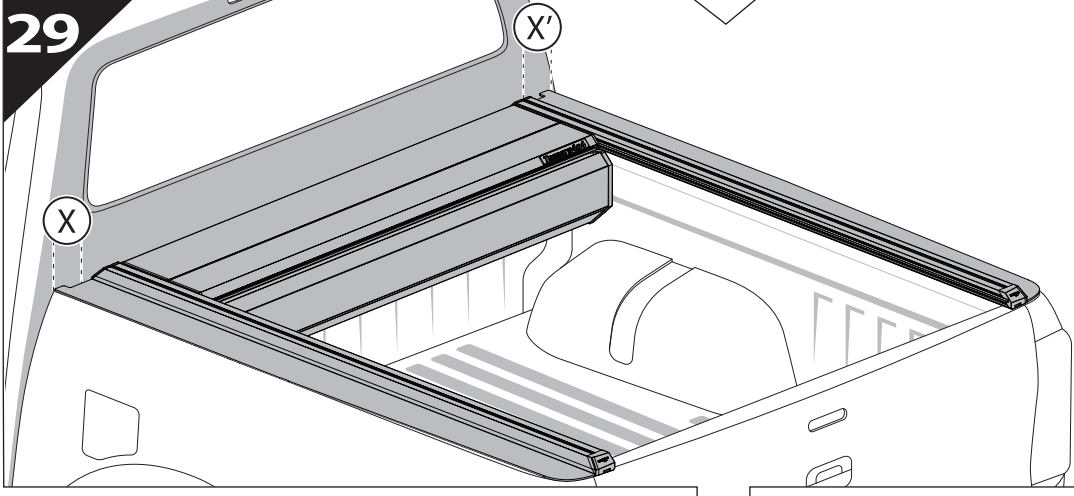


28

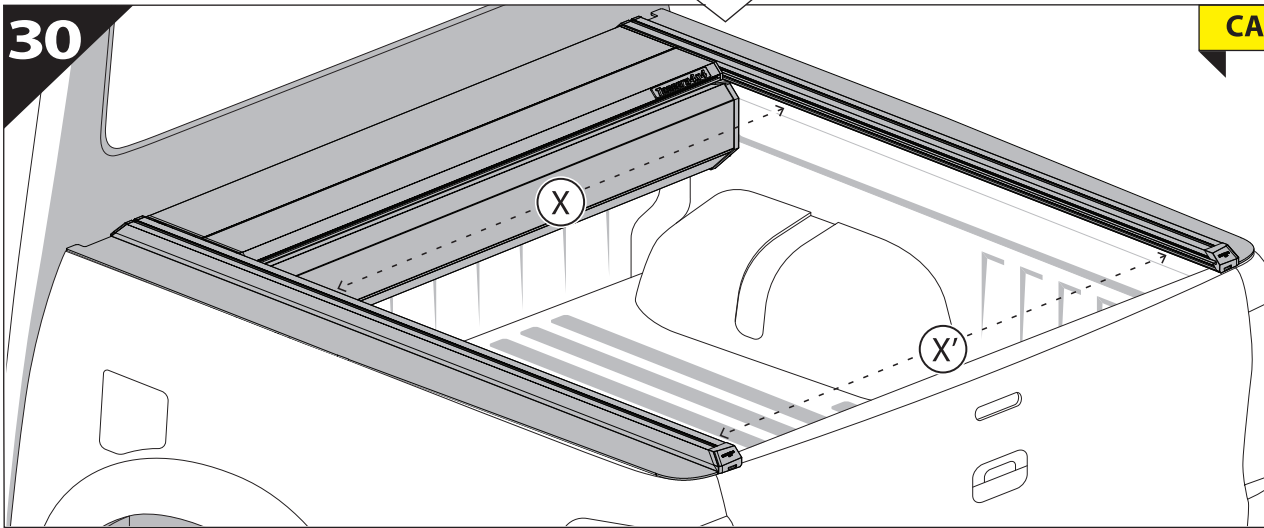
G



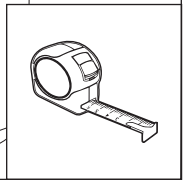
29



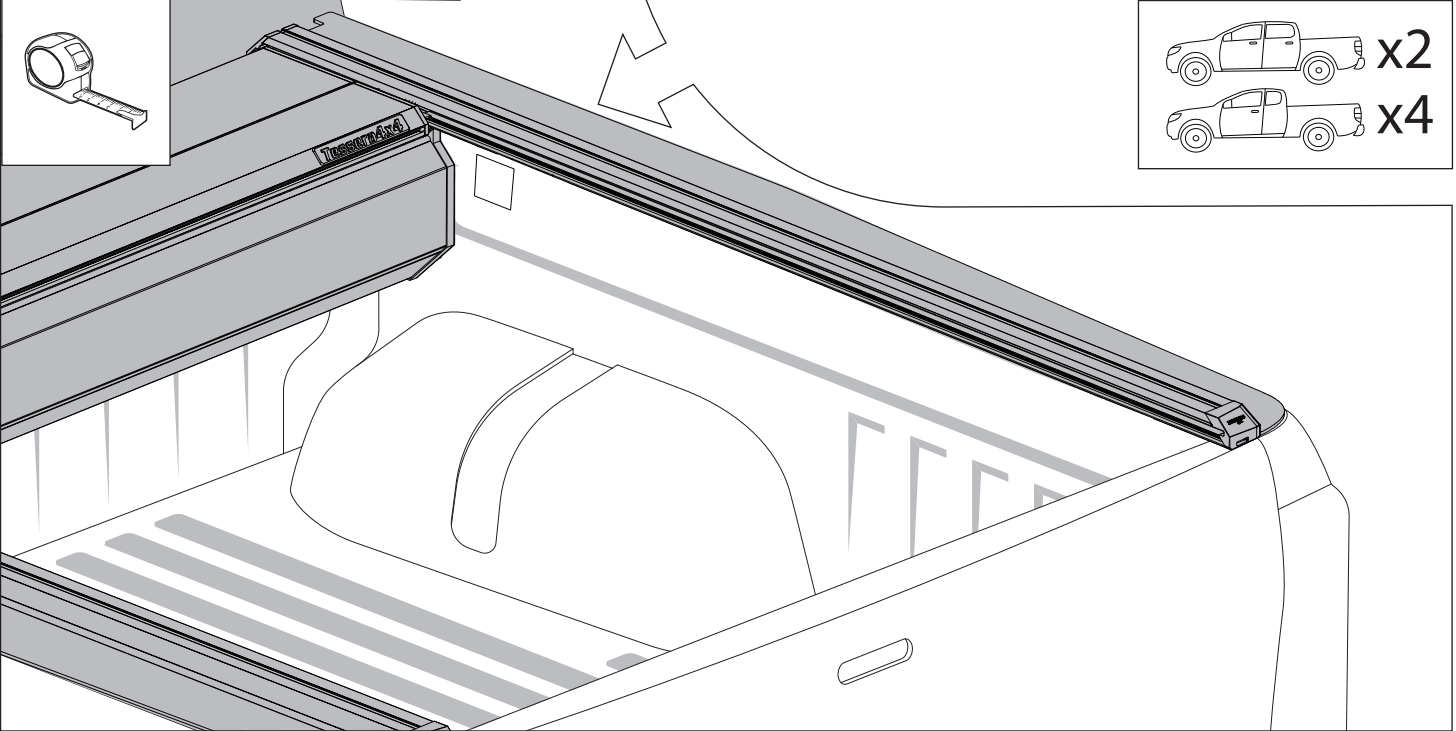
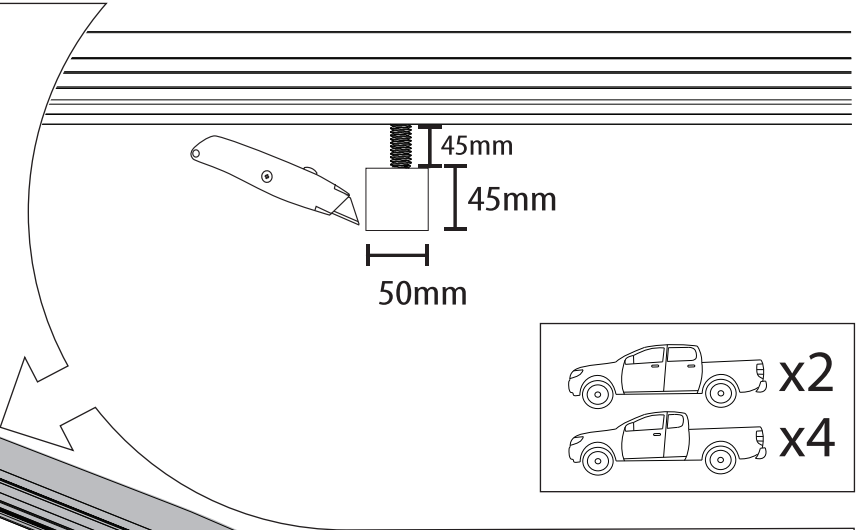
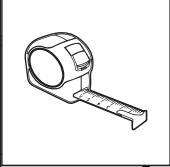
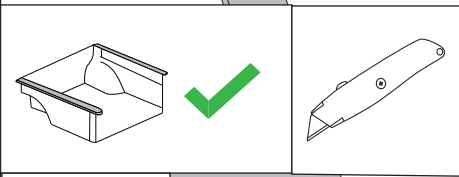
30



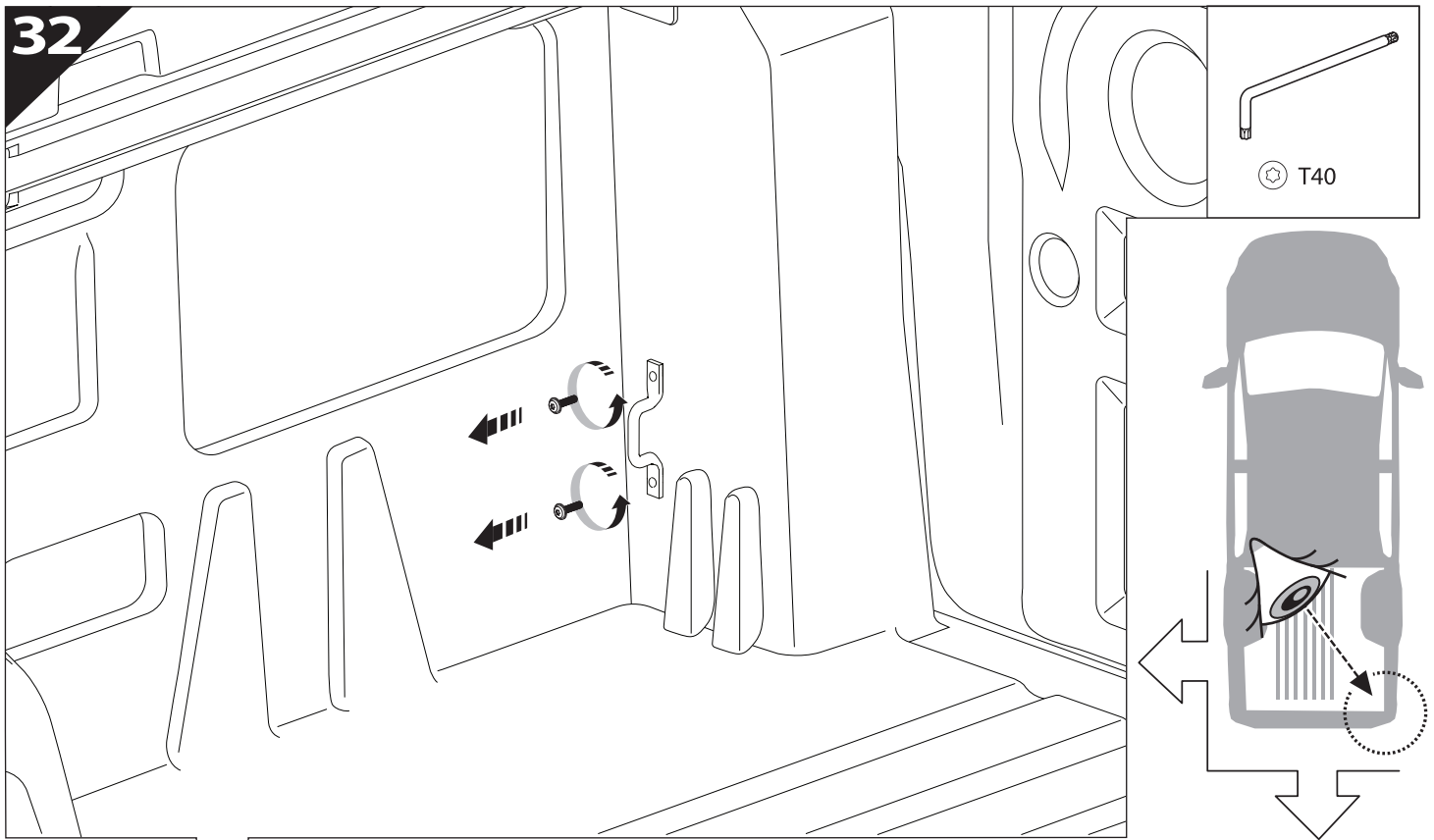
CAUTION !



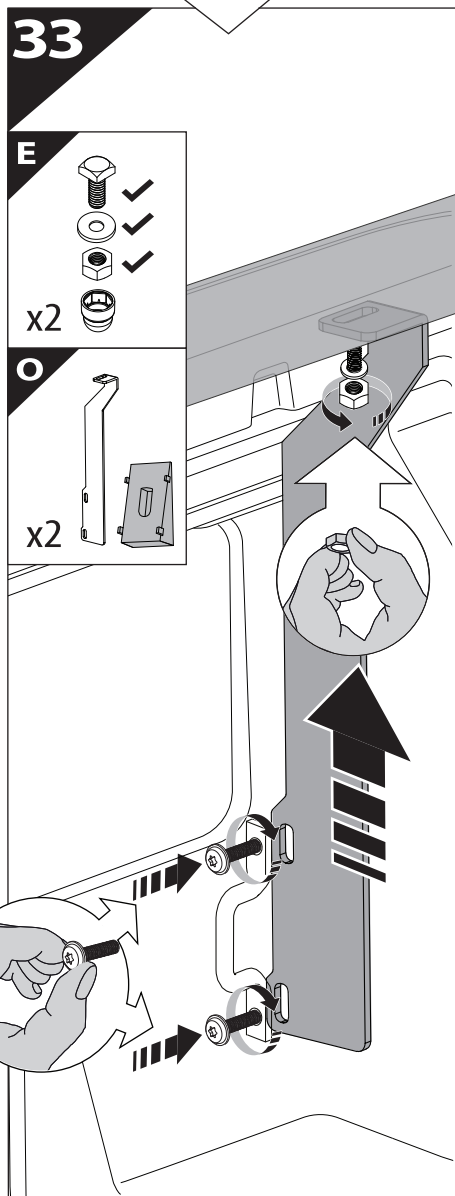
31



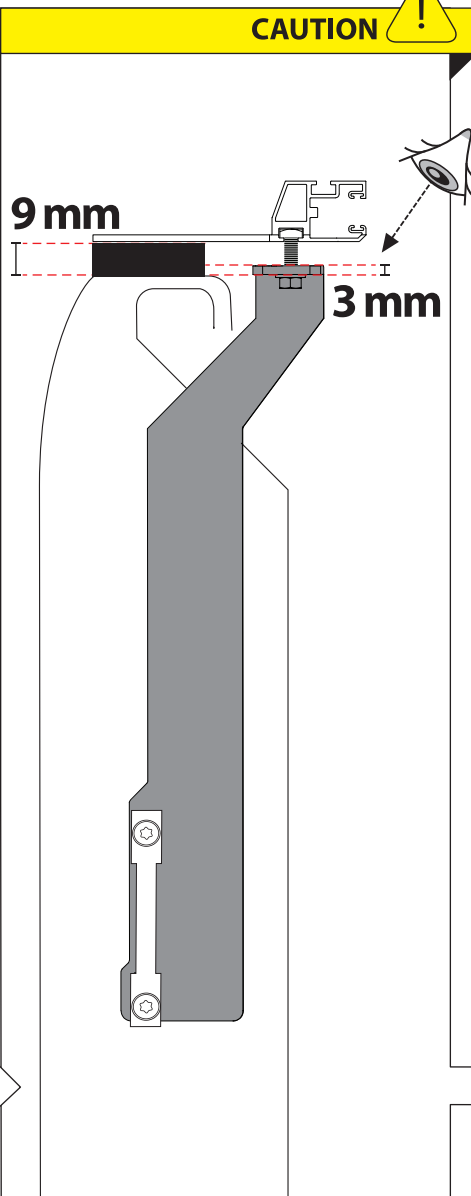
32



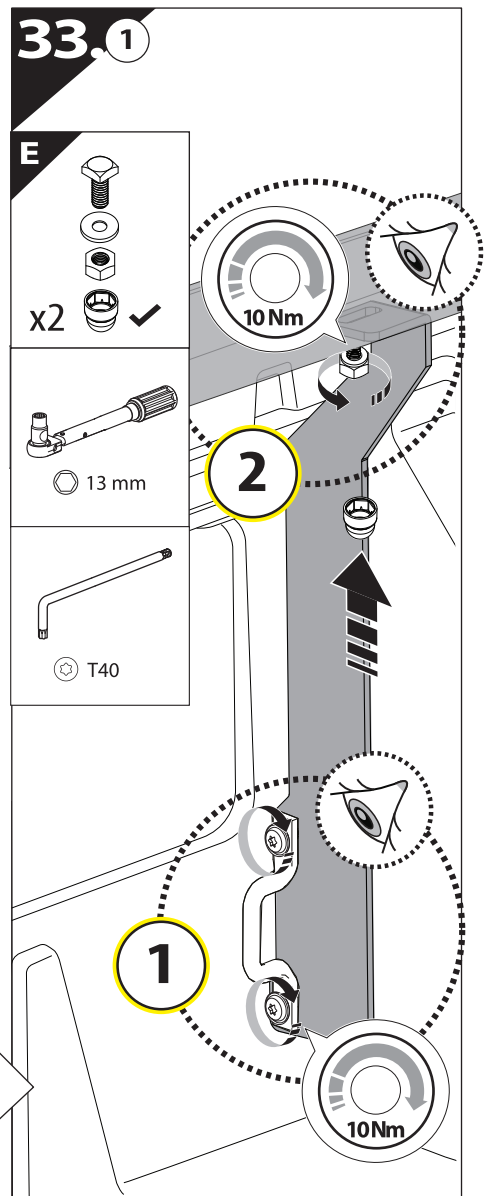
33



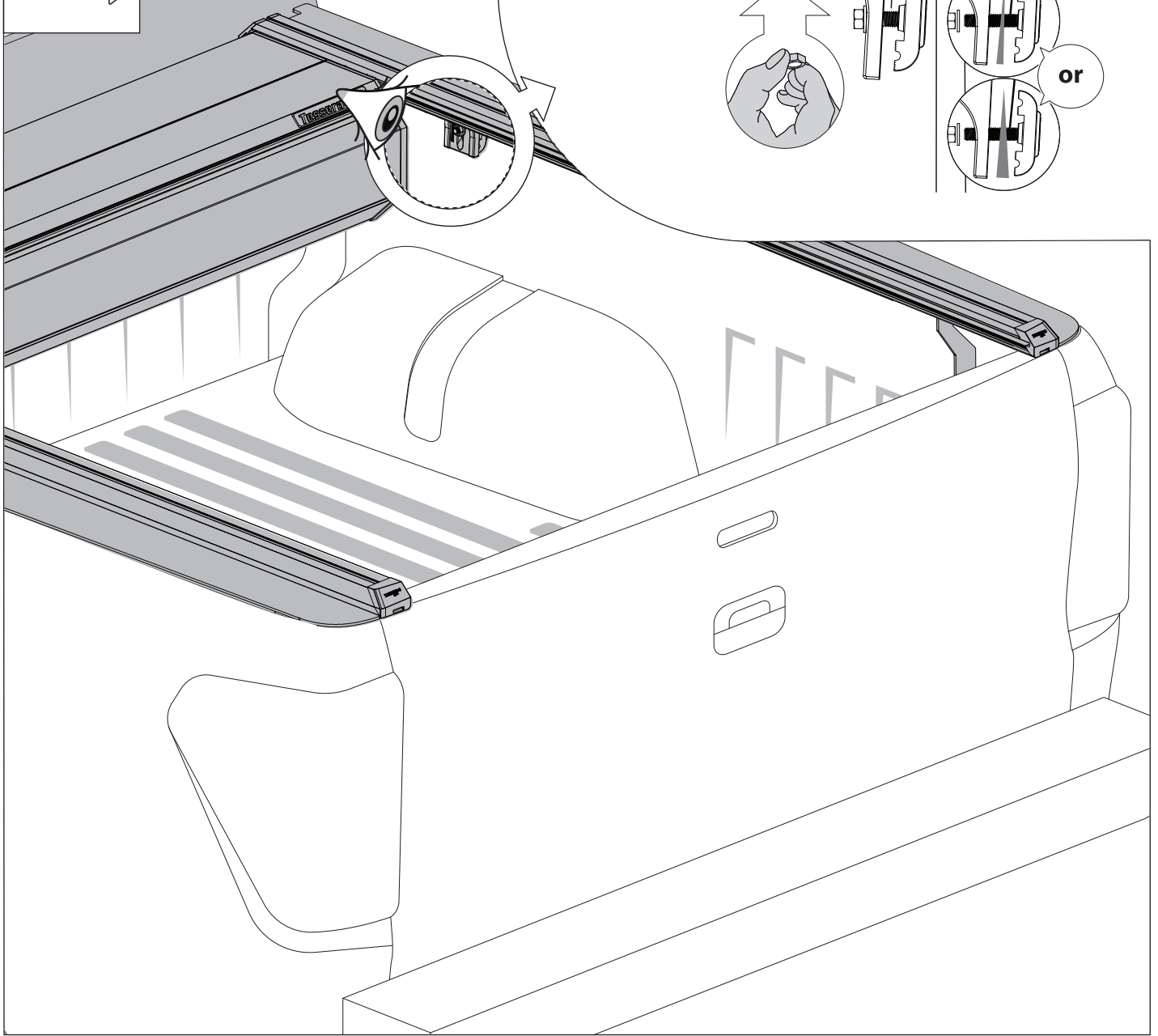
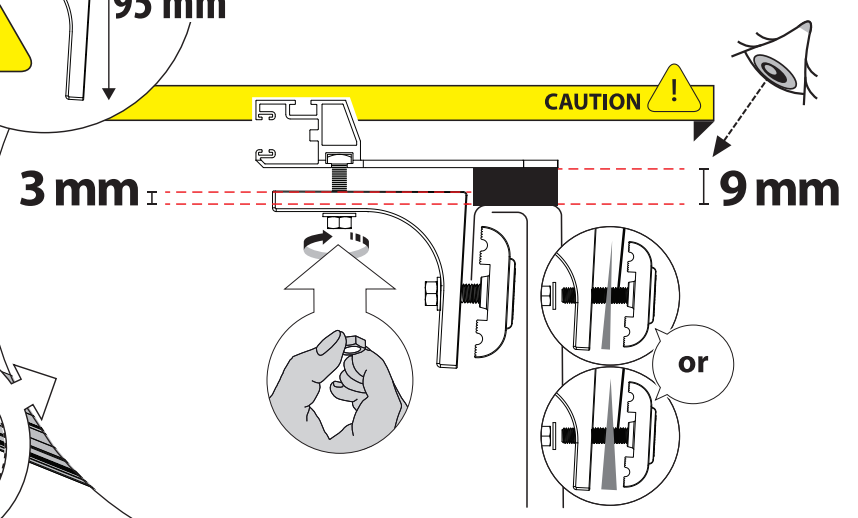
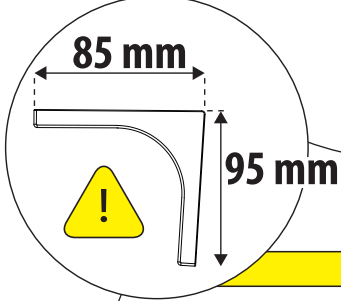
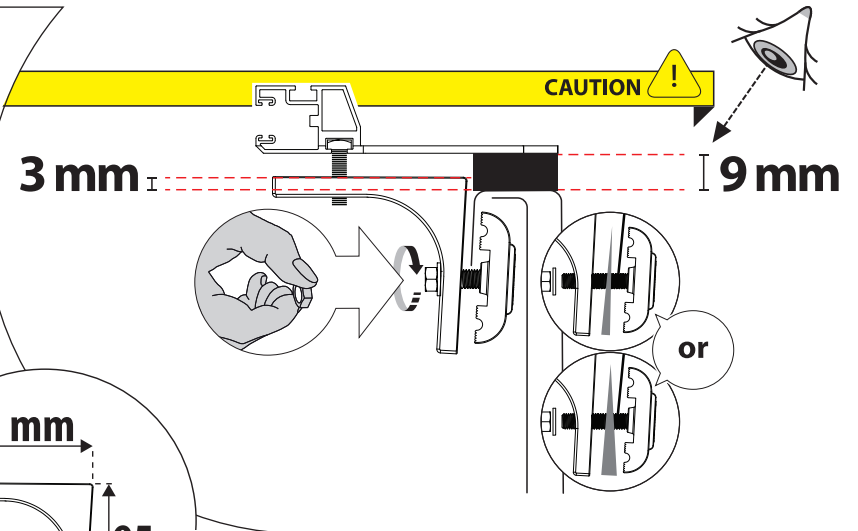
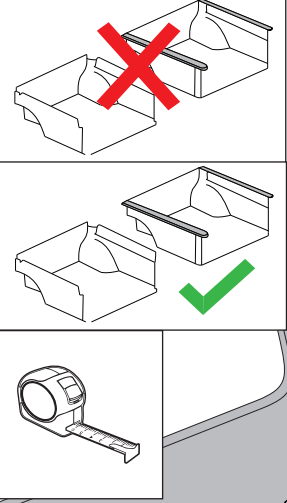
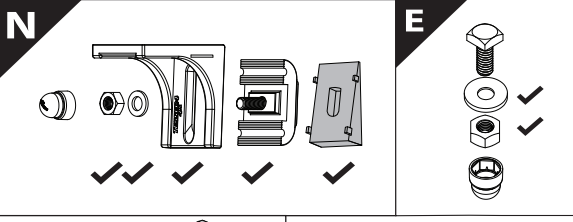
CAUTION !

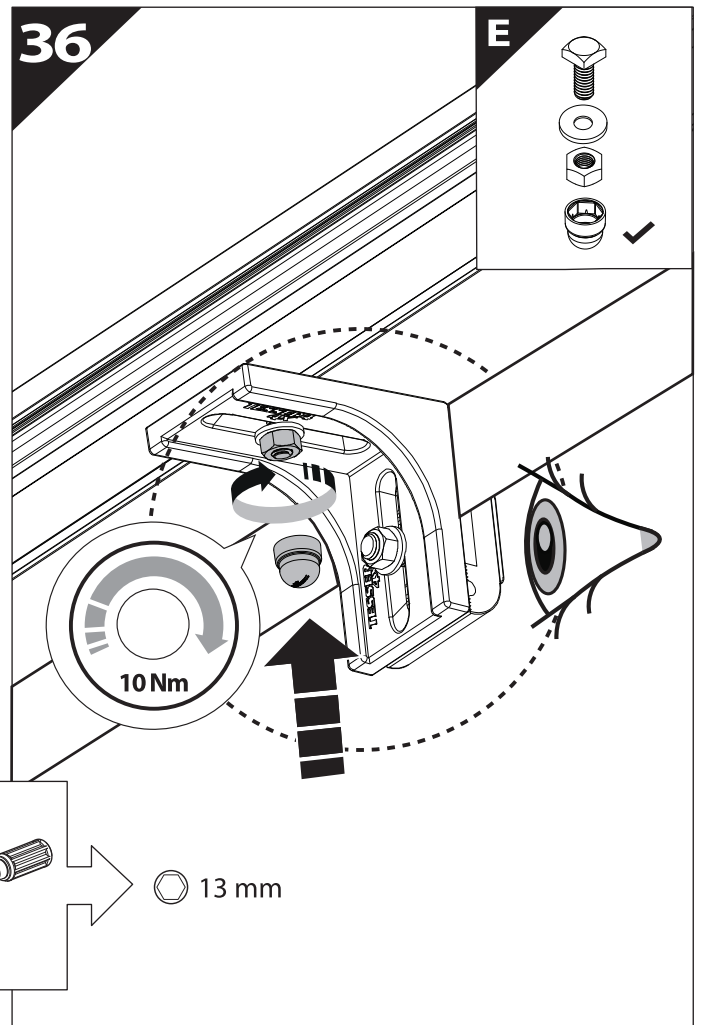
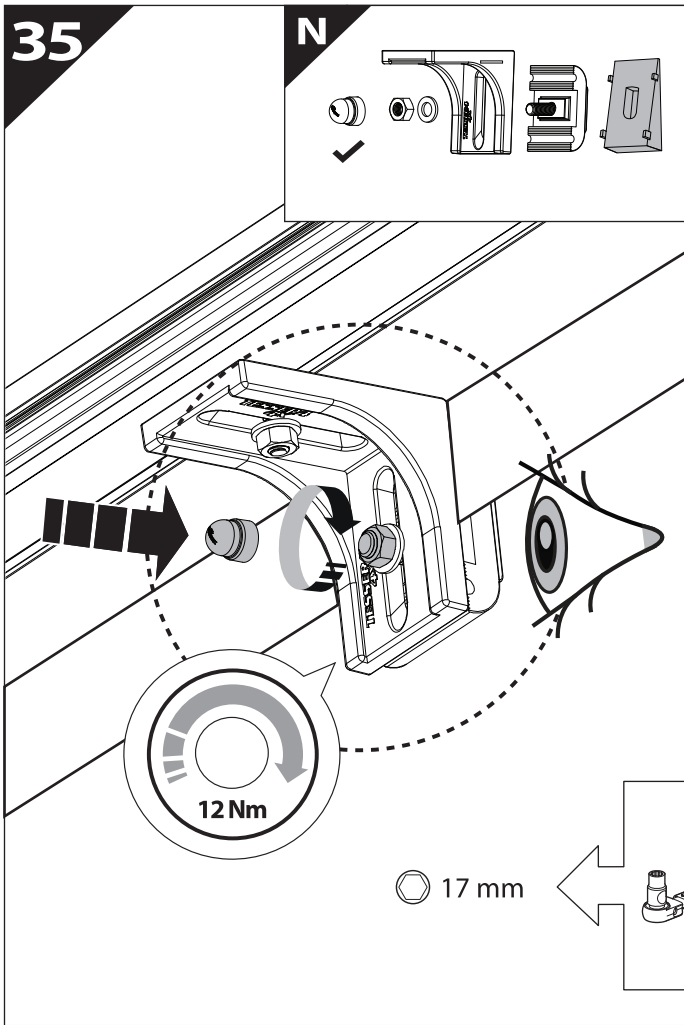


33.1

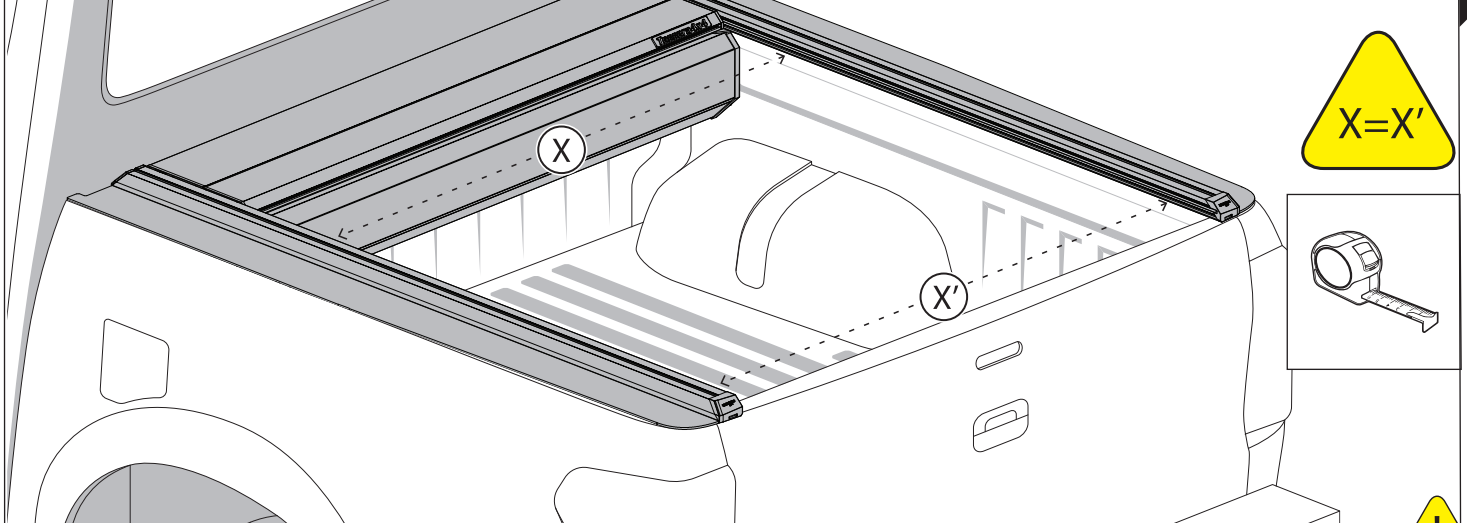


34

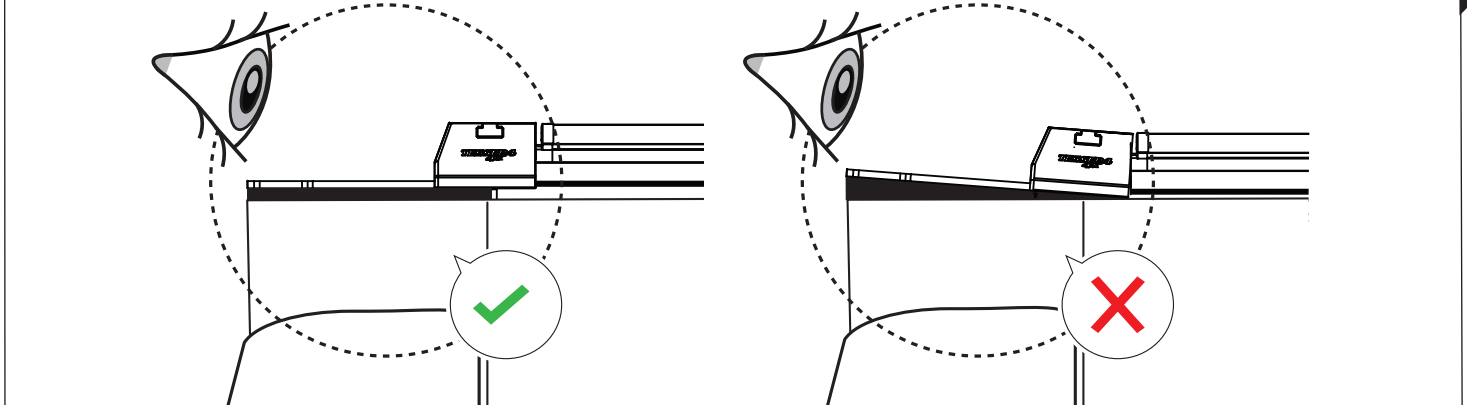




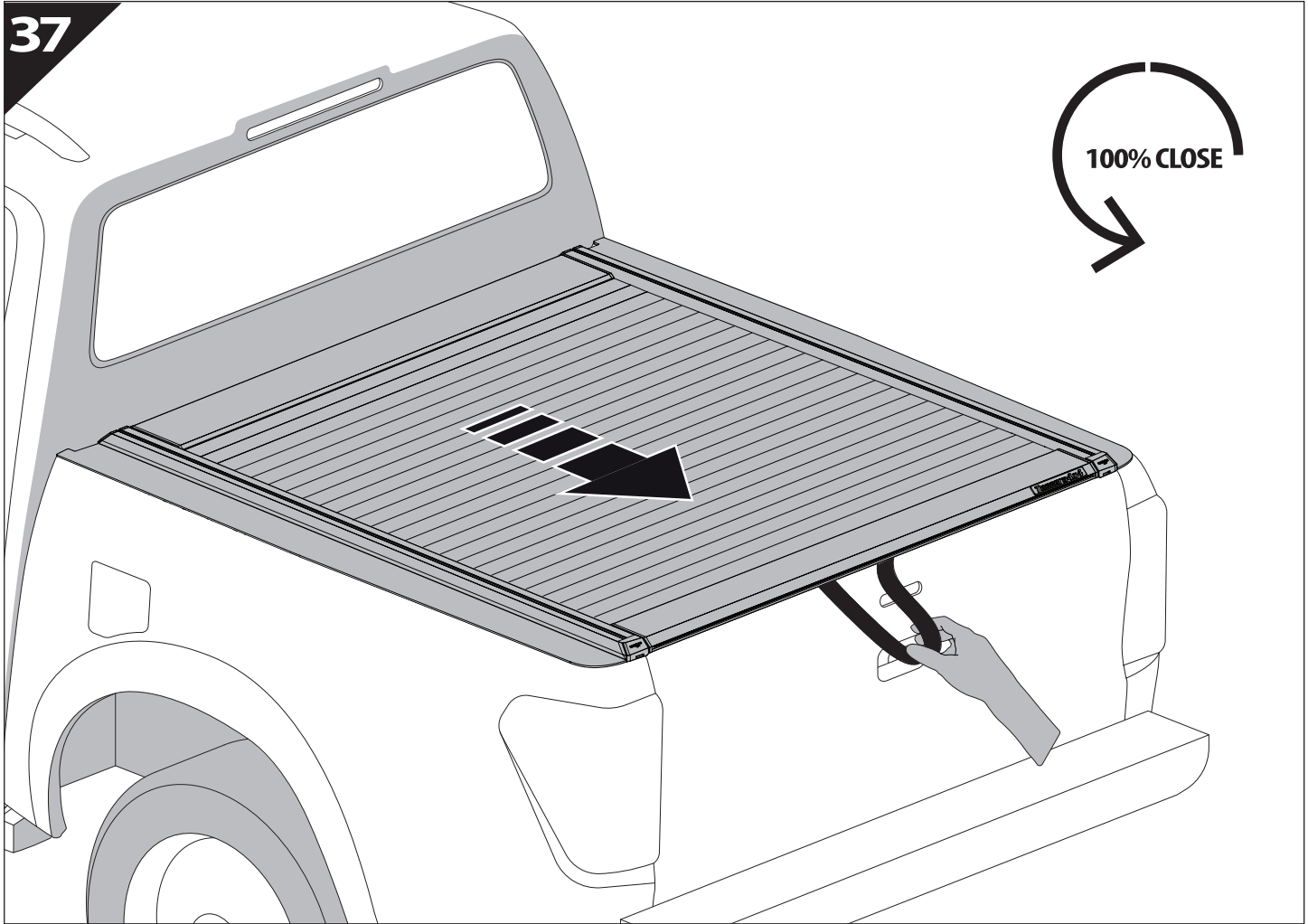
CAUTION !



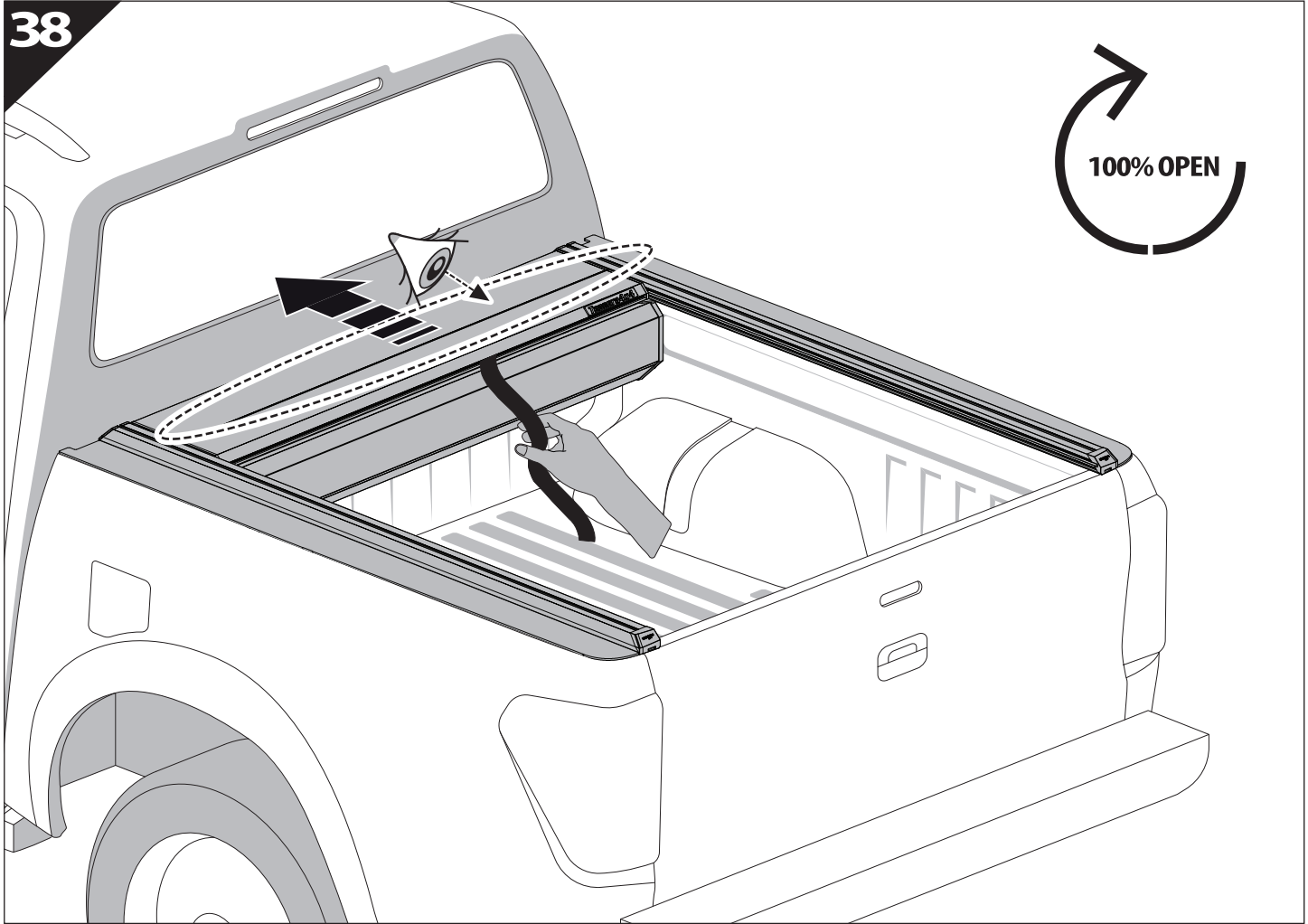
CAUTION !



37



38





GR: Οδηγίες Εγκατάστασης
GB: Installation manual
SF: Asennusohje
F: Notice de montage
PL: Instrukcja montażu
NL: Installatie-instructies
TR: Montaj Talimatı
S: Monteringsanvisning
E: Instrucciones de montaje

H: Szerelési utasítás
P: Instruções de instalação
RUS: Инструкция по установке
N: Monteringsveiledning
D: Einbauanleitung
CZ: Návod k instalaci
I: Istruzioni de montaggio
DK: Monteringsvejledning
RO: Instructiuni de instalare

Customer Service:

+30 (210) 5541161, +30 (210) 5541154 (08:00 - 16:00 EET)

Support department:

info@gianso.gr

Website:

www.tessera4x4.com

Address:

19.5 km of National road Athens-Korinthos (Elefsina) Greece, P.C: 19200