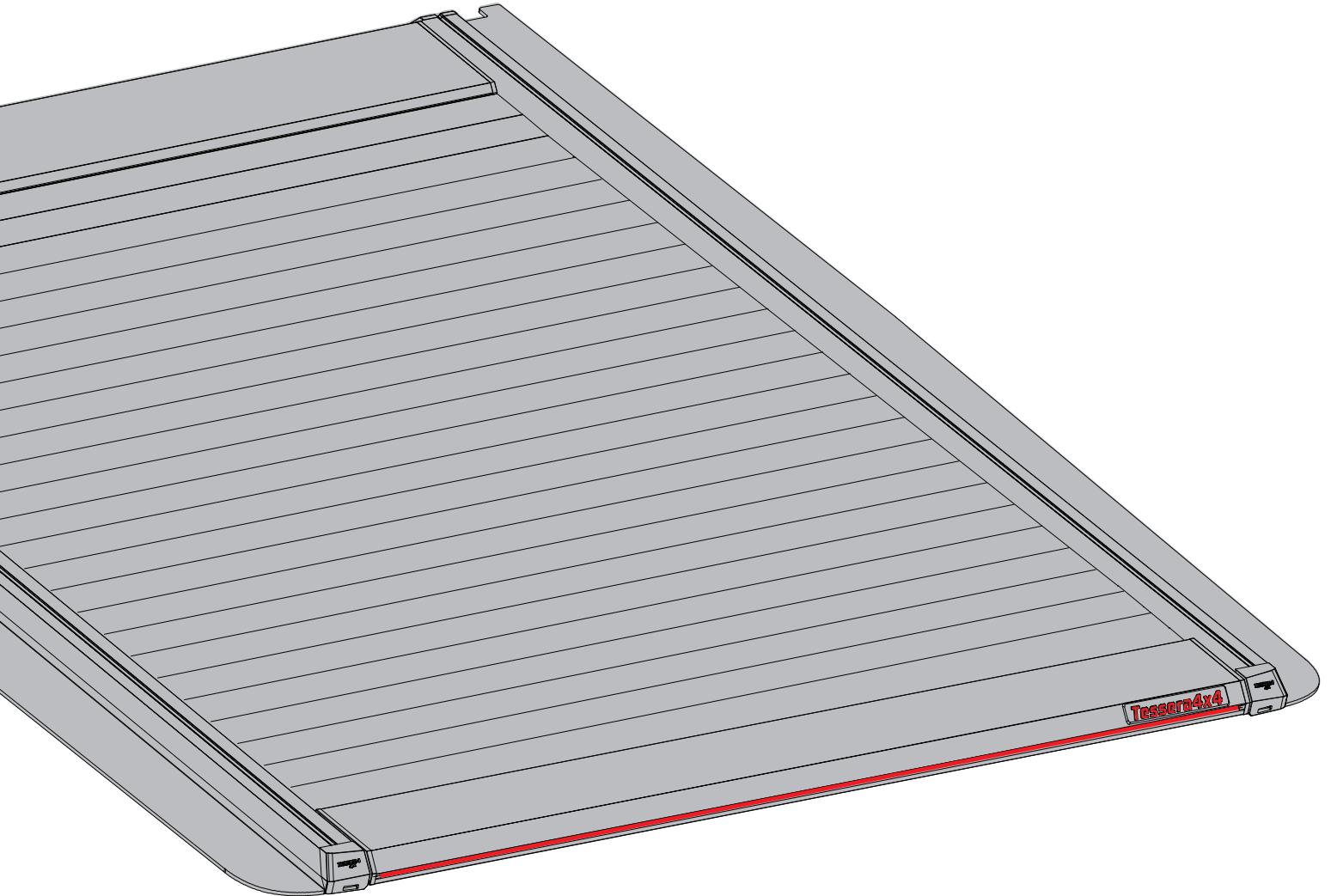


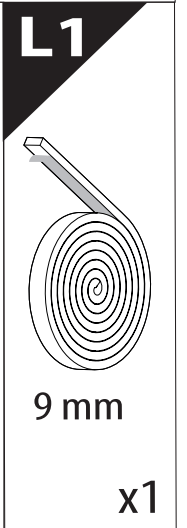
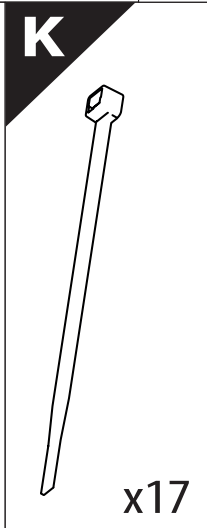
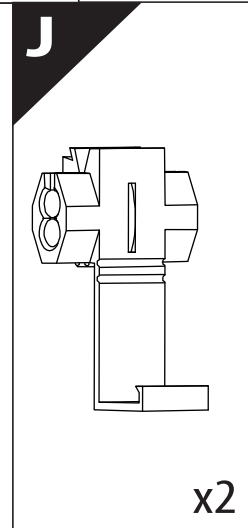
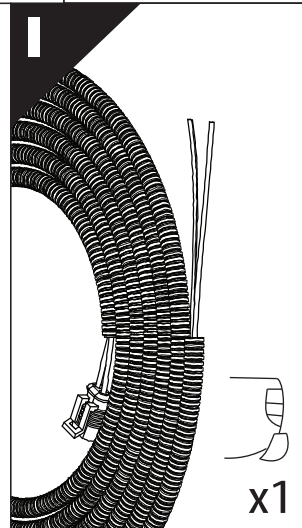
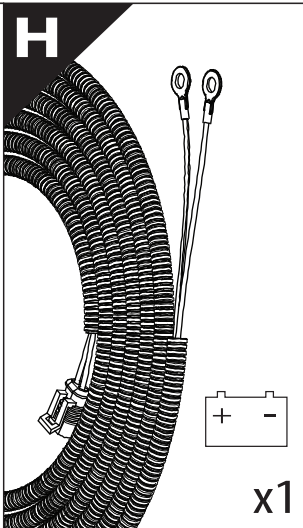
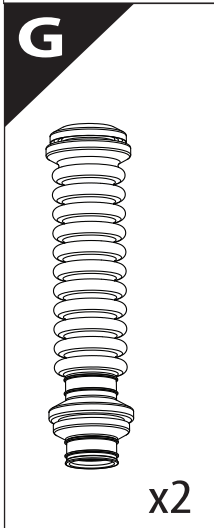
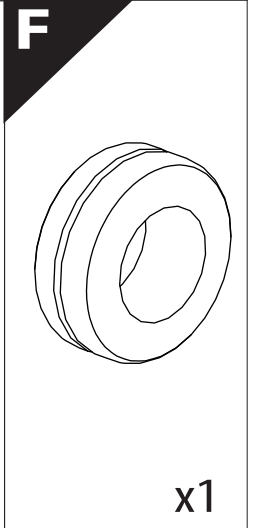
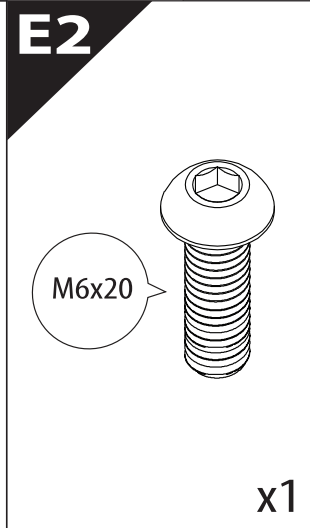
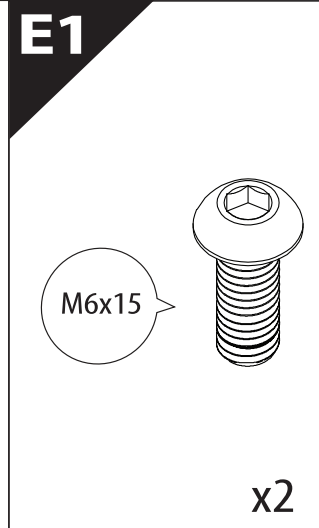
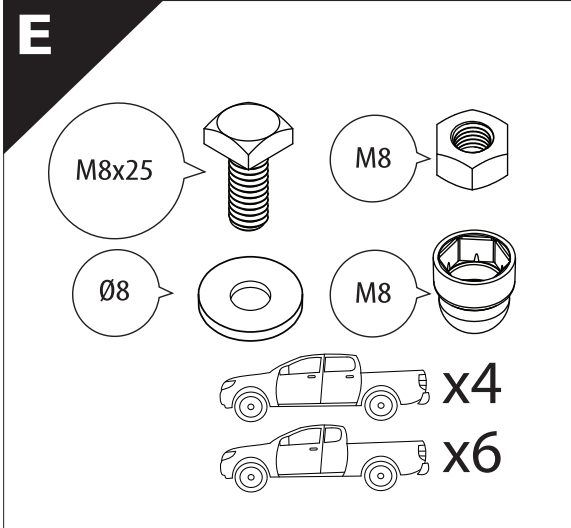
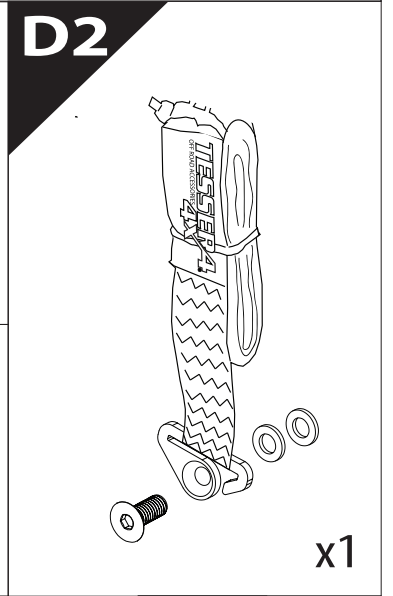
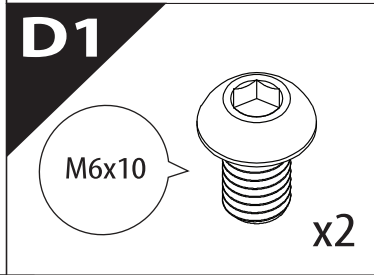
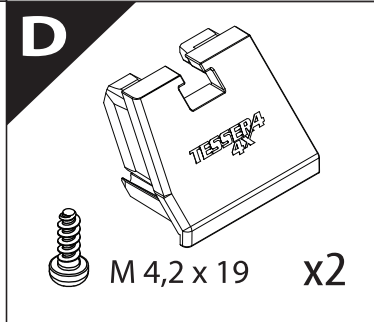
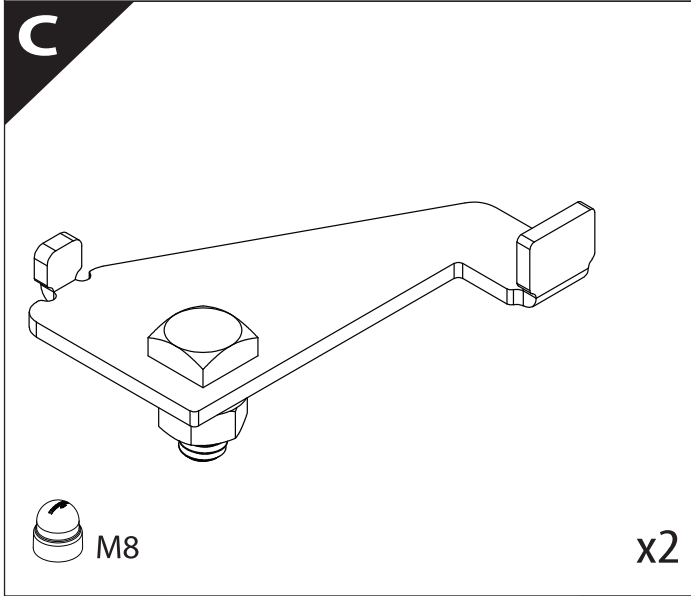
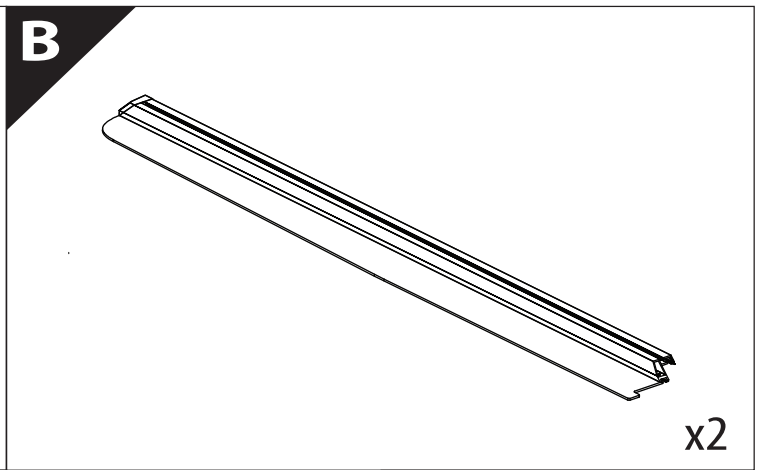
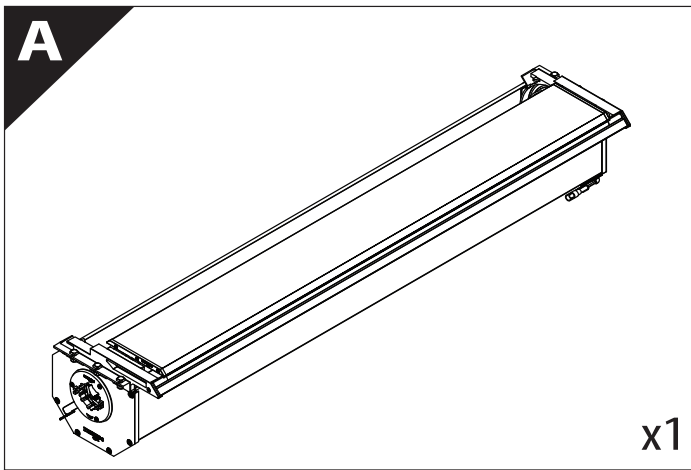
Tessera Roll+

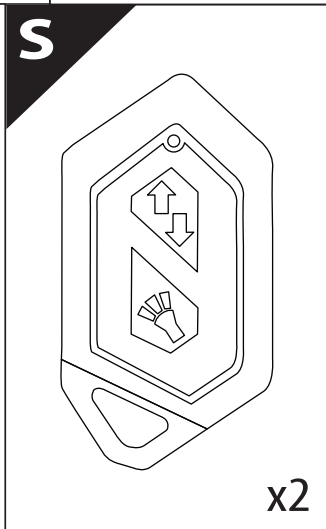
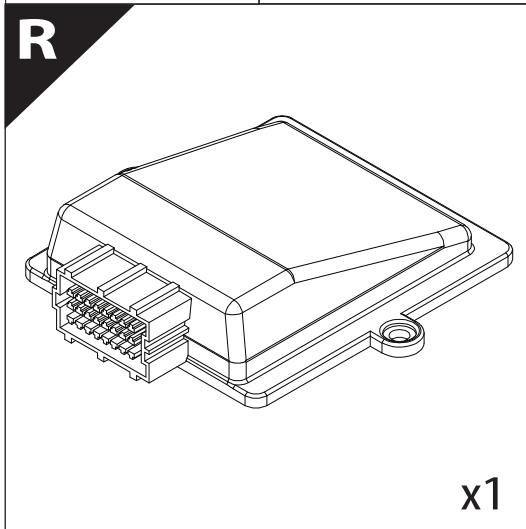
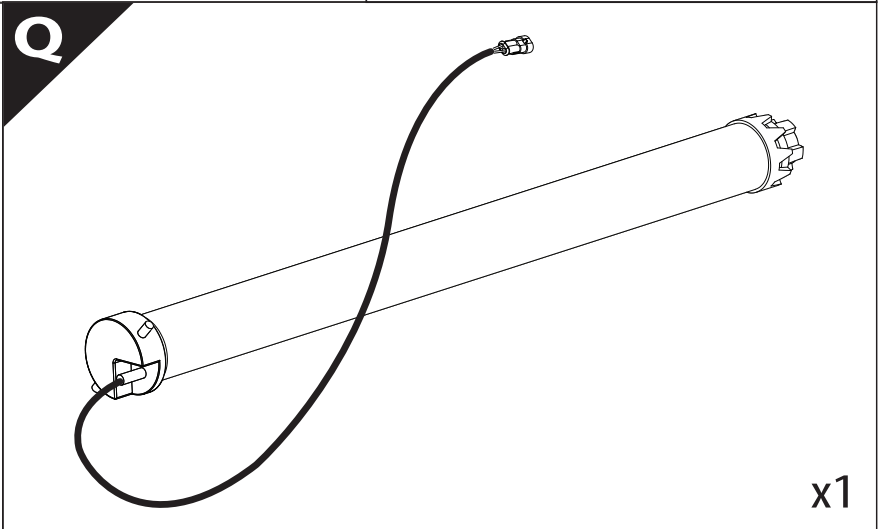
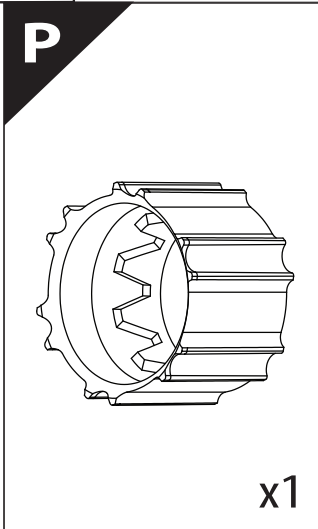
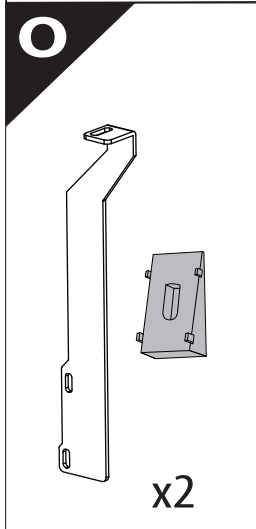
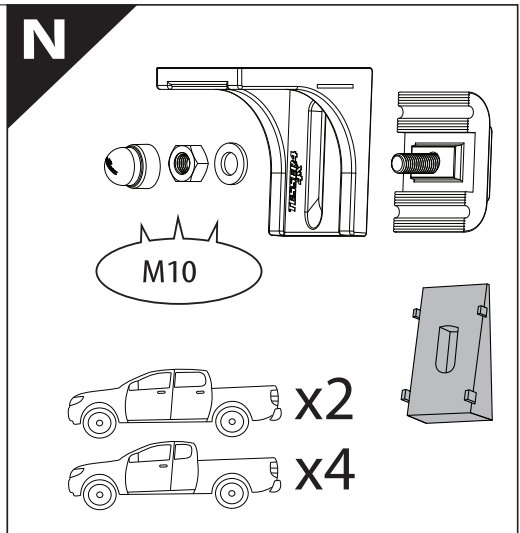
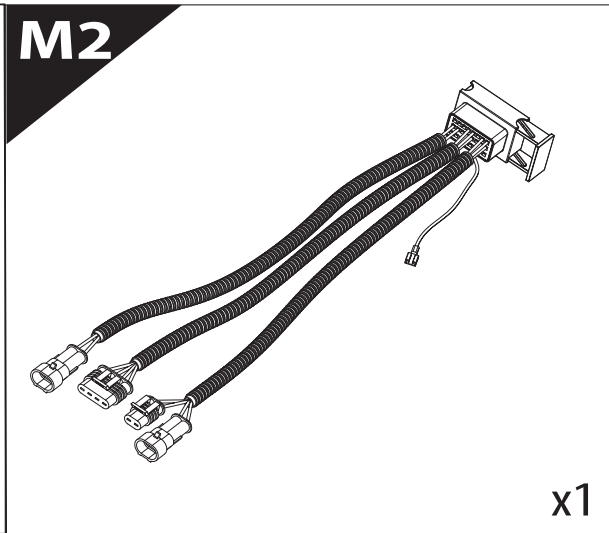
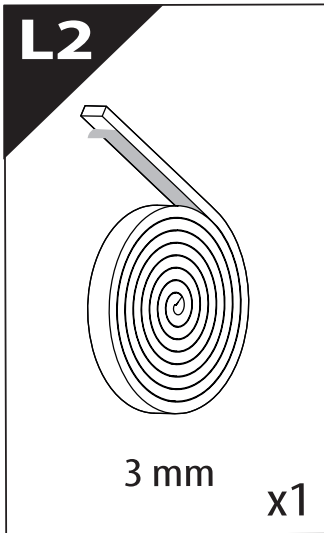
Basic Version + ⚡ E-KIT

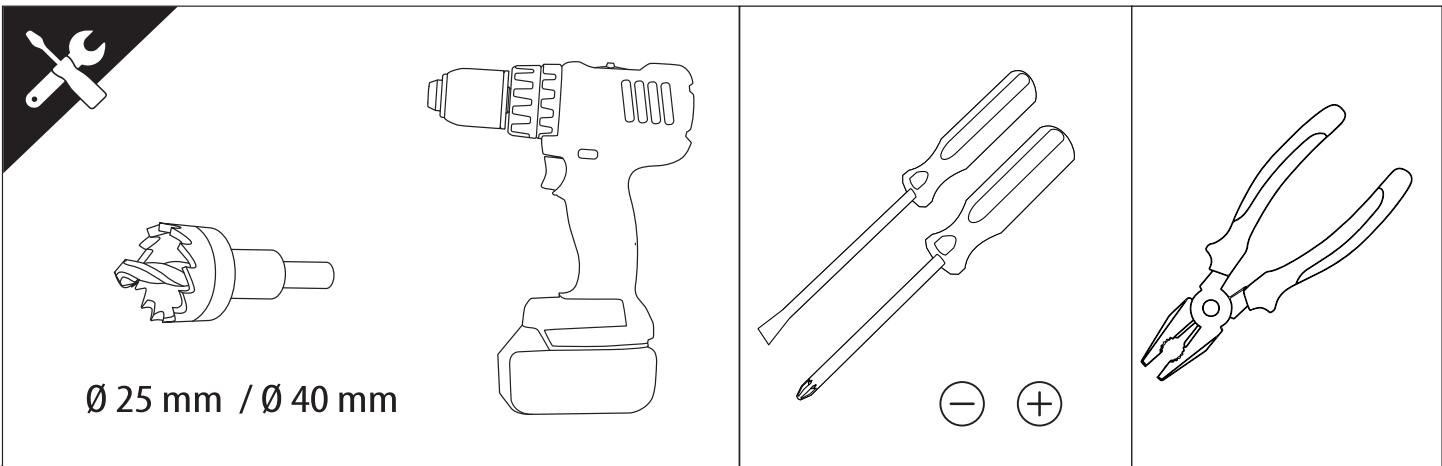


Installation Manual

PART NUMBER(S)	Model Year
TESS 1406 ROLL+E-KIT	FORD RANGER 2012+ / 2016+ / 2020+
TESS 1407 ROLL+E-KIT	
Cab(s)	Installation Time / Weight
Double Cab & Space cab	40-60 minutes / 53-57 kg

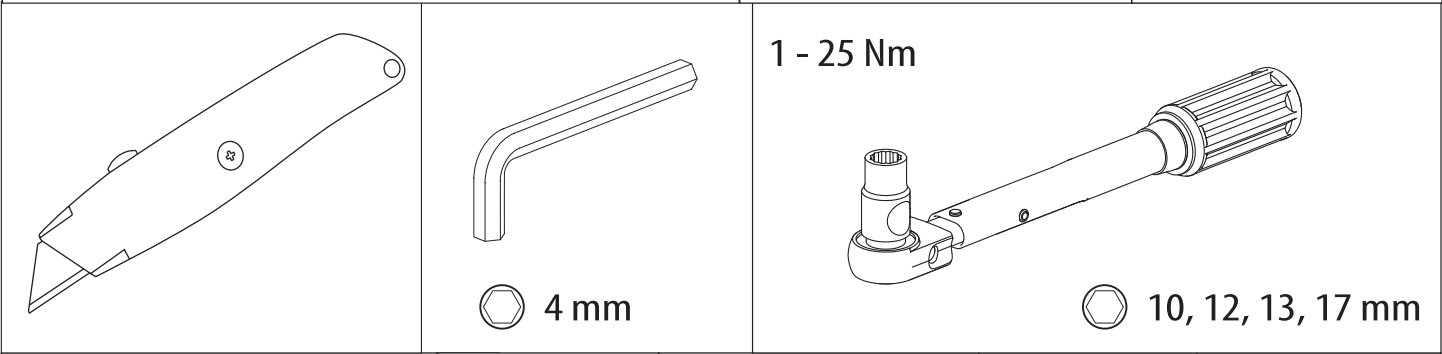






Ø 25 mm / Ø 40 mm

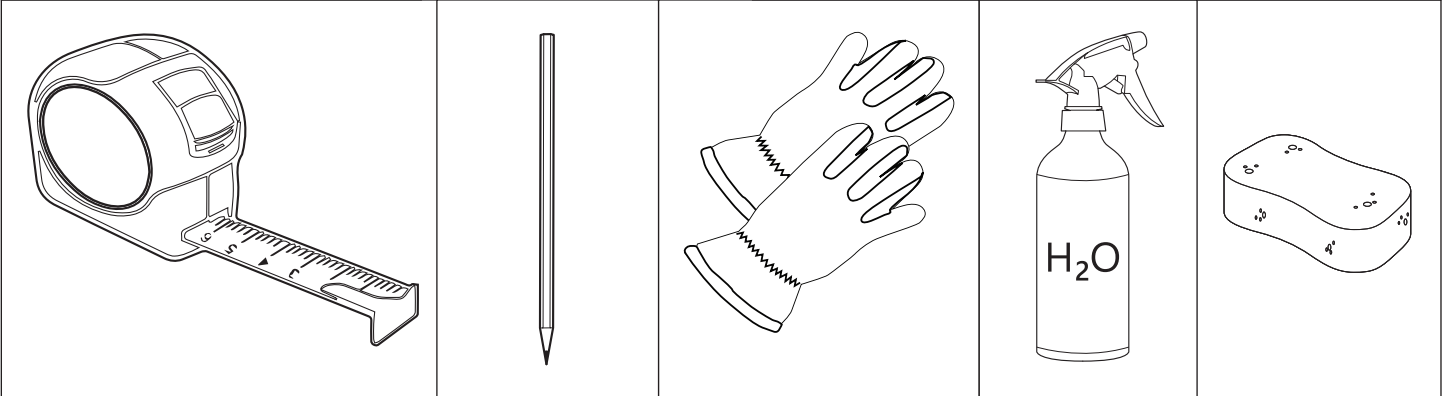
- +



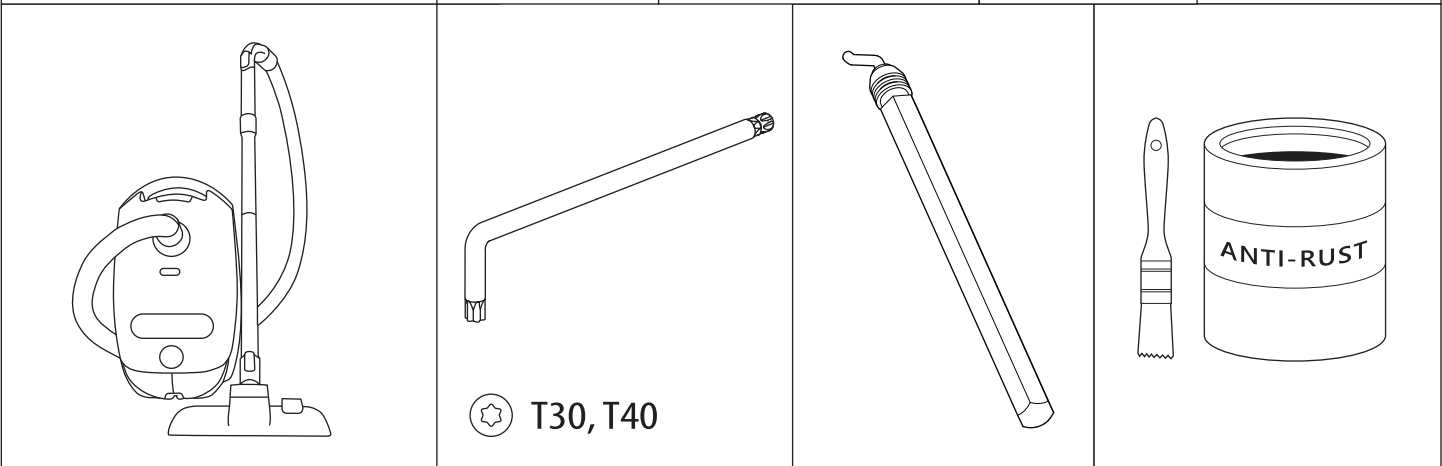
1 - 25 Nm

4 mm

10, 12, 13, 17 mm

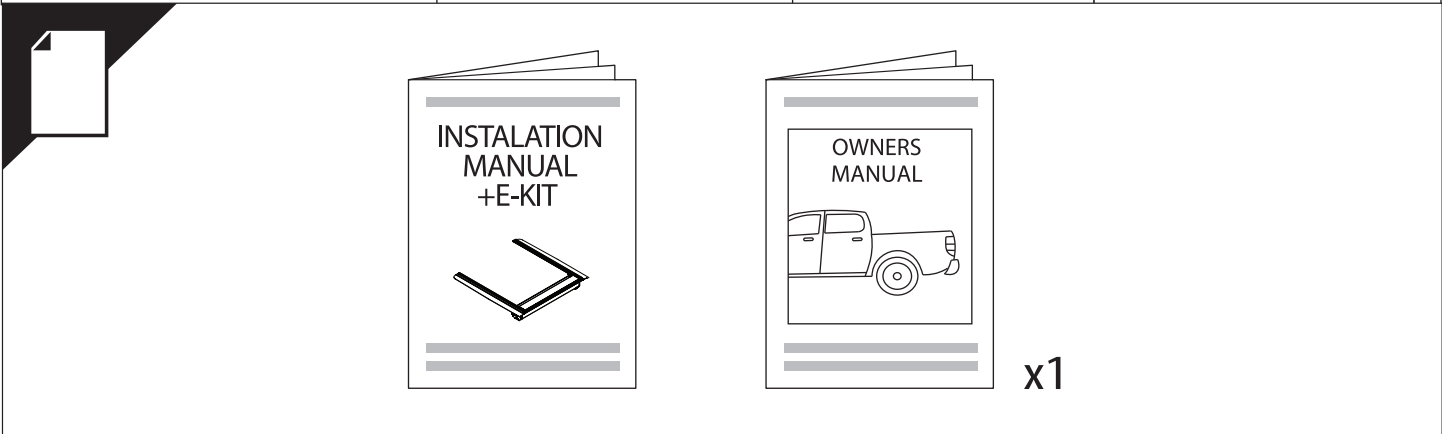


H₂O



T30, T40

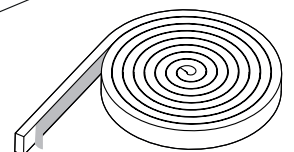
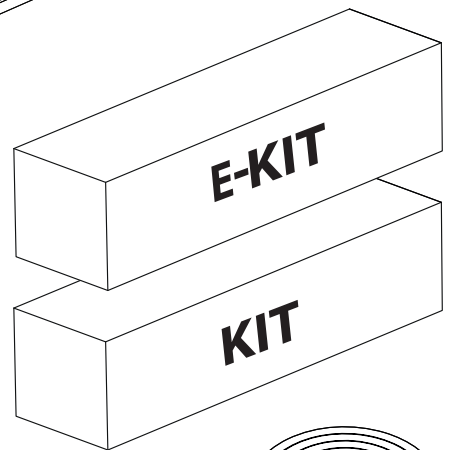
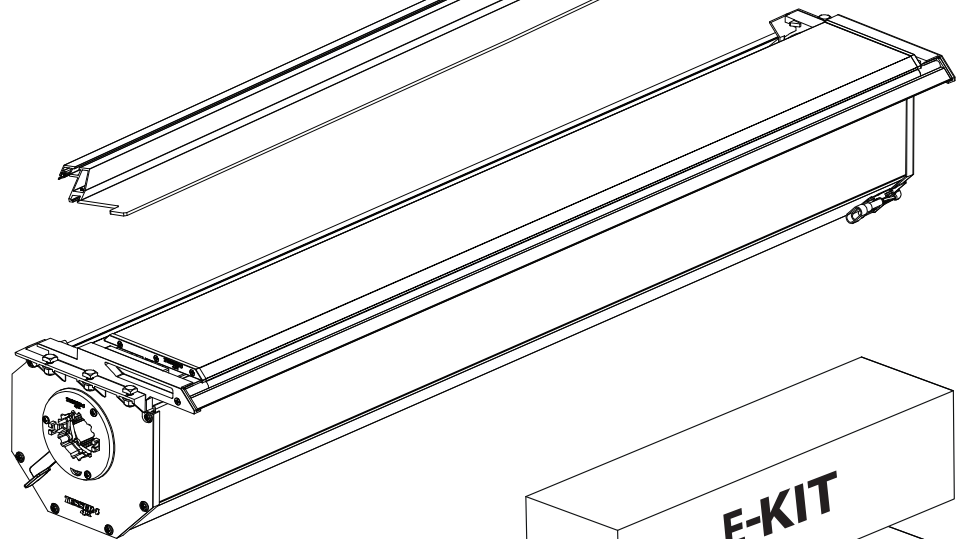
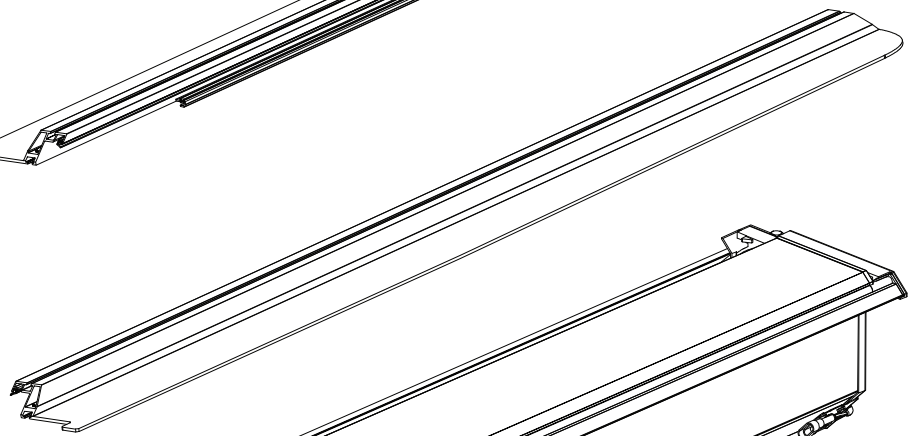
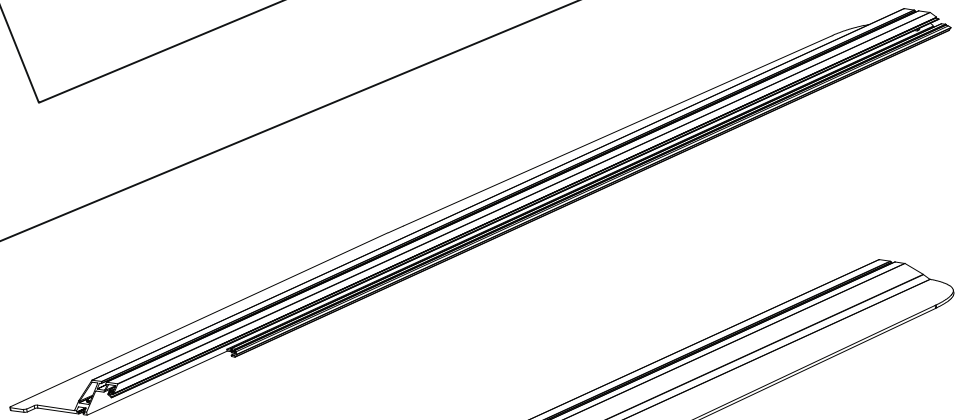
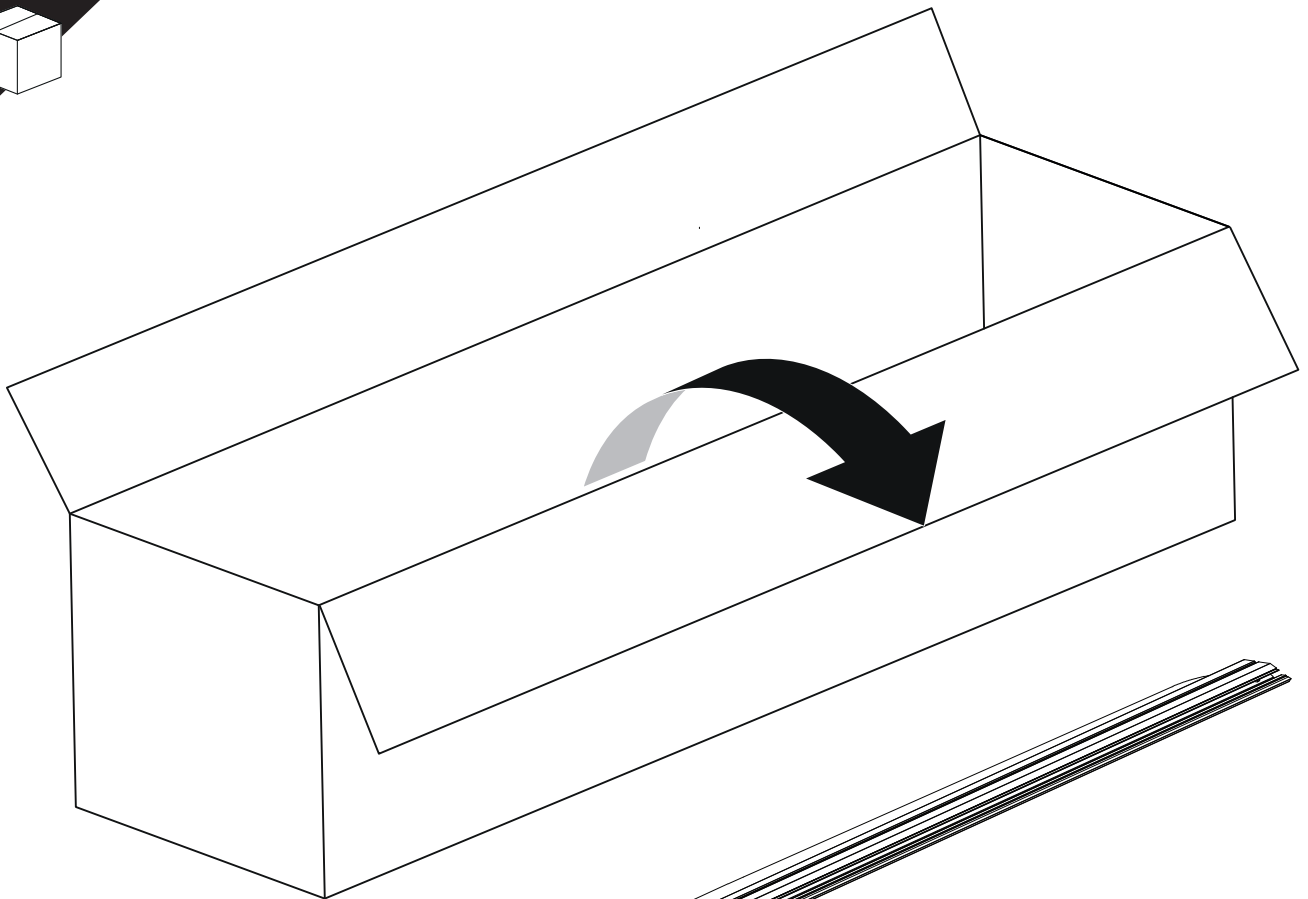
ANTI-RUST



INSTALATION
MANUAL
+E-KIT

OWNERS
MANUAL

x1

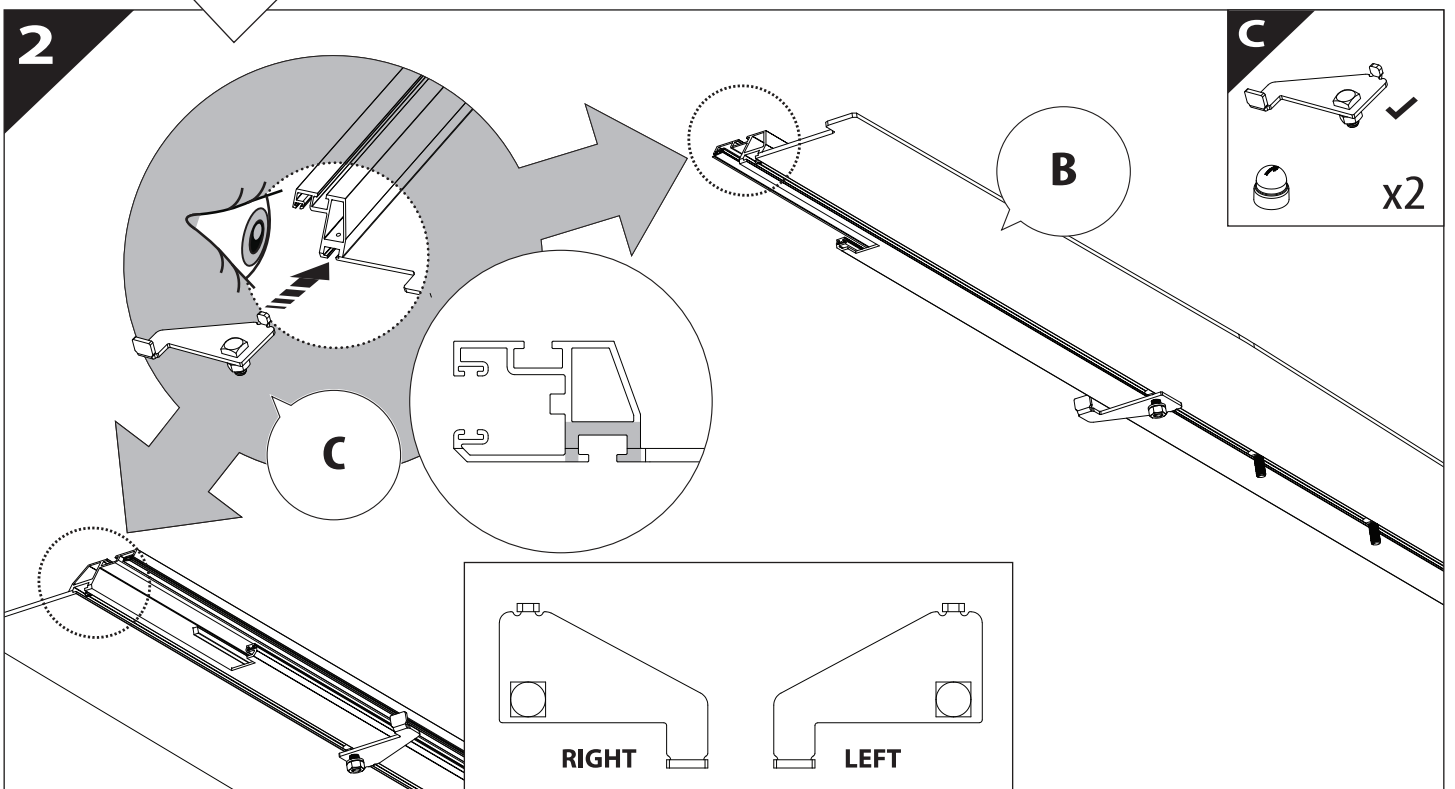
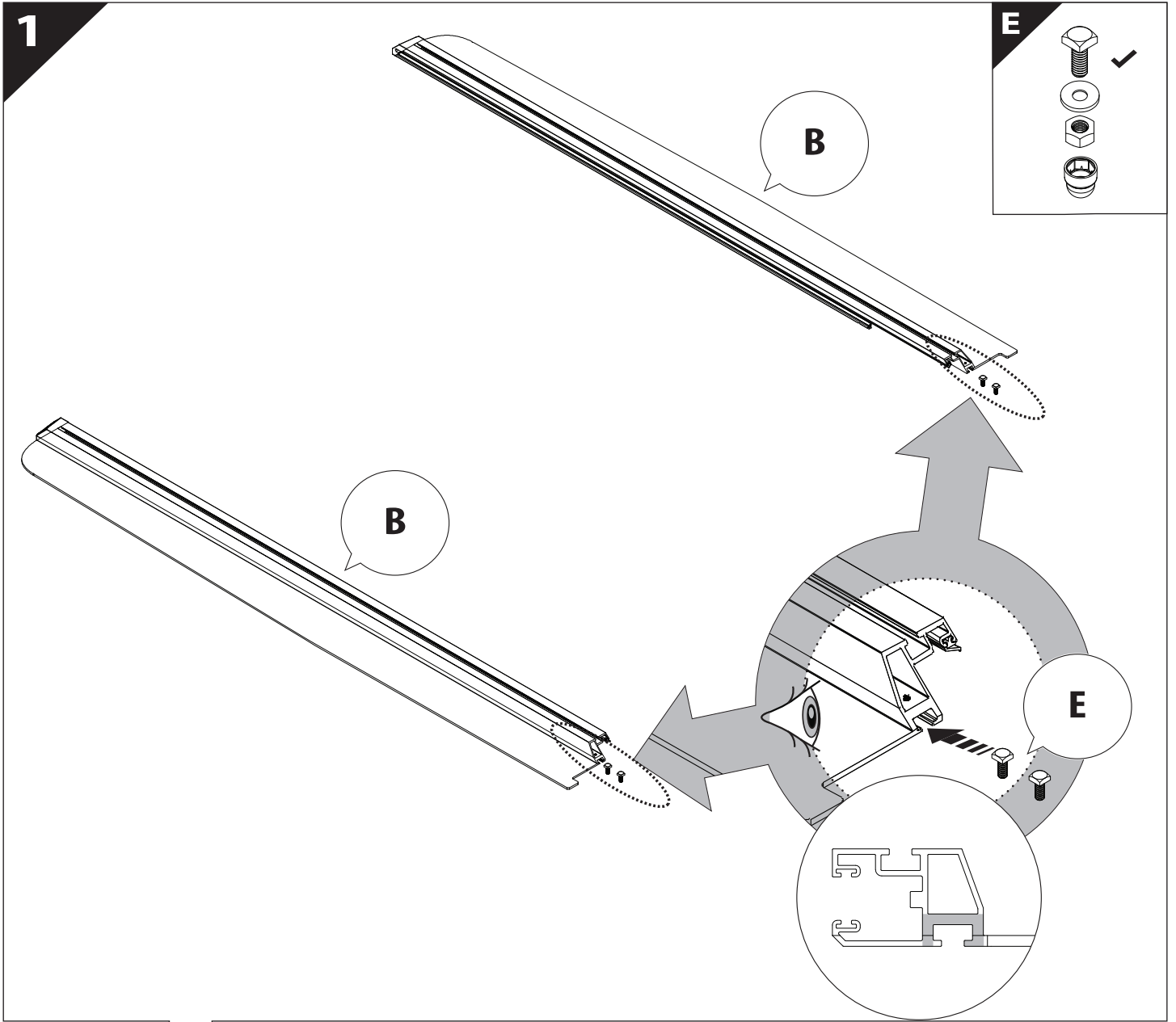


B

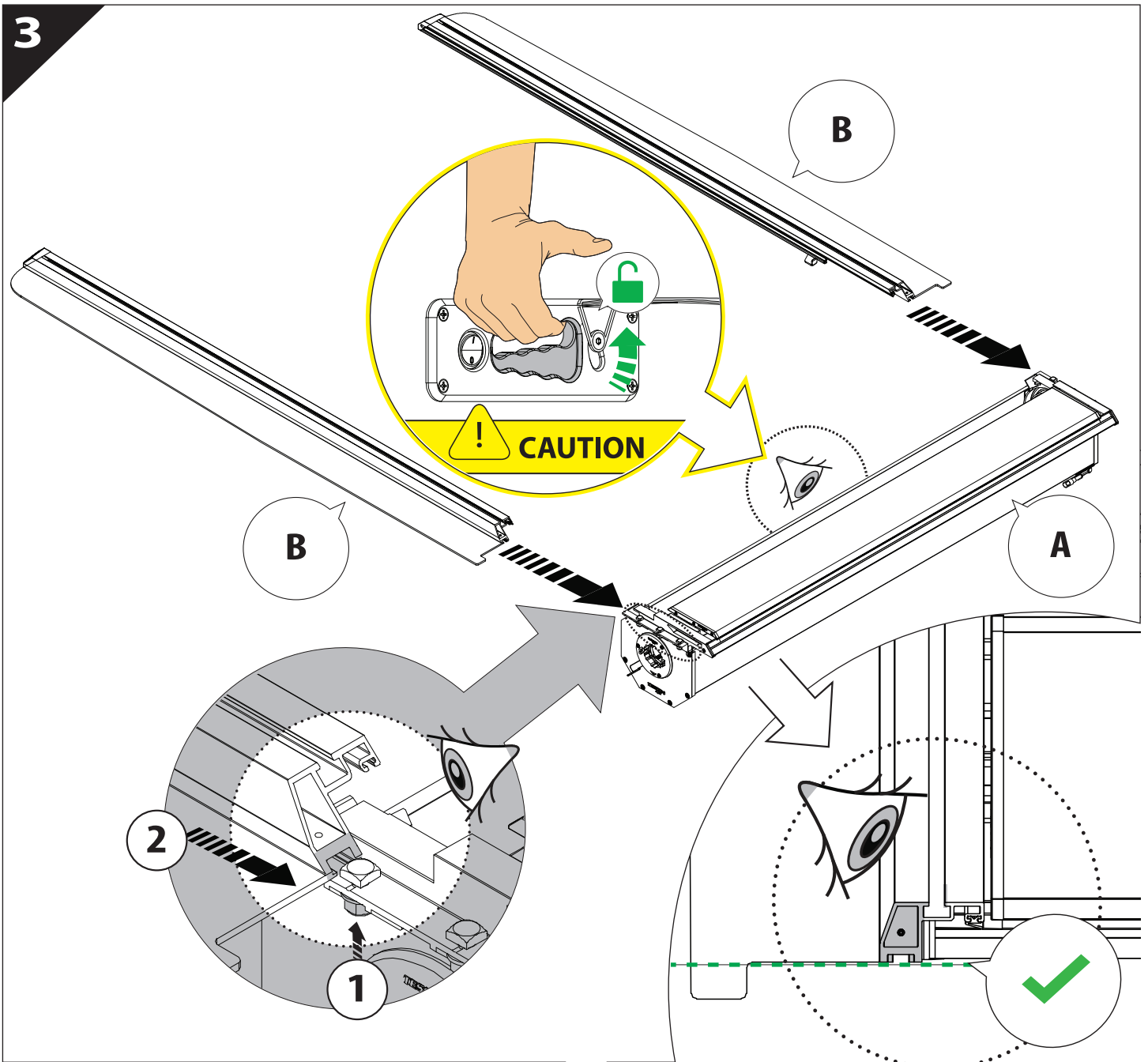
A

KITS

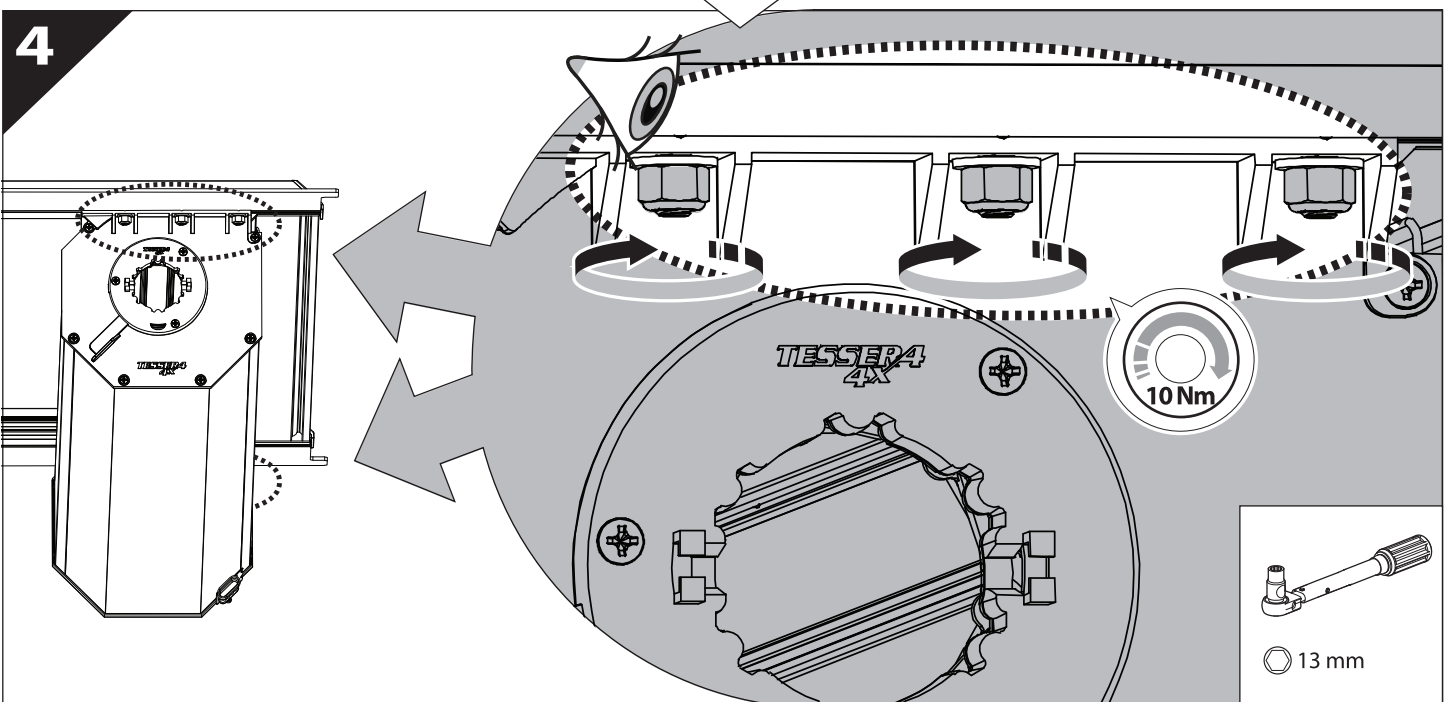
L

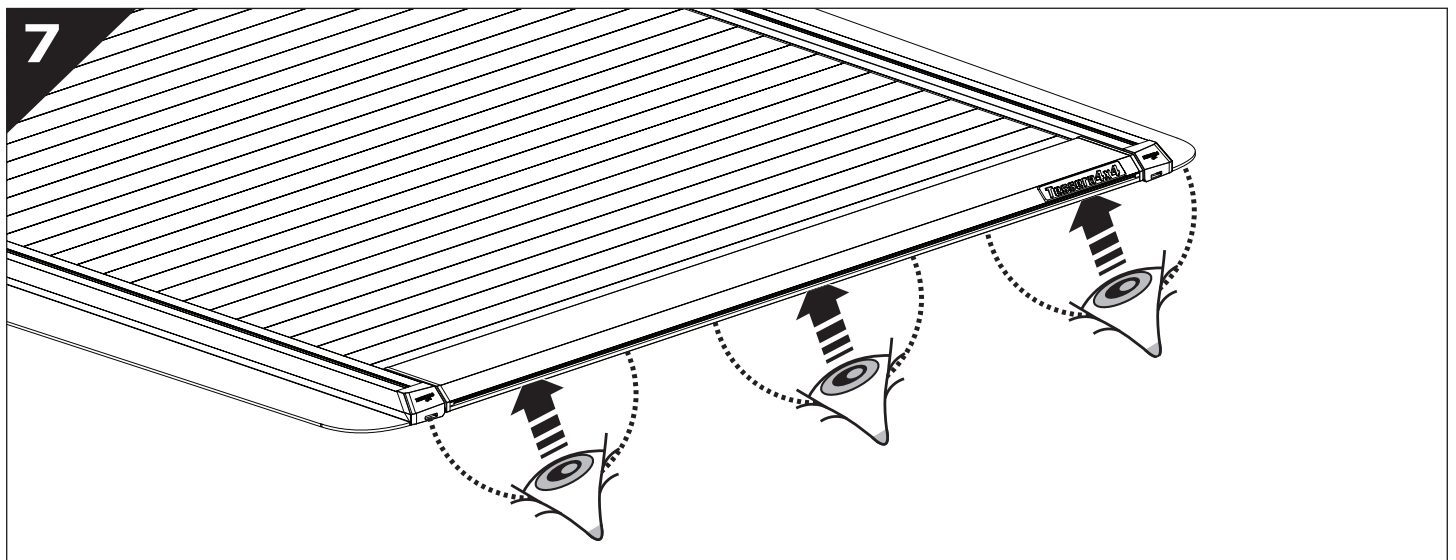
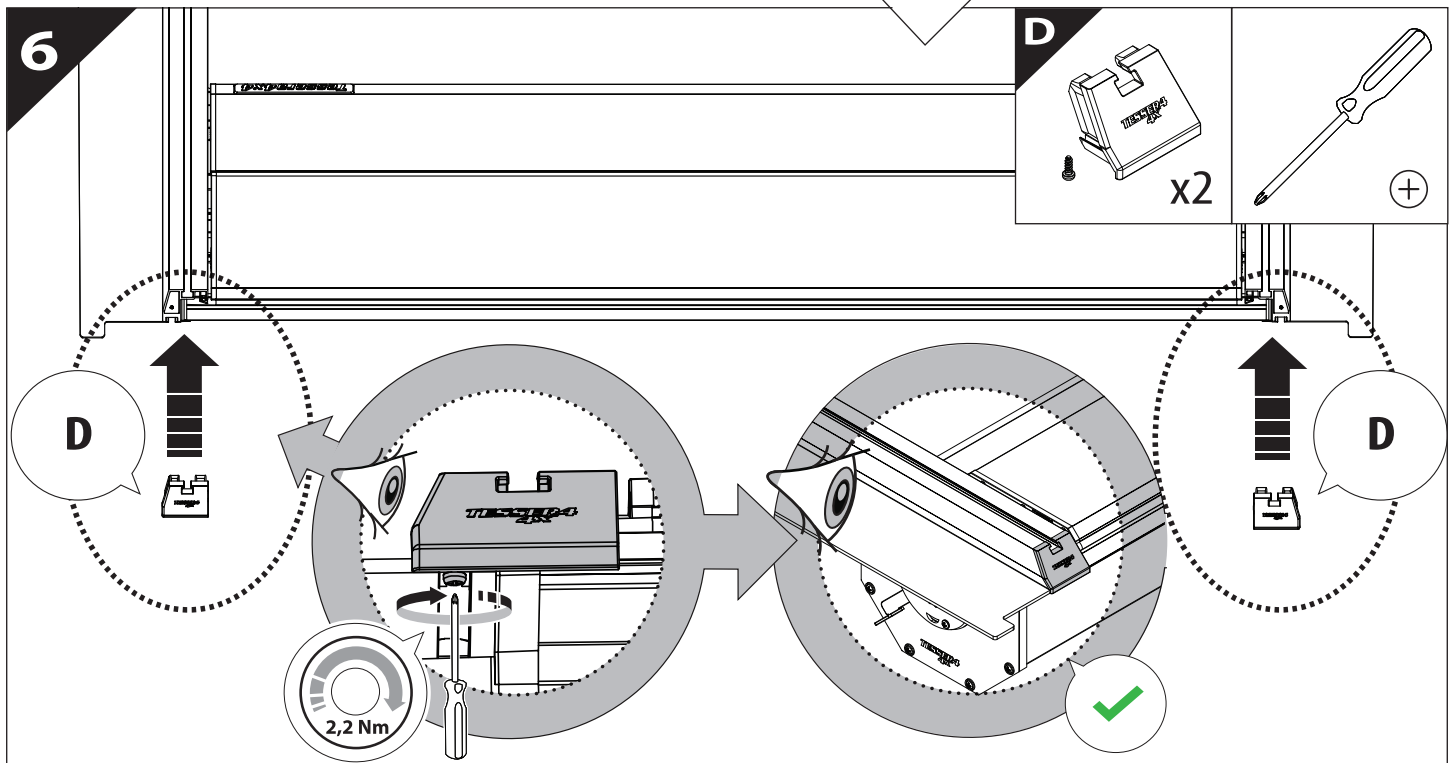
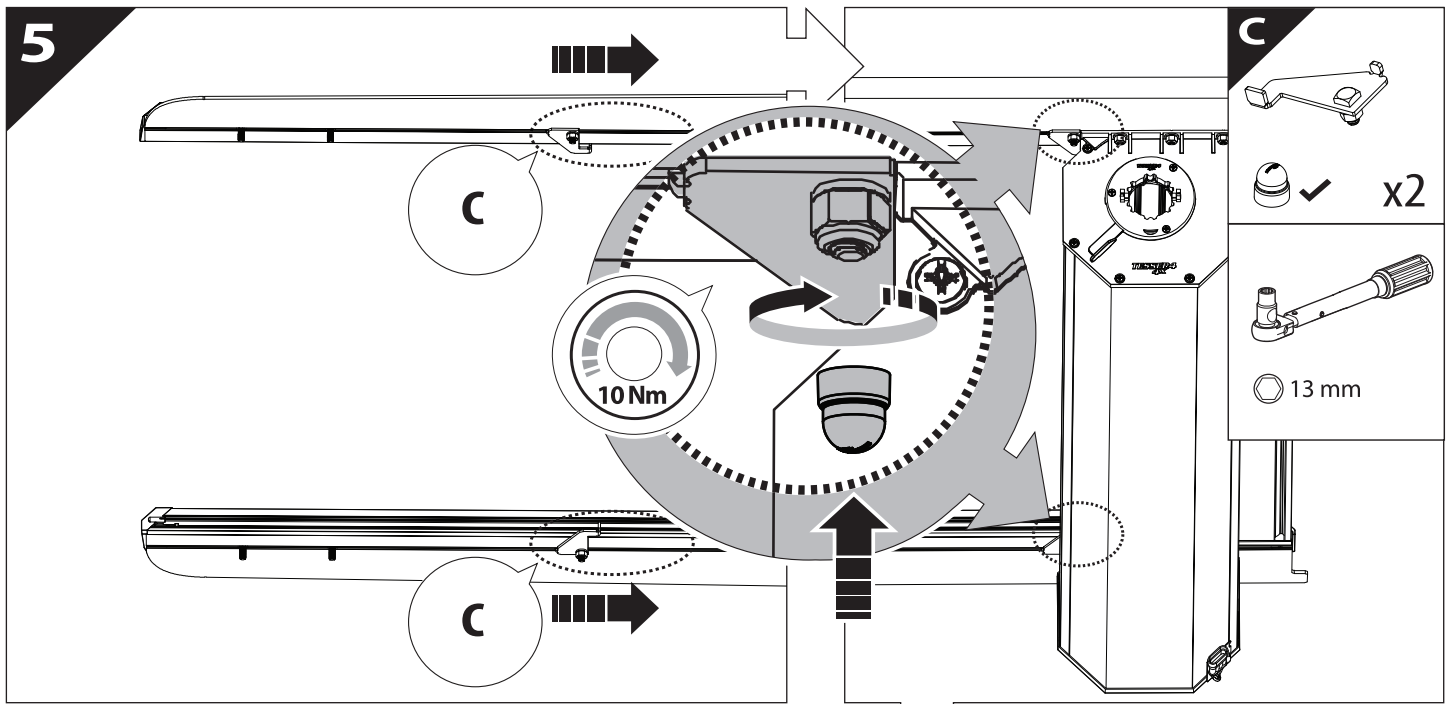


3

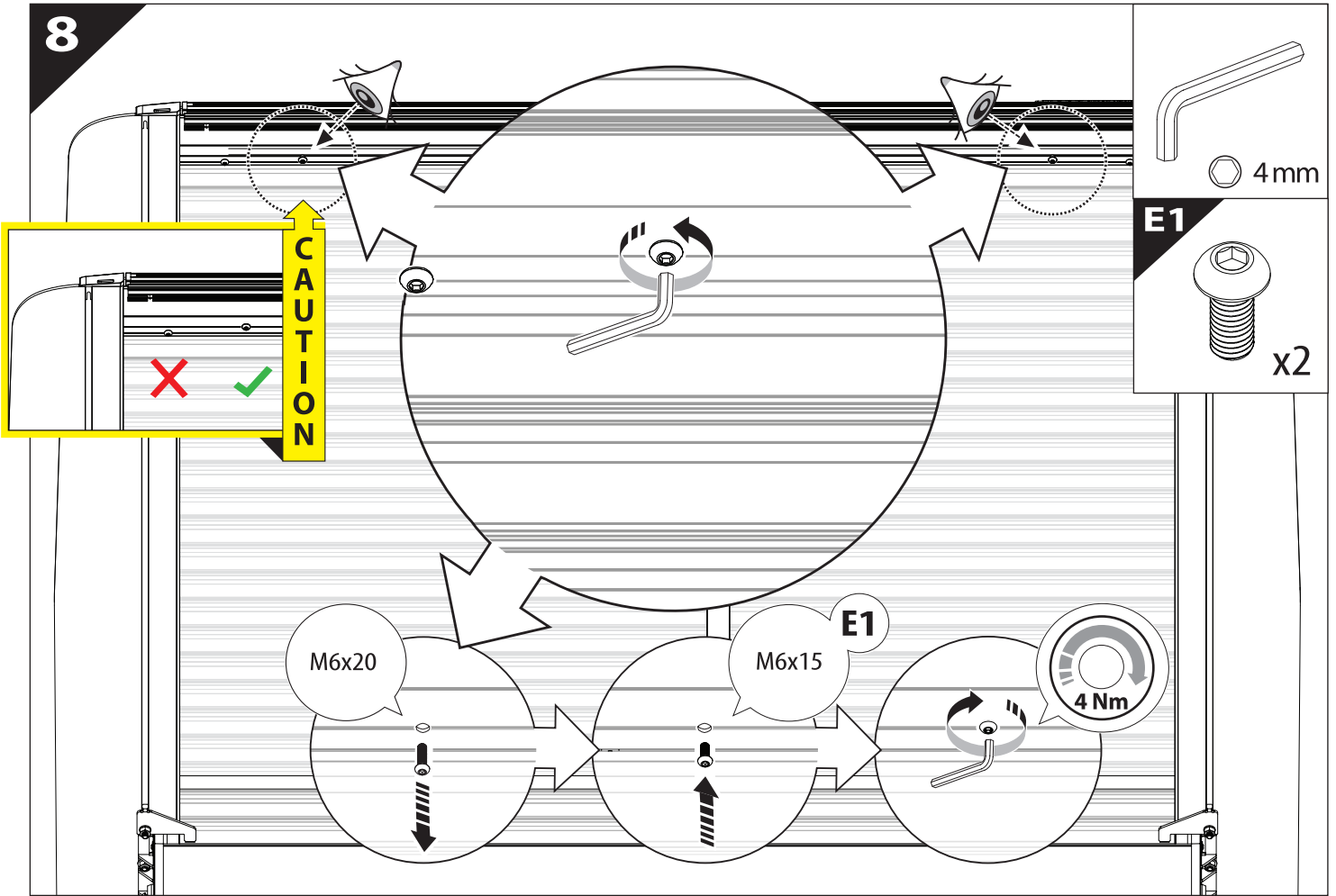


4

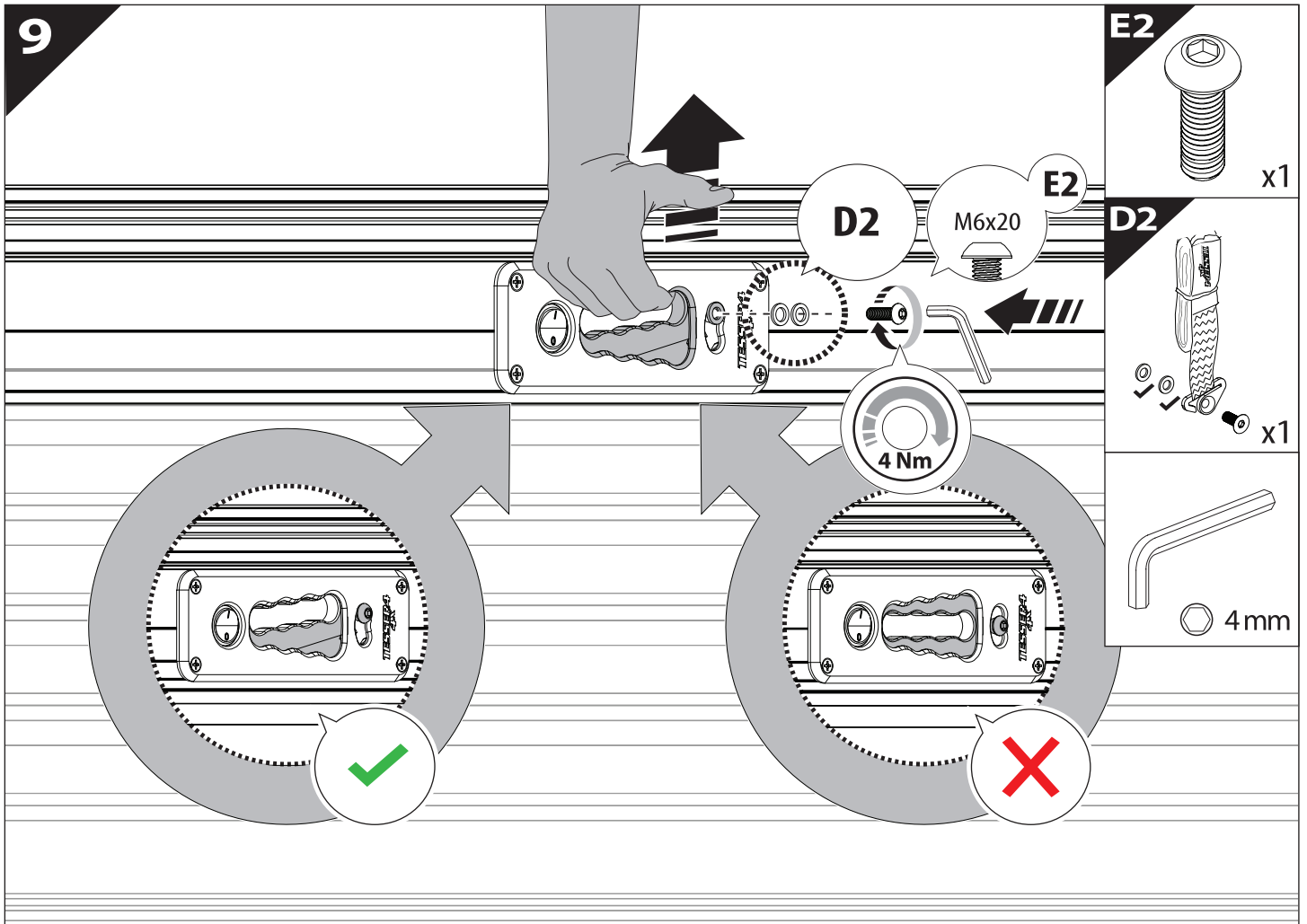


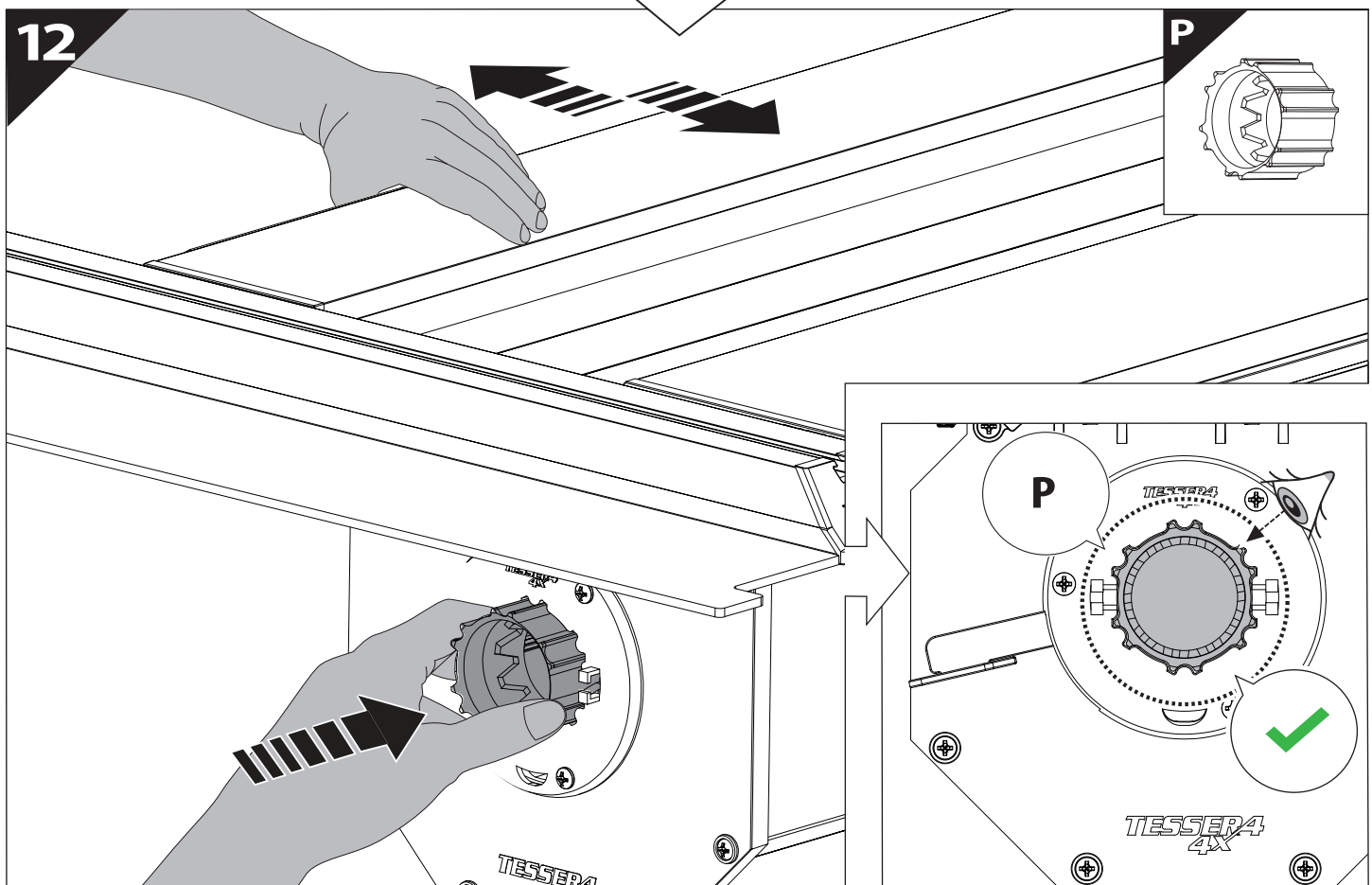
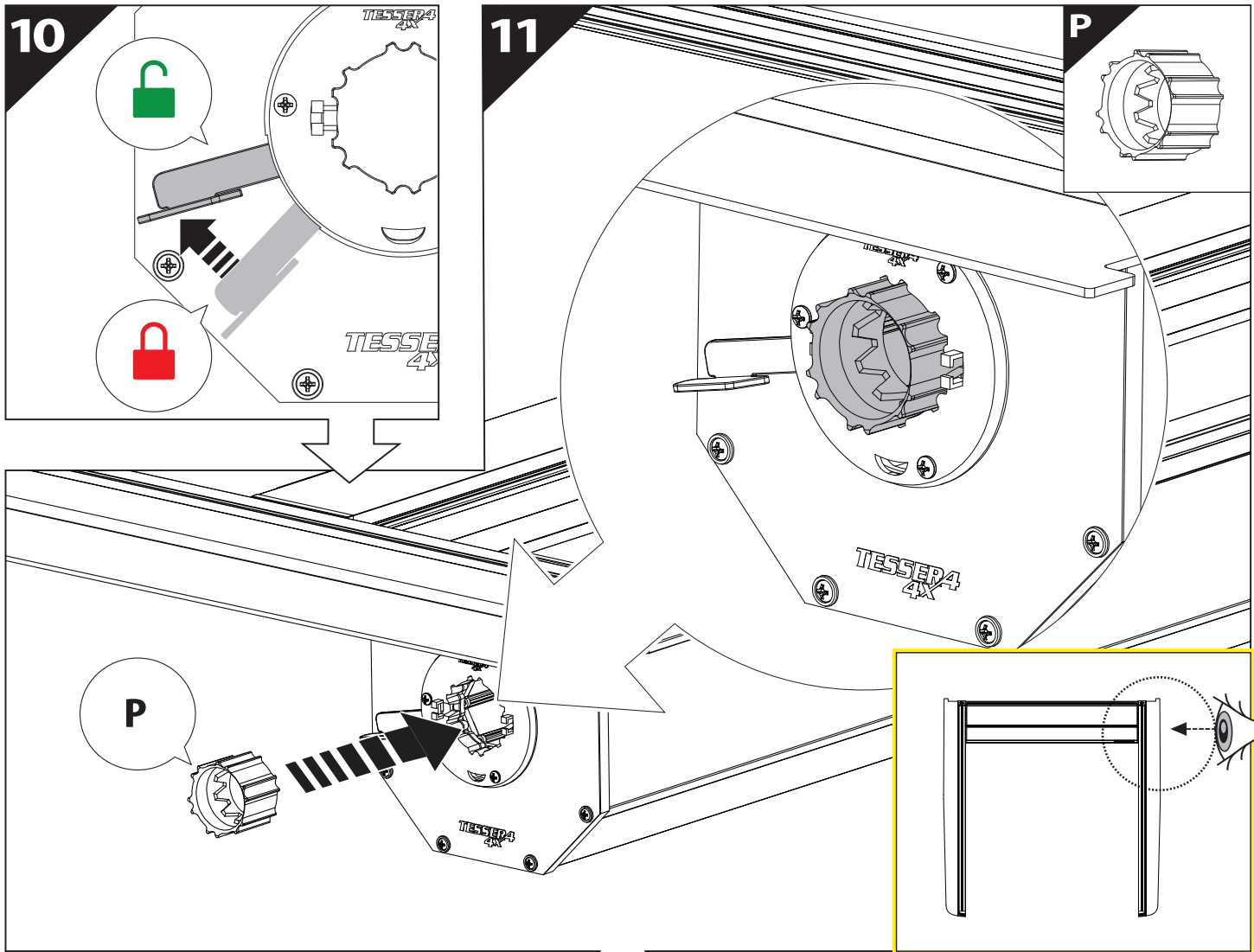


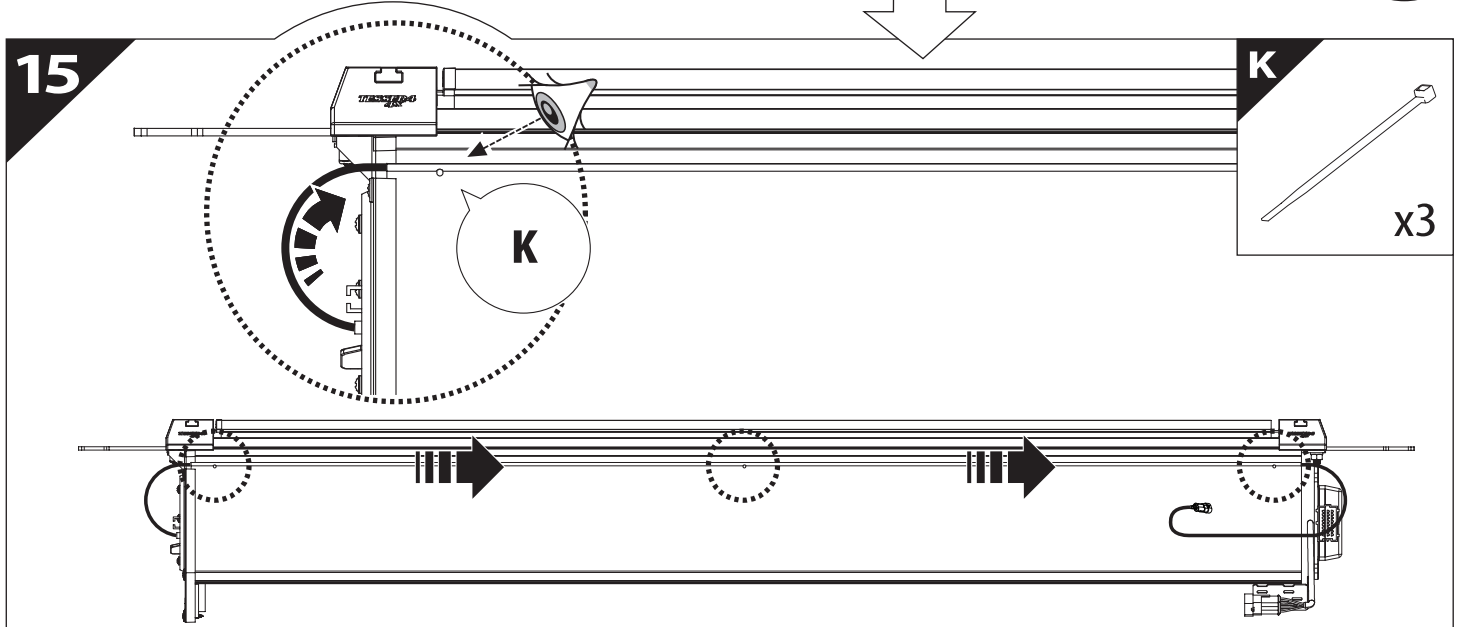
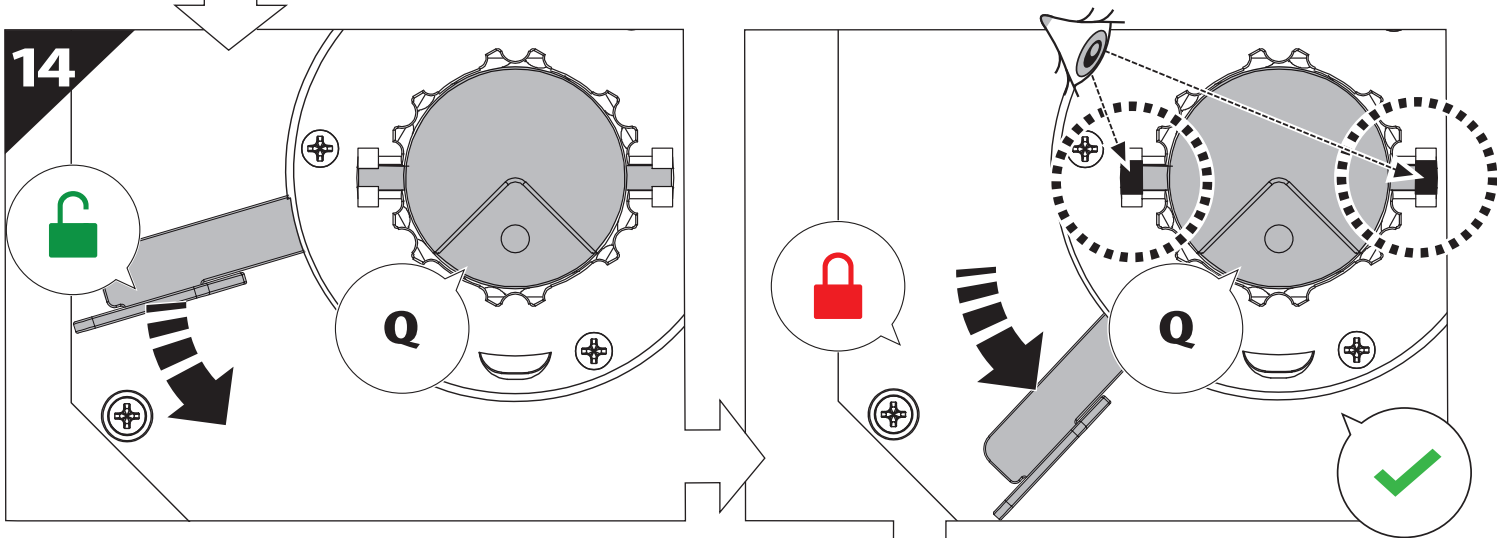
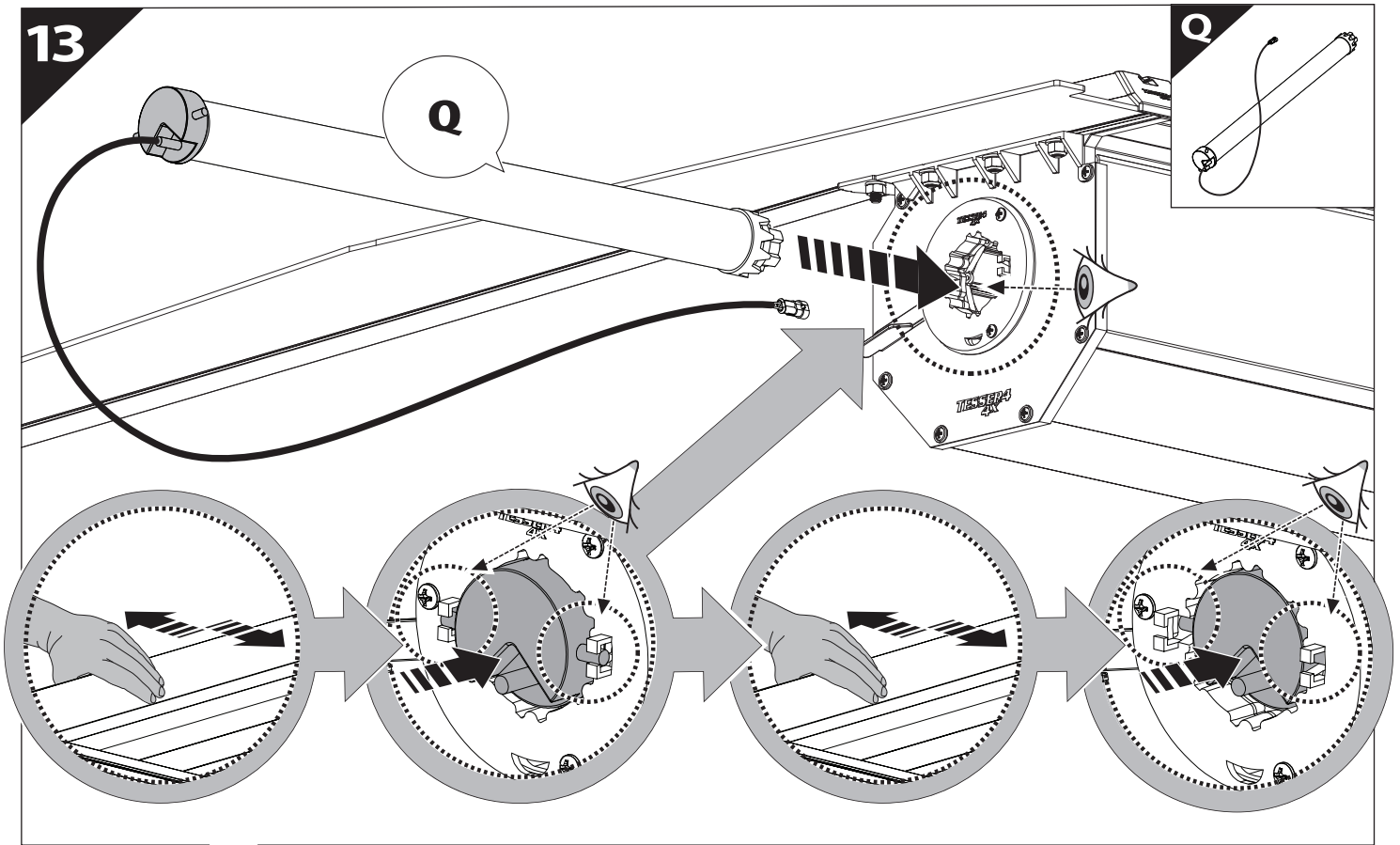
8



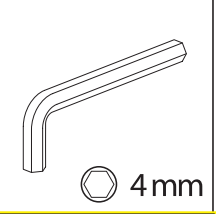
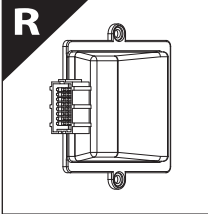
9





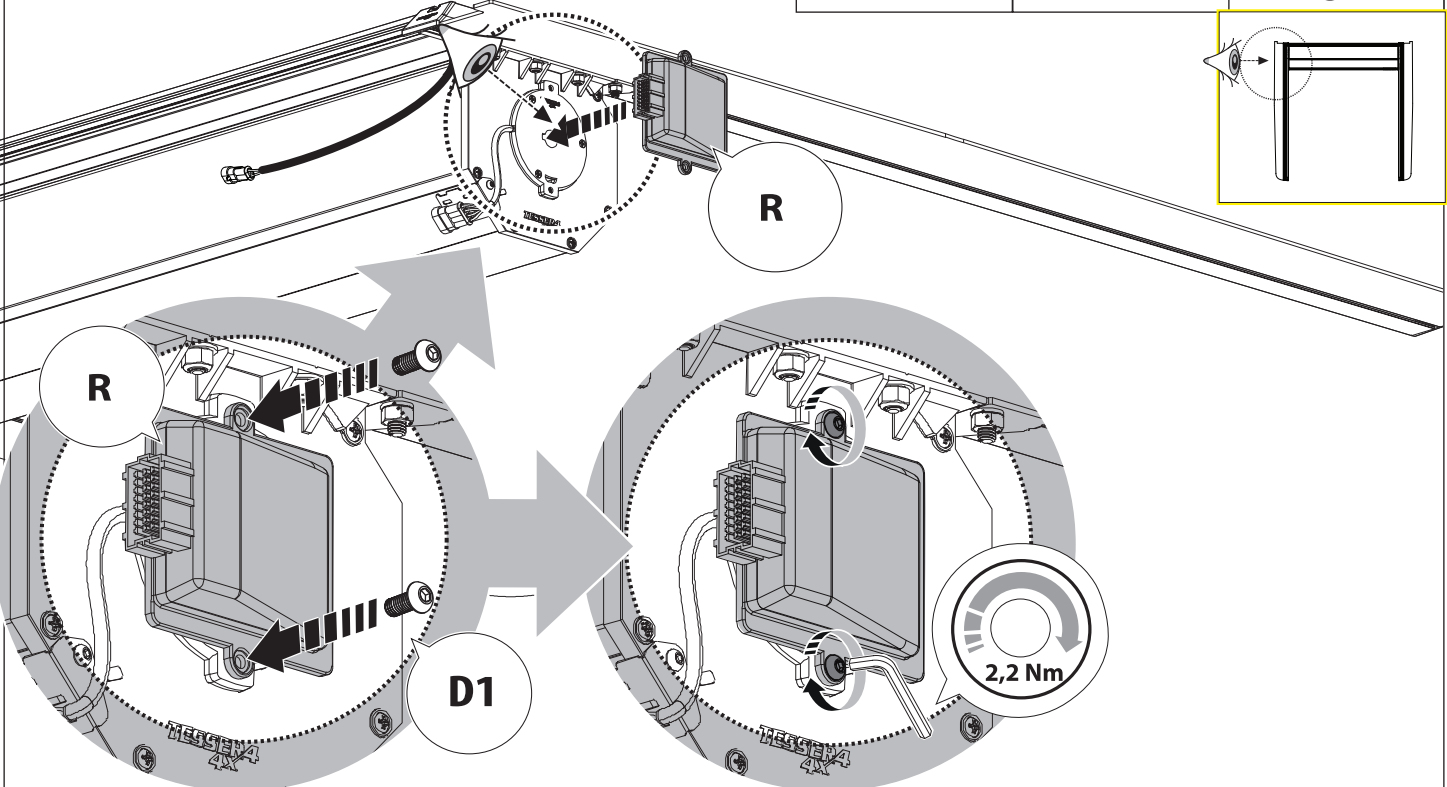
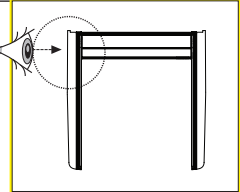


16

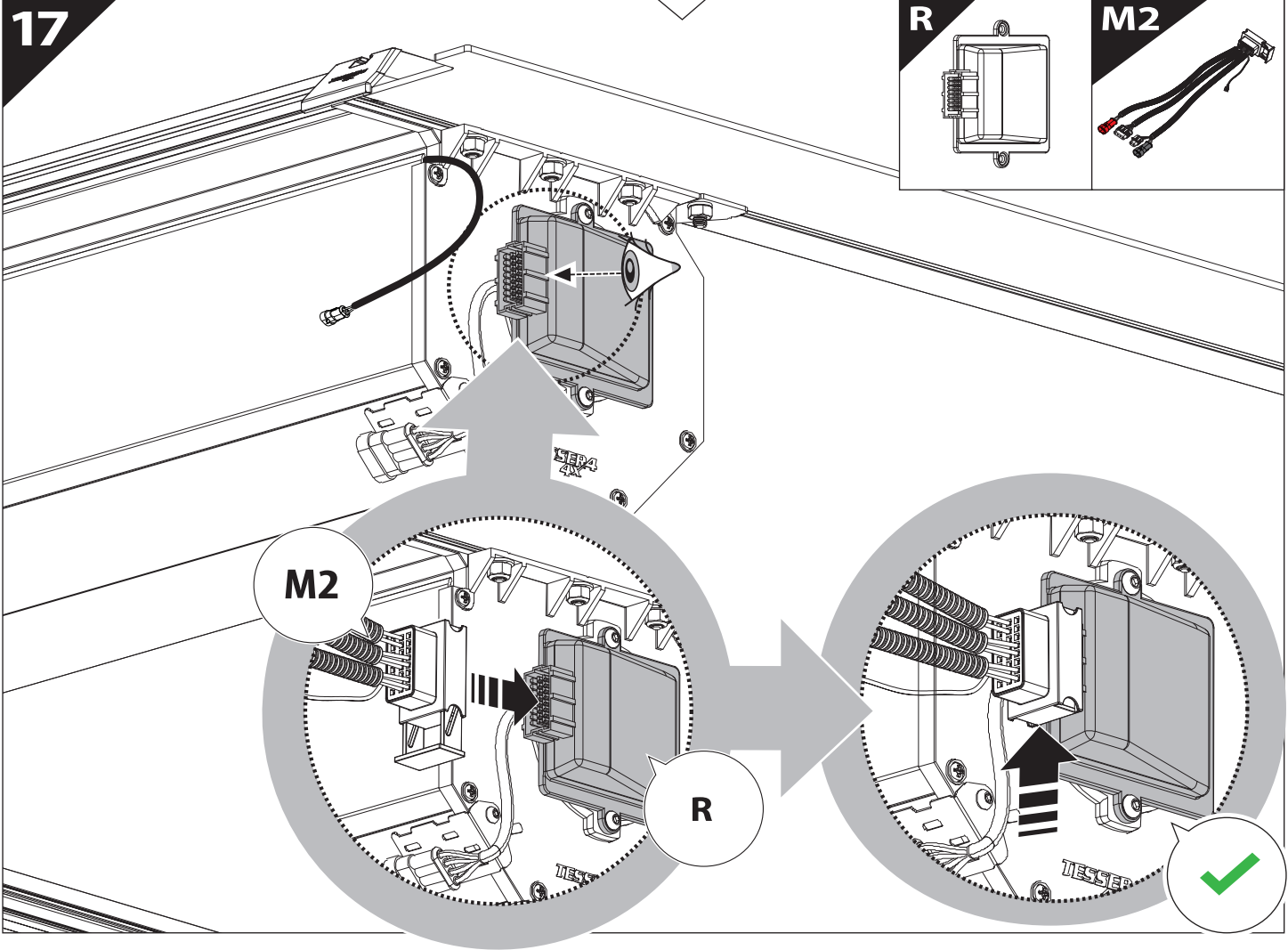
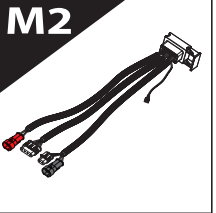
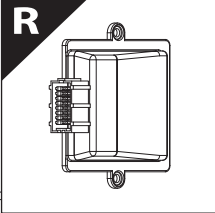


x2

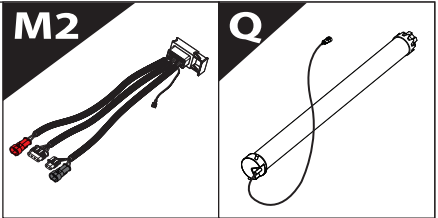
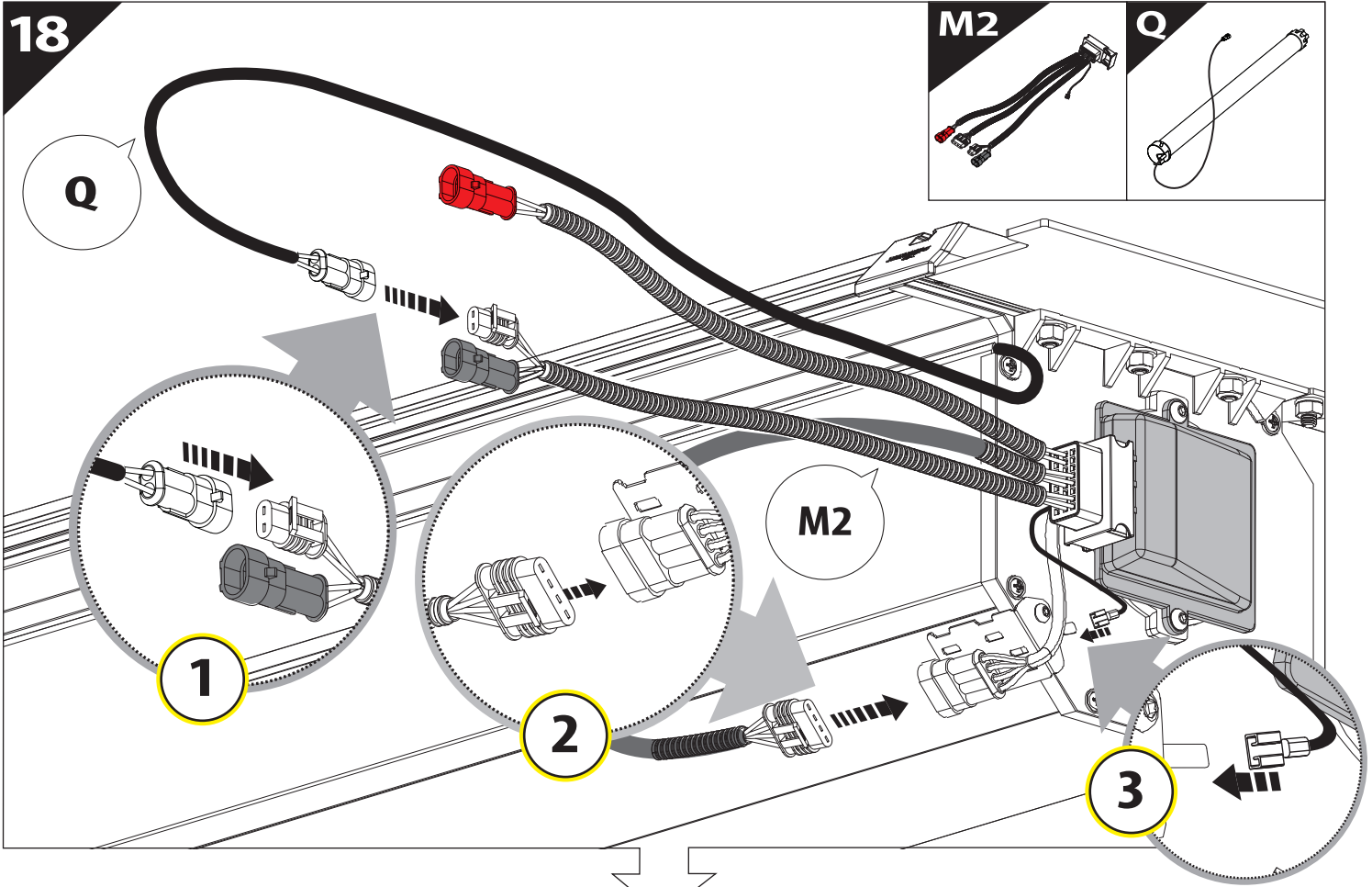
4mm



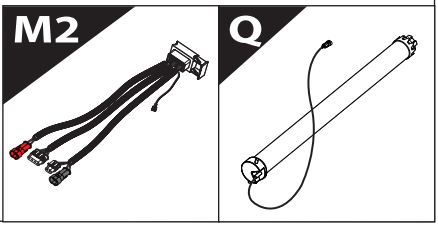
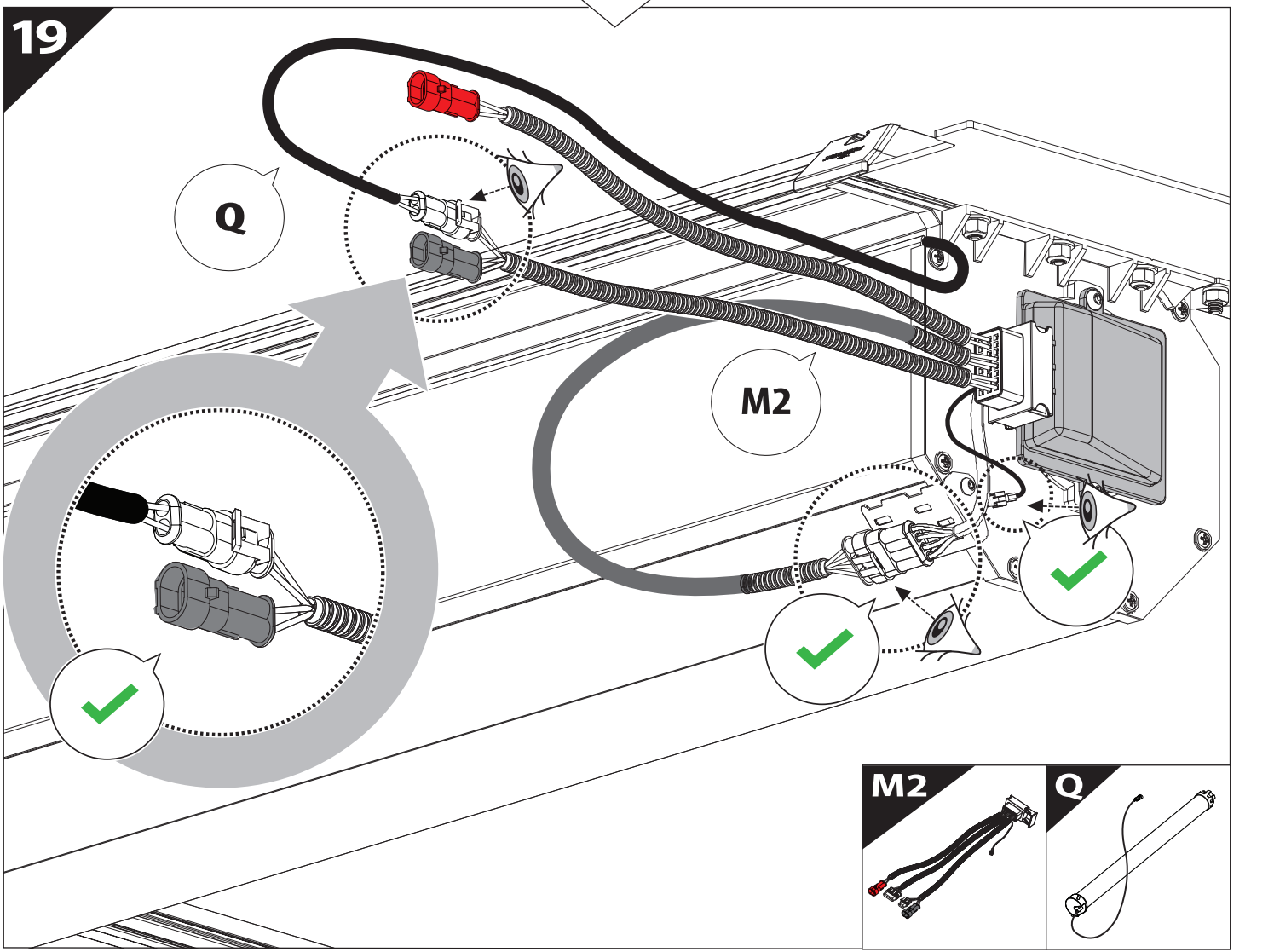
17

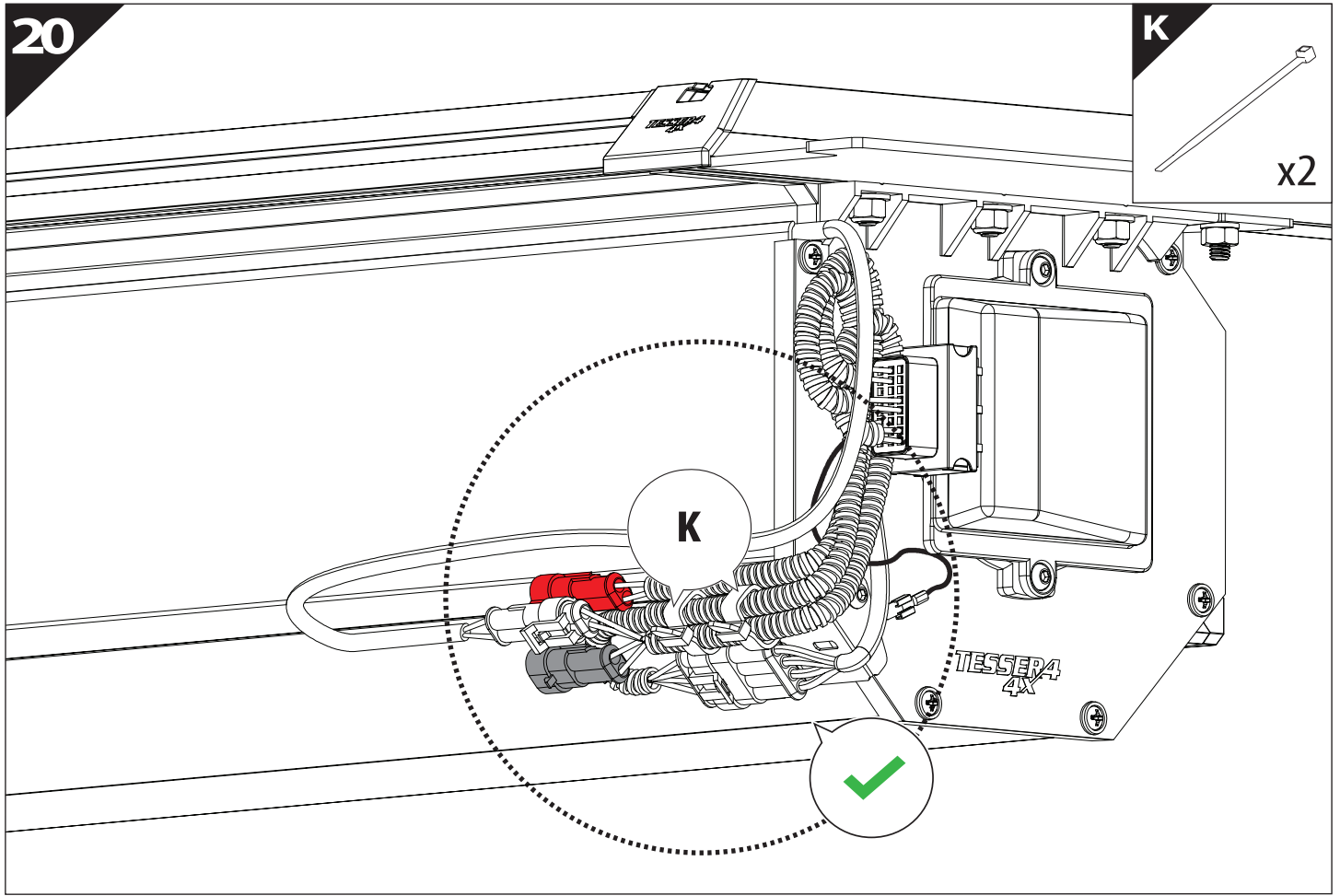


18



19

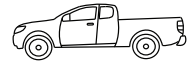




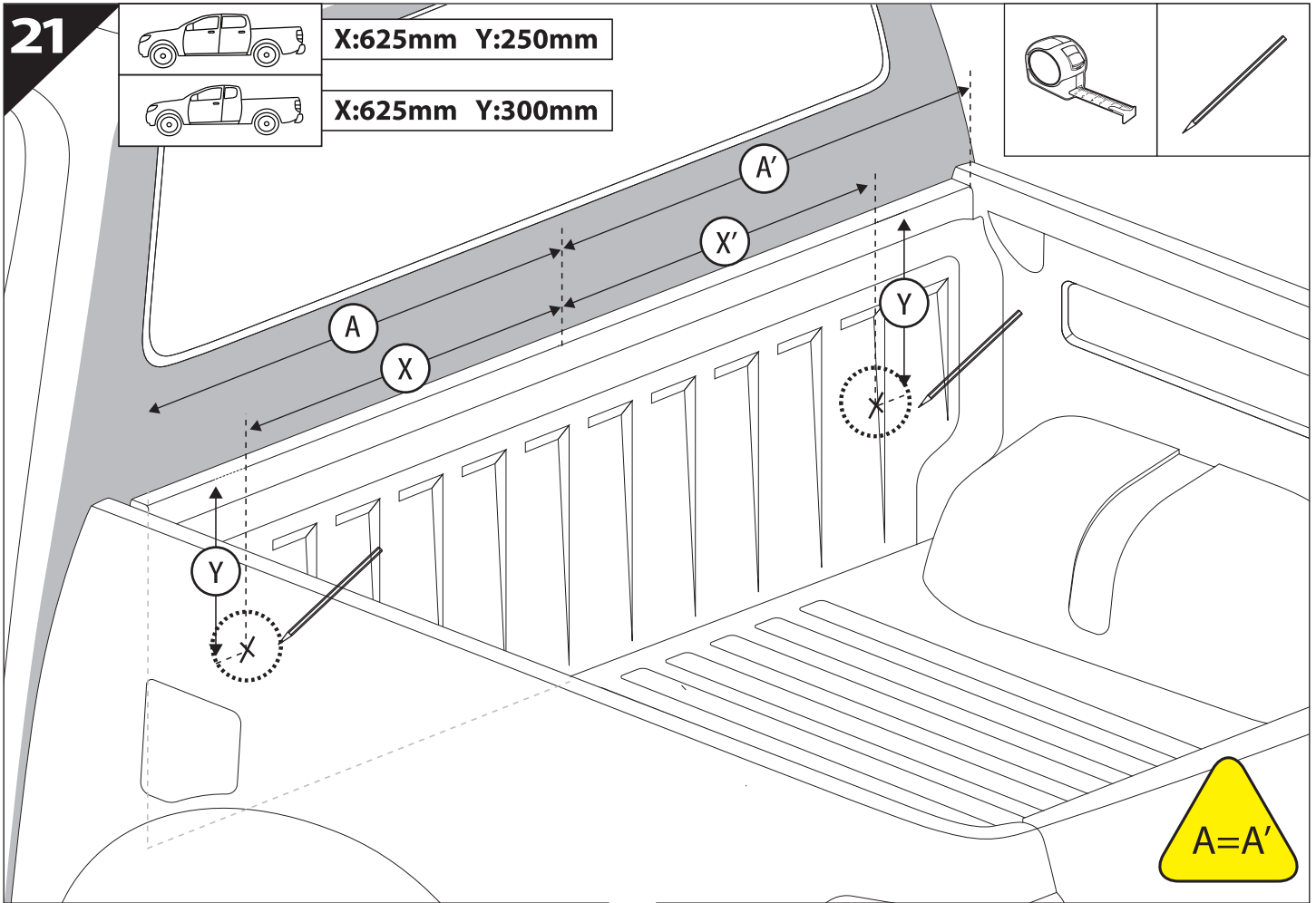
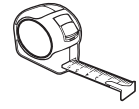
21



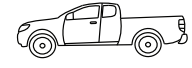
X:625mm Y:250mm



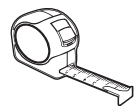
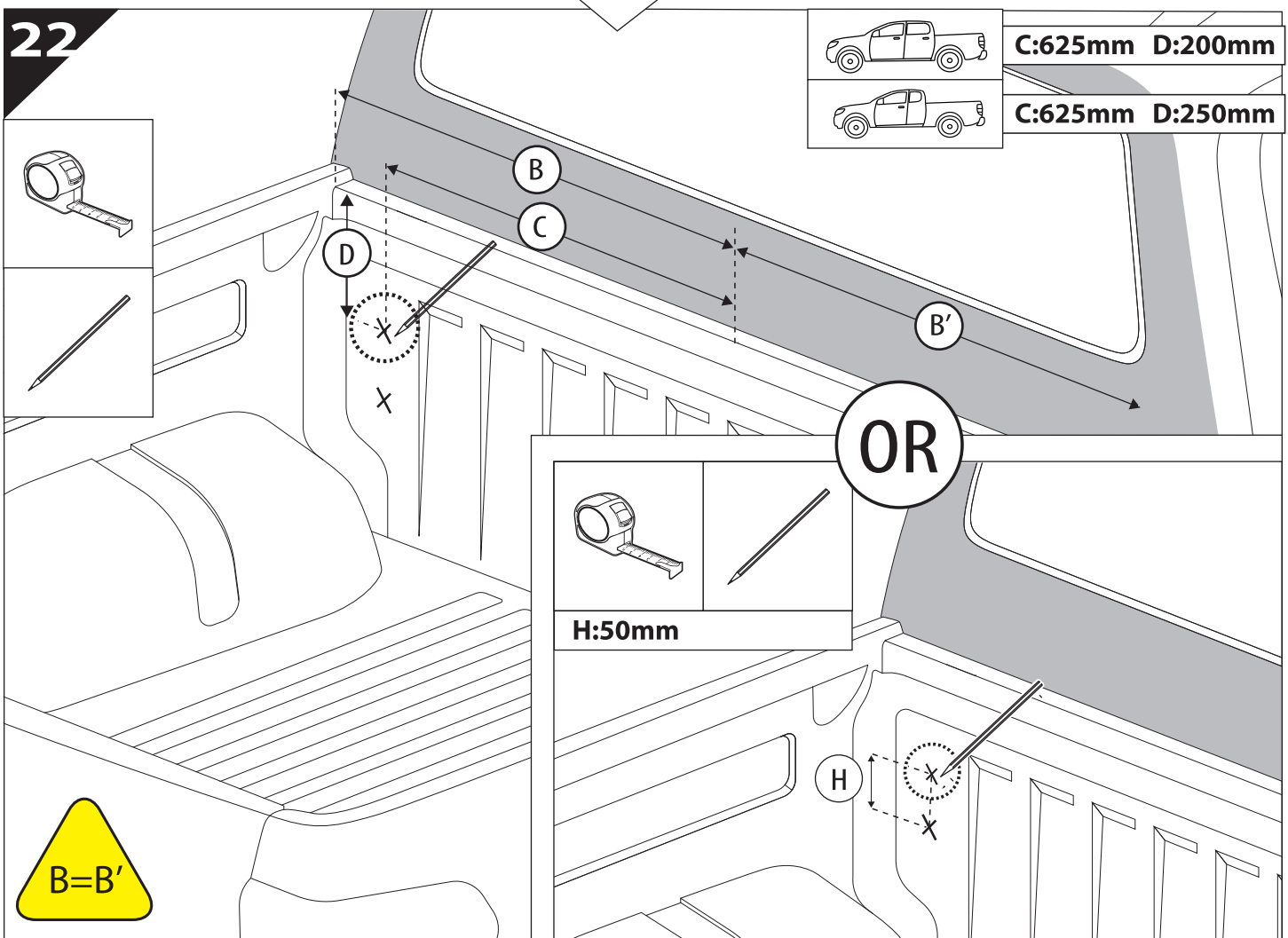
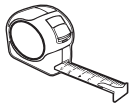
X:625mm Y:300mm



C:625mm D:200mm

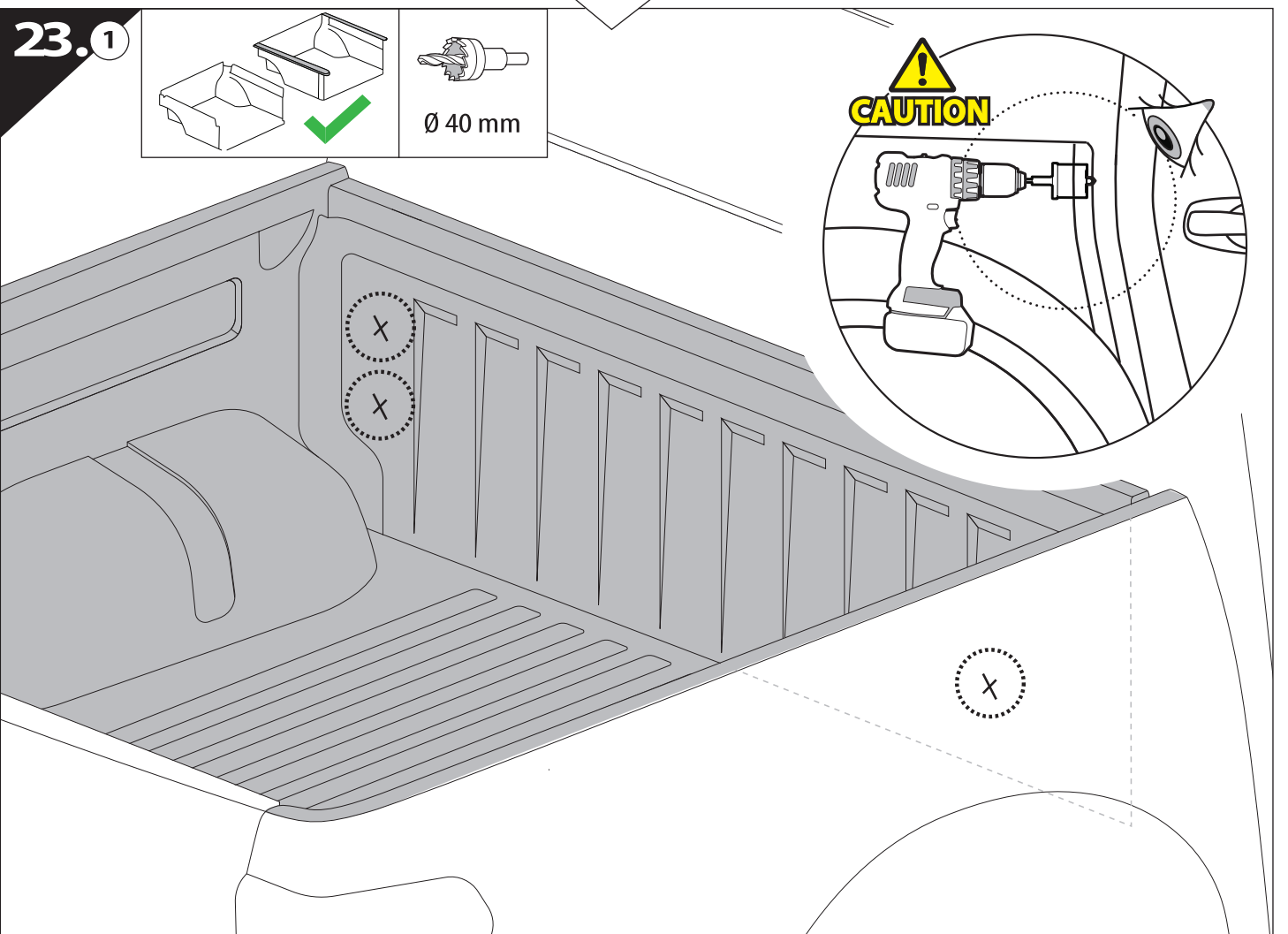
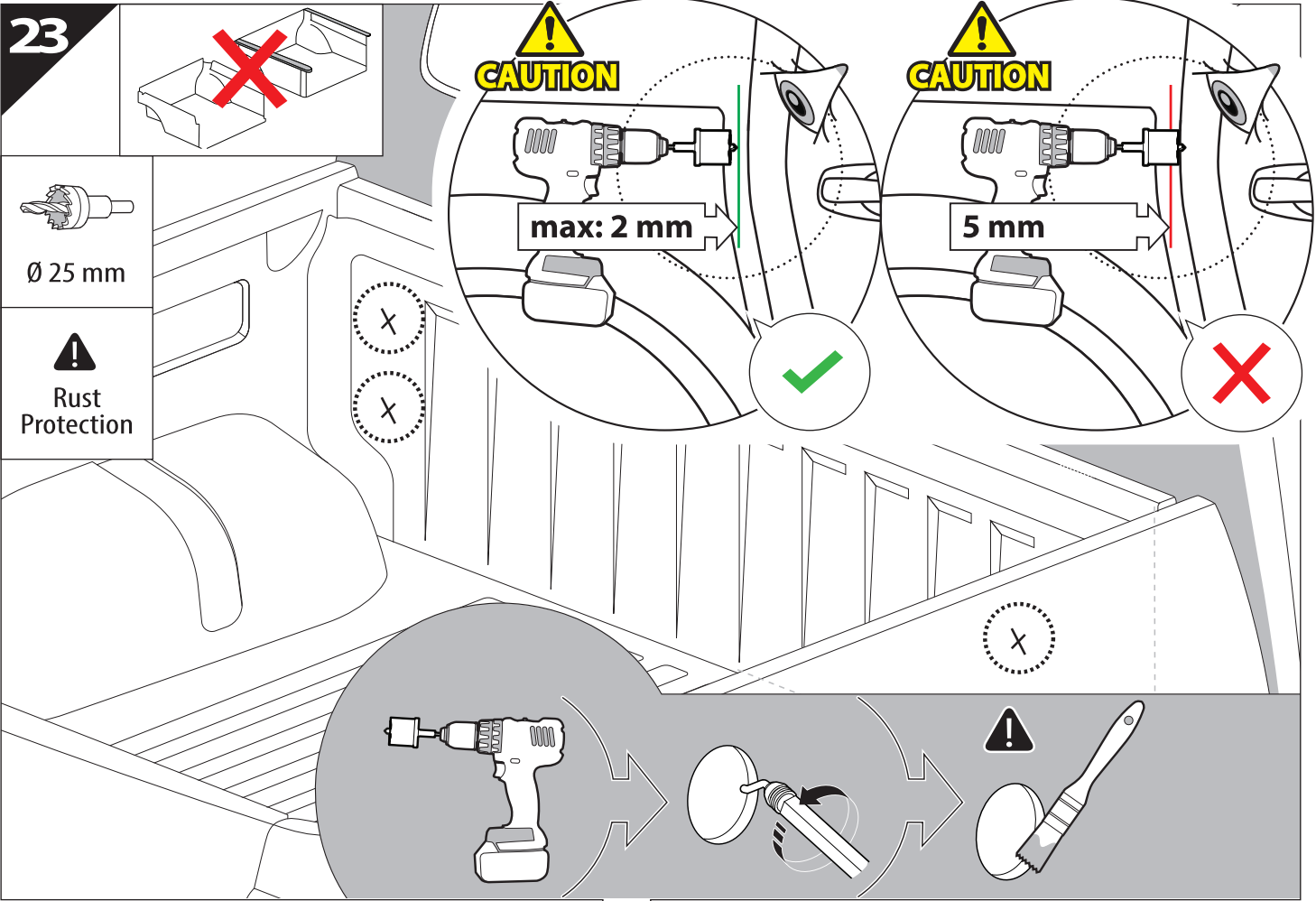


C:625mm D:250mm

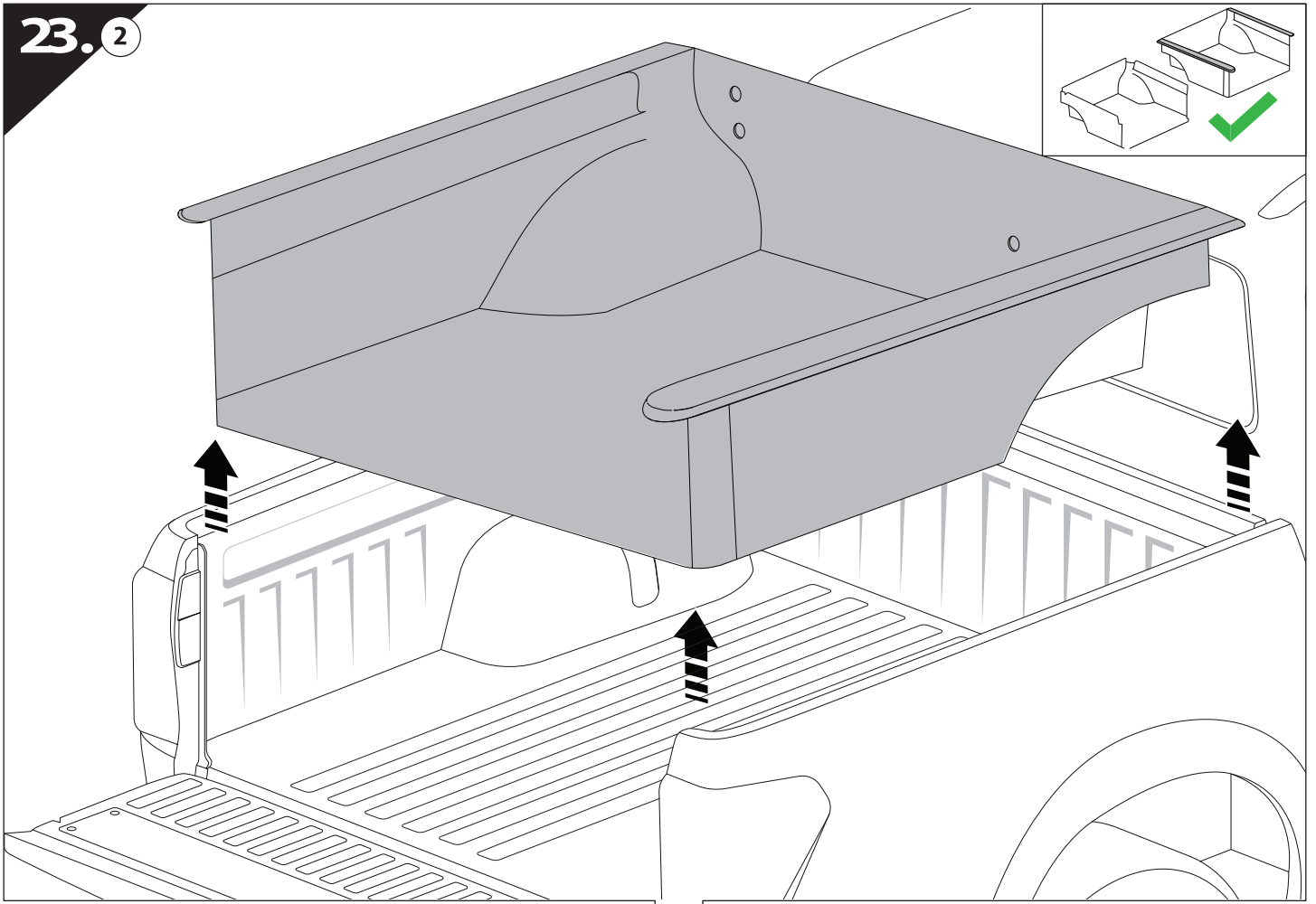


H:50mm

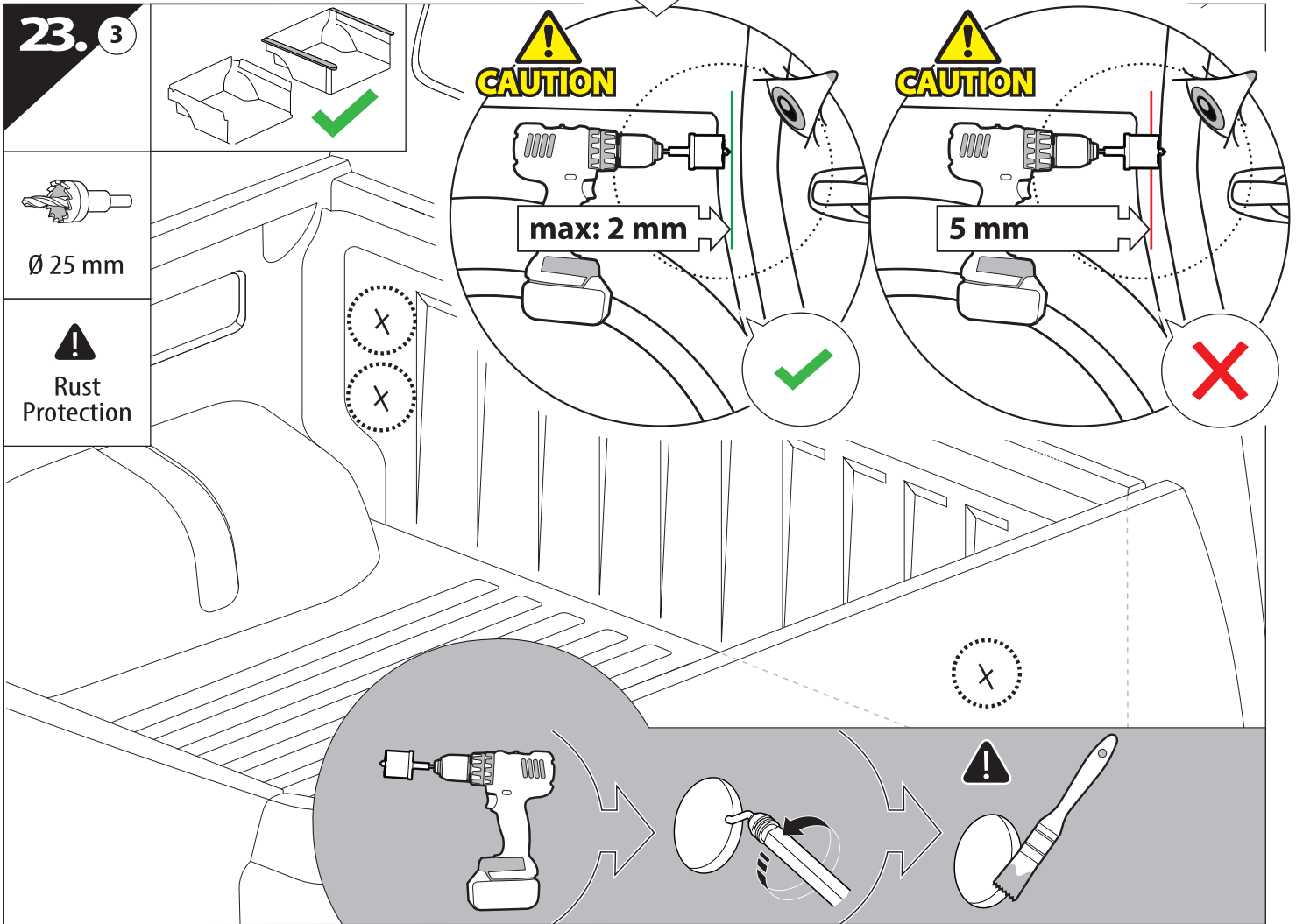
H



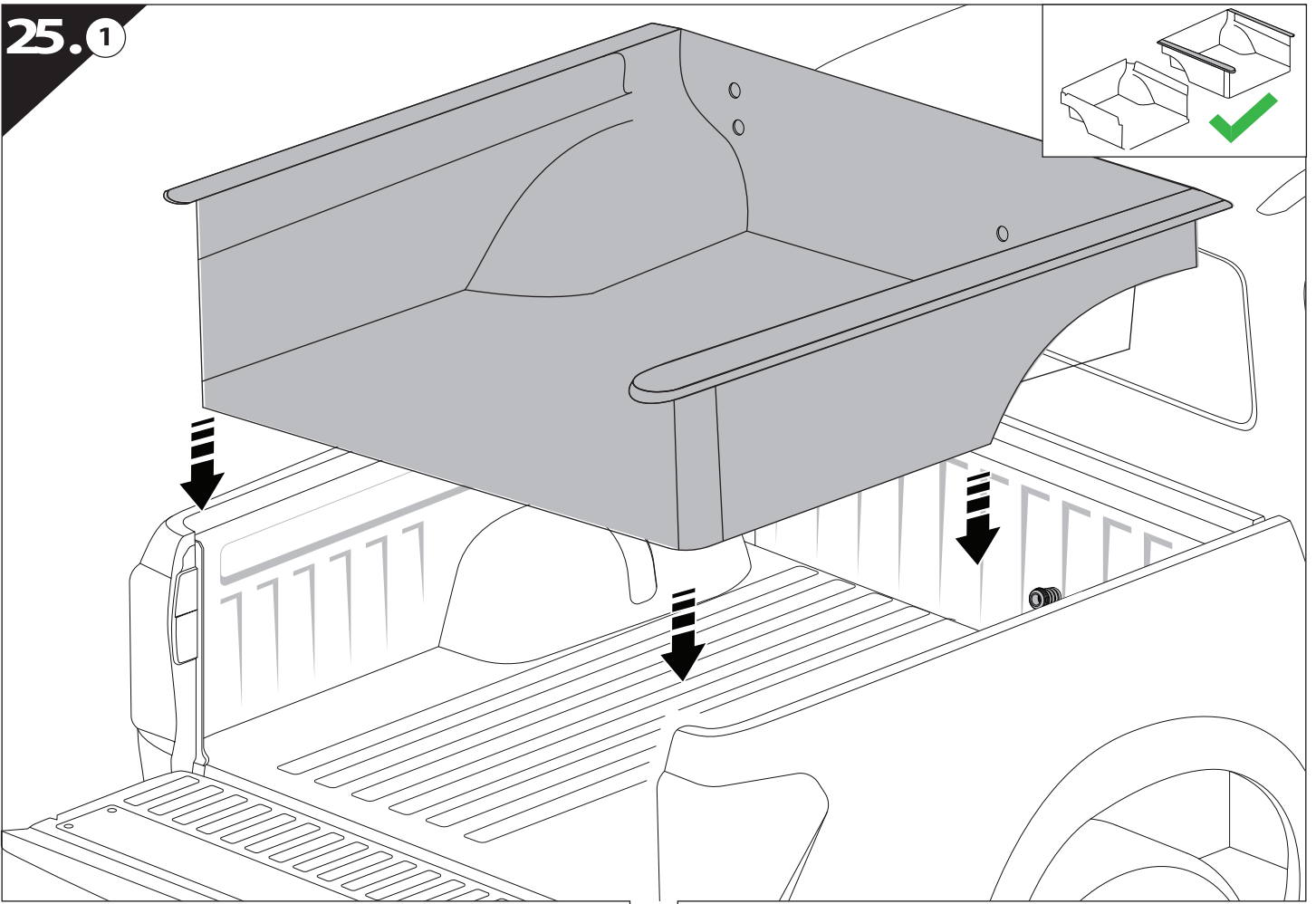
23. 2



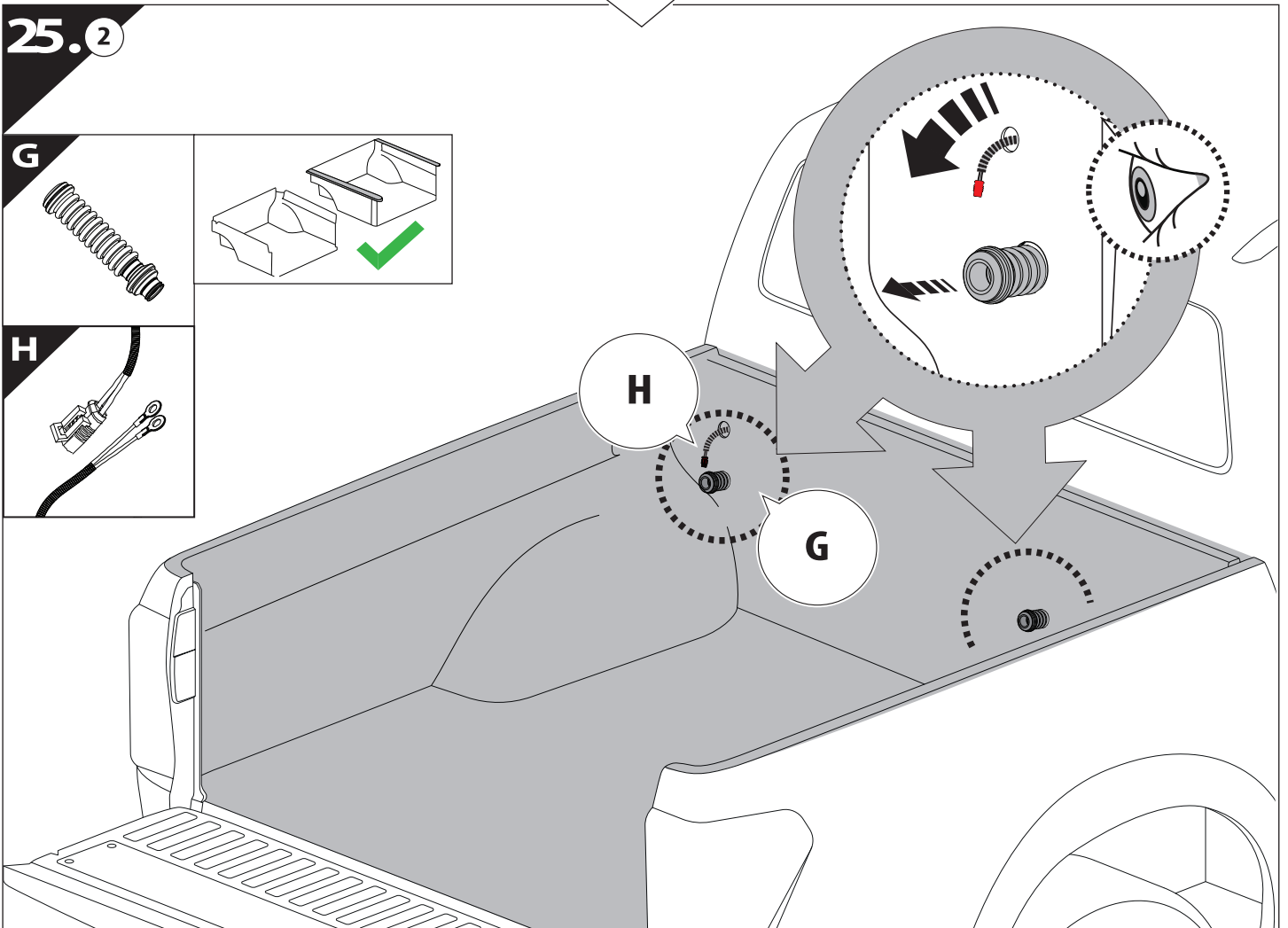
23. 3



25.1

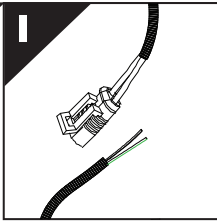


25.2

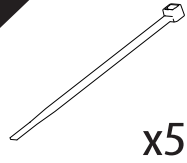


26

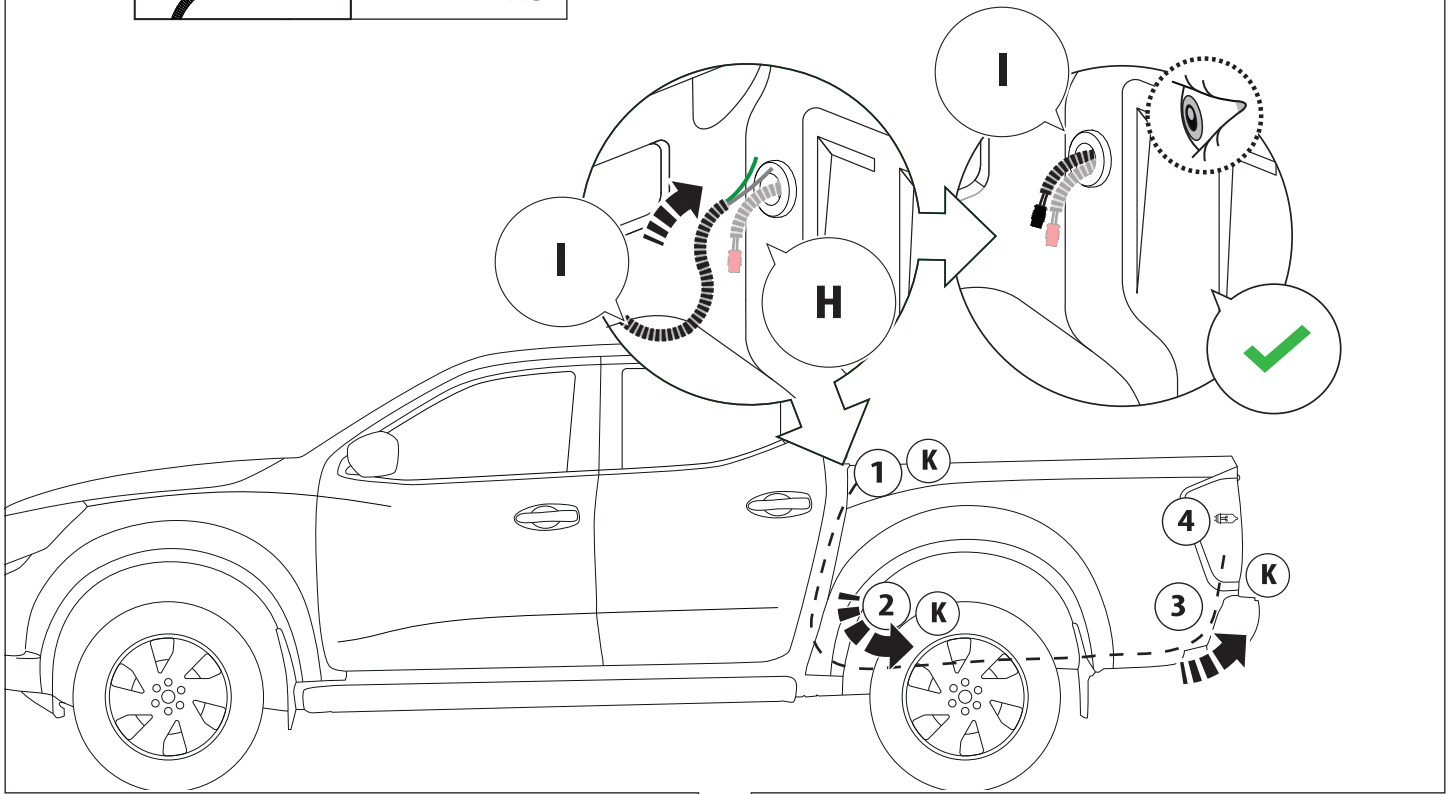
I



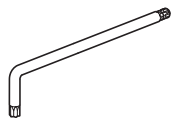
K



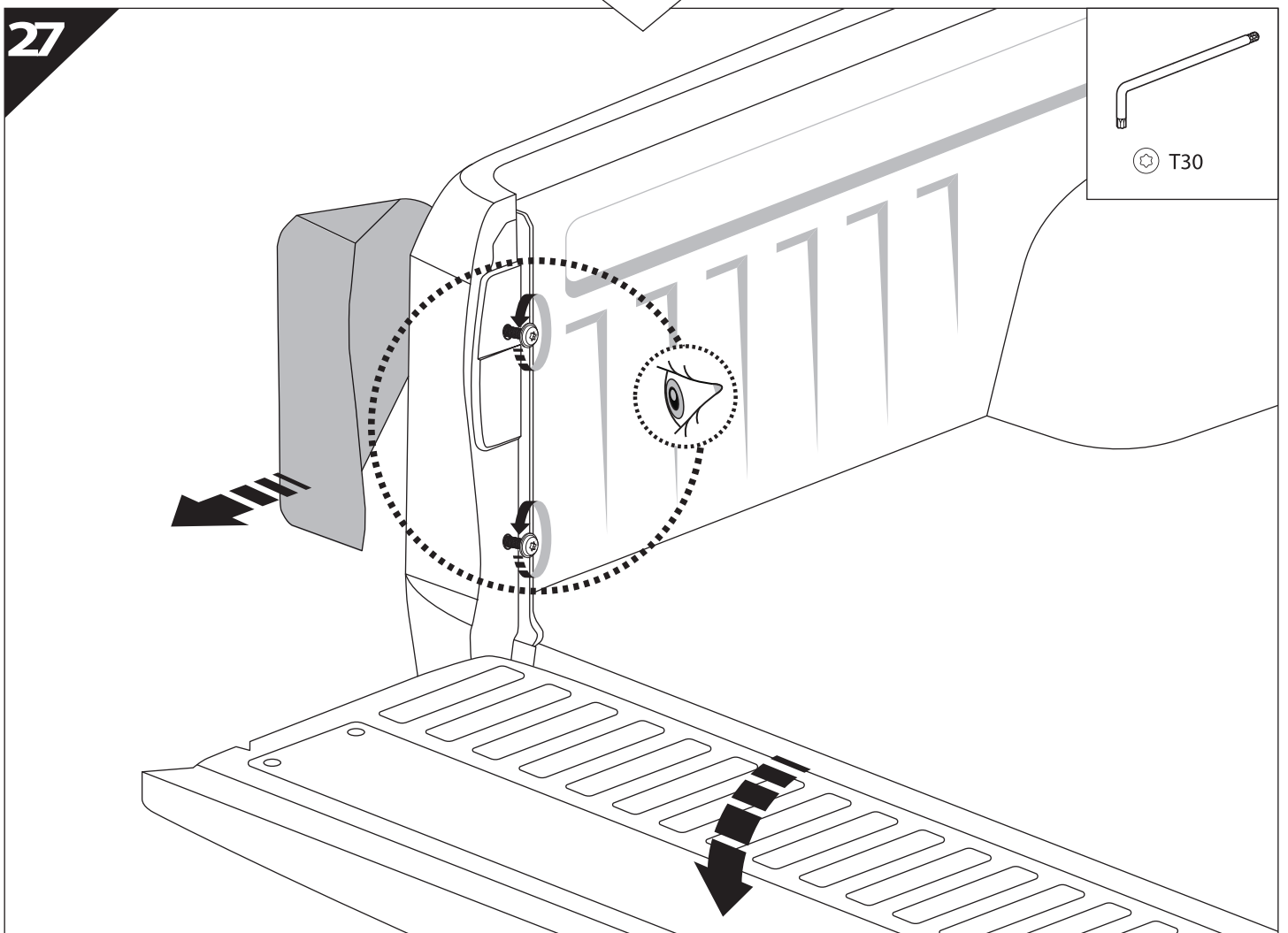
x5



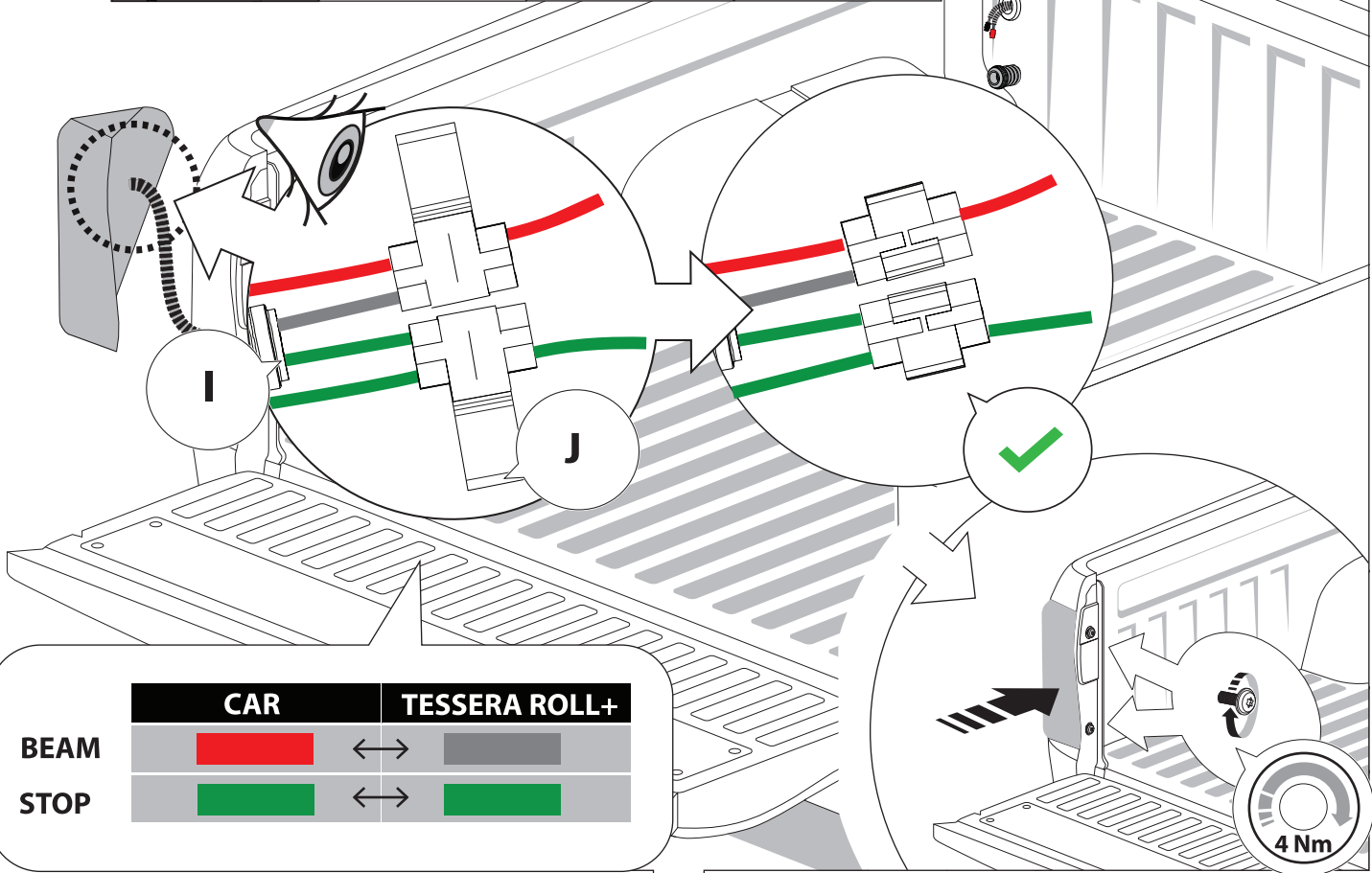
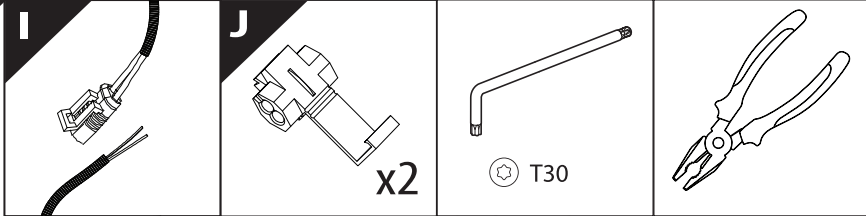
27



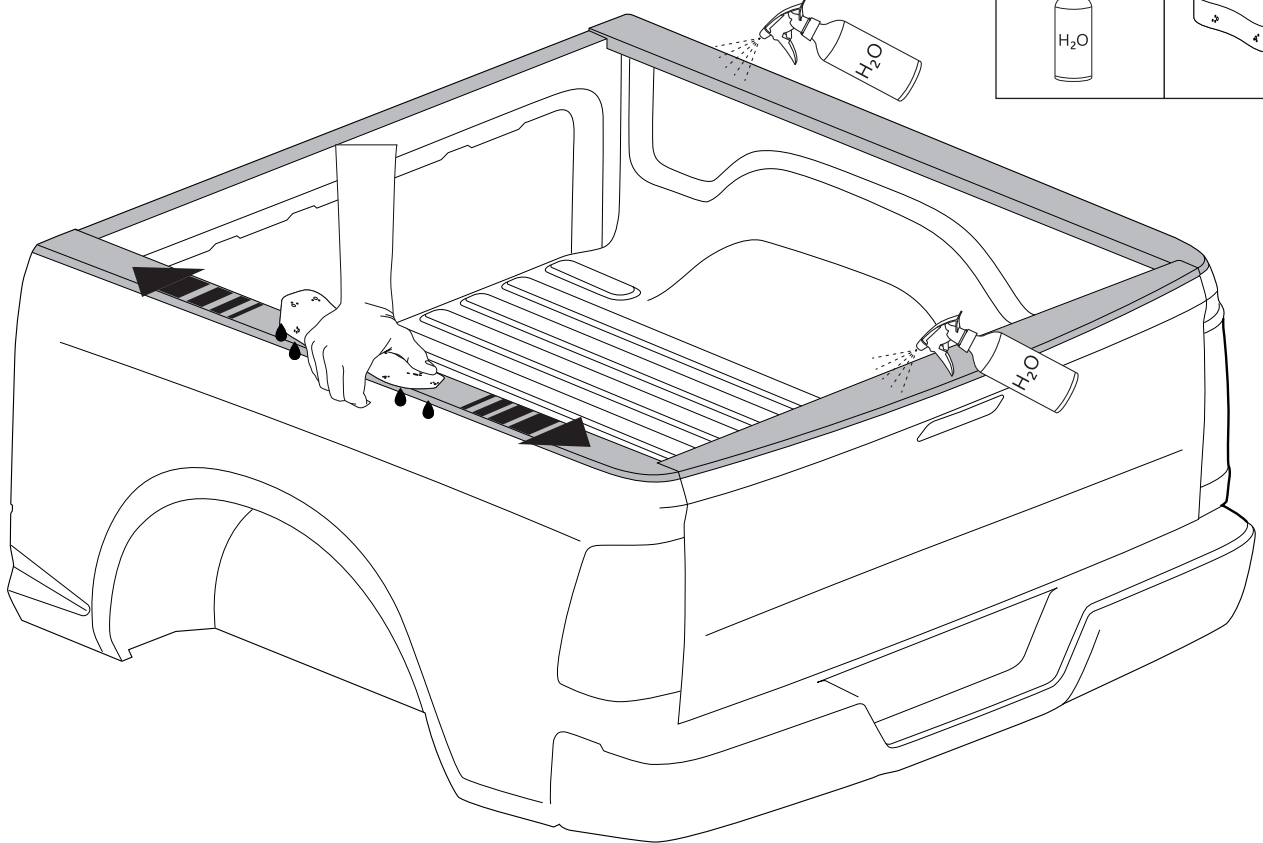
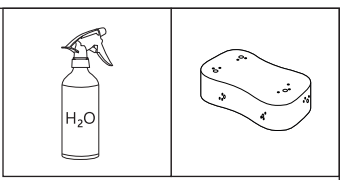
T30

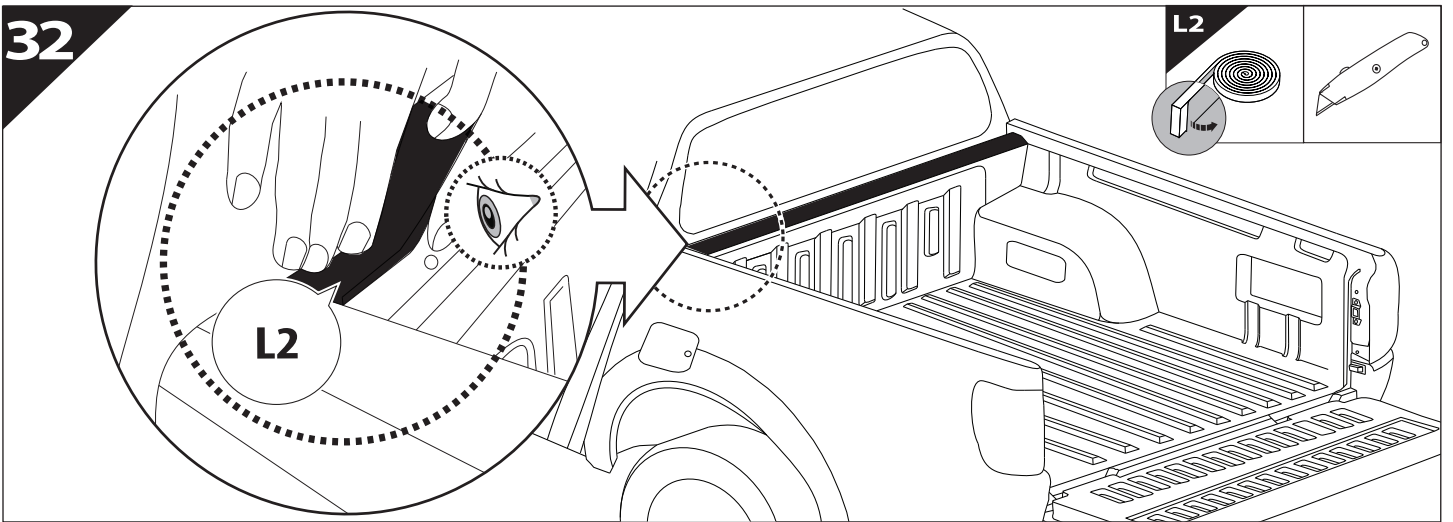
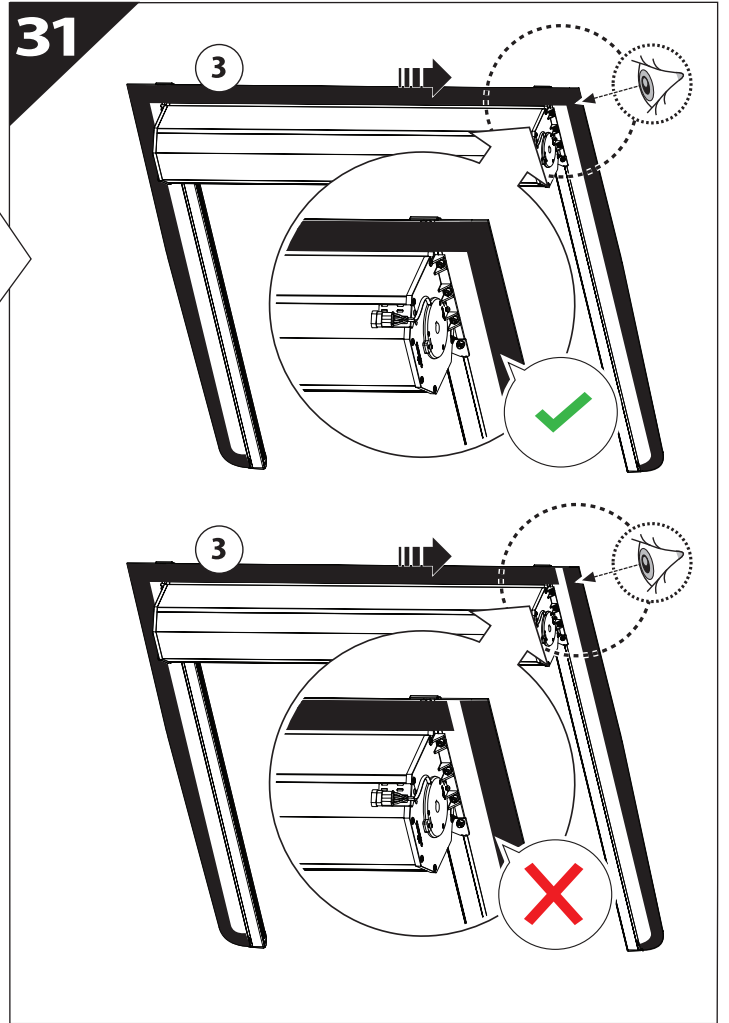
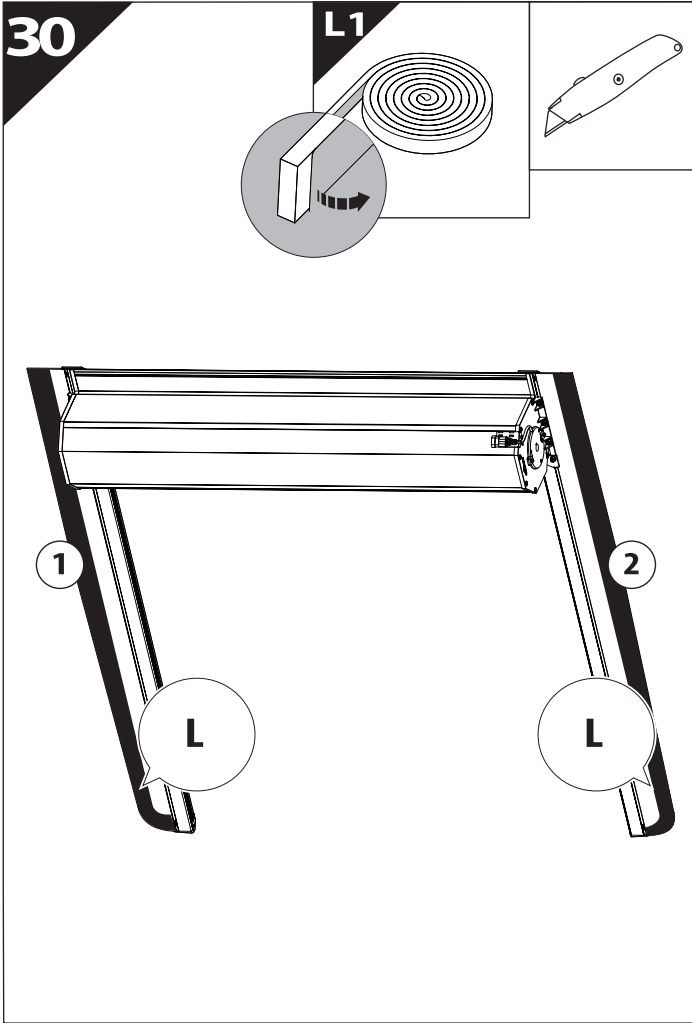


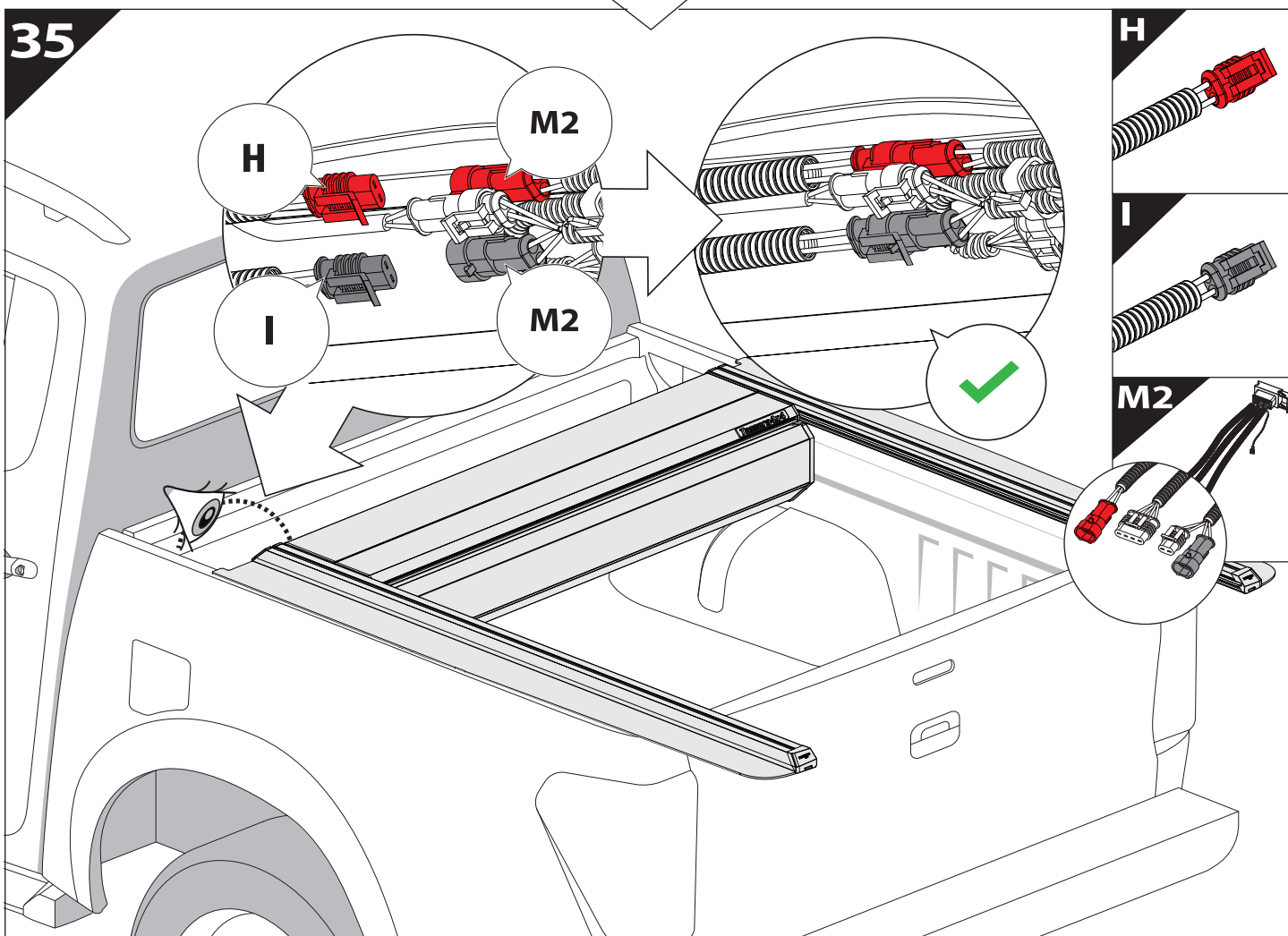
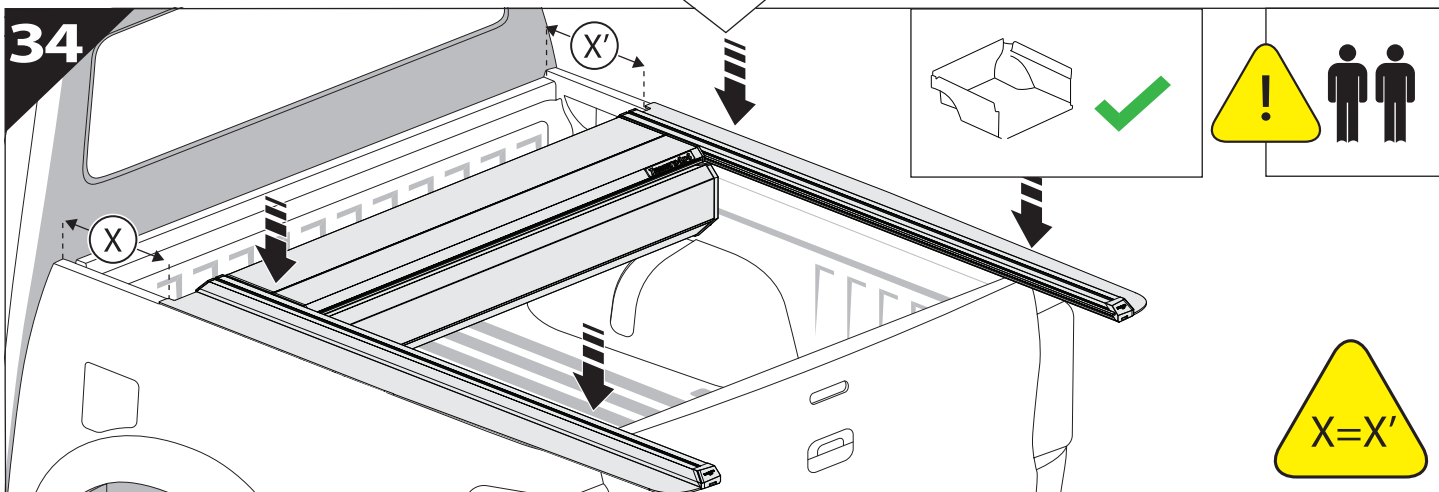
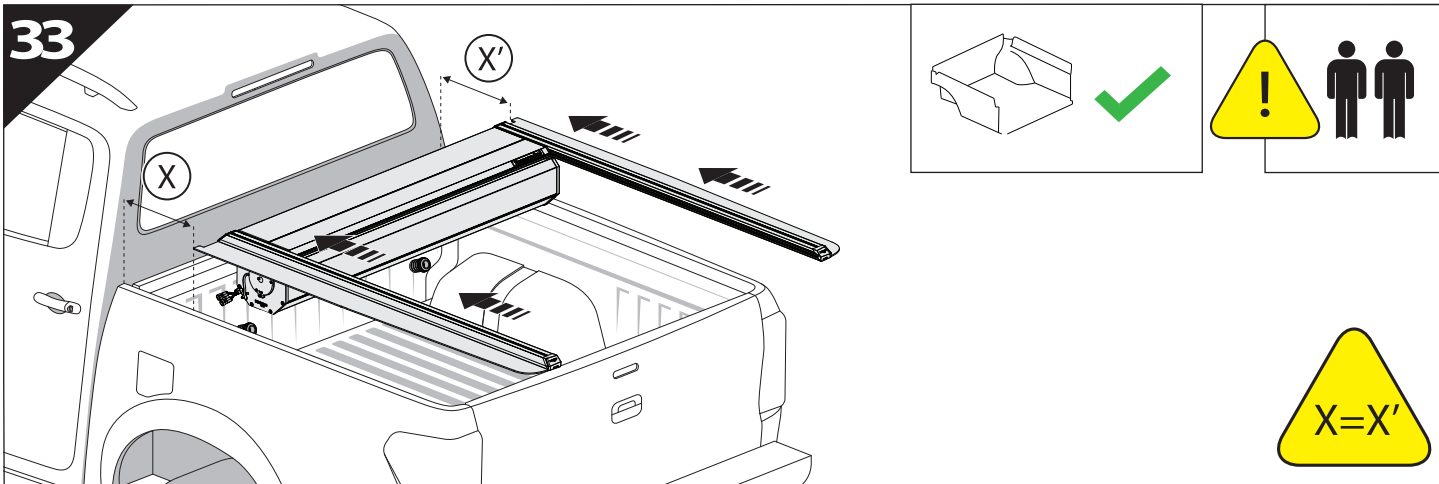
28



29

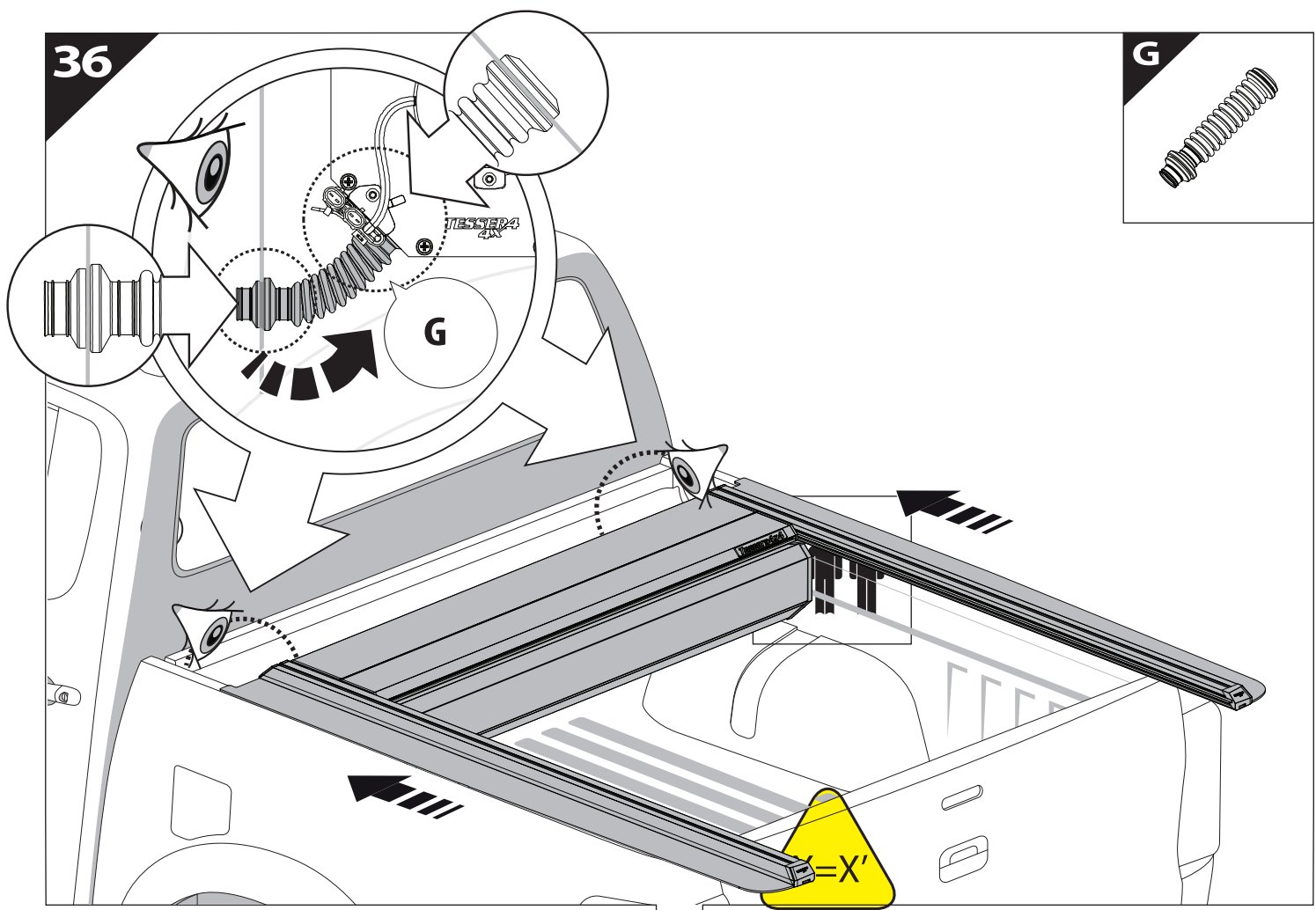




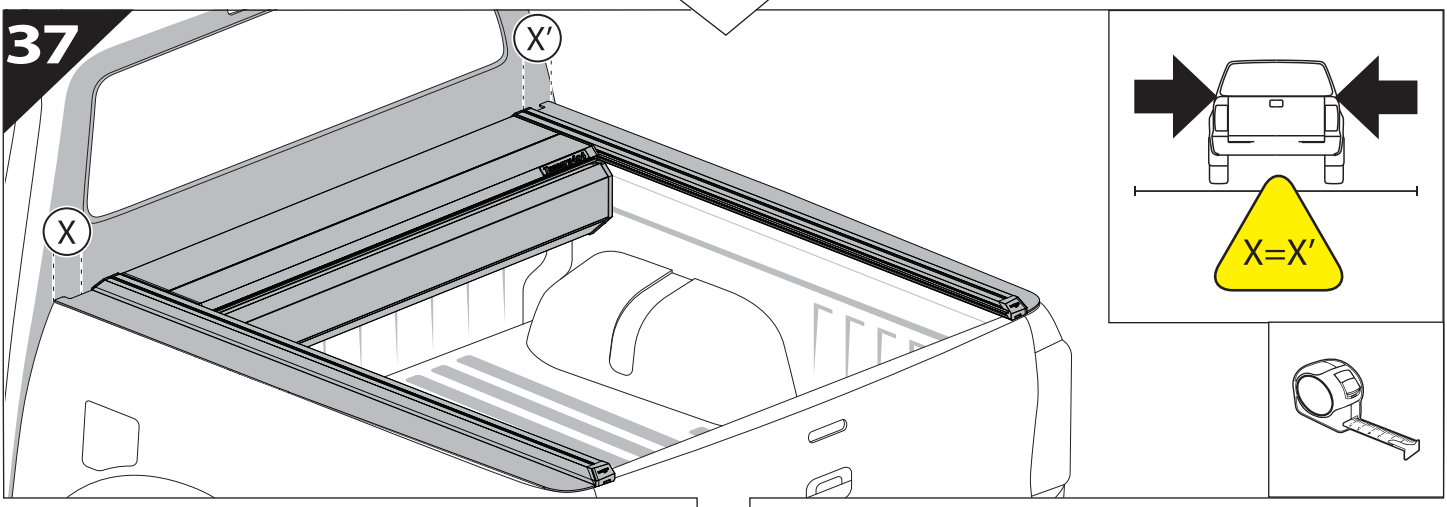


36

G

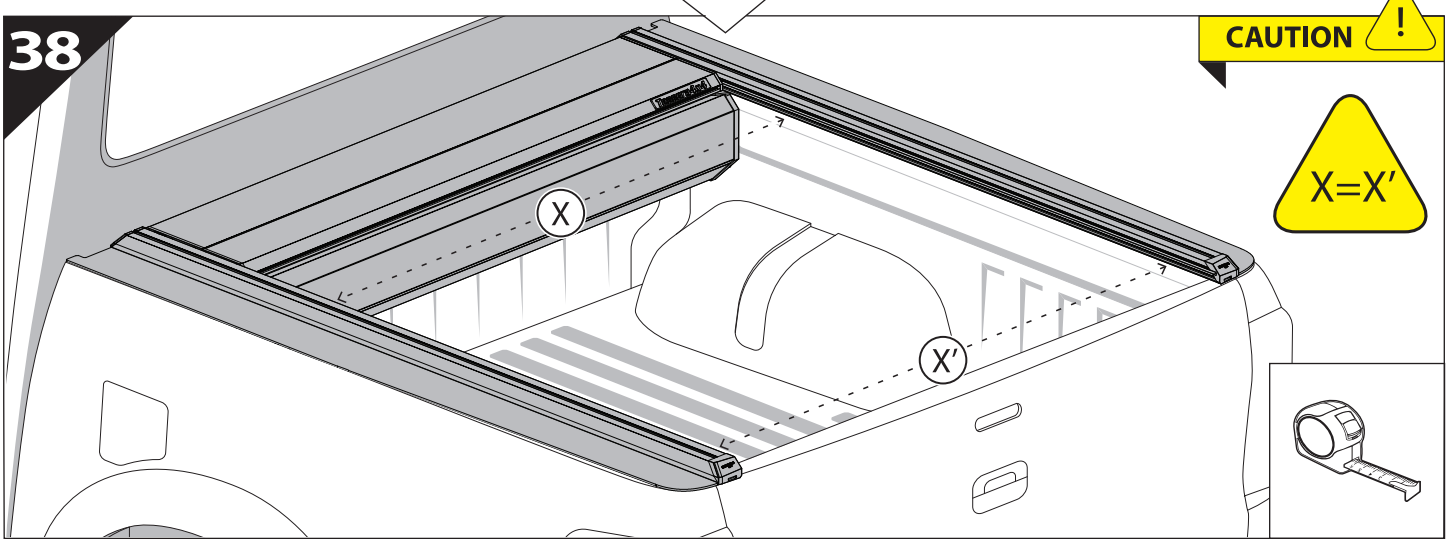


37

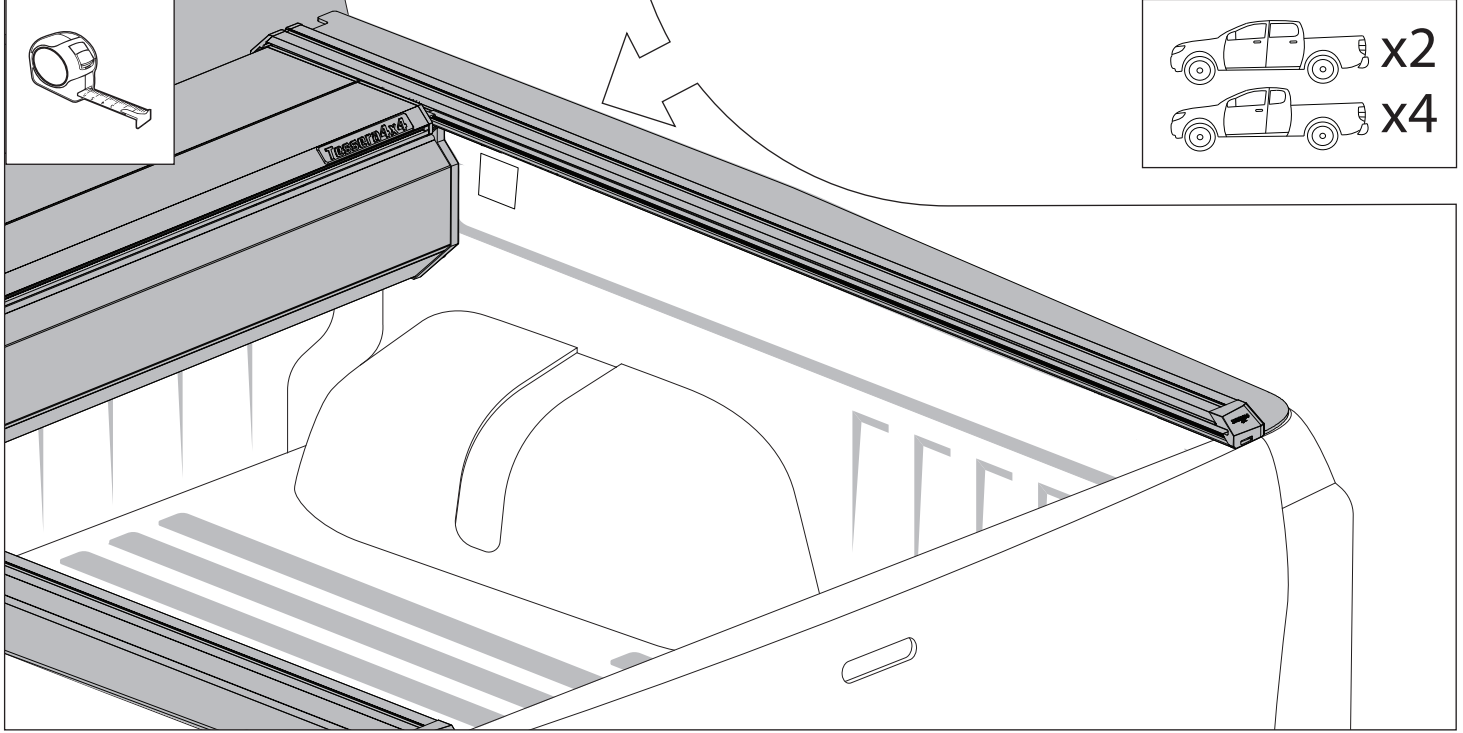
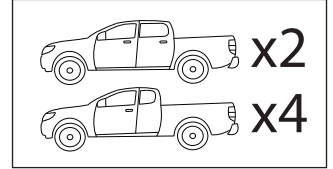
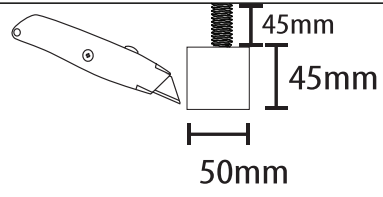
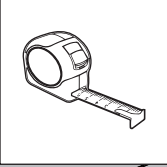
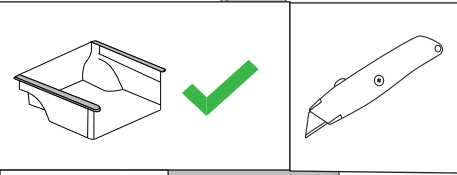


38

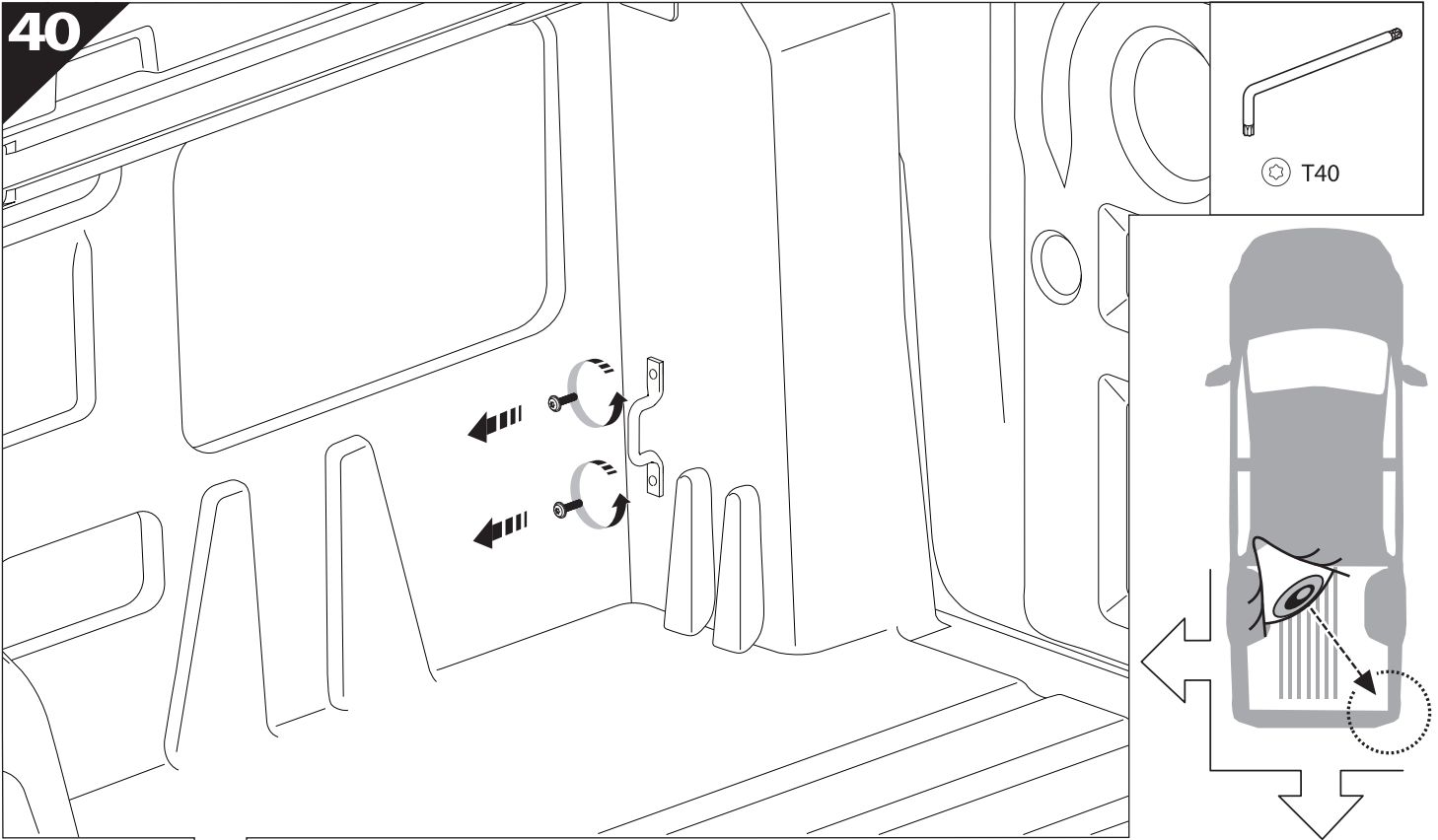
CAUTION !



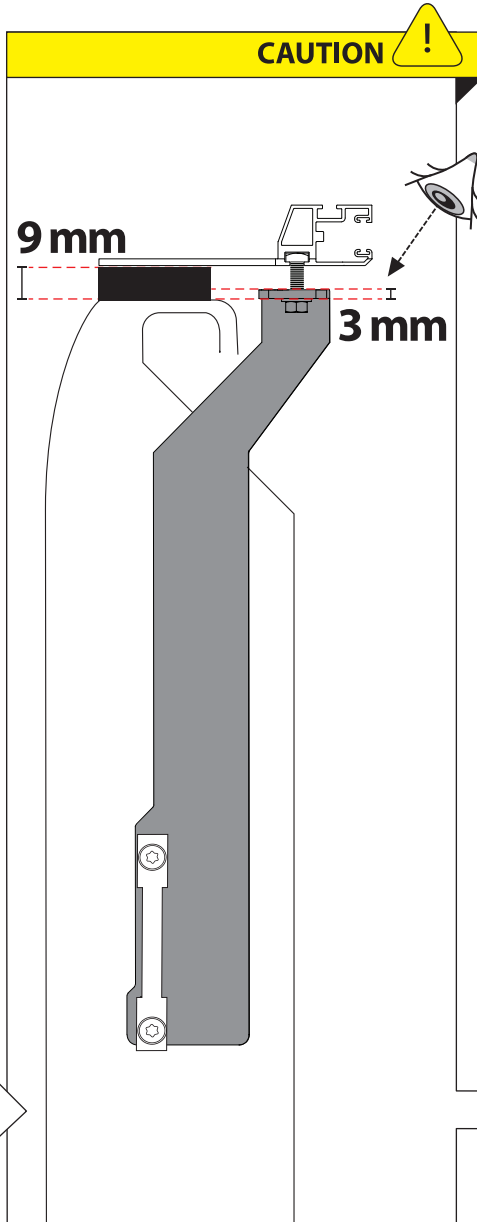
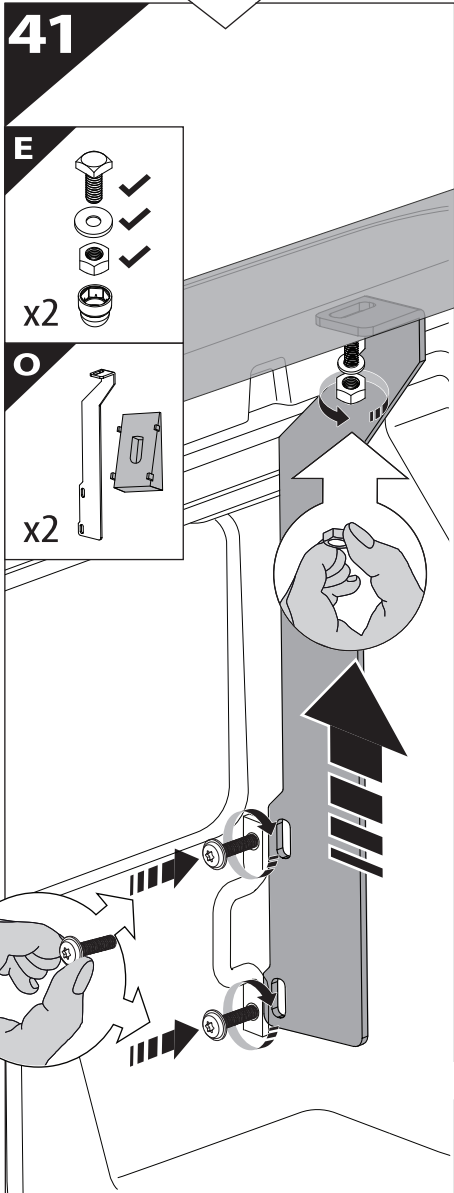
39



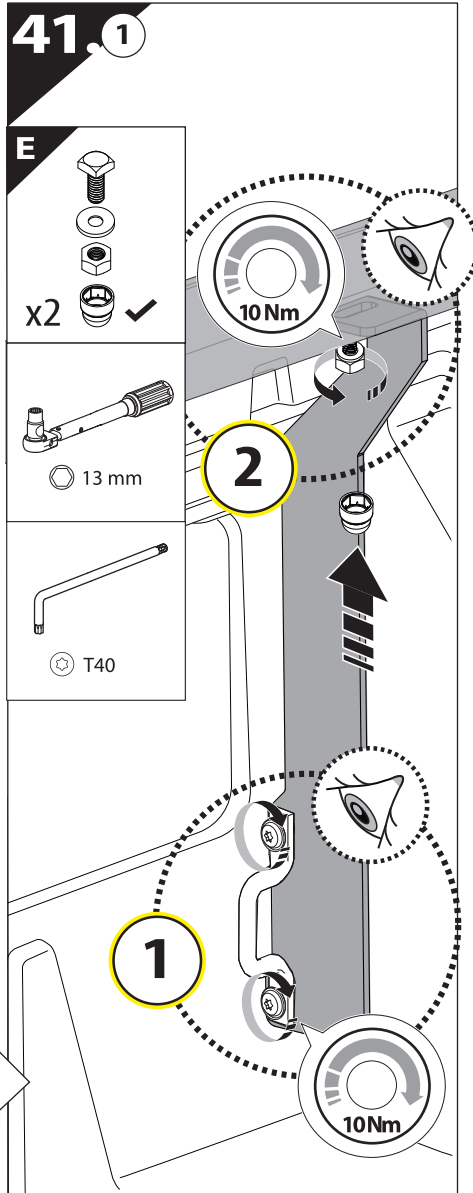
40

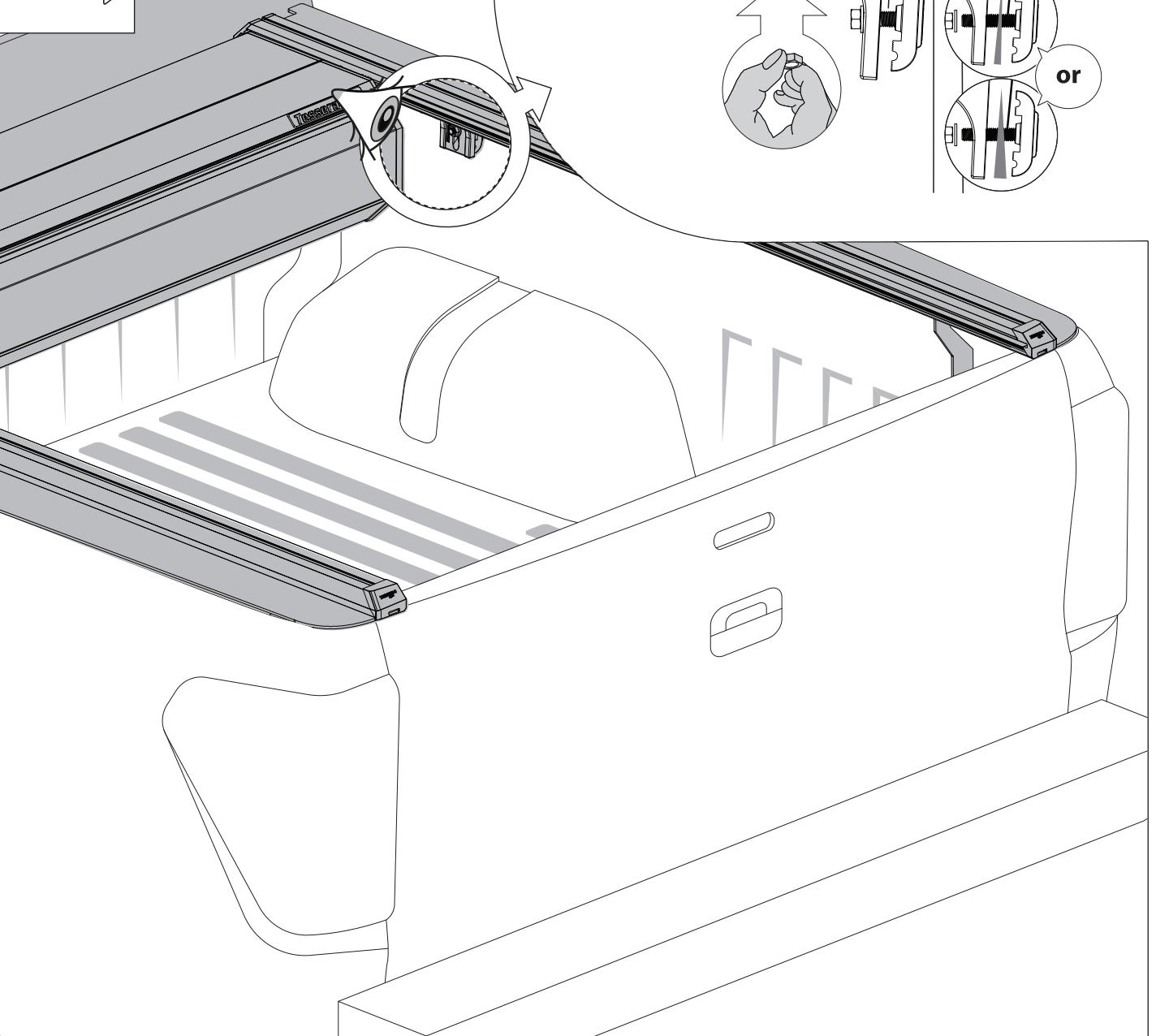
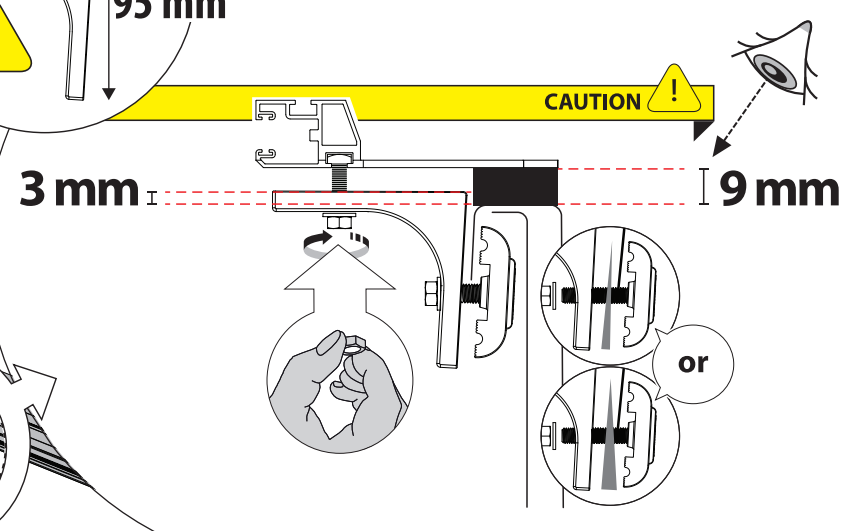
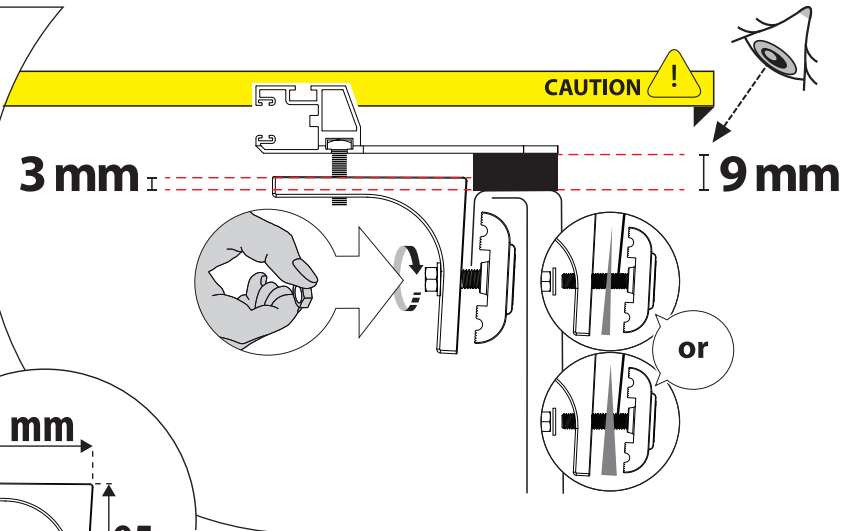
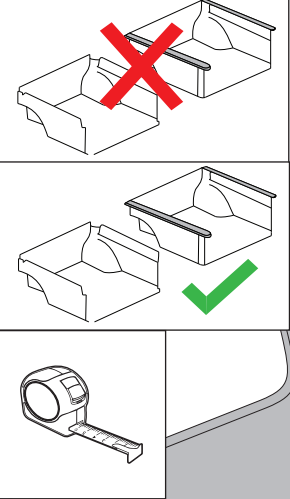
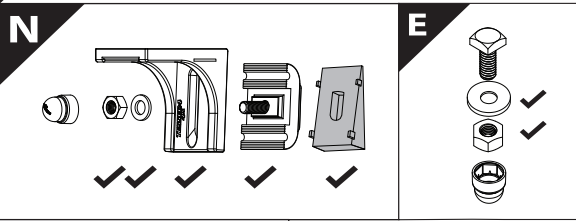


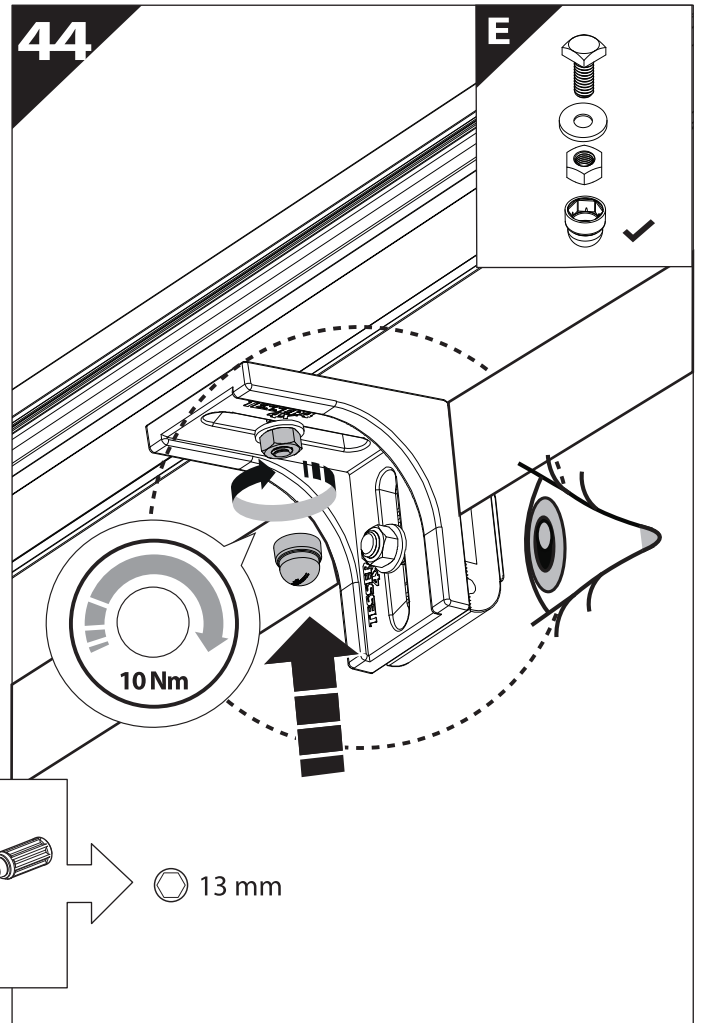
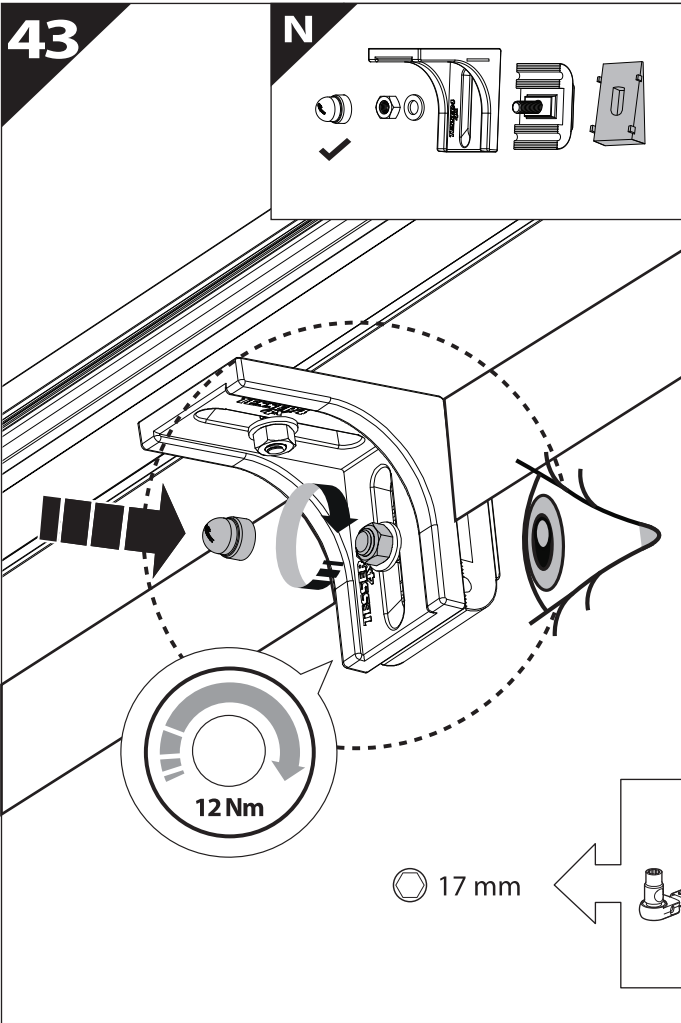
41



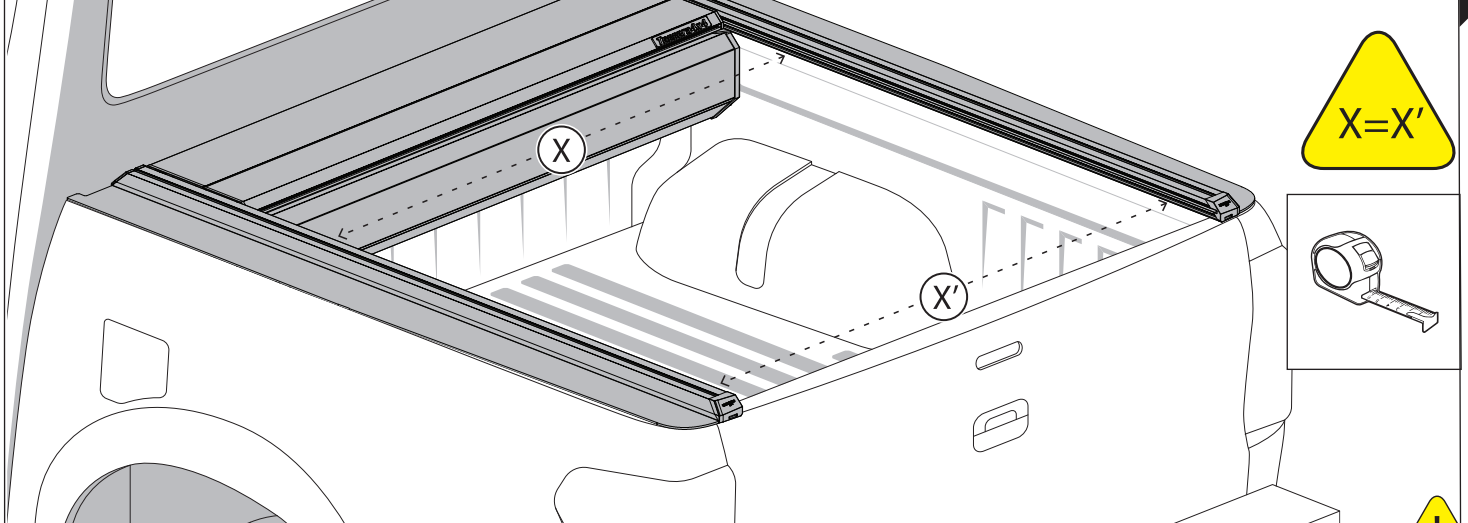
41.1



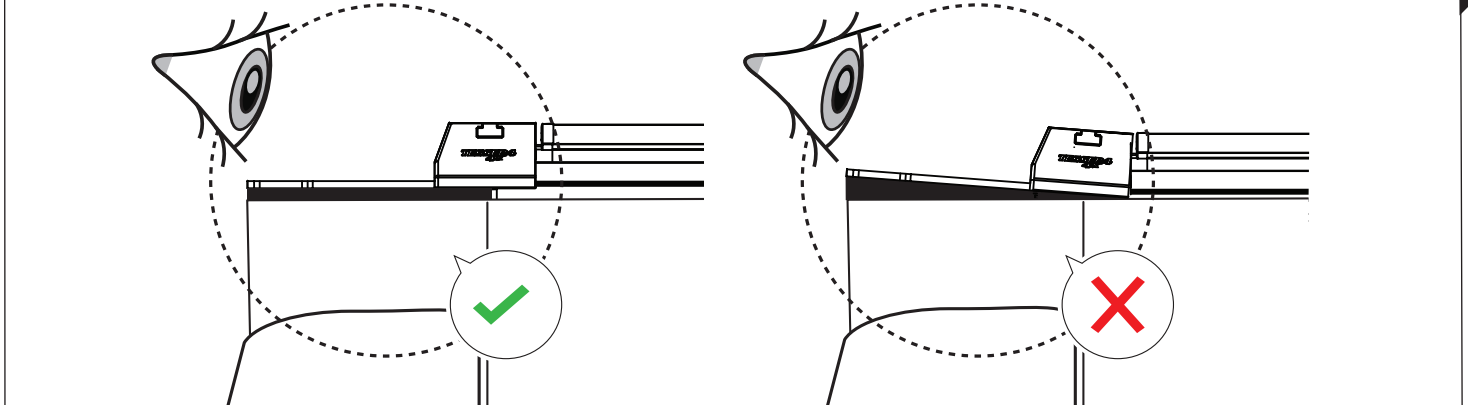




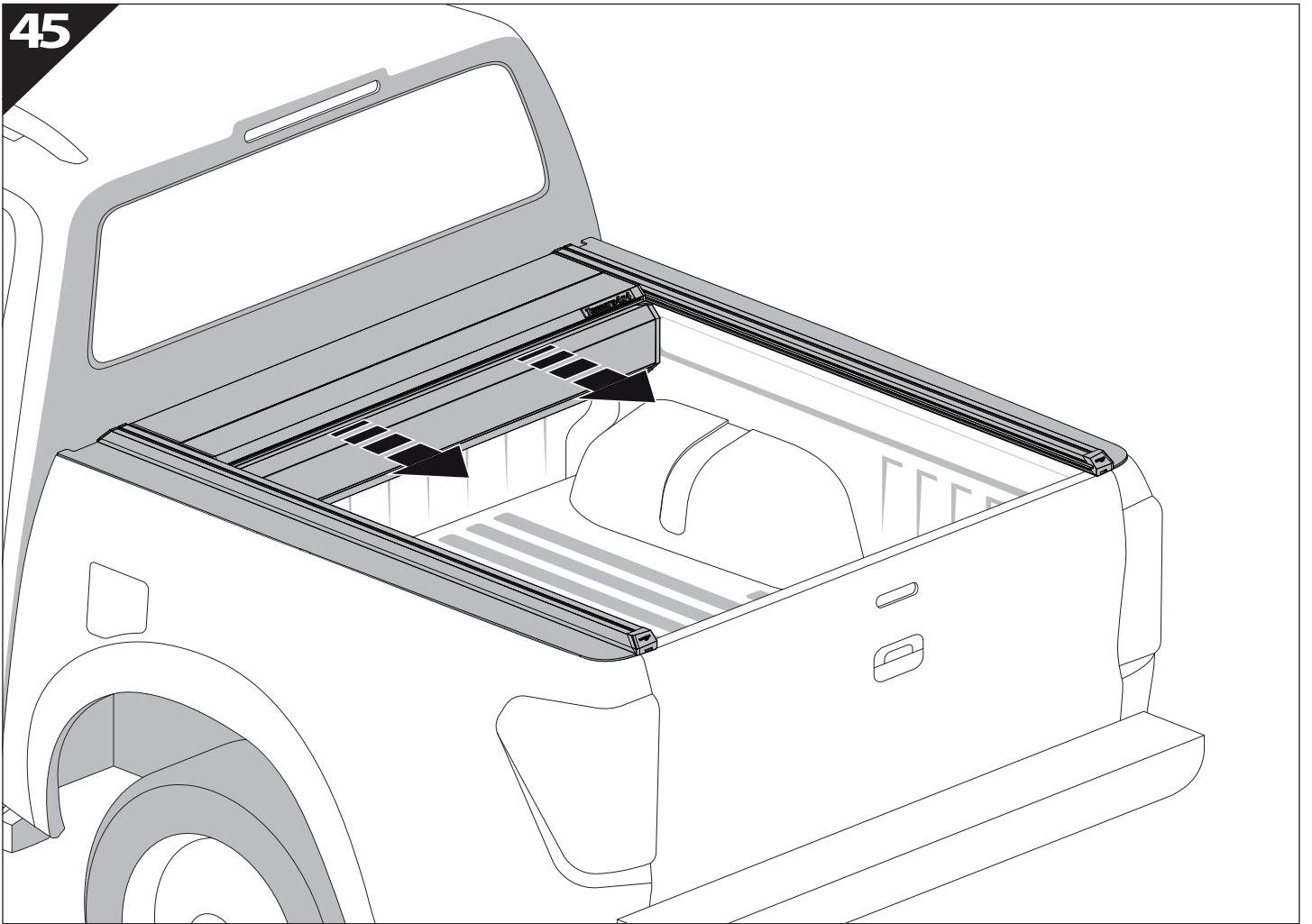
CAUTION !



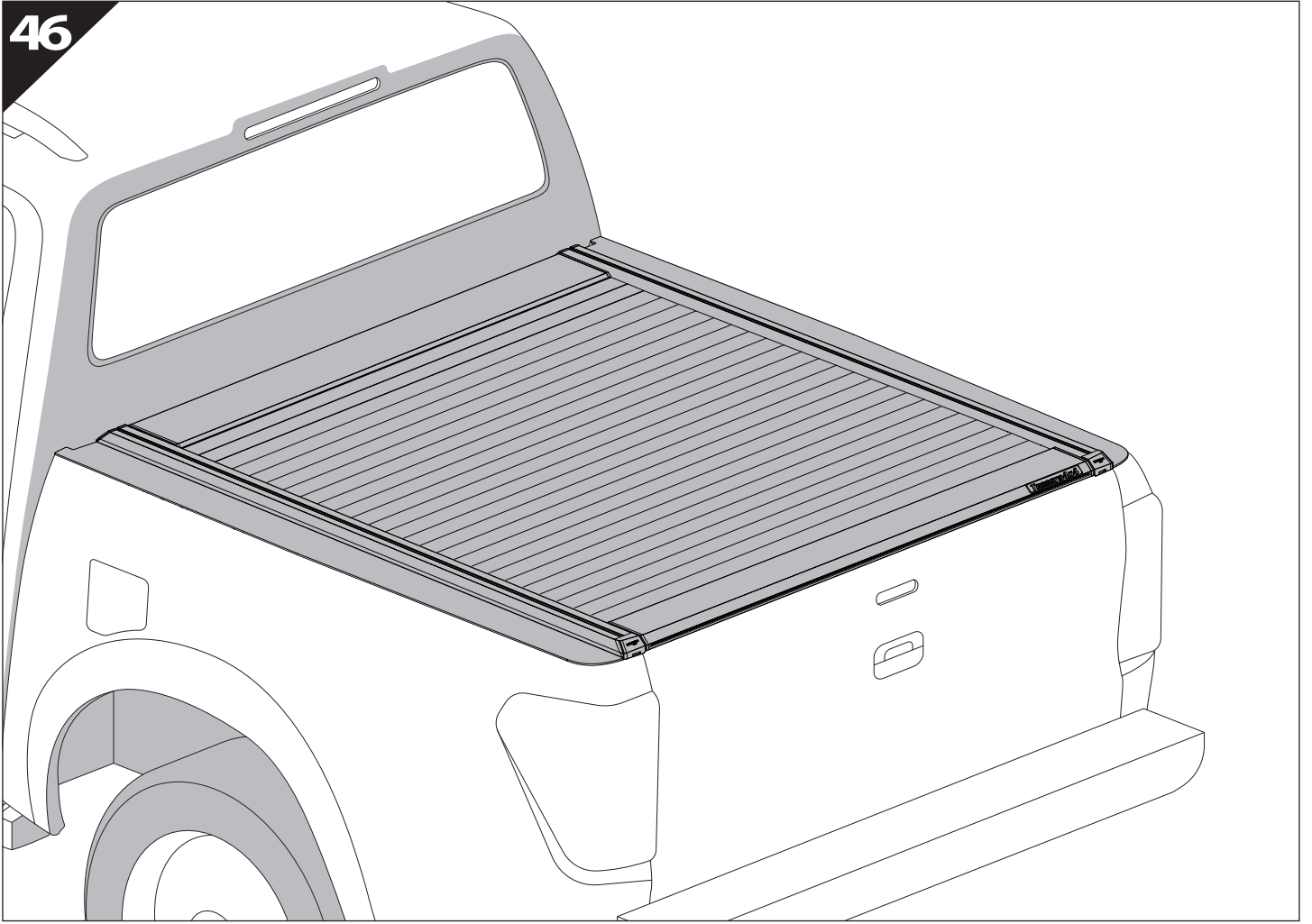
CAUTION !



45



46





GR: Οδηγίες Εγκατάστασης
GB: Installation manual
SF: Asennusohje
F: Notice de montage
PL: Instrukcja montażu
NL: Installatie-instructies
TR: Montaj Talimatı
S: Monteringsanvisning
E: Instrucciones de montaje

H: Szerelési utasítás
P: Instruções de instalação
RUS: Инструкция по установке
N: Monteringsveiledning
D: Einbauanleitung
CZ: Návod k instalaci
I: Istruzioni de montaggio
DK: Monteringsvejledning
RO: Instructiuni de instalare

Customer Service:

+30 (210) 5541161, +30 (210) 5541154 (08:00 - 16:00 EET)

Support department:

info@gianso.gr

Website:

www.tessera4x4.com

Address:

19.5 km of National road Athens-Korinthos (Elefsina) Greece, P.C: 19200