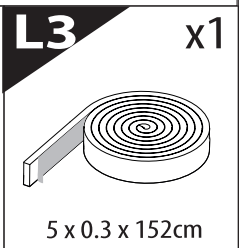
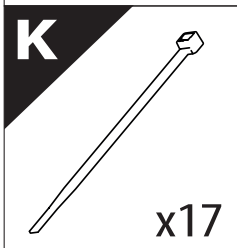
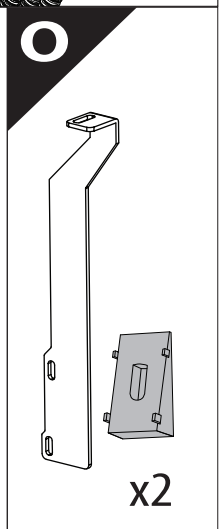
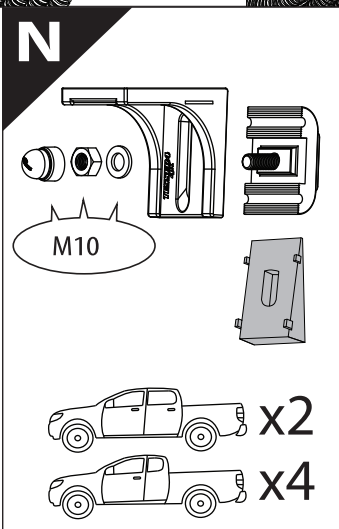
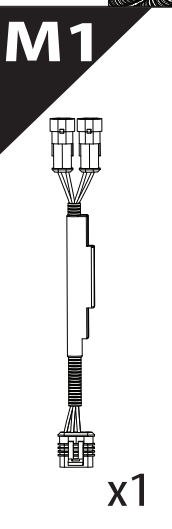
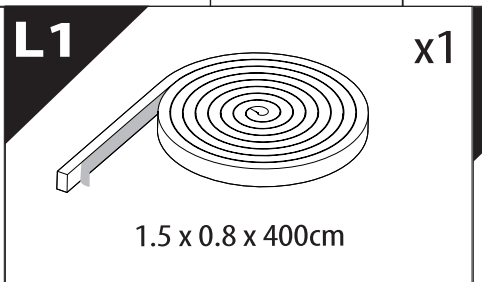
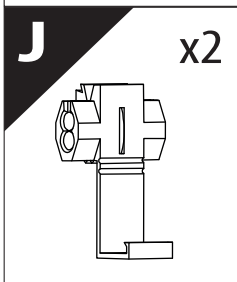
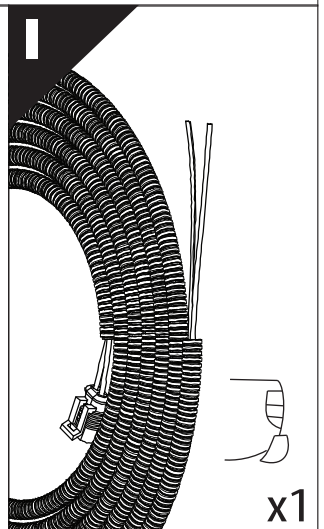
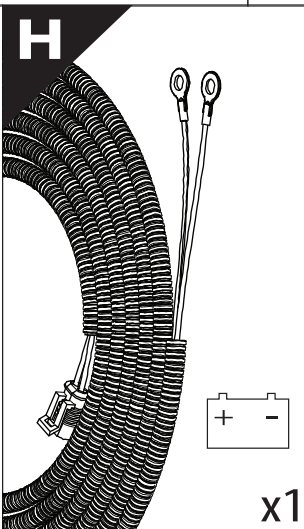
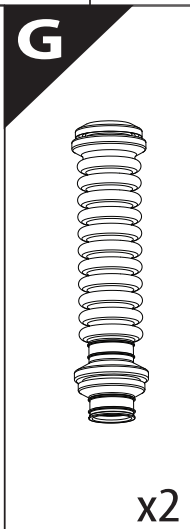
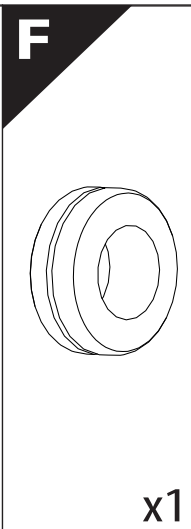
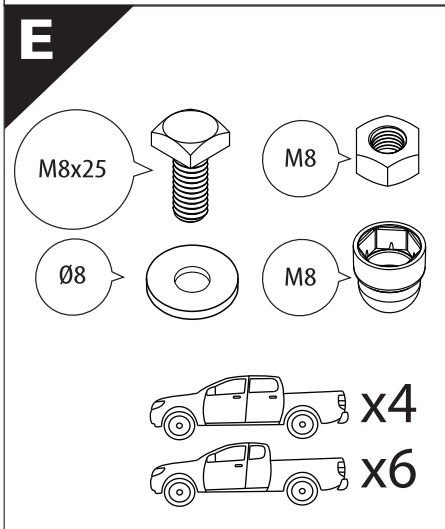
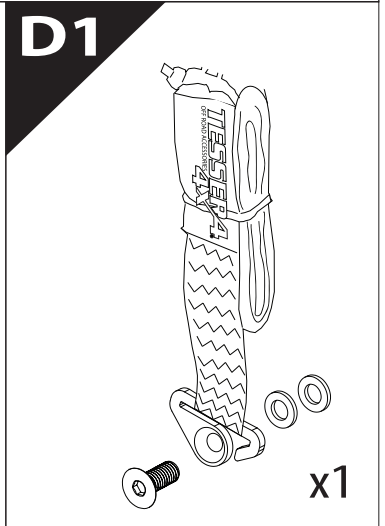
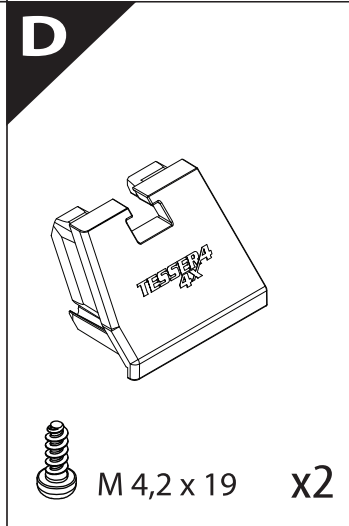
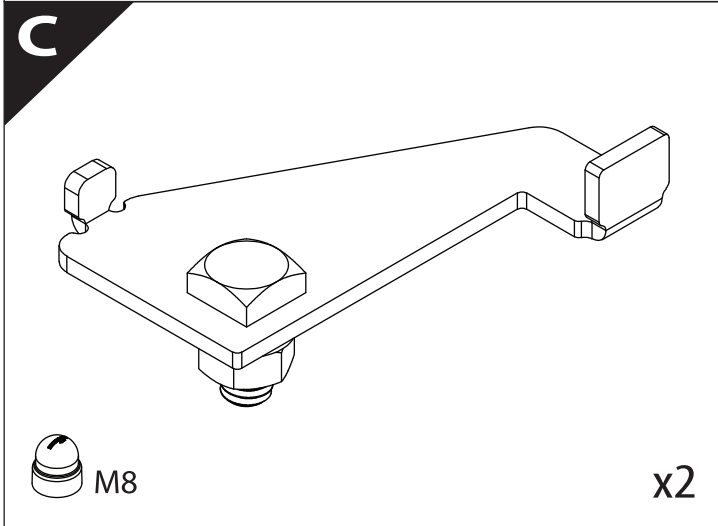
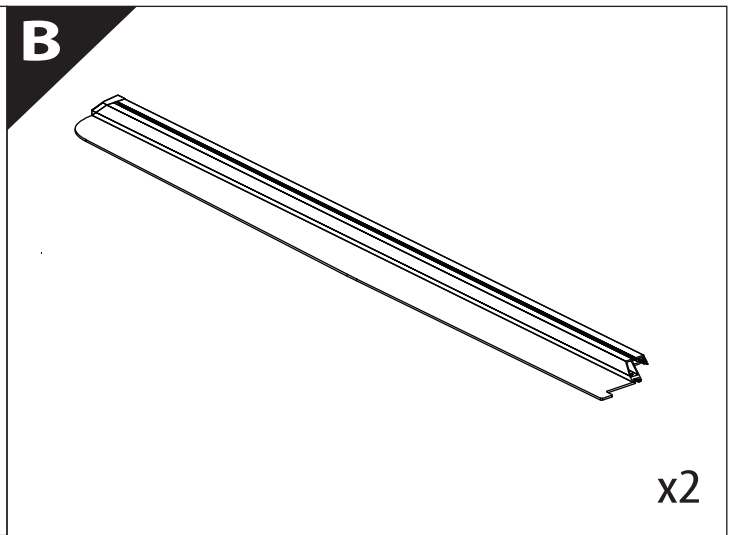
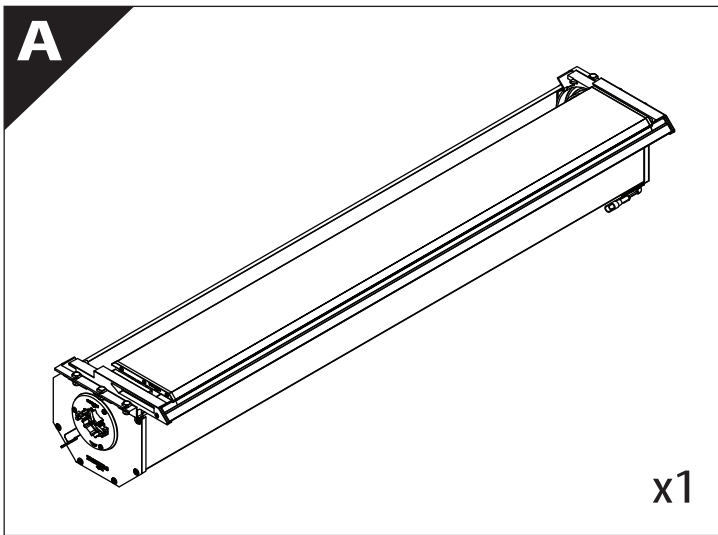
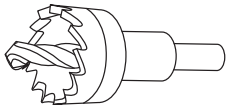


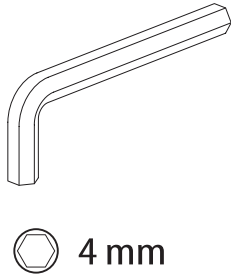
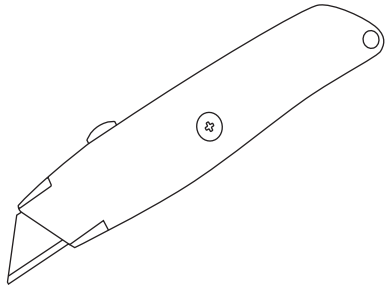
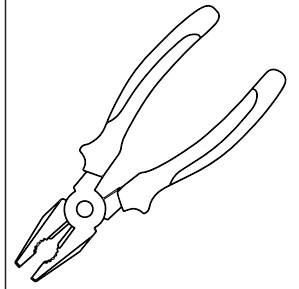
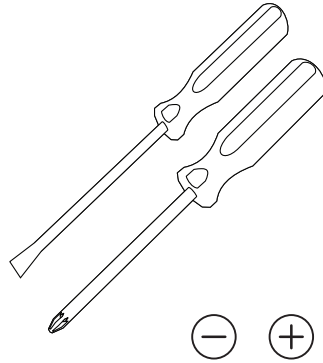
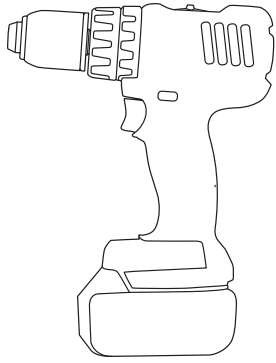
Installation Manual

PART NUMBER(S)	Model Year
TESS 1406 ROLL	FORD RANGER 2012+ / 2016+ / 2020+
TESS 1407 ROLL	
Cab(s)	Installation Time / Weight
Double Cab & Space cab	40-60 minutes / 53-57 kg

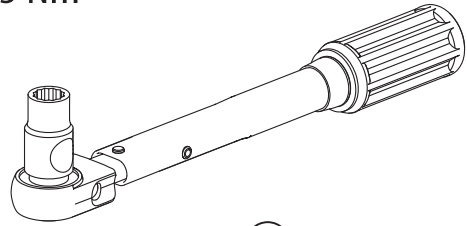




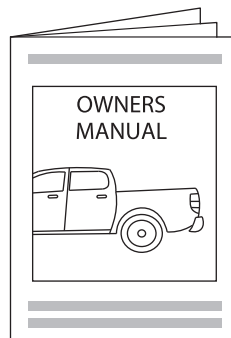
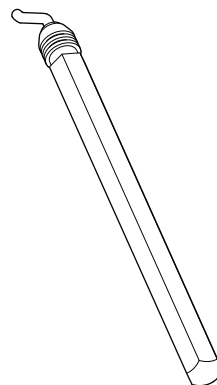
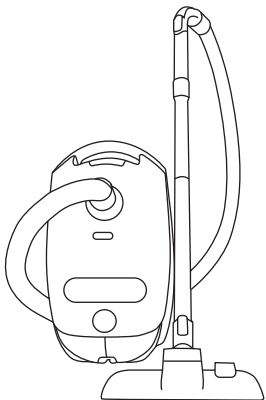
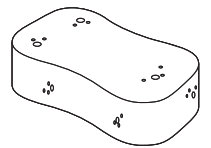
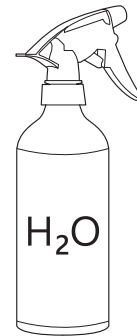
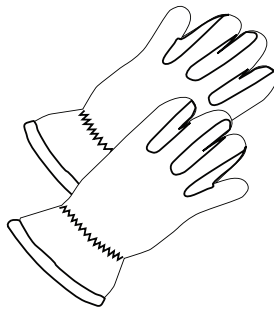
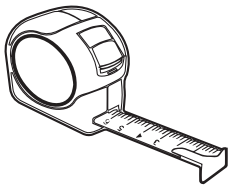
Ø 25 mm / Ø 40 mm



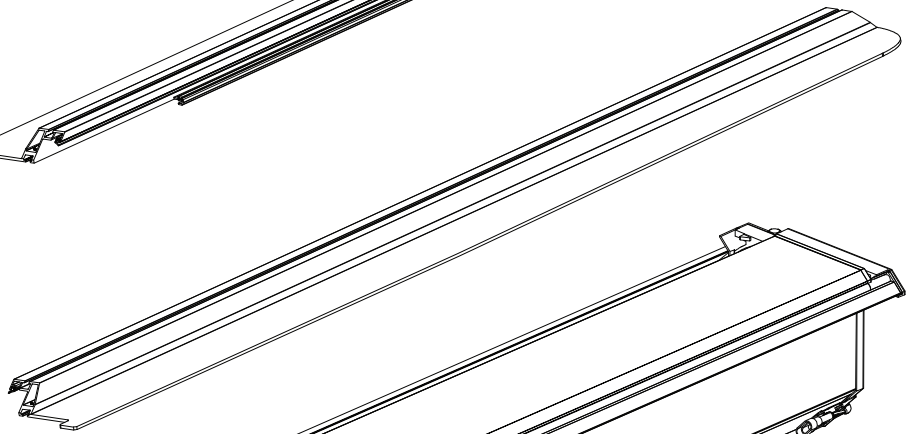
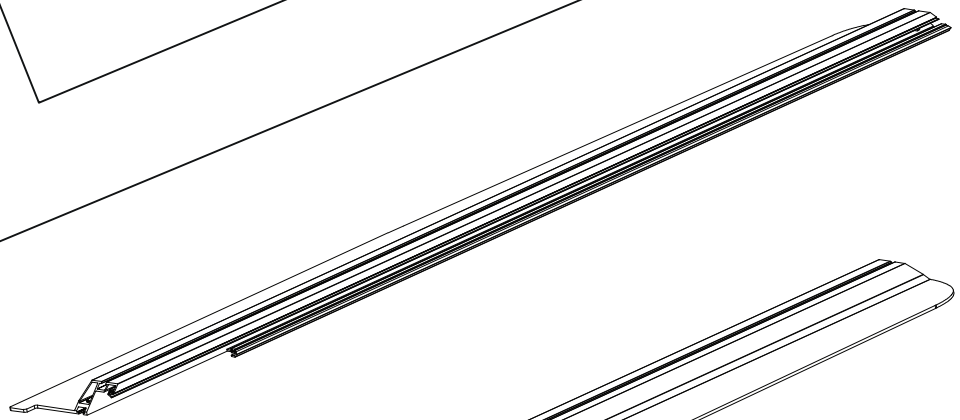
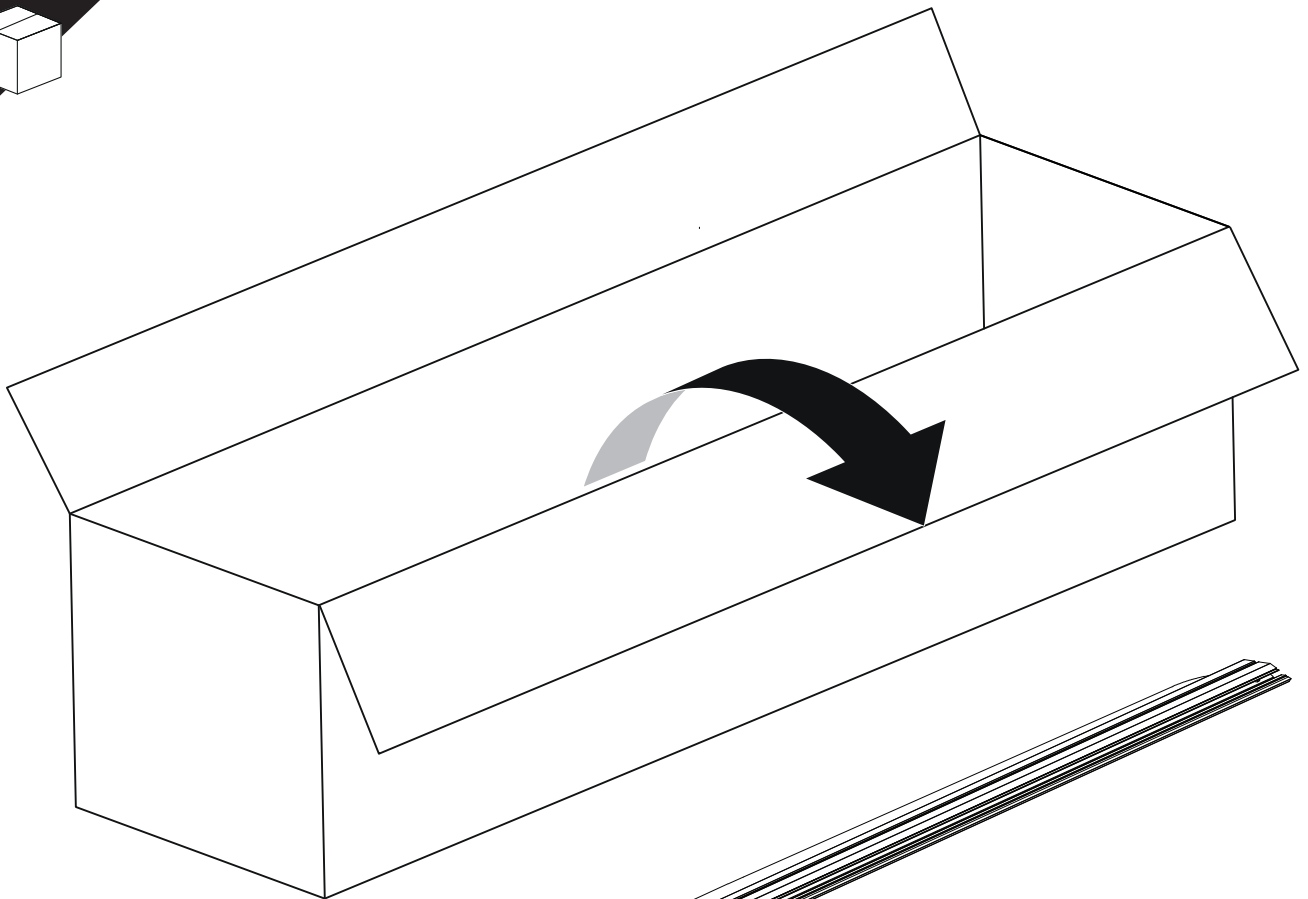
1 - 25 Nm



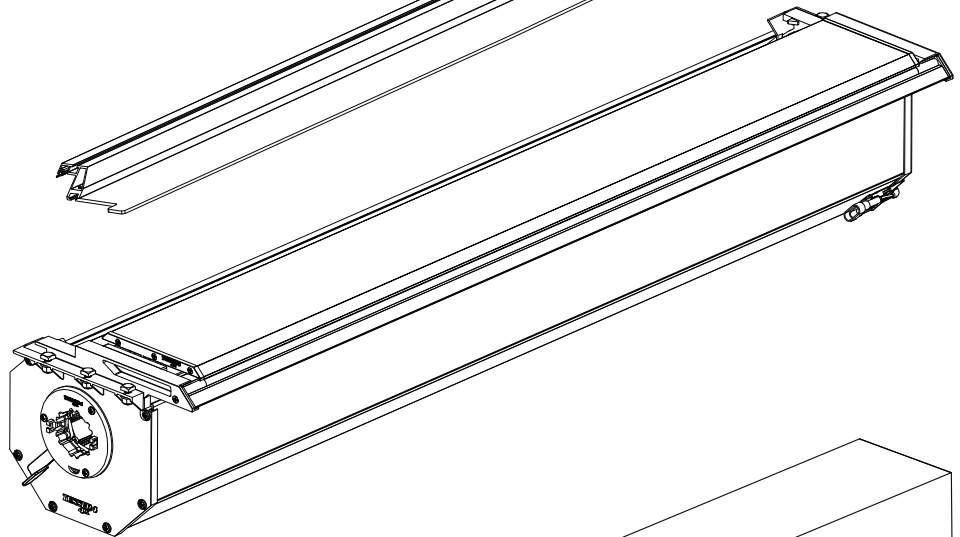
10, 12, 13, 17 mm



x1

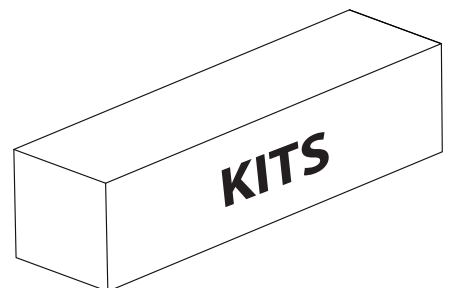


B

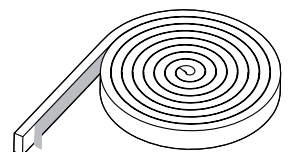


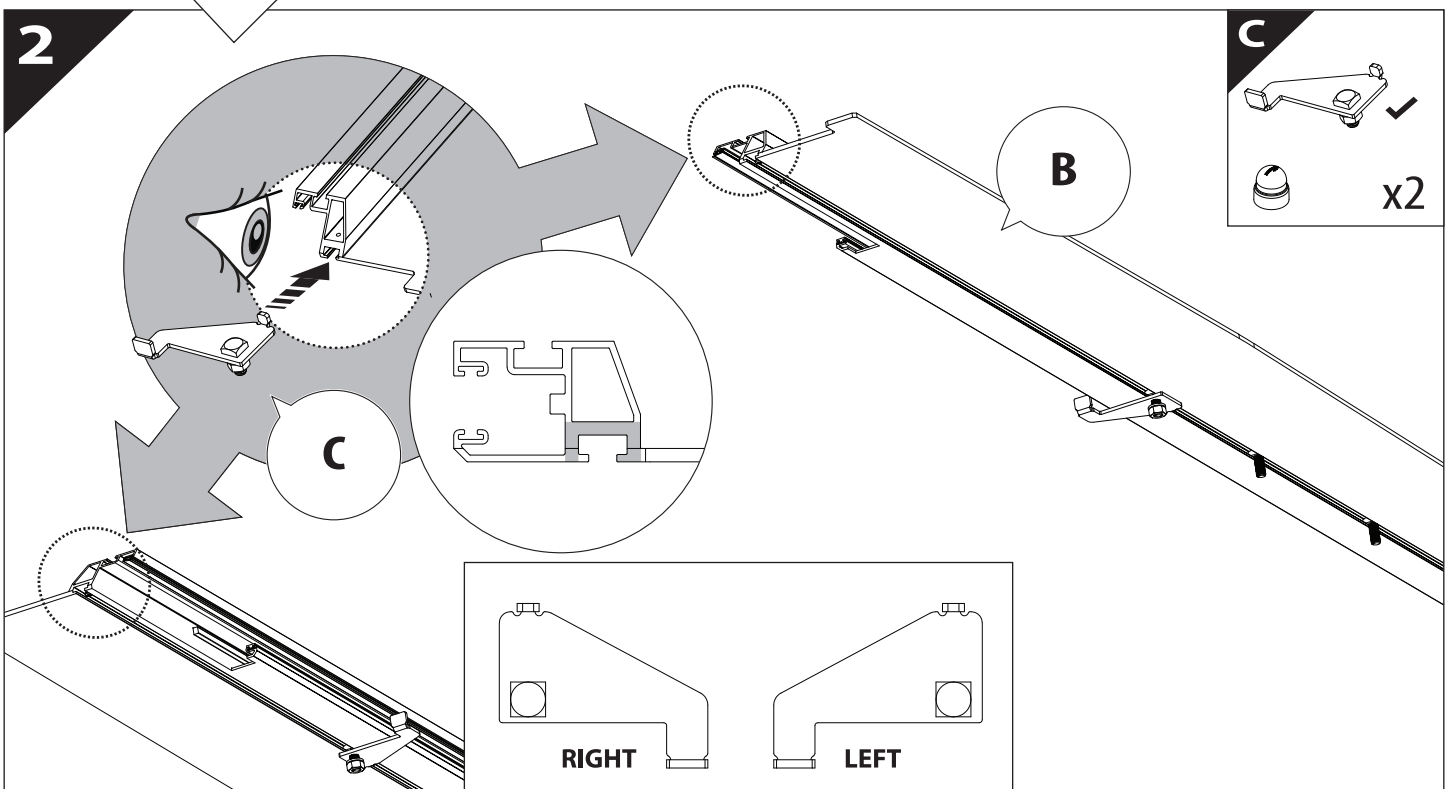
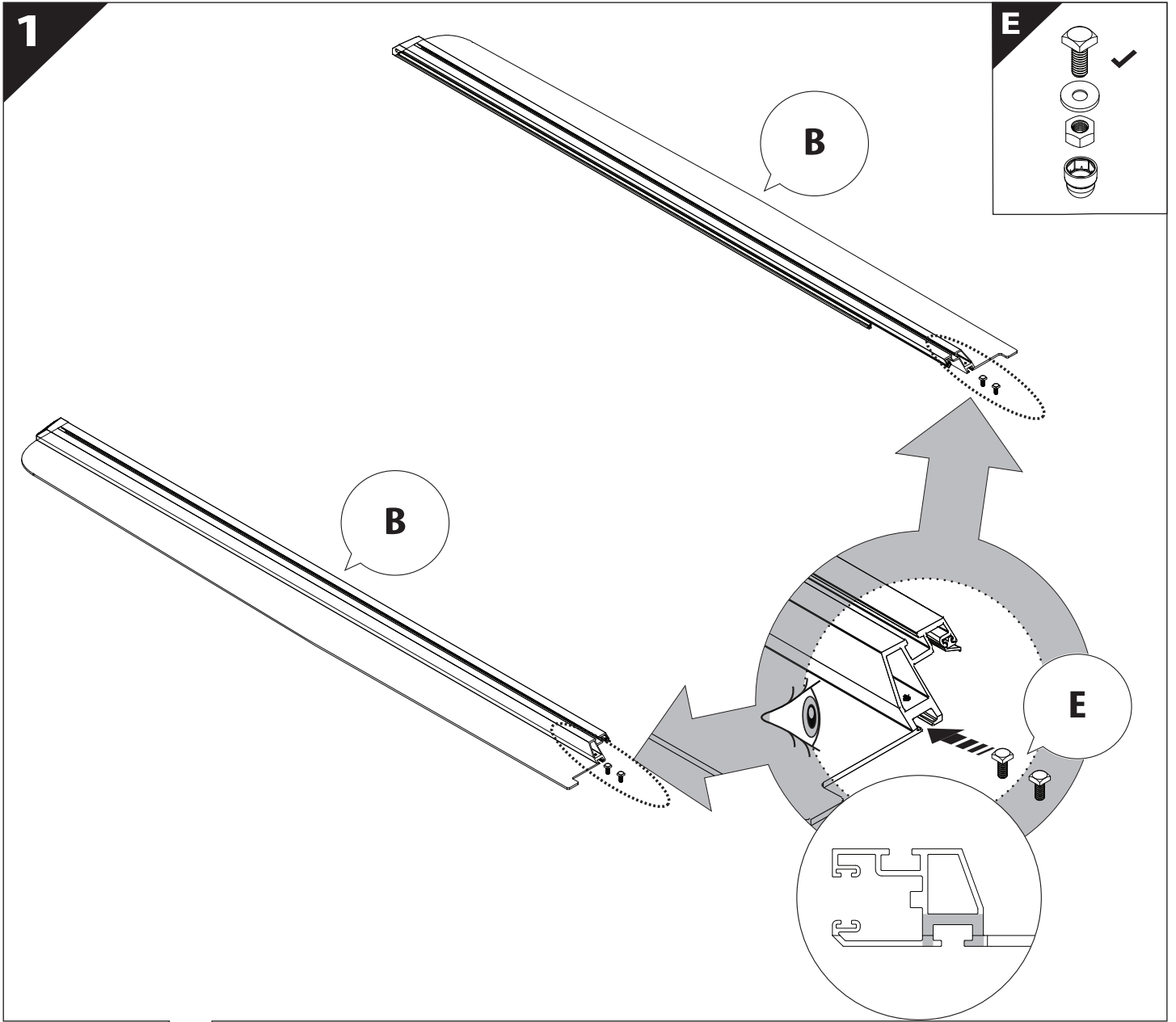
A

KITS

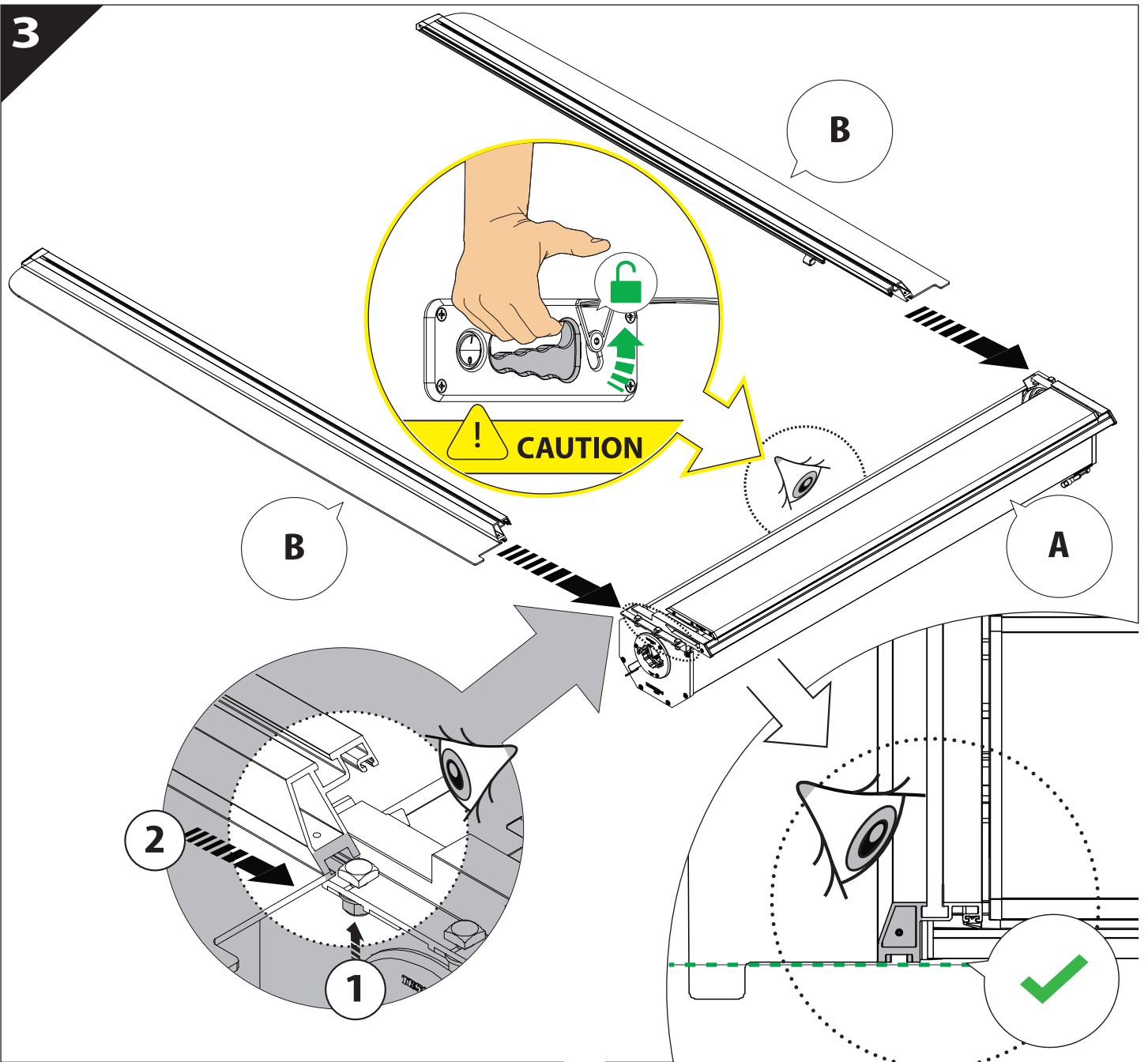


L

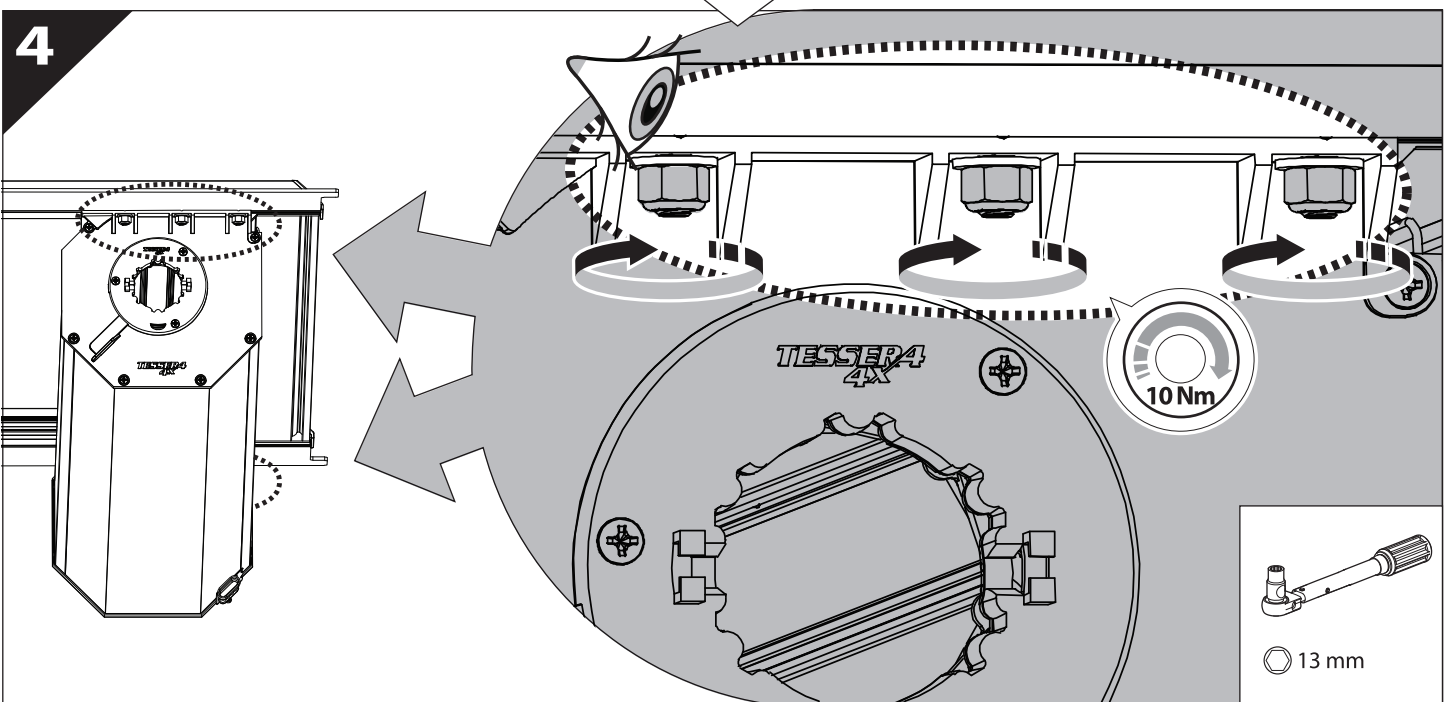


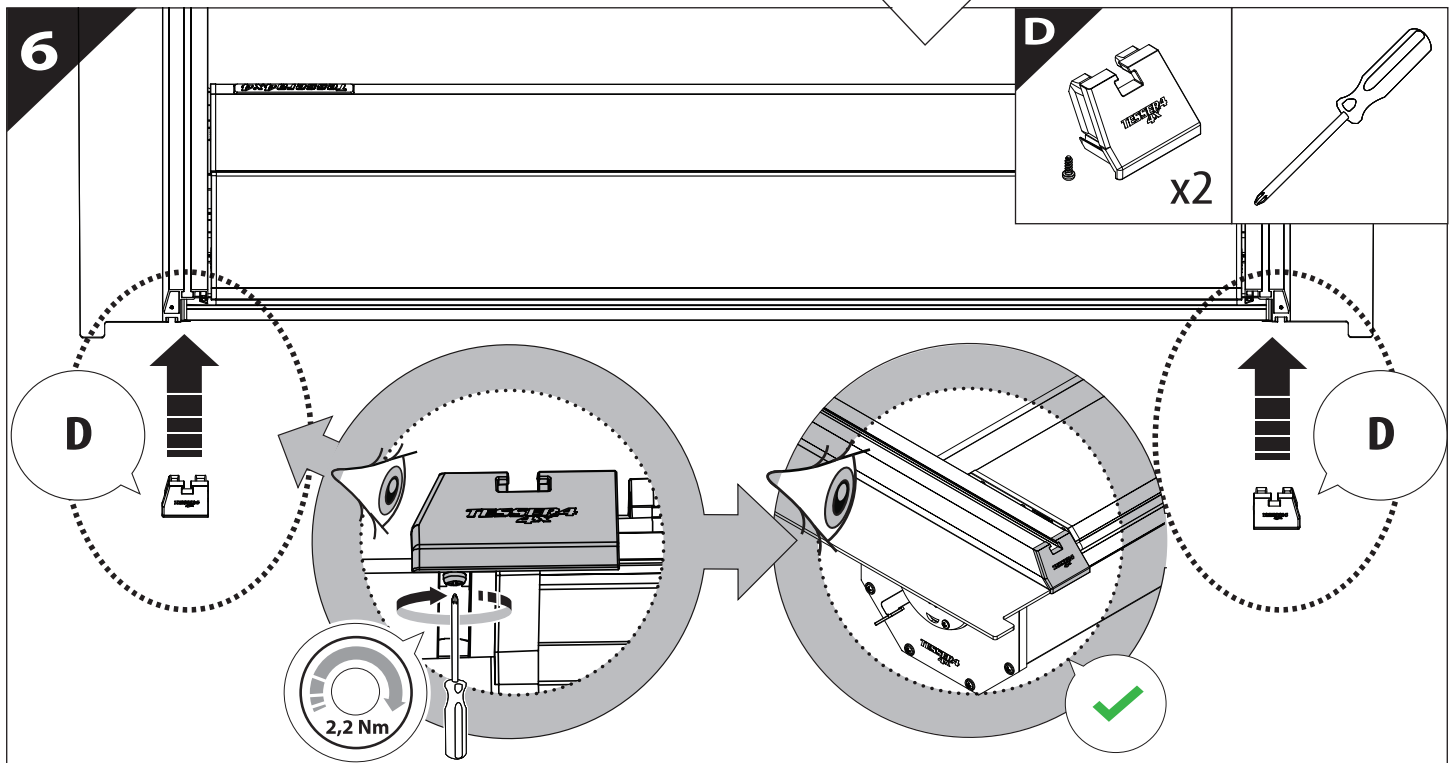
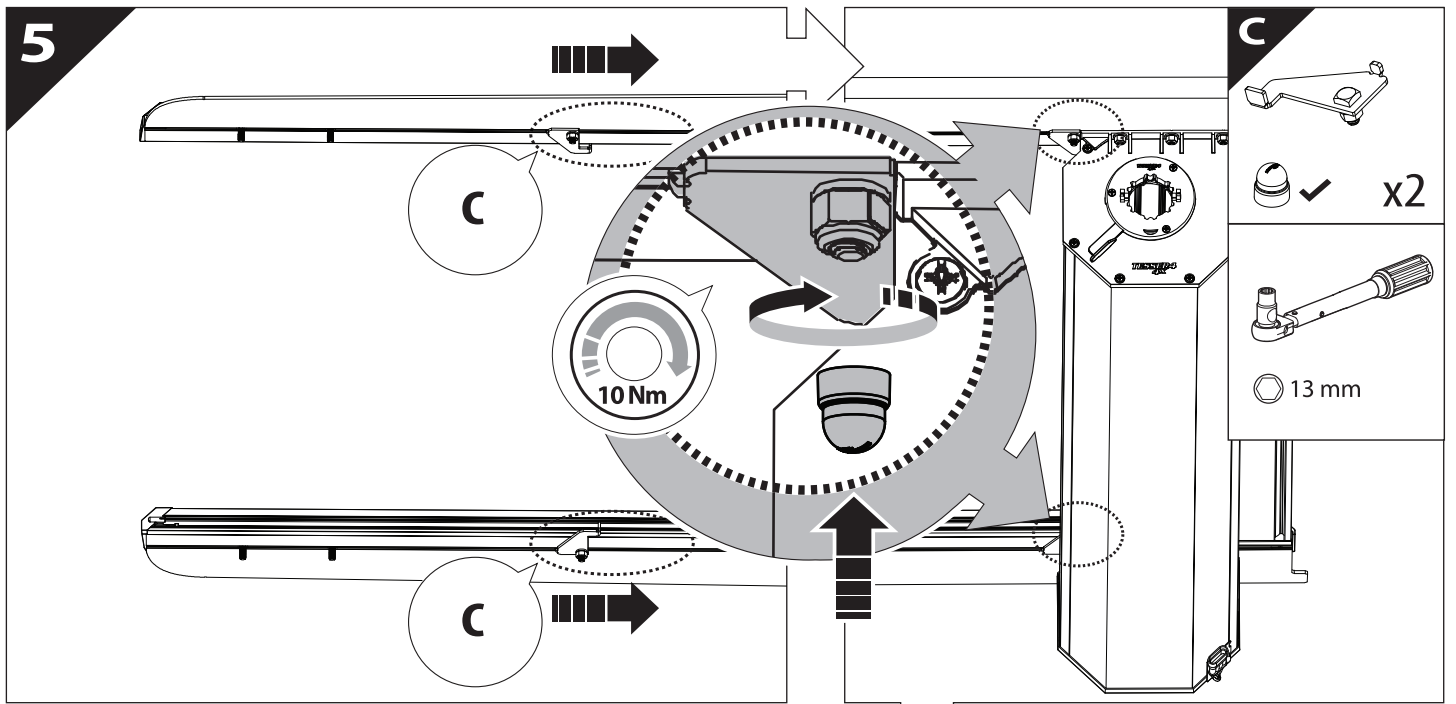


3

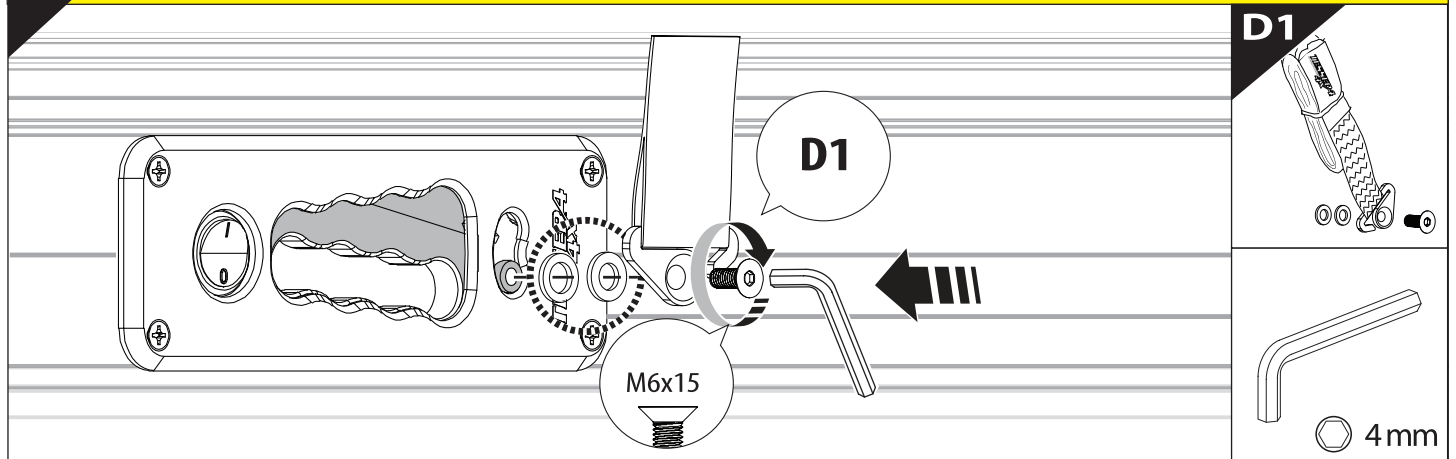


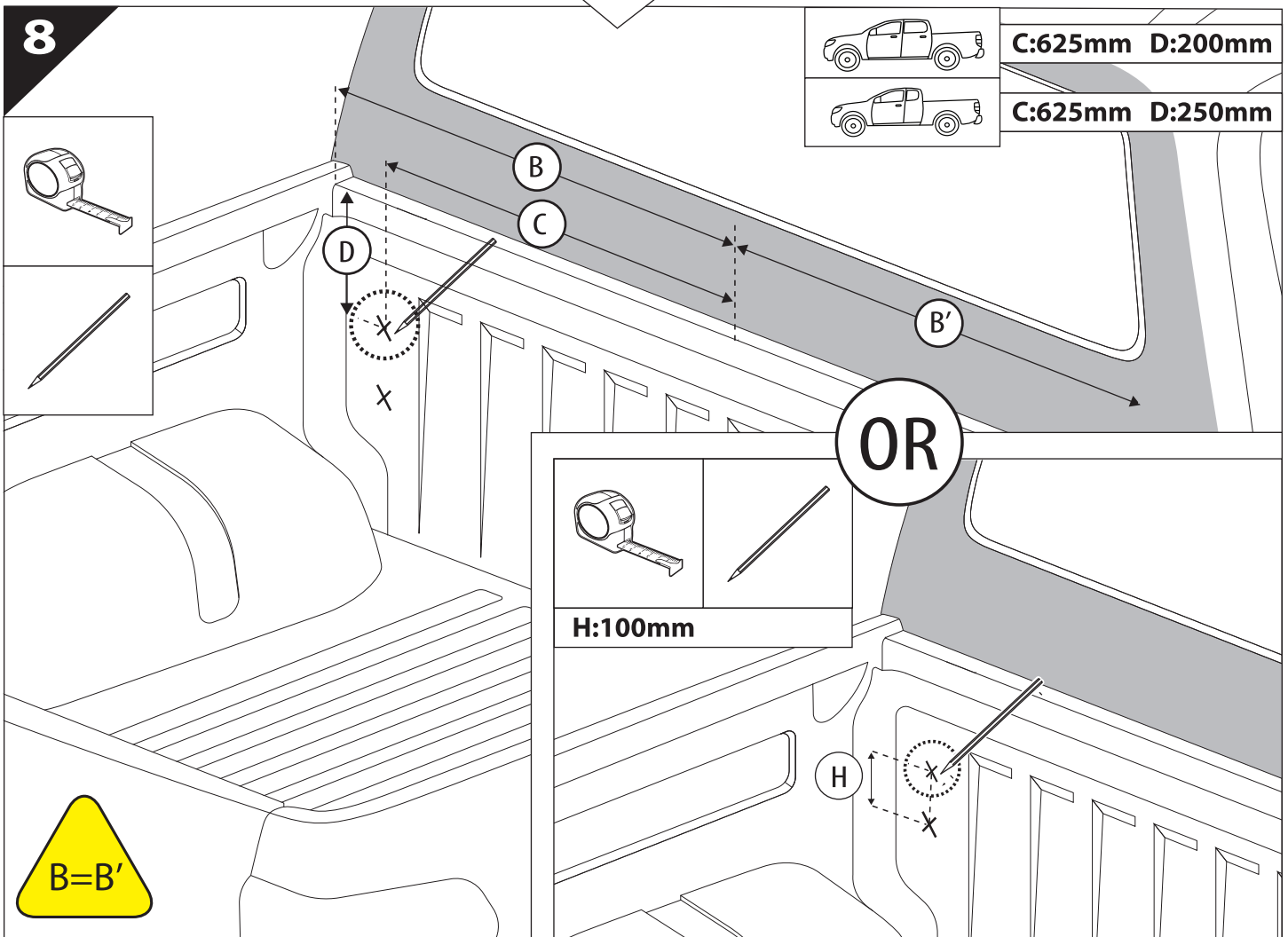
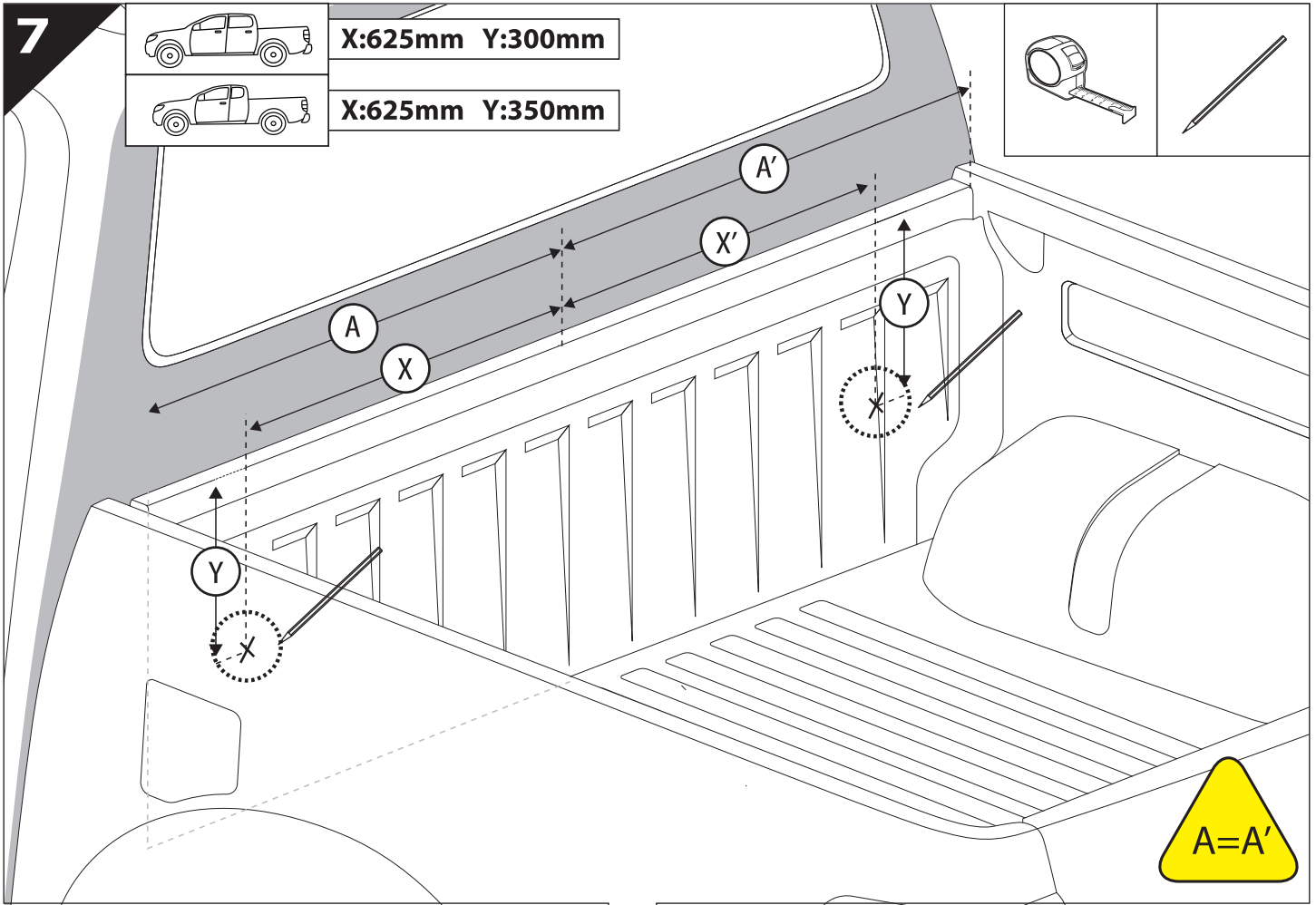
4

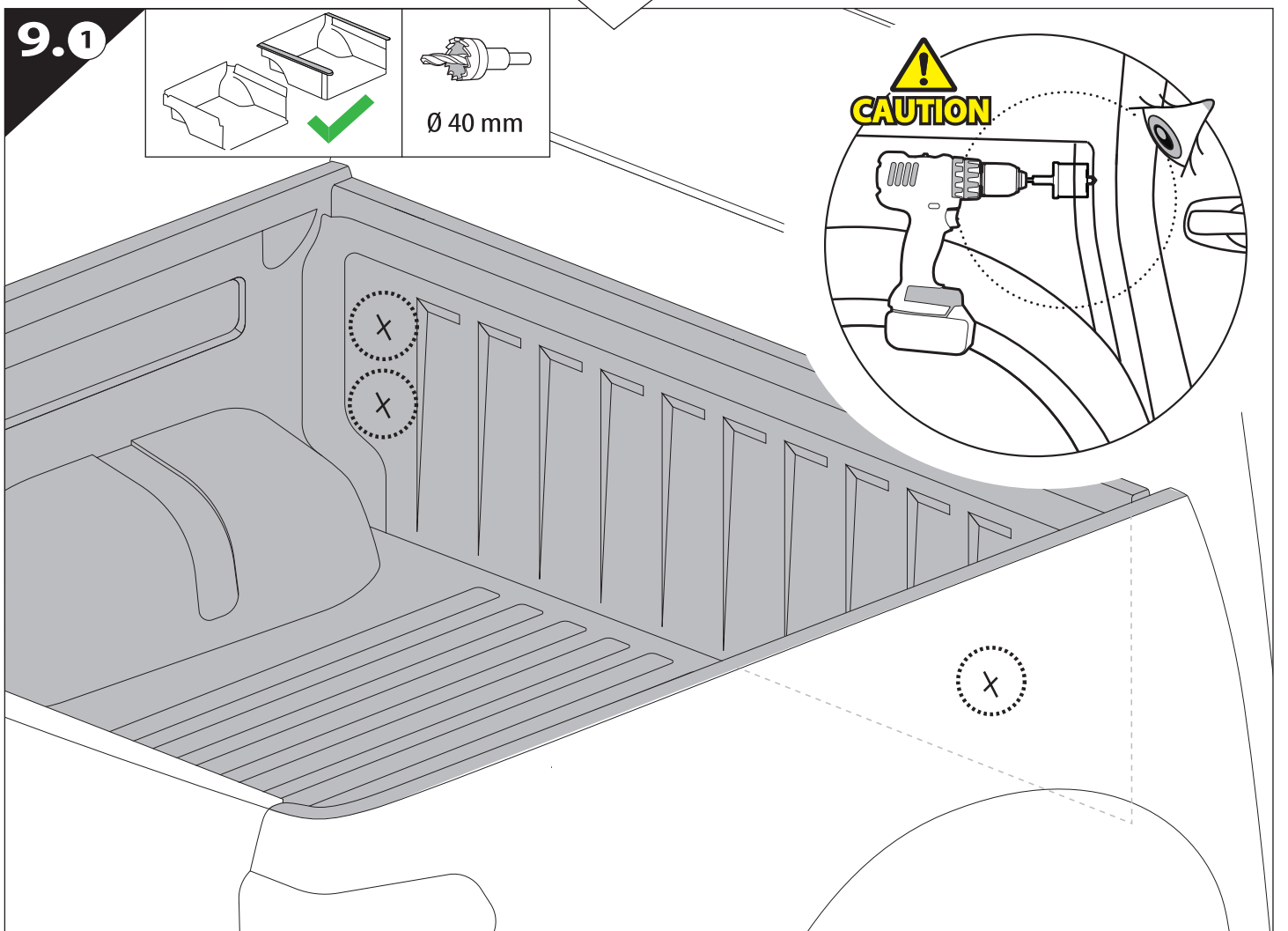
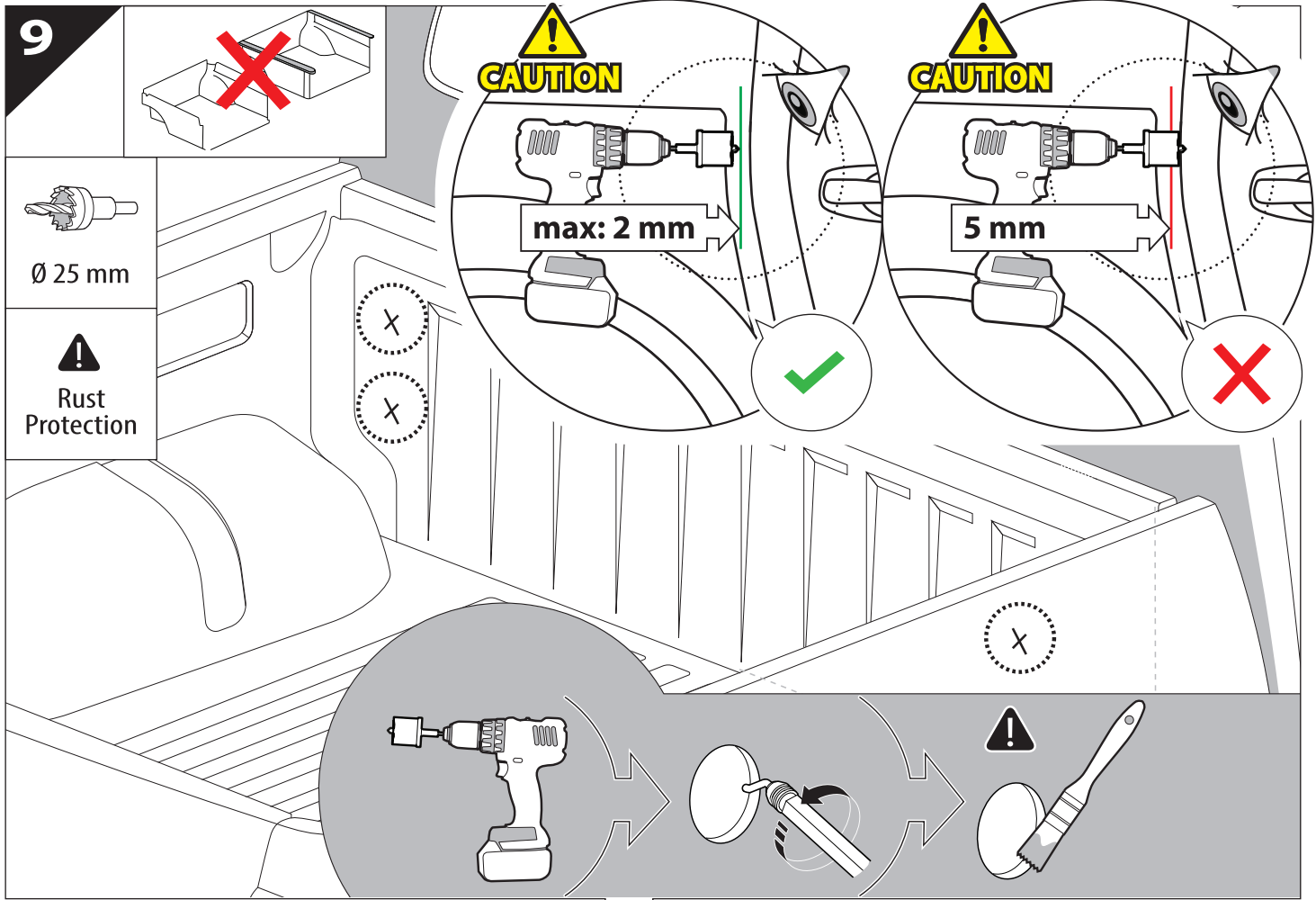




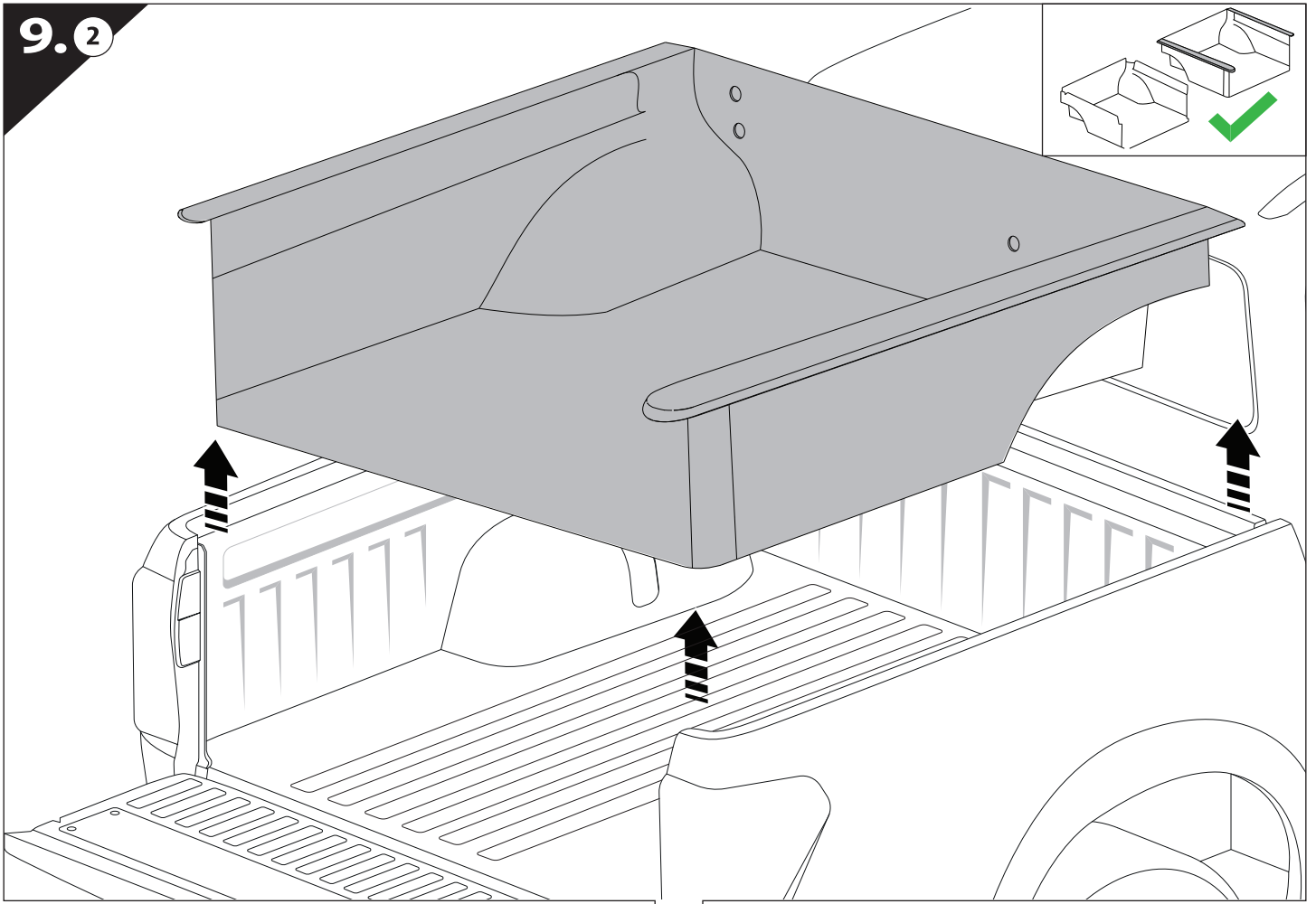
6.1 **CAUTION** Basic Version ✓ & Basic+S-KIT Version ✓



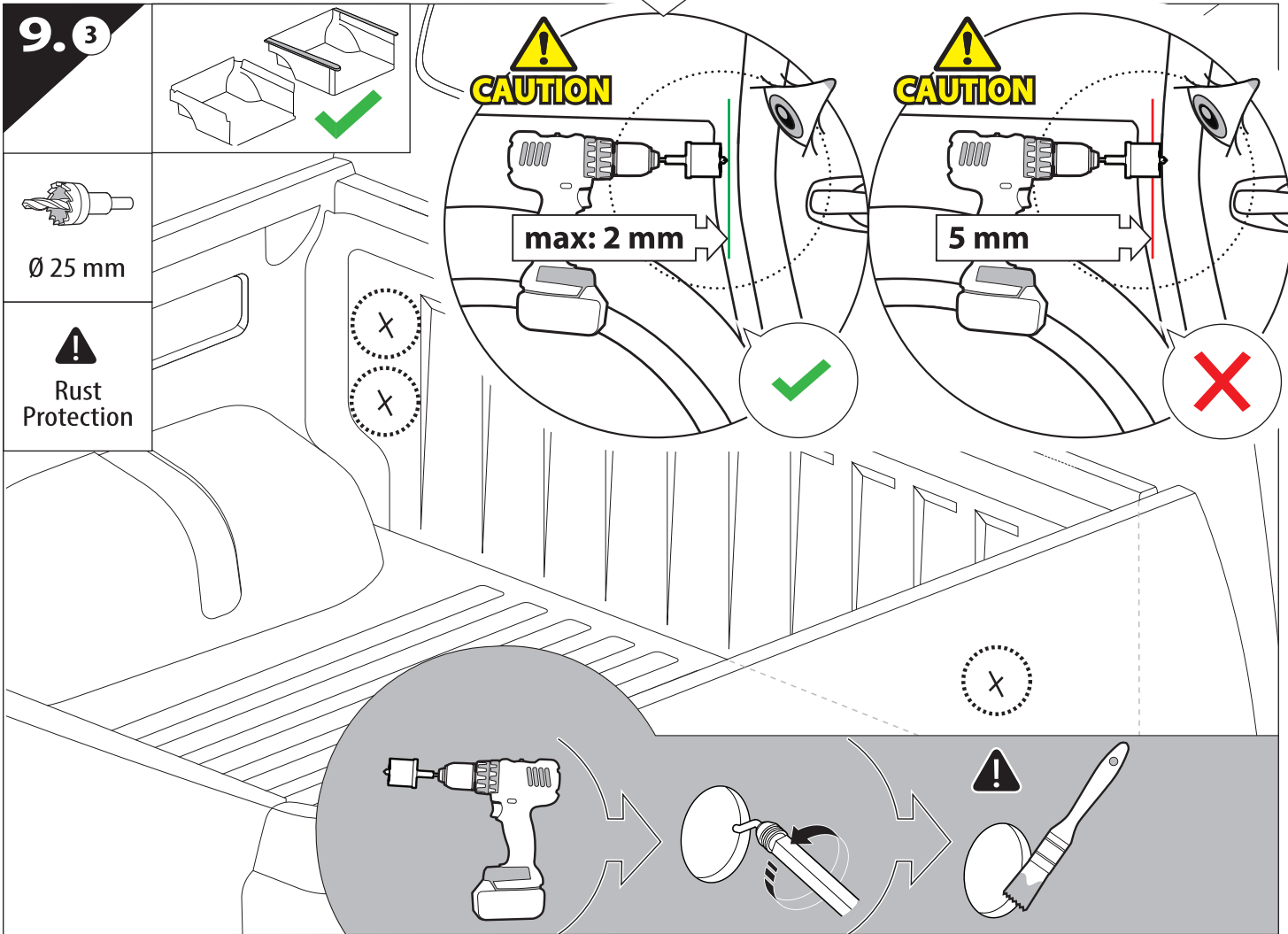




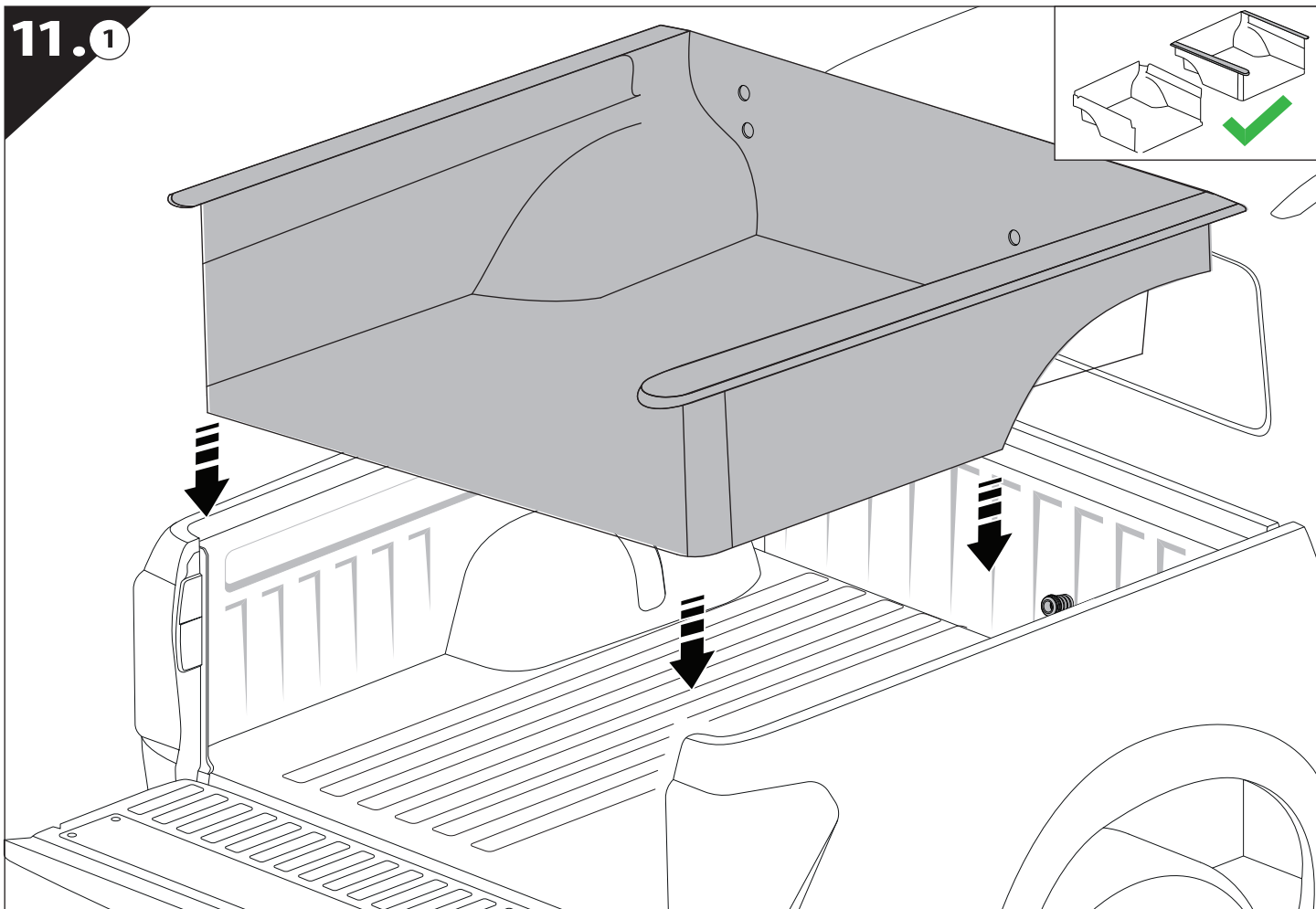
9.2



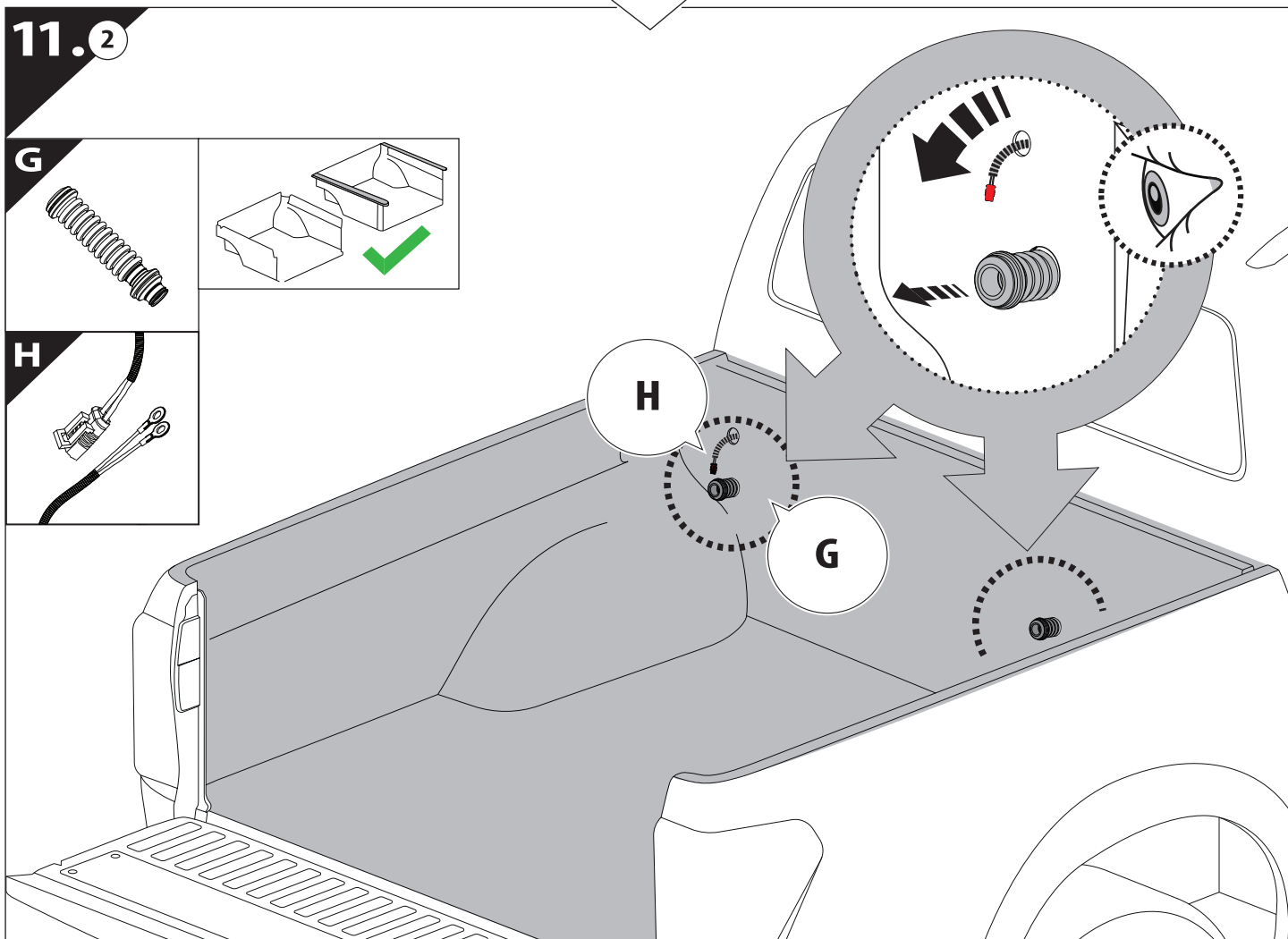
9.3



11.1

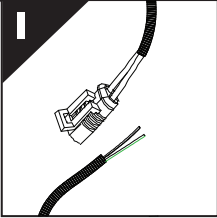


11.2

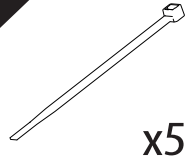


12

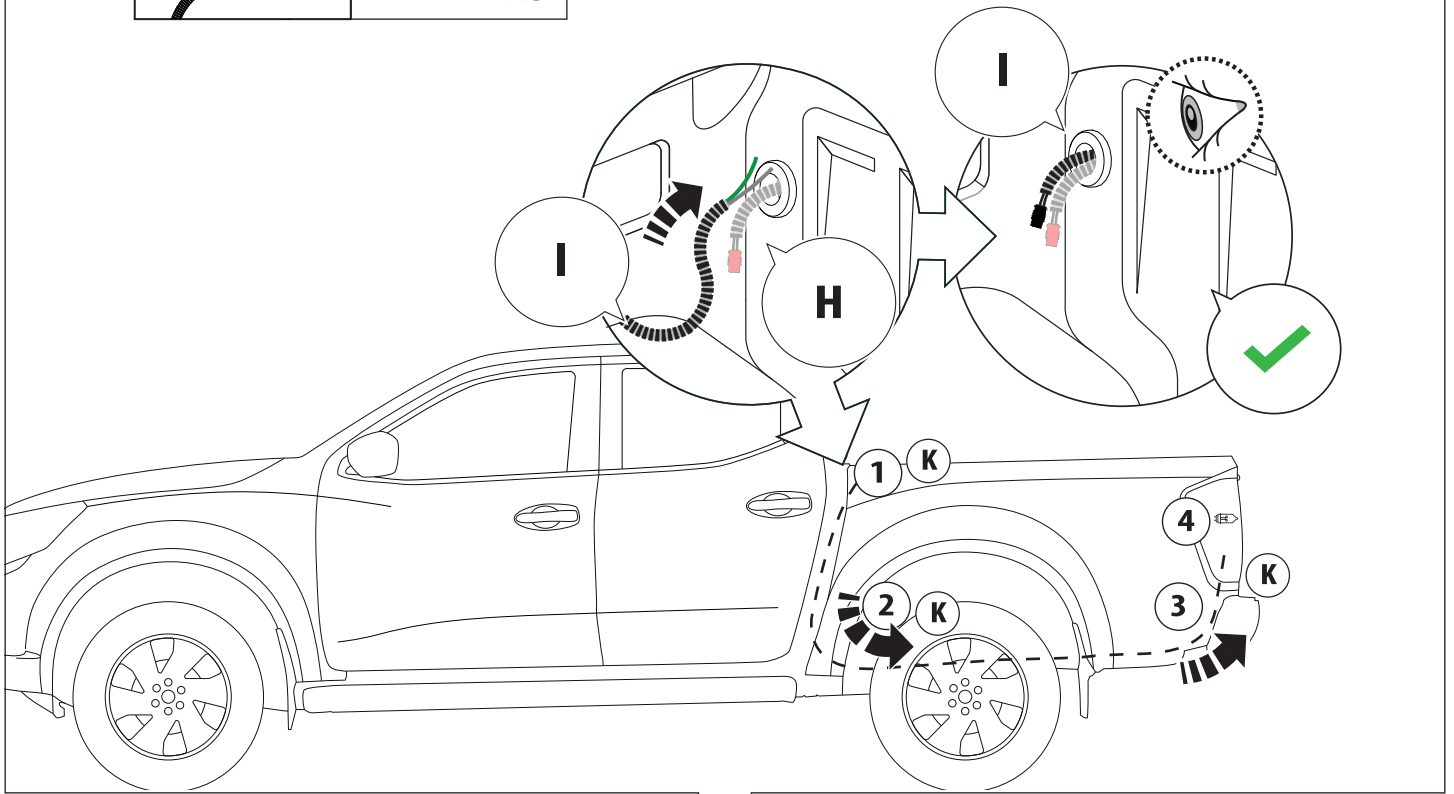
I



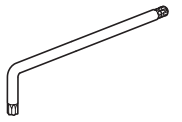
K



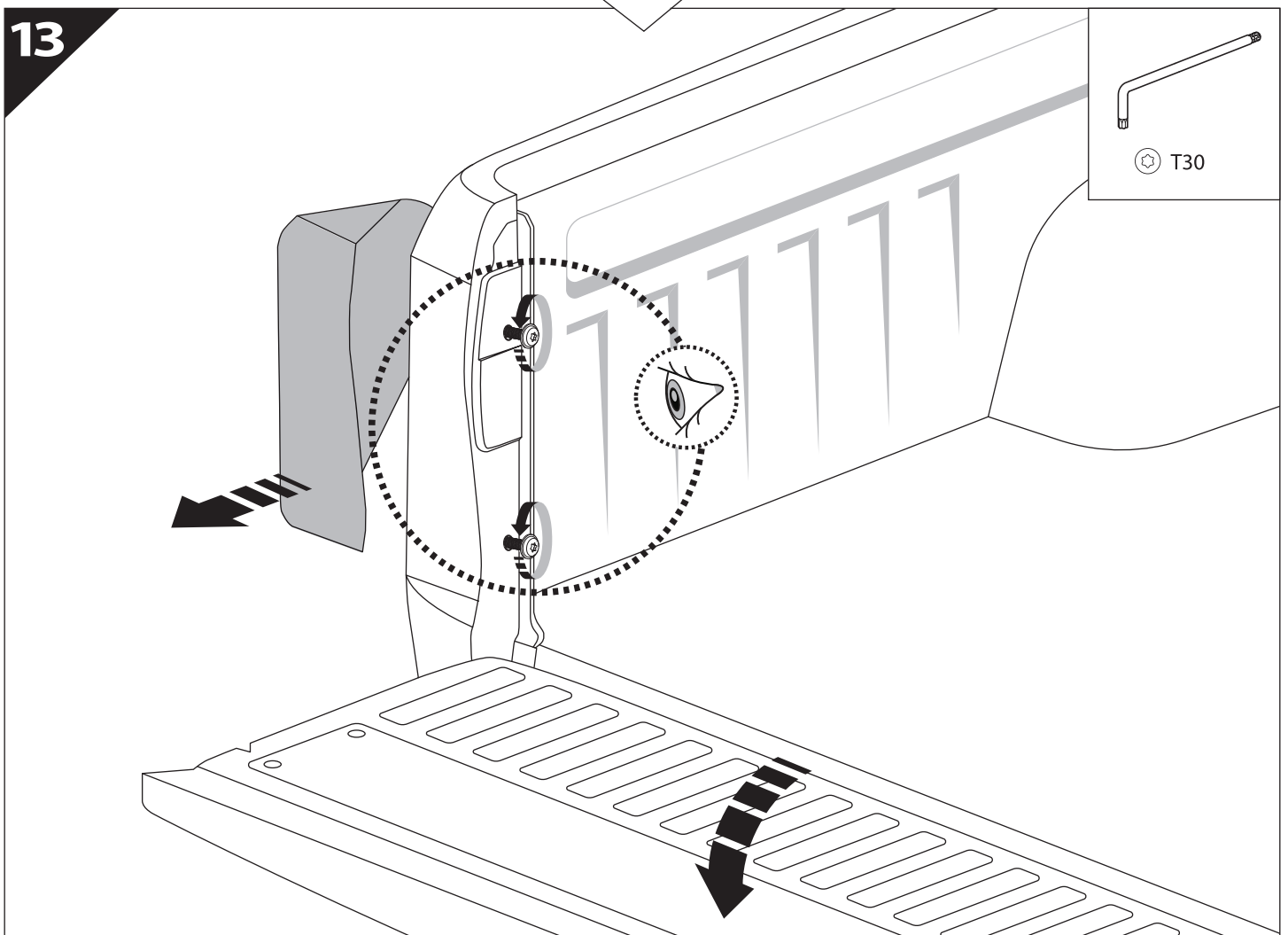
x5



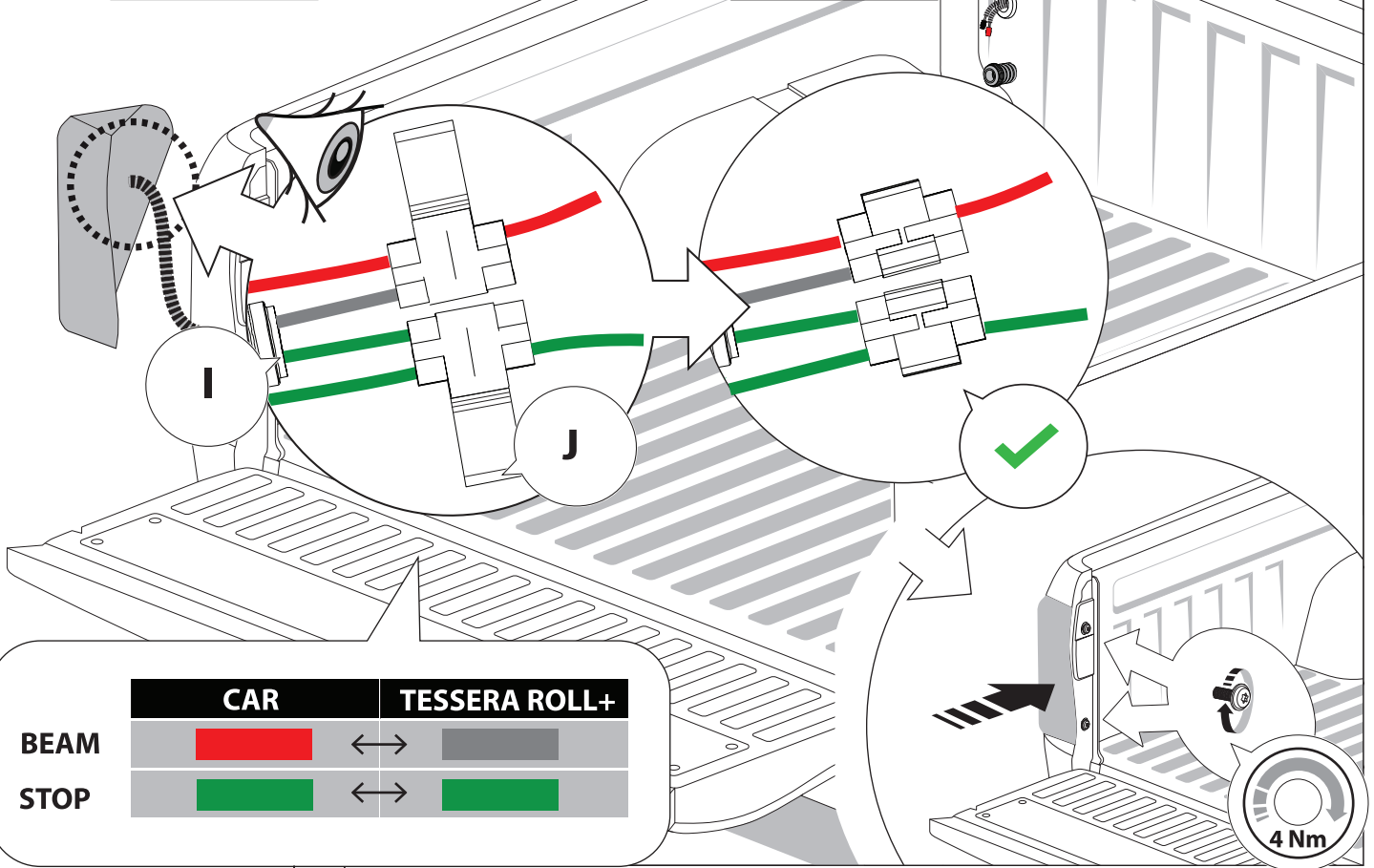
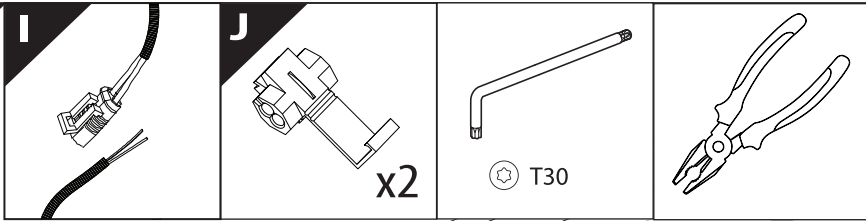
13



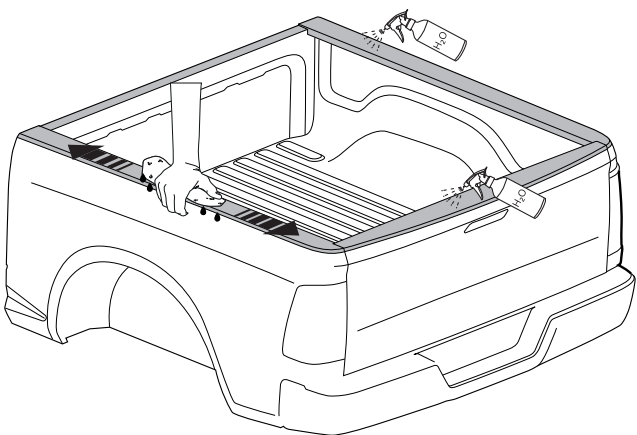
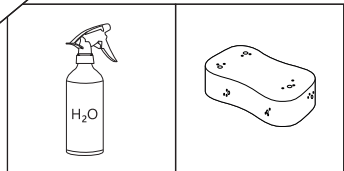
T30



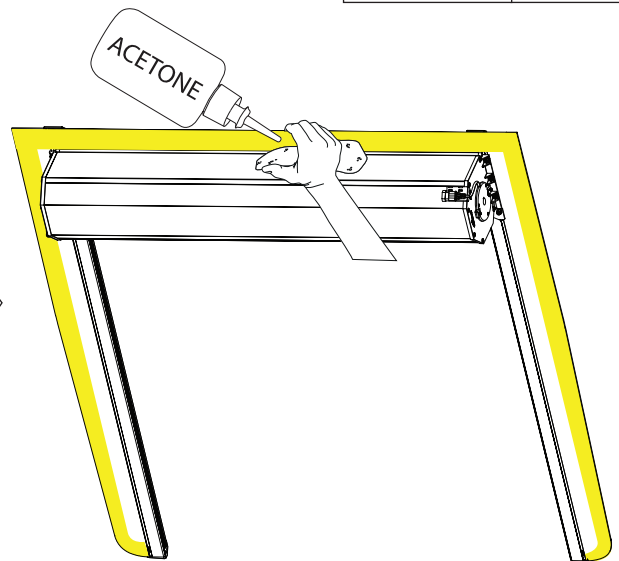
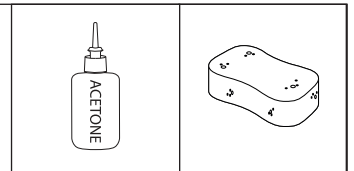
14

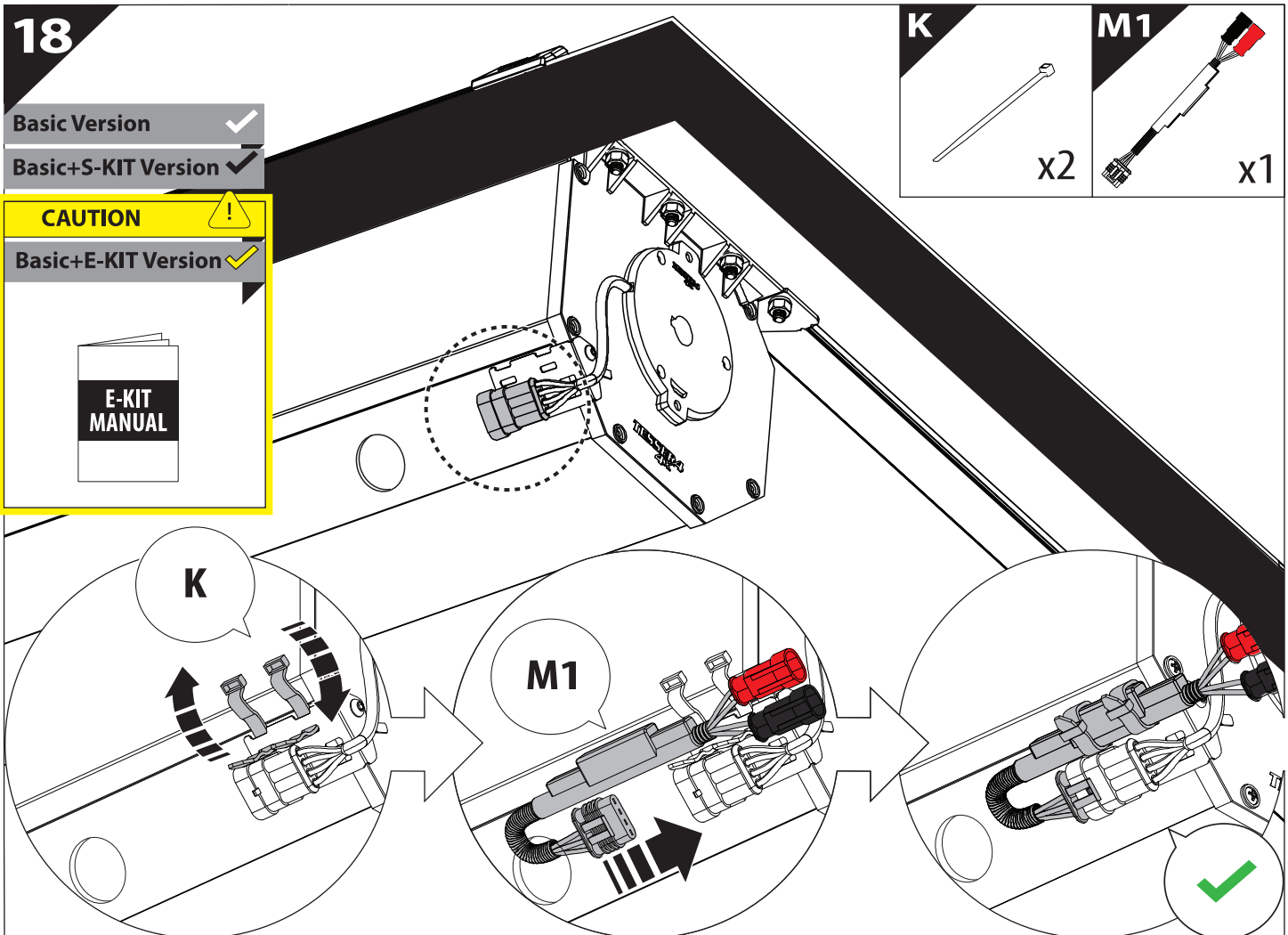
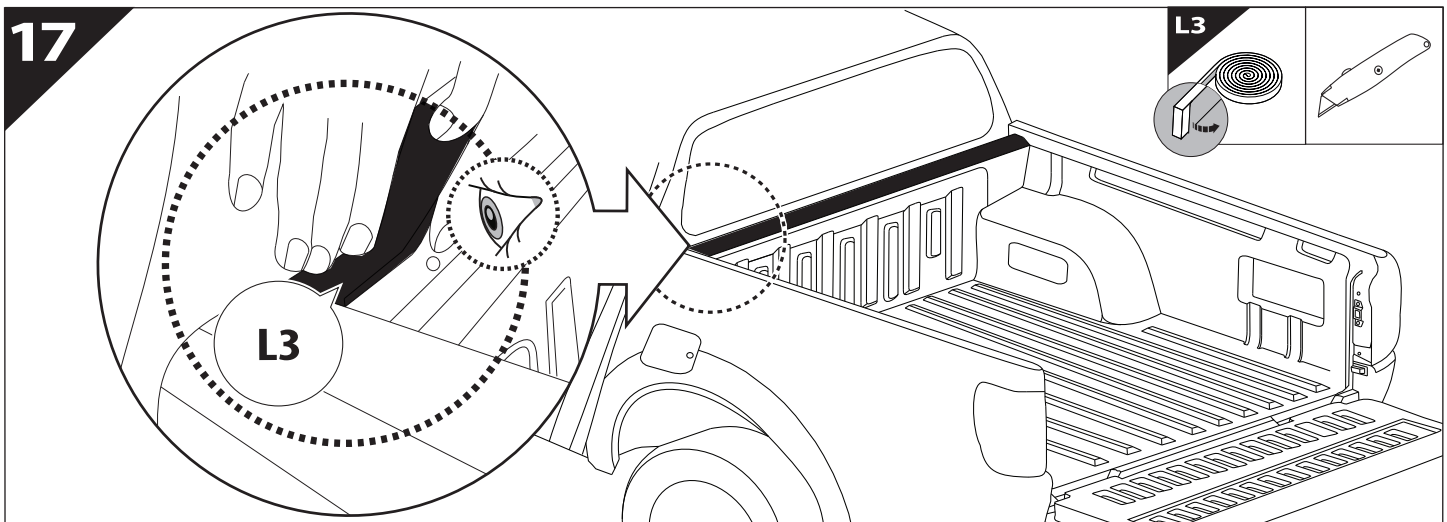
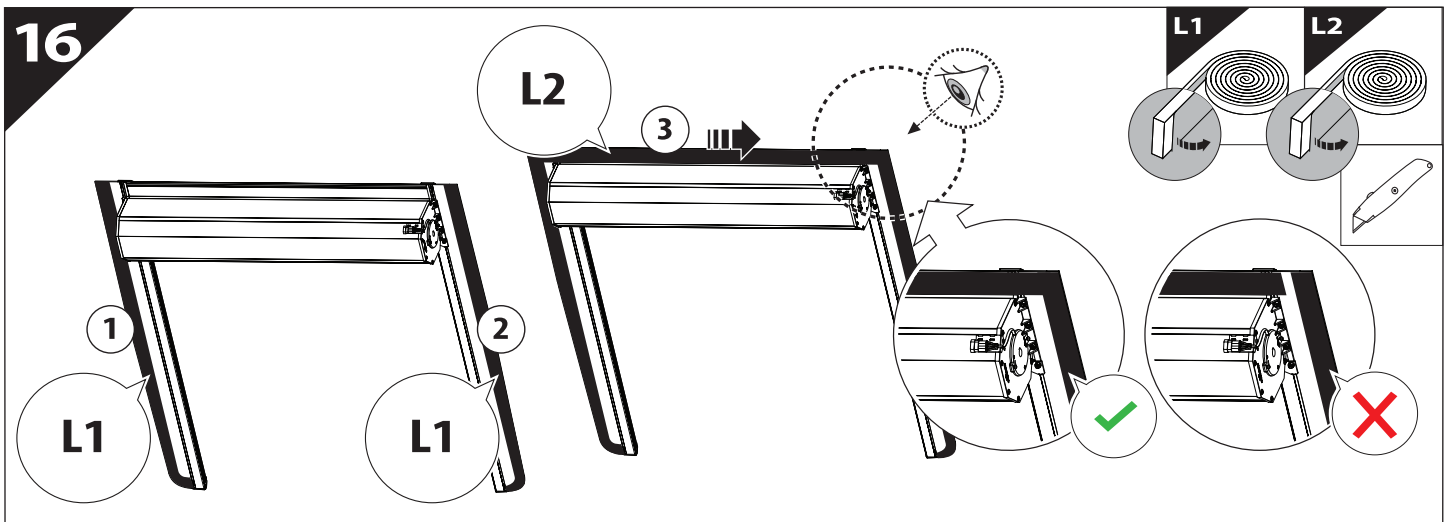


15



15.0



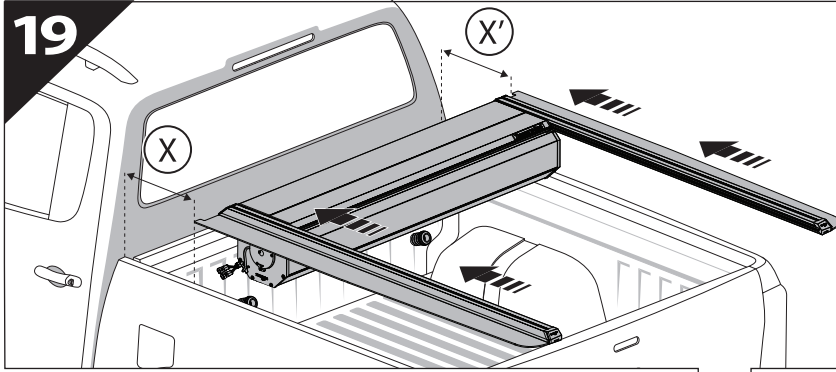


18. 1

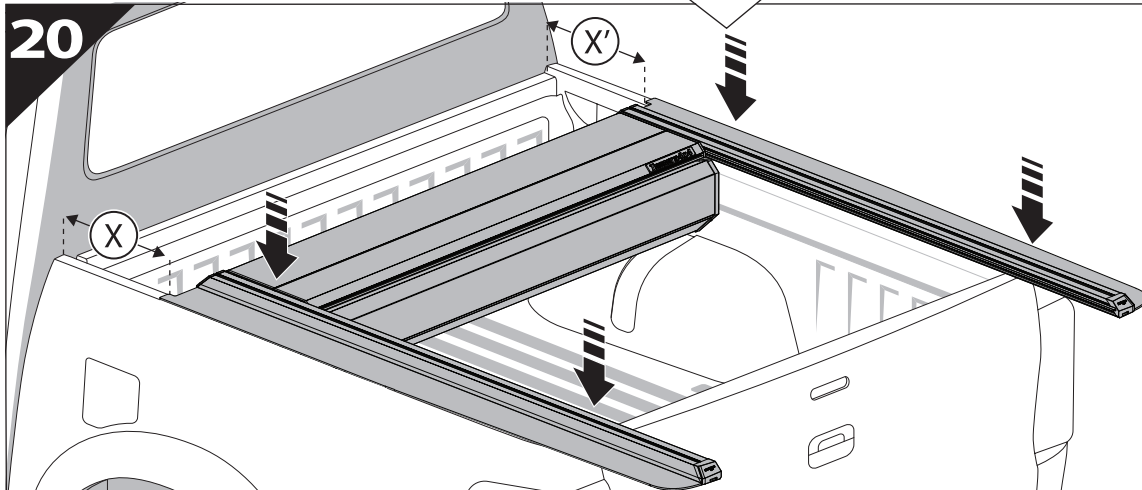
Basic+S-KIT Version

S-KIT
MANUAL

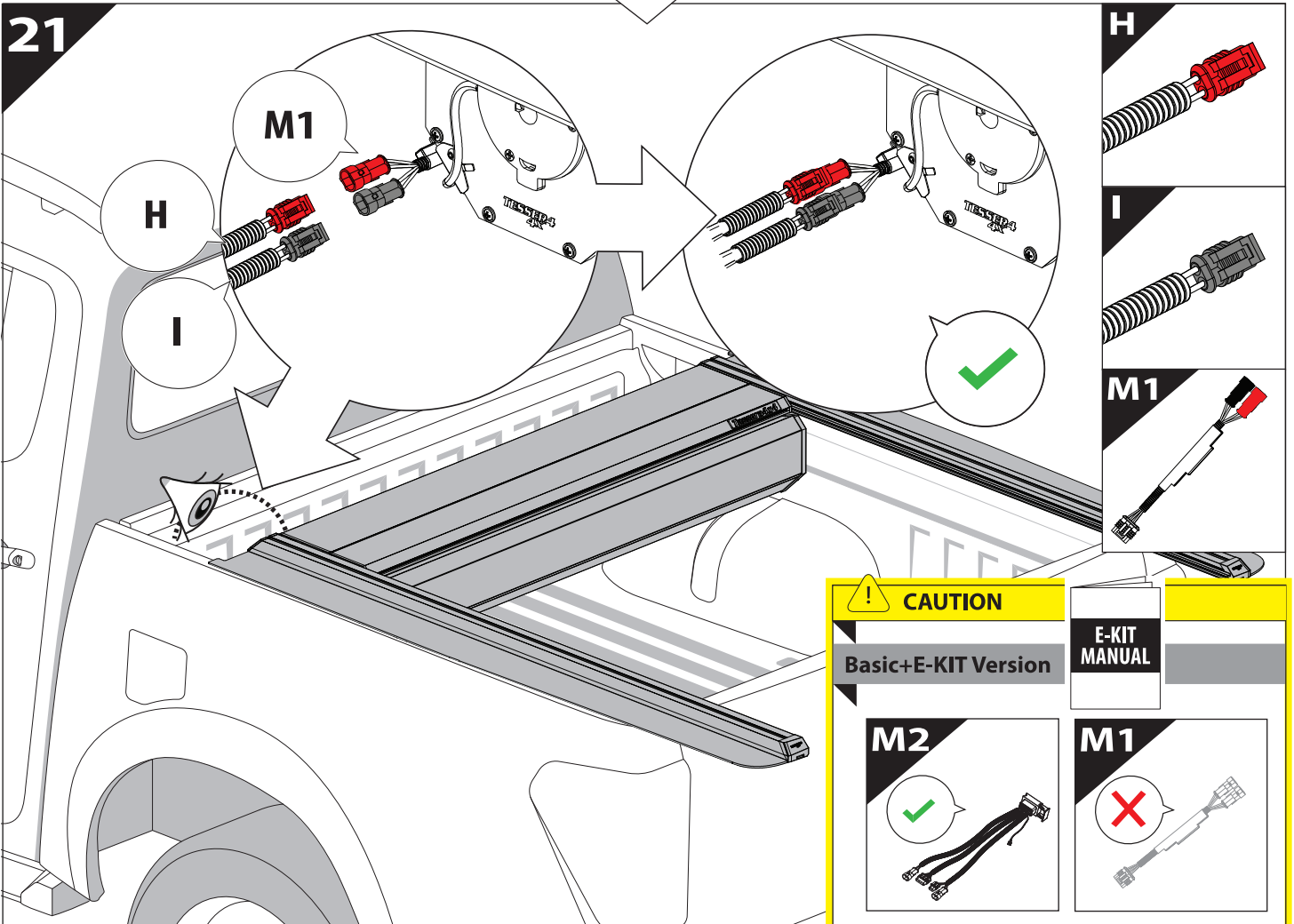
19



20

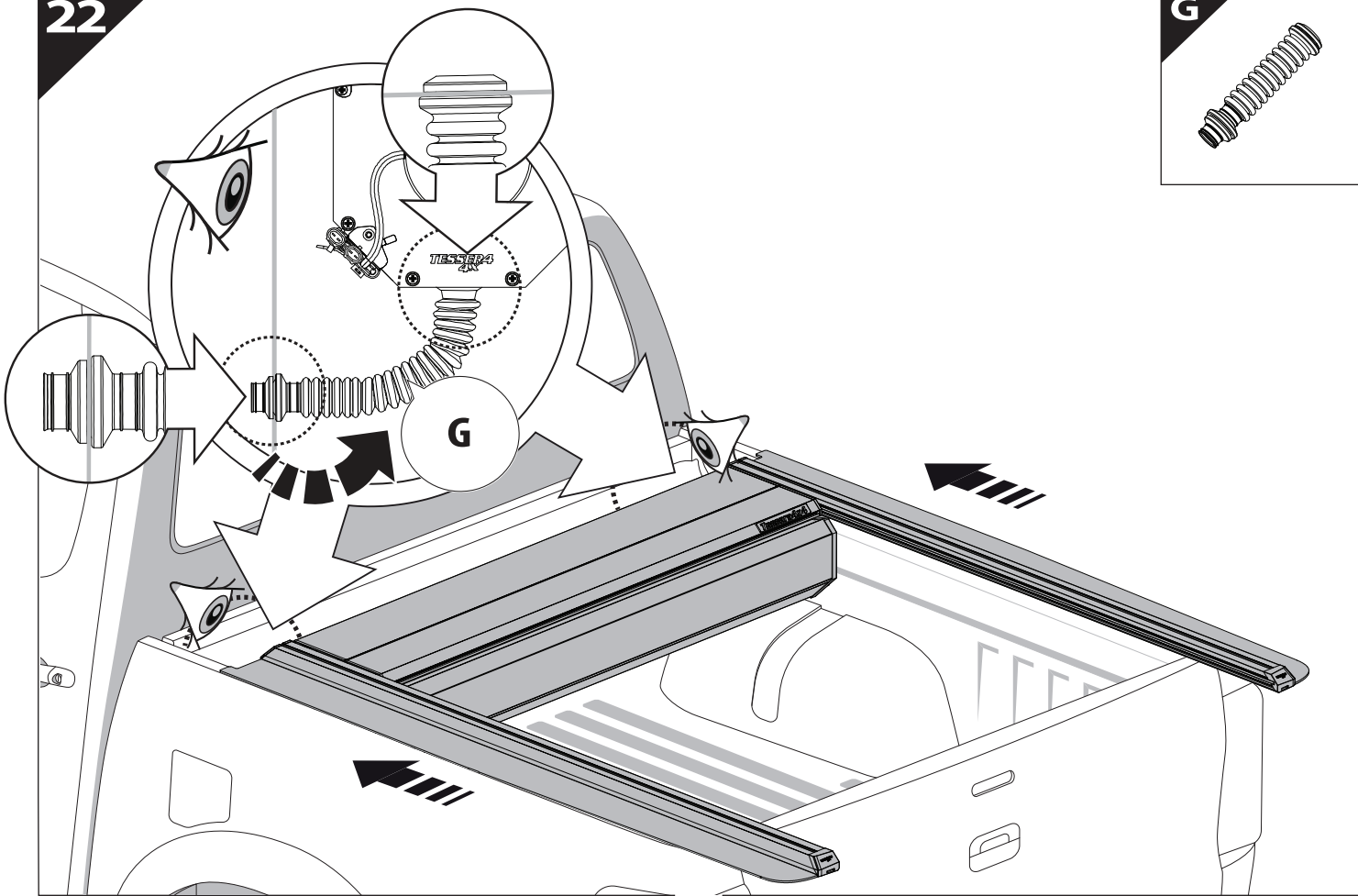


21

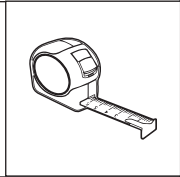
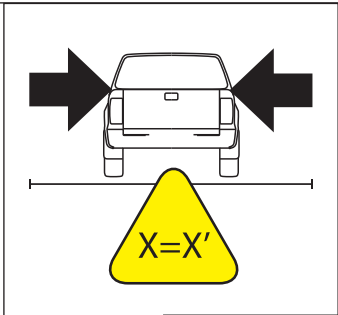
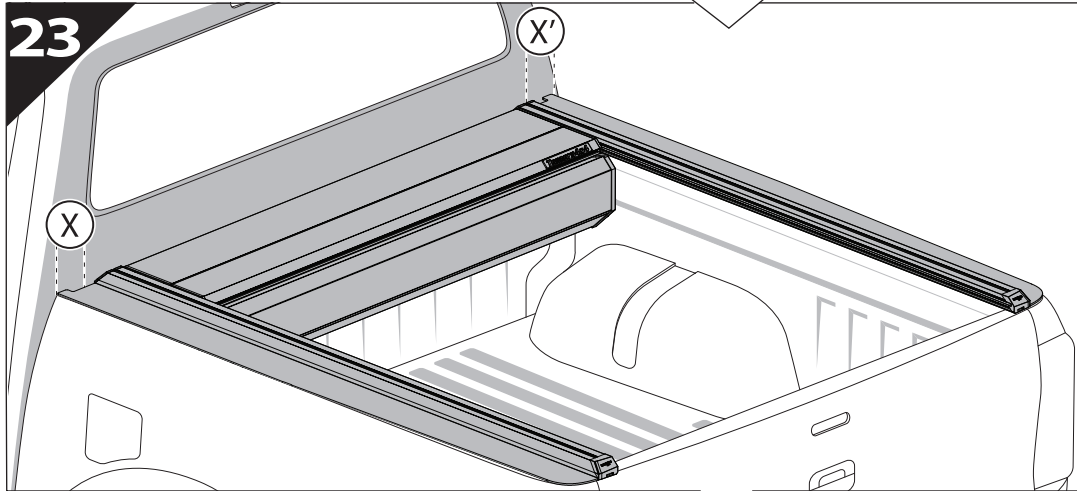


22

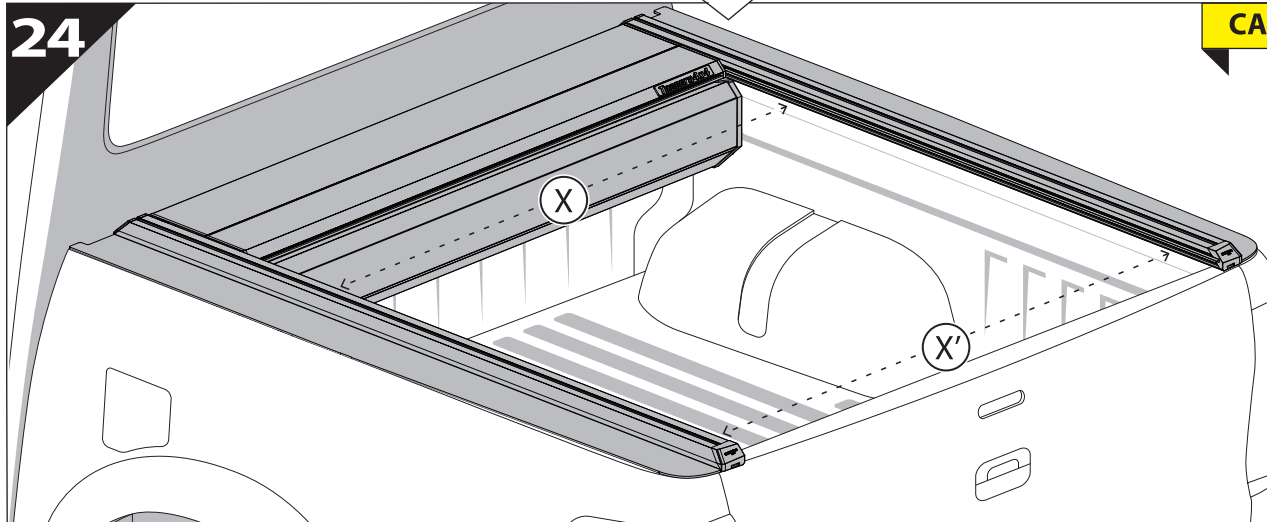
G



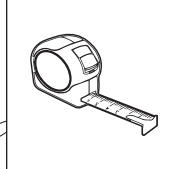
23



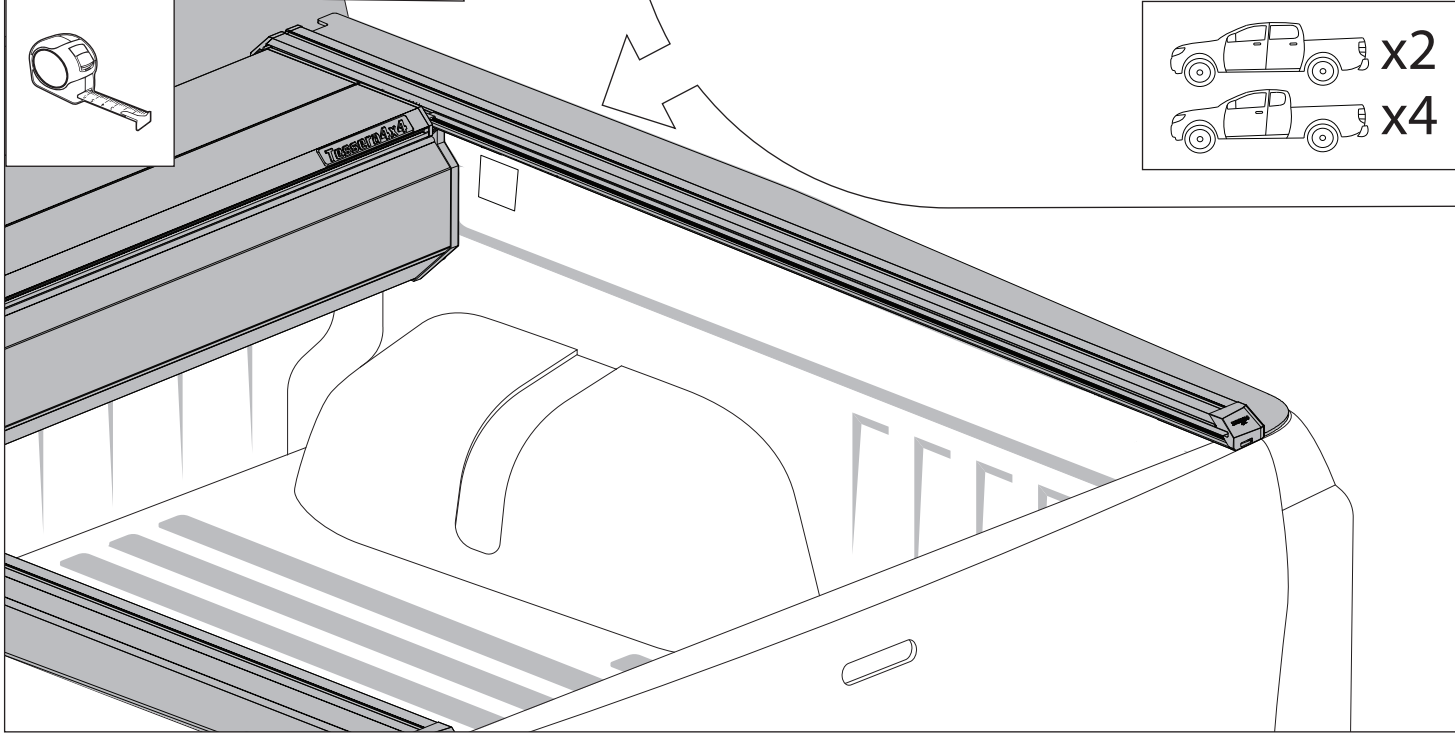
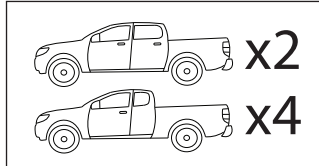
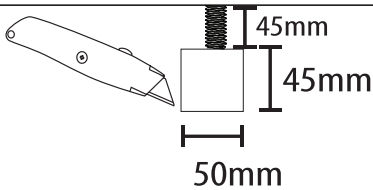
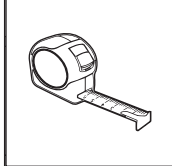
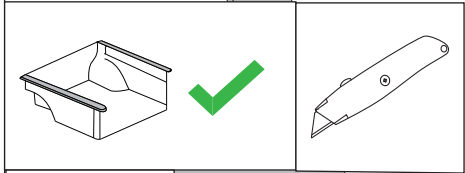
24



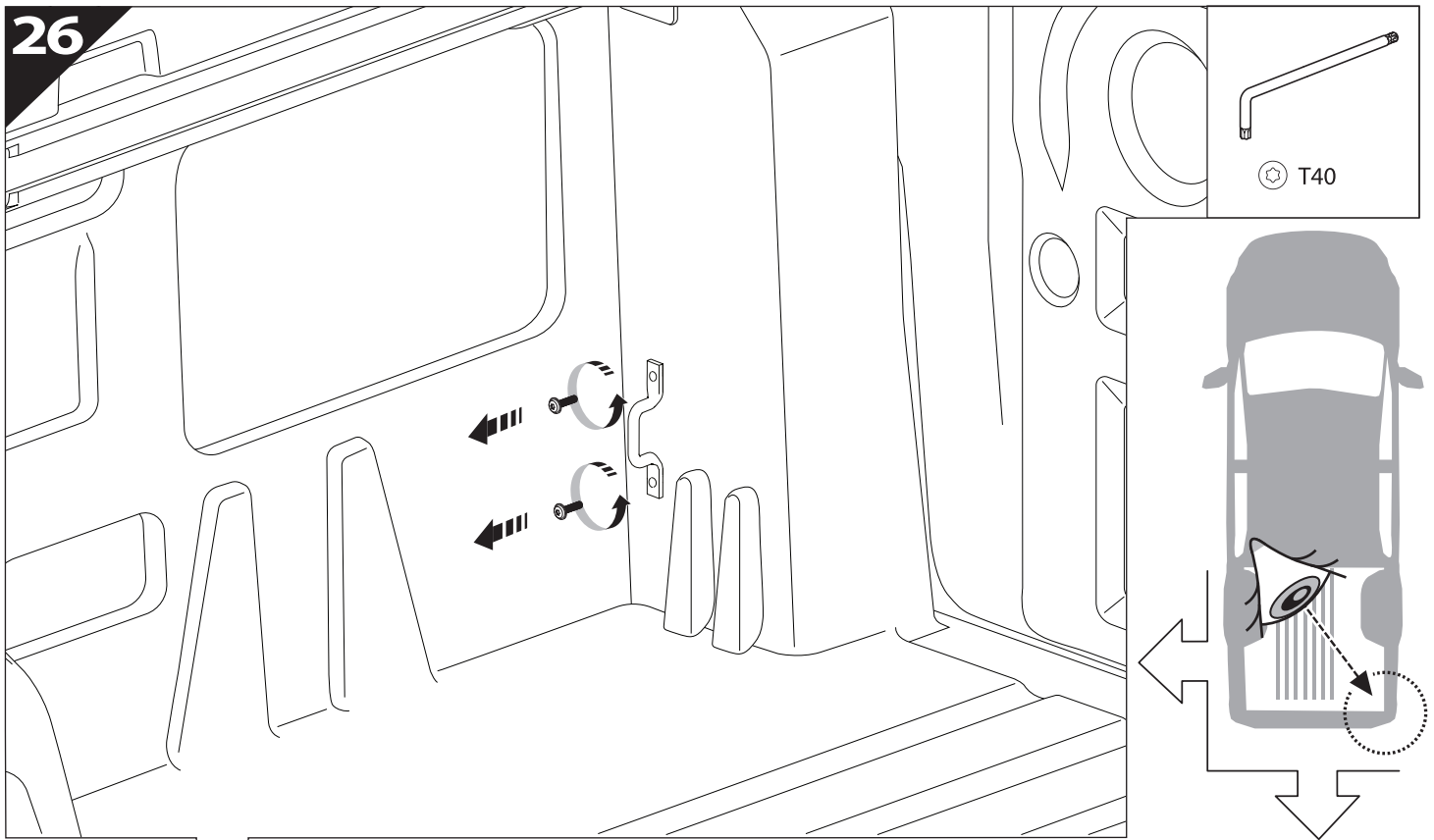
CAUTION !



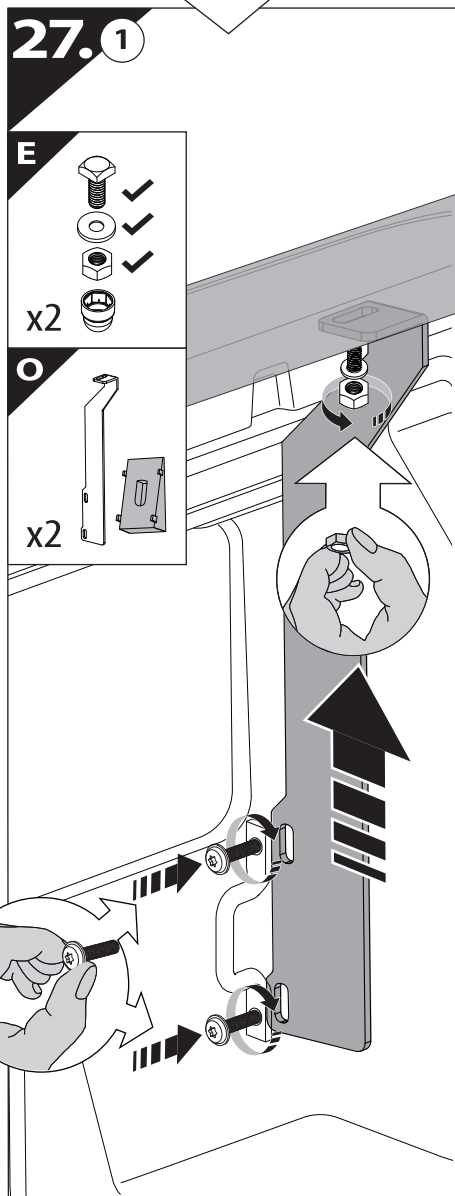
25



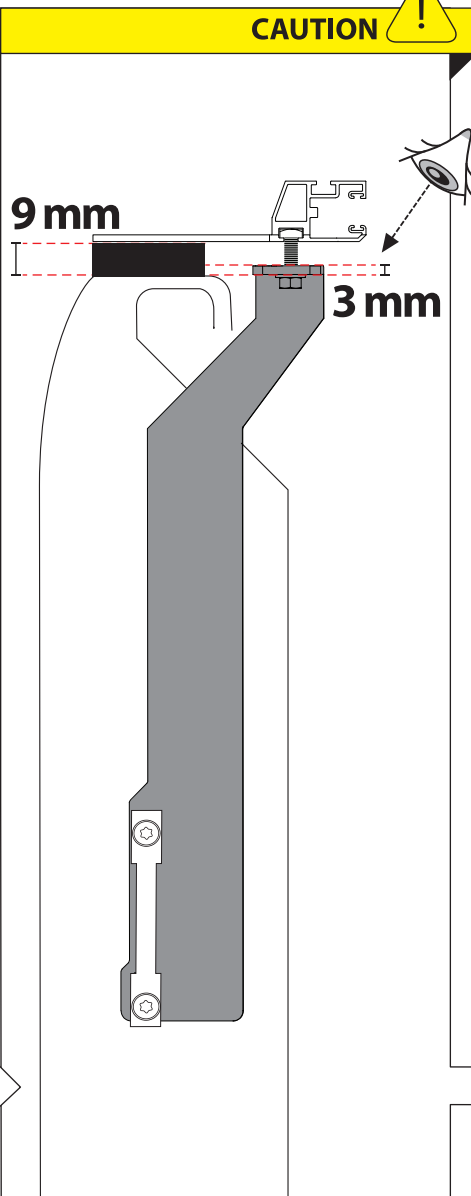
26



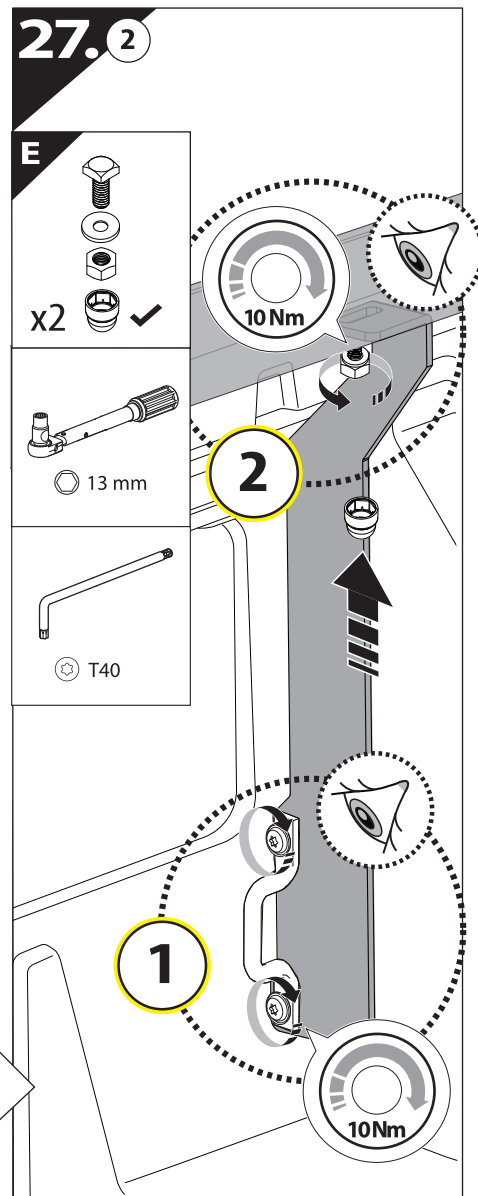
27.1



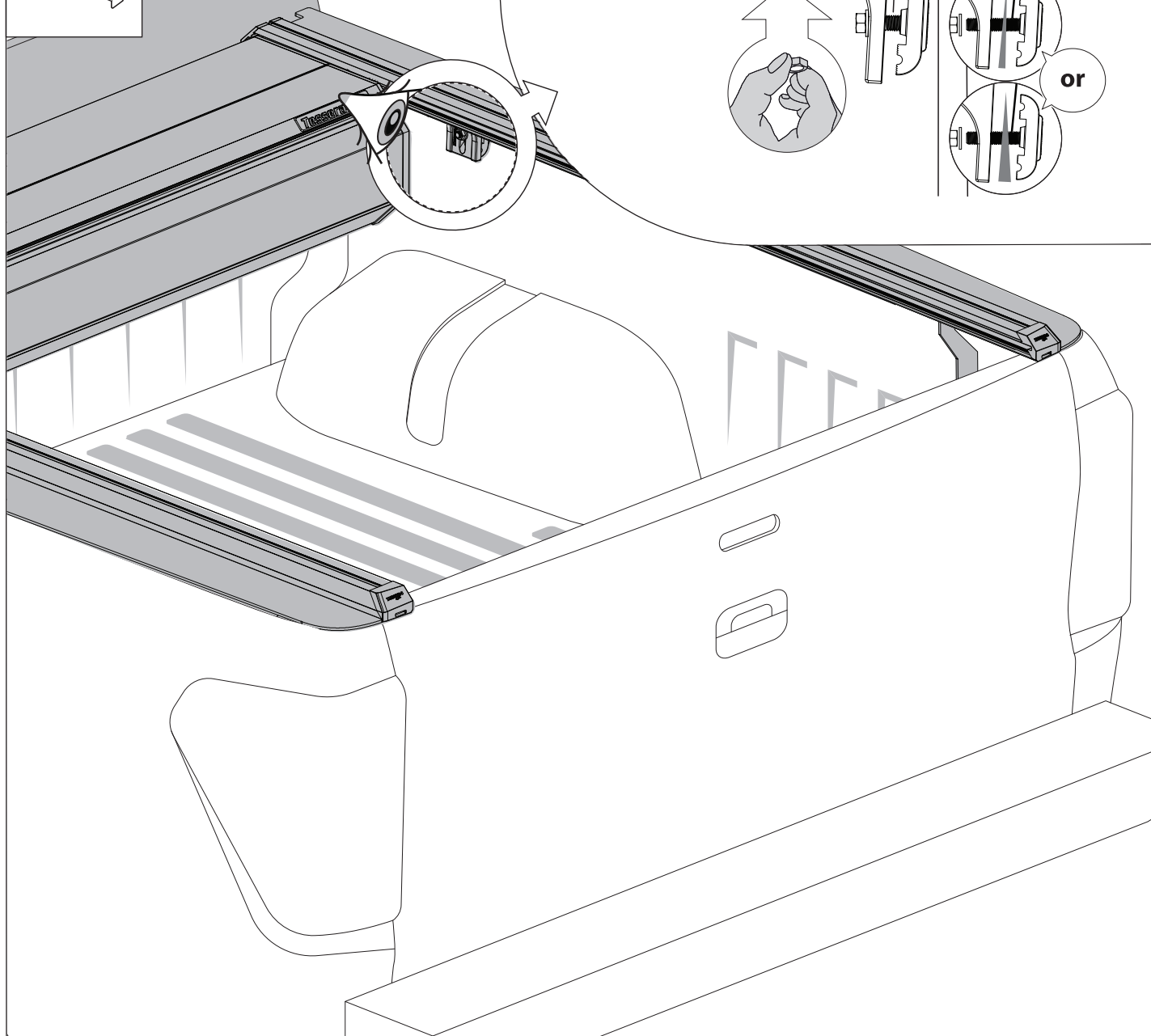
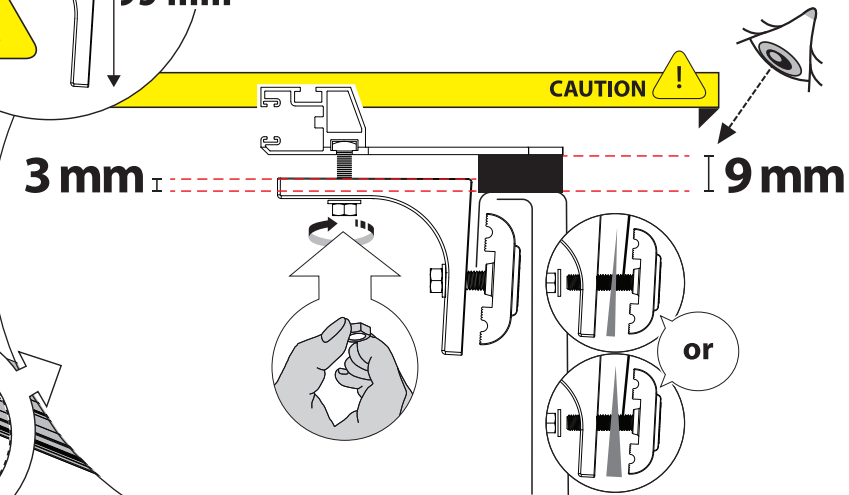
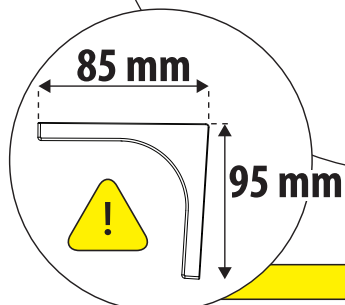
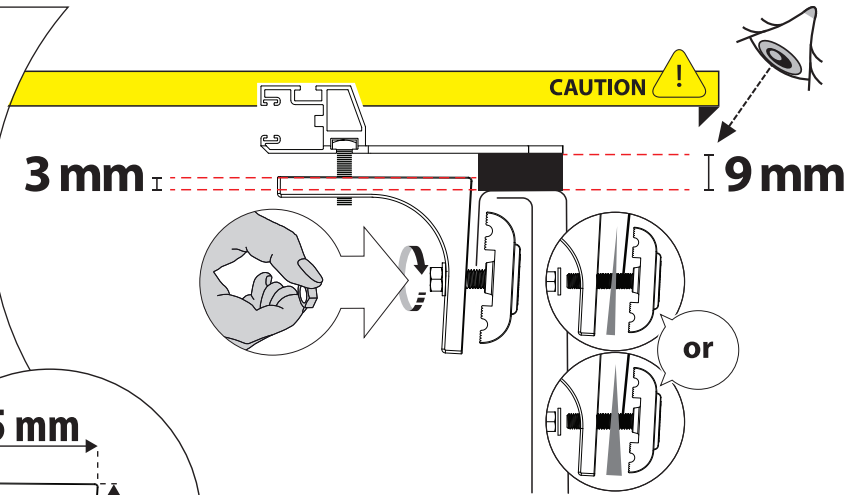
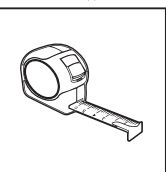
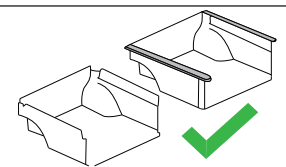
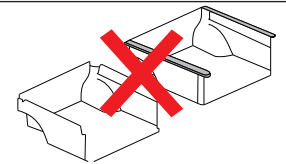
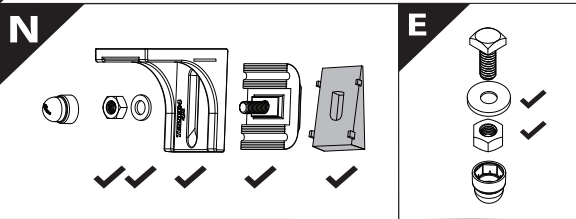
CAUTION !

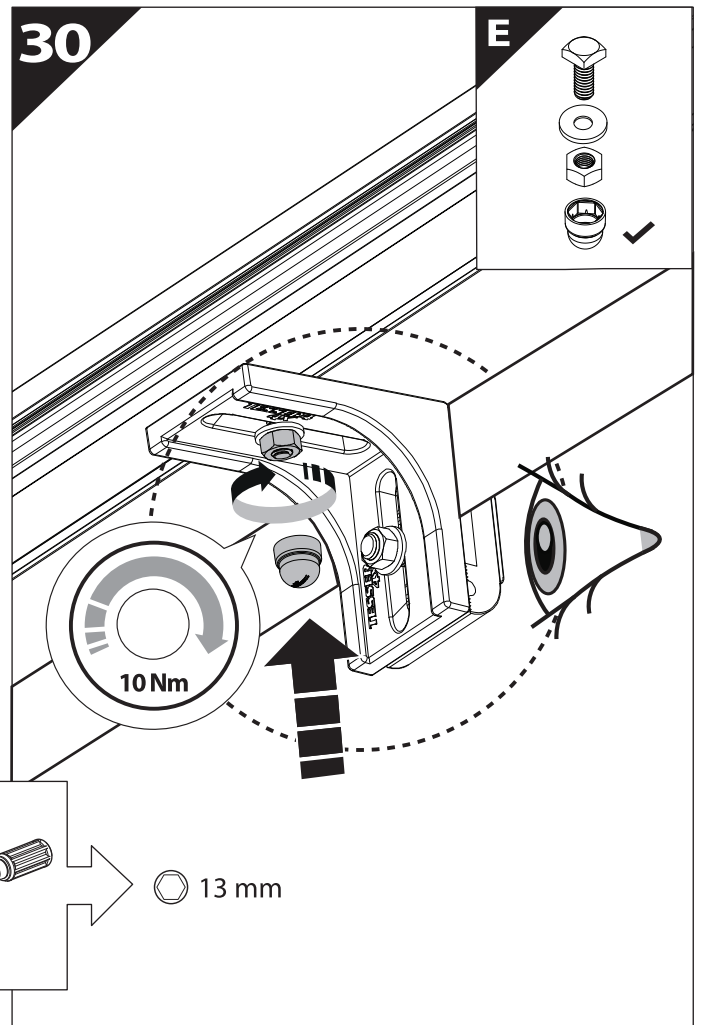
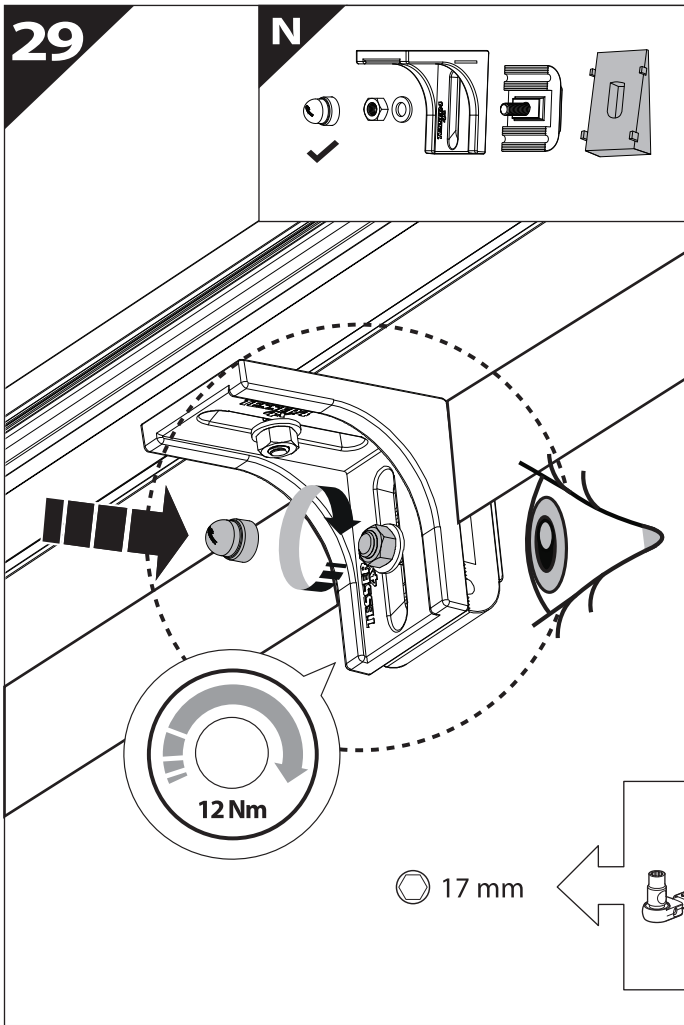


27.2

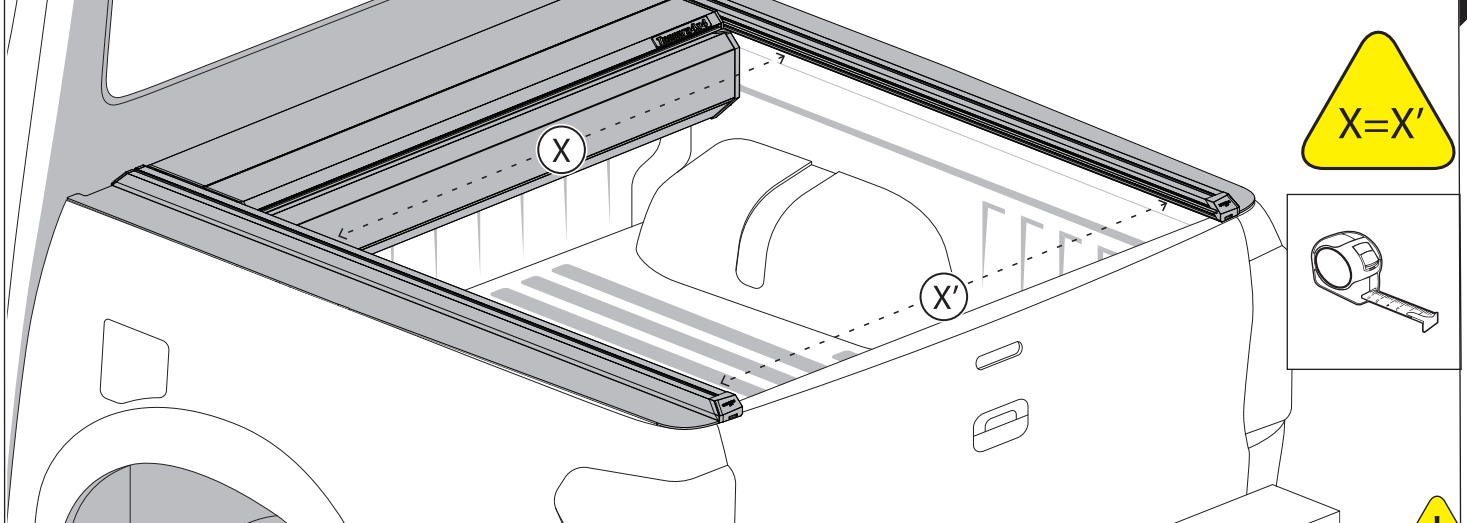


28

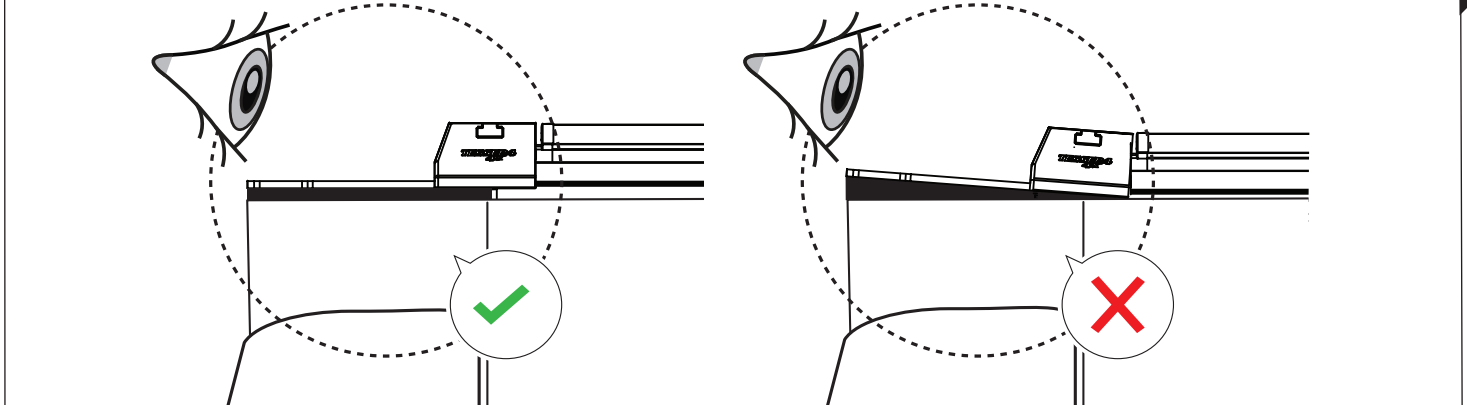




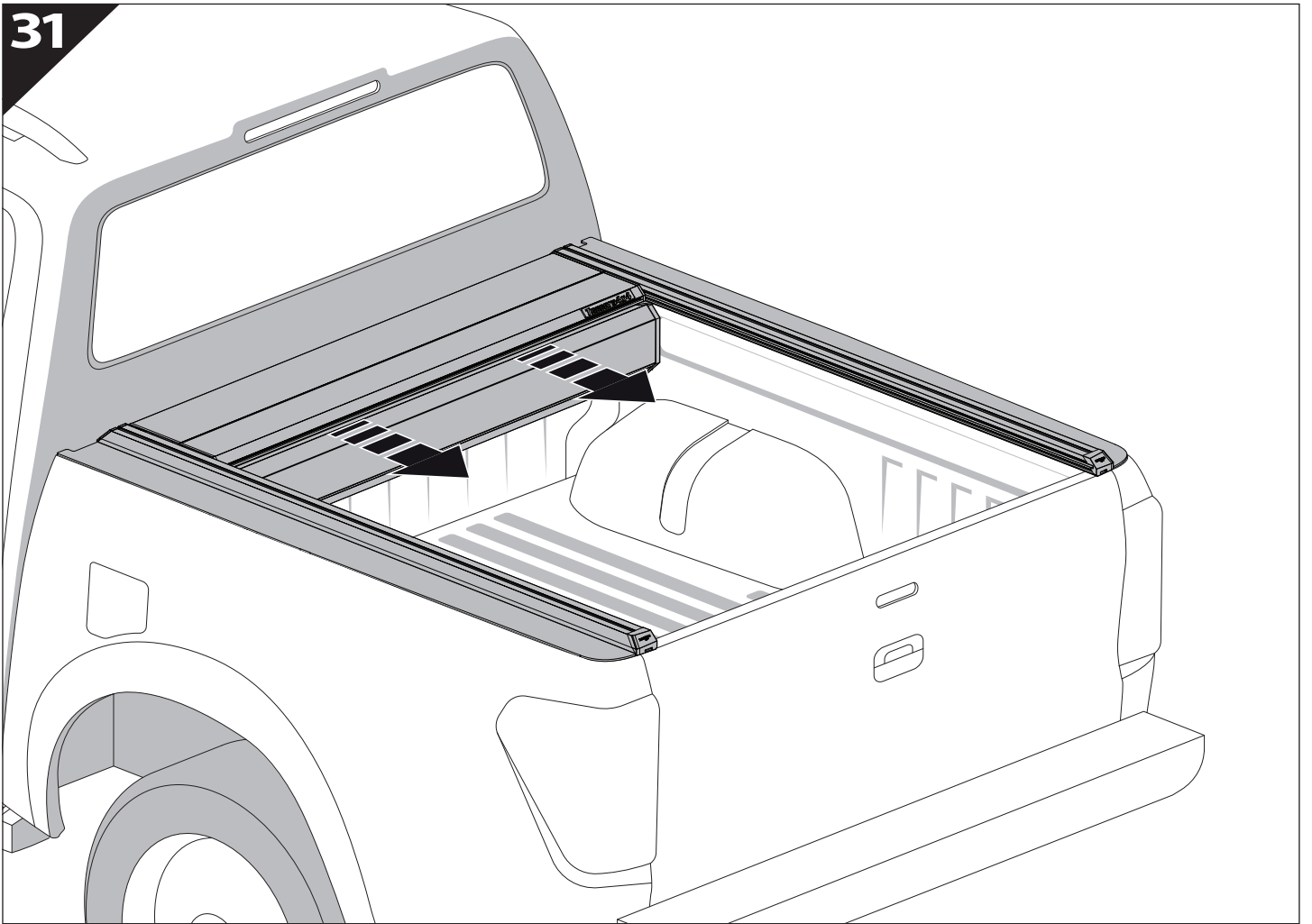
CAUTION !



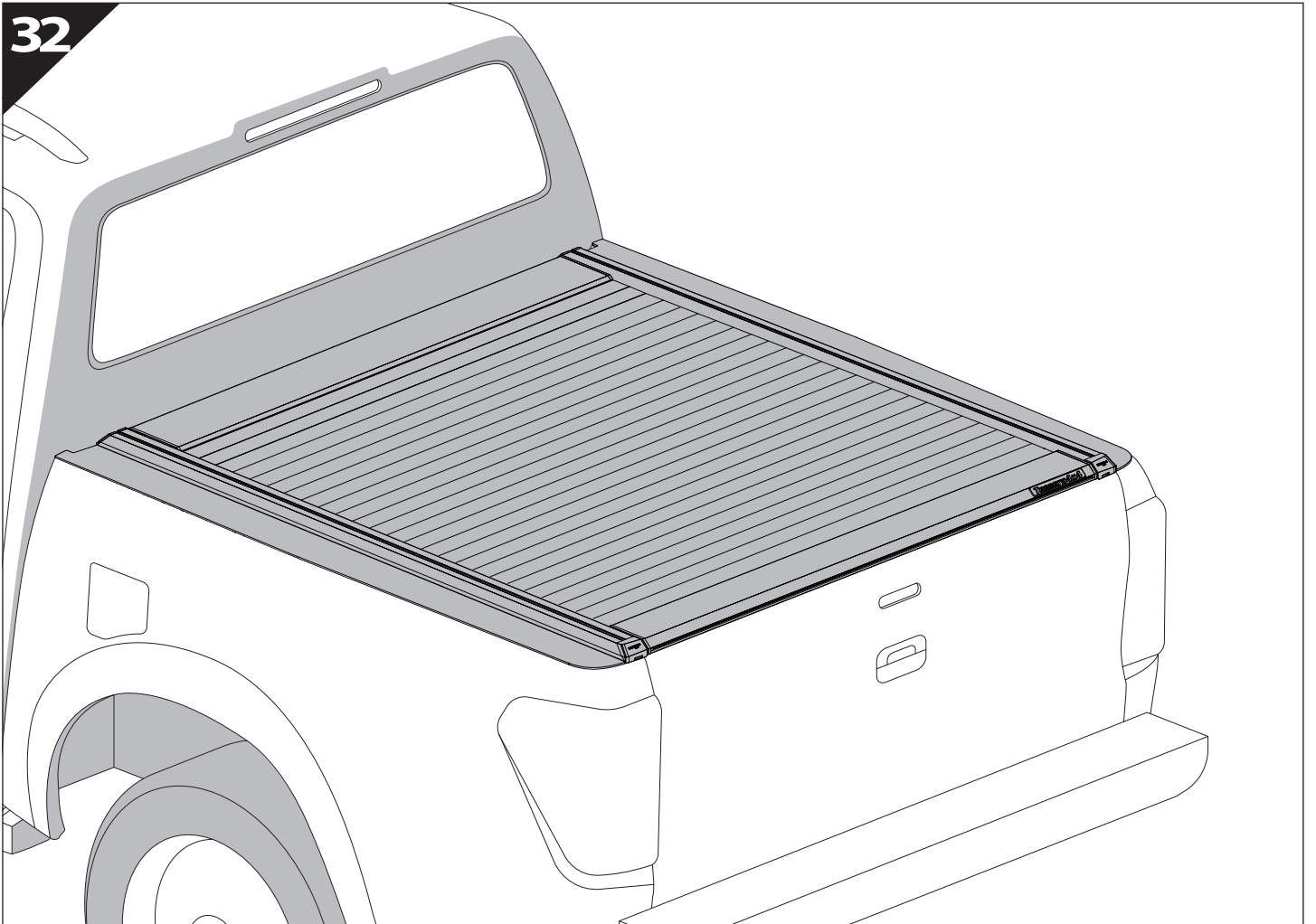
CAUTION !



31



32





GR: Οδηγίες Εγκατάστασης
GB: Installation manual
SF: Asennusohje
F: Notice de montage
PL: Instrukcja montażu
NL: Installatie-instructies
TR: Montaj Talimatı
S: Monteringsanvisning
E: Instrucciones de montaje

H: Szerelési utasítás
P: Instruções de instalação
RUS: Инструкция по установке
N: Monteringsveiledning
D: Einbauanleitung
CZ: Návod k instalaci
I: Istruzioni de montaggio
DK: Monteringsvejledning
RO: Instructiuni de instalare

Customer Service:

+30 (210) 5541161, +30 (210) 5541154 (08:00 - 16:00 EET)

Support department:

info@gianso.gr

Website:

www.tessera4x4.com

Address:

19.5 km of National road Athens-Korinthos (Elefsina) Greece, P.C: 19200