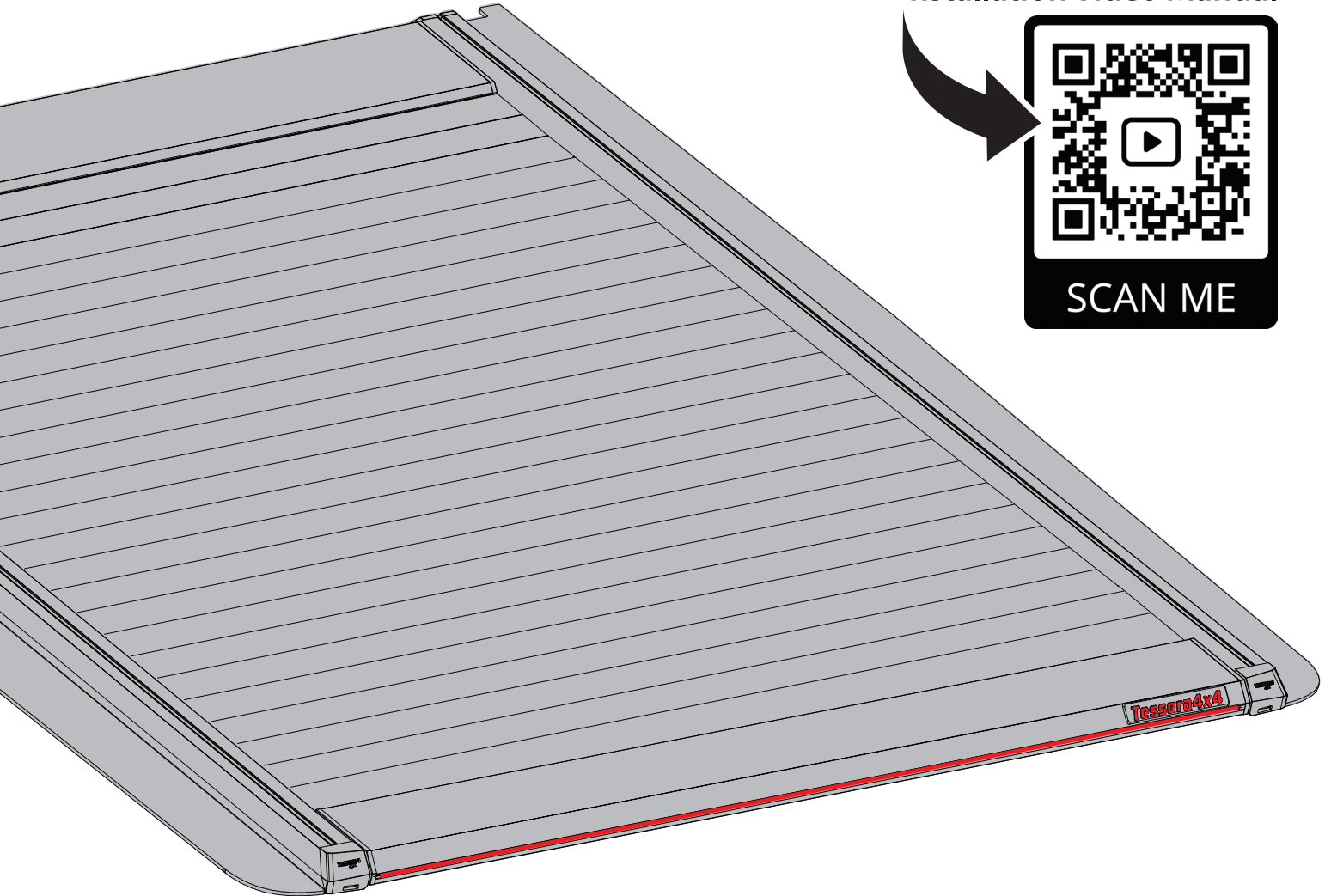


Tessera Roll+

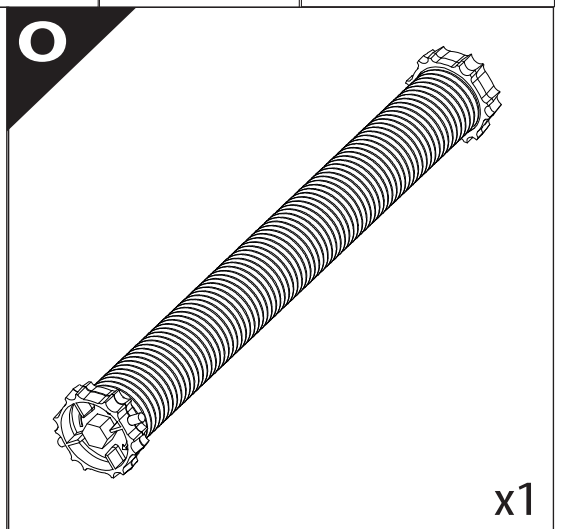
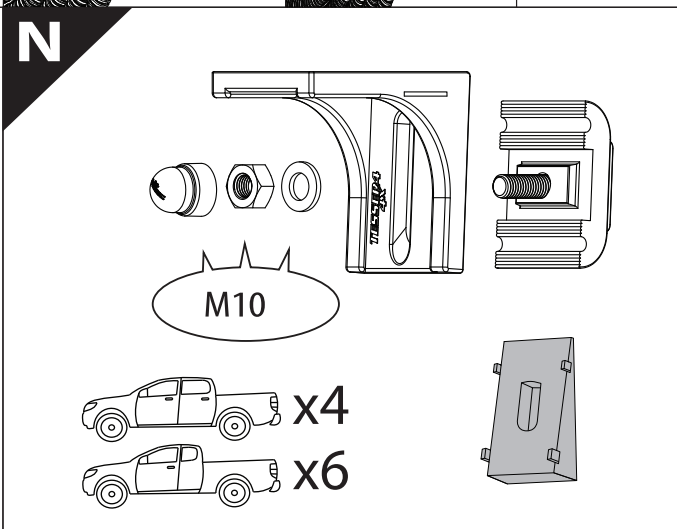
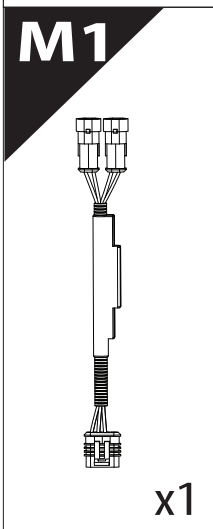
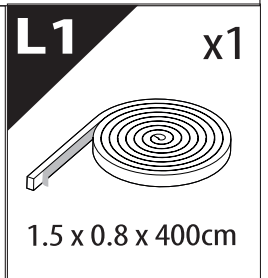
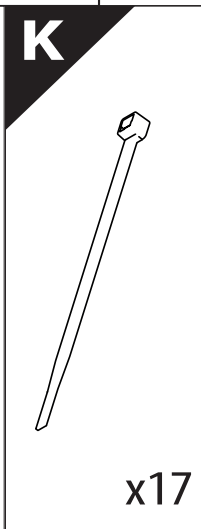
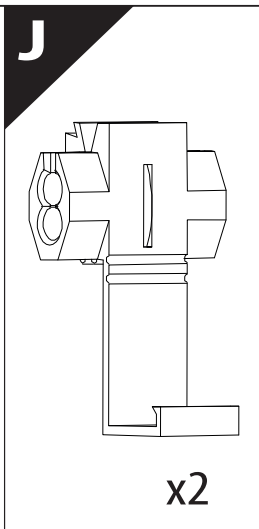
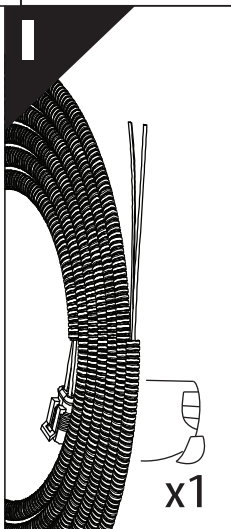
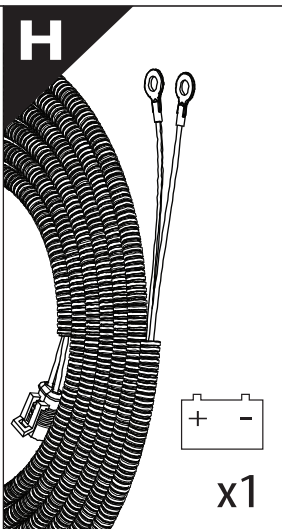
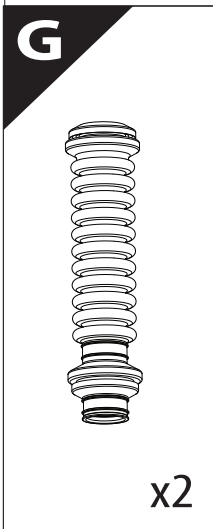
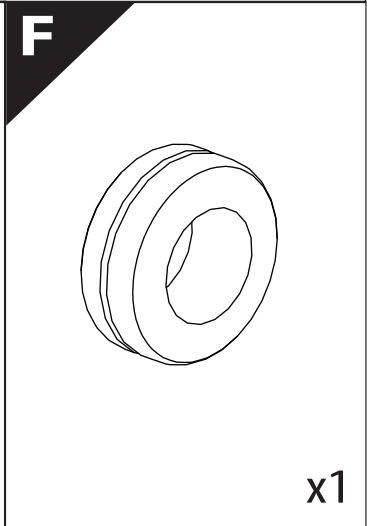
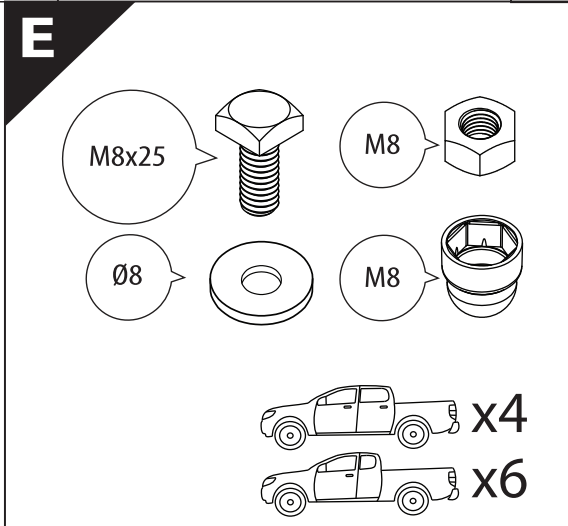
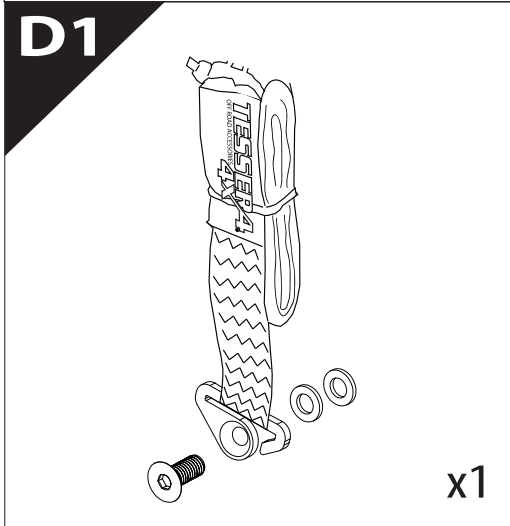
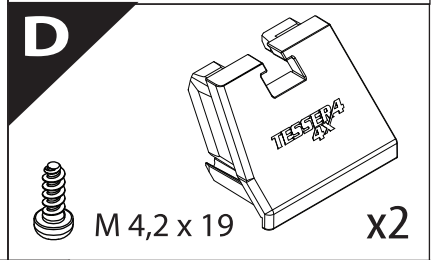
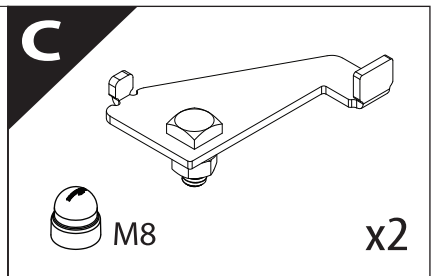
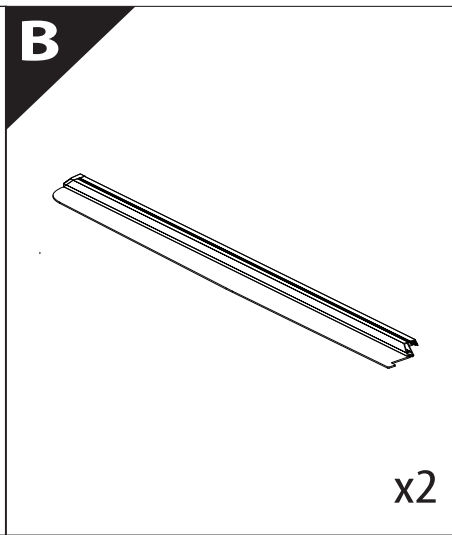
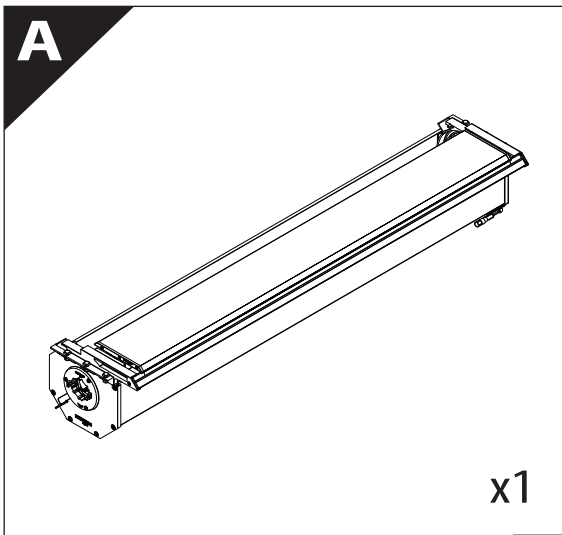
Basic Version + ⚙️ S-KIT

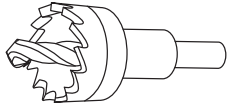
Installation Video Manual



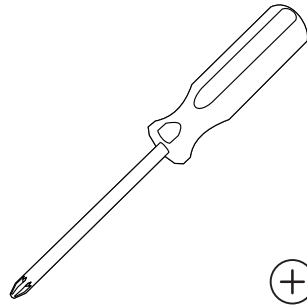
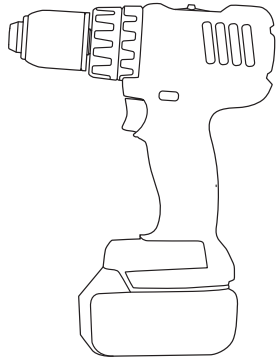
Installation Manual

PART NUMBER(S)	Model Year
TESS 14041 ROLL+S-KIT	ISUZU DMAX 2021+
TESS 14051 ROLL+S-KIT	
Cab(s)	Installation Time / Weight
Double Cab & Space Cab	40-60 minutes / 53-57 kg

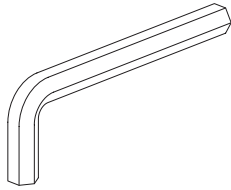
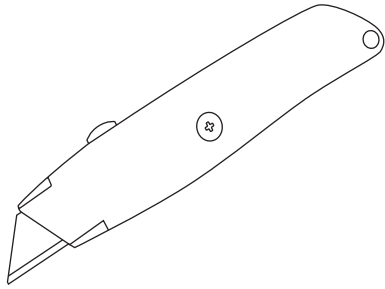
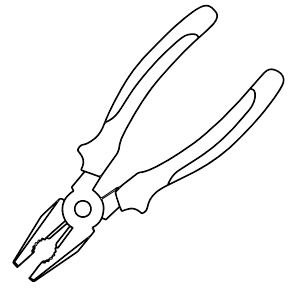




Ø 25 mm / Ø 40 mm

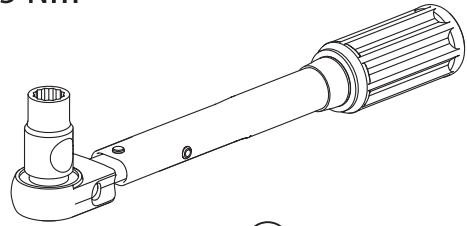


+



4 mm

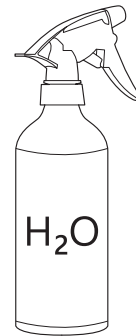
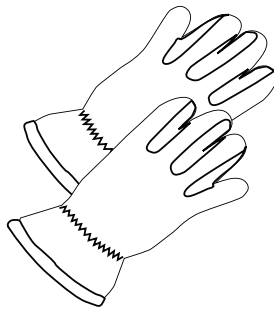
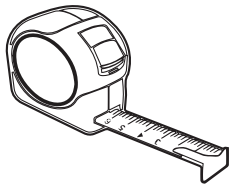
1 - 25 Nm



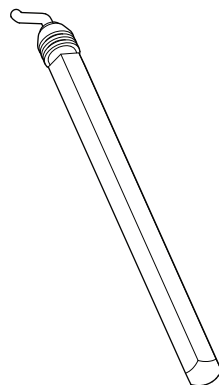
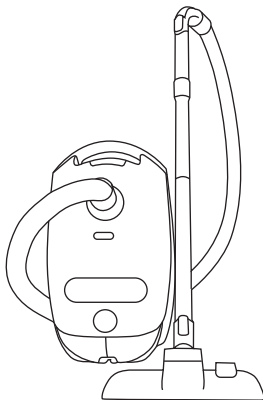
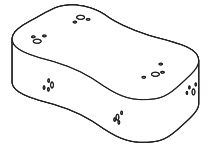
12, 13, 17 mm



ACETONE



H₂O



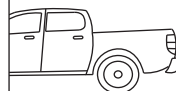
ANTI-RUST



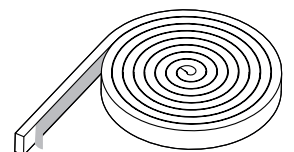
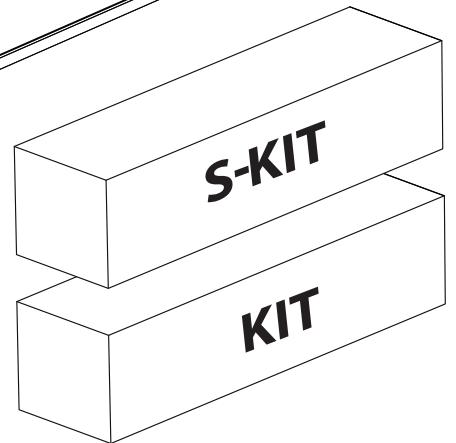
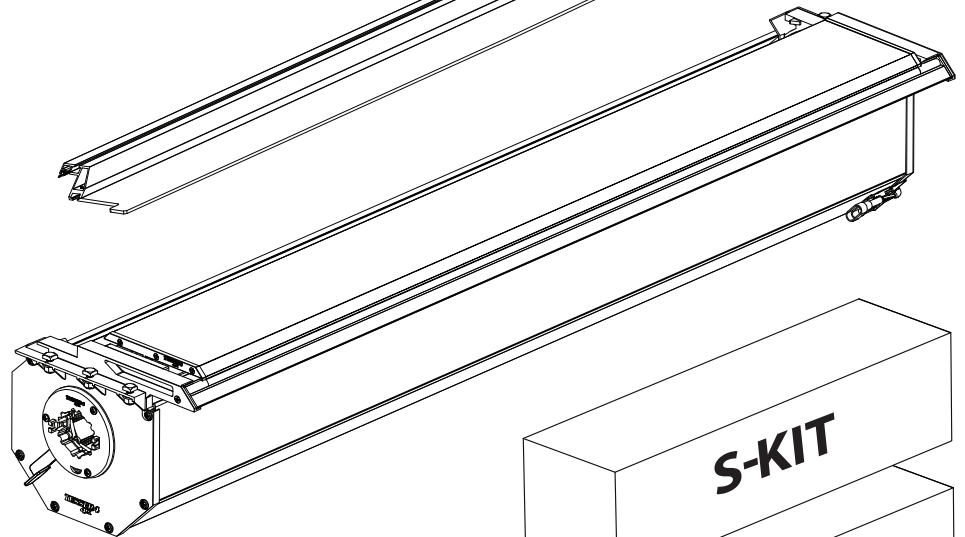
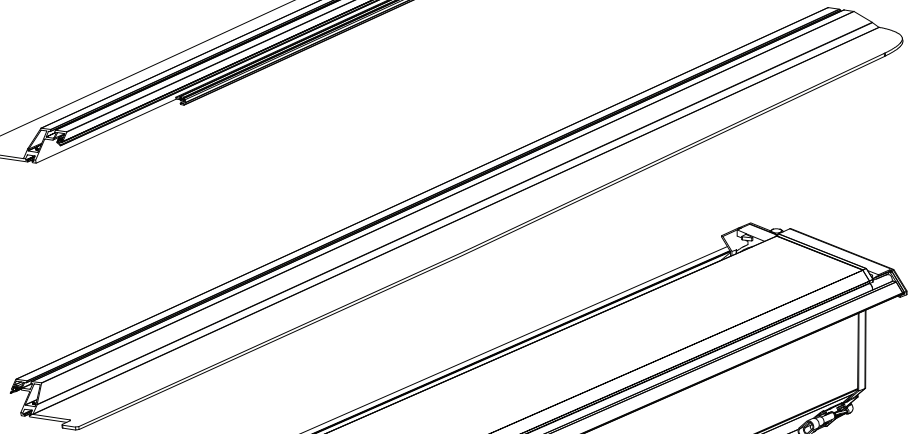
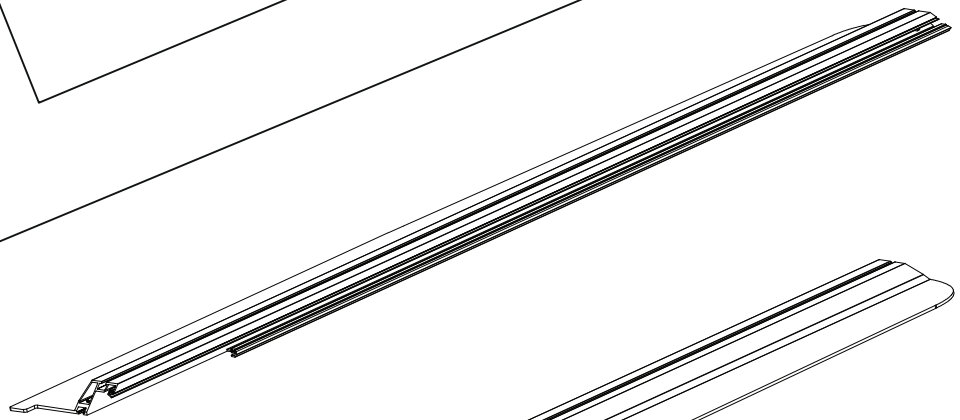
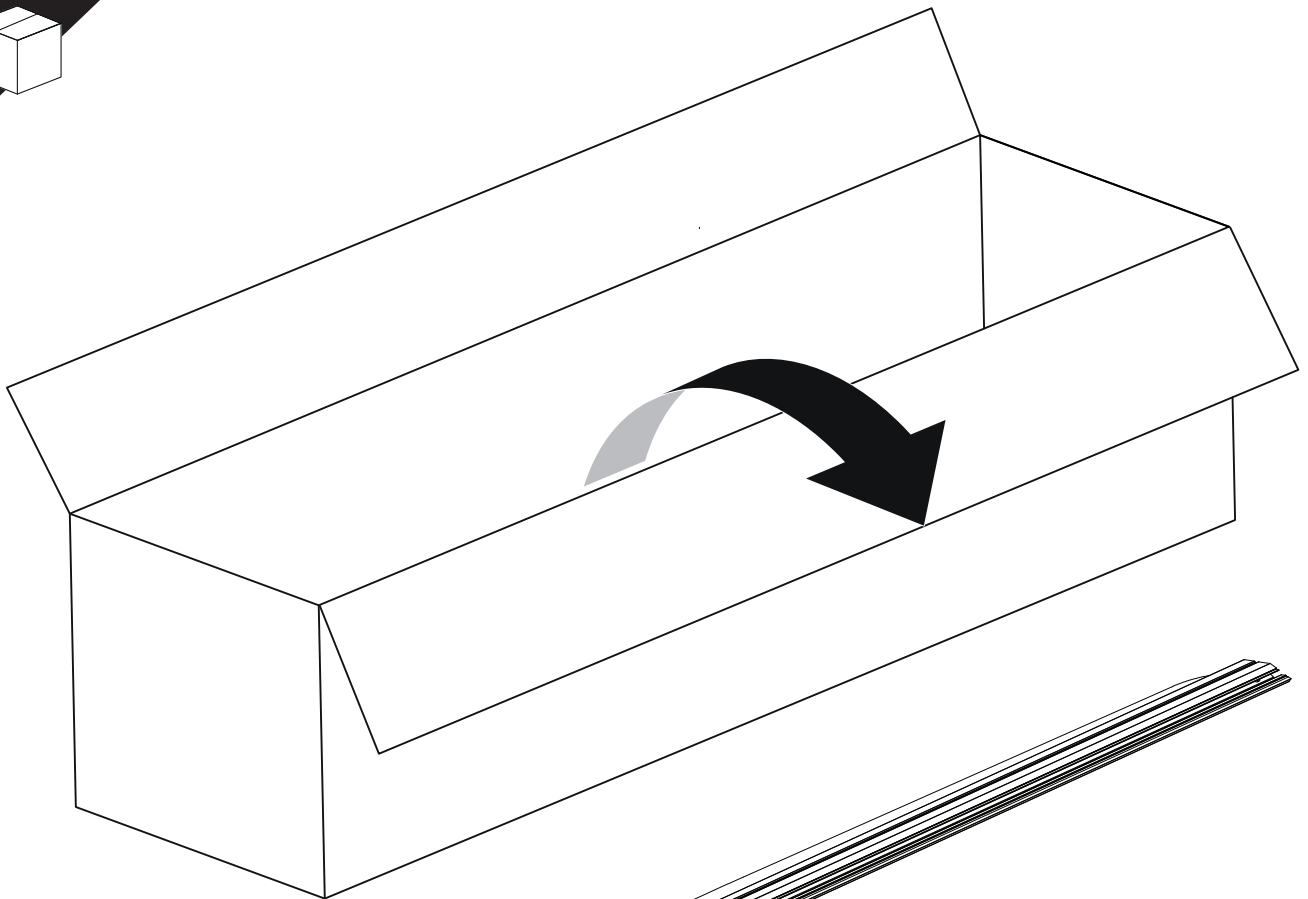
INSTALATION
MANUAL
+S-KIT



OWNERS
MANUAL



x1

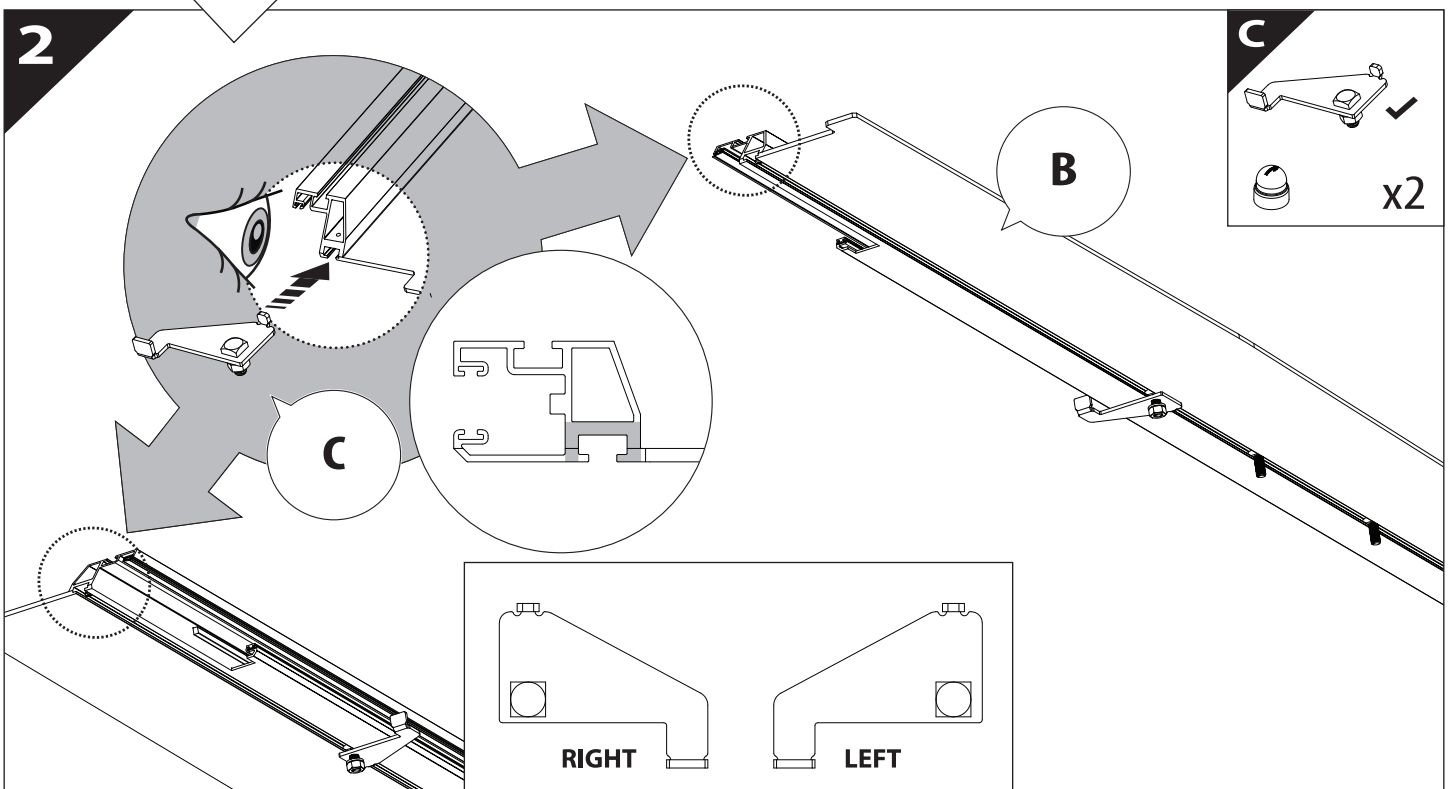
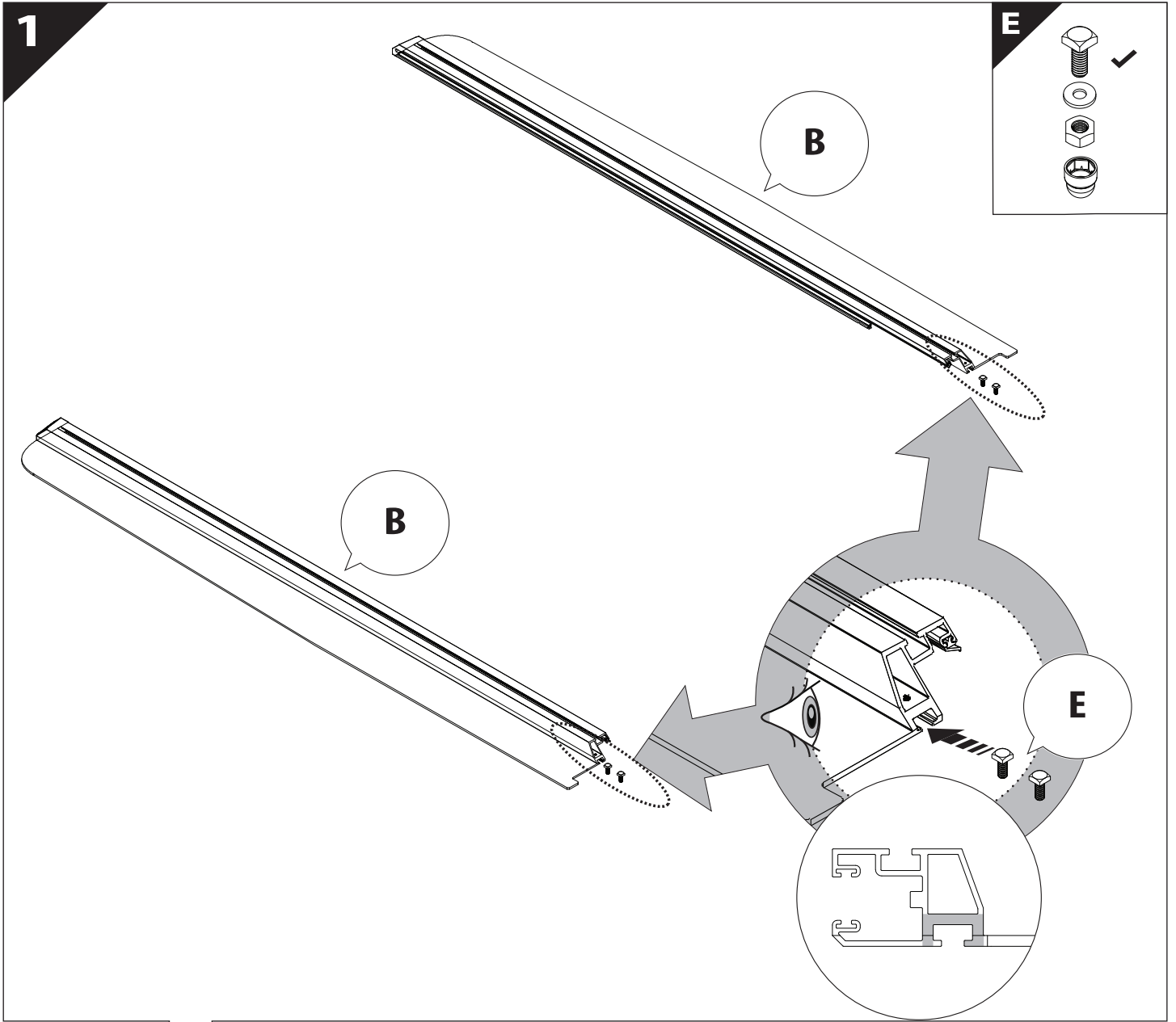


B

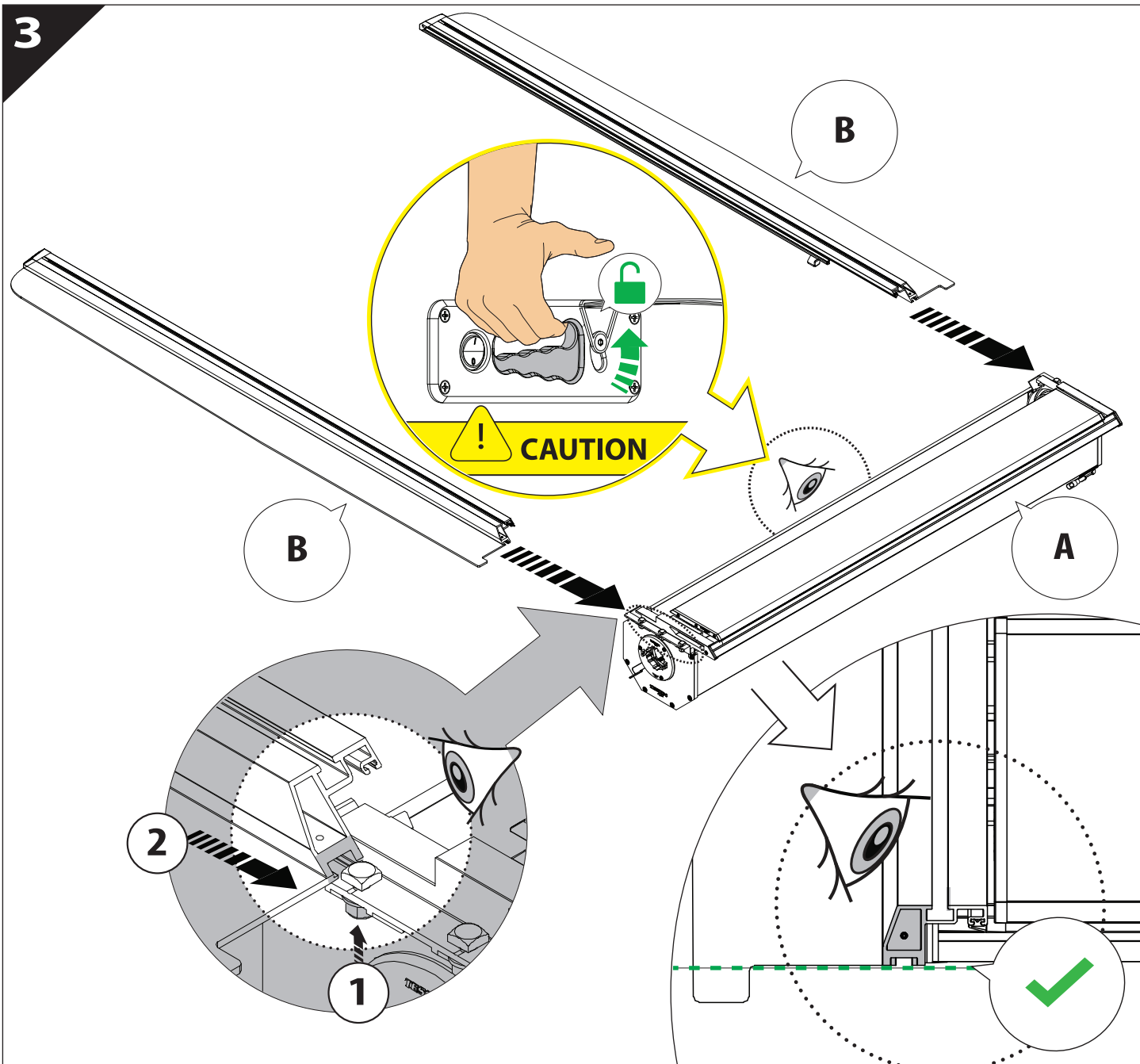
A

KITS

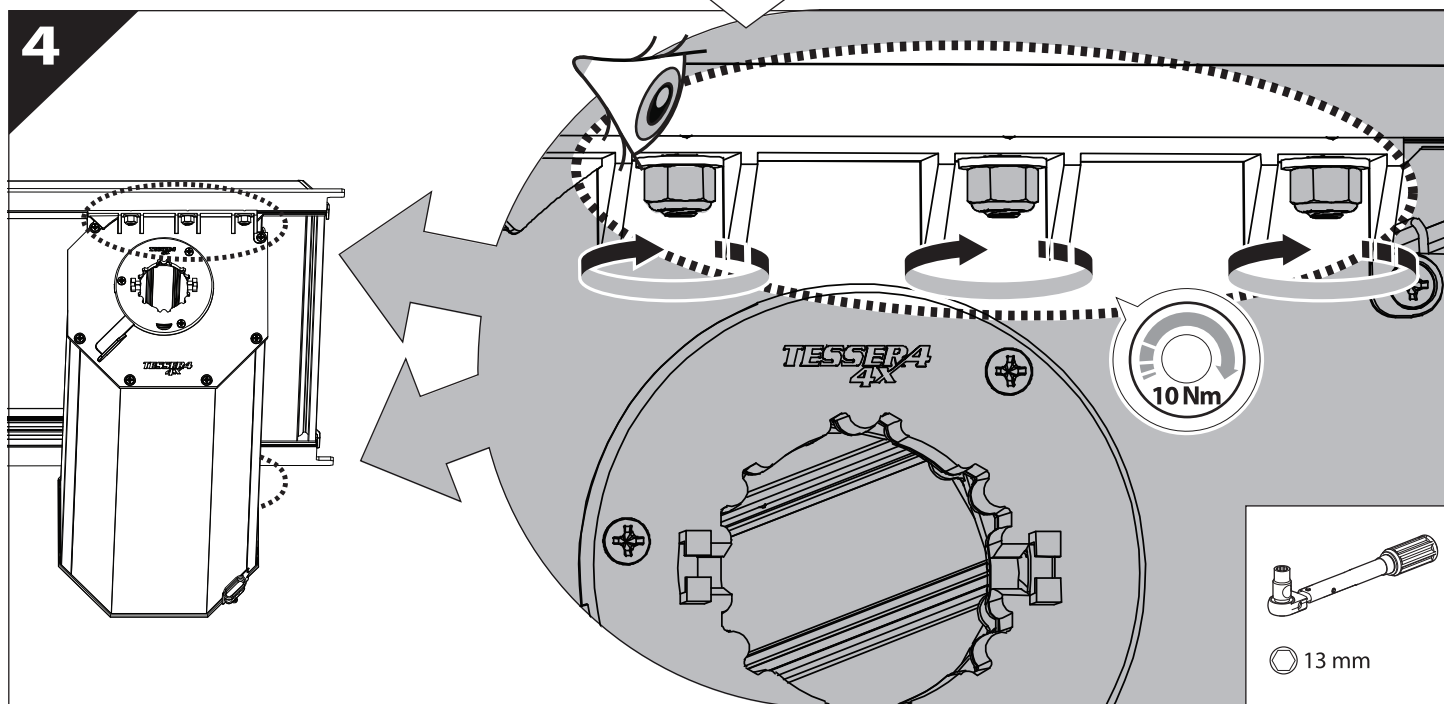
L

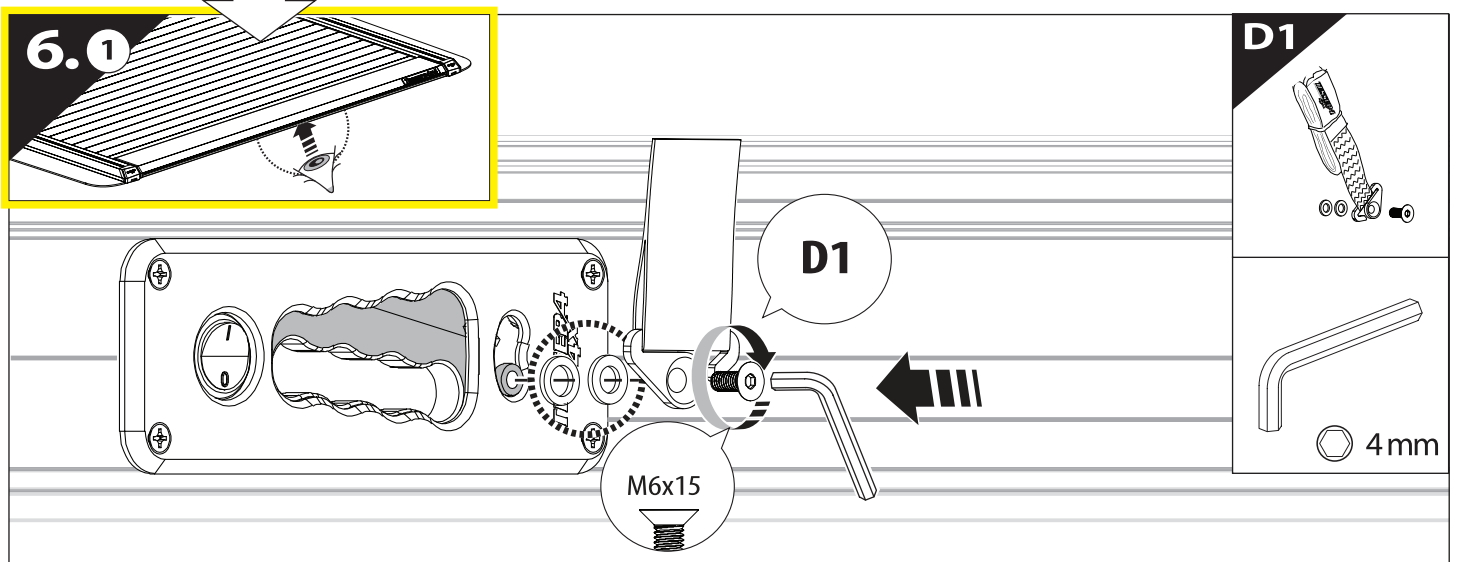
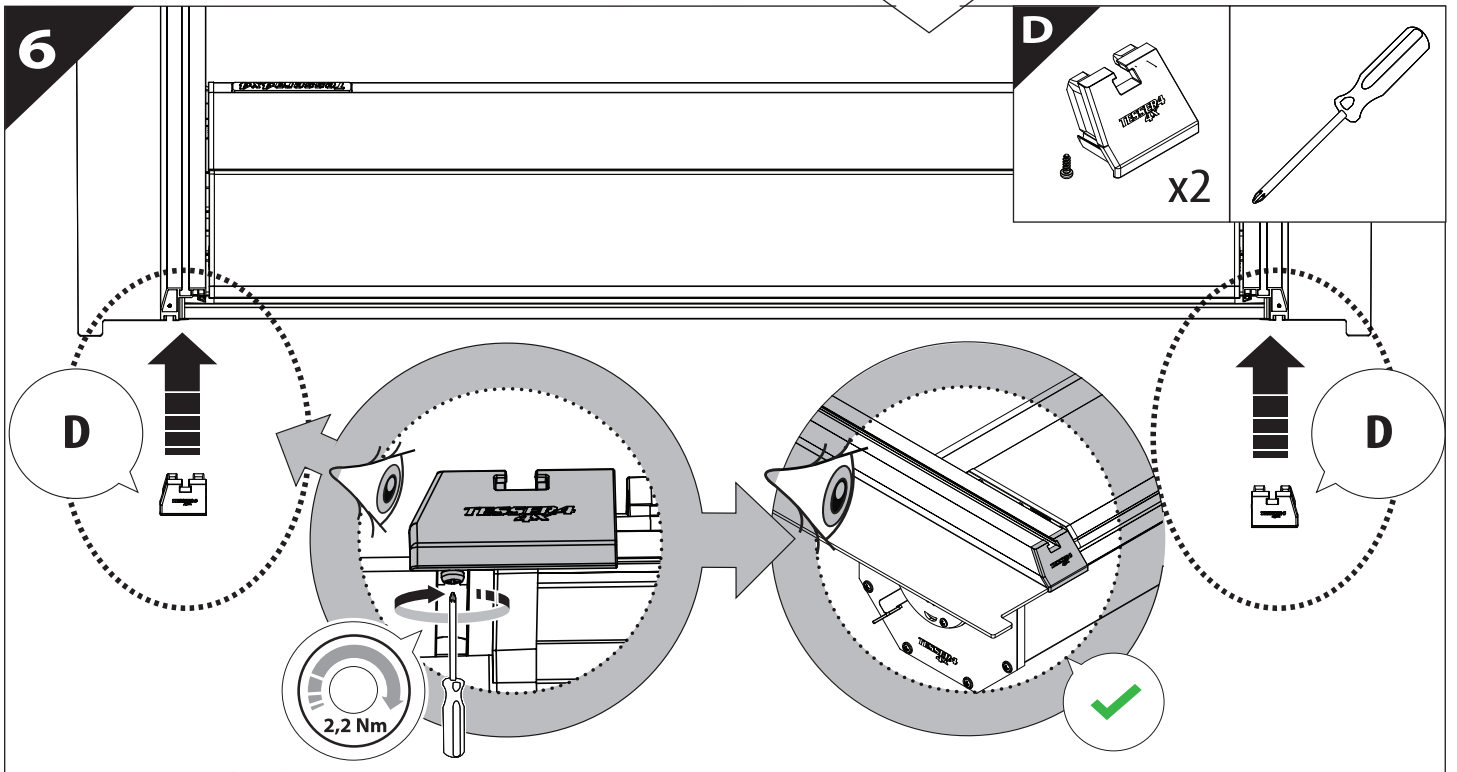
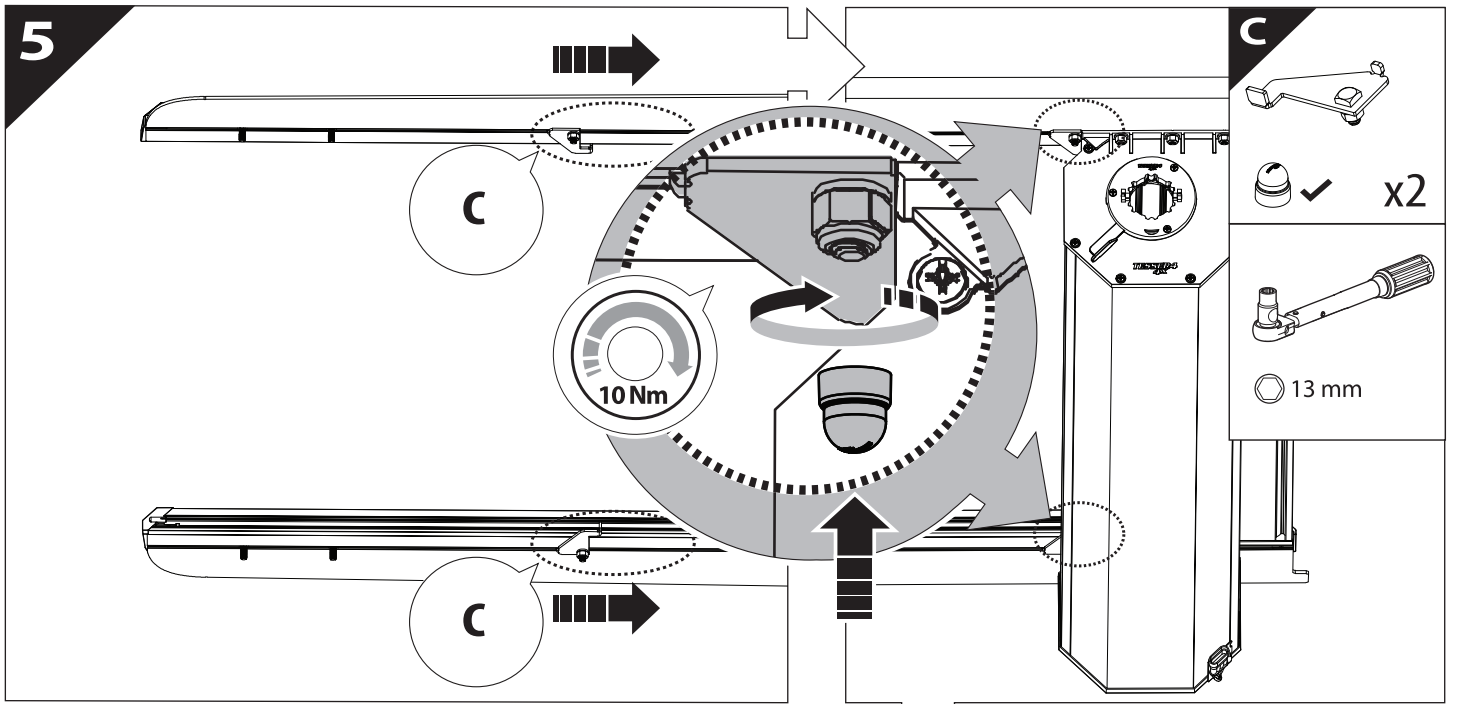


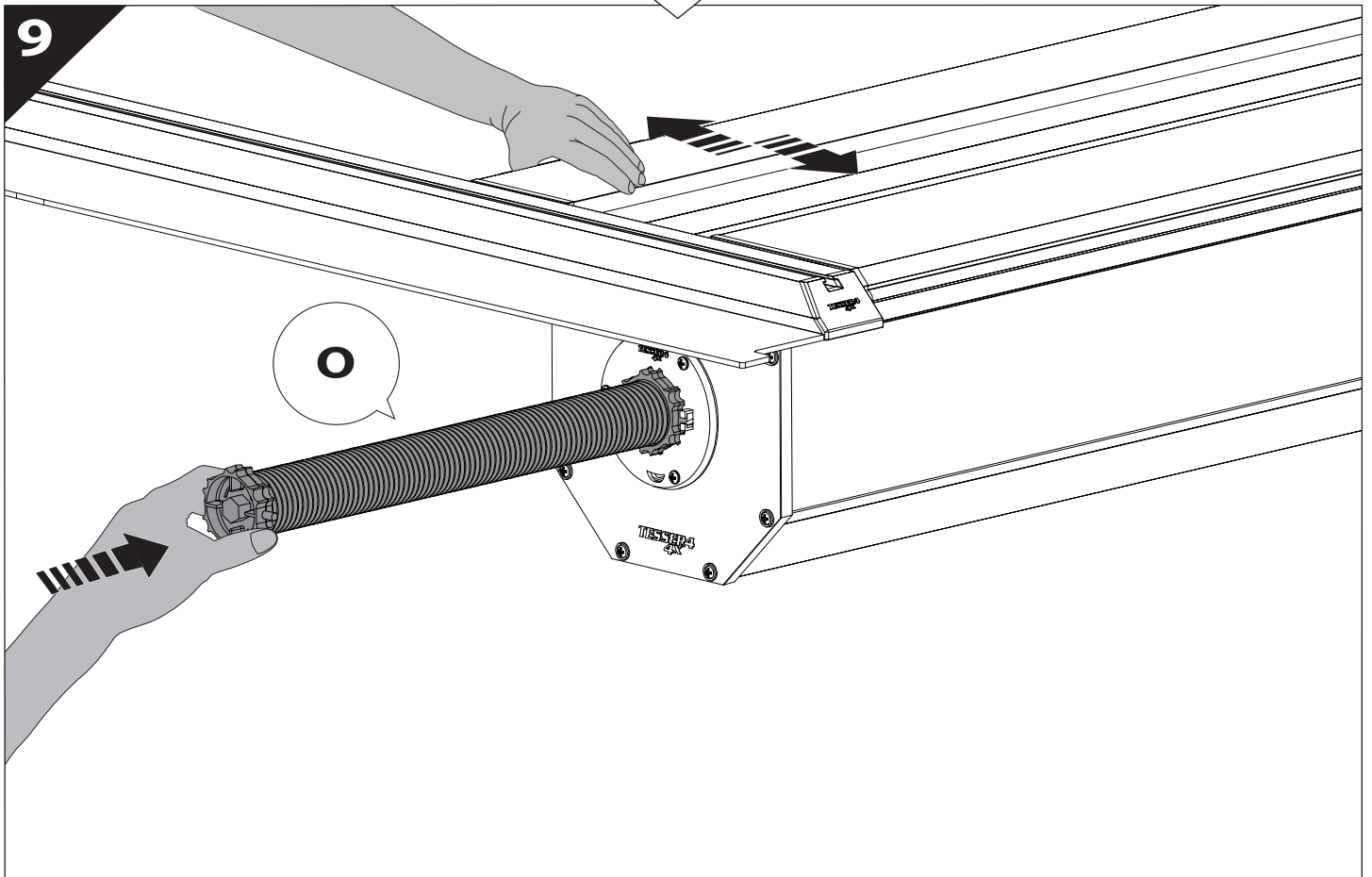
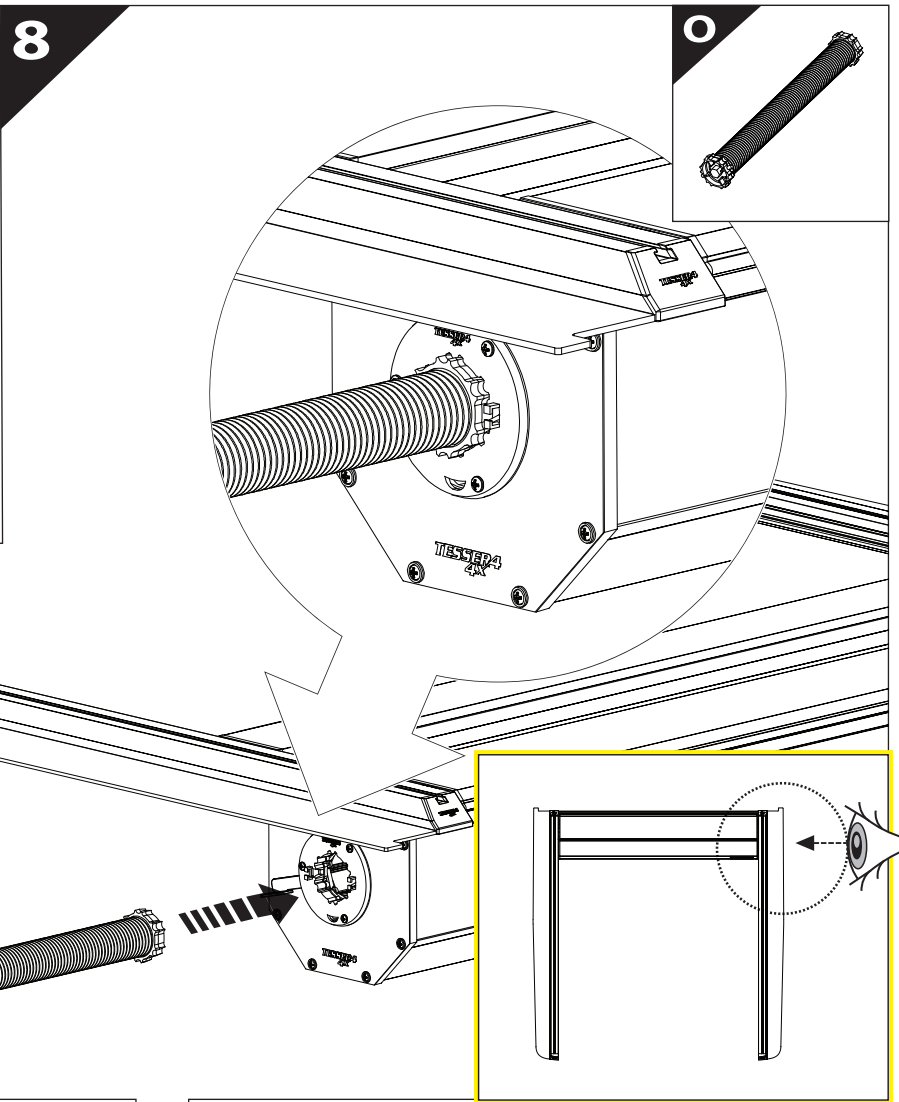
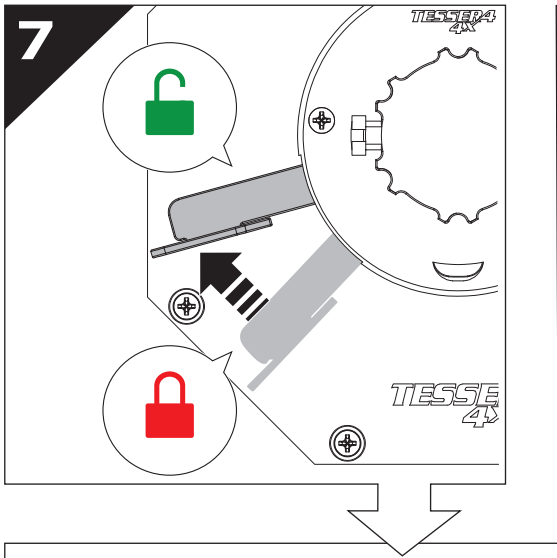
3



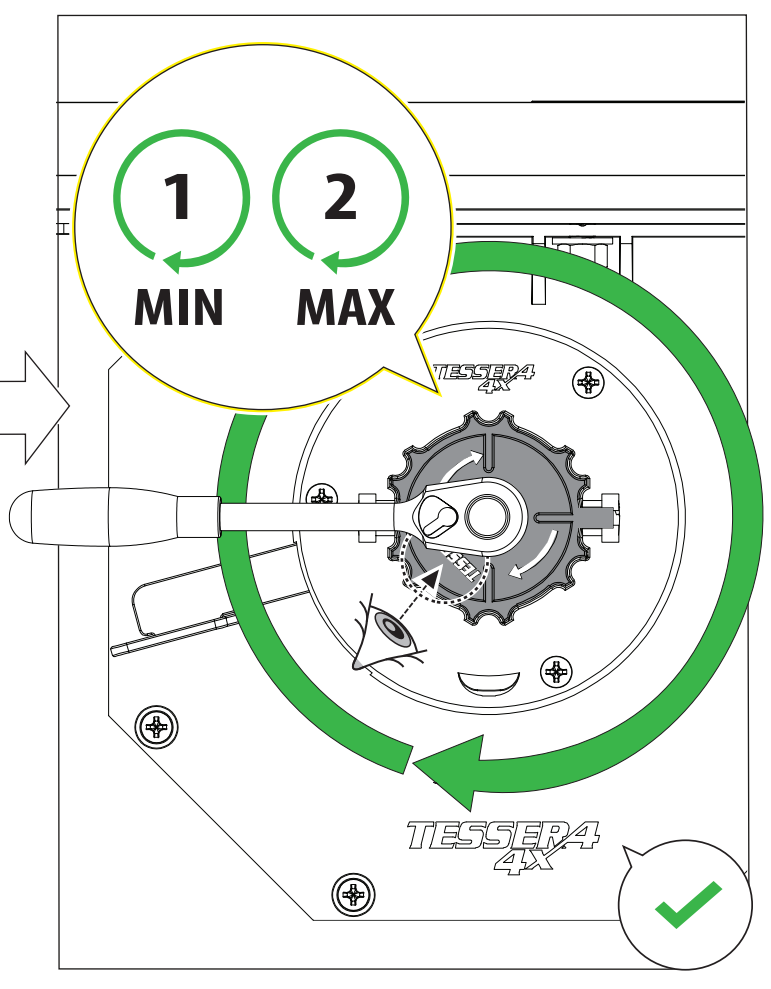
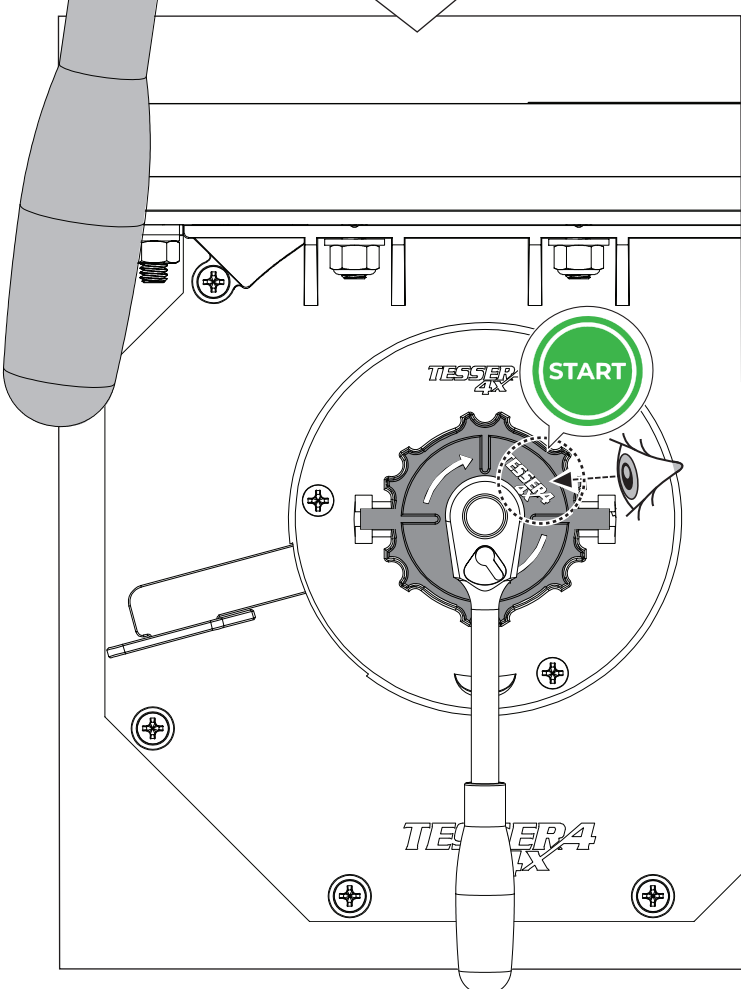
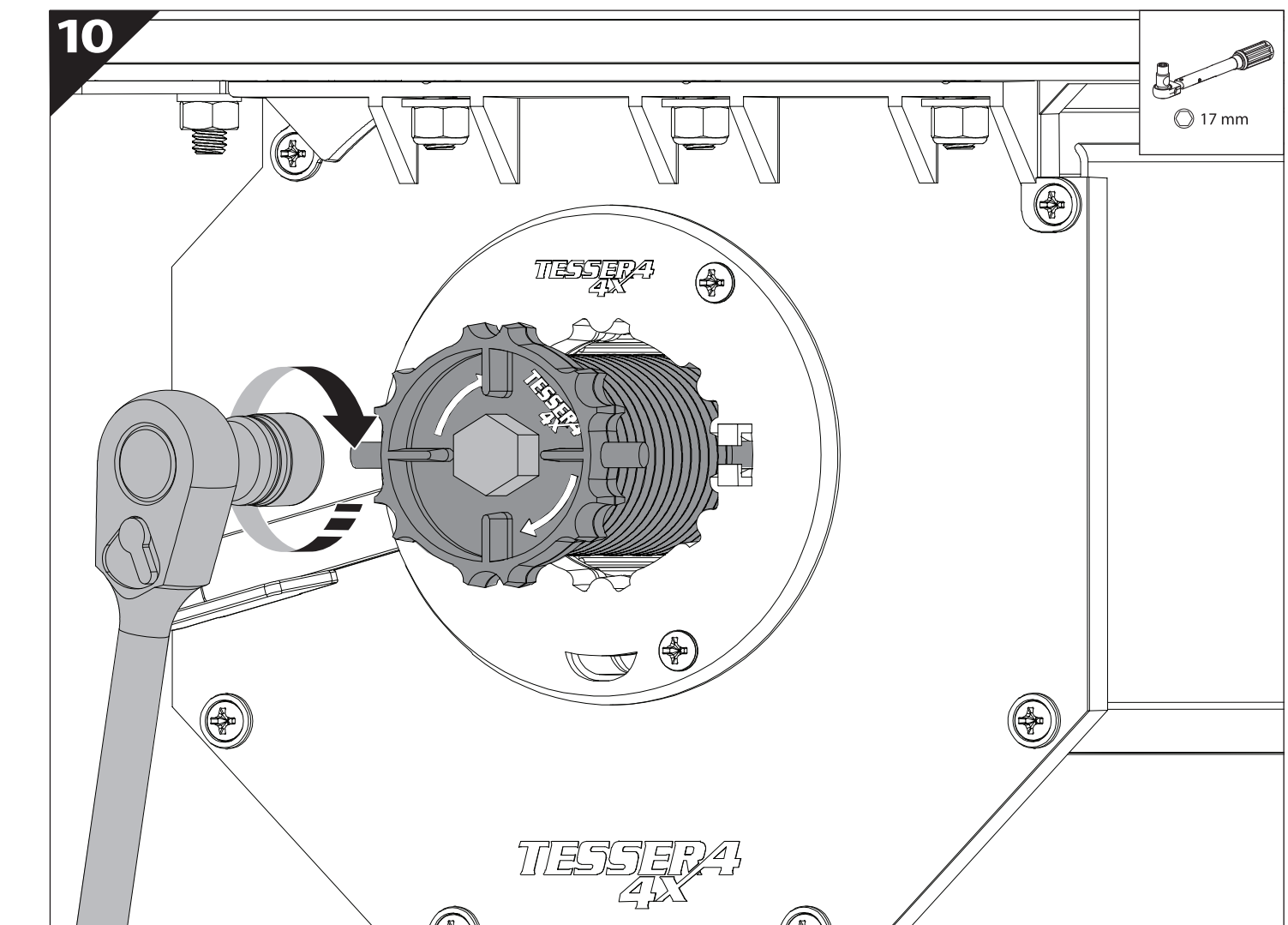
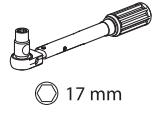
4

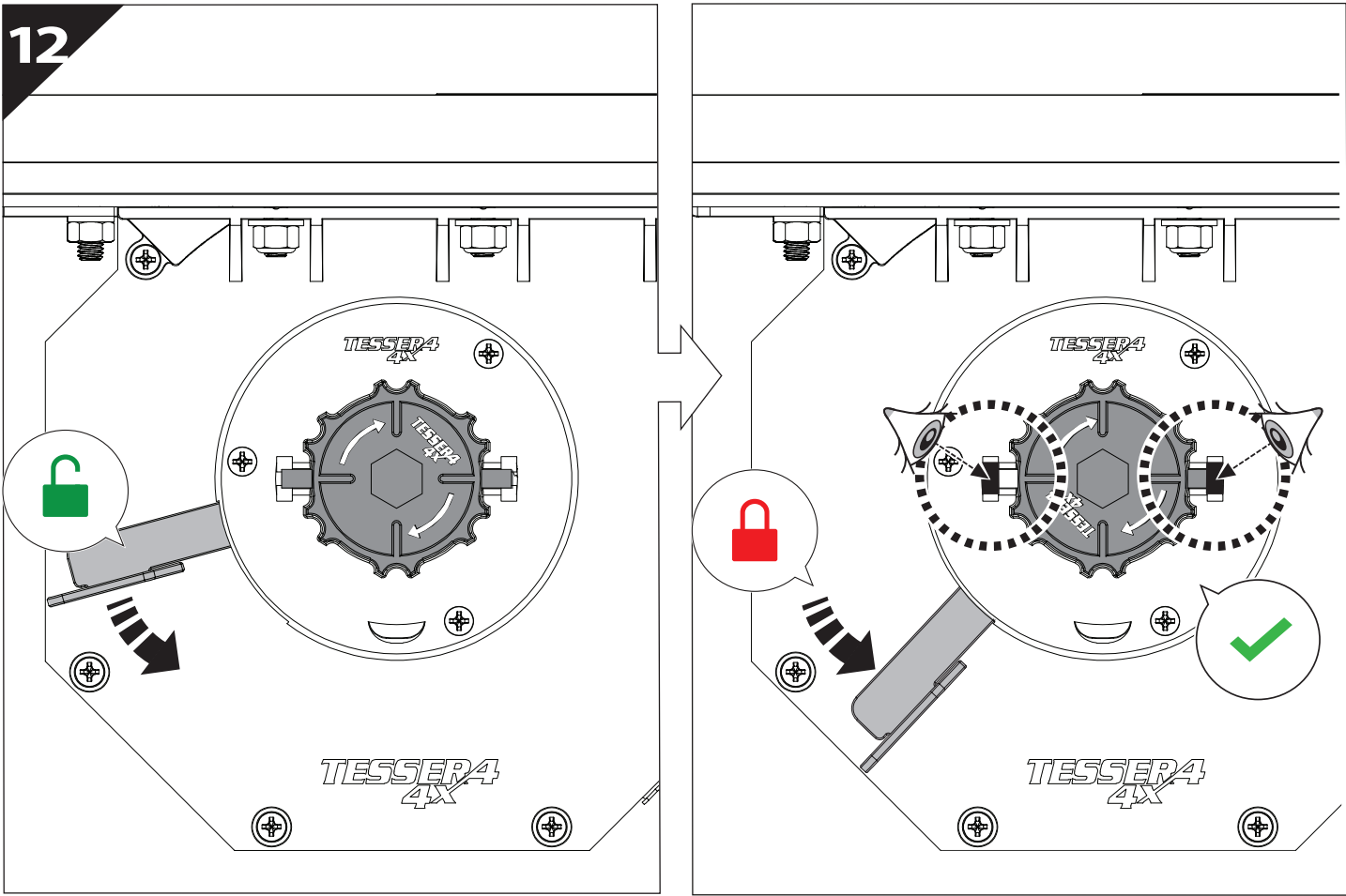
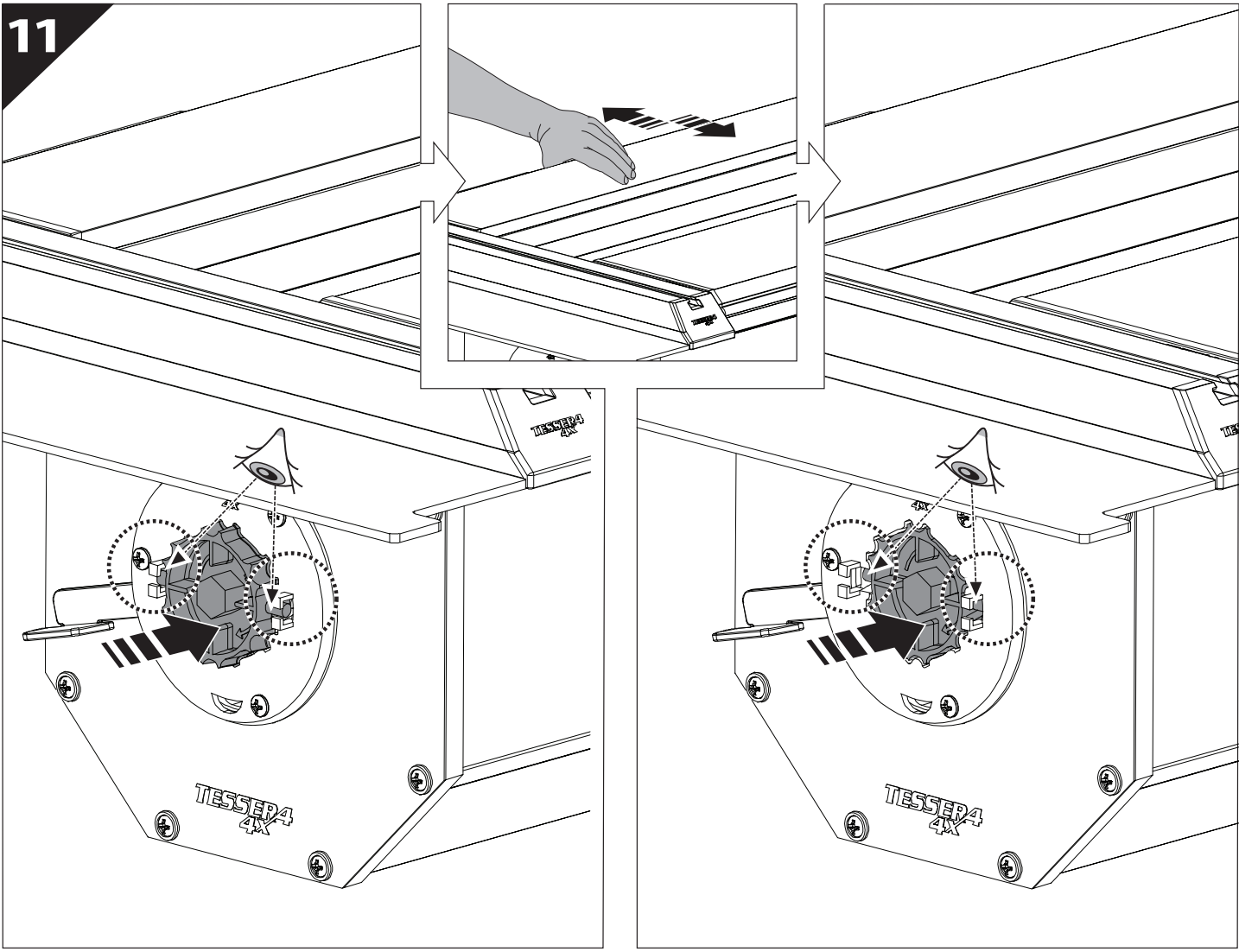




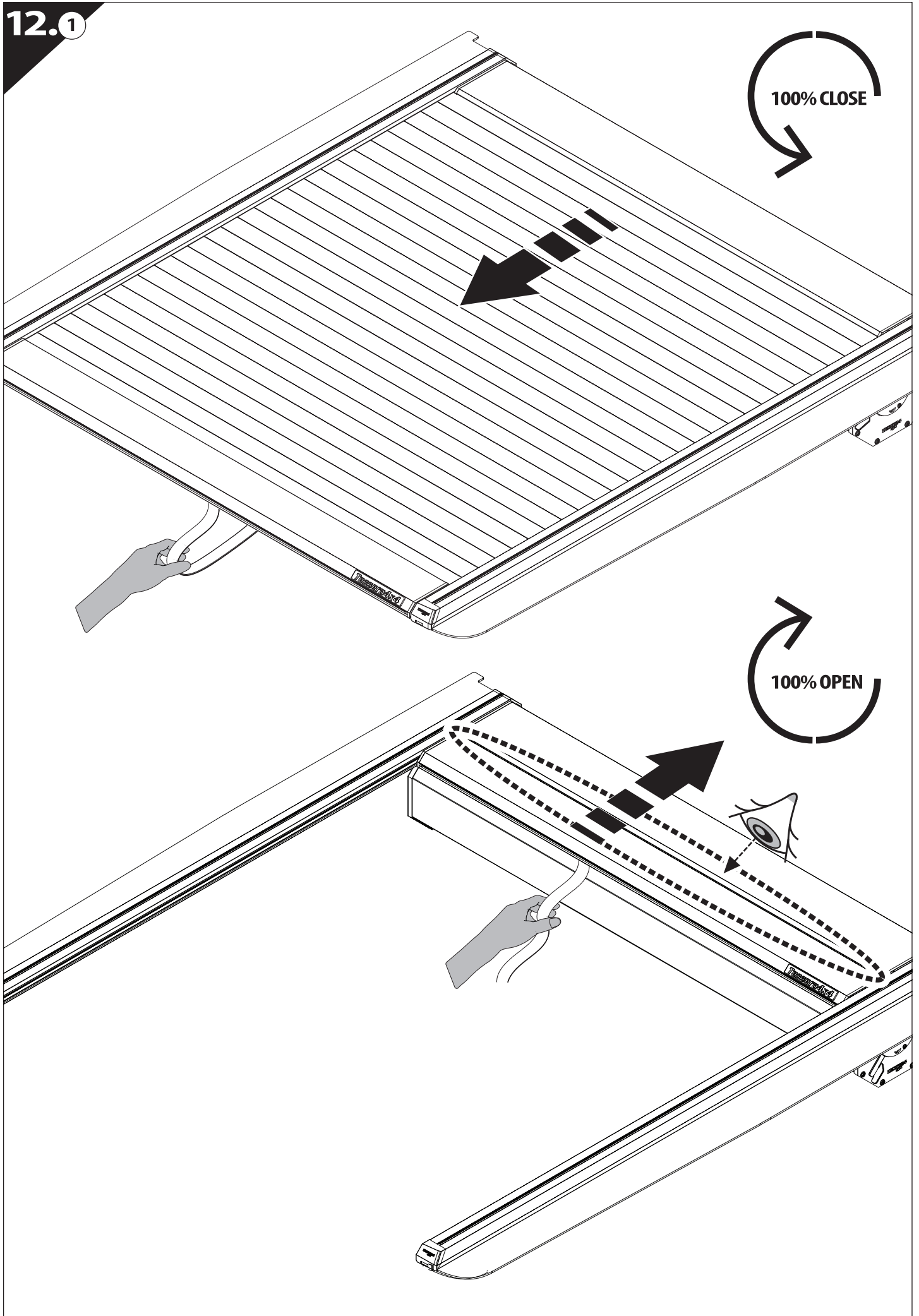


10





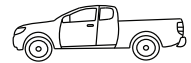
12.0



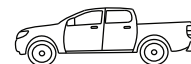
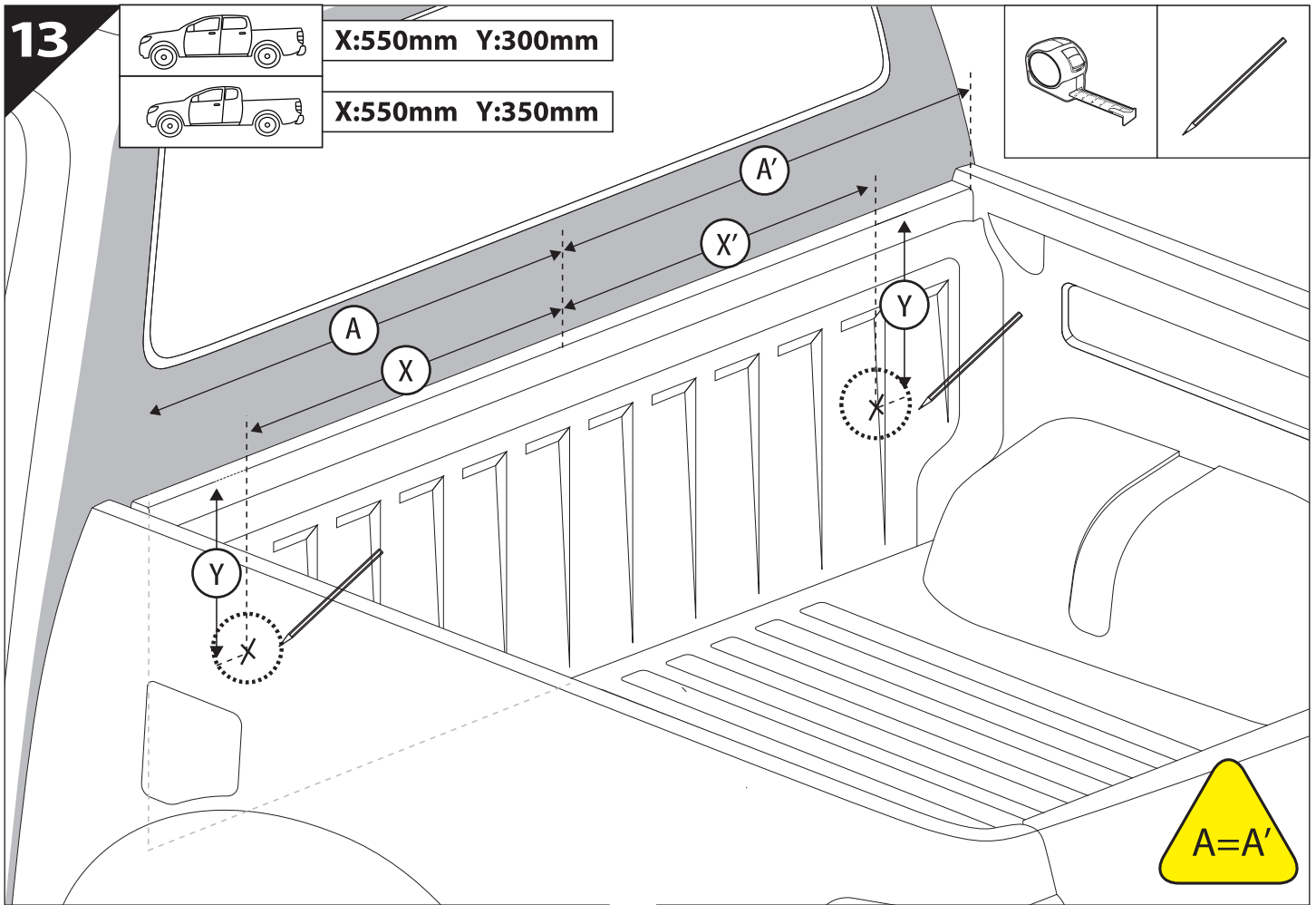
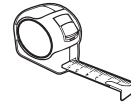
13



X:550mm Y:300mm



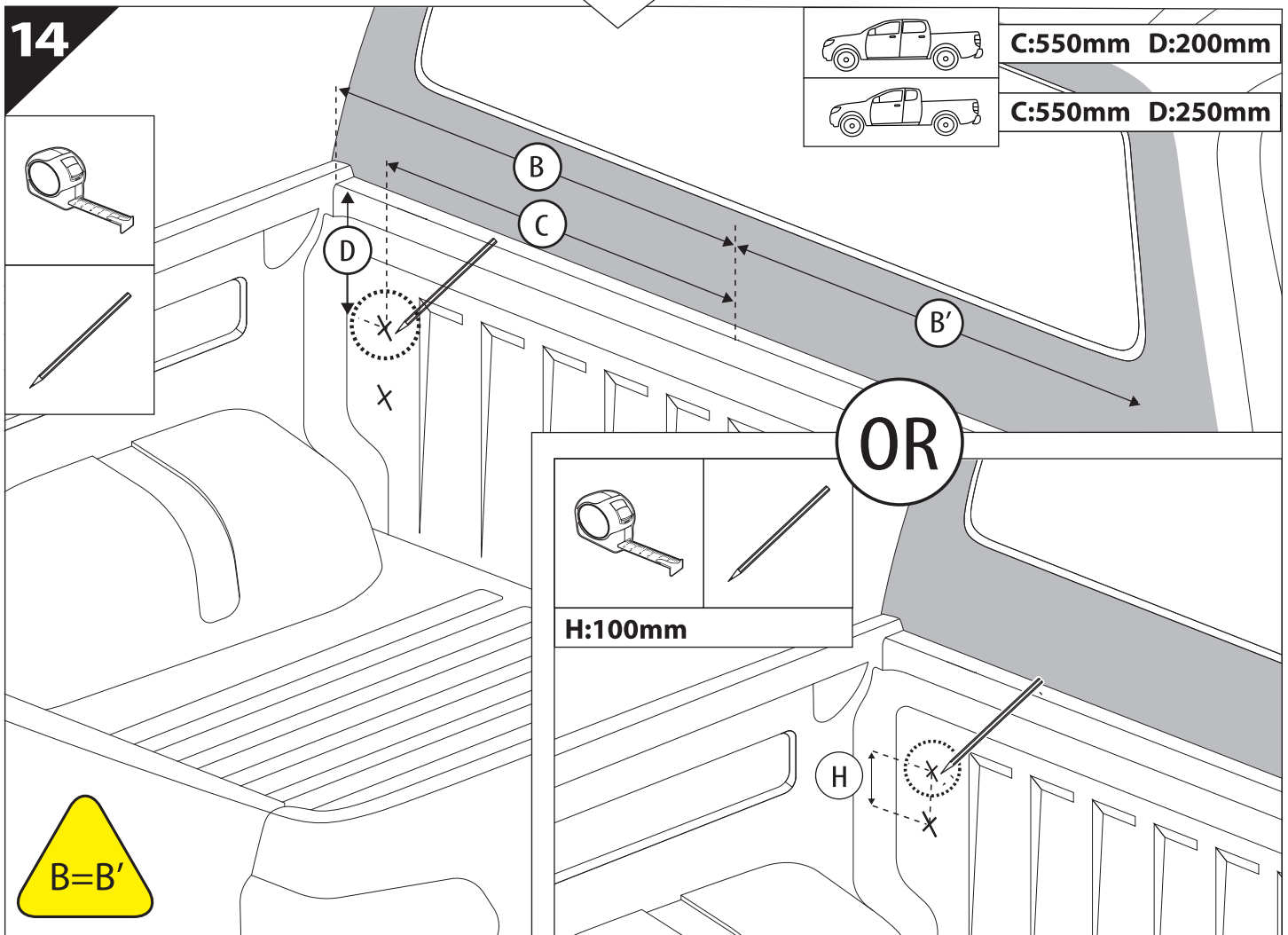
X:550mm Y:350mm

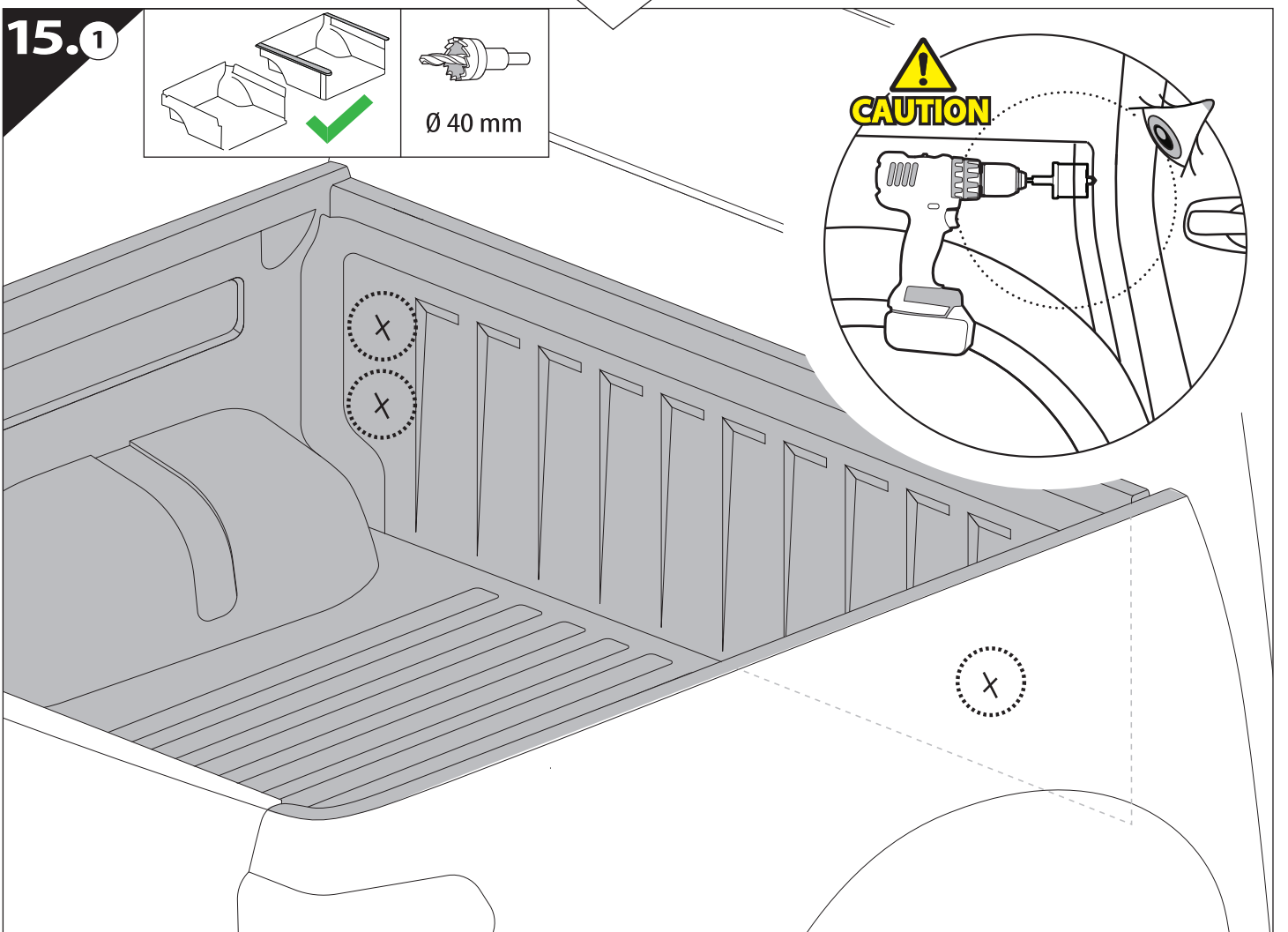
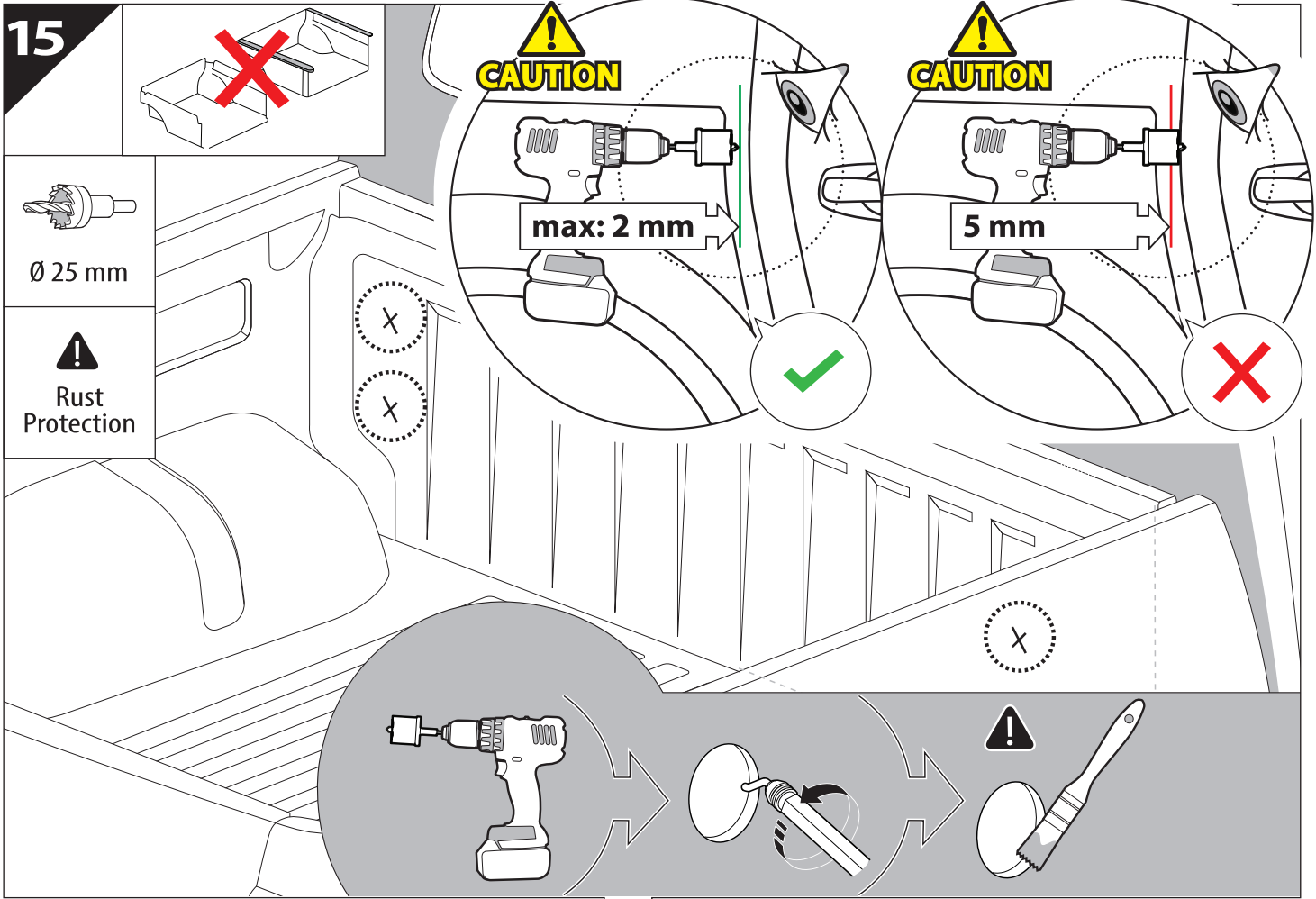


C:550mm D:200mm

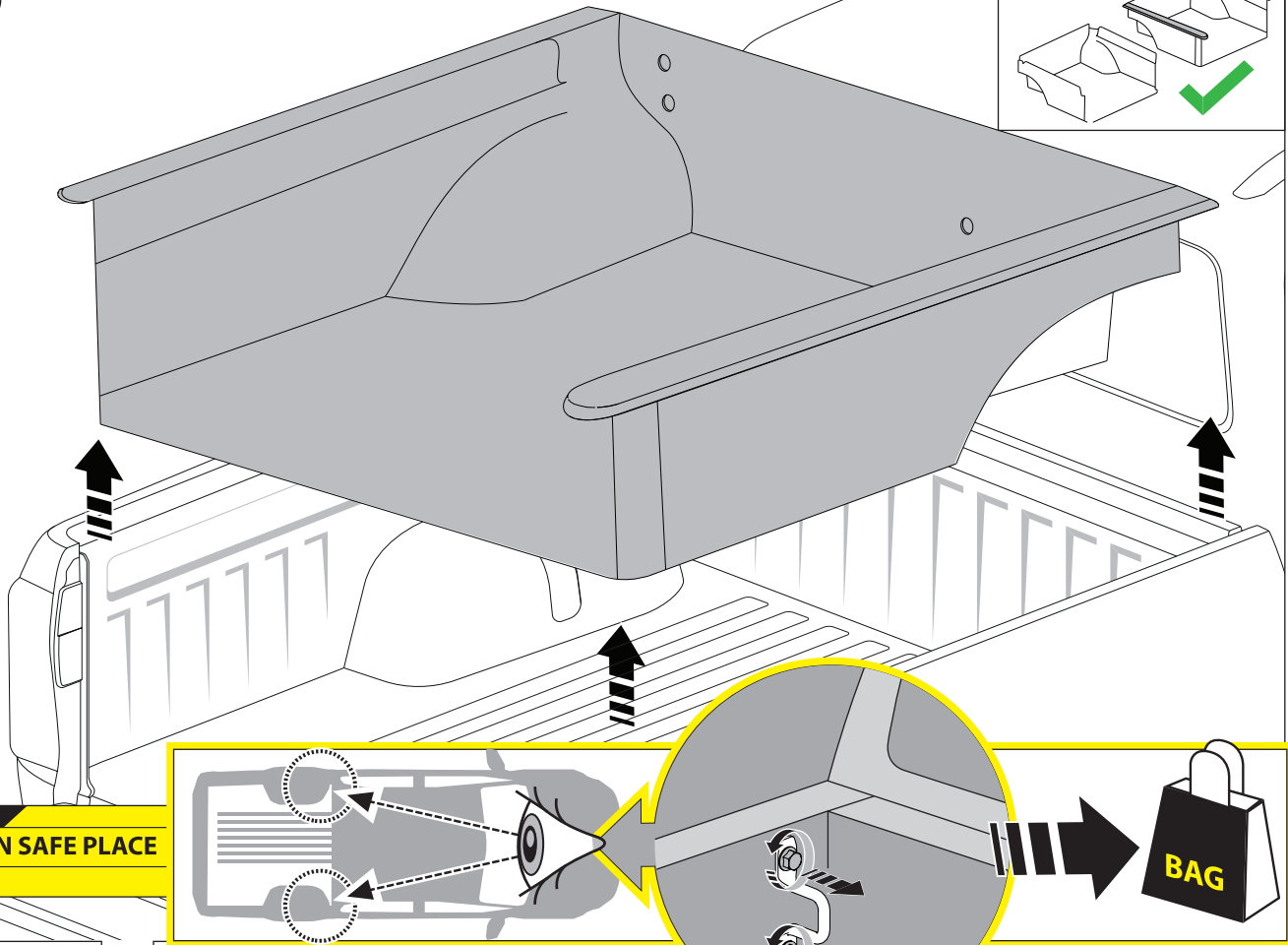
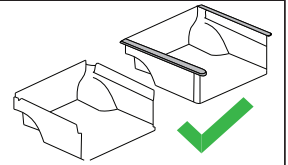


C:550mm D:250mm

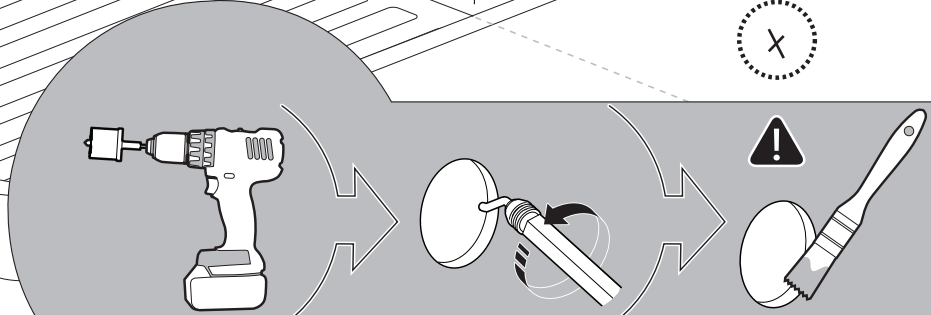
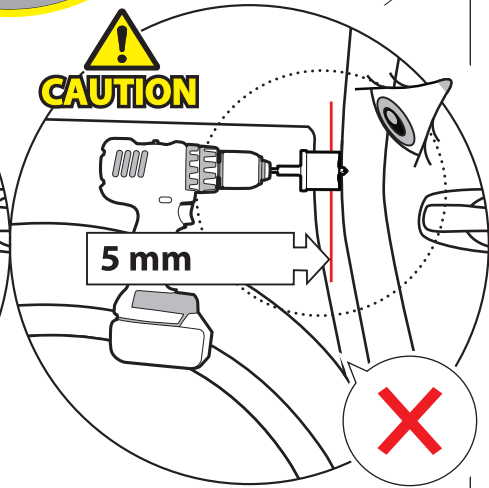
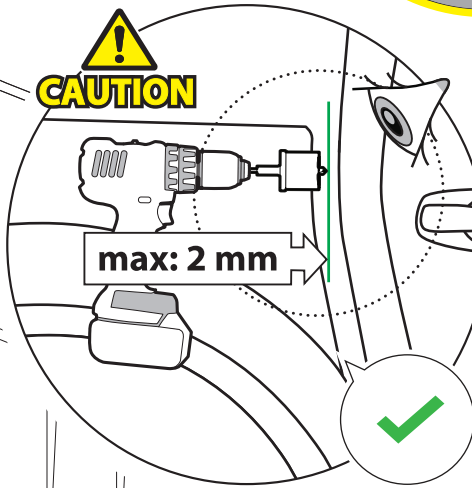
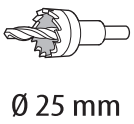
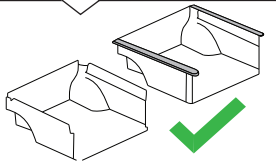




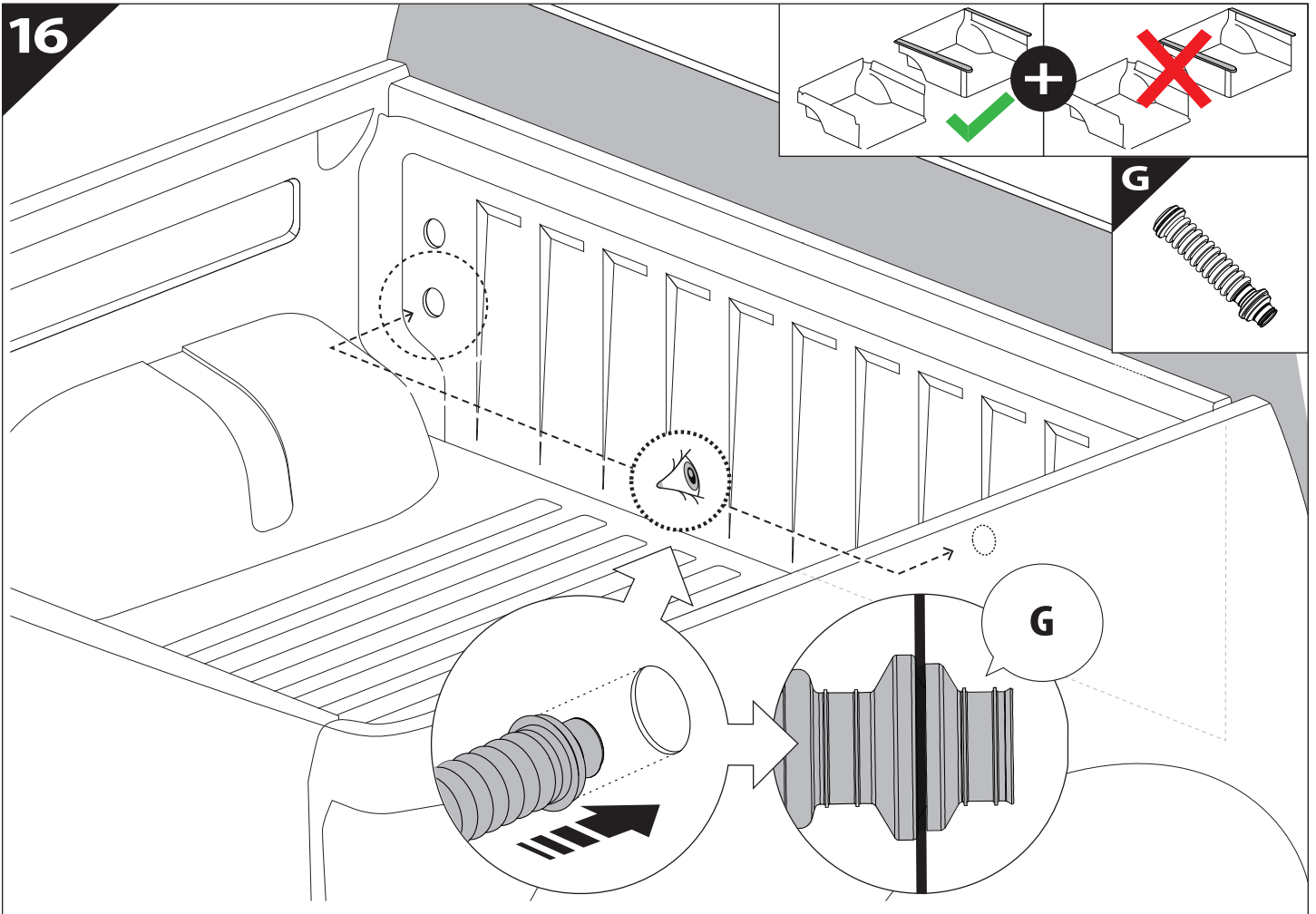
15.2



15.3

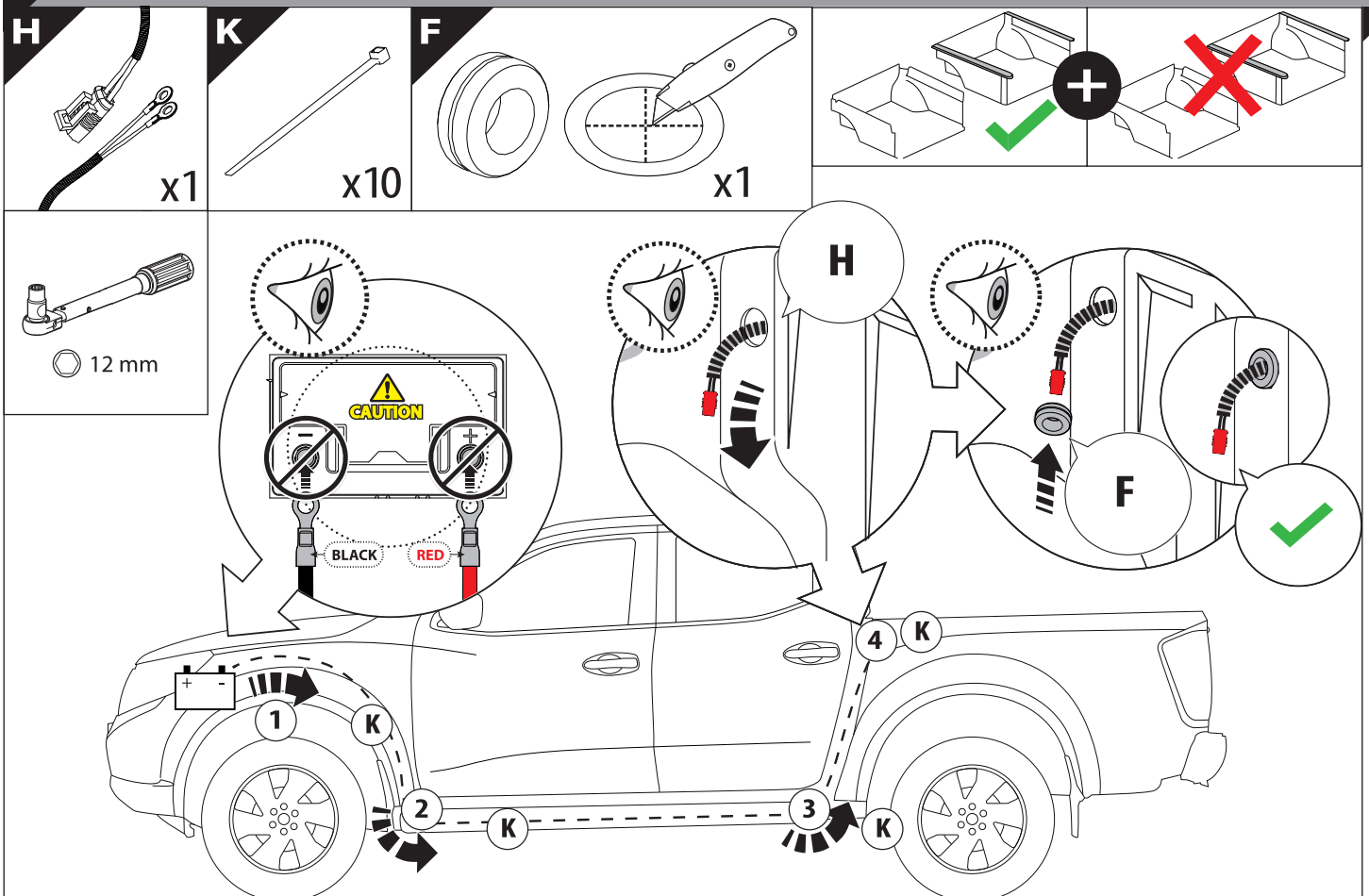


16

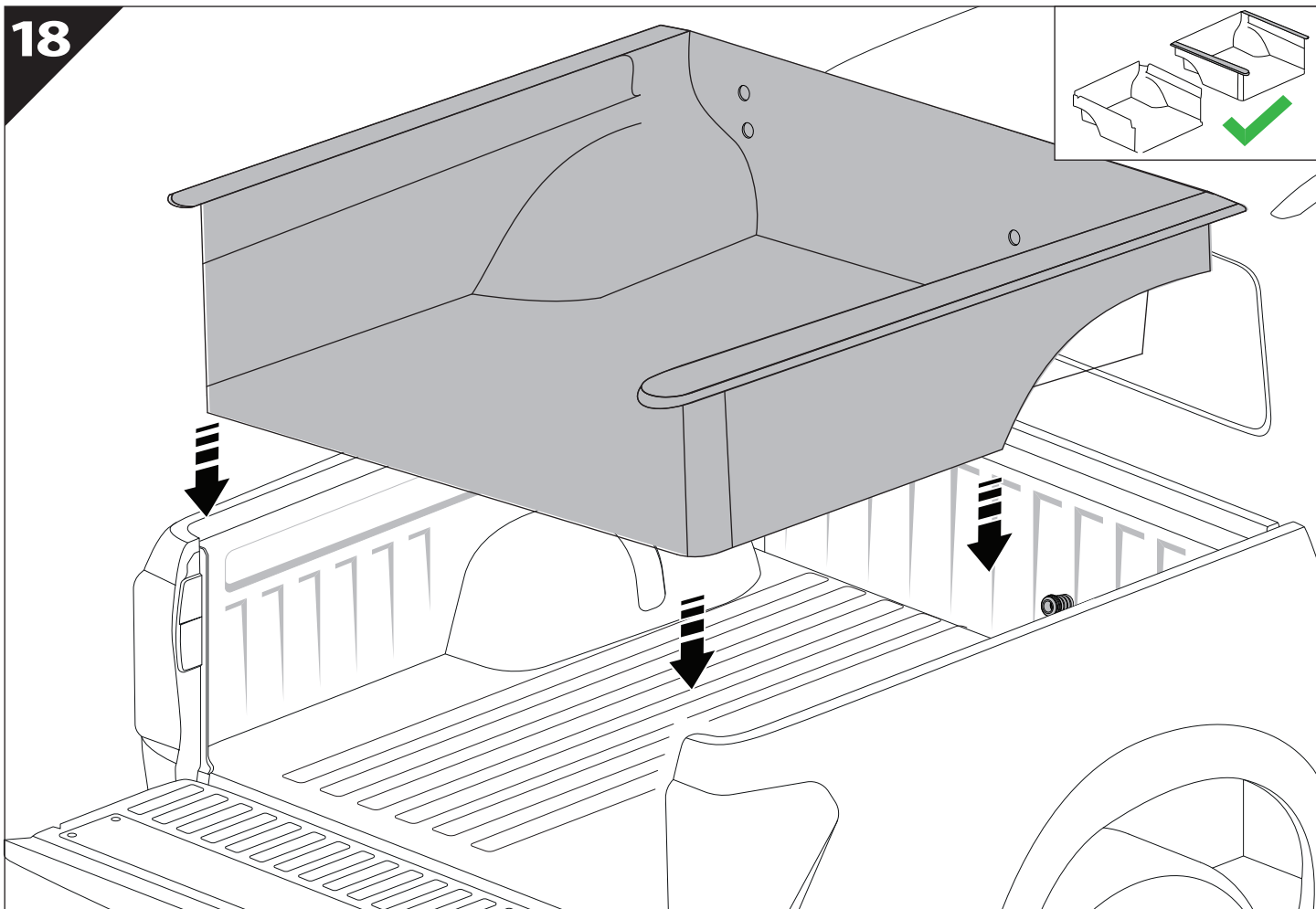


17

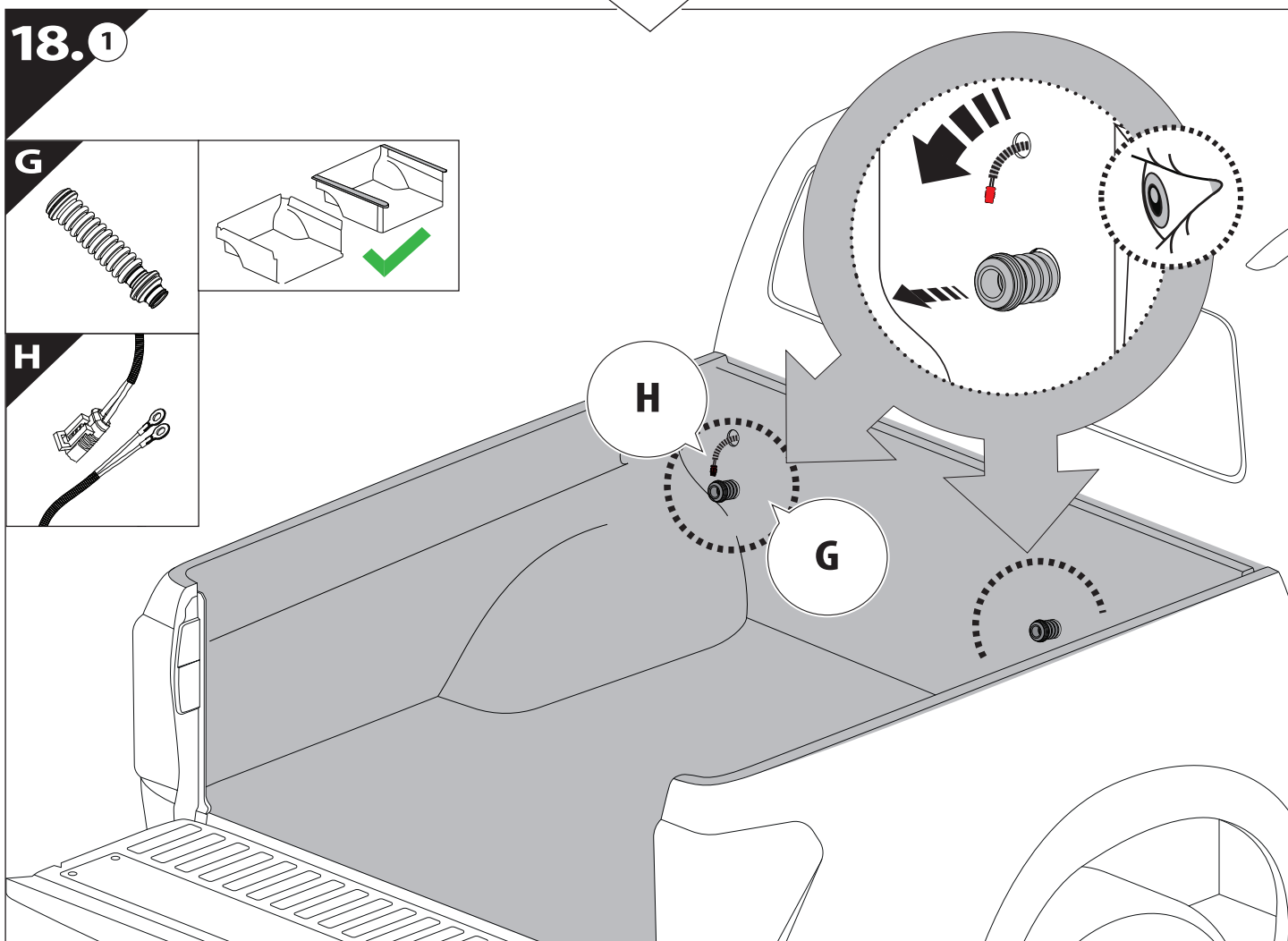
Only to be installed by authorized personnel

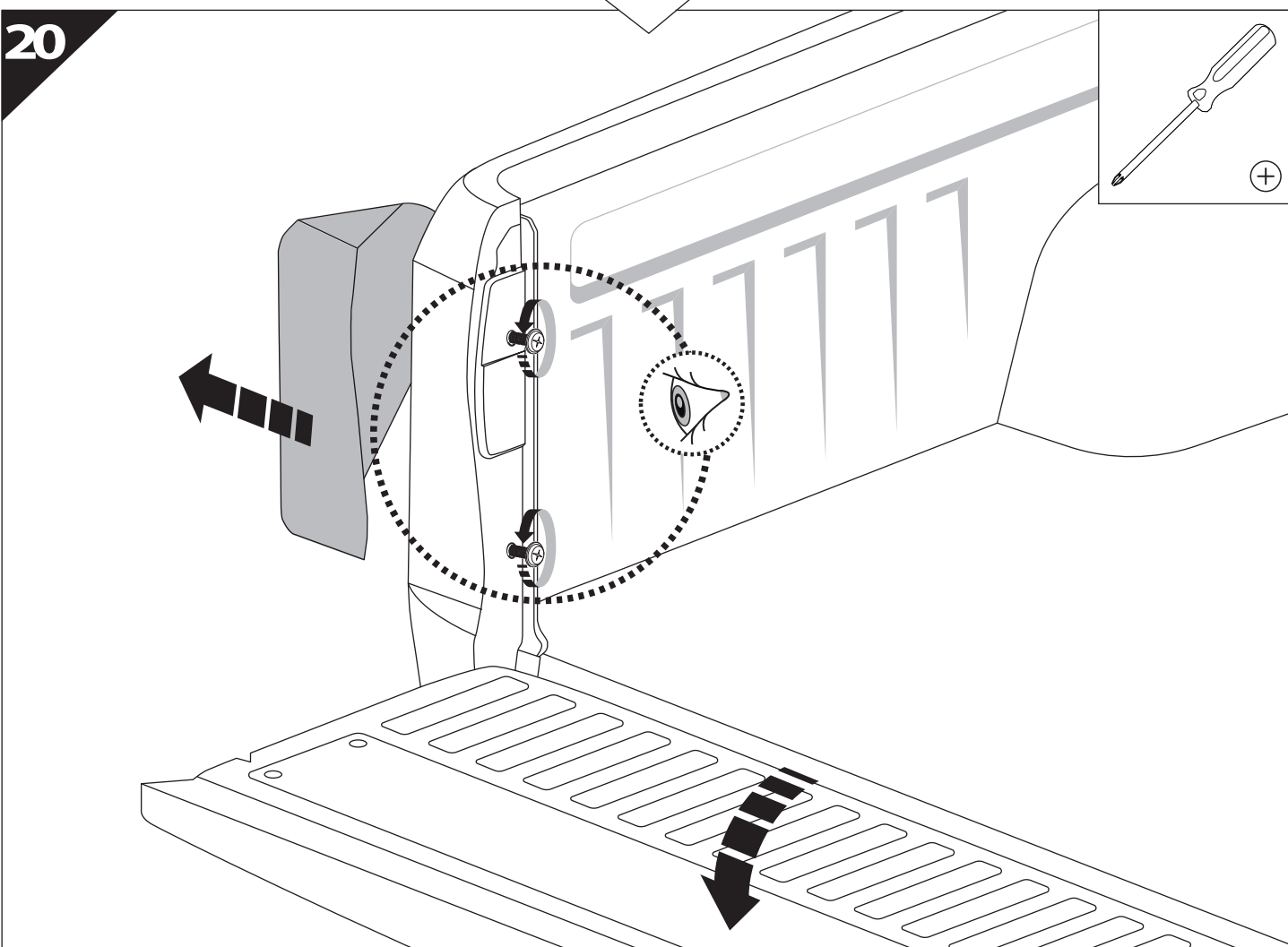
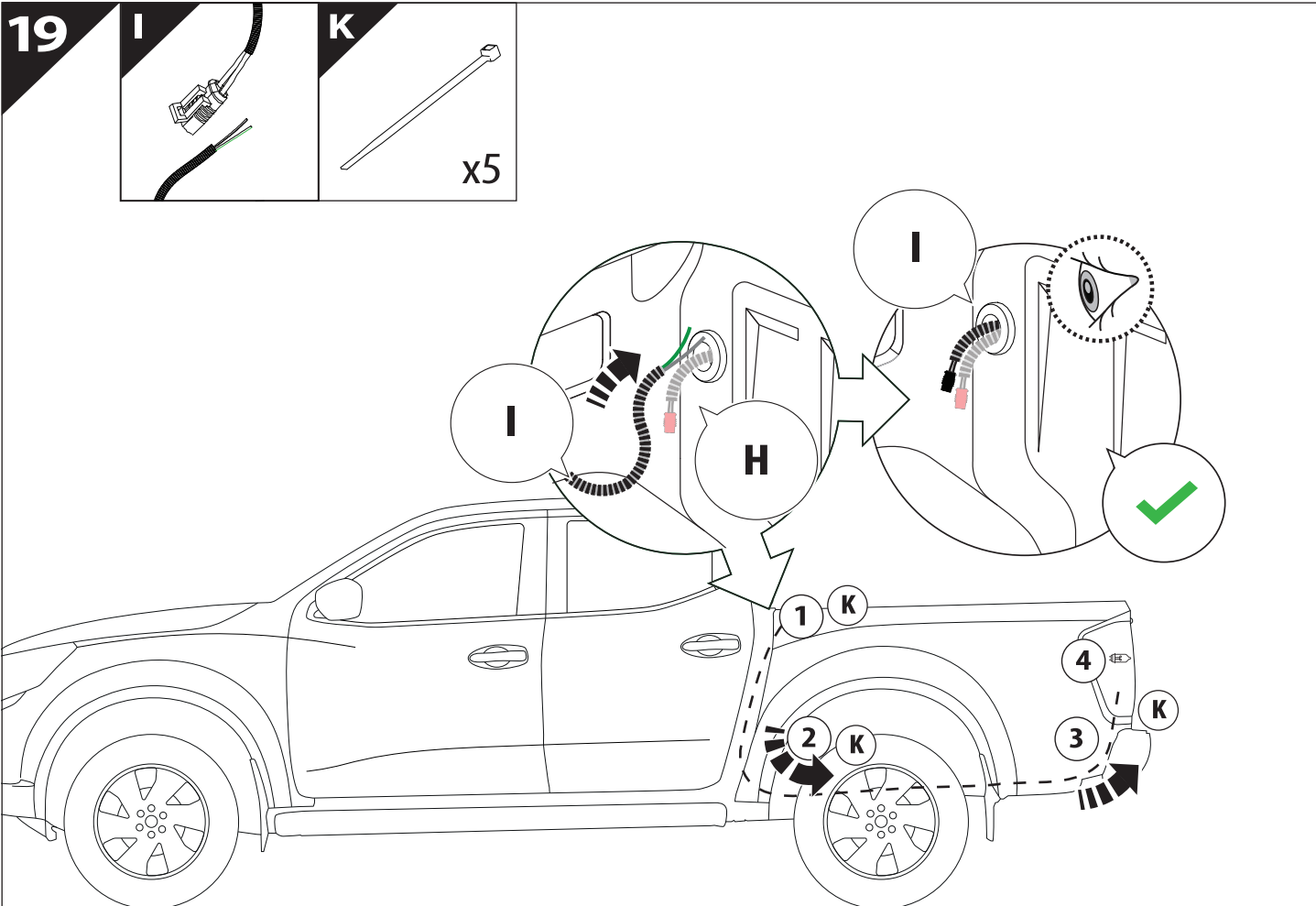


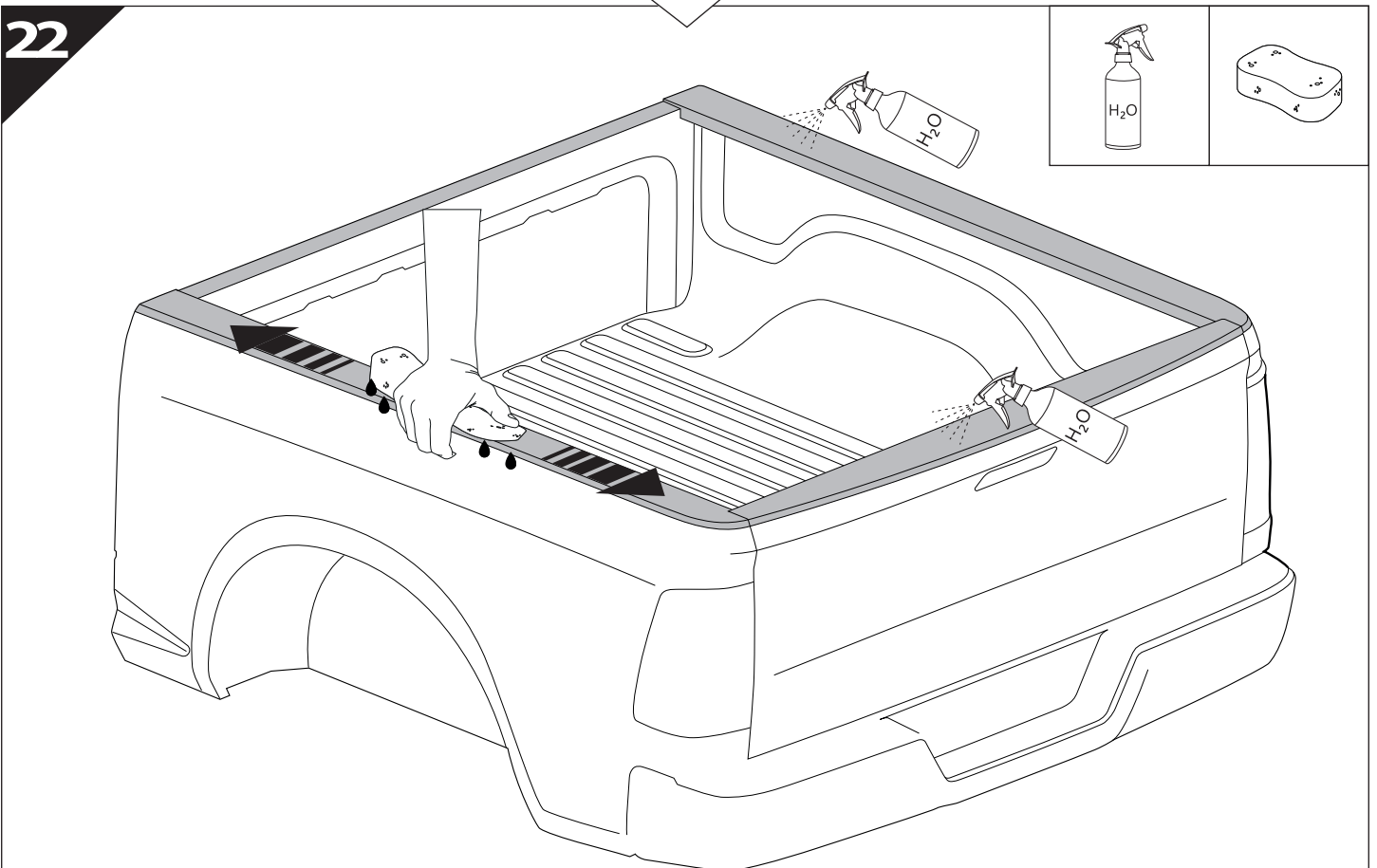
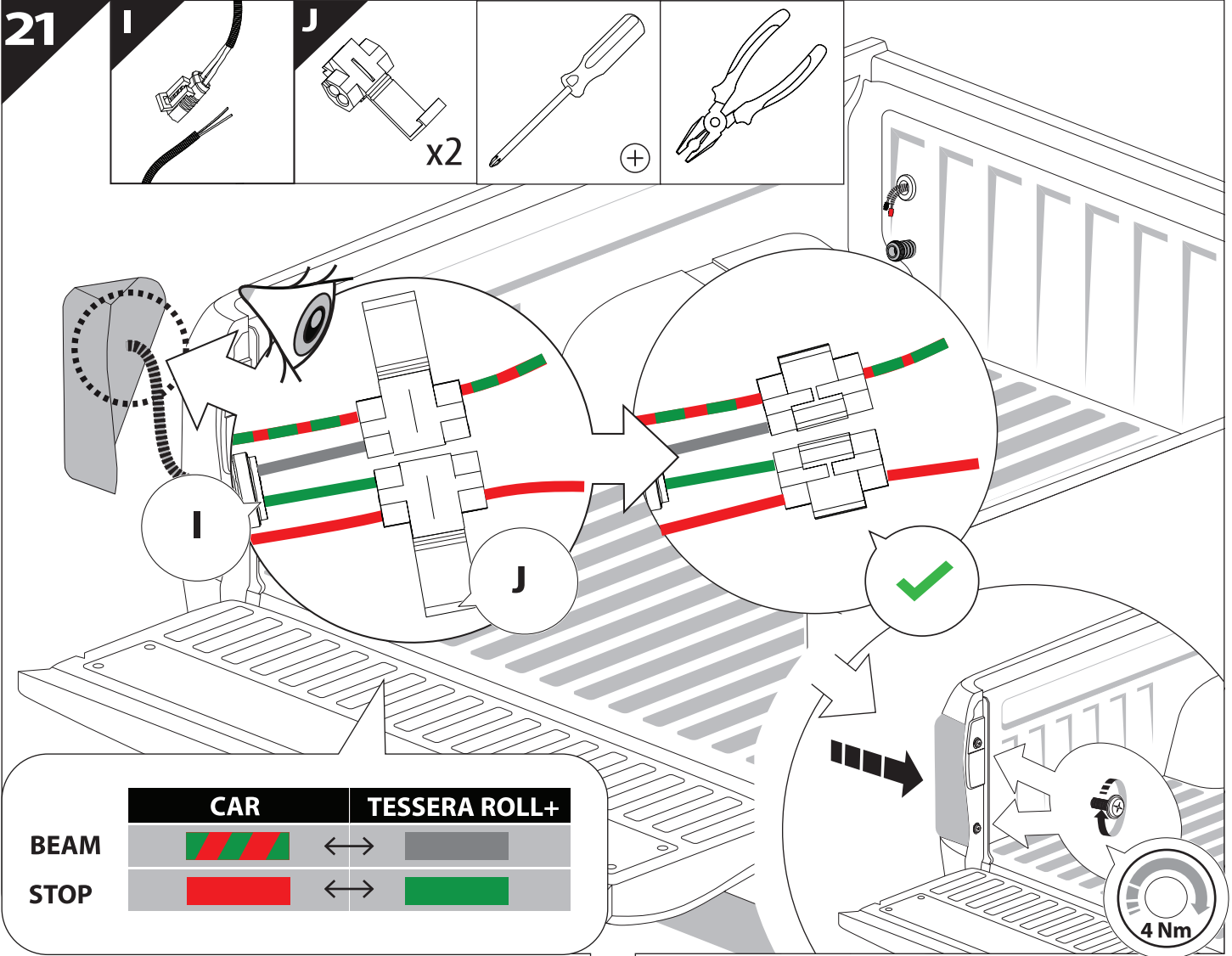
18

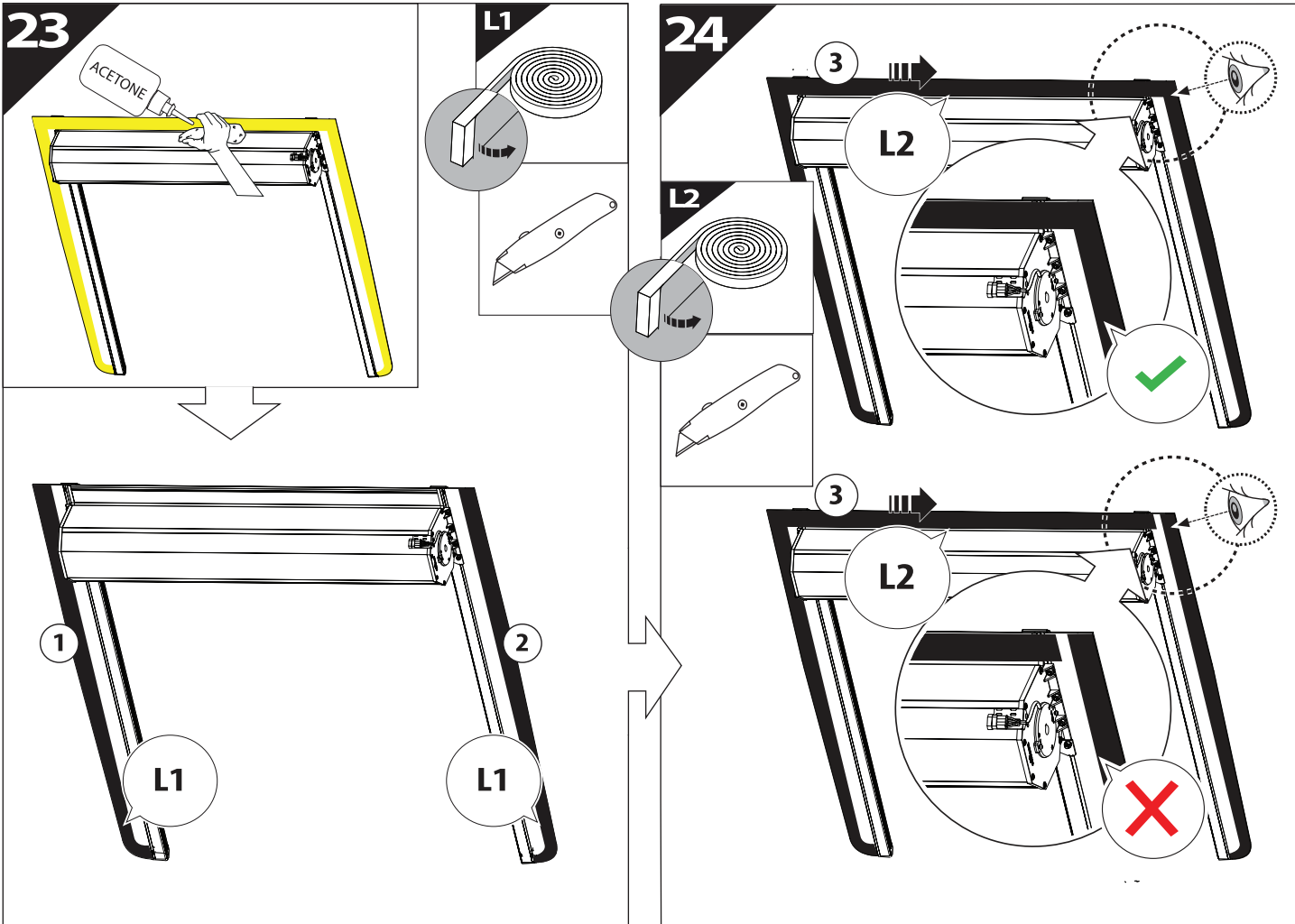


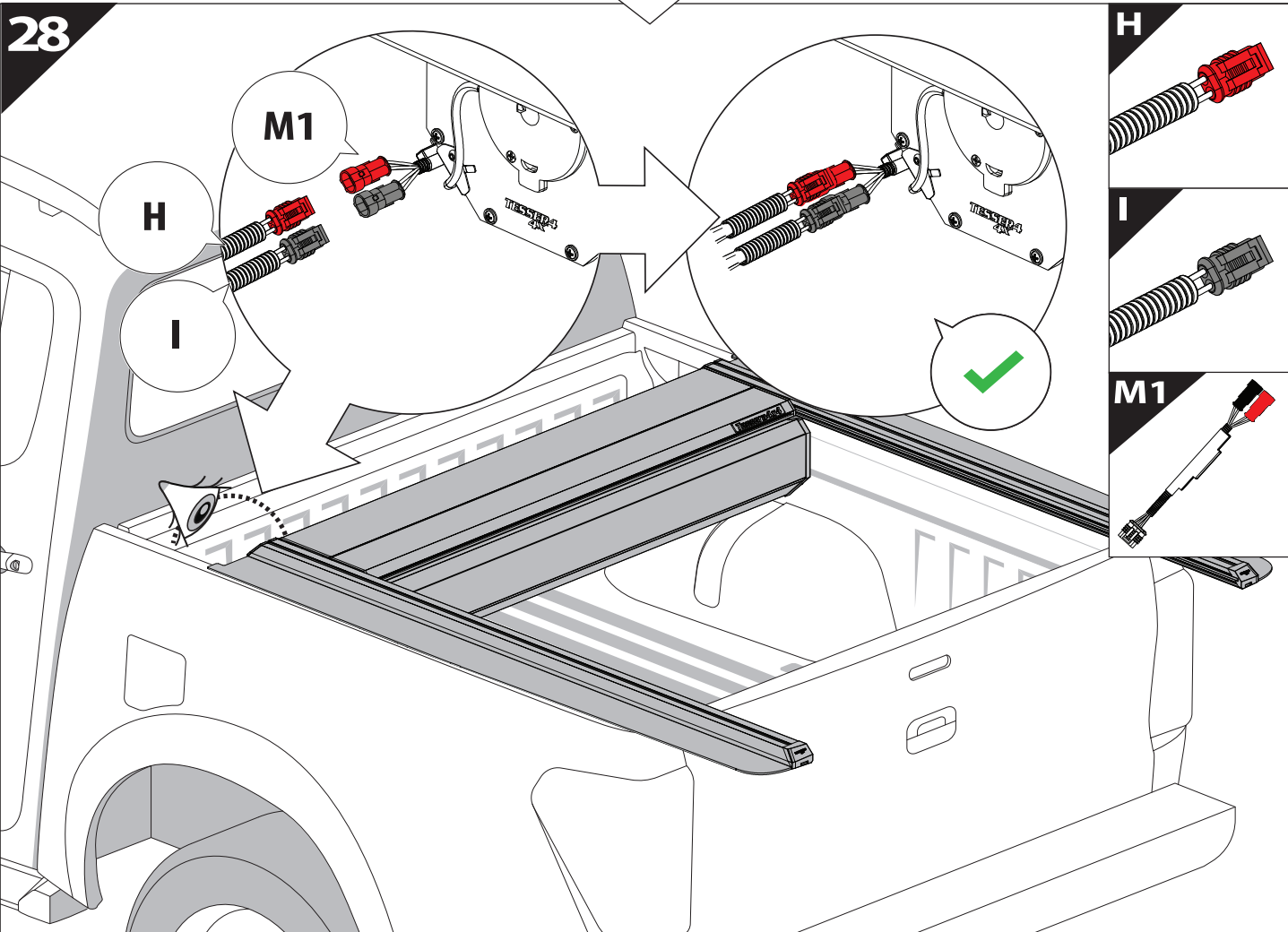
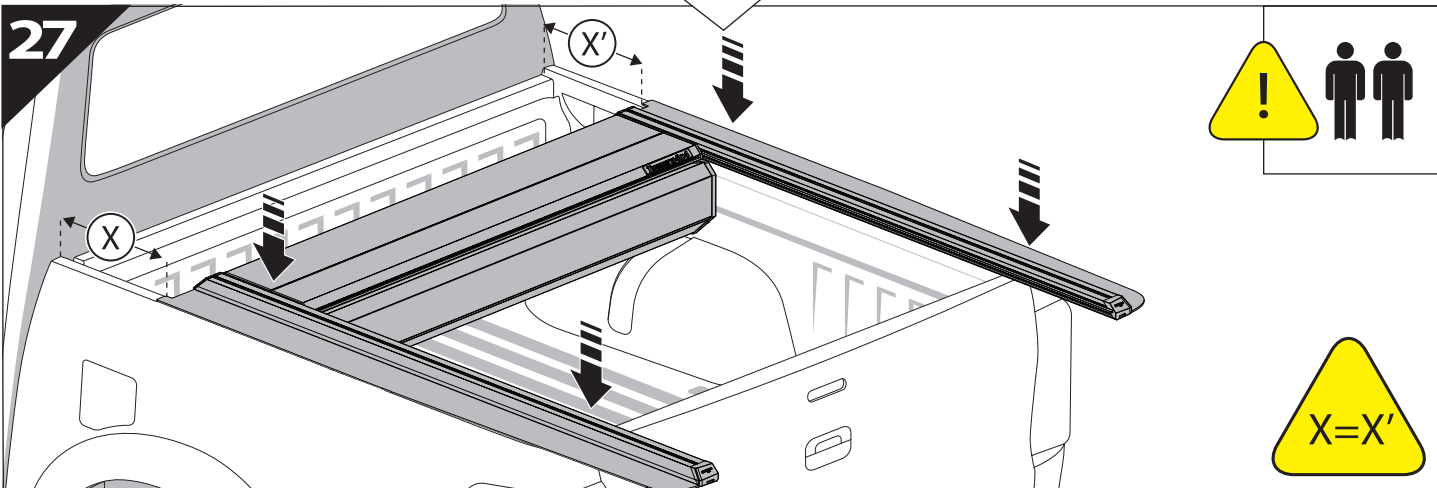
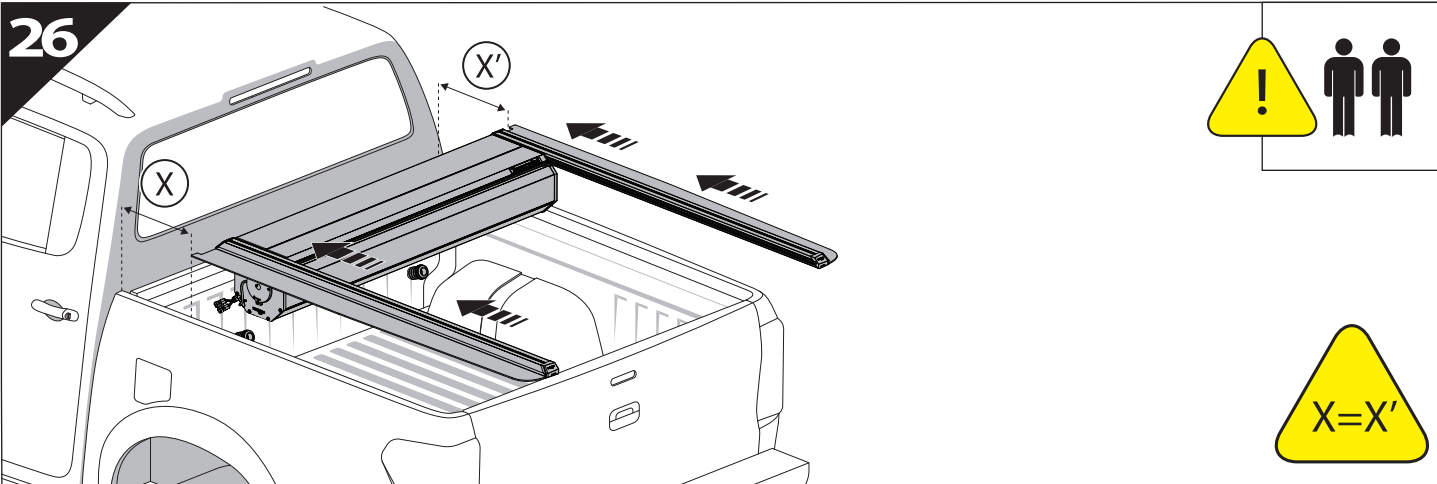
18.0





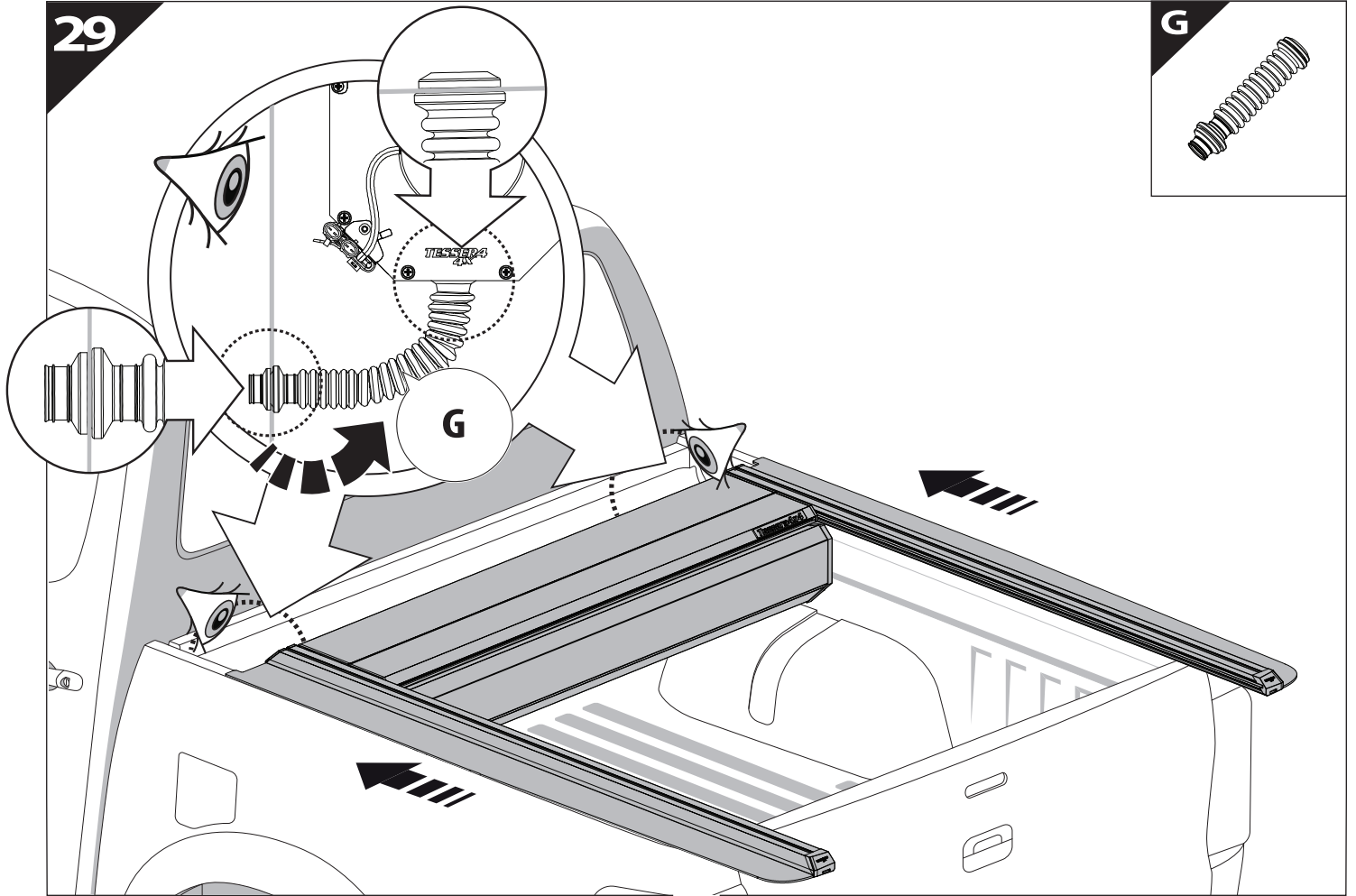






29

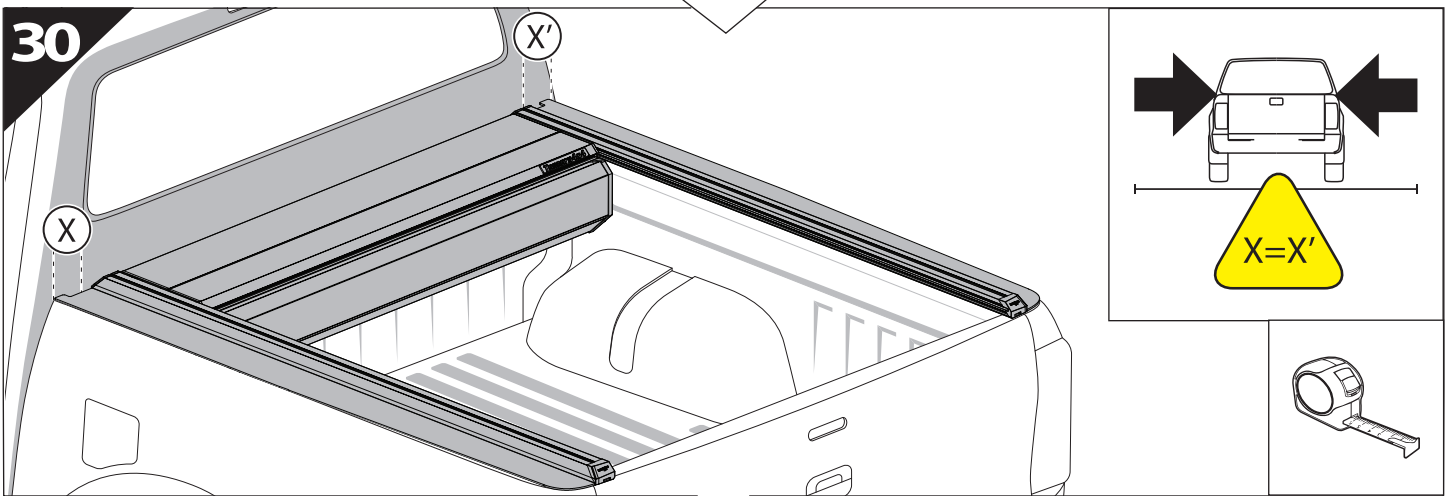
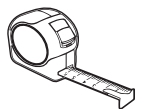
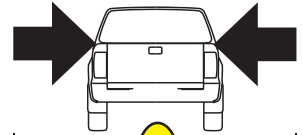
G



30

X'

X



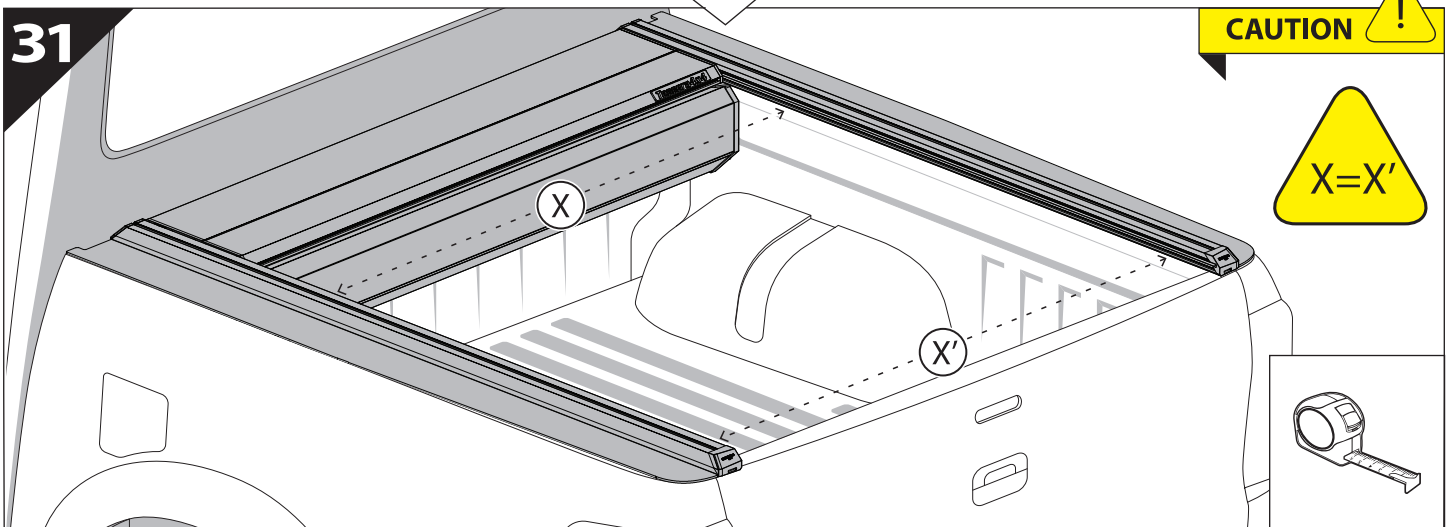
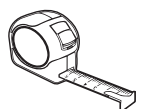
31

CAUTION !

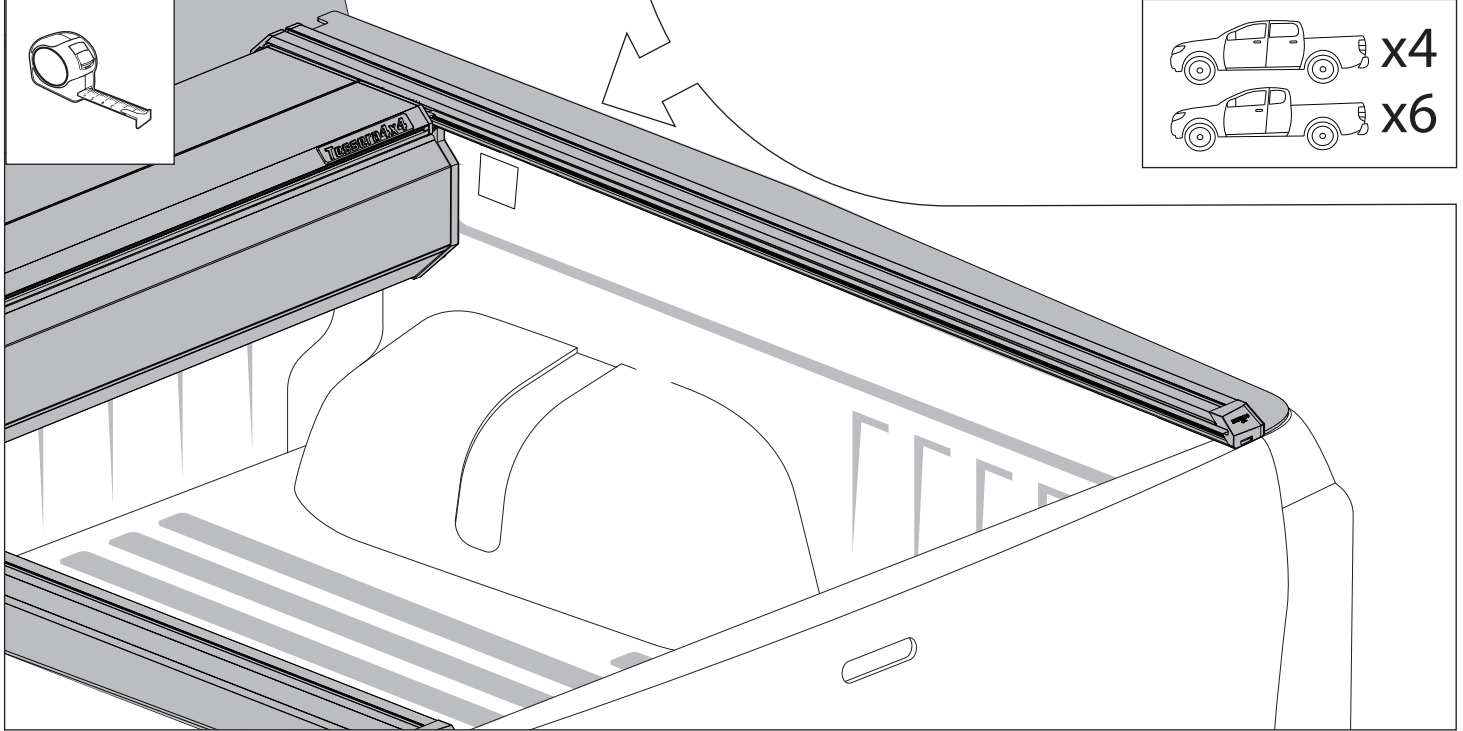
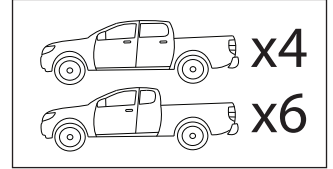
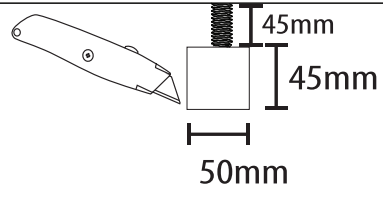
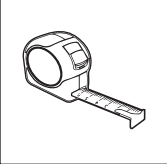
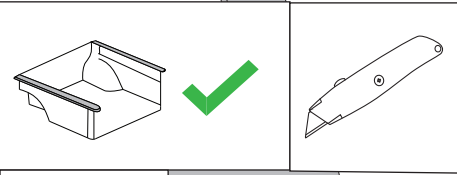


X

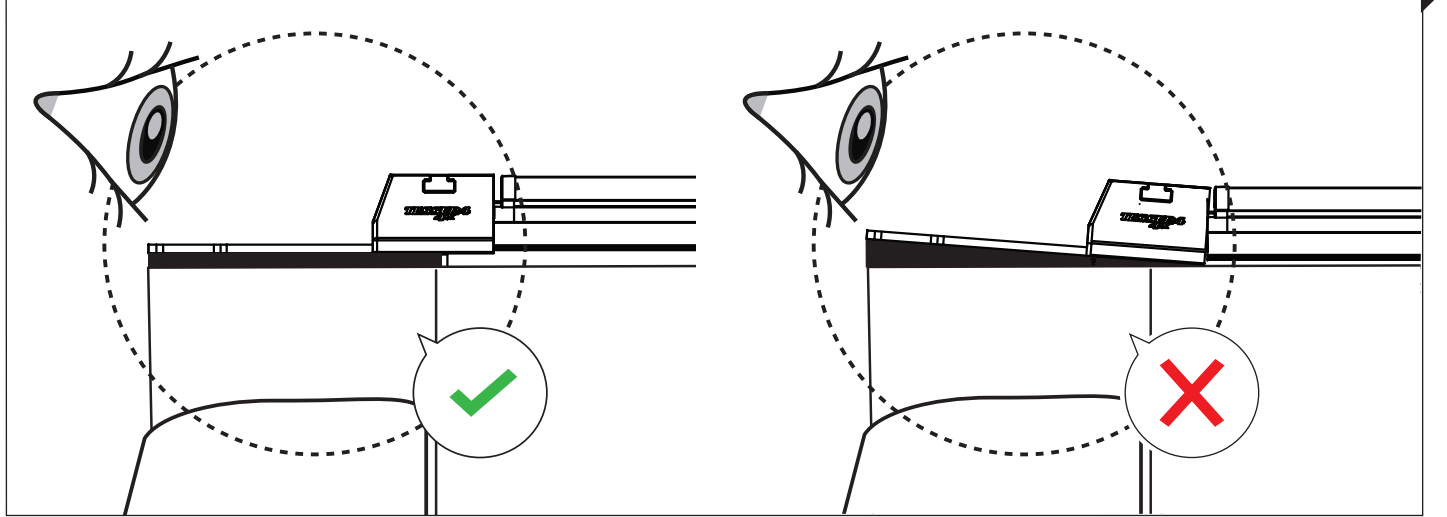
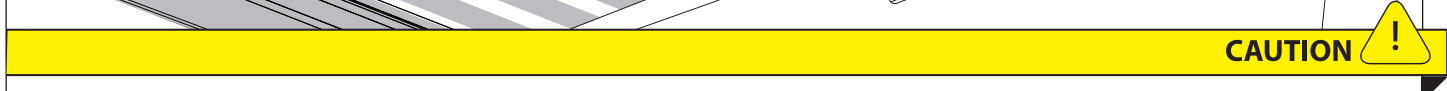
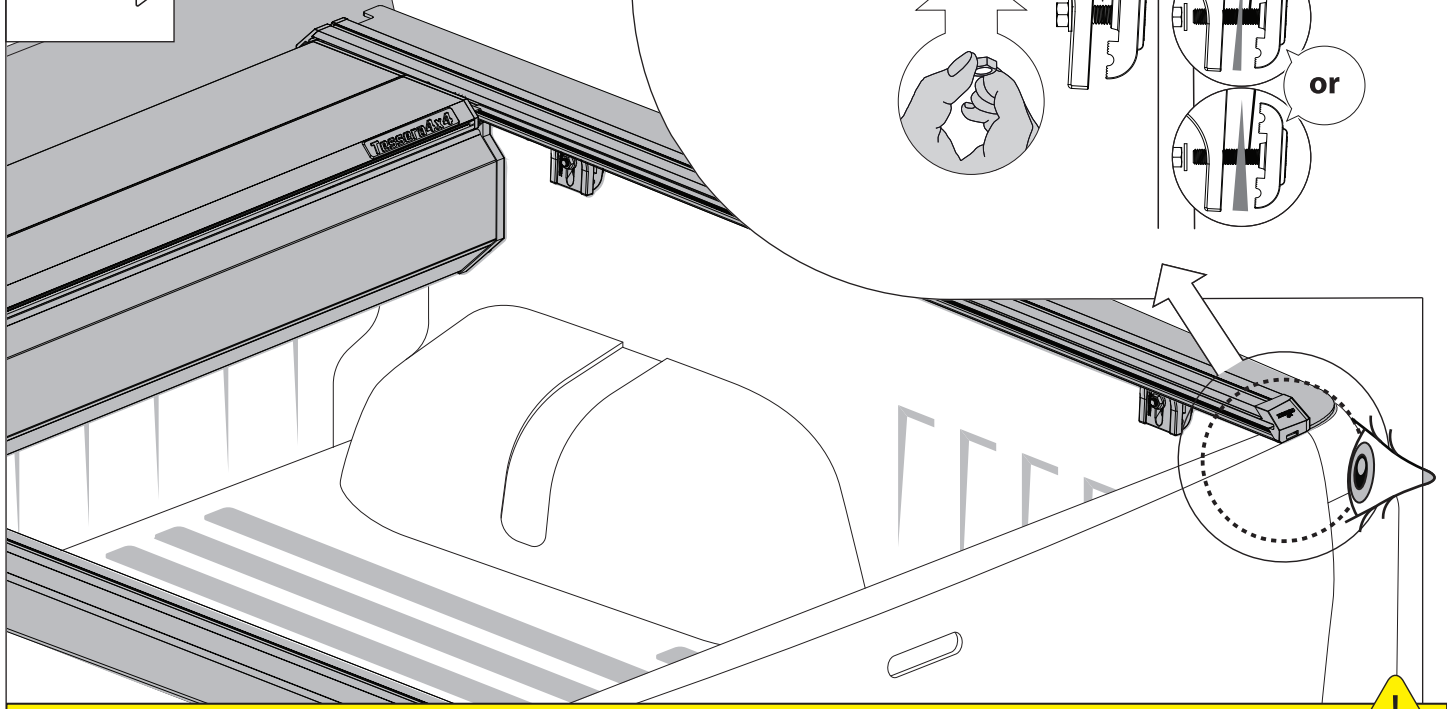
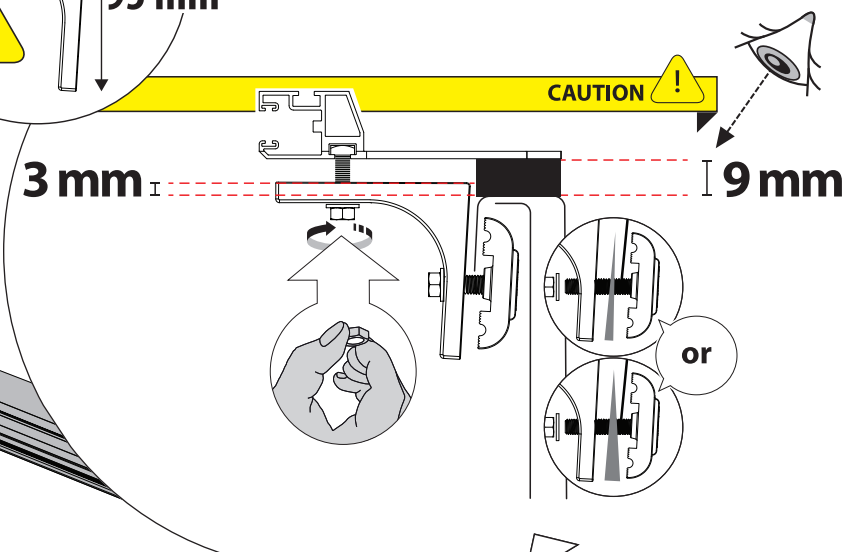
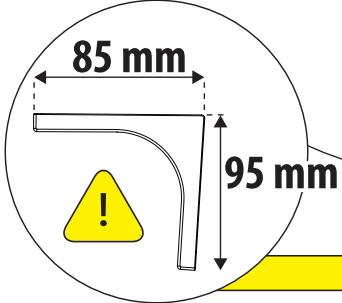
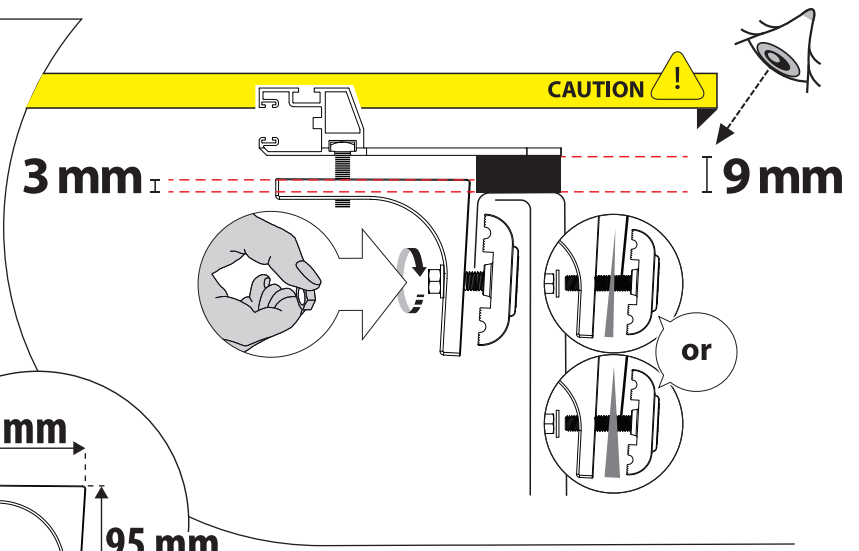
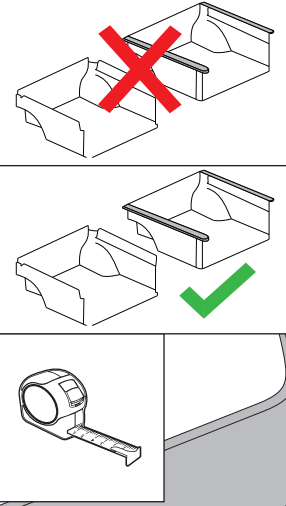
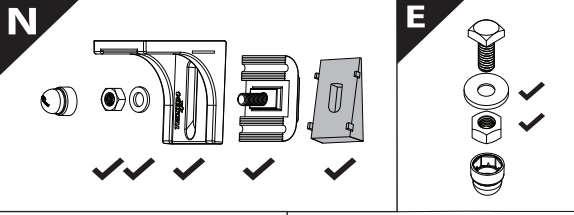
X'

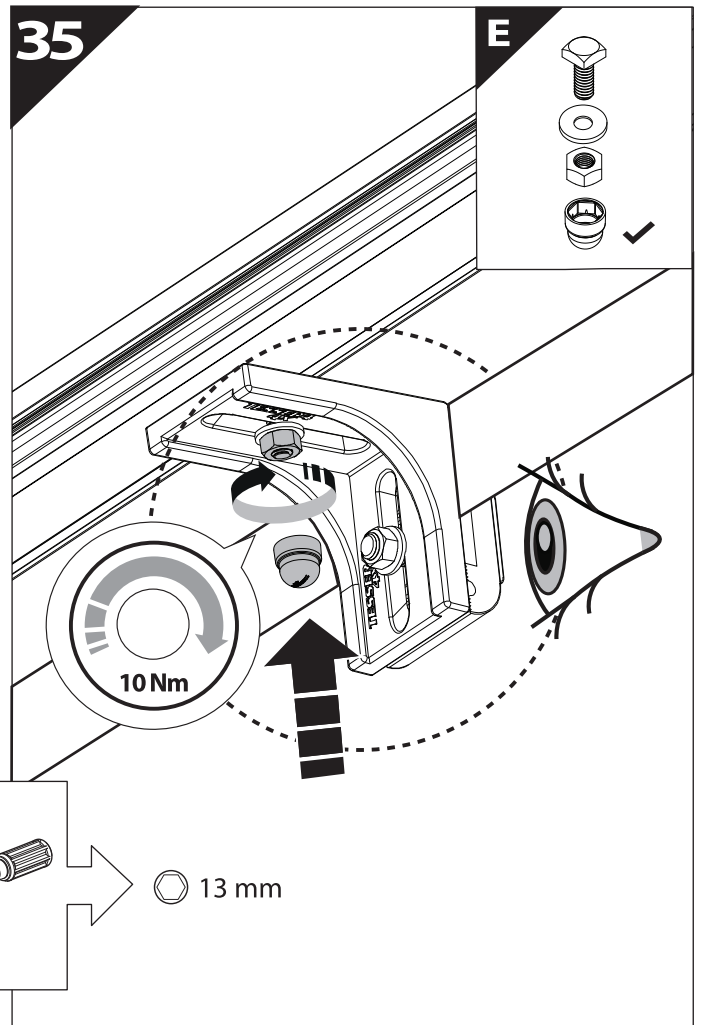
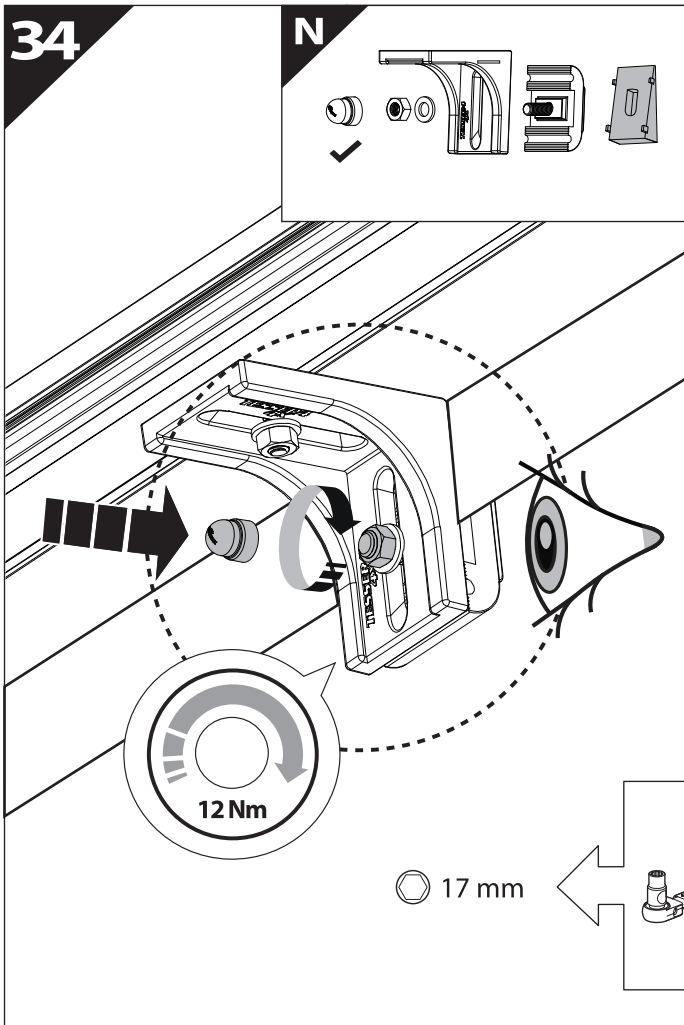


32

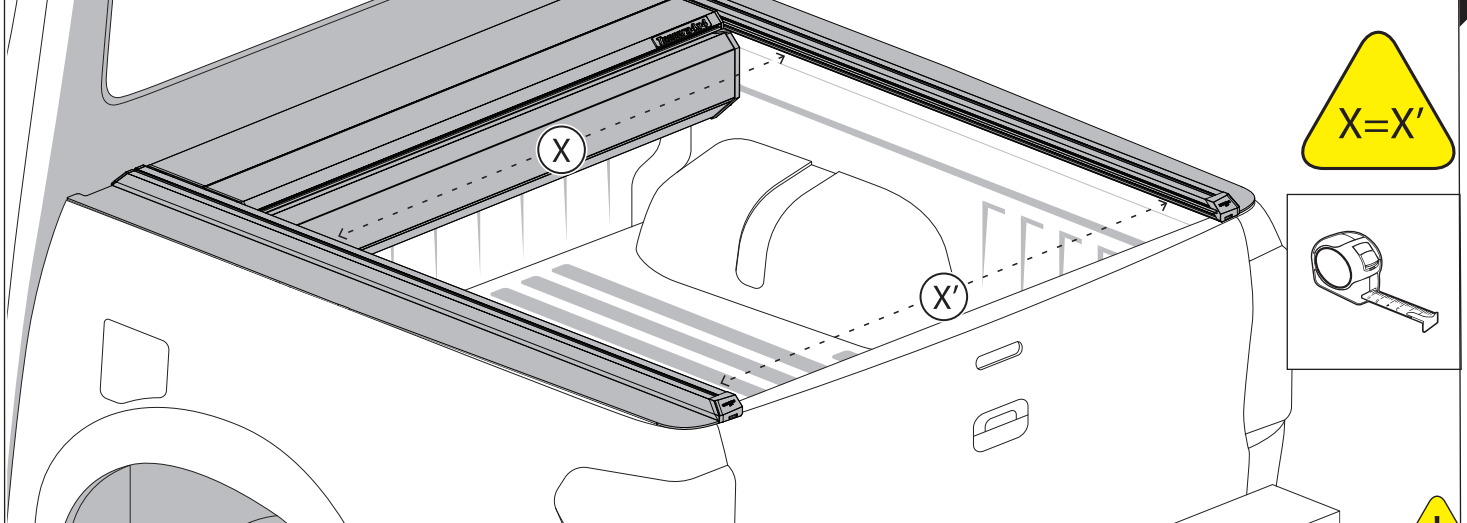


33

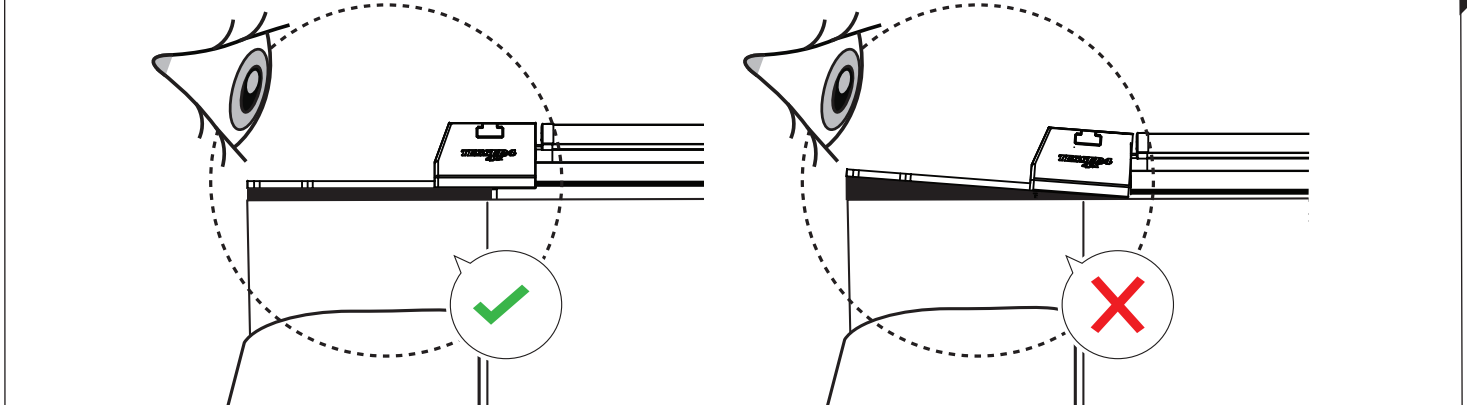




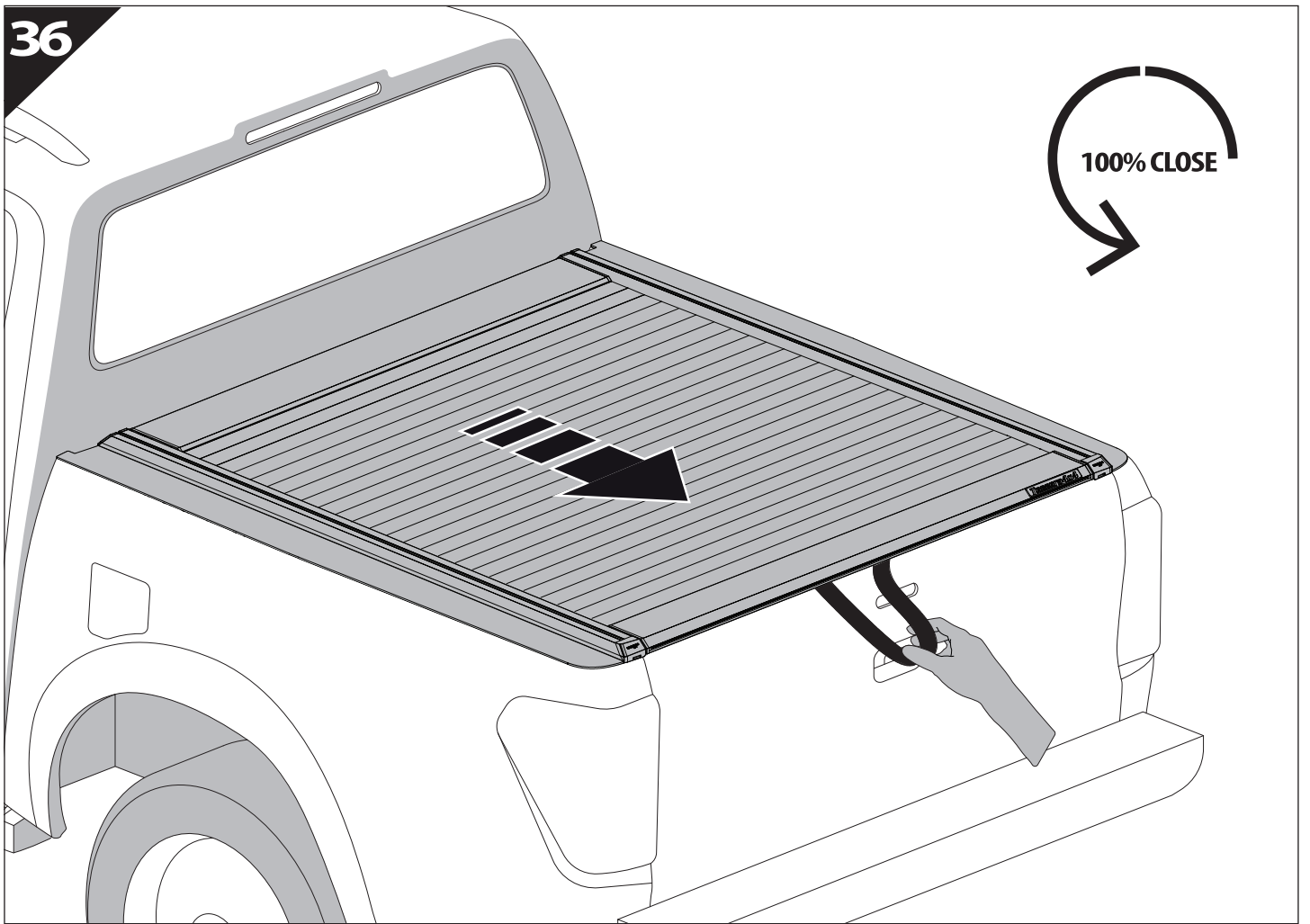
CAUTION !



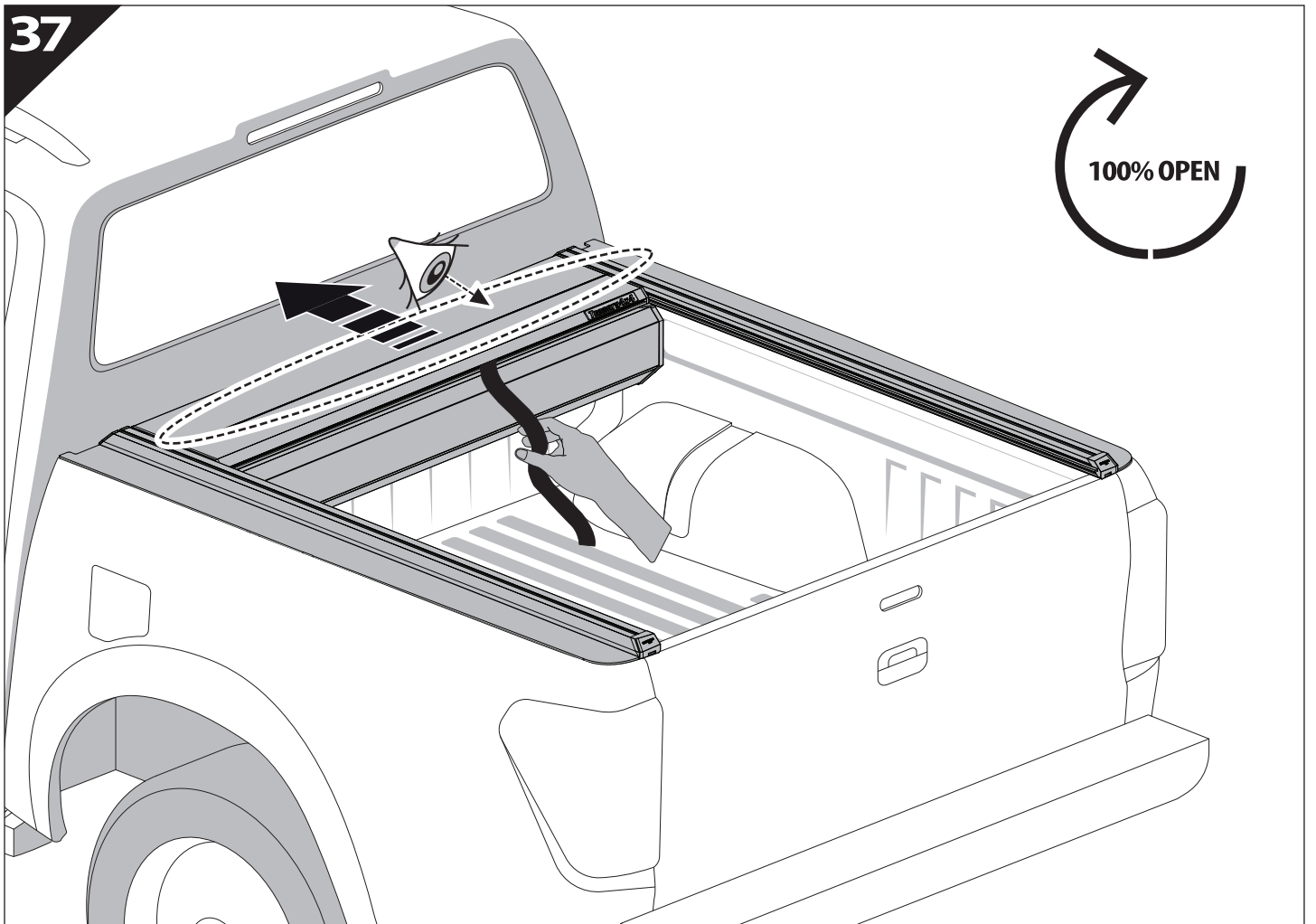
CAUTION !



36



37





GR: Οδηγίες Εγκατάστασης
GB: Installation manual
SF: Asennusohje
F: Notice de montage
PL: Instrukcja montażu
NL: Installatie-instructies
TR: Montaj Talimatı
S: Monteringsanvisning
E: Instrucciones de montaje

H: Szerelési utasítás
P: Instruções de instalação
RUS: Инструкция по установке
N: Monteringsveiledning
D: Einbauanleitung
CZ: Návod k instalaci
I: Istruzioni de montaggio
DK: Monteringsvejledning
RO: Instructiuni de instalare

Customer Service:

+30 (210) 5541161, +30 (210) 5541154 (08:00 - 16:00 EET)

Support department:

info@gianso.gr

Website:

www.tessera4x4.com

Address:

19.5 km of National road Athens-Korinthos (Elefsina) Greece, P.C: 19200